

| TITLE | SHEET | SIZE | CODE | NUMBER | REV |
|------------------------|--------|------|------|--------|-----|
| RACK MOUNT, DUAL DRIVE | 2 OF 3 | B | DD | TU58-C | A |

| FIND NO. | DRAWING NO. | DESCRIPTION | TYPE | FIND NO. | DRAWING NO. | DESCRIPTION | TYPE |
|----------|------------------|----------------------------------|------|----------|------------------|----------------------|------|
| 1 | B-TC-TU58-C-1 | FIELD MAINTENANCE PRINT SET (TC) | REF | | | | |
| | MP00747 | FIELD MAINTENANCE PRINT SET (MP) | REF | | | | |
| | E-UA-TU58-C-0 | RACK MOUNT TAPE DRIVE | E/M | | | | |
| | B-PL-TU58-C-0 | RACK MOUNT TAPE DRIVE (PL) | E/M | | | | |
| | C-MD-7422486-0-0 | BEZEL, FOAM, REWORK | M | | | | |
| | D-MD-7421487-0-0 | BRACKET, LED MOUNTING | M | 6 | B-DD-7016078-0 | POWER SUPPLY | E/M |
| | C-IA-7016305-0-0 | CABLE, SERIAL TU58 | E/M | | | | |
| | B-IA-7016525-0-0 | JUMPER, LED | E/M | | | | |
| | C-IA-7016527-0-0 | CABLE POWER SUPPLY | E/M | | | | |
| | B-PL-TU58-C | SHIPPING LIST | - | | | | |
| 2 | E-AD-7015854-0-1 | HSG/MODULE ASSY, TAPE DRIVE | E/M | | | | |
| | B-MD-7422229-0-1 | CARD GUIDE SINGLE | M | | | | |
| 3 | D-IA-7015820-0-0 | HSG WELDMENT TAPE DRIVE | M | | | | |
| | E-MD-7421099-0-0 | HSG BASE | M | 7 | E-IA-7016079-0-0 | ENCLOSURE ASSY | M |
| | D-MD-7421085-0-0 | HSG, TOP | M | | E-MD-7421486-0-0 | ENCLOSURE, TOP | M |
| | D-MD-7423015-0-0 | HSG WELDMENT REWORK | M | | E-MD-7421485-0-0 | ENCLOSURE, BOTTOM | M |
| 4 | B-DD-5413489-0 | SERIAL CONTROLLER MODULE | E/M | | | | |
| 5 | B-DD-TU58-XA | CARTRIDGE DRIVE | E/M | 8 | A-SP-3700405-0-0 | PACKAGE INSTRUCTIONS | |

TYPE: E ELECTRICAL
M MECHANICAL
E/M ELECTRO/MECHANICAL

digital

TITLE RACK MOUNT DUAL DRIVE

SHEET 3 OF 3

SIZE CODE
B DD

NUMBER
TU58-C

REV
A

| LINE ITEM | DOCUMENT NUMBER | PART NUMBER | DESCRIPTION | QUANTITY PER VARIATION | | |
|-----------|-----------------|------------------|-------------|----------------------------------|-----|-----|
| | | | | CA | CX | |
| 1 | 1 | E-AD-7015854-0-0 | 7015854-01 | HOUSING/MODULE ASSY TAPE DRIVE(W | 1 | 1 |
| 2 | 2 | D-AD-7016078-0-0 | 7016078-00 | POWER SUPPLY ASSY | 1 | 1 |
| 3 | 3 | E-IA-7016079-0-0 | 7016079-00 | ENCLOSURE ASSY | 1 | 1 |
| 4 | 4 | C-MD-7422486-0-0 | 7422486-00 | BEZEL,REWORK FOAM | 1 | 1 |
| 5 | 5 | BLANK | | | 0 | 0 |
| 6 | 6 | D-MD-7421487-0-0 | 7421487-00 | BKKT, LED MTG, TU58 | 1 | 1 |
| 7 | 7 | C-IA-7016305-0-0 | 7016305-1F | CABLE I/O | 1 | 1 |
| 8 | 8 | | 9008149-00 | STUD, BALL, 6-32 X .155, .187 DI | 2 | 2 |
| 9 | 9 | | 9008487-00 | RETAINER, BALL STUD | 2 | 2 |
| 10 | 10 | | 7017543-00 | L.E.D. ASSY. | 2 | 2 |
| 11 | 11 | B-IA-7016525-0-0 | 7016525-00 | *** THIS ITEM IS NOT USED *** | - | - |
| 12 | 12 | BLANK | | | 0 | 0 |
| 13 | 13 | | 3613209-00 | LABEL,ELECTRICAL DATA | 1 | 1 |
| 14 | 14 | | 3613211-00 | DECAL,CLEAR PREPRINTED CSA 1-1/4 | 1 | 1 |
| 15 | 15 | A-DC-7416197-0-0 | 7416197-01 | DECAL | 1 | 1 |
| 16 | 16 | | 9006557-00 | NUT,KEP , 4-40X 1/4 AF | 2 | 2 |
| 17 | 17 | | 9010036-00 | SCREW, SLOTTED HEX. HEAD 4 X 5/1 | 4 | 4 |
| 18 | 18 | | 9008301-01 | SCREW,PAN,PHIL 4-40X 1/4 SS | 4 | 4 |
| 19 | 19 | | 9008033-01 | SCREW,PAN,PHIL 4-40X 9/16 SS | 2 | 2 |
| 20 | 20 | | 9006020-01 | SCREW,PAN,PHIL 6-32X 1/4 SS | 4 | 4 |
| 21 | 21 | | 9006039-03 | SCREW,TRUS,PHIL, 8-32X 1/2 | 4 | 4 |
| 22 | 22 | | 9006656-00 | *** THIS ITEM IS NOT USED *** | - | - |
| 23 | 23 | | 9006632-00 | WASHER,LOCK,INT,.2600D X .120ID | 4 | 4 |
| 24 | 24 | | 9006633-00 | WASHER,LOCK,INT,.2800D X .146ID | 2 | 2 |
| 25 | 25 | | 9006634-00 | WASHER,LOCK,INT,.2300D X .172ID | 4 | 4 |
| 26 | 26 | C-IA-7016527-0-0 | 7016527-1F | 1FT. 6 IN. +-1.0 IN. | 1 | 1 |
| 27 | 27 | | 9009636-00 | CLAMP, CABLE, FOR FLAT CABLE | 2 | 2 |
| 28 | 28 | | 9008264-00 | MOUNT, CABLE TIE, ADHESIVE BACKE | A/R | A/R |
| 29 | 29 | | 9007031-00 | TIE,CABLE BUNDL,DIA 0- 3/4"=101 | A/R | A/R |
| 30 | 30 | A-SP-3700405-0-0 | 3700405-00 | INSTR PKG KIT OPTION TU58-CA | 1 | 1 |

| REVISION HISTORY | | BASIC PART NO: OTU58 | | DRN: C.GEISENHAINER | | DATE: 09-OCT-80 | | DIGITAL | |
|------------------|-------------|----------------------|--------------------------|---------------------|------------|-----------------|----------------------|---------|----------------------------|
| ENG | ECO NUMBER | REV | SECTION A OF A | | | | | | |
| DW | TU58C-ML003 | C | SECTION. VARIATION INDEX | CHK'D: | PARTS LIST | | DATE: 09-OCT-80 | | |
| | | | [A] CA,CX | | D.BRIGHAM | | | | RACK MOUNT DUAL DRIVE ASSY |
| | | | [B] | DES.ENG.: | P.LORUSSO | | DATE: 09-OCT-80 | | |
| | | | [C] | RESP.ENG.: | P.LORUSSO | | DATE: 09-OCT-80 | | DOCUMENT NUMBER |
| | | | [D] | | | | | | SIZE CODE NUMBER REV |
| | | | [E] | MFG.ENG.: | P.GIBBS | | DATE: 09-OCT-80 | K | PL TU58-C-DBP C |
| | | | [F] | ASSEMBLY NUMBER: | | | TOP DOCUMENT NUMBER: | | FILE NAME: EDIT # |
| | | | | E-UA-TU58-0-0 | | | | | Z1677C.PLS 3 |

"THIS DRAWING AND SPECIFICATIONS HEREIN, ARE THE PROPERTY OF DIGITAL EQUIPMENT CORPORATION AND SHALL NOT BE REPRODUCED OR COPIED OR USED IN WHOLE OR IN PART AS THE BASIS FOR THE MANUFACTURE OR SALE OF ITEMS WITHOUT WRITTEN PERMISSION. COPYRIGHT (C) 1980. DIGITAL EQUIPMENT CORPORATION "

| LINE ITEM | DOCUMENT NUMBER | PART NUMBER | DESCRIPTION | QUANTITY PER VARIATION | |
|-----------|-----------------|------------------|----------------------------------|------------------------|-----|
| | | | | CA | CX |
| 31 | 31 | B-PL-TU58-C-0 | #SHIPPING LIST | 1 | 1 |
| 32 | 32 | 9007035-00 | GROMMET #122-37-1500 | A/R | A/R |
| 33 | 33 | B-IA-7017424-0-0 | 7017424-00 | 1 | 1 |
| 34 | 34 | 9006655-00 | RETAINING BAR ASSY. | 4 | 4 |
| 35 | 35 | 9007801-00 | WASHER, FLAT, .312 O.D. X .125 I | 4 | 4 |
| 36 | 36 | 9006660-00 | WASHER, LOCK, S.S. #6 | 4 | 4 |
| | | | WASHER, FLAT, .375 O.D. X .187 I | 4 | 4 |

| | | | | | | | | | | | | |
|---|---|---|---|---|---|---|----------------------------|----------------|------|------|-----------------|-----|
| D | I | G | I | T | A | L | TITLE | SECTION A OF A | SIZE | CODE | DOCUMENT NUMBER | REV |
| | | | | | | | RACK MOUNT DUAL DRIVE ASSY | | K | FL | TU58-C-DBP | C |

..

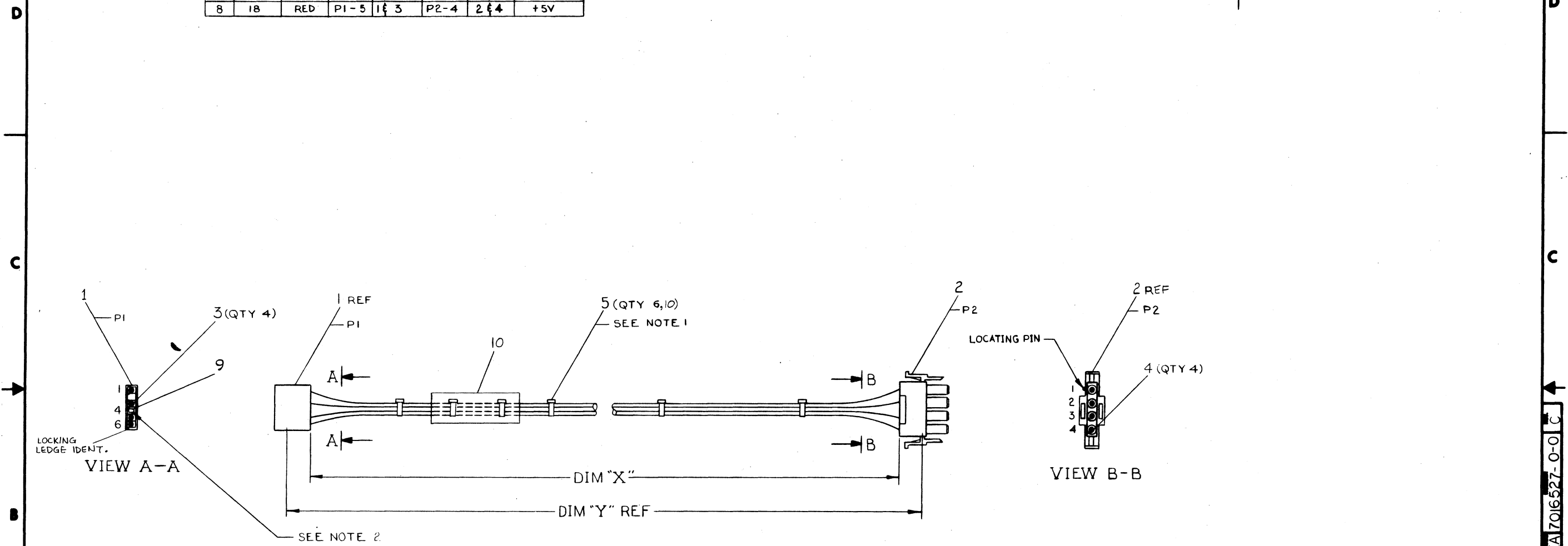
0-0-2299102 2

"THIS DRAWING AND SPECIFICATIONS HEREBY ARE THE PROPERTY OF DIGITAL EQUIPMENT CORPORATION AND SHALL NOT BE REPRODUCED OR COPIED IN WHOLE OR IN PART AS THE BASIS FOR THE MANUFACTURE OR SALE OF ITEMS IDENTICAL HEREIN."
 COPYRIGHT © 1978, DIGITAL EQUIPMENT CORPORATION

| WIRE TABLE | | | | | | | |
|------------|-------------|-------|------|-------|------|---------|------|
| ITEM NO | DESCRIPTION | FROM | | TO | | REMARKS | |
| | AWG | COLOR | CONN | WITH | CONN | WITH | |
| 6 | 18 | BLU | PI-1 | 1 & 3 | P2-1 | 2 & 4 | +12V |
| 7 | 18 | BLK | PI-3 | 1 & 3 | P2-2 | 2 & 4 | |
| 7 | 18 | BLK | PI-6 | 1 & 3 | P2-3 | 2 & 4 | |
| 8 | 18 | RED | PI-5 | 1 & 3 | P2-4 | 2 & 4 | +5V |

| LEGEND | | |
|------------|--------------------|-----------------------|
| NUMBER | DIM "X" VARIATION | DIM "Y" (PRE-CUT) REF |
| 7016527-02 | 2 FT ± 1.0 IN | 2 FT - 5 IN |
| 7016527-01 | 1 FT ± 1.0 IN | 1 FT - 5 IN |
| 7016527-1F | 1 FT 6 IN ± 1.0 IN | 1 FT - 11 IN |

NOTES:
 1. ATTACH CABLE TIE (ITEM 5) APPROXIMATELY EVERY 3" AS SHOWN.
 2. INSERT KEY PLUG (ITEM 9) INTO POSITION 4 FROM THIS END.

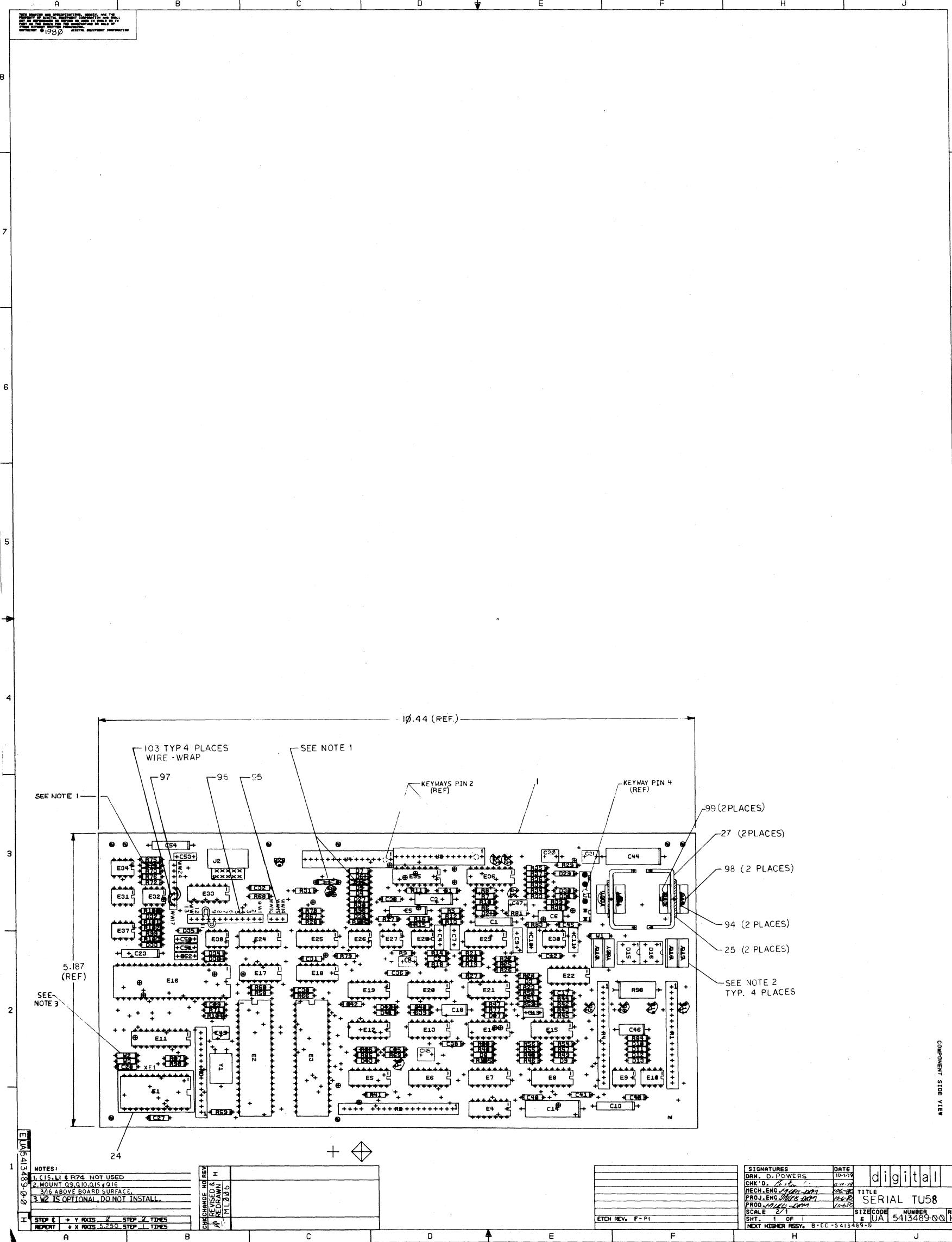


CAUTION OFF SHEETS PARTS LIST EXIST B-PL-7016527-0-0

| REV. | CHANGE NO. | DESCRIPTION |
|------|---------------|-------------|
| 1 | 7016527-ML001 | A |
| 2 | 7016527-ML002 | R |
| 3 | 7016527-ML003 | C |
| 4 | 7016527-ML004 | C |

C. BICKOFF
 JIM WALES
 D. WARREN

| | | | |
|------------------------------|--|--|---|
| THIRD ANGLE PROJECTION | DESCRIPTION UNLESS OTHERWISE SPECIFIED DIMENSIONS ARE IN INCHES | DRWG. PART NO. 7016527-0-0 | ITEM NO. 1 |
| | CLASS OF ACCURACY (CHECK ONE) <input checked="" type="checkbox"/> FINE <input type="checkbox"/> MEDIUM <input type="checkbox"/> COARSE | NOMINAL DIMENSION RANGE INCHES UP TO 1.0 1.0 TO 3.0 3.0 TO 6.0 6.0 TO 30.0 30.0 TO 48.0 48.0 TO 96.0 SURFACE QUALITY IN MICRONS PREFERRED 3.0 4.0 5.0 6.0 8.0 10.0 12.5 16.0 20.0 25.0 32.0 40.0 50.0 | FIRST USED ON TU58 |
| QUANTITY & VARIATION NONE | DO NOT SCALE DWG MATERIAL SEE PARTS LIST FINISH NONE | NEXT HIGHER ASSY. D-AD-7016078-0-0 SCALE 1/1 | SIZE CODE D NUMBER IA 7016527-0-0 REV. C |



COMPONENT SIDE VIEW

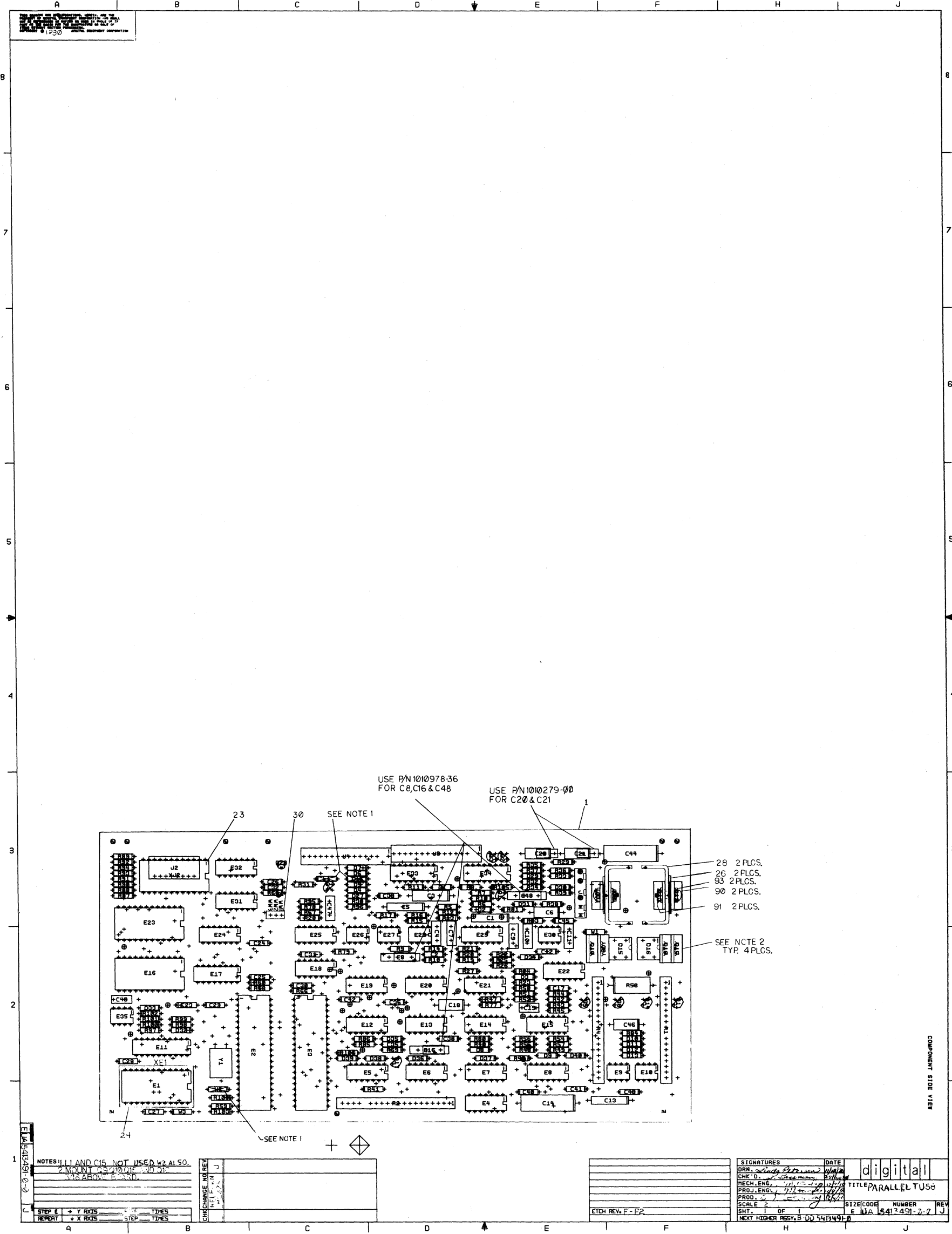
NOTES:
 1. C15, L1 & R24 NOT USED
 2. MOUNT Q9, Q10, Q15 & Q16
 3/6 ABOVE BOARD SURFACE.
 3. W2 IS OPTIONAL, DO NOT INSTALL.

| | |
|----------|------|
| DESIGNER | DATE |
| DRAWN | DATE |
| CHECKED | DATE |
| APPROVED | DATE |

| |
|----------------|
| ETCH REV. F-PI |
|----------------|

| | | |
|----------------------------------|----------|-------------|
| SIGNATURES | DATE | digital |
| DRN. D. POWERS | 10-1-78 | |
| CHK'D. [Signature] | 11-11-78 | |
| MECH. ENG. [Signature] | 10-2-78 | TITLE |
| PROJ. ENG. [Signature] | 10-2-78 | SERIAL TU58 |
| PROD. [Signature] | 10-2-78 | |
| SCALE 2/1 | | SIZE CODE |
| SHT. 1 OF 1 | | NUMBER |
| NEXT HIGHER ASSY. 8-CC-5413489-0 | | REV |

1230



NOTES: 1. LAND C15 NOT USED W2 ALSO.
2. MOUNT C20, C21, C22, C23, C24, C25, C26, C27, C28, C29, C30, C31, C32, C33, C34, C35, C36, C37, C38, C39, C40, C41, C42, C43, C44, C45, C46, C47, C48 ABOVE E-BOARD.

| | | | | | | |
|--------|---|---|------|------|-------|-------|
| STEP | E | → | Y | AXIS | DATE | TIMES |
| REPORT | → | X | AXIS | STEP | TIMES | |

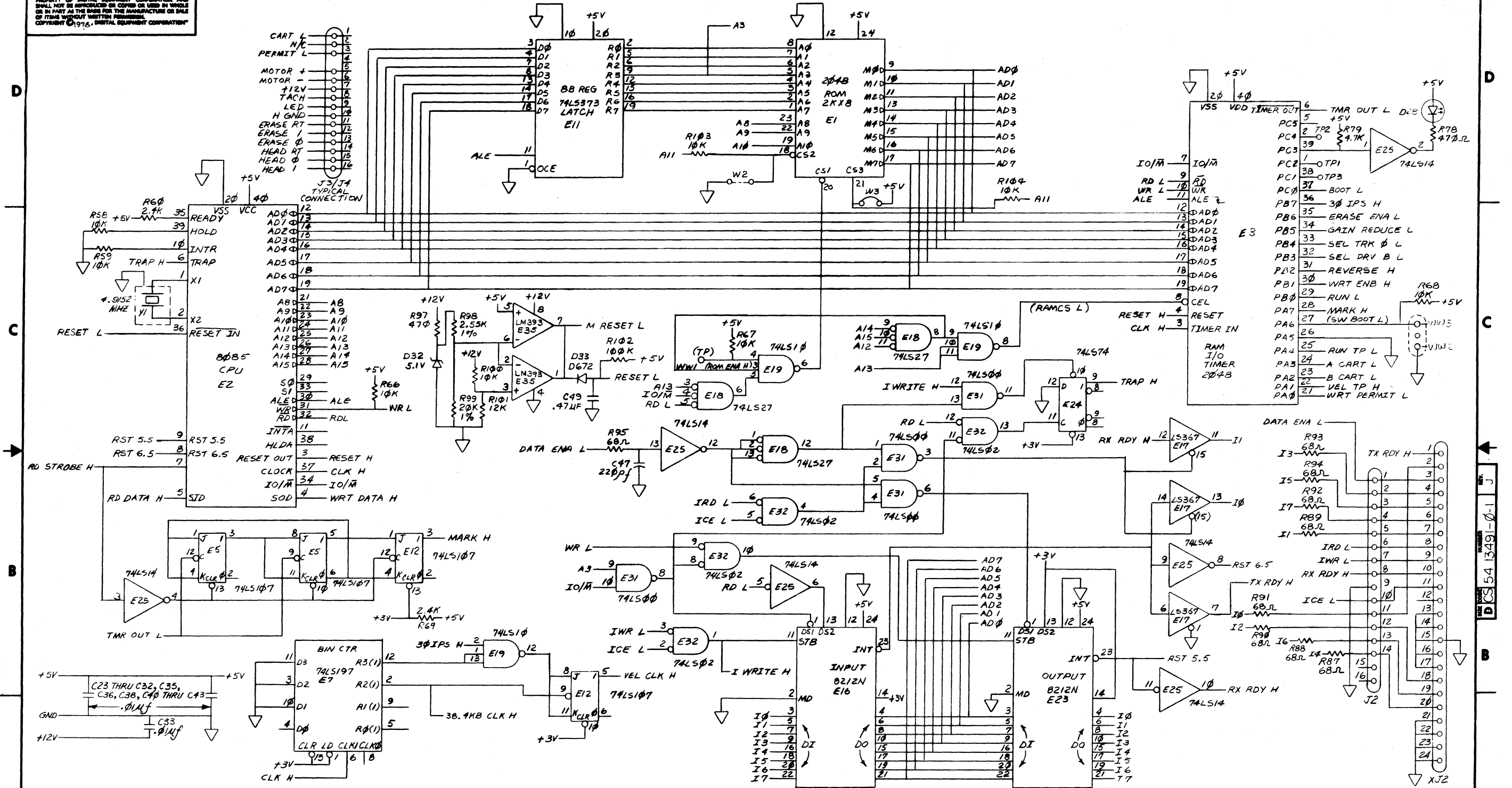
| | |
|-----------|----------|
| CHANGE NO | 1 |
| DATE | 11/27/72 |
| BY | |
| REASON | |

| | |
|-----------|------|
| ETCH REV. | F-22 |
|-----------|------|

| | | | |
|-------------------|------|------------|--------------------|
| SIGNATURES | | DATE | digital |
| DRN | | | |
| CHK'D | | | |
| RECH. ENG. | | | |
| PROJ. ENG. | | | TITLE PARALLELTU58 |
| PROD. | | | |
| SCALE | | | |
| SHT. | 1 | OF | 1 |
| NEXT HIGHER ASSY. | B | DD | 541344-D |
| SIZE | CODE | NUMBER | REV |
| E | 1A | 541344-2-2 | J |

COMPONENT SIDE VIEW

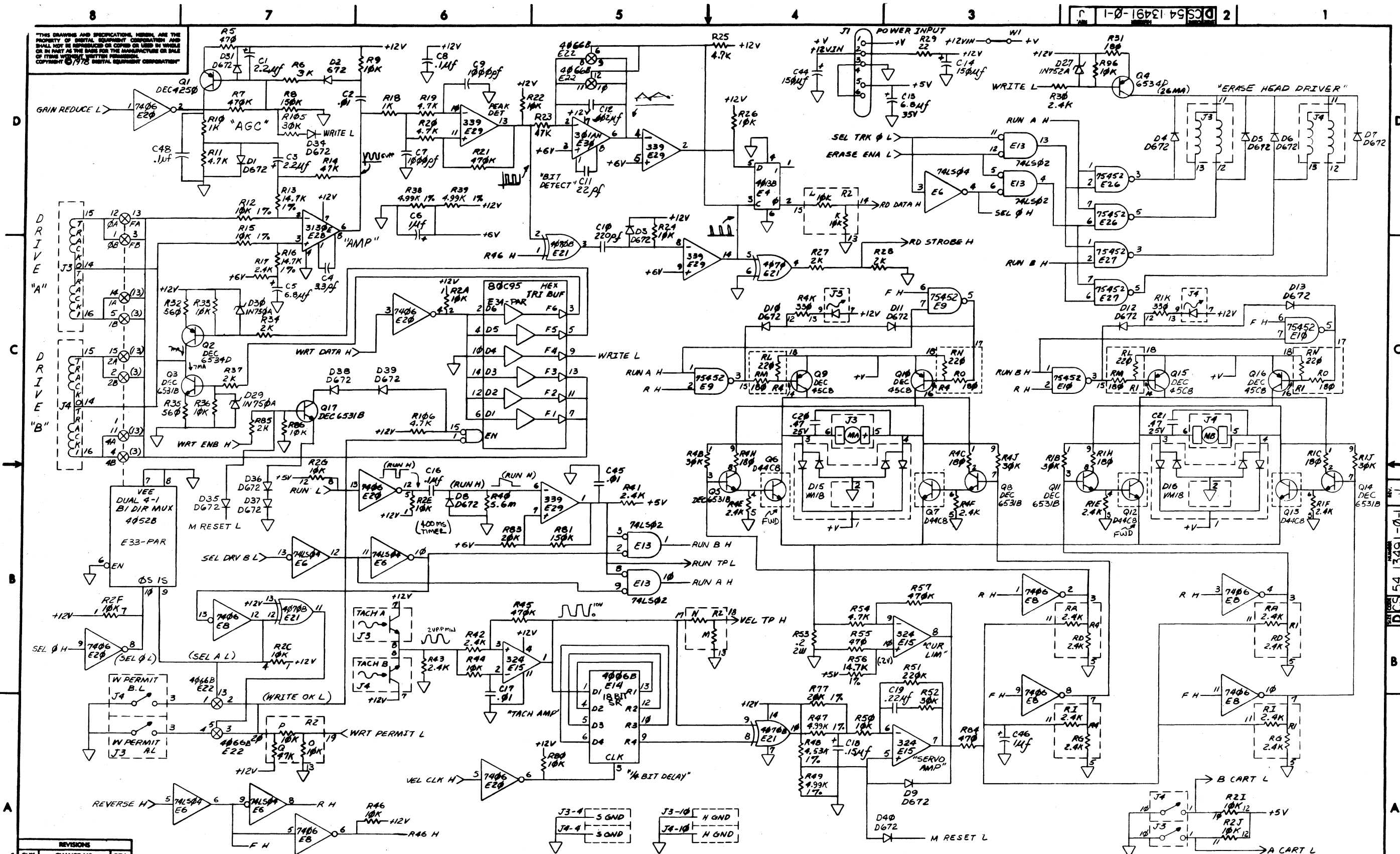
THIS DRAWING AND SPECIFICATIONS HEREIN ARE THE PROPERTY OF DIGITAL EQUIPMENT CORPORATION AND SHALL NOT BE REPRODUCED OR COPIED OR USED IN WHOLE OR IN PART AS THE BASIS FOR THE MANUFACTURE OR SALE OF ITEMS WITHOUT WRITTEN PERMISSION. COPYRIGHT © 1978, DIGITAL EQUIPMENT CORPORATION



REVISIONS table with columns for CHG, CHANGE NO., BY, DATE, and DESCRIPTION.

Engineering drawing header table with fields for DWN, CHK'D, ENG, PROJ, PROD, NEXT HIGHER ASSY, SCALE, SHEET, TITLE, SIZE, CODE, NUMBER, REV.

THIS DRAWING AND SPECIFICATIONS HEREAFTER ARE THE PROPERTY OF DIGITAL EQUIPMENT CORPORATION AND SHALL NOT BE REPRODUCED OR COPIED OR USED IN WHOLE OR IN PART AS THE BASIS FOR THE MANUFACTURE OR SALE OF ITEMS WITHOUT WRITTEN PERMISSION. COPYRIGHT © 1972 DIGITAL EQUIPMENT CORPORATION



| REVISIONS | | |
|-----------|------------|------|
| CHK | CHANGE NO. | REV. |
| | ML001 | D |
| DRN. | 01/13/72 | |
| M. LEIS | | |

| | | | | | | | |
|-------|---------------|-----------|--------|--------|--------------|------|---|
| TITLE | PARALLEL TU58 | SIZE CODE | D CS | NUMBER | 54 13491-0-1 | REV. | J |
| SCALE | 1/1 | SHEET | 2 OF 2 | DATE | | | |

| LINE ITEM | DOCUMENT NUMBER | PART NUMBER | DESCRIPTION | QTY PER VARIATION | REFERENCE DESIGNATOR | |
|-----------|-----------------|-------------------|---------------------------------|---------------------------|---|--|
| | | | | 00 | | |
| 1 | 1 | 5013488-00 | TU58 ELECTRONIC SERIAL | 1 | | |
| 2 | 2 | 1215816-00 | HEADER.100 15POS STRAIGHT | 2 | J3,J4 | |
| 3 | 3 | 1000021-00 | 220.0 MMF 100V 5%200PPM MICA | 1 | C10 | |
| 4 | 4 | 1000023-00 | *** THIS ITEM IS NOT USED *** | - | | |
| 5 | 5 | 1010978-36 | .1 MFD 50V 10% CER | 3 | C8,C16,C47 | |
| 6 | 6 | 1000042-00 | 1000.0 MMF 100V 5%200PPM MICA | 2 | C9,C7 | |
| 7 | 7 | 1001610-00 | .01 MFD 50V +80-20% 25U CER | 17 | C2,C17,C27-C33,C35,C36,C38,C40, CONT C41,C42,C43,C45 | |
| 8 | 8 | 1001776-00 | 1 MFD 35V 10% S.TANT | 2 | C6,C46 | |
| 9 | 9 | 1002315-00 | 2000.0 MMF 500V 5%200PPM MICA | 1 | C12 | |
| 10 | 10 | 1013466-21 | 3.3 MMF 50V+-5% CER | 1 | C4 | |
| 11 | 11 | 1002431-00 | 2.2MFD 35V 10% S.TANT | 2 | C1,C3 | |
| 12 | 12 | 1005306-00 | 6.8MFD 35V 10% S.TANT | 4 | C5,C13,C23,C54 | |
| 13 | 13 | 1005334-00 | *** THIS ITEM IS NOT USED *** | - | | |
| 14 | 14 | 1005820-00 | 22.0 MMF 100V 5%200PPM MICA | 1 | C11 | |
| 15 | 15 | 1010978-40 | .22 MFD 50V 10% CER | 1 | C19 | |
| 16 | 16 | 1011895-00 | .15 MFD 35V 10% S.TANT | 1 | C18 | |
| 17 | 17 | 1012312-00 | *** THIS ITEM IS NOT USED *** | - | | |
| 18 | 18 | 1100101-00 | *** THIS ITEM IS NOT USED *** | - | | |
| 19 | 19 | 1102808-00 | 1N 752A VZ= 5.6 5% .40W | 1 | D27 | |
| 20 | 20 | 1105275-00 | D 672 TR= 15NS PIV= 60V SI | 25 | D1-D13,D31,D33-D43 | |
| 21 | 21 | 1110324-00 | LED 1MCD@10MA PIV=3 | 1 | D28 | |
| 22 | 22 | 1115369-00 | VM 18 PIV=100 I=1A | 2 | D15,D16 | |
| 23 | 23 | 1213506-04 | HEADER 10POS RT ANGLE W/3 SI | 1 | J2 | |
| 24 | 24 | 1212385-04 | SOCKET 24PIN IC | 1 | XE1 | |
| 25 | 25 | USED FOR Q7 & Q12 | 1213071-06 | INSULATOR,RUBBER SILICONE | 2 | |
| 26 | 26 | 1213113-01 | *** THIS ITEM IS NOT USED *** | - | | |
| 27 | 27 | 1213418-01 | HEAT SINK,VERTICLE MNT,ALUMINUM | 2 | | |
| 28 | 28 | 1300247-00 | 120.0 .25 W 5.0 % CC | 1 | R75 | |
| 29 | 29 | 1300274-00 | *** THIS ITEM IS NOT USED *** | - | | |

| REVISION HISTORY | | BASIC PART NO: 5413487 | | DRN: | DAN MUTNANSKY | DATE: | 22-MAY-78 | DIGITAL | | |
|------------------|----------------|------------------------|-------------------------|------------------|---------------|----------------------|-----------|-----------------|------------|---------------|
| ENG | ECO NUMBER | REV | SECTION A OF A | CHK'D: | P. BOSSMAN | DATE: | 6-JUNE-78 | TITLE | PARTS LIST | |
| --- | INIT | C | SECTION.VARIATION INDEX | | | | | | | |
| !PB | !5413489-ML001 | !D | ! [A] 00 | | | | | SERIAL TU58 | | |
| !M.L | !5413489-ML003 | !E | ! [B] | | | | | | | |
| !ML | !5413489-ML004 | !F | ! [C] | DES.ENG: | MIKE LEIS | DATE: | 22-MAY-78 | | | |
| !D.M | !5413489-ML006 | !H | ! [D] | | | | | | | |
| | | | ! [E] | | | | | DOCUMENT NUMBER | | |
| | | | ! [F] | RESP.ENG.: | M. LEIS | DATE: | 6-JUNE-78 | SIZE | CODE | NUMBER |
| | | | ! [G] | | | | | | | REV |
| | | | ! [H] | | | | | | | |
| | | | ! [I] | MFG.ENG.: | P. BARTON | DATE: | 6-JUNE-78 | K | PL | 5413489-0-DBP |
| | | | ! [J] | | | | | | | H |
| | | | ! [K] | ASSEMBLY NUMBER: | | TOP DOCUMENT NUMBER: | | FILE NAME: | | EDIT # |
| | | | ! [L] | E-UA-5413489-0-0 | | TU58 | | Z0582H.PLS | | 38 |
| | | | ! [M] | | | | | | | |
| | | | ! [N] | | | | | | | |

*THIS DRAWING AND SPECIFICATIONS HEREIN, ARE THE PROPERTY OF DIGITAL EQUIPMENT CORPORATION AND SHALL NOT BE REPRODUCED OR COPIED OR USED IN WHOLE OR IN PART AS THE BASIS FOR THE MANUFACTURE OR SALE OF ITEMS WITHOUT WRITTEN PERMISSION. COPYRIGHT (C) 1980. DIGITAL EQUIPMENT CORPORATION *

| LINE | ITEM | DOCUMENT NUMBER | PART NUMBER | DESCRIPTION | QTY | PER VARIATION | REFERENCE DESIGNATOR |
|------|------|-----------------|-------------|--------------------------------|-----|---------------|--|
| | | | | | 00 | | |
| 30 | 30 | | 1300316-00 | 470.0 .25 W 5.0 % CC | 5 | | R5,R55,R100,R78,R84 |
| 31 | 31 | | 1300365-00 | 1.0 K .25 W 5.0 % CC | 2 | | R10,R18 |
| 32 | 32 | | 1300295-00 | *** THIS ITEM IS NOT USED *** | - | | |
| 33 | 33 | | 1300447-00 | 4.70 K .25 W 5.0 % CC | 8 | | R11,R19,R20,R25,R54,R79,R76,R105 |
| 34 | 34 | | 1300479-00 | 10.0 K .25 W 5.0 % CC | 21 | | R9,R22,R24,R26,R44,R46,R50,R58, CONT R59,R66,R67,R68,R90,R33,R36,R96, CONT R86,R73,R97-R99 |
| 35 | 35 | | 1301322-00 | 180.0 .25 W 5.0 % CC | 1 | | R31 |
| 36 | 36 | | 1301327-00 | 68.0 K .25 W 5.0 % CC | 1 | | R72 |
| 37 | 37 | | 1300432-00 | 3.0 K .25 W 5.0 % CC | 1 | | R6 |
| 38 | 38 | | 1301969-00 | 22.0 .25 W 5.0 % CC | 1 | | R29 |
| 39 | 39 | | 1302092-00 | 220.0 K .25 W 5.0 % CC | 1 | | R51 |
| 40 | 40 | | 1302177-00 | 47.0 K .25 W 5.0 % CC | 2 | | R14,R23 |
| 41 | 41 | | 1302388-00 | 2.0 K .25 W 5.0 % CC | 5 | | R27,R28,R34,R37,R85 |
| 42 | 42 | | 1302391-00 | 20.0 K .25 W 5.0 % CC | 1 | | R83 |
| 43 | 43 | | 1302394-00 | 30.0 K .25 W 5.0 % CC | 2 | | R52,R106 |
| 44 | 44 | | 1302396-00 | 150.0 K .25 W 5.0 % CC | 2 | | R8,R81 |
| 45 | 45 | | 1302398-00 | 470.0 K .25 W 5.0 % CC | 4 | | R7,R21,R45,R57 |
| 46 | 46 | | 1302941-00 | 14.70 K .25 W 1.0 % RN55D-F10 | 3 | | R13,R16,R56 |
| 47 | 47 | | 1303177-00 | 2.40 K .25 W 5.0 % CC | 8 | | R17,R30,R41,R42,R43,R60,R69,R71 |
| 48 | 48 | | 1303312-00 | 10.0 K .25 W 1.0 % RN55D-F10 | 2 | | R12,R15 |
| 49 | 49 | | 1305324-00 | 4.99 K .25 W 1.0 % RN55D-F10 | 4 | | R38,R39,R47,R49 |
| 50 | 50 | | 1309386-00 | 5.60 M .25 W 5.0 % CC | 1 | | R40 |
| 51 | 51 | | 1001610-01 | *** THIS ITEM IS NOT USED *** | - | | |
| 52 | 52 | | 1311466-00 | .20 2.0 W 5.0 % WW | 1 | | R53 |
| 53 | 53 | | 1313596-00 | 20.0 K .25 W 1.0 % RN55D-F10 | 2 | | R77,R102 |
| 54 | 54 | | 1315660-00 | R NETWORK 16-10K 1-4.7K 20PIN | 1 | | R2 |
| 55 | 55 | | 1315661-00 | R NETWORK MULTI-VALUE | 2 | | R1,R4 |
| 56 | 56 | | 1315662-00 | R NETWORK 14-2.4K 10.0 % 15PIN | 1 | | R3 |
| 57 | 57 | | 1503409-00 | DEC6534D PNP 310MW SI 40 90 | 2 | | Q2,Q4 |
| 58 | 58 | | 1509142-00 | DEC4250 PNP 200MW SI 40250 | 1 | | Q1 |
| 59 | 59 | | 1509338-00 | DEC6531B NPN 310MW SI 40 90 P | 6 | | Q3,Q5,Q8,Q11,Q14,Q17 |
| 60 | 60 | | 1510421-00 | D 44C8 NPN 30WT SI 60 20 | 4 | | Q6,Q7,Q12,Q13 |
| 61 | 61 | | 1510598-00 | DEC45C8 PNP 27WT SI 60 20 Y | 4 | | Q9,Q10,Q15,Q16 |
| 62 | 62 | | 1812396-06 | XTAL 4.9152 MHZ | 1 | | Y1 |
| 63 | 63 | | 1910282-00 | 301AN OP AMP | 1 | | E30 |
| 64 | 64 | | 1910645-00 | 75452 DRIVER,PERIPH,DUAL, | 4 | | E9,E10,E26,E27 |
| 65 | 65 | | 1910741-00 | 7406 INVERTER GATE-HEX 11 | 1 | | E8 |
| 66 | 66 | | 1911242-00 | *** THIS ITEM IS NOT USED *** | - | | |
| 67 | 67 | | 1912107-00 | 324 OP AMP,QUAD | 1 | | E15 |
| 68 | 68 | | 1912108-00 | 339 VOLT CMPRTR,QUAD | 1 | | E29 |
| 69 | 69 | | 1912799-00 | LS00 NAND-GATE-QUAD 2IN,P | 2 | | E17,E19 |
| 70 | 70 | | 1912801-00 | LS02 NOR-GATE-QUAD 2IN | 1 | | E13 |
| 71 | 71 | | 1912803-00 | 774LS04 INVERTER GATE, HEX | 2 | | E6,E25 |
| 72 | 72 | | 1912807-00 | LS10 NAND GATE-TRIPLE 3IN | 1 | | E24 |
| 73 | 73 | | 1912813-00 | LS27 NOR GATE-TRIPLE 3IN | 1 | | E18 |
| 74 | 74 | | 1912832-00 | LS107 FF-JK DUAL MASTER/SL | 2 | | E5,E12 |
| 75 | 75 | | 1912857-00 | LS197 COUNTER,BINARY,PRESET | 1 | | E7 |

| | | | | | | |
|-------------------------------|-----------------|-----------------|------------------|-----------------|-------------------|---------|
| ! D ! I ! G ! I ! T ! A ! L ! | ! TITLE | ! SERIAL TU58 | ! SECTION A OF A | ! SIZE ! CODE ! | ! DOCUMENT NUMBER | ! REV ! |
| ! ! ! ! ! ! ! ! | ! ! ! ! ! ! ! ! | ! ! ! ! ! ! ! ! | ! ! ! ! ! ! ! ! | ! K ! PL ! | ! 5413489-0-DBP | ! H ! |

| LINE | ITEM | DOCUMENT NUMBER | PART NUMBER | DESCRIPTION | QTY | PER VARIATION | REFERENCE DESIGNATOR |
|------|------|-----------------|-------------|-----------------------------------|-----|---------------|---|
| 1 | 1 | | 5013490-00 | TU58 ELECTRONICS PARALLEL | 1 | | |
| 2 | 2 | | 1000021-00 | 220.0 MMF 100V 5%200PPM MICA | 2 | | C10, C47 |
| 3 | 3 | | 1010978-36 | .1 MFD 50V 10% CER | 2 | | C8, C16, C48 |
| 4 | 4 | | 1000042-00 | 1000.0 MMF 100V 5%200PPM MICA | 2 | | C9, C7 |
| 5 | 5 | | 1001610-00 | .01 MFD 50V +80-20% 25U CER | 21 | CONT | C2, C17, C23-C33, C35, C36, C38, C40-C43, C45 |
| 6 | 6 | | 1001776-00 | 1 MFD 35V 10% S.TANT | 2 | | C6, C46 |
| 7 | 7 | | 1002315-00 | 2000.0 MMF 500V 5%200PPM MICA | 1 | | C12 |
| 8 | 8 | | 1013466-21 | 3.3 MMF 50V+- .5PF CER | 1 | | C4 |
| 9 | 9 | | 1002431-00 | 2.2MFD 35V 10% S.TANT | 2 | | C1, C3 |
| 10 | 10 | | 1005306-00 | 6.8MFD 35V 10% S.TANT | 2 | | C5, C13 |
| 11 | 11 | | 1005820-00 | 22.0 MMF 100V 5%200PPM MICA | 1 | | C11 |
| 12 | 12 | | 1010978-40 | .22 MFD 50V 10% CER | 1 | | C19 |
| 13 | 13 | | 1011895-00 | .15 MFD 35V 10% S.TANT | 1 | | C18 |
| 14 | 14 | | 1012084-03 | 150 MFD 15V +75-10% AL EL | 2 | | C44, C14 |
| 15 | 15 | | 1012312-00 | *** THIS ITEM IS NOT USED *** | 1 | | |
| 16 | 16 | | 1100124-00 | 1N 750A VZ= 4.7 5% .40W P | 2 | | D29, D30 |
| 17 | 17 | | 1102808-00 | 1N 752A VZ= 5.6 5% .40W | 1 | | D27 |
| 18 | 18 | | 1105275-00 | D 672 TR= 15NS PIV= 60V SI | 22 | | D1-D13, D31, D33-D40 |
| 19 | 19 | | 1110324-00 | LED 1MCD@10MA PIV=3 | 1 | | D28 |
| 20 | 20 | | 1115369-00 | VM 18 PIV=100 I=1A | 2 | | D15, D16 |
| 21 | 21 | | 1216106-00 | SOCKET 32PIN | 1 | | XJ2 |
| 22 | 22 | | 1212385-04 | SOCKET 24PIN IC | 1 | | XE1 |
| 23 | 23 | | 1212619-07 | HEADER.156 6POS STRAIGHT | 1 | | J1 |
| 24 | 24 | | 1213071-06 | INSULATOR, RUBBER SILICONE | 1 | | |
| 25 | 25 | | 1213418-01 | HEAT SINK, VERTICAL MNT, ALUMINUM | 1 | | |
| 26 | 26 | | 1215816-00 | HEADER.100 15POS STRAIGHT | 2 | | J3, J4 |
| 27 | 27 | | 1215816-01 | HEADER.100 3POS STRAIGHT | 1 | | |
| 28 | 28 | | 1300219-00 | 68.0 .25 W 5.0 % CC | 5 | | R87-R95 |
| 29 | 29 | | 1300316-00 | 470.0 .25 W 5.0 % CC | 5 | | R5, R55, R78, R84, R97 |

| REVISION HISTORY | | | BASIC PART NO: 5413491 | | DRN: D.MUTNANSKY | | DATE: 14-JUL-78 | | DIGITAL | | | |
|------------------|---------------|-----|-------------------------|------------------|------------------|----------------------|-----------------|-----------------|---------|---------------|-----|------------|
| ENG! | ECO NUMBER | REV | SECTION A OF A | CHK'D: | D. MUTNANSKY | DATE: | 08-AUG-78 | TITLE | | | | PARTS LIST |
| --- | INIT | C | SECTION.VARIATION INDEX | DES.ENG: | M. LEIS | DATE: | 08-AUG-78 | PARALLEL TU58 | | | | |
| PB | MLO01 | D | [A] 00 | RESP.ENG.: | M.LEIS | DATE: | 14-JUL-78 | DOCUMENT NUMBER | | | | |
| M.L | MLO02 | E | [B] | MFG.ENG.: | P. BARTON | DATE: | 08-AUG-78 | SIZE: | CODE: | NUMBER | REV | |
| ML | 5413491-MLO03 | F | [C] | ASSEMBLY NUMBER: | D-UA-5413491-0-0 | TOP DOCUMENT NUMBER: | TU58 | K | PL | 5413491-0-DBP | J | |
| ML | 5413491-MLO05 | H | [D] | FILE NAME: | Z0583J.PLS | EDIT #: | 34 | | | | | |
| ML | 5413491-MLO06 | J | [E] | | | | | | | | | |
| | | | [F] | | | | | | | | | |
| | | | [H] | | | | | | | | | |
| | | | [J] | | | | | | | | | |
| | | | [K] | | | | | | | | | |
| | | | [L] | | | | | | | | | |
| | | | [M] | | | | | | | | | |
| | | | [N] | | | | | | | | | |

"THIS DRAWING AND SPECIFICATIONS HEREIN, ARE THE PROPERTY OF DIGITAL EQUIPMENT CORPORATION AND SHALL NOT BE REPRODUCED OR COPIED OR USED IN WHOLE OR IN PART AS THE BASIS FOR THE MANUFACTURE OR SALE OF ITEMS WITHOUT WRITTEN PERMISSION. COPYRIGHT (C) 1981. DIGITAL EQUIPMENT CORPORATION"

| LINE ITEM | DOCUMENT NUMBER | PART NUMBER | DESCRIPTION | QTY | PER VARIATION | REFERENCE DESIGNATOR |
|-----------|-----------------|-------------|-------------------------------|-----|---------------|--|
| 30 | 33 | 1300365-00 | 1.0 K .25 W 5.0 % CC | 2 | | R10, R18 |
| 31 | 35 | 1300447-00 | 4.70 K .25 W 5.0 % CC | 7 | | R11, R19, R20, R25, R54, R79, R106 |
| 32 | 36 | 1300479-00 | 10.0 K .25 W 5.0 % CC | 20 | | R9, R22, R24, R26, R44, R46, R50, R58, R59, R66-R68, R80, R33, R36, R95, R86, R100, R103, R104 |
| | | | | | | CONT |
| | | | | | | CONT |
| 33 | 37 | 1301322-00 | 180.0 .25 W 5.0 % CC | 1 | | R31 |
| 34 | 38 | 1300432-00 | 3.0 K .25 W 5.0 % CC | 1 | | R6 |
| 35 | 39 | 1301890-00 | 560.0 .25 W 5.0 % CC | 2 | | R32, R35 |
| 36 | 40 | 1301969-00 | 22.0 .25 W 5.0 % CC | 1 | | R29 |
| 37 | 41 | 1302092-00 | 220.0 K .25 W 5.0 % CC | 1 | | R51 |
| 38 | 42 | 1302177-00 | 47.0 K .25 W 5.0 % CC | 5 | | R14, R23 |
| 39 | 43 | 1302388-00 | 2.0 K .25 W 5.0 % CC | 5 | | R27, R28, R34, R37, R85 |
| 40 | 44 | 1302391-00 | 20.0 K .25 W 5.0 % CC | 1 | | R83 |
| 41 | 45 | 1302394-00 | 30.0 K .25 W 5.0 % CC | 2 | | R52, R105 |
| 42 | 46 | 1302396-00 | 150.0 K .25 W 5.0 % CC | 2 | | R8, R81 |
| 43 | 47 | 1302398-00 | 470.0 K .25 W 5.0 % CC | 4 | | R7, R21, R45, R57 |
| 44 | 48 | 1302941-00 | 14.70 K .25 W 1.0 % RN55D-F10 | 7 | | R13, R16, R56 |
| 45 | 49 | 1303177-00 | 2.40 K .25 W 5.0 % CC | 7 | | R17, R30, R41-R43, R60, R69 |
| 46 | 50 | 1303312-00 | 10.0 K .25 W 1.0 % RN55D-F10 | 2 | | R12, R15 |
| 47 | 51 | 1305324-00 | 4.99 K .25 W 1.0 % RN55D-F10 | 4 | | R38, R39, R47, R49 |
| 48 | 52 | 1309386-00 | 5.60 M .25 W 5.0 % CC | 1 | | R40 |
| 49 | 53 | 1311466-00 | .20 2.0 W 5.0 % WW | 1 | | R53 |
| 50 | 54 | 1313596-00 | 20.0 K .25 W 1.0 % RN55D-F10 | 2 | | R77, R99 |
| 51 | 55 | 1313840-00 | 4.53 K .25 W 1.0 % RN55D-F10 | 1 | | R48 |
| 52 | 56 | 1315660-00 | R NETWORK 16-10K 1-4.7K 20PIN | 1 | | R2 |
| 53 | 57 | 1315661-00 | R NETWORK MULTI-VALUE | 2 | | R1, R4 |
| 54 | 58 | 1503409-00 | DEC6534D PNP 310MW SI 40 90 | 1 | | Q2, Q4 |
| 55 | 59 | 1509142-00 | DEC4250 PNP 200MW SI 40250 | 6 | | Q1 |
| 56 | 60 | 1509338-00 | DEC6531B NPN 310MW SI 40 90 F | 4 | | Q3, Q5, Q8, Q11, Q14, Q17 |
| 57 | 61 | 1510421-00 | D 4408 NPN 30WT SI 60 20 | 4 | | Q6, Q7, Q12, Q13 |
| 58 | 62 | 1510598-00 | DEC4508 PNP 27WT SI 60 20 Y | 4 | | Q9, Q10, Q15, Q16 |
| 59 | 63 | 1812396-06 | XTAL 4.9152 MHZ | 1 | | Y1 |
| 60 | 64 | 1910282-00 | 301AN OP AMP | 1 | | E30 |
| 61 | 65 | 1910645-00 | 75452 DRIVER, PERIPH, DUAL | 4 | | E9, E10, E26, E27 |
| 62 | 66 | 1910741-00 | 7406 INVERTER GATE-HEX 11 | 1 | | E8 |
| 63 | 67 | 1912107-00 | 324 OP AMP, QUAD | 1 | | E15 |
| 64 | 68 | 1912108-00 | 339 VOLT CMPRTR, QUAD | 1 | | E29 |
| 65 | 69 | 1912799-00 | LS00 NAND-GATE-QUAD 2IN, F | 1 | | E31 |
| 66 | 70 | 1912801-00 | LS02 NOR-GATE-QUAD 2IN | 2 | | E13, E32 |
| 67 | 71 | 1912803-00 | 6504 INVERTER GATE, HEL | 1 | | E6 |
| 68 | 72 | 1912813-00 | LS27 NOR GATE-TRIPLE 3IN | 1 | | E18 |
| 69 | 73 | 1912824-00 | LS74 FF-D DUAL, EDGE TRIGG | 1 | | E24 |
| 70 | 74 | 1912832-00 | LS107 FF-JK DUAL MASTER/SL | 2 | | E5, E12 |
| 71 | 75 | 1913414-00 | LS14 INVERTER GATE-HEX SC | 1 | | E25 |
| 72 | 76 | 1912857-00 | LS197 COUNTER, BINARY, PRESET | 1 | | E7 |
| 73 | 77 | 1913471-00 | LS367 DRIVER, BUS, HEX, TRI- | 1 | | E17 |
| 74 | 78 | 1913667-00 | DP 8212N BUFFER 8 BIT TRISTA | 2 | | E16, E23 |
| 75 | 79 | 1914466-00 | 3130E OP AMP MOS/FET IN, CM | 1 | | E28 |

| | | | | | | | | | | | | | |
|---|---|---|---|---|---|---|-------|---------------|----------------|------|------|-----------------|-----|
| D | I | G | I | T | A | L | TITLE | PARALLEL TUSS | SECTION A OF A | SIZE | CODE | DOCUMENT NUMBER | REV |
| | | | | | | | | | | K | PL | 5413491-0-DBP | J |

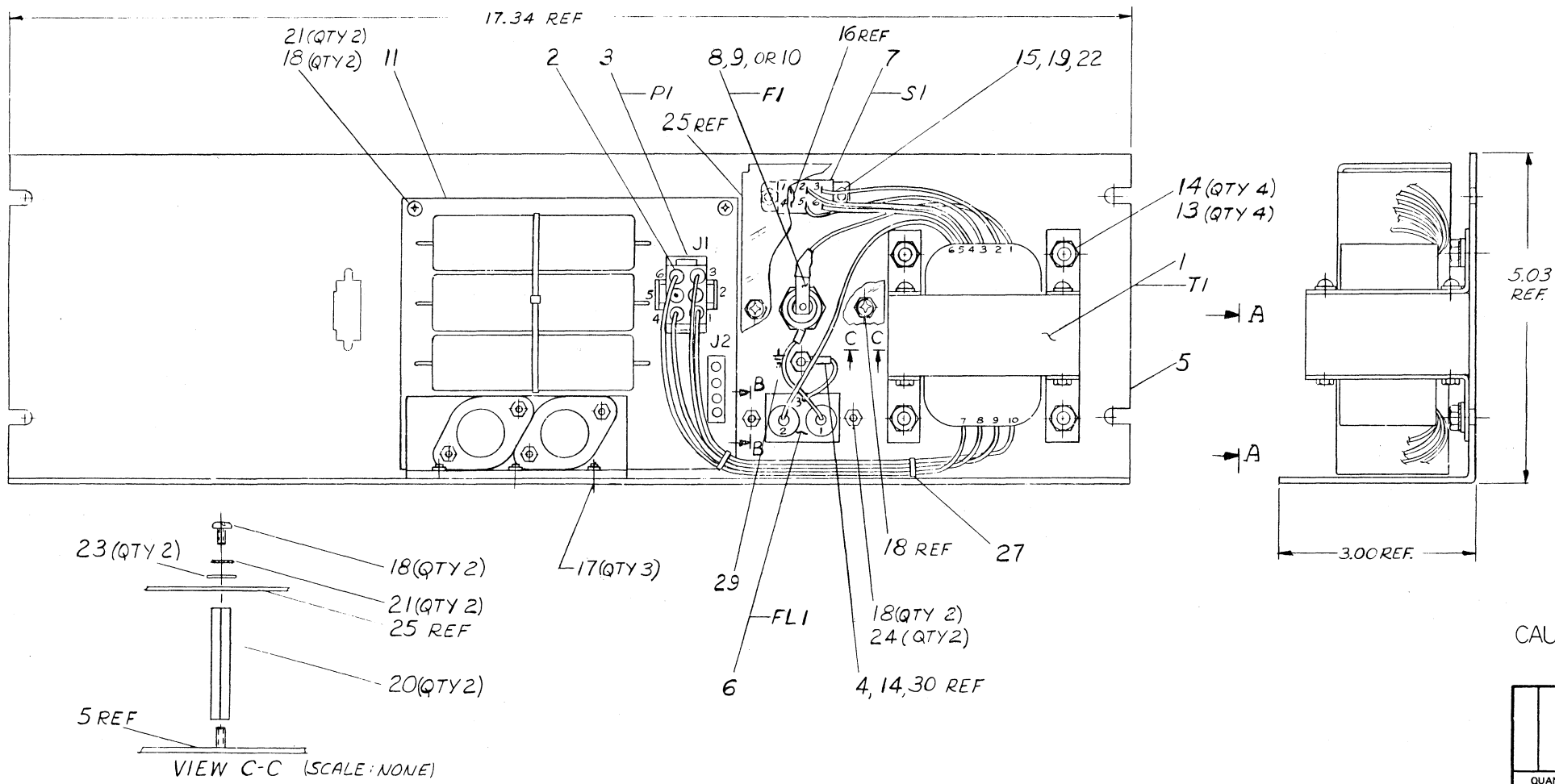
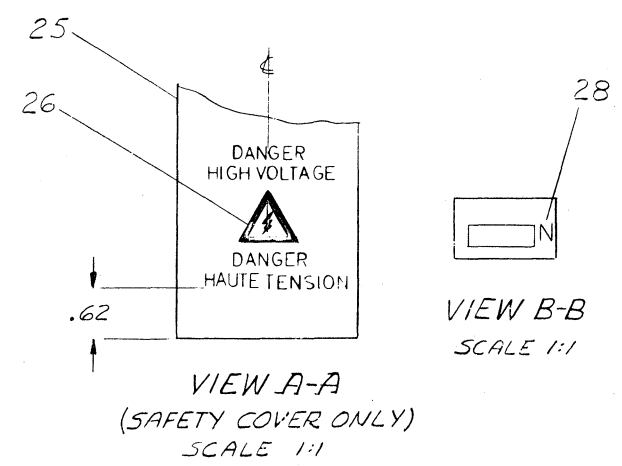
| LINE | ITEM | DOCUMENT NUMBER | PART NUMBER | DESCRIPTION | QTY PER VARIATION | REFERENCE DESIGNATOR |
|------|------|------------------|-------------|----------------------------------|-------------------|----------------------|
| | | | | | 00 | |
| 76 | 80 | | 1915219-00 | LS373 FF-D OCTAL-TRANSPARE | 1 | E11 |
| 77 | 81 | | 2113605-00 | 4006B SHIFT REG,18 STAGE | 1 | E14 |
| 78 | 82 | | 2113609-00 | 4013B FF-D DUAL W/SET/RESE | 1 | F4 |
| 79 | 83 | | 2113630-00 | 4052B MULTIPLEXER 4CHAN DI | 1 | E33 |
| 80 | 84 | | 2113632-00 | 4066B BILATERAL SWITCH-QUA | 1 | E22 |
| 81 | 85 | | 2113634-00 | 4070B X-OR GATE-QUAD CMOS | 1 | E21 |
| 82 | 86 | | 2114663-00 | MM 80C95 BUFFER-GATE-HEX TRIS | 1 | E34 |
| 83 | 87 | | 2114963-00 | UP,8-BIT NMOS | 1 | E2 |
| 84 | 88 | | 2114964-00 | RAM 2048 MOSJ-STATIC | 1 | E3 |
| 85 | 89 | | 23089E2-00 | E2-01 | 1 | F1 |
| 86 | 90 | | 9006011-01 | SCREW,PAN,PHIL 4-40X 3/8 SS | 2 | |
| 87 | 91 | | 9008557-00 | NUT,KEP 4-40X 1/4 AF | 2 | |
| 88 | 92 | | 9009185-00 | JUMPER, WIRE, INSULATED, BLACK B | 2 | W1,W3 |
| 89 | 93 | | 9010057-00 | WASHER, INSULATING SHOULDER FOR | 2 | |
| 90 | 101 | | 9105740-55 | *** THIS ITEM IS NOT USED *** | 1 | |
| 91 | 102 | | 5414232-YA | *** THIS ITEM IS NOT USED *** | 1 | |
| 92 | 103 | | 1910741-01 | 7406N BUFFER,HEX | 1 | E20 |
| 93 | 104 | | 1310633-00 | 2.55 K .25 W 1.0 % RN55D-F10 | 1 | R96 |
| 94 | 105 | | 1300488-00 | 12.0 K .25 W 5.0 % CC | 1 | R101 |
| 95 | 106 | | 1105871-00 | 1/4MS.1A21 = 5.1 1% .25W N | 1 | D32 |
| 96 | 107 | | 1914156-00 | LM 393 VOLT.COMPARATOR DUAL | 1 | E35 |
| 97 | 108 | | 1010279-00 | .47 MFD 25V 20% CER | 3 | C20,C21,C49 |
| 98 | 109 | | 1302466-00 | 100.0 K .25 W 5.0 % CC | 1 | R102 |
| 99 | 110 | | 1912807-00 | LS10 NAND GATE-TRIPLE SIN | 1 | E19 |
| 100 | 111 | E-UA-5413491-0-0 | | UNIT ASSEMBLY | REF | |
| 101 | 112 | E-MD-5013490-0-0 | | DRILL AND ETCH DRAWING | REF | |
| 102 | 113 | 0-CS-5413491-0-1 | | CIRCUIT SCHEMATIC | REF | |
| 103 | 114 | E-EC-5013490-0-0 | | ETCH CUT DRAWING | REF | |

| | | | | | | | | | | | | | |
|---|---|---|---|---|---|---|-------|---------------|----------------|------|------|-----------------|-----|
| D | I | G | I | T | A | L | TITLE | PARALLEL TUSS | SECTION A OF A | SIZE | CODE | DOCUMENT NUMBER | REV |
| | | | | | | | | | | K | PL | 5413491-0-DBP | J |

"THIS DRAWING AND SPECIFICATIONS, HEREIN, ARE THE PROPERTY OF DIGITAL EQUIPMENT CORPORATION AND SHALL NOT BE REPRODUCED OR COPIED OR USED IN WHOLE OR IN PART AS THE BASIS FOR THE MANUFACTURE OR SALE OF ITEMS WITHOUT WRITTEN PERMISSION.
COPYRIGHT © 1978 . DIGITAL EQUIPMENT CORPORATION"

| WIRE TABLE | | | | | | | |
|------------|-----|---------|------------|--------|------------|----------|-----------|
| ITEM NO. | AWG | COLOR | FROM | | TO | | REMARKS |
| | | | CONNECTION | WITH | CONNECTION | WITH | |
| 1 | 18 | BLUE | T1-7 | | P1-6 | 3#2 | 9.37 LG. |
| 1 | | BLUE | T1-8 | | P1-4 | 3#2 | 9.37 LG. |
| 1 | | BLU/BLK | T1-9 | | P1-3 | 3#2 | 10.00 LG. |
| 1 | | BLU/BLK | T1-10 | | P1-1 | 3#2 | 10.00 LG. |
| 30 | | GRN/YEL | FL1-3 | SOLDER | GND | 4, 14 | 3.5 LG. |
| 31 | | BROWN | FL1-1 | SOLDER | F1-1 | SOLD, 10 | 4.25 LG. |
| 1 | | RED | T1-1 | | F1-2 | SOLD, 10 | 6.5 LG. |
| 1 | | RED | T1-2 | | S1-3 | SOLDER | 4.5 LG. |
| 1 | | RED/YEL | T1-3 | | S1-5 | | 5.5 LG. |
| 1 | | BLACK | T1-4 | | S1-2 | | 4.5 LG. |
| 1 | | WHITE | T1-5 | | S1-6 | | 4.0 LG. |
| 1 | 18 | WHITE | T1-6 | | FL1-2 | SOLDER | 6.5 LG. |
| 16 | 18 | - | S1-1 | SOLDER | S1-4 | SOLDER | .5 LG. |

NOTE:
1. LOCATE ITEM 26 SYMMETRICALLY ON ITEM 25.



CAUTION: OFF SHEET PARTS LIST EXISTS
SEE B-PL-7016078-0-0

| | | | | | |
|---|----------------------|--------------------------------|--------------------------|--------------------------|---------------------------|
| DESCRIPTION | | DWG./PART NO. | | ITEM NO. | |
| UNLESS OTHERWISE SPECIFIED DIMENSIONS ARE IN INCHES | | | | | |
| ANGLES ±0° 30' | CLASS OF ACCURACY | NOMINAL DIMENSION RANGE INCHES | | | |
| SURFACE QUALITY IN | (CHECK ONE) | OVER 0 TO 0.2 | OVER 0.2 TO 1.2 | OVER 1.2 TO 4.0 | OVER 4.0 TO 12.0 |
| | | ±.004 | ±.008 | ±.012 | ±.016 |
| QUANTITY & VARIATION | MICROINCHES | MEDIUM | ±.004 | ±.008 | ±.012 |
| | | PREFERRED | ±.012 | ±.016 | ±.025 |
| THIRD ANGLE PROJECTION | | FIRST USED ON | | REV. | |
| REMOVE BURRS AND BREAK SHARP CORNERS | | TU 58 | | digital | |
| DO NOT SCALE DWG | | TITLE | | NUMBER | |
| NEXT HIGHER ASSY. | | POWER SUPPLY | | AD 7016078-0-0 | |
| MATERIAL | | SCALE | | SHEET | |
| SEE PARTS LIST | | 1/1 | | 1 OF 1 | |
| FINISH | | DIST. | | REV. | |

| | | |
|------|------|-----|
| REV. | CHG. | NO. |
| | | |
| | | |

DIGITAL EQUIPMENT CORPORATION PARTS LIST

QUANTITY / VARIATION

NOTES:

| | | |
|-----------------------------|---------------------------------|----------------|
| MADE BY DATE | CHECKED DATE | SECTION |
| <i>C. Gusev</i> 23-10-78 | <i>B. Brigham</i> 23-10-78 | 1 |
| ENG DATE | PROD DATE | ISSUED SECTION |
| LARRY DOIRON 23-10-78 | P. BARTON 23-10-78 <i>AB</i> | 1 |

| ITEM NO. | DRAWING NO. | PART NO. | DESCRIPTION | 1 | 2 | 3 | 4 | 5 | 6 | 7 | 8 | 9 | 10 | 11 | 12 | 13 | 14 | 15 | 16 | 17 | 18 | 19 | 20 | 21 | REF DESIGNATION |
|----------|------------------|------------|--|-----|---|---|---|---|---|---|---|---|----|----|----|----|----|----|----|----|----|----|----|----|-----------------|
| 1 | | 1616062-00 | TRANSFORMER, POWER | 1 | | | | | | | | | | | | | | | | | | | | | |
| 2 | | 1212170-00 | CONTACT FEMALE (SOCKET) | 6 | | | | | | | | | | | | | | | | | | | | | |
| 3 | | 1212167-06 | CONNECTOR, PLUG, 6 PIN | 1 | | | | | | | | | | | | | | | | | | | | | |
| 4 | | 9007930-00 | RING TERMINAL RED #10 | 1 | | | | | | | | | | | | | | | | | | | | | |
| 5 | E-IA-7421484-0-0 | 7421484-00 | COVER, PWR. SUPPLY MTG. | 1 | | | | | | | | | | | | | | | | | | | | | |
| 6 | | 1215905-00 | POWER RECEPTACLE AND LINE FILTER | 1 | | | | | | | | | | | | | | | | | | | | | |
| 7 | | 1215340-01 | DPDT SWITCH (115-230V) | 1 | | | | | | | | | | | | | | | | | | | | | |
| 8 | | 1212893-00 | FUSE HOLDER (20A-300V) | 1 | | | | | | | | | | | | | | | | | | | | | |
| 9 | | 1211237-00 | FUSE, .750A, 250V, SLO BLOW | 1 | | | | | | | | | | | | | | | | | | | | | |
| 10 | | 9107305-02 | TUBING, SHRINK (RED) | A/R | | | | | | | | | | | | | | | | | | | | | |
| 11 | D-UA-5413609-0-0 | 5413609-00 | REGULATOR BOARD | 1 | | | | | | | | | | | | | | | | | | | | | |
| 12 | | | | | | | | | | | | | | | | | | | | | | | | | |
| 13 | | 9006661-00 | WASHER, FLAT #8 | 4 | | | | | | | | | | | | | | | | | | | | | |
| 14 | | 9006563-00 | NUT, KEP 8-32 | 5 | | | | | | | | | | | | | | | | | | | | | |
| 15 | | 9006010-01 | SCREW, PAN, PHIL, 4-40 X 5/16 | 2 | | | | | | | | | | | | | | | | | | | | | |
| 16 | | 9107560-03 | WIRE, BUSS #18 AWG | A/R | | | | | | | | | | | | | | | | | | | | | |
| 17 | | 9006022-02 | SCREW, FLAT, PHIL, 6-32 X 3/8 | 3 | | | | | | | | | | | | | | | | | | | | | |
| 18 | | 9006022-01 | SCF W, PAN, PHIL, 6-32 X 3/8 | 6 | | | | | | | | | | | | | | | | | | | | | |
| 19 | | 9009280-00 | NUT, HEX 4-40 | 2 | | | | | | | | | | | | | | | | | | | | | |
| 20 | | 9007604-00 | SPACER, HEX, ALUM. 6-32, .250X2.000 LG | 2 | | | | | | | | | | | | | | | | | | | | | |
| 21 | | 9007649-00 | WASHER, LOCK EXTERNAL TOOTH #6 | 4 | | | | | | | | | | | | | | | | | | | | | |

| | | | | | | | |
|------------|--|----------------------------|------------------------------|------------------------------------|-------------------|-----------------------|------|
| E.C.O. NO. | THIS DRAWING AND SPECIFICATIONS, HEREIN, ARE THE PROPERTY OF DIGITAL EQUIPMENT CORPORATION AND SHALL NOT BE REPRODUCED OR COPIED OR USED IN WHOLE OR IN PART AS THE BASIS FOR THE MANUFACTURE OR SALE OF ITEMS WITHOUT WRITTEN PERMISSION. COPYRIGHT ©1978 DIGITAL EQUIPMENT CORPORATION | TITLE POWER SUPPLY ASSY | ASSY NO. D-AD-7016078-0-0 | SIZE B | CODE PL | NUMBER 7016078-0-0 | REV. |
| | | | SHEET 1 OF 2 | INSERTION PARTS LIST DATA BASE REV | | | |
| | | | | | | | |

| DIGITAL EQUIPMENT CORPORATION PARTS LIST | | | | QUANTITY / VARIATION | | | | | | | | | | NOTES: | | | | |
|--|------------------|--|-------------------------------|----------------------|--|--|--|--|--|--|--|--|--|--------|--|--|--|-----------------|
| MADE BY <i>C. C. ...</i> DATE <i>23-10-78</i> | | CHECKED <i>P. Barton</i> DATE <i>23-10-78</i> | | SECTION 1 | | | | | | | | | | | | | | |
| ENG <i>LARRY DOIRON</i> DATE <i>23-10-78</i> | | PROD <i>P. BARTON</i> DATE <i>23-10-78</i> | | ISSUED SECTION 1 | | | | | | | | | | | | | | |
| ITEM NO. | DRAWING NO. | PART NO. | DESCRIPTION | | | | | | | | | | | | | | | REF DESIGNATION |
| 22 | | 9006632-00 | WASHER, LOCK, INT. #4 | 2 | | | | | | | | | | | | | | |
| 23 | | 9006659-00 | WASHER, FLAT, #6 | 2 | | | | | | | | | | | | | | |
| 24 | | 9006560-00 | NUT, KEP 6-32 | 1 | | | | | | | | | | | | | | |
| 25 | B-MD-7422054-0-0 | 7422054-00 | COVER, SAFETY | 1 | | | | | | | | | | | | | | |
| 26 | | 3616053-00 | DECAL, HIGH VOLTAGE | 1 | | | | | | | | | | | | | | |
| 27 | | 9007031-00 | TIE, CABLE | 2 | | | | | | | | | | | | | | |
| 28 | | 3615998-00 | NEUTRAL, STICKER | 1 | | | | | | | | | | | | | | |
| 29 | | 3612680-01 | GROUND STICKER | 1 | | | | | | | | | | | | | | |
| 30 | | 9107410-54 | WIRE, STRD., #18 AWG, GRN/YEL | A/R | | | | | | | | | | | | | | |
| 31 | | 9107360-11 | WIRE, STRD., #18 AWG BROWN | A/R | | | | | | | | | | | | | | |

| | | | | | | | |
|------------|---|-------------------|------------------|------------------------------------|------|-------------|------|
| E.C.O. NO. | "THIS DRAWING AND SPECIFICATIONS, HEREIN, ARE THE PROPERTY OF DIGITAL EQUIPMENT CORPORATION AND SHALL NOT BE REPRODUCED OR COPIED OR USED IN WHOLE OR IN PART AS THE BASIS FOR THE MANUFACTURE OR SALE OF ITEMS WITHOUT WRITTEN PERMISSION. COPYRIGHT © 1978 DIGITAL EQUIPMENT CORPORATION" | TITLE | ASSY NO. | SIZE | CODE | NUMBER | REV. |
| | | POWER SUPPLY ASSY | D-AD-7016078-0-0 | B | PL | 7016078-0-0 | |
| | | | SHEET 2 OF 2 | INSERTION PARTS LIST DATA BASE REV | | | |

8

7

6

5

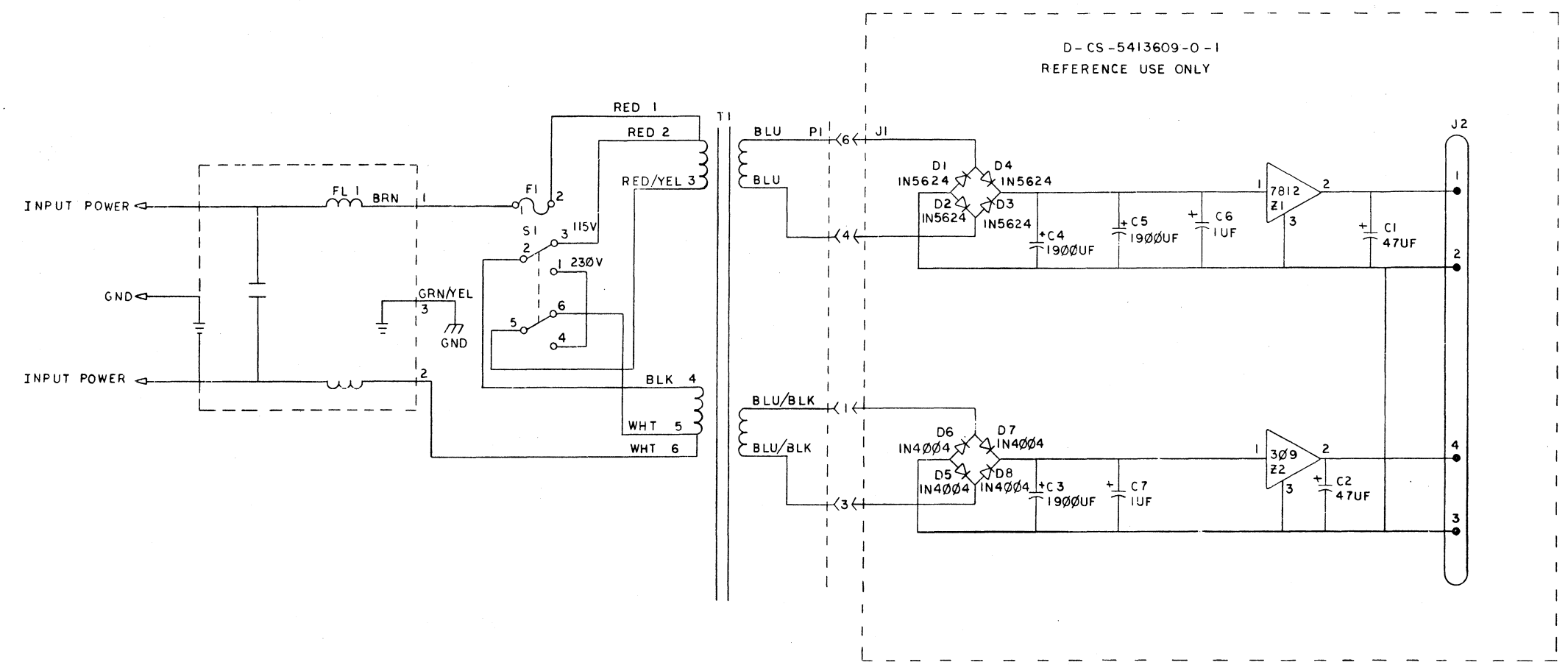
4

3

1-0-870910Z SC D 2

1

"THIS DRAWING AND SPECIFICATIONS, HEREIN, ARE THE PROPERTY OF DIGITAL EQUIPMENT CORPORATION AND SHALL NOT BE REPRODUCED OR COPIED OR USED IN WHOLE OR IN PART AS THE BASIS FOR THE MANUFACTURE OR SALE OF ITEMS WITHOUT WRITTEN PERMISSION. COPYRIGHT © 1978 . DIGITAL EQUIPMENT CORPORATION"



| | |
|------------|--|
| REV. | |
| CHG. | |
| CHK. | |
| REVISIONS | |
| CHANGE NO. | |

| | | | |
|-----------------------------|-----------|---------------|------------------------|
| DRN. <i>Jim Duman</i> | SEPT 1978 | FIRST USED ON | TU58 |
| CHK'D <i>Jim Duman</i> | SEP 78 | | |
| ENG. <i>Jim Duman</i> | 10/2/78 | TITLE | POWER SUPPLY SCHEMATIC |
| PROJ. ENG. <i>Jim Duman</i> | 10/2/78 | | |
| PROD. <i>Jim Duman</i> | 10/11/78 | | |
| NEXT HIGHER ASSY. | | | |
| D-AD-7016078-0-0 | SIZE D | CODE CS | NUMBER 7016078-0-1 |
| SCALE | | DIST. | |
| SHEET 1 | OF 1 | | |

8

7

6

5

4

3

2

1

| LINE ITEM | DOCUMENT NUMBER | PART NUMBER | DESCRIPTION | QUANTITY PER VARIATION XA | |
|-----------|-----------------|------------------|-------------|-----------------------------------|---|
| 1 | 1 | D-AD-7015510-0-0 | 7015510-00 | CARTRIDGE DRIVE | 1 |
| 2 | 2 | A-PS-3700385-0-0 | 3700385-00 | INSTR PKG TAPE DRIVE TU56-XA | 1 |
| 3 | 3 | | 9906077-03 | RAG, COTTON, PARTS | 1 |
| 4 | 4 | B-MD-7424084-0-0 | 7424084-00 | SCREW, SHOULDER | 4 |
| 5 | 5 | A-PS-1217653-0-0 | 1217653-00 | SPRING, COMPRESSION .234 OD X .3 | 4 |
| 6 | 6 | B-MD-7424101-0-0 | 7424101-00 | WASHER | 4 |
| 7 | 7 | EK-OTU58-WS | | MOUNTING INSTRUCTIONS | 1 |
| 8 | 8 | A-PS-3617416-0-0 | 3617416-00 | LABEL, HEAD CLEANING ADVICE FOR T | 1 |

9 NOTE: ITEMS 4-7 ARE MOUNTING HARDWARE TO BE RAGGED AND SHIPPED WITH UNIT

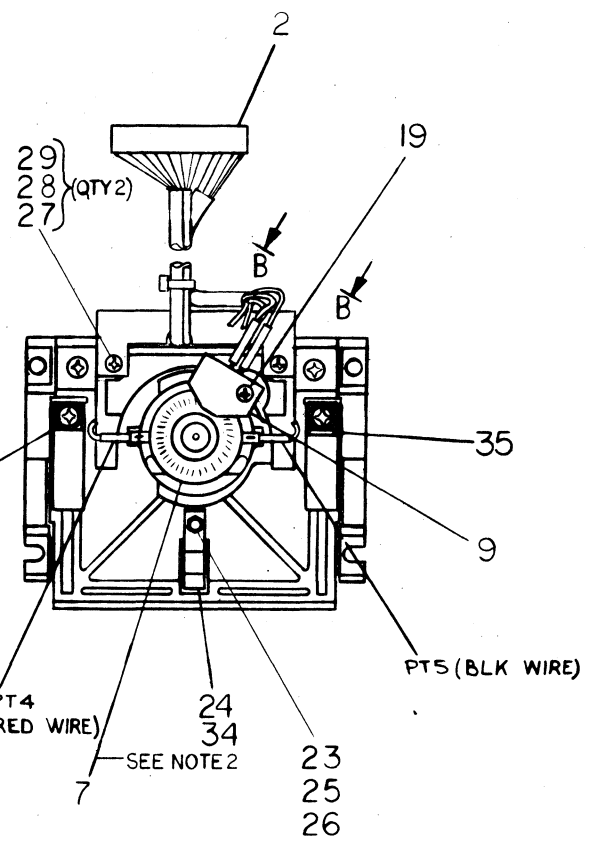
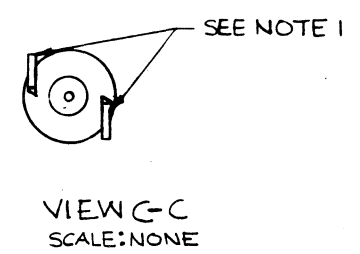
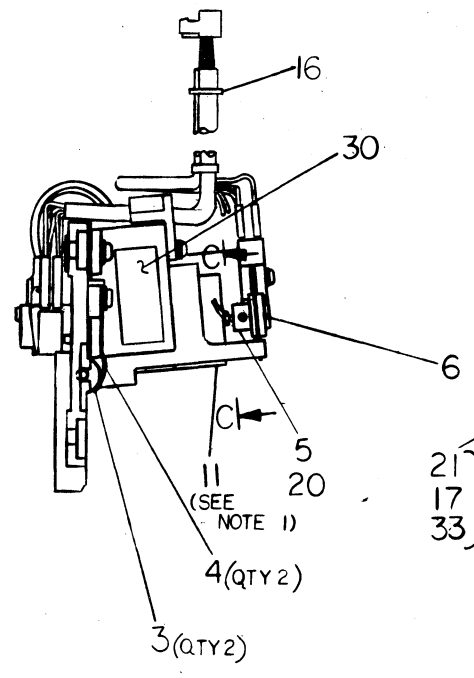
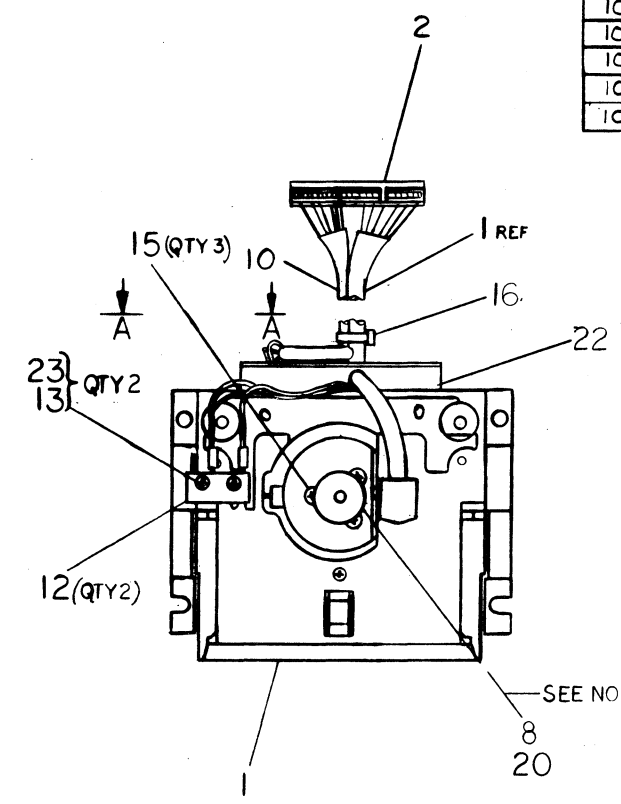
| REVISION HISTORY | | BASIC PART NO: OTU53 | | DRN: | G.MARINI | DATE: | 9-20-78 | DIGITAL | | | |
|------------------|--------------|----------------------|--------------------------|------------------|-----------|----------------------|---------|-----------------|-------------|---------|----|
| ENG! | ECO NUMBER | REV | SECTION A OF A | CHK'D: | T.ANDREWS | DATE: | 12-5-78 | TITLE | PARTS LIST | | |
| D.W! | TU58XA-ML003 | A | SECTION. VARIATION INDEX | ! | | ! | | DRIVE MECHANISM | | | |
| DW! | TU58XA-ML004 | B | [A] XA | ! | | ! | | (TU58-XA) | | | |
| ! | ! | ! | [B] | DES.ENG.: | F.WAYNE | DATE: | 2-2-79 | ! | | | |
| ! | ! | ! | [C] | RESP.ENG.: | F.WAYNE | DATE: | 12-5-80 | DOCUMENT NUMBER | | | |
| ! | ! | ! | [D] | ! | | ! | | SIZE!CODE! | NUMBER | REV | ! |
| ! | ! | ! | [E] | MFG.ENG.: | R.TAYLOR | DATE: | 12-5-78 | K ! PL ! | TU58-XA-DBP | B | ! |
| ! | ! | ! | [F] | ASSEMBLY NUMBER: | | TOP DOCUMENT NUMBER: | | FILE NAME: | Z1609B.PLS | EDIT #: | 13 |
| ! | ! | ! | ! | ! | | ! | | ! | | ! | |

"THIS DRAWING AND SPECIFICATIONS HEREIN, ARE THE PROPERTY OF DIGITAL EQUIPMENT CORPORATION AND SHALL NOT BE REPRODUCED OR COPIED OR USED IN WHOLE OR IN PART AS THE BASIS FOR THE MANUFACTURE OR SALE OF ITEMS WITHOUT WRITTEN PERMISSION. COPYRIGHT (C) 1980. DIGITAL EQUIPMENT CORPORATION"

| WIRE TABLE | | | | | | | |
|------------|-------------|------|-------|------|--------|---------|--------------|
| ITEM NO | DESCRIPTION | FROM | | TO | | REMARKS | |
| | | AWG | COLOR | CONN | WITH | | CONN |
| 10 | 24 | YEL | PT-2 | --- | SWI-5 | --- | |
| 10 | 24 | GRY | PT-1 | --- | SWI-2 | --- | |
| 10 | 24 | VIO | PT-3 | --- | SWI-3 | --- | |
| 31 | 22 | --- | SW-6 | SOLD | SWI-3 | SOLD. | BUS WIRE |
| 10 | 24 | GRN | PT-6 | --- | CI-3 | --- | |
| 10 | 24 | BRN | PT-8 | --- | CI-2 | --- | |
| 10 | 24 | BLU | PT-7 | --- | CI-1 | --- | |
| 10 | 24 | BLK | PT-5 | --- | MOTOR- | --- | TWISTED PAIR |
| 10 | 24 | RED | PT-4 | --- | MOTOR+ | --- | |

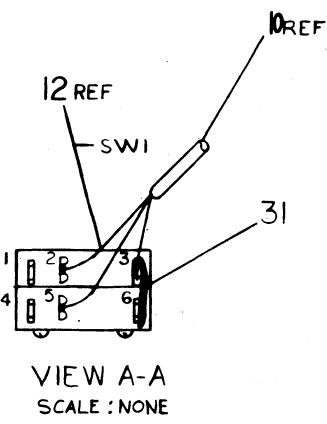
- ASSEMBLE ITEM*5,6 & 9 USING $5 \pm .5$ IN LBS TORQUE.
- CARTRIDGE WITHDRAWAL FORCE SHALL BE A MAXIMUM OF 4.8 LBS. AND WHEN AN EXCESS FORCE OF 1 LB. IS APPLIED TO THE DRIVE ROLLER (OUTWARD) AND IS REMOVED, THE CARTRIDGE SHALL STILL BE AGAINST THE DRIVE REFERENCE STOPS.
- HEAD SKEW TO BE WITHIN $6' \pm 0.6'$ AFTER FINAL ASSY.

- NOTES:
- MOTOR TO BE ROTATED TO PROVIDE EASIEST ACCESS TO TERMINALS PT4, PT5. MOTOR LEADS MAY BE BENT AS SHOWN IF NECESSARY TO CLEAR MOTOR MOUNT.
 - CODE WHEEL ITEM #7 MUST ROTATE FREELY WITHOUT RUBBING IN SLOT IN OPTICAL SENSOR ITEM #9. TIGHTEN ITEM #20 TO $3.5 \pm .5$ IN LBS.
 - SET DRIVE ROLLER, ITEM #8, TO BE FLUSH WITH END OF MOTOR SHAFT ITEM #11. TIGHTEN ITEM #20 TO $3.5 \pm .5$ IN LBS.
 - TIGHTEN ITEMS 13 & 25 TO $2.0 \pm .5$ IN LBS.
 - TIGHTEN ITEMS 15, 17 & 27 TO $3.5 \pm .5$ IN LBS.
 - TIGHTEN ITEM 21 TO $5 \pm .5$ IN LBS. WHEN CARTRIDGE IS INSERTED INTO DRIVE THE FORCE ON THE DRIVE ROLLER (ITEM 8) IS TO BE $1 LB \pm .1$.



VIEW B-B SCALE: NONE

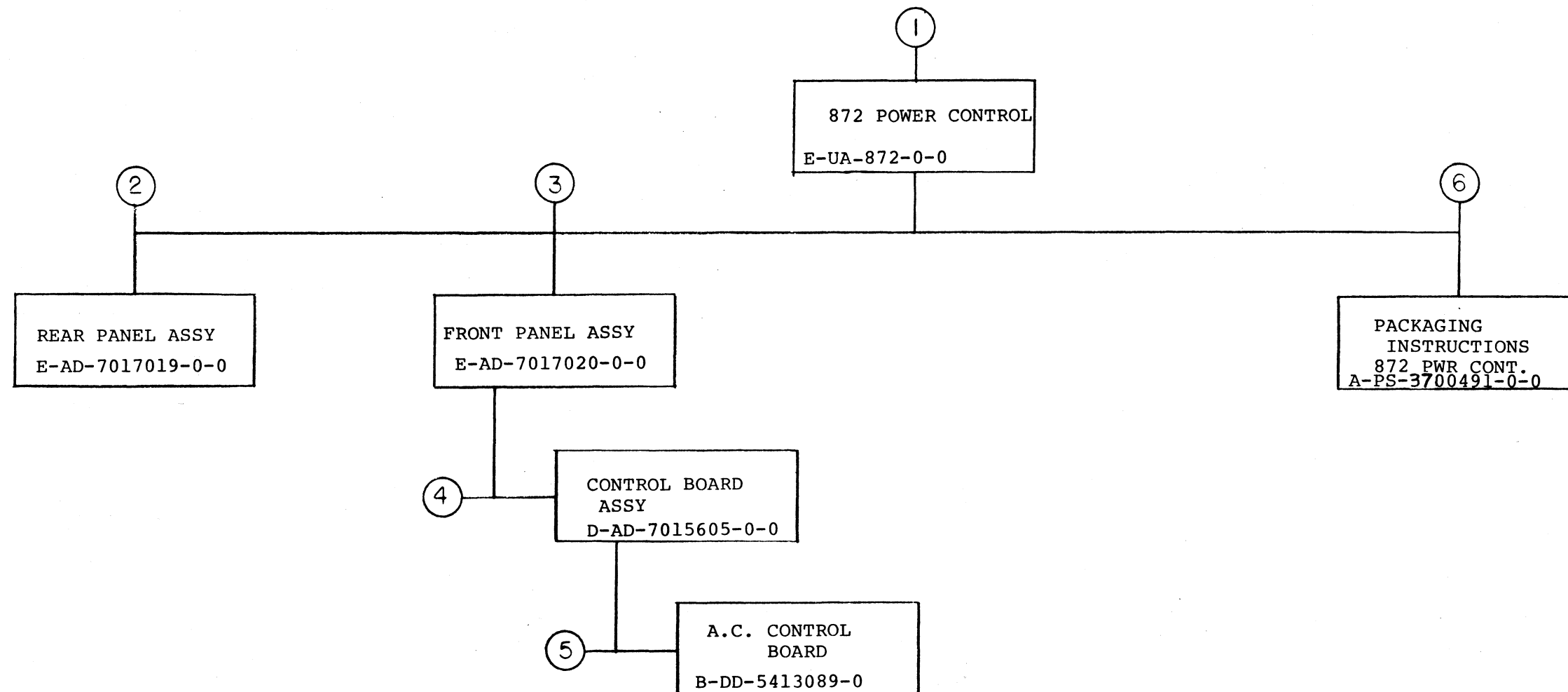
CAUTION: OFF SHEET PARTS LIST K-PL-7015510-0-DBP



| | | | | |
|-----|----------|-----------|------|------------------|
| REV | DATE | BY | CHKD | DESCRIPTION |
| 1 | 10/15/78 | D. WARREN | | INITIAL DESIGN |
| 2 | 11/15/78 | D. WARREN | | REVISED TO 10002 |
| 3 | 12/15/78 | D. WARREN | | REVISED TO 10003 |
| 4 | 1/15/79 | D. WARREN | | REVISED TO 10004 |
| 5 | 2/15/79 | D. WARREN | | REVISED TO 10005 |
| 6 | 3/15/79 | D. WARREN | | REVISED TO 10006 |
| 7 | 4/15/79 | D. WARREN | | REVISED TO 10007 |

| | | | |
|----------------------|---|---------------|--------------------|
| QUANTITY & VARIATION | DESCRIPTION | DRW. PART NO. | ITEM NO. |
| | UNLESS OTHERWISE SPECIFIED DIMENSIONS ARE IN INCHES | | |
| DO NOT SCALE DIMS | DATE | 24 APR 78 | FIRST USED ON |
| | DRW. NO. | 5 DFC 78 | TU58-XA |
| SEE PARTS LIST | DATE | 14 DEC 76 | TITLE |
| | PROJ. NO. | 5 DEC 76 | CARTRIDGE DRIVE |
| PART NO. | SCALE | 1/1 | SIZE |
| | REV. | 1 OF 1 | D AD 7015510-0-0 E |

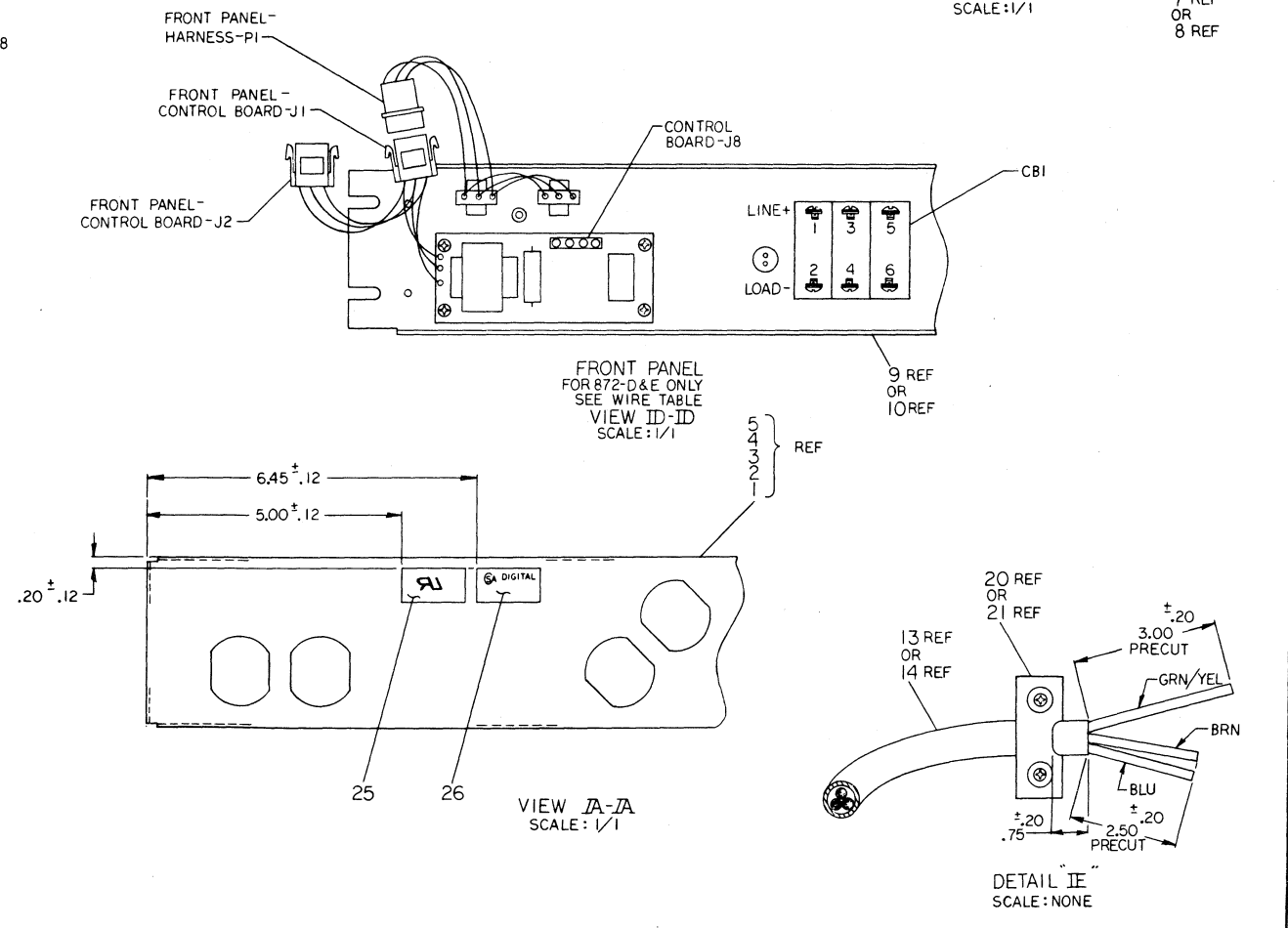
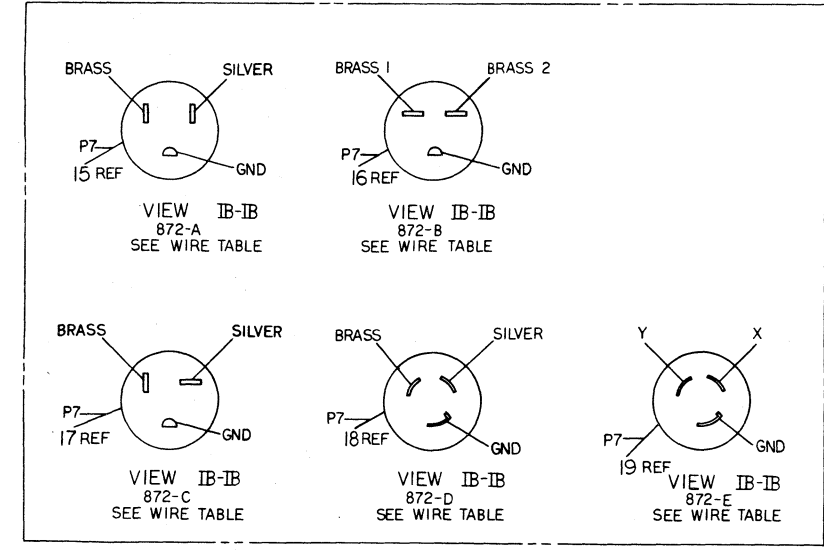
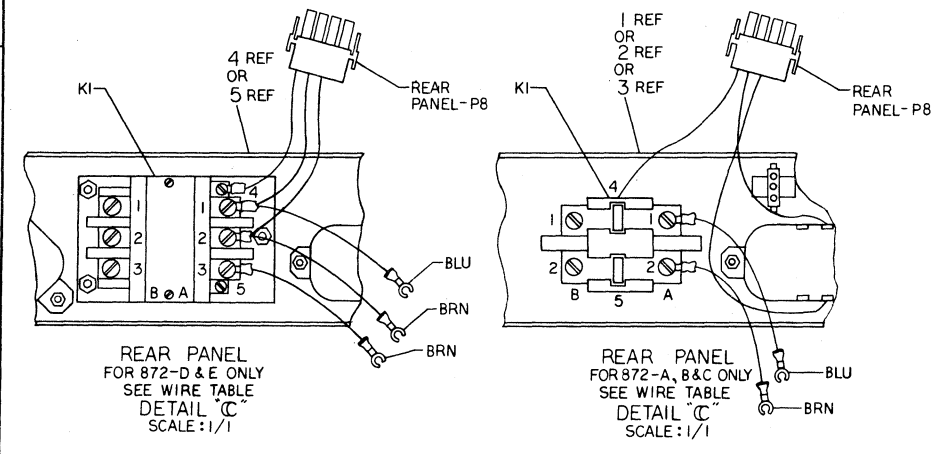
"THIS DRAWING AND SPECIFICATIONS, HEREIN, ARE THE PROPERTY OF DIGITAL EQUIPMENT CORPORATION AND SHALL NOT BE REPRODUCED OR COPIED OR USED IN WHOLE OR IN PART AS THE BASIS FOR THE MANUFACTURE OR SALE OF ITEMS WITHOUT WRITTEN PERMISSION.
COPYRIGHT © DIGITAL EQUIPMENT CORPORATION"



| | | | |
|-------------------|-----------|--------|-----|
| TITLE | SIZE CODE | NUMBER | REV |
| 872 POWER CONTROL | B DD | 872-0 | B |
| SHEET 2 OF 3 | | | |

| WIRE TABLE (VARIATIONS 872-A,B&C) | | | | | |
|-----------------------------------|-------------|-------------------------|--------------------------|--|--|
| ITEM NO. | DESCRIPTION | FROM | TO | REMARKS | |
| AWG | COLOR | CONNECTION WITH | CONNECTION WITH | | |
| 1 OR 2 OR 3 | 12 BLU | REAR PANEL KI-A-1 | FRONT PANEL CBI-2 | SEE DETAIL 'C' SEE VIEW ID-ID | |
| | 14 BRN | REAR PANEL KI-A-2 | FRONT PANEL CBI-4 | SEE NOTE 3 | |
| 6 OR 7 OR 8 | | FRONT PANEL HARNESS-P1 | FRONT PANEL CNTRL. BD-J1 | SEE VIEW ID-ID | |
| 1 OR 2 OR 3 | | REAR PANEL HARNESS-P2 | FRONT PANEL CNTRL. BD-J2 | SEE SHEET 1 SEE VIEW ID-ID | |
| 13 | 14 GRN/YEL | FRONT PANEL LF-LINE-GND | 39 P7-GND | FOR VAR. 872-A&C LENGTH - 15 FT. | |
| | 14 BRN | FRONT PANEL LF-LINE-N | 39 P7-BRASS | SEE SHEET 1 SEE VIEW IB-IB AND DETAIL IE | |
| 13 | 14 GRN/YEL | FRONT PANEL LF-LINE-GND | 39 P7-GND | FOR VAR. 872-B LENGTH - 15 FT. | |
| | 14 BRN | FRONT PANEL LF-LINE-PH1 | 39 P7-BRASS 1 | SEE SHEET 1 SEE VIEW IB-IB AND DETAIL IE | |
| | 14 BLU | FRONT PANEL LF-LINE-N | 39 P7-BRASS 2 | SEE SHEET 1 SEE VIEW IB-IB AND DETAIL IE | |

| WIRE TABLE (VARIATIONS 872-D&E) | | | | | |
|---------------------------------|-------------|-------------------------|--------------------------|--|--|
| ITEM NO. | DESCRIPTION | FROM | TO | REMARKS | |
| AWG | COLOR | CONNECTION WITH | CONNECTION WITH | | |
| 4 OR 5 | 12 BLU | REAR PANEL KI-A-1 | FRONT PANEL CBI-2 | SEE DETAIL 'C' SEE VIEW ID-ID | |
| | 14 BRN | REAR PANEL KI-A-2 | FRONT PANEL CBI-4 | SEE NOTE 3 | |
| | 14 BRN | REAR PANEL KI-A-3 | FRONT PANEL CBI-6 | | |
| 9 OR 10 | | FRONT PANEL HARNESS-P1 | FRONT PANEL CNTRL. BD-J1 | SEE VIEW ID-ID | |
| 4 OR 5 | | REAR PANEL HARNESS-P2 | FRONT PANEL CNTRL. BD-J2 | SEE SHEET 1 SEE VIEW ID-ID | |
| 14 | 12 GRN/YEL | FRONT PANEL LF-LINE-GND | 38 P7-GND | FOR VAR. 872-D LENGTH - 15 FT. | |
| | 12 BRN | FRONT PANEL LF-LINE-PH1 | 38 P7-BRASS | SEE SHEET 1 SEE VIEW IB-IB AND DETAIL IE | |
| | 12 BLU | FRONT PANEL LF-LINE-N | 38 P7-SILVER | SEE SHEET 1 SEE VIEW IB-IB AND DETAIL IE | |
| 14 | 12 GRN/YEL | FRONT PANEL LF-LINE-GND | 38 P7-GND | FOR VAR. 872-E LENGTH - 15 FT. | |
| | 12 BRN | FRONT PANEL LF-LINE-PH1 | 38 P7-Y | SEE SHEET 1 SEE VIEW IB-IB AND DETAIL IE | |
| | 12 BLU | FRONT PANEL LF-LINE-N | 38 P7-X | SEE SHEET 1 SEE VIEW IB-IB AND DETAIL IE | |



| REV. | CHG. | NO. | REV. |
|------|------|-----|------|
| | | | |

| LINE | ITEM | DOCUMENT NUMBER | PART NUMBER | DESCRIPTION | QUANTITY PER VARIATION | | | | |
|------|------|------------------|-------------|----------------------------------|------------------------|---|---|---|---|
| | | | | | A | B | C | D | E |
| 1 | 1 | E-AD-7017019-0-0 | 7017019-00 | REAR PANEL ASSY. | 1 | - | - | - | - |
| 2 | 2 | E-AD-7017019-0-0 | 7017019-01 | 872-B REAR PANEL ASSY | - | 1 | - | - | - |
| 3 | 3 | E-AD-7017019-0-0 | 7017019-02 | 872-C REAR PANEL ASSY | - | - | 1 | - | - |
| 4 | 4 | E-AD-7017019-0-0 | 7017019-03 | 872-D REAR PANEL ASSY | - | - | - | 1 | - |
| 5 | 5 | E-AD-7017019-0-0 | 7017019-04 | 872-E REAR PANEL ASSY | - | - | - | - | 1 |
| 6 | 6 | E-AD-7017020-0-0 | 7017020-00 | 872-A FRONT PANEL ASSY | 1 | - | - | - | - |
| 7 | 7 | E-AD-7017020-0-0 | 7017020-01 | 872-B FRONT PANEL ASSY | - | 1 | - | - | - |
| 8 | 8 | E-AD-7017020-0-0 | 7017020-02 | 872-C FRONT PANEL ASSY | - | - | 1 | - | - |
| 9 | 9 | E-AD-7017020-0-0 | 7017020-03 | 872-D FRONT PANEL ASSY | - | - | - | 1 | - |
| 10 | 10 | E-AD-7017020-0-0 | 7017020-04 | 872-E FRONT PANEL ASSY. | - | - | - | - | 1 |
| 11 | 11 | C-IA-7422925-0-0 | 7422925-00 | COVER POWER CONTROL | 2 | 2 | 2 | 2 | 2 |
| 12 | 12 | C-MD-7422926-0-0 | 7422926-00 | COVER POWER CORD | 1 | 1 | 1 | 1 | 1 |
| 13 | 13 | A-PS-1700027-0-0 | 1700027-01 | PWR CORD,14-3,300V 15A | 1 | 1 | 1 | - | - |
| 14 | 14 | A-PS-1700025-0-0 | 1700025-00 | PWR CORD,12-3,600V 20A | - | - | - | 1 | 1 |
| 15 | 15 | A-PS-900893E-0-0 | 9008938-00 | CONN,POWER 3PIN PLUG NEMA 5-15P | 1 | - | - | - | - |
| 16 | 16 | A-PS-9008853-0-0 | 9008853-00 | CONN,POWER 3PIN PLUG NEMA 6-15P | - | 1 | - | - | - |
| 17 | 17 | A-PS-1215183-0-0 | 1215183-00 | CONN,POWER 3PIN PLUG NEMA 5-20P | - | - | 1 | - | - |
| 18 | 18 | A-PS-1211193-0-0 | 1211193-00 | CONN,POWER 2PIN PLUG NEMA L5-30 | - | - | - | 1 | - |
| 19 | 19 | A-PS-1216886-0-0 | 1216886-00 | CONN,POWER 3PIN PLUG NEMA L6-30 | - | - | - | - | 1 |
| 20 | 20 | | 1215566-00 | CLAMP, CABLE | 1 | 1 | 1 | - | - |
| 21 | 21 | | 1215566-01 | CLAMP, CABLE | - | - | - | 1 | 1 |
| 22 | 22 | A-PS-3610267-0-0 | 3610267-00 | DECAL, ADHESIVE BACK -DANGER HIG | 1 | 1 | 1 | 1 | 1 |
| 23 | 23 | A-PS-3613210-0-0 | 3613210-02 | LABEL,ELECTRICAL DATA | 1 | 1 | 1 | 1 | 1 |
| 24 | 24 | A-PS-3611448-0-0 | 3611448-00 | *** THIS ITEM IS NOT USED *** | - | - | - | - | - |
| 25 | 25 | A-PS-3612063-0-0 | 3612063-00 | LABEL, ADHESIVE I.D. FOR UL C | 1 | 1 | 1 | 1 | 1 |
| 26 | 26 | A-PS-3613211-0-0 | 3613211-01 | DECAL,CLEAR PREPRINTED CSA 1-1/4 | 1 | 1 | 1 | 1 | 1 |
| 27 | 27 | | 9000001-03 | STANDOFF,HEX,M/F 8-32X | 1 | 2 | 2 | 2 | 2 |
| 28 | 28 | | 9010174-01 | SCREW, SEMS, PHILLIPS PAN HD 8-3 | 6 | 6 | 6 | 6 | 6 |
| 29 | 29 | | 9010174-02 | SCREW, SEMS, PHILLIPS PAN HD 8-3 | 2 | 2 | 2 | 2 | 2 |
| 30 | 30 | | 9010174-00 | SCREW, SEMS, PHILLIPS PAN HD 6-3 | 4 | 4 | 4 | 4 | 4 |

| REVISION HISTORY | | BASIC PART NO: 00872 | | DRN: | JUDY SLEZ | DATE: | 12-OCT-79 | DIGITAL | | | |
|------------------|------------|----------------------|--------------------------|------------------|-----------------|----------------------|-----------|-------------------|------|-----------|-----|
| ENG | ECO NUMBER | REV | SECTION A OF A | CHK'D: | GEORGE HOVEY | DATE: | 12-OCT-79 | TITLE PARTS LIST | | | |
| --- | INITIAL | A | SECTION, VARIATION INDEX | | | | | 872 POWER CONTROL | | | |
| TO | 872-ML001 | B | [A] A , B , C , D , E | | | | | | | | |
| | | | [B] | DES.ENG.: | TOM ORR | DATE: | 12-OCT-79 | | | | |
| | | | [C] | | | | | DOCUMENT NUMBER | | | |
| | | | [D] | RESP.ENG.: | TOM ORR | DATE: | 12-OCT-79 | SIZE | CODE | NUMBER | REV |
| | | | [E] | MFG.ENG.: | GLEN ARMBRUSTER | DATE: | 12-OCT-79 | K | PL | 872-0-DBP | B |
| | | | [F] | ASSEMBLY NUMBER: | | TOP DOCUMENT NUMBER: | | FILE NAME: | | EDIT # | |
| | | | | E-UA-872-0-0 | | B-DD-872-0-0 | | Z1012B.PLS | | 8 | |

"THIS DRAWING AND SPECIFICATIONS HEREIN, ARE THE PROPERTY OF DIGITAL EQUIPMENT CORPORATION AND SHALL NOT BE REPRODUCED OR COPIED OR USED IN WHOLE OR IN PART AS THE BASIS FOR THE MANUFACTURE OR SALE OF ITEMS WITHOUT WRITTEN PERMISSION. COPYRIGHT (C) 1980. DIGITAL EQUIPMENT CORPORATION"

AUTOMATED BY PRTLST.3L(37)

P A R T S L I S T

SHEET A2 OF A2

| LINE ITEM | DOCUMENT NUMBER | PART NUMBER | DESCRIPTION | QUANTITY PER VARIATION | | | | |
|-----------|-----------------|------------------|---|------------------------|---|---|---|---|
| | | | | A | B | C | D | E |
| 31 | 31 | A-PS-3616797-0-0 | 3616797-00 LABEL,POWER CONTROLLER 872-A | 1 | - | - | - | - |
| 32 | 32 | A-PS-3616797-0-0 | 3616797-01 LABEL,POWER CONTROLLER 872-B | - | 1 | - | - | - |
| 33 | 33 | A-PS-3616797-0-0 | 3616797-02 LABEL,POWER CONTROLLER 872-C | - | - | 1 | - | - |
| 34 | 34 | A-PS-3616797-0-0 | 3616797-03 LABEL,POWER CONTROLLER 872-D | - | - | - | 1 | - |
| 35 | 35 | A-PS-3616797-0-0 | 3616797-04 LABEL,POWER CONTROLLER 872-E | - | - | - | - | 1 |
| 36 | 36 | A-PS-3616798-0-0 | 3616798-00 LABEL,CONN 230V OUTPUT | - | - | - | - | 1 |
| 37 | 37 | A-DC-7416581-0-1 | 7416581-01 DECAL | - | 1 | - | - | - |
| 38 | 38 | | 9007926-01 TERM RING 1POS INSULATED,12-10 | - | - | - | 3 | 3 |
| 39 | 39 | | 9007928-00 TERM RING 1POS INSULATED,16-14 | 3 | 3 | 3 | - | - |
| 40 | 40 | | 9007031-00 TIE, CABLE, SST1 M | 4 | 4 | 4 | 4 | 4 |
| 41 | 41 | | 9006690-00 WASHER, LOCK, S.S. #8 | 2 | 2 | 2 | 2 | 2 |

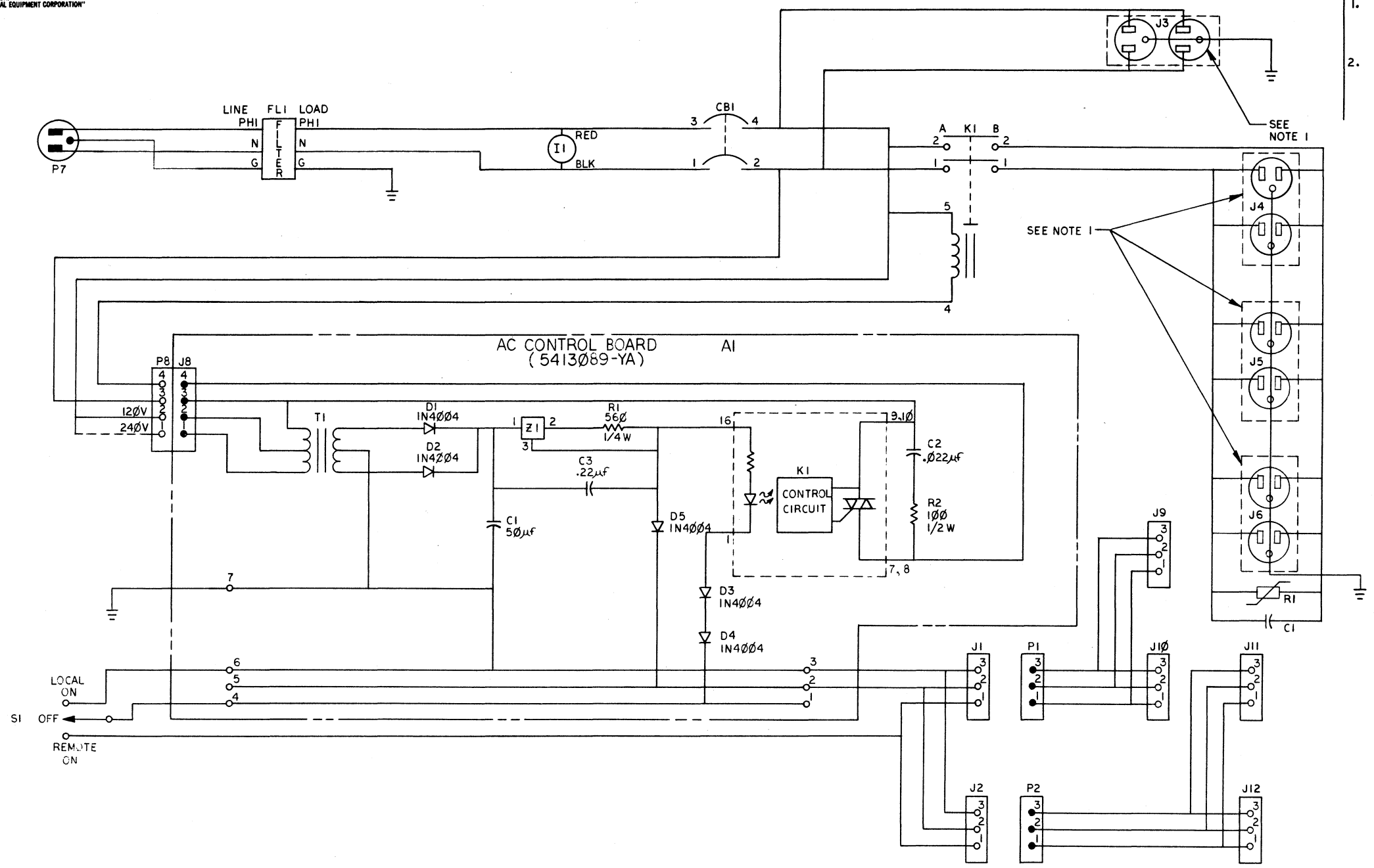
| | | | | | |
|-------------------------------|-------------------|------------------|-----------------|-------------------|---------|
| ! D ! I ! G ! I ! T ! A ! L ! | ! TITLE | ! SECTION A OF A | ! SIZE ! CODE ! | ! DOCUMENT NUMBER | ! REV ! |
| | 872 POWER CONTROL | | ! K ! PL ! | 872-0-DBP | B |

"THIS DRAWING AND SPECIFICATIONS HEREIN ARE THE PROPERTY OF DIGITAL EQUIPMENT CORPORATION AND SHALL NOT BE REPRODUCED OR COPIED OR USED IN WHOLE OR IN PART AS THE BASIS FOR THE MANUFACTURE OR SALE OF ITEMS WITHOUT WRITTEN PERMISSION.
 COPYRIGHT © 1979 DIGITAL EQUIPMENT CORPORATION"

1-0-718 CS D 2

NOTES:

1. RECEPTACLES J3-J6 ARE PICTORIALY SHOWN FOR VARIATION 872-A ONLY. FOR VARIATIONS B & C, SEE PARTS LIST.
2. RECEPTACLES J3-J6 ON SHEET 2 ARE PICTORIALY SHOWN FOR VARIATION 872-D ONLY. FOR VARIATION E, SEE PARTS LIST.

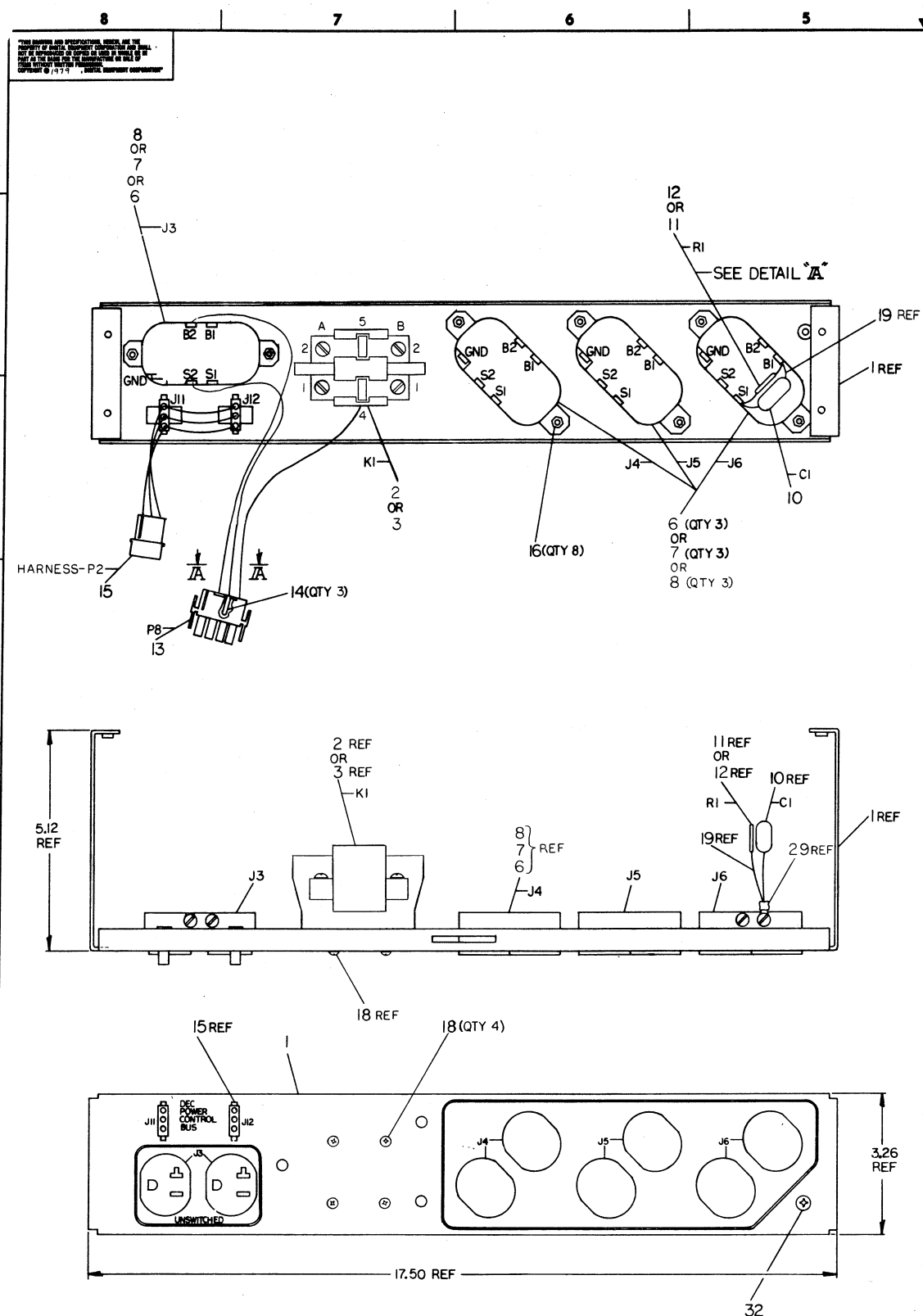


FOR VARIATIONS 872-A, B & C ONLY

| REV. | CHG. NO. | INITIAL | DATE |
|------|------------|--------------|---------|
| A | | | |
| B | 1872 ML001 | J. S. Miller | 2-7-80 |
| | | TOM CRK | |
| | | Tom Crk | 2-14-80 |

| | | | | |
|------------------|----------|--------------------|---------------------|---------|
| DRN: D. Zwickler | 20-10-79 | FIRST USED ON | 872 | digital |
| CHK'D: | | TITLE | POWER CONTROL (872) | |
| ENG.: | | PROJ. ENG.: | | |
| PROD.: | | NEXT HIGHER ASSY.: | E-UA-872-0-0 | |
| SCALE | NONE | SIZE | D CS | NUMBER |
| SHEET | 1 OF 2 | DIST. | | REV. B |

872-0-1

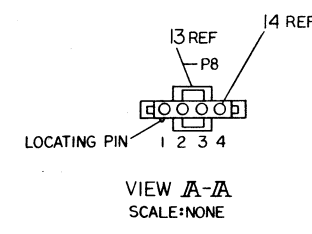
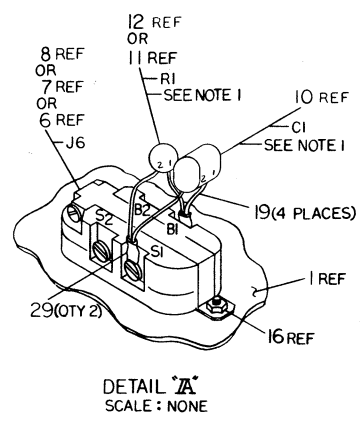


| LEGEND | |
|------------|---------------------------|
| NUMBER | VARIATION |
| 7017019-00 | REAR PANEL ASSY FOR 872-A |
| 7017019-01 | REAR PANEL ASSY FOR 872-B |
| 7017019-02 | REAR PANEL ASSY FOR 872-C |
| 7017019-03 | REAR PANEL ASSY FOR 872-D |
| 7017019-04 | REAR PANEL ASSY FOR 872-E |

NOTES (FOR SHEET 1 ONLY):

- LEADS ON CAPACITOR (ITEM 10) AND VARISTOR (ITEM 11 OR 12) TO BE APPROXIMATELY 1.38 INCHES LONG. SEE WIRE TABLE AND DETAIL "A".
- LENGTHS IN WIRE TABLE ARE INCHES. TOLERANCES ARE $\pm .25$
- REQUIRED TORQUE LEVELS FOR CERTAIN ELECTRO-MECHANICAL CONNECTIONS:
 - 18 ± 2 INCH LBS FOR TERMINALS ON CONTACTOR KI (ITEM 2 OR 3)
 - 16 ± 2 INCH LBS FOR 8-32 SCREW CONNECTIONS ON OUTLETS J3 THRU J6 (ITEMS 6, 7, OR 8).

| WIRE TABLE (FOR VARIATIONS 7017019-00, -01, -02.) | | | | | | | | | |
|---|-------------|-----|-------|-----------------|------|---------------|---------|---------------|--------------------------------|
| ITEM NO | DESCRIPTION | AWG | COLOR | FROM CONNECTION | WITH | TO CONNECTION | WITH | PRECUT LENGTH | REMARKS |
| 20 | 12 | BLU | --- | KI-A-1 | 26 | --- | 30 | 10 | |
| 20 | 12 | BLU | --- | --- | 26 | J3-S1 | 30 | 5 | |
| 22 | 14 | BRN | --- | --- | 26 | J3-B1 | 28 | 4 | |
| --- | 18 | YEL | --- | KI-A-2 | 26 | KI-5 | --- | 4 | |
| 22 | 14 | BRN | --- | --- | 27 | --- | 28 | 10 | |
| --- | 18 | YEL | --- | KI-4 | --- | P8-4 | 13 & 14 | 7 | |
| 24 | 18 | BLU | --- | J3-S2 | 29 | P8-3 | 13 & 14 | 7 | |
| 23 | 18 | BRN | --- | J3-B2 | 29 | P8-2 | 13 & 14 | 7 | 7017019-00, -02 |
| 23 | 18 | BRN | --- | J3-B2 | 29 | P8-1 | 13 & 14 | 7 | 7017019-01 ONLY |
| 22 | 14 | BRN | --- | KI-B-2 | 27 | J4-B2 | 28 | 4 | |
| 20 | 12 | BLU | --- | KI-B-1 | 26 | J4-S2 | 30 | 5 | |
| 21 | 14 | BLU | --- | J4-S1 | 28 | J5-S2 | 28 | 5 | |
| 22 | 14 | BRN | --- | J4-B1 | 28 | J5-B2 | 28 | 5 | |
| 21 | 14 | BLU | --- | J5-S1 | 28 | J6-S2 | 28 | 5 | |
| 22 | 14 | BRN | --- | J5-B1 | 28 | J6-B2 | 28 | 5 | |
| --- | --- | --- | --- | CI-1 | 19 | J6-B1 | 29 | --- | SEE NOTE 1 |
| 10 & 11 | --- | --- | --- | RI-1 | 19 | J6-S1 | 29 | --- | FOR VARIATIONS 7017019-00, -02 |
| --- | --- | --- | --- | CI-2 | 19 | --- | --- | --- | --- |
| --- | --- | --- | --- | RI-2 | 19 | --- | --- | --- | --- |
| --- | --- | --- | --- | CI-1 | 19 | J6-B1 | 29 | --- | FOR VARIATION 7017019-01 |
| 10 & 12 | --- | --- | --- | RI-1 | 19 | --- | --- | --- | SEE NOTE 1 |
| --- | --- | --- | --- | CI-2 | 19 | J6-S1 | 29 | --- | SEE NOTE 1 |



THIS SHEET FOR VARIATIONS 7017019-00, -01, & -02 ONLY

CAUTION: OFF SHEET PARTS LIST, REFER TO: K-PL-7017019-0-DBP

872 ML001 B
TOM ORR
REV. 2-14-81

| DESCRIPTION | DWG. PART NO. | ITEM NO. |
|-------------------------------------|---------------|----------|
| REAR PANEL ASSY (872 POWER CONTROL) | 872-A | 1 |

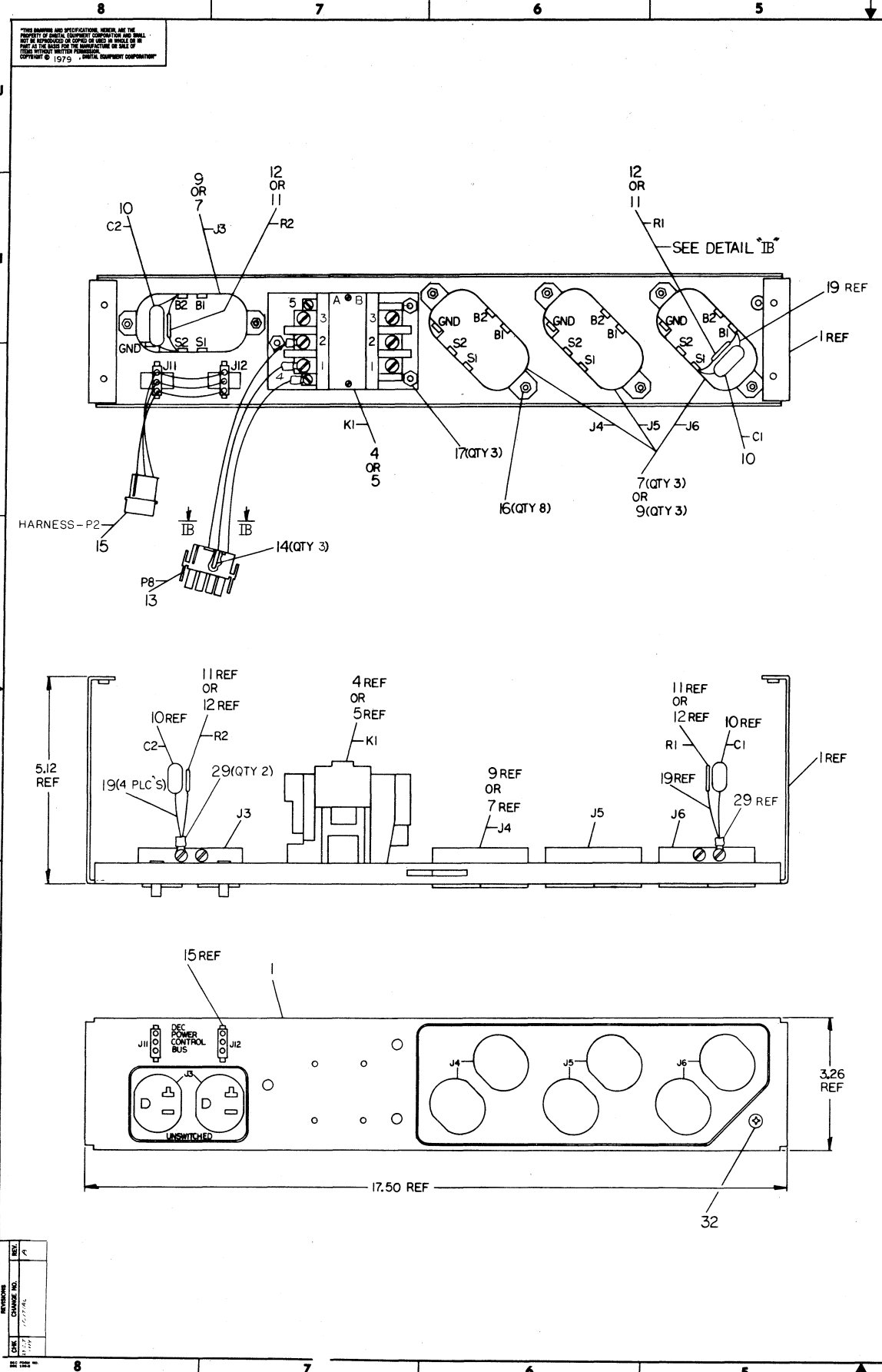
| UNLESS OTHERWISE SPECIFIED DIMENSIONS ARE IN INCHES |
|---|
| ANGLE: CLASS OF |
| ADJUSTMENT: (CHECK ONE) |
| SURFACE QUALITY: IN |
| QUANTITY & VARIATION |
| THIRD ANGLE PROJECTION |
| REMOVE BURRS AND BREAK SHARP CORNERS |
| DO NOT SCALE DWG |
| MATERIAL: E-JA-872-0-0 |
| FINISH: 1 |

| DATE | BY | CHKD | APP'D | REV. |
|----------|----|------|-------|------|
| 12-11-79 | ML | ML | ML | 1 |

SCALE: 1/1

SHEET 1 OF 2

ML

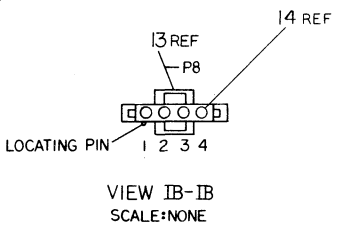
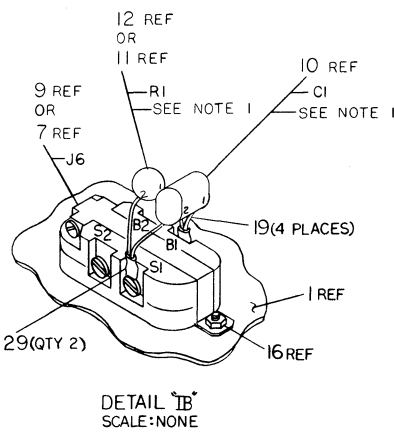


WIRE TABLE (VARIATIONS 7017019-03,-04)

| ITEM NO. | DESCRIPTION | FROM | | TO | | PRECUT LENGTH | REMARKS |
|----------|-------------|------|--------|------------|--------|---------------|--------------------------|
| | | AWG | COLOR | CONNECTION | WITH | | |
| 20 | 12 | BLU | KI-A-1 | 26 | J3-S1 | 30 | |
| 20 | 12 | BLU | KI-A-1 | 26 | J3-S1 | 30 | |
| 22 | 14 | BRN | KI-A-3 | 27 | J3-B1 | 28 | |
| 22 | 14 | BRN | KI-A-3 | 27 | J3-B1 | 28 | |
| 22 | 14 | BRN | KI-A-2 | 27 | J3-B1 | 28 | |
| 24 | 18 | BLU | KI-A-1 | 31 | P8-3 | 13 & 14 | |
| 23 | 18 | BRN | KI-A-2 | 31 | P8-2 | 13 & 14 | 7017019-03 ONLY |
| 23 | 18 | BRN | KI-A-2 | 31 | P8-1 | 13 & 14 | 7017019-04 ONLY |
| 25 | 18 | YEL | KI-A-4 | 31 | P8-4 | 13 & 14 | |
| 23 | 18 | BRN | KI-A-3 | 31 | KI-A-5 | 31 | |
| 20 | 12 | BLU | KI-B-1 | 26 | J4-S2 | 30 | |
| 21 | 14 | BLU | J4-S1 | 28 | J5-S2 | 28 | |
| 21 | 14 | BLU | J5-S1 | 28 | J6-S2 | 28 | |
| 22 | 14 | BRN | KI-B-2 | 27 | J5-B2 | 28 | |
| 22 | 14 | BRN | KI-B-3 | 27 | J4-B2 | 28 | |
| 22 | 14 | BRN | J5-B1 | 28 | J6-B2 | 28 | |
| 10 & 11 | | | CI-1 | 19 | J6-B1 | 29 | FOR VARIATION 7017019-03 |
| 10 & 11 | | | RI-1 | 19 | J6-S1 | 29 | SEE NOTE 1 |
| 10 & 12 | | | CI-2 | 19 | J6-B1 | 29 | FOR VARIATION 7017019-04 |
| 10 & 12 | | | RI-1 | 19 | J6-S1 | 29 | SEE NOTE 1 |
| 10 & 11 | | | CI-1 | 19 | J6-B1 | 29 | FOR VARIATION 7017019-03 |
| 10 & 11 | | | R2-1 | 19 | J3-B2 | 29 | SEE NOTE 1 |
| 10 & 12 | | | C2-2 | 19 | J3-S2 | 29 | FOR VARIATION 7017019-04 |
| 10 & 12 | | | R2-2 | 19 | J3-S2 | 29 | SEE NOTE 1 |

NOTES (FOR SHEET 2 ONLY):

- LEADS ON CAPACITOR (ITEM 10) AND VARISTOR (ITEM 11 OR 12) TO BE APPROXIMATELY 1.38 INCHES LONG. SEE WIRE TABLE AND DETAIL 1B.
- LENGTHS IN WIRE TABLE ARE INCHES. TOLERANCES ARE ±.25.
- REQUIRED TORQUE LEVELS FOR CERTAIN ELECTRO-MECHANICAL CONNECTIONS:
 - A) 18 ± 2 INCH LBS FOR TERMINALS ON CONTACTOR KI (ITEM 4 OR 5)
 - B) 16 ± 2 INCH LBS FOR 8-32 SCREW CONNECTIONS ON OUTLETS J3 THRU J6 (ITEMS 7 OR 9).



THIS SHEET FOR VARIATIONS 7017019-03 & -04 ONLY

CAUTION: OFF SHEET PARTS LIST REFER TO K-PL-7017019-0-DBP

| DESCRIPTION | DWG. PART NO. | ITEM NO. |
|-------------------------------------|---------------|----------|
| REAR PANEL ASSY (872 POWER CONTROL) | 872-A | |

UNLESS OTHERWISE SPECIFIED DIMENSIONS ARE IN INCHES

| ANGLE | AS MANUFACTURED | AS SHOWN | AS SHOWN | AS SHOWN | AS SHOWN |
|-------|-----------------|----------|----------|----------|----------|
| 30° | ±0.004 | ±0.004 | ±0.004 | ±0.004 | ±0.004 |
| 45° | ±0.004 | ±0.004 | ±0.004 | ±0.004 | ±0.004 |
| 60° | ±0.004 | ±0.004 | ±0.004 | ±0.004 | ±0.004 |
| 90° | ±0.004 | ±0.004 | ±0.004 | ±0.004 | ±0.004 |

THIRD ANGLE PROJECTION

REMOVE BURRS AND BREAK SHARP CORNERS

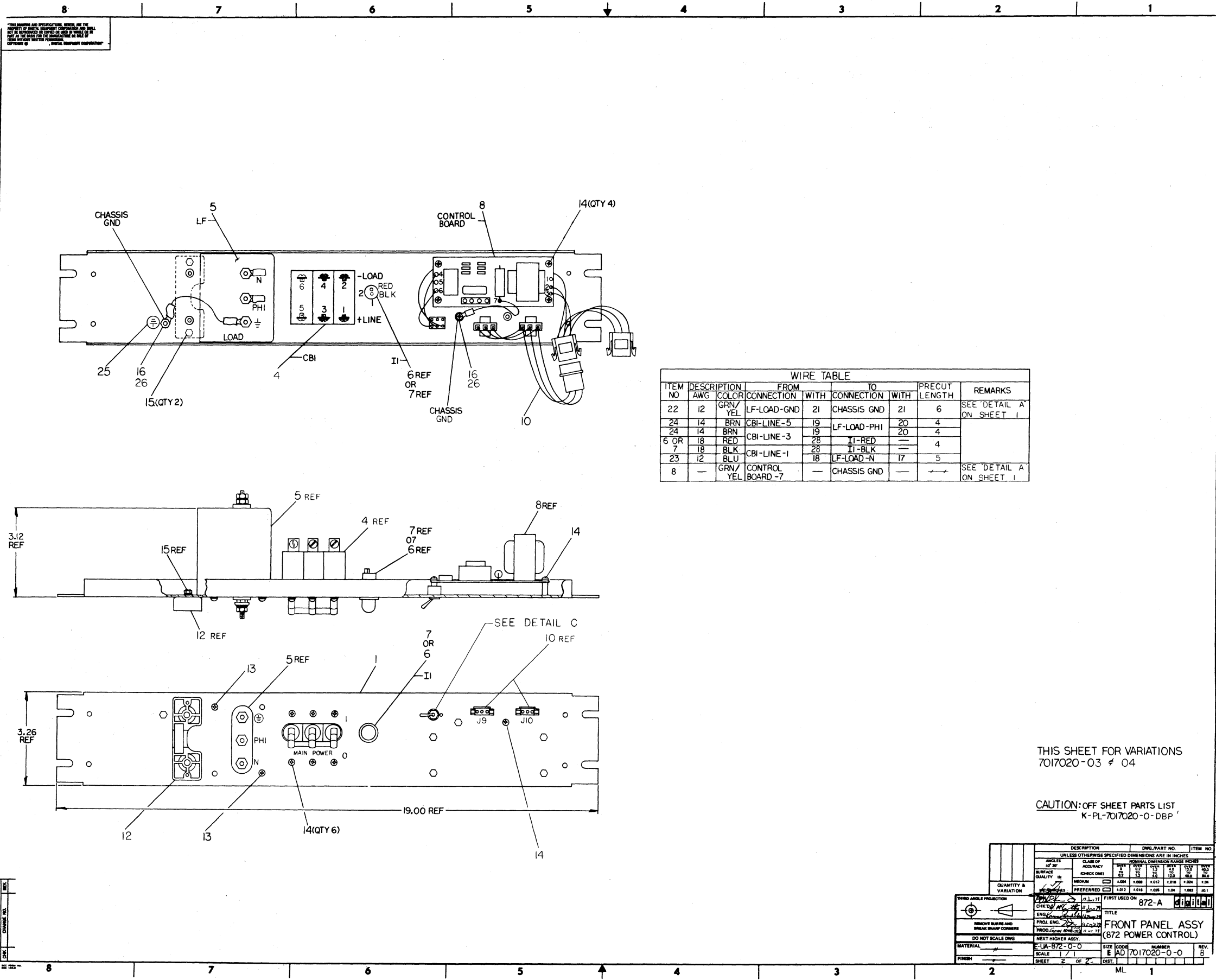
DO NOT SCALE DWG

MATERIAL: E-1A-872-0-0

SCALE: 1/2

SHEET: 2 OF 2

REV. B



THIS DRAWING AND SPECIFICATIONS, BEING THE PROPERTY OF AMERICA ELECTRONIC COMPANY, WILL BE LOANED TO YOU FOR INFORMATION ONLY. IT IS NOT TO BE REPRODUCED OR COPIED IN ANY MANNER WITHOUT THE WRITTEN PERMISSION OF AMERICA ELECTRONIC COMPANY.

WIRE TABLE

| ITEM NO | AWG | COLOR | FROM CONNECTION | WITH CONNECTION | TO CONNECTION | WITH CONNECTION | PRECUT LENGTH | REMARKS |
|---------|-----|---------|-----------------|-----------------|---------------|-----------------|---------------|---------------------------|
| 22 | 12 | GRN/YEL | LF-LOAD-GND | 21 | CHASSIS GND | 21 | 6 | SEE "DETAIL A" ON SHEET 1 |
| 24 | 14 | BRN | CBI-LINE-5 | 19 | LF-LOAD-PHI | 20 | 4 | |
| 24 | 14 | BRN | CBI-LINE-5 | 19 | LF-LOAD-PHI | 20 | 4 | |
| 6 OR 7 | 18 | RED | CBI-LINE-3 | 28 | I1-RED | — | 4 | |
| 7 | 18 | BLK | CBI-LINE-3 | 28 | I1-BLK | — | 4 | |
| 23 | 12 | BLU | CBI-LINE-1 | 18 | LF-LOAD-N | 17 | 5 | |
| 8 | — | GRN/YEL | CONTROL BOARD-7 | — | CHASSIS GND | — | — | SEE "DETAIL A" ON SHEET 1 |

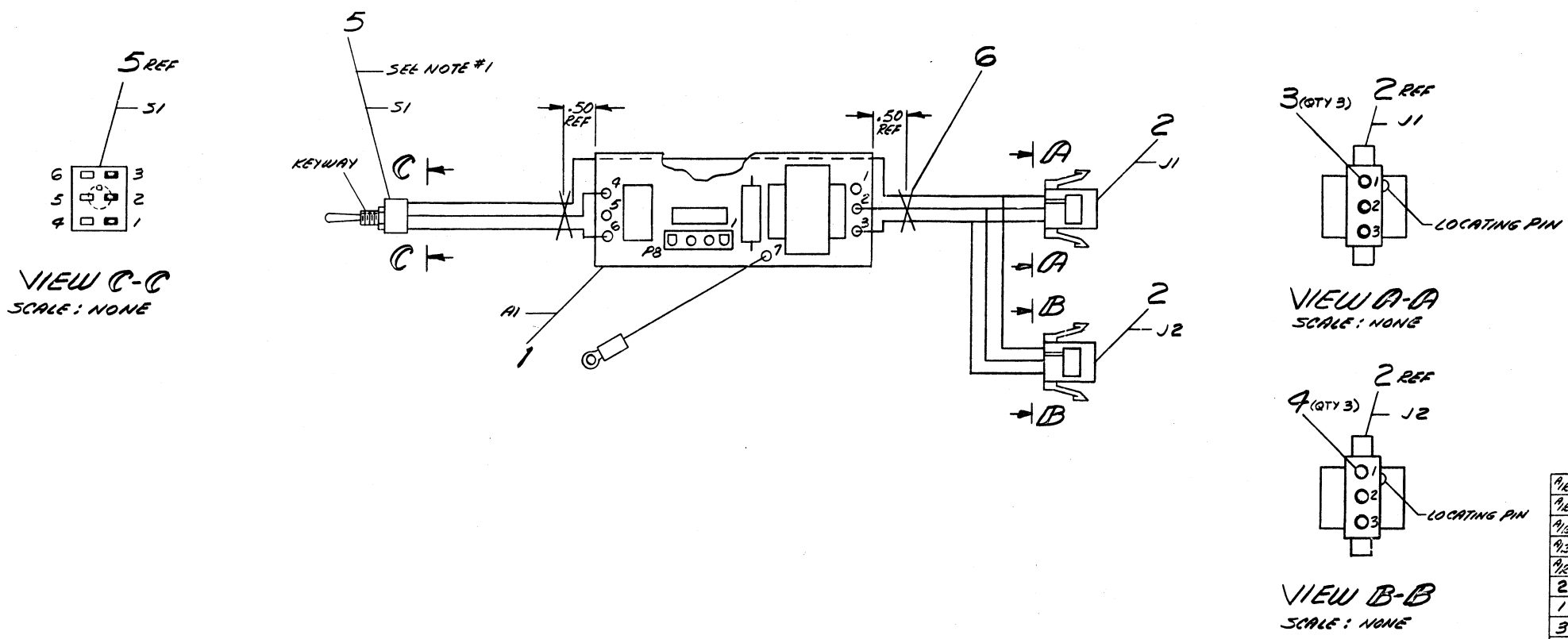
THIS SHEET FOR VARIATIONS
7017020-03 & 04

CAUTION: OFF SHEET PARTS LIST
K-PL-7017020-0-DBP

| | | | |
|---|--------------------------------------|-----------|------------------|
| DESCRIPTION | 872-A | ITEM NO. | |
| UNLESS OTHERWISE SPECIFIED DIMENSIONS ARE IN INCHES | | | |
| ANGLE | | | |
| CLAMP OF | | | |
| ACCURACY | | | |
| FINISH | | | |
| QUANTITY & VARIATION | | | |
| FINISH | | | |
| DATE | | | |
| SCALE | 1/1 | | |
| SHEET | 2 OF 2 | | |
| TITLE | FRONT PANEL ASSY (872 POWER CONTROL) | | |
| MATERIAL | AL-872-0-0 | SIZE CODE | 8 AD 7017020-0-0 |
| FINISH | | NUMBER | 5 |
| | | REV | 5 |

| WIRE TABLE | | | | | | | |
|------------|-------------|-------|------------|------|------------|------|---------------|
| ITEM NO. | DESCRIPTION | | FROM | | TO | | PRECUT LENGTH |
| | AWG | COLOR | CONNECTION | WITH | CONNECTION | WITH | |
| 11 | 22 | ORN | A1-4 | 50L | 51-2 | 50L | 3 IN |
| 10 | | VIO | A1-6 | 50L | 51-1 | 50L | 3 IN |
| 8 | | BLK | A1-2 | 50L | J1-2 | #3 | 3 IN |
| 8 | | BLK | J2-2 | #4 | J1-2 | #3 | 3 IN |
| 7 | | GRN | A1-3 | 50L | J1-3 | #3 | 3 IN |
| 7 | | GRN | J2-3 | #4 | J1-3 | #3 | 3 IN |
| 9 | | RED | 51-3 | 50L | J1-1 | #3 | 2.75 IN |
| 9 | 22 | RED | J2-1 | #4 | J1-1 | #3 | 3 IN |

NOTES:
 1. HARDWARE FOR MOUNTING SWITCH IS SUPPLIED WITH ITEM #5 (SWITCH, TOGGLE DPDT).



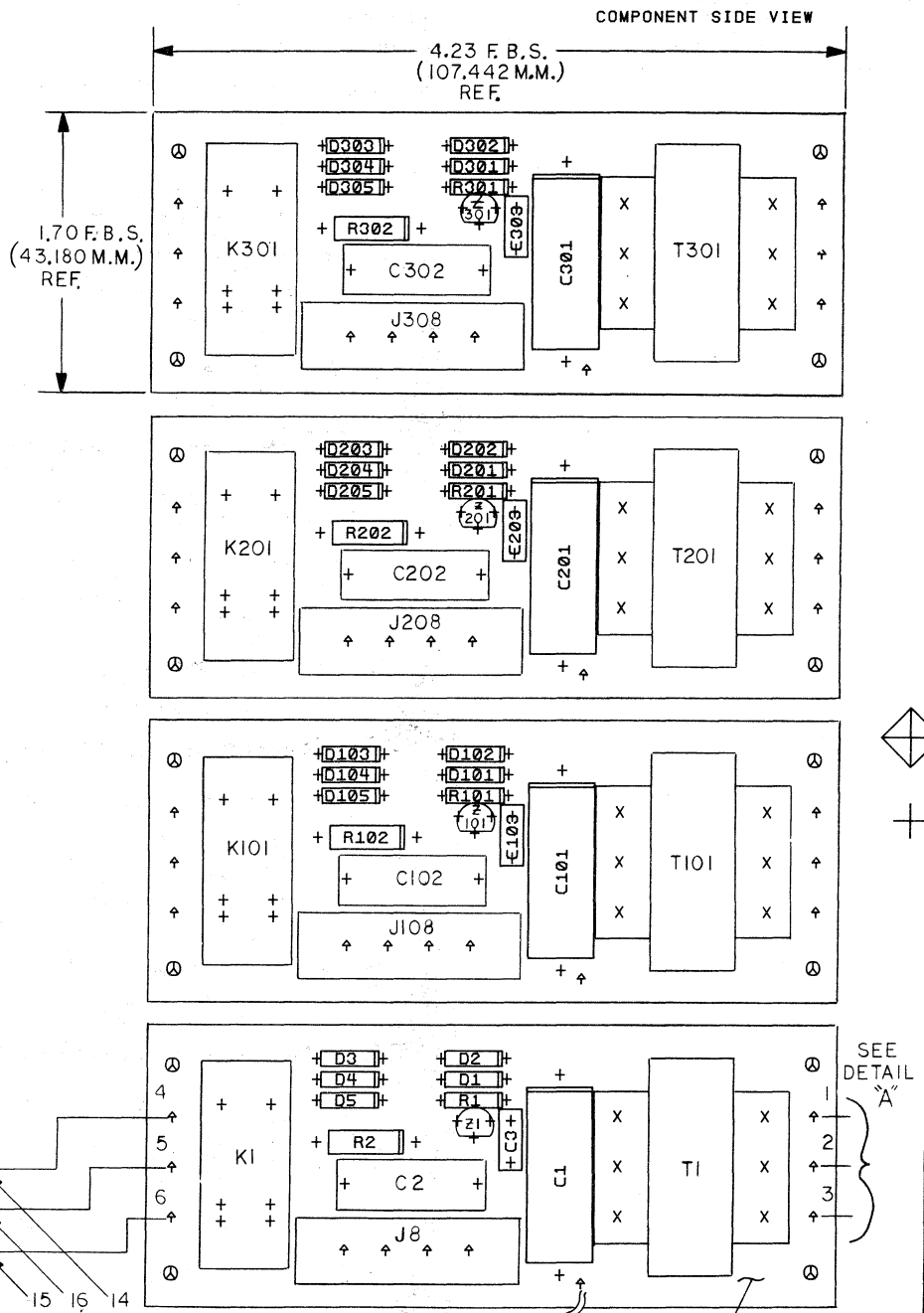
| ITEM NO. | DESCRIPTION | DWG. PART NO. | ITEM NO. |
|----------|------------------------------|-----------------|----------|
| 11 | WIRE, 22 AWG (ORN) | 9107350-33 | 11 |
| 10 | WIRE, 22 AWG (VIO) | 9107350-77 | 10 |
| 9 | WIRE, 22 AWG (RED) | 9107350-22 | 9 |
| 8 | WIRE, 22 AWG (BLK) | 9107350-00 | 8 |
| 7 | WIRE, 22 AWG (GRN) | 9107350-55 | 7 |
| 6 | TIE, CABLE | 9007031-00 | 6 |
| 5 | SWITCH, TOGGLE DPDT | A-PS-1210976-00 | 5 |
| 4 | SOCKET, FEMALE CONTACT | A-PS-1209379-03 | 4 |
| 3 | SOCKET, FEMALE CONTACT | A-PS-1209379-03 | 3 |
| 2 | CONN. HOUSING FEMALE (3 PIN) | A-PS-1209350-03 | 2 |
| 1 | PC CONTROL BOARD | D-VA-5943009-YA | 1 |

| | |
|---|-----------------------------------|
| UNLESS OTHERWISE SPECIFIED DIMENSIONS ARE IN INCHES | |
| ANGLES 30° 30' | CLASS OF ACCURACY (CHECK ONE) |
| SURFACE QUALITY IN | NOMINAL DIMENSION RANGE IN INCHES |
| FINISH | MIN. FINISHES |
| QUANTITY & VARIATION | PREFERRED |
| THIRD ANGLE PROJECTION | FIRST USED ON |
| REMOVE BURRS AND BREAK SHARP CORNERS | TITLE |
| DO NOT SCALE DWG | NEXT HIGHER ASSY. |
| MATERIAL SEE PARTS LIST | SCALE NONE |
| FINISH | SHEET 1 OF 1 |

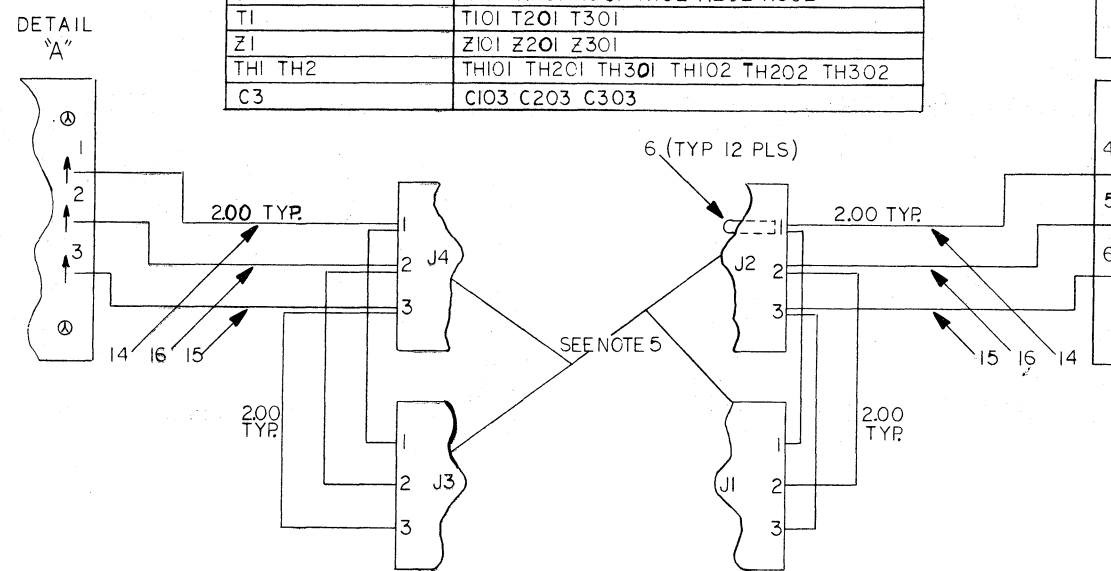
"THIS DRAWING AND SPECIFICATIONS, HEREIN, ARE THE PROPERTY OF DIGITAL EQUIPMENT CORPORATION AND SHALL NOT BE REPRODUCED OR COPIED OR USED IN WHOLE OR IN PART AS THE BASIS FOR THE MANUFACTURE OR SALE OF ITEMS WITHOUT WRITTEN PERMISSION. COPYRIGHT © 1978, DIGITAL EQUIPMENT CORPORATION"

| | |
|------------|--|
| REV. | |
| CHANGE NO. | |
| CHK | |

THIS DRAWING AND SPECIFICATIONS, HEREIN, ARE THE PROPERTY OF DIGITAL EQUIPMENT CORPORATION AND SHALL NOT BE REPRODUCED OR COPIED OR USED IN WHOLE OR IN PART AS THE BASIS FOR THE MANUFACTURE OR SALE OF ITEMS WITHOUT WRITTEN PERMISSION. DIGITAL EQUIPMENT CORPORATION © 1978



| REFERENCE | DESIGNATION | CHART |
|----------------|-------------------------------------|-------|
| ACTUAL REF DES | SUPERFICIAL REF DES | |
| C1 C2 | C101 C201 C301 C102 C202 C302 | |
| D1 D2 | D101 D201 D301 D102 D202 D302 | |
| D3 D4 | D103 D203 D303 D104 D204 D304 | |
| D5 | D105 D205 D305 | |
| J8 | J108 J208 J308 | |
| K1 | K101 K201 K301 | |
| R1 R2 | R101 R201 R301 R102 R202 R302 | |
| T1 | T101 T201 T301 | |
| Z1 | Z101 Z201 Z301 | |
| TH1 TH2 | TH101 TH201 TH301 TH102 TH202 TH302 | |
| C3 | C103 C203 C303 | |



NOTES: 1. THIS BOARD REQUIRES U/L APPROVAL.
 2. DO NOT SLIT BOARD MUST BE SHEARED.
 3. REFER TO PARTS LIST FOR IDENTIFICATION OF NUMBERED ITEMS.
 4. MULTI-REF DESIGNATIONS ARE USED TO ACCOMMODATE PNL INS TECHNIQUES—SEE CHART FOR REF.
 5. J1 J2 J3 J4 ARE NOT USED ON YA VARIATION.

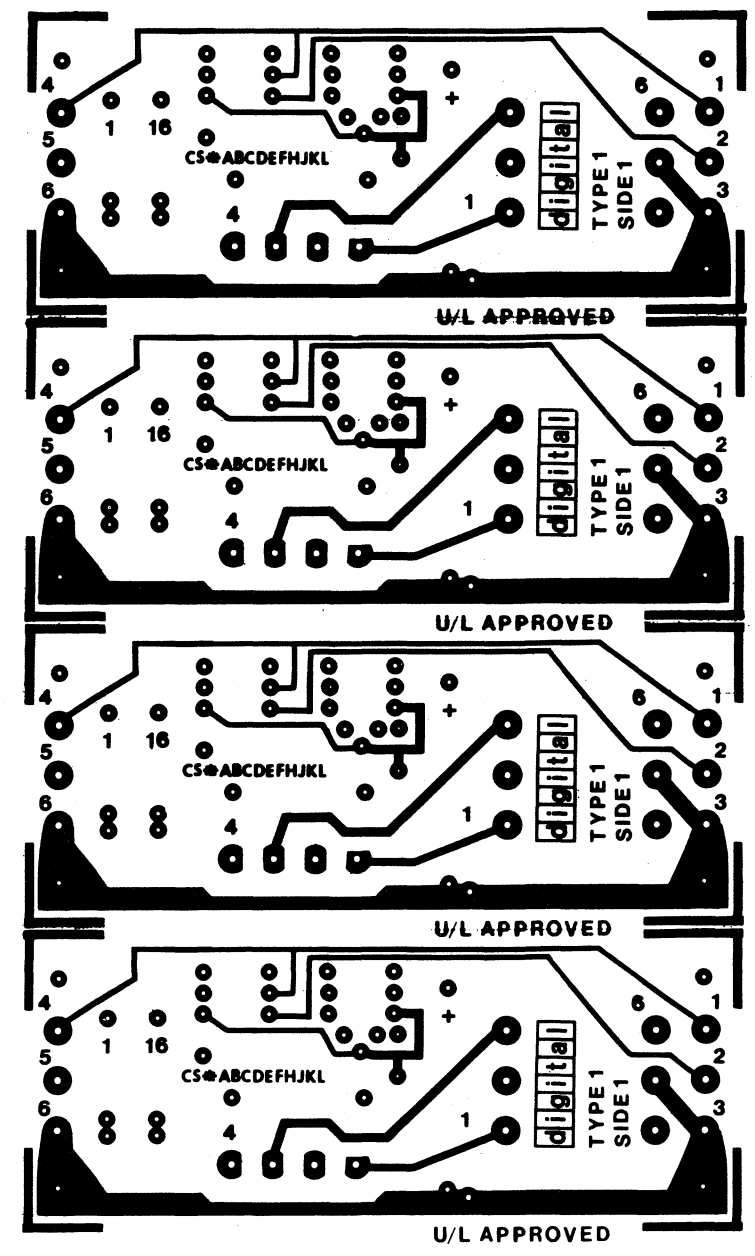
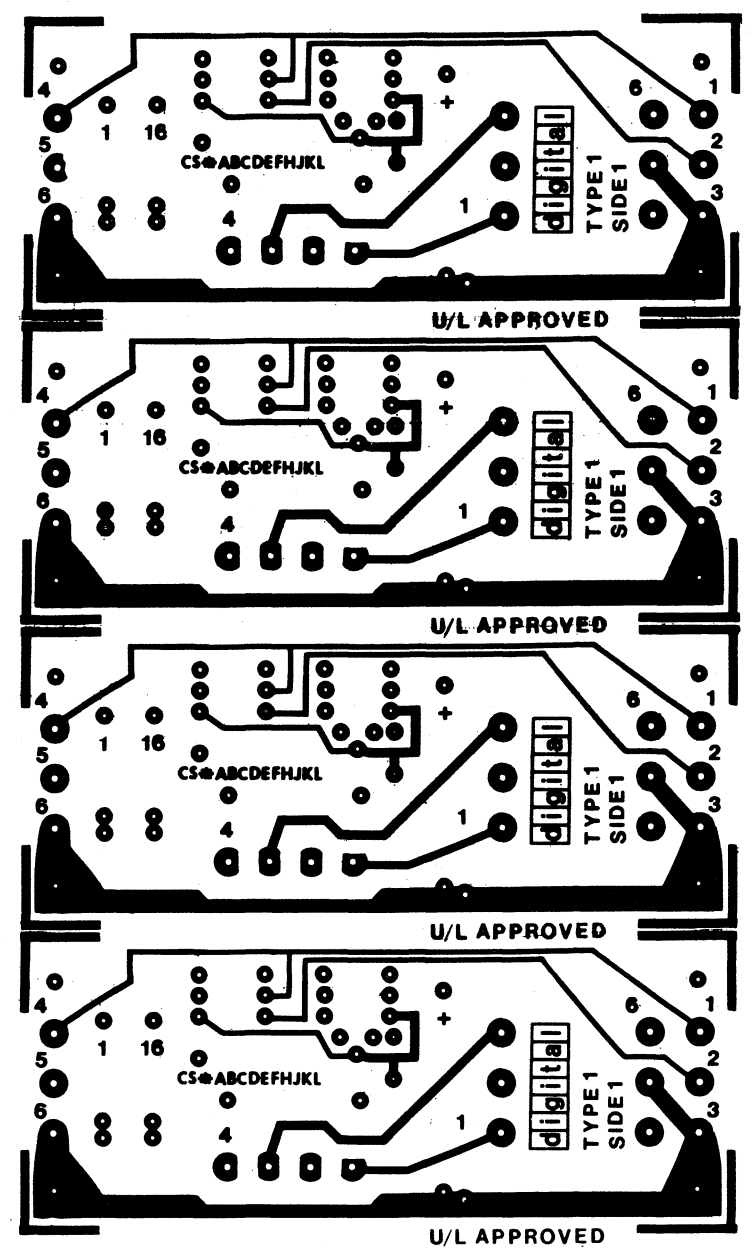
| CHANGE NO | REV | DATE | BY |
|-----------|-----------|------|----|
| ML004 | E | | |
| | EVANS | | |
| | W. BAUSHA | | |

| |
|------------------------------|
| ETCH REV. C-PI |
| P.C. DESIGN DATA BASE REV. C |

| SIGNATURES | DATE | TITLE |
|------------------------------------|---------|-------------------------------|
| DRN. STU EVANS | 7-27-78 | digital A.C. CONTROL BOARD |
| CHK'D. <i>[Signature]</i> | 1-4-79 | |
| ENG. <i>[Signature]</i> | 1/9/79 | |
| PROJ. ENG. <i>[Signature]</i> | 1/9/79 | |
| PROD. <i>[Signature]</i> | 1/9/79 | |
| SCALE 2/1 | | SIZE CODE NUMBER |
| SHT. 1 OF 3 | | D UA 5413089-0-0 |
| NEXT HIGHER ASSY. B-DD-5413089-0-0 | | REV E |

"THIS DRAWING AND SPECIFICATIONS HEREIN ARE THE PROPERTY OF DIGITAL EQUIPMENT CORPORATION AND SHALL NOT BE REPRODUCED OR COPIED OR USED IN WHOLE OR IN PART AS THE BASIS FOR THE MANUFACTURE OR SALE OF ITEMS WITHOUT WRITTEN PERMISSION. COPYRIGHT © DIGITAL EQUIPMENT CORPORATION 1979"

L1 5413089 5013088C-P1



| REVISIONS | | |
|-----------|-----------|-----|
| CHK | CHANGE NO | REV |
| | | |
| | | |
| | | |
| | | |
| | | |
| | | |
| | | |
| | | |
| | | |

| | | | |
|-------------------|--------------|------------|------|
| TITLE | SIZE CODE | NUMBER | REV. |
| AC. CONTROL BOARD | D UA | 5413089-00 | E |
| SCALE 2 : 1 | SHEET 2 OF 3 | DIST. | |

DUA5413089-00 E

8

7

6

5

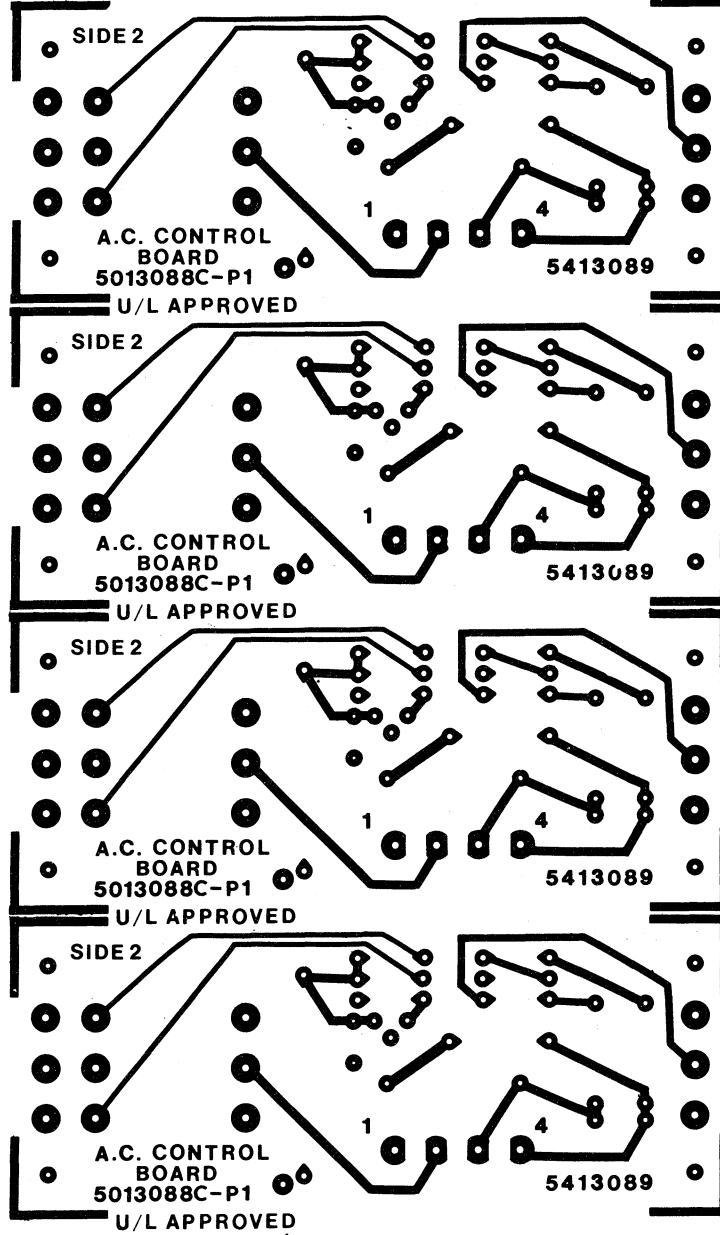
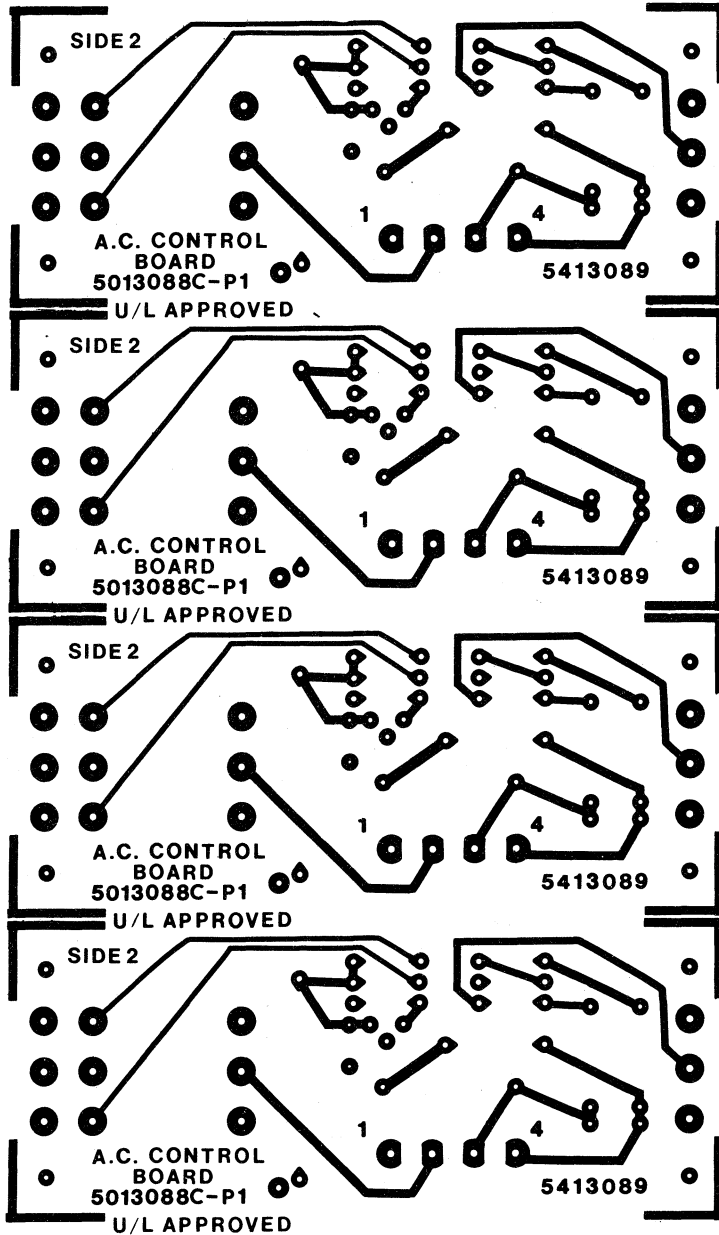
4

3

DUA 5413089-0-0 2

1

"THIS DRAWING AND SPECIFICATIONS, HEREIN, ARE THE PROPERTY OF DIGITAL EQUIPMENT CORPORATION AND SHALL NOT BE REPRODUCED OR COPIED OR USED IN WHOLE OR IN PART AS THE BASIS FOR THE MANUFACTURE OR SALE OF ITEMS WITHOUT WRITTEN PERMISSION. DIGITAL EQUIPMENT CORPORATION" 1979



D
C
B
A

D
C
B
A

DUA 5413089-0-0

| REVISIONS | | |
|-----------|-----------|-----|
| CHK | CHANGE NO | REV |
| | | |

| | | | |
|--------------------|--------------|-------------|------|
| TITLE | SIZE/CODE | NUMBER | REV. |
| A.C. CONTROL BOARD | D UA | 5413089-0-0 | E |
| SCALE 2:1 | SHEET 3 OF 3 | DIST. | |

8

7

6

5

4

3

2

1

| LINE | ITEM | DOCUMENT NUMBER | PART NUMBER | DESCRIPTION | QTY | REFERENCE DESIGNATOR |
|------|------|------------------|-------------|----------------------------------|-----|----------------------|
| 1 | 1 | D-MD-5013088-0-0 | 5013088-00 | PILOT CONTROL BOARD | 1 | |
| 2 | 2 | | 1000080-00 | 50 MFD 50V GZ 30D AL EL | 1 | C1 |
| 3 | 3 | | 1014430-00 | .022 MFD 270V 10% M.POLYPROP | 1 | C2 |
| 4 | 4 | | 1105796-00 | 1N 4004 FIV=400 I= 1A D041 SP | 5 | D1-D5 |
| 5 | 5 | | 1209350-03 | MATE-N-LOK 3PIN,HOUSING,SKT | 4 | J1-J4 |
| 6 | 6 | | 1209379-00 | MATE-N-LOK PIN 20-14AWG STRIP SD | 12 | |
| 7 | 7 | | 1212297-01 | MATE-N-LOK 4PIN UNIV HEADER | 1 | J8 |
| 8 | 8 | | 1214380-00 | RLY,G.P., SFST, 0.5A \$ | 1 | K1 |
| 9 | 9 | | 1300228-00 | 100 1/2W 5% CC | 1 | R2 |
| 10 | 10 | | 1301890-00 | 560 1/4W 5% CC | 1 | R1 |
| 11 | 11 | | 1612342-00 | XFMR P=AB S=48CT | 1 | T1 |
| 12 | 12 | | 1914471-00 | 78L08 VOLT.REG.FIX .+ | 1 | Z1 |
| 13 | 13 | | 9007930-00 | TERM RING 1POS INSULATED,22-16 | 1 | |
| 14 | 14 | | 9107360-66 | WIRE,STRND,18AWG,IPVC UL1429 | A/R | |
| 15 | 15 | | 9107360-77 | WIRE,STRND,18AWG,IPVC UL1429 | A/R | |
| 16 | 16 | | 9107360-88 | WIRE,STRND,18AWG,IPVC UL1429 | A/R | |
| 17 | 17 | | 9107410-54 | WIRE,STRND,18AWG,IPVC UL1429 | A/R | |
| 18 | 18 | | 1010274-00 | .22 MFD 50V -20+80 Z5U CER | 1 | C3 |

19 NOTE: REFER TO DWG. D-UA-5413089-0-0, REV.A FOR ADDITIONAL INSERTION CRITERIA.

| REVISION HISTORY | | BASIC PART NO: 5413089 | | DRN: | A.COLON | DATE: 14-MAR-78 | D I G I T A L | | | |
|------------------|---------------|------------------------|-------------------------|------------------|-----------|-----------------|--------------------|------|---------------|-----|
| ENG | ECO NUMBER | REV | SECTION 1 OF 2 | CHK'D: | R.GLEEZEN | DATE: 14-MAR-78 | TITLE PARTS LIST | | | |
| KIT | 00002 | C | SECTION.VARIATION INDEX | DES.ENG: | L.DOIRON | DATE: 14-MAR-78 | A.C. CONTROL BOARD | | | |
| R.R | 00003 | D | [1] 00 | | | | DOCUMENT NUMBER | | | |
| C.L | 5413089-ML004 | E | [2] YA | RESP.ENG.: | R.KENNEDY | DATE: 14-MAR-78 | SIZE | CODE | NUMBER | REV |
| | | | [3] | MFG.ENG.: | B.MANSON | DATE: 14-MAR-78 | K | PL | 5413089-0-DBP | E |
| | | | [4] | ASSEMBLY NUMBER: | | | FILE NAME: | | | |
| | | | [5] | D-UA-5413089-0-0 | | | Z0195E.PLS | | | |
| | | | [6] | | | | EDIT #: | | | |
| | | | [7] | | | | 12 | | | |
| | | | [8] | | | | | | | |
| | | | [9] | | | | | | | |
| | | | [10] | | | | | | | |
| | | | [11] | | | | | | | |
| | | | [12] | | | | | | | |

*THIS DRAWING AND SPECIFICATIONS HEREIN, ARE THE PROPERTY OF DIGITAL EQUIPMENT CORPORATION AND SHALL NOT BE REPRODUCED OR COPIED OR USED IN WHOLE OR IN PART AS THE BASIS FOR THE MANUFACTURE OR SALE OF ITEMS WITHOUT WRITTEN PERMISSION. COPYRIGHT (C) 1979. DIGITAL EQUIPMENT CORPORATION *

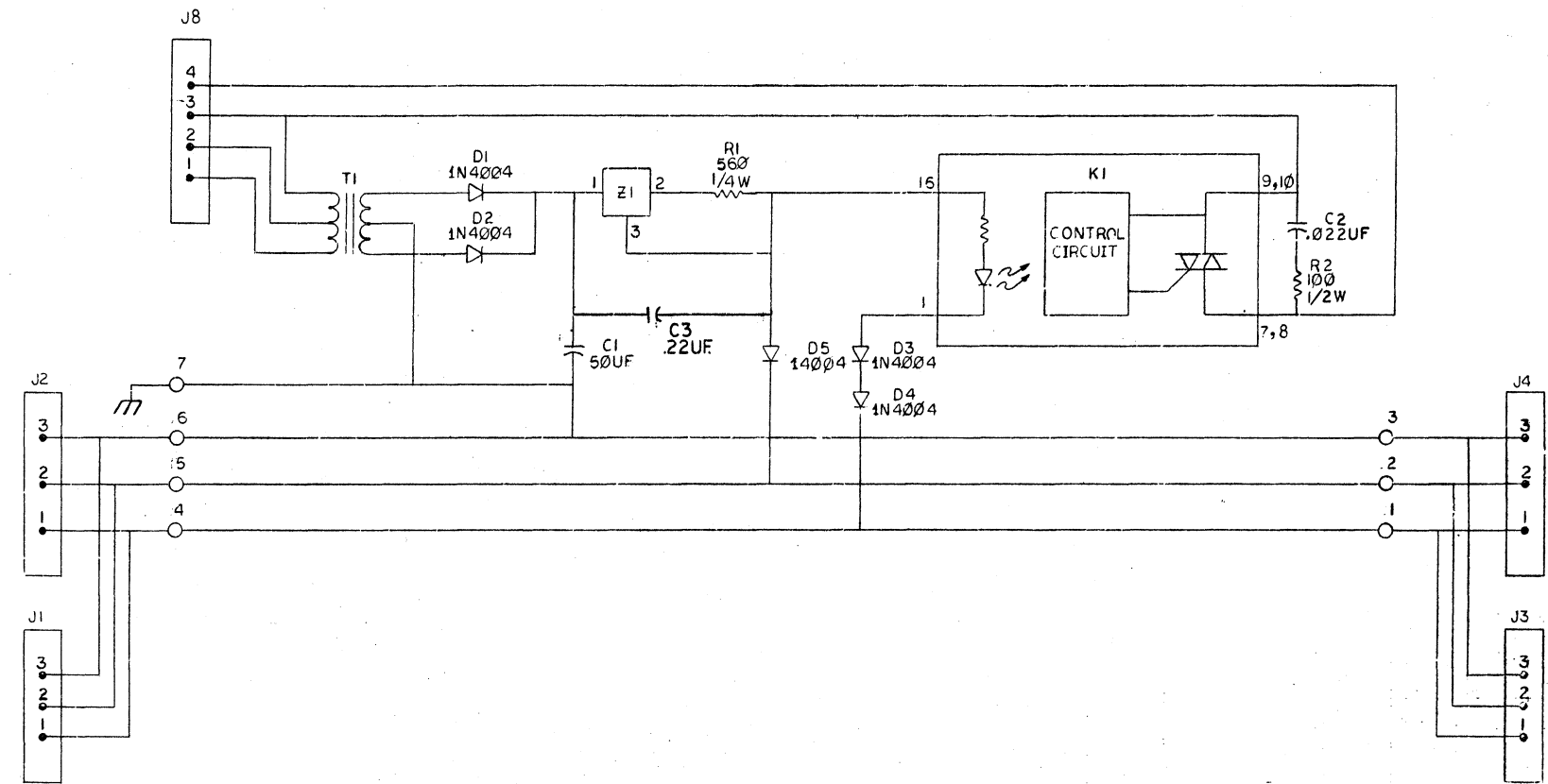
| LINE | ITEM | DOCUMENT NUMBER | PART NUMBER | DESCRIPTION | QTY | REFERENCE DESIGNATOR |
|------|------|------------------|-------------|----------------------------------|-----|----------------------|
| 1 | 1 | D-MD-5013088-0-0 | 5013088-00 | PILOT CONTROL BOARD | 1 | |
| 2 | 2 | | 1000080-00 | 50 MFD 50V G% 30D AL EL | 1 | C1 |
| 3 | 3 | | 1014430-00 | .022 MFD 270V 10% M.POLYPROP | 1 | C2 |
| 4 | 4 | | 1105796-00 | 1N 4004 PIV=400 I= 1A D041 SP | 5 | D1-D5 |
| 5 | 5 | | 1209350-03 | MATE-N-LOK 3PIN,HOUSING,SKT | 0 | |
| 6 | 6 | | 1209379-00 | MATE-N-LOK PIN 20-14AWG STRIP SD | 0 | |
| 7 | 7 | | 1212297-01 | MATE-N-LOK 4PIN UNIV HEADER | 1 | J8 |
| 8 | 8 | | 1214380-00 | RLY,G.P., SPST, 0.5A \$ | 1 | K1 |
| 9 | 9 | | 1300228-00 | 100 1/2W 5% CC | 1 | R2 |
| 10 | 10 | | 1301890-00 | 560 1/4W 5% CC | 1 | R1 |
| 11 | 11 | | 1612342-00 | XFMR P=AB S=48CT | 1 | T1 |
| 12 | 12 | | 1914471-00 | 78L08 VOLT.REG.FIX .+ | 1 | Z1 |
| 13 | 13 | | 9007930-00 | TERM RING 1POS INSULATED,22-16 | 1 | |
| 14 | 14 | | 9107360-66 | WIRE,STRND,18AWG,IPVC UL1429 | 0 | |
| 15 | 15 | | 9107360-77 | WIRE,STRND,18AWG,IPVC UL1429 | 0 | |
| 16 | 16 | | 9107360-88 | WIRE,STRND,18AWG,IPVC UL1429 | 0 | |
| 17 | 17 | | 9107410-54 | WIRE,STRND,18AWG,IPVC UL1429 | A/R | |
| 18 | 18 | | 1010274-00 | .22 MFI 50V -20+80 Z5U CER | 1 | C3 |

19 NOTE: REFER TO DWG. D-UA-5413089-0-0, REV.A FOR ADDITIONAL INSERTION CRITERIA.

| REVISION HISTORY | | BASIC PART NO: 5413089 | | DRN: | A.COLON | DATE: | 14-MAR-78 | D I G I T A L | | | |
|---|---------------|------------------------|-------------------------|------------------|------------------|-------|-----------|------------------|------|---------------|-----|
| ENG | ECO NUMBER | REV | SECTION 2 OF 2 | CHK'D: | R.GLEEZEN | DATE: | 14-MAR-78 | TITLE PARTS LIST | | | |
| KIT | 00002 | C | SECTION,VARIATION INDEX | DES.ENG: | L.DOIRON | DATE: | 14-MAR-78 | DOCUMENT NUMBER | | | |
| R.R | 00003 | D | [1] 00 | MFG.ENG.: | B.MANSON | DATE: | 14-MAR-78 | SIZE | CODE | NUMBER | REV |
| C.L | 5413089-ML004 | E | [2] YA | ASSEMBLY NUMBER: | D-UA-5413089-0-0 | | | K | PL | 5413089-0-DBP | E |
| | | | [3] | | | | | | | | |
| | | | [4] | | | | | | | | |
| | | | [5] | | | | | | | | |
| | | | [6] | | | | | | | | |
| | | | [7] | | | | | | | | |
| | | | [8] | | | | | | | | |
| | | | [9] | | | | | | | | |
| | | | [10] | | | | | | | | |
| | | | [11] | | | | | | | | |
| | | | [12] | | | | | | | | |
| <p>*THIS DRAWING AND SPECIFICATIONS HEREIN, ARE THE PROPERTY OF DIGITAL EQUIPMENT CORPORATION AND SHALL NOT BE REPRODUCED OR COPIED OR USED IN WHOLE OR IN PART AS THE BASIS FOR THE MANUFACTURE OR SALE OF ITEMS WITHOUT WRITTEN PERMISSION. COPYRIGHT (C) 1979. DIGITAL EQUIPMENT CORPORATION *</p> | | | | | | | | | | | |

"THIS DRAWING AND SPECIFICATIONS, HEREIN, ARE THE PROPERTY OF DIGITAL EQUIPMENT CORPORATION AND SHALL NOT BE REPRODUCED OR COPIED IN WHOLE OR IN PART AS THE BASIS FOR THE MANUFACTURE OR SALE OF ITEMS WITHOUT WRITTEN PERMISSION OF DIGITAL EQUIPMENT CORPORATION"

NOTES:
1. CONNECTORS J4, J3, J2, J1 ARE NOT USED ON YA VARIATION.



| REV. | CHG. NO. | BY | DATE |
|------|----------|-----|------|
| B | 1 | ... | ... |
| C | ... | ... | ... |
| D | ... | ... | ... |
| E | ... | ... | ... |

| | | |
|-------------------------------|---------------|--------------------|
| DR. <i>[Signature]</i> | FIRST USED ON | H765 |
| CHK. <i>[Signature]</i> | TITLE | A.C. CONTROL BOARD |
| DES. <i>[Signature]</i> | SCALE | NONE |
| PROJ. ENG. <i>[Signature]</i> | SIZE | CODE |
| PROD. <i>[Signature]</i> | D | CS 5413089-0-1 |
| NEXT HIGHER ASSY. | NUMBER | REV. |
| D-UA-5413089-0-0 | | E |
| SHEET | OF | DIST. |

| LINE ITEM | DOCUMENT NUMBER | PART NUMBER | DESCRIPTION | QUANTITY PER VARIATION | | | | | |
|-----------|-----------------|------------------|-------------|----------------------------------|-----|-----|-----|-----|-----|
| | | | | 00 | 01 | 02 | 03 | 04 | |
| 1 | 1 | E-IA-7422920-0-0 | 7422920-00 | REAR PANEL,POWER CONTROL | 1 | 1 | 1 | 1 | 1 |
| 2 | 2 | A-PS-1214283-0-0 | 1214283-00 | CONTACTOR, 20A,2P ,120V C | 1 | - | 1 | - | - |
| 3 | 3 | A-PS-1214283-0-0 | 1214283-01 | CONTACTOR, 20A,2P ,240V C | - | 1 | - | - | - |
| 4 | 4 | A-PS-1211147-0-0 | 1211147-00 | CONTACTOR, 30A,3P DBL BRK,600V,1 | - | - | - | 1 | - |
| 5 | 5 | A-PS-1211147-0-0 | 1211147-01 | CONTACTOR, 30A,3P DBL BRK,600V,2 | - | - | - | - | 1 |
| 6 | 6 | A-PS-1214899-0-0 | 1214899-00 | CONN,POWER 2PIN RCPT | 4 | - | - | - | - |
| 7 | 7 | A-PS-1212265-0-0 | 1212265-00 | CONN,POWER 2PIN RCPT, DUPLEX FO | - | - | 4 | 4 | - |
| 8 | 8 | A-PS-1211204-0-0 | 1211204-01 | CONN,POWER 2PIN RCPT, DUPLEX W/ | - | 4 | - | - | - |
| 9 | 9 | A-PS-1216885-0-0 | 1216885-00 | CONN,POWER 3PIN RCPT,DUPLEX,20A | - | - | - | - | 4 |
| 10 | 10 | | 1014430-01 | .1 MFD 270V 20% M.POLYPROP | 1 | 1 | 1 | 2 | 2 |
| 11 | 11 | | 1311996-00 | VARISTOR 150VAC VOLT TRANS SUP | 1 | - | 1 | 2 | - |
| 12 | 12 | | 1311996-02 | VARISTOR 275VAC VOLT TRANS SUP | - | 1 | - | - | 2 |
| 13 | 13 | | 1212167-01 | MATE-N-LOK 4POS UNIV HSG,CAP | 1 | 1 | 1 | 1 | 1 |
| 14 | 14 | | 1212170-00 | MATE-N-LOK SKT 20-14AWG UNIV | 3 | 3 | 3 | 3 | 3 |
| 15 | 15 | C-IA-7017046-0-0 | 7017046-00 | HARNESS, CONTROL BOARD | 1 | 1 | 1 | 1 | 1 |
| 16 | 16 | | 9006560-00 | NUT,KEP , 6-32 X5/16AF | 8 | 8 | 8 | 8 | 8 |
| 17 | 17 | | 9006565-00 | NUT,KEP , 10-32X 3/8 AF | - | - | - | 3 | 3 |
| 18 | 18 | | 9009643-02 | SCREW, SEMS, PHILLIPS PAN HD 4-4 | 4 | 4 | 4 | - | - |
| 19 | 19 | | 9107267-11 | TUBING,THIN WALL,.034ID UL | A/R | A/R | A/R | A/R | A/R |
| 20 | 20 | | 9107380-66 | WIRE,STRND,12AWG,IPVC UL3317 | A/R | A/R | A/R | A/R | A/R |
| 21 | 21 | | 9107787-66 | WIRE,STRND,14AWG UL3317 B | A/R | A/R | A/R | A/R | A/R |
| 22 | 22 | | 9107787-11 | WIRE,STRND,14AWG UL3317 B | A/R | A/R | A/R | A/R | A/R |
| 23 | 23 | | 9107786-11 | WIRE,STRND,18AWG UL1430 B | A/R | A/R | A/R | A/R | A/R |
| 24 | 24 | | 9107786-66 | WIRE,STRND,18AWG UL1430 B | A/R | A/R | A/R | A/R | A/R |
| 25 | 25 | | 9107786-44 | WIRE,STRND,18AWG UL1430 Y | - | - | - | A/R | A/R |
| 26 | 26 | | 9009695-07 | TERM SPADE 1POS INSULATED,12-16 | 4 | 4 | 4 | 3 | 3 |
| 27 | 27 | | 9009695-08 | TERM SPADE 1POS INSULATED,16-14 | 2 | 2 | 2 | 5 | 5 |
| 28 | 28 | | 9009695-00 | TERM SPADE 1POS INSULATED,16-14 | 10 | 10 | 10 | 11 | 11 |
| 29 | 29 | | 9009695-05 | TERM SPADE 1POS INSULATED,22-16 | 5 | 5 | 5 | 4 | 4 |
| 30 | 30 | | 9009695-02 | TERM SPADE 1POS INSULATED,12-16 | 3 | 3 | 3 | 3 | 3 |

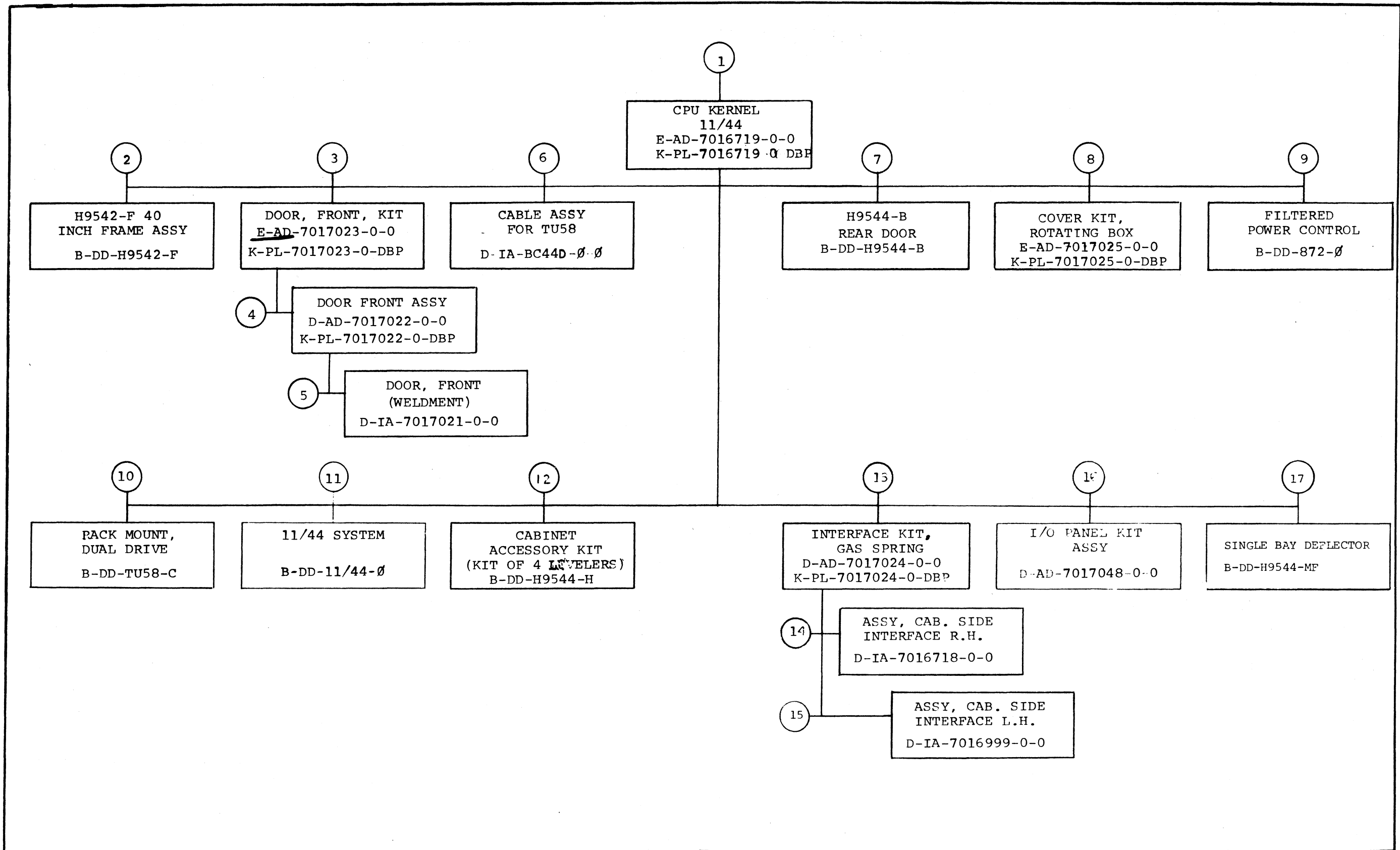
| REVISION HISTORY | | BASIC PART NO: 7017019 | | DRN: JUDY SLEZ | | DATE: 12-OCT-79 | | D I G I T A L | |
|------------------|------------|------------------------|--------------------------|------------------|-----------------|----------------------|-----------|--------------------|------------|
| ENG | ECD NUMBER | REV | SECTION A OF A | CHK'D | GEORGE HOVEY | DATE | 12-OCT-79 | TITLE | PARTS LIST |
| | INITIAL | A | SECTION, VARIATION INDEX | | | | | | |
| TO | 872-ML001 | B | [A] 00,01,02,03,04 | | | | | REAR PANEL ASSY | |
| | | | [B] | DES.ENG.: | TOM ORR | DATE: | 12-OCT-79 | | |
| | | | [C] | RESP.ENG.: | TOM ORR | DATE: | 12-OCT-79 | DOCUMENT NUMBER | |
| | | | [D] | | | | | SIZE CODE NUMBER | REV |
| | | | [E] | MFG.ENG.: | GLEN ARMBRUSTER | DATE: | 12-OCT-79 | K PL 7017019-0-DBP | B |
| | | | [F] | ASSEMBLY NUMBER: | | TOP DOCUMENT NUMBER: | | FILE NAME: | EDIT # |
| | | | | E-UA-872-0-0 | | K-PL-872-0-DBP | | Z1013B.PLS | 7 |

"THIS DRAWING AND SPECIFICATIONS HEREIN, ARE THE PROPERTY OF DIGITAL EQUIPMENT CORPORATION AND SHALL NOT BE REPRODUCED OR COPIED OR USED IN WHOLE OR IN PART AS THE BASIS FOR THE MANUFACTURE OR SALE OF ITEMS WITHOUT WRITTEN PERMISSION. COPYRIGHT (C) 1980, DIGITAL EQUIPMENT CORPORATION"

| LINE | ITEM | DOCUMENT NUMBER | PART NUMBER | DESCRIPTION | QUANTITY PER VARIATION | | | | |
|------|------|------------------|-------------|----------------------------------|------------------------|-----|-----|-----|-----|
| | | | | | 00 | 01 | 02 | 03 | 04 |
| 1 | 1 | E-IA-7422921-0-0 | 7422921-00 | PANEL,FRONT | 1 | 1 | 1 | 1 | 1 |
| 2 | 2 | A-PS-1212124-0-0 | 1212124-04 | CKT BKR 15.0 A 240V 2P SERIES TR | 1 | 1 | - | - | - |
| 3 | 3 | A-PS-1212124-0-0 | 1212124-05 | CKT BKR 20.0 A 240V 2P SERIES TR | - | - | 1 | - | - |
| 4 | 4 | A-PS-1211196-0-0 | 1211196-02 | CKT BKR 20,20,30A 277V 3P SERIES | - | - | - | 1 | 1 |
| 5 | 5 | A-PS-1213070-0-0 | 1213070-00 | FILTER,LINE 110-220V,50-60HZ 112 | 1 | 1 | 1 | 1 | 1 |
| 6 | 6 | A-PS-1205303-0-0 | 1205303-00 | LAMP, PILOT IND DEVICES #1020A | 1 | - | 1 | 1 | - |
| 7 | 7 | A-PS-1202556-0-0 | 1202556-00 | LAMP, PILOT IND DEVICES #1020B | - | 1 | - | - | 1 |
| 8 | 8 | D-AD-7015605-0-0 | 7015605-00 | CONTROL BD ASSY | 1 | 1 | 1 | 1 | 1 |
| 9 | 9 | C-IA-7422924-0-0 | 7422924-00 | COVER PLATE | 1 | 1 | 1 | 1 | - |
| 10 | 10 | C-IA-7017046-0-0 | 7017046-00 | HARNES, CONTROL BOARD | 1 | 1 | 1 | 1 | 1 |
| 11 | 11 | | 1215566-00 | CLAMP, CABLE | 1 | 1 | 1 | - | - |
| 12 | 12 | | 1215566-01 | CLAMP, CABLE | - | - | - | 1 | 1 |
| 13 | 13 | | 9010174-01 | SCREW, SEMS, PHILLIPS PAN HD 8-3 | 2 | 2 | 2 | 2 | 2 |
| 14 | 14 | | 9010174-00 | SCREW, SEMS, PHILLIPS PAN HD 6-3 | 11 | 11 | 11 | 11 | 11 |
| 15 | 15 | | 9010074-00 | SCREW,TAPPING,TYPE F,HEX ,WASH, | 2 | 2 | 2 | 2 | 2 |
| 16 | 16 | | 9006565-00 | NUT,KEP , 10-32X 3/8 AF | 2 | 2 | 2 | 2 | 2 |
| 17 | 17 | | 9009695-07 | TERM SPADE 1POS INSULATED,12-16 | 1 | 1 | 1 | 1 | 1 |
| 18 | 18 | | 9009695-02 | TERM SPADE 1POS INSULATED,12-16 | 1 | 1 | 1 | 1 | 1 |
| 19 | 19 | | 9009695-00 | TERM SPADE 1POS INSULATED,16-14 | 1 | 1 | 1 | 2 | 2 |
| 20 | 20 | | 9009695-08 | TERM SPADE 1POS INSULATED,16-14 | 1 | 1 | 1 | 1 | 1 |
| 21 | 21 | | 9007926-01 | TERM RING 1POS INSULATED,12-10 | 2 | 2 | 2 | 2 | 2 |
| 22 | 22 | | 9107778-54 | WIRE,STRND,12AWG,IPVC UL3317 | A/R | A/R | A/R | A/R | A/R |
| 23 | 23 | | 9107380-66 | WIRE,STRND,12AWG,IPVC UL3317 | A/R | A/R | A/R | A/R | A/R |
| 24 | 24 | | 9107787-11 | WIRE,STRND,14AWG UL3317 B | A/R | A/R | A/R | A/R | A/R |
| 25 | 25 | A-PS-3612680-0-0 | 3612680-00 | DECAL, GROUND SIGN PER 3E6 * | 1 | 1 | 1 | 1 | 1 |
| 26 | 26 | | 9006636-00 | WASHER,LOCK,INT,.3800D X .200ID | 2 | 2 | 2 | 2 | 2 |
| 27 | 27 | | 9006633-00 | *** THIS ITEM IS NOT USED *** | - | - | - | - | - |
| 28 | 28 | | 9009695-05 | TERM SPADE 1POS INSULATED,22-16 | 2 | 2 | 2 | 2 | 2 |

| REVISION HISTORY | | | BASIC PART NO: 7017020 | | DRN: JUDY SLEZ | | DATE: 15-OCT-79 | | D I G I T A L | |
|------------------|------------|-----|--------------------------|------------------|-----------------|----------------------|-----------------|------------------|---------------|---------------|
| ENG | ECO NUMBER | REV | SECTION A OF A | CHK'D: | GEORGE HOVEY | DATE: | 15-OCT-79 | TITLE | PARTS LIST | |
| --- | INITIAL | A | SECTION. VARIATION INDEX | CHK'D: | GEORGE HOVEY | DATE: | 15-OCT-79 | FRONT PANEL ASSY | | |
| TO | 872-ML001 | B | [A] 00,01,02,03,04 | | | | | | | |
| | | | [B] | DES.ENG.: | TOM ORR | DATE: | 15-OCT-79 | | | |
| | | | [C] | RESP.ENG.: | TOM ORR | DATE: | 15-OCT-79 | DOCUMENT NUMBER | | |
| | | | [D] | | | | | SIZE | CODE | NUMBER |
| | | | [E] | MPG.ENG.: | GLEN ARMBRUSTER | DATE: | 15-OCT-79 | K | PL | 7017020-0-DBP |
| | | | [F] | ASSEMBLY NUMBER: | | TOP DOCUMENT NUMBER: | | FILE NAME: | EDIT # | |
| | | | | E-AD-7017020-0-0 | | B-DD-872-0-0 | | Z1014B.PLS | 10 | |

"THIS DRAWING AND SPECIFICATIONS HEREIN, ARE THE PROPERTY OF DIGITAL EQUIPMENT CORPORATION AND SHALL NOT BE REPRODUCED OR COPIED OR USED IN WHOLE OR IN PART AS THE BASIS FOR THE MANUFACTURE OR SALE OF ITEMS WITHOUT WRITTEN PERMISSION. COPYRIGHT (C) 1980. DIGITAL EQUIPMENT CORPORATION"



| TITLE | SHEET 2 OF 4 | SIZE CODE | NUMBER | REV |
|------------------|--------------|-----------|-----------|-----|
| CPU KERNEL 11/44 | | B DD | 7016719-Ø | A |

TW

| FIND NO. | DRAWING NO. | DESCRIPTION | TYPE | FIND NO. | DRAWING NO. | DESCRIPTION | TYPE |
|----------|--------------------|--------------------------------|------|----------|--------------------|---|------|
| 1 | E-AD-7016719-0-0 | CPU KERNEL 11/44 | E/M | | | | |
| | K-PL-7016719-0-DBP | CPU KERNEL 11/44 (PL) | E/M | | | | |
| | D-AR-7016719-0-1 | 11/44 CPU KERNEL | REF | | | | |
| | C-IA-7008288-0-0 | CABLE ASSY | E/M | 6 | D-IA-BC44D-Ø-Ø | CABLE ASSY FOR TU58 | E/M |
| | D-IA-7422997-0-0 | PLATE, CABLE TIE | M | | | | |
| | C-MD-7422996-0-0 | BRACKET, CABLE TIE | M | | | | |
| | C-MD-7422995-0-0 | BRACKET, STRAIN RELIEF | M | | | | |
| | A-PS-3613210-0-0 | LABEL | M | | | | |
| | A-DC-7416197-0-0 | DECAL | M | 7 | B-DD-H9544-B | H9544-B REAR DOOR | M |
| | A-PS-3613211-0-0 | LABEL | M | | | | |
| | A-PS-3616928-0-0 | LABEL, MU | M | | | | |
| | A-PS-3617250-0-0 | LABEL | M | | | | |
| | | | | 8 | E-AD-7017025-0-0 | COVER KIT (ROTATING BOX) | M |
| | | | | | K-PL-7017025-0-DBP | COVER KIT (ROTATING BOX) (PL) | M |
| | | | | | E-IA-7422666-0-0 | COVER, REMOVABLE TOP | M |
| | | | | | D-MD-7422645-0-0 | BRACKET, TOP COVER | M |
| | | | | | D-IA-7422661-0-0 | VENT, REAR | M |
| | | | | | D-MD-7422646-0-0 | BRACKET, REAR VENT | M |
| | | | | | C-MD-7422653-0-0 | BRACKET, TRIM STRIP SUPPORT | M |
| | | | | | C-IA-7422654-0-0 | STRIP, TRIM | M |
| 2 | B-DD-H9542-F | H9542-F 40 INCH FRAME ASSY | M | | | | |
| | | | | | | | |
| | | | | | | | |
| 3 | E-AD-7017023-0-0 | DOOR FRONT KIT | M | 9 | B-DD-872-0 | FILTERED POWER CONTROL | E/M |
| | K-PL-7017023-0-DBP | DOOR FRONT KIT (PL) | M | | | | |
| | C-MD-7422262-0-0 | BRACKET, FRONT DOOR PIVOT | M | | | | |
| | C-MD-7422264-0-0 | BRACKET, TOP PIVOT | M | | | | |
| | C-MD-7422222-0-0 | BRACKET, DOOR LOCK | M | | | | |
| | B-AD-7016703-0-0 | STOP, DOOR | M | 10 | B-DD-TU58-C | RACK MOUNT, DUAL DRIVE | E/M |
| | E-MD-7422951-0-0 | BEZEL, DOOR MOUNTED | M | | | | |
| | A-SS-7422951-0-1 | BEZEL, DOOR MOUNTED, (ARTWORK) | M | | | | |
| | C-IA-7422267-0-0 | BRACKET, DOOR LOCK MOUNTING | M | | | | |
| | | | | 11 | B-DD-11/44-0 | 11/44 SYSTEM | E/M |
| 4 | D-AD-7017022-0-0 | DOOR FRONT ASSY | M | | | | |
| | K-PL-7017022-0-DBP | DOOR FRONT ASSY (PL) | M | | | | |
| | | | | | | | |
| | | | | 12 | B-DD-H9544-H | CABINET ACCESSORY KIT (KIT OF 4 LEVELERS) | M |
| 5 | D-IA-7017021-0-0 | DOOR FRONT (WELDMENT) | M | | | | |
| | D-MD-7422922-0-0 | DOOR, FRONT, WITH CUTOUT | M | | | | |
| | C-MD-7422277-0-0 | BRKT. HINGE, FRONT DOOR TOP | M | | | | |
| | C-IA-7422263-0-0 | BRACKET, FRONT DOOR MTG. | M | | | | |

TYPE E ELECTRICAL
M MECHANICAL
E M ELECTRO-MECHANICAL

digital

TITLE

CPU KERNEL 11/44

SHEET 3 OF 4

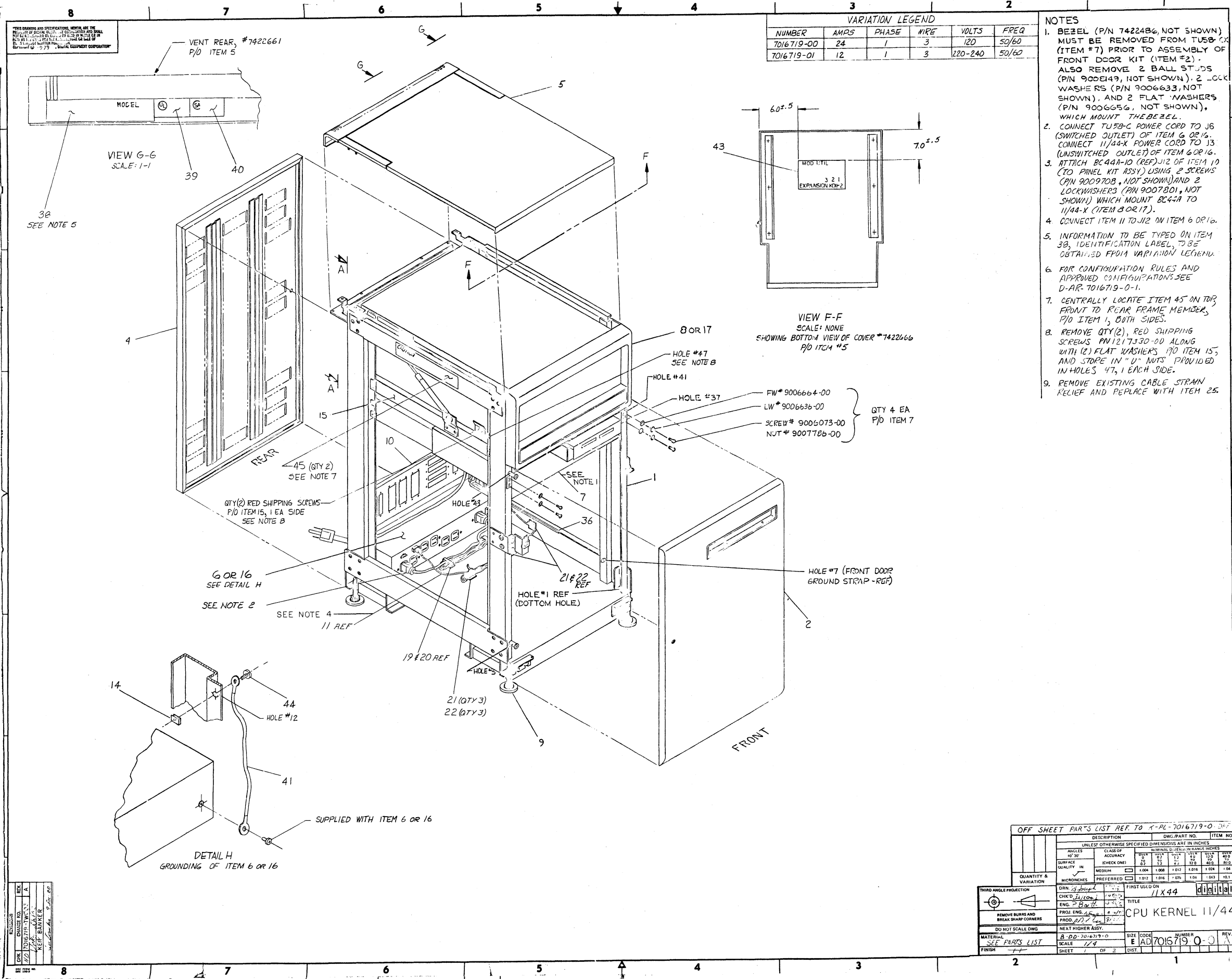
SIZE CODE
B DD

NUMBER
7016719-0

REV
A

DRB 108A

TW



| VARIATION LEGEND | | | | | |
|------------------|------|-------|------|---------|-------|
| NUMBER | AMPS | PHASE | WIRE | VOLTS | FREQ |
| 7016719-00 | 24 | 1 | 3 | 120 | 50/60 |
| 7016719-01 | 12 | 1 | 3 | 220-240 | 50/60 |

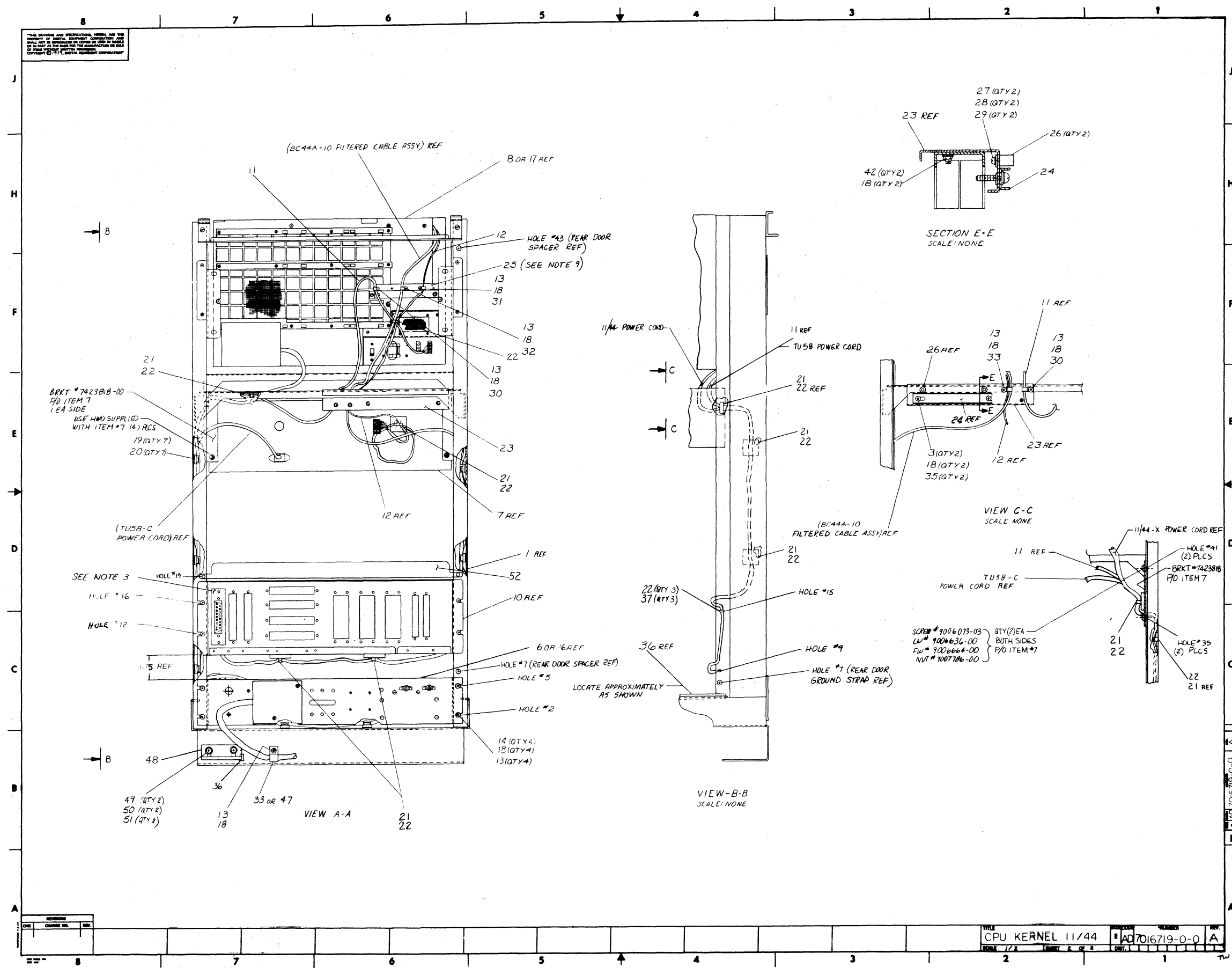
- NOTES
- BEZEL (P/N 7422486, NOT SHOWN) MUST BE REMOVED FROM TUBS OR (ITEM #7) PRIOR TO ASSEMBLY OF FRONT DOOR KIT (ITEM #2). ALSO REMOVE 2 BALL STUDS (P/N 9006149, NOT SHOWN), 2 LOCK WASHERS (P/N 9006633, NOT SHOWN), AND 2 FLAT WASHERS (P/N 9006656, NOT SHOWN), WHICH MOUNT THE BEZEL.
 - CONNECT TUB-C POWER CORD TO J6 (SWITCHED OUTLET) OF ITEM 6 OR 16. CONNECT 11/44-X POWER CORD TO J3 (UNSWITCHED OUTLET) OF ITEM 6 OR 16.
 - ATTACH BC44A-10 (REF) J2 OF ITEM 10 (TO PANEL KIT ASSY) USING 2 SCREWS (P/N 9009708, NOT SHOWN) AND 2 LOCKWASHERS (P/N 9007801, NOT SHOWN) WHICH MOUNT BC4-A TO 11/44-X (ITEM 8 OR 17).
 - CONNECT ITEM 11 TO J12 ON ITEM 6 OR 16.
 - INFORMATION TO BE TYPED ON ITEM 38, IDENTIFICATION LABEL, TO BE OBTAINED FROM VARIATION LEGEND.
 - FOR CONFIGURATION RULES AND APPROVED CONFIGURATIONS SEE D-AR-7016719-0-1.
 - CENTRALLY LOCATE ITEM 45 ON TOP FRONT TO REAR FRAME MEMBER, P/O ITEM 1, BOTH SIDES.
 - REMOVE QTY (2), RED SHIPPING SCREWS P/N 1217330-00 ALONG WITH (2) FLAT WASHERS P/O ITEM 15, AND STORE IN "U" NUTS PROVIDED IN HOLES 47, 1 EACH SIDE.
 - REMOVE EXISTING CABLE STRAIN RELIEF AND REPLACE WITH ITEM 25.

| | | | |
|-----|------|-----|--------|
| REV | DATE | BY | CHKD |
| A | | KEF | BANKER |

OFF SHEET PARTS LIST REF TO A-PL-7016719-0-0

| DESCRIPTION | DWG/PART NO. | ITEM NO. |
|---|------------------|--|
| UNLESS OTHERWISE SPECIFIED DIMENSIONS ARE IN INCHES | | |
| ANGLES | CLAS OF | NOMINAL D. - REF. IN INCHES |
| 10° 30' | ACCURACY | .010 .015 .020 .030 .040 .050 .060 .070 .080 .090 .100 |
| SURFACE | CHECK ONE | 10 20 30 40 50 60 70 80 90 100 |
| QUALITY IN | MEDIUM | 1.004 1.008 1.012 1.016 1.024 1.04 |
| QUANTITY & VARIATION | PREFERRED | 1.012 1.016 1.020 1.04 1.043 10.1 |
| THIRD ANGLE PROJECTION | DRN | FIRST USED ON |
| REMOVE BURRS AND BREAK SHARP CORNERS | CHK'D | TITLE |
| DO NOT SCALE DWG | ENG | 11X44 |
| MATERIAL | PROJ. ENG. | CPU KERNEL 11/44 |
| FINISH | PROD. | |
| | DO NOT SCALE DWG | NEXT HIGHER ASSY. |
| | MATERIAL | SIZE CODE |
| | SEE PARTS LIST | E AD 7016719-0-0 |
| | | SHEET |
| | | OF 2 |
| | | DIST |
| | | REV |

THIS DRAWING AND SPECIFICATIONS SHALL BE THE PROPERTY OF BENTON, SPENCER, CORPORATION AND SHALL NOT BE REPRODUCED OR COPIED IN WHOLE OR IN PART WITHOUT THE WRITTEN PERMISSION OF BENTON, SPENCER, CORPORATION.



| LINE ITEM | DOCUMENT NUMBER | PART NUMBER | DESCRIPTION | QUANTITY PER VARIATION | |
|-----------|-----------------|------------------|-------------|----------------------------------|-------|
| | | | | 00 | 01 |
| 1 | 1 | E-UA-H9542-F-0 | H9542-FE | H9542-F 40 INCH FRAME ASSY | 1 1 |
| 2 | 2 | E-AD-7017023-0-0 | 7017023-00 | DOOR,FRONT,KIT | 1 1 |
| 3 | 3 | | 9009896-00 | WASHER, LOCK, INT. TOOTH #10 SS | 2 2 |
| 4 | 4 | E-UA-H9544-B-0 | H9544-BA | 40" REAR DOOR W LOCK, FULLY LOUV | 1 1 |
| 5 | 5 | D-AD-7017025-0-0 | 7017025-00 | COVER KIT (ROTATING BOX) | 1 1 |
| 6 | 6 | E-UA-00872-0-0 | 00872-D | 120V 24A FILTERED POWER CONTROL | 1 - |
| 7 | 7 | E-UA-TU58-0-0 | 0TU58-CX | TU58-CA W NO DATA CABLES,120V/24 | 1 1 |
| 8 | 8 | E-UA-11/44-0-0 | 11/44-XX | KD11-Z,KK11-B,NO MEMORY,BA11-AA, | 1 - |
| 9 | 9 | E-UA-H9544-H-0 | H9544-HB | KIT OF 4 LEVELERS | 1 1 |
| 10 | 10 | D-AD-7017048-0-0 | 7017048-00 | I/O PANEL KIT ASSY | 1 1 |
| 11 | 11 | C-IA-7008288-0-0 | 7008288-8F | CABLE ASSY PDP-11 | 1 1 |
| 12 | 12 | D-IA-BC44D-0-0 | BC44D-09 | CABLE ASSY. FOR TU58 | 1 1 |
| 13 | 13 | | 9009700-00 | SCREW, SEMS, PHILLIPS TRUSS HD 1 | 11 11 |
| 14 | 14 | | 9007786-00 | RETAINER, U-NUT, 10-32 | 5 5 |
| 15 | 15 | D-AD-7017024-0-0 | 7017024-00 | GAS SPRING INTERFACE KIT | 1 1 |
| 16 | 16 | E-UA-00872-0-0 | 00872-B | 240V 12A FILTERED POWER CONTROL | - 1 |
| 17 | 17 | E-UA-11/44-0-0 | 11/44-XY | KD11-Z,KK11-B,NO MEMORY,BA11-AB, | - 1 |
| 18 | 18 | | 9006664-00 | WASHER, FLAT, .437 OD X .218 ID | 15 15 |
| 19 | 19 | A-PS-1215843-0-0 | 1215843-01 | CLIP,FLAT CABLE W/ADHESIVE BK | 7 7 |
| 20 | 20 | A-PS-1213716-0-0 | 1213716-01 | SPACER,FOAM FOR FLAT WIRE CLIP | 7 7 |
| 21 | 21 | | 9008264-00 | MOUNT, CABLE TIE, ADHESIVE BACKE | 10 10 |
| 22 | 22 | | 9007032-00 | TIE,CABLE BUNDL.DIA 0-1-3/4"=101 | 14 14 |
| 23 | 23 | D-IA-7422997-0-0 | 7422997-00 | PLATE CABLE TIE | 1 1 |
| 24 | 24 | C-MD-7422996-0-0 | 7422996-00 | BRKT., CABLE TIE | 1 1 |
| 25 | 25 | C-MD-7422995-0-0 | 7422995-00 | BRKT. STRAIN RELIEF | 1 1 |
| 26 | 26 | | 9007660-00 | SPACER, FIBER, RND, 4-40, .250 X | 2 2 |
| 27 | 27 | | 9006011-01 | SCREW,PAN,PHIL 4-40X 3/8 SS | 2 2 |
| 28 | 28 | | 9006685-00 | WASHER, LOCK, S.S. #4 | 2 2 |
| 29 | 29 | | 9006655-00 | WASHER, FLAT, .312 O.D. X .125 I | 2 2 |
| 30 | 30 | | 9007079-00 | CLAMP, CABLE, SCREW MNT, 1/8" | 2 2 |

| REVISION HISTORY | | BASIC PART NO: 7016719 | | DRN: | MICHAEL JOSEPH | DATE: | 14-AUG-79 | D I G I T A L | | | |
|------------------|------------|------------------------|--------------------------|------------------|----------------|----------------------|-----------|------------------|------|---------------|-----|
| ENG | ECD NUMBER | REV | SECTION A OF A | CHK'D: | D. HEALY | DATE: | 14-AUG-79 | TITLE PARTS LIST | | | |
| | INITIAL | * | SECTION, VARIATION INDEX | | | | | CPU KERNEL 11/44 | | | |
| | K.BITW003 | A | LA] 00,01 | | | | | | | | |
| | | | [B] | DES.ENG.: | PHIL BARTH | DATE: | 14-AUG-79 | | | | |
| | | | [C] | RESP.ENG.: | KEN BANKER | DATE: | 14-AUG-79 | DOCUMENT NUMBER | | | |
| | | | [D] | | | | | SIZE | CODE | NUMBER | REV |
| | | | [E] | MFG.ENG.: | AL TSHUDY | DATE: | 14-AUG-79 | K | PL | 7016719-0-DBP | A |
| | | | [F] | ASSEMBLY NUMBER: | | TOP DOCUMENT NUMBER: | | FILE NAME: | | EDIT # | |
| | | | | E-AD-7016719-0-0 | | #B-DD-7016719-0 | | Z0329.PLS | | 14 | |

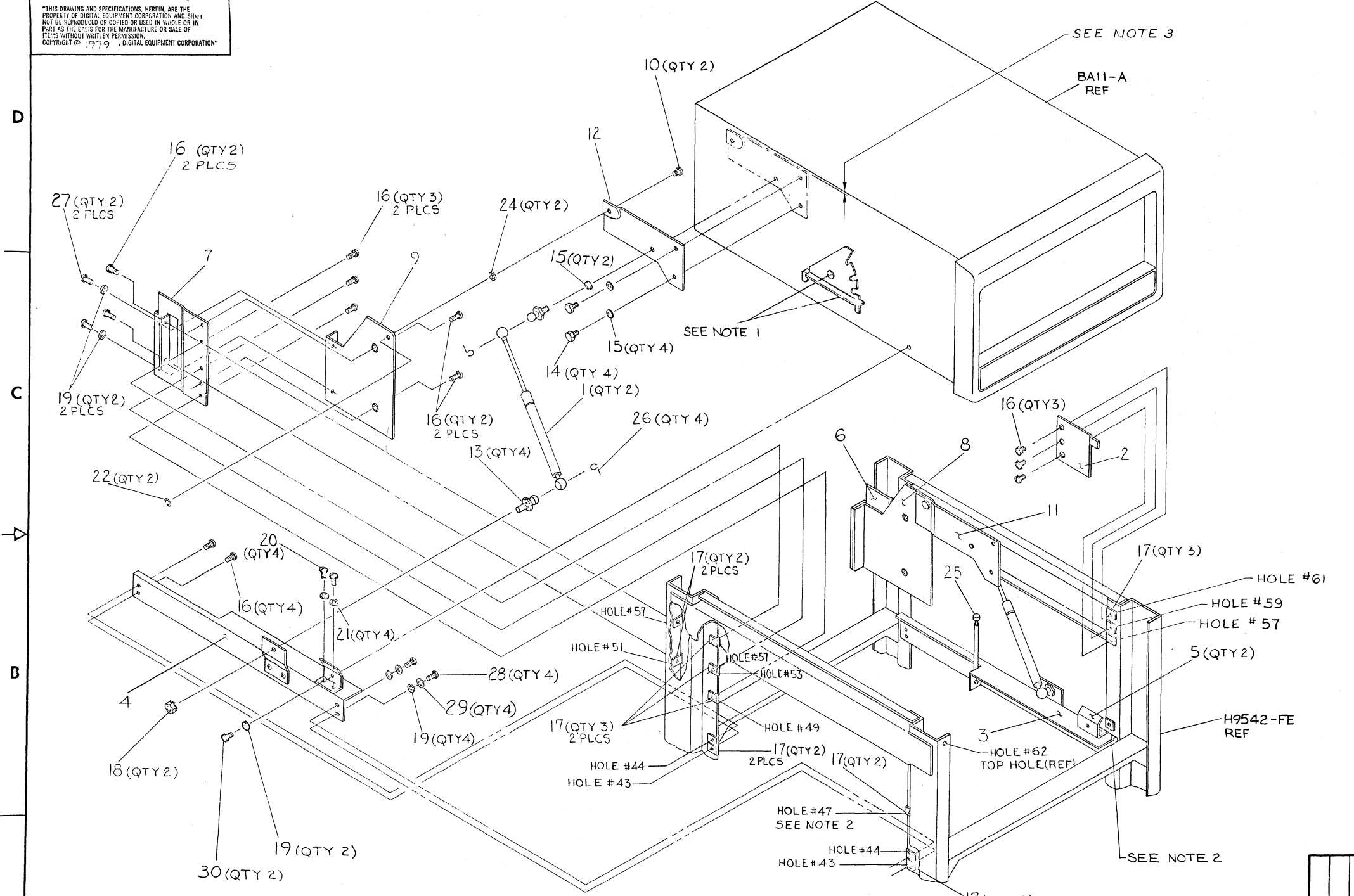
"THIS DRAWING AND SPECIFICATIONS HEREIN, ARE THE PROPERTY OF DIGITAL EQUIPMENT CORPORATION AND SHALL NOT BE REPRODUCED OR COPIED OR USED IN WHOLE OR IN PART AS THE BASIS FOR THE MANUFACTURE OR SALE OF ITEMS WITHOUT WRITTEN PERMISSION. COPYRIGHT (C) 1980. DIGITAL EQUIPMENT CORPORATION "

| LINE | ITEM | DOCUMENT NUMBER | PART NUMBER | DESCRIPTION | QUANTITY PER VARIATION | |
|------|------|------------------|-------------|----------------------------------|------------------------|-----|
| | | | | | 00 | 01 |
| 31 | 31 | | 9007080-00 | CLAMP,CABLE,SCREW MTD. 3/16" | 1 | 1 |
| 32 | 32 | | 9007082-00 | CLAMP,CABLE,SCREW MTD. 5/16" | 1 | 1 |
| 33 | 33 | | 9007083-00 | CLAMP,CABLE,SCREW MTD. 3/8 " | 2 | 3 |
| 34 | 34 | | 9006564-00 | NUT,HEX , 10-32X3/8 AF X 1/ | 1 | 1 |
| 35 | 35 | | 9006077-01 | SCREW,PAN,PHIL 10-32X1 SS | 2 | 2 |
| 36 | 36 | | 9009718-00 | GROMMET, STRIP, 14" | 1 | 1 |
| 37 | 37 | | 9007867-00 | MOUNT, PUSH,CABLE TIE | 3 | 3 |
| 38 | 38 | A-PS-3613210-0-0 | 3613210-00 | LABEL,ELECTRICAL DATA | 1 | 1 |
| 39 | 39 | A-PS-7416197-0-0 | 7416197-01 | DECAL | 1 | 1 |
| 40 | 40 | A-PS-3613211-0-0 | 3613211-01 | DECAL,CLEAR PREPRINTED CSA 1-1/4 | 1 | 1 |
| 41 | 41 | A-PS-1213756-0-0 | 1213756-07 | GROUND STRAP | 1 | 1 |
| 42 | 42 | | 9006565-00 | NUT,KEP , 10-32X 3/8 AF | 2 | 2 |
| 43 | 43 | A-PS-3616928-0-0 | 3616928-00 | LABEL,MODULE UTILIZATION 11/44 | 1 | 1 |
| 44 | 44 | | 9010156-00 | SCREW,HEX,SLOT,SEMS10-32X 1/2,W | 1 | 1 |
| 45 | 45 | A-PS-3617250-0-0 | 3617250-00 | LABEL,CAUTION,STABILITY H9542 | 2 | 2 |
| 46 | 46 | D-AR-7016719-0-1 | | 11/44 CPU KERNAL IN H9542 CAB | REF | REF |
| 47 | 47 | | 9007087-00 | CLAMP,CABLE,SCREW MTD. 5/8 " | 1 | 0 |
| 48 | 48 | C-MD-7422221-0-0 | 7422221-00 | BRKT,DOOR HINGE/END PANEL LOCK | 1 | 1 |
| 49 | 49 | | 9006243-09 | SCREW,HEX 1/4-20X 3/4 | 2 | 2 |
| 50 | 50 | | 9006676-00 | WASHER, FLAT, .625 OD X .281 ID | 2 | 2 |
| 51 | 51 | | 9007797-00 | WASHER, LOCK, S.S. 1/4 | 2 | 2 |
| 52 | 52 | D-UA-H9544-MF-0 | H9544-MF | SINGLE BAY DEFLECTOR ASSY. | 1 | 1 |

| ! D ! | ! I ! | ! G ! | ! I ! | ! T ! | ! A ! | ! L ! | ! TITLE | ! SECTION A | ! OF A | ! SIZE ! | ! CODE ! | ! DOCUMENT NUMBER | ! REV ! |
|-------|-------|-------|-------|-------|-------|-------|------------------|-------------|--------|----------|----------|-------------------|---------|
| ! | ! | ! | ! | ! | ! | ! | CPU KERNEL 11/44 | ! | ! | ! | ! | 7016719-0-DBP | ! |
| ! | ! | ! | ! | ! | ! | ! | | ! | ! | ! | ! | | ! |

"THIS DRAWING AND SPECIFICATIONS, HEREIN, ARE THE PROPERTY OF DIGITAL EQUIPMENT CORPORATION AND SHALL NOT BE REPRODUCED OR COPIED OR USED IN WHOLE OR IN PART AS THE BASIS FOR THE MANUFACTURE OR SALE OF ITEMS WITHOUT WRITTEN PERMISSION. COPYRIGHT © 1979, DIGITAL EQUIPMENT CORPORATION"

- NOTES:**
1. SLIDE INDEX PLATE, P/N 7421613 AND PIVOT SCREW, P/N 1216197 MUST BE REMOVED FROM BOTH SIDES OF BA11-A PRIOR TO ASSEMBLY OF GAS SPRING INTERFACE KIT.
 2. INSTALL ITEM 17 (QTY 2) WITH NUT SIDE INBOARD.
 3. ITEMS 11 AND 12 TO BE INSTALLED SUCH THAT TOP EDGE IS PARALLEL TO TOP SURFACE OF BA11-A SIDE PANEL, WITHIN .02



CAUTION OFF SHEET PARTS LIST REFER TO K-PL-7017024-C-DBP

| REV. | DATE | BY | CHK'D | DESCRIPTION |
|------|----------|---------------|-------|-------------------------|
| A | 7/10/79 | E. ROMANOWSKI | | INITIAL RELEASE |
| B | 8/15/79 | E. ROMANOWSKI | | REVISED TO ADD PART 17 |
| C | 9/10/79 | E. ROMANOWSKI | | REVISED TO ADD PART 18 |
| D | 10/10/79 | E. ROMANOWSKI | | REVISED TO ADD PART 19 |
| E | 11/10/79 | E. ROMANOWSKI | | REVISED TO ADD PART 20 |
| F | 12/10/79 | E. ROMANOWSKI | | REVISED TO ADD PART 21 |
| G | 1/10/80 | E. ROMANOWSKI | | REVISED TO ADD PART 22 |
| H | 2/10/80 | E. ROMANOWSKI | | REVISED TO ADD PART 23 |
| I | 3/10/80 | E. ROMANOWSKI | | REVISED TO ADD PART 24 |
| J | 4/10/80 | E. ROMANOWSKI | | REVISED TO ADD PART 25 |
| K | 5/10/80 | E. ROMANOWSKI | | REVISED TO ADD PART 26 |
| L | 6/10/80 | E. ROMANOWSKI | | REVISED TO ADD PART 27 |
| M | 7/10/80 | E. ROMANOWSKI | | REVISED TO ADD PART 28 |
| N | 8/10/80 | E. ROMANOWSKI | | REVISED TO ADD PART 29 |
| O | 9/10/80 | E. ROMANOWSKI | | REVISED TO ADD PART 30 |
| P | 10/10/80 | E. ROMANOWSKI | | REVISED TO ADD PART 31 |
| Q | 11/10/80 | E. ROMANOWSKI | | REVISED TO ADD PART 32 |
| R | 12/10/80 | E. ROMANOWSKI | | REVISED TO ADD PART 33 |
| S | 1/10/81 | E. ROMANOWSKI | | REVISED TO ADD PART 34 |
| T | 2/10/81 | E. ROMANOWSKI | | REVISED TO ADD PART 35 |
| U | 3/10/81 | E. ROMANOWSKI | | REVISED TO ADD PART 36 |
| V | 4/10/81 | E. ROMANOWSKI | | REVISED TO ADD PART 37 |
| W | 5/10/81 | E. ROMANOWSKI | | REVISED TO ADD PART 38 |
| X | 6/10/81 | E. ROMANOWSKI | | REVISED TO ADD PART 39 |
| Y | 7/10/81 | E. ROMANOWSKI | | REVISED TO ADD PART 40 |
| Z | 8/10/81 | E. ROMANOWSKI | | REVISED TO ADD PART 41 |
| AA | 9/10/81 | E. ROMANOWSKI | | REVISED TO ADD PART 42 |
| AB | 10/10/81 | E. ROMANOWSKI | | REVISED TO ADD PART 43 |
| AC | 11/10/81 | E. ROMANOWSKI | | REVISED TO ADD PART 44 |
| AD | 12/10/81 | E. ROMANOWSKI | | REVISED TO ADD PART 45 |
| AE | 1/10/82 | E. ROMANOWSKI | | REVISED TO ADD PART 46 |
| AF | 2/10/82 | E. ROMANOWSKI | | REVISED TO ADD PART 47 |
| AG | 3/10/82 | E. ROMANOWSKI | | REVISED TO ADD PART 48 |
| AH | 4/10/82 | E. ROMANOWSKI | | REVISED TO ADD PART 49 |
| AI | 5/10/82 | E. ROMANOWSKI | | REVISED TO ADD PART 50 |
| AJ | 6/10/82 | E. ROMANOWSKI | | REVISED TO ADD PART 51 |
| AK | 7/10/82 | E. ROMANOWSKI | | REVISED TO ADD PART 52 |
| AL | 8/10/82 | E. ROMANOWSKI | | REVISED TO ADD PART 53 |
| AM | 9/10/82 | E. ROMANOWSKI | | REVISED TO ADD PART 54 |
| AN | 10/10/82 | E. ROMANOWSKI | | REVISED TO ADD PART 55 |
| AO | 11/10/82 | E. ROMANOWSKI | | REVISED TO ADD PART 56 |
| AP | 12/10/82 | E. ROMANOWSKI | | REVISED TO ADD PART 57 |
| AQ | 1/10/83 | E. ROMANOWSKI | | REVISED TO ADD PART 58 |
| AR | 2/10/83 | E. ROMANOWSKI | | REVISED TO ADD PART 59 |
| AS | 3/10/83 | E. ROMANOWSKI | | REVISED TO ADD PART 60 |
| AT | 4/10/83 | E. ROMANOWSKI | | REVISED TO ADD PART 61 |
| AU | 5/10/83 | E. ROMANOWSKI | | REVISED TO ADD PART 62 |
| AV | 6/10/83 | E. ROMANOWSKI | | REVISED TO ADD PART 63 |
| AW | 7/10/83 | E. ROMANOWSKI | | REVISED TO ADD PART 64 |
| AX | 8/10/83 | E. ROMANOWSKI | | REVISED TO ADD PART 65 |
| AY | 9/10/83 | E. ROMANOWSKI | | REVISED TO ADD PART 66 |
| AZ | 10/10/83 | E. ROMANOWSKI | | REVISED TO ADD PART 67 |
| BA | 11/10/83 | E. ROMANOWSKI | | REVISED TO ADD PART 68 |
| BB | 12/10/83 | E. ROMANOWSKI | | REVISED TO ADD PART 69 |
| BC | 1/10/84 | E. ROMANOWSKI | | REVISED TO ADD PART 70 |
| BD | 2/10/84 | E. ROMANOWSKI | | REVISED TO ADD PART 71 |
| BE | 3/10/84 | E. ROMANOWSKI | | REVISED TO ADD PART 72 |
| BF | 4/10/84 | E. ROMANOWSKI | | REVISED TO ADD PART 73 |
| BG | 5/10/84 | E. ROMANOWSKI | | REVISED TO ADD PART 74 |
| BH | 6/10/84 | E. ROMANOWSKI | | REVISED TO ADD PART 75 |
| BI | 7/10/84 | E. ROMANOWSKI | | REVISED TO ADD PART 76 |
| BJ | 8/10/84 | E. ROMANOWSKI | | REVISED TO ADD PART 77 |
| BK | 9/10/84 | E. ROMANOWSKI | | REVISED TO ADD PART 78 |
| BL | 10/10/84 | E. ROMANOWSKI | | REVISED TO ADD PART 79 |
| BM | 11/10/84 | E. ROMANOWSKI | | REVISED TO ADD PART 80 |
| BN | 12/10/84 | E. ROMANOWSKI | | REVISED TO ADD PART 81 |
| BO | 1/10/85 | E. ROMANOWSKI | | REVISED TO ADD PART 82 |
| BP | 2/10/85 | E. ROMANOWSKI | | REVISED TO ADD PART 83 |
| BQ | 3/10/85 | E. ROMANOWSKI | | REVISED TO ADD PART 84 |
| BR | 4/10/85 | E. ROMANOWSKI | | REVISED TO ADD PART 85 |
| BS | 5/10/85 | E. ROMANOWSKI | | REVISED TO ADD PART 86 |
| BT | 6/10/85 | E. ROMANOWSKI | | REVISED TO ADD PART 87 |
| BU | 7/10/85 | E. ROMANOWSKI | | REVISED TO ADD PART 88 |
| BV | 8/10/85 | E. ROMANOWSKI | | REVISED TO ADD PART 89 |
| BW | 9/10/85 | E. ROMANOWSKI | | REVISED TO ADD PART 90 |
| BX | 10/10/85 | E. ROMANOWSKI | | REVISED TO ADD PART 91 |
| BY | 11/10/85 | E. ROMANOWSKI | | REVISED TO ADD PART 92 |
| BZ | 12/10/85 | E. ROMANOWSKI | | REVISED TO ADD PART 93 |
| CA | 1/10/86 | E. ROMANOWSKI | | REVISED TO ADD PART 94 |
| CB | 2/10/86 | E. ROMANOWSKI | | REVISED TO ADD PART 95 |
| CC | 3/10/86 | E. ROMANOWSKI | | REVISED TO ADD PART 96 |
| CD | 4/10/86 | E. ROMANOWSKI | | REVISED TO ADD PART 97 |
| CE | 5/10/86 | E. ROMANOWSKI | | REVISED TO ADD PART 98 |
| CF | 6/10/86 | E. ROMANOWSKI | | REVISED TO ADD PART 99 |
| CG | 7/10/86 | E. ROMANOWSKI | | REVISED TO ADD PART 100 |

| QUANTITY & VARIATION | DESCRIPTION | DWG./PART NO. | ITEM NO. |
|----------------------|---|-------------------|---|
| | UNLESS OTHERWISE SPECIFIED DIMENSIONS ARE IN INCHES | | |
| | ANGLES ±0°30' | CLASS OF ACCURACY | NOMINAL DIMENSION RANGE INCHES |
| | SURFACE QUALITY IN | (CHECK ONE) | OVER 0 TO 0.2 |
| | MICROINCHES | PREFERRED | OVER 0.2 TO 1.2 |
| | | | OVER 1.2 TO 4.0 |
| | | | OVER 4.0 TO 12.0 |
| | | | OVER 12.0 TO 40.0 |
| | | | OVER 40.0 TO 80.0 |
| | | | OVER 80.0 TO 100.0 |
| | | | OVER 100.0 TO 150.0 |
| | | | OVER 150.0 TO 200.0 |
| | | | OVER 200.0 TO 300.0 |
| | | | OVER 300.0 TO 400.0 |
| | | | OVER 400.0 TO 500.0 |
| | | | OVER 500.0 TO 1000.0 |
| | | | OVER 1000.0 TO 1500.0 |
| | | | OVER 1500.0 TO 2000.0 |
| | | | OVER 2000.0 TO 3000.0 |
| | | | OVER 3000.0 TO 4000.0 |
| | | | OVER 4000.0 TO 5000.0 |
| | | | OVER 5000.0 TO 10000.0 |
| | | | OVER 10000.0 TO 15000.0 |
| | | | OVER 15000.0 TO 20000.0 |
| | | | OVER 20000.0 TO 30000.0 |
| | | | OVER 30000.0 TO 40000.0 |
| | | | OVER 40000.0 TO 50000.0 |
| | | | OVER 50000.0 TO 100000.0 |
| | | | OVER 100000.0 TO 150000.0 |
| | | | OVER 150000.0 TO 200000.0 |
| | | | OVER 200000.0 TO 300000.0 |
| | | | OVER 300000.0 TO 400000.0 |
| | | | OVER 400000.0 TO 500000.0 |
| | | | OVER 500000.0 TO 1000000.0 |
| | | | OVER 1000000.0 TO 1500000.0 |
| | | | OVER 1500000.0 TO 2000000.0 |
| | | | OVER 2000000.0 TO 3000000.0 |
| | | | OVER 3000000.0 TO 4000000.0 |
| | | | OVER 4000000.0 TO 5000000.0 |
| | | | OVER 5000000.0 TO 10000000.0 |
| | | | OVER 10000000.0 TO 15000000.0 |
| | | | OVER 15000000.0 TO 20000000.0 |
| | | | OVER 20000000.0 TO 30000000.0 |
| | | | OVER 30000000.0 TO 40000000.0 |
| | | | OVER 40000000.0 TO 50000000.0 |
| | | | OVER 50000000.0 TO 100000000.0 |
| | | | OVER 100000000.0 TO 150000000.0 |
| | | | OVER 150000000.0 TO 200000000.0 |
| | | | OVER 200000000.0 TO 300000000.0 |
| | | | OVER 300000000.0 TO 400000000.0 |
| | | | OVER 400000000.0 TO 500000000.0 |
| | | | OVER 500000000.0 TO 1000000000.0 |
| | | | OVER 1000000000.0 TO 1500000000.0 |
| | | | OVER 1500000000.0 TO 2000000000.0 |
| | | | OVER 2000000000.0 TO 3000000000.0 |
| | | | OVER 3000000000.0 TO 4000000000.0 |
| | | | OVER 4000000000.0 TO 5000000000.0 |
| | | | OVER 5000000000.0 TO 10000000000.0 |
| | | | OVER 10000000000.0 TO 15000000000.0 |
| | | | OVER 15000000000.0 TO 20000000000.0 |
| | | | OVER 20000000000.0 TO 30000000000.0 |
| | | | OVER 30000000000.0 TO 40000000000.0 |
| | | | OVER 40000000000.0 TO 50000000000.0 |
| | | | OVER 50000000000.0 TO 100000000000.0 |
| | | | OVER 100000000000.0 TO 150000000000.0 |
| | | | OVER 150000000000.0 TO 200000000000.0 |
| | | | OVER 200000000000.0 TO 300000000000.0 |
| | | | OVER 300000000000.0 TO 400000000000.0 |
| | | | OVER 400000000000.0 TO 500000000000.0 |
| | | | OVER 500000000000.0 TO 1000000000000.0 |
| | | | OVER 1000000000000.0 TO 1500000000000.0 |
| | | | OVER 1500000000000.0 TO 2000000000000.0 |
| | | | OVER 2000000000000.0 TO 3000000000000.0 |
| | | | OVER 3000000000000.0 TO 4000000000000.0 |
| | | | OVER 4000000000000.0 TO 5000000000000.0 |
| | | | OVER 5000000000000.0 TO 10000000000000.0 |
| | | | OVER 10000000000000.0 TO 15000000000000.0 |
| | | | OVER 15000000000000.0 TO 20000000000000.0 |
| | | | OVER 20000000000000.0 TO 30000000000000.0 |
| | | | OVER 30000000000000.0 TO 40000000000000.0 |
| | | | OVER 40000000000000.0 TO 50000000000000.0 |
| | | | OVER 50000000000000.0 TO 100000000000000.0 |
| | | | OVER 100000000000000.0 TO 150000000000000.0 |
| | | | OVER 150000000000000.0 TO 200000000000000.0 |
| | | | OVER 200000000000000.0 TO 300000000000000.0 |
| | | | OVER 300000000000000.0 TO 400000000000000.0 |
| | | | OVER 400000000000000.0 TO 500000000000000.0 |
| | | | OVER 500000000000000.0 TO 1000000000000000.0 |
| | | | OVER 1000000000000000.0 TO 1500000000000000.0 |
| | | | OVER 1500000000000000.0 TO 2000000000000000.0 |
| | | | OVER 2000000000000000.0 TO 3000000000000000.0 |
| | | | OVER 3000000000000000.0 TO 4000000000000000.0 |
| | | | OVER 4000000000000000.0 TO 5000000000000000.0 |
| | | | OVER 5000000000000000.0 TO 10000000000000000.0 |
| | | | OVER 10000000000000000.0 TO 15000000000000000.0 |
| | | | OVER 15000000000000000.0 TO 20000000000000000.0 |
| | | | OVER 20000000000000000.0 TO 30000000000000000.0 |
| | | | OVER 30000000000000000.0 TO 40000000000000000.0 |
| | | | OVER 40000000000000000.0 TO 50000000000000000.0 |
| | | | OVER 50000000000000000.0 TO 100000000000000000.0 |
| | | | OVER 100000000000000000.0 TO 150000000000000000.0 |
| | | | OVER 150000000000000000.0 TO 200000000000000000.0 |
| | | | OVER 200000000000000000.0 TO 300000000000000000.0 |
| | | | OVER 300000000000000000.0 TO 400000000000000000.0 |
| | | | OVER 400000000000000000.0 TO 500000000000000000.0 |
| | | | OVER 500000000000000000.0 TO 1000000000000000000.0 |
| | | | OVER 1000000000000000000.0 TO 1500000000000000000.0 |
| | | | OVER 1500000000000000000.0 TO 2000000000000000000.0 |
| | | | OVER 2000000000000000000.0 TO 3000000000000000000.0 |
| | | | OVER 3000000000000000000.0 TO 4000000000000000000.0 |
| | | | OVER 400000000 |

| LINE ITEM | DOCUMENT NUMBER | PART NUMBER | DESCRIPTION | QUANTITY PER VARIATION | |
|-----------|-----------------|------------------|-------------|----------------------------------|----|
| | | | | 00 | |
| 1 | 1 | A-PS-1216166-0-0 | 1216166-00 | SPRING,GAS,DOUBLE DAMPED | 2 |
| 2 | 2 | C-MD-7422638-0-0 | 7422638-00 | STOP,TIE DOWN | 1 |
| 3 | 3 | D-IA-7016718-0-0 | 7016718-00 | ASSY,CAB SIDE INTERFACE,R.H. | 1 |
| 4 | 4 | D-IA-7016999-0-0 | 7016999-00 | ASSY,CAB SIDE INTERFACE L.H. | 1 |
| 5 | 5 | B-MD-7422639-0-0 | 7422639-00 | BRKT,CENTERING & TIE DOWN | 2 |
| 6 | 6 | D-MD-7422642-0-0 | 7422642-00 | BRKT CAB REAR INTERFACE R.H. | 1 |
| 7 | 7 | D-MD-7422642-0-0 | 7422642-01 | BRKT CAB REAR INTERFACE L.H. | 1 |
| 8 | 8 | D-MD-7422644-0-0 | 7422644-00 | BRKT, PIVOT R.H. | 1 |
| 9 | 9 | D-MD-7422644-0-0 | 7422644-01 | BRKT, PIVOT L.H. | 1 |
| 10 | 10 | B-MD-7422640-0-0 | 7422640-00 | PIN,PIVOT | 2 |
| 11 | 11 | C-MD-7422641-0-0 | 7422641-00 | BRKT. BOX INTERFACE (R.H.) | 1 |
| 12 | 12 | C-MD-7422641-0-0 | 7422641-01 | BRKT. BOX INTERFACE (L.H.) | 1 |
| 13 | 13 | A-PS-1216627-0-0 | 1216627-00 | STUD,BALL 10MM 1.038 | 4 |
| 14 | 14 | A-PS-1216633-0-0 | 1216633-00 | SCREW,HEX 5/16-24X 1/2 | 4 |
| 15 | 15 | | 9007788-00 | WASHER, LOCK S.S. 3/8 | 6 |
| 16 | 16 | | 9009700-00 | SCREW, SEMS, PHILLIPS TRUSS HD 1 | 21 |
| 17 | 17 | | 9007786-00 | RETAINER, U-NUT, 10-32 | 23 |
| 18 | 18 | | 9007898-00 | NUT,KEP ,5/16-24 X1/2 AF | 2 |
| 19 | 19 | | 9006664-00 | WASHER, FLAT, .437 OD X .218 ID | 10 |
| 20 | 20 | | 9009545-01 | SCREW, SEMS, PHILLIPS PAN HD.,8- | 4 |
| 21 | 21 | | 9006660-00 | WASHER, FLAT, .375 O.D. X .187 I | 4 |
| 22 | 22 | | 9009579-00 | RING, RETAINING, EXTERNAL FOR 5/ | 2 |
| 23 | 24 | | 9000003-02 | WASHER,FLAT,NYLON, .75 OD X .385 | 2 |
| 24 | 25 | | 9007872-00 | FOOT LEVELER GRY/PLAS BASE CAPS | 1 |
| 25 | 26 | A-PS-1215806-0-0 | 1215806-02 | CLIP,SAFETY | 4 |
| 26 | 27 | | 9009228-10 | SCREW, SEMS, PHILLIP PAN HD. 10- | 4 |
| 27 | 28 | | 9006074-01 | SCREW,PAN,PHIL 10-32X 5/8 SS | 4 |
| 28 | 29 | | 9009896-00 | WASHER, LOCK, INT. TOOTH #10 SS | 4 |
| 29 | 30 | | 1217330-00 | SCREW, SEMS, PHILLIPS TRUSS HD10 | 2 |

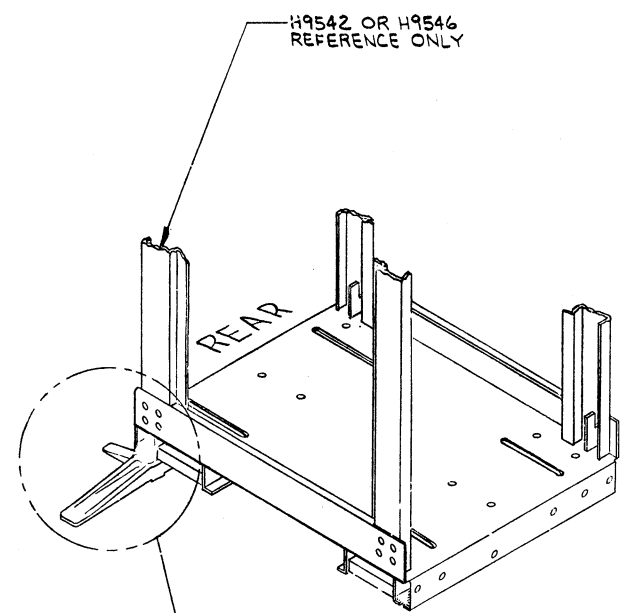
| REVISION HISTORY | | BASIC PART NO: 7017024 | | DRN: | MICHAEL JOSEPH | DATE: | 14-AUG-79 | D I G I T A L | | |
|------------------|------------|------------------------|--------------------------|--------|----------------|-------|-----------|---------------|------------|-----------------|
| ENG | ECO NUMBER | REV | SECTION A OF A | CHK'D: | D. HEALY | DATE: | 14-AUG-79 | TITLE | PARTS LIST | |
| --- | INITIAL | ! | SECTION, VARIATION INDEX | --- | 7017024-ML001 | ! | A | ! | [A] | 00 |
| ! | E.R | ! | 7016719-ML002 | ! | B | ! | | ! | | |
| ! | K.B | ! | 7016719-TW003 | ! | C | ! | [B] | ! | | |
| ! | E.R | ! | 7017024-TW002 | ! | D | ! | | ! | | |
| ! | | ! | [C] | ! | | ! | | ! | | DOCUMENT NUMBER |
| ! | | ! | [D] | ! | | ! | | ! | | |
| ! | | ! | [E] | ! | | ! | | ! | SIZE | CODE |
| ! | | ! | [F] | ! | | ! | | ! | NUMBER | REV |
| ! | | ! | [G] | ! | | ! | | ! | | |
| ! | | ! | [H] | ! | | ! | | ! | | |
| ! | | ! | [I] | ! | | ! | | ! | | |
| ! | | ! | [J] | ! | | ! | | ! | | |
| ! | | ! | [K] | ! | | ! | | ! | | |
| ! | | ! | [L] | ! | | ! | | ! | | |
| ! | | ! | [M] | ! | | ! | | ! | | |
| ! | | ! | [N] | ! | | ! | | ! | | |
| ! | | ! | [O] | ! | | ! | | ! | | |
| ! | | ! | [P] | ! | | ! | | ! | | |
| ! | | ! | [Q] | ! | | ! | | ! | | |
| ! | | ! | [R] | ! | | ! | | ! | | |
| ! | | ! | [S] | ! | | ! | | ! | | |
| ! | | ! | [T] | ! | | ! | | ! | | |
| ! | | ! | [U] | ! | | ! | | ! | | |
| ! | | ! | [V] | ! | | ! | | ! | | |
| ! | | ! | [W] | ! | | ! | | ! | | |
| ! | | ! | [X] | ! | | ! | | ! | | |
| ! | | ! | [Y] | ! | | ! | | ! | | |
| ! | | ! | [Z] | ! | | ! | | ! | | |
| ! | | ! | [AA] | ! | | ! | | ! | | |
| ! | | ! | [AB] | ! | | ! | | ! | | |
| ! | | ! | [AC] | ! | | ! | | ! | | |
| ! | | ! | [AD] | ! | | ! | | ! | | |
| ! | | ! | [AE] | ! | | ! | | ! | | |
| ! | | ! | [AF] | ! | | ! | | ! | | |
| ! | | ! | [AG] | ! | | ! | | ! | | |
| ! | | ! | [AH] | ! | | ! | | ! | | |
| ! | | ! | [AI] | ! | | ! | | ! | | |
| ! | | ! | [AJ] | ! | | ! | | ! | | |
| ! | | ! | [AK] | ! | | ! | | ! | | |
| ! | | ! | [AL] | ! | | ! | | ! | | |
| ! | | ! | [AM] | ! | | ! | | ! | | |
| ! | | ! | [AN] | ! | | ! | | ! | | |
| ! | | ! | [AO] | ! | | ! | | ! | | |
| ! | | ! | [AP] | ! | | ! | | ! | | |
| ! | | ! | [AQ] | ! | | ! | | ! | | |
| ! | | ! | [AR] | ! | | ! | | ! | | |
| ! | | ! | [AS] | ! | | ! | | ! | | |
| ! | | ! | [AT] | ! | | ! | | ! | | |
| ! | | ! | [AU] | ! | | ! | | ! | | |
| ! | | ! | [AV] | ! | | ! | | ! | | |
| ! | | ! | [AW] | ! | | ! | | ! | | |
| ! | | ! | [AX] | ! | | ! | | ! | | |
| ! | | ! | [AY] | ! | | ! | | ! | | |
| ! | | ! | [AZ] | ! | | ! | | ! | | |
| ! | | ! | [BA] | ! | | ! | | ! | | |
| ! | | ! | [BB] | ! | | ! | | ! | | |
| ! | | ! | [BC] | ! | | ! | | ! | | |
| ! | | ! | [BD] | ! | | ! | | ! | | |
| ! | | ! | [BE] | ! | | ! | | ! | | |
| ! | | ! | [BF] | ! | | ! | | ! | | |
| ! | | ! | [BG] | ! | | ! | | ! | | |
| ! | | ! | [BH] | ! | | ! | | ! | | |
| ! | | ! | [BI] | ! | | ! | | ! | | |
| ! | | ! | [BJ] | ! | | ! | | ! | | |
| ! | | ! | [BK] | ! | | ! | | ! | | |
| ! | | ! | [BL] | ! | | ! | | ! | | |
| ! | | ! | [BM] | ! | | ! | | ! | | |
| ! | | ! | [BN] | ! | | ! | | ! | | |
| ! | | ! | [BO] | ! | | ! | | ! | | |
| ! | | ! | [BP] | ! | | ! | | ! | | |
| ! | | ! | [BQ] | ! | | ! | | ! | | |
| ! | | ! | [BR] | ! | | ! | | ! | | |
| ! | | ! | [BS] | ! | | ! | | ! | | |
| ! | | ! | [BT] | ! | | ! | | ! | | |
| ! | | ! | [BU] | ! | | ! | | ! | | |
| ! | | ! | [BV] | ! | | ! | | ! | | |
| ! | | ! | [BW] | ! | | ! | | ! | | |
| ! | | ! | [BX] | ! | | ! | | ! | | |
| ! | | ! | [BY] | ! | | ! | | ! | | |
| ! | | ! | [BZ] | ! | | ! | | ! | | |
| ! | | ! | [CA] | ! | | ! | | ! | | |
| ! | | ! | [CB] | ! | | ! | | ! | | |
| ! | | ! | [CC] | ! | | ! | | ! | | |
| ! | | ! | [CD] | ! | | ! | | ! | | |
| ! | | ! | [CE] | ! | | ! | | ! | | |
| ! | | ! | [CF] | ! | | ! | | ! | | |
| ! | | ! | [CG] | ! | | ! | | ! | | |
| ! | | ! | [CH] | ! | | ! | | ! | | |
| ! | | ! | [CI] | ! | | ! | | ! | | |
| ! | | ! | [CJ] | ! | | ! | | ! | | |
| ! | | ! | [CK] | ! | | ! | | ! | | |
| ! | | ! | [CL] | ! | | ! | | ! | | |
| ! | | ! | [CM] | ! | | ! | | ! | | |
| ! | | ! | [CN] | ! | | ! | | ! | | |
| ! | | ! | [CO] | ! | | ! | | ! | | |
| ! | | ! | [CP] | ! | | ! | | ! | | |
| ! | | ! | [CQ] | ! | | ! | | ! | | |
| ! | | ! | [CR] | ! | | ! | | ! | | |
| ! | | ! | [CS] | ! | | ! | | ! | | |
| ! | | ! | [CT] | ! | | ! | | ! | | |
| ! | | ! | [CU] | ! | | ! | | ! | | |
| ! | | ! | [CV] | ! | | ! | | ! | | |
| ! | | ! | [CW] | ! | | ! | | ! | | |
| ! | | ! | [CX] | ! | | ! | | ! | | |
| ! | | ! | [CY] | ! | | ! | | ! | | |
| ! | | ! | [CZ] | ! | | ! | | ! | | |
| ! | | ! | [DA] | ! | | ! | | ! | | |
| ! | | ! | [DB] | ! | | ! | | ! | | |
| ! | | ! | [DC] | ! | | ! | | ! | | |
| ! | | ! | [DD] | ! | | ! | | ! | | |
| ! | | ! | [DE] | ! | | ! | | ! | | |
| ! | | ! | [DF] | ! | | ! | | ! | | |
| ! | | ! | [DG] | ! | | ! | | ! | | |
| ! | | ! | [DH] | ! | | ! | | ! | | |
| ! | | ! | [DI] | ! | | ! | | ! | | |
| ! | | ! | [DJ] | ! | | ! | | ! | | |
| ! | | ! | [DK] | ! | | ! | | ! | | |
| ! | | ! | [DL] | ! | | ! | | ! | | |
| ! | | ! | [DM] | ! | | ! | | ! | | |
| ! | | ! | [DN] | ! | | ! | | ! | | |
| ! | | ! | [DO] | ! | | ! | | ! | | |
| ! | | ! | [DP] | ! | | ! | | ! | | |
| ! | | ! | [DQ] | ! | | ! | | ! | | |
| ! | | ! | [DR] | ! | | ! | | ! | | |
| ! | | ! | [DS] | ! | | ! | | ! | | |
| ! | | ! | [DT] | ! | | ! | | ! | | |
| ! | | ! | [DU] | ! | | ! | | ! | | |
| ! | | ! | [DV] | ! | | ! | | ! | | |
| ! | | ! | [DW] | ! | | ! | | ! | | |
| ! | | ! | [DX] | ! | | ! | | ! | | |
| ! | | ! | [DY] | ! | | ! | | ! | | |
| ! | | ! | [DZ] | ! | | ! | | ! | | |
| ! | | ! | [EA] | ! | | ! | | ! | | |
| ! | | ! | [EB] | ! | | ! | | ! | | |
| ! | | ! | [EC] | ! | | ! | | ! | | |
| ! | | ! | [ED] | ! | | ! | | ! | | |
| ! | | ! | [EE] | ! | | ! | | ! | | |
| ! | | ! | [EF] | ! | | ! | | ! | | |
| ! | | ! | [EG] | ! | | ! | | ! | | |
| ! | | ! | [EH] | ! | | ! | | ! | | |
| ! | | ! | [EI] | ! | | ! | | ! | | |
| ! | | ! | [EJ] | ! | | ! | | ! | | |
| !</ | | | | | | | | | | |

ADH9544-MJ-0

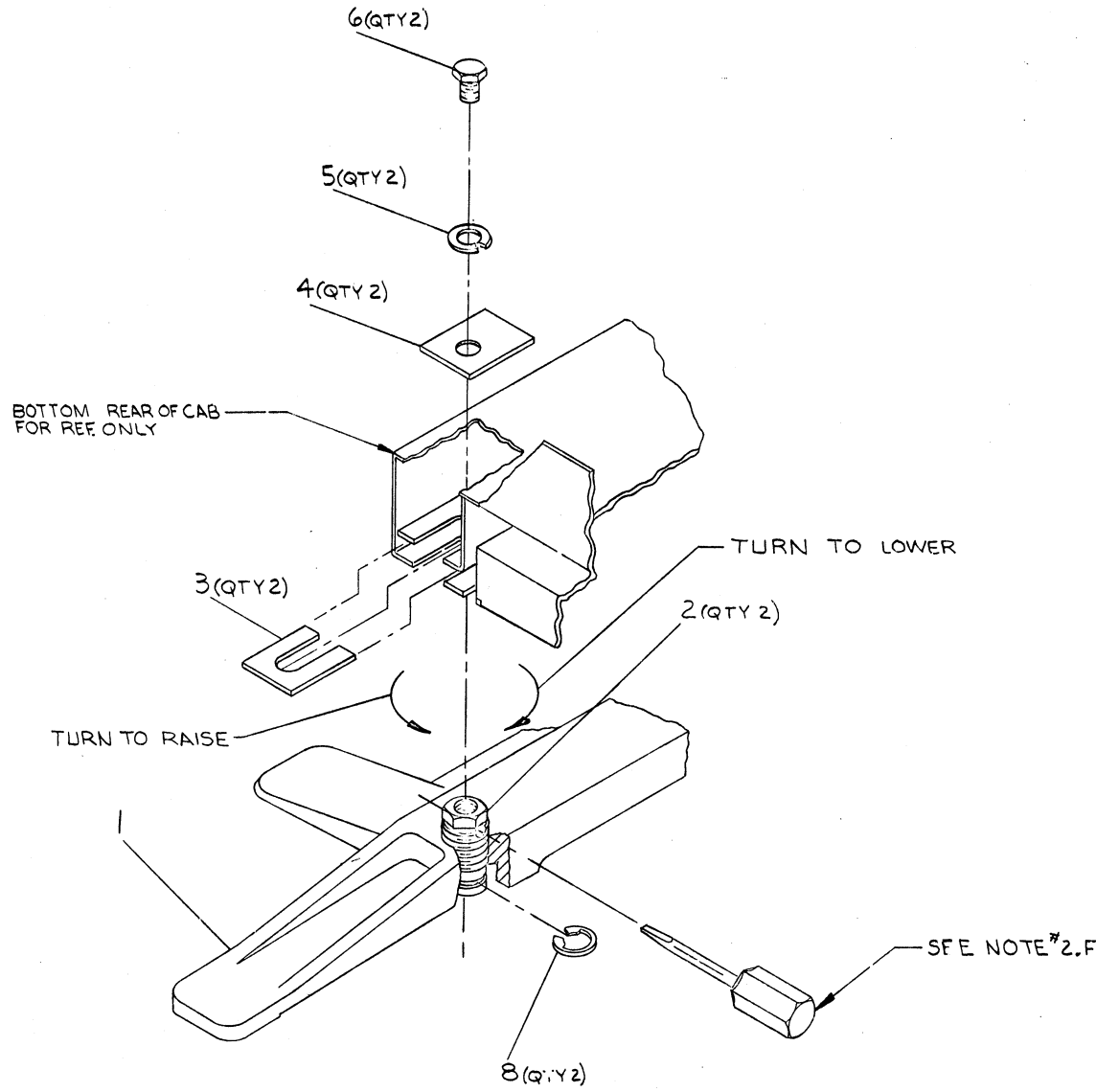
THIS DRAWING AND SPECIFICATIONS HEREIN ARE THE PROPERTY OF DIGITAL EQUIPMENT CORPORATION AND SHALL NOT BE REPRODUCED, COPIED, TRANSMITTED OR IN ANY MANNER DISCLOSED TO THE PUBLIC WITHOUT THE WRITTEN PERMISSION OF DIGITAL EQUIPMENT CORPORATION.

NOTES:

1. ITEMS 5 & 6 ARE PART OF H9544-MJ HARDWARE KIT AND ARE LISTED FOR REF ONLY.
2. INSTRUCTIONS TO INSTALL STABILIZER:
 - A. ATTACH THE TWO COUPLERS TO THE BASE STABILIZER AS SHOWN.
 - B. SLIDE STABILIZER UNDER CABINET AS SHOWN IN DETAIL "A".
 - C. PLACE ITEM 4, 5 & 6 RESPECTFULLY IN PLACE AS SHOWN LEAVING ITEM 6 A LOOSE FIT.
 - D. LEVEL CABINET BY ADJUSTING THE COUPLERS. TO RAISE CABINET: TURN COUPLER COUNTERCLOCKWISE. TO LOWER CABINET: TURN COUPLER CLOCKWISE. USE PHILLIPS OR REGULAR SCREW DRIVER TO HELP TURN COUPLER.
 - E. SLIDE ITEM 3 (SHIM) IN PLACE AS SHOWN.
 - F. TIGHTEN ITEM 6 (1/2-13 SCREW) USING A BOX WRENCH SIZE (.812). INSERT A SCREW DRIVER THROUGH THE 5/16 DIA. HOLES IN COUPLER AND HOLD IN PLACE WHILE TORQUING SCREW TO 250 INCH POUNDS.



SEE DETAIL "A"



DETAIL A
SCALE: NONE

SEE OFF SHEETS PARTS LIST:
K-PL-H9544-MJ-DBP

| DATE | ECO NUMBER | REV |
|---------|--------------|-----|
| 12/1/80 | ADH9544-MJ-0 | B |
| 11/1/80 | ADH9544-MJ-0 | A |
| 10/1/80 | ADH9544-MJ-0 | C |
| 9/1/80 | ADH9544-MJ-0 | D |
| 8/1/80 | ADH9544-MJ-0 | E |
| 7/1/80 | ADH9544-MJ-0 | F |
| 6/1/80 | ADH9544-MJ-0 | G |
| 5/1/80 | ADH9544-MJ-0 | H |
| 4/1/80 | ADH9544-MJ-0 | I |
| 3/1/80 | ADH9544-MJ-0 | J |
| 2/1/80 | ADH9544-MJ-0 | K |
| 1/1/80 | ADH9544-MJ-0 | L |

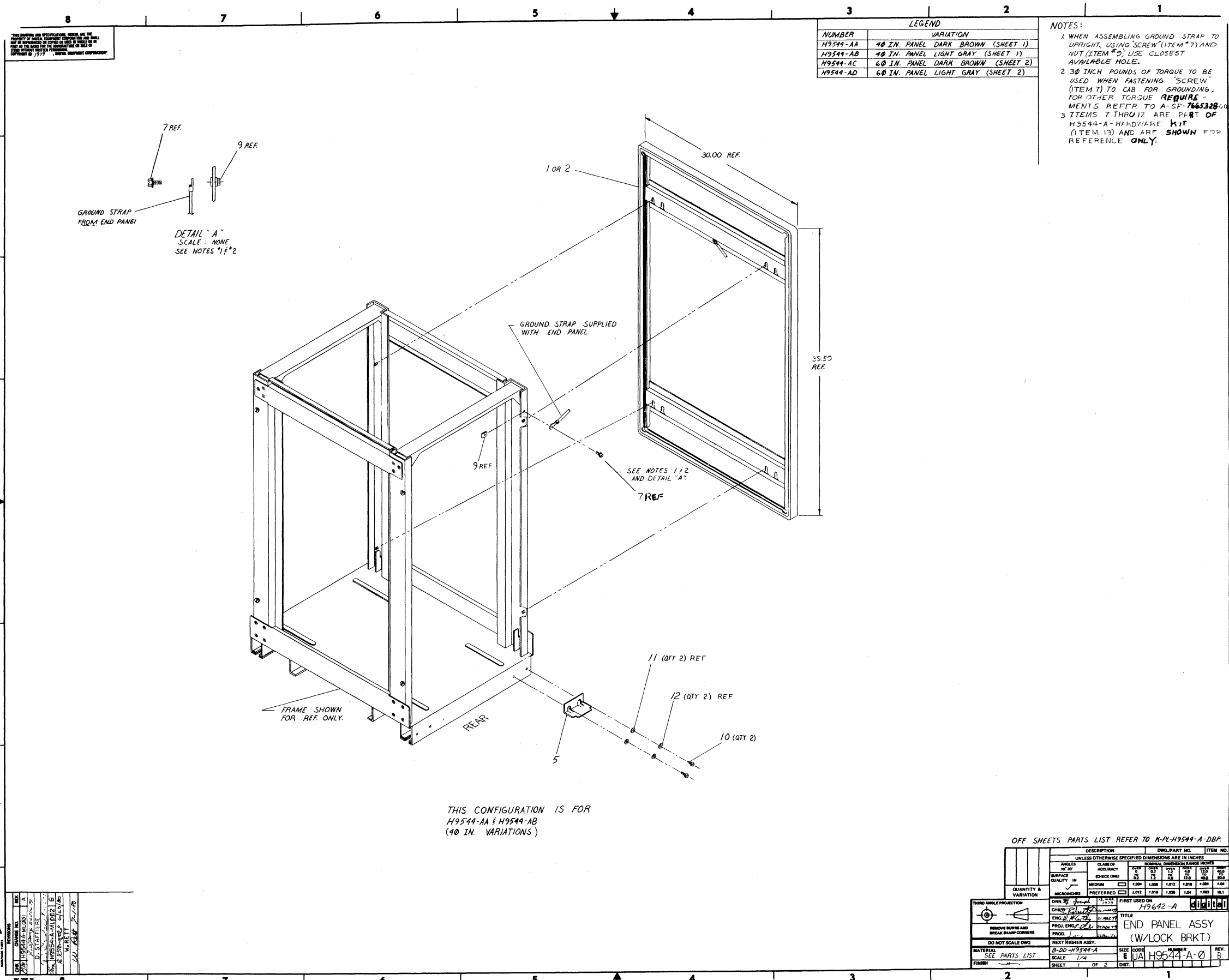
| DESCRIPTION | DRAWING NO. | PART NO. | ITEM # | | | | |
|--|-----------------------------------|--|--|-----------------|-----------------|------------------|-------------------|
| UNLESS OTHERWISE SPECIFIED DIMENSIONS ARE IN INCHES AND THE FOLLOWING TOLERANCES APPLY (PER DEC STD 114) | | | | | | | |
| INCHES TOLERANCES | ANGLES ±0° 00' | DIMENSION RANGE IN INCHES | | | | | |
| | | APPLICABLE DIMENSION RANGE (CHECK ONE) | OVER TO | OVER 0.2 TO 1.2 | OVER 1.2 TO 4.0 | OVER 4.0 TO 12.0 | OVER 12.0 TO 40.0 |
| X = ± .1 | SURFACE QUALITY | <input type="checkbox"/> | ± .02 | ± .03 | ± .05 | ± .10 | |
| XX = ± .02 | | <input type="checkbox"/> | ± .004 | ± .008 | ± .012 | ± .016 | ± .024 |
| XXX = ± .01 | | <input type="checkbox"/> | | | | | |
| QUANTITY & VARIATION | MICROINCHES | | | | | | |
| THIRD ANGLE PROJECTION | DESIGNED BY: <i>A. B. Johnson</i> | DATE: <i>25 Jan 80</i> | TITLE: STABILIZER (CAST) ASSEMBLY KIT | | | | |
| DO NOT SCALE DRAWING | CHECKED BY: <i>J. Halliday</i> | DATE: <i>12 Feb 80</i> | DOCUMENT NUMBER: DADH9544-MJ-0 | | | | |
| REMOVE BURRS AND BREAK SHARP CORNERS | DESIGN ENG: <i>T.R. Stone</i> | DATE: <i>12 Feb 80</i> | REV: C | | | | |
| MATERIAL | RESP. ENG: <i>T.R. Stone</i> | DATE: <i>12 Feb 80</i> | SIZE: 11 | | | | |
| SEE PARTS LIST | MFG. ENG: <i>Tom Carrier</i> | DATE: <i>12 Feb 80</i> | REV: C | | | | |
| FINISH: <i>11</i> | NEXT HIGHER DCC: <i>11</i> | | PAGE: 1 OF 1 | | | | |

| LINE ITEM | DOCUMENT NUMBER | PART NUMBER | DESCRIPTION | QUANTITY PER VARIATION | MJ |
|-----------|-----------------|------------------|-------------|----------------------------------|-----|
| 1 | 1 | E-MD-7424063-0-0 | 7424063-00 | CASTING, STABLIZER | 1 |
| 2 | 2 | C-MD-7424074-0-0 | 7424074-00 | COUPLER | 2 |
| 3 | 3 | C-MD-7423352-0-0 | 7423352-00 | SHIM | 2 |
| 4 | 4 | C-MD-7423349-0-0 | 7423349-00 | WASHER, RECTANGULAR | 2 |
| 5 | 5 | | 9009895-00 | WASHER, LOCK, SPLIT, .518 ID X . | REF |
| 6 | 6 | | 9000043-02 | SCREW, HEX 1/2-13X 3/4 | REF |
| 7 | 7 | | 2200032-00 | HARDWARE KIT FOR H9544-MJ | 1 |
| 8 | 8 | | 9009703-00 | RING, RETAINING, EXTERNAL FOR 7/ | REF |
| 9 | 9 | A-SF-3700548-0-0 | 3700548-00 | PKG KIT OPTION H9544 STABILIZER | 1 |

10 NOTE: ITEM 5,6, & 8 ARE PART OF H9544-MJ HARDWARE KIT AND ARE LISTED FOR REF ONLY.

| REVISION HISTORY | | | BASIC PART NO: H9544 | | DRN: D. DIPERRI | | DATE: 22-AUG-79 | | DIGITAL | |
|------------------|----------------|-----|--------------------------|------|------------------|------------|----------------------|-----------|---------------------|-----------------|
| ENG | ECO NUMBER | REV | SECTION A | OF A | CHK'D: | F. KEYES | DATE: | 01-OCT-79 | TITLE | PARTS LIST |
| --- | INITIAL | A | SECTION, VARIATION INDEX | | | | | | | |
| IDS | H9544-MJ-ML001 | B | [A] MJ | | | | | | STABILIZER KIT ASSY | |
| ITS | H9544-MJ-ML002 | C | [B] | | DES.ENG.: | T. STONE | DATE: | 01-OCT-79 | | |
| | | | [C] | | RESP.ENG.: | T. STONE | DATE: | 01-OCT-79 | | DOCUMENT NUMBER |
| | | | [D] | | | | | | SIZE | CODE |
| | | | [E] | | MFG.ENG.: | V. ADAMETZ | DATE: | 02-OCT-79 | K | PL |
| | | | [F] | | ASSEMBLY NUMBER: | | TOP DOCUMENT NUMBER: | | FILE NAME: | EDIT |
| | | | | | D-UA-H9544-MJ-0 | | B-DD-H9544-0-0 | | Z0955C.PLS | 10 |

*THIS DRAWING AND SPECIFICATIONS HEREIN, ARE THE PROPERTY OF DIGITAL EQUIPMENT CORPORATION AND SHALL NOT BE REPRODUCED OR COPIED OR USED IN WHOLE OR IN PART AS THE BASIS FOR THE MANUFACTURE OR SALE OF ITEMS WITHOUT WRITTEN PERMISSION. COPYRIGHT (C) 1980. DIGITAL EQUIPMENT CORPORATION *



| LEGEND | |
|----------|-----------------------------------|
| NUMBER | VARIATION |
| H9544-AA | 40 IN. PANEL DARK BROWN (SHEET 1) |
| H9544-AB | 40 IN. PANEL LIGHT GRAY (SHEET 1) |
| H9544-AC | 60 IN. PANEL DARK BROWN (SHEET 2) |
| H9544-AD | 60 IN. PANEL LIGHT GRAY (SHEET 2) |

NOTES:

1. WHEN ASSEMBLING GROUND STRAP TO UPRIGHT, USING SCREW (ITEM 7) AND NUT (ITEM 9), USE CLOSEST AVAILABLE HOLE.
2. 30 INCH POUNDS OF TORQUE TO BE USED WHEN FASTENING SCREW (ITEM 7) TO CAB FOR GROUNDING. FOR OTHER TORQUE REQUIREMENTS REFER TO A-SF-7665328.
3. ITEMS 7 THRU 12 ARE PART OF H9544-A HARDWARE KIT (ITEM 13) AND ARE SHOWN FOR REFERENCE ONLY.

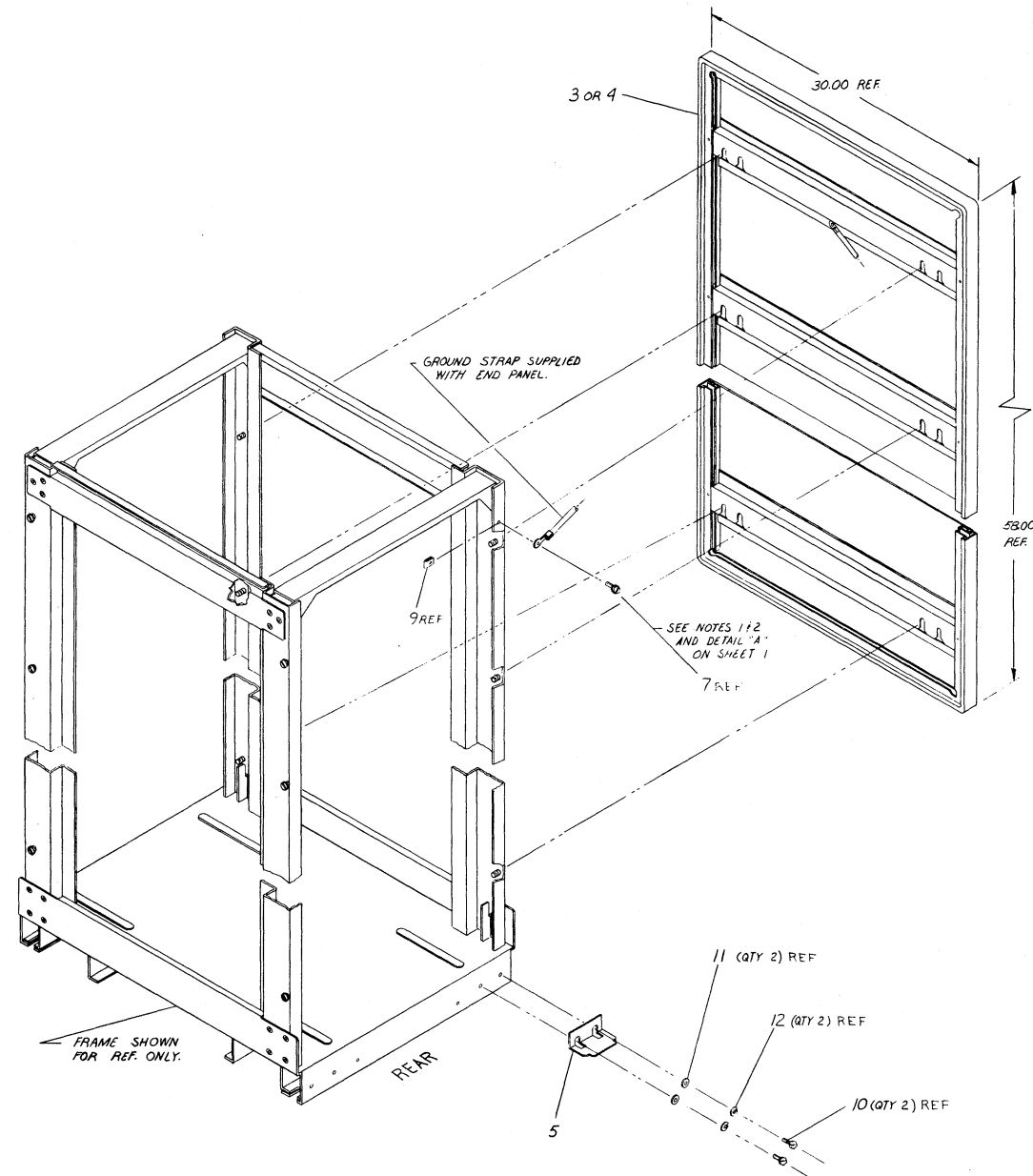
THIS DRAWING AND SPECIFICATIONS, BEING THE PROPERTY OF THE DRAWING COMPANY, ARE TO BE KEPT IN CONFIDENCE AND NOT TO BE REPRODUCED OR COPIED IN WHOLE OR IN PART WITHOUT THE WRITTEN PERMISSION OF THE DRAWING COMPANY.

| REV. | DATE | BY | CHKD. | DESCRIPTION |
|------|----------|---------|---------|-------------------------------|
| 1 | 11/10/01 | W. RETT | W. RETT | END PANEL ASSY (W/LOCK BRKT.) |
| 2 | 11/10/01 | W. RETT | W. RETT | REVISED TO ADD 10 (QTY 2) |
| 3 | 11/10/01 | W. RETT | W. RETT | REVISED TO ADD 11 (QTY 2) |
| 4 | 11/10/01 | W. RETT | W. RETT | REVISED TO ADD 12 (QTY 2) |

OFF SHEETS PARTS LIST REFER TO K-PL-H9544-A-DBP.

| DESCRIPTION | | DWG. PART NO. | ITEM NO. |
|---|-------------------|-------------------------------|---------------------|
| UNLESS OTHERWISE SPECIFIED DIMENSIONS ARE IN INCHES | | | |
| ANGLE | CLASS OF ACCURACY | NORMAL DIMENSION RANGE INCHES | |
| 10° 30' | AS CHECKED | 0.00 | 0.00 |
| | | 0.01 | 0.01 |
| | | 0.02 | 0.02 |
| | | 0.03 | 0.03 |
| | | 0.04 | 0.04 |
| | | 0.05 | 0.05 |
| | | 0.06 | 0.06 |
| | | 0.07 | 0.07 |
| | | 0.08 | 0.08 |
| | | 0.09 | 0.09 |
| | | 0.10 | 0.10 |
| | | 0.12 | 0.12 |
| | | 0.15 | 0.15 |
| | | 0.20 | 0.20 |
| | | 0.25 | 0.25 |
| | | 0.30 | 0.30 |
| | | 0.375 | 0.375 |
| | | 0.50 | 0.50 |
| | | 0.625 | 0.625 |
| | | 0.75 | 0.75 |
| | | 1.00 | 1.00 |
| | | 1.25 | 1.25 |
| | | 1.50 | 1.50 |
| | | 2.00 | 2.00 |
| | | 2.50 | 2.50 |
| | | 3.00 | 3.00 |
| | | 4.00 | 4.00 |
| | | 5.00 | 5.00 |
| | | 6.00 | 6.00 |
| | | 8.00 | 8.00 |
| | | 10.00 | 10.00 |
| | | 12.00 | 12.00 |
| | | 15.00 | 15.00 |
| | | 20.00 | 20.00 |
| | | 25.00 | 25.00 |
| | | 30.00 | 30.00 |
| | | 36.00 | 36.00 |
| | | 42.00 | 42.00 |
| | | 48.00 | 48.00 |
| | | 60.00 | 60.00 |
| | | 72.00 | 72.00 |
| | | 90.00 | 90.00 |
| | | 108.00 | 108.00 |
| | | 126.00 | 126.00 |
| | | 144.00 | 144.00 |
| | | 180.00 | 180.00 |
| | | 216.00 | 216.00 |
| | | 252.00 | 252.00 |
| | | 300.00 | 300.00 |
| | | 360.00 | 360.00 |
| | | 450.00 | 450.00 |
| | | 540.00 | 540.00 |
| | | 630.00 | 630.00 |
| | | 720.00 | 720.00 |
| | | 900.00 | 900.00 |
| | | 1080.00 | 1080.00 |
| | | 1260.00 | 1260.00 |
| | | 1500.00 | 1500.00 |
| | | 1800.00 | 1800.00 |
| | | 2100.00 | 2100.00 |
| | | 2400.00 | 2400.00 |
| | | 3000.00 | 3000.00 |
| | | 3600.00 | 3600.00 |
| | | 4500.00 | 4500.00 |
| | | 5400.00 | 5400.00 |
| | | 6300.00 | 6300.00 |
| | | 7200.00 | 7200.00 |
| | | 9000.00 | 9000.00 |
| | | 10800.00 | 10800.00 |
| | | 12600.00 | 12600.00 |
| | | 15000.00 | 15000.00 |
| | | 18000.00 | 18000.00 |
| | | 21000.00 | 21000.00 |
| | | 24000.00 | 24000.00 |
| | | 30000.00 | 30000.00 |
| | | 36000.00 | 36000.00 |
| | | 45000.00 | 45000.00 |
| | | 54000.00 | 54000.00 |
| | | 63000.00 | 63000.00 |
| | | 72000.00 | 72000.00 |
| | | 90000.00 | 90000.00 |
| | | 108000.00 | 108000.00 |
| | | 126000.00 | 126000.00 |
| | | 150000.00 | 150000.00 |
| | | 180000.00 | 180000.00 |
| | | 210000.00 | 210000.00 |
| | | 240000.00 | 240000.00 |
| | | 300000.00 | 300000.00 |
| | | 360000.00 | 360000.00 |
| | | 450000.00 | 450000.00 |
| | | 540000.00 | 540000.00 |
| | | 630000.00 | 630000.00 |
| | | 720000.00 | 720000.00 |
| | | 900000.00 | 900000.00 |
| | | 1080000.00 | 1080000.00 |
| | | 1260000.00 | 1260000.00 |
| | | 1500000.00 | 1500000.00 |
| | | 1800000.00 | 1800000.00 |
| | | 2100000.00 | 2100000.00 |
| | | 2400000.00 | 2400000.00 |
| | | 3000000.00 | 3000000.00 |
| | | 3600000.00 | 3600000.00 |
| | | 4500000.00 | 4500000.00 |
| | | 5400000.00 | 5400000.00 |
| | | 6300000.00 | 6300000.00 |
| | | 7200000.00 | 7200000.00 |
| | | 9000000.00 | 9000000.00 |
| | | 10800000.00 | 10800000.00 |
| | | 12600000.00 | 12600000.00 |
| | | 15000000.00 | 15000000.00 |
| | | 18000000.00 | 18000000.00 |
| | | 21000000.00 | 21000000.00 |
| | | 24000000.00 | 24000000.00 |
| | | 30000000.00 | 30000000.00 |
| | | 36000000.00 | 36000000.00 |
| | | 45000000.00 | 45000000.00 |
| | | 54000000.00 | 54000000.00 |
| | | 63000000.00 | 63000000.00 |
| | | 72000000.00 | 72000000.00 |
| | | 90000000.00 | 90000000.00 |
| | | 108000000.00 | 108000000.00 |
| | | 126000000.00 | 126000000.00 |
| | | 150000000.00 | 150000000.00 |
| | | 180000000.00 | 180000000.00 |
| | | 210000000.00 | 210000000.00 |
| | | 240000000.00 | 240000000.00 |
| | | 300000000.00 | 300000000.00 |
| | | 360000000.00 | 360000000.00 |
| | | 450000000.00 | 450000000.00 |
| | | 540000000.00 | 540000000.00 |
| | | 630000000.00 | 630000000.00 |
| | | 720000000.00 | 720000000.00 |
| | | 900000000.00 | 900000000.00 |
| | | 1080000000.00 | 1080000000.00 |
| | | 1260000000.00 | 1260000000.00 |
| | | 1500000000.00 | 1500000000.00 |
| | | 1800000000.00 | 1800000000.00 |
| | | 2100000000.00 | 2100000000.00 |
| | | 2400000000.00 | 2400000000.00 |
| | | 3000000000.00 | 3000000000.00 |
| | | 3600000000.00 | 3600000000.00 |
| | | 4500000000.00 | 4500000000.00 |
| | | 5400000000.00 | 5400000000.00 |
| | | 6300000000.00 | 6300000000.00 |
| | | 7200000000.00 | 7200000000.00 |
| | | 9000000000.00 | 9000000000.00 |
| | | 10800000000.00 | 10800000000.00 |
| | | 12600000000.00 | 12600000000.00 |
| | | 15000000000.00 | 15000000000.00 |
| | | 18000000000.00 | 18000000000.00 |
| | | 21000000000.00 | 21000000000.00 |
| | | 24000000000.00 | 24000000000.00 |
| | | 30000000000.00 | 30000000000.00 |
| | | 36000000000.00 | 36000000000.00 |
| | | 45000000000.00 | 45000000000.00 |
| | | 54000000000.00 | 54000000000.00 |
| | | 63000000000.00 | 63000000000.00 |
| | | 72000000000.00 | 72000000000.00 |
| | | 90000000000.00 | 90000000000.00 |
| | | 108000000000.00 | 108000000000.00 |
| | | 126000000000.00 | 126000000000.00 |
| | | 150000000000.00 | 150000000000.00 |
| | | 180000000000.00 | 180000000000.00 |
| | | 210000000000.00 | 210000000000.00 |
| | | 240000000000.00 | 240000000000.00 |
| | | 300000000000.00 | 300000000000.00 |
| | | 360000000000.00 | 360000000000.00 |
| | | 450000000000.00 | 450000000000.00 |
| | | 540000000000.00 | 540000000000.00 |
| | | 630000000000.00 | 630000000000.00 |
| | | 720000000000.00 | 720000000000.00 |
| | | 900000000000.00 | 900000000000.00 |
| | | 1080000000000.00 | 1080000000000.00 |
| | | 1260000000000.00 | 1260000000000.00 |
| | | 1500000000000.00 | 1500000000000.00 |
| | | 1800000000000.00 | 1800000000000.00 |
| | | 2100000000000.00 | 2100000000000.00 |
| | | 2400000000000.00 | 2400000000000.00 |
| | | 3000000000000.00 | 3000000000000.00 |
| | | 3600000000000.00 | 3600000000000.00 |
| | | 4500000000000.00 | 4500000000000.00 |
| | | 5400000000000.00 | 5400000000000.00 |
| | | 6300000000000.00 | 6300000000000.00 |
| | | 7200000000000.00 | 7200000000000.00 |
| | | 9000000000000.00 | 9000000000000.00 |
| | | 10800000000000.00 | 10800000000000.00 |
| | | 12600000000000.00 | 12600000000000.00 |
| | | 15000000000000.00 | 15000000000000.00 |
| | | 18000000000000.00 | 18000000000000.00 |
| | | 21000000000000.00 | 21000000000000.00 |
| | | 24000000000000.00 | 24000000000000.00 |
| | | 30000000000000.00 | 30000000000000.00 |
| | | 36000000000000.00 | 36000000000000.00 |
| | | 45000000000000.00 | 45000000000000.00 |
| | | 54000000000000.00 | 54000000000000.00 |
| | | 63000000000000.00 | 63000000000000.00 |
| | | 72000000000000.00 | 72000000000000.00 |
| | | 90000000000000.00 | 90000000000000.00 |
| | | 108000000000000.00 | 108000000000000.00 |
| | | 126000000000000.00 | 126000000000000.00 |
| | | 150000000000000.00 | 150000000000000.00 |
| | | 180000000000000.00 | 180000000000000.00 |
| | | 210000000000000.00 | 210000000000000.00 |
| | | 240000000000000.00 | 240000000000000.00 |
| | | 300000000000000.00 | 300000000000000.00 |
| | | 360000000000000.00 | 360000000000000.00 |
| | | 450000000000000.00 | 450000000000000.00 |
| | | 540000000000000.00 | 540000000000000.00 |
| | | 630000000000000.00 | 630000000000000.00 |
| | | 720000000000000.00 | 720000000000000.00 |
| | | 900000000000000.00 | 900000000000000.00 |
| | | 1080000000000000.00 | 1080000000000000.00 |
| | | 1260000000000000.00 | 1260000000000000.00 |
| | | 1500000000000000.00 | 1500000000000000.00 |
| | | 1800000000000000.00 | 1800000000000000.00 |
| | | 2100000000000000.00 | 2100000000000000.00 |
| | | 2400000000000000.00 | 2400000000000000.00 |
| | | 3000000000000000.00 | 3000000000000000.00 |
| | | 3600000000000000.00 | 36000000000000 |

THE DESIGN AND SPECIFICATIONS ARE THE PROPERTY OF DIGITAL EQUIPMENT CORPORATION AND SHALL NOT BE REPRODUCED OR COPIED OR USED IN WHOLE OR IN PART AT THE RISK OF THE APPLICANT OR USER. CONTACT 1919 DIGITAL EQUIPMENT CORPORATION



THIS CONFIGURATION IS FOR
H9544-AC & H9544-AD
(60 IN VARIATIONS.)

| REVISIONS | | |
|-----------|------------|------|
| CHK | CHANGE NO. | REV. |
| | | |

| | | | |
|-------|----------------------------------|-------|--------|
| TITLE | END PANEL ASSY (W/ LOCK BRKT) | REV | B |
| SCALE | 1/4 | SHEET | 2 OF 2 |
| DIST. | | | |

H9544-A-0
 B

| LINE | ITEM | DOCUMENT NUMBER | PART NUMBER | DESCRIPTION | QUANTITY PER VARIATION | | | |
|------|------|------------------|-------------|---------------------------------|------------------------|-----|-----|-----|
| | | | | | AA | AB | AC | AD |
| 1 | 1 | E-AD-7016534-0-0 | 7016534-00 | END PANEL ASSY | 1 | - | - | - |
| 2 | 2 | E-AD-7016534-0-0 | 7016534-01 | PANEL ASSY,END | - | 1 | - | - |
| 3 | 3 | E-AD-7016699-0-0 | 7016699-00 | END PANEL ASSY 60 INCH | - | - | 1 | - |
| 4 | 4 | E-AD-7016699-0-0 | 7016699-01 | END PANEL ASSY 60IN LT GREY | - | - | - | 1 |
| 5 | 5 | C-MD-7422221-0-0 | 7422221-00 | BRKT,DOOR HINGE/END PANEL LOCK | 1 | 1 | 1 | 1 |
| 6 | 6 | C-MD-7414318-0-0 | 7414318-00 | *** THIS ITEM IS NOT USED *** | - | - | - | - |
| 7 | 7 | | 9010156-00 | SCREW,HEX,SLOT,SEMS10-32X 1/2,W | REF | REF | REF | REF |
| 8 | 8 | | 9007651-00 | *** THIS ITEM IS NOT USED *** | - | - | - | - |
| 9 | 9 | | 9007786-00 | RETAINER, U-NUT, 10-32 | REF | REF | REF | REF |
| 10 | 10 | | 9006243-09 | SCREW,HEX 1/4-20X 3/4 | REF | REF | REF | REF |
| 11 | 11 | | 9006676-00 | WASHER, FLAT, .625 OD X .281 ID | REF | REF | REF | REF |
| 12 | 12 | | 9007797-00 | WASHER, LOCK, S.S. 1/4 | REF | REF | REF | REF |
| 13 | 13 | | 2200021-00 | HARDWARE KIT FOR H9544-A | 1 | 1 | 1 | 1 |

14 NOTE: ITEMS 7 THRU 12 ARE PART OF H9544-A HARDWARE KIT AND ARE ,
 15 NOTE: LISTED FOR REFERENCE ONLY.

| REVISION HISTORY | | | BASIC PART NO: H9544 | | DRN: M. JOSEPH | | DATE: 16-MAR-79 | | DIGITAL | | | |
|------------------|---------------|-----|--------------------------|------|----------------------|-----------------|-----------------|------------|-------------------------------|--|---------|--|
| ENG | ECO NUMBER | REV | SECTION A | OF A | CHK'D: | S. ROBERTS | DATE: | 16-MAR-79 | TITLE PARTS LIST | | | |
| --- | INITIAL | * | SECTION, VARIATION INDEX | | DES.ENG.: | W. F. MC CARTHY | DATE: | 16-MAR-79 | END PANEL ASSY (W. LOCK BRKT) | | | |
| DS | H9544-A-ML001 | A | [A] AA,AB,AC,AD | | | | | | | | | |
| WR | H9544-A-ML002 | B | [B] | | | | | | | | | |
| | | | [C] | | | | | | DOCUMENT NUMBER | | | |
| | | | [D] | | | | | | SIZE CODE NUMBER REV | | | |
| | | | [E] | | | | | | K FL H9544-A-DBP B | | | |
| | | | [F] | | | | | | | | | |
| ASSEMBLY NUMBER: | | | | | TOP DOCUMENT NUMBER: | | | FILE NAME: | | | EDIT #: | |
| E-UA-H9544-A-0 | | | | | | | | Z0236B,PLS | | | 14 | |

"THIS DRAWING AND SPECIFICATIONS HEREIN, ARE THE PROPERTY OF DIGITAL EQUIPMENT CORPORATION AND SHALL NOT BE REPRODUCED OR COPIED OR USED IN WHOLE OR IN PART AS THE BASIS FOR THE MANUFACTURE OR SALE OF ITEMS WITHOUT WRITTEN PERMISSION. COPYRIGHT (C) 1980. DIGITAL EQUIPMENT CORPORATION "

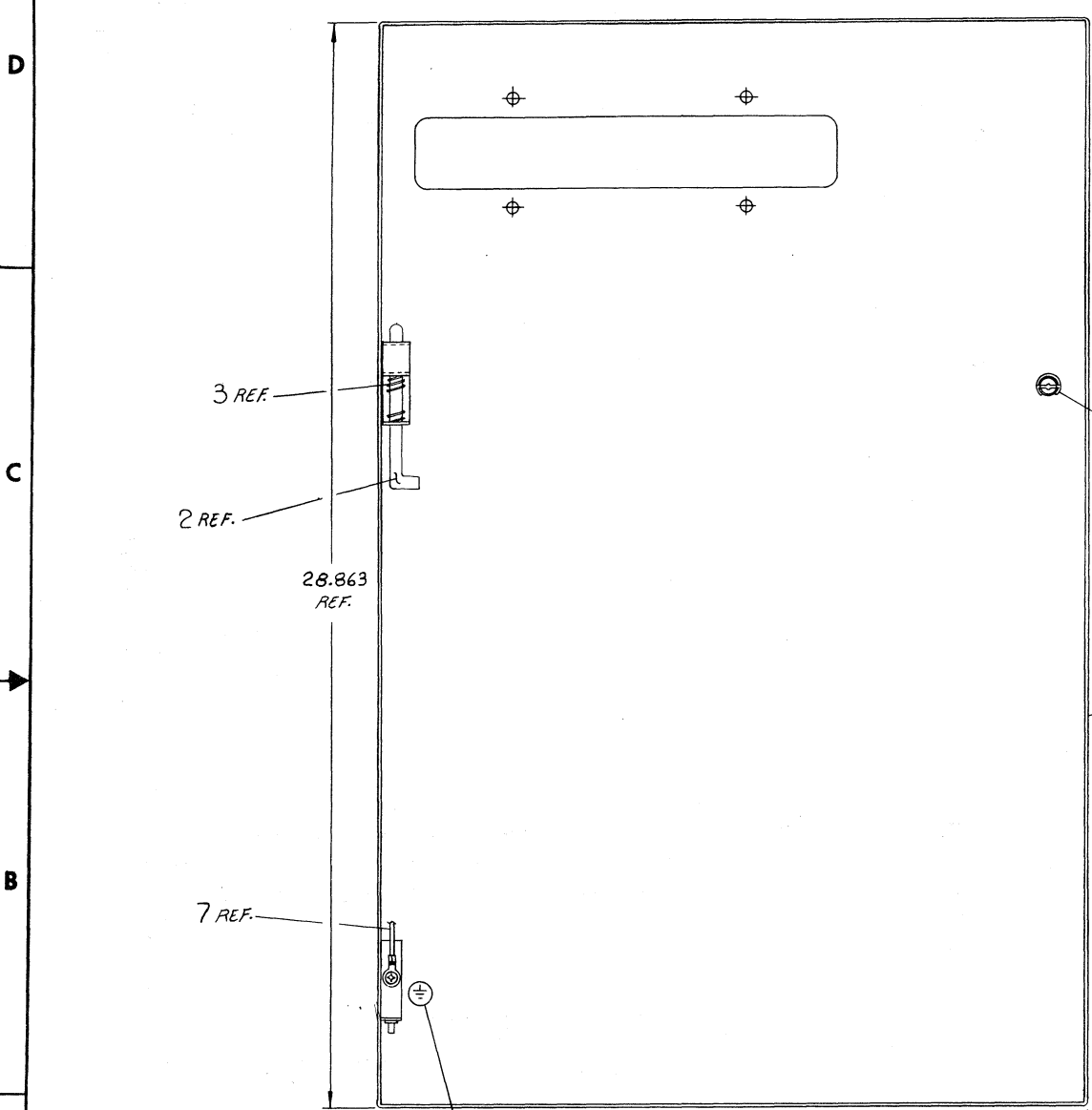
| LINE ITEM | DOCUMENT NUMBER | PART NUMBER | DESCRIPTION | QUANTITY PER VARIATION |
|-----------|------------------|-------------|----------------------------------|------------------------|
| 1 | D-AD-7017022-0-0 | 7017022-00 | DOOR,FRONT,ASSY | 1 |
| 2 | C-MD-7422262-0-0 | 7422262-00 | BRACKET,FRONT DOOR PIVOT | 2 |
| 3 | C-MD-7422264-0-0 | 7422264-00 | BRKT, TOP PIVOT | 1 |
| 4 | C-IA-7422267-0-0 | 7422267-00 | BRKT,DOOR LOCK MTG | 1 |
| 5 | C-MD-7422222-0-0 | 7422222-00 | BRACKET,DOOR LOCK | 1 |
| 6 | | 9009700-00 | SCREW, SEMS, PHILLIPS TRUSS HD 1 | 6 |
| 7 | | 9007906-00 | WASHER, LOCK S.S. #10 | 2 |
| 8 | | 9006664-00 | WASHER, FLAT, .437 OD X .218 ID | 2 |
| 9 | | 9006243-09 | SCREW,HEX 1/4-20X 3/4 | 4 |
| 10 | | 9007797-00 | WASHER, LOCK, S.S. 1/4 | 4 |
| 11 | | 9006676-00 | WASHER, FLAT, .625 OD X .281 ID | 2 |
| 12 | | 9007786-00 | RETAINER, U-NUT, 10-32 | 1 |
| 13 | | 1212972-02 | SPRING,RECEPTACLE FASTENER 1/4 T | 1 |
| 14 | B-AD-7016703-0-0 | 7016703-02 | STOP DOOR 1.62 | 2 |
| 15 | E-MD-7422951-0-0 | 7422951-00 | BEZEL,DOOR MOUNTED | 1 |
| 16 | | 9009949-00 | WASHER, FLAT, .500 OD X .156 ID | 4 |
| 17 | | 9008185-00 | NUT,KEP , 6-32X1/4 AF | 4 |
| 18 | | 9006565-00 | NUT,KEP , 10-32X 3/8 AF | 3 |
| 19 | | 9010156-00 | SCREW,HEX,SLOT,SEMS10-32X 1/2,W | 1 |

| REVISION HISTORY | | BASIC PART NO: 7017023 | | DRN: | MICHAEL JOSEPH | DATE: | 14-AUG-79 | DIGITAL | | | |
|------------------|------------|------------------------|--------------------------|------------------|----------------|----------------------|-----------|------------------|------|---------------|-----|
| ENG | ECO NUMBER | REV | SECTION A OF A | CHK'D: | D. HEALY | DATE: | 14-AUG-79 | TITLE PARTS LIST | | | |
| | INITIAL | * | SECTION, VARIATION INDEX | | | | | DOOR, FRONT, KIT | | | |
| | K.BITW003 | A | [A] 00 | | | | | | | | |
| | | | [B] | DES.ENG.: | PHIL BARTH | DATE: | 14-AUG-79 | | | | |
| | | | [C] | RESP.ENG.: | KEN BANKER | DATE: | 14-AUG-79 | DOCUMENT NUMBER | | | |
| | | | [D] | | | | | SIZE | CODE | NUMBER | REV |
| | | | [E] | MFG.ENG.: | AL TSHUDY | DATE: | 14-AUG-79 | K | PL | 7017023-0-DBP | A |
| | | | [F] | ASSEMBLY NUMBER: | | TOP DOCUMENT NUMBER: | | FILE NAME: | | EDIT #: | |
| | | | | E-AD-7017023-0-0 | | E-AD-7017023-0-0 | | Z0511.PLS | | 13 | |

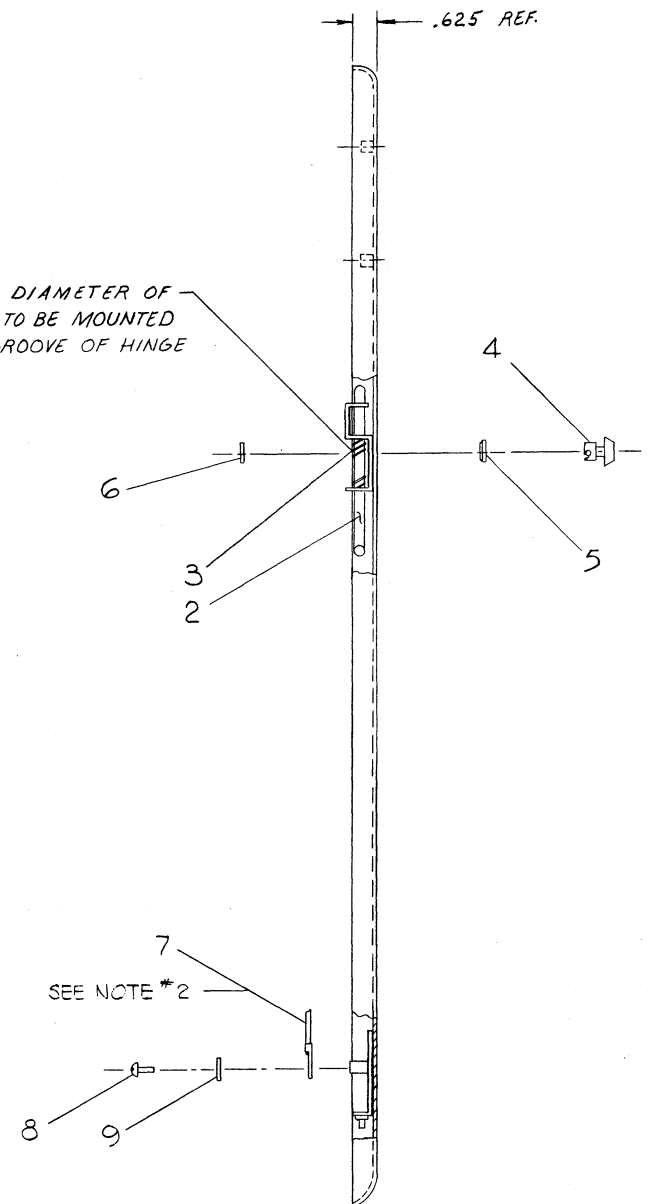
"THIS DRAWING AND SPECIFICATIONS HEREIN, ARE THE PROPERTY OF DIGITAL EQUIPMENT CORPORATION AND SHALL NOT BE REPRODUCED OR COPIED OR USED IN WHOLE OR IN PART AS THE BASIS FOR THE MANUFACTURE OR SALE OF ITEMS WITHOUT WRITTEN PERMISSION. COPYRIGHT (C) 1980, DIGITAL EQUIPMENT CORPORATION"

THIS DRAWING AND SPECIFICATIONS HEREIN ARE THE PROPERTY OF DIGITAL EQUIPMENT CORPORATION AND SHALL NOT BE REPRODUCED OR COPIED OR USED IN WHOLE OR IN PART AS THE BASIS FOR THE MANUFACTURE OR SALE OF ITEMS WITHOUT WRITTEN PERMISSION. COPYRIGHT © 1979, DIGITAL EQUIPMENT CORPORATION

- NOTES:
1. LOCATE "GROUND DECAL" (ITEM 10) APPROXIMATELY AS SHOWN.
 2. 30 INCH POUNDS OF TORQUE TO BE USED WHEN MOUNTING GROUND STRAP (ITEM 7) TO STANDOFF USING THE SCREW (ITEM 8) AND LOCKWASHER (ITEM 9).



SMALL DIAMETER OF SPRING TO BE MOUNTED INTO GROOVE OF HINGE PIN.



| | |
|------|-----|
| REV. | NO. |
| | |
| CHG. | NO. |
| | |

OFF SHEET PARTS LIST K-PL-7017022-0-DBP

| DESCRIPTION | DWG./PART NO. | ITEM NO. |
|---|--------------------------|--------------------------------|
| UNLESS OTHERWISE SPECIFIED DIMENSIONS ARE IN INCHES | | |
| ANGLES ±0° 30' | CLASS OF ACCURACY | NOMINAL DIMENSION RANGE INCHES |
| SURFACE QUALITY IN | (CHECK ONE) | OVER 0 TO 0.2 |
| MEDIUM | <input type="checkbox"/> | OVER 0.2 TO 1.2 |
| PREFERRED | <input type="checkbox"/> | OVER 1.2 TO 4.0 |
| | | OVER 4.0 TO 12.0 |
| | | OVER 12.0 TO 40.0 |
| | | OVER 40.0 TO 80.0 |
| | | OVER 80.0 TO 100.0 |
| | | OVER 100.0 TO 150.0 |
| | | OVER 150.0 TO 200.0 |
| | | OVER 200.0 TO 300.0 |
| | | OVER 300.0 TO 400.0 |
| | | OVER 400.0 TO 500.0 |
| | | OVER 500.0 TO 600.0 |
| | | OVER 600.0 TO 700.0 |
| | | OVER 700.0 TO 800.0 |
| | | OVER 800.0 TO 900.0 |
| | | OVER 900.0 TO 1000.0 |
| QUANTITY & VARIATION | | |
| THIRD ANGLE PROJECTION | DRN. M. Joseph 27 MAR 79 | FIRST USED ON 11X44 |
| REMOVE BURRS AND BREAK SHARP CORNERS | CHK'D S. Hoop 7 JUN 79 | TITLE DOOR, FRONT, ASSY. |
| DO NOT SCALE DWG | ENG. P. Blatz 16 AUG 79 | PROJ. ENG. K. Blatz 8/14/79 |
| MATERIAL SEE PARTS LIST | PROD. M. Blatz 8/14/79 | SIZE CODE NUMBER |
| FINISH | E-AD-7017022-0-0 | D AD 7017022-0-0 |
| | SCALE 1/2 | REV. |
| | SHEET OF | DIST. |

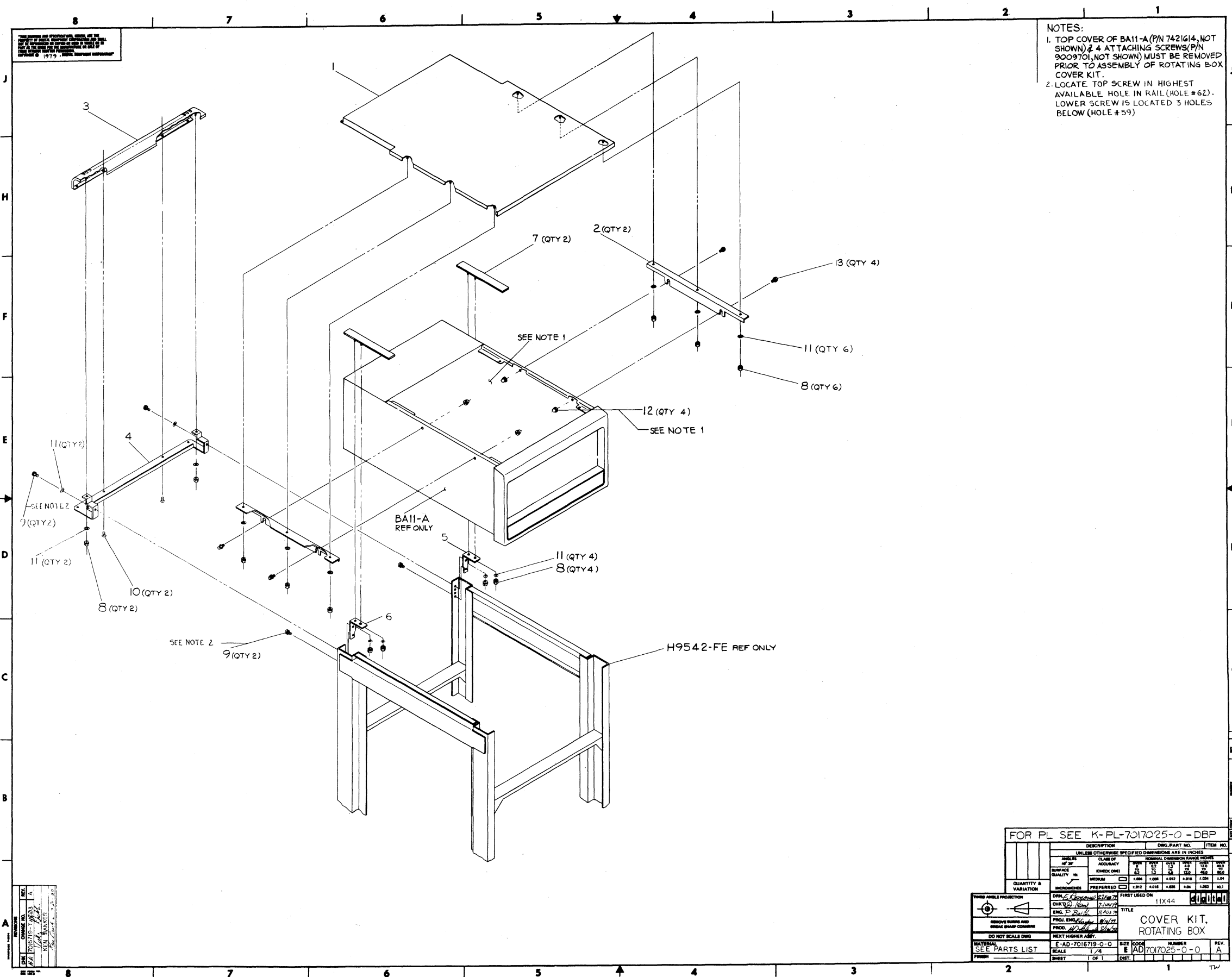
AUTOMATED BY PRTLSI,3L(31)

PARTS LIST

SHEET A1 OF A1

| LINE | ITEM | DOCUMENT NUMBER | PART NUMBER | DESCRIPTION | QUANTITY PER VARIATION |
|------|------|------------------|-------------|-----------------------------------|------------------------|
| 1 | 1 | D-1A-7017021-0-0 | 7017021-00 | DOOR, FRONT(WELDMENT) | 1 |
| 2 | 2 | | 1216223-00 | PIN, DOOR HINGE | 1 |
| 3 | 3 | | 1216225-00 | SPRING, HINGE 1.54LG | 1 |
| 4 | 4 | | 1212972-06 | FASTENER, QUARTER TURN W/RECESSED | 1 |
| 5 | 5 | | 1212972-03 | GROMMET HALF FOR 1/4 TURN FASTEN | 1 |
| 6 | 6 | | 9000500-00 | RING, RETAINING .500 O.D. X.423 | 1 |
| 7 | 7 | | 1213756-12 | GROUND STRAP | 1 |
| 8 | 8 | | 9000007-01 | SCREW, PAN, PHIL, 10-32X 1/4 S | 1 |
| 9 | 9 | | 9006635-00 | WASHER, LOCK, INT, 3100D X .200ID | 1 |
| 10 | 10 | | 3613272-00 | LABEL, ADH BACK, MYLAR CAP | 1 |

| REVISION HISTORY | | | BASIC PART NO: 7017022 | | DIGITAL | | | | | |
|--|------------|-----|--------------------------|------------------------|-----------|----------------------|----|----------------|---|--|
| ENG | ECO NUMBER | REV | SECTION A OF A | DRN: | DATE: | TITLE | | | | |
| --- | INITIAL | # | SECTION, VARIATION INDEX | CHK'D: | DATE: | PARTS LIST | | | | |
| | | | (A) 00 | DENNIS HEALY <i>DH</i> | 14-AUG-79 | DOOR, FRONT, ASSY | | | | |
| | | | (B) | DES. ENG.: | DATE: | DOCUMENT NUMBER | | | | |
| | | | (C) | PHIL BARTH <i>P.B.</i> | 14-AUG-79 | | | | | |
| | | | (D) | RESP. ENG.: | DATE: | SIZE CODE NUMBER REV | | | | |
| | | | (E) | KEN BANKER <i>K.B.</i> | 14-AUG-79 | K | PL | 7017022-00-08P | * | |
| | | | (F) | MFG. ENG.: | DATE: | FILE NAME | | | | |
| | | | | AL TSHUDY <i>AT</i> | 14-AUG-79 | 20955.PLS | | | | |
| | | | ASSEMBLY NUMBER: | TOP DOCUMENT NUMBER: | | | | EDYT # | | |
| | | | D-AD-7017022-0-0 | D-AD-7017022-0-0 | | | | 0 | | |
| <p>"THIS DRAWING AND SPECIFICATIONS HEREIN, ARE THE PROPERTY OF DIGITAL EQUIPMENT CORPORATION AND SHALL NOT BE REPRODUCED OR COPIED OR USED IN WHOLE OR IN PART AS THE BASIS FOR THE MANUFACTURE OR SALE OF ITEMS WITHOUT WRITTEN PERMISSION. COPYRIGHT (C) 1979, DIGITAL EQUIPMENT CORPORATION"</p> | | | | | | | | | | |



THIS DRAWING AND SPECIFICATIONS HEREOF ARE THE PROPERTY OF THE UNITED STATES GOVERNMENT AND ARE TO BE USED FOR THE PURPOSES AUTHORIZED BY THE GOVERNMENT. IT IS TO BE REPRODUCED AND TRANSMITTED IN ANY FORM AND BY ANY MEANS, ELECTRONIC OR MECHANICAL, INCLUDING PHOTOCOPYING, RECORDING, OR BY ANY INFORMATION STORAGE AND RETRIEVAL SYSTEM, WITHOUT PERMISSION IN WRITING FROM THE UNITED STATES GOVERNMENT. DATE: 1979. MIL-STD-883C

NOTES:
 1. TOP COVER OF BA11-A (P/N 7421614, NOT SHOWN) & 4 ATTACHING SCREWS (P/N 9009701, NOT SHOWN) MUST BE REMOVED PRIOR TO ASSEMBLY OF ROTATING BOX COVER KIT.
 2. LOCATE TOP SCREW IN HIGHEST AVAILABLE HOLE IN RAIL (HOLE #62). LOWER SCREW IS LOCATED 3 HOLES BELOW (HOLE #59)

| | | | |
|-----|----------|----|------|
| REV | DATE | BY | CHKD |
| A | 10/23/79 | WJ | WJ |
| B | | | |
| C | | | |
| D | | | |
| E | | | |
| F | | | |
| G | | | |
| H | | | |
| I | | | |
| J | | | |

FOR PL SEE K-PL-7017025-0-DBP

| UNLESS OTHERWISE SPECIFIED DIMENSIONS ARE IN INCHES | |
|---|-------------------|
| ANGLES | CLASS OF ACCURACY |
| SURFACE QUALITY | FINISH |
| QUANTITY & VARIATION | PREFERRED |

| | | | | |
|----------|----------|----------|----------|----------|
| DRN | CHKD | ENGR | PROJ | PROD |
| WJ | WJ | WJ | WJ | WJ |
| DATE | DATE | DATE | DATE | DATE |
| 10/23/79 | 10/23/79 | 10/23/79 | 10/23/79 | 10/23/79 |

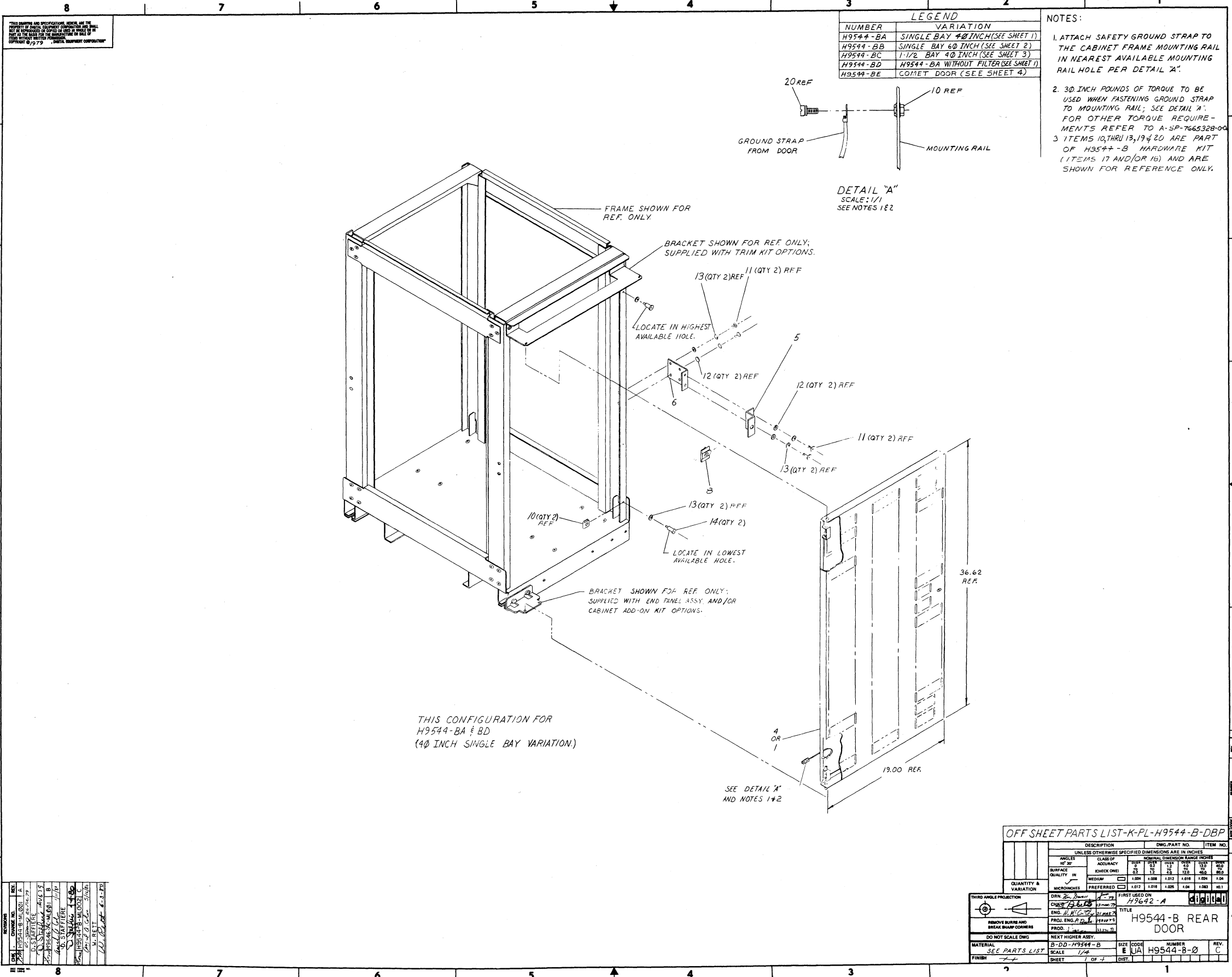
| | |
|-------|-------------------------|
| TITLE | COVER KIT, ROTATING BOX |
| SCALE | 1/4 |
| SHEET | 1 OF 1 |

| LINE ITEM | DOCUMENT NUMBER | PART NUMBER | DESCRIPTION | QUANTITY PER VARIATION |
|-----------|------------------|-------------|----------------------------------|------------------------|
| 1 | E-IA-7422666-0-0 | 7422666-00 | COVER,REMOVABLE TOP | 1 |
| 2 | D-MD-7422645-0-0 | 7422645-00 | BRKT, TOP COVER | 2 |
| 3 | D-IA-7422661-0-0 | 7422661-00 | VENT, REAR | 1 |
| 4 | D-MD-7422646-0-0 | 7422646-00 | BRACKET, REAR VENT | 1 |
| 5 | C-MD-7422653-0-0 | 7422653-00 | BRKT TRIM STRIP SUPPORT R.H. | 1 |
| 6 | C-MD-7422653-0-0 | 7422653-01 | BRKT TRIM STRIP SUPPORT L.H. | 1 |
| 7 | C-IA-7422654-0-0 | 7422654-00 | STRIP, TRIM | 2 |
| 8 | | 9006565-00 | NUT, KEP , 10-32X 3/8 AF | 12 |
| 9 | | 9009700-00 | SCREW, SEMS, PHILLIPS TRUSS HD 1 | 4 |
| 10 | | 9006070-02 | SCREW, FLAT, PHIL, 10-32X 5/16 | 2 |
| 11 | | 9006664-00 | WASHER, FLAT, .437 OD X .218 ID | 14 |
| 12 | | 9006610-00 | NUT, CAP , 10-32 X7/16AF REL | 4 |
| 13 | | 9009988-05 | SCREW, SEMS, SLOTTED HEX HD 10- | 4 |

| REVISION HISTORY | | | BASIC PART NO: 7017025 | | DRN: MICHAEL JOSEPH | | DATE: 14-AUG-79 | | DIGITAL | |
|------------------|------------|-----|------------------------|------------------|----------------------|------------|-----------------|------------|-------------------------|-----------------|
| ENG | ECO NUMBER | REV | SECTION A OF A | CHK'D | DES. ENG.: | DATE: | TITLE | PARTS LIST | COVER KIT, ROTATING BOX | DOCUMENT NUMBER |
| KB | TW003 | A | [A] 00 | D. HEALY | PHIL BARTH | 14-AUG-79 | | | | |
| | | | [B] | | | 14-AUG-79 | | | | |
| | | | [C] | | | | | | | |
| | | | [D] | | KEN BANKER | 14-AUG-79 | | | | |
| | | | [E] | | AL TSHUDY | 14-AUG-79 | K | PL | 7017025-0-DBP | |
| | | | [F] | | | | | | | |
| | | | | ASSEMBLY NUMBER: | TOP DOCUMENT NUMBER: | FILE NAME: | EDIT #: | | | |
| | | | | E-AD-7017025-0-0 | E-AD-7017025-0-0 | Z0513.PLS | 9 | | | |

"THIS DRAWING AND SPECIFICATIONS HEREIN, ARE THE PROPERTY OF DIGITAL EQUIPMENT CORPORATION AND SHALL NOT BE REPRODUCED OR COPIED OR USED IN WHOLE OR IN PART AS THE BASIS FOR THE MANUFACTURE OR SALE OF ITEMS WITHOUT WRITTEN PERMISSION. COPYRIGHT (C) 1980. DIGITAL EQUIPMENT CORPORATION "

TW



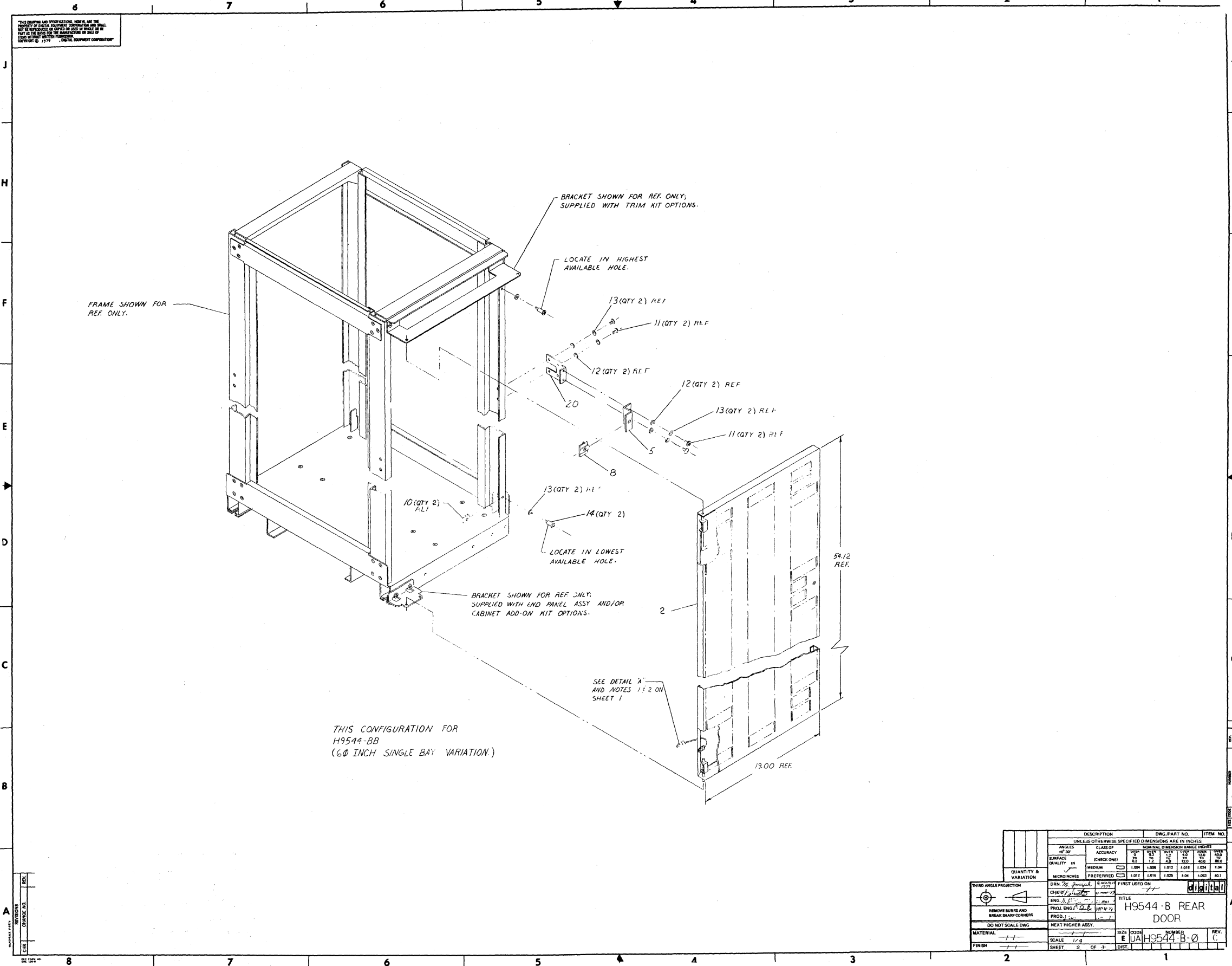
| LEGEND | |
|----------|---------------------------------------|
| NUMBER | VARIATION |
| H9544-BA | SINGLE BAY 40 INCH (SEE SHEET 1) |
| H9544-BB | SINGLE BAY 60 INCH (SEE SHEET 2) |
| H9544-BC | 1-1/2 BAY 40 INCH (SEE SHEET 3) |
| H9544-BD | H9544-BA WITHOUT FILTER (SEE SHEET 1) |
| H9544-BE | COMET DOOR (SEE SHEET 4) |

- NOTES:
1. ATTACH SAFETY GROUND STRAP TO THE CABINET FRAME MOUNTING RAIL IN NEAREST AVAILABLE MOUNTING RAIL HOLE PER DETAIL "A".
 2. 30 INCH POUNDS OF TORQUE TO BE USED WHEN FASTENING GROUND STRAP TO MOUNTING RAIL; SEE DETAIL "A". FOR OTHER TORQUE REQUIREMENTS REFER TO A-SP-766532B-00.
 3. ITEMS 10, 11, 12, 13, 14, 19 & 20 ARE PART OF H9544-B HARDWARE KIT (ITEMS 17 AND/OR 18) AND ARE SHOWN FOR REFERENCE ONLY.

THIS CONFIGURATION FOR
H9544-BA & BD
(40 INCH SINGLE BAY VARIATION.)

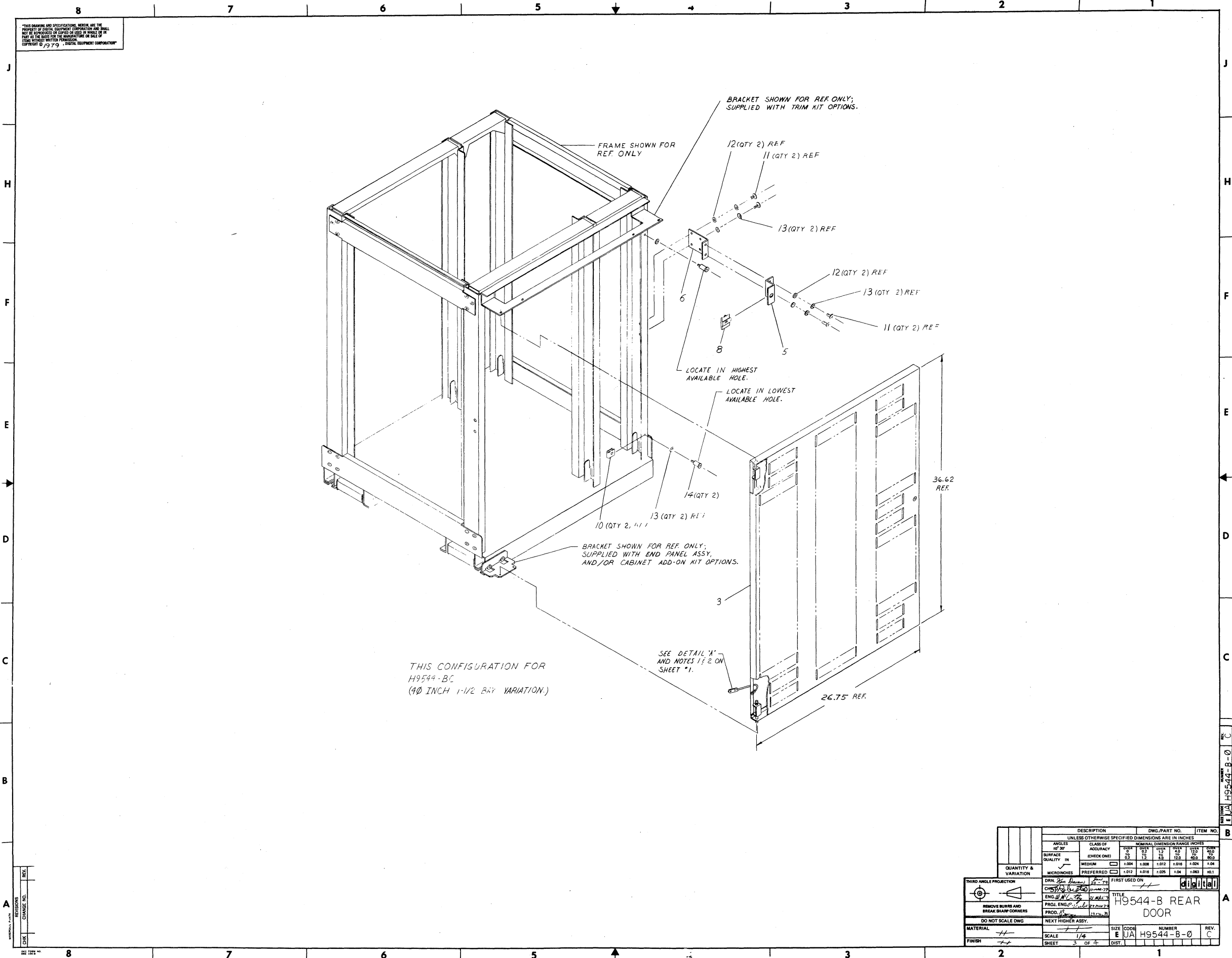
| OFF SHEET PARTS LIST-K-PL-H9544-B-DBP | |
|---|------------------------|
| DESCRIPTION | DWG. PART NO. ITEM NO. |
| UNLESS OTHERWISE SPECIFIED DIMENSIONS ARE IN INCHES | |
| ANGLES | CLASS OF ACCURACY |
| SURFACE QUALITY | |
| QUANTITY & VARIATION | |
| FIRST USED ON | |
| TITLE | |
| MATERIAL | |
| SCALE | |
| SHEET | |

| REV. | DESCRIPTION | DATE |
|------|-------------|------|
| 1 | ISSUE | |
| 2 | CHANGE | |
| 3 | CHANGE | |
| 4 | CHANGE | |
| 5 | CHANGE | |
| 6 | CHANGE | |
| 7 | CHANGE | |
| 8 | CHANGE | |



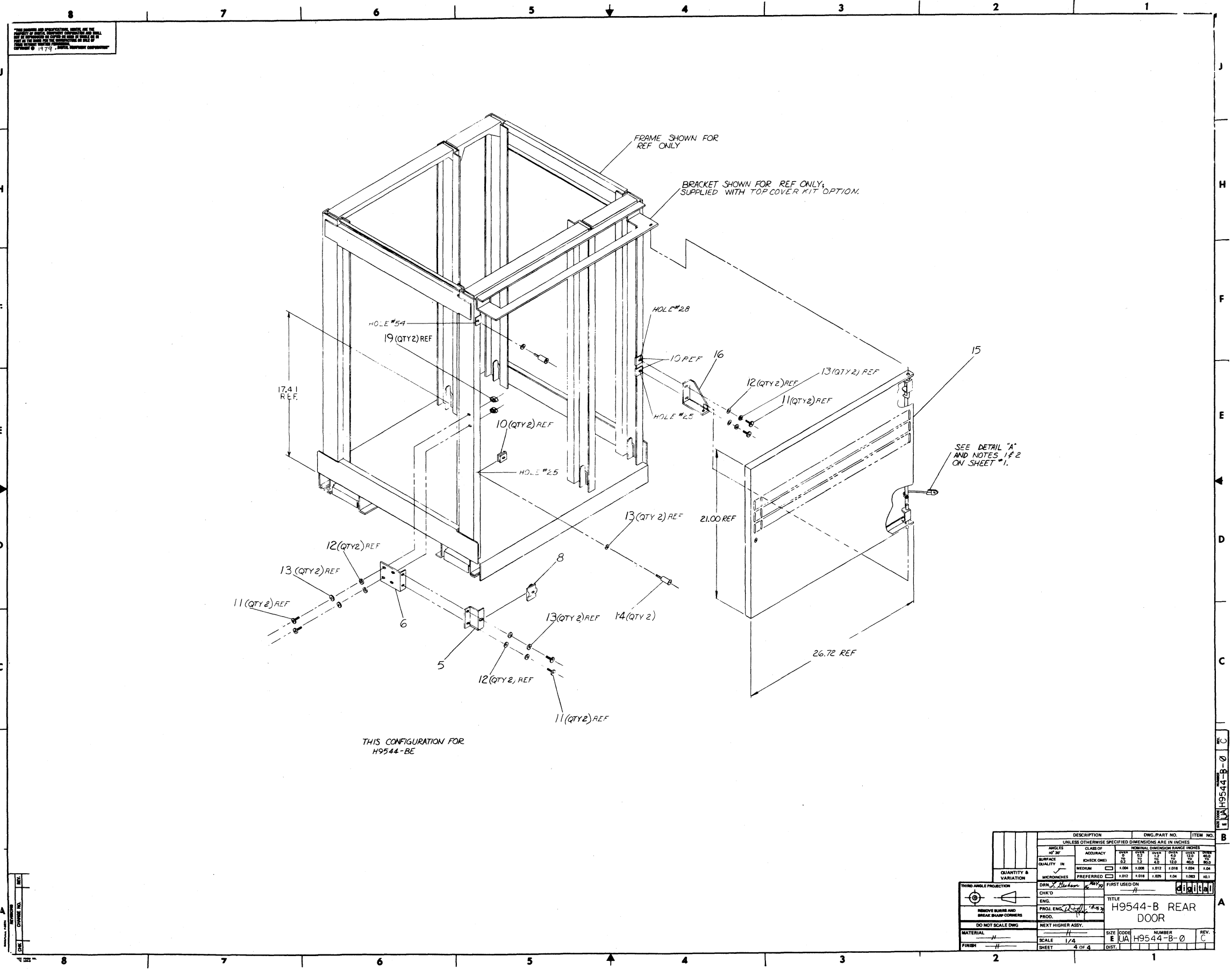
| DESCRIPTION | | DWG. PART NO. | ITEM NO. |
|---|-------------------|--------------------------------|---------------|
| UNLESS OTHERWISE SPECIFIED DIMENSIONS ARE IN INCHES | | | |
| ANGLES | CLASS OF ACCURACY | NOMINAL DIMENSION RANGE INCHES | |
| 1/2° | CHECK ONE | 1/16" TO 1/8" | 1/8" TO 1/4" |
| 1° | | 1/4" TO 3/8" | 3/8" TO 1/2" |
| 2° | | 3/8" TO 1" | 1" TO 2" |
| 5° | | 1" TO 2" | 2" TO 4" |
| 10° | | 2" TO 4" | 4" TO 8" |
| 15° | | 4" TO 8" | 8" TO 16" |
| 30° | | 8" TO 16" | 16" TO 32" |
| 45° | | 16" TO 32" | 32" TO 64" |
| 60° | | 32" TO 64" | 64" TO 128" |
| 90° | | 64" TO 128" | 128" TO 256" |
| QUANTITY & VARIATION | MEDIUM | 1.004 | 1.008 |
| | PREFERRED | 1.012 | 1.016 |
| | | 1.024 | 1.028 |
| | | 1.032 | 1.036 |
| | | 1.040 | 1.044 |
| | | 1.048 | 1.052 |
| | | 1.060 | 1.064 |
| THIRD ANGLE PROJECTION | DRN. BY | CHKD. BY | FIRST USED ON |
| | ENG. BY | PROJ. ENG. BY | |
| REMOVE BURRS AND BREAK SHARP CORNERS | PROJ. ENG. BY | | |
| DO NOT SCALE DWG. | NEXT HIGHER ASSY. | | |
| MATERIAL | SCALE | SIZE | CODE |
| FINISH | SHEET | OF | DIST. |
| | | TITLE | |
| | | H9544-B REAR DOOR | |
| | | EUA H9544-B-0 | |
| | | REV. 6 | |

THIS DRAWING AND SPECIFICATIONS HEREIN ARE THE PROPERTY OF DIGITAL EQUIPMENT CORPORATION AND SHALL NOT BE REPRODUCED OR COPIED OR USED IN WHOLE OR IN PART AS THE BASIS FOR THE MANUFACTURE OR SALE OF ANY EQUIPMENT WITHOUT WRITTEN PERMISSION FROM DIGITAL EQUIPMENT CORPORATION. COPYRIGHT © 1973, DIGITAL EQUIPMENT CORPORATION.



| | | | | | |
|---|-------------|----------------------------------|----------------|------------------|----------|
| THIRD ANGLE PROJECTION | | DESCRIPTION | | DWG. PART NO. | ITEM NO. |
| UNLESS OTHERWISE SPECIFIED DIMENSIONS ARE IN INCHES | | | | | |
| ANGLES | CLASS OF | TOLERANCE DIMENSION RANGE INCHES | | | |
| ± 30° | ACCURACY | 0.004 | 0.005 | 0.007 | 0.009 |
| SURFACE | (CHECK ONE) | 0.004 | 0.005 | 0.007 | 0.009 |
| QUALITY | IN | 0.004 | 0.005 | 0.007 | 0.009 |
| QUANTITY & VARIATION | MICROMETERS | 0.004 | 0.005 | 0.007 | 0.009 |
| | PREFERRED | 0.004 | 0.005 | 0.007 | 0.009 |
| FIRST USED ON | | TITLE | | | |
| DRN. <i>[Signature]</i> | | H9544-B REAR DOOR | | | |
| ENGR. <i>[Signature]</i> | | DOOR | | | |
| PROD. ENGR. <i>[Signature]</i> | | NEXT HIGHER ASSY. | | | |
| DO NOT SCALE DWG. | | SCALE | SIZE CODE | NUMBER | REV. |
| MATERIAL | | SCALE 1/4" | SIZE CODE E JA | NUMBER H9544-B-0 | REV. C |
| FINISH | | SHEET 3 OF 4 | DIST. | | |

PART NO. H9544-B-0



THIS DRAWING IS THE PROPERTY OF THE COMPANY AND IS NOT TO BE REPRODUCED OR TRANSMITTED IN ANY FORM OR BY ANY MEANS, ELECTRONIC OR MECHANICAL, INCLUDING PHOTOCOPYING, RECORDING, OR BY ANY INFORMATION STORAGE AND RETRIEVAL SYSTEM. WITHOUT THE WRITTEN PERMISSION OF THE COMPANY.

| DESCRIPTION | | DWG. PART NO. | | ITEM NO. | |
|---|-------------------|-------------------|---------------|-----------|-------|
| UNLESS OTHERWISE SPECIFIED DIMENSIONS ARE IN INCHES | | | | | |
| ANGLES | CLASS OF ACCURACY | 0.005 | 0.004 | 0.003 | 0.002 |
| SURFACE QUALITY | CHECK ONE | 1.000 | 1.000 | 1.000 | 1.000 |
| QUANTITY & VARIATION | PREFERRED | 1.000 | 1.000 | 1.000 | 1.000 |
| THIRD ANGLE PROJECTION | CHK'D | DATE | FIRST USED ON | digital | |
| ENG. | PROJ. ENG. | TITLE | | | |
| REMOVE BURRS AND BREAK SHARP CORNERS | PROD. | H9544-B REAR DOOR | | | |
| DO NOT SCALE DWG | NEXT HIGHER ASSY. | SIZE | CODE | NUMBER | REV. |
| MATERIAL | SCALE | 1/4 | E | H9544-B-0 | C |
| FINISH | SHEET | 4 OF 4 | DIST. | | |

H9544-B-0

| LINE | ITEM | DOCUMENT NUMBER | PART NUMBER | DESCRIPTION | QUANTITY PER VARIATION | | | | |
|------|------|------------------|-------------|----------------------------------|------------------------|-----|-----|-----|-----|
| | | | | | BA | BB | BC | BD | BE |
| 1 | 1 | E-AD-7016533-0-0 | 7016533-00 | DOOR ASSY,REAR(SINGLE BAY,40INCH | 1 | - | - | - | - |
| 2 | 2 | E-AD-7016695-0-0 | 7016695-00 | DOOR ASSY REAR(SINGLE BAY,60") | - | 1 | - | - | - |
| 3 | 3 | E-AD-7016697-0-0 | 7016697-00 | DOOR ASSY REAR(1 1/2 BAY 40") | - | - | 1 | - | - |
| 4 | 4 | E-AD-7016533-0-0 | 7016533-01 | DOOR ASSY REAR(REAR DOOR W/O FIL | - | - | - | 1 | - |
| 5 | 5 | C-MD-7422222-0-0 | 7422222-00 | BRACKET,DOOR LOCK | 1 | 1 | 1 | 1 | 1 |
| 6 | 6 | C-IA-7422267-0-0 | 7422267-00 | BRKT,DOOR LOCK MTG | 1 | - | 1 | 1 | 1 |
| 7 | 7 | | 4700045-00 | *** THIS ITEM IS NOT USED *** | - | - | - | - | - |
| 8 | 8 | | 1212972-02 | SPRING,RECEPTACLE FASTENER 1/4 T | 1 | 1 | 1 | 1 | 1 |
| 9 | 9 | | 9007651-00 | *** THIS ITEM IS NOT USED *** | - | - | - | - | - |
| 10 | 10 | | 9007786-00 | RETAINER, U-NUT, 10-32 | REF | REF | REF | REF | REF |
| 11 | 11 | | 9006074-01 | SCREW,PAN,PHIL 10-32X 5/8 SS | REF | REF | REF | REF | REF |
| 12 | 12 | | 9006664-00 | WASHER, FLAT, .437 OD X .218 ID | REF | REF | REF | REF | REF |
| 13 | 13 | | 9007906-00 | WASHER, LOCK S.S. #10 | REF | REF | REF | REF | REF |
| 14 | 14 | B-AD-7016703-0-0 | 7016703-00 | STOP DOOR (REAR) | 2 | 2 | 2 | 2 | 2 |
| 15 | 15 | D-AD-7016632-0-0 | 7016632-00 | DOOR ASSY REAR(1 1/2 BAY) | - | - | - | - | 1 |
| 16 | 16 | C-MD-7422272-0-0 | 7422272-01 | PIVOT BRKT BOTTOM REAR DOOR L.H. | - | - | - | - | 1 |
| 17 | 17 | | 2200024-00 | HARDWARE KIT FOR H9544-3 | 1 | 1 | 1 | 1 | - |
| 18 | 18 | | 2200024-01 | HARDWARE KIT FOR H9544-B(COMET C | - | - | - | - | 1 |
| 19 | 19 | | 9009005-00 | NUT,HEX , 10-32 X1/4 AF X 3 | REF | REF | REF | REF | REF |
| 20 | 20 | C-IA-7424014-0-0 | 7424014-00 | BRKT, DOORLOCK MTG | - | 1 | - | - | - |
| 21 | 21 | | 9010156-00 | SCREW,HEX,SLOT,SEMS10-32X 1/2,W | REF | REF | REF | REF | REF |

22 NOTE: ITEM 10 THRU 13,19&21 ARE PART OF H9544-B HARDWARE KIT AND
 23 NOTE: ARE LISTED FOR REFERENCE ONLY.

| REVISION HISTORY | | BASIC PART NO: H9544 | | DRN: K. DAVAN | | DATE: 13-MAR-79 | | D I G I T A L | |
|------------------|----------------|----------------------|--------------------------|------------------|-----------------|----------------------|-----------|----------------------|------------|
| ENG | ECO NUMBER | REV | SECTION A OF A | CHK'D: | S. ROBERTS | DATE: | 13-MAR-79 | TITLE | PARTS LIST |
| | INITIAL | * | SECTION, VARIATION INDEX | | | | | | |
| DS | H9544-B-ML001 | 1A | [A] BA, BB, BC, BD, BE | | | | | H9544-B REAR DOOR | |
| DS | H9646-AC-ML001 | 1B | | | | | | | |
| WR | H9544-B-ML002 | 1C | [B] | DES.ENG.: | W. F. MC CARTHY | DATE: | 13-MAR-79 | | |
| | | | [C] | | | | | DOCUMENT NUMBER | |
| | | | [D] | RESP.ENG.: | P. DUBE | DATE: | 13-MAR-79 | SIZE!CODE! NUMBER | REV |
| | | | [E] | MFG.ENG.: | R. CARRIER | DATE: | 13-MAR-79 | K ! PL ! H9544-B-DBP | C |
| | | | [F] | ASSEMBLY NUMBER: | | TOP DOCUMENT NUMBER: | | FILE NAME: | EDIT #! |
| | | | | E-UA-H9544-B-0 | | | | Z0237C.PLS | 17 |

"THIS DRAWING AND SPECIFICATIONS HEREIN, ARE THE PROPERTY OF DIGITAL EQUIPMENT CORPORATION AND SHALL NOT BE REPRODUCED OR COPIED OR USED IN WHOLE OR IN PART AS THE BASIS FOR THE MANUFACTURE OR SALE OF ITEMS WITHOUT WRITTEN PERMISSION. COPYRIGHT (C) 1980. DIGITAL EQUIPMENT CORPORATION "

| LINE | ITEM | DOCUMENT NUMBER | PART NUMBER | DESCRIPTION | QUANTITY PER VARIATION | | |
|------|------|------------------|-------------|----------------------------------|------------------------|-----|----|
| | | | | | HA | HB | HC |
| 1 | 1 | C-MD-7422204-0-0 | 7422204-00 | EXT FOOT (METAL) | - | - | 1 |
| 2 | 2 | | 1216373-02 | FOOT,LEVELER 1-3/8 BASE DIA 5/16 | - | - | 1 |
| 3 | 3 | | 9008873-00 | NUT,TEE,IRR,BASE 1/2-13 S/ZIN | - | 4 | - |
| 4 | 4 | | 9009026-00 | WASHER, FLAT, .875 O.D. X .515 I | - | 4 | - |
| 5 | 5 | | 9009895-00 | WASHER, LOCK, SPLIT, .518 ID X, | - | 4 | - |
| 6 | 6 | | 9006596-00 | NUT,HEX , 1/2-13X3/4 AF X 7/ | - | 4 | - |
| 7 | 7 | | 9007601-01 | FOOT, LEVELER, CUSHION, 1/2-13, | - | 4 | - |
| 8 | 8 | | 2200022-00 | HARDWARE KIT FOR H9544-H | - | REF | - |
| 9 | 9 | B-MD-7424417-0-0 | 7424417-00 | SCREW, HEX HEAD | - | - | 1 |
| 10 | 10 | | H9544-HB | KIT OF 4 LEVELERS | 1 | - | - |
| 11 | 11 | | H9544-HC | KIT OF 1 STABILIZER LEG WITH LEV | 1 | - | - |

12 NOTE: ITEMS 3 THRU 7 ARE PART OF H9544-H HARDWARE KIT AND ARE
 13 NOTE: LISTED FOR REFERENCE ONLY

| REVISION HISTORY | | | BASIC PART NO: H9544 | | DRN: LISE GRAHAM | | DATE: 02-MAR-79 | | DIGITAL | | | |
|------------------|---------------|-----|--------------------------|--|------------------|----------------|----------------------|-----------|-----------------------|------|-------------|-----|
| ENG | ECO NUMBER | REV | SECTION A OF A | | CHK'D: | S. ROBERTS | DATE: | 02-MAR-79 | TITLE PARTS LIST | | | |
| | INITIAL | * | SECTION. VARIATION INDEX | | | | DATE: | 02-MAR-79 | CABINET ACCESSORY KIT | | | |
| DS | H9544-H-ML001 | A | [A] HA,HB,HC | | | | | | | | | |
| UR | H9544-H-ML002 | B | [B] | | DES.ENG.: | W.F. MC CARTHY | DATE: | 02-MAR-79 | | | | |
| | | | [C] | | RESP.ENG.: | P. DUBE | DATE: | 02-MAR-79 | DOCUMENT NUMBER | | | |
| | | | [D] | | | | | | SIZE | CODE | NUMBER | REV |
| | | | [E] | | MFG.ENG.: | R. CARRIER | DATE: | 02-MAR-79 | K | PL | H9544-H-DBP | B |
| | | | [F] | | ASSEMBLY NUMBER: | | TOP DOCUMENT NUMBER: | | FILE NAME: | | EDIT | 10 |
| | | | | | E-UA-H9544-H-0 | | | | Z0241B.PLS | | | |

"THIS DRAWING AND SPECIFICATIONS HEREIN, ARE THE PROPERTY OF DIGITAL EQUIPMENT CORPORATION AND SHALL NOT BE REPRODUCED OR COPIED OR USED IN WHOLE OR IN PART AS THE BASIS FOR THE MANUFACTURE OR SALE OF ITEMS WITHOUT WRITTEN PERMISSION. COPYRIGHT (C) 1980. DIGITAL EQUIPMENT CORPORATION"

