

2853

Xylogics, Inc.

Phoenix 211

Volume II of II

900-006-301 Rev A

Phoenix 211 Disk Controller

Maintenance Manual



ITEM NO.	DRAWING NO.	DESCRIPTION	REVISION
1	900-006-000	PARTS LIST	A2
2	900-006-200	DOCUMENT TREE	A2
3	900-006-600	BLOCK DIAGRAM	A
4	900-006-300	OPERATORS MANUAL	A
5	900-006-301	MAINTENANCE MANUAL	A
6	900-006-400	SIGNAL ORIGIN LISTING	A

NOTES:



Xylogics OEM COMPONENT GROUP INC.

TITLE **DOC/PKG**

PH 211 SYSTEM


SIZE A	DRAWING NO. 900-006-900	REV A2
------------------	----------------------------	-----------

DATE	APPD
5/14/77	wjk
11/17/77	wjk
0268	ECO
A2	REV

ITEM NO.	PART NUMBER	QTY	QTY ISSD	DESCRIPTION	NOTE
1	300-015-900	1		Board No. 1	4
2	300-038-9xx	REF		Bd. No. 2 Configuration Kit	1,4
3	300-020-900	1		Board No. 3	4
4	300-021-901	1		Board No. 4	4
5	300-029-900	1		Interface Bd. (P.C.), MULTI	2,4
6	1025-010	1		Interface Bd. (W.W.)	2,4
7	500-008-900	1		Cable Kit, Flat	1
8	400-023-900	1		4 Slot Systems Unit (DEC)	4,2
9	500-002-90x	REF		Autoswitch System Kit	3
10	500-001-90x	REF		Calcomp System Kit	3
11	400-032-90x	1		Interface Cable	5,1
12	500-010-900	REF		Multiple CPU Option Kit	3
13	500-012-90x	REF		Data Port Kit	3
14	500-011-900	1		Cable Kit, Round	1
15	300-019-900	1		Board No. 2	
16	500-014-900	REF		Rom Bootstrap Kit	3
17	400-041-900	1		4 Slot Sys. Unit (SAE)	2
18	400-008-90x	REF		Logic Box Assy	3
19	500-015-90x	REF		Front Panel Kit	3
20	300-031-900	1		ECC Bd. #1	6
21	300-043-900	1		ECC Bd. #3	7
22	300-050-90x	1		INTERFACE BD (2 SIDED)	2,4

Notes:

1. See customer sales order for proper tab no.
2. Item 2,6&5 are interchangeable. Item 8&17 are interchangeable)
3. Optional system kits. See customer sales order for usage.
4. See document for proper tab no if optional kits are selected by customer.
5. Do not ship with items 9 & 13, 19
6. Items 1 & 20 are interchangeable
7. Items 3 & 21 are interchangeable

		DAL	WJK	CL	APPD	 Xylogics OEM COMPONENT GROUP INC.	
		5/10/78	11/17/77	10/7/77	DATE	TITLE <h2 style="text-align: center;">PARTS LIST</h2>	
		0268	0175	0134	ECO	PH211 SYSTEM	
A2	A1	A	REV	SIZE	DRAWING NO.	900-006-000	REV A2
		SCALE		SHEET 1 OF 1		LEVEL II	

The information herein is the property of XYLOGIC OEM COMPONENT GROUP INCORPORATED. Transmittal, receipt or possession of the information does not imply, license, or imply any rights to use, sell, or manufacture from this information and no reproduction or publication of it, in whole or in part, shall be made without written authorization from XYLOGIC OEM COMPONENT GROUP INCORPORATED.

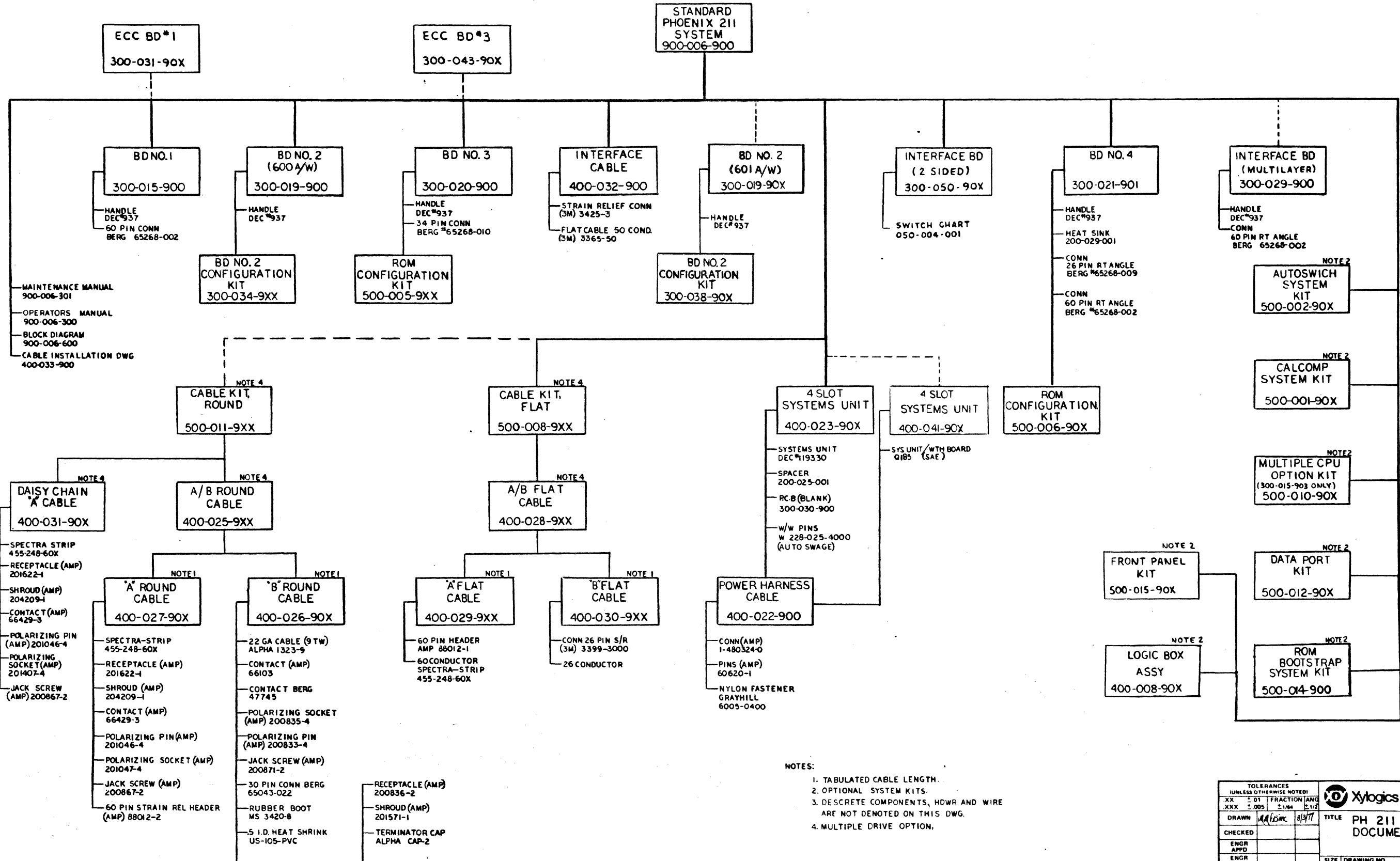
REVISIONS				
ZONE	REV	DESCRIPTION	DATE	APPROVED
	A	REL # 0134	10/17/77	W. Keenan
	A1	0175	11/19/77	W. Keenan
	A2		6/18/78	D. Keenan

D

C

B

A

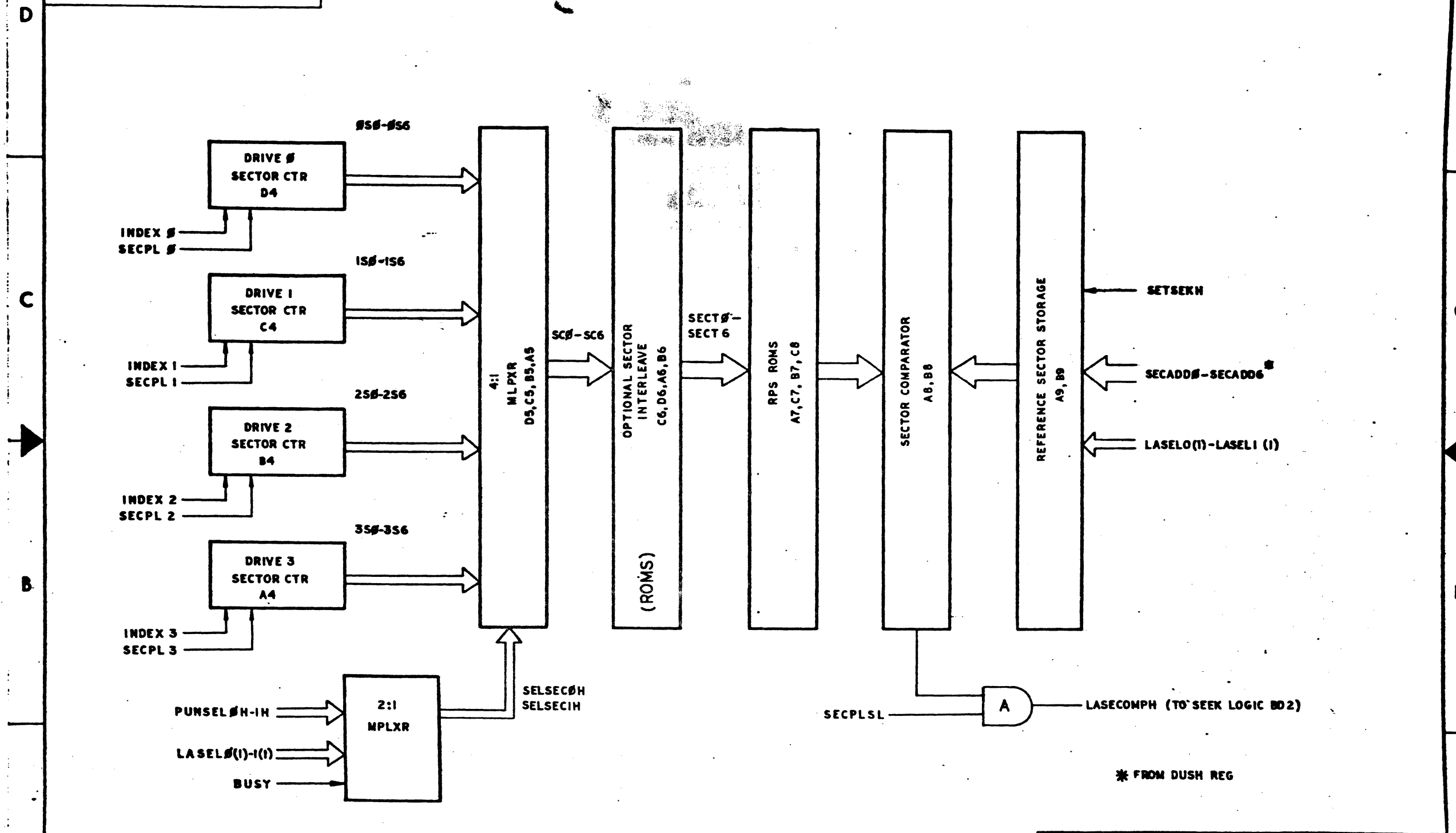


- NOTES:
1. TABULATED CABLE LENGTH.
 2. OPTIONAL SYSTEM KITS.
 3. DISCRETE COMPONENTS, HDWR AND WIRE ARE NOT DENOTED ON THIS DWG.
 4. MULTIPLE DRIVE OPTION.

TOLERANCES (UNLESS OTHERWISE NOTED)			
XX	XX	FRACTION	ANG
XXX	2.005	±.104	±.112
DRAWN	WJK	8/9/77	
CHECKED			
ENGR APPD			
ENGR APPD			
PROJECT MANAGER	WJK	10/7/77	
TITLE		PH 211 DOCUMENT TREE	
SIZE	DRAWING NO.	REV	
D	900-006-200	A2	
SHEET 1 OF 1		LEVEL II	

The information herein is the property of XYLOGIC OEM COMPONENT GROUP INCORPORATED. Transmittal, receipt or possession of the information does not imply, license, or imply any right to use, sell, or manufacture from this information and no reproduction or publication of it, in whole or in part, shall be made without written authorization from XYLOGIC OEM COMPONENT GROUP INCORPORATED.

REVISIONS				
ZONE	REV	DESCRIPTION	DATE	APPROVED
	A	REL # 0134	10/7/77	W. K. ...



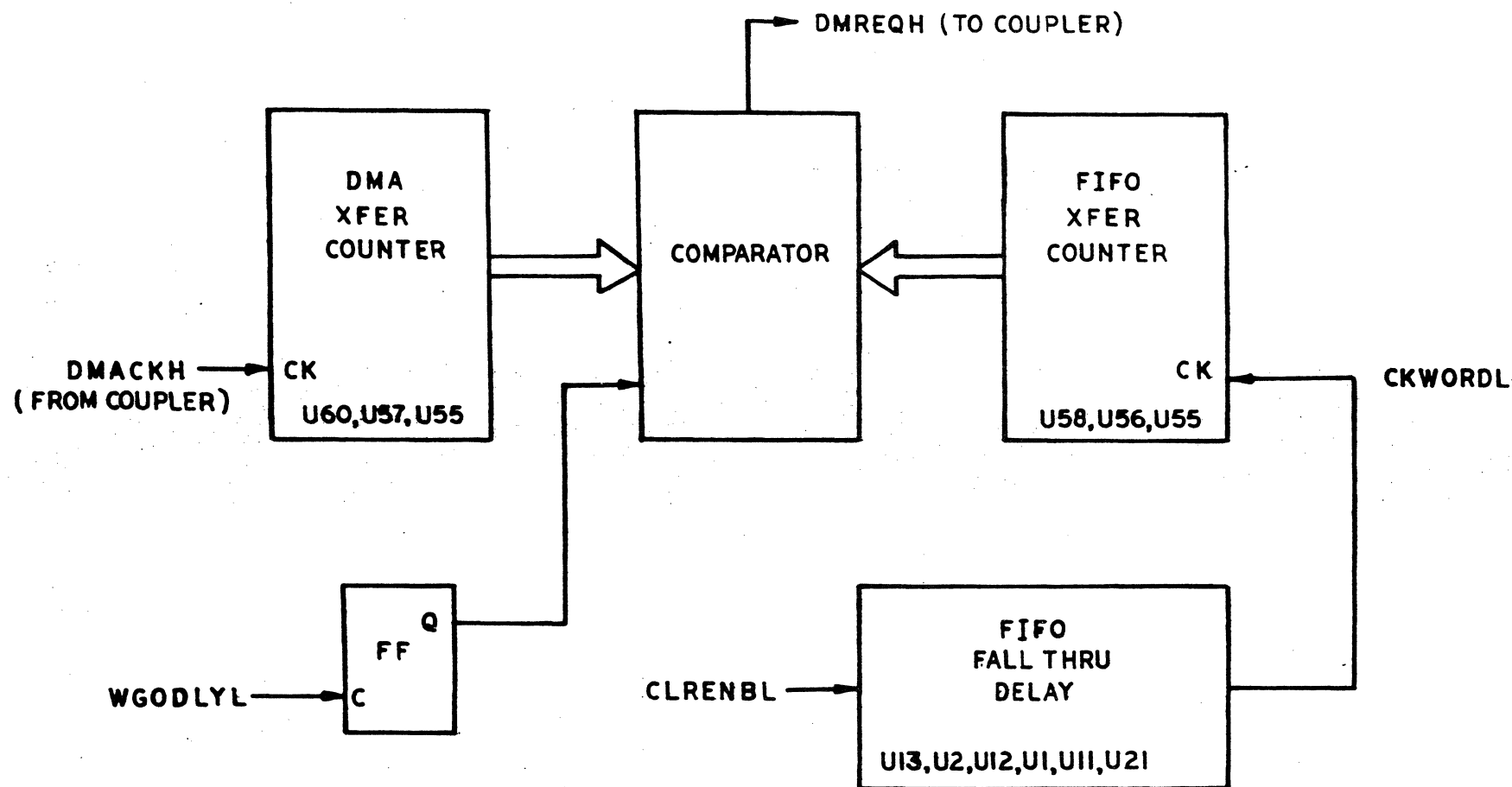
NOTE:
1 REFERENCE BOARD 4 DWG 1035-01
(300-021-400)

* FROM DUSH REG

TOLERANCES UNLESS OTHERWISE NOTED				Xylogics OEM COMPONENT GROUP INC.	
XX	±.01	FRACTION	ANG		
XXX	±.005	±.1/64	±.1/32		
DRAWN	D. MURPHY	5/5/77	TITLE PHOENIX 200 FORMATTER		
CHECKED			SECTOR COUNTERS, INTERLEAVE AND		
ENGR APPD			COMPARATOR LOGIC		
ENGR APPD			BLOCK DIAGRAM		
PROJECT MANAGER	W. K. ...	10/7/77	SIZE D	DRAWING NO. 900-006-600	REV A
			SCALE 1	SHEET 1 OF 3	LEVEL 1

The information herein is the property of XYLOGIC OEM COMPONENT GROUP INCORPORATED. Transmittal, receipt or possession of the information does not comply, license, or imply any rights to use, sell, or manufacture from this information and no reproduction or publication of it, in whole or in part, shall be made without written authorization from XYLOGIC OEM COMPONENT GROUP INCORPORATED.

REVISIONS				
ZONE	REV	DESCRIPTION	DATE	APPROVED
	A	PFL # 0134		



NOTE:
 1 REFERENCE BOARD 2 LOGIC DWG 1033-01
 (300-019-400)(-401)

TOLERANCES (UNLESS OTHERWISE NOTED)			
.XX	±.01	FRACTION	ANG
.XXX	±.005	±1/64	±1/2
DRAWN	D.MURPHY	5/9/77	
CHECKED			
ENGR APPD			
ENGR APPD			
PROJECT MANAGER			

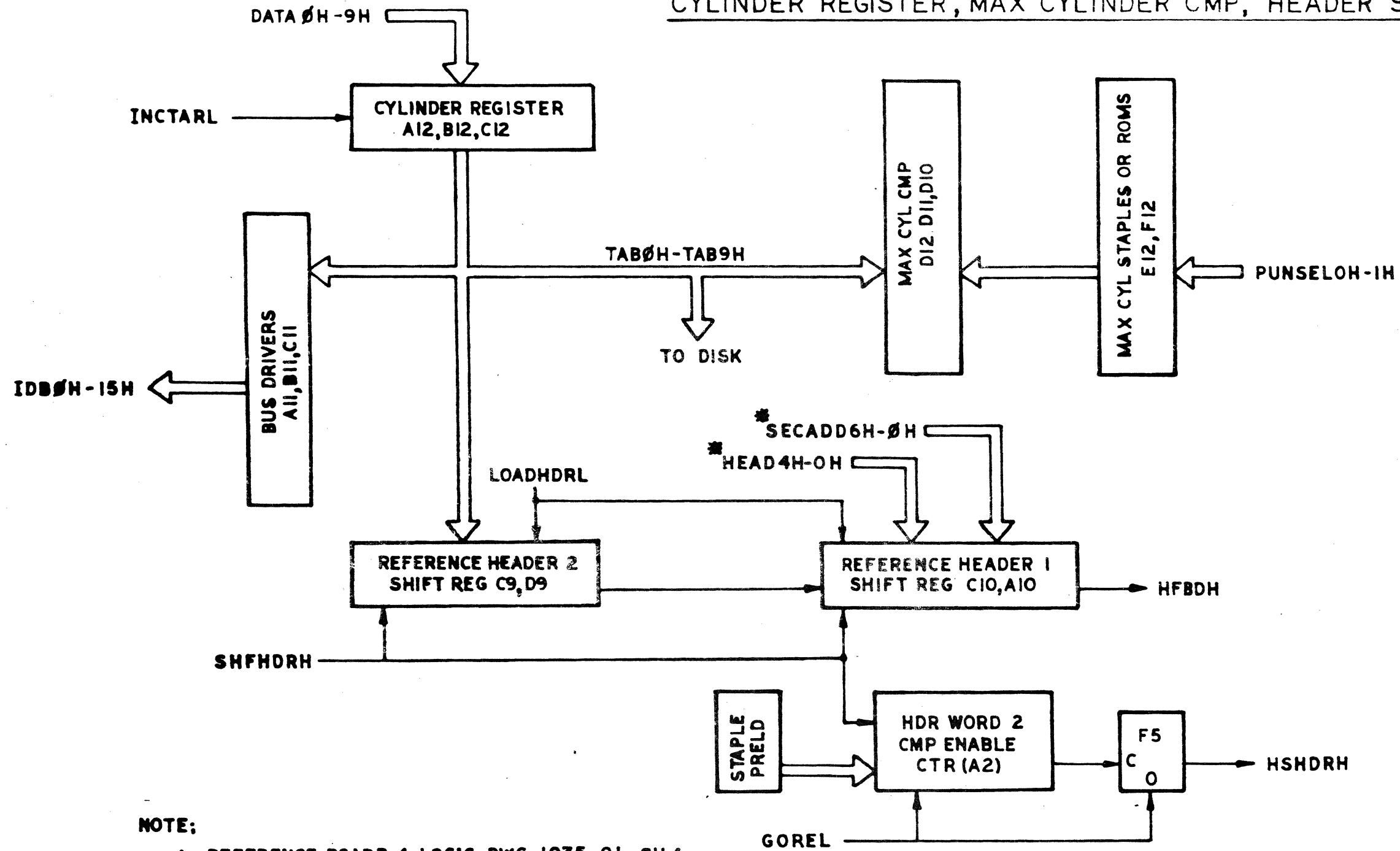
Xylogics OEM COMPONENT GROUP INC.

TITLE PHOENIX 200 FORMATTER
 DMA REQUEST
 LOGIC BLOCK DIAGRAM

SIZE B	DRAWING NO. 900-006-600	REV A
SCALE #	SHEET 2 OF 3	LEVEL II

PHOENIX 200 FORMATTER

CYLINDER REGISTER, MAX CYLINDER CMP, HEADER SHIFT REG



NOTE:

1. REFERENCE BOARD 4 LOGIC DWG 1035-01, SH 4
(300-021-400)

* FROM DUSH REGISTER

SIGNAL ORIGIN CHART

F		E		D		C		B		A	
PIN NO	SIGNAL NAME	PIN NO	SIGNAL NAME	PIN NO	SIGNAL NAME	PIN NO	SIGNAL NAME	PIN NO	SIGNAL NAME	PIN NO	SIGNAL NAME
A1	IDB0H	A1	CONTCKH	A1	RDCLOCK H	A1	ONCYLH	A1	ROMTAG2H	A1	
B1	IDB1H	B1	SECADD0H	E1	RCDATAH	B1	BUSY(0)	E1	H3HDRH	B1	
C1	IDB2H	C1	SECADD1H	C1	WRTCK(H)	C1	MAXHEADL	C1	IHBSEEKL	C1	
D1	IDB3H	D1	SECADD2H	D1	HDH	D1	DATAH	D1	NOTUSED	D1	
E1	IDB4H	E1	SECADD3H	E1	GOREL	E1	WCCGH	E1	NOTUSED	E1	
F1	IDB5H	F1	SECADD4H	F1	READDATAH	F1	WSBH	F1	WORDL	F1	HCRC*2(0)
H1	IDB6H	H1	SECADD5H	H1	SECT0H	H1	LASECCOMPH	H1	SETSEKH	H1	HCRC*1(0)
J1	IDB7H	J1	SECADD6H	J1	SECT1H	J1	DONE(1)	J1	WCROVFH	J1	STATUSENBH
K1	IDB8H	K1	HEAD0H	K1	SECT2H	K1	QENABLE(1)	K1	SWPED(1)	K1	HDRGATEH
L1	IDB9H	L1	HEAD1H	L1	SECT3H	L1	FLTCLRL	L1	BADSECTH	L1	RCCGATEH
M1	DATA14H	M1	HEAD2H	M1	SECT4H	M1	RT2L	M1	THREADERR(1)	M1	SEARCHGH
N1	DATA13H	N1	HEAD3H	N1	SECT5H	N1	DMDAT0H	N1	GENERORL	N1	GOSEEKL
P1	DATA12H	P1	HEAD4H	P1	SECT6H	P1	RDDONE(1)	P1	SYSCLEARL	P1	PORTREQ L
R1	DATA11H	R1	MAXCYLH	R1	HFBDH	R1	SPARE	R1	SEEKEND0H	R1	
S1	DATA10H	S1	LDCARL	S1	10MHZ H	S1	CARRY H	S1	SEEKEND1H	S1	
T1	GND	T1	GND	T1	GND	T1	GND	T1	GND	T1	GND
U1	DATA9H	U1	MAXSECTH	U1	CKINTRL	U1	+15	U1	WGH	U1	
V1	DATA8H	V1	RDUSHL	V1	EN3HDRH	V1	SEEKL	V1	RDGATEH	V1	
A2	+5V	A2	+5V	A2	+5V	A2	+5V	A2	+5V	A2	+5V
B2	-15V	B2	-15V	B2	-15V	B2	-15V	B2	-15V	B2	-15V
C2	GND	C2	GND	C2	GND	C2	GND	C2	GND	C2	GND
D2	IDB10H	D2	SEEKEND2H	D2	GOINITL	D2	SERVOMPH	D2	SEEKACKH	D2	ACLO
E2	IDB11H	E2	SEEKEND3H	E2	INITL	E2	SERVOPH	E2	GODLYH	E2	NO S1PH
F2	IDB12H	F2	LASEL0H	F2	COM0H	F2	DSEH	F2	CLOCK H	F2	REQSTATH
H2	IDB13H	H2	LASEL1H	H2	COM1H	H2	DSLH	H2	WCROVFL(0)	H2	RDESRL
J2	IDB14H	J2	LASTHEADH	J2	COM2H	J2	SECTPLSL	J2	FFORH	J2	
K2	IDB15H	K2	SKINBL	K2	COM3H	K2	DATLATE(1)	K2	CRCDATOUTH	K2	
L2	DATA15H	L2	UNITRDYH	L2	RDCKH	L2	DMAREGH	L2	CRCERR(1)	L2	
M2	DATA7H	M2	FLTH	M2	UNSEL0(1)	M2	QSEKINGL	M2	SHEADERR(1)	M2	
N2	DATA6H	N2	SKEFRORH	N2	UNSEL1(1)	N2	QSKDONE H	N2	ENEDMRH	N2	(-5VDC W/Wait)
P2	DATA5H	P2	RDDSRL	P2	WRTCKH	P2	SEKINTRL	P2	DATAOUTL	P2	EOSH
R2	DATA4H	R2	DMDAT1L	R2	DMACKH	R2	QSCAN0H	R2	PUNSEL0H	R2	PORTREL
S2	DATA3H	S2	RDCARL	S2	READH	S2	QSCAN1H	S2	PUNSEL1H	S2	WCKERR(0)
T2	DATA2H	T2	INCTARL	T2	WRITEH	T2	INCHDL	T2	NOSTRIPH	T2	
U2	DATA1H	U2	LASTCYDL	U2	DISKCHNGH	U2	LDUSHL	U2	WRCHKH	U2	
V2	DATA0H	V2	LDWCRL	V2	DEKXFRD(1)	V2	DATAOUTH	V2	NOTUSED	V2	

XYLOGIC OEM COMP GROUP


SCALE: _____ APPROVED BY: _____ DRAWN BY: T PAGE

DATE: _____

SIGNAL ORIGIN CHART

PHOENIX 200 BACKPLANE 100-006-400

TAB REV	TAB NO	DESCRIPTION	DWG REV	ECQ	APPD	DATE
A2	900	STANDARD, 50 PIN CONN.	A	0245 REL #	WJK	4-12-78
A2	901	MULTIPLE CPU WITH TERM.	A1	0262 (ALL TABS)	Dth	5/14/78
A2	902	MULTIPLE CPU WITHOUT TERM.	A2	0308 (ALL TABS)	Dth	9/18/78
A2	903	STANDARD, 60 PIN CONN.				


TOLERANCES (UNLESS OTHERWISE NOTED)				 Xylogics OEM COMPONENT GROUP INC.	
.XX	±.01	FRACTION	ANG		
.XXX	±.005	±1/64	±1/2		
DRAWN	3/21/78	ERB	TITLE DOC/PKG 211 INTERFACE BOARD		
CHECKED					
ENGR APPD					
ENGR APPD					
PROJECT MANAGER	Wally Kewriga	4/2/78	SIZE	DRAWING NO.	REV
			A	300-050-90X	A2
SCALE		H	SHEET 1 OF 2		LEVEL II

ITEM NO.	PART NUMBER	DESCRIPTION	900	901	902	903				
			000	001	002	003				
1	300-050-00X	PARTS LIST	A1	A1	A1	A2				
			100	100	100	100				
2	300-050-10X	ASSEMBLY	A2	A2	A2	A2				
3	300-050-200	SOLDER MASK	B	B	B	B				
4	300-050-300	SCREENING	B1	B1	B1	B1				
5	300-050-400	LOGIC DIAGRAMS	A	A	A	A				
6	300-050-600	ARTWORK	B	B	B	B				
7	300-050-700	FABRICATION	B	B	B	B				
8	1009-01	OUTLINE DWG	REF	REF	REF	REF				
9	300-050-800	REWORK DWG (NOTE 1)	A	A	A	A				

NOTE 1 To Rework A/W From Rev A to B Use Item 9

9

TAB REV	TAB NO	DESCRIPTION	DWG REV	ECO.	APPD	DATE
A1	000	STANDARD, 50 PIN CONN.	A	0245 REL #	WJK	4-12-78
A1	001	MULTIPLE CPU WITH TERM.	A1	0262 (003 TAB)	Dm	5/18/78
A1	002	MULTIPLE CPU WITHOUT TERM.	A2	0308 (ALL TABS)	Dm	9/18/78
A2	003	STANDARD, 60 PIN CONN.				

TOLERANCES (UNLESS OTHERWISE NOTED)				 Xylogics OEM COMPONENT GROUP INC.	
.XX	±.01	FRACTION	ANG		
.XXX	±.005	±1/64	±1/2		
DRAWN	3/21/78	ERB	TITLE PARTS LIST 211 INTERFACE BOARD		
CHECKED					
ENGR APPD					
ENGR APPD					
PROJECT MANAGER	Wally Hewisa	4-11-78	SIZE	DRAWING NO.	REV
			A	300-050-00X	A2
SCALE		SHEET 1 OF 4		LEVEL II	

ITEM NO	PART NUMBER	DESCRIPTION							REFERENCE DESIGNATION
			000	001	002	003			
1	300-050-700	PC Board	1	1	1	1			
2	050-004-001	SWITCH SETTING SPEC	REF	REF	REF	REF			
3	7400	IC Pack	3	3	3	3			G6, F9, D11
4	7402	IC Pack	2	2	2	2			E11, H2
5	7404	IC Pack	4	4	4	4			E4, D8, G7, C11
6	7408	IC Pack	3	3	3	3			F10, F4, D7
7	7410	IC Pack	2	2	2	2			C2, C8
8	7430	IC Pack	1	1	1	1			L1
9	7432	IC Pack	1	1	1	1			D1
10	7437	IC Pack	1	1	1	1			F7
11	7442	IC Pack	1	1	1	1			L2
12	7474	IC Pack	5	5	5	5			G9, K4, F5, E6, E7
13	74151	IC Pack	1	1	1	1			H12
14	74193	IC Pack	9	9	9	9			D2, D3, D4, D5, D6, B3, B4, B5, B6
15	74367/ ^{BT97} BM8097	IC Pack	6	6	6	6			E3, G1, G2, G3, A1, A2
16	74393/74LS393	IC Pack	1	1	1	1			H1
17	74H11	IC Pack	2	2	2	2			C9, F9
18	74S08	IC Pack	3	3	3	3			B2, G5, D10
19	74S51	IC Pack	2	2	2	2			G8, K3
20	74S74	IC Pack	3	3	3	3			E10, F8, G4
21	74S163	IC Pack	1	1	1	1			F11
22	74S174	IC Pack	1	1	1	1			G12
23	74S175	IC Pack	2	2	2	2			K11, G10
24	74LS257	IC Pack	7	7	7	7			F1, F2, F3, C3, C4, C5, C6
25	75452B	IC Pack	9	9	9	9			E2, K12A, K12B, K10B, L11A, L11B, L12A, L12B, K10A
26	837/937	IC Pack	2	2	2	2			E8, H10

NOTES

SIZE
A

300-050-00X

P/L

SHT 2 OF 4

REV A2

//

ITEM NO	PART NUMBER	DESCRIPTION							REFERENCE DESIGNATION
			000	001	002	003			
27	8160	IC Pack	2	2	2	2			B9, B10
28	8641	IC Pack	9	9	9	9			A3, A4, A5, A6, A8, A9, A10, A11, A12
29	8837/8T37	IC Pack	2	2	2	2			L3, H7
30	8838/8T38	IC Pack	7	7	7	7			H3, H4, H5, H6, B7, B11, B12
31	9602	IC Pack	1	1	1	1			F6
32	26502	IC Pack	1	1	1	1			F12
33									
34									
35									
36									
37		Resistor, 150 Ω 1/4W	1	1	1	1			R1
38		Resistor, 180 Ω 1/4W	4	4	4	4			R2, R5, R7, R8
39		Resistor, 390 Ω 1/4W	2	2	2	2			R3, R4
40		Resistor, 470 Ω 1/4W	7	7	7	7			R10, R11, R12, R13, R20, R22, R18
41		Resistor, 2K	3	3	3	3			R15, R16, R23
42		Resistor, 5.1K 1/4W	1	1	1	1			R17
43		Resistor, 7.5K 1/4W	1	1	1	1			R19
44		Resistor, 33K 1/4W	1	1	1	1			R21
45		Resistor, 47K 1/4W	1	1	1	1			R14
46		Resistor, Optional	2	2	2	2			R6, R9
47									
48									
49	898-3-R100	Resistor Pack 100 Ω DIP	2	2	0	2			K5, K6
50		Resistor Pack 300 Ω DIP	1	1	0	1			K7
51	899-1-R470	Resistor Pack 470 Ω DIP	3	3	*1	3			K8, K9, *E12
52	899-1-R2K	Resistor Pack, 2K DIP	2	2	0	2			H8, H9

NOTES

SIZE
A

300-050-00X

P/L

SHT 3 OF 4

REV A2

ITEM NO	PART NUMBER	DESCRIPTION							REFERENCE DESIGNATION
			000	001	002	003			
53	784-1-R470	SILR, 470Ω SIP	4	4	4	4			RP1,RP5,RP6,RP7
54	784-1-R2K	SILR, 2K, SIP	5	5	5	5			RP2,RP3,RP4,RP8,RP9
55	TI-C83-1402	SOCKET,14 PIN	5	5	5	5			K9,H9,K8,H8,K7
56	AUGAT316-AG39D	SOCKET,16 PIN	2	2	2	2			K6,K5
57	002-001-250	EYELET, 1/8 DIA (NOTE 2)	4	4	4	4			
58	CD15ED 330J	Capacitor, 33pf	2	2	2	2			C6,C7
59	150D686X-9015R	Capacitor, 68ufTANT.15V	6	6	6	6			C8,C9,C10,C11,C12,C13
60	CD15FD101J	Capacitor 100pf	1	1	1	1			C4
61	CD15FD471J	Capacitor 470pf	2	2	2	2			C1,C5
62	CD7FA102J	Capacitor 1000pf	1	1	1	1			C2
63	UK12-503	Capacitor, .05uf	93	93	93	93			Unmarked
64		Capacitor Optional	1	1	1	1			C3
65	SAE1008-692	Dip Switch 8 POS	5	5	5	5			B1,D9,K1,K2,L4
66	021-002-001	P.C.B. HANDLE (NOTE 1)	2	2	2	2			
67	1040-78	ROM, (IM5600)	1	1	1	1			H11
68	1040-79	ROM (IM5600)	1	1	1	1			G11
69	1040-80	ROM (IM5600)	1	1	1	1			C12
70	1040-81	ROM (IM5600)	1	1	1	1			D12
71	1040-86	ROM (IM5600)	1	1	1	1			B8
72	SAE 6810	Dipswitch Cover(10 pos)	1	1	1	1			
73	SAE 6808	Dipswitch Cover (8 pos)	5	5	5	5			
74	65268-011	Connector, 50 PIN BERG	1	0	0	0			J1
75	65268-002	Connector, 60 PIN BERG	0	2	2	1*			*J1,J2
76	SAE 1010-692	DIPSWITCH C10 POS)	1	1	1	1			C10
77	021-001-001	LOWER EXTRACTOR (NOTE 1)	1	1	1	1			
78	021-001-002	UPPER EXTRACTOR (NOTE 1)	1	1	1	1			

NOTES 1. FOR PROPER HANDLE/EXTRACTOR SEE CUSTOMER REQUIREMENTS
2. USED WITH ITEM 66 ONLY

SIZE A	300-050-00X
REV A2	

13

211 INTERFACE BASE ADDRESS DECODE

ADDRESS	Address Bit Affected	AB12	AB11	AB10	AB09	AB08	AB07	AB06	AB05	AB04L	AB04H				
	Bit SW & Loc Bit SW #	C10-1 5-0	C10-2 5-1	C10-3 5-2	C10-4 5-3	C10-5 5-4	C10-6 5-5	C10-7 5-6	C10-8 5-7	C10-9 5-8	C10-10 5-9				
764000		ON	OFF	ON	ON	ON	ON	ON	ON	ON	OFF				
764200		ON	OFF	ON	ON	ON	OFF	ON	ON	ON	OFF				
764400		ON	OFF	ON	ON	OFF	ON	ON	ON	ON	OFF				
764500		ON	OFF	ON	ON	OFF	ON	OFF	ON	ON	OFF				
764600		ON	OFF	ON	ON	OFF	OFF	ON	ON	ON	OFF				
767200		ON	OFF	OFF	OFF	ON	OFF	ON	ON	ON	OFF				
TO ENABLE ECC										OFF	OFF				

DIGI SW#5 LOC C10

	DIGI SW#4 LOC D-9	6	7	8
NONECC 20 Boundry		OFF	OFF	ON
ECC or NON ECC NON 20 Boundry		OFF	ON	OFF


C 0264 B 0255 A 0245 REV ECO	CHK APP wjk wjk	Xylogics	TITLE SWITCH SETTING CHART (FOR 300-050-90X) PHOENIX 211 INTERFACE BASE ADDRESS DECODE	
			SIZE A	DRAWING NO. 050-004-001
			REV C	
SCALE #		SHEET 1 OF 4		LEVEL II

137

Port #	6-8	6-7	6-6	6-5	6-4	6-3	6-2	6-1	2-8	2-7	2-6	2-5	2-4	2-3	2-2	2-1	Bit Switch # Switch Location
	L4-8	L4-7	L4-6	L4-5	L4-4	L4-3	L4-2	L4-1	K2-8	K2-7	K2-6	K2-5	K2-4	K2-3	K2-2	K2-1	
0	OFF	OFF	OFF	OFF	OFF	OFF	OFF	ON	OFF	OFF	OFF	OFF	OFF	OFF	OFF	ON	*Reserved for future expansion
1	OFF	OFF	OFF	OFF	OFF	OFF	ON	OFF	OFF	OFF	OFF	OFF	OFF	OFF	ON	OFF	
2	OFF	OFF	OFF	OFF	OFF	ON	OFF	OFF	OFF	OFF	OFF	OFF	OFF	ON	OFF	OFF	
3	OFF	OFF	OFF	OFF	ON	OFF	OFF	OFF	OFF	OFF	OFF	OFF	ON	OFF	OFF	OFF	
4*	OFF	OFF	OFF	ON	OFF	OFF	OFF	OFF	OFF	OFF	OFF	ON	OFF	OFF	OFF	OFF	
5*	OFF	OFF	ON	OFF	OFF	OFF	OFF	OFF	OFF	OFF	ON	OFF	OFF	OFF	OFF	OFF	
6*	OFF	ON	OFF	OFF	OFF	OFF	OFF	OFF	OFF	ON	OFF	OFF	OFF	OFF	OFF	OFF	
7*	ON	OFF	OFF	OFF	OFF	OFF	OFF	OFF	ON	OFF	OFF	OFF	OFF	OFF	OFF	OFF	
DIGI SW #6 LOC L4									DIGI SW #2 LOC K2								


- To enable Multi CPU Logic DIGI SW. #4-1 (Loc D9-1) OFF other wise ON
- To enable Multi CPU Request Bit 5 as R/W Digi SW #4-2 ON (D9-2) and #4-3 (D9-3) OFF
- To enable MULTI CPU Request Bit 5 as always zero Digi SW #4-2 OFF (D9-2) and #4-3 (D9-3) ON

NOTE: ON=CLOSED = + ; OFF=OPEN=-

					
				TITLE PHOENIX 211 v MULTI-CPU SWITCH SETTINGS INTERFACE	
				SIZE A	
				DRAWING NO. 050-004-001	
				REV C	
				SCALE 1/8"	
				SHEET 2 OF 4	
				LEVEL II	

Interrupt Vector Address ₈	DIGI SW #1 LOCATION B1															Address Bit
	11	10	9	8	7	6	5	4	3	2	1	0	Bit SW #		Bit SW LOC #	
	W5	W4	W3	1-8	1-7	1-6	1-5	1-4	1-3	1-2	1-1	N/A				
				B1-8	B1-7	B1-6	B1-5	B1-4	B1-3	B1-2	B1-1					
214	IN	IN	IN	ON	OFF	ON	ON	ON	OFF	OFF	ON					
254	IN	IN	IN	ON	OFF	ON	OFF	ON	OFF	OFF	ON					
260	IN	IN	IN	ON	OFF	ON	OFF	OFF	ON	ON	ON					
264	IN	IN	IN	ON	OFF	ON	OFF	OFF	ON	OFF	ON					
270	IN	IN	IN	ON	OFF	ON	OFF	OFF	OFF	ON	ON					

Notes:
 1) ON = Closed = +
 OFF = Open = -
 2) ON = Address Bit = Logic 0
 OFF = Address Bit = Logic 1

SEE SH1	A	O245	ECO	CHK	APP			
						TITLE PHOENIX 211 INTERFACE INTERRUPT VECTOR SWITCH SETTINGS		
REV	A	O245	ECO	CHK	APP	SIZE	DRAWING NO.	REV
						A	050-004-001	C
SCALE		SHEET		3 OF 4		LEVEL II		

130

Throttle Setting	2 ⁷	2 ⁶	2 ⁵	2 ⁴	2 ³	2 ²	2 ¹	2 ⁰							Binary Weight
	3-8 K1-8	3-7 K1-7	3-6 K1-6	3-5 K1-5	3-4 K1-4	3-3 K1-3	3-2 K1-2	3-1 K1-1							
2	OFF	OFF	OFF	OFF	OFF	OFF	ON	OFF							
4	OFF	OFF	OFF	OFF	OFF	ON	OFF	OFF							
8	OFF	OFF	OFF	OFF	ON	OFF	OFF	OFF							

DIGI SW #3 LOCATION K1


Bus Grant Catcher

To enable Bus Grant Catcher:

DIGI SW #4-4 ON (D9-4) and SW #4-5 OFF (D9-5)

To disable Bus Grant Catcher:

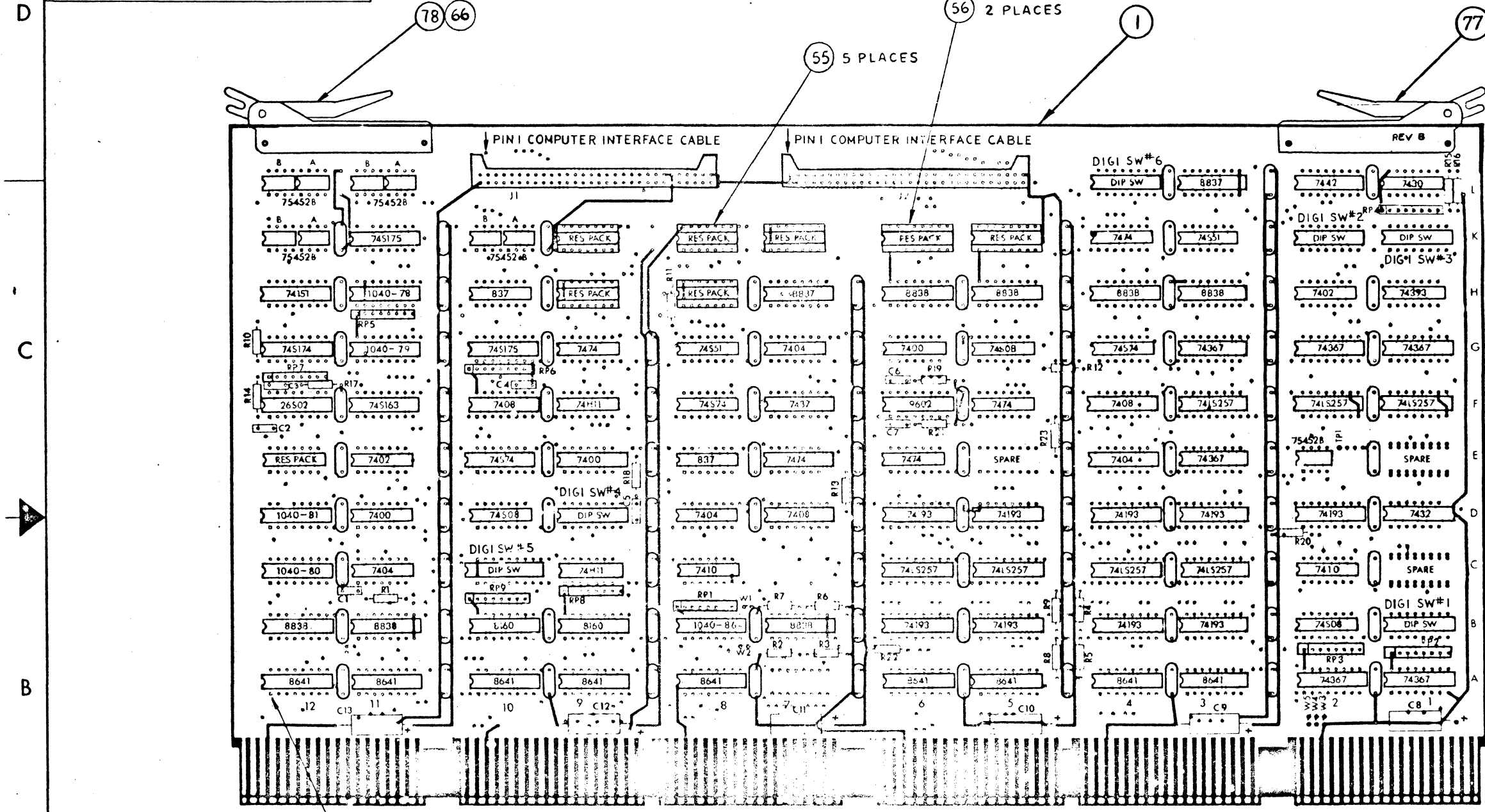
DIGI SW #4-4 OFF (D9-4) and SW #4-5 ON (D9-5)

SEE SHI	A	O245	REV	ECO	CHK	LAPP			
	TITLE								
	Phoenix 211 Interface Throttle Setting & Bus Grant Catcher								
	SIZE						DRAWING NO.	REV	
A	050-004-001	C							
SCALE		#	SHEET 4 OF 4		LEVEL II				

130

The information hereon is the property of XYLOGIC OEM COMPONENT GROUP INCORPORATED. Transmittal, receipt or possession of the information does not comply, license, or imply any rights to use, sell, or manufacture from this information and no reproduction or publication of it, in whole or in part, shall be made without written authorization from XYLOGIC OEM COMPONENT GROUP INCORPORATED.

REVISIONS				
ZONE	REV	DESCRIPTION	DATE	APPROVED
	A	0245	2-15-77	W. Kewesa
	A1	0262	5/18/78	D. Hurd
	A2	0308	9/19/78	D. Hurd



NOTE
1. IDENTIFY BOARD WITH DOC/PKG NO., TAB REV., AND SERIAL NO.

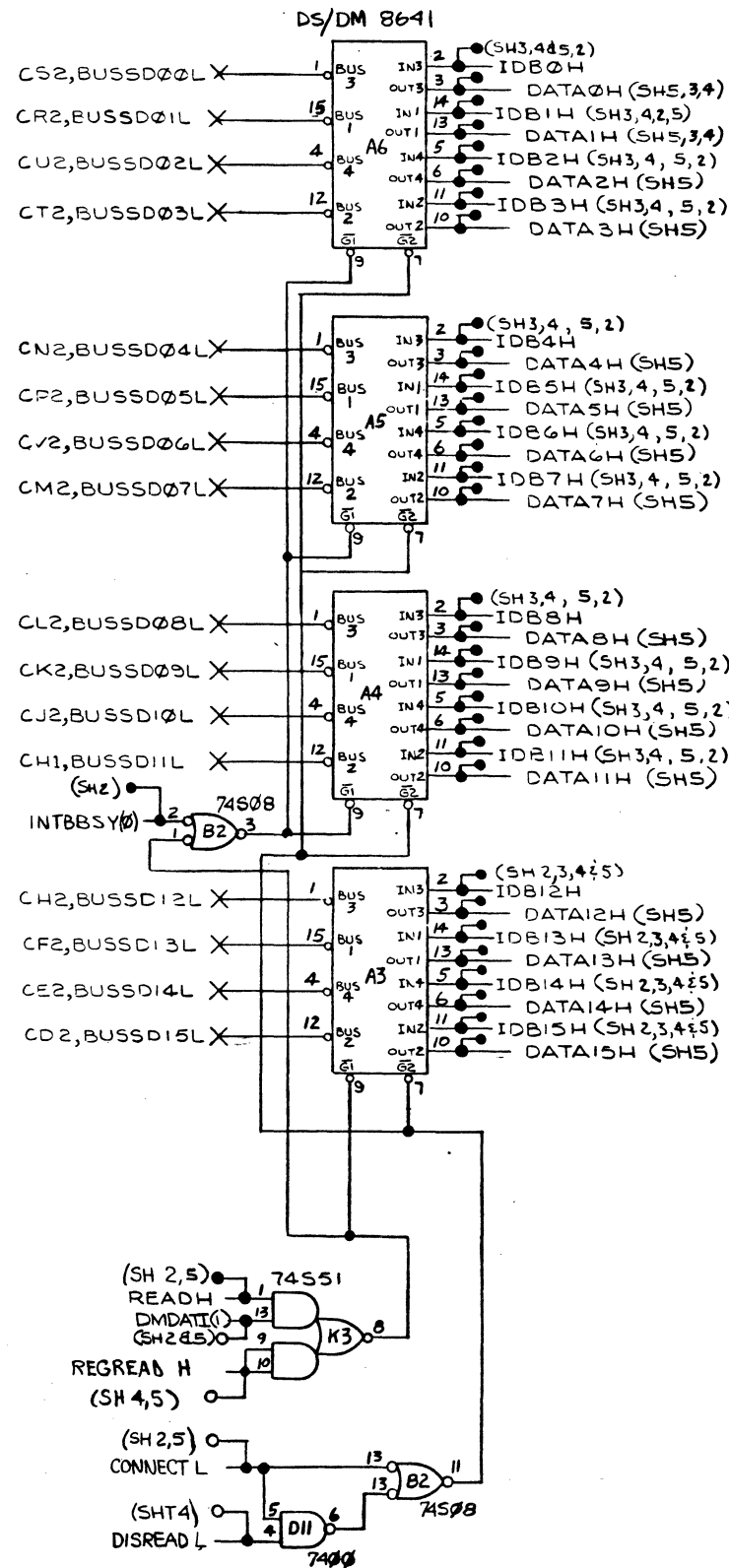
TOLERANCES (UNLESS OTHERWISE NOTED)		Xylogics OEM COMPONENT GROUP INC.	
.XX	±.01	FRACTION	ANG
.XXX	±.005	±1/64	±1/2
DRAWN	4/4/78	ERB	TITLE
CHECKED			ASSY, 211 INTERFACE
ENGR APPD			SIZE
ENGR APPD			DRAWING NO. 300-050-100
PROJECT MANAGER	Wally Kewesa	4/12/78	REV A2
		SCALE 1/1	SHEET 1 OF 1 LEVEL II

The information herein is the property of XYLOGIC OEM COMPONENT GROUP INCORPORATED. Transmittal, receipt or possession of the information does not imply, license, or grant any rights to use, sell, or manufacture from this information and no reproduction or publication of it, in whole or in part, shall be made without written authorization from XYLOGIC OEM COMPONENT GROUP INCORPORATED.

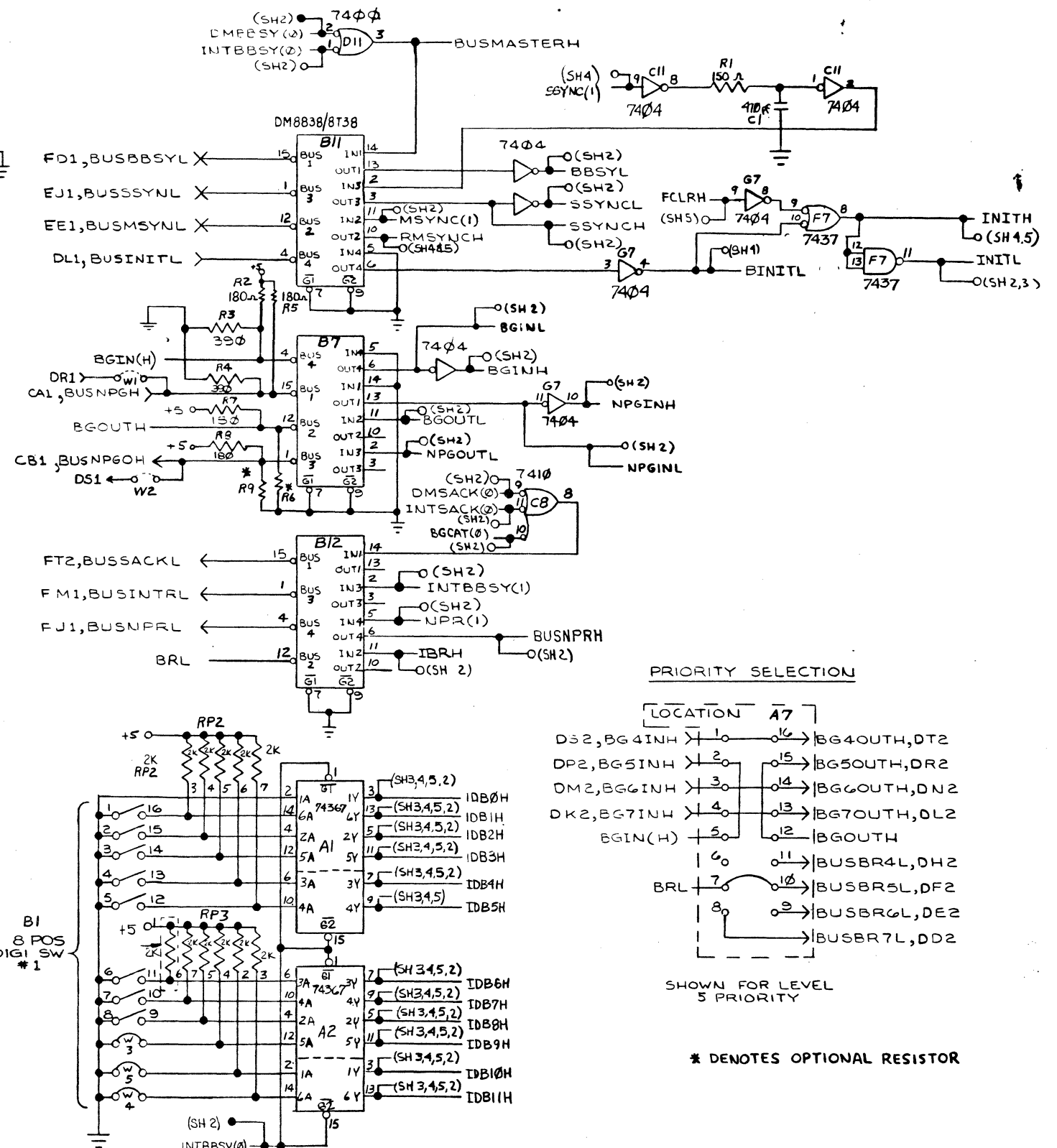
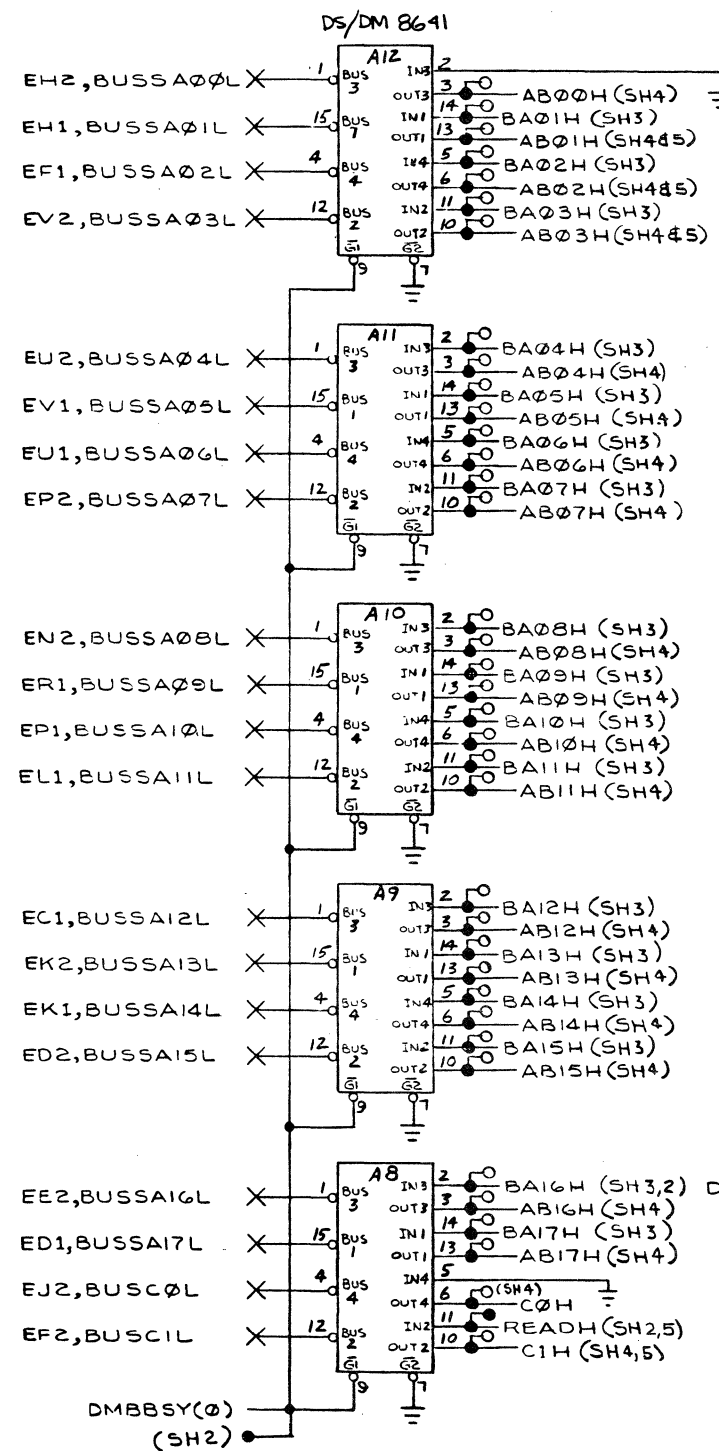
REVISIONS				
ZONE	LTR	DESCRIPTION	DATE	APPROVED
	A	0245 REL	4-12-78	W. Kozala

UNIBUS

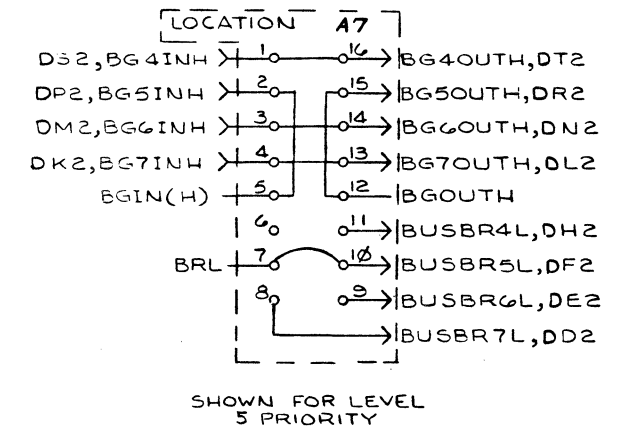
DATA BUFFERING



ADDRESS BUFFERING



PRIORITY SELECTION



* DENOTES OPTIONAL RESISTOR

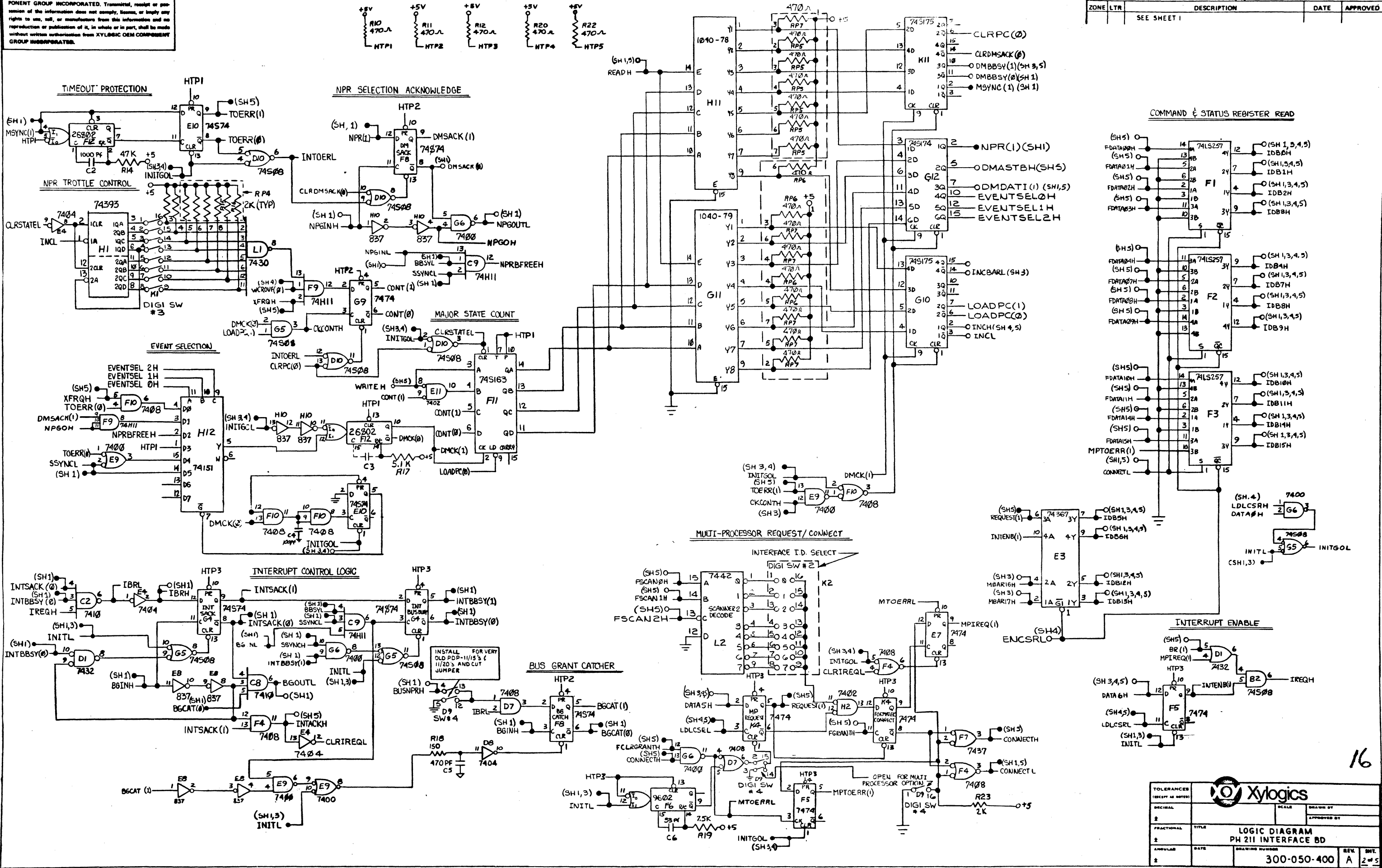
INTERRUPT VECTOR
SELECT SHOWN FOR STANDARD VECTOR
ADDRESS 270

TOLERANCES (EXCEPT AS NOTED)			
DECIMAL	FRACTIONAL	ANGULAR	±

XYLOGIC OEM COMP.			
UNIBUSS DRIVERS & RECEIVERS	SCALE	DRAWN BY	
		APPROVED BY	
TITLE			
LOGIC DIAGRAM			
PH 211 INTERFACE BD			
DATE	DRAWING NUMBER	REV	SMT
	300-050-400	A	1-05

The information herein is the property of XYLOGIC OEM COMPONENT GROUP INCORPORATED. Transmittal, receipt or possession of the information does not imply, license, or imply any rights to use, sell, or manufacture from this information and no reproduction or publication of it, in whole or in part, shall be made without written authorization from XYLOGIC OEM COMPONENT GROUP INCORPORATED.

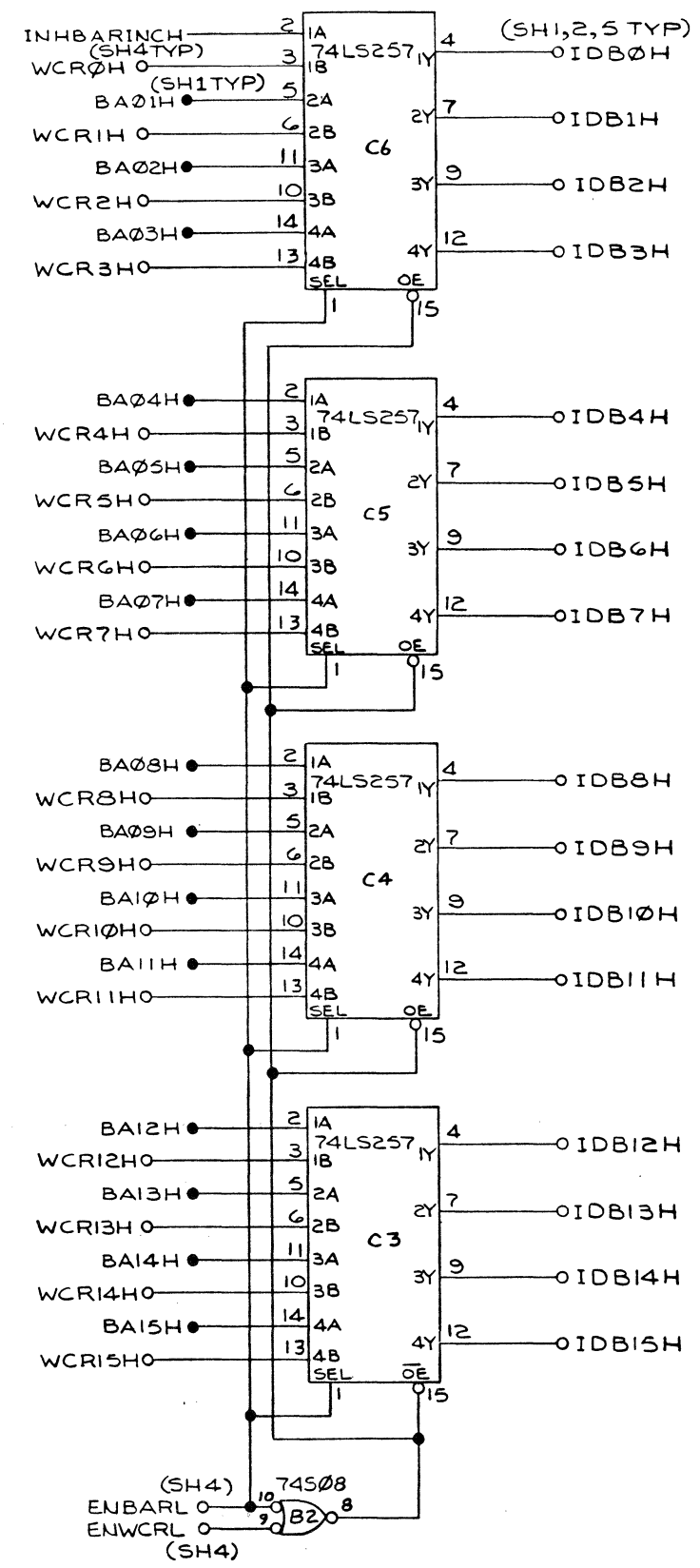
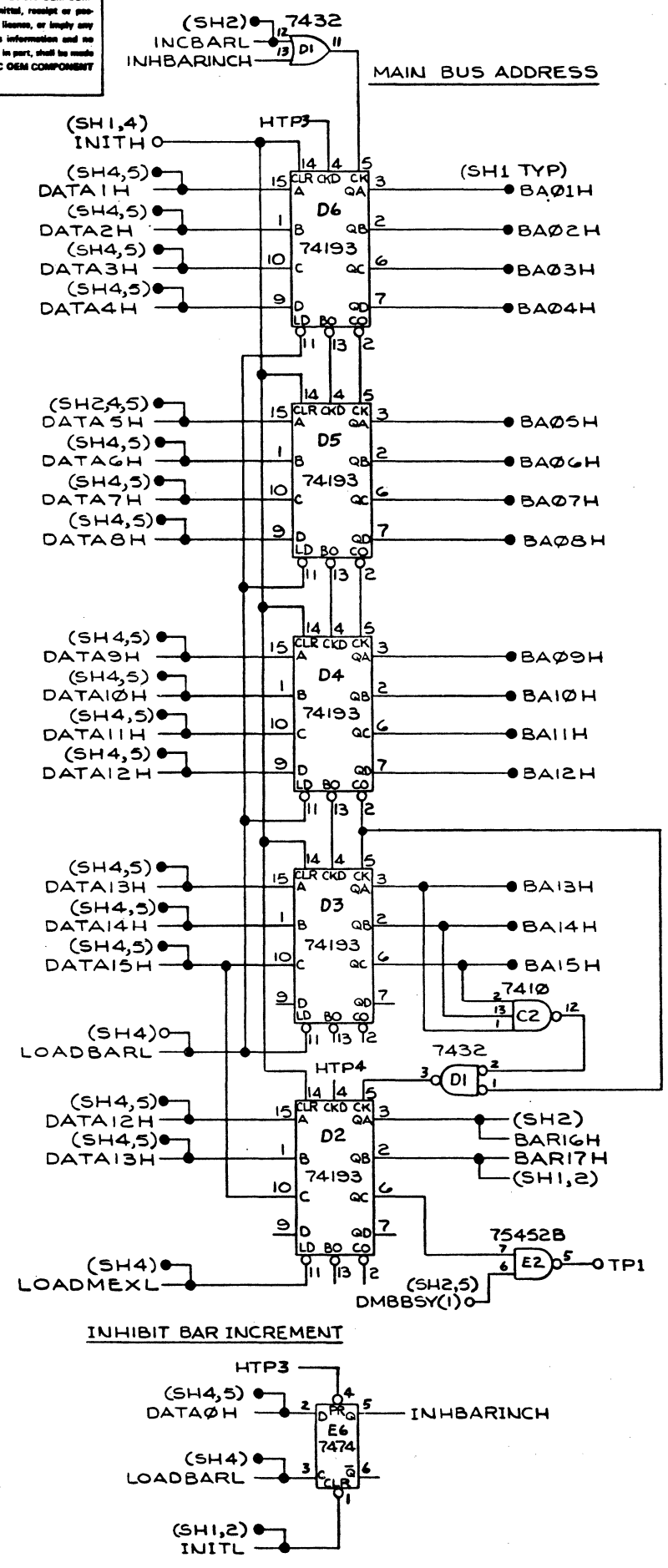
REVISIONS			
ZONE	LTR	DESCRIPTION	DATE
		SEE SHEET 1	



TOLERANCES (EXCEPT AS NOTED)		Xylogics	
DECIMAL		SCALE	DRAWN BY
FRACTIONAL		TITLE	APPROVED BY
ANGULAR		LOGIC DIAGRAM PH 211 INTERFACE BD	
		DRAWING NUMBER	REV. DTL.
		300-050-400	A 2 of 5

The information herein is the property of XYLOGIC OEM COMPONENT GROUP INCORPORATED. Transmittal, receipt or possession of the information does not imply, license, or imply any rights to use, sell, or manufacture from this information and no reproduction or publication of it, in whole or in part, shall be made without written authorization from XYLOGIC OEM COMPONENT GROUP INCORPORATED.

REVISIONS				
ZONE	REV	DESCRIPTION	DATE	APPROVED
		SEE SHEET 1		

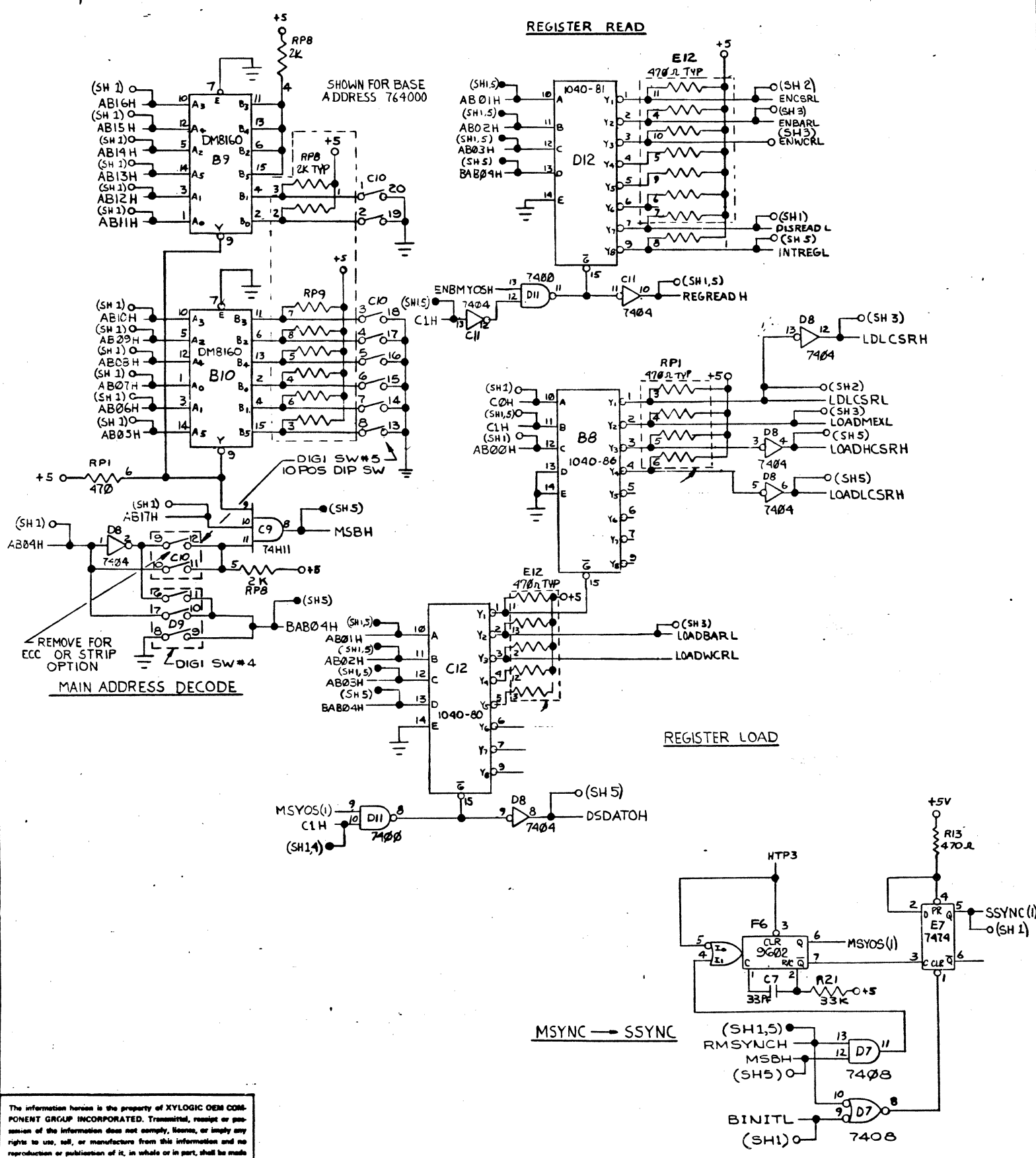


TOLERANCES (UNLESS OTHERWISE NOTED)			
XX	±.01	FRACTION	ANG
.XXX	±.005	±.1/64	±.1/2
DRAWN	ED		
CHECKED			
ENGR APPD			
ENGR APPD			
PROJECT MANAGER			

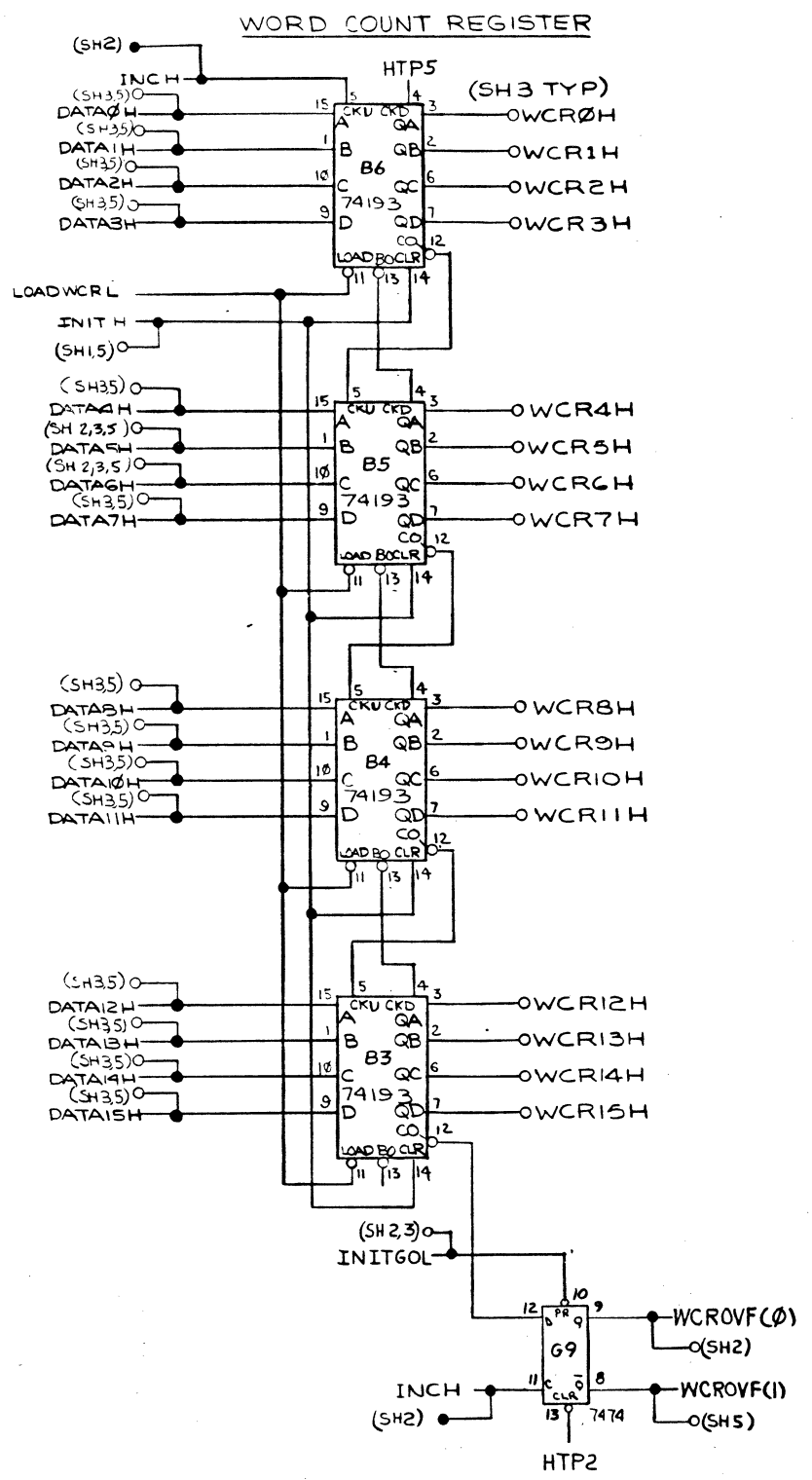
Xylogics OEM COMPONENT GROUP INC.	
TITLE LOGIC DIAGRAM PH211 INTERFACE BD	
SIZE D	DRAWING NO. 300-050-400
SCALE 7/8	REV A
SHEET 3 OF 5 LEVEL II	

17

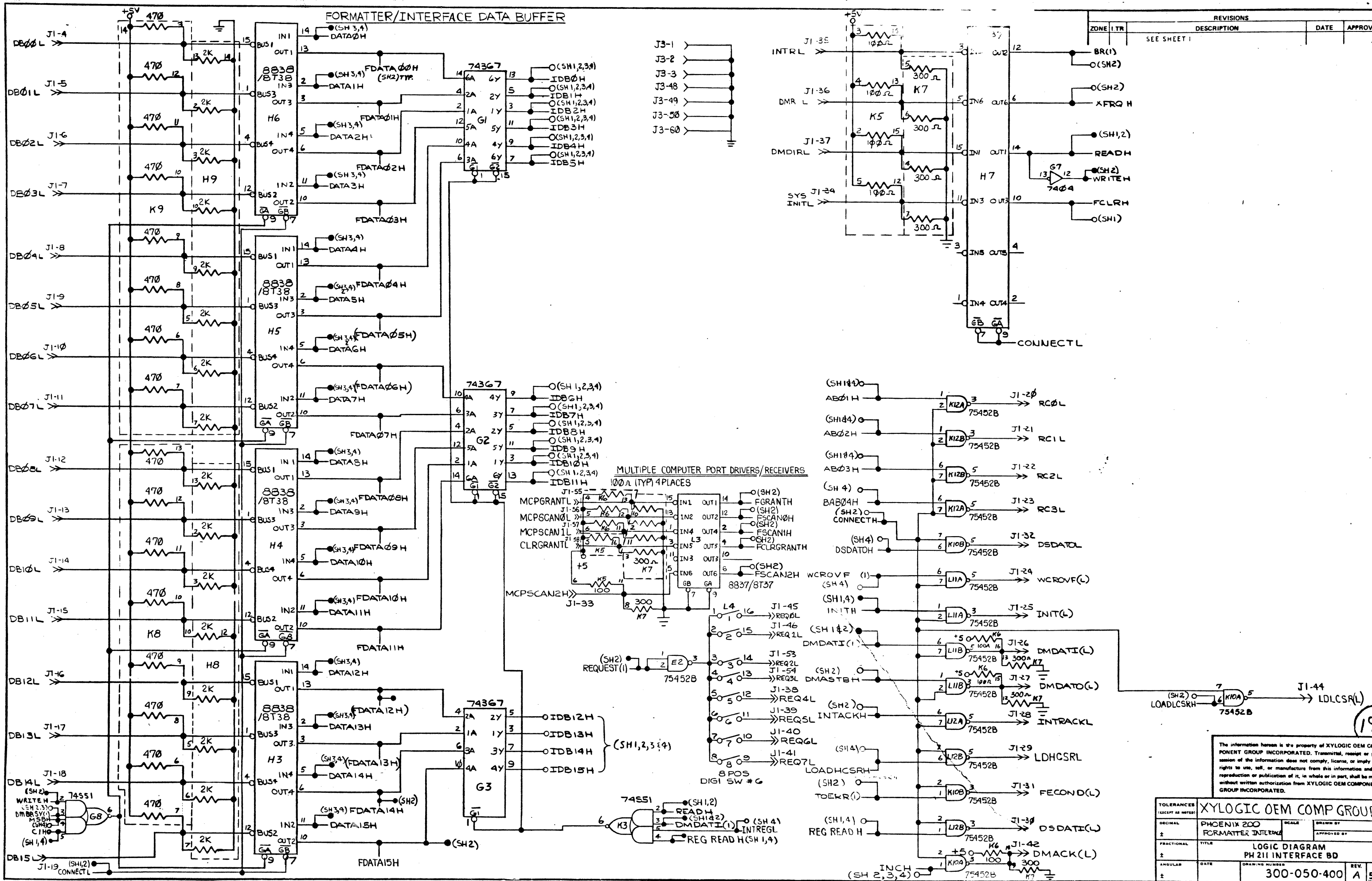
ZONE LTR		REVISIONS	DESCRIPTION	DATE	APPROVED
			SEE SHEET 1		



The information herein is the property of XYLOGIC OEM COMPONENT GROUP INCORPORATED. Transmittal, receipt or possession of the information does not imply, license, or imply any rights to use, sell, or manufacture from this information and no reproduction or publication of it, in whole or in part, shall be made without written authorization from XYLOGIC OEM COMPONENT GROUP INCORPORATED.



TOLERANCES (EXCEPT AS NOTED)	XYLOGIC OEM COMP GROUP	
DECIMAL	BUS ADDRESS & WORD COUNT REGISTER	SCALE
FRACTIONAL	TITLE	LOGIC DIAGRAM PH211 INTERFACE BD
ANGULAR	DATE	DRAWING NUMBER
		300-050-400
		REV. SHT. A 45



REVISIONS				
ZONE	TR	DESCRIPTION	DATE	APPROV
		SEE SHEET 1		

TOLERANCES (EXCEPT AS NOTED)			
ORIGINAL	±	FRACTIONAL	±
ANGULAR	±	DATE	±
XYLOGIC OEM COMP GROUP PHOENIX 200 FORMATTER INTERFACE BD LOGIC DIAGRAM PH 211 DRAWING NUMBER 300-050-400			
SCALE	DRAWN BY	APPROVED BY	REV. A 5

The information herein is the property of XYLOGIC OEM COMPONENT GROUP INCORPORATED. Transmittal, receipt or possession of the information does not comply, license, or imply rights to use, sell, or manufacture from this information and reproduction or publication of it, in whole or in part, shall be without written authorization from XYLOGIC OEM COMPONENT GROUP INCORPORATED.

19

GROUP	DESCRIPTION	SWITCHES "ON"
A	Normal Operation	K7-1, K7-8, K7-2, K7-3, K7-7, E5-3, E5-7, E5-4, E5-5, D8-6
B	Normal Operation with ECC with 256 words/sector	K7-1, K7-8, K7-2, K7-3, K7-7, D6-2, D6-5, D6-7, D6-8, D8-6, E5-3, E5-4, E5-5, E5-8, E5-6, D7-1, D7-3, D7-4, D7-5, D7-8, C2-1, C2-7
C	Multi CPU operation & normal operation	Group "A" & K7-4
D	Multi CPU with ECC with 256 words/sector	Group "B" & K7-4
E	Optional Data Port or Autoswitch	E5-3, E5-7, E5-4, E5-5, K7-7, D8-6
F	Optional Data Port or Autoswitch with ECC with 256 words/sector	Group "E" & D6-2, D6-5, D6-7, D6-8, E5-3, E5-4, E5-5, E5-8, E5-6, D7-1, D7-3, D7-4, D7-5, D7-8, C2-1, C2-7
G	Ph 311 Normal Operation	K7-1, K7-2, K7-3, K7-7, K7-8, E5-3, E5-4, E5-5, E5-7, D8-7

- Note: 1. These switch settings pertain to P.C. Board 300-031-90X.
2. Unless otherwise specified all other switches not specified are in the "OFF" position.

AI 0232	REV
A 0200	ECO
	APP


Xylogics, Inc.		
SCALE: <i>H</i>	APPROVED BY: <i>Wally Keenige</i>	DRAWN BY <i>DAM</i>
DATE: <i>1/5/78</i>		REVISED
SWITCH SETTING SPECIFICATION (PH. 200 Bd. #1)		
SH10F2	REV. A1	DRAWING NUMBER 050-001-001

GROUP	DESCRIPTION	SWITCHES "ON"
H	Normal Operation with ECC with 480 words/sector	K7-1, K7-2, K7-3, K7-7, K7-8, E5-3, E5-4, E5-5, E5-6, E5-8, C2-1, C2-7, D8-6, D7-4, D7-6, D7-8, D6-2, D6-5, D6-7, D6-8
I	Multi CPU with ECC with 480 words/sector	Group H plus K7-4
J (IFX)	Normal operation with abort on bad sector	Group 'A' plus E5-2

Xylogics, Inc.		
SCALE:	APPROVED BY:	DRAWN BY DAN
DATE: 1/5/78	Wally Kewriga	REVISED
SWITCH SETTINGS SPECIFICATION (PH.200 Bd. #1)		
SH 2 OF 2	REV. A1	DRAWING NUMBER Q50-001-001

22

TAB REV	TAB NO	DESCRIPTION	DWG REV	ECO .	APPD	DATE
E2	900	STD WITH 50 PIN	A	0182	WJK	12/19/77
E2	901	STD MCPU WITH 60 PIN	B	0192 (ALL TABS)	Dtm	12/13/77
F2	902	AUTOSWITCH WITH 50 PIN	C	0197 (ALL TABS)	Dtm	12/30/77
			D	0198 (ALL TABS)	WJK	1/23/77
E2	903	AUTOSWITCH & MCPU WITH 60 PIN	D1	0213 (ALL TABS)	Dtm	1/30/78
			D2	0228/0228A (ALL TABS)	Dtm	3/20/78
C2	904	ECC WITH 50 PIN	D3	0233 (900-903)	Dtm	4/5/78
C2	905	ECC MCPU WITH 60 PIN	E	0240 (904-907)	Dtm	4/6/78
C2	906	AUTOSWITCH WITH 50 PIN, ECC	F	0266 (ALL TABS)	Dtm	5/11/78
			G	0277 (902)	Dtm	6/28/78
C2	907	AUTOSWITCH WITH 60 PIN AND MCPU, ECC	G1	0282 (900-907)	Dtm	7/11/78
			G2	0308 (ALL TABS)	Dtm	9/15/78

TOLERANCES (UNLESS OTHERWISE NOTED)				 Xylogics OEM COMPONENT GROUP INC.
.XX	±.01	FRACTION	ANG	
.XXX	±.005	±1/64	±1/2	TITLE DOC / PKG PH 200 BOARD NO. 1 SIZE A DRAWING NO. 300-031-90X REV G2 SCALE 1/4" SHEET 1 OF 2 LEVEL II
DRAWN	DAM	12/2/77		
CHECKED				
ENGR APPD				
ENGR APPD				
PROJECT MANAGER	Wally Kevinga	12/9/77		

ITEM NO.	PART NUMBER	DESCRIPTION		900	901	902	903	904	905	906	907
			1	300-031-00X	PARTS LIST	TAB	000	001	002	003	004
			REV	D4	D4	D4	D4	A3	A3	A3	A3
2	300-031-100	ASSY	TAB	100	100	101	100	100	100	100	100
			REV	B3	B3	A1	B3	B3	B3	B3	B3
3	300-031-200	SOLDER MASK	TAB								
			REV	C	C	C	C	C	C	C	C
4	300-031-300	SCREEN	TAB								
			REV	C1	C1	C1	C1	C1	C1	C1	C1
5	300-031-400	LOGIC DIAGRAM	TAB								
			REV	E	E	E	E	E	E	E	E
6	300-031-600	ARTWORK	TAB								
			REV	C	C	C	C	C	C	C	C
7	300-031-700	FABRICATION	TAB								
			REV	C	C	C	C	C	C	C	C
8	300-031-800	REWORK (NOTE 1)	TAB								
			REV	B	B	B	B	B	B	B	B
9	300-031-801	REWORK (NOTE 2)	TAB								
			REV	X	X	X	X	A	A	A	A
10	300-031-802	REWORK (NOTE 3)	TAB								
			REV	A	A	A	A	A	A	A	A

NOTE; 1. TO REWORK A/W REV B TO D USE ITEM 8
2. TO REWORK A/W FROM REV C TO REV D, USE ITEM 9.
3. TO REWORK A/W FROM REV C TO D, USE ITEM 10.

SIZE
A

300-031-90X

~~B/E~~

SHEET 2 OF 2

REV G2

TAB REV	TAB NO	DESCRIPTION	DWG REV	ECO	APPD	DATE
D4	000	STD WITH 50 PIN	A	0182	WJK	12/9/77
D4	001	STD MCPU WITH 60 PIN	B	0192 (ALL TABS)	Dtm	12/13/77
D4	002	AUTOSWITCH WITH 50 PIN STD	C	0197 (ALL TABS)	Dtm	12/30/77
			D	0198 (ALL TABS)	WJK	1/23/77
D4	003	AUTOSWITCH & MCPU WITH 60 PIN,	D1	0213 (ADD 004-007)	Dtm	2/13/78
			D2	0228/0228A (ALL TABS)	Dtm	3/21/78
A3	004	ECC WITH 50 PIN	D3	0233 (TABS 000-003)	Dtm	4/5/78
A3	005	ECC MCPU WITH 60 PIN	D4	0282 (000-007)	Dtm	7/11/78
A3	006	AUTOSWITCH WITH 50 PIN, ECC	D5	0308 (ALL TABS)	Dtm	9/15/78
A3	007	AUTOSWITCH WITH 60 PIN AND MCPU, ECC				

TOLERANCES (UNLESS OTHERWISE NOTED)			
.XX	±.01	FRACTION	ANG
.XXX	±.005	±1/64	±1/2
DRAWN	DAM	12/2/77	
CHECKED			
ENGR APPD			
ENGR APPD			
PROJECT MANAGER	Wally Keenly	2/2/77	



Xylogics OEM COMPONENT GROUP INC.

TITLE			
PARTS LIST			
PH 200 BOARD NO.1			
SIZE	DRAWING NO.	REV	
A	300-031-00X	D5	
SCALE	SHEET	OF	LEVEL
1/4	1	4	II

ITEM NO	PART NUMBER	DESCRIPTION							Qty Iss'd	REFERENCE DESIGNATION
			000	001	002	003	004	005		
1	300-031-700	P. C. Board	1	1	1	1	1	1		
2										
3										
4	050-001-001	SWITCH SETTING CHART	REF	REF	REF	REF	REF	REF		
5										
6	7400	IC Pack	3	3	3	3	3	3		A10, B4, H5
7	7402	IC Pack	1	1	1	1	1	1		G4
8	7404	IC Pack	4	4	4	4	4	4		B6, D9, E4, H6
9	7408	IC Pack	3	3	3	3	3	3		A2, C9, G2
10	7410	IC Pack -	1	1	1	1	1	1		F6
11	7430	IC Pack	3	3	3	3	3	3		D5, F4, F5
12	7432	IC Pack	1	1	1	1	1	1		H9
13	7442	IC Pack	2	2	2	2	2	2		H10, G10,
14	7474	IC Pack	6	6	6	6	9	9		*B7, G6, *F1, C10, G5, C4, B3, B2, *B5
15	7490	IC Pack	1	1	1	1	1	1		A5
16	74153	IC Pack	1	1	1	1	1	1		H7
17	74164	IC Pack	0	0	0	0	3	3		E2, E3, E9
18	74174	IC Pack	2	2	2	2	3	3		D12, C12, *F2
19	74175	IC Pack	1	1	1	1	1	1		C8
20	74193	IC Pack	0	0	0	0	4	4		C7, E7, C6, E6,
21	74367	IC Pack (SUB. N8T97/8097)	6	6	6	6	6	6		B11, D11, C11, B12, D10, A11
22	74393	IC Pack	0	0	0	0	2	2		F10, E10
23	74H11	IC Pack	0	0	0	0	2	2		C1, B10
24	74H21	IC Pack	0	0	0	0	1	1		B9
25	74S02	IC Pack	0	0	0	0	1	1		E1

NOTES

**SIZE
A**

300-031-00X

P/L

SHT 2 OF 4

REV D5

ITEM NO	PART NUMBER	DESCRIPTION	006	007					Qty Iss'd	REFERENCE DESIGNATION
1	300-031-700	P.C. Board	1	1						
2										
3										
4	050-001-001	SWITCH SETTING CHART	REF	REF						
5										
6	7400	IC Pack	3	3						A10, B4, H5
7	7402	IC Pack	1	1						G4
8	7404	IC Pack	4	4						B6, D9, E4, H6
9	7408	IC Pack	3	3						A2, C9, G2
10	7410	IC Pack	1	1						F6
11	7430	IC Pack	3	3						D5, F4, F5
12	7432	IC Pack	1	1						H9
13	7442	IC Pack	2	2						H10, G10
14	7474	IC Pack	9	9						*B7, G6, *F1, C10, G5, C4, B3, B2, *B5
15	7490	IC Pack	1	1						A5
16	74153	IC Pack	1	1						H7
17	74164	IC Pack	3	3						E2, E3, E9
18	74174	IC Pack	3	3						D12, C12, *F2
19	74175	IC Pack	1	1						C8
20	74193	IC Pack	4	4						C7, E7, C6, E6
21	74367	IC Pack (SUB. N8T97/8097)	6	6						B11, D11, C11, B12, D10, A11
22	74393	IC Pack	2	2						F10, E10
23	74H11	IC Pack	2	2						C1, B10
24	74H21	IC Pack	1	1						B9
25	74S02	IC Pack	1	1						E1

NOTES

SIZE A

300-031-00X

P/L

SHT2A OF 4

REV D5

ITEM NO	PART NUMBER	DESCRIPTION	000	001	002	003	004	005	QTY Iss'd	REFERENCE DESIGNATION
26										
27	74S04	IC Pack	1	1	1	1	1	1		A7
28	74S08	IC Pack	1	1	1	1	1	1		A6
29	74S20	IC Pack	0	0	0	0	1	1		D4
30	74S32	IC Pack	0	0	0	0	1	1		C3
31	74S64	IC Pack	0	0	0	0	2	2		A8,A4
32	74S74	IC Pack	0	0	0	0	4	4		D1,B8,A9,A1
33	74S86	IC Pack	0	0	0	0	2	2		A3,F3
34	74S260	IC Pack	0	0	0	0	2	2		D2,D3
35	74LS257	IC Pack	0	0	0	0	4	4		E12,F12,E11,F11
36	75138	IC Pack	4	4	4	4	4	4		G12,H12,G11,H11
37	75452B	IC Pack	7	7	7	7	7	7		L6B,L6A,F8B,G3B,G3A,K8B,K8A
38	837/937	IC Pack	0	0	0	0	1	1		B1
39	8837/8T37	IC Pack	4	4	4	4	4	4		H8,K9,K10,L7
40	9602	IC Pack	3	3	3	3	3	3		G9,F9,H4
41										
42	AMP1-435668-8	8 Position Dip Switch	3	3	3	3	6*	6*		*C2,E5,*D6,*D7,K7,D8
43	AMP 435238-5	8 Position Dip Switch Cover	3	3	3	3	6*	6*		*C2,E5,*D6,*D7,K7,D8
44										
45	C83-1402	14 Pin Socket	4	4	4	4	4	4		K11,K12,L11,L12
46	899-1-R470	Resistor Pack 470 Dip	2	2	0	0	2	2		K11,K12
47	899-1-R2.0K	Resistor Pack 2K Dip	2	2	0	0	2	2		L11,L12
48	784/764-1-R470	Resistor Pack 470 Sip	1	1	1	1	1	1		RP11
49	784/764-1-R270	Resistor Pack 270 Sip	5	5	5	5	5	5		RP2,RP3,RP7,RP9,RP1
50	784-1-R100	Resistor Pack 100 Sip	5	5	5	5	5	5		RP5,RP6,RP8,RP10,RP4
51										
52										

NOTES

SIZE A

300-031-00X

P/L

SHT 3 OF 4

REV D5

ITEM NO	PART NUMBER	DESCRIPTION							Qty Iss'd	REFERENCE DESIGNATION
			006	007						
26										
27	74S04	IC Pack	1	1					A7	
28	74S08	IC Pack	1	1					A6	
29	74S20	IC Pack	1	1					D4	
30	74S32	IC Pack	1	1					C3	
31	74S64	IC Pack	2	2					A8,A4	
32	74S74	IC Pack	4	4					D1,B8,A9,A1	
33	74S86	IC Pack	2	2					A3,F3	
34	74S260	IC Pack	2	2					D2,D3	
35	74LS257	IC Pack	4	4					E12,F12,E11,F11	
36	75138	IC Pack	4	4					G12,H12,G11,H11	
37	75452B	IC Pack	7	7					L6B,L6A,F8B,G3B,G3A,K8B,K8A	
38	837/937	IC Pack	1	1					B1	
39	8837/8T37	IC Pack	4	4					H8,K9,K10,L7	
40	9602	IC Pack	3	3					G9,F9,H4	
41										
42	AMP1-435668-8	8 Position Dip Switch	6*	6*					*C2,E5,*D6,*D7,K7,D8	
43	AMP 435238-5	8 Position Dip Switch Cover	6*	6*					*C2,E5,*D6,*D7,K7,D8	
44										
45	C83-1402	14 Pin Socket	4	4					K11,K12,L11,L12	
46	899-1-R470	Resistor Pack 470 Dip	0	0					K11,K12	
47	899-1-R2.0K	Resistor Pack 2K Dip	0	0					L11,L12	
48	784/764-1-R470	Resistor Pack 470 Sip	1	1					RP11	
49	784/764-1-R270	Resistor Pack 270 Sip	5	5					RP2,RP3,RP7,RP9,RP1	
50	784-1-R100	Resistor Pack 100 Sip	5	5					RP5,RP6,RP8,RP10,RP4	
51										
52										

NOTES

SIZE A

300-031-00X

P/L

SHT 3AOF 4

REV D5

ITEM NO	PART NUMBER	DESCRIPTION	000	001	002	003	004	005	QTY ISS'D	REFERENCE DESIGNATION
54										
55										
56	IN4148	DIODE	1	1	1	1	1	1		CR1
57		RESISTOR, 27K, 1/4W, 5%	1	1	1	1	1	1		R10
58		Resistor, 5.1K, 1/4W 5%	1	1	1	1	1	1		R13
59		Resistor 2K, 1/4W 5%	5	5	5	5	5	5		R14,R12,R2,R3,R16
60		Resistor 100. 1/4W 5%	3	3	3	3	3	3		R17,R11,R8
61		Resistor 1K 1/4W 5%	2	2	2	2	2	2		R1,R15
62		Resistor 100K 1/4W 5%	2	2	2	2	2	2		R4,R5
63		Resistor 30K 1/4W 5%	1	1	1	1	1	1		R9
64		Resistor 10K 1/4W 5%	1	1	1	1	1	1		R6
65		Resistor 12K 1/4W 5%	1	1	1	1	1	1		R7
66	T368B106M025AS	Capacitor 10UF	1	1	1	1	1	1		C103
67	CD15FD101J	Capacitor 100 PF	3	3	3	3	3	3		C100,104,C106
68	CD15ED330J	CAPACITOR, 33 PF	1	1	1	1	1	1		C105
69										
70	150D686X-9015R	Capacitor, 68uf TANT	8	8	8	8	8	8		C1,-6,C102,C101
71	UK12-503	Capacitor .05 uf	53	53	53	53	85	85		None
72	65268-011	CONNECTOR, BERG (50 PIN)	1	0	1	0	1	0		
73	65268-002	CONNECTOR, BERG (60 PIN)	0	1	0	1	0	1		
74	021-001-002	EXTRACTOR, UPPER (NOTE 1)	1	1	1	1	1	1		
75	021-001-001	EXTRACTOR, LOWER (NOTE 1)	1	1	1	1	1	1		
76	021-002-001	P.C.B. HANDLE (NOTE 1)	2	2	2	2	2	2		
77	002-001-250	EYELET, 1/8 DIA (NOTE 2)	4	4	4	4	4	4		

NOTES 1. FOR PROPER HANDLE/EXTRACTOR SEE CUSTOMER REQUIREMENTS
2. USED WITH ITEM 76 ONLY

SIZE
A

300-031-00X

P/L

SHT 4 OF 4

REV D5

ITEM NO	PART NUMBER	DESCRIPTION	006	007						REFERENCE DESIGNATION
53	764/784-1-R2K	Resistor Pack 2KSIP	5	5						RP12, RP13, RP15, RP14, RP16
54										
55										
56	IN4148	DIODE	1	1						CR1
57		RESISTOR, 27K, 1/4W, 5%	1	1						R10
58		Resistor, 5.1K, 1/4W 5%	1	1						R13
59		Resistor 2K, 1/4W 5%	5	5						R14, R12, R2, R3, R16
60		Resistor 100. 1/4W 5%	3	3						R17, R11, R8
61		Resistor 1K 1/4W 5%	2	2						R1, R15
62		Resistor 100K 1/4W 5%	2	2						R4, R5
63		Resistor 30K 1/4W 5%	1	1						R9
64		Resistor 10K 1/4W 5%	1	1						R6
65		Resistor 12K 1/4W 5%	1	1						R7
66	T368B106M025AS	Capacitor 10UF	1	1						C103
67	CD15FD101J	Capacitor 100 PF	3	3						C100, 104, C106
68	CD15ED330J	CAPACITOR, 33 PF	1	1						C105
69										
70	150D686X-9015R	Capacitor, 68uf TANT	8	8						C1, -6, C102, C101
71	UK12-503	Capacitor .05 uf	85	85						None
72	65268-011	CONNECTOR, BERG (50 PIN)	1	0						
73	65268-002	CONNECTOR, BERG (60 PIN)	0	1						
74	021-001-002	EXTRACTOR, UPPER (NOTE 1)	1	1						
75	021-001-001	EXTRACTOR, LOWER (NOTE 1)	1	1						
76	021-002-001	P.C.B. HANDLE (NOTE 1)	2	2						
77	002-001-250	EYELET, 1/8 DIA (NOTE 2)	4	4						

NOTES 1. FOR PROPER HANDLE/EXTRACTOR SEE CUSTOMER REQUIREMENTS
2. USED WITH ITEM 76 ONLY

SIZE
A

300-091-00X

P/L

SHT 4AOF 4

REV D5

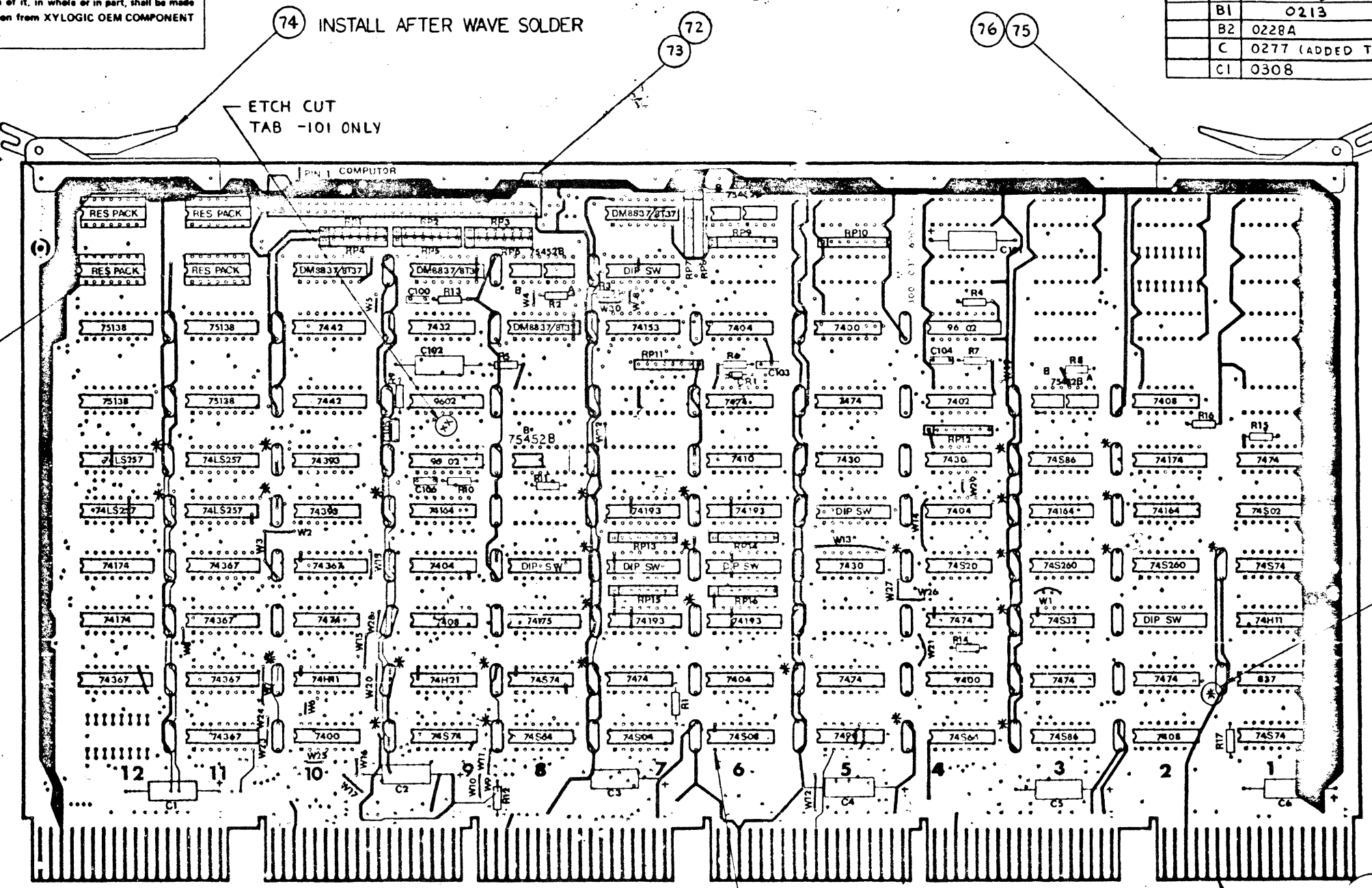
1032-04

31

The information hereon is the property of XYLOGIC OEM COMPONENT GROUP INCORPORATED. Transmittal, receipt or possession of the information does not comply, license, or imply any rights to use, sell, or manufacture from this information and no reproduction or publication of it, in whole or in part, shall be made without written authorization from XYLOGIC OEM COMPONENT GROUP INCORPORATED.

REVISIONS				
ZONE	REV	DESCRIPTION	DATE	APPROVED
	A	0182	12/9/77	W. Kewice
	B	0198	1/23/77	W. Kewice
	B1	0213	2/13/78	D. H.
	B2	0228A	3/21/78	D. H.
	C	0277 (ADDED TAB 101)	6/28/78	D. H.
	C1	0308	9/15/78	D. H.

D
C
B
A



REF-45

NOTE 3

AI	-101
B3	-100
REV	TAB

SQUARE PAD DENOTES PIN NO.1 OF IC'S AND SIP'S

- NOTE:
- FOR PROPER SWITCH SETTINGS SEE ITEM 4
 - IDENTIFY BOARD WITH DOC/PKG NO. AND TAB REV
 - DELETE .05 uf CAP AT EACH LOCATION MARKED * (NON ECC ONLY) SEE P/L FOR IC DELETION

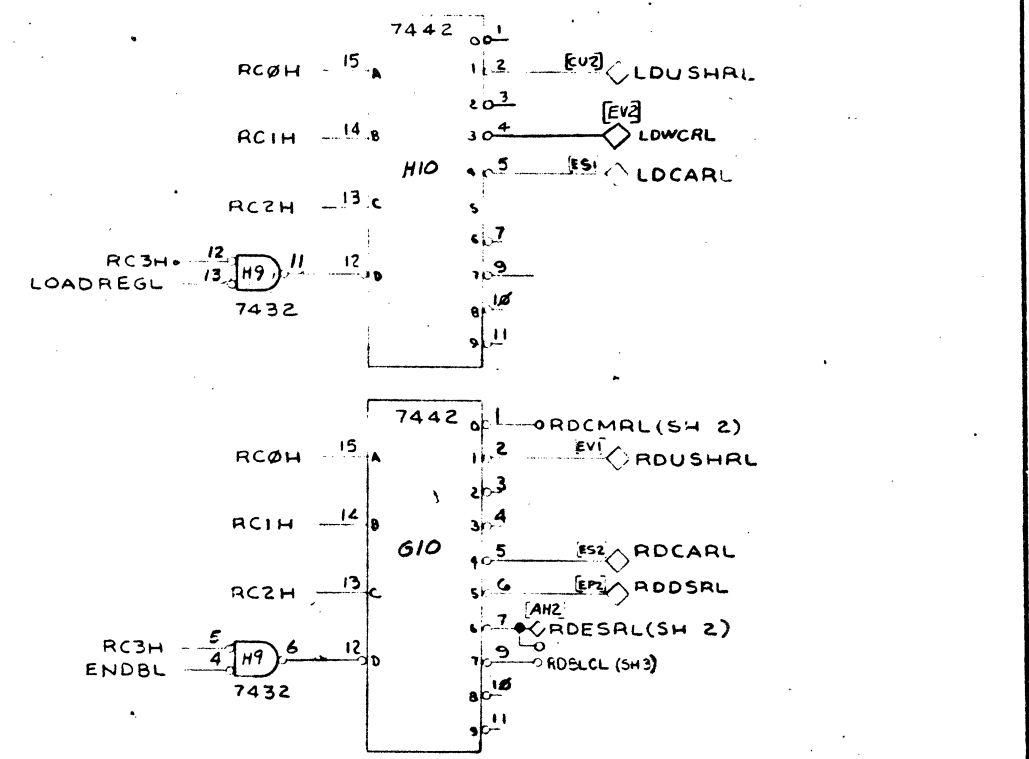
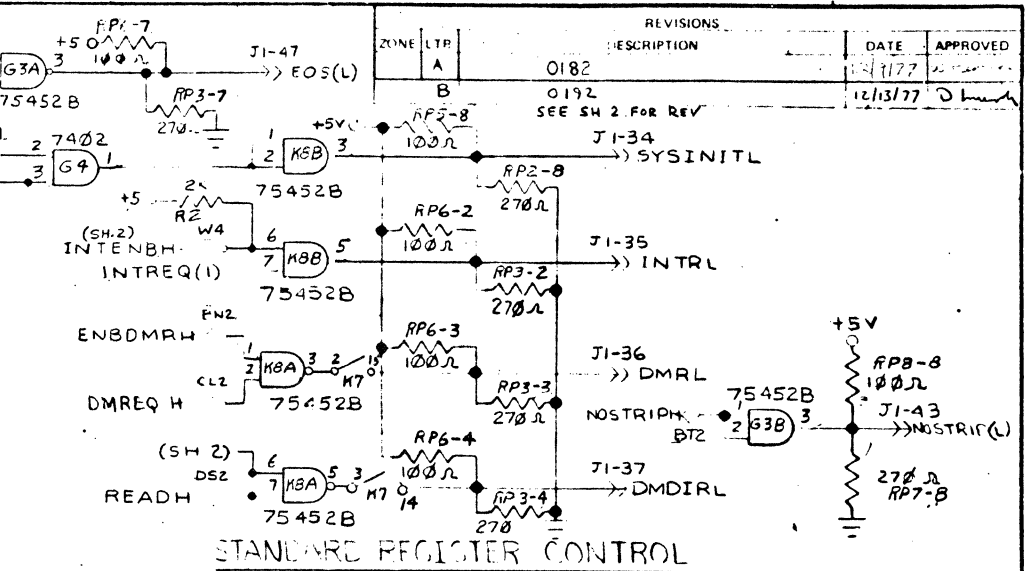
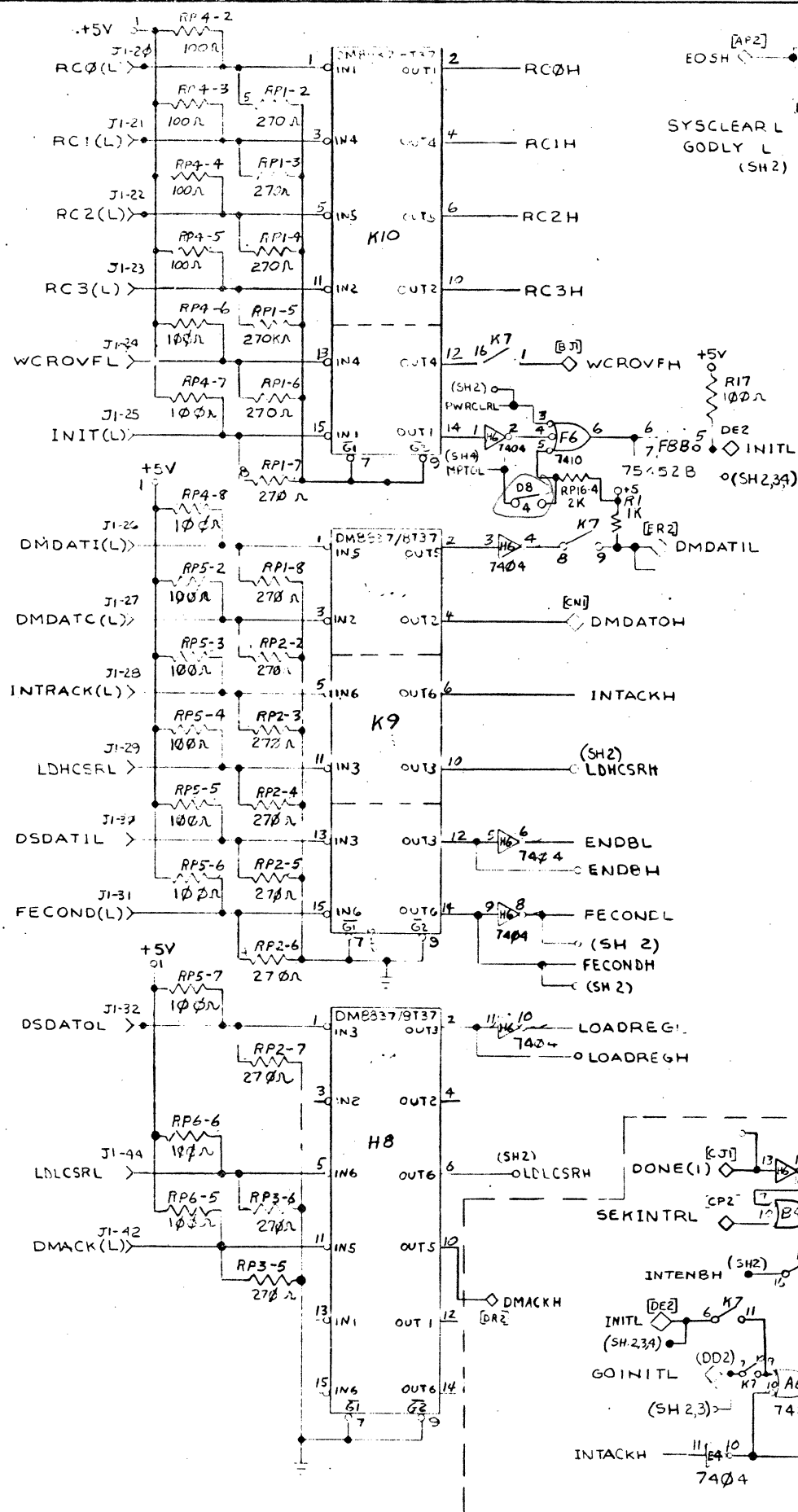
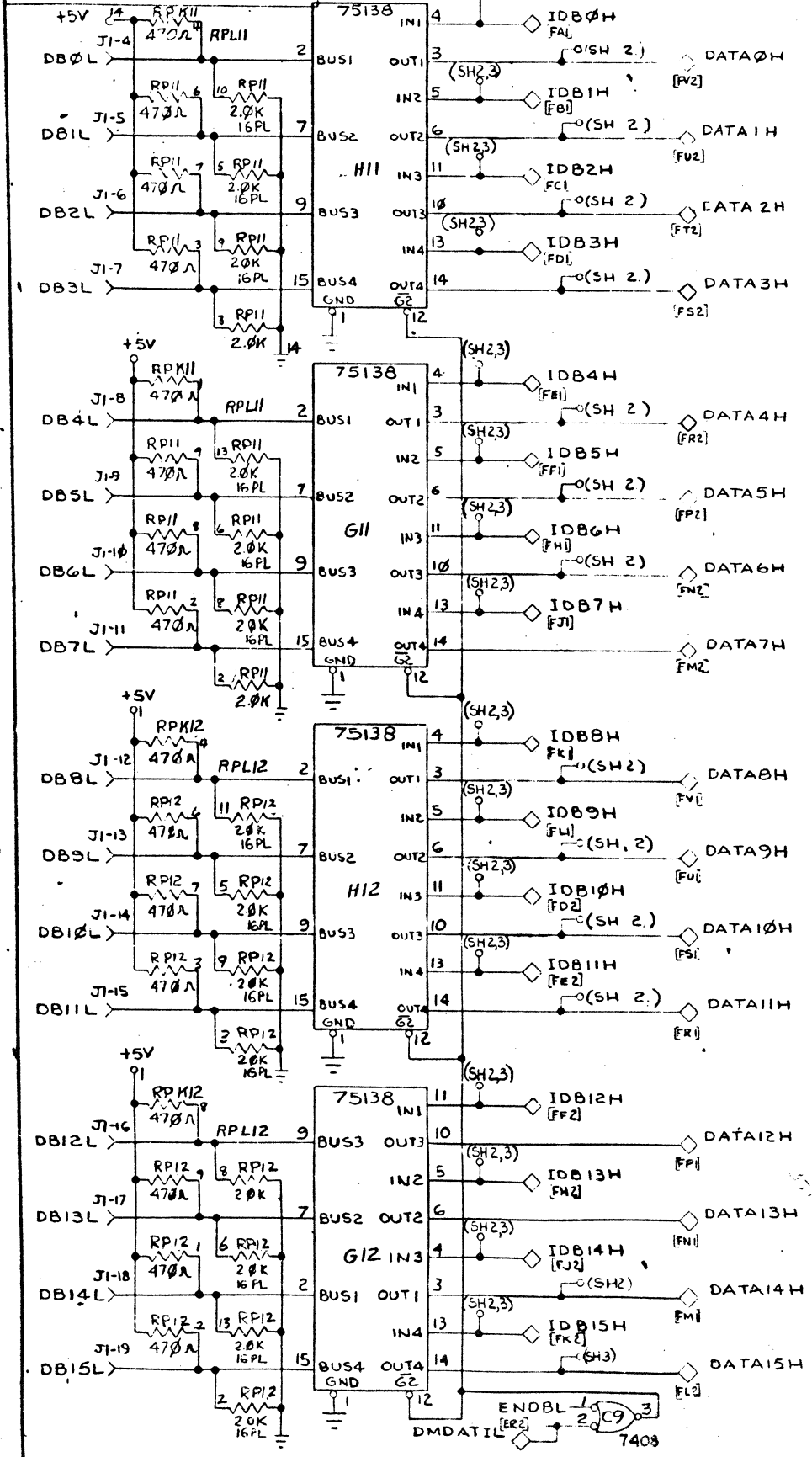
		G9-11	F9-13	} 30 GA GRN
G9-11	G9-13	API	G9-13	
FROM	TO	FROM	TO	
CKT SIDE ETCH CUTS		JUMPER LIST		

-101 ONLY

TOLERANCES (UNLESS OTHERWISE NOTED)		Xylogics OEM COMPONENT GROUP INC
XX ± .01	FRACTION ANG	
XXX ± .005	± 1/64 ± 1/2	
DRAWN	TITLE	ASSEMBLY PHOENIX 200 BD NO.1
CHECKED		
ENGR APPD	SIZE	DRAWING NO. C 300-031-10X
ENGR APPD		
PROJECT MANAGER	SCALE	SHEET 1 OF 1 LEVEL II
Wally Kewice 12/17/77	1/1	

The information herein is the property of XYLOGIC OEM COMPONENT GROUP INCORPORATED. Transmittal, receipt or possession of this information does not confer license, or imply any right to use, sell or manufacture from this information and no reproduction or publication of it, in whole or in part, shall be made without written authorization from XYLOGIC OEM COMPONENT GROUP INCORPORATED.

J1-1,2,3, 48-0,50,60
GND



REVISIONS	DESCRIPTION	DATE	APPROVED
0182		12/13/77	
0192	SEE SH 2 FOR REV		

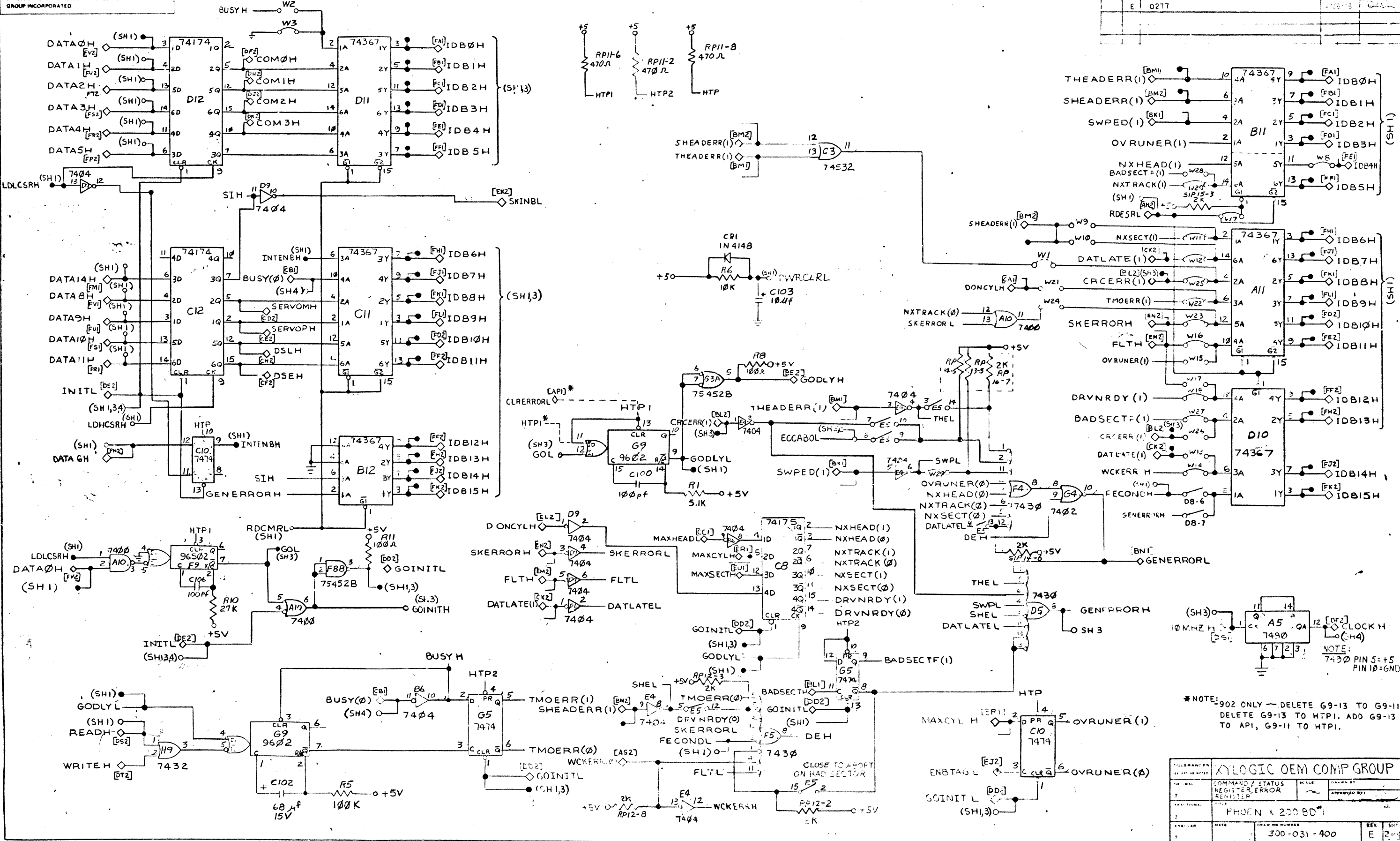
XYLOGIC OEM COMP GROUP			
TOLERANCES	UNLESS OTHERWISE SPECIFIED	SCALE	DRAWN BY
1			
2			
3			
4			
5			
6			
7			
8			
9			
10			
11			
12			
13			
14			
15			
16			
17			
18			
19			
20			
21			
22			
23			
24			
25			
26			
27			
28			
29			
30			
31			
32			
33			
34			
35			
36			
37			
38			
39			
40			
41			
42			
43			
44			
45			
46			
47			
48			
49			
50			
51			
52			
53			
54			
55			
56			
57			
58			
59			
60			
61			
62			
63			
64			
65			
66			
67			
68			
69			
70			
71			
72			
73			
74			
75			
76			
77			
78			
79			
80			
81			
82			
83			
84			
85			
86			
87			
88			
89			
90			
91			
92			
93			
94			
95			
96			
97			
98			
99			
100			

33

The information herein is the property of XYLOGIC OEM COMPONENT GROUP, INCORPORATED. Transmittal, receipt or possession of the information does not imply, license, or imply any rights to use, sell or manufacture from this information and no reproduction or publication of it, in whole or in part, shall be made without written authorization from XYLOGIC OEM COMPONENT GROUP, INCORPORATED.

COMMAND & STATUS REG

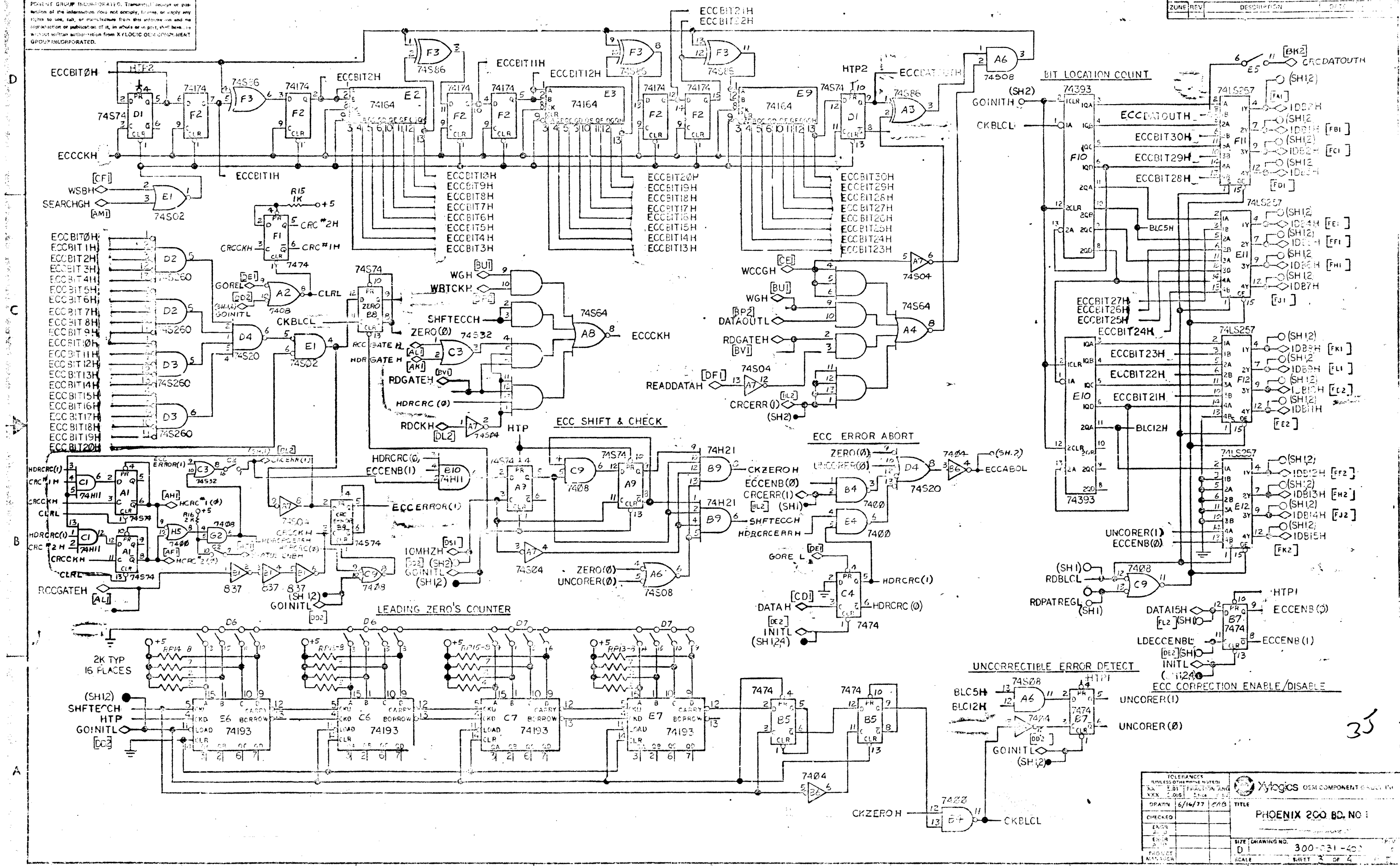
ZONE	LTR	REVISIONS	DESCRIPTION	DATE	APPROVED
		C	0198		
		D	0266		
		E	0277		



XYLOGIC OEM COMP GROUP			
DATE	DESIGN NO	SCALE	DESIGNED BY
PHSEN x 200 BD			
DATE	DESIGN NO	SCALE	DESIGNED BY
300-031-400			

The information herein is the property of XEROX OCEM Corp. and is not to be distributed, copied, or reproduced in any form without the written authorization of XEROX OCEM Corp. INCORPORATED.

ZONE	REV	DESCRIPTION	DATE

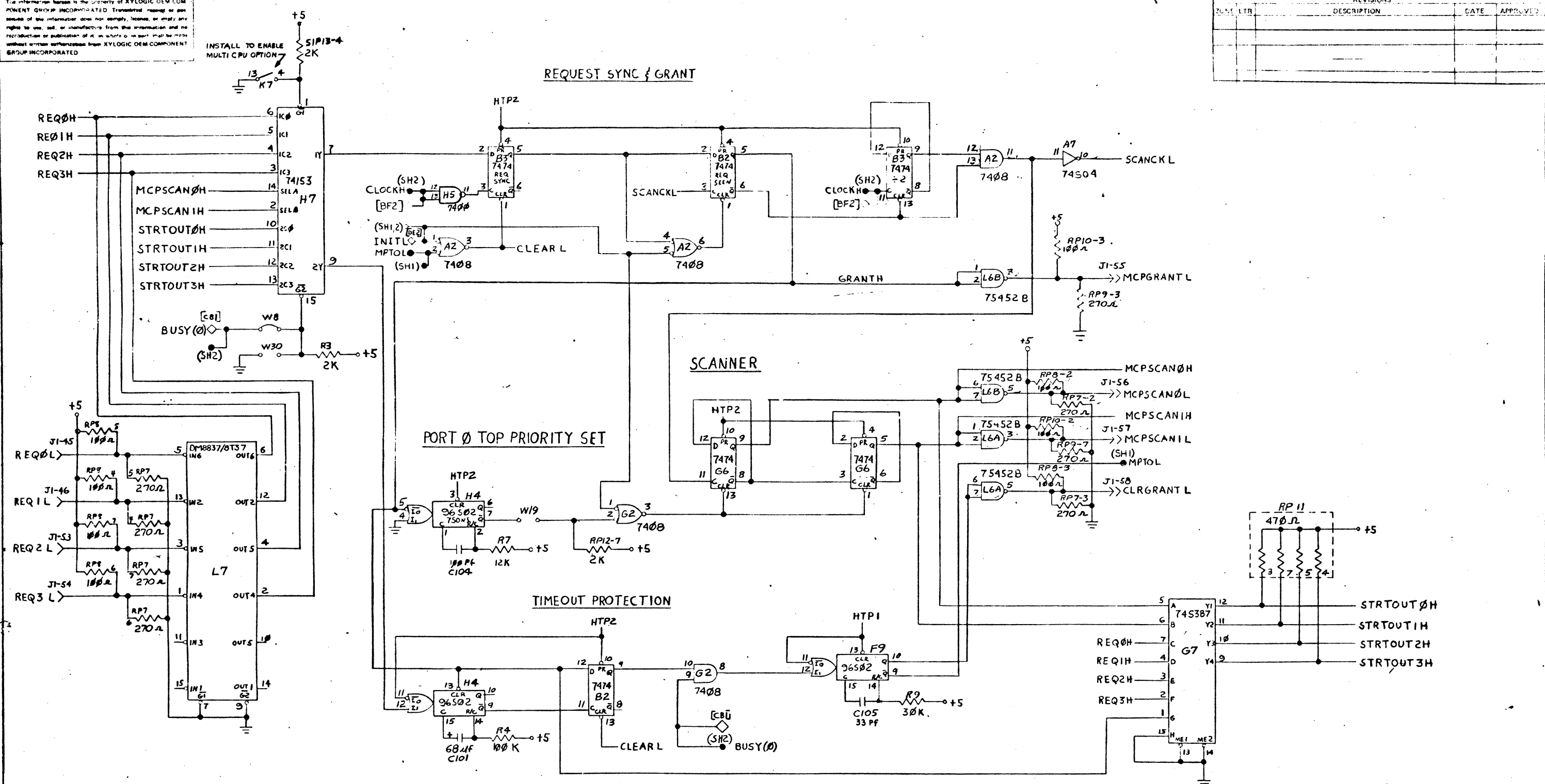


TOLERANCES (UNLESS OTHERWISE NOTED)		XEROX OCEM COMPONENT GROUP, INC.	
XX	± 0.01	DATE	12/16/77
SPAWN	12/16/77	TITLE	PHOENIX 200 BD. NO 1
CHECKED		SIZE (DRAWING NO.)	300-331-401
ENTER		SCALE	SHEET 3 OF 4
ENTER			
ENTER			
ENTER			
ENTER			

35


The information herein is the property of XYLOGIC OEM COMPONENT GROUP INCORPORATED. Transmitted, received or possession of the information does not imply, license, or grant any rights to use, sell, or manufacture from this information and no reproduction or publication of it in whole or in part shall be made without written authorization from XYLOGIC OEM COMPONENT GROUP INCORPORATED.

REVISIONS			
ZONE	LTB	DESCRIPTION	DATE



TOLERANCES (EXCEPT AS NOTED)	XYLOGIC OEM COMP GROUP		
DIGITAL	SCALE	SCALE	DRAWN BY
FRACTIONAL	TITLE		
ANGULAR	DATE	DRAWING NUMBER	REV. DATE
		300-031-400	E 10/84

TAB REV	TAB NO	DESCRIPTION	DWG REV	ECO	APPD	DATE
B1	900	BASIC 128 WORD	A	0131	WJK	8/23/77
B1	901	DATA PORT 128 WORD	B	0155	WJK	10/31/77
B1	902	BASIC 256 WORD	B1	0218 (ALL TABS)	Dth	2/20/78
B1	903	DATA PORT 256 WORD				
B1	904	BASIC 512 WORD				
B1	905	DATA PORT 512 WORD				

		TOLERANCES (UNLESS OTHERWISE NOTED)			 Xylogics OEM COMPONENT GROUP INC.
		.XX ±.01	FRACTION ±1/64	ANG ±1/2°	
DRAWN	DAM	8/22/77	TITLE DOC/PKG BD 2 CONFIGURATION KIT PH 200		
CHECKED					
ENGR APPD					
ENGR APPD					
PROJECT MANAGER	WJK	8/23/77	SIZE A	DRAWING NO. 300-038-90X	REV B1
		SCALE 4	SHEET 1 OF 2		LEVEL II

ITEM NO.	PART NUMBER	DESCRIPTION	900	901	902	903	904	905			
			000	001	002	003	004	005			
1	300-038-00X	PARTS LIST	B1	B1	B1	B1	B1	B1			
2	300-038-10X	ASSY	100	100	101	101	102	102			
			B	B	B	B	B	B			
3											
4	300-019-901	P.C. ASSY (BASIC)	901	-	901	-	901	-			
			C	-	C	-	C	-			
5	300-019-902	P.C. ASSY (DATA PORT WITH MULTI CPU NOTE 1)	-	902	-	902	-	902			
			-	C	-	C	-	C			
6	300-019-903	P.C. ASSY (DATA PORT WITHOUT MULTI CPU NOTE 1)	-	903	-	903	-	903			
			-	A	-	A	-	A			
7											

NOTE 1. ITEMS 5 & 6 ARE OPTIONAL CONFIGURATIONS

SIZE
A

300-038-90X

P/L

SHEET 2 OF 2 REV B1

39

TAB REV	TAB NO	DESCRIPTION	DWG REV	ECO	APPD	DATE
BI	000	BASIC 128 WORD	A	0131	WJK	8/23/77
BI	001	DATA PORT 128 WORD	B	0155	WJK	10/31/77
BI	002	BASIC 256 WORD	BI	0218 (ALL TABS)	DH	2/20/78
BI	003	DATA PORT 256 WORD				
BI	004	BASIC 512 WORD				
BI	005	DATA PORT 512 WORD				

TOLERANCES (UNLESS OTHERWISE NOTED)			
*XX	±.01	FRACTION	ANG
.XXX	±.005	±1/64	±1/2
DRAWN	DAM	3/20/77	
CHECKED			
ENGR APPD			
ENGR APPD			
PROJECT MANAGER			



Xylogics OEM COMPONENT GROUP INC.

TITLE		PARTS LIST	
		BD#2 CONFIGURATION KIT	
		PH 200	
SIZE	DRAWING NO.	REV	
A	300-038-00X	BI	
SCALE	SHEET	OF	LEVEL
4	1	2	II

ITEM NO	PART NUMBER	DESCRIPTION	000	001	002	003	004	005	REFERENCE DESIGNATION
1	300-019-901	BASIC ASSY, P.C.	REF		REF		REF		
2	300-019-902/903	DATA PORT ASSY, P.C.		REF		REF		REF	
3	FAIRCHILD 9328	IC PACK	1	1					U12
4	FAIRCHILD 9328	IC PACK			2	2			U12, U1
5	FAIRCHILD 9328	IC PACK					4	4	U12, U1, U11, U21
6	AMD 2841 / FAIRCHILD 3341A	IC PACK (FIFO)	8	8					U87, 98, 109, 121, 92, 103, 114, 126
7	AMD 2841 / FAIRCHILD 3341A	IC PACK (FIFO)			16	16			U87, 98, 109, 121, 92, 103, 114, 126, 99, 88, 127, 115, 104, 93, 122, 110
8	AMD 2841 / FAIRCHILD 3341A	IC PACK (FIFO)					32	32	U87, 98, 109, 121, 92, 103, 114, 126, 99, 88, 127, 115, 104, 93, 122, 110, 89, 90, 94, 95, 100, 101, 106, 110, 111, 112, 116, 117, 123, 124, 128, 129
9	AUGAT 316AG39D	IC SOCKET ^{16 PIN} LOW PROFILE	8	8					SEE ITEM 6
					16	16			SEE ITEM 7
							32	32	SEE ITEM 8
10		30 GA WIRE (GRN)	A/R	A/R	A/R	A/R	A/R	A/R	

NOTES

SIZE
A

300-038-00X

P/L

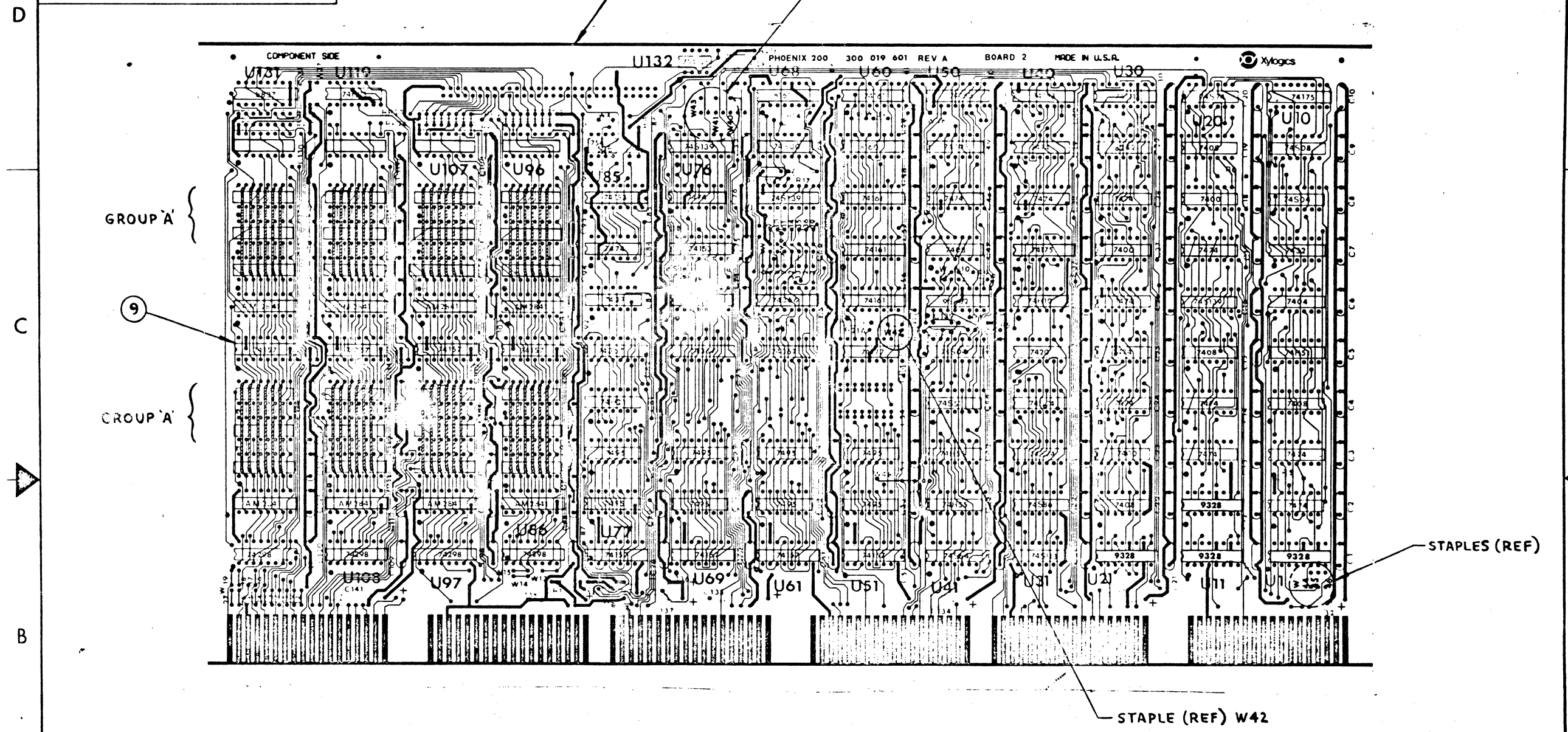
SHT 2 OF 2

REV 01

41

The information herein is the property of XYLOGIC OEM COMPONENT GROUP INCORPORATED. Transmittal, receipt or possession of the information does not imply, license, or imply any rights to use, sell, or manufacture from this information and no reproduction or publication of it, in whole or in part, shall be made without written authorization from XYLOGIC OEM COMPONENT GROUP INCORPORATED.

REVISIONS				
ZONE	REV	DESCRIPTION	DATE	APPROVED
	A	0131	8/23/77	W. Kewenig
	B	0155	10/21/77	W. Kewenig




NOTE.
1. IDENTIFY BOARD WITH DOC/PKG NO. AND LATEST TAB REVISION

REV	TAB NO.	MEM SIZE	ADD	DELETE	30 GA (GRN) BUS WIRES
B	102	512 WORDS	W46, 40, 42, W41, 43	W44	NONE
B	101	256 WORDS	W42, 40, 45	W44	GROUP "A"
B	100	128 WORDS	-	-	AS SHOWN
			STAPLES		

TOLERANCES (UNLESS OTHERWISE NOTED)		Xylogics OEM COMPONENT GROUP INC.
XX ± .01	FRACTION ANG	
XXX ± .005	± .164 ± .12	
DRAWN	DAM 9/23/77	TITLE
CHECKED		ASSY
ENGR APPD		PH 200 BD 2 CONFIGURATION
ENGR APPD		SIZE
PROJECT MANAGER	WJK 8/23/77	DRAWING NO.
		C 300-038-10X
		SCALE 1/1 SHEET 1 OF 1 LEVEL

42

TAB REV	TAB NO	DESCRIPTION	DWG REV	ECO	APPD	DATE
C2	901	BASIC	A	0131	wjk	8/23/77
	902	DATA PORT WITH MULTI CPU	A1	0152	wjk	9/29/77
A2	903	DATA PORT WITHOUT MULTI CPU	B	0155	wjk	10/31/77
			C	0170	wjk	11/7/77
			C1	0202 (-902 & -903)	Dtm	2/3/78
			C2	0248 (ALL TABS)	Dtm	4/11/78
			C3	0308 (ALL TABS)	Dtm	9/18/78


TOLERANCES (UNLESS OTHERWISE NOTED)				 Xylogics OEM COMPONENT GROUP INC.			
.XX	±.01	FRACTION	ANG				
.XXX	±.005	±1/64	±1/2°				
DRAWN	DAM	8/22/77	TITLE				
CHECKED			DOC / PKG PH 200 BD 2				
ENGR APPD			SIZE	DRAWING NO.	REV		
ENGR APPD			A	300-019-90X	C3		
PROJECT MANAGER			SCALE	SHEET 1 OF 2	LEVEL II		
			#				

ITEM NO.	PART NUMBER	DESCRIPTION	901	902	903					
			001	002	003					
1	300-019-00X	PARTS LIST	B1	B2	A1					
2	300-019-10X	ASSY	B1	B2	B2					
3	300-019-201	SOLDER MASK	B	B	B					
4	300-019-301	SCREEN	B	B	B					
5	300-019-401	LOGIC DIAGRAM	B	B	B					
6	300-019-601	ARTWORK	B	B	B					
7	300-019-701	FABRICATION	B	B	B					
8	300-019-801	REWORK	B	B	B					

NOTE: 1 TO REWORK A/W REV A TO B USE ITEM 8

SIZE A	300-019-90X
REV	SHEET 2 OF 2 REV C3

TAB REV	TAB NO	DESCRIPTION	DWG REV	ECO	APPD	DATE
BI	001	BASIC	A	0131	wjk	8/23/77
B2	002	DATA PORT WITH MULTI CPU	A1	0152	wjk	9/28/77
A1	003	DATA PORT WITHOUT MULTI CPU	B	0155	wjk	10/31/77
			BI	0202 (-002 & -003)	DAM	2/3/78
			B2	0308 (ALL TABS)	DAM	9/18/78

TOLERANCES (UNLESS OTHERWISE NOTED)				 Xylogics OEM COMPONENT GROUP INC.
.XX	±.01	FRACTION	ANG	
.XXX	±.005	±1/64	±1/2	
DRAWN	DAM	8/22/77	TITLE PARTS LIST PH 200 BD 2	
CHECKED				
ENGR APPD				
ENGR APPD				
PROJECT MANAGER				
SIZE	DRAWING NO.		REV	
A	300-019-00X		B2	
SCALE	#	SHEET 1 OF 5	LEVEL II	

ITEM NO	PART NUMBER	DESCRIPTION							REFERENCE DESIGNATION
			001	002	003				
1	300-019-700	FABRICATION BD. #2	1	1	1				
2	300-038-9XX	BD #2 CONFIGURE KIT	REF	REF	REF				
3									
4	TI7400	IC PACK	3	3	3				U18, 23, 27
5	TI7404	IC PACK	1	1	1				U6
6	TI7408	IC PACK	5	5	5				U4, 15, 19, 22, 47
7	TI7420	IC PACK	1	1	1				U35
8	TI7432	IC PACK	1	1	1				U7
9	TI7437	IC PACK	1	1	1				U82
10	TI7474	IC PACK	15	15	15				U2, 3, 13, 14, 17, 24, 25, 83 26, 28, 38, 39, 75, 48, 49
11	TI7495	IC PACK	8	8	8				U52, 53, 62, 63, 70, 71, 78, 79
12	TI74153	IC PACK	4	4	4				U40, 50, 74, 84
13	TI74157	IC PACK	8	8	8				U51, 69, 77, 91, 102, 113, 125, 61
14	TI74161	IC PACK	4	4	4				U56, 57, 58, 60
15	TI74170	IC PACK	1	1	1				U30
16	TI74175	IC PACK	2	2	2				U10, 37
17	TI74177/8281	IC PACK	1	1	1				U55
18	TI74298	IC PACK	4	4	4				U86, 97, 108, 120
19	TI74366/N8T968 DM8096	IC PACK	1	1	1				U65
20	TI74367/N8T97N DM8097	IC PACK	4	4	4				U64, 72, 73, 81
21	TI74H10	IC PACK	1	1	1				U36
22	TI74H21	IC PACK	2	2	2				U80, 119
23	TI74H51	IC PACK	1	1	1				U5
24	TI74H55	IC PACK	2	2	2				U42, 43
25	TI74S00	IC PACK	1	1	1				U67

NOTES

SIZE
A

300-019-00X

P/L

SHT 2 OF 5

REV B2

ITEM NO	PART NUMBER	DESCRIPTION							REFERENCE DESIGNATION
			001	002	003				
26	TI74S04	IC PACK	2	2	2				U8,45
27	TI74S08	IC PACK	1	1	1				U9
28	TI74S51	IC PACK	1	1	1				U44
29	TI74S64	IC PACK	1	1	1				U41
30	TI74S74	IC PACK	3	3	3				U20,33,34
31	TI74S86	IC PACK	1	1	1				U32
32	TI74S113	IC PACK	1	1	1				U31
33	TI74S139	IC PACK	3	3	3				U66,76,16
34	TI75138	IC PACK	0	4	4				U96,107,118,130
35	TI75452B	IC PACK	2	2	2				U85A, U132
36	SIG. 9602	IC PACK	1	1	1				U46
37									
38	NAT DM8160	IC PACK	2	2	2				U59 68
39	NAT 8242	IC PACK	1	1	1				U29
40									
41	NAT 8837	IC PACK	1	1	1				U131
42									
43									
44									
45		RESISTOR 100 $\frac{1}{4}$ W 5%	3	3	3				R3, R21A, R21B
46		RESISTOR 150 $\frac{1}{4}$ W 5%	1	1	1				R17
47		RESISTOR 300 $\frac{1}{4}$ W 5%	2	2	2				R4, R21C
48		RESISTOR 390 $\frac{1}{4}$ W 5%	1	1	1				R14

NOTES

SIZE
A

300-019-00X

P/L

SHT 3 OF 5

REV B2

47

ITEM NO	PART NUMBER	DESCRIPTION	001	002	003					REFERENCE DESIGNATION
49		RESISTOR 1K 1/4W5%	7	7	7					R5,6,18,19,22,21,20
50		RESISTOR 2K 1/4W5%	5	5	5					R7,12,13,15,16
51		RESISTOR 47K 1/4 5%	2	2	2					R8,9
52										
53										
54										
55	CD15ED330J	DIPPED SILVER MICA CAPACITOR 33PF	1	1	1					C139
56	CD15FD471J	DIPPED SILVER MICA CAPACITOR 470pf	1	1	1					C140
57	UK12-503	CERAMIC DISC CAP .05 12V	131	131	131					C1-C131
58	150D686X9015R	TANTALUM CAP. 68uf (SPRAGUE)	8	8	8					C137,138,141,132,133 134,135,136
59	UK16-103 (CENTRA LAB)	CERAMIC DISC CAP. 0.01uf 16V 12V	1	1	1					C141
60										
61	TI 1N4004	DIODE	4	4	4					CR1,2,3,4
62	#5080-2835 (HP)	DIODE	2	2	2					CR5,6
63										
64	784-1-R100 (BECK)	RESISTOR PACK 100 SIP	3	3	3					RP1 RP11 RP24
65	764-1-R270 (BECK)	RESISTOR PACK 270 SIP	3	3	3					RP2,RP10,RP23
66										
67										
68										
69										
70	BERG/65268-002	60 PIN CONNECTOR	0	1	0					J1
71	BERG/65268-011	50 PIN CONNECTOR	0	0	1					J1
	3M 3433-1002									
72										

NOTES

SIZE
A

300-019-00X

REV

OUT 4 OF 5

REV B2

ITEM NO	PART NUMBER	DESCRIPTION							REFERENCE DESIGNATION
			001	002	003				
73	021-001-001	LOWER EXTRACTOR (NOTE 1)	1	1	1				
74	021-001-002	UPPER EXTRACTOR (NOTE 1)	1	1	1				
75		30 GA WIRE INS. (GRN)	A/R	A/R	A/R				
76									
77									
78									
79	021-002-001	P.C.B. HANDLE (NOTE 1)	2	2	2				
80	002-001-250	EYELET, 1/8 DIA (NOTE 2)	4	4	4				

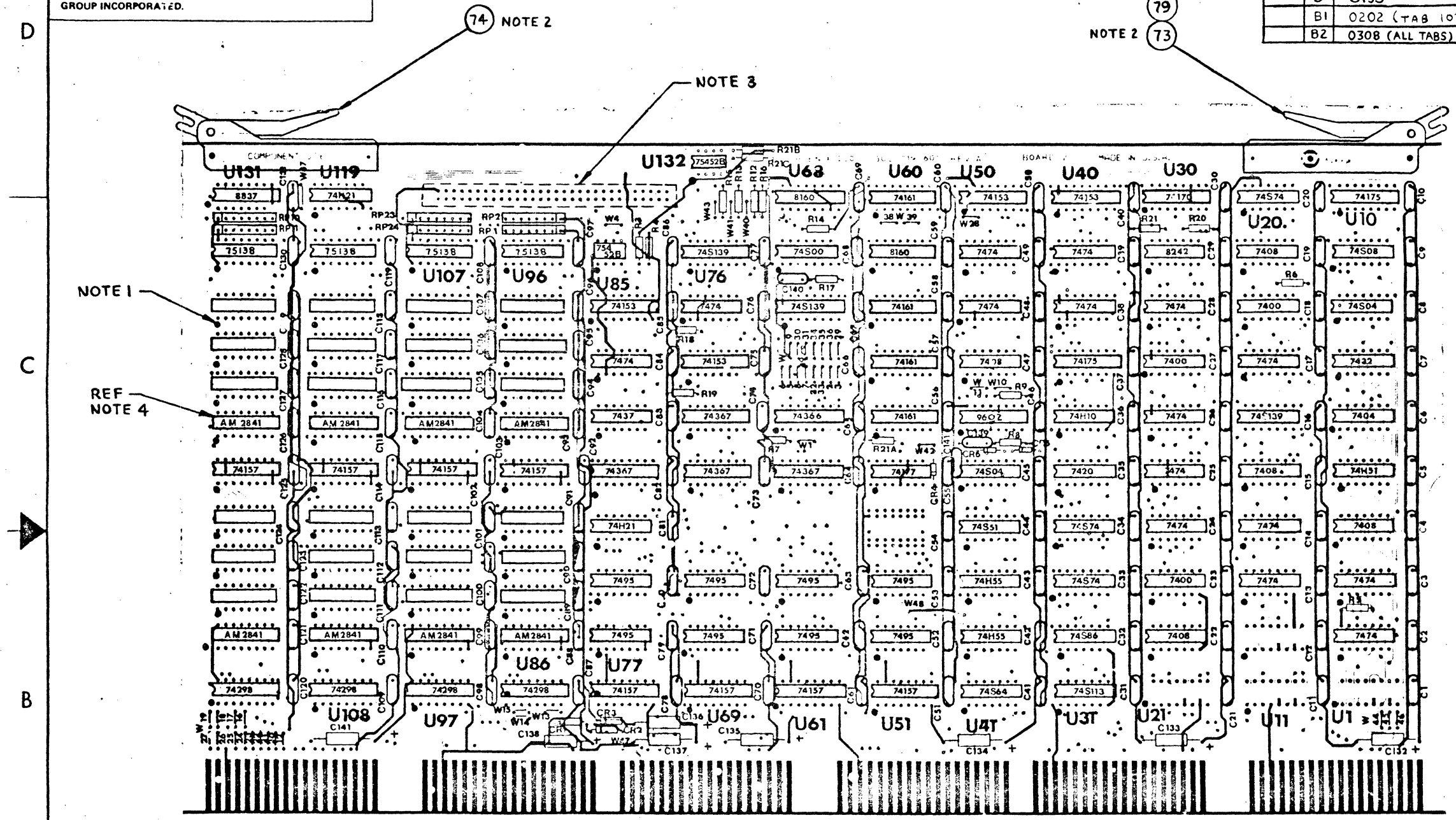
NOTES 1. FOR PROPER HANDLE/EXTRACTOR SEE CUSTOMER REQUIREMENTS
2. USED WITH ITEM 79 ONLY

SIZE A	300-019-00X	
P/L	SHT 5 OF 5	REV B2

49

The information hereon is the property of XYLOGIC OEM COMPONENT GROUP INCORPORATED. Transmittal, receipt or possession of the information does not comply, license, or imply any rights to use, sell, or manufacture from this information and no reproduction or publication of it, in whole or in part, shall be made without written authorization from XYLOGIC OEM COMPONENT GROUP INCORPORATED.

REVISIONS				
ZONE	REV	DESCRIPTION	DATE	APPROVED
	A	0131	7/23/77	W. Keung
	A1	0152	7/28/77	W. Keung
	B	0155	8/31/77	W. Keung
	B1	0202 (TAB 102 ONLY)	2/3/78	D. H.
	B2	0308 (ALL TABS)	2/18/78	D. H.



- NOTE:
1. DOT DENOTES PIN 1 OF IC'S AND SIP'S
 2. INSTALL AFTER WAVE SOLDER
 3. SOLDER MASK AREA ENCLOSED BY DOTTED LINES
 4. SEE ITEM 2 FOR MEMORY CONFIGURATION KIT
 5. THIS ASSY DWG SHALL BE USED FOR ARTWORK TAB '601'

REV	TAB	DESCRIPTION	ADD	DELETE	STAPLES / COMPONENTS
B2	102	DATA PORT WITH/ WITHOUT MULTI CPU	J1, W7, 8, 11, 37 W38	W12, 16, 6, 10, 5, 9, 39, 26 W18, 19, 20, 21, 13, 14, 15 W22, 23, 24, 25, 27, 17,	
B1	101	BASIC	W34		

TOLERANCES (UNLESS OTHERWISE NOTED)		Xylogics OEM COMPONENT GROUP INC.
XX ± .01	FRACTION ANG ± 1/2	
XXX ± .005	± 1/64	
DRAWN	D. MURPHY 8/24/77	TITLE
CHECKED		ASSY PH 200 BD 2
ENGR APPD		S. ZONE
ENGR APPD		DRAWING NO.
PROJECT MANAGER	W. Keung 7/23/77	300-019-10X
	SCALE 1/1	SHEET 1 OF 1
		REV B2
		LEVEL II

50

A

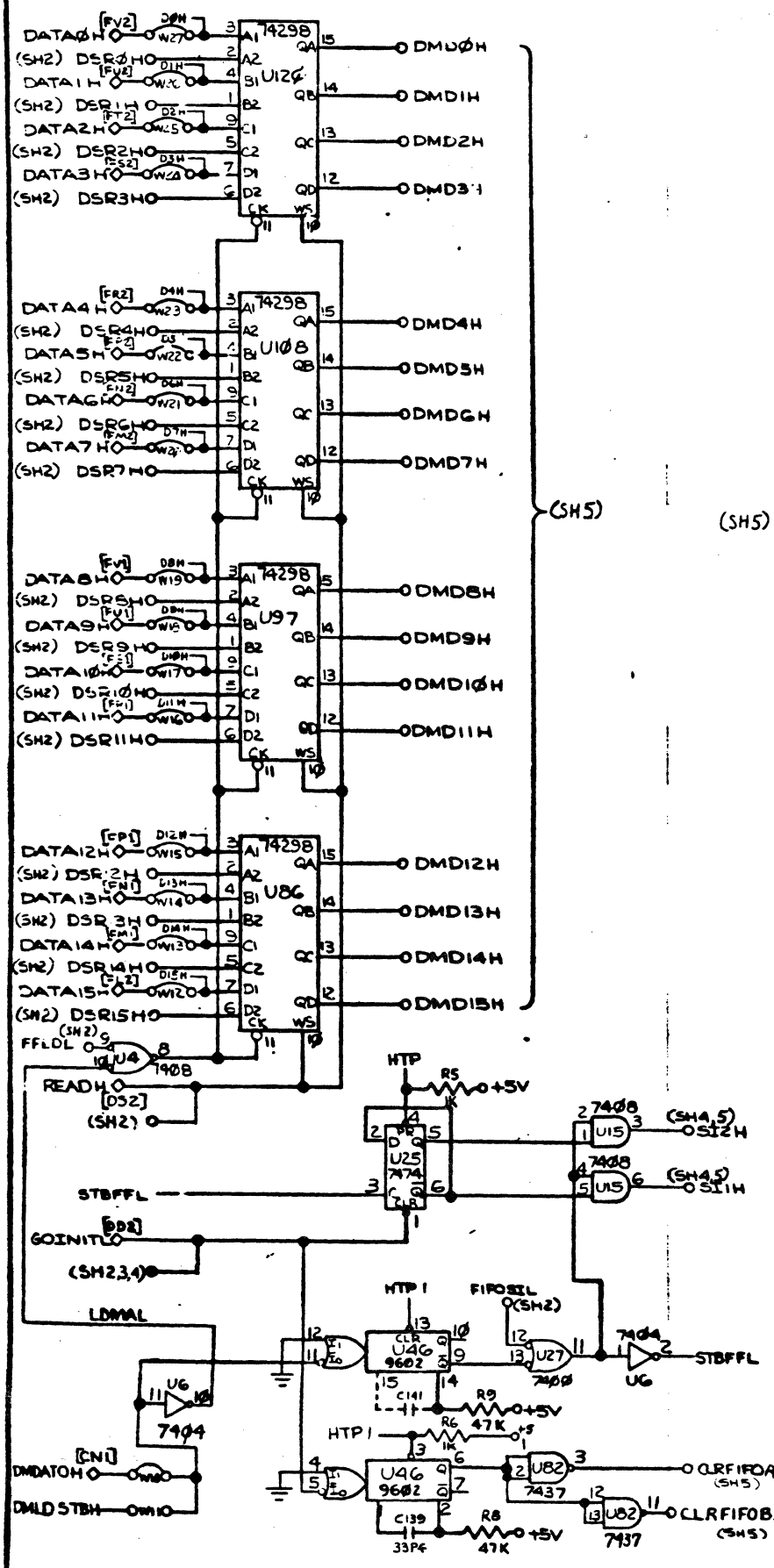
4

3

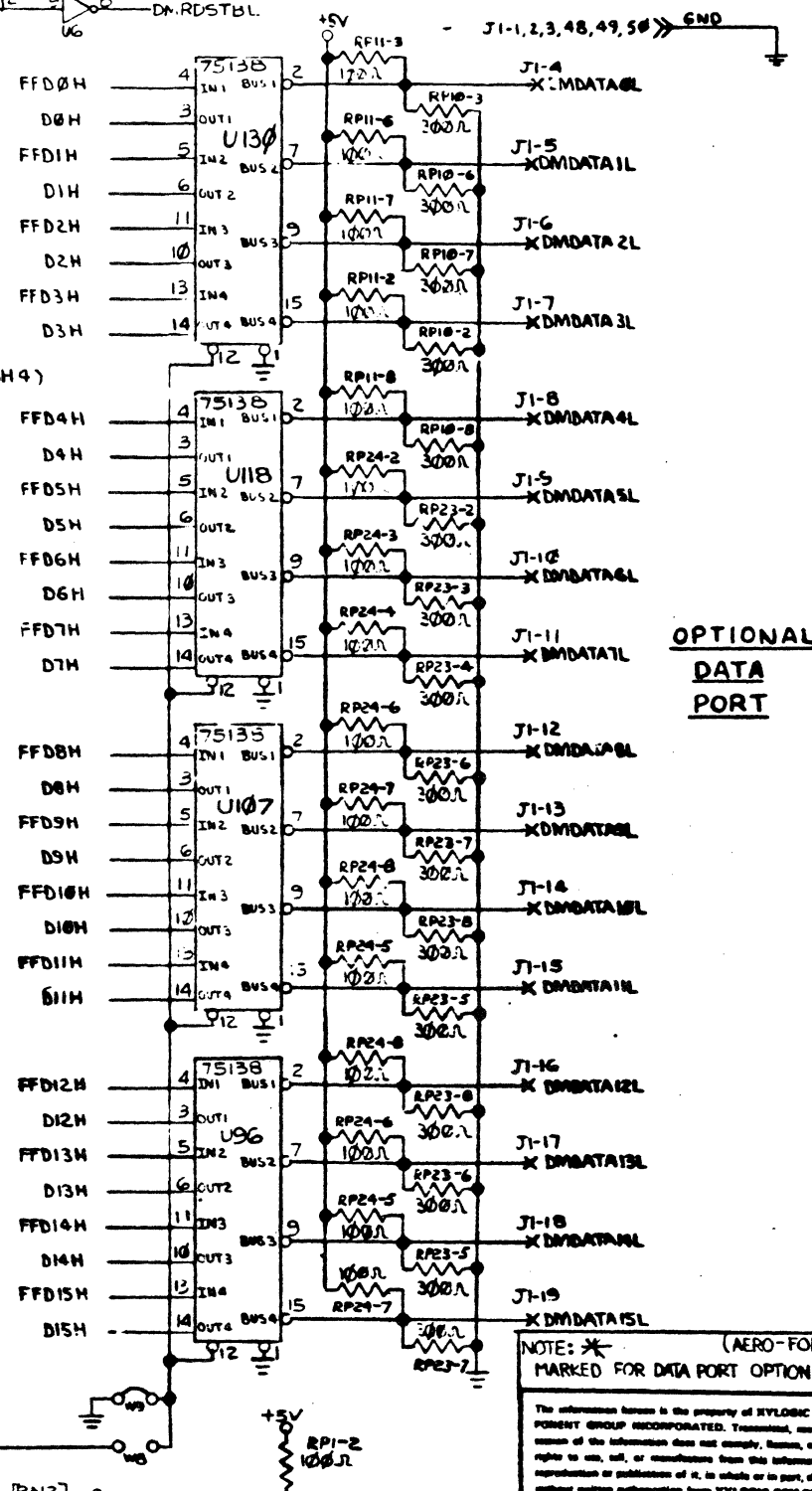
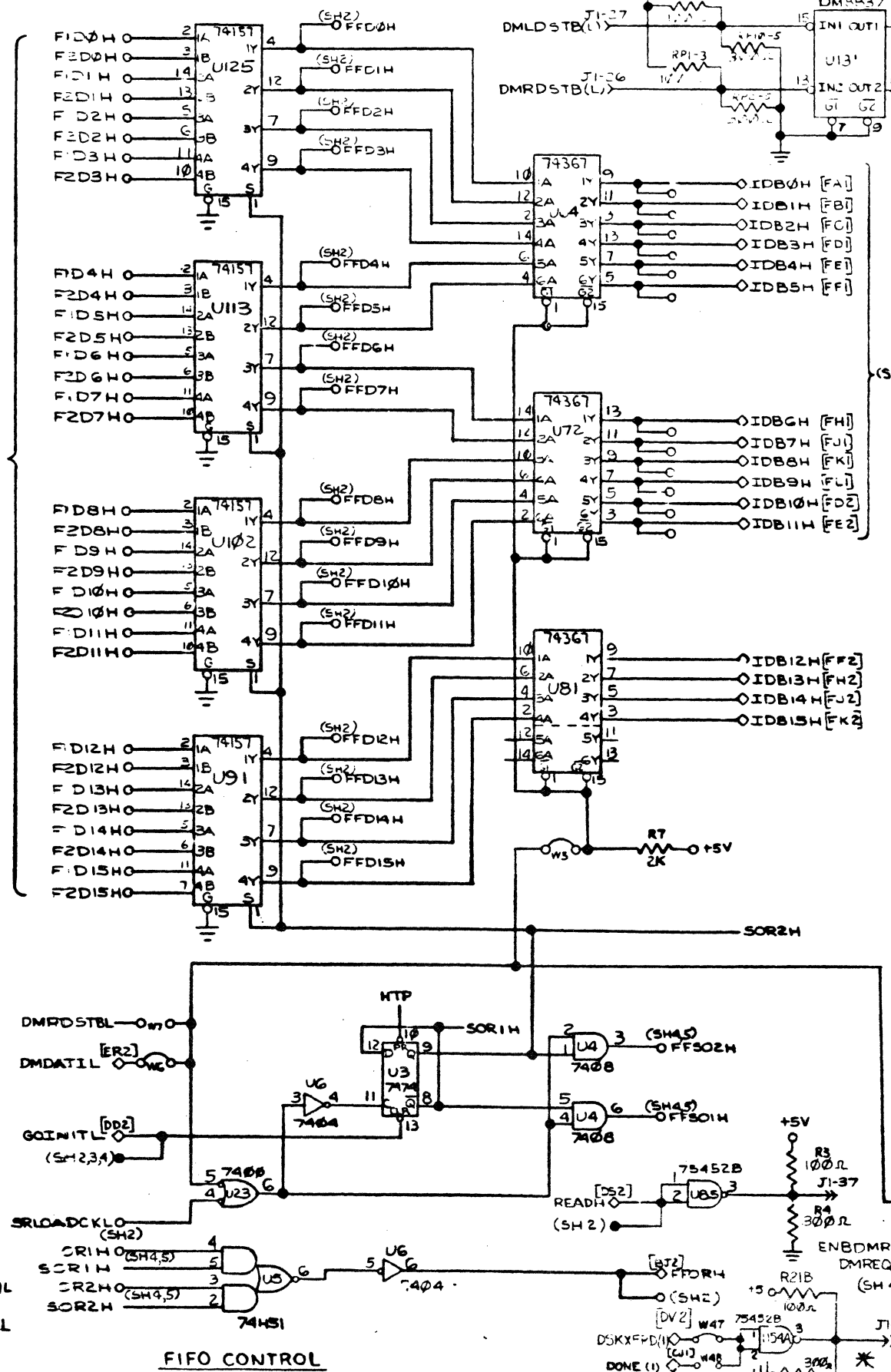
2

1

FIFO WRITE DATA MULTIPLEXING



FIFO READ DATA MULTIPLEXING



OPTIONAL DATA PORT

NOTE: * MARKED FOR DATA PORT OPTION

The information herein is the property of KYLOGIC OEM COMPONENT GROUP INCORPORATED. Transmitted, stored or possession of the information does not imply, license, or imply any right to use, sell, or manufacture from this information and no reproduction or publication of it, in whole or in part, shall be made without written authorization from KYLOGIC OEM COMPONENT GROUP INCORPORATED.

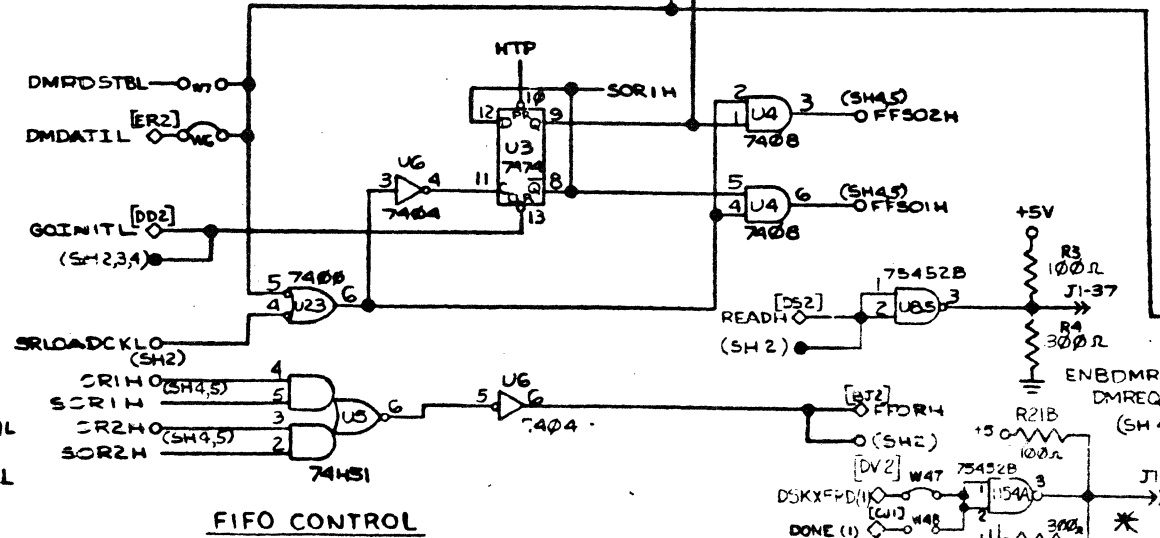
XYLOGIC OEM COMP. GROUP			
ORIGINAL	DATE	SCALE	DESIGNED BY
2	11/22/77	1:1	E. T. ...
FUNCTIONAL	DATE	SCALE	APPROVED BY
2	11/22/77	1:1	M. ...
ASSEMBLED	DATE	SCALE	BY
2	11/22/77	1:1	B. ...

REVISIONS				
ZONE	LTR	DESCRIPTION	DATE	APPROVED
1		PER 0131	8/23/77	
A1		ECO # 0152		
B		ECO # 0170	11/7/77	

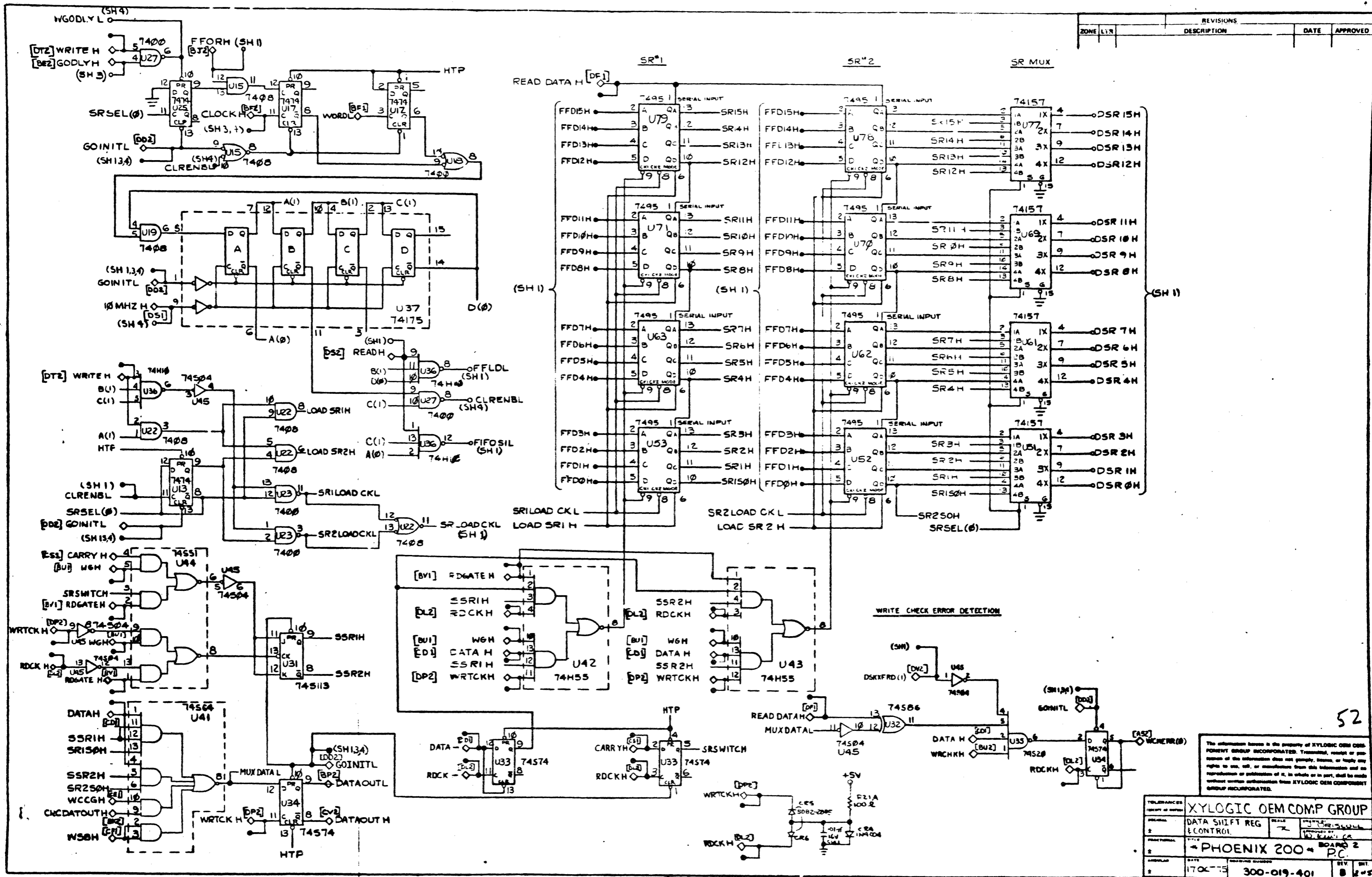
51

(AERO-FORD)

FIFO CONTROL



REVISIONS		DATE	APPROVED
ZONE	L17		
DESCRIPTION			



The information herein is the property of XYLOGIC OEM COMP. POWERTECH GROUP INCORPORATED. Transmittal, receipt or possession of this information does not grant, license, or imply any right to use, sell, or disseminate this information and no reproduction or publication of it, in whole or in part, shall be made without written authorization from XYLOGIC OEM COMPONENT GROUP INCORPORATED.

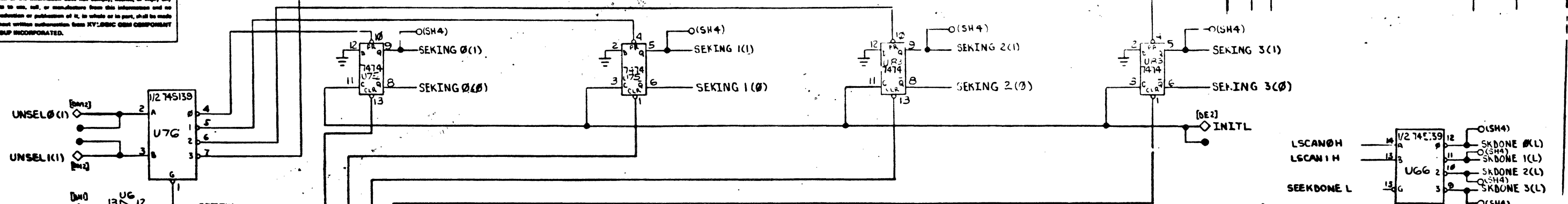
XYLOGIC OEM COMP GROUP			
ORIGINAL	DATA SHIFT REG	REV	2
FUNCTIONAL	CONTROL	REV	2
PHOENIX 200 PC			
DATE	17 OCT 75	REV	2
ISSUE NUMBER	300-019-401	REV	2

52

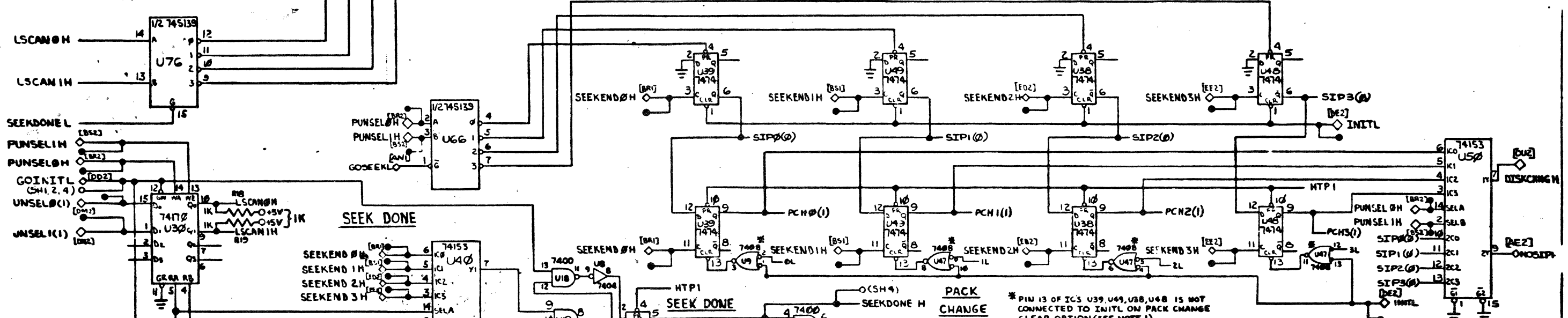
The information herein is the property of XYLOGIC OEM COMPONENT GROUP INCORPORATED. Transmission, receipt or possession of this information does not imply, license, or imply any right to use, sell, or manufacture from this information and no reproduction or publication of it, in whole or in part, shall be made without written authorization from XYLOGIC OEM COMPONENT GROUP INCORPORATED.

LOGICAL SEEKING

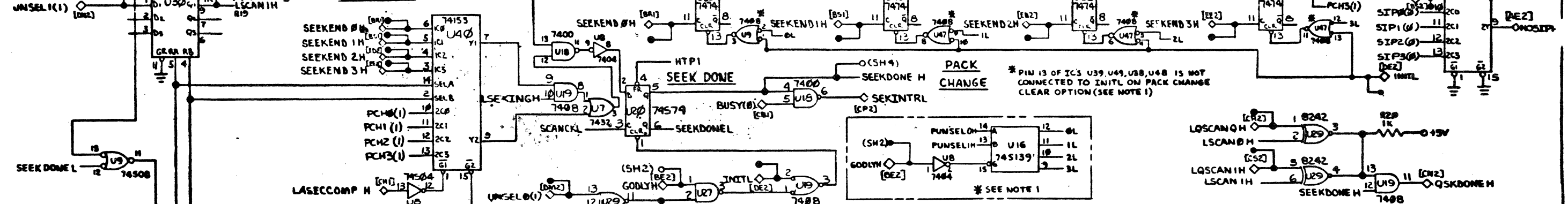
REV	DATE	DESCRIPTION	APPROVED



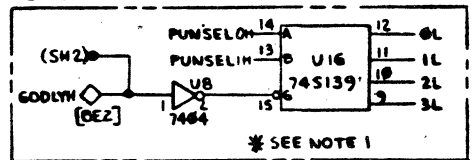
PHYSICAL SEEKING



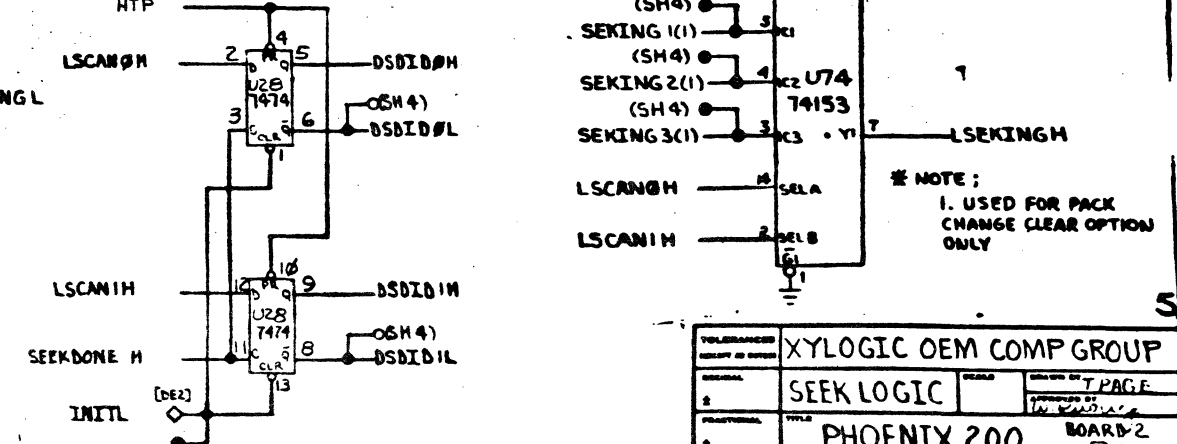
SEEK DONE



PACK CHANGE * PIN 13 OF IC'S U39, U49, U28, U48 IS NOT CONNECTED TO INITL ON PACK CHANGE CLEAR OPTION (SEE NOTE 1)

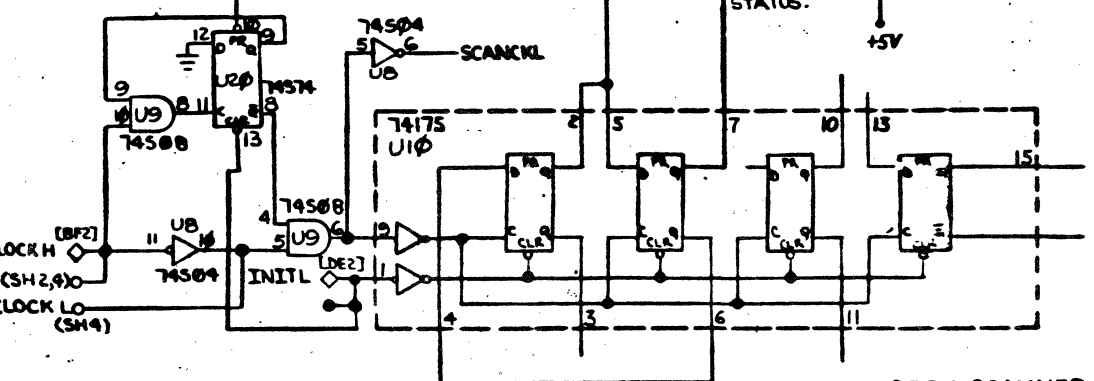


SEEK DONE INTERRUPT ID



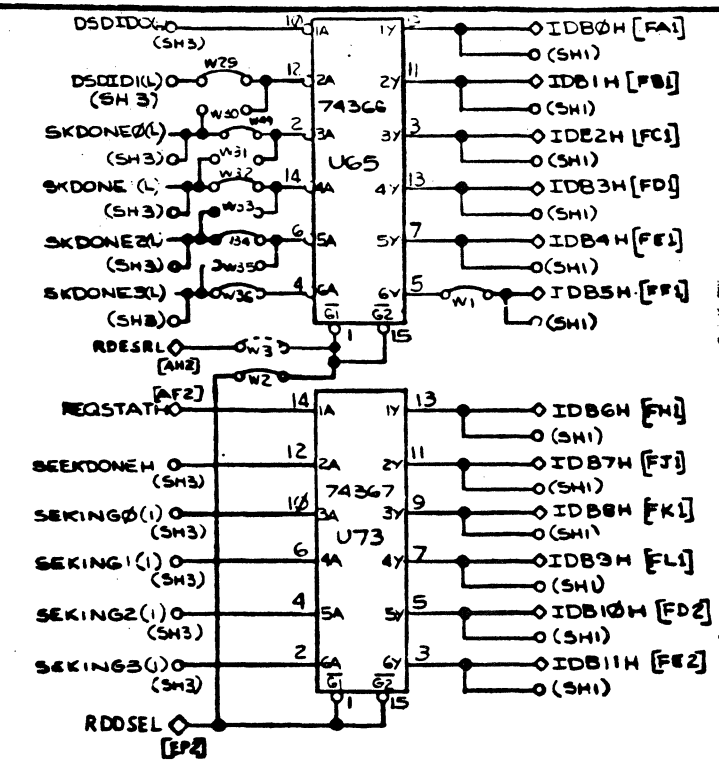
NOTE: 1. USED FOR PACK CHANGE CLEAR OPTION ONLY

SEEK SCANNER



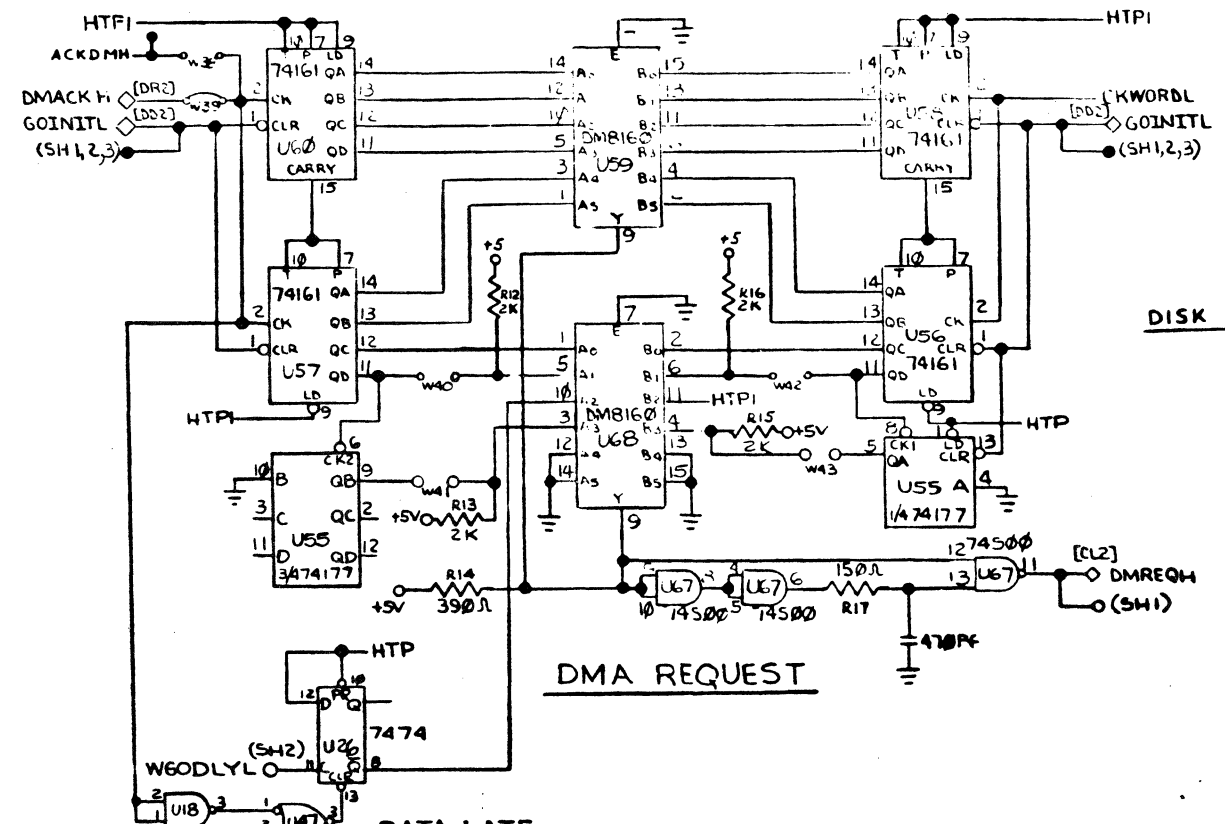
XYLOGIC OEM COMP GROUP			
SEEK LOGIC		PAGE 2	
PHOENIX 200		BOARD 2	
DATE	REV	BY	CHK
6/15/76	300-019-401	B	805

ZONE	LTR	REVISIONS	DESCRIPTION	DATE	APPROVED
			RELEASED		



DISK STATUS REGISTER

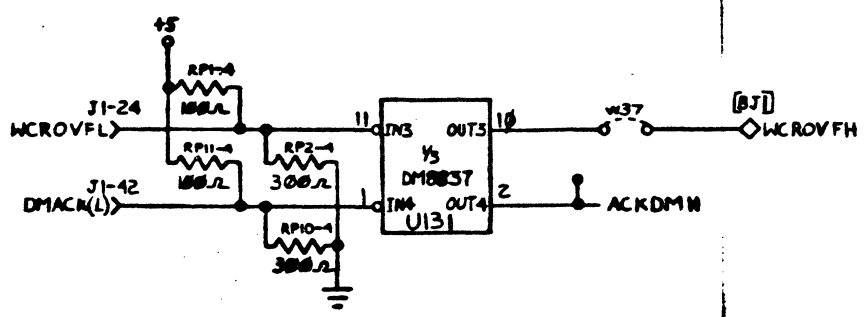
DMA FIFO XFER COUNT



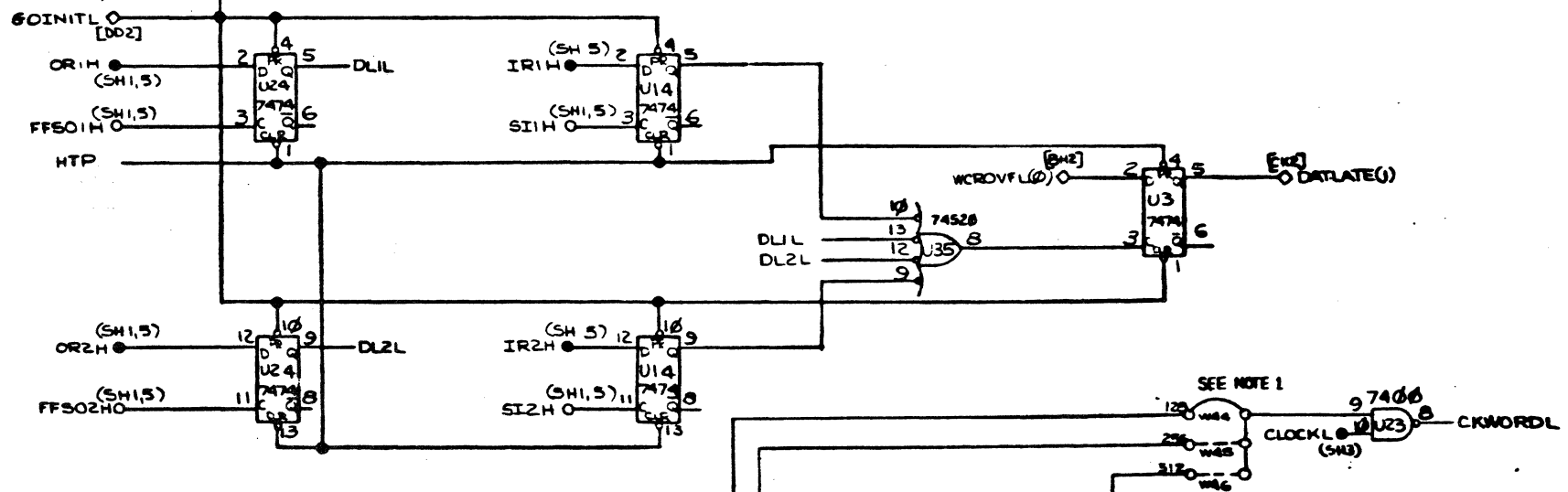
DMA REQUEST

DISK FIFO XFER COUNT

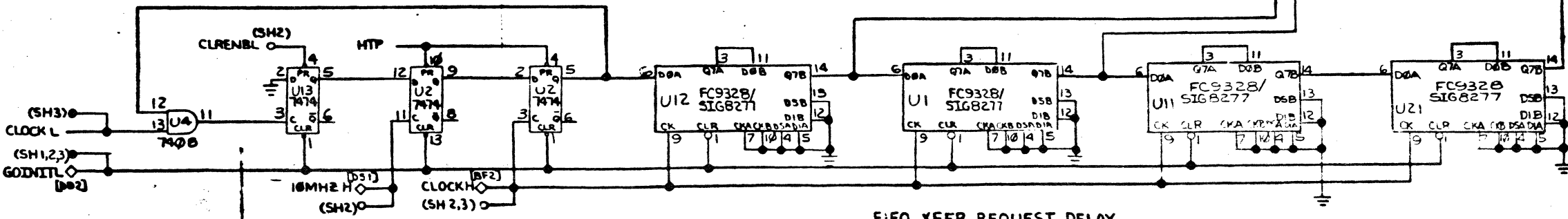
- NOTES:**
- 1) a) FOR 256 WORD BUFFER OPEN W44 STAPLE AND INSTALL W45, W46, W42 STAPLE.
 - b) FOR 512 WORD BUFFER OPEN W44 STAPLE AND INSTALL W45, W46 - W43 STAPLES.



DATA LATE



FIFO XFER REQUEST DELAY



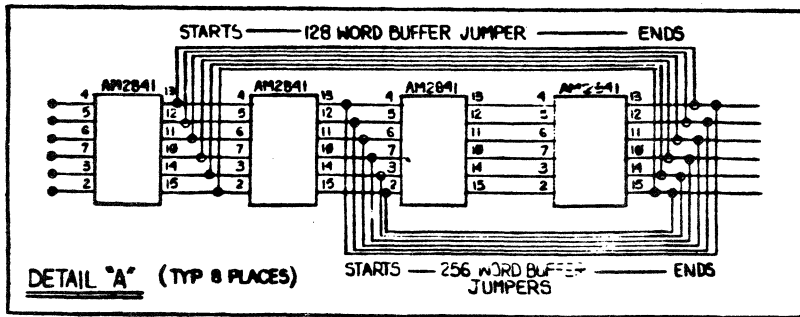
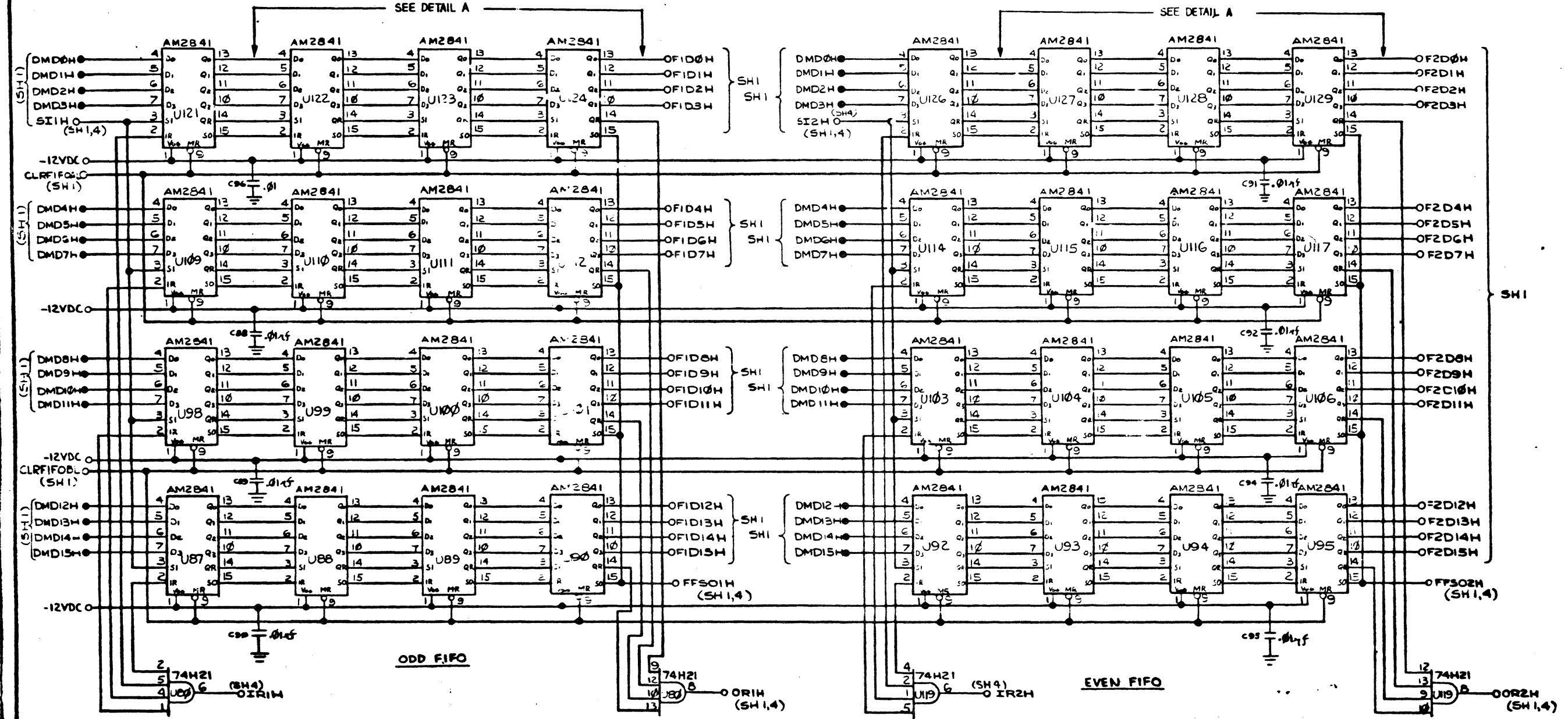
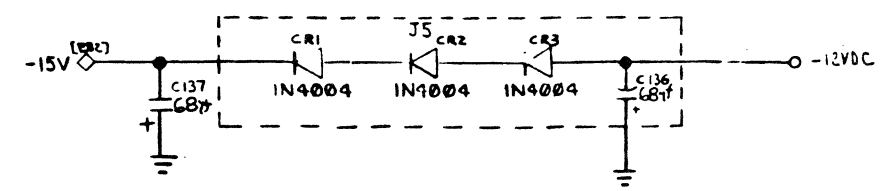
The information herein is the property of KYLOGIC OEM COMPONENT GROUP INCORPORATED. Transmittal, receipt or possession of the information does not imply, license, or imply any right to use, sell, or manufacture from this information and no reproduction or publication of it, in whole or in part, shall be made without written authorization from KYLOGIC OEM COMPONENT GROUP INCORPORATED.

XYLOGIC OEM COMP GROUP			
DESIGNER	DISK STATUS REG	SCALE	DATE
DATE	12-1-85	REV	1
PROJECT	PHOENIX 200	BOARD	Z
APP'D	U1-1/85	REV	B
DATE	300-019-401	REV	SMT

54

The information herein is the property of XYLOGIC OEM COMPONENT GROUP INCORPORATED. Transmission, receipt or possession of this information does not constitute, license, or imply any right to use, sell, or manufacture from this information and no reproduction or publication of it, in whole or in part, shall be made without written authorization from XYLOGIC OEM COMPONENT GROUP INCORPORATED.

ZONE/LTR	REVISIONS	DESCRIPTION	DATE	APPROVED




NOTE:
U 512 BUFFER SHOWN.

XYLOGIC OEM COMP GROUP			
DATE	DATA BUFFERING	REV	1
PROJECT	PHOENIX 200	BOARD 2	P.C.
DATE	300-019-401	REV	B 5-5

55

TAB REV	TAB NO	DESCRIPTION	DWG REV	ECO	APPD	DATE
C2	900	STANDARD WITHOUT ECC	A	0181	wjk	12/7/77
C2	901	300,200,150 MB WITHOUT ECC	B	0193 (ALL TABS)	wjk	1/6/78
			C	0211 (ALL TABS)	Dtm	2/3/78
C2	902	STANDARD WITH ECC	C1	0237 (ALL TABS)	Dtm	4/6/78
C2	903	300,200,150 MB WITH ECC	D	0271 (905 TAB)	Dtm	6/19/78
			D1	0305 (906 ADDED)	Dtm	9/16/78
C2	904	CALCOMP	D2	0308 (ALL TABS)	Dtm	9/16/78
DI	905	60 SEC SKP ON BAD SECT				
AI	906	CLSI				


<p style="text-align: center;">TOLERANCES (UNLESS OTHERWISE NOTED)</p> <table border="1"> <tr> <td>.XX</td> <td>±.01</td> <td>FRACTION</td> <td>ANG</td> </tr> <tr> <td>.XXX</td> <td>±.005</td> <td>± 1/64</td> <td>± 1/2</td> </tr> </table>			.XX	±.01	FRACTION	ANG	.XXX	±.005	± 1/64	± 1/2	 Xylogics OEM COMPONENT GROUP INC.		
.XX	±.01	FRACTION	ANG										
.XXX	±.005	± 1/64	± 1/2										
DRAWN	DAm	11/30/77	TITLE DOCUMENTATION PACKAGE PH 200 BOARD NO.3										
CHECKED													
ENGR APPD													
ENGR APPD													
PROJECT MANAGER	W. Kewon	12/7/77	SIZE A	DRAWING NO. 300-043-90X	REV D2								
			SCALE H	SHEET 1 OF 2	LEVEL II								

ITEM NO.	PART NUMBER	DESCRIPTION	900	901	902	903	904	905	906		
			1	300-043-00X	PARTS LIST	000	001	000	001	002	002
			A1	A1	A1	A1	A1	A1	A1		
2	300-043-10X	ASSEMBLY	100	101	102	103	101	104	105		
			A1	A1	A1	A1	A1	B1	A1		
3	300-043-200	SOLDER MASK									
			B	B	B	B	B	B	B		
4	300-043-300	SCREEN									
			B2	B2	B2	B2	B2	B2	B2		
5	300-043-400	LOGIC DIAGRAM									
			C	C	C	C	C	C	C		
6	300-043-600	ARTWORK									
			B	B	B	B	B	B	B		
7	300-043-700	FABRICATION									
			B	B	B	B	B	B	B		
8	300-043-800	REWORK (NOTE 1)									
			A	A	A	A	A	A	A		
9	300-043-801	REWORK (NOTE 2)									
			B	B	B	B	B	B	B		

NOTE 1. TO REWORK A/W REV A TO B USE ITEM 8
 2. TO REWORK A/W REV B TO C USE ITEM 9

SIZE A 300-043-90X
 SHEET 2 OF 2 REV D2

TAB REV	TAB NO	DESCRIPTION	DWG REV	ECO	APPD	DATE
AI	000	STANDARD WITHOUT ECC STANDARD WITH ECC	A	0181	wjkc	12/17/77
AI	001	300,200,150 MB WITHOUT ECC 300,200,150 MB WITH ECC	AI	0308 (ALL TABS)	Dth	9/16/78
AI	002	CALCOMP, 60 SEC SKP ON BAD SECT				

<p style="text-align: center;">TOLERANCES (UNLESS OTHERWISE NOTED)</p> <table border="1"> <tr> <td>.XX</td> <td>±.01</td> <td>FRACTION</td> <td>ANG</td> </tr> <tr> <td>.XXX</td> <td>±.005</td> <td>±1/64</td> <td>±1/2</td> </tr> </table>				.XX	±.01	FRACTION	ANG	.XXX	±.005	±1/64	±1/2	 Xylogics OEM COMPONENT GROUP INC.		
.XX	±.01	FRACTION	ANG											
.XXX	±.005	±1/64	±1/2											
DRAWN	DAM	11/30/77	TITLE	PARTS LIST										
CHECKED			PH 200 BOARD NO. 3											
ENGR APPD			SIZE	DRAWING NO.	REV									
ENGR APPD			A	300-043-00X	AI									
PROJECT MANAGER	Wally Kewer	12/1/77	SCALE	SHEET 1 OF 5	LEVEL II									

ITEM NO	PART NUMBER	DESCRIPTION							REFERENCE DESIGNATION
			000	001	002				
1	300-043-700	P.C. Board	1	1	1				
2									
3									
4	500-005-90X	ROM Configuration Kit	REF	REF	REF				
5	TI 7400	I C Pack	5	5	5				C3,F10,G8,K5,K2
6									
7	TI 7404	IC Pack	5	5	5				B7,D5,F1,J10,K10
8	TI 7406	IC Pack	1	1	1				H7
9	TI 7408	IC Pack	11	11	11				B5,B8,C4,C5,C6,F9,G3,G7, H9,J5,K1
10	TI 7410	IC Pack	2	2	2				H8,J2
11	TI 7420	IC Pack	1	1	1				D6
12	TI 7430	IC Pack	1	1	1				B6
13	TI 7432	IC Pack	1	1	1				F5
14	TI 7437	IC Pack	2	2	2				B3,C8
15	TI 7442	IC Pack	2	2	2				A5,A6
16	TI 7474	IC Pack	6	6	6				A10,C7,F4,F7,G2,H5
17	TI 7485	IC Pack	4	4	4				A7, A8,D9,E9
18	TI 7486	IC Pack	1	1	1				G4
19	TI 74153	IC Pack	1	1	1				J6
20	TI 74161	IC Pack	2	2	2				F2, G11
21	TI 74164	IC Pack	2	2	2				C1,D1
22	TI 74175	IC Pack	1	1	1				J8
23	TI 74177/8281 ^{SIG}	IC Pack	8	8	8				B9,C10,B11,B12,C9,B10, C11,C12
24									
25									
26									

NOTES	SIZE A	300-043-00X	
	P/L	SHT 2 OF 5	REV A1

ITEM NO	PART NUMBER	DESCRIPTION							REFERENCE DESIGNATION
			000	001	002				
27									
28									
29									
30									
31	TI 74191	IC Pack	3	3	3				F12,G12,H2
32	TI 74367/ NRT97/DM8097	IC Pack	3	3	3				A9,A11,A12
33	TI 74H11	IC Pack	2	2	2				F3,J4
34	TI 74H51	IC Pack	1	1	1				G5
35	TI 74S37	IC Pack	1	1	1				F8
36	TI 74S02	IC Pack	3	3	3				D2,D12,J3
37	TI 74S04	IC Pack	1	1	1				B4
38	TI 74S08	IC Pack	2	2	2				C2, K3
39	TI 74S32	IC Pack	1	1	1				E8
40	TI 74S51	IC Pack	1	1	1				A2
41	TI 74S64	IC Pack	2	2	2				A3,D4
42	TI 74S74	IC Pack	9	9	9				A1,A4,B2,D3,G6,E1,H3,H4,H1
43	TI 74S86	IC Pack	1	1	1				B1
44	TI 74S139	IC Pack	1	1	1				J7
45	TI 74S157	IC Pack	2	2	2				D7,D8
46	TI 74S174	IC Pack	2	2	2				J9, K9
47	TI 74LS08	IC Pack	1	1	1				E12
48									
49	Fairchild 9324	IC Pack	1	1	1				D11
50	Fairchild/sig ⁹⁶⁰²	IC Pack	6	6	6				F6,G1,G9,G10,H6,K4
51	TI 74S11	IC Pack	1	1	1				J1
52									

NOTES

**SIZE
A**

300-043-00X

P/L

SHT 3 OF 5

REV A1

61.

ITEM NO	PART NUMBER	DESCRIPTION	000	001	002				REFERENCE DESIGNATION
53									
54		Resistor 470Ω ½W 5%	3	3	3				R19,R21,R22
55		Resistor 1K ½W 5%	5	5	5				R7,R8,R10,R24,R32
56		Resistor 2K ½W 5%	12	12	12				R37,R40,R39,R38,R9,R11,R14, R15,R20,R25,R41,R42
57		Resistor 5.1K ½W 5%	1	1	1				R12
58		Resistor 10K ½W 5%	1	1	1				R28
59		Resistor 6.8K ½W 5%	1	1	1				R18
60		Resistor 24K ½W 5%	1	1	1				R26
61		Resistor 30K ½W 5%	5	5	5				R1,R4,R16,R17,R27
62		Resistor 51K ½W 5%	2	2	2				R5,R3
63		Resistor 100Ω ½W 5%	2	2	2				R36,R35
64	CD15FD101J	Dipped Silver Mica 100pf Capacitor	1	1	1				C120
65	CD15FD201J	Dipped Silver Mica 200 pf Capacitor	1	1	1				C122
66	Centralab UK12-503	.05 μf 12V CAPACITOR	111	111	111				C1-C111
67	Kemet T368A105K025AS	Solid Tantalum 1μf 35WVDC Capacitor	1	1	1				C119
68	Sprague 150D686X9015P	Tantalum Capacitor 68 μf 15V	6	6	6				C112-C117
69	Kemet T390B224K050AS	Tantalex Capacitor .22 μf							
69	Replaced Sprague Sprague 198D224X9050H1	Tantalex Capacitor .22 μf	1	1	0				C118
70	5082-2835	DIODE (H.P.)	3	3	3				D1,D2,D4
71	Centralab	Capacitors .05 μf 12V	2	2	2				C124,C125
72	Beckman 784-1-R2K	Resistor Pack 2K SIP	3	3	3				RP2,RP6,RP13
73	Beckman 784-1-R470	Resistor Pack 470Ω SIP							RP23, 29, 30, 31
74	IN 4004	DIODES-	2	2	2				D3,D5
75	T390B154K050	Capacitor .15 μf Kemet or equiv	0	0	1				C118
76	Berg 65268-010	34 Pin Connector	1	1	1				
77	CD15ED330J	Capacitor 33PF	1	1	1				C129

NOTES

SIZE
A

300-043-00X

P/L

SHT 4 OF 5

REV A1

62


ITEM NO	PART NUMBER	DESCRIPTION	000	001	002	REFERENCE DESIGNATION			
78	021-001-001	LOWER EXTRACTOR (NOTE 1)	1	1	1				
79	021-001-002	UPPER EXTRACTOR (NOTE 1)	1	1	1				
80	CTS Knights 076-4083-00	10MHz Oscillator	1	1	1				E7
81									
82	Augat 316AG39D	16 Pin Low Profile Sock	7	7	7				F11,H11,H12,J11,J12,K11,K12
83									
84		(GRN.) #30ga. Insulated Wire	A/R	A/R	A/R				
85	021-002-001	P.C.B. HANDLE (NOTE 1)	2	2	2				
86	002-001-250	EYELET, 1/8 DIA (NOTE 2)	4	4	4				

NOTES 1. FOR PROPER HANDLE/EXTRACTOR SEE CUSTOMER REQUIREMENTS
 2. USED WITH ITEM 85 ONLY

SIZE A	300-043-00X
P/L	SHT 5 OF 5 REV A1

63

TAB REV	TAB NO	DESCRIPTION	DWG REV	ECO	APPD	DATE
A	900	Okidata 330X, 256 WD/Sector, 32 Sectors without ECC	A	0231 REL #	wjk	5-18-78
A	901	CDC 976X or Equiv. 240 Wd/Sector, 36 Sectors Max without ECC	AI	0299 (ADD 912)	Dth	8/22/78
A	902	Memorex 677, 256 Wd/Sector, 22 Sectors without ECC				
A	903	CDC 976X 128 WD Data Field, 61 Sec Max Without ECC				
A	904	CDC 976X or Equiv 256 WD/Sector, 32 Sectors Without ECC				
A	905	CDC 976X or Equiv. 256 Wd/Sector, 32 Sectors, with ECC				
A	906	Memorex 677, 256 WD/Sector, 22 Sectors, with ECC				
A	907	Microdata Reflex, 256 Wd/Sector 30 Sectors, Without ECC				
A	908	Memorex 677, 480 Words/Sector, 12 Sectors, with ECC				
A	909	Mixed Drive Capacity Option Port 0,1 Set for 40 or 80 MB, Port 2,3 Set for 150,300 MB				
A	910	Okidata 3304 Fixed Head Option Max Head Decode				
A	911	Electrospace Special CDC 976X 32 Sectors 256 Wd/Sec. No Hdr, HDR CRC or Data CRC				
A	912	CDC976X or Equiv. 128 WD/SEC., 64 Sectors without ECC				

TOLERANCES (UNLESS OTHERWISE NOTED)		.XX ±.01		 Xylogics OEM COMPONENT GROUP INC.
		.XXX ±.005		
DRAWN		DAM	5/18/78	TITLE DOC/PKG ROM KIT PH 200 BD 3
CHECKED				
ENGR APPD				
ENGR APPD				
PROJECT MANAGER		Wally Kouriga	5/18/78	
SIZE	DRAWING NO.		REV	
A	500-005-9XX		AI	
SCALE	H	SHEET 1 OF 3	LEVEL II	


ITEM NO.	PART NUMBER	DESCRIPTION									
			900	901	902	903	904	905	906	907	908
1	500-005-00X	PARTS LIST	000	001	002	003	004	005	006	007	008
			A	A	A	A	A	A	A	A	A
2	300-020-90X	PH200 BD #3 (Note 1)	REF	REF	REF	REF	REF	REF	REF	REF	REF
3	300-043-90X	PH200 BD #3 (Note 1)	REF	REF	REF	REF	REF	REF	REF	REF	REF

NOTE 1. ITEMS 2 & 3 ARE INTERCHANGEABLE

SIZE A	500-005-9XX
P/L	SHEET 2 OF 3 REV A1

65

TAB REV	TAB NO	DESCRIPTION	DWG REV	ECO	APPD	DATE
A	000	Okidata 330X, 256 WD/Sector, 32 Sectors without ECC	A	0231 REL#	WJK	5-18-78
A	001	CDC 976X or Equiv. 240 Wd/Sector, 36 Sectors Max without ECC	AI	0299 (ADD 012)	DH	8/22/78
A	002	Memorex 677, 256 Wd/Sector, 22 Sectors without ECC				
A	003	CDC 976X 128 WD Data Field, 61 Sec Max Without ECC				
A	004	CDC 976X or Equiv 256 WD/Sector, 32 Sectors Without ECC				
A	005	CDC 976X or Equiv. 256 Wd/Sector, 32 Sectors, with ECC				
A	006	Memorex 677, 256 WD/Sector, 22 Sectors, with ECC				
A	007	Microdata Reflex, 256 Wd/Sector 30 Sectors, Without ECC				
A	008	Memorex 677, 480 Words/Sector, 12 Sectors, with ECC				
A	009	Mixed Drive Capacity Option Port 0,1 Set for 40 or 80 MB, Port 2,3 Set for 150,300 MB				
A	010	Okidata 3304 Fixed Head Option Max Head Decode				
A	011	Electrospace Special CDC 976X 32 Sectors 256 Wd/Sec. No Hdr, HDR CRC or Data CRC				
A	012	CDC 976X or Equiv. 128 WD/SEC., 64 Sectors without ECC				

TOLERANCES (UNLESS OTHERWISE NOTED)		.XX ±.01	FRACTION	ANG	 Xylogics OEM COMPONENT GROUP INC.
		.XXX ±.005	±1/64	±1/2	
DRAWN	DAM	5/18/78	TITLE		
CHECKED			PARTS LIST		
ENGR APPD			ROM KIT		
ENGR APPD			PH 200 BD 3		
PROJECT MANAGER	Wally Keeney	5/18/78	SIZE	DRAWING NO.	REV
			A	500-005-00X	AI
			SCALE	SHEET 1 OF 5	LEVEL II

67

ITEM NO	PART NUMBER	DESCRIPTION	QTY	QTY	QTY	QTY	QTY			REFERENCE DESIGNATION
			000	001	002	003	004			
1	1040-91	Rom, Write/Format Seq. CNT	1	0	0	0	0			H12
2	1040-14	Rom, W/FMT Control	1	0	0	0	0			H11 Okidata 330X
3	1040-90	Rom, Read/Read Hdr, Data, CRCS Seq Count	1	0	0	0	0			J12 256 WD/Sector 32 Sectors
4	1040-16	Rom	1	0	0	0	0			J11 No ECC
5	1040-89	Rom, Write Hdr, Data, CRCS Seq Count	1	0	0	0	0			K12
6	1040-18B		1	0	0	0	0			K11
7	1040-83	Rom, Sequencer W-F	0	1	0	0	0			H12
8	1040-14	Rom, Control W-F	0	1	0	0	0			H11 CDC 976X
9	1040-84B	Rom, Sequencer R-RHDC	0	1	0	0	0			J12 240 WD/Sector
10	1040-16	Rom, Control W-R	0	1	0	0	0			J11 36 Sectors Max
11	1040-85	Rom, Sequencer WHDC	0	1	0	0	0			K12 No ECC
12	1040-18B	Rom, Control W/R HDC	0	1	0	0	0			K11
13										
14	1040-75	ROM, 155 μ s Bit Cell	0	0	1	0	0			H12
15	1040-14		0	0	1	0	0			H11 Memorex 677
16	1040-76C		0	0	1	0	0			J12 256 WD/Sector
17	1040-16		0	0	1	0	0			J11 22 Sectors
18	1040-77		0	0	1	0	0			K12 Without ECC
19	1040-18B	Rom, 155 μ s Bit Cell	0	0	1	0	0			K11
20										
21	1040-40	Rom, Sequence W-F	0	0	0	1	0			H12 CDC 976X
22	1040-14	Rom, Control W-F	0	0	0	1	0			H11 128 WD Data Field
23	1040-41B	Rom, Sequence R-RHDC	0	0	0	1	0			J12 61 Sectors MAX
24	1040-16	Rom, Control W-R	0	0	0	1	0			J11 No ECC

NOTES

Roms used are TI 74188A or IM5600 or Equivalent

**SIZE
A**

500-005-00X

P/L

SHT 2 OF 5

REV A1

ITEM NO	PART NUMBER	DESCRIPTION	QTY	QTY	QTY	QTY				REFERENCE DESIGNATION
			003	004	005	006				
25	1040-42	Rom, Sequence WHDC	1	0	0	0				K12 } Cont'd 128 WD Data Field
26	1040-18B	Rom, Control W-RHDC	1	0	0	0				K11 } 61 Sectors MAX
27										
28	1040-13	Rom, Standard	0	1	0	0				H12 }
29	1040-14	Rom, Standard	0	1	0	0				H11 } CDC 976X
30	1040-15B	Rom, Standard	0	1	0	0				J12 } 256 WD/Sector
31	1040-16	Rom, Standard	0	1	0	0				J11 } 32 Sector
32	1040-17	Rom, Standard	0	1	0	0				K12 } No ECC
33	1040-18B	Rom, Standard	0	1	0	0				K11 }
34										
35	1040-97		0	0	1	0				H12 }
36	1040-98	Rom, CDC/ECC	0	0	1	0				H11 }
37	1040-99		0	0	1	0				J12 } CDC 976X
38	1040-100		0	0	1	0				J11 } 256 WD/Sector
39	1040-101		0	0	1	0				K12 } 32 Sectors
40	1040-102		0	0	1	0				K11 } With ECC
41										
42	1040-103	Rom MEM 677 W/ECC	0	0	0	1				H12 }
43	1040-98	↑	0	0	0	1				H11 } Memorex 677
44	1040-104	↑	0	0	0	1				J12 } 256 WD/Sector
45	1040-100	↓	0	0	0	1				J11 } 22 Sectors, with ECC
46	1040-105	↓	0	0	0	1				K12 }
47	1040-102	Rom MEM 677 W/ECC	0	0	0	1				K11 }
48										
49										
50										

NOTES

SIZE
A

500-005-00X

P/L

SHT 3 OF 5

REV A1

69

ITEM NO	PART NUMBER	DESCRIPTION	QTY	QTY	QTY	QTY	QTY			REFERENCE DESIGNATION
			007	008	009	010	011			
51	1040-109	Rom, Micro/Std	1	0	0	0	0			H12
52	1040-14	Rom,	1	0	0	0	0			H11 Microdata Reflex
53	1040-110	Rom,	1	0	0	0	0			J12 256 WD/Sector
54	1040-16	Rom,	1	0	0	0	0			J11 30 Sectors
55	1040-111	Rom,	1	0	0	0	0			K12 Without ECC
56	1040-18B	Rom, Micro/STD	1	0	0	0	0			K11
57										
58	1040-106	Rom, MEM 677/480 ECC	0	1	0	0	0			H12 Memorex 677
59	1040-98	Rom,	0	1	0	0	0			H11 480 Words/Sector
60	1040-107	Rom,	0	1	0	0	0			J12 12 Sectors
61	1040-100	Rom,	0	1	0	0	0			J11 With ECC
62	1040-108	Rom,	0	1	0	0	0			K12
63	1040-102	Rom, Mem 677/480 ECC	0	1	0	0	0			K11
64										
65	1040-56	Rom, Max Head Decode	0	0	1	0	0			E11 Mixed Capacity Disk
66		IC Socket 16 Pin Low Profile	0	0	1	0	0			E11 Drive Option (E11)
67										
68	1040-112	Rom, Max Head Decode	0	0	0	1	0			E11 Okidata 3304 Fixed Head
69		IC Socket 16 pin Low Profile	0	0	0	1	0			E11 Option
70										
71	1040-62	Rom, Electosp.	0	0	0	0	1			H12 Special for Elec Sp.
72	1040-63	Rom, "	0	0	0	0	1			H11 32 Sectors, 256 WD/Sector
73	1040-64	Rom, "	0	0	0	0	1			J12 No HDR, HDR CRC,
74	1040-65	Rom, "	0	0	0	0	1			J11 Data CRC
75										
76										

73A

NOTES

SIZE
A

500-005-00X

P/L

SHT4 OF 5

REV AI

ITEM NO	PART NUMBER	DESCRIPTION	Qty							REFERENCE DESIGNATION
			012							
77	1040-14	Rom, STD	1							H11
78	1040-16	Rom, STD	1							J11 CDC 97X or Equiv
79	1040-18B	Rom, STD	1							K11 128 WD/SEC
80	1040-116	Rom, CDC/SMD	1							H12 64 SEC
81	1040-117	Rom, CDC/SMD	1							J12 without ECC
82	1040-118	Rom, CDC/SMD	1							K12
83										
84										
85										
86										
87										
88										
89										
90										
91										
92										
93										
94										
95										
96										
97										
98										
99										
100										
101										
102										

70B

NOTES	SIZE A	500-005-00X		
	P/L	SHT 5 OF 5	REV A1	

The information hereon is the property of XYLOGIC OEM COMPONENT GROUP INCORPORATED. Transmittal, receipt or possession of the information does not comply, license, or imply any rights to use, sell, or manufacture from this information and no reproduction or publication of it, in whole or in part, shall be made without written authorization from XYLOGIC OEM COMPONENT GROUP INCORPORATED.

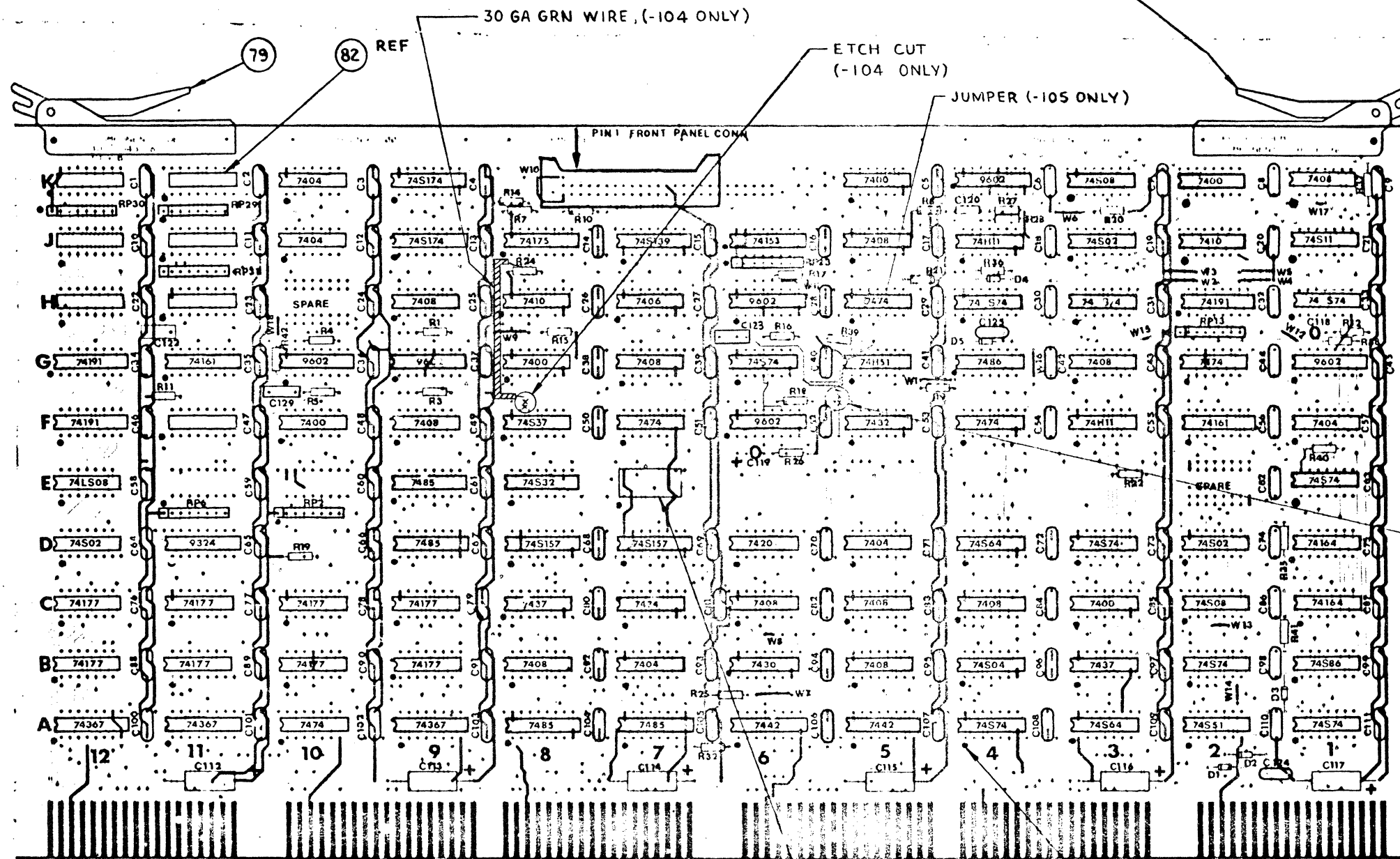
REVISIONS				
ZONE	REV	DESCRIPTION	DATE	APPROVED
	A	0181	2/7/77	W. Kung
	B	0271 (-104 ONLY)	6/19/78	D. Kung
	B1	0305 (ADDED TAB -105)	9/16/78	D. Kung
	B2	0308 (ALL TABS)	9/16/78	D. Kung

D

C

B

A



DESCRIPTION	TAB NO.	REV	DELETIONS	ADDITIONS
CLSI	105	A1	-	-
60 SEC ABO OR BAD SEC	104	B1	E10-6 TO E10-8, W1, W11	E10-3 TO E10-15
300,200,150 MB, ECC	103	A1	W13, W14, W16 E11-5 TO E11-8 (COMP SD) E11-15 TO E11-2 (COMP SD)	W15, W17 E11-15 TO E11-3
STANDARD, ECC	102	A1	W13, W14, W16	W15, W17
300,200,150 MB	101	A1	E11-5 TO E11-8 (COMP SD) E11-15 TO E11-2 (COMP SD)	E11-15 TO E11-3
STANDARD	100	A1	-	-

- NOTE:
- IDENTIFY BOARD WITH DOC/PKG NO. AND LATEST TAB REV
 - INSTALL AFTER WAVE SOLDER

TOLERANCES (UNLESS OTHERWISE NOTED)		Xylogics OEM COMPONENT GROUP INC.
XX .01 FRACTION ANG	XXX .005 1/64 1/32	
DRAWN DAM 11/28/77	TITLE	ASSY
CHECKED		PH 200 BD NO.3
ENGR APPD		SIZE C DRAWING NO. 300-043-10X
ENGR APPD		REV B2
PROJECT MANAGER Wally Kung 12/7/77	SCALE 1/1	SHEET 1 OF 1 LEVEL II

4

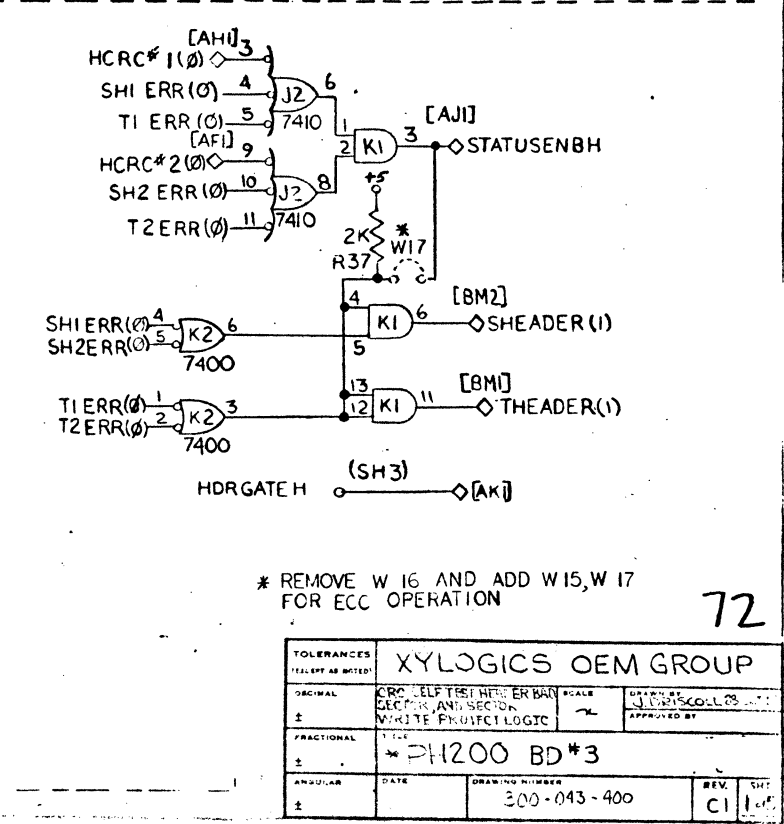
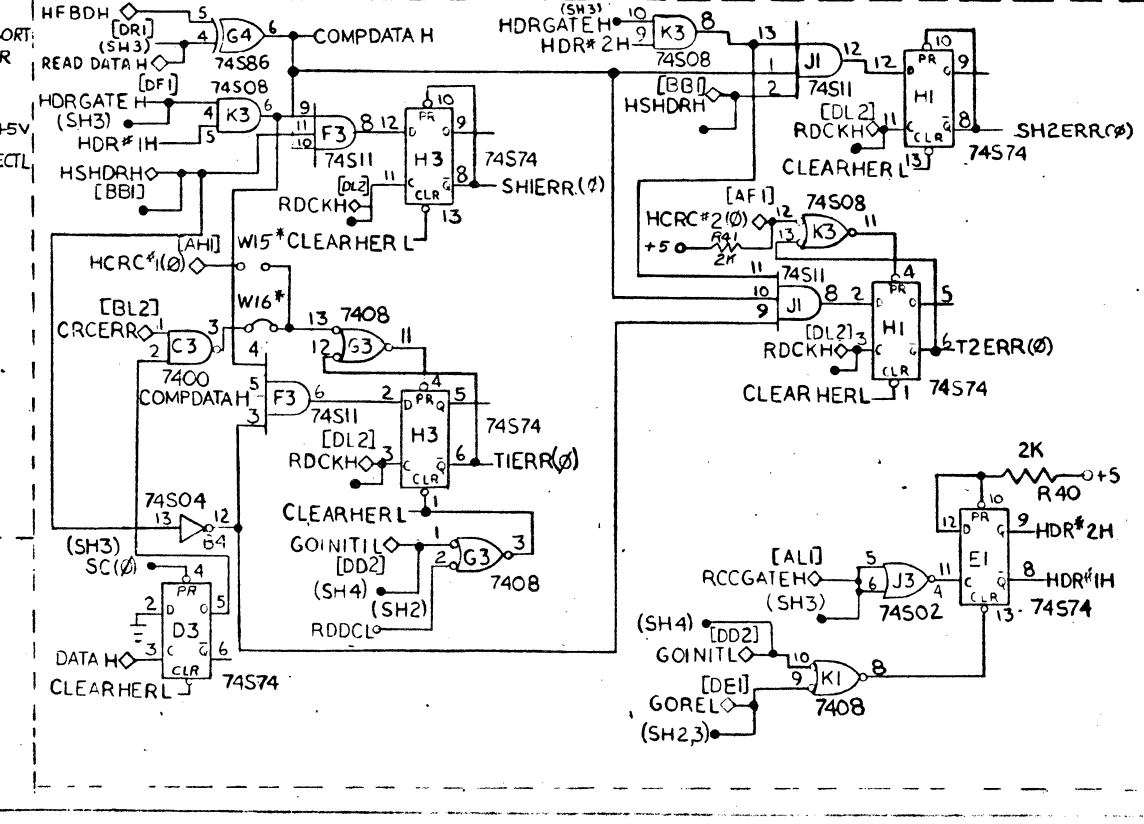
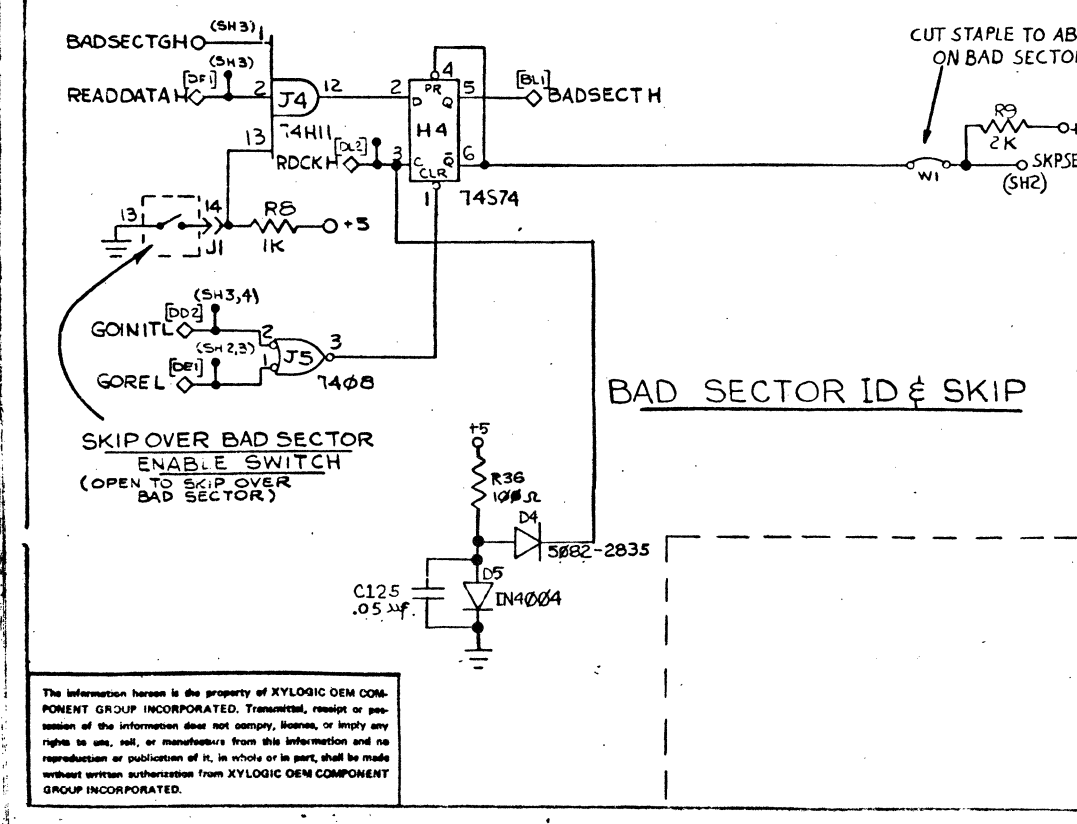
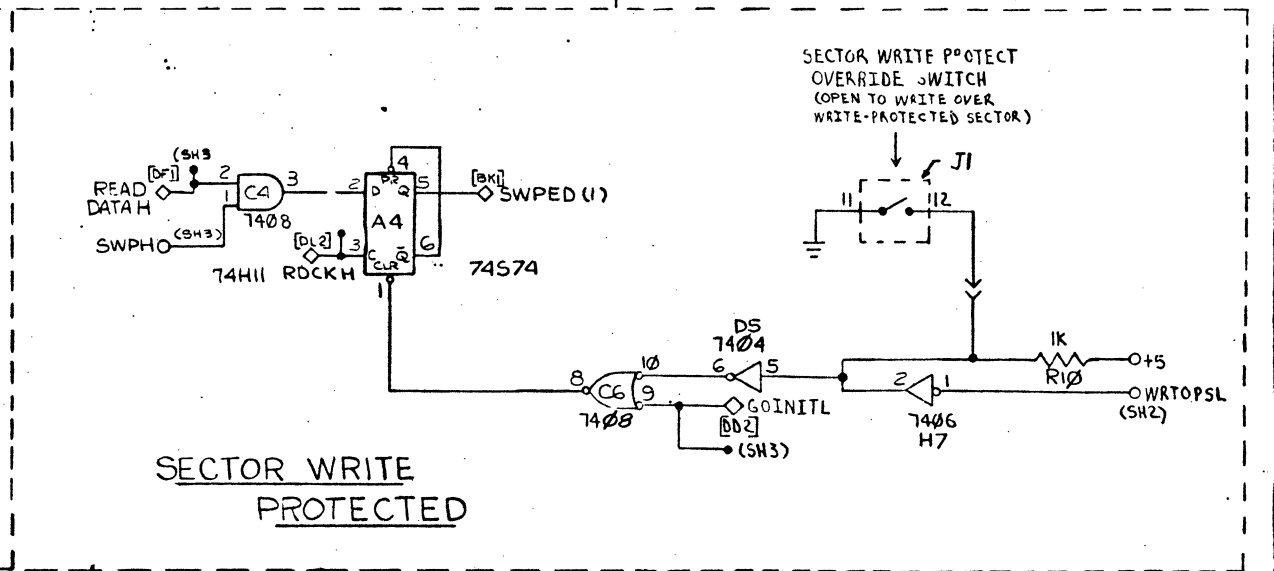
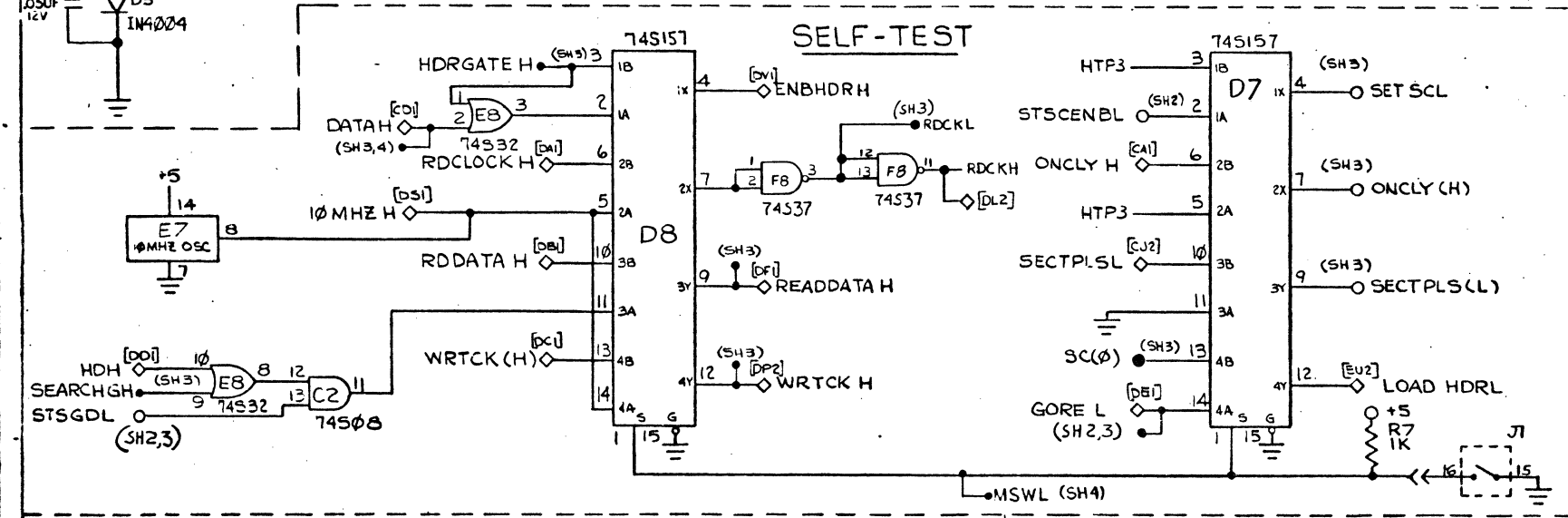
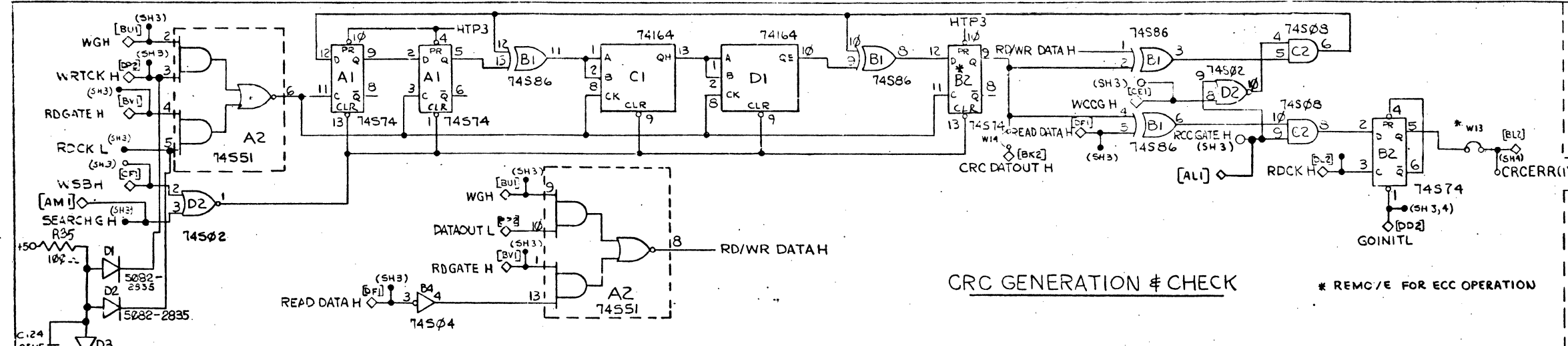
3

2

1

1034-03

REVISIONS				
ZONE	LTR	DESCRIPTION	DATE	APPROVED
A		C51	12/1/77	[Signature]
B		0211	2/3/78	[Signature]
C		0271	2/19/78	[Signature]
CI		0305	7/1/78	[Signature]

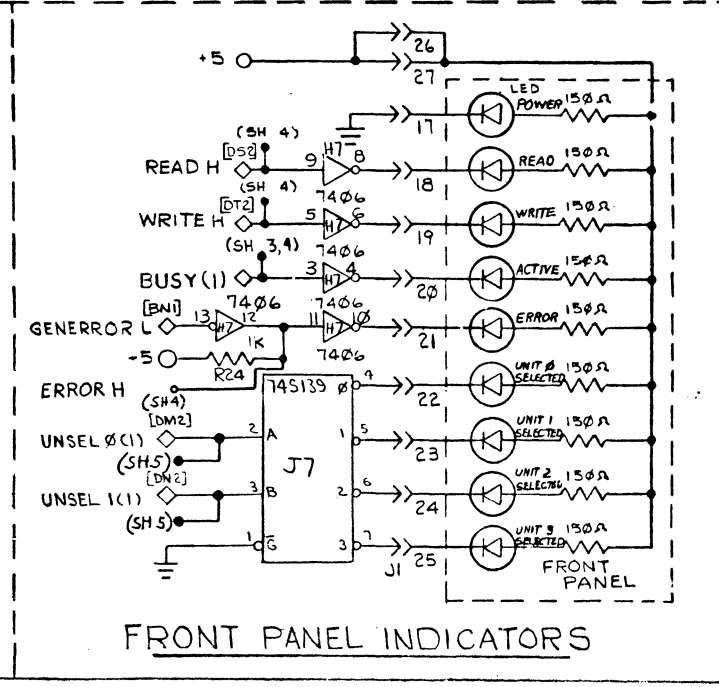
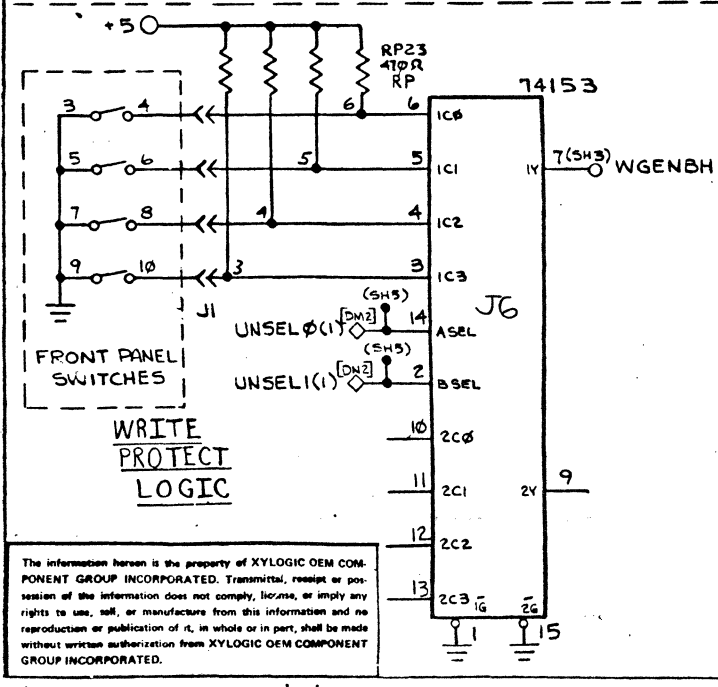
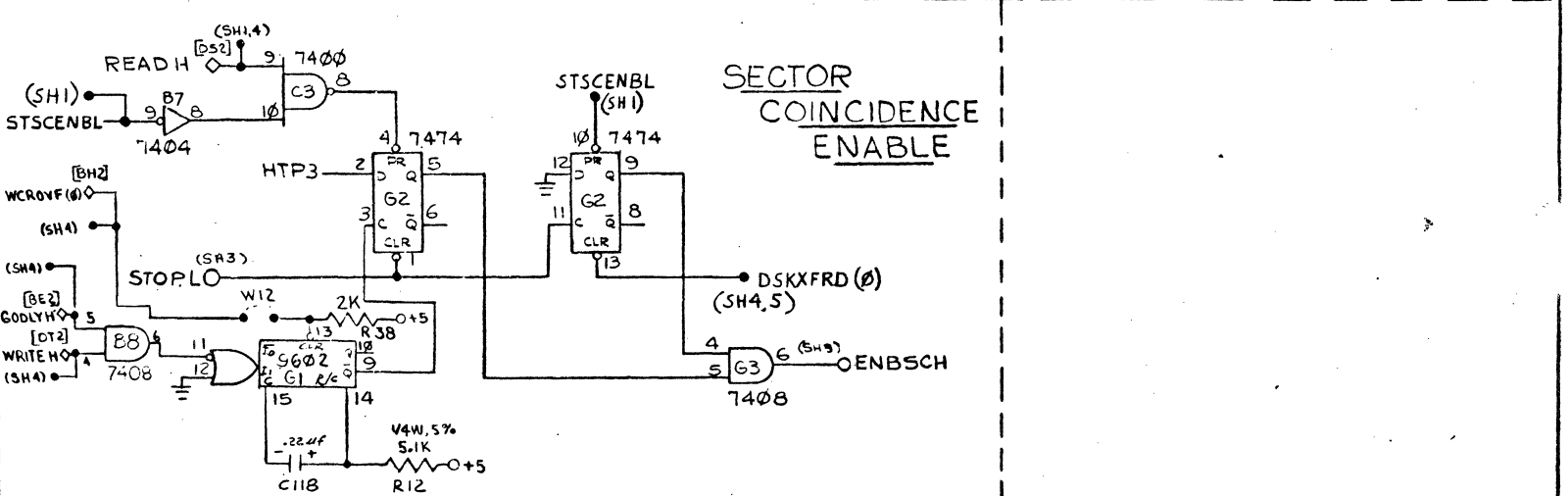
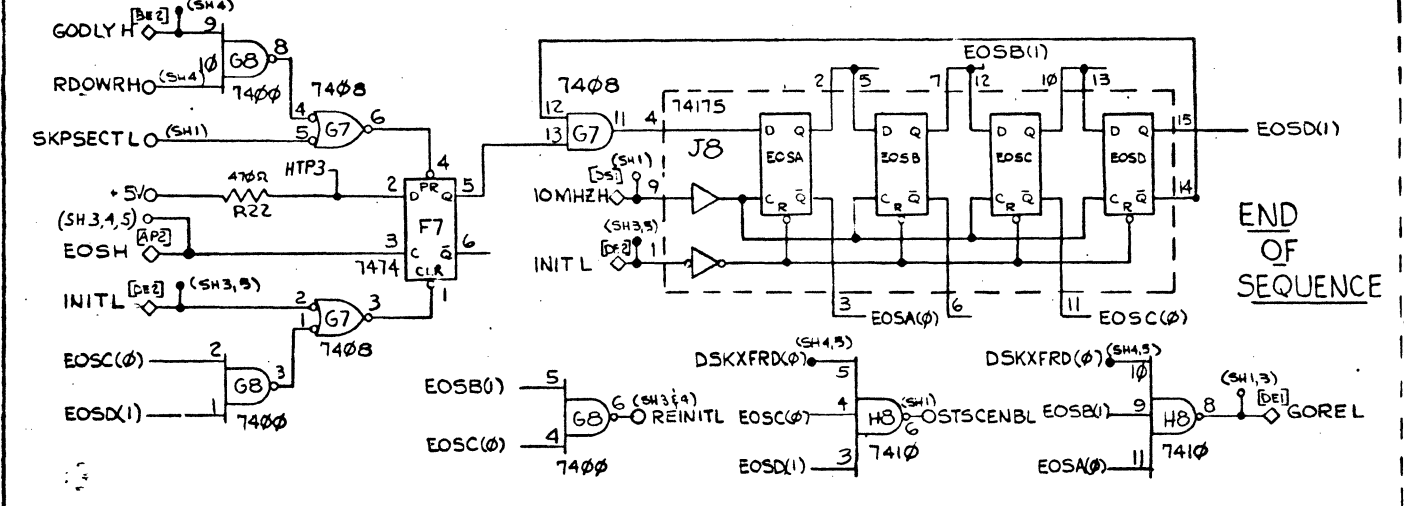
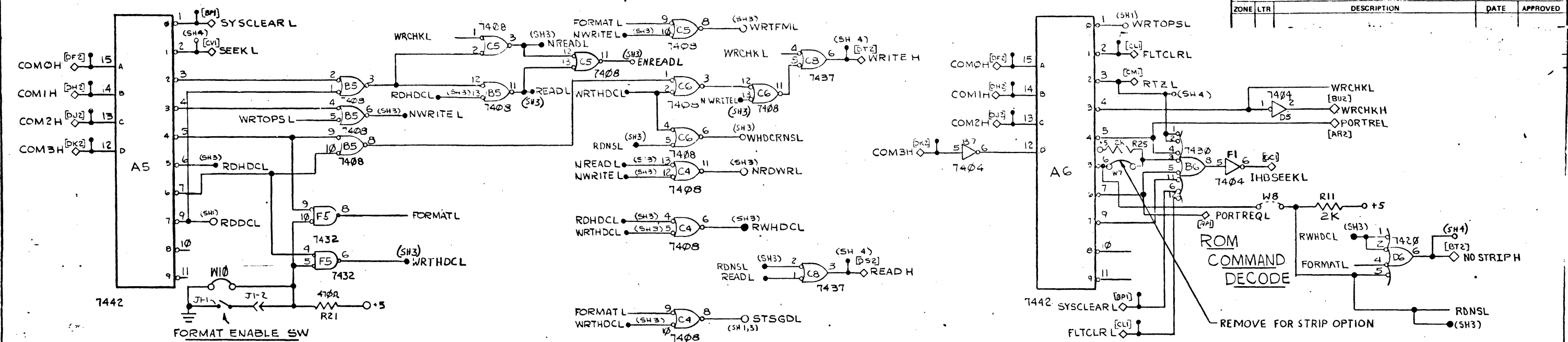


The information herein is the property of XYLOGIC OEM COMPONENT GROUP INCORPORATED. Transmittal, receipt or possession of the information does not imply any rights to use, sell, or manufacture from this information and no reproduction or publication of it, in whole or in part, shall be made without written authorization from XYLOGIC OEM COMPONENT GROUP INCORPORATED.

TOLERANCES UNLESS OTHERWISE NOTED			
DECIMAL	±	0.001	XYLOGIC OEM GROUP
FRACTIONAL	±	0.001	
ANGULAR	±	0.001	

DATE	DRAWING NUMBER	REV.	SHT.
	300-043-400	CI	1

REVISIONS				
ZONE	LTR	DESCRIPTION	DATE	APPROVED

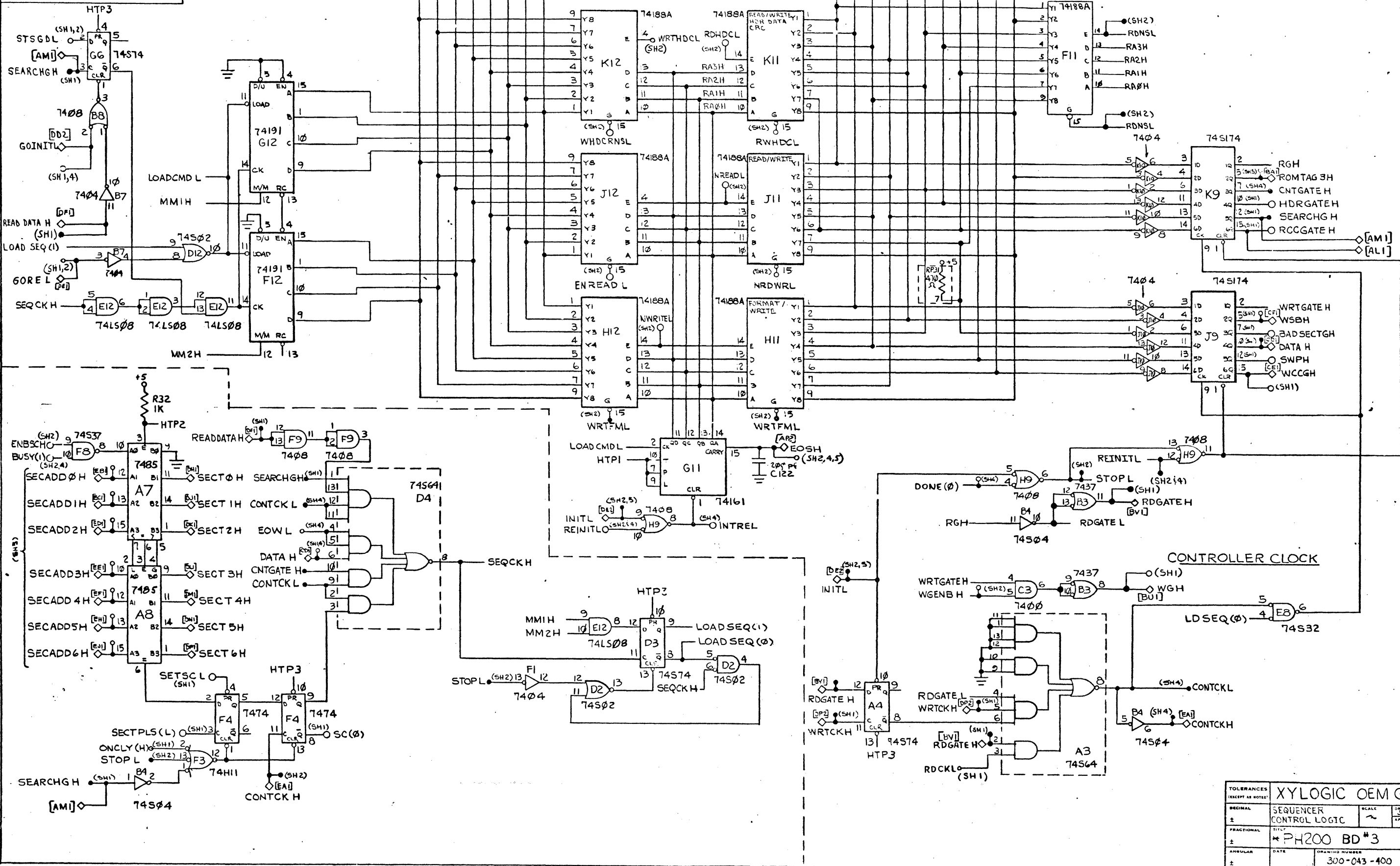


The information herein is the property of XYLOGIC OEM COMPONENT GROUP INCORPORATED. Transmittal, receipt or possession of the information does not comply, license, or imply any rights to use, sell, or manufacture from this information and no reproduction or publication of it, in whole or in part, shall be made without written authorization from XYLOGIC OEM COMPONENT GROUP INCORPORATED.

TOLERANCES (EXCEPT AS NOTED)		XYLOGICS OEM GROUP	
DECIMAL	COMMAND LA CODE END OF SEQUENCE FRONT PANEL 5C ENABLE LOGIC	SCALE	BY: coll
FRACTIONAL	PH200 BD #3	DATE	APPROVED BY
ANGULAR	DATE	DRAWING NUMBER	REV. SHI
		300-043-400	CI 2.5

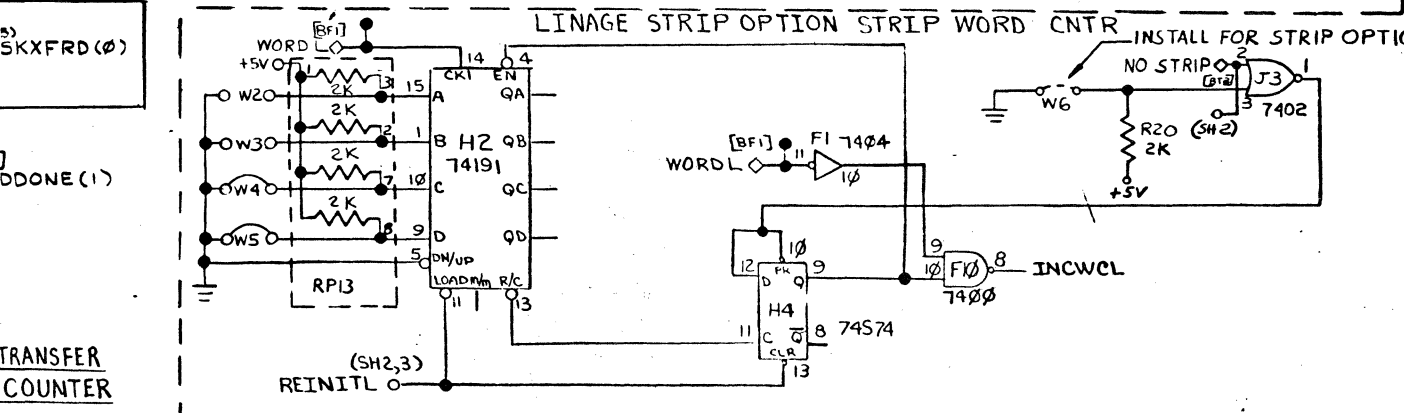
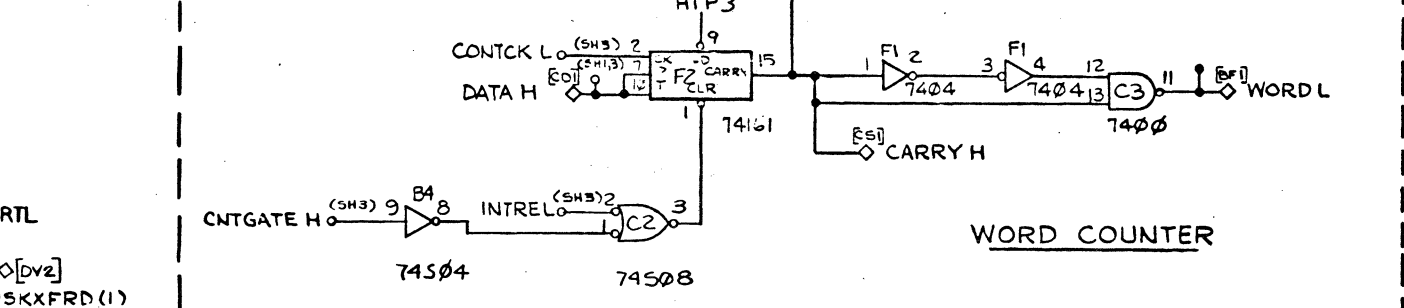
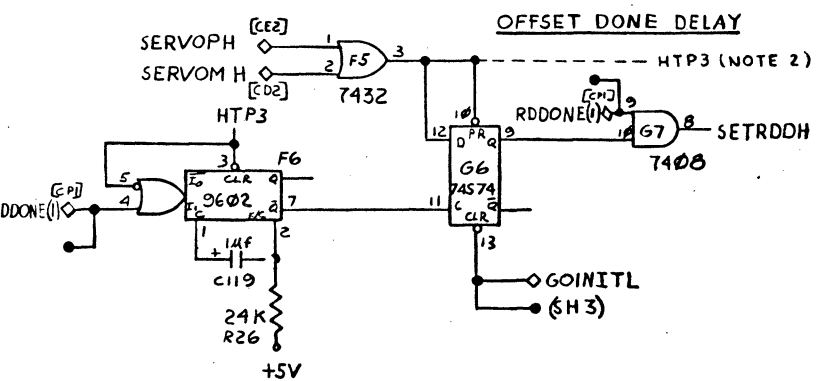
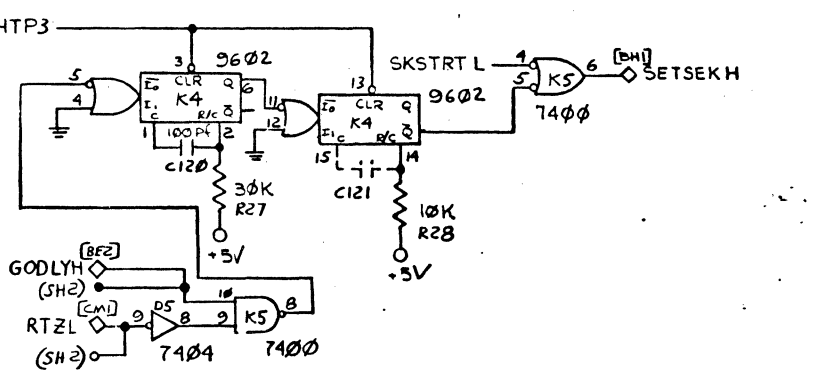
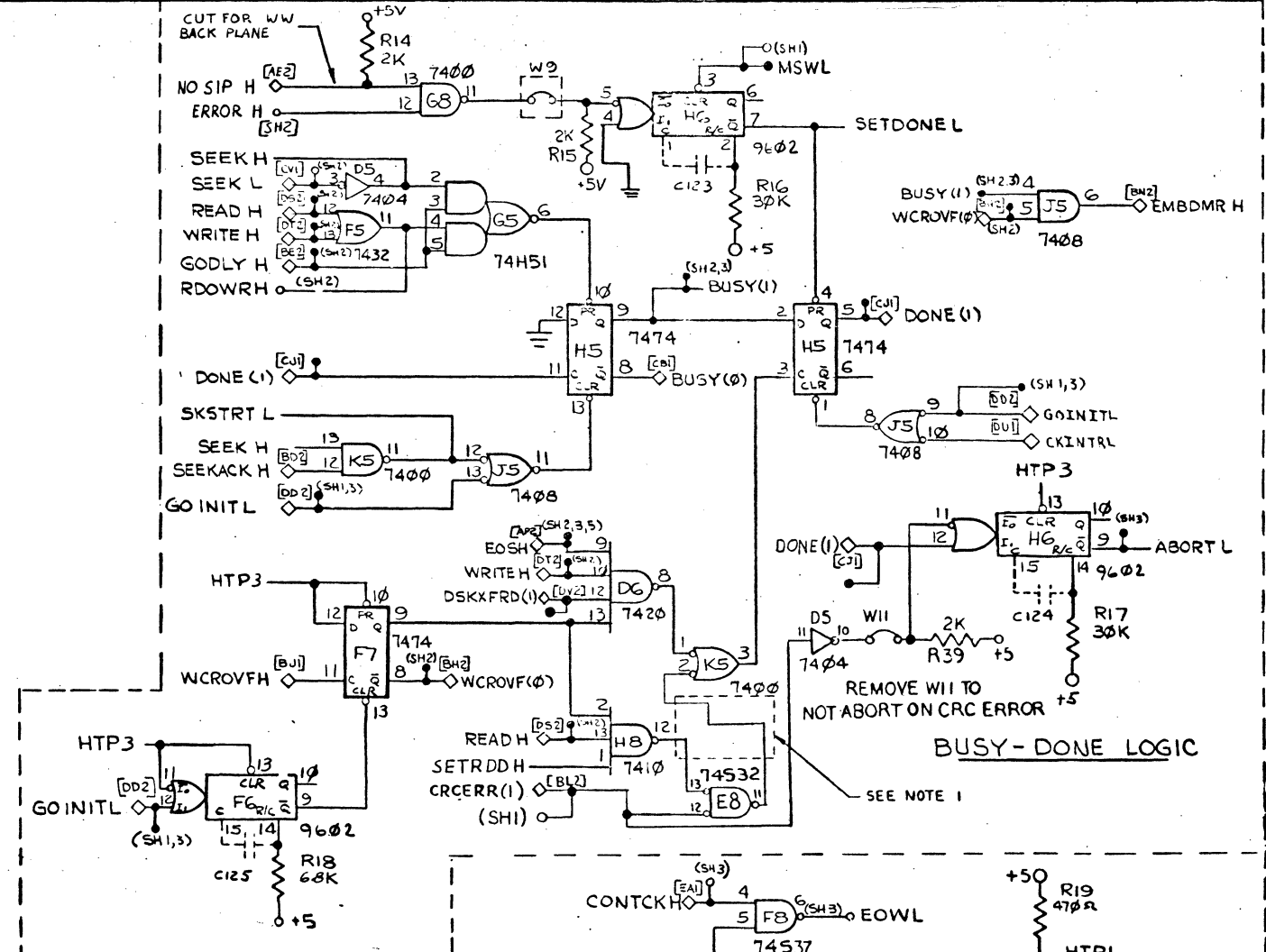
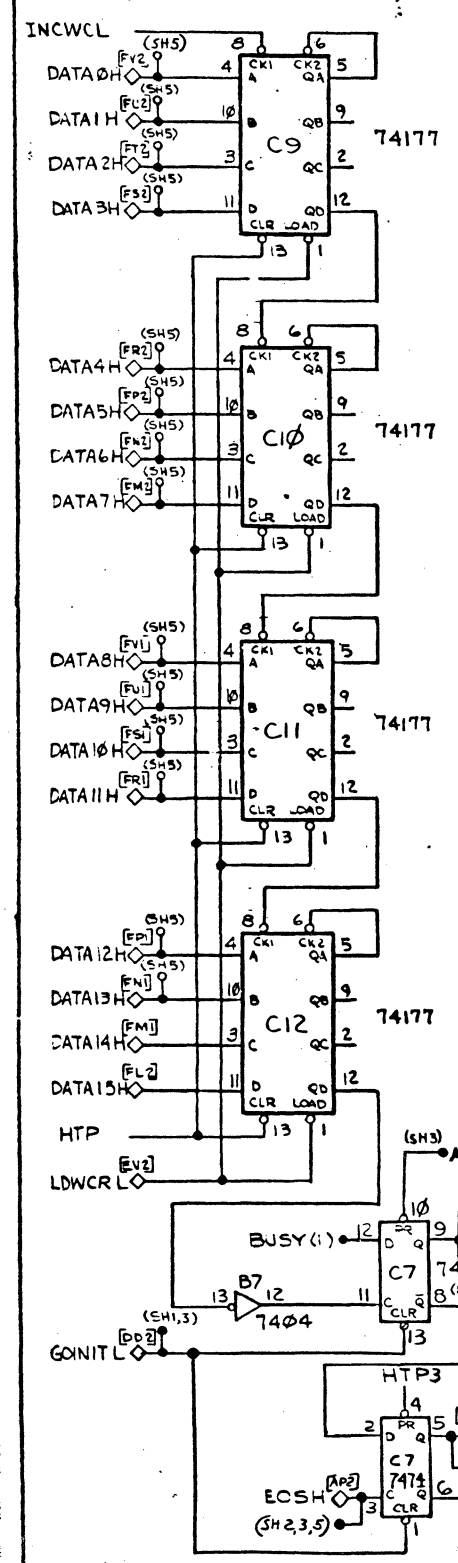
The information herein is the property of XYLOGIC OEM COMPONENT GROUP INCORPORATED. Transmittal, receipt or possession of the information does not constitute, license, or imply any rights to use, sell, or manufacture from this information and its reproduction or publication in whole or in part, shall be made without written authorization from XYLOGIC OEM COMPONENT GROUP INCORPORATED.

REVISIONS				
ZONE	LTR	DESCRIPTION	DATE	APPROVED



TOLERANCES (EXCEPT AS NOTED)			
DECIMAL	XYLOGIC OEM GROUP	SCALE	
±	SEQUENCER CONTROL LOGIC		
FRACTIONAL			
±	PH200 BD #3		
ANGULAR			
±			

ZONE		LTR		REVISIONS	DATE	APPROVED
				DESCRIPTION		



DISC TRANSFER WORD COUNTER

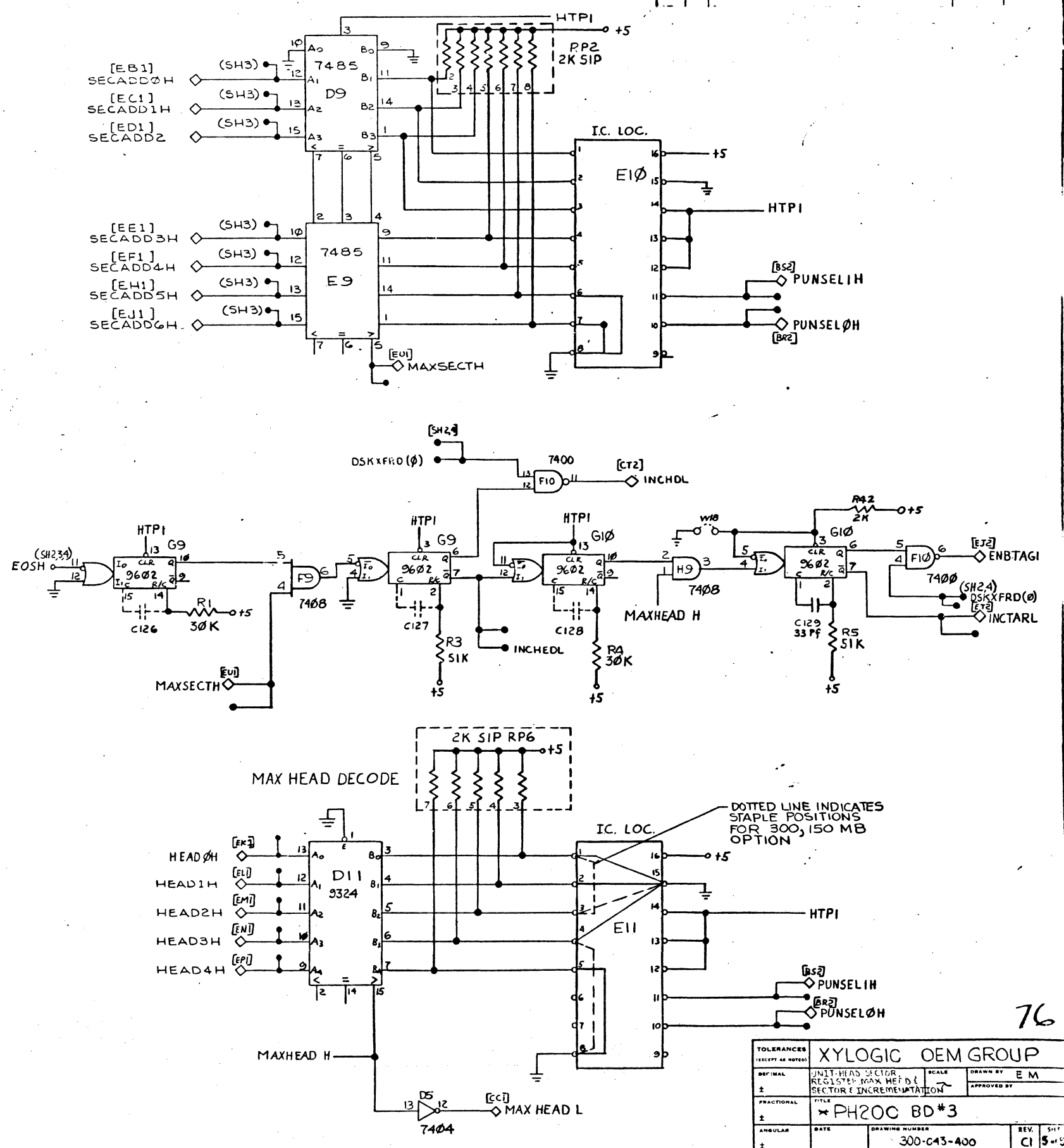
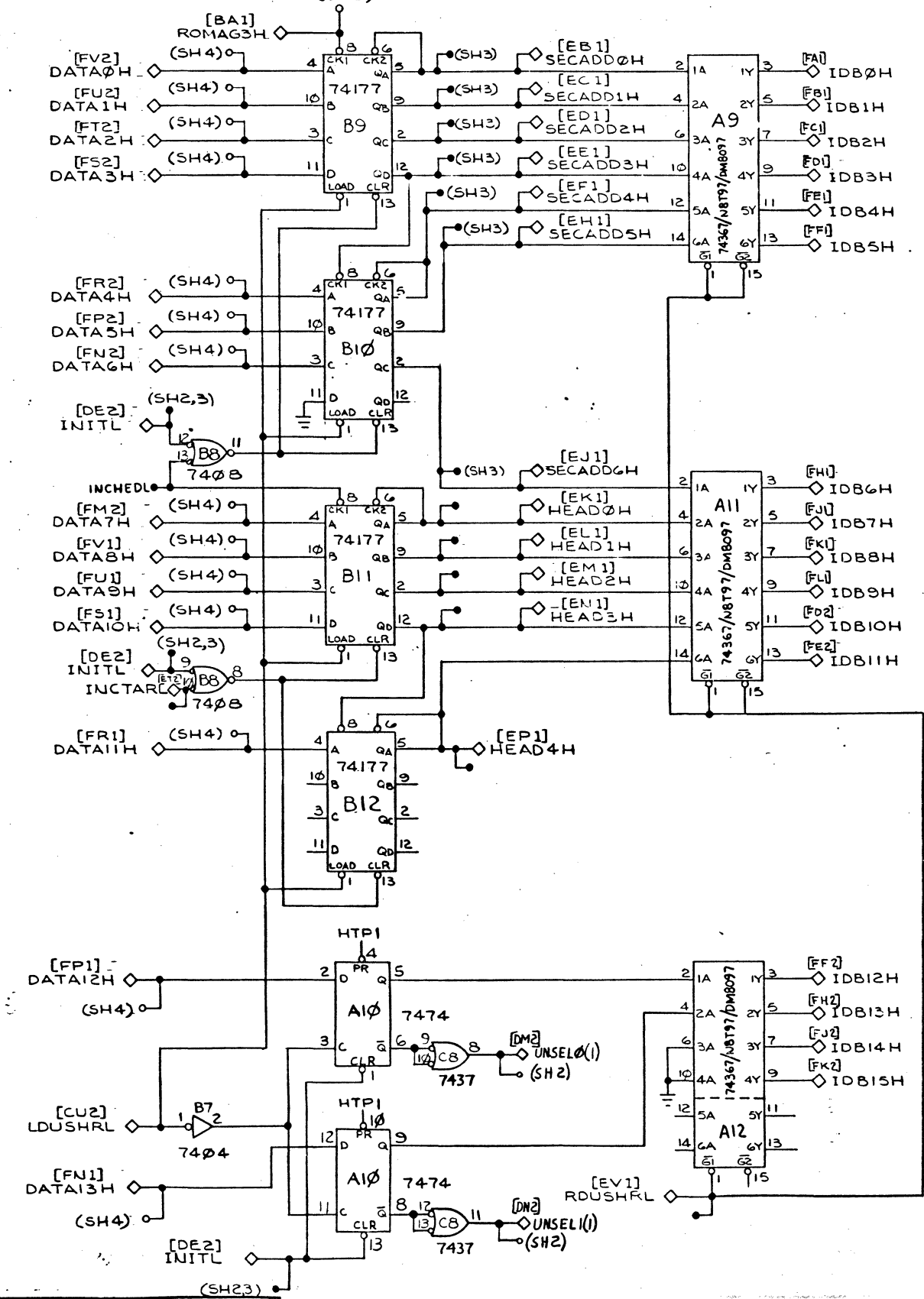
The information herein is the property of XYLOGIC OEM COMPONENT GROUP INCORPORATED. Transmittal, receipt or possession of the information does not imply any rights to use, sell, or manufacture from this information and no reproduction or publication of it, in whole or in part, shall be made without written authorization from XYLOGIC OEM COMPONENT GROUP INCORPORATED.

- NOTE:
- 1.-905 ONLY. DELETE E8-11 TO K5-2; ADD H8-12 TO K5-2. (SELF TEST)
 - 2.-906 ONLY (CLSI) DELETE G6-10 & 12 TO F5-3. CONNECT G6-10 & 12 TO HTP3 AS SHOWN

TOLERANCES (EXCEPT AS NOTED)		XYLOGIC OEM GROUP	
DECIMAL	DISK WORD COUNTER DATA	SCALE	APPROVED BY
FRACTIONAL	WORD COUNTER, BUSY-DONE AND SET SEEK LOGIC		
TITLE	PH200 BD #3		
ANNUAL	DATE	DRAWING NUMBER	REV. 5/75
		300-043-400	CI 4-15

SECTOR, HEAD AND UNIT REGISTER


REVISIONS				
ZONE	LTR	DESCRIPTION	DATE	APPROVED



The information herein is the property of XYLOGIC OEM COMPONENT GROUP INCORPORATED. Transmitted, receipt or possession of the information does not imply, license, or imply any rights to use, sell, or manufacture from this information and no reproduction or publication of it, in whole or in part, shall be made without written authorization from XYLOGIC OEM COMPONENT GROUP INCORPORATED.

TOLERANCES (EXCEPT AS NOTED)			
DECIMAL	UNIT HEAD SECTOR REGISTER MAX HEAD L SECTOR INCREMENTATION	SCALE	DRAWN BY E M
FRACTIONAL	TITLE	APPROVED BY	
ANGULAR	DATE	DRAWING NUMBER	REV. 5
		300-043-400	

TAB REV	TAB NO	DESCRIPTION	DWG REV	ECO	APPD	DATE
H3	900	ROUND CABLE INDEX/SECTOR ON 'B' CABLE (STD)	D	REDRAWN 0161/0161A	WJK	11/28/77
			E	0179	Dtm	11/29/77
H3	901	FLAT CABLE INDEX/SECTOR ON 'B' CABLE (STD)	E1	0185 (ALL TABS)	Dtm	12/13/77
			E2	0205 (ALL TABS)	Dtm	1/25/78
			F	0212/0212A (ALL TABS)	Dtm	2/13/78
H3	902	ROUND CABLE INDEX/SECTOR ON 'A' CABLE	F1	0235 (ALL TABS)	Dtm	3/23/78
			F2	0298 (ALL TABS)	Dtm	8/21/78
			F3	0308 (ALL TABS)	Dtm	9/18/78
H3	903	FLAT CABLE INDEX/SECTOR ON 'A' CABLE				
D3	904	INF ROUND CABLE				
C3	905	PHZ FLAT CABLE				

TOLERANCES (UNLESS OTHERWISE NOTED)				 Xylogics OEM COMPONENT GROUP INC.
.XX	±.01	FRACTION	ANG	
.XXX	±.005	±1/64	±1/2°	
DRAWN	DAM	11/28/77	TITLE	
CHECKED			DOC / PKG	
ENGR APPD			PH 200 BD NO. 4	
ENGR APPD			SIZE A	
PROJECT MANAGER	W. Kauring	11/28/77	DRAWING NO. 300-021-90X	
			REV F3	
			SCALE 74	
			SHEET 1 OF 2	
			LEVEL II	

78

ITEM NO.	PART NUMBER	DESCRIPTION	900	901	902	903	904	905			
			1	300-021-00X	PARTS LIST	E1	E1	E1	E1	E1	E1
			000	001	000	001	000	001			
2	300-021-10X	ASSY	E2	E2	E2	E2	C2	B2			
			100	100	101	101	102	103			
3	300-021-200	SOLDER MASK	C	C	C	C	C	C			
4	300-021-300	SCREEN	C4	C4	C4	C4	C4	C4			
5	300-021-400	LOGIC	F	F	F	F	F	F			
6	300-021-600	ARTWORK	C	C	C	C	C	C			
7	300-021-700	FABRICATION	C	C	C	C	C	C			
8	300-021-800	REWORK (NOTE 1)	D	D	D	D	D	D			

NOTE 1, TO REWORK ARTWORK FROM REV B TO C USE ITEM 8

SIZE
A


300-021-90X

~~REV~~

SHEET 2 OF 2

REV F3

TAB REV	TAB NO	DESCRIPTION	DWG REV	ECO	APPD	DATE
E1	000	ROUND CABLE CDC	C1	0121A	WJK	7/26/77
	001	FLAT CABLE CDC	D	0161/0161A	WJK	11/28/77
			D1	0185 (ALL TABS)	DAM	12/13/77
			D2	0205 (ALL TABS)	DAM	1/25/78
			E	0212/0212A (ALL TABS)	DAM	2/3/78
			E1	0308 (ALL TABS)	DAM	9/18/78

TOLERANCES (UNLESS OTHERWISE NOTED)				 Xylogics OEM COMPONENT GROUP INC.	
.XX	$\pm .01$	FRACTION	ANG		
.XXX	$\pm .005$	$\pm 1/64$	$\pm 1/2$		
DRAWN	DAM	7/14/77	TITLE PARTS LIST PH 200 BD 4		
CHECKED					
ENGR APPD					
ENGR APPD					
PROJECT MANAGER	WJK		SIZE A	DRAWING NO. 300-021-00X	REV E1
SCALE		#	SHEET 1 OF 8		LEVEL II

1	300-021-700		Fabrication Bd. 4		1	1													
2																			
3																			
4																			
5	500-006-90x		ROM CONFIGURATION KIT		REF	REF													
6		TI 7400	IC Pack	D1, E6	2	2													
7		TI 7404	IC Pack	B3, ,E2,E3	3	3													
8		TI 7408	IC Pack	A3,B2,F4,F11	4	4													
9		TI 7410	IC Pack	E1	1	1													
10		TI 7437	IC Pack	F9	1	1													
11		TI 7474	IC Pack	B1,H2,H11,C8	4	4													
12		TI 7485	IC Pack	A8,B8,D10,D11,D12	5	5													
13		TI 74153	IC Pack	A5,B5,C5,D5	4	4													
14		TI 74165	IC Pack	A10,C9,C10,D9	4	4													
15		TI 74170	IC Pack	A9,B9	2	2													
16		TI 74175	IC Pack	E5	1	1													
17		TI 74177/8281	IC Pack	A12,B12,C12	3	3													
					000	001	-3	-4	-5	-6	-7	-8							

ITEM NO.	XYLOGIC PART NO.	INDORS PART NO.	DESCRIPTION	LOCATION	QUANTITY REQUIRED							
----------	------------------	-----------------	-------------	----------	-------------------	--	--	--	--	--	--	--

XYLOGIC OEM COMPONENTS GROUP INC.
 PHOENIX 200 BOARD # (PC)/(CDC-SMB)
 PL 300-021-00X
 81
 EI
 15-05

18	1040-XXX	TI 74188A	IC Pack ROM	A6 (OPTIONAL)	0	0												
19	1040-19	TI 74188A	IC Pack ROM	A7	1	1												
20	1040-XXX	TI 74188A	IC Pack ROM	B6 (OPTIONAL)	0	0												
21	1040-XXX	TI 74188A	IC Pack ROM	B7 (OPTIONAL)	0	0												
22	1040-XXX	TI 74188A	IC Pack ROM	C7 (OPTIONAL)	0	0												
23	1040-XXX	TI 74188A	IC Pack ROM	C8 (OPTIONAL)	0	0												
24	1040-XXX	TI 74188A	IC Pack ROM	D6 (OPTIONAL)	0	0												
25		TI 74191	IC Pack	A2	1	1												
26		TI 74367	IC Pack	A11, B10, B11, C11, D7, D8, E7, E8	8	8												
27		TI 74393	IC Pack	A4, B4, C4, D4	4	4												
28		TI 75107	IC Pack	H4, H5, H9, J1, J2, J3, J4, J5, J9, J10, J11, J12, K1, K3, K5, K9, K11	---	---												
29		TI 75110	IC Pack	H6, H7, H8, J6, J7, J8, K2, K4, K6, K7, K8, K10, K12	17	17												
30		TI 74157	IC Pack	F8	13	13												
31		TI 74H21	IC Pack	D2	1	1												
32		TI 74LS04	IC Pack	H1, H12	2	2												
33		TI 74LS08	IC Pack	H3, H10	2	2												
					000	001	-3	-4	-5	-6	-7	-8						

ITEM NO.	XYLOGICS PART NO.	VENDORS PART NO.	DESCRIPTION	LOCATION	QUANTITY REQUIRED												
----------	-------------------	------------------	-------------	----------	-------------------	--	--	--	--	--	--	--	--	--	--	--	--

XYLOGIC OEM COMPONENTS GROUP INC.

DWG NO. 82
PL 300-021-00X

APVD [Signature] APVD [Signature] RISE [Signature]

PHOENIX 200 BOARD # 4 P.C. (CDC-SMD)

SH 3 OF 8 REV EI

34	TI 74S04	IC Pack	C3	1	1														
35	TI 74S08	IC Pack	D3	1	1														
36	TI 74S74	IC Pack	F5	1	1														
37	TI 74S139	IC Pack	E4, F10	2	2														
38	TI 74S153	IC Pack	F6, F7	2	2														
39	National/Sig. 9602	IC Pack	A1, C2, C1	3	3														
40																			
41																			
42																			
43		Resistor 1K 1/4W 5%	R16, 29, 51, 52, 62, 64, 66, R77, 102, 124, 129, 163, 171	12	13														
44		Resistor 2K 1/4W 5%	R125, 130, 153, 203, 204	5	5														
45		Resistor 3K 1/4W 5%	R1, 2, 12, 13, 14, 15, 27, 28, R39, 40, 75, 76, 87, 88, 99, R100, 101, 112, 136, 137, R140, 146, 147, 202	--	---														
46		Resistor 9.1K 1/4W 5%	R162	1	1														
47		Resistor 47K 1/4W 5%	R160	1	1														
48		Resistor 27K 1/4W 5%	R165	1	1														
49		Resistor 30K 1/4W 5%	R60, 61, R201	3	3														
				000	001	-3	-4	-5	-6	-7	-8								

XYLOGIC PART NO.	VENDOR PART NO.	DESCRIPTION	LOCATION	QUANTITY REQUIRED							
------------------	-----------------	-------------	----------	-------------------	--	--	--	--	--	--	--

XYLOGIC OEM COMPONENTS GROUP INC.

REV 83
PL 300-021-00X

PHOENIX 200 BOARD 4 P.C. (CDC-SMD)

50		Resistor 47Ω 1/4W 5%	R167	1	*0					*USE 24 GA WIRE IN THIS LOCATION	
51		Resistor 56Ω 1/4W 5%	R18,41,42,43,44,89,90, R91,92,113,114,115,116	---	---						
			R17,19,20	—	—						
52			R3,R30,78,103	20	—						
53		RESISTOR .39Ω 1/4W, 5%	R169	1	0						
54		Resistor 150Ω 1/4W 5%	R157,158	2	2						
55		Resistor 200Ω 1/4W 5%	R161	1	1	1					
56		Resistor 51Ω 1/4W 5%	R171	1	0						
57		Resistor 470K 1/4W 5%	R164,166	2	2						
58		Resistor 470Ω 1/4W 5%	R4 - R11, R21 - R26, R31 - R38, R45 - R50, R53 - R59, R63, R65, R70, R71, 73, 74, 72, R79 - R86, R93 - R98, R104-111, R117 - R122, 126, *169	71	*72						
59		RESISTOR 51K 1/4W 5%	R200	1	1						
60		RESISTOR 68Ω, 1/4W, 5%	R3,17,18,19,20,30,41,42,43,44 R78,89,90,91,92,103,113,114,115	—	20						
61											
62	Beckman 784-1-R1K	Resistor Pack -1K SIP	RP123, RP128, RP131	3	3						
63	Beckman 784-1-R2K	Resistor Pack 2K SIP	RP132, RP133	2	2						
				000	001	-3	-4	-5	-6	-7	-8

ITEM NO.	XYLOGIC PART NO.	VENDOR PART NO.	DESCRIPTION	LOCATION	QUANTITY REQUIRED							
----------	------------------	-----------------	-------------	----------	-------------------	--	--	--	--	--	--	--

XYLOGIC OEM COMPONENTS GROUP INC.

REV 84
PL 300-021-00Y

M. [Signature] *[Signature]* *[Signature]*

PHOENIX 200 BOARD 4 PC (CDC-SMD)

REV 5 84 EI
1055-02

64	Beckman 784-1-R3K	Resistor Pack 3K SIP	RP151,152	2	2														
65	Beckman 764-1-R56	Resistor Pack 56Ω SIP	RP142,143,149,150,154, RP155,156,159,134,135, RP138,139,144,145,148	-	-														
66				15	-														
67	Beckman 784-1-R470	Resistor Pack 470Ω SIP	RP127	1	1														
68	BECKMAN 764-1-R68	RESISTOR PACK 68Ω SIP	RP134,135,138,139, 143,144,145,148	-	8														
69	BECKMAN 764-1-R56	RESISTOR PACK 56Ω SIP	RP142,149,150,154,155, RP156,159	-	7														
70																			
71	CENTRALAB # UK16-103	Capacitor .01uf 16V	C13	1	1														
72	Centralab UK12-503	Ceramic Disc Capacitor .05uf 12V	C1-C10,C12, C14; C16-C19,C22-C72,C75-107	98	98														
73	Kemet T368A105K025AS	Solid Tantalum 1uf Capacitor	C111	1	1														
74	Kemet T368B106M025AS	Solid Tantalum 10uf Capacitor	C119 C15,C20,C21,C73,C74,	6	6														
75	Sprague 150D686X9015R	Tantalum 68uf Capacitor	C118 C113,114,115,116,117,	6	6														
76	CD15FD101J	100Pf Capacitor	C110	1	1														
77	CD15FD471J	Dipped Silver Mica 470pf Capacitor	C108,C109	2	2														
78																			
79	IN4148	Diode	D1, D2	2	2														
80																			
						000	001	-3	-4	-5	-6	-7	-8						

ITEM NO.	XYLOGICS PART NO.	VENDORS PART NO.	DESCRIPTION	LOCATION	QUANTITY REQUIRED							
----------	-------------------	------------------	-------------	----------	-------------------	--	--	--	--	--	--	--

XYLOGIC OEM COMPONENTS GROUP INC.

DWG NO. 85
PL 300-021-00X

DR	CHK	APVD	APVD	RLSD	PHOENIX 200 BOARD # 4 P.C. (CDC-SMD)	SH	OF	REV
<i>DM</i>	<i>Wio</i>			<i>RLSD</i>		6	8	EI

81		MOTOROLA 7905	REGULATOR	04	1	1													
82		2N4123	Transistor	02, 03	2	2													
83		2N4125	Transistor	01	1	1													
84																			
85																			
86		Berg 65268-009	Rt. Angle 26 Pin Conn.		4	4													
87		Berg 65268-002	Rt. Angle 60 Pin Conn.		1	1													
88																			
89																			
90		Augat 316-AG39D	16 Pin Low Profile I.C. Socket	A6, A7, B6, B7, C7, D6	6	6													
91	002-001-250		EYELET, 1/8 DIA	NOTE 2	4	4													
92	021-002-001		P.C.B. HANDLE	} NOTE 1	2	2													
93	021-001-001		LOWER EXTRACTOR		1	1													
94	021-001-002		UPPER EXTRACTOR		1	1													
95	200-029-001		Heat Sink		1	1													
96																			
97			#4 Lock Washer (INT. TOOTH)		3	3													

NOTE 1. FOR PROPER HANDLE/EXTRACTOR SEE CUSTOMER REQUIREMENTS
 2. USED WITH ITEM 92 ONLY

000 001 -3 -4 -5 -6 -7 -8

ITEM NO.	XYLOGICS PART NO.	VENDORS PART NO.	DESCRIPTION	LOCATION	QUANTITY REQUIRED
----------	-------------------	------------------	-------------	----------	-------------------

XYLOGIC OEM COMPONENTS GROUP INC.

DWG NO. 86
 PL 300-021-00X

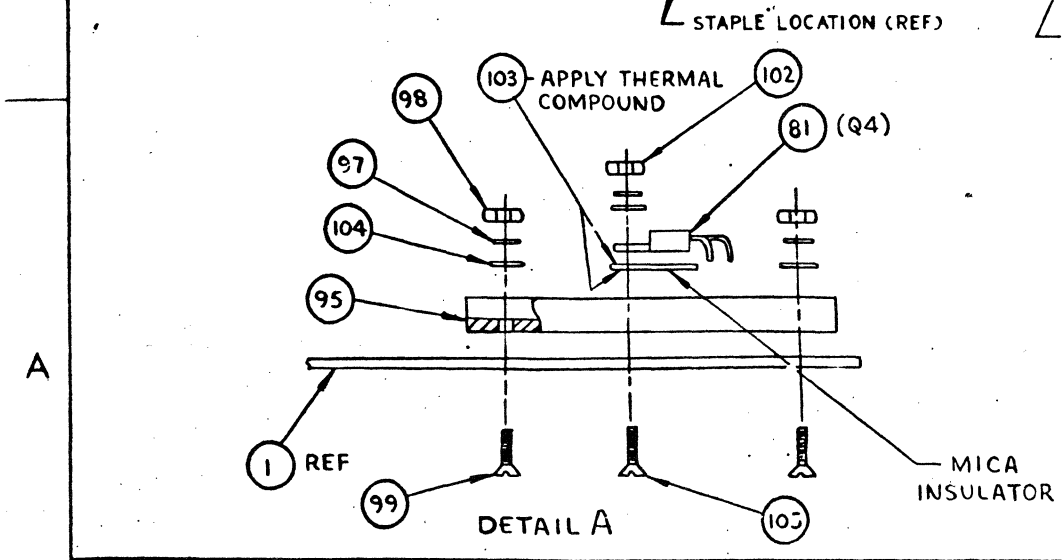
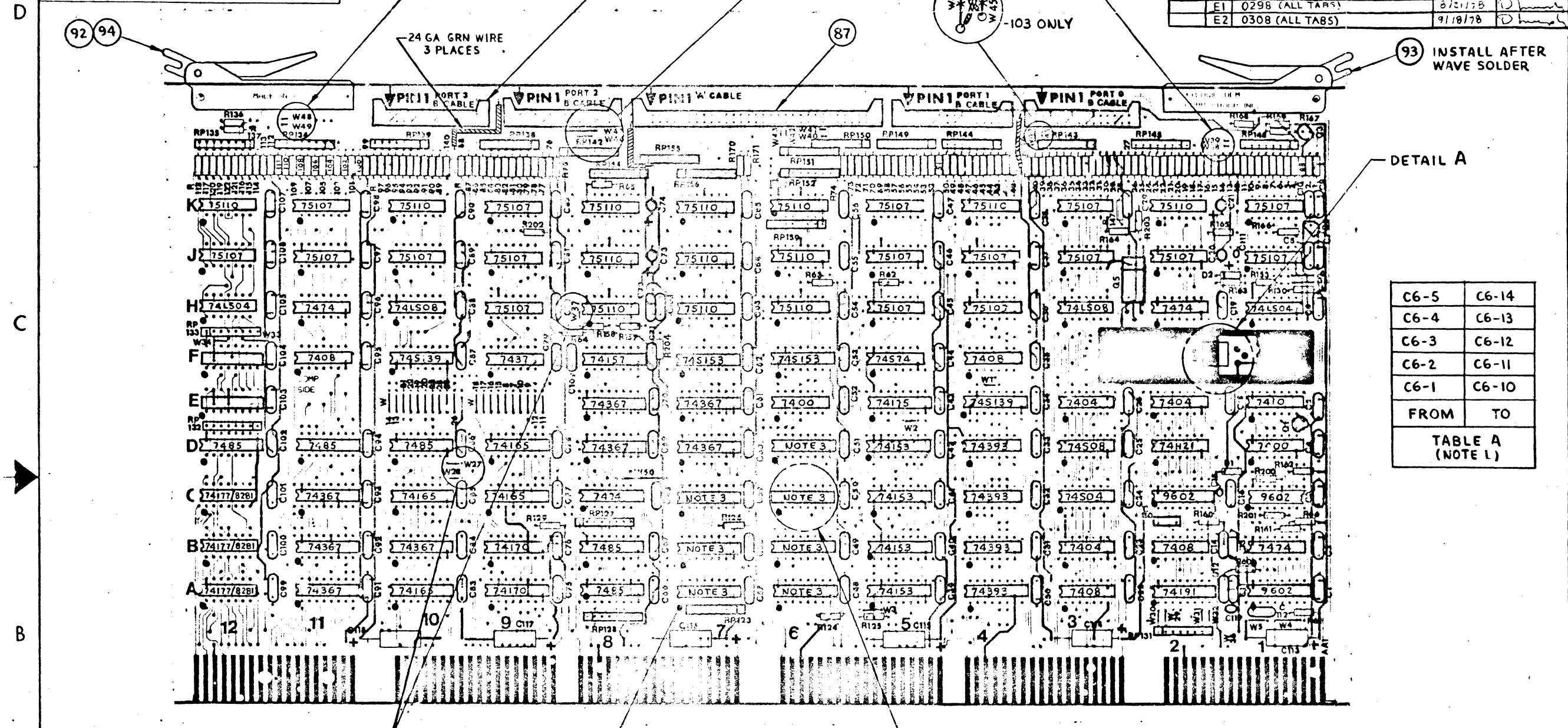
DM CHK APVD APVD RISE

PHOENIX 200 BOARD 4 P.C. (CDC-SMD)

SH 7 OF 8 REV EI

The information hereon is the property of XYLOGIC OEM COMPONENT GROUP INCORPORATED. Transmittal, receipt or possession of the information does not comply, license, or imply any rights to use, sell, or manufacture from this information and no reproduction or publication of it, in whole or in part, shall be made without written authorization from XYLOGIC OEM COMPONENT GROUP INCORPORATED.

REVISIONS				
ZONE	REV	DESCRIPTION	DATE	APPROVED
	D	ECO # 0161 / 0161A	11/28/77	W. Lawrence
	D1	ECO # 0185	12/13/77	D. Hume
	D2	ECO # 0205	1/25/78	D. Hume
	E	ECO # 0212 (ALL TABS)	2/13/78	D. Hume
	E1	0298 (ALL TABS)	8/21/78	D. Hume
	E2	0308 (ALL TABS)	9/18/78	D. Hume



NOTES:

- INSTALL 30 GA GREEN WIRE (TABS 100, 101, 103 ONLY)
- IDENTIFY BOARD WITH DOC/PKG NO. AND LATEST TAB REV
- SEE ROM CONFIGURATION KIT (ITEM 5) FOR PROPER PART NUMBERS & PLACEMENT
- INSTALL TEFLON TUBING OVER LEADS OF C73, C74, C20, C21 PRIOR TO ASSY

STAPLE CHART

REV	TAB	DESCRIPTION	ADD	DELETE
B2	103	PFZ FLAT CABLE		W38, 39, 44 45, 46, 47, 48 49
C2	102	INF ROUND CABLE	W28	W1, 2, 3, 27
E2	101	ROUND/FLAT CABLE INDEX SECTOR ON 'A' CABLE	W40, 41, 42, 43, 50	W37
E2	100	FLAT/ROUND CABLE INDEX/SECTOR ON 'B' CABLE (STD)	-	-

TOLERANCES (UNLESS OTHERWISE NOTED):
 XX ±.01 FRACTION ANG
 XXX ±.005 ±1/64 ±1.2

DRAWN DAM 11/29/77 TITLE ASSY PH 200 BD NO. 4

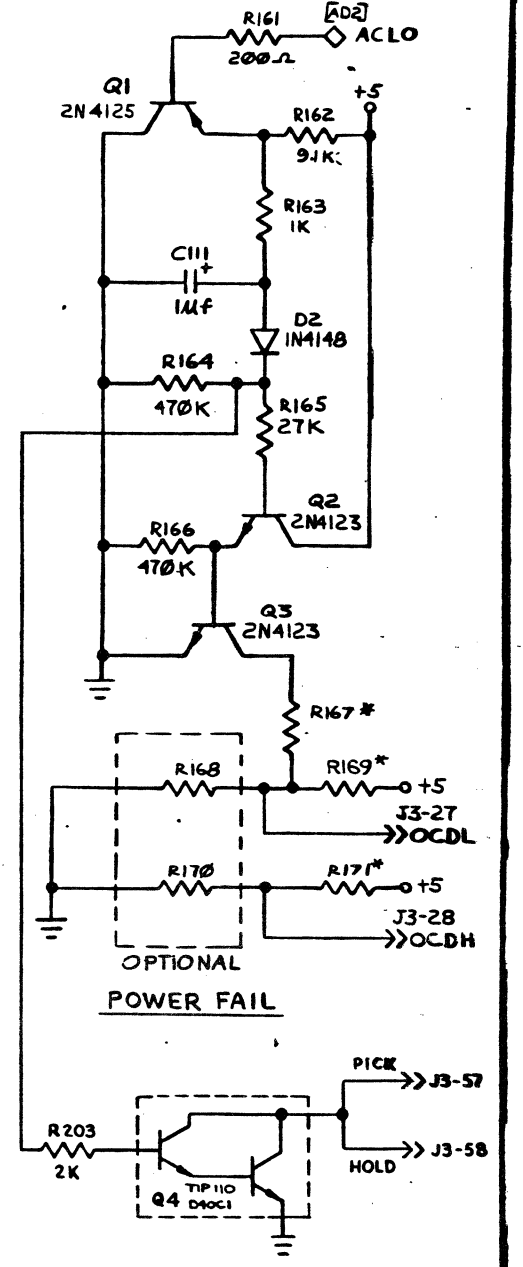
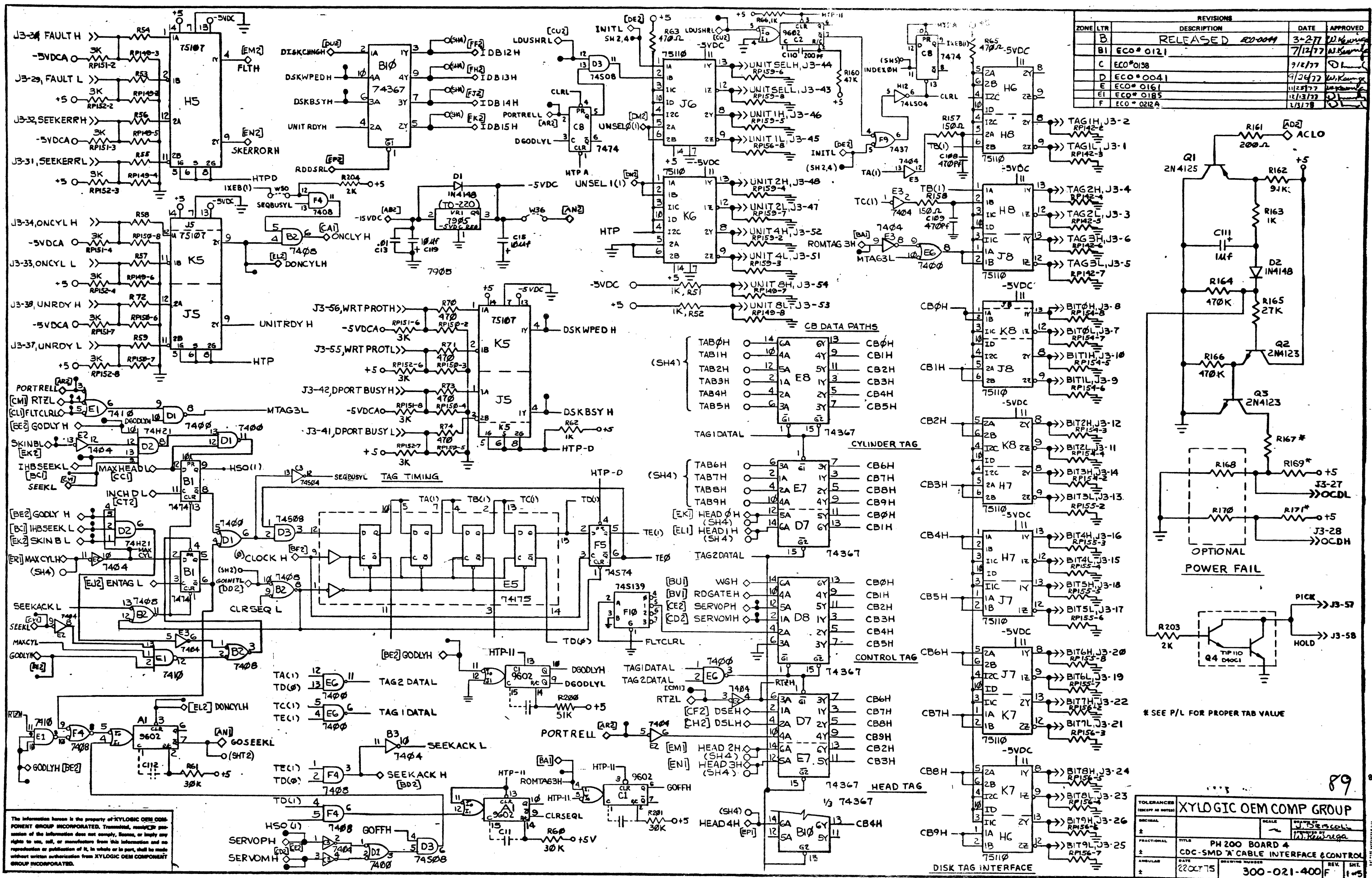
CHECKED ENGR APPD ENGR APPD PROJECT MANAGER W. Lawrence 11/29/77

SIZE C DRAWING NO. 300-021-10X REV E2

SCALE 1/1 SHEET 1 OF 1 LEVEL II

Xylogics OEM COMPONENT GROUP INC.

ZONE	LTR	DESCRIPTION	DATE	APPROVED
B		RELEASED	3-277	W. K. ...
B1		ECO# 0121	7/12/77	W. K. ...
C		ECO# 0138	9/12/77	W. K. ...
D		ECO# 0041	9/26/77	W. K. ...
E		ECO# 0161	11/23/77	W. K. ...
E1		ECO# 0185	12/13/77	W. K. ...
F		ECO# 0212A	1/13/78	W. K. ...

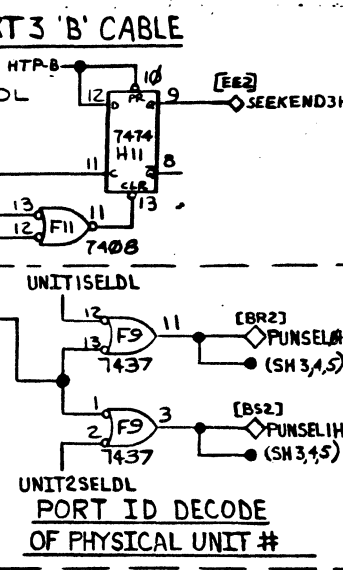
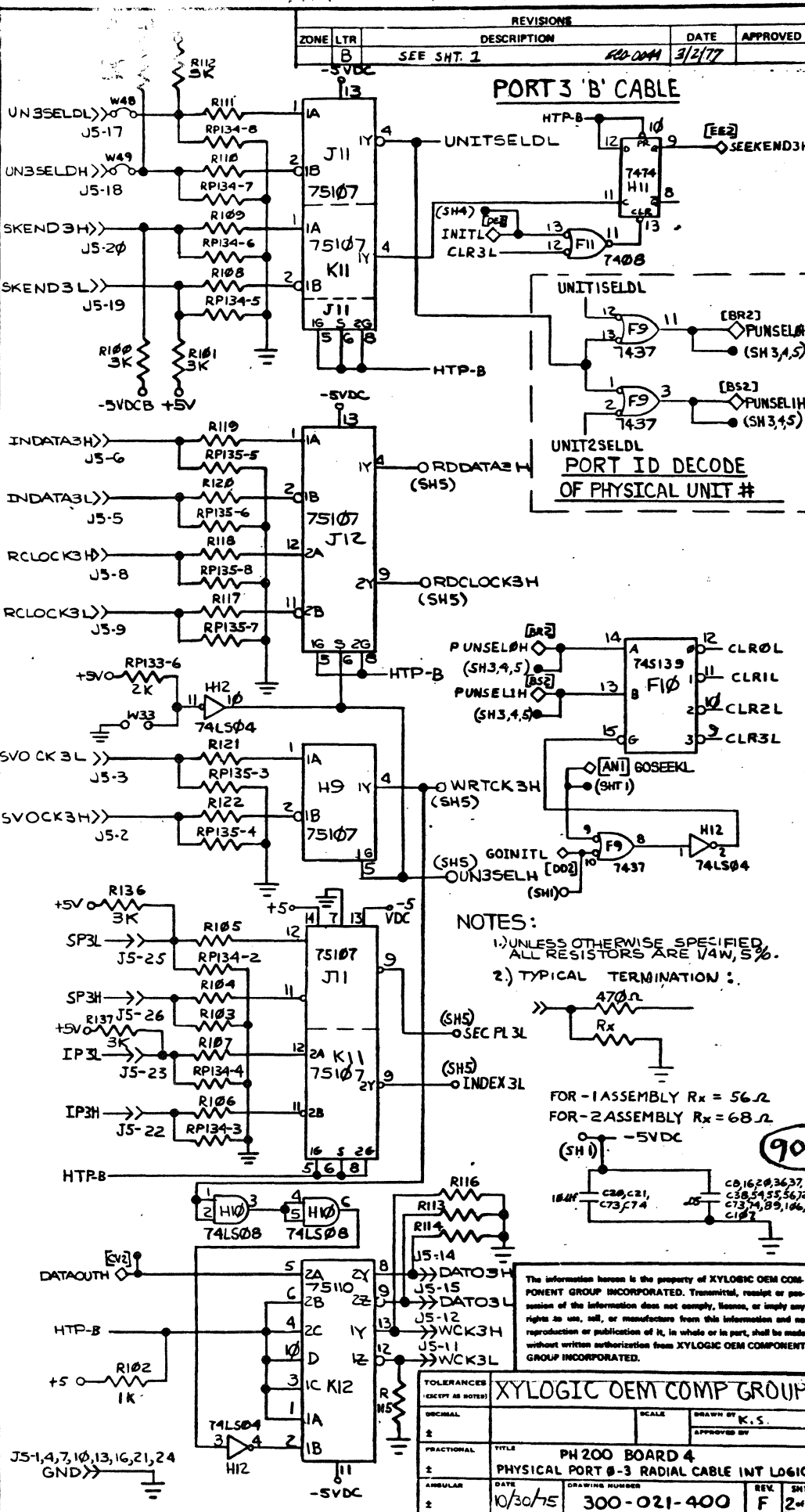
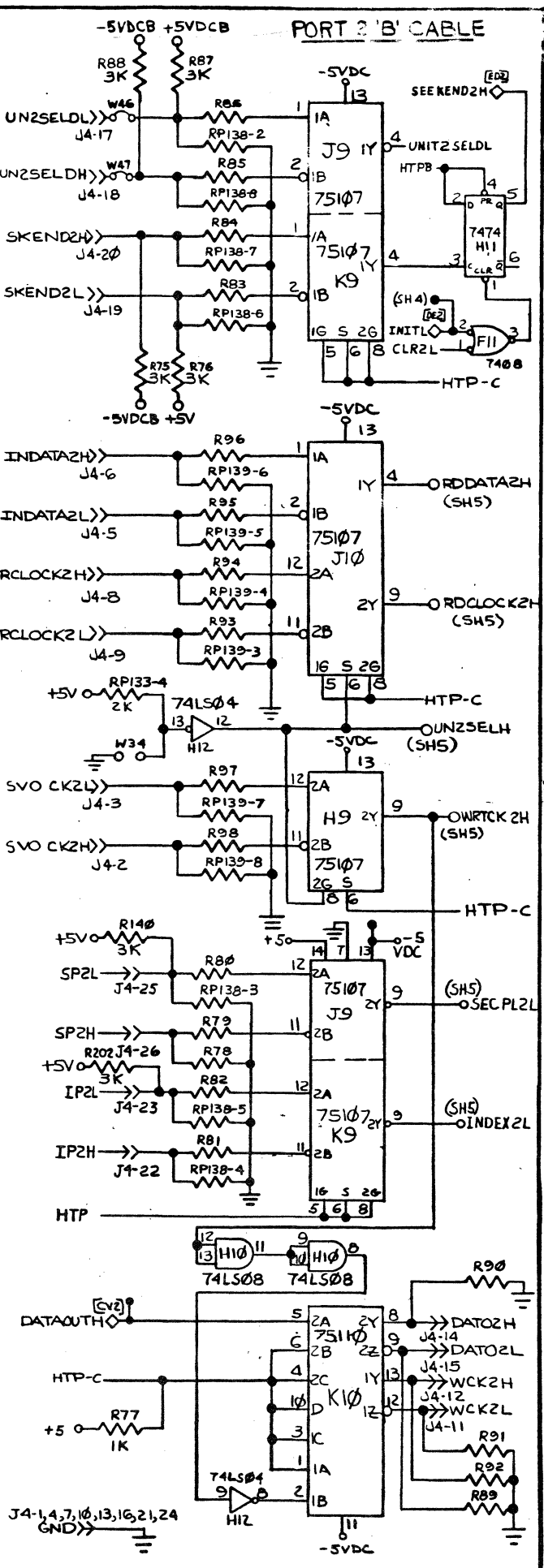
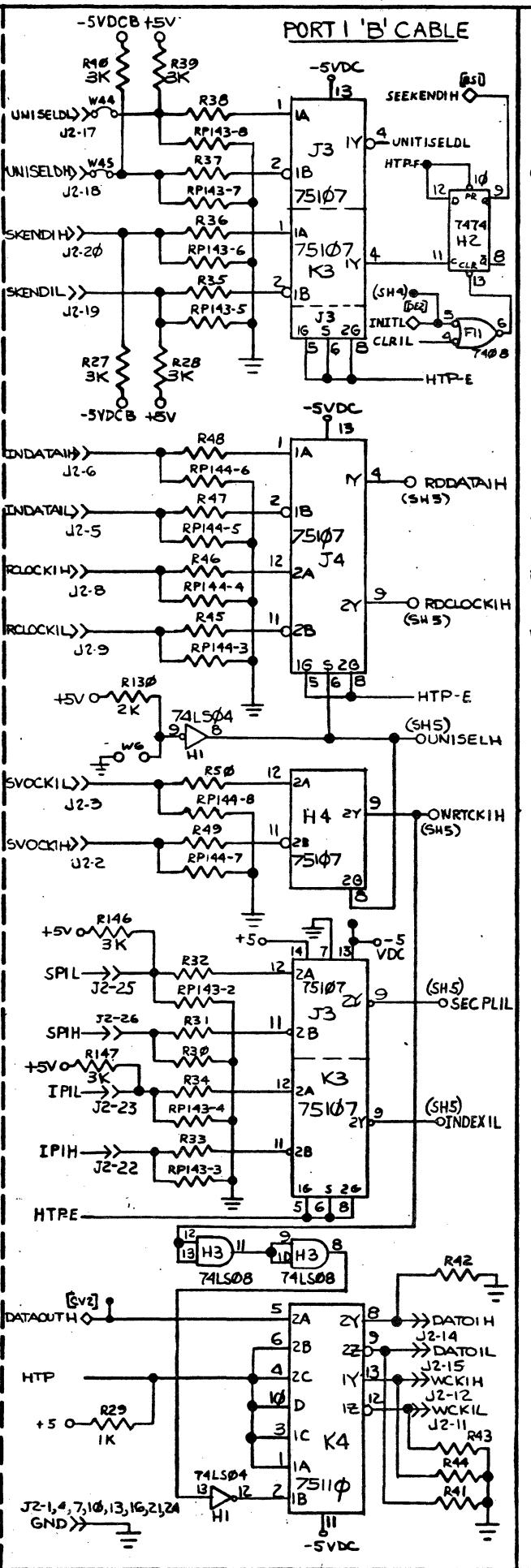
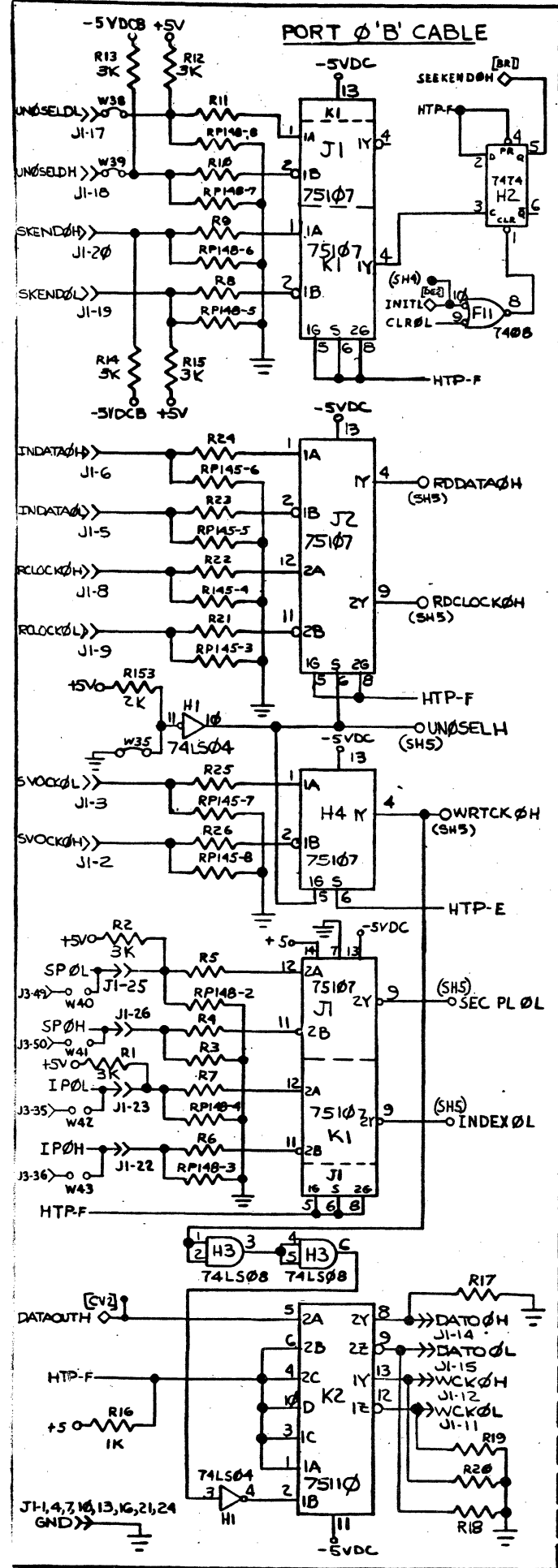


TOLERANCES (EXCEPT AS NOTED)			
FRACTIONAL	±	DECIMAL	±
ANGULAR	±	±	±

XYLOGIC OEM COMP GROUP			
TITLE	PH 200 BOARD 4	SCALE	AS SHOWN
DATE	22 OCT 75	DRAWING NUMBER	300-021-400
REV	L-5	REV	L-5

The information herein is the property of XYLOGIC OEM COMPONENT GROUP INCORPORATED. Transmitted, receipt, possession of the information does not imply any right to use, sell, or manufacture from this information and no reproduction or publication of it, in whole or in part, shall be made without written authorization from XYLOGIC OEM COMPONENT GROUP INCORPORATED.

REVISIONS		DATE	APPROVED
ZONE	DESCRIPTION		
B	SEE SHT. 2	3/2/77	



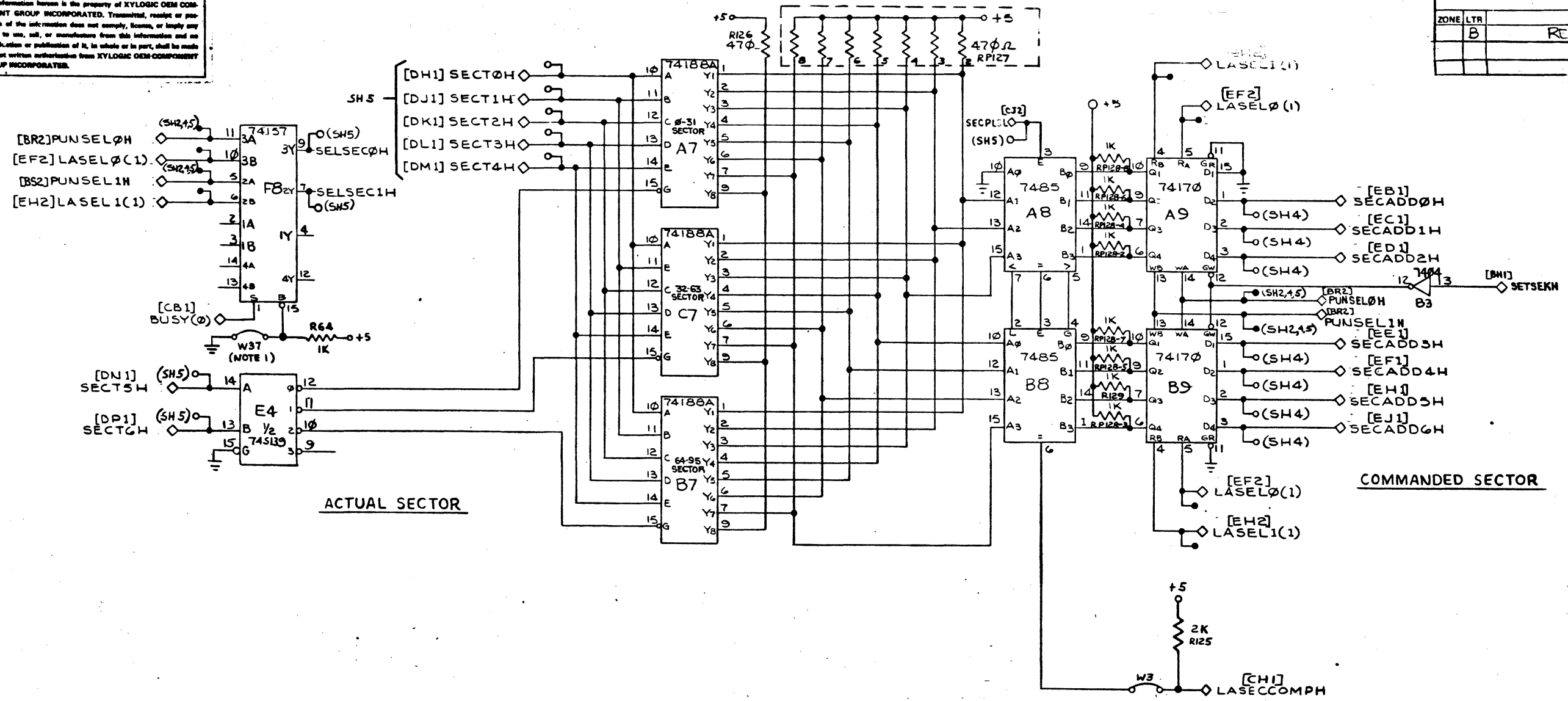
NOTES:
 1) UNLESS OTHERWISE SPECIFIED, ALL RESISTORS ARE 1/4W, 5%.
 2) TYPICAL TERMINATION:
 470Ω
 Rx
 FOR -1 ASSEMBLY Rx = 56Ω
 FOR -2 ASSEMBLY Rx = 68Ω

The information herein is the property of XYLOGIC OEM COMPONENT GROUP INCORPORATED. Transmittal, receipt or possession of the information does not constitute, license, or imply any rights to use, sell, or manufacture from this information and no reproduction or publication of it, in whole or in part, shall be made without written authorization from XYLOGIC OEM COMPONENT GROUP INCORPORATED.

XYLOGIC OEM COMP GROUP			
REV	DATE	SCALE	DRAWN BY
1	10/30/75		K.S.
TITLE		APPROVED BY	
PH200 BOARD 4			
PHYSICAL PORT B-3 RADIAL CABLE INT LOGIC			
DATE	DRAWING NUMBER	REV	SHT.
10/30/75	300-021-400	F	2

The information herein is the property of XYLOGIC OEM COMPONENT GROUP INCORPORATED. Transmittal, receipt or possession of the information does not imply, license, or imply any rights to use, sell, or manufacture from this information and no reproduction or publication of it, in whole or in part, shall be made without written authorization from XYLOGIC OEM COMPONENT GROUP INCORPORATED.

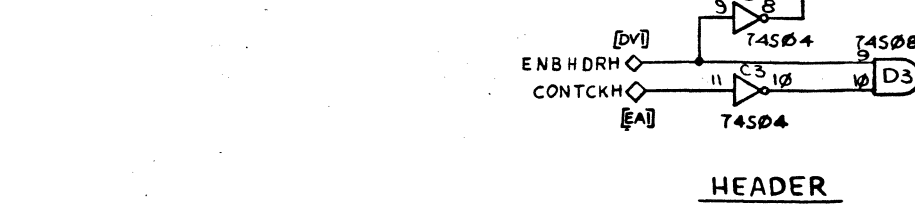
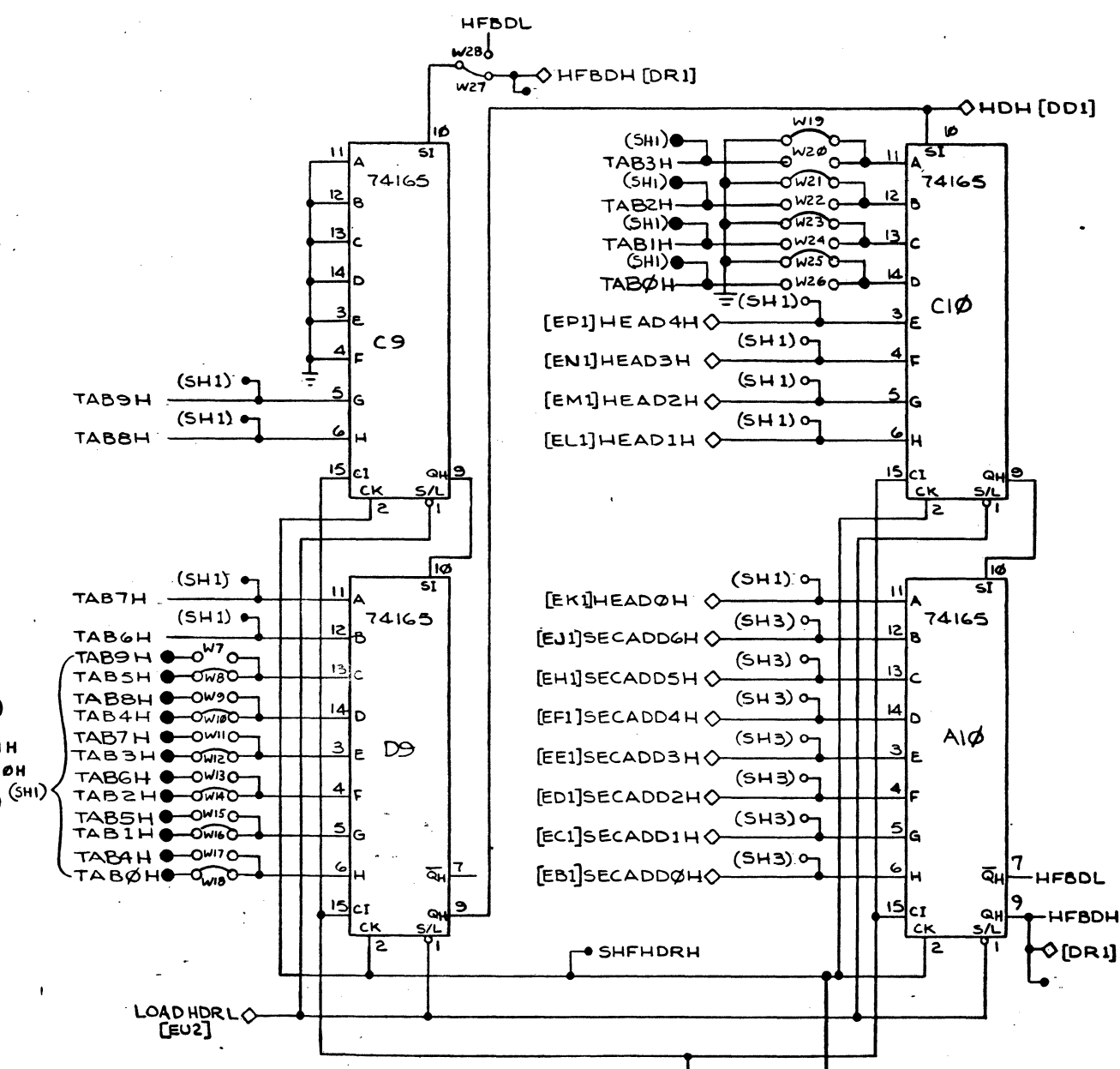
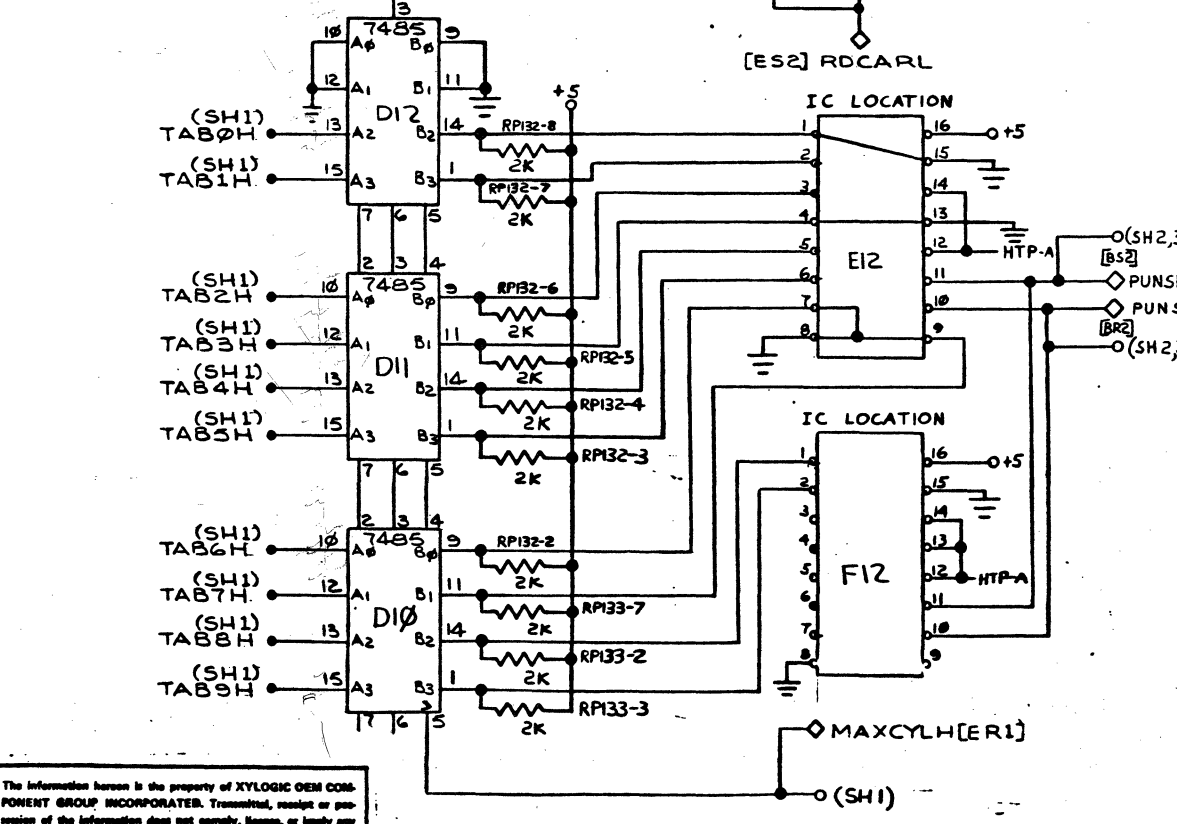
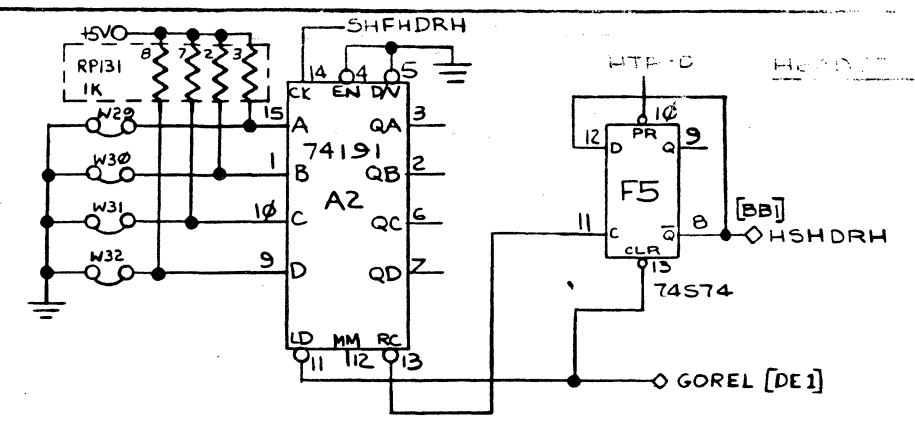
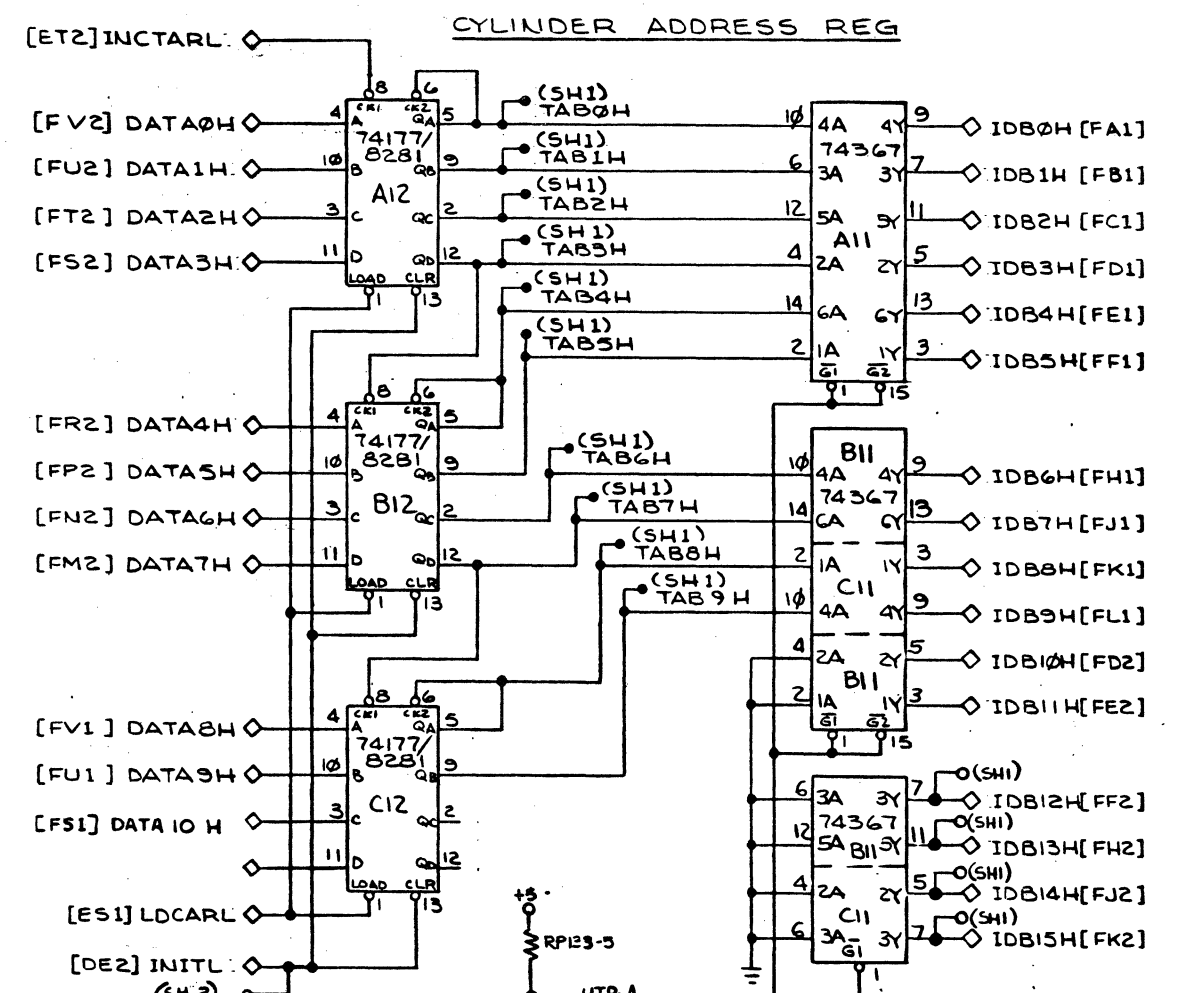
REVISIONS			
ZONE	LTR	DESCRIPTION	DATE
	B	RELEASE D	3/2/77
		ECO-004	



NOTE;
1. REMOVE W37 FOR INDEX/SECTOR ON "A" CABLE

TOLERANCES (EXCEPT AS NOTED)	XYLOGIC OEM COMP GROUP		
DECIMAL	SCALE	APPROVED BY	ED. MAHONEY
FRACTIONAL	TITLE	DATE	REV. ENT.
ANGULAR	11/3/75	300-021-400	F 3/5

REVISIONS				
ZONE	LTR	DESCRIPTION	DATE	APPROVED
	B	RELEASED	ECO-0044	3/2/77



The information herein is the property of XYLOGIC OEM COMPONENT GROUP INCORPORATED. Transmittal, receipt or possession of the information does not imply any right to use, sell, or manufacture from this information and no reproduction or publication of it, in whole or in part, shall be made without written authorization from XYLOGIC OEM COMPONENT GROUP INCORPORATED.

TOLERANCES (EXCEPT AS NOTED)			
DECIMAL	FRACTIONAL	ANGULAR	DATE
			10/30/75

XYLOGIC OEM COMP. GROUP

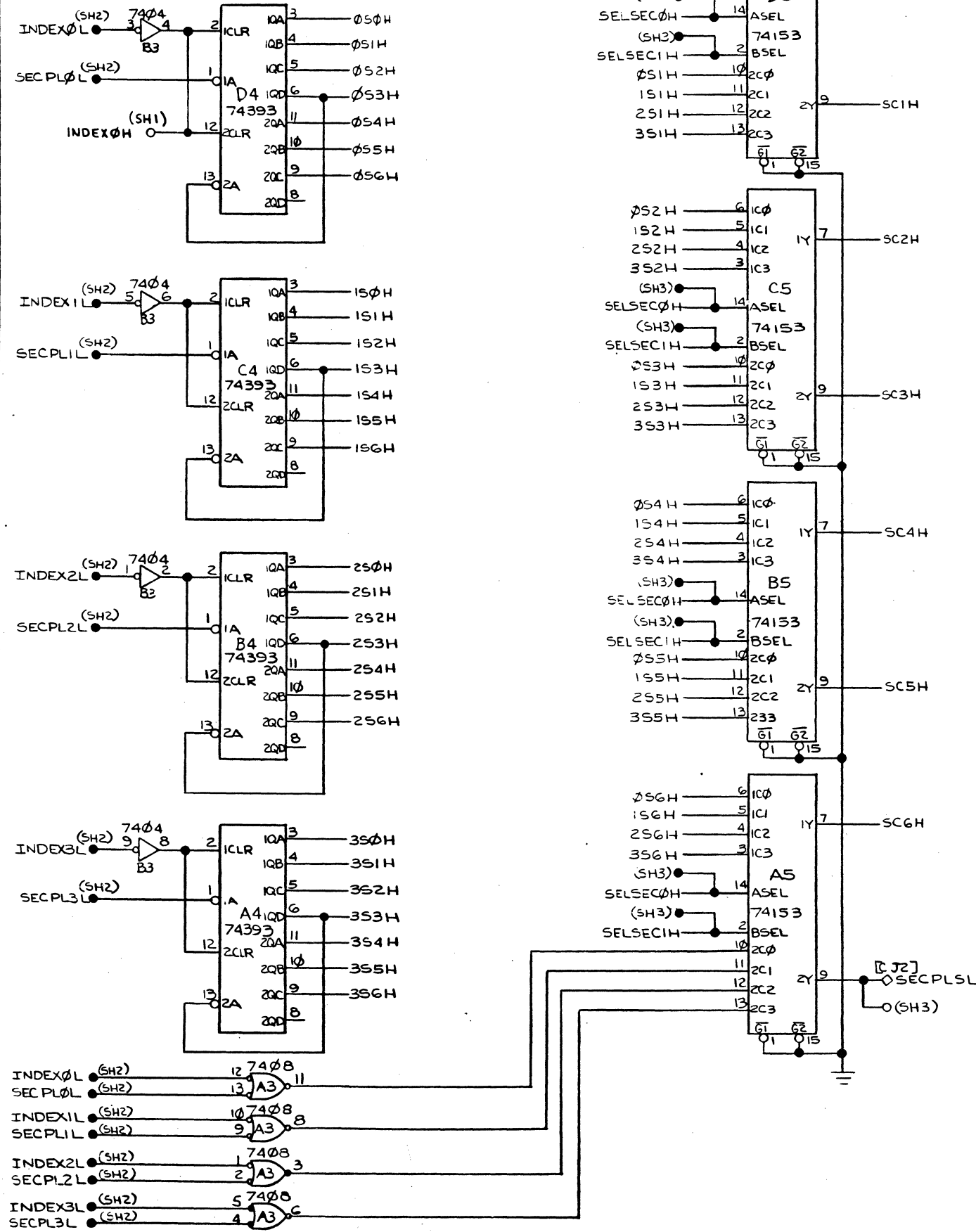
SCALE: DRAWN BY: EM
APPROVED BY:

TITLE: PH 200 BOARD 4
CYLADR REG, MAX CYL & HEADER LOGIC

DATE: 10/30/75
DRAWING NUMBER: 300-021-400 REV. 4

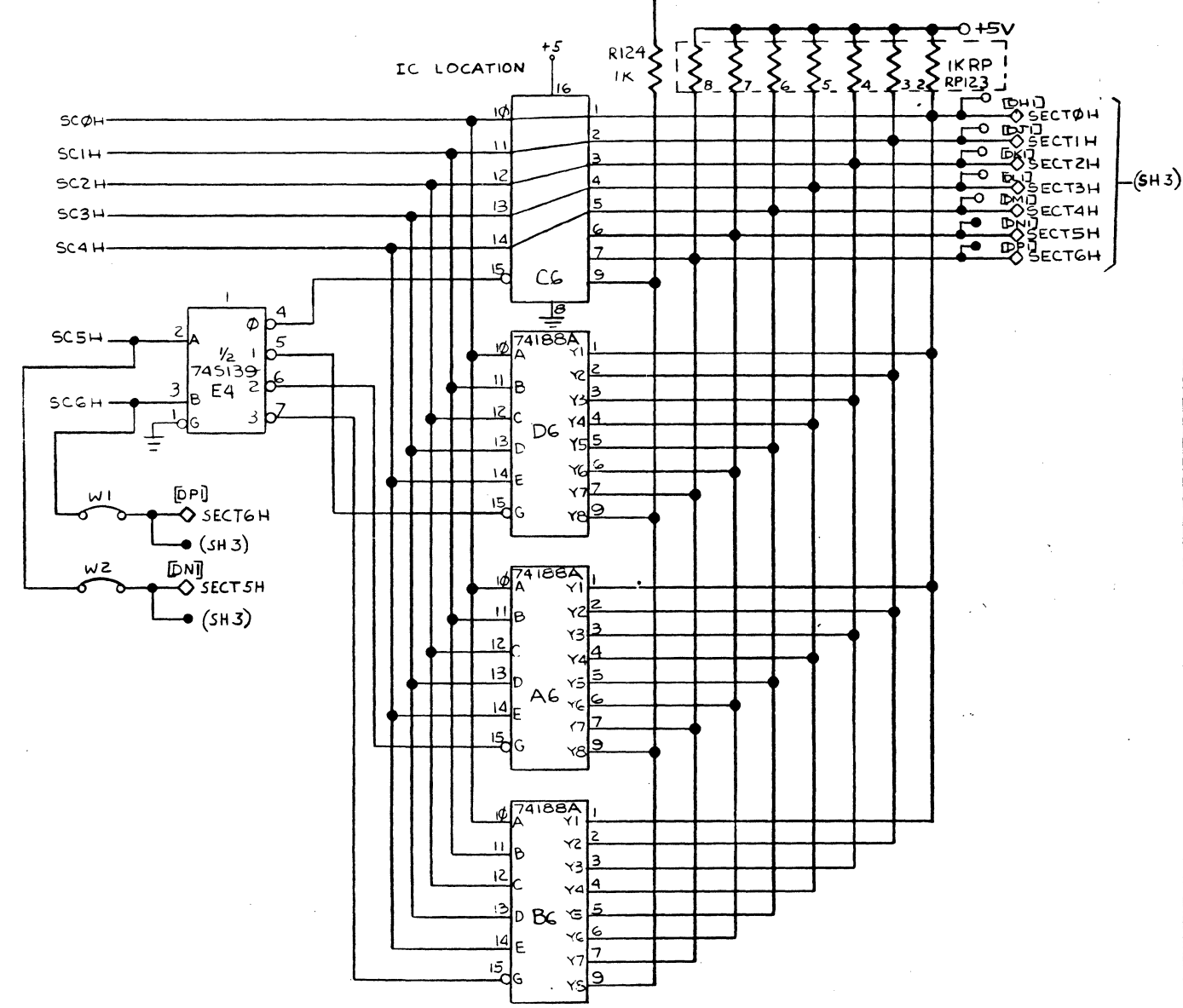
The information herein is the property of XYLOGIC OEM COMPONENT GROUP INCORPORATED. Transmittal, receipt or possession of the information does not convey, license, or imply any right to use, sell, or manufacture from this information and no reproduction or publication of it, in whole or in part, shall be made without written authorization from XYLOGIC OEM COMPONENT GROUP INCORPORATED.

SECTOR COUNTERS AND MULTIPLEXING

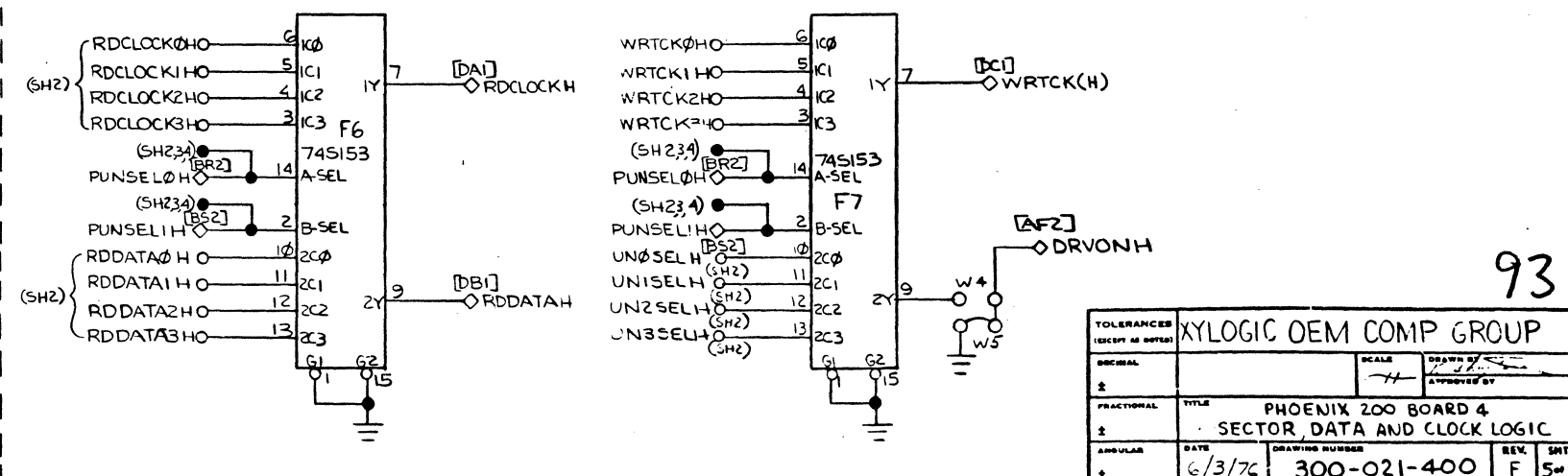


REVISIONS				
ZONE	LTR	DESCRIPTION	DATE	APPROVED
	B	RELEASED	6/30/77	3/2/77

OPTIONAL SECTOR INTERLEAVING




DATA AND CLOCK MULTIPLEXING



TOLERANCES (EXCEPT AS NOTED)		XYLOGIC OEM COMP GROUP	
DIMENSIONAL	SCALE	DRAWN BY	APPROVED BY
FRACTIONAL	1/16		
ANGULAR		TITLE: PHOENIX 200 BOARD 4 SECTOR, DATA AND CLOCK LOGIC	
	DATE: 6/3/76	DRAWING NUMBER: 300-021-400	REV. 5

TAB REV	TAB	SYSTEM	DWG REV	ECO NO.	CHK'D	APPR'D	DATE
BI	900	STANDARD	A	0117		WJK	7/7/77
AI	901	PWR FAIL OPTION	AI	0199 (-901 & -902)		DAM	2/3/78
A	902	STANDARD (M)					

DATE OF PRINT	DRAWN DAM 7/7/77		 Xylogics	TITLE: DOC/PKG 211 SYSTEMS UNIT		
					CHECKED	
	ENG. MECH.	ENG. ELEC.			SIZE A	400-023-9XX
	PROJECT ENGINEER					
NEXT ASSY			LEVEL: II	SHEET 1 OF 2	DOC. REV. AI	

ITEM NO.	PART NUMBER	DESCRIPTION	DOCUMENT TAB NUMBERS												
			X	900	901	902									
1	400-023-0XX	PARTS LIST	TAB	000	001	002									
			REV	BI	AI	A									
2	400-023-1XX	ASSY	TAB	100	101	102									
			REV	BI	AI	A									
3			TAB												
			REV												
4			TAB												
			REV												
5			TAB												
			REV												
6			TAB												
			REV												
7			TAB												
			REV												
8			TAB												
			REV												
9			TAB												
			REV												
10			TAB												
			REV												
11			TAB												
			REV												
12			TAB												
			REV												
13			TAB												
			REV												

NOTES:

SIZE D/P
A 400-023-9XX 96

SHEET 2 OF 2 REV AI

TAB REV	TAB	SYSTEM	DWG REV	ECO NO.	CHK'D	APPR'D	DATE
BI	000	STANDARD	B2	0117		WJK	7/7/77
AI	001	PWR FAIL OPTION	B3	0199 (001 & 002)		Stw	2/3/78
A	002	STANDARD (M)					

DATE OF PRINT



Xylogics

DRAWN DAM 7/7/77

TITLE:

CHECKED

PARTS LIST

ENG. MECH.

ENG. ELEC.

211 SYSTEMS UNIT

PROJECT ENGINEER

SIZE

A

400-023-OXX

NEXT ASSY

LEVEL: II

SHEET / OF 2

DOC. REV. B

				ST D	PWR FAIL	STD M							
1													
2													
3		Digital #11933C	Systems Unit	1	1	1							
4													
5	200-025-001		Spacer, Systems Unit	2	2	2							
6													
7	300-030-900		P.C. Board Blank	1	1	1							
8													
9		Auto-Swage W228-025-4000	W/W Pins	4	4	4							
10			RUBBER GROMMET	0	0	2							
11			# 8 SOCKET HD SCREW, 1 1/2" LONG	0	0	2							
12			30 GA SOLID KYNAR GRN WIRE	0	A/R	0							
13	400-022-900		Power Harness Cable	1	1	1							
14		AMP 60620-1	MALE PIN	0	1	0							
15		58-27-316-24	SCREW/WASHER	2	2	0							
16		AMP 1-480276-0	CONNECTOR	0	1	0							
17			16 GA TEFLON YEL ALPHA	0	A/R	0							
				000	001	-3	-4	-5	-6	-7	-8		

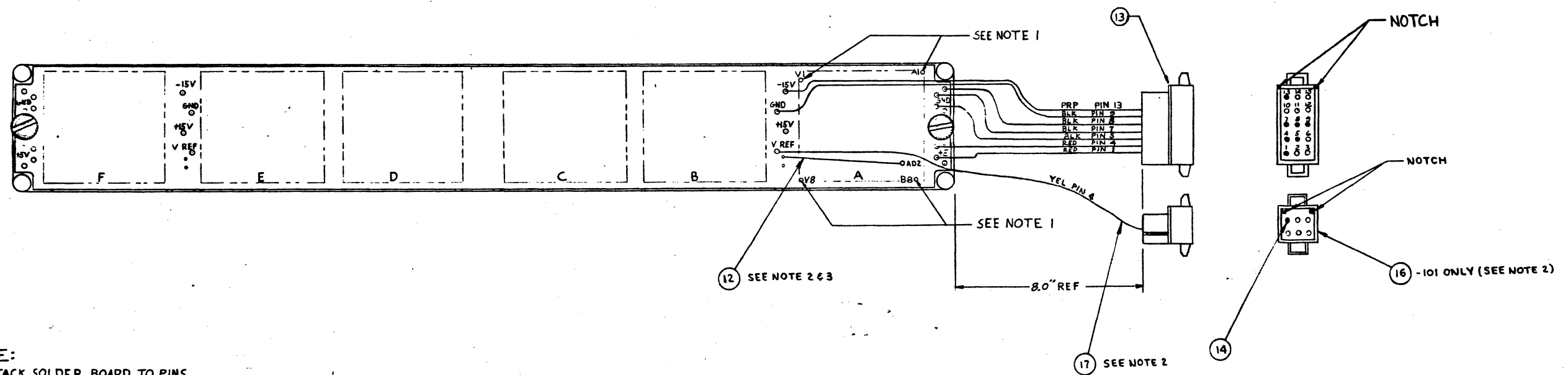
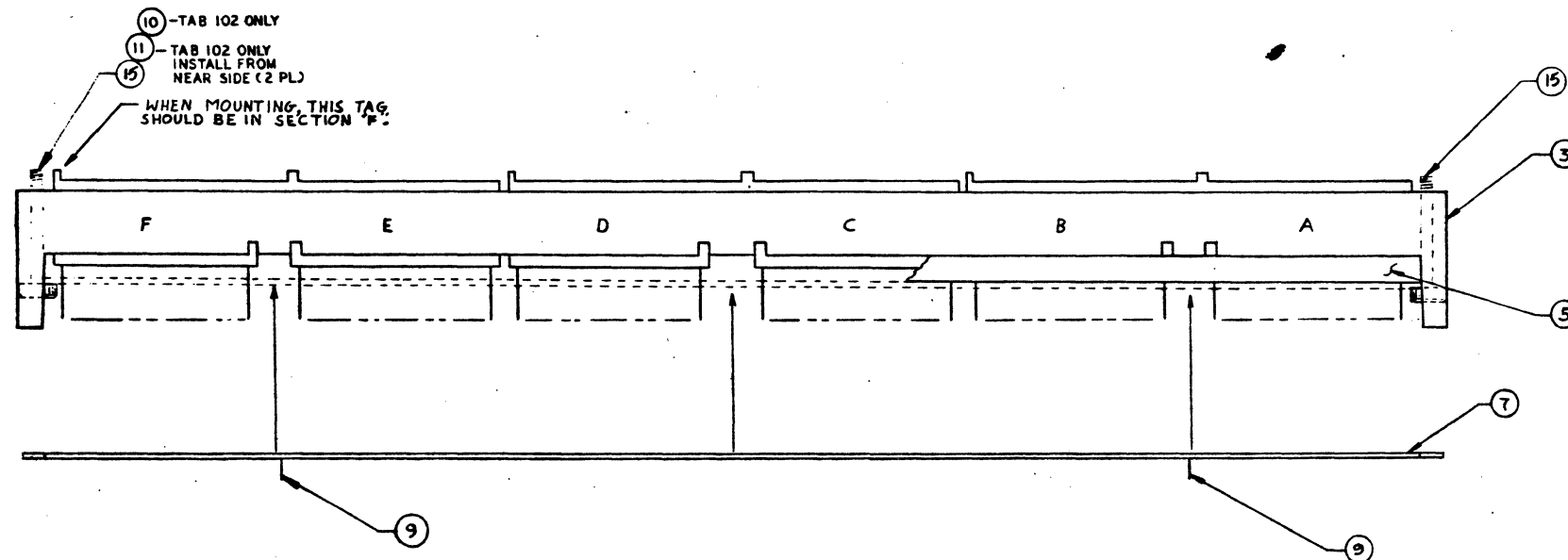
ITEM NO.	XYLOGICS PART NO.	VENDORS PART NO.	DESCRIPTION	LOCATION	QUANTITY REQUIRED
----------	-------------------	------------------	-------------	----------	-------------------

XYLOGIC OEM COMPONENTS GROUP INC.

DWG NO. PL 400-023-0xx

The information herein is the property of XYLOGIC OEM COMPONENT GROUP INCORPORATED. Transmittal, receipt or possession of the information does not comply, license, or imply any rights to use, sell, or manufacture from this information and no reproduction or publication of it, in whole or in part, shall be made without written authorization from XYLOGIC OEM COMPONENT GROUP INCORPORATED.

ZONE	LTR	DESCRIPTION	DATE	APPROVED
A		RELEASED	11/19/76	
B		REVISED PER MARKED PRINT	11/23/76	WJK
B1		REVISED PER ECN # 0026 ET	1/12/77	SK
B2		ADDED TAB 101 PER ECO # 0117	7/7/77	WJK
B3		ADDED TAB 102 PER ECO # 0199	1/3/78	Sam



NOTE:

1. TACK SOLDER BOARD TO PINS ON THE FOUR MOST CORNER HOLES AS SHOWN ON SECTIONS A,B,C,D,E,F, AFTER TACK SOLDERING REMOVE SPACERS AND RETURN TO STOCK.
2. INSTALL AFTER WAVE SOLDER
3. WIREWRAP ITEM 12 TWO PLACES AS SHOWN (V REF AND AD2)

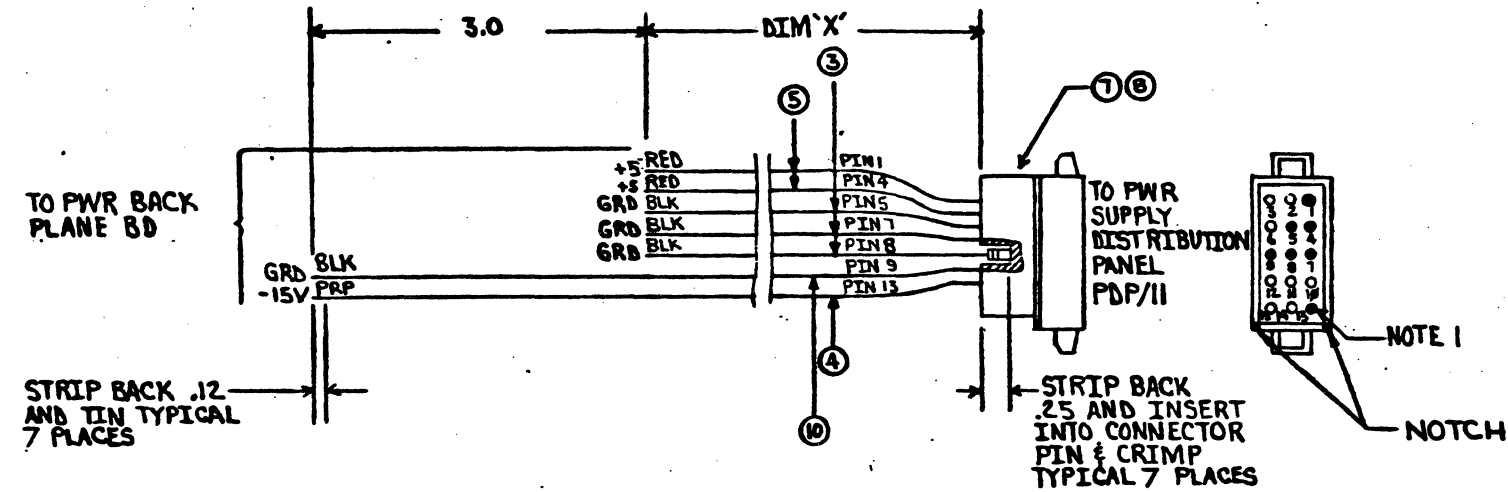
STANDARD (M)	102	A
FWR FAIL OPTION	101	A1
STANDARD	100	B1
UNIT	TAB	REV

XYLOGIC OEM COMP GROUP INC.

SCALE	1/1	APPROVED BY	
DATE	6-25-76	DESIGNED BY	D. Williams
PHOENIX 211 SYSTEMS UNIT ASSEMBLY			
REV:	B3	QUANTITY	400-023-1XX

This information is the property of XYLOGIC OEM COMPONENT GROUP INCORPORATED. Transmittal receipt or possession of the information does not convey, license, or imply any right to use, sell, or manufacture from its information and no reproduction or publication of it, in whole or in part, shall be made without written authorization from XYLOGIC OEM COMPONENT GROUP INCORPORATED.

REVISIONS				
ZONE	LTR	DESCRIPTION	DATE	APPROVED
	A	RELEASED	11/13/76	




PART NO	DIM 'X'
-1	8.0 INCHES
-2	
-3	
-4	
-5	

NOTES:
 1) BLACK DOTS INDICATE PINS USED.
 2) CABLE TO BE HARNESSSED USING NYLON TY-RAP ITEM 9 ON P/L

XYLOGICS OEM COMP		
DATE: 1-23-76	REVISED BY:	PAGE
PHOENIX 211 POWER HARNESS CABLE		
400-022-100		

1024-04

TAB REV	TAB NO	DESCRIPTION	DWG REV	ECO	APPD	DATE
A	900	1 FT LONG	A1	0176	WJK	12/1/77
A	901	8 FT LONG				
A	902	9 FT LONG				
A	903	10 FT LONG				


TOLERANCES (UNLESS OTHERWISE NOTED)			 Xylogics OEM COMPONENT GROUP INC.			
.XX	±.01	FRACTION	ANG			
.XXX	±.005	±1/64	±1/2			
DRAWN	DAM	11/9/77	TITLE			
CHECKED			DOC / PKG			
ENGR APPD			INTERFACE CABLE (50 COND)			
ENGR APPD			SIZE	DRAWING NO.	REV	
PROJECT MANAGER	Wally Keuniga	12/1/77	A	400-032-90X	A1	
			SCALE	SHEET	OF	LEVEL
			H	1	2	II

102

ITEM NO.	PART NUMBER	DESCRIPTION											
			900	901	902	903							
1	400-032-00X	PARTS LIST	000	001	002	003							
			A1	A	A	A							
			100	101	102	103							
2	400-032-10X	ASSY DWG	A	A	A	A							
									SIZE	400-032-90X			
									A				
									P/L	SHEET 2 OF 2		REV A1	

104

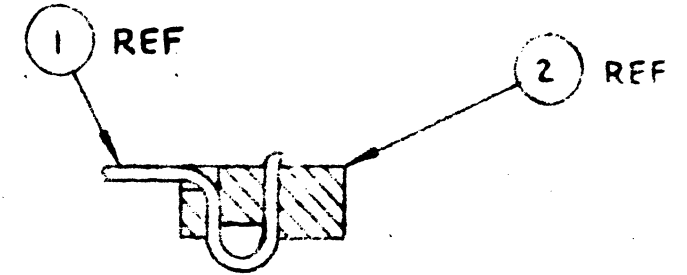
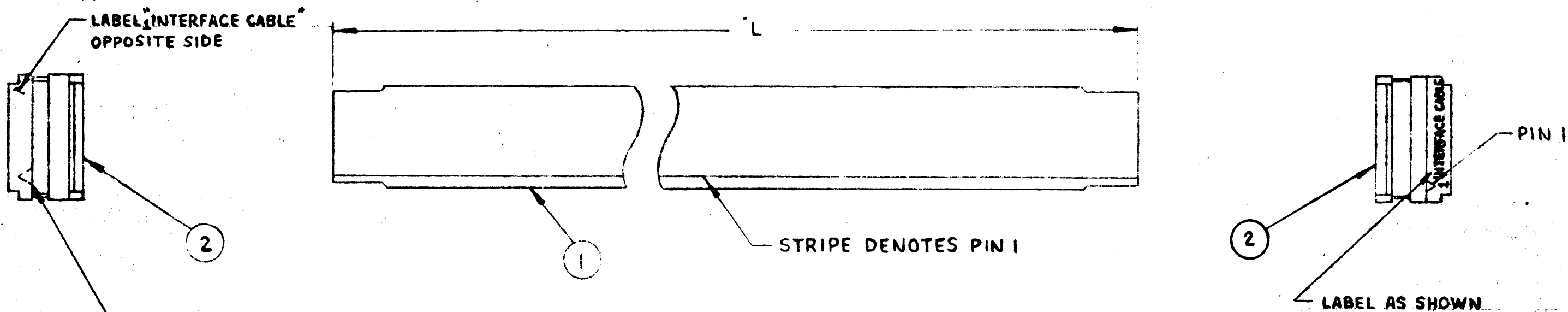
TAB REV	TAB NO	DESCRIPTION	DWG REV	ECO	APPD	DATE
A	000	1 FT LONG	A1	0176	WJK	12/1/77
A	001	8 FT LONG				
A	002	9 FT LONG				
A	003	10 FT LONG				

TOLERANCES (UNLESS OTHERWISE NOTED)			 Xylogics OEM COMPONENT GROUP INC.			
.XX	±.01	FRACTION	ANG			
.XXX	±.005	±1/64	±1/2			
DRAWN	DAM	11/8/77	TITLE			
CHECKED			PARTS LIST			
ENGR APPD			INTERFACE CABLE (50 COND)			
ENGR APPD			SIZE	DRAWING NO.	REV	
PROJECT MANAGER	Wally Kewiga	12/1/77	A	400-032-00X	A1	
			SCALE	#	SHEET 1 OF 2	LEVEL II

10/2/77

The information herein is the property of XYLOGIC OEM COMPONENT GROUP INCORPORATED. Transmittal, receipt or possession of the information does not comply, license, or imply any rights to use, sell, or manufacture from this information and no reproduction or publication of it, in whole or in part, shall be made without written authorization from XYLOGIC OEM COMPONENT GROUP INCORPORATED.

REVISIONS				
ZONE	REV	DESCRIPTION	DATE	APPROVED
	A1	0176	12/1/77	W. Kewage



10 FT	103	A
9 FT	102	A
8 FT	101	A
1 FT	100	A
'L'	TAB	REV

TOLERANCES (UNLESS OTHERWISE NOTED)			
.XX	±.01	FRACTION	ANG
.XXX	±.005	±1/64	±1/2

Xylogics OEM COMPONENT GROUP INC.

DRAWN	DAM	11/8/77
CHECKED		
ENGR APPD		
ENGR APPD		
PROJECT MANAGER	Wally Kewage	12/1/77

TITLE		
ASSY		
INTERFACE CABLE (50 COND)		
SIZE	DRAWING NO.	REV
8	400-032-10X	A1
SCALE	SHEET	OF
	1	1
LEVEL		

107

TAB REV	TAB NO	DESCRIPTION	DWG REV	ECO	APPD	DATE
A	900	STANDARD	A	0206	wjk	11/23/78
A	901	STANDARD (M)				
A	902	POWER FAIL				
A	903	POWER FAIL (M)				

TOLERANCES (UNLESS OTHERWISE NOTED)			
.XX	±.01	FRACTION	ANG
.XXX	±.005	±1/64	±1/2
DRAWN	DAM	1/11/78	
CHECKED			
ENGR APPD			
ENGR APPD			
PROJECT MANAGER	<i>Wiley Kemper</i>	1/23/78	



Xylogics OEM COMPONENT GROUP INC.

TITLE
 DOC / PKG
 4 SLOT SAE SYSTEMS UNIT
 PH 211

SIZE A	DRAWING NO. 400-041-90X	REV A
SCALE #	SHEET 1 OF 2	LEVEL II

108

TAB REV	TAB NO	DESCRIPTION	DWG REV	ECO	APPD	DATE
A	000	STANDARD	A	0206	WJK	1/23/78
A	001	STANDARD (M)				
A	002	POWER FAIL				
A	003	POWER FAIL (M)				

TOLERANCES (UNLESS OTHERWISE NOTED)			
.XX	±.01	FRACTION	ANG
.XXX	±.005	±1/64	±1/2
DRAWN	DAM	1/11/78	
CHECKED			
ENGR APPD			
ENGR APPD			
PROJECT MANAGER	Wally Kauriga	1/23/78	

 **Xylogics** OEM COMPONENT GROUP INC.

TITLE
PARTS LIST
4 SLOT SAE SYSTEMS UNIT
PH 211

SIZE A	DRAWING NO. 400-041-00X	REV A
SCALE 1/4	SHEET 1 OF 2	LEVEL II

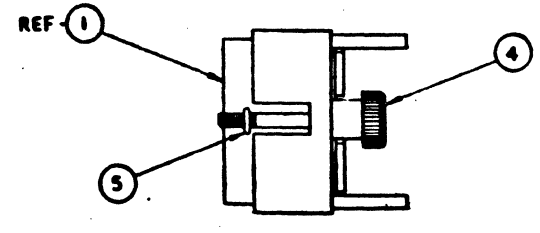
ITEM NO	PART NUMBER	DESCRIPTION	000	001	002	003	REFERENCE DESIGNATION			
1	Q185	SYSTEMS UNIT (SAE)	1	1	1	1				
2										
3	400-022-900	POWER CABLE	1	1	1	1				JI
4	58-27-316-24	JACKSCREW (AMPHENAL)	2	0	2	0				
5		RUBBER GROMMET	2	2	2	2				
6		#8 SOCKET HD SCW, 1/2 LG	0	2	0	2				
7										
8	1-480276-0	CONNECTOR (AMP)	0	0	1	1				
9	60620-1	MALE PIN (AMP)	0	0	1	1				
10										
11	(ALPHA)	16 GA TEFLON YEL WIRE	0	0	A/R	A/R				
12		30 GA SOLID GRN WIRE	0	0	A/R	A/R				
13										
14	200-042-001	IDENT LABEL	1	1	1	1				
15										
16	W228-025-4000	W/W PIN (AUTO SWAGE)	0	0	1	1				EI

NOTES	SIZE A	400-041-00X	
	P/L	SHT 2 OF 2	REV A

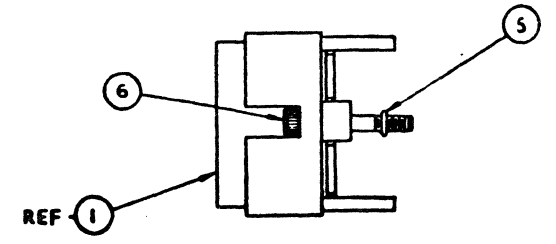
111

The information shown is the property of SYLOGIC GDS GDS COMPONENT GROUP INCORPORATED. Transmission, receipt or possession of the information does not imply, direct, or imply any right to use, sell, or manufacture from this information and its contents, or publication of it, in whole or in part, shall be made without written authorization from SYLOGIC GDS COMPONENT GROUP INCORPORATED.

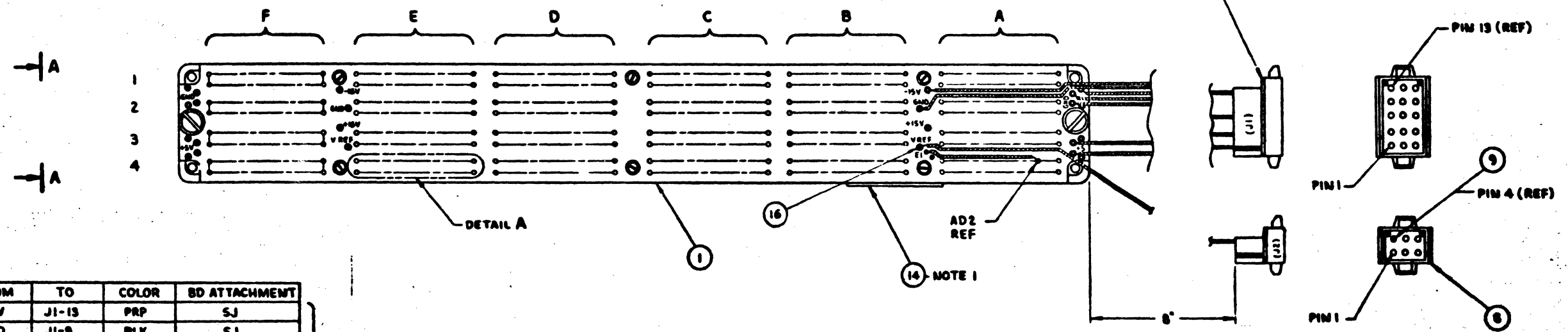
REVISIONS			
ZONE	REV	DESCRIPTION	DATE
A	0206		1-23-78



VIEW A-A
-100, 102 ONLY
2 PLACES



VIEW A-A
-101, 103 ONLY
2 PLACES

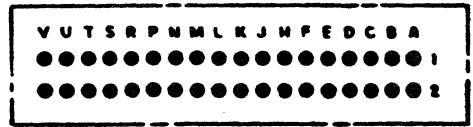


FROM	TO	COLOR	BD ATTACHMENT
-15V	J1-13	PRP	SJ
GND	J1-9	BLK	SJ
GND	J1-8	BLK	SJ
GND	J1-7	BLK	SJ
GND	J1-5	BLK	SJ
+5V	J1-4	RED	SJ
+5V	J1-1	RED	SJ
V REF	J2-4	YEL	SJ
E1	AD2	GRN	W/W (BOTH ENDS)

ALL ASSY'S

-102, -103 ONLY (NOTE 2)

SJ DENOTES SOLDER JOINT
W/W DENOTES WIRE WRAP



DETAIL A
24 PLACES

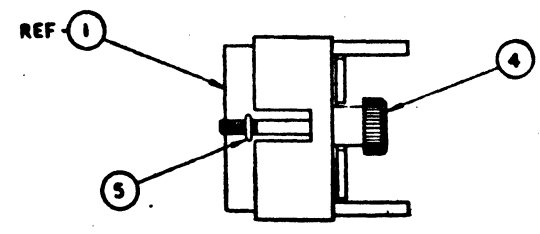
NOTES:
1. IDENTIFY ASSY WITH DOC/PKG NO., TAB REVISION AND SERIAL NO. USING ITEM 14. LOCATE APPROX AS SHOWN
2. INSTALL AFTER WAVE SOLDER

REV	TAB	DESCRIPTION
A	103	POWER FAIL OPT (M)
A	102	POWER FAIL OPT
A	101	STANDARD (M)
A	100	STANDARD

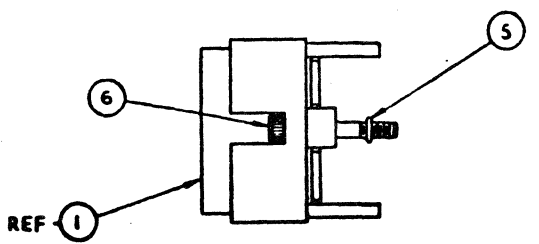
SYLOGIC GDS COMPONENT GROUP INC.	TITLE	4 SLOT SYSTEMS UNIT (SAE) PH 211
PROJECT MANAGER	DATE	400-041-10X

The information shown is the property of XYLONIC GEM COMPONENT GROUP INCORPORATED. Theoretical, design or production of the information does not imply, license, or imply any right to use, sell, or manufacture from this information and its reproduction, or publication of it, in whole or in part, shall be made without written authorization from XYLONIC GEM COMPONENT GROUP INCORPORATED.

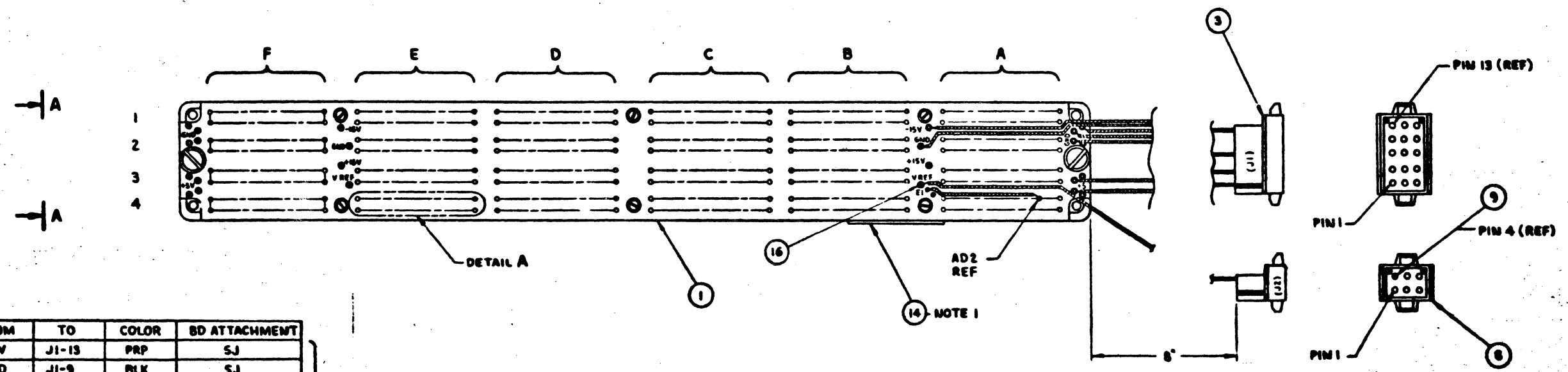
REVISIONS				
ZONE	REV	DESCRIPTION	DATE	APPROVED
A	0206		1-23-76	<i>[Signature]</i>



VIEW A-A
-100,102 ONLY
2 PLACES



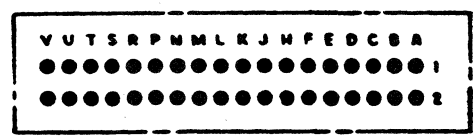
VIEW A-A
-101,103 ONLY
2 PLACES



FROM	TO	COLOR	BD ATTACHMENT
-15V	J1-13	PRP	SJ
GND	J1-9	BLK	SJ
GND	J1-8	BLK	SJ
GND	J1-7	BLK	SJ
GND	J1-5	BLK	SJ
+5V	J1-4	RED	SJ
+5V	J1-1	RED	SJ
V REF	J2-4	YEL	SJ
E1	AD2	GRN	W/W (BOTH ENDS)

ALL ASSY'S
-102, -103 ONLY (NOTE 2)

SJ DENOTES SOLDER JOINT
W/W DENOTES WIRE WRAP



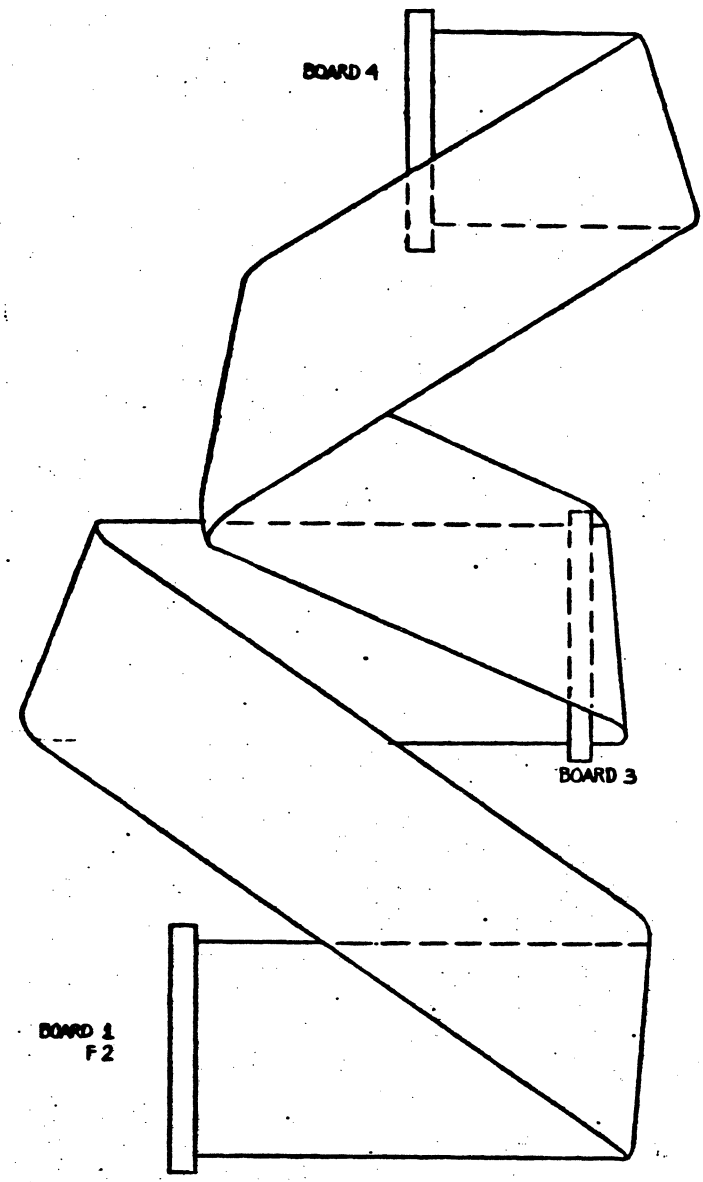
DETAIL A
24 PLACES

NOTES:
1. IDENTIFY ASSY WITH DOC/PKG NO., TAB REVISION AND SERIAL NO. USING ITEM 14. LOCATE APPROX AS SHOWN.
2. INSTALL AFTER WAVE SOLDER

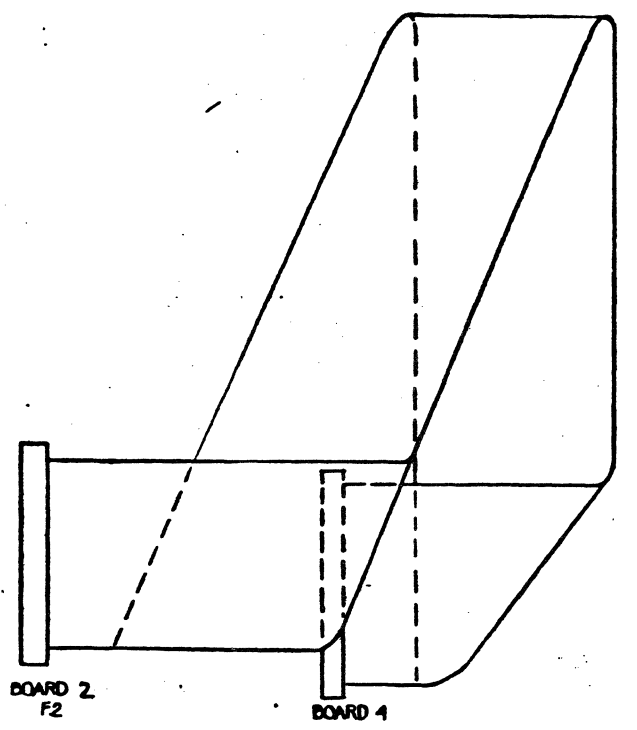
A	103	POWER FAIL OPT (M)																																
A	102	POWER FAIL OPT																																
A	101	STANDARD (M)																																
A	100	STANDARD																																
REV	TAB	DESCRIPTION																																
<table border="1"> <thead> <tr> <th colspan="2">TOLERANCES</th> <th colspan="2">UNLESS OTHERWISE NOTED</th> </tr> <tr> <th>XX</th> <th>± .01</th> <th>FRACTION</th> <th>DEC</th> </tr> <tr> <th>XX</th> <th>± .005</th> <th>± .000</th> <th>± .010</th> </tr> </thead> <tbody> <tr> <td>DRN</td> <td>DAM</td> <td>V</td> <td>W/W</td> </tr> <tr> <td>CHKD</td> <td></td> <td></td> <td></td> </tr> <tr> <td>APP</td> <td></td> <td></td> <td></td> </tr> <tr> <td>APP</td> <td></td> <td></td> <td></td> </tr> <tr> <td>APP</td> <td></td> <td></td> <td></td> </tr> </tbody> </table>			TOLERANCES		UNLESS OTHERWISE NOTED		XX	± .01	FRACTION	DEC	XX	± .005	± .000	± .010	DRN	DAM	V	W/W	CHKD				APP				APP				APP			
TOLERANCES		UNLESS OTHERWISE NOTED																																
XX	± .01	FRACTION	DEC																															
XX	± .005	± .000	± .010																															
DRN	DAM	V	W/W																															
CHKD																																		
APP																																		
APP																																		
APP																																		
		TITLE 4 SLOT SYSTEMS UNIT (SAE) PH 211																																
PROJECT NUMBER D		400-041-10X																																

The information herein is the property of XYLOGIC OEM COMPONENT GROUP INCORPORATED. This information is not to be disseminated, in whole or in part, to any person, firm, or organization, without the prior written consent of XYLOGIC OEM COMPONENT GROUP INCORPORATED.

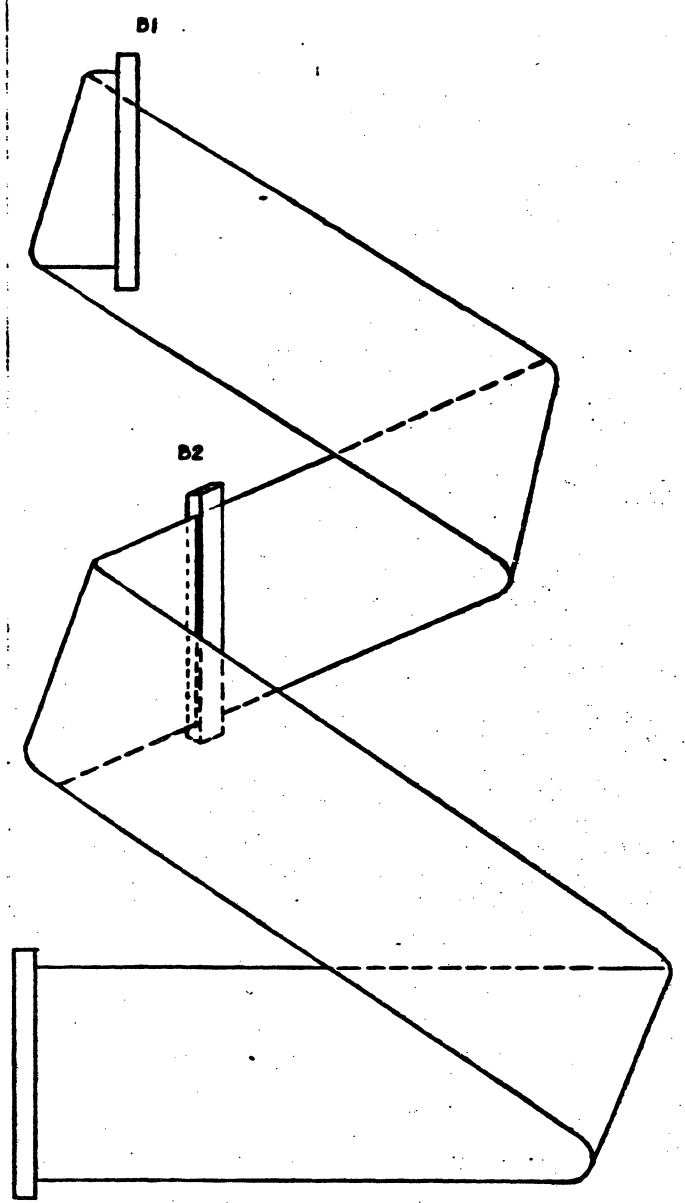
REVISE		REVISION	DATE	APPROVED
NO	LTR	DESCRIPTION		
A		RELEASED	12-8-76	



CABLE 4



CABLE 3



CABLE 2

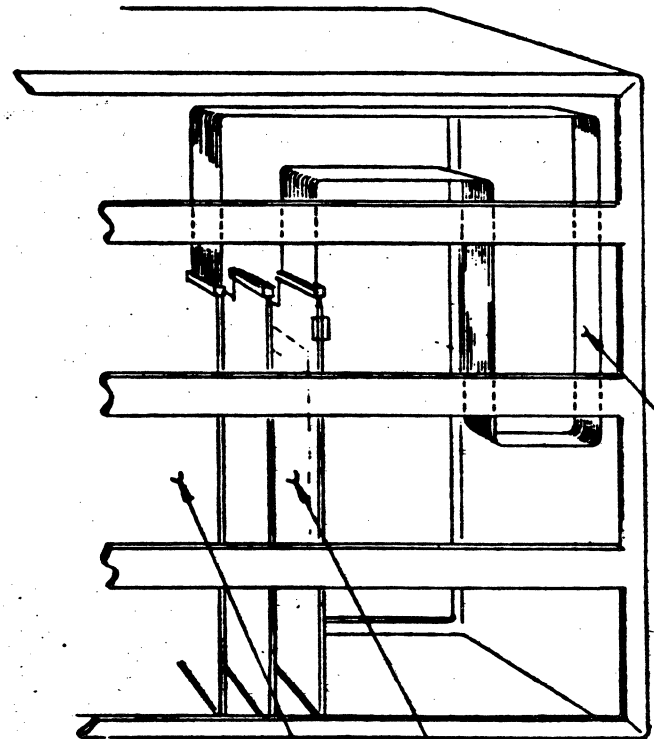
XYLOGIC OEM COMPONENT GROUP	
DATE	12/4/76
TIME	400-033-000
BY	A
CHK	10

1/4

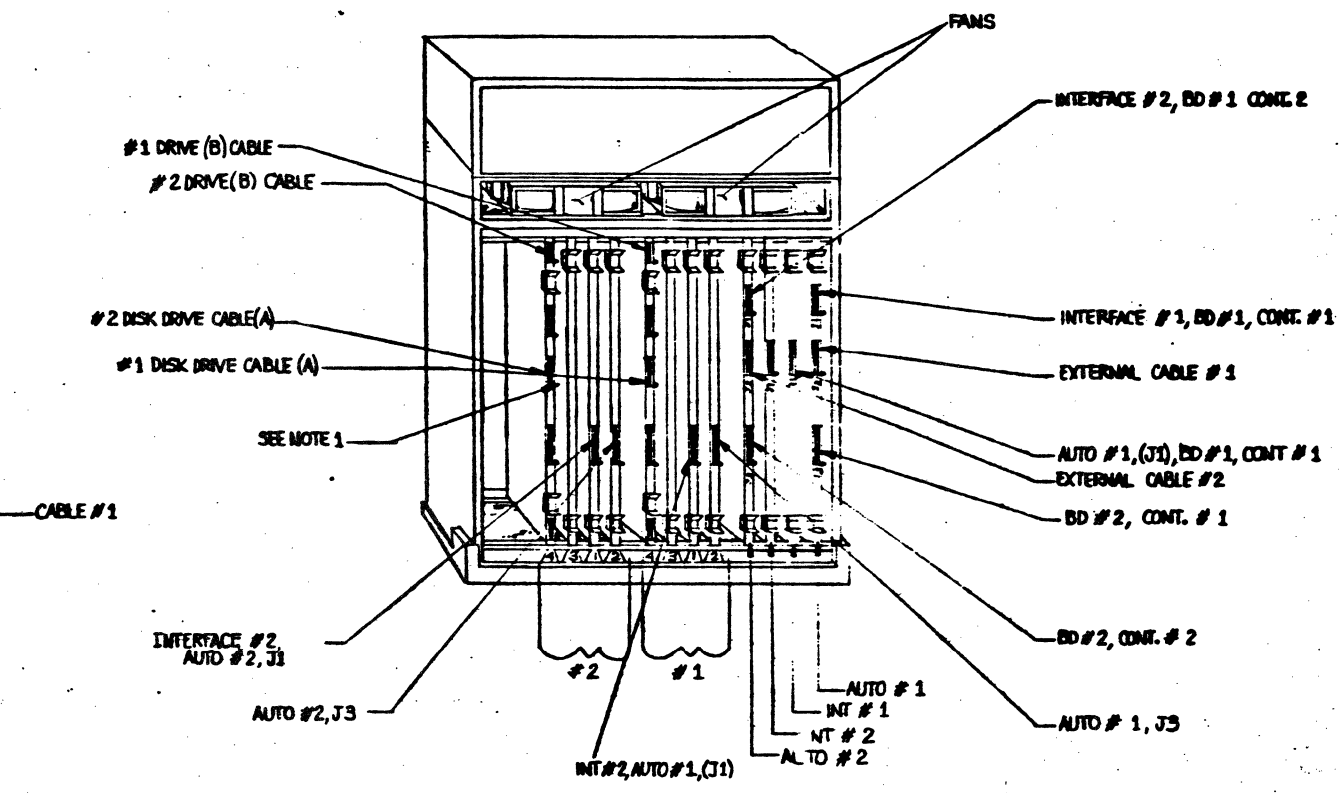
Information is the property of SPANIX O&E. This information is not to be distributed, copied, or used in any way without the written consent of SPANIX O&E. If you are a contractor, you shall be held responsible for the accuracy of the information you provide to SPANIX O&E.

REV. NO.		DESCRIPTION	DATE	APPROVED
A	RELEASED		12-8-76	

SIDE VIEW



TOP VIEW




BOARD 1 SW AUTO-SWITCH
BOARD 1 F#1

NOTE:
1 (-) DESIGNATES PIN ONE.

XYLOGIC OEM COMPONENT GROUP	
DATE	12/7/76
PHOENIX 2M INTERCONNECT CABLES	400-033-400
REV	1
DATE	12-8-76

TAB REV	TAB	SYSTEM	DWG REV	ECO NO.	CHK'D	APPR'D	DATE
A	900	STD 1 DRIVE UNIT	A	REL# 0130		WJK	8/4/77
A	901	2 DRIVE UNIT					
A	902	3 DRIVE UNIT					
A	903	4 DRIVE UNIT					
A	904	2 DRIVES/ 2 X ACOUSTIC CAB					
A	905	4 DRIVES 2 X ACOUSTIC CAB					

DATE OF PRINT			 Xylogics				
							DRAWN
			CHECKED				DOC/PKG
			ENG. MECH		ENG. ELEC.		116
			PROJECT ENGINEER		<i>W. Lawrence</i>		FLAT CABLE KIT PH 211
NEXT ASSY			SIZE	500-008-90X			
			A				
			LEVEL: II	SHEET / OF 2		DOC. REV. A	


ITEM NO.	PART NUMBER	DESCRIPTION	X	900	901	902	903	904	905				
				TAB	000	001	002	003	004	005			
1	500-008-0XX	PARTS LIST		REV	A	A	A	A	A				
2				TAB									
				REV									
3				TAB									
				REV									
4				TAB									
				REV									
5				TAB									
				REV									
6				TAB									
				REV									
7				TAB									
				REV									
8				TAB									
				REV									
9				TAB									
				REV									
10				TAB									
				REV									
11				TAB									
				REV									
12				TAB									
				REV									
13				TAB									
				REV									

NOTES:

SIZE D/P
A 500-008-90X

SHEET 2 OF 2 A

TAB REV	TAB	SYSTEM	DWG REV	ECO NO.	CHK'D	APPR'D	DATE
A	000	STD 1 DRIVE UNIT	A	REL#0130		WJR	8/4/77
A	001	2 DRIVE UNIT					
A	002	3 DRIVE UNIT					
A	003	4 DRIVE UNIT					
A	004	2 DRIVES/ 2 X ACOUSTIC CAB					
A	005	4 DRIVES 2 X ACOUSTIC CAB					

	DATE OF PRINT		 Xylogics	TITLE:		
	DRAWN	DAM		8/1/77	PARTS LIST FLAT CABLE KIT PH 211	
	CHECKED					
	ENG. MECH.	ENG. ELEC.			118	
	PROJECT ENGINEER <i>W. Kewring</i>				SIZE	500-008-00X
NEXT ASSY			A	LEVEL: II	SHEET / OF 2	DOC. REV. A

TAB REV	TAB NO	DESCRIPTION	DWG REV	ECO	APPD	DATE
A1	900	INDEX/SEC "B" CABLE 1 DRIVE UNIT (STD)	A	REL #0130	WJK	8/4/74
A1	901	INDEX/SEC "B" CABLE 2 DRIVE UNIT	A1	0261 (TABS 900-907)	<i>Dtm</i>	5/10/78
A1	902	INDEX/SEC "B" CABLE 3 DRIVE UNIT				
A1	903	INDEX/SEC "B" CABLE 4 DRIVE UNIT				
A	904	INDEX/SEC "A" CABLE 1 DRIVE				
A	905	INDEX/SEC "A" CABLE 2 DRIVE				
A	906	INDEX/SEC "A" CABLE 3 DRIVE				
A	907	INDEX/SEC "A" CABLE 4 DRIVE				


TOLERANCES (UNLESS OTHERWISE NOTED)				Xylogics OEM COMPONENT GROUP INC.	
.XX	±.01	FRACTION	ANG		
.XXX	±.005	±1/64	±1/2		
DRAWN	DAM	8/1/77	TITLE	DOC/PKG ROUND CABLE KIT PH211	
CHECKED					
ENGR APPD					
ENGR APPD					
PROJECT MANAGER	W. Kewriga		SIZE A	DRAWING NO. 500-011-90X	REV A1
		SCALE	<i>44</i>	SHEET 1 OF 2	LEVEL II

ITEM NO.	RT NUMBER	DESCRIPTION	X	900	901	902	903	904	905	906	907		
				TAB	000	001	002	003	004	005	006	007	
1	500-011-00X	PARTS LIST		REV	AI	AI	AI	AI	A	A	A	A	
2				TAB									
				REV									
3				TAB									
				REV									
4				TAB									
				REV									
5				TAB									
				REV									
6				TAB									
				REV									
7				TAB									
				REV									
8				TAB									
				REV									
9				TAB									
				REV									
10				TAB									
				REV									
11				TAB									
				REV									
12				TAB									
				REV									
13				TAB									
				REV									


NOTES:

SIZE	D/P.	
A		500-011-90X
SHEET 2 OF 2		REV AI

TAB REV	TAB NO	DESCRIPTION	DWG REV	ECO	APPD	DATE
A1	000	INDEX/SEC "B" CABLE 1 DRIVE UNIT (STD)	A	REL #0130	WJK	8/4/77
A1	001	INDEX/SEC "B" CABLE 2 DRIVE UNIT	A1	0261 (TABS 000-007)	DAM	5/18/77
A1	002	INDEX/SEC "B" CABLE 3 DRIVE UNIT				
A1	003	INDEX/SEC "B" CABLE 4 DRIVE UNIT				
A	004	INDEX/SEC "A" CABLE 1 DRIVE				
A	005	INDEX/SEC "A" CABLE 2 DRIVE				
A	006	INDEX/SEC "A" CABLE 3 DRIVE				
A	007	INDEX/SEC "A" CABLE 4 DRIVE				

TOLERANCES (UNLESS OTHERWISE NOTED)				 Xylogics OEM COMPONENT GROUP INC.			
	.XXX	±.005	±1/64	±1/2			
DRAWN	DAM	8/1/77	TITLE PARTS LIST ROUND CABLE KIT PH 211 122				
CHECKED							
ENGR APPD							
ENGR APPD							
PROJECT MANAGER	W. Kewriga		SIZE	DRAWING NO.	REV		
			A	500-011-00X	A1		
			SCALE	SHEET	OF	LEVEL	
				1	3	II	

TAB REV	TAB	SYSTEM	DWG REV	ECO NO.	CHR'D	APPR'D	DATE
B	900	CABLE LENGTH 15'	B	ORIGINATED			
B	901	CABLE LENGTH 20'	B1	ECO#0128		<i>D. Smith</i>	7/2/77
B	902	CABLE LENGTH 25'					
B	903	CABLE LENGTH 30'					
B	904	CABLE LENGTH 35'					
B	905	CABLE LENGTH 40'					
B	906	CABLE LENGTH 45'					
A	907	CABLE LENGTH 5'					
A	908	CABLE LENGTH 10'					

	DATE OF PRINT		 Xylogics 125	
	DRAWN	UAC 7/14/77		TITLE:
	CHECKED			DOCUMENT PACKAGE
	ENG. MECH.	ENG. ELEC.		CDC FLAT CABLE INTERFACE CABLE "A"
PROJECT ENGINEER			SIZE	
			A	
			400-029-9XX	
NEXT ASSY			LEVEL: II	
			SHEET 1 OF 2	
			DOC. REV. B1	

ITEM NO.	PART NUMBER	DESCRIPTION										
			900	901	902	903	904	905	906	907	908	
1	400-029-00X	PARTS LIST	TAB	000	001	002	003	004	005	006	007	008
			REV	A1	A1	A1	A1	A1	A1	A1	A	A
2	400-029-100	ASSEMBLY	TAB	100	101	102	103	104	105	106	107	108
			REV	B	B	B	B	B	B	B	A	A
3			TAB									
			REV									
4			TAB									
			REV									
5			TAB									
			REV									
6			TAB									
			REV									
7			TAB									
			REV									
8			TAB									
			REV									
9			TAB									
			REV									
10			TAB									
			REV									
11			TAB									
			REV									
12			TAB									
			REV									
13			TAB									
			REV									


NOTES:

SIZE
A

D/P.
400-029-9XX

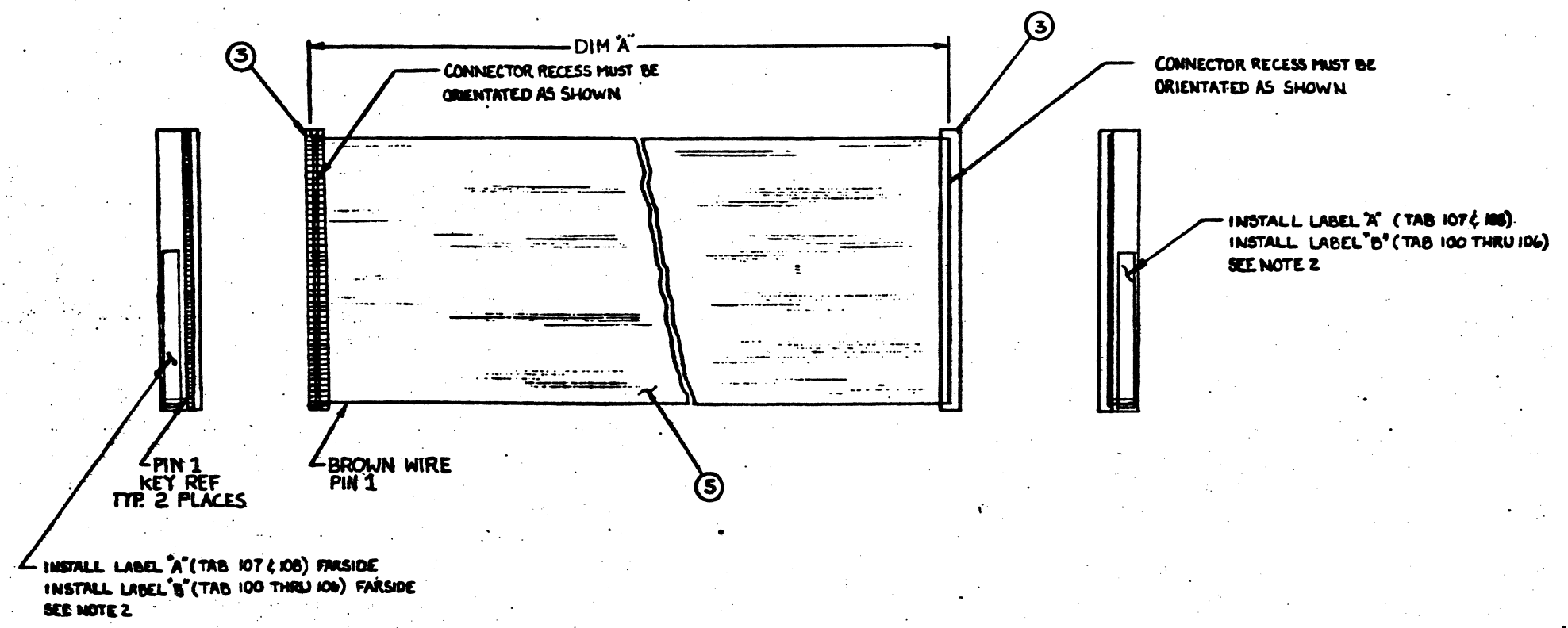
126

TAB REV	TAB	SYSTEM	DWG REV	ECO NO.	CHK'D	APPR'D	DATE
AI	000	CABLE LENGTH 15'	AI				
AI	001	CABLE LENGTH 20'	A2	ECO # 0128 (ADDED 007,008)		<i>DH</i>	9/2/77
AI	002	CABLE LENGTH 25'					
AI	003	CABLE LENGTH 30'					
AI	004	CABLE LENGTH 35'					
AI	005	CABLE LENGTH 40'					
AI	006	CABLE LENGTH 45'					
A	007	CABLE LENGTH 5'					
A	008	CABLE LENGTH 10'					

	DATE OF PRINT		 Xylogics	TITLE: PARTSLIST CDC FLAT CABLE INTERFACE CABLE "A"	
	DRAWN	<i>U.S.</i> 7/14/77			127
	CHECKED				
	ENG. MECH.	ENG. ELEC.			
PROJECT ENGINEER		SIZE	A	400-029-00X	
NEXT ASSY		LEVEL:		SHEET 1 OF 2	
				DOC. REV. A	

The information herein is the property of XYLOGIC OEM COMPONENT GROUP INCORPORATED. Transmittal, receipt or possession of this information does not imply, license, or imply any rights to use, sell, or manufacture from this information and no reproduction or publication of it, in whole or in part, shall be made without written authorization from XYLOGIC OEM COMPONENT GROUP INCORPORATED.

REVISIONS				
ZONE	LTP	DESCRIPTION	DATE	APPROVED
	A	RELEASED	1-13-77	<i>[Signature]</i>
	A1	AMP # 88012-10R EQUIV. ON P/L WAS SAE R843608R	2/16/77	<i>[Signature]</i>
	B	ECO # 0109	7/1/77	<i>[Signature]</i>
	B1	ECO # 0126	7/1/77	<i>[Signature]</i>



REV	TAB	DIMENSION "A"
B	100	15'
B	101	20'
B	102	25'
B	103	30'
B	104	35'
B	105	40'
B	106	45'
A	107	5'
A	108	10'

NOTE:
 1. DO NOT USE STRAIN RELIEF ON ITEM #3.
 2. LABEL A - DAISY A
 LABEL B - X CABLE

XYLOGIC OEM COMP GROUP INC.

DATE: 1-13-77

CDC FLAT CABLE INTERFACE
 CABLE "A"

REV: 400-029-10X

129

TAB REV	TAB NO	DESCRIPTION	DWG REV	ECO	APPD	DATE
A1	900	STD	A1	0258	Dtm	4/23/78
A	901	INDEX/SECTOR ON 'A' CABLE				

TOLERANCES (UNLESS OTHERWISE NOTED)			
.XX	±.01	FRACTION	ANG
.XXX	±.005	± 1/64	± 1/2°
DRAWN	DAM	4/23/78	
CHECKED			
ENGR APPD			
ENGR APPD			
PROJECT MANAGER			



Xylogics OEM COMPONENT GROUP INC.

TITLE
 DOC / PKG
 INTERFACE CABLE 'A' (RND)
 PH 200

SIZE A	DRAWING NO. 400-027-90X	REV A1
SCALE H	SHEET 1	OF 2 LEVEL II

SIGNAL NAME	BD4 J3 60 PIN CRIMP AMP CONN.	CDC AMP 75 CONN.	SIGNAL NAME	BD4 J3 60 PIN CRIMP AMP CONN.	CDC AMP 75 CONN.
TAG1L	1	34 BROWN	CON'T	CON'T	CON'T
TAG1H	2	31 TAN	UNIT4L	51	82 BLUE
TAG2L	3	36 RED	UNIT4H	52	78 TAN
TAG2H	4	33 TAN	UNIT8L	53	73 VIOLET
TAG3L	5	28 ORANGE	UNIT8H	54	70 TAN
TAG3H	6	25 TAN	WRTPROT L	55	29 GRAY
BIT0L	7	59 YELLOW	WRTPROT H	56	26 TAN
BIT0H	8	56 TAN		57	WHITE
BIT1L	9	60 GREEN		58	TAN
BIT1H	10	57 TAN		59	BLACK
BIT2L	11	52 BLUE		60	TAN
BIT2H	12	49 TAN			
BIT3L	13	53 VIOLET			
BIT3H	14	50 TAN			
BIT4L	15	54 GRAY			
BIT4H	16	51 TAN			
BIT5L	17	46 WHITE			
BIT5H	18	43 TAN			
BIT6L	19	47 BLACK			
BIT6H	20	44 TAN			
BIT7L	21	48 BROWN			
BIT7H	22	45 TAN			
BIT8L	23	40 RED			
BIT8H	24	37 TAN			
BIT9L	25	41 ORANGE			
BIT9H	26	38 TAN			
OCDL	27	66 YELLOW			
OCDH	28	63 TAN			
FAULT L	29	75 GREEN			
FAULT H	30	72 TAN			
SEEKERRL	31	11 BLUE			
SEEKERRH	32	7 TAN			
ONCLYL	33	65 VIOLET			
ONCLYH	34	62 TAN			
IPL	35	74 GRAY			
IPH	36	71 TAN			
UNRDYL	37	67 WHITE			
UNRDYH	38	64 TAN			
	39	BLACK			
	40	TAN			
DPORTBUSYL	41	BROWN			
DPORTBUSYH	42	TAN			
UNITSELL	43	58 RED			
UNITSELH	44	55 TAN			
UNIT1L	45	79 ORANGE			
UNIT1H	46	76 TAN			
UNIT2L	47	80 YELLOW			
UNIT2H	48	77 TAN			
SPL	49	10 GREEN			
SPH	50	5 TAN			

NOT USED

*

NOT USED

*

NOTE:

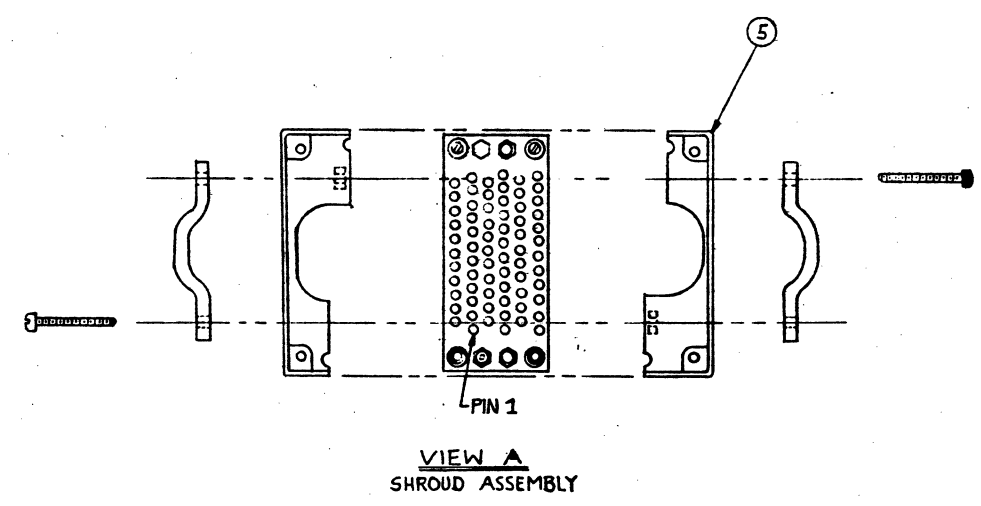
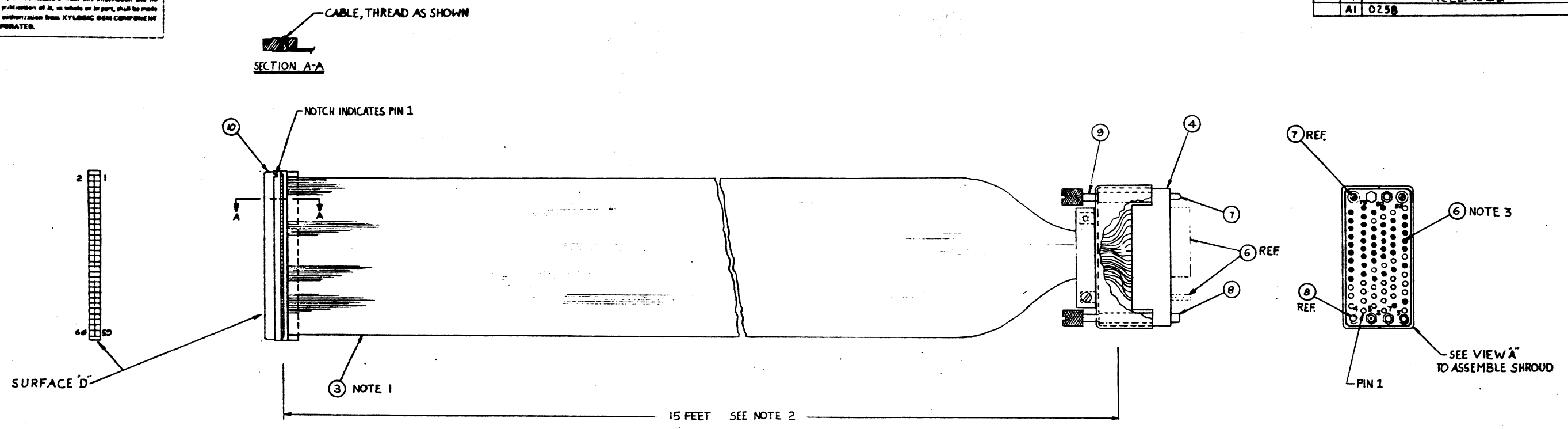
1. - 400 ONLY * DENOTES PINS NOT TO BE INSTALLED IN AMP 75 PIN CONNECTOR BUT SHALL BE INDIVIDUALLY INSULATED WITH HEAT SHRINK TUBING
2. - 401 ONLY * DENOTES PINS SHALL BE INSTALLED IN AMP 75 PIN CONNECTOR

INDEX/SEC ON 'A' CABLE (NOTE 1)	401	A
STD (NOTE 2)	400	A1
DESCRIPTION	TAB	REV

REV	ECO	XYLOGIC DEM COMP GROUP INC.	
		SCALE: #	APPROVED BY:
AI	0258	DATE: 10-4-76	DRAWN BY: D. J. [Signature]
		CABLE WIRE LIST "A"	
AMP 75 PIN INTERFACE		PHOENIX 200	DRAWING NUMBER
		400-027-40X	

The information herein is the property of XYLOGIC OEM COMPONENT GROUP INCORPORATED. Transmittal, receipt or possession of the information does not confer, license, or imply any rights to use, sell, or manufacture from this information and no reproduction or publication of it, in whole or in part, shall be made without written authorization from XYLOGIC OEM COMPONENT GROUP INCORPORATED.

REV. NO.	DESCRIPTION	DATE
A	RELEASED	11/19/76
A1	0258	4/23/77




- NOTE:
1. FOR WIRING OF CABLE SEE WIRE LIST 400-027-400
 2. LENGTH OF CABLE TO BE SPECIFIED BY CUSTOMER.
 3. BLACK DOT INDICATES PINS USED.
 4. ALL UNUSED WIRES SHALL BE CUT BACK WITH NO CONTACT BETWEEN WIRES OR ANY METAL PARTS OF AMP CABLE END

134

XYLOGIC OEM COMP GROUP INC.	
FORM FULL	DATE 10-8-76
CABLE A ASSEMBLY (ROUND)	
400-027-100	

AB REV	TAB NO	DESCRIPTION	DWG REV	ECO	APPD	DATE
A1	900	5' LONG CABLE	A1	ECO #0127	<i>DM</i>	8/5/77
A1	901	10' LONG CABLE				
A1	902	SPECIAL CUSTOMER LENGTH				

TOLERANCES (UNLESS OTHERWISE NOTED)			 Xylogics OEM COMPONENT GROUP INC.
.XX	±.01	FRACTION	
.XXX	±.005	±1/64	±1/2
DRAWN	MLM	8/4/77	TITLE DOCUMENT PACKAGE ROUND DAISY "A" CABLE 135
CHECKED			
ENGR APPD			
ENGR APPD			
PROJECT MANAGER			
SIZE A	DRAWING NO. 400-031-90X		REV A1
SCALE	SHEET 1	OF 2	LEVEL II

ITEM NO.	PART NUMBER	DESCRIPTION	DOCUMENT TAB NUMBERS												
			X	900	901										
1	400-031-00X	PARTS LIST	TAB	000	001										
			REV	A1	A1										
2	400-031-1XX	ASSEMBLY	TAB	100	101										
			REV	A1	A1										
3	400-031-400	WIRE LIST	TAB	400	400										
			REV	A	A										
4			TAB												
			REV												
5			TAB												
			REV												
6			TAB												
			REV												
7			TAB												
			REV												
8			TAB												
			REV												
9			TAB												
			REV												
10			TAB												
			REV												
11			TAB												
			REV												
12			TAB												
			REV												
13			TAB												
			REV												


NOTES:

SIZE D/P
A 400-031-90X

SHEET 2 OF 2 REV A1

136

REV	TAR NO	DESCRIPTION	DWG REV	ECO	APPD	DATE
A1	000	5' LONG CABLE	A1	ECO #0127	DAM	8/1/77
A1	001	10' LONG CABLE				
A1	002	SPECIAL CUSTOMER LENGTH				

		TOLERANCES (UNLESS OTHERWISE NOTED)				 Xylogics OEM COMPONENT GROUP INC.
		.XX	±.01	FRACTION	ANG	
.XXX	±.005	±1/64	±1/2			
DRAWN	MML	8/4/77	TITLE			
CHECKED			PARTS LIST			
ENGR APPD			ROUND DAISY "A" CABLE			
ENGR APPD			SIZE	DRAWING NO.	REV	
PROJECT MANAGER			A	400-031-0XX	A1	
		SCALE	SHEET 1 OF 2	LEVEL II		

1035-08

137

SIGNAL NAME	AMP 75 PIN CONNECTOR	AMP 75 CO	SIG NAME	CON'T	CON'T	CON'T
TAG1L	34	34	RED			
TAG1H	31	31	TAN	UNIT 4L	82	82 BLUE
TAG2L	36	36	RED	UNIT 4H	78	78 TAN
TAG2H	33	33	TAN	UNIT 8L	73	73 VIOLET
TAG3L	28	28	ORANGE	UNIT 8H	70	70 TAN
TAG3H	25	25	TAN	WRT PROT L	29	29 GRAY
BIT0L	59	59	YELLOW	WRTPROTH	26	26 TAN
BIT0H	56	56	TAN			WHITE
BIT1L	60	60	GREEN			TAN
BIT1H	57	57	TAN			BLACK
BIT2L	52	52	BLUE			TAN
BIT2H	49	49	TAN			
BIT3L	53	53	VIOLET			
BIT3H	50	50	TAN			
BIT4L	54	54	GRAY			
BIT4H	51	51	TAN			
BIT5L	46	46	WHITE			
BIT5H	43	43	TAN			
BIT6L	47	47	BLACK			
BIT6H	44	44	TAN			
BIT7L	48	48	BROWN			
BIT7H	45	45	TAN			
BIT8L	40	40	RED			
BIT8H	37	37	TAN			
BIT9L	41	41	ORANGE			
BIT9H	38	38	TAN			
OC DL	66	66	YELLOW			
OC DH	63	63	TAN			
FAULT L	75	75	GREEN			
FAULT H	72	72	TAN			
SEEKERRL	11	11	BLUE			
SEEKERRH	7	7	TAN			
ONCLYL	65	65	VIOLET			
ONCLYH	62	62	TAN			
			GRAY			
			TAN			
UNRDYL	67	67	WHITE			
UNRDYH	64	64	TAN			
			BLACK			
			TAN			
DPORTBUSYL			BROWN			
DPORTBUSYH			TAN			
UNITSELL	58	58	RED			
UNITSELH	55	55	TAN			
UNIT1L	79	79	ORANGE			
UNIT1H	76	76	TAN			
UNIT2L	80	80	YELLOW			
UNIT2H	77	77	TAN			
			GREEN			

NOT USED

NOT USED

NOT USED

NOT USED

139

XYLOPHO DEM COMP GROUP INC.

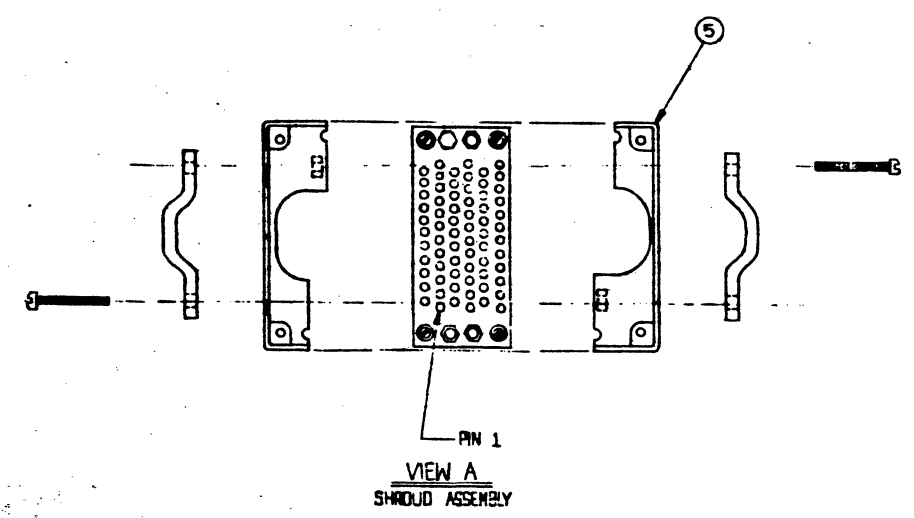
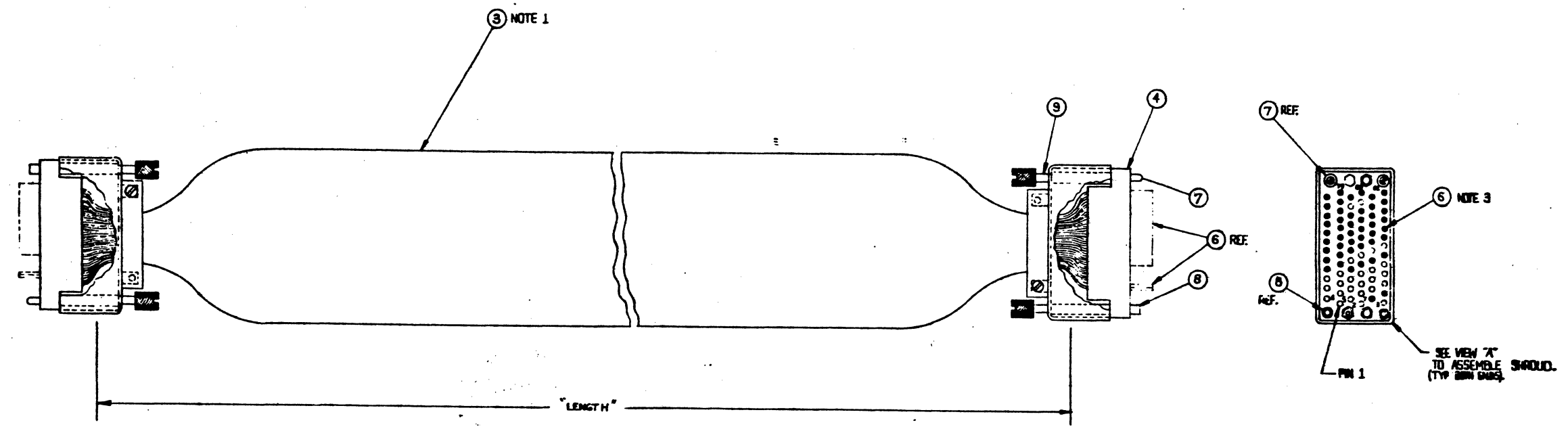
2-17-77

CABLE "A" WIRE LIST (DAISY CHAIN)

400-031-400 A

The information herein is the property of XYLOGIC DEM COMPONENT GROUP INCORPORATED. Technical review or disclosure of the information does not constitute, license, or imply any right to use, sell, or manufacture from this information and its reproduction or publication of it, in whole or in part, shall be made without written authorization from XYLOGIC DEM COMPONENT GROUP INCORPORATED.

ZONE / YR	REVISION	DESCRIPTION	DATE	APPROVED
A	RELEASED		2/17/77	WJK
M	ECD 0427		9/6/77	



- NOTES:
1. FOR WIRING OF CABLE SEE WIRE LIST 400-031-000
 2. BLACK DOT INDICATES PINS USED.

SPECIAL CUSTOMER LENGTH	NOZ	—
10'	101	A1
5'	100	A1
LENGTH	TAE	REV

XYLOGIC DEM COMPONENT GROUP INC.

FULL	DATE	REV	BY
2/17/77	02/17/77	01/076	M


ROUND DAISY 'A' CABLE ASSY

A-M-P 75 SMD PIN INTERFACE

400-031-10X

435-07

TAB REV	TAB	SYSTEM	DWG REV	ECO NO.	CHK'D	APPR'D	DATE
A	900	CABLE LENGTH 15'	A	ORIGINATED			
A	901	CABLE LENGTH 20'					
A	902	CABLE LENGTH 25'					
A	903	CABLE LENGTH 30'					
A	904	CABLE LENGTH 35'					
A	905	CABLE LENGTH 40'					
A	906	CABLE LENGTH 46'					

	DATE OF PRINT		 Xylogics	
	DRAWN	U.M.C. 7/13/77		
	CHECKED		DOC/PKG	
	ENG. MECH.	ENG. ELEC.	CDC/SMD FLAT CABLE INTERFACE	
	PROJECT ENGINEER		CABLE "B"	
	SIZE	400-030-9XX		
	A			
NEXT ASSY	LEVEL:	SHEET 1 OF 2	DOC. REV. A	

ITEM NO.	PART NUMBER	DESCRIPTION	X	DOCUMENT TAB NUMBERS									
				900	901	902	903	904	905	906			
1	400-030-00X	PARTS LIST	TAB	001	001	002	003	004	005	006			
			REV	A	A	A	A	A	A	A			
2	400-030-1XX	ASSEMBLY	TAB	100	101	102	103	104	105	106			
			REV	A	A	A	A	A	A	A			
3			TAB										
			REV										
4			TAB										
			REV										
5			TAB										
			REV										
6			TAB										
			REV										
7			TAB										
			REV										
8			TAB										
			REV										
9			TAB										
			REV										
10			TAB										
			REV										
11			TAB										
			REV										
12			TAB										
			REV										
13			TAB										
			REV										

NOTES:

SIZE

D/P.

A

400-030-9XX


SHEET 2 OF 2

REV A

1035-05

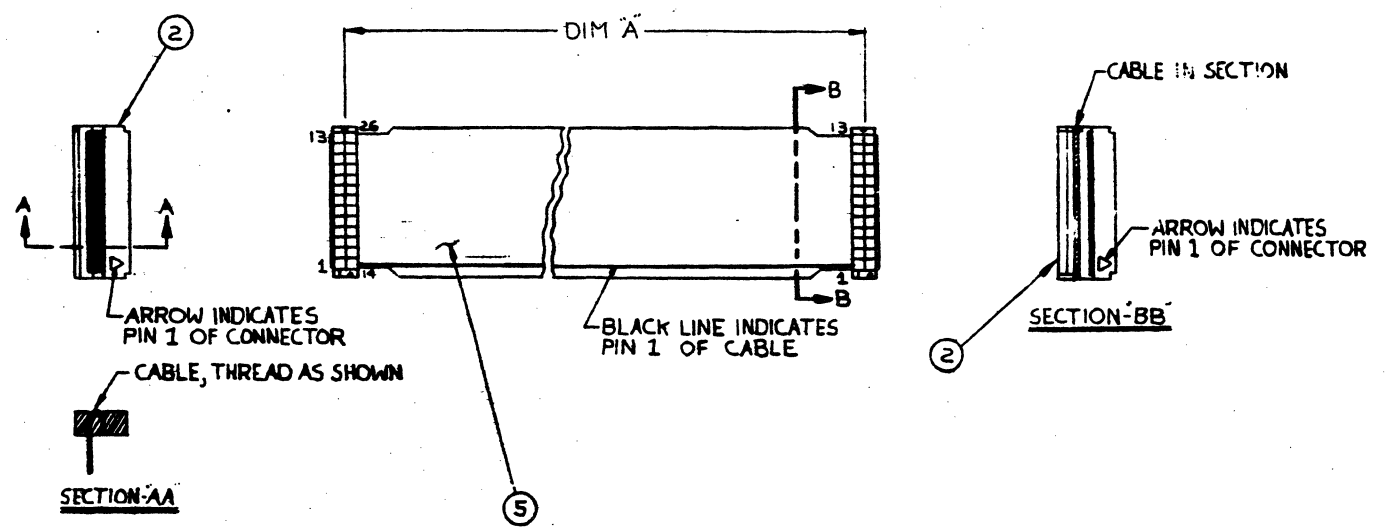
143

TAB REV	TAB	SYSTEM	DWG REV	ECO NO.	CHK'D	APPR'D	DATE
A	000	CABLE LENGTH 15'	A	ORIGINATED			
A	001	CABLE LENGTH 20'					
A	002	CABLE LENGTH 25'					
A	003	CABLE LENGTH 30'					
A	004	CABLE LENGTH 35'					
A	005	CABLE LENGTH 40'					
A	006	CABLE LENGTH 45'					

	DATE OF PRINT		 Xylogics	TITLE: PARTS LIST CDC/SMD FLAT CABLE INTERFACE CABLE "B"	
	DRAWN	UML 7/13/77			
	CHECKED				
	ENG. MECH. ?	ENG. ELEC.			
PROJECT ENGINEER			144		
NEXT ASSY			SIZE	400-030-00X	
			LEVEL:	SHEET 1 OF 2	DOC. REV. A

The information herein is the property of XYLOGIC OEM COMPONENT GROUP INCORPORATED. Transmittal, receipt or use of this information does not constitute, in whole or in part, any right of use, sale or reproduction of the information and the reproduction or publication of this information is prohibited without written authorization from XYLOGIC OEM COMPONENT GROUP INCORPORATED.

REVISIONS		DATE	BY
A	RELEASED	1-14-77	322




DASH NO.	DIMENSION A
100	15"
101	20"
102	25"
103	30"
104	35"
105	40"
106	45"
107	

XYLOGIC OEM COMP GROUP INC.		
DATE: 1-14-77	DESIGNED BY: D. M. ...	APPROVED BY:
CDC/SMD FLAT CABLE INTERFACE CABLE B ASSY.		
REV: A	400-030-1XX	

1035-45

TAB REV	TAB	SYSTEM	DWG REV	ECO NO.	CHK'D	APPR'D	DATE
AI	900	STD A/B CABLE 1 DRIVE	AI	RESTRUCTURED DOCUMENTATION			
AI	901	A/BB CABLE 2 DRIVES					
AI	902	A/BBB CABLE 3 DRIVES					
AI	903	A/BBBB CABLE 4 DRIVES					
AI	904	2 DRIVE / 2 X ACOUSTIC CAB					
AI	905	4 DRIVE / 2 X ACOUSTIC CAB					
-	906	SPECIAL CUSTOMER CONFIGURATION					

	DATE OF PRINT		 Xylogics	TITLE: DOC/PKG CDC/SMD FLAT INTERFACE A & B CABLE ASSY 147		
	DRAWN	WARR 2/1/77				
	CHECKED					
	ENG. MECH.	ENG. FLEC.				
	PROJECT ENGINEER					
NEXT ASSY		SIZE A	400-028-90X	LEVEL: II	SHEET 1 OF 2	DOC. REV. AI


ITEM NO.	PART NUMBER	DESCRIPTION	DOCUMENT TAB NUMBERS										
			X	900	901	902	903	904	905				
1	400-028-000	PARTS LIST	TAB	000	001	002	003	004	005				
			REV	A1	A1	A1	A1	A1	A1				
2	400-028-100	ASSEMBLY	TAB	100	100	100	100	100	100				
			REV	A1	A1	A1	A1	A1	A1				
3			TAB										
			REV										
4			TAB										
			REV										
5			TAB										
			REV										
6			TAB										
			REV										
7			TAB										
			REV										
8			TAB										
			REV										
9			TAB										
			REV										
10			TAB										
			REV										
11			TAB										
			REV										
12			TAB										
			REV										
13			TAB										
			REV										

NOTES:

SIZE D/P
 A 400-028-9XX

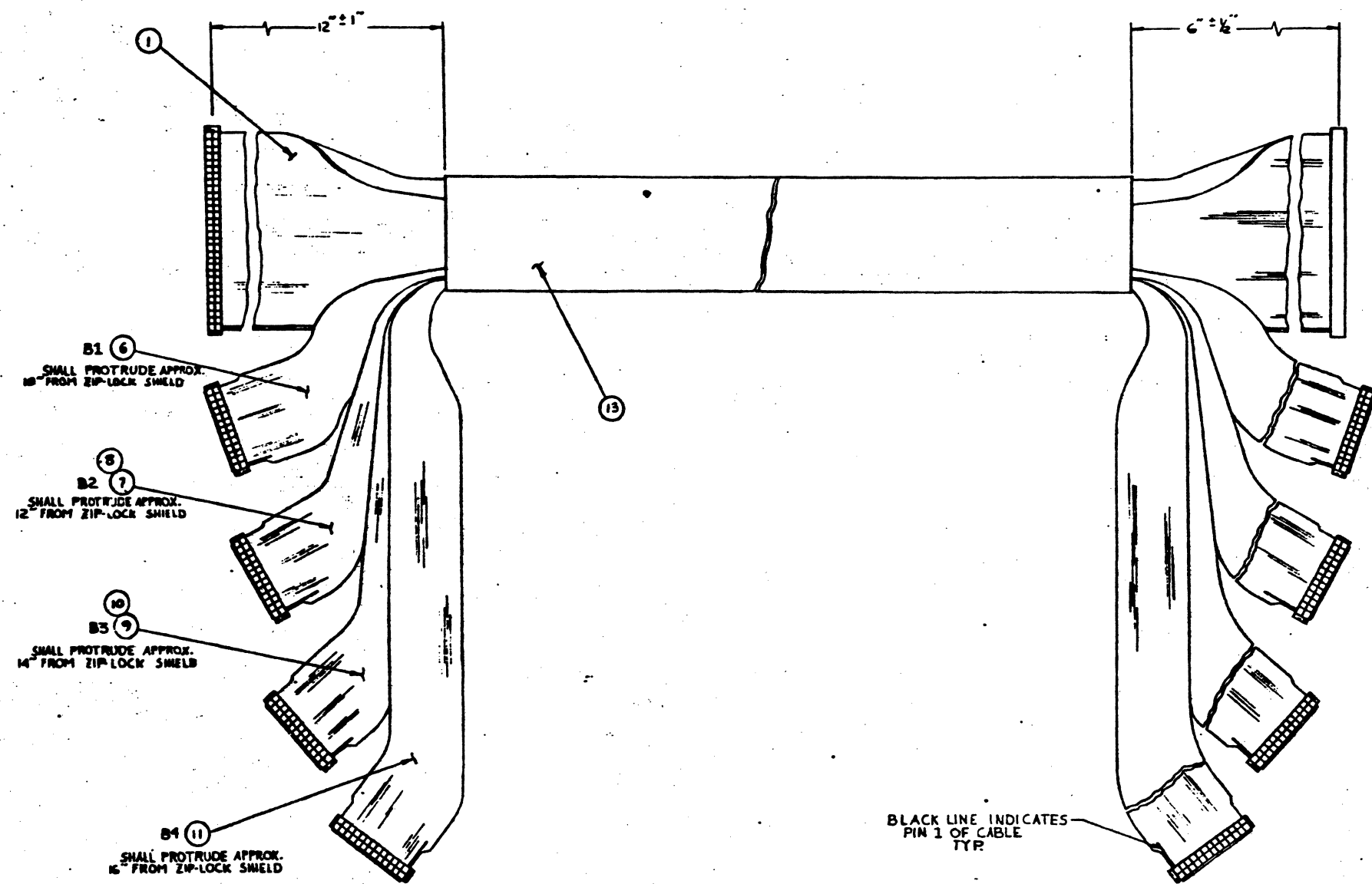
SHEET 2 OF 2 REV A1

TAB REV	TAB	SYSTEM	DWG REV	ECO NO.	CHK'D	APPR'D	DATE
A1	000	STD A/B CABLE (1 DRIVE)	A1	RESTRUCTURED DOCUMENTATION			
A1	001	A/BB CABLE (2 DRIVES)					
A1	002	A/BBB CABLE (3 DRIVES)					
A1	003	A/BBBB CABLE (4 DRIVES)					
A1	004	2 DRIVE / 2 X ACOUSTIC CAB					
A1	005	4 DRIVE / 2 X ACOUSTIC CAB					
-	006	SPECIAL CUSTOMER CONFIGURATION					

	DATE OF PRINT		 Xylogics	
	DRAWN	DATE 8/1/77		
	CHECKED		PARTS LIST	
	ENG. MECH.	ENG. ELEC.	CDC/SMD FLAT INTERFACE A & B CABLE ASSY	
	PROJECT ENGINEER		SIZE	400-028-00X
NEXT ASSY		LEVEL: II	SHEET 1 OF 2	DOC. REV. A1

The information herein is the property of XYLOGIC OEM COMPONENT GROUP INCORPORATED. Transmission, release or possession of this information does not constitute, in whole or in part, an acknowledgment of its accuracy or its use for any purpose other than that for which it was intended. No part of this information shall be made available to any other person without the written authorization of XYLOGIC OEM COMPONENT GROUP INCORPORATED.

REVISIONS			
ZONE	LTR	DESCRIPTION	DATE
A		RELEASED	2/15/77
A1		RESTRUCTURE DOCUMENTATION	




NOTE
UNLESS OTHERWISE SPECIFIED BY CUSTOMER
USE NOMINAL CABLE LENGTH CHART FOR
SPECIFIED LENGTH. (FOR REF ONLY)

NOMINAL CABLE LENGTH CHART

CABLE	LENGTH	
A	15'	
B1	15'	
B2	25'	OPTIONAL
B3	35'	OPTIONAL
B4	45'	OPTIONAL

XYLOGIC OEM COMPONENT GROUP	
N.T.S.	R. Thomas
2-15-77	
CDC/SMD FLAT CABLE INTERFACE	
CABLE A/B ASSY	
A1	400-028-100

TAB REV	TAB NO	DESCRIPTION	DWG REV	ECO	APPD	DATE
C2	900	INDEX/SECTOR ON 'B' CABLE 15'	C2	0259 (REDRAWN)	DAM	4/21/78
C2	901	INDEX/SECTOR ON 'B' CABLE 25'				
C2	902	INDEX/SECTOR ON 'B' CABLE 35'				
C2	903	INDEX/SECTOR ON 'B' CABLE 45'				
A	904	INDEX/SECTOR ON 'A' CABLE 15'				
A	905	INDEX/SECTOR ON 'A' CABLE 25'				
A	906	INDEX/SECTOR ON 'A' CABLE 35'				
A	907	INDEX/SECTOR ON 'A' CABLE 45'				

TOLERANCES (UNLESS OTHERWISE NOTED)				 Xylogics OEM COMPONENT GROUP INC.		
.XX	±.01	FRACTION	ANG			
.XXX	±.005	±1/64	±1/2			
DRAWN	DAM	4/21/78	TITLE			
CHECKED			DOC/PKG			
ENGR			CDC/SMD INTERFACE CABLE 'B' (RND)			
APPD			PH 200			
ENGR			SIZE	DRAWING NO.	REV	
APPD			A	400-026-90X	C2	
PROJECT			SCALE	SHEET	LEVEL	
MANAGER			H	1 OF 2	II	

TAB REV	TAB	SYSTEM	DWG REV	ECO NO.	CHK'D	APPR'D	DATE
B1	000	CABLE LENGTH 15'	B1	*0124		WJK	7/25/77
B1	001	CABLE LENGTH 25'					
B1	002	CABLE LENGTH 35'					
B1	003	CABLE LENGTH 45'					

DATE OF PRINT

DRAWN

JML

7/18/77

CHECKED

ENG. MECH.

ENG. ELEC.

PROJECT ENGINEER



Xylogics

TITLE:

PARTS LIST
PHOENIX 200 CDC/SMD 75 PIN
AMP INTERFACE CABLE "B"
(RND)

SIZE
A

400-026-00X

NEXT ASSY

LEVEL: II

SHEET 1 OF 2

DOC REV B1

1025-15

3		Alpha 1323-9	22 Ga. Cable/9 Twist. Pr.	Used on "B" Cable	15'	25'	35'	45'												
4		Amp 66103	Contact	Used on "B" Cable	19	19	19	19												
5		Berg 47745	Contact	Used on "B" Cable	19	19	19	19												
6		Amp 200835-4	Polarizing Socket	Used on "B" Cable	2	2	2	2												
7		Amp 200833-4	Polarizing Pin	Used on "B" Cable	2	2	2	2												
8		Amp 200871-2	Jackscrew	Used on "B" Cable	2	2	2	2												
9		Berg 65043-022	Connector 30 Pin	Used on "B" Cable	1	1	1	1												
10		MS3420-8	Rubber Boot	Used on "B" Cable	1	1	1	1												
11		US-105-PVC	.5 I.D. Heat Shrink	Used on "B" Cable	1	1	1	1												
12		Amp 200836-2	Receptacle	Used on "B" Cable	1	1	1	1												
13			Return Ground	Used on "B" Cable	1	1	1	1												
14		Alpha Cap-2	Terminator Cap	Used on "B" Cable	1	1	1	1												
15			Resistor 100 1/2W 5%	Used on "B" Cable	4	4	4	4												
16		Amp 201571-1	Shroud	Used on "B" Cable	1	1	1	1												
17		Chart Pack Labels	Futura Bold Letters	Used on "B" Cable	1	1	1	1												2
					000	001	002	003												

ITEM NO.	XYLOGICS PART NO.	VENDORS PART NO.	DESCRIPTION	LOCATION	QUANTITY REQUIRED			
----------	-------------------	------------------	-------------	----------	-------------------	--	--	--

XYLOGIC OEM COMPONENTS GROUP INC.

DWG NO.
PL 400-026-00X

DR <i>St.</i>	CHK	APVD	APVD	RLSE	PHOENIX 200 CDC/SMD 75 PIN AMP INTERFACE CABLE "B"	SH 2 OF 2	REV 81
----------------------	------------	-------------	-------------	-------------	--	------------------	------------------

CIRCUIT NAME	BD-74 26 PIN REF-B CONN.	CDG, SMD AMP B-P CONN.	TABLE B
	1		
WRTCKL	2	AA	BLACK
WRTCKH	3	EE	RED
	4		
INDATA L	5	U	GRN
INDATAH	6	V	RED
	7		
RCLOCKH	8	T	BLACK
RCLOCKL	9	S	WHT
	10		
WCKL	11	EE	BRN
WCKH	12	FF	BLK
	13		
DATOH	14	NN	WHT
DATOL	15	MM	RED
	16		
UNSELD L	17	L	YEL
UNSELDH	18	N	BLACK
SKEND L	19	M	ORG
SKENDH	20	K	BLACK
	21		
IPH	22	E	GRN
IPL	23	H	BLACK
	24		
SPL	25	J	BLUE
SPH	26	F	BLACK

TWISTED PAIR

TWISTED PAIR

TWISTED PAIR

TWISTED PAIR

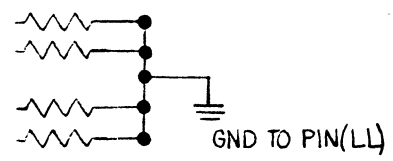
TWISTED PAIR

TWISTED PAIR

TWISTED PAIR

TWISTED PAIR*

TWISTED PAIR*



NOTE:

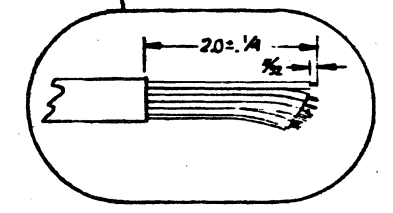
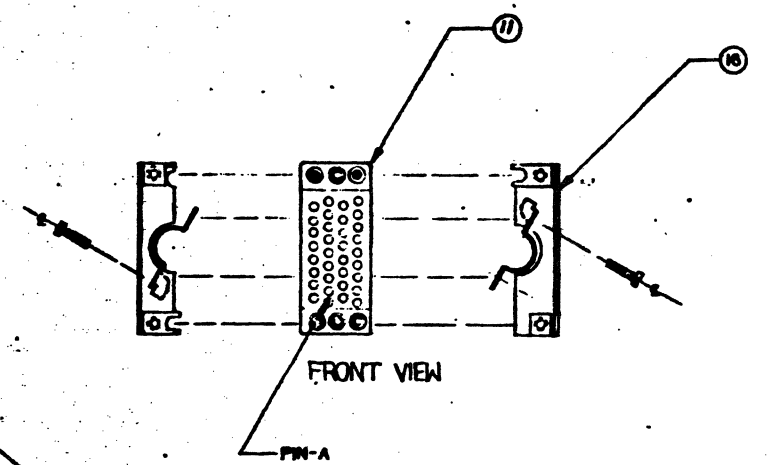
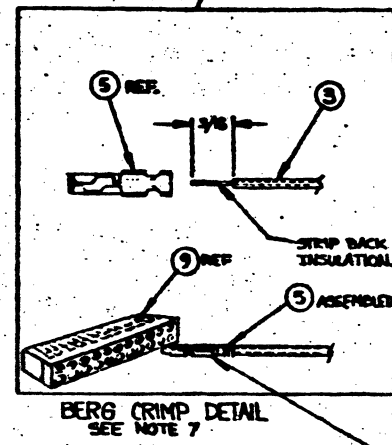
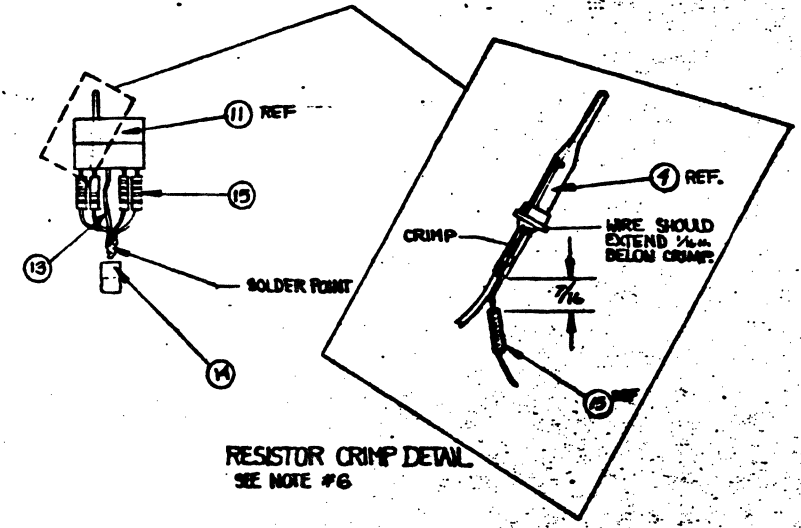
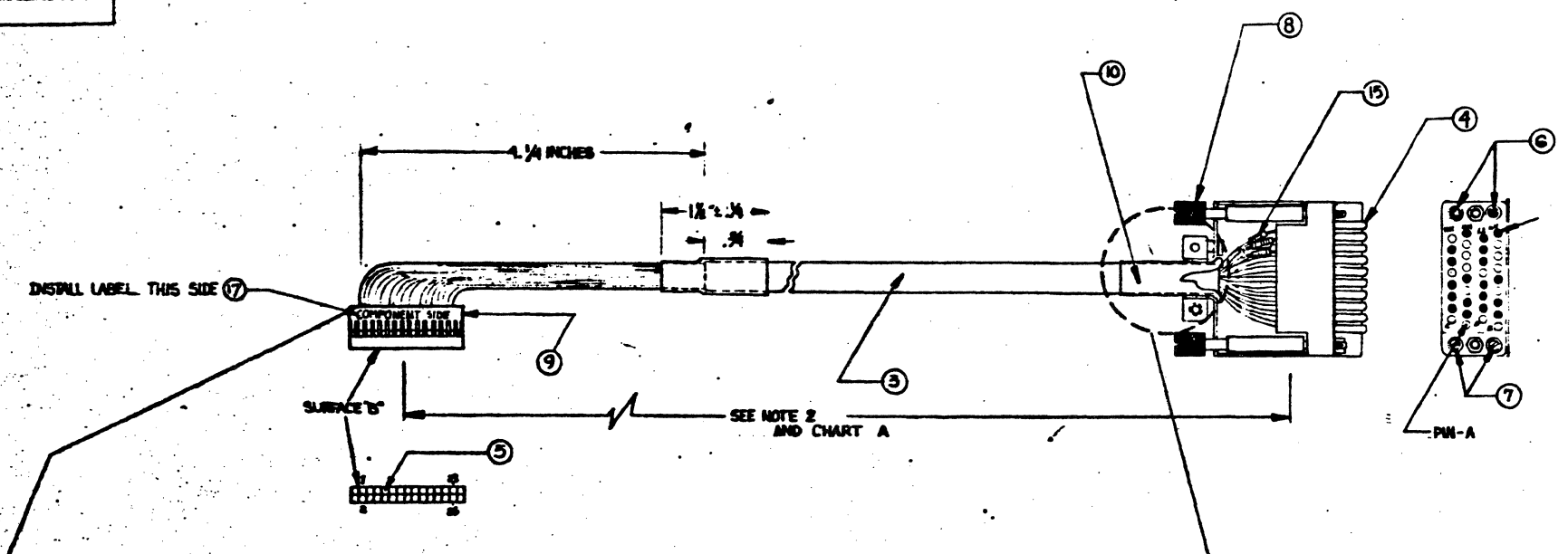
- 1.-400 INSTALL WIRES AS SHOWN
 - 2.-401 WIRES DENOTED WITH * SHALL BE PINNED AND INSULATED IN GROUPS.
- DO NOT CUT WIRES BACK TO CABLE INSULATION

156

	INDEX/SECTOR ON 'A' CABLE	401	A
	INDEX/SECTOR ON 'B' CABLE	400	AI
	DESCRIPTION	TAB	REV
	XYLOGIC OEM COMP GROUP INC.		
	SCALE: +	APPROVED BY:	DRAWN BY: D. Mariani
	DATE: 10-5-76		REVISED:
	AI 0259	ECO	PHOENIX 200
	REV	ECO	400-026-400
	AMP 75 PIN INTERFACE		

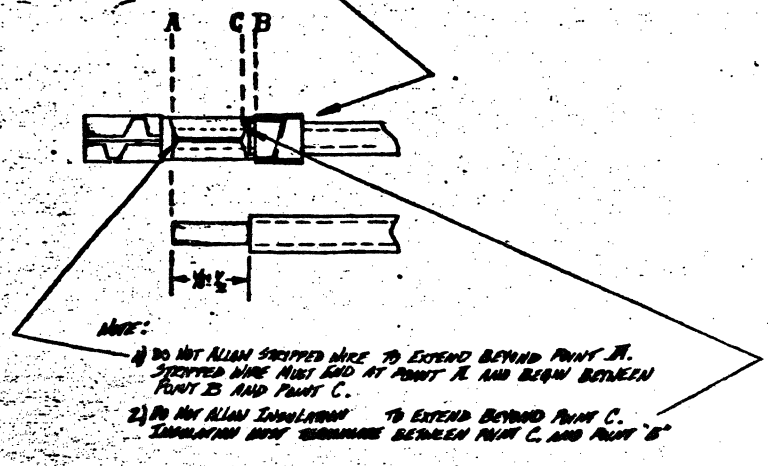
The information herein is the property of KYLOGIC OEM COMPONENT GROUP INCORPORATED. Treatment, use, or reproduction of this information shall not be made, in whole or in part, without written authorization from KYLOGIC OEM COMPONENT GROUP INCORPORATED.

ZONE	LTR	DESCRIPTION	DATE	APPROVED
A		RELEASED	11/13/76	
B		PER ECN # 0024	E.S.	1/16/77 S. H. H.
C		PER ECN # 0060	E.S.	4/15/77 W. K. K.
CI		ECO # 0124	7/11/77	R. J. K.



- NOTES:
- 1) FOR WIRING OF CABLE SEE WIRING LIST C1025-B.
 - 2) LENGTH TO BE SPECIFIED BY CUSTOMER. SEE CHART A.
 - 3) BLACK DOT INDICATES PINS USED.
 - 4) DRESS CABLE AS SHOWN.
 - 5) MAINTAIN TWISTED PAIRS PER WIRE LIST. (DO NOT MIX BLACK WIRES.)
 - 6) CRIMP TOOL FOR AMP PINS IS- 90066
 - 7) CRIMP TOOL FOR BERG PINS IS- NT 95 II

CHART A CABLE 'B' LENGTHS		TOLERANCE
-100	15 FEET B CABLE	+1'-0 FEET
-101	25 FEET B CABLE	+1'-0 FEET
-102	35 FEET B CABLE	+1'-0 FEET
-103	45 FEET B CABLE	+1'-0 FEET



NOTE:
 1) DO NOT ALLOW STRIPPED WIRE TO EXTEND BEYOND POINT A. STRIPPED WIRE MUST END AT POINT A AND BEGIN BETWEEN POINT B AND POINT C.
 2) DO NOT ALLOW INSULATION TO EXTEND BEYOND POINT C. INSULATION MUST TERMINATE BETWEEN POINT C AND POINT B.


KYLOGIC OEM COMPONENTS GROUP INC

10-12-76

CABLE 'B' ASSEMBLY (END)

SMD ROUND CABLE INTERFACE 400-026-104

TAB REV	TAB NO	DESCRIPTION	DWG REV	ECO	APPD	DATE
A2	900	STD A/B CABLE 1 DRIVE (IND/SEC "B" CBL)	A1	RESTRUCTURED DOCUMENTATION		
A2	901	A/BB CABLE 2 DRIVES (IND/SEC "B" CBL)	A2	0261 (TABS 900-908)	Dth	5/18/78
A2	902	A/BBB CABLE 3 DRIVES (IND/SEC "B" CBL)				
A2	903	A/BBBB CABLE 4 DRIVES (IND/SEC "B" CBL)				
--	904	SPECIAL CUSTOMER CONFIGURATION				
A	905	STD A/B CABLE 1 DRIVE (IND/SEC ON "A" CBL)				
A	906	A/BB CABLE 2 DRIVES (IND/SEC ON "A" CBL)				
A	907	A/BBB CABLE 3 DRIVES (IND/SEC ON "A" CBL)				
A	908	A/BBBB CABLE 4 DRIVES (IND/SEC ON "A" CBL)				

		TOLERANCES (UNLESS OTHERWISE NOTED)			 Xylogics OEM COMPONENT GROUP INC. <small>152</small>
		.XX ±.01	FRACTION ±1/64	ANG ±1/2	
DRAWN				TITLE DOC/PKG CDC/SMD ROUND INTERFACE A & B CABLE ASSY	
CHECKED					
ENGR APPD					
ENGR APPD				SIZE A	DRAWING NO. 400-025-90X
PROJECT MANAGER				SCALE	SHEET 1 OF 2
					REV A2 LEVEL II


ITEM NO.	PART NUMBER	DESCRIPTION	X	900	901	902	903	905	906	907	908		
				TAB	000	001	002	003	005	006	007	008	
1	400-025-00X	PARTS LIST PHOENIX 200 A&B CABLES	REV	A2	A2	A2	A2	A	A	A	A		
			TAB	100	101	102	103	100	101	102	103		
2	400-025-1XX	ASSEMBLY PHOENIX 200 A&B CABLES	REV	A	A	A	A	A	A	A	A		
			TAB										
3			REV										
			TAB										
4			REV										
			TAB										
5			REV										
			TAB										
6			REV										
			TAB										
7			REV										
			TAB										
8			REV										
			TAB										
9			REV										
			TAB										
10			REV										
			TAB										
11			REV										
			TAB										
12			REV										
			TAB										
13			REV										
			TAB										

NOTES:

SIZE A D/P. PHOENIX 200 A&B CABLES 400-025-9XX

SHEET 2 OF 2 REV A2

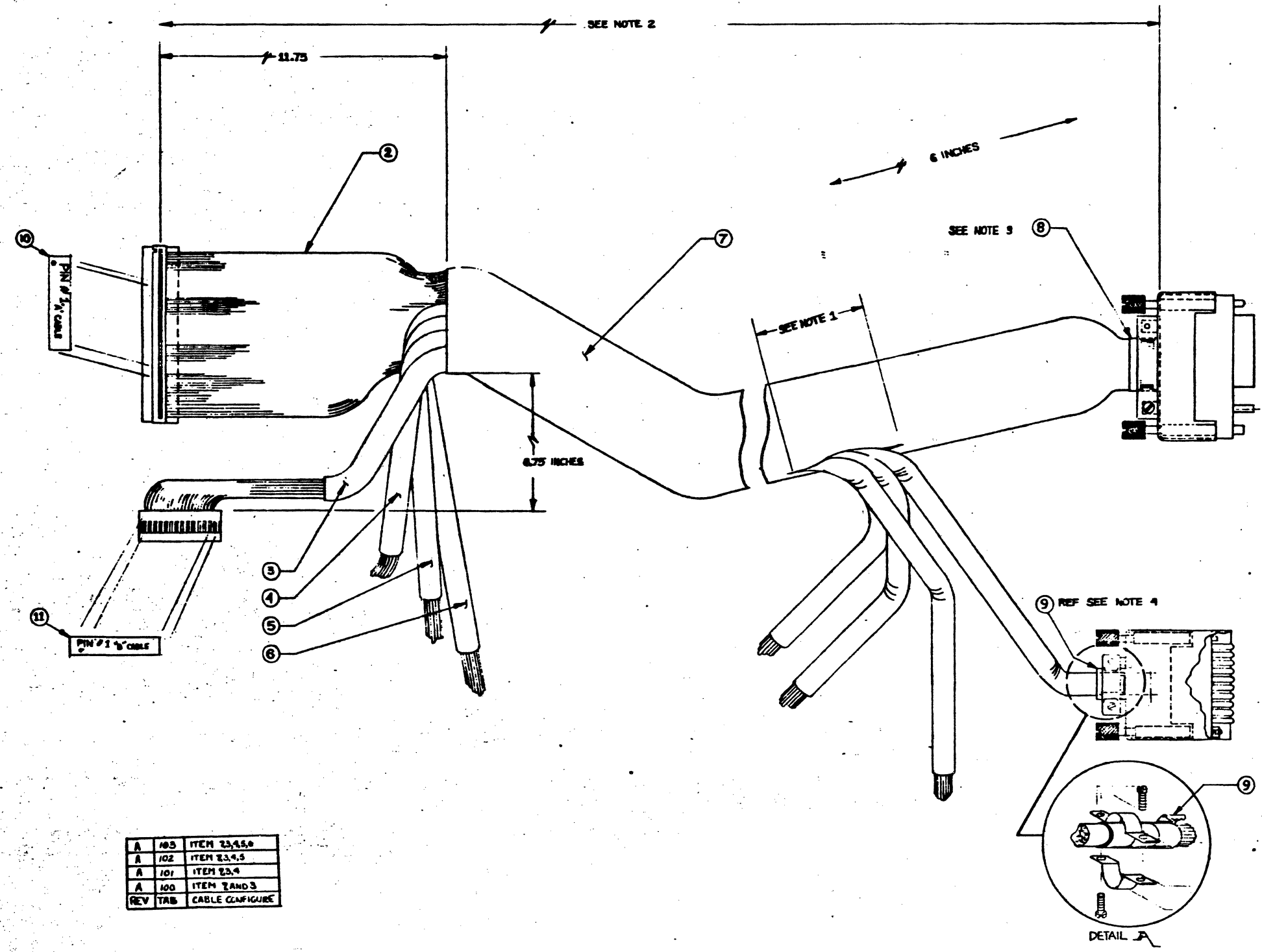
TAB REV	TAB NO	DESCRIPTION	DWG REV	ECO	APPD	DATE
A2	000	STD A/B CABLE 1 DRIVE (IND/SEC "B" CABLE)	A1	RESTRUCTURED DOCUMENTATION		
A2	001	A/BB CABLE 2 DRIVE! (IND/SEC "B" CABLE)	A2	0261 (TABS 000-008)	<i>Dtm</i>	5/18/78
A2	002	A/BBB CABLE 3 DRIVE! (IND/SEC "B" CABLE)				
A2	003	A/BBBB CABLE 4 DRIVE! (IND/SEC "B" CABLE)				
-	004	SPECIAL CUSTOMER CONFIGURATION				
A	005	STD A/B CABLE 1 DRIVE IND/SEC ON "A" CABLE				
A	006	A/BB CABLE 2 DRIVE! IND/SEC ON "A" CABLE				
A	007	A/BBB CABLE 3 DRIVE! IND/SEC ON "A" CABLE				
A	008	A/BBBB CABLE 4 DRIVE IND/SEC ON "A" CABLE				

TOLERANCES (UNLESS OTHERWISE NOTED)			 Xylogics OEM COMPONENT GROUP INC.		
.XXX	±.005	±1/64	±1/2		
DRAWN			TITLE PARTS LIST CDC/SMD ROUND INTERFACE A & B CABLE ASSY		
CHECKED					
ENGR APPD					
ENGR APPD					
PROJECT MANAGER					
SIZE A	DRAWING NO. 400-025-00X		REV A2		
SCALE	<i>1/4</i>	SHEET 1	OF 2	LEVEL II	

ITEM NO.	PART NUMBER	DESCRIPTION								
			000	001	002	003	004	005	006	007
1										
2	400-027-900	CABLE "A" 15'	1	1	1	1	1	1	1	1
3	400-026-900	CABLE "B" 15' (Index/Sec on "B" Cbl)	1	1	1	1	0	0	0	0
4	400-026-901	CABLE "B" 25' (Index/Sec on "B" Cbl)	0	1	1	1	0	0	0	0
5	400-026-902	CABLE "B" 35' (Index/Sec on "B" Cbl)	0	0	1	1	0	0	0	0
6	400-026-903	CABLE "B" 45' (Index/Sec on "B" Cbl)	0	0	0	1	0	0	0	0
7	ALPHA 0231-PT-020	ZIP LOCK SHIELD (1.25 WALL)	A/R	A/R	A/R	A/R	A/R	A/R	A/R	A/R
8	ALPHA P105 1.25 BLK	TUBING	A/R	A/R	A/R	A/R	A/R	A/R	A/R	A/R
9		GRAY DUCT TAPE	A/R	A/R	A/R	A/R	A/R	A/R	A/R	A/R
10	AVERY	"A" CABLE LABEL (WHITE)	1	1	1	1	1	1	1	1
11	AVERY	"B" CABLE LABEL (WHITE)	1	1	1	1	1	1	1	1
12										
13	400-026-904	CABLE "B" 15' (IND/SEC ON "A" CBL)	0	0	0	0	1	1	1	1
14	400-026-905	CABLE "B" 25' (IND/SEC ON "A" CBL)	0	0	0	0	0	1	1	1
15	400-026-906	CABLE "B" 35' (IND/SEC ON "A" CBL)	0	0	0	0	0	0	1	1
16	400-026-907	CABLE "B" 45' (IND/SEC ON "A" CBL)	0	0	0	0	0	0	0	1

The information herein is the property of XYLOGICS DEM COMPONENTS GROUP INCORPORATED. It is to be used only for the purposes for which it was prepared and no reproduction or publication of it, in whole or in part, shall be made without written authorization from XYLOGICS DEM COMPONENTS GROUP INCORPORATED.

ZONE LTR	DESCRIPTION	DATE	APPROVE
1A	RELEASED	11/19/76	



A	103	ITEM 23,454
A	102	ITEM 23,455
A	101	ITEM 23,4
A	100	ITEM 2 AND 3
REV	TAB	CABLE CONFIGURE

- NOTES:
- 1) ZIP LOCK SHIELD TO BE SLICED APPROX 2.5 INCHES TO ALLOW CABLE "B" TO PROTRUDE.
 - 2) CABLE LENGTH TO BE 15" UNLESS NOTED, BOTH A/B CABLE.
 - 3) TUBING 2 PIECES 1 AND 1/4 INCHES IN LENGTH.
 - 4) GRAY TAPE WRAPPED UNTIL CABLE "B" FITS INTO SHROUD SMUG. SEE DETAIL A.

XYLOGICS DEM COMPONENTS GROUP INC.	
FULL	
12-4-76	
CABLE A & B ASSEMBLY - ROUND	
400-025-10X	

1025-016A