

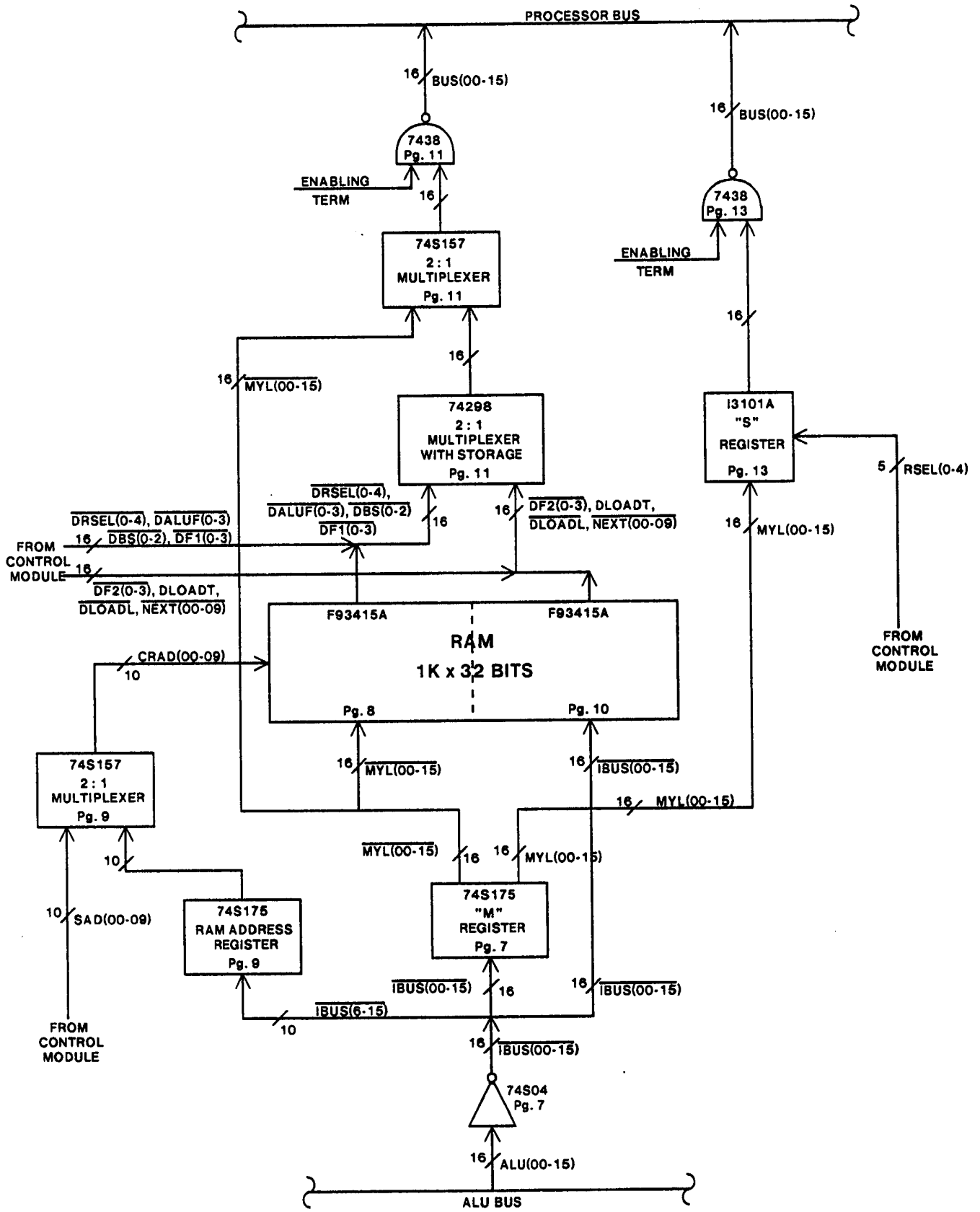
CONTROL RAM

The Control Ram is a standard logic card containing a fast (90 nsec.) 1024-word by 32-bit read/write microinstruction memory, an even faster (40 nsec.) 32-word by 16-bit read/write memory (S registers), and logic to interface those memories to the Alto's microinstruction bus, processor bus, and ALU output. Unlike other microinstruction memories in the Alto, the larger memory of the Control Ram can hold microinstructions and/or data.

RAM-RELATED TASKS

The Control Ram performs data manipulation (as distinct from microcode fetching) functions in response to the microinstruction. Not all tasks are likely to be interested in these functions. Moreover, not all tasks will have the appropriate values for the microinstruction uncommitted. A Ram-related task is defined as one during whose execution the Control Ram card will respond to microinstructions. The standard Alto is wired so that the CPU emulator task is the only Ram-related task.

EXTENDED MEMORY CONTROL RAM MODULE (CRAM) (XM)



ASSY 217176

EXTN MEM

ALTO II GRAM BOARD

33 34
2 PLACES

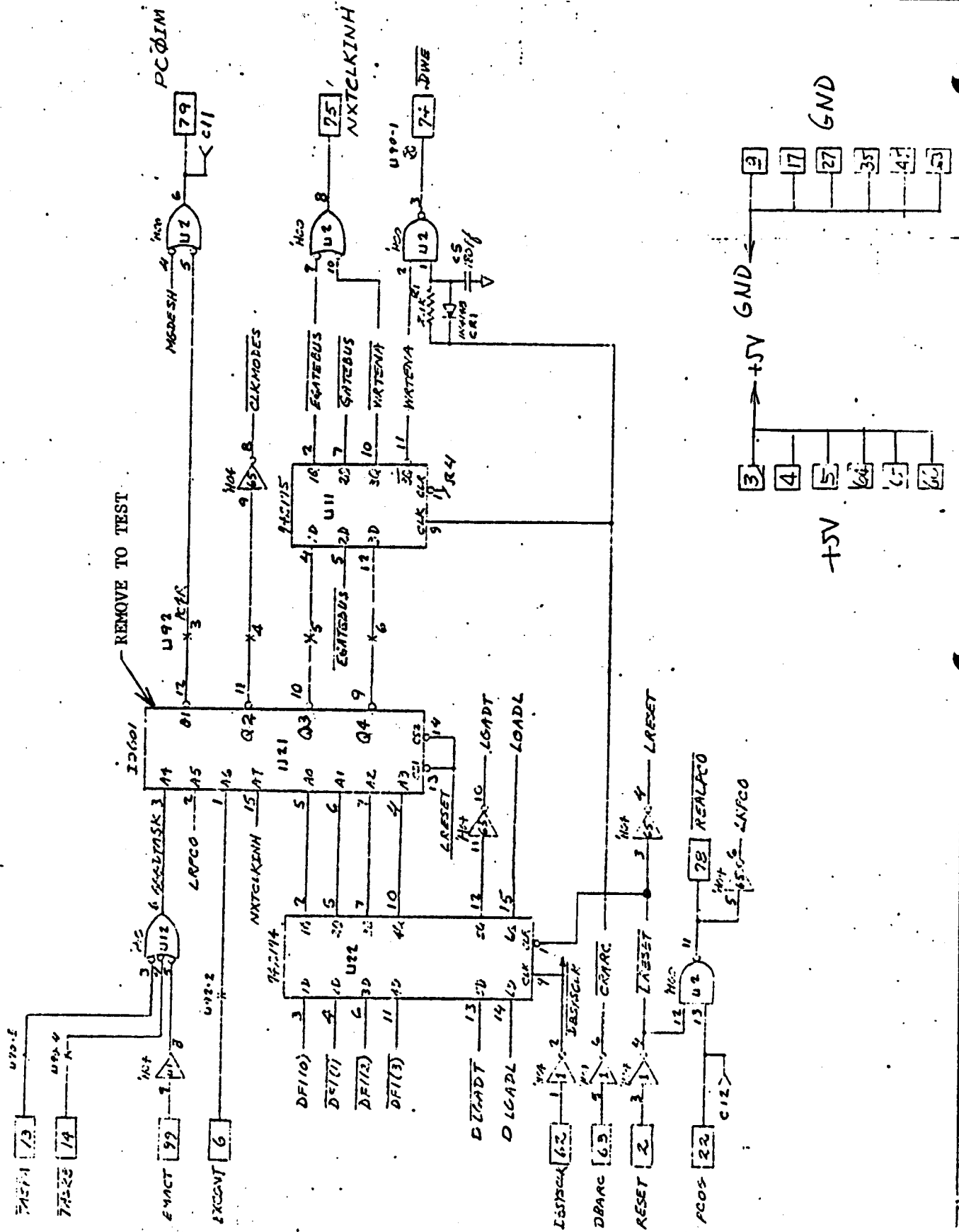
1

32

These drawings and specifications, and the data contained therein, are the exclusive property of Xerox Corporation and/or Rank Xerox, Ltd. issued in strict confidence and shall not, without the prior written permission of Xerox Corporation or Rank Xerox, Ltd., be reproduced, copied or used for any purpose whatsoever, except the manufacture of articles for Xerox Corporation or Rank Xerox, Ltd.

Title
ALTO II
ASSEMBLY, PW-
GRAM
(EXTN MEM)

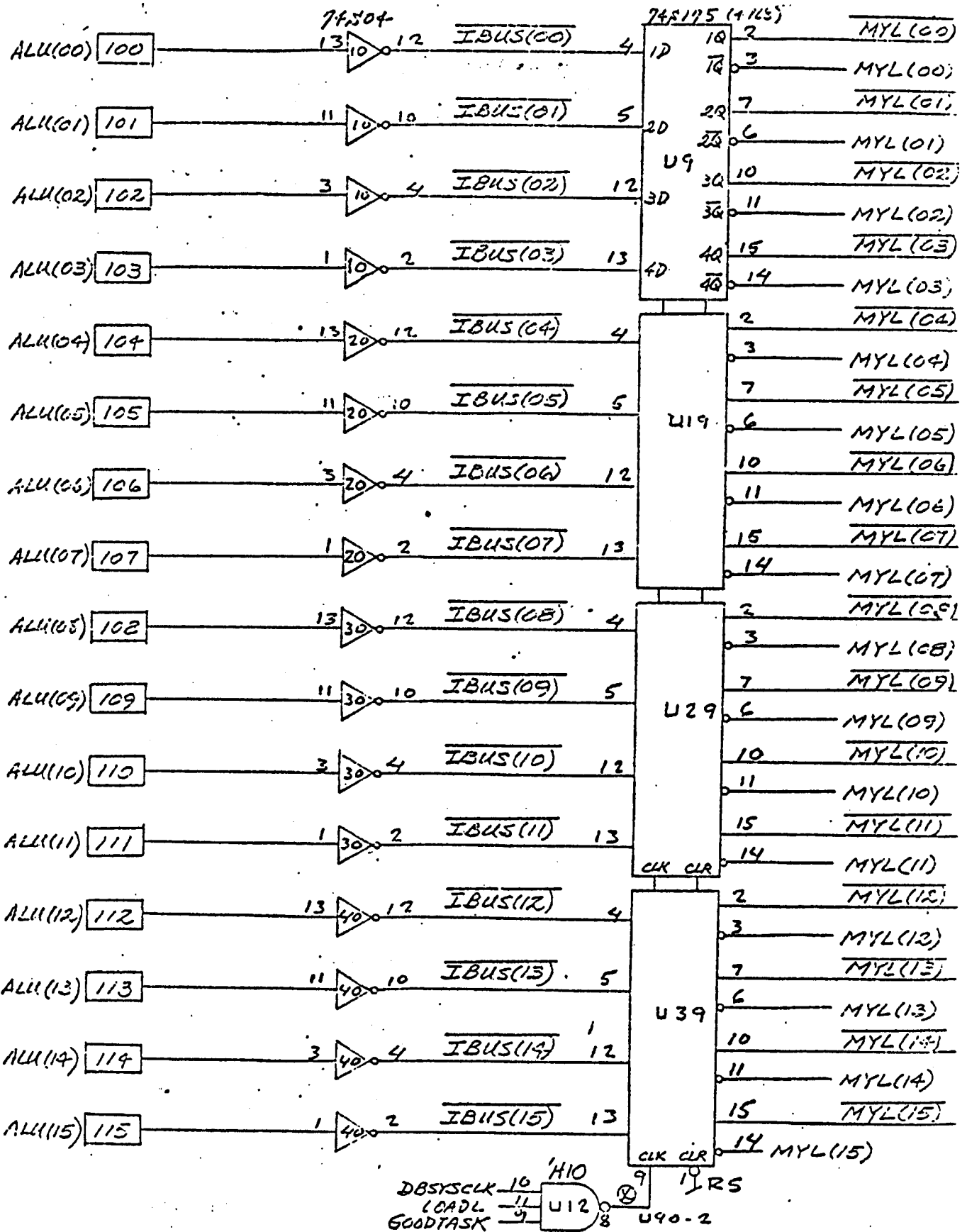
Xerox Corporation El Segundo, California		XEROX	
217176		F	
Sheet	3	OF	



These drawings and specifications, and the data contained therein, are the exclusive property of Xerox Corporation and/or Rank Xerox, Ltd. issued in strict confidence and shall not, without the prior written permission of Xerox Corporation or Rank Xerox, Ltd., be reproduced, copied or used for any purpose whatsoever, except the manufacture of articles for Xerox Corporation or Rank Xerox, Ltd.

Title
ALTO II
ASSEMBLY, P.W.-
CRAM
(EXTN MEM)

Xerox Corporation El Segundo, California		XEROX
217176		
Sheet	6	OF



These drawings and specifications, and the data contained therein, are the exclusive property of Xerox Corporation and/or Rank Xerox, Ltd. issued in strict confidence and shall not, without the prior written permission of Xerox Corporation or Rank Xerox, Ltd., be reproduced, copied or used for any purpose whatsoever, except the manufacture of articles for Xerox Corporation or Rank Xerox, Ltd.

Title
ALTO II
ASSEMBLY, P.W. -
GRAM
(EXTN MEM)

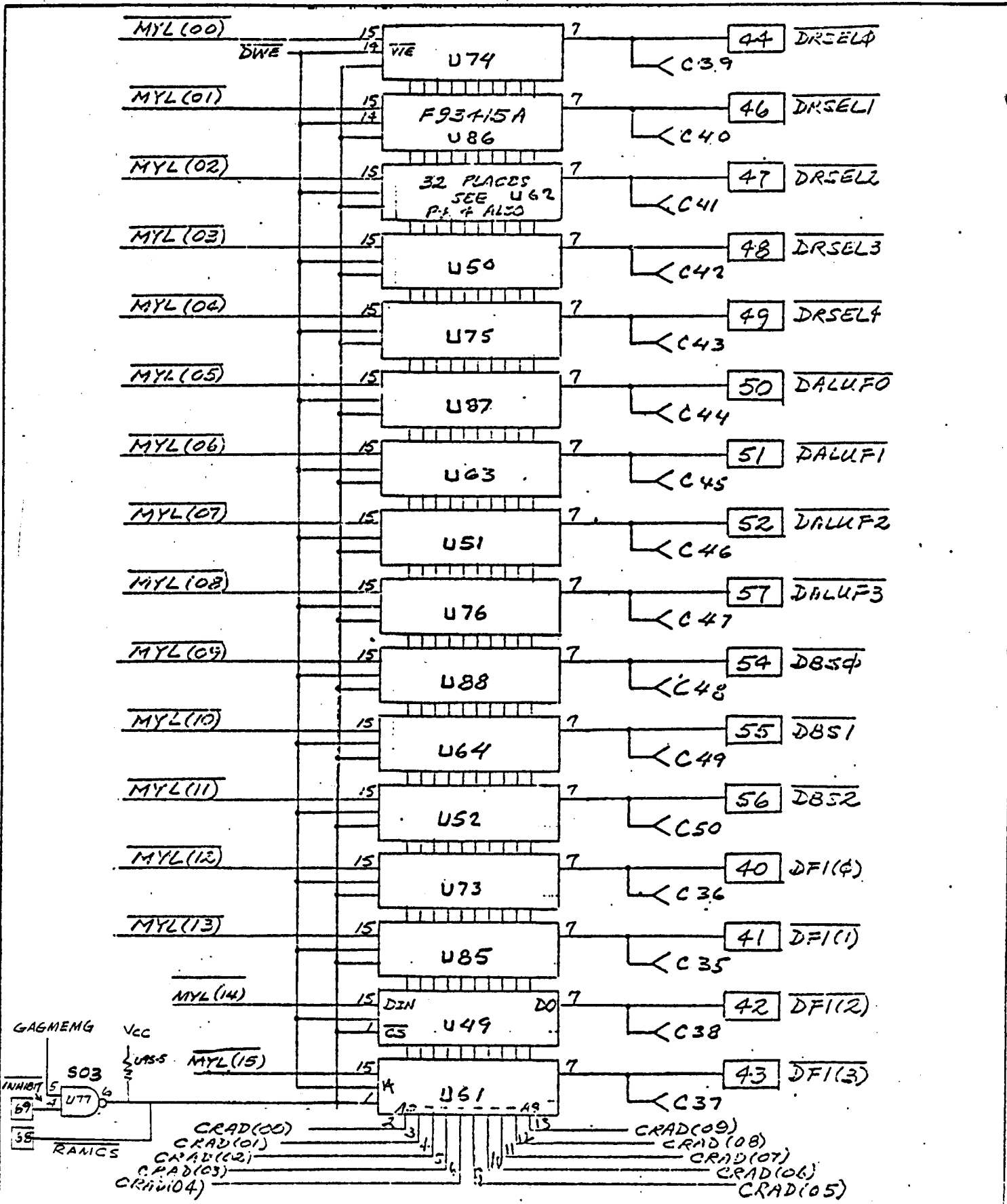
Xerox Corporation
El Segundo, California

XEROX

217176

F

Sheet 7 of



These drawings and specifications, and the data contained therein, are the exclusive property of Xerox Corporation and/or Rank Xerox, Ltd. issued in strict confidence and shall not, without the prior written permission of Xerox Corporation or Rank Xerox, Ltd., be reproduced, copied or used for any purpose whatsoever, except the manufacture of articles for Xerox Corporation or Rank Xerox, Ltd.

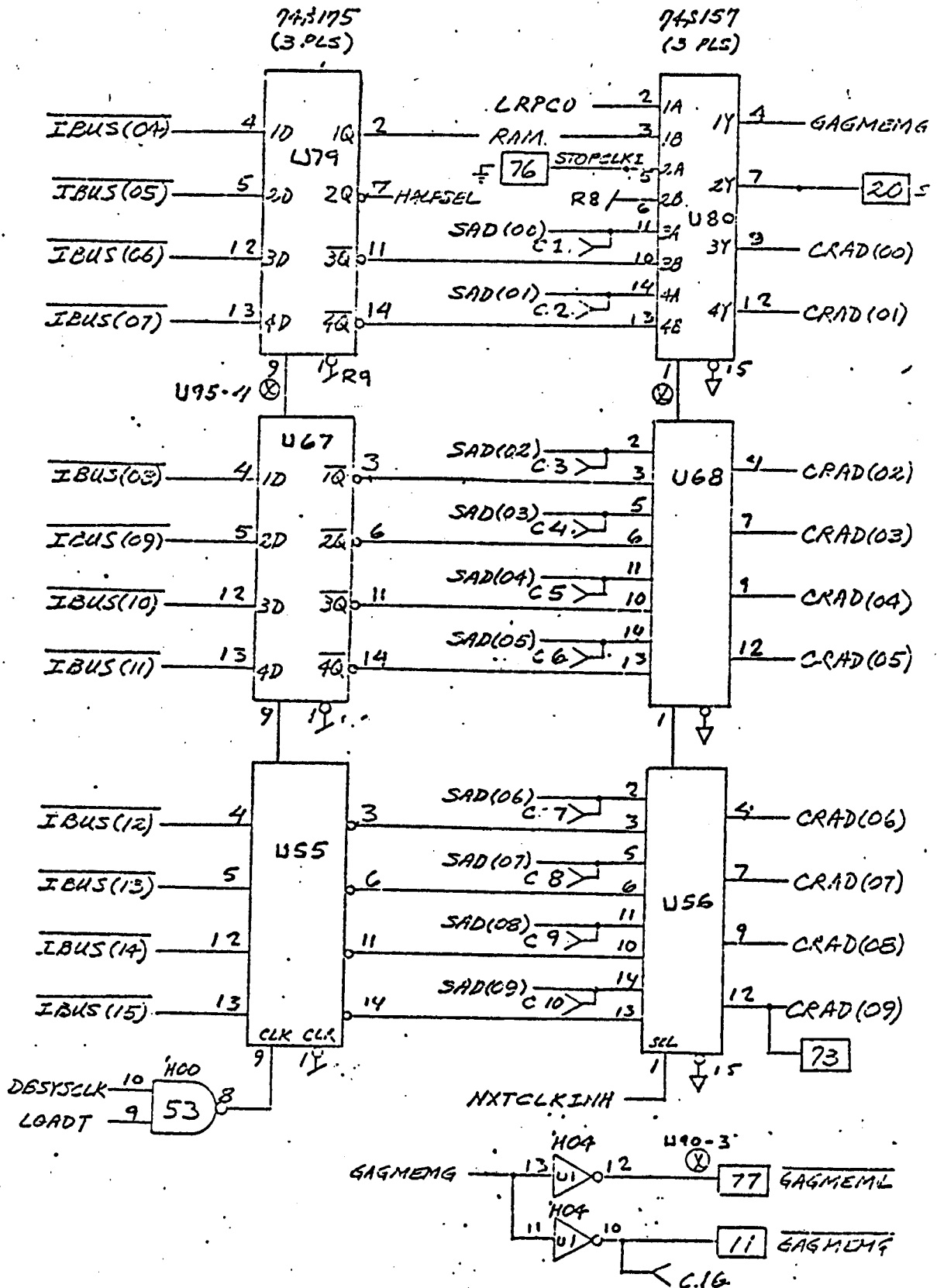
Title
ALTO II
ASSEMBLY, P.W.-
GRAM
 (EXT: MEM)

Xerox Corporation
 El Segundo, California

XEROX

217176 F

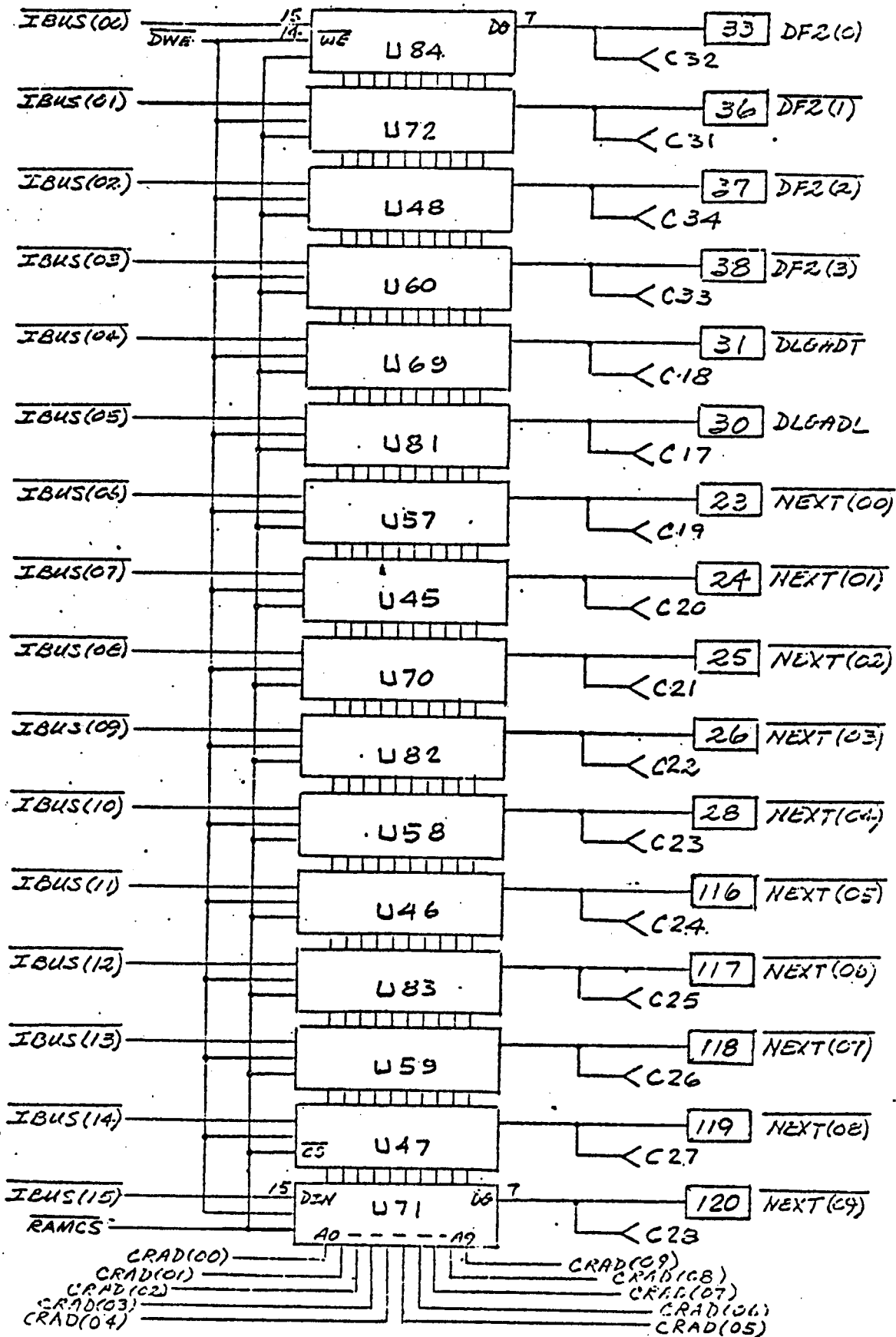
Sheet 8 Of



These drawings and specifications, and the data contained therein, are the exclusive property of Xerox Corporation and/or Rank Xerox, Ltd. issued in strict confidence and shall not, without the prior written permission of Xerox Corporation or Rank Xerox, Ltd., be reproduced, copied or used for any purpose whatsoever, except the manufacture of articles for Xerox Corporation or Rank Xerox, Ltd.

Title
ALTO II
ASSEMBLY, P.W.-
CRAM (EXTN MEM)

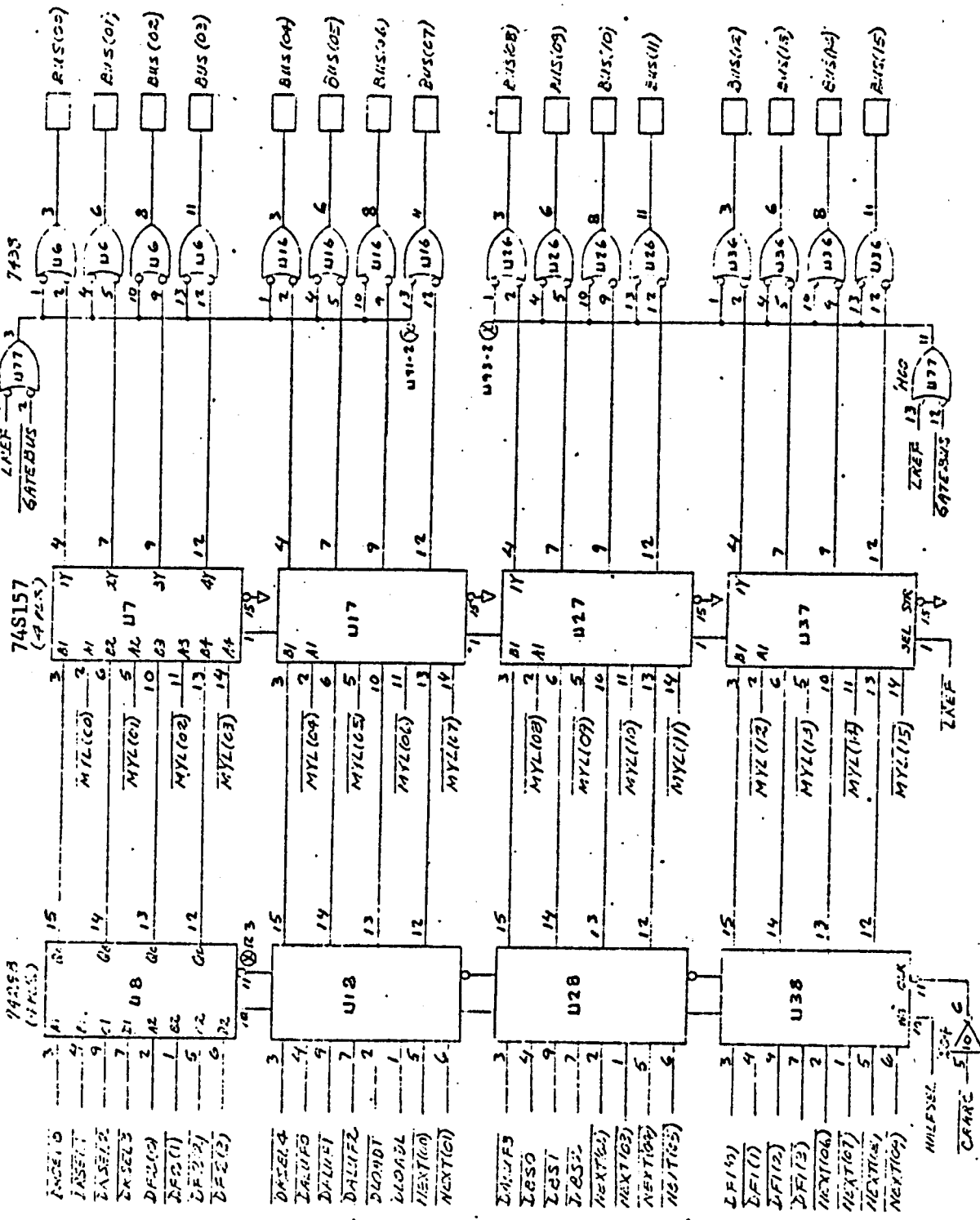
Xerox Corporation
 El Segundo, California
XEROX
 217176
 F
 Sheet 9 of 01



These drawings and specifications, and the data contained therein, are the exclusive property of Xerox Corporation and/or Rank Xerox, Ltd. issued in strict confidence and shall not, without the prior written permission of Xerox Corporation or Rank Xerox, Ltd., be reproduced, copied or used for any purpose whatsoever, except the manufacture of articles for Xerox Corporation or Rank Xerox, Ltd.

Title
ALTO II
ASSEMBLY, P.W.-
GRAM (EXTN MEM)

Xerox Corporation
 El Segundo, California
XEROX
 217-176
 Sheet 10 of F



These drawings and specifications, and the data contained therein, are the exclusive property of Xerox Corporation and/or Rank Xerox, Ltd. issued in strict confidence and shall not, without the prior written permission of Xerox Corporation or Rank Xerox, Ltd., be reproduced, copied or used for any purpose whatsoever, except the manufacture of articles for Xerox Corporation or Rank Xerox, Ltd.

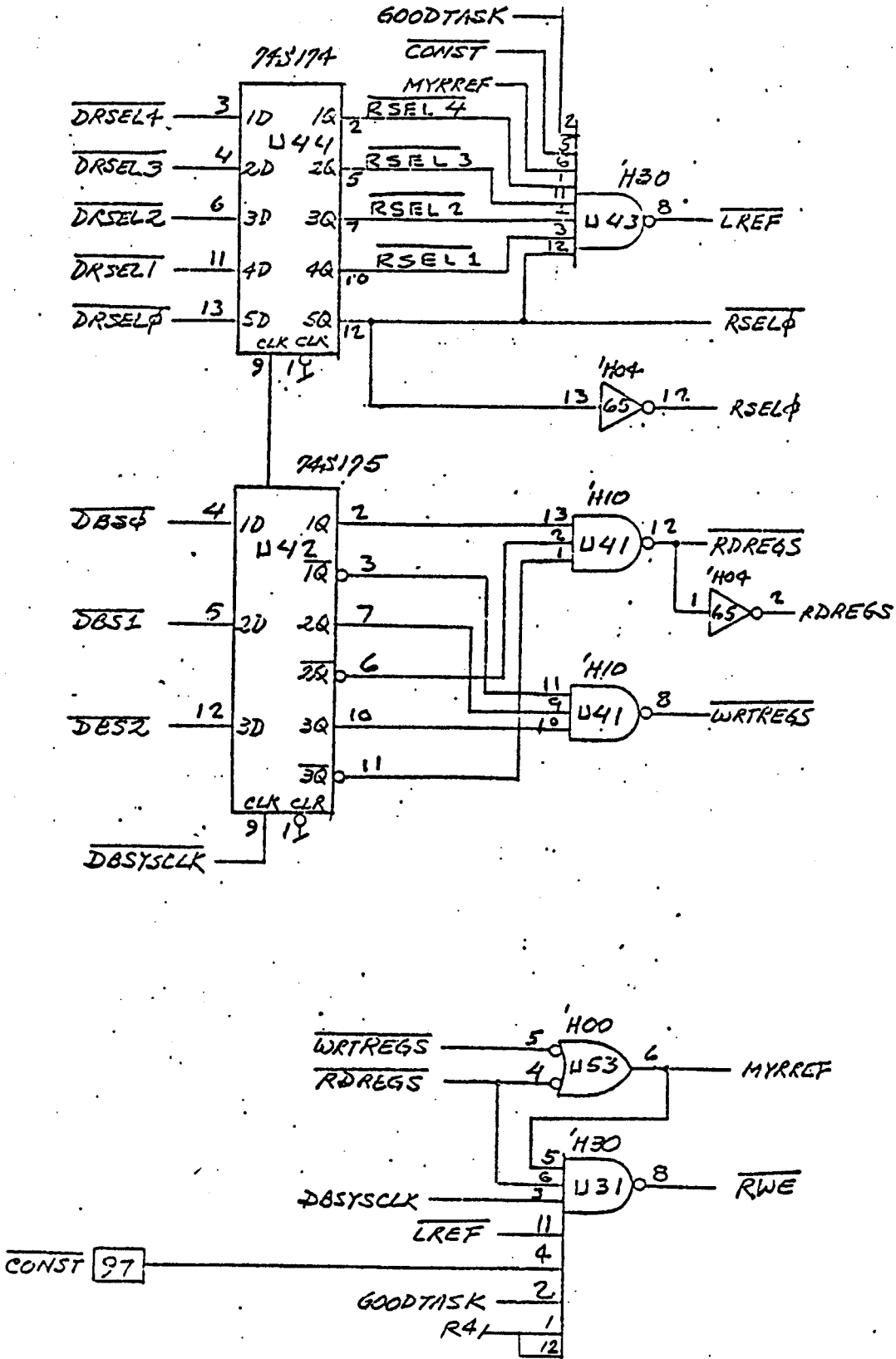
Title
ALTO II
ASSEMBLY, P.W.-
CRAM (EXTN MEM)

Xerox Corporation
 El Segundo, California

XEROX

217176 F

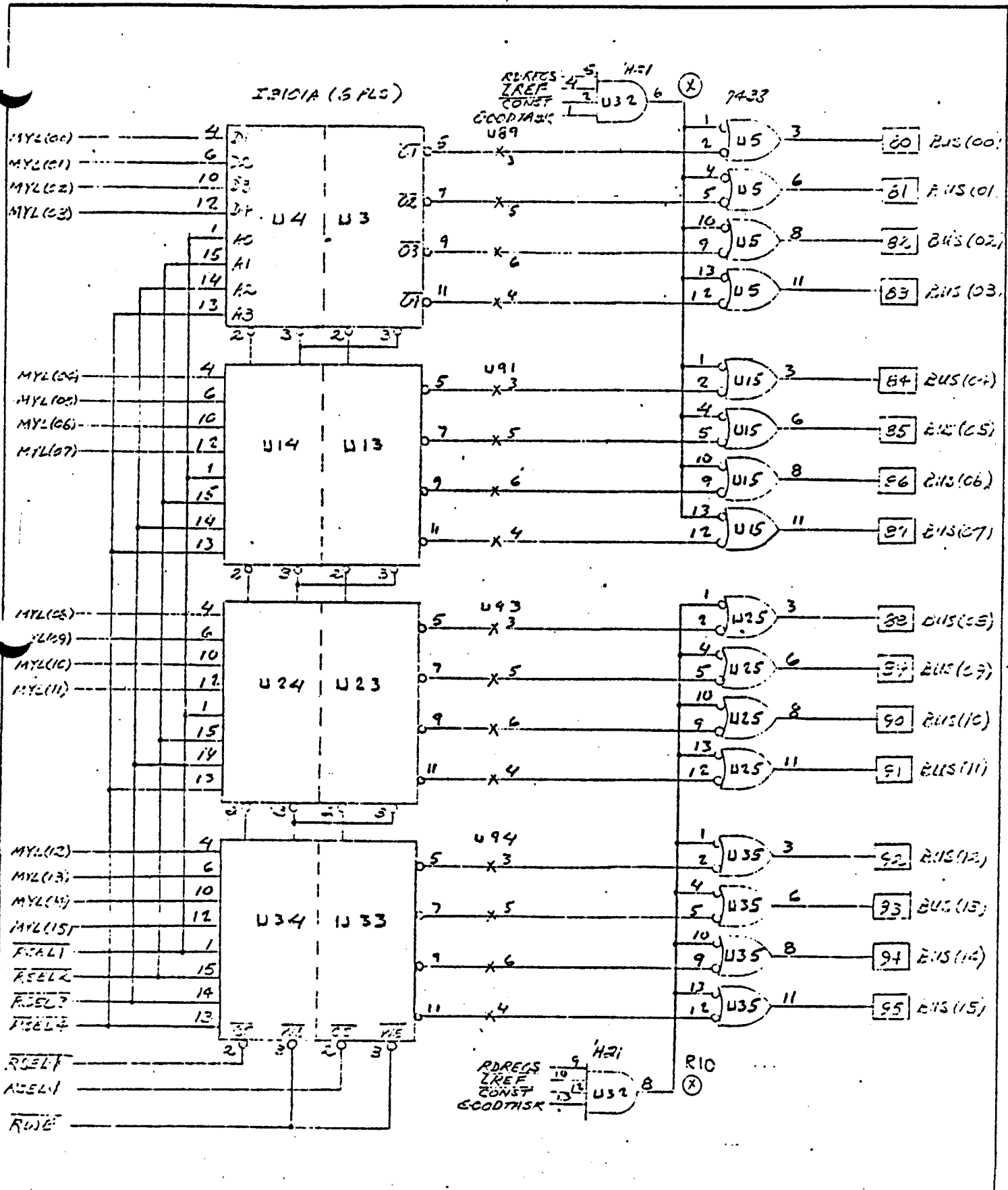
Sheet 11 of 11



These drawings and specifications, and the data contained therein, are the exclusive property of Xerox Corporation and/or Rank Xerox, Ltd. issued in strict confidence and shall not, without the prior written permission of Xerox Corporation or Rank Xerox, Ltd., be reproduced, copied or used for any purpose whatsoever, except the manufacture of articles for Xerox Corporation or Rank Xerox, Ltd.

Title
ALTO II
ASSEMBLY, P.W.-
CRAM (EXTN MEM)

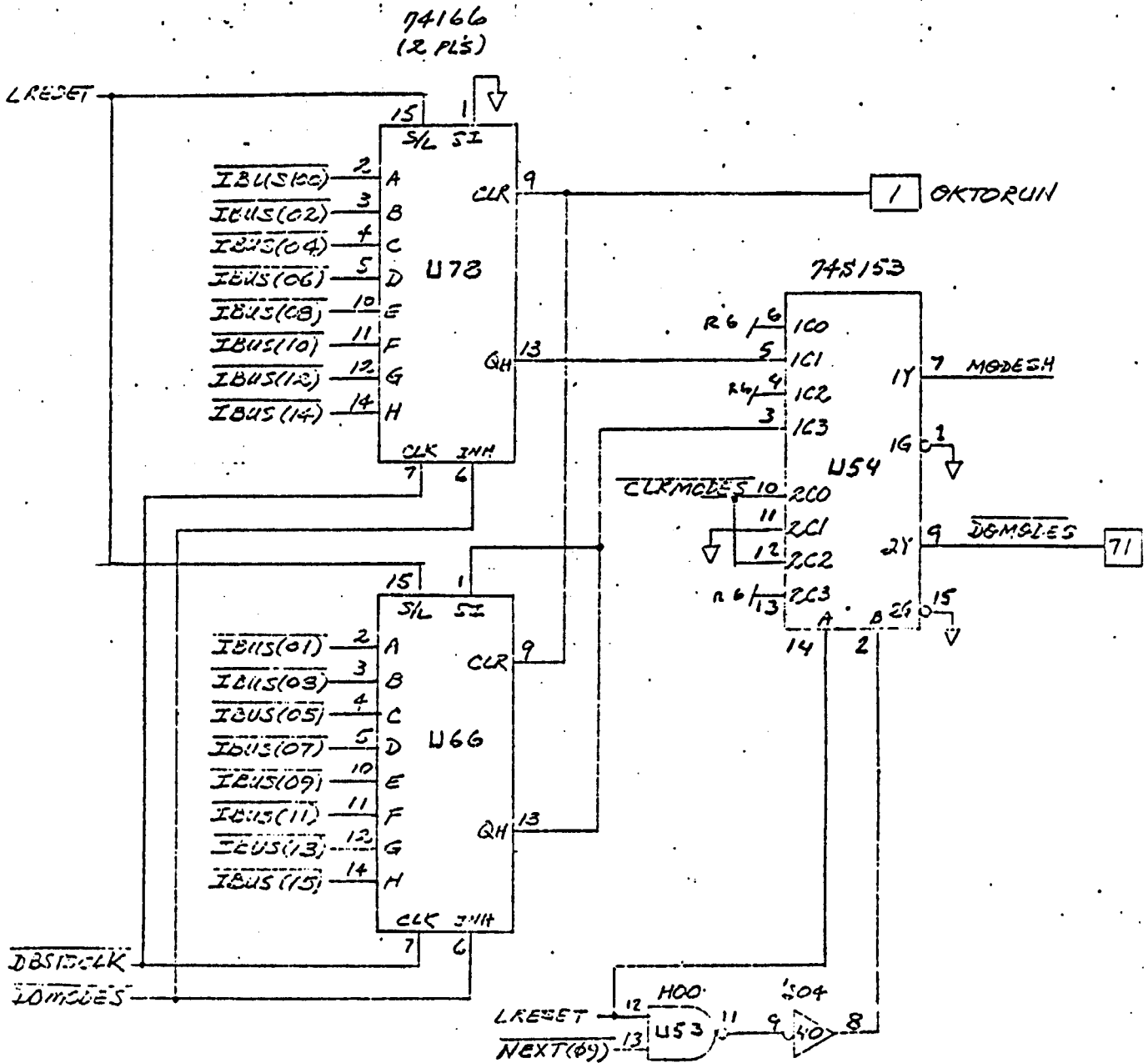
Xerox Corporation El Segundo, California		XEROX
217176	F	
Sheet	12	Of



These drawings and specifications, and the data contained therein, are the exclusive property of Xerox Corporation and/or Rank Xerox, Ltd. issued in strict confidence and shall not, without the prior written permission of Xerox Corporation or Rank Xerox, Ltd., be reproduced, copied or used for any purpose whatsoever, except the manufacture of articles for Xerox Corporation or Rank Xerox, Ltd.

Title
ALTO II
ASSEMBLY, P.W.-
GRAM
 (EXTN MEM)

Xerox Corporation El Segundo, California		XEROX
217176	F	
Sheet	13	Of



These drawings and specifications, and the data contained therein, are the exclusive property of Xerox Corporation and/or Rank Xerox, Ltd. issued in strict confidence and shall not, without the prior written permission of Xerox Corporation or Rank Xerox, Ltd., be reproduced, copied or used for any purpose whatsoever, except the manufacture of articles for Xerox Corporation or Rank Xerox, Ltd.

Title
ALTO II
ASSEMBLY, P.W.-
GRAM
(EXT: MEM)

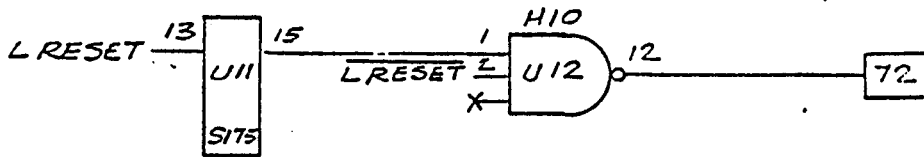
Xerox Corporation
El Segundo, California

XEROX

217176

F

Sheet 14 of



These drawings and specifications, and the data contained therein, are the exclusive property of Xerox Corporation and/or Rank Xerox, Ltd. issued in strict confidence and shall not, without the prior written permission of Xerox Corporation or Rank Xerox, Ltd., be reproduced, copied or used for any purpose whatsoever, except the manufacture of articles for Xerox Corporation or Rank Xerox, Ltd.

Title
 ALTO II
 ASSEMBLY, P.W. -
 CRAM
 (EXTN MEM)

Xerox Corporation
 El Segundo, California

XEROX

217176

F

Sheet 15 of