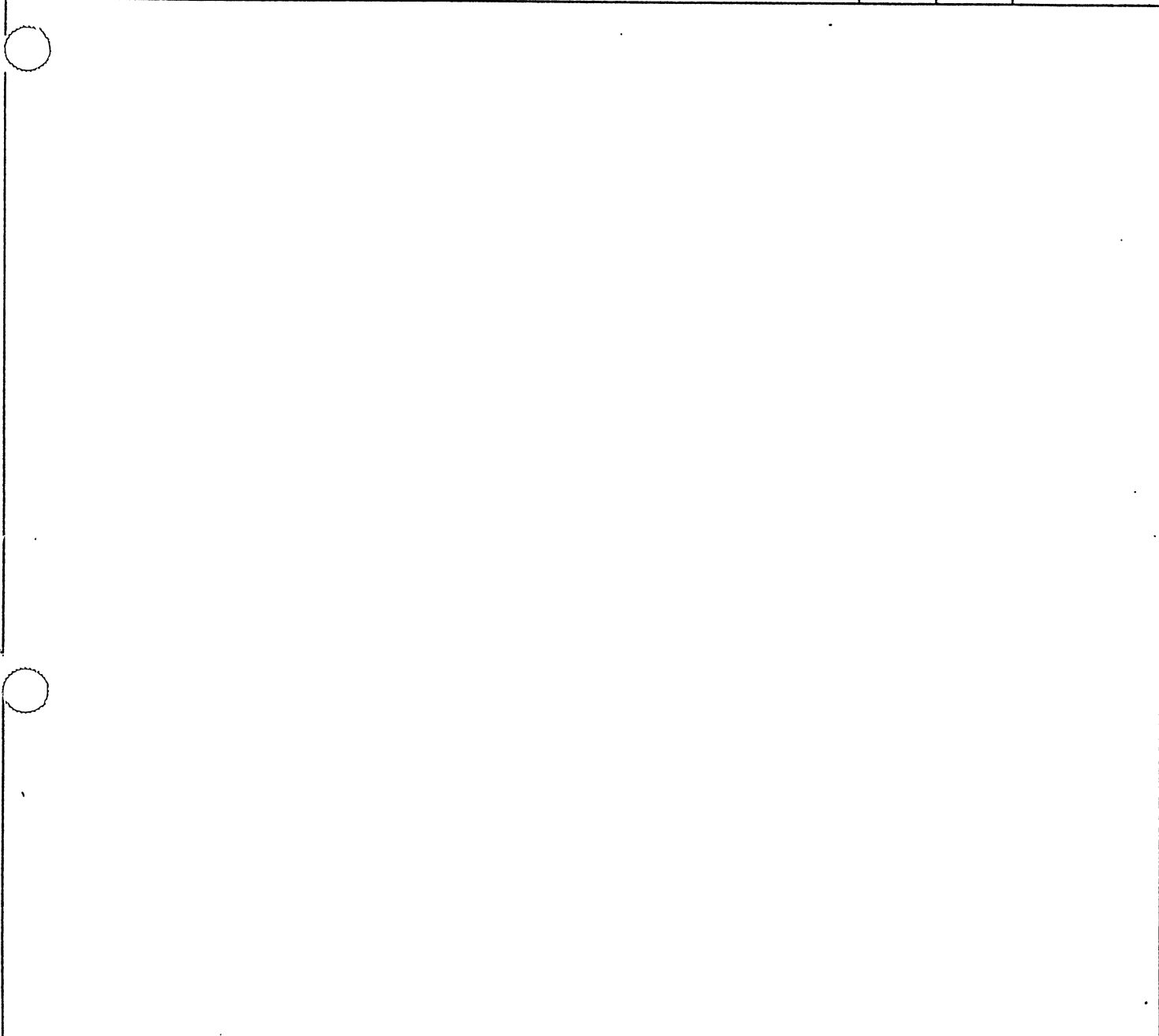


Revisions				216695	A
LAL	Rev.	Description	Chk	Date	Approved
	A	ENGRG RELEASE		11-4-77	<i>R. Freeman</i>



THIS DOCUMENT CONTAINS 13 SHEETS.

Dist Code SPG

<p>These drawings and specifications, and the data contained therein, are the exclusive property of Xerox Corporation and/or Rank Xerox, Ltd. issued in strict confidence and shall not, without the prior written permission of Xerox Corporation or Rank Xerox, Ltd., be reproduced, copied or used for any purpose whatsoever, except the manufacture of articles for Xerox Corporation or Rank Xerox, Ltd.</p>	Notes Unless Specified	Drawn <i>W. J. ... 11-2-77</i>	Xerox Corporation El Segundo, California		
	<p>1. Tolerances .XX ±.03 Angular ±½° .XXX ±.010</p> <p>2. Break All Sharp Edges .010 Approx.</p> <p>3. Mach. Surfaces <input checked="" type="checkbox"/></p> <p>4. All Dim. in Inches</p>	Check	Title <i>YM</i>		
		Appr. <i>R. Freeman 11-4-77</i>	ASSEMBLY, PRINTED WIRING-		
		Material	CONTROL BOARD (IK EXTN MEM)		
<p>No. Use</p> <p>ALTO II</p> <p>Next Assy. First Use</p> <p>216302</p>	Finish	Code Ident.	Size	Dwg. No.	Change Letter
		18338	A	216695	A
		Scale -	Do Not Scale Drawing		Sheet 1 OF

NOTES: UNLESS OTHERWISE SPECIFIED

1. ASSEMBLE PER ALTO II MODULE SPEC, DWG NO. 216207.
2. THE FOLLOWING MODIFICATIONS ARE REQUIRED USING "B" REVISION PRINTED WIRING BOARDS.
 - 1) CUT ETCH TO U10 PIN 4.
 - 2) U36 PIN 1. (BOTH ETCH LINES).
 - 3) U36 PIN 2.
 - 4) U36 PIN 13.
 - 5) U36 PIN 3.
 - 6) CUT ETCH TO U41 PIN 1. (BOTH ETCH LINES).
 - 7) ADD JUMPER FROM U36 PIN 1 TO U25 PIN 7.
 - 8) U36 PIN 2 U25 PIN 5.
 - 9) U36 PIN 3 U25 PIN 2.
 - 10) U36 PIN 13 U25 PIN 10.
 - 11) U36 PIN 5 U10 PIN 4.
 - 12) U17 PIN 4 U7 PIN 3.
 - 13) U7 PIN 4 U41 PIN 1.
 - 14) U40 PIN 1 U43 PIN 1.
 - 15) ADD JUMPER FROM U25 PIN 6 TO U38 PIN 10.
 - 16) CUT ETCH BETWEEN PIN 109 AND FEEDTHRU UNDER U9. (ETCH SIDE).
 - 17) PIN 108 FEEDTHRU. (ETCH SIDE).
 - 18) PIN 107
 - 19) PIN 106
 - 20) PIN 105
 - 21) PIN 62
 - 22) CUT ETCH BETWEEN PIN 63 AND FEEDTHRU. (ETCH SIDE).
 - 23) ADD JUMPER FROM U11 PIN 1 TO U11 PIN 2 TO U17 PIN 1.
 - 24) U11 PIN 4 U11 PIN 5 U17 PIN 2
 - 25) U11 PIN 11 U11 PIN 12 U17 PIN 3.
 - 26) U11 PIN 14 U11 PIN 15 TO U17 PIN 5.
 - 27) U11 PIN 7 U11 PIN 8.
 - 28) U11 PIN 3 PIN 105.
 - 29) U11 PIN 6 PIN 106.
 - 30) U11 PIN 10 PIN 107.
 - 31) U11 PIN 13 PIN 108.
 - 32) ADD JUMPER FROM U16 PIN 15 TO PIN 109.
 - 33) INSTALL MICROCIRCUIT 74S00 IN LOCATION U11 PINS 1-7 & 10-16.

3 RUBBER STAMP "1K EXTN MEM." .12 HIGH, WHITE CHARACTERS.

4 RUBBER STAMP "ASSY 216695" .12 HIGH, WHITE CHARACTERS.

These drawings and specifications, and the data contained therein, are the exclusive property of Xerox Corporation and/or Rank Xerox, Ltd. issued in strict confidence and shall not, without the prior written permission of Xerox Corporation or Rank Xerox, Ltd., be reproduced, copied or used for any purpose whatsoever, except the manufacture of articles for Xerox Corporation or Rank Xerox, Ltd.

Title
 ASSY, PRINTED WIRING-
 CONTROL BOARD
 (1K EXTN MEM.)

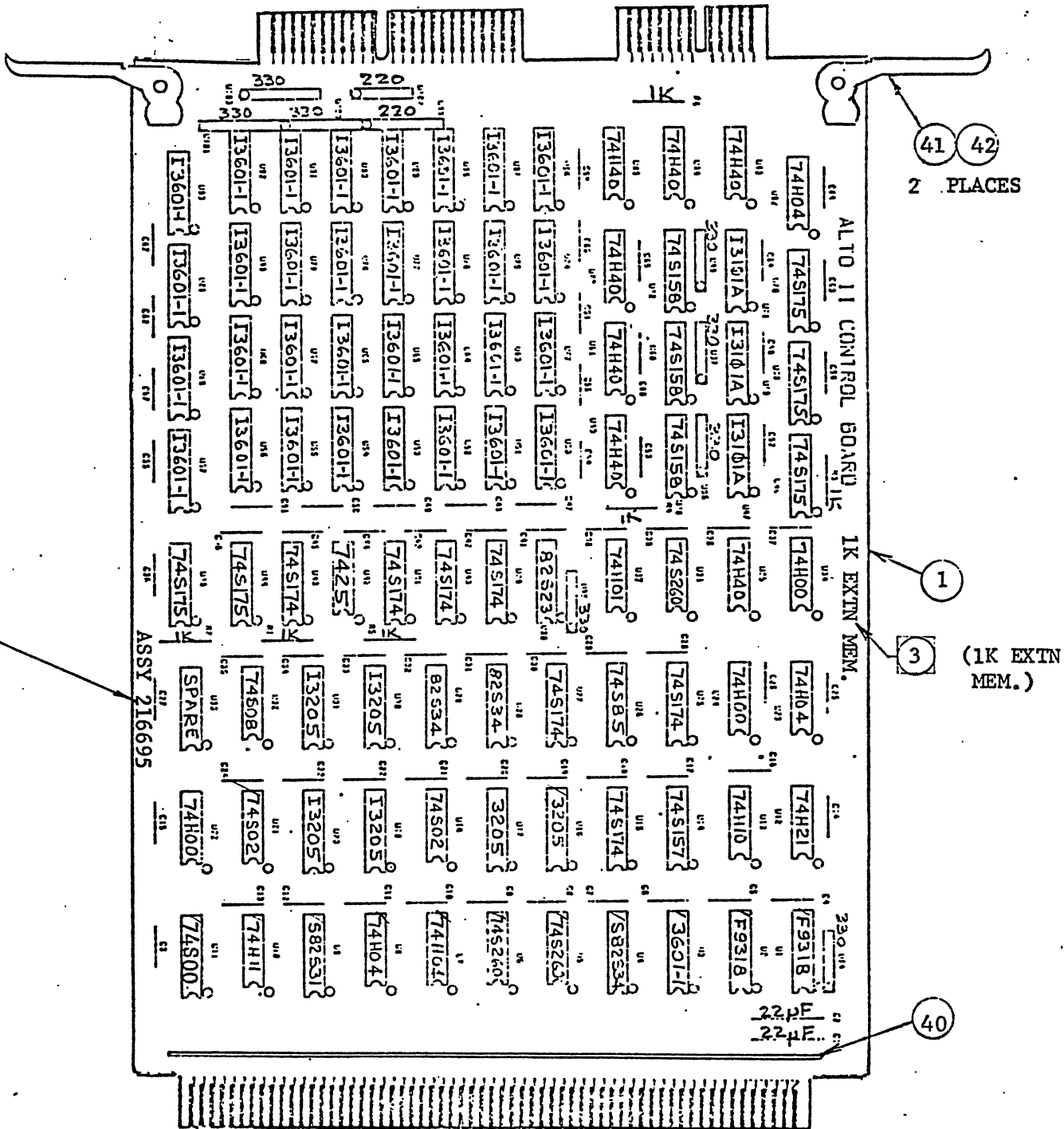
Xerox Corporation
 El Segundo, California

XEROX

216695

A

Sheet 2 Of



drawings and specifications, and the data contained therein, are the exclusive property of Xerox Corporation and/or Rank Xerox, Ltd. issued in strict confidence and shall not, without the prior written permission of Xerox Corporation or Rank Xerox, Ltd., be reproduced, copied or used for any purpose whatsoever, except the manufacture of articles for Xerox Corporation or Rank Xerox, Ltd.

Title
**ASSY, P.W.-
 CONTROL BOARD**
 (1K EXTENDED MEMORY)

Xerox Corporation El Segundo, California		XEROX	
216695		A	
Sheet	3	Of	

ML	Drawing No. 216695	Rev. A
-----------	-----------------------	-----------

Material List

Rev. 1
 Drawing Title
**ASSEMBLY, PRINTED WIRING-
 CONTROL BOARD (1K EXTN MEM.)**

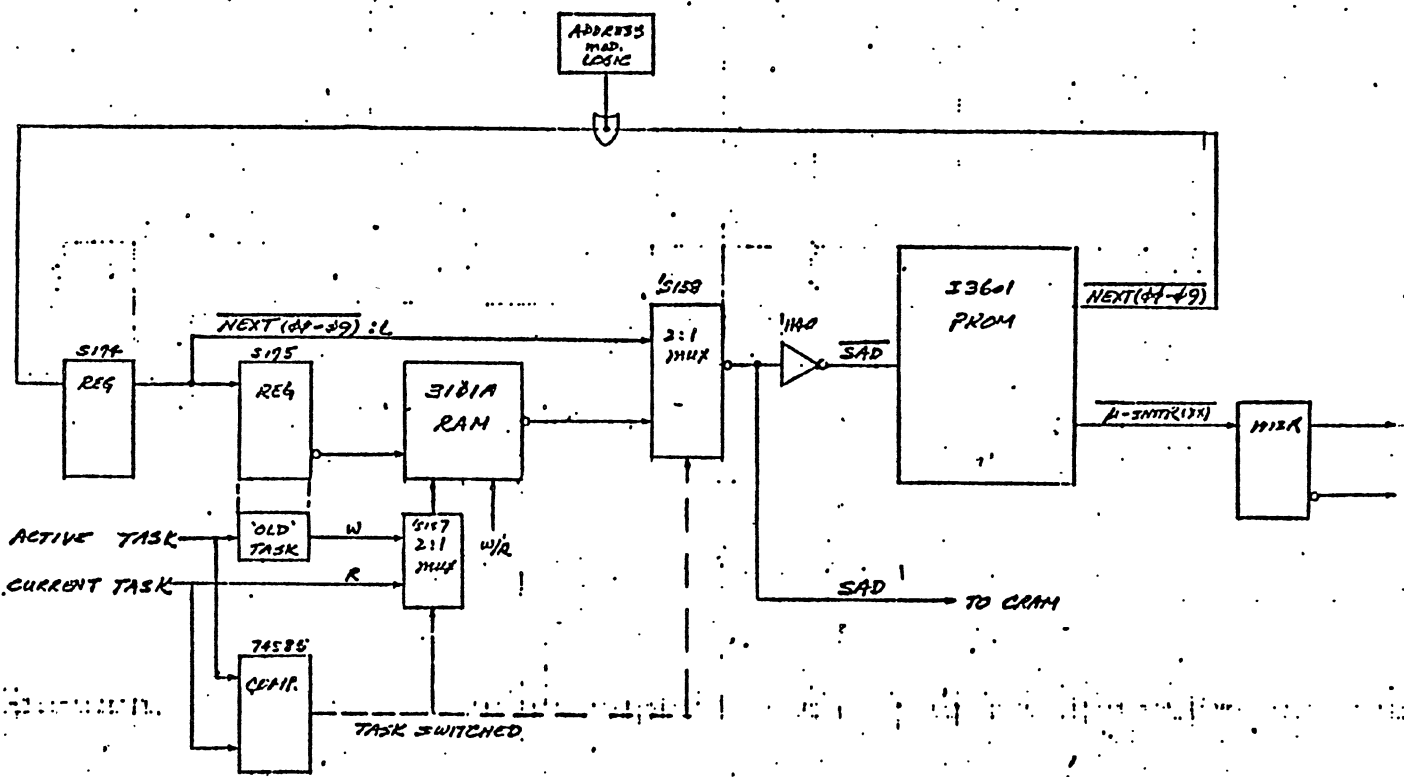
These drawings and specifications, and the data contained therein, are the exclusive property of Xerox Corporation and/or Rank Xerox, Ltd. issued in strict confidence and shall not, without the prior written permission of Xerox Corporation or Rank Xerox, Ltd., be reproduced, copied or used for any purpose whatsoever, except the manufacture of articles for Xerox Corporation or Rank Xerox, Ltd.

Model No. **EWO 7YF92** Date **3/5/76** Sheet **4** of **4**

Item No.	Drawing Title	Drawing No.	No. Req.	Remarks
1	Board, Printed Wiring- Control Board	216375	1	
2	Procedure, Test	216374	REF	
3	Spec, Module Assembly	216207	REF	
4	Microcircuit, 74S00		1	U11
5	Microcircuit, 74H00		3	U22,24,34
6	74H01		1	U37
7	74S02		2	U18,21
8	74H04		4	U7,8,23,82
9	74S08		1	U32
10	74H10		1	U13
11	74H11		1	U10
12	74H21		1	U12
13	74H40		7	U35,49,60,73,83,84,85
14	74S85		1	U26
15	74S157		1	U14
16	74S158		3	U48,60,72
17	74S174		7	U15,25,27,39,40,41,43
18	74S175		5	U44,45,46,58,70
19	74S260		3	U5,6,36
20	I3101A Intel		3	U47,59,71
21	I3205 Intel		6	U16,17,19,20,30,31
22	I3601-1 Intel		33	U3,50-57,62-69,74-81,
23				86-93,
24	7425		1	U42
25	82S23 Signetic		1	U38
26	82S31 Signetic		1	U9
27	82S34 Signetic		3	U4,28,29
28	Microcircuit, F9318 Fairchild		2	U1,2
29				
30				
31	Capacitor, .01μF, 50V	188483-002	70	C3-72
32	Capacitor, 22μF, 15V, Tant.	187720-005	2	C1,2

Drawing No. 216695

ML



Drawings and specifications, and the data contained herein, are the exclusive property of Xerox Corporation and/or Rank Xerox, Ltd. Issued in strict confidence and shall not, without the prior written permission of Xerox Corporation or Rank Xerox, Ltd., be reproduced, copied or used for any purpose whatsoever, except the manufacture of articles for Xerox Corporation or Rank Xerox, Ltd.

Title
**ASSEMBLY, PRINTED WIRING
 CONTROL BOARD
 (1K EXTN MEM.)**

Xerox Corporation
 El Segundo, California
XEROX
 216695
 6 of
 A

These drawings and specifications, and the data contained therein, are the exclusive property of Xerox Corporation and/or Rank Xerox, Ltd. issued in strict confidence and shall not, without the prior written permission of Xerox Corporation or Rank Xerox, Ltd., be reproduced, copied or used for any purpose whatsoever, except the manufacture of articles for Xerox Corporation or Rank Xerox, Ltd.

Title

ASSEMBLY, P.W. -
CONTROL BOARD
(1K EXTN MEM.)

Xerox Corporation
El Segundo, California

XEROX

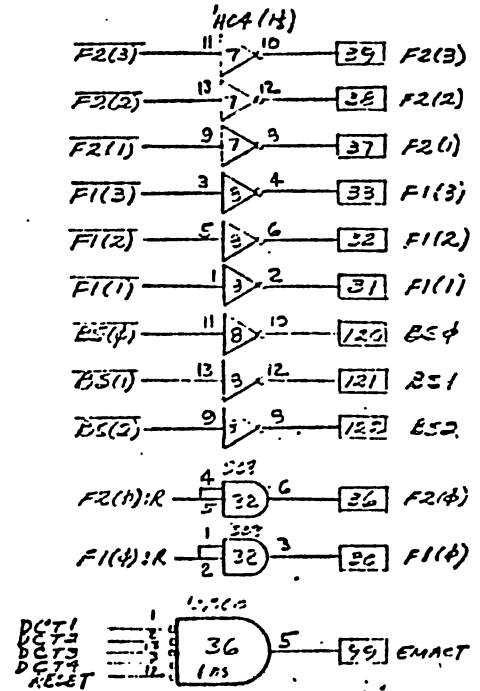
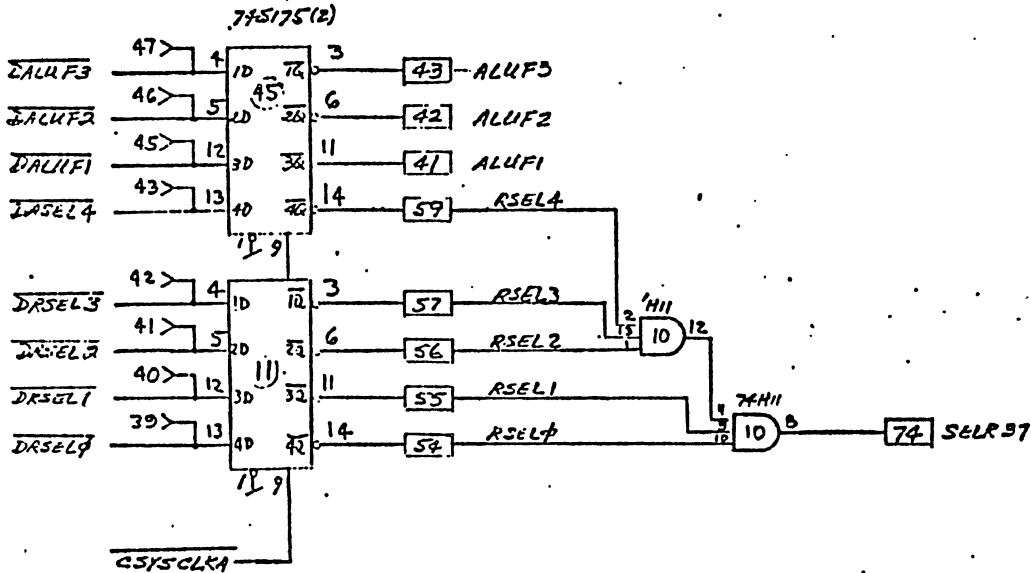
216695

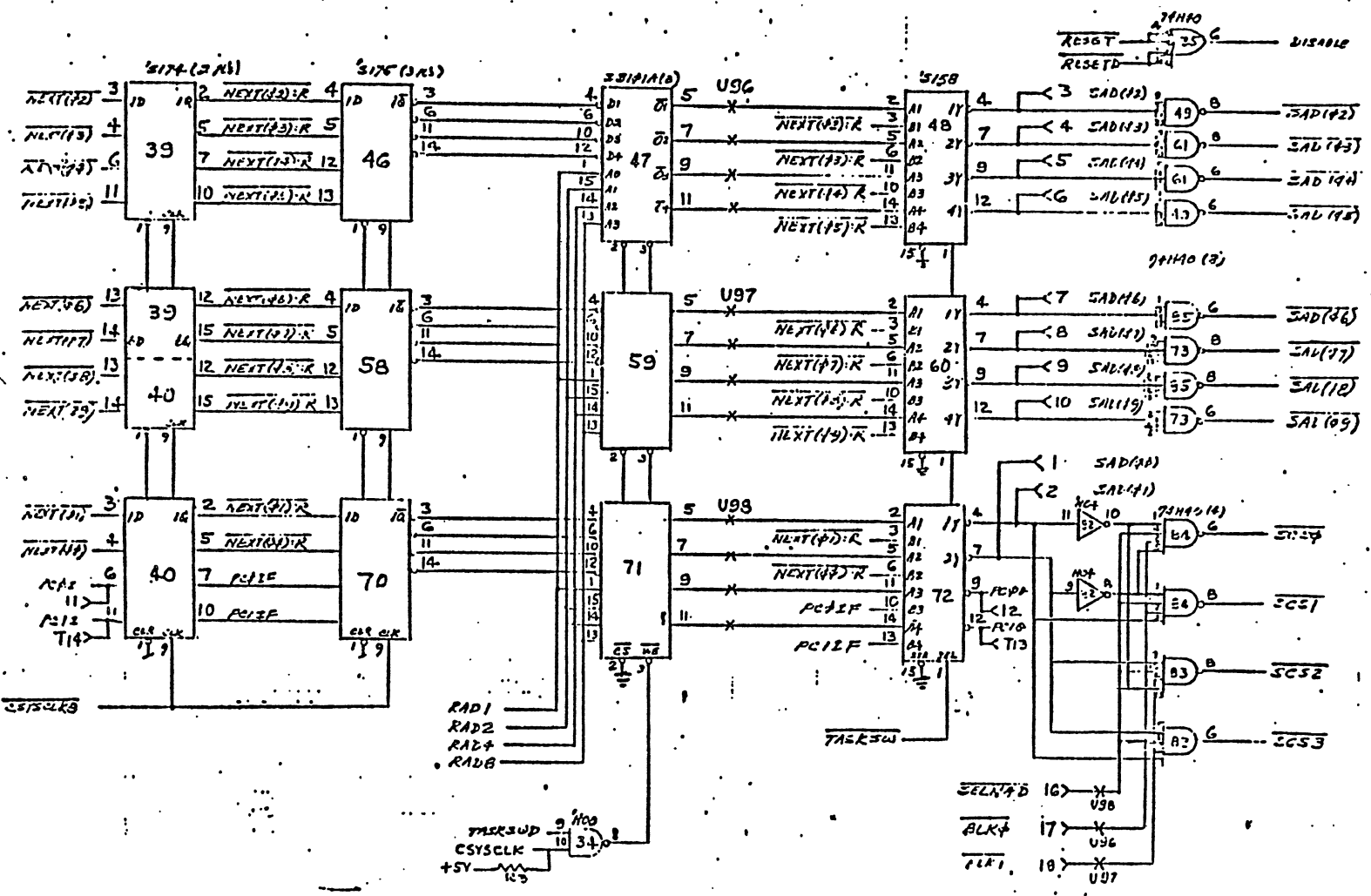
A

Sheet

8

OF



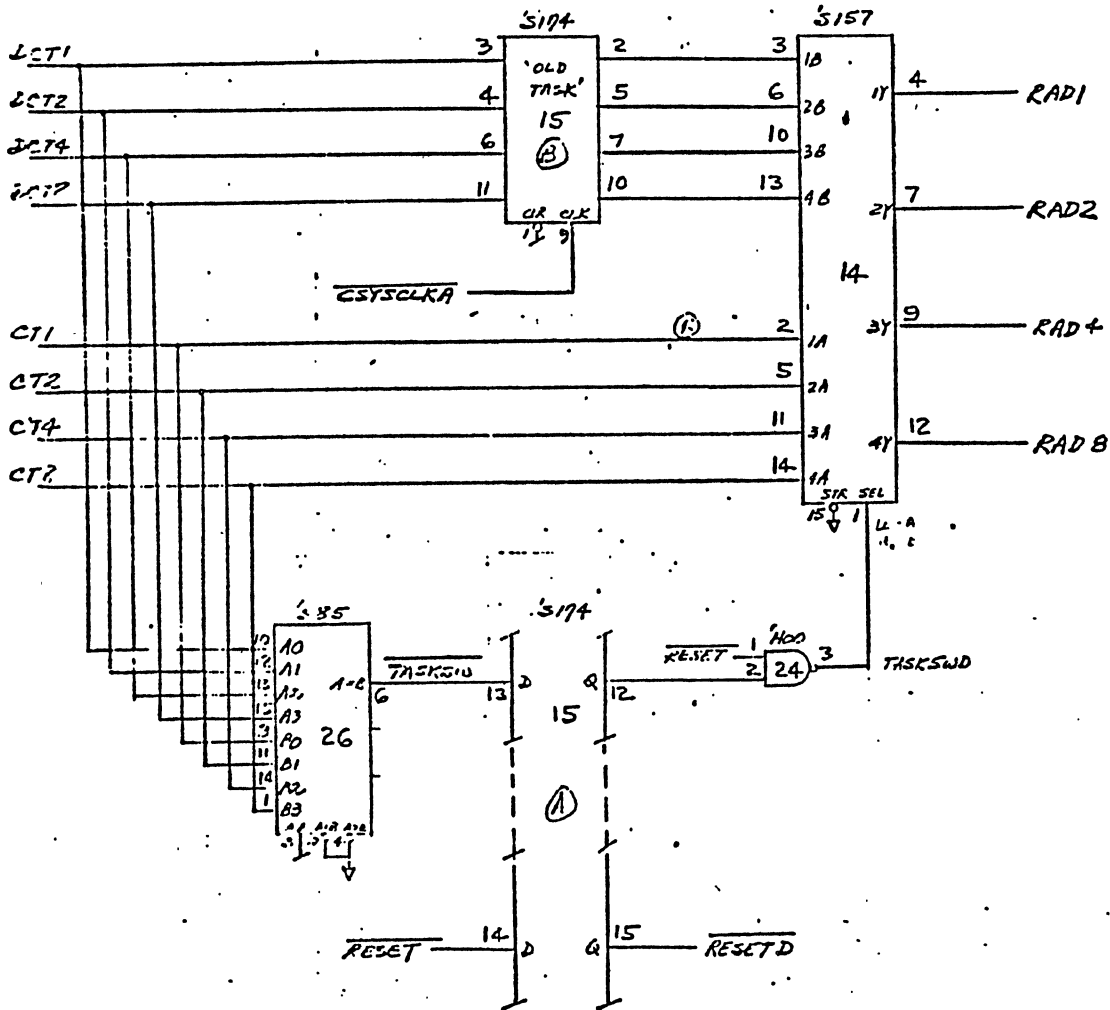


drawings and specifications, and the data contained therein, are the exclusive property of Xerox Corporation and/or Rank Xerox, Ltd. Issued in strict confidence and shall not, without the prior written permission of Xerox Corporation or Rank Xerox, Ltd., be reproduced, copied or used for any purpose whatsoever, except the manufacture of articles for Xerox Corporation or Rank Xerox, Ltd.

Title
**ASSEMBLY, P.W.-
 CONTROL BOARD
 (1K EXTN MEM.)**

Xerox Corporation
 El Segundo, California
XEROX
 216695
 Sheet 10
 A

152413731



These drawings and specifications, and the data contained therein, are the exclusive property of Xerox Corporation and/or Rank Xerox, Ltd. issued in strict confidence and shall not, without the prior written permission of Xerox Corporation or Rank Xerox, Ltd., be reproduced, copied or used for any purpose whatsoever, except the manufacture of articles for Xerox Corporation or Rank Xerox, Ltd.

Title
**ASSEMBLY, P.W.-
 CONTROL BOARD
 (1K EXTN MEM.)**

Xerox Corporation
 El Segundo, California

XEROX

216695

.A

Sheet 11 of 01



Drawings and specifications, and the data contained therein, are the exclusive property of Xerox Corporation and/or Rank Xerox, Ltd. issued in strict confidence and shall not, without the prior written permission of Xerox Corporation or Rank Xerox, Ltd., be reproduced, copied or used for any purpose whatsoever, except the manufacture of articles for Xerox Corporation or Rank Xerox, Ltd.

Title

ASSEMBLY, P.W.- CONTROL BOARD (1K EXTN MEM.)

Xerox Corporation
El Segundo, California

XEROX

Sheet 13 of 216695

