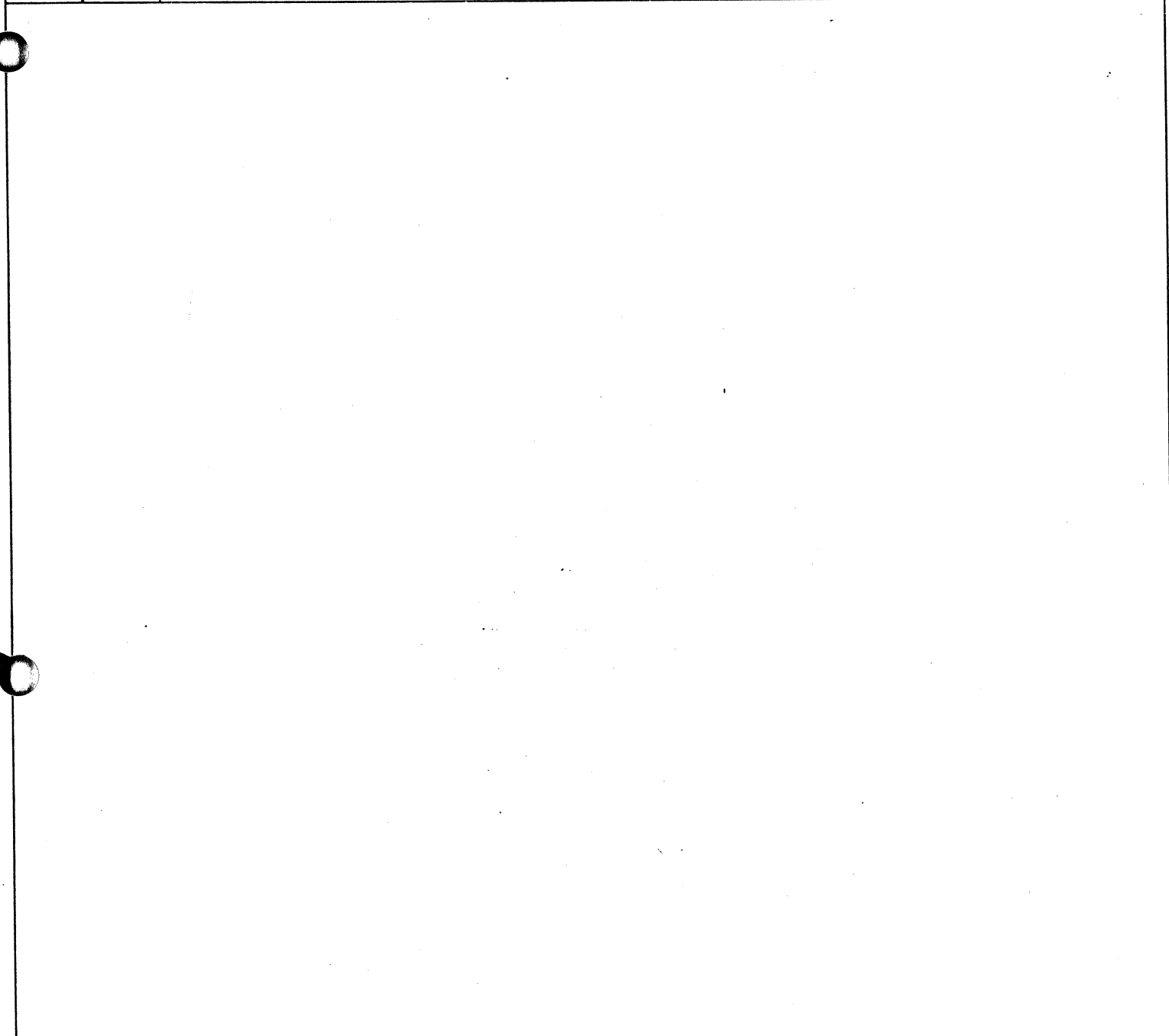


Revisions				216695	A
LAL	Rev.	Description	Chk	Date	Approved
	A	ENGRG RELEASE		11-4-77	R. Freeman



THIS DOCUMENT CONTAINS 13 SHEETS.

Dist Code SPG

<p>These drawings and specifications, and the data contained therein, are the exclusive property of Xerox Corporation and/or Rank Xerox, Ltd. issued in strict confidence and shall not, without the prior written permission of Xerox Corporation or Rank Xerox, Ltd., be reproduced, copied or used for any purpose whatsoever, except the manufacture of articles of Xerox Corporation or Rank Xerox, Ltd.</p>	Notes Unless Specified	Drawn <i>R. Freeman 11-2-77</i>	Xerox Corporation El Segundo, California		<b>XEROX</b>
	1. Tolerances .XX ±.03      Angular .XXX ±.010    ±½°	Check	Title		
	2. Break All Sharp Edges .010 Approx.	Appr. <i>R. Freeman 11-4-77</i>	ASSEMBLY, PRINTED WIRING-		
	3. Mach. Surfaces <input checked="" type="checkbox"/> J 4. All Dim, in Inches	Material	CONTROL BOARD (1K EXTN MEM)		
Model No. First Use	Finish	Code Ident.	Size	Dwg. No.	Change Letter
ALTO II		18338	A	216695	A
Next Assy. First Use	216302	Scale	-	Do Not Scale Drawing	Sheet 1 OF

NOTES: UNLESS OTHERWISE SPECIFIED

1. ASSEMBLE PER ALTO II MODULE SPEC, DWG NO. 216207.
2. THE FOLLOWING MODIFICATIONS ARE REQUIRED USING "B" REVISION PRINTED WIRING BOARDS.
  - 1) CUT ETCH TO U10 PIN 4.
  - 2) U36 PIN 1. (BOTH ETCH LINES).
  - 3) U36 PIN 2.
  - 4) U36 PIN 13.
  - 5) U36 PIN 3.
  - 6) CUT ETCH TO U41 PIN 1. (BOTH ETCH LINES).
  - 7) ADD JUMPER FROM U36 PIN 1 TO U25 PIN 7.
  - 8) U36 PIN 2 U25 PIN 5.
  - 9) U36 PIN 3 U25 PIN 2.
  - 10) U36 PIN 13 U25 PIN 10.
  - 11) U36 PIN 5 U10 PIN 4.
  - 12) U17 PIN 4 U7 PIN 3.
  - 13) U7 PIN 4 U41 PIN 1.
  - 14) U40 PIN 1 U43 PIN 1.
  - 15) ADD JUMPER FROM U25 PIN 6 TO U38 PIN 10.
  - 16) CUT ETCH BETWEEN PIN 109 AND FEEDTHRU UNDER U9. (ETCH SIDE).
  - 17) PIN 108 FEEDTHRU. (ETCH SIDE).
  - 18) PIN 107
  - 19) PIN 106
  - 20) PIN 105
  - 21) PIN 62
  - 22) CUT ETCH BETWEEN PIN 63 AND FEEDTHRU. (ETCH SIDE).
  - 23) ADD JUMPER FROM U11 PIN 1 TO U11 PIN 2 TO U17 PIN 1.
  - 24) U11 PIN 4 U11 PIN 5 U17 PIN 2
  - 25) U11 PIN 11 U11 PIN 12 U17 PIN 3.
  - 26) U11 PIN 14 U11 PIN 15 TO U17 PIN 5.
  - 27) U11 PIN 7 U11 PIN 8.
  - 28) U11 PIN 3 PIN 105.
  - 29) U11 PIN 6 PIN 106.
  - 30) U11 PIN 10 PIN 107.
  - 31) U11 PIN 13 PIN 108.
  - 32) ADD JUMPER FROM U16 PIN 15 TO PIN 109.
  - 33) INSTALL MICROCIRCUIT 74S00 IN LOCATION U11 PINS 1-7 & 10-16.

- 3 RUBBER STAMP "1K EXTN MEM." .12 HIGH, WHITE CHARACTERS.
- 4 RUBBER STAMP "ASSY 216695" .12 HIGH, WHITE CHARACTERS.

These drawings and specifications, and the data contained therein, are the exclusive property of Xerox Corporation and/or Rank Xerox, Ltd. issued in strict confidence and shall not, without the prior written permission of Xerox Corporation or Rank Xerox, Ltd., be reproduced, copied or used for any purpose whatsoever, except the manufacture of articles for Xerox Corporation or Rank Xerox, Ltd.

Title  
 ASSY, PRINTED WIRING-  
 CONTROL BOARD  
 (1K EXTN MEM.)

Xerox Corporation  
 El Segundo, California

**XEROX**

216695

A

Sheet 2 Of



ML	Drawing No. 216695	Rev. A
----	-----------------------	-----------

**Material List**

Rev. 0  
 Drawing No. 216695  
 ML

Drawing Title  
**ASSEMBLY, PRINTED WIRING-  
 CONTROL BOARD (1K EXTN MEM.)**

These drawings and specifications, and the data contained there-  
 in, are the exclusive property of Xerox Corporation and/or Rank  
 Xerox, Ltd. issued in strict confidence and shall not, without the  
 prior written permission of Xerox Corporation or Rank Xerox, Ltd.,  
 be reproduced, copied or used for any purpose whatsoever, except  
 the manufacture of articles for Xerox Corporation or Rank Xerox, Ltd.

Model No. EWO 7YF92      Date 3/5/76      Sheet 4 of

Item No.	Drawing Title	Drawing No.	No. Req.	Remarks
1	Board, Printed Wiring- Control Board	216375	1	
2	Procedure, Test	216374	REF	
3	Spec, Module Assembly	216207	REF	
4	Microcircuit, 74S00		1	U11
5	Microcircuit, 74H00		3	U22,24,34
6	74H01		1	U37
7	74S02		2	U18,21
8	74H04		4	U7,8,23,82
9	74S08		1	U32
10	74H10		1	U13
11	74H11		1	U10
12	74H21		1	U12
13	74H40		7	U35,49,60,73,83,84,85
14	74S85		1	U26
15	74S157		1	U14
16	74S158		3	U48,60,72
17	74S174		7	U15,25,27,39,40,41,43
18	74S175		5	U44,45,46,58,70
19	74S260		3	U5,6,36
20	I3101A Intel		3	U47,59,71
21	I3205 Intel		6	U16,17,19,20,30,31
22	I3601-1 Intel		33	U3,50-57,62-69,74-81,
23				86-93,
24	7425		1	U42
25	82S23 Signetic		1	U38
26	82S31 Signetic		1	U9
27	82S34 Signetic		3	U4,28,29
28	Microcircuit, F9318 Fairchild		2	U1,2
29				
30				
31	Capacitor, .01µF, 50V	188483-002	70	C3-72
32	Capacitor, 22µF, 15V, Tant.	187720-005	2	C1,2

**Material List**

<b>ML</b>	Drawing No. <b>216695</b>	Rev. <b>A</b>
-----------	------------------------------	------------------

Drawing Title  
**ASSEMBLY, PRINTED WIRING-  
 CONTROL BOARD (1K EXTN MEM.)**

These drawings and specifications, and the data contained therein, are the exclusive property of Xerox Corporation and/or Rank Xerox, Ltd. issued in strict confidence and shall not, without the prior written permission of Xerox Corporation or Rank Xerox, Ltd., be reproduced, copied or used for any purpose whatsoever, except the manufacture of articles for Xerox Corporation or Rank Xerox, Ltd.

Model No. <b>EWO 7YF92</b>	Date <b>3/8/76</b>	Sheet <b>5</b> of <b>  </b>
-------------------------------	-----------------------	--------------------------------

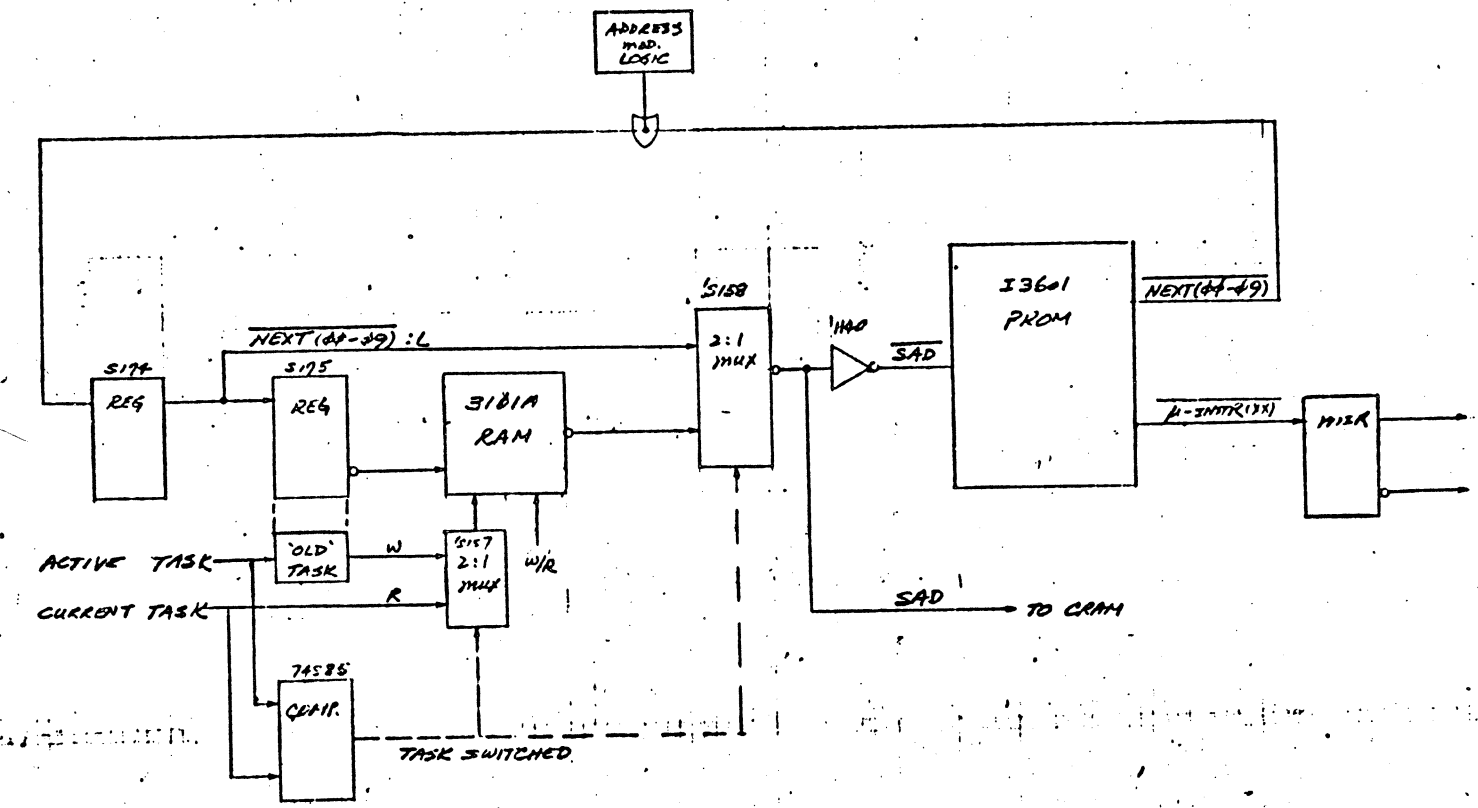
Drawing No. 216695  
**ML**

Item No.	Drawing Title	Drawing No.	No. Req.	Remarks
34	Resistor, 1K, ±5%, 1/4W	116447-102	6	R1,2,3,4,5,6
35	Resistor Network, (SIP) CTS-750-81-R330		3	100,101,103,
36	Resistor Network, (SIP) CTS-750-61-R330		5	U94,95,96,97,98
37	Socket Augat # 514-AG11.D		26	
38	Socket Augat # 516-AG11.D		68	
39				
40	Stiffener	216242	1	
41	Extractor	216250	2	
	Rivet	156111-005	2	
	Resistor Network, (SIP) CTS - 750-61-R220		1	U102
	Resistor Network, (SIP) CTS - 750-81-R220		1	U99

The drawings and specifications, and the data contained therein, are the exclusive property of Xerox Corporation and/or Rank Xerox, Ltd. Issued in strict confidence and shall not, without the prior written permission of Xerox Corporation or Rank Xerox, Ltd., be reproduced, copied or used for any purpose whatsoever, except the manufacture of articles for Xerox Corporation or Rank Xerox, Ltd.

Title  
ASSEMBLY, PRINTED WIRING  
CONTROL BOARD  
(1K EXTN MEM.)

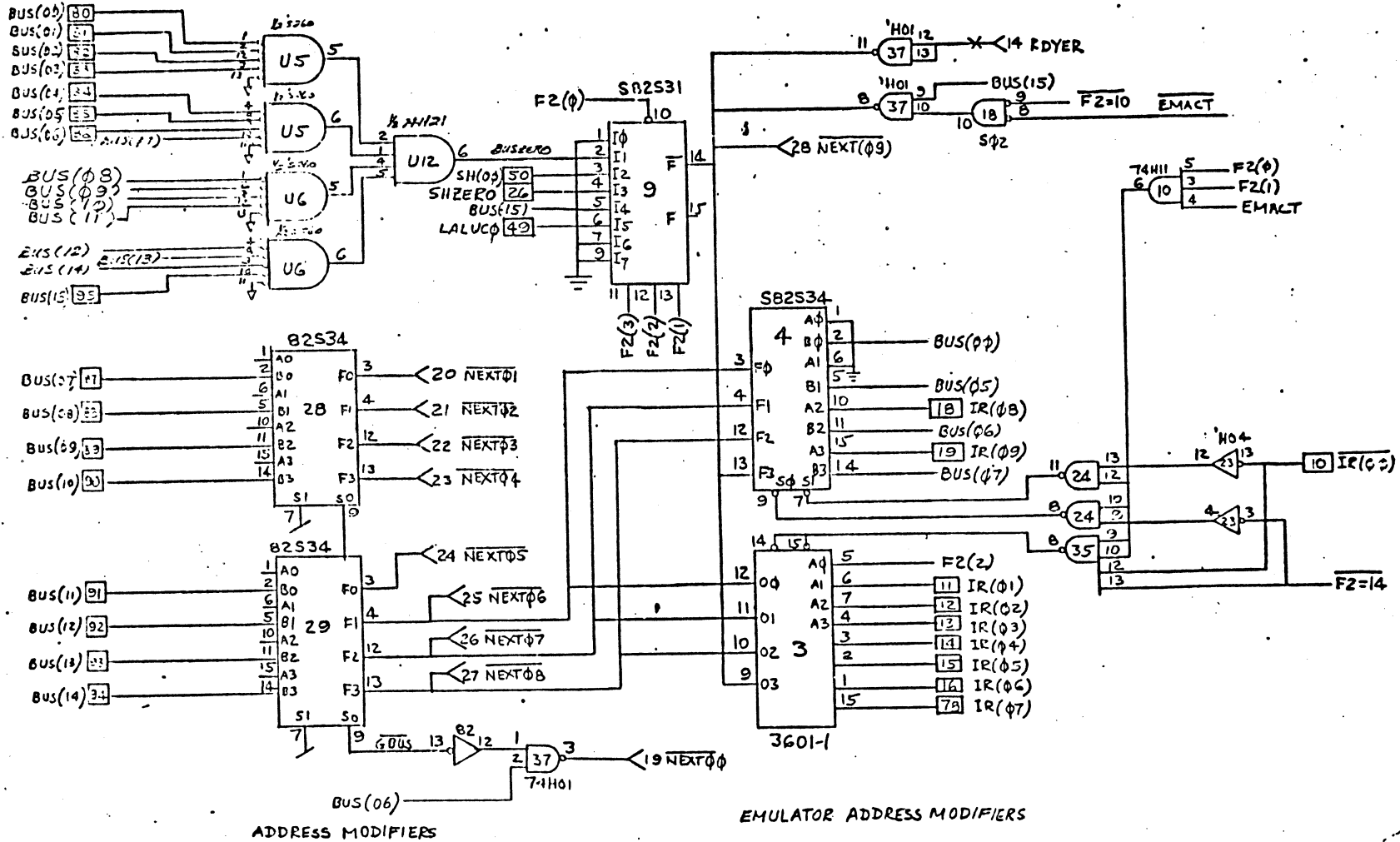
Xerox Corporation  
El Segundo, California  
216695  
Sheet 6 of 01  
A  
**XEROX**



These drawings and specifications, and the data contained therein, are the exclusive property of Xerox Corporation and/or Rank Xerox, Ltd. issued in strict confidence and shall not, without the prior written permission of Xerox Corporation or Rank Xerox, Ltd. be reproduced, copied or used for any purpose whatsoever, except the manufacture of articles for Xerox Corporation or Rank Xerox, Ltd.

Title  
**ASSEMBLY, P.W.-  
 CONTROL BOARD  
 (1K EXTN MEM.)**

Xerox Corporation  
 El Segundo, California  
 216695  
 Sheet 7 of 01  
**XEROX**  
 A

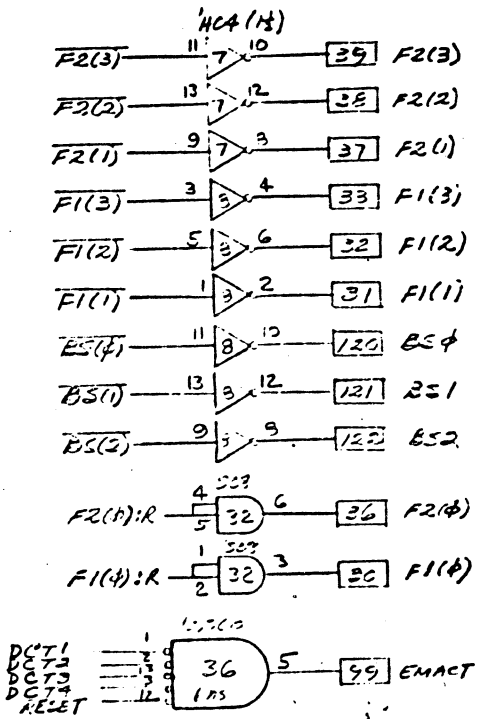
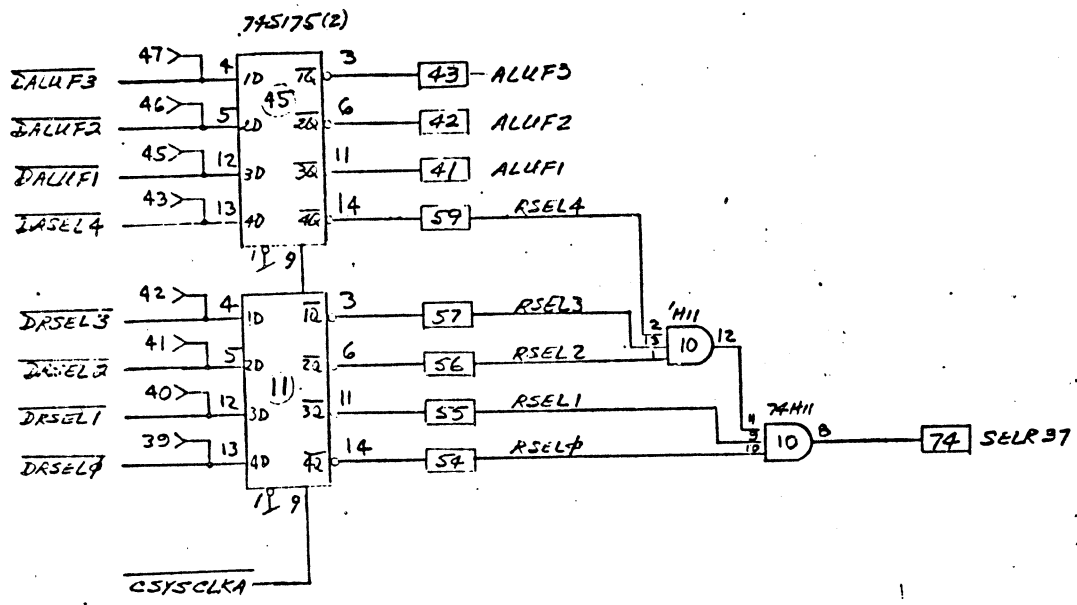


These drawings and specifications, and the data contained therein, are the exclusive property of Xerox Corporation and/or Rank Xerox, Ltd. Issued in strict confidence and shall not, without the prior written permission of Xerox Corporation or Rank Xerox, Ltd., be reproduced, copied or used for any purpose whatsoever, except the manufacture of articles for Xerox Corporation or Rank Xerox, Ltd.

Title  
**ASSEMBLY, P.W. -  
 CONTROL BOARD  
 (1K EXTN MEM.)**

Sheet 8 of 01  
 Xerox Corporation  
 El Segundo, California  
 216695

**XEROX**

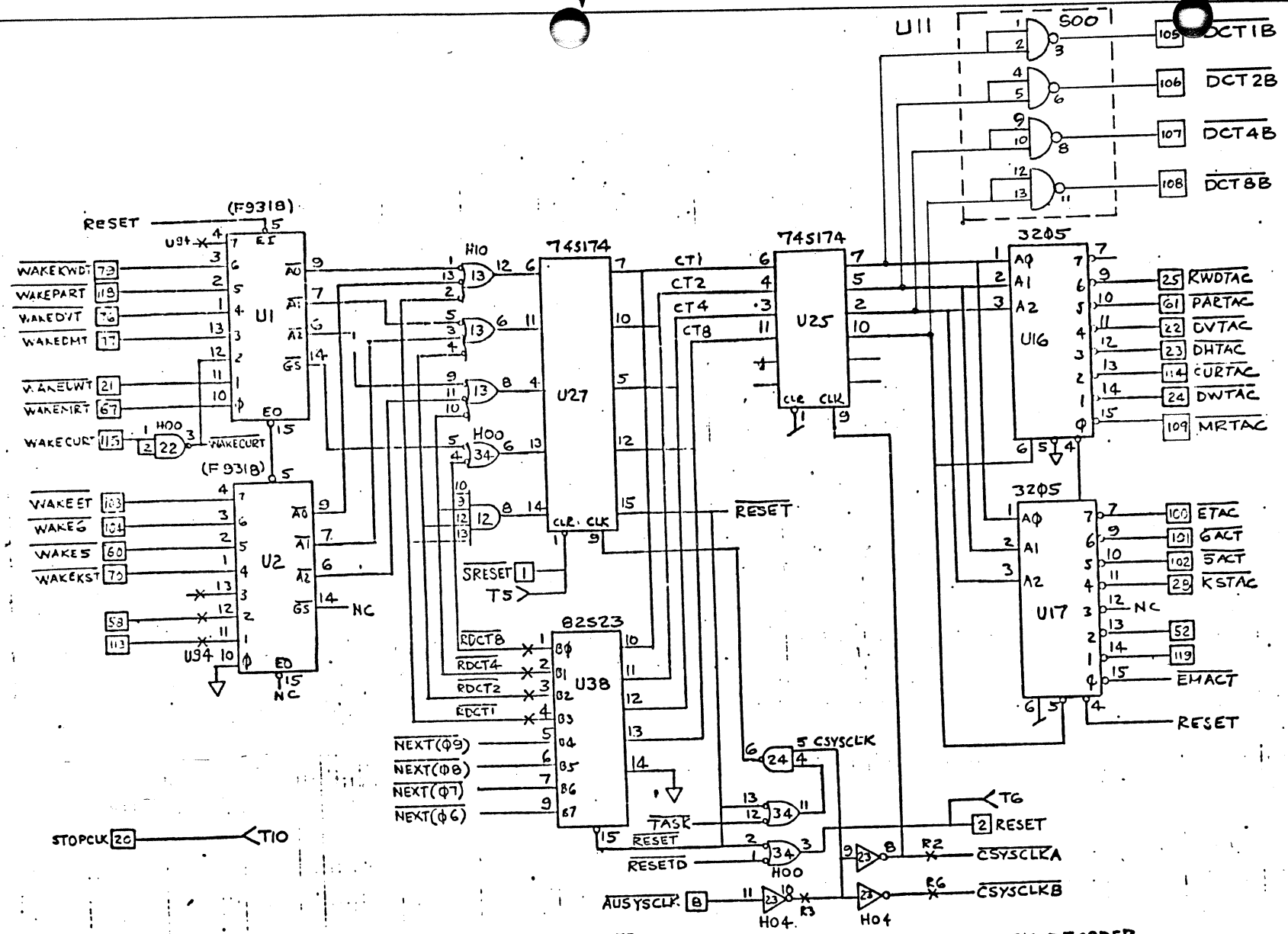




These drawings and specifications, and the data contained therein, are the exclusive property of Xerox Corporation and/or Rank Xerox, Ltd. issued in strict confidence and shall not, without the prior written permission of Xerox Corporation or Rank Xerox, Ltd., be reproduced, copied or used for any purpose whatsoever, except the manufacture of articles for Xerox Corporation or Rank Xerox, Ltd.

Title  
ASSEMBLY, P.W.  
CONTROL BOARD  
(1K EXTN MEM.)

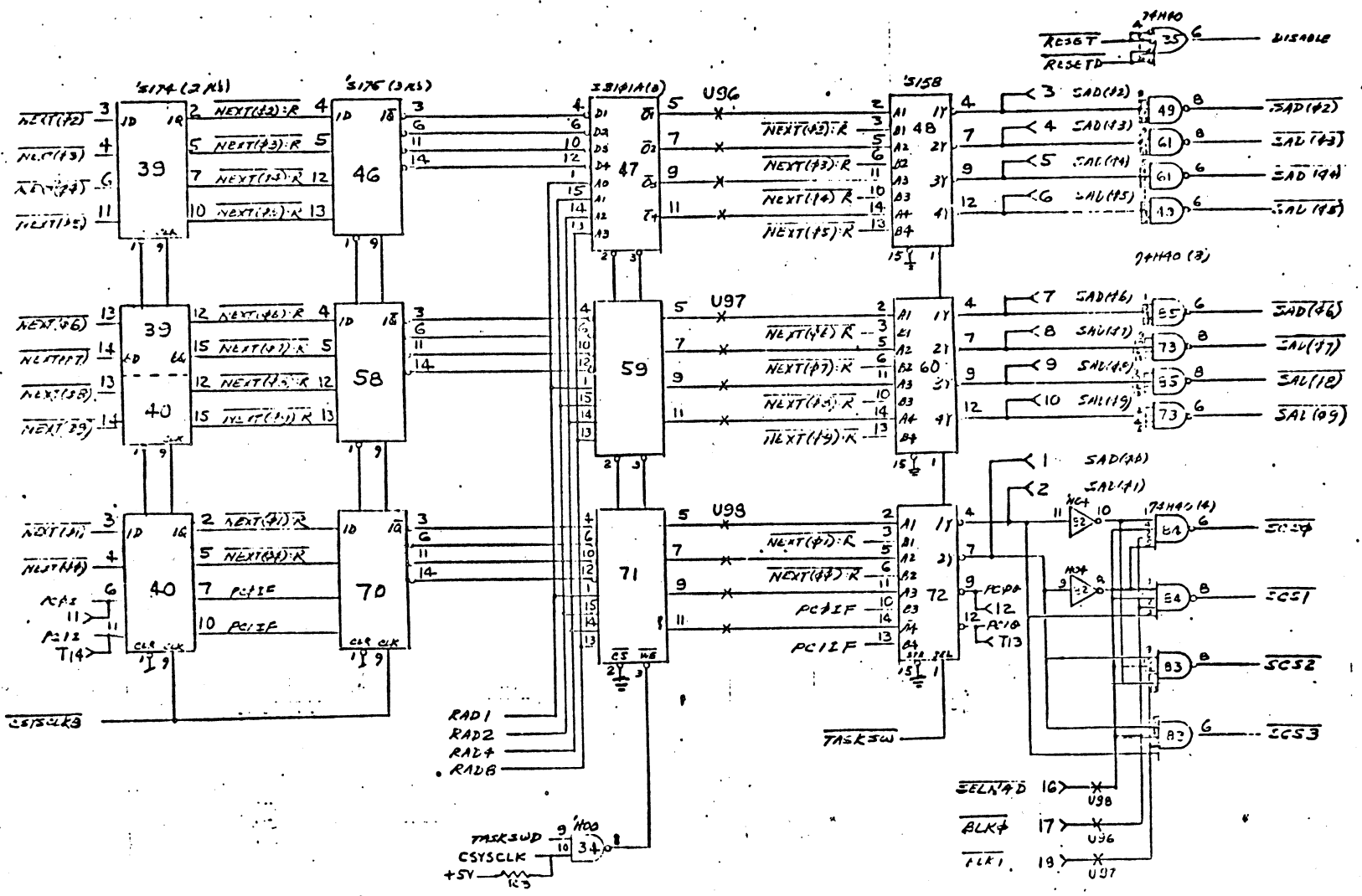
Xerox Corporation  
El Segundo, California  
216695  
Sheet 9 of 01  
A



TASK PRIORITY ENCODER  
CURRENT TASK REGISTER

ACTIVE TASK DECODER

STOPCLK [20] ← TIO



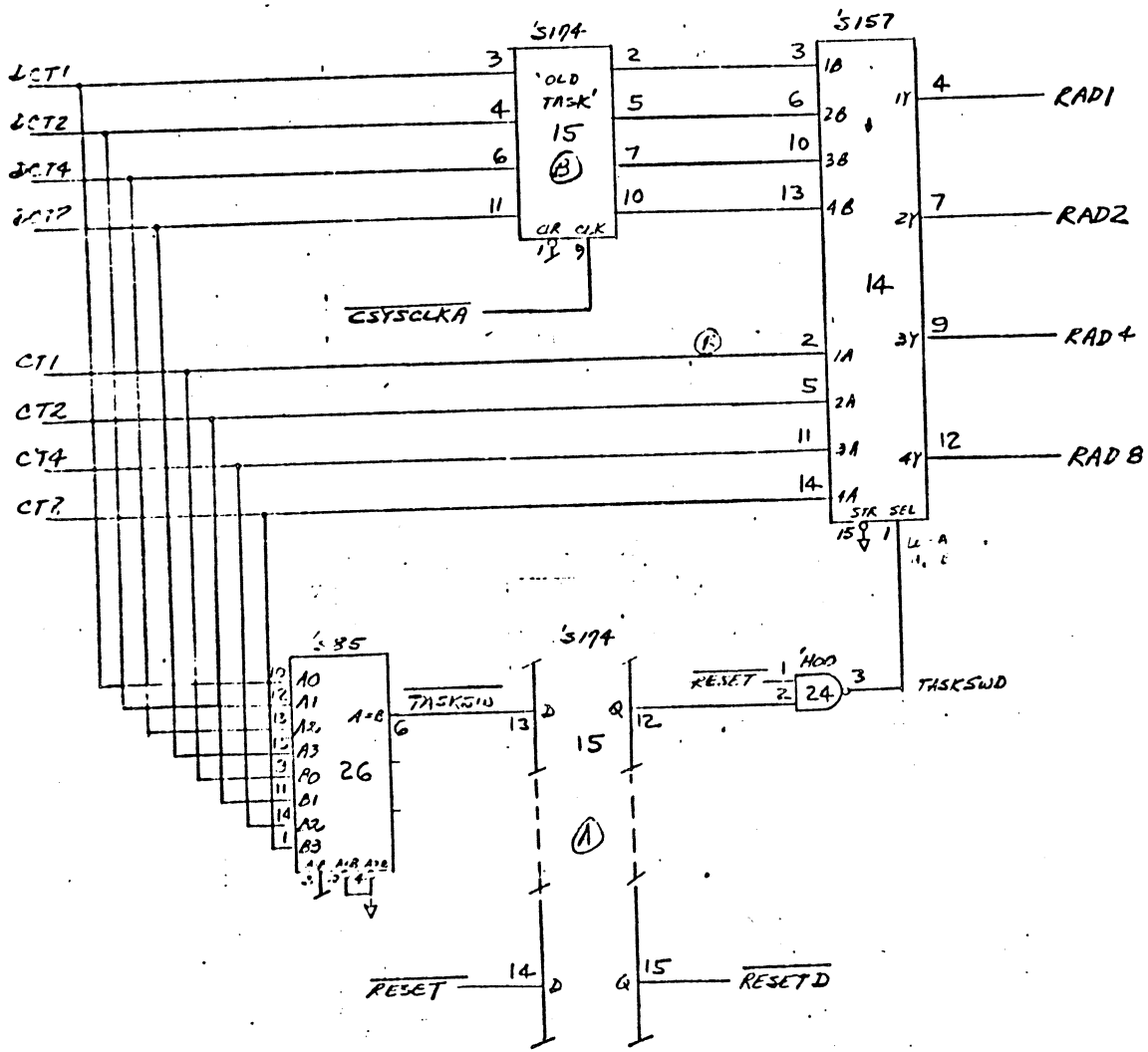
These drawings and specifications, and the data contained therein, are the exclusive property of Xerox Corporation and/or Rank Xerox, Ltd. issued in strict confidence and shall not, without the prior written permission of Xerox Corporation or Rank Xerox, Ltd., be reproduced, copied or used for any purpose whatsoever, except the manufacture of articles for Xerox Corporation or Rank Xerox, Ltd.

Title  
**ASSEMBLY, P.W.-**  
**CONTROL BOARD**  
 (1K EXTN MEM.)

Xerox Corporation  
 El Segundo, California  
 216695  
 Sheet 10 of  
 A

**XEROX**

152413/73



These drawings and specifications, and the data contained therein, are the exclusive property of Xerox Corporation and/or Rank Xerox, Ltd. issued in strict confidence and shall not, without the prior written permission of Xerox Corporation or Rank Xerox, Ltd., be reproduced, copied or used for any purpose whatsoever, except the manufacture of articles for Xerox Corporation or Rank Xerox, Ltd.

Title  
**ASSEMBLY, P.W.-  
CONTROL BOARD  
(1K EXTN MEM.)**

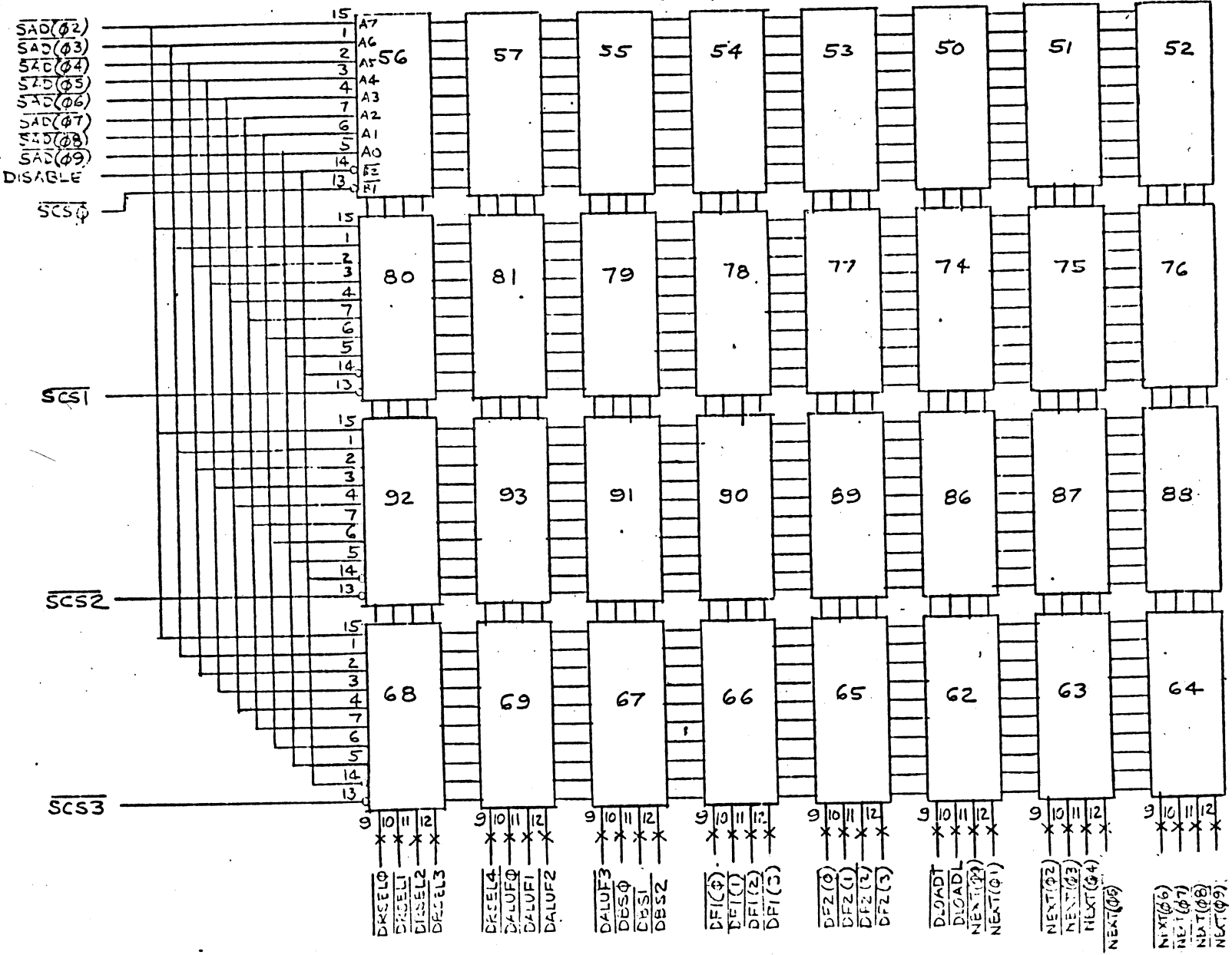
Xerox Corporation  
El Segundo, California

**XEROX**

216695      A

Sheet 11 of

I3601-1 (32 PLACES)

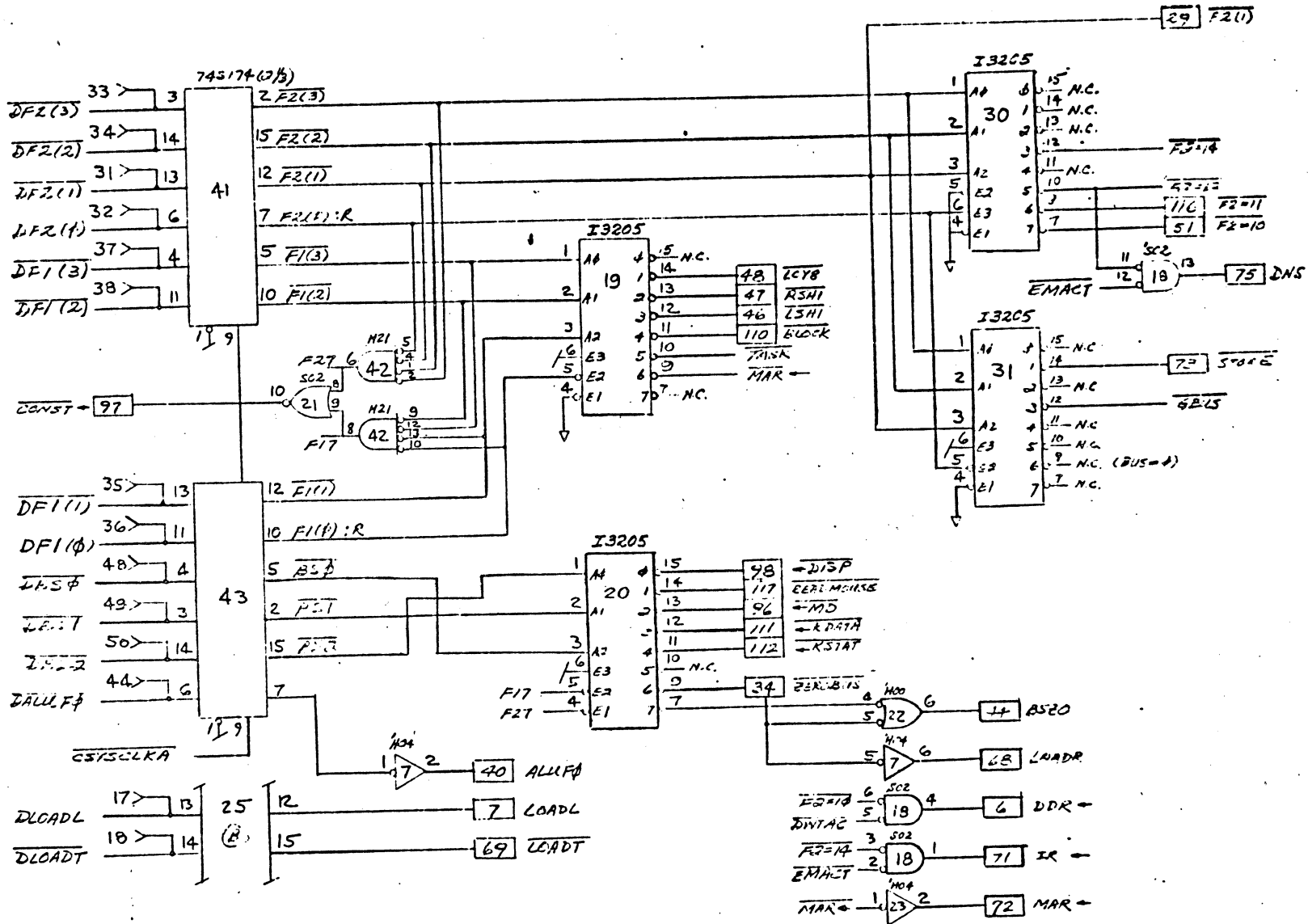


These drawings and specifications, and the data contained therein, are the exclusive property of Xerox Corporation and/or Rank Xerox, Ltd. issued in strict confidence and shall not, without the prior written permission of Xerox Corporation or Rank Xerox, Ltd., be reproduced, copied or used for any purpose whatsoever, except the manufacture of articles for Xerox Corporation or Rank Xerox, Ltd.

Title  
**ASSEMBLY, P.W.-  
 CONTROL BOARD  
 (1K EXTN MEM.)**

Xerox Corporation  
 El Segundo, California  
**XEROX**  
 216695  
 Sheet 12 of 01  
 A

1586(3/73)



These drawings and specifications, and the data contained therein, are the exclusive property of Xerox Corporation and/or Rank Xerox, Ltd. issued in strict confidence and shall not, without the prior written permission of Xerox Corporation or Rank Xerox, Ltd., be reproduced, copied or used for any purpose whatsoever, except the manufacture of articles for Xerox Corporation or Rank Xerox, Ltd.

Title  
**ASSEMBLY, P.W.-  
 CONTROL BOARD**  
 (1K EXTN MEM.)

Xerox Corporation  
 El Segundo, California  
**XEROX**  
 216695  
 Sheet 13 of 13  
 A

1-846373