

LAL	Revisions		67	A
	Rev.	Description	Chk.	Date
	A	ENGRG RELEASE	<i>AN</i>	11-10-76 <i>RE</i>

**ENGINEERING
RELEASE**

Dist. Code **ALT**

<p>These drawings and specifications, and the data contained therein, are the exclusive property of Xerox Corporation and/or Rank Xerox, Ltd. issued in strict confidence and shall not, without the prior written permission of Xerox Corporation or Rank Xerox, Ltd., be reproduced, copied or used for any purpose whatsoever, except the manufacture of articles for Xerox Corporation or Rank Xerox, Ltd.</p>	Notes Unless Specified	Drawn <i>W. Freeman</i> 10-25-76	Xerox Corporation El Segundo, California XEROX ALTO II ASSEMBLY, CABLE- TRICON BUSSED (INTERNAL)		
	1. Tolerances .XX ±.030 Angular .XXX ±.010 ±½° 2. Break All Sharp Edges .010 Approx. 3. Mach. Surfaces ✓ 4. All Dim. In Inches	Check <i>W. Freeman</i> 11-10-76 Appr. <i>W. Freeman</i> 11-10-76 Material			
Model No. First Use ALTO II	Finish	Code Ident. 18338	Size A	Dwg. No. 216467	Change Letter A
Next Assy. First Use		Scale -	Do Not Scale Drawing		Sheet 1 of 6

NOTES: UNLESS OTHERWISE SPECIFIED

1. FABRICATE PER XEROX SPEC 209154.
2. CONNECTOR, EDGE (ITEM 1) MAY BE PURCHASED FROM 3M COMPANY, ST PAUL, MINN, P/N 3415-0001 OR AMP INC, HARRISBURG, PENN, P/N 88083-01.
3. TWISTED PAIR RIBBON CABLE (ITEM 3) MAY BE PURCHASED FROM SPECTRA-STRIP CORP BUENA PARK CALIFORNIA.
4. CONNECTRO, BULK HEAD (ITEM 2) MAY BE PURCHASED FROM CANNON ELECTRIC. SANTA ANA, CALIFORNIA VENDOR PART NO. DDC-50S.
5. MARK CHARACTERS .12 HIGH "NEWS GOTHIC".
6. TERMINATION AT J2T END TO BE MADE IN FLAT AREA OF THE SPECTRA-STRIP "TWIST 'N' FLAT" CABLE.
7. POLARIZING KEY (ITEM 4) MAY BE PURCHASED FROM 3M COMPANY, ST PAUL, MINN. P/N 3439-0000 OR AMP INC, HARRISBURG, PENN, P/N 88113-01.
8. SHELL, JUNCTION (ITEM 6) MAY BE PURCHASED FROM CANNON ELECTRIC, SANTA ANA, CALIFORNIA, VENDOR PART NO. DD-24661.

These drawings and specifications, and the data contained therein, are the exclusive property of Xerox Corporation and/or Rank Xerox, Ltd. issued in strict confidence and shall not, without the prior written permission of Xerox Corporation or Rank Xerox, Ltd., be reproduced, copied or used for any purpose whatsoever, except the manufacture of articles for Xerox Corporation or Rank Xerox, Ltd.

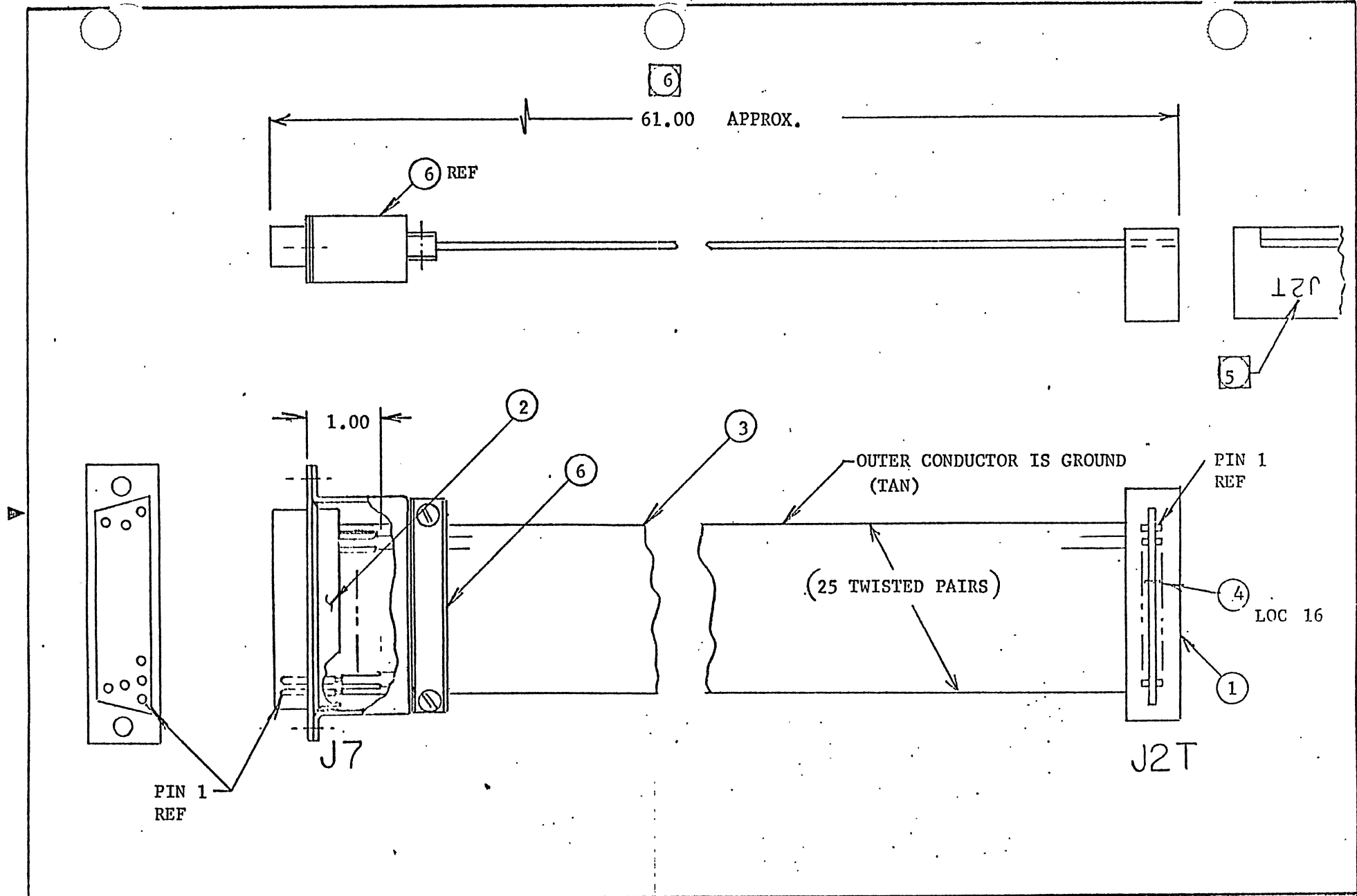
Title

ALTO II

ASSEMBLY, CABLE - TRICON BUSSED (INTERNAL)

Xerox Corporation
El Segundo, California

Sheet



These drawings and specifications, and the data contained therein, are the exclusive property of Xerox Corporation and/or Rank Xerox, Ltd. issued in strict confidence and shall not, without the prior written permission of Xerox Corporation or Rank Xerox, Ltd., be reproduced, copied or used for any purpose whatsoever, except the manufacture of articles for Xerox Corporation or Rank Xerox, Ltd.

Title

ALTO II

ASSEMBLY, CABLE - TRICON BUSSED (INTRNL)

Xerox Corporation
El Segundo, California

XEROX

216467

A

Sheet

3

of

6

Wire	Term	From	To	Term	Le Typo	Notes	Signal	Chg. Let.
1		J2T - 1	J7 - 50		3		GND	
2		2	17				SEEK' INCP*	
3		3	49				GND	
4		4	33				CYL' OVFL*	
5		5	16				GND	
6		6	48				DEVICE' CK*	
7		7	32				GND	
8		8	15				RD' ONLY*	
9		9	47				GND	
10		10	31				NOT' ON' LINE	
11		11	14				GND	
12		12	46				NOT' RDY	
13		13	30				GND	
14		14	13				OFF' SET*	
15		15	45				GND	
16		16	29				SPARE	
17		17	12				GND	
18		18	44				INDEX*	
19		19	28				GND	
20		20	11				SET' CYL*	
21		21	43				GND	
22		22	27				SET' HEAD*	
23		23	10				GND	
24		24	42				CONTROL*	
25		25	26				GND	
26		J2T - 26	J7 - 9		3		TBUS (000)*	

These drawings and specifications, and the data contained therein, are the exclusive property of Xerox Corporation and/or Rank Xerox, Ltd. issued in strict confidence and shall not, without the prior written permission of Xerox Corporation or Rank Xerox, Ltd., be reproduced, copied or used for any purpose whatsoever, except the manufacture of articles for Xerox Corporation or Rank Xerox, Ltd.

1. Ref Item No's In Applicable Material List.
2. Ref Designations Are Abbreviated. Prefix Each Designation With:

Title ALTO II
ASSEMBLY, CABLE -
TRICON BUSSED (INTERNAL)

Xerox Corporation
El Segundo, California

XEROX

216467

A

Sheet 5 of 6

W	Term	From	To	Ter	Wire Type	Notes	Signal	Chg. Let.
27		J2T - 27	J7 - 41		3		GND	
28		28	25				TBUS (0)*	
29		29	8				GND	
30		30	40				TBUS (0)*	
31		31	24				GND	
32		32	7				TBUS (1)*	
33		33	39				GND	
34		34	23				TBUS (2)*	
35		35	6				GND	
36		36	38				TBUS (3)*	
37		37	22				GND	
38		38	5				TBUS (4)*	
39		39	37				GND	
40		40	21				TBUS (5)*	
41		41	4				GND	
42		42	36				TBUS (6)*	
43		43	20				GND	
44		44	3				TBUS (7)*	
45		45	35				GND	
46		46	19				TBUS (8)*	
47		47	2				GND	
48		48	34				TBUS (9)*	
49		49	18				GND	
50		J2T - 50	J7 - 1		3		SPARE	

These drawings and specifications, and the data contained therein, are the exclusive property of Xerox Corporation and/or Rank Xerox, Ltd. issued in strict confidence and shall not, without the prior written permission of Xerox Corporation or Rank Xerox, Ltd., be reproduced, copied or used for any purpose whatsoever, except the manufacture of articles for Xerox Corporation or Rank Xerox, Ltd.

1. Ref Item No's In Applicable Material List.
2. Ref Designations Are Abbreviated. Prefix Each Designation With:

Title
ALTO II
ASSEMBLY, CABLE-
TRICON BUSSED (INTERNAL)

Xerox Corporation
El Segundo, California

XEROX

216467

A

Sheet

6 of 6