

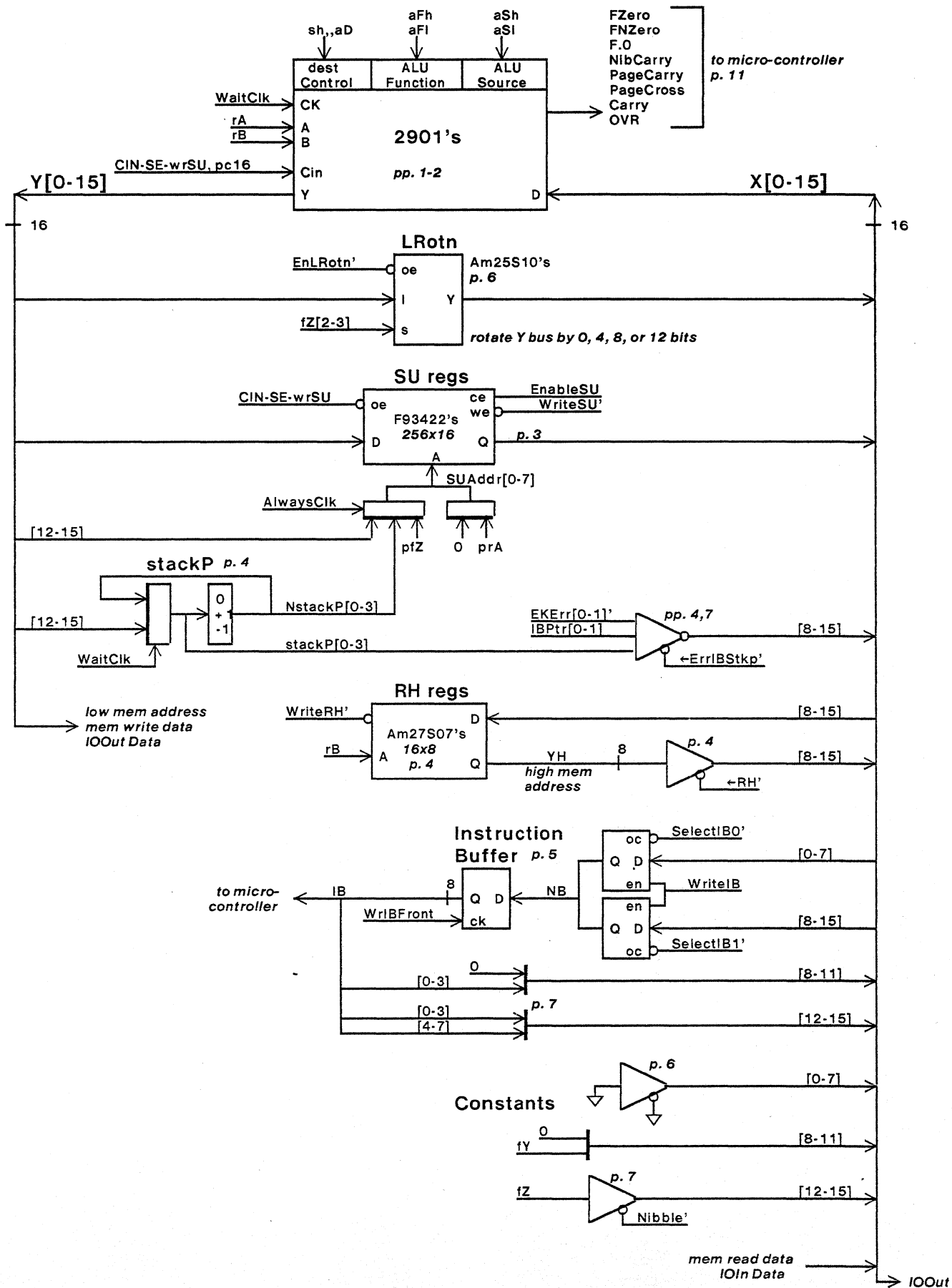
TABLE OF CONTENTS

SHEET

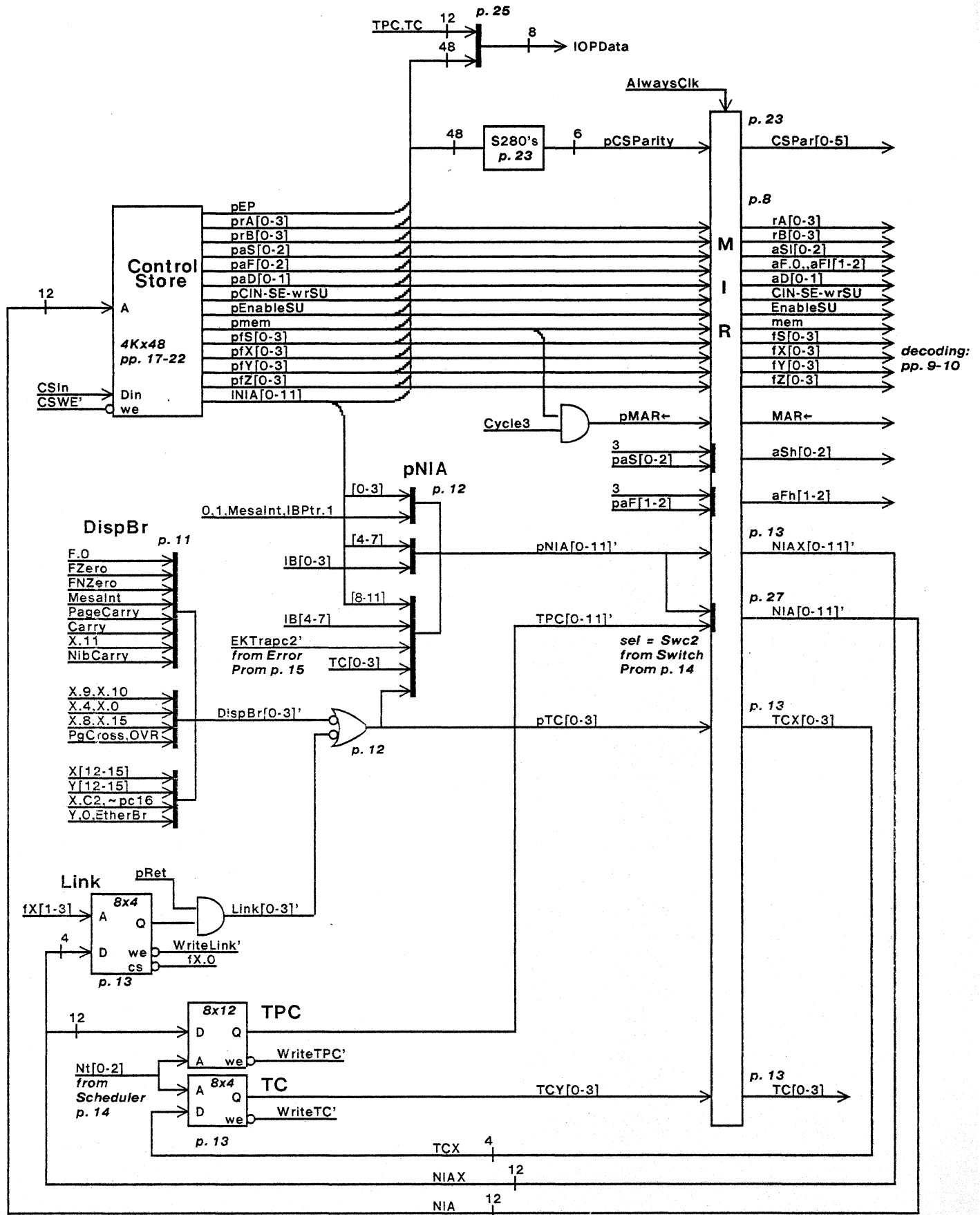
0.4	CP BLOCK DIAGRAM 1
0.5	CP BLOCK DIAGRAM 2
1	2901 CHIPS
2	LOOKAHEAD, SHIFT ENDS, CIN
3	SU
4	RH, STACKP
5	IB
6	XBUS: LROTN, RH, ZEROHIGHX
7	XBUS: IB, CONSTANTS, ERRINTSTACKP
8	MIR
9	MIR DECODING I
10	MIR DECODING II
11	DISPATCH/BRANCH
12	PNIA, PTC (BRANCHING)
13	TPC, TC, & LINK
14	SCHEDULE, SWITCH, & TASKS
15	ERROR, EMULATOR, & KERNEL PROMS
16	CLOCKS, WAIT
17	CONTROL STORE A [0-7]
18	CONTROL STORE B [8-15]
19	CONTROL STORE C [16-23]
20	CONTROL STORE D [24-31]
21	CONTROL STORE E [32-39]
22	CONTROL STORE F [40-47]
23	CS PARITY (PC) - YEK
24	TASKS, IOP TPC-TC CONTROL
25	CS READ
26	TESTABILITY
27	PC DISCRETES & NIA
28	UNUSED PARTS, S374 CLOCKS
29	FILTER CAPACITORS
30	TEST POINT LISTING, EDGE CONNECTOR LISTING, SIGNAL LISTING

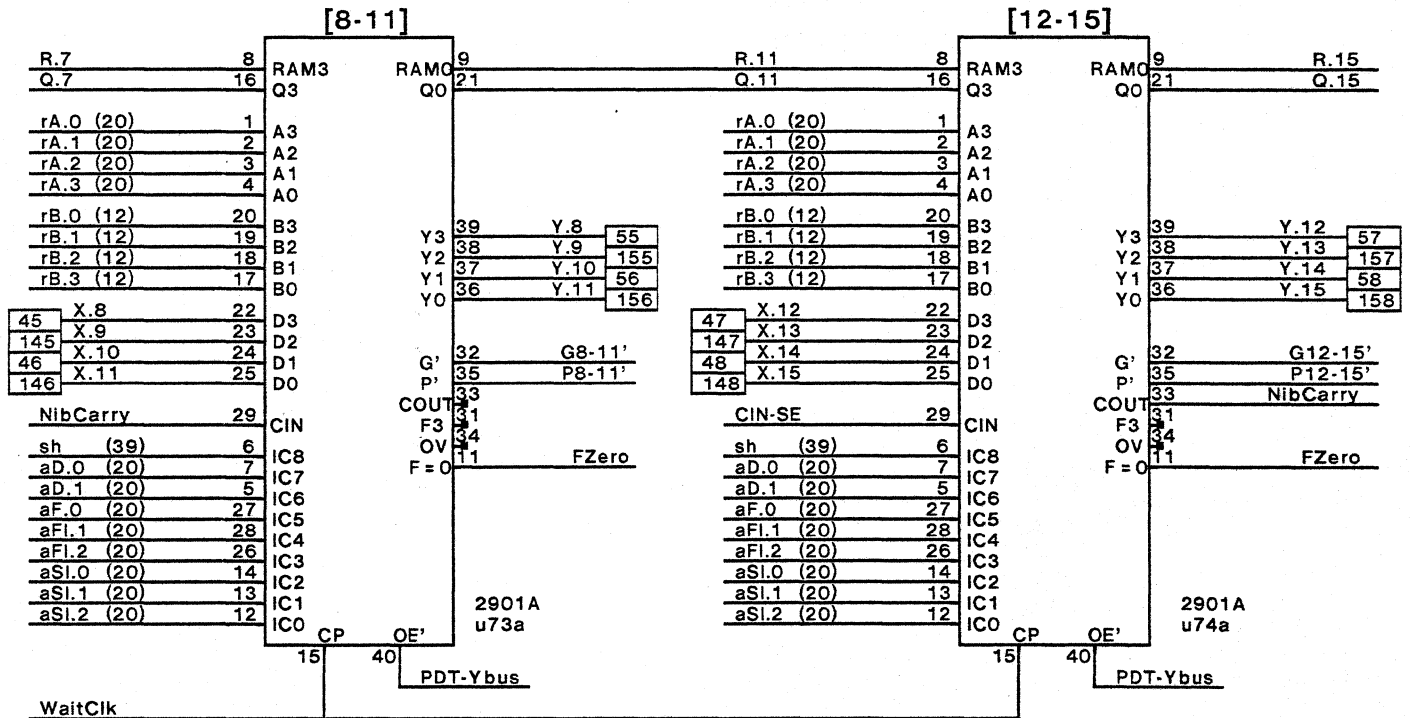
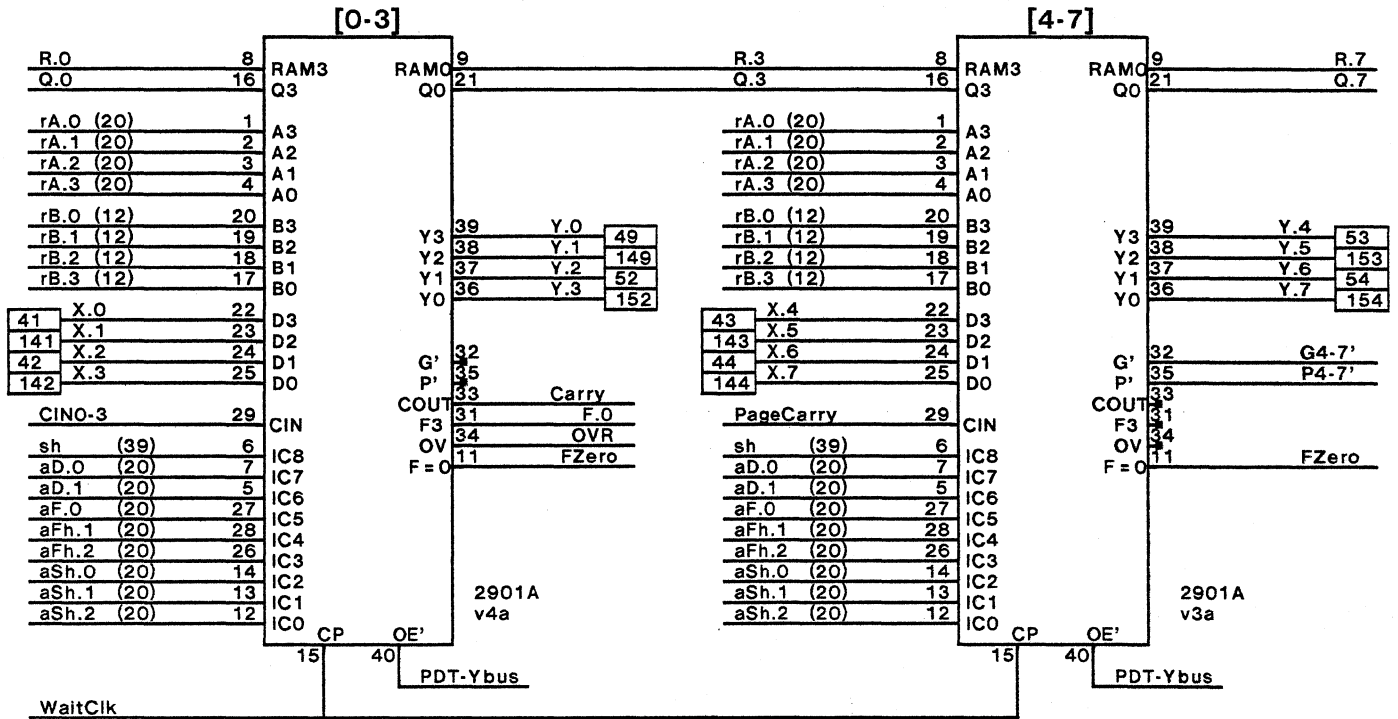
CP-0.3.SIL

XEROX	PROPRIETARY NOTE ON COVER SHEET APPLIES TO ALL SHEETS	DWG SIZE A4	DWG NO. 156P11673	SHEET REV. A
	TITLE SCHEMATIC, CP		SHEET 0.3 OF	

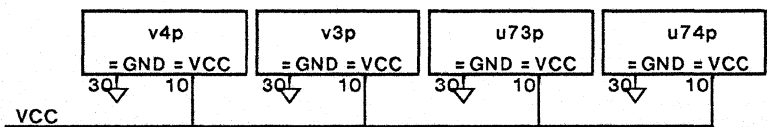


XEROX	PROPRIETARY NOTE ON COVER SHEET APPLIES TO ALL SHEETS		DWG SIZE A4	DWG NO. 156P11673		SHEET REV. A
	TITLE	SCHEMATIC, CP		SHEET	0.4 OF	





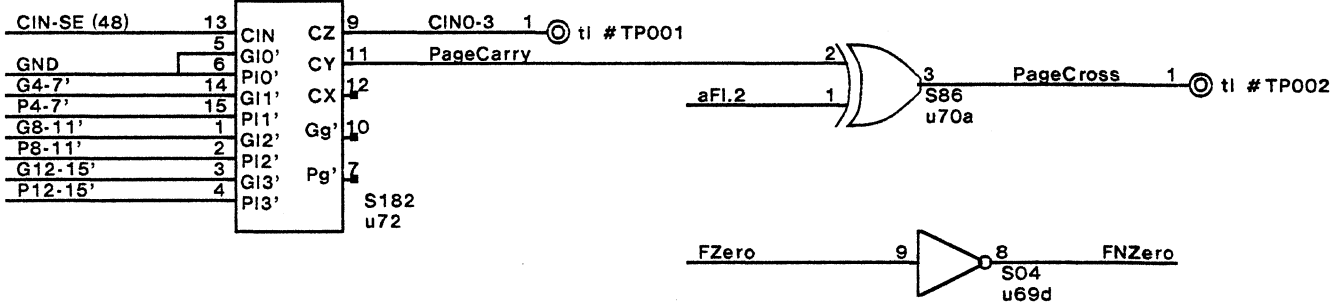
sh, aD setup = 54 nS
aF setup = 45 nS
aS setup = 45 nS



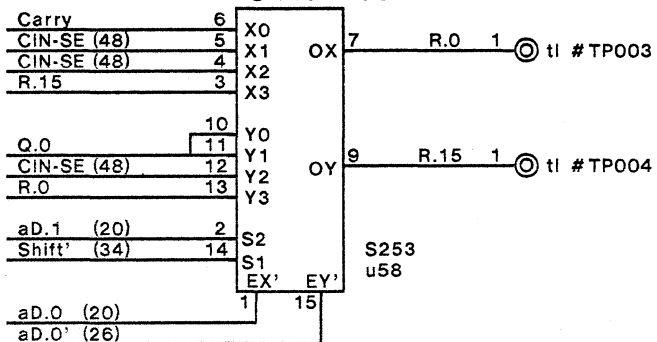
rA	to G,P =	45	rA	to Y =	50 nS
D	to G,P =	30	D	to Y =	32
rA	to Cout =	50	Cn	to Y =	25
D	to Cout =	32	aS	to Y =	40
Cin	to Cout =	16	aF	to Y =	35
			aD	to Y =	25

2901 chips

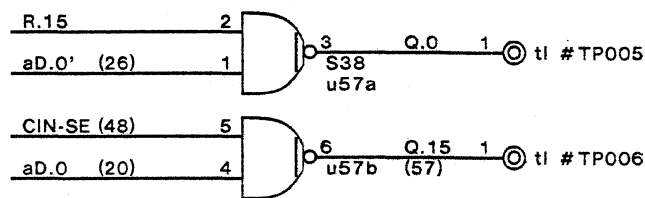
2901 Carry Lookahead



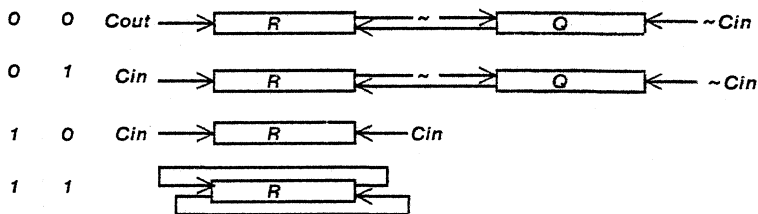
R Shift Ends



Q Shift Ends

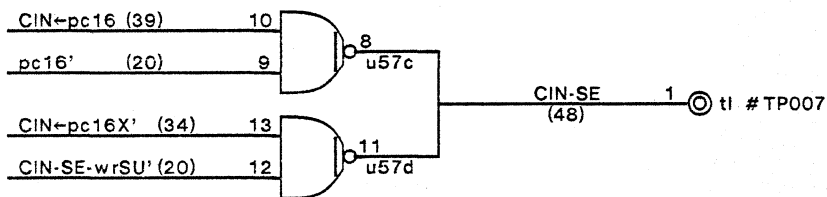


aD.1 shift'



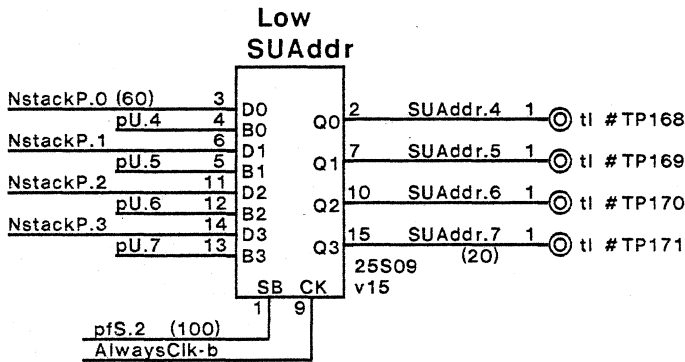
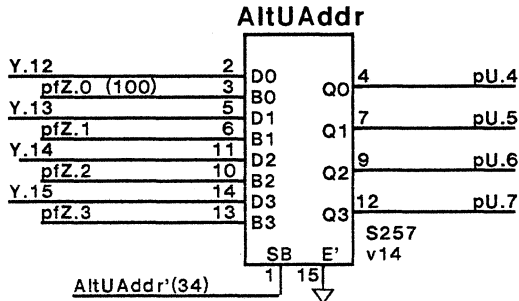
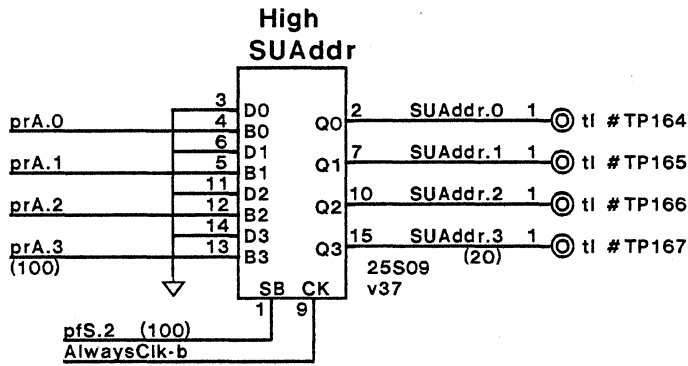
aD.0 = 0 implies right shift

Cin & Shift Ends



Lookahead, Shift Ends, Cin

XEROX	PROPRIETARY NOTE ON COVER SHEET APPLIES TO ALL SHEETS		DWG SIZE A4	DWG NO. 156P11673		SHEET REV. A
	TITLE SCHEMATIC, CP			SHEET 02 OF		



SU X-bus disable

15[3] † to CIN-SE-wrSU (tPLH)
 30 Output Disable
 10 X-bus
 55[3] = 58 nS

XBus + SU = max(75,60) nS

17[3] † to SUAddr
 45 tAA
 10 X-bus
 72[3] = 75 nS
 17[3] † to CIN-SE-wrSU/EnableSU
 30 F93422 OE'/CE2 to X-bus
 10 X-bus
 57[3] = 60 nS

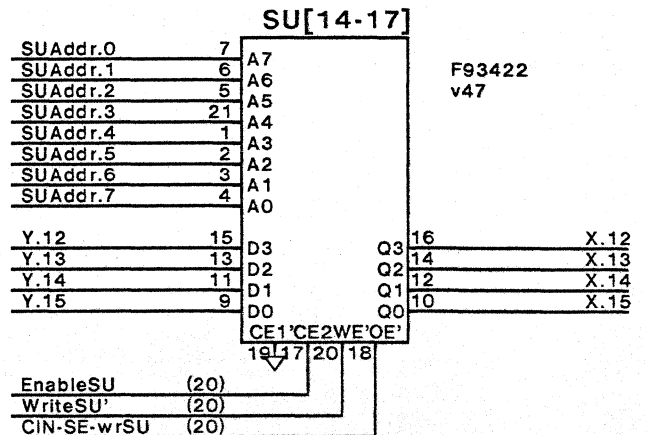
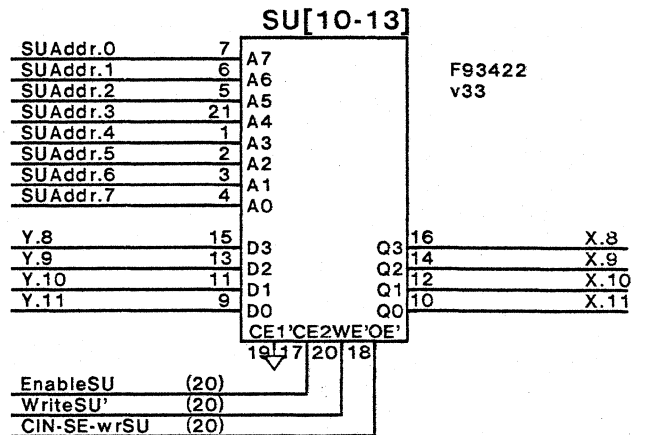
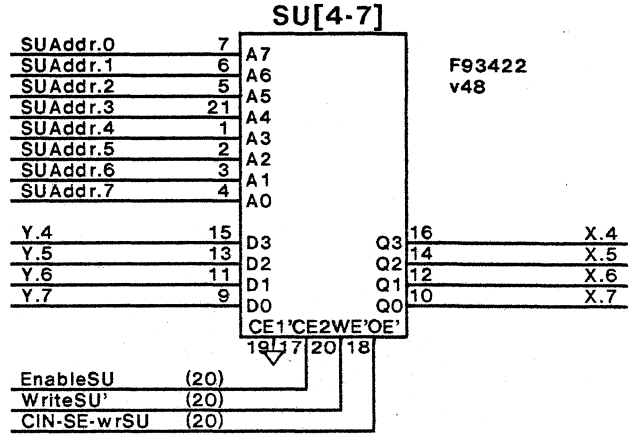
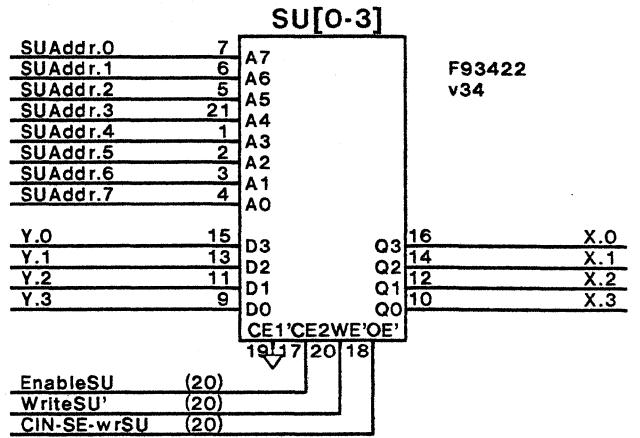
SU write setup

5[1] Data setup
 39 WE
 44[1] = 45 nS

AltUAddr setup

5[1] 25S09 setup
 8[1] Y->pU
 13[2] = 15 nS (26 if LS257)

F93422 data t-hold = 5 nS



SU

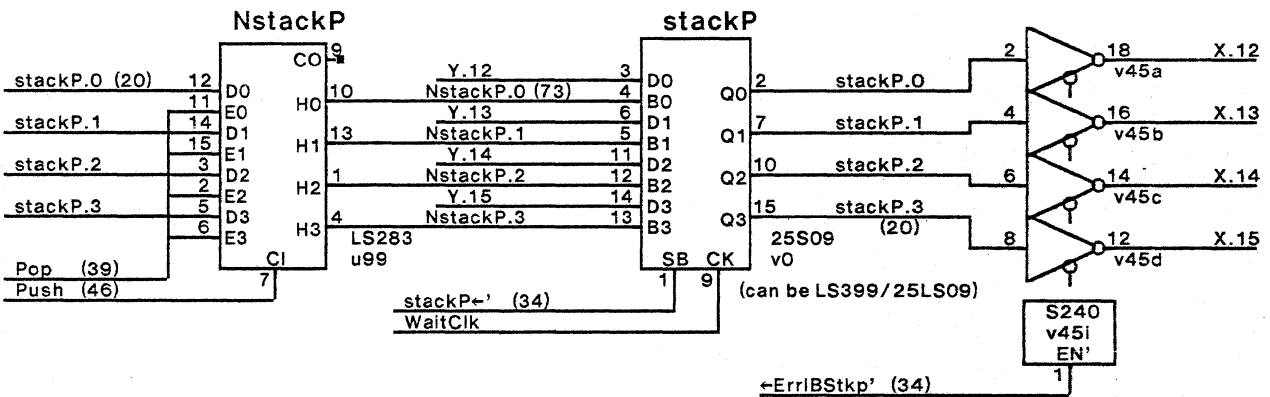
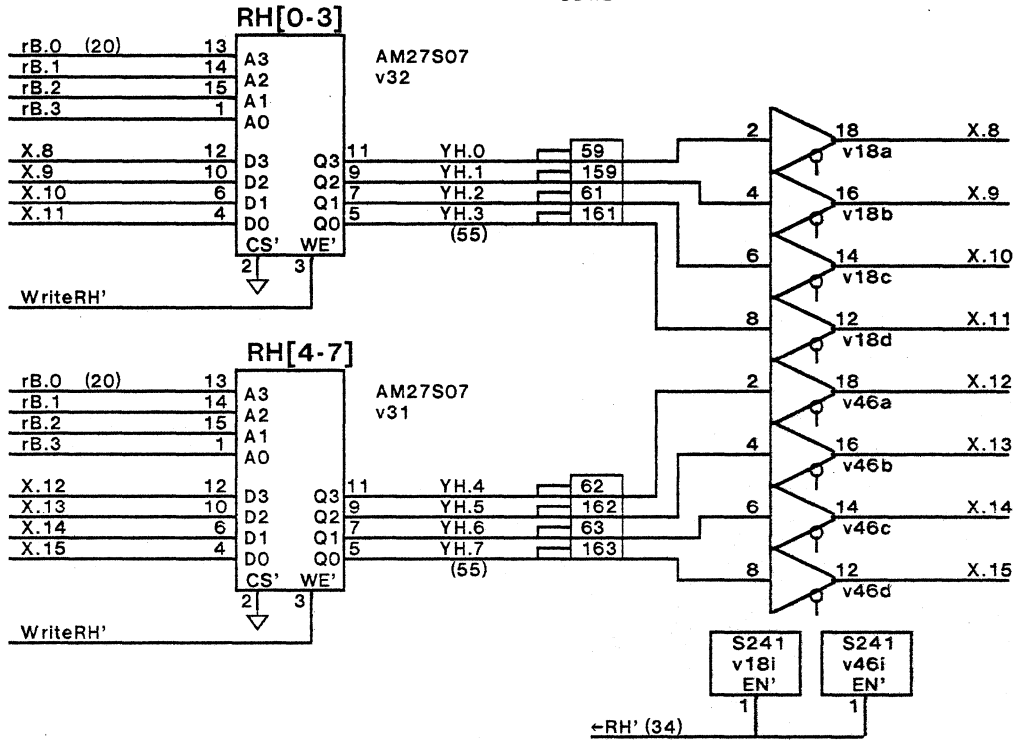
XEROX	PROPRIETARY NOTE ON COVER SHEET APPLIES TO ALL SHEETS	DWG SIZE	DWG NO. 156P11673	SHEET REV.
	TITLE SCHEMATIC, CP	A4	SHEET 03 OF	A

RH Setup
 7[1] S240
 25[3] S189 setup
 32[4] = 36 nS

XBus - RH = max(64, 59) nS
 17[3] 1 to rB'
 35 S189 tAA (wr recovery = 35 nS)
 9 YH to X
 10 X-bus
 71[3] = 74 nS

If the S189 must be used instead of the 29701,
 then place S240 between Xbus & S189 inputs.

34 1 to -RH'
 15 S241 EN' to X-bus
 10 X-bus
 59 nS



XBus - stackP = max(59, 38) nS

17[3] 1 to stackP
 7 S240 data to X-bus
 10 X-bus
 34[3] = 38 nS

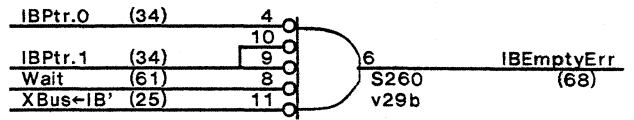
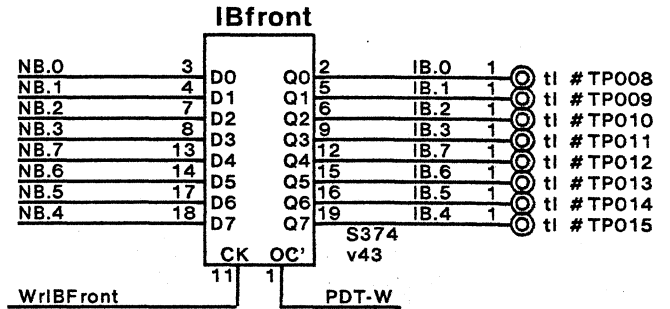
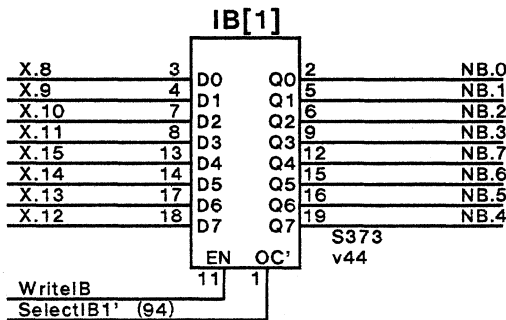
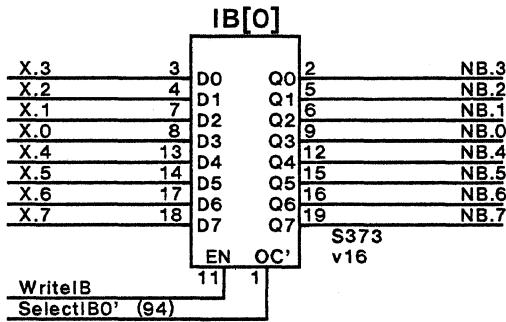
push timing

34 1 to -ErrIBstkp'
 15 S240 EN' to X-bus
 10 X-bus
 59 nS

46 1 to Push
 24[3] Push to NstackP
 5[1] 25S09 setup
 75[4] = 79 nS

RH, stackP

XEROX	PROPRIETARY NOTE ON COVER SHEET APPLIES TO ALL SHEETS		DWG SIZE A4	DWG NO. 156P11673		SHEET REV. A
	TITLE SCHEMATIC, CP			SHEET 04 OF		

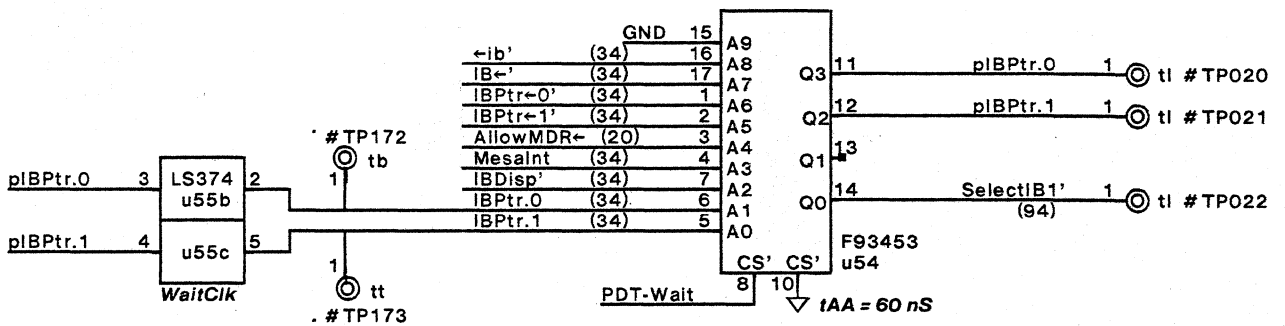
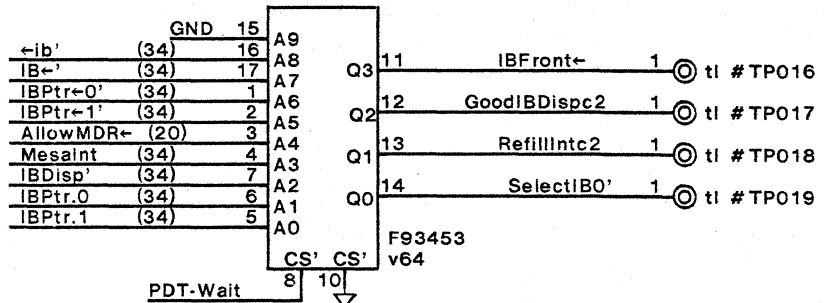


S373 t_{hold} = 10 nS, t_{setup} = 0 nS.
 (falling edge of WriteIB occurs 4 nS before rising edge of Clk.)

IBfront-IB[1]

- 34 t to IBPtr-1'
- 60 tAA
- 18[2] SelectIB1' to NB
- 20[2] LS374 setup
- 132[4] = 136 nS

IBProm-PC.0-RevG



IBProm-PC.4-RevG

Timing for HM7649 IBProm:

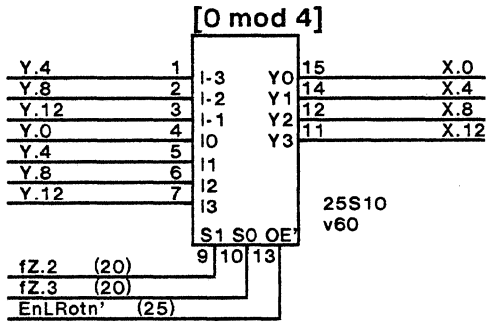
IBfront - Xbus = (x+37, x+36) nS

x	Xbus to IB	x	Xbus to IB	94	WriteIB rises
43	WriteIB rises 43 nS before end of cycle	13[1]	S373 Data to NB	18[2]	S373 EN to NB
-6	Difference between S373 "EN to Q" and "Data to Q" =	20[2]	LS374 setup	20[2]	LS374 setup
x+37 nS	18[2] - 13[1] = 6 nS. Data can arrive 6 nS after WriteIB goes high.	x+36 nS		132[4] = 136 nS	

IB

XEROX	PROPRIETARY NOTE ON COVER SHEET APPLIES TO ALL SHEETS		DWG SIZE A4	DWG NO. 156P11673		SHEET REV. A
	TITLE SCHEMATIC, CP			SHEET 05 OF		

LRotn

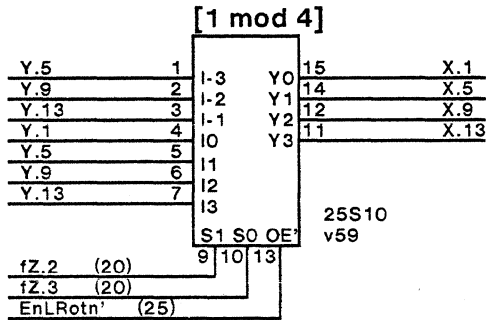


Zero disable X-bus

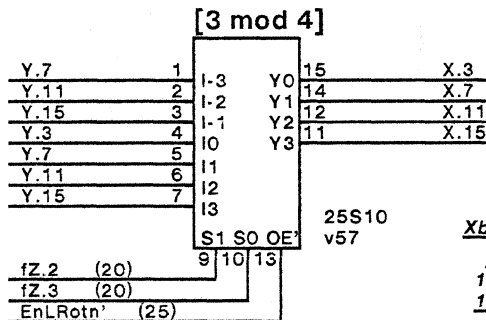
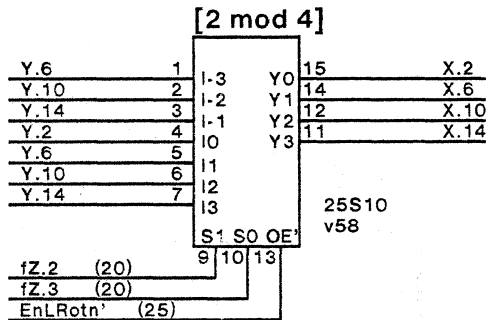
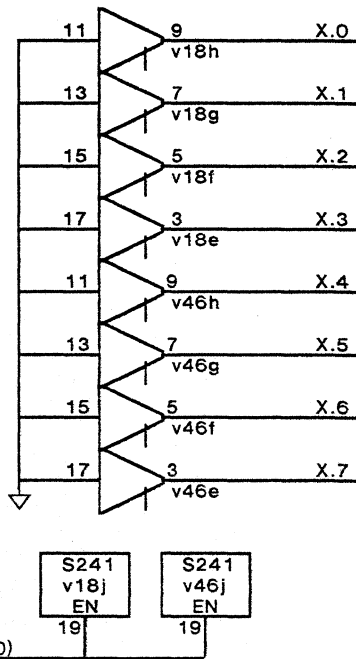
30 † to Xhigh=0
 15 S241 EN to X-bus
 10 X-bus
 55 nS

Xbus[0-7] = 0

30 † to Xhigh=0
 15 S241 OE
 10 X-bus
 55 nS



Zero High XBus



$Xbus - YLRotn = \max(y + 22, 56, 50) nS$

y † to Y bus
 12 25S10 data in to out
 10 X-bus
 y + 22 nS

25 † to EnLRotn'
 21 25S10 OE
 10 X-bus
 56 nS

20 † to fZ.2
 20 25S10 Select to X-bus
 10 X-bus
 50 nS

LRotn disable X-bus

25 † to EnLRotn'
 15 25S10 OE' to X-bus
 10 X-bus
 50 nS

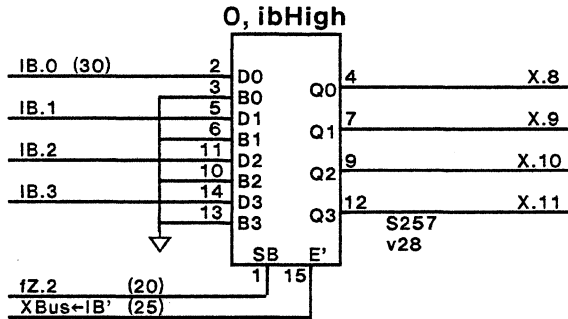
fZ.2 fZ.3
 0 0 Left 0
 0 1 Left 12
 1 0 Left 8
 1 1 Left 4

X Bus: LRotn, RH, ZeroHighX

XEROX	PROPRIETARY NOTE ON COVER SHEET APPLIES TO ALL SHEETS		DWG SIZE A4	DWG NO. 156P11673		SHEET REV. A
	TITLE SCHEMATIC, CP			SHEET 06 OF		

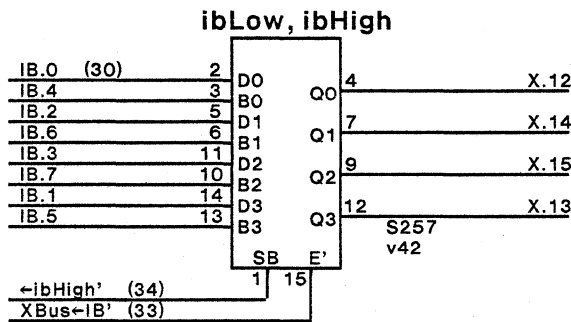
IB disable X-bus

25 † to XBus-IB'
 14 S257 E' to X-bus
 10 X-bus
 49 nS



Byte disable X-bus

25 † to Nibble'
 14 S257 E' to X-bus
 10 X-bus
 49 nS



Nibble disable X-bus

25 † to Nibble'
 15 S241 EN' to X-bus
 10 X-bus
 50 nS

$Xbus-IB = \max(56, 56, 59) \text{ nS}$

34[4] † to IB
 8 S257 data to Xbus
 10 X-bus

$52[4] = 56 \text{ nS}$

25 † to Xbus-IB'
 21 S257 E' to Xbus
 10 X-bus

56 nS

34 † to -ibHigh'
 15 S257 SB to Xbus
 10 X-bus

59 nS

$Xbus - Nibble = \max(39, 50) \text{ nS}$

20 † to fZ
 9 S241 data to X-bus
 10 X-bus

39 nS

25 † to Nibble'
 15 S241 EN' to X-bus
 10 X-bus

50 nS

$Xbus - Byte = \max(38, 56, 50) \text{ nS}$

20 † to fY
 8 S257 data to X-bus
 10 X-bus

38 nS

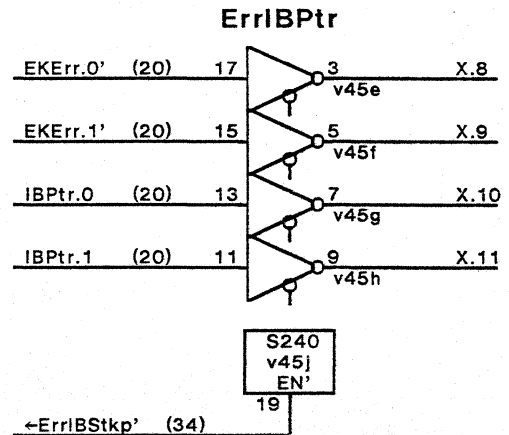
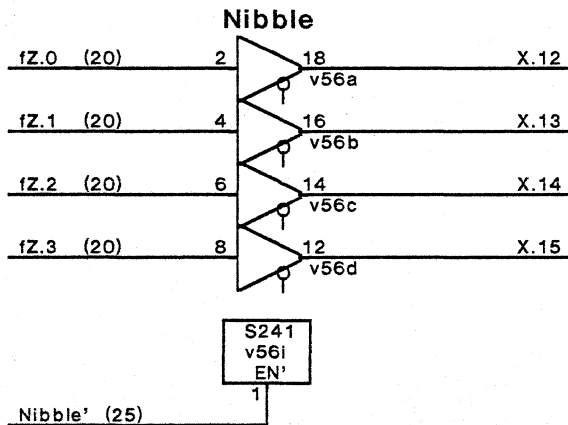
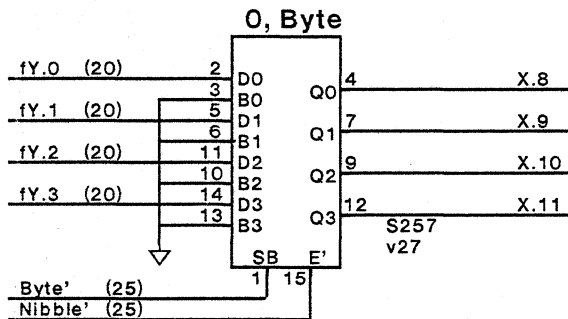
25 † to Nibble'
 21 S257 E' to X-bus
 10 X-bus

56 nS

25 † to Byte'
 15 S257 SB to Xbus
 10 X-bus

50 nS

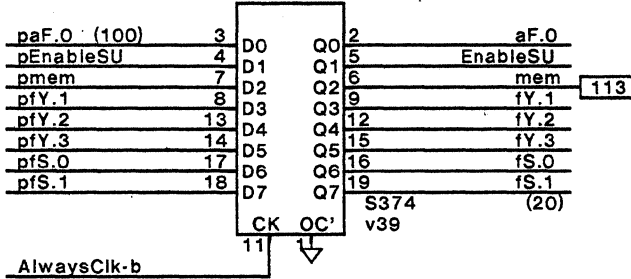
See stackP timings for ErrIBPtr



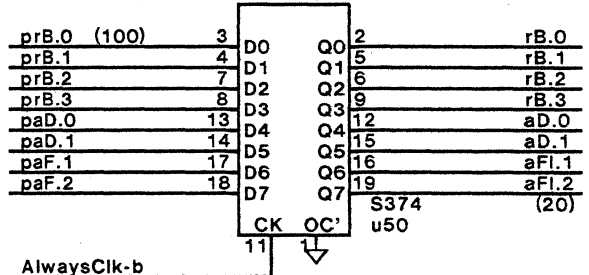
X Bus: IB, constants, ErrIntstackP

XEROX	PROPRIETARY NOTE ON COVER SHEET APPLIES TO ALL SHEETS		DWG SIZE	DWG NO. 156P11673	SHEET REV.
	TITLE SCHEMATIC, CP		A4	SHEET 07 OF	A

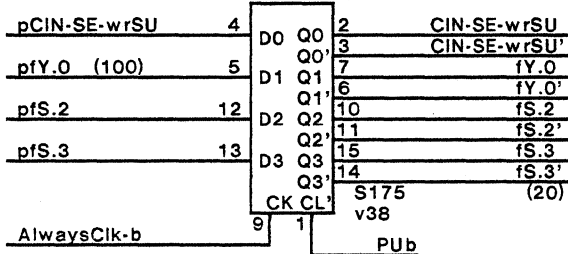
aF.O, EnSU, mem, fY, fS



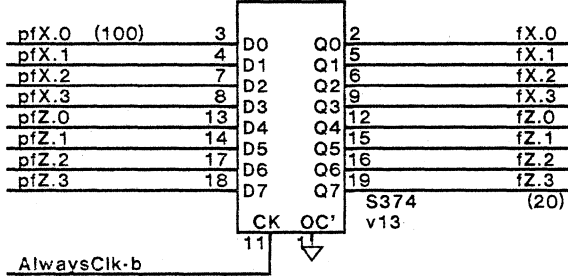
rB, aD, aFI



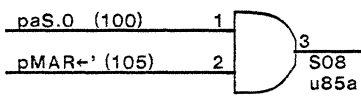
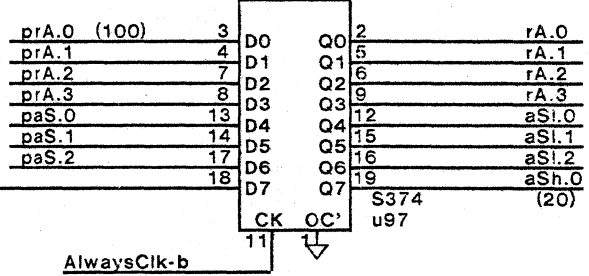
Cin, fY.O, fS



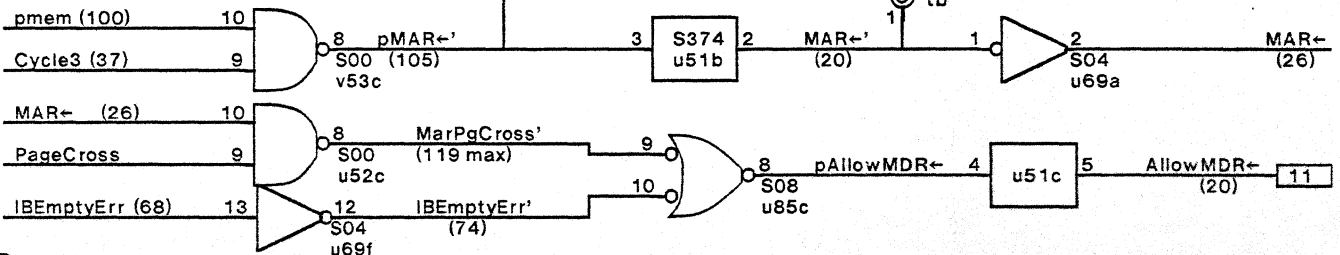
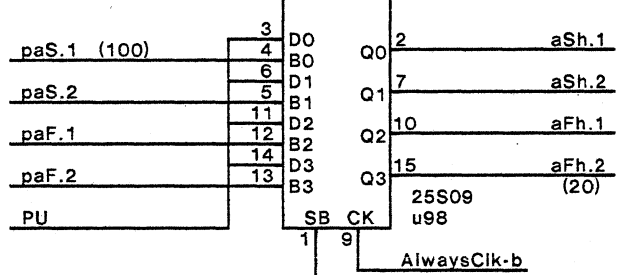
fX, fZ



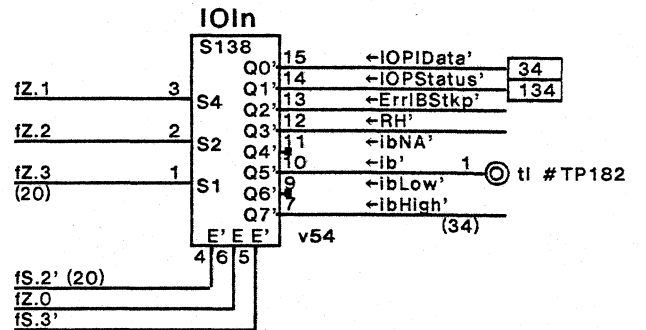
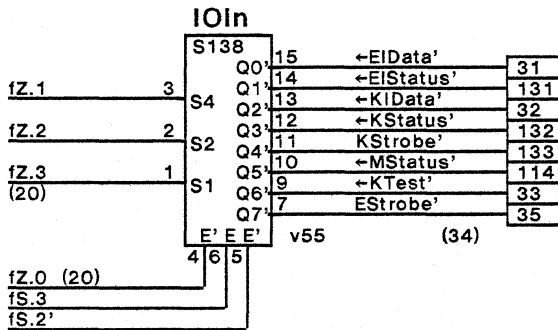
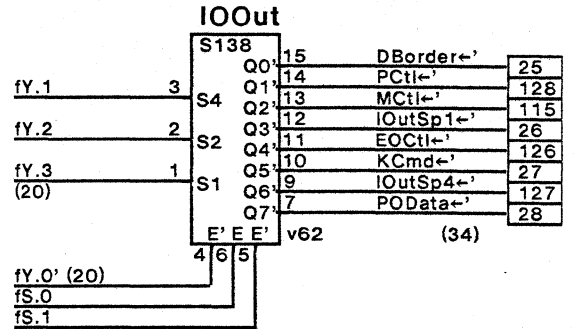
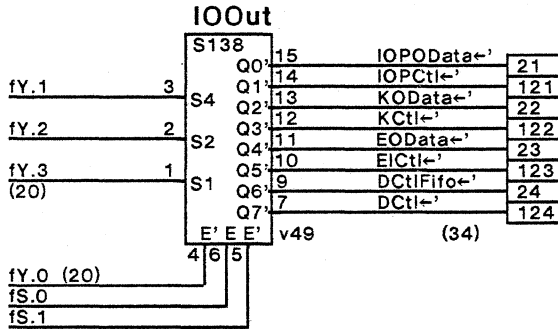
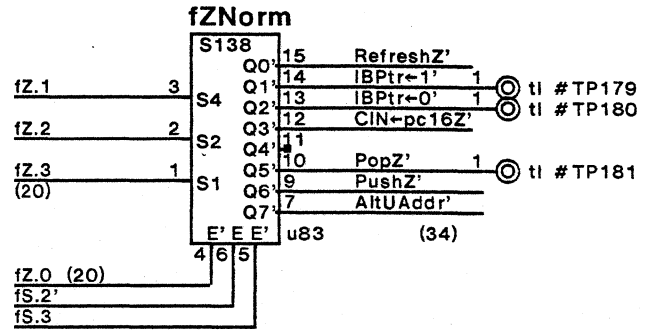
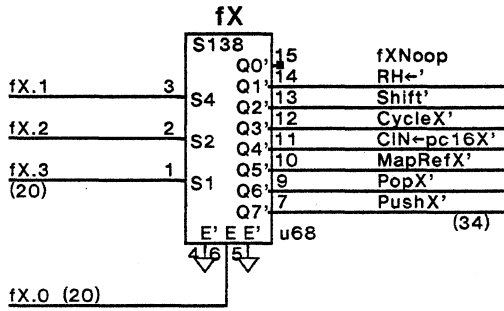
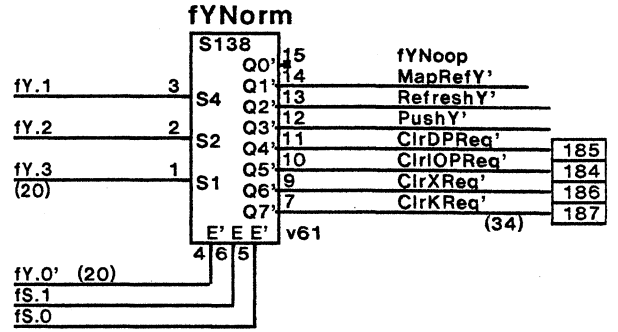
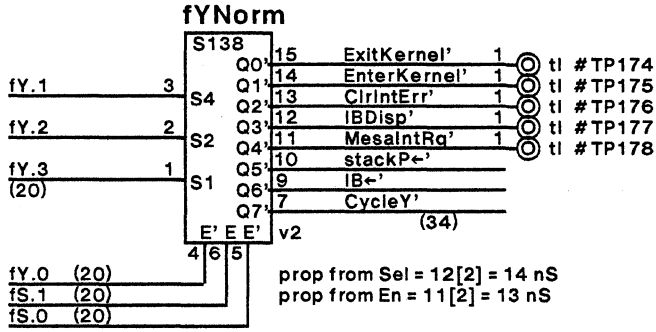
rA, aS



aSh, aFh

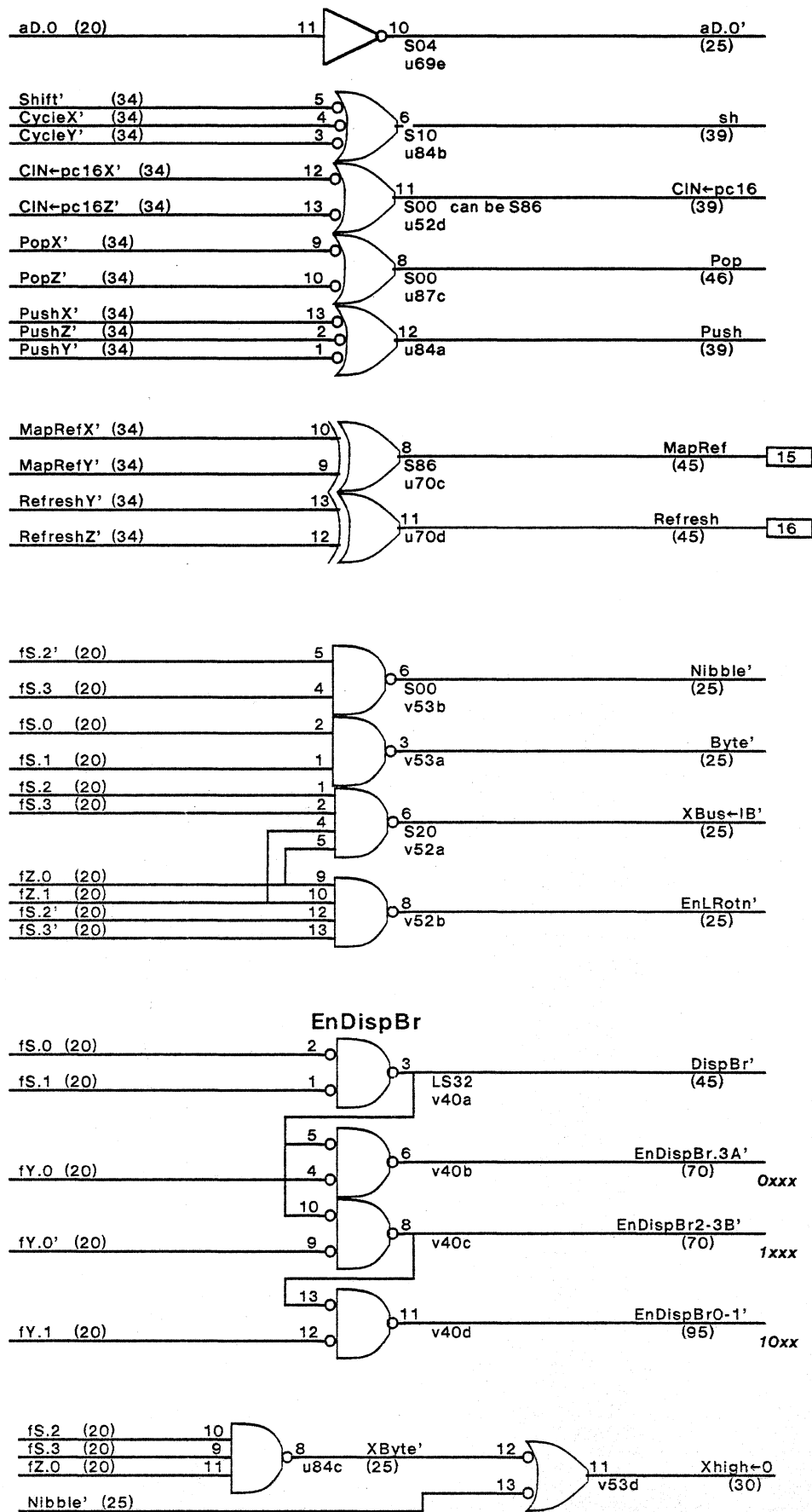


MIR



MIR Decoding I

XEROX	PROPRIETARY NOTE ON COVER SHEET APPLIES TO ALL SHEETS		DWG SIZE	DWG NO. 156P11673	SHEET REV. A
	TITLE SCHEMATIC, CP		A4	SHEET 09 OF	



MIR Decoding II

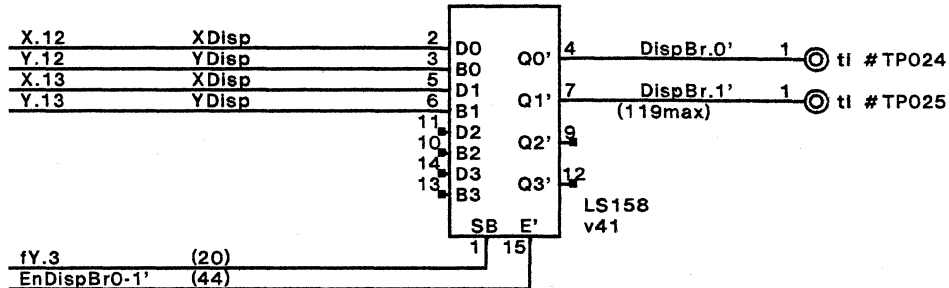
XEROX	PROPRIETARY NOTE ON COVER SHEET APPLIES TO ALL SHEETS		DWG SIZE A4	DWG NO. 156P11673		SHEET REV. A
	TITLE SCHEMATIC, CP			SHEET 10 OF		

$DispBr[0-1] = \max(c+32, 69, 133)$

20 \uparrow to fY
 24[3] S151 select to DispBr
 18 DispBr' setup
 64[3] = 69

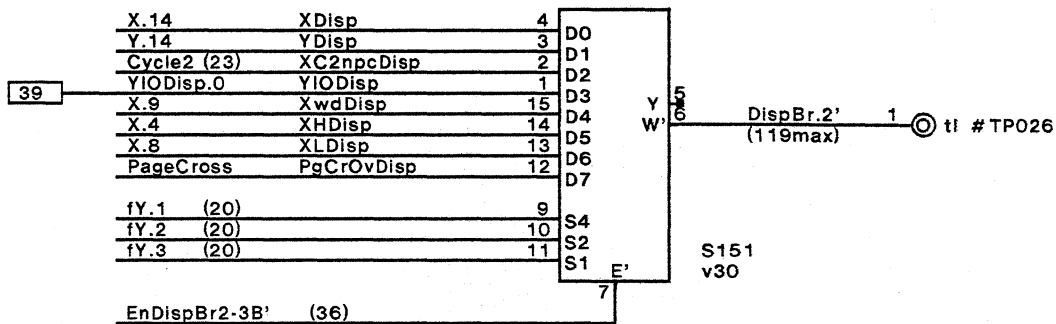
95 \uparrow to EnDispBr0-1'
 18[2] S151 E' to DispBr
 18 DispBr' setup
 131[2] = 133 nS

c condition source
 12[2] S151 data to DispBr
 18 DispBr' setup
 c+30[2] = c+32



DispBr setup

5 S00 in to pTC
 6[1] S64 in to pNIA
 5[1] 25S09/S374 setup
 18 nS

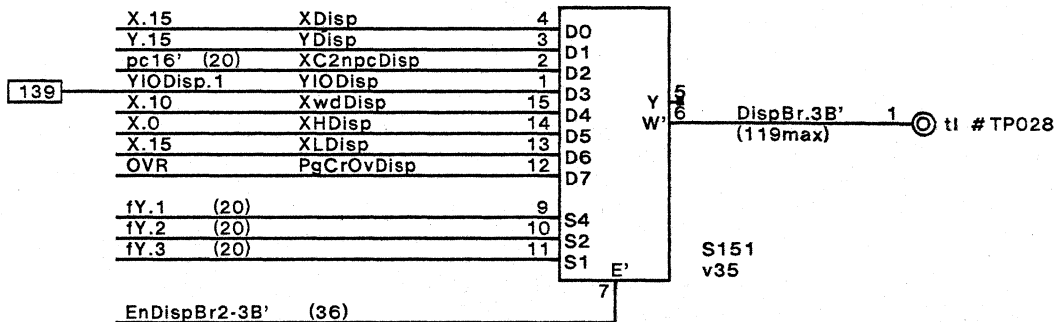
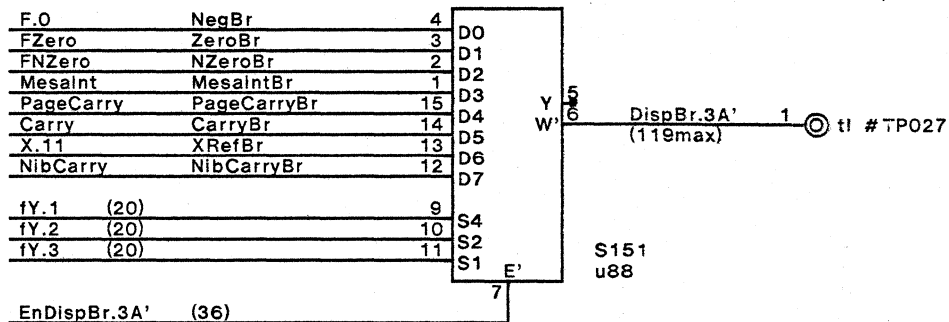


$DispBr[2-3] = \max(c+26, 55, 103)$

20 \uparrow to fY
 15[2] S151 select to DispBr
 18 DispBr' setup
 51[4] = 55 nS

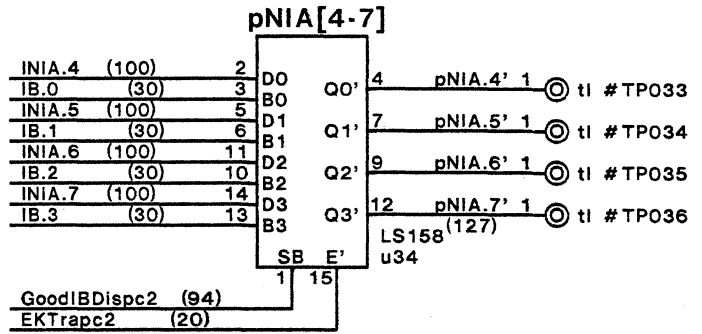
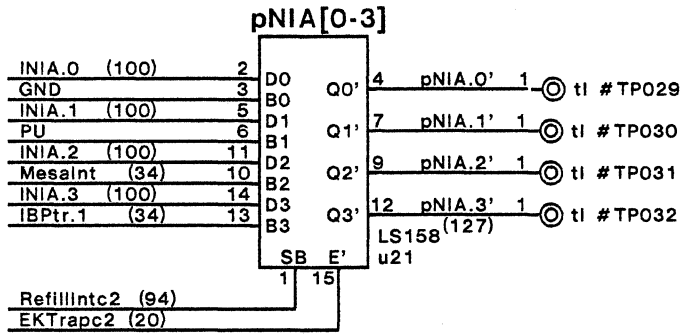
70 \uparrow to EnDispBr.3A'
 13[2] S151 E' to DispBr
 18 DispBr' setup
 101[2] = 103 nS

c condition source
 7[1] S151 data to DispBr
 18 DispBr' setup
 c+23[3] = c+26 nS



Dispatch/Branch

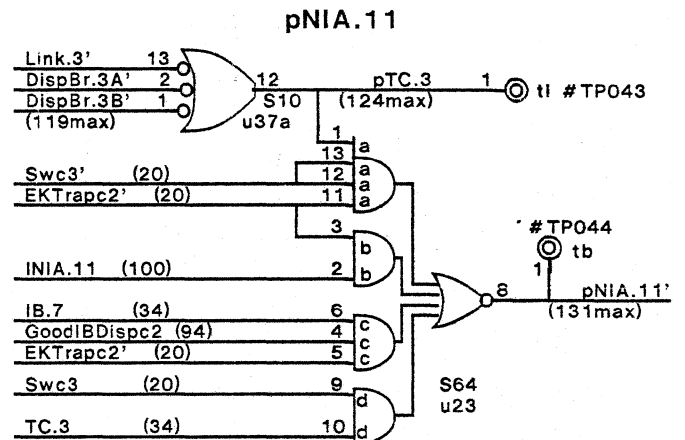
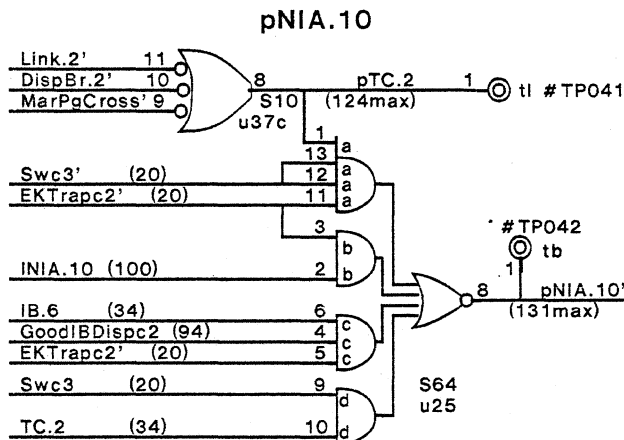
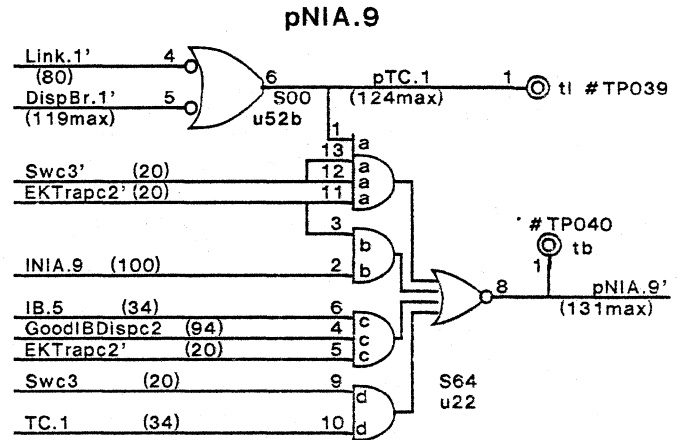
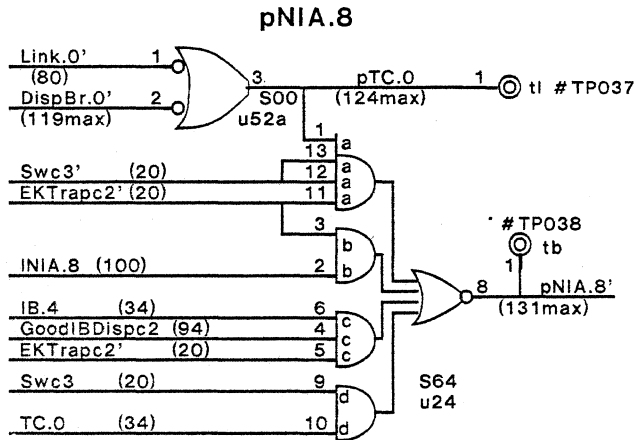
XEROX	PROPRIETARY NOTE ON COVER SHEET APPLIES TO ALL SHEETS		DWG SIZE A4	DWG NO. 156P11673		SHEET REV. A
	TITLE SCHEMATIC, CP			SHEET 11 OF		



pNIA[0-7] = max(127, 120, 46) nS

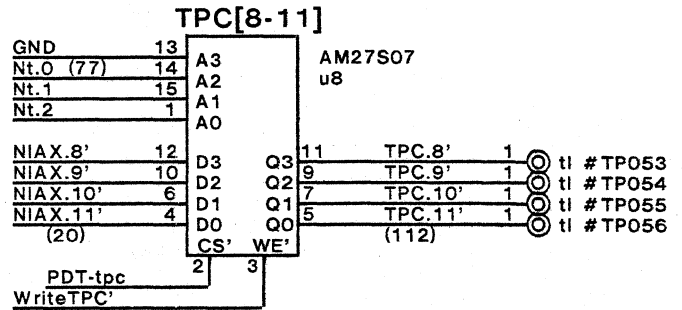
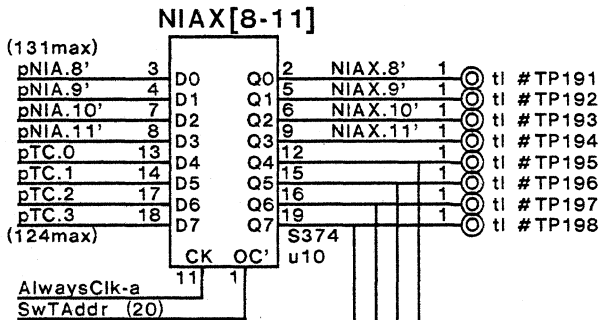
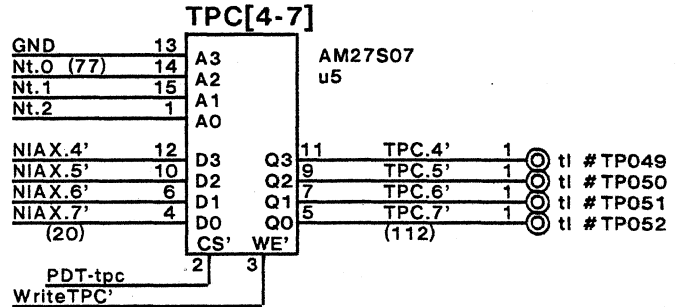
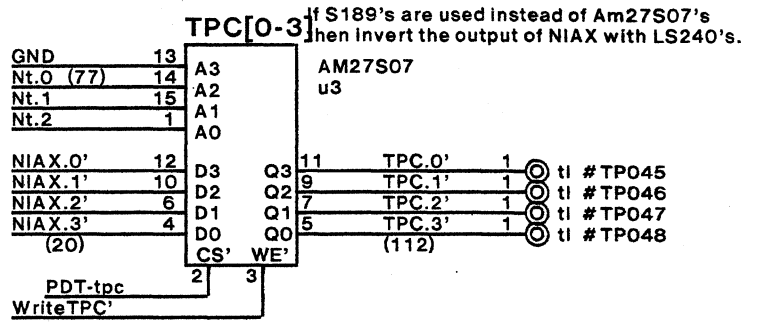
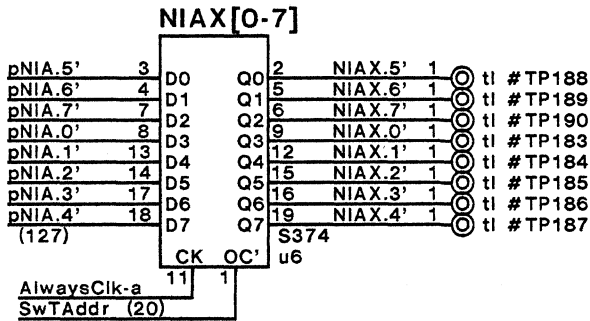
94	t to RefillIntc2	100	t to INIA	20	t to EKErrc2
24[3]	LS158 SB to pNIA'	12[2]	LS158 data to pNIA'	18[2]	LS158 E' to pNIA'
5[1]	25S09/S374 setup	5[1]	25S09/S374 setup	5[1]	25S09/S374 setup
123[4]	= 127 nS	117[3]	= 120 nS	43[3]	= 46nS

(See page 11 for pNIA[8-11] timing)



pNIA, pTC (Branching)

XEROX	PROPRIETARY NOTE ON COVER SHEET APPLIES TO ALL SHEETS		DWG SIZE	DWG NO. 156P11673	SHEET REV.
	TITLE SCHEMATIC, CP		A4	SHEET 12 OF	A



TPC/TC timing

77 \uparrow to Nt
 35 Am27S07 tAA
 5[1] 25S09/S374 setup
 117[1] = 118 nS

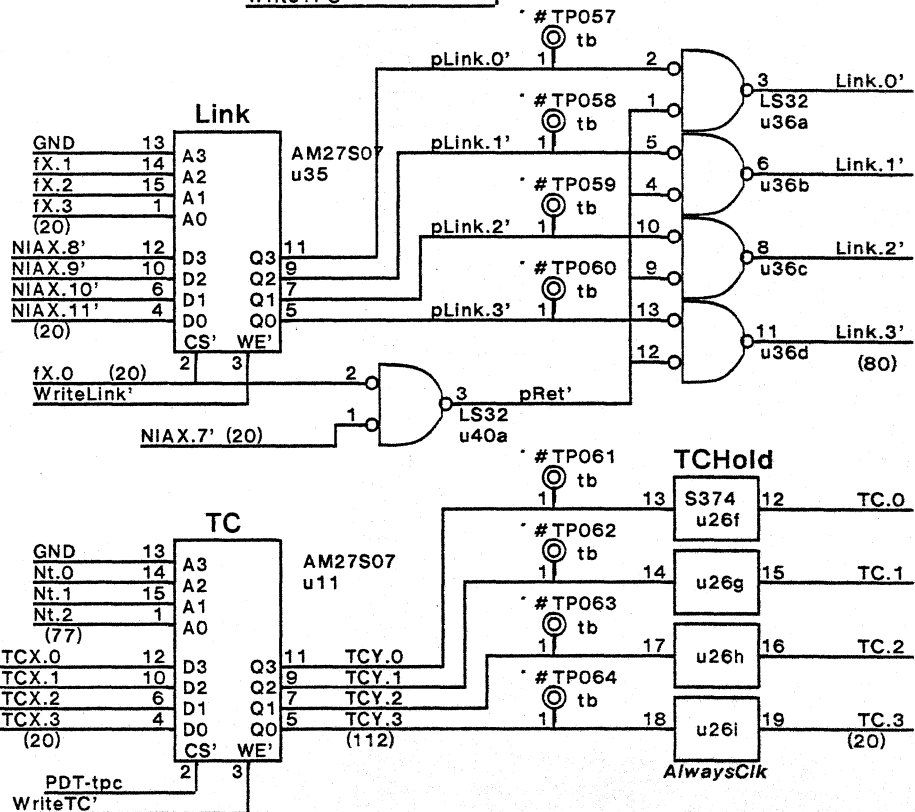
Link timing

20 \uparrow to fX
 35 Am27S07 tAA
 22[3] pLink' to Link'
 18 DispBr' setup
 95[3] = 98 nS

20 \uparrow to fX.0, NIAX.7'
 22[3] fX.0 to pRet'
 22[3] pRet' to Link'
 18 DispBr' setup
 82[6] = 88 nS

If only pullups were used on output of Link (instead of the LS32 kludge), then Link timing would be:

98 WriteLink' active
 25[3] WE' to pLink high
 18 DispBr' setup
 141[3] = 144 nS

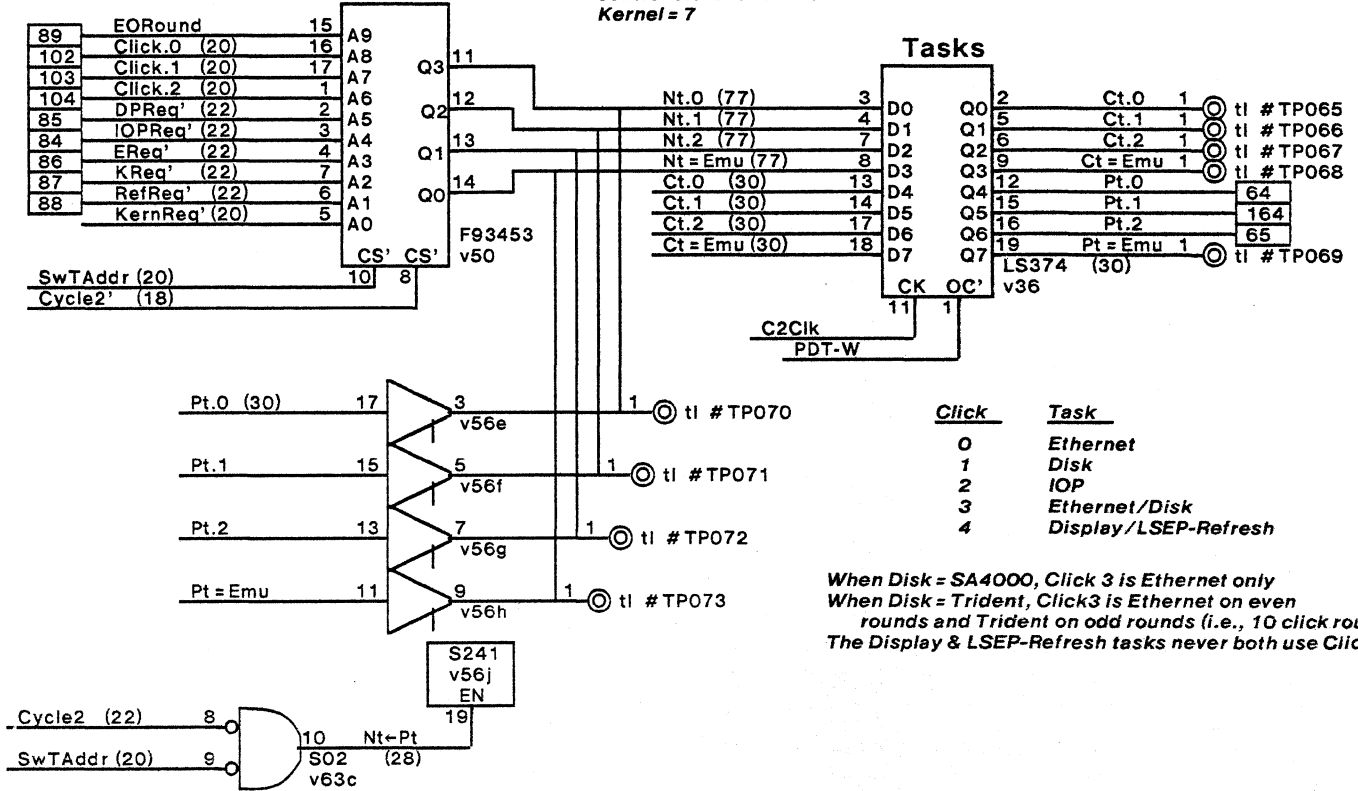


TPC, TC, & Link

Nt, Ct, Pt

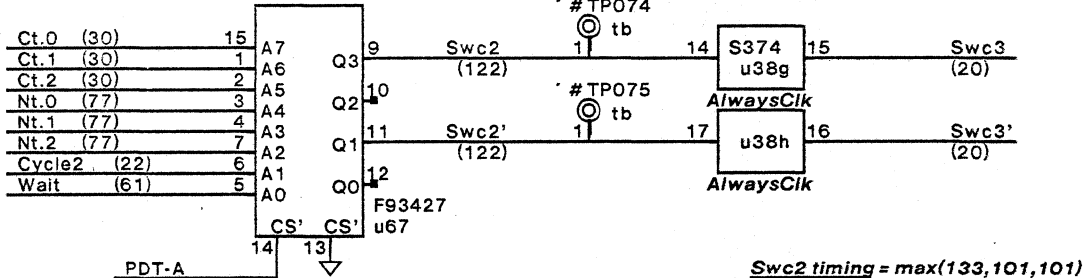
Emulator = 0
 DisplayLSEP = 1
 Ethernet = 2
 Refresh = 3
 Disk = 4
 IOP = 5
 control store rd/wr = 6
 Kernel = 7

ScheduleProm-RevD



When Disk = SA4000, Click 3 is Ethernet only
 When Disk = Trident, Click3 is Ethernet on even rounds and Trident on odd rounds (i.e., 10 click round)
 The Display & LSEP-Refresh tasks never both use Click

SwitchProm-RevC



Swc2 timing = max(133,101,101)

22 ↑ to Kreq'
 55 F93453 addr to Nt
 45 F93427 addr to Swc2
 10[1] 25S09 SB setup
 132[1] = 133 nS

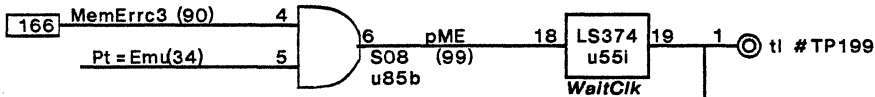
20 ↑ to SwTAddr
 25 F93453 CS' to Nt
 45 F93427 addr to Swc2
 10[1] 25S09 SB setup
 100[1] = 101 nS

28 ↑ to Nt-Pt
 15[2] S241 EN to Nt
 45 F93427 addr to Swc2
 10[1] 25S09 SB setup
 98[3] = 101 nS

	Nt (Prom)	Nt	Ct	Pt
c1	3-S	Previous	Current	Previous
c2	Next	Next	Current	Previous
c3	3-S	Current	Next	Current

Schedule, Switch, & Tasks

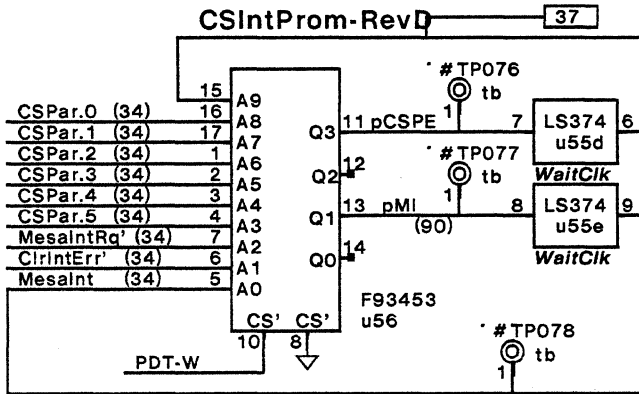
XEROX	PROPRIETARY NOTE ON COVER SHEET APPLIES TO ALL SHEETS		DWG SIZE	DWG NO. 156P11673	SHEET REV.
	TITLE SCHEMATIC, CP		A4	SHEET 14 OF	A



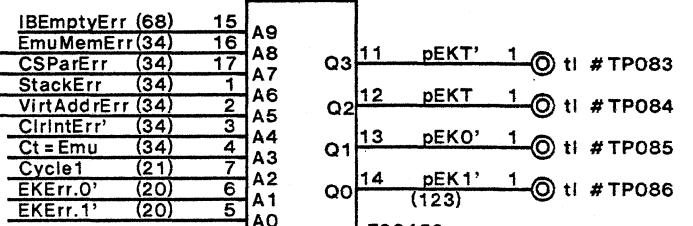
EKErr' at Trap location 0

- 0 IB Empty Err
- 1 StackErr
- 2 Emulator Mem Err OR Virt Addr Err
- 3 CS Parity Err

MStatus[8] = EmuMemErr

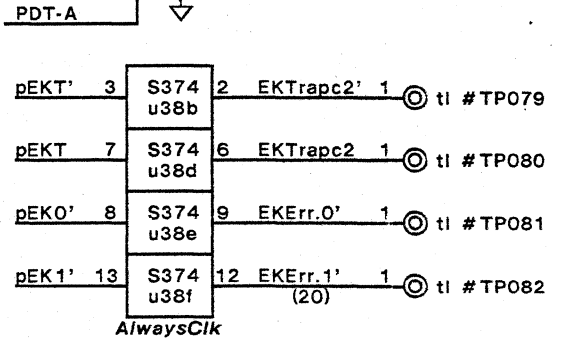
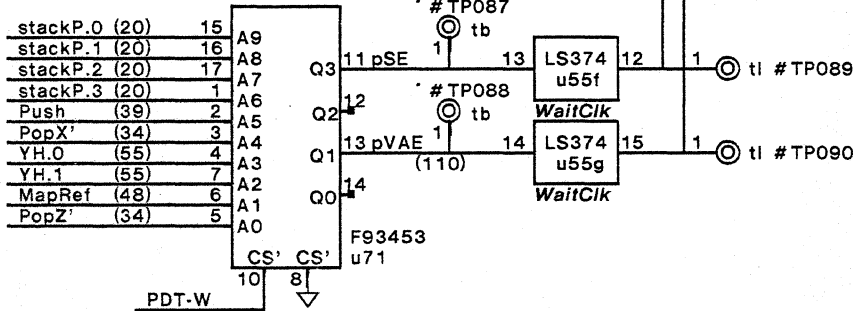


ErrorProm-RevE

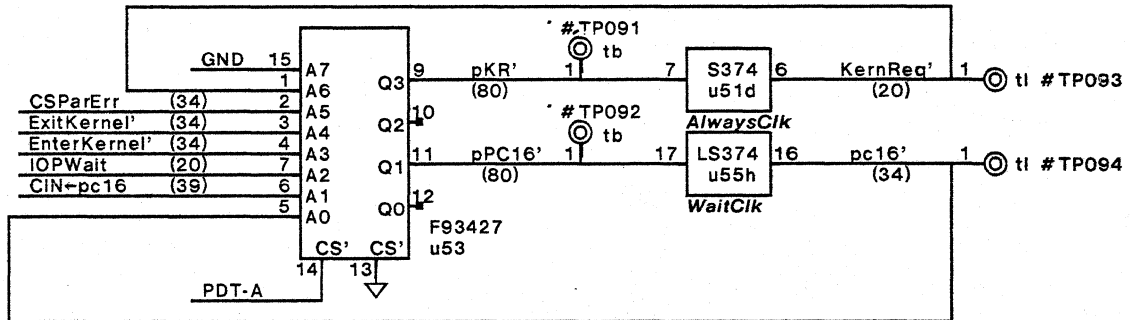


revG = 8 word stack
revH = 14 word stack

StackVirtProm-RevH



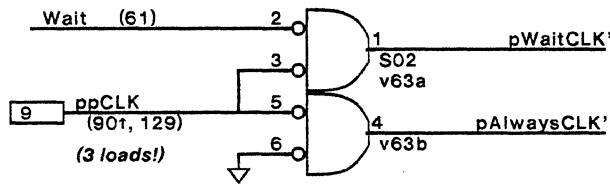
KernPC16Prom-RevB



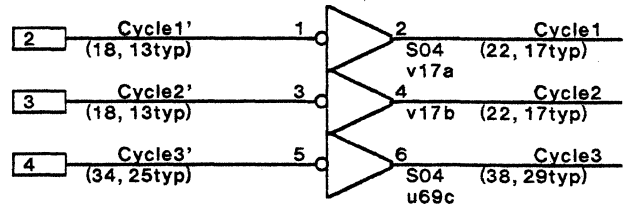
Error, Emulator, & Kernel Proms

XEROX	PROPRIETARY NOTE ON COVER SHEET APPLIES TO ALL SHEETS		DWG SIZE A4	DWG NO. 156P11673		SHEET REV. A
	TITLE SCHEMATIC, CP			SHEET 15 OF		

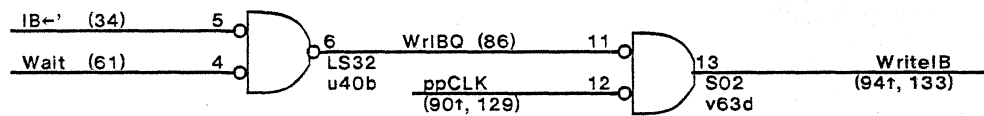
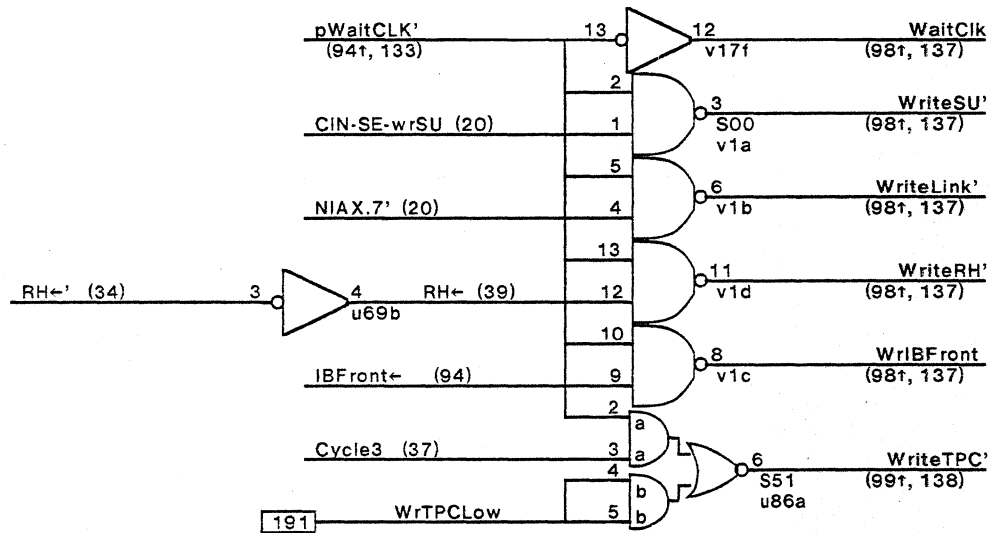
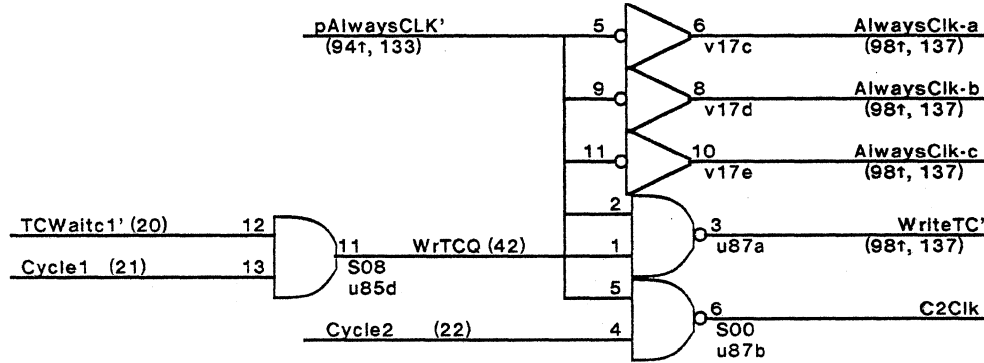
Clock Receivers



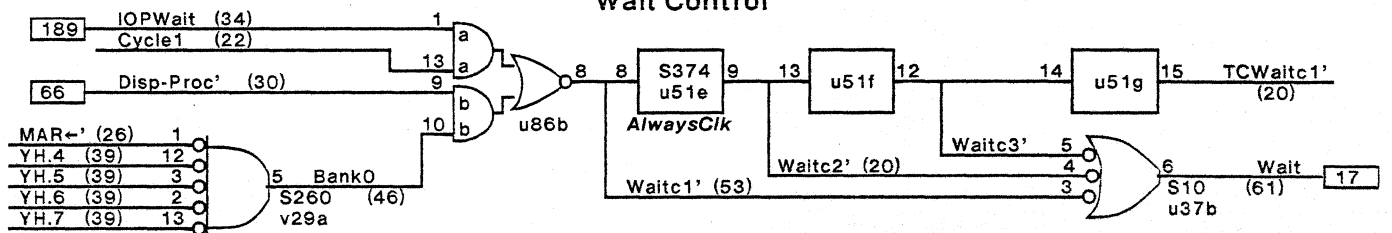
Cycles



Qualified Clocks



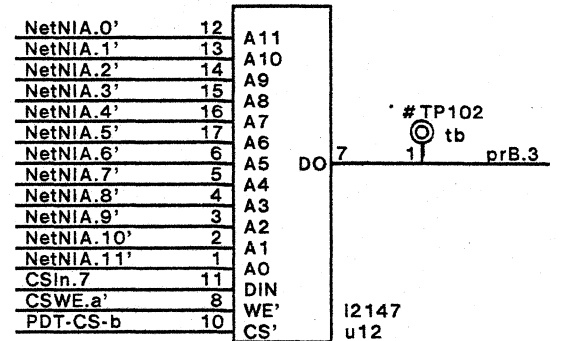
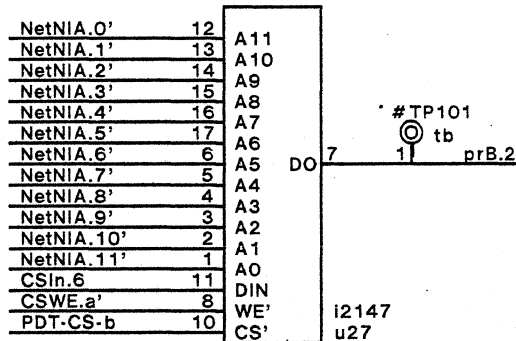
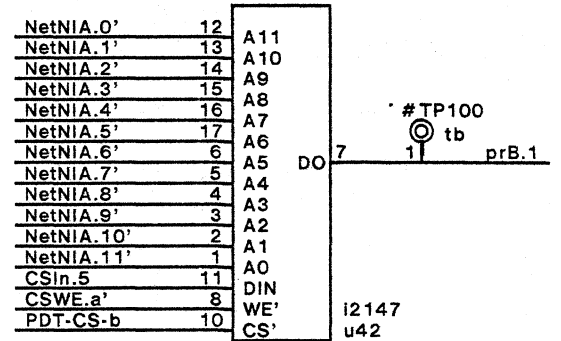
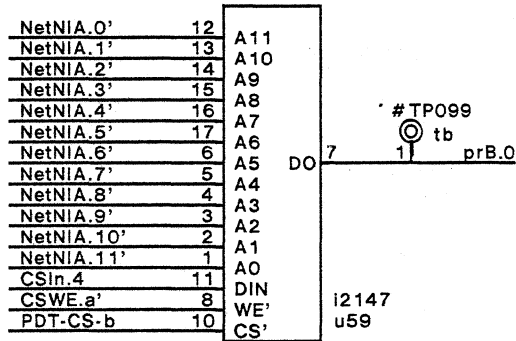
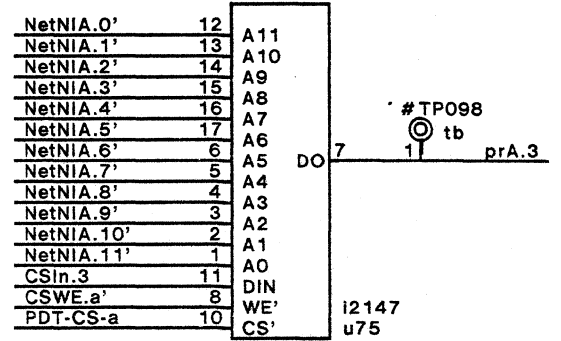
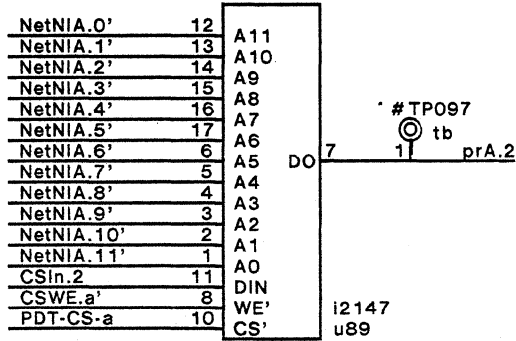
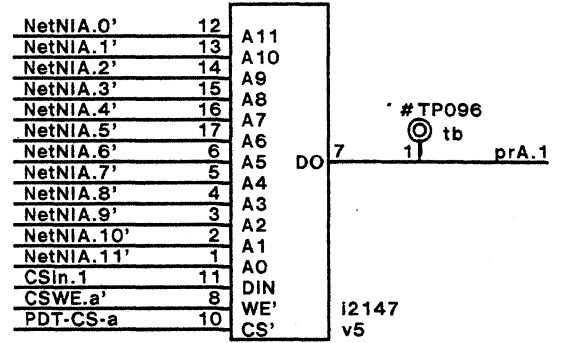
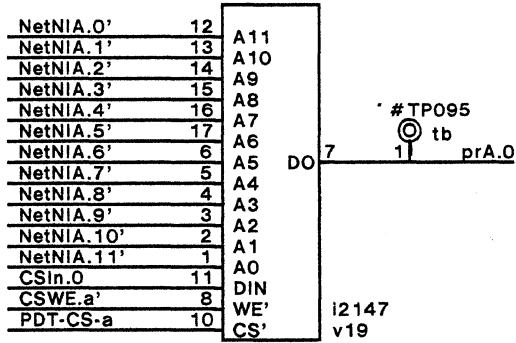
Wait Control



Detects low bank for max 1024K mem.

Clocks, Wait

XEROX	PROPRIETARY NOTE ON COVER SHEET APPLIES TO ALL SHEETS	DWG SIZE	DWG NO. 156P11673	SHEET REV.
	TITLE SCHEMATIC, CP	A4	SHEET 16 OF	A



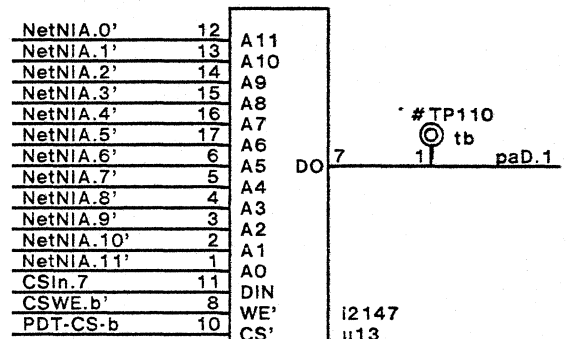
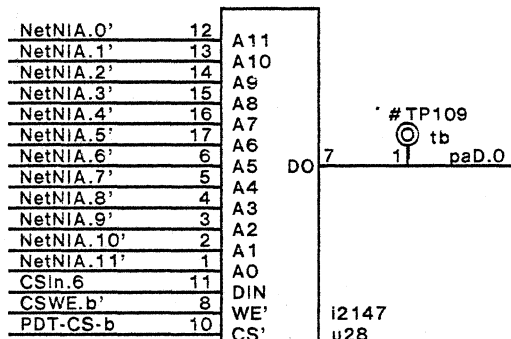
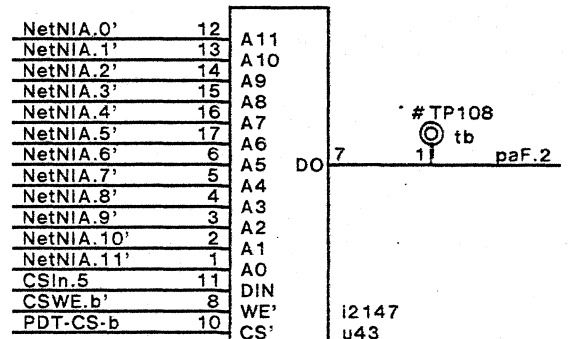
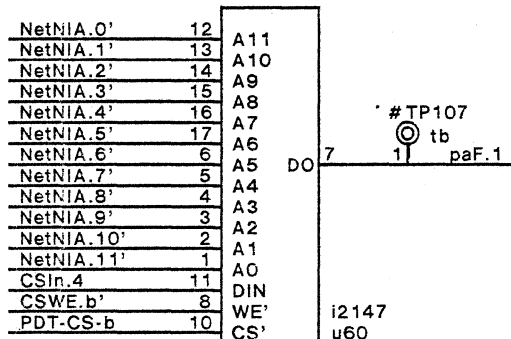
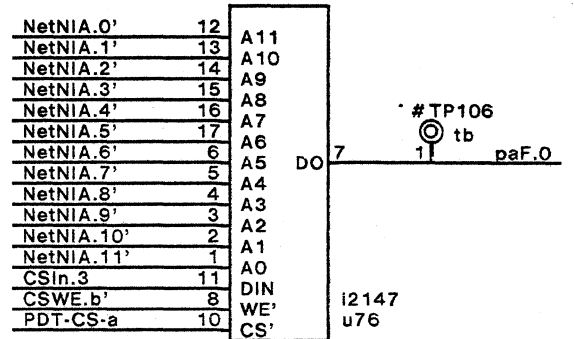
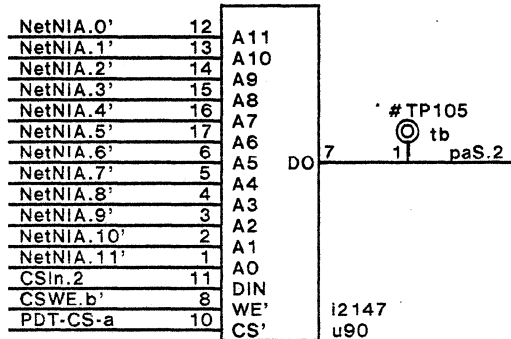
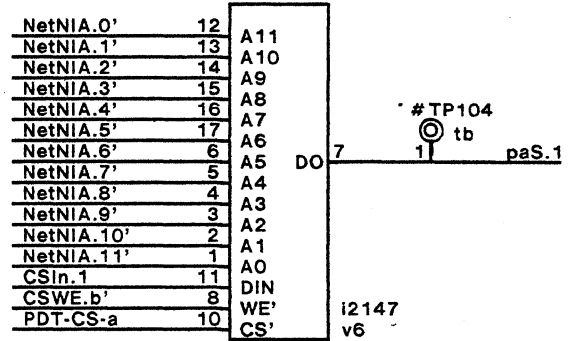
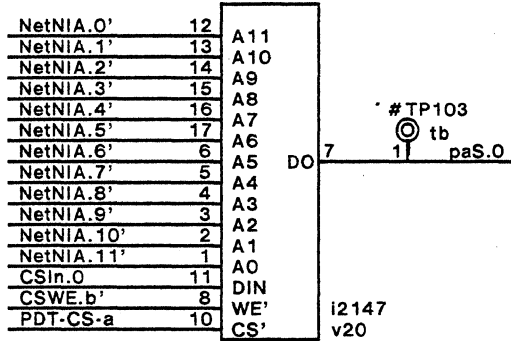
CS Timing

17 t to NIA'
 13 transmission delay
 70 tAA 2147L

100 nS

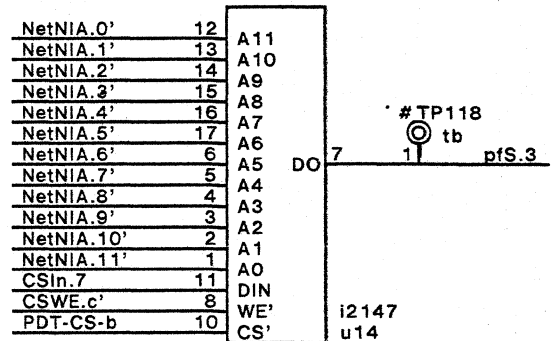
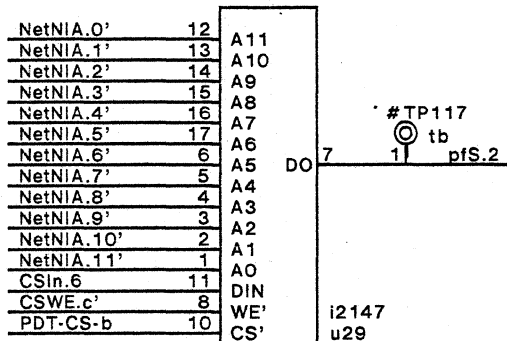
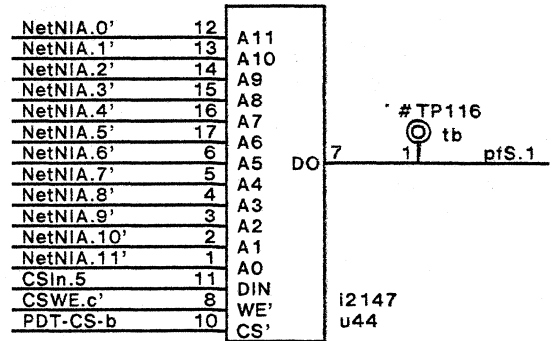
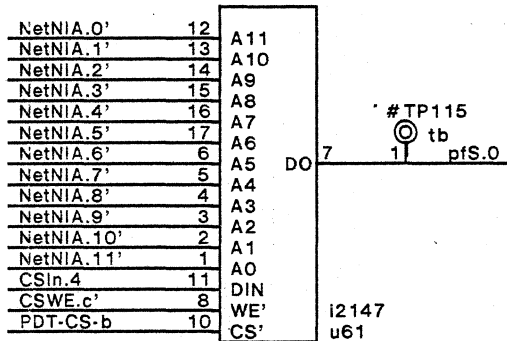
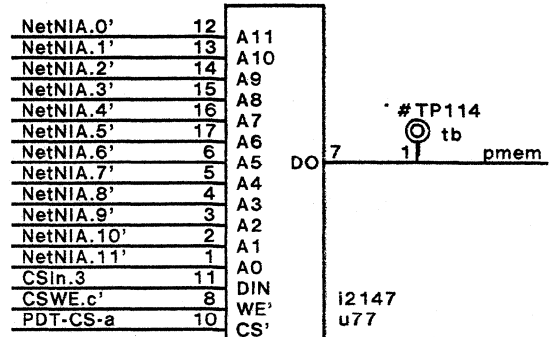
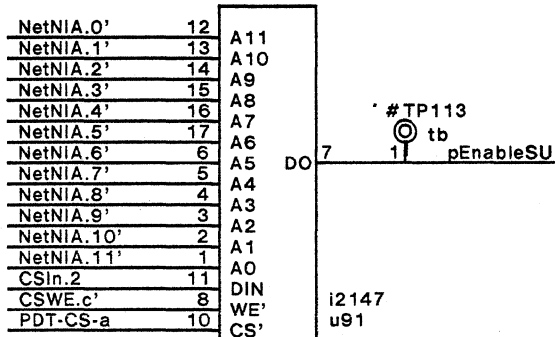
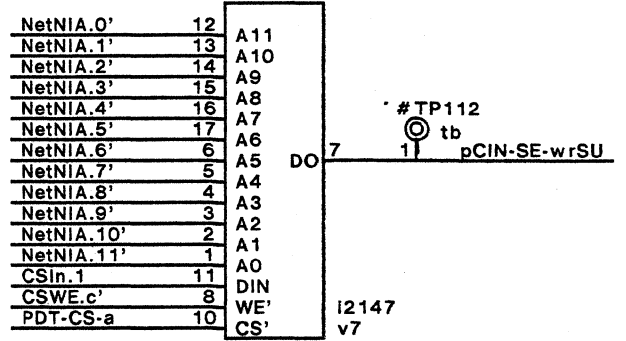
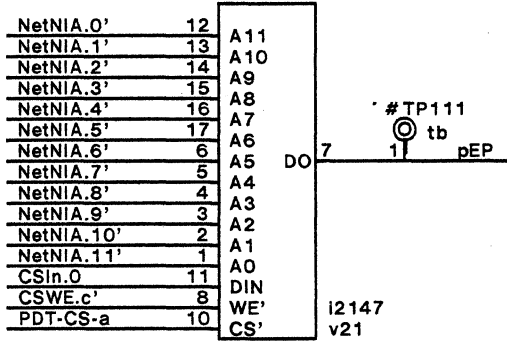
Control Store A [0-7]

XEROX	PROPRIETARY NOTE ON COVER SHEET APPLIES TO ALL SHEETS		DWG SIZE A4	DWG NO. 156P11673		SHEET REV. A
	TITLE SCHEMATIC, CP			SHEET 17 OF		



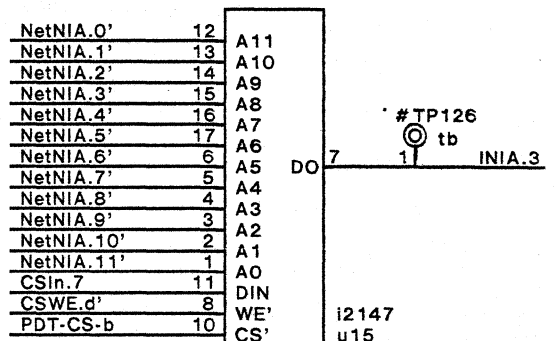
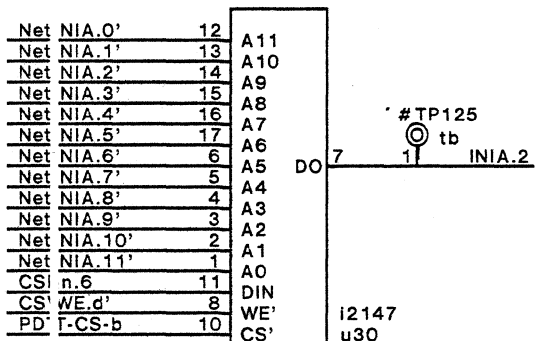
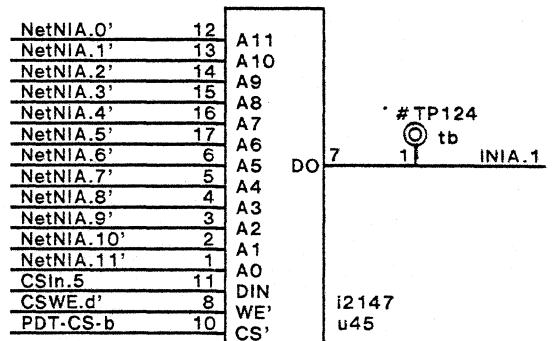
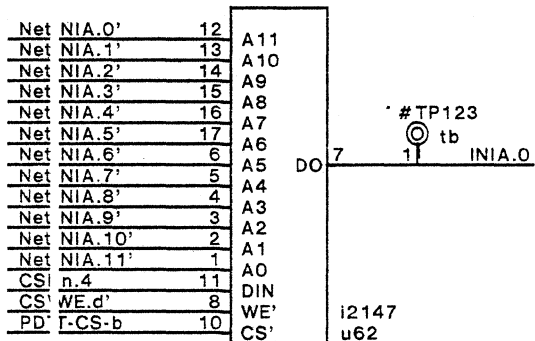
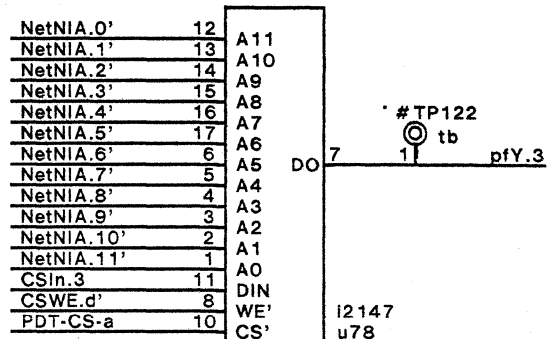
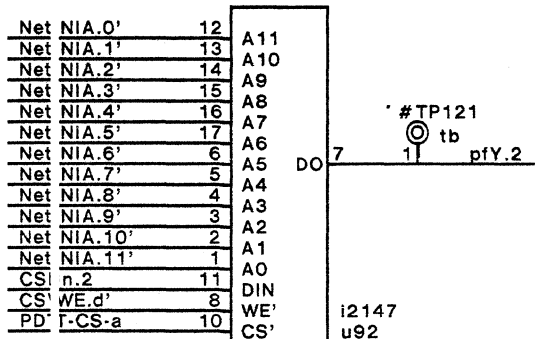
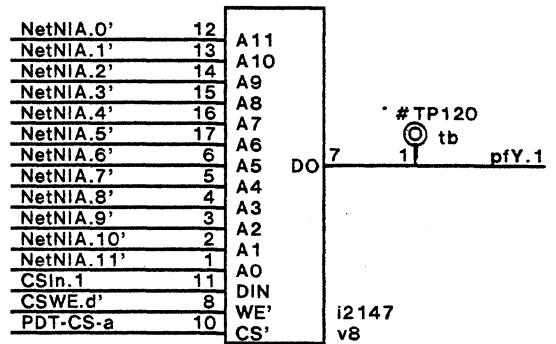
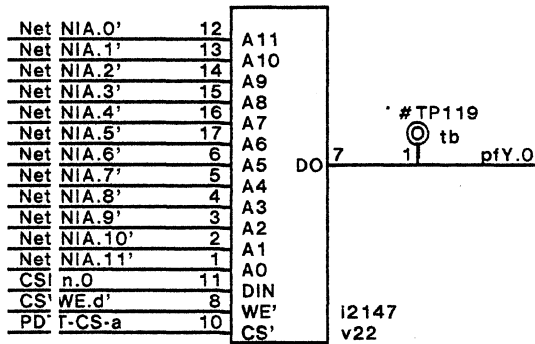
Control Store B [8-15]

XEROX	PROPRIETARY NOTE ON COVER SHEET APPLIES TO ALL SHEETS		DWG SIZE	DWG NO. 156P11673	SHEET REV.
	TITLE SCHEMATIC, CP		A4	SHEET 18 OF	



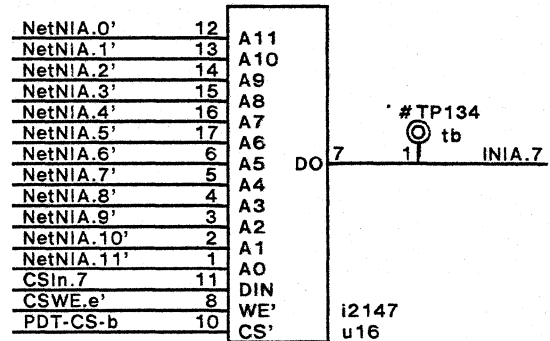
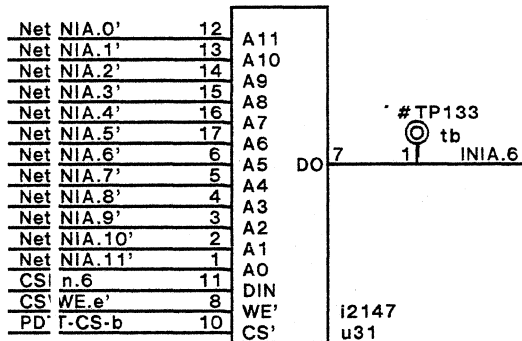
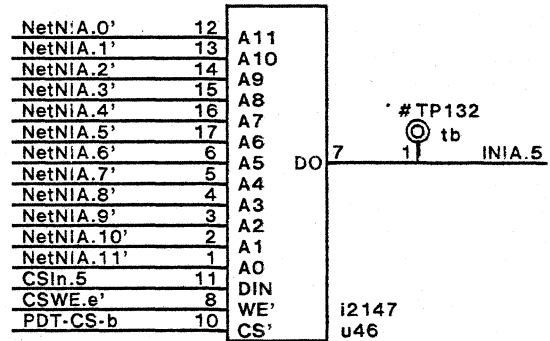
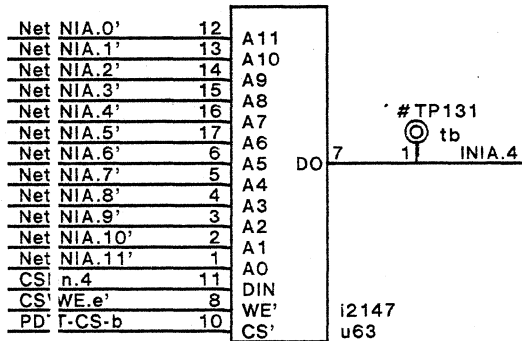
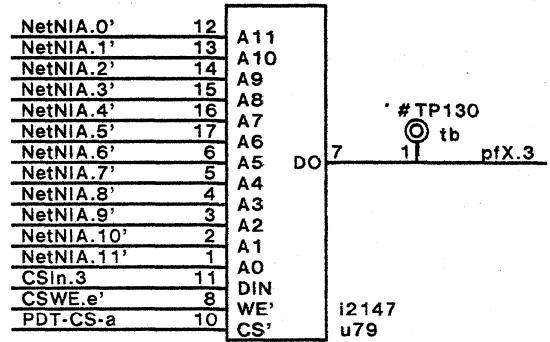
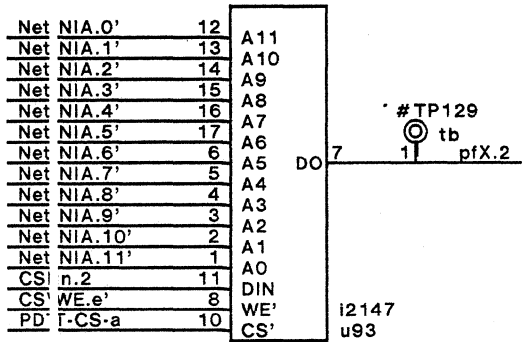
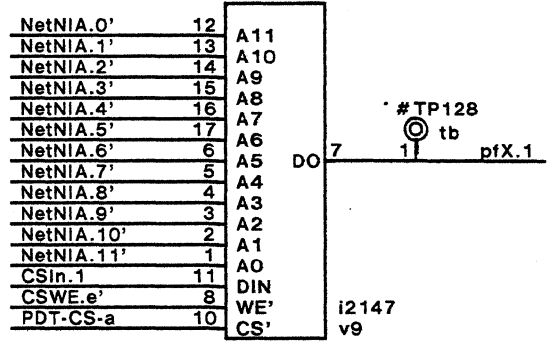
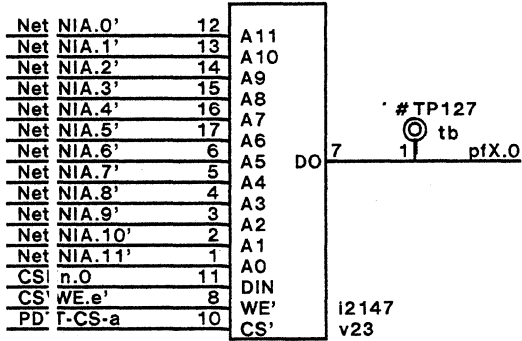
Control Store C [16-23]

XEROX	PROPRIETARY NOTE ON COVER SHEET APPLIES TO ALL SHEETS		DWG SIZE	DWG NO. 156P11673	SHEET REV.
	TITLE SCHEMATIC, CP		A4	SHEET 19 OF	A



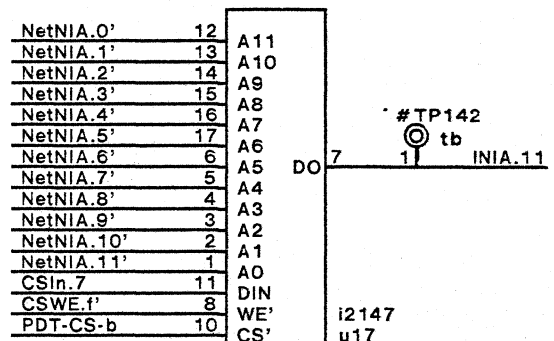
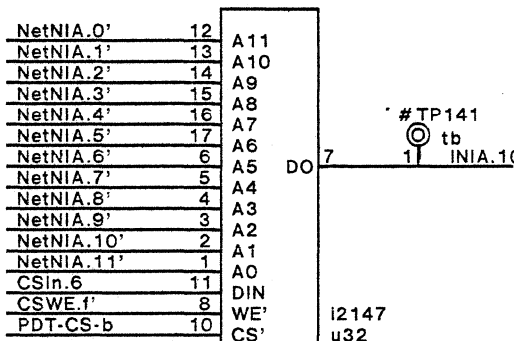
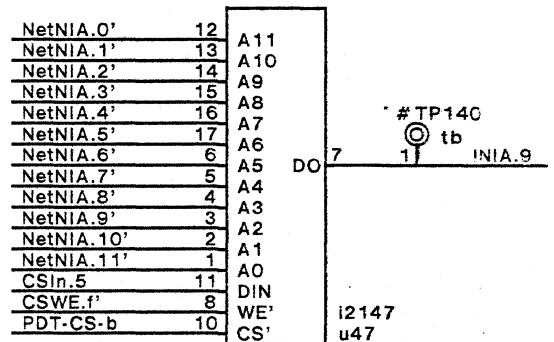
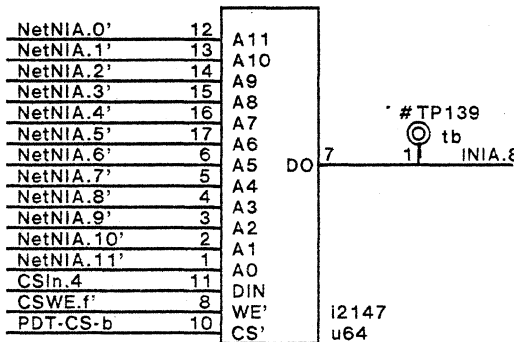
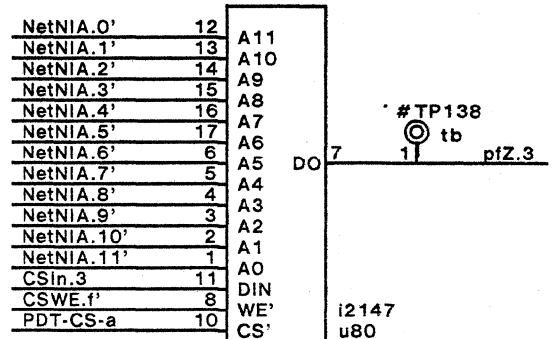
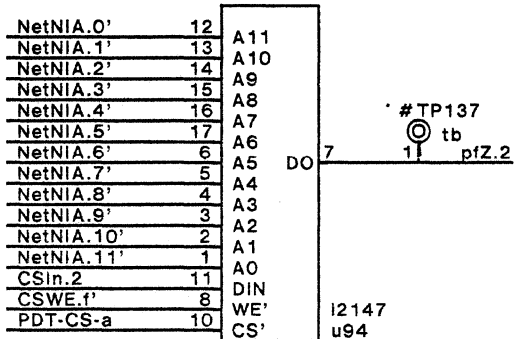
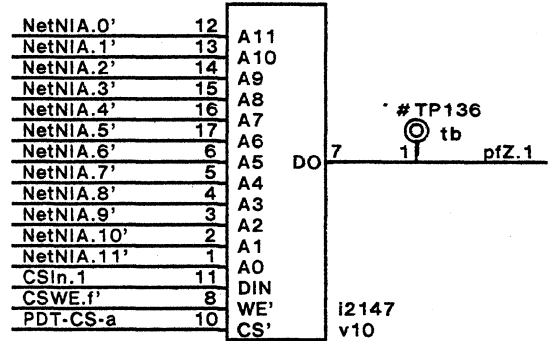
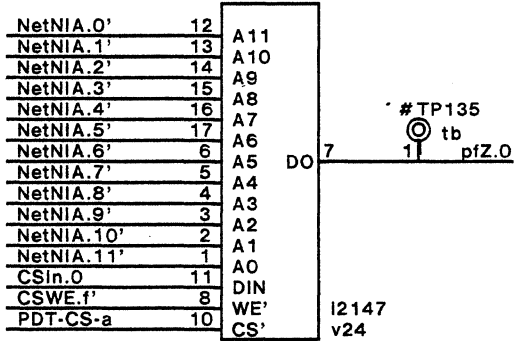
Control Store D [24-31]

XEROX	PROPRIETARY NOTE ON COVER SHEET APPLIES TO ALL SHEETS	DWG SIZE	DWG NO. 156P11673	SHEET REV.
	TITLE SCHEMATIC, CP	A4	SHEET 20 OF	A



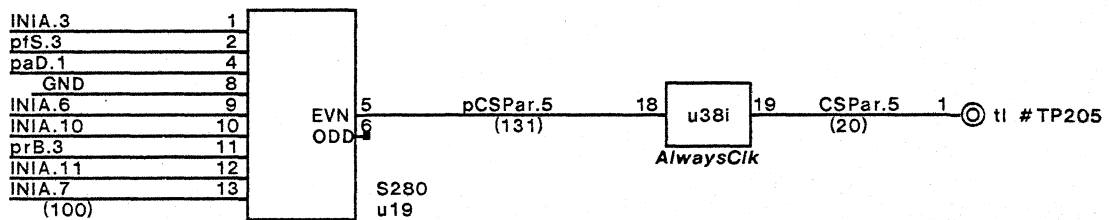
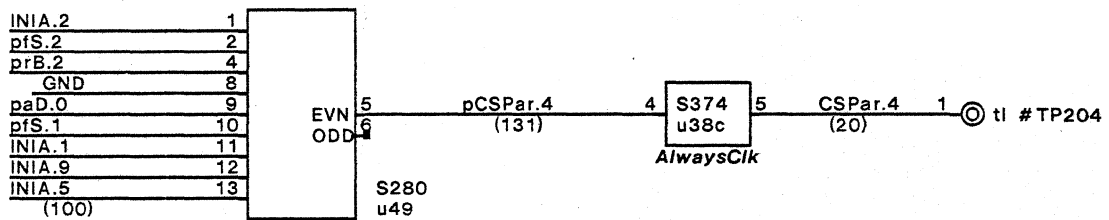
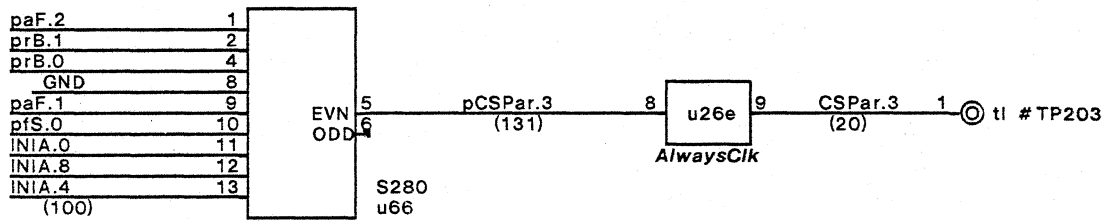
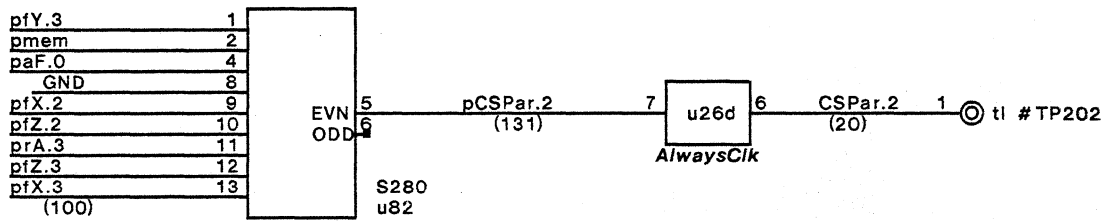
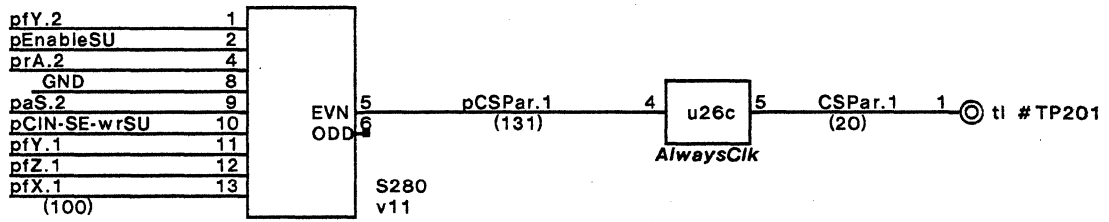
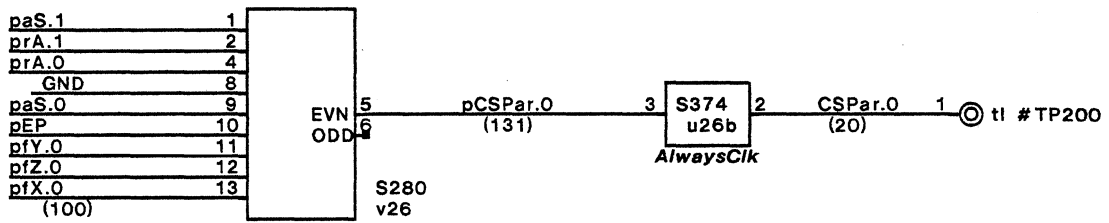
Control Store E [32-39]

XEROX	PROPRIETARY NOTE ON COVER SHEET APPLIES TO ALL SHEETS	DWG SIZE	DWG NO. 156P11673	SHEET REV.
	TITLE SCHEMATIC, CP	A4	SHEET 21 OF	A



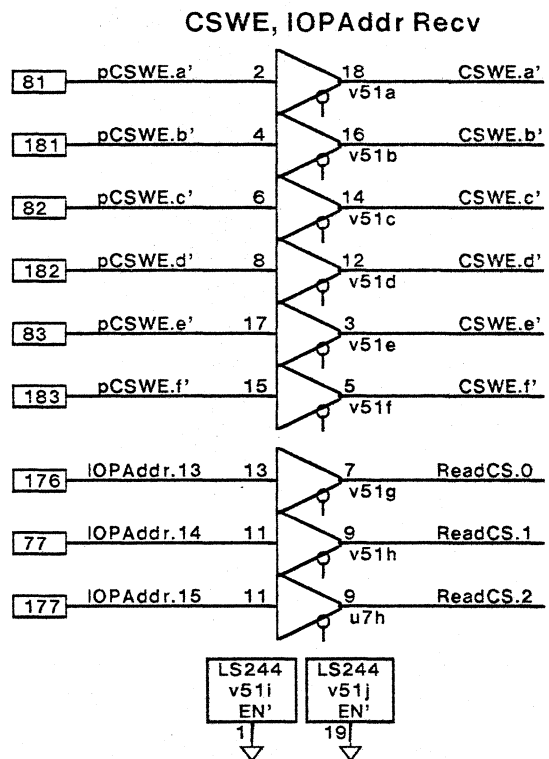
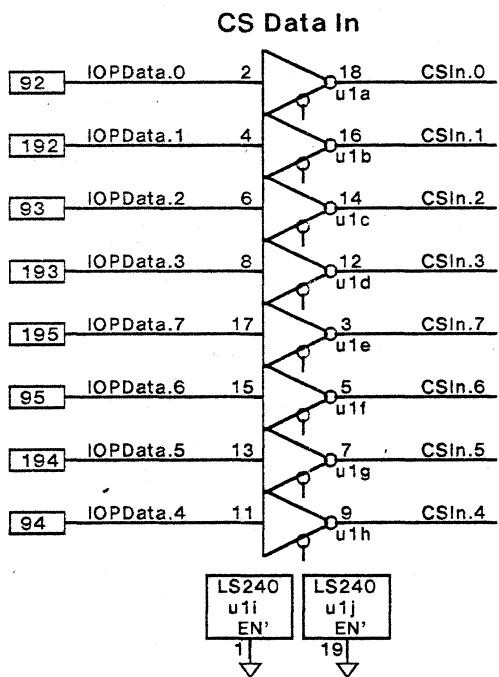
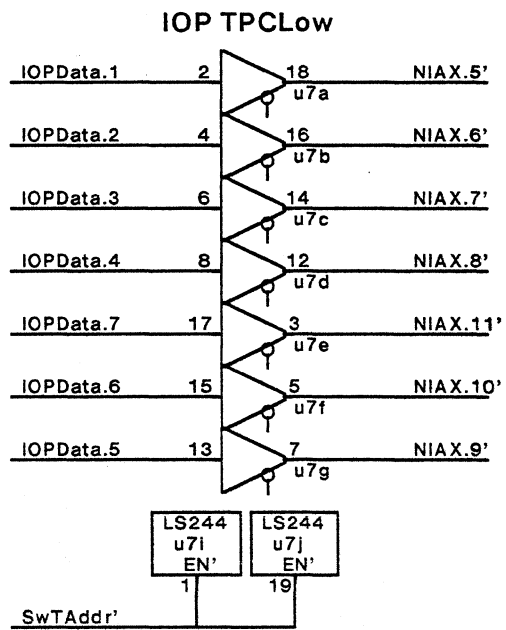
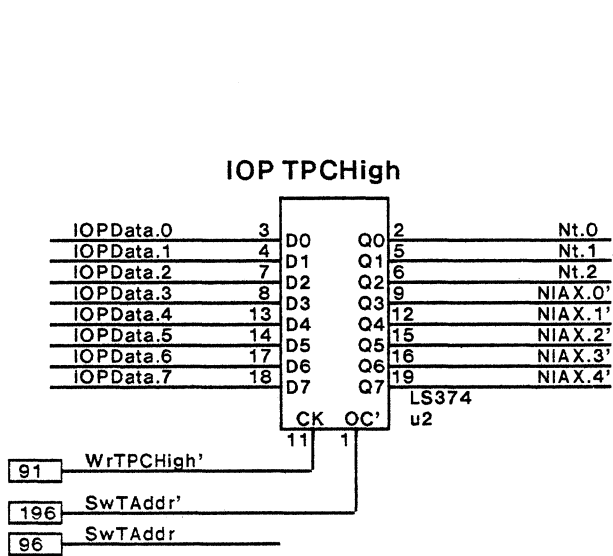
Control Store F [40-47]

XEROX	PROPRIETARY NOTE ON COVER SHEET APPLIES TO ALL SHEETS		DWG SIZE	DWG NO. 156P11673	SHEET REV.
	TITLE SCHEMATIC, CP		A4	SHEET 22 OF	



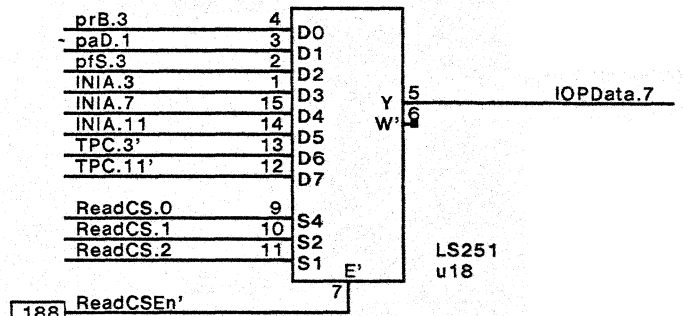
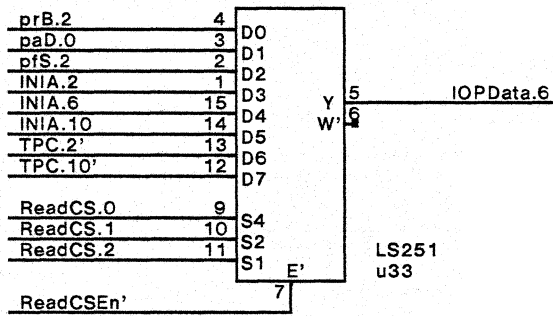
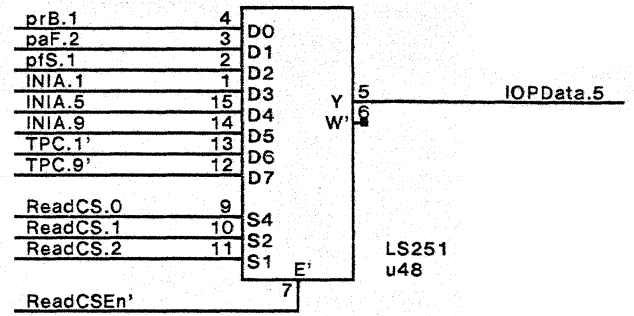
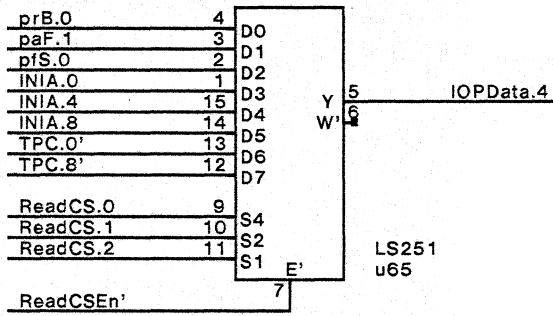
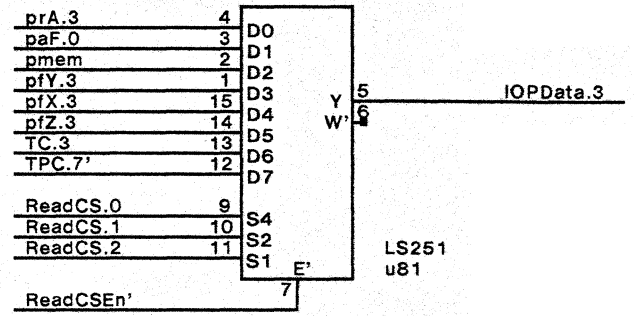
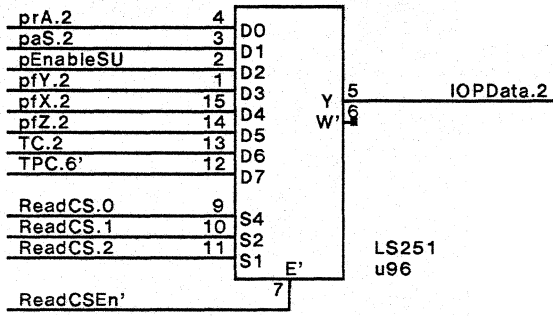
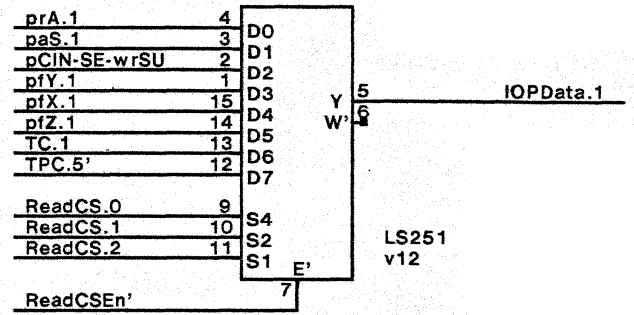
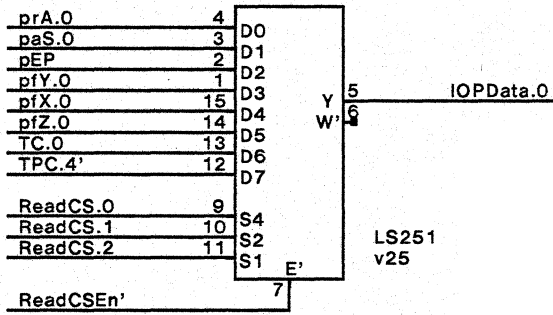
CS Parity (PC) - Yek

XEROX	PROPRIETARY NOTE ON COVER SHEET APPLIES TO ALL SHEETS		DWG SIZE	DWG NO. 156P11673	SHEET REV.
	TITLE SCHEMATIC, CP		A4	SHEET 23 OF	A



Tasks, IOP TPC-TC Control

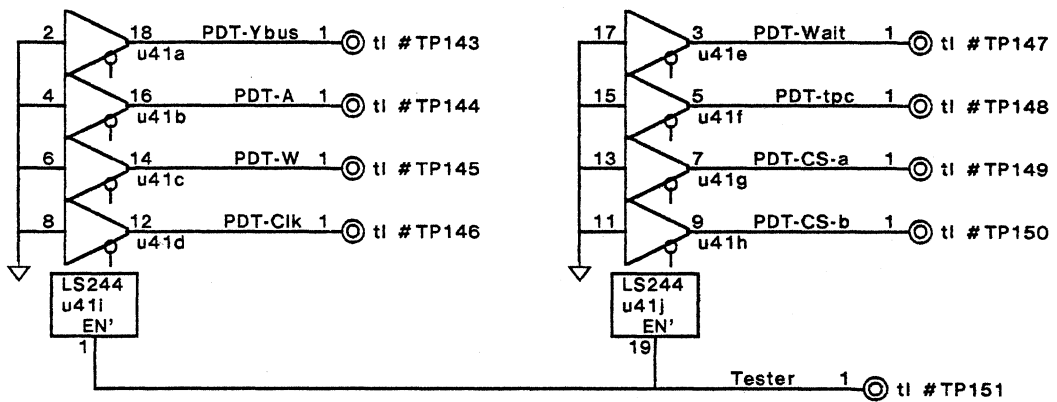
XEROX	PROPRIETARY NOTE ON COVER SHEET APPLIES TO ALL SHEETS		DWG NO. 156P11673	SHEET REV. A
	TITLE SCHEMATIC, CP		DWG SIZE A4	



188

CS Read

XEROX	PROPRIETARY NOTE ON COVER SHEET APPLIES TO ALL SHEETS		DWG NO. 156P11673	SHEET REV. A
	TITLE	SCHEMATIC, CP		



The Control Store can be read & written via backplane pins. Once tested, instructions (or parts of instructions), can be loaded in order to test additional features. For instance, all X-bus sources can be disabled by loading a 6 into CS bits 16-23 (controlled by CSWE.c'). Simple programs to test the 2901's can also be executed in this way.

The SU & RH registers can be loaded by controlling EnableSU, CIN-SE-wrSU, & RH- from a microinstruction.

stackP, IB, High SU Addr, & Low SU Addr can be similarly tested.

The MIR & MIR decoding can be tested by loading instructions into the CS.

PDT-Ybus is used to test devices attached to the Y bus.

PDT-A is used to disable registers or Proms whose outputs go to a register clocked by AlwaysClk.

PDT-W is similarly used for WaitClk.

PDT-Clk & PDT-Wait disable the outputs of AlwaysClk & WaitClk'd registers.

The following steps cause a CS byte to be written. It is assumed that the TPC has been written with the required CS address.

```

PDT-Clk - 1; Swc3 - 1;           {cause NIA to come from TPC}
IOPWait - 1;
SwTAddr' - 0; SwTAddr - 1;      {init code}
IOPData - data
CSWE.x' - 0; CSWE.x - 1;

```

If IOPWait is left high, the CP will not execute the instruction which has been loaded into the CS. Instead, the CP will be frozen in a state where the instruction is totally decoded, but the result will not be loaded into any register. Thus, all the microinstruction register (MIR) decoding logic can be tested without even executing an instruction.

The following steps cause the TPC to be written:

```

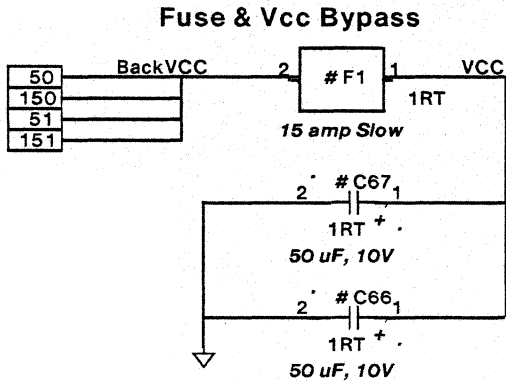
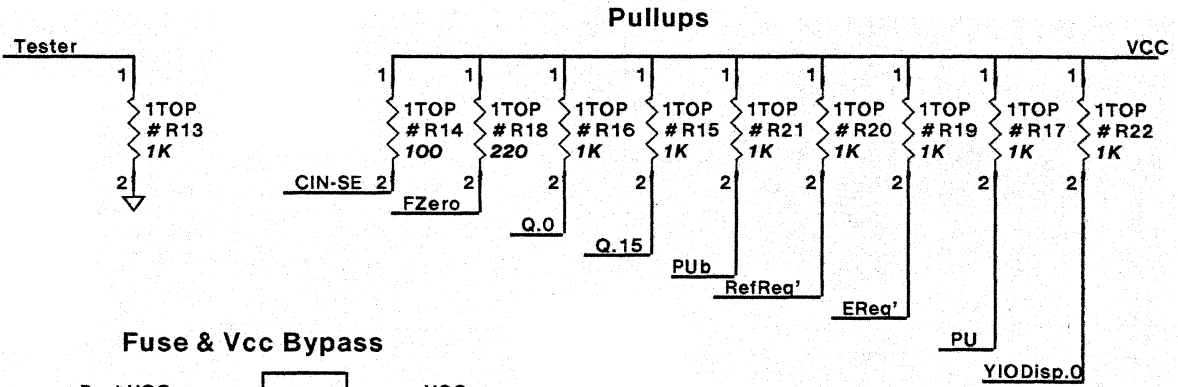
IOPWait - 1;                     {init code}
SwTAddr' - 0; SwTAddr - 1;
IOPData - (addr lshift5) or (data rshift7);           {set TPC addr & high 5 bits of data}
WrTPCHigh' - 0; WrTPCHigh - 1;
IOPData - data and 7F'h;
WrTPCLow - 0; WrTPCLow - 1;           {write low 7 bits}

```

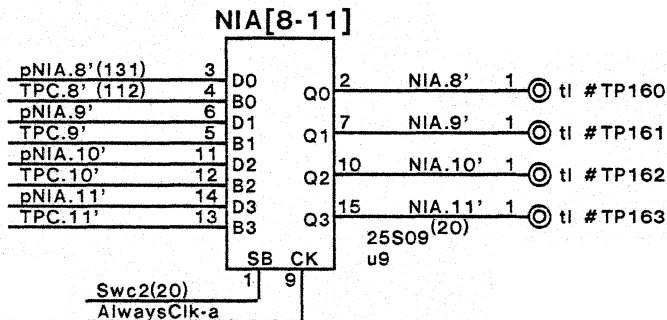
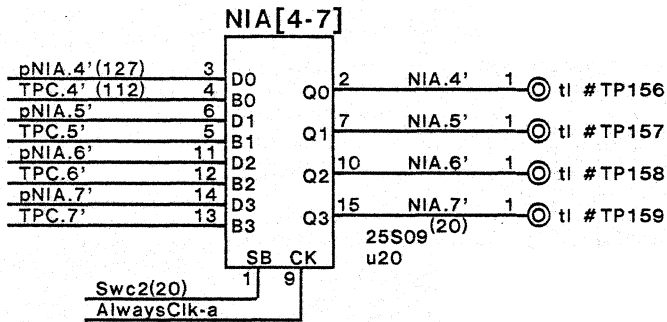
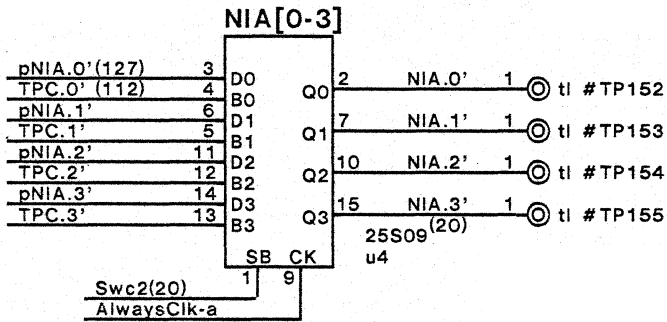
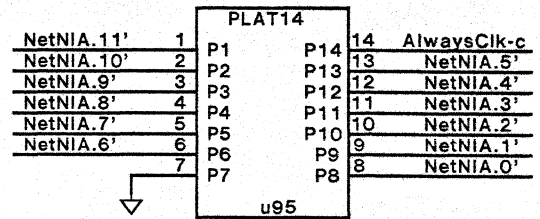
D0 card test programs for reading & writing TPC & CS available on [Iris]<Workstation>LH>CardTest.dm

Testability

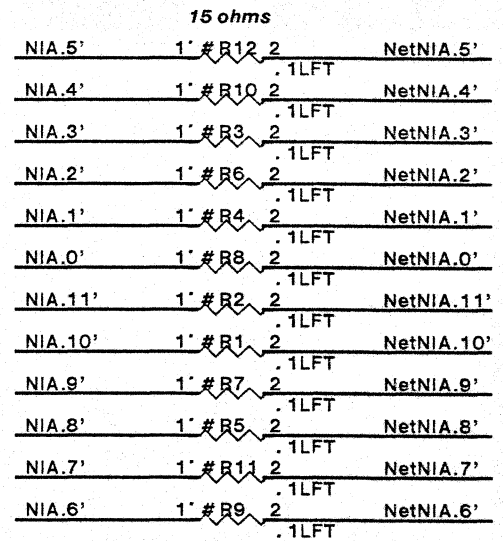
XEROX	PROPRIETARY NOTE ON COVER SHEET APPLIES TO ALL SHEETS		DWG SIZE	DWG NO. 156P11673	SHEET REV.
	TITLE SCHEMATIC, CP		A4	SHEET 26 OF	A



CS NIA Logic Analyzer Connector



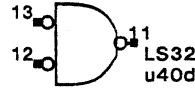
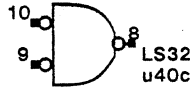
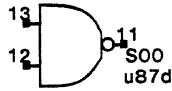
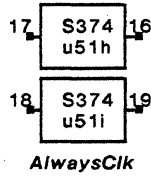
CS NIA Line Matching



PC Discretes & NIA

XEROX	PROPRIETARY NOTE ON COVER SHEET APPLIES TO ALL SHEETS		DWG SIZE A4	DWG NO. 156P11673		SHEET REV. A
	TITLE SCHEMATIC, CP			SHEET 27 OF		

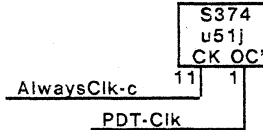
Unused Parts



Junk 374 Allocation

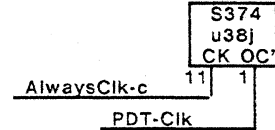
S374
g15 - Always Clock

- b MAR-
- c AllowMDR+
- d KernReq'
- e WaitC2
- f WaitC3
- g TCWait
- h
- i



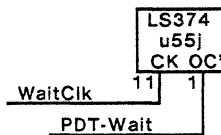
S374
h16 - Always Clock

- b EKTrapc2'
- c CSPar.4 PC only
- d EKTrapc2
- e EKErr.0'
- f EKErr.1'
- g Swc3
- h Swc3'
- i CSPar.5 PC only



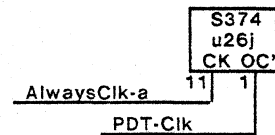
LS374
h17 - Wait Clock

- b IBPtr.0
- c IBPtr.1
- d CSParErr
- e Mesalnt
- f StackErr
- g VirtAddrErrc2
- h pc16'
- i MemErrc3



S374
f9 - Always Clock

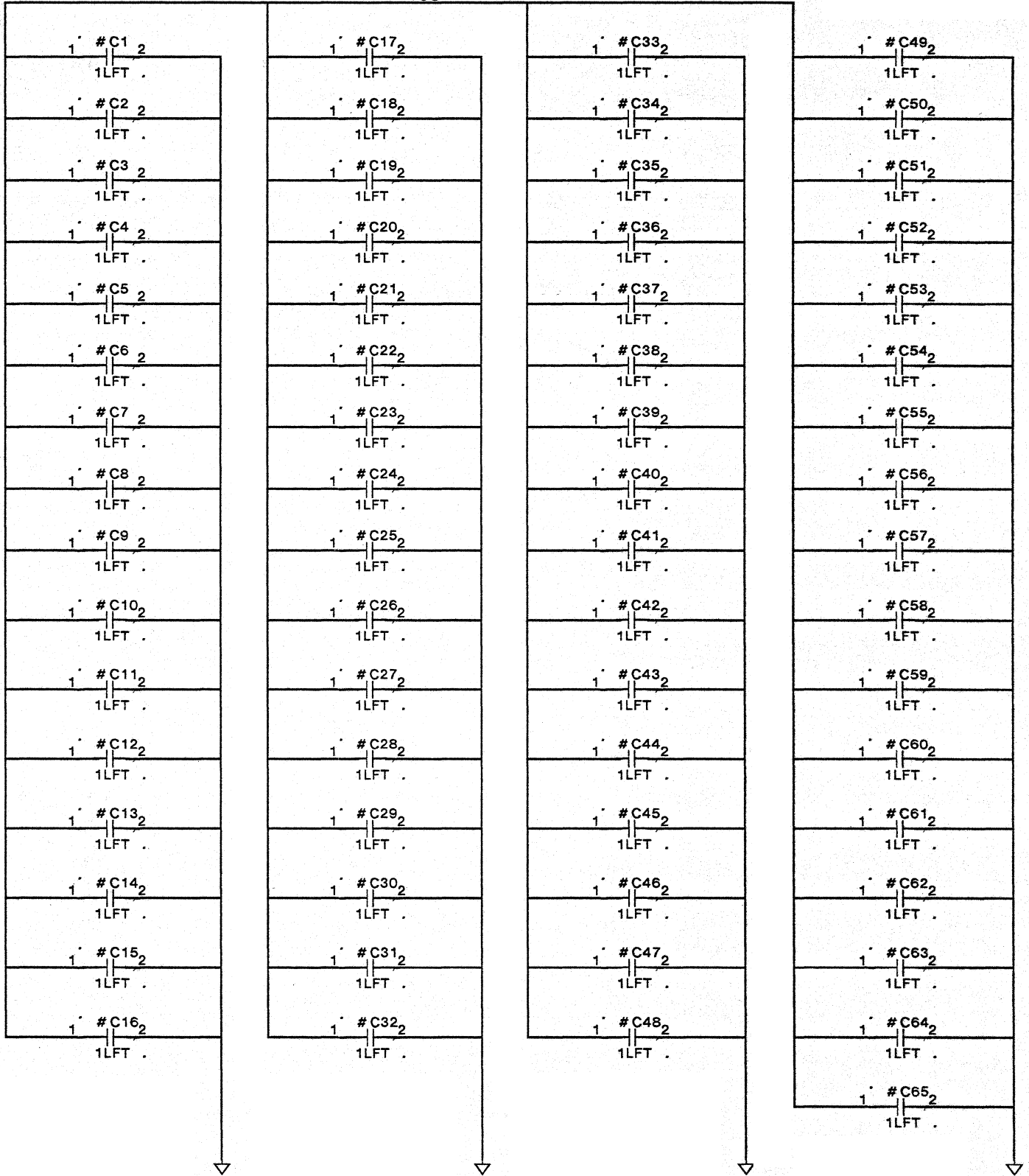
- b CSPar.0
- c CSPar.1
- d CSPar.2
- e CSPar.3
- f TC.0
- g TC.1
- h TC.2
- i TC.3



Unused parts, S374 clocks

XEROX	PROPRIETARY NOTE ON COVER SHEET APPLIES TO ALL SHEETS		DWG SIZE	DWG NO. 156P11673	SHEET REV.
	TITLE SCHEMATIC, CP		A4	SHEET 28 OF	A

VCC



NOTE: C1-C65, CAP., CERAM, 50V, .10UF, PART NO. 702W05218

Filter Capacitors

XEROX	PROPRIETARY NOTE ON COVER SHEET APPLIES TO ALL SHEETS		DWG SIZE	DWG NO. 156P11673		SHEET REV.
	TITLE SCHEMATIC, CP		A4	SHEET 29	OF	A

Comments:

- 1) Designator notation notes: u1-99 = U1-99, v0-99 = U100-199, w0-99 = U200-299
- 2) The last item on lines below, preceded by a semicolon (;), is the schematic page number on which the test point, connector or signal information originates.
- 3) Line with no page number was a continuation of the previous line.

#TP001	.1i	CIN0-3	;02	#TP052	.1i	TPC.7'	;13
#TP002	.1i	PageCross	;02	#TP053	.1i	TPC.8'	;13
#TP003	.1i	R.0	;02	#TP054	.1i	TPC.9'	;13
#TP004	.1i	R.15	;02	#TP055	.1i	TPC.10'	;13
#TP005	.1i	Q.0	;02	#TP056	.1i	TPC.11'	;13
#TP006	.1i	Q.15	;02	#TP057	.1i	pLink.0'	;13
#TP007	.1i	CIN-SE	;02	#TP058	.1i	pLink.1'	;13
#TP008	.1i	IB.0	;05	#TP059	.1i	pLink.2'	;13
#TP009	.1i	IB.1	;05	#TP060	.1i	pLink.3'	;13
#TP010	.1i	IB.2	;05	#TP061	.1i	TCY.0	;13
#TP011	.1i	IB.3	;05	#TP062	.1i	TCY.1	;13
#TP012	.1i	IB.7	;05	#TP063	.1i	TCY.2	;13
#TP013	.1i	IB.6	;05	#TP064	.1i	TCY.3	;13
#TP014	.1i	IB.5	;05	#TP065	.1i	Ct.0	;14
#TP015	.1i	IB.4	;05	#TP066	.1i	Ct.1	;14
#TP016	.1i	IBFront←	;05	#TP067	.1i	Ct.2	;14
#TP017	.1i	GoodIBDispc2	;05	#TP068	.1i	Ct=Emu	;14
#TP018	.1i	RefillIntc2	;05	#TP069	.1i	Pt=Emu	;14
#TP019	.1i	SelectIB0'	;05	#TP070	.1i	Nt.0	;14
#TP020	.1i	pIBPtr.0	;05	#TP071	.1i	Nt.1	;14
#TP021	.1i	pIBPtr.1	;05	#TP072	.1i	Nt.2	;14
#TP022	.1i	SelectIB1'	;05	#TP073	.1i	Nt=Emu	;14
#TP023	.1i	MAR←'	;08	#TP074	.1i	Swc2	;14
#TP024	.1i	DispBr.0'	;11	#TP075	.1i	Swc2'	;14
#TP025	.1i	DispBr.1'	;11	#TP076	.1i	pCSPE	;15
#TP026	.1i	DispBr.2'	;11	#TP077	.1i	pMI	;15
#TP027	.1i	DispBr.3A'	;11	#TP078	.1i	MesaInt	;15
#TP028	.1i	DispBr.3B'	;11	#TP079	.1i	EKTrapc2'	;15
#TP029	.1i	pNIA.0'	;12	#TP080	.1i	EKTrapc2	;15
#TP030	.1i	pNIA.1'	;12	#TP081	.1i	EKErr.0'	;15
#TP031	.1i	pNIA.2'	;12	#TP082	.1i	EKErr.1'	;15
#TP032	.1i	pNIA.3'	;12	#TP083	.1i	pEKT'	;15
#TP033	.1i	pNIA.4'	;12	#TP084	.1i	pEKT	;15
#TP034	.1i	pNIA.5'	;12	#TP085	.1i	pEKO'	;15
#TP035	.1i	pNIA.6'	;12	#TP086	.1i	pEK1'	;15
#TP036	.1i	pNIA.7'	;12	#TP087	.1i	pSE	;15
#TP037	.1i	pTC.0	;12	#TP088	.1i	pVAE	;15
#TP038	.1i	pNIA.8'	;12	#TP089	.1i	StackErr	;15
#TP039	.1i	pTC.1	;12	#TP090	.1i	VirtAddrErr	;15
#TP040	.1i	pNIA.9'	;12	#TP091	.1i	pKR'	;15
#TP041	.1i	pTC.2	;12	#TP092	.1i	pPC16'	;15
#TP042	.1i	pNIA.10'	;12	#TP093	.1i	KernReq'	;15
#TP043	.1i	pTC.3	;12	#TP094	.1i	pc16'	;15
#TP044	.1i	pNIA.11'	;12	#TP095	.1i	prA.0	;17
#TP045	.1i	TPC.0'	;13	#TP096	.1i	prA.1	;17
#TP046	.1i	TPC.1'	;13	#TP097	.1i	prA.2	;17
#TP047	.1i	TPC.2'	;13	#TP098	.1i	prA.3	;17
#TP048	.1i	TPC.3'	;13	#TP099	.1i	prB.0	;17
#TP049	.1i	TPC.4'	;13	#TP100	.1i	prB.1	;17
#TP050	.1i	TPC.5'	;13	#TP101	.1i	prB.2	;17
#TP051	.1i	TPC.6'	;13	#TP102	.1i	prB.3	;17

XEROX	PROPRIETARY NOTE ON COVER SHEET APPLIES TO ALL SHEETS		DWG SIZE A4	DWG NO. 156P11673		SHEET REV. A
	TITLE	SCHEMATIC, CP		SHEET	30 OF	

#TP103	.1i	paS.0	;18	#TP162	.1i	NIA.10'	;27
#TP104	.1i	paS.1	;18	#TP163	.1i	NIA.11'	;27
#TP105	.1i	paS.2	;18	#TP164	.1i	SUAddr.0	;03
#TP106	.1i	paF.0	;18	#TP165	.1i	SUAddr.1	;03
#TP107	.1i	paF.1	;18	#TP166	.1i	SUAddr.2	;03
#TP108	.1i	paF.2	;18	#TP167	.1i	SUAddr.3	;03
#TP109	.1i	paD.0	;18	#TP168	.1i	SUAddr.4	;03
#TP110	.1i	paD.1	;18	#TP169	.1i	SUAddr.5	;03
#TP111	.1i	pEP	;19	#TP170	.1i	SUAddr.6	;03
#TP112	.1i	pCIN-SE-wrSU	;19	#TP171	.1i	SUAddr.7	;03
#TP113	.1i	pEnableSU	;19	#TP172	.1i	IBPtr.0	;05
#TP114	.1i	pmem	;19	#TP173	.1i	IBPtr.1	;05
#TP115	.1i	pfS.0	;19	#TP174	.1i	ExitKernel'	;09
#TP116	.1i	pfS.1	;19	#TP175	.1i	EnterKernel'	;09
#TP117	.1i	pfS.2	;19	#TP176	.1i	ClrIntErr'	;09
#TP118	.1i	pfS.3	;19	#TP177	.1i	IBDisp'	;09
#TP119	.1i	pfY.0	;20	#TP178	.1i	MesaIntRq'	;09
#TP120	.1i	pfY.1	;20	#TP179	.1i	IBPtr←1'	;09
#TP121	.1i	pfY.2	;20	#TP180	.1i	IBPtr←0'	;09
#TP122	.1i	pfY.3	;20	#TP181	.1i	PopZ'	;09
#TP123	.1i	INIA.0	;20	#TP182	.1i	←ib'	;09
#TP124	.1i	INIA.1	;20	#TP183	.1i	NIAX.0'	;13
#TP125	.1i	INIA.2	;20	#TP184	.1i	NIAX.1'	;13
#TP126	.1i	INIA.3	;20	#TP185	.1i	NIAX.2'	;13
#TP127	.1i	pfX.0	;21	#TP186	.1i	NIAX.3'	;13
#TP128	.1i	pfX.1	;21	#TP187	.1i	NIAX.4'	;13
#TP129	.1i	pfX.2	;21	#TP188	.1i	NIAX.5'	;13
#TP130	.1i	pfX.3	;21	#TP189	.1i	NIAX.6'	;13
#TP131	.1i	INIA.4	;21	#TP190	.1i	NIAX.7'	;13
#TP132	.1i	INIA.5	;21	#TP191	.1i	NIAX.8'	;13
#TP133	.1i	INIA.6	;21	#TP192	.1i	NIAX.9'	;13
#TP134	.1i	INIA.7	;21	#TP193	.1i	NIAX.10'	;13
#TP135	.1i	pfZ.0	;22	#TP194	.1i	NIAX.11'	;13
#TP136	.1i	pfZ.1	;22	#TP195	.1i	TCX.0	;13
#TP137	.1i	pfZ.2	;22	#TP196	.1i	TCX.1	;13
#TP138	.1i	pfZ.3	;22	#TP197	.1i	TCX.2	;13
#TP139	.1i	INIA.8	;22	#TP198	.1i	TCX.3	;13
#TP140	.1i	INIA.9	;22	#TP199	.1i	EmuMemErr	;15
#TP141	.1i	INIA.10	;22	#TP200	.1i	CSPar.0	;23
#TP142	.1i	INIA.11	;22	#TP201	.1i	CSPar.1	;23
#TP143	.1i	PDT-Ybus	;26	#TP202	.1i	CSPar.2	;23
#TP144	.1i	PDT-A	;26	#TP203	.1i	CSPar.3	;23
#TP145	.1i	PDT-W	;26	#TP204	.1i	CSPar.4	;23
#TP146	.1i	PDT-Clk	;26	#TP205	.1i	CSPar.5	;23
#TP147	.1i	PDT-Wait	;26				
#TP148	.1i	PDT-tpc	;26	E002		Cycle1'	;16
#TP149	.1i	PDT-CS-a	;26	E003		Cycle2'	;16
#TP150	.1i	PDT-CS-b	;26	E004		Cycle3'	;16
#TP151	.1i	Tester	;26	E009		ppCLK	;16
#TP152	.1i	NIA.0'	;27	E011		AllowMDR←	;08
#TP153	.1i	NIA.1'	;27	E015		MapRef	;10
#TP154	.1i	NIA.2'	;27	E016		Refresh	;10
#TP155	.1i	NIA.3'	;27	E017		Wait	;16
#TP156	.1i	NIA.4'	;27	E021		IOPOData←'	;09
#TP157	.1i	NIA.5'	;27	E022		KOData←'	;09
#TP158	.1i	NIA.6'	;27	E023		EOData←'	;09
#TP159	.1i	NIA.7'	;27	E024		DctlFifo←'	;09
#TP160	.1i	NIA.8'	;27	E025		DBorder←'	;09
#TP161	.1i	NIA.9'	;27	E026		IOutSp1←'	;09

XEROX	PROPRIETARY NOTE ON COVER SHEET APPLIES TO ALL SHEETS		DWG SIZE A4	DWG NO. 156P11673		SHEET REV. A
	TITLE	SCHEMATIC, CP		SHEET	31 OF	

E027	KCmd←'	:09	E124	DCtl←'	:09
E028	POData←'	:09	E126	EOCtl←'	:09
E031	←EIData'	:09	E127	IOutSp4←'	:09
E032	←KIData'	:09	E128	Pctl←'	:09
E033	←KTest'	:09	E131	←EIStatus'	:09
E034	←IOPIData'	:09	E132	←KStatus'	:09
E035	EStrobe'	:09	E133	KStrobe'	:09
E037	CSParErr	:15	E134	←IOPStatus'	:09
E039	YIODisp.0	:11	E139	YIODisp.1	:11
E041	X.0	:01	E141	X.1	:01
E042	X.2	:01	E142	X.3	:01
E043	X.4	:01	E143	X.5	:01
E044	X.6	:01	E144	X.7	:01
E045	X.8	:01	E145	X.9	:01
E046	X.10	:01	E146	X.11	:01
E047	X.12	:01	E147	X.13	:01
E048	X.14	:01	E148	X.15	:01
E049	Y.0	:01	E149	Y.1	:01
E050	BackVCC	:27	E150	BackVCC	:27
E051	BackVCC	:27	E151	BackVCC	:27
E052	Y.2	:01	E152	Y.3	:01
E053	Y.4	:01	E153	Y.5	:01
E054	Y.6	:01	E154	Y.7	:01
E055	Y.8	:01	E155	Y.9	:01
E056	Y.10	:01	E156	Y.11	:01
E057	Y.12	:01	E157	Y.13	:01
E058	Y.14	:01	E158	Y.15	:01
E059	YH.0	:04	E159	YH.1	:04
E061	YH.2	:04	E161	YH.3	:04
E062	YH.4	:04	E162	YH.5	:04
E063	YH.6	:04	E163	YH.7	:04
E064	Pt.0	:14	E164	Pt.1	:14
E065	Pt.2	:14	E166	MemErrc3	:15
E066	Disp-Proc'	:16	E176	IOPAddr.13	:24
E077	IOPAddr.14	:24	E177	IOPAddr.15	:24
E081	pCSWE.a'	:24	E181	pCSWE.b'	:24
E082	pCSWE.c'	:24	E182	pCSWE.d'	:24
E083	pCSWE.e'	:24	E183	pCSWE.f'	:24
E084	IOPReq'	:14	E184	ClrIOPReq'	:09
E085	DPReq'	:14	E185	ClrDPReq'	:09
E086	EReq'	:14	E186	ClrXReq'	:09
E087	KReq'	:14	E187	ClrKReq'	:09
E088	RefReq'	:14	E188	ReadCSEn'	:25
E089	EORound	:14	E189	IOPWait	:16
E091	WrTPCHigh'	:24	E191	WrTPCLow	:16
E092	IOPData.0	:24	E192	IOPData.1	:24
E093	IOPData.2	:24	E193	IOPData.3	:24
E094	IOPData.4	:24	E194	IOPData.5	:24
E095	IOPData.6	:24	E195	IOPData.7	:24
E096	SwTAddr	:24	E196	SwTAddr'	:24
E102	Click.0	:14			
E103	Click.1	:14			
E104	Click.2	:14	aD.0':	u58.15i	:02
E113	mem	:08	aD.0':	u57.1i	:02
E114	←MStatus'	:09	aD.0':	u69.10o	:10
E115	MCtl←'	:09			
E121	IOPCtl←'	:09	aD.0:	v04.7i	:01
E122	KCtl←'	:09	aD.0:	v03.7i	:01
E123	EICtl←'	:09	aD.0:	u74.7i	:01

XEROX	PROPRIETARY NOTE ON COVER SHEET APPLIES TO ALL SHEETS		DWG SIZE A4	DWG NO. 156P11673	SHEET REV. A
	TITLE SCHEMATIC, CP			SHEET 32 OF	

```

aD.0: u73.7i ;01
aD.0: u58.1i ;02
aD.0: u57.4i ;02
aD.0: u50.12o ;08
aD.0: u69.11i ;10

aD.1: v04.5i ;01
aD.1: v03.5i ;01
aD.1: u74.5i ;01
aD.1: u73.5i ;01
aD.1: u58.2i ;02
aD.1: u50.15o ;08

aF.0: v04.27i ;01
aF.0: v03.27i ;01
aF.0: u74.27i ;01
aF.0: u73.27i ;01
aF.0: v39.2o ;08

aFh.1: v04.28i ;01
aFh.1: v03.28i ;01
aFh.1: u98.10o ;08

aFh.2: v04.26i ;01
aFh.2: v03.26i ;01
aFh.2: u98.15o ;08

aFl.1: u73.28i ;01
aFl.1: u74.28i ;01
aFl.1: u50.16o ;08

aFl.2: u73.26i ;01
aFl.2: u74.26i ;01
aFl.2: u70.1i ;02
aFl.2: u50.19o ;08

AllowMDR←: u54.3i ;05
AllowMDR←: v64.3i ;05
AllowMDR←: u51.5o, E11 ;08

AltUAddr': v14.1i ;03
AltUAddr': u83.7o ;09

AlwaysClk-a: u06.11i ;13
AlwaysClk-a: u10.11i ;13
AlwaysClk-a: v17.6o ;16
AlwaysClk-a: u09.9i ;27
AlwaysClk-a: u20.9i ;27
AlwaysClk-a: u04.9i ;27
AlwaysClk-a: u26.11i ;28

AlwaysClk-b: v37.9i ;03
AlwaysClk-b: v15.9i ;03
AlwaysClk-b: u50.11i ;08
AlwaysClk-b: v39.11i ;08
AlwaysClk-b: v38.9i ;08
AlwaysClk-b: v13.11i ;08
AlwaysClk-b: u97.11i ;08
AlwaysClk-b: u98.9i ;08

AlwaysClk-b: v17.8o ;16
AlwaysClk-c: v17.10o ;16
AlwaysClk-c: u95.14o ;27
AlwaysClk-c: u38.11i ;28
AlwaysClk-c: u51.11i ;28

aSh.0: v04.14i ;01
aSh.0: v03.14i ;01
aSh.0: u97.19o ;08

aSh.1: v04.13i ;01
aSh.1: v03.13i ;01
aSh.1: u98.2o ;08

aSh.2: v04.12i ;01
aSh.2: v03.12i ;01
aSh.2: u98.7o ;08

aSl.0: u73.14i ;01
aSl.0: u74.14i ;01
aSl.0: u97.12o ;08

aSl.1: u73.13i ;01
aSl.1: u74.13i ;01
aSl.1: u97.15o ;08

aSl.2: u73.12i ;01
aSl.2: u74.12i ;01
aSl.2: u97.16o ;08

BackVCC: E150, E51, E151, E50 ;27
BackVCC: #F1.2i

Bank0: v29.5o, u86.10i ;16

Byte': v27.1i ;07
Byte': v53.3o ;10

C2Clk: v36.11i ;14
C2Clk: u87.6o ;16

Carry: v04.33o ;01
Carry: u58.6i ;02
Carry: u88.14i ;11

CIN-SE-wrSU': u57.12i ;02
CIN-SE-wrSU': v38.3o ;08

CIN-SE-wrSU: v34.18i ;03
CIN-SE-wrSU: v48.18i ;03
CIN-SE-wrSU: v33.18i ;03
CIN-SE-wrSU: v47.18i ;03
CIN-SE-wrSU: v38.2o ;08
CIN-SE-wrSU: v01.1i ;16

CIN-SE: u74.29i ;01
CIN-SE: u72.13i ;02
CIN-SE: u58.5i ;02

```

XEROX	PROPRIETARY NOTE ON COVER SHEET APPLIES TO ALL SHEETS		DWG SIZE	DWG NO. 156P11673	SHEET REV.
	TITLE SCHEMATIC, CP		A4	SHEET 33 OF	A

CIN-SE: u58.4i ;02
 CIN-SE: u58.12i ;02
 CIN-SE: u57.5i ;02
 CIN-SE: u57.11o, u57.8o, #TP007.1i ;02
 CIN-SE: #R14.2i ;27

CIN0-3: v04.29i ;01
 CIN0-3: u72.9o, #TP001.1i ;02

CIN←pc16: u57.10i ;02
 CIN←pc16: u52.11o ;10
 CIN←pc16: u53.6i ;15

CIN←pc16X': u57.13i ;02
 CIN←pc16X': u68.11o ;09
 CIN←pc16X': u52.12i ;10

CIN←pc16Z': u83.12o ;09
 CIN←pc16Z': u52.13i ;10

Click.0: E102, v50.16i ;14

Click.1: E103, v50.17i ;14

Click.2: E104, v50.1i ;14

ClrDPReq': v61.11o, E185 ;09

ClrIntErr': v02.13o, #TP176.1i ;09
 ClrIntErr': u56.6i ;15
 ClrIntErr': u39.3i ;15

ClrIOPReq': v61.10o, E184 ;09

ClrKReq': v61.7o, E187 ;09

ClrXReq': v61.9o, E186 ;09

CSIn.0: v19.11i ;17
 CSIn.0: v20.11i ;18
 CSIn.0: v21.11i ;19
 CSIn.0: v22.11i ;20
 CSIn.0: v23.11i ;21
 CSIn.0: v24.11i ;22
 CSIn.0: u01.18o ;24

CSIn.1: v05.11i ;17
 CSIn.1: v06.11i ;18
 CSIn.1: v07.11i ;19
 CSIn.1: v08.11i ;20
 CSIn.1: v09.11i ;21
 CSIn.1: v10.11i ;22
 CSIn.1: u01.16o ;24

CSIn.2: u89.11i ;17
 CSIn.2: u90.11i ;18
 CSIn.2: u91.11i ;19
 CSIn.2: u92.11i ;20
 CSIn.2: u93.11i ;21

CSIn.2: u94.11i ;22
 CSIn.2: u01.14o ;24

CSIn.3: u75.11i ;17
 CSIn.3: u76.11i ;18
 CSIn.3: u77.11i ;19
 CSIn.3: u78.11i ;20
 CSIn.3: u79.11i ;21
 CSIn.3: u80.11i ;22
 CSIn.3: u01.12o ;24

CSIn.4: u59.11i ;17
 CSIn.4: u60.11i ;18
 CSIn.4: u61.11i ;19
 CSIn.4: u62.11i ;20
 CSIn.4: u63.11i ;21
 CSIn.4: u64.11i ;22
 CSIn.4: u01.9o ;24

CSIn.5: u42.11i ;17
 CSIn.5: u43.11i ;18
 CSIn.5: u44.11i ;19
 CSIn.5: u45.11i ;20
 CSIn.5: u46.11i ;21
 CSIn.5: u47.11i ;22
 CSIn.5: u01.7o ;24

CSIn.6: u27.11i ;17
 CSIn.6: u28.11i ;18
 CSIn.6: u29.11i ;19
 CSIn.6: u30.11i ;20
 CSIn.6: u31.11i ;21
 CSIn.6: u32.11i ;22
 CSIn.6: u01.5o ;24

CSIn.7: u12.11i ;17
 CSIn.7: u13.11i ;18
 CSIn.7: u14.11i ;19
 CSIn.7: u15.11i ;20
 CSIn.7: u16.11i ;21
 CSIn.7: u17.11i ;22
 CSIn.7: u01.3o ;24

CSPar.0: u56.16i ;15
 CSPar.0: u26.2o, #TP200.1i ;23

CSPar.1: u56.17i ;15
 CSPar.1: u26.5o, #TP201.1i ;23

CSPar.2: u56.1i ;15
 CSPar.2: u26.6o, #TP202.1i ;23

CSPar.3: u56.2i ;15
 CSPar.3: u26.9o, #TP203.1i ;23

CSPar.4: u56.3i ;15
 CSPar.4: u38.5o, #TP204.1i ;23

CSPar.5: u56.4i ;15

XEROX	PROPRIETARY NOTE ON COVER SHEET APPLIES TO ALL SHEETS		DWG SIZE A4	DWG NO. 156P11673	SHEET REV. A
	TITLE SCHEMATIC, CP			SHEET 34 OF	

CSPar.5: u38.19o, #TP205.1i ;23

CSParErr: u53.2i ;15

CSParErr: u55.6o, E37, u56.15i ;15

CSParErr: u39.17i

CSWE.a': v19.8i ;17

CSWE.a': v05.8i ;17

CSWE.a': u89.8i ;17

CSWE.a': u75.8i ;17

CSWE.a': u42.8i ;17

CSWE.a': u59.8i ;17

CSWE.a': u27.8i ;17

CSWE.a': u12.8i ;17

CSWE.a': v51.18o ;24

CSWE.b': v20.8i ;18

CSWE.b': v06.8i ;18

CSWE.b': u76.8i ;18

CSWE.b': u90.8i ;18

CSWE.b': u60.8i ;18

CSWE.b': u43.8i ;18

CSWE.b': u13.8i ;18

CSWE.b': u28.8i ;18

CSWE.b': v51.16o ;24

CSWE.c': v21.8i ;19

CSWE.c': v07.8i ;19

CSWE.c': u77.8i ;19

CSWE.c': u91.8i ;19

CSWE.c': u61.8i ;19

CSWE.c': u44.8i ;19

CSWE.c': u14.8i ;19

CSWE.c': u29.8i ;19

CSWE.c': v51.14o ;24

CSWE.d': v22.8i ;20

CSWE.d': v08.8i ;20

CSWE.d': u78.8i ;20

CSWE.d': u92.8i ;20

CSWE.d': u62.8i ;20

CSWE.d': u45.8i ;20

CSWE.d': u15.8i ;20

CSWE.d': u30.8i ;20

CSWE.d': v51.12o ;24

CSWE.e': v23.8i ;21

CSWE.e': u93.8i ;21

CSWE.e': v09.8i ;21

CSWE.e': u79.8i ;21

CSWE.e': u46.8i ;21

CSWE.e': u63.8i ;21

CSWE.e': u31.8i ;21

CSWE.e': u16.8i ;21

CSWE.e': v51.3o ;24

CSWE.f': v24.8i ;22

CSWE.f': u94.8i ;22

CSWE.f': v10.8i ;22

CSWE.f': u80.8i ;22

CSWE.f': u47.8i ;22

CSWE.f': u17.8i ;22

CSWE.f': u32.8i ;22

CSWE.f': u64.8i ;22

CSWE.f': v51.5o ;24

Ct.0: v36.2o, #TP065.1i ;14

Ct.0: v36.13i ;14

Ct.0: u67.15i ;14

Ct.1: v36.5o, #TP066.1i ;14

Ct.1: v36.14i ;14

Ct.1: u67.1i ;14

Ct.2: v36.6o, #TP067.1i ;14

Ct.2: v36.17i ;14

Ct.2: u67.2i ;14

Ct=Emu: v36.9o, #TP068.1i ;14

Ct=Emu: v36.18i ;14

Ct=Emu: u39.4i ;15

Cycle1': E2, v17.1i ;16

Cycle1: u39.7i ;15

Cycle1: v17.2o ;16

Cycle1: u85.13i ;16

Cycle1: u86.13i ;16

Cycle2': v50.8i ;14

Cycle2': E3, v17.3i ;16

Cycle2: v30.2i ;11

Cycle2: v63.8i ;14

Cycle2: u67.6i ;14

Cycle2: v17.4o ;16

Cycle2: u87.4i ;16

Cycle3': E4, u69.5i ;16

Cycle3: v53.9i ;08

Cycle3: u86.3i ;16

Cycle3: u69.6o ;16

CycleX': u68.12o ;09

CycleX': u84.4i ;10

CycleY': v02.7o ;09

CycleY': u84.3i ;10

DBorder←': v62.15o, E25 ;09

DCtlFifo←': v49.9o, E24 ;09

DCtl←': v49.7o, E124 ;09

Disp-Proc': E66, u86.9i ;16

XEROX	PROPRIETARY NOTE ON COVER SHEET APPLIES TO ALL SHEETS		DWG SIZE A4	DWG NO. 156P11673	SHEET REV. A
	TITLE SCHEMATIC, CP		SHEET 35 OF		

DispBr': v40.5i, v40.10i, v40.3o ;10
 DispBr.0': v41.4o, #TP024.1i ;11
 DispBr.0': u52.2i ;12
 DispBr.1': v41.7o, #TP025.1i ;11
 DispBr.1': u52.5i ;12
 DispBr.2': v30.6o, #TP026.1i ;11
 DispBr.2': u37.10i ;12
 DispBr.3A': u88.6o, #TP027.1i ;11
 DispBr.3A': u37.2i ;12
 DispBr.3B': v35.6o, #TP028.1i ;11
 DispBr.3B': u37.1i ;12
 DPReq': E85, v50.2i ;14
 EICtl←': v49.10o, E123 ;09
 EKErr.0': v45.17i ;07
 EKErr.0': u38.9o, #TP081.1i ;15
 EKErr.0': u39.6i ;15
 EKErr.1': v45.15i ;07
 EKErr.1': u38.12o, #TP082.1i ;15
 EKErr.1': u39.5i ;15
 EKTrapc2': u22.3i, u22.11i ;12
 EKTrapc2': u22.5i ;12
 EKTrapc2': u24.3i, u24.11i ;12
 EKTrapc2': u24.5i ;12
 EKTrapc2': u25.3i, u25.11i ;12
 EKTrapc2': u25.5i ;12
 EKTrapc2': u23.3i, u23.11i ;12
 EKTrapc2': u23.5i ;12
 EKTrapc2': u38.2o, #TP079.1i ;15
 EKTrapc2: u21.15i ;12
 EKTrapc2: u34.15i ;12
 EKTrapc2: u38.6o, #TP080.1i ;15
 EmuMemErr: #TP199.1i, u55.19o ;15
 EmuMemErr: u39.16i
 EnableSU: v34.17i ;03
 EnableSU: v48.17i ;03
 EnableSU: v33.17i ;03
 EnableSU: v47.17i ;03
 EnableSU: v39.5o ;08
 EnDispBr.3A': v40.6o ;10
 EnDispBr.3A': u88.7i ;11
 EnDispBr0-1': v40.11o ;10
 EnDispBr0-1': v41.15i ;11
 EnDispBr2-3B': v40.13i, v40.8o ;10

EnDispBr2-3B': v30.7i ;11
 EnDispBr2-3B': v35.7i ;11
 EnLRotn': v60.13i ;06
 EnLRotn': v59.13i ;06
 EnLRotn': v58.13i ;06
 EnLRotn': v57.13i ;06
 EnLRotn': v52.8o ;10
 EnterKernel': v02.14o, #TP175.1i ;09
 EnterKernel': u53.4i ;15
 EOctl←': v62.11o, E126 ;09
 EOData←': v49.11o, E23 ;09
 EORound: E89, v50.15i ;14
 EReq': E86, v50.4i ;14
 EReq': #R19.2i ;27
 EStrobe': v55.7o, E35 ;09
 ExitKernel': v02.15o, #TP174.1i ;09
 ExitKernel': u53.3i ;15
 F.0: v04.31o ;01
 F.0: u88.4i ;11
 FNZero: u69.8o ;02
 FNZero: u88.2i ;11
 fS.0: v39.16o ;08
 fS.0: v49.6i ;09
 fS.0: v62.6i ;09
 fS.0: v61.5i ;09
 fS.0: v02.5i ;09
 fS.0: v53.2i ;10
 fS.0: v40.2i ;10
 fS.1: v39.19o ;08
 fS.1: v02.6i ;09
 fS.1: v61.6i ;09
 fS.1: v49.5i ;09
 fS.1: v62.5i ;09
 fS.1: v53.1i ;10
 fS.1: v40.1i ;10
 fS.2': v38.11o ;08
 fS.2': v55.5i ;09
 fS.2': u83.6i ;09
 fS.2': v54.4i ;09
 fS.2': v52.12i ;10
 fS.2': v53.5i ;10
 fS.2: v38.10o ;08
 fS.2: v52.1i ;10
 fS.2: u84.10i ;10

XEROX	PROPRIETARY NOTE ON COVER SHEET APPLIES TO ALL SHEETS		DWG SIZE A4	DWG NO. 156P11673	SHEET REV. A
	TITLE SCHEMATIC, CP		SHEET 36	OF	

fS.3':	v38.14o	;08	fY.3:	v27.14i	;07
fS.3':	v54.5i	;09	fY.3:	v39.15o	;08
fS.3':	v52.13i	;10	fY.3:	v02.1i	;09
			fY.3:	v61.1i	;09
fS.3:	v38.15o	;08	fY.3:	v49.1i	;09
fS.3:	u83.5i	;09	fY.3:	v62.1i	;09
fS.3:	v55.6i	;09	fY.3:	u88.11i	;11
fS.3:	v53.4i	;10	fY.3:	v35.11i	;11
fS.3:	v52.2i	;10	fY.3:	v30.11i	;11
fS.3:	u84.9i	;10	fY.3:	v41.1i	;11
fX.0:	v13.2o	;08	fZ.0:	v56.2i	;07
fX.0:	u68.6i	;09	fZ.0:	v13.12o	;08
fX.0:	u35.2i, u40.2i	;13	fZ.0:	v54.6i	;09
			fZ.0:	v55.4i	;09
fX.1:	v13.5o	;08	fZ.0:	u83.4i	;09
fX.1:	u68.3i	;09	fZ.0:	u84.11i	;10
fX.1:	u35.14i	;13	fZ.0:	v52.5i, v52.9i	;10
fX.2:	v13.6o	;08	fZ.1:	v56.4i	;07
fX.2:	u68.2i	;09	fZ.1:	v13.15o	;08
fX.2:	u35.15i	;13	fZ.1:	u83.3i	;09
			fZ.1:	v54.3i	;09
fX.3:	v13.9o	;08	fZ.1:	v55.3i	;09
fX.3:	u68.1i	;09	fZ.1:	v52.4i, v52.10i	;10
fX.3:	u35.1i	;13			
			fZ.2:	v60.9i	;06
fY.0':	v38.6o	;08	fZ.2:	v59.9i	;06
fY.0':	v61.4i	;09	fZ.2:	v58.9i	;06
fY.0':	v62.4i	;09	fZ.2:	v57.9i	;06
fY.0':	v40.9i	;10	fZ.2:	v28.1i	;07
			fZ.2:	v56.6i	;07
fY.0:	v27.2i	;07	fZ.2:	v13.16o	;08
fY.0:	v38.7o	;08	fZ.2:	u83.2i	;09
fY.0:	v02.4i	;09	fZ.2:	v54.2i	;09
fY.0:	v49.4i	;09	fZ.2:	v55.2i	;09
fY.0:	v40.4i	;10			
			fZ.3:	v60.10i	;06
fY.1:	v27.5i	;07	fZ.3:	v59.10i	;06
fY.1:	v39.9o	;08	fZ.3:	v58.10i	;06
fY.1:	v02.3i	;09	fZ.3:	v57.10i	;06
fY.1:	v61.3i	;09	fZ.3:	v56.8i	;07
fY.1:	v49.3i	;09	fZ.3:	v13.19o	;08
fY.1:	v62.3i	;09	fZ.3:	u83.1i	;09
fY.1:	v40.12i	;10	fZ.3:	v54.1i	;09
fY.1:	u88.9i	;11	fZ.3:	v55.1i	;09
fY.1:	v35.9i	;11			
fY.1:	v30.9i	;11	FZero:	v04.11o	;01
			FZero:	v03.11o	;01
fY.2:	v27.11i	;07	FZero:	u74.11o	;01
fY.2:	v39.12o	;08	FZero:	u73.11o	;01
fY.2:	v02.2i	;09	FZero:	u69.9i	;02
fY.2:	v61.2i	;09	FZero:	u88.3i	;11
fY.2:	v49.2i	;09	FZero:	#R18.2i	;27
fY.2:	v62.2i	;09			
fY.2:	u88.10i	;11	G12-15':	u74.32o	;01
fY.2:	v35.10i	;11	G12-15':	u72.3i	;02
fY.2:	v30.10i	;11			
			G4-7':	v03.32o	;01

XEROX	PROPRIETARY NOTE ON COVER SHEET APPLIES TO ALL SHEETS		DWG SIZE	DWG NO. 156P11673	SHEET REV.
	TITLE SCHEMATIC, CP		A4	SHEET 37 OF	A

G4-7': u72.14i ;02
 G8-11': u73.32o ;01
 G8-11': u72.1i ;02

 GND: v04.30i ;01
 GND: v03.30i ;01
 GND: u73.30i ;01
 GND: u74.30i ;01
 GND: u72.5i, u72.6i ;02
 GND: v34.19i ;03
 GND: v48.19i ;03
 GND: v33.19i ;03
 GND: v47.19i ;03
 GND: v37.14i, v37.11i, v37.6i ;03
 GND: v37.3i
 GND: v14.15i ;03
 GND: v32.2i ;04
 GND: v31.2i ;04
 GND: u54.15i ;05
 GND: v64.15i ;05
 GND: v64.10i ;05
 GND: u54.10i ;05
 GND: v46.17i, v46.15i, v46.13i ;06
 GND: v46.11i, v18.17i, v18.15i
 GND: v18.13i, v18.11i
 GND: v28.13i, v28.10i, v28.6i ;07
 GND: v28.3i
 GND: v27.13i, v27.10i, v27.6i ;07
 GND: v27.3i
 GND: u50.1i ;08
 GND: v39.1i ;08
 GND: v13.1i ;08
 GND: u97.1i ;08
 GND: u68.4i ;09
 GND: u68.5i ;09
 GND: u21.3i ;12
 GND: u35.13i ;13
 GND: u03.13i ;13
 GND: u05.13i ;13
 GND: u08.13i ;13
 GND: u11.13i ;13
 GND: u67.13i ;14
 GND: u53.15i ;15
 GND: u71.8i ;15
 GND: u39.8i ;15
 GND: u56.8i ;15
 GND: u53.13i ;15
 GND: v63.6i ;16
 GND: v11.8i ;23
 GND: v26.8i ;23
 GND: u82.8i ;23
 GND: u66.8i ;23
 GND: u49.8i ;23
 GND: u19.8i ;23
 GND: u01.1i ;24
 GND: v51.1i ;24
 GND: u01.19i ;24
 GND: v51.19i ;24

 GND: u41.8i, u41.6i, u41.4i ;26
 GND: u41.2i
 GND: u41.11i, u41.13i, u41.15i ;26
 GND: u41.17i
 GND: #R13.2i ;27
 GND: #C66.2i, #C67.2i ;27
 GND: u95.7i ;27
 GND: #C16.2o, #C15.2o, #C14.2o ;29
 GND: #C13.2o, #C12.2o, #C11.2o
 GND: #C10.2o, #C9.2o, #C8.2o
 GND: #C7.2o, #C6.2o, #C5.2o
 GND: #C4.2o, #C3.2o, #C2.2o
 GND: #C1.2o
 GND: #C32.2o, #C31.2o, #C30.2o ;29
 GND: #C29.2o, #C28.2o, #C27.2o
 GND: #C26.2o, #C25.2o, #C24.2o
 GND: #C23.2o, #C22.2o, #C21.2o
 GND: #C20.2o, #C19.2o, #C18.2o
 GND: #C17.2o
 GND: #C48.2o, #C47.2o, #C46.2o ;29
 GND: #C45.2o, #C44.2o, #C43.2o
 GND: #C42.2o, #C41.2o, #C40.2o
 GND: #C39.2o, #C38.2o, #C37.2o
 GND: #C36.2o, #C35.2o, #C34.2o
 GND: #C33.2o
 GND: #C65.2o, #C64.2o, #C63.2o ;29
 GND: #C62.2o, #C61.2o, #C60.2o
 GND: #C59.2o, #C58.2o, #C57.2o
 GND: #C56.2o, #C55.2o, #C54.2o
 GND: #C53.2o, #C52.2o, #C51.2o
 GND: #C50.2o, #C49.2o

 GoodIBDispc2: v64.12o, #TP017.1i ;05
 GoodIBDispc2: u34.1i ;12
 GoodIBDispc2: u24.4i ;12
 GoodIBDispc2: u22.4i ;12
 GoodIBDispc2: u23.4i ;12
 GoodIBDispc2: u25.4i ;12

 IB.0: v43.2o, #TP008.1i ;05
 IB.0: v28.2i ;07
 IB.0: v42.2i ;07
 IB.0: u34.3i ;12

 IB.1: v43.5o, #TP009.1i ;05
 IB.1: v28.5i ;07
 IB.1: v42.14i ;07
 IB.1: u34.6i ;12

 IB.2: v43.6o, #TP010.1i ;05
 IB.2: v28.11i ;07
 IB.2: v42.5i ;07
 IB.2: u34.10i ;12

 IB.3: v43.9o, #TP011.1i ;05
 IB.3: v28.14i ;07
 IB.3: v42.11i ;07
 IB.3: u34.13i ;12

XEROX	PROPRIETARY NOTE ON COVER SHEET APPLIES TO ALL SHEETS		DWG SIZE A4	DWG NO. 156P11673	SHEET REV. A
	TITLE SCHEMATIC, CP			SHEET 38 OF	

IB.4: v43.19o, #TP015.1i ;05
 IB.4: v42.3i ;07
 IB.4: u24.6i ;12

 IB.5: v43.16o, #TP014.1i ;05
 IB.5: v42.13i ;07
 IB.5: u22.6i ;12

 IB.6: v43.15o, #TP013.1i ;05
 IB.6: v42.6i ;07
 IB.6: u25.6i ;12

 IB.7: v43.12o, #TP012.1i ;05
 IB.7: v42.10i ;07
 IB.7: u23.6i ;12

 IBDisp': u54.7i ;05
 IBDisp': v64.7i ;05
 IBDisp': v02.12o, #TP177.1i ;09

 IBEmptyErr': u69.12o, u85.10i ;08

 IBEmptyErr: v29.6o ;05
 IBEmptyErr: u69.13i ;08
 IBEmptyErr: u39.15i ;15

 IBFront←: v64.11o, #TP016.1i ;05
 IBFront←: v01.9i ;16

 IBPtr.0: #TP172.1i, u55.2o, u54.6i ;05
 IBPtr.0: v29.4i ;05
 IBPtr.0: v64.6i ;05
 IBPtr.0: v45.13i ;07

 IBPtr.1: #TP173.1i, u55.5o, u54.5i ;05
 IBPtr.1: v29.10i, v29.9i ;05
 IBPtr.1: v64.5i ;05
 IBPtr.1: v45.11i ;07
 IBPtr.1: u21.13i ;12

 IBPtr←0': u54.1i ;05
 IBPtr←0': v64.1i ;05
 IBPtr←0': u83.13o, #TP180.1i ;09

 IBPtr←1': u54.2i ;05
 IBPtr←1': v64.2i ;05
 IBPtr←1': u83.14o, #TP179.1i ;09

 IB←': u54.17i ;05
 IB←': v64.17i ;05
 IB←': v02.9o ;09
 IB←': u40.5i ;16

 INIA.0: u21.2i ;12
 INIA.0: #TP123.1i, u62.7o ;20
 INIA.0: u66.11i ;23
 INIA.0: u65.1i ;25

 INIA.10: u25.2i ;12

 INIA.10: #TP141.1i, u32.7o ;22
 INIA.10: u19.10i ;23
 INIA.10: u33.14i ;25

 INIA.11: u23.2i ;12
 INIA.11: #TP142.1i, u17.7o ;22
 INIA.11: u19.12i ;23
 INIA.11: u18.14i ;25

 INIA.1: u21.5i ;12
 INIA.1: #TP124.1i, u45.7o ;20
 INIA.1: u49.11i ;23
 INIA.1: u48.1i ;25

 INIA.2: u21.11i ;12
 INIA.2: #TP125.1i, u30.7o ;20
 INIA.2: u49.1i ;23
 INIA.2: u33.1i ;25

 INIA.3: u21.14i ;12
 INIA.3: #TP126.1i, u15.7o ;20
 INIA.3: u19.1i ;23
 INIA.3: u18.1i ;25

 INIA.4: u34.2i ;12
 INIA.4: #TP131.1i, u63.7o ;21
 INIA.4: u66.13i ;23
 INIA.4: u65.15i ;25

 INIA.5: u34.5i ;12
 INIA.5: #TP132.1i, u46.7o ;21
 INIA.5: u49.13i ;23
 INIA.5: u48.15i ;25

 INIA.6: u34.11i ;12
 INIA.6: #TP133.1i, u31.7o ;21
 INIA.6: u19.9i ;23
 INIA.6: u33.15i ;25

 INIA.7: u34.14i ;12
 INIA.7: #TP134.1i, u16.7o ;21
 INIA.7: u19.13i ;23
 INIA.7: u18.15i ;25

 INIA.8: u24.2i ;12
 INIA.8: #TP139.1i, u64.7o ;22
 INIA.8: u66.12i ;23
 INIA.8: u65.14i ;25

 INIA.9: u22.2i ;12
 INIA.9: #TP140.1i, u47.7o ;22
 INIA.9: u49.12i ;23
 INIA.9: u48.14i ;25

 IOPAddr.13: E176, v51.13i ;24
 IOPAddr.14: E77, v51.11i ;24
 IOPAddr.15: E177, u07.11i ;24

XEROX	PROPRIETARY NOTE ON COVER SHEET APPLIES TO ALL SHEETS		DWG SIZE A4	DWG NO. 156P11673		SHEET REV. A
	TITLE	SCHEMATIC, CP		SHEET	39 OF	

IOPCtl←': v49.14o, E121 ;09
 IOPData.0: u02.3i ;24
 IOPData.0: E92, u01.2i ;24
 IOPData.0: v25.5o ;25
 IOPData.1: u02.4i ;24
 IOPData.1: u07.2i ;24
 IOPData.1: E192, u01.4i ;24
 IOPData.1: v12.5o ;25
 IOPData.2: u02.7i ;24
 IOPData.2: u07.4i ;24
 IOPData.2: E93, u01.6i ;24
 IOPData.2: u96.5o ;25
 IOPData.3: u02.8i ;24
 IOPData.3: u07.6i ;24
 IOPData.3: E193, u01.8i ;24
 IOPData.3: u81.5o ;25
 IOPData.4: u02.13i ;24
 IOPData.4: u07.8i ;24
 IOPData.4: E94, u01.11i ;24
 IOPData.4: u65.5o ;25
 IOPData.5: u02.14i ;24
 IOPData.5: u07.13i ;24
 IOPData.5: E194, u01.13i ;24
 IOPData.5: u48.5o ;25
 IOPData.6: u02.17i ;24
 IOPData.6: u07.15i ;24
 IOPData.6: E95, u01.15i ;24
 IOPData.6: u33.5o ;25
 IOPData.7: u02.18i ;24
 IOPData.7: u07.17i ;24
 IOPData.7: E195, u01.17i ;24
 IOPData.7: u18.5o ;25
 IOPOData←': v49.15o, E21 ;09
 IOPReq': E84, v50.3i ;14
 IOPWait: u53.7i ;15
 IOPWait: E189, u86.1i ;16
 IOutSp1←': v62.12o, E26 ;09
 IOutSp4←': v62.9o, E127 ;09
 KCmd←': v62.10o, E27 ;09
 KCtl←': v49.12o, E122 ;09
 KernReq': v50.5i ;14
 KernReq': u53.1i, u51.6o ;15
 KernReq': #TP093.1i
 KOData←': v49.13o, E22 ;09
 KReq': E87, v50.7i ;14
 KStrobe': v55.11o, E133 ;09
 Link.0': u52.1i ;12
 Link.0': u36.3o ;13
 Link.1': u52.4i ;12
 Link.1': u36.6o ;13
 Link.2': u37.11i ;12
 Link.2': u36.8o ;13
 Link.3': u37.13i ;12
 Link.3': u36.11o ;13
 MapRef: u70.8o, E15 ;10
 MapRef: u71.6i ;15
 MapRefX': u68.10o ;09
 MapRefX': u70.10i ;10
 MapRefY': v61.14o ;09
 MapRefY': u70.9i ;10
 MarPgCross': u52.8o, u85.9i ;08
 MarPgCross': u37.9i ;12
 MAR←': #TP023.1i, u51.2o, u69.1i ;08
 MAR←': v29.1i ;16
 MAR←': u69.2o ;08
 MAR←': u52.10i ;08
 MCtl←': v62.13o, E115 ;09
 mem: v39.6o, E113 ;08
 MemErrc3: E166, u85.4i ;15
 MesaInt: u54.4i ;05
 MesaInt: v64.4i ;05
 MesaInt: u88.1i ;11
 MesaInt: u21.10i ;12
 MesaInt: #TP078.1i, u55.9o, u56.5i ;15
 MesaIntRq': v02.11o, #TP178.1i ;09
 MesaIntRq': u56.7i ;15
 NB.0: v16.9o ;05
 NB.0: v44.2o ;05
 NB.0: v43.3i ;05
 NB.1: v16.6o ;05
 NB.1: v44.5o ;05

XEROX	PROPRIETARY NOTE ON COVER SHEET APPLIES TO ALL SHEETS		DWG SIZE A4	DWG NO. 156P11673	SHEET REV. A
	TITLE SCHEMATIC, CP			SHEET 40 OF	

NB.1: v43.4i ;05
 NB.2: v16.5o ;05
 NB.2: v44.6o ;05
 NB.2: v43.7i ;05
 NB.3: v16.2o ;05
 NB.3: v44.9o ;05
 NB.3: v43.8i ;05
 NB.4: v16.12o ;05
 NB.4: v44.19o ;05
 NB.4: v43.18i ;05
 NB.5: v16.15o ;05
 NB.5: v44.16o ;05
 NB.5: v43.17i ;05
 NB.6: v16.16o ;05
 NB.6: v44.15o ;05
 NB.6: v43.14i ;05
 NB.7: v16.19o ;05
 NB.7: v44.12o ;05
 NB.7: v43.13i ;05

NetNIA.0': v19.12i ;17
 NetNIA.0': v05.12i ;17
 NetNIA.0': u89.12i ;17
 NetNIA.0': u75.12i ;17
 NetNIA.0': u59.12i ;17
 NetNIA.0': u42.12i ;17
 NetNIA.0': u12.12i ;17
 NetNIA.0': u27.12i ;17
 NetNIA.0': v20.12i ;18
 NetNIA.0': v06.12i ;18
 NetNIA.0': u90.12i ;18
 NetNIA.0': u76.12i ;18
 NetNIA.0': u60.12i ;18
 NetNIA.0': u43.12i ;18
 NetNIA.0': u13.12i ;18
 NetNIA.0': u28.12i ;18
 NetNIA.0': v21.12i ;19
 NetNIA.0': v07.12i ;19
 NetNIA.0': u91.12i ;19
 NetNIA.0': u77.12i ;19
 NetNIA.0': u61.12i ;19
 NetNIA.0': u44.12i ;19
 NetNIA.0': u14.12i ;19
 NetNIA.0': u29.12i ;19
 NetNIA.0': v22.12i ;20
 NetNIA.0': v08.12i ;20
 NetNIA.0': u92.12i ;20
 NetNIA.0': u78.12i ;20
 NetNIA.0': u62.12i ;20
 NetNIA.0': u45.12i ;20
 NetNIA.0': u15.12i ;20
 NetNIA.0': u30.12i ;20
 NetNIA.0': v23.12i ;21

NetNIA.0': v09.12i ;21
 NetNIA.0': u93.12i ;21
 NetNIA.0': u79.12i ;21
 NetNIA.0': u63.12i ;21
 NetNIA.0': u46.12i ;21
 NetNIA.0': u16.12i ;21
 NetNIA.0': u31.12i ;21
 NetNIA.0': v24.12i ;22
 NetNIA.0': v10.12i ;22
 NetNIA.0': u94.12i ;22
 NetNIA.0': u80.12i ;22
 NetNIA.0': u64.12i ;22
 NetNIA.0': u47.12i ;22
 NetNIA.0': u17.12i ;22
 NetNIA.0': u32.12i ;22
 NetNIA.0': #R8.2o ;27
 NetNIA.0': u95.8o ;27
 NetNIA.1': v19.13i ;17
 NetNIA.1': v05.13i ;17
 NetNIA.1': u89.13i ;17
 NetNIA.1': u75.13i ;17
 NetNIA.1': u59.13i ;17
 NetNIA.1': u42.13i ;17
 NetNIA.1': u12.13i ;17
 NetNIA.1': u27.13i ;17
 NetNIA.1': v20.13i ;18
 NetNIA.1': v06.13i ;18
 NetNIA.1': u90.13i ;18
 NetNIA.1': u76.13i ;18
 NetNIA.1': u60.13i ;18
 NetNIA.1': u43.13i ;18
 NetNIA.1': u13.13i ;18
 NetNIA.1': u28.13i ;18
 NetNIA.1': v21.13i ;19
 NetNIA.1': v07.13i ;19
 NetNIA.1': u91.13i ;19
 NetNIA.1': u77.13i ;19
 NetNIA.1': u61.13i ;19
 NetNIA.1': u44.13i ;19
 NetNIA.1': u14.13i ;19
 NetNIA.1': u29.13i ;19
 NetNIA.1': v22.13i ;20
 NetNIA.1': v08.13i ;20
 NetNIA.1': u92.13i ;20
 NetNIA.1': u78.13i ;20
 NetNIA.1': u62.13i ;20
 NetNIA.1': u45.13i ;20
 NetNIA.1': u15.13i ;20
 NetNIA.1': u30.13i ;20
 NetNIA.1': v23.13i ;21
 NetNIA.1': v09.13i ;21
 NetNIA.1': u93.13i ;21
 NetNIA.1': u79.13i ;21
 NetNIA.1': u63.13i ;21
 NetNIA.1': u46.13i ;21
 NetNIA.1': u16.13i ;21
 NetNIA.1': u31.13i ;21
 NetNIA.1': v24.13i ;22

NetNIA.1': v10.13i ;22
 NetNIA.1': u94.13i ;22
 NetNIA.1': u80.13i ;22
 NetNIA.1': u64.13i ;22
 NetNIA.1': u47.13i ;22
 NetNIA.1': u17.13i ;22
 NetNIA.1': u32.13i ;22
 NetNIA.1': #R4.2o ;27
 NetNIA.1': u95.9o ;27

NetNIA.10': u95.2i ;27
 NetNIA.11': v19.1i ;17
 NetNIA.11': v05.1i ;17
 NetNIA.11': u89.1i ;17
 NetNIA.11': u75.1i ;17
 NetNIA.11': u59.1i ;17
 NetNIA.11': u42.1i ;17
 NetNIA.11': u12.1i ;17
 NetNIA.11': u27.1i ;17
 NetNIA.11': v20.1i ;18
 NetNIA.11': v06.1i ;18
 NetNIA.11': u90.1i ;18
 NetNIA.11': u76.1i ;18
 NetNIA.11': u60.1i ;18
 NetNIA.11': u43.1i ;18
 NetNIA.11': u13.1i ;18
 NetNIA.11': u28.1i ;18
 NetNIA.11': v21.1i ;19
 NetNIA.11': v07.1i ;19
 NetNIA.11': u91.1i ;19
 NetNIA.11': u77.1i ;19
 NetNIA.11': u61.1i ;19
 NetNIA.11': u44.1i ;19
 NetNIA.11': u14.1i ;19
 NetNIA.11': u29.1i ;19
 NetNIA.11': v22.1i ;20
 NetNIA.11': v08.1i ;20
 NetNIA.11': u92.1i ;20
 NetNIA.11': u78.1i ;20
 NetNIA.11': u62.1i ;20
 NetNIA.11': u45.1i ;20
 NetNIA.11': u15.1i ;20
 NetNIA.11': u30.1i ;20
 NetNIA.11': v23.1i ;21
 NetNIA.11': v09.1i ;21
 NetNIA.11': u93.1i ;21
 NetNIA.11': u79.1i ;21
 NetNIA.11': u63.1i ;21
 NetNIA.11': u46.1i ;21
 NetNIA.11': u16.1i ;21
 NetNIA.11': u31.1i ;21
 NetNIA.11': v24.1i ;22
 NetNIA.11': v10.1i ;22
 NetNIA.11': u94.1i ;22
 NetNIA.11': u80.1i ;22
 NetNIA.11': u64.1i ;22
 NetNIA.11': u47.1i ;22
 NetNIA.11': u17.1i ;22
 NetNIA.11': u32.1i ;22
 NetNIA.11': #R2.2o ;27
 NetNIA.11': u95.1i ;27

NetNIA.10': v19.2i ;17
 NetNIA.10': v05.2i ;17
 NetNIA.10': u89.2i ;17
 NetNIA.10': u75.2i ;17
 NetNIA.10': u59.2i ;17
 NetNIA.10': u42.2i ;17
 NetNIA.10': u12.2i ;17
 NetNIA.10': u27.2i ;17
 NetNIA.10': v20.2i ;18
 NetNIA.10': v06.2i ;18
 NetNIA.10': u90.2i ;18
 NetNIA.10': u76.2i ;18
 NetNIA.10': u60.2i ;18
 NetNIA.10': u43.2i ;18
 NetNIA.10': u13.2i ;18
 NetNIA.10': u28.2i ;18
 NetNIA.10': v21.2i ;19
 NetNIA.10': v07.2i ;19
 NetNIA.10': u91.2i ;19
 NetNIA.10': u77.2i ;19
 NetNIA.10': u61.2i ;19
 NetNIA.10': u44.2i ;19
 NetNIA.10': u14.2i ;19
 NetNIA.10': u29.2i ;19
 NetNIA.10': v22.2i ;20
 NetNIA.10': v08.2i ;20
 NetNIA.10': u92.2i ;20
 NetNIA.10': u78.2i ;20
 NetNIA.10': u62.2i ;20
 NetNIA.10': u45.2i ;20
 NetNIA.10': u15.2i ;20
 NetNIA.10': u30.2i ;20
 NetNIA.10': v23.2i ;21
 NetNIA.10': v09.2i ;21
 NetNIA.10': u93.2i ;21
 NetNIA.10': u79.2i ;21
 NetNIA.10': u63.2i ;21
 NetNIA.10': u46.2i ;21
 NetNIA.10': u16.2i ;21
 NetNIA.10': u31.2i ;21
 NetNIA.10': v24.2i ;22
 NetNIA.10': v10.2i ;22
 NetNIA.10': u94.2i ;22
 NetNIA.10': u80.2i ;22
 NetNIA.10': u64.2i ;22
 NetNIA.10': u47.2i ;22
 NetNIA.10': u17.2i ;22
 NetNIA.10': u32.2i ;22
 NetNIA.10': #R1.2o ;27

NetNIA.2': v19.14i ;17
 NetNIA.2': v05.14i ;17
 NetNIA.2': u89.14i ;17
 NetNIA.2': u75.14i ;17
 NetNIA.2': u59.14i ;17
 NetNIA.2': u42.14i ;17

XEROX	PROPRIETARY NOTE ON COVER SHEET APPLIES TO ALL SHEETS		DWG SIZE A4	DWG NO. 156P11673	SHEET REV. A
	TITLE SCHEMATIC, CP		SHEET 42	OF	

NetNIA.2': u12.14i ;17
 NetNIA.2': u27.14i ;17
 NetNIA.2': v20.14i ;18
 NetNIA.2': v06.14i ;18
 NetNIA.2': u90.14i ;18
 NetNIA.2': u76.14i ;18
 NetNIA.2': u60.14i ;18
 NetNIA.2': u43.14i ;18
 NetNIA.2': u13.14i ;18
 NetNIA.2': u28.14i ;18
 NetNIA.2': v21.14i ;19
 NetNIA.2': v07.14i ;19
 NetNIA.2': u91.14i ;19
 NetNIA.2': u77.14i ;19
 NetNIA.2': u61.14i ;19
 NetNIA.2': u44.14i ;19
 NetNIA.2': u14.14i ;19
 NetNIA.2': u29.14i ;19
 NetNIA.2': v22.14i ;20
 NetNIA.2': v08.14i ;20
 NetNIA.2': u92.14i ;20
 NetNIA.2': u78.14i ;20
 NetNIA.2': u62.14i ;20
 NetNIA.2': u45.14i ;20
 NetNIA.2': u15.14i ;20
 NetNIA.2': u30.14i ;20
 NetNIA.2': v23.14i ;21
 NetNIA.2': v09.14i ;21
 NetNIA.2': u93.14i ;21
 NetNIA.2': u79.14i ;21
 NetNIA.2': u63.14i ;21
 NetNIA.2': u46.14i ;21
 NetNIA.2': u16.14i ;21
 NetNIA.2': u31.14i ;21
 NetNIA.2': v24.14i ;22
 NetNIA.2': v10.14i ;22
 NetNIA.2': u94.14i ;22
 NetNIA.2': u80.14i ;22
 NetNIA.2': u64.14i ;22
 NetNIA.2': u47.14i ;22
 NetNIA.2': u17.14i ;22
 NetNIA.2': u32.14i ;22
 NetNIA.2': #R6.2o ;27
 NetNIA.2': u95.10o ;27

 NetNIA.3': v19.15i ;17
 NetNIA.3': v05.15i ;17
 NetNIA.3': u89.15i ;17
 NetNIA.3': u75.15i ;17
 NetNIA.3': u59.15i ;17
 NetNIA.3': u42.15i ;17
 NetNIA.3': u12.15i ;17
 NetNIA.3': u27.15i ;17
 NetNIA.3': v20.15i ;18
 NetNIA.3': v06.15i ;18
 NetNIA.3': u90.15i ;18
 NetNIA.3': u76.15i ;18
 NetNIA.3': u60.15i ;18
 NetNIA.3': u43.15i ;18

NetNIA.3': u13.15i ;18
 NetNIA.3': u28.15i ;18
 NetNIA.3': v21.15i ;19
 NetNIA.3': v07.15i ;19
 NetNIA.3': u91.15i ;19
 NetNIA.3': u77.15i ;19
 NetNIA.3': u61.15i ;19
 NetNIA.3': u44.15i ;19
 NetNIA.3': u14.15i ;19
 NetNIA.3': u29.15i ;19
 NetNIA.3': v22.15i ;20
 NetNIA.3': v08.15i ;20
 NetNIA.3': u92.15i ;20
 NetNIA.3': u78.15i ;20
 NetNIA.3': u62.15i ;20
 NetNIA.3': u45.15i ;20
 NetNIA.3': u15.15i ;20
 NetNIA.3': u30.15i ;20
 NetNIA.3': v23.15i ;21
 NetNIA.3': v09.15i ;21
 NetNIA.3': u93.15i ;21
 NetNIA.3': u79.15i ;21
 NetNIA.3': u63.15i ;21
 NetNIA.3': u46.15i ;21
 NetNIA.3': u16.15i ;21
 NetNIA.3': u31.15i ;21
 NetNIA.3': v24.15i ;22
 NetNIA.3': v10.15i ;22
 NetNIA.3': u94.15i ;22
 NetNIA.3': u80.15i ;22
 NetNIA.3': u64.15i ;22
 NetNIA.3': u47.15i ;22
 NetNIA.3': u17.15i ;22
 NetNIA.3': u32.15i ;22
 NetNIA.3': #R3.2o ;27
 NetNIA.3': u95.11o ;27

 NetNIA.4': v19.16i ;17
 NetNIA.4': v05.16i ;17
 NetNIA.4': u89.16i ;17
 NetNIA.4': u75.16i ;17
 NetNIA.4': u59.16i ;17
 NetNIA.4': u42.16i ;17
 NetNIA.4': u12.16i ;17
 NetNIA.4': u27.16i ;17
 NetNIA.4': v20.16i ;18
 NetNIA.4': v06.16i ;18
 NetNIA.4': u90.16i ;18
 NetNIA.4': u76.16i ;18
 NetNIA.4': u60.16i ;18
 NetNIA.4': u43.16i ;18
 NetNIA.4': u13.16i ;18
 NetNIA.4': u28.16i ;18
 NetNIA.4': v21.16i ;19
 NetNIA.4': v07.16i ;19
 NetNIA.4': u91.16i ;19
 NetNIA.4': u77.16i ;19
 NetNIA.4': u61.16i ;19
 NetNIA.4': u44.16i ;19

XEROX	PROPRIETARY NOTE ON COVER SHEET APPLIES TO ALL SHEETS		DWG SIZE A4	DWG NO. 156P11673		SHEET REV. A
	TITLE	SCHEMATIC, CP		SHEET	43 OF	

NetNIA.4' : u14.16i ;19
 NetNIA.4' : u29.16i ;19
 NetNIA.4' : v22.16i ;20
 NetNIA.4' : v08.16i ;20
 NetNIA.4' : u92.16i ;20
 NetNIA.4' : u78.16i ;20
 NetNIA.4' : u62.16i ;20
 NetNIA.4' : u45.16i ;20
 NetNIA.4' : u15.16i ;20
 NetNIA.4' : u30.16i ;20
 NetNIA.4' : v23.16i ;21
 NetNIA.4' : v09.16i ;21
 NetNIA.4' : u93.16i ;21
 NetNIA.4' : u79.16i ;21
 NetNIA.4' : u63.16i ;21
 NetNIA.4' : u46.16i ;21
 NetNIA.4' : u16.16i ;21
 NetNIA.4' : u31.16i ;21
 NetNIA.4' : v24.16i ;22
 NetNIA.4' : v10.16i ;22
 NetNIA.4' : u94.16i ;22
 NetNIA.4' : u80.16i ;22
 NetNIA.4' : u64.16i ;22
 NetNIA.4' : u47.16i ;22
 NetNIA.4' : u17.16i ;22
 NetNIA.4' : u32.16i ;22
 NetNIA.4' : #R10.2o ;27
 NetNIA.4' : u95.12o ;27

NetNIA.5' : v19.17i ;17
 NetNIA.5' : v05.17i ;17
 NetNIA.5' : u89.17i ;17
 NetNIA.5' : u75.17i ;17
 NetNIA.5' : u59.17i ;17
 NetNIA.5' : u42.17i ;17
 NetNIA.5' : u12.17i ;17
 NetNIA.5' : u27.17i ;17
 NetNIA.5' : v20.17i ;18
 NetNIA.5' : v06.17i ;18
 NetNIA.5' : u90.17i ;18
 NetNIA.5' : u76.17i ;18
 NetNIA.5' : u60.17i ;18
 NetNIA.5' : u43.17i ;18
 NetNIA.5' : u13.17i ;18
 NetNIA.5' : u28.17i ;18
 NetNIA.5' : v21.17i ;19
 NetNIA.5' : v07.17i ;19
 NetNIA.5' : u91.17i ;19
 NetNIA.5' : u77.17i ;19
 NetNIA.5' : u61.17i ;19
 NetNIA.5' : u44.17i ;19
 NetNIA.5' : u14.17i ;19
 NetNIA.5' : u29.17i ;19
 NetNIA.5' : v22.17i ;20
 NetNIA.5' : v08.17i ;20
 NetNIA.5' : u92.17i ;20
 NetNIA.5' : u78.17i ;20
 NetNIA.5' : u62.17i ;20
 NetNIA.5' : u45.17i ;20

NetNIA.5' : u15.17i ;20
 NetNIA.5' : u30.17i ;20
 NetNIA.5' : v23.17i ;21
 NetNIA.5' : v09.17i ;21
 NetNIA.5' : u93.17i ;21
 NetNIA.5' : u79.17i ;21
 NetNIA.5' : u63.17i ;21
 NetNIA.5' : u46.17i ;21
 NetNIA.5' : u16.17i ;21
 NetNIA.5' : u31.17i ;21
 NetNIA.5' : v24.17i ;22
 NetNIA.5' : v10.17i ;22
 NetNIA.5' : u94.17i ;22
 NetNIA.5' : u80.17i ;22
 NetNIA.5' : u64.17i ;22
 NetNIA.5' : u47.17i ;22
 NetNIA.5' : u17.17i ;22
 NetNIA.5' : u32.17i ;22
 NetNIA.5' : #R12.2o ;27
 NetNIA.5' : u95.13o ;27

NetNIA.6' : v19.6i ;17
 NetNIA.6' : v05.6i ;17
 NetNIA.6' : u89.6i ;17
 NetNIA.6' : u75.6i ;17
 NetNIA.6' : u59.6i ;17
 NetNIA.6' : u42.6i ;17
 NetNIA.6' : u12.6i ;17
 NetNIA.6' : u27.6i ;17
 NetNIA.6' : v20.6i ;18
 NetNIA.6' : v06.6i ;18
 NetNIA.6' : u90.6i ;18
 NetNIA.6' : u76.6i ;18
 NetNIA.6' : u60.6i ;18
 NetNIA.6' : u43.6i ;18
 NetNIA.6' : u13.6i ;18
 NetNIA.6' : u28.6i ;18
 NetNIA.6' : v21.6i ;19
 NetNIA.6' : v07.6i ;19
 NetNIA.6' : u91.6i ;19
 NetNIA.6' : u77.6i ;19
 NetNIA.6' : u61.6i ;19
 NetNIA.6' : u44.6i ;19
 NetNIA.6' : u14.6i ;19
 NetNIA.6' : u29.6i ;19
 NetNIA.6' : v22.6i ;20
 NetNIA.6' : v08.6i ;20
 NetNIA.6' : u92.6i ;20
 NetNIA.6' : u78.6i ;20
 NetNIA.6' : u62.6i ;20
 NetNIA.6' : u45.6i ;20
 NetNIA.6' : u15.6i ;20
 NetNIA.6' : u30.6i ;20
 NetNIA.6' : v23.6i ;21
 NetNIA.6' : v09.6i ;21
 NetNIA.6' : u93.6i ;21
 NetNIA.6' : u79.6i ;21
 NetNIA.6' : u63.6i ;21
 NetNIA.6' : u46.6i ;21

XEROX	PROPRIETARY NOTE ON COVER SHEET APPLIES TO ALL SHEETS		DWG SIZE A4	DWG NO. 156P11673		SHEET REV. A
	TITLE	SCHEMATIC, CP		SHEET	44 OF	

NetNIA.6': u16.6i ;21
 NetNIA.6': u31.6i ;21
 NetNIA.6': v24.6i ;22
 NetNIA.6': v10.6i ;22
 NetNIA.6': u94.6i ;22
 NetNIA.6': u80.6i ;22
 NetNIA.6': u64.6i ;22
 NetNIA.6': u47.6i ;22
 NetNIA.6': u17.6i ;22
 NetNIA.6': u32.6i ;22
 NetNIA.6': #R9.2o ;27
 NetNIA.6': u95.6i ;27

NetNIA.7': v19.5i ;17
 NetNIA.7': v05.5i ;17
 NetNIA.7': u89.5i ;17
 NetNIA.7': u75.5i ;17
 NetNIA.7': u59.5i ;17
 NetNIA.7': u42.5i ;17
 NetNIA.7': u12.5i ;17
 NetNIA.7': u27.5i ;17
 NetNIA.7': v20.5i ;18
 NetNIA.7': v06.5i ;18
 NetNIA.7': u90.5i ;18
 NetNIA.7': u76.5i ;18
 NetNIA.7': u60.5i ;18
 NetNIA.7': u43.5i ;18
 NetNIA.7': u13.5i ;18
 NetNIA.7': u28.5i ;18
 NetNIA.7': v21.5i ;19
 NetNIA.7': v07.5i ;19
 NetNIA.7': u91.5i ;19
 NetNIA.7': u77.5i ;19
 NetNIA.7': u61.5i ;19
 NetNIA.7': u44.5i ;19
 NetNIA.7': u14.5i ;19
 NetNIA.7': u29.5i ;19
 NetNIA.7': v22.5i ;20
 NetNIA.7': v08.5i ;20
 NetNIA.7': u92.5i ;20
 NetNIA.7': u78.5i ;20
 NetNIA.7': u62.5i ;20
 NetNIA.7': u45.5i ;20
 NetNIA.7': u15.5i ;20
 NetNIA.7': u30.5i ;20
 NetNIA.7': v23.5i ;21
 NetNIA.7': v09.5i ;21
 NetNIA.7': u93.5i ;21
 NetNIA.7': u79.5i ;21
 NetNIA.7': u63.5i ;21
 NetNIA.7': u46.5i ;21
 NetNIA.7': u16.5i ;21
 NetNIA.7': u31.5i ;21
 NetNIA.7': v24.5i ;22
 NetNIA.7': v10.5i ;22
 NetNIA.7': u94.5i ;22
 NetNIA.7': u80.5i ;22
 NetNIA.7': u64.5i ;22
 NetNIA.7': u47.5i ;22

NetNIA.7': u17.5i ;22
 NetNIA.7': u32.5i ;22
 NetNIA.7': #R11.2o ;27
 NetNIA.7': u95.5i ;27

NetNIA.8': v19.4i ;17
 NetNIA.8': v05.4i ;17
 NetNIA.8': u89.4i ;17
 NetNIA.8': u75.4i ;17
 NetNIA.8': u59.4i ;17
 NetNIA.8': u42.4i ;17
 NetNIA.8': u12.4i ;17
 NetNIA.8': u27.4i ;17
 NetNIA.8': v20.4i ;18
 NetNIA.8': v06.4i ;18
 NetNIA.8': u90.4i ;18
 NetNIA.8': u76.4i ;18
 NetNIA.8': u60.4i ;18
 NetNIA.8': u43.4i ;18
 NetNIA.8': u13.4i ;18
 NetNIA.8': u28.4i ;18
 NetNIA.8': v21.4i ;19
 NetNIA.8': v07.4i ;19
 NetNIA.8': u91.4i ;19
 NetNIA.8': u77.4i ;19
 NetNIA.8': u61.4i ;19
 NetNIA.8': u44.4i ;19
 NetNIA.8': u14.4i ;19
 NetNIA.8': u29.4i ;19
 NetNIA.8': v22.4i ;20
 NetNIA.8': v08.4i ;20
 NetNIA.8': u92.4i ;20
 NetNIA.8': u78.4i ;20
 NetNIA.8': u62.4i ;20
 NetNIA.8': u45.4i ;20
 NetNIA.8': u15.4i ;20
 NetNIA.8': u30.4i ;20
 NetNIA.8': v23.4i ;21
 NetNIA.8': v09.4i ;21
 NetNIA.8': u93.4i ;21
 NetNIA.8': u79.4i ;21
 NetNIA.8': u63.4i ;21
 NetNIA.8': u46.4i ;21
 NetNIA.8': u16.4i ;21
 NetNIA.8': u31.4i ;21
 NetNIA.8': v24.4i ;22
 NetNIA.8': v10.4i ;22
 NetNIA.8': u94.4i ;22
 NetNIA.8': u80.4i ;22
 NetNIA.8': u64.4i ;22
 NetNIA.8': u47.4i ;22
 NetNIA.8': u17.4i ;22
 NetNIA.8': u32.4i ;22
 NetNIA.8': #R5.2o ;27
 NetNIA.8': u95.4i ;27

NetNIA.9': v19.3i ;17
 NetNIA.9': v05.3i ;17
 NetNIA.9': u89.3i ;17

XEROX	PROPRIETARY NOTE ON COVER SHEET APPLIES TO ALL SHEETS	DWG SIZE A4	DWG NO. 156P11673	SHEET REV. A
	TITLE SCHEMATIC, CP		SHEET 45 OF	

NetNIA.9': u75.3i ;17
 NetNIA.9': u59.3i ;17
 NetNIA.9': u42.3i ;17
 NetNIA.9': u12.3i ;17
 NetNIA.9': u27.3i ;17
 NetNIA.9': v20.3i ;18
 NetNIA.9': v06.3i ;18
 NetNIA.9': u90.3i ;18
 NetNIA.9': u76.3i ;18
 NetNIA.9': u60.3i ;18
 NetNIA.9': u43.3i ;18
 NetNIA.9': u13.3i ;18
 NetNIA.9': u28.3i ;18
 NetNIA.9': v21.3i ;19
 NetNIA.9': v07.3i ;19
 NetNIA.9': u91.3i ;19
 NetNIA.9': u77.3i ;19
 NetNIA.9': u61.3i ;19
 NetNIA.9': u44.3i ;19
 NetNIA.9': u14.3i ;19
 NetNIA.9': u29.3i ;19
 NetNIA.9': v22.3i ;20
 NetNIA.9': v08.3i ;20
 NetNIA.9': u92.3i ;20
 NetNIA.9': u78.3i ;20
 NetNIA.9': u62.3i ;20
 NetNIA.9': u45.3i ;20
 NetNIA.9': u15.3i ;20
 NetNIA.9': u30.3i ;20
 NetNIA.9': v23.3i ;21
 NetNIA.9': v09.3i ;21
 NetNIA.9': u93.3i ;21
 NetNIA.9': u79.3i ;21
 NetNIA.9': u63.3i ;21
 NetNIA.9': u46.3i ;21
 NetNIA.9': u16.3i ;21
 NetNIA.9': u31.3i ;21
 NetNIA.9': v24.3i ;22
 NetNIA.9': v10.3i ;22
 NetNIA.9': u94.3i ;22
 NetNIA.9': u80.3i ;22
 NetNIA.9': u64.3i ;22
 NetNIA.9': u47.3i ;22
 NetNIA.9': u17.3i ;22
 NetNIA.9': u32.3i ;22
 NetNIA.9': #R7.2o ;27
 NetNIA.9': u95.3i ;27

 NIA.0': u04.2o, #TP152.1i ;27
 NIA.0': #R8.1i ;27

 NIA.1': u04.7o, #TP153.1i ;27
 NIA.1': #R4.1i ;27

 NIA.10': u09.10o, #TP162.1i ;27
 NIA.10': #R1.1i ;27

 NIA.11': u09.15o, #TP163.1i ;27
 NIA.11': #R2.1i ;27

 NIA.2': u04.10o, #TP154.1i ;27
 NIA.2': #R6.1i ;27

 NIA.3': u04.15o, #TP155.1i ;27
 NIA.3': #R3.1i ;27

 NIA.4': u20.2o, #TP156.1i ;27
 NIA.4': #R10.1i ;27

 NIA.5': u20.7o, #TP157.1i ;27
 NIA.5': #R12.1i ;27

 NIA.6': u20.10o, #TP158.1i ;27
 NIA.6': #R9.1i ;27

 NIA.7': u20.15o, #TP159.1i ;27
 NIA.7': #R11.1i ;27

 NIA.8': u09.2o, #TP160.1i ;27
 NIA.8': #R5.1i ;27

 NIA.9': u09.7o, #TP161.1i ;27
 NIA.9': #R7.1i ;27

 NIAX.0': u03.12i ;13
 NIAX.0': u06.9o, #TP183.1i ;13
 NIAX.0': u02.9o ;24

 NIAX.1': u03.10i ;13
 NIAX.1': u06.12o, #TP184.1i ;13
 NIAX.1': u02.12o ;24

 NIAX.10': u10.6o, #TP193.1i ;13
 NIAX.10': u35.6i ;13
 NIAX.10': u08.6i ;13
 NIAX.10': u07.5o ;24

 NIAX.11': u10.9o, #TP194.1i ;13
 NIAX.11': u35.4i ;13
 NIAX.11': u08.4i ;13
 NIAX.11': u07.3o ;24

 NIAX.2': u03.6i ;13
 NIAX.2': u06.15o, #TP185.1i ;13
 NIAX.2': u02.15o ;24

 NIAX.3': u03.4i ;13
 NIAX.3': u06.16o, #TP186.1i ;13
 NIAX.3': u02.16o ;24

 NIAX.4': u05.12i ;13
 NIAX.4': u06.19o, #TP187.1i ;13
 NIAX.4': u02.19o ;24

 NIAX.5': u05.10i ;13
 NIAX.5': u06.2o, #TP188.1i ;13
 NIAX.5': u07.18o ;24

XEROX	PROPRIETARY NOTE ON COVER SHEET APPLIES TO ALL SHEETS		DWG SIZE A4	DWG NO. 156P11673	SHEET REV. A
	TITLE SCHEMATIC, CP			SHEET 46 OF	

NIAX.6': u05.6i ;13
 NIAX.6': u06.5o, #TP189.1i ;13
 NIAX.6': u07.16o ;24

 NIAX.7': u05.4i ;13
 NIAX.7': u40.1i ;13
 NIAX.7': u06.6o, #TP190.1i ;13
 NIAX.7': v01.4i ;16
 NIAX.7': u07.14o ;24

 NIAX.8': u10.2o, #TP191.1i ;13
 NIAX.8': u35.12i ;13
 NIAX.8': u08.12i ;13
 NIAX.8': u07.12o ;24

 NIAX.9': u10.5o, #TP192.1i ;13
 NIAX.9': u35.10i ;13
 NIAX.9': u08.10i ;13
 NIAX.9': u07.7o ;24

 Nibble': v27.15i ;07
 Nibble': v56.1i ;07
 Nibble': v53.13i ;10
 Nibble': v53.6o ;10

 NibCarry: u73.29i ;01
 NibCarry: u74.33o ;01
 NibCarry: u88.12i ;11

 NstackP.0: v15.3i ;03
 NstackP.0: u99.10o, v00.4i ;04

 NstackP.1: v15.6i ;03
 NstackP.1: u99.13o, v00.5i ;04

 NstackP.2: v15.11i ;03
 NstackP.2: u99.1o, v00.12i ;04

 NstackP.3: v15.14i ;03
 NstackP.3: u99.4o, v00.13i ;04

 Nt.0: u03.14i ;13
 Nt.0: u05.14i ;13
 Nt.0: u08.14i ;13
 Nt.0: u11.14i ;13
 Nt.0: #TP070.1i, v56.3o, v50.11o ;14
 Nt.0: v36.3i
 Nt.0: u67.3i ;14
 Nt.0: u02.2o ;24

 Nt.1: u03.15i ;13
 Nt.1: u05.15i ;13
 Nt.1: u08.15i ;13
 Nt.1: u11.15i ;13
 Nt.1: #TP071.1i, v56.5o, v50.12o ;14
 Nt.1: v36.4i
 Nt.1: u67.4i ;14
 Nt.1: u02.5o ;24

Nt.2: u03.1i ;13
 Nt.2: u05.1i ;13
 Nt.2: u08.1i ;13
 Nt.2: u11.1i ;13
 Nt.2: #TP072.1i, v56.7o, v50.13o ;14
 Nt.2: v36.7i
 Nt.2: u67.7i ;14
 Nt.2: u02.6o ;24

 Nt=Emu: #TP073.1i, v56.9o, v50.14o ;14
 Nt=Emu: v36.8i

 Nt<Pt: v63.10o, v56.19i ;14

 OVR: v04.34o ;01
 OVR: v35.12i ;11

 P12-15': u74.35o ;01
 P12-15': u72.4i ;02

 P4-7': v03.35o ;01
 P4-7': u72.15i ;02

 P8-11': u73.35o ;01
 P8-11': u72.2i ;02

 paD.0: u50.13i ;08
 paD.0: #TP109.1i, u28.7o ;18
 paD.0: u49.9i ;23
 paD.0: u33.3i ;25

 paD.1: u50.14i ;08
 paD.1: #TP110.1i, u13.7o ;18
 paD.1: u19.4i ;23
 paD.1: u18.3i ;25

 paF.0: v39.3i ;08
 paF.0: #TP106.1i, u76.7o ;18
 paF.0: u82.4i ;23
 paF.0: u81.3i ;25

 paF.1: u50.17i ;08
 paF.1: u98.12i ;08
 paF.1: #TP107.1i, u60.7o ;18
 paF.1: u66.9i ;23
 paF.1: u65.3i ;25

 paF.2: u50.18i ;08
 paF.2: u98.13i ;08
 paF.2: #TP108.1i, u43.7o ;18
 paF.2: u66.1i ;23
 paF.2: u48.3i ;25

 PageCarry: v03.29i ;01
 PageCarry: u72.11o, u70.2i ;02
 PageCarry: u88.15i ;11

 PageCross: u70.3o, #TP002.1i ;02
 PageCross: u52.9i ;08

XEROX	PROPRIETARY NOTE ON COVER SHEET APPLIES TO ALL SHEETS		DWG SIZE	DWG NO. 156P11673	SHEET REV.
	TITLE SCHEMATIC, CP		A4	SHEET 47 OF	A

PageCross: v30.12i ;11

pAllowMDR<: u85.8o, u51.4i ;08

pAlwaysCLK': v63.4o ;16
pAlwaysCLK': v17.9i, v17.11i ;16
pAlwaysCLK': u87.2i, u87.5i
pAlwaysCLK': v17.5i

paS.0: u97.13i ;08
paS.0: u85.1i ;08
paS.0: #TP103.1i, v20.7o ;18
paS.0: v26.9i ;23
paS.0: v25.3i ;25

paS.1: u97.14i ;08
paS.1: u98.4i ;08
paS.1: #TP104.1i, v06.7o ;18
paS.1: v26.1i ;23
paS.1: v12.3i ;25

paS.2: u97.17i ;08
paS.2: u98.5i ;08
paS.2: #TP105.1i, u90.7o ;18
paS.2: v11.9i ;23
paS.2: u96.3i ;25

paSh.0: u85.3o, u97.18i ;08

pc16': u57.9i ;02
pc16': v35.2i ;11
pc16': u53.5i, u55.16o, #TP094.1i ;15

pCIN-SE-wrSU: v38.4i ;08
pCIN-SE-wrSU: #TP112.1i, v07.7o ;19
pCIN-SE-wrSU: v11.10i ;23
pCIN-SE-wrSU: v12.2i ;25

pCSPar.0: v26.5o, u26.3i ;23

pCSPar.1: v11.5o, u26.4i ;23

pCSPar.2: u82.5o, u26.7i ;23

pCSPar.3: u66.5o, u26.8i ;23

pCSPar.4: u49.5o, u38.4i ;23

pCSPar.5: u19.5o, u38.18i ;23

pCSPE: #TP076.1i, u56.11o, u55.7i ;15

pCSWE.a': E81, v51.2i ;24

pCSWE.b': E181, v51.4i ;24

pCSWE.c': E82, v51.6i ;24

pCSWE.d': E182, v51.8i ;24

pCSWE.e': E83, v51.17i ;24

pCSWE.f': E183, v51.15i ;24

PCtl<': v62.14o, E128 ;09

PDT-A: u67.14i ;14
PDT-A: u39.10i ;15
PDT-A: u53.14i ;15
PDT-A: u41.16o, #TP144.1i ;26

PDT-Clk: u41.12o, #TP146.1i ;26
PDT-Clk: u51.1i ;28
PDT-Clk: u38.1i ;28
PDT-Clk: u26.1i ;28

PDT-CS-a: v19.10i ;17
PDT-CS-a: v05.10i ;17
PDT-CS-a: u75.10i ;17
PDT-CS-a: u89.10i ;17
PDT-CS-a: v20.10i ;18
PDT-CS-a: u90.10i ;18
PDT-CS-a: u76.10i ;18
PDT-CS-a: v06.10i ;18
PDT-CS-a: v21.10i ;19
PDT-CS-a: v07.10i ;19
PDT-CS-a: u77.10i ;19
PDT-CS-a: u91.10i ;19
PDT-CS-a: v22.10i ;20
PDT-CS-a: v08.10i ;20
PDT-CS-a: u78.10i ;20
PDT-CS-a: u92.10i ;20
PDT-CS-a: v23.10i ;21
PDT-CS-a: v09.10i ;21
PDT-CS-a: u79.10i ;21
PDT-CS-a: u93.10i ;21
PDT-CS-a: v24.10i ;22
PDT-CS-a: v10.10i ;22
PDT-CS-a: u80.10i ;22
PDT-CS-a: u94.10i ;22
PDT-CS-a: u41.7o, #TP149.1i ;26

PDT-CS-b: u59.10i ;17
PDT-CS-b: u42.10i ;17
PDT-CS-b: u12.10i ;17
PDT-CS-b: u27.10i ;17
PDT-CS-b: u60.10i ;18
PDT-CS-b: u43.10i ;18
PDT-CS-b: u13.10i ;18
PDT-CS-b: u28.10i ;18
PDT-CS-b: u61.10i ;19
PDT-CS-b: u44.10i ;19
PDT-CS-b: u14.10i ;19
PDT-CS-b: u29.10i ;19
PDT-CS-b: u62.10i ;20
PDT-CS-b: u45.10i ;20
PDT-CS-b: u15.10i ;20
PDT-CS-b: u30.10i ;20

XEROX	PROPRIETARY NOTE ON COVER SHEET APPLIES TO ALL SHEETS		DWG SIZE A4	DWG NO. 156P11673	SHEET REV. A
	TITLE SCHEMATIC, CP			SHEET 48 OF	

PDT-CS-b: u63.10i ;21	pfS.1: v39.18i ;08
PDT-CS-b: u46.10i ;21	pfS.1: #TP116.1i, u44.7o ;19
PDT-CS-b: u16.10i ;21	pfS.1: u49.10i ;23
PDT-CS-b: u31.10i ;21	pfS.1: u48.2i ;25
PDT-CS-b: u64.10i ;22	pfS.2: v37.1i ;03
PDT-CS-b: u47.10i ;22	pfS.2: v15.1i ;03
PDT-CS-b: u17.10i ;22	pfS.2: v38.12i ;08
PDT-CS-b: u32.10i ;22	pfS.2: #TP117.1i, u29.7o ;19
PDT-CS-b: u41.9o, #TP150.1i ;26	pfS.2: u49.2i ;23
PDT-tpc: u03.2i ;13	pfS.2: u33.2i ;25
PDT-tpc: u05.2i ;13	pfS.3: v38.13i ;08
PDT-tpc: u08.2i ;13	pfS.3: #TP118.1i, u14.7o ;19
PDT-tpc: u11.2i ;13	pfS.3: u19.2i ;23
PDT-tpc: u41.5o, #TP148.1i ;26	pfS.3: u18.2i ;25
PDT-W: v43.1i ;05	pfX.0: v13.3i ;08
PDT-W: v36.1i ;14	pfX.0: #TP127.1i, v23.7o ;21
PDT-W: u71.10i ;15	pfX.0: v26.13i ;23
PDT-W: u56.10i ;15	pfX.0: v25.15i ;25
PDT-W: u41.14o, #TP145.1i ;26	pfX.1: v13.4i ;08
PDT-Wait: v64.8i ;05	pfX.1: #TP128.1i, v09.7o ;21
PDT-Wait: u54.8i ;05	pfX.1: v11.13i ;23
PDT-Wait: u41.3o, #TP147.1i ;26	pfX.1: v12.15i ;25
PDT-Wait: u55.1i ;28	pfX.2: v13.7i ;08
PDT-Ybus: v04.40i ;01	pfX.2: #TP129.1i, u93.7o ;21
PDT-Ybus: v03.40i ;01	pfX.2: u82.9i ;23
PDT-Ybus: u73.40i ;01	pfX.2: u96.15i ;25
PDT-Ybus: u74.40i ;01	pfX.3: v13.8i ;08
PDT-Ybus: u41.18o, #TP143.1i ;26	pfX.3: #TP130.1i, u79.7o ;21
pEK0': u39.13o, #TP085.1i ;15	pfX.3: u82.13i ;23
pEK0': u38.8i ;15	pfX.3: u81.15i ;25
pEK1': u39.14o, #TP086.1i ;15	pfY.0: v38.5i ;08
pEK1': u38.13i ;15	pfY.0: #TP119.1i, v22.7o ;20
pEKT': u39.11o, #TP083.1i ;15	pfY.0: v26.11i ;23
pEKT': u38.3i ;15	pfY.0: v25.1i ;25
pEKT: u39.12o, #TP084.1i ;15	pfY.1: v39.8i ;08
pEKT: u38.7i ;15	pfY.1: #TP120.1i, v08.7o ;20
pEnableSU: v39.4i ;08	pfY.1: v11.11i ;23
pEnableSU: #TP113.1i, u91.7o ;19	pfY.1: v12.1i ;25
pEnableSU: v11.2i ;23	pfY.2: v39.13i ;08
pEnableSU: u96.2i ;25	pfY.2: #TP121.1i, u92.7o ;20
pEP: #TP111.1i, v21.7o ;19	pfY.2: v11.1i ;23
pEP: v26.10i ;23	pfY.2: u96.1i ;25
pEP: v25.2i ;25	pfY.3: v39.14i ;08
pfS.0: v39.17i ;08	pfY.3: #TP122.1i, u78.7o ;20
pfS.0: #TP115.1i, u61.7o ;19	pfY.3: u82.1i ;23
pfS.0: u66.10i ;23	pfY.3: u81.1i ;25
pfS.0: u65.2i ;25	pfZ.0: v14.3i ;03
	pfZ.0: v13.13i ;08

pfZ.0: #TP135.1i, v24.7o ;22
 pfZ.0: v26.12i ;23
 pfZ.0: v25.14i ;25

 pfZ.1: v14.6i ;03
 pfZ.1: v13.14i ;08
 pfZ.1: #TP136.1i, v10.7o ;22
 pfZ.1: v11.12i ;23
 pfZ.1: v12.14i ;25

 pfZ.2: v14.10i ;03
 pfZ.2: v13.17i ;08
 pfZ.2: #TP137.1i, u94.7o ;22
 pfZ.2: u82.10i ;23
 pfZ.2: u96.14i ;25

 pfZ.3: v14.13i ;03
 pfZ.3: v13.18i ;08
 pfZ.3: #TP138.1i, u80.7o ;22
 pfZ.3: u82.12i ;23
 pfZ.3: u81.14i ;25

 pIBPtr.0: u54.11o, #TP020.1i ;05
 pIBPtr.0: u55.3i ;05

 pIBPtr.1: u54.12o, #TP021.1i ;05
 pIBPtr.1: u55.4i ;05

 pKR': #TP091.1i, u53.9o, u51.7i ;15

 pLink.0': #TP057.1i, u35.11o ;13
 pLink.0': u36.2i

 pLink.1': #TP058.1i, u35.9o ;13
 pLink.1': u36.5i

 pLink.2': #TP059.1i, u35.7o ;13
 pLink.2': u36.10i

 pLink.3': #TP060.1i, u35.5o ;13
 pLink.3': u36.13i

 pMAR←': u98.1i, v53.8o, u51.3i ;08
 pMAR←': u85.2i ;08

 pME: u85.6o, u55.18i ;15

 pmem: v39.7i ;08
 pmem: v53.10i ;08
 pmem: #TP114.1i, u77.7o ;19
 pmem: u82.2i ;23
 pmem: u81.2i ;25

 pMI: #TP077.1i, u56.13o, u55.8i ;15

 pNIA.0': u21.4o, #TP029.1i ;12
 pNIA.0': u06.8i ;13
 pNIA.0': u04.3i ;27

 pNIA.1': u21.7o, #TP030.1i ;12
 pNIA.1': u06.13i ;13
 pNIA.1': u04.6i ;27

 pNIA.10': #TP042.1i, u25.8o ;12
 pNIA.10': u10.7i ;13
 pNIA.10': u09.11i ;27

 pNIA.11': #TP044.1i, u23.8o ;12
 pNIA.11': u10.8i ;13
 pNIA.11': u09.14i ;27

 pNIA.2': u21.9o, #TP031.1i ;12
 pNIA.2': u06.14i ;13
 pNIA.2': u04.11i ;27

 pNIA.3': u21.12o, #TP032.1i ;12
 pNIA.3': u06.17i ;13
 pNIA.3': u04.14i ;27

 pNIA.4': u34.4o, #TP033.1i ;12
 pNIA.4': u06.18i ;13
 pNIA.4': u20.3i ;27

 pNIA.5': u34.7o, #TP034.1i ;12
 pNIA.5': u06.3i ;13
 pNIA.5': u20.6i ;27

 pNIA.6': u34.9o, #TP035.1i ;12
 pNIA.6': u06.4i ;13
 pNIA.6': u20.11i ;27

 pNIA.7': u34.12o, #TP036.1i ;12
 pNIA.7': u06.7i ;13
 pNIA.7': u20.14i ;27

 pNIA.8': #TP038.1i, u24.8o ;12
 pNIA.8': u10.3i ;13
 pNIA.8': u09.3i ;27

 pNIA.9': #TP040.1i, u22.8o ;12
 pNIA.9': u10.4i ;13
 pNIA.9': u09.6i ;27

 POData←': v62.7o, E28 ;09

 Pop: u99.6i, u99.2i, u99.15i ;04
 Pop: u99.11i
 Pop: u87.8o ;10

 PopX': u68.9o ;09
 PopX': u87.9i ;10
 PopX': u71.3i ;15

 PopZ': u83.10o, #TP181.1i ;09
 PopZ': u87.10i ;10
 PopZ': u71.5i ;15

 pPC16': #TP092.1i, u53.11o ;15

XEROX	PROPRIETARY NOTE ON COVER SHEET APPLIES TO ALL SHEETS		DWG SIZE A4	DWG NO. 156P11673	SHEET REV. A
	TITLE SCHEMATIC, CP			SHEET 50 OF	

pPC16': u55.17i

ppCLK: v63.3i, E9, v63.5i ;16
ppCLK: v63.12i ;16

prA.0: v37.4i ;03
prA.0: u97.3i ;08
prA.0: #TP095.1i, v19.7o ;17
prA.0: v26.4i ;23
prA.0: v25.4i ;25

prA.1: v37.5i ;03
prA.1: u97.4i ;08
prA.1: #TP096.1i, v05.7o ;17
prA.1: v26.2i ;23
prA.1: v12.4i ;25

prA.2: v37.12i ;03
prA.2: u97.7i ;08
prA.2: #TP097.1i, u89.7o ;17
prA.2: v11.4i ;23
prA.2: u96.4i ;25

prA.3: v37.13i ;03
prA.3: u97.8i ;08
prA.3: #TP098.1i, u75.7o ;17
prA.3: u82.11i ;23
prA.3: u81.4i ;25

prB.0: u50.3i ;08
prB.0: #TP099.1i, u59.7o ;17
prB.0: u66.4i ;23
prB.0: u65.4i ;25

prB.1: u50.4i ;08
prB.1: #TP100.1i, u42.7o ;17
prB.1: u66.2i ;23
prB.1: u48.4i ;25

prB.2: u50.7i ;08
prB.2: #TP101.1i, u27.7o ;17
prB.2: u49.4i ;23
prB.2: u33.4i ;25

prB.3: u50.8i ;08
prB.3: #TP102.1i, u12.7o ;17
prB.3: u19.11i ;23
prB.3: u18.4i ;25

pRet': u40.3o, u36.12i, u36.9i ;13
pRet': u36.4i, u36.1i

pSE: #TP087.1i, u71.11o, u55.13i ;15

Pt.0: v36.12o, E64 ;14
Pt.0: v56.17i ;14

Pt.1: v36.15o, E164 ;14
Pt.1: v56.15i ;14

Pt.2: v36.16o, E65 ;14
Pt.2: v56.13i ;14

Pt=Emu: v36.19o, #TP069.1i ;14
Pt=Emu: v56.11i ;14
Pt=Emu: u85.5i ;15

pTC.0: u24.1i, u52.3o, #TP037.1i ;12
pTC.0: u10.13i ;13

pTC.1: u22.1i, u52.6o, #TP039.1i ;12
pTC.1: u10.14i ;13

pTC.2: u25.1i, u37.8o, #TP041.1i ;12
pTC.2: u10.17i ;13

pTC.3: u23.1i, u37.12o, #TP043.1i ;12
pTC.3: u10.18i ;13

pU.4: v14.4o ;03
pU.4: v15.4i ;03

pU.5: v14.7o ;03
pU.5: v15.5i ;03

pU.6: v14.9o ;03
pU.6: v15.12i ;03

pU.7: v14.12o ;03
pU.7: v15.13i ;03

PU: u98.14i, u98.11i, u98.6i ;08
PU: u98.3i
PU: u21.6i ;12
PU: #R17.2i ;27

PUB: v38.1i ;08
PUB: #R21.2i ;27

Push: u99.7i ;04
Push: u84.12o ;10
Push: u71.2i ;15

PushX': u68.7o ;09
PushX': u84.13i ;10

PushY': v61.12o ;09
PushY': u84.1i ;10

PushZ': u83.9o ;09
PushZ': u84.2i ;10

pVAE: #TP088.1i, u71.13o, u55.14i ;15

pWaitCLK': v63.1o ;16
pWaitCLK': v01.2i, v01.5i, v01.13i ;16
pWaitCLK': v01.10i, u86.2i
pWaitCLK': v17.13i

XEROX	PROPRIETARY NOTE ON COVER SHEET APPLIES TO ALL SHEETS		DWG SIZE	DWG NO. 156P11673	SHEET REV.
	TITLE SCHEMATIC, CP		A4	SHEET 51 OF	A

Q.0:	v04.16i ;01	rB.0:	u74.20i ;01
Q.0:	u57.3o, #TP005.1i ;02	rB.0:	v03.20i ;01
Q.0:	u58.10i, u58.11i ;02	rB.0:	v32.13i ;04
Q.0:	#R16.2i ;27	rB.0:	v31.13i ;04
		rB.0:	u50.2o ;08
Q.11:	u73.21o, u74.16i ;01	rB.1:	v04.19i ;01
		rB.1:	u73.19i ;01
Q.15:	u74.21o ;01	rB.1:	u74.19i ;01
Q.15:	u57.6o, #TP006.1i ;02	rB.1:	v03.19i ;01
Q.15:	#R15.2i ;27	rB.1:	v32.14i ;04
		rB.1:	v31.14i ;04
Q.3:	v04.21o, v03.16i ;01	rB.1:	u50.5o ;08
Q.7:	v03.21o ;01	rB.2:	v04.18i ;01
Q.7:	u73.16i ;01	rB.2:	u73.18i ;01
		rB.2:	u74.18i ;01
R.0:	v04.8i ;01	rB.2:	v03.18i ;01
R.0:	u58.7o, #TP003.1i ;02	rB.2:	v32.15i ;04
R.0:	u58.13i ;02	rB.2:	v31.15i ;04
		rB.2:	u50.6o ;08
R.11:	u73.9o, u74.8i ;01		
		rB.3:	v04.17i ;01
R.15:	u74.9o ;01	rB.3:	u73.17i ;01
R.15:	u58.9o, #TP004.1i ;02	rB.3:	u74.17i ;01
R.15:	u58.3i ;02	rB.3:	v03.17i ;01
R.15:	u57.2i ;02	rB.3:	v32.1i ;04
		rB.3:	v31.1i ;04
R.3:	v04.9o, v03.8i ;01	rB.3:	u50.9o ;08
R.7:	v03.9o ;01	ReadCS.0:	v51.7o ;24
R.7:	u73.8i ;01	ReadCS.0:	v25.9i ;25
		ReadCS.0:	v12.9i ;25
rA.0:	v04.1i ;01	ReadCS.0:	u81.9i ;25
rA.0:	v03.1i ;01	ReadCS.0:	u96.9i ;25
rA.0:	u74.1i ;01	ReadCS.0:	u65.9i ;25
rA.0:	u73.1i ;01	ReadCS.0:	u48.9i ;25
rA.0:	u97.2o ;08	ReadCS.0:	u18.9i ;25
		ReadCS.0:	u33.9i ;25
rA.1:	v04.2i ;01		
rA.1:	v03.2i ;01	ReadCS.1:	v51.9o ;24
rA.1:	u74.2i ;01	ReadCS.1:	v25.10i ;25
rA.1:	u73.2i ;01	ReadCS.1:	v12.10i ;25
rA.1:	u97.5o ;08	ReadCS.1:	u81.10i ;25
		ReadCS.1:	u96.10i ;25
rA.2:	v04.3i ;01	ReadCS.1:	u65.10i ;25
rA.2:	v03.3i ;01	ReadCS.1:	u48.10i ;25
rA.2:	u74.3i ;01	ReadCS.1:	u18.10i ;25
rA.2:	u73.3i ;01	ReadCS.1:	u33.10i ;25
rA.2:	u97.6o ;08		
		ReadCS.2:	u07.9o ;24
rA.3:	v04.4i ;01	ReadCS.2:	v25.11i ;25
rA.3:	v03.4i ;01	ReadCS.2:	v12.11i ;25
rA.3:	u74.4i ;01	ReadCS.2:	u81.11i ;25
rA.3:	u73.4i ;01	ReadCS.2:	u96.11i ;25
rA.3:	u97.9o ;08	ReadCS.2:	u65.11i ;25
		ReadCS.2:	u48.11i ;25
rB.0:	v04.20i ;01	ReadCS.2:	u18.11i ;25
rB.0:	u73.20i ;01	ReadCS.2:	u33.11i ;25

XEROX	PROPRIETARY NOTE ON COVER SHEET APPLIES TO ALL SHEETS		DWG SIZE A4	DWG NO. 156P11673	SHEET REV. A
	TITLE SCHEMATIC, CP			SHEET 52 OF	

ReadCSEn': v25.7i ;25
 ReadCSEn': v12.7i ;25
 ReadCSEn': u81.7i ;25
 ReadCSEn': u96.7i ;25
 ReadCSEn': u65.7i ;25
 ReadCSEn': u48.7i ;25
 ReadCSEn': E188, u18.7i ;25
 ReadCSEn': u33.7i ;25

 RefillIntc2: v64.13o, #TP018.1i ;05
 RefillIntc2: u21.1i ;12

 RefReq': E88, v50.6i ;14
 RefReq': #R20.2i ;27

 Refresh: u70.11o, E16 ;10

 RefreshY': v61.13o ;09
 RefreshY': u70.13i ;10

 RefreshZ': u83.15o ;09
 RefreshZ': u70.12i ;10

 RH←': u68.14o ;09
 RH←': u69.3i ;16

 RH←: u69.4o, v01.12i ;16

 SelectIB0': v16.1i ;05
 SelectIB0': v64.14o, #TP019.1i ;05

 SelectIB1': v44.1i ;05
 SelectIB1': u54.14o, #TP022.1i ;05

 sh: v04.6i ;01
 sh: v03.6i ;01
 sh: u74.6i ;01
 sh: u73.6i ;01
 sh: u84.6o ;10

 Shift': u58.14i ;02
 Shift': u68.13o ;09
 Shift': u84.5i ;10

 StackErr: #TP089.1i, u55.12o ;15
 StackErr: u39.1i

 stackP.0: v00.2o, v45.2i ;04
 stackP.0: u99.12i ;04
 stackP.0: u71.15i ;15

 stackP.1: v00.7o, v45.4i ;04
 stackP.1: u99.14i ;04
 stackP.1: u71.16i ;15

 stackP.2: v00.10o, v45.6i ;04
 stackP.2: u99.3i ;04
 stackP.2: u71.17i ;15

 stackP.3: v00.15o, v45.8i ;04
 stackP.3: u99.5i ;04
 stackP.3: u71.1i ;15

 stackP←': v00.1i ;04
 stackP←': v02.10o ;09

 SUAddr.0: v34.7i ;03
 SUAddr.0: v48.7i ;03
 SUAddr.0: v33.7i ;03
 SUAddr.0: v47.7i ;03
 SUAddr.0: v37.2o, #TP164.1i ;03

 SUAddr.1: v34.6i ;03
 SUAddr.1: v48.6i ;03
 SUAddr.1: v33.6i ;03
 SUAddr.1: v47.6i ;03
 SUAddr.1: v37.7o, #TP165.1i ;03

 SUAddr.2: v34.5i ;03
 SUAddr.2: v48.5i ;03
 SUAddr.2: v33.5i ;03
 SUAddr.2: v47.5i ;03
 SUAddr.2: v37.10o, #TP166.1i ;03

 SUAddr.3: v34.21i ;03
 SUAddr.3: v48.21i ;03
 SUAddr.3: v33.21i ;03
 SUAddr.3: v47.21i ;03
 SUAddr.3: v37.15o, #TP167.1i ;03

 SUAddr.4: v34.1i ;03
 SUAddr.4: v48.1i ;03
 SUAddr.4: v33.1i ;03
 SUAddr.4: v47.1i ;03
 SUAddr.4: v15.2o, #TP168.1i ;03

 SUAddr.5: v34.2i ;03
 SUAddr.5: v48.2i ;03
 SUAddr.5: v33.2i ;03
 SUAddr.5: v47.2i ;03
 SUAddr.5: v15.7o, #TP169.1i ;03

 SUAddr.6: v34.3i ;03
 SUAddr.6: v48.3i ;03
 SUAddr.6: v33.3i ;03
 SUAddr.6: v47.3i ;03
 SUAddr.6: v15.10o, #TP170.1i ;03

 SUAddr.7: v34.4i ;03
 SUAddr.7: v48.4i ;03
 SUAddr.7: v33.4i ;03
 SUAddr.7: v47.4i ;03
 SUAddr.7: v15.15o, #TP171.1i ;03

 Swc2': #TP075.1i, u67.11o, u38.17i ;14

 Swc2: #TP074.1i, u67.9o, u38.14i ;14

XEROX	PROPRIETARY NOTE ON COVER SHEET APPLIES TO ALL SHEETS		DWG SIZE A4	DWG NO. 156P11673		SHEET REV. A
	TITLE SCHEMATIC, CP			SHEET 53 OF		

Swc2: u04.1i ;27
 Swc2: u20.1i ;27
 Swc2: u09.1i ;27
 Swc3': u24.13i, u24.12i ;12
 Swc3': u22.13i, u22.12i ;12
 Swc3': u23.13i, u23.12i ;12
 Swc3': u25.13i, u25.12i ;12
 Swc3': u38.16o ;14
 Swc3: u24.9i ;12
 Swc3: u22.9i ;12
 Swc3: u23.9i ;12
 Swc3: u25.9i ;12
 Swc3: u38.15o ;14
 SwTAddr': E196, u02.1i ;24
 SwTAddr': u07.1i, u07.19i ;24
 SwTAddr: u06.1i ;13
 SwTAddr: u10.1i ;13
 SwTAddr: v50.10i ;14
 SwTAddr: v63.9i ;14
 SwTAddr: E96 ;24
 TC.0: u24.10i ;12
 TC.0: u26.12o ;13
 TC.0: v25.13i ;25
 TC.1: u22.10i ;12
 TC.1: u26.15o ;13
 TC.1: v12.13i ;25
 TC.2: u25.10i ;12
 TC.2: u26.16o ;13
 TC.2: u96.13i ;25
 TC.3: u23.10i ;12
 TC.3: u26.19o ;13
 TC.3: u81.13i ;25
 TCWaitc1': u51.15o ;16
 TCWaitc1': u85.12i ;16
 TCX.0: #TP195.1i, u10.12o, u11.12i ;13
 TCX.1: #TP196.1i, u10.15o, u11.10i ;13
 TCX.2: #TP197.1i, u10.16o, u11.6i ;13
 TCX.3: #TP198.1i, u10.19o, u11.4i ;13
 TCY.0: u11.11o, #TP061.1i, u26.13i ;13
 TCY.1: u11.9o, #TP062.1i, u26.14i ;13
 TCY.2: u11.7o, #TP063.1i, u26.17i ;13
 TCY.3: #TP064.1i, u11.5o, u26.18i ;13
 Tester: u41.19i, u41.1i, #TP151.1i ;26
 Tester: #R13.1i ;27
 TPC.0': u03.11o, #TP045.1i ;13
 TPC.0': u65.13i ;25
 TPC.0': u04.4i ;27
 TPC.1': u03.9o, #TP046.1i ;13
 TPC.1': u48.13i ;25
 TPC.1': u04.5i ;27
 TPC.10': u08.7o, #TP055.1i ;13
 TPC.10': u33.12i ;25
 TPC.10': u09.12i ;27
 TPC.11': u08.5o, #TP056.1i ;13
 TPC.11': u18.12i ;25
 TPC.11': u09.13i ;27
 TPC.2': u03.7o, #TP047.1i ;13
 TPC.2': u33.13i ;25
 TPC.2': u04.12i ;27
 TPC.3': u03.5o, #TP048.1i ;13
 TPC.3': u18.13i ;25
 TPC.3': u04.13i ;27
 TPC.4': u05.11o, #TP049.1i ;13
 TPC.4': v25.12i ;25
 TPC.4': u20.4i ;27
 TPC.5': u05.9o, #TP050.1i ;13
 TPC.5': v12.12i ;25
 TPC.5': u20.5i ;27
 TPC.6': u05.7o, #TP051.1i ;13
 TPC.6': u96.12i ;25
 TPC.6': u20.12i ;27
 TPC.7': u05.5o, #TP052.1i ;13
 TPC.7': u81.12i ;25
 TPC.7': u20.13i ;27
 TPC.8': u08.11o, #TP053.1i ;13
 TPC.8': u65.12i ;25
 TPC.8': u09.4i ;27
 TPC.9': u08.9o, #TP054.1i ;13
 TPC.9': u48.12i ;25
 TPC.9': u09.5i ;27
 VCC: u73.10i, v03.10i, v04.10i ;01
 VCC: u74.10i
 VCC: #R22.1i, #R17.1i, #R19.1i ;27
 VCC: #R20.1i, #R21.1i, #R15.1i
 VCC: #R16.1i, #R18.1i, #R14.1i
 VCC: #F1.1o, #C67.1o, #C66.1o ;27
 VCC: #C33.1i, #C34.1i, #C35.1i ;29

XEROX	PROPRIETARY NOTE ON COVER SHEET APPLIES TO ALL SHEETS		DWG SIZE A4	DWG NO. 156P11673	SHEET REV. A
	TITLE SCHEMATIC, CP		SHEET 54	OF	

VCC: #C36.1i, #C37.1i, #C38.1i
VCC: #C39.1i, #C40.1i, #C41.1i
VCC: #C42.1i, #C43.1i, #C44.1i
VCC: #C45.1i, #C46.1i, #C47.1i
VCC: #C48.1i, #C17.1i, #C18.1i
VCC: #C19.1i, #C20.1i, #C21.1i
VCC: #C22.1i, #C23.1i, #C24.1i
VCC: #C25.1i, #C26.1i, #C27.1i
VCC: #C28.1i, #C29.1i, #C30.1i
VCC: #C31.1i, #C32.1i, #C1.1i
VCC: #C2.1i, #C3.1i, #C4.1i
VCC: #C5.1i, #C6.1i, #C7.1i
VCC: #C8.1i, #C9.1i, #C10.1i
VCC: #C11.1i, #C12.1i, #C13.1i
VCC: #C14.1i, #C15.1i, #C16.1i
VCC: #C49.1i, #C50.1i, #C51.1i
VCC: #C52.1i, #C53.1i, #C54.1i
VCC: #C55.1i, #C56.1i, #C57.1i
VCC: #C58.1i, #C59.1i, #C60.1i
VCC: #C61.1i, #C62.1i, #C63.1i
VCC: #C64.1i, #C65.1i

VirtAddrErr: #TP090.1i, u55.15o ;15
VirtAddrErr: u39.2i

Wait: v29.8i ;05
Wait: u67.5i ;14
Wait: u37.6o, E17 ;16
Wait: v63.2i ;16
Wait: u40.4i ;16

Waitc1': u51.8i, u86.8o, u37.3i ;16
Waitc2': u51.13i, u51.9o, u37.4i ;16
Waitc3': u51.14i, u51.12o, u37.5i ;16

WaitClk: v04.15i, v03.15i ;01
WaitClk: u73.15i, u74.15i ;01
WaitClk: v00.9i ;04
WaitClk: v17.12o ;16
WaitClk: u55.11i ;28

WrIBFront: v43.11i ;05
WrIBFront: v01.8o ;16

WrIBQ: u40.6o, v63.11i ;16

WriteIB: v16.11i ;05
WriteIB: v44.11i ;05
WriteIB: v63.13o ;16

WriteLink': u35.3i ;13
WriteLink': v01.6o ;16

WriteRH': v32.3i ;04
WriteRH': v31.3i ;04
WriteRH': v01.11o ;16

WriteSU': v34.20i ;03
WriteSU': v48.20i ;03
WriteSU': v33.20i ;03
WriteSU': v47.20i ;03
WriteSU': v01.3o ;16

WriteTC': u11.3i ;13
WriteTC': u87.3o ;16

WriteTPC': u05.3i ;13
WriteTPC': u03.3i ;13
WriteTPC': u08.3i ;13
WriteTPC': u86.6o ;16

WrTCQ: u85.11o, u87.1i ;16

WrTPCHigh': E91, u02.11i ;24

WrTPCLow: u86.4i, E191, u86.5i ;16

X.0: E41, v04.22i ;01
X.0: v34.16o ;03
X.0: v16.8i ;05
X.0: v60.15o ;06
X.0: v18.9o ;06
X.0: v35.14i ;11

X.10: E46, u73.24i ;01
X.10: v33.12o ;03
X.10: v18.14o ;04
X.10: v32.6i ;04
X.10: v44.7i ;05
X.10: v58.12o ;06
X.10: v28.9o ;07
X.10: v27.9o ;07
X.10: v45.7o ;07
X.10: v35.15i ;11

X.11: E146, u73.25i ;01
X.11: v33.10o ;03
X.11: v18.12o ;04
X.11: v32.4i ;04
X.11: v44.8i ;05
X.11: v57.12o ;06
X.11: v28.12o ;07
X.11: v27.12o ;07
X.11: v45.9o ;07
X.11: u88.13i ;11

X.12: E47, u74.22i ;01
X.12: v47.16o ;03
X.12: v46.18o ;04
X.12: v31.12i ;04
X.12: v45.18o ;04
X.12: v44.18i ;05
X.12: v60.11o ;06
X.12: v42.4o ;07
X.12: v56.18o ;07
X.12: v41.2i ;11

X.13: E147, u74.23i ;01
 X.13: v47.14o ;03
 X.13: v46.16o ;04
 X.13: v31.10i ;04
 X.13: v45.16o ;04
 X.13: v44.17i ;05
 X.13: v59.11o ;06
 X.13: v42.12o ;07
 X.13: v56.16o ;07
 X.13: v41.5i ;11

X.14: E48, u74.24i ;01
 X.14: v47.12o ;03
 X.14: v46.14o ;04
 X.14: v31.6i ;04
 X.14: v45.14o ;04
 X.14: v44.14i ;05
 X.14: v58.11o ;06
 X.14: v42.7o ;07
 X.14: v56.14o ;07
 X.14: v30.4i ;11

X.15: E148, u74.25i ;01
 X.15: v47.10o ;03
 X.15: v46.12o ;04
 X.15: v31.4i ;04
 X.15: v45.12o ;04
 X.15: v44.13i ;05
 X.15: v57.11o ;06
 X.15: v42.9o ;07
 X.15: v56.12o ;07
 X.15: v35.4i ;11
 X.15: v35.13i ;11

X.1: E141, v04.23i ;01
 X.1: v34.14o ;03
 X.1: v16.7i ;05
 X.1: v59.15o ;06
 X.1: v18.7o ;06

X.2: E42, v04.24i ;01
 X.2: v34.12o ;03
 X.2: v16.4i ;05
 X.2: v58.15o ;06
 X.2: v18.5o ;06

X.3: E142, v04.25i ;01
 X.3: v34.10o ;03
 X.3: v16.3i ;05
 X.3: v57.15o ;06
 X.3: v18.3o ;06

X.4: E43, v03.22i ;01
 X.4: v48.16o ;03
 X.4: v16.13i ;05
 X.4: v60.14o ;06
 X.4: v46.9o ;06
 X.4: v30.14i ;11

X.5: E143, v03.23i ;01
 X.5: v48.14o ;03
 X.5: v16.14i ;05
 X.5: v59.14o ;06
 X.5: v46.7o ;06

X.6: E44, v03.24i ;01
 X.6: v48.12o ;03
 X.6: v16.17i ;05
 X.6: v58.14o ;06
 X.6: v46.5o ;06

X.7: E144, v03.25i ;01
 X.7: v48.10o ;03
 X.7: v16.18i ;05
 X.7: v57.14o ;06
 X.7: v46.3o ;06

X.8: E45, u73.22i ;01
 X.8: v33.16o ;03
 X.8: v18.18o ;04
 X.8: v32.12i ;04
 X.8: v44.3i ;05
 X.8: v60.12o ;06
 X.8: v28.4o ;07
 X.8: v27.4o ;07
 X.8: v45.3o ;07
 X.8: v30.13i ;11

X.9: E145, u73.23i ;01
 X.9: v33.14o ;03
 X.9: v18.16o ;04
 X.9: v32.10i ;04
 X.9: v44.4i ;05
 X.9: v59.12o ;06
 X.9: v28.7o ;07
 X.9: v27.7o ;07
 X.9: v45.5o ;07
 X.9: v30.15i ;11

XBus<-IB': v29.11i ;05
 XBus<-IB': v28.15i ;07
 XBus<-IB': v42.15i ;07
 XBus<-IB': v52.6o ;10

XByte': u84.8o, v53.12i ;10

Xhigh<=0: v18.19i, v46.19i ;06
 Xhigh<=0: v53.11o ;10

Y.0: v04.39o, E49 ;01
 Y.0: v34.15i ;03
 Y.0: v60.4i ;06

Y.10: u73.37o, E56 ;01
 Y.10: v33.11i ;03
 Y.10: v58.2i ;06
 Y.10: v58.6i ;06

XEROX	PROPRIETARY NOTE ON COVER SHEET APPLIES TO ALL SHEETS		DWG SIZE A4	DWG NO. 156P11673	SHEET REV. A
	TITLE SCHEMATIC, CP		SHEET 56	OF	

Y.11:	u73.36o, E156	;01	Y.6:	v03.37o, E54	;01
Y.11:	v33.9i	;03	Y.6:	v48.11i	;03
Y.11:	v57.2i	;06	Y.6:	v58.5i	;06
Y.11:	v57.6i	;06	Y.6:	v58.1i	;06
Y.12:	u74.39o, E57	;01	Y.7:	v03.36o, E154	;01
Y.12:	v14.2i	;03	Y.7:	v48.9i	;03
Y.12:	v47.15i	;03	Y.7:	v57.5i	;06
Y.12:	v00.3i	;04	Y.7:	v57.1i	;06
Y.12:	v60.3i	;06	Y.8:	u73.39o, E55	;01
Y.12:	v60.7i	;06	Y.8:	v33.15i	;03
Y.12:	v41.3i	;11	Y.8:	v60.2i	;06
Y.13:	u74.38o, E157	;01	Y.8:	v60.6i	;06
Y.13:	v47.13i	;03	Y.9:	u73.38o, E155	;01
Y.13:	v14.5i	;03	Y.9:	v33.13i	;03
Y.13:	v00.6i	;04	Y.9:	v59.2i	;06
Y.13:	v59.3i	;06	Y.9:	v59.6i	;06
Y.13:	v59.7i	;06	YH.0:	E59, v32.11o, v18.2i	;04
Y.13:	v41.6i	;11	YH.0:	u71.4i	;15
Y.14:	u74.37o, E58	;01	YH.1:	E159, v32.9o, v18.4i	;04
Y.14:	v47.11i	;03	YH.1:	u71.7i	;15
Y.14:	v14.11i	;03	YH.2:	E61, v32.7o, v18.6i	;04
Y.14:	v00.11i	;04	YH.3:	E161, v32.5o, v18.8i	;04
Y.14:	v58.3i	;06	YH.4:	E62, v31.11o, v46.2i	;04
Y.14:	v58.7i	;06	YH.4:	v29.12i	;16
Y.14:	v30.3i	;11	YH.5:	E162, v31.9o, v46.4i	;04
Y.15:	u74.36o, E158	;01	YH.5:	v29.3i	;16
Y.15:	v47.9i	;03	YH.6:	E63, v31.7o, v46.6i	;04
Y.15:	v14.14i	;03	YH.6:	v29.2i	;16
Y.15:	v00.14i	;04	YH.7:	E163, v31.5o, v46.8i	;04
Y.15:	v57.3i	;06	YH.7:	v29.13i	;16
Y.15:	v57.7i	;06	YIODisp.0:	E39, v30.1i	;11
Y.15:	v35.3i	;11	YIODisp.0:	#R22.2i	;27
Y.1:	v04.38o, E149	;01	YIODisp.1:	E139, v35.1i	;11
Y.1:	v34.13i	;03	←EIData':	v55.15o, E31	;09
Y.1:	v59.4i	;06	←EIStatus':	v55.14o, E131	;09
Y.2:	v04.37o, E52	;01	←ErrIBStkp':	v45.1i	;04
Y.2:	v34.11i	;03	←ErrIBStkp':	v45.19i	;07
Y.2:	v58.4i	;06	←ErrIBStkp':	v54.13o	;09
Y.3:	v04.36o, E152	;01	←ib':	u54.16i	;05
Y.3:	v34.9i	;03	←ib':	v64.16i	;05
Y.3:	v57.4i	;06	←ib':	v54.10o, #TP182.1i	;09
Y.4:	v03.39o, E53	;01			
Y.4:	v48.15i	;03			
Y.4:	v60.1i	;06			
Y.4:	v60.5i	;06			
Y.5:	v03.38o, E153	;01			
Y.5:	v48.13i	;03			
Y.5:	v59.5i	;06			
Y.5:	v59.1i	;06			

←ibHigh': v42.1i ;07
 ←ibHigh': v54.7o ;09
 ←IOPIData': v54.15o, E34 ;09
 ←IOPStatus': v54.14o, E134 ;09
 ←KIData': v55.13o, E32 ;09
 ←KStatus': v55.12o, E132 ;09
 ←KTest': v55.9o, E33 ;09
 ←MStatus': v55.10o, E114 ;09
 ←RH': v18.1i, v46.1i ;04
 ←RH': v54.12o ;09

XEROX	PROPRIETARY NOTE ON COVER SHEET APPLIES TO ALL SHEETS		DWG SIZE A4	DWG NO. 156P11673	SHEET REV. A
	TITLE SCHEMATIC, CP			SHEET 58 OF	