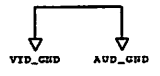
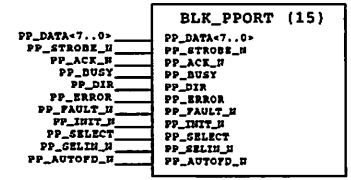
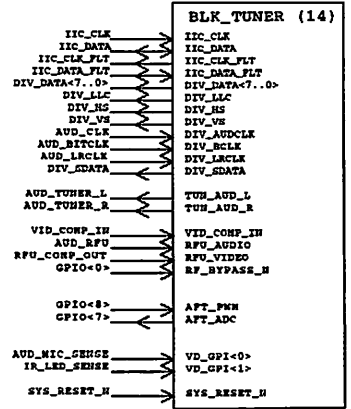
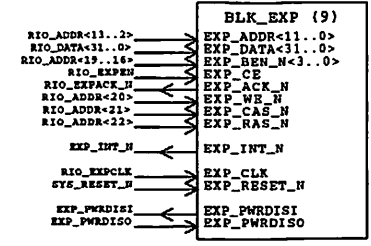
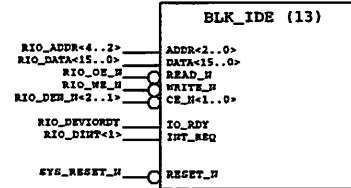
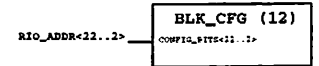
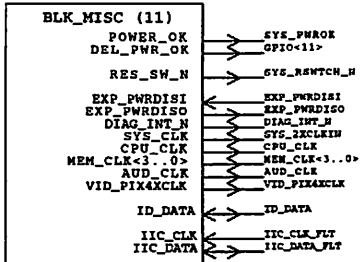


Std: body.1.1.v 1.7 1997/07/01 14:09:01 sheet Exp 5

DRAWING
 TITLE=LC2
 ABBREV=LC2
 LAST_MODIFIED=Wed Sep 10 19:32:56 1997

© WebTV Networks, Inc. 1997		
This document contains privileged or otherwise legally protected information. Disclosure of this information to anyone other than the recipient is not authorized. You may not copy, reproduce, or otherwise use this document unless you are an authorized representative of a named recipient.		BLOCK REVISION: 0.0 PAGE: 1 of 3
GET: LC2	BLOCK: TOP	DATE:
ENGINEER: GLEATOR	APPROVED:	SET REVISION: 7.0 PAGE: 1 of 34



© WebTV Networks, Inc. 1997

This document contains privileged or otherwise legally protected information. Disclosure of this information to anyone other than the recipient is not authorized. You may not read, copy, or otherwise use this document unless you are an authorized representative of a named recipient.

EST: LC2	BLOCK: TOP	DATE:	BLOCK	REVISION: 0.0
ENGINEER:	SELEATOR	APPROVED:	SET	PAGE: 2 of 3
			REVISION: 7.0	
			PAGE: 2 of 34	

DRAWING
 TITLE=LC2
 ABBREV=LC2
 LAST_MODIFIED=Thu Sep 25 22:40:11 1997

ISA CONTROL FUNCTIONS ON RIO_DATA LINES:

Data<31> MEMR
 Data<30> MEMW
 DATA<29> ALT_THINGY

Exp Control functions on RIO_DATA lines:

DATA<22> RAS_N
 Data<21> CAS_N
 DATA<20> WE_N
 Data<19..16> EXP_BEN_N<3..0>

RIO_DINT<3..0> MAPPING

0 MODEM
 1 DISK
 2
 3

GPIO MAP

* GPIO<0> RFU_ENAB
 * GPIO<1> SYS_AUD_MUTE
 * GPIO<2> VID_RESET_N
 * GPIO<3> AUD_MIC_SEL
 * GPIO<4> DAA_LSTAT
 * GPIO<5> DAA_SNOOP_N
 * GPIO<6> DAA_RING_DET
 GPIO<7> TUNER_APT_IN
 GPIO<8> TUNER_APT_OUT
 GPIO<9> SVIDEO_SENSE
 GPIO<10> SYS_AUD_CS_N
 *GPIO<11> DEL_PWR_OK
 GPIO<12> SYS_AUD_CCLK
 GPIO<13> SYS_AUD_CDATA
 GPIO<14> DAA_HOOKSW_N
 GPIO<15> MOD_RESET_N

* On Solo 1.0, GPIO<6..0> are 5V-tolerant.
 GPIO<15..7> are NOT 5V-tolerant.

** On Solo 1.0, GPIO<11> is no longer GP. It is now a dedicated pin.

Ⓐ DAA_HOOKSW_N, DAA_LSTAT, DAA_SNOOP_N, and DAA_RING_DET:
 GPIO's needed only for soft modem.

Ⓑ MOD_RESET_N needed only for hard modem.

Video Digitizer GPIO Usage:

OUT<0>: Not Used
 OUT<1>: Not Used
 OUT<2>: Not Used
 OUT<3>: Not Used

IN<0>: Microphone Sense
 IN<1>: TR LED Sense
 IN<2>: Not Used
 IN<3>: Not Used

Video digitizer Y channel input selection:

0: Tuner
 1: Line Input
 2: Not Used
 3: Not Used

© WebTV Networks, Inc. 1997

This document contains privileged or otherwise legally protected information. Disclosure of this information to anyone other than the recipient is not authorized. You may not read, copy, or otherwise use this document, unless you are an authorized representative of a named recipient.

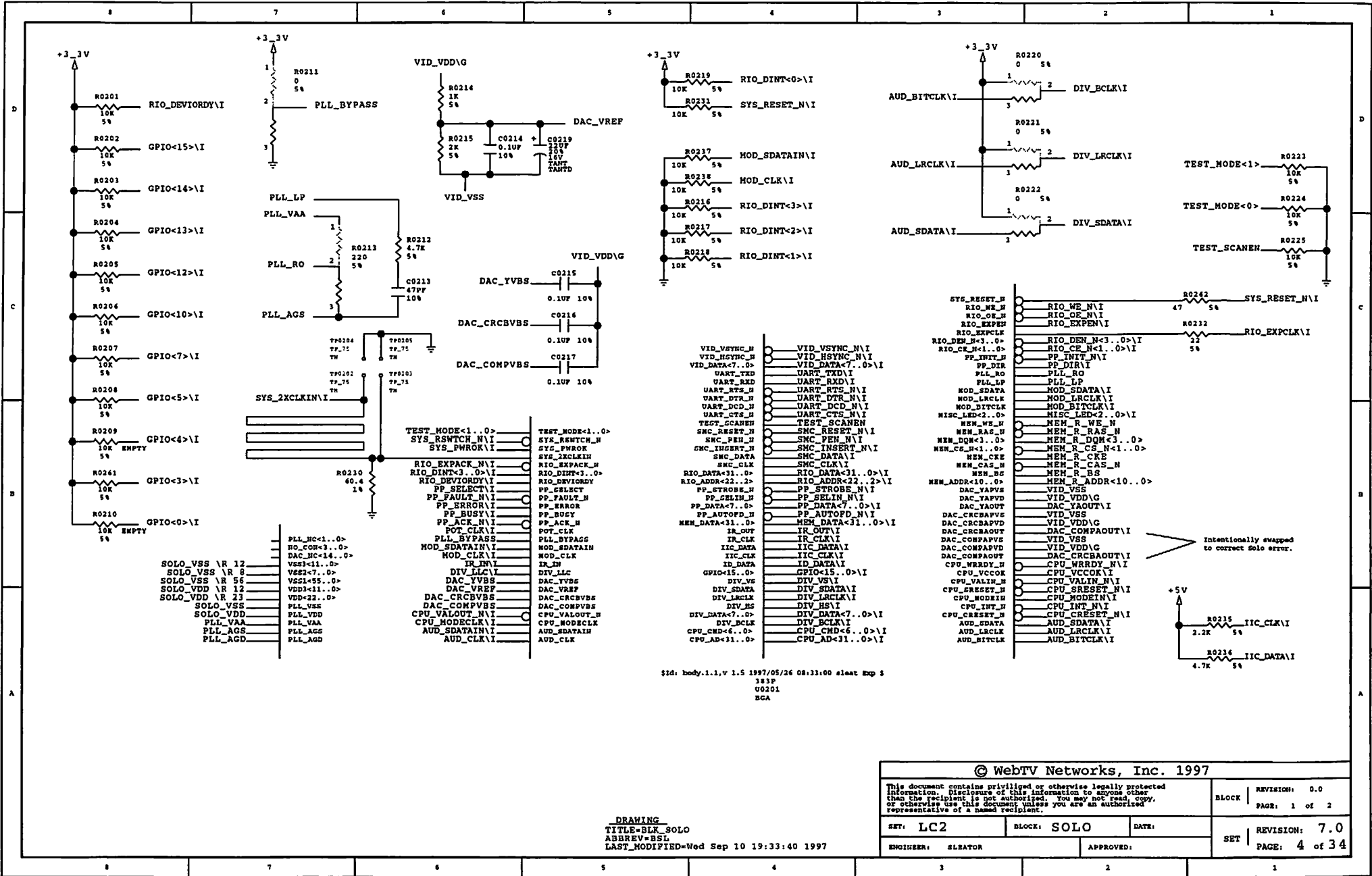
BLOCK | REVISION: 0.0
 PAGE: 3 of 3

SET: LC2 | BLOCK: TOP | DATE:

SET | REVISION: 7.0
 PAGE: 3 of 34

ENGINEER: SLEATOR | APPROVED:

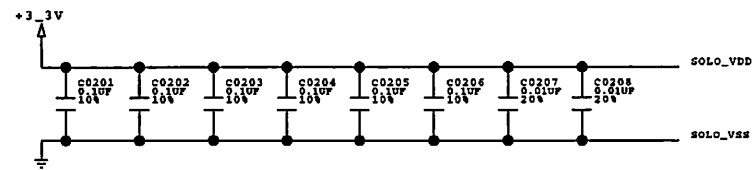
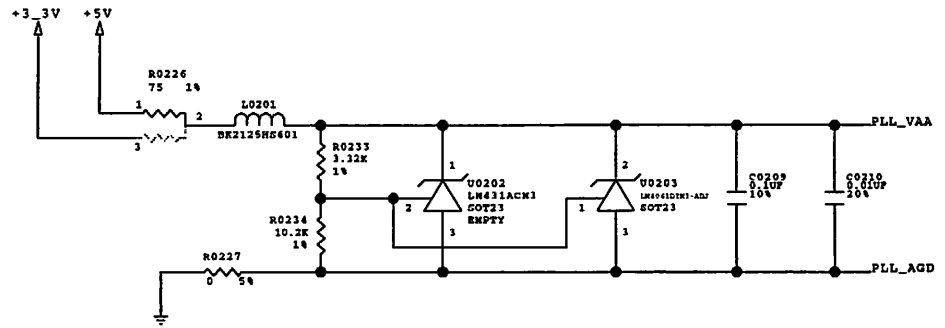
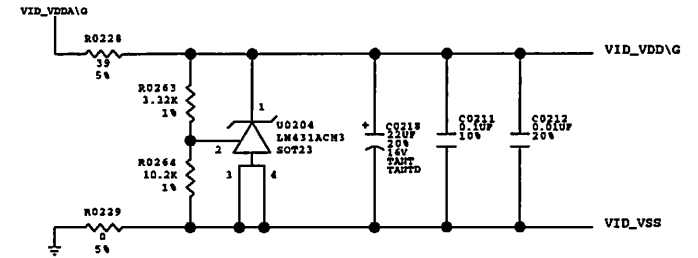
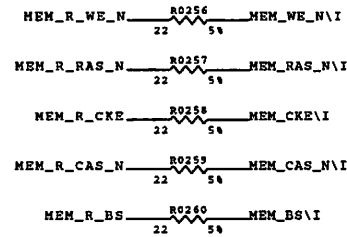
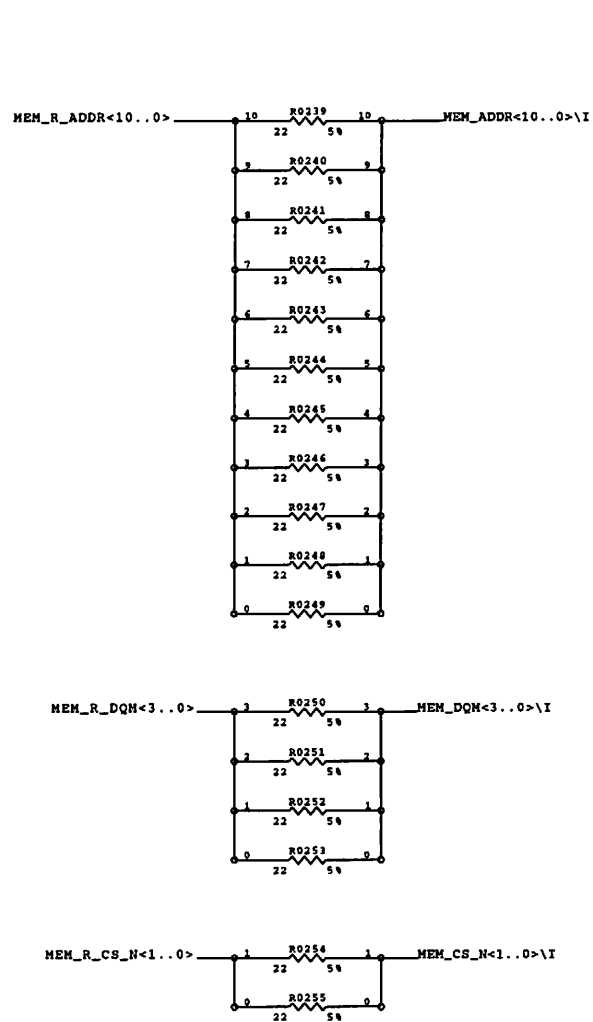
 DRAWING
 TITLE=LC2
 ABBREV=LC2
 LAST_MODIFIED=Wed Sep 10 19:33:28 1997



\$Id: body.1.1.v 1.5 1997/05/26 08:33:00 sleat Exp \$
 343P
 V0201
 BCA

DRAWING
 TITLE=BLX SOLO
 ABBREV=BSL
 LAST_MODIFIED=Wed Sep 10 19:33:40 1997

Intentionally swapped to correct BSL error.



DRAWING
 TITLE=BLK_SOLO
 ABBREV=BSL
 LAST_MODIFIED=Wed Sep 10 19:33:51 1997

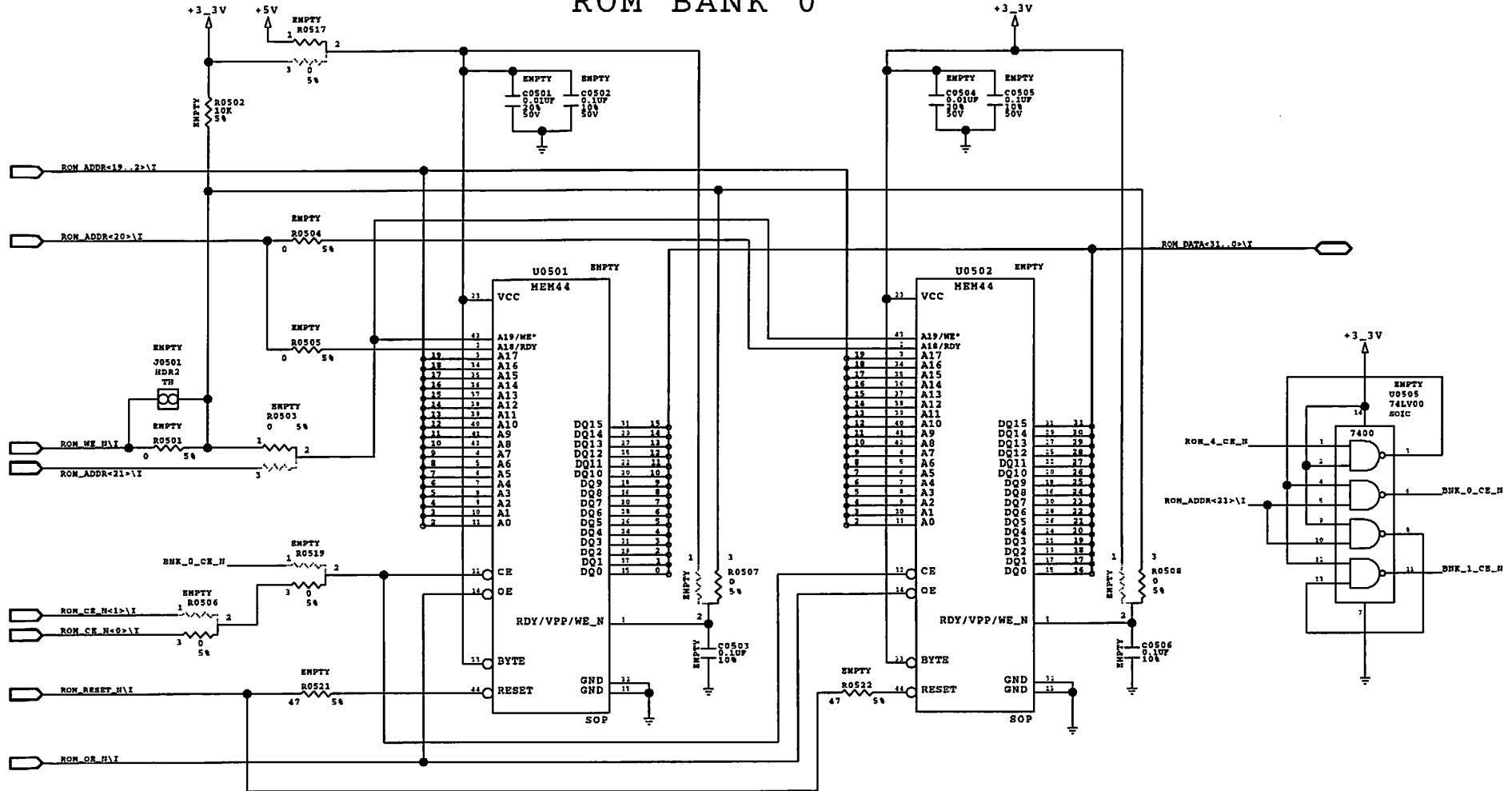
© WebTV Networks, Inc. 1997

This document contains privileged or otherwise legally protected information. Disclosure of this information to anyone other than the recipient is not authorized. You may not read, copy, or otherwise use this document unless you are an authorized representative of a named recipient.

SET: LC2 BLOCK: SOLO DATE:
 ENGINEER: SLEATOR APPROVED:

BLOCK	REVISION: 0.0
	PAGE: 2 of 2
SET	REVISION: 7.0
	PAGE: 5 of 34

ROM BANK 0

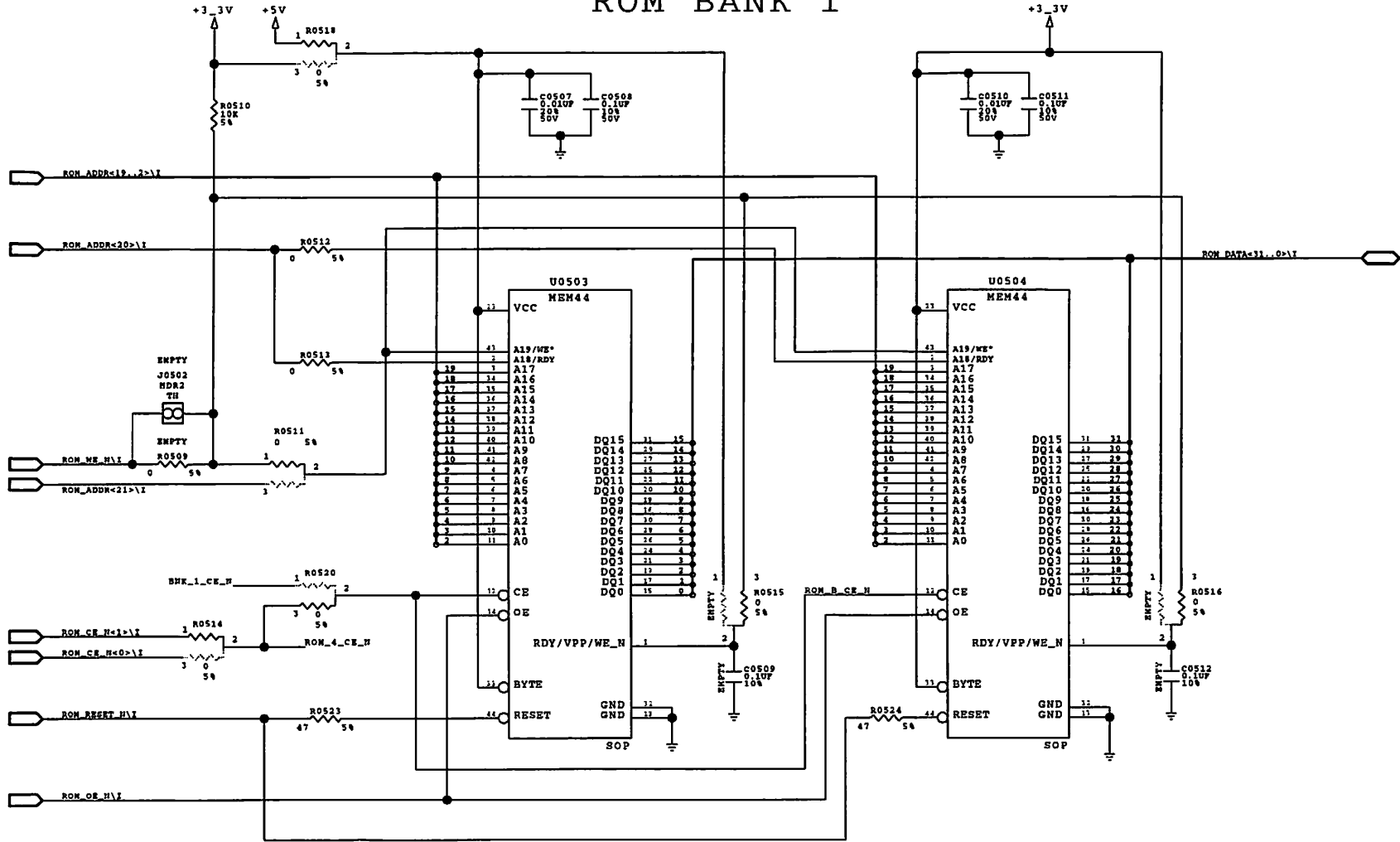


© WebTV Networks, Inc. 1997

This document contains privileged or otherwise legally protected information. Disclosure of this information to anyone other than the recipient is not authorized. You may not read, copy, or otherwise use this document unless you are an authorized representative of a named recipient.		BLOCK	REVISION: 0.0
SET: LC2	BLOCK: ROM	DATE:	PAGE: 1 of 2
ENGINEER: SLEATOR	APPROVED:	SET	REVISION: 7.0
			PAGE: 9 of 34

DRAWING
 TITLE=BLK_ROM
 ABBREV=ROM
 LAST_MODIFIED=Wed Sep 10 19:35:05 1997

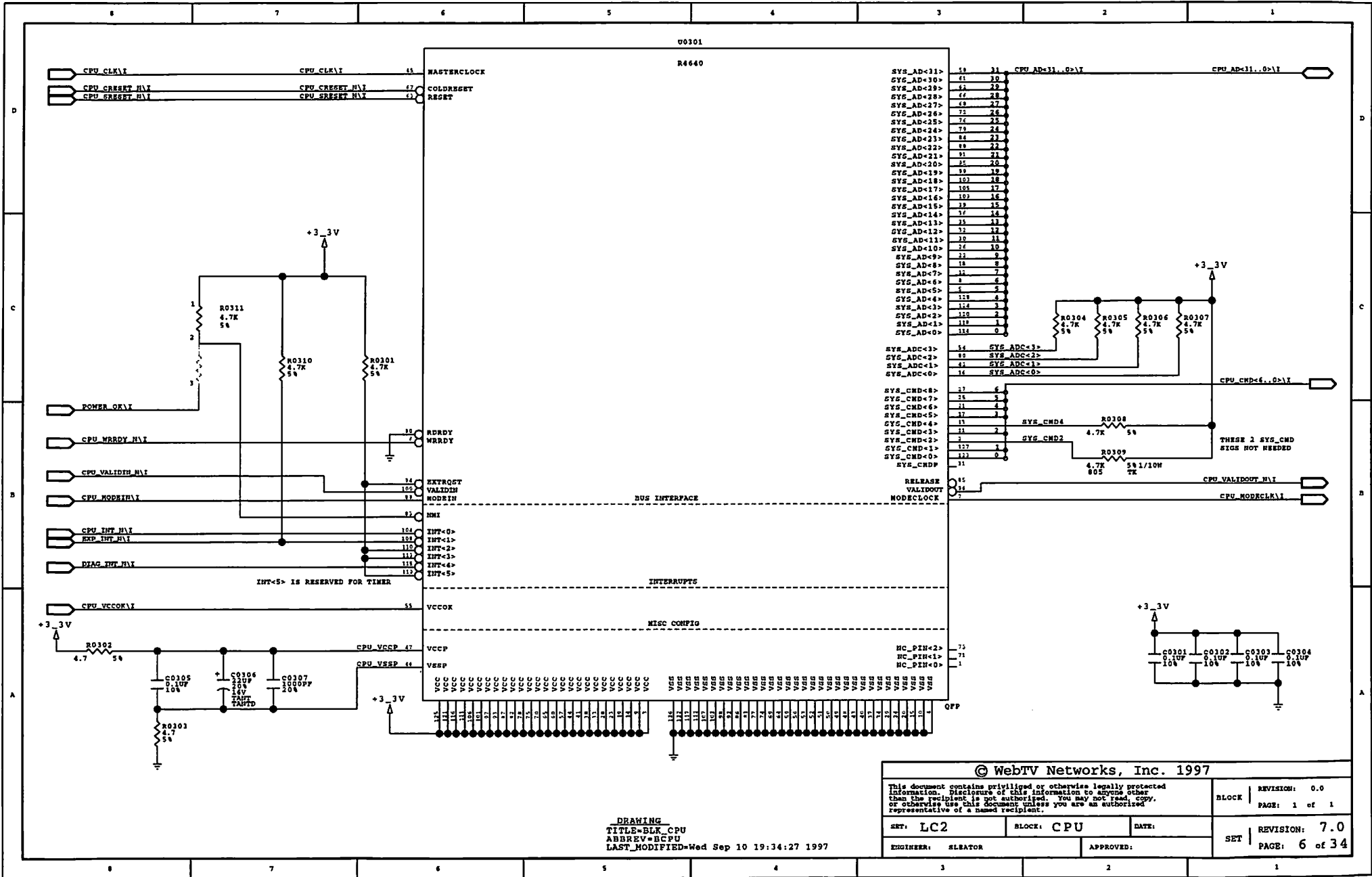
ROM BANK 1



© WebTV Networks, Inc. 1997

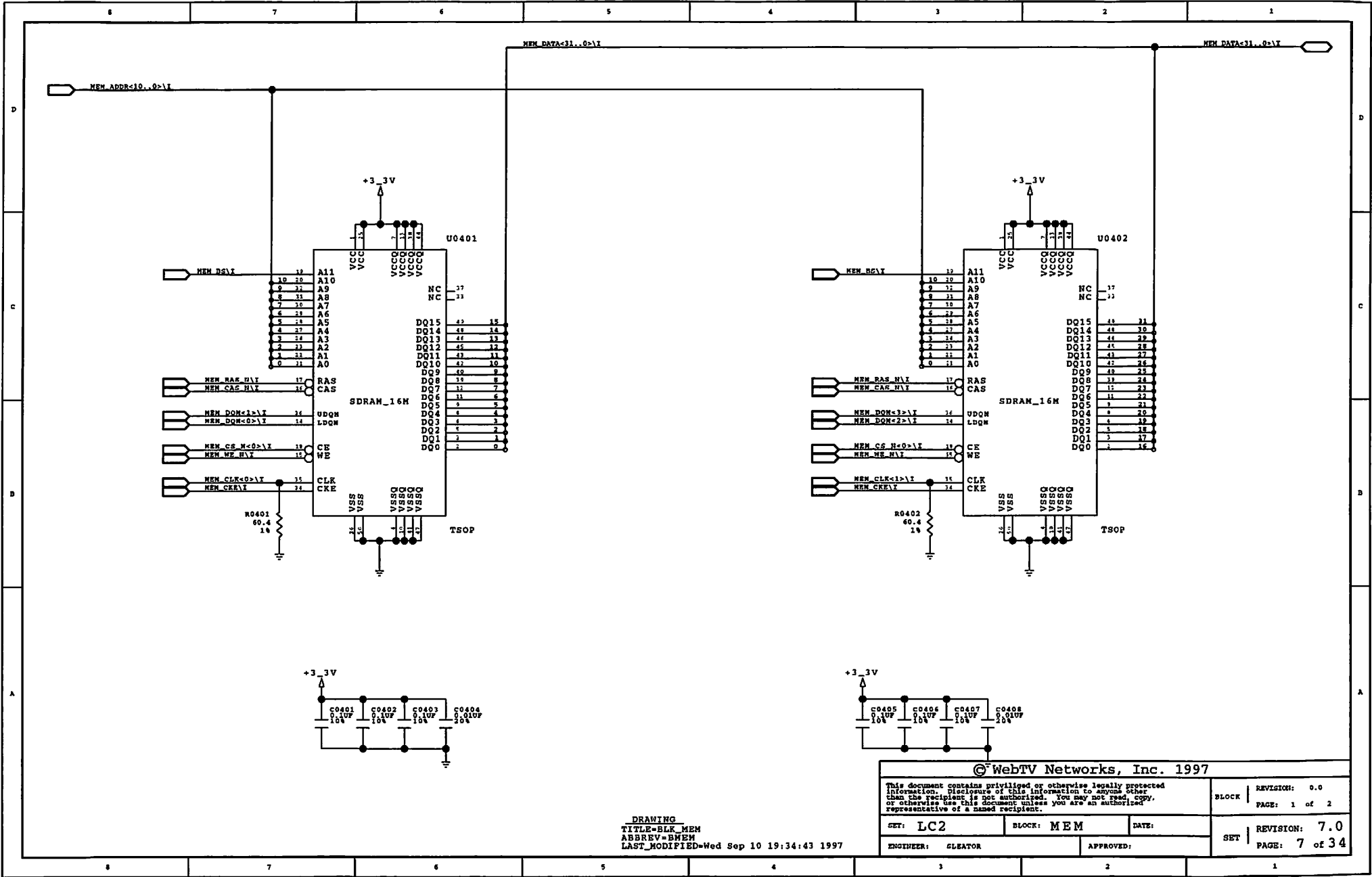
DRAWING
 TITLE=BLK_ROM
 ABBREV=BR0M
 LAST_MODIFIED=Thu Sep 25 21:15:03 1997

This document contains privileged or otherwise legally protected information. Disclosure of this information to anyone other than the recipient is not authorized. You may not read, copy, or otherwise use this document unless you are an authorized representative of a named recipient.			BLOCK	REVISION: 0.0 PAGE: 2 of 2
SET: LC2	BLOCK: ROM	DATE:	SET	REVISION: 7.0 PAGE: 10 of 34
ENGINEER: SLEATOR	APPROVED:			



DRAWING
 TITLE=BLK_CPU
 ABBREV=BCPU
 LAST_MODIFIED=Wed Sep 10 19:34:27 1997

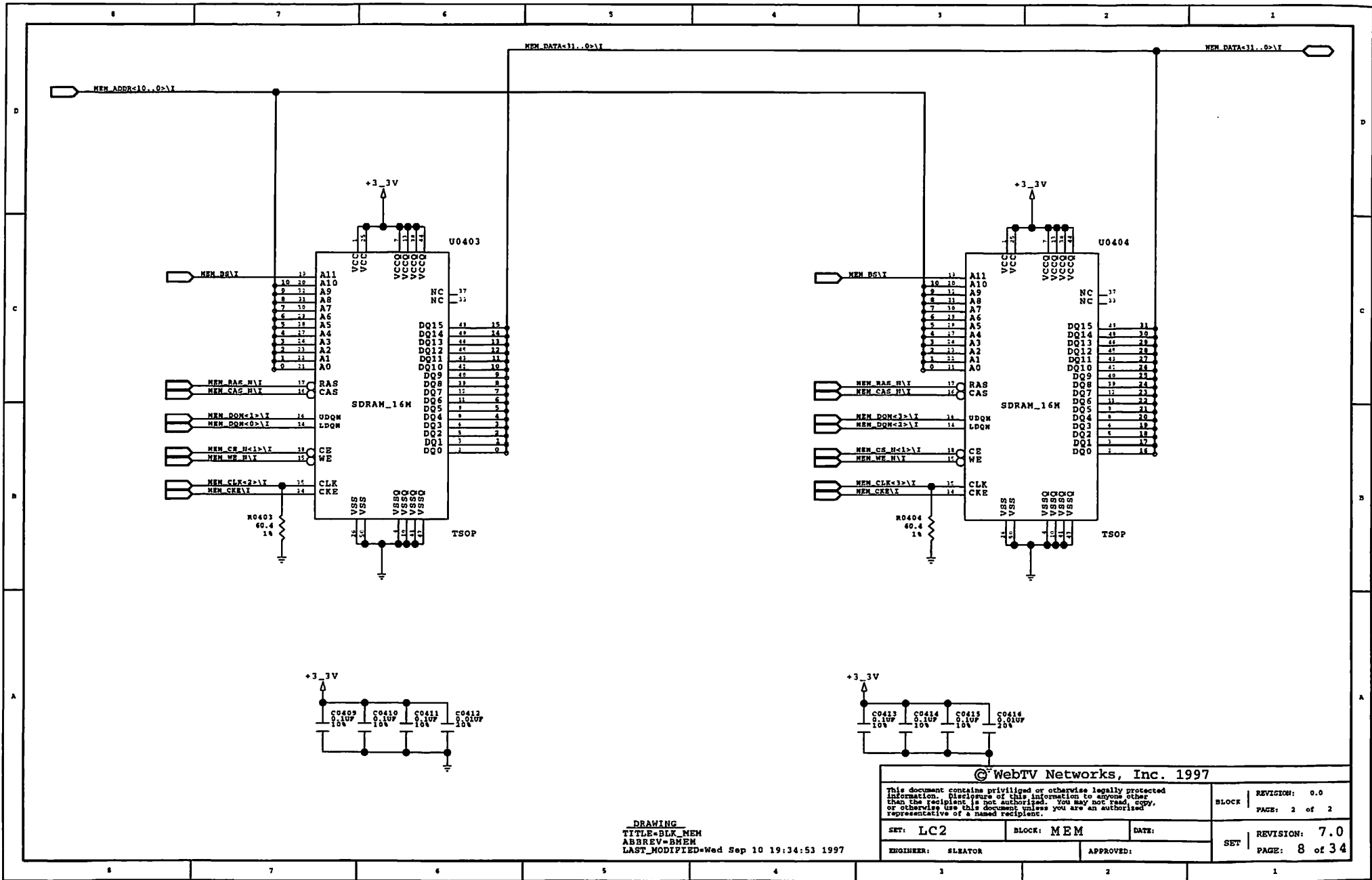
© WebTV Networks, Inc. 1997		
This document contains privileged or otherwise legally protected information. Disclosure of this information to anyone other than the recipient is not authorized. You may not read, copy, or otherwise use this document unless you are an authorized representative of a named recipient.		BLOCK REVISION: 0.0 PAGE: 1 of 1
SET: LC2	BLOCK: CPU	DATE:
ENGINEER: SLEATOR	APPROVED:	SET REVISION: 7.0 PAGE: 6 of 34



DRAWING
 TITLE=BLK MEM
 ABBREV=BWEM
 LAST_MODIFIED=Wed Sep 10 19:34:43 1997

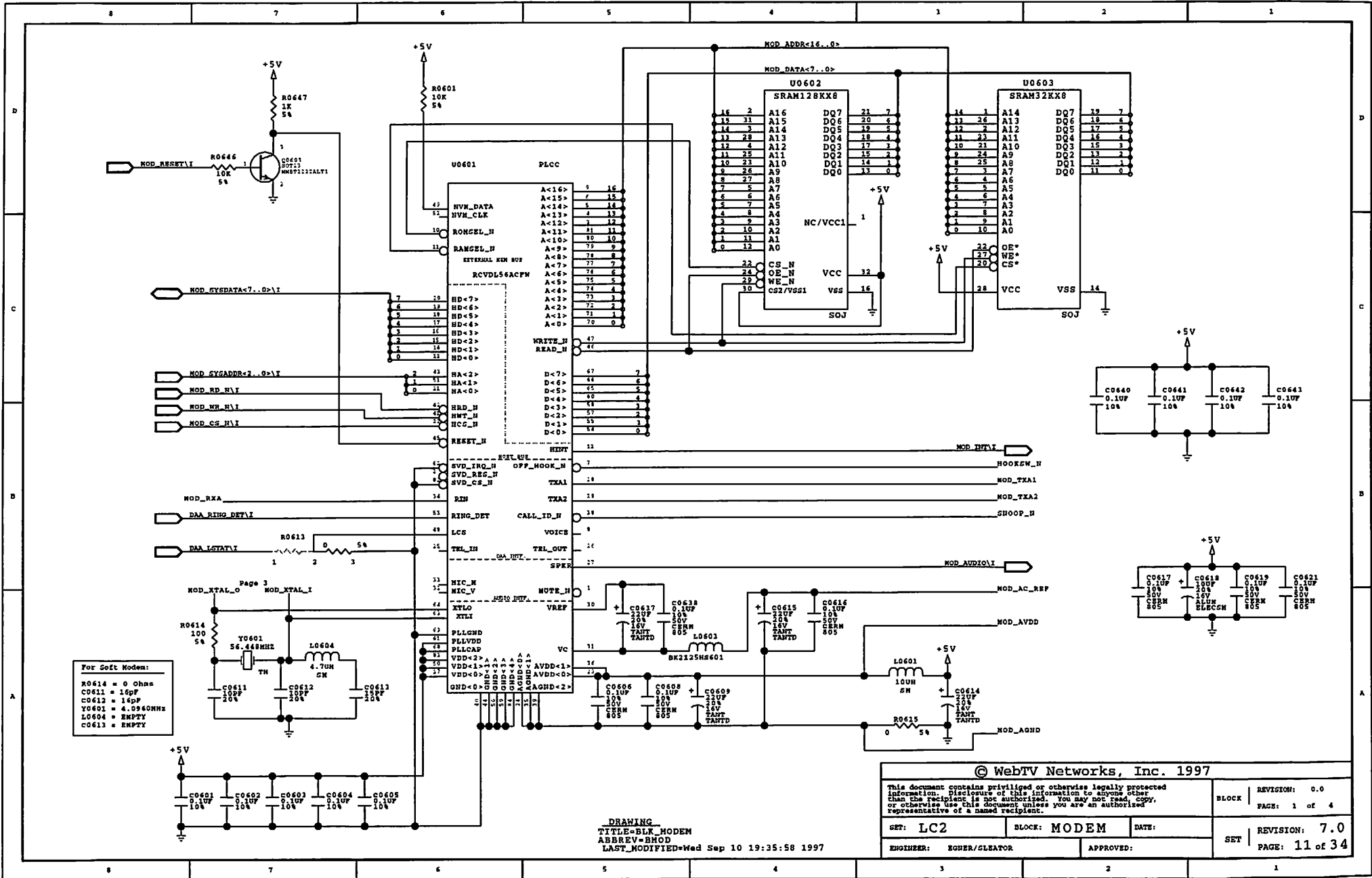
© WebTV Networks, Inc. 1997

This document contains privileged or otherwise legally protected information. Disclosure of this information to anyone other than the recipient is not authorized. You may not read, copy, or otherwise use this document unless you are an authorized representative of a named recipient.			BLOCK	REVISION: 0.0 PAGE: 1 of 2
SET: LC2	BLOCK: MEM	DATE:	SET	REVISION: 7.0 PAGE: 7 of 34
ENGINEER: GLEATOR	APPROVED:			



DRAWING
 TITLE=BLK_MEM
 ABBREV=BHEM
 LAST_MODIFIED=Wed Sep 10 19:34:53 1997

© WebTV Networks, Inc. 1997			
This document contains privileged or otherwise legally protected information. Disclosure of this information to anyone other than the recipient is not authorized. You may not read, copy, or otherwise use this document, unless you are an authorized representative of a named recipient.			BLOCK REVISION: 0.0
SET: LC2	BLOCK: MEM	DATE:	PAGE: 2 of 2
ENGINEER: SLEATOR	APPROVED:	SET REVISION: 7.0	PAGE: 8 of 34

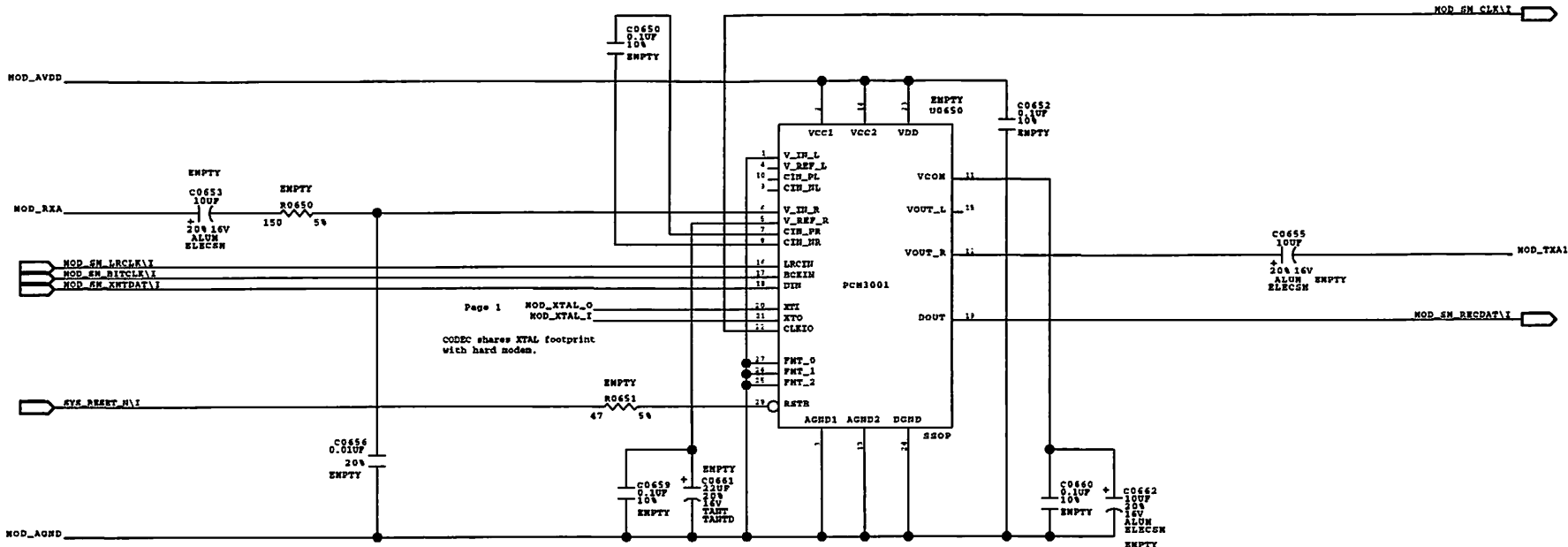


For Soft Modem:

R0614 = 0 Ohms
 C0611 = 10pF
 C0612 = 10pF
 Y0601 = 4.0960MHz
 L0604 = EMPTY
 C0613 = EMPTY

DRAWING
 TITLE=BLK_MODEM
 ABBREV=BMOD
 LAST_MODIFIED=Wed Sep 10 19:35:58 1997

© WebTV Networks, Inc. 1997			
This document contains privileged or otherwise legally protected information. Disclosure of this information to anyone other than the recipient is not authorized. You may not read, copy, or otherwise use this document unless you are an authorized representative of a named recipient.			BLOCK
SET: LC2	BLOCK: MODEM	DATE:	REVISION: 0.0
ENGINEER: EGERH/CLATOR	APPROVED:		PAGE: 1 of 4
			REVISION: 7.0
			PAGE: 11 of 34



U0650 MATED WITHIN U0601 FOOTPRINT.

All components on this page are mutually exclusive with U0601 and associated components on page 1.

SOFT MODEM CODEC

© WebTV Networks, Inc. 1997

This document contains privileged or otherwise legally protected information. Disclosure of this information to anyone other than the recipient is not authorized. You may not read, copy, or otherwise use this document unless you are an authorized representative of a named recipient.

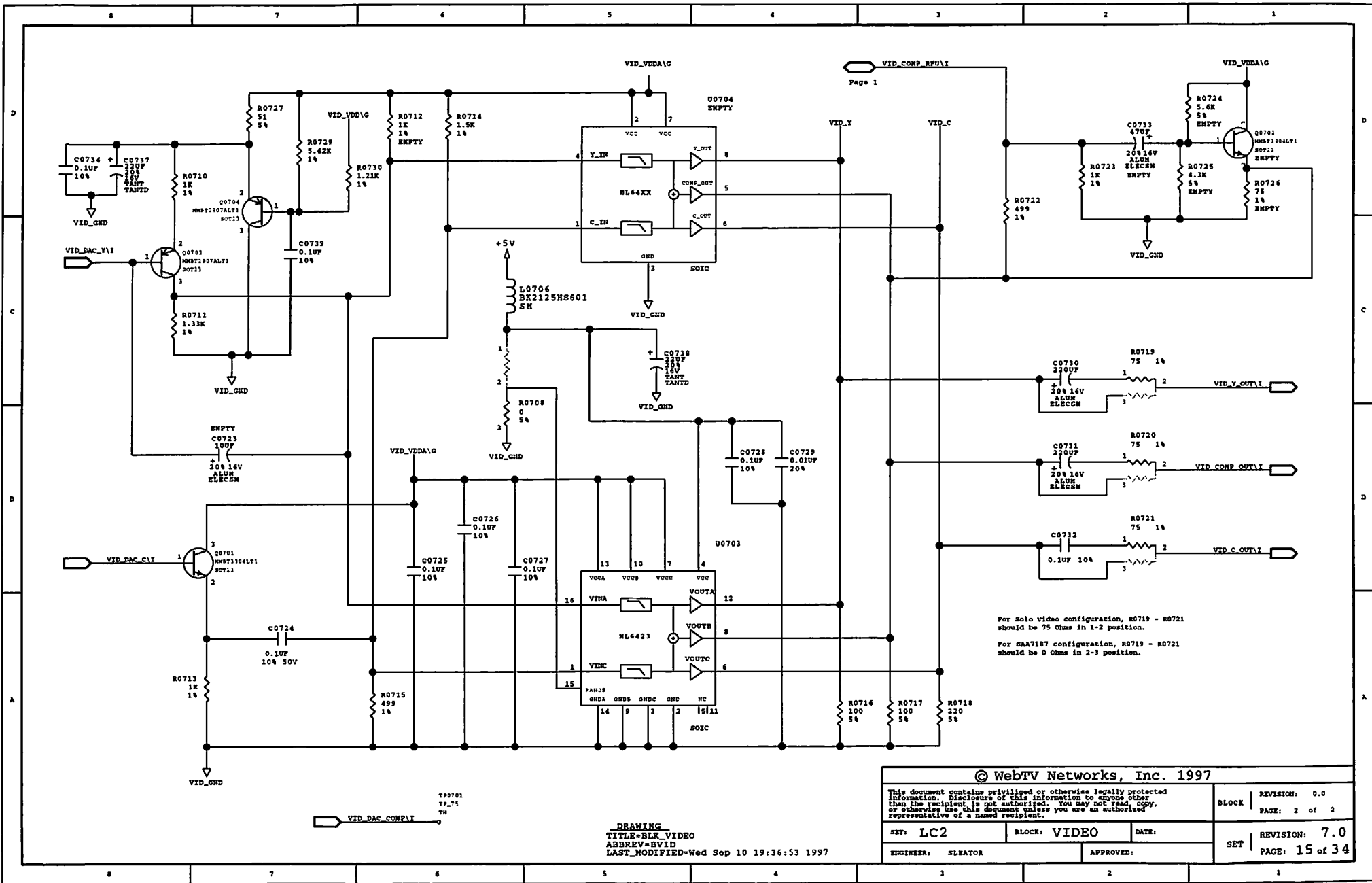
BLOCK REVISION: 0.0
PAGE: 3 of 4

SET: LC2
ENGINEER: SLEATOR

BLOCK: MODEM
APPROVED:

DATE:
REVISION: 7.0
PAGE: 13 of 34

DRAWING
TITLE=BLK_MODEM
ABBREV=BMOD
LAST_MODIFIED=Wed Sep 10 19:36:28 1997



© WebTV Networks, Inc. 1997

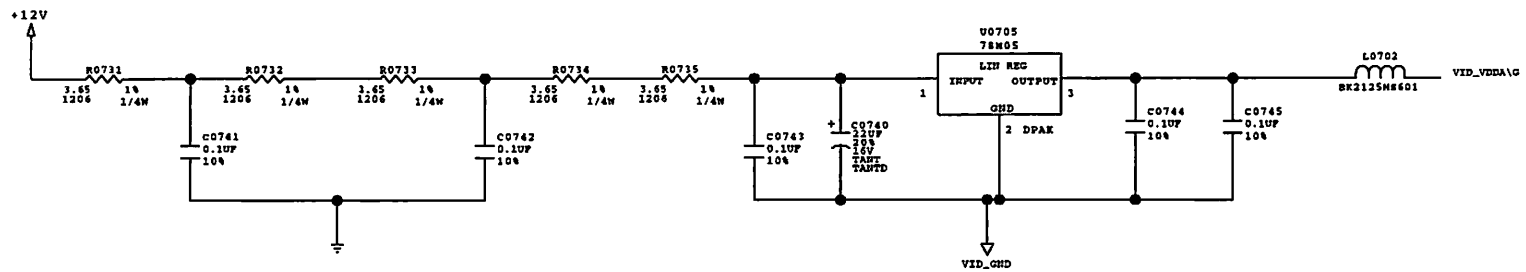
This document contains privileged or otherwise legally protected information. Disclosure of this information to anyone other than the recipient is not authorized. You may not read, copy, or otherwise use this document unless you are an authorized representative of a named recipient.

SET: LC2	BLOCK: VIDEO	DATE:	BLOCK	REVISION: 0.0
ENGINEER: SLEATOR	APPROVED:		PAGE: 2 of 2	
			SET	REVISION: 7.0
			PAGE: 15 of 34	

DRAWING
 TITLE=BLK VIDEO
 ABBREV=EVID
 LAST_MODIFIED=Wed Sep 10 19:36:53 1997

T99701
 PP.74
 TH
 VID_DAC_COMP1

For Solo video configuration, R0719 - R0721 should be 75 Ohms in 1-2 position.
 For SAA7187 configuration, R0719 - R0721 should be 0 Ohms in 2-3 position.



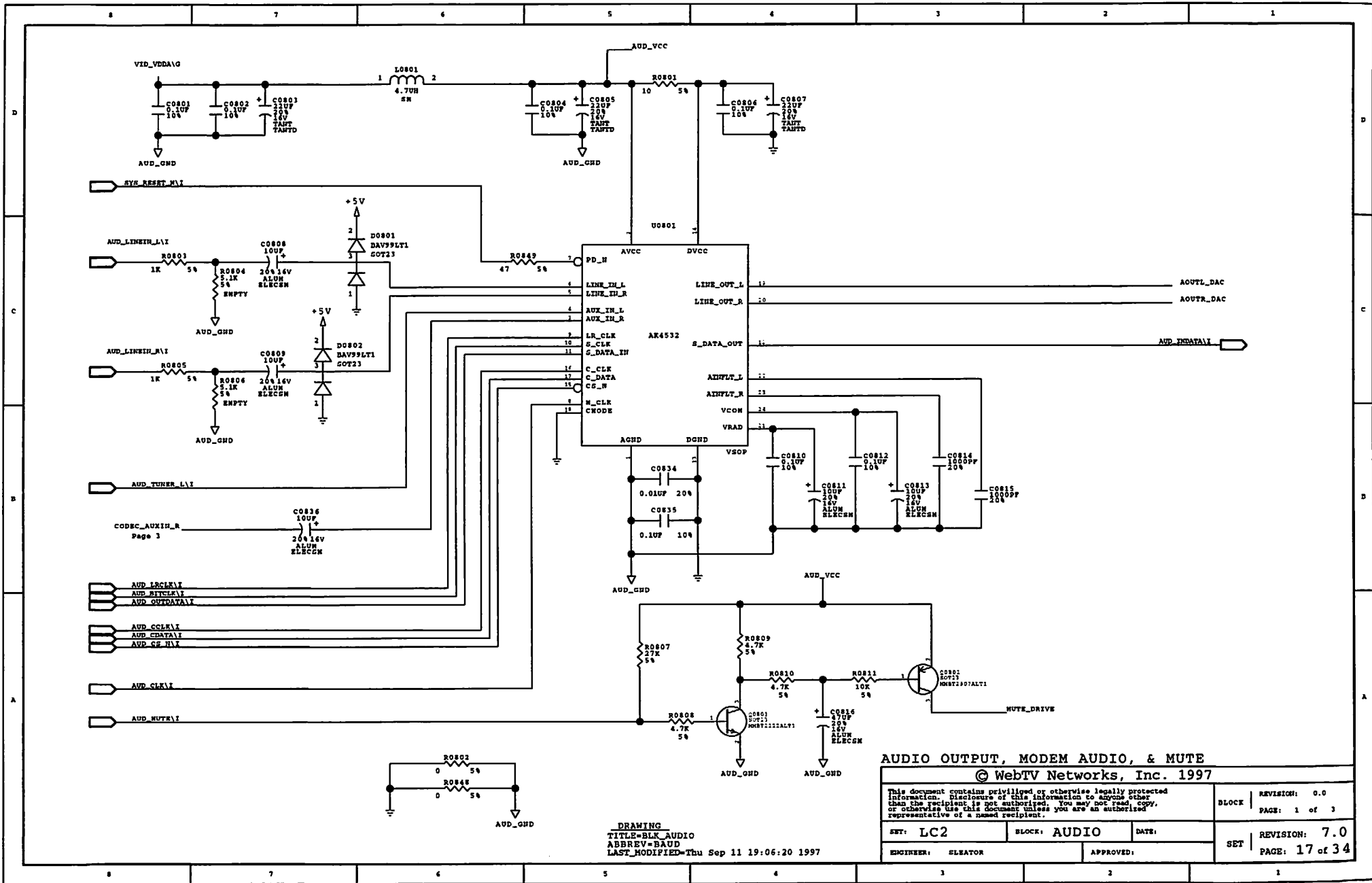
DRAWING
 TITLE=BLK_VIDEO
 ABBREV=BVID
 LAST_MODIFIED=Mon Sep 15 16:39:26 1997

© WebTV Networks, Inc. 1997

This document contains privileged or otherwise legally protected information. Disclosure of this information to anyone other than the recipient is not authorized. You may not read, copy, or otherwise use this document unless you are an authorized representative of a named recipient.

BLOCK	REVISION: 0.0
	PAGE: 1 of 3
SET	REVISION: 7.0
	PAGE: 16 of 34

SET: LC2	BLOCK: VIDEO	DATE:
ENGINEER: GLEATOR	APPROVED:	

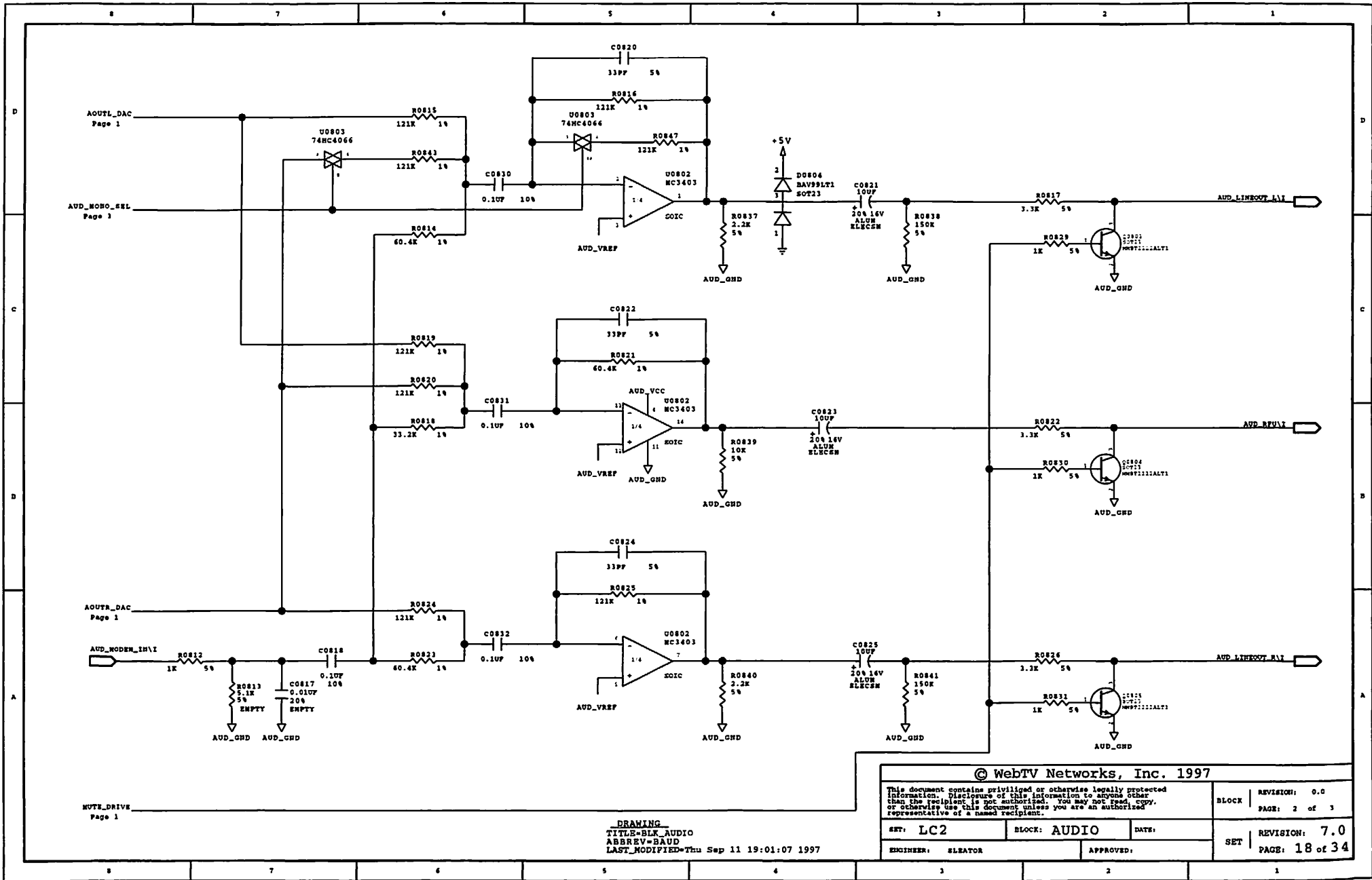


DRAWING
 TITLE=BLK AUDIO
 ABBREV=BAUD
 LAST_MODIFIED=Thu Sep 11 19:06:20 1997

AUDIO OUTPUT, MODEM AUDIO, & MUTE

© WebTV Networks, Inc. 1997

This document contains privileged or otherwise legally protected information. Disclosure of this information to anyone other than the recipient is not authorized. You may not read, copy, or otherwise use this document unless you are an authorized representative of a named recipient.		BLOCK	REVISION: 0.0
SET: LC2	BLOCK: AUDIO	DATE:	PAGE: 1 of 3
ENGINEER: SLEATOR	APPROVED:	SET	REVISION: 7.0
			PAGE: 17 of 34



NOTE_DRIVE
Page 1

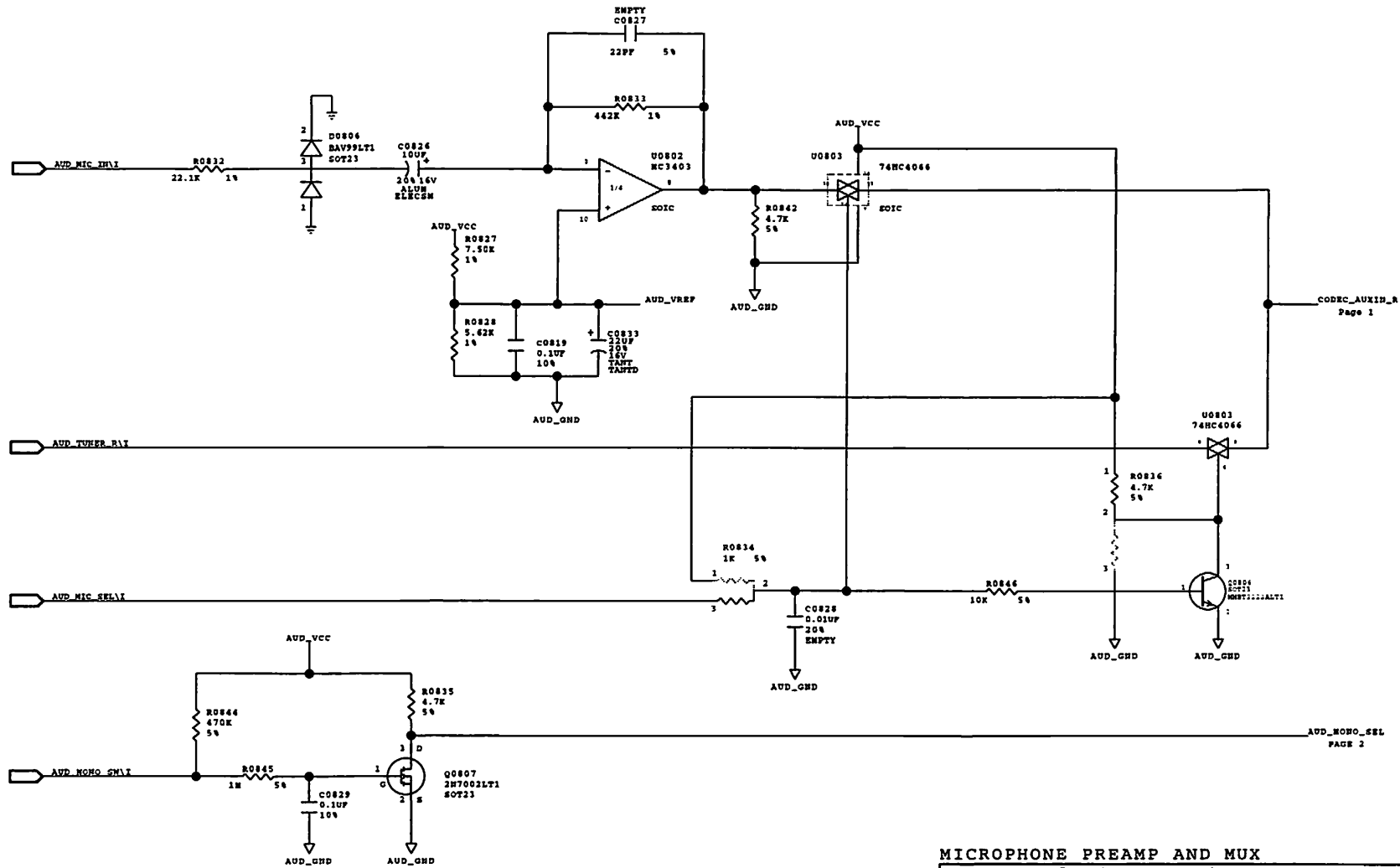
DRAWING
TITLE=BLK_AUDIO
ABBREV=BAUD
LAST_MODIFIED=Thu Sep 11 19:01:07 1997

© WebTV Networks, Inc. 1997

This document contains privileged or otherwise legally protected information. Disclosure of this information to anyone other than the recipient is not authorized. You may not read, copy, or otherwise use this document unless you are an authorized representative of a named recipient.

SET: LC2 BLOCK: AUDIO DATE: ENGINEER: SLEATOR APPROVED:

BLOCK	REVISION: 0.0
	PAGE: 2 of 3
SET	REVISION: 7.0
	PAGE: 18 of 34



MICROPHONE PREAMP AND MUX

© WebTV Networks, Inc. 1997

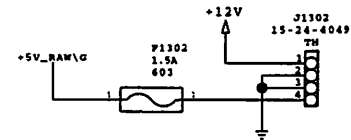
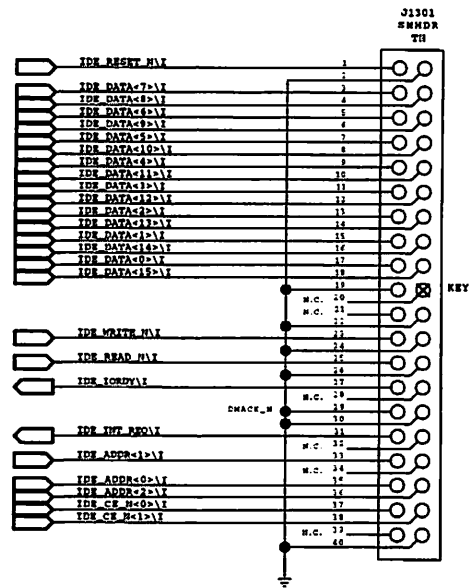
This document contains privileged or otherwise legally protected information. Disclosure of this information to anyone other than the recipient is not authorized. You may not read, copy, or otherwise use this document unless you are an authorized representative of a named recipient.

BLOCK REVISION: 0.0
PAGE: 3 of 3

SET: LC2 BLOCK: AUDIO DATE: APPROVED: ENGINEER: GLEATOR

SET REVISION: 7.0
PAGE: 19 of 34

DRAWING
TITLE=BLK_AUDIO
ABBREV=BAUD
LAST_MODIFIED=Wed Sep 10 19:38:01 1997



DRAWING
TITLE=BLK_IDE
ABBREV=BIDE
LAST_MODIFIED=Thu Sep 25 20:53:49 1997

© WebTV Networks, Inc. 1997

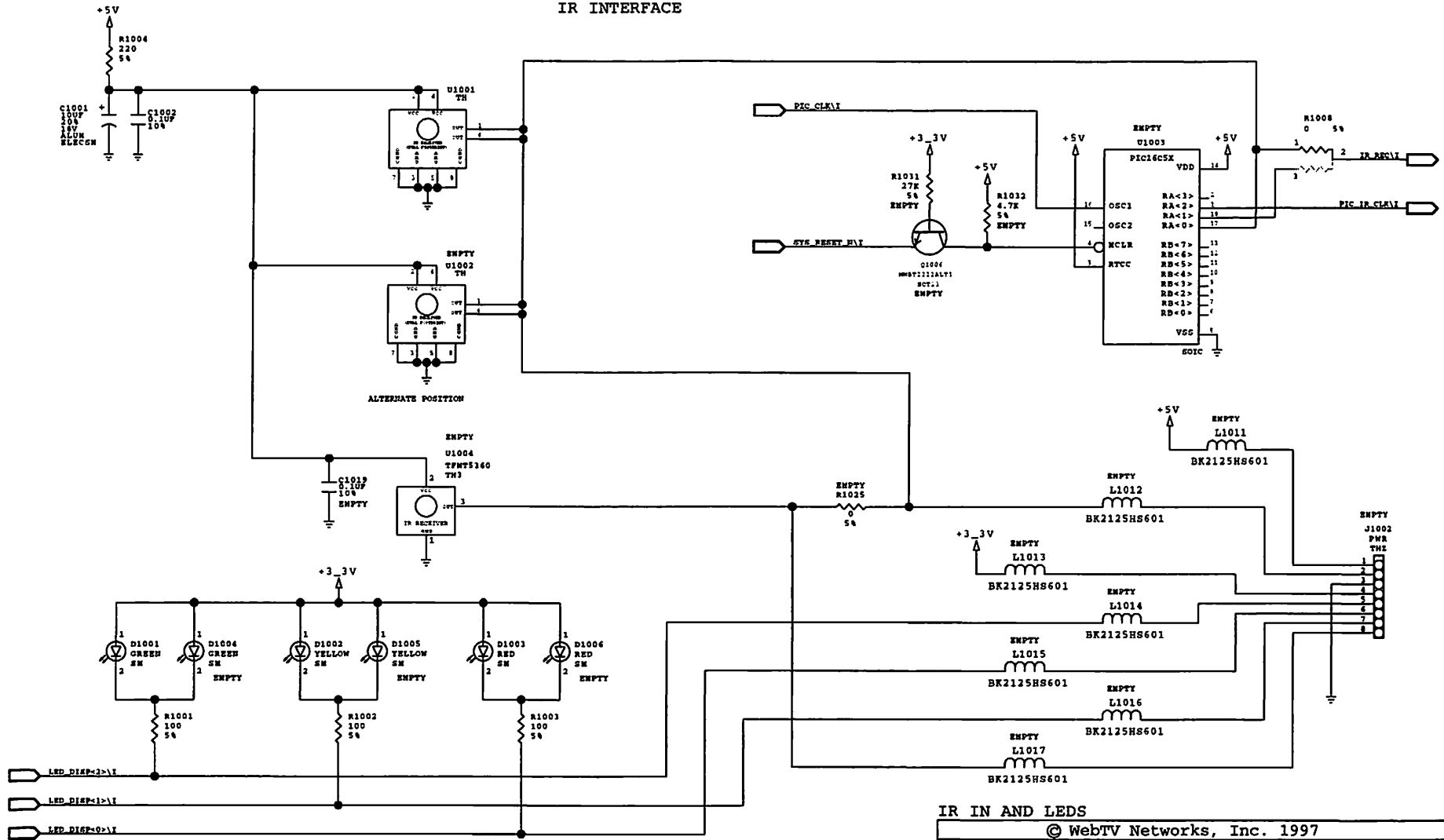
This document contains privileged or otherwise legally protected information. Disclosure of this information to anyone other than the recipient is not authorized. You may not read, copy, or otherwise use this document unless you are an authorized representative of a named recipient.

BLOCK | REVISION: 0.0
PAGE: 1 of 1

SET: LC2 | BLOCK: IDE | DATE:
ENGINEER: SLEATOR | APPROVED:

SET | REVISION: 7.0
PAGE: 21 of 34

IR INTERFACE



D1004, D1005, AND D1006 ARE ALTERNATE POSITIONS FOR D1001, D1002, AND D1003.

DRAWING
 TITLE=BLK_MISC_IO
 ABBREV=BMSISIO
 LAST_MODIFIED=Wed Sep 10 19:39:25 1997

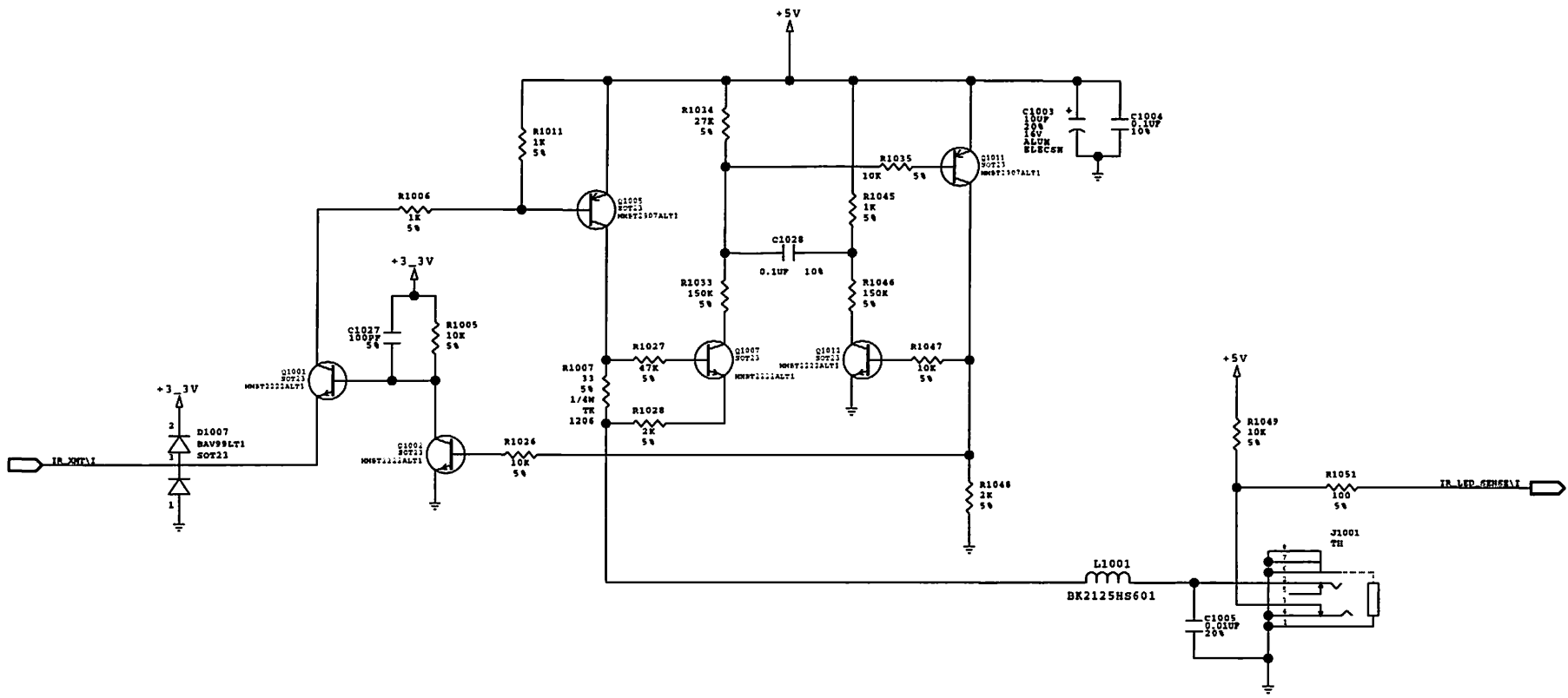
IR IN AND LEDS

© WebTV Networks, Inc. 1997

This document contains privileged or otherwise legally protected information. Disclosure of this information to anyone other than the recipient is not authorized. You may not read, copy, or otherwise use this document unless you are an authorized representative of a named recipient.

SET: LC2 BLOCK: MISC_IO DATE: ENGINEER: SLEATOR APPROVED:

REVISION: 0.0
 PAGE: 1 of 4
 REVISION: 7.0
 PAGE: 22 of 34



IR OUTPUT DRIVER

© WebTV Networks, Inc. 1997

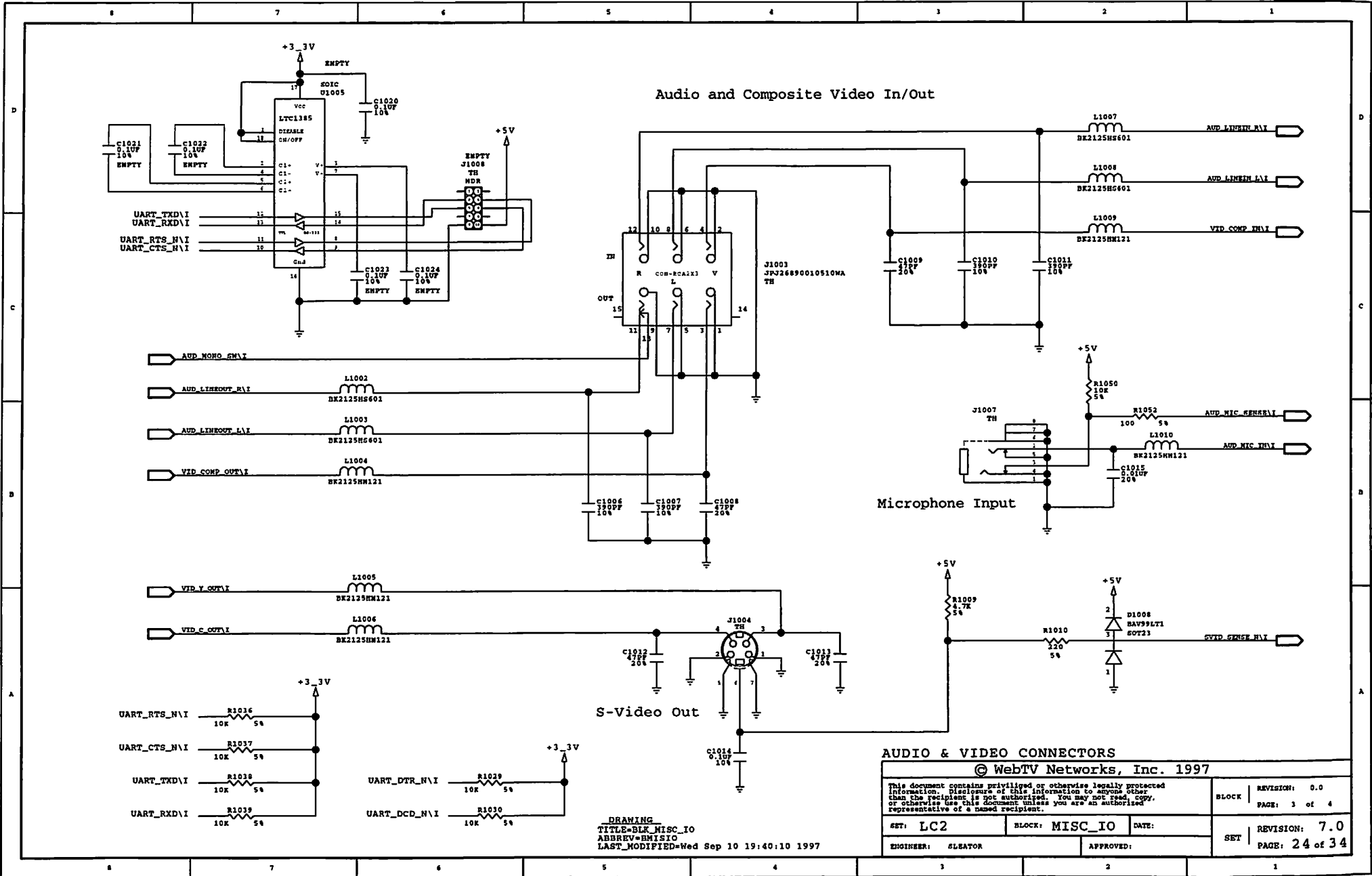
This document contains privileged or otherwise legally protected information. Disclosure of this information to anyone other than the recipient is not authorized. You may not read, copy, or otherwise use this document unless you are an authorized representative of a named recipient.

BLOCK REVISION: 0.0
PAGE: 2 of 4

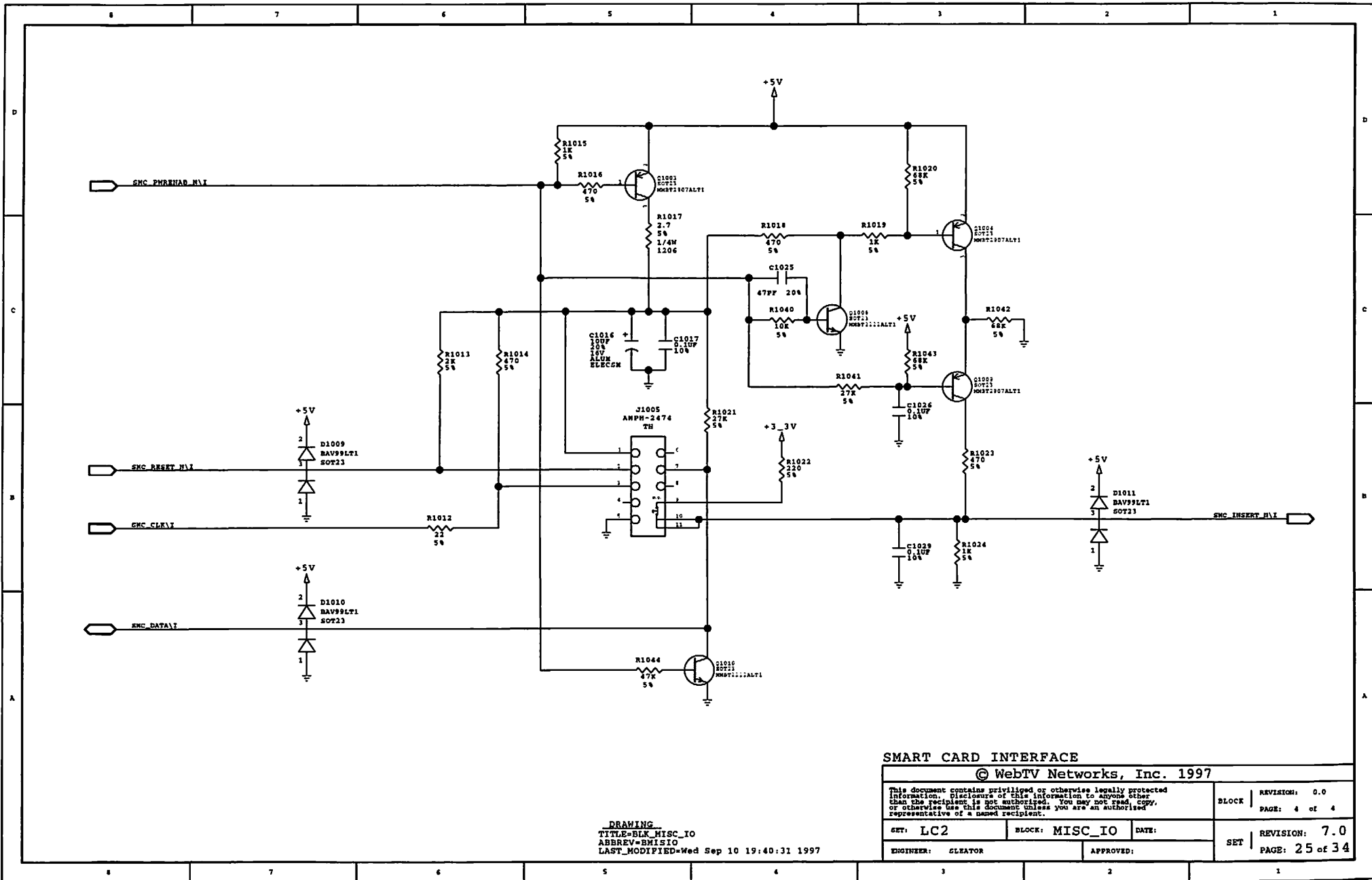
SET: LC2 BLOCK: MISC_IO DATE:
ENGINEER: SLEATOR APPROVED:

REVISION: 7.0
PAGE: 23 of 34

DRAWING
TITLE=BLK_MISC_IO
ABBREV=BMSIO
LAST_MODIFIED=Wed Sep 10 19:39:42 1997



DRAWING
 TITLE=BLK_MISC_IO
 ABRREV=MWISIO
 LAST_MODIFIED=Wed Sep 10 19:40:10 1997



SMART CARD INTERFACE

© WebTV Networks, Inc. 1997

This document contains privileged or otherwise legally protected information. Disclosure of this information to anyone other than the recipient is not authorized. You may not read, copy, or otherwise use this document unless you are an authorized representative of a named recipient.

BLOCK | REVISION: 0.0
PAGE: 4 of 4

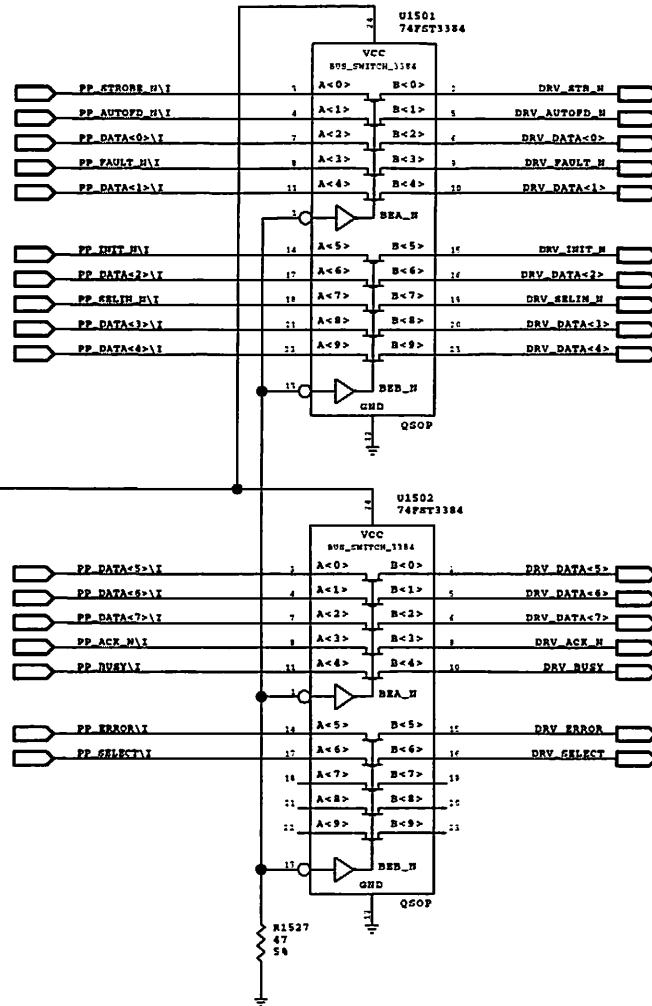
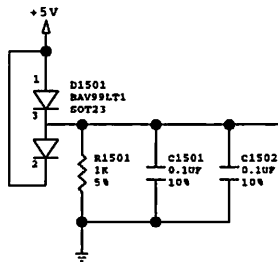
DRAWING
TITLE=BLK_MISC_IO
ABBREV=MISC_IO
LAST_MODIFIED=Wed Sep 10 19:40:31 1997

SET: LC2 | BLOCK: MISC_IO | DATE:
ENGINEER: GLEATOR | APPROVED:

SET | REVISION: 7.0
PAGE: 25 of 34

PP_DIRA1 is not used.

TP1501
TP_75
TN



DRAWING
TITLE=BLK_PPORT
ABBREV=BPPRT
LAST_MODIFIED=Wed Sep 10 19:40:46 1997

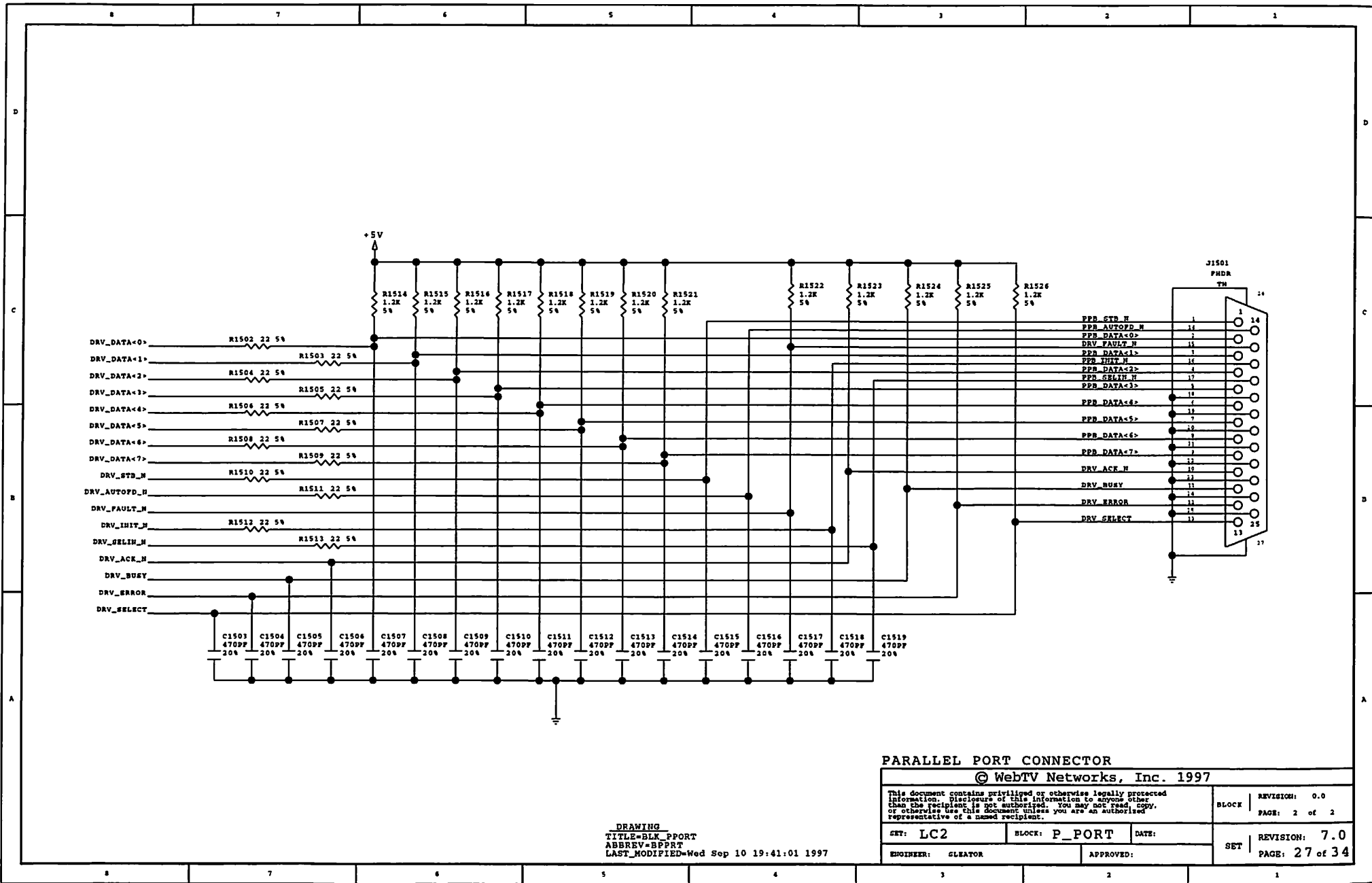
© WebTV Networks, Inc. 1997

This document contains privileged or otherwise legally protected information. Disclosure of this information to anyone other than the recipient is not authorized. You may not read, copy, or otherwise use this document unless you are an authorized representative of a named recipient.

BLOCK | REVISION: 0.0
PAGE: 1 of 2

SET: LC2 | BLOCK: P_PORT | DATE:
ENGINEER: SLEATOR | APPROVED:

SET | REVISION: 7.0
PAGE: 26 of 34

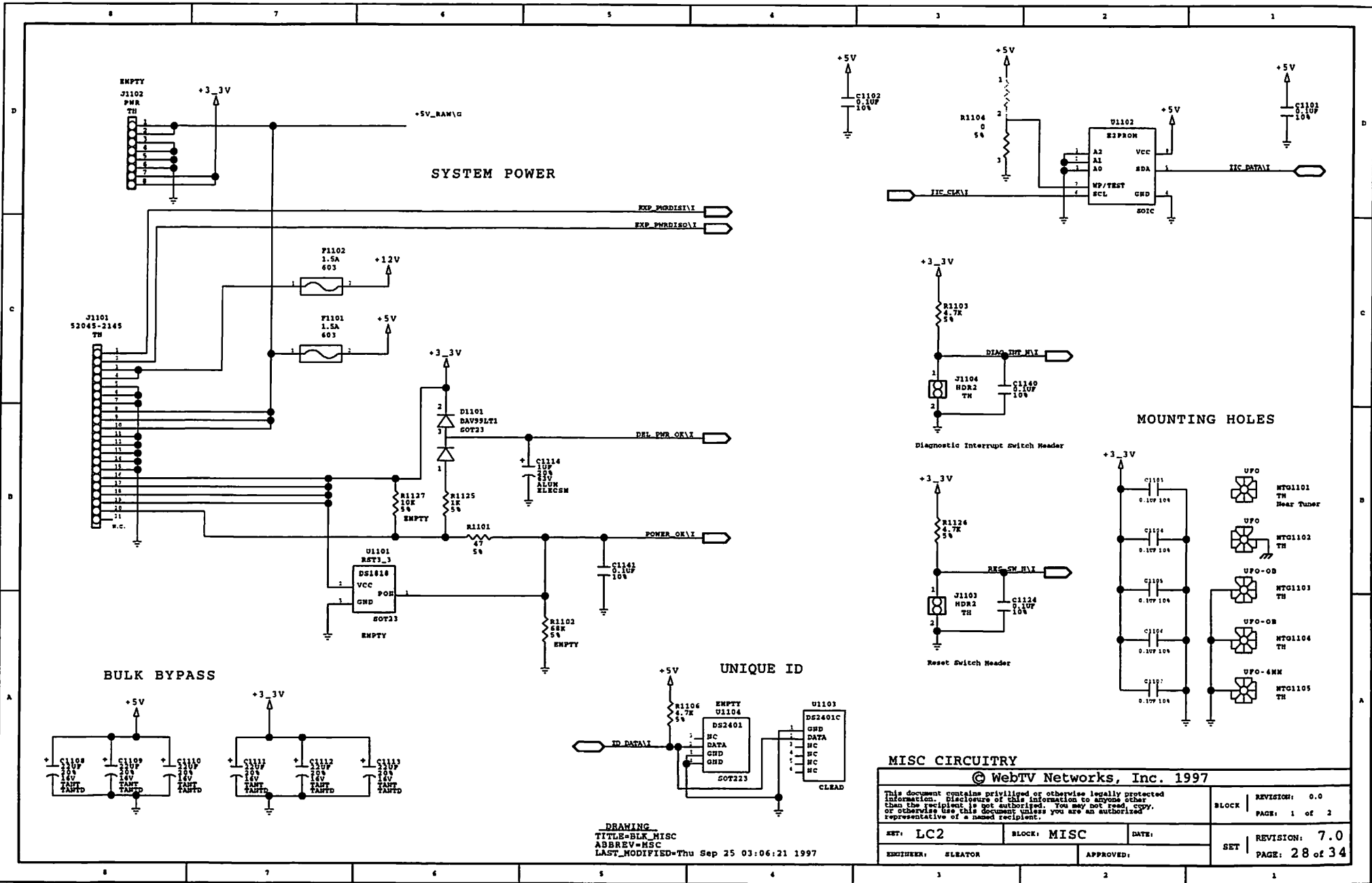


DRAWING
 TITLE=BLK_PPRT
 ABBREV=SPPRT
 LAST_MODIFIED=Wed Sep 10 19:41:01 1997

PARALLEL PORT CONNECTOR

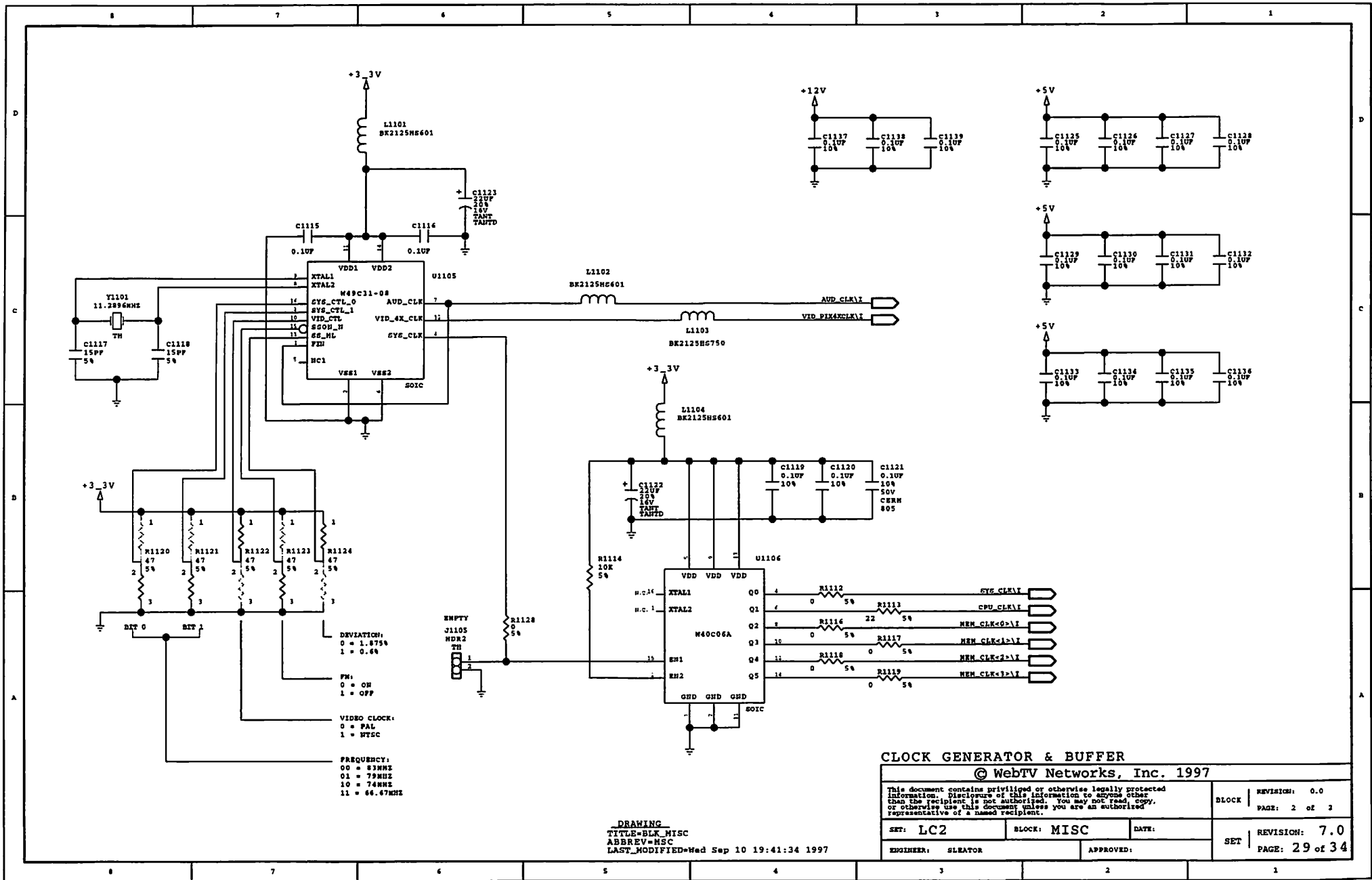
© WebTV Networks, Inc. 1997

This document contains unclassified or otherwise legally protected information. Disclosure of this information to anyone other than the recipient is not authorized. You may not read, copy, or otherwise use this document unless you are an authorized representative of a named recipient.			BLOCK REVISION: 0.0 PAGE: 2 of 2
SET: LC2	BLOCK: P_PORT	DATE:	SET: REVISION: 7.0 PAGE: 27 of 34
ENGINEER: GLEATOR	APPROVED:		



DRAWING
 TITLE=BLK_MISC
 ABBREV=MISC
 LAST_MODIFIED=Thu Sep 25 03:06:21 1997

MISC CIRCUITRY		
© WebTV Networks, Inc. 1997		
<small>This document contains privileged or otherwise legally protected information. Disclosure of this information to anyone other than the recipient is not authorized. You may not read, copy, or otherwise use this document, unless you are an authorized representative of a named recipient.</small>		BLOCK REVISION: 0.0 PAGE: 1 of 2
SET: LC2	BLOCK: MISC	DATE:
ENGINEER: SLEATOR	APPROVED:	SET REVISION: 7.0 PAGE: 28 of 34

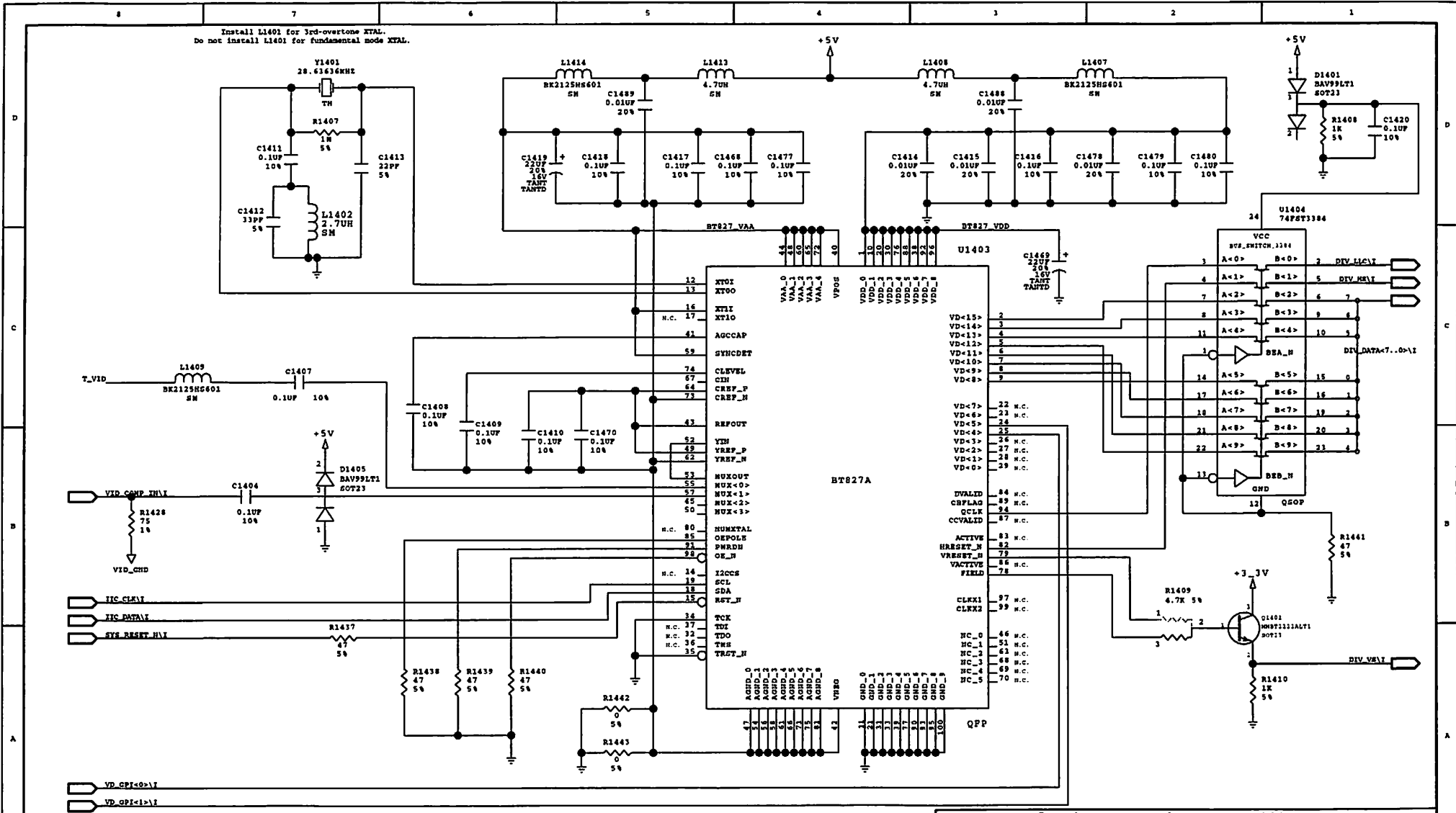


CLOCK GENERATOR & BUFFER

© WebTV Networks, Inc. 1997

This document contains privileged or otherwise legally protected information. Disclosure of this information to anyone other than the recipient is not authorized. You may not read, copy, or otherwise use this document unless you are an authorized representative of a named recipient.			BLOCK	REVISION: 0.0 PAGE: 2 of 2
SET: LC2	BLOCK: MISC	DATE:	SET	REVISION: 7.0 PAGE: 29 of 34
ENGINEER: SLEATOR	APPROVED:			

DRAWING
 TITLE=BLK_MISC
 ABBREV=MISC
 LAST_MODIFIED=Wed Sep 10 19:41:34 1997

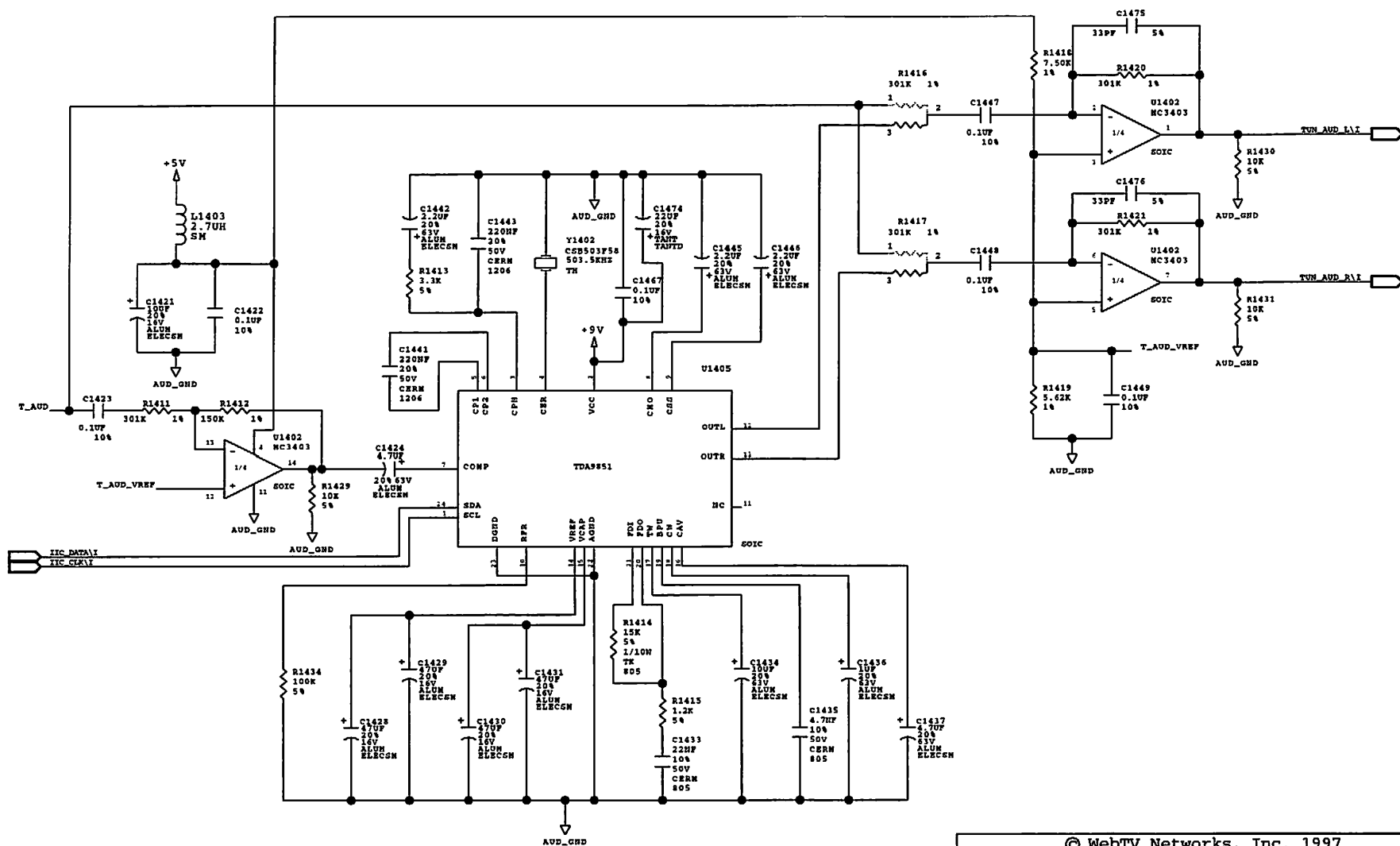


© WebTV Networks, Inc. 1997

This document contains privileged or otherwise legally protected information. Disclosure of this information to anyone other than the recipient is not authorized. You may not read, copy, or otherwise use this document unless you are an authorized representative of a named recipient.

DRAWING
 TITLE=BLK_TUNER
 ABBREV=BT827A
 LAST_MODIFIED=Thu Sep 25 03:03:37 1997

SET: LC2	BLOCK: TUNER	DATE:	REVISION: 0.0
ENGINEER: SLEATOR	APPROVED:		PAGE: 2 of 4
			REVISION: 7.0
			PAGE: 31 of 34



DRAWING
 TITLE=BLK TUNER
 ABBREV=BTNR
 LAST_MODIFIED=Wed Sep 10 19:42:48 1997

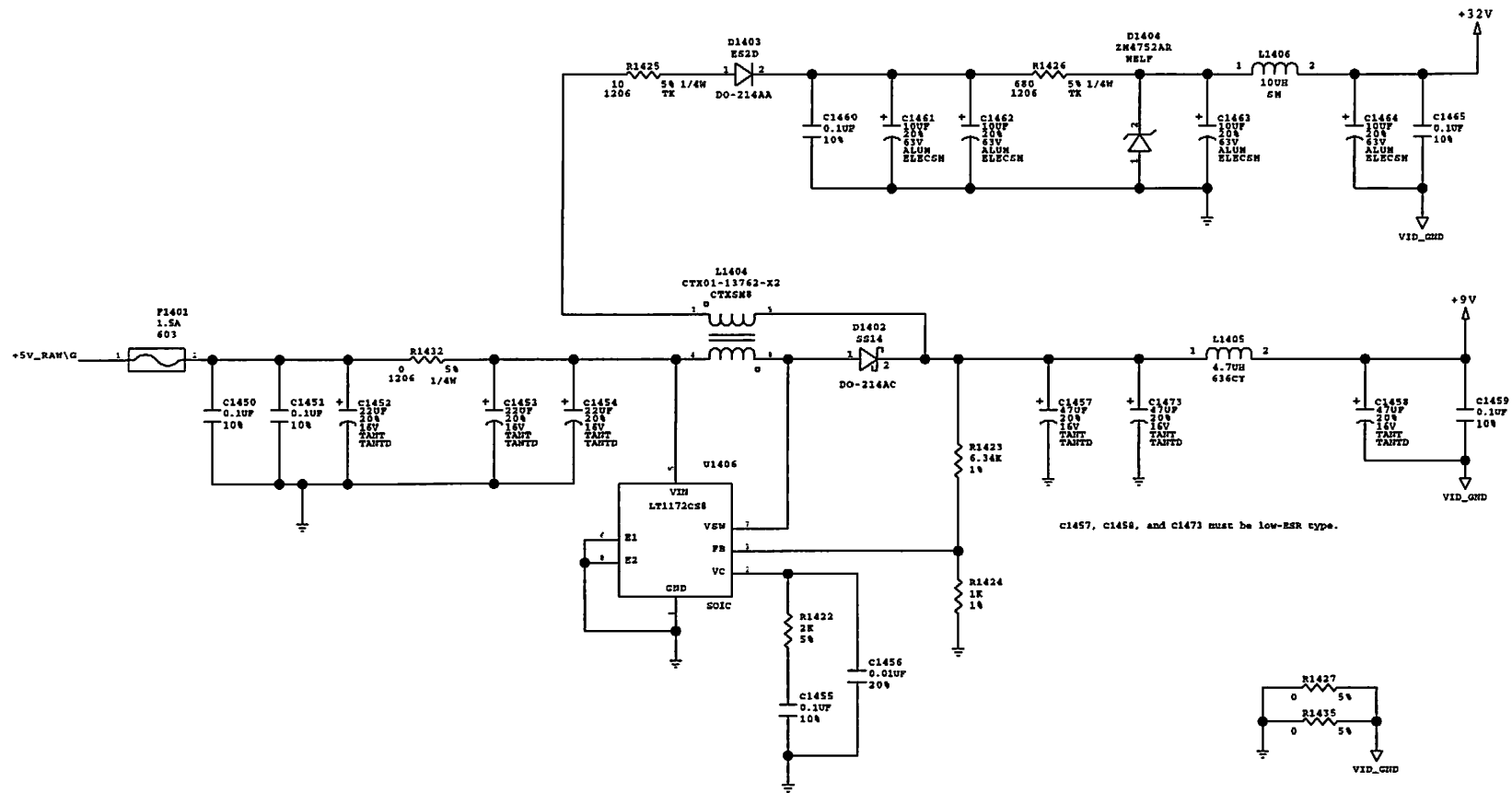
© WebTV Networks, Inc. 1997

This document contains privileged or otherwise legally protected information. Disclosure of this information to anyone other than the recipient is not authorized. You may not reuse, copy, or otherwise use this document unless you are an authorized representative of a named recipient.

BLOCK | REVISION: 0.0
 PAGE: 3 of 4

SET: LC2 | BLOCK: TUNER | DATE:
 ENGINEER: GLEATOR | APPROVED:

SET | REVISION: 7.0
 PAGE: 32 of 34



C1457, C1458, and C1473 must be low-ESR type.

TUNER POWER SUPPLY

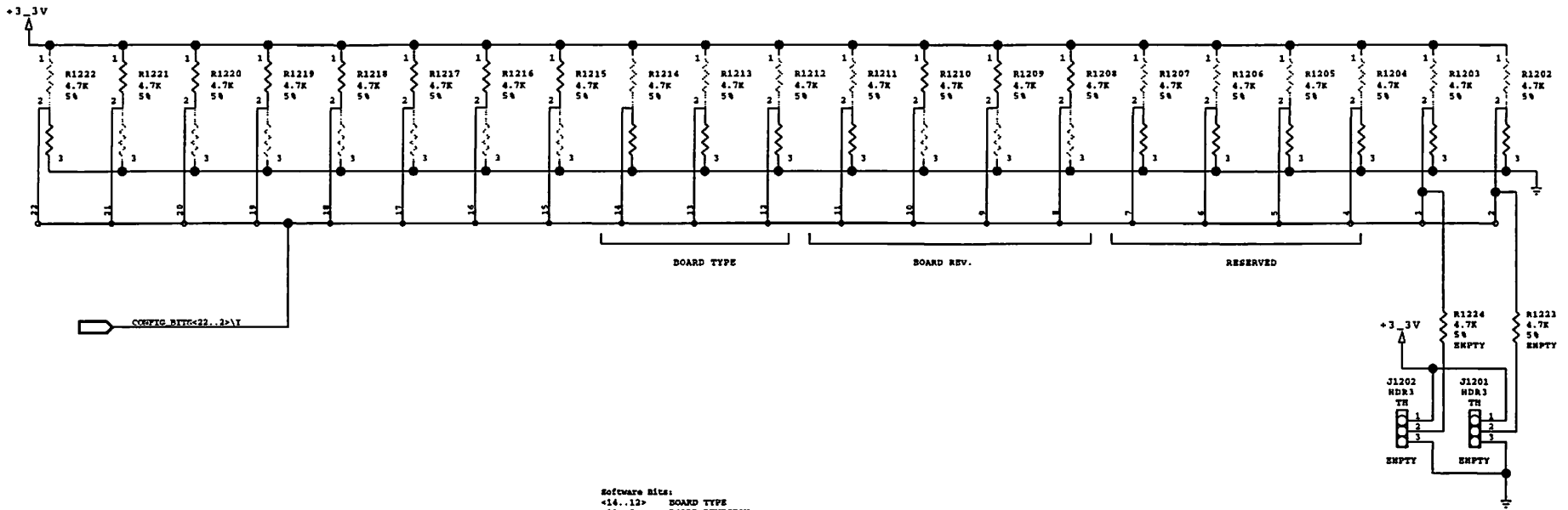
© WebTV Networks, Inc. 1997

This document contains privileged or otherwise legally protected information. Disclosure of this information to anyone other than the recipient is not authorized. You may not read, copy, or otherwise use this document unless you are an authorized representative of a named recipient.

BLOCK	REVISION: 0.0
	PAGE: 4 of 4
SET	REVISION: 7.0
	PAGE: 33 of 34

DRAWING
 TITLE=BLK_TUNER
 ABBREV=BTHR
 LAST_MODIFIED=Wed Sep 24 22:20:12 1997

SET: LC2	BLOCK: TUNER	DATE:
ENGINEER: EGER/SLEATOR	APPROVED:	



© WebTV Networks, Inc. 1997

This document contains privileged or otherwise legally protected information. Disclosure of this information to anyone other than the recipient is not authorized. You may not read, copy, or otherwise use this document unless you are an authorized representative of a named recipient.

BLOCK	REVISION: 0.0
	PAGE: 1 of 1
SET	REVISION: 7.0
	PAGE: 34 of 34

DRAWING
 TITLE=BLK_CFG
 ABBREV=BCFG
 LAST_MODIFIED=Thu Sep 25 21:18:46 1997

SET: LC2	BLOCK: CONFIG	DATE:
ENGINEER: SLEATOR	APPROVED:	