

SYSTEM 5

Models:

Model 1

Model 2

PREFACE

This document is the Product Maintenance Manual (PMM) for the Wang System 5 Word Processing Unit, Models 1 and 2. The purpose of this PMM is to provide the Wang-trained Customer Engineer (CE) with instructions to check, adjust, troubleshoot, and repair the Wang System 5.

Fourth Edition (October 1984)

This reprint of Document 729-0649-B is identified by a new converted document number (741-0649) which also incorporates Publication Update Bulletin (PUB) 729-0649-B1 to add an Illustrated Parts Breakdown (IPB) and Parts List as Appendix F.

The material in this document may only be used for the purpose stated in the Preface. Updates and/or changes to this document will be published as PUB's or subsequent editions.

This document is the property of Wang Laboratories, Inc. All information contained herein is considered company proprietary, and its use is restricted solely for the purpose of assisting the Wang-trained CE in servicing the Wang System 5 Word Processing Unit, Models 1 and 2. Reproduction of all or any part of this document is prohibited without the prior consent of Wang Laboratories, Inc.

© Copyright WANG Labs., Inc. 1978, 1983, 1984

CUSTOMER ENGINEERING

PUBLICATION UPDATE BULLETIN

DATE: 07/25/85

This PUB: 742-0649-1 System 5, Models 1 & 2

Class Code: 5101

Base Document: 741-0649

Previous Notice(s):

REASON FOR CHANGE:

This PUB adds an Illustrated Parts Breakdown (IPB) of the Master Unit (Part Number 177-9232), and re-defines Addendum One as Appendix E.

INSTRUCTIONS:

Remove pages and insert attached pages as follows:

	REMOVE	INSERT
1.	Page iv	Page iv
2.	Addendum One Cover Page	Appendix E Cover Page
3.	Nothing	Pages F-13 thru F-19
4.		

This page constitutes a permanent record of revisions; place it directly following title page.



LABORATORIES, INC

ONE INDUSTRIAL AVENUE, LOWELL, MASSACHUSETTS 01851. TEL (617) 459-5000. TWX 710 343-6769. TELEX 94-7421

COMPANY CONFIDENTIAL

PRINTED IN U.S.A.

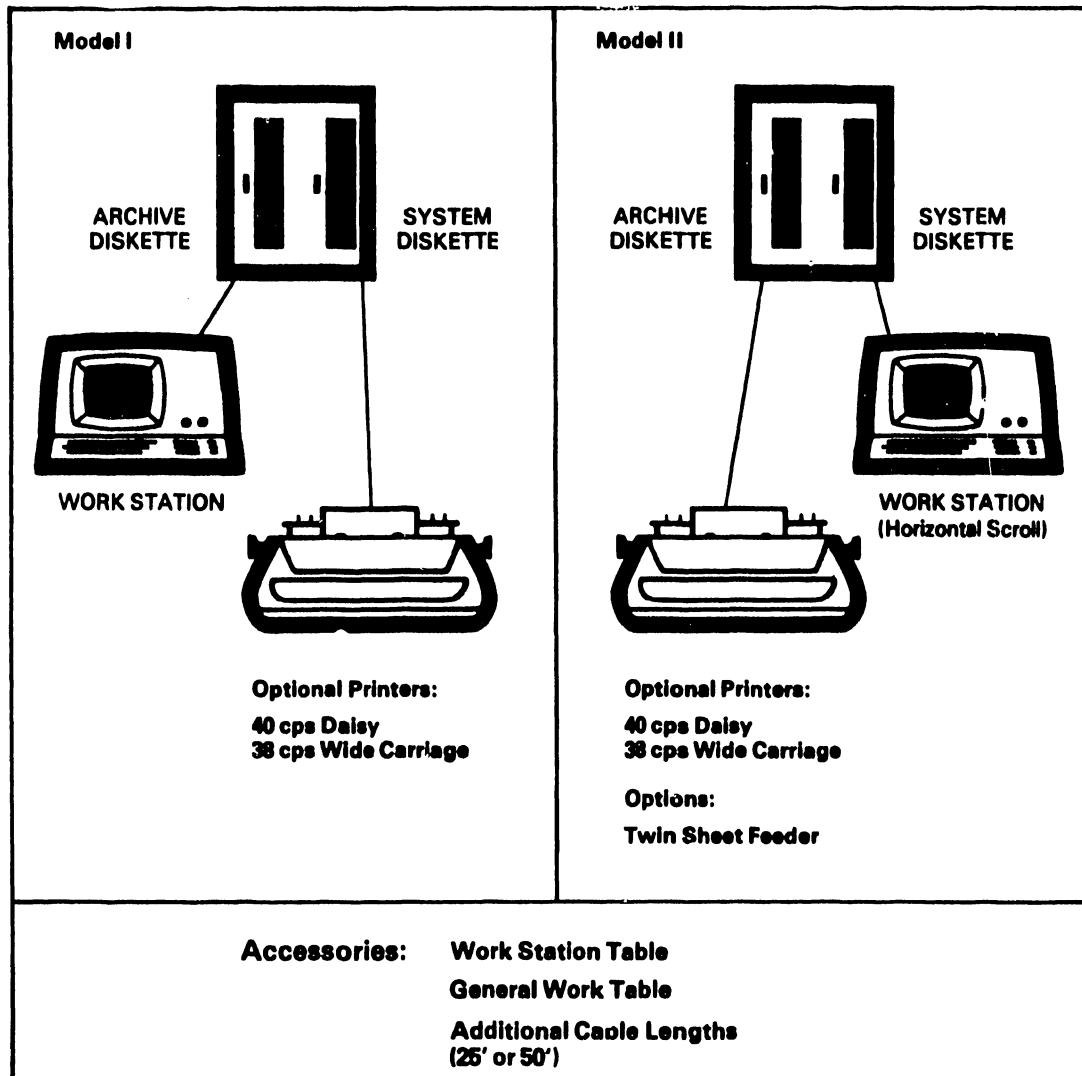
COMPANY PROPRIETARY STATEMENT

This document is the property of Wang Laboratories, Inc. All information contained herein is considered Company Proprietary, and its use is restricted solely to assisting you in servicing Wang products. Neither this document nor its contents may be disclosed, copied, revealed, or used in whole or in part for any other purpose without the prior written permission of Wang Laboratories, Inc. This document must be returned upon request of Wang Laboratories, Inc.

CUSTOMER ENGINEERING DIVISION

SYSTEM 5

(Models 1 & 2)



PRELIMINARY MAINTENANCE MANUAL

© Wang Laboratories, Inc., 1978

WANG

LABORATORIES, INC.

ONE INDUSTRIAL AVENUE, LOWELL, MASSACHUSETTS 01851, TEL. (617) 851-4111, TWX 710 343-6769, TELEX 94-7421

TABLE OF CONTENTS

CHAPTER I INTRODUCTION	PAGE
1-1 SCOPE	1-1
1-2 PURPOSE/USE	1-1
1-3 EFFECTIVITY	1-1
1-4 IMPORTANT MANUAL FACTS	1-1
A. METHOD OF PRESENTATION	1-1
B. "BARRED" FUNCTION VERSUS "ASTERISK"	1-2
C. SCHEMATICS	1-2
D. BLOCK DIAGRAMS	1-2
1-5 SYSTEM SPECIFICATIONS	1-2
A. WORKSTATION.....	1-2
B. DUAL DISKETTE DRIVE.....	1-3
C. PRINTER.....	1-4
1-6 OPERATIONAL DESCRIPTION	1-8
1-7 MAJOR DIFFERENCES FROM THE BASIC 928 WORD PROCESSING SYSTEM .	1-14
CHAPTER II HARDWARE LOCATIONS	
CHAPTER III AVAILABLE OPTIONS	
CHAPTER IV CHECKS AND ADJUSTMENTS	
4-1 GENERAL	4-1
4-2 ELECTRICAL	4-1
A. MASTER	4-1
B. WORKSTATION	4-2
C. PRINTER	4-2
CHAPTER V REMOVAL AND REPLACEMENT	
5-1 GENERAL	5-1
5-2 TEST AFTER REPAIR/INSTALLATION	5-1
CHAPTER VI FAULT ISOLATION SUGGESTIONS (PARTIAL)	
6-1 VISUAL CHECKS	6-1
6-2 HINTS	6-1

CHAPTER VII GENERAL THEORY OF OPERATION	PAGE
7-1 INTRODUCTION	7-1
7-2 MASTER (5505-1)	7-1
A. GENERAL	7-1
B. POWER SUPPLY	7-2
C. CIRCUIT BOARDS	7-4
D. CPU/CRT PCB	7-4
1. Z80 CPU	7-4
2. COUNTER TIMER (CTC)	7-6
3. KEYBOARD	7-7
4. NO OPERATION START-UP SIGNAL (NOP)	7-7
5. DMA CIRCUITRY	7-8
6. PARALLEL I/O	7-8
7. WRITE SIGNAL	7-9
8. CRT LOGIC	7-9
E. MEMORY PCB	7-11
1. RAM	7-12
2. PROM	7-12
F. I/O PCB	7-13
1. PRINTER INTERFACE	7-13
2. T.C. INTERFACE	7-13
3. DATA TRANSFER	7-14
4. HARDWARE/SOFTWARE COMPATABILITY	7-14

LIST OF ILLUSTRATIONS

<u>FIGURE NO.</u>		<u>PAGE</u>
1-1	SYSTEM 5 PHYSICAL CONFIGURATION (FRONT VIEW).....	1-6
1-2	SYSTEM 5 PHYSICAL CONFIGURATION (REAR VIEW)	1-7
1-3	SYSTEM OPERATIONAL CONFIGURATION	1-9
1-4	MAIN MEMORY (BLOCK DIAGRAM)	1-10
1-5	DISK/DMA LOGIC (BLOCK DIAGRAM)	1-11
1-6	TIMING/CTC INTERRUPT (BLOCK DIAGRAM)	1-12
1-7	CRT LOGIC (BLOCK DIAGRAM)	1-13
1-8	PRINTER INTERFACE (BLOCK DIAGRAM)	1-16
2-1	MASTER (5505-1) - FRONT VIEW	2-2
2-2	MASTER (5505-1) - COVER REMOVED, TOP VIEW, PCB CARD INSTALLED	2-3
2-3	MASTER (5505-1) - REAR VIEW	2-4
2-4	MASTER (5505-1) - COVER REMOVED, TOP VIEW, PCB CARD REMOVED	2-5
2-5	MASTER (5505-1) - COVER REMOVED, LEFT SIDE VIEW	2-6
2-6	MASTER (5505-1) - COVER REMOVED, RIGHT SIDE VIEW	2-7
2-7	MASTER (5505-1) - POWER REGULATOR PCB	2-8
2-8	MASTER (5505-1) - CPU/CRT PCB	2-9
2-9	MASTER (5505-1) - DISK, I/O PCB	2-10
2-10	MASTER (5505-1) - MEMORY PCB	2-11
2-11	WORKSTATION 5506-1 - FRONT VIEW	2-12
2-12	WORKSTATION 5506-1 - REAR VIEW ..	2-13
2-13	WORKSTATION 5506-1 - KEYBOARD AND FRONT PANEL CONTROLS	2-14
2-14	WORKSTATION 5506-1 - COVER REMOVED, SIDE VIEW SHOWING CONTROLS CABLE	2-15
2-15	WORKSTATION (5506-1) - PHOTOGRAPHIC EXPLODED VIEW ...	2-16
2-16	WORKSTATION (5506-1) - COVER REMOVED, TOP VIEW	2-17
2-17	WORKSTATION (5506-1) - SYSTEM 5 MODIFICATION	2-18
2-18	WORKSTATION (5506-1) - COVER REMOVED, SHOWING CRT ADJUSTMENTS	2-19
2-19	PRINTER (WANG DAISY MODEL 5541W) - FRONT VIEW	2-20
2-20	PRINTER (WANG DAISY MODEL 5541W) - REAR VIEW	2-21
2-21	PRINTER (WANG DAISY MODEL 5541W) - COVER REMOVED - TOP VIEW	2-22
2-22	PRINTER (WANG DAISY MODEL 5541W) - PRINTER JUNCTION & TSF LOADING PCB 7449	2-23
2-23	PRINTER (WANG DAISY MODEL 5541W) - FRONT PANEL CONTROLS AND INDICATORS	2-24

LIST OF APPENDICES

APPENDIX A	SYSTEM 5 MNEMONIC CODE	A-1
APPENDIX B	SCHEMATICS	B-1
APPENDIX C	RELATIVE PUBLICATIONS	C-1
APPENDIX D	BILL OF MATERIALS (BOM)	D-1
APPENDIX E	7549 PRINTER JUNCTION BOARD	E-1
APPENDIX F	ILLUSTRATED PARTS BREAKDOWN (IPB)	F-1

CHAPTER

I

INTRODUCTION

CHAPTER I

INTRODUCTION

1-1 SCOPE

This manual deals with the installation and field repair of the System 5 Word Processing units (Models I & II). In addition, the general theory section provides a more comprehensive description of system operation.

1-2 PURPOSE/USE

The purpose of this manual is to provide the field level technician and engineers with a compact "quick and ready" reference of the System 5 elements. Through the use of this manual, field personnel shall be able to install and service the System 5 package.

1-3 EFFECTIVITY

The effectivity of this manual in relation to System 5 units in the field is - "ALL".

1-4 IMPORTANT MANUAL FACTS

A. METHOD OF PRESENTATION

This maintenance manual is presented with Chapters 2 and 7 being the primary informative areas. Chapter 2 because of the complete illustrative presentation and Chapter 7 because of the Theory description. Where practical, other publications have been directly referenced because it would be too costly and cumbersome to incorporate that information into this manual.

B. "BARRED" FUNCTION VERSUS "ASTERISK"

When reading the theory section, remember that the "Barred" signal which is LOW is represented in this manual by an Asterisk in the text of this manual. Therefore, XXXX* or *XXXX designates signal XXXX as LOW.

C. SCHEMATICS

The latest schematic as of this manual issue date including PCB layout location, have been compiled in Appendix R.

D. BLOCK DIAGRAMS

The only block diagrams (Figures 1-3 through 1-8) have been inserted into Chapter I.

1-5 SYSTEM SPECIFICATIONS

A. WORKSTATION

Height 13 1/2 in. (34.3 cm)

Dept 20 1/2 in. (52 cm)

Width 19 3/4 in. (50.2 cm)

Approximately Net Weight

54 lb (24.5kg)

Display Size

12 in. diagonal (30.4 cm)

Character Size

Height 16 in. (0.41 cm)

Width 09 in. (0.23 cm)

Capacity

24 lines, 80 character/line

Controls

Contrast

Brightness

Keyboard

Standard Typewriter Keys

4 Cursor Control Keys

15 special Operational Keys

Repeat Keys: space, backspace, hyphen, underscore, period, and cursor keys

Fuses

2A @ 115 VAC

1A @ 230 VAC

150 Watts

B. DUAL DISKETTE DRIVE

Height 13 1/4 in. (33.7 cm)

Depth 22 in. (55.9 cm)

Width 16 1/2 in. (42 cm)

Approximately Net Weight

72.5 lb (32.9kg)

System Diskette Capacity

200,000 characters

Archive Diskette Capacity

300,000 character

Fuses

3A @ 115 VAC

1.5A @ 230 VAC

250 Watts

Power Requirements

115 or 230 VAC \pm 10%

50 or 60 Hz \pm 1 cycle

Operating Environment

50°F to 90°F (10°C to 32°C)

20% to 80% relative humidity, noncondensing

Recommended Relative Humidity

35% to 65%, noncondensing

Cabling

25ft (7.6cm) - diskette drive to work station

25ft (7.6cm) - diskette drive to printer

C. PRINTER

PHYSICAL DIMENSIONS: Height: 14 in. (35.6 cm)
Depth: 22 in. (55.9 cm)
Width: 24 in. (61.0 cm)
Weight: 85 lb. (38.5 kg)

CARRIAGE RETURN: 300 msec maximum

LINE LENGTH/PITCH: 132 characters 10 pitch
157 characters 12 pitch

PAPER WIDTH: 16.5 in. (38.1 cm)

POWER CONSUMPTION:	Idle	150 watts	510 BTU/hr.
	Printing	200 watts	680 BTU/hr.
	CR & Tab	250 watts	750 BTU/hr.

PRINT RATE: 40 characters per second average (bidirectional)

PRINT LINE: 13.1 in. (33.3 cm)

CHARACTER SET: Full ASCII, 96 characters upper or lower case, and special characters.

PAPER FEED: Vertically; either direction with Friction Feed.

PAPER THICKNESS: 0.027 inches 0.069 cm maximum
(original plus 5 copies)

PAPER FEED SPEED: 4 inches/second plus 50 msec typical setting.

TABULATION: Right or left

POWER REQUIREMENTS: 115 VAC \pm 10%, 60 Hz \pm 1 Hz
220/240 VAC \pm 10%, 50 Hz \pm 1 Hz

FUSE SIZE: 2.5A Slo Blo for 115 VAC units
 1.5A Slo Blo for 230 VAC units
 10.0A Slo Blo for Servo Board

AMBIENT OPERATING TEMPERATURE: (45 to 95) °F, (7 to 35) °C @
10% to 80% Relative Humidity, non-condensing

AMBIENT STORAGE TEMPERATURE: (-20 to 135)°F, (-29 to 57)
°C @ 7% to 90% relative humidity.

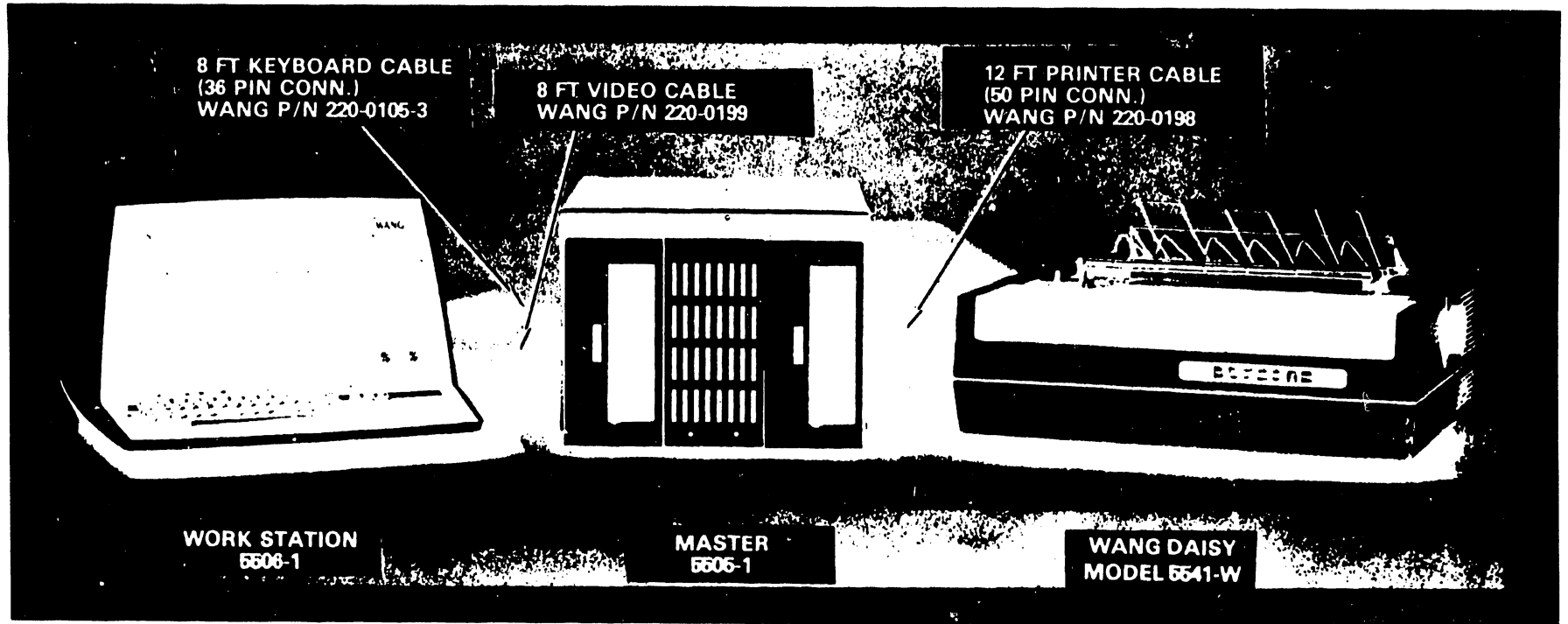


FIGURE 1-1 SYSTEM 5 PHYSICAL CONFIGURATION – (Front View)

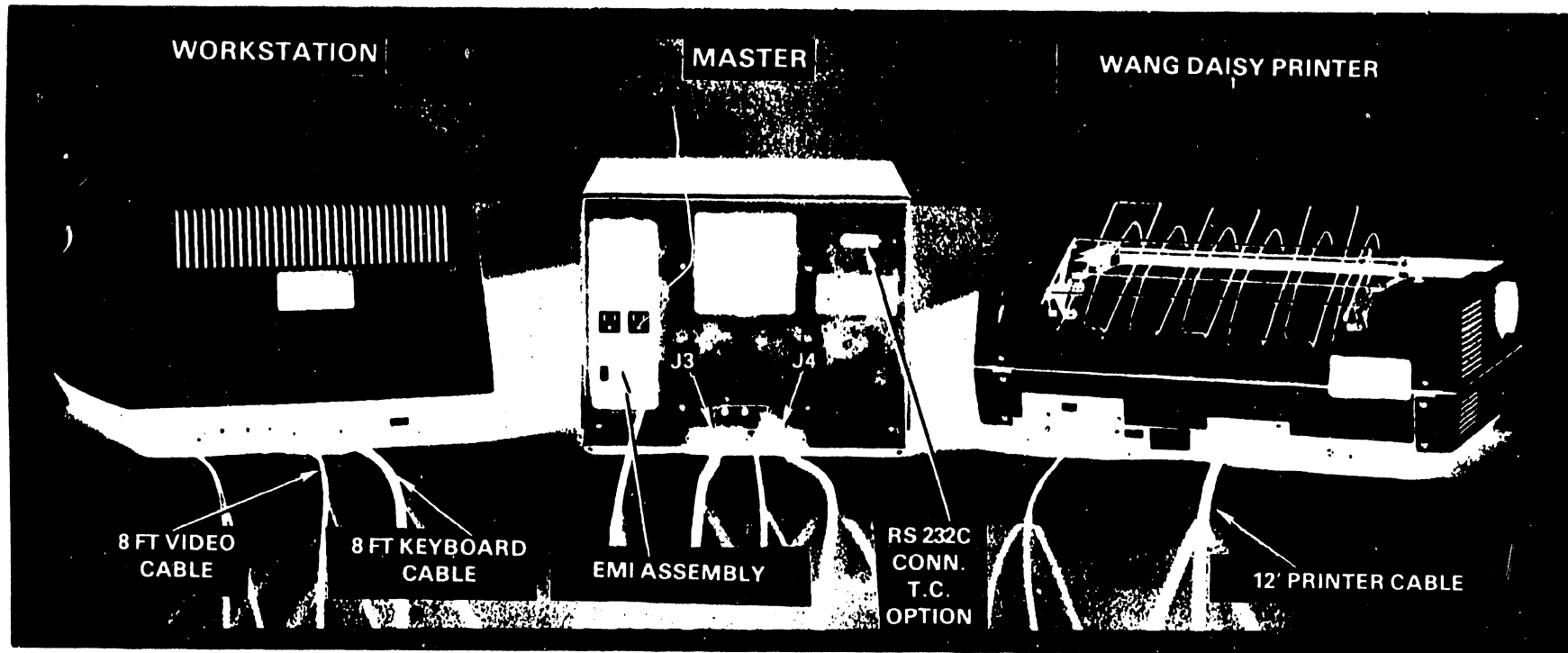


FIGURE 1-2 SYSTEM 5 PHYSICAL CONFIGURATION – (Rear View)

1-6 OPERATIONAL DESCRIPTION

The major concept of the SYSTEM 5 (Figure 1-3) is that of a single Z80 CPU in communication with and control of the other elements of the system. The CPU inputs and outputs instructions, commands and status via the system data bus. It is also made aware of completed tasks and needed service through the interrupt structure. In this way, we have an extremely flexible hardware configuration of great simplicity that may be formed to many purposes by software.

The main memory (Figure 1-4) consists of 44K of RAM and 4K of PROM located on a single card. There is a parity generator/checker that indicates invalid parity by placing lines on the CRT screen via a hardware circuit.

The disk/DMA logic circuit (Figure 1-5) controls data transfers to and from the floppy disk drives. Once the CPU has set this circuit up for a transfer the data is passed to or from main memory under hardware control. At the end of the 256 byte transfer the CPU is informed via an interrupt. Data is always transferred one sector at a time and always to or from main memory.

The Counter-Timer (Figure 1-6) is a software controlled method of counting events or creating time intervals. There are four of these in the SYSTEM 5, residing on the CTC chip, and they are used to time keystrokes, count sectors from the disk and other general timing applications. The CPU sets up the counter and is notified at the end of the period via an interrupt.

CRT Memory (Figure 1-7) is identical to Main Memory except that it is mapped to be addressed in rows and columns. There are 24 horizontal rows and 160 vertical columns, 80 of which may be displayed at one time. Each screen location is effected by two memory locations. There is a character memory located from E000 through F79F and a control memory located from C000 through D79F. The character memory will contain the ASCII code for the desired character and the control memory will contain bits to determine cursor and intensity for the character.

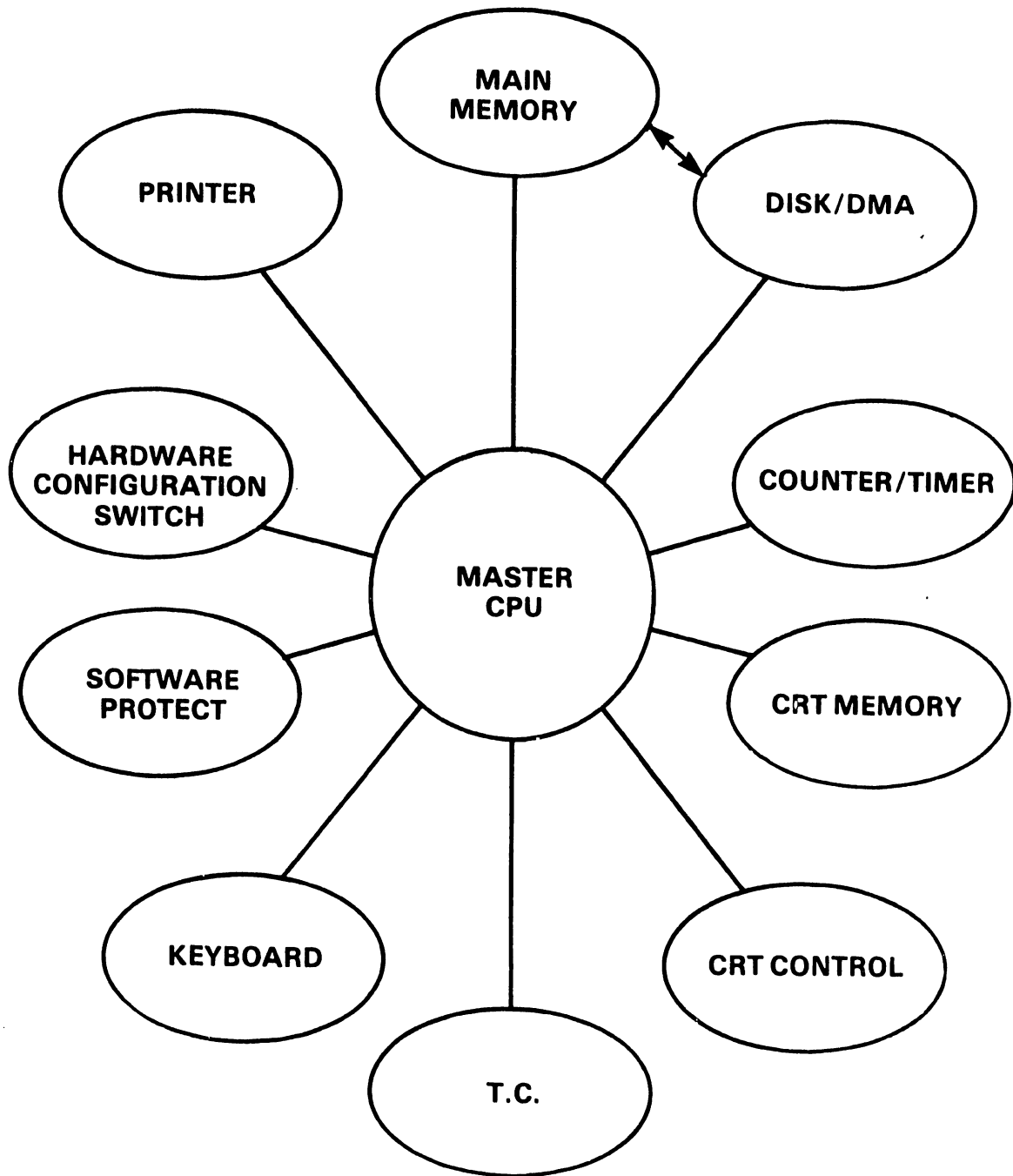


FIGURE 1-3 SYSTEM 5 OPERATIONAL CONFIGURATION

I-10

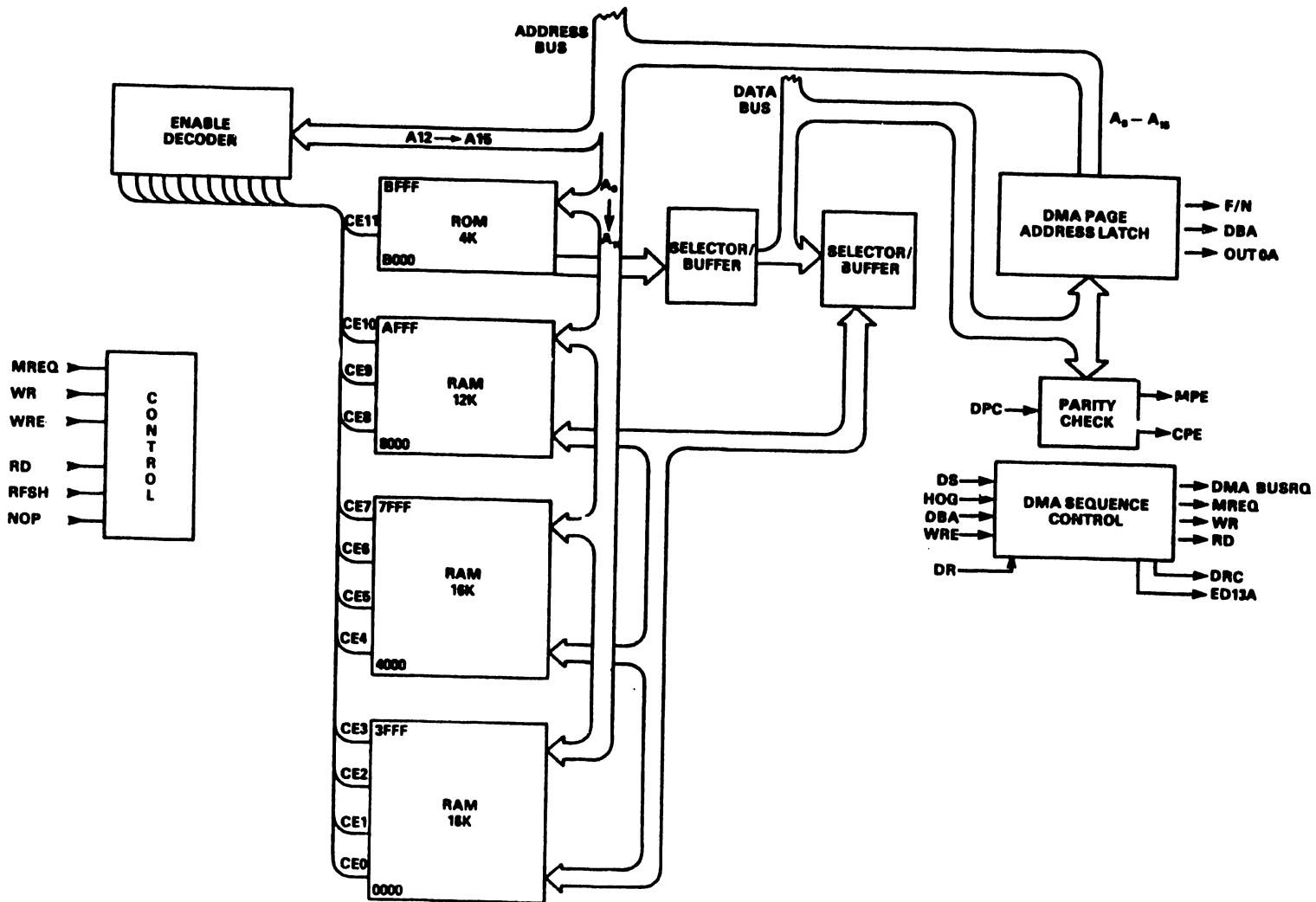


FIGURE 1-4 MAIN MEMORY (BLOCK DIAGRAM)

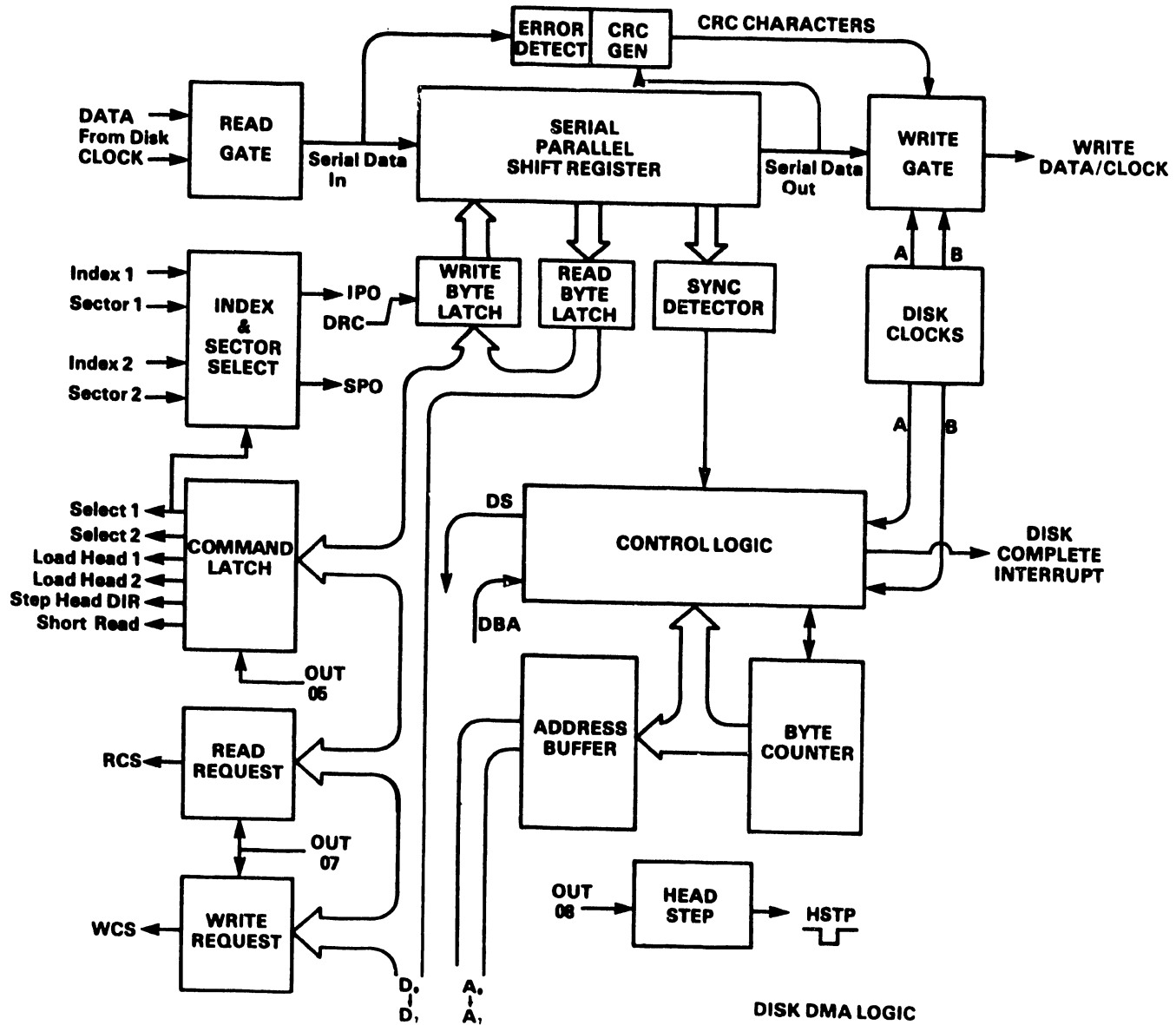


FIGURE 1-5 DISK/DMA LOGIC (BLOCK DIAGRAM)

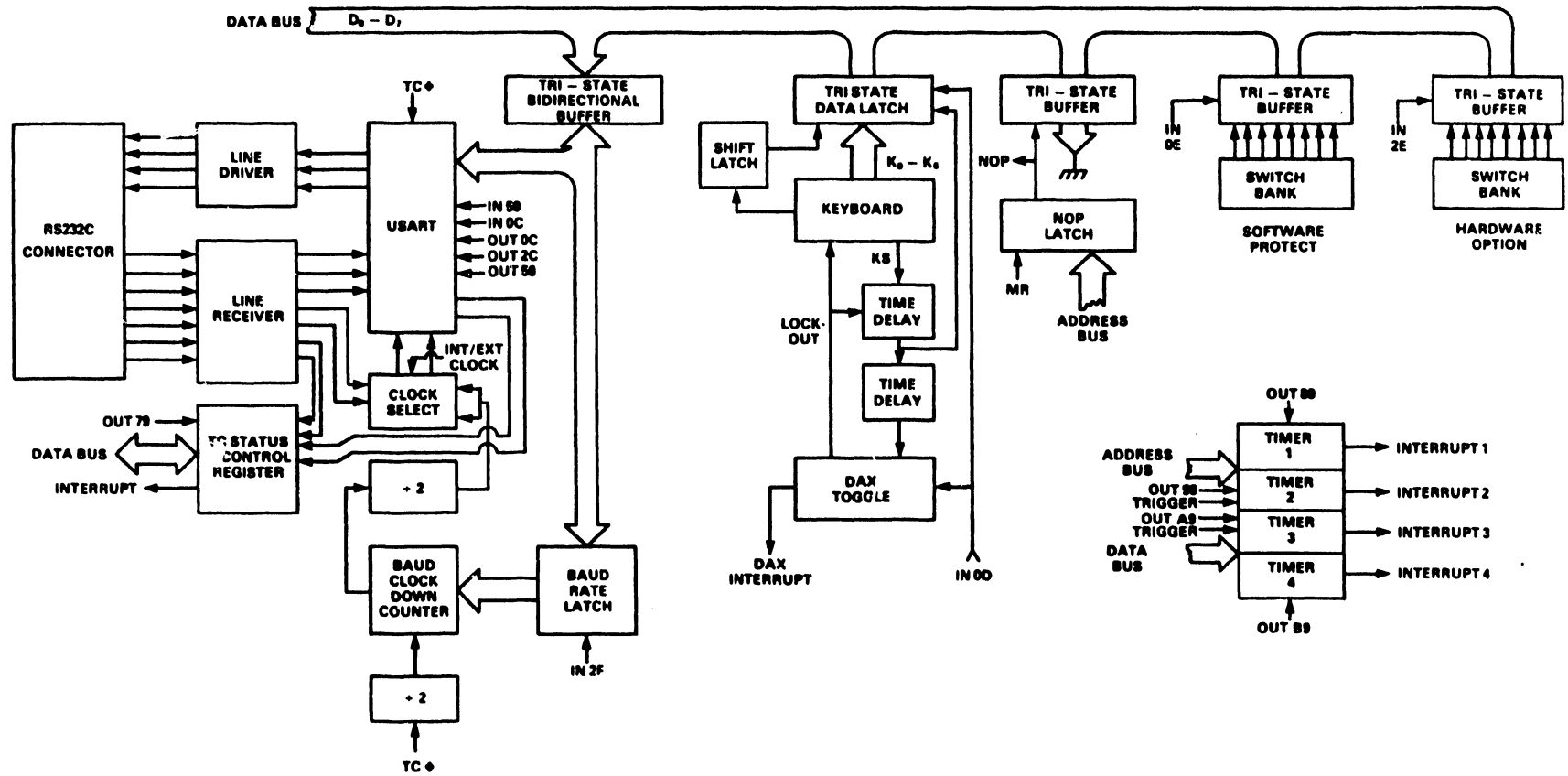


FIGURE 1-6 TIMING/CTC/INTERRUPT (BLOCK DIAGRAM)

CRT control allows the CPU to set the beginning of the 80 column display within the 160 column field.

Telecommunications is an option with the SYSTEM 5 which may not be loaded on all machines. It provides an interface with standard MODEMS and allows the CPU to transfer data and set operating mode and baud rate. With incoming data the CPU is notified with an interrupt.

The keyboard is the main operator interface. The CPU may accept a coded keystroke when notified that one is pending via an interrupt and acknowledges its receipt with a key click or keyboard alarm beep.

The software protect switch allows the CPU to check the hardware and determine whether the software being loaded is compatible or not. This will prevent damage to system software.

The hardware switch is read by the CPU to determine which options are being used by the particular configuration. This allows certain necessary set-up procedure to be accomplished.

The printer may be any of a number of types. The CPU controls the printer functions and transmits data to be printed and checks printer status.

Each of these elements is in communication with the Z80 CPU and controlled by its software. Each is serviced in its time through a priority system. The circuitry of each element will be discussed in detail in a later chapter.

1-7 MAJOR DIFFERENCES FROM THE BASIC 928 WORD PROCESSING SYSTEM

From an operators point of view there are no major differences between the SYSTEM 5 and the rest of the WANG Word Processing line. The keyboard functions remain the same and the only limitation is the availability of a single printer. From a hardware standpoint the absence of any data-link circuitry makes the system less elaborate and

therefore less costly. Since one CPU is now executing the code once processed by three there is a reduction in the speed of some simultaneous operations. For example in lieu of the data link a direct printer interface is used (Figure 1-8).

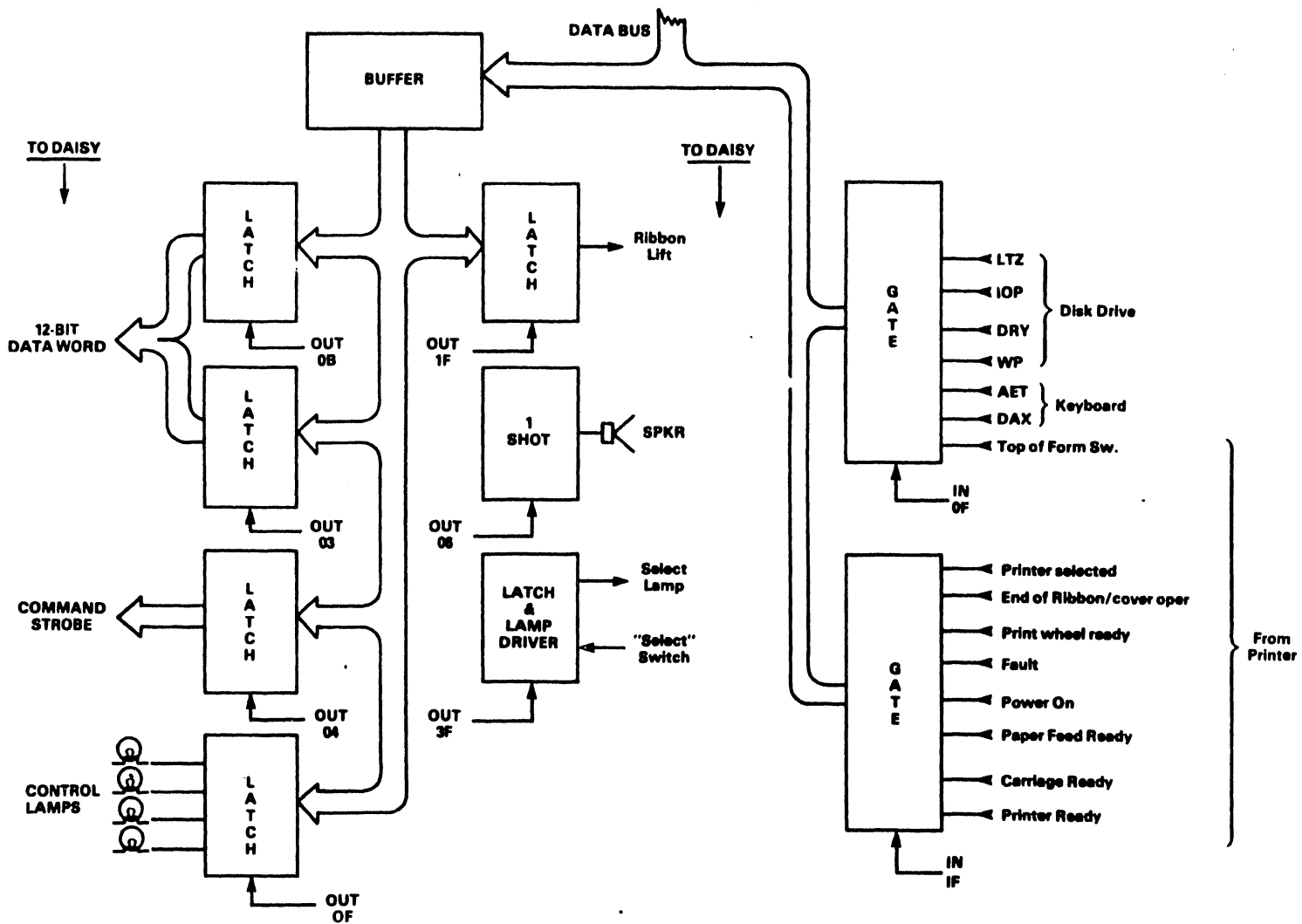


FIGURE 1-8 PRINTER INTERFACE (BLOCK DIAGRAM)

CHAPTER
II
HARDWARE
LOCATIONS

CHAPTER II

HARDWARE LOCATIONS

This chapter contains illustrations of the system's major hardware units supported by exposed views with call-outs locating some of the most pertinent elements.

These illustrations accompanied by those of Chapter I also show the intercabling configuration.

The intent of this illustrative chapter is to provide field personnel with visual support for maintenance planning and performance.

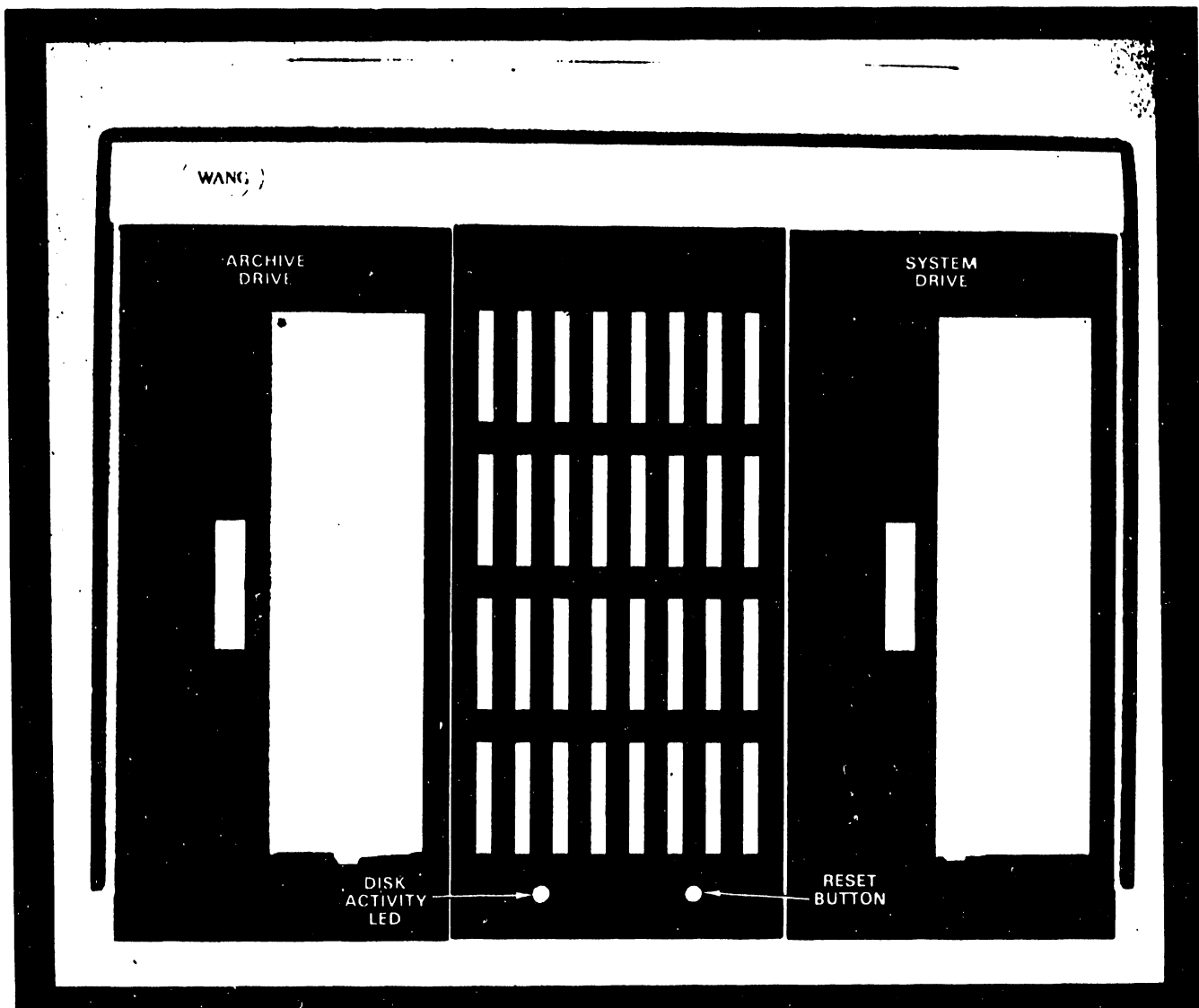
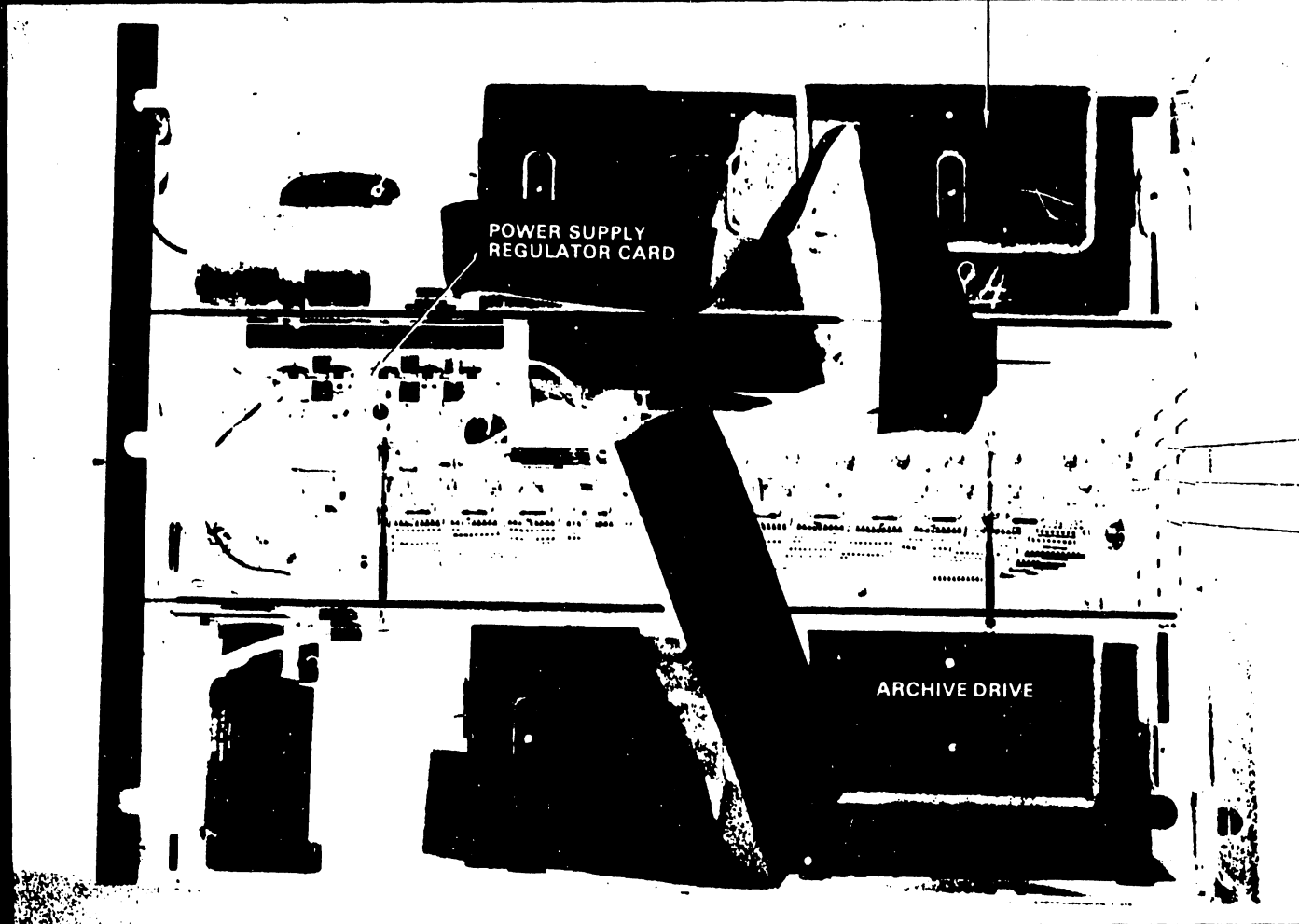


FIGURE 2-1 MASTER (5505-1) — FRONT VIEW

REAR

SYSTEM DRIVE

FRONT



DISK I/O CARD

CPU CRT CARD

MEMORY CARD

ARCHIVE DRIVE

POWER SUPPLY
REGULATOR CARD

FIGURE 2-2 MASTER (5505-1) — COVER REMOVED, TOP VIEW, PCB CARD INSTALLED

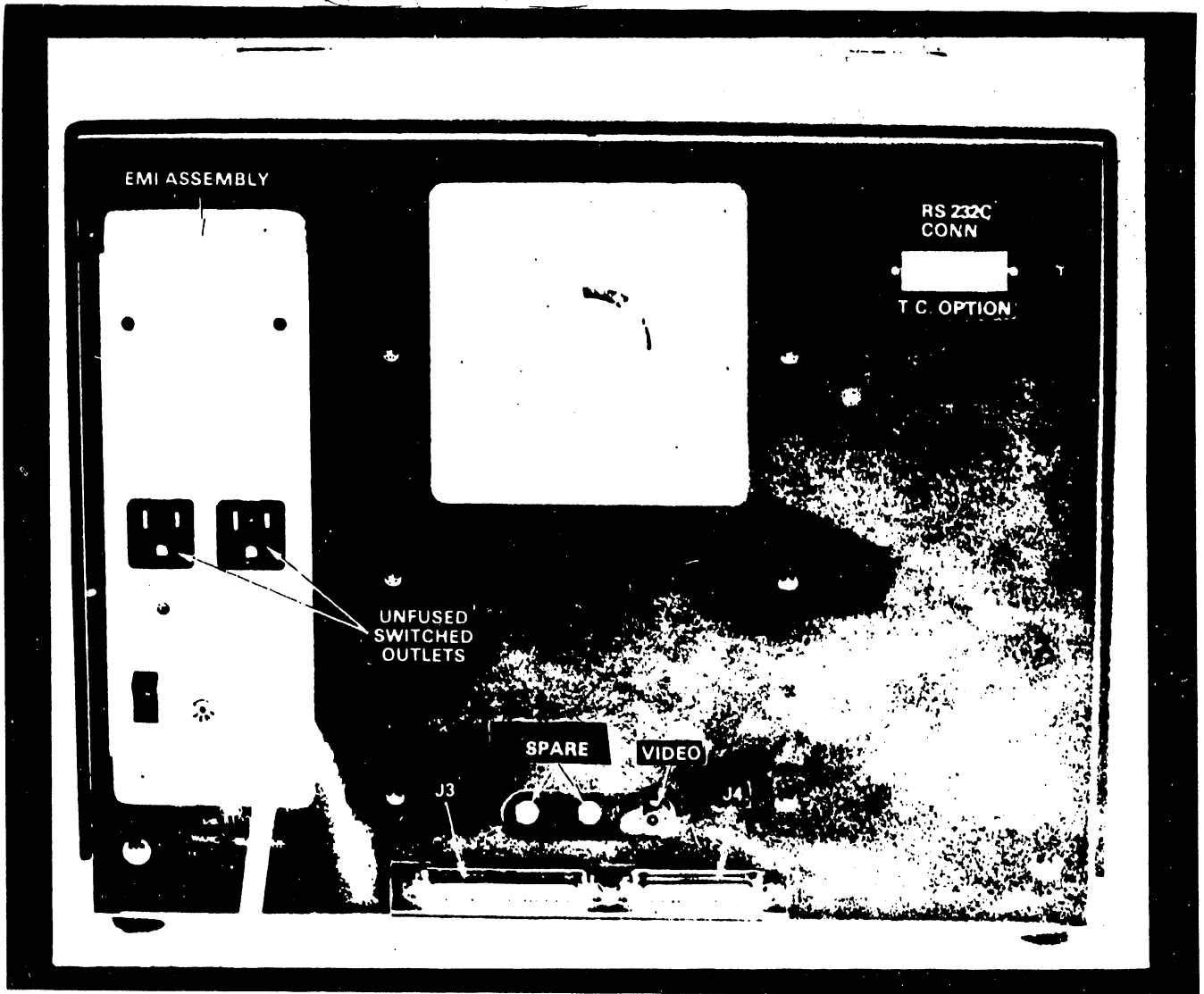


FIGURE 2-3 MASTER (5505-1) — REAR VIEW

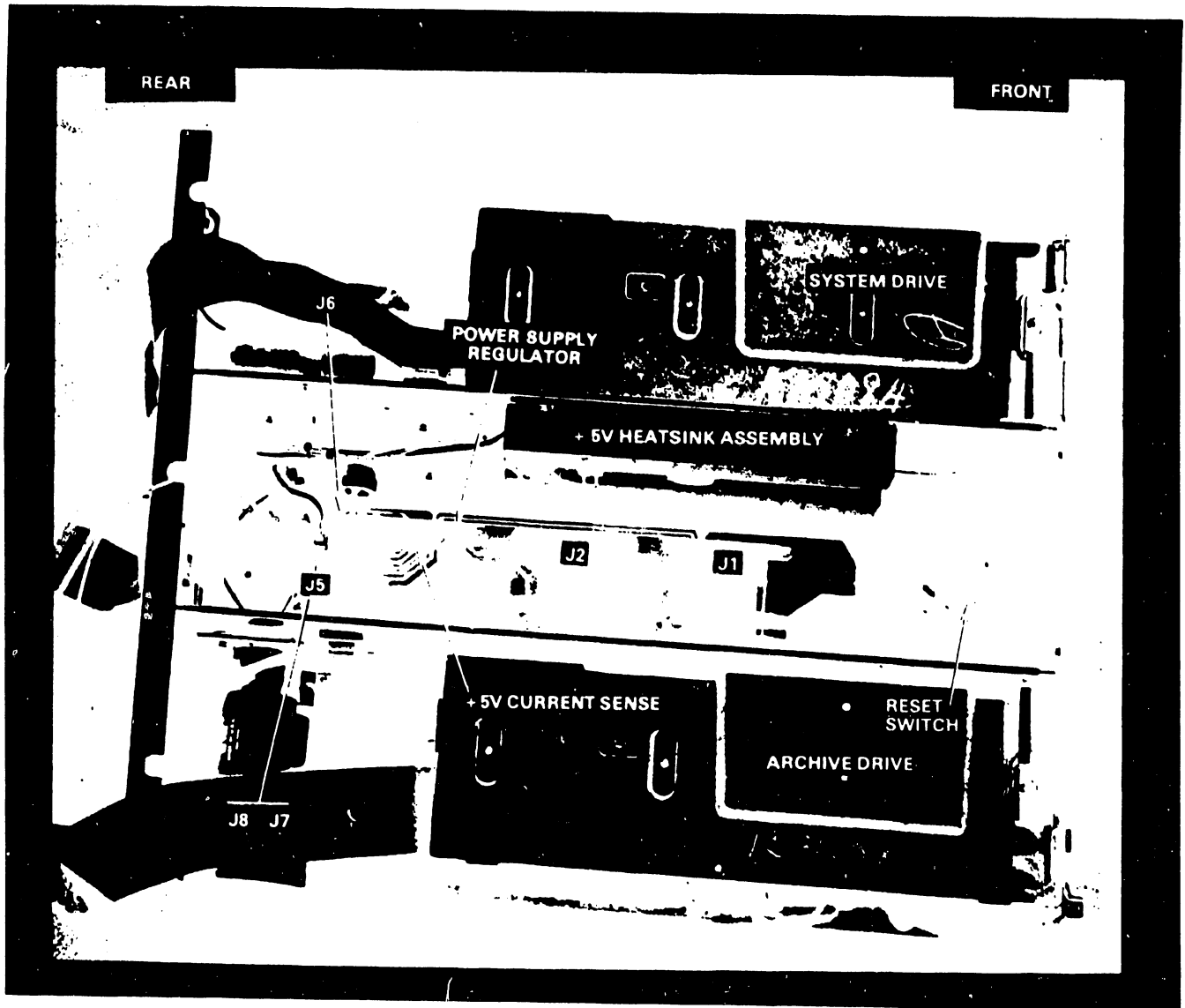


FIGURE 2-4 MASTER (5505-1) — COVER REMOVED, TOP VIEW, PCB CARDS REMOVED

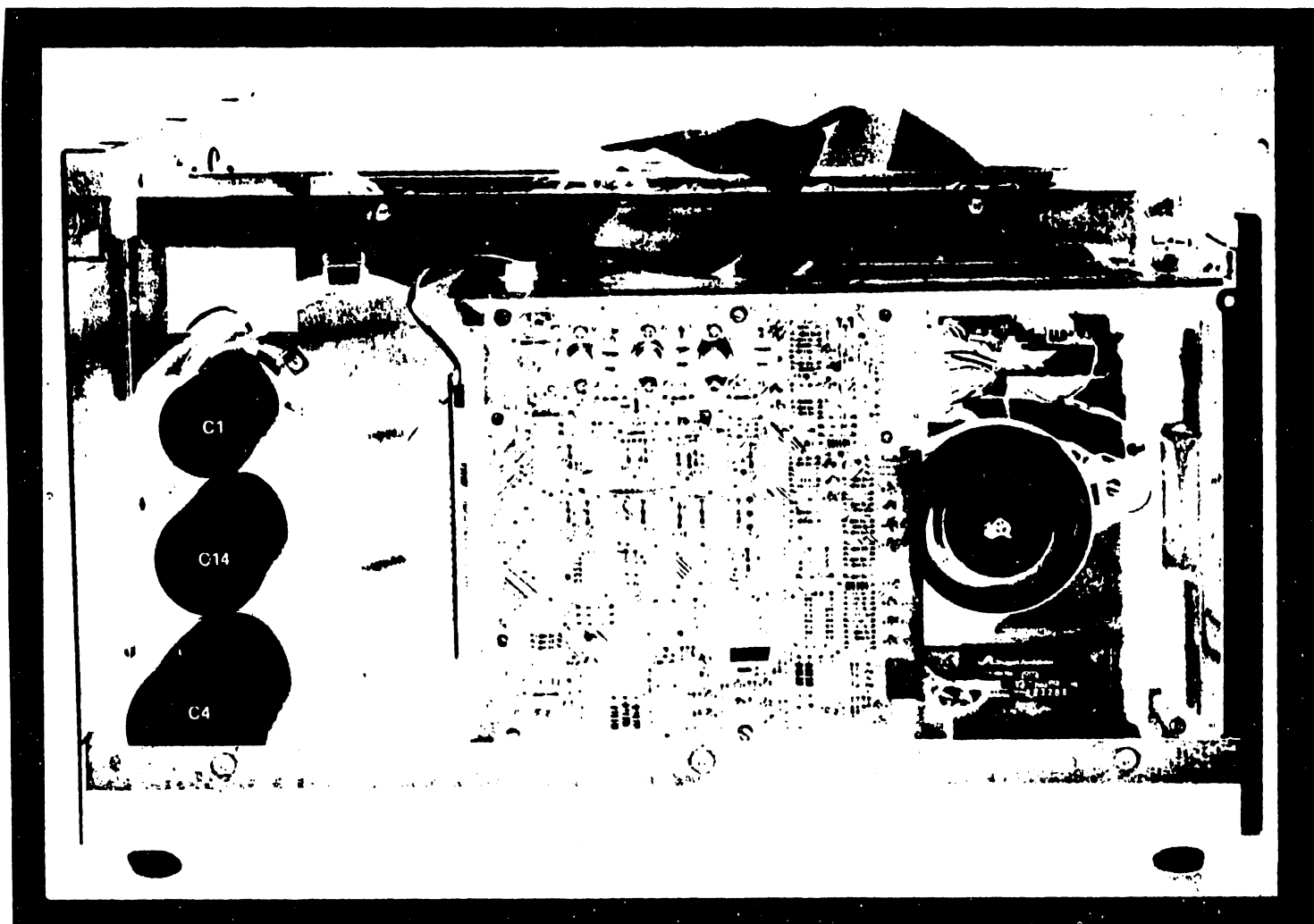


FIGURE 2-5 MASTER (5505-1) — COVER REMOVED, LEFT SIDE VIEW

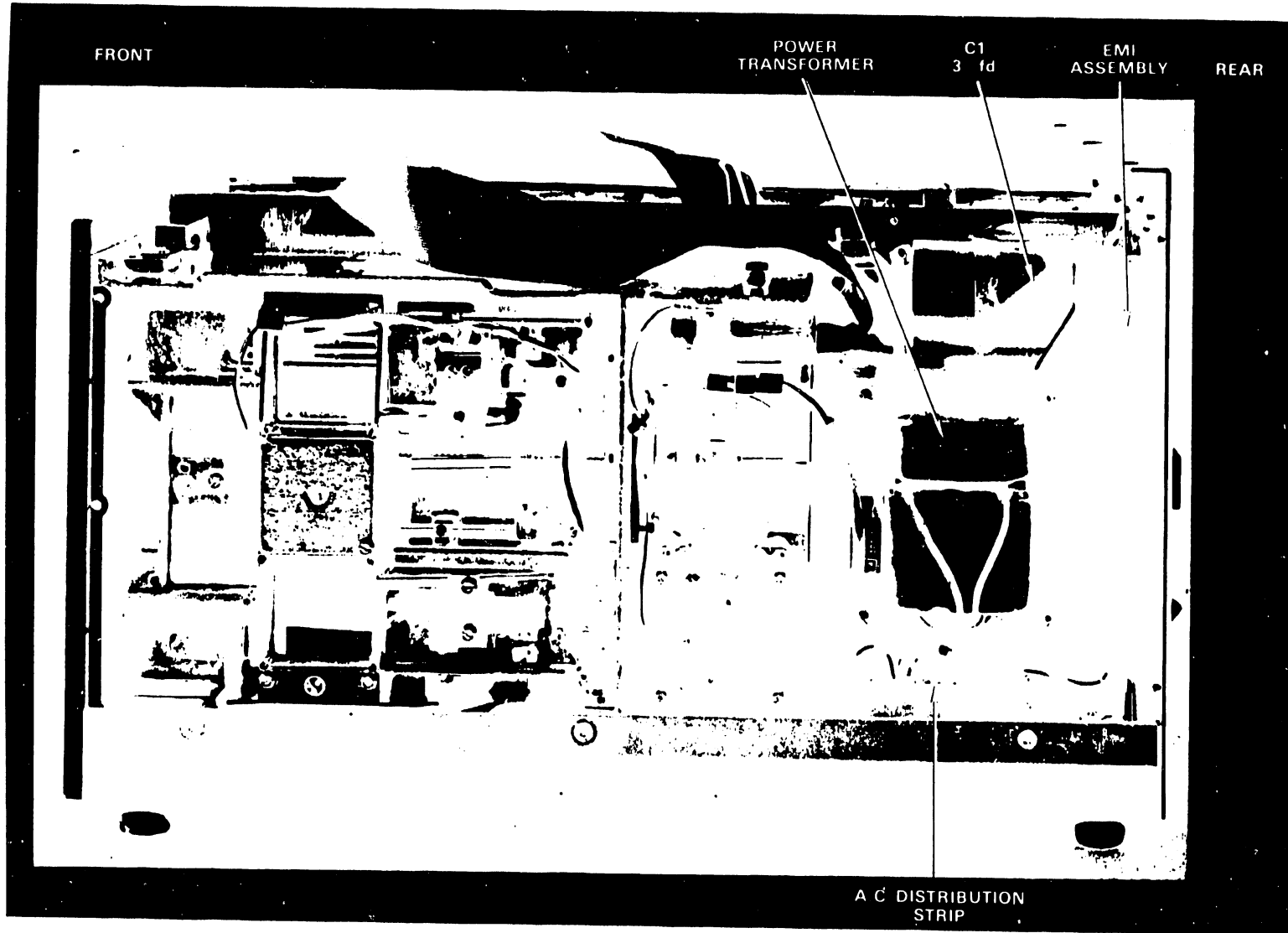


FIGURE 2-6 MASTER (5505-1) — COVER REMOVED, RIGHT SIDE VIEW

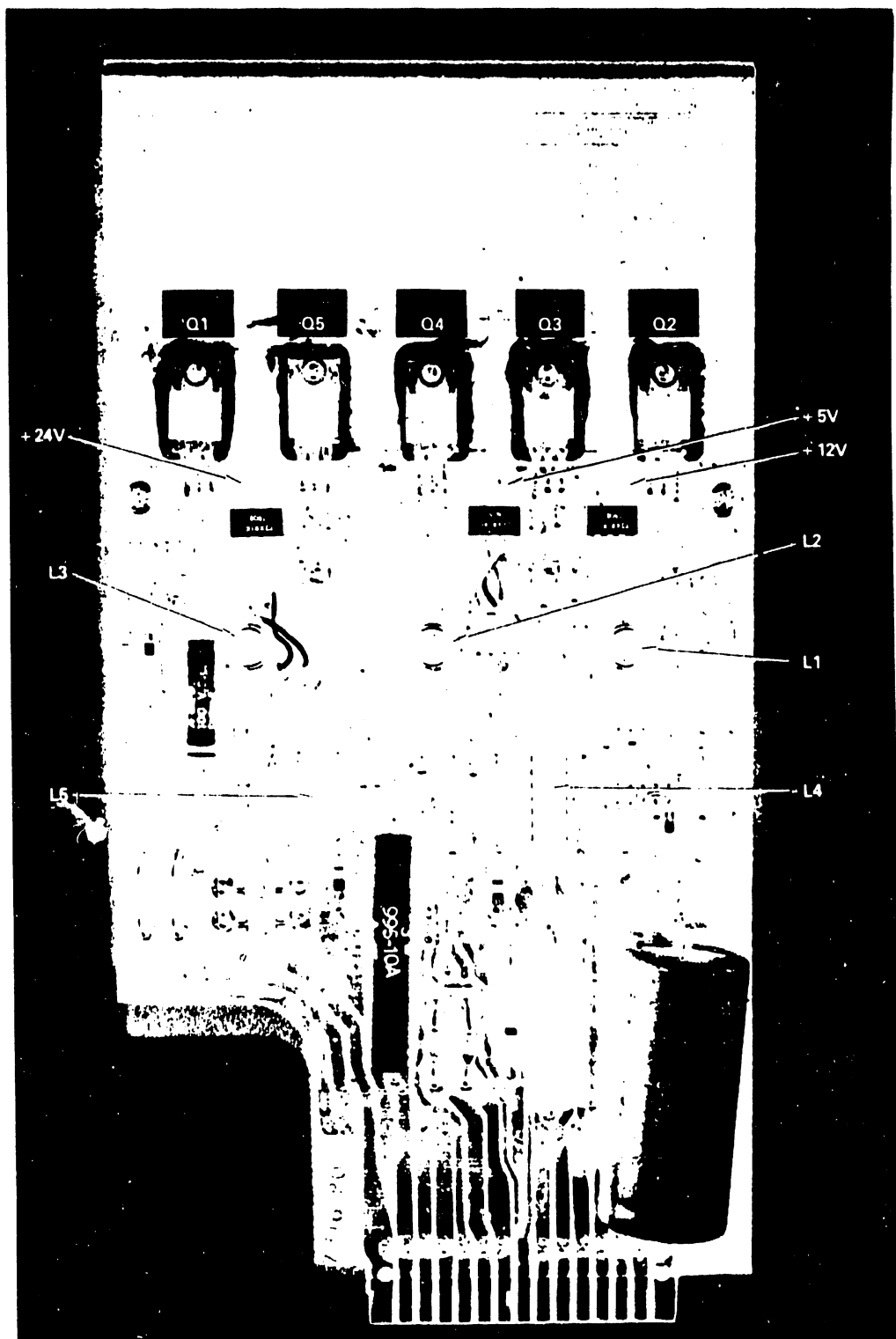


FIGURE 2-7 MASTER (5505-1) — POWER REGULATOR PCB

VIDEO OUT

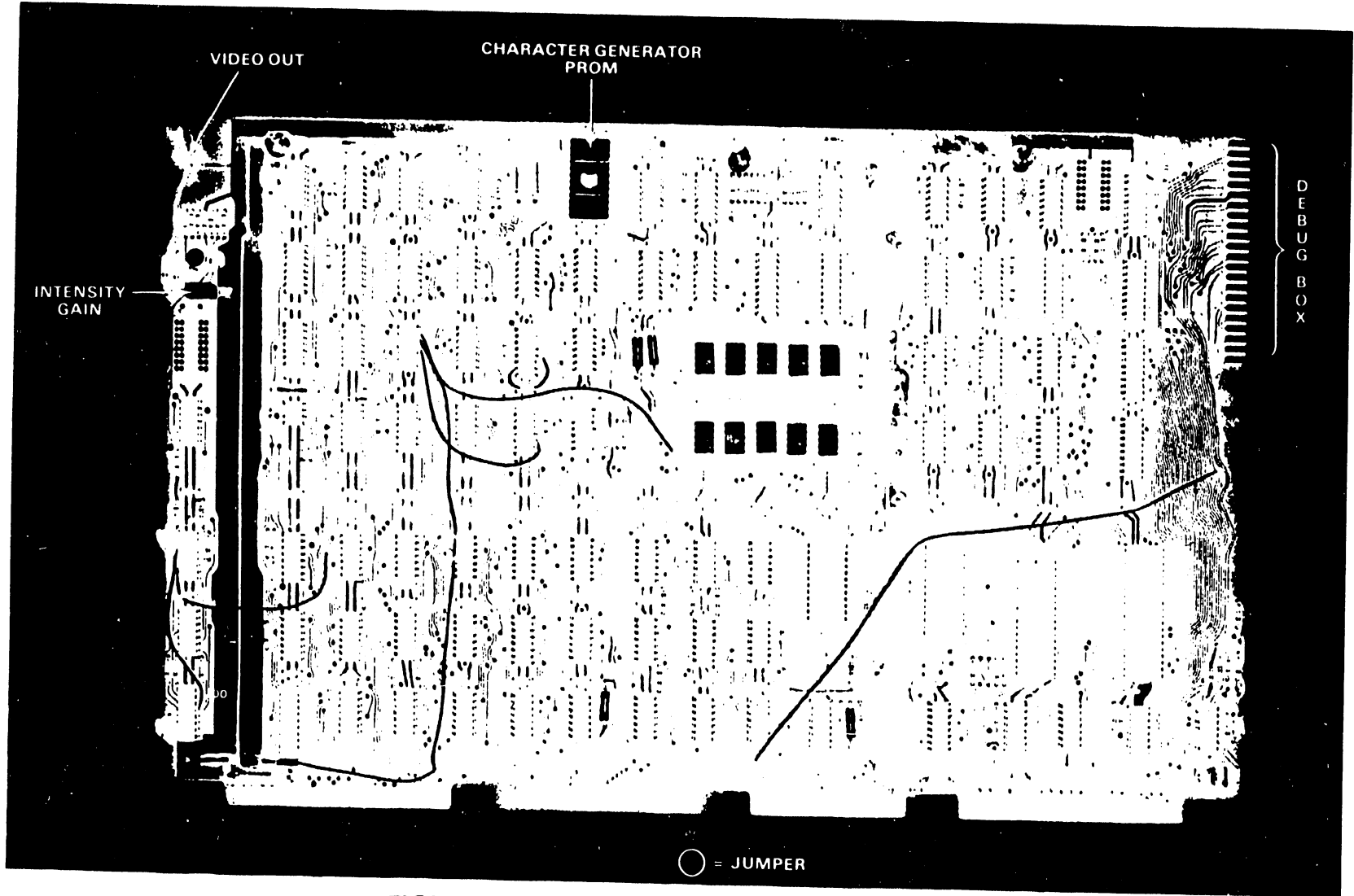
CHARACTER GENERATOR
PROM

INTENSITY
GAIN

DEBUG
BOX

○ = JUMPER

FIGURE 2-8 MASTER (5505-1) — CPU/CRT PCB



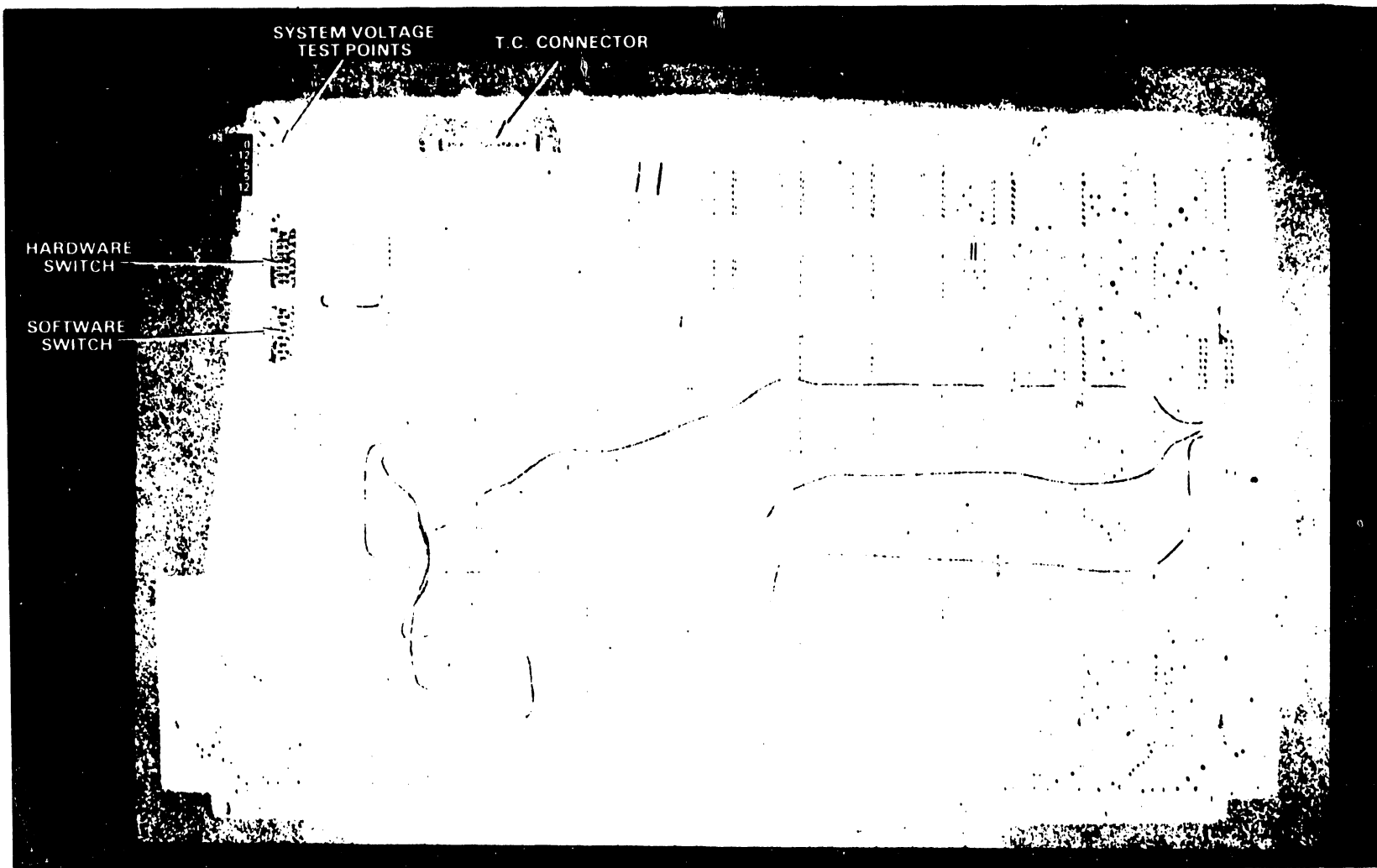


FIGURE 2-9 MASTER (5505-1) — DISK, I/O PCB (T.C. NOT LOADED)

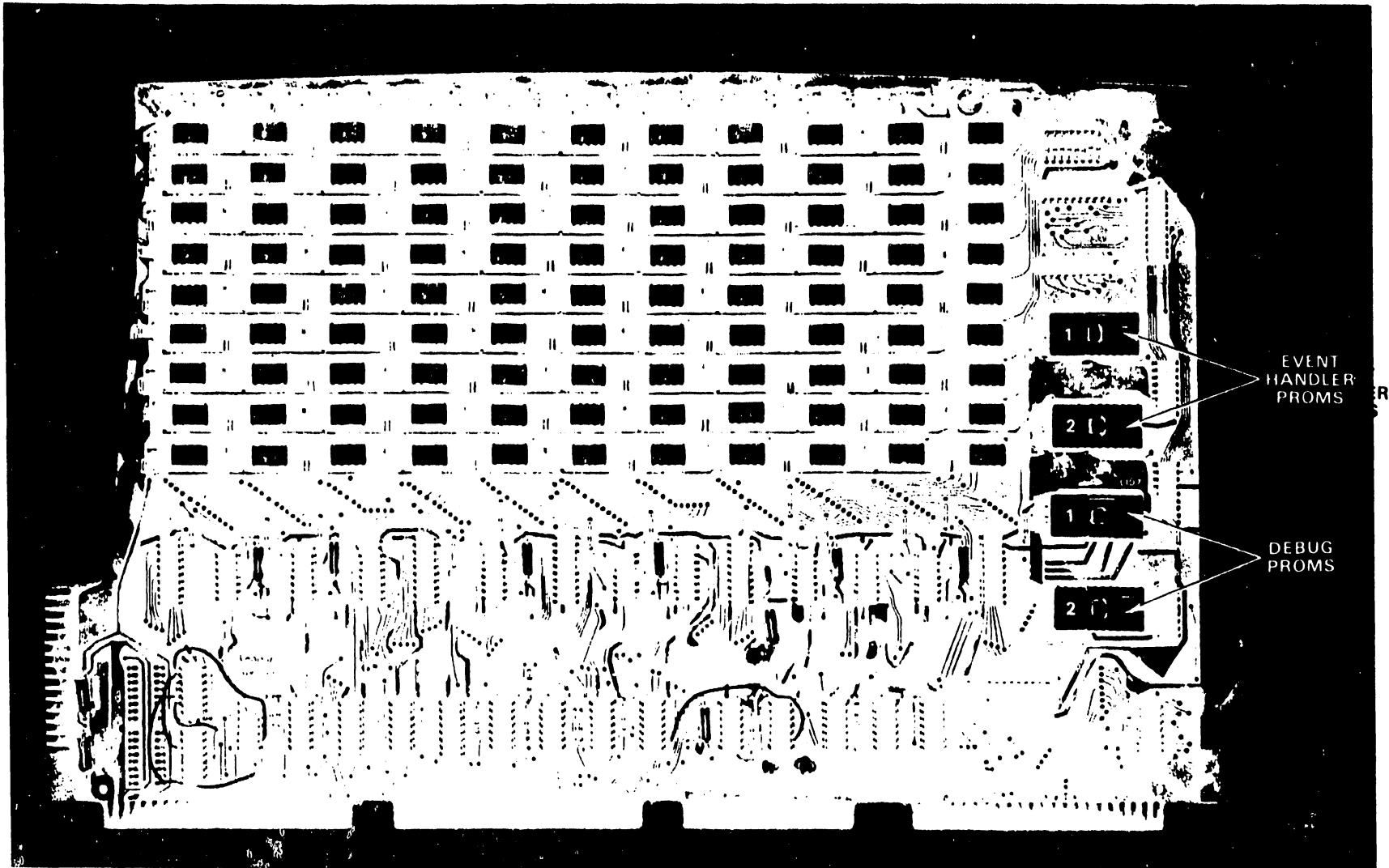


FIGURE 2-10 MASTER (5505-1) — MEMORY PCB

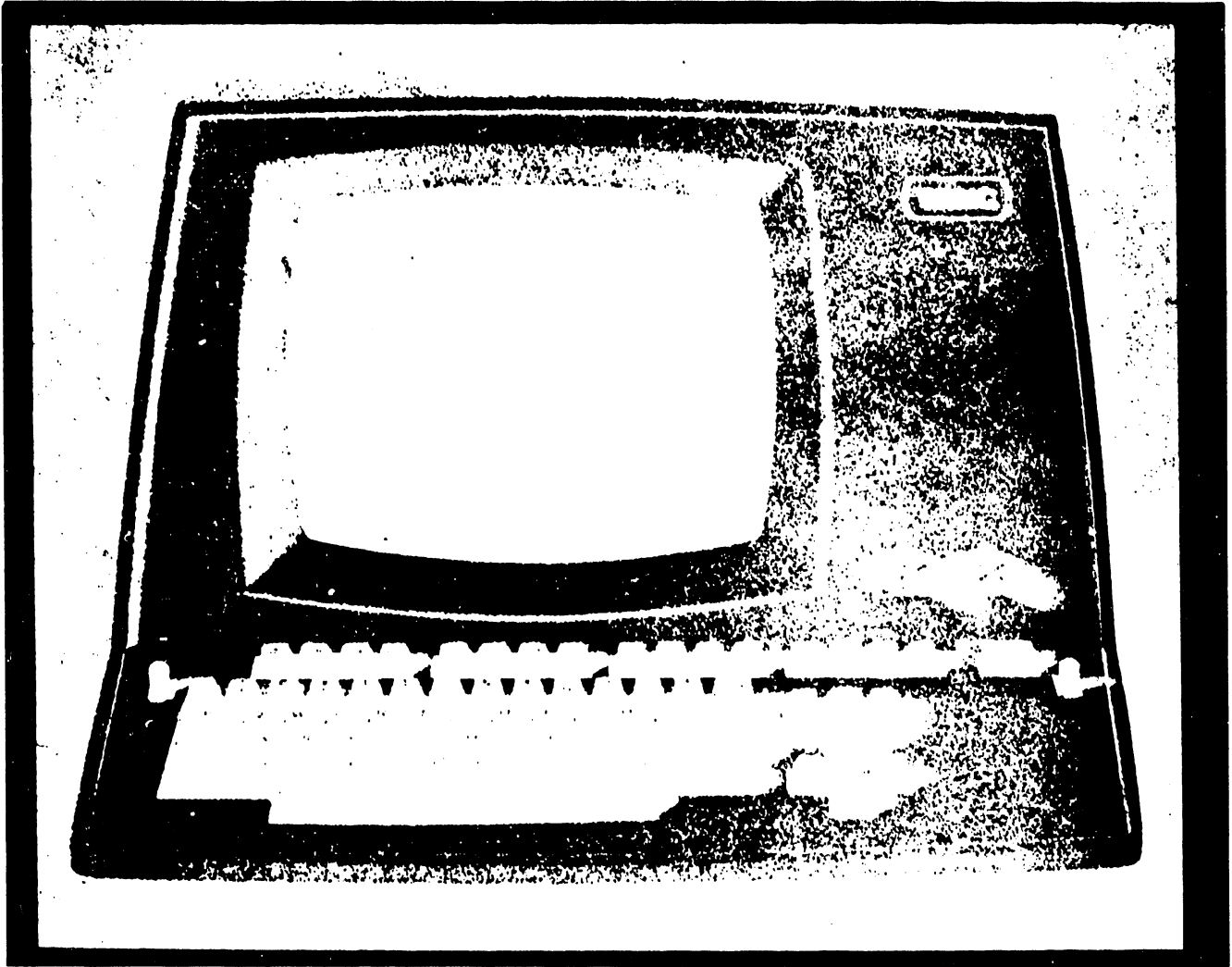


FIGURE 2-11 WORK STATION (5508-1) – FRONT VIEW

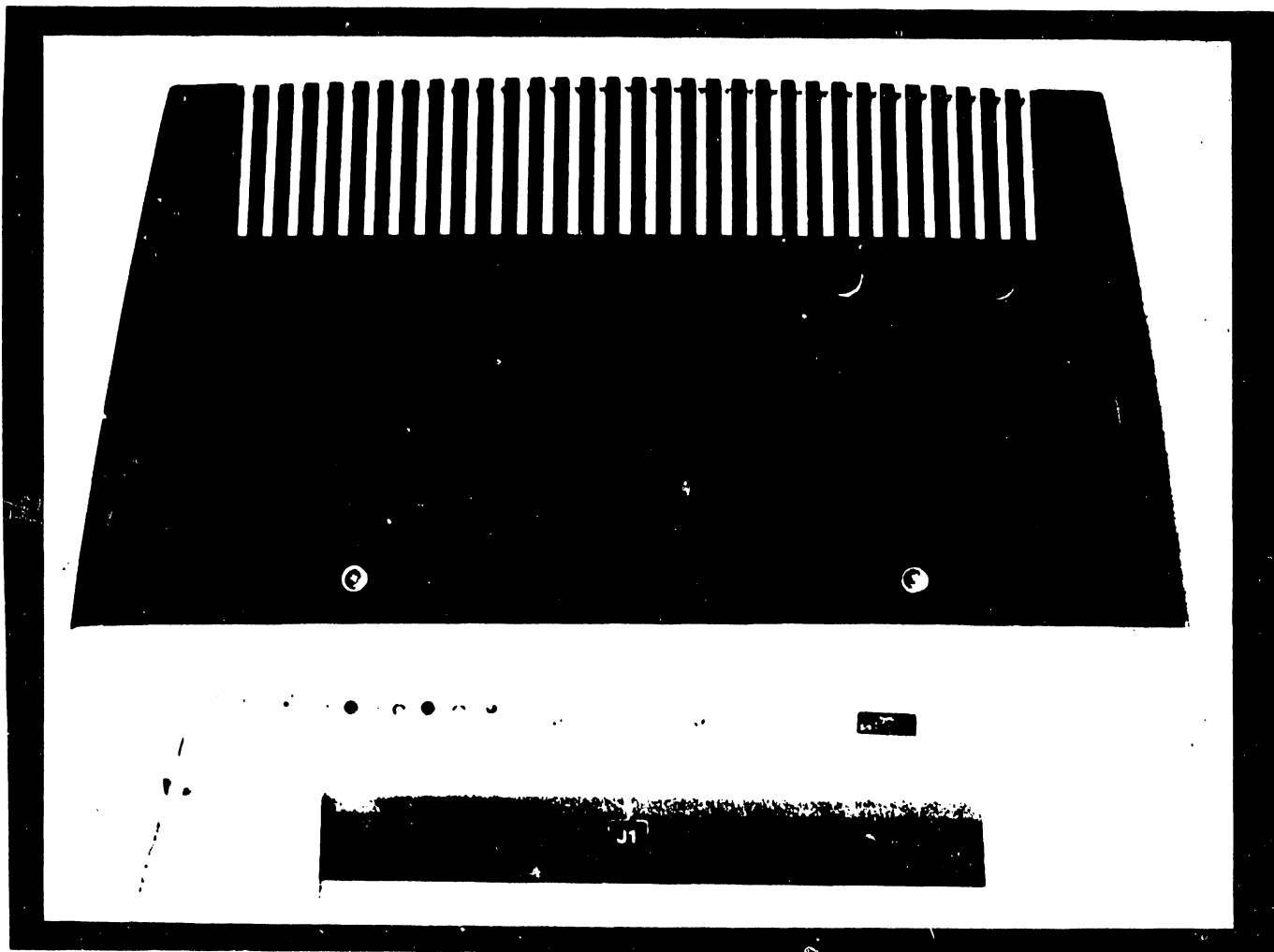
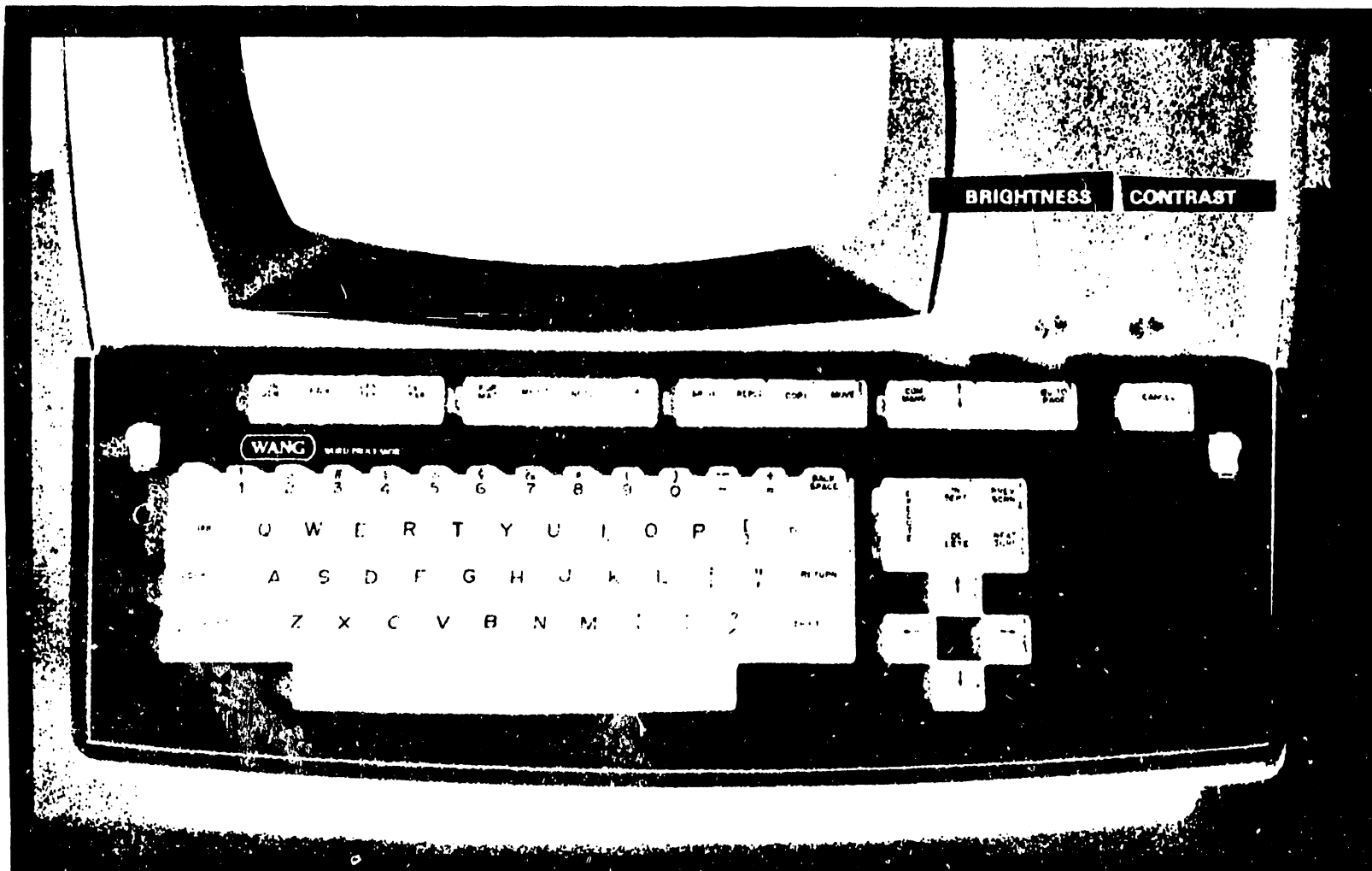


FIGURE 2-12 WORK STATION (5506-1) — REAR VIEW



**STANDARD WORD PROCESSING
KEYBOARD**

**FIGURE 2-13 WORK STATION (5506-1) — KEYBOARD AND FRONT
PANEL CONTROLS**

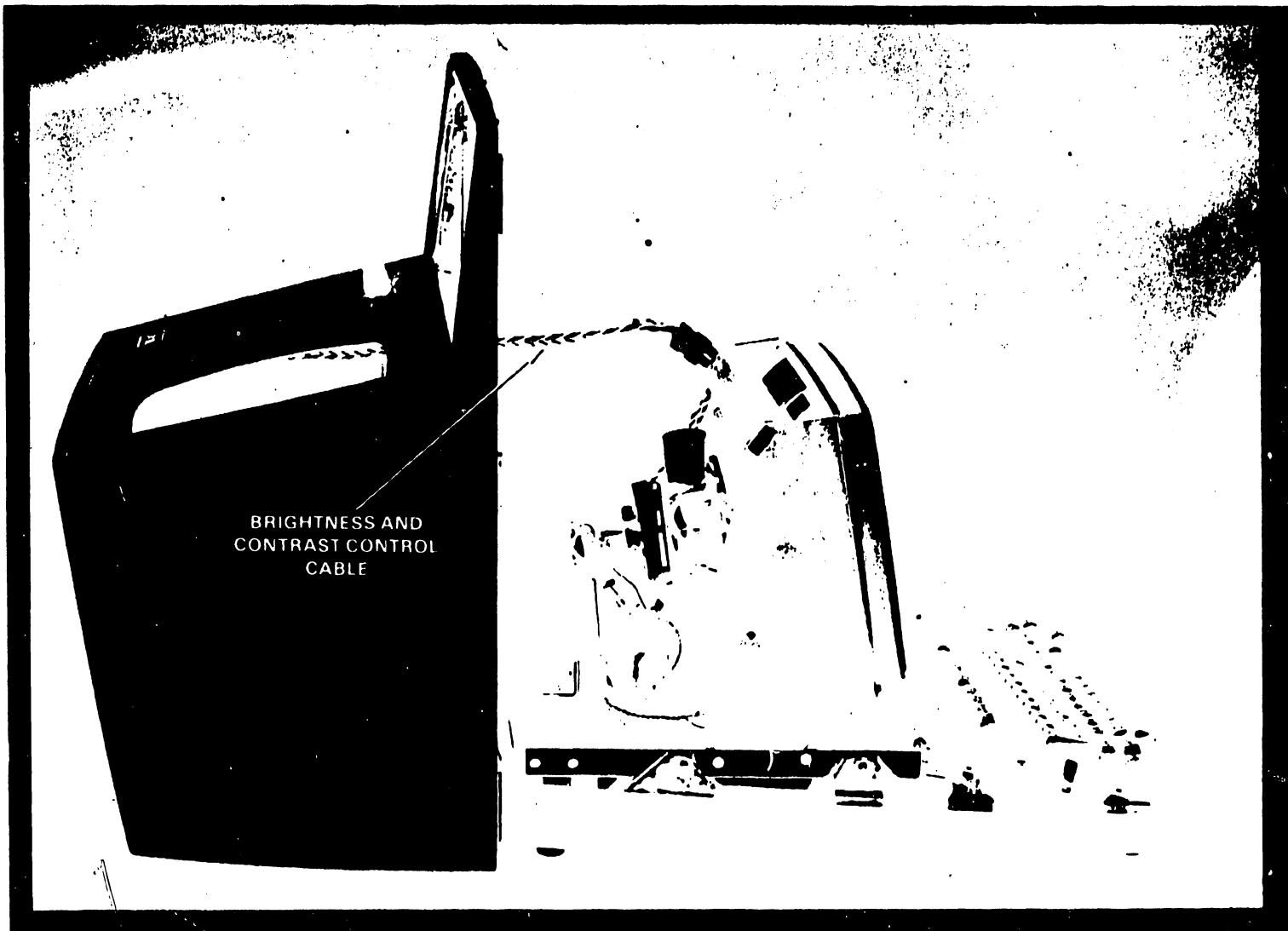


FIGURE 2-14 WORK STATION (5506-1) — COVER REMOVED, SIDE VIEW, SHOWING CONTROL CABLE



FIGURE 2-15 WORK STATION (5506-1) — PHOTOGRAPHIC EXPLODED VIEW

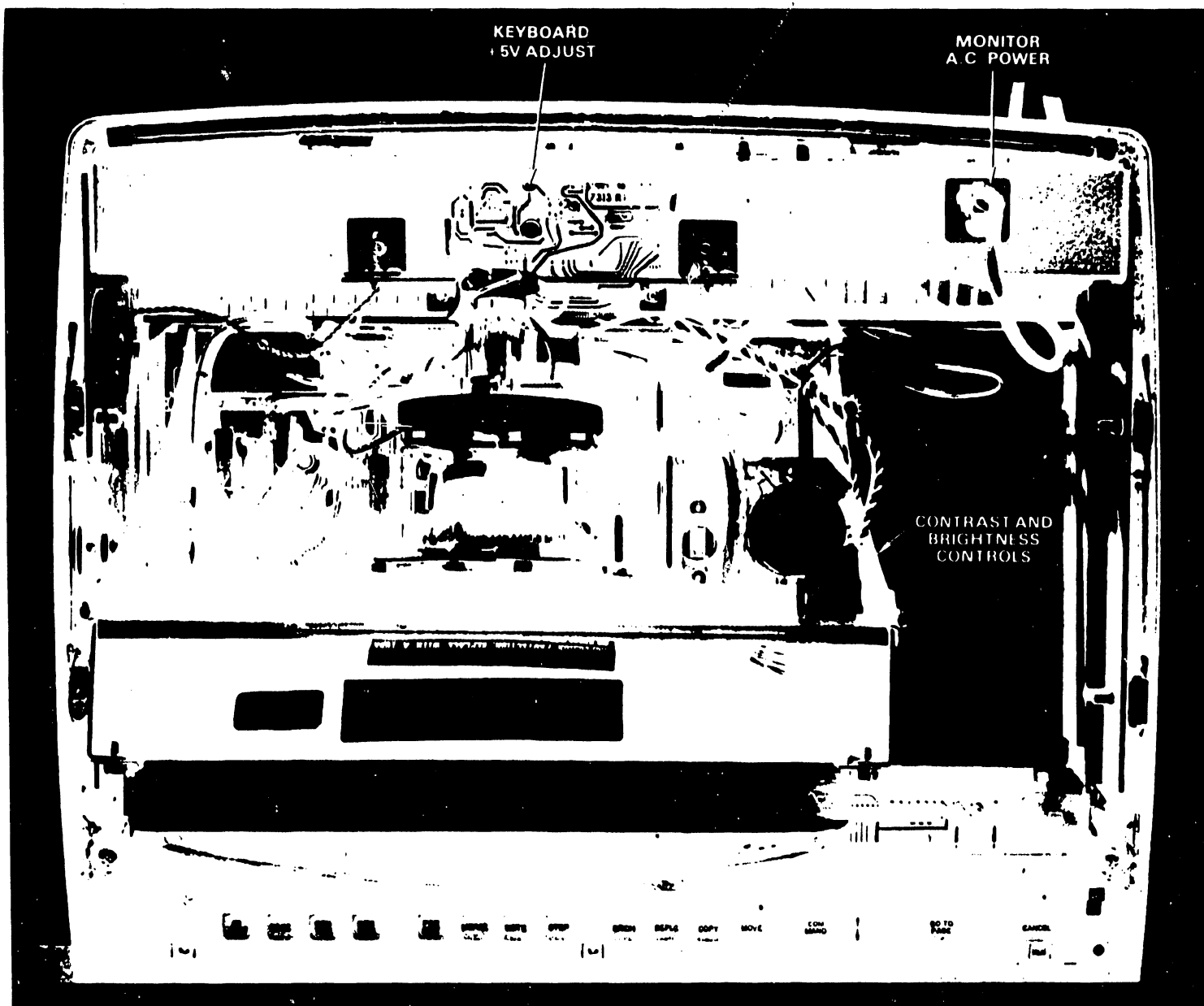


FIGURE 2-16 WORK STATION (5506-1) – COVER REMOVED, TOP VIEW

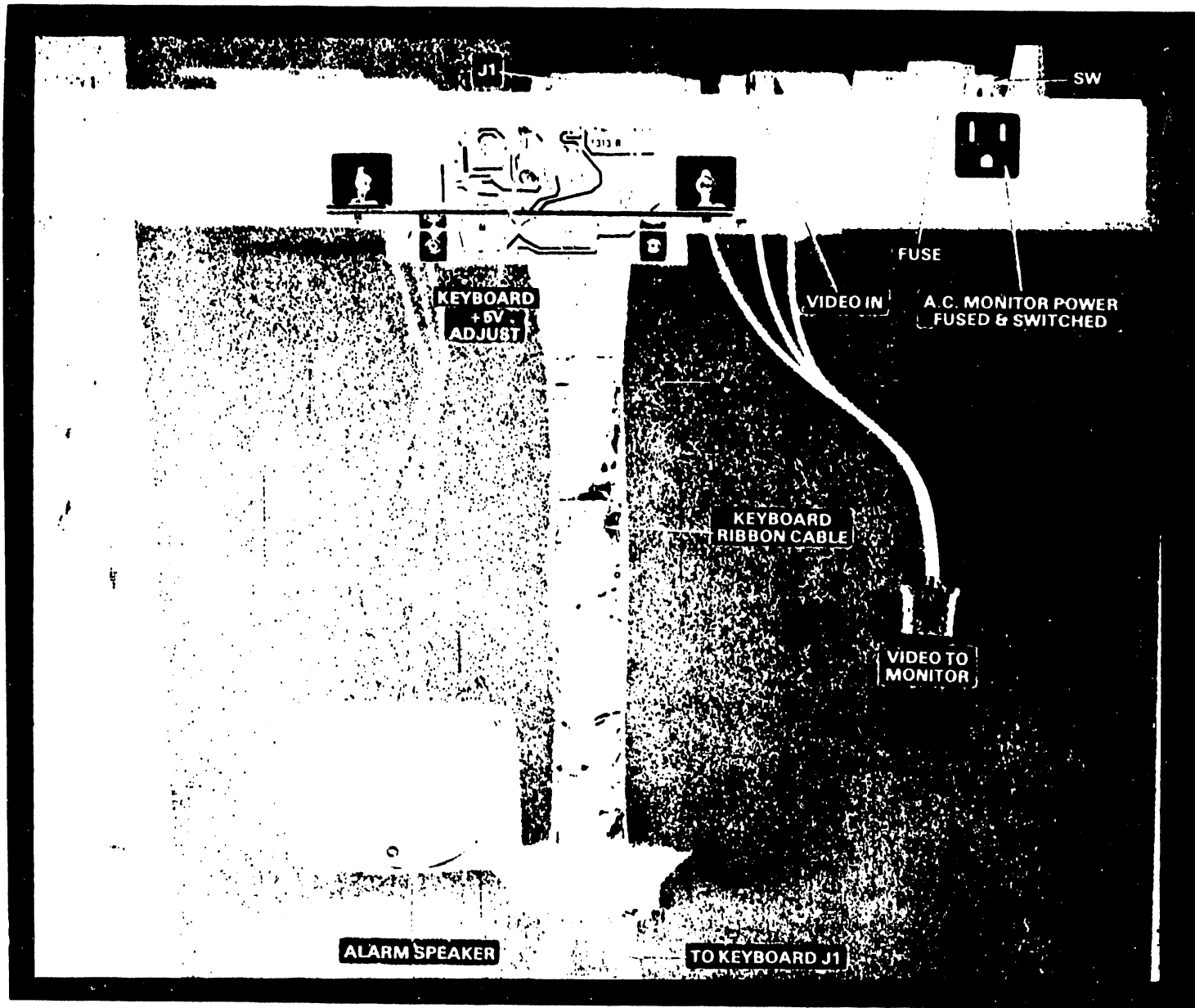


FIGURE 2-17 WORK STATION (5506-1) — SYSTEM 5 MODIFICATION

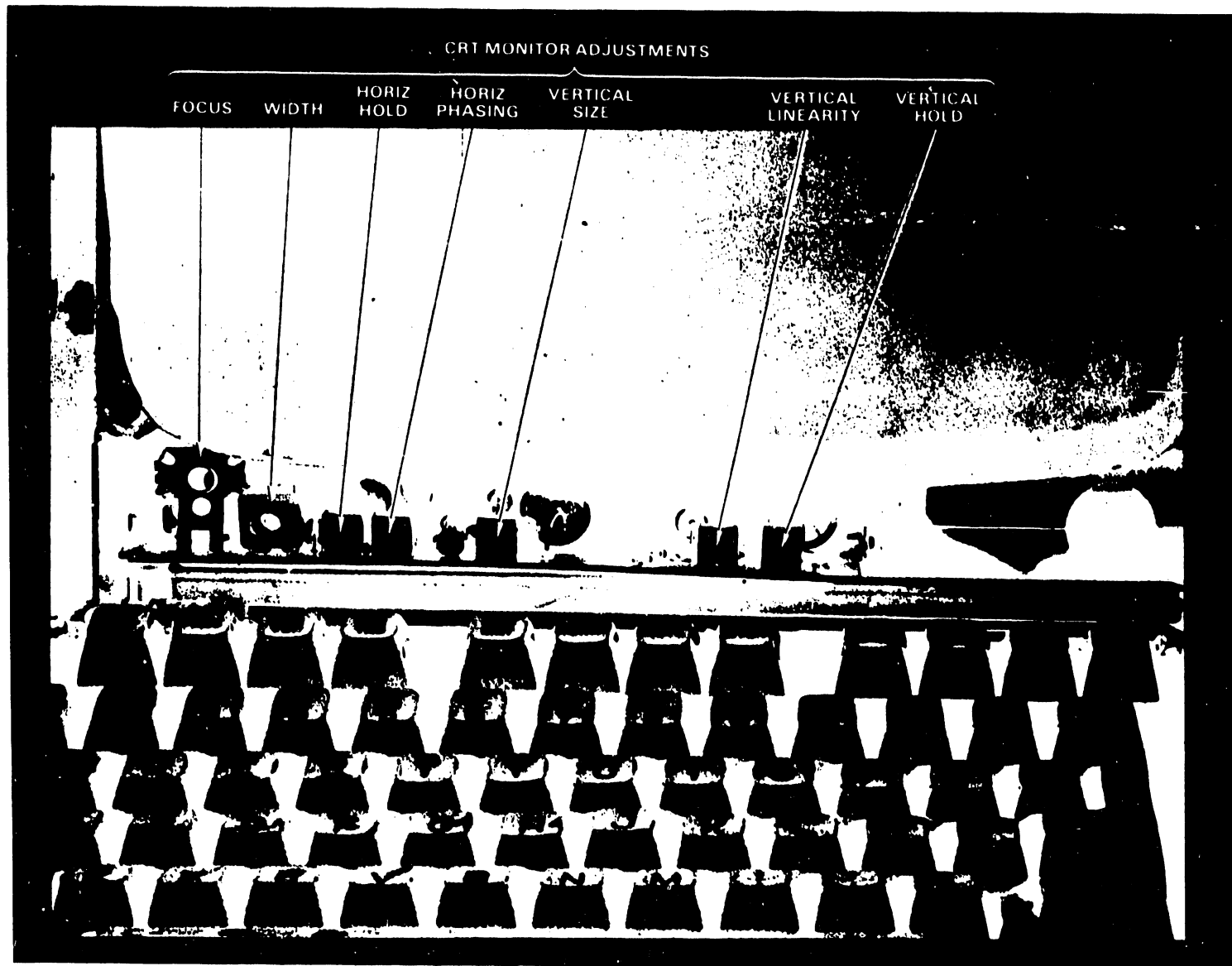


FIGURE 2-18 WORK STATION (5508-1) — COVER REMOVED, SHOWING CRT ADJUSTMENTS

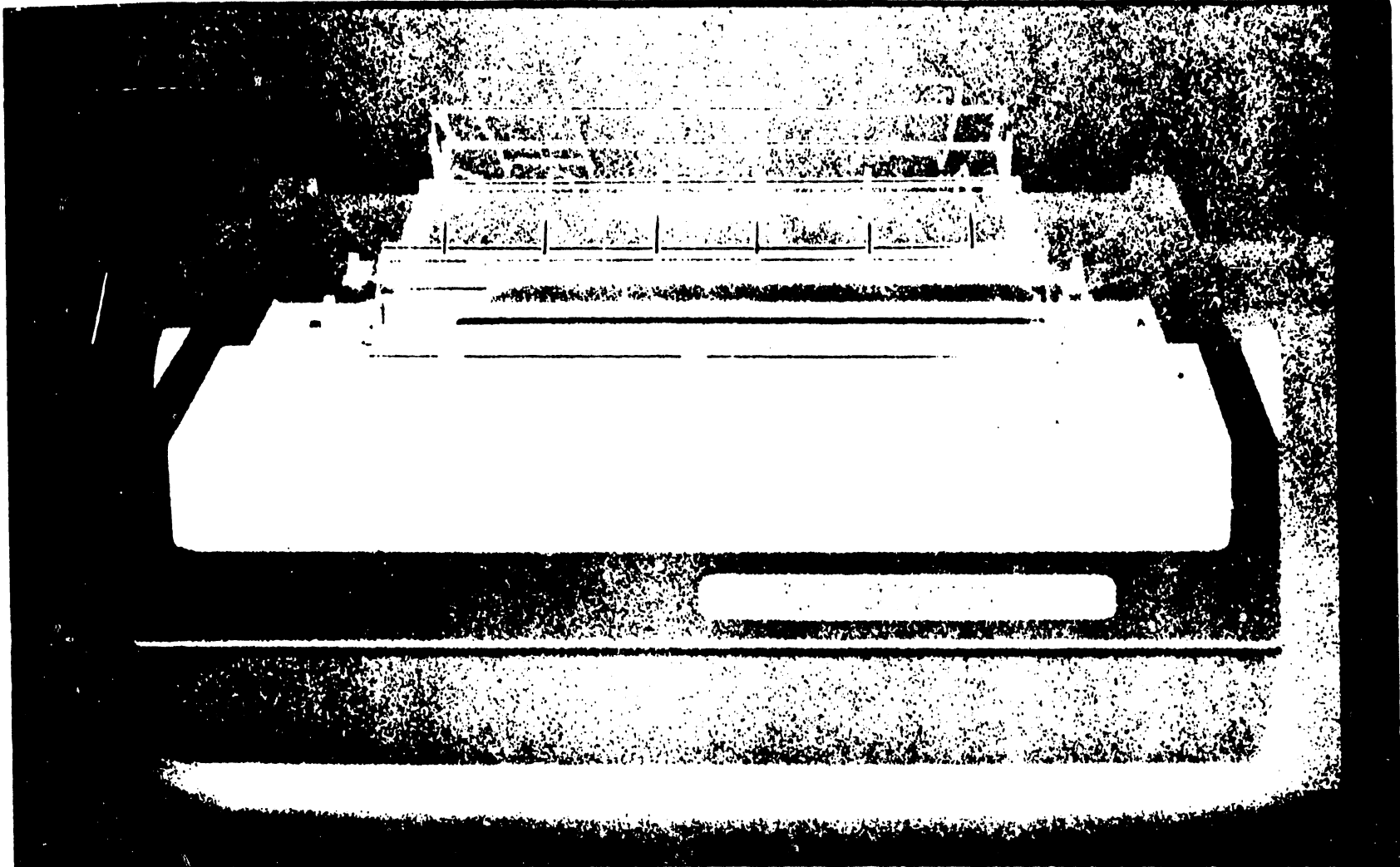


FIGURE 2-19 PRINTER (WANG DAISY MODEL 5541W) — FRONT VIEW

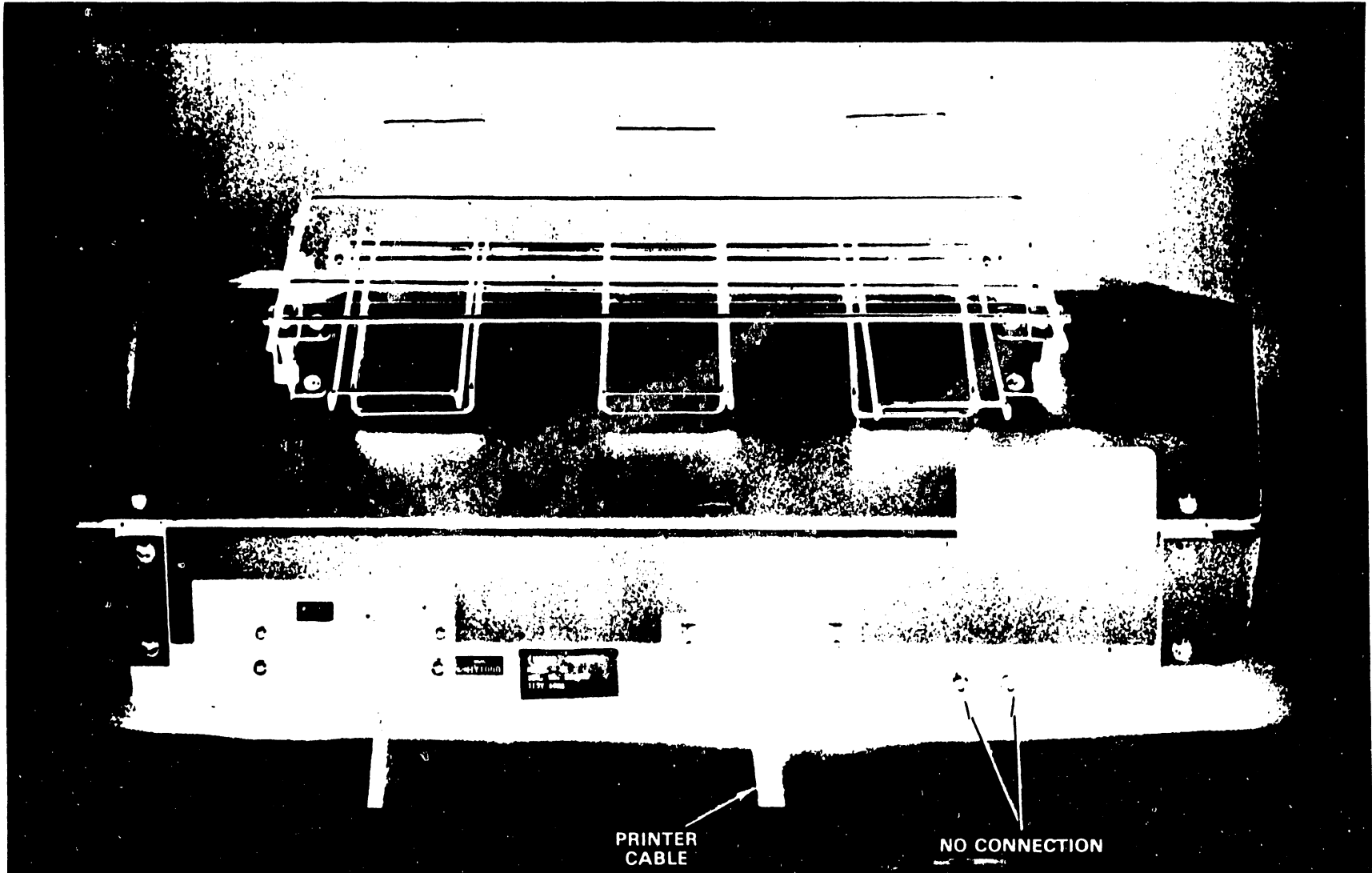


FIGURE 2-20 PRINTER (WANG DAISY MODEL 5541W) — REAR VIEW

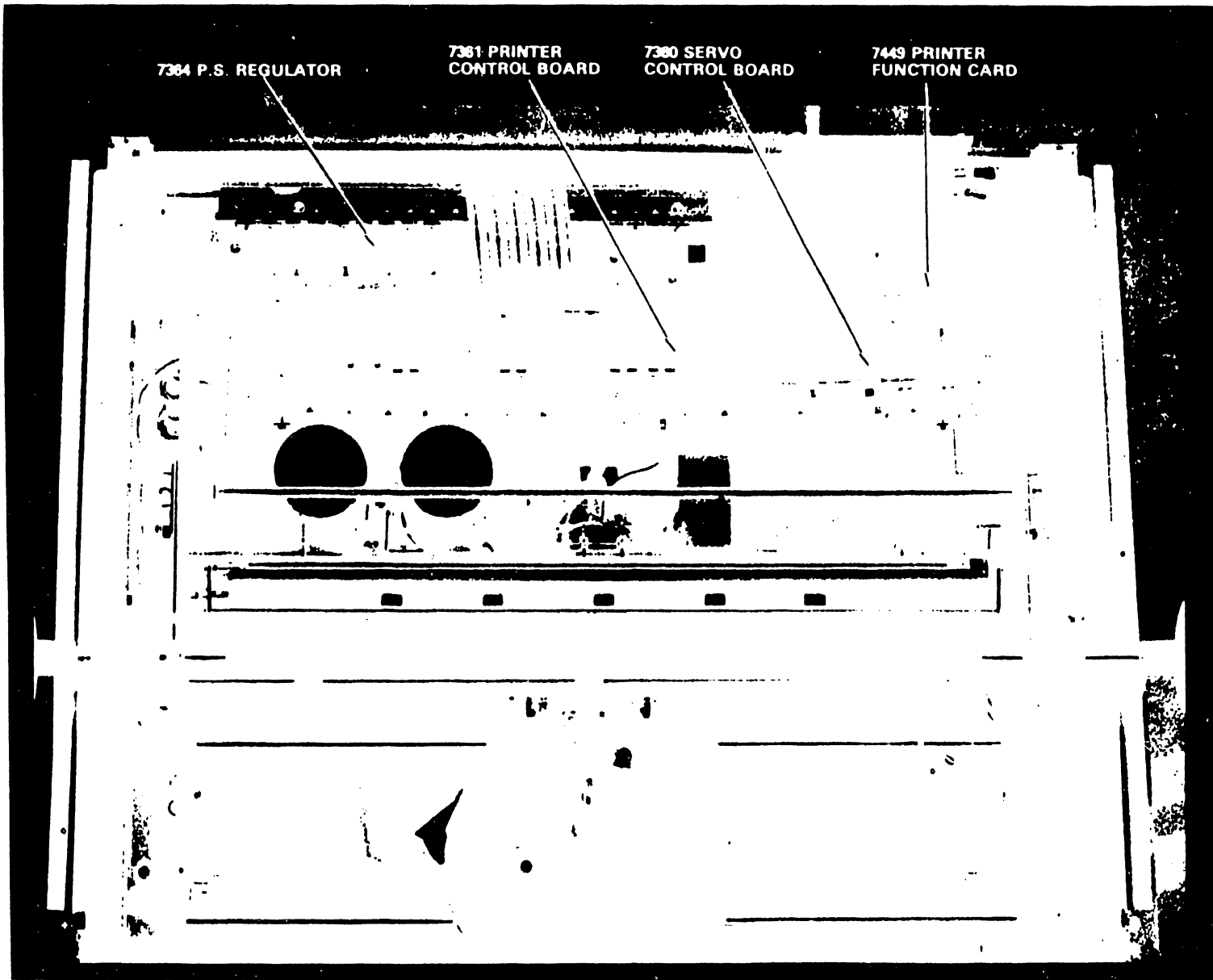


FIGURE 2-21 PRINTER (WANG DAISY MODEL 5541W) — COVER REMOVED, TOP VIEW

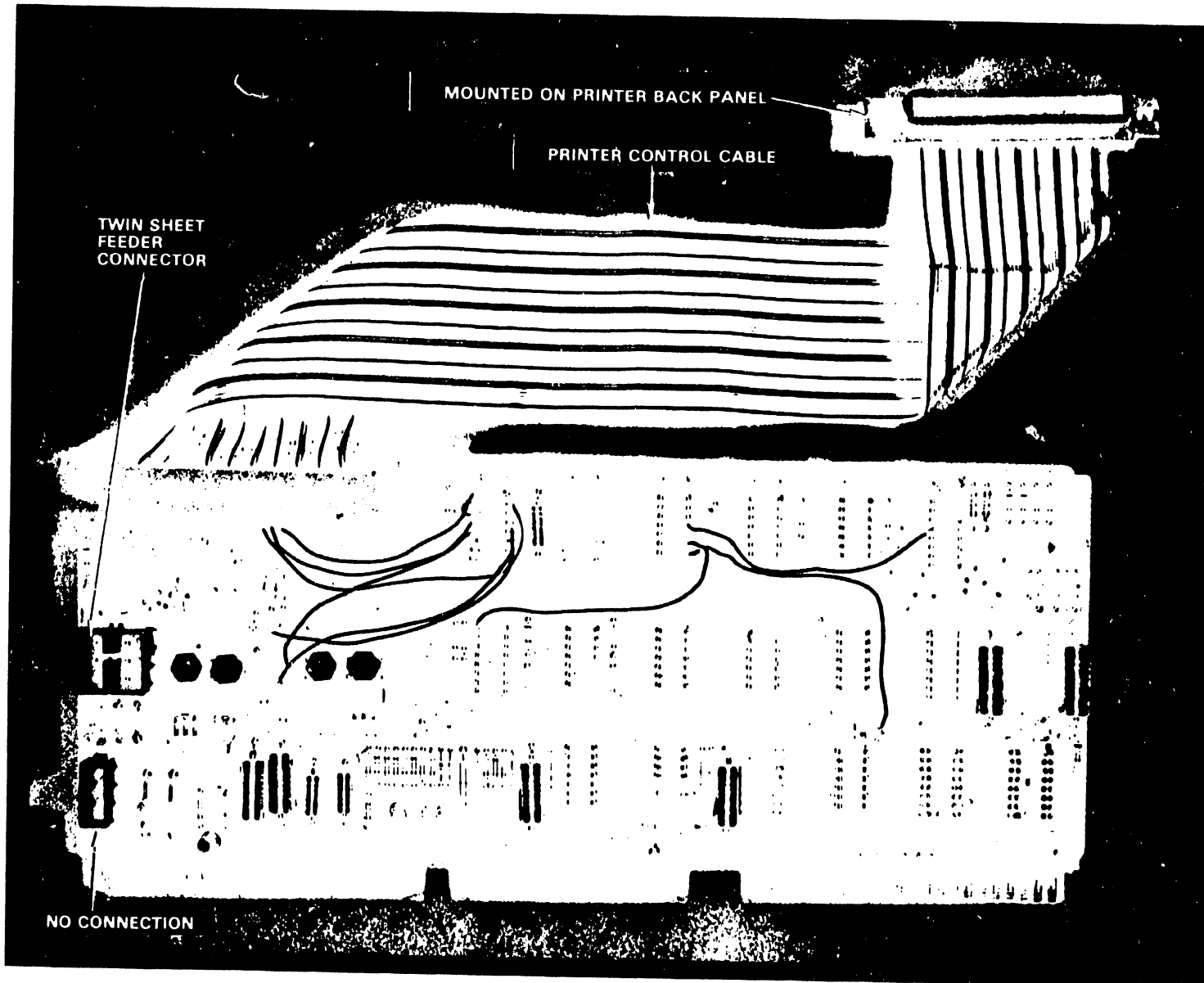


FIGURE 2-22 PRINTER (WANG DAISY MODEL 5541W) — PRINTER JUNCTION & TSF LOADING PCB 7449

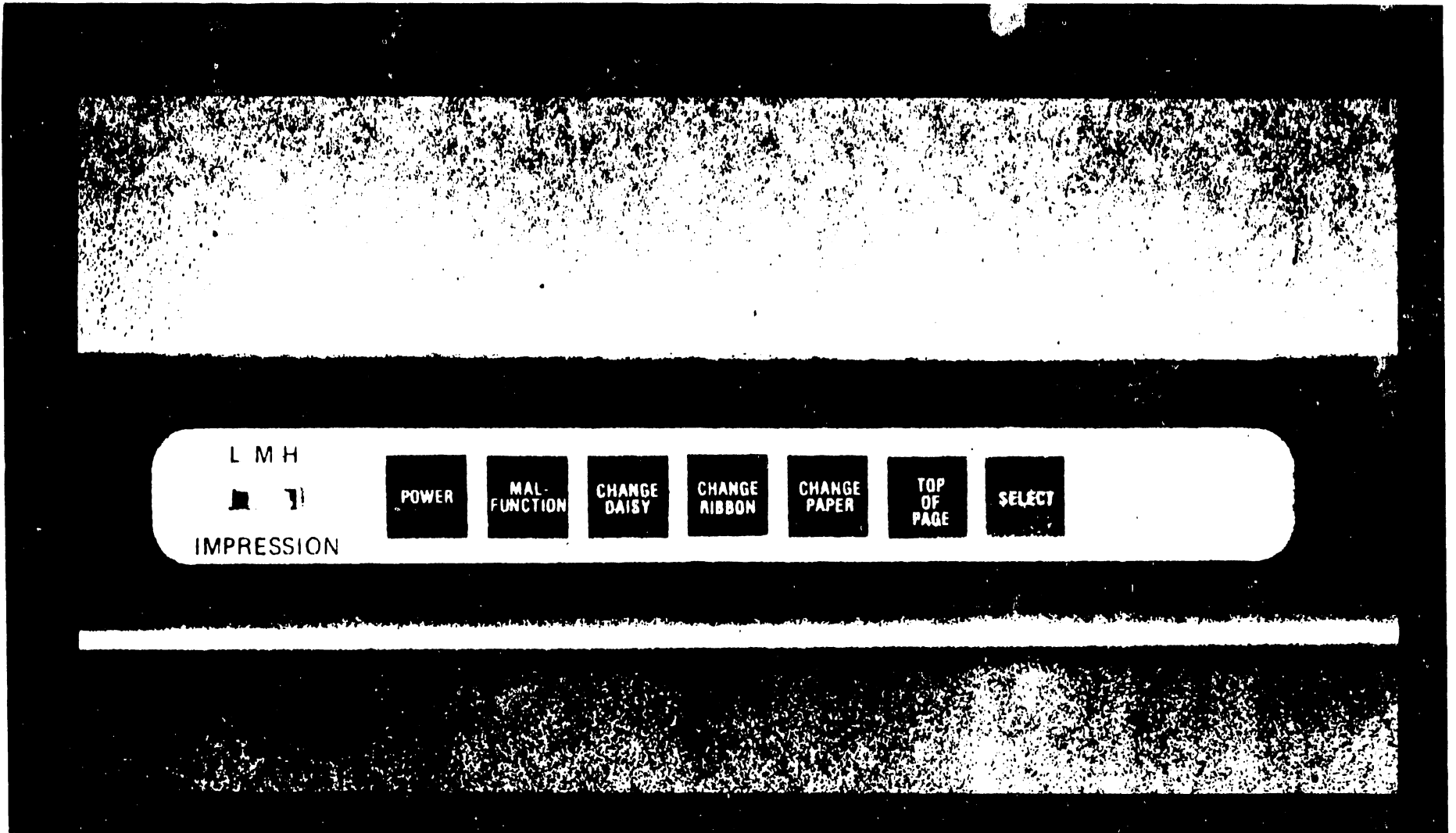


FIGURE 2-23 PRINTER (WANG DAISY MODEL 5541W) — FRONT PANEL CONTROLS AND INDICATORS

CHAPTER
III
AVAILABLE
OPTIONS

CHAPTER III

AVAILABLE OPTIONS

The System 5 is divided into two groups, Model I and Model II. While the Model II possess more operational features such as global replace, text movement, text copy, document assembly, merge, horizontal scroll, proportional spacing and dual column, there is one and only one option for the System 5 itself. This option is the Twin Sheet Feeder (5538). Refer to WPNL #43.1, July 7, 1978.

As of this writing it is anticipated that a Model III will be originated. This newly originated Model III will, for all practical applications, be a new identity for the now current system 10A.

CHAPTER
IV
CHECKS
AND
ADJUSTMENTS

CHAPTER IV

CHECKS AND ADJUSTMENTS

4-1 GENERAL

- A. Refer to Service Bulletin No. 82 Dec 15, 1977 for adjustment of Sugart 901 diskette drive.
- B. Refer to Service Bulletin No. 73 for adjustment of Wang 12" monitor.
- C. Refer to Wang Daisy Printer Preliminary Maintenance Manual issued August 18, 1978. Reorder number is 13-1740. (This manual is identified as Model 81 and 81WWP).

4-2 ELECTRICAL

A.MASTER

1. The +24VDC, +12VDC and +5VDC power supplies are adjustable with pots. on the regulator card while the -5VDC and -12VDC supplies are fixed. Voltage test points are provided on the I/O card for all voltages except the +24VDC which may be picked up from the power transistor cases on the Sugart drives.
2. The intensity gain pot is located at the top of the CPU/CRT card and may be adjusted to provide optimum range of operator controls on Workstation.
3. There are three sets of jumpers on the CPU/CRT card to determine 50Hz or 60Hz operation. The proper position is indicated by the silkscreen markings. There are three other jumpers used for Teredyne testing and they should be inserted during manufacturing. They are located adjacent to L10, L59 and L85 and effect the CRT clock, cursor blink clock and CPU clock.

B. WORKSTATION

1. There is a pot located on the CRT junction card to adjust the keyboard voltage. It is accessible from the top with the cover removed.
2. The other adjustments on the Workstation are operator controls and include brightness, contrast, speaker and clicker.

C. PRINTER

For printer checks and adjustments, refer to the Wang Daisy Printer Preliminary Maintenance Manual (13-1740).

CHAPTER
V
REMOVAL
AND
REPLACEMENT

CHAPTER V

REMOVAL AND REPLACEMENT

5-1 GENERAL

There are no unique/peculiar removals/replacements within this system. It is assumed that the general knowledge of the 928 System, (supported by its relative 3 volumes), along with the illustrations in Chapter 2 of this manual should give ample information for the removal and replacement of any system element/component.

5-2 TEST AFTER REPAIR/INSTALLATION

As a minimum, the latest revision of the system's diagnostics, must be performed prior to returning the repaired system back into operational use.

CHAPTER
VI
FAULT
ISOLATION
SUGGESTIONS

CHAPTER VI

FAULT ISOLATION SUGGESTIONS (PARTIAL)

6-1 VISUAL CHECKS

(Turn power switch on with the disk drives empty.)

- A. If the fan turns, primary power exists.
- B. Turn up the brightness control on the Workstation to check for a raster.
- C. The Printer should do a Restore Operation.

(Put the keyboard into the upper case position by hitting the 'LOCK' key.)

- D. If the Shift Lamp comes on you have +24VDC, +12VDC, +5VDC and -5VDC are present. The -12VDC supply is used only for TC and should not effect the rest of the system.

(Hold the 'LOCK' key down; then push and hold the reset button.)

- E. The Shift Lamp should extinguish indicating a reset signal and the printer should perform a Restore Operation.

(Release the reset button.)

- F. The Shift Lamp should come on again after a very brief delay and the printer should perform another Restore Operation.
- G. The software should load and present the data/time initialization menu.
- H. Enter a date and time to verify acceptance of keystrokes.

6-2 HINTS

- A. Dirty cable connectors may be cleaned with a cut-down ink eraser.

- B. Disk drives may be switched for test purposes by exchanging cables where they plug into the motherboard.
- C. Absence of a supply voltage may be folded back due to excess current draw. Remember there are no fuses.
- D. The Circuit cards may need to be reseated.
- E. Check that all six jumpers in the CPU/CRT card are as indicated by the silkscreening.

**CHAPTER
VII
GENERAL
THEORY
OF
OPERATION**

CHAPTER VII

GENERAL THEORY OF OPERATION

7-1 INTRODUCTION

The SYSTEM 5 is composed of three units; the Master, the Workstation and the Printer. Interconnections are accomplished through mult-conductor cables. System 5 is divided into Models I & Model II with additional operating features being the difference. (Model II has more features than Model I).

The Master houses most of the electronics for the system as well as the two floppy disk drives. The motherboard provides connectors for the floppy disk ribbon cables, the power supply regulator the Memory card, the CPU/CRT card and the I/O card. Connectors on the end of the motherboard emerge from the rear of the unit to connect to Workstation and Printer cables. The Workstation contains a keyboard and a 12" CRT. There is also a small CRT Junction card at the rear which serves as a terminating device for the Workstation cable. Keyboard power is supplied from the Master. This System uses the Wang Daisy Printer exclusively.

Refer to the figure in Chapter 2 and the schematics in Appendix "B", when reading this chapter. The Mneumonic codes are numeric- alphabetically listed in Appendix "A".

7-2 MASTER (5605-1)

A. GENERAL

The Master unit looks very much like a SYSTEM 20 Master with the exception of the rear panel. Many of the chassis and cabinet components are interchangeable. Electronically, however, there are few similarities.

B. POWER SUPPLY

The System power supply consists of an input ElectroMagnetic Interference box, a power transformer, a regulator card and various filter capacitors; an external sense resistor and pass transistor. The EMI box contains the power switch and fuse as well as two unfused convenience outlets. There is also an EMI filter which eliminates undesirable signals from the transformer's input power. The power transformer has three center-tapped secondaries which are full-wave rectified to provide +28VDC, +8VDC, +15VDC and -15VDC; all regulated. Circuitry on the regulator card and heatsink reduce these voltages to +24VDC, +12VDC, +5VDC and -12VDC for system use. The three positive voltage regulators are adjustable but the negative regulators are not. Each supply has current limiting with a voltage fold-back circuit and therefore no fuses are used. The current sense resistor for the +5VDC supply is located on the motherboard while the others are on the regulator card. There is a monitor circuit located on the regulator card which checks the +12VDC, the +5VDC and holds the system reset unless these voltages are within tolerance. The +24VDC is held to zero at the same time. There is an additional circuit to provide for a brief reset pulse on power up or when the reset button at the front of the unit is pushed.

The +5VDC supply uses a 723 voltage regulator (L2) as its basic control element. This device drives a darlington pair which, in turn, supplies the base drive for the pass transistor mounted on the heat sink assembly. The output current passes through a sense resistor on the motherboard before flowing to the system. Reference voltage is developed in the regulator chip and applied through a variable voltage divider to the non-inverting input of the chip allowing for voltage adjustment. The system voltage is fed back via pins 4 and D to the inverting input. The resulting bias and error signals cause a current flow from V_c through an internal transistor to V_{out} where it drives the base of the darlington pair (Q4). The amplified current then drives the pass transistor which is connected in the standard emitter follower configuration. V_c and the collectors of the darlington are connected to the +15VUR source which provides ample operating voltage for this regulator.

The voltage drop across the sense resistor is applied to the inputs of an LM339 comparator (L5) via pin 8 and a voltage divider. Normally the output of the comparator clamps the CL input of the regulator to ground. As the supply current nears 15 amperes the comparator switches and allows current to flow into CL via a 3.3K resistor (R19) connected to +15VUR. These switches on an internal transistor in the regulator causing the voltage feedback loop to become degenerative and the output drops back to a low voltage. At this time the comparator oscillates, waiting for the excessive load to be removed.

The +12VDC and +5VDC supplies are similar. The load current is lower and the darlington (Q2) serves as the pass transistor. The 723 regulator (L1) has its internal reference voltage connected directly to the non-inverting input while the output voltage is fed back to the inverting input via a variable voltage divider. R37 provides current sense and the comparator will switch at approximately 2 amperes. The regulator draws its operating voltage from the +28VUR.

The +24VDC supply has a 723 regulator (L3) with its internal reference voltage tied to the non-inverting input through a fixed divider while the output voltage is fed back to the inverting input via an adjustable divider. A line running from the non-inverting input to the voltage monitoring circuit shuts down this supply during a reset or fault condition. The darlington pass transistor (Q1) is connected in the common emitter configuration and so the base drive circuit differs from the other positive supplies. Drive current flows from the base to V_c , through the internal control transistor from collector to emitter, and then from V_{out} to a current sink provided by zener diode D1. Current sense is provided by R7 and shuts down the supply at about 2.5 amperes in the same way as the other circuits.

The -5VDC and -12VDC regulators are totally integrated and not adjustable. They provide overcurrent foldback internally.

The voltage monitor circuit utilizes another quad voltage comparator chip (L4). The outputs of the four comparators are wire-anded to produce the -Auto Reset signal at pin J. Three of the comparators check the +5VDC, +12VDC and -5VDC against zener references while the fourth creates the reset pulse. This pulse is created on power up or when the PRIME button is pushed through a time constant circuit made up of C5 and R13.

The power supply may be run on 110VAC-60Hz with on transformer (Wang P/N 410-0111) and 220VAC-50Hz on another (Wang P/N 410-0113). No other conversions to the power supply are necessary.

C. CIRCUIT BOARDS

There are three circuit boards (I/O, CPU/CRT & MEMORY) located in the Master and these plug directly into the Motherboard.

D. CPU/CRT PCB (210-7312)

The first of these is the CPU/CRT board. It holds the CPU, the Counter/Timer, the keyboard interface, the NOP circuit, the DMA logic, the Parallel I/O chip and the CRT memory and scan logic.

I. Z80 CPU

The Z80 CPU chip is the hub around which the rest of the system is built. It requires a single +5VDC supply and a single clock, which, in this case, has a period of 406.9 nsec. There is an eight bit bus for bidirectional data flow and a sixteen bit address bus. There is a reset line which initializes the chip and six major status output lines. These lines are M1, MREQ, IORQ, RD, WR and RFSH. They let the circuitry know what function the CPU is about to perform. M1 is active during the first cycle (the fetch cycle) of each instruction cycle and also during the special interrupt acknowledge cycle discussed later. MREQ is active when memory is being accessed, either to fetch an instruction or data. IORQ turns on to indicate an input or output to a peripheral device or during the previously mentioned

interrupt acknowledge cycle. RD indicates that the CPU will input data while performing a memory access or I/O instruction while WR indicates that it will output data. During an M1 fetch cycle the CPU will output an address for memory refresh and the RFSH signal indicates this.

There is a BUSRQ input which asks the CPU to switch its address, data and status lines into the high impedance state so that an outside device may utilize these busses and a BUSAK which is active when the CPU has complied with this request. A WAIT input requests the CPU to extend the current memory access or I/O cycle as long as it is present and it is used here to synchronize the CPU and CRT logics during data transfers. Lastly, there are the two interrupt inputs. NMI is the non-maskable interrupt and forces the CPU to fetch its next instruction from location 66_{HEX}. It is used here as an unconditional entrance to the DEBUG program controlled by the external DEBUG tester box. The maskable interrupt (INT) serves as the input for all other interrupting devices in the system and is under software control.

Because of the load imposed upon them, the address lines must be buffered. L29 provides buffering for the lower eight bits and L45 does the same for the upper eight. L45 also latches these upper bits during MREQ time to stabilize the address. The output of these buffers will go to the high Z state in response to a BUSAK from the CPU to allow someone else the use of the address bus. The data lines and status lines are buffered for the same reason but these lines also go directly from the CPU to the Counter/Timer chip, the Parallel I/O chip and the tester box connector. These devices will be discussed later. The status lines are buffered by L1 and the data lines by L14. L1 is put in the high Z state by BUSAK but the data bus (L14) is more involved. It goes to high Z if a read or write is not being performed or if a BUSAK is present or if the CPU is addressing the Counter/Timer or Parallel I/O chips. The gates involved include L66, L68 and L 91. Since the data bus is bidirectional, this buffer must have a directional control. This is supplied by the CPU's RD signal.

When the CPU performs an IN or OUT instruction data is being passed to or from one of the other circuits in the system. This might be the input of a keystroke from the keyboard interface or output of a disk drive selection to the disk interface or any of a number of other exchanges. The CPU places an 8 bit address on the lowest address lines during this time and the system must decode these bits to chose the circuit being selected. The system decodes the lowest four address bits in L64 to produce sixteen Chip Enable signals. These CE's are distributed in the Master as control signals and some are decoded further. This decoder chip is only enabled during a legitimate IN or OUT command. The other four bits are reserved for addressing the Counter/Timer and the Parallel I/O circuits.

The clock required by the CPU is generated by L85. This clock is crystal controlled and the frequency of 2.4576 MHz was chosen because it is easily divided to produce the standard baud rates used for Telecommunications. After buffering this clock is distributed throughout the Master. Transistor Q4 is an active pull-up on the CPU clock line to improve rise and fall times.

2. COUNTER TIMER (CTC)

The Counter/Timer is contained in a single chip (L63). There are four identical circuits which are used independently as either timers or event counters. This system uses counter 0 as a ten millisecond tick generator, counter 1 as a sector counter for disk transfers, counter 2 as a keystroke settling delay and counter 3 as a repeat key interval timer. Each counter is set up through software control with an IN command and then runs or awaits a trigger to start or increment. When each counter finishes its timing sequence it creates an interrupt that notifies the CPU. The CPU then responds with an interrupt acknowledge as mentioned earlier.

3. KEYBOARD

The keyboard is located remotely and the signals arrive via a cable to the Master. The data word is eight bits; seven key code bits and one lower/upper case bit. There is also a key strobe which notifies the interface that a key has been struck. When this strobe arrives it passes through L100 which provides Schmitt trigger inputs and then triggers a 1-shot in L74. The resulting pulse latches in the keyboard data that is now present at L99 and then triggers the second 1-shot in L74. This second pulse sets the DAX flip-flop in L84. DAX prevents double keystrokes by locking out the keyboard and disabling the keystroke 1-shot. It also goes to the Counter/Timer where it initiates a timing sequence resulting in an interrupt to the CPU. When the CPU decides to input the keystroke it performs an IN OD which gates the latched key data onto the data bus. This also resets the DAX flip-flop and releases the keyboard for its next character. The other flip-flop in L84 is used as the shift lock for the upper case key.

4. NO OPERATION START-UP SIGNAL (NOP)

The NOP circuit is necessary because much of the code running in this system was designed before the system itself existed. The basic problem is that, after a reset, the CPU fetches its first instruction from location 0000 when we would like it to go to location B000_{HEX}. The solution is the NOP flip-flop (L97) which is cleared during a reset. This causes data buffers L20 and L21 to be cleared and connected to the data bus while the usual data path from memory is disconnected. Therefore, the CPU fetches a No Op code (00), executes it and fetches from the next location. This goes on until address B000_{HEX} is reached. Gate L93 decodes that address and MREQ sets the NOP flip-flop. This removes the zeros from the data bus and allows the CPU to fetch its instruction in the usual way from memory. The NOP flip-flop will not be cleared again until another reset occurs.

5. DMA CIRCUITRY

The DMA circuitry is the logic that provides for the direct flow of information between memory and floppy disk without involving the CPU. A disk operation is initiated on the I/O card by the CPU and the information is transferred to or from the memory a byte at a time. The track and sector are always transferred to or from page AC_{HEX} while the data is transferred to or from the page set up in latch L15 by the CPU. One of these addresses is gated to the upper address lines by the data selectors L30 and L46 in response to the F/N signal. When a byte is ready for transfer a DS (data strobe) signal is received which clears DISK BUSRQ flip-flop L97. The resulting BUSRQ asks the CPU to give up the system busses. Upon doing this the CPU sends back a DBA (disk bus acknowledge) that releases the transfer sequencing circuit. This logic, composed of L79, L69 and L80, is driven by the system clock and provides the proper read or write pulses for memory transfer. The output of this circuit and the MREQ flip-flop (L98) are connected to the status bus via L3. When the sequence has ended the DISK BUSRQ flip-flop is set and the CPU regains control of the system busses.

6. PARALLEL I/O

The Parallel I/O chip (L62) is used as an interface between the CPU and three other circuits. The chip is divided internally to provide two separately programable circuits. Section A is associated with the disk interface. When a disk operation is over a Disk Complete pulse is produced that enters the PIO as an ASTB (strobe). This causes an interrupt that allows the CPU to input the disk status information that is fed to the PIO. Section B is programed as both an input and output. Four signals are fed into the PIO from the Telecommunications circuitry and these may create a CPU interrupt. Two signals originate in the PIO and go to the TC circuitry. The final signal is DAX from the keyboard. The PIO provides another way for the CPU to test this line.

7. WRITE SIGNAL

As mentioned earlier, the CPU produces a WR pulse that is used by the memory access logic. The timing of this pulse is not ideally suited to this system and so there is logic to produce a WRE (write early) signal. A gate (L93) checks the RD and RFSH lines at MREQ time and if neither are active it assumes that the operation to be performed is a Write. This enables a flip-flop in L76 that is clocked by the CPU clock and produces the WRE pulse. The WRE pulse is wider and is timed earlier than the WR pulse produced by the CPU. It is distributed throughout the system as needed.

8. CRT LOGIC

The CRT logic is divided into two distinct groups; the memory and the scan circuit. The memory is composed of a character memory, with its origin at E000_{HEX}, and a control memory, with its origin at C000_{HEX}. It is generally addressed by the scan logic as it constantly updates the screen image and therefore no refresh logic is necessary. Character memory contains the ASCII code for the desired character and control memory holds cursor and intensify information. When the CPU wishes to read or write the memory it temporarily takes control of the addressing for that purpose. CRT memory is addressed as rows and columns and not linearly as is main memory. The source of the address is chosen by data selectors L31, L32, L47 and L48 and then the row/column mapping is done by L4, L5 and L6. The memory is arranged as 24 rows with 160 columns and the upper byte of the address designates row while the lower byte indicates column. The legal range of addresses for character memory would therefore be E000_{HEX} to F79F_{HEX}. Use of an illegal address may result in the alteration of a legal location. Data flowing from character memory to the scan logic is latched into L7 and L8 while data on its way to the CPU is latched into L20 and L21 and onto the system data bus. Data arriving from the CPU goes through buffer L19. Bits from control memory are latched into the scan logic via L39 and onto the system bus through L23 and L27. Since only two of the eight bits are used the other six are grounded at L23 and L27. Data from the CPU enters through buffer L3.

The CRT scan logic has its own clock that runs asynchronously to the system clock. This makes a synchronizing circuit necessary for effective transfer of data between the CPU and CRT memory. Gate L66 detects that CRT memory is being addressed during MREQ time and creates a BLA signal. If the instruction is a read then BLA gates the proper CRT data lines onto the system bus with control signals from L69 and L65. At the same time, BLA is latched into L76 creating a WAIT signal that causes the CPU to extend the instruction indefinitely. WAIT is clocked into FF_1 of L77 by the CRT clock causing a BL signal that blanks the screen and allows the CPU to address CRT memory. BL is clocked into FF_2 of L77 with the next CRT clock pulse and this resets the WAIT signal. The two clocks are now in sync and the CPU finishes its read or write instruction. BL is gated together with WRE and an address bit at L67 to produce WCHAR or WCNT to control the memory R/W lines. The CE pulse for the memory chips is supplied by the CR scan logic.

The composite video signal that drives the monitor is produced by the scan logic. To prevent image distortion the frame rate of this display must be the same as the line frequency. This is determined by the scan logic and is normally sixty frames per second but additional logic is provided to change to fifty frames per second if necessary. The frequency standard for the CRT is a crystal oscillator (L10) and running at 17.10 MHz. The 58.5 nsec period of this clock defines a single dot location. The clock is processed through a pulse generator formed by L25 and L26 to produce other needed signals. One of these is DT89 and this defines the character width as eight dots followed by two blanked dots for spacing. There is a counter formed by L82 and L83 that counts these pulses up to ninety-nine and then resets. The output of this character counter is decoded at L72 and L73 to provide the necessary horizontal blanking and sync. pulses. The complete character space occupies an area eight dots wide and eleven dots high. The upper eight are used to form the character, the ninth and tenth are used for cursor and the eleventh is blanked for vertical separation. There is a line counter and decoder (L57 and L58) keeping track of this. Another counter (L86 and L88) produces a row count which increments from zero to twenty-three as the entire screen is

scanned. Gating provided by L80, L81, L94, L95 and others produce the vertical blanking and sync pulses. Jumpers are located here to change from 60Hz to 50Hz.

The last counter in the scan logic is the column counter (L16 and L17). It has a count range of eighty and obtains its starting count from latch L18. The CPU may load this latch with the number of the first column it wishes displayed and the scan logic will display the next eighty columns. An exception to this are in row one and twenty-four. A row decoder (L89) and associated logic insures that the first eighty columns of these rows are displayed regardless of the contents of the latch. This is because these locations usually contain headings or prompts.

The outputs of the row and column counters are connected to the data selectors that address the CRT memory and, at the beginning of each DT89 time, an eight bit ASCII code is made available. This code must be translated into a dot matrix and displayed, a dot at a time, in the proper sequence. The code is applied as a partial address to the character prom (L9) while the rest of the address is supplied by the line counter. Since the prom now knows the character that is desired and which line of the character is to be scanned it can output the eight bits that make up that line. These bits must be sequentially presented to the video combiner as the scan continues and this is done with a shift register (L22 and L38). The combiner produces the final composite video signal that goes to the monitor. The inputs include horizontal and vertical sync pulses, scan blanking, cursor, underscore, character video and intensity. The effects of this intensify signal is adjustable with R48. Provisions are also made to produce steady underscores when a signal is sent from the parity error circuitry on the memory board.

E. MEMORY PCB (210-7310)

The next board of the three board set is the memory card. It contains 44 K of RAM that makes up main memory, 4 K of PROM that holds the bootstrap, event handler and debug programs, parity error circuitry and logic for an additional DMA path. This DMA logic may not be loaded as it is not used in this system.

I. RAM

The RAM chips are arranged in 11 banks and each bank has its own chip enable driver (L111, L113, L116, L118, L121 & L122). Each driver IC has two driver circuits which provide the necessary +12V pulse through external switching transistors. Each bank of RAM contains 4K of 9 bit words and the data lines from all banks are wire-ored together. The lowest 12 address lines (A_0 thru A_{11}) are common, through buffers, to all RAM chips in all banks allowing the selection of any word within the 4K range. The upper 4 bits (A_{12} thru A_{15}) are decoded at L125 to provide the chip enables that selects the bank. Provisions are made to select all banks simultaneously for a refresh cycle. The data lines are connected to the system data bus through a bidirectional buffer (L100). The direction is controlled by a RD signal from the CPU and the enable line is controlled by gates that connect it to the data bus only when necessary. It is in the HI-Z state during NOP or when the CRT memory or PROM is being addressed. The read/write lines of the RAM chips are driven by buffers in L110 controlled by WRE (write early). During a memory read the parity generator (L124) samples the 8 data bits and generates the appropriate bit for even parity. This bit is compared with the parity bit read from memory and if there is a difference a F/F in L139 is set. This sends a MPE (main parity error) signal to the CPU/CRT card, causing underscores on the screen. This F/F may only be cleared by a reset. The detection of a parity error has no other effect. During a write to memory the data bits are sampled and a parity bit generated to accompany them. There is also logic here to test parity in the CRT memory. This circuit does not function in the present system.

2. PROM

The 4 PROM chips provide hard storage for 4K of 8 bit words. Data read from one of these chips is gated onto the system data bus through buffer L102 when appropriate. The lowest 10 address bits (A_0 thru A_9) go directly to all the chips while bits A_{10} and A_{11} are decoded with CE11 from L125 to enable one of the chips. This is done in L108.

F. I/O PCB (210-7411)

The final board in the Master is the I/O board. It carries the Printer interface logic, the TeleCommunications logic and the disk interface logic and the hardware and software switches.

I. PRINTER INTERFACE

The Printer interface allows the CPU to send data, strobes and display information to the printer and read in printer status and control switch data. Towards this purpose the system data bus is connected to three buffers. L87 responds to an IN 1F from the CPU by driving the data bus with printer status information such as ready/busy conditions or a cover open signal. L86 inputs on an IN 0F and sends disk status, keyboard status and the condition of the Top of Form button on the printer. The last buffer inverts the data bus and makes the data available to the interface. Information is presented to the printer as a 12 bit word accompanied by a strobe that designates the destination of that particular word. Data is strobed to the carriage position circuit, the paper motion circuit and the print wheel position circuit. The data is assembled in latches (L74, L88 & L89) by the CPU using OUT 0B and OUT 03 and then a strobe is sent from L90 with an OUT 04. The lamps on the operators keyboard at the printer are controlled with an out 0F that latches data into L76.

2. T.C. INTERFACE

The TeleCommunication's (TC) interface is centered around L57, the USART (universal synchronous/asynchronous receiver/transmitter) chip. Data flows to and from the TC interface through buffer L85. The CPU may set the mode and format of the USART by writing to it with command data. It may also read the chip for a status report. Exchange of data received or to be transmitted is accomplished in the same way. Data flowing between the USART and the TC MODEM is processed through line transmitters or receivers. The signals are brought onto the board through a ribbon cable that attaches to a TC connector (RS232C) on the back panel. If the System 5 is to provide clocks for data transfer the CPU may load a register (L58) that controls a counter (L44 & L45) which determines the baud rate.

3. DATA TRANSFER

The disk transfer logic provides the means of reading data from or writing it to the disk under CPU control. It keeps track of the byte transfer and employs a Cyclic Redundancy Check to minimize errors. The CPU selects a drive, loads the head and steps it to the proper track using OUT commands to L83 and L50. It then uses the index and sector pulses available at the output of L63 to find the desired sector. Another OUT command selects either a disk read or a disk write. From there on the transfer is automatic, requiring no assistance from the CPU until the entire 256 bytes has been handled. Data flows to or from memory via the DMA path as described earlier. Since the disk presents data a bit at a time a shift register (L68 and L69) is used to assemble a byte. It then goes onto the data bus at DMA time via L81. Arriving data passes through L82 and into the shift register where it is shifted out to the write logic serially. There is a bit counter in L15 that keeps track of the progress of the shift register. There is also a byte counter in L78 and L79 that sequences the entire operation and provides the lower address bits for the transfer. The upper bits are supplied by the CPU when the operation is being set up. This 'Page Setting' is part of the DMA cycle. A crystal oscillator using L8 supplies the clocks for writing data to the disk.

4. HARDWARE/SOFTWARE COMPATABILITY

The software and hardware switch logic allows the CPU to input two 8 bit words determined by switch settings or jumpers. These are set by the technician and assure compatibility and software protection. Data from the two switches are gated onto to data bus by L19 and L32 in response to an INOE and IN2E generated in L31.

APPENDIX

A

APPENDIX A
SYSTEM 5 MNEUMONIC CODE

SYSTEM MNEUMONICS

1)	8BS	Eight bit strobe.
2)	ACK	Disk write 'A' clock.
3)	BCK	Disk write 'B' clock.
4)	D ₀ -D ₇	Eight bit system data bus.
5)	DAX	Keystroke acknowledge.
6)	DBA	Disk bus access.
7)	DC	Disk operation complete.
8)	DR	Disk read.
9)	DS	Data strobe for disk transfers.
10)	EAB	Enable 'A' & 'B' clocks.
11)	F/N	Format/normal disk mode signal.
12)	FLI	First load inhibit.
13)	HDIR	Floppy disk head stepping direction.
14)	HDL ₁ (2)	Load floppy disk head in drive one (two).
15)	HSTP	Floppy disk head stepping pulse.
16)	INDEX ₁ (2)	Index pulse from selected floppy disk.
17)	IPO	Index pulse only.
18)	K ₀ -K ₆	Keyboard data.
19)	KS	Keyboard strobe.
20)	LOCK	Keyboard shift lock key.
21)	MR	Master reset.
22)	NOP	No operation startup signal.
23)	RCK	Clock input from floppy disk.
24)	RCS	Read command stored.
25)	RDD	Input data from floppy disk.
26)	SDF	Sync detect flip-flop.
27)	SECTOR ₁ (2)	Sector pulse from selected floppy disk.
28)	SFL ₁ (2)	Select floppy drive one (two).
29)	SH	Keyboard shift key.
30)	SOC	Sector operation complete.
31)	SOR	Sector over-run.
32)	SPO	Sector pulse only.
33)	SRE	Serial read error.
34)	WCD	Disk write clock & data.
35)	WCS	Write command stored.

36)	CLICK	Keyboard clicker.
37)	SPK	Keyboard alarm speaker.
38)	LTZ	Floppy disk track zero signal.
39)	WP	Write protected.
40)	DRY	Disk ready
41)	HS	Horizontal sync.
42)	HB	Horizontal blanking.
43)	VS	Vertical sync.
44)	VB	Vertical blanking.
45)	WCHAR	Write to character CRT memory.
46)	WCNT	Write to control CRT memory.
47)	CK	CRT clock.
48)	BUSRQ	Disk bus request.
49)	DA1A-DA12A	Printer data bus.
50)	CMS	Carriage motion strobe.
51)	PWS	Printer wheel strobe.
52)	PFS	Paper feed strobe.
53)	REST	Printer restore
54)	FL	Fault lamp.
55)	PL	Change paper lamp.
56)	RL	Change ribbon lamp.
57)	PSL	Program stop (change daisy).
58)	SEL	Printer select switch.
59)	SL	Selected lamp.
60)	SPKD	Printer alarm speaker.
61)	RLT	Ribbon lift.
62)	PRY	Printer ready.
63)	CAR	Carriage ready.
64)	PFR	Paper feed ready.
65)	PO	Paper out.
66)	CHECK/FAULT	Printer fault.
67)	PWR	Print wheel ready.
68)	CO	Cover open.
69)	EOR	End of ribbon.
70)	TOP	Top of form switch.
71)	AET	Keyboard repeat key function.
72)	MREQ	CPU memory request.

73)	IORQ	CPU input/output request.
74)	M1	CPU fetch cycle.
75)	WR	CPU write.
76)	WRE	System write early signal.
77)	RD	CPU read.
78)	SLP	Select printer.
79)	WAIT	CPU wait request.
80)	CE	Chip enable for CRT memory.
81)	MPE	Memory parity error detected.
82)	CPE	CRT parity error detected.
83)	DRC	Data read clock.

APPENDIX

B

THE SCHEMATICS, WHEN AVAILABLE, ARE ON THE LAST FICHE IN THIS SET.

APPENDIX

C

APPENDIX C

RELATIVE PUBLICATIONS

<u>DOCUMENT ID & NO.</u>	<u>DOCUMENT TITLE</u>	<u>ISSUE DATE</u>
WPNL 43.1	WANG TWIN SHEET FEEDER OPTION (5538)	7 July 1978
WPNL 21	SHUGGARD SA901 DISKETTE DRIVE, HEAD ALIGNMENT PROCEDURE	3 June 1977
MANUAL (Reorder #13-1740)	PRELIMINARY MAINTENANCE MANUAL (Printers) MODELS 81 AND 81WVP	18 August 1978
MANUAL 03-0034-P1 (Reorder #13-938-VOL I) (Reorder #13-1029-VOL II) (Reorder #13-1339-VOL III)	CUSTOMER ENGINEERING DIVISION MODEL 928 SYSTEM 10/20/30 VOLUME I, II, AND III	VOL I & II - 1977 VOL III - 1978
SERVICE BULLETIN 82	MODEL 2270A IBM COMPATIBLE SHUGGART DISK SYSTEM (FOR GENERAL WP INFO)	15 December 1977
SERVICE BULLETIN 73	WANG VIDEO DISPLAY	1977

APPENDIX

D

APPENDIX D
BILL OF MATERIALS (BOM)

ASSEMBLY PART NUMBER 177-9232- - -
 ASSEMBLY DESCRIPTION 5505-1 MASTER

LEGEND

1: P-PHANTOM; 2: ITEM MASTER DELY CODE; 3: *TAGGED OUT OF KIT(PROD STR)

POSITION IN STRUCTURE	LEGEND		COMPONENT PART NUMBER	DESCRIPTION	E C N	QUANTITY PER ASSY	U/M	IML
	1	2 3						
1			IN 187-9233- - -	5505-2 MASTER W/HORIZ SCROLL	EC9499	1.0000	EACH	
2			IN * 210-7411- - -	PCB ASSY 114 DISK BOARD		1.0000	EACH	
3			IN 300-1100- - -	CAP 100 PF 10% 500 V CERAMIC DISC	EC9584	1.0000	EACH	
3			IN 300-1120- - -	120 PF CERAMIC CAP W/OFF-76		1.0000	EACH	
3			IN 300-1220- - -	CAP 220 PF 10% 500 V CERAMIC DISC	EC9511	1.0000	EACH	
3			IN 300-1470- - -	CAP 470 PF 10% 500 V CERAMIC DISC		2.0000	EACH	
3			IN 300-1680- - -	CAP 680 PF 10% 500 V CERAMIC DISC		1.0000	EACH	
3			IN 300-1900- - -	CAP .05 UF +80-20% 12 V CERAMIC D	EC9584	49.0000	EACH	
3			IN 300-1906- - -	CAP .001 UF 10% 500 V CERAMIC DISC	EC9715	2.0000	EACH	
3			IN 300-1911- - -	CAP .0068 UF 20% 100 V CERAMIC DISC		1.0000	EACH	
3			IN 300-1913- - -	CAP .002 UF 20% 500 V CERAMIC DISC	EC9715	2.0000	EACH	
3			IN 300-1930- - -	.1 UF 50V +80-20% CERAMIC CAP(HIFREQ)	EC9584	1.0000	EACH	
3			IN 300-4000- - -	CAP 1.0 UF 35 V 10% TANT AXIAL	EC9071	1.0000	EACH	
3			IN 300-4002- - -	CAP .1 UF 35 V 10% TANT AXIAL		1.0000	EACH	
3			IN 300-4018- - -	CAP 18.0 UF 15 V 10% TANT AXIAL		1.0000	EACH	
3			IN 300-4022- - -	CAP 15.0 UF 20 V 10% TANT AXIAL		4.0000	EACH	
3			IN 321-0008- - -	CRYSTAL 10.0 5 % QUARTZ HC-18/U		1.0000	EACH	
3			IN 325-1503- - -	8 BANK ROCKER SWITCH		2.0000	EACH	
3			P FS 330-1022-48- - -	RES 22 OHM 1/4W 10% FIXED COMP	EC9071	1.0000	EACH	
4			IN * 330-1022- - -	RES 22 OHM 1/4W 10% FIXED COMP		1.0000	EACH	
3			P FS 330-1068-48- - -	RES 68 OHM 1/4W 10% FIXED COMP		1.0000	EACH	
4			IN * 330-1068- - -	RES 68 OHM 1/4W 10% FIXED COMP		1.0000	EACH	
3			P FS 330-2018-48- - -	RES 180 OHM 1/4W 10% FIXED COMP		3.0000	EACH	
4			FS * 330-2018- - -	RES 180 OHM 1/4W 10% FIXED COMP		1.0000	EACH	
3			P FS 330-2022-48- - -	RES 220 OHM 1/4W 10% FIXED COMP	EC9584	9.0000	EACH	
4			FS * 330-2022- - -	RES 220 OHM 1/4W 10% FIXED COMP		1.0000	EACH	
3			P FS 330-2033-48- - -	RES 330 OHM 1/4W 10% FIXED COMP	EC9715	6.0000	EACH	
4			FS * 330-2033- - -	RES 330 OHM 1/4W 10% FIXED COMP		1.0000	EACH	
3			P FS 330-2039-48- - -	RES 390 OHM 1/4W 10% FIXED COMP		2.0000	EACH	
4			FS * 330-2039- - -	RES 390 OHM 1/4W 10% FIXED COMP		1.0000	EACH	
3			P FS 330-2047-48- - -	RES 470 OHM 1/4W 10% FIXED COMP	EC9715	4.0000	EACH	
4			FS * 330-2047- - -	RES 470 OHM 1/4W 10% FIXED COMP		1.0000	EACH	
3			P FS 330-3010-48- - -	RES 1K OHM 1/4W 10% FIXED COMP		8.0000	EACH	
4			FS * 330-3010- - -	RES 1K OHM 1/4W 10% FIXED COMP		1.0000	EACH	
3			P FS 330-3022-48- - -	RES 2.2K OHM 1/4W 10% FIXED COMP	EC9715	59.0000	EACH	
4			FS * 330-3022- - -	RES 2.2K OHM 1/4W 10% FIXED COMP		1.0000	EACH	
3			P FS 330-3047-48- - -	RES 4.7K OHM 1/4W 10% FIXED COMP	EC9071	1.0000	EACH	
4			FS * 330-3047- - -	RES 4.7K OHM 1/4W 10% FIXED COMP		1.0000	EACH	
3			P FS 330-4010-48- - -	RES 10K OHM 1/4W 10% FIXED COMP		1.0000	EACH	
4			FS * 330-4010- - -	RES 10K OHM 1/4W 10% FIXED COMP		1.0000	EACH	
3			P FS 330-4015-48- - -	RES 15K OHM 1/4W 10% FIXED COMP		2.0000	EACH	

D-3

ASSEMBLY PART NUMBER 177-9232- - -
 ASSEMBLY DESCRIPTION 5505-1 MASTER

LEGEND

1: P-PHANTOM; 2: ITEM MASTER DELY CODE; 3: **TAGGED OUT OF KIT(PROD STR)

POSITION IN STRUCTURE	LEGEND			COMPONENT PART NUMBER	DESCRIPTION	E C N	QUANTITY PER ASSY	U/M	IML
	1	2	3						
4		FS *		330-4015- - -	RES 15K OHM 1/4W 10% FIXED COMP		1.0000	EACH	
3		P FS		330-4018-4B- - -	RES 18K OHM 1/4W 10% FIXED COMP		2.0000	EACH	
4		FS *		330-4018- - -	RES 18K OHM 1/4W 10% FIXED COMP		1.0000	EACH	
3		P FS		330-4047-4B- - -	RES 47K OHM 1/4W 10% FIXED COMP		1.0000	EACH	
4		FS *		330-4047- - -	RES 47K OHM 1/4W 10% FIXED COMP		1.0000	EACH	
3		IN		331-2012- - -	RES 120 OHM 1/2W 10% FIXED COMP		2.0000	EACH	
3		IN		350-0045- - -	26 PIN 90 HEADER CONN ASSY(PC BD)		1.0000	EACH	
3		IN		375-1012- - -	MPS 6512 SILICON TRANSISTOR		1.0000	EACH	
3		IN		375-1014- - -	MPS 6518 SILICON TRANSISTOR		1.0000	EACH	
3		IN		376-0002- - -	IC 7400N 4 2 IN POS NAND GATE		5.0000	EACH	
3		IN		376-0003- - -	IC 7410N 3 3 IN POS NAND GATE		1.0000	EACH	
3		IN		376-0005- - -	IC 7473N 2 J-K MA-SLAVE FLIP-FLOP		3.0000	EACH	
3		IN		376-0006- - -	IC 7474N 2 D EDGE TRIG FLIP-FLOP		9.0000	EACH	
3		IN		376-0008- - -	IC 7442N 4 LINE-10 LINE DECODER		2.0000	EACH	
3		IN		376-0010- - -	IC 7404N HEX INVERTER		5.0000	EACH	
3		IN		376-0011- - -	IC 7493N 4 BIT BINARY COUNTER		1.0000	EACH	
3		IN		376-0012- - -	IC 7451N EXP 2 W 2 IN AND OR INV GT		1.0000	EACH	
3		IN		376-0016- - -	IC 7402N 4 2 IN POS NOR GATE		2.0000	EACH	
3		IN		376-0055- - -	IC 7406 HEX INV BUF DRIVERS HV OUT		2.0000	EACH	
3		IN		376-0073- - -	IC 7490 DECADE COUNTER		1.0000	EACH	
3		IN		376-0076- - -	IC 75150P 2 LINE DRIVER		2.0000	EACH	
3		IN		376-0081- - -	IC 7408 4 2 IN POS AND GATE		6.0000	EACH	
3		IN		376-0082- - -	IC 74157 4 2 IN MX		1.0000	EACH	
3		IN		376-0093- - -	IC 7432 4 2 IN OR GATE		6.0000	EACH	
3		IN		376-0094- - -	IC 74161 SYNCHRONOUS 4 BIT COUNTER		3.0000	EACH	
3		IN		376-0097- - -	IC 74195 4 BIT PAR ACCESS SHIFT REG		2.0000	EACH	
3		IN		376-0104- - -	IC 9602 2 RETRIG RESET MONOSTBL MVB		4.0000	EACH	
3		IN		376-0119- - -	IC 74175 4 D TYPE EDGE TRIG F/F		2.0000	EACH	
3		IN		376-0137- - -	IC 8T10 4 D TYPE BUS FLIP FLOP		3.0000	EACH	
3		IN		376-0179- - -	IC 74368 HEX BUS DR W/3 STATE OUT		2.0000	EACH	
3		IN		376-0194- - -	IC 7411 3 3 IN POS AND GATE		4.0000	EACH	
3		IN		376-0197- - -	IC 74504 HEX INVERTER		1.0000	EACH	
3		IN		376-0250- - -	IC 9401 CYCLIC REDUNDANCY CHECK GEN		1.0000	EACH	
3		IN		376-0286- - -	IC 74LS374 8 LATCHES W/TR ST OUTP		4.0000	EACH	
3		IN		376-0288- - -	IC 74LS244 OCTUAL BUF/LINE DR 3 OUT		5.0000	EACH	
3		IN		376-0291- - -	IC MC3437 HEX BUS RCVR W/INPUT HYST		2.0000	EACH	
3		IN		376-0297- - -	IC 74LS240 OCTAL BUF/LINE DR/LN REC		1.0000	EACH	
3		IN		376-9015- - -	IC 28 PIN SOCKET BURNDY		1.0000	EACH	
3		IN		376-9016- - -	IC 24 PIN SOCKET CAMBION		1.0000	EACH	
3		IN		376-9017- - -	IC 24 POS ANTI-WICKING WAFER		1.0000	EACH	
3		IN		510-7411- - -	7411 PCB DISK BOARD BLANK		1.0000	EACH	
2		IN		278-40C3- - -	FLOPPY DISK DR 928 (60 HZ)		2.0000	EACH	
3		IN		000-0005- - -	LABOR PRODUCTION SYSTEMS		1.0000		
3		IN		000-0011- - -	LABOR QUALITY CONTROL		.2000		
3		IN		220-3011- - -	FLOPPY DISK CABLE C6482-62		1.0000	EACH	
4		IN		000-9999- - -	OTHER DIRECT COST		5.7970	EACH	
4		IN		350-0021- - -	225-22221-110 SOL TYPE	EC5323	1.0000	EACH	
4		IN		350-0402-B - -	40 PIN FLAT CABLE CONNECTOR BOTTOM	EC5323	2.0000	EACH	

ASSEMBLY PART NUMBER 177-9232- - -
 ASSEMBLY DESCRIPTION 5505-1 MASTER

LEGEND

1: P=PHANTOM; 2: ITEM MASTER DELY CODE; 3: *=TAGGED OUT OF KIT(PROD STR)

POSITION IN STRUCTURE	LEGEND			COMPONENT PART NUMBER	DESCRIPTION	F C N	QUANTITY PER ASSY	U/M	IML
	1	2	3						
4		IN		350-4118- - -	POLARIZING KEY BETWEEN CONTACT	50PK2 EC6808	1.0000	EACH	
4		FS *		420-0045- - -	40 COND FLAT CABLE		2.3300	FEET	
4		IN		510-6766- - -	6766 PRINTED CIRCUIT BOARD	EC5323	1.0000	EACH	
4		IN		510-6767- - -	6767 PRINTED CIRCUIT BOARD	EC5323	1.0000	EACH	
3		IN		279-0284- - -	GUIDE ASSY,BOTTOM(ALUM FOIL 6840-17		1.0000	FACH	
4		IN		000-0011- - -	LABOR QUALITY CONTROL		.0730		
4		IN		000-0024- - -	LABOR PREP AREA		.1150	EACH	
4		IN		452-4032- - -	GUIDE,BOTTOM(FLOPPY)C6805-102		1.0000	FACH	
4		IN		660-0028-14- - -	TAPE,ST SHLD 1 3/4"X9 3/4"E6841-123	EC7391	2.0000	EACH	
3		IN		478-0294- - -	CATCH(FLOPPY DRIVE)B6805-104		1.0000	EACH	
3		IN		650-2081- - -	SCR 4-40 1/4 PHIL FLAT H MS SS		5.0000	EACH	
3		IN		650-4320- - -	SCR 8-32 1 PHIL PH MS SS		2.0000	EACH	
3		IN		650-4401- - -	SCR 8-32 1 1/4 PHIL FLAT H MS SS		1.0000	EACH	
3		IN		653-0011- - -	WSHR 11/32 ID X 1-1/2 OD X 5/64 THK		2.0000	EACH	
3		IN		653-4001- - -	WASH 8 .176ID .336OD INT T ST		2.0000	EACH	
3		IN *		690-0301- - -	STORAGE BAG POLY 15X10X34	EC8434	1.0000	EACH	
3		IN		725-0053- - -	8" FLPY DISK DR ID (IBM COMP) SA910		1.0000	EACH	
3		IN		725-0053-91- - -	DOOR,FLOPPY DISK (SHUGART)		1.0000	EACH	
2		IN		279-0253- - -	FLOPPY HANDLE ASSY(928M1)C6840-108		1.0000	FACH	
3		IN		000-0011- - -	LABOR QUALITY CONTROL		.0030		
3		IN		000-0024- - -	LABOR PREP AREA		.0140	EACH	
3		IN		651-1019- - -	STUD 6-32 .500 CL FLUSH HEAD SS		2.0000	FACH	
3		IN		725-0053-92- - -	HANDLE,FLOPPY DISK(BLACK)		1.0000	FACH	
2		P FS		279-0335- - -	114 COMMON MASTER MECH ASSY 60 HZ		1.0000	EACH	
3		IN *		210-7310-A - - -	PCB ASSY 114 MEMORY BD.		1.0000	EACH	
4		IN		209-7310- - -	PCB ASSY 114 MEMORY BD.		1.0000	EACH	
5		IN		000-0001- - -	LABOR SUB-SYSTEMS		1.3330		
5		IN		000-0011- - -	LABOR QUALITY CONTROL		.2670		
5		IN		300-1270- - -	CAP 270 PF 10% 500 V CERAMIC DISC		11.0000	EACH	
5		IN		300-1900- - -	CAP .05 UF +80-20% 12 V CERAMIC D	EC9140	24.0000	EACH	
5		IN		300-1930- - -	.1 UF 50V +80-20% CERAMIC CAP(HIFREQ)	EC9140	67.0000	EACH	
5		IN		300-1931- - -	1 UF CERAMIC CAPACITOR(HIGH FREQ)	EC9140	50.0000	EACH	
5		IN		300-4022- - -	CAP 15.0 UF 20 V 10% TANT AXIAL	EC9140	21.0000	EACH	
5		P FS		330-1011-48- - -	RES 10 OHM 1/4W 5% FIXED COMP	EC9140	22.0000	EACH	
6		FS *		330-1011- - -	RES 10 OHM 1/4W 5% FIXED COMP		1.0000	FACH	
5		P FS		330-3018-48- - -	RES 1.8K OHM 1/4W 10% FIXED COMP		8.0000	EACH	
6		FS *		330-3018- - -	RES 1.8K OHM 1/4W 10% FIXED COMP		1.0000	EACH	
5		P FS		330-3022-48- - -	RES 2.2K OHM 1/4W 10% FIXED COMP	EC9140	8.0000	EACH	
6		FS *		330-3022- - -	RES 2.2K OHM 1/4W 10% FIXED COMP		1.0000	EACH	
5		P FS		330-3047-48- - -	RES 4.7K OHM 1/4W 10% FIXED COMP		2.0000	EACH	
6		FS *		330-3047- - -	RES 4.7K OHM 1/4W 10% FIXED COMP		1.0000	EACH	
5		IN		375-1050- - -	TRANSISTOR SPS6551		11.0000	EACH	
5		IN		376-0002- - -	IC 7400N 4 2 IN POS NAND GATE		4.0000	EACH	
5		IN		376-0003- - -	IC 7410N 3 3 IN POS NAND GATE		2.0000	EACH	

ASSEMBLY PART NUMBER 177-9232- - -
 ASSEMBLY DESCRIPTION 5505-1 MASTER

LEGEND

1: P=PHANTOM; 2: ITEM MASTER DELY CODE; 3: *-TAGGED OUT OF KIT(PROD STR)

POSITION IN STRUCTURE	LEGEND			COMPONENT PART NUMBER	DESCRIPTION	E C N	QUANTITY PER ASSY	U/M	IML
	1	2	3						
5		IN		376-0006- - -	IC 7474N 2 D EDGE TRIG FLIP-FLOP	EC9140	2.0000	EACH	
5		IN		376-0008- - -	IC 7442N 4 LINE-10 LINE DECODER		1.0000	EACH	
5		IN		376-0010- - -	IC 7404N HEX INVERTER		1.0000	EACH	
5		IN		376-0036- - -	IC 7486N 4 2 IN EXCLUSIVE OR GATE		1.0000	EACH	
5		IN		376-0050- - -	IC 74180 8 BIT ODD/EVEN PARITY GEN		1.0000	EACH	
5		IN		376-0081- - -	IC 7408 4 2 IN POS AND GATE		1.0000	EACH	
5		IN		376-0090- - -	IC 74154 1 OF 16 DECODER DEMX E7758		1.0000	EACH	
5		IN		376-0093- - -	IC 7432 4 2 IN OR GATE	EC9140	4.0000	EACH	
5		IN		376-0176- - -	IC 74367 HEX BUFFER		1.0000	EACH	
5		IN		376-0178- - -	IC 75322 2 TTL TO MOS DRIVER		6.0000	EACH	
5		IN		376-0285- - -	IC 74LS245 8 BUS TRANS W/TR ST OUTP		1.0000	EACH	
5		IN		376-0288- - -	IC 74LS244 OCTUAL BUF/LINE DR 3 OUT		6.0000	EACH	
5		IN		376-9003- - -	IC 24 PIN SOCKET BURNDY	EC9140	5.0000	EACH	
5		IN		376-9014- - -	IC 18 PIN SOCKET		99.0000	EACH	
5		IN		510-7310- - -	7310 PCB 114 MEMORY BD.		1.0000	EACH	
4		MC		377-0314- - -	TMS4050 RAM 4K (18 PIN)	EC9050	99.0000	EACH	
4		P FS		378-2219-R4- - -	EVENT HANDLER CHIP #1	EC9343	1.0000	EACH	
5		FS		377-0317- - -	2708 INTEL PRCH	EC9343	1.0000	EACH	
4		P FS		378-2220-R4- - -	EVENT HANDLER CHIP #2	EC9343	1.0000	EACH	
5		FS		377-0317- - -	2708 INTEL PROM	EC9343	1.0000	EACH	
3		IN *		210-7316- - -	7316 PCB ASSY PS REGULATOR BD		1.0000	EACH	
4		IN		000-0001- - -	LABOR SUB-SYSTEMS		2.5770		
4		IN		000-0011- - -	LABOR QUALITY CONTROL		.5150		
4		IN		300-1900- - -	CAP .05 UF +80-20% 12 V CERAMIC D	EC8605	4.0000	EACH	
4		IN		300-1903- - -	CAP .01 UF +80-20% 25 V CERAMIC D		1.0000	EACH	
4		IN		300-1915- - -	CAP .0056 UF 20% 500 V CERAMIC DISC	EC8605	1.0000	EACH	
4		IN		300-2210- - -	CAP .1 UF 10% 100 V MYLAR		1.0000	EACH	
4		IN		300-3054- - -	3K MF 20V ELECTROLYTIC CAPACITOR		1.0000	EACH	
4		IN		300-4000- - -	CAP 1.0 UF 35 V 10% TANT AXIAL		2.0000	EACH	
4		IN		300-4008- - -	CAP .33 UF 35 V 10% TANT AXIAL		2.0000	EACH	
4		IN		300-4022- - -	CAP 15.0 UF 20 V 10% TANT AXIAL		2.0000	EACH	
4		IN		300-4032- - -	CAP 10.0 UF 35 V 10% TANT AXIAL		2.0000	EACH	
4		P FS		330-2010-48- - -	RES 100 OHM 1/4W 10% FIXED COMP		3.0000	EACH	
5		FS *		330-2010- - -	RES 100 OHM 1/4W 10% FIXED COMP		1.0000	EACH	
4		P FS		330-2022-48- - -	RES 220 OHM 1/4W 10% FIXED COMP		1.0000	EACH	
5		FS *		330-2022- - -	RES 220 OHM 1/4W 10% FIXED COMP		1.0000	EACH	
4		P FS		330-2047-48- - -	RES 470 OHM 1/4W 10% FIXED COMP		3.0000	EACH	
5		FS *		330-2047- - -	RES 470 OHM 1/4W 10% FIXED COMP		1.0000	EACH	
4		P FS		330-2068-48- - -	RES 680 OHM 1/4W 10% FIXED COMP	EC8605	1.0000	EACH	
5		FS *		330-2068- - -	RES 680 OHM 1/4W 10% FIXED COMP		1.0000	EACH	
4		P FS		330-3010-48- - -	RES 1K OHM 1/4W 10% FIXED COMP		1.0000	EACH	
5		FS *		330-3010- - -	RES 1K OHM 1/4W 10% FIXED COMP		1.0000	EACH	
4		P FS		330-3015-48- - -	RES 1.5K OHM 1/4W 10% FIXED COMP	EC8605	1.0000	EACH	
5		FS *		330-3015- - -	RES 1.5K OHM 1/4W 10% FIXED COMP		1.0000	EACH	

D-6

ASSEMBLY PART NUMBER 177-9232- - -
 ASSEMBLY DESCRIPTION 5505-1 MASTER

LEGEND

1: P=PHANTOM; 2: ITEM MASTER DELY CODE; 3: *=TAGGED OUT OF KIT(PROD STR)

POSITION IN STRUCTURE	LEGEND			COMPONENT PART NUMBER	DESCRIPTION	E C N	QUANTITY PER ASSY	U/M	IML
	1	2	3						
4	P	FS		330-3018-4B- -	RES 1.8K OHM 1/4W 10% FIXED COMP		1.0000	EACH	
5		FS *		330-3018- - -	RES 1.8K OHM 1/4W 10% FIXED COMP		1.0000	EACH	
4	P	FS		330-3022-4B- -	RES 2.2K OHM 1/4W 10% FIXED COMP		3.0000	EACH	
5		FS *		330-3022- - -	RES 2.2K OHM 1/4W 10% FIXED COMP		1.0000	EACH	
4	P	FS		330-3023-4B- -	RES 2.2K OHM 1/4W 5% FIXED COMP		2.0000	EACH	
5		FS *		330-3023- - -	RES 2.2K OHM 1/4W 5% FIXED COMP		1.0000	EACH	
4	P	FS		330-3027-4B- -	RES 2.7K OHM 1/4W 10% FIXED COMP		1.0000	EACH	
5		FS *		330-3027- - -	RES 2.7K OHM 1/4W 10% FIXED COMP		1.0000	EACH	
4	P	FS		330-3028-4B- -	RES 2.7K OHM 1/4W 5% FIXED COMP		1.0000	EACH	
5		IN *		330-3028- - -	RES 2.7K OHM 1/4W 5% FIXED COMP		1.0000	EACH	
4	P	FS		330-3033-4B- -	RES 3.3K OHM 1/4W 10% FIXED COMP	PATREL	2.0000	EACH	
5		FS *		330-3033- - -	RES 3.3K OHM 1/4W 10% FIXED COMP		1.0000	EACH	
4	P	FS		330-3047-4B- -	RES 4.7K OHM 1/4W 10% FIXED COMP		2.0000	EACH	
5		FS *		330-3047- - -	RES 4.7K OHM 1/4W 10% FIXED COMP		1.0000	EACH	
4	P	FS		330-3068-4B- -	RES 6.8K OHM 1/4W 10% FIXED COMP		1.0000	EACH	
5		FS *		330-3068- - -	RES 6.8K OHM 1/4W 10% FIXED COMP		1.0000	EACH	
4	P	FS		330-4010-4B- -	RES 10K OHM 1/4W 10% FIXED COMP		2.0000	EACH	
5		FS *		330-4010- - -	RES 10K OHM 1/4W 10% FIXED COMP		1.0000	EACH	
4	P	FS		330-4019-4B- -	RES 18K OHM 1/4W 5% FIXED COMP		1.0000	EACH	
5		IN *		330-4019- - -	RES 18K OHM 1/4W 5% FIXED COMP		1.0000	EACH	
4	P	FS		330-5010-4B- -	RES 100K OHM 1/4W 10% FIXED COMP		1.0000	EACH	
5		FS *		330-5010- - -	RES 100K OHM 1/4W 10% FIXED COMP		1.0000	EACH	
4	P	FS		330-5012-4B- -	120K OHM 1/4W 100/0 4 RES W/OFF-76		3.0000	EACH	
5		FS *		330-5012- - -	120K OHM 1/4W 100/0 4 RES W/OFF-76		1.0000	EACH	
4		IN		331-2068- - -	680 OHM 1/2W 10% RESISTOR W/OFF-76	EC8605	1.0000	EACH	
4		IN		331-3022- - -	RES 2.2K OHM 1/2W 10% FIXED COMP		1.0000	EACH	
4		IN		332-2082- - -	RES 820 OHM 1W 10% FIXED COMP		1.0000	EACH	
4		IN		332-3012- - -	RES 1.2K OHM 1W 10% FIXED COMP		1.0000	EACH	
4		IN		332-3015- - -	RES 1.5K OHM 1W 10% FIXED COMP	EC8605	1.0000	EACH	
4		IN		334-0012- - -	DISC 3 OHM 11 W RESISTOR		1.0000	EACH	
4		IN		334-0025- - -	7.5 OHM 7W 5% RESISTOR		1.0000	EACH	
4		IN		334-0033- - -	RES .050 OHM 3W 3% WW NON-IND	EC8605	2.0000	EACH	
4		IN		336-1014- - -	RES 1K OHM VAR TRIM SIDE ADJ SQ		3.0000	EACH	
4		IN		337-2015- - -	RES 150 OHM 2W 10% FIXED COMP		1.0000	EACH	
4		IN		374-0002- - -	IC REG UA 7905 -5V TO-220		1.0000	EACH	
4		IN		374-0006- - -	IC REG UA 7912 -12V TO-3		1.0000	EACH	
4		IN		375-1052- - -	TRANSISTOR 2N6387 (PLASTIC)	PATREL	2.0000	EACH	
4		IN		375-1053- - -	TRANSISTOR RCA8203A (PLASTIC)	PATREL	1.0000	EACH	
4		IN		375-9016- - -	MICA INSUL#DF103B FOR 375-1034/1035	EC8605	5.0000	EACH	

ASSEMBLY PART NUMBER 177-9232- - -
 ASSEMBLY DESCRIPTION 5505-1 MASTER

LEGEND

1: P=PHANTOM; 2: ITEM MASTER DELV CODE; 3: #TAGGED OUT OF KIT(PROD STR)

POSITION IN STRUCTURE	LEGEND 1 2 3	COMPONENT PART NUMBER	DESCRIPTION	E C N	QUANTITY PER ASSY	U/M	INL
4	IN	376-0066- - -	IC 723 VOLTAGE REGULATOR		3.0000	EACH	
4	IN	376-0240- - -	IC LM339 4 COMPARATOR	PATREL	2.0000	EACH	
4	P FS *	380-0000-48- - -	.48 GERMANIUM DIODE	PATREL	4.0000	EACH	
5	FS	380-0000-R - - -	GERMANIUM DIODE (.200 REEL)		1.0000	EACH	
4	P FS *	380-1001-48- - -	D035 SIL DIODE 30V, 100MA AT 1V .48	PATREL	5.0000	EACH	
5	FS	380-1001-R - - -	D035 SIL DIODE 30V, 100MA AT 1V T&R		1.0000	EACH	
4	IN	380-2048- - -	DIO ZEN IN5230C 4.7V 500MW S D0-7		2.0000	EACH	
4	IN	380-2111- - -	DIO ZEN IN5241C 11.0V 500MW S D0-7		1.0000	EACH	
4	IN	380-2113- - -	DIO ZEN IN4743 13.0V 1 W S D041		1.0000	EACH	
4	IN	380-3008- - -	A15A RECTIFIER	PATREL	6.0000	EACH	
4	IN	478-0421- - -	HEATSINK,REG CARD SCRND C6862-520	EC8605	1.0000	EACH	
4	IN	510-7316- - -	7316 PCB PS REGULATOR BD		1.0000	EACH	
4	IN	650-3080- - -	6-32 X 1/4 PAN HD PHL MS SS SEMS	EC8605	2.0000	EACH	
4	IN	650-3131- - -	6-32 X 3/8 NYLON COVERED FIL HD SLT	EC8605	5.0000	EACH	
3	IN	210-7412-A - - -	PCA 114 HORIZONTAL SCROLL CRT/CPU	EC9735	1.0000	EACH	
4	IN	209-7412- - -	PCA 114 HORIZONTAL SCROLL CRT/CPU		1.0000	EACH	
5	IN	300-1047- - -	CAP 47 PF 10% 500 V CERAMIC DISC		3.0000	EACH	
5	IN	300-1150- - -	CAP 150 PF 10% 500 V CERAMIC DISC		2.0000	EACH	
5	IN	300-1220- - -	CAP 220 PF 10% 500 V CERAMIC DISC		1.0000	EACH	
5	IN	300-1270- - -	CAP 270 PF 10% 500 V CERAMIC DISC		2.0000	EACH	
5	IN	300-1470- - -	CAP 470 PF 10% 500 V CERAMIC DISC		1.0000	EACH	
5	IN	300-1680- - -	CAP 680 PF 10% 500 V CERAMIC DISC		1.0000	EACH	
5	IN	300-1900- - -	CAP .05 UF +80-20% 12 V CERAMIC D		74.0000	EACH	
5	IN	300-1903- - -	CAP .01 UF +80-20% 25 V CERAMIC D		1.0000	EACH	
5	IN	300-1930- - -	.1 UF 50V +80-20% CERAMIC CAP(HIFREQ)		6.0000	EACH	
5	IN	300-1931- - -	1 UF CERAMIC CAPACITOR(HIGH FREQ)		6.0000	EACH	
5	IN	300-4001- - -	CAP .47 UF 35 V 10% TANT AXIAL		1.0000	EACH	
5	IN	300-4018- - -	CAP 18.0 UF 15 V 10% TANT AXIAL		1.0000	EACH	
5	IN	300-4022- - -	CAP 15.0 UF 20 V 10% TANT AXIAL		9.0000	EACH	
5	IN	321-0018- - -	CRYSTAL 17.1 5 % QUARTZ HC-18/U		1.0000	EACH	
5	IN	321-0027- - -	CRYSTAL 2.4576 5 % QUARTZ HC-18/U		1.0000	EACH	
5	P FS *	330-1010-48- - -	RES 10 OHM 1/4W 10% FIXED COMP		1.0000	EACH	
6	FS *	330-1010- - -	RES 10 OHM 1/4W 10% FIXED COMP		1.0000	EACH	
5	P FS *	330-1011-48- - -	RES 10 OHM 1/4W 5% FIXED COMP		2.0000	EACH	
6	FS *	330-1011- - -	RES 10 OHM 1/4W 5% FIXED COMP		1.0000	EACH	
5	P FS *	330-1033-48- - -	RES 33 OHM 1/4W 10% FIXED COMP		1.0000	EACH	
6	IN *	330-1033- - -	RES 33 OHM 1/4W 10% FIXED COMP		1.0000	EACH	
5	P FS *	330-2010-48- - -	RES 100 OHM 1/4W 10% FIXED COMP		2.0000	EACH	
6	FS *	330-2010- - -	RES 100 OHM 1/4W 10% FIXED COMP		1.0000	EACH	
5	P FS *	330-2018-48- - -	RES 180 OHM 1/4W 10% FIXED COMP		1.0000	EACH	
6	FS *	330-2018- - -	RES 180 OHM 1/4W 10% FIXED COMP		1.0000	EACH	
5	P FS *	330-2022-48- - -	RES 220 OHM 1/4W 10% FIXED COMP		1.0000	EACH	
6	FS *	330-2022- - -	RES 220 OHM 1/4W 10% FIXED COMP		1.0000	EACH	

ASSEMBLY PART NUMBER 177-9232- - -
 ASSEMBLY DESCRIPTION 5505-1 MASTER

LEGEND

1: P=PHANTOM; 2: ITEM MASTER DELY CODE; 3: *=TAGGED OUT OF KIT(PROD STR)

POSITION IN STRUCTURE	LEGEND 1 2 3	COMPONENT PART NUMBER	DESCRIPTION	E C N	QUANTITY PER ASSY	U/M	IML
5	P FS	330-2033-4B- -	RES 330 OHM 1/4W 10% FIXED COMP		4.0000	EACH	
6	FS *	330-2033- - -	RES 330 OHM 1/4W 10% FIXED COMP		1.0000	EACH	
5	P FS	330-2039-4B- -	RES 390 OHM 1/4W 10% FIXED COMP		1.0000	EACH	
6	FS *	330-2039- - -	RES 390 OHM 1/4W 10% FIXED COMP		1.0000	EACH	
5	P FS	330-2047-4B- -	RES 470 OHM 1/4W 10% FIXED COMP		5.0000	EACH	
6	FS *	330-2047- - -	RES 470 OHM 1/4W 10% FIXED COMP		1.0000	EACH	
5	P FS	330-2056-4B- -	RES 560 OHM 1/4W 10% FIXED COMP		1.0000	EACH	
6	FS *	330-2056- - -	RES 560 OHM 1/4W 10% FIXED COMP		1.0000	EACH	
5	P FS	330-3010-4B- -	RES 1K OHM 1/4W 10% FIXED COMP		2.0000	EACH	
6	FS *	330-3010- - -	RES 1K OHM 1/4W 10% FIXED COMP		1.0000	EACH	
5	P FS	330-3022-4B- -	RES 2.2K OHM 1/4W 10% FIXED COMP		44.0000	EACH	
6	FS *	330-3022- - -	RES 2.2K OHM 1/4W 10% FIXED COMP		1.0000	EACH	
5	P FS	330-3047-4B- -	RES 4.7K OHM 1/4W 10% FIXED COMP		9.0000	EACH	
6	FS *	330-3047- - -	RES 4.7K OHM 1/4W 10% FIXED COMP		1.0000	EACH	
5	P FS	330-4010-4B- -	RES 10K OHM 1/4W 10% FIXED COMP		6.0000	EACH	
6	FS *	330-4010- - -	RES 10K OHM 1/4W 10% FIXED COMP		1.0000	EACH	
5	P FS	330-4018-4B- -	RES 18K OHM 1/4W 10% FIXED COMP		1.0000	EACH	
6	FS *	330-4018- - -	RES 18K OHM 1/4W 10% FIXED COMP		1.0000	EACH	
5	P FS	330-4039-4B- -	RES 39K OHM 1/4W 10% FIXED COMP		3.0000	EACH	
6	FS *	330-4039- - -	RES 39K OHM 1/4W 10% FIXED COMP		1.0000	EACH	
5	P FS	330-4047-4B- -	RES 47K OHM 1/4W 10% FIXED COMP		1.0000	EACH	
6	FS *	330-4047- - -	RES 47K OHM 1/4W 10% FIXED COMP		1.0000	EACH	
5	IN	331-1010- - -	RES 10 OHM 1/2W 10% FIXED COMP		1.0000	EACH	
5	IN	331-1076- - -	RES 75 OHM 1/2W 5% FIXED COMP		1.0000	EACH	
5	IN	336-1001- - -	RES 1K OHM VAR TRIM TOP ADJ RD		1.0000	EACH	
5	IN	375-1021- - -	TSTR 2N5189 1.0W 60V SH NPN S		1.0000	EACH	
5	IN	375-1050- - -	TRANSISTOR SPS6551		3.0000	EACH	
5	IN	375-90C1- - -	TRANSIPAD 8977887-1 LARGE		1.0000	EACH	
5	IN	376-0002- - -	IC 7400N 4 2 IN POS NAND GATE		3.0000	EACH	
5	IN	376-0003- - -	IC 7410N 3 3 IN POS NAND GATE		3.0000	EACH	
5	IN	376-0004- - -	IC 7420N 2 4 IN POS NAND GATE		1.0000	EACH	
5	IN	376-0006- - -	IC 7474N 2 D EDGE TRIG FLIP-FLOP		5.0000	EACH	
5	IN	376-0007- - -	IC 7476N 2 JK MA-SLV F/F PRST CLEAR		1.0000	EACH	
5	IN	376-0008- - -	IC 7442N 4 LINE-10 LINE DECODER		1.0000	EACH	
5	IN	376-0010- - -	IC 7404N HEX INVERTER		5.0000	EACH	
5	IN	376-0012- - -	IC 7451N EXP 2'W 2 IN AND OR INV GT		1.0000	EACH	
5	IN	376-0016- - -	IC 7402N 4 2 IN POS NOR GATE		2.0000	EACH	
5	IN	376-0045- - -	IC 74H04N HEX INVERTER		1.0000	EACH	
5	IN	376-0049- - -	IC 74155 2 2-4 LINE DECODER DEMX		1.0000	EACH	
5	IN	376-0059- - -	IC 7495 4 BIT R L SHIFT REGISTER		2.0000	EACH	
5	IN	376-0081- - -	IC 7408 4 2 IN POS AND GATE		4.0000	EACH	

D-9

ASSEMBLY PART NUMBER 177-9232- --
 ASSEMBLY DESCRIPTION 5505-1 MASTER

LEGEND

1: P=PHANTOM; 2: ITEM MASTER DELY CODE; 3: *-TAGGED OUT OF KIT(PROD STR)

POSITION IN STRUCTURE	LEGEND 1 2 3	COMPONENT PART NUMBER	DESCRIPTION	E C N	QUANTITY PER ASSY	U/M	IML
5	IN	376-0082-	IC 74157 4 2 IN MX		4.0000	EACH	
5	IN	376-0090-	IC 74154 1 OF 16 DECODER DEMX E7758		1.0000	EACH	
5	IN	376-0093-	IC 7432 4 2 IN OR GATE		2.0000	EACH	
5	IN	376-0094-	IC 74161 SYNCHRONOUS 4 BIT COUNTER		7.0000	EACH	
5	IN	376-0098-	IC 74174 HEX D TYPE FLIP FLOP		3.0000	EACH	
5	IN	376-0104-	IC 9602 2 RETRIG RESET MONOSTBL MVB		2.0000	EACH	
5	IN	376-0119-	IC 74175 4 D TYPE EDGE TRIG F/F		3.0000	EACH	
5	IN	376-0125-	IC 7427 3 3 IN NOR GATE		1.0000	EACH	
5	IN	376-0126-	IC 555 TIMER		1.0000	EACH	
5	IN	376-0160-	IC 74LS175 4 D TYPE EDGE TRIG F/F		1.0000	EACH	
5	IN	376-0176-	IC 74367 HEX BUFFER		2.0000	EACH	
5	IN	376-0178-	IC 75322 2 TTL TO MOS DRIVER		1.0000	EACH	
5	IN	376-0183-	IC 74173 4 BIT D TYPE REG 3 STATE		3.0000	EACH	
5	IN	376-0194-	IC 7411 3 3 IN POS AND GATE		1.0000	EACH	
5	IN	376-0197-	IC 74504 HEX INVERTER		1.0000	EACH	
5	IN	376-0199-	IC 74502 4 2 IN POS NOR GATE		2.0000	EACH	
5	IN	376-0200-	IC 74508 4 2 IN POS AND GATE		2.0000	EACH	
5	IN	376-0202-	IC 74574 2 D TYPE F F W PRESET CLR		1.0000	EACH	
5	IN	376-0204-	IC 74LS257 4 2-1 LINE DATA SELC MX		2.0000	EACH	
5	IN	376-0205-	IC 74532 4 2 IN POS OR GATE		2.0000	EACH	
5	IN	376-0228-	IC 74500 4 2 IN POS NAND GATE		1.0000	EACH	
5	IN	376-0238-	IC 74510 3 3 IN POS NAND GATE		1.0000	EACH	
5	IN	376-0285-	IC 74LS245 8 BUS TRANS W/TR ST OUTP		1.0000	EACH	
5	IN	376-0286-	IC 74LS374 8 LATCHES W/TR ST OUTP		2.0000	EACH	
5	IN	376-0288-	IC 74LS244 OCTUAL BUF/LINE DR 3 OUT		3.0000	EACH	
5	IN	376-0291-	IC MC3437 HEX BUS RCVR W/INPUT HYST		1.0000	EACH	
5	IN	376-0310-	IC 74LS373 OCTL D-TYP LATCHES SCHTT		2.0000	EACH	
5	IN	376-9001-	IC 14 PIN SOCKET SOLDER TAIL		1.0000	EACH	
5	IN	376-9003-	IC 24 PIN SOCKET BURNDY		2.0000	EACH	
5	IN	376-9011-	IC 40 PIN SOCKET BURNDY # D1LBZ40P1		2.0000	EACH	
5	IN	376-9014-	IC 18 PIN SOCKET		10.0000	EACH	
5	IN	376-9015-	IC 28 PIN SOCKET BURNDY		.1000	EACH	
5	IN	510-7412-	7412 PCB HORIZONTAL SCROLL CRT/CPU		1.0000	EACH	
5	IN	654-0132-	CONN HEADER. 3 .100 IROW 90D PIN		1.0000	EACH	
4	WC	377-0314-	TMS4050 RAM 4K (18 PIN)		10.0000	EACH	
4	IN	377-0342-	Z80 PIO 40 PIN I.C.		1.0000	EACH	
4	IN	377-0343-	Z80 CTC 28 PIN I.C.		1.0000	EACH	
4	IN	377-0344-	Z80 CPU 40 PIN I.C.		1.0000	EACH	
4	P FS	378-2216-	114 CRT CHARACTER PROM(114)		1.0000	EACH	
5	FS	377-0317-	2708 INTEL PRGM		1.0000	EACH	
3	IN *	270-0448-	114 CHASSIS ASSY 60 HZ		1.0000	EACH	
4	IN	000-0004-	SUB-SYSTEMS		5.5000	EACH	
4	IN	000-0011-	LABOR QUALITY CONTROL		1.1000		
4	IN	210-7315-	7315 P.C. ASSY SYSTEM 114 MR		1.0000	EACH	
5	IN	000-0001-	LABOR SUB-SYSTEMS		.7500		
5	IN	000-0011-	LABOR QUALITY CONTROL		.1500		
5	IN	334-0031-	RES .006 OHM 3W 5% HW NON-IND	EC8470	1.0000	EACH	
5	IN	350-0011-	225-21521-110 PC CONN SOLDER TYPE		6.0000	EACH	
5	IN	350-0021-	225-22221-110 SOL TYPE		6.0000	EACH	
5	IN	350-0039-	44 POS P.C.CONN SOLDER TYPE(CINCH)		3.0000	EACH	

D-10

ASSEMBLY PART NUMBER 177-9232- --
 ASSEMBLY DESCRIPTION 5505-1 MASTER

LEGEND

1: P=PHANTOM; 2: ITEM MASTER DELY CODE; 3: *TAGGED OUT OF KIT(PROD STR)

PCSTITION IN STRUCTURE	LEGEND			COMPONENT PART NUMBER	DESCRIPTION	E C N	QUANTITY PER ASSY	U/M	IML
	1	2	3						
5		IN		350-1044- --	CONN 18-36 PC EDGE MT RECPT	EC9043	1.0000	EACH	
5		IN		350-1045- --	CONN 25-50 PC EDGE MT RECPT	EC9043	1.0000	EACH	
5		IN		510-7315- --	7315 P.C. BOARD ASM SYS 114 MB		1.0000	EACH	
5		IN		654-1192- --	TERMINAL,SINGLE NECK PMP 103-W/O-77	EC9043	1.0000	EACH	
4		IN		220-0117- --	740 AC CONN CABLE A6499-30		2.0000	EACH	
5		IN		000-0004- --	SUB-SYSTEMS		.1150	EACH	
5		IN		000-0011- --	LABOR QUALITY CONTROL		.0230		
5		FS		420-1003- --	POWER CABLE 3 COND 18 GA W/SVT	EC4968	2.9200	FEET	
5		IN		654-1150- --	SOCKET HOUSING 1-480303-0		1.0000	EACH	
5		FS *		654-1163-R --	SOCKET 20-14 GA(REEL)AMP 61117-4	EC4968	3.0000	EACH	
4		IN		220-1099- --	P053 WIRE & LUG ASSY(928M1)B6482-12		1.0000	EACH	
5		IN		000-0004- --	SUB-SYSTEMS		.0070	EACH	
5		IN		000-0011- --	LABOR QUALITY CONTROL		.0010		
5		P FS		600-7004- --	16 GA YEL STRANDED WIRE		.5800	FEET	
6		FS		600-7009- --	16 GA WHITE STRANDED WIRE		1.0000	FEET	
5		FS *		654-1163-R --	SOCKET 20-14 GA(REEL)AMP 61117-4		1.0000	EACH	
4		IN		220-1221- --	114 COAX CABLE ASSY B6482-295	EC9384	1.0000	EACH	
5		FS		420-0061- --	RG-174/U COAXIAL CABLE		1.1660	FEET	
5		P FS		600-2000- --	WIRE 24 GA BLACK UL		.5000	FEET	
6		FS		600-2009- --	WIRE 24 GA WHITE UL		1.0000	FEET	
5		FS		605-0123- --	SHRINK TUBING TYPE RNF 3/16 ID BLK		.1660	FEET	
5		FS		654-0102-R --	30-26 GA CRIMP SNAP CONT AMP85967-6		2.0000	EACH	
5		IN		654-0103- --	.025 KEYING PLUG AMP 8707-2		1.0000	EACH	
5		IN		654-0105- --	CONN HSG 3 .100 IR0W		1.0000	EACH	
4		IN		220-1223- --	AC CABLE 114 B6482-309	EC9043	1.0000	EACH	
5		P FS		600-7000- --	16 GA BLACK STRANDED WIRE		1.3300	FEET	
6		FS		600-7009- --	16 GA WHITE STRANDED WIRE		1.0000	FEET	
5		FS		600-7009- --	16 GA WHITE STRANDED WIRE		1.3300	FEET	
5		FS		605-0015- --	#3 CLEAR TUBING		1.0000	FEET	
5		FS		605-0132- --	TUBING,3/8 ID HEATSHRINK		.1600	FEET	
5		FS		654-0084-R --	TERMINAL FASTON .250X.032 PQ14R258M		2.0000	EACH	
4		IN		270-0551- --	HEATSINK & HARNESS ASSY 6840-18		1.0000	EACH	
5		IN		000-0004- --	SUB-SYSTEMS		.4820	EACH	
5		IN		000-0011- --	LABOR QUALITY CONTROL		.0960		
5		IN		270-3063- --	HEATSINK HARNESS(928M1)D6482-117		1.0000	EACH	
6		IN		000-0004- --	SUB-SYSTEMS		.1330	EACH	
6		IN		000-0011- --	LABOR QUALITY CONTROL		.0270		
6		P FS		600-0002- --	WIRE 18 GA RED UL	EC8289	1.4200	FEET	
7		FS		600-0009- --	WIRE 18 GA WHITE UL		1.0000	FEET	
6		P FS		600-6004- --	14 GA YELLOW STRANDED WIRE	EC8289	1.0420	FEET	
7		FS		600-6009- --	14 GA WHITE STRANDED WIRE		1.0000	FEET	
6		P FS		600-6006- --	14 GA BLUE STRANDED WIRE	EC8583	1.7500	FEET	

D-11

ASSEMBLY PART NUMBER 177-9232- --
 ASSEMBLY DESCRIPTION 5505-1 MASTER

LEGEND
 1: P=PHANTOM; 2: ITEM MASTER DELY CODE; 3: *TAGGED OUT OF KIT(PROD STR)

POSITION IN STRUCTURE	LEGEND 1 2 3	COMPONENT PART NUMBER	DESCRIPTION	E C N	QUANTITY PER ASSY	U/M	IML
7	FS	600-6009- --	14 GA WHITE STRANDED WIRE		1.0000	FEET	
6	FS	600-6009- --	14 GA WHITE STRANDED WIRE	EC8289	1.4200	FEET	
6	FS	605-0014- --	TUBING #5 CLEAR	EC9006	.2100	FEET	
6	FS	605-0015- --	#3 CLEAR TUBING	EC9006	.2100	FEET	
6	FS	605-1004- --	CABLE TYE, PAN-TY PLTIM-M		3.0000	EACH	
6	IN	654-1148- --	SOCKET HOUSING 1-480318-0		1.0000	EACH	
6	IN	654-1149- --	PIN HOUSING 1-480305-0		1.0000	EACH	
6	FS *	654-1163-R --	SOCKET 20-14 GA(REEL)AMP 61117-4		2.0000	EACH	
6	FS *	654-1164-R --	PIN TERM 20-14 GA(REEL)AMP 61118-4		3.0000	EACH	
5	IN	375-1048- --	TSTR 2N5301 200W 40V AP NPN S T03		1.0000	EACH	
5	IN	375-9014- --	INSULATOR XTOR MOUNT WECKESSER TM-1		1.0000	EACH	
5	IN	375-9020- --	MICA WSHR (LARGE) FOR POWER X1STORS		1.0000	EACH	
5	IN	380-3000- --	DIO IN1200A 100V 12A RECT S D04		2.0000	EACH	
5	IN	380-9003- --	HARDWARE ACCESSORY KIT FOR 380-3000		2.0000	EACH	
5	IN	478-0327- --	HEATSINK(928 MASTER)C6840-107		1.0000	EACH	
5	FS	600-9015- --	WIRE 14 GA TINNED COPPER BUS (UL)		.2500	FEET	
5	IN	650-3160- --	6-32 X 1/2 PAN HD PHL MS SS SEMS		2.0000	EACH	
5	IN	652-3004- --	NUT 6-32UNC HEX SMALL PAT SS		2.0000	EACH	
5	IN	653-3000- --	WASH 6 .149ID .375OD .016 FL SS		2.0000	EACH	
5	IN	653-3001- --	WASH 6 .150ID .288OD INT T ST		2.0000	EACH	
5	IN	654-1006- --	#6 GROUND LUG		2.0000	EACH	
4	IN	270-3069- --	XFMR HARNESS 928M1+2 60HZ C6482-146		1.0000	EACH	
5	IN	000-0004- --	SUB-SYSTEMS		.1190	EACH	
5	IN	000-0011- --	LABOR QUALITY CONTROL		.0240		
5	IN	410-0111- --	MHC 5855 CVT 60HZ(IM1/M2)C5068-107		1.0000	EACH	
5	FS *	654-0048-R --	TERMINAL FASTON .250X.032 PQ18R258M		2.0000	EACH	
5	FS *	654-1163-R --	SOCKET 20-14 GA(REEL)AMP 61117-4		2.0000	EACH	
4	IN	279-0301- --	PLUNGER GUIDE ASSEMBLY 6815-51		1.0000	EACH	
5	IN	000-0011- --	LABOR QUALITY CONTROL		.0010		
5	IN	000-0024- --	LABOR PREP AREA		.0030	EACH	
5	IN	451-4066- --	301 MICRO-SW BRACKET C5933-116 12		1.0000	EACH	
5	IN	478-0068- --	301 PLUNGER GUIDE B5933-117 12		1.0000	EACH	
4	IN	300-3050- --	124K UF 15V ELECTROLYTIC CAPACITOR		1.0000	EACH	
4	IN	300-3067- --	12K UF 50V ELECTROLYTIC CAPACITOR		1.0000	EACH	
4	IN	300-3069- --	27000 UF 30V ELECTROLYTIC CAP		1.0000	EACH	
4	IN	300-9004- --	CAP CLAMP 1 3/4"3LUG SC#115-058-13		1.0000	EACH	
4	IN	300-9006- --	CAP CLAMP 2 1/2 INCH 3 LUG		1.0000	EACH	
4	IN	300-9021- --	CAP CLAMP C TYPE 2 INCH 2 LUGWOFF74		1.0000	EACH	
4	IN	300-9022- --	CAP CLAMP 2 1/16 INCH 3 LUG		1.0000	EACH	
4	IN	300-9024- --	CAP BOOT FOR #300-3042 GE #614	EC8654	1.0000	EACH	
4	IN	310-0010- --	10 TERMINAL STRIP		1.0000	EACH	
4	IN	325-0021- --	SWITCH, ROCKER SPST		1.0000	EACH	
4	IN	325-2305- --	115M1 MICRO SWITCH FOR CP-1		1.0000	EACH	
4	IN	325-9034- --	PUSH BUTTON RED ALCO#C12		1.0000	EACH	
4	IN	331-3012- --	RES 1.2K OHM 1/2W 10% FIXED COMP		2.0000	EACH	
4	IN	331-3022- --	RES 2.2K OHM 1/2W 10% FIXED COMP		1.0000	EACH	
4	IN	350-1036- --	BNC SOCKET (F) CONN UG1094A		1.0000	EACH	

D-12

ASSEMBLY PART NUMBER 177-9232- - -
 ASSEMBLY DESCRIPTION 5505-1 MASTER

LEGEND

1: P=PHANTOM; 2: ITEM MASTER DELY CODE; 3: *-TAGGED OUT OF KIT(PROD STR)

POSITION IN STRUCTURE	LEGEND 1 2 3	COMPONENT PART NUMBER	DESCRIPTION	E C N	QUANTITY PER ASSY	U/M	IML
4	IN	360-0000-	FUSE HOLDER 90 DEGREE CONTACT		1.0000	EACH	
4	IN	360-9000-	RUBBER WSHR FOR 360-0000 / 360-0001		1.0000	EACH	
4	IN	360-9002-	HEX NUT FOR 360-0000 / 360-0001		1.0000	EACH	
4	IN	360-9003-	LOCK WSHR LF#905023(FOR 360-0000/1)		1.0000	EACH	
4	IN	370-0027-	LAMP,ORANGE(LED)MV5154		1.0000	EACH	
4	IN	400-1003-	FAN MUFFIN M747 MARK IV		1.0000	EACH	
4	IN	410-2005-	LINE FILTER 5 AMP CORCOM 5K1		1.0000	EACH	
4	IN	420-1004-	CORD POWER 10AMP BELDEN #17419-S	EC9614	1.0000	EACH	
4	IN	420-1005-	POWER CORD ROTRON FAN 16415		1.0000	EACH	
4	IN	449-0101-	FAN GUARD 4"(BLACK)D5300-1085		1.0000	EACH	
4	IN	451-1103-	CHASIS(928M1/M2)E6840-118		1.0000	EACH	
4	IN	451-2174-	COVER REAR SSCRN 06862-522		1.0000	EACH	
4	IN	451-2930-	COVER BOX PWR SSCRN 06862-521		1.0000	EACH	
4	IN	451-2931-	BOX,POWER C6862-507		1.0000	EACH	
4	IN	451-4066-	301 MICRO-SW BRACKET C5933-116 12		1.0000	EACH	
4	IN	452-0060-	PLATE,COVER(RS232)(61/62)B6636-825	EC9367	1.0000	EACH	
4	IN	452-0108-	PLATE CONNECTOR "A" B6862-505		1.0000	EACH	
4	IN	461-3056-	301 SWITCH PLUNGER B5933-114		1.0000	EACH	
4	IN	461-3274-	STUD,LOCKING(928M1/M2)B6840-102		2.0000	EACH	
4	IN	462-0057-	SPCR .115 ID .250 OD .375 L RD F		16.0000	EACH	
4	IN	462-0327-	STANDOFF,M/F 4-40/4-40 B6815-108	EC9043	4.0000	EACH	
4	IN	478-0068-	301 PLUNGER GUIDE B5933-117 12		1.0000	EACH	
4	P	FS 600-7000-	16 GA BLACK STRANDED WIRE	EC9614	.2500	FEET	
5	FS	600-7009-	16 GA WHITE STRANDED WIRE		1.0000	FEET	
4	FS	600-9018-	WIRE 18 GA TINNED COPPER BUS (UL)		.3000	FEET	
4	FS	605-0015-	#3 CLEAR TUBING	EC9043	1.5000	FEET	
4	FS	605-1004-	CABLE TYE, PAN-TY PLTIM-M	EC9043	20.0000	EACH	
4	IN	615-0476-	INSUL .025 THK FISH PPR B6862-503		1.0000	EACH	
4	IN	650-0200-	SCR 2-56 5/8 SLOT PH MS SS		2.0000	EACH	
4	IN	650-2120-	4-40 X 3/8 PAN HD PHL MS SS SEMS	EC9367	2.0000	EACH	
4	IN	650-3120-	6-32 X 3/8 PAN HD PHL MS SS SEMS	EC9043	8.0000	EACH	
4	IN	650-3169-	6-32 X 1/2 TRUSS HD MS PARKERIZE		4.0000	EACH	
4	IN	650-6160-	10-32 X 1/2 PAN HD PHL MS SS SEMS		4.0000	EACH	
4	IN	651-1005-	STUD 4-40 .375 CL FLUSH HEAD SS		4.0000	EACH	
4	IN	651-1006-	STUD 6-32 .375 CL FLUSH HEAD SS		2.0000	EACH	
4	IN	651-1016-	STUD 6-32 .625 CL FLUSH HEAD SS		2.0000	EACH	
4	IN	651-1020-	STUD 10-32 .375 CL FLUSH HEAD SS		2.0000	EACH	
4	IN	651-1024-	STUD 6-32 .750 CL FLUSH HEAD SS		2.0000	EACH	
4	IN	651-1038-	THRED STUD 4-40X1" 77-16-104-13		12.0000	EACH	
4	IN	652-0008-	NUT 6-32 .056 UP CLINCH	ST	27.0000	EACH	
4	IN	652-0032-	6-32 LOCK-NUT KEPS 511-061800-00	EC9043	9.0000	EACH	
4	IN	652-0990-	NUT 2-56UNC HEX REG PAT	SS	2.0000	EACH	
4	IN	652-2004-	NUT 4-40UNC HEX SMALL PAT	SS	16.0000	EACH	
4	IN	652-2005-	4-40 LOCK-NUT KEPS SS	EC9367	4.0000	EACH	
4	IN	652-3004-	NUT 6-32UNC HEX SMALL PAT	SS	7.0000	EACH	
4	IN	653-0003-	WASHER, NO.4 NYLON 1/8 ID X 3/8 OD	EC9614	4.0000	EACH	
4	IN	653-0990-	NO. 2 INT T LK WASHER		2.0000	EACH	
4	IN	653-0991-	#2 FLAT WASHER		2.0000	EACH	
4	IN	653-0992-	WASH 2 .093ID .2500D .032 FL NYL		2.0000	EACH	
4	IN	653-2002-	WASH 4 .123ID .2650D INT T	ST EC9043	16.0000	EACH	
4	IN	653-3001-	WASH 6 .150ID .2880D INT T	ST	1.0000	EACH	

D-13

ASSEMBLY PART NUMBER 177-9232- --
 ASSEMBLY DESCRIPTION 5505-1 MASTER

LEGEND

1: P-PHANTOM; 2: ITEM MASTER DELY CODE; 3: *-TAGGED OUT OF KIT(PROD STR)

POSITION IN STRUCTURE	LEGEND			COMPONENT PART NUMBER	DESCRIPTION	E C N	QUANTITY PER ASSY	U/M	IML
	1	2	3						
4	IN			653-3003- --	WASH 6 .141ID .2530D SPLIT	SS EC9043	5.0000	EACH	
4	IN			654-0074- --	A.C.RECEPTACLE F 1540MS		2.0000	EACH	
4	IN			654-1006- --	#6 GROUND LUG	EC9614	6.0000	EACH	
4	IN			654-1010- --	#10 GROUND LUG		9.0000	EACH	
4	IN			654-1011- --	3/8" GROUND LUG HH SMITH 1497		1.0000	EACH	
4	IN			654-1150- --	SOCKET HOUSING 1-480303-0		1.0000	EACH	
4	IN			654-1214- --	GROMMET, HEYCO 6P3-4 (70,80,F		1.0000	EACH	
4	IN			654-1289- --	SNAP BUSHING SB-500-6(1/2HOLE3/8ID)		2.0000	EACH	
4	IN			654-1290- --	SNAP BUSH SB-1.000-1211"HOLEX3/4ID)		1.0000	EACH	
3	IN	*		279-1014- --	BOTTOM PAN ASSY(928M1/M2) 6840-12		1.0000	EACH	
4	IN			000-0011- --	LABOR QUALITY CONTROL		.0120		
4	IN			000-0024- --	LABOR PREP AREA		.0610	EACH	
4	IN			451-1226- --	BOTTOM PAN(928M1/M2)E6840-119		1.0000	EACH	
4	IN			452-2558- --	STIFFENER,CHASSIS(M1/M2)C6808-104		1.0000	EACH	
4	IN			651-0402- --	RIVET AVDEL 11210615 3/16 X 7/16 LG		4.0000	EACH	
4	IN			655-0275- --	BUMPER,WHITE #20965W		4.0000	EACH	
3	IN			350-4118- --	POLARIZING KEY BETWEEN CONTACTS0PK2		2.0000	EACH	
3	IN			360-1031-SB- --	FUSE 3.0 AMP 250V SB CERAMC 3AG		1.0000	EACH	
3	IN			650-2121- --	SCR 4-40 3/8 PHIL FLAT H MS SS		2.0000	EACH	
3	IN			650-4123- --	8-32X3/8 TRUSS HD PHL MS SS		2.0000	EACH	
3	IN			653-4001- --	WASH 8 .176ID .3360D INT T ST		2.0000	EACH	
3	IN			654-1274- --	CABLE CLAMP ADH.BACK DKLSP 021-0375		2.0000	EACH	
2	IN			450-0061- --	WANG TAG (BLANK) C5300-1049		1.0000	EACH	
2	IN			451-2145- --	TOP COVER(928M1/M2)D6840-117		1.0000	EACH	
2	IN			451-3076- --	PANEL,FRONT DRESS(928M1/2)D6840-112		1.0000	EACH	
2	IN			451-3077- --	PANEL,OUTER FRONT(928M1)D6840-113		1.0000	EACH	
2	IN			451-3078- --	PANEL,INNER FRONT(928M1/2)D6840-114		1.0000	EACH	
2	IN			451-4459- --	BRKT,DOOR LOCKING(928M1/2)C6840-106		1.0000	EACH	
2	IN			451-4504- --	BRKT,STAT GND RH DISK DR 86840-129		1.0000	EACH	
2	IN			451-4505- --	BRKT,STAT GND LH DISK DR 86840-128		1.0000	EACH	
2	IN			461-3275- --	STUD,6-32 X 3.75 86840-120		2.0000	EACH	
2	IN			462-0063- --	SPCR 6-32UNC .250 OD .375 L HX B		2.0000	EACH	
2	IN			462-0172- --	SPCR 6-32UNC .250 OD .312 L HX B		2.0000	EACH	
2	IN			462-0265- --	SPACER,PC BOARD(E/F)C6815-13	EC9623	6.0000	EACH	
2	IN			462-0320- --	SPACER #8 .250 OD 1.25L ALUM #8528		2.0000	EACH	
2	IN			478-0061- --	700 PROGRAM CLAMP NUTS B5900-27 12		2.0000	EACH	
2	IN			650-2120- --	4-40 X 3/8 PAN HD PHL MS SS SEMS		6.0000	EACH	
2	IN			650-3120- --	6-32 X 3/8 PAN HD PHL MS SS SEMS		6.0000	EACH	
2	IN			650-4161- --	SCR 8-32 1/2 PHIL FLAT H MS SS		6.0000	EACH	
2	IN			650-6121- --	10-32X3/8 TRUSS HD PHL MS SS		2.0000	EACH	
2	IN			652-0041- --	6-32 ACORN NUT NICKEL PLT.		2.0000	EACH	
2	IN			652-3006- --	6-32 WING NUT CAD PLATE		2.0000	EACH	
2	IN			653-6001- --	WASH 10.204ID .3810D INT T ST		2.0000	EACH	
2	IN			690-0317- --	POLY BAG,5"X6.5"X1.5" 2.5 MIL THK		1.0000	EACH	

ASSEMBLY PART NUMBER 177-9233- - -

LEGEND

ASSEMBLY DESCRIPTION 5505-2 MASTER W/HORIZONTAL SCROLL

1: P=PHANTOM; 2: ITEM MASTER DELY CODE; 3: *TAGGED OUT OF KIT(PROD STR)

POSITION IN STRUCTURE	LEGEND 1 2 3	COMPONENT PART NUMBER	DESCRIPTION	E C N	QUANTITY PER ASSY	U/M IML
1	IN	177-0063-1 - -	8" DISKETTE MEDIA ID HS 10 PACK		.2000	EACH
2	IN	000-0011- - -	LABOR QUALITY CONTROL		.0150	
2	IN	000-0024- - -	LABOR PREP AREA		.0740	EACH
2	IN	615-0370- - -	INNER RING,DISKETTE C6611-17	EC6879	10.0000	EACH
2	IN	615-1291- - -	DISKETTE WRITE PROTECT LBL B6611-21	EC6879	10.0000	EACH
2	IN	615-1300- - -	LABEL,FILE PROTECT(20/SH)B6815-10		1.0000	SHT
2	IN	615-1310-2 - -	DISKETTE INDEX LABEL RED 4 PR SHEET		1.0000	SHT
2	IN	615-1310-3 - -	DISKETTE INDEX LABEL (ORANGE) 4/SHT		1.0000	SHT
2	IN	615-1310-4 - -	DISKETTE INDEX LABEL YEL 4 PR SHEET		1.0000	SHT
2	IN	615-1310-5 - -	DISKETTE INDEX LABEL GRN 4 PR SHEET		1.0000	SHT
2	IN	615-1310-6 - -	DISKETTE INDEX LABEL BLU 4 PR SHEET		1.0000	SHT
2	IN	690-0316- - -	BAG,POLY(DISK)11X12X.001 THK	EC6742	1.0000	EACH
2	IN	725-07C3- - -	DISKETTE 8" 32 SECTOR FD32-1400	EC8634	10.0000	EACH
1	IN	187-9233- - -	5505-2 MASTER W/HORIZ SCROLL		1.0000	EACH
2	IN *	210-7411- - -	PCB ASSY 114 DISK BOARD		1.0000	EACH
3	IN	300-1100- - -	CAP 100 PF 10% 500 V CERAMIC DISC	EC9584	1.0000	EACH
3	IN	300-1120- - -	120 PF CERAMIC CAP W/OFF-76		1.0000	EACH
3	IN	300-1220- - -	CAP 220 PF 10% 500 V CERAMIC DISC	EC9511	1.0000	EACH
3	IN	300-1470- - -	CAP 470 PF 10% 500 V CERAMIC DISC		2.0000	EACH
3	IN	300-1680- - -	CAP 680 PF 10% 500 V CERAMIC DISC		1.0000	EACH
3	IN	300-1900- - -	CAP .05 UF +80-20% 12 V CERAMIC D	EC9584	49.0000	EACH
3	IN	300-1906- - -	CAP .001 UF 10% 500 V CERAMIC DISC	EC9715	2.0000	EACH
3	IN	300-1911- - -	CAP .0068 UF 20% 100 V CERAMIC DISC		1.0000	EACH
3	IN	300-1913- - -	CAP .002 UF 20% 500 V CERAMIC DISC	EC9715	2.0000	EACH
3	IN	300-1930- - -	.1 UF 50V +80-20% CERAMIC CAP(HIFRQ	EC9584	1.0000	EACH
3	IN	300-4000- - -	CAP 1.0 UF 35 V 10% TANT AXIAL	EC9071	1.0000	EACH
3	IN	300-4002- - -	CAP .1 UF 35 V 10% TANT AXIAL		1.0000	EACH
3	IN	300-4018- - -	CAP 18.0 UF 15 V 10% TANT AXIAL		1.0000	EACH
3	IN	300-4022- - -	CAP 15.0 UF 20 V 10% TANT AXIAL		4.0000	EACH
3	IN	321-0008- - -	CRYSTAL 10.0 5 % QUARTZ HC-18/U		1.0000	EACH
3	IN	325-1503- - -	8 BANK ROCKER SWITCH		2.0000	EACH
3	P FS	330-1022-48- - -	RES 22 OHM 1/4W 10% FIXED COMP	EC9071	1.0000	EACH
4	IN *	330-1022- - -	RES 22 OHM 1/4W 10% FIXED COMP		1.0000	EACH
3	P FS	330-1068-48- - -	RES 68 OHM 1/4W 10% FIXED COMP		1.0000	EACH
4	IN *	330-1068- - -	RES 68 OHM 1/4W 10% FIXED COMP		1.0000	EACH
3	P FS	330-2018-48- - -	RES 180 OHM 1/4W 10% FIXED COMP		3.0000	EACH
4	FS *	330-2018- - -	RES 180 OHM 1/4W 10% FIXED COMP		1.0000	EACH
3	P FS	330-2022-48- - -	RES 220 OHM 1/4W 10% FIXED COMP	EC9584	9.0000	EACH
4	FS *	330-2022- - -	RES 220 OHM 1/4W 10% FIXED COMP		1.0000	EACH
3	P FS	330-2033-48- - -	RES 330 OHM 1/4W 10% FIXED COMP	EC9715	6.0000	EACH
4	FS *	330-2033- - -	RES 330 OHM 1/4W 10% FIXED COMP		1.0000	EACH
3	P FS	330-2039-48- - -	RES 390 OHM 1/4W 10% FIXED COMP		2.0000	EACH
4	FS *	330-2039- - -	RES 390 OHM 1/4W 10% FIXED COMP		1.0000	EACH
3	P FS	330-2047-48- - -	RES 470 OHM 1/4W 10% FIXED COMP	EC9715	4.0000	EACH
4	FS *	330-2047- - -	RES 470 OHM 1/4W 10% FIXED COMP		1.0000	EACH

D-15

ASSEMBLY PART NUMBER 177-9233- J -

LEGEND

ASSEMBLY DESCRIPTION 5505-2 MASTER W/HORIZONTAL SCROLL

1: P=PHANTOM; 2: ITEM MASTER DELY CODE; 3: *=TAGGED OUT OF KIT(PROD STR)

POSITION IN STRUCTURE	LEGEND			COMPONENT PART NUMBER	DESCRIPTION	E C N	QUANTITY PER ASSY	U/M	INL
	1	2	3						
3	P	FS		330-3010-48- -	RES 1K OHM 1/4W 10% FIXED COMP		8.0000	EACH	
4		FS *		330-3010- - -	RES 1K OHM 1/4W 10% FIXED COMP		1.0000	EACH	
3	P	FS		330-3022-48- -	RES 2.2K OHM 1/4W 10% FIXED COMP	EC9715	59.0000	EACH	
4		FS *		330-3022- - -	RES 2.2K OHM 1/4W 10% FIXED COMP		1.0000	EACH	
3	P	FS		330-3047-48- -	RES 4.7K OHM 1/4W 10% FIXED COMP	EC9071	1.0000	EACH	
4		FS *		330-3047- - -	RES 4.7K OHM 1/4W 10% FIXED COMP		1.0000	EACH	
3	P	FS		330-4010-48- -	RES 10K OHM 1/4W 10% FIXED COMP		1.0000	EACH	
4		FS *		330-4010- - -	RES 10K OHM 1/4W 10% FIXED COMP		1.0000	EACH	
3	P	FS		330-4015-48- -	RES 15K OHM 1/4W 10% FIXED COMP		2.0000	EACH	
4		FS *		330-4015- - -	RES 15K OHM 1/4W 10% FIXED COMP		1.0000	EACH	
3	P	FS		330-4018-48- -	RES 18K OHM 1/4W 10% FIXED COMP		2.0000	EACH	
4		FS *		330-4018- - -	RES 18K OHM 1/4W 10% FIXED COMP		1.0000	EACH	
3	P	FS		330-4047-48- -	RES 47K OHM 1/4W 10% FIXED COMP		1.0000	EACH	
4		FS *		330-4047- - -	RES 47K OHM 1/4W 10% FIXED COMP		1.0000	EACH	
3	IN			331-2012- - -	RES 120 OHM 1/2W 10% FIXED COMP		2.0000	EACH	
3	IN			350-0045- - -	26 PIN 90 HEADER CONN ASSY(PC RD)		1.0000	EACH	
3	IN			375-1012- - -	MPS 6512 SILICON TRANSISTOR		1.0000	EACH	
3	IN			375-1014- - -	MPS 6518 SILICON TRANSISTOR		1.0000	EACH	
3	IN			376-0002- - -	IC 7400N 4 2 IN POS NAND GATE		5.0000	EACH	
3	IN			376-0003- - -	IC 7410N 3 3 IN POS NAND GATE		1.0000	EACH	
3	IN			376-0005- - -	IC 7473N 2 J-K MA-SLAVE FLIP-FLOP		3.0000	EACH	
3	IN			376-0006- - -	IC 7474N 2 D EDGE TRIG FLIP-FLOP		9.0000	EACH	
3	IN			376-0008- - -	IC 7442N 4 LINE-10 LINE DECODER		2.0000	EACH	
3	IN			376-0010- - -	IC 7404N HEX INVERTER		5.0000	EACH	
3	IN			376-0011- - -	IC 7493N 4 BIT BINARY COUNTER		1.0000	EACH	
3	IN			376-0012- - -	IC 7451N EXP 2 W 2 IN AND OR INV GT		1.0000	EACH	
3	IN			376-0016- - -	IC 7402N 4 2 IN POS NOR GATE		2.0000	EACH	
3	IN			376-0055- - -	IC 7406 HEX INV BUF DRIVERS HV OUT		2.0000	EACH	
3	IN			376-0073- - -	IC 7490 DECADE COUNTER		1.0000	EACH	
3	IN			376-0076- - -	IC 75150P 2 LINE DRIVER		2.0000	EACH	
3	IN			376-0081- - -	IC 7408 4 2 IN POS AND GATE		6.0000	EACH	
3	IN			376-0082- - -	IC 74157 4 2 IN MX		1.0000	EACH	
3	IN			376-0093- - -	IC 7432 4 2 IN OR GATE		6.0000	EACH	
3	IN			376-0094- - -	IC 74161 SYNCHRONOUS 4 BIT COUNTER		3.0000	EACH	
3	IN			376-0097- - -	IC 74195 4 BIT PAR ACCESS SHIFT REG		2.0000	EACH	
3	IN			376-0104- - -	IC 9602 2 RETRIG RESET MONOSTBL MVB		4.0000	EACH	
3	IN			376-0119- - -	IC 74175 4 D TYPE EDGE TRIG F/F		2.0000	EACH	
3	IN			376-0137- - -	IC 8T10 4 D TYPE BUS FLIP FLOP		3.0000	EACH	
3	IN			376-0179- - -	IC 74368 HEX BUS DR W/3 STATE OUT		2.0000	EACH	
3	IN			376-0194- - -	IC 7411 3 3 IN POS AND GATE		4.0000	EACH	
3	IN			376-0197- - -	IC 74504 HEX INVERTER		1.0000	EACH	
3	IN			376-0250- - -	IC 9401 CYCLIC REDUNDANCY CHECK GEN		1.0000	EACH	
3	IN			376-0286- - -	IC 74LS374 8 LATCHES W/TR ST OUTP		4.0000	EACH	
3	IN			376-0288- - -	IC 74LS244 OCTUAL BUF/LINE DR 3 OUT		5.0000	EACH	

D-16

ASSEMBLY PART NUMBER 177-9233- - -

LEGEND

ASSEMBLY DESCRIPTION 5505-2 MASTER W/HORIZONTAL SCROLL

1: P=PHANTOM; 2: ITEM MASTER DELY CODE; 3: **TAGGED OUT OF KIT(PROD STR)

POSITION IN STRUCTURE	LEGEND 1 2 3	COMPONENT PART NUMBER	DESCRIPTION	E C N	QUANTITY PER ASSY	U/M	INL
3	IN	376-0291- - -	IC MC3437 HEX BUS RCVR W/INPUT HYST		2.0000	EACH	
3	IN	376-0297- - -	IC 74LS240 OCTAL BUF/LINE DR/LN REC		1.0000	EACH	
3	IN	376-9015- - -	IC 28 PIN SOCKET BURNDY		1.0000	EACH	
3	IN	376-9016- - -	IC 24 PIN SOCKET CAMBION		1.0000	EACH	
3	IN	376-9017- - -	IC 24 POS ANTI-WICKING WAFER		1.0000	EACH	
3	IN	510-7411- - -	7411 PCB DISK BOARD BLANK		1.0000	EACH	
2	IN	278-4003- - -	FLOPPY DISK DR 928 (60 HZ)		2.0000	EACH	
3	IN	000-0005- - -	LABOR PRODUCTION SYSTEMS		1.0000		
3	IN	000-0011- - -	LABOR QUALITY CONTROL		.2000		
3	IN	220-3011- - -	FLOPPY DISK CABLE C6482-62		1.0000	EACH	
4	IN	000-9999- - -	OTHER DIRECT COST		5.7970	EACH	
4	IN	350-0021- - -	225-22221-110 SOL TYPE	EC5323	1.0000	EACH	
4	IN	350-0402-B - -	40 PIN FLAT CABLE CONNECTOR BOTTOM	EC5323	2.0000	EACH	
4	IN	350-4118- - -	POLARIZING KEY BETWEEN CONTACTS	EC6808	1.0000	EACH	
4	FS *	420-0045- - -	40 COND FLAT CABLE		2.3300	FEET	
4	IN	510-6766- - -	6766 PRINTED CIRCUIT BOARD	EC5323	1.0000	EACH	
4	IN	510-6767- - -	6767 PRINTED CIRCUIT BOARD	EC5323	1.0000	EACH	
3	IN	279-0284- - -	GUIDE ASSY,BOTTOM(ALUM FOIL 6840-17		1.0000	EACH	
4	IN	000-0011- - -	LABOR QUALITY CONTROL		.0230		
4	IN	000-0024- - -	LABOR PREP AREA		.1150	EACH	
4	IN	452-4032- - -	GUIDE,BOTTOM(FLOPPY)C6805-102		1.0000	EACH	
4	IN	660-0028-14- -	TAPE,ST SHLD 1 3/4"X9 3/4"E6841-123	EC7391	2.0000	EACH	
3	IN	478-0294- - -	CATCH(FLOPPY DRIVE)B6805-104		1.0000	EACH	
3	IN	650-2081- - -	SCR 4-40 1/4 PHIL FLAT H MS SS		3.0000	EACH	
3	IN	650-4320- - -	SCR 8-32 1 PHIL PH MS SS		2.0000	EACH	
3	IN	650-4401- - -	SCR 8-32 1 1/4 PHIL FLAT H MS SS		1.0000	EACH	
3	IN	653-0011- - -	WSHR 11/32 ID X 1-1/2 OD X 5/64 THK		2.0000	EACH	
3	IN	653-4001- - -	WASH 8 .176ID .336OD INT T ST		2.0000	EACH	
3	IN *	690-0301- - -	STORAGE BAG POLY 15X10X34	EC8434	1.0000	EACH	
3	IN	725-0053- - -	8" FLPY DISK DR 10 (IBM COMP) SA910		1.0000	EACH	
3	IN	725-0053-91- -	DOOR,FLOPPY DISK (SHUGART)		1.0000	EACH	
2	IN	279-0253- - -	FLOPPY HANDLE ASSY(928MI)C6840-108		1.0000	EACH	
3	IN	000-0011- - -	LABOR QUALITY CONTROL		.0030		
3	IN	000-0024- - -	LABOR PREP AREA		.0140	EACH	
3	IN	651-1019- - -	STUD 6-32 .500 CL FLUSH HEAD SS		2.0000	EACH	
3	IN	725-0053-92- -	HANDLE,FLOPPY DISK(BLACK)		1.0000	EACH	
2	P FS	279-0335- - -	114 COMMON MASTER MECH ASSY 60 HZ		1.0000	EACH	
3	IN *	210-7310-A - -	PCB ASSY 114 MEMORY BD.		1.0000	EACH	
4	IN	209-7310- - -	PCB ASSY 114 MEMORY BD.		1.0000	EACH	
5	IN	000-0001- - -	LABOR SUB-SYSTEMS		1.3330		
5	IN	000-0011- - -	LABOR QUALITY CONTROL		.2670		
5	IN	300-1270- - -	CAP 270 PF 10% 500 V CERAMIC DISC		11.0000	EACH	
5	IN	300-1900- - -	CAP .05 UF +80-20% 12 V CERAMIC D	EC9140	24.0000	EACH	
5	IN	300-1930- - -	.1 UF 50V +80-20% CERAMIC CAP(HIFREQ)	EC9140	67.0000	EACH	
5	IN	300-1931- - -	1 UF CERAMIC CAPACITOR(HIGH FREQ)	EC9140	50.0000	EACH	
5	IN	300-4022- - -	CAP 15.0 UF 20 V 10% TANT AXIAL	EC9140	21.0000	EACH	
5	P FS	330-1011-48- -	RES 10 OHM 1/4W 5% FIXED COMP	EC9140	22.0000	EACH	

D-17

ASSEMBLY PART NUMBER 177-9233- - -
 ASSEMBLY DESCRIPTION 5505-2 MASTER W/HORIZONTAL SCROLL

LEGEND
 1: P=PHANTOM; 2: ITEM MASTER DELY CODE; 3: *=TAGGED OUT OF KIT(PROD STR)

POSITION IN STRUCTURE	LEGEND 1 2 3	COMPONENT PART NUMBER	DESCRIPTION	E C N	QUANTITY PER ASSY	U/M	INL
6	FS *	330-1011- - -	RES 10 OHM 1/4W 5% FIXED COMP		1.0000	EACH	
5	P FS	330-3018-4B- - -	RES 1.8K OHM 1/4W 10% FIXED COMP		8.0000	EACH	
6	FS *	330-3018- - -	RES 1.8K OHM 1/4W 10% FIXED COMP		1.0000	EACH	
5	P FS	330-3022-4B- - -	RES 2.2K OHM 1/4W 10% FIXED COMP	EC9140	8.0000	EACH	
6	FS *	330-3022- - -	RES 2.2K OHM 1/4W 10% FIXED COMP		1.0000	EACH	
5	P FS	330-3047-4B- - -	RES 4.7K OHM 1/4W 10% FIXED COMP		2.0000	EACH	
6	FS *	330-3047- - -	RES 4.7K OHM 1/4W 10% FIXED COMP		1.0000	EACH	
5	IN	375-1050- - -	TRANSISTOR SPS6551		11.0000	EACH	
5	IN	376-0002- - -	IC 7400N 4 2 IN POS NAND GATE		4.0000	EACH	
5	IN	376-0003- - -	IC 7410N 3 3 IN POS NAND GATE		2.0000	EACH	
5	IN	376-0006- - -	IC 7474N 2 D EDGE TRIG FLIP-FLOP	EC9140	2.0000	EACH	
5	IN	376-0008- - -	IC 7442N 4 LINE-10 LINE DECODER		1.0000	EACH	
5	IN	376-0010- - -	IC 7404N HEX INVERTER		1.0000	EACH	
5	IN	376-0036- - -	IC 7486N 4 2 IN EXCLUSIVE OR GATE		1.0000	EACH	
5	IN	376-0050- - -	IC 74180 8 BIT ODD/EVEN PARITY GEN		1.0000	EACH	
5	IN	376-0081- - -	IC 7408 4 2 IN POS AND GATE		1.0000	EACH	
5	IN	376-0090- - -	IC 74154 1 OF 16 DECODER DEMX E775B		1.0000	EACH	
5	IN	376-0093- - -	IC 7432 4 2 IN OR GATE	EC9140	4.0000	EACH	
5	IN	376-0176- - -	IC 74367 HEX BUFFER		1.0000	EACH	
5	IN	376-0178- - -	IC 75322 2 TTL TO MOS DRIVER		6.0000	EACH	
5	IN	376-0285- - -	IC 74LS245 8 BUS TRANS W/TR ST OUTP		1.0000	EACH	
5	IN	376-0288- - -	IC 74LS244 OCTUAL BUF/LINE DR 3 OUT		6.0000	EACH	
5	IN	376-9003- - -	IC 24 PIN SOCKET BURNDY	EC9140	5.0000	EACH	
5	IN	376-9014- - -	IC 18 PIN SOCKET		99.0000	EACH	
5	IN	510-7310- - -	7310 PCB 114 MEMORY 8D.		1.0000	EACH	
4	WC	377-0314- - -	THS4050 RAM 4K (18 PIN)	EC9050	99.0000	EACH	
4	P FS	378-2219-R4- - -	EVENT HANDLER CHIP #1	EC9343	1.0000	EACH	
5	FS	377-0317- - -	2708 INTEL PROM	EC9343	1.0000	EACH	
4	P FS	378-2220-R4- - -	EVENT HANDLER CHIP #2	EC9343	1.0000	EACH	
5	FS	377-0317- - -	2708 INTEL PROM	EC9343	1.0000	EACH	
3	IN *	210-7316- - -	7316 PCB ASSY PS REGULATOR BD		1.0000	EACH	
4	IN	000-0001- - -	LABOR SUB-SYSTEMS		2.5770		
4	IN	000-0011- - -	LABOR QUALITY CONTROL		.5150		
4	IN	300-1900- - -	CAP .05 UF +80-20% 12 V CERAMIC D	EC8605	4.0000	EACH	
4	IN	300-1903- - -	CAP .01 UF +80-20% 25 V CERAMIC D		1.0000	EACH	
4	IN	300-1915- - -	CAP .0056 UF 20% 500 V CERAMIC DISC	EC8605	1.0000	EACH	
4	IN	300-2210- - -	CAP .1 UF 10% 100 V MYLAR		1.0000	EACH	
4	IN	300-3054- - -	3K MF 20V ELECTROLYTIC CAPACITOR		1.0000	EACH	
4	IN	300-4000- - -	CAP 1.0 UF 35 V 10% TANT AXIAL		2.0000	EACH	
4	IN	300-4008- - -	CAP .33 UF 35 V 10% TANT AXIAL		2.0000	EACH	
4	IN	300-4022- - -	CAP 15.0 UF 20 V 10% TANT AXIAL		2.0000	EACH	
4	IN	300-4032- - -	CAP 10.0 UF 35 V 10% TANT AXIAL		2.0000	EACH	
4	P FS	330-2010-4B- - -	RES 100 OHM 1/4W 10% FIXED COMP		3.0000	EACH	
5	FS *	330-2010- - -	RES 100 OHM 1/4W 10% FIXED COMP		1.0000	EACH	

D-18

ASSEMBLY PART NUMBER 177-9233- - -

LEGEND

ASSEMBLY DESCRIPTION 5505-2 MASTER W/HORIZONTAL SCROLL

1: P=PHANTOM; 2: ITEM MASTER DELY CODE; 3: **TAGGED OUT OF KIT(PROD STR)

POSITION IN STRUCTURE	LEGEND 1 2 3	COMPONENT PART NUMBER	DESCRIPTION	E C N	QUANTITY PER ASSY	U/M	IML
4	P FS	330-2022-4B- -	RES 220 OHM 1/4W 10% FIXED COMP		1.0000	EACH	
5	FS *	330-2022- - -	RES 220 OHM 1/4W 10% FIXED COMP		1.0000	EACH	
4	P FS	330-2047-4B- -	RES 470 OHM 1/4W 10% FIXED COMP		3.0000	EACH	
5	FS *	330-2047- - -	RES 470 OHM 1/4W 10% FIXED COMP		1.0000	EACH	
4	P FS	330-2068-4B- -	RES 680 OHM 1/4W 10% FIXED COMP	EC8605	1.0000	EACH	
5	FS *	330-2068- - -	RES 680 OHM 1/4W 10% FIXED COMP		1.0000	EACH	
4	P FS	330-3010-4B- -	RES 1K OHM 1/4W 10% FIXED COMP		1.0000	EACH	
5	FS *	330-3010- - -	RES 1K OHM 1/4W 10% FIXED COMP		1.0000	EACH	
4	P FS	330-3015-4B- -	RES 1.5K OHM 1/4W 10% FIXED COMP	EC8605	1.0000	EACH	
5	FS *	330-3015- - -	RES 1.5K OHM 1/4W 10% FIXED COMP		1.0000	EACH	
4	P FS	330-3018-4B- -	RES 1.8K OHM 1/4W 10% FIXED COMP		1.0000	EACH	
5	FS *	330-3018- - -	RES 1.8K OHM 1/4W 10% FIXED COMP		1.0000	EACH	
4	P FS	330-3022-4B- -	RES 2.2K OHM 1/4W 10% FIXED COMP		3.0000	EACH	
5	FS *	330-3022- - -	RES 2.2K OHM 1/4W 10% FIXED COMP		1.0000	EACH	
4	P FS	330-3023-4B- -	RES 2.2K OHM 1/4W 5% FIXED COMP		2.0000	EACH	
5	FS *	330-3023- - -	RES 2.2K OHM 1/4W 5% FIXED COMP		1.0000	EACH	
4	P FS	330-3027-4B- -	RES 2.7K OHM 1/4W 10% FIXED COMP		1.0000	EACH	
5	FS *	330-3027- - -	RES 2.7K OHM 1/4W 10% FIXED COMP		1.0000	EACH	
4	P FS	330-3028-4B- -	RES 2.7K OHM 1/4W 5% FIXED COMP		1.0000	EACH	
5	IN *	330-3028- - -	RES 2.7K OHM 1/4W 5% FIXED COMP		1.0000	EACH	
4	P FS	330-3033-4B- -	RES 3.3K OHM 1/4W 10% FIXED COMP	PATREL	2.0000	EACH	
5	FS *	330-3033- - -	RES 3.3K OHM 1/4W 10% FIXED COMP		1.0000	EACH	
4	P FS	330-3047-4B- -	RES 4.7K OHM 1/4W 10% FIXED COMP		2.0000	EACH	
5	FS *	330-3047- - -	RES 4.7K OHM 1/4W 10% FIXED COMP		1.0000	EACH	
4	P FS	330-3068-4B- -	RES 6.8K OHM 1/4W 10% FIXED COMP		1.0000	EACH	
5	FS *	330-3068- - -	RES 6.8K OHM 1/4W 10% FIXED COMP		1.0000	EACH	
4	P FS	330-4010-4B- -	RES 10K OHM 1/4W 10% FIXED COMP		2.0000	EACH	
5	FS *	330-4010- - -	RES 10K OHM 1/4W 10% FIXED COMP		1.0000	EACH	
4	P FS	330-4019-4B- -	RES 18K OHM 1/4W 5% FIXED COMP		1.0000	EACH	
5	IN *	330-4019- - -	RES 18K OHM 1/4W 5% FIXED COMP		1.0000	EACH	
4	P FS	330-5010-4B- -	RES 100K OHM 1/4W 10% FIXED COMP		1.0000	EACH	
5	FS *	330-5010- - -	RES 100K OHM 1/4W 10% FIXED COMP		1.0000	EACH	
4	P FS	330-5012-4B- -	120K OHM 1/4W 100/0 4 RES W/OFF-76		3.0000	EACH	
5	FS *	330-5012- - -	120K OHM 1/4W 100/0 4 RES W/OFF-76		1.0000	EACH	
4	IN	331-2068- - -	680 OHM 1/2W 10% RESISTOR W/OFF-76	EC8605	1.0000	EACH	

D-19

ASSEMBLY PART NUMBER 177-9233- - -

LEGEND

ASSEMBLY DESCRIPTION 5505-2 MASTER W/HORIZONTAL SCROLL

1: P=PHANTOM; 2: ITEM MASTER DELY CODE; 3: *-TAGGED OUT OF KIT(PROD STR)

POSITION IN STRUCTURE	LEGEND 1 2 3	COMPONENT PART NUMBER	DESCRIPTION	E C N	QUANTITY PER ASSY	U/M	IML
4	IN	331-3022- - -	RES 2.2K OHM 1/2W 10% FIXED COMP		1.0000	EACH	
4	IN	332-2082- - -	RES 820 OHM 1W 10% FIXED COMP		1.0000	EACH	
4	IN	332-3012- - -	RES 1.2K OHM 1W 10% FIXED COMP		1.0000	EACH	
4	IN	332-3015- - -	RES 1.5K OHM 1W 10% FIXED COMP	EC8605	1.0000	EACH	
4	IN	334-0012- - -	DISC 3 OHM 11 W RESISTOR		1.0000	EACH	
4	IN	334-0025- - -	7.5 OHM 7W 5% RESISTOR		1.0000	EACH	
4	IN	334-0033- - -	RES .050 OHM 3W 3% WW NON-IND	EC8605	2.0000	EACH	
4	IN	336-1014- - -	RES 1K OHM VAR TRIM SIDE ADJ 50		3.0000	EACH	
4	IN	337-2015- - -	RES 150 OHM 2W 10% FIXED COMP		1.0000	EACH	
4	IN	374-0002- - -	IC REG UA 7905 -5V TO-220		1.0000	EACH	
4	IN	374-0006- - -	IC REG UA 7912 -12V TO-3		1.0000	EACH	
4	IN	375-1052- - -	TRANSISTOR 2N6387 (PLASTIC)	PATREL	2.0000	EACH	
4	IN	375-1053- - -	TRANSISTOR RCA8203A (PLASTIC)	PATREL	1.0000	EACH	
4	IN	375-9016- - -	MICA INSUL#DF103B FOR 375-1034/1035	EC8605	5.0000	EACH	
4	IN	376-0066- - -	IC 723 VOLTAGE REGULATOR		3.0000	EACH	
4	IN	376-0240- - -	IC LM339 4 COMPARATOR	PATREL	2.0000	EACH	
4	P FS *	380-0000-4B- - -	.48 GERMANIUM DIODE	PATREL	4.0000	EACH	
5	FS	380-0000-R - - -	GERMANIUM DIODE (.200 REEL)		1.0000	EACH	
4	P FS *	380-1001-4B- - -	D035 SIL DIODE 30V, 100MA AT 1V .48	PATREL	5.0000	EACH	
5	FS	380-1001-R - - -	D035 SIL DIODE 30V, 100MA AT 1V TER		1.0000	EACH	
4	IN	380-2048- - -	DIO ZEN IN5230C 4.7V 500MW S DO-7		2.0000	EACH	
4	IN	380-2111- - -	DIO ZEN IN5241C 11.0V 500MW S DO-7		1.0000	EACH	
4	IN	380-2113- - -	DIO ZEN IN4743 13.0V 1 W S D041		1.0000	EACH	
4	IN	380-3008- - -	A15A RECTIFIER	PATREL	6.0000	EACH	
4	IN	478-0421- - -	HEATSINK,REG CARD SCRND C6862-520	EC8605	1.0000	EACH	
4	IN	510-7316- - -	7316 PCB PS REGULATOR BD		1.0000	EACH	
4	IN	650-3080- - -	6-32 X 1/4 PAN HD PHL MS SS SEMS	EC8605	2.0000	EACH	
4	IN	650-3131- - -	6-32 X 3/8 NYLON COVERED FIL HD SLT	EC8605	5.0000	EACH	
3	IN	210-7412-A - - -	PCA 114 HORIZONTAL SCROLL CRT/CPU	EC9735	1.0000	EACH	
4	IN	209-7412- - -	PCA 114 HORIZONTAL SCROLL CRT/CPU		1.0000	EACH	
5	IN	300-1047- - -	CAP 47 PF 10% 500 V CERAMIC DISC		3.0000	EACH	
5	IN	300-1150- - -	CAP 150 PF 10% 500 V CERAMIC DISC		2.0000	EACH	
5	IN	300-1220- - -	CAP 220 PF 10% 500 V CERAMIC DISC		1.0000	EACH	
5	IN	300-1270- - -	CAP 270 PF 10% 500 V CERAMIC DISC		2.0000	EACH	
5	IN	300-1470- - -	CAP 470 PF 10% 500 V CERAMIC DISC		1.0000	EACH	
5	IN	300-1680- - -	CAP 680 PF 10% 500 V CERAMIC DISC		1.0000	EACH	
5	IN	300-1900- - -	CAP .05 UF +80-20% 12 V CERAMIC D		74.0000	EACH	
5	IN	300-1903- - -	CAP .01 UF +80-20% 25 V CERAMIC D		1.0000	EACH	
5	IN	300-1930- - -	.1 UF 50V +80-20% CERAMIC CAP(HIFREQ)		6.0000	EACH	
5	IN	300-1931- - -	1 UF CERAMIC CAPACITOR(HIGH FREQ)		6.0000	EACH	
5	IN	300-4001- - -	CAP .47 UF 35 V 10% TANT AXIAL		1.0000	EACH	
5	IN	300-4018- - -	CAP 18.0 UF 15 V 10% TANT AXIAL		1.0000	EACH	
5	IN	300-4022- - -	CAP 15.0 UF 20 V 10% TANT AXIAL		9.0000	EACH	
5	IN	321-0018- - -	CRYSTAL 17.1 5 % QUARTZ HC-18/U		1.0000	EACH	
5	IN	321-0027- - -	CRYSTAL 2.4576 5 % QUARTZ HC-18/U		1.0000	EACH	
5	P FS *	330-1010-4B- - -	RES 10 OHM 1/4W 10% FIXED COMP		1.0000	EACH	
6	FS *	330-1010- - -	RES 10 OHM 1/4W 10% FIXED COMP		1.0000	EACH	
5	P FS	330-1011-4B- - -	RES 10 OHM 1/4W 5% FIXED COMP		2.0000	EACH	

D-20

ASSEMBLY PART NUMBER 177-9233- - -

LEGEND

ASSEMBLY DESCRIPTION 5505-2 MASTER W/HORIZONTAL SCROLL

1: P-PHANTOM; 2: ITEM MASTER DELY CODE; 3: *-TAGGED OUT OF KIT(PROD STR)

PCSTION IN STRUCTURE	LEGEND		COMPONENT PART NUMBER	DESCRIPTION	E C N	QUANTITY PER ASSY	U/M IML
	1	2 3					
6	FS *		330-1011- - -	RES 10 OHM 1/4W 5% FIXED COMP		1.0000	EACH
5	P FS		330-1033-48- - -	RES 33 OHM 1/4W 10% FIXED COMP		1.0000	EACH
6	IN *		330-1033- - -	RES 33 OHM 1/4W 10% FIXED COMP		1.0000	EACH
5	P FS		330-2010-48- - -	RES 100 OHM 1/4W 10% FIXED COMP		2.0000	EACH
6	FS *		330-2010- - -	RES 100 OHM 1/4W 10% FIXED COMP		1.0000	EACH
5	P FS		330-2018-48- - -	RES 180 OHM 1/4W 10% FIXED COMP		1.0000	EACH
6	FS *		330-2018- - -	RES 180 OHM 1/4W 10% FIXED COMP		1.0000	EACH
5	P FS		330-2022-48- - -	RES 220 OHM 1/4W 10% FIXED COMP		1.0000	EACH
6	FS *		330-2022- - -	RES 220 OHM 1/4W 10% FIXED COMP		1.0000	EACH
5	P FS		330-2033-48- - -	RES 330 OHM 1/4W 10% FIXED COMP		4.0000	EACH
6	FS *		330-2033- - -	RES 330 OHM 1/4W 10% FIXED COMP		1.0000	EACH
5	P FS		330-2039-48- - -	RES 390 OHM 1/4W 10% FIXED COMP		1.0000	EACH
6	FS *		330-2039- - -	RES 390 OHM 1/4W 10% FIXED COMP		1.0000	EACH
5	P FS		330-2047-48- - -	RES 470 OHM 1/4W 10% FIXED COMP		5.0000	EACH
6	FS *		330-2047- - -	RES 470 OHM 1/4W 10% FIXED COMP		1.0000	EACH
5	P FS		330-2056-48- - -	RES 560 OHM 1/4W 10% FIXED COMP		1.0000	EACH
6	FS *		330-2056- - -	RES 560 OHM 1/4W 10% FIXED COMP		1.0000	EACH
5	P FS		330-3010-48- - -	RES 1K OHM 1/4W 10% FIXED COMP		2.0000	EACH
6	FS *		330-3010- - -	RES 1K OHM 1/4W 10% FIXED COMP		1.0000	EACH
5	P FS		330-3022-48- - -	RES 2.2K OHM 1/4W 10% FIXED COMP		44.0000	EACH
6	FS *		330-3022- - -	RES 2.2K OHM 1/4W 10% FIXED COMP		1.0000	EACH
5	P FS		330-3047-48- - -	RES 4.7K OHM 1/4W 10% FIXED COMP		9.0000	EACH
6	FS *		330-3047- - -	RES 4.7K OHM 1/4W 10% FIXED COMP		1.0000	EACH
5	P FS		330-4010-48- - -	RES 10K OHM 1/4W 10% FIXED COMP		6.0000	EACH
6	FS *		330-4010- - -	RES 10K OHM 1/4W 10% FIXED COMP		1.0000	EACH
5	P FS		330-4018-48- - -	RES 18K OHM 1/4W 10% FIXED COMP		1.0000	EACH
6	FS *		330-4018- - -	RES 18K OHM 1/4W 10% FIXED COMP		1.0000	EACH
5	P FS		330-4039-48- - -	RES 39K OHM 1/4W 10% FIXED COMP		3.0000	EACH
6	FS *		330-4039- - -	RES 39K OHM 1/4W 10% FIXED COMP		1.0000	EACH
5	P FS		330-4047-48- - -	RES 47K OHM 1/4W 10% FIXED COMP		1.0000	EACH
6	FS *		330-4047- - -	RES 47K OHM 1/4W 10% FIXED COMP		1.0000	EACH
5	IN		331-1010- - -	RES 10 OHM 1/2W 10% FIXED COMP		1.0000	EACH
5	IN		331-1076- - -	RES 75 OHM 1/2W 5% FIXED COMP		1.0000	EACH
5	IN		336-1001- - -	RES 1K OHM VAR TRIM TOP ADJ RD		1.0000	EACH
5	IN		375-1021- - -	YSTR 2N5189 1.0W 60V SH NPN S		1.0000	EACH
5	IN		375-1050- - -	TRANSISTOR SPS6551		3.0000	EACH

ASSEMBLY PART NUMBER 177-9233- - -

LEGEND

ASSEMBLY DESCRIPTION 5505-2 MASTER W/HORIZONTAL SCROLL

1: P-PHANTOM; 2: ITEM MASTER DELY CODE; 3: *=TAGGED OUT OF KIT(PROD STR)

POSITION IN STRUCTURE	LEGEND			COMPONENT PART NUMBER	DESCRIPTION	E C N	QUANTITY PER ASSY	U/M	IML
	1	2	3						
5	IN			375-9001- - -	TRANSIPAD 8977887-1 LARGE		1.0000	EACH	
5	IN			376-0002- - -	IC 7400N 4 2 IN POS NAND GATE		3.0000	EACH	
5	IN			376-0003- - -	IC 7410N 3 3 IN POS NAND GATE		3.0000	EACH	
5	IN			376-0004- - -	IC 7420N 2 4 IN POS NAND GATE		1.0000	EACH	
5	IN			376-0006- - -	IC 7474N 2 D EDGE TRIG FLIP-FLOP		5.0000	EACH	
5	IN			376-0007- - -	IC 7476N 2 JK MA-SLV F/F PRST CLEAR		1.0000	EACH	
5	IN			376-0008- - -	IC 7442N 4 LINE-10 LINE DECODER		1.0000	EACH	
5	IN			376-0010- - -	IC 7404N HEX INVERTER		5.0000	EACH	
5	IN			376-0012- - -	IC 7451N EXP 2 W 2 IN AND OR INV GT		1.0000	EACH	
5	IN			376-0016- - -	IC 7402N 4 2 IN POS NOR GATE		2.0000	EACH	
5	IN			376-0045- - -	IC 74H04N HEX INVERTER		1.0000	EACH	
5	IN			376-0049- - -	IC 74155 2 2-4 LINE DECODER DEMX		1.0000	EACH	
5	IN			376-0059- - -	IC 7495 4 BIT R L SHIFT REGISTER		2.0000	EACH	
5	IN			376-0081- - -	IC 7408 4 2 IN POS AND GATE		4.0000	EACH	
5	IN			376-0082- - -	IC 74157 4 2 IN MX		4.0000	EACH	
5	IN			376-0090- - -	IC 74154 1 OF 16 DECODER DEMX E7758		1.0000	EACH	
5	IN			376-0093- - -	IC 7432 4 2 IN OR GATE		2.0000	EACH	
5	IN			376-0094- - -	IC 74161 SYNCHRONOUS 4 BIT COUNTER		7.0000	EACH	
5	IN			376-0098- - -	IC 74174 HEX D TYPE FLIP FLOP		3.0000	EACH	
5	IN			376-0104- - -	IC 9602 2 RETRIG RESET MONOSTBL MVB		2.0000	EACH	
5	IN			376-0119- - -	IC 74175 4 D TYPE EDGE TRIG F/F		3.0000	EACH	
5	IN			376-0125- - -	IC 7427 3 3 IN NOR GATE		1.0000	EACH	
5	IN			376-0126- - -	IC 555 TIMER		1.0000	EACH	
5	IN			376-0160- - -	IC 74LS175 4 D TYPE EDGE TRIG F/F		1.0000	EACH	
5	IN			376-0176- - -	IC 74367 HEX BUFFER		2.0000	EACH	
5	IN			376-0178- - -	IC 75322 2 TTL TO MOS DRIVER		1.0000	EACH	
5	IN			376-0183- - -	IC 74173 4 BIT D TYPE REG 3 STATE		3.0000	EACH	
5	IN			376-0194- - -	IC 7411 3 3 IN POS AND GATE		1.0000	EACH	
5	IN			376-0197- - -	IC 74504 HEX INVERTER		1.0000	EACH	
5	IN			376-0199- - -	IC 74502 4 2 IN POS NOR GATE		2.0000	EACH	
5	IN			376-0200- - -	IC 74508 4 2 IN POS AND GATE		2.0000	EACH	
5	IN			376-0202- - -	IC 74574 2 D TYPE F F W PRESET CLER		1.0000	EACH	
5	IN			376-0204- - -	IC 74LS257 4 2-1 LINE DATA SELC MX		2.0000	EACH	
5	IN			376-0205- - -	IC 74532 4 2 IN POS OR GATE		2.0000	EACH	
5	IN			376-0228- - -	IC 74500 4 2 IN POS NAND GATE		1.0000	EACH	
5	IN			376-0238- - -	IC 74510 3 3 IN POS NAND GATE		1.0000	EACH	
5	IN			376-0285- - -	IC 74LS245 8 BUS TRANS W/TR ST OUTP		1.0000	EACH	
5	IN			376-0286- - -	IC 74LS374 8 LATCHES W/TR ST OUTP		2.0000	EACH	
5	IN			376-0288- - -	IC 74LS244 OCTUAL BUF/LINE DR 3 OUT		3.0000	EACH	
5	IN			376-0291- - -	IC MC3437 HEX BUS RCVR W/INPUT HYST		1.0000	EACH	
5	IN			376-0310- - -	IC 74LS373 OCTL D-TYP LATCHES SCHTT		2.0000	EACH	
5	IN			376-9001- - -	IC 14 PIN SOCKET SOLDER TAIL		1.0000	EACH	
5	IN			376-9003- - -	IC 24 PIN SOCKET BURNDY		2.0000	EACH	
5	IN			376-9011- - -	IC 40 PIN SOCKET BURNDY # DILBZ40P1		2.0000	EACH	
5	IN			376-9014- - -	IC 18 PIN SOCKET		10.0000	EACH	
5	IN			376-9015- - -	IC 28 PIN SOCKET BURNDY		.1000	EACH	
5	IN			510-7412- - -	7412 PCB HORIZONTAL SCROLL CRT/CPU		1.0000	EACH	
5	IN			654-6132- - -	CONN HEADER. 3 .100 IROW 90D PIN		1.0000	EACH	
4	WC			377-0314- - -	TMS4050 RAM 4K (18 PIN)		10.0000	EACH	
4	IN			377-0342- - -	Z80 PID 40 PIN I.C.		1.0000	EACH	
4	IN			377- - - -	Z80 CTC 28 PIN I.C.		1.0000	EACH	

D-22

ASSEMBLY PART NUMBER 177-9233- - -

LEGEND

ASSEMBLY DESCRIPTION 5505-2 MASTER W/HORIZONTAL SCROLL

1: P=PHANTOM; 2: ITEM MASTER DELY CODE; 3: *TAGGED OUT OF KIT(PROD STR)

POSITION IN STRUCTURE	LEGEND 1 2 3	COMPONENT PART NUMBER	DESCRIPTION	E C N	QUANTITY PER ASSY	U/M	IML
4	IN	377-0344- - -	280 CPU 40 PIN I.C.		1.0000	EACH	
4	P FS	378-2216- - -	114 CRT CHARACTER PROM(114)		1.0000	EACH	
5	FS	377-0317- - -	2708 INTEL PRGM		1.0000	EACH	
3	IN *	270-0448- - -	114 CHASSIS ASSY 60 HZ		1.0000	EACH	
4	IN	000-0004- - -	SUB-SYSTEMS		5.5000	EACH	
4	IN	000-0011- - -	LABOR QUALITY CONTROL		1.1000		
4	IN	210-7315- - -	7315 P.C. ASSY SYSTEM 114 MB		1.0000	EACH	
5	IN	000-0001- - -	LABOR SUB-SYSTEMS		.7500		
5	IN	000-0011- - -	LABOR QUALITY CONTROL		.1500		
5	IN	334-0031- - -	RES .006 OHM 3W 5% HW NON-IND	EC8470	1.0000	EACH	
5	IN	350-0011- - -	225-21521-110 PC CONN SOLDER TYPE		6.0000	EACH	
5	IN	350-0021- - -	225-22221-110 SOL TYPE		6.0000	EACH	
5	IN	350-0039- - -	44 POS P.C. CONN SOLDER TYPE(CINCH)		3.0000	EACH	
5	IN	350-1044- - -	CONN 18-36 PC EDGE MT RECPT	EC9043	1.0000	EACH	
5	IN	350-1045- - -	CONN 25-50 PC EDGE MT RECPT	EC9043	1.0000	EACH	
5	IN	510-7315- - -	7315 P.C. BOARD ASM SYS 114 MB		1.0000	EACH	
5	IN	654-1192- - -	TERMINAL,SINGLE NECK PMP 103-W/O-77	EC9043	1.0000	EACH	
4	IN	220-0117- - -	740 AC CONN CABLE A6499-30		2.0000	EACH	
5	IN	000-0004- - -	SUB-SYSTEMS		.1150	EACH	
5	IN	000-0011- - -	LABOR QUALITY CONTROL		.0230		
5	FS	420-1003- - -	POWER CABLE 3 COND 18 GA W/SVT	EC4968	2.9200	FEET	
5	IN	654-1150- - -	SOCKET HOUSING 1-480303-0		1.0000	EACH	
5	FS *	654-1163-R - -	SOCKET 20-14 GA(REEL)AMP 61117-4	EC4968	3.0000	EACH	
4	IN	220-1099- - -	P053 WIRE & LUG ASSY(928M1186482-12		1.0000	EACH	
5	IN	000-0004- - -	SUB-SYSTEMS		.0070	EACH	
5	IN	000-0011- - -	LABOR QUALITY CONTROL		.0010		
5	P FS	600-7004- - -	16 GA YEL STRANDED WIRE		.5800	FEET	
6	FS	600-7009- - -	16 GA WHITE STRANDED WIRE		1.0000	FEET	
5	FS *	654-1163-R - -	SOCKET 20-14 GA(REEL)AMP 61117-4		1.0000	EACH	
4	IN	220-1221- - -	114 COAX CABLE ASSY	86482-295 EC9384	1.0000	EACH	
5	FS	420-0061- - -	RG-174/U COAXIAL CABLE		1.1660	FEET	
5	P FS	600-2000- - -	WIRE 24 GA BLACK UL		.5000	FEET	
6	FS	600-2009- - -	WIRE 24 GA WHITE UL		1.0000	FEET	
5	FS	605-0123- - -	SHRINK TUBING TYPE RNF 3/16 ID BLK		.1660	FEET	
5	FS	654-0102-R - -	30-26 GA CRIMP SNAP CONT AMP85967-6		2.0000	EACH	
5	IN	654-0103- - -	.025 KEYING PLUG AMP 8707-2		1.0000	EACH	
5	IN	654-0105- - -	CONN HSG 3 .100 IRDW		1.0000	EACH	
4	IN	220-1223- - -	AC CABLE 114	86482-309 EC9043	1.0000	EACH	
5	P FS	600-7000- - -	16 GA BLACK STRANDED WIRE		1.3300	FEET	
6	FS	600-7009- - -	16 GA WHITE STRANDED WIRE		1.0000	FEET	
5	FS	600-7009- - -	16 GA WHITE STRANDED WIRE		1.3300	FEET	
5	FS	605-0015- - -	#3 CLEAR TUBING		1.0000	FEET	
5	FS	605-0132- - -	TUBING,3/8 ID HEATSHRINK		.1600	FEET	
5	FS	654-0084-R - -	TERMINAL FASTCN .250X.032 PQ14R258M		2.0000	EACH	

D-23

ASSEMBLY PART NUMBER 177-9233- - -

LEGEND

ASSEMBLY DESCRIPTION 5505-2 MASTER W/HORIZONTAL SCROLL

1: P=PHANTOM; 2: ITEM MASTER DELY CODE; 3: *=TAGGED OUT OF KIT(PROD STR)

POSITION IN STRUCTURE	LEGEND 1 2 3	COMPONENT PART NUMBER	DESCRIPTION	E C N	QUANTITY PER ASSY	U/M	IML
4	IN	270-0551- - -	HEATSINK & HARNESS ASSY 6840-18		1.0000	EACH	
5	IN	000-0004- - -	SUB-SYSTEMS		.4820	EACH	
5	IN	000-0011- - -	LABOR QUALITY CONTROL		.0960		
5	IN	270-3063- - -	HEATSINK HARNESS(928M1)D6482-117		1.0000	EACH	
6	IN	000-0004- - -	SUB-SYSTEMS		.1330	EACH	
6	IN	000-0011- - -	LABOR QUALITY CONTROL		.0270		
6	P FS	600-0002- - -	WIRE 18 GA RED UL	EC8289	1.4200	FEET	
7	FS	600-0009- - -	WIRE 18 GA WHITE UL		1.0000	FEET	
6	P FS	600-6004- - -	14 GA YELLOW STRANDED WIRE	EC8289	1.0420	FEET	
7	FS	600-6009- - -	14 GA WHITE STRANDED WIRE		1.0000	FEET	
6	P FS	600-6006- - -	14 GA BLUE STRANDED WIRE	EC8583	1.7500	FEET	
7	FS	600-6009- - -	14 GA WHITE STRANDED WIRE		1.0000	FEET	
6	FS	600-6009- - -	14 GA WHITE STRANDED WIRE	EC8289	1.4200	FEET	
6	FS	605-0014- - -	TUBING #5 CLEAR	EC9006	.2100	FEET	
6	FS	605-0015- - -	#3 CLEAR TUBING	EC9006	.2100	FEET	
6	FS	605-1004- - -	CABLE TYE, PAN-TY PLTIM-M		3.0000	EACH	
6	IN	654-1148- - -	SOCKET HOUSING 1-480318-0		1.0000	EACH	
6	IN	654-1149- - -	PIN HOUSING 1-480305-0		1.0000	EACH	
6	FS *	654-1163-R - -	SOCKET 20-14 GA(REEL)AMP 61117-4		2.0000	EACH	
6	FS *	654-1164-R - -	PIN TERM 20-14 GA(REEL)AMP 61118-4		3.0000	EACH	
5	IN	375-1048- - -	TSTR 2N5301 200W 40V AP NPN S T03		1.0000	EACH	
5	IN	375-9014- - -	INSULATOR XTOR MOUNT WECKESSER TM-1		1.0000	EACH	
5	IN	375-9020- - -	MICA WSHR (LARGE) FOR POWER XISTORS		1.0000	EACH	
5	IN	380-3000- - -	DIO 1N1200A 100V 12A RECT S D04		2.0000	EACH	
5	IN	380-9003- - -	HARDWARE ACCESSORY KIT FOR 380-3000		2.0000	EACH	
5	IN	478-0327- - -	HEATSINK(928 MASTER)C6840-107		1.0000	EACH	
5	FS	600-9015- - -	WIRE 14 GA TINNED COPPER BUS (UL)		.2500	FEET	
5	IN	650-3160- - -	6-32 X 1/2 PAN HD PHL MS SS SEMS		2.0000	EACH	
5	IN	652-3004- - -	NUT 6-32UNC HEX SMALL PAT SS		2.0000	EACH	
5	IN	653-3000- - -	WASH 6 .149ID .375OD .016 FL SS		2.0000	EACH	
5	IN	653-3001- - -	WASH 6 .150ID .288OD INT T ST		2.0000	EACH	
5	IN	654-1006- - -	#6 GROUND LUG		2.0000	EACH	
4	IN	270-3069- - -	XFMR HARNESS 928M1+2 60HZ C6482-146		1.0000	EACH	
5	IN	000-0004- - -	SUB-SYSTEMS		.1190	EACH	
5	IN	000-0011- - -	LABOR QUALITY CONTROL		.0240		
5	IN	410-0111- - -	MMC 5855 CVT 60HZ(M1/M2)C5068-107		1.0000	EACH	
5	FS *	654-0048-R - -	TERMINAL FASTON .250X.032 PQ18R258M		2.0000	EACH	
5	FS *	654-1163-R - -	SOCKET 20-14 GA(REEL)AMP 61117-4		2.0000	EACH	
4	IN	279-0301- - -	PLUNGER GUIDE ASSEMBLY 6815-51		1.0000	EACH	
5	IN	000-0011- - -	LABOR QUALITY CONTROL		.0010		
5	IN	000-0024- - -	LABOR PREP AREA		.0030	EACH	
5	IN	451-4066- - -	301 MICRO-SW BRACKET C5933-116 (2		1.0000	EACH	
5	IN	478-0068- - -	301 PLUNGER GUIDE B5933-117 (2		1.0000	EACH	
4	IN	300-? - -	124K UF 15V ELECTROLYTIC CAPACITOR		1.0000	EACH	

D-24

ASSEMBLY PART NUMBER 177-9233- - -

LEGEND

ASSEMBLY DESCRIPTION 5505-2 MASTER W/HORIZONTAL SCROLL

1: P=PHANTOM; 2: ITEM MASTER DELY CODE; 3: *=TAGGED OUT OF KIT(PROD STR)

POSITION IN STRUCTURE	LEGEND 1 2 3	COMPONENT PART NUMBER	DESCRIPTION	E C N	QUANTITY PER ASSY	U/M	IML
4		IN 300-3067-	12K UF 50V ELECTROLYTIC CAPACITOR		1.0000	EACH	
4		IN 300-3069-	27000 UF 30V ELECTROLYTIC CAP		1.0000	EACH	
4		IN 300-9004-	CAP CLAMP 1 3/4"3LUG SC#115-058-13		1.0000	EACH	
4		IN 300-9006-	CAP CLAMP 2 1/2 INCH 3 LUG		1.0000	EACH	
4		IN 300-9021-	CAP CLAMP C TYPE 2 INCH 2 LUGWOFF74		1.0000	EACH	
4		IN 300-9022-	CAP CLAMP 2 1/16 INCH 3 LUG		1.0000	EACH	
4		IN 300-9024-	CAP BOOT FOR #300-3042 GE #614	EC8654	1.0000	EACH	
4		IN 310-0010-	10 TERMINAL STRIP		1.0000	EACH	
4		IN 325-0021-	SWITCH, ROCKER SPST		1.0000	EACH	
4		IN 325-2305-	11SM1 MICRO SWITCH FOR CP-1		1.0000	EACH	
4		IN 325-9034-	PUSH BUTTON RED ALCO#C12		1.0000	EACH	
4		IN 331-3012-	RES 1.2K OHM 1/2W 10% FIXED COMP		2.0000	EACH	
4		IN 331-3022-	RES 2.2K OHM 1/2W 10% FIXED COMP		1.0000	EACH	
4		IN 350-1036-	BNC SOCKET (F) CONN UG1094A		1.0000	EACH	
4		IN 360-0000-	FUSE HOLDER 90 DEGREE CONTACT		1.0000	EACH	
4		IN 360-9000-	RUBBER WSHR FOR 360-0000 / 360-0001		1.0000	EACH	
4		IN 360-9002-	HEX NUT FOR 360-0000 / 360-0001		1.0000	EACH	
4		IN 360-9003-	LOCK WSHR LF#905023(FOR 360-0000/1)		1.0000	EACH	
4		IN 370-0027-	LAMP,ORANGE(LED)MV5154		1.0000	EACH	
4		IN 400-1003-	FAN MUFFIN M747 MARK IV		1.0000	EACH	
4		IN 410-2005-	LINE FILTER 5 AMP CORCOM 5K1		1.0000	EACH	
4		IN 420-1004-	CORD POWER 10AMP BELDEN #17419-S	EC9614	1.0000	EACH	
4		IN 420-1005-	POWER CORD ROTRON FAN 16415		1.0000	EACH	
4		IN 449-01C1-	FAN GUARD 4"BLACK)D5300-1085		1.0000	EACH	
4		IN 451-1103-	CHASTIS(928M1/M2)E6840-118		1.0000	EACH	
4		IN 451-2174-	COVER REAR SSCRN D6862-522		1.0000	EACH	
4		IN 451-2930-	COVER BOX PWR SSCRN D6862-521		1.0000	EACH	
4		IN 451-2931-	BOX,POWER C6862-507		1.0000	EACH	
4		IN 451-4066-	301 MICRO-SW BRACKET C5933-116 (2		1.0000	EACH	
4		IN 452-0060-	PLATE,COVER(RS232)(61/62)B6636-825	EC9367	1.0000	EACH	
4		IN 452-0108-	PLATE CONNECTOR "A" B6862-505		1.0000	EACH	
4		IN 461-3056-	301 SWITCH PLUNGER B5933-114		1.0000	EACH	
4		IN 461-3274-	STUD,LOCKING(928M1/M2)B6840-102		2.0000	EACH	
4		IN 462-0057-	SPCR .115 ID .250 OD .375 L RD F		16.0000	EACH	
4		IN 462-0327-	STANDOFF,M/F 4-40/4-40 B6815-108	EC9043	4.0000	EACH	
4		IN 478-0068-	301 PLUNGER GUIDE B5933-117 (2		1.0000	EACH	
4		P FS 600-7000-	16 GA BLACK STRANDED WIRE	EC9614	.2500	FEET	
5		FS 600-7009-	16 GA WHITE STRANDED WIRE		1.0000	FEET	
4		FS 600-9018-	WIRE 18 GA TIANED COPPER BUS (UL)		.3000	FEET	
4		FS 605-0015-	#3 CLEAR TUBING	EC9043	1.5000	FEET	
4		FS 605-1004-	CABLE TYE, PAN-TY PLTIM-M	EC9043	20.0000	EACH	
4		IN 615-0476-	INSUL .025 THK FISH PPR B6862-503		1.0000	EACH	
4		IN 650-0200-	SCR 2-56 5/8 SLOT PH MS SS		2.0000	EACH	
4		IN 650-2120-	4-40 X 3/8 PAN HD PHL MS SS SEMS	EC9367	2.0000	EACH	
4		IN 650-3120-	6-32 X 3/8 PAN HD PHL MS SS SEMS	EC9043	8.0000	EACH	
4		IN 650-3169-	6-32 X 1/2 TRUSS HD MS PARKERIZE		4.0000	EACH	
4		IN 650-6160-	10-32 X 1/2 PAN HD PHL MS SS SEMS		4.0000	EACH	
4		IN 651-1005-	STUD 4-40 .375 CL FLUSH HEAD SS		4.0000	EACH	
4		IN 651-1006-	STUD 6-32 .375 CL FLUSH HEAD SS		2.0000	EACH	
4		IN 651-1016-	STUD 6-32 .625 CL FLUSH HEAD SS		2.0000	EACH	
4		IN 651-1020-	STUD 10-32 .375 CL FLUSH HEAD SS		2.0000	EACH	

D-25

ASSEMBLY PART NUMBER 177-9233- - -

LEGEND

ASSEMBLY DESCRIPTION 5505-2 MASTER W/HORIZONTAL SCROLL 1: P=PHANTOM; 2: ITEM MASTER DELY CODE; 3: *-TAGGED OUT OF KIT(PROD STR)

POSITION IN STRUCTURE	LEGEND 1 2 3	COMPONENT PART NUMBER	DESCRIPTION	E C N	QUANTITY PER ASSY	U/M	IML
4	IN	651-1024-	STUD 6-32 .750 CL FLUSH HEAD SS		2.0000	EACH	
4	IN	651-1038-	THRED STUD 4-40X1" 77-16-104-13		12.0000	EACH	
4	IN	652-0008-	NUT 6-32 .056 UP CLINCH ST		27.0000	EACH	
4	IN	652-0032-	6-32 LOCK-NUT KEPS 511-061800-00	EC9043	9.0000	EACH	
4	IN	652-0990-	NUT 2-56UNC HEX REG PAT	SS	2.0000	EACH	
4	IN	652-2004-	NUT 4-40UNC HEX SMALL PAT	SS	16.0000	EACH	
4	IN	652-2005-	4-40 LOCK-NUT KEPS SS	EC9367	4.0000	EACH	
4	IN	652-3004-	NUT 6-32UNC HEX SMALL PAT	SS	7.0000	EACH	
4	IN	653-0003-	WASHER, NO.4 NYLON 1/8 ID X 3/8 OD	EC9614	4.0000	EACH	
4	IN	653-0990-	NO. 2 INT T LK WASHER		2.0000	EACH	
4	IN	653-0991-	#2 FLAT WASHER		2.0000	EACH	
4	IN	653-0992-	WASH 2 .093ID .2500D .032 FL NYL		2.0000	EACH	
4	IN	653-2002-	WASH 4 .123ID .2650D INT T	ST EC9043	16.0000	EACH	
4	IN	653-3001-	WASH 6 .150ID .2880D INT T	ST	1.0000	EACH	
4	IN	653-3003-	WASH 6 .141ID .2530D SPLIT	SS EC9043	5.0000	EACH	
4	IN	654-0074-	A.C.RECEPTACLE F 1540MS		2.0000	EACH	
4	IN	654-1006-	#6 GROUND LUG	EC9614	6.0000	EACH	
4	IN	654-1010-	#10 GROUND LUG		9.0000	EACH	
4	IN	654-1011-	3/8" GROUND LUG HH SMITH 1497		1.0000	EACH	
4	IN	654-1150-	SOCKET HOUSING 1-480303-0		1.0000	EACH	
4	IN	654-1214-	GROMMET, HEYCO 6P3-4 (70,80,F		1.0000	EACH	
4	IN	654-1289-	SNAP BUSHING SB-500-6(1/2HOLE3/8ID)		2.0000	EACH	
4	IN	654-1290-	SNAP BUSH SB-1.000-12(1"HOLEX3/4ID)		1.0000	EACH	
3	IN *	279-1014-	BOTTOM PAN ASSY(928M1/M2) 6840-12		1.0000	EACH	
4	IN	000-0011-	LABOR QUALITY CONTROL		.0120		
4	IN	000-0024-	LABOR PREP AREA		.0610	EACH	
4	IN	451-1226-	BOTTOM PAN(928M1/M2)E6840-119		1.0000	EACH	
4	IN	452-2558-	STIFFENER, CHASSIS(M1/M2)C6808-104		1.0000	EACH	
4	IN	651-0402-	RIVET AVDEL 11210615 3/16 X 7/16 LG		4.0000	EACH	
4	IN	655-0205-	BUMPER, WHITE #2096SW		4.0000	EACH	
3	IN	350-4118-	POLARIZING KEY BETWEEN CONTACT50PK2		2.0000	EACH	
3	IN	360-1031-SB-	FUSE 3.0 AMP 250V SB CERAMC 3AG		1.0000	EACH	
3	IN	650-2121-	SCR 4-40 3/8 PHIL FLAT H MS SS		2.0000	EACH	
3	IN	650-4123-	8-32X3/8 TRUSS HD PHL MS SS		2.0000	EACH	
3	IN	653-4001-	WASH 8 .176ID .3360D INT T	ST	2.0000	EACH	
3	IN	654-1274-	CABLE CLAMP ADH.BACK OKLSP 021-0375		2.0000	EACH	
2	IN	450-0061-	WANG TAG (BLANK) C5300-1049		1.0000	EACH	
2	IN	451-2145-	TOP COVER(928M1/M2)D6840-117		1.0000	EACH	
2	IN	451-3076-	PANEL, FRONT DRESS(928M1/2)D6840-112		1.0000	EACH	
2	IN	451-3077-	PANEL, OUTER FRONT(928M1)D6840-113		1.0000	EACH	
2	IN	451-3078-	PANEL, INNER FRONT(928M1/2)D6840-114		1.0000	EACH	
2	IN	451-4459-	BRKT, DOOR LOCKING(928M1/2)C6840-106		1.0000	EACH	
2	IN	451-4504-	BRKT, STAT GND RH DISK DR 86840-129		1.0000	EACH	
2	IN	451-4505-	BRKT, STAT GND LH DISK DR 86840-128		1.0000	EACH	
2	IN	461-3275-	STUD, 6-32 X 3.75 86840-120		2.0000	EACH	
2	IN	462-0063-	SPCR 6-32UNC .250 OD .375 L HX B		2.0000	EACH	
2	IN	462-0172-	SPCR 6-32UNC .250 OD .312 L HX B		2.0000	EACH	
2	IN	462-0265-	SPACER, PC BOARD(E/F)C6815-13	EC9623	6.0000	EACH	
2	IN	462-	SPACER #8 .250 OD 1.25L ALUM #8528		2.0000	EACH	

D-26

ASSEMBLY PART NUMBER 177-9233- - -

LEGEND

ASSEMBLY DESCRIPTION 5505-2 MASTER W/HORIZONTAL SCROLL

1: P-PHANTOM; 2: ITEM MASTER DELY CODE; 3: *-TAGGED OUT OF KIT(PROD STR)

POSITION IN STRUCTURE	LEGEND 1 2 3	COMPONENT PART NUMBER	DESCRIPTION	E C N	QUANTITY PER ASSY	U/M	IML
2	IN	478-0061- - -	700 PROGRAM CLAMP NUTS B5900-27 12		2.0000	EACH	
2	IN	650-2120- - -	4-40 X 3/8 PAN HD PHL MS SS SEMS		6.0000	EACH	
2	IN	650-3120- - -	6-32 X 3/8 PAN HD PHL MS SS SEMS		6.0000	EACH	
2	IN	650-4161- - -	SCR 8-32 1/2 PHIL FLAT H MS SS		6.0000	EACH	
2	IN	650-6121- - -	10-32X3/8 TRUSS HD PHL MS SS		2.0000	EACH	
2	IN	652-0041- - -	6-32 ACORN NUT NICKEL PLT.		2.0000	EACH	
2	IN	652-3006- - -	6-32 WING NUT CAD PLATE		2.0000	EACH	
2	IN	653-6001- - -	WASH 10.204ID .3810D INT T ST		2.0000	EACH	
2	IN	690-0317- - -	POLY BAG,5"X6.5"X1.5" 2.5 MIL THK		1.0000	EACH	

D-27

ASSEMBLY PART NUMBER 177-9238- --
 ASSEMBLY DESCRIPTION 5506-1 WK/ST

LEGEND

1: P=PHANTOM; 2: ITEM MASTER DELY CODE; 3: *-TAGGED OUT OF KIT(PROD STR)

POSITION IN STRUCTURE	LEGEND 1 2 3	COMPONENT PART NUMBER	DESCRIPTION	E C N	QUANTITY PER ASSY	U/M	INL
1	IN	187-9241- --	5506-2 WK/ST W/HORIZ SCROLL	EC9499	1.0000	EACH	
2	IN	220-0105-3 --	1/0 CA W/BRD SHLD 8"(114) C6422-129		1.0000	EACH	
3	IN	000-0004- --	SUB-SYSTEMS		.6760	EACH	
3	IN	000-0011- --	LABOR QUALITY CONTROL		.1350		
3	IN	350-2082- --	CONN 18-36 CABLE TO PANEL PLUG		2.0000	EACH	
3	IN	350-4233-G --	STRAIN RELIEF CVR 36 POS 180DEG GRV		2.0000	EACH	
3	IN	350-4233-T --	STRAIN RELIEF CVR 36 POS 180DEG TNG		2.0000	EACH	
3	IN	350-4234- --	4-40X3/8 CAPT SCR FOR SCR MT CONNS.		4.0000	EACH	
3	FS	420-0059- --	18 TWISTED PAIR 26 GA SPECIALSHIELD		9.0000	FEET	
3	IN	458-0361- --	GRCOND STRAP C6815-28	EC9450	4.0000	EACH	
3	IN	606-0105-3 --	CBL MARKER WH/BK 114 220-0105-3	EC9699	1.0000	EACH	
4	FS	605-0139- --	TUBING 1/2 WH SHRINK POLYOLEFIN		.1140	FEET	
3	IN	615-1297- --	LABEL PRINTER CABLE CONN A53001072		2.0000	EACH	
2	IN	220-0199- --	CABLE COAX CRT RG59(114) B6482-299		1.0000	EACH	
3	IN	000-0004- --	SUB-SYSTEMS		.2500	EACH	
3	IN	000-0011- --	LABOR QUALITY CONTROL		.0500		
3	IN	350-2075- --	BNC CABLE CONNECTOR BHI61119		2.0000	EACH	
3	FS	420-0048- --	CABLE RG59/U COAX		8.0000	FEET	
3	IN	606-0199- --	CBL MARKER WH/BK 114 220-0199	EC9699	1.0000	EACH	
4	FS	605-0139- --	TUBING 1/2 WH SHRINK POLYOLEFIN		.1140	FEET	
2	IN	270-0373- --	12" MONITOR II & PWR SUP ASM II	EC9754	1.0000	EACH	
3	IN	000-0005- --	LABOR PRODUCTION SYSTEMS		.3300		
3	IN	000-0011- --	LABOR QUALITY CONTROL		.0660		
3	IN	270-0371- --	POWER SUPPLY II,12" MONITOR(PRELIM)		1.0000	EACH	
4	IN	000-0004- --	SUB-SYSTEMS		.8980	EACH	
4	IN	000-0005- --	LABOR PRODUCTION SYSTEMS		.5000		
4	IN	000-0011- --	LABOR QUALITY CONTROL		.2800		
4	P FS *	210-7455- --	PCB ASSY 928MCR MCR KEYBOARD		1.0000	EACH	
5	IN	000-0001- --	LABOR SUB-SYSTEMS		.7730		
5	IN	000-0011- --	LABOR QUALITY CONTROL		.1550		
5	IN	220-1107- --	12" CRT POWER SUPPLY CABLE B6482-141		1.0000	EACH	
6	IN	000-0004- --	SUB-SYSTEMS		.0730	EACH	
6	IN	000-0011- --	LABOR QUALITY CONTROL		.0150		
6	P FS *	600-1000- --	WIRE 22 GA BLACK		.8300	FEET	
7	P FS	600-1009- --	WIRE 22 GA WHITE		1.0000	FEET	
6	P FS *	600-1002- --	WIRE 22 GA RED		.8300	FEET	
7	P FS	600-1009- --	WIRE 22 GA WHITE		1.0000	FEET	
6	FS	605-0014- --	TUBING #5 CLEAR		.6600	FEET	
6	IN	654-1148- --	SOCKET HOUSING 1-480318-0	RF2401	1.0000	EACH	
6	FS	654-1165-R --	SOCKET 30-22 GA(REEL)AMP 3500078-4		2.0000	EACH	
5	IN	300-3078- --	8.2K UF 25V ELECTROLYTIC CAP(AXIAL)	EC7769	1.0000	EACH	
5	IN	300-4022- --	CAP 15.0 UF 20 V 10% TANT AXIAL		1.0000	EACH	
5	IN	300-50C6- --	CAP 1000 PF 5% 100 V MICA DIPPED		1.0000	EACH	
5	IN	325-2112- --	SLIDE SW.115/230 VAC		1.0000	EACH	
5	P FS *	330-1056-4B- --	RES 56 OHM 1/4W 10% FIXED COMP		1.0000	EACH	
6	FS *	330-1056-4B- --	RES 56 OHM 1/4W 10% FIXED COMP		1.0000	EACH	

D-28

ASSEMBLY PART NUMBER 177-9238- - -
 ASSEMBLY DESCRIPTION 5506-1 WK/ST

LEGEND

1: P=PHANTOM; 2: ITEM MASTER DELY CODE; 3: *=TAGGED OUT OF KIT(PROD STR)

POSITION IN STRUCTURE	LEGEND			COMPONENT PART NUMBER	DESCRIPTION	E C N	QUANTITY PER ASSY	U/M	IML
	1	2	3						
5	P	FS	*	330-3022-4B- -	RES 2.2K OHM 1/4W 10% FIXED COMP		1.0000	EACH	
6		FS	*	330-3022- - -	RES 2.2K OHM 1/4W 10% FIXED COMP		1.0000	EACH	
5	P	FS	*	330-3033-4B- -	RES 3.3K OHM 1/4W 10% FIXED COMP		1.0000	EACH	
6		FS	*	330-3033- - -	RES 3.3K OHM 1/4W 10% FIXED COMP		1.0000	EACH	
5		IN		334-0017- - -	.25 OHM 3W 5% FIXED RESISTOR		1.0000	EACH	
5		IN		336-1014- - -	RES 1K OHM VAR TRIM SIDE ADJ SQ		1.0000	EACH	
5		IN		360-0006- - -	FUSE CLIP P.C. LITTLE FUSE 102068		2.0000	EACH	
5		IN		360-1006-SB- -	FUSE 6/10 AMP 250V SB GLASS 3AG EC9104		1.0000	EACH	
5		IN		375-1008- - -	40251 / MJ2801 TRANSISTOR		1.0000	EACH	
5		IN		375-1026- - -	TSTR 2N3467 1.0W 40V SH PNP S T05		1.0000	EACH	
5		IN		375-9001- - -	TRANSIPAD 8977887-1 LARGE		1.0000	EACH	
5		IN		375-9022- - -	SOCKET TRANSISTOR TO-3 PTS-2 EC8195		1.0000	EACH	
5		IN		376-0066- - -	IC 723 VOLTAGE REGULATOR		1.0000	EACH	
5		IN		380-3008- - -	A15A RECTIFIER		2.0000	EACH	
5		IN		380-5001- - -	250 VOLT VARISTOR V250LA20		1.0000	EACH	
5		IN		510-7455- - -	7455 PCB 928NCR MCR KEYBOARD		1.0000	EACH	
5		FS		605-1010- - -	CABLE TYE, PAN-TY TY-232M EC8645		1.0000	EACH	
4		IN		375-1008- - -	40251 / MJ2801 TRANSISTOR EC8581		1.0000	EACH	
4		IN		375-9020- - -	MICA WSHR (LARGE) FOR POWER XISTORS EC8581		1.0000	EACH	
4		IN		410-0127- - -	TRANSFMR LINEAR 50/60 HZ C5068-127		1.0000	EACH	
4		IN		420-1000- - -	CORD POWER 3 COND		1.0000	EACH	
4		IN		451-1118- - -	CHSS.PWR SUPP.(12"MONITOR)86836-110		1.0000	EACH	
4		IN	*	452-0510- - -	PLT XMR HTG.12"MONITOR B6836-113 E8595A		1.0000	EACH	
4		IN		462-0110- - -	301 MB SPACER (3/8 OD 5/32 ID NYLON EC8581		1.0000	EACH	
4		IN		478-0391- - -	HEAT SINK PS 12"MONITOR B6836-110		1.0000	EACH	
4		FS		605-0012- - -	TUBING #4 CLEAR E8595A		.4130	FEET	
4		IN		650-3120- - -	6-32 X 3/8 PAN HD PHL HS SS SEMS EC8581		3.0000	EACH	
4		IN		651-0010- - -	#6 X 3/4 SHEET METAL SCREW T-B EC8581		2.0000	EACH	
4		IN		651-0024- - -	#8X1/4 HEX HD SLOT TAP SCR TYPE-B EC8595		2.0000	EACH	
4		IN		652-2005- - -	4-40 LOCK-NUT KEPS SS EC8581		1.0000	EACH	
4		IN		652-3004- - -	NUT 6-32UNC HEX SMALL PAT SS EC8581		2.0000	EACH	
4		IN		653-2001- - -	NO. 4 FLAT WSHR 1/8 ID 1/40D EC8581		1.0000	EACH	
4		IN		653-3000- - -	WASH 6 .149ID .3750D .016 FL SS E8595A		3.0000	EACH	
4		IN		653-3003- - -	WASH 6 .141ID .2530D SPLIT SS EC8581		2.0000	EACH	
4		IN		654-1006- - -	#6 GROUND LUG EC8581		2.0000	EACH	
4		IN		654-1238- - -	HEYCO STRAIN RELIEF SR5P-4		1.0000	EACH	
4		IN		654-1246- - -	PLAST1-GROMMET ITW#212-170602240101 EC8581		3.0000	EACH	
3		IN	*	270-0372- - -	12" MONITOR ASM II (LESS PWR SUP)		1.0000	EACH	
4		IN		000-0005- - -	LABOR PRODUCTION SYSTEMS		1.6950		
4		IN		000-0011- - -	LABOR QUALITY CONTROL		.3390		
4		IN		210-7456- - -	PCB ASSY 2246 9"612" MONITOR ELEC EC8373		1.0000	EACH	
5		IN		000-9999- - -	OTHER DIRECT COST		15.4860	EACH	
5		IN		300-1047- - -	CAP 47 PF 10% 500 V CERAMIC DISC		1.0000	EACH	
5		IN		300-1470- - -	CAP 470 PF 10% 500 V CERAMIC DISC		1.0000	EACH	
5		IN		300-1906- - -	CAP .001 UF 10% 500 V CERAMIC DISC EC7776		1.0000	EACH	
5		IN		300-1912- - -	CAP .02 UF 20% 500 V CERAMIC DISC		3.0000	EACH	
5		IN		300-1915- - -	CAP .0056 UF 20% 500 V CERAMIC DISC		2.0000	EACH	

D-29

ASSEMBLY PART NUMBER 177-9238- - -
 ASSEMBLY DESCRIPTION 5506-1 WK/ST

LEGEND

1: P=PHANTOM; 2: ITEM MASTER DELY CODE; 3: *-TAGGED OUT OF KIT(PROD STR)

POSITION IN STRUCTURE	LEGEND	COMPONENT PART NUMBER	DESCRIPTION	E C N	QUANTITY PER ASSY	U/M	INL
1	2 3						
5	IN	300-1916- - -	CAP .02 UF +80-20% 1.4 V CERAMIC D		1.0000	EACH	
5	IN	300-1918- - -	CAP .1 UF +80-20% 20 V CERAMIC DISC		2.0000	EACH	
5	IN	300-1931- - -	1 UF CERAMIC CAPACITOR(HIGH FREQ)	EC9161	1.0000	EACH	
5	IN	300-2215- - -	CAP .15 UF 10% 100 V MYLAR		1.0000	EACH	
5	IN	300-2247- - -	CAP .47 UF 10% 100 V MYLAR	EC7776	2.0000	EACH	
5	IN	300-2310- - -	CAP .1 UF 10% 400 V MYLAR	EC7776	1.0000	EACH	
5	IN	300-2412- - -	CAP .033 UF 10% 400 V METL MYLAR		1.0000	EACH	
5	IN	300-2413- - -	CAP 4.0 UF 10% 100 V METL MYLAR		1.0000	EACH	
5	IN	300-2414- - -	CAP .01 UF 10% 50 V POLYSTYRENE		1.0000	EACH	
5	IN	300-2415- - -	CAP .0033 UF 10% 600 V MYLAR		1.0000	EACH	
5	IN	300-2418- - -	CAP 2.2 UF 10% 100 V METL MYLAR	EC7776	1.0000	EACH	
5	IN	300-3006- - -	CAP 10 UF 16V -10+75% ELECT AXIAL		2.0000	EACH	
5	IN	300-3009- - -	CAP 35 UF 16V -10+75% ELECT AXIAL		3.0000	EACH	
5	IN	300-3010- - -	CAP 50 UF 50V -10+75% ELECT AXIAL		1.0000	EACH	
5	IN	300-3033- - -	CAP 100 UF 25V -10+75% ELECT AXIAL		1.0000	EACH	
5	IN	300-3062- - -	1000 UF 25V ELECTROLYTIC CAPACITOR		3.0000	EACH	
5	IN	300-4000- - -	CAP 1.0 UF 35 V 10% TANT AXIAL		1.0000	EACH	
5	IN	300-4022- - -	CAP 15.0 UF 20 V 10% TANT AXIAL	EC7776	1.0000	EACH	
5	IN	320-0051- - -	COIL,LINEARITY EX4063-1 C6815-901		1.0000	EACH	
5	IN	320-0053- - -	COIL,WIDTH EX4062-1 C6815-900		1.0000	EACH	
5	IN	320-0054- - -	COIL,DYNAMIC FOCUS		1.0000	EACH	
5	P FS *	330-1022-48- - -	RES 22 OHM 1/4W 10% FIXED COMP		1.0000	EACH	
6	IN *	330-1022- - -	RES 22 OHM 1/4W 10% FIXED COMP		1.0000	EACH	
5	P FS *	330-1047-48- - -	RES 47 OHM 1/4W 10% FIXED COMP		3.0000	EACH	
6	FS *	330-1047- - -	RES 47 OHM 1/4W 10% FIXED COMP		1.0000	EACH	
5	P FS *	330-1068-48- - -	RES 68 OHM 1/4W 10% FIXED COMP		1.0000	EACH	
6	IN *	330-1068- - -	RES 68 OHM 1/4W 10% FIXED COMP		1.0000	EACH	
5	P FS *	330-2015-48- - -	RES 150 OHM 1/4W 10% FIXED COMP		1.0000	EACH	
6	FS *	330-2015- - -	RES 150 OHM 1/4W 10% FIXED COMP		1.0000	EACH	
5	P FS *	330-2018-48- - -	RES 180 OHM 1/4W 10% FIXED COMP		1.0000	EACH	
6	FS *	330-2018- - -	RES 180 OHM 1/4W 10% FIXED COMP		1.0000	EACH	
5	P FS *	330-2022-48- - -	RES 220 OHM 1/4W 10% FIXED COMP		2.0000	EACH	
6	FS *	330-2022- - -	RES 220 OHM 1/4W 10% FIXED COMP		1.0000	EACH	
5	P FS *	330-2047-48- - -	RES 470 OHM 1/4W 10% FIXED COMP		3.0000	EACH	
6	FS *	330-2047- - -	RES 470 OHM 1/4W 10% FIXED COMP		1.0000	EACH	
5	P FS *	330-2068-48- - -	RES 680 OHM 1/4W 10% FIXED COMP		1.0000	EACH	
6	FS *	330-2068- - -	RES 680 OHM 1/4W 10% FIXED COMP		1.0000	EACH	
5	P FS *	330-3010-48- - -	RES 1K OHM 1/4W 10% FIXED COMP		1.0000	EACH	
6	FS *	330-3010- - -	RES 1K OHM 1/4W 10% FIXED COMP		1.0000	EACH	
5	P FS *	330-3012-48- - -	RES 1.2K OHM 1/4W 10% FIXED COMP		1.0000	EACH	
6	FS *	330-3012- - -	RES 1.2K OHM 1/4W 10% FIXED COMP		1.0000	EACH	
5	P FS *	330 2-48- - -	RES 2.2K OHM 1/4W 10% FIXED COMP		1.0000	EACH	

D-30

ASSEMBLY PART NUMBER 177-9238- - -
 ASSEMBLY DESCRIPTION 5506-1 WK/ST

LEGEND

1: P=PHANTOM; 2: ITEM MASTER DELY CODE; 3: *-TAGGED OUT OF KIT(PROD STR)

POSITION IN STRUCTURE	LEGEND 1 2 3	COMPONENT PART NUMBER	DESCRIPTION	E C N	QUANTITY PER ASSY	U/M	IML
6	FS *	330-3022- - -	RES 2.2K OHM 1/4W 10% FIXED COMP		1.0000	EACH	
5	P FS *	330-3047-48- - -	RES 4.7K OHM 1/4W 10% FIXED COMP		2.0000	EACH	
6	FS *	330-3047- - -	RES 4.7K OHM 1/4W 10% FIXED COMP		1.0000	EACH	
5	P FS *	330-3068-48- - -	RES 6.8K OHM 1/4W 10% FIXED COMP		2.0000	EACH	
6	FS *	330-3068- - -	RES 6.8K OHM 1/4W 10% FIXED COMP		1.0000	EACH	
5	P FS *	330-4015-48- - -	RES 15K OHM 1/4W 10% FIXED COMP		1.0000	EACH	
6	FS *	330-4015- - -	RES 15K OHM 1/4W 10% FIXED COMP		1.0000	EACH	
5	P FS *	330-4018-48- - -	RES 18K OHM 1/4W 10% FIXED COMP		1.0000	EACH	
6	FS *	330-4018- - -	RES 18K OHM 1/4W 10% FIXED COMP		1.0000	EACH	
5	P FS *	330-4022-48- - -	RES 22K OHM 1/4W 10% FIXED FILM		1.0000	EACH	
6	FS *	330-4022- - -	RES 22K OHM 1/4W 10% FIXED FILM		1.0000	EACH	
5	P FS *	330-4027-48- - -	RES 27K OHM 1/4W 10% FIXED COMP		1.0000	EACH	
6	FS *	330-4027- - -	RES 27K OHM 1/4W 10% FIXED COMP		1.0000	EACH	
5	P FS *	330-4068-48- - -	RES 68K OHM 1/4W 10% FIXED COMP	EC8519	1.0000	EACH	
6	FS *	330-4068- - -	RES 68K OHM 1/4W 10% FIXED COMP		1.0000	EACH	
5	P FS *	330-5010-48- - -	RES 100K OHM 1/4W 10% FIXED COMP		3.0000	EACH	
6	FS *	330-5010- - -	RES 100K OHM 1/4W 10% FIXED COMP		1.0000	EACH	
5	P FS *	330-5022-48- - -	RES 220K OHM 1/4W 10% FIXED COMP		1.0000	EACH	
6	IN *	330-5022- - -	RES 220K OHM 1/4W 10% FIXED COMP		1.0000	EACH	
5	P FS *	330-5027-48- - -	RES 270K OHM 1/4W 10% FIXED COMP		1.0000	EACH	
6	FS *	330-5027- - -	RES 270K OHM 1/4W 10% FIXED COMP		1.0000	EACH	
5	P FS *	330-6012-48- - -	RES 1.2M OHM 1/4W 10% FIXED COMP		1.0000	EACH	
6	IN *	330-6012- - -	RES 1.2M OHM 1/4W 10% FIXED COMP		1.0000	EACH	
5	P FS *	330-6047-48- - -	RES 4.7M OHM 1/4W 10% FIXED COMP		1.0000	EACH	
6	IN *	330-6047- - -	RES 4.7M OHM 1/4W 10% FIXED COMP		1.0000	EACH	
5	IN	331-0022- - -	RES 2.2 OHM 1/2W 10% FIXED COMP	EC7776	1.0000	EACH	
5	IN	331-2010- - -	RES 100 OHM 1/2W 10% FIXED COMP		1.0000	EACH	
5	IN	332-1033- - -	RES 33 OHM 1W 10% FIXED COMP		1.0000	EACH	
5	IN	333-0067- - -	RES 8.25K OHM 1/8W 1% FIXED FILM		1.0000	EACH	
5	IN	336-0031- - -	2.5 MEG OHM POT 750V		1.0000	EACH	
5	IN	336-1015- - -	RES 10K OHM VAR TRIM SIDE ADJ SQ		1.0000	EACH	
5	IN	336-1019- - -	RES 100K OHM VAR TRIM SIDE ADJ SQ		1.0000	EACH	
5	IN	336-1020- - -	RES 5K OHM VAR TRIM SIDE ADJ SQ	EC7776	2.0000	EACH	
5	IN	336-1021- - -	RES 20 OHM VAR TRIM SIDE ADJ SQ		1.0000	EACH	
5	IN	337-1056- - -	RES 56 OHM 2W 10% FIXED COMP		1.0000	EACH	
5	IN	337-3012- - -	RES 1.2K OHM 2W 10% FIXED COMP		1.0000	EACH	
5	IN	375-1012- - -	MPS 6512 SILICON TRANSISTOR		1.0000	EACH	
5	IN	375-1014- - -	MPS 6518 SILICON TRANSISTOR		1.0000	EACH	
5	IN	375-1027- - -	TSTR 2N3725 0.8W 80V SH NPN S		1.0000	EACH	

D-31

ASSEMBLY PART NUMBER 177-9238- --
 ASSEMBLY DESCRIPTION 5506-1 WK/ST

LEGEND

1: P=PHANTOM; 2: ITEM MASTER DELY CODE; 3: *-TAGGED OUT OF KIT/PROD STRY

POSITION STRUCTURE	LEGEND			COMPONENT PART NUMBER	DESCRIPTION	E C N	QUANTITY PER ASSY	U/M	IML
	1	2	3						
5		IN		375-1056- --	MPS-U04 TRANSISTOR		1.0000	EACH	
5		IN		375-1057- --	BU-124 TRANSISTOR		1.0000	EACH	
5		IN		375-9001- --	TRANSIPAD 8977887-1 LARGE		1.0000	EACH	
5		IN		376-0239- --	IC NE592A VIDEO AMP		1.0000	EACH	
5		IN		376-0260- --	TBA 950 I.C.		1.0000	EACH	
5		IN		376-0261- --	TDA 1044 I.C.		1.0000	EACH	
5		P FS *		380-1001-48- --	D035 SIL DIODE 30V, 100MA AT 1V .48	EC7776	2.0000	EACH	
6		FS		380-1001-R --	D035 SIL DIODE 30V, 100MA AT 1V T&R		1.0000	EACH	
5		IN		380-2056- --	D10 ZEN 1N752 A 5.6V 400MW S D0-7		1.0000	EACH	
5		IN		380-2091- --	D10 ZEN 1N757 A 9.1V 400MW S D0-7		1.0000	EACH	
5		IN		380-3009- --	VG-1X RECTIFIER 1KV		2.0000	EACH	
5		IN		380-3010- --	SIF4 400V DIODE		2.0000	EACH	
5		IN		380-3012- --	3SIF2 3AMP 200V RECTIFIER		1.0000	EACH	
5		FS		380-4000- --	D10 1N4004 400V 1A RECT S D041		1.0000	EACH	
5		IN		410-1006- --	EX4061 TRANSFMR HORZ DR C5068-1006		1.0000	EACH	
5		IN		510-7456- --	7456 PCB 928MCR MAG CARD READR CNTL		1.0000	EACH	
5		IN		650-2102- --	SCR 4-40 5/16 PAN SLOT MS NYL		1.0000	EACH	
5		IN		652-2001- --	NUT 4-40UNC HEX REG PAT NYLON		1.0000	EACH	
5		FS		660-0123- --	THERMAL COMPOUND DOW#340114 OZ TUBE		.0100	EACH	
4		IN		220-0160- --	BRIGHTNESS POT CABLE ASSY C6482-140		1.0000	EACH	
5		IN		000-0004- --	SUB-SYSTEMS		.3730	EACH	
5		IN		000-0011- --	LABOR QUALITY CONTROL		.0750	EACH	
5		P FS *		330-1068-48- --	RES 68 OHM 1/4W 10% FIXED COMP		1.0000	EACH	
6		IN *		330-1068- --	RES 68 OHM 1/4W 10% FIXED COMP		1.0000	EACH	
5		IN		336-0032- --	250K OHM POT (BRIGHTNESS)		1.0000	EACH	
5		IN		336-0035- --	250.OHM CONTRAST CONTROL	RF2401	1.0000	EACH	
5		P FS *		600-1000- --	WIRE 22 GA BLACK	EC7092	4.0000	FEET	
6		P FS		600-1009- --	WIRE 22 GA WHITE		1.0000	FEET	
5		P FS *		600-1002- --	WIRE 22 GA RED	EC7092	2.0000	FEET	
6		P FS		600-1009- --	WIRE 22 GA WHITE		1.0000	FEET	
5		P FS *		600-1004- --	WIRE 22 GA YELLOW	EC7092	2.0000	FEET	
6		P FS		600-1009- --	WIRE 22 GA WHITE		1.0000	FEET	
5		P FS *		600-1009- --	WIRE 22 GA WHITE	EC7092	4.0000	FEET	
5		FS		605-0000- --	TUBING #10 CLEAR	EC8399	.2000	FEET	
5		FS *		605-10C4- --	CABLE TYE, PAN-TY PLTIN-M	RF2401	6.0000	EACH	
5		FS *		654-1165-R --	SOCKET 30-22 GA(REEL)AMP 3500078-4	EC8399	6.0000	EACH	
5		IN		654-1185- --	6 POS SOC HOUSING AMP 1-480270-0	RF2401	1.0000	EACH	
4		IN		270-3068- --	12" CRT HARNESS ASSY D6482-139		1.0000	EACH	
5		IN		000-0004- --	SUB-SYSTEMS		.7560	EACH	
5		IN		000-0011- --	LABOR QUALITY CONTROL		.1510	EACH	
5		IN		350-2072- --	110 DEG CRT SOCKET		1.0000	EACH	
5		FS		420-0018- --	1 COND 24 GA SHIELDED CABLE AL 1702	EC8495	1.4200	FEET	
5		P FS *		600-1000- --	WIRE 22 GA BLACK	EC8495	2.0400	FEET	
6		P FS		600-1009- --	WIRE 22 GA WHITE		1.0000	FEET	

D-32

ASSEMBLY PART NUMBER 177-9238- - -
 ASSEMBLY DESCRIPTION 5506-1 WK/ST

LEGEND

1: P=PHANTOM; 2: ITEM MASTER DELY CODE; 3: *=TAGGED OUT OF KIT(PROD STR)

POSITION IN STRUCTURE	LEGEND 1 2 3	COMPONENT PART NUMBER	DESCRIPTION	E C N	QUANTITY PER ASSY	U/M	IML
5	P FS *	600-1002-	WIRE 22 GA RED		1.2500	FEET	
6	P FS	600-1009-	WIRE 22 GA WHITE		1.0000	FEET	
5	P FS *	600-1004-	WIRE 22 GA YELLOW	EC8495	1.4200	FEET	
6	P FS	600-1009-	WIRE 22 GA WHITE		1.0000	FEET	
5	P FS *	600-1009-	WIRE 22 GA WHITE	EC8495	2.2500	FEET	
5	FS *	605-0014-	TUBING #5 CLEAR	EC8495	.3300	FEET	
5	FS	605-0021-	TUBING,HEATSHRINK 1/8OIA IRRAD POLY	EC8495	.0600	FEET	
5	IN	654-0100-	15 DUAL POS EDGE CONN MOL#09-506155		1.0000	EACH	
5	IN	654-1004-	#4 GROUND LUG 1414-4		1.0000	EACH	
5	IN	654-1147-	PIN HOUSING 1-480319-0		1.0000	EACH	
5	IN	654-1149-	PIN HOUSING 1-480305-0	RF2401	1.0000	EACH	
5	FS *	654-1164-R	PIN TERM 20-14 GA(REEL)AMP 61118-4	RF2401	1.0000	EACH	
5	FS *	654-1166-R	PIN TERM 30-22 GA(REEL)AMP3500079-4	RF2401	9.0000	EACH	
4	IN	270-3092-	YOKE ASSY (12" MONITOR) B6482-246		1.0000	EACH	
5	IN	000-0004-	SUB-SYSTEMS		.0330	EACH	
5	IN	000-0011-	LABOR QUALITY CONTROL		.0070		
5	IN	320-0052-	DEFLECTION YOKE EX5012 C6815-902		1.0000	EACH	
5	FS *	654-0101-R	CRIMP TERMINAL EDGE CONN#08-05-0301		4.0000	EACH	
4	IN	270-3104-	12"FLYBACK XFORMER HARN C6482-327	EC9723	1.0000	EACH	
5	IN	410-1007-	EX4002 FLYBACK TRANSFMR C5068-1007		1.0000	EACH	
5	P FS	600-0500-	20 GA WIRE BLK UL		.9100	FEET	
5	P FS	600-0501-	20 GA WIRE BRN UL	W/OFF-76	.8700	FEET	
6	FS	600-0509-	20 GA WIRE WHT UL		1.0000	FEET	
5	P FS	600-0502-	20 GA WIRE RED UL		.8700	FEET	
6	FS	600-0509-	20 GA WIRE WHT UL		1.0000	FEET	
5	P FS	600-0503-	20 GA WIRE DRN UL	W/OFF-73	.9100	FEET	
6	FS	600-0509-	20 GA WIRE WHT UL		1.0000	FEET	
5	P FS	600-0505-	20 GA WIRE GRN UL	W/OFF-76	.8700	FEET	
6	FS	600-0509-	20 GA WIRE WHT UL		1.0000	FEET	
5	P FS	600-0506-	20 GA WIRE BLU UL		.8300	FEET	
6	FS	600-0509-	20 GA WIRE WHT UL		1.0000	FEET	
5	P FS	600-0507-	20 GA WIRE VIO UL	W/OFF-73	.8300	FEET	
6	FS	600-0509-	20 GA WIRE WHT UL		1.0000	FEET	
5	FS	654-0101-R	CRIMP TERMINAL EDGE CONN#08-05-0301		8.0000	EACH	
5	IN	654-1004-	#4 GROUND LUG 1414-4		3.0000	EACH	
4	IN *	337-1024-	RES 24 OHM 2W 10% FIXED COMP	EC9641	.0000	EACH	
4	IN	340-0101-	TUBE CATHODE RAY 12" RECT P31		1.0000	EACH	
4	IN *	340-0101-2	TUBE CATH RAY 12" W/PPG SYL P31	EC9641	.0000	EACH	
4	IN	350-2073-	ANODE CONNECTOR (125-29)		1.0000	EACH	
4	IN	380-3011-	H-6I7 20000V RECTIFIER		1.0000	EACH	
4	IN	410-1007-	EX4002 FLYBACK TRANSFMR C5068-1007		1.0000	EACH	

D-33

ASSEMBLY PART NUMBER 177-9238- - -
 ASSEMBLY DESCRIPTION 5506-1 WK/ST

LEGEND
 1: P=PHANTOM; 2: ITEM MASTER DELY CODE; 3: *-TAGGED OUT OF KIT(PROD STR)

POSITION IN STRUCTURE	LEGEND			COMPONENT PART NUMBER	DESCRIPTION	E C N	QUANTITY PER ASSY	U/M	IML
	1	2	3						
4	IN			451-1121- - -	CHASSIS,12" MONITOR-MOD D6836-119		1.0000	EACH	
4	IN			451-3856- - -	PANEL,SIDE(L.H.)(12"MD)6836-102		1.0000	EACH	
4	IN			451-3857- - -	PANEL,SIDE(R.H.)(12"MD)6836-102		1.0000	EACH	
4	IN			451-4472- - -	BRKT,NECKSAVER(12"MD)6836-107		1.0000	EACH	
4	IN			451-4473- - -	BRKT,SUPPORT(12"MD)6836-104		1.0000	EACH	
4	IN			452-4042- - -	GUIDE,CARD RCG-2 4"		2.0000	EACH	
4	IN			462-0293- - -	SPCR,DELTRIN 3/8DIA 4-40TAP6835-505		2.0000	EACH	
4	IN			465-1643- - -	SPRING,GROUNDING(12"MON)6836-105		1.0000	EACH	
4	FS			605-1004- - -	CABLE TYE, PAN-TY PLTJM-M		2.0000	EACH	
4	IN			650-2120- - -	4-40 X 3/8 PAN HD PHL MS SS SENS		2.0000	EACH	
4	IN			651-0024- - -	#8X1/4 HEX HD SLOT TAP SCR TYPE-B	EC8534	1.0000	EACH	
4	IN			651-0025- - -	#10X5/16 HEX HD SLOT TAP SCR TYPE-B		4.0000	EACH	
4	IN			651-0030- - -	SCREW,SELF TAP T-B #4X1/2" L PNH0 PH		2.0000	EACH	
4	IN			651-0037- - -	SCR 8X3/8 HEX HD SLT SELF TAP B CAD	EC8534	8.0000	EACH	
4	IN			653-2002- - -	WASH 4 .123ID .2650D INT T ST		3.0000	EACH	
4	IN			654-1184- - -	6 POS PIN HOUSING AMP 1-480276-0		1.0000	EACH	
4	IN			656-1008- - -	MAGNET,YELLOW TYPE 1 (2169)	EC8482	1.0000	EACH	
4	IN			656-1009- - -	MAGNET,SILVER TYPE 2 (1166)		4.0000	EACH	
4	IN			656-1010- - -	MAGNET,RED TYPE 3 (169)	EC8096	8.0000	EACH	
4	IN			656-1011- - -	MAGNET,PURPLE TYPE 4 (4167)		4.0000	EACH	
4	IN			660-0027- - -	1" PERMACELL TAPE #672 (BLACK)		1.0000	FEET	
4	FS			660-0055- - -	SNAP-ON POLYMER 40-106 (25"ROLL)		.1100	FEET	
4	FS			660-0196- - -	GLUE,HOTMELT(.750DX1.375LG)	EC9776	.0600	EACH	
3	IN			651-0037- - -	SCR 8X3/8 HEX HD SLT SELF TAP B CAD	EC8534	3.0000	EACH	
2	IN			270-0447- - -	114 REAR PANEL ASSY		1.0000	EACH	
3	IN			000-0004- - -	SUB-SYSTEMS		.5000	EACH	
3	IN			000-0011- - -	LABOR QUALITY CONTROL		.1000		
3	IN			210-7313- - -	7313 CRT JUNCTION BOARD		1.0000	EACH	
4	IN			000-0001- - -	LABOR SUB-SYSTEMS		.7140		
4	IN			000-0011- - -	LABOR QUALITY CONTROL		.1430		
4	IN			220-3014- - -	24 COND 14"FLAT CABLE C-6482-79	EC8712	1.0000	EACH	
5	IN			000-0004- - -	SUB-SYSTEMS		.0790	EACH	
5	IN			000-0011- - -	LABOR QUALITY CONTROL		.0160		
5	IN			350-0403- - -	24 PIN FLAT CABLE PLUG		2.0000	EACH	
5	FS			420-0050- - -	24 COND FLAT CABLE 3M 3365724		1.1700	FEET	
4	IN			300-1900- - -	CAP .05 UF +80-20% 12 V CERAMIC D		1.0000	EACH	
4	IN			300-1903- - -	CAP .01 UF +80-20% 25 V CERAMIC D		2.0000	EACH	
4	IN			300-4002- - -	CAP .1 UF 35 V 10% TANT AXIAL		1.0000	EACH	
4	IN			300-4020- - -	CAP 47.0 UF 15 V 10% TANT AXIAL		1.0000	EACH	
4	IN			300-4022- - -	CAP 15.0 UF 20 V 10% TANT AXIAL		2.0000	EACH	
4	P FS *			330-2047-48- - -	RES 470 OHM 1/4W 10% FIXED COMP		2.0000	EACH	
5	FS *			330-2047- - -	RES 470 OHM 1/4W 10% FIXED COMP		1.0000	EACH	
4	P FS *			330-2048-48- - -	RES 470 OHM 1/4W 5% FIXED COMP		1.0000	EACH	
5	FS *			330-2048- - -	RES 470 OHM 1/4W 5% FIXED COMP		1.0000	EACH	
4	P FS *			330-3010-48- - -	RES 1K OHM 1/4W 10% FIXED COMP		2.0000	EACH	
5	FS *			330-3010- - -	RES 1K OHM 1/4W 10% FIXED COMP		1.0000	EACH	

D-34

ASSEMBLY PART NUMBER 177-9238- - -
 ASSEMBLY DESCRIPTION 5506-1 WK/ST

LEGEND
 1: P-PHANTOM; 2: ITEM MASTER DELY CODE; 3: *TAGGED OUT OF KIT(PROD STR)

POSITION IN STRUCTURE	LEGEND 1 2 3	COMPONENT PART NUMBER	DESCRIPTION	E C N	QUANTITY PER ASSY	U/M	IML
4	P FS *	330-3023-48- -	RES 2.2K OHM 1/4W 5% FIXED COMP		1.0000	EACH	
5	FS *	330-3023- - -	RES 2.2K OHM 1/4W 5% FIXED COMP		1.0000	EACH	
4	P FS *	330-3047-48- -	RES 4.7K OHM 1/4W 10% FIXED COMP		1.0000	EACH	
5	FS *	330-3047- - -	RES 4.7K OHM 1/4W 10% FIXED COMP		1.0000	EACH	
4	P FS *	330-3082-48- -	RES 8.2K OHM 1/4W 10% FIXED COMP		1.0000	EACH	
5	FS *	330-3082- - -	RES 8.2K OHM 1/4W 10% FIXED COMP		1.0000	EACH	
4	IN	331-0010- - -	RES 1 OHM 1/2W 10% FIXED COMP		1.0000	EACH	
4	IN	336-1001- - -	RES 1K OHM VAR TRIM TOP ADJ RD		1.0000	EACH	
4	IN	350-1044- - -	CONN 18-36 PC EDGE MT RECPT	EC8488	1.0000	EACH	
4	IN	375-1017- - -	TSTR 2N2906A 1.8W 60V SH PNP S 18		1.0000	EACH	
4	IN	375-9004- - -	TRANSIPAD TO-18 (SMALL)		1.0000	EACH	
4	IN	376-0066- - -	IC 723 VOLTAGE REGULATOR		1.0000	EACH	
4	IN	376-0126- - -	IC 555 TIMER		1.0000	EACH	
4	IN	510-7313- - -	7313 PCB JUNCTION BOARD		1.0000	EACH	
3	IN	220-1042- - -	P022 WIRE & LUG ASSY(2LCRY)D6482-12		1.0000	EACH	
4	IN	000-0004- - -	SUB-SYSTEMS		.0090	EACH	
4	IN	000-0011- - -	LABOR QUALITY CONTROL		.0020		
4	P FS *	600-7054- - -	16 GA GREEN/YELLOW STRANDED WIRE	EC6795	.3300	FEET	
5	FS	600-7009- - -	16 GA WHITE STRANDED WIRE		1.0000	FEET	
4	FS *	654-0052-R - -	#6 RING TONGUE BLU BA14-6M(2K/REEL)	EC6795	1.0000	EACH	
4	FS *	654-0068-R - -	#6 FORK LUG BLUE BA14-F6M (2K/REEL)	EC6795	1.0000	EACH	
3	IN	220-1103- - -	CRT BRD (W2)(COAX)B6482-122		1.0000	EACH	
4	IN	000-0004- - -	SUB-SYSTEMS		.0830	EACH	
4	IN	000-0011- - -	LABOR QUALITY CONTROL		.0170		
4	FS	420-0018- - -	1 COND 24 GA SHIELDED CABLE AL 1702	EC8399	.8300	FEET	
4	IN	654-1150- - -	SOCKET HOUSING 1-480303-0		1.0000	EACH	
4	FS *	654-1165-R - -	SOCKET 30-22 GA(REEL)AMP 3500078-4		2.0000	EACH	
3	IN	325-0033- - -	TOGGLE SWITCH(SPDT)C&R UIIP3VZQ		1.0000	EACH	
3	IN	336-0033- - -	100 OHM 2W		1.0000	EACH	
3	IN	336-0034- - -	250 OHM 2W 20% POT(I72*SHAFT)		1.0000	EACH	
3	IN	350-1036- - -	BNC SOCKET (F) CONN UG1094A		1.0000	EACH	
3	IN	360-0000- - -	FUSE HOLDER 90 DEGREE CONTACT		1.0000	EACH	
3	IN	360-9000- - -	RUBBER WSHR FOR 360-0000 / 360-0001		1.0000	EACH	
3	IN	360-9002- - -	HEX NUT FOR 360-0000 / 360-0001		1.0000	EACH	
3	IN	360-9003- - -	LOCK WSHR LF#905023(FOR 360-0000/1)	EC9188	1.0000	EACH	
3	IN	375-1052- - -	TRANSISTOR 2N6387 (PLASTIC)	EC9188	1.0000	EACH	
3	IN	375-9016- - -	MICA INSUL#DF103B FOR 375-1034/1035		1.0000	EACH	
3	IN	420-1000- - -	CORD POWER 3 COND	EC9188	1.0000	EACH	
3	IN	451-3632- - -	PNL STATIC 2282 .02T CPR B6860-503	EC9188	1.0000	EACH	
3	IN	451-3922- - -	PANEL,REAR SCRND 114 C6862-518		1.0000	EACH	
3	IN	451-4329- - -	BRKT(2220)COVER TIE DOWN B6621-33		2.0000	FACH	
3	IN	451-4687- - -	OBSOLETE EC8764		2.0000	EACH	
3	IN	462-0327- - -	STANDOFF, M/F 4-40/4-40 B6815-108	EC9697	2.0000	EACH	
3	IN	478-0420- - -	HEATSINK, MDL 114 D6862-514		1.0000	EACH	
3	P FS	600-0000- - -	WIRE 18 GA BLACK UL	EC9188	.6200	FEET	

D-35

ASSEMBLY PART NUMBER 177-9238- -
 ASSEMBLY DESCRIPTION 5506-1 WK/ST

LEGEND
 1: P=PHANTOM; 2: ITEM MASTER DELY CODE; 3: *-TAGGED OUT OF KIT(PROD STR)

POSITION IN STRUCTURE	LEGEND 1 2 3	COMPONENT PART NUMBER	DESCRIPTION	E C N	QUANTITY PER ASSY	U/M	IML
3	P FS	600-3000- - -	WIRE 26 GA BLACK	EC9188	1.5400	FEET	
4	FS	600-3009- - -	WIRE 26 GA WHITE		1.0000	FEET	
3	P FS	600-3002- - -	WIRE 26 GA RED	EC9188	.5800	FEET	
4	FS	600-3009- - -	WIRE 26 GA WHITE		1.0000	FEET	
3	P FS	600-3004- - -	WIRE 26 GA YELLOW		1.1600	FEET	
4	FS	600-3009- - -	WIRE 26 GA WHITE		1.0000	FEET	
3	P FS	600-3005- - -	WIRE 26 GA GREEN	EC9188	.5400	FEET	
4	FS	600-3009- - -	WIRE 26 GA WHITE		1.0000	FEET	
3	P FS	600-3006- - -	WIRE 26 GA BLUE		1.1600	FEET	
4	FS	600-3009- - -	WIRE 26 GA WHITE		1.0000	FEET	
3	FS	600-9016- - -	WIRE 16 GA TINNED COPPER BUS (UL)	EC9614	.2500	FEET	
3	FS	605-0000- - -	TUBING #10 CLEAR	EC9188	.2100	FEET	
3	FS	605-0006- - -	TUBING NBR 12 CLEAR	EC9188	.2000	FEET	
3	FS	605-0010- - -	TUBING PVC #8 CLEAR	EC9188	.0520	FEET	
3	FS	605-0014- - -	TUBING #5 CLEAR	EC9188	.1850	FEET	
3	IN	650-2081- - -	SCR 4-40 1/4 PHIL FLAT H MS SS	EC9188	2.0000	EACH	
3	IN	650-2102- - -	SCR 4-40 5/16 PAN SLOT MS NYL		1.0000	EACH	
3	IN	650-2120- - -	4-40 X 3/8 PAN HD PHL MS SS SEMS		6.0000	EACH	
3	IN	651-0401- - -	RIVET,POP 1/8 X 3/16 AD42ABS	EC9188	8.0000	EACH	
3	IN	652-2005- - -	4-40 LOCK-NUT KEPS SS		2.0000	EACH	
3	IN	652-3004- - -	NUT 6-32UNC HEX SMALL PAT SS		2.0000	EACH	
3	IN	653-2000- - -	NO. 4 FLAT WASHER	EC9188	6.0000	EACH	
3	IN	653-3003- - -	WASH 6 .141ID .2530D SPLIT SS		2.0000	EACH	
3	IN	654-0074- - -	A.C.RECEPTACLE F 1540MS		1.0000	EACH	
3	IN	654-1006- - -	#6 GROUND LUG	EC9188	1.0000	EACH	
3	IN	654-1011- - -	3/8" GROUND LUG HH SMITH 1497	EC9188	1.0000	EACH	
3	IN	654-1238- - -	MEYCO STRAIN RELIEF SR5P-4	EC9188	1.0000	EACH	
2	IN *	271-1122- - -	928 KEYBOARD & BP ASSY 6841-10		1.0000	EACH	
3	IN	000-0004- - -	SUB-SYSTEMS		1.9470	EACH	
3	IN	000-0011- - -	LABOR QUALITY CONTROL		.3890		
3	IN	210-7229- - -	7229 WS KEYBOARD	EC7259	1.0000	EACH	
4	IN	000-0001- - -	LABOR SUB-SYSTEMS		.6440		
4	IN	000-0011- - -	LABOR QUALITY CONTROL		.1290		
4	IN	300-1900- - -	CAP .05 UF +80-20% 12 V CERAMIC D		4.0000	EACH	
4	IN	300-1906- - -	CAP .001 UF 10% 500 V CERAMIC DISC		1.0000	EACH	
4	IN	300-3010- - -	CAP 50 UF 50V -10+75% ELECT AXIAL		1.0000	EACH	
4	IN	300-4022- - -	CAP 15.0 UF 20 V 10% TANT AXIAL		1.0000	EACH	
4	P FS *	330-1082-48- -	RES 82 OHM 1/4W 10% FIXED COMP		1.0000	EACH	
5	IN *	330-1082- - -	RES 82 OHM 1/4W 10% FIXED COMP		1.0000	EACH	
4	P FS *	330-2027-48- -	RES 270 OHM 1/4W 10% FIXED COMP		1.0000	EACH	
5	FS *	330-2027- - -	RES 270 OHM 1/4W 10% FIXED COMP		1.0000	EACH	
4	P FS *	330-2039-48- -	RES 390 OHM 1/4W 10% FIXED COMP		1.0000	EACH	
5	FS *	330-2039- - -	RES 390 OHM 1/4W 10% FIXED COMP		1.0000	EACH	

D-36

ASSEMBLY PART NUMBER 177-9238 - -
 ASSEMBLY DESCRIPTION 5506-1 WK/ST

LEGEND

1: P=PHANTOM; 2: ITEM MASTER DELY CODE; 3: *-TAGGED OUT OF KIT(PROD STR)

POSITION IN STRUCTURE	LEGEND 1 2 3	COMPONENT PART NUMBER	DESCRIPTION	E C N	QUANTITY PER ASSY	U/M	IML
4	P FS *	330-2056-4B- -	RES 560 OHM 1/4W 10% FIXED COMP		1.0000	EACH	
5	FS *	330-2056- - -	RES 560 OHM 1/4W 10% FIXED COMP		1.0000	EACH	
4	P FS *	330-3010-4B- -	RES 1K OHM 1/4W 10% FIXED COMP		1.0000	EACH	
5	FS *	330-3010- - -	RES 1K OHM 1/4W 10% FIXED COMP		1.0000	EACH	
4	P FS *	330-3015-4B- -	RES 1.5K OHM 1/4W 10% FIXED COMP		1.0000	EACH	
5	FS *	330-3015- - -	RES 1.5K OHM 1/4W 10% FIXED COMP		1.0000	EACH	
4	P FS *	330-3022-4B- -	RES 2.2K OHM 1/4W 10% FIXED COMP		1.0000	EACH	
5	FS *	330-3022- - -	RES 2.2K OHM 1/4W 10% FIXED COMP		1.0000	EACH	
4	P FS *	330-3068-4B- -	RES 6.8K OHM 1/4W 10% FIXED COMP		26.0000	EACH	
5	FS *	330-3068- - -	RES 6.8K OHM 1/4W 10% FIXED COMP		1.0000	EACH	
4	P FS *	330-3082-4B- -	RES 8.2K OHM 1/4W 10% FIXED COMP		1.0000	EACH	
5	FS *	330-3082- - -	RES 8.2K OHM 1/4W 10% FIXED COMP		1.0000	EACH	
4	IN	375-0017- - -	TSTR 2N3014 360MW 40V SH NPN S 52		1.0000	EACH	
4	IN	375-1017- - -	TSTR 2N2906A 1.0W 60V SH PNP S 18		1.0000	EACH	
4	IN	375-1027- - -	TSTR 2N3725 0.8W 80V SH NPN S		1.0000	EACH	
4	IN	375-9001- - -	TRANSIPAD 8977887-1 LARGE	EC7394	1.0000	EACH	
4	IN	375-9004- - -	TRANSIPAD 10-18 (SMALL)	EC7394	2.0000	EACH	
4	IN	376-0081- - -	IC 7408 4 2 IN POS AND GATE		1.0000	EACH	
4	IN	376-0171- - -	IC 74148 8-3 LINE PRIORITY ENCODER		3.0000	EACH	
4	IN	376-9016- - -	IC 24 PIN SOCKET CAMBION		1.0000	EACH	
4	IN	376-9017- - -	IC 24 POS ANTI-WICKING WAFER		1.0000	EACH	
4	FS	380-4000- - -	DIO 1N4004 400V 1A RECT S D041		1.0000	EACH	
4	IN	510-7229- - -	7229 PRINTED CIRCUIT BOARD		1.0000	EACH	
3	IN	320-0049- - -	KEYBD CLICKER ASSY E-8600-40-016		1.0000	EACH	
3	IN	325-2450- - -	SWITCH,HALL EFFECT 1001SD4A2B		22.0000	EACH	
3	IN	325-2451- - -	SWITCH,HALL EFFECT 1001SD4B2K		3.0000	EACH	
3	IN	325-2452- - -	SWITCH,HALL EFFECT 1001SD4A2K		4.0000	EACH	
3	IN	325-2453- - -	SWITCH,HALL EFFECT 1001SD4B2B		45.0000	EACH	
3	IN	325-2454- - -	SWITCH,HALL EFFECT 1001SD4B3K		1.0000	EACH	
3	IN	325-2455- - -	SWITCH,HALL EFFECT 1001SD4B3A		3.0000	EACH	
3	IN	325-9051- - -	SPACE BAR MODULE S010438		2.0000	EACH	
3	IN	325-9053- - -	SPACE BAR FELT PAD SM10117	EC5922	1.0000	EACH	
3	IN	370-0004- - -	1762 WHITE LAMP		1.0000	EACH	
3	IN	451-4456- - -	BRKT,CLICKER MTG(928W)B6841-100		1.0000	EACH	
3	IN	452-1052- - -	BEARING PLATE(928W)D6841-104		1.0000	EACH	
3	IN	458-0185- - -	722 LEVELING ROD B6409-59	EC5922	1.0000	EACH	
3	IN	462-0274- - -	SPCR 6-32UNC .250 OD .562 L HX B		1.0000	EACH	
3	IN	550-0200- - -	KEYBUTTON BLANK 2SW52417 D6815-67	EC6608	1.0000	EACH	
3	IN	550-0201- - -	KEYBUTTON 1 2SW52418 C6815-66		1.0000	EACH	
3	IN	550-0202- - -	KEYBUTTON 2 2SW52419 C6815-66		1.0000	EACH	
3	IN	550-0203- - -	KEYBUTTON 3 2SW52420 C6815-66		1.0000	EACH	
3	IN	550-0204- - -	KEYBUTTON 4 2SW52421 C6815-66		1.0000	EACH	
3	IN	550-0205- - -	KEYBUTTON 5 2SW52422 C6815-66		1.0000	EACH	
3	IN	550-0206- - -	KEYBUTTON 6 2SW52423 C6815-66		1.0000	EACH	
3	IN	550-0207- - -	KEYBUTTON 7 2SW52424 C6815-66		1.0000	EACH	

D-37

ASSEMBLY PART NUMBER 177-9230 - -
 ASSMBLY DESCRIPTION 5506-1 WK/ST

LEGEND

1: P=PHANTOM; 2: ITEM MASTER DELY CODE; 3: * =TAGGED OUT OF KIT(PROD STR)

POSITION IN STRUCTURE	IN LEGEND			COMPONENT		DESCRIPTION	E C N	QUANTITY PER ASSY	U/M	IML
	1	2	3	PART	NUMBER					
3	IN			550-0208	- -	KEYBUTTON * 8	25W52425 C6815-66	1.0000	EACH	
3	IN			550-0209	- -	KEYBUTTON I 9	25W52426 C6815-66	1.0000	EACH	
3	IN			550-0210	- -	KEYBUTTON I 0	25W52427 C6815-66	1.0000	EACH	
3	IN			550-0211	- -	KEYBUTTON -	25W52428 C6815-66	1.0000	EACH	
3	IN			550-0212	- -	KEYBUTTON +	25W52429 C6815-66	1.0000	EACH	
3	IN			550-0213	- -	KEYBUTTON Q	25W52430 C6815-64	1.0000	EACH	
3	IN			550-0214	- -	KEYBUTTON W	25W52431 C6815-64	1.0000	EACH	
3	IN			550-0215	- -	KEYBUTTON E	25W52432 C6815-64	1.0000	EACH	
3	IN			550-0216	- -	KEYBUTTON R	25W52433 C6815-64	1.0000	EACH	
3	IN			550-0217	- -	KEYBUTTON T	25W52434 C6815-64	1.0000	EACH	
3	IN			550-0218	- -	KEYBUTTON Y	25W52435 C6815-64	1.0000	EACH	
3	IN			550-0219	- -	KEYBUTTON U	25W52436 C6815-64	1.0000	EACH	
3	IN			550-0220	- -	KEYBUTTON I	25W52437 C6815-64	1.0000	EACH	
3	IN			550-0221	- -	KEYBUTTON O	25W52438 C6815-64	1.0000	EACH	
3	IN			550-0222	- -	KEYBUTTON P	25W52439 C6815-64	1.0000	EACH	
3	IN			550-0223	- -	KEYBUTTON A	25W52440 D6815-67	1.0000	EACH	
3	IN			550-0224	- -	KEYBUTTON S	25W52441 D6815-67	1.0000	EACH	
3	IN			550-0225	- -	KEYBUTTON D	25W52442 D6815-67	1.0000	EACH	
3	IN			550-0226	- -	KEYBUTTON F	25W52443 D6815-67	1.0000	EACH	
3	IN			550-0227	- -	KEYBUTTON G	25W52444 D6815-67	1.0000	EACH	
3	IN			550-0228	- -	KEYBUTTON H	25W52445 D6815-67	1.0000	EACH	
3	IN			550-0229	- -	KEYBUTTON J	25W52446 D6815-67	1.0000	EACH	
3	IN			550-0230	- -	KEYBUTTON K	25W52447 D6815-67	1.0000	EACH	
3	IN			550-0231	- -	KEYBUTTON L	25W52448 D6815-67	1.0000	EACH	
3	IN			550-0232	- -	KEYBUTTON Z	25W52449 C6815-64	1.0000	EACH	
3	IN			550-0233	- -	KEYBUTTON X	25W52450 C6815-64	1.0000	EACH	
3	IN			550-0234	- -	KEYBUTTON C	25W52451 C6815-64	1.0000	EACH	
3	IN			550-0235	- -	KEYBUTTON V	25W52452 C6815-64	1.0000	EACH	
3	IN			550-0236	- -	KEYBUTTON B	25W52453 C6815-64	1.0000	EACH	
3	IN			550-0237	- -	KEYBUTTON N	25W52454 C6815-64	1.0000	EACH	
3	IN			550-0238	- -	KEYBUTTON M	25W52455 C6815-64	1.0000	EACH	
3	IN			550-0239	- -	KEYBUTTON ,	25W52456 C6815-64	1.0000	EACH	
3	IN			550-0240	- -	KEYBUTTON .	25W52457 C6815-64	1.0000	EACH	
3	IN			550-0241	- -	KEYBUTTON ? /	25W52458 C6815-64	1.0000	EACH	
3	IN			550-0242	- -	KEYBN LT&RT BRK	25W52459 C6815-64	1.0000	EACH	
3	IN			550-0243	- -	KEYBUTTON GL	25W52460 C6815-64	1.0000	EACH	
3	IN			550-0244	- -	KEYBUTTON ;	25W52461 D6815-67	1.0000	EACH	
3	IN			550-0245	- -	KEYBUTTON " "	25W52462 D6815-67	1.0000	EACH	
3	IN			550-0246	- -	KEYBUTTON TAB	25W52463 C6815-59	1.0000	EACH	
3	IN			550-0247	- -	KEYBUTTON SHIFT	25W52464 C6815-80	1.0000	EACH	
3	IN			550-0248	- -	KEYBUTTON SHIFT	25W52465 C6815-80	1.0000	EACH	
3	IN			550-0249	- -	KEYBUTTON LOCK	25W52466 C6815-61	1.0000	EACH	
3	IN			550-0250	- -	KEYBN RETURN	25W52467 C6815-60	1.0000	EACH	
3	IN			550-0251	- -	KEYBN BACKSPACE	25W52468 C6815-65	1.0000	EACH	
3	IN			550-0252	- -	KEYBN SPACEBAR	25W52469	1.0000	EACH	
3	IN			550-0253	- -	KEYBN IDENT	25W52470 D6815-67	1.0000	EACH	
3	IN			550-0254	- -	KEYBN PAGE	25W52471 D6815-67	1.0000	EACH	
3	IN			550-0255	- -	KEYBN CENTER	25W52472 D6815-67	1.0000	EACH	
3	IN			550-0256	- -	KEYBN DEC TAB	25W52473 D6815-67	1.0000	EACH	
3	IN			550-0257	- -	KEYBN FORMAT	25W52474 D6815-67	1.0000	EACH	
3	IN			550-0258	- -	KEYBN MERGE	25W52475 D6815-67	1.0000	EACH	
3	IN			550-0259	- -	KEYBN NOTE	25W52476 D6815-67	1.0000	EACH	

ASSEMBLY PART NUMBER 177-9238- --
 ASSEMBLY DESCRIPTION 5506-1 WK/ST

LEGEND

1: P=PHANTOM; 2: ITEM MASTER DELY CODE; 3: **TAGGED OUT OF KIT/PROD STR

POSITION IN STRUCTURE	LEGEND			COMPONENT PART NUMBER	DESCRIPTION	E C N	QUANTITY PER ASSY	U/M	IML
	1	2	3						
3	IN			550-0260-	KEYBN STOP 2SW52477 D6815-67		1.0000	EACH	
3	IN			550-0261-	KEYBN SRCH 2SW52478 D6815-67		1.0000	EACH	
3	IN			550-0262-	KEYBN REPLC 2SW52479 D6815-67		1.0000	EACH	
3	IN			550-0263-	KEYBN COPY 2SW52480 D6815-67		1.0000	EACH	
3	IN			550-0264-	KEYBN MOVE 2SW52481 D6815-67		1.0000	EACH	
3	IN			550-0265-	KEYBN COMMAND 2SW52482 D6815-67		1.0000	EACH	
3	IN			550-0266-	KEYBN GO TO PAGE 2SW52483 D6815-67		1.0000	EACH	
3	IN			550-0267-	KEYBN CANCEL 2SW52484 C6815-62		1.0000	EACH	
3	IN			550-0268-	KEYBN EXECUTE 2SW52485 C6815-63		1.0000	EACH	
3	IN			550-0269-	KEYBN INSERT 2SW52486 D6815-67		1.0000	EACH	
3	IN			550-0270-	KEYBN PREV SCR N 2SW52487 D6815-67		1.0000	EACH	
3	IN			550-0271-	KEYBN DELETE 2SW52488 D6815-67		1.0000	EACH	
3	IN			550-0272-	KEYBN NEXT SCR N 2SW52489 D6815-67		1.0000	EACH	
3	IN			550-0273-	KEYBN ARROW 2SW52490 D6815-67		4.0000	EACH	
3	IN			550-0320-	KEYBN U/C ARW UP L/C ARM 2SW5272 67	EC6608	1.0000	EACH	
3	IN			650-3280-	SCR 6-32 7/8 PHIL PH MS SS	EC7415	1.0000	EACH	
3	IN			651-0023-	SCR#2X3/16 PLASTITE PAN HD PHIL	EC5922	27.0000	EACH	
3	IN			652-0032-	6-32 LOCK-NUT KEPS 511-061800-00	EC9615	2.0000	EACH	
3	IN			652-0066-	IO-32 NUT RETATNER		3.0000	EACH	
3	IN			654-0126-	FAST-ON TERMINAL AMP #60465-2	EC9615	1.0000	EACH	
3	FS *			660-0005-	ELECTRICAL TAPE VINYL 3/4" BLACK	EC5922	.5000	ROLL	
3	IN			660-0085-	SPONGE TAPE 1/2 X 3/4 NEOPRENE	EC5922	.0800	FEET	
2	IN			272-0004-	928W2 BEZEL ASSY(ALUM TAPE) 6841-31		1.0000	EACH	
3	IN			000-0011-	LABOR QUALITY CONTROL		.0360		
3	IN			000-0024-	LABOR PREP AREA		.1780	EACH	
3	IN			449-0111-5	BEZEL,12" CRT (GREEN) E6646-104	EC8420	1.0000	EACH	
3	IN			660-0028-11-	TAPE,ST SHLD 7"X10 1/4" E6841-132	EC7391	1.0000	EACH	
3	IN			660-0028-12-	TAPE,ST SHLD 2 1/2"X10 1/4" E6841-121	EC7391	1.0000	EACH	
3	IN			660-0028-13-	TAPE,ST SHLD 2"X12" E6841-128	EC7391	1.0000	EACH	
2	IN			279-0323-	114 COVER ASSY (ALUM TAPE)		1.0000	EACH	
3	IN			000-0011-	LABOR QUALITY CONTROL		.0670		
3	IN			000-0024-	LABOR PREP AREA		.3330	EACH	
3	IN			449-0092-	2220 CRT COVER(OPEN VENTS)E6621-62		1.0000	EACH	
3	IN			660-0028-1	TAPE,ST SHLD 9 3/4"X15" E6841-120		2.0000	EACH	
3	IN			660-0028-2	TAPE,ST SHLD 12"X16" E6841-119		2.0000	EACH	
3	IN			660-0028-3	TAPE,ST SHLD 2 1/2"X12" E6841-135		2.0000	EACH	
3	IN			660-0028-4	TAPE,ST SHLD 3 1/4"X22" E6841-127		1.0000	EACH	
2	IN			279-1015-	928W2 BASE ASSY(ALUM TAPE) 6841-30		1.0000	EACH	
3	IN			000-0011-	LABOR QUALITY CONTROL		.1240		
3	IN			000-0024-	LABOR PREP AREA		.6190	EACH	
3	IN			449-0095-	2220 BASE C6621-36		1.0000	EACH	
3	IN			451-2134-	COVER,BOTTOM(E&F)D6829-122		1.0000	EACH	
3	IN			651-0402-	RIVET AYDEL 11210615 3/16 X 7/16 LG		4.0000	EACH	
3	IN			651-0430-	AVEX RIVET 1601-0414		16.0000	EACH	
3	IN			651-1010-	SONIC SERT POLMAN #313132		4.0000	EACH	
3	IN			655-02C5-	BUMPER,WHITE #2096SW		4.0000	EACH	
3	IN			660-0028-10-	TAPE,ST SHLD 1 1/4"X7" E6841-133	EC7391	6.0000	EACH	
3	IN			660-0028-5	TAPE,ST SHLD 1 3/4"X2 3/4" E6841-122	EC7391	2.0000	EACH	
3	IN			660-0028-6	TAPE,ST SHLD 4"X11 1/2" E6841-130	EC7391	1.0000	EACH	

ASSEMBLY PART NUMBER 177-9238- - -
 ASSEMBLY DESCRIPTION 5506-1 WK/ST

LEGEND

1: P-PHANTOM; 2: ITEM MASTER DELY CODE; 3: *-TAGGED OUT OF KIT(PROD STR)

POSITION IN STRUCTURE	LEGEND			COMPONENT PART NUMBER	DESCRIPTION	E C N	QUANTITY PER ASSY	U/M	IML
	1	2	3						
3		IN		660-0028-7 - -	TAPE,ST SHLD 1 3/8"X11 1/2E6841-134	EC7391	1.0000	EACH	
3		IN		660-0028-8 - -	TAPE,ST SHLD 1 1/2"X17 1/2E6841-129	EC7391	1.0000	EACH	
3		IN		660-0028-9 - -	TAPE,ST SHLD 2 1/2"X7" E6841-131	EC7391	2.0000	EACH	
2		IN		320-0300- - -	SPEAKER 3 IN 8 OHM MAGNETIC SQUARE		1.0000	EACH	
2		IN		360-1025-SB- - -	FUSE 2 1/2 AMP 250V SB CERAMC 3AG		1.0000	EACH	
2		IN		451-1093- - -	CHASSIS CRT(2226)D6646-100		1.0000	EACH	
2		IN		452-0129- - -	PLATE,KBD STATIC 928-2236 B6841-136	EC9742	1.0000	EACH	
2		IN		452-2337-5 - -	FINISHING PLT GRN(928)D6841-102		1.0000	EACH	
2		IN		452-2517- - -	700 PROGRAM CLAMPS B5900-39 (2		2.0000	EACH	
2		IN		462-0265- - -	SPACER,PC BOARD(E/F)C6815-13		5.0000	EACH	
2		IN		478-0061- - -	700 PROGRAM CLAMP NUTS B5900-27 (2		2.0000	EACH	
2		IN		478-0323-5 - -	PLUG KYBD CHAR GRN(928W) B6841-105		1.0000	EACH	
2		IN		615-0390- - -	PROGRAM STRIP(SILK SCR) C6857-2		1.0000	EACH	
2		IN		615-1088- - -	LABEL HORIZONTAL SCROLL B6611-86		1.0000	EACH	
2		IN		650-2101- - -	SCR 4-40 5/16 PHIL FLAT H MS SS	EC9742	2.0000	EACH	
2		IN		650-3120- - -	6-32 X 3/8 PAN HD PHL MS SS SEMS		1.0000	EACH	
2		IN		650-3121- - -	SCR 6-32 3/8 PHIL FLAY H MS SS	EC9623	4.0000	EACH	
2		IN		650-3161- - -	SCR 6-32 1/2 PHIL FLAT H MS SS		4.0000	EACH	
2		IN		650-3169- - -	6-32 X 1/2 TRUSS HD MS PARKERIZE		2.0000	EACH	
2		IN		650-4133- - -	8-32 X 3/8 FLANGE WHIZ-LOCK MS ZINC		4.0000	EACH	
2		IN		650-4169- - -	8-32 X 1/2 TRUSS HD PHIL PARK SCREW	EC9623	2.0000	EACH	
2		IN		650-6121- - -	10-32X3/8 TRUSS HD PHL MS SS		4.0000	EACH	
2		IN		650-6241- - -	SCR 10-32 3/4 PHIL FLAT H MS SS		3.0000	EACH	
2		IN		650-6242- - -	10-32X3/4 TRHD PHL MS NYLOCK CAD PL		2.0000	EACH	
2		IN		650-6360-W - -	10-32X1 1/8 TRUSS HD PHL SS(WHITE)		2.0000	EACH	
2		IN		652-0029- - -	8-32 LOCK-NUT KEPS 511-081800-50	EC9623	2.0000	EACH	
2		IN		653-4006- - -	WASH 8 .176ID .381OD INT EXT ST		3.0000	EACH	
2		IN		653-6022- - -	WASHER, #10 SPRING	EC9615	4.0000	EACH	
2		IN		654-0126- - -	FAST-ON TERMINAL AMP #60465-2	EC9754	1.0000	EACH	
2		IN		654-1274- - -	CABLE CLAMP ADH.BACK DRKLSP 021-0375		1.0000	EACH	
2		IN		655-0157- - -	612/712 KNOB ALCO KN7008A		2.0000	EACH	
2		IN		690-0317- - -	POLY BAG,5"X6.5"X1.5" 2.5 MIL THK	EC9754	1.0000	EACH	

ASSEMBLY PART NUMBER 177-9241- - -
 ASSEMBLY DESCRIPTION 5506-2 WK/ST W/HORIZ SCROLL

LEGEND

1: P=PHANTOM; 2: ITEM MASTER DELY CODE; 3: P=TAGGED OUT OF KIT(PROD STR)

POSITION IN STRUCTURE	LEGEND 1 2 3	COMPONENT PART NUMBER	DESCRIPTION	E C N	QUANTITY PER ASSY	U/M	INL
1	IN	187-9241- - -	5506-2 WK/ST W/HORIZ SCROLL		1.0000	EACH	
2	IN	220-0105-3 - -	1/0 CA W/BRD SHLD 8"(114) C6422-129		1.0000	EACH	
3	IN	000-0004- - -	SUB-SYSTEMS		.6760	EACH	
3	IN	000-0011- - -	LABOR QUALITY CONTROL		.1350		
3	IN	350-2082- - -	CONN 18-36 CABLE TO PANEL PLUG		2.0000	EACH	
3	IN	350-4233-G - -	STRAIN RELIEF CVR 36 POS 180DEG GRV		2.0000	EACH	
3	IN	350-4233-T - -	STRAIN RELIEF CVR 36 POS 180DEG TNG		2.0000	EACH	
3	IN	350-4234- - -	4-40X3/8 CAPT SCR FOR SCR MT CONNS.		4.0000	EACH	
3	FS	420-0059- - -	18 TWISTED PAIR 26 GA SPECIALSHIELD		9.0000	FEET	
3	IN	458-0361- - -	GROUND STRAP C6815-28	EC9450	4.0000	EACH	
3	IN	606-0105-3 - -	CBL MARKER WH/BK 114 220-0105-3	EC9699	1.0000	EACH	
4	FS	605-0139- - -	TUBING 1/2 WH SHRINK POLYOLEFIN		.1140	FEET	
3	IN	615-1297- - -	LABEL PRINTER CABLE CONN A53001072		2.0000	EACH	
2	IN	220-0199- - -	CABLE COAX CRT RG59(114) B6482-299		1.0000	EACH	
3	IN	000-0004- - -	SUB-SYSTEMS		.2500	EACH	
3	IN	000-0011- - -	LABOR QUALITY CONTROL		.0500		
3	IN	350-2075- - -	BNC CABLE CONNECTOR BW161119		2.0000	EACH	
3	FS	420-0048- - -	CABLE RG59/U COAX		8.0000	FEET	
3	IN	606-0199- - -	CBL MARKER WH/BK 114 220-0199	EC9699	1.0000	EACH	
4	FS	605-0139- - -	TUBING 1/2 WH SHRINK POLYOLEFIN		.1140	FEET	
2	IN	270-0373- - -	12" MONITOR II & PWR SUP ASM II	EC9754	1.0000	EACH	
3	IN	000-0005- - -	LABOR PRODUCTION SYSTEMS		.3300		
3	IN	000-0011- - -	LABOR QUALITY CONTROL		.0660		
3	IN	270-0371- - -	POWER SUPPLY II, 12" MONITOR(PRELIM)		1.0000	EACH	
4	IN	000-0004- - -	SUB-SYSTEMS		.8980	EACH	
4	IN	000-0005- - -	LABOR PRODUCTION SYSTEMS		.5000		
4	IN	000-0011- - -	LABOR QUALITY CONTROL		.2800		
4	P FS *	210-7455- - -	PCB ASSY 928MCR MCR KEYBOARD		1.0000	EACH	
5	IN	000-0001- - -	LABOR SUB-SYSTEMS		.7730		
5	IN	000-0011- - -	LABOR QUALITY CONTROL		.1550		
5	IN	220-1107- - -	12" CRT POWER SUPPLY CABLE B6482-141		1.0000	EACH	
6	IN	000-0004- - -	SUB-SYSTEMS		.0730	EACH	
6	IN	000-0011- - -	LABOR QUALITY CONTROL		.0150		
6	P FS *	600-1000- - -	WIRE 22 GA BLACK		.8300	FEET	
7	P FS	600-1009- - -	WIRE 22 GA WHITE		1.0000	FEET	
6	P FS *	600-1002- - -	WIRE 22 GA RED		.8300	FEET	
7	P FS	600-1009- - -	WIRE 22 GA WHITE		1.0000	FEET	
6	FS	605-0014- - -	TUBING #5 CLEAR		.6600	FEET	
6	IN	654-1148- - -	SOCKET HOUSING 1-480318-0	RF2401	1.0000	EACH	
6	FS	654-1165-R - -	SOCKET 30-22 GA(REEL)AMP 3500078-4		2.0000	EACH	
5	IN	300-3078- - -	8.2K UF 25V ELECTROLYTIC CAP(AXIAL)	EC7769	1.0000	EACH	
5	IN	300-4022- - -	CAP 15.0 UF 20 V 10% TANT AXIAL		1.0000	EACH	
5	IN	300-5006- - -	CAP 1000 PF 5% 100 V MICA DIPPED		1.0000	EACH	
5	IN	325-2112- - -	SLIDE SW.115/230 VAC		1.0000	EACH	
5	P FS *	330-1056-4B- - -	RES 56 OHM 1/4W 10% FIXED COMP		1.0000	EACH	
6	FS *	330-1056- - -	RES 56 OHM 1/4W 10% FIXED COMP		1.0000	EACH	

D-41

ASSEMBLY PART NUMBER 177-9241- - -
 ASSEMBLY DESCRIPTION 5506-2 WK/ST W/HORIZ SCROLL

LEGEND
 1: P-PHANTOM; 2: ITEM MASTER DELY CODE; 3: *-TAGGED OUT OF KIT(PROD STR)

POSITION IN STRUCTURE	LEGEND 1 2 3	COMPONENT PART NUMBER	DESCRIPTION	E C N	QUANTITY PER ASSY	U/M	IML
5	P FS *	330-3022-48- -	RES 2.2K OHM 1/4W 10% FIXED COMP		1.0000	EACH	
6	FS *	330-3022- - -	RES 2.2K OHM 1/4W 10% FIXED COMP		1.0000	EACH	
5	P FS *	330-3033-48- -	RES 3.3K OHM 1/4W 10% FIXED COMP		1.0000	EACH	
6	FS *	330-3033- - -	RES 3.3K OHM 1/4W 10% FIXED COMP		1.0000	EACH	
5	IN	334-0017- - -	.25 OHM 3W 5% FIXED RESISTOR		1.0000	EACH	
5	IN	336-1014- - -	RES 1K OHM VAR TRIM SIDE ADJ SQ		1.0000	EACH	
5	IN	360-0006- - -	FUSE CLIP P.C. LITTLE FUSE 102068		2.0000	EACH	
5	IN	360-1006-5B- -	FUSE 6/10 AMP 250V 5B GLASS 3AG EC9104		1.0000	EACH	
5	IN	375-1008- - -	40251 / MJ2801 TRANSISTOR		1.0000	EACH	
5	IN	375-1026- - -	TSTR 2N3467 1.0W 40V SH PNP S T05		1.0000	EACH	
5	IN	375-9001- - -	TRANSIPAD 8977887-1 LARGE		1.0000	EACH	
5	IN	375-9022- - -	SOCKET TRANSISTOR T0-3 PTS-2	EC8195	1.0000	EACH	
5	IN	376-0066- - -	IC 723 VOLTAGE REGULATOR		1.0000	EACH	
5	IN	380-3008- - -	15A RECTIFIER		2.0000	EACH	
5	IN	380-5001- - -	250 VOLT VARISTOR V250LA20		1.0000	EACH	
5	IN	510-7455- - -	7455 PCB 928MCR MCR KEYBOARD		1.0000	EACH	
5	FS	605-1010- - -	CABLE TYE, PAN-TY TY-232M	EC8645	1.0000	EACH	
4	IN	375-1008- - -	40251 / MJ2801 TRANSISTOR	EC8581	1.0000	EACH	
4	IN	375-9020- - -	NICA WSMR (LARGE) FCR POWER XISTORS	EC8581	1.0000	EACH	
4	IN	410-0127- - -	TRANSFMR LINEAR 50/60 HZ C5068-127		1.0000	EACH	
4	IN	420-1000- - -	CORD POWER 3 COND		1.0000	EACH	
4	IN	451-1118- - -	CHSS.PMR SUPP.(12"MONITOR)86836-110		1.0000	EACH	
4	IN *	452-0510- - -	PLT XMR MTG.12"MONITOR 86836-113	E8595A	1.0000	EACH	
4	IN	462-0110- - -	301 MB SPACER 13/8 OD 5/32 ID NYLON	EC8581	1.0000	EACH	
4	IN	478-0391- - -	HEAT SINK PS 12"MONITOR 86836-118		1.0000	EACH	
4	FS	605-0012- - -	TUBING #4 CLEAR	E8595A	.4130	FEET	
4	IN	650-3120- - -	6-32 X 3/8 PAN HD PHL HS SS SEMS	EC8581	3.0000	EACH	
4	IN	651-0010- - -	#6 X 3/4 SHEET METAL SCREW T-8	EC8581	2.0000	EACH	
4	IN	651-0024- - -	#8X1/4 HEX HD SLOT TAP SCR TYPE-B	EC8595	2.0000	EACH	
4	IN	652-2005- - -	4-40 LOCK-NUT KEPS SS	EC8581	1.0000	EACH	
4	IN	652-3004- - -	NUT 6-32UNC HEX SMALL PAT SS	EC8581	2.0000	EACH	
4	IN	653-2001- - -	NO. 4 FLAT WSMR 1/8ID 1/400	EC8581	1.0000	EACH	
4	IN	653-3000- - -	WASH 6 .149ID .375OD .016 FL SS	E8595A	3.0000	EACH	
4	IN	653-3003- - -	WASH 6 .141ID .253OD SPLIT SS	EC8581	2.0000	EACH	
4	IN	654-1006- - -	#6 GROUND LUG	EC8581	2.0000	EACH	
4	IN	654-1238- - -	HEYCO STRAIN RELIEF SR5P-4		1.0000	EACH	
4	IN	654-1246- - -	PLAST1-GROMMET IYW#212-17060224010I	EC8581	3.0000	EACH	
3	IN *	270-0372- - -	12" MONITOR ASM II (LESS PWR SUP)		1.0000	EACH	
4	IN	000-0005- - -	LABOR PRODUCTION SYSTEMS		1.6950		
4	IN	000-0011- - -	LABOR QUALITY CONTROL		.3390		
4	IN	210-7456- - -	PCB ASSY 2246 9"X12" MONITOR ELEC	EC8373	1.0000	EACH	
5	IN	000-9999- - -	OTHER DIRECT COST		15.4860	EACH	
5	IN	300-1047- - -	CAP 47 PF 10% 500 V CERAMIC DISC		1.0000	EACH	
5	IN	300-1470- - -	CAP 470 PF 10% 500 V CERAMIC DISC		1.0000	EACH	
5	IN	300-1906- - -	CAP .001 UF 10% 500 V CERAMIC DISC	EC7776	1.0000	EACH	
5	IN	300-1912- - -	CAP .02 UF 20% 500 V CERAMIC DISC		3.0000	EACH	
5	IN	300-1915- - -	CAP .0056 UF 20% 500 V CERAMIC DISC		2.0000	EACH	

D-42

ASSEMBLY PART NUMBER 177-9241- - -
 ASSEMBLY DESCRIPTION 5506-2 WK/ST W/HORIZ SCROLL

LEGEND
 1: P=PHANTOM; 2: ITEM MASTER DELY CODE; 3: *=TAGGED OUT OF KIT(PROD STR)

POSITION IN STRUCTURE	LEGEND 1 2 3	COMPONENT PART NUMBER	DESCRIPTION	E C N	QUANTITY PER ASSY	U/M	IML
5	IN	300-1916- - -	CAP .02 UF +80-20% 1.4 V CERAMIC D		1.0000	EACH	
5	IN	300-1918- - -	CAP .1 UF +80-20% 20 V CERAMIC DISC		2.0000	EACH	
5	IN	300-1931- - -	1 UF CERAMIC CAPACITOR(HIGH FREQ)	EC9161	1.0000	EACH	
5	IN	300-2215- - -	CAP .15 UF 10% 100 V MYLAR		1.0000	EACH	
5	IN	300-2247- - -	CAP .47 UF 10% 100 V MYLAR	EC7776	2.0000	EACH	
5	IN	300-2310- - -	CAP .1 UF 10% 400 V MYLAR	EC7776	1.0000	EACH	
5	IN	300-2412- - -	CAP .033 UF 10% 400 V METL MYLAR		1.0000	EACH	
5	IN	300-2413- - -	CAP 4.0 UF 10% 100 V METL MYLAR		1.0000	EACH	
5	IN	300-2414- - -	CAP .01 UF 10% 50 V POLYSTYRENE		1.0000	EACH	
5	IN	300-2415- - -	CAP .0033 UF 10% 600 V MYLAR		1.0000	EACH	
5	IN	300-2418- - -	CAP 2.2 UF 10% 100 V METL MYLAR	EC7776	1.0000	EACH	
5	IN	300-3006- - -	CAP 10 UF 16V -10+75% ELECT AXIAL		2.0000	EACH	
5	IN	300-3009- - -	CAP 35 UF 16V -10+75% ELECT AXIAL		3.0000	EACH	
5	IN	300-3010- - -	CAP 50 UF 50V -10+75% ELECT AXIAL		1.0000	EACH	
5	IN	300-3033- - -	CAP 100 UF 25V -10+75% ELECT AXIAL		1.0000	EACH	
5	IN	300-3062- - -	1000 UF 25V ELECTROLYTIC CAPACITOR		3.0000	EACH	
5	IN	300-4000- - -	CAP 1.0 UF 35 V 10% TANT AXIAL		1.0000	EACH	
5	IN	300-4022- - -	CAP 15.0 UF 20 V 10% TANT AXIAL	EC7776	1.0000	EACH	
5	IN	320-0051- - -	COIL,LINEARITY EX4063-1 C6815-901		1.0000	EACH	
5	IN	320-0053- - -	COIL,WIDTH EX4062-1 C6815-900		1.0000	EACH	
5	IN	320-0054- - -	COIL,DYNAMIC FOCUS		1.0000	EACH	
5	P FS *	330-1022-48- - -	RES 22 OHM 1/4W 10% FIXED COMP		1.0000	EACH	
5	IN *	330-1022- - -	RES 22 OHM 1/4W 10% FIXED COMP		1.0000	EACH	
5	P FS *	330-1047-48- - -	RES 47 OHM 1/4W 10% FIXED COMP		3.0000	EACH	
6	FS *	330-1047- - -	RES 47 OHM 1/4W 10% FIXED COMP		1.0000	EACH	
5	P FS *	330-1068-48- - -	RES 68 OHM 1/4W 10% FIXED COMP		1.0000	EACH	
6	IN *	330-1068- - -	RES 68 OHM 1/4W 10% FIXED COMP		1.0000	EACH	
5	P FS *	330-2015-48- - -	RES 150 OHM 1/4W 10% FIXED COMP		1.0000	EACH	
6	FS *	330-2015- - -	RES 150 OHM 1/4W 10% FIXED COMP		1.0000	EACH	
5	P FS *	330-2018-48- - -	RES 180 OHM 1/4W 10% FIXED COMP		1.0000	EACH	
6	FS *	330-2018- - -	RES 180 OHM 1/4W 10% FIXED COMP		1.0000	EACH	
5	P FS *	330-2022-48- - -	RES 220 OHM 1/4W 10% FIXED COMP		2.0000	EACH	
6	FS *	330-2022- - -	RES 220 OHM 1/4W 10% FIXED COMP		1.0000	EACH	
5	P FS *	330-2047-48- - -	RES 470 OHM 1/4W 10% FIXED COMP		3.0000	EACH	
6	FS *	330-2047- - -	RES 470 OHM 1/4W 10% FIXED COMP		1.0000	EACH	
5	P FS *	330-2068-48- - -	RES 680 OHM 1/4W 10% FIXED COMP		1.0000	EACH	
6	FS *	330-2068- - -	RES 680 OHM 1/4W 10% FIXED COMP		1.0000	EACH	
5	P FS *	330-3010-48- - -	RES 1K OHM 1/4W 10% FIXED COMP		1.0000	EACH	
6	FS *	330-3010- - -	RES 1K OHM 1/4W 10% FIXED COMP		1.0000	EACH	
5	P FS *	330-3012-48- - -	RES 1.2K OHM 1/4W 10% FIXED COMP		1.0000	EACH	
6	FS *	330-3012- - -	RES 1.2K OHM 1/4W 10% FIXED COMP		1.0000	EACH	
5	P FS *	330-3022-48- - -	RES 2.2K OHM 1/4W 10% FIXED COMP		1.0000	EACH	

D-43

ASSEMBLY PART NUMBER 177-9241- - -
 ASSEMBLY DESCRIPTION 5506-2 WK/ST W/HORIZ SCROLL

LEGEND
 1: P=PHANTOM; 2: ITEM MASTER DELY CODE; 3: *TAGGED OUT OF KIT/PROD STR

POSITION IN STRUCTURE	LEGEND 1 2 3	COMPONENT PART NUMBER	DESCRIPTION	E C N	QUANTITY PER ASSY	U/M	IML
6	FS *	330-3022- - -	RES 2.2K OHM 1/4W 10% FIXED COMP		1.0000	EACH	
5	P FS *	330-3047-48- -	RES 4.7K OHM 1/4W 10% FIXED COMP		2.0000	EACH	
6	FS *	330-3047- - -	RES 4.7K OHM 1/4W 10% FIXED COMP		1.0000	EACH	
5	P FS *	330-3068-48- -	RES 6.8K OHM 1/4W 10% FIXED COMP		2.0000	EACH	
6	FS *	330-3068- - -	RES 6.8K OHM 1/4W 10% FIXED COMP		1.0000	EACH	
5	P FS *	330-4015-48- -	RES 15K OHM 1/4W 10% FIXED COMP		1.0000	EACH	
6	FS *	330-4015- - -	RES 15K OHM 1/4W 10% FIXED COMP		1.0000	EACH	
5	P FS *	330-4018-48- -	RES 18K OHM 1/4W 10% FIXED COMP		1.0000	EACH	
6	FS *	330-4018- - -	RES 18K OHM 1/4W 10% FIXED COMP		1.0000	EACH	
5	P FS *	330-4022-48- -	RES 22K OHM 1/4W 10% FIXED FILM		1.0000	EACH	
6	FS *	330-4022- - -	RES 22K OHM 1/4W 10% FIXED FILM		1.0000	EACH	
5	P FS *	330-4027-48- -	RES 27K OHM 1/4W 10% FIXED COMP		1.0000	EACH	
6	FS *	330-4027- - -	RES 27K OHM 1/4W 10% FIXED COMP		1.0000	EACH	
5	P FS *	330-4068-48- -	RES 68K OHM 1/4W 10% FIXED COMP	EC8519	1.0000	EACH	
6	FS *	330-4068- - -	RES 68K OHM 1/4W 10% FIXED COMP		1.0000	EACH	
5	P FS *	330-5010-48- -	RES 100K OHM 1/4W 10% FIXED COMP		3.0000	EACH	
6	FS *	330-5010- - -	RES 100K OHM 1/4W 10% FIXED COMP		1.0000	EACH	
5	P FS *	330-5022-48- -	RES 220K OHM 1/4W 10% FIXED COMP		1.0000	EACH	
6	IN *	330-5022- - -	RES 220K OHM 1/4W 10% FIXED COMP		1.0000	EACH	
5	P FS *	330-5027-48- -	RES 270K OHM 1/4W 10% FIXED COMP		1.0000	EACH	
6	FS *	330-5027- - -	RES 270K OHM 1/4W 10% FIXED COMP		1.0000	EACH	
5	P FS *	330-6012-48- -	RES 1.2M OHM 1/4W 10% FIXED COMP		1.0000	EACH	
6	IN *	330-6012- - -	RES 1.2M OHM 1/4W 10% FIXED COMP		1.0000	EACH	
5	P FS *	330-6047-48- -	RES 4.7M OHM 1/4W 10% FIXED COMP		1.0000	EACH	
6	IN *	330-6047- - -	RES 4.7M OHM 1/4W 10% FIXED COMP		1.0000	EACH	
5	IN	331-0022- - -	RES 2.2 OHM 1/2W 10% FIXED COMP		1.0000	EACH	
5	IN	331-2010- - -	RES 100 OHM 1/2W 10% FIXED COMP	EC7776	1.0000	EACH	
5	IN	332-1033- - -	RES 33 OHM 1W 10% FIXED COMP		1.0000	EACH	
5	IN	333-0067- - -	RES 8.25K OHM 1/8W 1% FIXED FILM		1.0000	EACH	
5	IN	336-0031- - -	2.5 MEG OHM PCT 750V		1.0000	EACH	
5	IN	336-1015- - -	RES 10K OHM VAR TRIM SIDE ADJ SQ		1.0000	EACH	
5	IN	336-1019- - -	RES 100K OHM VAR TRIM SIDE ADJ SQ		1.0000	EACH	
5	IN	336-1020- - -	RES 5K OHM VAR TRIM SIDE ADJ SQ	EC7776	2.0000	EACH	
5	IN	336-1021- - -	RES 20 OHM VAR TRIM SIDE ADJ SQ		1.0000	EACH	
5	IN	337-1056- - -	RES 56 OHM 2W 10% FIXED COMP		1.0000	EACH	
5	IN	337-3012- - -	RES 1.2K OHM 2W 10% FIXED COMP		1.0000	EACH	
5	IN	375-1012- - -	MPS 6512 SILICON TRANSISTOR		1.0000	EACH	
5	IN	375-1014- - -	MPS 6518 SILICON TRANSISTOR		1.0000	EACH	
5	IN	375-1027- - -	TSTR 2N3725 0.8W 80V SH NPN S		1.0000	EACH	

D-44

ASSEMBLY PART NUMBER 177-9241- --
 ASSEMBLY DESCRIPTION 5506-2 WK/ST W/HORIZ SCROLL

LEGEND
 1: P=PHANTOM; 2: ITEM MASTER DELY CODE; 3: *TAGGED OUT OF KIT(PROD STR)

POSITION IN STRUCTURE	LEGEND 1 2 3	COMPONENT PART NUMBER	DESCRIPTION	E C N	QUANTITY PER ASSY	U/M	IML
5	IN	375-1056- --	MPS-U04 TRANSISTOR		1.0000	EACH	
5	IN	375-1057- --	BU-124 TRANSISTOR		1.0000	EACH	
5	IN	375-90C1- --	TRANSIPAD 8977887-1 LARGE		1.0000	EACH	
5	IN	376-0239- --	IC ME592A VIDEO AMP		1.0000	EACH	
5	IN	376-0260- --	T8A 950 I.C.		1.0000	EACH	
5	IN	376-0261- --	TOA 1044 I.C.		1.0000	EACH	
5	P FS *	380-1001-4B- --	0035 SIL DIODE 30V, 100MA AT IV .4B	EC7776	2.0000	EACH	
6	FS	380-1001-R --	0035 SIL DIODE 30V, 100MA AT IV T&R		1.0000	EACH	
5	IN	380-2056- --	D10 ZEN IN752 A 5.6V 400MW S DO-7		1.0000	EACH	
5	IN	380-2091- --	D10 ZEN IN757 A 9.1V 400MW S DO-7		1.0000	EACH	
5	IN	380-3009- --	VG-1X RECTIFIER 1KV		2.0000	EACH	
5	IN	380-3010- --	S1F4 400V DIODE		2.0000	EACH	
5	IN	380-3012- --	3S1F2 3AMP 200V RECTIFIER		1.0000	EACH	
5	FS	380-4000- --	D10 IN4004 400V 1A RECT S DO41		1.0000	EACH	
5	IN	410-1006- --	EX4061 TRANSFMR HORZ DR C5068-1006		1.0000	EACH	
5	IN	510-7456- --	7456 PCB 928MCR MAG CARD READR CNTL		1.0000	EACH	
5	IN	650-2102- --	SCR 4-40 5/16 PAN SLOT MS NYL		1.0000	EACH	
5	IN	652-2001- --	NUT 4-40UNC HEX REG PAT NYLON		1.0000	EACH	
5	FS	660-0123- --	THERMAL COMPOUND DOW#340114 OZ TUBE		.0100	EACH	
4	IN	220-0160- --	BRIGHTNESS POT CABLE ASSY C6402-140		1.0000	EACH	
5	IN	000-0004- --	SUB-SYSTEMS		.3730	EACH	
5	IN	000-0011- --	LABOR QUALITY CONTROL		.0750		
5	P FS *	330-1068-4B- --	RES 68 OHM 1/4W 10% FIXED COMP		1.0000	EACH	
6	IN *	330-1068- --	RES 68 OHM 1/4W 10% FIXED COMP		1.0000	EACH	
5	IN	336-0032- --	250K OHM POT (BRIGHTNESS)		1.0000	EACH	
5	IN	336-0035- --	250.OHM CONTRAST CONTROL	RF2401	1.0000	EACH	
5	P FS *	600-1000- --	WIRE 22 GA BLACK	EC7092	4.0000	FEET	
6	P FS	600-1009- --	WIRE 22 GA WHITE		1.0000	FEET	
5	P FS *	600-1002- --	WIRE 22 GA RED	EC7092	2.0000	FEET	
6	P FS	600-1009- --	WIRE 22 GA WHITE		1.0000	FEET	
5	P FS *	600-1004- --	WIRE 22 GA YELLOW	EC7092	2.0000	FEET	
6	P FS	600-1009- --	WIRE 22 GA WHITE		1.0000	FEET	
5	P FS *	600-1009- --	WIRE 22 GA WHITE	EC7092	4.0000	FEET	
5	FS	605-0000- --	TUBING #10 CLEAR	EC8399	.2000	FEET	
5	FS *	605-10C4- --	CABLE TYE, PAN-TY PLTIM-M	RF2401	6.0000	EACH	
5	FS *	654-1165-R --	SOCKET 30-22 GA(REEL)AMP 3500078-4	EC8399	6.0000	EACH	
5	IN	654-1185- --	6 PDS SOC HOUSING AMP 1-480270-0	RF2401	1.0000	EACH	
4	IN	270-3068- --	12" CRT HARNESS ASSY D6402-139		1.0000	EACH	
5	IN	000-0004- --	SUB-SYSTEMS		.7560	EACH	
5	IN	000-0011- --	LABOR QUALITY CONTROL		.1510		
5	IN	350-2072- --	110 DEG CRT SOCKET		1.0000	EACH	
5	FS	420-0018- --	1 COND 24 GA SHIELDED CABLE AL 1702	EC8495	1.4200	FEET	
5	P FS *	600-1000- --	WIRE 22 GA BLACK	EC8495	2.0400	FEET	
6	P FS	600-1009- --	WIRE 22 GA WHITE		1.0000	FEET	

D-45

ASSEMBLY PART NUMBER 177-9241- - -
 ASSEMBLY DESCRIPTION 5506-2 WK/ST W/HORIZ SCROLL

LEGEND
 1: P=PHANTOM; 2: ITEM MASTER DELY CODE; 3: *-TAGGED OUT OF KIT(PROD STR)

POSITION IN STRUCTURE	LEGEND 1 2 3	COMPONENT PART NUMBER	DESCRIPTION	E C N	QUANTITY PER ASSY	U/M	IML
5	P FS *	600-1002-	WIRE 22 GA RED		1.2500	FEET	
6	P FS	600-1009-	WIRE 22 GA WHITE		1.0000	FEET	
5	P FS *	600-1004-	WIRE 22 GA YELLOW	EC8495	1.4200	FEET	
6	P FS	600-1009-	WIRE 22 GA WHITE		1.0000	FEET	
5	P FS *	600-1009-	WIRE 22 GA WHITE	EC8495	2.2500	FEET	
5	FS *	605-0014-	TUBING #5 CLEAR	EC8495	.3300	FEET	
5	FS	605-0021-	TUBING,HEATSHRINK 1/801A IRRAD POLY	EC8495	.0600	FEET	
5	IN	654-0100-	15 DUAL POS EDGE CONN MOL#09-506155		1.0000	EACH	
5	IN	654-1004-	#4 GROUND LUG 1414-4		1.0000	EACH	
5	IN	654-1147-	PIN HOUSING 1-480319-0		1.0000	EACH	
5	IN	654-1149-	PIN HOUSING 1-480305-0	RF2401	1.0000	EACH	
5	FS *	654-1164-R	PIN TERM 20-14 GA(REEL)AMP 61118-4	RF2401	1.0000	EACH	
5	FS *	654-1166-R	PIN TERM 30-22 GA(REEL)AMP3500079-4	RF2401	9.0000	EACH	
4	IN	270-3092-	YOKE ASSY (12" MONITOR) 86482-246		1.0000	EACH	
5	IN	000-0004-	SUB-SYSTEMS		.0330	EACH	
5	IN	000-0011-	LABOR QUALITY CONTROL		.0070		
5	IN	320-0052-	DEFLECTION YOKE EX5012 C6815-902		1.0000	EACH	
5	FS *	654-0101-R	CRIMP TERMINAL EDGE CONN#08-05-J301		4.0000	EACH	
4	IN	270-3104-	12"FLYBACK XFORMER HARN C6482-327	EC9723	1.0000	EACH	
5	IN	410-1007-	EX4002 FLYBACK TRANSFER C5068-1007		1.0000	EACH	
5	P FS	600-0500-	20 GA WIRE BLK UL		.9100	FEET	
5	P FS	600-0501-	20 GA WIRE BRN UL W/OFF-76		.8700	FEET	
6	FS	600-0509-	20 GA WIRE WHT UL		1.0000	FEET	
5	P FS	600-0502-	20 GA WIRE RED UL		.8700	FEET	
6	FS	600-0509-	20 GA WIRE WHT UL		1.0000	FEET	
5	P FS	600-0503-	20 GA WIRE ORN UL W/OFF-73		.9100	FEET	
4	FS	600-0509-	20 GA WIRE WHT UL		1.0000	FEET	
5	P FS	600-0505-	20 GA WIRE GRN UL W/OFF-76		.8700	FEET	
6	FS	600-0509-	20 GA WIRE WHT UL		1.0000	FEET	
5	P FS	600-0506-	20 GA WIRE BLU UL		.8300	FEET	
6	FS	600-0509-	20 GA WIRE WHT UL		1.0000	FEET	
5	P FS	600-0507-	20 GA WIRE VID UL W/OFF-73		.8300	FEET	
6	FS	600-0509-	20 GA WIRE WHT UL		1.0000	FEET	
5	FS	654-0101-R	CRIMP TERMINAL EDGE CONN#08-05-0301		8.0000	EACH	
5	IN	654-1004-	#4 GROUND LUG 1414-4		3.0000	EACH	
4	IN *	337-1024-	RES 24 OHM 2W 10% FIXED COMP	EC9641	.0000	EACH	
4	IN	340-0101-	TUBE CATHODE RAY 12" RECT P31		1.0000	EACH	
4	IN *	340-0101-2	TUBE CATH RAY 12" W/PPG SYL P31	EC9641	.0000	EACH	
4	IN	350-2073-	ANODE CONNECTOR (125-29)		1.0000	EACH	
4	IN	380-3011-	H-617 20000V RECTIFIER		1.0000	EACH	
4	IN	410-1007-	EX4002 FLYBACK TRANSFER C5068-1007		1.0000	EACH	

D-46

ASSEMBLY PART NUMBER 177-9241- - -
 ASSEMBLY DESCRIPTION 5506-2 WK/ST W/HORIZ SCROLL

LEGEND
 1: P=PHANTOM; 2: ITEM MASTER DELY CCDE; 3: *-TAGGED OUT OF KIT(PROD STR)

POSITION IN STRUCTURE	LEGEND	COMPONENT PART NUMBER	DESCRIPTION	E C N	QUANTITY PER ASSY	U/M	IML
	1 2 3						
4	IN	451-1121-	CHASSIS,12" MONITOR-MOD D6836-119		1.0000	EACH	
4	IN	451-3856-	PANEL,SIDE(L.H.)(12"MD)D6836-102		1.0000	EACH	
4	IN	451-3857-	PANEL,SIDE(R.H.)(12"MD)D6836-102		1.0000	EACH	
4	IN	451-4472-	BRKT,NECKSAVER(12"MD)C6836-107		1.0000	EACH	
4	IN	451-4473-	BRKT,SUPPORT(12"MD)B6836-104		1.0000	EACH	
4	IN	452-4042-	GUIDE,CARD RCG-2 4"		2.0000	EACH	
4	IN	462-0293-	SPCR,DELRIN 3/8DIA 4-40TAPB6835-505		2.0000	EACH	
4	IN	465-1643-	SPRING,GROUNDING(12"MON)B6836-105		1.0000	EACH	
4	FS	605-1004-	CABLE TYE, PAN-TY PLTIM-M		2.0000	EACH	
4	IN	650-2120-	4-40 X 3/8 PAK HD PHL MS SS SEMS		2.0000	EACH	
4	IN	651-0024-	#8X1/4 HEX HD SLOT TAP SCR TYPE-B	EC8534	1.0000	EACH	
4	IN	651-0025-	#10X5/16 HEX HD SLOT TAP SCR TYPE-B		4.0000	EACH	
4	IN	651-0030-	SCREW,SELF TAP 1-B #4X1/2"L PNHD PH		2.0000	EACH	
4	IN	651-0037-	SCR 8X3/8 HEX HD SLT SELF TAP B CAD	EC8534	8.0000	EACH	
4	IN	653-2002-	WASH 4 .123ID .265OD INT T ST		3.0000	EACH	
4	IN	654-1184-	6 POS PIN HOUSING AMP 1-480276-0		1.0000	EACH	
4	IN	656-1008-	MAGNET,YELLOW TYPE 1 (2169)	EC8482	1.0000	EACH	
4	IN	656-1009-	MAGNET,SILVER TYPE 2 (1166)		4.0000	EACH	
4	IN	656-1010-	MAGNET,RED TYPE 3 (169)	EC8096	8.0000	EACH	
4	IN	656-1011-	MAGNET,PURPLE TYPE 4 (4167)		4.0000	EACH	
4	IN	660-0027-	1" PERMACELL TAPE #672 (BLACK)		1.0000	FEET	
4	FS	660-0055-	SNAP-ON POLYMER 40-106 (25"ROLL)		.1100	FEET	
4	FS	660-0196-	GLUE,HOTMELT(.7500X1.375LG)	EC9776	.0600	EACH	
3	IN	651-0037-	SCR 8X3/8 HEX HD SLT SELF TAP B CAD	EC8534	3.0000	EACH	
2	IN	270-0447-	114 REAR PANEL ASSY		1.0000	EACH	
3	IN	000-0004-	SUB-SYSTEMS		.5000	EACH	
3	IN	000-0011-	LABOR QUALITY CONTROL		.1000		
3	IN	210-7313-	7313 CRT JUNCTION BOARD		1.0000	EACH	
4	IN	000-0001-	LABOR SUB-SYSTEMS		.7140		
4	IN	000-0011-	LABOR QUALITY CONTROL		.1430		
4	IN	220-3014-	24 COND 14"FLAT CABLE C-6482-79	EC8712	1.0000	EACH	
5	IN	000-0004-	SUB-SYSTEMS		.0790	EACH	
5	IN	000-0011-	LABOR QUALITY CONTROL		.0160		
5	IN	350-0403-	24 PIN FLAT CABLE PLUG		2.0000	EACH	
5	FS	420-0050-	24 COND FLAT CABLE 3M 3365/24		1.1700	FEET	
4	IN	300-1900-	CAP .05 UF +80-20% 12 V CERAMIC D		1.0000	EACH	
4	IN	300-1903-	CAP .01 UF +80-20% 25 V CERAMIC D		2.0000	EACH	
4	IN	300-4002-	CAP .1 UF 35 V 10% TANT AXIAL		1.0000	EACH	
4	IN	300-4020-	CAP 47.0 UF 15 V 10% TANT AXIAL		1.0000	EACH	
4	IN	300-4022-	CAP 15.0 UF 20 V 10% TANT AXIAL		2.0000	EACH	
4	P FS *	330-2047-4B-	RES 470 OHM 1/4W 10% FIXED COMP		2.0000	EACH	
5	FS *	330-2047-	RES 470 OHM 1/4W 10% FIXED COMP		1.0000	EACH	
4	P FS *	330-2048-4B-	RES 470 OHM 1/4W 5% FIXED COMP		1.0000	EACH	
5	FS *	330-2048-	RES 470 OHM 1/4W 5% FIXED COMP		1.0000	EACH	
4	P FS *	330-3010-4B-	RES 1K OHM 1/4W 10% FIXED COMP		2.0000	EACH	
5	FS *	330-3010-	RES 1K OHM 1/4W 10% FIXED COMP		1.0000	EACH	

D-47

ASSEMBLY PART NUMBER 177-9241- - -
 ASSEMBLY DESCRIPTION 5506-2 WK/ST W/HORIZ SCROLL

LEGEND
 1: P=PHANTOM; 2: ITEM MASTER DELY COCE; 3: *=TAGGED OUT OF KIT(PROD STR)

POSITION IN STRUCTURE	LEGEND 1 2 3	COMPONENT PART NUMBER	DESCRIPTION	E C N	QUANTITY PER ASSY	U/M	IML
4	P FS *	330-3023-48- -	RES 2.2K OHM 1/4W 5% FIXED COMP		1.0000	EACH	
5	FS *	330-3023- - -	RES 2.2K OHM 1/4W 5% FIXED COMP		1.0000	EACH	
4	P FS *	330-3047-48- -	RES 4.7K OHM 1/4W 10% FIXED COMP		1.0000	EACH	
5	FS *	330-3047- - -	RES 4.7K OHM 1/4W 10% FIXED COMP		1.0000	EACH	
4	P FS *	330-3082-48- -	RES 8.2K OHM 1/4W 10% FIXED COMP		1.0000	EACH	
5	FS *	330-3082- - -	RES 8.2K OHM 1/4W 10% FIXED COMP		1.0000	EACH	
4	IN	331-0010- - -	RES 1 OHM 1/2W 10% FIXED COMP		1.0000	EACH	
4	IN	336-1001- - -	RES 1K OHM VAR TRIM TOP ADJ RD		1.0000	EACH	
4	IN	350-1044- - -	CONN 18-36 PC EDGE MT RECPT	EC8488	1.0000	EACH	
4	IN	375-1017- - -	TSTR 2N2906A 1.8W 60V SH PNP S 18		1.0000	EACH	
4	IN	375-90C4- - -	TRANSIPAD TO-18 (SMALL)		1.0000	EACH	
4	IN	376-0066- - -	IC 723 VOLTAGE REGULATOR		1.0000	EACH	
4	IN	376-0126- - -	IC 555 TIMER		1.0000	EACH	
4	IN	510-7313- - -	7313 PCB JUNCTION BOARD		1.0000	EACH	
3	IN	220-1042- - -	PO22 WIRE & LUG ASSY(2LCRT)D6482-12		1.0000	EACH	
4	IN	000-0004- - -	SUB-SYSTEMS		.0090	EACH	
4	IN	000-0011- - -	LABOR QUALITY CONTROL		.0020	EACH	
4	P FS *	600-7054- - -	16 GA GREEN/YELLOW STRANDED WIRE	EC6795	.3300	FEET	
5	FS	600-7009- - -	16 GA WHITE STRANDED WIRE		1.0000	FEET	
4	FS *	654-0052-R - -	#6 RING TONGUE BLU BA14-6M(2K/REEL)	EC6795	1.0000	EACH	
4	FS *	654-0068-R - -	#6 FORK LUG BLUE BA14-F6M (2K/REEL)	EC6795	1.0000	EACH	
3	IN	220-1103- - -	CRT BRD (W2)(COAX)B6482-122		1.0000	EACH	
4	IN	000-0004- - -	SUB-SYSTEMS		.0830	EACH	
4	IN	000-0011- - -	LABOR QUALITY CONTROL		.0170	EACH	
4	FS	420-0018- - -	1 COND 24 GA SHIELDED CABLE AL 1702	EC8399	.8300	FEET	
4	IN	654-1150- - -	SOCKET HOUSING 1-480303-0		1.0000	EACH	
4	FS *	654-1165-R - -	SOCKET 30-22 GA(REEL)AMP 3500078-4		2.0000	EACH	
3	IN	325-0033- - -	TOGGLE SWITCH(SPDT)C&K U11P3YZQ		1.0000	EACH	
3	IN	336-0033- - -	100 OHM 2W		1.0000	EACH	
3	IN	336-0034- - -	250 OHM 2W 20% POT(1/2"SHAFT)		1.0000	EACH	
3	IN	350-1036- - -	BNC SOCKET (F) CONN UG1094A		1.0000	EACH	
3	IN	360-0000- - -	FUSE HOLDER 90 DEGREE CONTACT		1.0000	EACH	
3	IN	360-9000- - -	RUBBER WSHR FOR 360-0000 / 360-0001		1.0000	EACH	
3	IN	360-9002- - -	HEX NUT FOR 360-0000 / 360-0001		1.0000	EACH	
3	IN	360-9003- - -	LOCK WSHR LF#905023(FOR 360-0000/1)	EC9188	1.0000	EACH	
3	IN	375-1052- - -	TRANSISTOR 2N6387 (PLASTIC)	EC9188	1.0000	EACH	
3	IN	375-9016- - -	MICA INSUL#DF1038 FOR 375-1034/1035		1.0000	EACH	
3	IN	420-1000- - -	CORD POWER 3 COND	EC9188	1.0000	EACH	
3	IN	451-3632- - -	PNL STATIC 2282 .02T CPR B6860-503	EC9188	1.0000	EACH	
3	IN	451-3922- - -	PANEL,REAR SCRND 114 C6862-518		1.0000	EACH	
3	IN	451-4329- - -	BRKT(2220)COVER TIE DOWN B6621-33		2.0000	EACH	
3	IN	451-4687- - -	OBSOLETE EC8764		2.0000	EACH	
3	IN	462-0327- - -	STANDOFF,M/F 4-40/4-40 B6815-108	EC9697	2.0000	EACH	
3	IN	478-0420- - -	HEATSINK, MDL 114 D6862-514		1.0000	EACH	
3	P FS	600-0000- - -	WIRE 18 GA BLACK UL	EC9188	.6200	FEET	

D-48

ASSEMBLY PART NUMBER 177-9241- - -
 ASSEMBLY DESCRIPTION 5506-2 WK/ST W/HORIZ SCROLL

LEGEND
 1: P=PHANTOM; 2: ITEM MASTER DELY CODE; 3: *-TAGGED OUT OF KIT(PROD STR)

POSITION IN STRUCTURE	LEGEND			COMPONENT PART NUMBER	DESCRIPTION	E C N	QUANTITY PER ASSY	U/M	IML
	1	2	3						
3	P	FS		600-3000- - -	WIRE 26 GA BLACK	EC9188	1.5400	FEET	
4		FS		600-3009- - -	WIRE 26 GA WHITE		1.0000	FEET	
3	P	FS		600-3002- - -	WIRE 26 GA RED	EC9188	.5800	FEET	
4		FS		600-3009- - -	WIRE 26 GA WHITE		1.0000	FEET	
3	P	FS		600-3004- - -	WIRE 26 GA YELLOW		1.1600	FEET	
4		FS		600-3009- - -	WIRE 26 GA WHITE		1.0000	FEET	
3	P	FS		600-3005- - -	WIRE 26 GA GREEN	EC9188	.5400	FEET	
4		FS		600-3009- - -	WIRE 26 GA WHITE		1.0000	FEET	
3	P	FS		600-3006- - -	WIRE 26 GA BLUE		1.1600	FEET	
4		FS		600-3009- - -	WIRE 26 GA WHITE		1.0000	FEET	
3		FS		600-9016- - -	WIRE 16 GA TINNED COPPER BUS (UL)	EC9614	.2500	FEET	
3		FS		605-0000- - -	TUBING #10 CLEAR	EC9188	.2100	FEET	
3		FS		605-0006- - -	TUBING NBR 12 CLEAR	EC9188	.2000	FEET	
3		FS		605-0010- - -	TUBING PVC #8 CLEAR	EC9188	.0520	FEET	
3		FS		605-0014- - -	TUBING #5 CLEAR	EC9188	.1850	FEET	
3	IN			650-2081- - -	SCR 4-40 1/4 PHIL FLAT H MS SS	EC9188	2.0000	EACH	
3	IN			650-2102- - -	SCR 4-40 5/16 PAN SLOT MS NYL		1.0000	EACH	
3	IN			650-2120- - -	4-40 X 3/8 PAN HD PHL MS SS SEMS		6.0000	EACH	
3	IN			651-0401- - -	RIVET,POP 1/8 X 3/16 AD42ABS	EC9188	8.0000	EACH	
3	IN			652-2005- - -	4-40 LOCK-NUT KEPS SS		2.0000	EACH	
3	IN			652-3004- - -	NUT 6-32UNC HEX SMALL PAT	SS	2.0000	EACH	
3	IN			653-2000- - -	NO. 4 FLAT WASHER	EC9188	6.0000	EACH	
3	IN			653-3003- - -	WASH 6 .141ID .2530D SPLIT	SS	2.0000	EACH	
3	IN			654-0074- - -	A.C.RECEPTACLE F 1540MS		1.0000	EACH	
3	IN			654-1006- - -	#6 GROUND LUG	EC9188	1.0000	EACH	
3	IN			654-1011- - -	3/8" GROUND LUG HH SMITH 1497	EC9188	1.0000	EACH	
3	IN			654-1238- - -	HEYCO STRAIN RELIEF SR5P-4	EC9188	1.0000	EACH	
2	IN	*		271-1122- - -	928 KEYBOARD & BP ASSY 6841-10		1.0000	EACH	
3	IN			000-0004- - -	SUB-SYSTEMS		1.9470	EACH	
3	IN			000-0011- - -	LABOR QUALITY CONTROL		.3890		
3	IN			210-7229- - -	7229 WS KEYBOARD	EC7259	1.0000	EACH	
4	IN			000-0001- - -	LABOR SUB-SYSTEMS		.6440		
4	IN			000-0011- - -	LABOR QUALITY CONTROL		.1290		
4	IN			300-1900- - -	CAP .05 UF +80-20% 12 V CERAMIC D		4.0000	EACH	
4	IN			300-1906- - -	CAP .001 UF 10% 500 V CERAMIC DISC		1.0000	EACH	
4	IN			300-7010- - -	CAP 50 UF 50V -10+75% ELECT AXIAL		1.0000	EACH	
4	IN			300-4022- - -	CAP 15.0 UF 20 V 10% TANT AXIAL		1.0000	EACH	
4	P	FS	*	330-1082-4B- - -	RES 82 OHM 1/4W 10% FIXED COMP		1.0000	EACH	
5	IN	*		330-1082- - -	RES 82 OHM 1/4W 10% FIXED COMP		1.0000	EACH	
4	P	FS	*	330-2027-4B- - -	RES 270 OHM 1/4W 10% FIXED COMP		1.0000	EACH	
5	IN	*		330-2027- - -	RES 270 OHM 1/4W 10% FIXED COMP		1.0000	EACH	
4	P	FS	*	330-2039-4B- - -	RES 390 OHM 1/4W 10% FIXED COMP		1.0000	EACH	
5	IN	*		330-2039- - -	RES 390 OHM 1/4W 10% FIXED COMP		1.0000	EACH	

D-49

ASSEMBLY PART NUMBER 177-9241- - -

LEGEND

ASSEMBLY DESCRIPTION 5506-2 WK/ST W/HORIZ SCROLL

1: P=PHANTOM; 2: ITEM MASTER DELY CODE; 3: *=TAGGED OUT OF KIT(PROD STR)

POSITION IN STRUCTURE	LEGEND 1 2 3	COMPONENT PART NUMBER	DESCRIPTION	E C N	QUANTITY PER ASSY	U/M	IML
4	P FS *	330-2056-48- -	RES 560 OHM 1/4W 10% FIXED COMP		1.0000	EACH	
5	FS #	330-2056- - -	RES 560 OHM 1/4W 10% FIXED COMP		1.0000	EACH	
4	P FS *	330-3010-48- -	RES 1K OHM 1/4W 10% FIXED COMP		1.0000	EACH	
5	FS #	330-3010- - -	RES 1K OHM 1/4W 10% FIXED COMP		1.0000	EACH	
4	P FS *	330-3015-48- -	RES 1.5K OHM 1/4W 10% FIXED COMP		1.0000	EACH	
5	FS #	330-3015- - -	RES 1.5K OHM 1/4W 10% FIXED COMP		1.0000	EACH	
4	P FS *	330-3022-48- -	RES 2.2K OHM 1/4W 10% FIXED COMP		1.0000	EACH	
5	FS #	330-3022- - -	RES 2.2K OHM 1/4W 10% FIXED COMP		1.0000	EACH	
4	P FS *	330-3068-48- -	RES 6.8K OHM 1/4W 10% FIXED COMP		26.0000	EACH	
5	FS #	330-3068- - -	RES 6.8K OHM 1/4W 10% FIXED COMP		1.0000	EACH	
4	P FS *	330-3082-48- -	RES 8.2K OHM 1/4W 10% FIXED COMP		1.0000	EACH	
5	FS #	330-3082- - -	RES 8.2K OHM 1/4W 10% FIXED COMP		1.0000	EACH	
4	IN	375-0017- - -	TSTR 2N3014 360MHV 40V SH NPN S 52		1.0000	EACH	
4	IN	375-1017- - -	TSTR 2N2906A 1.8W 60V SH PNP S 18		1.0000	EACH	
4	IN	375-1027- - -	TSTR 2N3725 0.8W 80V SH NPN S		1.0000	EACH	
4	IN	375-9001- - -	TRANSIPAD 8977887-1 LARGE	EC7394	1.0000	EACH	
4	IN	375-9004- - -	TRANSIPAD TO-18 (SMALL)	EC7394	2.0000	EACH	
4	IN	376-0081- - -	IC 7408 4 2 IN POS AND GATE		1.0000	EACH	
4	IN	376-0171- - -	IC 74148 8-3 LINE PRIORITY ENCODER		3.0000	EACH	
4	IN	376-9016- - -	IC 24 PIN SOCKET CAMBION		1.0000	EACH	
4	IN	376-9017- - -	IC 24 POS ANTI-WICKING WAFER		1.0000	EACH	
4	FS	380-6000- - -	DIO 1N4004 400V 1A RECT S D041		1.0000	EACH	
4	IN	510-7229- - -	7229 PRINTED CIRCUIT BOARD		1.0000	EACH	
3	IN	320-0049- - -	KEYBD CLICKER ASSY E-8600-40-016		1.0000	EACH	
3	IN	325-2450- - -	SWITCH,HALL EFFECT 1001SD4A2B		22.0000	EACH	
3	IN	325-2451- - -	SWITCH,HALL EFFECT 1001SD4B2K		3.0000	EACH	
3	IN	325-2452- - -	SWITCH,HALL EFFECT 1001SD4A2K		4.0000	EACH	
3	IN	325-2453- - -	SWITCH,HALL EFFECT 1001SD4B2B		45.0000	EACH	
3	IN	325-2454- - -	SWITCH,HALL EFFECT 1001SD4B3K		1.0000	EACH	
3	IN	325-2455- - -	SWITCH,HALL EFFECT 1001SD4B3A		3.0000	EACH	
3	IN	325-9051- - -	SPACE BAR MODULE SD10438		2.0000	EACH	
3	IN	325-9053- - -	SPACE BAR FELT PAD SW10117	EC5922	1.0000	EACH	
3	IN	370-0004- - -	1762 WHITE LAMP		1.0000	EACH	
3	IN	451-4456- - -	BRKT,CLICKER MTG(928W)B6841-100		1.0000	EACH	
3	IN	452-1052- - -	BEARING PLATE(928W)D6841-104		1.0000	EACH	
3	IN	458-0185- - -	722 LEVELING ROD B6409-59	EC5922	1.0000	EACH	
3	IN	462-0274- - -	SPCR 6-32UNC .250 OD .562 L HX 8		1.0000	EACH	
3	IN	550-0200- - -	KEYBUTTON BLANK 2SW52417 D6815-67	EC6608	1.0000	EACH	
3	IN	550-0201- - -	KEYBUTTON 1 2SW52418 C6815-66		1.0000	EACH	
3	IN	550-0202- - -	KEYBUTTON 2 2SW52419 C6815-66		1.0000	EACH	
3	IN	550-0203- - -	KEYBUTTON 3 2SW52420 C6815-66		1.0000	EACH	
3	IN	550-0204- - -	KEYBUTTON 4 2SW52421 C6815-66		1.0000	EACH	
3	IN	550-0205- - -	KEYBUTTON 5 2SW52422 C6815-66		1.0000	EACH	
3	IN	550-0206- - -	KEYBUTTON 6 2SW52423 C6815-66		1.0000	EACH	
3	IN	550-0207- - -	KEYBUTTON 7 2SW52424 C6815-66		1.0000	EACH	

D-50

ASSEMBLY PART NUMBER 177-9241- - -
 ASSEMBLY DESCRIPTION 5506-2 WK/ST W/HORIZ SCROLL

LEGEND
 1: P=PHANTOM; 2: ITEM MASTER DELY CODE; 3: *=TAGGED OUT OF KIT(PROD STR)

POSITION IN STRUCTURE	LEGEND			COMPONENT PART NUMBER	DESCRIPTION	E C N	QUANTITY PER ASSY	U/M	[ML
	1	2	3						
3	IN			550-0208- - -	KEYBUTTON * 8	2SW52425 C6815-66	1.0000	EACH	
3	IN			550-0209- - -	KEYBUTTON (9	2SW52426 C6815-66	1.0000	EACH	
3	IN			550-0210- - -	KEYBUTTON) 0	2SW52427 C6815-66	1.0000	EACH	
3	IN			550-0211- - -	KEYBUTTON - -	2SW52428 C6815-66	1.0000	EACH	
3	IN			550-0212- - -	KEYBUTTON + =	2SW52429 C6815-66	1.0000	EACH	
3	IN			550-0213- - -	KEYBUTTON Q	2SW52430 C6815-64	1.0000	EACH	
3	IN			550-0214- - -	KEYBUTTON W	2SW52431 C6815-64	1.0000	EACH	
3	IN			550-0215- - -	KEYBUTTON E	2SW52432 C6815-64	1.0000	EACH	
3	IN			550-0216- - -	KEYBUTTON R	2SW52433 C6815-64	1.0000	EACH	
3	IN			550-0217- - -	KEYBUTTON T	2SW52434 C6815-64	1.0000	EACH	
3	IN			550-0218- - -	KEYBUTTON Y	2SW52435 C6815-64	1.0000	EACH	
3	IN			550-0219- - -	KEYBUTTON U	2SW52436 C6815-64	1.0000	EACH	
3	IN			550-0220- - -	KEYBUTTON I	2SW52437 C6815-64	1.0000	EACH	
3	IN			550-0221- - -	KEYBUTTON O	2SW52438 C6815-64	1.0000	EACH	
3	IN			550-0222- - -	KEYBUTTON P	2SW52439 C6815-64	1.0000	EACH	
3	IN			550-0223- - -	KEYBUTTON A	2SW52440 D6815-67	1.0000	EACH	
3	IN			550-0224- - -	KEYBUTTON S	2SW52441 D6815-67	1.0000	EACH	
3	IN			550-0225- - -	KEYBUTTON D	2SW52442 D6815-67	1.0000	EACH	
3	IN			550-0226- - -	KEYBUTTON F	2SW52443 D6815-67	1.0000	EACH	
3	IN			550-0227- - -	KEYBUTTON G	2SW52444 D6815-67	1.0000	EACH	
3	IN			550-0228- - -	KEYBUTTON H	2SW52445 D6815-67	1.0000	EACH	
3	IN			550-0229- - -	KEYBUTTON J	2SW52446 D6815-67	1.0000	EACH	
3	IN			550-0230- - -	KEYBUTTON K	2SW52447 D6815-67	1.0000	EACH	
3	IN			550-0231- - -	KEYBUTTON L	2SW52448 D6815-67	1.0000	EACH	
3	IN			550-0232- - -	KEYBUTTON Z	2SW52449 C6815-64	1.0000	EACH	
3	IN			550-0233- - -	KEYBUTTON X	2SW52450 C6815-64	1.0000	EACH	
3	IN			550-0234- - -	KEYBUTTON C	2SW52451 C6815-64	1.0000	EACH	
3	IN			550-0235- - -	KEYBUTTON V	2SW52452 C6815-64	1.0000	EACH	
3	IN			550-0236- - -	KEYBUTTON B	2SW52453 C6815-64	1.0000	EACH	
3	IN			550-0237- - -	KEYBUTTON N	2SW52454 C6815-64	1.0000	EACH	
3	IN			550-0238- - -	KEYBUTTON M	2SW52455 C6815-64	1.0000	EACH	
3	IN			550-0239- - -	KEYBUTTON , ,	2SW52456 C6815-64	1.0000	EACH	
3	IN			550-0240- - -	KEYBUTTON . .	2SW52457 C6815-64	1.0000	EACH	
3	IN			550-0241- - -	KEYBUTTON ? /	2SW52458 C6815-64	1.0000	EACH	
3	IN			550-0242- - -	KEYBN LT&RT BRK	2SW52459 C6815-64	1.0000	EACH	
3	IN			550-0243- - -	KEYBUTTON GL	2SW52460 C6815-64	1.0000	EACH	
3	IN			550-0244- - -	KEYBUTTON : ;	2SW52461 D6815-67	1.0000	EACH	
3	IN			550-0245- - -	KEYBUTTON " '	2SW52462 D6815-67	1.0000	EACH	
3	IN			550-0246- - -	KEYBUTTON TAB	2SW52463 C6815-59	1.0000	EACH	
3	IN			550-0247- - -	KEYBUTTON SHIFT	2SW52464 C6815-80	1.0000	EACH	
3	IN			550-0248- - -	KEYBUTTON SHIFT	2SW52465 C6815-80	1.0000	EACH	
3	IN			550-0249- - -	KEYBUTTON LOCK	2SW52466 C6815-61	1.0000	EACH	
3	IN			550-0250- - -	KEYBN RETURN	2SW52467 C6815-60	1.0000	EACH	
3	IN			550-0251- - -	KEYBN BACKSPACE	2SW52468 C6815-65	1.0000	EACH	
3	IN			550-0252- - -	KEYBN SPACEBAR	2SW52469	1.0000	EACH	
3	IN			550-0253- - -	KEYBN IDENT	2SW52470 D6815-67	1.0000	EACH	
3	IN			550-0254- - -	KEYBN PAGE	2SW52471 D6815-67	1.0000	EACH	
3	IN			550-0255- - -	KEYBN CENTER	2SW52472 D6815-67	1.0000	EACH	
3	IN			550-0256- - -	KEYBN DEC TAB	2SW52473 D6815-67	1.0000	EACH	
3	IN			550-0257- - -	KEYBN FORMAT	2SW52474 D6815-67	1.0000	EACH	
3	IN			550-0258- - -	KEYBN MERGE	2SW52475 D6815-67	1.0000	EACH	
3	IN			550-0259- - -	KEYBN NOTE	2SW52476 D6815-67	1.0000	EACH	

D-51

ASSEMBLY PART NUMBER 177-9241- - -
 ASSEMBLY DESCRIPTION 5506-2 WK/ST W/HORIZ SCROLL

LEGEND
 1: P=PHANTOM; 2: ITEM MASTER DELY CODE; 3: *TAGGED OUT OF KIT(PROD STR)

POSITION IN STRUCTURE	LEGEND 1 2 3	COMPONENT PART NUMBER	DESCRIPTION	E C N	QUANTITY PER ASSY	U/M	IML
3	IN	550-0260- - -	KEYBN STOP 2SW52477 D6815-67		1.0000	EACH	
3	IN	550-0261- - -	KEYBN SRCH 2SW52478 D6815-67		1.0000	EACH	
3	IN	550-0262- - -	KEYBN REPLC 2SW52479 D6815-67		1.0000	EACH	
3	IN	550-0263- - -	KEYBN COPY 2SW52480 D6815-67		1.0000	EACH	
3	IN	550-0264- - -	KEYBN MOVE 2SW52481 D6815-67		1.0000	EACH	
3	IN	550-0265- - -	KEYBN COMMAND 2SW52482 D6815-67		1.0000	EACH	
3	IN	550-0266- - -	KEYBN GO TO PAGE 2SW52483 D6815-67		1.0000	EACH	
3	IN	550-0267- - -	KEYBN CANCEL 2SW52484 C6815-62		1.0000	EACH	
3	IN	550-0268- - -	KEYBN EXECUTE 2SW52485 C6815-63		1.0000	EACH	
3	IN	550-0269- - -	KEYBN INSERT 2SW52486 D6815-67		1.0000	EACH	
3	IN	550-0270- - -	KEYBN PREV SCR 2SW52487 D6815-67		1.0000	EACH	
3	IN	550-0271- - -	KEYBN DELETE 2SW52488 D6815-67		1.0000	EACH	
3	IN	550-0272- - -	KEYBN NEXT SCR 2SW52489 D6815-67		1.0000	EACH	
3	IN	550-0273- - -	KEYBN ARROW 2SW52490 D6815-67		4.0000	EACH	
3	IN	550-0320- - -	KEYBN U/C ARW UP L/C ARW 2SW5272 67	EC6608	1.0000	EACH	
3	IN	650-3280- - -	SCR 6-32 7/8 PHIL PH MS SS	EC7415	1.0000	EACH	
3	IN	651-0023- - -	SCR#2X3/16 PLASTITE PAN HD PHIL	EC5922	27.0000	EACH	
3	IN	652-0032- - -	6-32 LOCK-NUT KEPS 511-061800-00	EC9615	2.0000	EACH	
3	IN	652-0066- - -	10-32 NUT RETAINER		3.0000	EACH	
3	IN	654-0126- - -	FAST-ON TERMINAL AMP #60465-2	EC9615	1.0000	EACH	
3	FS *	660-0005- - -	ELECTRICAL TAPE VINYL 3/4" BLACK	EC5922	.5000	ROLL	
3	IN	660-0085- - -	SPONGE TAPE 1/2 X 3/4 NEOPRENE	EC5922	.0800	FEET	
2	IN	272-0004- - -	928W2 BEZEL ASSY(ALUM TAPE) 6841-31		1.0000	EACH	
3	IN	000-0011- - -	LABOR QUALITY CONTROL		.0360		
3	IN	000-0024- - -	LABOR PREP AREA		.1780	EACH	
3	IN	449-0111-5 - -	BEZEL,12" CRT (GREEN) E6646-104	EC8420	1.0000	EACH	
3	IN	660-0028-11- -	TAPE,ST SHLD 7"X10 1/4" E6841-132	EC7391	1.0000	EACH	
3	IN	660-0028-12- -	TAPE,ST SHLD 2 1/2"X10 1/4"E6841-121	EC7391	1.0000	EACH	
3	IN	660-0028-13- -	TAPE,ST SHLD 2"X12" E6841-128	EC7391	1.0000	EACH	
2	IN	279-0323- - -	114 COVER ASSY (ALUM TAPE)		1.0000	EACH	
3	IN	000-0011- - -	LABOR QUALITY CONTROL		.0670		
3	IN	000-0024- - -	LABOR PREP AREA		.3330	EACH	
3	IN	449-0092- - -	2220 CRT COVER(OPEN VENTS)E6621-62		1.0000	EACH	
3	IN	660-0028-1 - -	TAPE,ST SHLD 9 3/4"X15" E6841-120		2.0000	EACH	
3	IN	660-0028-2 - -	TAPE,ST SHLD 12"X16" E6841-119		2.0000	EACH	
3	IN	660-0028-3 - -	TAPE,ST SHLD 2 1/2"X12" E6841-135		2.0000	EACH	
3	IN	660-0028-4 - -	TAPE,ST SHLD 3 1/4"X22" E6841-127		1.0000	EACH	
2	IN	279-1015- - -	928WZ BASE ASSY(ALUM TAPE) 6841-30		1.0000	EACH	
3	IN	000-0011- - -	LABOR QUALITY CONTROL		.1240		
3	IN	000-0024- - -	LABOR PREP AREA		.6190	EACH	
3	IN	449-0095- - -	2220 BASE C6621-36		1.0000	EACH	
3	IN	451-2134- - -	COVER,BOTTOM(E&F)D6829-122		1.0000	EACH	
3	IN	651-0402- - -	RIVET AVDEL 11210615 3/16 X 7/16 LG		4.0000	EACH	
3	IN	651-0430- - -	AVEX RIVET 1601-0414		16.0000	EACH	
3	IN	651-1010- - -	SONIC SERT POLMAN #313132		4.0000	EACH	
3	IN	655-0205- - -	BUMPER,WHITE #2096SW		4.0000	EACH	
3	IN	660-0028-10- -	TAPE,ST SHLD 1 1/4"X7" E6841-133	EC7391	6.0000	EACH	
3	IN	660-0028-5 - -	TAPE,ST SHLD 1 3/4"X2 3/4"E6841-122	EC7391	2.0000	EACH	
3	IN	660-0028-6 - -	TAPE,ST SHLD 4"X11 1/2" E6841-130	EC7391	1.0000	EACH	

D-52

ASSEMBLY PART NUMBER 177-9241- - -

LEGEND

ASSEMBLY DESCRIPTION 5506-2 WK/ST W/HORIZ SCROLL

1: P=PHANTOM; 2: ITEM MASTER DELY CODE; 3: *=TAGGED OUT OF KIT(PROD STR)

POSITION IN STRUCTURE	LEGEND			COMPONENT PART NUMBER	DESCRIPTION	E C N	QUANTITY PER ASSY	U/M	IML
	1	2	3						
3	IN			660-0028-7 - -	TAPE,ST SHLD 1 3/8"X11 1/2E6841-134	EC7391	1.0000	EACH	
3	IN			660-0028-8 - -	TAPE,ST SHLD 1 1/2"X17 1/2E6841-129	EC7391	1.0000	FACH	
3	IN			660-0028-9 - -	TAPE,ST SHLD 2 1/2"X7" E6841-131	EC7391	2.0000	EACH	
2	IN			320-0300- - -	SPEAKER 3 IN 8 OHM MAGNETIC SQUARE		1.0000	EACH	
2	IN			360-1025-SB- - -	FUSE 2 1/2 AMP 250V SB CERAMC 3AG		1.0000	EACH	
2	IN			451-1093- - -	CHASSIS CRT(22261D6646-100		1.0000	EACH	
2	IN			452-0129- - -	PLATE,KBD STATIC 928-2236 B6841-136	EC9742	1.0000	EACH	
2	IN			452-2337-5 - -	FINISHING P/LT GRN(928)D6841-102		1.0000	EACH	
2	IN			452-2517- - -	700 PROGRAM CLAMPS B5900-39 (2		2.0000	EACH	
2	IN			462-0265- - -	SPACER,PC BOARD(E/F)C6815-13		5.0000	EACH	
2	IN			478-0061- - -	700 PROGRAM CLAMP NUTS B5900-27 (2		2.0000	EACH	
2	IN			478-0323-5 - -	PLUG KYBD CHAR GRN(928W) B6841-105		1.0000	EACH	
2	IN			615-0390- - -	PROGRAM STRIP(SILK SCR) C6857-2		1.0000	EACH	
2	IN			615-1088- - -	LABEL HORIZONTAL SCROLL B6611-86		1.0000	EACH	
2	IN			650-2101- - -	SCR 4-40 5/16 PHIL FLAT H MS SS	EC9742	2.0000	EACH	
2	IN			650-3120- - -	6-32 X 3/8 PAN HD PHL MS SS SEMS		1.0000	EACH	
2	IN			650-3121- - -	SCR 6-32 3/8 PHIL FLAT H MS SS	EC9623	4.0000	EACH	
2	IN			650-3161- - -	SCR 6-32 1/2 PHIL FLAT H MS SS		4.0000	EACH	
2	IN			650-3169- - -	6-32 X 1/2 TRUSS HD MS PARKERIZE		2.0000	EACH	
2	IN			650-4133- - -	8-32 X 3/8 FLANGE WHIZ-LOCK MS ZINC		4.0000	EACH	
2	IN			650-4169- - -	8-32 X 1/2 TRUSS HD PHIL PARK SCREW	EC9623	2.0000	EACH	
2	IN			650-6121- - -	10-32X3/8 TRUSS HD PHL MS SS		4.0000	EACH	
2	IN			650-6241- - -	SCR 10-32 3/4 PHIL FLAT H MS SS		3.0000	EACH	
2	IN			650-6242- - -	10-32X3/4 TRHD PHL MS NYLOCK CAD PL		2.0000	EACH	
2	IN			650-6360-W - -	10-32X1 1/8 TRUSS HD PHL SS(WHITE)		2.0000	EACH	
2	IN			652-0029- - -	8-32 LOCK-NUT KEPS 511-081800-50	EC9623	2.0000	EACH	
2	IN			653-4006- - -	WASH 8 .176ID .381OD INT EXT ST		3.0000	FACH	
2	IN			653-6022- - -	WASHER, #10 SPRING	EC9615	4.0000	FACH	
2	IN			654-0126- - -	FAST-ON TERMINAL AMP #60465-2	EC9754	1.0000	EACH	
2	IN			654-1274- - -	CABLE CLAMP ADH.BACK DKLSP 021-0375		1.0000	EACH	
2	IN			655-0157- - -	612/712 KNOB ALCO KN7008A		2.0000	EACH	
2	IN			690-0317- - -	POLY BAG,5"X6.5"X1.5" 2.5 MIL THK	EC9754	1.0000	FACH	

D-53

ASSEMBLY PART NUMBER 187-9237-W - -
 ASSEMBLY DESCRIPTION 114 PRINTER WANG 5541

LEGEND
 1: P=PHANTOM; 2: ITEM MASTER DELY CODE; 3: *-TAGGED OUT OF KIT(PROD)

POSITION IN STRJCTURE	LFGEND			COMPONENT PART NUMBER	DESCRIPTION	E C N	QUANTITY PER ASSY	U/M	INL
	1	2	3						
1		IN		210-7360- - -	7360 SERVO CONTROL BOARD		1.0000	EACH	
2		IN		000-0001- - -	LABOR SUB-SYSTEMS		5.5000		
2		IN		000-0011- - -	LABOR QUALITY CONTROL		1.1000		
2		IN		300-1100- - -	CAP 100 PF 10% 500 V CERAMIC DISC	EC8693	1.0000	EACH	
2		IN		300-1330- - -	CAP 330 PF 10% 500 V CERAMIC DISC	EC8693	1.0000	EACH	
2		IN		300-1900- - -	CAP .05 UF +80-20% 12 V CERAMIC D	EC7857	12.0000	EACH	
2		IN		300-1903- - -	CAP .01 UF +80-20% 25 V CERAMIC D	EC9236	2.0000	EACH	
2		IN		300-1904- - -	CAP .02 UF +80-20% 25 V CERAMIC D	EC9236	1.0000	EACH	
2		IN		300-1927- - -	CAP .022 UF 10% 100 V CERAMIC MONO	EC9236	2.0000	EACH	
2		IN		300-1931- - -	1 UF CERAMIC CAPACITOR(HIGH FREQ)	EC9236	35.0000	EACH	
2		IN		300-1933- - -	.0022 UF 200V 10% CERAMIC CAPACITOR	EC8588	1.0000	EACH	
2		IN		300-1940- - -	CAP .001UF CERAMIC 6KV	EC9236	1.0000	EACH	
2		IN		300-1941- - -	.033UF 50VDC 10% REC.(81W)	EC9236	1.0000	EACH	
2		IN		300-1942- - -	.0015UF 100VDC 10% REC.(81W)	EC8693	1.0000	EACH	
2		IN		300-3010- - -	CAP 50 UF 50V -10+75% ELECT AXIAL	EC9236	1.0000	EACH	
2		IN		300-4013- - -	CAP 1.2 UF 35 V 10% TANT AXIAL	EC8309	1.0000	EACH	
2		IN		300-4022- - -	CAP 15.0 UF 20 V 10% TANT AXIAL	EC9236	3.0000	EACH	
2		P FS	*	330-1010-4B- - -	RES 10 OHM 1/4W 10% FIXED COMP	EC8309	9.0000	EACH	
3		FS	*	330-1010- - -	RES 10 OHM 1/4W 10% FIXED COMP		1.0000	EACH	
2		IN		330-1022- - -	RES 22 OHM 1/4W 10% FIXED COMP	EC9236	1.0000	EACH	
2		P FS	*	330-2022-4B- - -	RES 220 OHM 1/4W 10% FIXED COMP		3.0000	EACH	
3		FS	*	330-2022- - -	RES 220 OHM 1/4W 10% FIXED COMP		1.0000	EACH	
2		P FS	*	330-2047-4B- - -	RES 470 OHM 1/4W 10% FIXED COMP	EC8913	1.0000	EACH	
3		FS	*	330-2047- - -	RES 470 OHM 1/4W 10% FIXED COMP		1.0000	EACH	
2		P FS	*	330-3010-4B- - -	RES 1K OHM 1/4W 10% FIXED COMP	EC8913	2.0000	EACH	
3		FS	*	330-3010- - -	RES 1K OHM 1/4W 10% FIXED COMP		1.0000	EACH	
2		P FS	*	330-3022-4B- - -	RES 2.2K OHM 1/4W 10% FIXED COMP	EC8588	21.0000	EACH	
3		FS	*	330-3022- - -	RES 2.2K OHM 1/4W 10% FIXED COMP		1.0000	EACH	
2		P FS	*	330-3047-4B- - -	RES 4.7K OHM 1/4W 10% FIXED COMP	EC9236	14.0000	EACH	
3		FS	*	330-3047- - -	RES 4.7K OHM 1/4W 10% FIXED COMP		1.0000	EACH	
2		P FS	*	330-4010-4B- - -	RES 10K OHM 1/4W 10% FIXED COMP	EC9473	4.0000	EACH	
3		FS	*	330-4010- - -	RES 10K OHM 1/4W 10% FIXED COMP		1.0000	EACH	
2		P FS	*	330-4047-4B- - -	RES 47K OHM 1/4W 10% FIXED COMP	EC8588	1.0000	EACH	
3		FS	*	330-4047- - -	RES 47K OHM 1/4W 10% FIXED COMP		1.0000	EACH	
2		P FS	*	330-5010-4B- - -	RES 100K OHM 1/4W 10% FIXED COMP	EC8309	2.0000	EACH	
3		FS	*	330-5010- - -	RES 100K OHM 1/4W 10% FIXED COMP		1.0000	EACH	
2		FS		330-6010- - -	RES 1M OHM 1/4W 10% FIXED COMP	EC9236	1.0000	EACH	
2		IN		333-0058- - -	RES 681 OHM 1/8W 1% FIXED FILM	EC9473	8.0000	EACH	
2		IN		333-3060- - -	RES 4.02K OHM 1/8W 1% FIXED FILM	EC7857	4.0000	EACH	
2		IN		333-3062- - -	RES 249K OHM 1/8W 1% FIXED FILM	EC9236	1.0000	EACH	
2		IN		333-0064- - -	RES 56.2K OHM 1/8W 1% FIXED FILM	EC8101	9.0000	EACH	
2		IN		333-0071- - -	RES 698K OHM 1/8W 1% FIXED FILM	EC8797	2.0000	EACH	
2		IN		333-0074- - -	RES 422K OHM 1/8W 1% FIXED FILM	EC9473	8.0000	EACH	

D-54

ASSEMBLY PART NUMBER 197-9237-W - -
 ASSEMBLY DESCRIPTION 114 PRINTER WANG 5541

LEGEND

1: P=PHANTOM; 2: ITEM MASTER DELY CODE; 3: *=TAGGED OUT OF KIT(PROD STR)

POSITION IN STRJCTURE	LEGEND 1 2 3	COMPONENT PART NUMBER	DESCRIPTION	E C N	QUANTITY PER ASSY	U/M	INL
2	IN	333-3075-	RES 348K OHM 1/8W 1% FIXED FILM	EC8693	2.0000	EACH	
2	IN	333-0079-	RES 63.4K OHM 1/8W 1% FIXED FILM	EC8797	9.0000	EACH	
2	IN	333-0080-	RES 32.4K OHM 1/8W 1% FIXED FILM	EC9473	19.0000	EACH	
2	IN	333-0081-	RES 16.2K OHM 1/8W 1% FIXED FILM	EC8309	4.0000	EACH	
2	IN	333-0082-	RES 3.16M OHM 1/4W 1% FIXED FILM	EC8101	6.0000	EACH	
2	IN	333-0083-	RES 1.58M OHM 1/4W 1% FIXED FILM	EC8693	5.0000	EACH	
2	IN	333-0084-	RES 1.05M OHM 1/4W 1% FIXED FILM	EC9236	4.0000	EACH	
2	IN	333-0086-	RES 105K OHM 1/8W 1% FIXED FILM	EC8101	24.0000	EACH	
2	IN	333-0087-	RES 162K OHM 1/8W 1% FIXED FILM	EC8693	1.0000	EACH	
2	IN	333-0088-	RES 5.11K OHM 1/8W 1% FIXED FILM	EC8101	7.0000	EACH	
2	IN	333-0089-	RES 1K OHM 1/8W 1% FIXED FILM	EC9473	7.0000	EACH	
2	IN	333-0090-	RES 10K OHM 1/8W 1% FIXED FILM	EC9473	11.0000	EACH	
2	IN	333-0093-	RES 2.37K OHM 1/8W 1% FIXED FILM	EC9236	2.0000	EACH	
2	IN	333-3095-	RES 82.5K OHM 1/8 WATT 1% FIXED FLM	EC8693	9.0000	EACH	
2	IN	333-0096-	RES 12.7K OHM 1/8 WATT 1% FIXED FLM	EC9473	6.0000	EACH	
2	IN	333-0097-	RES 16.9K OHM 1/8 WATT 1% FIXED FLM	EC8693	5.0000	EACH	
2	IN	333-0098-	RES 26.7K OHM 1/8 WATT 1% FIXED FLM	EC9473	2.0000	EACH	
2	IN	333-0099-	RES 210K OHM 1/8 WATT 1% FIXED FILM	EC9236	5.0000	EACH	
2	IN	333-0107-	RES 1.5K OHM 1/8 WATT 1%	EC9435	15.0000	EACH	
2	IN	333-0108-	RES 18.2K OHM 1/8 WATT 1%	EC8693	2.0000	EACH	
2	IN	333-0109-	RES 46.4K OHM 1/8 WATT 1%	EC8797	2.0000	EACH	
2	IN	333-0111-	RES 2K OHM 1/8 WATT 1%	EC9435	5.0000	EACH	
2	IN	333-0112-	RES 10.5K OHM 1/8 WATT 1% FIXED FLM	EC9473	4.0000	EACH	
2	IN	333-0113-	RES 8.06K OHM 1/8 WATT 1% FIXED FLM	EC8496	4.0000	EACH	
2	IN	333-0114-	RES 21K OHM 1/8W 1% METAL FILM	EC9473	1.0000	EACH	
2	IN	333-0116-	RES 68.1K OHM 1/8 WATT 1% METAL FLM	EC8693	1.0000	EACH	
2	IN	333-0117-	RES 2.21M OHM 1/4 WATT 1% FIXED FLM	EC9332	1.0000	EACH	
2	IN	374-0001-	IC REG UA 7805 +5V TO-220	EC8101	1.0000	EACH	
2	IN	375-0017-	TSTR 2N3014 360MW 40V SH NPN S 52	EC8101	1.0000	EACH	
2	IN	376-0002-	IC 7400N 4 2 IV POS NAND GATE	EC9236	1.0000	EACH	
2	IN	376-0010-	IC 7404N HEX INVERTER	EC9236	1.0000	EACH	
2	IN	376-0053-	IC 74193 SYN 4 BIT UP DOWN COUNTER	PATREL	8.0000	EACH	
2	IN	376-0055-	IC 7406 HEX INV BUF DRIVERS HV OUT	PATREL	4.0000	EACH	
2	IN	376-0073-	IC 7490 DECADE COUNTER	PATREL	1.0000	EACH	
2	IN	376-0104-	IC 9602 2 RETRIG RESET MONDSTBL MVB	EC9236	1.0000	EACH	
2	IN	376-0139-	IC 7414 HEX SCHMITT TRIGGER	EC9236	3.0000	EACH	
2	IN	376-0158-	IC 74LS155 2 2 4 LINE DECODER MX	PATREL	2.0000	EACH	
2	IN	376-0187-	IC 72747 2 GEN PURPOSE OPER AMP	EC8797	20.0000	EACH	
2	IN	376-0188-	IC 74279 4 S-R LATCH	PATREL	1.0000	EACH	
2	IN	376-0195-	DG2008A I.C.	EC8797	9.0000	EACH	
2	IN	376-0226-	IC 74LS139 2 2-4 LINE DECODE	PATREL	4.0000	EACH	
2	IN	376-0236-	IC 74LS164 8 BIT PAR OUT SERIAL	PATREL	7.0000	EACH	
2	IN	376-0266-	IC SN74132N SCHMITT-TRIG POS NAN	EC9236	1.0000	EACH	
2	P FS *	380-1001-4B-	D035 SIL DIODE 30V, 100MA AT 1V .4B	EC8797	47.0000	EACH	
2	FS	380-1001-R	D035 SIL DIODE 30V, 100MA AT 1V T&R		1.0000	EACH	
2	IN	380-2033-	D10 ZEN 1N746 A 3.3V 400MW S D0-7	EC8588	1.0000	EACH	
2	FS	380-4000-	D10 1N4004 400V 1A RECT S D041	EC8101	2.0000	EACH	
2	IN	510-7350-	7350 PRINTED CIRCUIT BOARD	PATREL	1.0000	EACH	
2	IN	654-0106-	CONN HEADER 6 .100 1ROW STR PIN	PATREL	2.0000	EACH	
1	IN	210-7351-A	PCB ASSY 81W/W4P PTR CONTROLLER		1.0000	EACH	

D-55

ASSEMBLY PART NUMBER 187-9237-W - -
 ASSEMBLY DESCRIPTION 114 PRINTER WANG 5541

LEGEND

1: P=PHANTOM; 2: ITEM MASTER DELY CODE; 3: A=TAGGED OUT OF KIT(PROD STR)

POSITION IN STRJCTURE	LEGEND 1 2 3	COMPONENT PART NUMBER	DESCRIPTION	E C N	QUANTITY PER ASSY	U/M	INL
2	P IN	209-7361- - -	PCB ASSY 81W/WJP PTR CONTROLLER		1.0000	EAC	
3	IN	000-0001- - -	LABOR SUB-SYSTEMS		2.0000		
3	IN	000-0011- - -	LABOR QUALITY CONTROL		.4000		
3	IN	300-1900- - -	CAP .05 UF +80-20% 12 V CERAMIC D	PATREL	30.0000	EACH	
3	IN	300-1903- - -	CAP .01 UF +80-20% 25 V CERAMIC D	EC8226	3.0000	EACH	
3	IN	300-1930- - -	.1 UF 50V +80-20% CERAMIC CAP(HIFREQ)	EC8226	10.0000	EACH	
3	IN	300-1931- - -	1 UF CERAMIC CAPACITOR(HIGH FREQ)	EC9838	2.0000	EACH	
3	IN	300-1941- - -	.033UF 50VDC 10% REC.(81W)	EC8796	2.0000	EACH	
3	IN	300-4022- - -	CAP 15.0 UF 20 V 10% TANT AXIAL	EC9446	8.0000	EACH	
3	IN	300-5006- - -	CAP 1000 PF 5% 100 V MICA DIPPED	EC9446	2.0000	EACH	
3	IN	321-0018- - -	CRYSTAL 17.1 5 % QUARTZ HC-18/U	EC9446	1.0000	EACH	
3	FS	330-2010- - -	RES 100 OHM 1/4W 10% FIXED COMP	EC8226	2.0000	EACH	
3	P FS *	330-2022-4B- - -	RES 220 OHM 1/4W 10% FIXED COMP		2.0000	EACH	
4	FS *	330-2022- - -	RES 220 OHM 1/4W 10% FIXED COMP		1.0000	EACH	
3	FS	330-2027- - -	RES 270 OHM 1/4W 10% FIXED COMP	EC9446	2.0000	EACH	
3	P FS *	330-2033-4B- - -	RES 330 OHM 1/4W 10% FIXED COMP		2.0000	EACH	
4	FS *	330-2033- - -	RES 330 OHM 1/4W 10% FIXED COMP		1.0000	EACH	
3	P FS *	330-3010-4B- - -	RES 1K OHM 1/4W 10% FIXED COMP		5.0000	EACH	
4	FS *	330-3010- - -	RES 1K OHM 1/4W 10% FIXED COMP		1.0000	EACH	
3	P FS *	330-3022-4B- - -	RES 2.2K OHM 1/4W 10% FIXED COMP	EC8226	1.0000	EACH	
4	FS *	330-3022- - -	RES 2.2K OHM 1/4W 10% FIXED COMP		1.0000	EACH	
3	P FS *	330-3047-4B- - -	RES 4.7K OHM 1/4W 10% FIXED COMP	EC9446	18.0000	EACH	
4	FS *	330-3047- - -	RES 4.7K OHM 1/4W 10% FIXED COMP		1.0000	EACH	
3	P FS *	330-4010-4B- - -	RES 10K OHM 1/4W 10% FIXED COMP	EC9446	4.0000	EACH	
4	FS *	330-4010- - -	RES 10K OHM 1/4W 10% FIXED COMP		1.0000	EACH	
3	P FS *	330-4018-4B- - -	RES 1.1K OHM 1/4W 10% FIXED COMP		1.0000	EACH	
4	FS *	330-4018- - -	RES 18K OHM 1/4W 10% FIXED COMP		1.0000	EACH	
3	P FS *	330-4022-4B- - -	RES 22K OHM 1/4W 10% FIXED FILM	EC9838	1.0000	EACH	
4	FS *	330-4022- - -	RES 22K OHM 1/4W 10% FIXED FILM		1.0000	EACH	
3	FS	330-4047- - -	RES 47K OHM 1/4W 10% FIXED COMP	EC8226	1.0000	EACH	
3	P FS *	330-5010-4B- - -	RES 100K OHM 1/4W 10% FIXED COMP	EC9838	1.0000	EACH	
4	FS *	330-5010- - -	RES 100K OHM 1/4W 10% FIXED COMP		1.0000	EACH	
3	IN	330-5033- - -	RES 330K OHM 1/4W 10% FIXED COMP	EC9446	1.0000	EACH	
3	IN	333-0068- - -	RES 3.01K OHM 1/8W 1% FIXED FILM	EC9446	4.0000	EACH	
3	IN	333-0090- - -	RES 10K OHM 1/8W 1% FIXED FILM	EC9446	2.0000	EACH	
3	IN	333-0094- - -	RES 6.04K OHM 1/8W 1% FIXED FILM	EC9446	4.0000	EACH	
3	IN	333-0109- - -	RES 46.4K OHM 1/8 WATT 1%	EC8796	2.0000	EACH	
3	IN	375-3017- - -	TSTR 2N3014 360MW 40V SH NPN S 52	EC9446	3.0000	EACH	
3	IN	375-9004- - -	TRANSIPAD TO-18 (SMALL)	EC9446	3.0000	EACH	
3	IN	375-0008- - -	IC 74424 4 LINE-10 LINE DECODER		1.0000	EACH	
3	IN	376-0053- - -	IC 74193 SYN 4 BIT UP DOWN COUNTER	EC9838	1.0000	EACH	
3	IN	376-0055- - -	IC 7406 HEX INV BUF DRIVERS HV OUT		1.0000	EACH	
3	IN	375-0076- - -	IC 75150P 2 LINE DRIVER	PATREL	2.0000	EACH	

ASSEMBLY PART NUMBER 187-9237-W - -
 ASSEMBLY DESCRIPTION 114 PRINTER WANG 5541

LEGEND
 1: P-PHANTOM; 2: ITEM MASTER DELY CODE; 3: *-TAGGED OUT OF KIT(PROD STR)

POSITION IN STRUCTURE	LEGEND 1 2 3	COMPONENT PART NUMBER	DESCRIPTION	E C N	QUANTITY PER ASSY	U/M	INL
3	IN	376-0081-	IC 7408 4 2 IN POS AND GATE	EC9446	3.0000	EACH	
3	IN	376-0093-	IC 7432 4 2 IN OR GATE	PATREL	1.0000	EACH	
3	IN	376-0098-	IC 74174 HEX D TYPE FLIP FLOP	EC9446	1.0000	EACH	
3	IN	376-0104-	IC 9602 2 RETRIG RESET MONJSTBL MVB	EC9446	3.0000	EACH	
3	IN	376-0108-	IC 9314 4 LATCH		1.0000	EACH	
3	IN	376-0139-	IC 7414 HEX SCHMITT TRIGGER		1.0000	EACH	
3	IN	376-0155-	IC 74LS74 2 D TYPE EDGE TRIG FF	EC9446	5.0000	EACH	
3	IN	376-0159-	IC 74LS174 HEX D TYPE FLIP FLOP	EC9446	2.0000	EACH	
3	IN	376-0160-	IC 74LS175 4 D TYPE EDGE TRIG F/F		3.0000	EACH	
3	IN	376-0180-	IC 74LS04 HEX INVERTER		3.0000	EACH	
3	IN	376-0183-	IC 74173 4 BIT D TYPE REG 3 STATE	EC9446	3.0000	EACH	
3	IN	376-0192-	IC 74LS367 HEX BUS DRIVER 3 STATE	EC9446	5.0000	EACH	
3	IN	376-0193-	IC 74LS368 HEX BUS DRIVER 3 STATE	EC9446	1.0000	EACH	
3	IN	376-0195-	062008A I.C.		1.0000	EACH	
3	IN	376-0207-	IC 74LS00 4 2 IN POS NAND GATE	EC9446	4.0000	EACH	
3	IN	376-0208-	IC 74LS02 4 2 IN POS NOR GATE	PATREL	1.0000	EACH	
3	IN	376-0211-	IC 74LS32 4 2 IN POS OR GATE	EC7973	4.0000	EACH	
3	IN	376-0212-	IC 74LS42 BCD TO DEC DECODER	EC9446	4.0000	EACH	
3	IN	376-0220-	IC 74LS193 SYN 4 BIT UP DOWN CTR	PATREL	4.0000	EACH	
3	IN	376-0226-	IC 74LS139 2 2-4 LINE DECODE		1.0000	EACH	
3	IN	376-0231-	IC 74LS86 4 2 IN EXCLUSIVE OR GATE		1.0000	EACH	
3	IN	376-0286-	IC 74LS374 8 LATCHES W/TR ST OUTP		4.0000	EACH	
3	IN	376-0288-	IC 74LS244 ACTUAL BUF/LINE DR 3 OUT		1.0000	EACH	
3	IN	376-0290-	IC UA901E PC D/A CONVERTER		2.0000	EACH	
3	IN	376-9002-	IC 16 PIN SOCKET BURNDY	EC9838	1.0000	EACH	
3	IN	376-9003-	IC 24 PIN SOCKET BURNDY		6.0000	EACH	
3	IN	376-9011-	IC 40 PIN SOCKET BURNDY # DILBZ40P1	EC9446	1.0000	EACH	
3	IN	376-9014-	IC 18 PIN SOCKET	EC9838	2.0000	EACH	
3	IN	376-9015-	IC 28 PIN SOCKET BURNDY	EC9838	1.0000	EACH	
3	P FS	380-1001-4B-	0035 SIL DIODE 30V, 100MA AT 1V .4B	EC9446	2.0000	EACH	
4	FS	380-1001-R	0035 SIL DIODE 30V, 100MA AT 1V T&R		1.0000	EACH	
3	IN	510-7361-	7361 PCB R1W/WMP PTP CONTROLLER		1.0000	EACH	
2	FS	377-0269-	8080A MICROPROCESSOR		1.0000	EACH	
2	WC	377-0337-	8224 I.C.		1.0000	EACH	
2	WC	377-0338-	8220 I.C.	PATREL	1.0000	EACH	
2	IN	377-0341-	2114 1024X4 BIT STATIC RAM		2.0000	EACH	
2	IN	378-2268-	MICROCODE VERSION S1-2 L9 81W	EC9737	1.0000	EACH	
3	FS	377-0317-	2708 INTEL PROM		1.0000	EACH	
2	IN	378-2269-	MICROCODE VERSION S2-2 L8 81W	EC9737	1.0000	EACH	
3	FS	377-0317-	2708 INTEL PROM		1.0000	EACH	
2	IN	378-2270-	VELOCITY PROFILE "X" L12	EC9737	1.0000	EACH	
3	FS	377-0317-	2708 INTEL PROM		1.0000	EACH	
2	IN	378-2271-	VELOCITY PROFILE "Z" L15	EC9737	1.0000	EACH	
3	FS	377-0317-	2708 INTEL PROM		1.0000	EACH	
1	IN	210-7364-	7364 P.S. REGULATOR, MDL 81W		1.0000	EACH	
2	IN	000-0001-	LABOR SUB-SYSTEMS		5.5000		

D-57

ASSEMBLY PART NUMBER 187-9237-W - -
 ASSEMBLY DESCRIPTION 114 PRINTER WANG 5541

LEGEND
 1: P=PHANTOM; 2: ITEM MASTER DELY CODE; 3: *=TAGGED OUT OF KIT(PROD STR)

POSITION IN STRJCTURE	LEGEND			COMPONENT PART NUMBER	DESCRIPTION	E C N	QUANTITY PER ASSY	U/M	I/M
	1	2	3						
2		IN		000-0011-	--		1.1000		
2		IN		270-0397-	--	EC9691	1.0000	EACH	
3		IN		270-3106-	--		1.0000	EACH	
4		P FS		500-0002-	--	C6482-329	1.2100	FEET	
5		FS		600-0009-	--		1.0000	FEET	
4		P FS		600-0005-	--		.9500	FEET	
5		FS		600-0009-	--		1.0000	FEET	
4		P FS		600-0006-	--		1.7000	FEET	
5		FS		600-0009-	--		1.0000	FEET	
4		P FS		600-0008-	--		1.3900	FEET	
5		FS		600-0009-	--		1.0000	FEET	
4		P FS		600-7000-	--		1.0200	FEET	
5		FS		600-7009-	--		1.0000	FEET	
4		FS		605-1004-	--		5.0000	EACH	
4		IN		654-1148-	--		1.9000	EACH	
4		IN		554-1150-	--		1.0000	EACH	
4		FS		654-1163-R	--		5.0000	EACH	
3		IN		270-3107-	--	C6482-330	1.0000	EACH	
4		P FS		500-0000-	--		1.1700	FEET	
4		P FS		600-0002-	--		1.7000	FEET	
5		FS		600-0009-	--		1.0000	FEET	
4		P FS		600-0003-	--		1.5400	FEET	
5		FS		600-0009-	--		1.0000	FEET	
4		P FS		600-0004-	--		1.7000	FEET	
5		FS		600-0009-	--		1.0000	FEET	
4		P FS		600-0005-	--		1.6200	FEET	
5		FS		600-0009-	--		1.0000	FEET	
4		P FS		600-0006-	--		1.3300	FEET	
5		FS		600-0009-	--		1.0000	FEET	
4		P FS		600-0007-	--		1.3700	FEET	
5		FS		600-0009-	--		1.0000	FEET	
4		FS		600-0009-	--		1.6200	FEET	
4		FS		605-1004-	--		9.0000	EACH	
4		FS		654-1163-R	--		8.0000	EACH	
4		IN		554-1189-	--		1.0000	EACH	
3		IN		334-0017-	--		2.0000	EACH	
3		IN		334-0034-	--		4.0000	EACH	
3		IN		360-0008-	--		1.0000	EACH	
3		IN		375-1046-	--		2.0000	EACH	

ASSEMBLY PART NUMBER 187-9237-W - -
 ASSEMBLY DESCRIPTION 114 PRINTER WANG 5541

LEGEND
 1: P-PHANTOM; 2: ITEM MASTER DELY CODE; 3: *-TAGGED OUT OF KIT(PROD STR)

POSITION IN STRJCTURE	LEGEND			COMPONENT PART NUMBER	DESCRIPTION	E C N	QUANTITY PER ASSY	U/M	IML
	1	2	3						
3		IN		375-1047- - -	TRANSISTOR 2N6285 (TO-3)		1.0000	EACH	
3		IN		375-9014- - -	INSULATOR XTOR MOUNT WECKERESSER TM-1		3.0000	EACH	
3		IN		375-9020- - -	MICA USHR (LARGE) FOR POWER X1STORS		3.0000	EACH	
3		IN		462-0193- - -	INSULATED STANDOFF (FORKED)		2.0000	EACH	
3		IN		478-0436- - -	EXTRUSION MACHING HEATSINK 36631-701		1.0000	EACH	
3		P FS		600-0000- - -	WIRE 18 GA BLACK UL		.7500	FEET	
3		FS		600-9018- - -	WIRE 18 GA TINNED COPPER BUS (UL)		.6600	FEET	
3		FS		605-0010- - -	TUBING PVC #8 CLEAR		.2100	FEET	
3		FS		605-0127- - -	TEFLON TUBING #16 PENNTUBE		.4200	FEET	
3		IN		650-2087- - -	4-40X1/4 PAN HD PHL MS SS MAG. SEMS		8.0000	EACH	
3		IN		550-3120- - -	6-32 X 3/8 PAN HD PHL MS SS SEMS		1.0000	EACH	
3		IN		550-3160- - -	6-32 X 1/2 PAN HD PHL MS SS SEMS		6.0000	EACH	
3		IN		652-3004- - -	NUT 6-32UNC HEX SMALL PAT SS		6.0000	EACH	
3		IN		553-3000- - -	WASH 6 .149ID .3750D .016 FL SS		6.0000	EACH	
3		IN		553-3001- - -	WASH 6 .150ID .2880D INT T ST		3.0000	EACH	
3		IN		554-1006- - -	#6 GROUND LUG		3.0000	EACH	
2		IN		300-1470- - -	CAP 470 PF 10X 500 V CERAMIC DISC	EC8180	1.0000	EACH	
2		IN		300-1903- - -	CAP .01 UF +80-20X 25 V CERAMIC D	EC8180	1.0000	EACH	
2		IN		300-1930- - -	.1 UF 50V +80-20X CERAMIC CAP(HIFRO	EC7856	8.0000	EACH	
2		IN		300-1931- - -	1 UF CERAMIC CAPACITOR(HIGH FREQ)	EC7856	8.0000	EACH	
2		IN		300-2110- - -	CAP .01 UF 10X 100 V MYLAR		1.0000	EACH	
2		IN		300-2115- - -	CAP .015 UF 10X 100 V MYLAR		1.0000	EACH	
2		IN		300-4022- - -	CAP 15.0 UF 20 V 10X TANT AXIAL	EC7856	3.0000	EACH	
2		IN		300-4032- - -	CAP 10.0 UF 35 V 10X TANT AXIAL	EC7856	8.0000	EACH	
2		IN		320-0047- - -	12V REED RELAY #6001A0012	EC7856	2.0000	EACH	
2		P FS	*	330-2010-4B- - -	RES 100 OHM 1/4W 10X FIXED COMP	EC8180	3.0000	EACH	
3		FS	*	330-2010- - -	RES 100 OHM 1/4W 10X FIXED COMP		1.0000	EACH	
2		P FS	*	330-2015-4B- - -	RES 150 OHM 1/4W 10X FIXED COMP		1.0000	EACH	
3		FS	*	330-2015- - -	RES 150 OHM 1/4W 10X FIXED COMP		1.0000	EACH	
2		P FS	*	330-2022-4B- - -	RES 220 OHM 1/4W 10X FIXED COMP		12.0000	EACH	
3		FS	*	330-2022- - -	RES 220 OHM 1/4W 10X FIXED COMP		1.0000	EACH	
2		P FS	*	330-2047-4B- - -	RES 470 OHM 1/4W 10X FIXED COMP		2.0000	EACH	
3		FS	*	330-2047- - -	RES 470 OHM 1/4W 10X FIXED COMP		1.0000	EACH	
2		P FS	*	330-3010-4B- - -	RES 1K OHM 1/4W 10X FIXED COMP		2.0000	EACH	
3		FS	*	330-3010- - -	RES 1K OHM 1/4W 10X FIXED COMP		1.0000	EACH	
2		P FS	*	330-3022-4B- - -	RES 2.2K OHM 1/4W 10X FIXED COMP		2.0000	EACH	
3		FS	*	330-3022- - -	RES 2.2K OHM 1/4W 10X FIXED COMP		1.0000	EACH	
2		P FS	*	330-3027-4B- - -	RES 2.7K OHM 1/4W 10X FIXED COMP		1.0000	EACH	
3		FS	*	330-3027- - -	RES 2.7K OHM 1/4W 10X FIXED COMP		1.0000	EACH	
2		P FS	*	330-3033-4B- - -	RES 3.3K OHM 1/4W 10X FIXED COMP		1.0000	EACH	
3		FS	*	330-3033- - -	RES 3.3K OHM 1/4W 10X FIXED COMP		1.0000	EACH	
2		P FS	*	330-3039-4B- - -	RES 3.9K OHM 1/4W 10X FIXED COMP		1.0000	EACH	
3		FS	*	330-3039- - -	RES 3.9K OHM 1/4W 10X FIXED COMP		1.0000	EACH	

ASSEMBLY PART NUMBER 187-9237-W - -
 ASSEMBLY DESCRIPTION 114 PRINTER WANG 5541

LEGEND
 1: P=PHANTOM; 2: ITEM MASTER DELY CODE; 3: *=TAGGED OUT OF KIT(PROD STR)

POSITION IN STRUCTURE	LEGEND 1 2 3	COMPONENT PART NUMBER	DESCRIPTION	E C N	QUANTITY PER ASSY	U/H	IML
2	P FS *	330-3047-4B- -	RES 4.7K OHM 1/4W 10% FIXED COMP	EC9516	4.0000	EACH	
3	FS *	330-3047- - -	RES 4.7K OHM 1/4W 10% FIXED COMP		1.0000	EACH	
2	P FS	330-3056-4B- -	RES 5.6K OHM 1/4W 10% FIXED COMP	EC8180	2.0000	EACH	
3	FS *	330-3056- - -	RES 5.6K OHM 1/4W 10% FIXED COMP		1.0000	EACH	
2	P FS	330-3083-4B- -	RES 8.2K OHM 1/4W 5% FIXED COMP	EC9516	1.0000	EACH	
3	IN *	330-3083- - -	RES 8.2K OHM 1/4W 5% FIXED COMP		1.0000	EACH	
2	P FS *	330-4010-4B- -	RES 10K OHM 1/4W 10% FIXED COMP	EC9516	3.0000	EACH	
3	FS *	330-4010- - -	RES 10K OHM 1/4W 10% FIXED COMP		1.0000	EACH	
2	P FS *	330-4015-4B- -	RES 15K OHM 1/4W 10% FIXED COMP		1.0000	EACH	
3	FS *	330-4015- - -	RES 15K OHM 1/4W 10% FIXED COMP		1.0000	EACH	
2	FS	330-4023- - -	RES 22K OHM 1/4W 5% FIXED COMP	EC9516	1.0000	EACH	
2	IN	331-0022- - -	RES 2.2 OHM 1/2W 10% FIXED COMP	EC8614	1.0000	EACH	
2	IN	331-1022- - -	RES 22 OHM 1/2W 10% FIXED COMP	EC7975	2.0000	EACH	
2	IN	331-2015- - -	RES 150 OHM 1/2W 10% FIXED COMP		5.0000	EACH	
2	IN	331-2033- - -	RES 330 OHM 1/2W 10% FIXED COMP		6.0000	EACH	
2	IN	331-2068- - -	680 OHM 1/2W 10% RESISTOR W/OFF-76		3.0000	EACH	
2	IN	331-3010- - -	RES 1K OHM 1/2W 10% FIXED COMP		2.0000	EACH	
2	IN	331-3022- - -	RES 2.2K OHM 1/2W 10% FIXED COMP	EC8180	1.0000	EACH	
2	IN	333-0059- - -	RES 909 OHM 1/8W 1% FIXED FILM	EC8180	1.0000	EACH	
2	IN	334-0000- - -	1 OHM 11W FIXED RESISTOR		1.0000	EACH	
2	IN	334-0028- - -	.50HM 5W 1% RESISTOR	EC9434	2.0000	EACH	
2	IN	336-1014- - -	RES 1K OHM VAR TRIM SIDE ADJ SO	EC8180	1.0000	EACH	
2	IN	374-0000- - -	IC REG UA 7812 +12V TO-220		2.0000		
2	IN	374-0002- - -	IC REG UA 7905 -5V TO-220		1.0000	EACH	
2	IN	374-0003- - -	IC REG UA 7912 -12V TO-220		1.0000	EACH	
2	IN	375-0017- - -	TSTR 2N3014 360MW 40V SH NPN S 52	EC7856	2.0000	EACH	
2	IN	375-0018- - -	TSTR 2N4037 1.0W 40V S PNP S		6.0000	EACH	
2	IN	375-1026- - -	TSTR 2N3467 1.0W 40V SH PNP S T05		1.0000	EACH	
2	IN	375-1027- - -	TSTR 2N3725 0.8W 80V SH NPN S		7.0000	EACH	
2	IN	375-1034- - -	2N6111 PNP PLASTIC POWER TRANSISTOR	EC7856	1.0000	EACH	
2	IN	375-1051- - -	TRANSISTOR 2N6292 (PLASTIC)		4.0000	EACH	
2	IN	375-1052- - -	TRANSISTOR 2N6387 (PLASTIC)		3.0000	EACH	
2	IN	375-1053- - -	TRANSISTOR RCA8203A (PLASTIC)		3.0000	EACH	
2	IN	375-1058- - -	2N6107 TRANSISTOR		4.0000	EACH	
2	IN	375-9001- - -	TRANSIPAD 8977887-1 LARGE		14.0000	EACH	
2	IN	375-9004- - -	TRANSIPAD TO-18 (SMALL)	EC7856	2.0000	EACH	
2	IN	375-9016- - -	MICA INSULDF1033 FOR 375-1034/1035	EC8614	19.0000	EACH	
2	IN	376-3056- - -	IC 723 VOLTAGE REGULATOR		2.0000	EACH	
2	IN	376-0145- - -	IC 75452 2 PERIPHERAL POS NANO DRIV	EC7856	4.0000	EACH	
2	IN	380-2039- - -	D10 ZEN 1W748 A 3.9V 400MW S D0-7		1.0000	EACH	
2	IN	380-2056- - -	D10 ZEN 1W752 A 5.6V 400MW S D0-7	EC7856	1.0000	EACH	
2	IN	380-2062- - -	D10 ZEN 1W753 A 6.2V 400MW S D0-7	EC7856	1.0000	EACH	
2	IN	380-2068- - -	D10 ZEN 1W754 A 6.8V 400MW S D0-7	EC7856	1.0000	EACH	
2	IN	380-2075- - -	D10 ZEN 1W755 A 7.5V 400MW S D0-7	EC7856	1.0000	EACH	
2	FS	380-4000- - -	D10 1N4004 400V 1A RECT S D041	EC7975	12.0000	EACH	
2	IN	462-0262- - -	SPACER,HEATSINK(62)B6636-230	EC9079	2.0000	EACH	

D-60

ASSEMBLY PART NUMBER 187-9237-W --
 ASSEMBLY DESCRIPTION 114 PRINTER WANG 5541

LEGEND

1: P=PHANTOM; 2: ITEM MASTER DELY CODE; 3: *=TAGGED OUT OF KIT(PROD STR)

POSITION IN STRUCTURE	LEGEND 1 2 3	COMPONENT PART NUMBER	DESCRIPTION	E C N	QUANTITY PER ASSY	U/M	IML
2		IN 478-0390-	ANGLE,TRANSISTOR MTG C6631-402	EC8614	1.0000	EACH	
2		IN 510-7364-	7364 P.S.REGULATOR,MDL 81W		1.0000	EACH	
2		IN 650-3120-	6-32 X 3/8 PAN HD PHL HS SS SEMS	EC8614	3.0000	EACH	
2		IN 650-3131-	6-32 X 3/8 NYLON COVERED FIL HD SLT	EC8614	19.0000	EACH	
2		IN 650-3401-	SCR 6-32 I 1/4 PHIL PH HS SS	EC8614	2.0000	EACH	
2		IN 653-3000-	WASH 6 .149ID .37500 .016 FL SS	EC8614	2.0000	EACH	
2		IN 653-3001-	WASH 6 .150ID .28800 INT T ST	EC8614	2.0000	EACH	
2		IN 653-3002-	WASH 6 .141ID .25000 .062 FL NYL	EC9079	2.0000	EACH	
1		IN 210-7449-	PCB ASSY 114 TWV SHT FDR CNTL ASSY		1.0000	EACH	
2		IN 300-1220-	CAP 220 PF 10% 500 V CERAMIC DISC		2.0000	EACH	
2		IN 300-1900-	CAP .05 UF +80-20% 12 V CERAMIC D	PATREL	9.0000	EACH	
2		IN 300-1901-	CAP .1 UF 20% 12 V CERAMIC DISC	PATREL	1.0000	EACH	
2		IN 300-1903-	CAP .01 UF +80-20% 25 V CERAMIC D	PATREL	1.0000	EACH	
2		IN 300-1906-	CAP .001 UF 10% 500 V CERAMIC DISC	PATREL	2.0000	EACH	
2		IN 300-1930-	.1 UF 50V +80-20% CERAMIC CAP(HIFRO)	PATREL	5.0000	EACH	
2		IN 300-4002-	CAP .1 UF 35 V 10% TANT AXIAL		1.0000	EACH	
2		IN 300-4016-	CAP 3.3 UF 15 V 10% TANT AXIAL	PATREL	2.0000	EACH	
2		IN 300-4022-	CAP 15.0 UF 20 V 10% TANT AXIAL	EC9373	3.0000	EACH	
2		IN 300-4032-	CAP 10.0 UF 35 V 10% TANT AXIAL	PATREL	2.0000	EACH	
2		IN 300-4034-	CAP 47.0 UF 20 V 10% TANT AXIAL	PATREL	2.0000	EACH	
2		IN 300-4045-	CAP 220 UF TANT 15 VDC 10%		2.0000	EACH	
2	P	FS 330-1047-4B-	RES 47 OHM 1/4W 10% FIXED COMP		1.0000	EACH	
3	FS	* 330-1047-	RES 47 OHM 1/4W 10% FIXED COMP		1.0000	EACH	
2	P	FS 330-2010-4B-	RES 100 OHM 1/4W 10% FIXED COMP		1.0000	EACH	
3	FS	* 330-2010-	RES 100 OHM 1/4W 10% FIXED COMP		1.0000	EACH	
2	P	FS 330-2047-4B-	RES 470 OHM 1/4W 10% FIXED COMP		2.0000	EACH	
3	FS	* 330-2047-	RES 470 OHM 1/4W 10% FIXED COMP		1.0000	EACH	
2	FS	330-2082-	RES 820 OHM 1/4W 10% FIXED COMP	PATREL	2.0000	EACH	
2	P	FS 330-3010-4B-	RES 1K OHM 1/4W 10% FIXED COMP	EC9679	3.0000	EACH	
3	FS	* 330-3010-	RES 1K OHM 1/4W 10% FIXED COMP		1.0000	EACH	
2	P	FS 330-3015-4B-	RES 1.5K OHM 1/4W 10% FIXED COMP	EC9100	1.0000	EACH	
3	FS	* 330-3015-	RES 1.5K OHM 1/4W 10% FIXED COMP		1.0000	EACH	
2	P	FS 330-3022-4B-	RES 2.2K OHM 1/4W 10% FIXED COMP	EC9679	14.0000	EACH	
3	FS	* 330-3022-	RES 2.2K OHM 1/4W 10% FIXED COMP		1.0000	EACH	
2	P	FS 330-3047-4B-	RES 4.7K OHM 1/4W 10% FIXED COMP	EC9100	5.0000	EACH	
3	FS	* 330-3047-	RES 4.7K OHM 1/4W 10% FIXED COMP		1.0000	EACH	
2	P	FS 330-3056-4B-	RES 5.6K OHM 1/4W 10% FIXED COMP		1.0000	EACH	
3	FS	* 330-3056-	RES 5.6K OHM 1/4W 10% FIXED COMP		1.0000	EACH	
2	P	FS 330-3082-4B-	RES 8.2K OHM 1/4W 10% FIXED COMP		1.0000	EACH	
3	FS	* 330-3082-	RES 8.2K OHM 1/4W 10% FIXED COMP		1.0000	EACH	
2	P	FS 330-4010-4B-	RES 10K OHM 1/4W 10% FIXED COMP	PATREL	2.0000	EACH	
3	FS	* 330-4010-	RES 10K OHM 1/4W 10% FIXED COMP		1.0000	EACH	

D-61

ASSEMBLY PART NUMBER 197-9237-W - -
 ASSEMBLY DESCRIPTION 114 PRINTER WANG 5541

LEGEND
 1: P=PHANTOM; 2: ITEM MASTER DELY CODE; 3: +=TAGGED OUT OF KIT(PRJD STR)

POSITION IN STRJCTURE	LFGENO 1 2 3	COMPONENT PART NUMBER	DESCRIPTION	E C N	QUANTITY PER ASSY	U/M	I4L
2	P FS	330-4033-4B- -	RES 33K OHM 1/4W 10% FIXED COMP	PATREL	3.0000	EACH	
3	FS +	330-4033- - -	RES 33K OHM 1/4W 10% FIXED COMP		1.0000	EACH	
2	P FS	330-4039-4B- -	RES 39K OHM 1/4W 10% FIXED COMP	EC9100	1.0000	EACH	
3	FS +	330-4039- - -	RES 39K OHM 1/4W 10% FIXED COMP		1.0000	EACH	
2	P FS	330-4047-4B- -	RES 47K OHM 1/4W 10% FIXED COMP	EC9100	2.0000	EACH	
3	FS +	330-4047- - -	RES 47K OHM 1/4W 10% FIXED COMP		1.0000	EACH	
2	IN	331-2056- - -	RES 560 OHM 1/2W 10% FIXED COMP		1.0000	EACH	
2	IN	374-0004- - -	IC REG UA 7815 +15V TO-3	PATREL	1.0000	EACH	
2	IN	374-0005- - -	IC REG UA 7915 -15V TO-220	EC9373	1.0000	EACH	
2	IN	375-0017- - -	TSTR 2N3014 360MW 40V SH NPN S 52		1.0000	EACH	
2	IN	375-1011- - -	USE 375-1017 (REF ECN 5644)	PATREL	1.0000	EACH	
2	IN	375-1017- - -	TSTR 2N2906A 1.8W 60V SH PNP S 18		1.0000	EACH	
2	IN	375-1052- - -	TRANSISTOR 2N6387 (PLASTIC)		1.0000	EACH	
2	IN	375-1053- - -	TRANSISTOR RCA8203A (PLASTIC)		1.0000	EACH	
2	IN	375-1059- - -	TSTR 2N2907A 1.8W 60V SH PNP S 19	EC9100	1.0000	EACH	
2	IN	375-9004- - -	TRANSIPAD TO-18 (SMALL)		2.0000	EACH	
2	IN	376-0002- - -	IC 74004 4 2 IV PDS NAND GATE		1.0000	EACH	
2	IN	376-0006- - -	IC 7474N 2 0 EDGE TRIG FLIP-FLOP		2.0000	EACH	
2	IN	376-0010- - -	IC 7404N HEX INVERTER		1.0000	EACH	
2	IN	376-0081- - -	IC 7408 4 2 IV PDS AND GATE		2.0000	EACH	
2	IN	376-0093- - -	IC 7432 4 2 IN OR GATE		1.0000	EACH	
2	IN	376-0104- - -	IC 9602 2 RETRIG RESET MONJSTBL MV9		3.0000	EACH	
2	IN	376-0126- - -	IC 555 TIMER		1.0000	EACH	
2	IN	376-0194- - -	IC 7411 3 3 IV PDS AND GATE		1.0000	EACH	
2	IN	376-0240- - -	IC LM339 4 COMPARATOR	PATREL	1.0000	EACH	
2	IN	376-0283- - -	IC 8T37 HEX BUS REC W/HYST-SCHMIT T	EC9679	2.0000	EACH	
2	P FS +	380-1001-4B- -	D035 SIL DIODE 30V, 100MA AT 1V .48		3.0000	EACH	
3	FS	380-1001-R - -	D035 SIL DIODE 30V, 100MA AT 1V T&R		1.0000	EACH	
2	IN	380-2047- - -	D10 ZEN 1N750 A 4.7V 400MW S D0-7		1.0000	EACH	
2	IN	380-3008- - -	A15A RECTIFIER	EC9100	2.0000	EACH	
2	FS	380-4000- - -	D10 1N4004 400V 1A RECT S D041		2.0000	EACH	
2	IN	510-7449- - -	7449 PCB 114 TWN SHT FDR CNTL		1.0000	EACH	
2	IN	654-1186- - -	6 POS PIN HEADER AMP 1-380999-0	PATREL	1.0000	EACH	
2	IN	654-1193- - -	3 POS P.C.HEADER ASSY AMP 350210-1	PATREL	1.0000	EACH	
1	IN	220-019A- - -	I/O CA 114 PRTR (114) C6482-286		1.0000	EACH	
2	IN	000-0004- - -	SUB-SYSTEMS		.7500	EACH	
2	IN	000-0011- - -	LABOR QUALITY CONTROL		.1500		
2	IN	350-2083- - -	CONN 25-50 CABLE TO CABLE PLUG		2.0000	EACH	
2	IN	350-4229-B - -	STRAIN RELIEF CVR 50 POS 180DEG GRV	EC9496	2.0000	EACH	
2	IN	350-4229-T - -	STRAIN RELIEF CVR 50 POS 180DEG TNG	EC9496	2.0000	EACH	
2	IN	350-4234- - -	4-40X3/R CAPT SCR FOR SCR MT CONNS.		4.0000	EACH	
2	FS	420-0073- - -	25 TWISTED PAIR SHIELDED CABLE		12.0000	FEET	
2	IN	458-0361- - -	GROUND STRAP C6815-28	EC9450	4.0000	EACH	
2	IN	606-0198- - -	CBL MARKER WH/BK 114P 220-019A	EC9699	1.0000	EACH	
3	FS	605-0139- - -	TUBING 1/2 WH SHRINK POLYOLEFIN		.1140	FEET	

D-62

ASSEMBLY PART NUMBER 187-9237-W - -
 ASSEMBLY DESCRIPTION 114 PRINTER WANG 5541

LEGEND

1: P=PHANTOM; 2: ITEM MASTER DELY CODE; 3: *=TAGGED OUT OF KIT(PROD STR)

POSITION IN STRUCTURE	LEGEND 1 2 3	COMPONENT PART NUMBER	DESCRIPTION	E C N	QUANTITY PER ASSY	U/M	IML
1	IN	270-0559- - -	81W CHASSIS ASSY 60HZ		1.0000	EACH	
2	IN	000-0004- - -	SUB-SYSTEMS		5.4170	EACH	
2	IN	000-0011- - -	LABOR QUALITY CONTROL		1.0830		
2	IN	210-7452- - -	PCB ASSY 81W/WMP MOTHERBOARD		1.0000	EACH	
3	IN	220-3043- - -	20 POS. FLAT CA ASM (KBD) C6482-242		1.0000	EACH	
4	IN	000-0004- - -	SUB-SYSTEMS		.1180	EACH	
4	IN	000-0011- - -	LABOR QUALITY CONTROL		.0240		
4	IN	350-0408-B - -	CONN,20 P PCB FLT CBL BOT 3M #3422		1.0000	EACH	
4	IN	350-0409- - -	CONN,20 P FLT C9L SOCKET 3M #3421		1.0000	EACH	
4	FS	420-0076- - -	CABLE,FLAT 20 COND 3M #3365/20	EC9825	1.6600	FEET	
4	FS	605-0020- - -	TUBING 3/4" HEATSHRINK BLACK PVC	EC8429	.4200	FEET	
3	IN	331-3010- - -	RES 1K OHM 1/2W 10% FIXED COMP		6.0000	EACH	
3	IN	334-0015- - -	.15 OHM 5W 5% FIXED RESISTOR		2.0000	EACH	
3	IN	334-0023- - -	.15 OHM 10W 5% RESISTOR		1.0000	EACH	
3	IN	350-0011- - -	225-21521-110 PC CONN SOLDER TYPE		9.0000	EACH	
3	IN	350-0021- - -	225-22221-110 SCL TYPE		10.0000	EACH	
3	IN	350-0039- - -	44 POS P.C.CONN SOLDER TYPE(CINCH)		5.0000	EACH	
3	IN	380-3008- - -	A15A RECTIFIER		2.0000	EACH	
3	IN	510-7462- - -	7462 PCB 81W/WMP MOTHERBOARD		1.0000	EACH	
3	IN	654-0106- - -	CONN HEADER 5 .100 1ROW STR PIN		1.0000	EACH	
3	IN	654-0113- - -	CONN HEADER, 6-6 .100 2ROW STR PIN		1.0000	EACH	
3	IN	654-1190- - -	8 POS PIN HEADER AMP 350212-1		1.0000	EACH	
3	IN	654-1193- - -	3 POS P.C.HEADER ASSY AMP 350210-1	EC9305	1.0000	EACH	
3	IN	654-1198- - -	2 POS PIN HEADER ASSY AMP 350209-1	PATREL	2.0000	EACH	
2	IN	220-1188- - -	WIRE & LUG ASSY TYPE P082 D6482-12		1.0000	EACH	
3	IN	000-0004- - -	SUB-SYSTEMS		.0130	EACH	
3	IN	000-0011- - -	LABOR QUALITY CONTROL		.0030		
3	P FS	600-0002- - -	WIRE 18 GA RED UL		1.0800	FEET	
4	FS	600-0009- - -	WIRE 18 GA WHITE UL		1.0000	FEET	
3	FS	605-0132- - -	TUBING,3/8 ID HEATSHRINK	EC9566	.1250	FEET	
3	FS *	654-0048-R - -	TERMINAL FASTON .250X.032 P018R258M		1.0000	EACH	
2	IN	220-1189- - -	WIRE & LUG ASSY TYPE P083 D6482-12		1.0000	EACH	
3	IN	000-0004- - -	SUB-SYSTEMS		.0140	EACH	
3	IN	000-0011- - -	LABOR QUALITY CONTROL		.0030		
3	P FS	600-0007- - -	WIRE 18 GA VIOLET UL		1.0800	FEET	
4	FS	600-0009- - -	WIRE 18 GA WHITE UL		1.0000	FEET	
3	FS	605-0132- - -	TUBING,3/8 ID HEATSHRINK	EC9566	.1250	FEET	
3	FS *	654-0048-R - -	TERMINAL FASTON .250X.032 P018R258M		1.0000	EACH	
2	IN	220-1190- - -	WIRE & LUG ASSY TYPE P084 D6482-12		1.0000	EACH	
3	IN	000-0004- - -	SUB-SYSTEMS		.0070	EACH	
3	IN	000-0011- - -	LABOR QUALITY CONTROL		.0010		
3	P FS	600-0006- - -	WIRE 18 GA BLUE UL		1.1200	FEET	
4	FS	600-0009- - -	WIRE 18 GA WHITE UL		1.0000	FEET	
3	FS	605-0132- - -	TUBING,3/8 ID HEATSHRINK	EC9566	.1250	FEET	
3	FS *	654-0048-R - -	TERMINAL FASTON .250X.032 P018R258M		1.0000	EACH	

D-63

ASSEMBLY PART NUMBER 187-9237-W - -
 ASSEMBLY DESCRIPTION 114 PRINTER WANG 5541

LEGEND
 1: P=PHANTOM; 2: ITEM MASTER DELY CODE; 3: *-TAGGED OUT OF KIT(PROD STR)

POSITION STRUCTURE	IN LEGEND			COMPONENT PART NUMBER	DESCRIPTION	E C M	QUANTITY PER ASSY	U/Y	I/L
	1	2	3						
2	IN			270-3095-	TRANSFORMER HARN ASM WWP C6482-252		1.0000	EACH	
3	IN			000-0004-	SUB-SYSTEMS		.2800	EACH	
3	IN			000-0011-	LABOR QUALITY CONTROL		.0560		
3	IN			410-0123-	60 HZ CONSTANT VOLT 81W C5068-123		1.0000	EACH	
3	IN			420-1005-	POWER CORD RJTRDN FAN 16415	EC9346	1.0000	EACH	
3	IN			451-4634-	BRKT,TRANSFORMER (81) C6631-387	EC9346	4.0000	EACH	
3	FS			605-0012-	TUBING #4 CLEAR	EC9346	.4600	FEET	
3	FS			605-0014-	TUBING #5 CLEAR	EC9346	1.0000	FEET	
3	FS			605-0132-	TUBING,3/8 ID HEATSHRINK		1.0000	FEET	
3	FS			654-0017-R	TERMINAL FASTON .250X.032 PQ10R258M	EC9346	2.0000	EACH	
3	FS	*		654-0048-R	TERMINAL FASTON .250X.032 PQ18R258M	EC9346	2.0000	EACH	
3	FS	*		654-0084-R	TERMINAL FASTON .250X.032 PQ14R258M		4.0000	EACH	
2	IN			300-3075-	14K UF 12V ELECT.CAP(SCREW TYPE)		3.0000	EACH	
2	IN			300-3078-	8.2K UF 25V ELECTROLYTIC CAP(AXIAL)		1.0000	EACH	
2	IN			300-3082-	30K UF 30V ELECTROLYTIC CAPACITOR		2.0000	EACH	
2	IN			300-9009-	CAP CLAMP 1 1/4 INCH ? LUG CMC-22		3.0000	EACH	
2	IN			300-9024-	CAP BOOT FOR #300-3042 GE #614		1.0000	EACH	
2	IN			300-9026-	CLAMP CAPACITOR OVAL 2.062"X 1.250"		1.0000	EACH	
2	IN			300-9027-	BRACKET CAPACITOR 2 IN 2 HOLE	EC9653	2.0000	EACH	
2	IN			320-0300-	SPEAKER 3 IN 8 OHM MAGNETIC SQUARE		1.0000	EACH	
2	IN			325-0021-	SWITCH, ROCKER SPST		1.0000	EACH	
2	IN			325-2112-	SLIDE SW.115/230 VAC	EC9691	1.0000	EACH	
2	IN			350-1036-	BNC SOCKET (F) CONN UG1094A		1.0000	EACH	
2	IN			350-2078-	TNC BULKHEAD CONN(F)(PANEL)BW311403		1.0000	EACH	
2	IN			350-4118-	POLARIZING KEY BETWEEN CONTACT50PK2	EC9823	1.0000	EACH	
2	IN			360-0000-	FUSE HOLDER 90 DEGREE CONTACT		1.0000	EACH	
2	IN			360-9000-	RUBBER WSHR FOR 360-0000 / 360-0001		1.0000	EACH	
2	IN			360-9002-	HEX NUT FOR 360-0000 / 360-0001		1.0000	EACH	
2	IN			360-9003-	LOCK WSHR LF#905023(FOR 360-0000/1)		1.0000	EACH	
2	IN			380-4005-	RECTIFIER MINIBRIDGE 18 AMP		1.0000	EACH	
2	IN			380-4006-	RECTIFIER MINIBRIDGE 15 AMP		1.0000	EACH	
2	IN			380-5001-	250 VOLT VARISTOR V250LA20		1.0000	EACH	
2	IN			410-2005-	LINE FILTER 5 AMP CORCOM 5<1		1.0000	EACH	
2	IV			420-1000-	CORD POWER 3 COND		1.0000	EACH	
2	IN			451-1112-	CHASSIS, SCRND (81W)	EC9823	1.0000	EACH	
2	IN			451-2946-	COVER,SCRND 81W/SWTCH BOX J6631-550		1.0000	EACH	
2	IN	*		451-4634-	BRKT,TRANSFORMER (81) C6631-387		4.0000	EACH	
2	IN			452-0035-	PLATE,SPEAKER GRILLE(-70)B6634-121		1.0000	EACH	
2	IN			458-0574-	BOX,FILTER SWITCH C6631-542		1.0000	EACH	
2	IN			462-0141-	SPCR, PHENOLIC CURRENT 4-250		7.0000	EACH	
2	IN			510-6749-	6749 PRINTED CIRCUIT BOARD	EC9691	1.0000	EACH	
2	P FS			600-0000-	WIRE 18 GA BLACK UL		2.2100	FEET	
2	P FS			600-0003-	WIRE 18 GA ORANGE UL		.6400	FEET	
3	FS			600-0009-	WIRE 18 GA WHITE UL		1.0000	FEET	
2	P FS			500-0004-	WIRE 18 GA YELLOW UL		.7200	FEET	
3	FS			600-0009-	WIRE 18 GA WHITE UL		1.0000	FEET	
2	P FS			600-0054-	WIRE 18 GA GREEN/YELLOW UL		.8800	FEET	
3	FS			600-0009-	WIRE 18 GA WHITE UL		1.0000	FEET	

ASSEMBLY PART NUMBER 197-9237-W - -
 ASSEMBLY DESCRIPTION 114 PRINTER WANG 5541

LEGEND

1: P=PHANTOM; 2: ITEM MASTER DELY CODE; 3: *=TAGGED OUT OF KIT(PPDD STR)

POSITION IN STRUCTURE	LEGEND		COMPONENT PART NUMBER	DESCRIPTION	E C N	QUANTITY PER ASSY	U/M	INL
	1	2 3						
2	P	FS	600-3000-	WIRE 26 GA BLACK		1.0300	FEET	
3		FS	600-3009-	WIRE 26 GA WHITE		1.0000	FEET	
2	P	FS	600-3002-	WIRE 26 GA RED		.4500	FEET	
3		FS	600-3009-	WIRE 26 GA WHITE		1.0000	FEET	
2	P	FS	600-3004-	WIRE 26 GA YELLOW		.4100	FEET	
3		FS	600-3009-	WIRE 26 GA WHITE		1.0000	FEET	
2	P	FS	600-3005-	WIRE 26 GA GREEN		.5800	FEET	
3		FS	600-3009-	WIRE 26 GA WHITE		1.0000	FEET	
2	P	FS	600-3006-	WIRE 26 GA BLUE		.4100	FEET	
3		FS	600-3009-	WIRE 26 GA WHITE		1.0000	FEET	
2	P	FS	600-7000-	16 GA BLACK STRANDED WIRE	EC9614	.2500	FEET	
3		FS	600-7009-	16 GA WHITE STRANDED WIRE		1.0000	FEET	
2		FS	605-0010-	TUBING PVC #8 CLEAR		.1200	FEET	
2		FS	605-0012-	TUBING #4 CLEAR		.5800	FEET	
2		FS	605-0014-	TUBING #5 CLEAR		.5600	FEET	
2		FS	605-0127-	TEFLON TUBING #16 PENNTUBE		.3300	FEET	
2		FS	605-1004-	CABLE TYE, PAN-TY PLTYM-M		17.0000	EACH	
2		FS	605-1010-	CABLE TYE, PAN-TY TY-232M		1.0000	EACH	
2	IN		550-2200-	4-40 X 5/8 PAN HD PHL MS SS SEMS		19.0000	EACH	
2	IN		650-3080-	6-32 X 1/4 PAN HD PHL MS SS SEMS		19.0000	EACH	
2	IN		550-3200-	SCR 6-32 5/8 PHIL PH MS SS		5.0000	EACH	
2	IN		550-4120-	8-32 X 3/8 PAN HD PHL MS SS SEMS	EC9614	7.0000	EACH	
2	IN		650-6120-	SCR 10-32 3/8 PHIL PH MS SS		4.0000	EACH	
2	IN		650-6240-	SCR 10-32 3/4 PHIL PH MS SS		2.0000	EACH	
2	IN		651-0435-	RIVET POP AK 429 BS	EC9691	2.0000	EACH	
2	IN		652-0032-	6-32 LOCK-NUT KEPS 511-961800-00		7.0000	EACH	
2	IN		652-2005-	4-40 LOCK-NUT KEPS SS		19.0000	EACH	
2	IN		652-6002-	10-32 LOCK NUT KEPS #511-101900-50		4.0000	EACH	
2	IN		553-0003-	WASHER, NO.4 NYLON 1/8 ID X 3/8 OD		12.0000	EACH	
2	IN		653-2000-	NO. 4 FLAT WASHER		19.0000	EACH	
2	IN		653-2007-	WASH 4 .115ID .2120D SPLIT SS		19.0000	EACH	
2	IN		653-3003-	WASH 6 .141ID .2530D SPLIT SS		5.0000	EACH	
2	IN		653-6000-	WASH 10 .205ID .4380D .032 FL SS		4.0000	EACH	
2	IN		653-6001-	WASH 10.204ID .3810D INT T ST		4.0000	EACH	
2	IN		654-1006-	#6 GROUND LUG	EC9691	5.0000	EACH	
2	IN		654-1008-	#8 GROUND LUG	EC9614	1.0000	EACH	
2	IN		654-1010-	#10 GROUND LUG		10.0000	EACH	
2	IN		654-1227-	GROMMET 5/8 ID X 1 1/8 OD 7/8 HOLE		1.0000	EACH	
2	IN		654-1238-	HEYCO STRAIN RELIEF SR5P-4		1.0000	EACH	
1	IN		271-1141-1	114/928 KEYBD ASSY		1.0000	EACH	
2	IN		210-7365-1	7365-1 KYBD MDL 81W (928)		1.0000	EACH	
3	IN		000-0001-	LABOR SUB-SYSTEMS		1.4840		
3	IN		000-0011-	LABOR QUALITY CONTROL		.2970		
3	IN		325-2305-	11SM1 MICRO SWITCH FOR CP-1	EC9104	2.0000	EACH	

ASSEMBLY PART NUMBER 187-9237-W - -
 ASSEMBLY DESCRIPTION 114 PRINTER WANG 5541

LEGEND

1: P=PHANTOM; 2: ITEM MASTER DELY CODE; 3: *=TAGGED OUT OF KIT(PRDD STR)

POSITION IN STRUCTURE	LEGEND 1 2 3	COMPONENT PART NUMBER	DESCRIPTION	E C N	QUANTITY PER ASSY	U/M	IML
3	IN	370-0015-	CM6833 AS15 CLEAR LAMP		6.0000	EACH	
3	IN	370-1020-	1200 LAMPHOLDER B5776-895		6.0000	EACH	
3	IN	510-7365-	7365 PCB KEYBOARD MDL 81W		1.0000	EACH	
3	FS	605-0017-	TEFLON TUBING #28 TFT 200	EC8570	1.0000	FEET	
3	IN	652-3002-	NUT 6-32UNC HEX REG PAT NYLON		6.0000	EACH	
3	IN	654-0122-	20 POS .100 HEADER 34 3492-1002	EC8570	1.0000	EACH	
2	IN	325-2111-	SLIDE SW.DOUBLE POLE 3 POS.#GW/O-77		1.0000	EACH	
2	IN	452-1058-	PLATE,BEARING(81W-WWP) C6631-SK013		1.0000	EACH	
2	IN	462-0020-	CA SPACER KB 4-40 TAP A5315-M21		2.0000	EACH	
2	IN	550-0005-	SM WHT KEY STEM		1.0000	EACH	
2	FS	550-0006-5	SM GRN KEY CAP		7.0000	EACH	
2	IN	550-0013-	KEY RETAINER B5900-32		7.0000	EACH	
2	IN	550-0068-	KEY STEM,SMALL LIGHTED B6815-14		6.0000	EACH	
2	IN	550-0746-	NO 46 INSERT GROUP C6856-2		1.0000	EACH	
2	IN	650-2082-	4-40X1/4 FL HD PHL MS PARKERIZE		4.0000	EACH	
2	IN	650-2087-	4-40X1/4 PAN HD PHL MS SS 4AG. SEMS		2.0000	EACH	
2	IN	652-2000-	NUT 4-40UNC HEX REG PAT SS		2.0000	EACH	
2	IN	653-2002-	WASH 4 .1231D .2650D INT T ST		2.0000	EACH	
2	IN	554-1209-	GROMMET 1/4ID FOR 3/8HOLE 1/8PNL		5.0000	EACH	
1	IN	279-4027-	81W TOP COVER ASSY 6631-66		1.0000	EACH	
2	IN	325-0027-	SWITCH,CHEAT INTERLOCK CH#E69-30A		1.0000	EACH	
2	IN	450-0904-	WANG NAME TAG C6815-97	EC9526	1.0000	EACH	
2	IN	451-2947-	CVR,FRNT, TOP WELD(81W) D6631-SK080		1.0000	EACH	
2	IN	451-2951-	CVR TP WLD(90SSES)81W E6631-SK083		1.0000	EACH	
2	IN	451-2956-	CVR,KNDR SHFT LG CUTOUT B6631-SK032		2.0000	EACH	
2	IN	451-4702-	BRKT,CVR HINGE(81W/WWP) C6631-SK051		2.0000	EACH	
2	IN	452-2352-	PLT,FNSH SNGL SLT(81W)SSC6631-SK053		1.0000	EACH	
2	IN	452-4057-	GUIDE,EDGE (81) 36631-351		1.0000	EACH	
2	IN	458-0458-	PPR SCALE SCRVO MDL 81 15"C6631-362		1.0000	EACH	
2	IN	458-0474-	RACK,COVER(81) D6631-358		1.0000	EACH	
2	IN	458-0578-	WRAP,CNTR (WELD)81W C6818-670		1.0000	EACH	
2	IN	461-3348-	ROD,EDGE GUIDE (81) B6631-356		1.0000	EACH	
2	IN	462-0322-	SPACER,CLIP,BAR(81W/WWP) B6631-SK036		2.0000	EACH	
2	IN	462-0329-	SPACER,CLIP MTG 81W/WWP B6631-SK029		2.0000	EACH	
2	IN	465-0843-	HINGE,PIN(81W/81WWP) B6631-SK101		2.0000	EACH	
2	IN	465-1669-	SPRING,EDGE GUIDE(81)B6631-378		1.0000	EACH	
2	IN	478-0430-	PIN CLIP,CTR WRAP 96631-SK115		2.0000	EACH	
2	IN	650-0083-	2-56 X 1/4 PAV 4D PHIL MS SS SEMS	EC9526	4.0000	EACH	
2	IN	650-2120-	4-40 X 3/8 PAN HD PHL MS SS SEMS	EC9526	2.0000	EACH	
2	IN	550-3124-	6-32 X 3/8 TRUSS HD PHL MS SS	EC9526	2.0000	EACH	
2	IN	650-3161-	SCR 6-32 1/2 PHIL FLAT H MS SS	EC9526	2.0000	EACH	
2	IN	650-4123-	8-32X3/8 TRUSS 4D PHL MS SS	EC9526	2.0000	EACH	
2	IN	551-0240-	CATCH,ACCESS COVER		6.0000	EACH	
2	IN	652-0032-	6-32 LOCK-NUT (EPS 511-061800-00	EC9526	10.0000	EACH	
2	IN	652-0990-	NUT 2-56UNC HEX REG PAT SS	EC9526	4.0000	EACH	
2	IN	652-2000-	NUT 4-40UNC HEX REG PAT SS	EC9526	12.0000	EACH	
2	IN	652-3005-	6-32 LK NUT ESNA 22 NTM-62	EC9526	4.0000	EACH	
2	IN	653-0990-	NO. 2 INT T LK WASHER	EC9526	4.0000	EACH	
2	IN	653-2002-	WASH 4 .1231D .2650D INT T ST	EC9526	10.0000	EACH	
2	IN	553-3000-	WASH 6 .1491D .3750D .016 FL SS	EC9526	15.0000	EACH	

D-66

ASSEMBLY PART NUMBER 197-9237-W - -
 ASSEMBLY DESCRIPTION 114 PRINTER WANG 5541

LEGEND
 1: P=PHANTOM; 2: ITEM MASTER DELY CODE; 3: *=TAGGED OUT OF KIT(PROD STR)

POSITION IN STRJCTURE	LEGEND 1 2 3	COMPONENT PART NUMBER	DESCRIPTION	E C N	QUANTITY PER ASSY	U/M	IML
2	IN	653-3003-	WASH 6 .1411D .25300 SPLIT	SS EC9526	6.0000	EACH	
1	IN	279-4028-	R1W BOTTOM COVER ASSY 6631-65		1.0000	EACH	
2	IN	451-1237-	PAN,BOTTOM (R1W) E6631-SK100		1.0000	EACH	
2	IN	650-6150-	10-32 X 1/2 PAN HD PHL MS SS SEMS	EC9526	4.0000	EACH	
2	IN	650-3049-	SCREW,KNURLED SLOT HEAD		2.0000	EACH	
2	IN	551-0239-	RECEPTACLE,CLIP DN		2.0000	EACH	
2	IN	652-5002-	10-32 LOCK NUT (EPS #511-101800-50	EC9526	4.0000	EACH	
2	IN	655-0205-	BUMPER,WHITE #2096SW	EC9526	4.0000	EACH	
1	P IN	279-5136-	B1 MECHANICAL FINAL ASSY 5631-36		1.0000	EACH	
2	IN	220-1222-	WIRE & LUG ASSY TYPE P103 D6482-12	EC9181	2.0000	EACH	
3	P FS	500-3000-	WIRE 26 GA BLACK		.2100	FEET	
4	FS	500-3009-	WIRE 26 GA WHITE		1.0000	FEET	
3	FS	654-0102-R	30-26 GA CRIMP SNAP CONT AMP85967-6		2.0000	EACH	
2	IN	220-3042-	HEAD CABLE ASY B1 & B2 D6482-241	EC9181	1.0000	EACH	
3	IN	000-0004-	SUB-SYSTEMS		4.1320	EACH	
3	IN	000-3011-	LABOR QUALITY CONTROL		.8260		
3	FS	380-4000-	DIO 1N4004 400V 1A RECT S D041	EC9356	2.0000	EACH	
3	FS	420-0066-	16 COND FLAT FLEX CABLE(81)	EC9356	5.8300	FEET	
3	IN	451-4498-	BRKT,FLEX CABLE(81)C6631-276		1.0000	EACH	
3	IN	452-0077-	PLATE,CONNECTOR CLAMPING(81)6631272		1.0000	EACH	
3	IN	452-2575-	CLAMP PLATE,FLEX CABLE(81)36631-274		2.0000	EACH	
3	IN	452-3545-	SHIELD,MYLAR (81) B6631-384		1.0000	EACH	
3	IN	452-4045-	GUDE,FLEX CABLE(81)B6631-313		1.0000	EACH	
3	IN	510-7263-	7263 PRINTED CIRCUIT BOARD		1.0000	EACH	
3	IN	510-7265-	7265 PRINTED CIRCUIT BOARD		1.0000	EACH	
3	IN	650-2087-	4-40X1/4 PAN HD PHL MS SS MAG. SEMS		2.0000	EACH	
3	IN	650-3121-	SCR 6-32 3/8 PHIL FLAT H MS SS	EC9356	2.0000	EACH	
3	IN	650-3160-	6-32 X 1/2 PAN HD PHL MS SS SEMS	EC9356	3.0000	EACH	
3	IN	653-3002-	WASH 6 .1411D .25000 .062 FL NYL	EC9356	1.0000	EACH	
3	IN	654-0104-	CONN HEADER 3 .100 1ROW STR PIN		3.0000	EACH	
3	IN	654-0106-	CONN HEADER 6 .100 1ROW STR PIN		4.0000	EACH	
3	FS	660-0082-	FOAM TAPE 1/8 THK X 3/8 WIDE	EC9339	.3320	FEET	
2	IN	270-3091-	PPR OUT & MARGIN SW,HARN.C6482-243	EC9774	1.0000	EACH	
3	IN	000-0004-	SUB-SYSTEMS		.5000	EACH	
3	IN	000-3011-	LABOR QUALITY CONTROL		.1000		
3	P FS	600-2000-	WIRE 24 GA BLACK UL	EC9461	4.3300	FEET	
4	FS	600-2009-	WIRE 24 GA WHITE UL		1.0000	FEET	
3	P FS	500-2002-	WIRE 24 GA RED UL		.8800	FEET	
4	FS	600-2009-	WIRE 24 GA WHITE UL		1.0000	FEET	
3	P FS	600-2090-	WIRE 24 GA WH/BLK UL	EC9461	3.5000	FEET	
4	FS	600-2009-	WIRE 24 GA WHITE UL		1.0000	FEET	
3	P FS	500-3000-	WIRE 26 GA BLACK		1.6600	FEET	
4	FS	600-3009-	WIRE 26 GA WHITE		1.0000	FEET	

D-67

ASSEMBLY PART NUMBER 187-9237-W - -
 ASSEMBLY DESCRIPTION 114 PRINTER WANG 5541

LEGEND

1: P=PHANTOM; 2: ITEM MASTER DELY CODE; 3: *=TAGGED OUT OF KIT (PROD STR)

POSITION IN STRJCTURE	LEGEND 1 2 3	COMPONENT PART NUMBER	DESCRIPTION	E C N	QUANTITY PER ASSY	U/M	TAL
3	P FS	600-3002-	WIRE 26 GA RED		1.6600	FEET	
4	FS	500-3009-	WIRE 26 GA WHITE		1.0000	FEET	
3	FS	600-3009-	WIRE 26 GA WHITE		1.6600	FEET	
3	FS	605-0109-	TUBING NO 6 CLEAR	EC9461	5.1700	FEET	
3	FS	654-0082-R	TERMINAL FASTON .187X.020 PQ18R188M		4.0000	REEL	
3	FS	654-0102-R	30-26 GA CRIMP SNAP CONT A4P85967-6	EC8495	7.0000	EACH	
3	IN	654-0103-	.025 KEYING PLUG AMP R707-2		1.0000	EACH	
3	IN	654-0114-	CONN MSG 6-5 .100 2ROW		1.0000	EACH	
2	IN	279-5111-	IDLER PULLEY BRKT ASSY B6631-11		1.0000	EACH	
3	IN	000-0011-	LABOR QUALITY CONTROL		.0060		
3	IN	000-0024-	LABOR PREP AREA		.0280	EACH	
3	IN	451-4477-	BRKT, IDLER PULLEY(LH)(81)B6631-116		1.0000	EACH	
3	IN	461-3291-	STJD, PULLEY MOUNTING(81)B6631-134		1.0000	EACH	
2	IN	279-5112-	IDLER PULLEY ASSY B6631-12		2.0000	EACH	
3	IN	000-0011-	LABOR QUALITY CONTROL		.0260		
3	IN	000-0021-	LABOR PERIPHERAL SYSTEMS		.1290		
3	IN	465-0009-	BALL BEARING, KU3AR#SR4HH A3EC-3		1.0000	EACH	
3	IN	478-0336-	PULLEY, CARRIAGE IDLER(81)C6631-127		1.0000	EACH	
2	IN	279-5114-	CARRIER STEEL CABLE ASSY(81)6631-14		2.0000	EACH	
3	IN	000-0011-	LABOR QUALITY CONTROL		.0140		
3	IN	000-0024-	LABOR PREP AREA		.0700	EACH	
3	IN	458-0275-	CARRIER CABLE END FITTING 36497-198	EC7869	1.0000	EACH	
3	IN	465-0417-	COLLAR, CLUTCH CABLE(62)B6636-202		1.0000	EACH	
3	IN	465-0728-	BUSHING, CABLE(62)36636-149		1.0000	EACH	
2	IN	279-5115-	CARRIAGE MOTOR ASSY 6631-15		1.0000	EACH	
3	IN	000-0011-	LABOR QUALITY CONTROL		.3480		
3	IN	000-0021-	LABOR PERIPHERAL SYSTEMS		1.7420		
3	IN	220-1177-	CARRIAGE DR. NTR CA ASM B6482-240	EC7923	1.0000	EACH	
4	IN	000-0004-	SUB-SYSTEMS		.0650	EACH	
4	IN	000-0011-	LABOR QUALITY CONTROL		.0130		
4	P FS	600-1000-	WIRE 22 GA BLACK		.6600	FEET	
5	P FS	600-1009-	WIRE 22 GA WHITE		1.0000	FEET	
4	P FS	600-1009-	WIRE 22 GA WHITE		.6600	FEET	
4	FS	605-1004-	CABLE TYE, PAN-TY PLTYM-M		1.0000	EACH	
4	FS	654-0120-R	N6 FORK LUG AM3ER 20-26 GA (2K REEL)		2.0000	EACH	
4	IN	654-1148-	SOCKET HOUSING 1-480318-0		1.0000	EACH	
4	FS	654-1165-R	SOCKET 30-22 GA(REEL)AMP 3500078-4		2.0000	EACH	
3	IN	380-0107-	SENSOR & EMITTR ASM B14/WMP 6631-49	EC7923	1.0000	EACH	
4	IN	380-0105-	LED SENSOR ASM (81)		.0000	EACH	
4	IN	380-0106-	LED EMITTER ASM (81)		.0000	EACH	
3	IN	400-0034-	MOTOR, CARRIER(81)B6631-102		1.0000	EACH	
3	IN	449-0174-	COVER, CARRIAGE ENCOD(81)D6631-214		1.0000	EACH	
3	IN	451-4496-	BRKT, ENCODER ADJUST(81)C6631-299	EC7923	1.0000	EACH	
3	IN	452-0070-	PLATE, ENCODER 120 (81) C6631-210		1.0000	EACH	

D-68

ASSEMBLY PART NUMBER 197-9237-W - -
 ASSEMBLY DESCRIPTION 114 PRINTER WANG 5541

LEGEND

1: P=PHANTOM; 2: ITEM MASTER DELY CODE; 3: +=TAGGED OUT OF KIT(PROD STR)

POSITION IN STRJCTURE	LEGEND 1 2 3	COMPONENT PART NUMBER	DESCRIPTION	E C M	QUANTITY PER ASSY	U/M	INL
3	FS	452-2154- - -	MASK,ENCODER(120)C6631-106		1.0000	EACH	
3	IN	452-2573- - -	CLAMP,ENCODER HUB (81) B6631-206	EC7923	1.0000	EACH	
3	IN	458-0375- - -	CAP,ENCODER HUB 120(91)B6631-209		1.0000	EACH	
3	IN	461-1036- - -	ENCDR DTSC,PRINTWHEEL(120)C6631-111		1.0000	EACH	
3	IN	461-3276- - -	HOUSING,ENCODER(81)D5631-184		1.0000	EACH	
3	IN	461-3298- - -	SCREW,ENCODER AJJUST(81)B6631-253		1.0000	EACH	
3	IN	462-0283- - -	SPCR .140 ID .250 OD .125 L RD F		5.0000	EACH	
3	IN	465-1062- - -	HUB,ENCODER 120(81)B6631-211		1.0000	EACH	
3	IN	478-0341- - -	DRUM,CARRIAGE(81)B6631-280		1.0000	EACH	
3	IN	650-0002- - -	SCR 0-80X1/4 RD HD SLOTTED	EC7923	2.0000	EACH	
3	IN	650-2087- - -	4-40X1/4 PAN HD PHL MS SS MAG. SEMS		2.0000	EACH	
3	IN	650-2168- - -	4-40 X 1/2 SOC HD CAP (BLACK)		1.0000	EACH	
3	IN	650-3121- - -	SCR 6-32 3/8 PHIL FLAT H MS SS	EC9774	1.0000	EACH	
3	IN	650-3130- - -	6-32 X 3/8 TRUSS HD PH MS CAD PL	EC9774	2.0000	EACH	
3	IN	650-3319- - -	SCR 6-32X1 PHL FLT HD	EC7923	4.0000	EACH	
3	IN	651-1507- - -	PIN ROLL .125 DIA .750 LG SS	EC6517	1.0000	EACH	
3	IN	651-1753- - -	RTRR RING .125 SFT DIA EXT TYPE E	EC7755	1.0000	EACH	
3	IN	656-0107- - -	SEAL,ENCODER 120(81)B6631-204		1.0000	EACH	
3	IN	660-0194- - -	LOCTITE NO. 35	EC7923	.0010	EACH	
2	IN	279-5117- - -	U CHANNEL ASSY 6631-17		1.0000	EACH	
3	IN	000-0011- - -	LABOR QUALITY CONTROL		.1520		
3	IN	000-3021- - -	LABOR PERIPHERAL SYSTEMS		.7610		
3	IN	279-5118- - -	ARM & ROLLER STUD ASSY(L)B6631-18	EC6821	1.0000	EACH	
4	IN	000-0011- - -	LABOR QUALITY CONTROL		.0040		
4	IN	000-0024- - -	LABOR PREP AREA		.0190	EACH	
4	IN	458-0378- - -	ARM,FEED ROLLER(81)C6631-142		1.0000	EACH	
4	IN	461-3307- - -	STUD,ROLLER ARM MTG(81)B6631-170		1.0000	EACH	
3	IN	279-5118-1 - -	ARM & ROLLER STUD ASSY(R)B6631-18	EC6753	1.0000	EACH	
4	IN	000-0011- - -	LABOR QUALITY CONTROL		.0040		
4	IN	000-0024- - -	LABOR PREP AREA		.0190	EACH	
4	IN	458-0378- - -	ARM,FEED ROLLER(81)C6631-142		1.0000	EACH	
4	IN	461-3307- - -	STJD,ROLLER ARM MTG(81)B6631-170		1.0000	EACH	
3	IN	279-5119- - -	ARM & GUIDE STUD ASSY(L) B6631-19	EC6821	1.0000	EACH	
4	IN	000-0011- - -	LABOR QUALITY CONTROL		.0040		
4	IN	000-0024- - -	LABOR PREP AREA		.0190	EACH	
4	IN	458-0378- - -	ARM,FEED ROLLER(81)C6631-142		1.0000	EACH	
4	IN	461-3308- - -	STUD,PAPER GUIDE MTG(81)B6631-173		1.0000	EACH	
3	IN	279-5119-1 - -	ARM & GUIDE STUD ASSY(R) B6631-19	EC6753	1.0000	EACH	
4	IN	000-0011- - -	LABOR QUALITY CONTROL		.0040		
4	IN	000-0024- - -	LABOR PREP AREA		.0190	EACH	
4	IN	458-0378- - -	ARM,FEED ROLLER(81)C6631-142		1.0000	EACH	
4	IN	461-3308- - -	STJD,PAPER GUIDE MTG(81)B6631-173		1.0000	EACH	
3	IN	451-1943- - -	CHANNEL ROLLER ARM MT(81)C6631-194		1.0000	EACH	
3	IN	451-4483- - -	BRKT,ROLLER ARM PIVOT(81)B6631-190		1.0000	EACH	
3	IN	451-4485- - -	BRKT,CAM PLT LOCATE(LH)(81)C6631187		1.0000	EACH	
3	IN	451-4486- - -	BRKT,CAM PLT LOCATE(RH)(81)C6631187		1.0000	EACH	
3	IN	451-4493- - -	BRKT,PAPER-OUT DETECT(81)D6631-280	EC8675	1.0000	EACH	

D-69

ASSEMBLY PART NUMBER 187-9237-W - -
 ASSEMBLY DESCRIPTION 114 PRINTER WANG 5541

LEGEND

1: P=PHANTOM; 2: ITEM MASTER DELY CODE; 3: +=TAGGED OUT OF KIT(PRD STR)

POSITION IN STRUCTURE	LEGEND 1 2 3	COMPONENT PART NUMBER	DESCRIPTION	E C N	QUANTITY PER ASSY	U/M	TML
3	IN	458-0377-	ARM,FEED ROLLER 4TG(81)B6631-163		4.0000	EACH	
3	IN	458-0386-	CAM FOLLOWER,PAPER REL(81)C6631-128		1.0000	EACH	
3	IN	458-0396-	LEVER,PAPER-OJT BRKT(81)C6631-283		1.0000	EACH	
3	IN	461-3277-	ROLLER SHAFT,PLAT PRES(81)C6631-169		4.0000	EACH	
3	IN	461-3305-	SHAFT,FEED ARM PIVOT(81)B6631-139		1.0000	EACH	
3	IN	461-3315-	ROD,CAM(81)B6631-188		1.0000	EACH	
3	IN	461-3317-	STUD,CAM FOLLOWER(81)B6631-286		1.0000	EACH	
3	IN	461-3325-	PIVOT,PAPER-OJT BRKT(81/2)3		2.0000	EACH	
3	IN	465-0734-	BEARING .375 ID .078 LG 2 FLG NYL		3.0000	EACH	
3	IN	465-1647-	EXT SPRING,ROLLER ARM(81)B6631-244		4.0000	EACH	
3	IN	650-2120-	4-40 X 3/8 PAV HD PHL 4S SS SEMS		2.0000	EACH	
3	IN	650-2201-	SCR 4-40 5/8 PHIL FLAT H 4S SS		2.0000	EACH	
3	IN	650-4080-	8-32 X 1/4 PAN HD PHL 4S SS SEMS		6.0000	EACH	
3	IN	650-4130-	8-32X3/8 SOC SET CUP POINT BLK OX	EC7923	1.0000	EACH	
3	IN	651-1649-	PIN,GROOVED 1/8 DIA X 3/4 LG TYPE D		4.0000	EACH	
3	IN	651-1724-	RTNR RING .373 SFT DIA EXT GRIP-ON		2.0000	EACH	
3	IN	651-1728-	RTNR RING .248 SFT DIA EXT GRIP-ON		2.0000	EACH	
3	IN	651-1735-	C RING TRUARC 5133-18 MF		7.0000	EACH	
3	IN	653-0042-	WASHER,NYLON(81)B6631-304		2.0000	EACH	
3	IN	660-0577-	FOAM,SOUND DEADENER (81) B6631-383	EC8675	2.0000	EACH	
2	IN	279-5120-	PLATEN ASSY 6631-20		1.0000	EACH	
3	IN	000-0011-	LABOR QUALITY CONTROL		.0510		
3	IN	000-0021-	LABOR PERIPHERAL SYSTEMS		.2550		
3	IN	279-5121-	LOCATOR BUSH & BEARING ASY 6631-21		1.0000	EACH	
4	IN	000-0011-	LABOR QUALITY CONTROL		.0040		
4	IN	000-0024-	LABOR PREP AREA		.0200	EACH	
4	IN	465-0255-	BEARING .3135 ID .250 LG BRZ		1.0000	EACH	
4	IN	465-0733-	BUSHING,PLATEN LOCATOR(81)B6631-159		1.0000	EACH	
3	IN	449-0156-	KVDB,PLATEN(MOLDED)(81)C6631-120		2.0000	EACH	
3	IN	449-0157-	CONE,VERNIER(81)(MOLDED)C6631-143		1.0000	EACH	
3	IN	458-0381-	PLATEN,RDP(81)C6631-172		1.0000	EACH	
3	IN	461-1032-	DISC,-70 KNOB PRESS B5300-1094	EC6869	2.0000	EACH	
3	IN	461-2022-	GEAR,VERNIER(81)D6631-144		1.0000	EACH	
3	IN	461-2025-	GEAR,TRACTOR FEED 32P/54T B6631-338	EC7755	1.0000	EACH	
3	IN	461-3300-	PLUNGER,VERNIER CLUTCH(81)B6631-118		1.0000	EACH	
3	IN	465-0262-	NEEDLE BEARING TORR B-59		1.0000	EACH	
3	IN	465-1648-	SPRING,VERNIER CLUTCH(81)B6631-245		1.0000	EACH	
3	IN	465-1653-	SPRING,KNOB LECTRA#3200		4.0000	EACH	
3	IN	650-5080-	10-24 X 1/4 CONE PT SET SCR(BLACK)	EC6869	2.0000	EACH	
3	IN	651-1647-	PIN,VERN CLUTCH ACTUATE(81)B6631158		1.0000	EACH	
3	IN	651-1733-	RTNR RING .312 SFT DIA EXT CRESCEN		1.0000	EACH	
3	IN	653-0041-	WASHER,VERNIER(81)B6631-119		1.0000	EACH	
2	IN	279-5122-	PLATEN PLATE ASSY (RH) 6631-22		1.0000	EACH	
3	IN	000-0011-	LABOR QUALITY CONTROL		.0990		
3	IN	000-0021-	LABOR PERIPHERAL SYSTEMS		.4960		
3	IN	279-5123-	PLATEN PLATE PREP (RH) 6631-23		1.0000	EACH	
4	IN	000-0011-	LABOR QUALITY CONTROL		.0060		
4	IN	000-0024-	LABOR PREP AREA		.0280	EACH	
4	IN	452-0069-	PLATE,PLATEN(RH)(81)D6631-167		1.0000	EACH	

ASSEMBLY PART NUMBER 187-9237-W - -
 ASSEMBLY DESCRIPTION 114 PRINTER WANG 5541

LEGEND
 1: P=PHANTOM; 2: ITEM MASTER DELY CODE; 3: *=TAGGED OUT OF KIT(PROD STR)

POSITION IN STRJCTURE	LEGEND 1 2 3	COMPONENT PART NUMBER	DESCRIPTION	E C N	QUANTITY PER ASSY	U/M	I/L
4	IN	458-0517-	HANGER,PAPER BAIL SPRING B6631-154	EC7755	1.0000	EACH	
4	IN	461-3303-	PIVOT,PAPER BAIL ARM(81)B6631-155		1.0000	EACH	
4	IN	461-3304-	PIVOT,PLATEN LATCH(81) B6631-160		1.0000	EACH	
3	IN	449-0170-	KNDB,PAPER RELEASE(81)D6631-147		1.0000	EACH	
3	IN	451-4482-	BRKT,PLATEN FACT ADJ(RH 81)C6631156		1.0000	EACH	
3	IN	458-0295-	MP-70 FORMAT CONTROL STOP B6615-138	EC7923	1.0000	EACH	
3	IN	458-0384-	LATCH,PLATEN(RH)(81)C6631-164		1.0000	EACH	
3	IN	458-0385-	LINK,PAPER-OUT BRKT(81)B6631-267		1.0000	EACH	
3	IN	461-3052-	CLEVIS PIN IBM W/OFF/78		1.0000	EACH	
3	IN	461-3302-	PIVOT,PAPER REL (NOB(81)B6631-136		1.0000	EACH	
3	IN	461-3309-	ECCENTRIC,PLATEN PLATE(81)B6631-140	EC8037	1.0000	EACH	
3	IN	650-3134-	SCR 6-32 3/8 SOC CAP HD MS SS	EC7923	1.0000	EACH	
3	IN	650-4080-	8-32 X 1/4 PAN HD PHL MS SS SEMS	EC7923	4.0000	EACH	
3	IN	650-4160-	8-32 X 1/2 PAN HD PHL MS SS SEMS		2.0000	EACH	
3	IN	651-1712-	RTNR RING .188 SFT DIA EXT TYPE E		1.0000	EACH	
3	IN	651-1752-	RTNR RING .062 SFT DIA EXT TYPE E		2.0000	EACH	
3	IN	652-0029-	8-32 LOCK-NUT KEPS 511-081900-50	EC7923	1.0000	EACH	
3	IN	653-4000-	WASH 8 .174ID .3750D .016 FL SS		2.0000	EACH	
2	IN	279-5124-	PLATEN PLATE ASSY (LH) 6631-24		1.0000	EACH	
3	IN	000-0011-	LABOR QUALITY CONTROL		.0270		
3	IN	000-0021-	LABOR PERIPHERAL SYSTEMS		.1360		
3	IN	279-5125-	PLATEN PLATE PREP (LH) 6631-25		1.0000	EACH	
4	IN	000-0011-	LABOR QUALITY CONTROL		.0060		
4	IN	000-0024-	LABOR PREP ARE.		.0280	EACH	
4	IN	452-0068-	PLATE,PLATEN(LH)(81)D6631-167		1.0000	EACH	
4	IN	458-0517-	HANGER,PAPER BAIL SPRING B6631-154	EC7755	1.0000	EACH	
4	IN	461-3303-	PIVOT,PAPER BAIL ARM(81)B6631-155		1.0000	EACH	
4	IN	461-3304-	PIVOT,PLATEN LATCH(81) B6631-160		1.0000	EACH	
3	IN	279-5126-	PAPER FEED MTR ASSY 6631-26		1.0000	EACH	
4	IN	000-0011-	LABOR QUALITY CONTROL		.0160		
4	IN	000-0021-	LABOR PERIPHERAL SYSTEMS		.0790		
4	IN	279-5145-	PAPER FEED MTR & PLUG ASM B6631-48	EC7923	1.0000	EACH	
5	IN	000-0004-	SUB-SYSTEMS		.1160	EACH	
5	IN	000-0011-	LABOR QUALITY CONTROL		.0230		
5	IN	400-0037-	STEPPER MOTOR P-M(81)C6631-114		1.0000	EACH	
5	FS	654-0102-R	30-26 GA CRIMP SNAP CONT AMPB5967-6		4.0000	EACH	
5	IN	654-0103-	.025 KEYING PLUG AMP 8707-2		1.0000	EACH	
5	IN	654-0107-	CONN HSG 6 .100 1ROW		1.0000	EACH	
4	IN	461-2023-	GEAR,IDLER(81)C6631-141		1.0000	EACH	
4	IN	461-3306-	STUD,IDLER GEAR(81)B6631-135		1.0000	EACH	
4	IN	461-3310-	ECCENTRIC,IDLER GEAR(81)B6631-161		1.0000	EACH	
4	IN	478-0337-	NUT,IDLER GEAR(81)B6631-252		1.0000	EACH	
4	IN	652-5002-	10-32 LOCK NUT KEPS #511-101800-50		1.0000	EACH	
3	IN	451-4481-	BRKT,PLATEN FACT ADJ(LH)81)C6631156		1.0000	EACH	
3	IN	452-4043-	GUIDE,PLATEN PLATE(81)B6631-138		1.0000	EACH	
3	IN	458-0295-	MP-70 FORMAT CONTROL STOP B6615-138	EC6821	1.0000	EACH	
3	IN	458-0383-	LATCH,PLATEN(LH)(81)C6631-164		1.0000	EACH	

D-71

ASSEMBLY PART NUMBER 187-9237-W - -
 ASSEMBLY DESCRIPTION 114 PRINTER WANG 5541

LEGEND

1: P=PHANTOM; 2: ITEM MASTER DELY CODE; 3: *=TAGGED OUT OF KIT(PROD STR)

POSITION IN STRJCTURE	LEGEND I 2 3	COMPONENT PART NUMBER	DESCRIPTION	E C N	QUANTITY PER ASSY	U/M	IML
3	IN	461-3309- - -	ECCENTRIC,PLATEN PLATE(81)B6631-140	EC8037	1.0000	EACH	
3	IN	650-3134- - -	SCR 6-32 3/8 SOC CAP HD MS SS	EC6821	1.0000	EACH	
3	IN	650-4080- - -	C-32 X 1/4 PAN HD PHL MS SS SEMS		2.0000	EACH	
3	IN	650-4160- - -	8-32 X 1/2 PAN HD PHL MS SS SEMS		5.0000	EACH	
3	IN	651-1712- - -	RTNR RING .188 SFT DIA EXT TYPE E		1.0000	EACH	
3	IN	651-1752- - -	RTNR RING .062 SFT DIA EXT TYPE E		2.0000	EACH	
3	IN	653-4000- - -	WASH 8 .174ID .3750D .016 FL SS		5.0000	EACH	
2	IN	279-5127- - -	CARRIAGE ASSY 6631-27		1.0000	EACH	
3	IN	000-0011- - -	LABOR QUALITY CONTROL		.8810		
3	IN	000-0021- - -	LABOR PERIPHERAL SYSTEMS		4.4060		
3	IN	220-1179- - -	DISC DR MTR CA ASM C6482-245	EC7923	1.0000	EACH	
4	IN	000-0004- - -	SUB-SYSTEMS		.0980	EACH	
4	IN	000-0011- - -	LABOR QUALITY CONTROL		.0200		
4	P FS	600-3000- - -	WIRE 26 GA BLACK		.5800	FEET	
5	FS	600-3009- - -	WIRE 26 GA WHITE		1.0000	FEET	
4	FS	600-3009- - -	WIRE 26 GA WHITE		.5800	FEET	
4	FS	654-0102-R - -	30-26 GA CRIMP SNAP CONT AMP85967-6		2.0000	EACH	
4	IN	654-0103- - -	.025 KEYING PLUS AMP 8707-2		1.0000	EACH	
4	IN	654-0105- - -	CONN HSG 3 .100 1ROW		1.0000	EACH	
4	FS	654-0136-R - -	SEE 654-0137-R	EC9496	4.0000	EACH	
3	IN	279-5128- - -	CARRIAGE BRKT PREP 6631-28		1.0000	EACH	
4	IN	000-0011- - -	LABOR QUALITY CONTROL		.0120		
4	IN	000-0024- - -	LABOR PREP AREA		.0580	EACH	
4	IN	451-4576- - -	BRKT,CARRIAGE (82) D6631-179	EC7705	1.0000	EACH	
4	IN	461-3291- - -	STUD,PULLEY MOUNTING(81)B6631-134		1.0000	EACH	
4	IN	465-0731- - -	BUSHING,DISC MTR BRKT(81)B6631-148		2.0000	EACH	
4	IN	551-1646- - -	PIN,DISC MOTOR LATCH(81)B6631-153		1.0000	EACH	
3	IN	279-5129- - -	PRINT YOKE & BEARING ASSY 6631-29		1.0000	EACH	
4	IN	000-0011- - -	LABOR QUALITY CONTROL		.0040		
4	IN	000-0024- - -	LABOR PREP AREA		.0190	EACH	
4	IN	450-0107- - -	YOKE,PRINT SOLENOID (MACH)C6631-291	EC6753	1.0000	EACH	
4	IN	465-0254- - -	BEARING,SOL ARM PIVOT(81)B6631-175	EC9321	2.0000	EACH	
3	IN	279-5131- - -	CARRIAGE PULLEY ASSY B6631-31		1.0000	EACH	
4	IN	000-0011- - -	LABOR QUALITY CONTROL		.0040		
4	IN	000-0021- - -	LABOR PERIPHERAL SYSTEMS		.0190		
4	IN	465-0009- - -	BALL BEARING,KUBARNSR4HH ABEC-3		1.0000	EACH	
4	IN	478-0339- - -	PULLEY,CARRIAGE(81)C6631-132		1.0000	EACH	
3	IN	279-5135- - -	DISK DRIVE MTR ASSY 6631-35		1.0000	EACH	
4	IN	000-0011- - -	LABOR QUALITY CONTROL		.0600		
4	IN	000-0021- - -	LABOR PERIPHERAL SYSTEMS		.3000		
4	IN	279-5202- - -	HUB & TAB ASSY B1	EC9774	1.0000	EACH	
5	IN	458-0590- - -	TAB,PRINTWHEEL TYPE B 81W B6631-707		1.0000	EACH	
5	IN	465-1115- - -	HUB,PRINTWHEEL TYPE B 81W 96531-708		1.0000	EACH	
4	IN	400-0036- - -	MOTOR,PRINT WHEEL(81)C6631-263		1.0000	EACH	
4	IN	551-1501- - -	PIN ROLL .062 DIA .437 LG SS	EC7547	1.0000	EACH	

ASSEMBLY PART NUMBER 187-9237-W - -
 ASSEMBLY DESCRIPTION 114 PRINTER WANG 5541

LEGEND

1: P=PHANTOM; 2: ITEM MASTER DELY CODE; 3: *TAGGED OUT OF KIT(PRD STR)

POSITION IN STRJCTURE	LEGEND 1 2 3	COMPONENT PART NUMBER	DESCRIPTION	E C N	QUANTITY PER ASSY	U/M	IML
3	IN	279-5146-	HAMMER SOLENOID & PLUG ASM 86631-46	EC7923	1.0000	EACH	
4	IN	000-0004-	SUB-SYSTEMS		.1270	EACH	
4	IN	000-0011-	LABOR QUALITY CONTROL		.0250		
4	IN	320-0055-	COIL, PRINT SOLENOID 86631-309		1.0000	EACH	
4	FS	654-0102-R	30-26 GA CRIMP SNAP CONT 44PB5367-5		2.0000	EACH	
4	IN	654-0105-	CONN HSG 3 .100 1ROW		1.0000	EACH	
3	IN	380-0107-	SENSOR & EMITTR ASM 81W/WMP 6631-49	EC8675	1.0000	EACH	
4	IN	380-0105-	LED SENSOR ASM (81)		.0000	EACH	
4	IN	380-0106-	LED EMITTER ASM (81)		.0000	EACH	
3	IN	449-0168-	RETAINER,FELT(81)C6631-150		4.0000	EACH	
3	IN	449-0173-	COVER,DISC ENCODER(81)D6631-297	EC8037	1.0000	EACH	
3	IN	450-0111-	MOUNT,DISC MTR CASTING(82)E6631-490	EC8675	1.0000	EACH	
3	IN	451-4484-	BRKT,HAMMER HOUSING MTG(81)B6631195		1.0000	EACH	
3	IN	451-4495-	BRKT,CARD GUIDE MTG(81)D6631-203		1.0000	EACH	
3	IN	451-4496-	BRKT,ENCODER ADJUST(81)C6631-299		1.0000	EACH	
3	IN	451-4640-	BRKT,BEARING MOUNT (LOWER)C6631-393	EC8037	1.0000	EACH	
3	IN	451-4644-	BRKT CARRIAGE BEARING MTG C6631-394	EC8037	1.0000	EACH	
3	IN	451-4681-	BRKT, CL INDICATOR 81W C6631-412	EC8675	1.0000	EACH	
3	IN	452-0076-	PLATE,ENCODER HSG MOUNT(81)C6631296		1.0000	EACH	
3	FS	452-2157-	MASK,ENCODER(96W) C6631-109		1.0000	EACH	
3	IN	452-2605-	CLAMP,ENCODER WIRES 81W 96631-716	EC9784	2.0000	EACH	
3	IN	452-4044-	GUIDE,CARD(81)D6631-197		1.0000	EACH	
3	IN	458-0373-	ARM,PRINT SOLENOID(81)(MLD)D6631178		1.0000	EACH	
3	IN	458-0376-	CAP,PRINTWHL ENCDR HUB(81)96631-228		1.0000	EACH	
3	IN	458-0398-	HAMMER,PRINT(81)B6631-213		1.0000	EACH	
3	IN	458-0399-	ACTUATOR,CARR PHOTO CELL81 86631131		1.0000	EACH	
3	IN	458-0521-	HANGER,SPRING C6631-392	EC8037	1.0000	EACH	
3	IN	458-0571-	LATCH,DISC MOTOR(81W) C6631-439	EC9181	1.0000	EACH	
3	IN	458-0586-	LAMINATION STACK 81W/WMP 86631-43	EC9181	1.0000	EACH	
3	IN	458-0587-	STOP,DAISY WHEEL 81W 96631-447	EC9052	1.0000	EACH	
3	IN	458-0588-	WASHER,FAN ISOLATION 81W 96631-704	EC9526	1.0000	EACH	
3	IN	461-1039-	EVCDR DISC,PRINTWHEEL(96)C6631-110		1.0000	EACH	
3	IN	461-3276-	HOUSING,ENCODER(81)D6631-184		1.0000	EACH	
3	IN	461-3283-	HOUSING,PRINT HMR(81)(MOLD)C6631189		1.0000	EACH	
3	IN	461-3289-	HOUSING,CARR BEARING(81)MLD C6631171	EC8037	1.0000	EACH	
4	FS	465-0257-	BEARING,SLEEVE .502 86631-335 (81)		2.0000	EACH	
3	IN	461-3290-	ARMATURE INSERT(81)96631-176		1.0000	EACH	
3	IN	461-3293-	SHAFT,DISC MOTOR PIVOT(81)96631-149		1.0000	EACH	
3	IN	461-3296-	ECC,SOL ARM STOP(81)86631-196		1.0000	EACH	
3	IN	461-3297-	ECC,DISC MTR LATCH PIVOT 86631-185		1.0000	EACH	
3	IN	461-3298-	SCREW,ENCODER ADJUST(81)86631-253		1.0000	EACH	
3	IN	461-3323-	SCREW,BEARING HSG MT(81)86631-292		2.0000	EACH	
3	FS	462-0284-	STDF 6-32 .375LG CL TRU TRD AL		5.0000	EACH	
3	IN	462-0296-	SPACER,DAISY MOTOR(81) 86631-376	EC9039	2.0000	EACH	
3	IN	462-0328-	SPACER,DISC MOTOR 81W 86631-376	EC9039	1.0000	EACH	
3	IN	465-0015-	BALL BEARING DBL SHLD .500 OJ.	EC9096	2.0000	EACH	
3	FS	465-0257-	BEARING,SLEEVE .502 86631-335 (81)	EC8675	2.0000	EACH	
3	IN	465-0732-	BUSHING,CARR CASTING(81)86631-212	EC8132	2.0000	EACH	

D-73

ASSEMBLY PART NUMBER 197-9237-U - -
 ASSEMBLY DESCRIPTION 114 PRINTER WANG 5541

LEGEND
 1: P=PHANTOM; 2: ITEM MASTER DELY CODE; 3: *=TAGGED OUT OF KIT(PROD STR)

POSITION IN STRJCTURE	LEGEND 1 2 3	COMPONENT PART NUMBER	DESCRIPTION	E C N	QUANTITY PER ASSY	U/M	14L
3	IN	465-0928-	TD 23 FAST FORWJ SPRNG B5900-614 PA	EC8037	1.0000	EACH	
3	IN	465-1063-	HUB,PRINTWHFEL ENCODER(81)96631-225		1.0000	EACH	
3	IN	465-1655-	EXT SPRING,CAM FOLLOW(81)86631-290	EC8675	1.0000	EACH	
3	IN	465-1660-	EXT SPRG,ARM RETURN B6631-330		1.0000	EACH	
3	IN	465-1664-	SPRING,COMP HAMMER(81)86631-322		1.0000	EACH	
3	IN	465-1687-	SPRING .187 OD .625LG .022DIA EXT	EC9321	1.0000	EACH	
3	IN	478-0386-	ROLLER,CARRIAGE B6631-86	EC8037	1.0000	EACH	
3	IN	478-0387-	MOUNT BEARING B6631-397	EC8037	1.0000	EACH	
3	IN	478-0388-	STJD BEARING BRKT MTS B6631-396	EC8037	1.0000	EACH	
3	IN	478-0389-	PIN,BEARING MTG B6631-395	EC8037	1.0000	EACH	
3	IN	650-0002-	SCR 0-80X1/4 RD HD SLOTTED	EC7923	2.0000	EACH	
3	IN	650-0004-	SCREW,1-64 X 3/16 SLT PAN HD SS	EC7923	2.0000	EACH	
3	IN	650-3121-	SCR 6-32 3/8 PHIL FLAT H MS SS	EC9801	3.0000	EACH	
3	IN	650-3165-	6-32 X 1/2 ALLEN HD CAP MS NYLON	EC8037	2.0000	EACH	
3	IN	651-0031-	4/20X1/4 SLOTTED PAN HD STEEL PLAST	EC6517	1.0000	EACH	
3	IN	651-1650-	PIN GROOVE .125 DIA .375 LG ST	EC6517	1.0000	EACH	
3	IN	651-1702-	RTNR RING .156 SFT DIA EXT TYPE E		1.0000	EACH	
3	IN	651-1719-	RTNR RING .250 SFT DIA EXT TYPE E	EC7923	1.0000	EACH	
3	IN	651-1727-	RTNR RING .250 SFT DIA EXT CRESCEN	EC8037	1.0000	EACH	
3	IN	651-1753-	RTNR RING .125 SFT DIA EXT TYPE E	EC6738	1.0000	EACH	
3	IN	652-0025-	NUT 4-40 .032 .039 CLINCH ST		2.0000	EACH	
3	IN	652-3005-	6-32 LK NUT ESNA 22 NYN-62	EC6517	3.0000	EACH	
3	IN	653-2000-	NO. 4 FLAT WASHER		2.0000	EACH	
3	IN	655-0014-	CAPLUG RH-06(SCR HD SNAP ON COVER)	EC6517	2.0000	EACH	
3	IN	655-0257-	BUMPER,DAISY WHEEL 81W C6631-717	EC9801	1.0000	EACH	
3	IN	656-0013-	"O" RING 3/16 ID 5/16 OD .070W	EC7923	2.0000	EACH	
3	IN	656-0106-	WIPER RING,CARR SHAFT(81)B6631-133		4.0000	EACH	
3	FS	660-0086-	RUBBER"U"CHANNEL 1/8W 1/16 ID GR231		.1000	FEET	
3	IN	660-0521-	732 BRAKE SHOE (PAD) 96403-217	EC8132	1.0000	EACH	
2	FS *	279-5139-	CARTRIDGE ASSY,MULTI-STRIKE 6631-39		1.0000	EACH	
3	IN	000-0011-	LABOR QUALITY CONTROL		.0200		
3	IN	000-0024-	LABOR PREP AREA		.1000	EACH	
3	IN	449-0160-	CARTRIDGE TOP,RIBBON(81)E6631-192		1.0000	EACH	
3	IN	449-0161-	CARTRIDGE BOTTOM,RIBBON E6631-193		1.0000	EACH	
3	IN	449-0162-	INSERT,FEED SPOOL(81)86631-200		1.0000	EACH	
3	IN	449-0163-9	SPOOL,TAKE-UP (WHITE) B6631-201		1.0000	EACH	
3	IN	465-0742-	BUSHING,TAKE UP 81W B6631-906	EC9181	1.0000	EACH	
3	IN	465-1651-	SPRING,RIBBON TENSION(81)86631-235		1.0000	EACH	
3	IN	660-0030-	RIBBON,MULTI-STRIKE (R1) C6631-37	EC6989	1.0000	EACH	
3	IN	660-0558-	PAD,CARTRIDGE B5631-324		6.0000	EACH	
3	IN	660-0627-	PAD "B" CARTRIDGE B6631-907	EC9181	1.0000	EACH	
2	IN	279-5150-	81W RIBBON PLATFORM ASM 6631-59	EC8132	1.0000	EACH	
3	IN	220-1178-	E.O.R.& RIBBON SEL CA ASM C6482-244		1.0000	EACH	
4	IN	000-0004-	SJS-SYSTEMS		.3780	EACH	
4	IN	000-0011-	LABOR QUALITY CONTROL		.0760		
4	P FS	500-3000-	WIRE 26 GA BLACK		1.3300	FEET	
5	FS	600-3009-	WIRE 26 GA WHITE		1.0000	FEET	
4	P FS	600-3002-	WIRE 26 GA RED		.4000	FEET	
5	FS	600-3009-	WIRE 26 GA WHITE		1.0000	FEET	

D-74

ASSEMBLY PART NUMBER 197-9237-W - -
 ASSEMBLY DESCRIPTION 114 PRINTER WANG 5541

LEGEND

1: P=PHANTOM; 2: ITEM MASTER DELY CODE; 3: *=TAGGED OUT OF KIT (PROD STR)

POSITION IN STRUCTURE	LEGEND			COMPONENT PART NUMBER	DESCRIPTION	E C N	QUANTITY PER ASSY	U/M	I/L
	1	2	3						
4		FS		600-3009- - -	WIRE 26 GA WHITE		.4000	FEET	
4		P FS		600-3090- - -	WIRE 26 GA WH/BLK	W/OFF-76	.8000	FEET	
5		FS		600-3009- - -	WIRE 26 GA WHITE		1.0000	FEET	
4		FS		654-0102-R - -	30-26 GA CRIMP SNAP CONT AMP85967-6		5.0000	EACH	
4		IN		654-0103- - -	.025 KEYING PLUG AMP 8707-2		1.0000	EACH	
4		IN		654-0107- - -	CONN HSG 6 .100 1ROW		1.0000	EACH	
3		IN		279-5132- - -	PLATFORM PREP 6531-32		1.0000	EACH	
4		IN		000-0011- - -	LABOR QUALITY CONTROL		.0110		
4		IN		000-0024- - -	LABOR PREP AREA		.0530	EACH	
4		IN		458-0387- - -	STOP,RIBBON LIFT SOL(81)B6631-285		1.0000	EACH	
4		IN		458-0394- - -	PLATFORM,CARTRIDGE(81)E6631-281		1.0000	EACH	
4		IN		461-3326- - -	PIVOT,CART SENSOR BRKT(81)B6631-294		1.0000	EACH	
4		IN		651-0462- - -	RIVET,POP 3/32X1/4 STL SD34H	EC8132	2.0000	EACH	
4		IN		551-0463- - -	RIVET,S/TUB 1/16X5/16 DH-STL R3700	EC6821	2.0000	EACH	
4		IN		651-1032- - -	STJD 4-40 .250 CL FLUSH HEAD SS	EC7923	2.0000	EACH	
4		IN		652-0070- - -	NUT 6-32 .056 UP CLINCH LKG ST		1.0000	EACH	
3		IN		279-5133- - -	DRIVER PLATE PREP 6631-33		1.0000	EACH	
4		IN		000-0011- - -	LABOR QUALITY CONTROL		.0040		
4		IN		000-0024- - -	LABOR PREP AREA		.0190	EACH	
4		IN		452-0121- - -	PLATE,DRIVER WELD	C6631-430 EC9181	1.0000	EACH	
4		IN		461-3294- - -	SHAFT,SPIKE DRIVER(81)B6631-215		1.0000	EACH	
4		IN		461-3312- - -	STUD,IDLER GEAR DRIVE(81)B6631-266		1.0000	EACH	
3		IN		279-5134- - -	SPIKE DRIVER ASSY 6631-34		1.0000	EACH	
4		IN		000-0011- - -	LABOR QUALITY CONTROL		.0150		
4		IN		000-0021- - -	LABOR PERIPHERAL SYSTEMS		.0730		
4		FS		458-0374- - -	SPIKE,RIBBON DRIVER(81)C6631-218		2.0000	EACH	
4		IN		462-0331- - -	SPACER,SPIKE DRIVER 81W	96631-440 EC9296	3.0000	EACH	
4		IN		465-1064- - -	HUB,DRIVER (81) C6631-217	EC7755	1.0000	EACH	
3		IN		279-5147- - -	RIBBON MTG & PLUG ASM	B6631-47	1.0000	EACH	
4		IN		000-0004- - -	SUB-SYSTEMS		.3790	EACH	
4		IN		000-0011- - -	LABOR QUALITY CONTROL		.0760		
4		IN		400-0038- - -	STEPPER MOTOR(81)RIBBON C6631-248		1.0000	EACH	
4		FS		654-0102-R - -	30-26 GA CRIMP SNAP CONT AMP85967-6		4.0000	EACH	
4		IN		554-0103- - -	.025 KEYING PLUG AMP 8707-2		2.0000	EACH	
4		IN		654-0107- - -	CONN HSG 6 .100 1ROW		1.0000	EACH	
3		IN		325-2309- - -	SWITCH,BURGESS V4T7Y1		1.0000	EACH	
3		IN		375-2108-M - -	PHOTO SWITCH,END OF RIB	B6631-316	1.0000	EACH	
4		IN		375-2108- - -	PHOTO SWITCH,END OF RIBBON		1.0000	EACH	
3		IN		449-0165- - -	GUIDE,DRIVER PLATE(81)B6631-226		1.0000	EACH	
3		IN		449-0167- - -	BUSHING,MOTOR(81)(MOLDED)B6631-257		1.0000	EACH	
3		IN		449-0172- - -	CLIP,CARTRIDGE(81)D6631-221		2.0000	EACH	
3		IN		451-4499- - -	BRKT,END OF RIBBON C6631-321		1.0000	EACH	
3		IN		454-0397- - -	INDICATOR,RIBBON(81)B6631-295		2.0000	EACH	
3		IN		454-0564- - -	LATCH,LOCK (R1W)	C6631-437 EC9181	1.0000	EACH	

D-75

ASSEMBLY PART NUMBER 187-9237-U - -
 ASSEMBLY DESCRIPTION 114 PRINTER WANG 5541

LEGEND

1: P-PHANTOM; 2: ITEM MASTER DELY CODE; 3: *-TAGGED OUT OF KIT(PROD STR)

POSITION IN STRJCTURE	LEGEND 1 2 3	COMPONENT PART NUMBER	DESCRIPTION	E C N	QUANTITY PER ASSY	U/M	INL
3	IN	461-0063-	702 NUT PL MARGIN SWITCH 5776-487		1.0000	EACH	
3	IN	461-2024-	IDLER GEAR,DRIVER PLATE(81)86631229		1.0000	EACH	
3	IN	461-3313-	SHAFT,LEFT CARTG CLIP(81)86631-233		1.0000	EACH	
3	IN	461-3314-	SHAFT,RIGHT CARTG CLIP(81)86631-2		1.0000	EACH	
3	IN	461-3316-	SHAFT,RELEASE ARM(81)86631-234		1.0000	EACH	
3	IN	465-0823-	HINGE,CARTRIDGE CLIP(RH81)C6631-227		1.0000	EACH	
3	IN	465-0842-	HINGE,CARTRIDGE(LH)81W C6631-434	EC9774	1.0000	EACH	
3	IN	465-1552-	SPRING,RIBBON MOTOR(81)86631-258		1.0000	EACH	
3	IN	465-1656-	SPRG, CART INDICATOR 86631-317		1.0000	EACH	
3	IN	465-1657-	SPRG, CART RETURN 86631-318		1.0000	EACH	
3	IN	465-1658-	SPRG, CARTRIDGE CLIP 86631-319		2.0000	EACH	
3	IN	465-1659-	SPRG, DRIVER RELEASE 86631-320		1.0000	EACH	
3	IN	478-0343-	NUT,CART POSITION 86631-328		1.0000	EACH	
3	IN	550-0067-	CAP,BLACK(62)HEAD ADJ ARM 86636-218		1.0000	EACH	
3	IN	650-0003-	SCREW,#1-64 X 1/4 FLT HD SLOTTED SS		1.0000	EACH	
3	IN	650-0083-	2-56 X 1/4 PAN HD PHIL MS SS SEMS		4.0000	EACH	
3	IN	650-0140-	2-56 X 7/16 PAN HD PHL MS ZINC SEMS		2.0000	EACH	
3	IN	650-2044-	SCR 4-40 1/8 SOC CAP HD MS SS		2.0000	EACH	
3	IN	650-2087-	4-40X1/4 PAN HD PHL MS SS MAG. SEMS		2.0000	EACH	
3	IN	651-1700-	RTNR RING .094 SFT DIA EXT TYPE E		7.0000	EACH	
3	IN	651-1701-	5133-12PP SNAP RING		2.0000	EACH	
3	IN	651-1755-	RTNR RING .156 SFT DIA EXT		1.0000	EACH	
3	IN	651-1756-	RTNR RING 1.062 SFT DIA EXT		2.0000	EACH	
3	IN	652-0990-	NUT 2-56UNC HEX REG PAT SS		1.0000	EACH	
3	IN	652-2000-	NUT 4-40UNC HEX REG PAT SS		1.0000	EACH	
3	IN	653-0128-	SHIM WSHR 3/32" X 1/4" X.005 THK SS	EC9296	3.0000	EACH	
3	IN	653-0990-	NO. 2 INT T LK WASHER		4.0000	EACH	
3	IN	653-2001-	NO. 4 FLAT WSHR 1/8ID 1/400		2.0000	EACH	
3	IN	653-2002-	WASH 4 .123ID .2650D INT T ST		1.0000	EACH	
3	IN	654-1295-	CABLE CLAMP RICHCO HUC-2 ADV BACK	EC9774	4.0000	EACH	
2	IN	279-5151-	SD FRAME(LH) & BEARING ASM 6631-61	EC8132	1.0000	EACH	
3	IN	000-0011-	LABOR QUALITY CONTROL		.0020		
3	IN	000-0021-	LABOR PERIPHERAL SYSTEMS		.0100		
3	IN	000-0024-	LABOR PREP AREA		.0200	EACH	
3	IN	451-3858-	SIDE FRAME(LH)(81)D6631-168		1.0000	EACH	
3	IN	465-0232-	BEARING .252 ID .250 LG 1 FLG BRZ		1.0000	EACH	
2	IN	279-5152-	SD FRAME(RH) & BEARING ASM 6631-60	EC8132	1.0000	EACH	
3	IN	000-0011-	LABOR QUALITY CONTROL		.0070		
3	IN	000-0024-	LABOR PREP AREA		.0350	EACH	
3	IN	451-3859-	SIDE FRAME(RH)(81)D6631-168		1.0000	EACH	
3	IN	465-0232-	BEARING .252 ID .250 LG 1 FLG BRZ		1.0000	EACH	
2	IN	279-5156-	ROLLER ASSY 6631-58	EC8298	3.0000	EACH	
3	IN	465-1057-	HUB,PAPER BAIL ROLLER(81)86631-207		2.0000	EACH	
3	IN	465-1071-	ROLLER,PAPER BAIL 86631-220		1.0000	EACH	
3	IN	656-0100-	RING,BAIL ROLLER(81)86631-219		1.0000	EACH	
2	IN	325-2460-M	SWITCH,PAPER OUT(MODIFIED)6631-329	EC8675	1.0000	EACH	
3	IN	325-2460-	SWITCH,PAPER OUT (86631-329)		1.0000	EACH	

ASSEMBLY PART NUMBER 187-9237-W - -
 ASSEMBLY DESCRIPTION 114 PRINTER WANG 5541

LEGEND

1: P=PHANTOM; 2: ITEM MASTER DELY CODE; 3: *=TAGGED OUT OF KIT(PROD STR)

POSITION IN STRUCTURE	LEGEND			COMPONENT PART NUMBER	DESCRIPTION	E C N	QUANTITY PER ASSY	U/M	IHL
	1	2	3						
2	IN			375-2107-	OPB1249-1 SLOTTED OPTICAL SWITCH	EC7135	2.0000	EACH	
2	IN			400-1003-	FAN MUFFIN M747 MARK IV	EC9181	1.0000	EACH	
2	IN			449-0169-	RETAINER,NUT(81)(MOLDED)C6631-262		10.0000	EACH	
2	IN			449-0171-	KNOB,COPY CONTROL(81)D6631-147		1.0000	EACH	
2	IN			449-0173-	COVER,DISC ENCODER(81)D6631-297		1.0000	EACH	
2	IN			451-1228-	TRAY,FRONT BASE(81)E6631-165		1.0000	EACH	
2	IN			451-2183-	COVER,KEYBOARD(81W/WWP) C6631-SK014	EC9526	1.0000	EACH	
2	IN			451-4478-	BRKT,IDLER PULLEY(RH)(81)C6631-130		1.0000	EACH	
2	IN			451-4480-	BRKT,CARRIAGE CELL MTG(81)B6631-121		2.0000	EACH	
2	IN			451-4492-	BRKT,PAPER-OUT SW(81/2)C6631-268	EC9181	1.0000	EACH	
2	IN			451-4699-	BRKT,CHASSIS MTG(RH) C6631-SK086	EC9181	1.0000	EACH	
2	IN			451-4700-	BRKT,CHASSIS MTG(LH) C6631-SK086	EC9181	1.0000	EACH	
2	IN			451-4724-	BRACKET,SWITCH 81W/WWP C6631-904	EC9501	1.0000	EACH	
2	IN			452-2574-	CLAMP,FLEX CABLE(81)B6631-284		1.0000	EACH	
2	IN			452-2595-	CLAMP,FLEX CABLE B6631-400	EC9774	1.0000	EACH	
2	IN			452-2602-	CLAMP,PC BD HOLD DOWN 81W C6631-497	EC9526	1.0000	EACH	
2	IN			458-0379-	ARM,PAPER BAIL(LH)(81)D6631-145		1.0000	EACH	
2	IN			458-0380-	ARM,PAPER BAIL(RH)(81)D6631-145		1.0000	EACH	
2	IN			458-0400-	DEFLECTOR,PAPER(81)D6631-180		1.0000	EACH	
2	IN			458-0570-	LATCH (81W) C6631-438	EC9181	1.0000	EACH	
2	IN			458-0582-	SPCR SHOCK MT 81W/WWP B6631-SK114	EC9526	4.0000	EACH	
2	IN			458-0603-	81W/81WWP STRAP GROUND 36631-903	EC9543	4.0000	EACH	
2	IN			461-0103-	NUT PLATE,PAPER SW(62)B6636-222	EC8675	1.0000	EACH	
2	IN			461-3292-	STUD,IDLER PULLEY(ADJ)(81)B6631-125		1.0000	EACH	
2	IN			461-3295-	SHAFT,CARRIAGE GUIDE(81)B6631-254		2.0000	EACH	
2	IN			461-3299-	SHAFT,COPY CONTROL(81)B6631-137		1.0000	EACH	
2	IN			461-3301-	ROD,PAPER BAIL(81)B6631-157		1.0000	EACH	
2	IN			461-3309-	ECCENTRIC,PLATEV PLATE(81)B6631-140	EC9774	2.0000	EACH	
2	IN			461-3311-	ECCENTRIC,COPY CONTROL(81)B6631-162		2.0000	EACH	
2	IN			462-0015-	SPCR .140 ID .250 OD .250 L RD B	EC6837	1.0000	EACH	
2	IN			462-0246-	SPACER WASHER B6497-392	EC9774	3.0000	EACH	
2	IN			462-0297-	SPACER,.140 IDX.25 ODX.375LG RD BRS	EC6837	2.0000	EACH	
2	IN			462-0321-	SPACER CIRCUIT BD 5/8"	EC9181	4.0000	EACH	
2	IN			465-0938-	SPRING,TORSION 95776-249	EC9774	2.0000	EACH	
2	IN			465-1645-	EXTENSION SPRING,LATCH(81)B6631-237	EC8675	2.0000	EACH	
2	IN			465-1646-	EXT SPRING,PLATEN PLATE(81)B6631238	EC9774	2.0000	EACH	
2	IN			465-1649-	SPRING,COPY CNTRL DTNT(81)B6631-208		1.0000	EACH	
2	IN			465-1554-	SPRINGS,CABLE(81)C6631-117		1.0000	EACH	
2	IN			465-1655-	EXT SPRING,CAM FOLLOW(81)B6631-290		1.0000	EACH	
2	IN			465-1686-	SPRING,LATCH RETURN 36631-433	EC9181	1.0000	EACH	
2	IN			478-0338-	NUT,BASE TRAY MTG(81)B6631-236		10.0000	EACH	
2	IN			478-0423-	STUD,LATCH(81W) 36631-435	EC9181	1.0000	EACH	
2	IN			478-0426-	STOP,PAPER BAIL 86631-448	EC9181	2.0000	EACH	
2	IN			478-0431-	STOP,SHIPPING 81W/WWP B6631-SK024	EC9526	4.0000	EACH	
2	IN			478-0432-	GUIDE CHAS TUBE 81W/WWP 36631-909	EC9526	2.0000	EACH	
2	IN			615-0401-	FISH PAPER,RBN CABLE 86631-417	EC8132	1.0000	EACH	
2	IN			615-1357-	LABEL,WARNING HEAD SHIELD C6611-91	EC9630	1.0000	EACH	
2	IN			615-1400-	LABEL,10/12 PTCH SCALE 81W D6611-93	EC9181	1.0000	EACH	
2	IN			650-2083-	4-40 X 1/4 PAN HD PHL MS BK OX		4.0000	EACH	
2	IN			650-2121-	SCR 4-40 3/8 PHIL FLAT H MS SS		2.0000	EACH	
2	IN			650-3080-	6-32 X 1/4 PAN HD PHL MS SS SEMS		6.0000	EACH	
2	IN			650-3200-	SCR 6-32 5/8 PHIL PH MS SS	EC6837	3.0000	EACH	

ASSEMBLY PART NUMBER 187-9237-W - -
 ASSEMBLY DESCRIPTION 114 PRINTER WANG 5541

LEGEND
 1: P=PHANTOM; 2: ITEM MASTER DELY CODE; 3: *=TAGGED OUT OF KIT(PROD STR)

POSITION IN STRUCTURE	LEGEND			COMPONENT PART NUMBER	DESCRIPTION	E C N	QUANTITY PER ASSY	U/M	IML
	1	2	3						
2	IN			550-3240- - -	SCR 6-32 3/4 PHIL PH MS SS	EC6837	2.0000	EACH	
2	IN			650-4080- - -	8-32 X 1/4 PAN HD PHL MS SS SEMS		6.0000	EACH	
2	IN			650-4120- - -	8-32 X 3/8 PAN HD PHL MS SS SEMS		4.0000	EACH	
2	IN			650-4160- - -	8-32 X 1/2 PAN HD PHL MS SS SEMS		1.0000	EACH	
2	IN			650-4401- - -	SCR 8-32 1 1/4 PHIL FLAT H MS SS		1.0000	EACH	
2	IN			650-6088- - -	SCR 10-32X1/4 FL HD MS 100DEG MS SS	EC7755	6.0000	EACH	
2	IN			650-6119- - -	10-32X3/8 L FLAT HD SC 100 C'SINK		6.0000	EACH	
2	IN			650-6165- - -	10-32 X 1/2 CUP PT. ALLEN SET SCREW		10.0000	EACH	
2	IN			650-9046- - -	HEX-SOCKET SHOULDER SCREW 1/4X3/8L	EC6517	4.0000	EACH	
2	IN			552-3000- - -	NUT 6-32UNC HEX REG PAT	SS EC6837	2.0000	EACH	
2	IN			653-3000- - -	WASH 6 .149ID .3750D .016 FL SS	EC6837	5.0000	EACH	
2	IN			653-4000- - -	WASH 8 .174ID .3750D .016 FL SS		2.0000	EACH	
2	IN			653-6000- - -	WASH 10 .203ID .4380D .032 FL SS	EC6837	2.0000	EACH	
2	IN			655-0242- - -	BUMPER,CARRIAGE(81)MINOR # ZB-6003		2.0000	EACH	
2	IN			655-0247- - -	SHOCK MOUNT(81)GREENE RUBBER555-107	EC9321	4.0000	EACH	

D-78

ASSEMBLY PART NUMBER 107-9237-WP-
 ASSEMBLY DESCRIPTION 114 PRINTER WANG WIDE PLATEN

LEGEND
 1: P=PHANTOM; 2: ITEM MASTER DELY CODE; 3: +=TAGGED OUT OF KIT (PRD STR)

POSITION IN STRJCTURE	LEGEND 1 2 3	COMPONENT PART NUMBER	DESCRIPTION	E C M	QUANTITY PER ASSY	U/M	INL
1	IN	210-7360-	7360 SERVO CONTROL BOARD		1.0000	EACH	
2	IN	000-0001-	LABOR SUB-SYSTEMS		5.5000		
2	IN	000-0011-	LABOR QUALITY CONTROL		1.1000		
2	IN	300-1100-	CAP 100 PF 10% 500 V CERAMIC DISC	EC8693	1.0000	EACH	
2	IN	300-1330-	CAP 330 PF 10% 300 V CERAMIC DISC	EC8693	1.0000	EACH	
2	IN	300-1900-	CAP .05 UF +80-20% 12 V CERAMIC D	EC7857	12.0000	EACH	
2	IN	300-1903-	CAP .01 UF +80-20% 25 V CERAMIC D	EC9236	2.0000	EACH	
2	IN	300-1904-	CAP .02 UF +80-20% 25 V CERAMIC D	EC9236	1.0000	EACH	
2	IN	300-1927-	CAP .022 UF 10% 100 V CERAMIC MOND	EC9236	2.0000	EACH	
2	IN	300-1931-	1 UF CERAMIC CAPACITOR(HIGH FREQ)	EC9236	36.0000	EACH	
2	IN	300-1933-	.0022 UF 200V 10% CERAMIC CAPACITOR	EC8588	1.0000	EACH	
2	IN	300-1940-	CAP .001UF CERAMIC 6KV	EC9236	1.0000	EACH	
2	IN	300-1941-	.033UF 50VDC 10% REC.(81W)	EC9236	1.0000	EACH	
2	IN	300-1942-	.0015UF 100VDC 10% REC.(81W)	EC8693	1.0000	EACH	
2	IN	300-3010-	CAP 50 UF 50V -10+75% ELECT AXIAL	EC9236	1.0000	EACH	
2	IN	300-4013-	CAP 1.2 UF 35 V 10% TANT AXIAL	EC8309	1.0000	EACH	
2	IN	300-4022-	CAP 15.0 UF 20 V 10% TANT AXIAL	EC9236	5.0000	EACH	
2	P FS +	330-1010-4R-	RES 10 OHM 1/4W 10% FIXED COMP	EC8309	9.0000	EACH	
3	FS +	330-1010-	RES 10 OHM 1/4W 10% FIXED COMP		1.0000	EACH	
2	IN	330-1022-	RES 22 OHM 1/4W 10% FIXED COMP	EC9236	1.0000	EACH	
2	P FS +	330-2022-4B-	RES 220 OHM 1/4W 10% FIXED COMP		5.0000	EACH	
3	FS +	330-2022-	RES 220 OHM 1/4W 10% FIXED COMP		1.0000	EACH	
2	P FS +	330-2047-4B-	RES 470 OHM 1/4W 10% FIXED COMP	EC8913	1.0000	EACH	
3	FS +	330-2047-	RES 470 OHM 1/4W 10% FIXED COMP		1.0000	EACH	
2	P FS +	330-3010-4B-	RES 1K OHM 1/4W 10% FIXED COMP	EC8913	2.0000	EACH	
3	FS +	330-3010-	RES 1K OHM 1/4W 10% FIXED COMP		1.0000	EACH	
2	P FS +	330-3022-4B-	RES 2.2K OHM 1/4W 10% FIXED COMP	EC8588	21.0000	EACH	
3	FS +	330-3022-	RES 2.2K OHM 1/4W 10% FIXED COMP		1.0000	EACH	
2	P FS +	330-3047-4B-	RES 4.7K OHM 1/4W 10% FIXED COMP	EC9236	14.0000	EACH	
3	FS +	330-3047-	RES 4.7K OHM 1/4W 10% FIXED COMP		1.0000	EACH	
2	P FS +	330-4010-4B-	RES 10K OHM 1/4W 10% FIXED COMP	EC9473	4.0000	EACH	
3	FS +	330-4010-	RES 10K OHM 1/4W 10% FIXED COMP		1.0000	EACH	
2	P FS +	330-4047-4B-	RES 47K OHM 1/4W 10% FIXED COMP	EC8588	1.0000	EACH	
3	FS +	330-4047-	RES 47K OHM 1/4W 10% FIXED COMP		1.0000	EACH	
2	P FS +	330-5010-4B-	RES 100K OHM 1/4W 10% FIXED COMP	EC8309	2.0000	EACH	
3	FS +	330-5010-	RES 100K OHM 1/4W 10% FIXED COMP		1.0000	EACH	
2	FS	330-6010-	RES 1M OHM 1/4W 10% FIXED COMP	EC9236	1.0000	EACH	
2	IN	333-0058-	RES 681 OHM 1/8W 1% FIXED FILM	EC9473	8.0000	EACH	
2	IN	333-0060-	RES 4.02K OHM 1/8W 1% FIXED FILM	EC7857	4.0000	EACH	
2	IN	333-0062-	RES 249K OHM 1/8W 1% FIXED FILM	EC9236	1.0000	EACH	
2	IN	333-0064-	RES 56.2K OHM 1/8W 1% FIXED FILM	EC8101	9.0000	EACH	
2	IN	333-0071-	RES 698K OHM 1/8W 1% FIXED FILM	EC8797	2.0000	EACH	
2	IN	333-0074-	RES 422K OHM 1/8W 1% FIXED FILM	EC9473	8.0000	EACH	

D-79

ASSEMBLY PART NUMBER 187-9237-WP-

LEGEND

ASSEMBLY DESCRIPTION 114 PRINTER WANG WIDE PLATEN

1: P-PHANTOM; 2: ITEM MASTER DELY CODE; 3: *-TAGGED OUT OF KIT(PROD STR)

POSITION IN STRJCTURE	LEGEND			COMPONENT PART NUMBER	DESCRIPTION	E C N	QUANTITY PER ASSY	U/M	INL
	1	2	3						
2	IN			333-0075-	RES 348K OHM 1/8W 1% FIXED FILM	EC8693	2.0000	EACH	
2	IN			333-0079-	RES 63.4K OHM 1/8W 1% FIXED FILM	EC8797	9.0000	EACH	
2	IN			333-0080-	RES 32.4K OHM 1/8W 1% FIXED FILM	EC9473	19.0000	EACH	
2	IN			333-0081-	RES 16.2K OHM 1/8W 1% FIXED FILM	EC8309	4.0000	EACH	
2	IN			333-0082-	RES 3.16M OHM 1/4W 1% FIXED FILM	EC8101	5.0000	EACH	
2	IN			333-0083-	RES 1.58M OHM 1/4W 1% FIXED FILM	EC8693	5.0000	EACH	
2	IN			333-0084-	RES 1.05M OHM 1/4W 1% FIXED FILM	EC9236	4.0000	EACH	
2	IN			333-0086-	RES 105K OHM 1/8W 1% FIXED FILM	EC8101	24.0000	EACH	
2	IN			333-0087-	RES 162K OHM 1/8W 1% FIXED FILM	EC8693	1.0000	EACH	
2	IN			333-0088-	RES 5.11K OHM 1/8W 1% FIXED FILM	EC8101	7.0000	EACH	
2	IN			333-0089-	RES 1K OHM 1/8W 1% FIXED FILM	EC9473	7.0000	EACH	
2	IN			333-0090-	RES 10K OHM 1/8W 1% FIXED FILM	EC9473	11.0000	EACH	
2	IN			333-0093-	RES 2.37K OHM 1/8W 1% FIXED FILM	EC9236	2.0000	EACH	
2	IN			333-0095-	RES 82.5K OHM 1/8 WATT 1% FIXED FLM	EC8693	9.0000	EACH	
2	IN			333-0096-	RES 12.7K OHM 1/8 WATT 1% FIXED FLM	EC9473	5.0000	EACH	
2	IN			333-0097-	RES 16.9K OHM 1/8 WATT 1% FIXED FLM	EC8693	5.0000	EACH	
2	IN			333-0098-	RES 26.7K OHM 1/8 WATT 1% FIXED FLM	EC9473	2.0000	EACH	
2	IN			333-0099-	RES 210K OHM 1/8 WATT 1% FIXED FILM	EC9236	5.0000	EACH	
2	IN			333-0107-	RES 1.5K OHM 1/8 WATT 1%	EC9435	15.0000	EACH	
2	IN			333-0108-	RES 18.2K OHM 1/8 WATT 1%	EC8693	2.0000	EACH	
2	IN			333-0109-	RES 46.4K OHM 1/8 WATT 1%	EC8797	2.0000	EACH	
2	IN			333-0111-	RES 2K OHM 1/8 WATT 1%	EC9435	6.0000	EACH	
2	IN			333-0112-	RES 10.5K OHM 1/8 WATT 1% FIXED FLM	EC9473	4.0000	EACH	
2	IN			333-0113-	RES 8.06K OHM 1/8 WATT 1% FIXED FLM	EC8496	4.0000	EACH	
2	IN			333-0114-	RES 21K OHM 1/8W 1% METAL FILM	EC9473	1.0000	EACH	
2	IN			333-0116-	RES 68.1K OHM 1/8 WATT 1% METAL FLM	EC3693	1.0000	EACH	
2	IN			333-0117-	RES 2.21M OHM 1/4 WATT 1% FIXED FLM	EC9332	1.0000	EACH	
2	IN			374-0001-	IC REG UA 7805 +5V TO-220	EC8101	1.0000	EACH	
2	IN			375-0017-	TSTR 2N3014 3604W 40V SH NPN S 52	EC8101	1.0000	EACH	
2	IN			376-0002-	IC 7400N 4 2 IN POS NAND GATE	EC9236	1.0000	EACH	
2	IN			376-0010-	IC 7404N HEX INVERTER	EC9236	1.0000	EACH	
2	IN			376-0053-	IC 74193 SYN 4 BIT UP DOWN COUNTER	PATREL	8.0000	EACH	
2	IN			376-0055-	IC 7406 HEX INV BUF DRIVERS HV OUT	PATREL	4.0000	EACH	
2	IN			376-0073-	IC 7490 DECADE COUNTER	PATREL	1.0000	EACH	
2	IN			376-0104-	IC 9602 2 RETRIG RESEY MONDSTBL MVB	EC9236	1.0000	EACH	
2	IN			376-0139-	IC 7414 HEX SCHMITT TRIGGER	EC9236	3.0000	EACH	
2	IN			376-0158-	IC 74LS155 2 2 4 LINE DECODER MX	PATREL	2.0000	EACH	
2	IN			376-0187-	IC 72747 2 GEN PURPOSE OPER AMP	EC8797	20.0000	EACH	
2	IN			376-0188-	IC 74279 4 S-R LATCH	PATREL	1.0000	EACH	
2	IN			376-0195-	IC 062009A I.C.	EC8797	9.0000	EACH	
2	IN			376-0226-	IC 74LS139 2 2-4 LINE DECODE	PATREL	4.0000	EACH	
2	IN			376-0236-	IC 74LS164 8 BIT PAR OUT SERIAL	PATREL	7.0000	EACH	
2	IN			376-0266-	IC SN74132N SCHMITT-TRIG POS NAN	EC9236	1.0000	EACH	
2	P FS	*		380-1001-4R	0035 SIL DIODE 30V, 100MA AT 1V .48	EC8797	47.0000	EACH	
3	FS			380-1001-R	0035 SIL DIODE 30V, 100MA AT 1V T&R		1.0000	EACH	
2	IN			380-2033-	D10 ZEN 14746 A 3.3V 400MW S D0-7	EC8588	1.0000	EACH	
2	FS			380-4000-	D10 1N4004 400V 1A RECT S D041	EC8101	2.0000	EACH	
2	IN			510-7360-	7360 PRINTED CIRCUIT BOARD	PATREL	1.0000	EACH	
2	IN			554-0106-	CONN HEADER 6 .100 1ROW STR PIN	PATREL	2.0000	EACH	
1	IN			210-7351-A	PCB ASSY 81W/WWP PTR CONTROLLER		1.0000	EACH	

D-80

ASSEMBLY PART NUMBER 187-9237-WP- -
 ASSEMBLY DESCRIPTION 114 PRINTER WANG WIDE PLATEN

LEGEND

1: P=PHANTOM; 2: ITEM MASTER DELY CODE; 3: *=TAGGED OUT OF KIT (PRD STR)

POSITION IN STRJCTURE	LEGEND			COMPONENT PART NUMBER	DESCRIPTION	E C N	QUANTITY PER ASSY	U/M	I/M
	1	2	3						
2	P	IN		209-7361- - -	PCB ASSY 81W/WWP PTR CONTROLLER		1.0000	EACH	
3		IN		000-0001- - -	LABOR SUB-SYSTEMS		2.0000		
3		IN		000-0011- - -	LABOR QUALITY CONTROL		.4000		
3		IN		300-1900- - -	CAP .05 UF +80-20% 12 V CERAMIC D	PATREI	30.0000	EACH	
3		IN		300-1903- - -	CAP .01 UF +80-20% 25 V CERAMIC D	EC8226	5.0000	EACH	
3		IN		500-1930- - -	.1 UF 50V +80-20% CERAMIC CAP(HIFREQ)	EC8226	10.0000	EACH	
3		IN		300-1931- - -	1 UF CERAMIC CAPACITOR(HIGH FREQ)	EC9838	2.0000	EACH	
3		IN		300-1941- - -	.033UF 50VDC 10% REC.(81W)	EC8796	2.0000	EACH	
3		IN		300-4022- - -	CAP 15.0 UF 20 V 10% TANT AXIAL	EC9446	8.0000	EACH	
3		IN		300-5006- - -	CAP 1000 PF 5% 100 V MICA DIPPED	EC9446	2.0000	FACH	
3		IN		321-0018- - -	CRYSTAL 17.1 5 % QUARTZ HC-18/U	EC9446	1.0000	EACH	
3		FS		330-2010- - -	RES 100 OHM 1/4W 10% FIXED COMP	EC8226	2.0000	EACH	
3		P FS *		330-2022-4B- - -	RES 220 OHM 1/4W 10% FIXED COMP		2.0000	EACH	
4		FS *		330-2022- - -	RES 220 OHM 1/4W 10% FIXED COMP		1.0000	EACH	
3		FS		330-2027- - -	RES 270 OHM 1/4W 10% FIXLD COMP	EC9446	2.0000	EACH	
3		P FS *		330-2033-4B- - -	RES 330 OHM 1/4W 10% FIXED COMP		2.0000	EACH	
4		FS *		330-2033- - -	RES 330 OHM 1/4W 10% FIXED COMP		1.0000	EACH	
3		P FS *		330-3010-4B- - -	RES 1K OHM 1/4W 10% FIXED COMP		5.0000	EACH	
4		FS *		330-3010- - -	RES 1K OHM 1/4W 10% FIXED COMP		1.0000	EACH	
3		P FS *		330-3022-4B- - -	RES 2.2K OHM 1/4W 10% FIXED COMP	EC8226	1.0000	EACH	
4		FS *		330-3022- - -	RES 2.2K OHM 1/4W 10% FIXED COMP		1.0000	EACH	
3		P FS *		330-3047-4B- - -	RES 4.7K OHM 1/4W 10% FIXED COMP	EC9446	18.0000	EACH	
4		FS *		330-3047- - -	RES 4.7K OHM 1/4W 10% FIXED COMP		1.0000	EACH	
3		P FS *		330-4010-4B- - -	RES 10K OHM 1/4W 10% FIXED COMP	EC9446	4.0000	EACH	
4		FS *		330-4010- - -	RES 10K OHM 1/4W 10% FIXED COMP		1.0000	EACH	
3		P FS *		330-4018-4B- - -	RES 18K OHM 1/4W 10% FIXED COMP		1.0000	EACH	
4		FS *		330-4018- - -	RES 18K OHM 1/4W 10% FIXED COMP		1.0000	EACH	
3		P FS *		330-4022-4B- - -	RES 22K OHM 1/4W 10% FIXED FILM	EC9838	1.0000	EACH	
4		FS *		330-4022- - -	RES 22K OHM 1/4W 10% FIXED FILM		1.0000	EACH	
3		FS		330-4047- - -	RES 47K OHM 1/4W 10% FIXED COMP	EC8226	1.0000	EACH	
3		P FS *		330-5010-4B- - -	RES 100K OHM 1/4W 10% FIXED COMP	EC9838	1.0000	EACH	
4		FS *		330-5010- - -	RES 100K OHM 1/4W 10% FIXED COMP		1.0000	EACH	
3		IN		330-5033- - -	RES 330K OHM 1/4W 10% FIXED COMP	EC9446	1.0000	EACH	
3		IN		333-0068- - -	RES 3.01K OHM 1/8W 1% FIXED FILM	EC9446	4.0000	EACH	
3		IN		333-0090- - -	RES 10K OHM 1/8W 1% FIXED FILM	EC9446	2.0000	EACH	
3		IN		333-0094- - -	RES 6.04K OHM 1/8W 1% FIXED FILM	EC9446	4.0000	EACH	
3		IN		333-0109- - -	RES 46.4K OHM 1/8 WATT 1%	EC8796	2.0000	EACH	
3		IN		375-0017- - -	YSTR 2N3014 350MW 40V SH NPN S 52	EC9446	5.0000	EACH	
3		IN		375-9004- - -	TRANSIPAD TO-18 (SMALL)	EC9446	5.0000	EACH	
3		IN		376-0008- - -	IC 7442N 4 LINE-10 LINE DECODER		1.0000	EACH	
3		IN		376-0053- - -	IC 74193 SYN 4 BIT UP DOWN COUNTER	EC9838	1.0000	EACH	
3		IN		376-0055- - -	IC 7406 HEX INV BUF DRIVERS HV OUT		1.0000	EACH	
3		IN		376-0076- - -	IC 75150P 2 LINE DRIVER	PATREL	2.0000	EACH	

D-81

ASSEMBLY PART NUMBER 197-9237-WP- -
 ASSEMBLY DESCRIPTION 114 PRINTER WANG WIDE PLATEN

LEGEND

1: P=PHANTOM; 2: ITEM MASTER DELY CODE; 3: *-TAGGED OUT OF KIT(PROD STR)

POSITION IN LEGEND STRUCTURE	1	2	3	COMPONENT PART NUMBER	DESCRIPTION	E C M	QUANTITY PER ASSY	U/M	IML
3				IN 376-0081-	IC 7408 4 2 IN POS AND GATE	EC9446	3.0000	EACH	
3				IN 376-0093-	IC 7432 4 2 IN DR GATE	PATREL	1.0000	EACH	
3				IN 376-0098-	IC 74174 HEX 3 TYPE FLIP FLOP	EC9446	1.0000	EACH	
3				IN 376-0104-	IC 9602 2 RETRIG RESET MONJSTBL MVB	EC9446	3.0000	EACH	
3				IN 376-0108-	IC 9314 4 LATCH		1.0000	EACH	
3				IN 376-0139-	IC 7414 HEX SCHMITT TRIGGER		1.0000	EACH	
3				IN 376-0155-	IC 74LS74 2 D TYPE EDGE TRIG FF	EC9446	5.0000	EACH	
3				IN 376-0159-	IC 74LS174 HEX D TYPE FLIP FLOP	EC9446	2.0000	EACH	
3				IN 376-0160-	IC 74LS175 4 D TYPE EDGE TRIG F/F		3.0000	EACH	
3				IN 376-0180-	IC 74LS04 HEX INVERTER		5.0000	EACH	
3				IN 376-0183-	IC 74173 4 BIT D TYPE REG 3 STATE	EC9446	3.0000	EACH	
3				IN 376-0192-	IC 74LS367 HEX BUS DRIVER 3 STATE	EC9446	3.0000	EACH	
3				IN 376-0193-	IC 74LS368 HEX BUS DRIVER 3 STATE	EC9446	1.0000	EACH	
3				IN 376-0195-	DG2008A I.C.		1.0000	EACH	
3				IN 376-0207-	IC 74LS00 4 2 IN POS NAND GATE	EC9446	4.0000	EACH	
3				IN 376-0208-	IC 74LS02 4 2 IN POS NOR GATE	PATREL	1.0000	EACH	
3				IN 376-0211-	IC 74LS32 4 2 IN POS OR GATE	EC7973	4.0000	EACH	
3				IN 376-0212-	IC 74LS42 BCD TO DEC DECODER	EC9446	4.0000	EACH	
3				IN 376-0220-	IC 74LS193 SYN 4 BIT UP DOWN CTR	PATREL	4.0000	EACH	
3				IN 376-0226-	IC 74LS139 2 2-4 LINE DECODE		1.0000	EACH	
3				IN 376-0231-	IC 74LS86 4 2 IN EXCLUSIVE OR GATE		1.0000	EACH	
3				IN 376-0286-	IC 74LS374 8 LATCHES W/TR ST OUTP		4.0000	EACH	
3				IN 376-0288-	IC 74LS244 OCTUAL BUF/LINE DR 3 OUT		1.0000	EACH	
3				IN 376-0290-	IC UAB01E PC D/A CONVERTER		2.0000	EACH	
3				IN 376-9002-	IC 16 PIN SOCKET BURNDY	EC9838	1.0000	EACH	
3				IN 376-9003-	IC 24 PIN SOCKET BURNDY		6.0000	EACH	
3				IN 376-9011-	IC 40 PIN SOCKET BURNDY # J1L9Z40P1	EC9446	1.0000	EACH	
3				IN 376-9014-	IC 18 PIN SOCKET	EC9838	2.0000	EACH	
3				IN 376-9015-	IC 28 PIN SOCKET BURNDY	EC9838	1.0000	EACH	
3		P	FS	380-1001-4B-	D035 SIL DIODE 30V, 100MA AT 1V .4B	EC9446	2.0000	EACH	
4			FS	380-1001-R	D035 SIL DIODE 30V, 100MA AT 1V T&R		1.0000	EACH	
3				IN 510-7361-	7361 PCB 81W/WMP PTR CONTROLLER		1.0000	EACH	
2			FS	377-0269-	8080A MICROPROCESSOR		1.0000	EACH	
2			WC	377-0337-	8224 I.C.		1.0000	EACH	
2			WC	377-0338-	8228 I.C.	PATREL	1.0000	EACH	
2			IN	377-0341-	2114 1024X4 BIT STATIC RAM		2.0000	EACH	
2			IN	378-2268-	MICROCODE VERSION S1-2 L9 81W	EC9737	1.0000	EACH	
3			FS	377-0317-	2708 INTEL PROM		1.0000	EACH	
2			IN	378-2269-	MICROCODE VERSION S2-2 L8 81W	EC9737	1.0000	EACH	
3			FS	377-0317-	2708 INTEL PROM		1.0000	EACH	
2			IN	378-2270-	VELOCITY PROFILE "X" L12	EC9737	1.0000	EACH	
3			FS	377-0317-	2708 INTEL PROM		1.0000	EACH	
2			IN	378-2271-	VELOCITY PROFILE "Z" L15	EC9737	1.0000	EACH	
3			FS	377-0317-	2708 INTEL PROM		1.0000	EACH	
1			IN	210-7364-	7364 P.S.REGULATOR,MDL 81W		1.0000	EACH	
2			IN	000-0001-	LABOR SUB-SYSTEMS		5.5000		

D-82

ASSEMBLY PART NUMBER 197-9237-WP-

LEGEND

ASSEMBLY DESCRIPTION 114 PRINTER WANG WIDE PLATEN

1: P=PHANTOM; 2: ITEM MASTER DELY CODE; 3: *=TAGGED OUT OF KIT(PROD STR)

POSITION	IV	LEGEND	COMPONENT	DESCRIPTION	E C N	QUANTITY	U/M	IML
STRUCTURE	1	2	3	PART NUMBER		PER ASSY		
2		IN	000-0011-	LABOR QUALITY CONTROL		1.1000		
2		IN	270-0397-	HEATSINK ASSY 81W	EC9691	1.0000	EACH	
3		IN	270-3106-	HEATSINK HARNESS 81W BOT C6482-329		1.0000	EACH	
4		P FS	600-0002-	WIRE 18 GA RED UL		1.2100	FEET	
5		FS	600-0009-	WIRE 18 GA WHITE UL		1.0000	FEET	
4		P FS	600-0005-	WIRE 18 GA GREEN UL		.9500	FEET	
5		FS	600-0009-	WIRE 18 GA WHITE UL		1.0000	FEET	
4		P FS	600-0006-	WIRE 18 GA BLUE UL		1.7000	FEET	
5		FS	600-0009-	WIRE 18 GA WHITE UL		1.0000	FEET	
4		P FS	600-0008-	WIRE 18 GA GRAY UL		1.3900	FEET	
5		FS	600-0009-	WIRE 18 GA WHITE UL		1.0000	FEET	
4		P FS	600-7000-	16 GA BLACK STRANDED WIRE		1.0200	FEET	
5		FS	600-7009-	16 GA WHITE STRANDED WIRE		1.0000	FEET	
4		FS	605-1004-	CABLE TYE, PAN-TY PLTIM-M		5.0000	EACH	
4		IN	654-1148-	SOCKET HOUSING 1-480318-0		1.0000	EACH	
4		IN	654-1150-	SOCKET HOUSING 1-480303-0		1.0000	EACH	
4		FS	654-1153-R	SOCKET 20-14 GA(REEL)AMP 61117-4		5.0000	EACH	
3		IN	270-3107-	HEATSINK HARNESS 81W TOP C6482-330		1.0000	EACH	
4		P FS	600-0000-	WIRE 18 GA BLACK UL		1.1700	FEET	
4		P FS	600-0002-	WIRE 18 GA RED UL		1.7000	FEET	
5		FS	600-0009-	WIRE 18 GA WHITE UL		1.0000	FEET	
4		P FS	600-0003-	WIRE 18 GA ORANGE UL		1.5400	FEET	
5		FS	600-0009-	WIRE 18 GA WHITE UL		1.0000	FEET	
4		P FS	600-0004-	WIRE 18 GA YELLOW UL		1.7000	FEET	
5		FS	600-0009-	WIRE 18 GA WHITE UL		1.0000	FEET	
4		P FS	600-0005-	WIRE 18 GA GREEN UL		1.6200	FEET	
5		FS	600-0009-	WIRE 18 GA WHITE UL		1.0000	FEET	
4		P FS	600-0006-	WIRE 18 GA BLUE UL		1.3300	FEET	
5		FS	600-0009-	WIRE 18 GA WHITE UL		1.0000	FEET	
4		P FS	600-0007-	WIRE 18 GA VIOLET UL		1.3700	FEET	
5		FS	600-0009-	WIRE 18 GA WHITE UL		1.0000	FEET	
4		FS	600-0009-	WIRE 18 GA WHITE UL		1.6200	FEET	
4		FS	605-1004-	CABLE TYE, PAN-TY PLTIM-M		8.0000	EACH	
4		FS	654-1163-R	SOCKET 20-14 GA(REEL)AMP 61117-4		8.0000	EACH	
4		IN	654-1189-	8 POS SOCKET HSNQ AMP 1-480283-0		1.0000	EACH	
3		IN	334-0017-	.25 OHM 3W 5% FIXED RESISTOR		2.0000	EACH	
3		IN	334-0034-	10 OHM 25W 5% WW FIXED RESISTOR		4.0000	EACH	
3		IN	360-0008-	FUSE BLOCK,SING(LITTLEFUSE)350-218		1.0000	EACH	
3		IN	375-1046-	TRANSISTOR 2N5292 (TO-3)		2.0000	EACH	

D-83

ASSEMBLY PART NUMBER 187-9237-WP- -

LEGEND

ASSEMBLY DESCRIPTION 114 PRINTER WANG WIDE PLATEN

1: P=PHANTOM; 2: ITEM MASTER DELY CODE; 3: *=TAGGED OUT OF KIT(PROD STR)

POSITION IN STRUCTURE	LEGEND			COMPONENT PART NUMBER	DESCRIPTION	E C N	QUANTITY PER ASSY	U/M	INL
	1	2	3						
3		IN		375-1047- - -	TRANSISTOR 2N6285 (TO-3)		1.0000	EACH	
3		IN		375-9014- - -	INSULATOR XTQR 40UNT WECKFESSER TM-1		3.0000	EACH	
3		IN		375-9020- - -	MICA WSHR (LARGE) FOR POWER XISTORS		3.0000	EACH	
3		IN		462-0193- - -	INSULATED STANDOFF (FORKED)		2.0000	EACH	
3		IN		478-0436- - -	EXTRUSION MACHING HEATSINK 96631-701		1.0000	EACH	
3		P FS		600-0000- - -	WIRE 18 GA BLACK UL		.7500	FEET	
3		FS		600-9018- - -	WIRE 18 GA TINNED COPPER BUS (UL)		.6600	FEET	
3		FS		605-0010- - -	TUBING PVC #8 CLEAR		.2100	FEET	
3		FS		605-0127- - -	TEFLON TUBING #16 PENNTUBE		.4200	FEET	
3		IN		650-2087- - -	4-40X1/4 PAN HD PHL MS SS MAG. SEMS		8.0000	EACH	
3		IN		550-3120- - -	6-32 X 3/8 PAN HD PHL 4S SS SEMS		1.0000	EACH	
3		IN		650-3160- - -	6-32 X 1/2 PAN HD PHL 4S SS SEMS		6.0000	EACH	
3		IN		552-3004- - -	NUT 6-32UNC HEX SMALL PAT SS		6.0000	EACH	
3		IN		553-3000- - -	WASH 6 .149ID .37500 .016 FL SS		6.0000	EACH	
3		IN		553-3001- - -	WASH 6 .150ID .28800 INT T ST		3.0000	EACH	
3		IN		654-1006- - -	#5 GROUND LUG		3.0000	EACH	
2		IN		300-1470- - -	CAP 470 PF 10X 500 V CERAMIC DISC	EC8180	1.0000	EACH	
2		IN		300-1903- - -	CAP .01 UF +80-20X 25 V CERAMIC D	EC8180	1.0000	EACH	
2		IN		300-1930- - -	.1 UF 50V +80-20X CERAMIC CAP(HIFREQ)	EC7856	8.0000	EACH	
2		IN		300-1931- - -	1 UF CERAMIC CAPACITOR(HIGH FREQ)	EC7856	8.0000	EACH	
2		IN		300-2110- - -	CAP .01 UF 10X 100 V MYLAR		1.0000	EACH	
2		IN		300-2115- - -	CAP .015 UF 10X 100 V MYLAR		1.0000	EACH	
2		IN		300-4022- - -	CAP 15.0 UF 20 V 10X TANT AXIAL	EC7856	3.0000	EACH	
2		IN		300-4032- - -	CAP 10.0 UF 35 V 10X TANT AXIAL	EC7856	8.0000	EACH	
2		IN		320-0047- - -	12V REED RELAY #6D01A0012	EC7856	2.0000	EACH	
2		P FS *		330-2010-4R- - -	RES 100 OHM 1/4W 10X FIXED COMP	EC8180	3.0000	EACH	
3		FS *		330-2010- - -	RES 100 OHM 1/4W 10X FIXED COMP		1.0000	EACH	
2		P FS *		330-2015-4R- - -	RES 150 OHM 1/4W 10X FIXED COMP		1.0000	EACH	
3		FS *		330-2015- - -	RES 150 OHM 1/4W 10X FIXED COMP		1.0000	EACH	
2		P FS *		330-2022-4R- - -	RES 220 OHM 1/4W 10X FIXED COMP		12.0000	EACH	
3		FS *		330-2022- - -	RES 220 OHM 1/4W 10X FIXED COMP		1.0000	EACH	
2		P FS *		330-2047-4R- - -	RES 470 OHM 1/4W 10X FIXED COMP		2.0000	EACH	
3		FS *		330-2047- - -	RES 470 OHM 1/4W 10X FIXED COMP		1.0000	EACH	
2		P FS *		330-3010-4R- - -	RES 1K OHM 1/4W 10X FIXED COMP		2.0000	EACH	
3		FS *		330-3010- - -	RES 1K OHM 1/4W 10X FIXED COMP		1.0000	EACH	
2		P FS *		330-3022-4R- - -	RES 2.2K OHM 1/4W 10X FIXED COMP		2.0000	EACH	
3		FS *		330-3022- - -	RES 2.2K OHM 1/4W 10X FIXED COMP		1.0000	EACH	
2		P FS *		330-3027-4R- - -	RES 2.7K OHM 1/4W 10X FIXED COMP		1.0000	EACH	
3		FS *		330-3027- - -	RES 2.7K OHM 1/4W 10X FIXED COMP		1.0000	EACH	
2		P FS *		330-3033-4R- - -	RES 3.3K OHM 1/4W 10X FIXED COMP		1.0000	EACH	
3		FS *		330-3033- - -	RES 3.3K OHM 1/4W 10X FIXED COMP		1.0000	EACH	
2		P FS *		330-3039-4R- - -	RES 3.9K OHM 1/4W 10X FIXED COMP		1.0000	EACH	
3		FS *		330-3039- - -	RES 3.9K OHM 1/4W 10X FIXED COMP		1.0000	EACH	

ASSEMBLY PART NUMBER 197-9237-WP-

ASSEMBLY DESCRIPTION 114 PRINTER WANG WIDE PLATEN

LEGEND

1: P=PHANTOM; 2: ITEM MASTER DELY CODE; 3: *=TAGGED OUT OF KIT(PROD STR)

POSITION IN STRJCTURE	LEGEND 1 2 3	COMPONENT PART NUMBER	DESCRIPTION	E C N	QUANTITY PER ASSY	U/M	INL
2	P FS *	330-3047-49-	RES 4.7K OHM 1/4W 10% FIXED COMP	EC9516	4.0000	EACH	
3	FS *	330-3047-	RES 4.7K OHM 1/4W 10% FIXED COMP		1.0000	EACH	
2	P FS	330-3056-48-	RES 5.6K OHM 1/4W 10% FIXED COMP	EC8180	2.0000	EACH	
3	FS *	330-3056-	RES 5.6K OHM 1/4W 10% FIXED COMP		1.0000	EACH	
2	P FS	330-3083-48-	RES 8.2K OHM 1/4W 5% FIXED COMP	EC9516	1.0000	EACH	
3	IN *	330-3083-	RES 8.2K OHM 1/4W 5% FIXED COMP		1.0000	EACH	
2	P FS *	330-4010-48-	RES 10K OHM 1/4W 10% FIXED COMP	EC9516	3.0000	EACH	
3	FS *	330-4010-	RES 10K OHM 1/4W 10% FIXED COMP		1.0000	EACH	
2	P FS *	330-4015-48-	RES 15K OHM 1/4W 10% FIXED COMP		1.0000	EACH	
3	FS *	330-4015-	RES 15K OHM 1/4W 10% FIXED COMP		1.0000	EACH	
2	FS	330-4023-	RES 22K OHM 1/4W 5% FIXED COMP	EC9516	1.0000	EACH	
2	IN	331-0022-	RES 2.2 OHM 1/2W 10% FIXED COMP	EC8614	1.0000	EACH	
2	IN	331-1022-	RES 22 OHM 1/2W 10% FIXED COMP	EC7975	2.0000	EACH	
2	IN	331-2015-	RES 150 OHM 1/2W 10% FIXED COMP		5.0000	EACH	
2	IN	331-2033-	RES 330 OHM 1/2W 10% FIXED COMP		5.0000	EACH	
2	IN	331-2058-	680 OHM 1/2W 10% RESISTOR W/OFF-76		3.0000	EACH	
2	IN	331-3010-	RES 1K OHM 1/2W 10% FIXED COMP		2.0000	EACH	
2	IN	331-3022-	RES 2.2K OHM 1/2W 10% FIXED COMP	EC8180	1.0000	EACH	
2	IN	333-0059-	RES 909 OHM 1/8W 1% FIXED FILM	EC8180	1.0000	EACH	
2	IN	334-0000-	1 OHM 11W FIXED RESISTOR		1.0000	EACH	
2	IN	334-0028-	.50OHM 5W 1% RESISTOR	EC9434	2.0000	EACH	
2	IN	336-1014-	RES 1K OHM VAR TRIM SIDE ADJ SQ	EC8180	1.0000	EACH	
2	IN	374-0000-	IC REG UA 7812 +12V TO-220		2.0000		
2	IN	374-0002-	IC REG UA 7905 -5V TO-220		1.0000	EACH	
2	IN	374-0003-	IC REG UA 7912 -12V TO-220		1.0000	EACH	
2	IN	375-0017-	TSTR 2N3014 360MW 40V SH NPN S 52	EC7856	2.0000	EACH	
2	IN	375-0018-	TSTR 2N4037 1.0W 40V S PNP S		6.0000	EACH	
2	IN	375-1026-	TSTR 2N3467 1.0W 40V SH PNP S T05		1.0000	EACH	
2	IN	375-1027-	TSTR 2N3725 0.8W 80V SH NPN S		7.0000	EACH	
2	IN	375-1034-	2N6111 PNP PLASTIC POWER TRANSISTOR	EC7856	1.0000	EACH	
2	IN	375-1051-	TRANSISTOR 2N6292 (PLASTIC)		4.0000	EACH	
2	IN	375-1052-	TRANSISTOR 2N6387 (PLASTIC)		3.0000	EACH	
2	IN	375-1053-	TRANSISTOR RCA8203A (PLASTIC)		3.0000	EACH	
2	IN	375-1058-	2N6107 TRANSISTOR		4.0000	EACH	
2	IN	375-9001-	TRANSIPAD 8977897-1 LARGE		14.0000	EACH	
2	IN	375-9004-	TRANSIPAD TO-18 (SMALL)	EC7856	2.0000	EACH	
2	IN	375-9016-	MICA INSULNDIF1038 FOR 375-1034/1035	EC8614	19.0000	EACH	
2	IN	375-0066-	IC 723 VOLTAGE REGULATOR		2.0000	EACH	
2	IN	376-0145-	IC 75452 2 PERIPHERAL POS NAND DRIV	EC7856	4.0000	EACH	
2	IN	380-2039-	D10 ZEN 1N748 A 3.9V 400MW S D0-7		1.0000	EACH	
2	IN	380-2056-	D10 ZEN 1N752 A 5.6V 400MW S D0-7	EC7856	1.0000	EACH	
2	IN	380-2062-	D10 ZEN 1N753 A 6.2V 400MW S D0-7	EC7856	1.0000	EACH	
2	IN	380-2068-	D10 ZEN 1N754 A 6.8V 400MW S D0-7	EC7856	1.0000	EACH	
2	IN	380-2075-	D10 ZEN 1N755 A 7.5V 400MW S D0-7	EC7856	1.0000	EACH	
2	FS	380-4000-	D10 1N4004 400V 1A RECT S D041	EC7975	12.0000	EACH	
2	IN	462-0262-	SPACER,HEATSINK(62)B6636-230	EC9079	2.0000	EACH	

D-85

ASSEMBLY PART NUMBER 187-9237-WP- -
 ASSEMBLY DESCRIPTION 114 PRINTER WANG WIDE PLATE

LEGEND

1: P=PHANTOM; 2: ITEM MASTER DELY CODE; 3: *-TAGGED OUT OF KIT(PROD STR)

POSITION IN STRJCTURE	LEGEND			COMPONENT PART NUMBER	DESCRIPTION	E C N	QUANTITY PER ASSY	U/M	INL
	1	2	3						
2		IN		478-0390- - -	ANGLE,TRANSISTOR MTG C6631-402	EC8614	1.0000	EACH	
2		IN		510-7364- - -	7364 P.S.REGULATOR,MDL 81W		1.0000	EACH	
2		IN		650-3120- - -	6-32 X 3/8 PAN HD PHL MS SS SEMS	EC8614	5.0000	EACH	
2		IN		650-3131- - -	6-32 X 3/8 NYLON COVERED FIL HD SLT	EC8614	19.0000	EACH	
2		IN		650-3401- - -	SCR 6-32 1 1/4 PHIL PH MS SS	EC8614	2.0000	EACH	
2		IN		653-3000- - -	WASH 6 .149ID .37500 .G16 FL SS	EC8614	2.0000	EACH	
2		IN		653-3001- - -	WASH 6 .150ID .28800 INT T ST	EC8614	2.0000	EACH	
2		IN		653-3002- - -	WASH 6 .141ID .25000 .062 FL NYL	EC9079	2.0000	EACH	
1		IN		210-7449- - -	PCB ASSY 114 TWN SHT FOR CNTL ASSY		1.0000	EACH	
2		IN		300-1220- - -	CAP 220 PF 10% 500 V CERAMIC DISC		2.0000	EACH	
2		IN		300-1900- - -	CAP .05 UF +80-20% 12 V CERAMIC D	PATREL	8.0000	EACH	
2		IN		300-1901- - -	CAP .1 UF 20% 12 V CERAMIC DISC	PATREL	1.0000	EACH	
2		IN		300-1903- - -	CAP .01 UF +80-20% 25 V CERAMIC D	PATREL	1.0000	EACH	
2		IN		300-1906- - -	CAP .301 UF 10% 500 V CERAMIC DISC	PATREL	2.0000	EACH	
2		IN		300-1930- - -	.1 UF 50V +80-20% CERAMIC CAP(HIFRQ	PATREL	5.0000	EACH	
2		IN		300-4002- - -	CAP .1 UF 35 V 10% TANT AXIAL		1.0000	EACH	
2		IN		300-4016- - -	CAP 3.3 UF 15 V 10% TANT AXIAL	PATREL	2.0000	EACH	
2		IN		300-4022- - -	CAP 15.0 UF 20 V 10% TANT AXIAL	EC9373	5.0000	EACH	
2		IN		300-4032- - -	CAP 10.0 UF 35 V 10% TANT AXIAL	PATREL	2.0000	EACH	
2		IN		300-4034- - -	CAP 47.0 UF 20 V 10% TANT AXIAL	PATREL	2.0000	EACH	
2		IN		300-4045- - -	CAP 220 UF TANT 15 VDC 10%		2.0000	EACH	
2		P FS		330-1047-4B-	RES 47 OHM 1/4W 10% FIXED COMP		1.0000	EACH	
3		FS *		330-1047-	RES 47 OHM 1/4W 10% FIXED COMP		1.0000	EACH	
2		P FS		330-2010-4B-	RES 100 OHM 1/4W 10% FIXED COMP		1.0000	EACH	
3		FS *		330-2010-	RES 100 OHM 1/4W 10% FIXED COMP		1.0000	EACH	
2		P FS		330-2047-4B-	RES 470 OHM 1/4W 10% FIXED COMP		2.0000	EACH	
3		FS *		330-2047-	RES 470 OHM 1/4W 10% FIXED COMP		1.0000	EACH	
2		FS		330-2082-	RES 820 OHM 1/4W 10% FIXED COMP		2.0000	EACH	
2		P FS		330-3010-4B-	RES 1K OHM 1/4W 10% FIXED COMP	EC9679	5.0000	EACH	
3		FS *		330-3010-	RES 1K OHM 1/4W 10% FIXED COMP		1.0000	EACH	
2		P FS		330-3015-4B-	RES 1.5K OHM 1/4W 10% FIXED COMP	EC9100	1.0000	EACH	
3		FS *		330-3015-	RES 1.5K OHM 1/4W 10% FIXED COMP		1.0000	EACH	
2		P FS		330-3022-4B-	RES 2.2K OHM 1/4W 10% FIXED COMP	EC9679	14.0000	EACH	
3		FS *		330-3022-	RES 2.2K OHM 1/4W 10% FIXED COMP		1.0000	EACH	
2		P FS		330-3047-4B-	RES 4.7K OHM 1/4W 10% FIXED COMP	EC9100	5.0000	EACH	
3		FS *		330-3047-	RES 4.7K OHM 1/4W 10% FIXED COMP		1.0000	EACH	
2		P FS		330-3056-4B-	RES 5.6K OHM 1/4W 10% FIXED COMP		1.0000	EACH	
3		FS *		330-3056-	RES 5.6K OHM 1/4W 10% FIXED COMP		1.0000	EACH	
2		P FS		330-3082-4B-	RES 8.2K OHM 1/4W 10% FIXED COMP		1.0000	EACH	
3		FS *		330-3082-	RES 8.2K OHM 1/4W 10% FIXED COMP		1.0000	EACH	
2		P FS		330-4010-4B-	RES 10K OHM 1/4W 10% FIXED COMP	PATREL	2.0000	EACH	
3		FS *		330-4010-	RES 10K OHM 1/4W 10% FIXED COMP		1.0000	EACH	

ASSEMBLY PART NUMBER 187-9237-WP- -
 ASSEMBLY DESCRIPTION 114 PRINTER WANG WIDE PLATEN

LEGEND
 1: P-PHANTOM; 2: ITEM MASTER DELY CODE; 3: *-TAGGED OUT OF KIT (PRD STR)

POSITION IN STRJCTURE	LEGEND			COMPONENT PART NUMBER	DESCRIPTION	E C N	QUANTITY PER ASSY	U/M	IML
	1	2	3						
2	P	FS		330-4033-4R- -	RES 33K OHM 1/4W 10% FIXED COMP	PATREL	3.0000	EACH	
3				FS * 330-4033- - -	RES 33K OHM 1/4W 10% FIXED COMP		1.0000	EACH	
2	P	S		330-4039-4R- -	RES 39K OHM 1/4W 10% FIXED COMP	EC9100	1.0000	EACH	
3				FS * 330-4039- - -	RES 39K OHM 1/4W 10% FIXED COMP		1.0000	EACH	
2	P	FS		330-4047-4B- -	RES 47K OHM 1/4W 10% FIXED COMP	EC9100	2.0000	EACH	
3				FS * 330-4047- - -	RES 47K OHM 1/4W 10% FIXED COMP		1.0000	EACH	
2		IN		331-2056- - -	RES 560 OHM 1/2W 10% FIXED COMP		1.0000	EACH	
2		IN		374-0004- - -	IC REG UA 7815 +15V TO-3	PATREL	1.0000	EACH	
?		IN		374-0005- - -	IC REG UA 7915 -15V TO-220	EC9373	1.0000	EACH	
2		IN		375-3017- - -	TSTR 2N3014 360MW 40V SH NPN S 52		1.0000	EACH	
2		IN		375-1011- - -	USE 375-1017 (REF ECN 5644)	PATREL	1.0000	EACH	
2		IN		375-1017- - -	TSTR 2N2906A 1.8W 60V SH PNP S 18		1.0000	EACH	
2		IN		375-1052- - -	TRANSISTOR 2N6387 (PLASTIC)		1.0000	EACH	
2		IN		375-1053- - -	TRANSISTOR RCA8203A (PLASTIC)		1.0000	EACH	
2		IV		375-1059- - -	TSTR 2N2907A 1.8W 60V SH PNP S 18	EC9100	1.0000	EACH	
2		IN		375-9004- - -	TRANSIPAD TO-18 (SMALL)		2.0000	EACH	
2		IN		376-0002- - -	IC 7400N 4 2 IN PDS NAND GATE		1.0000	EACH	
2		IN		376-0006- - -	IC 7474N 2 D EDGE TRIG FLIP-FLOP		2.0000	EACH	
2		IN		376-0010- - -	IC 7404N HEX INVERTER		1.0000	EACH	
2		IV		376-00R1- - -	IC 7408 4 2 IV PDS AND GATE		2.0000	EACH	
2		IN		376-0093- - -	IC 7432 4 2 IV OR GATE		1.0000	EACH	
2		IN		376-0104- - -	IC 9602 2 RETRIG RESET MONDSTBL MVB		5.0000	EACH	
?		IN		376-0126- - -	IC 555 TIMER		1.0000	EACH	
?		IN		376-0194- - -	IC 7411 3 3 IN PDS AND GATE		1.0000	EACH	
2		IN		376-0240- - -	IC LM339 4 COMPARTOR	PATREL	1.0000	EACH	
2		IN		376-0283- - -	IC 8T37 HEX BUS REC W/HYST-SCHMIT T	EC9679	2.0000	EACH	
2	P	FS	*	380-1001-4B- -	0035 SIL DIODE 30V, 100MA AT 1V .4B		3.0000	EACH	
3				FS 380-1001-R - -	0035 SIL DIODE 30V, 100MA AT 1V T&R		1.0000	EACH	
?		IN		380-2047- - -	D10 ZEN 1N750 A 4.7V 400MW S D0-7		1.0000	EACH	
2		IV		380-3008- - -	A15A RECTIFIER	EC9100	2.0000	EACH	
2		FS		380-4000- - -	D10 1N4004 400V 1A RECT S D041		2.0000	EACH	
?		IN		510-7449- - -	7449 PCB 114 TWIN SHY FDR CVTL		1.0000	EACH	
?		IN		654-1186- - -	6 POS PIN HEADER AMP 1-380999-0	PATREL	1.0000	EACH	
2		IN		654-1193- - -	3 POS P.C.HEADER ASSY AMP 350210-1	PATREL	1.0000	EACH	
1		IN		220-0198- - -	I/O CA 114 PRTR (114) C6482-286		1.0000	EACH	
2		IN		000-0004- - -	SUB-SYSTEMS		.7500	EACH	
2		IN		000-0011- - -	LABOR QUALITY CONTROL		.1500		
2		IN		350-20R3- - -	CONN 25-50 CABLE TO CABLE PLUG		2.0000	EACH	
2		IN		350-4229-G - -	STRAIN RELIEF CVR 50 POS 180DEG GRV	EC9496	2.0000	EACH	
2		IN		350-4229-T - -	STRAIN RELIEF CVR 50 POS 180DEG TNG	EC9496	2.0000	EACH	
?		IN		350-4234- - -	4-40X3/8 CAPT SCR FOR SCR MT CONNS.		4.0000	EACH	
2		FS		420-0073- - -	25 TWISTED PAIR SHIELDED CABLE		12.0000	FEET	
?		IV		458-0361- - -	GROUND STRAP C6915-28	EC9450	4.0000	EACH	
?		IV		606-0198- - -	CBL MARKER WH/9< 114P 220-0198	EC9699	1.0000	EACH	
3		FS		605-0139- - -	TJBNK 1/2 WH SHRINK POLYOLEFIN		.1140	FEET	

ASSEMBLY PART NUMBER 187-9237-WP- -

LEGEND

ASSEMBLY DESCRIPTION 114 PRINTER WANG WIDE PLATEN

1: P=PHANTOM; 2: ITEM MASTER DELY CODE; 3: * =TAGGED OUT OF KIT(PROD STR)

POSITION STRJCTURE	IN LEGEND			COMPONENT PART NUMBER	DESCRIPTION	E C N	QUANTITY PER ASSY	U/M	IML
	1	2	3						
1		IN		270-0560- - -	81WWP CHASSIS ASSY 60HZ		1.0000	EACH	
2		IN		000-0004- - -	SUB-SYSTEMS		5.4170	EACH	
2		IN		000-0011- - -	LABOR QUALITY CONTROL		1.0830		
2		IN		210-7462- - -	PCB ASSY 81W/WWP MOTHERBOARD		1.0000	EACH	
3		IN		220-3043- - -	20 POS. FLAT CA ASM (KBD) C6482-242		1.0000	EACH	
4		IN		000-0004- - -	SUB-SYSTEMS		.1180	EACH	
4		IN		000-0011- - -	LABOR QUALITY CONTROL		.0240		
4		IN		350-0408-B - -	CONN,20 P PCB FLT CBL BOT 3M #3422		1.0000	EACH	
4		IN		350-0409- - -	CONN,20 P FLT CBL SOCKET 3M #3421		1.0000	EACH	
4		FS		420-0076- - -	CABLE,FLAT 20 COND 3M #3365/20	EC9825	1.6600	FEET	
4		FS		505-0020- - -	TUBING 3/4" HEATSHRINK BLACK PVC	EC8429	.4200	FEET	
3		IN		331-3010- - -	RES 1K OHM 1/2W 10% FIXED COMP		6.0000	EACH	
3		IN		334-0015- - -	.15 OHM 5W 5% FIXED RESISTOR		2.0000	EACH	
3		IN		334-0023- - -	.15 OHM 10W 5% RESISTOR		1.0000	EACH	
3		IN		350-0011- - -	225-21521-110 PC CONN SOLDER TYPE		9.0000	EACH	
3		IN		350-0021- - -	225-22221-110 SOL TYPE		10.0000	EACH	
3		IN		350-0039- - -	44 POS P.C.CONN SOLDER TYPE(CINCH)		5.0000	EACH	
3		IN		380-3008- - -	A15A RECTIFIER		2.0000	EACH	
3		IN		510-7462- - -	7462 PCB 81W/WWP MOTHERBOARD		1.0000	EACH	
3		IN		654-0106- - -	CONN HEADER 6 .100 1ROW STR PIN		1.0000	EACH	
3		IN		654-0113- - -	CONN HEADER. 6-5 .100 2ROW STR PIN		1.0000	EACH	
3		IN		654-1190- - -	8 POS PIN HEADER AMP 350212-1		1.0000	EACH	
3		IN		554-1193- - -	3 POS P.C.HEADER ASSY AMP 350210-1	EC9305	1.0000	EACH	
3		IN		654-1198- - -	2 POS PIN HEADER ASSY AMP 350209-1	PATREL	2.0000	EACH	
2		IN		220-1005- - -	2216C FAN CABLE B6422-271 W/O-77		1.0000	EACH	
3		IN		000-0001- - -	LABOR SUB-SYSTEMS		.0400		
3		IN		000-0011- - -	LABOR QUALITY CONTROL		.0100		
3		P FS		600-0000- - -	WIRE 18 GA BLACK UL	EC8399	1.4200	FEET	
3		FS		600-0009- - -	WIRE 18 GA WHITE UL		1.4200	FEET	
3		FS		605-0015- - -	#3 CLEAR TUBING	EC5402	1.2500	FEET	
3		IN		654-1148- - -	SOCKET HOUSING 1-480318-0		1.0000	EACH	
3		FS	*	654-1163-R - -	SOCKET 20-14 GA(REEL)AMP 61117-4	EC5402	2.0000	EACH	
2		IN		220-1188- - -	WIRE & LUG ASSY TYPE P082 06482-12		1.0000	EACH	
3		IN		000-0004- - -	SUB-SYSTEMS		.0130	EACH	
3		IN		000-0011- - -	LABOR QUALITY CONTROL		.0030		
3		P FS		600-0002- - -	WIRE 18 GA RED UL		1.0800	FEET	
4		FS		600-0009- - -	WIRE 18 GA WHITE UL		1.0000	FEET	
3		FS		605-0132- - -	TUBING,3/8 ID HEATSHRINK	EC9566	.1250	FEET	
3		FS	*	654-0048-R - -	TERMINAL FASTON .250X.032 PQ18R258M		1.0000	EACH	
2		IN		220-1189- - -	WIRE & LUG ASSY TYPE P083 06482-12		1.0000	EACH	
3		IN		000-0004- - -	SUB-SYSTEMS		.0140	EACH	
3		IN		000-0011- - -	LABOR QUALITY CONTROL		.0030		
3		P FS		600-0007- - -	WIRE 18 GA VIOLET UL		1.0800	FEET	
4		FS		600-0009- - -	WIRE 18 GA WHITE UL		1.0000	FEET	
3		FS		605-0132- - -	TUBING,3/8 ID HEATSHRINK	EC9566	.1250	FEET	
3		FS	*	654-0048-R - -	TERMINAL FASTON .250X.032 PQ18R258M		1.0000	EACH	

ASSEMBLY PART NUMBER 187-9237-WP- -
 ASSEMBLY DESCRIPTION 114 PRINTER WANG WIDE PLATEN

LEGEND

1: P=PHANTOM; 2: ITEM MASTER DELY CODE; 3: *=TAGGED OUT OF KIT(PROD STR)

POSITION IN STRJCTURE	LEGEND 1 2 3	COMPONENT PART NUMBER	DESCRIPTION	E C N	QUANTITY PER ASSY	U/M	IML
2	IN	220-1190- - -	WIRE & LUG ASSY TYPE P084 D6482-12		1.0000	EACH	
3	IN	000-0004- - -	SUB-SYSTEMS		.0070	EACH	
3	IN	000-0011- - -	LABOR QUALITY CONTROL		.0010		
3	P FS	600-0006- - -	WIRE 18 GA BLUE UL		1.1200	FEET	
4	FS	600-0009- - -	WIRE 18 GA WHITE UL		1.0000	FEET	
3	FS	605-0132- - -	TUBING,3/8 ID HEATSHRINK	EC9566	.1250	FEET	
3	FS *	654-0048-R - -	TERMINAL FASTON .250X.032 PQ18R258M		1.0000	EACH	
2	IN	270-3095- - -	TRANSFORMER HARV ASM WWP C6492-252		1.0000	EACH	
3	IN	000-0004- - -	SUB-SYSTEMS		.2800	EACH	
3	IN	000-0011- - -	LABOR QUALITY CONTROL		.0560		
3	IN	410-0123- - -	60 HZ CONSTANT VOLT 81W C5068-123		1.0000	EACH	
3	IN	420-1005- - -	POWER CORD ROTRDN FAN 16415	EC9346	1.0000	EACH	
3	IN	451-4634- - -	BRKT,TRANSFORMER (81) C6631-387	EC9346	4.0000	EACH	
3	FS	605-0012- - -	TUBING #4 CLEAR	EC9346	.4600	FEET	
3	FS	605-0014- - -	TUBING #5 CLEAR	EC9346	1.0000	FEET	
3	FS	505-0132- - -	TUBING,3/8 ID HEATSHRINK		1.0000	FEET	
3	FS	654-0017-R - -	TERMINAL FASTON .250X.032 PQ10R258M	EC9346	2.0000	EACH	
3	FS *	654-0048-R - -	TERMINAL FASTON .250X.032 PQ18R258M	EC9346	2.0000	EACH	
3	FS *	654-0084-R - -	TERMINAL FASTON .250X.032 PQ14R258M		4.0000	EACH	
2	IN	300-3075- - -	14K UF 12V ELECT.CAP(SCREW TYPE)		3.0000	EACH	
2	IN	300-3078- - -	8.2K UF 25V ELECTROLYTIC CAP(AXIAL)		1.0000	EACH	
2	IN	300-3082- - -	30K UF 30V ELECTROLYTIC CAPACITOR		2.0000	EACH	
2	IN	300-9009- - -	CAP CLAMP 1 1/4 INCH 2 LUG CMC-22		3.0000	EACH	
2	IN	300-9024- - -	CAP BOOT FOR #300-3042 GE #614		1.0000	EACH	
2	IN	300-9026- - -	CLAMP CAPACITOR OVAL 2.062"X 1.250"		1.0000	EACH	
2	IN	300-9027- - -	BRACKET CAPACITOR 2 IN 2 HOLE	EC9653	2.0000	EACH	
2	IN	320-0300- - -	SPEAKER 3 IN 8 OHM MAGNETIC SQUARE		1.0000	EACH	
2	IN	325-0021- - -	SWITCH,ROCKER SPST		1.0000	EACH	
2	IN	325-2112- - -	SLIDE SW.115/230 VAC	EC9691	1.0000	EACH	
2	IN	350-1036- - -	BNC SOCKET (F) CONN UG1094A		1.0000	EACH	
2	IN	350-2078- - -	TNC BULKHEAD CONN(F)(PANEL)BW311403		1.0000	EACH	
2	IN	350-4118- - -	POLARIZING KEY BETWEEN CONTACTS0PK2		1.0000	EACH	
2	IN	360-0000- - -	FUSE HOLDER 90 DEGREE CONTACT		1.0000	EACH	
2	IN	360-9000- - -	RUBBER WSHR FOR 360-0000 / 360-0001		1.0000	EACH	
2	IN	360-9002- - -	HEX NUT FOR 360-0000 / 360-0001		1.0000	EACH	
2	IN	360-9003- - -	LOCK WSHR LF#905023(FOR 360-0000/1)		1.0000	EACH	
2	IN	380-4005- - -	RECTIFIER MINIBRIDGE 18 AMP		1.0000	EACH	
2	IN	380-4006- - -	RECTIFIER MINIBRIDGE 15 AMP		1.0000	EACH	
2	IN	380-5001- - -	250 VOLT VARISTOR V250LA20		1.0000	EACH	
2	IN	410-2005- - -	LINE FILTER 5 AMP CORCOM 5K1		1.0000	EACH	
2	IN	420-1000- - -	CORD POWER 3 COND		1.0000	EACH	
2	IN	420-1005- - -	POWER CORD ROTRDN FAN 16415		1.0000	EACH	
2	IN	451-1120- - -	CHASSIS,SILKSCRN E6631-411		1.0000	EACH	
2	IN	451-2179- - -	COVER, FILTER WLOMNT D6631-410		1.0000	EACH	
2	IN	451-2946- - -	COVER,SCRND 81W/SWITCH BOX D6631-550		1.0000	EACH	
2	IN *	451-4634- - -	BRKT,TRANSFORMER (81) C6631-387		4.0000	EACH	
2	IN	452-0035- - -	PLATE,SPEAKER GRILLE(-70)B6634-121		1.0000	EACH	
2	IN	458-0574- - -	BOX,FILTER SWITCH C6631-542		1.0000	EACH	

D-89

ASSEMBLY PART NUMBER 197-9237-WP- -
 ASSEMBLY DESCRIPTION 114 PRINTER WANG WIDE PLATEN

LEGEND
 1: P=PHANTOM; 2: ITEM MASTER DELY CODE; 3: *=TAGGED OUT OF KIT(PROD STR)

POSITION IN STRUCTURE	LEGEND 1 2 3	COMPONENT PART NUMBER	DESCRIPTION	E C N	QUANTITY PER ASSY	U/M	IML
2	IN	462-0141-	SPCR, PHENOLIC CURRENT 4-250		7.0000	EACH	
2	IN	510-6749-	6749 PRINTED CIRCUIT BOARD	EC9691	1.0000	EACH	
2	P FS	600-0000-	WIRE 18 GA BLACK UL		3.0600	FEET	
2	P FS	600-0003-	WIRE 18 GA ORANGE UL		.6400	FEET	
3	FS	600-0009-	WIRE 18 GA WHITE UL		1.0000	FEET	
2	P FS	600-0004-	WIRE 18 GA YELLOW UL		.7200	FEET	
3	FS	600-0009-	WIRE 18 GA WHITE UL		1.0000	FEET	
2	P FS	600-0054-	WIRE 18 GA GREEN/YELLOW UL		.8800	FEET	
3	FS	600-0009-	WIRE 18 GA WHITE UL		1.0000	FEET	
2	P FS	600-3000-	WIRE 26 GA BLACK		.9900	FEET	
3	FS	500-3009-	WIRE 26 GA WHITE		1.0000	FEET	
2	P FS	600-3002-	WIRE 26 GA RED		.5400	FEET	
3	FS	600-3009-	WIRE 26 GA WHITE		1.0000	FEET	
2	P FS	600-3004-	WIRE 26 GA YELLOW		.4100	FEET	
3	FS	600-3009-	WIRE 26 GA WHITE		1.0000	FEET	
2	P FS	600-3005-	WIRE 26 GA GREEN		.4500	FEET	
3	FS	600-3009-	WIRE 26 GA WHITE		1.0000	FEET	
2	P FS	600-3006-	WIRE 26 GA BLUE		.4100	FEET	
3	FS	600-3009-	WIRE 26 GA WHITE		1.0000	FEET	
2	P FS	600-7000-	16 GA BLACK STRANDED WIRE	EC9614	.2500	FEET	
3	FS	500-7009-	16 GA WHITE STRANDED WIRE		1.0000	FEET	
2	FS	605-0010-	TUBING PVC #8 CLEAR		.1200	FEET	
2	FS	605-0012-	TUBING #4 CLEAR		.5800	FEET	
2	FS	605-0014-	TUBING #5 CLEAR		.5600	FEET	
2	FS	605-0015-	#3 CLEAR TUBING		.0800	FEET	
2	FS	605-0127-	TEFLON TUBING #16 PENNTUBE		.3300	FEET	
2	FS	605-1004-	CABLE TYE, PAV-TY PLTIM-M		17.0000	EACH	
2	FS	505-1010-	CABLE TYE, PAV-TY TY-232M		1.0000	EACH	
2	IN	650-2240-	4-40 X 3/4 PAN HD PHL MS SS SEMS		19.0000	EACH	
2	IN	650-3080-	6-32 X 1/4 PAN HD PHL MS SS SEMS		19.0000	EACH	
2	IN	650-3200-	SCR 6-32 5/8 PHIL PH MS SS		5.0000	EACH	
2	IN	650-4120-	8-32 X 3/8 PAV HD PHL MS SS SEMS	EC9614	7.0000	EACH	
2	IN	650-6120-	SCR 10-32 3/8 PHIL PH MS SS		4.0000	EACH	
2	IN	650-6240-	SCR 10-32 3/4 PHIL PH MS SS		2.0000	EACH	
2	IN	651-0435-	RIVET POP AK 429 BS	EC9691	2.0000	EACH	
2	IN	652-0032-	6-32 LOCK-NUT KEPS 511-061800-00		7.0000	EACH	
2	IN	652-2005-	4-40 LOCK-NUT KEPS SS		19.0000	EACH	
2	IN	652-5002-	10-32 LOCK NUT KEPS #511-101800-50		4.0000	EACH	
2	IN	653-0003-	WASHER, NO.4 NYLON 1/R ID X 3/8 OD		12.0000	EACH	
2	IN	653-2001-	NO. 4 FLAT WSHR 1/8ID 1/4OD		19.0000	EACH	
2	IN	653-3003-	WASH 6 .141ID .253OD SPLIT SS		3.0000	EACH	
2	IN	653-6000-	WASH 10 .203ID .438OD .032 FL SS		6.0000	EACH	
2	IN	653-6001-	WASH 10.204ID .381OD INT T ST		4.0000	EACH	

D-90

ASSEMBLY PART NUMBER 187-9237-WP- -

LEGEND

ASSEMBLY DESCRIPTION 114 PRINTER WANG WIDE PLATEN

1: P=PHANTOM; 2: ITEM MASTER DELY CODE; 3: +=TAGGED OUT OF KIT(PROD STR)

POSITION IN STRJCTURE	LEGEND 1 2 3	COMPONENT PART NUMBER	DESCRIPTION	E C N	QUANTITY PER ASSY	U/M	IML
2	IN	654-1006- - -	#6 GROUND LUG	EC9691	5.0000	EACH	
2	IN	654-1008- - -	#8 GROUND LUG	EC9614	1.0000	EACH	
2	IN	654-1010- - -	#10 GROUND LUG		10.0000	EACH	
2	IN	654-1011- - -	3/8" GROUND LUG HH SMITH 1497		2.0000	EACH	
2	IN	654-1238- - -	HEYCO STRAIN RELIEF SR5P-4		1.0000	EACH	
2	IN	654-1290- - -	SNAP BUSH SB-1.0000-12(1"MOLEX3/4ID)		1.0000	EACH	
1	IN	271-1141-1 - -	114/928 KEYBD ASSY		1.0000	EACH	
2	IN	210-7365-1 - -	7365-1 KYBD MDL R1W (928)		1.0000	EACH	
3	IN	000-0001- - -	LABOR SUB-SYSTEMS		1.4840		
3	IN	000-0011- - -	LABOR QUALITY CONTROL		.2970		
3	IN	325-2305- - -	11SM1 MICRO SWITCH FOR CP-1	EC9104	2.0000	EACH	
3	IN	370-0015- - -	CM6833 AS15 CLEAR LAMP		5.0000	EACH	
3	IN	370-1020- - -	1200 LAMPHOLDER B5776-895		6.0000	EACH	
3	IN	510-7365- - -	7365 PCB KEYBOARD MDL R1W		1.0000	EACH	
3	FS	605-0017- - -	TEFLON TUBING #28 TFT 200	EC9570	1.0000	FEET	
3	IN	652-3002- - -	NUT 6-32UNC HEX REG PAT VYLJN		5.0000	EACH	
3	IN	654-0122- - -	20 POS .100 HEADER 3M 3492-1002	EC8570	1.0000	EACH	
2	IN	325-2111- - -	SLIDE SW.DOUBLE POLE 3 POS.#GW/O-77		1.0000	EACH	
2	IN	452-1058- - -	PLATE,BEARING(81W-WWP) C6531-SK013		1.0000	EACH	
2	IN	462-0020- - -	CA SPACER KB 4-40 TAP A5316-M21		2.0000	EACH	
2	IN	550-0005- - -	S4 WHT KEY STEM		1.0000	EACH	
2	FS	550-0006-5 - -	S4 GRN KEY CAP		7.0000	EACH	
2	IN	550-0013- - -	KEY RETAINER B5900-32		7.0000	EACH	
2	IN	550-0068- - -	KEY STEM,SMALL LIGHTED B6R15-14		6.0000	EACH	
2	IN	550-0746- - -	NO 46 INSERT GROUP C6856-2		1.0000	EACH	
2	IN	650-2082- - -	4-40X1/4 FL HD PHL MS PARKERIZE		4.0000	EACH	
2	IN	550-2087- - -	4-40X1/4 PAN HD PHL 4S SS MAG. SEMS		2.0000	EACH	
2	IN	552-2000- - -	NUT 4-40UNC HEX REG PAT SS		2.0000	EACH	
2	IN	653-2002- - -	WASH 4 .123ID .2650D INT T ST		2.0000	EACH	
2	IN	554-1209- - -	GROMMET 1/4ID FOR 3/8HOLE 1/8PNL		5.0000	EACH	
1	P IN	273-5136-1 - -	82 MECHANICAL FINAL ASSY(PRELM)		1.0000	EACH	
2	IN	220-1222- - -	WIRE & LUG ASSY TYPE P103 D6482-12	EC9181	2.0000	EACH	
3	P FS	500-3000- - -	WIRE 26 GA BLACK		.2100	FEET	
4	FS	500-3009- - -	WIRE 26 GA WHITE		1.0000	FEET	
3	FS	654-0102-R - -	30-26 GA CRIMP SNAP CONT AMP85967-6		2.0000	EACH	
2	IN	220-3042- - -	HEAD CABLE ASM 81 & 82 D6482-241	EC7923	1.0000	EACH	
3	IN	000-0004- - -	SUB-SYSTEMS		4.1320	EACH	
3	IN	000-0011- - -	LABOR QUALITY CONTROL		.8260		
3	FS	380-4000- - -	DIO 1N4004 400V 1A RECT S D041	EC9356	2.0000	EACH	
3	FS	420-0066- - -	16 COND FLAT FLEX CABLE(81)	EC9356	5.8500	FEET	
3	IN	451-4498- - -	BKKT,FLEX CABLE(81)C6631-276		1.0000	EACH	
3	IN	452-0077- - -	PLATE,CONNECTOR CLAMPING(81)6631272		1.0000	EACH	
3	IN	452-2575- - -	CLAMP PLATE,FLEX CABLE(81)66631-274		2.0000	EACH	
3	IN	452-3545- - -	SHIELD,MYLAR (81) B6531-384		1.0000	EACH	
3	IN	452-4045- - -	GUIDE,FLEX CABLE(81)B6531-313		1.0000	EACH	
3	IN	510-7263- - -	7263 PRINTED CIRCUIT BOARD		1.0000	EACH	
3	IN	510-7265- - -	7265 PRINTED CIRCUIT BOARD		1.0000	EACH	

D-91

ASSEMBLY PART NUMBER 187-9237-WP- -
 ASSEMBLY DESCRIPTION 114 PRINTER WANG WIDE PLATEN

LEGEND

1: P=PHANTOM; 2: ITEM MASTER DELY CODE; 3: *=TAGGED OUT OF KIT(PROD STR)

POSITION IN STRJCTURE	LEGEND 1 2 3	COMPONENT PART NUMBER	DESCRIPTION	E C N	QUANTITY PER ASSY	U/M	IML
3	IN	550-2087- - -	4-40X1/4 PAN HD PHL MS SS MAG. SEMS		2.0000	EACH	
3	IN	650-3121- - -	SCR 6-32 3/8 PHIL FLAT H MS SS	EC9356	2.0000	EACH	
3	IN	650-3160- - -	6-32 X 1/2 PAN HD PHL MS SS SEMS	EC9356	3.0000	EACH	
3	IN	653-3002- - -	WASH 6 .1411ID .2500D .062 FL NYL	EC9356	1.0000	EACH	
3	IN	654-0104- - -	CONN HEADER 3 .100 1ROW STR PIN		3.0000	EACH	
3	IN	654-0106- - -	CONN HEADER 6 .100 1ROW STR PIN		4.0000	EACH	
3	FS	660-0082- - -	FOAM TAPE 1/8 THK X 3/8 WIDE	EC9339	.3320	FEET	
2	IN	270-3091- - -	PPR OUT & MARGIN SW.HARN.C6482-243	EC7923	1.0000	EACH	
3	IN	000-0004- - -	SUB-SYSTEMS		.5000	EACH	
3	IN	000-0011- - -	LABOR QUALITY CONTROL		.1000		
3	P FS	600-2000- - -	WIRE 24 GA BLACK UL	EC9461	4.3300	FEET	
4	FS	600-2009- - -	WIRE 24 GA WHITE UL		1.0000	FEET	
3	P FS	600-2002- - -	WIRE 24 GA RED UL		.8800	FEET	
4	FS	600-2009- - -	WIRE 24 GA WHITE UL		1.0000	FEET	
3	P FS	600-2090- - -	WIRE 24 GA WH/BLK UL	EC9461	3.5000	FEET	
4	FS	600-2009- - -	WIRE 24 GA WHITE UL		1.0000	FEET	
3	P FS	600-3000- - -	WIRE 26 GA BLACK		1.6600	FEET	
4	FS	600-3009- - -	WIRE 26 GA WHITE		1.0000	FEET	
3	P FS	600-3002- - -	WIRE 26 GA RED		1.6600	FEET	
4	FS	600-3009- - -	WIRE 26 GA WHITE		1.0000	FEET	
3	FS	600-3009- - -	WIRE 26 GA WHITE		1.6600	FEET	
3	FS	605-0109- - -	TUBING NO 6 CLEAR	EC9461	3.1700	FEET	
3	FS	654-0082-R - -	TERMINAL FASTON .187X.020 PQ18R108M		4.0000	REEL	
3	FS	654-0102-R - -	30-26 GA CRIMP SNAP CONT A4P85967-6	EC8495	7.0000	EACH	
3	IN	654-0103- - -	.025 KEYING PLUG AMP 8707-2		1.0000	EACH	
3	IN	654-0114- - -	CONN HSG 5-5 .100 2ROW		1.0000	EACH	
2	IN	279-5111- - -	IDLER PULLEY 9RKT ASSY B6631-11		1.0000	EACH	
3	IN	000-0011- - -	LABOR QUALITY CONTROL		.0060		
3	IN	000-0024- - -	LABOR PREP AREA		.0280	EACH	
3	IN	451-4477- - -	BRKT.IDLER PULLEY(LH)(81)B6631-116		1.0000	EACH	
3	IN	461-3291- - -	STUD.PULLEY MOUNTING(81)B6631-134		1.0000	EACH	
2	IN	279-5112- - -	IDLER PULLEY ASSY B6631-12		2.0000	EACH	
3	IN	000-0011- - -	LABOR QUALITY CONTROL		.0260		
3	IN	000-0021- - -	LABOR PERIPHERAL SYSTEMS		.1290		
3	IN	465-0009- - -	BALL BEARING,KUBAR#SR4HM A9EC-3		1.0000	EACH	
3	IN	478-0336- - -	PULLEY,CARRIAGE IDLER(81)C6631-127		1.0000	EACH	
2	IN	279-5114-1 - -	CARRIER STEEL CABLE ASSY(82)6631-14		2.0000	EACH	
3	IN	000-0011- - -	LABOR QUALITY CONTROL		.0140		
3	IN	000-0024- - -	LABOR PREP AREA		.0700	EACH	
3	IN	458-0275- - -	CARRIER CABLE END FITTING 36497-198		1.0000	EACH	
3	IN	465-0417- - -	COLLAR,CLUTCH CABLE(62)B6636-202		1.0000	EACH	
3	IN	465-0728- - -	BUSHING,CABLE(62)B6636-149		1.0000	EACH	

ASSEMBLY PART NUMBER 187-9237-WP- -
 ASSEMBLY DESCRIPTION 114 PRINTER WANG WIDE PLATEN

LEGEND

1: P=PHANTOM; 2: ITEM MASTER DELY CODE; 3: *=TAGGED OUT OF KIT (PROD STR)

POSITION IN STRUCTURE	LEGEND			COMPONENT PART NUMBER	DESCRIPTION	E C N	QUANTITY PER ASSY	U/M	IML
	1	2	3						
2		IN		279-5115- - -	CARRIAGE MOTOR ASSY 6631-15		1.0000	EACH	
3		IN		000-0011- - -	LABOR QUALITY CONTROL		.3480		
3		IN		000-0021- - -	LABOR PERIPHERAL SYSTEMS		1.7420		
3		IN		220-1177- - -	CARRIAGE DR. 4TR CA ASM 86482-240	EC7923	1.0000	EACH	
4		IN		000-0004- - -	SUB-SYSTEMS		.0650	EACH	
4		IN		000-0011- - -	LABOR QUALITY CONTROL		.0130		
4		P FS		600-1000- - -	WIRE 22 GA BLACK		.6600	FEET	
5		P FS		600-1009- - -	WIRE 22 GA WHITE		1.0000	FEET	
4		P FS		500-1009- - -	WIRE 22 GA WHITE		.6600	FEET	
4		FS		605-1004- - -	CABLE TYE, PAN-TY PLTIN-M		1.0000	EACH	
4		FS		554-0120-R - -	#6 FORKLUG AMBER 20-26 GA (2K REEL)		2.0000	EACH	
4		IN		654-1148- - -	SOCKET HOUSING 1-480318-0		1.0000	EACH	
4		FS		654-1165-R - -	SOCKET 30-22 GA(REEL)AMP 3500078-4		2.0000	EACH	
3		IN		380-0107- - -	SENSOR & EMITTR ASM 81W/WWP 6631-49	EC7923	1.0000	EACH	
4		IN		380-0105- - -	LED SENSOR ASM (81)		.0000	EACH	
4		IN		380-0106- - -	LED EMITTER ASM (81)		.0000	EACH	
3		IN		400-0034- - -	MOTOR,CARRIER(81)B6631-102		1.0000	EACH	
3		IN		449-0174- - -	COVER,CARRIAGE ENCDR(81)D6631-214		1.0000	EACH	
3		IN		451-4496- - -	BRKT,ENCODER ADJUST(81)C6631-299	EC7923	1.0000	EACH	
3		IN		452-0070- - -	PLATE,ENCODER 120 (81) C6631-210		1.0000	EACH	
3		FS		452-2154- - -	MASK,ENCODER(120W)C6631-106		1.0000	EACH	
3		IV		452-2573- - -	CLAMP,ENCODER HUB (81) B6631-206	EC7923	1.0000	EACH	
3		IN		458-0375- - -	CAP,ENCODER HUB 120(81)B6631-209		1.0000	EACH	
3		IV		461-1036- - -	ENCDR DISC,PRINTWHEEL(120)C6631-111		1.0000	EACH	
3		IV		461-3276- - -	HOUSING,ENCODER(81)D6631-184		1.0000	EACH	
3		IN		461-3298- - -	SCREW,ENCODER ADJUST(81)B6631-253		1.0000	EACH	
3		IN		462-0283- - -	SPCR .140 ID .250 OD .125 L RD F		3.0000	EACH	
3		IN		465-1062- - -	HUB,ENCODER 120(81)B6631-211		1.0000	EACH	
3		IN		478-0341- - -	DRUM,CARRIAGE(81)B6631-280		1.0000	EACH	
3		IN		650-0002- - -	SCR 0-80X1/4 RD HD SLOTTED	EC7923	2.0000	EACH	
3		IN		650-2087- - -	4-40X1/4 PAN HD PHL MS SS MAG. SEMS		2.0000	EACH	
3		IN		650-2168- - -	4-40 X 1/2 SOC HD CAP (BLACK)		1.0000	EACH	
3		IN		650-3121- - -	SCR 6-32 3/8 PHIL FLAT H MS SS	EC9774	1.0000	EACH	
3		IN		650-3130- - -	6-32 X 3/8 TRUSS HD PH MS CAD PL	EC9774	2.0000	EACH	
3		IN		650-3319- - -	SCR 6-32X1 PHL FLT HD	EC7923	4.0000	EACH	
3		IN		651-1507- - -	PIN ROLL .125 DIA .750 LG SS	EC6517	1.0000	EACH	
3		IN		651-1753- - -	RTNR RING .125 SFT DIA EXT TYPE E	EC7755	1.0000	EACH	
3		IN		656-0107- - -	SEAL,ENCODER 120(81)B6631-204		1.0000	EACH	
3		IN		660-0194- - -	LOCTITE NO. 35	EC7923	.0010	EACH	
2		IN		279-5117-1 - -	U CHANNEL ASSY (82)		1.0000	EACH	
3		IN		000-0011- - -	LABOR QUALITY CONTROL		.1520		
3		IN		000-0021- - -	LABOR PERIPHERAL SYSTEMS		.7610		
3		IN		279-5118- - -	ARM & ROLLER STUD ASSY(L)B6631-18		1.0000	EACH	
4		IN		000-0011- - -	LABOR QUALITY CONTROL		.0040		
4		IN		000-0024- - -	LABOR PREP AREA		.0190	EACH	
4		IN		458-0378- - -	ARM,FEED ROLLER(81)C6631-142		1.0000	EACH	
4		IN		461-3307- - -	STUD,ROLLER ARM MTG(81)B6631-170		1.0000	EACH	

ASSEMBLY PART NUMBER 187-9237-WP- -
 ASSEMBLY DESCRIPTION 114 PRINTER WANG WIDE PLATEN

LEGEND
 1: P=PHANTOM; 2: ITEM MASTER DELY CODE; 3: *=TAGGED OUT OF KIT(PROD STR)

POSITION IN STRUCTURE	LEGEND			COMPONENT PART NUMBER	DESCRIPTION	E C N	QUANTITY PER ASSY	U/M	I/M
	1	2	3						
3	IN			279-5118-1 - -	ARM & ROLLER STUD ASSY(R)B6631-18		1.0000	EACH	
4	IN			000-0011- - -	LABOR QUALITY CONTROL		.0040		
4	IN			000-0024- - -	LABOR PREP AREA		.0190	EACH	
4	IN			458-0378- - -	ARM,FEED ROLLER(81)C6631-142		1.0000	EACH	
4	IN			461-3307- - -	STUD,ROLLER ARM MTG(81)B6631-170		1.0000	EACH	
3	IN			279-5119- - -	ARM & GUIDE STUD ASSY(L) B6631-19		1.0000	EACH	
4	IN			000-0011- - -	LABOR QUALITY CONTRJL		.0040		
4	IN			000-0024- - -	LABOR PREP AREA		.0190	EACH	
4	IN			458-0378- - -	ARM,FEED ROLLER(81)C6631-142		1.0000	EACH	
4	IN			461-3308- - -	STUD,PAPER GUIDE MTG(81)B6631-173		1.0000	EACH	
3	IN			279-5119-1 - -	ARM & GUIDE STUD ASSY(R) B6631-19		1.0000	EACH	
4	IN			000-0011- - -	LABOR QUALITY CONTROL		.0040		
4	IN			000-0024- - -	LABOR PREP AREA		.0190	EACH	
4	IN			458-0378- - -	ARM,FEED ROLLER(81)C6631-142		1.0000	EACH	
4	IN			461-3308- - -	STUD,PAPER GUIDE MTG(81)B6631-173		1.0000	EACH	
3	IN			451-4483- - -	BRKT,ROLLER ARM PIVOT(81)B6631-190		1.0000	EACH	
3	IN			451-4485- - -	BRKT,CAM PLT LOCATE(LH)(81)C6631187		1.0000	EACH	
3	IN			451-4486- - -	BRKT,CAM PLT LOCATE(RH)(81)C6631187		1.0000	EACH	
3	IN			451-4494- - -	BRKT,PAPER-OUT DETECT(82)D6631-479	EC8675	1.0000	EACH	
3	IN			452-2162- - -	CHANNEL,ROLLER ARM MTG(82)C6631-481		1.0000	EACH	
3	IN			458-0377- - -	ARM,FEED ROLLER MTG(81)B6631-163		4.0000	EACH	
3	IN			458-0386- - -	CAM FOLLOWER,PAPER REL(81)C6631-128		1.0000	EACH	
3	IN			458-0396- - -	LEVER,APER-OJT BRKT(81)C6631-283		1.0000	EACH	
3	IN			461-3277- - -	ROLLER SHAFT,PLAT PRES(81)C6631-169		4.0000	EACH	
3	IN			461-3317- - -	STUD,CAM FOLLOWER(81)B6631-286		1.0000	EACH	
3	IN			461-3321- - -	ROD,CAM(82)B6631-188		1.0000	EACH	
3	IN			461-3324- - -	SHAFT,ROLLER ARM PIVOT(82)C6631476		1.0000	EACH	
3	IN			461-3325- - -	PIVOT,PAPER-OUT BRKT(81/2)B		2.0000	EACH	
3	IN			465-0734- - -	BEARING .375 ID .078 LG 2 FLG NYL		3.0000	EACH	
3	IN			465-1647- - -	EXT SPRING,ROLLER ARM(81)B6631-244		4.0000	EACH	
3	IN			650-2120- - -	4-40 X 3/8 PAN HD PHL 4S SS SEMS		2.0000	EACH	
3	IN			650-2201- - -	SCR 4-40 5/8 PHIL FLAT 4 MS SS		2.0000	EACH	
3	IN			650-4080- - -	8-32 X 1/4 PAN HD PHL MS SS SEMS	EC8037	4.0000	EACH	
3	IN			551-1649- - -	PIV,GROOVED 1/8 DIA X 3/4 LG TYPE D		4.0000	EACH	
3	IN			651-1724- - -	RTNR RING .373 SFT DIA EXT GRIP-ON		2.0000	EACH	
3	IN			651-1728- - -	RTNR RING .248 SFT DIA EXT GRIP-ON		2.0000	EACH	
3	IN			651-1735- - -	C RING TRUARC 5133-18 MF		7.0000	EACH	
3	IN			653-0042- - -	WASHER,NYLON(81)B6631-304		2.0000	EACH	
3	IN			660-0577- - -	FOAM,SOUND DEADENER (81) B6631-383	EC8675	3.0000	EACH	
2	IN			279-5120-1 - -	PLATEN ASSY(82)		1.0000	EACH	
3	IN			000-0011- - -	LABOR QUALITY CONTROL		.0450		
3	IN			000-0021- - -	LABOR PERIPHERAL SYSTEMS		.2250		
3	IN			279-5121- - -	LOCATOR BUSH & BEARING ASY 6631-21		1.0000	EACH	
4	IN			000-0011- - -	LABOR QUALITY CONTROL		.0040		
4	IN			000-0024- - -	LABOR PREP AREA		.0200	EACH	
4	IN			465-0255- - -	BEARING .3135 ID .250 LG BRZ		1.0000	EACH	
4	IN			465-0733- - -	BUSHING,PLATEN LOCATOR(81)36631-159		1.0000	EACH	

D-94

ASSEMBLY PART NUMBER 187-9237-WP-

LEGEND

ASSEMBLY DESCRIPTION 114 PRINTER WANG WIDE PLATEN

1: P=PHANTOM; 2: ITEM MASTER DELY CODE; 3: *=TAGGED OUT OF KIT(PROD STR)

POSITION STRUCTURE	IN LEGEND		COMPONENT PART NUMBER	DESCRIPTION	E C N	QUANTITY PER ASSY	U/M	I4L
	1	2 3						
3	IN		449-0156-	KNOB,PLATEN(MOLDED)(81)C6631-120		2.0000	EACH	
3	IN		449-0157-	CONE,VERNIER(81)(MOLDED)C6631-143		1.0000	EACH	
3	IN		459-0382-	PLATEN,RDP(82)C5531-172		1.0000	EACH	
3	IN		461-1032-	DISC,-70 KNOB JRESS B5300-1094		2.0000	EACH	
3	IN		461-2022-	GEAR,VERNIER(81)D6631-144		1.0000	EACH	
3	IN		461-2025-	GEAR,TRACTOR FEED 32P/54T B6631-338	EC7755	1.0000	EACH	
3	IN		461-3300-	PLUNGER,VERNIER CLUTCH(81)B6631-118		1.0000	EACH	
3	IN		465-0262-	NEEDLE BEARING TORR B-59		1.0000	EACH	
3	IN		465-1648-	SPRING,VERNIER CLUTCH(81)B6631-245		1.0000	EACH	
3	IN		465-1653-	SPRING,KNOB LECTRAM3200		4.0000	EACH	
3	IN		550-5080-	10-24 X 1/4 CONE PT SET SCR(BLACK)		2.0000	EACH	
3	IN		551-1647-	PIN,VERN CLUTCH ACTUATE(81)B6631158		1.0000	EACH	
3	IN		551-1733-	RTNR RING .312 SFT DIA EXT CRESCEN		1.0000	EACH	
3	IN		653-0041-	WASHER,VERNIER(81)B6631-119		1.0000	EACH	
2	IN		279-5122-	PLATEN PLATE ASSY (RH) 6631-22		1.0000	EACH	
3	IN		000-0011-	LABOR QUALITY CONTROL		.0990		
3	IN		000-0021-	LABOR PERIPHERAL SYSTEMS		.4960		
3	IN		279-5123-	PLATEN PLATE PREP (RH) 6631-23		1.0000	EACH	
4	IN		000-0011-	LABOR QUALITY CONTROL		.0060		
4	IN		000-0024-	LABOR PREP AREA		.0280	EACH	
4	IN		452-0069-	PLATE,PLATEN(RH)(81)D6631-167		1.0000	EACH	
4	IN		458-0517-	HANGER,PAPER BAIL SPRING B6631-154	EC7755	1.0000	EACH	
4	IN		461-3303-	PIVOT,PAPER BAIL ARM(81)B6631-155		1.0000	EACH	
4	IN		461-3304-	PIVOT,PLATEN LATCH(81) B6631-160		1.0000	EACH	
3	IN		449-0170-	KNOB,PAPER RELEASE(81)D6631-147		1.0000	EACH	
3	IN		451-4482-	BRKT,PLATEN FACT ADJ(RH 81)C6631156		1.0000	EACH	
3	IN		458-0295-	MP-70 FORMAT CONTROL STOP 36615-138	EC7923	1.0000	EACH	
3	IN		458-0384-	LATCH,PLATEN(RH)(81)C6631-164		1.0000	EACH	
3	IN		458-0385-	LINK,PAPER-OUT BRKT(81)B6631-267		1.0000	EACH	
3	IN		461-3052-	CLEVIS PIN 184 W/OFF/78		1.0000	EACH	
3	IN		461-3302-	PIVOT,PAPER REL KNOB(81)B6631-136		1.0000	EACH	
3	IN		461-3309-	ECCENTRIC,PLATEN PLATE(81)B6631-140	EC8037	1.0000	EACH	
3	IN		650-3134-	SCR 6-32 3/8 SOC CAP HD MS SS	EC7723	1.0000	EACH	
3	IN		650-4080-	8-32 X 1/4 PAN HD PHL MS SS SEMS	EC7923	4.0000	EACH	
3	IN		650-4160-	8-32 X 1/2 PAN HD PHL MS SS SEMS		2.0000	EACH	
3	IN		551-1712-	RTNR RING .188 SFT DIA EXT TYPE E		1.0000	EACH	
3	IN		651-1752-	RTNR RING .062 SFT DIA EXT TYPE E		2.0000	EACH	
3	IN		652-0029-	8-32 LOCK-NUT KEPS 511-081800-50	EC7923	1.0000	EACH	
3	IN		653-4000-	WASH 8 .174ID .3750D .016 FL SS		2.0000	EACH	
2	IN		279-5124-	PLATEN PLATE ASSY (LH) 6631-24		1.0000	EACH	
3	IN		000-0011-	LABOR QUALITY CONTROL		.0270		
3	IN		000-0021-	LABOR PERIPHERAL SYSTEMS		.1360		
3	IN		279-5125-	PLATEN PLATE PREP (LH) 6631-25		1.0000	EACH	
4	IN		000-0011-	LABOR QUALITY CONTROL		.0060		
4	IN		000-0024-	LABOR PREP AREA		.0280	EACH	
4	IN		452-0068-	PLATE,PLATEN(LH)(81)D6631-167		1.0000	EACH	
4	IN		458-0517-	HANGER,PAPER BAIL SPRING B6631-154	EC7755	1.0000	EACH	
4	IN		461-3303-	PIVOT,PAPER BAIL ARM(81)B6631-155		1.0000	EACH	
4	IN		461-3304-	PIVOT,PLATEN LATCH(81) B6631-160		1.0000	EACH	

D-95

ASSEMBLY PART NUMBER 187-9237-WP- -
 ASSEMBLY DESCRIPTION 114 PRINTER WANG WIDE PLATEN

LEGEND

1: P-PHANTOM; 2: ITEM MASTER DELY CODE; 3: * = TAGGED OUT OF KIT (PROD STG)

POSITION IN STRUCTURE	LEGEND 1 2 3	COMPONENT PART NUMBER	DESCRIPTION	E C N	QUANTITY PER ASSY	U/M	INL
3	IN	279-5126-	PAPER FEED MTR ASSY 6631-26		1.0000	EACH	
4	IN	000-0011-	LABOR QUALITY CONTROL		.0160		
4	IN	000-0021-	LABOR PERIPHERAL SYSTEMS		.0790		
4	IN	279-5145-	PAPER FEED MTR & PLUG ASM 86631-48	EC7923	1.0000	EACH	
5	IN	000-0004-	SUB-SYSTEMS		.1160	EACH	
5	IN	000-0011-	LABOR QUALITY CONTROL		.0230		
5	IN	400-0037-	STEPPER MOTOR P-M(81)C6631-114		1.0000	EACH	
5	FS	654-0102-R	30-26 GA CRIMP SNAP CONT AMP85967-6		4.0000	EACH	
5	IN	654-0103-	.025 KEYING PLUG AMP 8707-2		1.0000	EACH	
5	IN	654-0107-	CONN HSG 6 .100 1ROW		1.0000	EACH	
4	IN	461-2023-	GEAR, IDLER(81)C6631-141		1.0000	EACH	
4	IN	461-3306-	STUD, IDLER GEAR(81)86631-135		1.0000	EACH	
4	IN	461-3310-	ECCENTRIC, IDLER GEAR(81)86631-161		1.0000	EACH	
4	IN	478-0337-	NUT, IDLER GEAR(81)86631-252		1.0000	EACH	
4	IN	652-6002-	10-32 LOCK NUT (EPS #511-101800-50		1.0000	EACH	
3	IN	451-4481-	BRKT, PLATEN FACT ADJ(LH)81)C6631156		1.0000	EACH	
3	IN	452-4043-	GUIDE, PLATEN PLATE(81)86631-138		1.0000	EACH	
3	IN	458-0295-	MP-70 FORMAT CONTROL STOP 86615-138	EC6821	1.0000	EACH	
3	IN	458-0383-	LATCH, PLATEN(LH)(81)C6631-164		1.0000	EACH	
3	IN	461-3309-	ECCENTRIC, PLATEV PLATE(81)36631-140	EC8037	1.0000	EACH	
3	IN	650-3134-	SCR 6-32 3/8 SOC CAP HD MS SS	EC6821	1.0000	EACH	
3	IN	650-4080-	8-32 X 1/4 PAN HD PHL MS SS SEMS		2.0000	EACH	
3	IN	650-4160-	8-32 X 1/2 PAN HD PHL MS SS SEMS		5.0000	EACH	
3	IN	651-1712-	RTNR RING .108 SFT DIA EXT TYPE E		1.0000	EACH	
3	IN	651-1752-	RTNR RING .062 SFT DIA EXT TYPE E		2.0000	EACH	
3	IN	653-4000-	WASH 8 .174ID .3750D .016 FL SS		5.0000	EACH	
2	IN	279-5127-	CARRIAGE ASSY 6631-27		1.0000	EACH	
3	IN	000-0011-	LABOR QUALITY CONTROL		.8810		
3	IN	000-0021-	LABOR PERIPHERAL SYSTEMS		4.4060		
3	IN	220-1179-	DISC DR MTR CA ASM C6482-245	EC7923	1.0000	EACH	
4	IN	000-0004-	SUB-SYSTEMS		.0980	EACH	
4	IN	000-0011-	LABOR QUALITY CONTROL		.0200		
4	P FS	600-3000-	WIRE 26 GA BLACK		.5800	FEET	
5	FS	500-3009-	WIRE 26 GA WHITE		1.0000	FEET	
4	FS	600-3009-	WIRE 26 GA WHITE		.5800	FEET	
4	FS	654-0102-R	30-26 GA CRIMP SNAP CONT AMP85967-6		2.0000	EACH	
4	IN	654-0103-	.025 KEYING PLUG AMP 8707-2		1.0000	EACH	
4	IN	654-0105-	CONN HSG 3 .100 1ROW		1.0000	EACH	
4	FS	654-0136-R	SEE 654-0137-R	EC9496	4.0000	EACH	
3	IN	279-5128-	CARRIAGE BRKT PREP 6631-28		1.0000	EACH	
4	IN	000-0011-	LABOR QUALITY CONTROL		.0120		
4	IN	000-0024-	LABOR PREP AREA		.0580	EACH	
4	IN	451-4576-	BRKT, CARRIAGE (82) D6631-179	EC7755	1.0000	EACH	
4	IN	461-3291-	STUD, PULLEY MOUNTING(81)86631-134		1.0000	EACH	
4	IN	465-0731-	BUSHING, DISC MTR BRKT(81)86631-148		2.0000	EACH	
4	IN	651-1646-	PIV, DISC MOTOR LATCH(81)86631-153		1.0000	EACH	

ASSEMBLY PART NUMBER 197-9237-UP- -
 ASSEMBLY DESCRIPTION 114 PRINTER WANG WIDE PLATEN

LEGEND

1: P=PHANTOM; 2: ITEM MASTER DELY CODE; 3: *=TAGGED OUT OF KIT(PROD STR)

POSITION IN STRUCTURE	LEGEND			COMPONENT PART NUMBER	DESCRIPTION	E C V	QUANTITY PER ASSY	U/M	IML
	1	2	3						
2		FS	*	279-5139-	- - CARTRIDGE ASSY,MULTI-STRIKE 6631-39		1.0000	EACH	
3		IN		000-0011-	- - LABOR QUALITY CONTROL		.0200		
3		IN		000-0024-	- - LABOR PREP AREA		.1000	EACH	
3		IN		449-0160-	- - CARTRIDGE TOP,RIBBON(81)E6631-192		1.0000	EACH	
3		IN		449-0161-	- - CARTRIDGE BOTTON,RIBBON E6631-193		1.0000	EACH	
3		IN		449-0162-	- - INSERT,FEED SPOOL(81)B6631-200		1.0000	EACH	
3		IN		449-0163-9	- - SPOOL,TAKE-UP (WHITE) B6631-201		1.0000	EACH	
3		IN		465-0742-	- - BUSHING,TAKE UP 81W B6631-906	EC9181	1.0000	EACH	
3		IN		465-1651-	- - SPRING,RIBBON TENSION(81)B6631-235		1.0000	EACH	
3		IN		660-0030-	- - RIBBON,MULTI-STRIKE (81) C6631-37	EC6989	1.0000	EACH	
3		IN		660-0558-	- - PAD,CARTRIDGE B6631-324		6.0000	EACH	
3		IN		660-0627-	- - PAD "9" CARTRIDGE 96631-907	EC9181	1.0000	EACH	
2		IN		279-5150-	- - 81W RIBBON PLATFORM ASM 6631-59	EC8132	1.0000	EACH	
3		IN		220-1178-	- - E.O.R.& RIBBON SEL CA ASM 66482-244		1.0000	EACH	
4		IN		000-0004-	- - SUB-SYSTEMS		.3780	EACH	
4		IN		000-0011-	- - LABOR QUALITY CONTROL		.0760		
4		P	FS	500-3000-	- - WIRE 26 GA BLACK		1.3300	FEET	
5		FS		600-3009-	- - WIRE 26 GA WHITE		1.0000	FEET	
4		P	FS	600-3002-	- - WIRE 26 GA RED		.4000	FEET	
5		FS		600-3009-	- - WIRE 26 GA WHITE		1.0000	FEET	
4		FS		600-3009-	- - WIRE 26 GA WHITE		.4000	FEET	
4		P	FS	600-3090-	- - WIRE 26 GA WH/BLK W/OFF-76		.8000	FEET	
5		FS		600-3009-	- - WIRE 26 GA WHITE		1.0000	FEET	
4		FS		654-0102-R	- - 30-26 GA CRIMP SNAP CONT AMP85967-6		5.0000	EACH	
4		IN		654-0103-	- - .025 KEYING PLUG AMP 8707-2		1.0000	EACH	
4		IN		654-0107-	- - CONN HSG 5 .100 1ROW		1.0000	EACH	
3		IN		279-5132-	- - PLATFORM PREP 6631-32		1.0000	EACH	
4		IN		000-0011-	- - LABOR QUALITY CONTROL		.0110		
4		IN		000-0024-	- - LABOR PREP AREA		.0530	EACH	
4		IN		458-0387-	- - STOP,RIBBON LIFT SOL(81)B6631-285		1.0000	EACH	
4		IN		458-0394-	- - PLATFORM,CARTRIDGE(81)E6631-281		1.0000	EACH	
4		IN		461-3326-	- - PIVOT,CART SENSOR BRKT(81)B6631-294		1.0000	EACH	
4		IN		551-0462-	- - RIVET,POP 3/32X1/4 STL S034H	EC8132	2.0000	EACH	
4		IN		651-0463-	- - RIVET,S/TUB. 1/16X5/16 DH-STL R3700	EC6821	2.0000	EACH	
4		IN		651-1032-	- - STUD 4-40 .250 CL FLUSH HEAD SS	EC7923	2.0000	EACH	
4		IN		652-0070-	- - NUT 5-32 .055 UP CLINCH LKG ST		1.0000	EACH	
3		IN		279-5133-	- - DRIVER PLATE PREP 6631-33		1.0000	EACH	
4		IN		000-0011-	- - LABOR QUALITY CONTROL		.0040		
4		IN		000-0024-	- - LABOR PREP AREA		.0190	EACH	
4		IN		452-0121-	- - PLATE,DRIVER WELD C6631-430	EC9181	1.0000	EACH	
4		IN		461-3294-	- - SHAFT,SPIKE DRIVER(81)B6631-215		1.0000	EACH	
4		IN		461-3312-	- - STUD,IDLER GEAR DRIVE(81)B6631-266		1.0000	EACH	
3		IN		279-5134-	- - SPIKE DRIVER ASSY 6631-34		1.0000	EACH	
4		IN		000-0011-	- - LABOR QUALITY CONTROL		.0150		
4		IN		000-0021-	- - LABOR PERIPHERAL SYSTEMS		.0730		

D-99

ASSEMBLY PART NUMBER 187-9237-WP-
 ASSMBLY DESCRIPTION 114 PRINTER WANG WIDE PLATEN

LEGEND
 1: P-PHANTOM; 2: ITEM MASTER DELY CODE; 3: #=TAGGED OUT OF KIT(PROD STR)

POSITION IN STRJCTURE	LEGEND 1 2 3	COMPONENT PART NUMBER	DESCRIPTION	E C N	QUANTITY PER ASSY	U/M	IML
3	IN	279-5129-	PRINT YOKE & BEARING ASSY 6631-29		1.0000	EACH	
4	IN	000-0011-	LABOR QUALITY CONTROL		.0040		
4	IN	000-0024-	LABOR PREP AREA		.0190	EACH	
4	IN	450-0107-	YOKE,PRINT SOLENOID (MACH)C6631-291	EC6753	1.0000	EACH	
4	IN	465-0254-	BEARING,SOL ARM PIVOT(81)B6631-175	EC9321	2.0000	EACH	
3	IN	279-5131-	CARRIAGE PULLEY ASSY 86631-31		1.0000	EACH	
4	IN	000-0011-	LABOR QUALITY CONTROL		.0040		
4	IN	000-0021-	LABOR PERIPHERAL SYSTEMS		.0190		
4	IN	465-0009-	BALL BEARING,KU3ARMSR4HH ABEC-3		1.0000	EACH	
4	IN	479-0339-	PULLEY,CARRIAGE(81)C6631-132		1.0000	EACH	
3	IN	279-5135-	DISK DRIVE MTR ASSY 6631-35		1.0000	EACH	
4	IN	000-0011-	LABOR QUALITY CONTROL		.0600		
4	IN	000-0021-	LABOR PERIPHERAL SYSTEMS		.3000		
4	IN	279-5202-	HUB & TAB ASSY 91	EC9774	1.0000	EACH	
5	IN	458-0590-	TAB,PRINTWHEEL TYPE B 81W 86631-707		1.0000	EACH	
5	IN	465-1115-	HUB,PRINTWHEEL TYPE B 81W 86631-708		1.0000	EACH	
4	IN	400-0036-	MOTOR,PRINT WHEEL(81)C6631-263		1.0000	EACH	
4	IN	551-1501-	PIN ROLL .062 DIA .437 LG SS	EC7547	1.0000	EACH	
3	IN	279-5146-	HAMMER SOLENOID & PLUG ASM 86631-46	EC7923	1.0000	EACH	
4	IN	000-0004-	SUB-SYSTEMS		.1270	EACH	
4	IN	000-0011-	LABOR QUALITY CONTROL		.0250		
4	IN	320-3055-	COIL, PRINT SOLENOID 86631-309		1.0000	EACH	
4	FS	654-0102-R	30-26 GA CRIMP SNAP CONT AMP85967-6		2.0000	EACH	
4	IN	654-0105-	CONN HSG 3 .100 1ROW		1.0000	EACH	
3	IN	380-0107-	SENSOR & EMITTR ASM 81W/WVP 6631-49	EC8675	1.0000	EACH	
4	IN	380-0105-	LED SENSOR ASM (81)		.0000	EACH	
4	IN	380-0106-	LED EMITTER ASM (81)		.0000	EACH	
3	IN	449-0158-	RETAINER,FELT(81)C6631-150		4.0000	EACH	
3	IN	449-0173-	COVER,DISC ENCODER(81)D6631-297	EC8037	1.0000	EACH	
3	IN	450-0111-	MOJNT,DISC MTR CASTING(82)E6631-490	EC8675	1.0000	EACH	
3	IN	451-4484-	BRKT,HAMMER HOJSING MTG(81)36631195		1.0000	EACH	
3	IN	451-4495-	BRKT,CARD GUIDE MTG(81)D6631-203		1.0000	EACH	
3	IN	451-4496-	BRKT,ENCODER ADJUST(81)C6631-299		1.0000	EACH	
3	IN	451-4540-	BRKT,PEARING MOUNT (LOWER)C6631-393	EC8037	1.0000	EACH	
3	IN	451-4544-	BRKT CARRIAGE BEARING MTG 6631-394	EC8037	1.0000	EACH	
3	IN	451-4681-	BRKT, CL INDICATOR 81W C6631-412	EC8675	1.0000	EACH	
3	IN	452-0076-	PLATE,ENCODER HSG MOUNT(81)C6631296		1.0000	EACH	
3	FS	452-2157-	MASK,ENCODER(96W) C6631-109		1.0000	EACH	
3	IN	452-2605-	CLAMP,ENCODER WRES 81W 86631-716	EC9784	2.0000	EACH	
3	IN	452-4044-	GUIDE,CARD(81)C6631-197		1.0000	EACH	
3	IN	459-0373-	ARM,PRINT SOLENOID(81)(MLD)C6631178		1.0000	EACH	
3	IN	458-0376-	CAP,PRINTWHL ENCDR HJR(81)86631-228		1.0000	EACH	
3	IN	459-0398-	HAMMER,PRINT(81)86631-213		1.0000	EACH	
3	IN	458-0399-	ACTJATOR,CARR PHOTO CELL81 86631131		1.0000	EACH	
3	IN	458-0521-	HANGER,SPRING C6631-492	EC8037	1.0000	EACH	

D-97

ASSEMBLY PART NUMBER 197-9237-WP- -
 ASSEMBLY DESCRIPTION 114 PRINTER WANG WIDE PLATEN

LEGEND

1: P=PHANTOM; 2: ITEM MASTER DELY CODE; 3: +=TAGGED OUT OF KIT(PROD STR)

POSITION IN STRUCTURE	LEGEND 1 2 3	COMPONENT PART NUMBER	DESCRIPTION	E C N	QUANTITY PER ASSY	U/M	INL
3	IN	458-0571-	LATCH,DISC MOTOR(81W)	C6631-439 EC9181	1.0000	EACH	
3	IN	458-0586-	LAMINATION STACK 81W/WWP	96631-43 EC9181	1.0000	EACH	
3	IN	458-0587-	STOP,DAISY WHEEL 81W	96631-447 EC9052	1.0000	EACH	
3	IN	458-0588-	WASHER,FAN ISOLATION 81W	96631-704 EC9526	1.0000	EACH	
3	IN	461-1039-	ENCODR DISC,PRINTWHEEL(96)	C6631-110	1.0000	EACH	
3	IN	461-3276-	HOUSING,ENCODER(81)	D6631-184	1.0000	EACH	
3	IN	461-3283-	HOUSING,PRINT HMR(81)	(MOLD)C6631189	1.0000	EACH	
3	IN	461-3289-	HOUSING,CARR BEARNG(81)	MLO C6631171 EC8037	1.0000	EACH	
4	FS	465-0257-	BEARING,SLEEVE .502	96631-335 (81)	2.0000	EACH	
3	IN	461-3290-	ARMATURE INSERT(81)	B6631-176	1.0000	EACH	
3	IN	461-3293-	SHAFT,DISC MOTOR PIVOT(81)	B6631-149	1.0000	EACH	
3	IN	461-3296-	ECC,SOL ARM STOP(81)	B6631-196	1.0000	EACH	
3	IN	461-3297-	ECC,DISC MTR LATCH PIVOT	B6631-185	1.0000	EACH	
3	IN	461-3298-	SCREW,ENCODER ADJUST(81)	B6631-253	1.0000	EACH	
3	IN	461-3323-	SCREW,BEARING HSG MT(81)	B6631-292	2.0000	EACH	
3	FS	462-0284-	STDF 6-32 .375LG CL TRU TRD	AL	5.0000	EACH	
3	IN	462-0296-	SPACER,DAISY MOTOR(81)	B6631-376 EC9039	2.0000	EACH	
3	IN	462-0328-	SPACER,DISC MOTOR 81W	B6631-376 EC9039	1.0000	EACH	
3	IN	465-0015-	BALL BEARING DBL SHLD .500 OD.	EC9096	2.0000	EACH	
3	FS	465-0257-	BEARING,SLEEVE .502	B6631-335 (81) EC8675	2.0000	EACH	
3	IN	465-0732-	BUSHING,CARR CASTING(81)	B6631-212 EC8132	2.0000	EACH	
3	IN	465-0928-	TD 23 FAST FORWD SPRNG	B5900-614 P4 EC8037	1.0000	EACH	
3	IN	465-1063-	HUB,PRINTWHEEL ENCODER(81)	B6631-225	1.0000	EACH	
3	IN	465-1655-	EXT SPRING,CAM FOLLOW(81)	96631-290 EC8675	1.0000	EACH	
3	IN	465-1660-	EXT SPRG,ARM RETURN	B6631-330	1.0000	EACH	
3	IN	465-1664-	SPRING,COMP HAMMER(81)	B6631-322	1.0000	EACH	
3	IN	465-1687-	SPRING .187 OD .625LG .022	JIA EXT EC9321	1.0000	EACH	
3	IN	478-0386-	ROLLER,CARRIAGE	B6631-86 EC8037	1.0000	EACH	
3	IN	479-0387-	MOUNT BEARING	B6631-397 EC8037	1.0000	EACH	
3	IN	478-0388-	STUD BEARING BRKT MTG	B6631-396 EC8037	1.0000	EACH	
3	IN	478-0389-	PIN,BEARING MTG	B6631-395 EC8037	1.0000	EACH	
3	IN	650-0002-	SCR 0-80X1/4 RD HD SLOTTED	EC7923	2.0000	EACH	
3	IN	650-0004-	SCREW,1-64 X 3/16 SLT PAN HD SS	EC7923	2.0000	EACH	
3	IN	650-3121-	SCR 6-32 3/8 PHIL FLAT H MS SS	EC9801	3.0000	EACH	
3	IN	650-3165-	6-32 X 1/2 ALLEN HD CAP MS NYLOK	EC8037	2.0000	EACH	
3	IN	651-0031-	4/20X1/4 SLOTTED PAN HD STEEL PLAST	EC6517	1.0000	EACH	
3	IN	651-1650-	PIN GROOVE .125 DIA .375 LG ST	EC6517	1.0000	EACH	
3	IN	651-1702-	RTNR RING .156 SFT DIA EXT TYPE E		1.0000	EACH	
3	IN	651-1719-	RTNR RING .250 SFT DIA EXT TYPE E	EC7923	1.0000	EACH	
3	IN	651-1727-	RTNR RING .250 SFT DIA EXT CRESCEN	EC8037	1.0000	EACH	
3	IN	651-1753-	RTNR RING .125 SFT DIA EXT TYPE E	EC6738	1.0000	EACH	
3	IN	652-0025-	NUT 4-40 .032 .039 CLINCH ST		2.0000	EACH	
3	IN	652-3005-	6-32 LK NUT ESNA 22 NTH-62	EC6517	3.0000	EACH	
3	IN	653-2000-	NO. 4 FLAT WASHER		2.0000	EACH	
3	IN	655-0014-	CAPLUG RH-06(SCR HD SNAP ON COVER)	EC6517	2.0000	EACH	
3	IN	655-0257-	BUMPER,DAISY WHEEL 81W	C6631-717 EC9801	1.0000	EACH	
3	IN	656-0013-	*O* RING 3/16 ID 5/16 OD .070W	EC7923	2.0000	EACH	
3	IN	655-0106-	WIPER RING,CARR SHAFT(81)	B6631-133	4.0000	EACH	
3	FS	660-0086-	RUBBER*U*CHANNEL 1/8W 1/16 IJ GR231		.1000	FEET	
3	IN	660-0521-	732 BRAKE SHOE (PAD)	B6403-217 EC8132	1.0000	EACH	

D-98

ASSEMBLY PART NUMBER 187-9237-WP- -

LEGEND

ASSEMBLY DESCRIPTION 114 PRINTER WANG WIDE PLATEN

1: P=PHANTOM; 2: ITEM MASTER DELY CODE; 3: *=TAGGED OUT OF KIT(PROD STR)

POSITION IN STRUCTURE	LEGEND 1 2 3	COMPONENT PART NUMBER	DESCRIPTION	E C N	QUANTITY PER ASSY	U/M	IML
4	FS	458-0374- - -	SPIKE,RIBBON DRIVER(81)C6631-218		2.0000	EACH	
4	IN	462-0331- - -	SPACER,SPIKE DRIVER 81W 36631-440	EC9296	3.0000	EACH	
4	IN	465-1064- - -	HUB,DRIVER (81) C6631-217	EC7755	1.0000	EACH	
3	IN	279-5147- - -	RIBBON MTG & PLUG ASM 86631-47		1.0000	EACH	
4	IN	000-0004- - -	SUB-SYSTEMS		.3790	EACH	
4	IN	000-0011- - -	LABOR QUALITY CONTROL		.0760		
4	IN	400-0038- - -	STEPPER MOTOR(81)RIBBON C6631-248		1.0000	EACH	
4	FS	554-0102-R - -	30-26 GA CRIMP SNAP CONT AMP85967-5		4.0000	EACH	
4	IN	654-0103- - -	.025 KEYING PLUG AMP 8707-2		2.0000	EACH	
4	IN	654-0107- - -	CONN HSG 6 .100 1ROW		1.0000	EACH	
3	IN	325-2309- - -	SWITCH, BURGESS V417Y1		1.0000	EACH	
3	IN	375-2108-M - -	PHOTO SWITCH,END OF RIB 86631-316		1.0000	EACH	
4	IN	375-2108- - -	PHOTO SWITCH,END OF RIBBON		1.0000	EACH	
3	IN	449-0165- - -	GUIDE,DRIVER PLATE(81)86631-226		1.0000	EACH	
3	IN	449-0167- - -	BUSHING,MOTOR(81)(MOLDED)86631-257		1.0000	EACH	
3	IN	449-0172- - -	CLIP,CARTRIDGE(81)D6631-221		2.0000	EACH	
3	IN	451-4499- - -	BRKT,END OF RIBBON C6631-321		1.0000	EACH	
3	IN	458-0397- - -	INDICATOR,RIBBON(81)86631-295		2.0000	EACH	
3	IN	458-0569- - -	LATCH,LOCK (81W) C6631-437	EC9181	1.0000	EACH	
3	IN	461-0063- - -	702 NUT PL MARGIN SWITCH 5776-487		1.0000	EACH	
3	IN	461-2024- - -	IDLER GEAR,DRIVER PLATE(81)86631229		1.0000	EACH	
3	IN	461-3313- - -	SHAFT,LEFT CARTG CLIP(81)86631-233		1.0000	EACH	
3	IN	461-3314- - -	SHAFT,RIGHT CARTG CLIP(81)86631-2		1.0000	EACH	
3	IN	461-3316- - -	SHAFT,RELEASE ARM(81)86631-234		1.0000	EACH	
3	IN	465-0823- - -	HINGE,CARTRIDGE CLIP(RH81)C6631-227		1.0000	EACH	
3	IN	465-0842- - -	HINGE,CARTRIDGE(LH)81W C6631-434	EC9774	1.0000	EACH	
3	IN	465-1652- - -	SPRING,RIBBON MOTOR(81)86631-258		1.0000	EACH	
3	IN	465-1656- - -	SPRG, CART INDICATOR 86631-317		1.0000	EACH	
3	IN	465-1657- - -	SPRG, CART RETURN 86631-318		1.0000	EACH	
3	IN	465-1658- - -	SPRG, CARTRIDGE CLIP 86631-319		2.0000	EACH	
3	IN	465-1659- - -	SPRG, DRIVER RELEASE 86631-320		1.0000	EACH	
3	IN	478-0343- - -	NUT,CART POSITION 86631-328		1.0000	EACH	
3	IN	550-0067- - -	CAP,BLACK(62)HEAD ADJ ARM 86636-218		1.0000	EACH	
3	IN	550-0003- - -	SCREW,#1-64 X 1/4 FLT HD SLOTTED SS		1.0000	EACH	
3	IN	550-0083- - -	2-56 X 1/4 PAN HD PHIL MS SS SEMS		4.0000	EACH	
3	IN	550-0140- - -	2-56 X 7/16 PAN HD PHL MS ZINC SEMS		2.0000	EACH	
3	IN	550-2044- - -	SCR 4-40 1/8 SOC CAP HD MS SS		2.0000	EACH	
3	IN	550-2087- - -	4-40X1/4 PAN HD PHL 4S SS 4AG. SEMS		2.0000	EACH	
3	IN	551-1700- - -	RTNR RING .094 SFT DIA EXT TYPE E		7.0000	EACH	
3	IN	551-1701- - -	5133-12PP SNAP RING		2.0000	EACH	
3	IN	551-1755- - -	RTNR RING .156 SFT DIA EXT		1.0000	EACH	
3	IN	551-1756- - -	RTNR RING 1.052 SFT DIA EXT		2.0000	EACH	
3	IN	552-0990- - -	NUT 2-56UNC HEX REG PAT SS		4.0000	EACH	
3	IN	552-2000- - -	NUT 4-40UNC HEX REG PAT SS		1.0000	EACH	
3	IN	553-0128- - -	SHIM WSHR 3/32" X 1/4" X.005 THK SS	EC9296	3.0000	EACH	
3	IN	553-0990- - -	NO. 2 INT T LK WASHER		4.0000	EACH	
3	IN	553-2001- - -	NO. 4 FLAT WSHR 1/8ID 1/4OJ		2.0000	EACH	
3	IN	553-2002- - -	WASH 4 .123ID .2650D INT T ST		1.0000	EACH	
3	IN	554-1295- - -	CABLE CLAMP RICHCO HUC-2 ADV BACK	EC9774	4.0000	EACH	

D-100

ASSEMBLY PART NUMBER 187-9237-WP- -
 ASSEMBLY DESCRIPTION 114 PRINTER WANG WIDE PLATEN

LEGEND

1: P=PHANTOM; 2: ITEM MASTER DELY CODE; 3: *=TAGGED OUT OF KIT(PROD STR)

POSITION IN STRJCTURE	LEGEND			COMPONENT PART NUMBER	DESCRIPTION	E C N	QUANTITY PER ASSY	U/M	IML
	1	2	3						
2		IN		279-5151- - -	SD FRAME(LH) & BEARING ASM 6631-61	EC8132	1.0000	EACH	
3		IN		000-0011- - -	LABOR QUALITY CONTROL		.0020		
3		IN		000-0021- - -	LABOR PERIPHERAL SYSTEMS		.0100		
3		IN		000-0024- - -	LABOR PREP AREA		.0200	EACH	
3		IN		451-3858- - -	SIDE FRAME(LH)(81)D6631-168		1.0000	EACH	
3		IN		465-0232- - -	BEARING .252 ID .250 LG 1 FLG BRZ		1.0000	EACH	
2		IN		279-5152- - -	SD FRAME(RH) & BEARING ASM 6631-60	EC8132	1.0000	EACH	
3		IN		000-0011- - -	LABOR QUALITY CONTROL		.0070		
3		IN		000-0024- - -	LABOR PREP AREA		.0350	EACH	
3		IN		451-3859- - -	SIDE FRAME(RH)(81)D6631-168		1.0000	EACH	
3		IN		465-0232- - -	BEARING .252 ID .250 LG 1 FLG BRZ		1.0000	EACH	
2		IN		279-5156- - -	ROLLER ASSY 6631-58	EC8298	4.0000	EACH	
3		IN		465-1057- - -	MU9,PAPER BAIL ROLLER(81)B6631-207		2.0000	EACH	
3		IN		465-1071- - -	ROLLER,PAPER BAIL B6631-220		1.0000	EACH	
3		IN		656-0108- - -	RING,BAIL ROLLER(81)B6631-219		1.0000	EACH	
2		IN		325-2460-M - -	SWITCH,PAPER OUT(MODIFIED)6631-329	EC8037	1.0000	EACH	
3		IN		325-2460- - -	SWITCH,PAPER OUT (B6631-329)		1.0000	EACH	
2		IN		375-2107- - -	OPB1249-1 SLOTTED OPTICAL SWITCH		2.0000	EACH	
2		IN		400-1003- - -	FAN MUFFIN M747 MARK IV	EC9181	1.0000	EACH	
2		IN		449-0159- - -	RETAINER,NUT(81)(MOLDED)C6631-262		10.0000	EACH	
2		IN		449-0171- - -	KNOB,COPY CONTROL(81)D6631-147		1.0000	EACH	
2		IN		451-1229- - -	TRAY,FRONT BASE(82)E6631-483		1.0000	EACH	
2		IN		451-2183- - -	COVER,KEYBOARD(81W/WWP) C6631-SK014	EC9526	1.0000	EACH	
2		IN		451-4478- - -	BRKT,IDLER PULLEY(RH)(81)C6631-130		1.0000	EACH	
2		IN		451-4480- - -	BRKT,CARRIAGE CELL MTG(81)B6631-121		2.0000	EACH	
2		IN		451-4492- - -	BRKT,PAPER-OUT SW(81/2)C6631-268	EC8037	1.0000	EACH	
2		IN		451-4642- - -	BRKT,CHASSIS MTG (RH) C6631-485	EC8037	1.0000	EACH	
2		IN		451-4643- - -	BRKT CHASSIS MTG (L.H.) C6631-486	EC8037	1.0000	EACH	
2		IN		451-4724- - -	BRACKET,SWITCH 81W/WWP C6631-904	EC9501	1.0000	EACH	
2		IN		452-2574- - -	CLAMP,FLEX CABLE(81)B6631-284		1.0000	EACH	
2		IN		452-2595- - -	CLAMP,FLEX CABLE 96631-400	EC8037	1.0000	EACH	
2		IN		452-2602- - -	CLAMP,PC BD HOLD DOWN 81W C6631-497	EC9526	1.0000	EACH	
2		IN		452-4043- - -	GUIDE,PLATEN PLATE(81)B6631-138	EC7923	2.0000	EACH	
2		IN		458-0379- - -	ARM,PAPER BAIL(LH)(81)D6631-145		1.0000	EACH	
2		IN		458-0380- - -	ARM,PAPER BAIL(RH)(81)D6631-145		1.0000	EACH	
2		IN		458-0401- - -	DEFLECTOR,PAPER(82)D6631-482		1.0000	EACH	
2		IN		458-0570- - -	LATCH (81W) C6631-438	EC9181	1.0000	EACH	
2		IN		458-0582- - -	SPCR SHOCK MT 81W/WWP B6631-SK114	EC9526	4.0000	EACH	
2		IN		458-0603- - -	81W/81WWP STRAP GROUND 96631-903	EC9543	4.0000	EACH	
2		IN		461-0103- - -	NUT PLATE,PAPER SW(62)B6636-222	EC8675	1.0000	EACH	
2		IN		461-3292- - -	STUD,IDLER PULLEY(ADJ)(81)B6631-125		1.0000	EACH	
2		IN		461-3309- - -	ECCENTRIC,PLATEN PLATE(81)B6631-140	EC8037	1.0000	EACH	
2		IN		461-3311- - -	ECCENTRIC,COPY CONTROL(81)B6631-162		2.0000	EACH	
2		IN		461-3319- - -	SHAFT,COPY CONTROL(82)B6631-137		1.0000	EACH	
2		IN		461-3320- - -	ROD,PAPER BAIL(82)B6631-157		1.0000	EACH	
2		IN		461-3322- - -	SHAFT,CARRIAGE GUIDE(82)B6631-254		2.0000	EACH	
2		IN		462-0246- - -	SPACER WASHER B6497-392	EC8037	4.0000	EACH	

ASSEMBLY PART NUMBER 187-9237-WP-

LEGEND

ASSEMBLY DESCRIPTION 114 PRINTER WANG WIDE PLATEN

1: P-PHANTOM; 2: ITEM MASTER DELY CODE; 3: *-TAGGED OUT OF KIT (PRD STR)

POSITION IN STRJCTURE	LEGEND			COMPONENT PART NUMBER	DESCRIPTION	E C N	QUANTITY PER ASSY	U/M	I/M
	1	2	3						
2	IN			462-0321-	SPACER CIRCUIT 3D 5/8"	EC9181	4.0000	EACH	
2	IN			465-0938-	SPRING,TORSION 35776-249	EC8037	2.0000	EACH	
2	IN			465-1645-	EXTENSION SPRING,LATCH(81)B6631-237	EC8037	2.0000	EACH	
2	IN			465-1646-	EXT SPRING,PLATEN PLATE(81)B6631238	EC7923	2.0000	EACH	
2	IN			465-1649-	SPRING,COPY CNTRL DTNT(81)B6631-208		1.0000	EACH	
2	IN			465-1654-	SPRING,CABLE(81)C6631-117		1.0000	EACH	
2	IN			465-1655-	EXT SPRING,CAM FOLLOW(81)B6631-290		1.0000	EACH	
2	IN			465-1686-	SPRING,LATCH RETURN B6631-433	EC9181	1.0000	EACH	
2	IN			478-0338-	NUT,BASE TRAY MTG(81)B6631-236		10.0000	EACH	
2	IN			478-0423-	STUD,LATCH(81W) 96531-435	EC9181	1.0000	EACH	
2	IN			478-0426-	STOP,PAPER BAIL 36631-448	EC9181	2.0000	EACH	
2	IN			478-0431-	STOP,SHIPPING 81W/WWP B6631-SK024	EC9526	4.0000	EACH	
2	IN			478-0432-	GUIDE CHAS TUBE 81W/WWP 96631-909	EC9526	2.0000	EACH	
2	IN			615-0401-	FISH PAPER,RBN CABLE 36631-417	EC8132	1.0000	EACH	
2	IN			615-1357-	LABEL,WARNING HEAD SHIELD C6611-91	EC9630	1.0000	EACH	
2	IN			615-1399-	LBL,10/12 PTCH SCALE 81WWP D6611-94	EC9181	1.0000	EACH	
2	IN			650-2060-	4-40 X 3/16 PAN HD PHL MS SS SEMS	EC8037	2.0000	EACH	
2	IN			650-2083-	4-40 X 1/4 PAN HD PHL MS RK OX		4.0000	EACH	
2	IN			650-2087-	4-40X1/4 PAN HD PHL MS SS MAG. SEMS	EC8037	2.0000	EACH	
2	IN			650-2121-	SCR 4-40 3/8 PHIL FLAT H MS SS		2.0000	EACH	
2	IN			650-3080-	6-32 X 1/4 PAN HD PHL MS SS SEMS		5.0000	EACH	
2	IN			650-3160-	6-32 X 1/2 PAN HD PHL MS SS SEMS	EC8037	2.0000	EACH	
2	IN			650-3200-	SCR 6-32 5/8 PHIL PH MS SS		3.0000	EACH	
2	IN			650-3204-	6-32X5/8 FL HD PHL MS PARKERIZE	EC8037	1.0000	EACH	
2	IN			650-3240-	SCR 6-32 3/4 PHIL PH MS SS		2.0000	EACH	
2	IN			650-4061-	8-32 X 3/16 SOC SET SCREW BK OX	EC8037	2.0000	EACH	
2	IN			650-4080-	8-32 X 1/4 PAN HD PHL MS SS SEMS	EC8037	8.0000	EACH	
2	IN			650-4120-	8-32 X 3/8 PAN HD PHL MS SS SEMS		4.0000	EACH	
2	IN			650-4121-	SCR 8-32 3/8 PHIL FLAT H MS SS	EC8037	4.0000	EACH	
2	IN			650-4130-	8-32X3/8 SOC SET CUP POINT BLK OX	EC8037	1.0000	EACH	
2	IN			650-4160-	8-32 X 1/2 PAN HD PHL MS SS SEMS		1.0000	EACH	
2	IN			650-4324-	DISC 8-32 X 1 SOCKET HD MS	EC8037	1.0000	EACH	
2	IN			650-4401-	SCR 8-32 1 1/4 PHIL FLAT H MS SS		1.0000	EACH	
2	IN			650-6088-	SCR 10-32X1/4 FL HD MS 100DEG MS SS	EC7755	6.0000	EACH	
2	IN			650-6119-	10-32X3/8 L FLAT HD SC 100 C°SINK		6.0000	EACH	
2	IN			650-6163-	10-32 1/2 SOC HD CAP MS BK OX	EC8037	10.0000	EACH	
2	IN			650-6155-	10-32 X 1/2 CJP PT. ALLEN SET SCREW		10.0000	EACH	
2	IN			650-9046-	HEX-SOCKET SHOULDER SCREW 1/4DX3/8L		4.0000	EACH	
2	IN			651-1727-	RTVR RING .250 SFT DIA EXT CRESCEN	EC8037	2.0000	EACH	
2	IN			652-3000-	NUT 6-32UNC HEX REG PAT SS		2.0000	EACH	
2	IN			653-2000-	NO. 4 FLAT WASHER	EC8037	1.0000	EACH	
2	IN			653-3000-	WASH 6 .149ID .37500 .016 FL SS		5.0000	EACH	
2	IN			653-4000-	WASH 8 .174ID .37500 .016 FL SS		2.0000	EACH	
2	IN			653-6000-	WASH 10 .203ID .43800 .032 FL SS		2.0000	EACH	
2	IN			653-6001-	WASH 10.204ID .38100 INT T ST	EC8037	1.0000	EACH	
2	IN			655-0242-	BJMPER,CARRIAGE(81)MINOR # Z3-6003		2.0000	EACH	
2	IN			655-0247-	SHOCK MOUNT(81)GREENE RUBBER555-107	EC8037	4.0000	EACH	
1	IN			279-5153-	81 WWP BOTTOM COVER ASM		1.0000	EACH	
?	IN			451-1238-	PAN,BOTTOM (81WWP) E6631-SK100		1.0000	EACH	
2	IN			650-6160-	10-32 X 1/2 PAN HD PHL MS SS SEMS	EC9526	4.0000	EACH	
2	IN			650-9049-	SCREW,KNURLED SLOT HEAD		2.0000	EACH	

D-102

ASSEMBLY PART NUMBER 187-9237-WP- -
 ASSEMBLY DESCRIPTION 114 PRINTER WANG WIDE PLATEN

LEGEND

1: P=PHANTOM; 2: ITEM MASTER DELY CODE; 3: *=TAGGED OUT OF KIT (PROD STR)

POSITION IN STRUCTURE	LEGEND			COMPONENT PART NUMBER	DESCRIPTION	E C N	QUANTITY PER ASSY	U/M	IML
	1	2	3						
2	IN			651-0239- - -	RECEPTACLE,CLIP ON		2.0000	EACH	
2	IN			652-6002- - -	10-32 LOCK NUT (EPS #511-101800-50	EC9526	4.0000	EACH	
2	IN			655-0205- - -	BUMPER,WHITE #2096SW	EC9526	4.0000	EACH	
1	IN			279-5155- - -	81WWP TOP COVER ASM		1.0000	EACH	
2	IN			325-0027- - -	SWITCH,CHEAT INTERLOCK CHNE69-30A	EC9321	1.0000	EACH	
2	IN			450-0904- - -	WANG NAME TAG C6815-97	EC9526	1.0000	EACH	
2	IN			451-2948- - -	CVR,FRNT,TP WELD(81WWP)D6631-SK041	EC9321	1.0000	EACH	
2	IN			451-2952- - -	CVR TP WLD(BOSSES)81WWP E6631-SK106	EC9321	1.0000	EACH	
2	IN			451-2956- - -	CVR,KNOB SHFT LG CUTOUT B6631-SK032	EC9321	2.0000	EACH	
2	IN			451-4702- - -	BRKT,CVR HINGE(81W/WWP) C6631-SK051	EC9321	2.0000	EACH	
2	IN			452-2352- - -	PLT,FNSH SNGL SLT(81W)SSC6631-SK053	EC9321	1.0000	EACH	
2	IN			452-4057- - -	GUIDE,EDGE (81) B6531-351		1.0000	EACH	
2	IN			458-0459- - -	PPR SCALE SCRVD MDL B2 20°C6631-362		1.0000	EACH	
2	IN			458-0475- - -	RACK,COVER(82) D6631-493		1.0000	EACH	
2	IN			458-0577- - -	WRAP,CNTR(WELD)81WWP C6631-SK111	EC9321	1.0000	EACH	
2	IN			451-3349- - -	ROJ,EDGE GUIDE (82) B6531-356		1.0000	EACH	
2	IN			462-0322- - -	SPACER,CLIP,3AR(81W/WWP B6531-SK036	EC9321	2.0000	EACH	
2	IN			462-0329- - -	SPACER,CLIP MTG 81W/WWP B6631-SK029	EC9321	2.0000	EACH	
2	IN			465-0843- - -	HINGE,PIN(81W/81WWP) B6631-SK101	EC9321	2.0000	EACH	
2	IN			465-1669- - -	SPRING,EDGE GUIDE(81)B6631-378		1.0000	EACH	
2	IN			478-0430- - -	PIN CLIP,CYR WRAP B6531-SK115	EC9321	2.0000	EACH	
2	IN			650-0083- - -	2-56 X 1/4 PAN HD PHIL MS SS SEMS	EC9526	4.0000	EACH	
2	IN			650-2120- - -	4-40 X 3/8 PAN HD PHL MS SS SEMS	EC9526	2.0000	EACH	
2	IN			550-3124- - -	6-32 X 3/8 TRUSS HD PHL MS SS	EC9526	2.0000	EACH	
2	IN			650-3161- - -	SCR 6-32 1/2 PHIL FLAT H MS SS	EC9526	2.0000	EACH	
2	IN			650-4123- - -	8-32X3/8 TRUSS HD PHL MS SS	EC9526	2.0000	EACH	
2	IN			551-0240- - -	CATCH,ACCESS COVER	EC9321	5.0000	EACH	
2	IN			652-0032- - -	6-32 LOCK-NUT KEPS 511-061800-00	EC9526	10.0000	EACH	
2	IN			652-0990- - -	NUT 2-56UNC HEX REG PAT	SS EC9526	4.0000	EACH	
2	IN			652-2000- - -	NUT 4-40UNC HEX REG PAT	SS EC9526	12.0000	EACH	
2	IN			652-3005- - -	6-32 LK NUT ESNA 22 NTM-62	EC9526	4.0000	EACH	
2	IN			653-0990- - -	NO. 2 INT T LK WASHER	EC9526	4.0000	EACH	
2	IN			653-2002- - -	WASH 4 .1231D .2650D INT T	ST EC9526	10.0000	EACH	
2	IN			653-3000- - -	WASH 6 .1491D .3750D .016 FL	SS EC9526	15.0000	EACH	
2	IN			653-3003- - -	WASH 6 .1411D .2530D SPLIT	SS EC9526	6.0000	EACH	

END OF REPORT M30080-A

APPENDIX

E

APPENDIX E

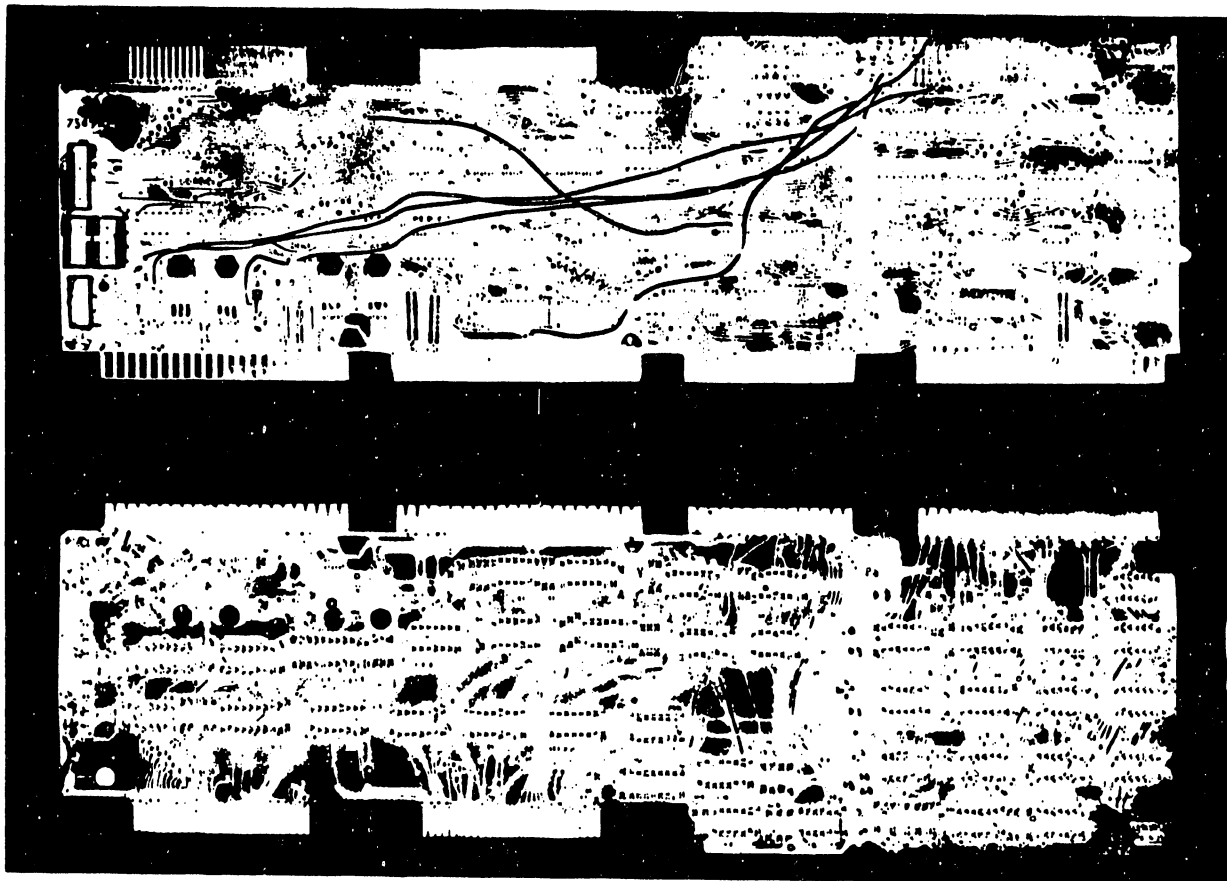
7549 PRINTER JUNCTION BOARD ADDENDUM

The purpose of this addendum is to provide a reference for the printer junction boards used with the System 5 Word Processor. This addendum should be considered the most expedient source; as the information contained within shall not be found in any other publication.

The major contents of this addendum are:

- * GENERAL DESCRIPTION
- * THEORY OF OPERATION
- * INSTALLATION
- * APPENDIX A
TABLE OF MNEMONICS
- * APPENDIX B
CABLE AND EDGE CONNECTOR
CONFIGURATION TABLE
- * APPENDIX C
PRINTER COMMAND WORD TABLE
- * APPENDIX D
PRINT PACKAGE
- * APPENDIX E
BILL OF MATERIALS

WANG



7549 PRINTER JUNCTION BOARD

GENERAL DESCRIPTION

Because the System 5 Word Processor uses a parallel interface for its printer, a junction board is needed to route signals to and from the 'master' (main CPU). In the 928 Word Processor System, I/O requirements are met by the 7446 I/O board which is part of the printer 'slave'. The System 5 does not use the slave concept though control signals are identical. All control signals arrive, via cable, from hardware located on the 7411 board in the System 5 master and enter the printer I/O board.

This was originally handled by the 7314 junction board which was later replaced by the 7449 junction board. Outdated schematics of these are found in the System 5 Preliminary Maintenance Manual. Logic was added to the 7449 to run the Twin Sheet Feeder and ECN's were performed.

The first printer junction board, the 7314, was simply a method of terminating the cable from the master with something that could plug into the I/O slot on the printer motherboard. It utilized one circuit; an oscillator to drive the printer alarm speaker.

When the Twin Sheet Feeder was attached to the System 5 printer, it became necessary to provide a larger junction board (7449) with logic to control the feeder. The method of cable termination was also changed; the cable now plugging into a connector at the rear of the printer. As a money saving measure, two loadings of this board were produced. The 7449 was partially loaded and the 7449-1 was fully loaded to run the feeder. This is the method currently used in both the 5541D and the 5541W/WC printers.

The Shared Printer Option allows the customer to connect two System 5's with a printer and reassign the printer to either system by flipping a switch. The added logic needed to accomplish this would not fit on a 7449 so, a larger board, the 7549, was designed. The 7549 contains all of the older functions plus the new multiplexing circuitry.

THEORY OF OPERATION (see Fig. 1)

Printer Interface

The master instructs the printer by means of a 12-bit (DA1A-DA12A) word and various strobe signals. Four strobes are used with a fifth strobe for the Twin Sheet Feeder.

The master also controls the five keyboard lamps on the printer (excluding POWER), the ribbon lift function (currently used on Diablo only), and the printer alarm oscillator. There is a separate line in the cable dedicated to each of these functions.

The printer must also communicate with the master. There are Ready/Busy lines for Paper Motion, Carriage Movement and Printwheel Movement so the host CPU knows when to send the next instruction. Other status lines include Out of Paper, Fault, End of Ribbon, Top of Form, Cover Open, Select and, Printer Ready.

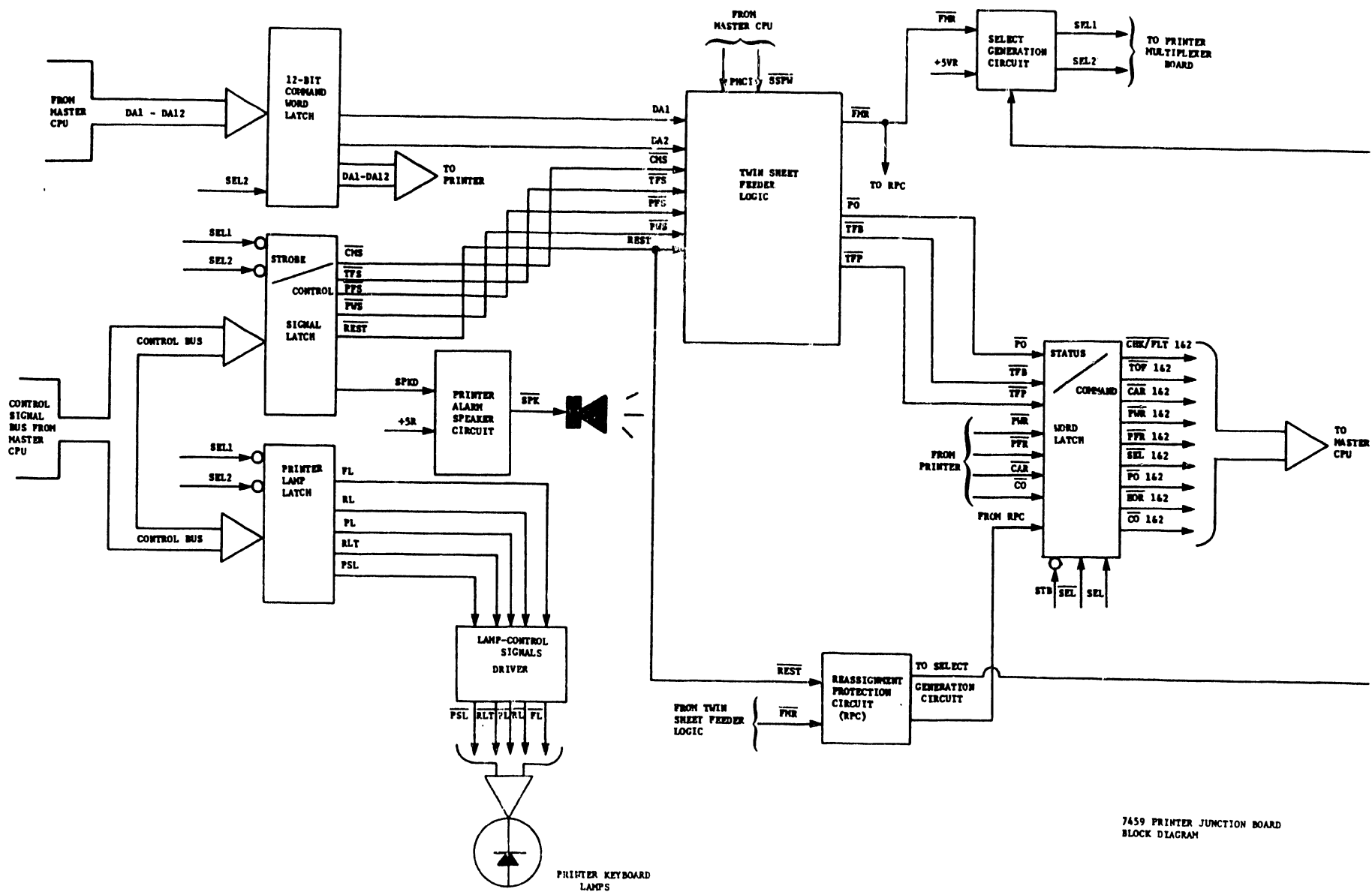
Twin Sheet Feeder Logic

The Twin Sheet Feeder (TSF) is controlled thru the use of the 2 lowest bits of the 12-bit word and a strobe called "Twin Feeder Strobe". Setting one of these bits, followed by a strobe, causes the feeder to attempt a paper feed. The bit that is set determines which hopper the sheet of paper is drawn from. The feeder sends two status signals back to the master. One is a "Twin Feeder Present" signal, that is true when the feeder is connected to the printer; and the other is a "Twin Feeder Busy" signal, that indicates when a sheet of paper has been fed into position.

Control Sequence:

1. The System 5 master sets DA1A or DA2A and does an OUT OE which generates a Twin Feeder Strobe.

5



7459 PRINTER JUNCTION BOARD
BLOCK DIAGRAM

2. Twin Feeder Strobe does three things:
 - a. Latches in the feed request indicated by the data bit set.
 - b. Clears the Paper Out latch.
 - c. Triggers the 10 sec. Timeout 1-Shot.
3. Once the feed request is latched, the corresponding motor driver is enabled. This signal also sets one of the Brake Enable Latches.
4. The feeder tries to feed a sheet from the indicated hopper into the platen area of the printer while the 10 sec. clock is running.
5. If a sheet is fed to the platen and carried around, it will block the photocell.
6. The blocked photocell produces a signal that will:
 - a. clear the Twin Feeder Busy signal that is fed back to the System 5 master,
 - b. and fires the Restore Feeder 1-Shot.
7. The pulse from the Restore Feeder 1-Shot fires the enabled Brake 1-Shot and, at the same time, produces a printer Restore signal cancelling the platen roll that is taking place.
8. The Brake 1-Shot enables the opposite motor driver for a few milliseconds. This causes the feed rollers in the hopper to clear the sheet of paper. The paper is then stopped and free of drag.
9. At the end of the brake pulse, the Feed Complete 1-Shot fires. This signal clears the Brake Enable Latch and the Feed Request Latch. This is the end of a normal feed cycle.
10. If the feeder attempts to feed paper and is unsuccessful, the 10 Sec. 1-Shot times out and fires the Out Of Paper 1-Shot. This results in the setting of the Paper Out Latch and the resetting of the Feed Request Latch.

Multiplexer Logic

The multiplexer circuit is made up of data selectors which direct all signals between the master and printer.

A latch, formed by L32, generates the Sel₁ and Sel₂ signals that control the data selectors. When enabled, the state of this latch may be changed by actuating the toggle switch mounted on the printer case.

Latches L16, L17 and, L18 are used to select the incoming 12-bit command word. The associated strobes and alarm control signal are selected by either L27 or L30. Signals to control the printer keyboard lamps and the ribbon lift function are routed through L9 or L10.

Status and command signals from printer to master are handled in the same manner. Ready/Busy lines, Select and Top of Form commands and the Check/Fault line are selected by either L35 and L36 or by L19 and L31. The Paper Out, Cover Open, End of Ribbon and, Feeder status lines are not selected but are made available to both connected masters at all times.

There are two special purpose circuits contained within the multiplexer logic section of the 7549 junction board. The first is made up of L12, L13 and, L37 that simulates a Check/Fault after a printer power-up or reassignment. This fools the software into doing a Restore operation enabling the master to find out where the printer carriage and printwheel are. The second circuit uses L6, L12, L21, and L33 to prevent reassignment of the printer after a paper feed has started. This is accomplished by preventing the select latch from being enabled, even though the toggle switch may have been thrown, until the carriage moves away from the center of the platen after a paper feed is a complete.

INSTALLATION

The 7549 is available for System 5's of any model and may be used with the Wang or Diablo Daisy Printer. Software release 2.6 is the first general release to support this option. Early installations of this option should include a special software diskette.

Installation Procedure:

1. Disconnect the 50-pin ribbon cable from the 7449 (-1) PCB.
2. Remove the connector plate with cable from the rear of the printer.
3.
 - a) On the 5541D, install the dual connector plate with cables attached.
 - b) On the 5541W (WC), remove the single connector from the single connector plate and install two cables on the dual connector plate.
 - c) Install the dual connector plate.
4. Replace the 7449 (-1) PCB with the new 7549 PCB.
5. Install the switch cable assembly with 4 pin Molex to the 7549 PCB.
 - a) On the 5541D, the switch will be mounted in the front vent.
 - b) On the 5541W (WC), the switch will be mounted in the left side vent.
6. The switch assembly contains a switch mounted in a black plate to be installed from the inside of the printer. A white plate with two threaded studs attached is to be installed from the outside, forming a sandwich with the switch plate on the vent slots. The red wire on the switch should be in the same direction as the label 1 and the brown wire in the direction of the label 2. Both labels are clearly marked on the white plate. The cables from the masters should then be installed so that system 1 will be connected to the left connector and system 2 will be connected to the right connector; when viewed from the front of the printer.

- If the printer is fitted with a Twin Sheet Feeder (TSF), connect the 6 pin Molex connector from the TSF jack to the 7549 PCB. A 5541D also requires the connection of the 3 pin Molex plug carrying power for the TSF motor.

Once installed, the printer may be assigned to one of the two systems by repositioning the toggle switch on the printer. If the printer is deselected while printing is in progress, it may be assigned to the other system. When it is returned to the first system and reselected, it will continue where it left off.

Reassigning the printer while printing is taking place causes unpredictable results and may result in a loss of character(s) and/or carriage position. If this should accidentally happen, do a Top of Form before reselecting the printer. With the Twin Sheet Feeder in place, reassigning the printer results in a Top of Form that brings a clean sheet of paper into the platen.

Spare Parts Kits

5541D		5541W(WC)	
OPTION	P/N	OPTION	P/N
	177-9269	177-9314	(177-9324)
KIT: 200-2301	contains	KIT: 200-2300	contains
220-1292	Switch Cable Assembly	220-1292	Switch Cable Assembly
210-7549	Printer Mux. PCB	210-7549	Printer Mux. PCB
220-3072	Dual Conn. Plate w/Cables	452-0522	Dual Conn. Plate
		220-3069	50 Pin Ribbon Cable

In addition, an extra 50 pin printer cable may be needed to connect the second system to the printer. The part number for this 12' cable is 220-0198. If you wish to extend this cable you may use the 25' extender (120-2114-25) or the 50' extender (120-2114-50). But, the 12' cable must still be used to make the proper connections.

Updates

A recent ECN (12146) has added circuitry to prevent transistor failure in the TSF logic. This should bring the E Rev. of the 7549 PCB from 0 to 1. Special software released to support this option is 2.4B, 2.4I or 2.5.

APPENDIX A
TABLE OF MNEMONICS

APPENDIX A
TABLE OF MNEMONICS

DA1A ---- DA12A	12-Bit Command word from master.
CMS	Carriage Motion Strobe.
PFS	Paper Feed Strobe from master.
PWS	Print Wheel Strobe from master.
TFS	Twin Feed Strobe from master.
REST	Restore Strobe from master.
REST F	Restore generated by feeder logic.
REST P	Restore strobe to printer. $REST P = REST + REST F$.
PFR	Paper Feed Busy/Ready status from printer to master.
PWR	Printwheel Busy/Ready status from printer to master.
CAR	Carriage Busy/Ready status from printer to master.
CHK/FLT	Malfunction status (CHECK/FAULT) from printer to master.
EOR	End of Ribbon status from printer to master.
POL	Paper Out signal from printer to feeder logic,
POF	Paper Out Feeder used in feeder logic.
PO	Paper Out status from printer to master. $PO = POL + POF$.
TMR	Twin feeder reset (not used).
SPKD	Printer alarm Speaker control signal from master.
SPK	Drive signal for printer alarm speaker.
SEL	Select signal from printer keyboard to master.
TOF	Top of Form signal from printer keyboard to master.
RLT	Ribbon Lift control signal from master. (not used on Wang printer at present time).

SL Control signal for Select Lamp from master.

RL Control signal for End of Ribbon Lamp from master.

TFB Twin Feeder Busy signal from feeder to master.

TFP Twin Feeder Present signal from feeder to master.

PRY Printer Ready signal to master showing power-on status.

CO Cover Open signal to master.

FL Control signal for Malfunction Lamp (Fault) from master.

PSL Control signal for Change Daisy Lamp (Program Stop) from master.

PL Control signal for Paper Out Lamp from master.

FC Feed Complete signal used in feeder logic.

OOP Out of Paper signal used in feeder logic.

CWE Clock-wise Enable used in feeder logic to drive feed motor.

CCWE CounterClock-wise Enable used in feeder logic to drive feed motor

CLEAR Signal used to clear Feed Request latch in feeder logic.

**APPENDIX B
CABLE AND EDGE CONNECTOR
CONFIGURATION TABLE**

APPENDIX B
CABLE AND EDGE CONNECTOR
CONFIGURATION TABLE

Signal Name	Cable Conn. Pin #	Edge Conn. Pin #
*DA1A	01	02
*DA3A	02	04
*DA5A	03	06
*DA7A	04	08
*DA9A	05	10
*DA11A	06	12
*PFR	07	14
*PWR	08	16
*CAR	09	18
*CHECK/FAULT	10	20
*EOR	11	22
*PO	12	24
*TMR	13	26
*REST	14	28
*CMS	15	30
*PWS	16	32
*PFS	17	34
*TFS	18	36
*SPKD	19	38
SEL	20	40
*SEL	21	42
TOF	22	44
*RLT	23	46
*SL	24	48
*RL	25	50
*DA2A	26	01
*DA4A	27	03
*DA6A	28	05
*DA8A	29	07
*DA10A	30	09
*DA12A	31	11
*TFB	32	13
*TFP	33	15
*PRY	34	17
*CO	35	19
Logic Gnd	36	21
Logic Gnd	37	23
Logic Gnd	38	25
Logic Gnd	39	27
Logic Gnd	40	29
Logic Gnd	41	31
Logic Gnd	42	33
Logic Gnd	43	35
Logic Gnd	44	37
Logic Gnd	45	39
Logic Gnd	46	41
Logic Gnd	47	43
*FL	48	45
*PSL	49	47
*PL	50	49

* Indicates barred signal.

APPENDIX C
PRINTER COMMAND WORD TABLE

APPENDIX C
 PRINTER COMMAND WORD TABLE

CARRIAGE MOTION STROBE		
Data Bit		Meaning
DA1A	LSB	
DA2A	*	
DA3A	*	
DA4A	*	HEX REPRESENTATION OF DESIRED MOVE IN 1/60 INCH INCREMENTS. VALID FROM 000 THRU 3FF
DA5A	*	
DA6A	*	
DA7A	*	
DA8A	*	
DA9A	*	
DA10A	MSB	
DA11A	DIRECTION	
DA12A	HALF STEP. ADDS A HALF INCREMENT (1/120 inch) TO THE MOVE	

PRINTWHEEL STROBE		
Data Bit		Function
DA1A	LSB	
DA2A	*	
DA3A	*	
DA4A	*	ABSOLUTE PRINTWHEEL POSITION VALID FROM 20 (HOME POSITION) THRU 7F
DA5A	*	
DA6A	*	
DA7A	MSB	
DA8A	RA1	RIBBON ADVANCE WORD (NOT HONORED BY WANG DAISY)
DA9A	RA2	VALID FROM 0 THRU 7
DA10A	RA3	7 GIVES LARGEST ADVANCE
DA11A	HE1	HAMMER ENERGY. VAILD FROM 0 THRU 3
DA12A	HE2	3 GIVES MOST ENERGY. (NOT HONORED BY WANG DAISY)

PAPER FEED STROBE		
Data Bit		Function
DA1A	LSB	
DA2A	*	
DA3A	*	
DA4A	*	PAPER MOTION WORD. VALID FROM 001 THRU 3FF
DA5A	*	
DA6A	*	3FF GIVES MOST MOVEMENT
DA7A	*	
DA8A	*	
DA9A	*	
DA10A	MSB	
DA11A	PLATEN DIRECTION	
DA12A	NOT USED	

RESTORE STROBE	
Data Bit	Function
	DOES NOT USE DATA BITS. REINITIALIZES PRINTER TO KNOWN PRINTWHEEL AND CARRIAGE POSITIONS.

**APPENDIX D
PRINT PACKAGE**

THE SCHEMATICS, WHEN AVAILABLE, ARE ON THE LAST FICHE IN THIS SET.

APPENDIX E
BILL OF MATERIALS

ASSEMBLY PART NUMBER 210-7549- - - LEGEND
 ASSEMBLY DESCRIPTION PCA 114 PTR MLTPLXR W/TWN SHT FDR 1: P=PHANTOM; 2: ITEM MASTER DELY CODE; 3: *=TAGGED OUT OF KIT(PROD STR)

POSITION IN STRUCTURE	LEGEND 1 2 3	COMPONENT PART NUMBER	DESCRIPTION	E C N	QUANTITY PER ASSY	U/M	L/T	UNIT COST	EXTENDED COST
1		IN 300-1220-	CAP 220 PF 10X 500 V CERAMIC DISC		2.0000	EACH		.019	.0380
1		IN 300-1470-	CAP 470 PF 10X 500 V CERAMIC DISC	E12146	6.0000	EACH		.019	.1140
1		IN 300-1900-	CAP .05 UF +80-20X 12 V CERAMIC D		16.0000	EACH		.032	.5120
1		IN 300-1901-	CAP .1 UF 20X 12 V CERAMIC DISC		1.0000	EACH		.043	.0430
1		IN 300-1903-	CAP .01 UF +80-20X 25 V CERAMIC D		1.0000	EACH		.031	.0310
1		IN 300-1906-	CAP .001 UF 10X 500 V CERAMIC DISC		2.0000	EACH		.019	.0380
1		IN 300-1913-	CAP .002 UF 20X 500 V CERAMIC DISC		3.0000	EACH		.018	.0540
1		IN 300-1930-	.1 UF 50V +80-20X CERAMIC CAP(HIFRQ		5.0000	EACH		.075	.3750
1		IN 300-4002-	CAP .1 UF 35 V 10X TANT AXIAL		1.0000	EACH	00001	.155	.1550
1		IN 300-4016-	CAP 3.3 UF 15 V 10X TANT AXIAL		2.0000	EACH	00001	.155	.3100
1		IN 300-4020-	CAP 47.0 UF 15 V 10X TANT AXIAL		2.0000	EACH		.430	.8600
1		IN 300-4022-	CAP 15.0 UF 20 V 10X TANT AXIAL		4.0000	EACH	00001	.175	.7000
1		IN 300-4032-	CAP 10.0 UF 35 V 10X TANT AXIAL		2.0000	EACH		.427	.8540
1		IN 300-4045-	CAP 220 UF TANT 15 VDC 10X		1.0000	EACH		1.509	1.5090
1	P FS	330-2010-4B-	RES 100 OHM 1/4W 10X FIXED COMP		9.0000	EACH		.017	.1530
1	P FS	330-2022-4B-	RES 220 OHM 1/4W 10X FIXED COMP		4.0000	EACH		.017	.0680
1	P FS	330-2047-4B-	RES 470 OHM 1/4W 10X FIXED COMP		2.0000	EACH		.017	.0340
1	P FS	330-2082-4B-	RES 820 OHM 1/4W 10X FIXED COMP		2.0000	EACH		.017	.0340
1	P FS	330-3010-4B-	RES 1K OHM 1/4W 10X FIXED COMP	E12146	3.0000	EACH		.017	.0510
1	P FS	330-3015-4B-	RES 1.5K OHM 1/4W 10X FIXED COMP		1.0000	EACH		.017	.0170
1	P FS	330-3022-4B-	RES 2.2K OHM 1/4W 10X FIXED COMP	E12146	38.0000	EACH		.017	.6460
1	P FS	330-3027-4B-	RES 2.7K OHM 1/4W 10X FIXED COMP		1.0000	EACH		.017	.0170
1	P FS	330-3047-4B-	RES 4.7K OHM 1/4W 10X FIXED COMP	E12146	4.0000	EACH		.017	.0680
1	P FS	330-3056-4B-	RES 5.6K OHM 1/4W 10X FIXED COMP		1.0000	EACH		.018	.0180
1	P FS	330-3082-4B-	RES 8.2K OHM 1/4W 10X FIXED COMP		1.0000	EACH		.017	.0170
1	P FS	330-4010-4B-	RES 10K OHM 1/4W 10X FIXED COMP		1.0000	EACH		.017	.0170
1	P FS	330-4012-4B-	RES 12K OHM 1/4W 10X FIXED COMP		1.0000	EACH		.017	.0170
1	P FS	330-4033-4B-	RES 33K OHM 1/4W 10X FIXED COMP	E12146	4.0000	EACH		.017	.0680
1	P FS	330-4039-4B-	RES 39K OHM 1/4W 10X FIXED COMP		1.0000	EACH		.017	.0170
1	P FS	330-4047-4B-	RES 47K OHM 1/4W 10X FIXED COMP		3.0000	EACH		.017	.0510
1	IN	331-2056-	RES 560 OHM 1/2W 10X FIXED COMP		1.0000	EACH	00001	.019	.0190
1	IN	374-0005-	IC REG UA 7915 -15V TO-220		1.0000	EACH		.823	.8230
1	IN	374-0008-	IC REG UA 7815 +15V TO-220		1.0000	EACH		.540	.5400
1	IN	375-0017-	TSTR 2N3014 360MW 40V SH NPN S 52		1.0000	EACH		.220	.2200
1	IN	375-1017-	TSTR 2N2906A 1.8W 60V SH PNP S 18		1.0000	EACH		.120	.1200
1	IN	375-1052-	TRANSISTOR 2N6387 (PLASTIC)		1.0000	EACH		.480	.4800
1	IN	375-1053-	TRANSISTOR RCAB203A (PLASTIC)		1.0000	EACH		.490	.4900
1	IN	375-1059-	TSTR 2N2907A 1.8W 60V SH PNP S 18		1.0000	EACH		.120	.1200
1	IN	375-9004-	TRANSIPAD TO-18 (SMALL)		9.0000	EACH		.012	.1080
1	IN	376-0002-	IC 7400N 4 2 IN POS NAND GATE		1.0000	EACH		.105	.1050
1	IN	376-0003-	IC 7410N 3 3 IN POS NAND GATE		1.0000	EACH		.104	.1040
1	IN	376-0006-	IC 7474N 2 D EDGE TRIG FLIP-FLOP		4.0000	EACH		.140	.5600
1	IN	376-0010-	IC 7404N HEX INVERTER		2.0000	EACH		.110	.2200
1	IN	376-0016-	IC 7402N 4 2 IN POS NOR GATE		2.0000	EACH		.106	.2120
1	IN	376-0056-	IC 7407 HEX BUF DRIVER HV OUTPUT		2.0000	EACH		.131	.2620
1	IN	376-0081-	IC 7408 4 2 IN POS AND GATE		2.0000	EACH		.109	.2180
1	IN	376-0082-	IC 74157 4 2 IN MX		7.0000	EACH		.239	1.6730
1	IN	376-0093-	IC 7432 4 2 IN OR GATE		3.0000	EACH		.115	.3450
1	IN	376-0104-	IC 9602 2 RETRIG RESET MONOSTBL MVB		3.0000	EACH		.310	.9300
1	IN	376-0126-	IC 555 TIMER		1.0000	EACH		.160	.1600
1	IN	376-0176-	IC 74367 HEX BUFFER		4.0000	EACH		.231	.9240
1	IN	376-0194-	IC 7411 3 3 IN POS AND GATE		2.0000	EACH		.109	.2180

E-1

ASSEMBLY PART NUMBER 210-7549- - -

LEGEND

ASSEMBLY DESCRIPTION PCA 114 PTR MLTPLXR W/TWN SHT FDR 1: P=PHANTOM; 2: ITEM MASTER DELY CODE; 3: *=TAGGED OUT OF KIT(PROD STR)

POSITION IN STRUCTURE	LEGEND			COMPONENT PART NUMBER	DESCRIPTION	E C N	QUANTITY PER ASSY	U/M	L/T	UNIT COST	EXTENDED COST
	1	2	3								
1		IN		376-0240- - -	IC LM339 4 COMPARATOR		1.0000	EACH		.408	.4080
1		IN		376-0283- - -	IC 8T37 HEX BUS REC W/HYST-SCHMIT T		3.0000	EACH		.650	1.9500
1		P FS		380-1001-4B- - -	D035 SIL DIODE 30V, 100MA AT 1V .4B		3.0000	EACH		.018	.0540
1		IN		380-2047- - -	D10 ZEN 1N750 A 4.7V 400MW S D0-7		1.0000	EACH	00001	.065	.0650
1		IN		380-3008- - -	A15A RECTIFIER		2.0000	EACH		.156	.3120
1		FS		380-4000- - -	D10 1N4004 400V 1A RECT S D041		2.0000	EACH	00001	.034	.0680
1		IN		510-7549- - -	PCB 114 PTR MULTIPLEXER		1.0000	EACH		100.000	100.0000

RAW MATERIAL		118.5940
MAT. OVERHEAD 10%		11.8594
SPOILAGE 5%		6.5227
ASSEMBLIES		.0000
SUBTOTAL		136.9761
DIRECT LABOR		.0000 ***
OVERHEAD 170%		.0000 ***
TOTAL COST		136.9761

LEGEND

1: P=PHANTOM 2: ITEM MASTER DELY CODES 3: *=TAGGED OUT OF KIT(FROD STR)

E-3

POSITION IN STRUCTURE	LEGEND 1 2 3	COMPONENT PART NUMBER	DESCRIPTION	E C N	QUANTITY PER ASSY	U/M	L/T	UNIT COST	EXTENDED COST
1	IN	000-0001-	LABOR SUB-SYSTEMS		2.1633		00000	3.960	3.5655
1	IN	000-0011-	LABOR QUALITY CONTROL		.5110		00000	5.990	3.0609
1	IN	000-0021-	LABOR PERIPHERAL SYSTEMS		.3930		00000	4.260	1.6820
1	IN	300-1220-	CAP 220 PF 10X 500 V CERAMIC DISC		2.0000	EACH		.019	.0380
1	IN	300-1500-	CAP .05 UF +80-20X 12 V CERAMIC D		8.0000	EACH		.032	.2560
1	IN	300-1901-	CAP .1 UF 20X 12 V CERAMIC DISC		1.0000	EACH		.043	.0430
1	IN	300-1903-	CAP .01 UF +80-20X 25 V CERAMIC D		1.0000	EACH		.031	.0310
1	IN	300-1906-	CAP .001 UF 10X 500 V CERAMIC DISC		2.0000	EACH		.019	.0380
1	IN	300-1930-	.1 UF 50V +80-20X CERAMIC CAP(HIFRO		5.0000	EACH		.075	.3750
1	IN	300-4002-	CAP .1 UF 35 V 10X TANT AXIAL		1.0000	EACH	00001	.155	.1550
1	IN	300-4016-	CAP 3.3 UF 15 V 10X TANT AXIAL		2.0000	EACH	00001	.155	.3100
1	IN	300-4022-	CAP 15.0 UF 20 V 10X TANT AXIAL	E10953	4.0000	EACH	00001	.175	.7000
1	IN	300-4032-	CAP 10.0 UF 35 V 10X TANT AXIAL		2.0000	EACH		.427	.8540
1	IN	300-4034-	CAP 47.0 UF 20 V 10X TANT AXIAL		2.0000	EACH		.430	.8600
1	IN	300-4045-	CAP 220 UF TANT 15 VDC 10X		2.0000	EACH		1.509	3.0180
1	P FS	330-1047-49-	RES 47 OHM 1/4W 10X FIXED COMP		1.0000	EACH		.017	.0170
1	P FS	330-2010-49-	RES 100 OHM 1/4W 10X FIXED COMP		1.0000	EACH		.017	.0170
1	P FS	330-2047-48-	RES 470 OHM 1/4W 10X FIXED COMP		2.0000	EACH		.037	.0340
1	P FS	330-2082-	RES 820 OHM 1/4W 10X FIXED COMP		2.0000	EACH		.017	.0340
1	P FS	330-3010-49-	RES 1K OHM 1/4W 10X FIXED COMP	E11889	6.0000	EACH		.017	.1020
1	P FS	330-3015-49-	RES 1.5K OHM 1/4W 10X FIXED COMP		1.0000	EACH		.017	.0170
1	P FS	330-3022-49-	RES 2.2K OHM 1/4W 10X FIXED COMP	E11889	17.0000	EACH		.017	.2890
1	P FS	330-3047-49-	RES 4.7K OHM 1/4W 10X FIXED COMP	E11889	4.0000	EACH		.017	.0680
1	P FS	330-3056-48-	RES 5.6K OHM 1/4W 10X FIXED COMP		1.0000	EACH		.019	.0190
1	P FS	330-3082-49-	RES 8.2K OHM 1/4W 10X FIXED COMP		1.0000	EACH		.017	.0170
1	P FS	330-4010-49-	RES 10K OHM 1/4W 10X FIXED COMP		2.0000	EACH		.017	.0340
1	P FS	330-4033-49-	RES 33K OHM 1/4W 10X FIXED COMP	E11889	1.0000	EACH		.017	.0170
1	P FS	330-4039-48-	RES 39K OHM 1/4W 10X FIXED COMP	E10953	2.0000	EACH		.017	.0340
1	P FS	330-4047-49-	RES 47K OHM 1/4W 10X FIXED COMP		2.0000	EACH		.017	.0340
1	IN	331-2056-	RES 560 OHM 1/2W 10X FIXED COMP		1.0000	EACH	00001	.019	.0190
1	IN	374-0005-	IC REG UA 7915 -15V TO-220		1.0000	EACH		.823	.8230
1	IN	374-0008-	IC REG UA 7815 +15V TO-220	E10953	1.0000	EACH		.540	.5400
1	IN	375-0017-	TSTR 2N3014 360MW 40V SH NPN S 52		1.0000	EACH		.220	.2200
1	IN	375-1017-	TSTR 2N2906A 1.8W 60V SH PNP S 18		1.0000	EACH		.120	.1200
1	IN	375-1052-	TRANSISTOR 2N6397 (PLASTIC)		1.0000	EACH		.480	.4800
1	IN	375-1053-	TRANSISTOR RCA8203A (PLASTIC)		1.0000	EACH		.490	.4900
1	IN	375-1059-	TSTR 2N2907A 1.8W 60V SH PNP S 18		1.0000	EACH		.120	.1200
1	IN	375-9004-	TRANSIPAD TO-18 (SMALL)	E10953	3.0000	EACH		.012	.0360
1	IN	376-0002-	IC 7400N 4 2 IN POS NAND GATE		1.0000	EACH		.105	.1050
1	IN	376-0006-	IC 7474N 2 D EDGE TRIG FLIP-FLOP	E11032	3.0000	EACH		.140	.4200
1	IN	376-0010-	IC 7404N HEX INVERTER		1.0000	EACH		.110	.1100
1	IN	376-0021-	IC 7408 4 2 IN POS AND GATE		2.0000	EACH		.109	.2180
1	IN	376-0093-	IC 7432 4 2 IN OR GATE		1.0000	EACH		.115	.1150
1	IN	376-0104-	IC 9602 2 RETRIG RESET MONOSTBL MVB		3.0000	EACH		.310	.9300
1	IN	376-0126-	IC 555 TIMER		1.0000	EACH		.160	.1600
1	IN	376-0194-	IC 7411 3 3 IN POS AND GATE		1.0000	EACH		.109	.1090
1	IN	376-0240-	IC LM339 4 COMPARATOR		1.0000	EACH		.406	.4060
1	IN	376-0283-	IC 8137 HEX BUS REC W/HYST-SCHMIT T		2.0000	EACH		.650	1.3000
1	P FS	380-1901-49-	D035 SIL D10DE 30V, 100MA AT 1V .48		3.0000	EACH		.018	.0540
1	IN	380-2047-	D10 ZEN 1N750 A 4.7V 400MW S D0-7		1.0000	EACH	00001	.065	.0650
1	IN	380-3008-	A15A RECTIFIER		2.0000	EACH		.156	.3120
1	FS	380-4000-	D10 1N4004 400V 1A RECT S D041		2.0000	EACH	00001	.054	.0648

ASSEMBLY PART NUMBER 210-7449-1 - -

LEGEND

ASSEMBLY DESCRIPTION PCA 114 PTR JCT W/TWN SHT FDR CNTL 1: P=PHANTOM; 2: ITEM MASTER DELY CODE; 3: *-TAGGED OUT OF KIT(P100 STR)

POSITION IN STRUCTURE	LEGEND 1 2 3	COMPONENT PART NUMBER	DESCRIPTION	E C N	QUANTITY PER ASSY	U/M L/T	UNIT COST	EXTENDED COST
1	IN	510-7449- - -	PCB 114 TWIN SHEET FEEDER CNTL		1.0000	EACH	10.650	10.6500
1	IN	650-3087- - -	SCR 6-32 1/4 PAV SLOT NS NYL E10953		4.0000	EACH	.014	.0560
1	IN	652-3002- - -	NUT 6-32UNC HEX REG PAT NYLON E10953		4.0000	EACH	.005	.0200
1	IN	654-1186- - -	6 POS PIN HEADER AMP 1-380999-0		1.0000	EACH	.181	.1810
1	IN	654-1193- - -	3 POS P.C.HEADER ASSY AMP 350210-1		1.0000	EACH	.126	.1260

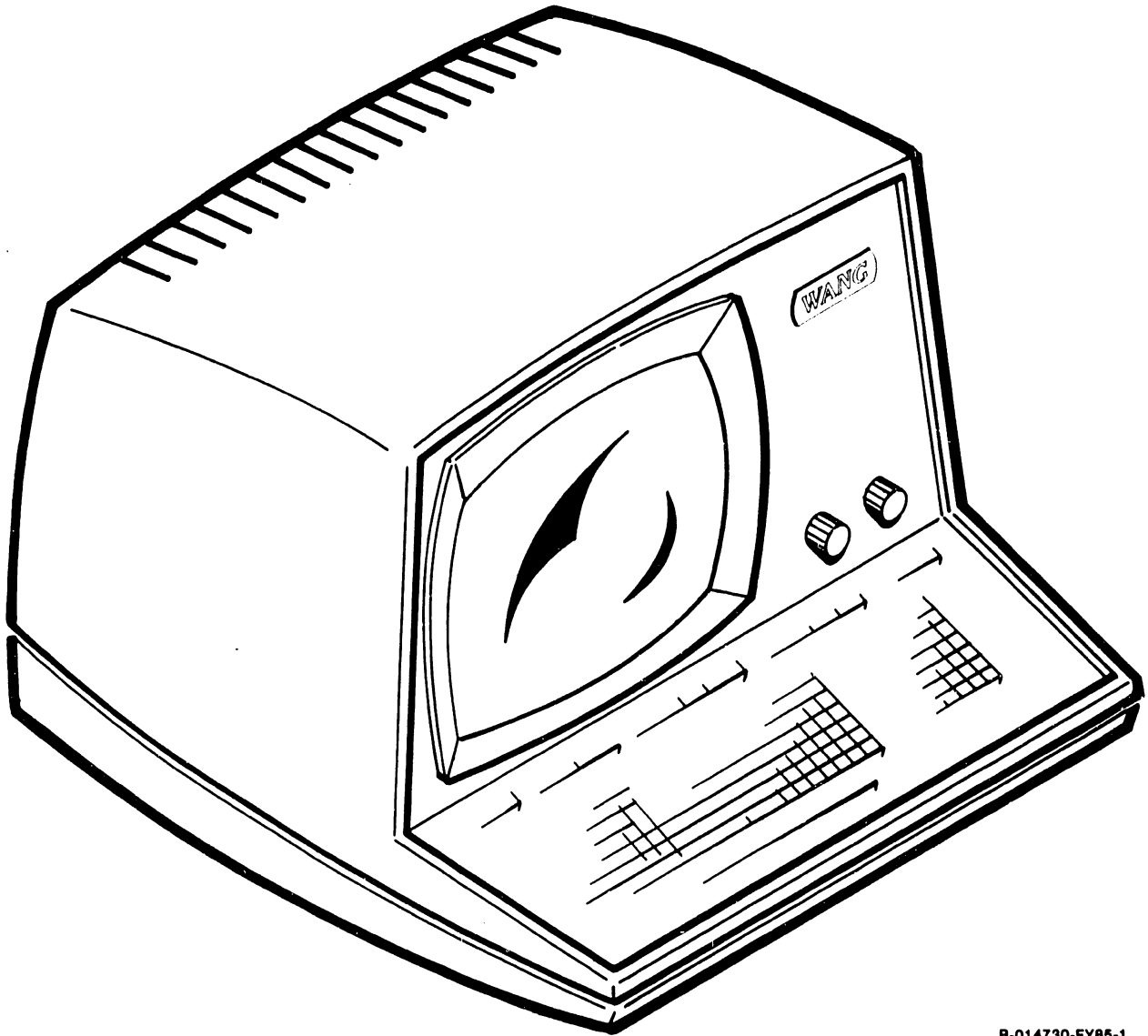
RAW MATERIAL		25.6660
MAT. OVERHEAD 10X		2.5666
SPOILAGE 5X		1.4116
ASSEMBLIES		.0000
SUBTOTAL		29.6442
DIRECT LABOR		13.3084
OVERHEAD 170X		22.6243
TOTAL COST		65.5769

APPENDIX

F

APPENDIX F

ILLUSTRATED PARTS BREAKDOWN (IPB)

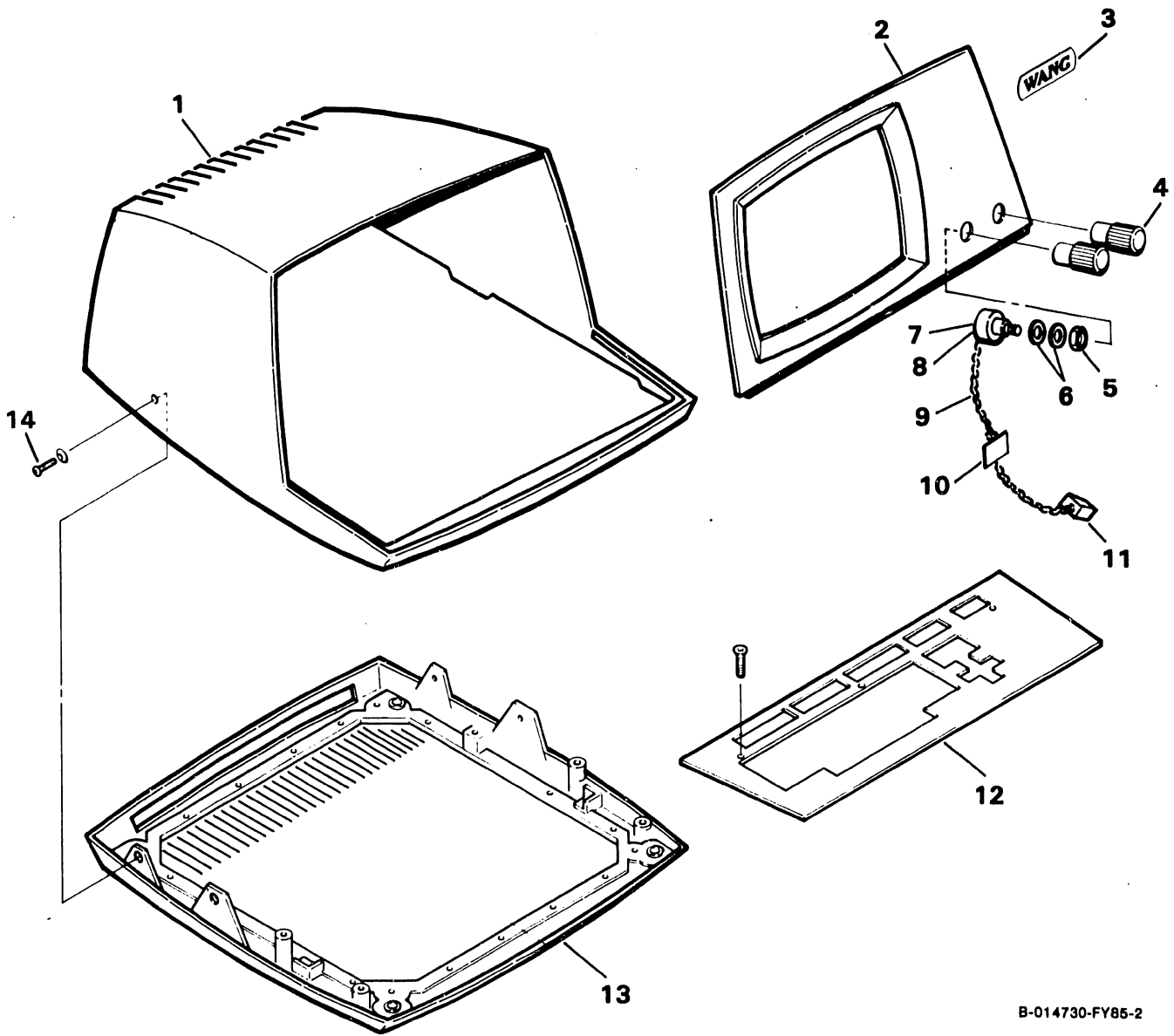


B-014730-FY85-1

FIGURE 1 FRONTISPIECE (ASSEMBLY PART NO. 177-9241)

EXTERNAL COVERS ASSEMBLY

ITEM NO.	PART NO.	DESCRIPTION
1	449-0143	COVER
2	449-0459	12" CRT BEZEL
3	449-0548	PLATE LOGO WKSTN
4	655-0157	KNOB ALCO
5	652-0036	NUT SM. PAT. 3/8"-32
6	653-0022	WASHER 3/8" INT. TH.
7	336-0032	BRIGHTNESS POT
8	336-0035	CONTRAST POT
9	220-0160	CABLE
10	654-1274	CABLE CLAMP ADH. BACK
11	654-1185	SOCKET
12	452-1072	FINISHING PLATE
13	279-1026	BASE ASSEMBLY
14	650-4105	10-32x11/8 TRUSS HD PHL



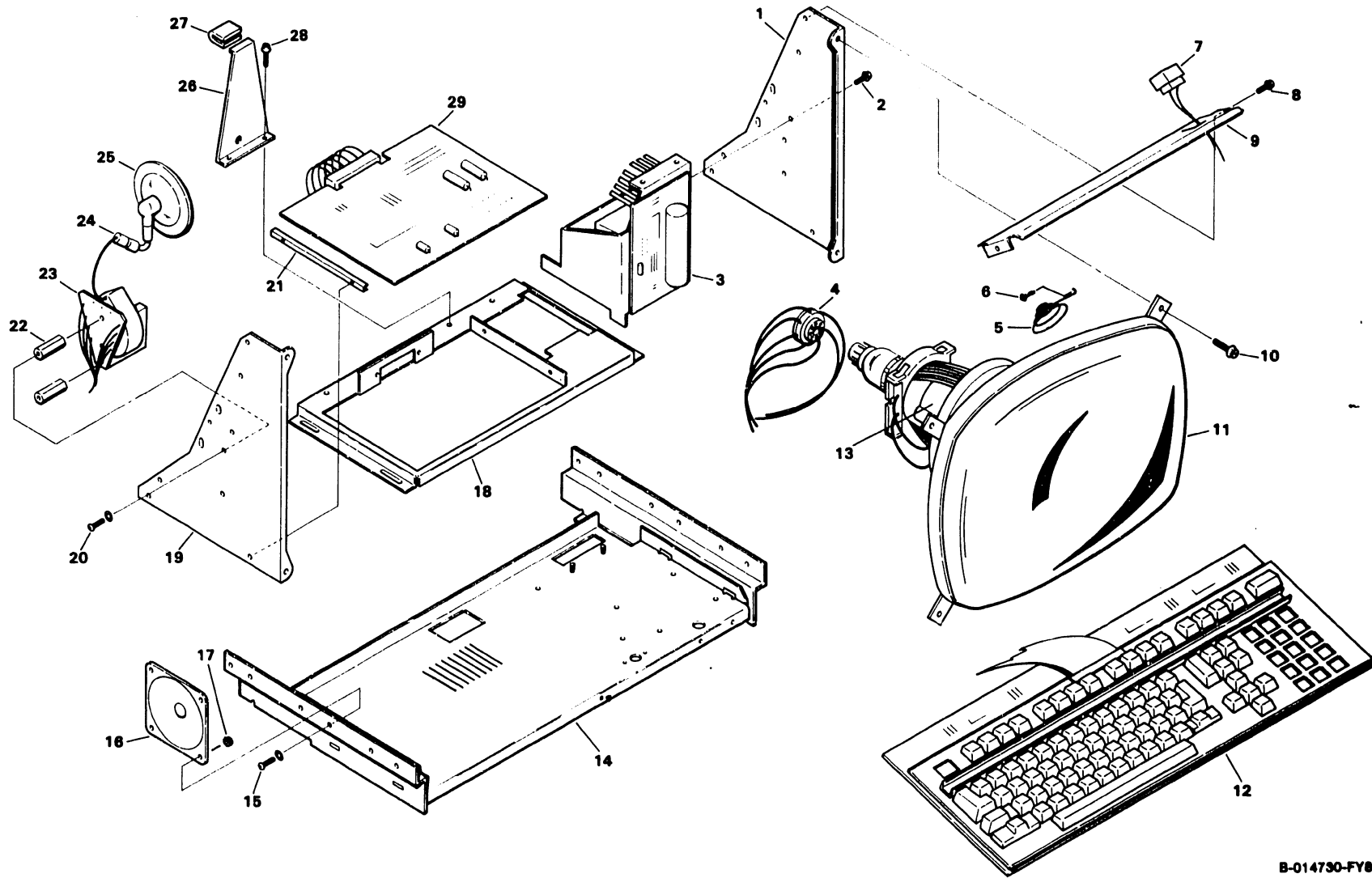
B-014730-FY85-2

FIGURE 2 EXTERNAL COVERS ASSEMBLY

12" MONITOR ASSEMBLY (ASSEMBLY PART NO. 270-0372)

ITEM NO.	PART NO.	DESCRIPTION
1	451-3857	SIDE PANEL (R.H.)
2	651-0037	#8x3/8" SLTD HEX S.T. SCREW
3	270-0371	POWER SUPPLY ASSEMBLY
4	320-0502	BASE COIL
5	465-1643	GROUNDING SPRING
6	651-0037	#8x3/8" SLTD HEX S.T. SCREW
7	654-1184	6 POSITION HOUSING CONNECTOR
8	651-0037	#8x3/8" SLTD HEX S.T. SCREW
9	451-4473	SUPPORT BRACKET
10	651-0053	#10x3/8" HEX S.T. SCREW
11	340-0108	CRT
12	271-1242	KEYBOARD 928 MICRO LUG
13	270-3092	YOKE ASSEMBLY
14	451-1100	CHASSIS, CRT
15	650-3120	6-32x3/8" SEMS SCREW
16	320-0300	SPEAKER 3" 8 OHM
17	652-0032	6-32 LOCKNUT KEPS
18	451-1121	CHASSIS, 12"
19	451-3856	SIDE PANEL (L.H.)
20	650-2087	4-40x1/4" SEMS SCREW
21	452-4042	CARD GUIDE
22	462-0413	SPACERS
23	270-3104	FLYBACK TRANSFORMER ASSEMBLY
24	380-3011	20KV DIODE
25	350-2073	ANODE CONNECTOR
26	451-4472	NECKSAVER BRACKET
27	478-0448	NECKSAVER BRACKET INSULATOR
28	651-0037	#8x3/8" SLTD HEX S.T. SCREW
29	210-7456	PCA 12" MONITOR ELEC.

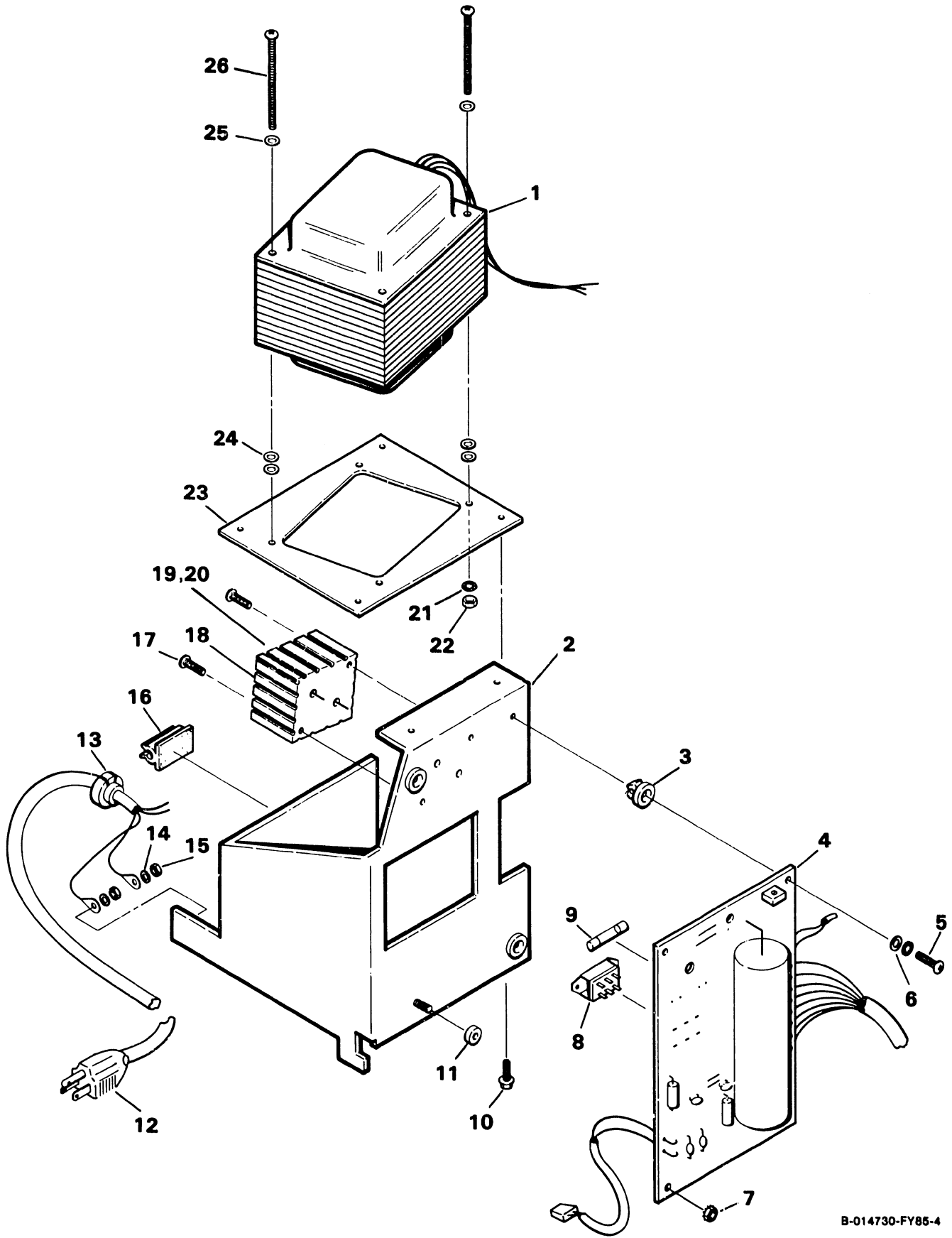
F-7



B-014730-FY85-3

POWER SUPPLY ASSEMBLY (ASSEMBLY PART NO. 270-0371)

ITEM NO.	PART NO.	DESCRIPTION
1	410-0127	TRANSFORMER
2	451-1118	POWER SUPPLY CHASSIS
3	654-1246	PLASTIC GROMMET
4	210-7455	REGULATOR BOARD
5	650-3120	6-32x3/8" MACH SCREW
6	653-3000	#6 FLAT WASHER
7	652-2005	#4 KEP NUT
8	325-2117	SW SLIDE DPDT AC LINE 115/230
9	360-1006-SB	FUSE 6/10 AMP 250V
10	651-0024	#8x1/4" HEX S.T. SCREW
11	462-0110	SPACER
12	420-2011	POWER CORD
13	654-1238	HEYCO STRAIN RELIEF
14	653-3003	#6 SPLIT WASHER
15	652-3004	6-32 NUT
16	654-1274	CABLE CLAMP ADH. BACK
17	651-0010	#6x3/4" SHEET METAL SCREW
18	478-0391	HEAT SINK
19	375-9020	MICA WASHER
20	375-1026	TRANSISTOR 2N3467
21	PART OF 1	
22	PART OF 1	
23	PART OF 1	
24	PART OF 1	
25	PART OF 1	
26	PART OF 1	
27	PART OF 1	

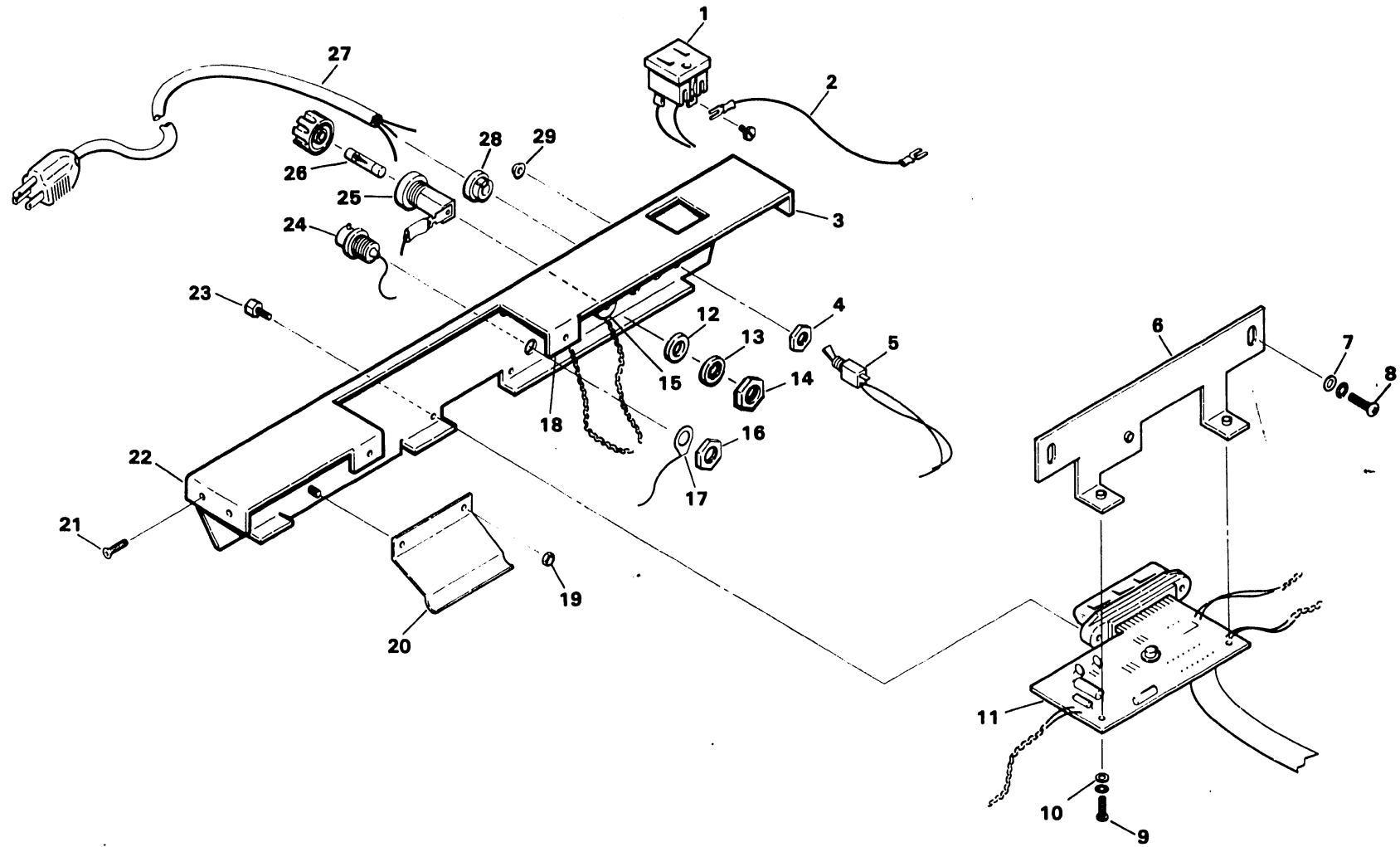


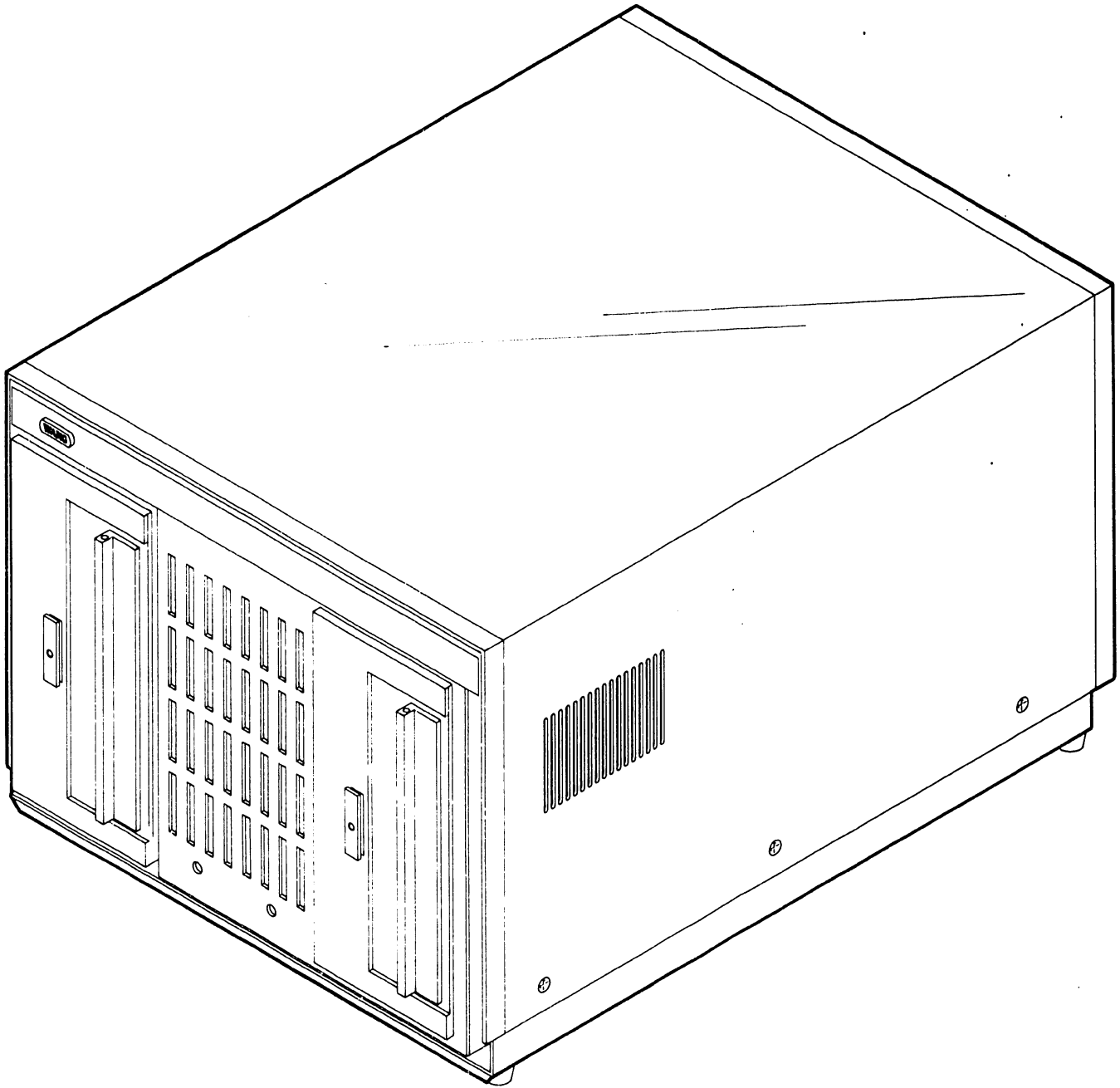
B-014730-FY85-4

FIGURE 4 POWER SUPPLY ASSEMBLY (ASSEMBLY PART NO. 270-0371)

REAR PANEL ASSEMBLY (ASSEMBLY PART NO. 270-0447)

ITEM NO.	PART NO.	DESCRIPTION
1	654-0074	AC RECEPTACLE
2	220-1042	WIRE/LUG ASSEMBLY PO22 GRN/YEL
3	451-3922	REAR PANEL
4	PART OF 5	
5	325-0033	TOGGLE SWITCH
6	478-0420	HEAT SINK
7	653-2000	#4 FLAT WASHER
8	650-2120	4-40x3/8" SCREW
9	650-2120	4-40x3/8" SCREW
10	653-2000	#4 FLAT WASHER
11	210-7313	PRINTED CIRCUIT ASSEMBLY
12	360-9000	RUBBER WASHER
13	360-9003	LOCK WASHER
14	360-9002	HEX NUT
15	336-0033	100 OHM POT
16	PART OF 24	
17	654-1011	GROUND LUG 3/8"
18	336-0034	250 OHM POT
19	652-2005	4-40 LOCKNUT KEPS
20	451-3632	STATIC PANEL
21	650-3120	6-32x2/8" SEMS SCREW
22	270-0447	114 REAR PANEL ASSEMBLY
23	462-0507	STANDOFF
24	350-1036	BNC SOCKET
25	360-0013	FUSE HOLDER
26	360-1006-SB	FUSE 6/10 AMP
27	420-1096	POWER CORD ASSEMBLY
28	654-1238	HEYCO STRAIN RELIEF
29	PART OF 5	

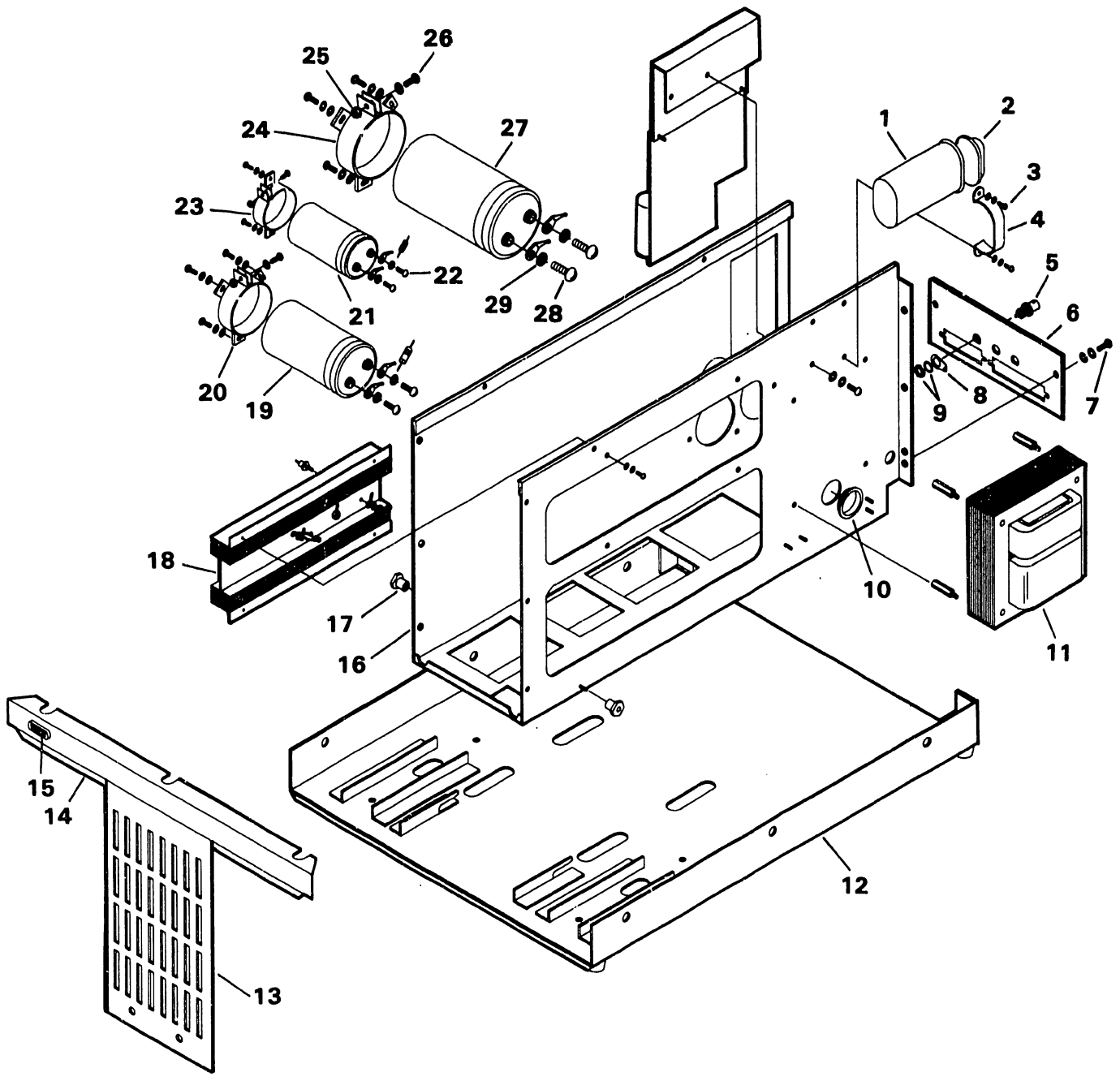




MASTER UNIT ASSEMBLY (PART NO. 177-9232)

CHASSIS ASSEMBLY (NO ASSEMBLY PART NO.)

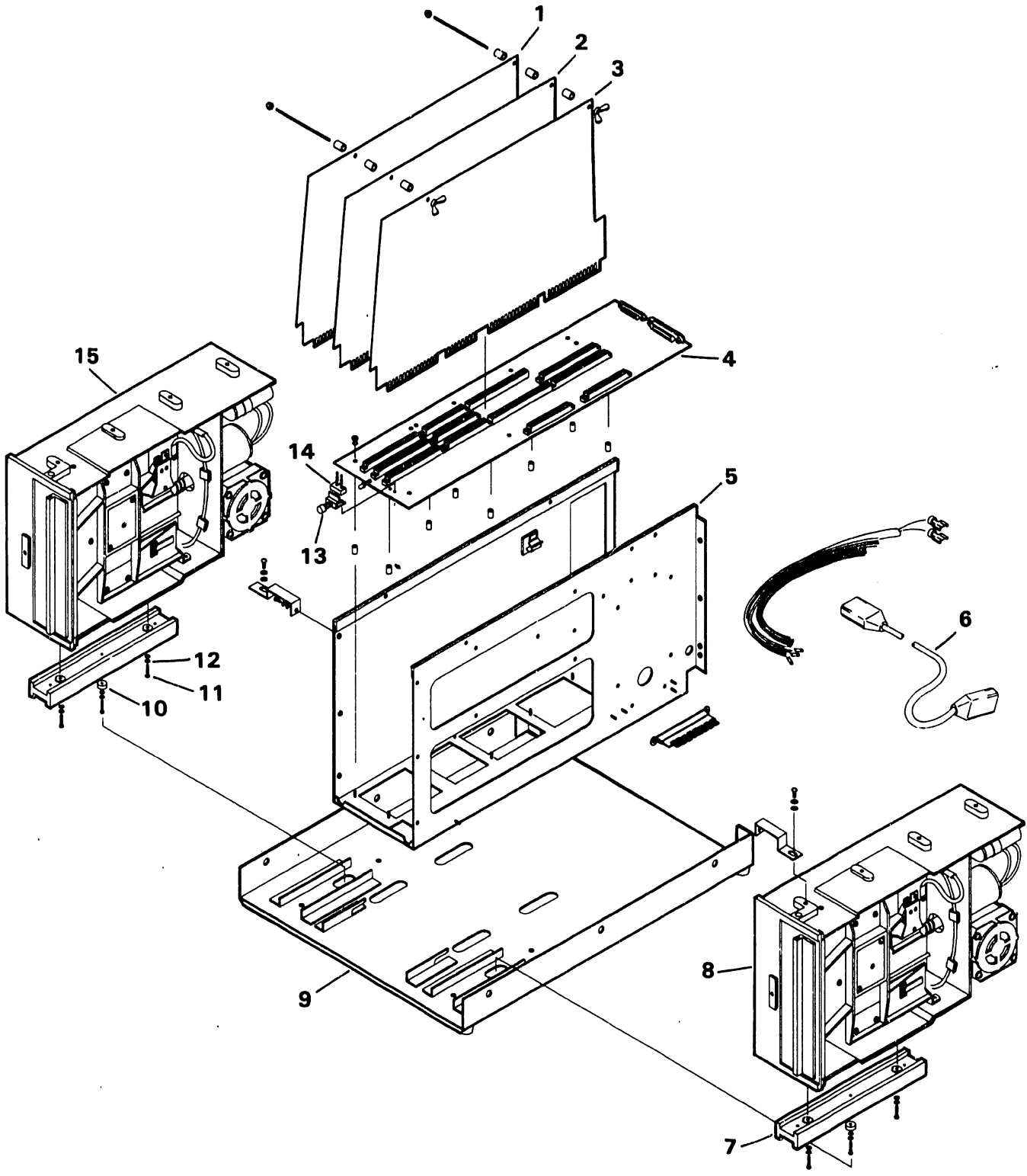
ITEM NO.	PART NO.	DESCRIPTION
1	300-3103	CAP 3uf 660 VAC
2	300-9024	CAP BOOT
3	650-3120	6-32x3/8 SCREW
4	300-9021	CAP CLAMP
5	350-1036	BNC SOCKET
6	452-0529	CONNECTOR "A" PLATE
7	650-3120	6-32x3/8 SCREW
8	654-1011	3/8 GROUND LUG
9	PART OF 5	
10	654-1245	SNAP BUSHING
11	270-3180	TRANSFORMER ASSEMBLY
12	279-1014	BOTTOM PAN ASSEMBLY
13	451-3077	PANEL, OUTER FRONT
14	451-3076	PANEL, FRONT DRESS
15	450-0904	WANG NAME TAG
16	451-1152	CHASSIS
17	461-3274	LOCKING STUD
18	270-0551	HEATSINK ASSEMBLY
19	300-3069	CAP 27K uf 37V
20	300-9022	CAP CLAMP
21	300-3067	CAP 12K uf 50v
22	650-6120	10-32x3/8 SCREW
23	300-9004	CAP CLAMP
24	300-9006	CAP CLAMP
25	652-0032	6-32 NUT
26	650-3207	6-32x5/8 SCREW
27	300-3050	CAP 124K uf 15V
28	650-6170	10-32x1/2 SCREW
29	653-6003	#10 SPLIT WASHER



CHASSIS ASSEMBLY (NO ASSEMBLY PART NO.)

MOTHERBOARD ASSEMBLY (NO ASSEMBLY PART NO.)

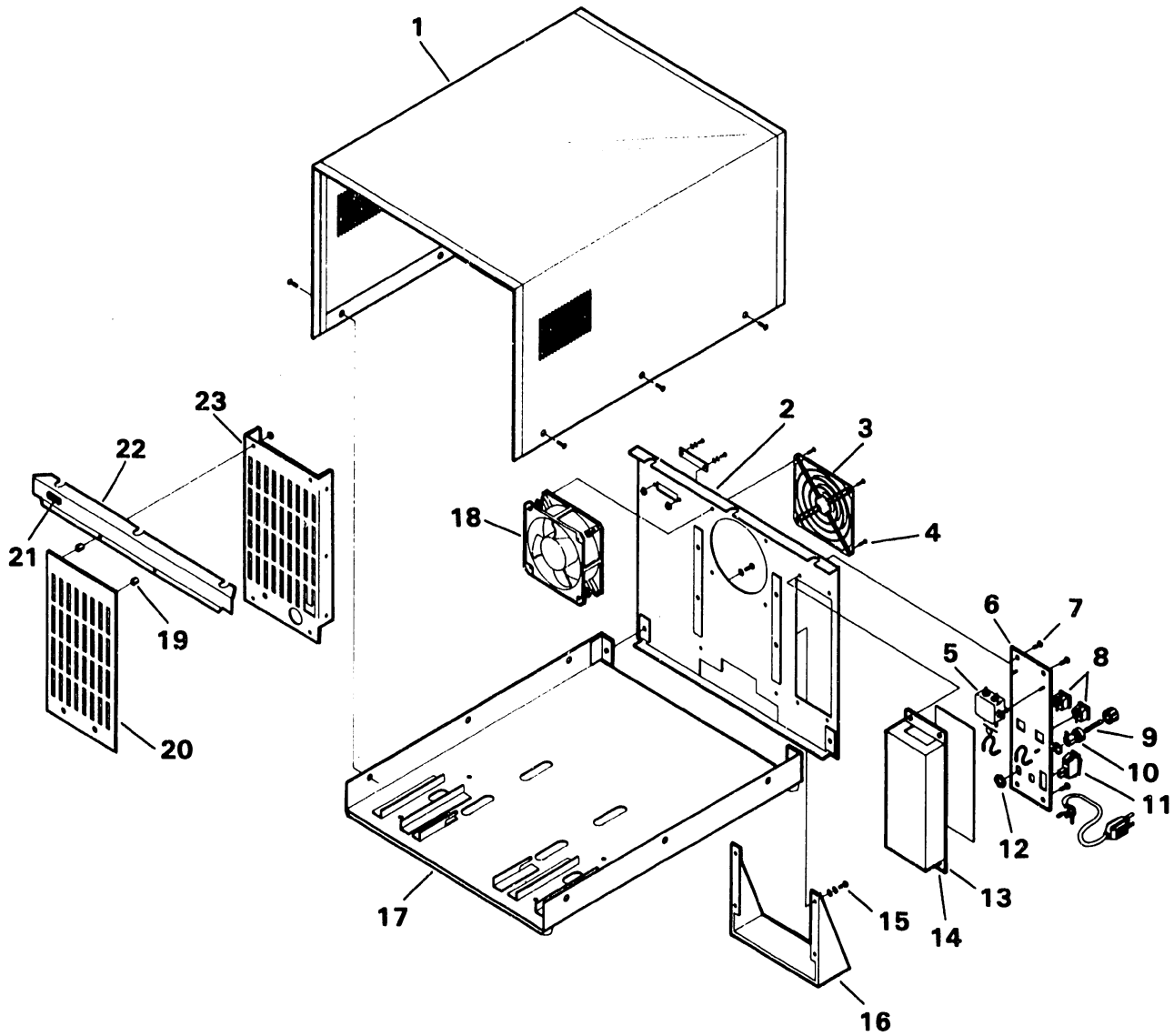
ITEM NO.	PART NO.	DESCRIPTION
1	210-7410-A	PCA 114 48K MEMORY
2	210-7712-A	PCA 5505 HOR SCR CRT/CPU W/STC RAMS
3	210-7411-A	PCA 114 DISK BOARD
4	210-7546	ARCH MOTHERBOARD
5	451-1152	CHASSIS
6	220-1519	POWER CORD
7	452-4117	BOTTOM GUIDE
8	725-0053	8" FLOPPY DISK DRIVE
9	279-1014	BOTTOM PAN ASSEMBLY
10	478-0294	CATCH
11	650-4320	8-32x1 1/4 PAN HD PHIL
12	653-4001	#8 WASHER
13	325-2305	MICRO SWITCH
14	650-0200	2-56x5/8 SCREW
15	725-0053	8" FLOPPY DISK DRIVE



MOTHERBOARD ASSEMBLY (NO ASSEMBLY PART NO.)

EXTERNAL COVERS ASSEMBLY (NO ASSEMBLY PART NO.)

ITEM NO.	PART NO.	DESCRIPTION
1	451-2322	COVER, MASTER
2	451-2247	REAR COVER
3	449-0101	FAN GUARD
4	650-3248	6-32x3/4 SCREW
5	410-2005	LINE FILTER
6	451-2930	COVER BOX PWR SSCRN
7	650-6120	10-32x3/8 SCREW
8	654-0074	AC RECEPTICLE F
9	360-1031-SB	FUSE 3.0 AMP 250V
10	360-0013	FUSE HOLDER
11	325-0021	SWITCH ROCKER SPST
12	360-9002	HEX NUT
13	270-0583	FILTER BOX ASSEMBLY
14	451-2802	BOX, POWER
15	650-3160	6-32x1/2 SCREW
16	451-4807	BRACKET CONNECTOR
17	279-1014	BOTTOM PAN ASSEMBLY
18	400-1001	FAN
19	462-0451	SPACER.312 LG
20	451-3077	PANEL, OUTER FRONT
21	450-0904	WANG NAME TAG
22	451-3076	PANEL, FRONT DRESS
23	451-3078	PANEL, INNER FRONT



EXTERNAL COVERS ASSEMBLY (NO ASSEMBLY PART NO.)

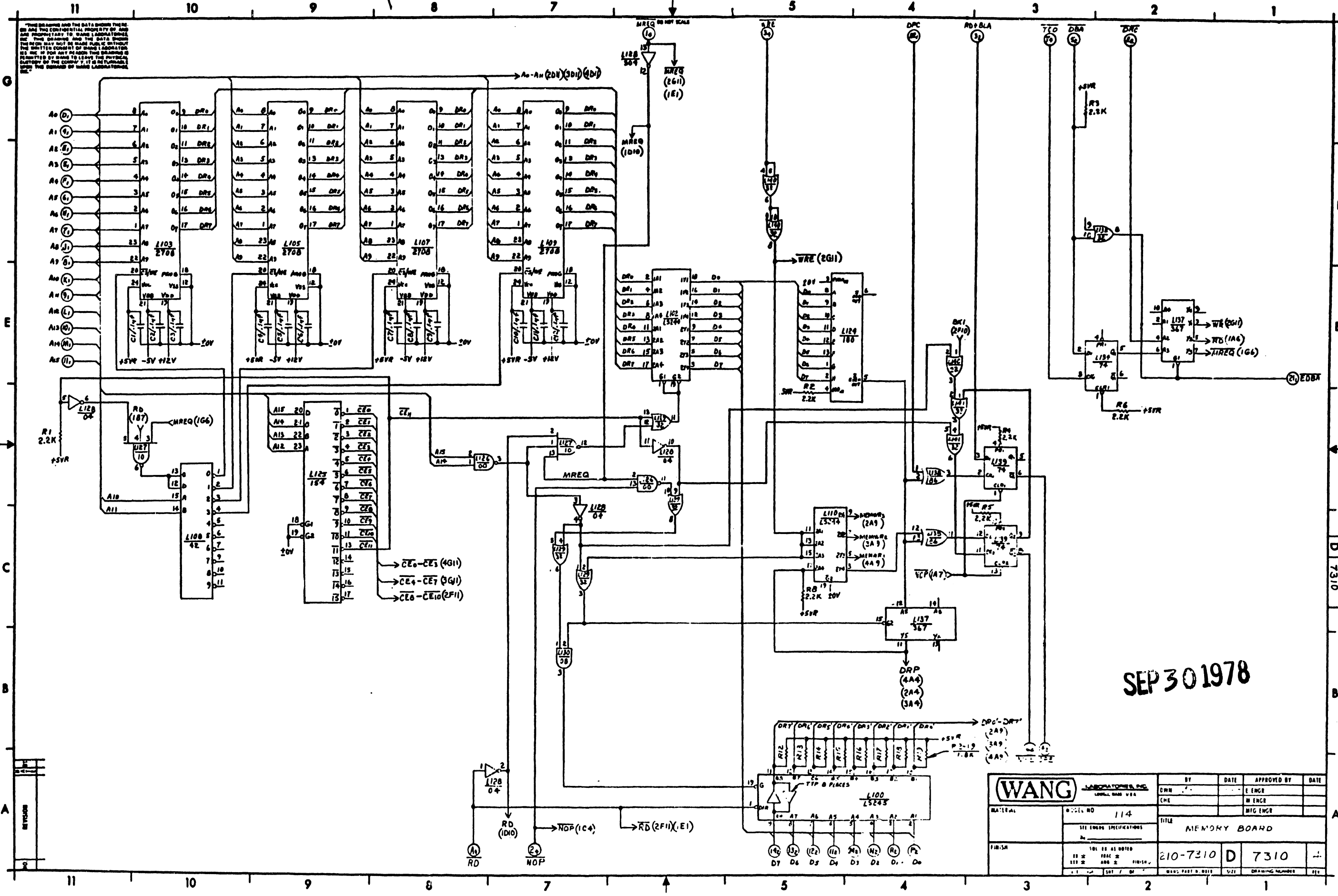
APPENDIX

B

APPENDIX B SCHEMATICS

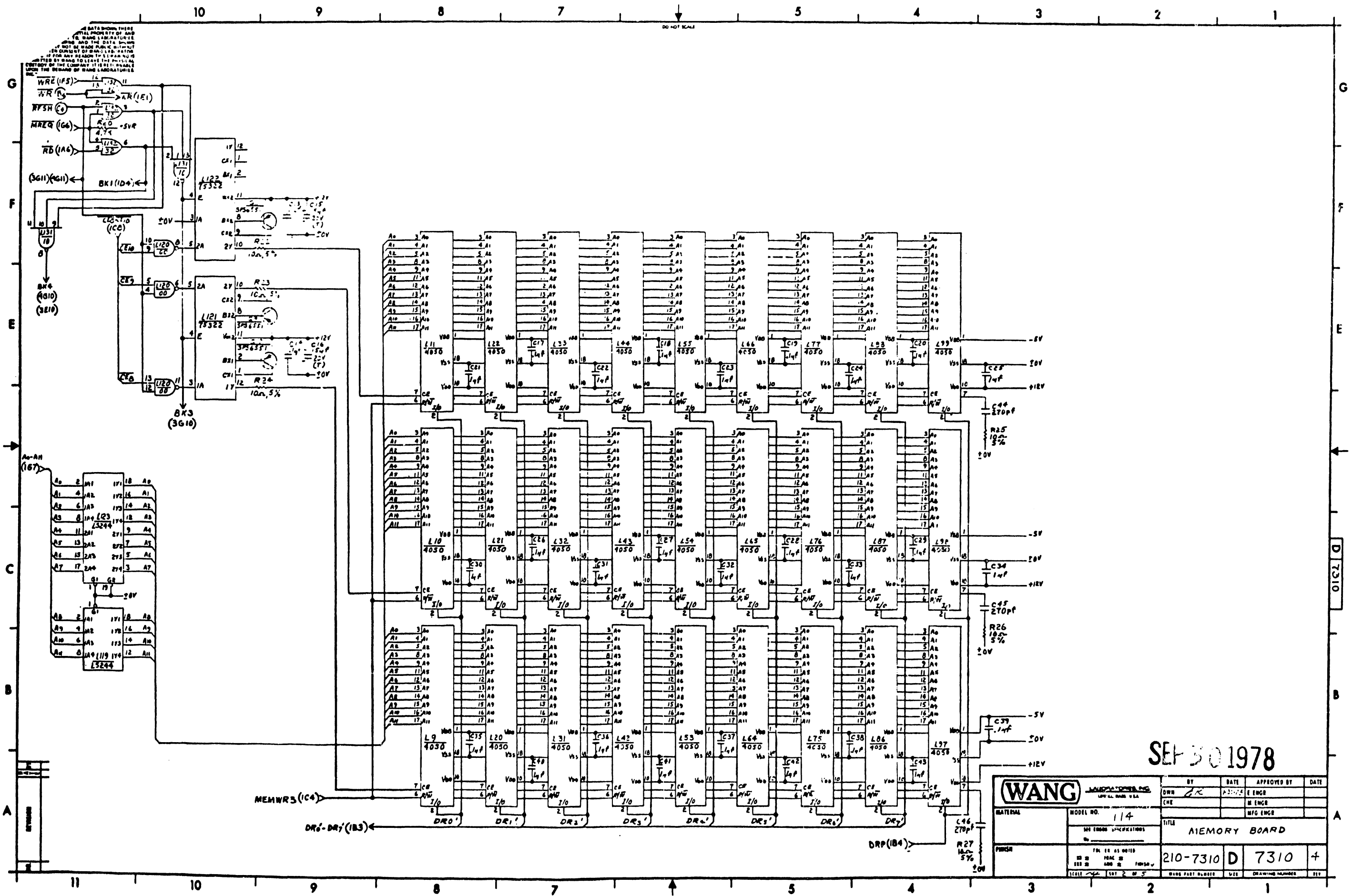
<u>SCHEMATICS NO.</u>	<u>TITLE</u>	<u>NO. OF SHEETS</u>
7310	MEMORY PCB	5
7311	DISK PCB	4
7411	I/O PCB/DISK PCB	4
7312	CPU/CRT PCB	4
7313	CRT JUNCTION PCB	1
7314	PRINTER JUNCTION PCB	1
7315	MOTHER PCB	4
7316	POWER SUPPLY REGULATOR PCB	2
7229-1	WP KEYBOARD PCB	3
7449	TWIN SHEET FEEDER	2

THIS DRAWING AND THE DATA SHOWN THEREON ARE THE CONFIDENTIAL PROPERTY OF AND ARE PROPRIETARY TO WANG LABORATORIES, INC. THE DRAWING AND THE DATA SHOWN THEREON MAY NOT BE REPRODUCED OR DISCLOSED IN ANY MANNER WITHOUT THE WRITTEN CONSENT OF WANG LABORATORIES, INC. IN ANY CASE, THE DRAWING IS TO BE KEPT IN STRICTLY CONFIDENTIAL CATEGORY BY THE COMPANY. IT IS TO REMAIN IN THIS CATEGORY UNLESS THE COMPANY IS ADVISED BY THE RECIPIENT OF THIS DRAWING TO DO OTHERWISE.

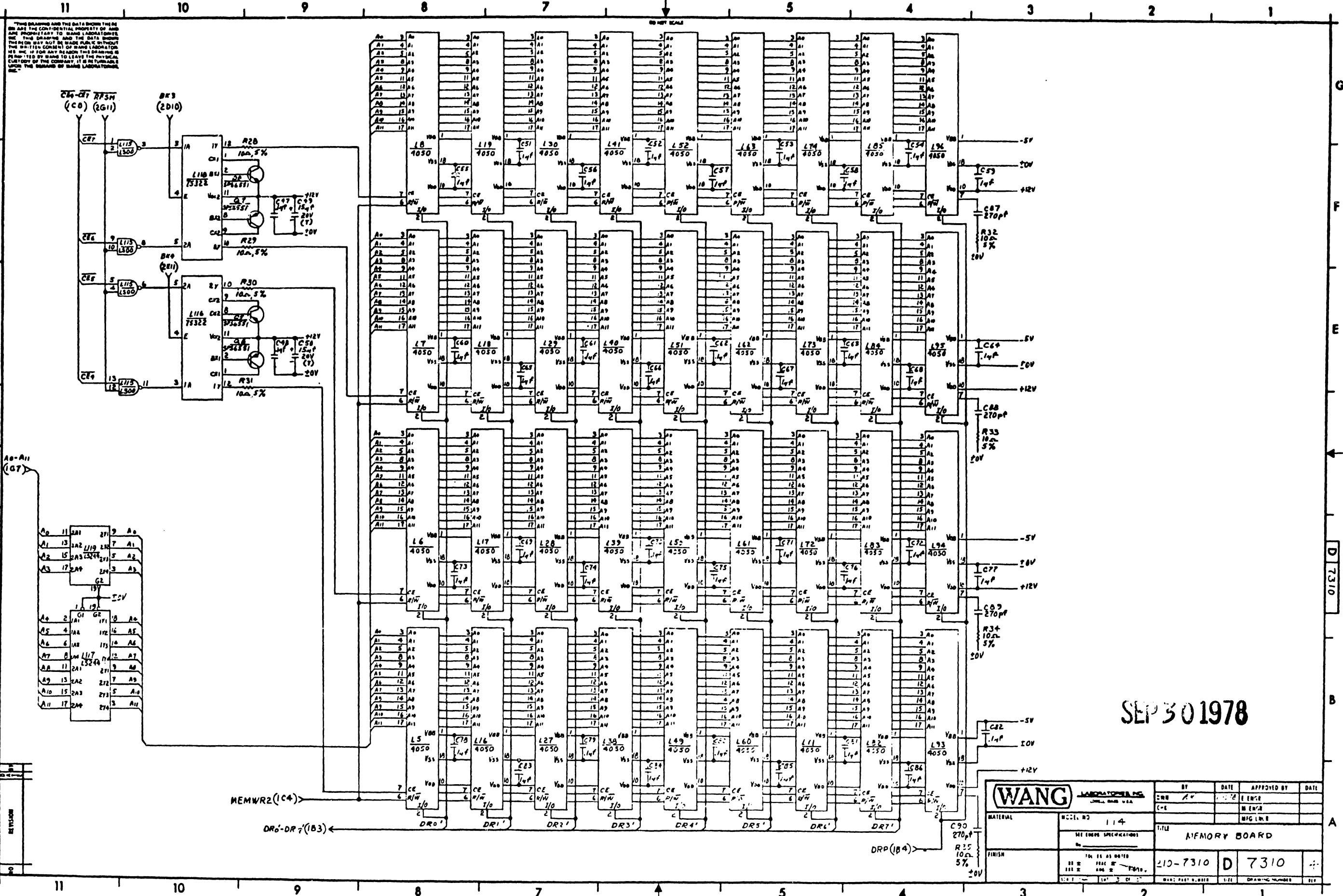


SEP 30 1978

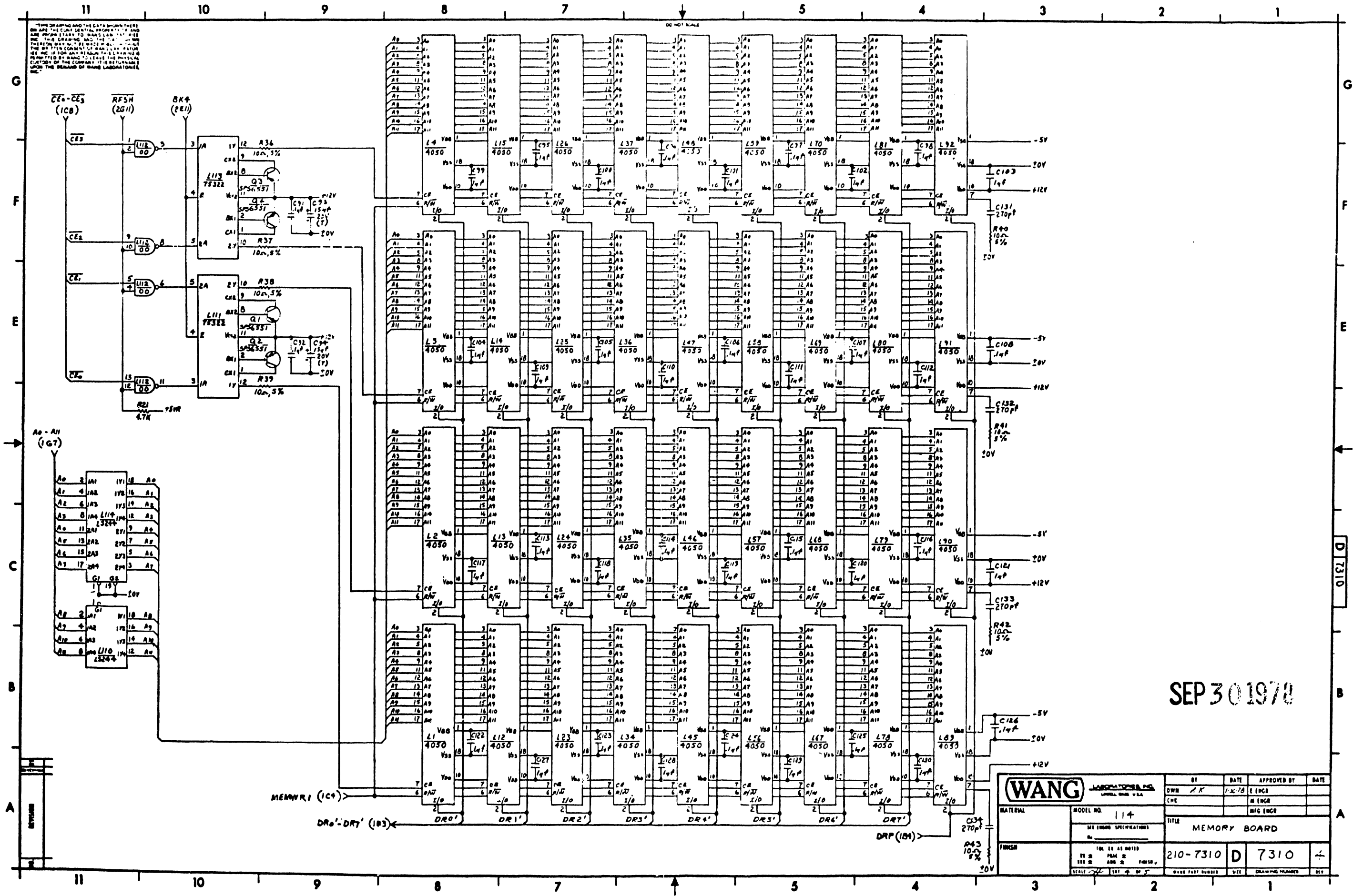
WANG LABORATORIES, INC. LITTLE FALLS, N.J. 07643		BY	DATE	APPROVED BY	DATE
		DRN		E ENGR	
MATERIAL		CHK		M ENGR	
				MIC ENGR	
DRAWING NO 114		TITLE MEMORY BOARD			
SEE ENGR'S SPECIFICATIONS					
FINISH		101 IS AS NOTED	210-7310	D	7310
		111 IS AS NOTED			
		112 IS AS NOTED			
		113 IS AS NOTED			
		114 IS AS NOTED			
		115 IS AS NOTED			
		116 IS AS NOTED			
		117 IS AS NOTED			
		118 IS AS NOTED			
		119 IS AS NOTED			
		120 IS AS NOTED			
		121 IS AS NOTED			
		122 IS AS NOTED			
		123 IS AS NOTED			
		124 IS AS NOTED			
		125 IS AS NOTED			
		126 IS AS NOTED			
		127 IS AS NOTED			
		128 IS AS NOTED			
		129 IS AS NOTED			
		130 IS AS NOTED			



WANG MODEL NO. 114		BY	DATE	APPROVED BY	DATE
		DWR	8-31-78	E ENGR	
MATERIAL		CHE		M ENGR	
				MFG ENGR	
TITLE		MEMORY BOARD			
PART NO.		210-7310	D	7310	4
SCALE		DRAWING NUMBER			



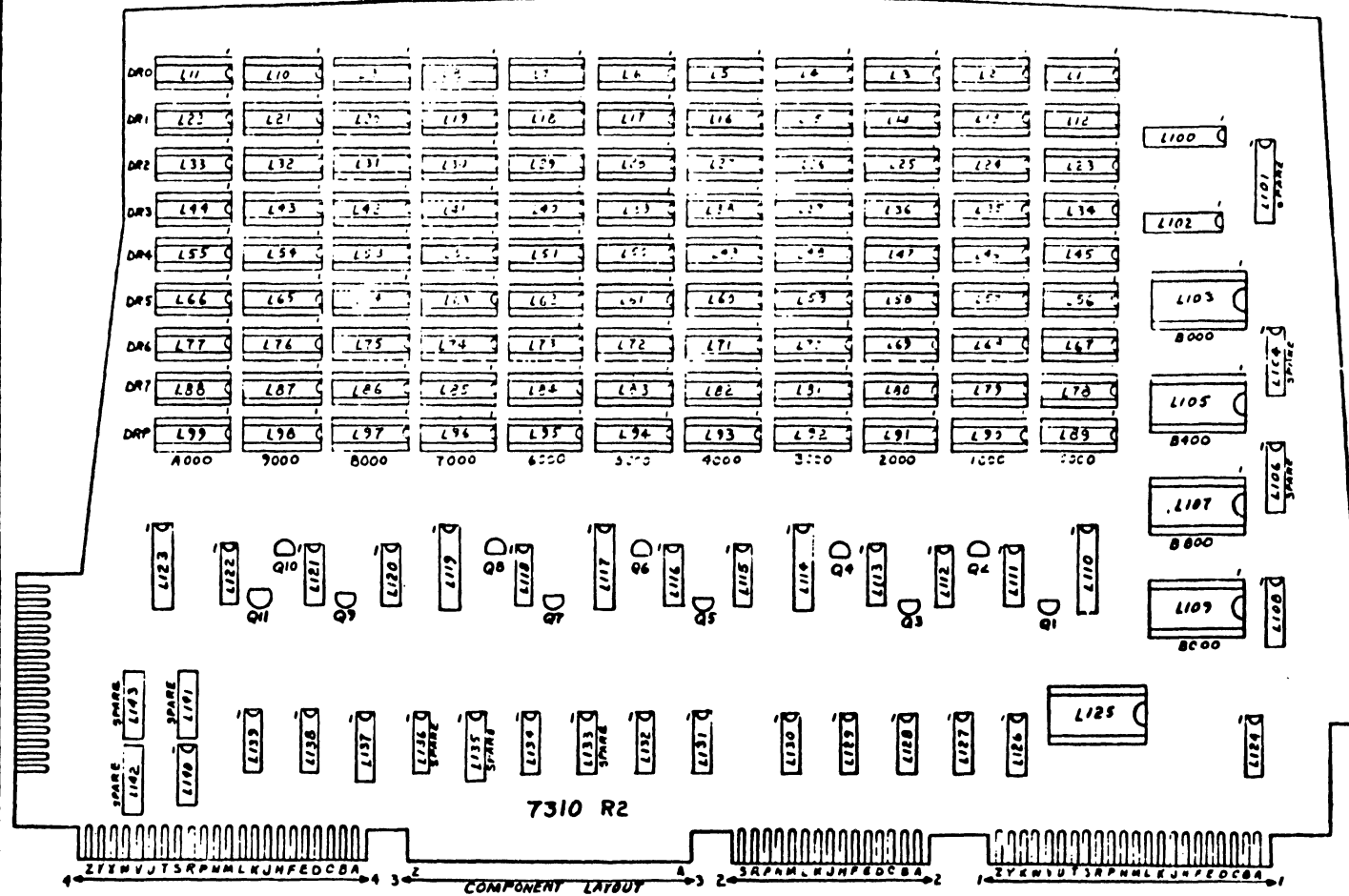
THIS DRAWING AND THE DATA SHOWN THEREON ARE THE PROPERTY OF WANG LABORATORIES, INC. FOR REPRODUCTION AND THE USE OF THE REPRODUCING PARTY BY THE REPRODUCING PARTY WITHOUT THE WRITTEN CONSENT OF WANG LABORATORIES, INC. IS FOR ANY REASON THIS DRAWING IS REPRODUCED BY ANY OTHER PARTY WITHOUT THE WRITTEN CONSENT OF WANG LABORATORIES, INC. THE REPRODUCING PARTY WILL BE HELD RESPONSIBLE FOR THE REPRODUCTION OF THIS DRAWING.



SEP 30 1970

WANG LABORATORIES, INC. UNION, MASS. U.S.A.		BY: <i>J.R.</i>	DATE: 1-2-70	APPROVED BY: <i>[Signature]</i>	DATE:
MODEL NO. 114 SEE DRAWING SPECIFICATIONS		CHK: <i>[Signature]</i>	MEM ENGR:	MFG ENGR:	
TITLE: MEMORY BOARD					
PART NO. 210-7310		D 7310		REV: 1	
SCALE: 1:1		SHEET 4 OF 5		DATE PLOT: 1-2-70	

THIS DRAWING AND THE DATA HEREON ARE THE PROPERTY OF WANG LABORATORIES, INC. AND ARE TO BE USED ONLY FOR THE PROJECT AND FOR THE USE OF THE PERSONNEL OF THE USER. ANY REPRODUCTION OR TRANSMISSION OF THIS DRAWING OR THE DATA HEREON WITHOUT THE WRITTEN CONSENT OF WANG LABORATORIES, INC. IS PROHIBITED. THE USER SHALL INDEMNIFY AND HOLD WANG LABORATORIES, INC. HARMLESS FROM THE DEMANDS OF ANY THIRD PARTY.

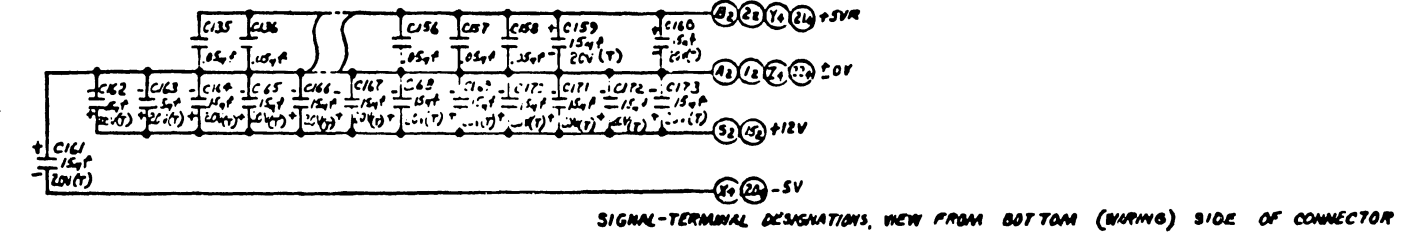


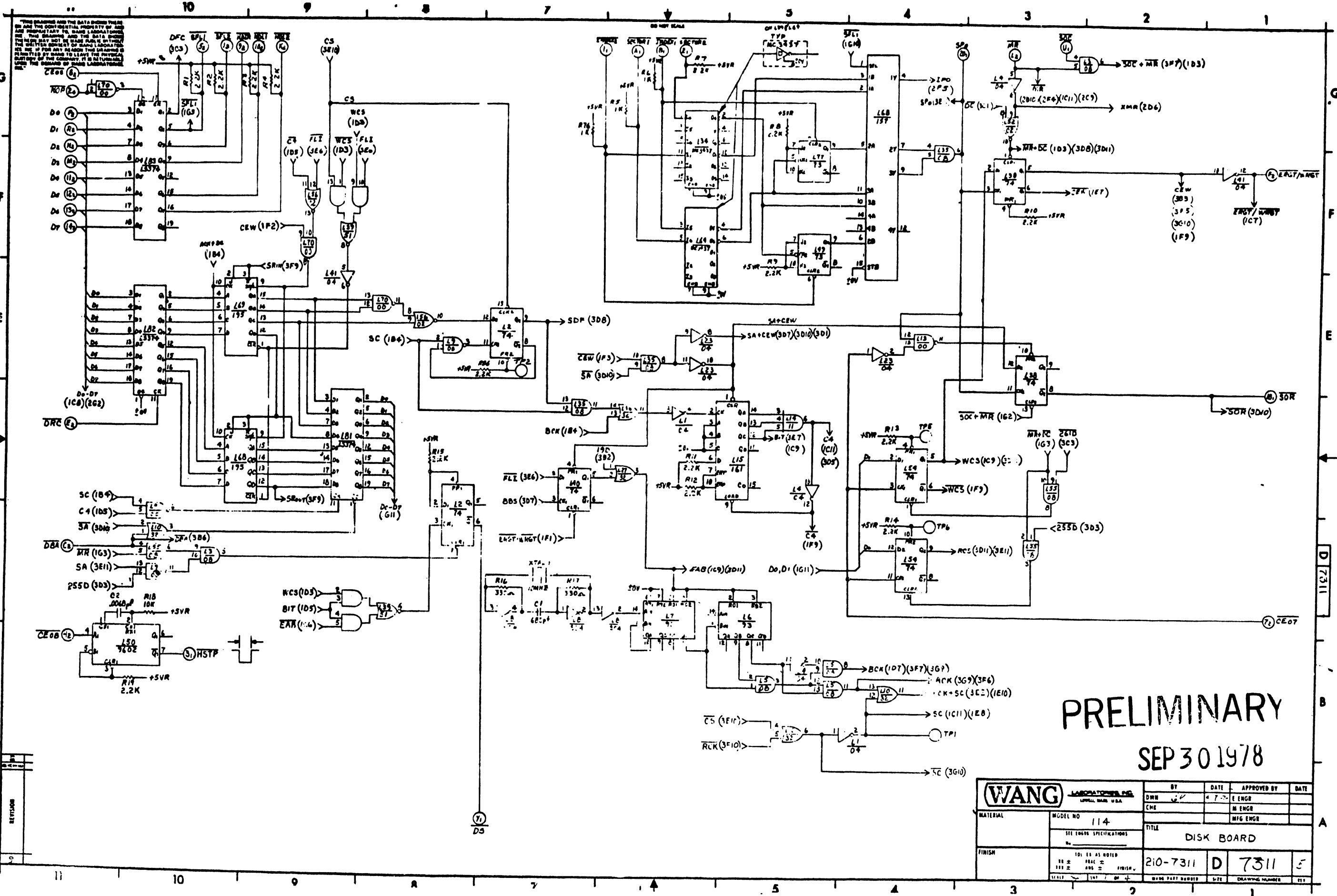
LOCATION	W.L. PART NO.	TYPE
L1-99	377-0314	4050
L102, 110, 119, 117, 119, 123	376-0288	74LS244
L111, 113, 116, 121, 103, 105, 107, 109	376-0178	75322
L100	376-0285	74LS245
L112, 115, 120, 126	376-0002	7400
L125	376-0090	74154
L127, 131	376-0003	7410
L129, 130, 141	376-0093	7432
L128	376-0010	7404
L108	376-0058	7442
L130	376-C081	7400
L101, 124, 126, 133		SPARE
L124	376-0050	74180
L139, 139	376-0006	7474
L135, 136, 142, 143		SPARE
L137	376-0176	74367
L138	376-0036	7486

COMPONENT	W.L. PART NO.	TYPE
L103, 105, 107, 109, 125	376-9003	24 PIN SOCKET
L1-99	377-9014	18 PIN SOCKET
Q1-11	375-1050	SP5 6551
R1-6, 8	330-3022	2.2K 10%
R12-19	330-3018	1.8K 10%
R20, 21	330-3047	4.7K 10%
R22-23	330-1011	10Ω 5%
C1-18, 17-20, 24-25, 35-39, 47, 48, 51-54, 60-64, 63-72, 78-82, 91, 92, 95-98, 104-108, 113-116, 122-126, C44-46, 87-90, 131-134	300-1930	.47μF 50V
C21-28, 30-34, 40-43, 55-59, 65-68, 73-77, 83-86, 93-103, 109-112, 117-121, 127-130	300-1931	1μF 50V
C15, 16, 49, 50, 93, 94, 159-175	300-1022	15μF 20V (T)
C135-158	300-1900	.05μF 12V

LOCATION	TYPE	SPARES
L126	7400	1
L127	7410	1
L131	7410	1
L134	7474	1
L130	7408	1
L138	7486	2
L140	7432	1
L141	7432	2

ABBREVIATIONS	COORDINATES
A0-A18	1G11
CE0-CE8	1D9
CE0A	1C11
CPE	1B3
D0-D7	1A4
DBA	1C1
DMA	1B3
DPC	1G4
DR	1G3
DRC	1F1
DR0-DR7	1G10
DS	1C1
EDBA	1E1
F/R	1A9
HOG	1D1
MPE	1B3
MR	1D1
MREQ	1G6
NOP	1A7
RD	1A8
RD+BLA	1G3
RFSH	2G11
TCB	1G3
WR	2G11
WRE	1G5

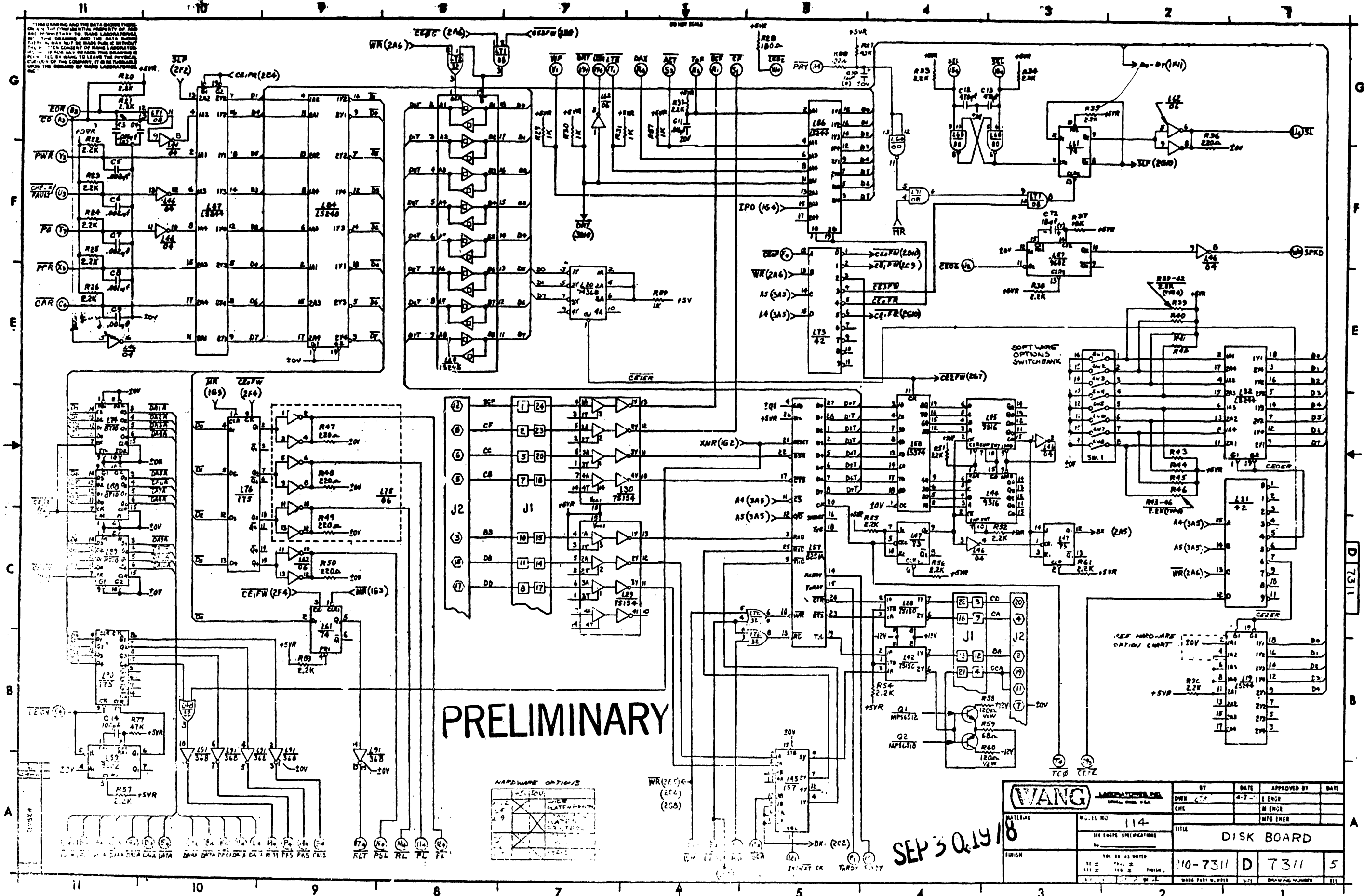




PRELIMINARY
SEP 30 1978

WANG LABORATORIES, INC. SPRING HOUSE, PA.		BY	DATE	APPROVED BY	DATE
MODEL NO. 114		DWR	4-7-78	E ENGR	
SEE 10696 SPECIFICATIONS		CHE		M ENGR	
TITLE		DISK BOARD			
FINISH		101 IS AS NOTED	210-7311	D	7311 5
		101 IS AS NOTED	DATE PART REVISED	SIZE	DRAWING NUMBER

THIS DRAWING AND THE DATA SHOWN THEREON ARE THE PROPERTY OF WANG LABORATORIES, INC. AND ARE TO BE KEPT IN CONFIDENTIALITY. NO PART OF THIS DRAWING OR THE DATA SHOWN THEREON IS TO BE REPRODUCED OR TRANSMITTED IN ANY FORM OR BY ANY MEANS, ELECTRONIC OR MECHANICAL, INCLUDING PHOTOCOPYING, RECORDING, OR BY ANY INFORMATION STORAGE AND RETRIEVAL SYSTEM, WITHOUT THE WRITTEN PERMISSION OF WANG LABORATORIES, INC. THE COMPANY IS NOT RESPONSIBLE FOR ANY DAMAGE TO PROPERTY OR PERSONS ARISING FROM THE USE OF THIS DRAWING OR THE DATA SHOWN THEREON.

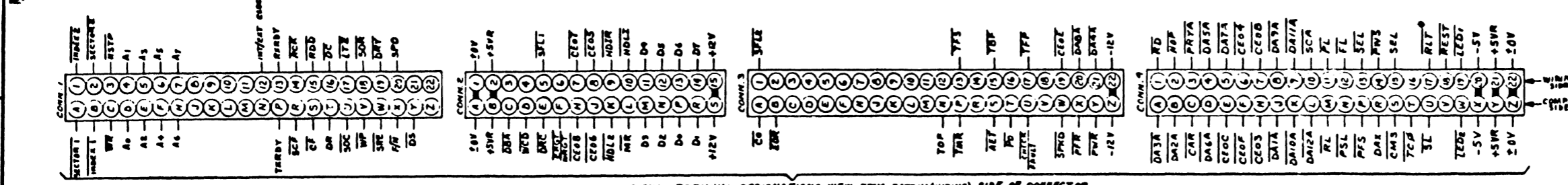


PRELIMINARY

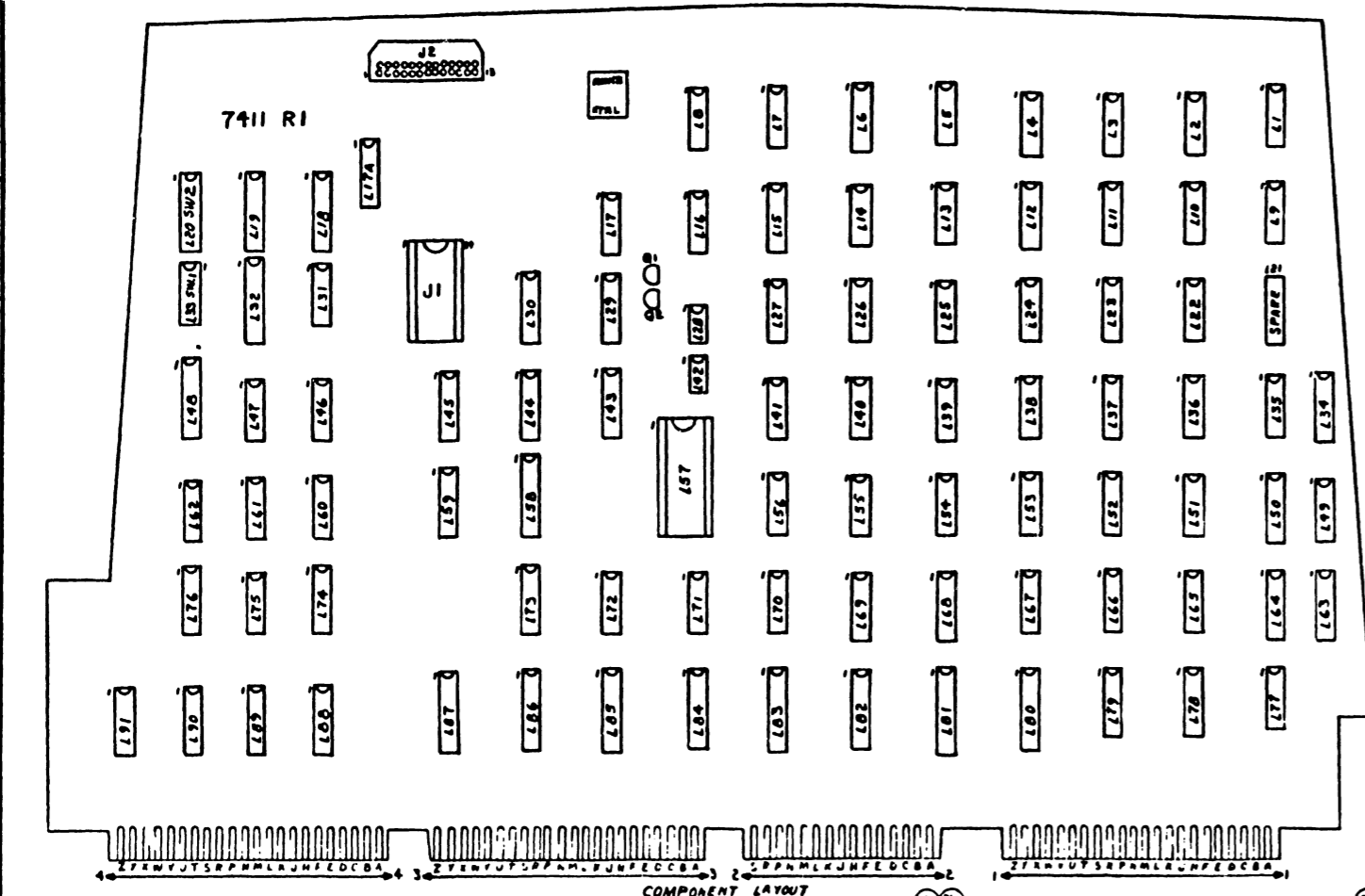
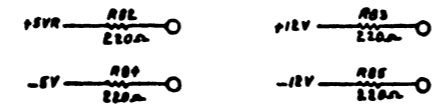
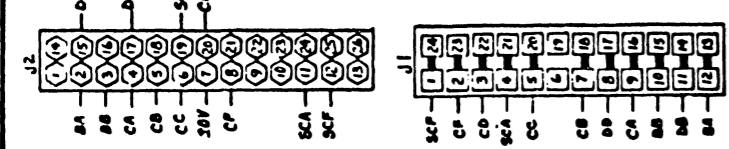
WANG LABORATORIES, INC. 245 WASHINGTON ST. BOSTON, MASS. 02115		BY	DATE	APPROVED BY	DATE
		DWN	4-7-	E ENGR	
MATERIAL SEE ENGR SPECIFICATIONS FINISH		CHK		M ENGR	
				MFG ENGR	
MODEL NO. 114 SEE ENGR SPECIFICATIONS		TITLE DISK BOARD			
PART NO. 114-7311 REV. 1		10-7311 D	7311 5		

SEP 30 1978

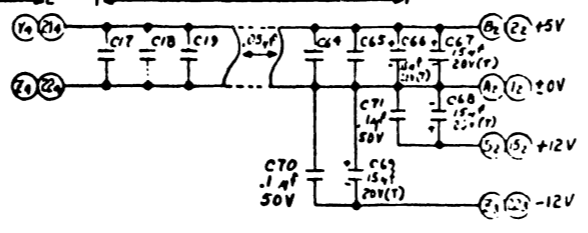
"THE DRAWING AND THE DATA SHOWN THEREON ARE THE CONFIDENTIAL PROPERTY OF AND ARE PROPRIETARY TO WANG LABORATORIES, INC. THE DRAWING AND THE DATA SHOWN THEREON MAY NOT BE MADE PUBLIC WITHOUT THE WRITTEN CONSENT OF WANG LABORATORIES, INC. IF FOR ANY REASON THIS DRAWING IS DISSEMINATED TO ANY OTHER PARTY, THE CUSTODY OF THE COMPANY, IT IS HEREBY ASSURED BY THE DEMAND OF WANG LABORATORIES, INC."



SIGNAL-TERMINAL DESIGNATIONS, VIEW FROM BOTTOM (WRING) SIDE OF CONNECTOR



COMPONENT LAYOUT



LOCATION	W.L. PART NO.	TYPE	COMPONENT	W.L. PART NO.	TYPE
L1,9,23,41,46	376-0010	7404	R1-47,150,30,30	330-3022	22K 10%
L2,22,30,45,61,54,68	376-0006	7474	3537,44,51,57,61-65,67,74,75,86		
L3,5,35,37,57,71	376-0081	7408	R16,17	330-2033	330Ω 10%
L4,45,47,53,30,43,37,85	SEE CHART		R18	330-4010	10K 10%
L6	376-0011	7493	R20,70,80	330-2018	180Ω 10%
L7	376-0073	7490	P5,6,7,3,4,7,6,87	330-3010	1K 10%
L8	376-0197	74504	R37,30	330-4018	18K 10%
L9,13,17,60,70	376-0002	7400	R47-50,62,65,66	330-2022	220Ω 10%
L10,16,27,36,72,48	376-0093	7432	R58,60	331-2012	120Ω W10%
L12,50,59,17A	376-0104	9602	R59	330-1068	68Ω 10%
L14,25,66,53	376-0194	7411	R72,74	330-4015	15K 10%
L15,70,79	376-0094	74161	C1	300-1680	680pF 10%
L24	376-0250	9401	C2	300-1911	600pF 100V
L26	376-0003	7410	C3,4,8,9,11	300-1906	0.01μF 200V
L28,42	376-0076	75150	C5,6,7	300-1913	602pF 200V
L31,73	376-0008	7442	C12,13	300-1470	470pF 10%
L32,80,86,19,87	376-0288	74LS214	C173	300-1100	100pF 10%
L34,64	376-0291	MC3437	C15	300-1120	180pF 10%
L39	376-0012	7451	C70,71	300-1930	.1μF 50V
L43	376-0082	74157	C17-65	300-1900	82pF 12V
L44,777	376-0005	7473	C66-69	300-4022	15μF(T) 20V
L52,56	376-0016	7402	CT2	300-4018	18μF (T)
L58,81,82,83	376-0286	74LS374	XTAL	321-0008	10MHZ
L62,75	376-0055	7406	L57	376-9015	20PIN SKT
L63,69	376-0097	74195	J2	350-0045	26 PIN
L74,80,89	376-0137	8710	R77	330-4047	47K 10%
L76,90	376-0119	74175	P79,81	330-2039	330Ω
L91,18	376-0179	74360	Q1	375-1012	6512
L84	376-0297	74LS240	Q2	375-1014	6518
			L20,33	325-1503	2BANK SW.
			C10	300-4000	1μF (T)
			C16	300-4002	.1μF (T)
			J1	376-9016	24PIN SKT
			P95	330-1022	22Ω
			RE7	330-3547	4.7K
			L4	307-1200	220pF

LOCATION	TYPE	SPARES
L43	7452	2
L29	7474	1
L9	7402	1
L17	7402	1
L55	7402	1
L36	7402	1
L1	7404	4
L8	7404	3
L63	7474	2
L41	7414	1
L6	7414	3
L14	7411	1
L23	7411	1
L10	7432	1
L11	7432	2
L72	7432	1
L43	7473	1
L50	9602	1

QTY	DESCRIPTION
1	STANDARD PLATEN PRINTER
1	WIDE PLATEN PRINTER
1	STANDARD CRT
1	HORIZONTAL SCROLL CRT
1	LINE PRINTER
1	DAISY PRINTER
1	NO. 1

WANG LABORATORIES, INC. MODEL NO. 114

DISK BOARD

210-7411 D 7411

DATE: 11-1-74

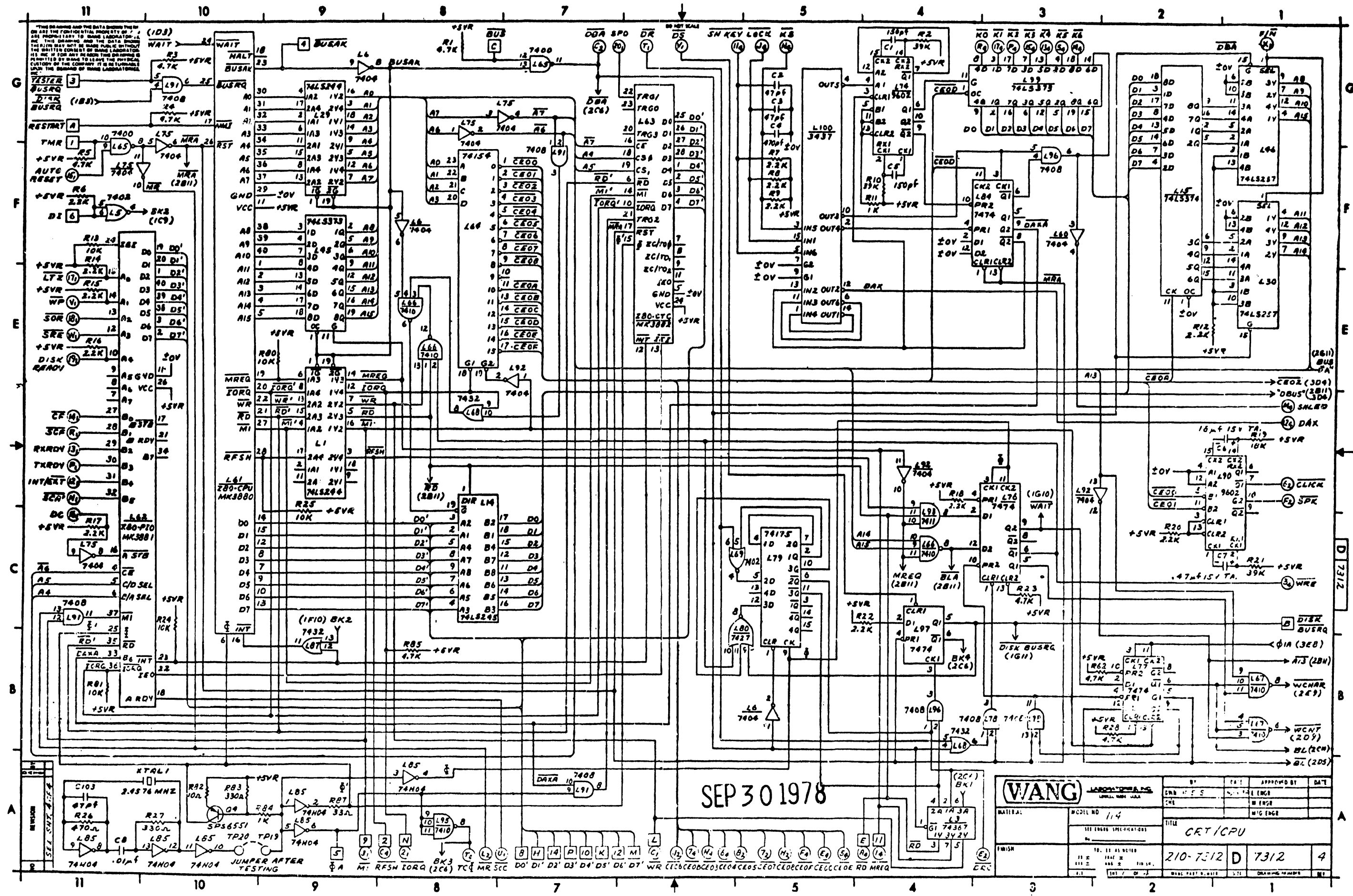
BY: [Signature]

APPROVED BY: [Signature]

VARIATION CHART

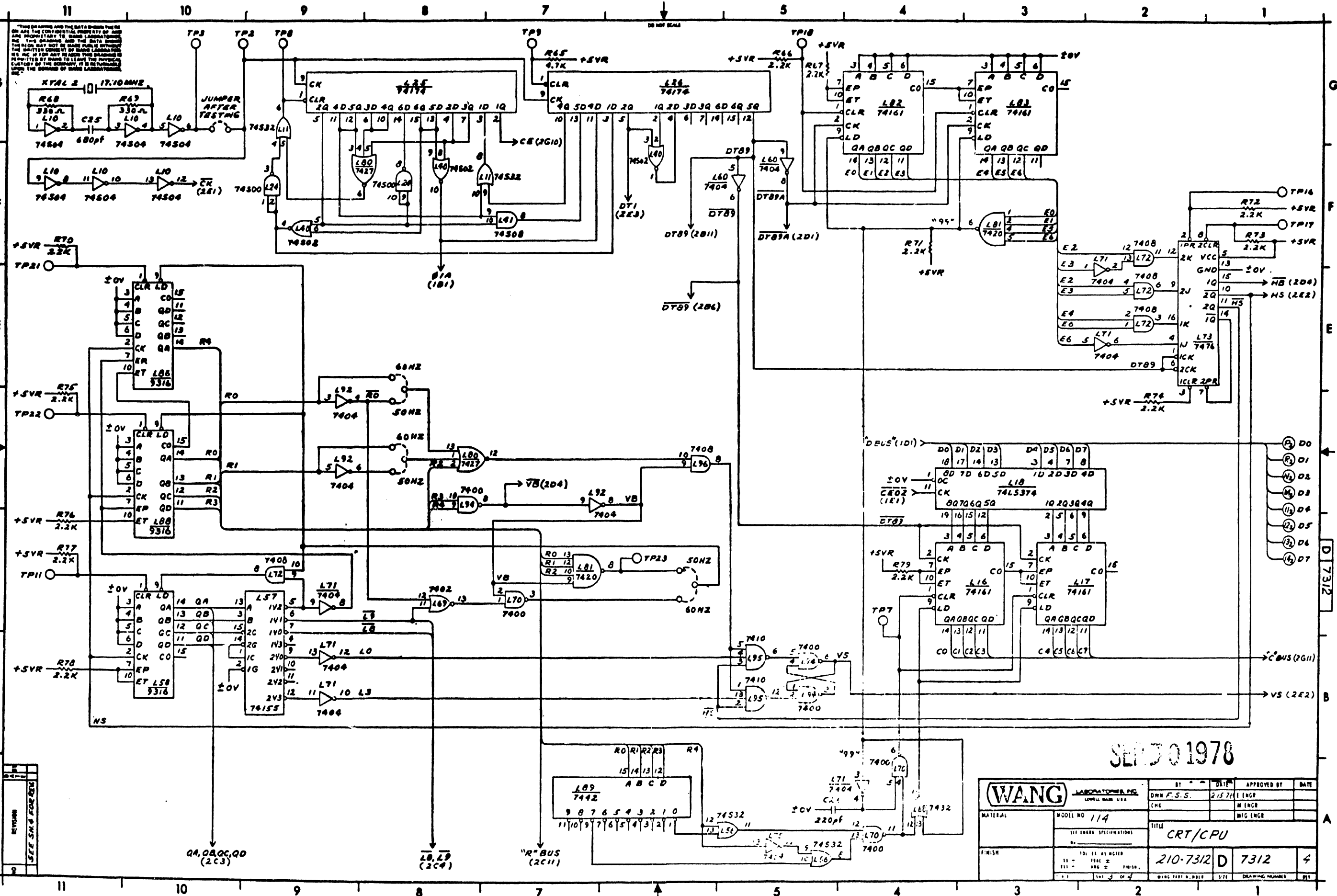
MODEL	209	7411-A	7411-B
L47			
L85			
L57			
L95			
L44			
L43			
L30			
L29			
L210			
L14			
L114			

MNEMONIC	COORDINATE
A0-A7	3A5
A17	2A5
A27	2E.1
A37	2C.1
A47	2A.1
A57	2A.1
A67	2A.1
A77	2A.1
A87	2A.1
A97	2A.1
A107	2A.1
A117	2A.1
A127	2A.1
A137	2A.1
A147	2A.1
A157	2A.1
A167	2A.1
A177	2A.1
A187	2A.1
A197	2A.1
A207	2A.1
A217	2A.1
A227	2A.1
A237	2A.1
A247	2A.1
A257	2A.1
A267	2A.1
A277	2A.1
A287	2A.1
A297	2A.1
A307	2A.1
A317	2A.1
A327	2A.1
A337	2A.1
A347	2A.1
A357	2A.1
A367	2A.1
A377	2A.1
A387	2A.1
A397	2A.1
A407	2A.1
A417	2A.1
A427	2A.1
A437	2A.1
A447	2A.1
A457	2A.1
A467	2A.1
A477	2A.1
A487	2A.1
A497	2A.1
A507	2A.1
A517	2A.1
A527	2A.1
A537	2A.1
A547	2A.1
A557	2A.1
A567	2A.1
A577	2A.1
A587	2A.1
A597	2A.1
A607	2A.1
A617	2A.1
A627	2A.1
A637	2A.1
A647	2A.1
A657	2A.1
A667	2A.1
A677	2A.1
A687	2A.1
A697	2A.1
A707	2A.1
A717	2A.1
A727	2A.1
A737	2A.1
A747	2A.1
A757	2A.1
A767	2A.1
A777	2A.1
A787	2A.1
A797	2A.1
A807	2A.1
A817	2A.1
A827	2A.1
A837	2A.1
A847	2A.1
A857	2A.1
A867	2A.1
A877	2A.1
A887	2A.1
A897	2A.1
A907	2A.1
A917	2A.1
A927	2A.1
A937	2A.1
A947	2A.1
A957	2A.1
A967	2A.1
A977	2A.1
A987	2A.1
A997	2A.1
A1007	2A.1



SEP 30 1978

WANG		BY	CHKD	APPROVED BY	DATE
LAWRENCE WANG LAWRENCE WANG		ENG	ENG	ENG	
MODEL NO 114		TITLE		MFG ENGR	
SEE ENGR SPECIFICATIONS		210-7312 D		7312 4	
FINISH		MATERIAL		DRAWING NUMBER	



THIS DRAWING AND THE DATA THEREON ARE THE CONFIDENTIAL PROPERTY OF WANG AND SHOULD BE KEPT AS SUCH. IT IS TO BE USED ONLY FOR THE PURPOSES SPECIFIED IN THE WRITTEN ORDER OF WANG LABORATORIES, INC. NO PART OF THIS DRAWING IS TO BE REPRODUCED OR TRANSMITTED IN ANY FORM OR BY ANY MEANS, ELECTRONIC OR MECHANICAL, INCLUDING PHOTOCOPYING, RECORDING, OR BY ANY INFORMATION STORAGE AND RETRIEVAL SYSTEM, WITHOUT THE WRITTEN PERMISSION OF WANG LABORATORIES, INC.

SEP 30 1978

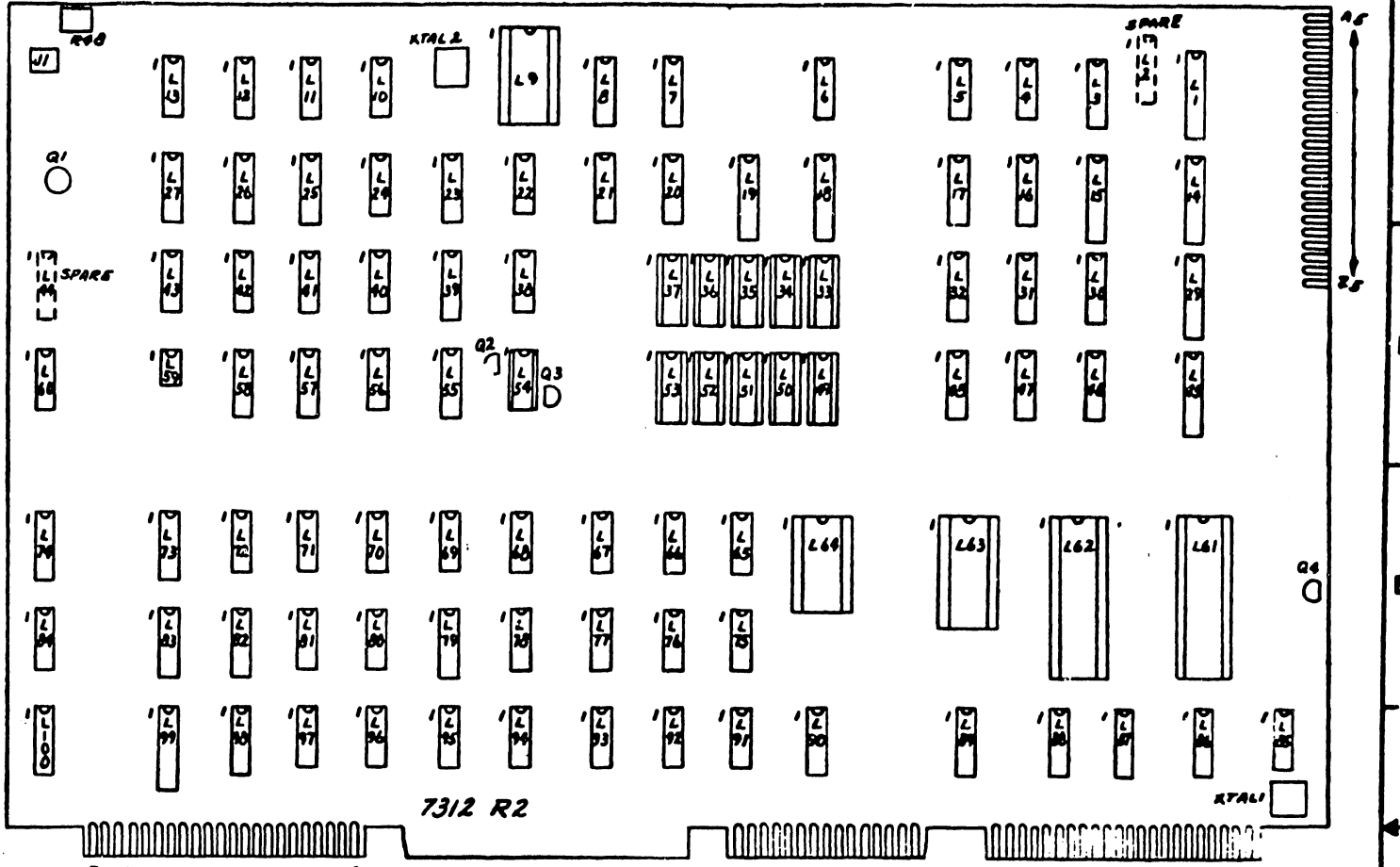
WANG LABORATORIES, INC. LITTLETON, COLORADO, U.S.A.		BY: DWN F.S.S.	DATE: 2/15/78	APPROVED BY: [Signature]	DATE: [Blank]
MATERIAL: [Blank]	MODEL NO: 114	CHK: [Blank]	ENGR: M ENGR	MIC ENGR: [Blank]	[Blank]
TITLE: CRT/CPU		[Blank]			
FINISH: [Blank]	101 EE AS NOTED	111 - FINAL 2	210-7312 D	7312	4
[Blank]		DRAWING NUMBER: 7312		[Blank]	

THIS DRAWING AND THE DATA SHOWN THEREON ARE THE CONFIDENTIAL PROPERTY OF WANG LABORATORIES, INC. THIS DRAWING AND THE DATA SHOWN HEREIN MAY NOT BE REPRODUCED OR TRANSMITTED IN ANY FORM OR BY ANY MEANS, ELECTRONIC OR MECHANICAL, INCLUDING PHOTOCOPYING, RECORDING, OR BY ANY INFORMATION STORAGE AND RETRIEVAL SYSTEM, WITHOUT THE WRITTEN CONSENT OF WANG LABORATORIES, INC. FOR ANY REASON. THIS DRAWING IS PERMITTED BY WANG TO LEAVE THE PHYSICAL POSSESSION OF THE COMPANY IT IS RETURNABLE UPON THE DEMAND OF WANG LABORATORIES, INC.

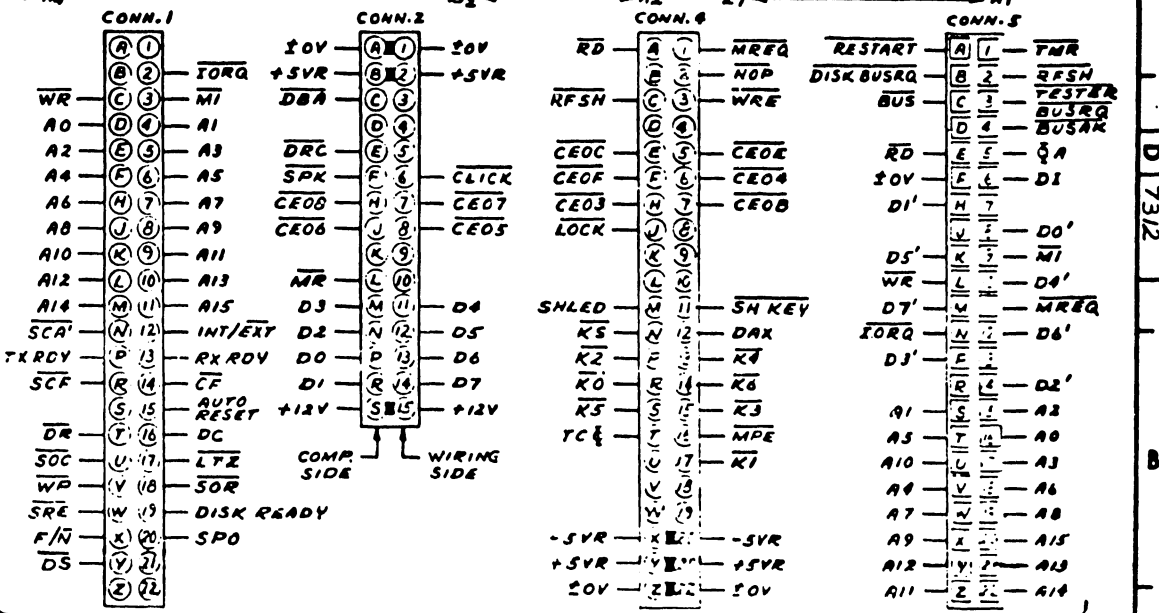
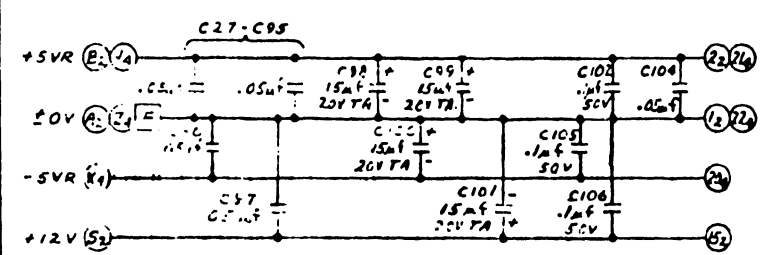
LOC. LOCATION	TYPE	W.L. NO.
L1,19,29	74LS244	376-0288
L2,64	SPARES	
L3,27	74367	376-0176
L4	7451	376-0012
L5,69	7402	376-0016
L6,40,71,75,92	7404	376-0010
L7,6,79	74175	376-0119
L9	2708	375-2216
L10	74504	376-0197
L11,56	74532	376-0205
L12	74574	376-0202
L13,40	74502	376-0199
L14	74LS245	376-0285
L15,18	74LS374	376-0286
L16,17,58,82,83,84,88	74161	376-0094
L20,21,23	74173	376-0183
L22,38	7495	376-0059
L24	74500	376-0228
L25,26,55	74174	376-0098
L30,46	74LS257	376-0204
L31,32,47,48	74157	376-0082
L33-37,49-53	4050	377-03147
L39	74LS175	376-0160
L41,43	74508	376-0200
L42	74510	376-0238
L45,99	74LS373	376-0310
L54	75322	376-0178
L57	74155	376-0099
L59	555	376-0126
L61	MK3880	377-0344
L62	MK3881	377-0342
L63	MK3882	377-0343
L64	74154	376-0090
L65,70,94	7400	376-0002
L66,67,95	7410	376-0003
L68,87	7432	376-0093
L72,78,91,96	7408	376-0081
L73	7474	376-0007
L74,90	9602	376-0104
L76,77,84,97,98	7474	376-0006
L80	7427	376-0125
L81	7420	376-0004
L85	74H04	376-0045
L89	7442	376-0008
L93	7411	376-0194
L100	MC3887	376-0251
L9,64	24 PIN SKT	376-9603
L33-37,49-53	18 PIN SKT	376-9114
L61,62	40 PIN SKT	376-9611
L63	24 PIN SKT	376-9615

COMMENT	TYPE	W.L. NO.
R1,3,5,23,28,42,65,85	4.7K	375-3097
R2,10,21	39K	330-4039
R6-9,12,14-18,20,22,33-46,54,61,63,64,66,67,70-78,80,88	2.2K	330-3022
R11,84	1K	330-3010
R13,24,25,59,80,81	10K	330-4040
R19	18K	330-4018
R26,47,51,54,57	470Ω	330-2047
R27,68,69,83	330Ω	330-2033
R29,30	10Ω 5%	330-1011
R31,32	100Ω	330-2010
R48	1K 50%	336-1001
R87	33Ω	330-1033
R49	390Ω	330-2039
R50	100Ω	330-2010
R60	47K	330-4047
R52	220Ω	330-2022
R53	75Ω 5% 1/4W	331-1074
R55	560Ω	330-2056
R56	10Ω 1/2W	331-1010
R82	10Ω	330-1010
C1,5	150pF	335-1150
C2,3,103	47pF	330-1047
C4	470pF	330-1070
C6	15μF 15V TA	330-1015
C7	4.7μF 35V TA	330-1047
C8	.01pF	300-1001
C9,10	270pF	300-1270
C11,12,18,24,98-101	15μF 20V TA	300-1012
C13-17	1μF	330-1013
C19-23,102	1μF	300-1010
C25	680pF	300-1068
C26	220pF	300-1220
C27-27,108-106	.05μF	300-1005
XTAL1	2.4576MHZ	321-0027
XTAL2	17.10MHZ	321-0018
J1	3PIN MOLEX	654-0182
Q1	2N5189	375-1021
G2-4	SP56561	375-1050
Q1 TRANSIPAD	LARGE	375-9001

NMEMONIC	COORDINATE	NMEMONIC	COORDINATE
AD-AIS	1F9	NOP	2A9
AUTO RESET	1F11	RD	1D9
BUS	1G8	RESTART	1F11
BUSAK	1G9	RFSH	1D9
CE00-CE0F	1F7	RX RDV	1D11
CF	1D11	SCA'	1D11
CLICK	1D1	SCF	1D11
DAK	1E5	SH	1G6
DBA	1G7	SHLED	1F3
DC	1C11	SOC	1B10
DI	1F11	SQR	1E11
DISK BUSRQ	1C3	SPO	1B7
DISK READY	1E11	SPK	1D1
DO-D7	1C7	SRE	1E11
DO-D7'	1C9		
DR	1G6		
DRC	1C5		
DS	1G6	TCQ	1A8
F/N	1G1		
INT/EXT	1D11	TESTER BUSRQ	1G11
TORQ	1D9	TMR	1F11
TX RDV	1D11		
K0-K6	1G3		
KS	1G5	WP	1E11
LOCK	1G5	WR	1D9
LTX	1E11	WRE	1C3
MI	1C9		
MPE	2B11		
MR	1F10		
MREQ	1E9		
		QA	1A9



LOCATION	TYPE	SPARES
L24	74500	1
L5	7402	1
L6	7404	1
L11	74532	1
L27	74367	2
L40	74502	1
L43	74508	2
L42	74510	1
L67	7410	1
L70	7400	1
L94	7400	1
L87	7432	3
L98	7474	1



REVISION	DATE	BY	APP'D BY	DATE
1	11/17/78	11/17/78
2	11/17/78	11/17/78
3	11/17/78	11/17/78
4	11/17/78	11/17/78
5	11/17/78	11/17/78
6	11/17/78	11/17/78
7	11/17/78	11/17/78
8	11/17/78	11/17/78
9	11/17/78	11/17/78
10	11/17/78	11/17/78
11	11/17/78	11/17/78

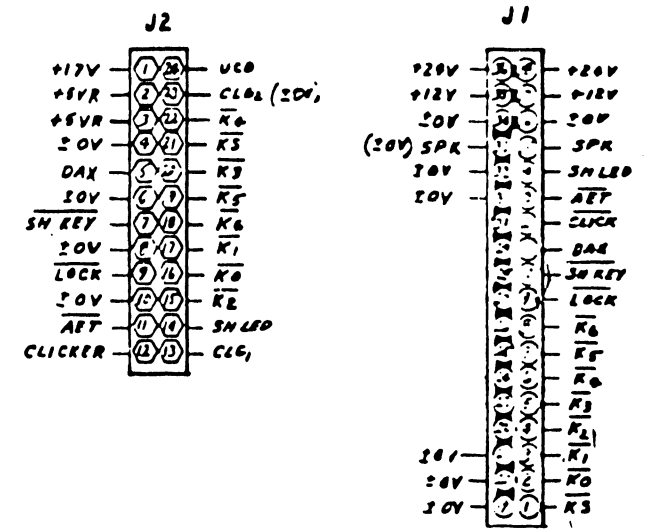
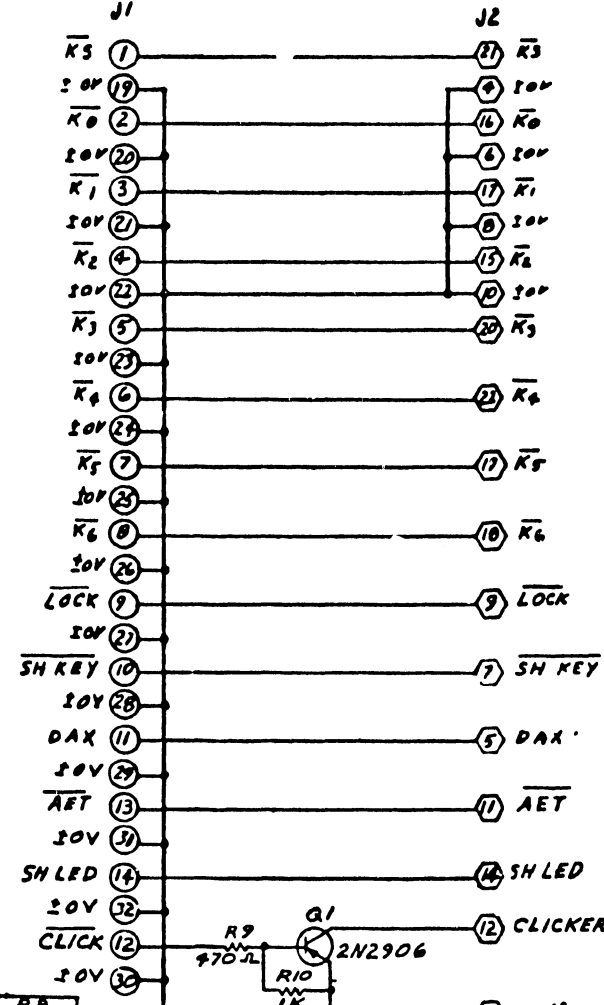
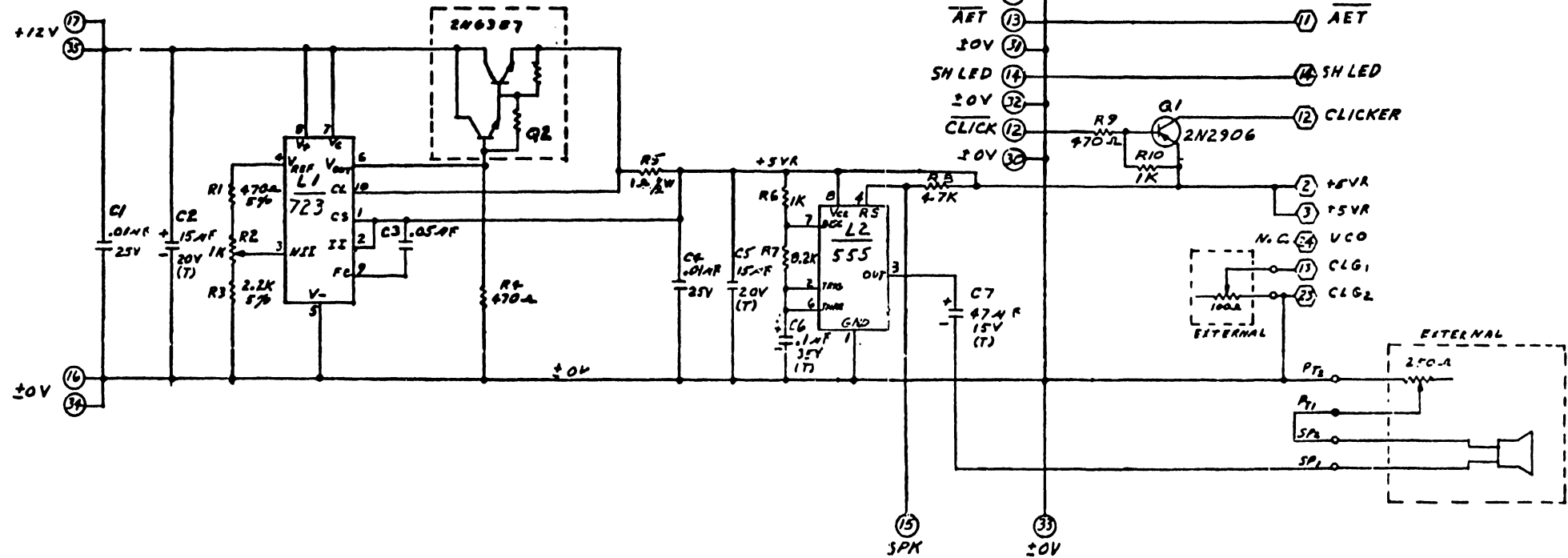
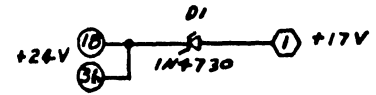
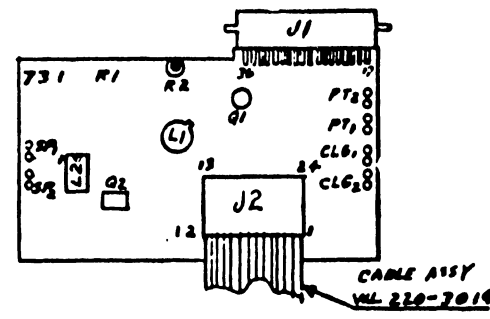
SIGNAL-TERMINAL DESIGNATIONS, VIEW FROM BOTTOM (WIRING) SIDE OF CONNECTOR

SEP 30 1978

WANG LABORATORIES, INC. MODEL NO. 210-7312 D 7312 4

DATE: 11/17/78

THIS DRAWING AND THE DATA HEREON ARE THE CONFIDENTIAL PROPERTY OF IBM AND SHOULD BE KEPT IN STRICT CONFIDENCE. THE INFORMATION CONTAINED HEREIN IS UNCLASSIFIED EXCEPT WHERE SHOWN OTHERWISE. THIS DRAWING AND THE DATA HEREON ARE UNCLASSIFIED EXCEPT WHERE SHOWN OTHERWISE. THE INFORMATION CONTAINED HEREIN IS UNCLASSIFIED EXCEPT WHERE SHOWN OTHERWISE.



LOCATOR	W.L. PART NO	TYPE
L1	376-0066	723
L2	376-0126	555

NO	W.L. PART NO	TYPE
1	330-2009	470A 1/2W 5% 20V
2	336-1001	1K 1/4W 5% 20V
3	330-3023	20V 1/4W 5% 20V
4	330-2007	470A 1/2W 5% 20V
5	331-0010	1.2K 1/4W 5% 20V
6	330-3010	1K 1/4W 5% 20V
7	330-3022	1.2K 1/4W 5% 20V
8	330-3020	1K 1/4W 5% 20V
9	330-3021	1.2K 1/4W 5% 20V
10	330-3020	1K 1/4W 5% 20V
11	330-3020	1K 1/4W 5% 20V
12	330-3020	1K 1/4W 5% 20V
13	330-3020	1K 1/4W 5% 20V
14	330-3020	1K 1/4W 5% 20V
15	330-3020	1K 1/4W 5% 20V
16	330-3020	1K 1/4W 5% 20V
17	330-3020	1K 1/4W 5% 20V
18	330-3020	1K 1/4W 5% 20V
19	330-3020	1K 1/4W 5% 20V
20	330-3020	1K 1/4W 5% 20V
21	330-3020	1K 1/4W 5% 20V
22	330-3020	1K 1/4W 5% 20V
23	330-3020	1K 1/4W 5% 20V
24	330-3020	1K 1/4W 5% 20V
25	330-3020	1K 1/4W 5% 20V
26	330-3020	1K 1/4W 5% 20V
27	330-3020	1K 1/4W 5% 20V
28	330-3020	1K 1/4W 5% 20V
29	330-3020	1K 1/4W 5% 20V
30	330-3020	1K 1/4W 5% 20V
31	330-3020	1K 1/4W 5% 20V
32	330-3020	1K 1/4W 5% 20V
33	330-3020	1K 1/4W 5% 20V
34	330-3020	1K 1/4W 5% 20V
35	330-3020	1K 1/4W 5% 20V
36	330-3020	1K 1/4W 5% 20V
37	330-3020	1K 1/4W 5% 20V
38	330-3020	1K 1/4W 5% 20V
39	330-3020	1K 1/4W 5% 20V
40	330-3020	1K 1/4W 5% 20V
41	330-3020	1K 1/4W 5% 20V
42	330-3020	1K 1/4W 5% 20V
43	330-3020	1K 1/4W 5% 20V
44	330-3020	1K 1/4W 5% 20V
45	330-3020	1K 1/4W 5% 20V
46	330-3020	1K 1/4W 5% 20V
47	330-3020	1K 1/4W 5% 20V
48	330-3020	1K 1/4W 5% 20V
49	330-3020	1K 1/4W 5% 20V
50	330-3020	1K 1/4W 5% 20V
51	330-3020	1K 1/4W 5% 20V
52	330-3020	1K 1/4W 5% 20V
53	330-3020	1K 1/4W 5% 20V
54	330-3020	1K 1/4W 5% 20V
55	330-3020	1K 1/4W 5% 20V
56	330-3020	1K 1/4W 5% 20V
57	330-3020	1K 1/4W 5% 20V
58	330-3020	1K 1/4W 5% 20V
59	330-3020	1K 1/4W 5% 20V
60	330-3020	1K 1/4W 5% 20V
61	330-3020	1K 1/4W 5% 20V
62	330-3020	1K 1/4W 5% 20V
63	330-3020	1K 1/4W 5% 20V
64	330-3020	1K 1/4W 5% 20V
65	330-3020	1K 1/4W 5% 20V
66	330-3020	1K 1/4W 5% 20V
67	330-3020	1K 1/4W 5% 20V
68	330-3020	1K 1/4W 5% 20V
69	330-3020	1K 1/4W 5% 20V
70	330-3020	1K 1/4W 5% 20V
71	330-3020	1K 1/4W 5% 20V
72	330-3020	1K 1/4W 5% 20V
73	330-3020	1K 1/4W 5% 20V
74	330-3020	1K 1/4W 5% 20V
75	330-3020	1K 1/4W 5% 20V
76	330-3020	1K 1/4W 5% 20V
77	330-3020	1K 1/4W 5% 20V
78	330-3020	1K 1/4W 5% 20V
79	330-3020	1K 1/4W 5% 20V
80	330-3020	1K 1/4W 5% 20V
81	330-3020	1K 1/4W 5% 20V
82	330-3020	1K 1/4W 5% 20V
83	330-3020	1K 1/4W 5% 20V
84	330-3020	1K 1/4W 5% 20V
85	330-3020	1K 1/4W 5% 20V
86	330-3020	1K 1/4W 5% 20V
87	330-3020	1K 1/4W 5% 20V
88	330-3020	1K 1/4W 5% 20V
89	330-3020	1K 1/4W 5% 20V
90	330-3020	1K 1/4W 5% 20V
91	330-3020	1K 1/4W 5% 20V
92	330-3020	1K 1/4W 5% 20V
93	330-3020	1K 1/4W 5% 20V
94	330-3020	1K 1/4W 5% 20V
95	330-3020	1K 1/4W 5% 20V
96	330-3020	1K 1/4W 5% 20V
97	330-3020	1K 1/4W 5% 20V
98	330-3020	1K 1/4W 5% 20V
99	330-3020	1K 1/4W 5% 20V
100	330-3020	1K 1/4W 5% 20V

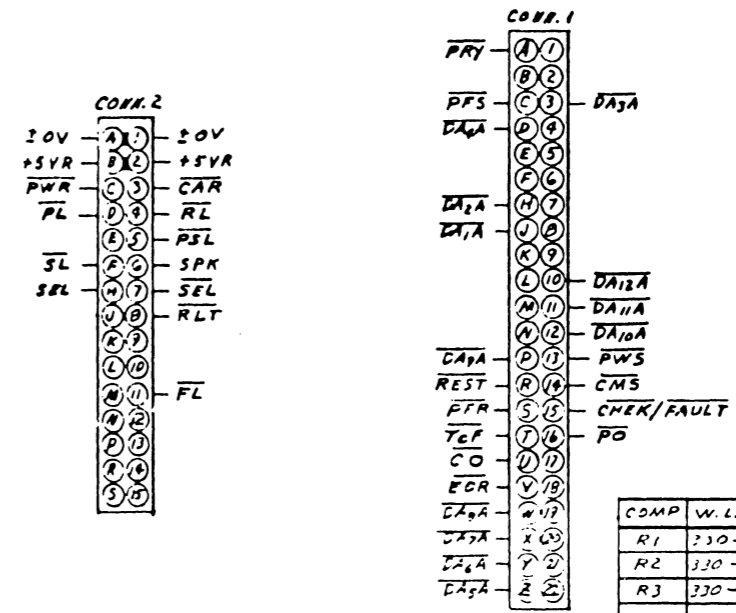
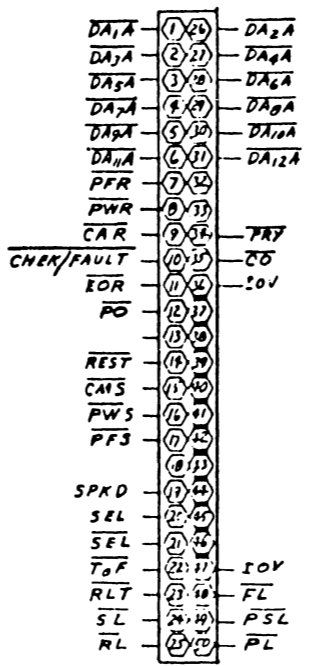
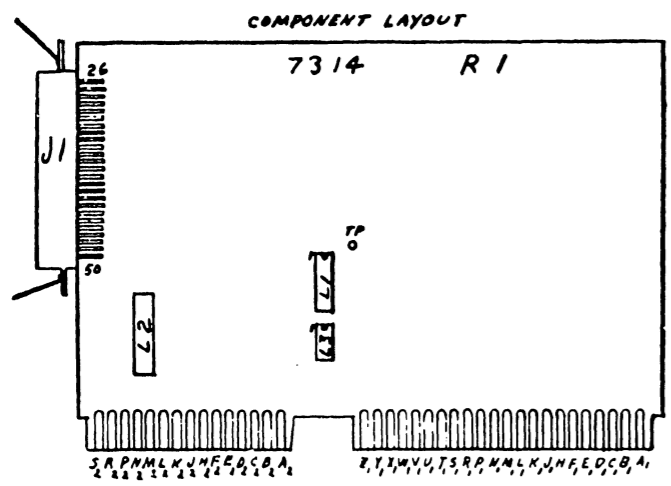
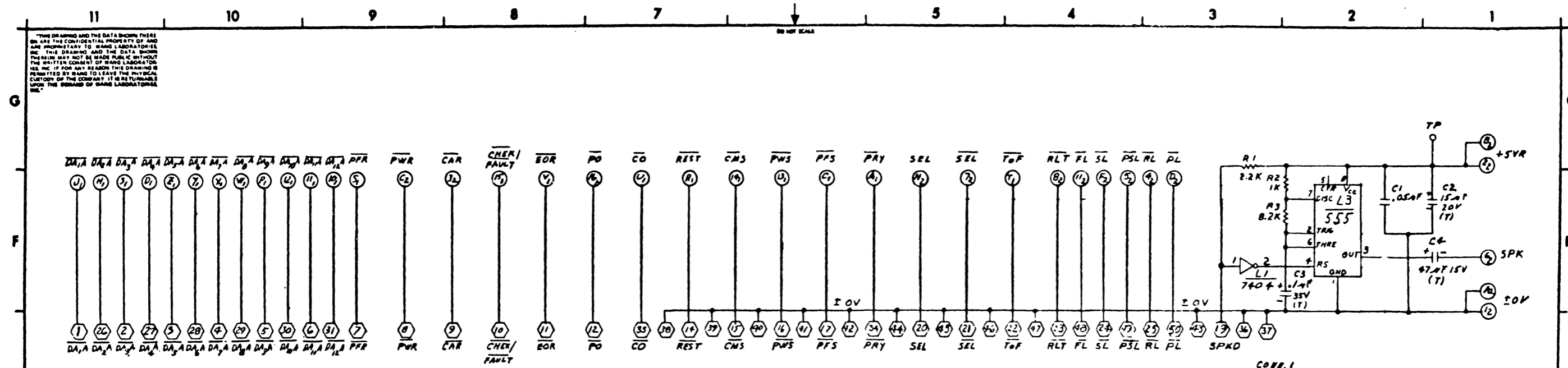
SEP 30 1978

E. REV. 5

NO	REV	DATE	BY	CHKD
1				
2				
3				
4				
5				
6				
7				
8				
9				
10				
11				

WANG		DATE	APPROVED BY	DATE
MATERIAL	W.L. PART NO	112		
SERIAL SPECIFICATION		CART CONTROL BOARD		
FILE NO	TON. IS. AS. ORDER	112-733	D	7313
112-733	112-733	112-733	112-733	112-733

"THIS DRAWING AND THE DATA SHOWN THEREIN ARE THE CONFIDENTIAL PROPERTY OF WANG LABORATORIES, INC. THE DRAWING AND THE DATA SHOWN THEREIN MAY NOT BE MADE PUBLIC WITHOUT THE WRITTEN CONSENT OF WANG LABORATORIES, INC. IF FOR ANY REASON THIS DRAWING IS PERMITTED BY WANG TO LEAVE THE PHYSICAL POSSESSION OF THE COMPANY IT IS RETURNABLE UPON THE DEMAND OF WANG LABORATORIES, INC."



COMP	W. L. PART NO.	TYPE
R1	330-3022	2.2K 1/4W 10%
R2	330-3010	1K 1/4W 10%
R3	330-3082	8.2K 1/4W 10%
C1	300-1900	.05uF 12V CER
C2	300-4022	15uF 20V (T)
C3	300-4002	.1uF 35V (T)
C4	300-4020	47uF 15V (T)
J1	350-2097	50PIN CONN.

LOCATION	W. L. PART NO.	TYPE
L1	376-0010	740+
L2		SPARE
L3	376-0126	555

I.C. TYPE	LOCATION	SPARE
740+	L1	5

SEP 5 0 1978
E-REV
0

REV	DATE	BY	DESCRIPTION
1	8-1-78	J. J. S.	ISSUED FOR FAB
2	8-1-78	J. J. S.	REVISED PER ECN # 888
3	8-1-78	J. J. S.	REVISED PER ECN # 888
4	8-1-78	J. J. S.	REVISED PER ECN # 888

WANG LABORATORIES, INC.		BY	DATE	APPROVED BY	DATE
MATERIAL	7314	OWN	8-1-78	J. J. S.	8-1-78
TITLE		DATA ANALYZER JUNCTION BOARD			
PART NO.		7314		7314	
REV		D		2	

THIS DRAWING IS THE PROPERTY OF WANG LABORATORIES, INC. AND IS NOT TO BE REPRODUCED OR TRANSMITTED IN ANY FORM OR BY ANY MEANS, ELECTRONIC OR MECHANICAL, INCLUDING PHOTOCOPYING, RECORDING, OR BY ANY INFORMATION STORAGE AND RETRIEVAL SYSTEM, WITHOUT THE WRITTEN PERMISSION OF WANG LABORATORIES, INC.

	7311	7310	7312	7311										
SIGNAL	SPARE	DATA LINK	MEMORY	CPU	I/O	REGULATOR	J1	J2	J3	J4	J5	J6	J7	J8
A0	D1	D1	D1	D1	D1									
A1	F1	F1	F1	F1	F1									
A2	E1	E1	E1	E1	E1									
A3	S1	S1	S1	S1	S1									
A4	F1	F1	F1	F1	F1									
A5	G1	G1	G1	G1	G1									
A6	H1	H1	H1	H1	H1									
A7	T1	T1	T1	T1	T1									
A8	J1	J1	J1	J1	J1									
A9	B1	B1	B1	B1	B1									
A10	K1	K1	K1	K1	K1									
A11	Q1	Q1	Q1	Q1	Q1									
A12	L1	L1	L1	L1	L1									
A13	101	101	101	101	101									
A14	M1	M1	M1	M1	M1									
A15	111	111	111	111	111									
A17					S3					13				
AUTO RESET				151		J								
BASE Q1						M/11					2			
CAR					C4				9					
CEO3				H4	H4									
CEO4				64	64									
CEO5				B2	B2									
CEO6				J2	J2									
CEO7				T2	T2									
CEO8				H2	H2									
CEO9			D2	D2										
CEO10				74	74									
CEO11				E4	E4									
CEO12	54	54	54	54	193									
CEO13				F4	F4									
CF				141	S1									
CHECK/FAULT					U3				10					
CLICK				62						12				
CATS					S4				15					
CO					A3				35					
CPE	P2	P2	P2	P2	P2									
D1	R2	R2	R2	R2	R2									
D2	N2	N2	N2	N2	N2									
D3	M2	M2	M2	M2	M2									
D4	112	112	112	112	112									
D5	122	122	122	122	122									
D6	132	132	132	132	132									
D7	142	142	142	M2	142									
DA1A					J4					1				
DA2A					B4					26				
DA3A					A4					2				
DA4A					213					27				
DA5A					44					3				
DA6A					D4					28				
DA7A					54					7				
DA8A					203					29				
DA9A					B4					5				
DA10A					K4					30				
DA11A					94					6				
DA12A					L4					31				
DAX					R4						11			
DBA	C2	C2	C2	C2	C2									
DBA'			52	52										
DC				141	141									
DAN/MSRQ			102	102										
DPC	221	221	221	221	221									
DR			T1	T1	T1									
DRC			E2	E2	F2									
DRZ				191	191		R	R						
DS			Y1	Y1	Y1									
EDMA			211	211	211									
FOR					B3					11				
FRT/FAULT					F3		D	D						
G1					124					48				
I/N			X1	X1	X1									
+CA					103									
+CR					L3									
HDIR					92		C	C						
HDIR					102		M							
HDIR					K2			M						
HDIR			D4		V5									
HDIR					31		B	B						
INDEX1					B1		J							
INDEX2					11			J						
INDEX3	21	21	21	21	N1									
K1				R4						2				
K2				174						3				
K3				P4						4				
K4				154						5				
K5				134						6				
K6				54						7				
K7				144						8				
K8				N4						1				
LED1					194									
LED2					W4									
LOCK				J4						9				
M1	31	31	31	31	V4		P	P						
MPE	164	164	164	164	164									
MA	L2	L2	L2	L2	L2									
MMQ	14	14	14	14	163									
NOP	24	24	24	24	24									
PR					X3					7				
PR					P4					17				
PR					114					50				
PR					T3					12				
PR						C/3								
PR					34					34				

001-1078

WANG

MODEL NO. / 1.2
 SERIAL NO. / 10-11-11-11-11
 DATE / 11-1-11
 BY /
 CHECKED BY /
 APPROVED BY /
 DATE /

MOTHERRECORDS

210-7315 D 735 2

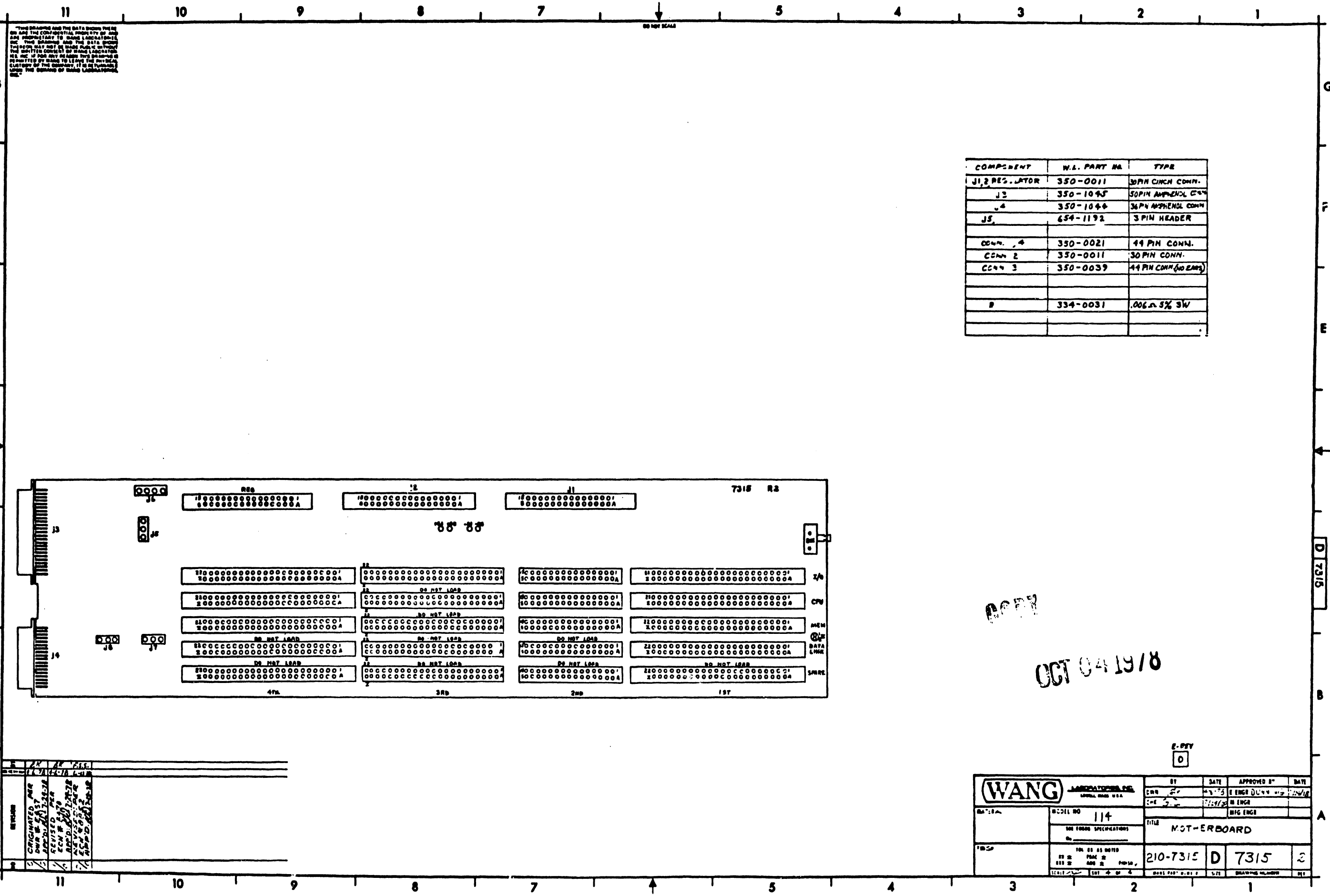
This drawing was prepared under the authority of the...
 The drawing is the property of the...
 It is to be used only for the purpose for which it was prepared...
 It is not to be used for any other purpose without the written consent of the...
 The drawing is not to be used for any other purpose without the written consent of the...

SIGNAL	SPARE	DATA LINK	MEMORY	CPU	I/O	REGULATOR	J1	J2	J3	J4	J5	J6	J7	J8
ISL					N ₄				49					
PWR					Y ₃				6					
PWS					14 ₃				16					
-RA					4 ₃									
-RB					D ₃									
RCK					14 ₁		F	F						
RD	A ₄	A ₄	A ₄	A ₄	1 ₄									
RDD					15 ₁		N	N						
RD BLA	3 ₂	3 ₂	3 ₂	3 ₂	3 ₂									
REST					18 ₄				14					
RFSH	C ₄	C ₄	C ₄	C ₄	R ₃									
RL					M ₄				25					
RLY					17 ₄				23					
RxRDY					13 ₁									
SAC INT EXT			12 ₁	12 ₁										
SCA				N ₁	10 ₄									
SCF				R ₁	R ₁									
SECTOR 1					A ₁		L							
SECTOR 2					2 ₁			L						
SFL					15 ₄				20					
SLL					13 ₄				21					
SFL1					5 ₂		N							
SFL2					13 ₃			N						
SH KEY				11 ₄						10				
SH LED				M ₄						14				
SL					U ₄				24					
SOC				U ₁	U ₁									
SPK				18 ₁	18 ₁									
SPK				F ₂						15				
SPRB					W ₂				19					
SPO				20 ₁	20 ₁									
SRE				W ₁	W ₁									
TFB					15 ₃				32					
TCF	T ₄	T ₄	T ₄	T ₄	T ₄									
TFP	17 ₃	17 ₃	17 ₃	17 ₃	17 ₃				33					
TFS	13 ₃	13 ₃	13 ₃	13 ₃	13 ₃				18					
TMR	P ₃	P ₃	P ₃	P ₃	P ₃				13					
TCF					N ₃				22					
TARDY				P ₁	P ₁									
WCD					D ₂		E	E						
WP				V ₁	V ₁		K	K						
WR	C ₁	C ₁	B ₄	C ₁	C ₁									
WRE	3 ₄	3 ₄	3 ₄	3 ₄	18 ₃									
-12V	22 ₃ /Z ₃	22 ₃ /Z ₃	22 ₃ /Z ₃	22 ₃ /Z ₃	22 ₃ /Z ₃	B/2								
-5V	20 ₄ /X ₄	20 ₄ /X ₄	20 ₄ /X ₄	20 ₄ /X ₄	20 ₄ /X ₄	F/6	13	13						
±0V	12 ₁ /A ₂	12 ₁ /A ₂	12 ₁ /A ₂	12 ₁ /A ₂	12 ₁ /A ₂	N/7	1-12/A	1-12/A	36/47	14, 19-34				1, 2, 3
±0V	22 ₄ /Z ₄	22 ₄ /Z ₄	22 ₄ /Z ₄	22 ₄ /Z ₄	22 ₄ /Z ₄									
14VAC ₁						K/9								2
14VAC ₂						L/10								1
28VAC ₁						P/13								3
28VAC ₂						N/12								4
+5VR	B ₂ /Z ₂	B ₂ /Z ₂	B ₂ /Z ₂	B ₂ /Z ₂	B ₂ /Z ₂		15	15						
+5VR	Y ₄ /Z ₁₄	Y ₄ /Z ₁₄	Y ₄ /Z ₁₄	Y ₄ /Z ₁₄	Y ₄ /Z ₁₄	D/4								
+12V	S ₂ /15 ₂	S ₂ /15 ₂	S ₂ /15 ₂	S ₂ /15 ₂	S ₂ /15 ₂	A/1				17/35				
+14VUR						R/14								2
+24VR						E/5	14	14		18/36				
+27VUR						S/15								1
+5VS						B								1
SPARE	A ₁	A ₁	A ₁	A ₁										
SPARE	I ₁	I ₁	I ₁	I ₁										
SPARE	B ₁	B ₁	B ₁	B ₁										
SPARE	12 ₁	12 ₁	12 ₁											
SPARE	N ₁	N ₁	N ₁											
SPARE	13 ₁	13 ₁	13 ₁											
SPARE	P ₁	P ₁	P ₁											
SPARE	14 ₁	14 ₁	14 ₁											
SPARE	R ₁	R ₁	R ₁											
SPARE	15 ₁	15 ₁	15 ₁											
SPARE	S ₁	S ₁	S ₁	S ₁										
SPARE	16 ₁	16 ₁	16 ₁											
SPARE	T ₁	T ₁												
SPARE	17 ₁	17 ₁	17 ₁											
SPARE	U ₁	U ₁	U ₁											
SPARE	18 ₁	18 ₁	18 ₁											
SPARE	V ₁	V ₁	V ₁											
SPARE	19 ₁	19 ₁	19 ₁											
SPARE	W ₁	W ₁	W ₁											
SPARE	20 ₁	20 ₁	20 ₁											
SPARE	X ₁	X ₁												
SPARE	21 ₁	21 ₁												
SPARE	Y ₁	Y ₁												
SPARE	Z ₁	Z ₁	Z ₁	Z ₁	Z ₁									
SPARE	D ₂	D ₂												
SPARE	S ₂	S ₂												
SPARE	E ₂	E ₂												
SPARE	6 ₂	6 ₂												
SPARE	F ₂	F ₂	F ₂											

WANG LABORATORIES, INC.
 1000 WASHINGTON BLVD.
 BOSTON, MASS. 02111

PROJECT NO. 114
 DATE APPROVED BY: []
 DATE: 4/7/74
 DRAWN BY: []
 CHECKED BY: []
 TITLE: MOTHERBOARD
 PART NO.: 210-7315 D 7315
 QUANTITY: 2

D 7315



COMPONENT	W.L. PART NO.	TYPE
J1,2 RES. LATOR	350-0011	30 PIN CINCH CONN.
J2	350-1045	50 PIN AMPHENDL CONN
J4	350-1044	36 PIN AMPHENDL CONN
J5	654-1192	3 PIN HEADER
CONN. 4	350-0021	44 PIN CONN.
CONN 2	350-0011	30 PIN CONN.
CONN 3	350-0039	44 PIN CONN (NO EAR)
B	334-0031	.006 IN 5% SW

COPY

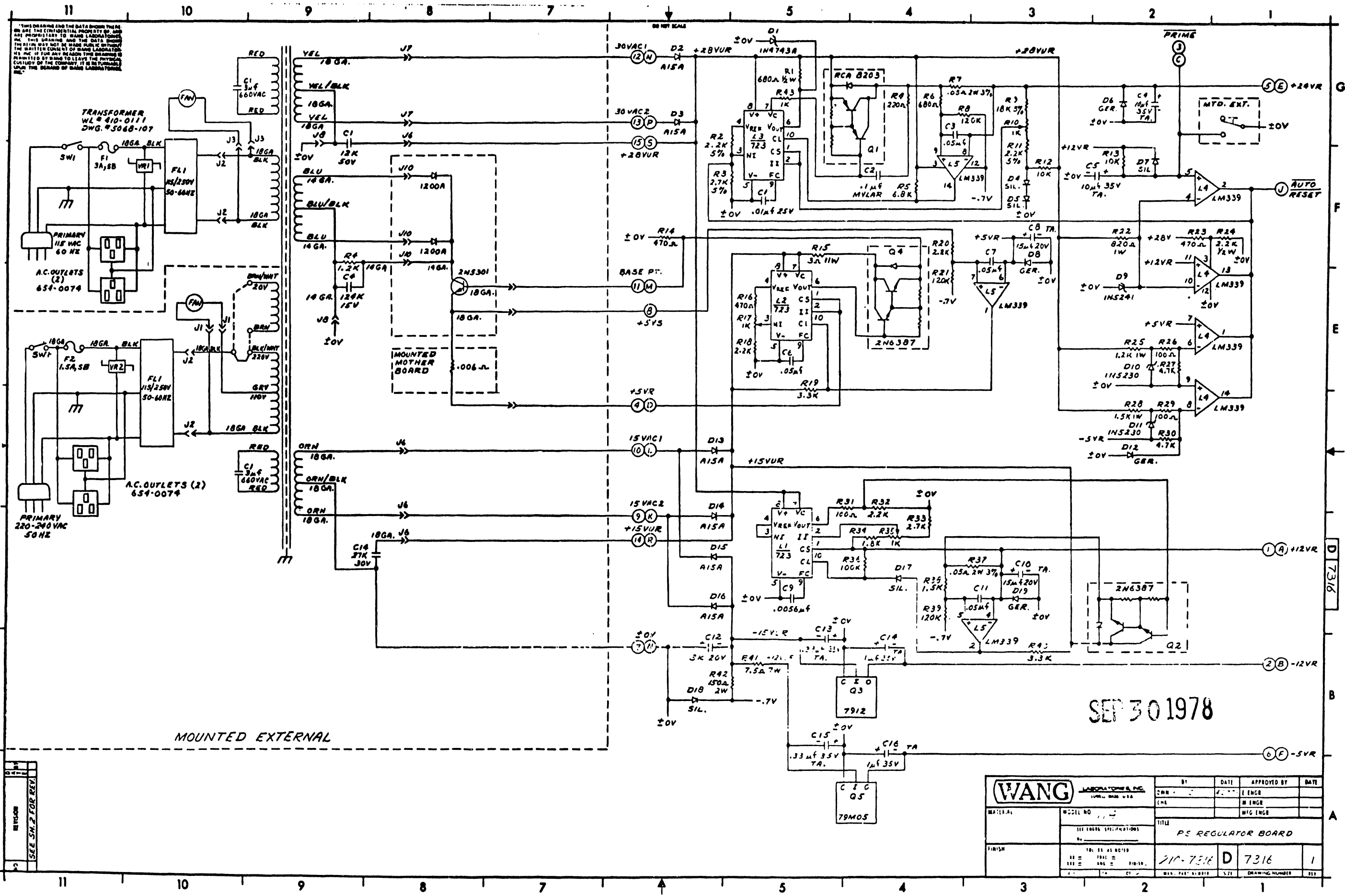
OCT 04 1978

E-077
0

(WANG) LABORATORIES INC. LITTLE ROCK, ARK. USA		BY	DATE	APPROVED BY	DATE
DESIGNER	MODEL NO. 114	ENG	10/3/78	E ENGR DUNN	10/2/78
	NO. FOR SPECIFICATIONS	CHKD	10/3/78	M ENGR	
				MFG ENGR	
TITLE	MOT-ERBOARD				
FIG. NO.	NO. OF SHEETS	210-7315	D	7315	2
REV. NO.	PAGE NO.	1			
SCALE	DATE	10/4/78			
DRG. PART. NO.	SIZE	DRWING NO.	REV.		

REV.	DATE	BY	DESCRIPTION
1	10/3/78
2	10/3/78
3	10/3/78
4	10/3/78
5	10/3/78
6	10/3/78
7	10/3/78
8	10/3/78
9	10/3/78
10	10/3/78
11	10/3/78

THIS DRAWING AND THE DATA THEREON ARE THE CONFIDENTIAL PROPERTY OF AND ARE PROPRIETARY TO WANG LABORATORIES, INC. THIS DRAWING AND THE DATA THEREON ARE NOT TO BE MADE PUBLIC WITHOUT THE WRITTEN CONSENT OF WANG LABORATORIES, INC. IF FOR ANY REASON THIS DRAWING IS REPRODUCED BY ANY OTHER PARTY, THE LIABILITY OF THE COMPANY, IT IS HEREBY ASSUMED BY THE REPRODUCING PARTY.



SEP 30 1978

WANG LABORATORIES, INC. LUMEN ROAD WENDELL, N.H. 03090		BY: _____	DATE: _____	APPROVED BY: _____	DATE: _____
MATERIAL: _____	MODEL NO: _____	CHK: _____	ENGR: _____	MIC ENGR: _____	
SEE THESE SPECIFICATIONS: _____		TITLE: PS REGULATOR BOARD			
FINISH: _____		101 11 AS NOTED		101 11 AS NOTED	
101 = 101	102 = 102	103 = 103	104 = 104	105 = 105	106 = 106
107 = 107		108 = 108		109 = 109	
110 = 110		111 = 111		112 = 112	
113 = 113		114 = 114		115 = 115	
116 = 116		117 = 117		118 = 118	
119 = 119		120 = 120		121 = 121	
122 = 122		123 = 123		124 = 124	
125 = 125		126 = 126		127 = 127	
128 = 128		129 = 129		130 = 130	
131 = 131		132 = 132		133 = 133	
134 = 134		135 = 135		136 = 136	
137 = 137		138 = 138		139 = 139	
140 = 140		141 = 141		142 = 142	
143 = 143		144 = 144		145 = 145	
146 = 146		147 = 147		148 = 148	
149 = 149		150 = 150		151 = 151	
152 = 152		153 = 153		154 = 154	
155 = 155		156 = 156		157 = 157	
158 = 158		159 = 159		160 = 160	
161 = 161		162 = 162		163 = 163	
164 = 164		165 = 165		166 = 166	
167 = 167		168 = 168		169 = 169	
170 = 170		171 = 171		172 = 172	
173 = 173		174 = 174		175 = 175	
176 = 176		177 = 177		178 = 178	
179 = 179		180 = 180		181 = 181	
182 = 182		183 = 183		184 = 184	
185 = 185		186 = 186		187 = 187	
188 = 188		189 = 189		190 = 190	
191 = 191		192 = 192		193 = 193	
194 = 194		195 = 195		196 = 196	
197 = 197		198 = 198		199 = 199	
200 = 200		201 = 201		202 = 202	
203 = 203		204 = 204		205 = 205	
206 = 206		207 = 207		208 = 208	
209 = 209		210 = 210		211 = 211	
212 = 212		213 = 213		214 = 214	
215 = 215		216 = 216		217 = 217	
218 = 218		219 = 219		220 = 220	
221 = 221		222 = 222		223 = 223	
224 = 224		225 = 225		226 = 226	
227 = 227		228 = 228		229 = 229	
230 = 230		231 = 231		232 = 232	
233 = 233		234 = 234		235 = 235	
236 = 236		237 = 237		238 = 238	
239 = 239		240 = 240		241 = 241	
242 = 242		243 = 243		244 = 244	
245 = 245		246 = 246		247 = 247	
248 = 248		249 = 249		250 = 250	
251 = 251		252 = 252		253 = 253	
254 = 254		255 = 255		256 = 256	
257 = 257		258 = 258		259 = 259	
260 = 260		261 = 261		262 = 262	
263 = 263		264 = 264		265 = 265	
266 = 266		267 = 267		268 = 268	
269 = 269		270 = 270		271 = 271	
272 = 272		273 = 273		274 = 274	
275 = 275		276 = 276		277 = 277	
278 = 278		279 = 279		280 = 280	
281 = 281		282 = 282		283 = 283	
284 = 284		285 = 285		286 = 286	
287 = 287		288 = 288		289 = 289	
290 = 290		291 = 291		292 = 292	
293 = 293		294 = 294		295 = 295	
296 = 296		297 = 297		298 = 298	
299 = 299		300 = 300		301 = 301	
302 = 302		303 = 303		304 = 304	
305 = 305		306 = 306		307 = 307	
308 = 308		309 = 309		310 = 310	
311 = 311		312 = 312		313 = 313	
314 = 314		315 = 315		316 = 316	
317 = 317		318 = 318		319 = 319	
320 = 320		321 = 321		322 = 322	
323 = 323		324 = 324		325 = 325	
326 = 326		327 = 327		328 = 328	
329 = 329		330 = 330		331 = 331	
332 = 332		333 = 333		334 = 334	
335 = 335		336 = 336		337 = 337	
338 = 338		339 = 339		340 = 340	
341 = 341		342 = 342		343 = 343	
344 = 344		345 = 345		346 = 346	
347 = 347		348 = 348		349 = 349	
350 = 350		351 = 351		352 = 352	
353 = 353		354 = 354		355 = 355	
356 = 356		357 = 357		358 = 358	
359 = 359		360 = 360		361 = 361	
362 = 362		363 = 363		364 = 364	
365 = 365		366 = 366		367 = 367	
368 = 368		369 = 369		370 = 370	
371 = 371		372 = 372		373 = 373	
374 = 374		375 = 375		376 = 376	
377 = 377		378 = 378		379 = 379	
380 = 380		381 = 381		382 = 382	
383 = 383		384 = 384		385 = 385	
386 = 386		387 = 387		388 = 388	
389 = 389		390 = 390		391 = 391	
392 = 392		393 = 393		394 = 394	
395 = 395		396 = 396		397 = 397	
398 = 398		399 = 399		400 = 400	
401 = 401		402 = 402		403 = 403	
404 = 404		405 = 405		406 = 406	
407 = 407		408 = 408		409 = 409	
410 = 410		411 = 411		412 = 412	
413 = 413		414 = 414		415 = 415	
416 = 416		417 = 417		418 = 418	
419 = 419		420 = 420		421 = 421	
422 = 422		423 = 423		424 = 424	
425 = 425		426 = 426		427 = 427	
428 = 428		429 = 429		430 = 430	
431 = 431		432 = 432		433 = 433	
434 = 434		435 = 435		436 = 436	
437 = 437		438 = 438		439 = 439	
440 = 440		441 = 441		442 = 442	
443 = 443		444 = 444		445 = 445	
446 = 446		447 = 447		448 = 448	
449 = 449		450 = 450		451 = 451	
452 = 452		453 = 453		454 = 454	
455 = 455		456 = 456		457 = 457	
458 = 458		459 = 459		460 = 460	
461 = 461		462 = 462		463 = 463	
464 = 464		465 = 465		466 = 466	
467 = 467		468 = 468		469 = 469	
470 = 470		471 = 471		472 = 472	
473 = 473		474 = 474		475 = 475	
476 = 476		477 = 477		478 = 478	
479 = 479		480 = 480		481 = 481	
482 = 482		483 = 483		484 = 484	
485 = 485		486 = 486		487 = 487	
488 = 488		489 = 489		490 = 490	
491 = 491		492 = 492		493 = 493	
494 = 494		495 = 495		496 = 496	
497 = 497		498 = 498		499 = 499	
500 = 500		501 = 501		502 = 502	
503 = 503		504 = 504		505 = 505	
506 = 506		507 = 507		508 = 508	
509 = 509		510 = 510		511 = 511	
512 = 512		513 = 513		514 = 514	
515 = 515		516 = 516		517 = 517	
518 = 518		519 = 519		520 = 520	
521 = 521		522 = 522		523 = 523	
524 = 524		525 = 525		526 = 526	
527 = 527		528 = 528		529 = 529	
530 = 530		531 = 531		532 = 532	
533 = 533		534 = 534		535 = 535	
536 = 536		537 = 537		538 = 538	
539 = 539		540 = 540		541 = 541	
542 = 542		543 = 543		544 = 544	
545 = 545		546 = 546		547 = 547	
548 = 548		549 = 549		550 = 550	
551 = 551		552 = 552		553 = 553	
554 = 554		555 = 555		556 = 556	
557 = 557		558 = 558		559 = 559	
560 = 560		561 = 561		562 = 562	
563 = 563		564 = 564		565 = 565	
566 = 566		567 = 567		568 = 568	
569 = 569		570 = 570		571 = 571	
572 = 572		573 = 573		574 = 574	
575 = 575		576 = 576		577 = 577	
578 = 578		579 = 579		580 = 580	
581 = 581		582 = 582		583 = 583	
584 = 584		585 = 585		586 = 586	
587 = 587		588 = 588		589 = 589	
590 = 590		591 = 591		592 = 592	
593 = 593		594 = 594		595 = 595	
596 = 596		597 = 597		598 = 598	
599 = 599		600 = 600		601 = 601	
602 = 602		603 = 603		604 = 604	
605 = 605		606 = 606		607 = 607	
608 = 608		609 = 609		610 = 610	
611 = 611		612 = 612		613 = 613	
614 = 614		615 = 615		616 = 616	
617 = 617		618 = 618		619 = 619	
620 = 620		621 = 621		622 = 622	
623 = 623		624 = 624		625 = 625	
626 = 626		627 = 627		628 = 628	
629 = 629		630 = 630		631 = 631	
632 = 632		633 = 633		634 = 634	
635 = 635		636 = 636		637 = 637	
638 = 638		639 = 639		640 = 640	
641 = 641		642 = 642		643 = 643	
644 = 644		645 = 645		646 = 646	
647 = 647		648 = 648		649 = 649	
650 = 650		651 = 651		652 = 652	
653 = 653		654 = 654		655 = 655	
656 = 656		657 = 657		658 = 658	
659 = 659		660 = 660		661 = 661	
662 = 662		663 = 663		664 = 664	
665 = 665		666 = 666		667 = 667	
668 = 668		669 = 669		670 = 670	
671 = 671		672 = 672		673 = 673	
674 = 674		675 = 675		676 = 676	
677 = 677		678 = 678		679 = 679	
680 = 680		681 = 681		682 = 682	
683 = 683		684 = 684		685 = 685	
686 = 686		687 = 687		688 = 688	
689 = 689		690 = 690		691 = 691	
692 = 692		693 = 693		694 = 694	
695 = 695		696 = 696		697 = 697	
698 = 698		699 = 699			

11 10 9 8 7 5 4 3 2 1

These drawings and the data sheets thereon are the property of Wang Laboratories, Inc. and are to be used only for the purposes specified by Wang Laboratories, Inc. in the contract or order. No part of these drawings or data sheets may be reproduced or transmitted in any form or by any means, electronic, mechanical, photocopying, recording, or by any information storage and retrieval system, without the prior written permission of Wang Laboratories, Inc.

DO NOT SCALE

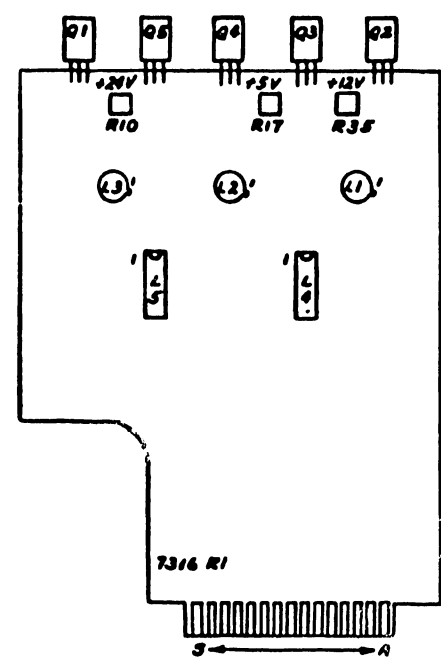
COMPONENT	TYPE	W.L. NO.
R1	680Ω 1/2W	331-2068
R2,11	2.2K 5%	330-3023
R3	2.7K 5%	330-3026
R4	220Ω	330-2022
R5	6.8K	330-3025
R6	680Ω	330-2066
R7,37	.05Ω 2W 3%	334-0033
R8,21,39	120K	330-5012
R9	16K 5%	330-4019
R10,17,35	1K POT.	336-1014
R12,13	10K	330-4010
R14,16,23	470Ω	330-2047
R15	3Ω 11W	334-0012
R18,20,32	2.2K	330-3022
R19,40	3.3K	330-3033
R22	820Ω 1W	332-2082
R24	2.2K 1/2W	331-3022
R25	1.2K 1W	332-3012
R26,29,31	100Ω	330-2010
R27,30	4.7K	330-3047
R28	1.5K 1W	332-3015
R33	2.7K	330-3027
R34	1.8K	330-3018
R36	100K	330-5010
R38	1.5K	330-3015
R41	7.5Ω 7W	334-0025
R42	150Ω 2W	337-2015
R43	1K	330-5010

COMPONENT	TYPE	W.L. NO.
C1	.01μF 25V	300-1903
C2	.1μF MYLAR	360-2210
C3,6,7,11	.05μF	300-1900
C4,5	10μF 35V TA.	300-4032
C8,10	.15μF 20V TA.	300-4022
C9	.0056μF	300-1915
C12	3K 20V	300-3034
C13,15	.33μF 35V TA.	300-4008
C14,16	1μF 35V TA.	300-4000
D1	IN9793A ZEN.	380-2113
D2,3,13-16	A15A	380-3008
D4,5,7,17,18	SIL.	380-1001
D6,8,12,19	GER.	380-0000
D9	IN5241 ZEN.	380-2111
D10,11	IN5230 ZEN.	380-2098
Q1	RCA 8203	375-1053
Q2,4	2N6387	375-1052
Q3	7912 REG.	374-0006
Q5	79M05 REG.	374-0002

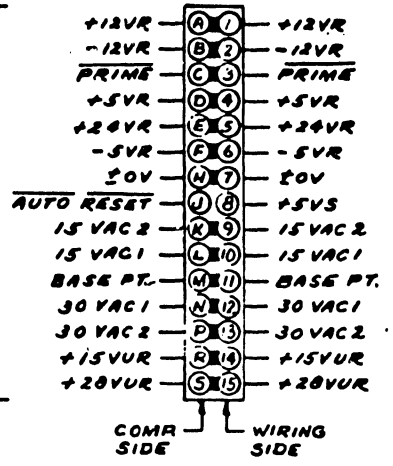
S.C. LOCATION	TYPE	W.L. NO.
L1,2,3	723	376-0066
L4,5	LM339	376-0240

NMEMONIC COORDINATE	
AUTO RESET	1F1
BASE PT.	1E6
PRIME	1G2
20V	1B6
-5V	1B1
+5V	1D6
+5V5	1E6
-12V	1B1
+12V	1C1
15VAC1	1E6
15VAC2	1C6
+15V	1C6
+20V	1G1
+20V	1F6
30VAC1	1G6
30VAC2	1G6

LOCATION	TYPE	SPARES
L5	LM339	1



SIGNAL TERMINAL DESIGNATIONS, VIEW FROM BOTTOM (WIRING SIDE OF CONNECTOR)

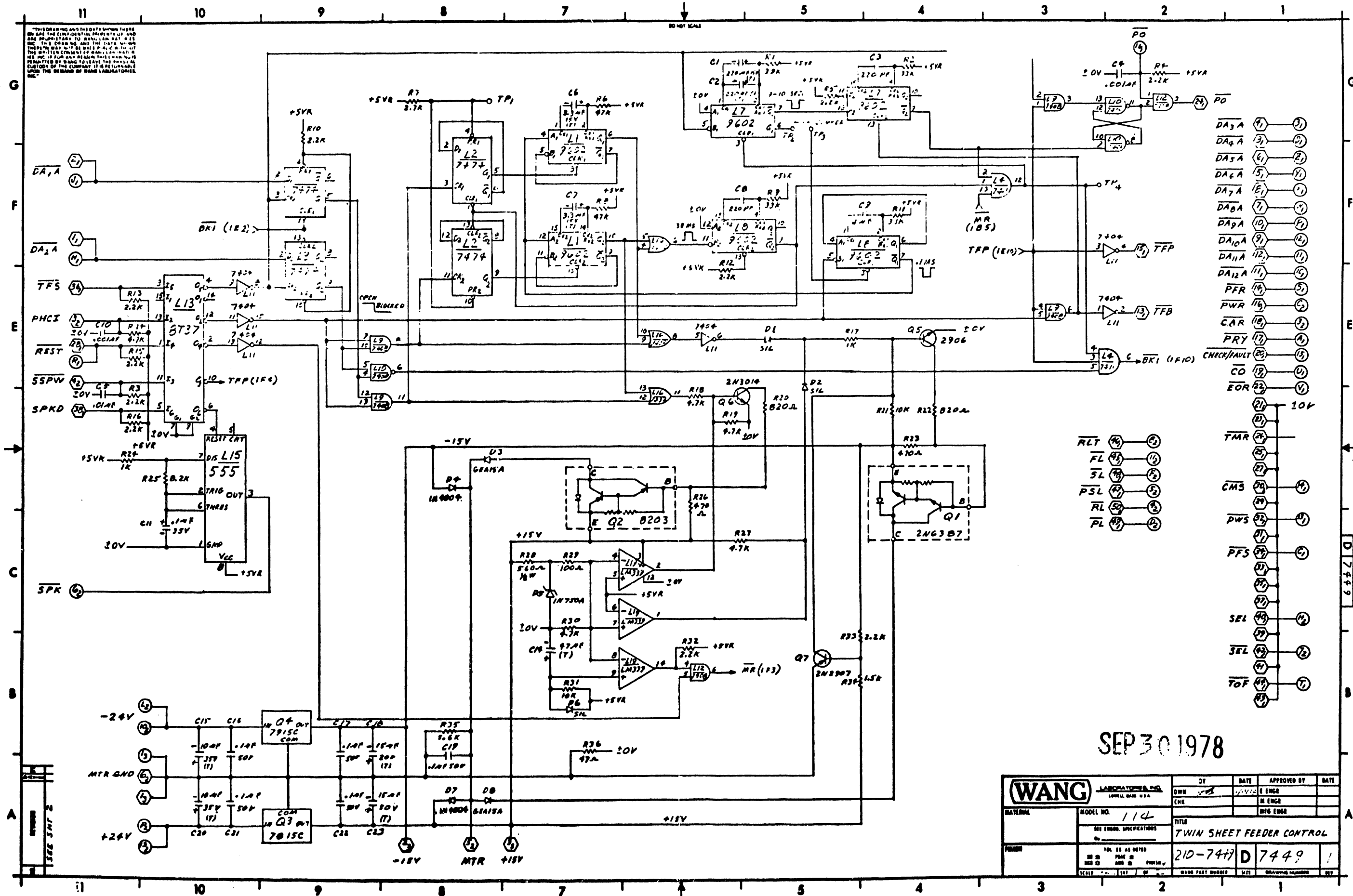


SEP 30 1978

NO.	REVISION	DATE	BY
1	ISSUED	11/11/77	WJS
2	REVISED	11/11/77	WJS
3	REVISED	11/11/77	WJS
4	REVISED	11/11/77	WJS
5	REVISED	11/11/77	WJS
6	REVISED	11/11/77	WJS
7	REVISED	11/11/77	WJS
8	REVISED	11/11/77	WJS
9	REVISED	11/11/77	WJS
10	REVISED	11/11/77	WJS
11	REVISED	11/11/77	WJS

(WANG) LABORATORIES, INC. MILWAUKEE, WIS. U.S.A.		BY DWN F.S.S.	DATE 4/11/78	APPROVED BY E. ENGEL, GILKS	DATE 5/1/78
MODEL NO. 114		TITLE PS REGULATOR BOARD		DRAWING NUMBER 7316	
MATERIAL		SPECIFICATIONS		SIZE D	
FORM 101		DATE 11/11/77		REV. 1	

THIS DRAWING AND THE DATA SHOWN THEREON ARE THE CONFIDENTIAL PROPERTY OF AND ARE PROPRIETARY TO WANG LAB. INC. THE DESIGN AND THE DATA SHOWN THEREON ARE THE PROPERTY OF WANG LAB. INC. NO PART OF THIS DRAWING OR THE DATA SHOWN THEREON IS TO BE REPRODUCED OR TRANSMITTED IN ANY FORM OR BY ANY MEANS, ELECTRONIC OR MECHANICAL, INCLUDING PHOTOCOPYING, RECORDING, OR BY ANY INFORMATION STORAGE AND RETRIEVAL SYSTEM, WITHOUT THE WRITTEN PERMISSION OF WANG LAB. INC.



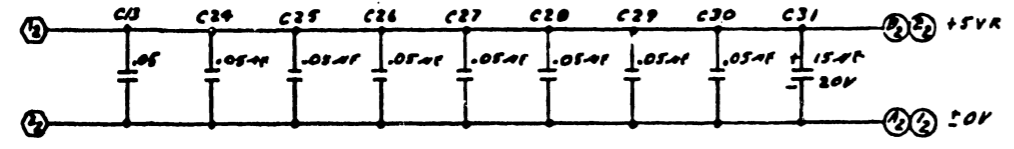
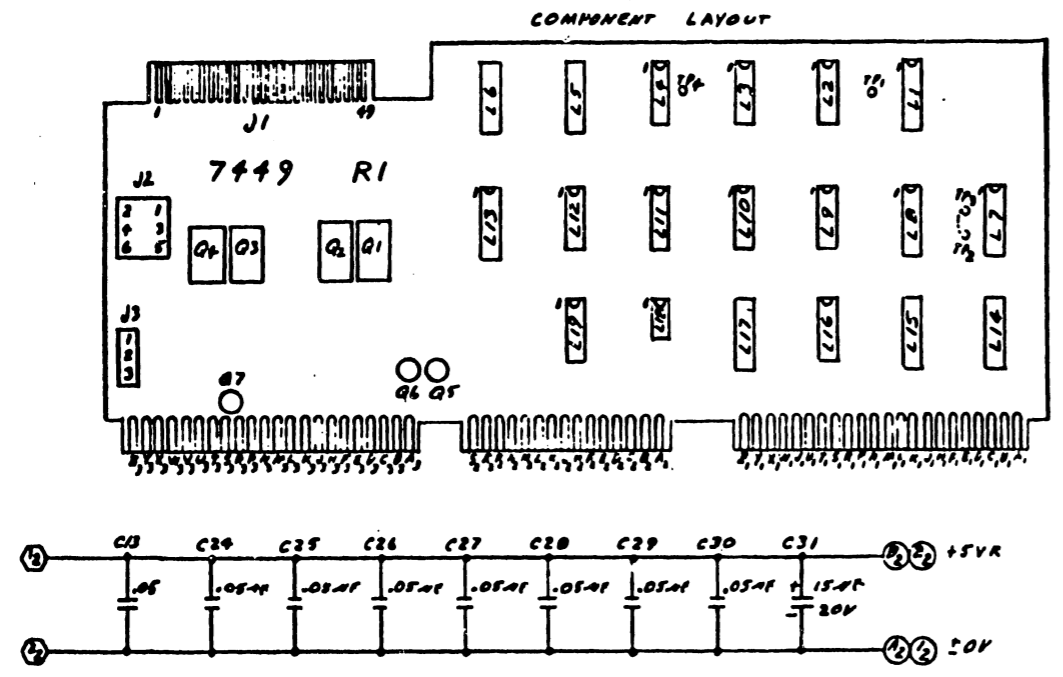
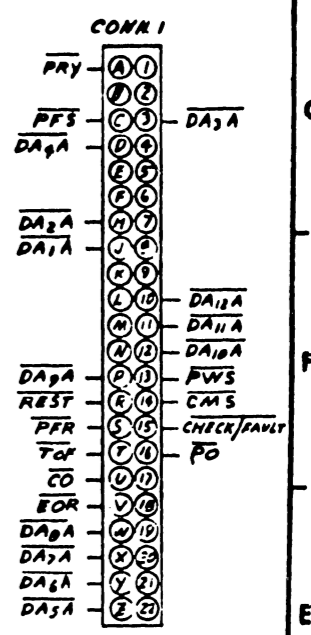
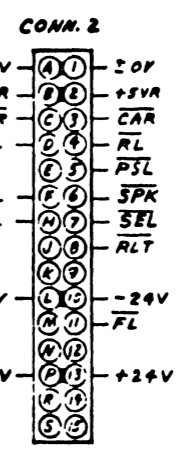
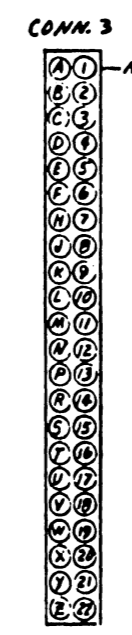
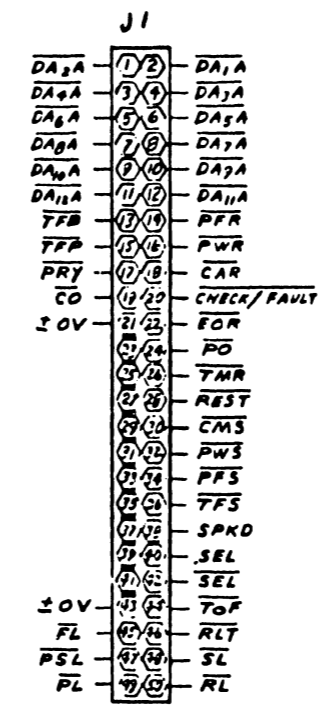
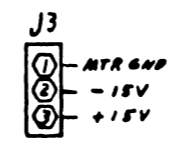
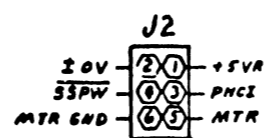
- DA₃A (1) (3)
- DA₄A (2) (2)
- DA₅A (4) (2)
- DA₆A (5) (1)
- DA₇A (6) (1)
- DA₈A (7) (1)
- DA₉A (10) (2)
- DA₁₀A (9) (4)
- DA₁₁A (12) (1)
- DA₁₂A (11) (1)
- PFR (16) (5)
- PWR (15) (2)
- CAR (18) (2)
- PRY (17) (4)
- CHECK/FAULT (25) (1)
- CO (19) (1)
- EOR (22) (1)
- TMR (24) (1)
- CMS (26) (1)
- PWS (27) (1)
- PFS (28) (1)
- SEL (29) (2)
- SEL (30) (2)
- TOF (31) (1)

- RLT (40) (2)
- FL (41) (1)
- SL (42) (1)
- PSL (43) (1)
- RL (44) (1)
- PL (45) (1)

SEP 30 1978

(WANG) LABORATORIES, INC. LITTLE ROCK, AR, U.S.A.		BY	DATE	APPROVED BY	DATE
		DWN	10/1/78	E ENGR	
MODEL NO. 114 NO ENGR. SPECIFICATIONS		CHK		M ENGR	
				MFG ENGR	
TITLE	TWIN SHEET FEEDER CONTROL				
NO. IN SET	210-7449				
NO. OF PAGES	1				
NO. OF SHEETS	1				
SCALE	AS SHOWN				

This drawing and the data herein are the property of Wang Laboratories, Inc. and are to be used only for the purpose specified. The drawings and the data herein are not to be used for any other purpose without the written consent of Wang Laboratories, Inc. If you are not a Wang Laboratories, Inc. employee, you are not to be given this information to any other person, firm, or organization without the written consent of Wang Laboratories, Inc.



IC TYPE	LOCATION	SPARE
7400	L10	1
7411	L9	1
7408	L12	2
7432	L16	1
LM339	L19	1

LOCATION	W.L. PART NO	TYPE
L1, 7, 8	376-0104	7652
L2, 3	376-0556	7474
L4	376-0194	7411
L5, 6, 10, 15, 17		5.115
L9, 12	376-0581	7458
L10	376-0502	7450
L11	376-0010	7454
L13	376-0295	5731
L16	376-0593	7432
L18	376-0126	555
L19	376-0240	LM339

COMPONENT	W.L. PART NO	TYPE
R1	330-4037	39K 1/4W 10%
R2, 9, 11	330-4033	33K 1/4W 10%
R3, 4, 5, 7, 10, 11, 13, 15, 16, 32, 33	330-3022	2.2K 1/4W 10%
R6, 8	330-4097	47K 1/4W 10%
R14, 18, 19, 23, 30	330-3047	4.7K 1/4W 10%
R17, 24	330-3010	1K 1/4W 10%
R20, 22	330-2082	820.2 1/4W 10%
R21, 31	330-4015	10K 1/4W 10%
R23, 26	330-2047	470.2 1/4W 10%
R25	330-3052	3.3K 1/4W 10%
R28	331-2056	560.2 1/4W 10%
R29	330-2015	150.2 1/4W 10%
R34	330-3015	1.5K 1/4W 10%
R35	330-3056	5.6K 1/4W 10%
R36	330-1047	47.2 1/4W 10%
C1, 2	300-4045	2.0MFD 50V (T)
C3, 8	300-1220	220PF CER
C4, 10	300-1906	100PF CER
C5	300-1903	100PF CER
C6, 7	300-4016	33.4MFD 50V (T)
C12, 14, 17, 21, 22	300-1930	1.0MFD 50V CER
C11	300-4002	1.0MFD 50V (T)
C12, 14	300-4034	0.1MFD 50V (T)

COMPONENT	W.L. PART NO	TYPE
C13, 24-30	300-1900	105PF 50V
C11, 25	300-4032	100PF 50V (T)
C16, 23, 31	300-4022	150PF 20V (T)
C7	300-1901	1.0MFD CER
D1, 2, 6	380-1001	DO35 SIL
D3, 8	380-3008	GEA15A
D4, 7	380-4000	1N4004
D5	380-2047	1N750A
G1	375-1052	2N6357
G2	375-1053	1N4003A
G3	374-5004	JAT815
G4	374-0025	UA7715
G5	375-1017	2706
G6	375-0017	2N3014
G7	375-1049	2N2107
J2	654-1126	CONN. 6 FC
J3	654-1123	CONN. 3 FC

MNEMONIC	COORDINATE
CAR	1E1
CHEK/FAULT	1E1
CMS	1D1
CO	1E1
DA1A	1F11
DA2A	
DA3A	
DA4A	
DA5A	
DA6A	
DA7A	
DA8A	
DA9A	
DA10A	
DA11A	
DA12A	1F1
EOR	1D1
FL	1D2
PFR	1E1
PFS	1C1
PL	1C2
PNCI	1E11
PO	1G2
PRY	1E1
PSL	1D2
PWR	1E1
PWS	1C1

MNEMONIC	COORDINATE
REST	1E11
RL	1C2
RLT	1C2
SEL	1B1
SEL	1B1
SL	1D2
SPK	1C11
SPKR	1E11
SSPW	1E11
TFR	1E2
TFFS	1F2
TMR	1D1
TOF	1B1

E-REV
C

SEP 30 1978

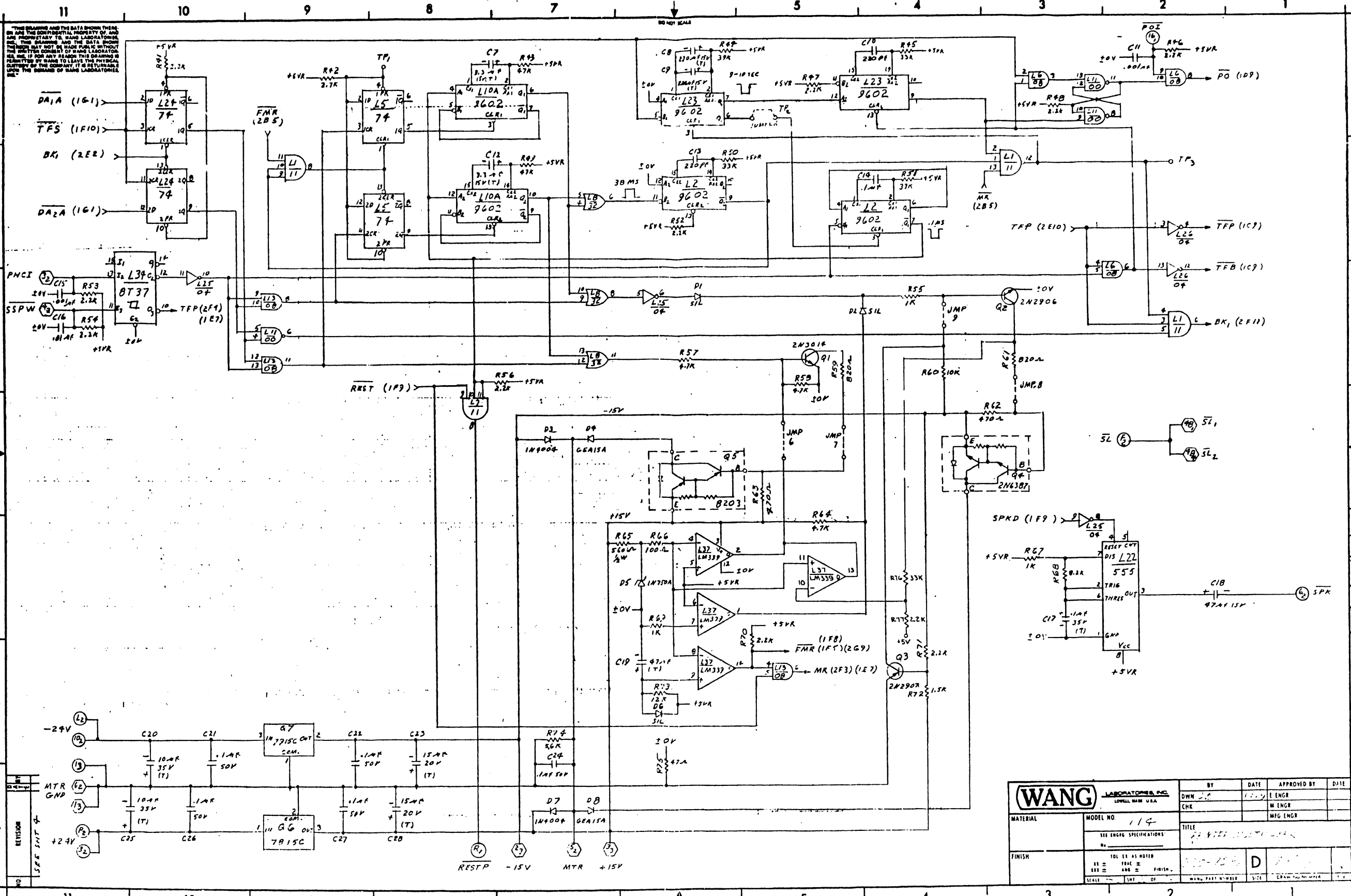
DATE	09/27/78	BY	WJ
REV	1	DATE	09/27/78
DESIGNED BY	WJ	APP'D BY	WJ
CHECKED BY	WJ	DATE	09/27/78

(WANG) LABORATORIES INC. LITTLE ROCK, ARK. U.S.A.		BY	DATE	APPROVED BY	DATE
MATERIAL	MODEL NO.	ENG		ENGR	2-1-78
MEASURE SPECIFICATIONS		ENG		MFG ENGR	
TITLE		MAIN SHEET FEEDER CONTROL			
FINISH	REV. NO.	210-1117	D	7-7-79	1
DRAWING NUMBER		210-1117			

APPENDIX

E

SCHE- MATICS



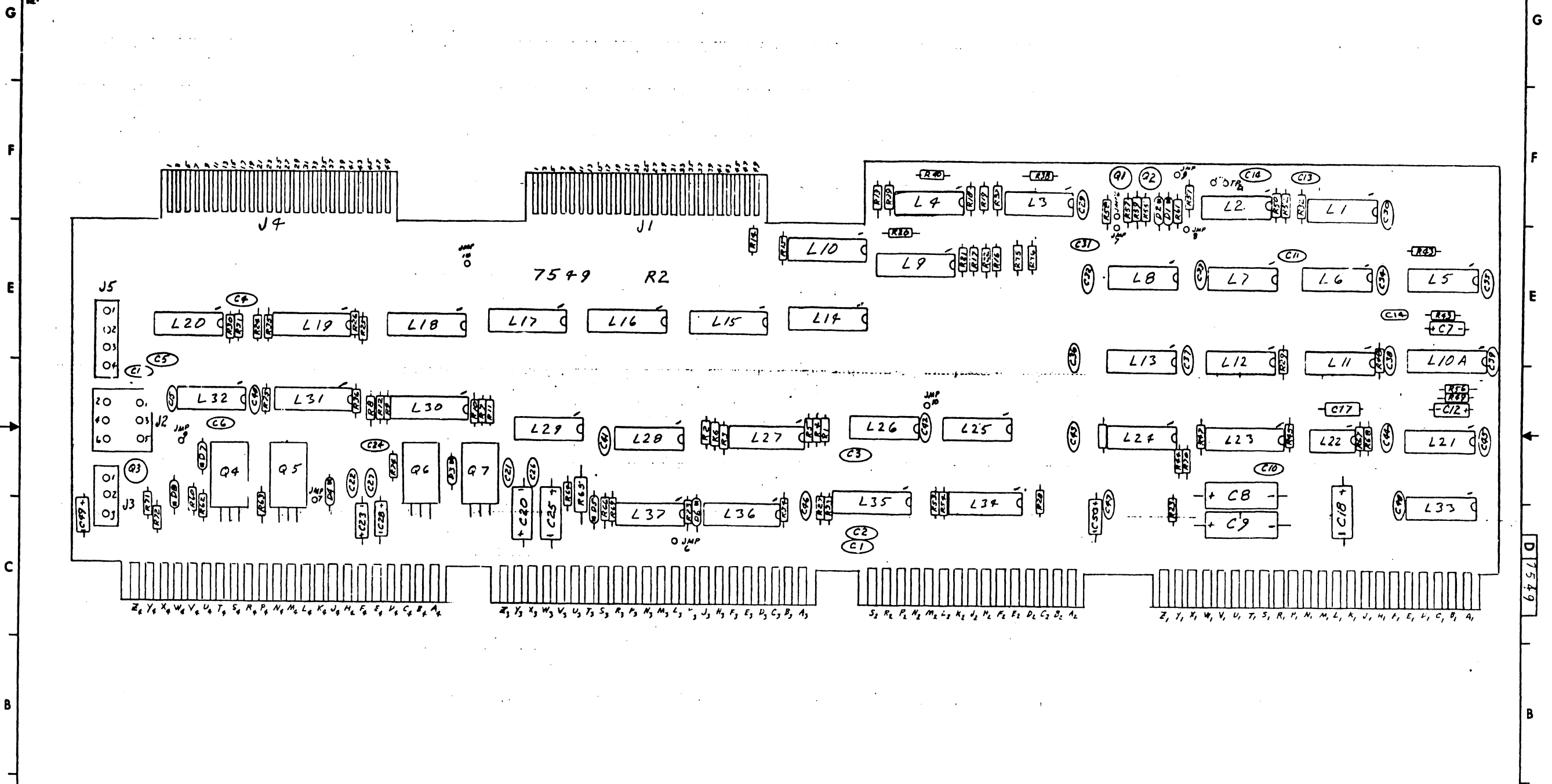
THIS DRAWING AND THE DATA SHOWN THEREON ARE THE SOLE PROPERTY OF WANG LABORATORIES, INC. THIS DRAWING AND THE DATA SHOWN THEREON MAY NOT BE MADE PUBLIC WITHOUT THE WRITTEN CONSENT OF WANG LABORATORIES, INC. IF YOU HAVE READ THIS DRAWING IN WHOLE OR IN PART, YOU ARE HEREBY REQUESTED TO RETURN IT TO THE PERSON TO WHOM IT IS LOANED, AND TO SIGN THE BRAND OF WANG LABORATORIES.

WANG LABORATORIES, INC. LOWELL, MASS. U.S.A.		BY	DATE	APPROVED BY	DATE
		DWN	11-1-67	E ENGR	
MATERIAL MODEL NO. 114 SEE ENG'G SPECIFICATIONS No.		CHK		M ENGR	
				MFG ENGR	
FINISH		TITLE		DATE	
100% AS NOTED 50% FRAC ± FINISH 25% ANNE ± FINISH SCALE: 1/8" = 1"		11-1-67 D		11-1-67	

11 10 9 8 7 6 5 4 3 2 1

THIS DRAWING AND THE DATA SHOWN THEREIN ARE THE CONFIDENTIAL PROPERTY OF AND ARE PROPRIETARY TO WANG LABORATORIES, INC. THIS DRAWING AND THE DATA SHOWN THEREIN MAY NOT BE MADE PUBLIC WITHOUT THE WRITTEN CONSENT OF WANG LABORATORIES, INC. IF FOR ANY REASON THIS DRAWING IS FOUND TO BE NEAR TO LEAVE THE PHYSICAL POSSESSION OF THE COMPANY, IT IS RETURNABLE TO THE DESKTOP OF WANG LABORATORIES, INC.

DO NOT SCALE

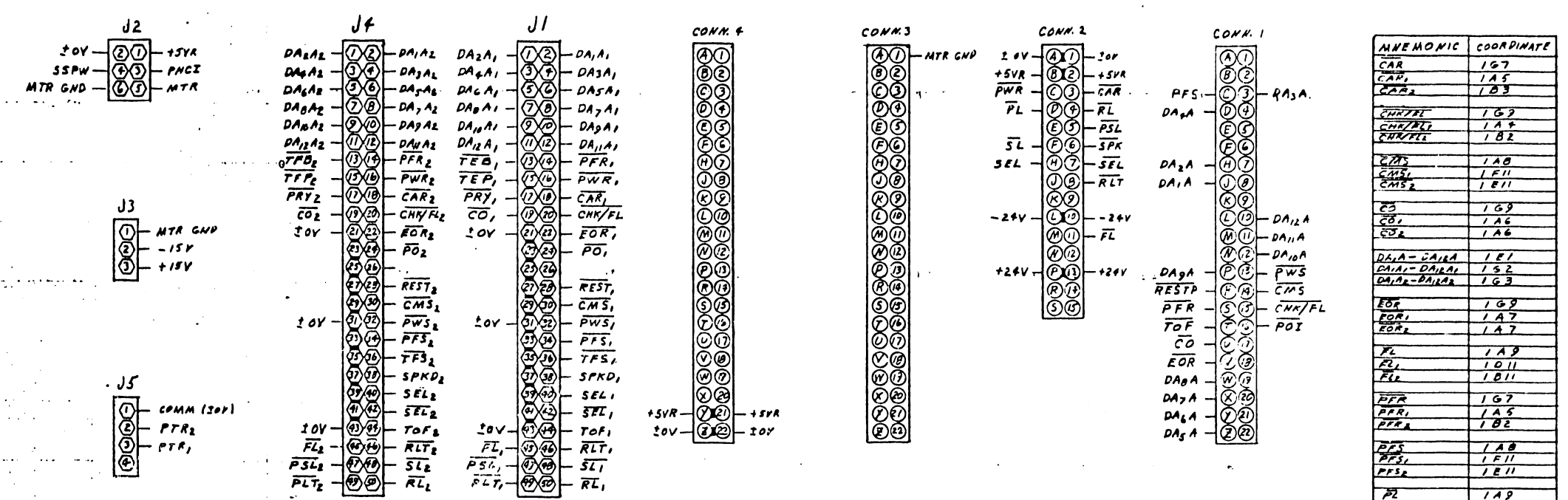


NO.	REVISION
	SEE SMT 4

WANG LABORATORIES, INC. LOWELL, MASS. U.S.A.		BY	DATE	APPROVED BY	DATE
MATERIAL	MODEL NO. 114	DWN		E ENGR	
	SEE DRAWING SPECIFICATIONS	CNR		M ENGR	
				MFG ENGR	
FINISH	TOL. AS NOTED	TITLE: PRINTER MULTISELECTOR			
	SEE SPEC. FOR FINISH	D			
	SCALE: 1/8" = 1"	DRAWN: M. W. H. DATE: 1/27/61			

11 10 9 8 7 6 5 4 3 2 1

THIS DRAWING AND THE DATA THEREON ARE THE CONFIDENTIAL PROPERTY OF AND ARE PROPRIETARY TO WANG LABORATORIES, INC. THE DRAWING AND THE DATA THEREON SHALL BE KEPT IN STRICT CONFIDENCE AND THE USER SHALL NOT BE PERMITTED TO REPRODUCE OR TO DISCLOSE THE DRAWING OR THE DATA THEREON TO ANY OTHER PERSON OR ENTITY WITHOUT THE WRITTEN CONSENT OF WANG LABORATORIES, INC. IF FOR ANY REASON THE DRAWING IS REPRODUCED OR DISCLOSED TO ANY OTHER PERSON OR ENTITY, IT IS HEREBY AGREED THAT THE USER OF SAID DRAWING SHALL BE RESPONSIBLE TO WANG LABORATORIES, INC. FOR THE PROTECTION OF SAID DRAWING.



IC TYPE	LOC.	SPARE
7900	L11	1
7902	L28	2
7904	L26	3
7407	L3	4
7410	L32	1
7411	L7	2
7432	L20	2
	L21	3
7474	L33	1
BT37	L34	1

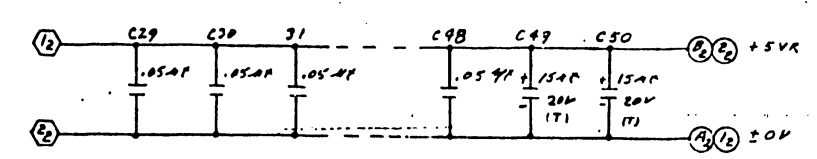
LOCATION	W.L. PART NO.	TYPE
L1, 7	376-0194	7411
L2, 10A, 23	376-0104	9602
L3, 4	376-0056	7407
L5, 12, 24	376-0006	7474
L6, 13	376-0081	7408
L8, 29, 21, 33	376-0093	7432
L9, 19, 14, 15	376-0176	74367
L11	376-0002	7400
L16, 17, 35	376-0047	74151
L22	376-0126	555
L25, 26	376-0010	7404
L27, 30, 34	376-0283	BT37
L28, 29	376-0016	7402
L32	376-0003	7410
L37	376-0240	LM339

COMPONENT	W.L. PART NO.	TYPE
C14	300-1901	1/2W 12V CER
C17	300-4002	1/4W 35V (T)
C18, 19	300-4020	1/4W 15V (T)
C20, 23, 25, 28	300-4032	1/4W 35V (T)
C21, 22, 24, 26, 27	300-1930	1/2W 50V CER
C29-47	300-1900	1/2W 12V CER
C48	300-4022	1/4W 20V (T)
D1, 2, 6	380-1001	31L DIODE
D3, 7	380-4000	1N4004
D4, 8	380-3008	CF 15A
D5	380-2047	1N750A
Q1	375-0017	2N3014
Q2	375-1017	2N2906
Q3	375-1059	2N2907
Q4	375-1052	2N4387
Q5	375-1053	8203
Q6	374-0008	7815C
Q7	374-0005	7815C
J2	654-1104	CONN 6 POS
J3	654-1123	HEADER 3 POS
J5	654-1194	HEADER 4 POS

COMPONENT	W.L. PART NO.	TYPE
R1-12, 14, 21, 23-36, 44, 46, 47, 48, 52, 53, 54, 56, 70, 71, 74	330-3022	2.2K 1/4W 10% B
R13-15, 17-20, 22, 66	330-2010	100A 1/4W 10% B
R37-40	330-2022	220A 1/4W 10% B
R42	330-3027	2.7K 1/4W 10% B
R43, 49	330-4097	47K 1/4W 10% B
R44	330-4039	39K 1/4W 10% B
R45, 50, 51, 75	330-4033	33K 1/4W 10% B
R55, 67	376-3010	1K 1/4W 10% B
R57, 58, 64, 69	376-3047	4.7K 1/4W 10% B
R59, 61	330-2082	820A 1/4W 10% B
R60	330-4010	10K 1/4W 10% B
R62	330-2047	470A 1/4W 10% B
R63	330-2027	270A 1/4W 10% B
R65	371-2056	560A 1/4W 10% B
R68	330-3082	820A 1/4W 10% B
R72	330-3015	15K 1/4W 10% B
R73	330-4012	12K 1/4W 10% B
R74	330-3056	56K 1/4W 10% B
R75	330-1047	47A 1/4W 10% B
C1-5	300-1913	100A 1/2W CER
C6, 14	300-1470	470PF 50V CER
C7, 12, 13	300-4011	3.3M 15V (T)
C8, 9	300-4095	220A 1/2W (T)
C10	300-1320	220PF 50V CER
C11	300-1906	100A 1/2W CER

MNEMONIC	COORDINATE
SEL	1G8
SEL	1G8
SEL	1A7
SEL	1A7
SEL	1B4
SEL	1B4
YL	2D2
YL	2D2
YL	2D2
SPK	2C1
SPK2	1E11
SPK2	1E11
SSPW	2E11
TEP	1A7
TEP	1A7
TEP	1AB
TEP	1AB
TEP	1B11
TEP	1E11
TEP	1E11
TOF	1G7
TOF	1A5
TOF	1B3

MNEMONIC	COORDINATE
CAR	1G7
CAR	1A5
CAR	1B3
CHK/FL	1G7
CHK/FL	1A7
CHK/FL	1B2
CMS	1AB
CMS	1E11
CMS	1E11
CS	1G7
CS	1A6
CS	1A6
DA1A-DA1A	1E1
DA1A-DA1A	1E2
DA1A-DA1A	1G3
EOR	1G9
EOR	1A7
EOR	1A7
FL	1A9
FL	1D11
FL	1D11
PFR	1G7
PFR	1A5
PFR	1B2
PFS	1AB
PFS	1E11
PFS	1E11
PL	1A9
PL	1C11
PL	1B11
PHCI	2E11
POI	1A7
POI	1A7
POI	2G2
PRY	1A4
PRY	1B2
PWL	1A10
PWL	1C11
PWL	1B11
PTR	1G5
PTR	1G4
PWA	1G7
PWA	1A5
PWA	1B3
PWS	1AB
PWS	1G11
PWS	1E11
REST	1E11
REST	1E11
REST	2AB
RL	1A9
RL	1D11
RL	1B11
RLT	1A10
RLT	1C11
RLT	1B11



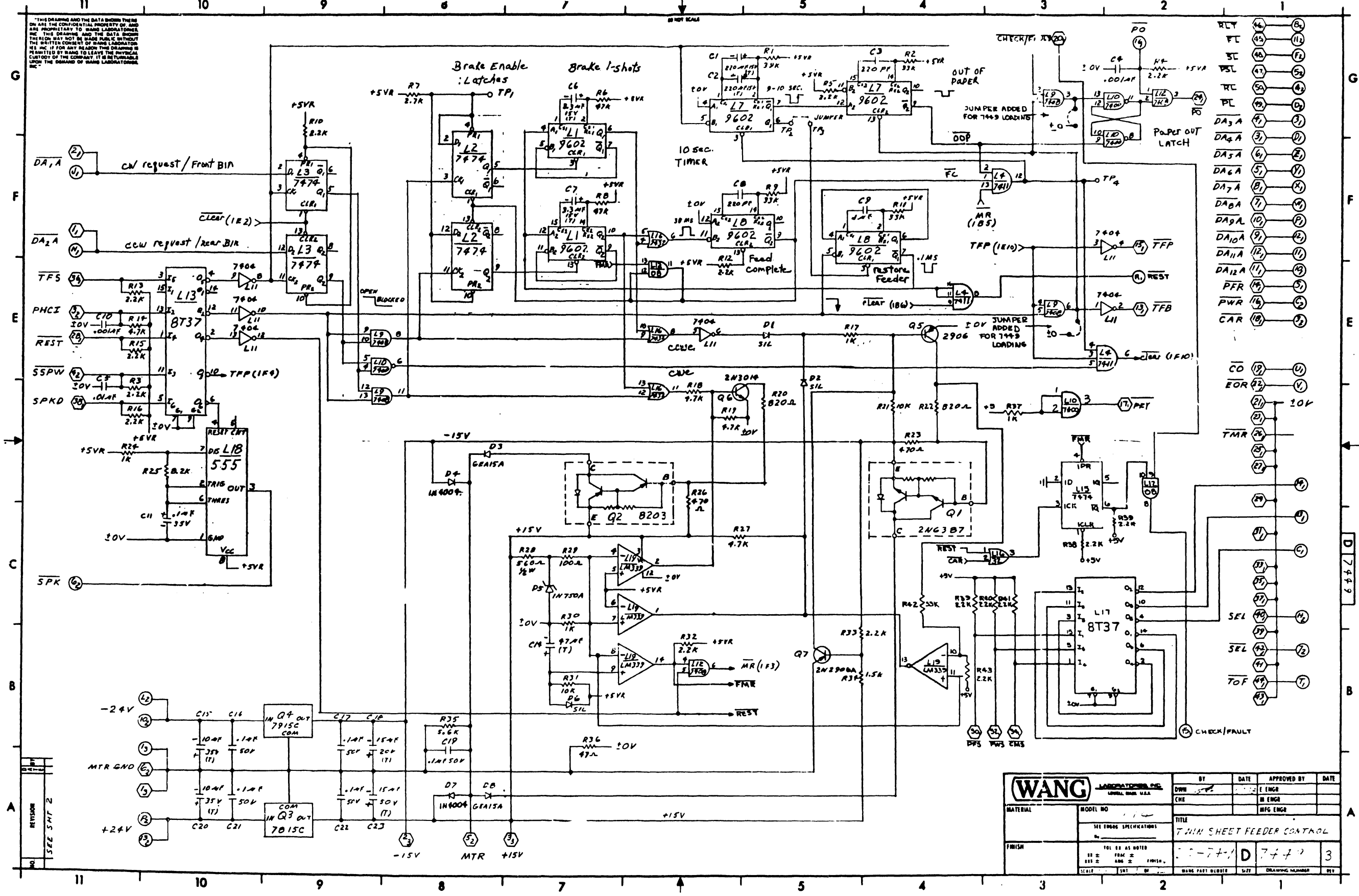
NO.	REVISION	DATE	BY	REASON
1				
2				
3				
4				
5				
6				
7				
8				
9				
10				
11				

WANG LABORATORIES, INC. LOWELL, MASS. U.S.A.		BY	DATE	APPROVED BY	DATE
MATERIAL		DWN		E ENGR	
MODEL NO. 112		CHK		M ENGR	
SEE ENGR SPECIFICATIONS		TITLE FWMTX MULTIPLEXER			
FINISH		101 LB. AS NOTED			
101 LB. AS NOTED		21-75-11 D 75-11			
101 LB. AS NOTED		SCALE: 1/8" = 1" (SEE DRAWING)			

E-REV
1

D 75-49

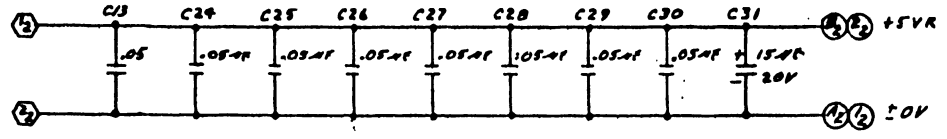
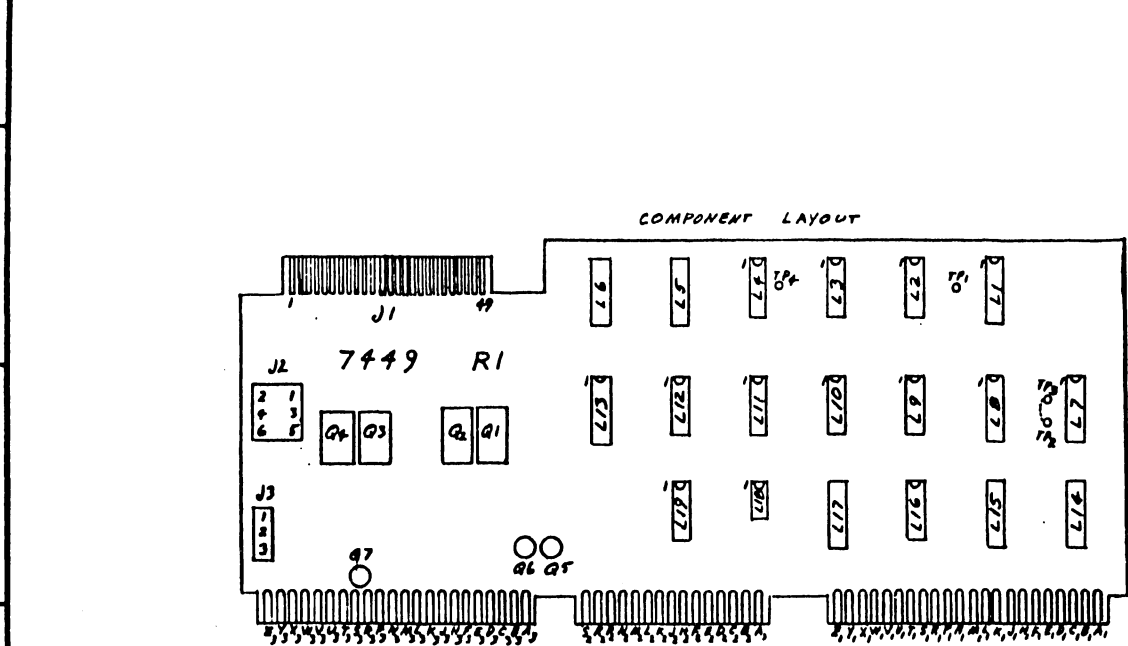
THIS DRAWING AND THE DATA SHOWN THEREON ARE THE CONFIDENTIAL PROPERTY OF, AND ARE PROPRIETARY TO, WANG LABORATORIES, INC. THIS DRAWING AND THE DATA SHOWN THEREON MAY NOT BE MADE PUBLIC WITHOUT THE WRITTEN CONSENT OF WANG LABORATORIES, INC. IF FOR ANY REASON THIS DRAWING IS PERMITTED BY WANG TO LEAVE THE PHYSICAL CARE OF THE COMPANY, IT IS TO REMAIN CONFIDENTIAL TO WANG LABORATORIES, INC.



WANG LABORATORIES, INC. LONDON, ENGLAND		BY	DATE	APPROVED BY	DATE
MATERIAL		DWN		E ENGR	
MODEL NO.		CHE		M ENGR	
SEE IMAGE SPECIFICATIONS				MFG ENGR	
FINISH		TITLE			
TOL AS NOTED		TWIN SHEET FEEDER CONTROL			
FRAC = FRACTION		100-744		D 7449	3
ANG = ANGLE		WANG PART NUMBER		SIZE	DRAWING NUMBER
SCALE		REV		DATE	BY

11 10 9 8 7 5 4 3 2 1

THIS DRAWING AND THE DATA THEREON ARE THE PROPERTY OF WANG AND ARE LOANED TO YOU BY WANG. YOU ARE NOT TO REPRODUCE OR TRANSMIT THIS DRAWING OR THE DATA THEREON IN ANY MANNER WITHOUT THE WRITTEN CONSENT OF WANG. YOU ARE NOT TO USE THIS DRAWING OR THE DATA THEREON FOR ANY OTHER PROJECT WITHOUT THE WRITTEN CONSENT OF WANG. IT IS THE POLICY OF WANG TO MAINTAIN THE CONFIDENTIALITY OF THIS DRAWING, IT IS NOT TO BE REPRODUCED OR TRANSMITTED IN ANY MANNER WITHOUT THE WRITTEN CONSENT OF WANG.



I.C. TYPE	LOCATION	SPARE
7400	L10	1
7411	L9	1
7474	L16	1

LOCATION	W.L. PART NO.	TYPE
L4, 7, B	376-0104	9602
L2, 3, 13	376-0006	7474
L9	376-0010	7411
L5, 6, 14		SPARE
L9, 12	376-0081	7408
L10	376-0002	7400
L11	376-0194	7404
L13, 17	376-0283	8T37
L16	376-0093	7432
L18	376-0126	555
L19	376-0240	LM339

COMPONENT	W.L. PART NO.	TYPE
R1	330-4039	39K 1/4W 10%
R2, 9, 11, 33	330-4033	33K 1/4W 10%
R3, 4, 5, 7, 10, 12, 13, 15, 16, 32, 33, 38-41, 42	330-3022	22K 1/4W 10%
R6, B	330-4097	47K 1/4W 10%
R14, 16, 19, 27	330-3047	47K 1/4W 10%
R17, 24, 30, 37	330-3010	1K 1/4W 10%
R20, 22	330-2082	820Ω 1/4W 10%
R21, 31	330-4010	10K 1/4W 10%
R23, 36	330-2097	470Ω 1/4W 10%
R25	330-3082	82K 1/4W 10%
R28	331-2056	560Ω 1/4W 10%
R29	330-2010	100Ω 1/4W 10%
R34	330-3015	1.5K 1/4W 10%
R35	330-3056	5.6K 1/4W 10%
R36	330-1097	47Ω 1/4W 10%
C1, E	300-4045	220μF 50V (T)
C3, B	300-1220	220PF CER
C4, 10	300-1906	.001μF CER
C5	300-1903	.01μF CER
C6, 7	300-4016	23μF 15V (T)
C13, 14, 17, 21, 22	300-1930	.1μF 50V CER
C11	300-4002	.1μF 35V (T)
C12, 18	300-4034	47μF 20V (T)

COMPONENT	W.L. PART NO.	TYPE
C13, 24-30	300-1900	.05μF CER
C15, 20	300-4032	10μF 35V (T)
C18, 23, 31	300-4022	15μF 20V (T)
C9	300-1901	.1μF CER
D1, 2, 6	380-1001	DO35 SIL
D3, B	380-3008	GEAISA
D4, 7	380-4000	1N4004
D5	380-2097	1N750A
Q1	375-1052	2N6387
Q2	375-1053	ACAB203A
Q3	374-0004	UA7815
Q4	374-0005	UA7915
Q5	375-1017	2906
Q6	375-0017	2N3014
Q7	375-1017	2N2906A
J2	654-1186	CONN. 6 POS.
J3	654-1193	CONN. 3 RS

MNE/MNIC	COORDINATE
CAR	1E1
CHEK/FAULT	1E1
CMS	1D1
CO	1E1
DA1A	1F11
DA2A	
DA3A	
DA4A	
DA5A	
DA6A	
DA7A	
DA8A	
DA9A	
DA10A	
DA11A	
DA12A	1F1
EOR	1D1
FL	1D2
PFR	1E1
PFS	1C1
PL	1C2
PNCI	1E11
PO	1G2
PRY	1E1
PSL	1D2
PWR	1E1
PWS	1C1

MNE/MNIC	COORDINATE
REST	1E11
RL	1C2
RLT	1C2
SEL	1B1
SEL	1B1
SL	1D2
SPK	1C11
SPKD	1E11
SSPW	1E11
TFB	1E2
TFP	1F2
TMR	1D1
ToF	1B1

7449 E-REV 3
7449-1 E-REV 2

REV	DATE	BY	APP'D	DESCRIPTION
1	11-17-70	WJ		DESIGN
2	11-17-70	WJ		REVISED PER ECN # 1105
3	11-17-70	WJ		REVISED PER ECN # 1105
4	11-17-70	WJ		REVISED PER ECN # 1105
5	11-17-70	WJ		REVISED PER ECN # 1105
6	11-17-70	WJ		REVISED PER ECN # 1105
7	11-17-70	WJ		REVISED PER ECN # 1105
8	11-17-70	WJ		REVISED PER ECN # 1105
9	11-17-70	WJ		REVISED PER ECN # 1105
10	11-17-70	WJ		REVISED PER ECN # 1105

2. LOAD L3, 4, 10-13, 18, R3, 13-16, 24, 25, 30, 37, 39-40, C5, 10, 11, 13, 16, 24-26 FOR 7449 VERSION.
1. ALL COMPONENTS LOADED FOR 7449-1 VERSION.

WANG LANGRATON INC. LINDEN, N.J. U.S.A.

DATE: 11-17-70
APPROVED BY: E. ENGLISH
DATE: 11-17-70

MODEL NO: 117
TITLE: TWIN SHEET FEEDER CONTROL

SCALE: 1:1
DRAWING NUMBER: D 7449
REV: 3

WANG

LABORATORIES, INC

ONE INDUSTRIAL AVENUE, LOWELL, MASSACHUSETTS 01851. TEL (617) 459-5000. TWX 710 343-6769. TELEX 94-7421

PRINTED IN U.S.A.

END