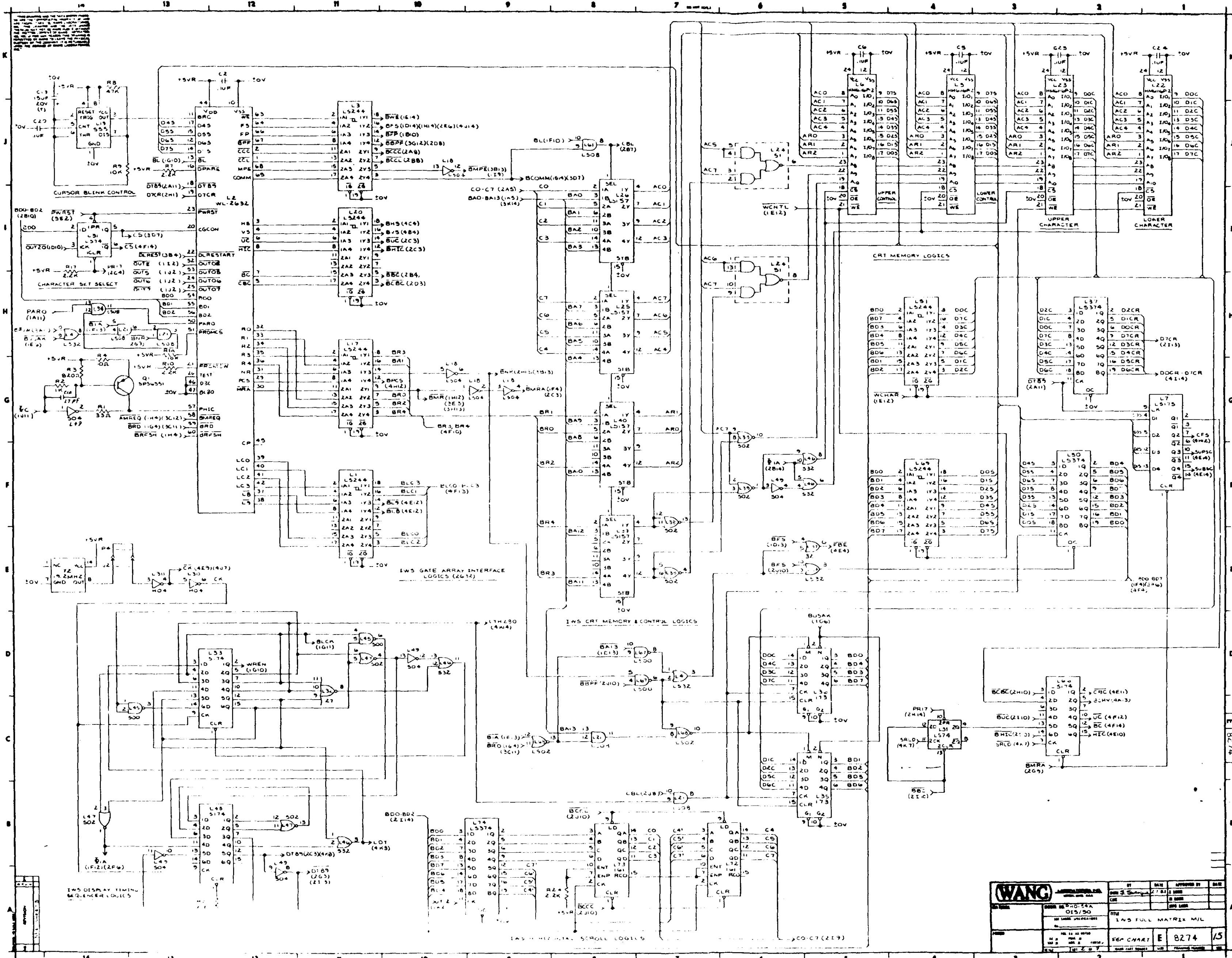
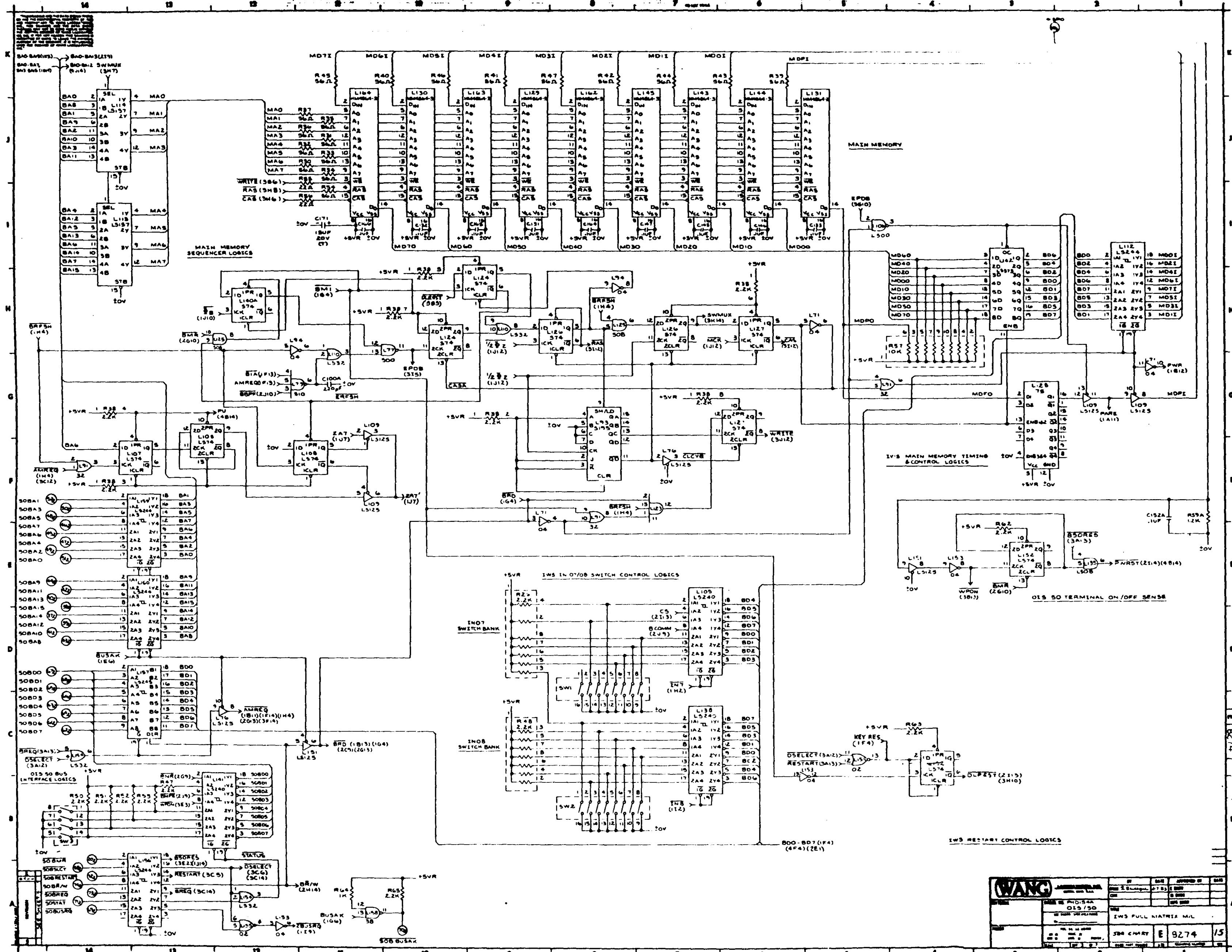


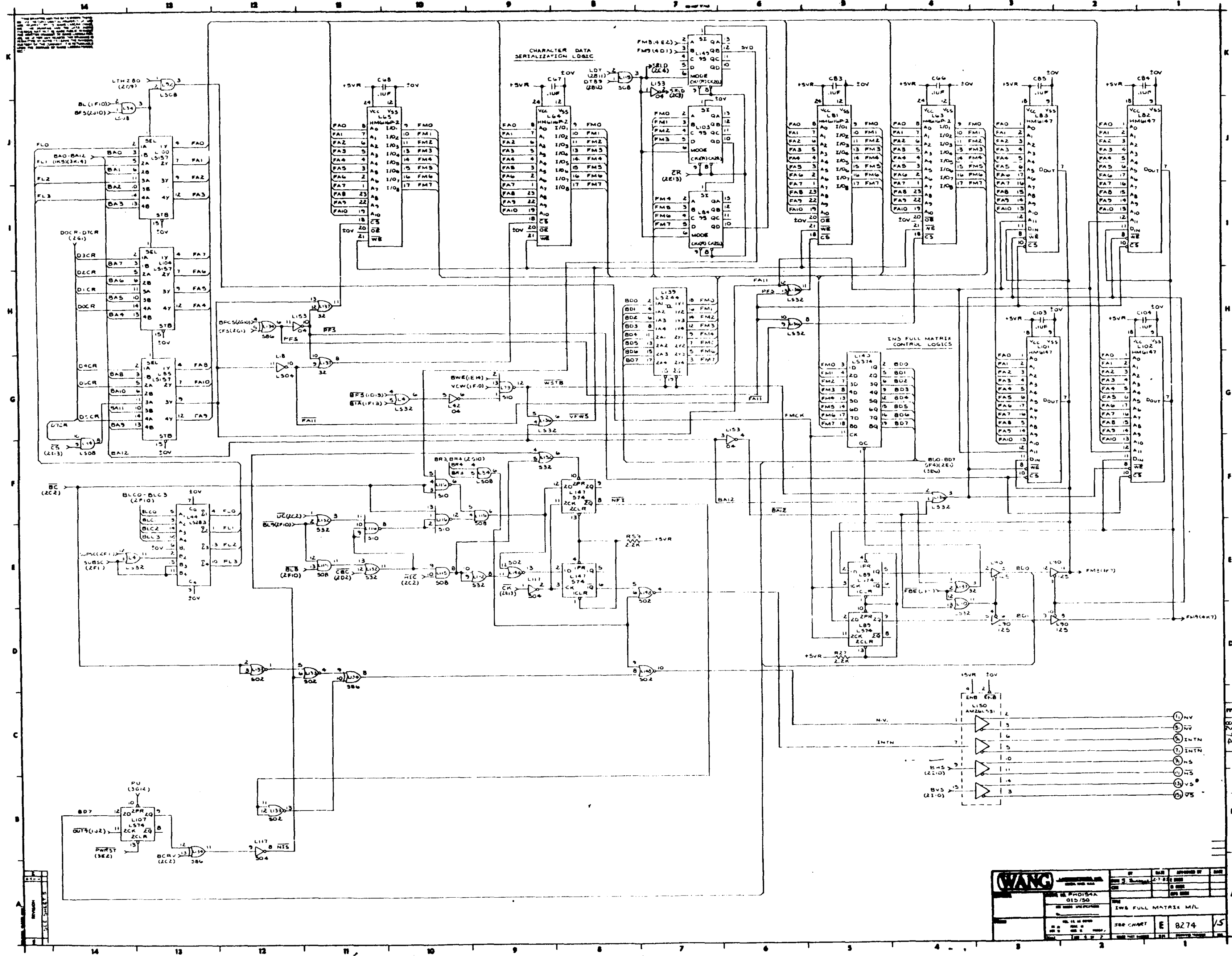
WANG		REV	DATE	BY	APPROVED BY
PART NO. P01-384		015/80			
REV. NO. 1					
TITLE: IWS FULL MATRIX I/O					
DESIGNED BY	CHKD BY	DATE	BY	APPROVED BY	
JOB CHART	E	B274	15		



WANG		BY	DATE	APPROVED BY	DATE
DESIGNED BY	CHKD BY	DATE	DATE	DATE	DATE
INSTRUMENTATION	DATE	DATE	DATE	DATE	DATE
IWS FULL MATRIX M/L					
SEP CHART E B274					
REV. 1					



WANG		REV. 1	DATE	APPROVED BY	CHKD
PROJECT: I/O BUS INTERFACE LOGICS		REV. 2	07/73	G. BROWN	
DRAWN BY: J. BROWN		REV. 3	07/73	G. BROWN	
CHECKED BY: J. BROWN		REV. 4	07/73	G. BROWN	
APPROVED BY: J. BROWN		REV. 5	07/73	G. BROWN	
TITLE: I/O BUS INTERFACE LOGICS		REV. 6	07/73	G. BROWN	
SHEET NO. 15		REV. 7	07/73	G. BROWN	
TOTAL SHEETS 15		REV. 8	07/73	G. BROWN	
PROJECT NO. 15		REV. 9	07/73	G. BROWN	
DRAWING NO. E 9274		REV. 10	07/73	G. BROWN	
DATE: 07/73		REV. 11	07/73	G. BROWN	
BY: J. BROWN		REV. 12	07/73	G. BROWN	
CHKD: G. BROWN		REV. 13	07/73	G. BROWN	
APPD: G. BROWN		REV. 14	07/73	G. BROWN	
TITLE: I/O BUS INTERFACE LOGICS		REV. 15	07/73	G. BROWN	



WANG		REV	DATE	APPROVED BY	CHK
DESIGNED BY	REV 2	DATE	2-7-68		
DRN BY	REV 1	DATE	2-7-68		
CHK BY		DATE			
INSTRUMENTATION					
NO. OF SHEETS	1	TOTAL SHEETS	1		
PROJECT NO.	588 CHART				
DWG. NO.	E 8274				
REV. 1					

