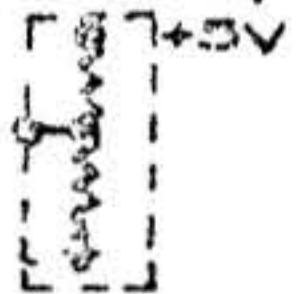


NOTES: (UNLESS OTHERWISE SPECIFIED)

1. THIS DRAWING CONSISTS OF THE FOLLOWING SHEETS 1.0, 1.1, 2.1-11.12, 1.13, 1.2, 1.3, 2.0-2.3, 3.0-3.11, 4.0, 5.0-5.15, 6.0-6.8, 7.0-7.3, 8.0-8.13, 9.0-9.15, 10.0-10.12, TOTAL 95 SHEETS

2. ALL RESISTORS ARE IN OHMS, 1/4 W, ± 5%


3. SYMBOL  $\square$  =  R1 THRU R14 = 300Ω, R15 - R28 = 200Ω

REFERENCE DESIGNATIONS	
LAST USED	NOT USED
JB	
Q1	
R94	R40, 54, 84, 85, 93
C128	SEE BELOW *
CR4	
E120	E19 E94
TP1	

REFERENCE DRAWINGS	
ASSEMBLY	44E0619
ARTWORK	97E0753
SILK SCREEN	97E0760
SOLDER MASK	97E0764
P.W. BOARD	40E0528
PARTS LIST	44P0619

\* REF DES NOT USED:

C10, 11, 15, 14, 17, 18, 20, 22, 24, 28, 30, 33, 37, 38, 39, 41, 42, 46, 48, 50, 52, 54, 56, 58, 60, 61, 62, 65, 68, 69, 72, 73, 74, 81, 82, 86, 88, 89, 90, 94, 96, 97, 99, 100, 105, 107, 108, 112, 115, 118, 120, 121, 123, 127.

DRN. QUEZADA	8-1-72	 varian data machines / a varian subsidiary 2722 michelson drive / irvine / california / 92664
CHK R.A.D.	8-1-72	
APPD		TITLE
DRN. A. WHITCOMB	8-2-72	LOGIC DIAGRAM
CHK R.A.D.	8-2-72	OPTION BOARD DM357
APPD		CODE IDENT NO.
<small>THIS DOCUMENT MAY CONTAIN INFORMATION OF A CONFIDENTIAL NATURE AND ITS DISCLOSURE TO OTHERS WITHOUT THE WRITTEN PERMISSION FROM VDM</small>	21101	SIZE
	B	DATE NO
		91B0401
	SCALE	REV
		A01
		SHEET 1.0 OF



REVISIONS					
CODE	SYN	DESCR	DESCRIPTION	APPROVED	DATE
X			PILOT RELEASE EN 81017	<i>[Signature]</i>	3/7/72
A			PRODUCTION RELEASE 81018	<i>[Signature]</i>	1/1/72
B			REVISED PER EN 81107	<i>[Signature]</i>	7/4/72
C			REVISED PER EN 81262	<i>[Signature]</i>	10/20/72
D			REVISED PER EN 81290	<i>[Signature]</i>	11/2/72
E			REVISED PER EN 81305	<i>[Signature]</i>	11/30/72
F			REVISED PER EN 81346	<i>[Signature]</i>	1/12/73
G			REVISED PER EN 81398	<i>[Signature]</i>	2/27/73
H			REVISED PER EN 81365	<i>[Signature]</i>	2/27/73
J			REVISED PER EN 81524	<i>[Signature]</i>	2/27/73
K			REVISED PER EN 81569	<i>[Signature]</i>	2/27/73
L			REVISED PER EN 81690	<i>[Signature]</i>	2/27/73
M			REVISED PER EN 81736	<i>[Signature]</i>	2/27/73
N			REVISED PER EN 81872	<i>[Signature]</i>	4/3/73
P	GRL		REVISED PER EN 81913	<i>[Signature]</i>	5/23/73
R	GRL		REVISED PER EN 81933	<i>[Signature]</i>	5/23/73
S	GRL		REVISED PER EN 81934	<i>[Signature]</i>	5/23/73
T	GRL		REVISED PER EN 81948	<i>[Signature]</i>	5/23/73
U	GRL		REVISED PER EN 81955	<i>[Signature]</i>	5/23/73
V	GRL		REVISED PER EN 81962	<i>[Signature]</i>	5/23/73
W	GRL		REVISED PER EN 82028	<i>[Signature]</i>	7/29/73
Y	GRL		REVISED PER EN 82090	<i>[Signature]</i>	7/25/73
Z	GRL		REVISED PER EN 82235	<i>[Signature]</i>	9/3/73
AA	JM		REVISED PER EN 82322	<i>[Signature]</i>	9/5/73
AB	JM		REVISED PER EN 82347	<i>[Signature]</i>	9/11/73
AC	GRL		SHEETS 8.7 & 10.8 J4-89 SIGNAL WAS MRSIA- PER EN 82425	<i>[Signature]</i>	10/24/73
AD	GRL		REVISED SHEET 3.6 PER EN 82430	<i>[Signature]</i>	10/24/73
1	DE	PSH	REVISED SHT 9.7, 9.11, 9.14, 9.15, 10.11, 1.1A, 1.1B, 9.6, 9.8, 9.12, 9.13, PER EN 82527.	<i>[Signature]</i>	2/14/74
1	AF	PSH	REF DESIGNATION WAS C128 SHT 1.0, REVISED SHT 3.0 & 1.1A PER EN 82540	<i>[Signature]</i>	2/14/74
1	AG	PSH	REVISED SHTS 1.0, 1.1A, 3.0 PER EN 82562	<i>[Signature]</i>	2/14/74
1	AW	PSH	REVISED SHT 1.1A PER EN 82596	<i>[Signature]</i>	2/14/74
2	-	PSH	REVISED SHT 10.10 PER EN 82630	<i>[Signature]</i>	2/14/74
1	AJ	PSH	REVISED SHT 9.15 PER EN 82711	<i>[Signature]</i>	2/14/74
-	-	GRL	ADDED 2400 BAUD RATE TO SHT 6.4 AND NOTES 1, 2, 3 TO SHT 6.8 PER EN 82897	<i>[Signature]</i>	3-28-74

CODE IDENT NO.	SIZE	CHG NO	REV
21101	B	9180401	AW
SCALE	SHEET 1.1 OF		



REVISIONS

CODE	REV	DATE	DESCRIPTION	APPROVED	DATE
2	AK	SJ	SHT 1.0 LAST USED BLOCK WAS: E108, REVISED SHT 3.6, 7.0, 10.3 AND 10.10 PER EN 82968	WEB	10/21/74
1	AL	SJ	REVISED SHT 3.8 PER EN 83009	WEB	10/21/74
1	AM	SJ	REVISED SHT 3.0, 1.2 & 3.7 PER EN 83076	WEB	10/21/74
1	AN	SJ	REVISED SHT 1.1A, 3.3, 4.0 & 3.4 PER EN 83253	WEB	10/24/74
1	AP	SJ	REVISED SHT 3.8, 1.2 & 3.6 PER EN 83254	WEB	10/24/74
1	AR	SJ	SHT 1.1.2 LOCATION S7 WAS: 74R74 PER EN 83339	WEB	10/21/74
1	AS	SJ	REVISED SHTS. 1.1.2, 1.1.3, 3.6, 5.2, 5.13, 5.15, 6.2, 6.8, 9.0-9.15, 10.3, 10.11 PER EN 83404	WEB	10/21/74
1	AT	SJ	REVISED SHT 7.3 PER EN 83405	WEB	10/21/74
3	AU	SJ	REVISED REF. DES. BLOCK WAS R90, E110. ALSO SHT 6.8 PER EN 83406	WEB	10/21/74
1	AV	AW	REVISED SHEETS 1.1.2, 1.1.3 & 3.4 83607	WEB	
3	AW	AW	DELETED EN 83404-01 - 83650	WEB	11/14/75

CODE IDENT NO	REV	DWG NO	REV
21101	3	91B0401	AW
SCALE	SHEET 1.1 OF		



	1	2	3	4	5	6	7
A	3.0 3.5 - -	3.4 3.5 3.9	3.3 3.8 3.8 3.8	3.7 3.7 - -	3.3 3.5 3.0 -	4.0 4.0 4.0 4.0	3.4 3.9 3.5 -
B	- - 74440	3.9 3.9 74404	- - 74400	- - 74474	- - 74511	- - 7403	- - 7438
C	3.1 3.8 3.9 3.9	3.6 3.6 - -	3.7 3.3 - -	3.6 3.7 - -	3.5 3.5 3.5 3.0	4.0 4.0 4.0 -	3.5 3.6 3.2 -
D	- - 74400	- - 74474	- - 74374	- - 744100	74364	- - 74411	- - 74311
E	3.4 - - -	3.9 3.9 3.4 3.9	3.9 3.9 3.9	3.5 3.7 3.7 3.7	3.5 3.6 - -	4.0 4.0 - -	3.6 3.6 - -
F	- - 74454	- - 7438	- - 7438	- - 3001	- - 74421	- - 744100	- - 74413
G	3.4 3.10 3.10 3.10	3.4 - - -	3.3 3.6 3.8 -	3.5 3.5 4.0 3.8	3.5 3.6 3.8 3.10	4.0 4.0 4.0 3.2	3.8 3.4
H	- - 74500	- - 74564	- - 74411	- - 74400	3.8 74404	- - 3001	- - 7403
I	3.9 (2 572mm)	3.9 3.10 - -	3.4 3.5 3.5 3.10	3.5 3.5 3.5 3.8	3.10 3.4 - -	4.0 4.0 4.0 4.0	3.9 4.0 - -
J	- - 42A0007-000	- - 74420	- - 3001	- - 74400	- - 74510	3.4 74404	- - 74374
K	3.3 - - -	3.3 3.3 3.8 -	3.1 3.1 3.3 3.3	3.3 3.4 3.6 3.7	3.9 3.9 3.9 3.9	4.0 4.0 4.0 4.0	9.2 9.2 - -
L	- - 74454	- - 74410	- - 74300	- - 74400	3.9 74404	- - 7438	- - 74574
M	3.1 3.2 - -	3.1 3.2 - -	3.1 3.2 3.3 3.3	3.0 3.3 3.3 3.4	3.6 3.8 3.9 3.9	4.0 - - -	9.2 9.2 - -
N	- - 74311	- - 744103	- - 3001	3.4 3.4 74404	3.9 3.9 74404	- - 74122	- - 8714
O	3.0 3.0 3.0 3.0	3.1 3.1 - -	3.4 3.7 3.8 3.8	3.4 - - -	3.3 3.4 3.13 -	9.12 9.13 9.13 -	9.14 9.14 - -
P	- - 74404	- - 744103	- - 3003	- - 7442	- - 74411	- - 74510	- - 744100
Q	3.3 3.4 - -	3.10 3.10 3.10 3.10	3.0 - - -	3.0 - - -	3.8 - - -	3.11 3.11 9.9 9.13	9.13 9.13 9.13 9.13
R	- - 74450	- - 74500	- - - -	- - - -	- - 74574	9.15 9.15 74404	- - 74500
S	3.0 - - -	3.0 - - -	- - 74193	- - 74193	3.6 - - -	2.11 9.13 9.14 9.14	3.3 9.13 - -
T	- - 74161	- - 74161	3.0 - - -	3.0 - - -	- - 74455	- - 3001	- - 74474
U	3.0 - - -	3.0 - - -	- - - -	- - - -	3.3 3.8 3.8 3.11	2.9 9.14	9.13 9.13
V	- - 74157	- - 74157	3.0 1.95-001	4.0 1.95-001	- - 3001	7438	- - 7438
W	2.2 2.2 2.2 2.3	2.2 - - -	3.9 3.9 3.9 3.9	2.2 2.2 2.2 2.2	X		9.15 - - -
X	- - 74504	- - 7438	- - 7438	2.2 2.2 74404			- - 744100
Y	2.0 2.0 2.0 2.0	2.3 2.3 2.3 2.3	2.0 2.1 2.1 2.1	2.1 2.1 2.2 2.2	X		9.15 9.15 9.15 9.15
Z	2.0 2.0 74404	- - 74500	2.1 2.1 74404	2.2 2.2 74404			- - 74400
AA	2.0 2.0 2.0 2.0	2.0 2.0 2.0 2.1	2.1 2.1 2.1 2.1	2.1 2.1 2.2 2.2	X		9.15 9.15 - -
AB	- - 7438	- - 7438	- - 7438	- - 7438			- - 744103
AC	2.0 2.0 2.0 2.0	2.0 2.0 2.0 2.1	2.1 2.1 2.1 2.1	2.1 2.1 2.2 2.2	X		3.13 9.13 9.15 3.6
AD	- - 7438	- - 7438	- - 7438	- - 7438			- - 743113
AE	5.0 5.0 5.0 5.0	5.0 5.0 5.4 5.4	5.9 5.9 - -	5.0 5.0 5.0 5.3	5.15 5.15 - -	5.3 5.3 - -	5.6 9.15 - -
AF	- - 74401	5.6 5.4 74404	- - 7474	5.15 5.0 74403	- - 74450	- - 74474	- - 74574
AG	5.0 5.0 5.1 5.1	5.2 - - -	5.9 5.9 - -	5.2 - - -	5.15 5.15 - -	5.3 5.3 9.15 -	5.6 5.15 - -
AH	- - 74401	- - 3006	- - 7474	- - 74430	- - 74450	- - 74411	- - 74420
AI	5.1 5.1 5.1 5.1	5.6 - - -	5.0 5.3 - -	5.1 - - -	5.8 5.8 5.9 5.9	3.3 5.2 5.3 5.13	5.12 5.13 - -
AJ	- - 74401	- - 7474	- - 7474	- - 74173	3.10 5.10 74404	- - 74400	- - 744103
AK	5.7 - - -	5.6 - - -	5.9 5.9 - -	5.11 - - -	5.11 5.11 - -	5.2 5.3 5.6 5.0	5.12 5.13 9.12 -
AL	- - 74493	- - 74493	- - 7474	- - 74193	- - 74421	5.11 74404	- - 74411
AM	5.7 - - -	5.10 5.10 - -	5.10 5.10 - -	5.11 - - -	5.11 5.11 - -	5.2 5.15	5.13 5.14 - -
AN	- - 74493	- - 7474	- - 7474	- - 74193	- - 74421	6006	- - 744100
AO	5.1 - - -	5.3 5.3 5.4 -	5.1 5.2 5.4 5.4	5.3 5.3 - -	5.11 5.11 5.11 5.11	5.2 5.3 5.13 -	5.13 5.15 - -
AP	- - 74401	- - 74411	- - 3001	- - 74474	- - 74400	- - 7410	- - 7474
AQ	5.4 - - -	5.4 5.4 - -	5.1 5.2 5.2 5.2	5.1 5.2 5.3 5.11	5.4 5.11 - -	5.3 6.0	5.13 - -
AR	- - 74197	- - 7474	5.2 5.4 74404	- - 3001	- - 7474	- - 74400	74400
AS	5.4 - - -	5.4 - - -	X		5.2 5.4 5.5 5.5	5.5 - - -	5.13 5.14 5.14 -
AT	- - 74197	- - 74197			5.13 5.13 74404	- - 7413	- - 74411

COND. UNIT NO.	SIZE	ENG. NO.	REV.
21101	B	9130401	AW
SCALE	SHEET 1.12 OF		



	8	9	10	11	12	13	14
A	8.2 8.7 8.7 8.13 - - 74300	8.7 8.8 - - - - 74421	- - - - - - 7410	8.1 8.1 - - - - 74170	8.11 - - - - - - 74170	8.11 - - - - - - 74170	8.13 - - - - - - 74150
B	8.8 8.8 - - - - 74410	8.7 8.7 8.7 - - - - 74511	8.1 8.1 - - - - 74451	8.11 - - - - - - 74170	8.11 - - - - - - 74170		
C	8.6 8.8 8.8 - - 7402	8.7 8.7 8.3 - - - - 74411	8.1 8.1 - - - - 74474	8.12 - - - - - - 74170	8.12 - - - - - - 74170	8.12 - - - - - - 74170	8.12 - - - - - - 74170
D	8.8 8.8 - - - - 74403	8.7 8.11 - - - - 74410	8.0 8.0 8.0 8.1 8.9 8.11 74404	8.0 8.0 - - - - 74421	8.3 8.3 8.3 8.3 - - 7403	8.2 8.2 8.2 8.2 - - 7408	8.0 8.0 8.0 8.0 8.0 8.0 74405
E	8.4 8.3 8.3 8.3 - - 3001	8.4 8.7 8.7 8.2 - - 3001	8.0 8.1 - - - - 74474	8.0 8.0 - - - - 74474	8.2 8.2 8.2 8.2 - - 7403	8.10 - - - - - - 74175	8.11 8.11 - - - - 74474
F	8.5 8.5 8.5 8.5 - - 3001	8.5 8.5 8.8 9.7 - - 3003	8.4 8.4 - - - - 74403	8.3 8.3 8.3 8.3 - - 7403	8.2 8.2 8.2 8.2 - - 7403	8.10 - - - - - - 74175	8.11 8.11 - - - - 74123
G	8.5 8.5 - - - - 74410	8.4 8.7 - - - - 74474	8.0 8.2 8.2 8.4 - - 74400	8.1 - - - - - - 74175	8.1 - - - - - - 74175	8.9 8.9 8.9 8.9 8.9 8.9 74404	8.11 8.11 9.2 9.2 - - 7438
H	9.2 9.14 - - - - 74511	9.2 9.2 - - - - 7438	9.0 9.0 9.0 9.0 - - 7438	9.1 9.1 9.1 9.1 - - 7438	9.2 9.2 9.2 9.2 - - 7438	7.0 7.3 - - - - 74403	7.0 7.0 - - - - 74474
I	9.12 9.12 744103	9.0 9.0 9.1 9.1 - - 7438	9.0 - - - - - - 3404	9.1 - - - - - - 3404	9.2 - - - - - - 3404	7.0 7.0 7.0 7.0 - - 3001	7.0 7.0 - - - - 74421
J	9.12 9.15 74421	9.11 9.15 9.12 - - - - 74510	9.0 9.0 9.0 - - - - 8T14	9.1 9.1 9.1 - - - - 8T14	9.2 9.2 9.2 - - - - 8T14	7.1 7.1 7.2 7.2 7.3 7.3 74514	7.0 7.3 7.3 - - - - 74511
K	9.11 9.11 74520	9.8 9.11 9.15 74400	9.0 9.0 9.0 - - - - 8T14	9.1 9.1 9.1 - - - - 8T14	9.2 9.2 9.2 - - - - 8T14	7.0 7.0 7.1 7.2 - - 7438	7.0 9.1 7.2 7.3 - - 74500
L	9.11 9.11 9.11 9.11 - - 74500	9.11 9.13 9.7 - - - - 74511	9.12 74520	9.12 9.12 - - - - 74514	7.0 7.0 7.0 7.0 7.0 7.0 74405	7.2 - - - - - - 82562	7.1 - - - - - - 82562
M	9.8 9.10 9.11 9.11 74504	9.6 9.7 9.12 9.0 - - 74500	9.7 9.12 - - - - 74512	9.12 9.12 - - - - 74514	9.5 9.5 9.5 9.5 - - 7438	9.4 9.4 9.4 9.4 - - 7438	9.3 9.3 9.3 9.3 - - 7438
N	9.9 9.9 9.9 - - - - 8T14	9.7 9.7 9.7 9.7 - - 7438	9.6 9.7 9.9 - - - - 48A007 -200	9.3 9.3 9.3 9.3 - - 7438	9.5 - - - - - - 3404	9.4 - - - - - - 3404	9.3 - - - - - - 3404
O	9.7 9.9 9.9 9.9 9.9 9.14 74404	9.8 - - - - - - 74453	9.6 9.6 9.7 - - - - 8T14	9.5 9.5 9.5 9.5 - - 7438	9.5 9.5 9.5 9.5 9.5 9.5 74404	9.4 9.4 9.4 9.4 9.4 9.4 74404	9.3 9.3 9.3 9.3 9.3 9.3 74404
P	9.9 9.9 9.9 9.9 - - 7438	9.8 - - - - - - 74564	9.6 9.6 - - - - 74574	9.4 9.4 9.5 9.5 - - 7438	9.5 - - - - - - 74174	9.4 - - - - - - 74174	9.3 - - - - - - 74174
Q	9.10 9.10 9.10 - - - - 74511	X	9.6 9.6 9.6 - - - - 74511	9.4 9.4 9.5 9.5 - - 7438	9.5 9.5 9.5 - - - - 8T14	9.4 9.4 9.4 - - - - 8T14	9.3 9.3 9.3 - - - - 8T14
R	8.7 9.10 9.14 - - - - 74511	9.7 - - - - - - 93H72	9.6 9.6 - - - - 74574	9.3 9.3 9.3 9.3 - - 7438	9.5 9.5 9.5 - - - - 8T14	9.4 9.4 9.4 - - - - 8T14	9.3 9.3 9.3 - - - - 8T14
S	9.7 9.10 9.14 - - - - 74511	9.7 9.7 9.7 - - - - 74511	9.6 9.6 - - - - 8T14	9.4 9.4 9.4 9.4 - - 7438	9.0 9.1 9.5 (1 SPARE) 48A007 (2 SPARE) 48A007	9.1 9.2 9.4 (2 SPARE) 48A007 (2 SPARE) 48A007	9.0 9.2 9.3 9.9 - - 48A007 -200
T	6.0 6.0 6.0 6.0 6.0 6.1 74405	6.3 - - - - - - 74177	6.1 6.1 6.1 6.5 - - 3001	6.5 6.5 6.5 6.5 - - 7475	6.6 - - - - - - - -	- - - - - - - -	X
U	6.0 6.0 6.0 6.2 6.3 74404	6.3 - - - - - - 74177	6.1 6.1 - - - - 74403	6.5 6.5 6.5 6.8 - - 7475	- - - - - - - -	- - - - - - - -	X
V	6.0 6.2 6.3 - - - - 74411	6.3 - - - - - - 74177	6.0 - - - - - - 74122	6.0 6.1 6.2 6.2 - - 3003	6.7 6.7 6.7 6.7 - - 74401	X	X
W	6.0 6.0 6.3 6.7 6.7 6.3 74404	6.3 6.3 - - - - 7474	6.1 6.3 - - - - 74123	6.2 6.2 6.2 6.3 - - 3001	6.1 6.7 6.7 - - 3001	6.2 6.2 - - - - 6006	6.8 - - - - - - 48A007 -200

Y 6.7 6.7 6.7 6.7  
- - 74401

Z 6.2 6.8  
6006 - - 48A007  
-200

12.5 13.5

CODE IDENT NO	REV	DATE	REV
21101	3	9180401	AW
SCALE	SHEET 1.3 OF		



### TABLE OF CONTENTS

DESCRIPTION	SHEET NO.
COVER	1.0
REVISION	1.1
TABLE OF CONTENTS	1.2, 1.3
OPTION BOARD COMMON LOGIC	2.0
	2.1
	2.2
OPTION BOARD COMMON LOGIC	2.3
I/O	3.0
	3.1
	3.2
	3.3
	3.4
	3.5
	3.6
	3.7
	3.8
	3.9
	3.10
I/O	3.11
PFR	4.0
REAL TIME CLOCK	5.0
	5.1
	5.2
	5.3
	5.4
	5.5
	5.6
	5.7
	5.8
	5.9
	5.10
	5.11
	5.12
	5.13
	5.14
REAL TIME CLOCK	5.15
TELETYPE / CRT	6.0
	6.1
	6.2
	6.3
	6.4
	6.5
	6.6
	6.7
TELETYPE / CRT	6.8
PARITY	7.0
	7.1
	7.2
PARITY	7.3

DC

CC

B

A

CODE IDENT NO.	REV	DATE NO	REV
21101	3	91B0401	AW
SCHZ		CHRT	1.2

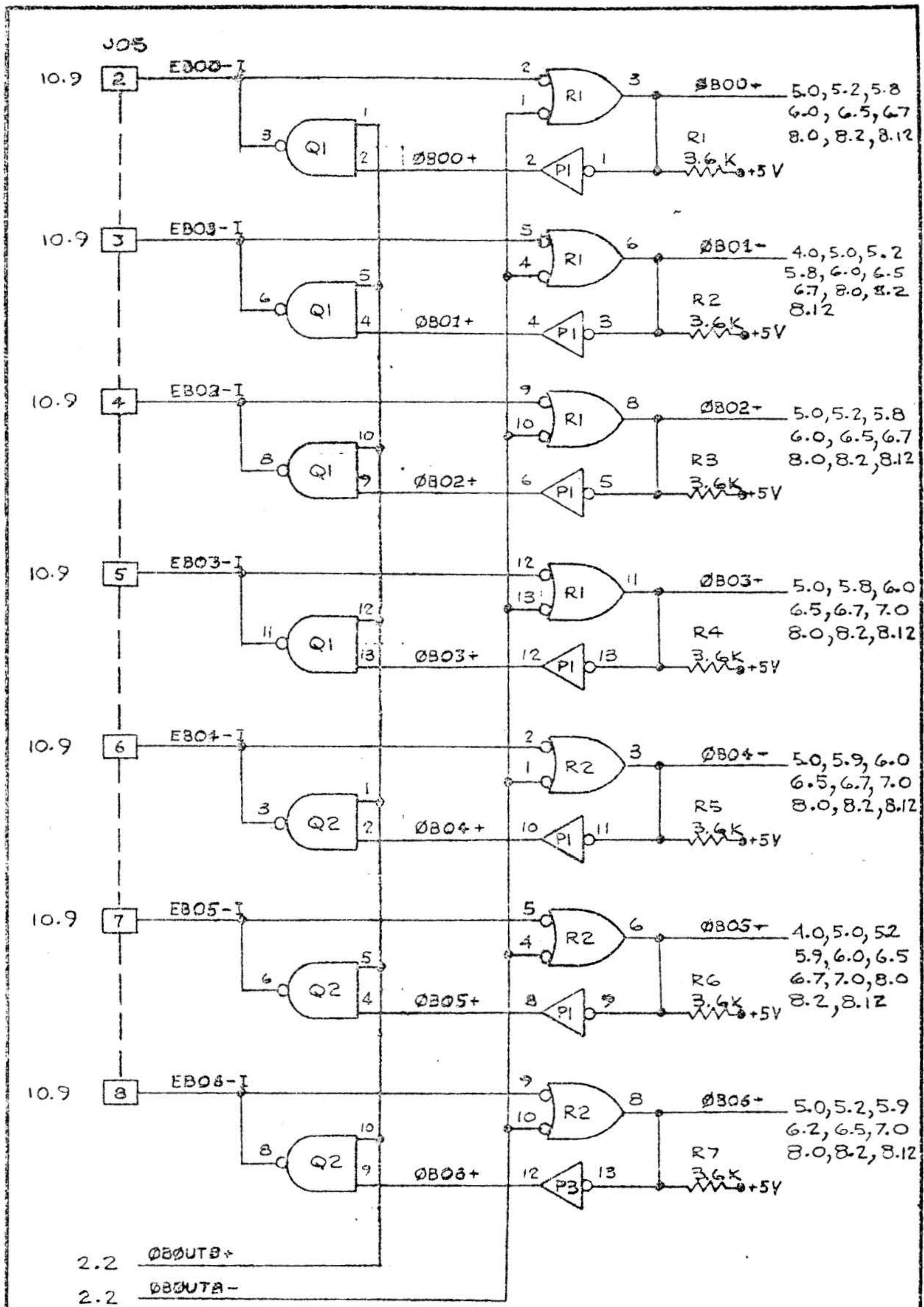


TABLE OF CONTENTS

DESCRIPTION	SHEET NO.
MEMORY PROTECT	8.0
	8.1
	8.2
	8.3
	8.4
	8.5
	8.6
	8.7
	8.8
	8.9
	8.10
	8.11
	8.12
MEMORY PROTECT	8.13
PMA	9.0
	9.1
	9.2
	9.3
	9.4
	9.5
	9.6
	9.7
	9.8
	9.9
	9.10
	9.11
	9.12
	9.13
	9.14
PMA	9.15
PO1	10.0
	10.1
	10.2
	10.3
	10.4
	10.5
PO1	10.6
POWER & GRD	10.6
J3	10.7
J4	10.8
J5	10.9
J6	10.10

CODE IDENT. NO.	CHK	DRG NO.	REV
21101	B	91B0401	AW
SCALE		SHEET	1.3

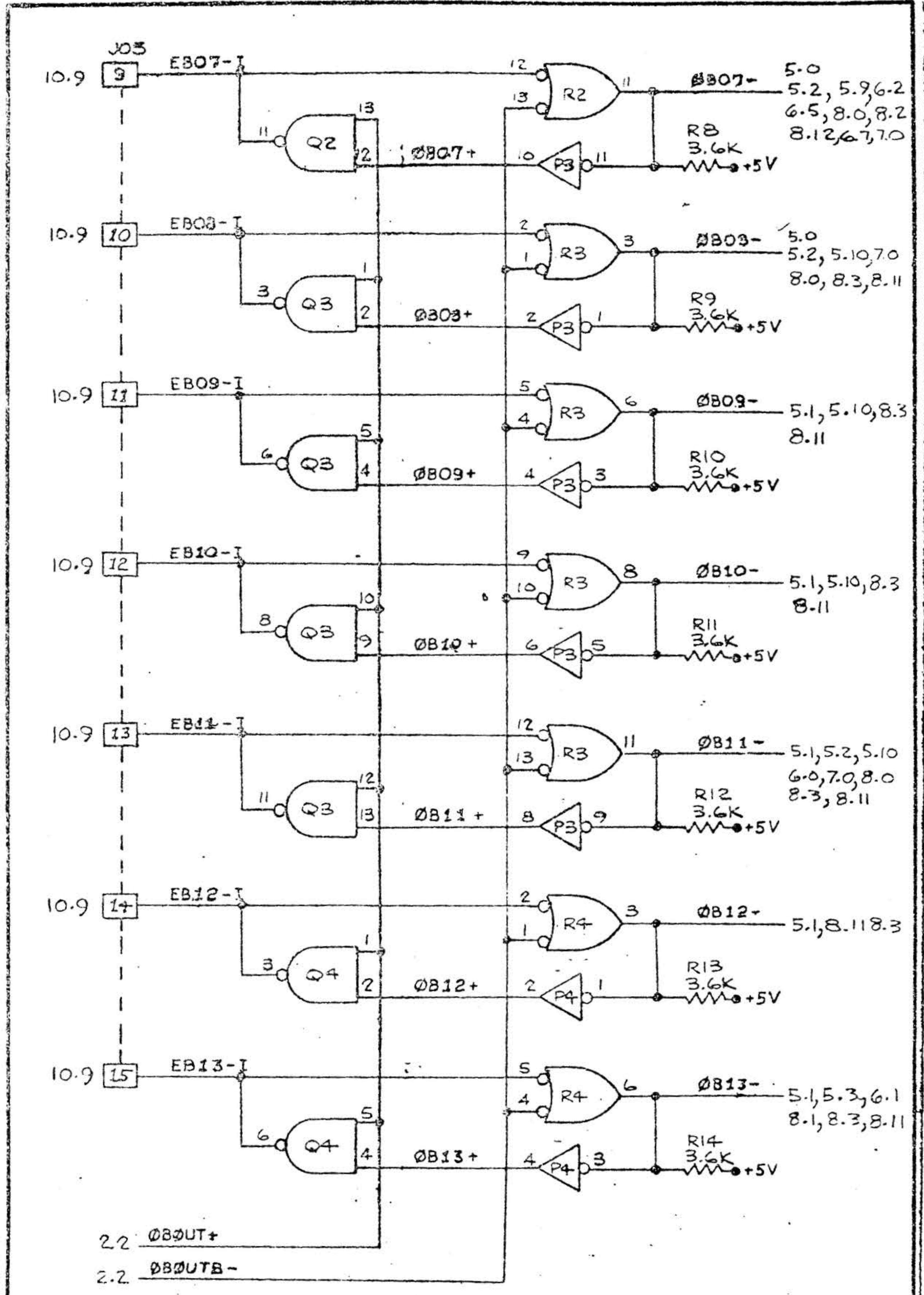




OPTION BOARD, COMMON LOGIC

CODE IDENT NO.	SIZE	ENG NO.	REV
21101	3	91B0401	AW
SCALE	SHEET 2.0		

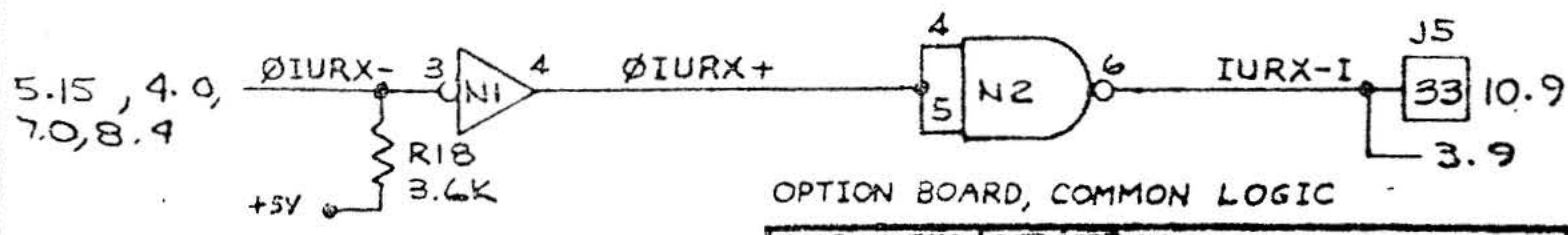
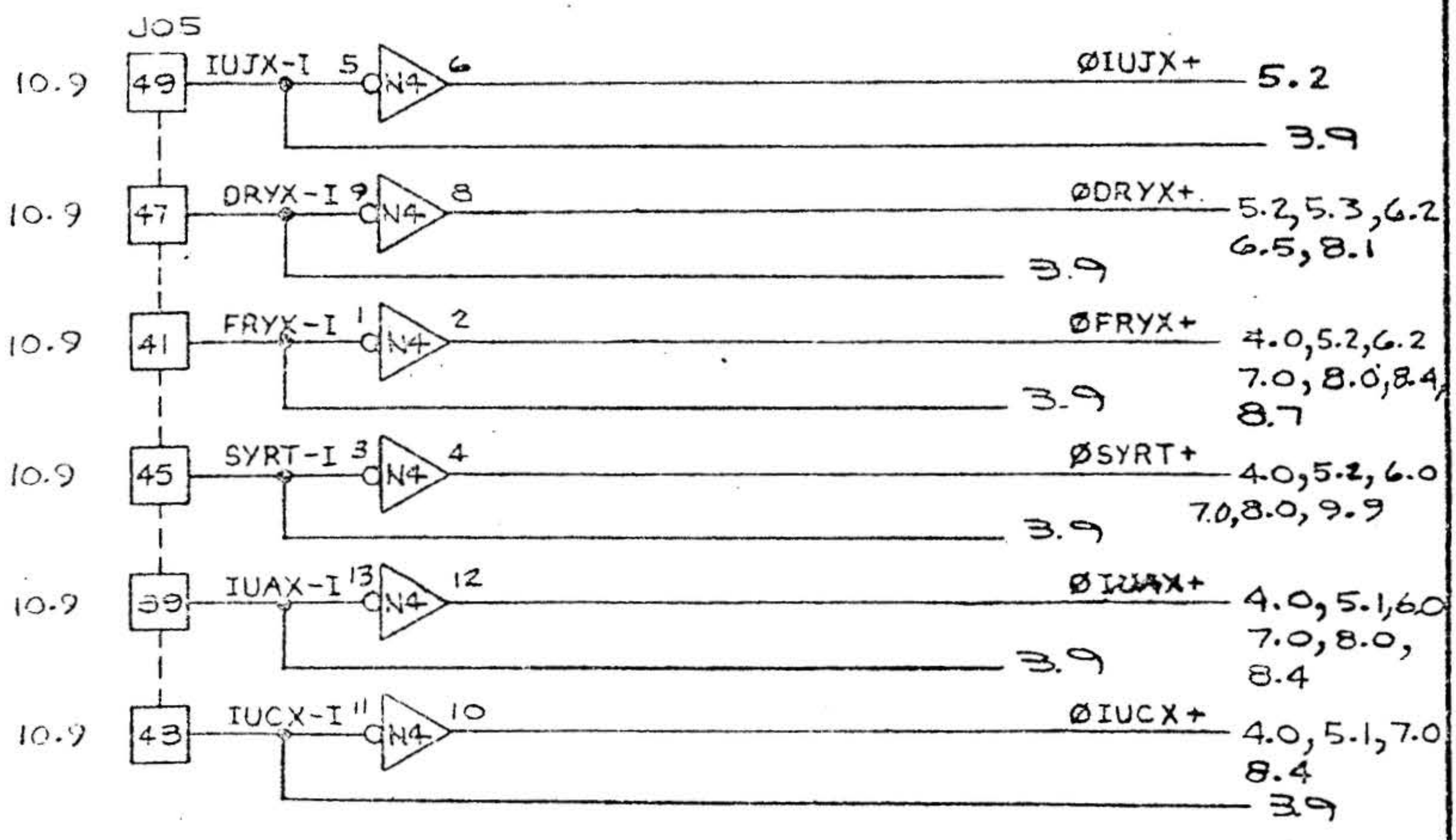
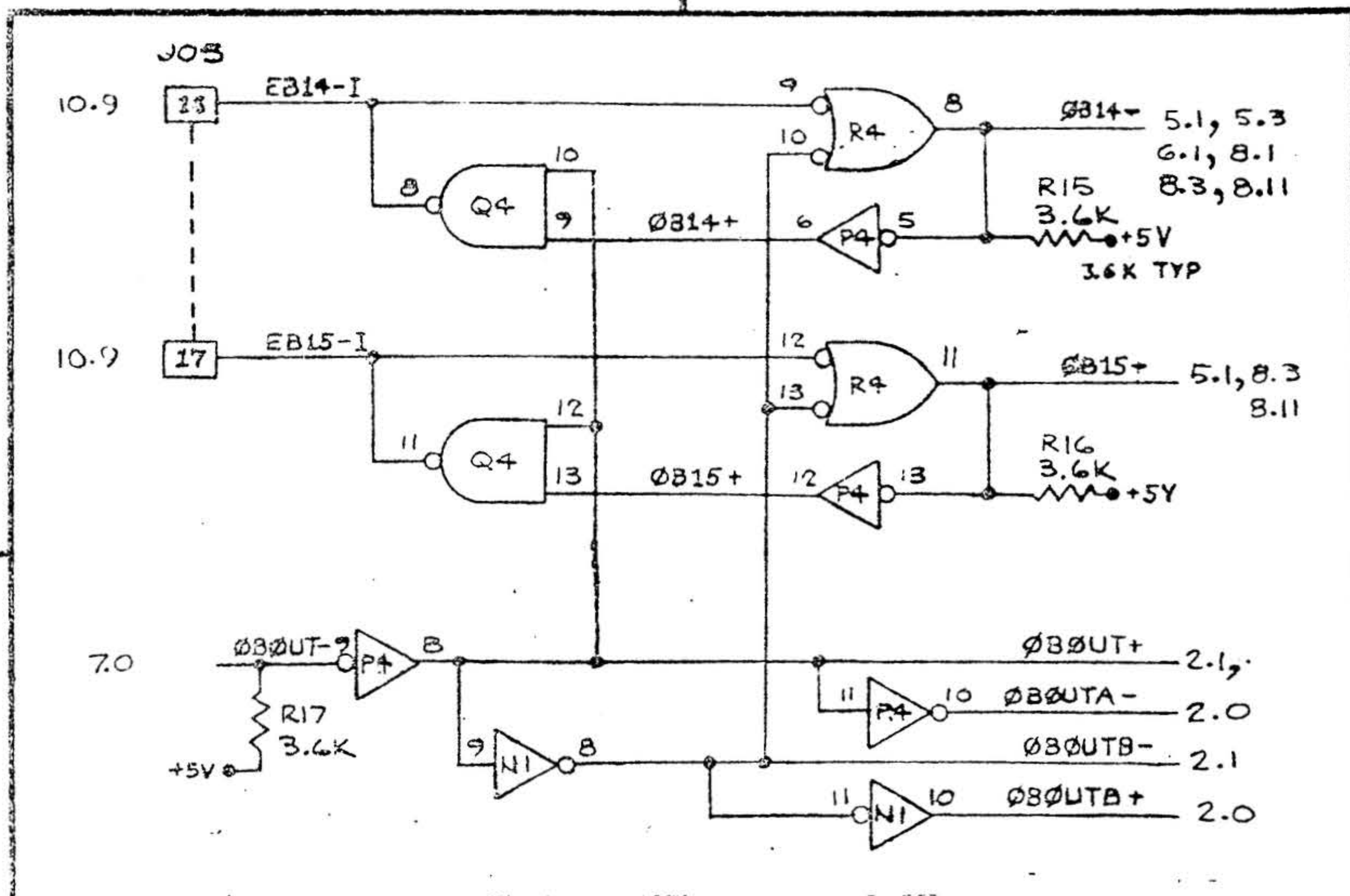




OPTION BOARD, COMMON LOGIC

CODE IDENT NO.	REV	DRG NO	REV
21101	B	91B0401	AW
SCALE	SHEET 2.1		





OPTION BOARD, COMMON LOGIC

CODE IDENT NO.	SIZE	REV NO	REV
21101	B	9180401	AW
SCALE	CHSET		2.2



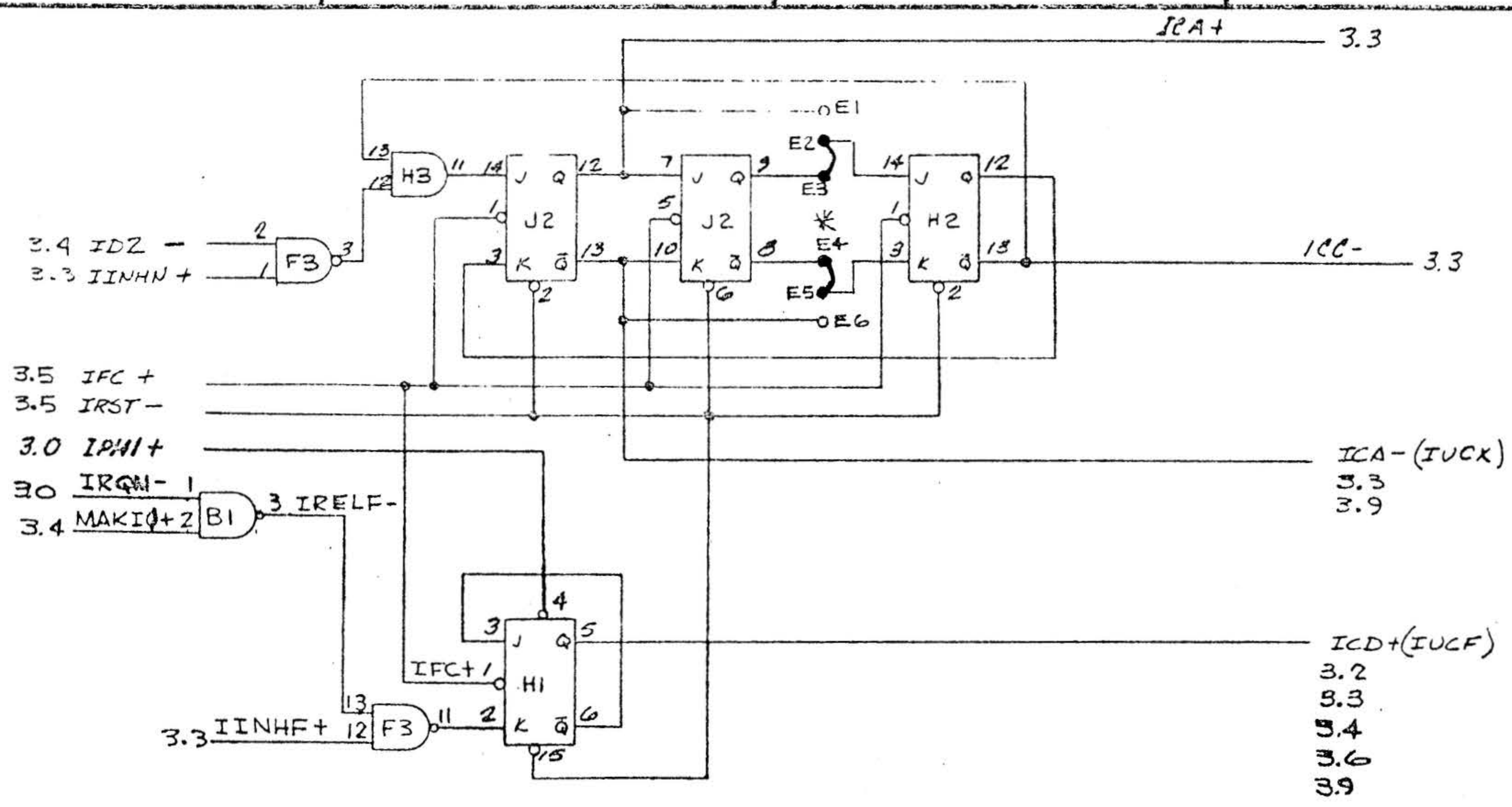








PAGE NUMBER 3.1



\* SHOWN IN 660NS SAMPLE RATE CONFIGURATION

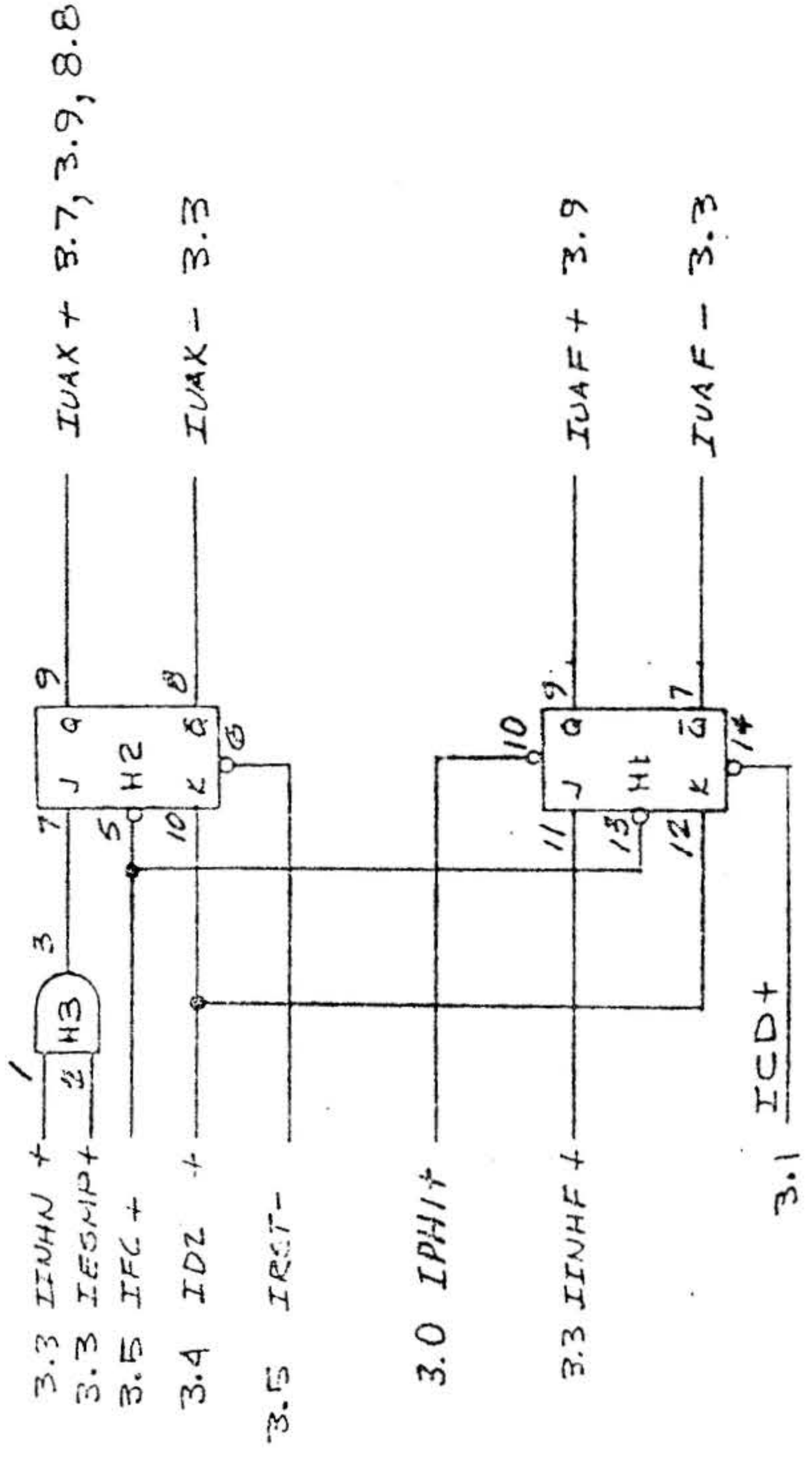
SCALE	21101	CODE IDENT NO.
	3	DATE
	9180401	REV. NO.
SHEET	3.1	REV.
		AW



D

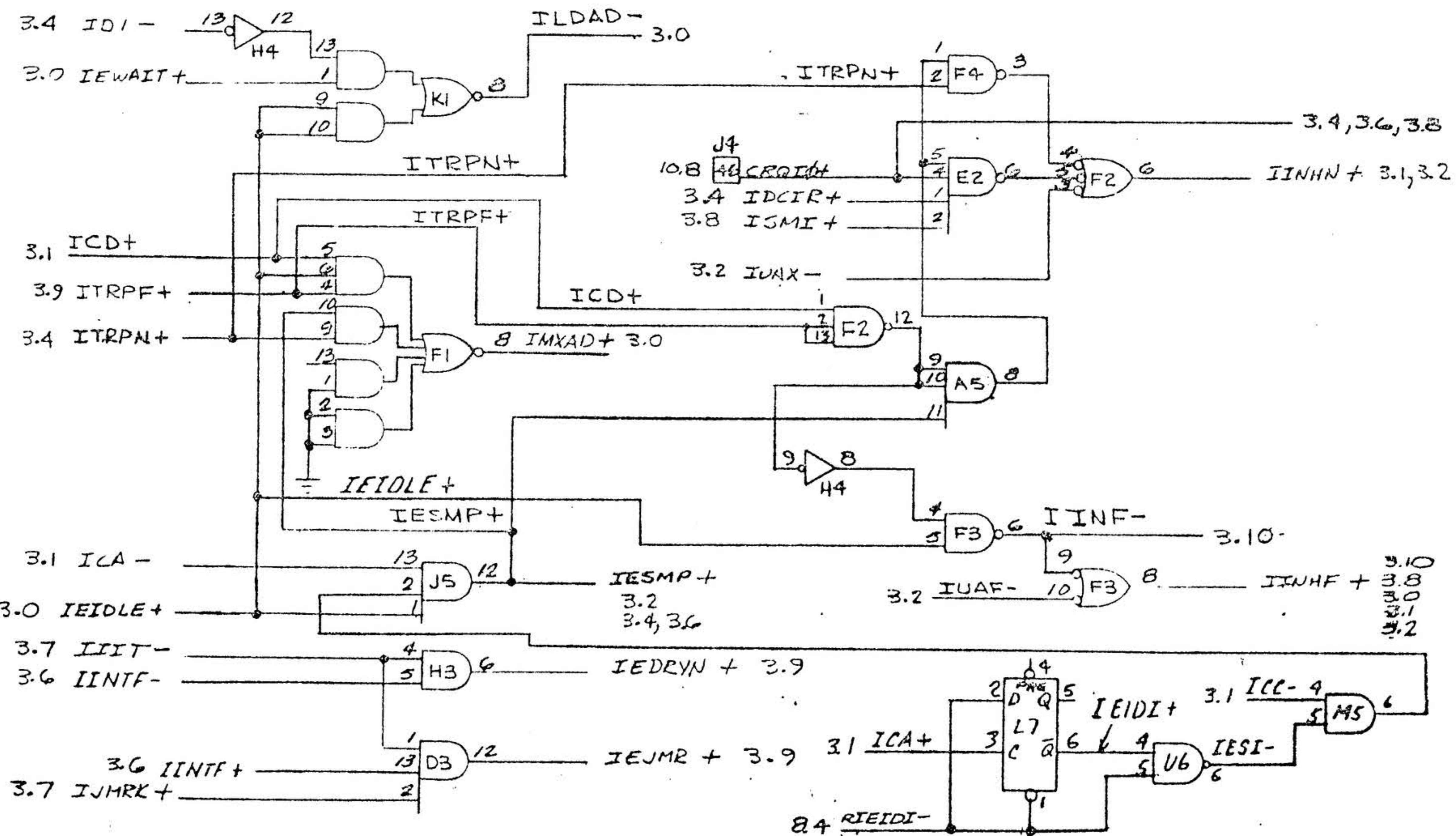
0

A



CODE IDENT NO.	SIZE	WORK NO.	REV
21101	B	91B0401	AW
SCALE	SHEET 3.2		





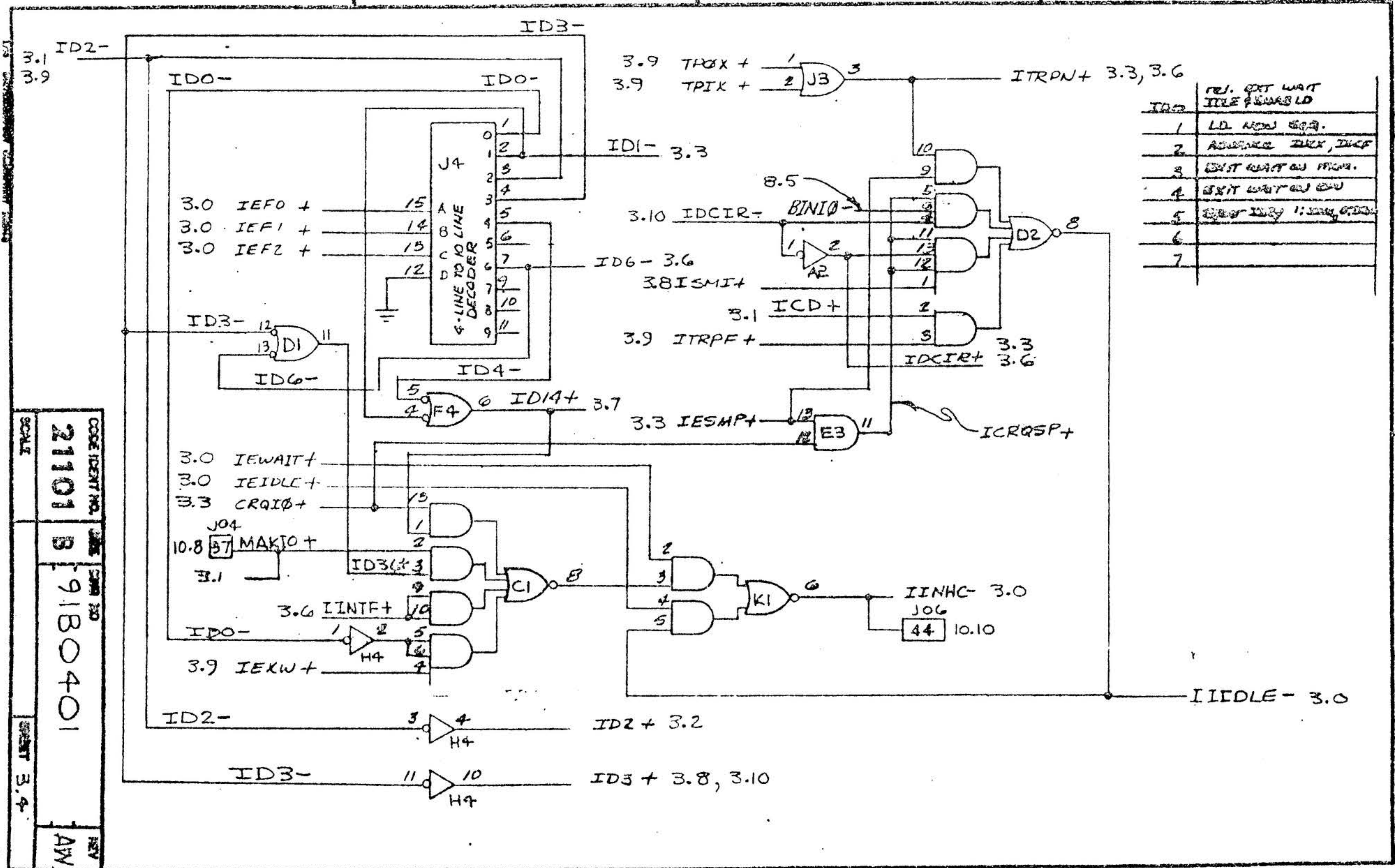
CODE IDENT NO. 21101  
 SCALE B  
 91B0401  
 SHEET 3.3  
 AV



A

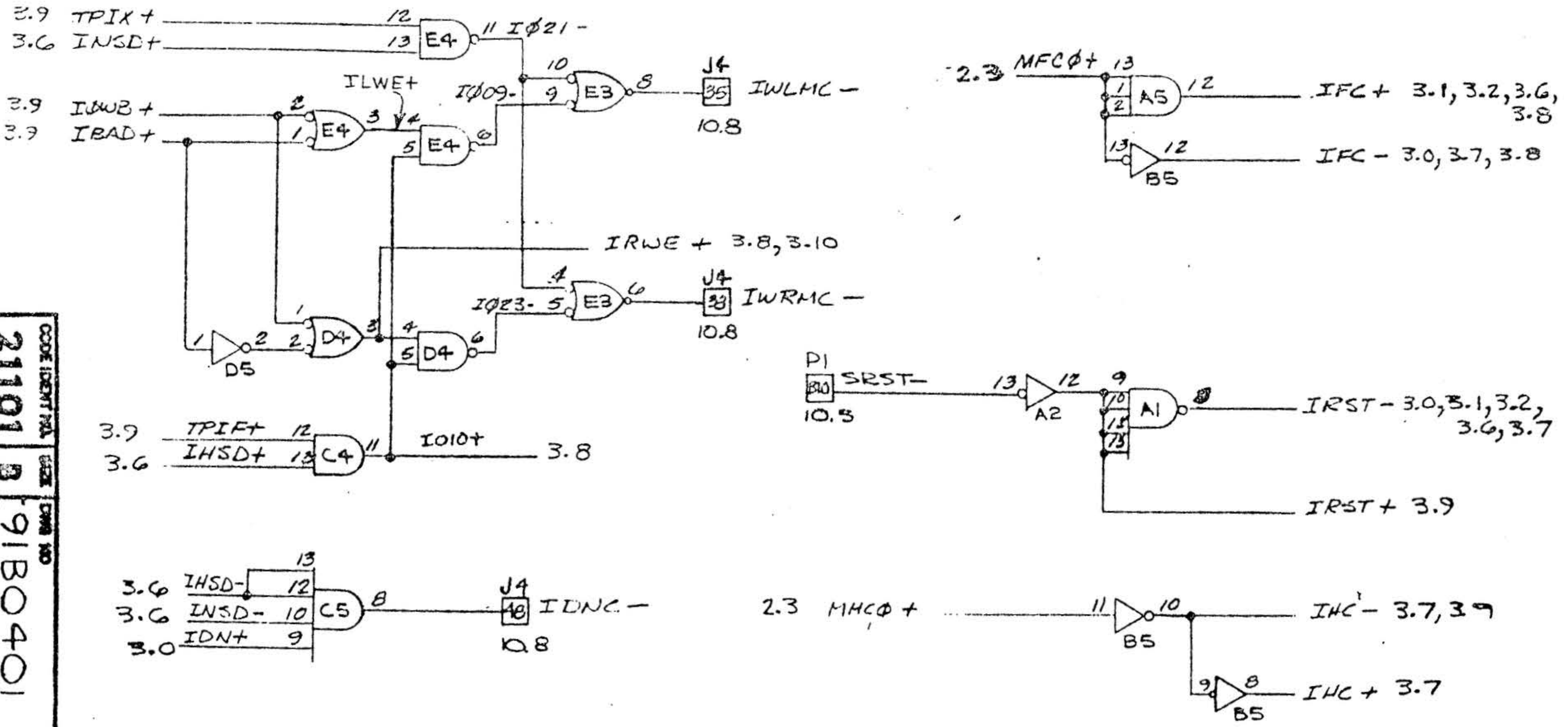
Q

D

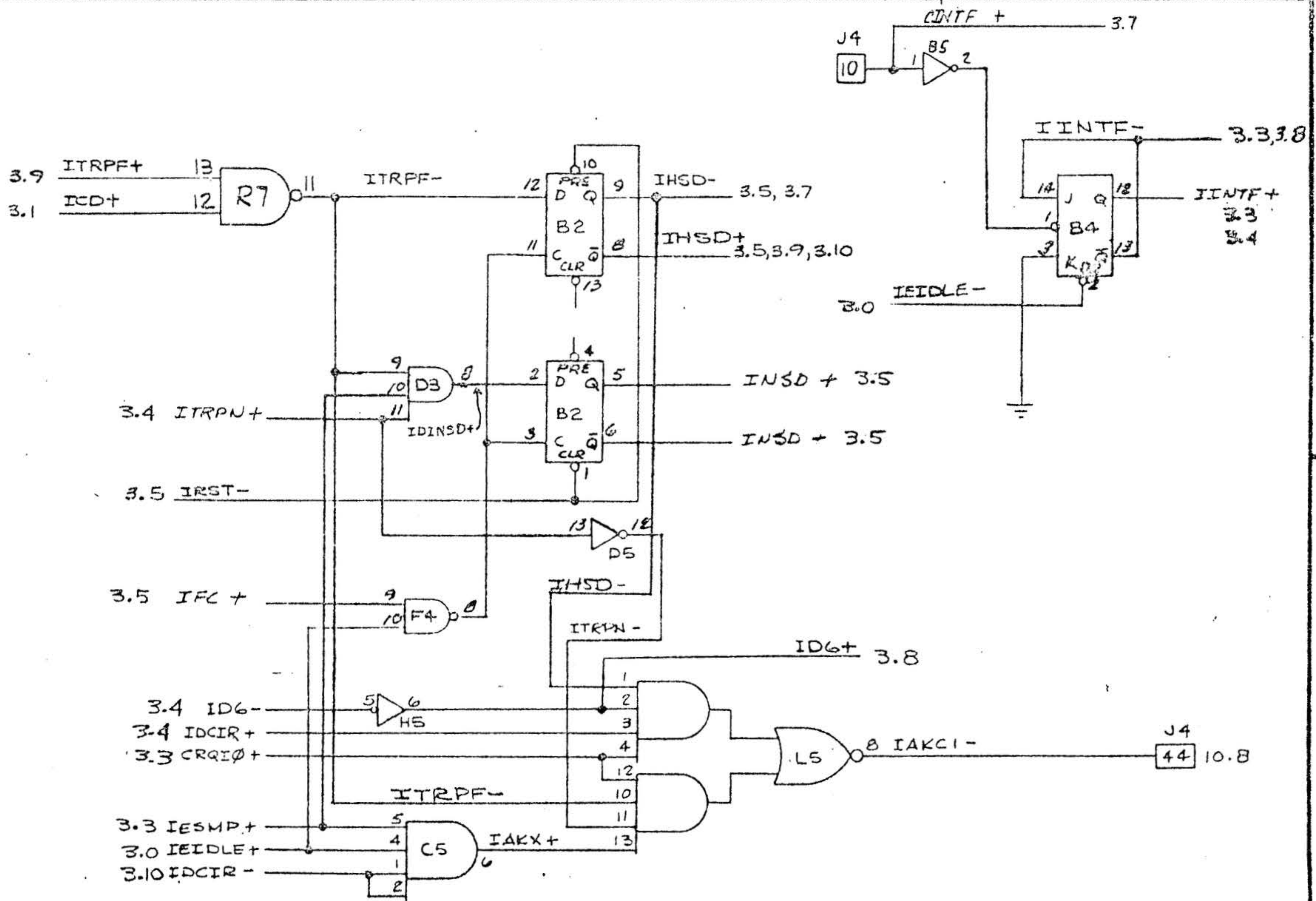




CODE IDENTICAL  
**21101 B**  
 91B0401  
 SCALE  
 SHEET 3.5  
 REV  
 APW





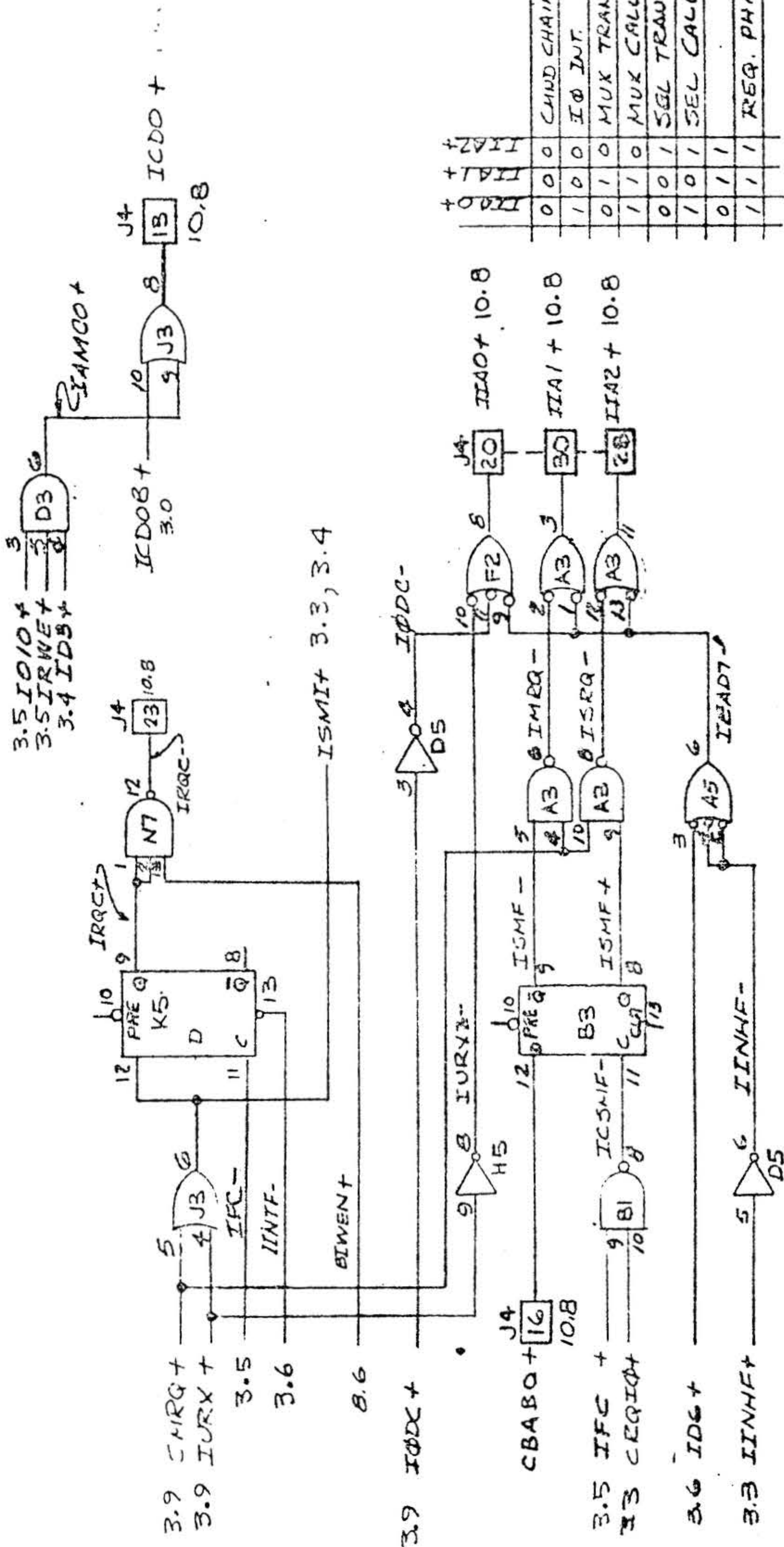


CODE SHEET NO. 21101  
 REV. B  
 PART NO. 91B0401  
 SHEET 3.6  
 REV. AW









IRQ0 +	0	0	0	CHRD CHAIN INT.
IRQ1 +	1	0	0	I0 INT
IRQ2 +	0	1	0	MUX TRANS. REG.
	1	1	0	MUX CALL
	0	0	1	SEL TRANS. REG.
	1	0	1	SEL CALL
	0	1	1	REQ. PHASE

21101	9180401	REV
		AN
3. B		





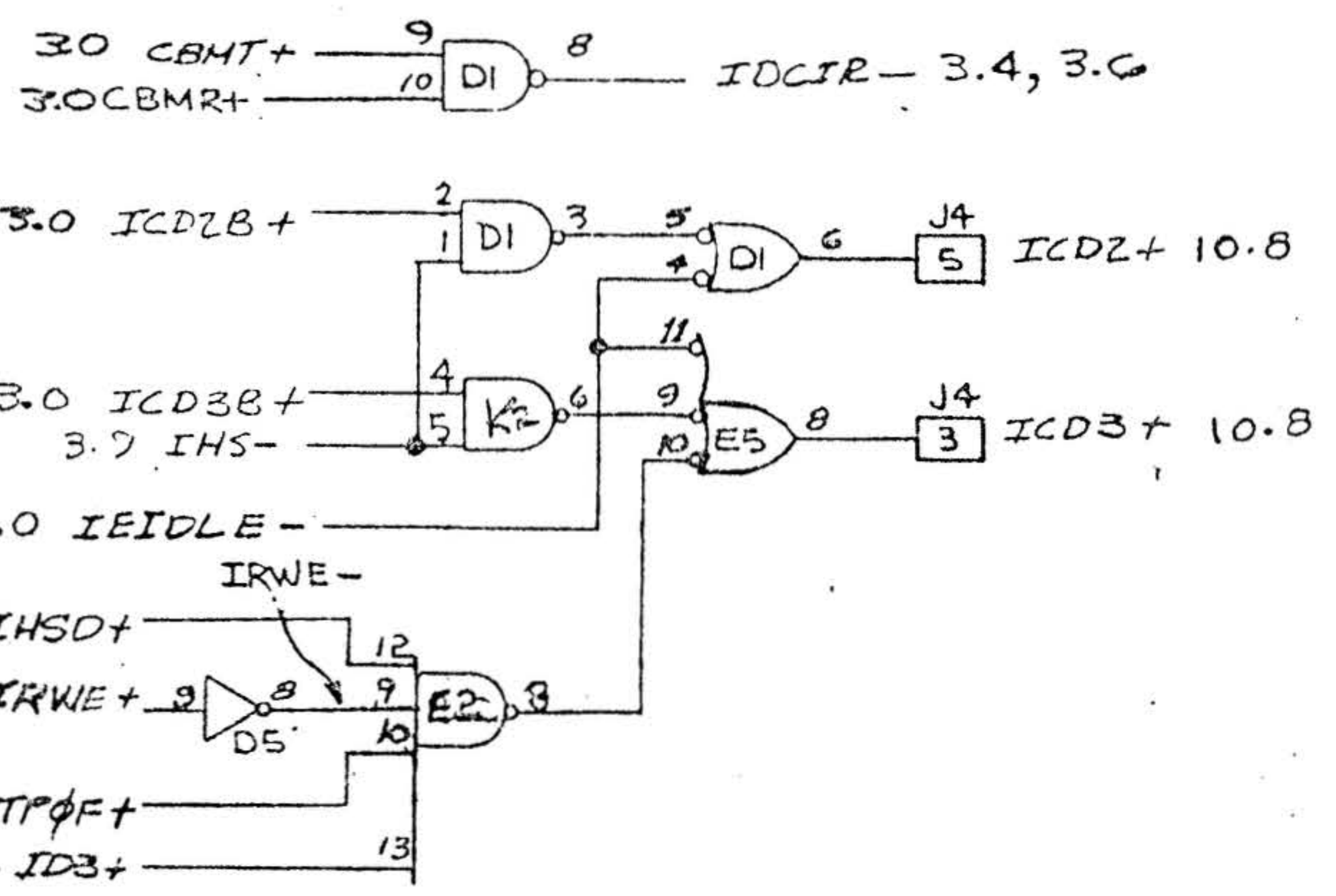
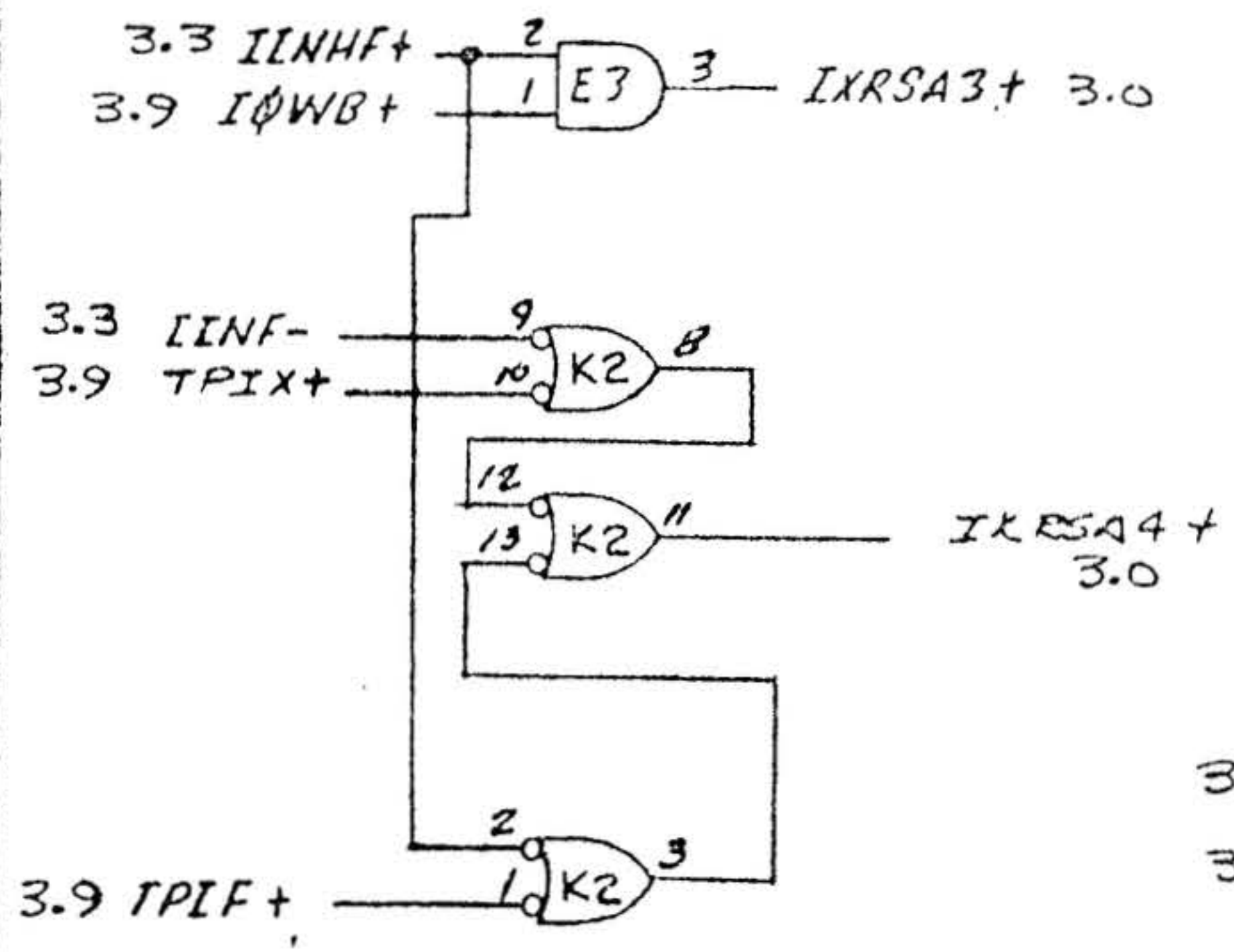


A B C D

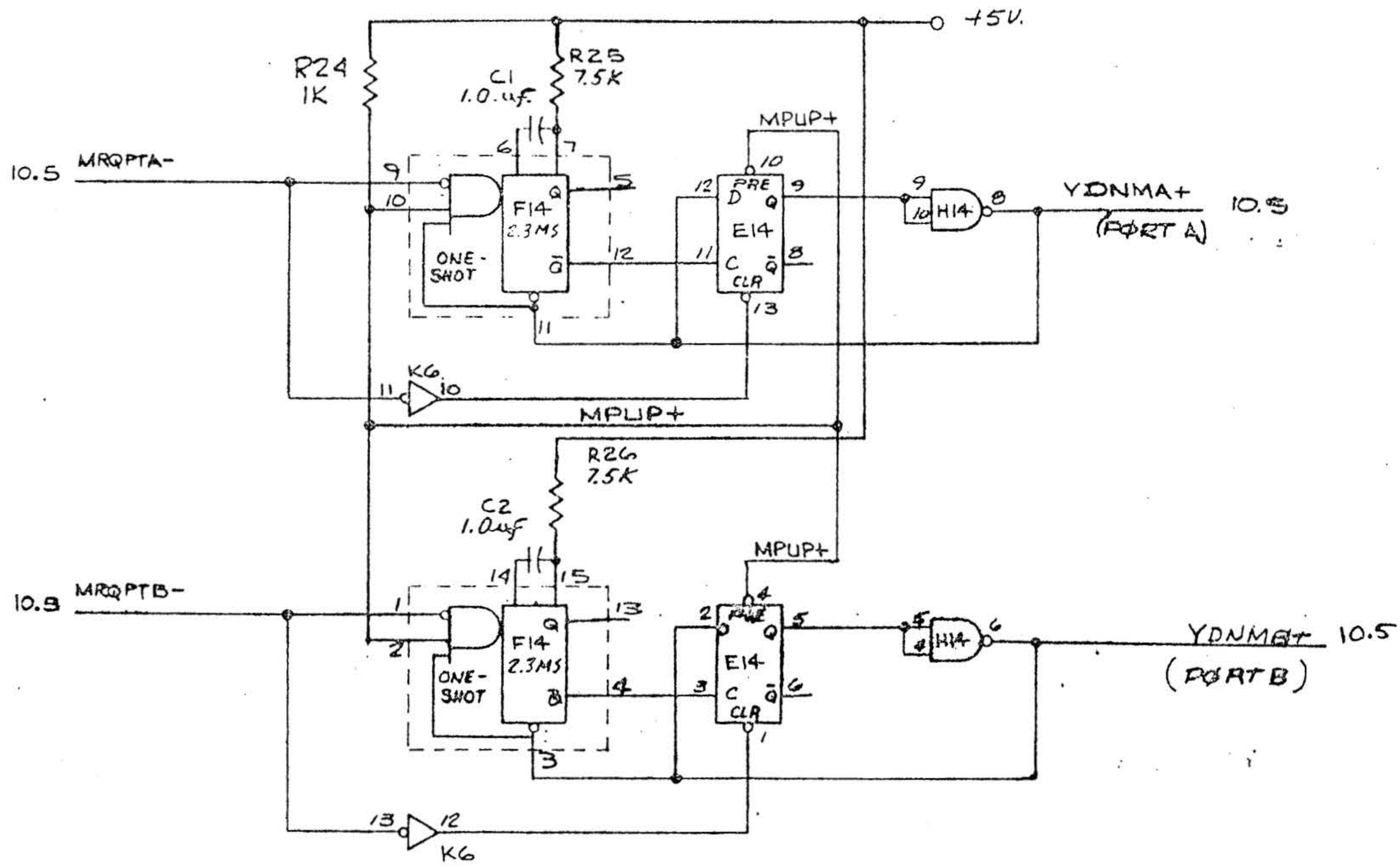
SEQ	0	1	N	3	4	6	7		
TPQK	0	0	0	0	0	0	1	1	0-13
TPIX	0	1	1	1	0	0	1	1	14-27
TPQE	0	0	1	1	1	0	1	1	28-35
TPIF	0	0	1	0	0	1	1	1	36-43
TPQFB	0	0	1	1	0	1	1	1	44-53
TPIFB	0	1	1	0	1	1	1	1	54-63

E7		255
11	DMA	
01	SMRQ IURX	
10	PRQ	
00	PROG	

SCALE  
21101  
CODE IDENT NO.  
91B0401  
SHEET 3.10

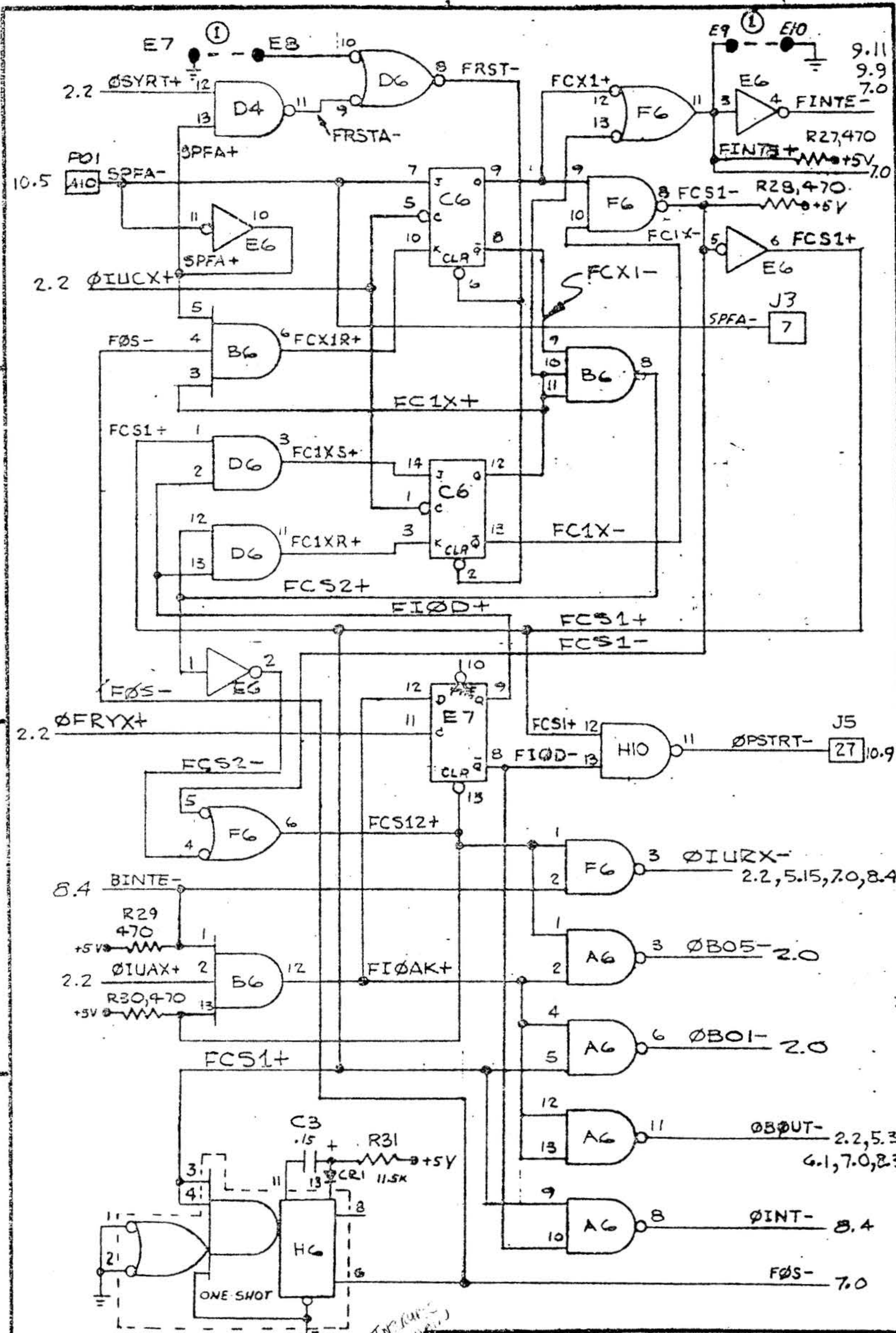






CORE IDENT. NO. 21101  
 SCALE 1:1  
 91B0401  
 SHEET 3.11  
 AW





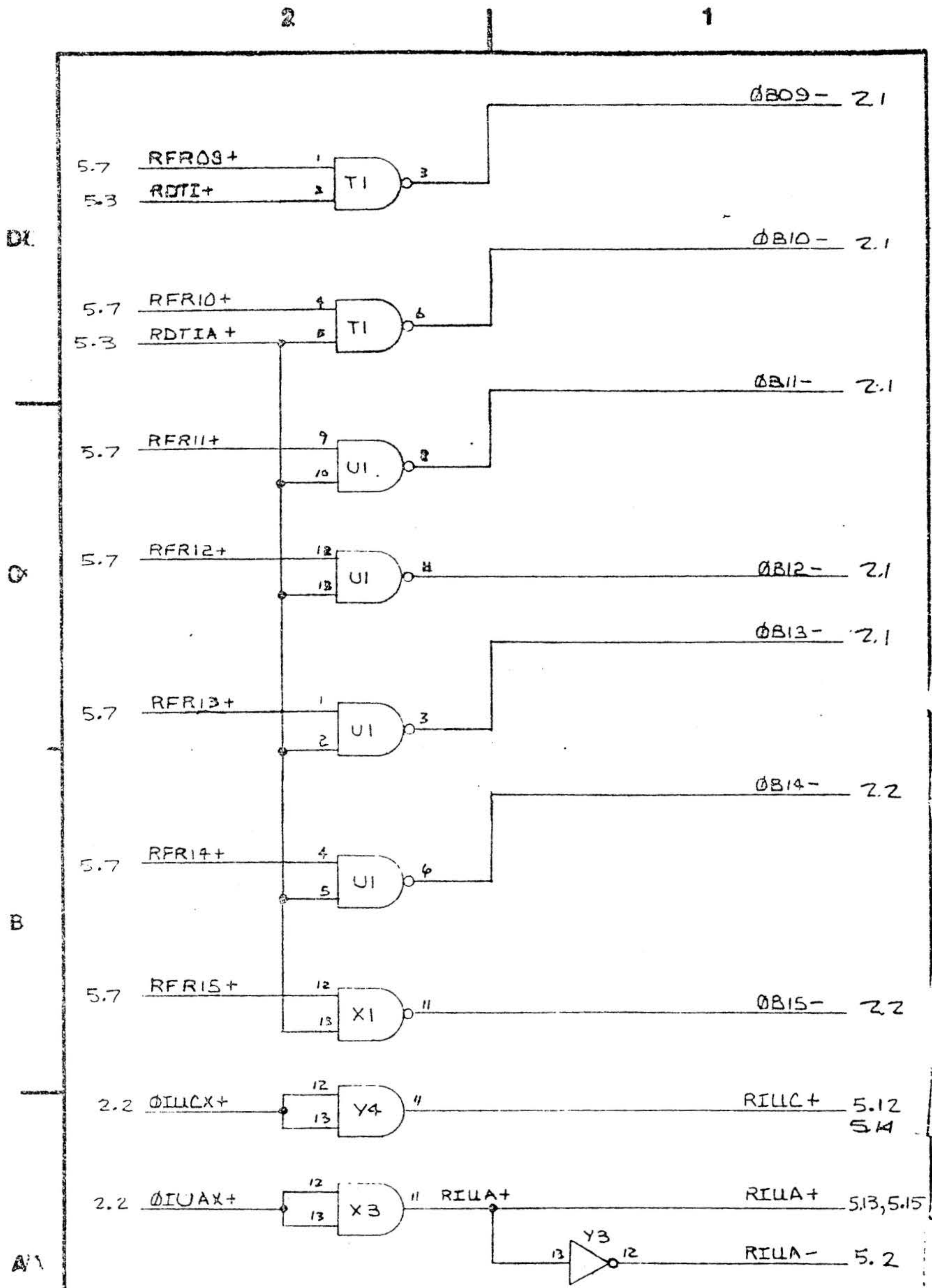
① JUMPER DISABLES OPTION,  
 - NOT DISABLED  
 (NO JUMPERS)

CODE IDENT	REV	DATE	REV
21101 B		91B0401	AW
SCALE		UNIT 4.0	





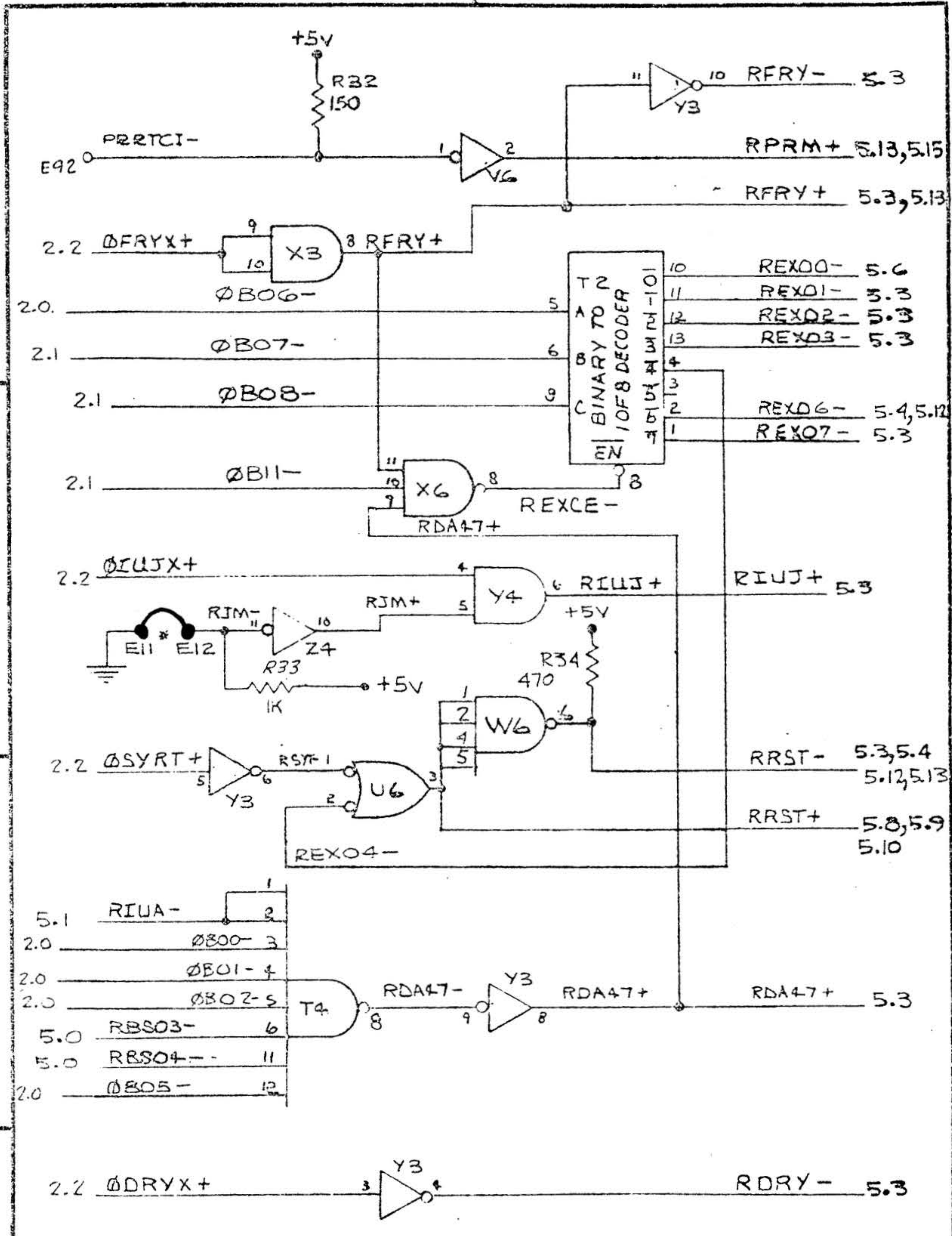




INSTR. DECODE AND CONT. LOGIC

CODE IDENT NO.	SIZE	DWG NO.	REV.
21101	B	91B0401	AW
SCALE	SHEET 5.1		



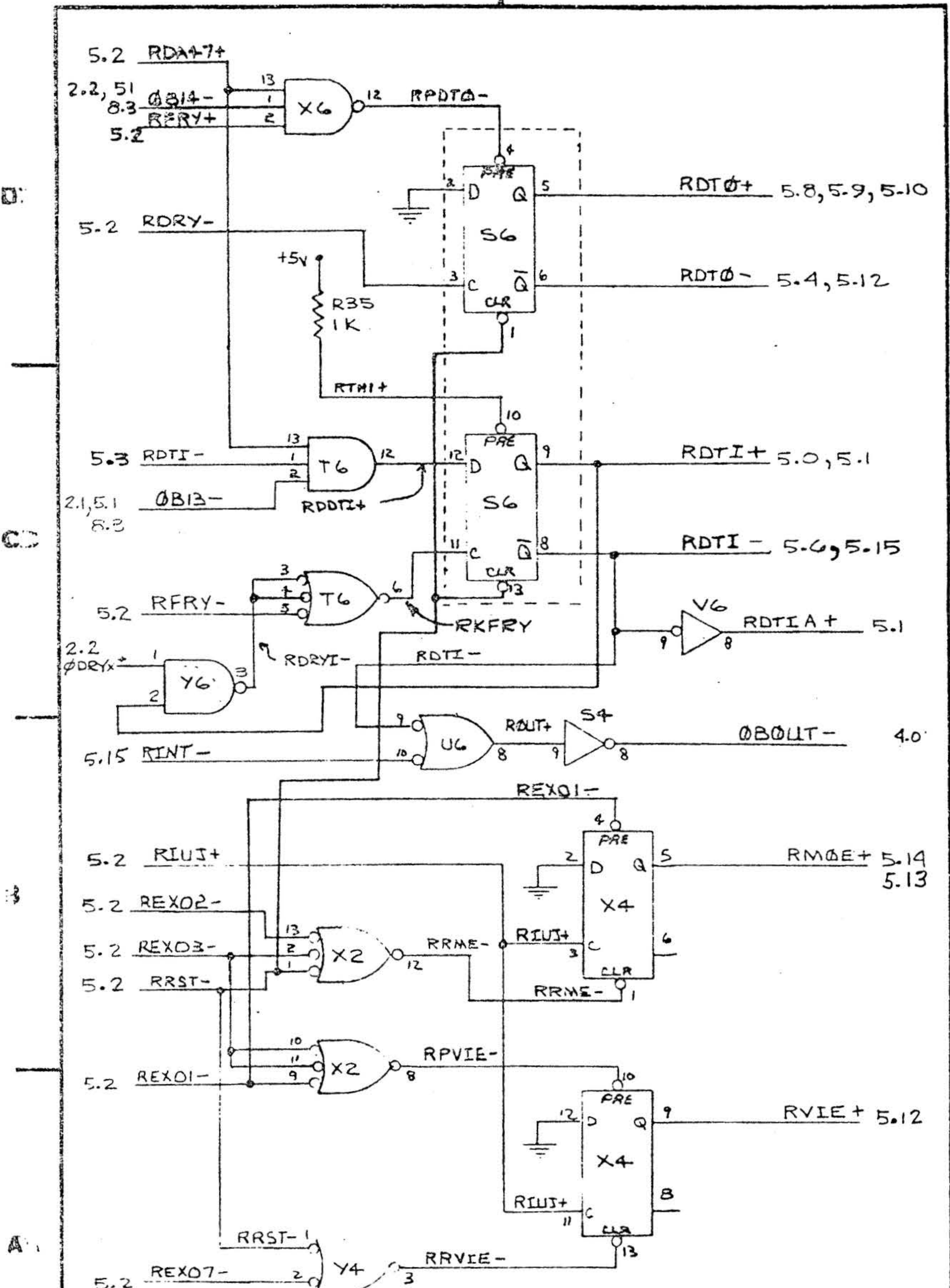


\* NOTE: NOT INSTALLED FOR BASIC OPTION

INSTR. DECODE AND CONT LOGIC

CODE IDENT NO.	SIZE	DWG NO	REV
21101	B	91B0401	AW
SCALE	SHEET 5.2		

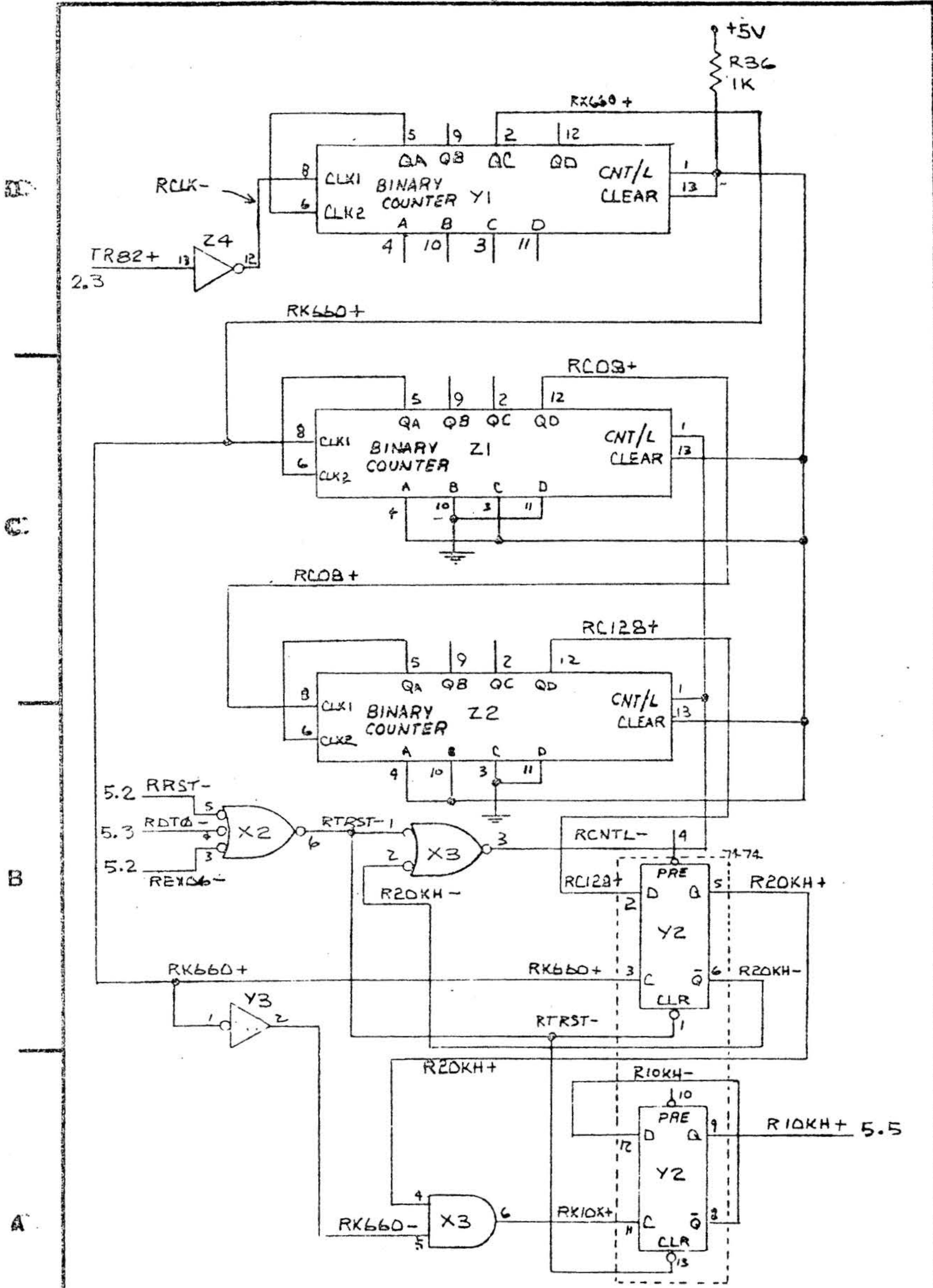




INSTR. DECODE AND CONT. LOGIC

CODE IDENT NO.	SIZE	DWG NO	P/V
21101	B	91B0401	AW
SCALE	SHEET 5.3		

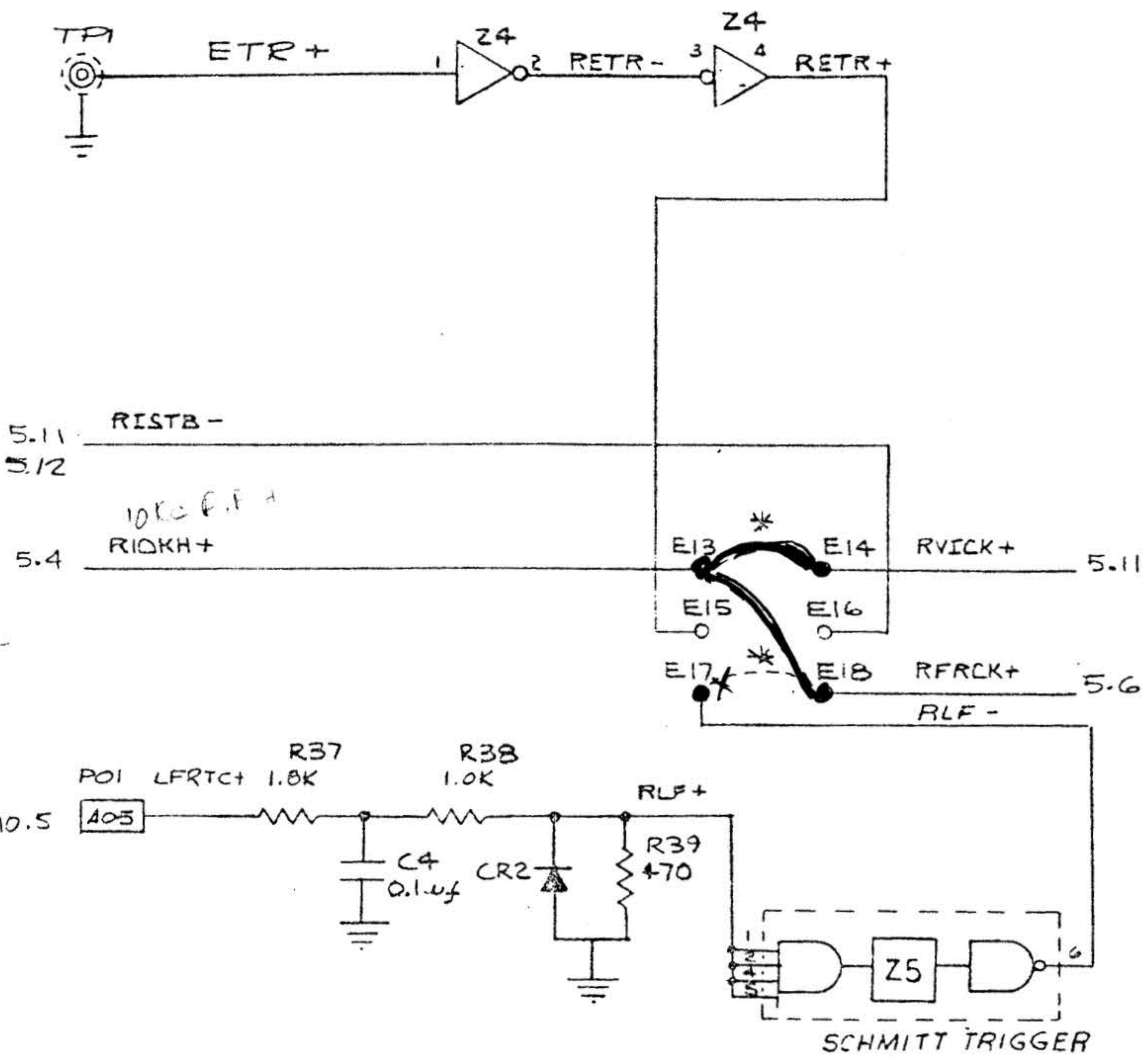




CLOCK COUNTER LOGIC

CODE IDENT NO.	SIZE	DWG NO	REV
21101	B	91B0401	AW
SCALE	SHEET 5.4		



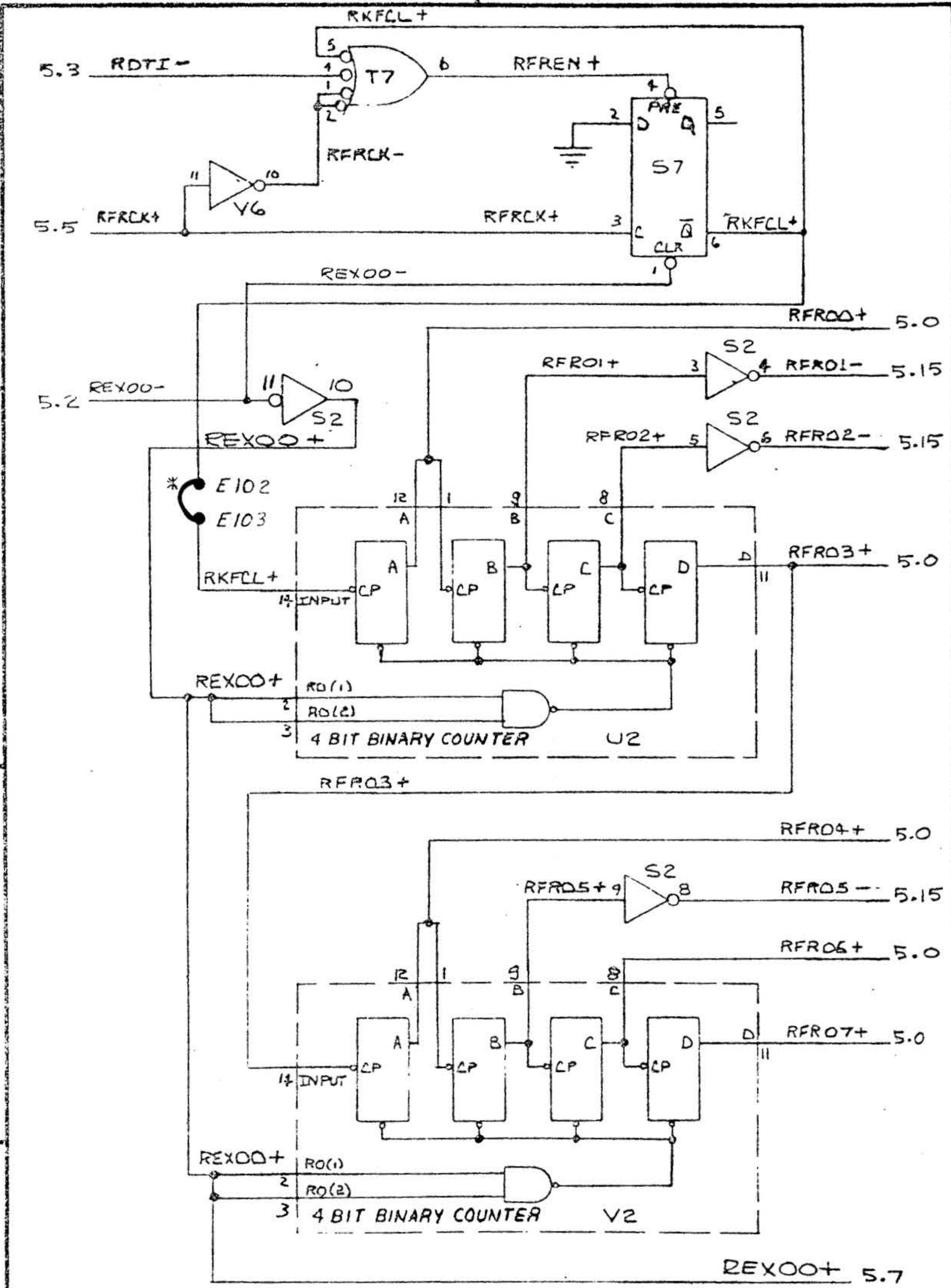


\* NOTE: JUMPERING SHOWN IS FOR STANDARD OPTION  
 (10KHZ SOURCE FREQ FOR THE VII. & 60 HZ FOR THE  
 FREE RUNNING COUNTER)

TIMING SOURCE LOGIC

CODE IDENT NO.	SIZE	DWG NO.	REV
21101	B	91B0401	AW
SCALE	SHEET 5.5		





\* NOTE: REMOVE JUMPER ONLY FOR TEST. (JUMPERS INSTALLED AT ASSY.)

FREE RUNNING COUNTER

CODE IDENT NO.	SIZE	DRWG NO	REV
21101	B	9180401	AW
SCALE			SHEET 5.6

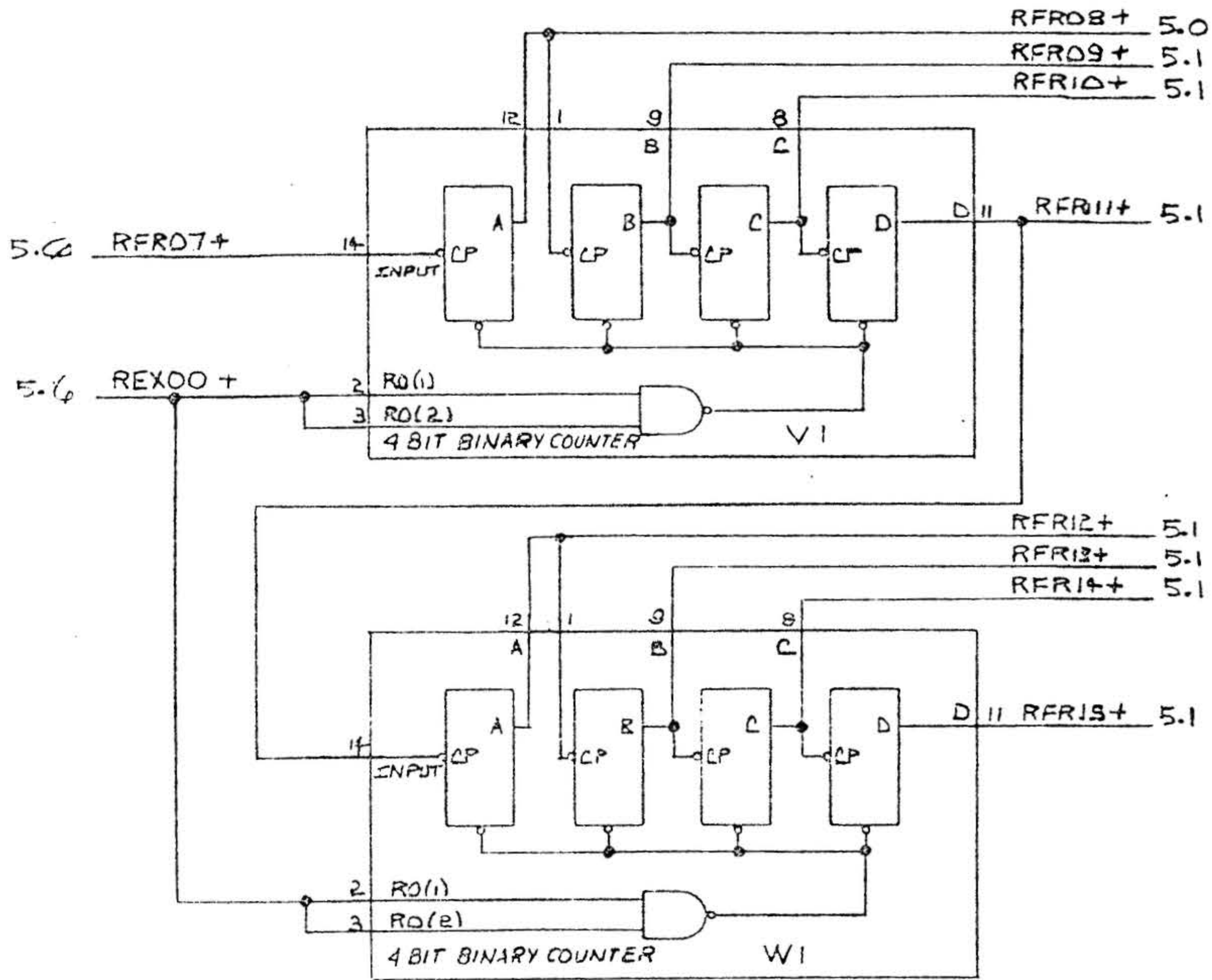


D

C

E

A



FREE RUNNING COUNTER

CODE IDENT NO.	SIZE	QWB NO	REV
21101	B	91B0401	AW
SCALE			SHEET 5.7



2

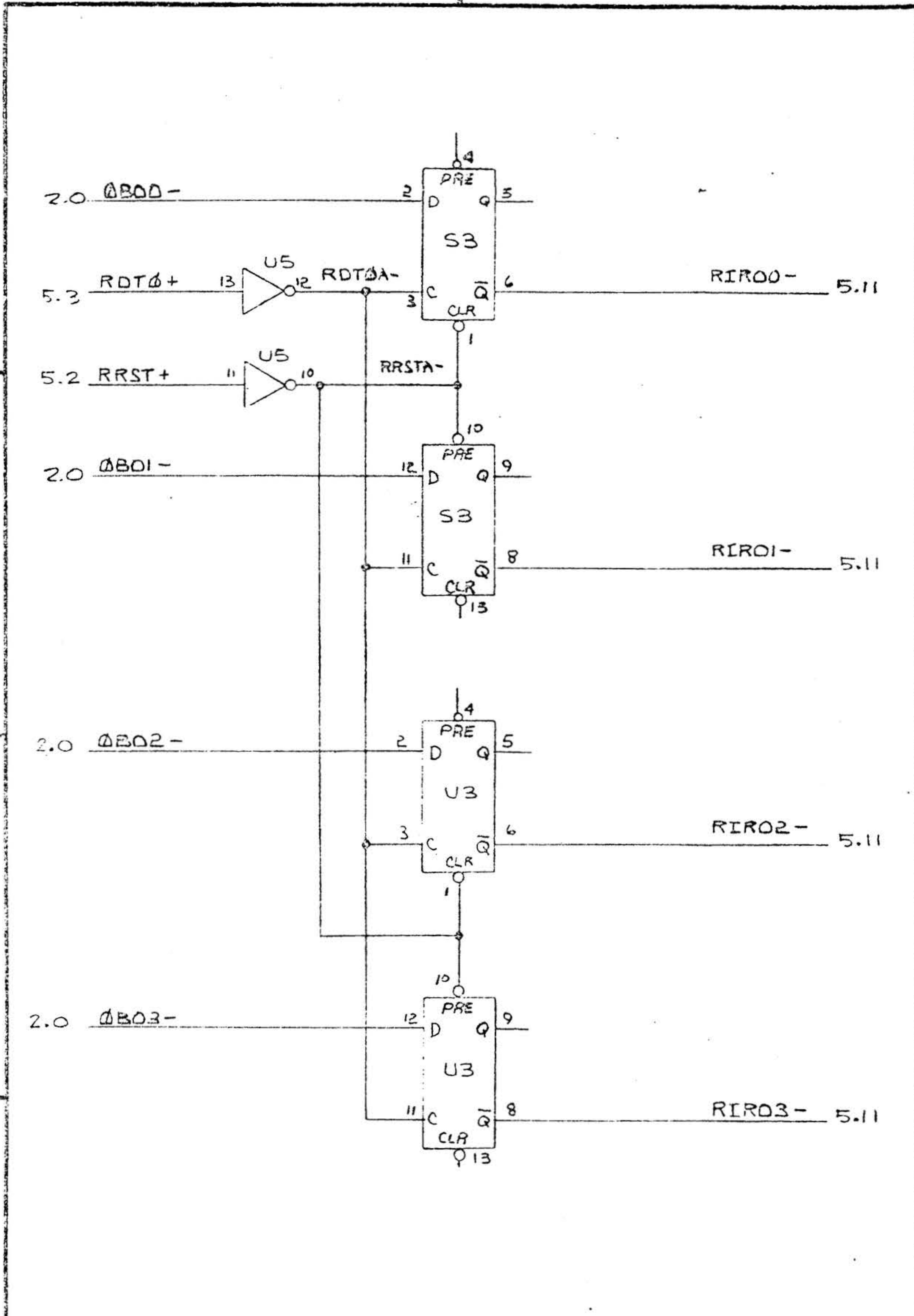
1

D

C

E

A



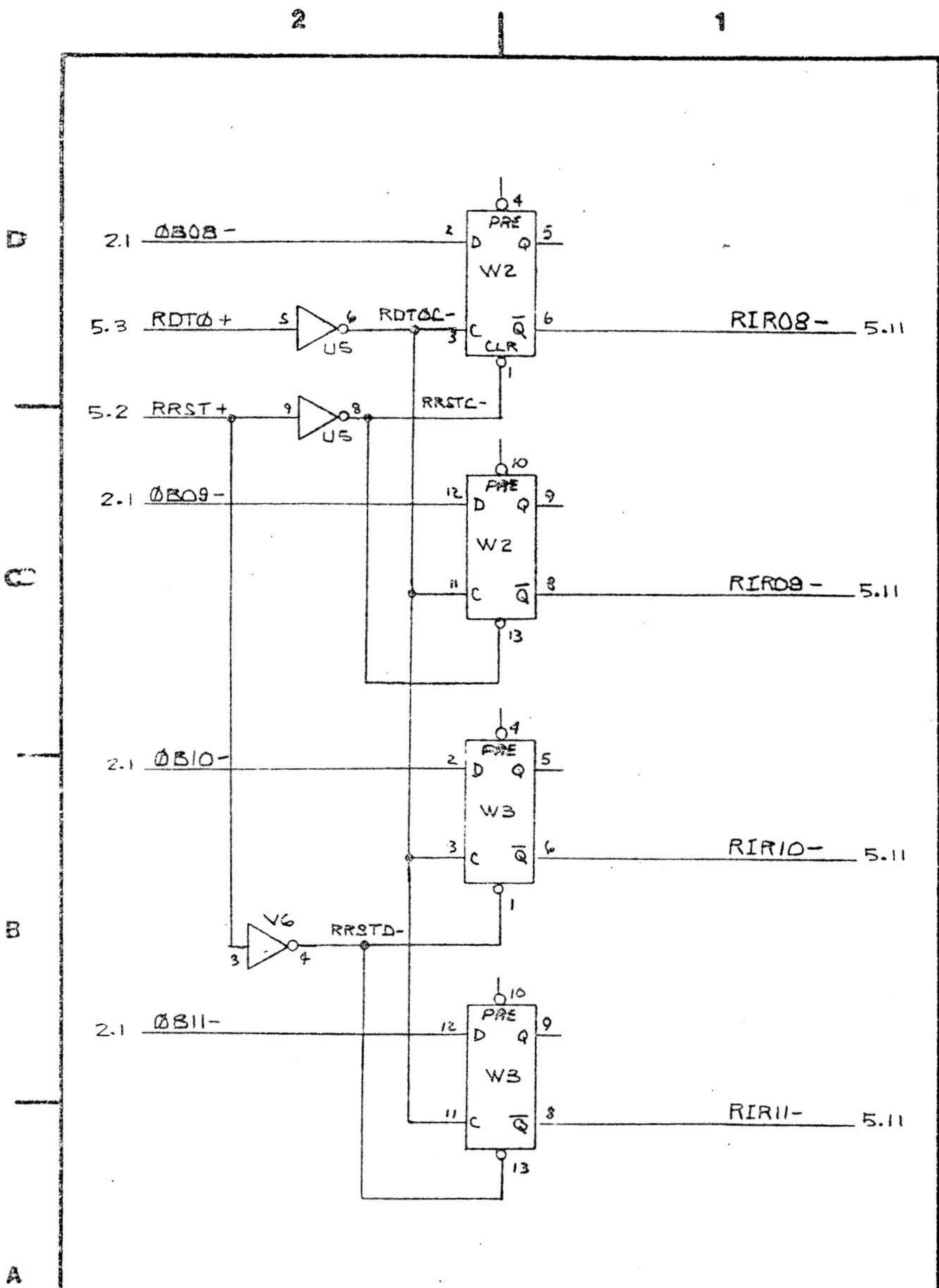
VARIABLE INTERVAL LOGIC

CODE IDENT NO.	SIZE	DWG NO	REV
21101	B	91B0401	AW
SCALE			SHEET 5.8









VARIABLE INTERVAL LOGIC

OCCEL IDENT NO.	SIZE	DATE NO	PV
21101	B	91B0401	AN
REV			5.10





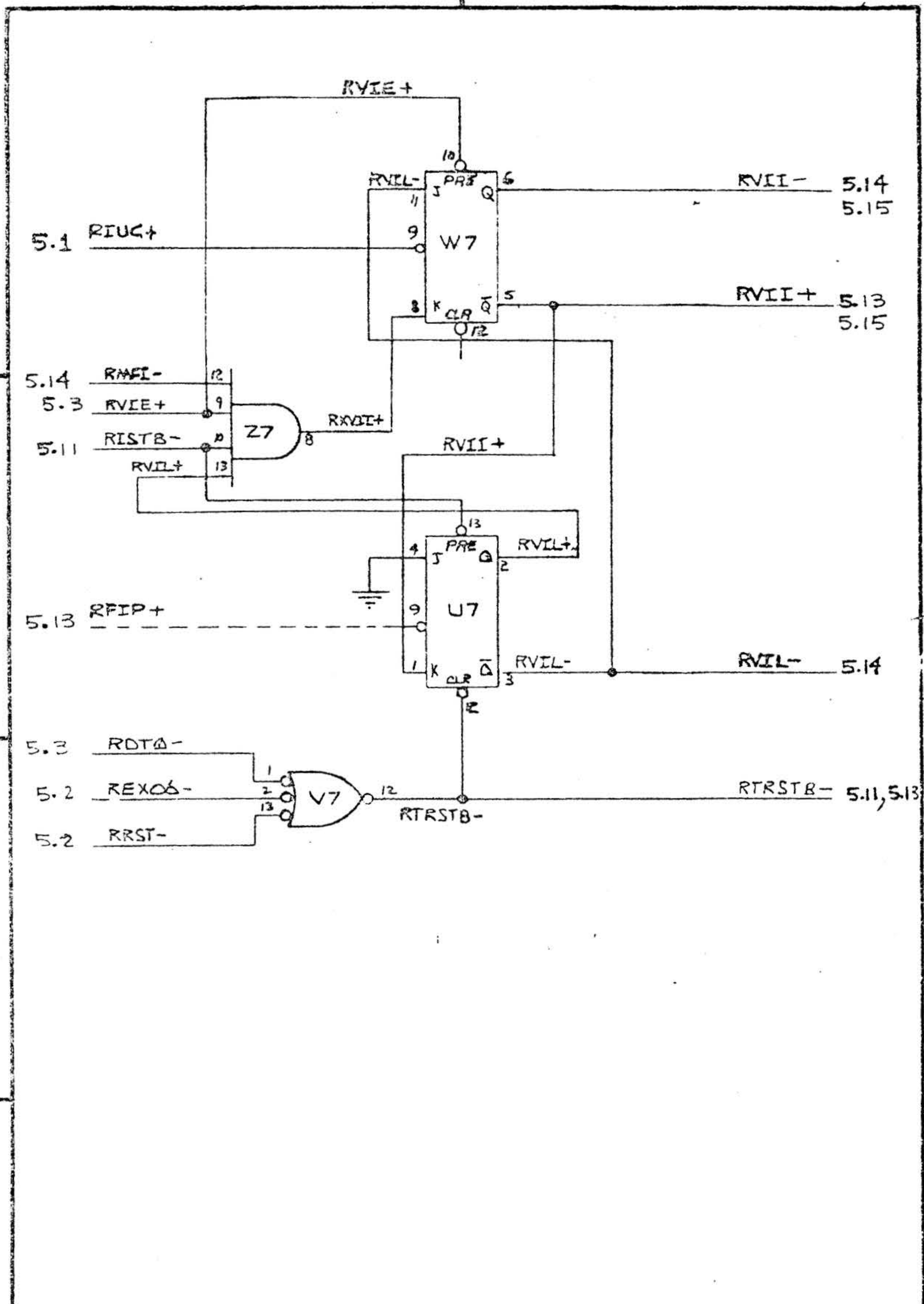


D3

C

B

A



VARIABLE INTERVAL LOGIC

CODE IDENT NO.	SIZE	DATE PD	REV
21101	B	91B0401	AW
SCALE		SHEET 5.12	







2

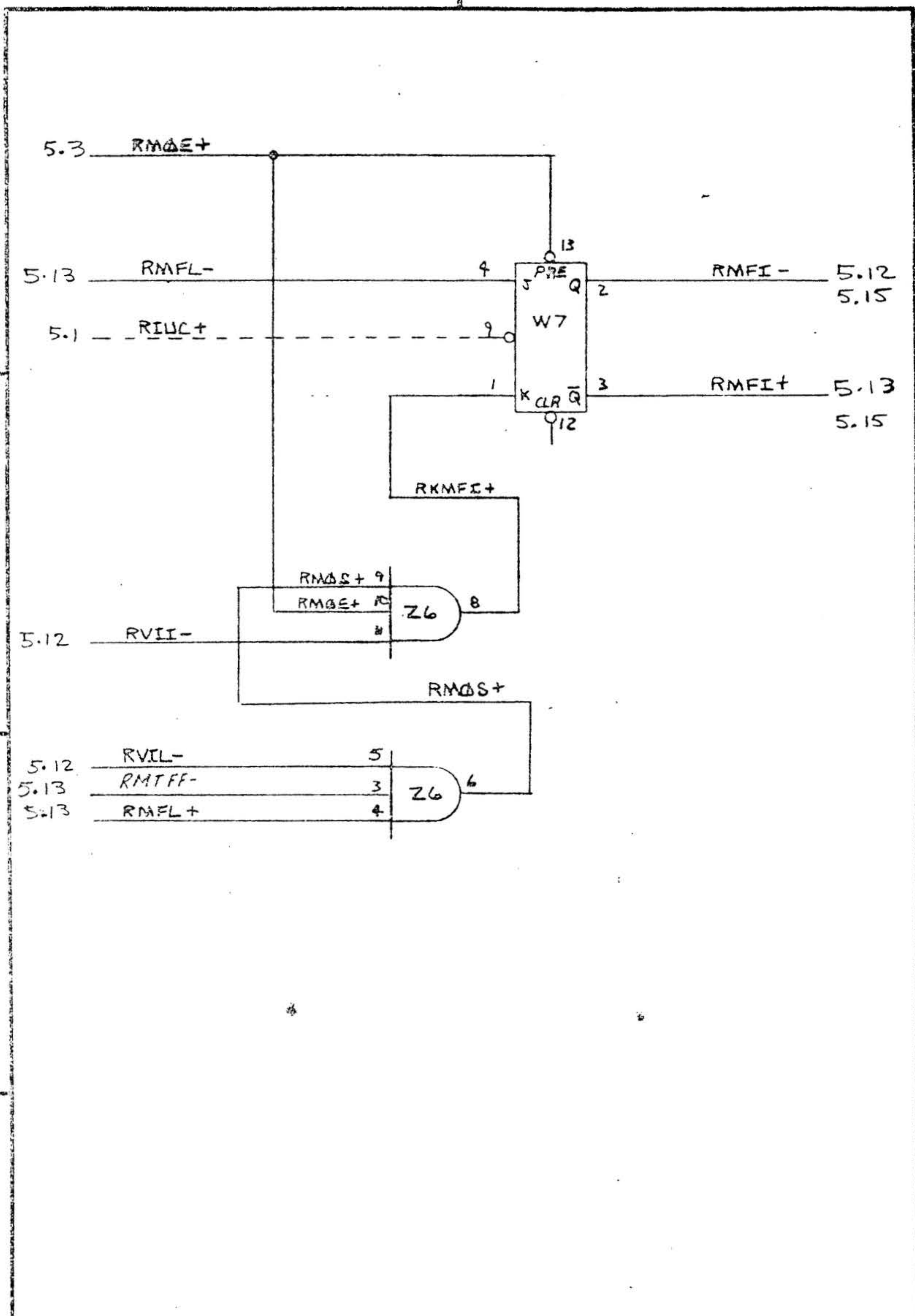
1

D3

C2

B

A



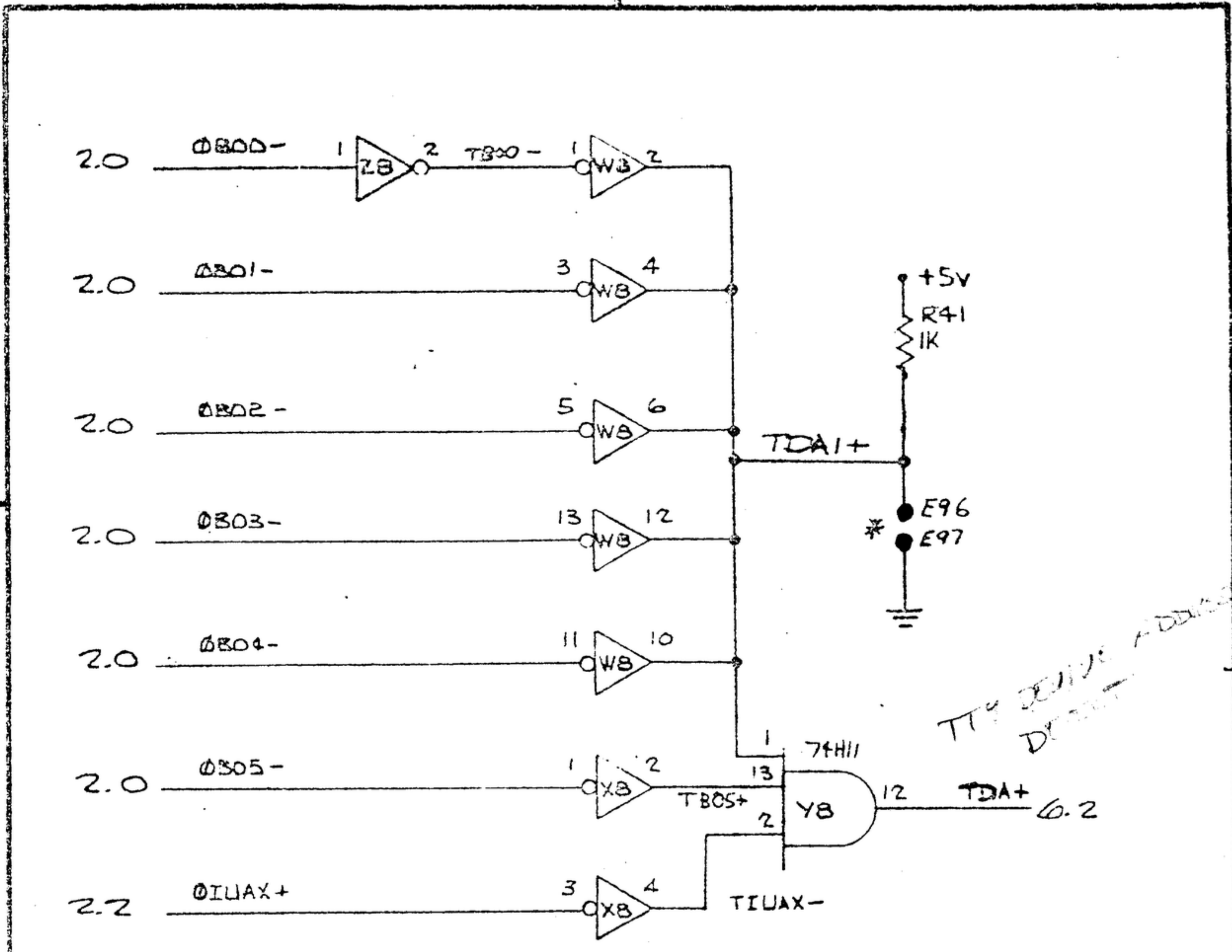
MEMORY OVERFLOW LOGIC

CODE IDENT NO.	SIZE	SW NO	DRY
21101	B	91B0401	AW
SCALE	SHEET 5.14		

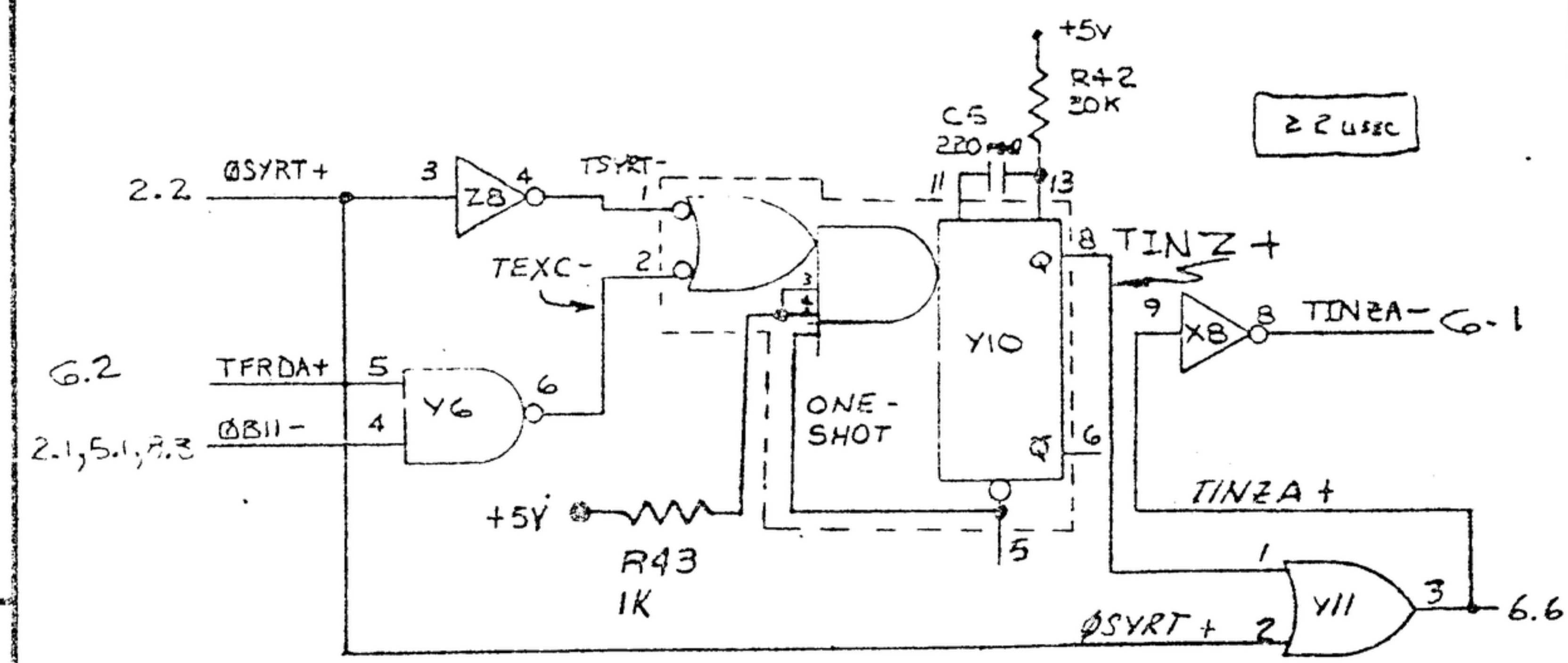








TT\* DEVICE ADDRESS  
DIP



≥ 2 μsec

NOTE:  
\* INSTALL JUMPER TO DISABLE OPTION

TT\* DEVICE ADDRESS  
NO JUMPER

INST DECODE AND CONTROL LOGIC

CODE IDENT NO.	REV	DATE	REV
21101	B	91B0401	AW
SCALE	SHEET 6.0		





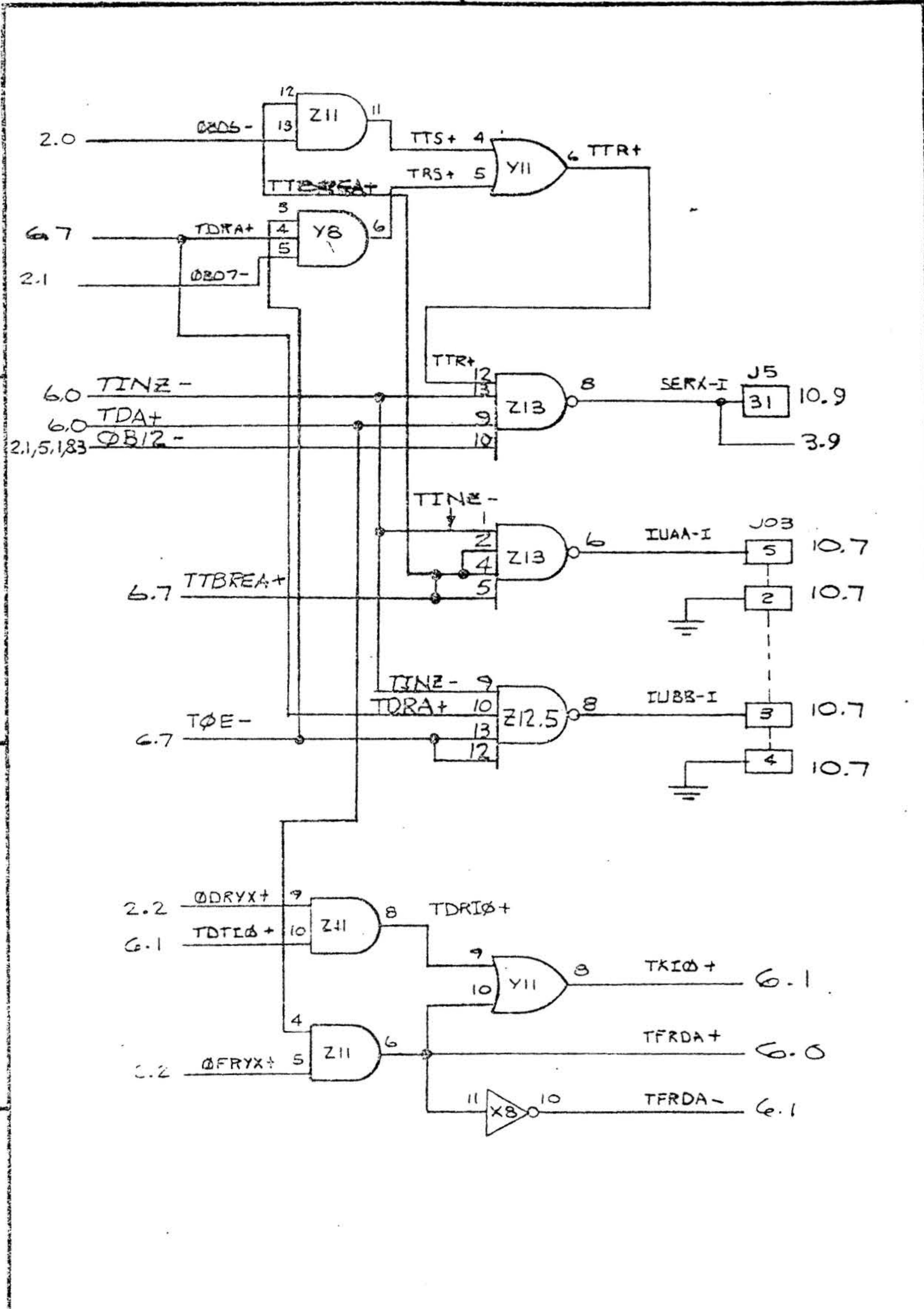


D'

C

B

A



INST. DECODE AND CONTROL LOGIC

CODE IDENT NO.	SIZE	DATE NO	REV
21101	B	91B0401	AW
SCALE			SHEET 6.2







TTY CLOCK JUMPERING FOR  
STANDARD BAUD RATES

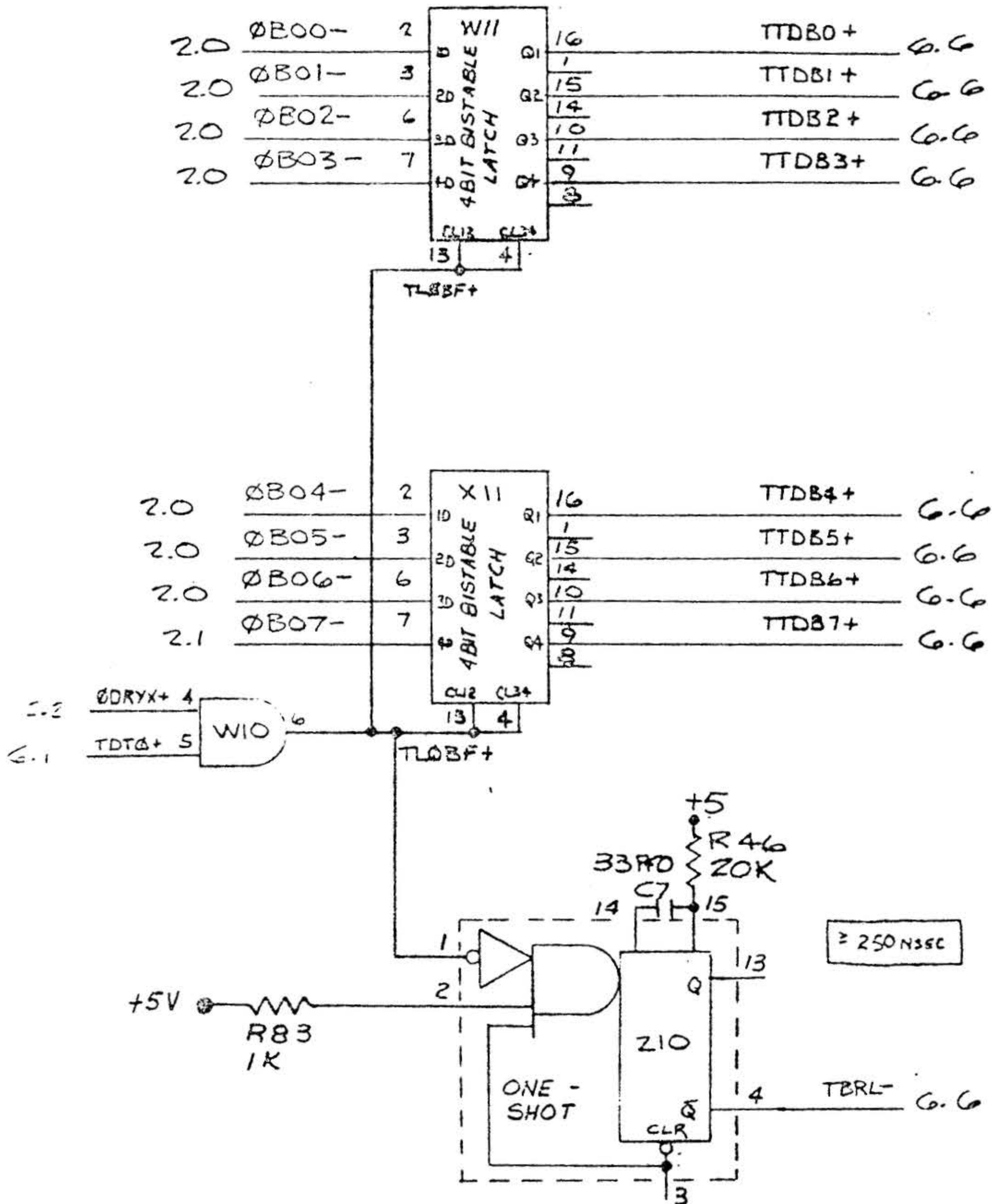
BAUD RATE	E42 T8 E43	E40 T8 E41	E38 T8 E39	E36 T8 E37	E34 T8 E35	E32 T8 E33	E30 T8 E31	E28 T8 E29	E26 T8 E27	E24 T8 E25	E22 T8 E23	E20 T8 E21
110	X	X	X	X		X	X	X		X		X
150	X		X	X	X	X		X	X	X	X	
300		X	X		X	X	X	X				
1200			X	X			X	X	X	X		X
2400			X		X			X	X	X		

\*

\* NOTE :  
INSTALL 110 BAUD RATE JUMPERS IN BASIC SYSTEM

CODE IDENT NO.	REV	REV
21101	B	91B0401
DATE	REV 6.4	





DATA TRANSFER OUT BUFFER REGISTER

CODE IDENT NO.	SIZE	DATE NO	REV
21101	B	91B0401	AW
SCALE	SHEET 6.5.		





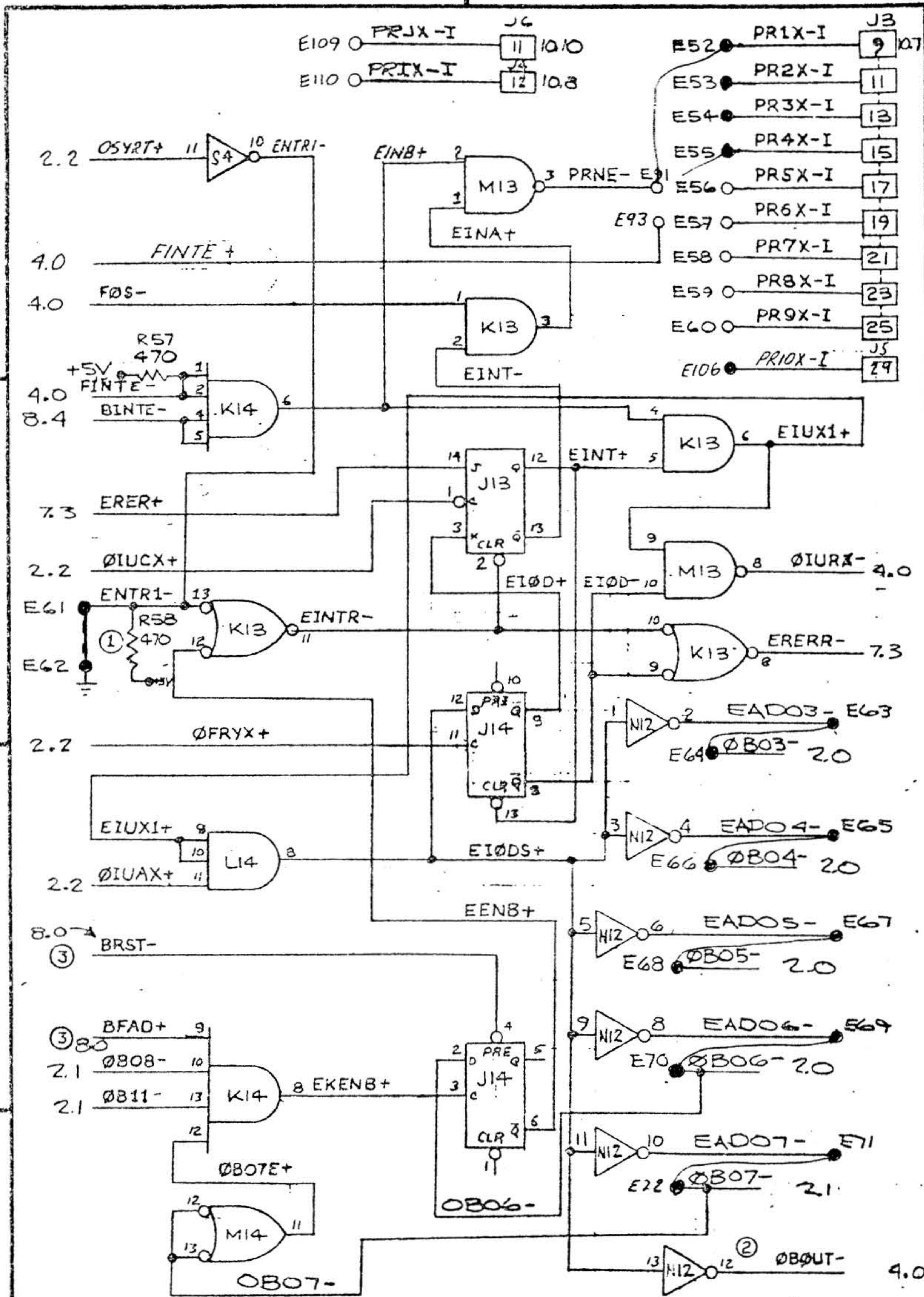












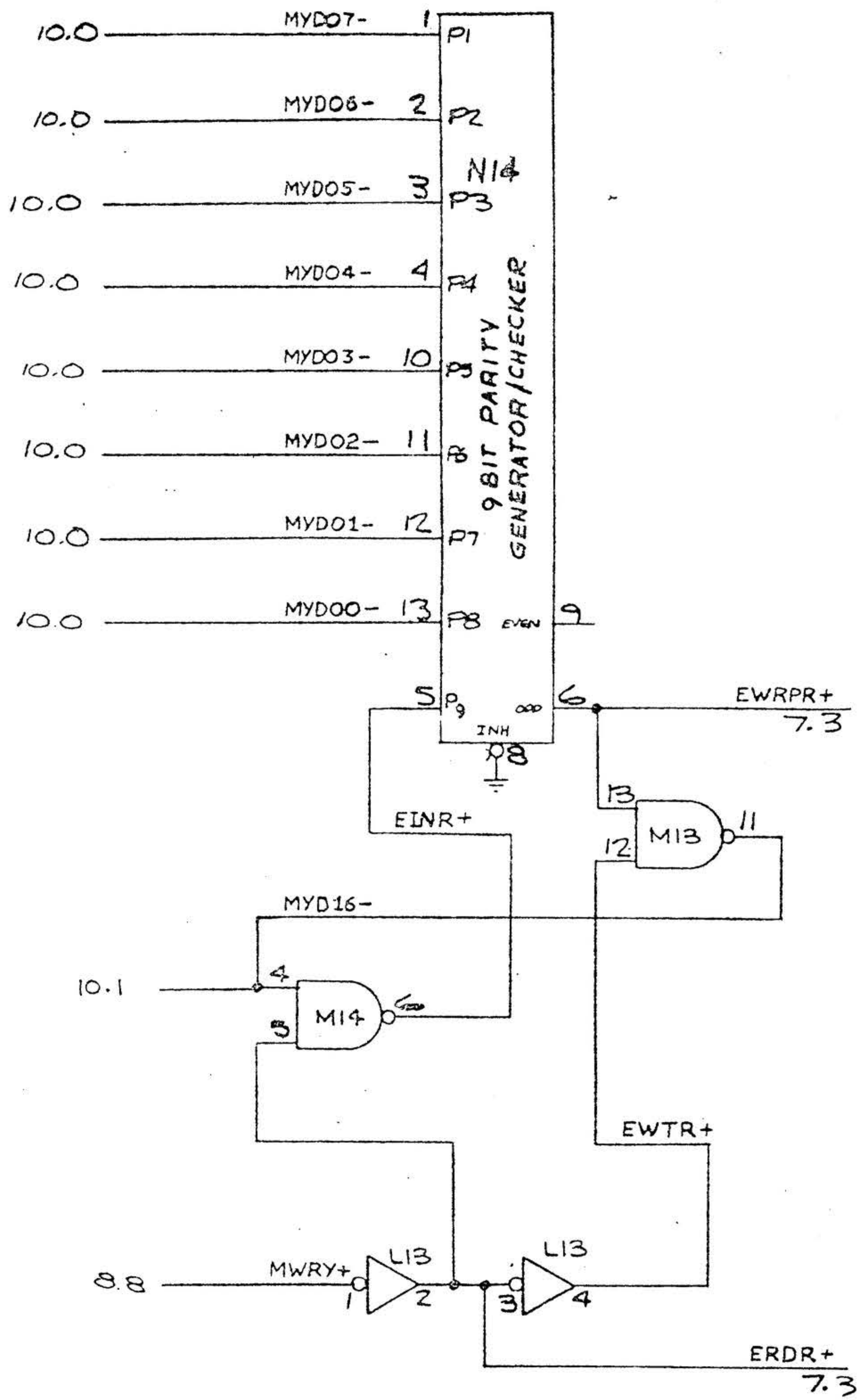
E52 E91  
 E53 E92  
 E54 E93

- ① JUMPERING TPA TO TPB  
 DISABLES PARITY OPTION
- ② INTERRUPT ADDRESS  
 PATCHES
- ③ FROM MEMORY PROTECT

PARITY DEV. ADD. & INTERRUPT

CODE IDENT NO.	REV	DWG NO	REV
21101	B	91B0401	AW
SCALE		SHEET 7.0	



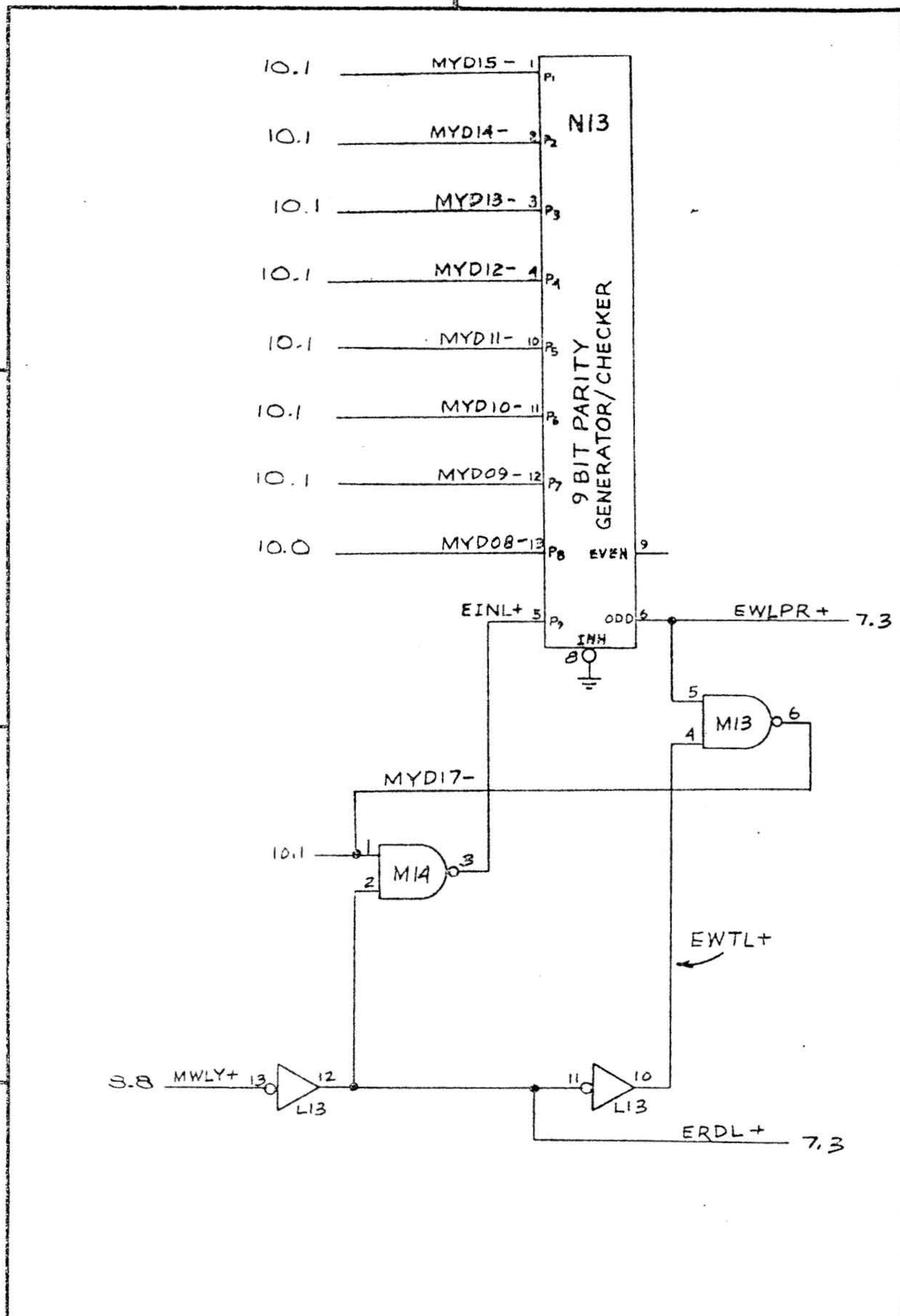


PARITY RIGHT BYTE

CODE IDENT NO.	SIZE	ENR NO	REV
21101	B	9180401	AW
SCALE	SHEET 7.1		

REDRAWN 9 FEB 72

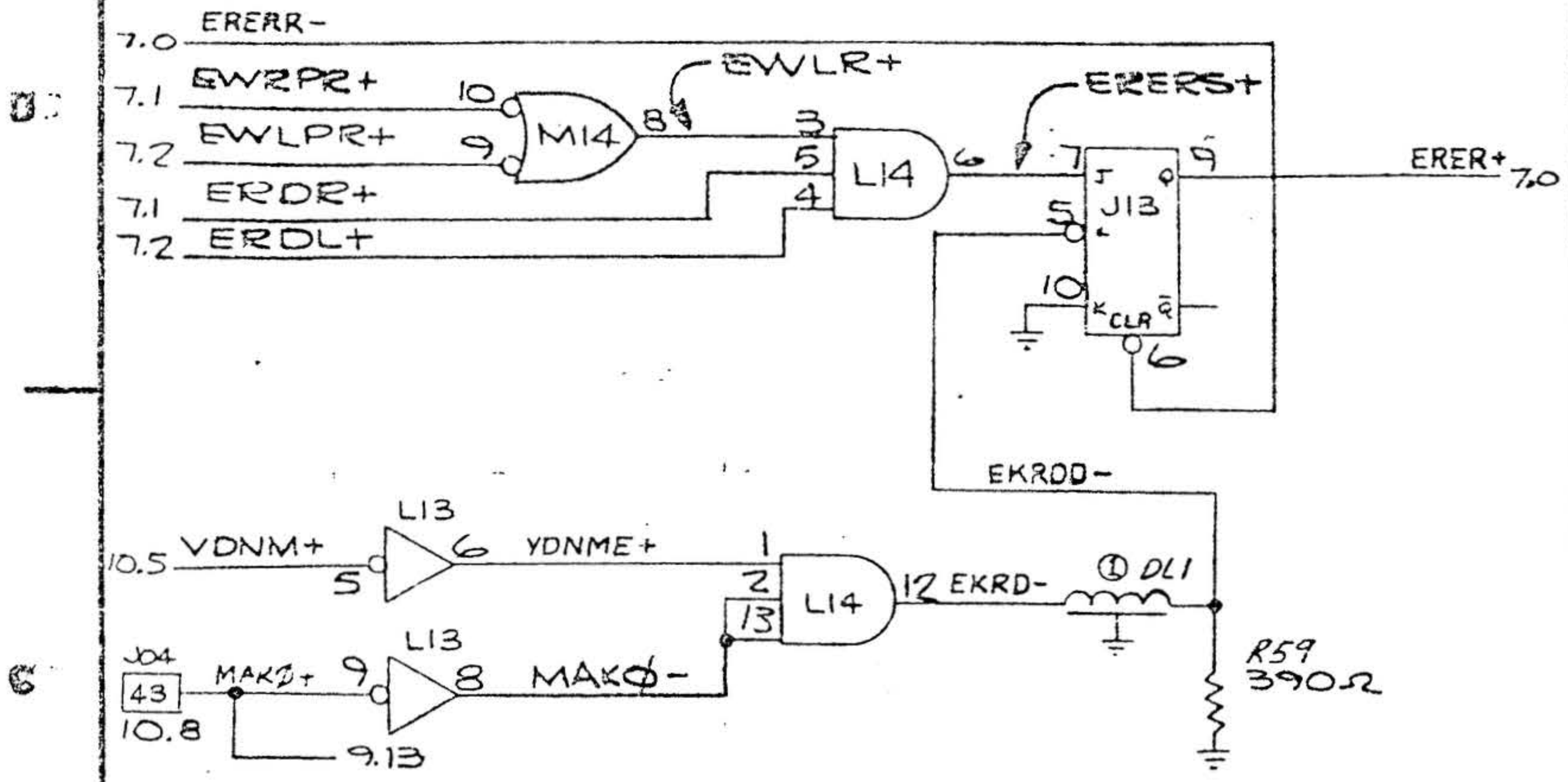




PARITY LEFT BYTE

CODE IDENT NO.	SIZE	DWG NO	REV
21101	B	91B0401	AW
SCALE	SHEET 7.2 OF		





PARITY ERROR

① 1" IN 80A1000-004 30 n.s.  
DELAY LINE

CODE IDENT NO.	SIZE	DWG NO	REV
21101	B	91B0401	AW
SCALE		SHEET 7.3	

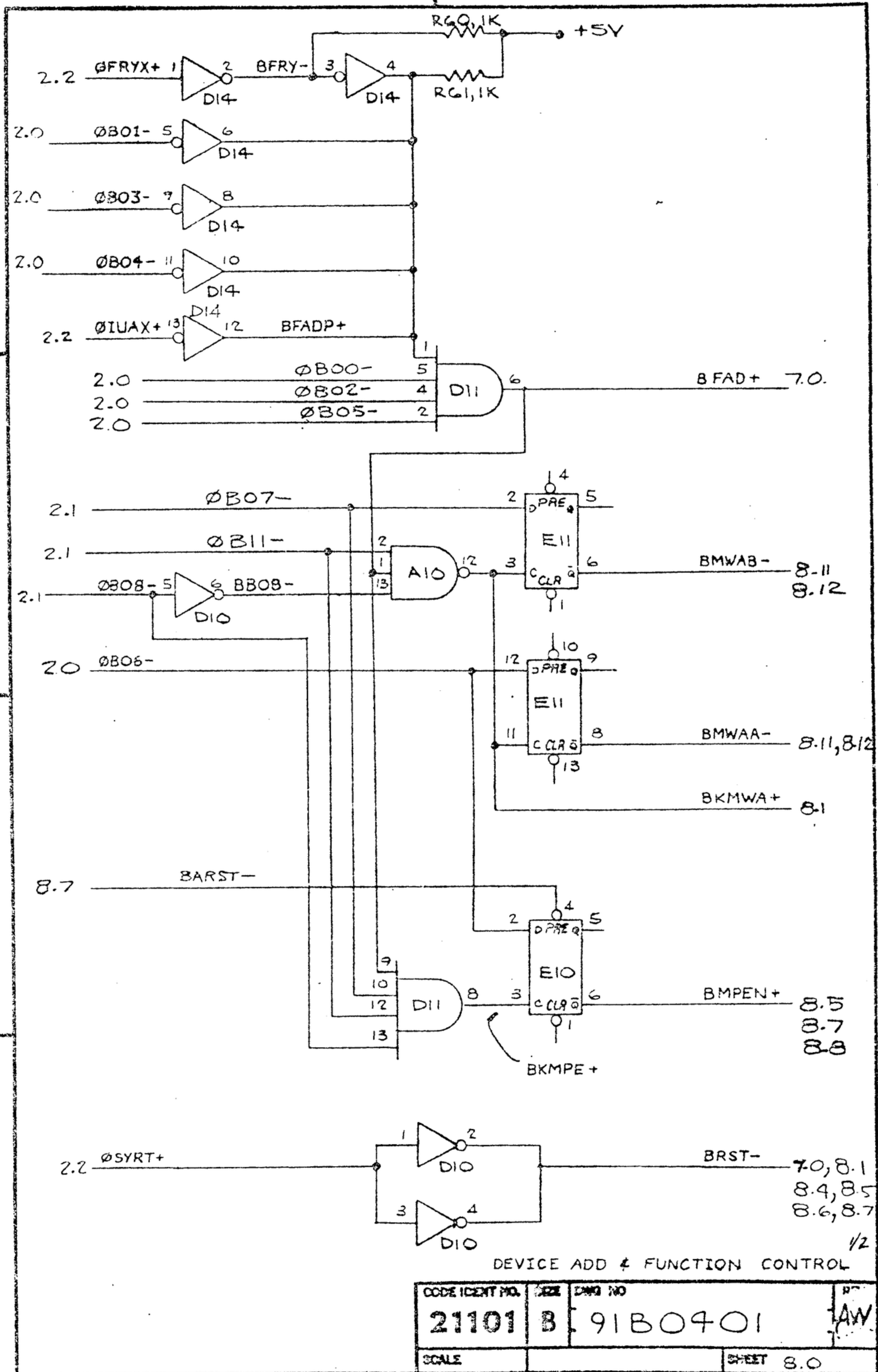


D.

C.

B.

A.



DEVICE ADDR & FUNCTION CONTROL

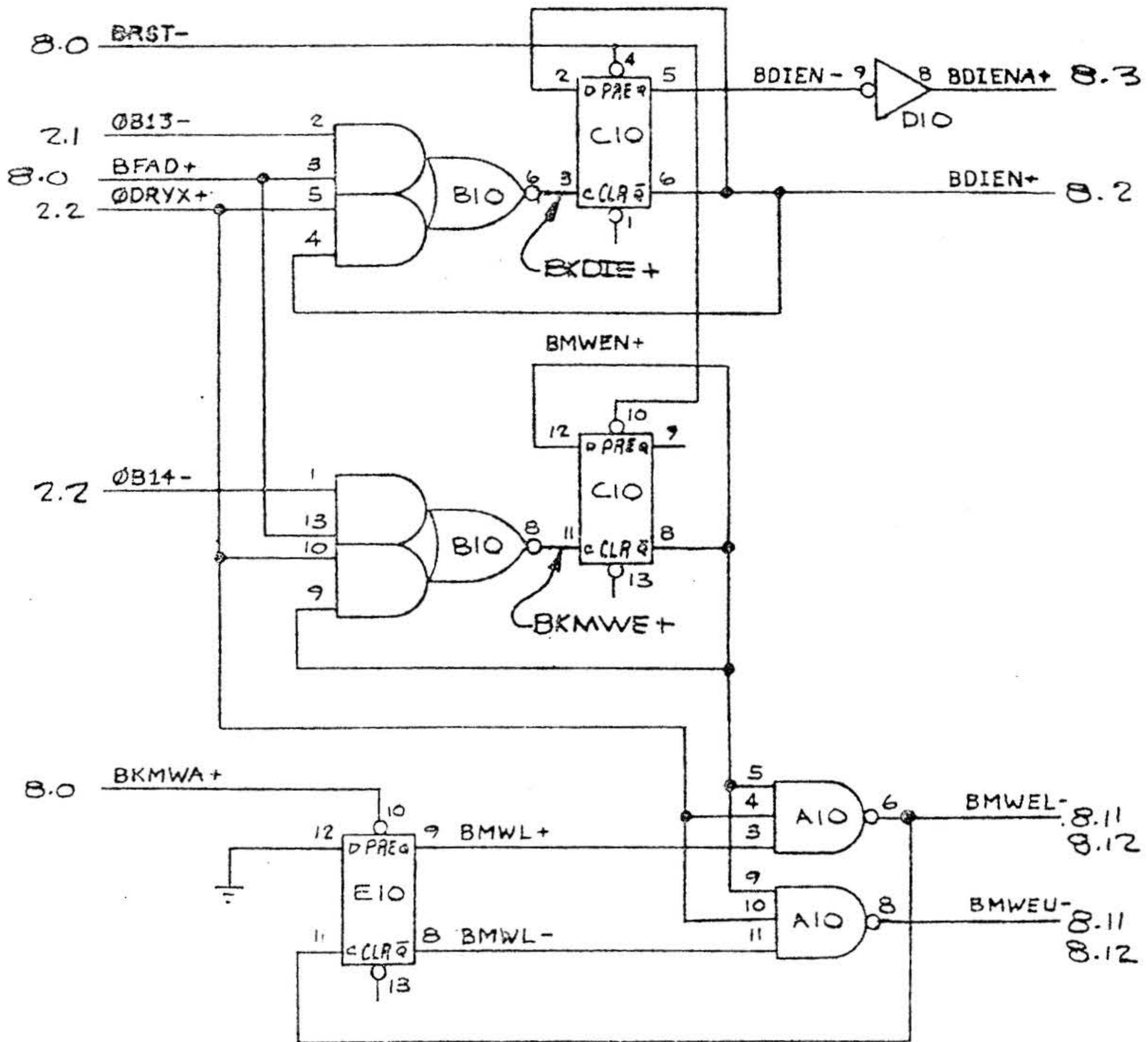
CODE IDENT NO.	SIZE	DWG NO	REV
21101	B	91B0401	AW
SCALE		SHEET 8.0	

1/75 DISTANCE FROM CLEARPRINT LENS



2

1



2/2

DEVICE ADD & FUNCTIONAL CONT.

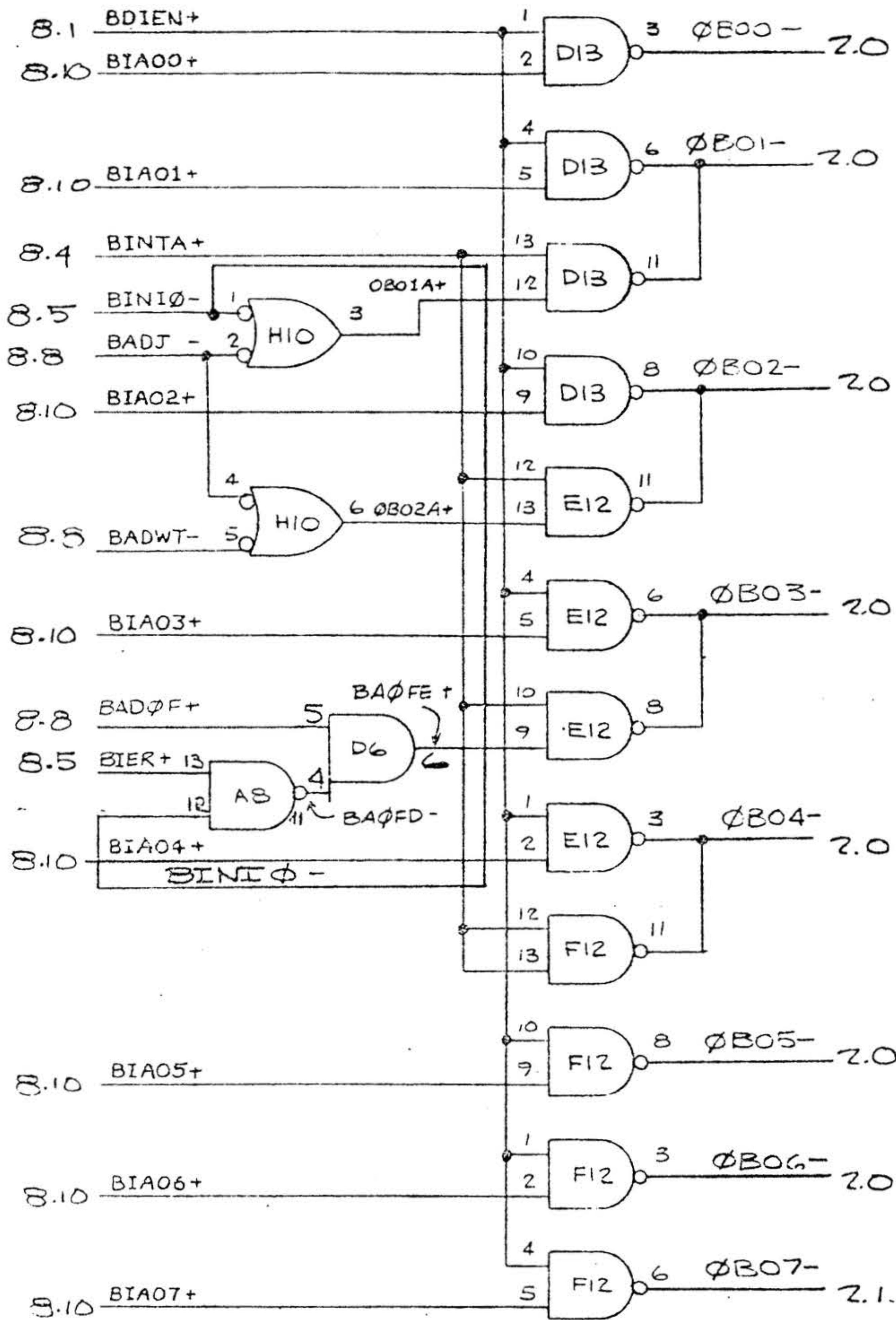
CODE IDENT NO.	SIZE	DWG NO	DATE
21101	B	91B0401	AW
SCALE	SHEET 8.1		

1/2 DISTANCE SET CLEARPRINT VISION



2

1

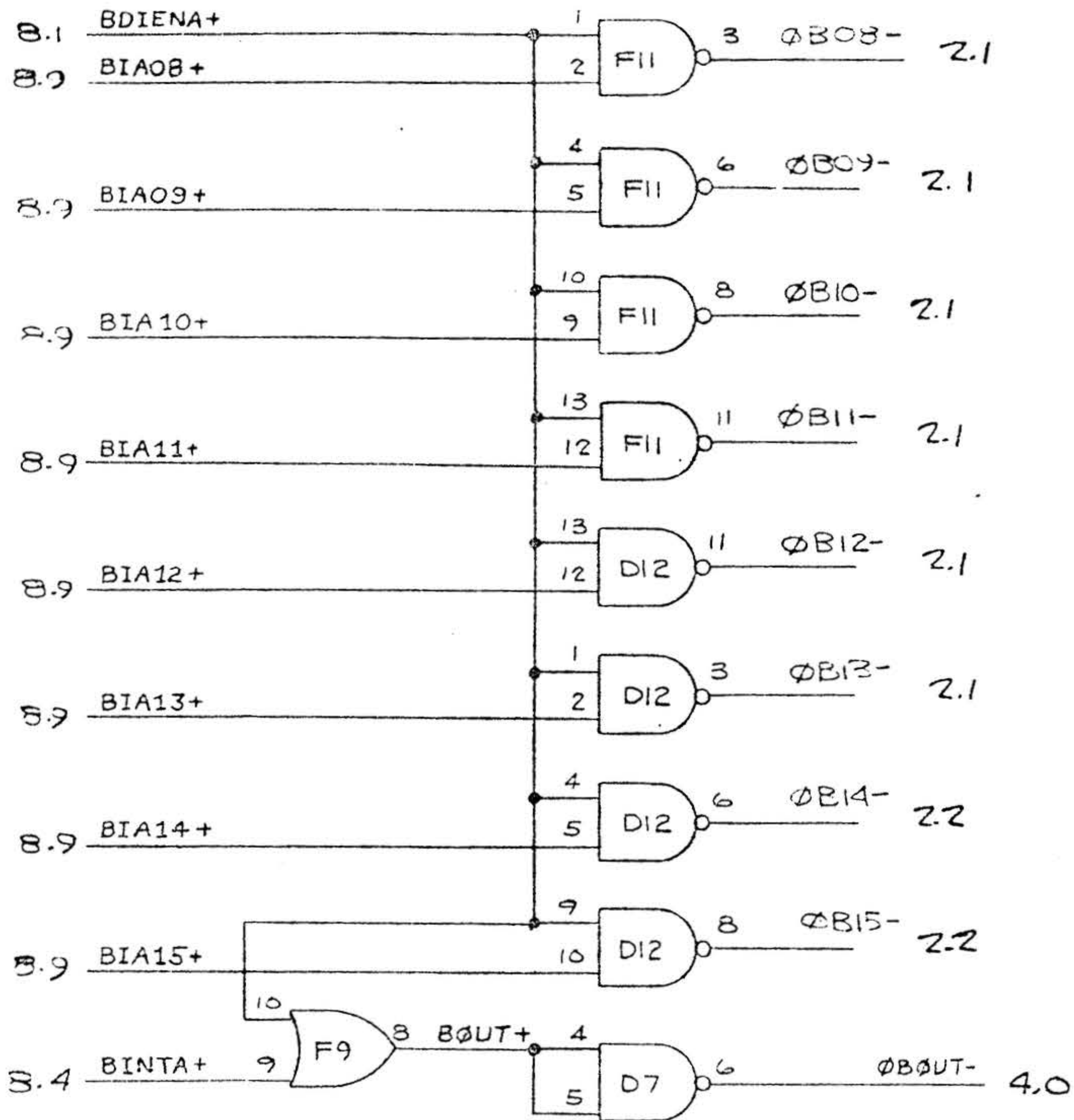


I/O BUS DRIVERS

1/2

CODE IDENT NO.	SIZE	DWG NO	REV
21101	B	91B0401	AW
SCALE		SHEET 3.2	

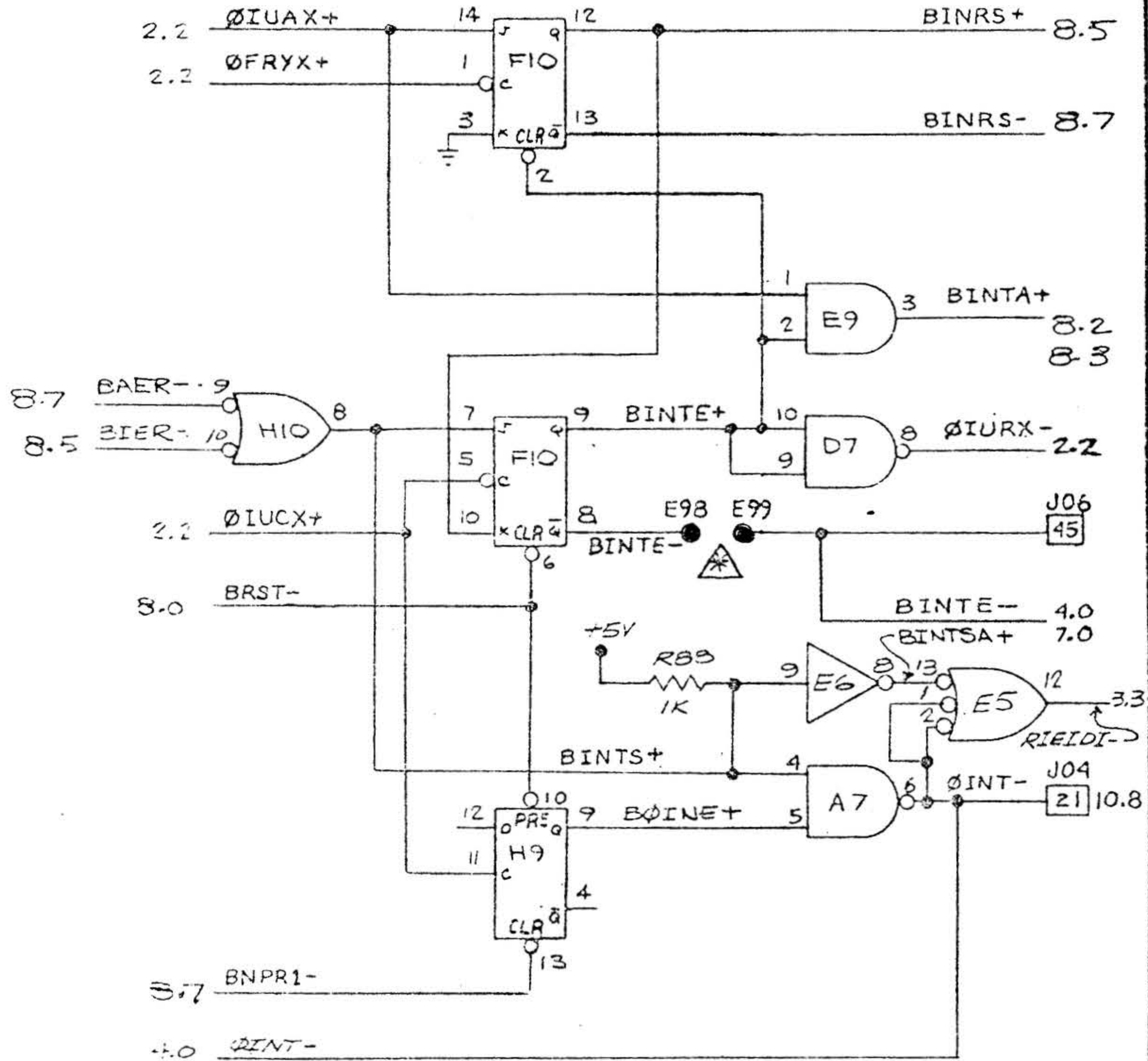




I/O BUS DRIVERS

CODE IDENT NO.	SIZE	DWG NO	REV
21101	B	91B0401	AW
SCALE	SHEET 8.3		



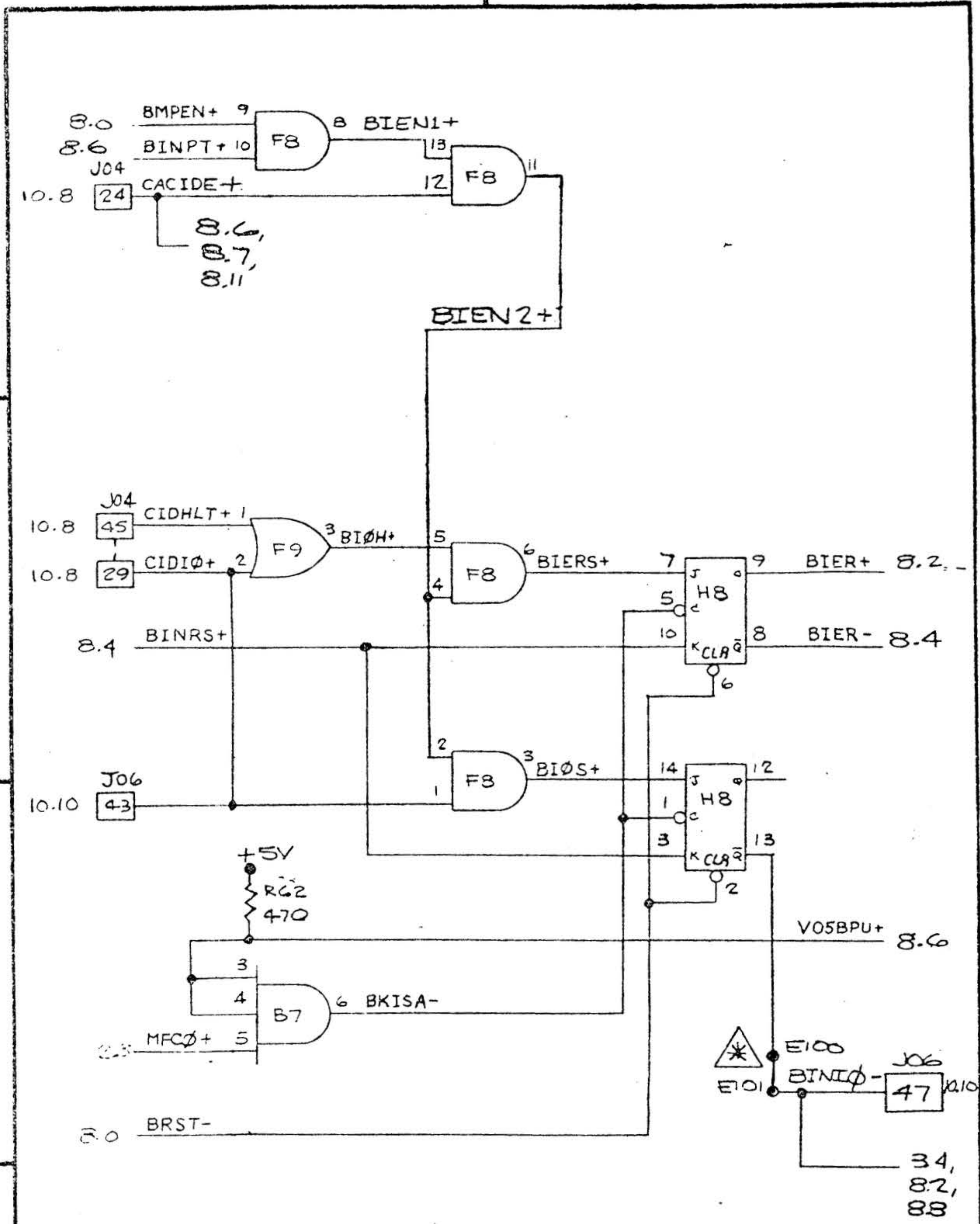


WIP SIGNAL	SIGNAL NAME	MEMORY MAP IN SYSTEM
YES	BINTE-	NO
NO	PBINTE	YES

INTERRUPT

CODE IDENT NO.	SIZE	DWG NO	REV
21101	8	91B0401	AW
SCALE	SHEET 3.4		



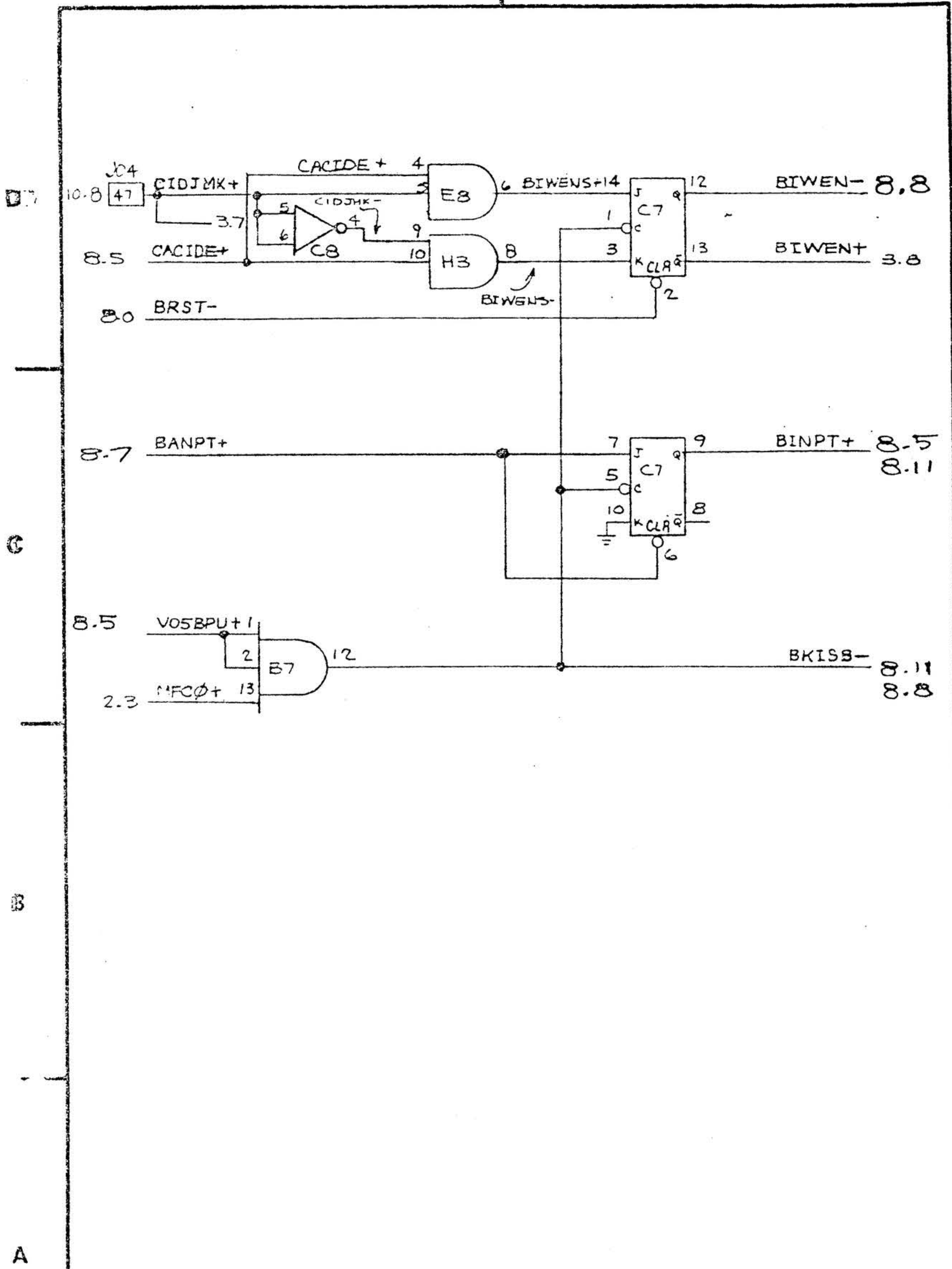


JUMPER CLIP INSTALLED	SIGNAL NAME	MEMORY MAP IN SYSTEM
YES	BINIQ-	NO
NO	PBINIQ-	YES

INSTRUCTION SEQUENCER 1/2

CODE IDENT NO.	SIZE	DWG NO	REV
21101	B	91B0401	AW
SCALE	SHEET 8.5		

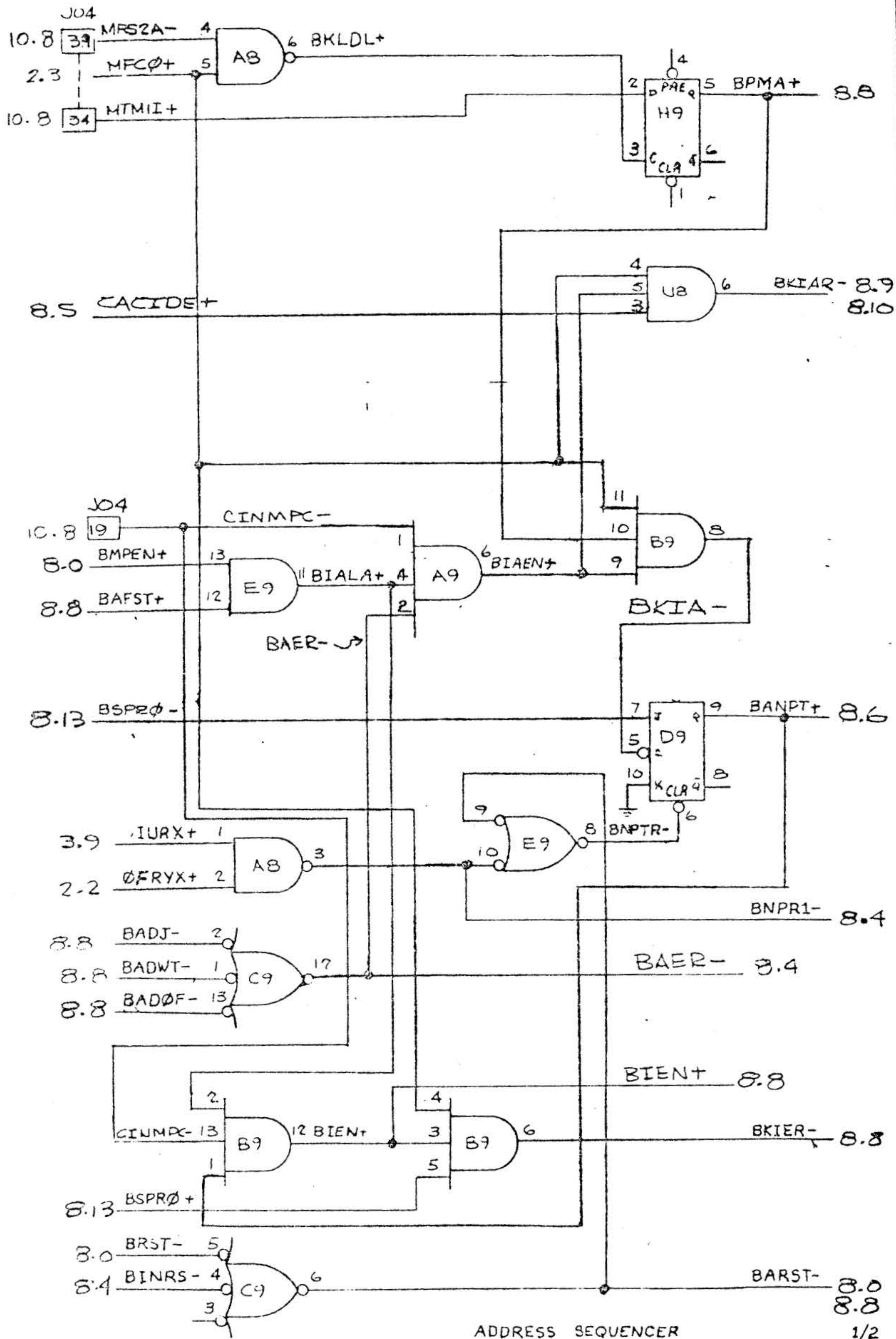




MP INSTRUCTION SEQUENCER

CODE IDENT NO.	SIZE	DRWG NO	REV
21101	B	91B0401	AW
SCALE		SHEET 8.6	



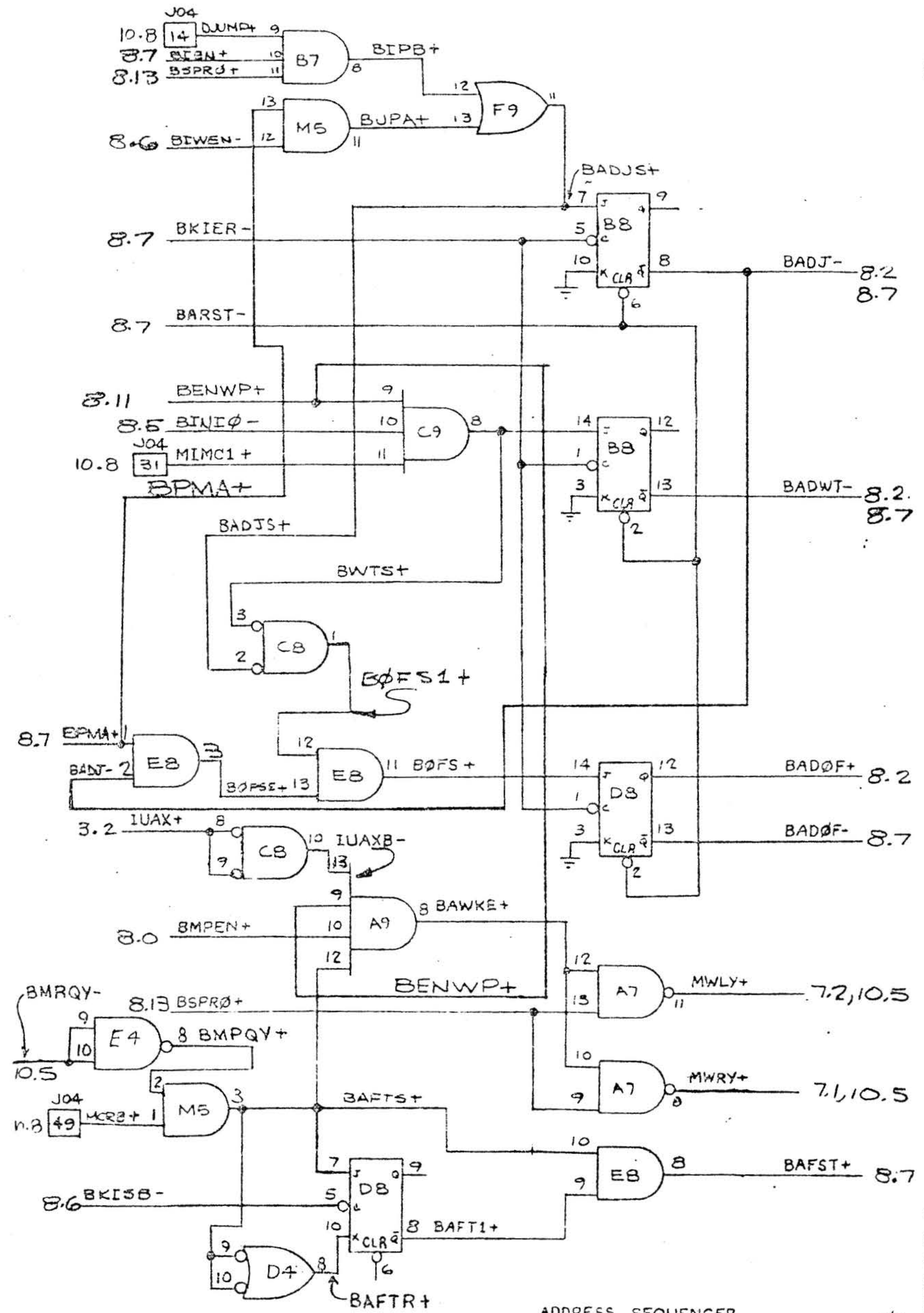


ADDRESS SEQUENCER

1/2

CODE IDENT NO.	SIZE	DWG NO	REV
21101	C	91B0401	AW
SCALE		SHEET 8.7	

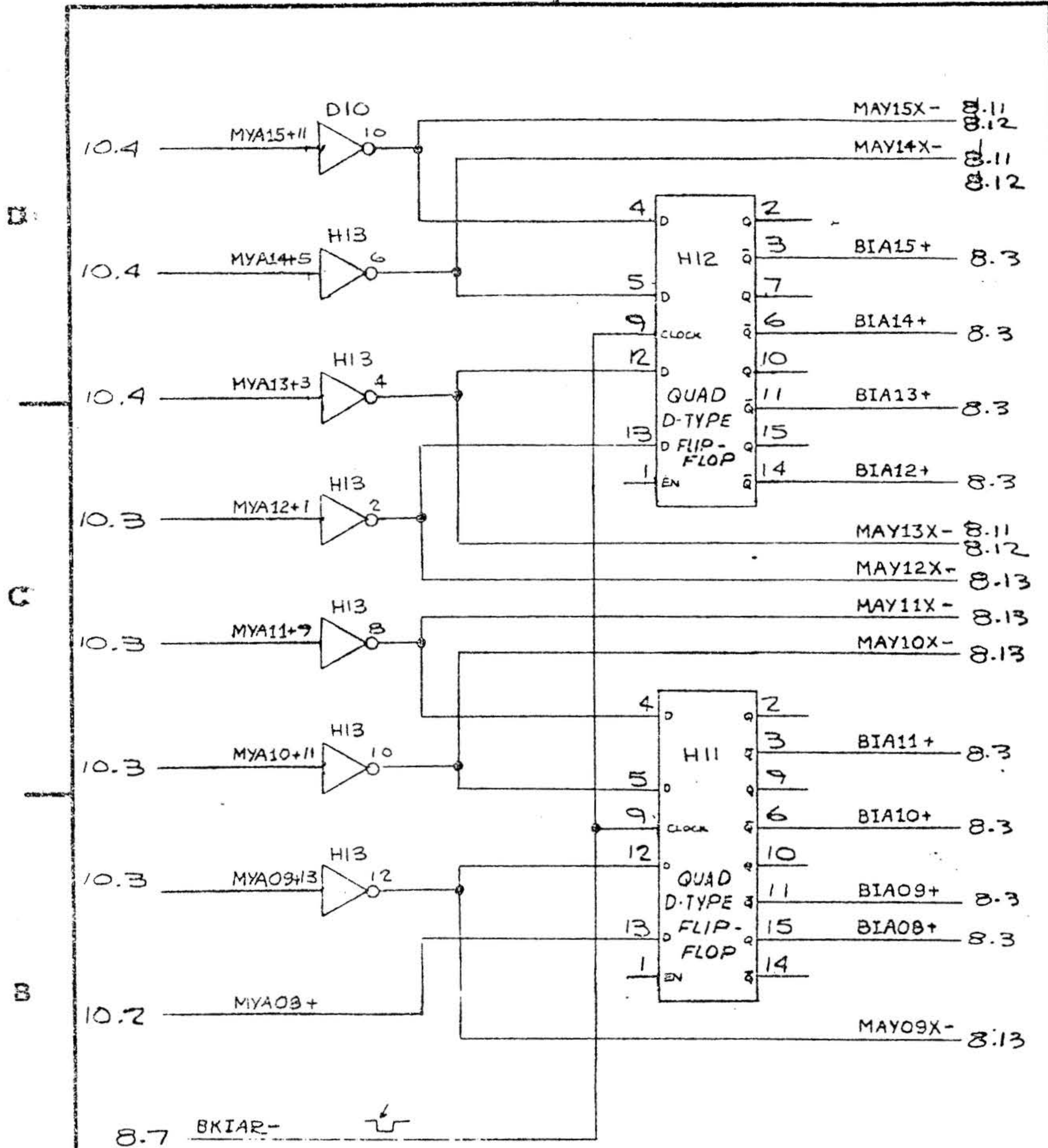




ADDRESS SEQUENCER

LOGIC IDENT NO.	SIZE	DWG NO	REV
21101	C	91B0401	AW
SCALE	SHEET 2 2		

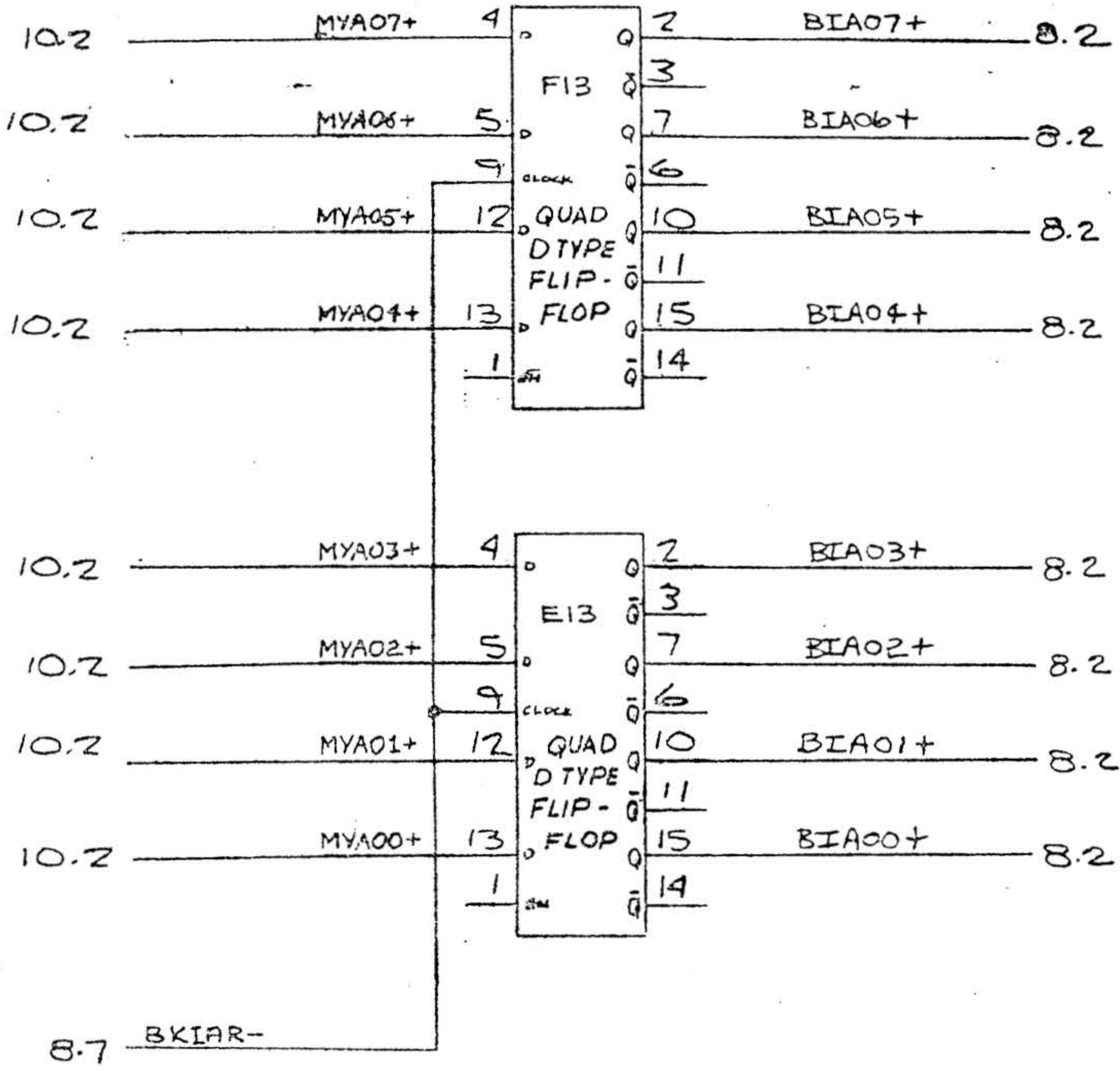




INSTRUCTION ADDRESS REGISTER 1/2

CODE IDENT NO.	SIZE	DWG NO.	REV.
21101	B	91B0401	AW
SCALE		SHEET 8.9	





INSTRUCTION ADDRESS REGISTER 2/2

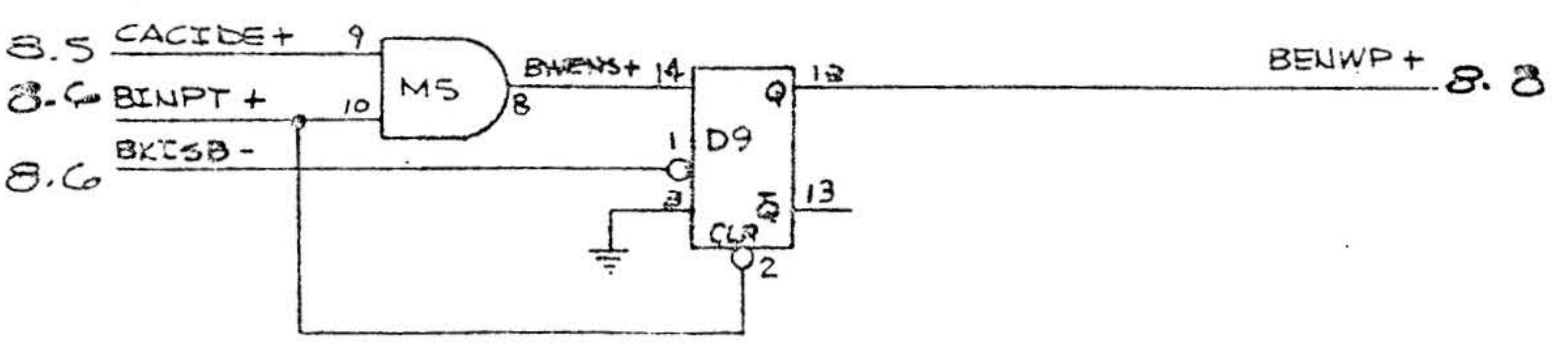
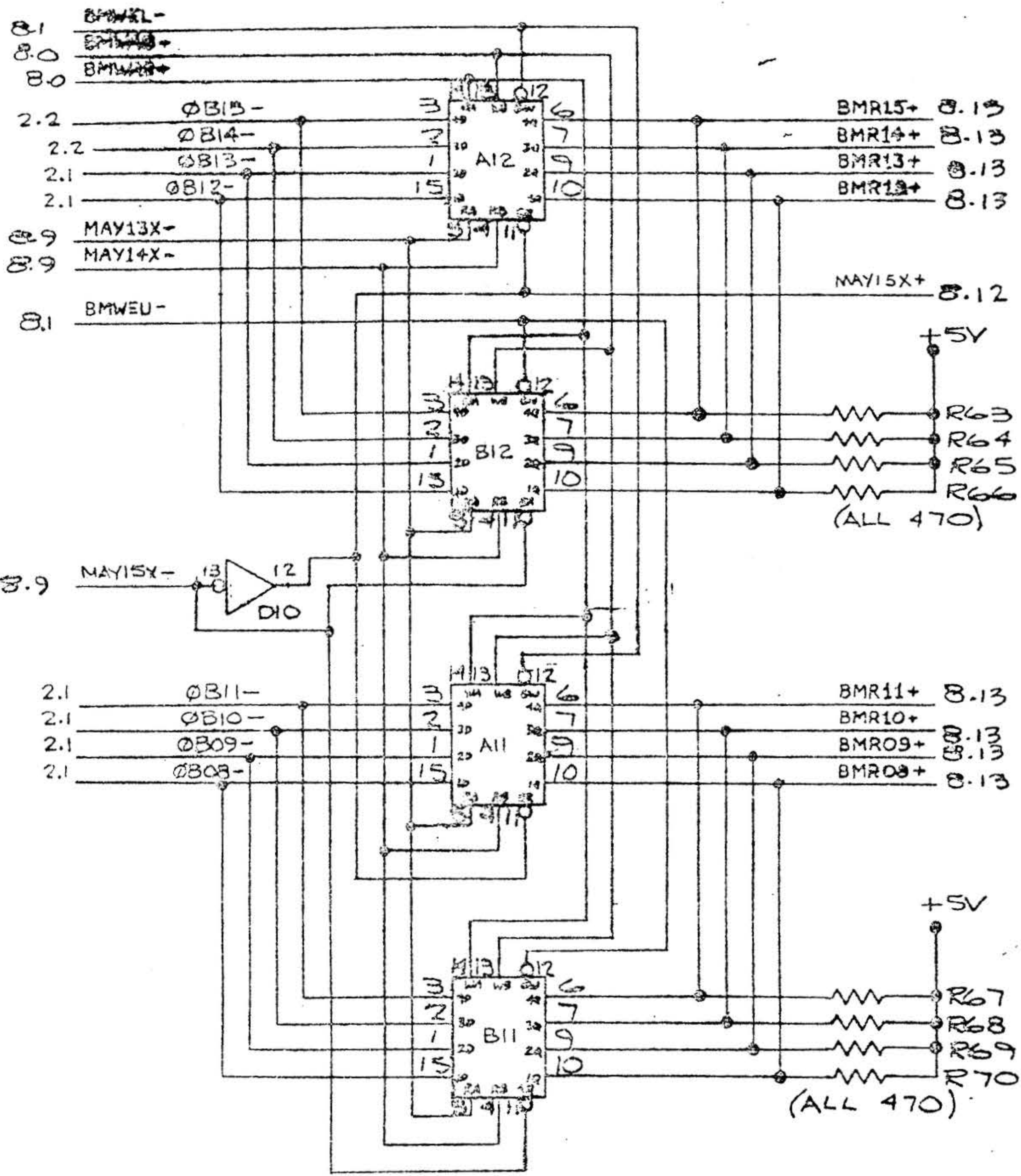
CODE IDENT NO.	SCALE	OWNER NO	REV
21101	B	91B0401	AW
SCALE		SHEET 8.10	

1/78 BIRCHMOUNT CLEARING CO. 12345



2

1



D

C

B

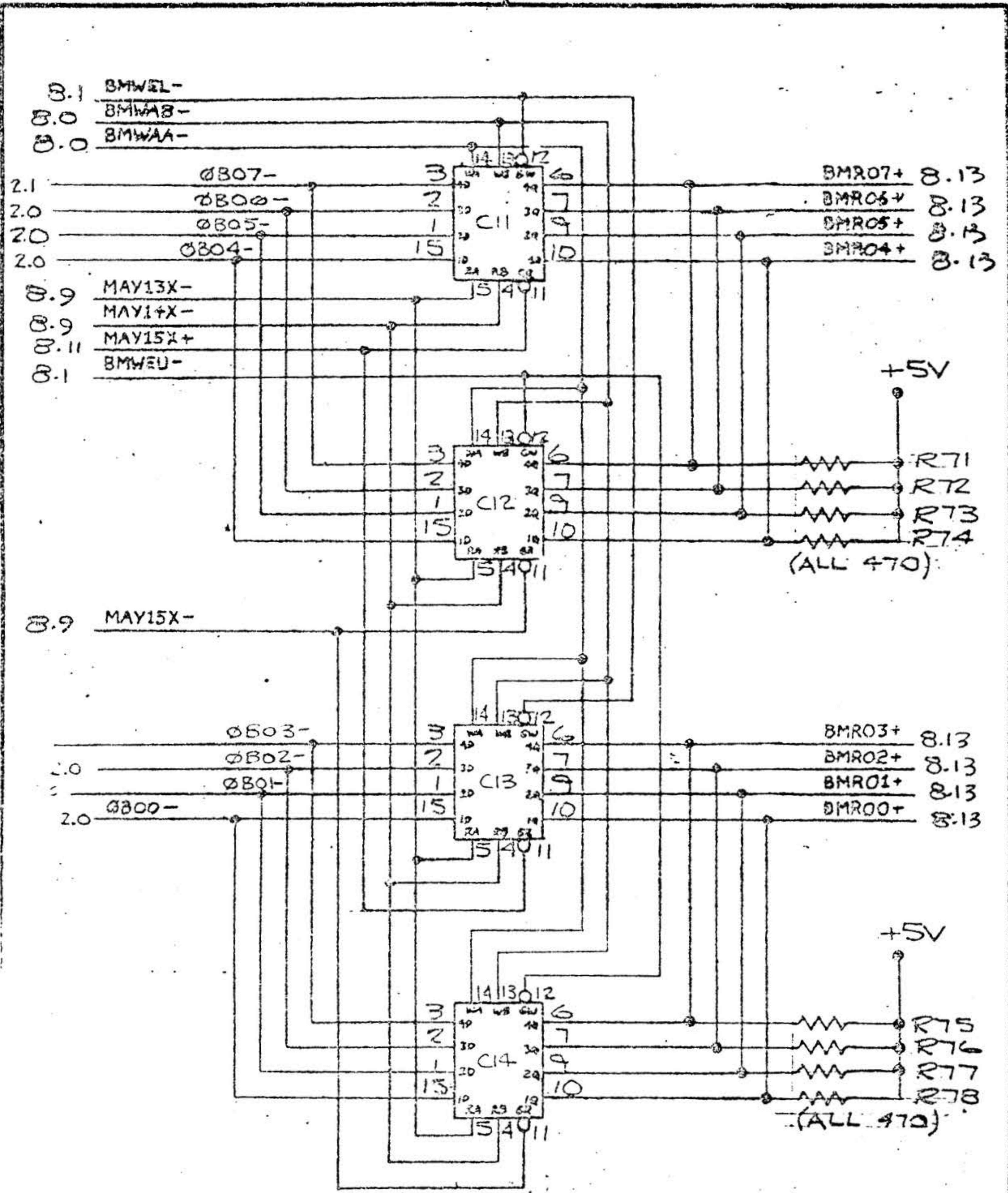
A

MASK REGISTER

1/2

CODE IDENT NO	REV	DATE	BY
21101	B	91B0401	AW
SCALE		SHEET 8.11.	





MP MASK REGISTER

2/2

CODE IDENT NO.	SIZE	DRWG NO.	REV
21101	8	91B0401	AW
SCALE		SHEET 8.12	

U-13 OUTLINE POST CLEARING 1000-3

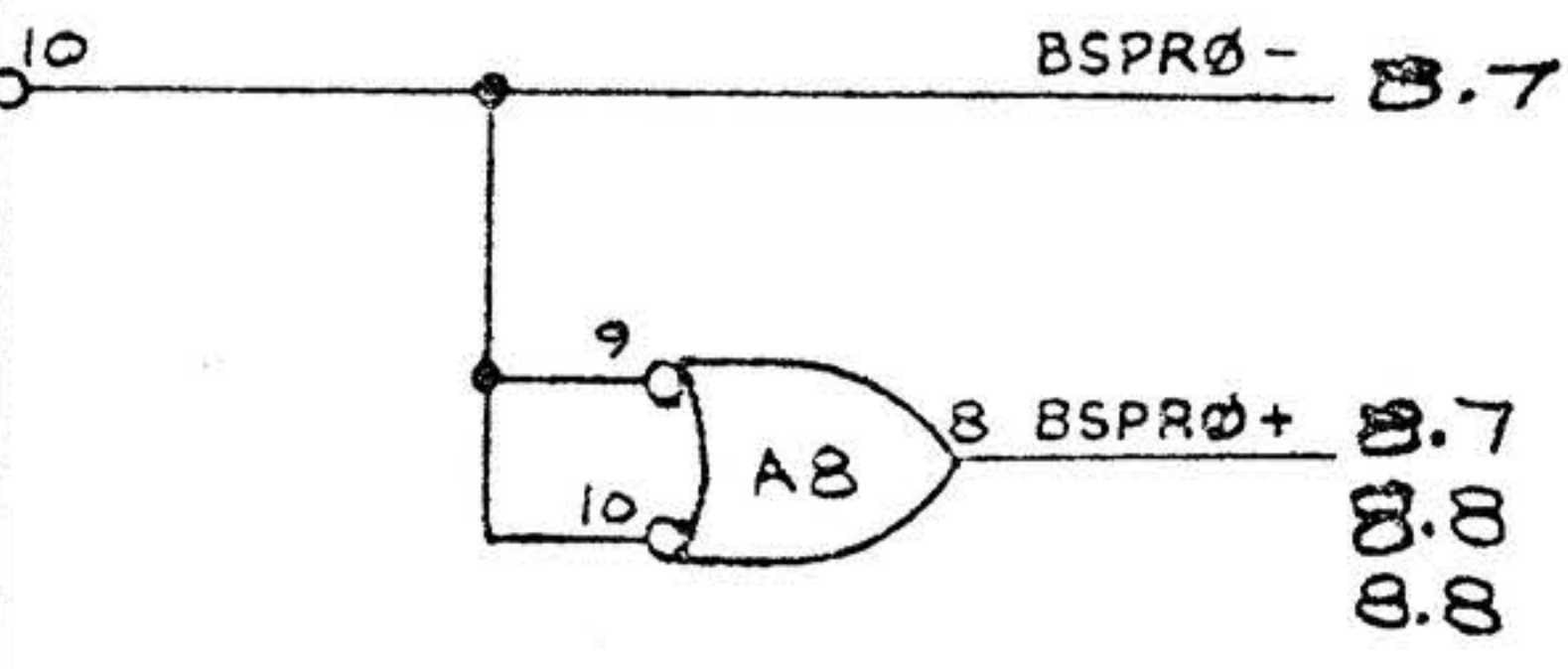
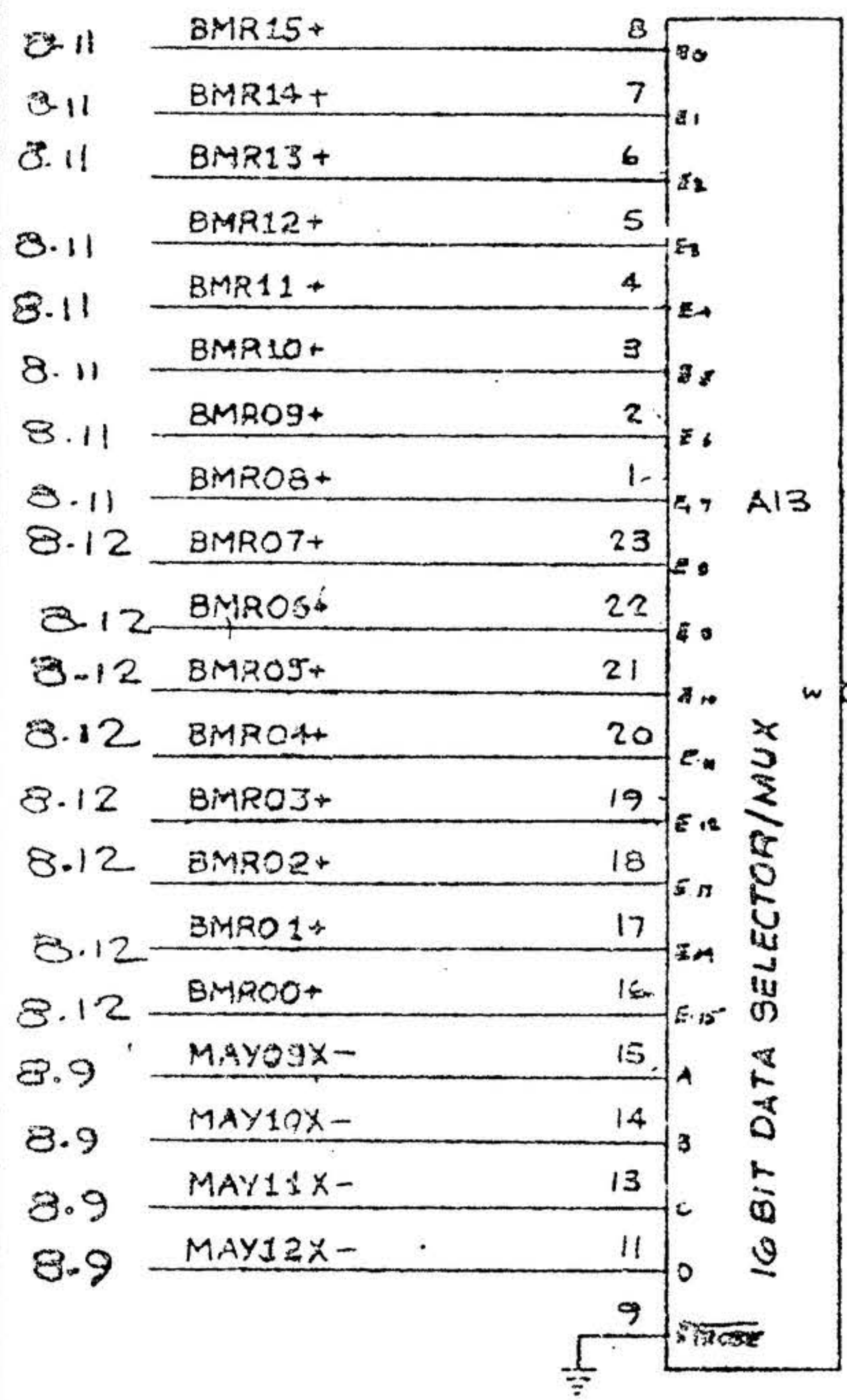


D

C

E

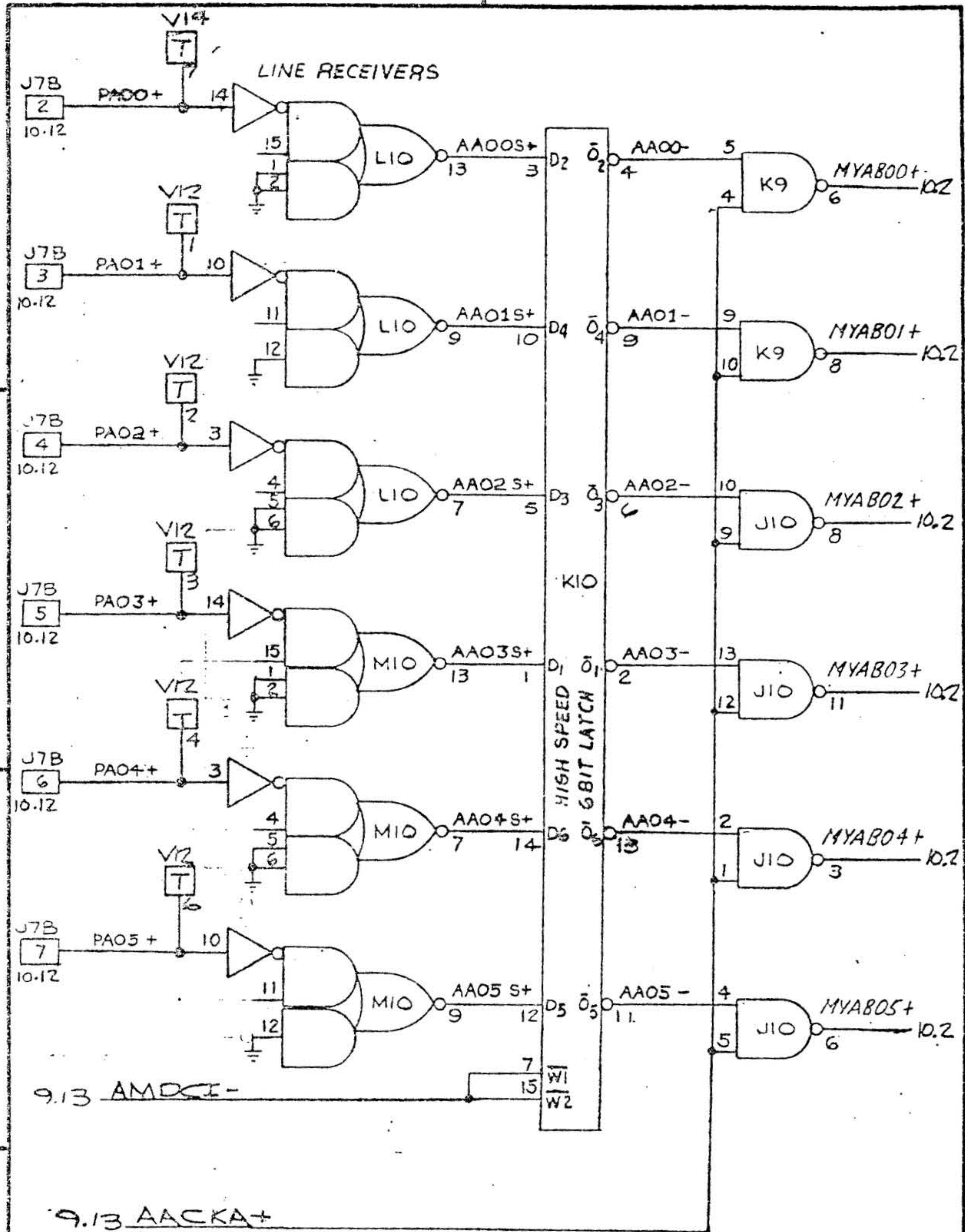
A



SEGMENT STATUS

CODE IDENT NO.	SIZE	DWG NO	REV
21101	B	9130401	AW
SCALE	SHEET 8.13		

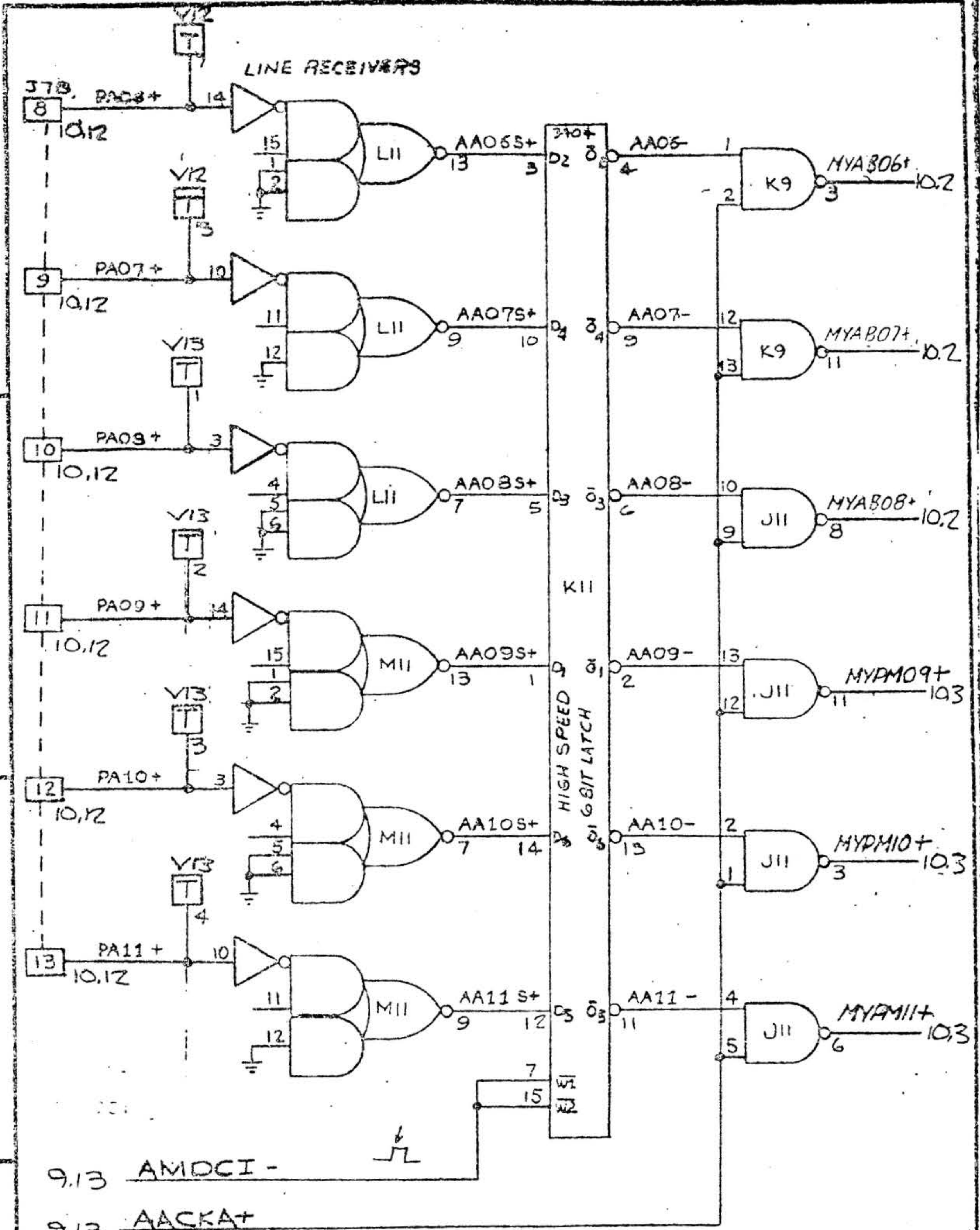




ADDRESS BUFFER 1/3

CODE IDENT NO.	SIZE	FORM NO	REV
21101	B	91B0401	AW
SCALE	SHEET 9.0		





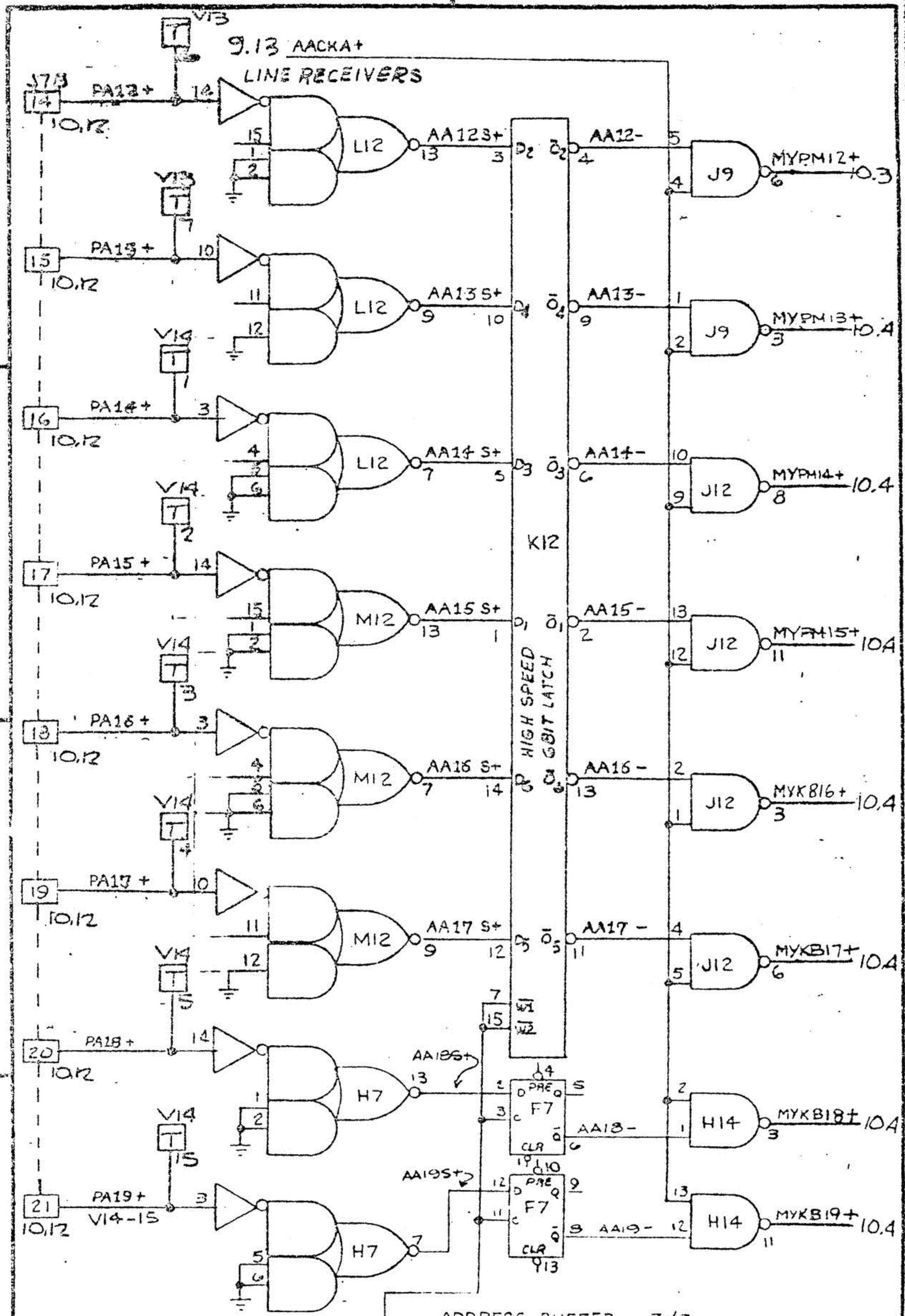
9.13 AMDCI -  
 9.13 AACKA+

ADDRESS BUFFER 2/3

CODE IDENT NO.	SIZE	DWG NO	REV
21101	B	91B0401	AW
SCALE	SHEET 9.1		

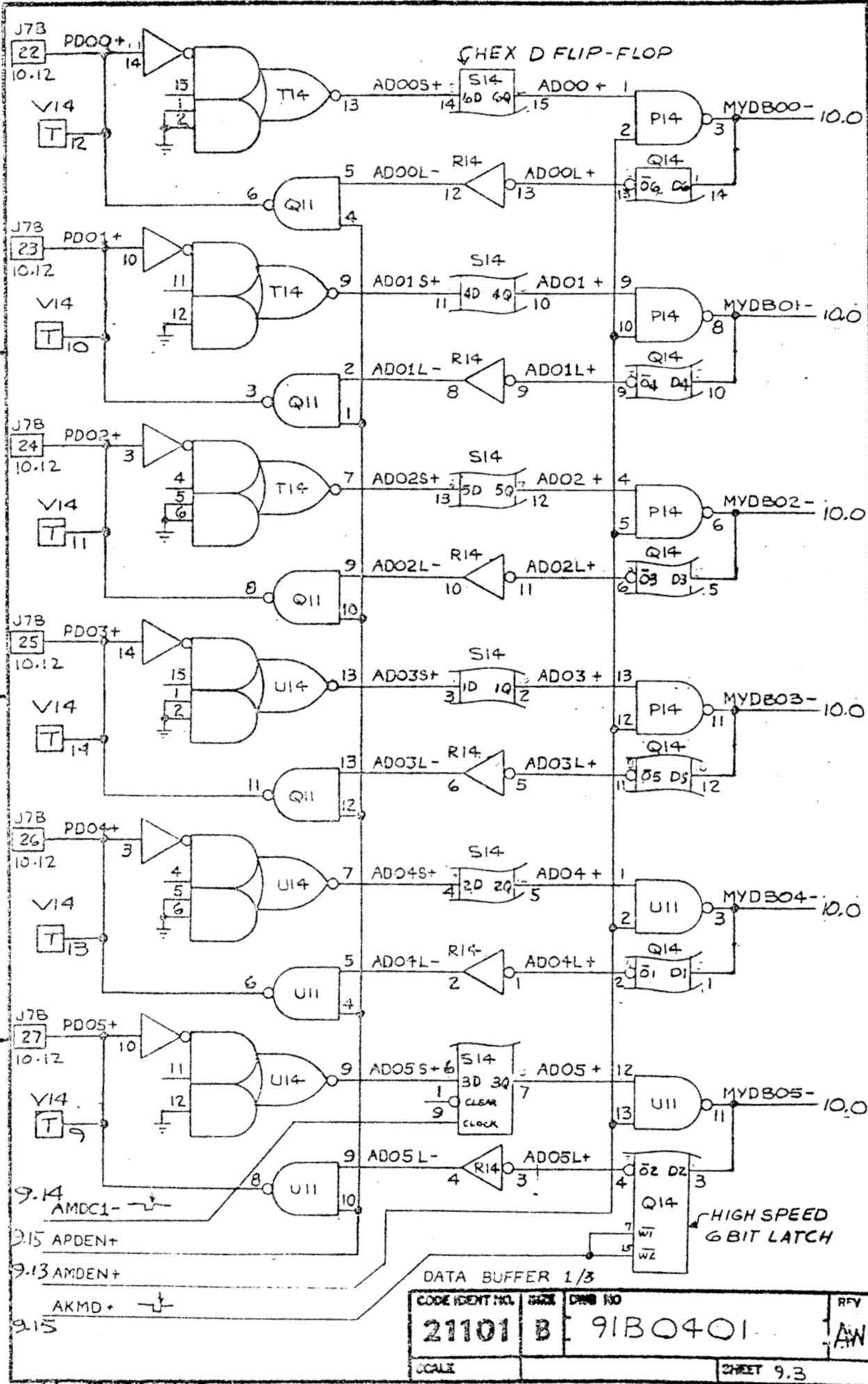


B  
C  
3  
A



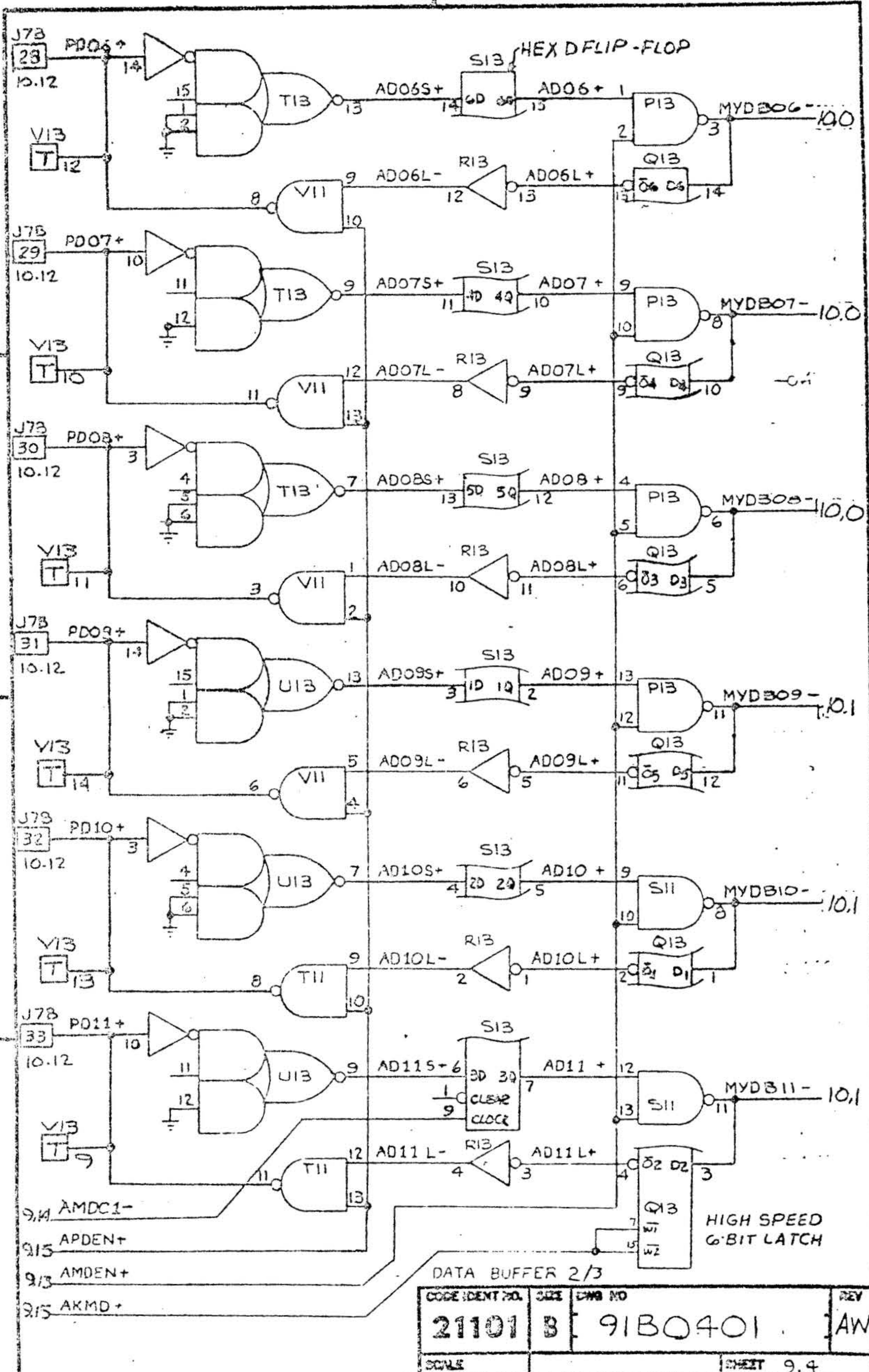
CODE IDENT NO.	SIZE	QMS NO	REV
21101	B	91B0401	AW
SCALE	SHEET 9.2		





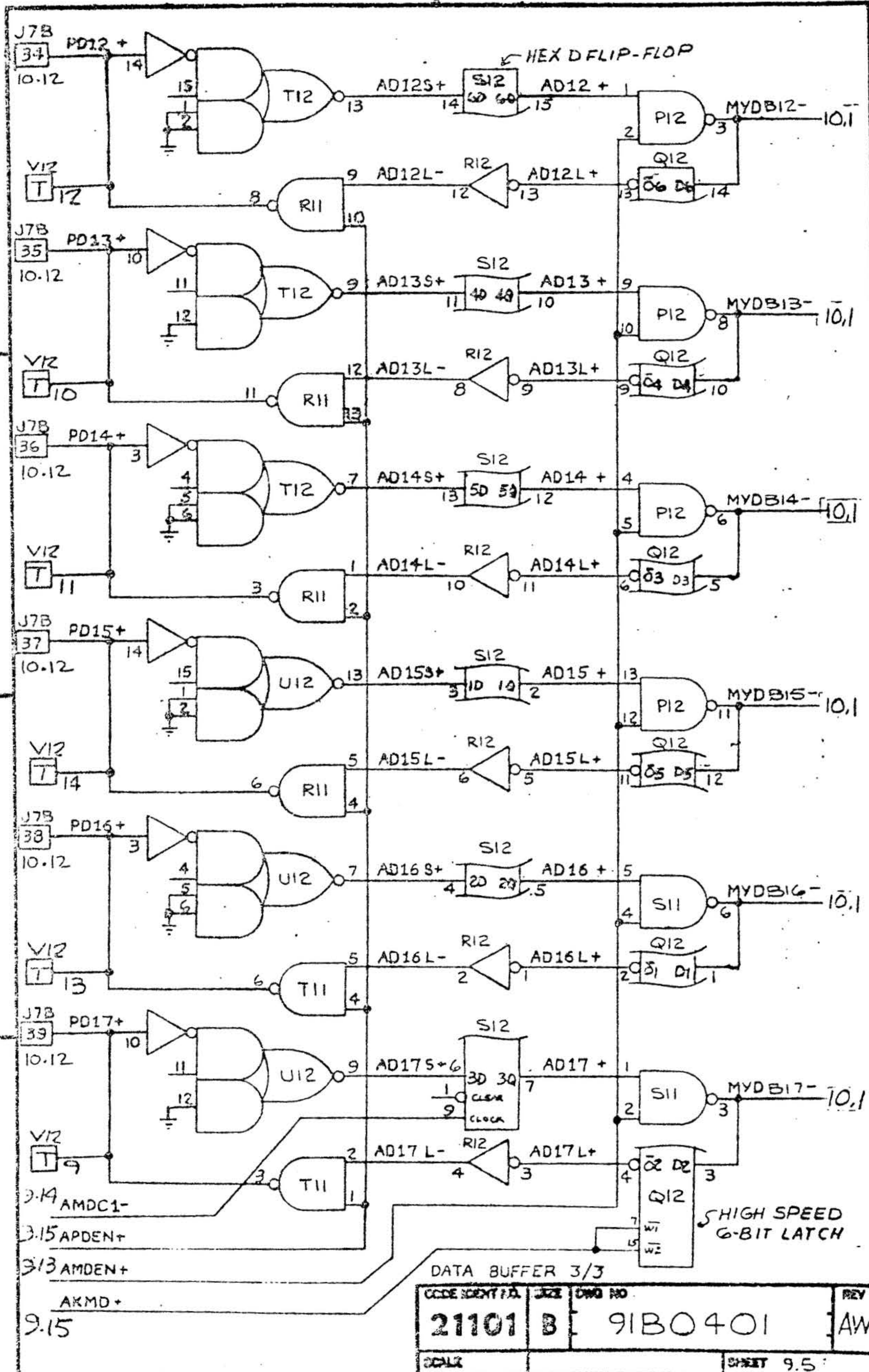
CODE IDENT NO.	SCALE	DATE NO	RFV
21101	B	91B0401	AW
SCALE		SHEET 9.3	





CODE IDENT NO.	SIZE	QWG NO	REV
21101	B	9130401	AW
SCALE		SHEET 9.4	



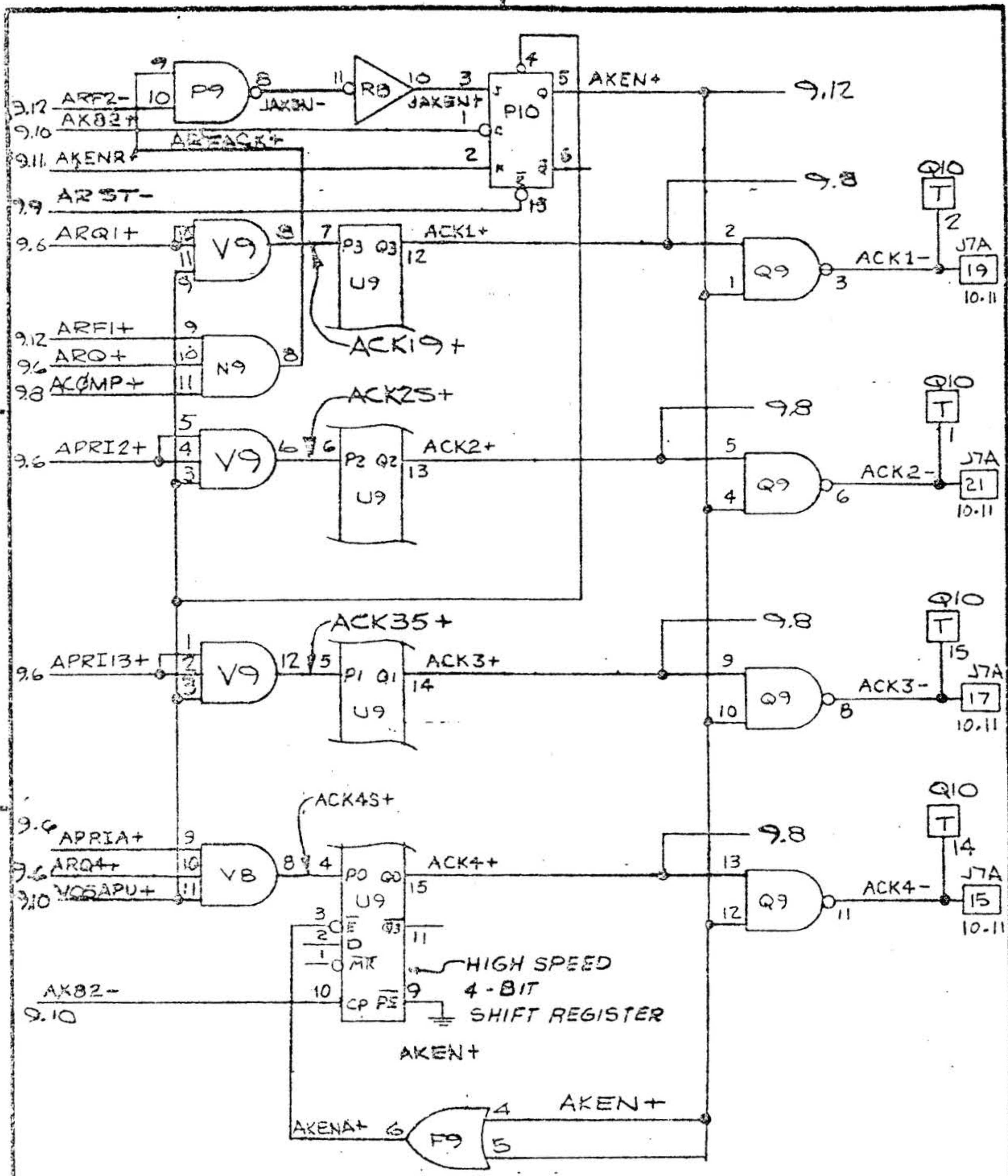


CODE IDENT. NO.	SIZE	DRG. NO.	REV.
21101	B	91B0401	AW.
SCALE	SHEET 9.5		





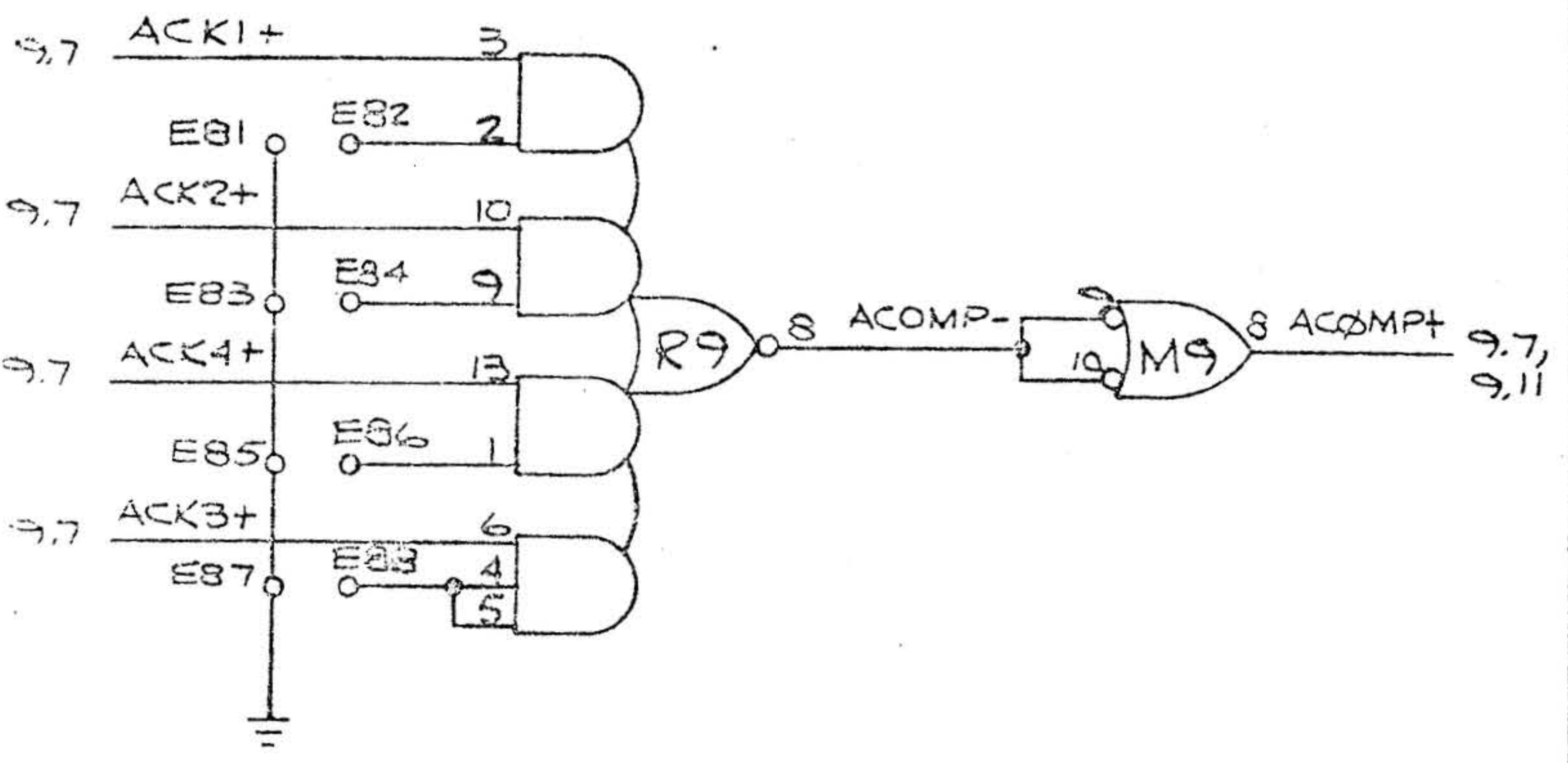
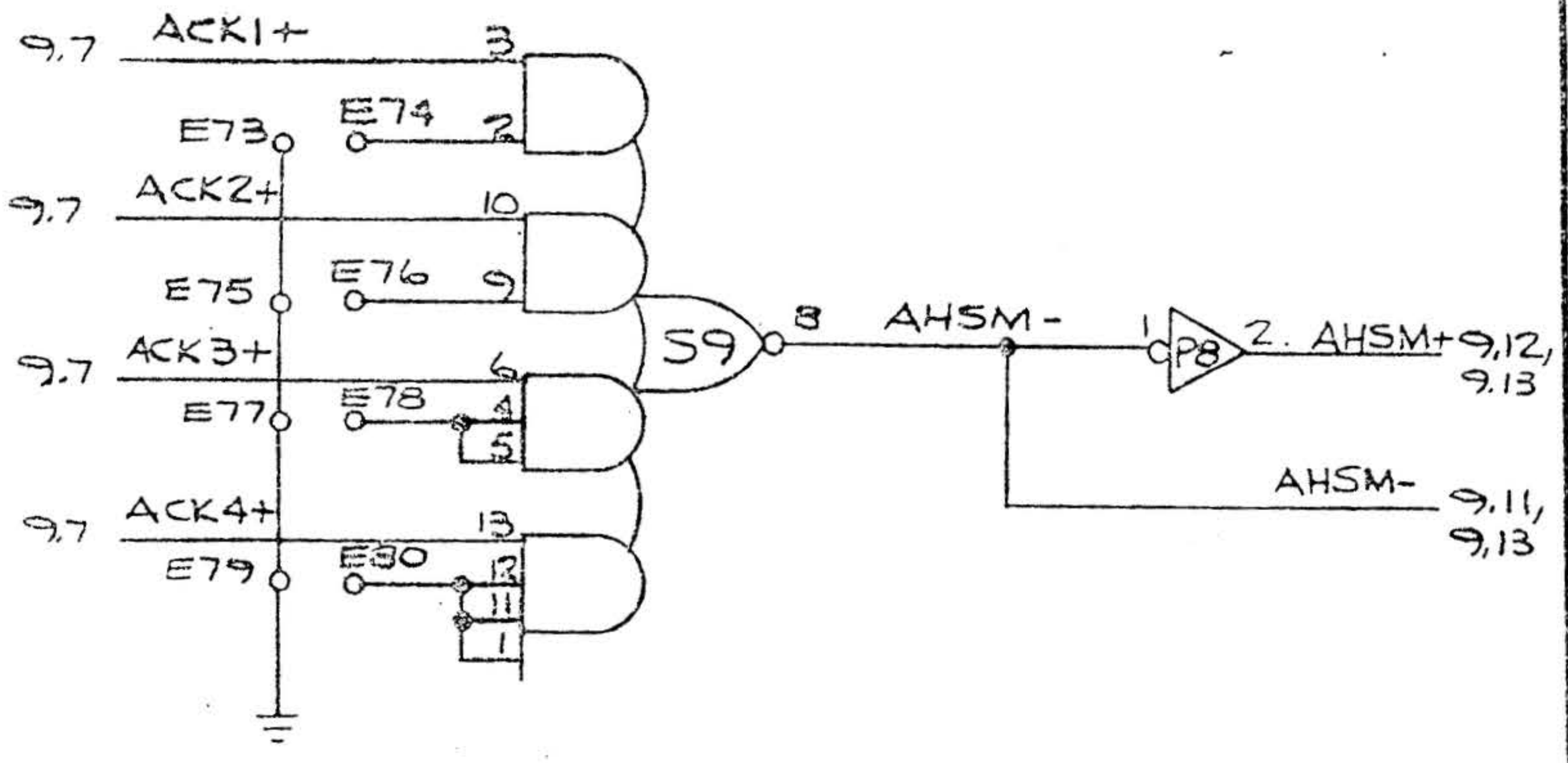




REQUEST 2/3

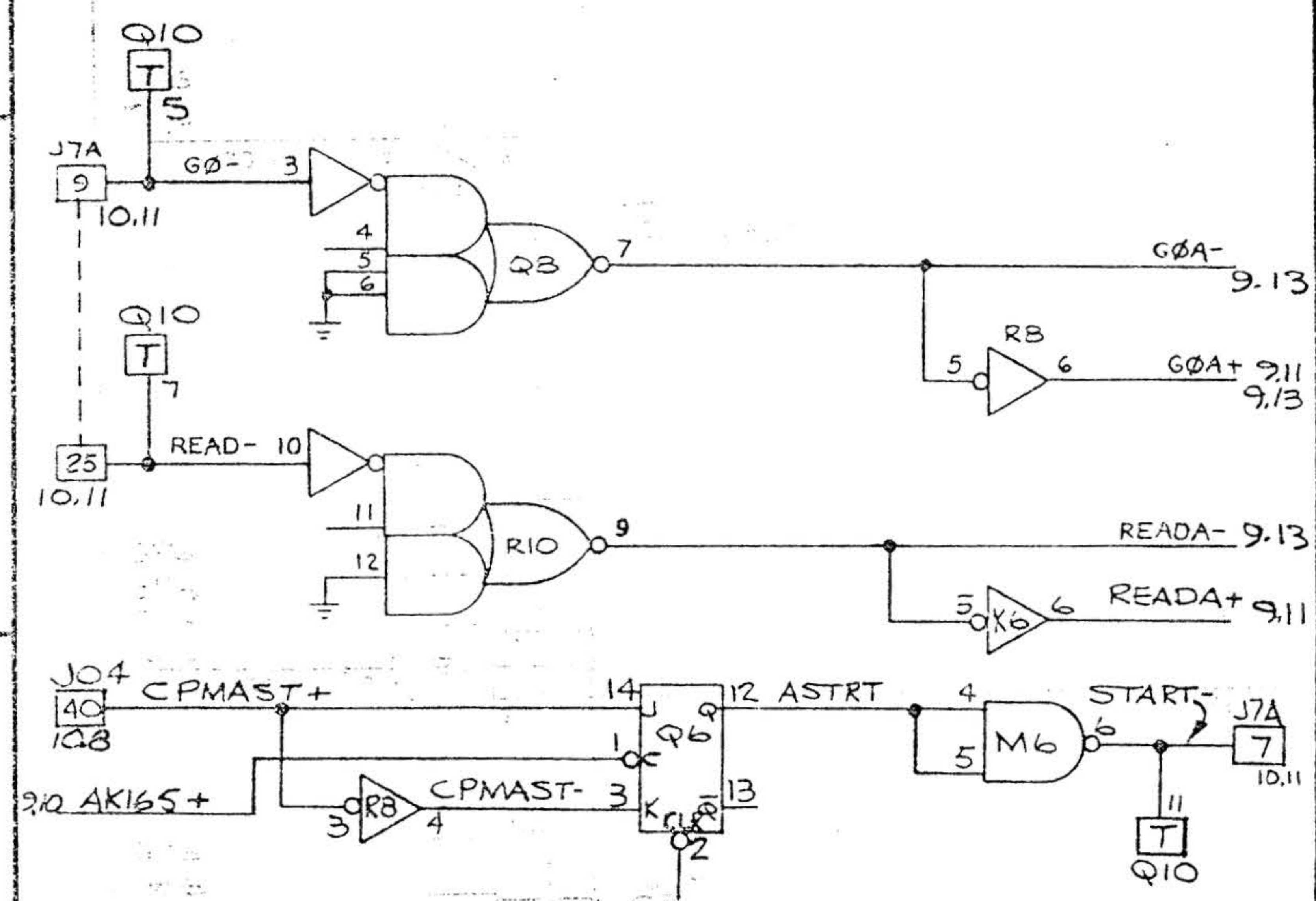
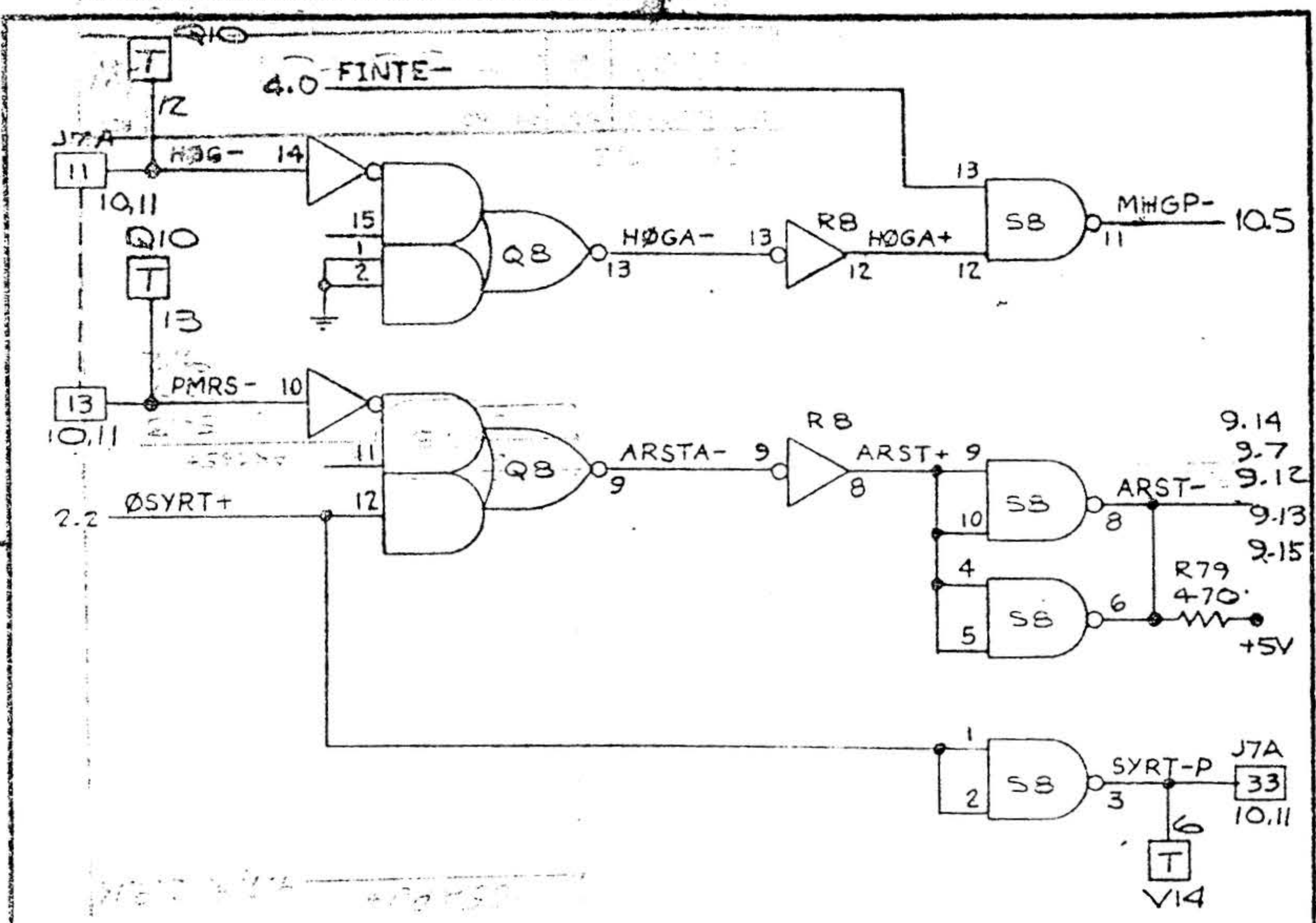
CODE IDENT NO.	REV	DATE	REV
21101	B	91B0401	AW
SCALZ			SHEET 9.7





EDGE IDENT NO.	EDGE	DWG NO	REV
21101	B	91B0401	AW
SCALE	SHEET 9.8		

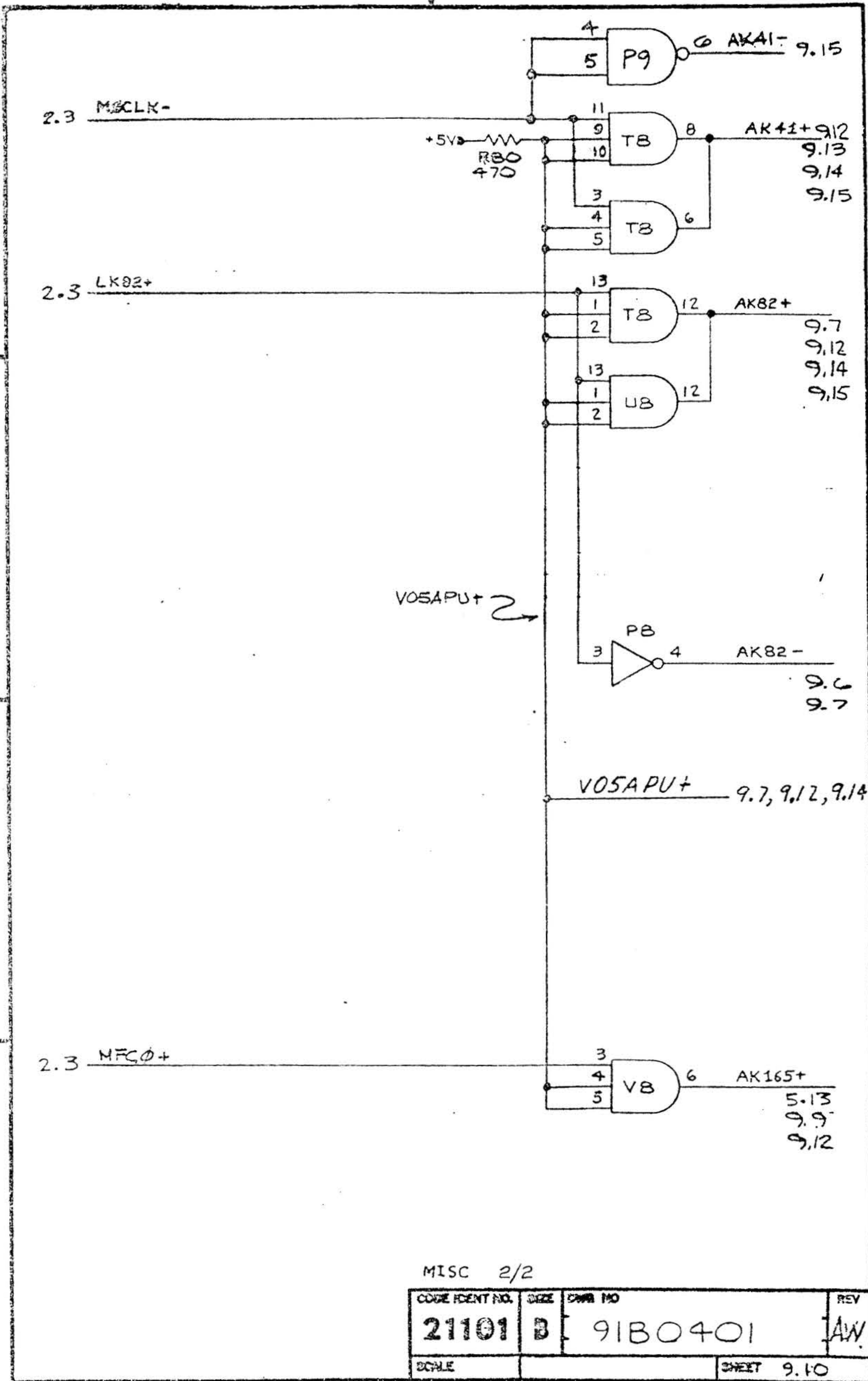




MISC 1/2

CODE IDENT NO.	SIZE	DWG NO	REV
21101	B	9180401	AW
SCALE	SHEET 9.9		



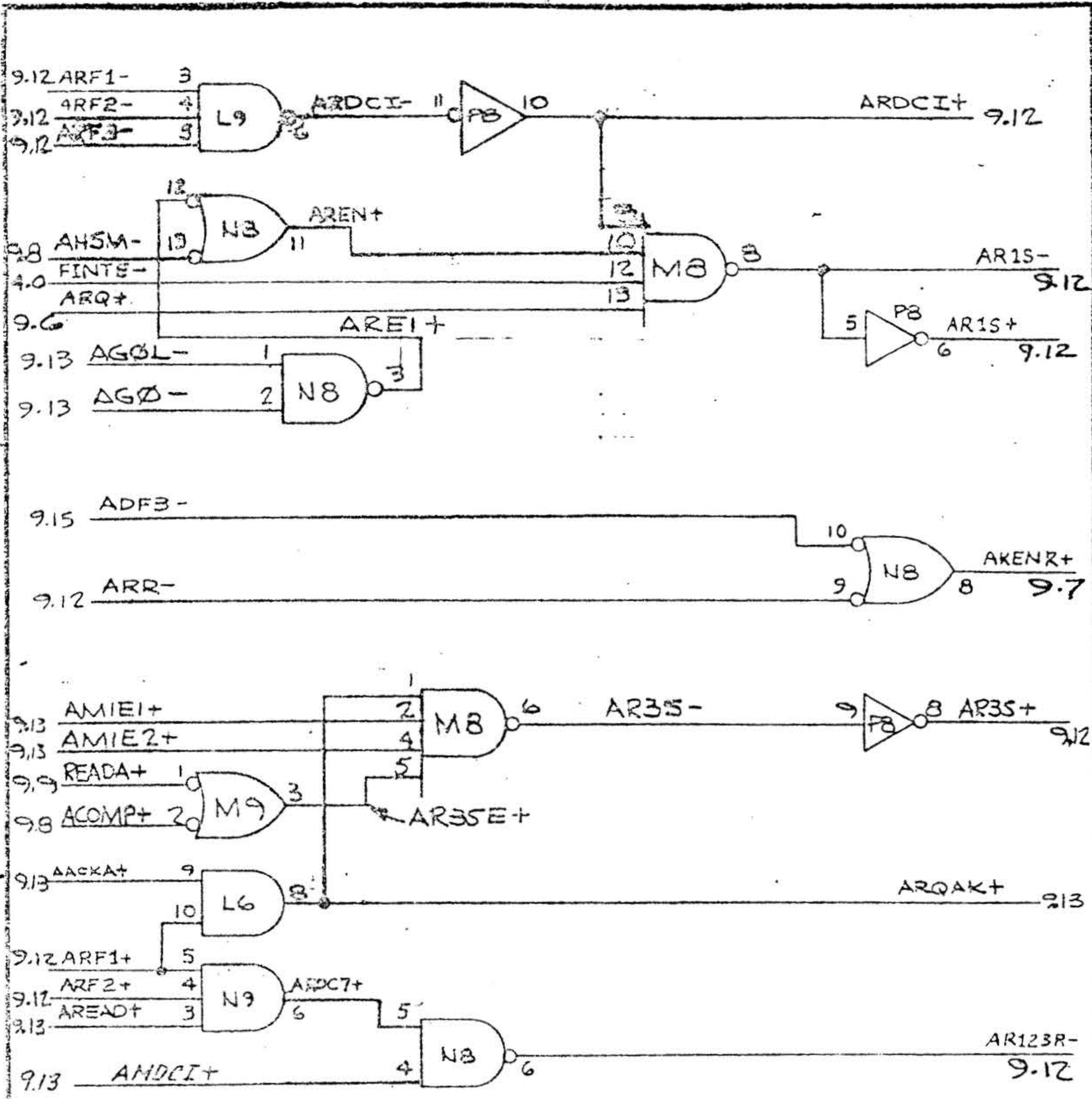


MISC 2/2

CODE IDENT NO.	SIZE	OWNER NO.	REV
21101	B	9180401	AW

SCALE: SHEET 9.10





13

13

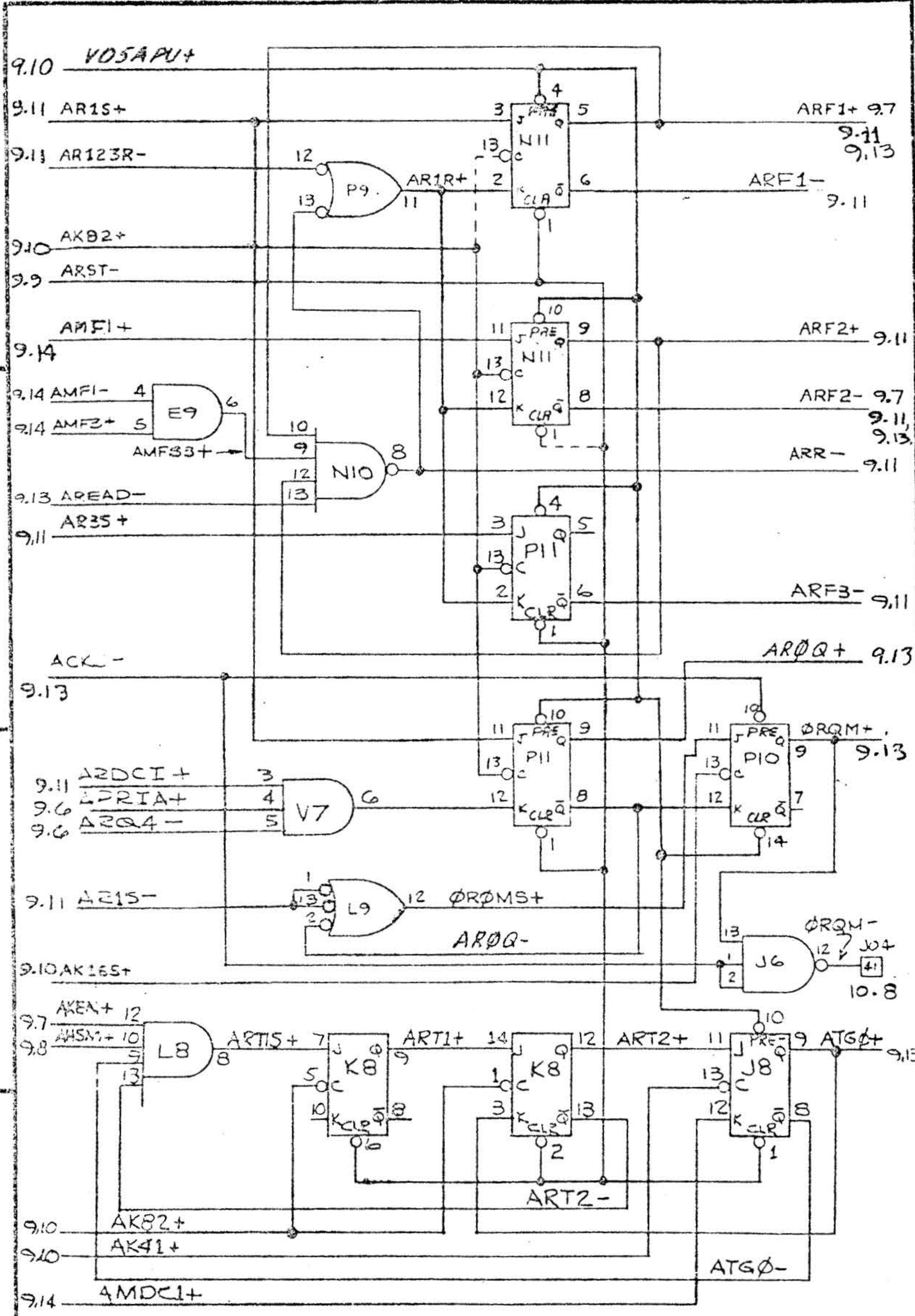
B

A

REQUEST SEQ 1/2

CODE IDENT NO.	SIZE	DATE NO	REV
21101	B	91B0401	AW
EGALZ		INSET 9.11	

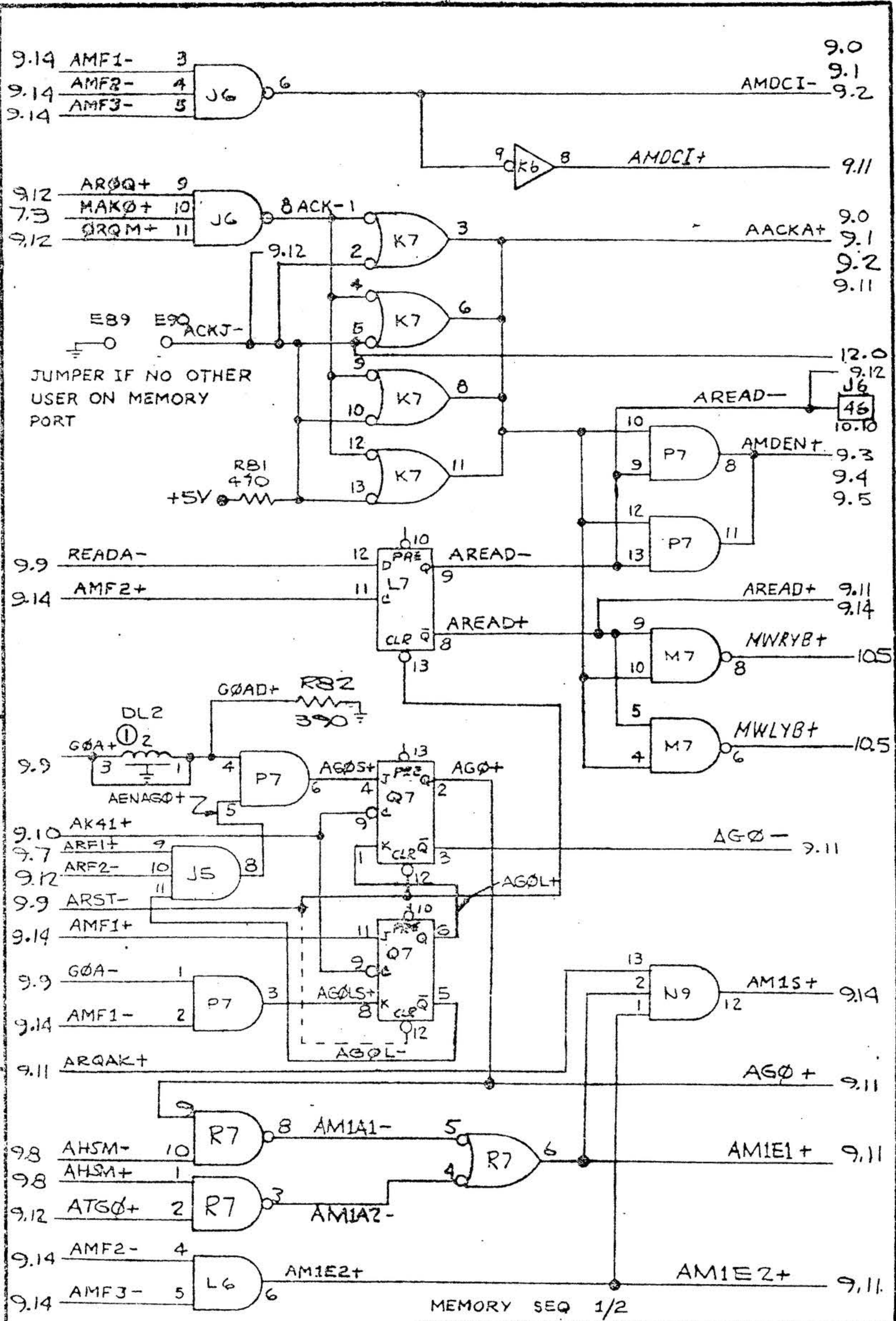




REQUEST SEQ 2/2

CODE IDENT. NO.	REV. NO.	REV.
21101 B	91B0401	AW
SCALE	SHEET 9.12	



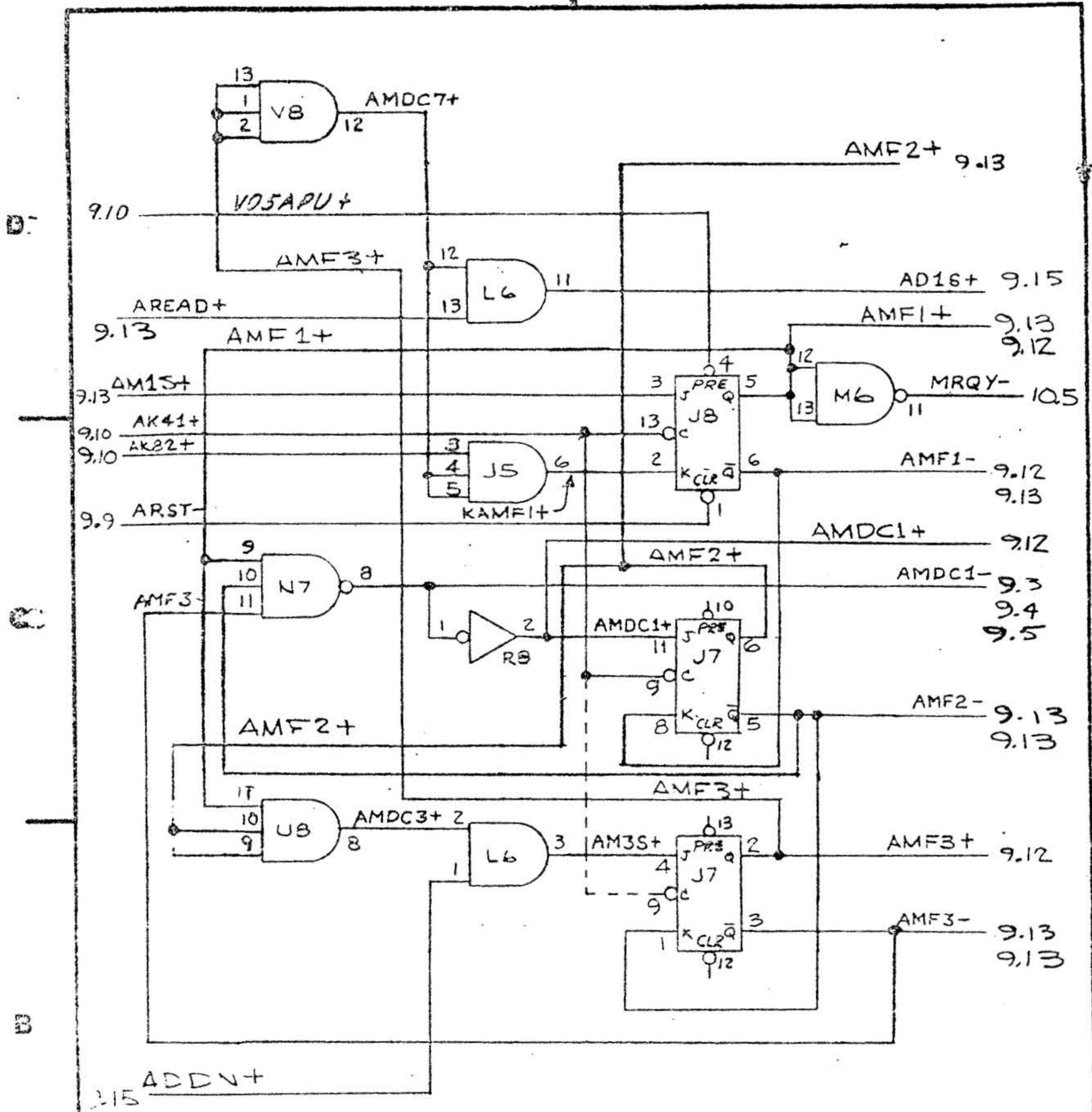


MEMORY SEQ 1/2

① PART NO. 80A1000-004  
30 NS DELAY LINE

CODE IDENT NO.	30NS	DRAW NO	REV
21101	B	91B0401	AW
SCALE	SHEET 9.13		

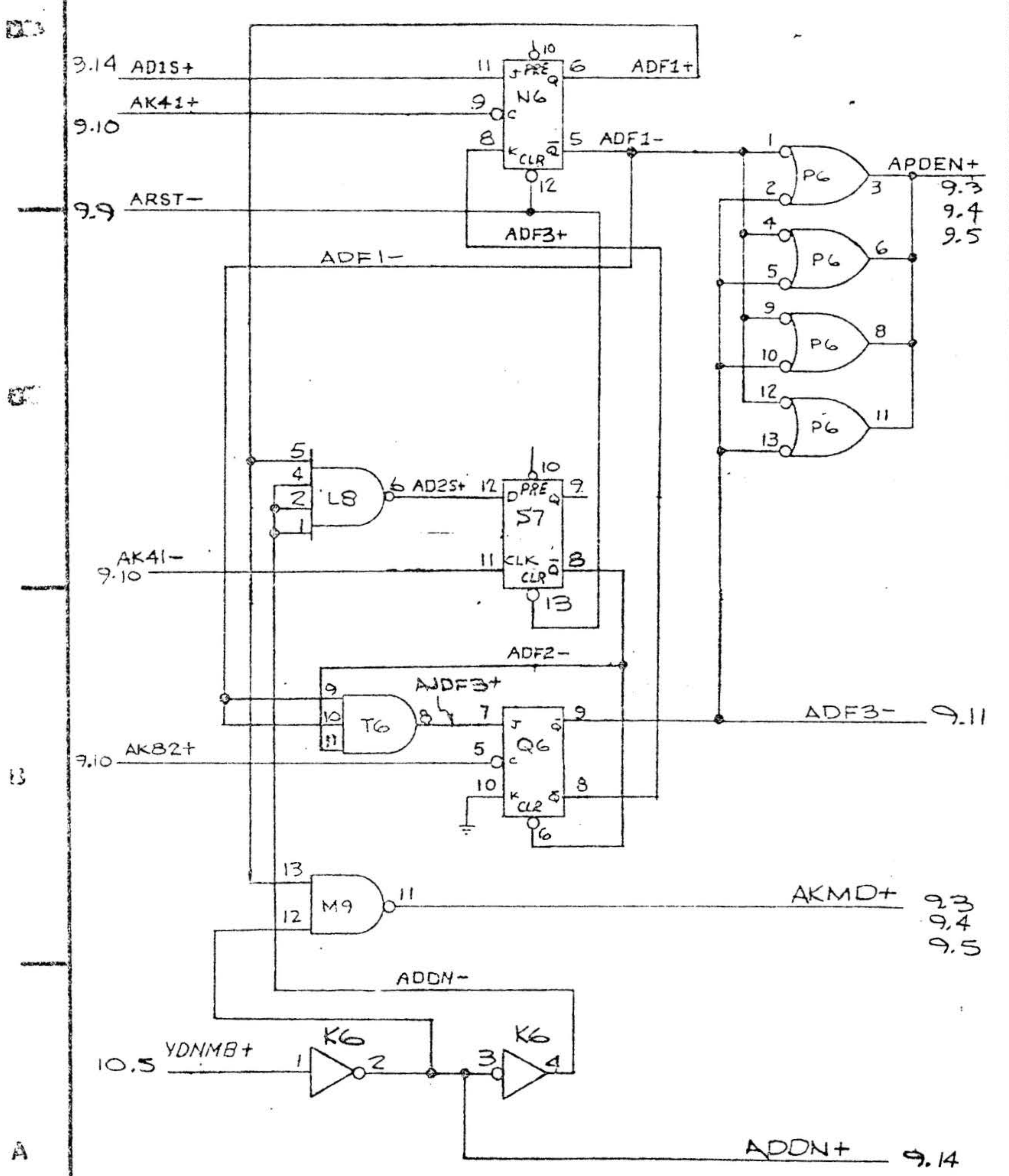




MEMORY SEQ 2/2

CODE IDENT NO.	SIZE	DWG NO	REV
21101	B	91B0401	AW
SCALE	SHEET 9.14		





DATA SEQ 1/1

CODE IDENT NO.	SIZE	DATE NO.	REV
21101	B	91B0401	AW
SCALE	SHEET 9.15		

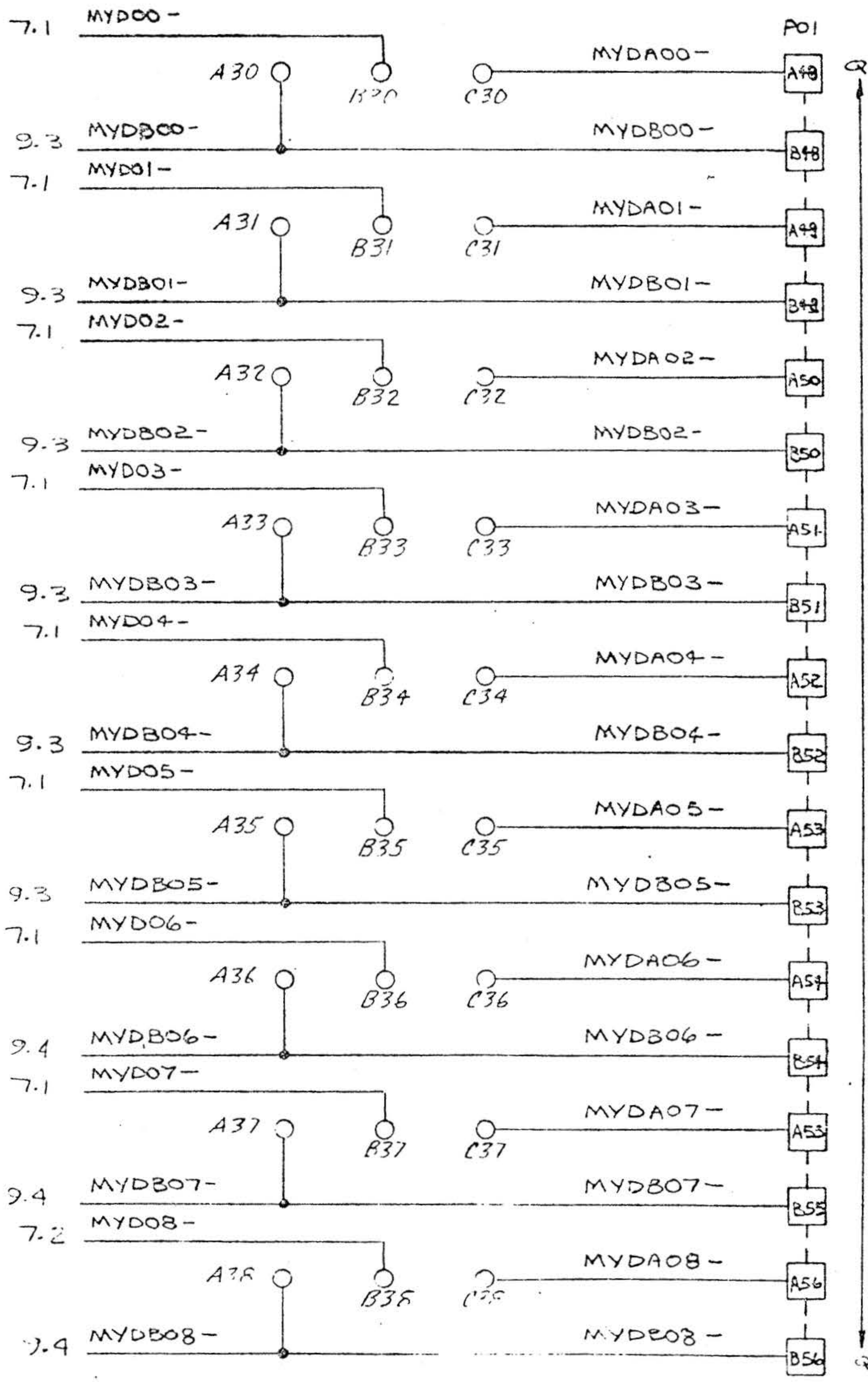


D

C

B

A



MEMORY DATA I

CODE IDENT NO.	SIZE	DWG NO	REV
21101	B	91B0401	AW
SCALE		SHEET 10.0 OF	

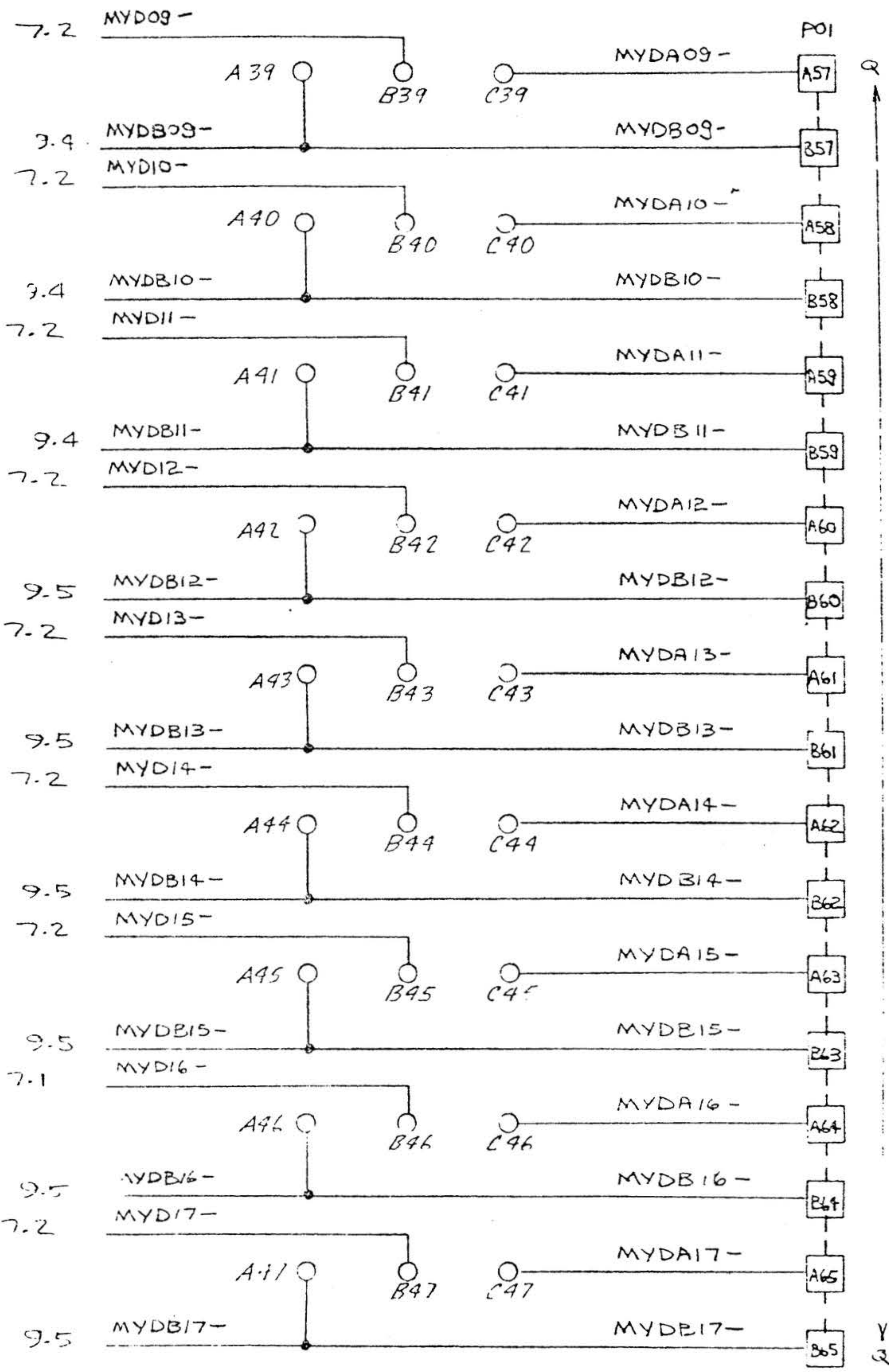


B

C

B

A



MEMORY DATA 2

CODE IDENT NO.	SIZE	DWG NO	REV
21101	B	71E0401	AW
SCALE	SHEET 11 OF		

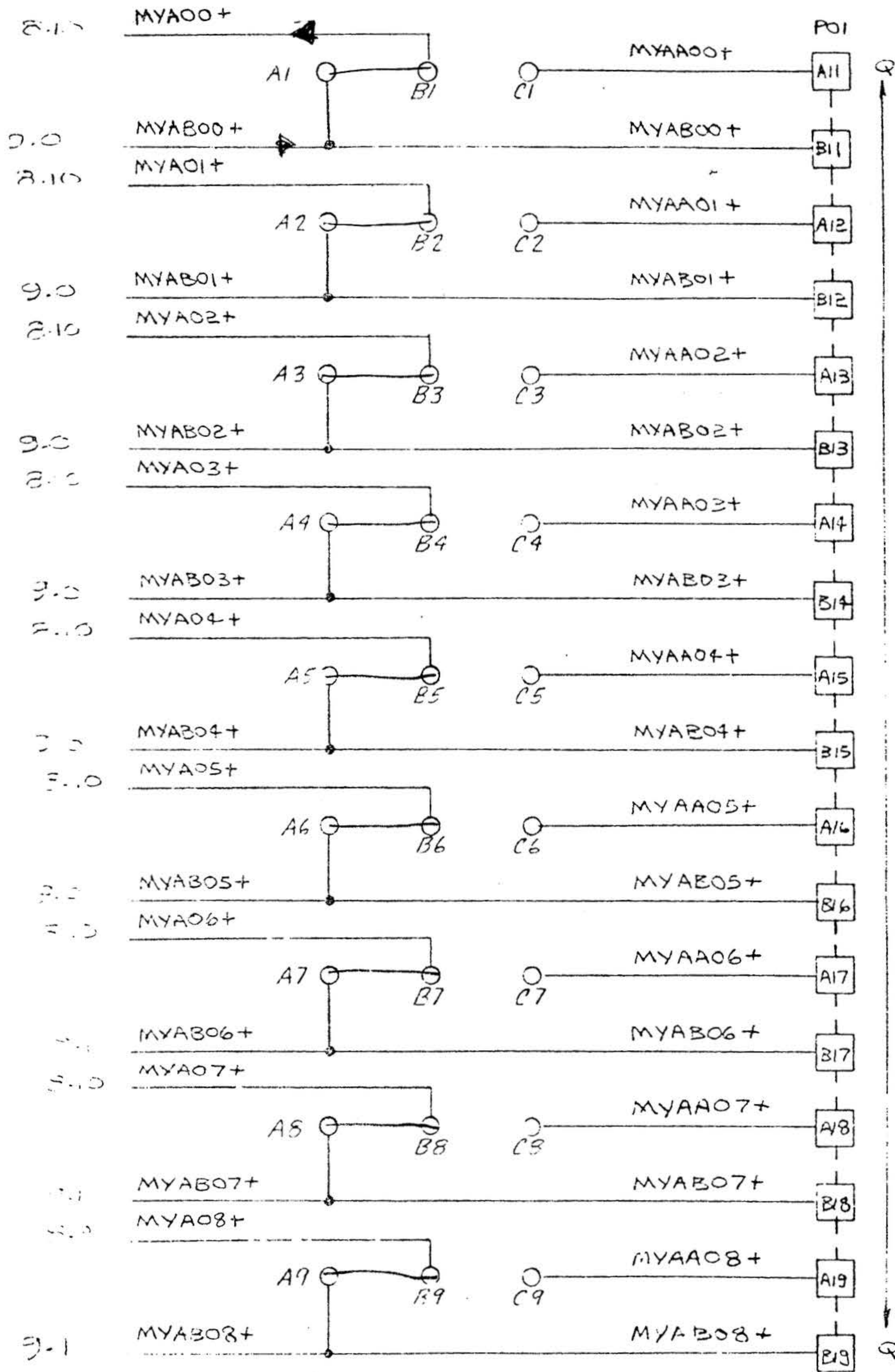


D

C

B

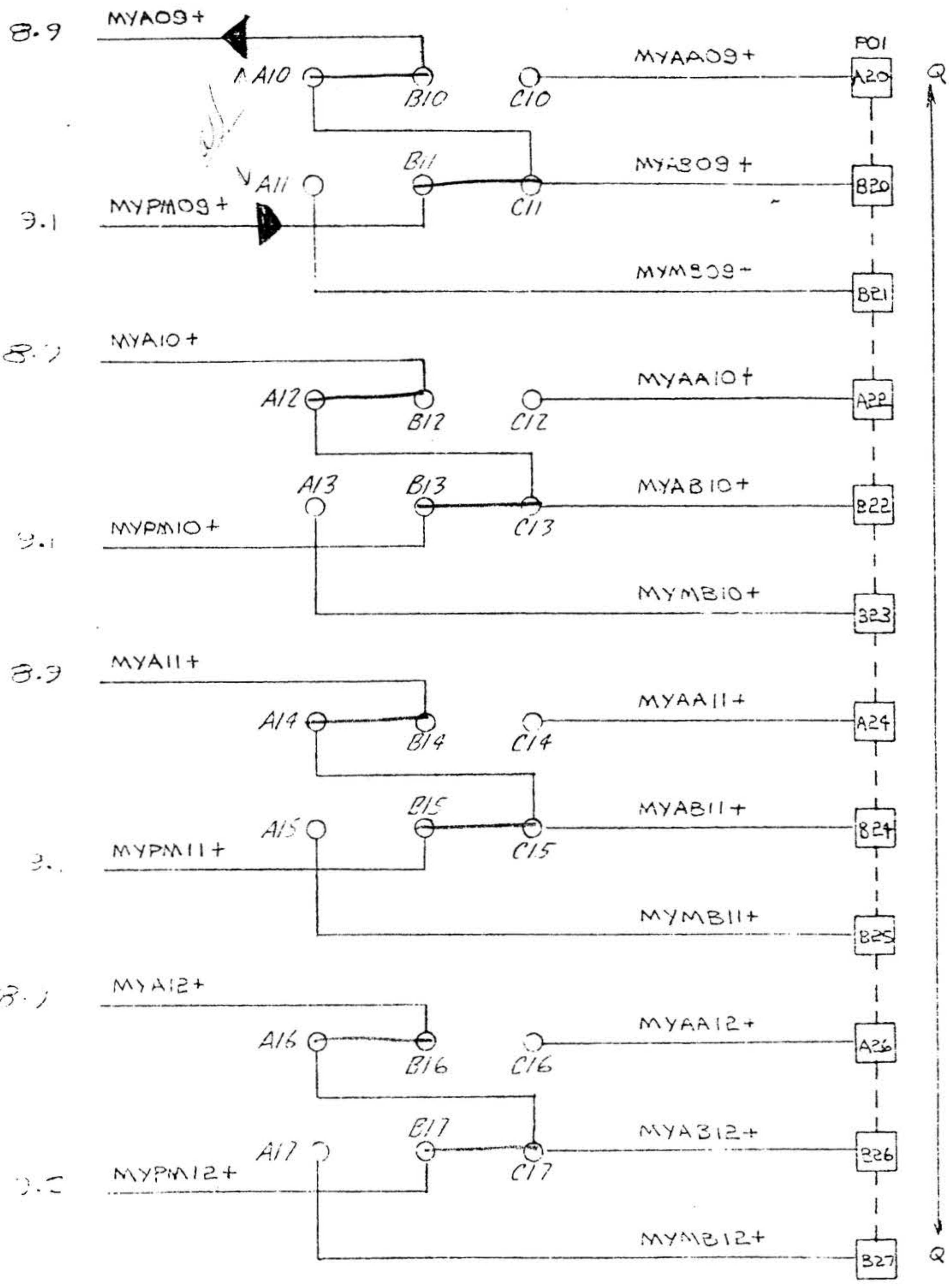
A



MEMORY ADDRESS 1

CODE IDENT NO.	SIZE	DWG NO	RFV
21101	B	91E0401	AW
SCALE		SHEET 10.2 OF	



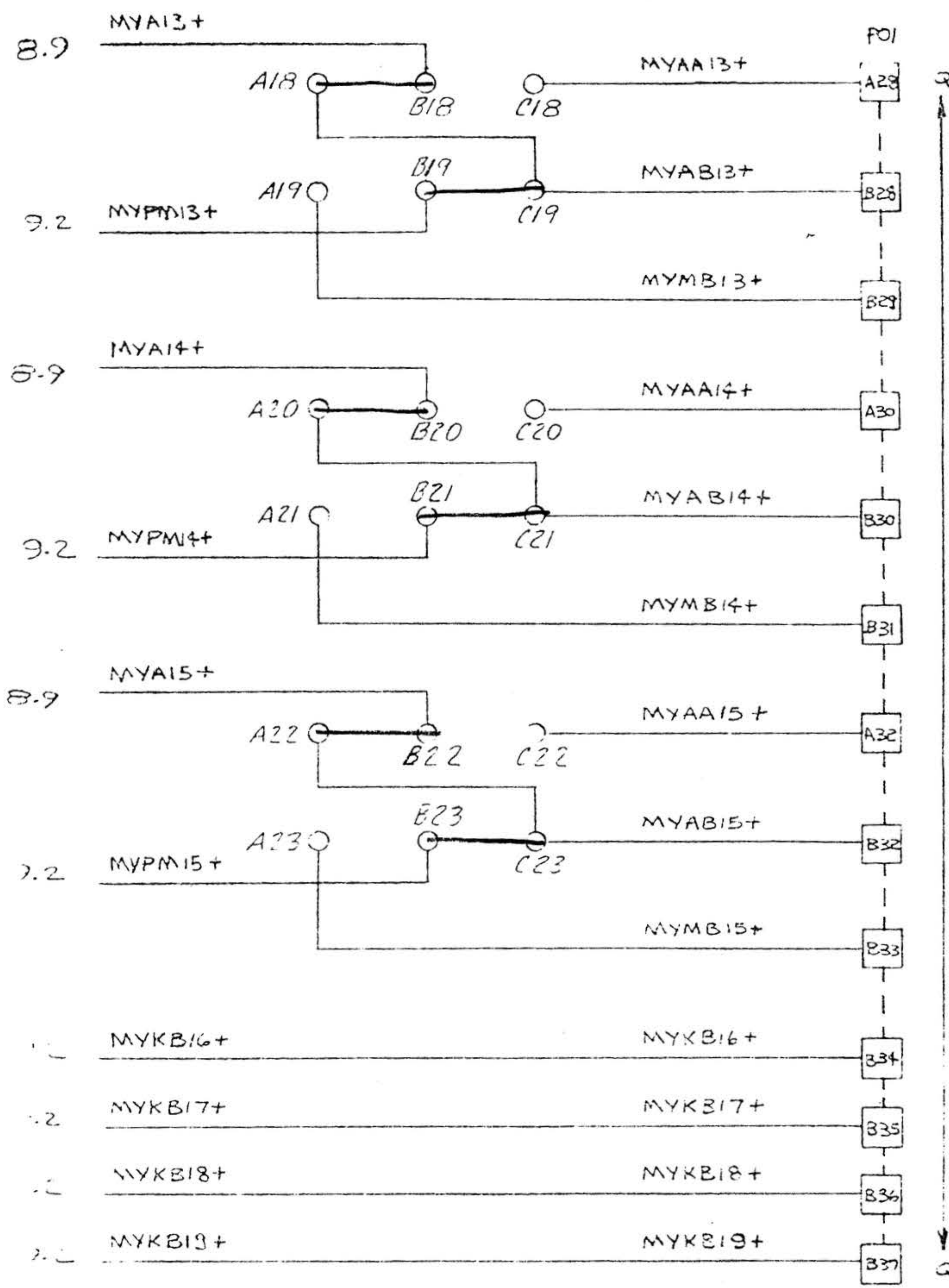


MEMORY ADDRESS 2

CODE IDENT NO.	SIZE	DWG NO	RCV
21101	B	9150401	AW
SCALE		SHEET 10.3 OF	



D  
C  
B  
A



MEMORY ADDRESS 3

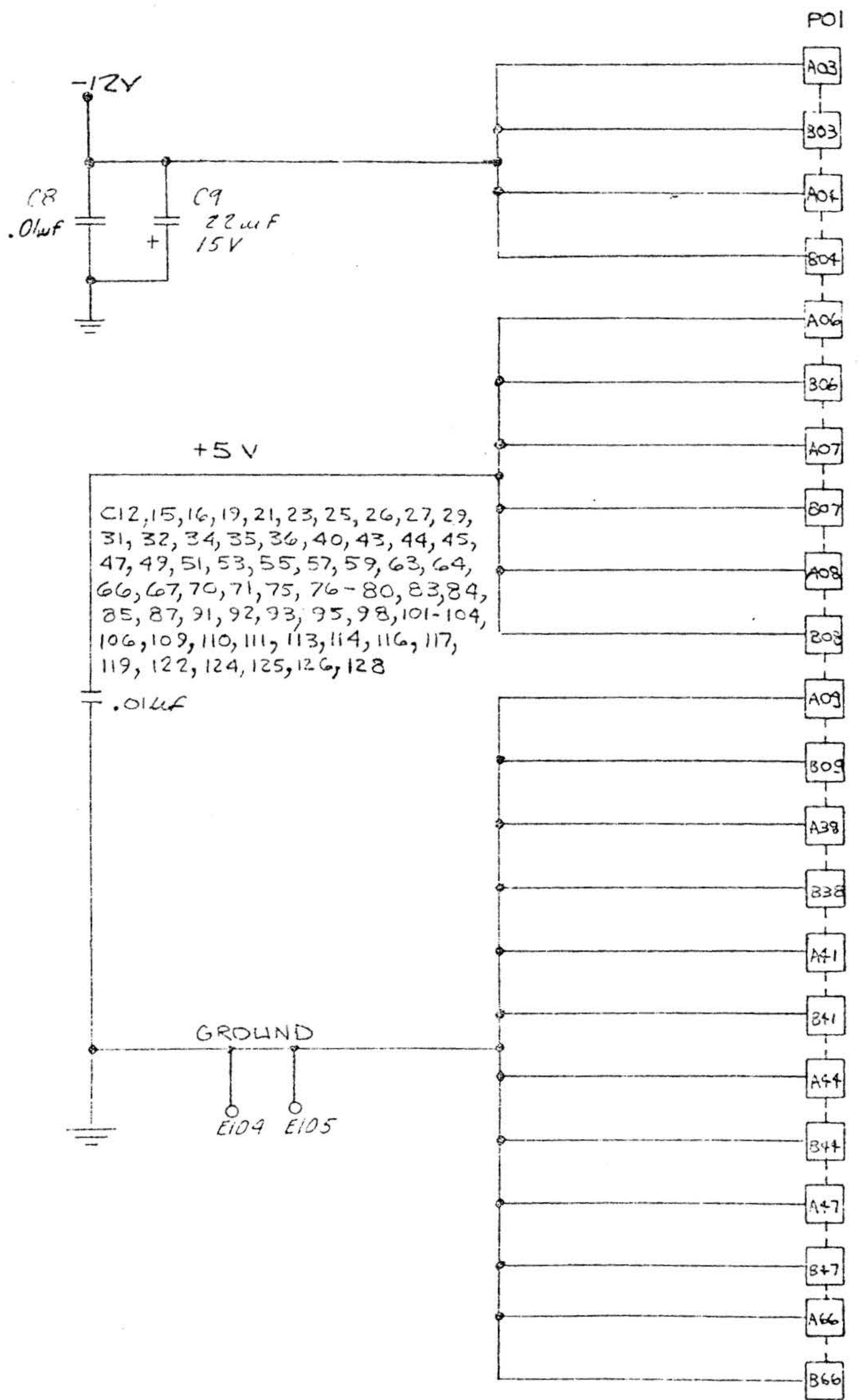
CODE IDENT NO.	SIZE	DWG NO	REV
21101	B	9150401	AW
SCALE		SHEET 10.4 OF	







D  
C  
B  
A



POI POWER & GROUND

CODE IDENT NO.	SIZE	DWG NO	REV
21101	B	91B0401	AW
SCALE	SHEET 10.6 OF		

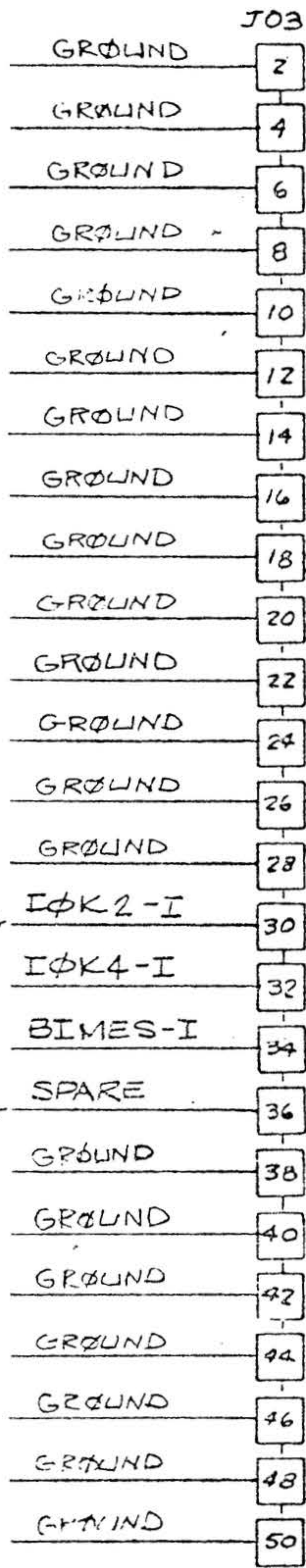
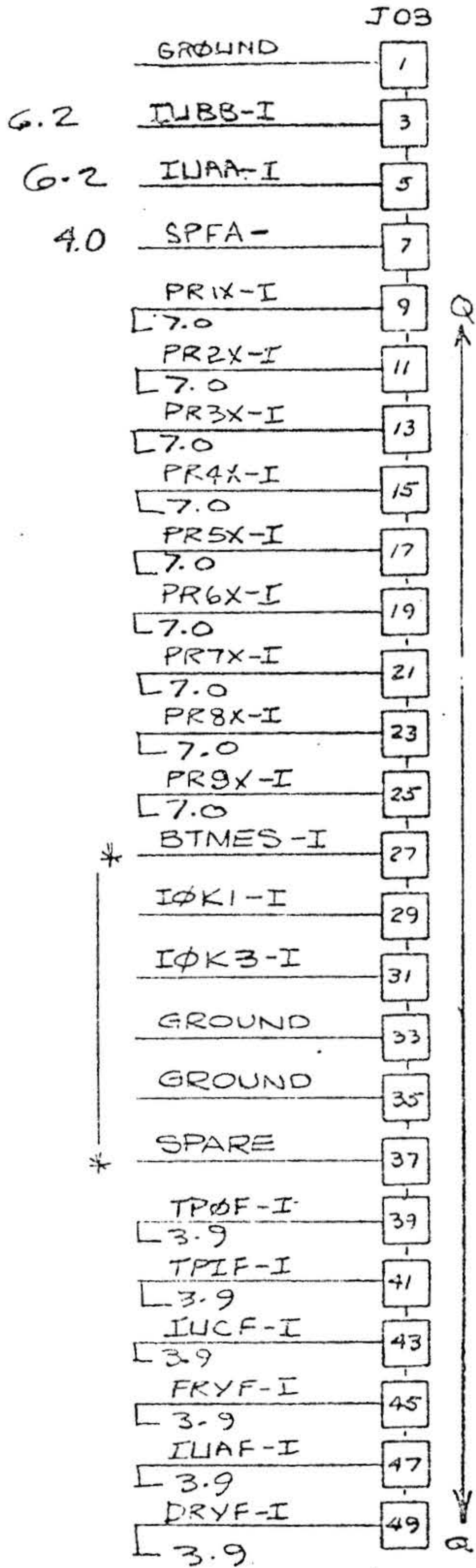


D

C

B

A



\* - NOT USED

CODE IDENT NO.	SIZE	DWG NO	REV
21101	B	91B0401	AW
SCALE	SHEET 10.7 OF		

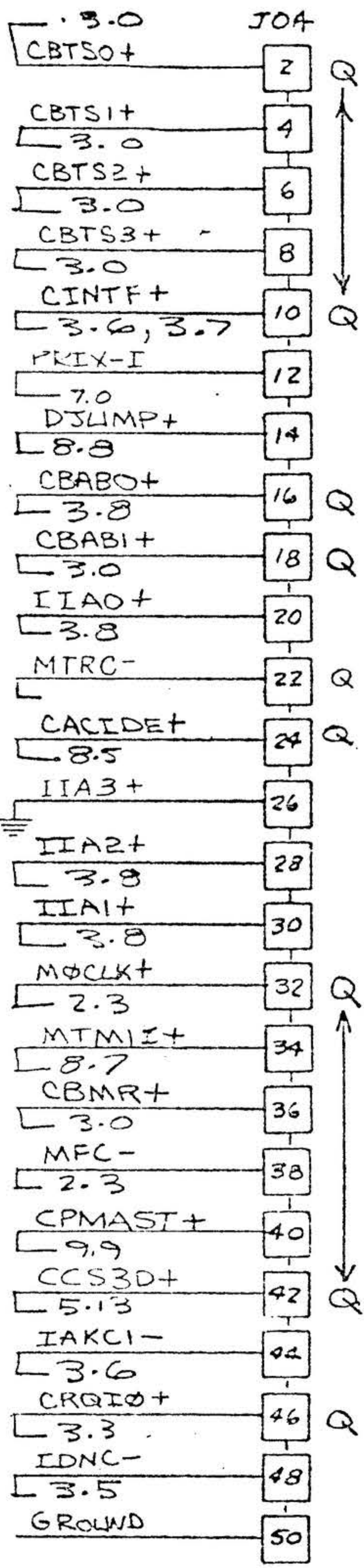
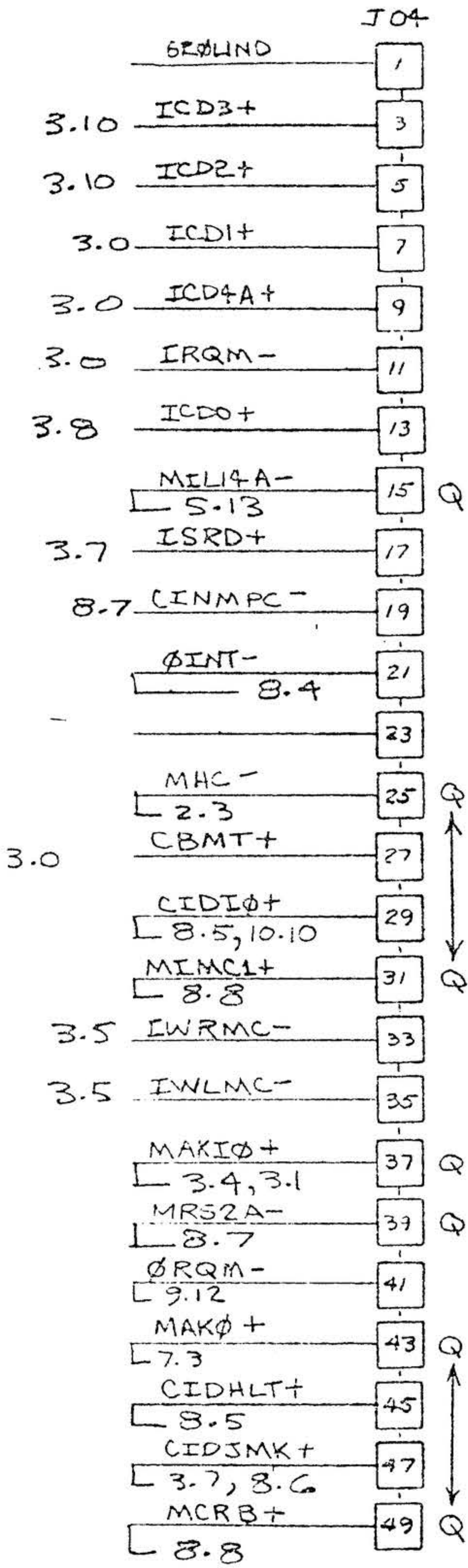


D

C

B

A



CODE IDENT NO.	SIZE	DWG NO	REV
21101	B	91B0401	AW
SCALE	SHEET 106 OF		



	J05	J05
GROUND	1	2.0 EBO0-I
2.0 EBO1-I	3	2.0 EBO2-I
2.0 EBO3-I	5	2.0 EBO4-I
2.0 EBO5-I	7	2.0 EBO6-I
2.1 EBO7-I	9	2.1 EBO8-I
2.1 EBO9-I	11	2.1 EB10-I
2.1 EB11-I	13	2.1 EB12-I
2.1 EB13-I	15	2.2 EB14-I
2.2 EB15-I	17	GROUND
NSS2-	19	NSS1-
NSS3-	21	GROUND
3.0 IEIDLA+	23	GROUND
NSTP-	25	GROUND
4.0 OPSTRT-	27	GROUND
7.0 PR10X-I	29	GROUND
6.2 SERX-I	31	GROUND
2.2 IWRX-I	33	GROUND
TP0X-I	35	GROUND
3.9	37	GROUND
3.9 TPIX-I	37	GROUND
2.2 IWAX-I	39	GROUND
2.2 FRYX-I	41	GROUND
2.2 IWGX-I	43	GROUND
2.2 SYRT-I	45	GROUND
2.2 DRYX-I	47	GROUND
2.2 IWSX-I	49	GROUND
		50

D:

C:

B

A

CODE IDENT NO.	SIZE	DWG NO	REV
21101	B	9180401	AW
SCALE	SHEET 10.9 OF		

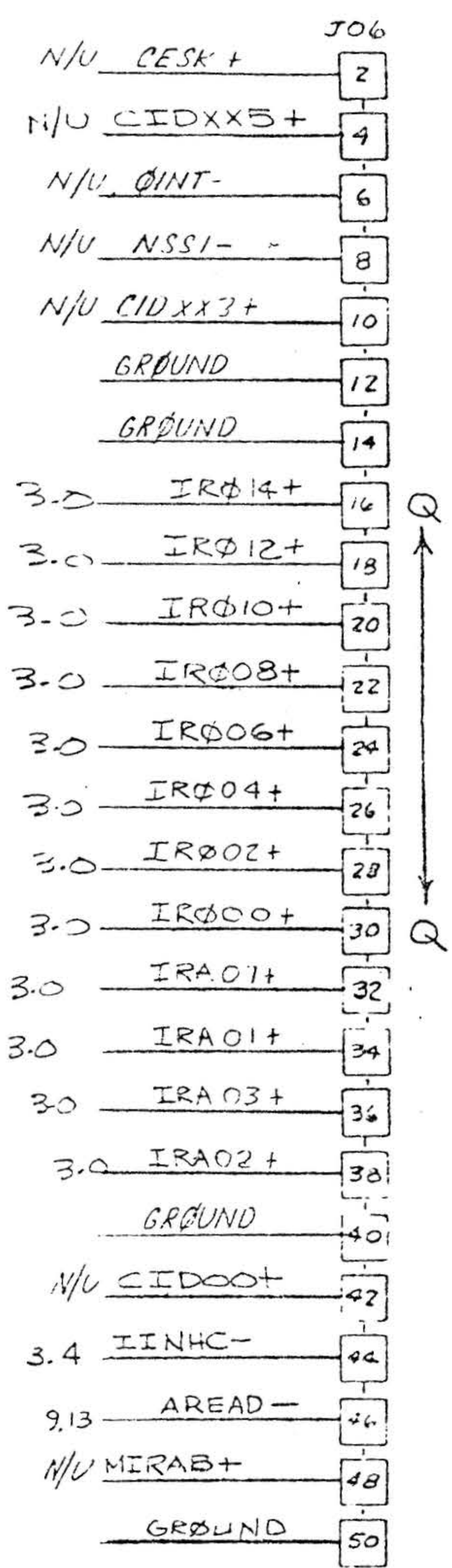
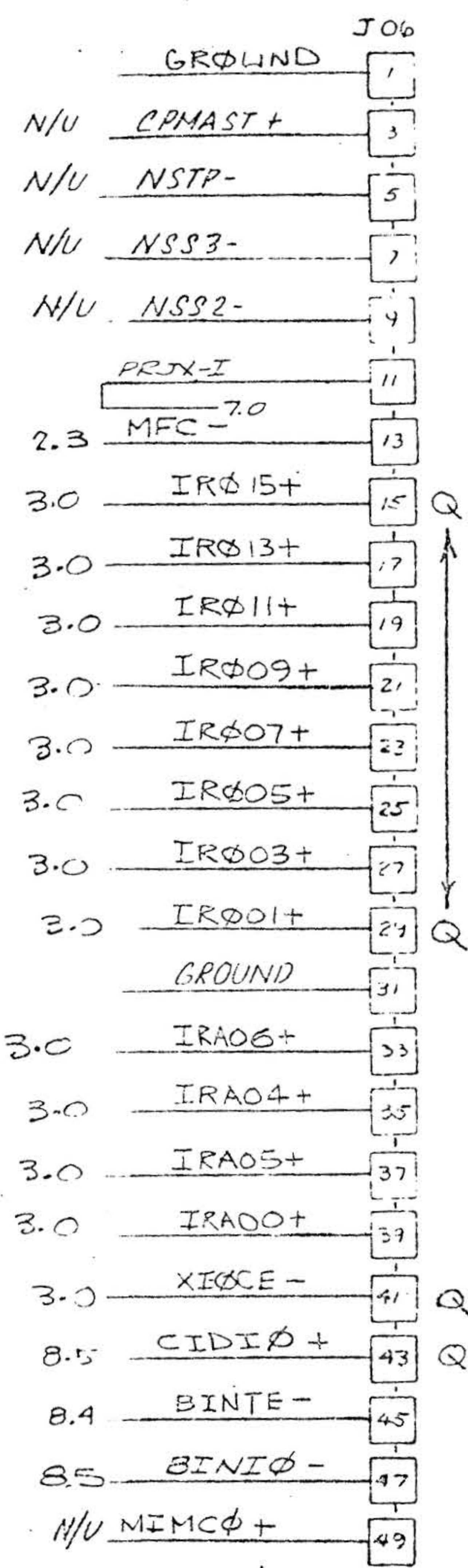


D

C

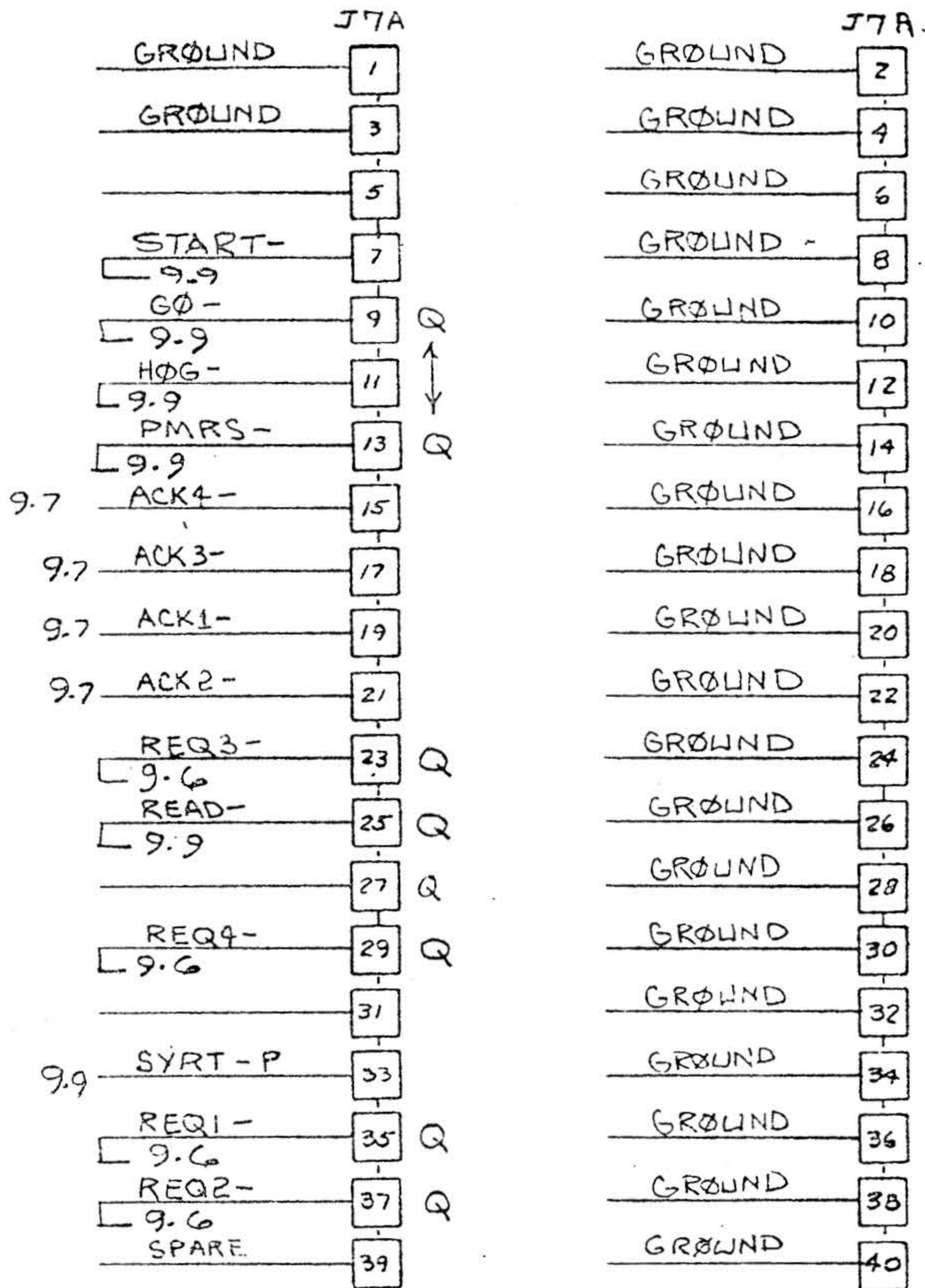
B

A



CODE IDENT NO.	SIZE	DWG NO.	REV
21101	B	91B0.901	AW
SCALE	SHEET 10.10 OF		





PMA

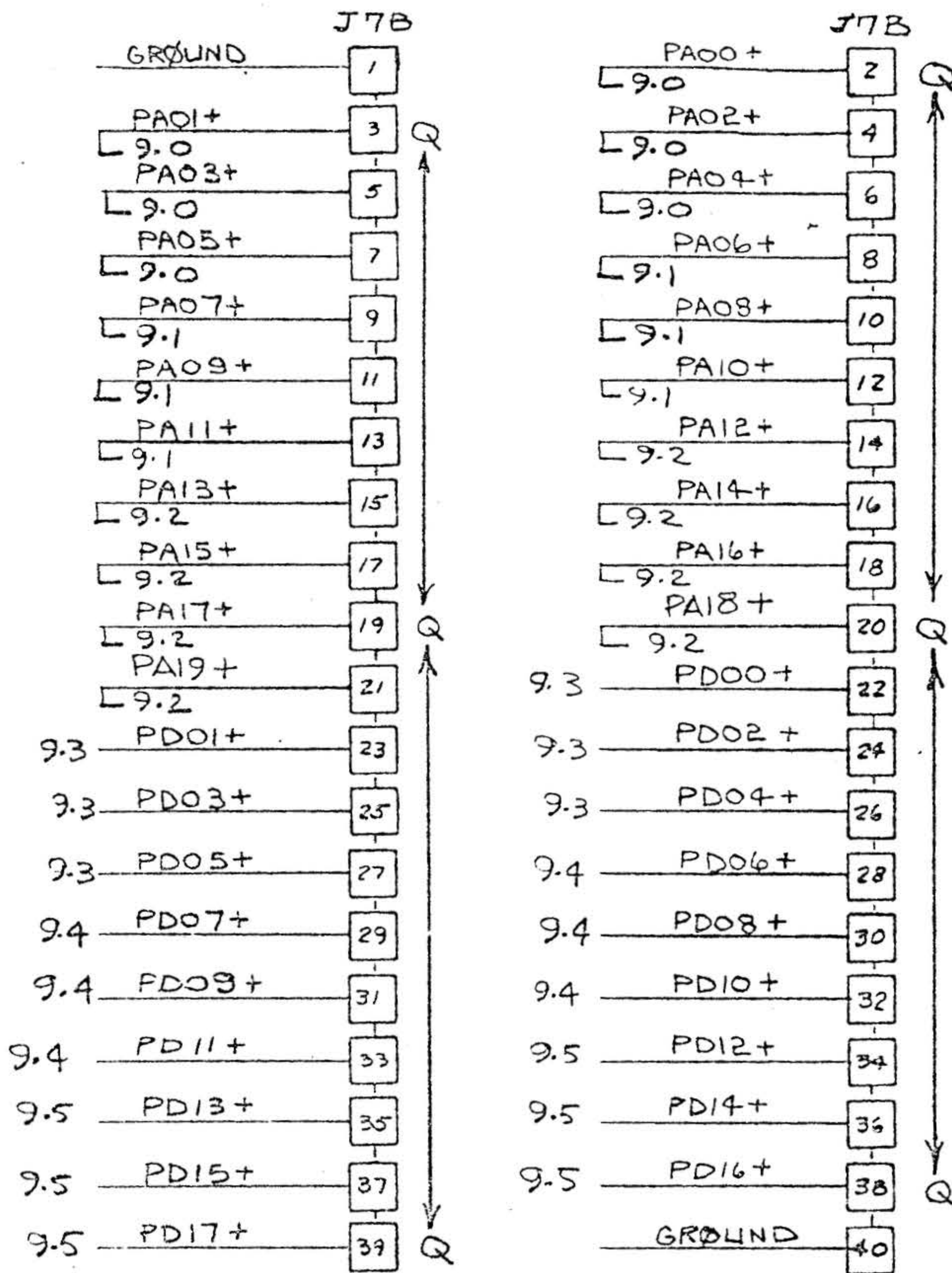
CODE IDENT NO.	SIZE	DWG NO	REV
21101	B	91B0401	AW
SCALE		SHEET 10.11 OF	



D

C

A



PMA

CODE IDENT NO.	SIZE	DWG NO	REV
21101	B	91B0401	AW
SCALE		SHEET 12 OF	