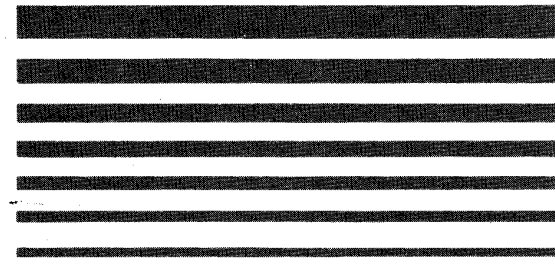
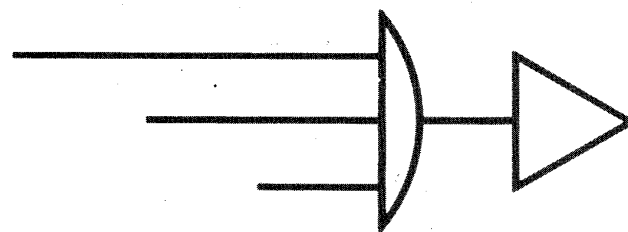


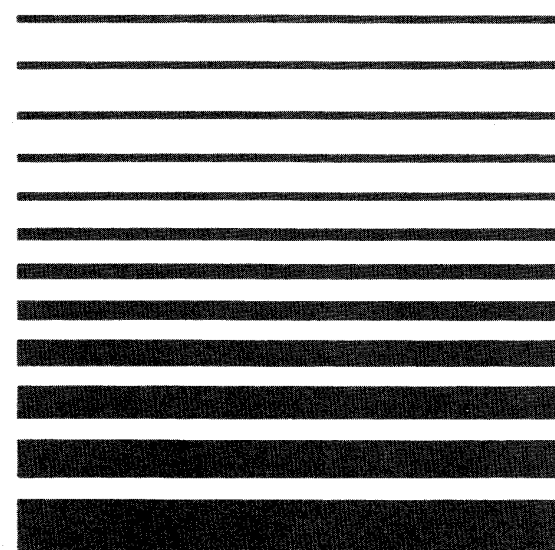
UNIVAC[®] Solid-State Computer



Manual 2 -



LOGIC DRAWINGS



Volume 1A

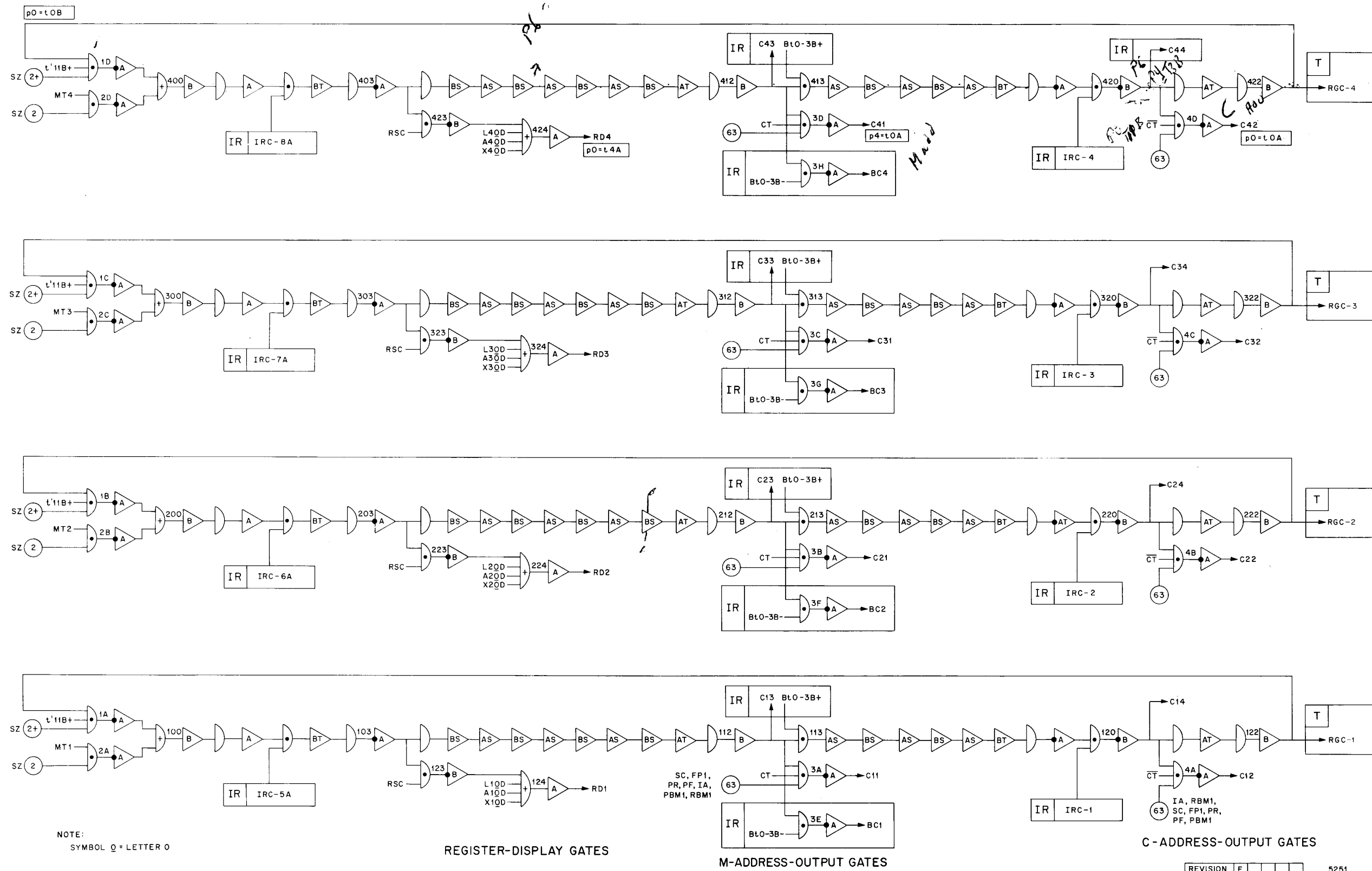
**BASIC SYSTEM
WITH MAGNETIC TAPE
Models 130 and 131**

REPLACED BY VOLUME 1B

Remington Rand Univac[®]
DIVISION OF SPERRY RAND CORPORATION



Basic System With Magnetic Tape



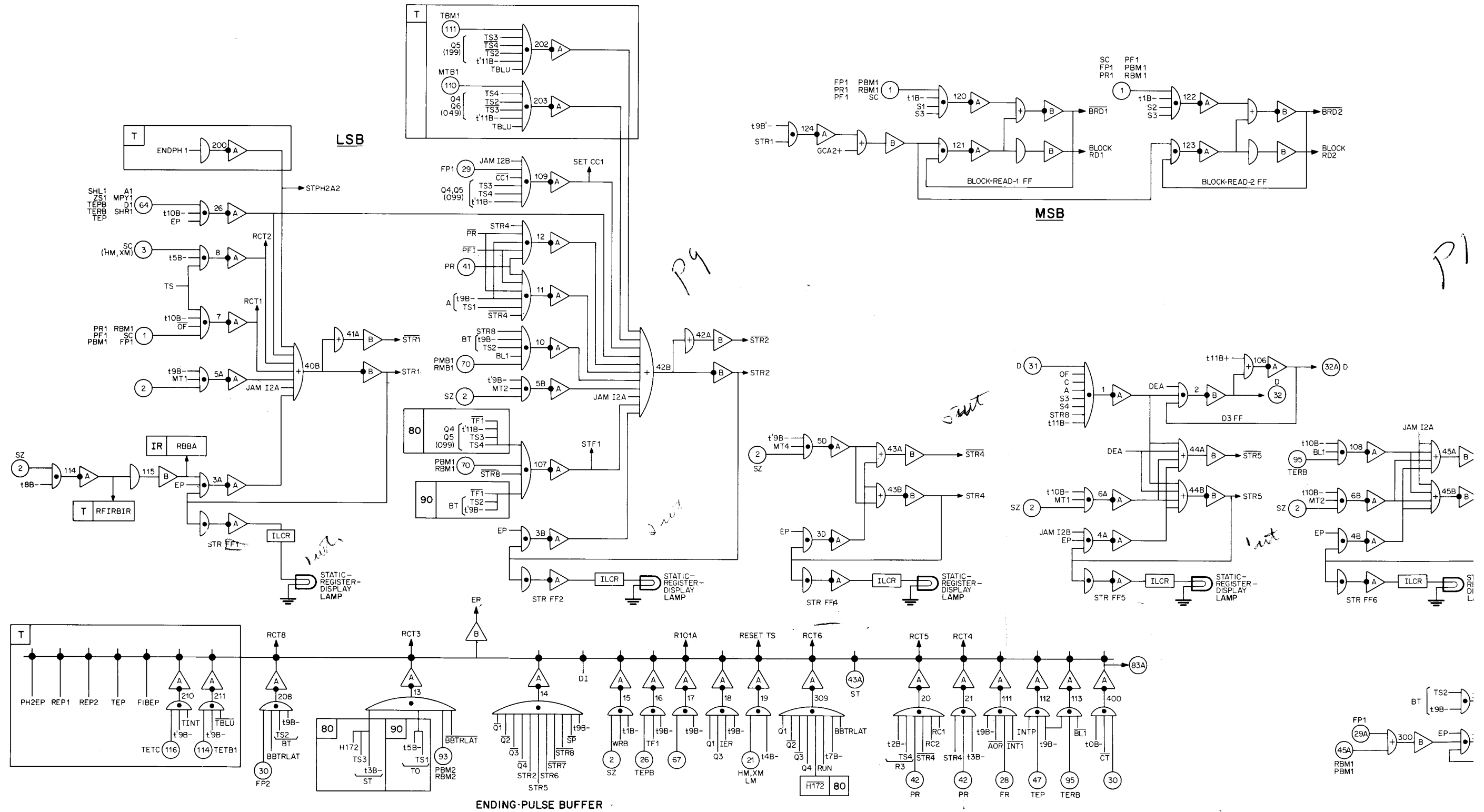
NOTE:
SYMBOL Q = LETTER O

REGISTER-DISPLAY GATES

M-ADDRESS-OUTPUT GATES

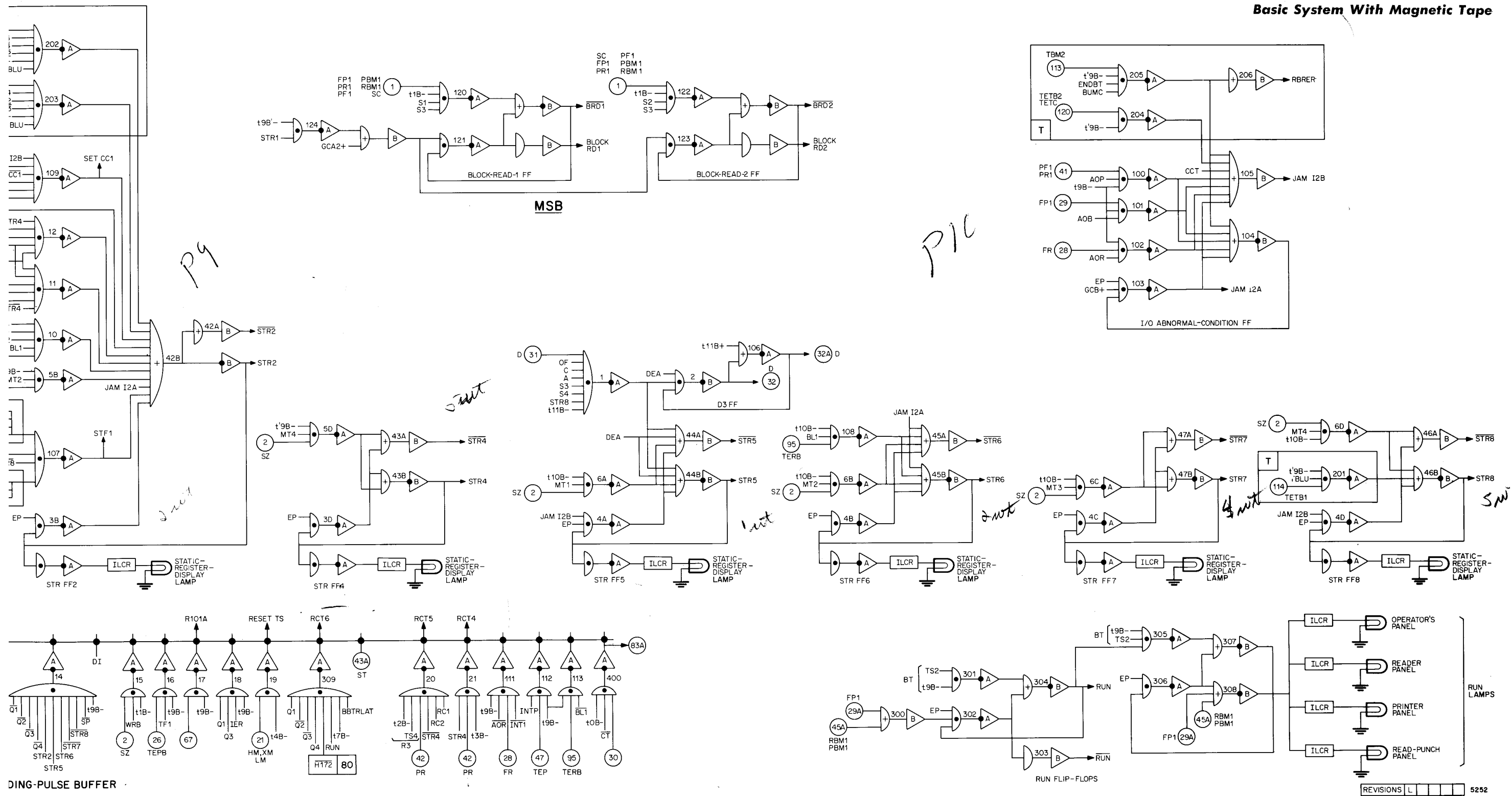
C-ADDRESS-OUTPUT GATES

REVISION F [] [] [] [] 5251

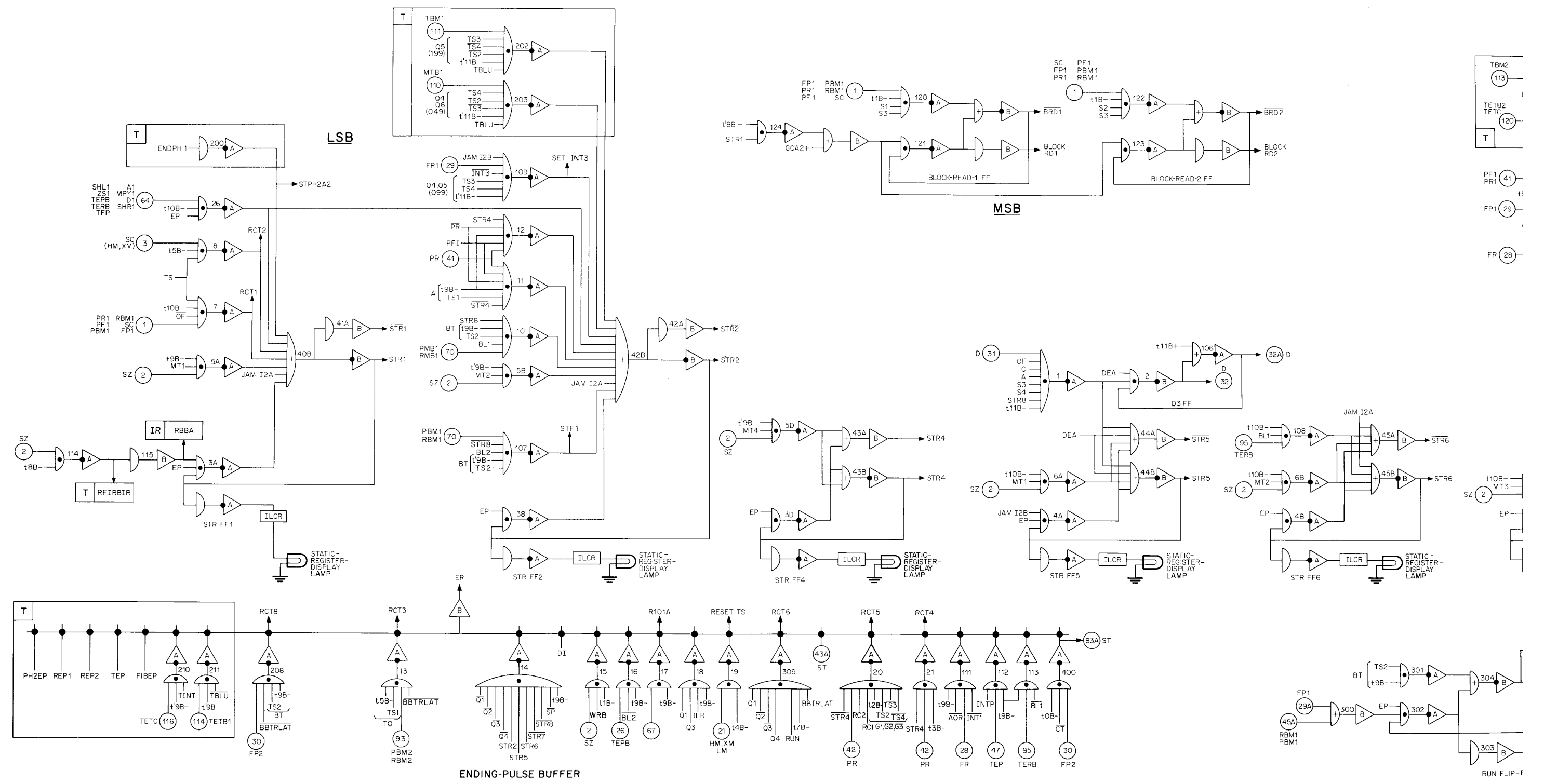


1-2A. Static Register (Model 131)

Basic System With Magnetic Tape

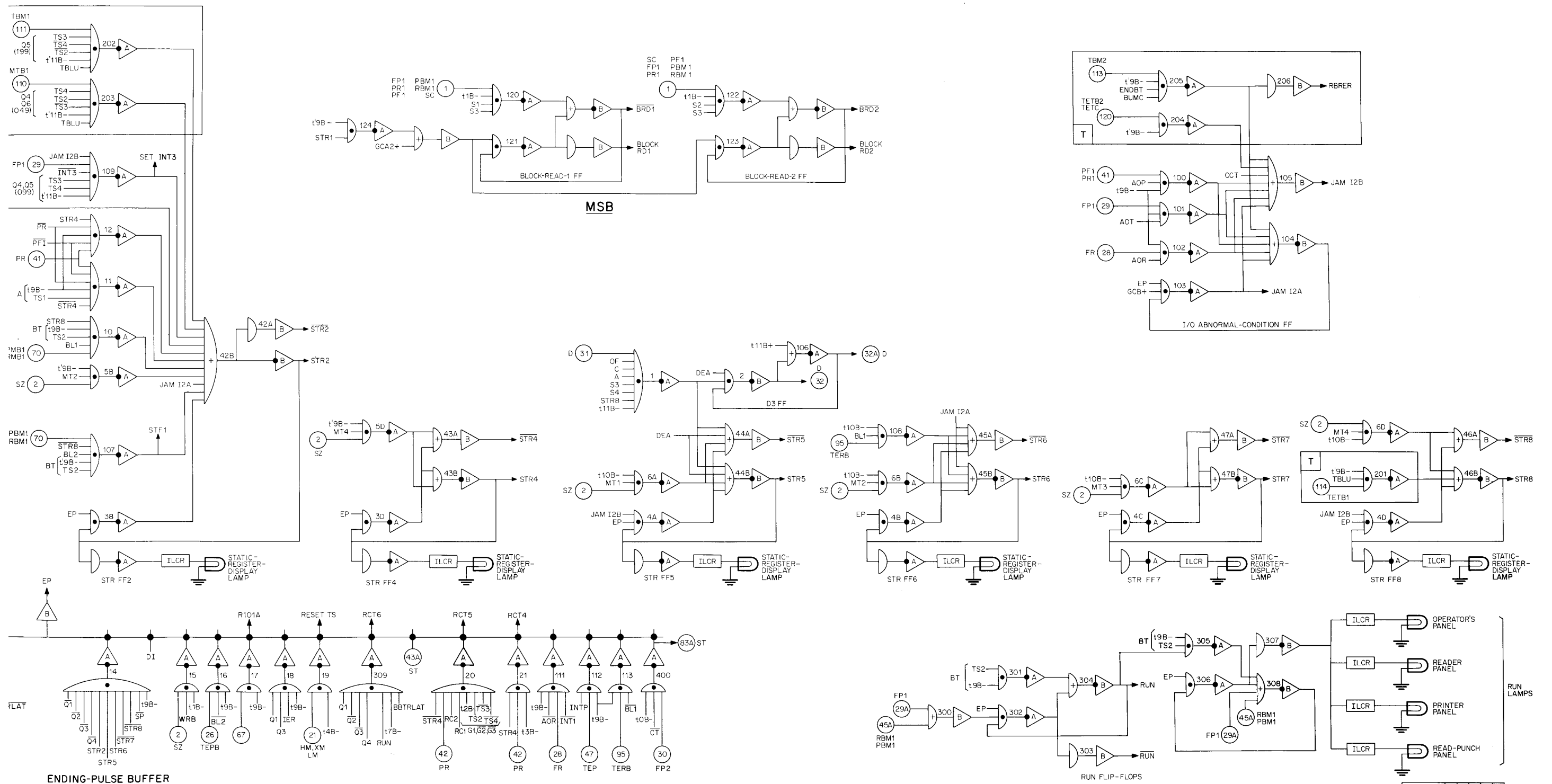


1-2A. Static Register (Model 131)



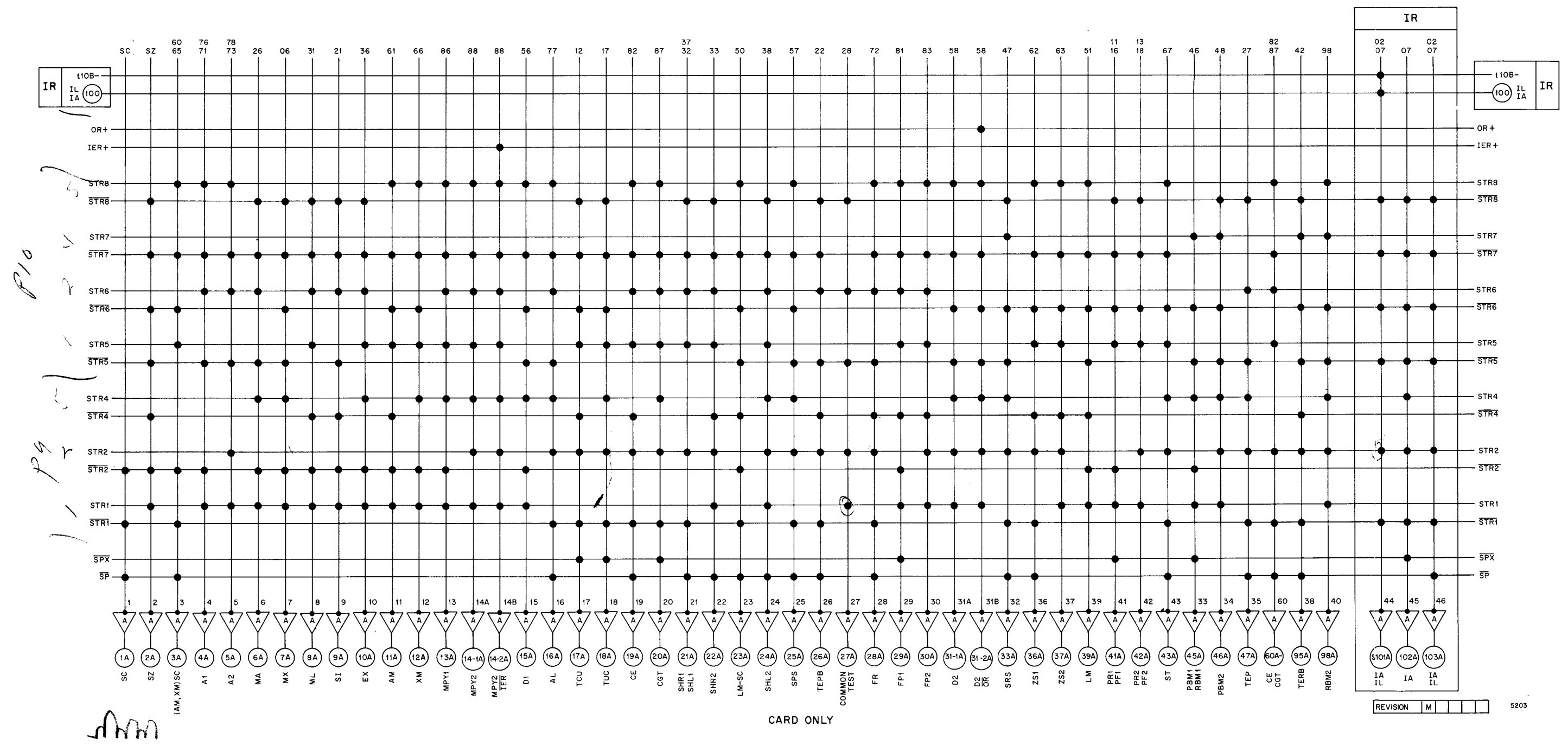
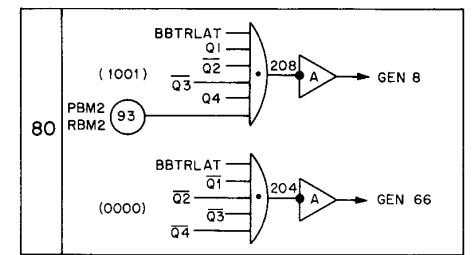
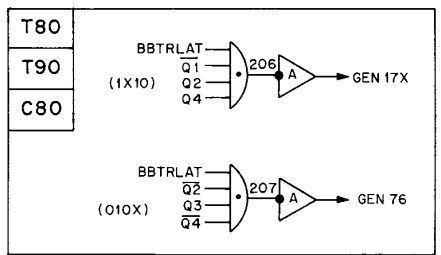
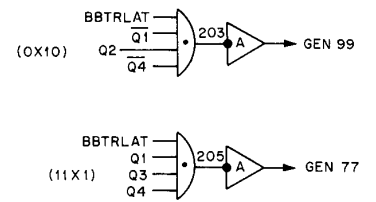
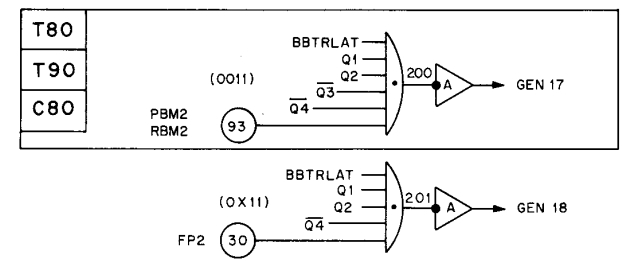
1-2A. Static Register (Model 130)
 1-3A

COPY NO. 337



1-2A. Static Register (Model 130)

REVISION L 6326
D 809 441

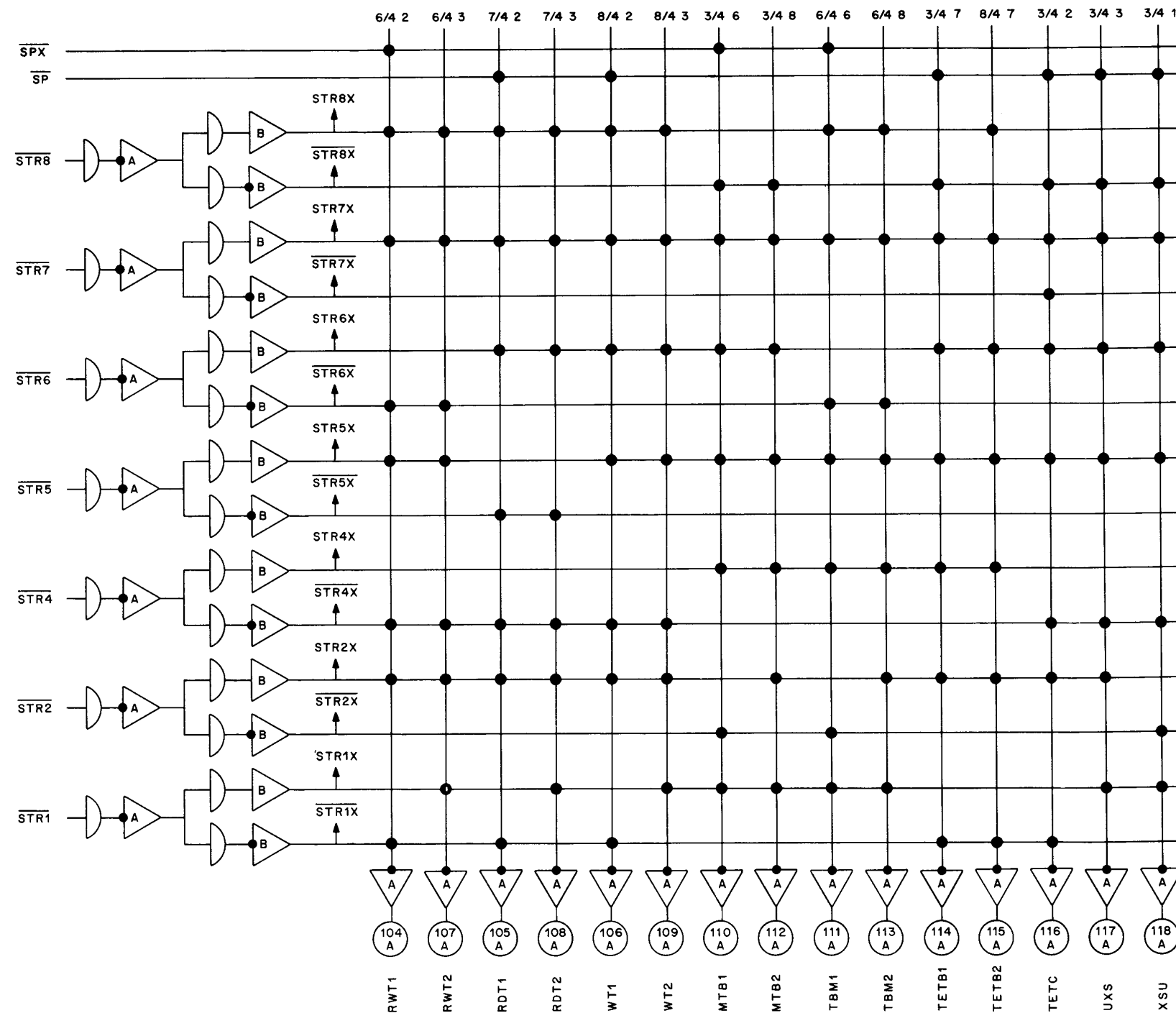


CARD ONLY

REVISION M

5203

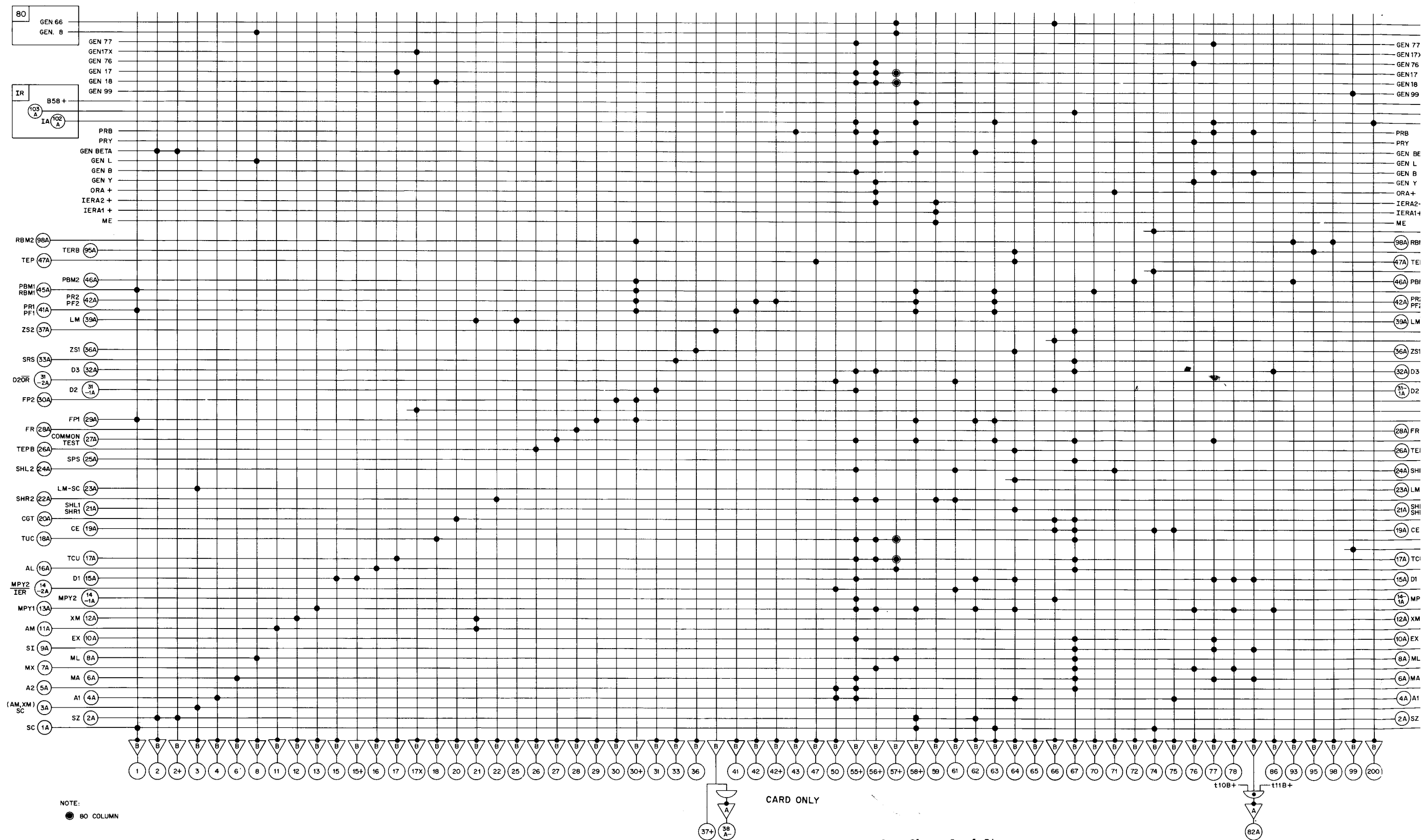
1-3A. Instruction Decoder (Sheet 1 of 2)



TAPE ONLY

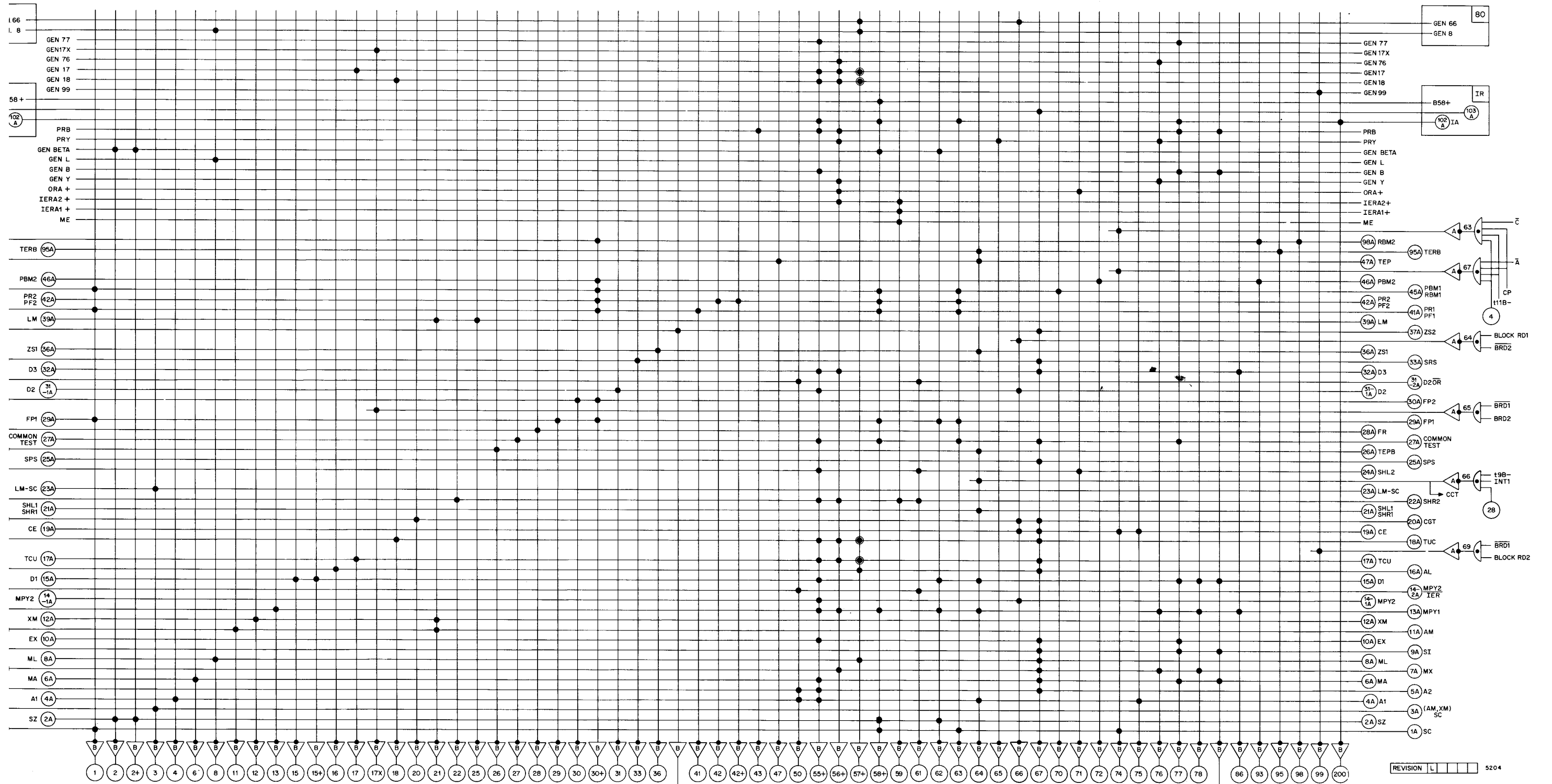
REVISION G

5253



1-4A. Function Encoder (Sheet 1 of 2)

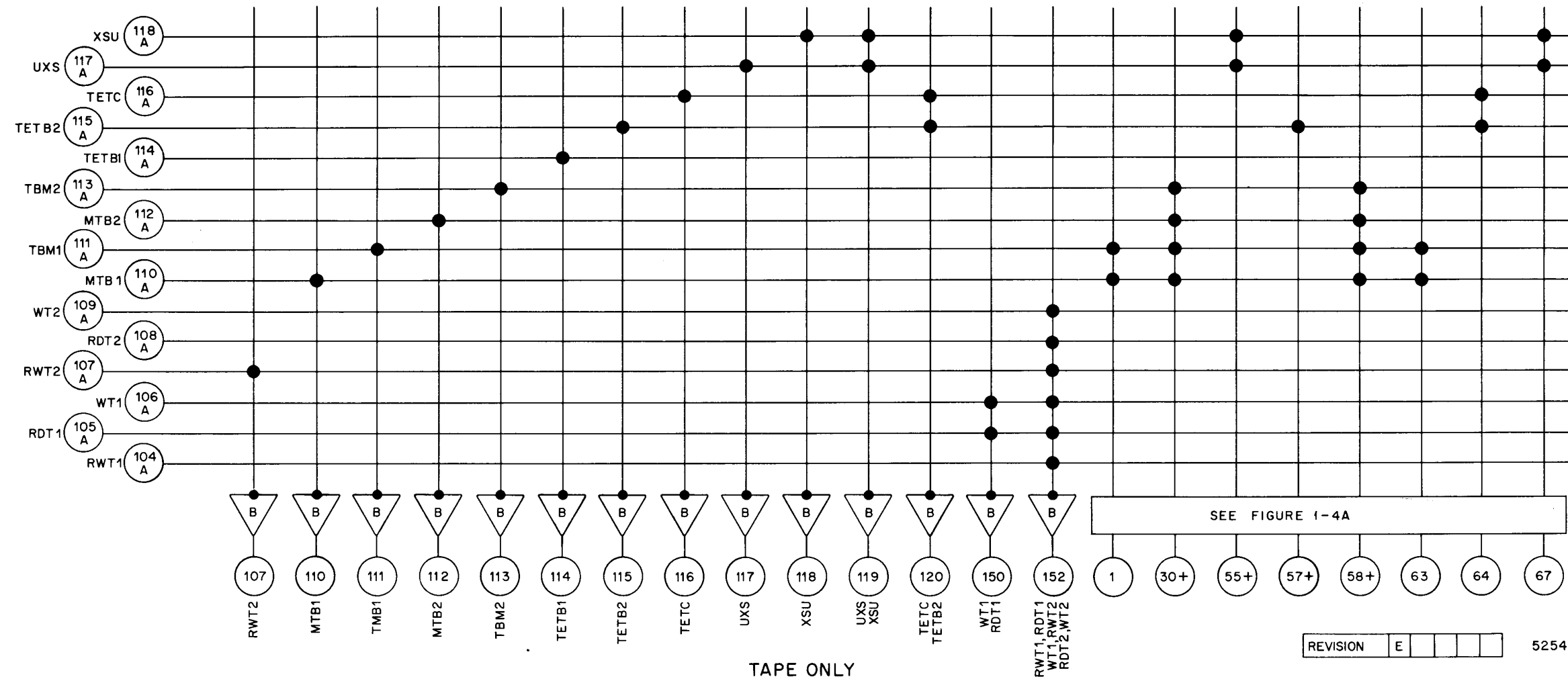
Basic System With Magnetic Tape

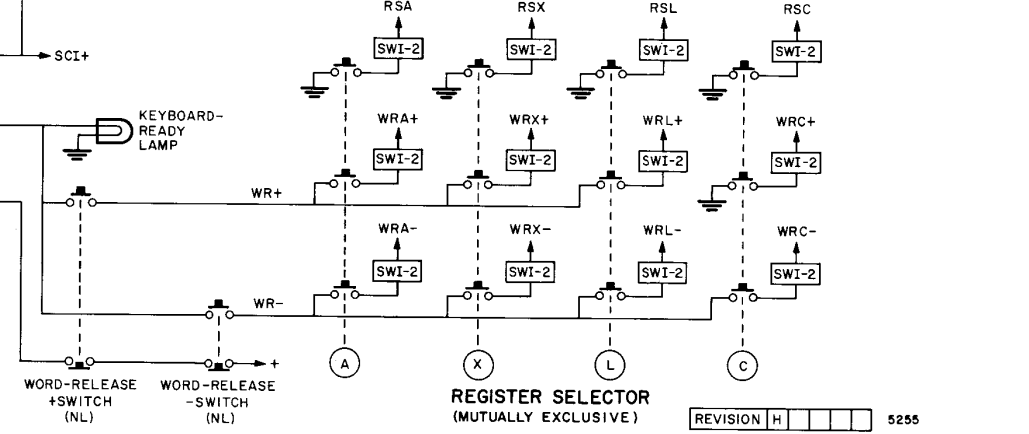
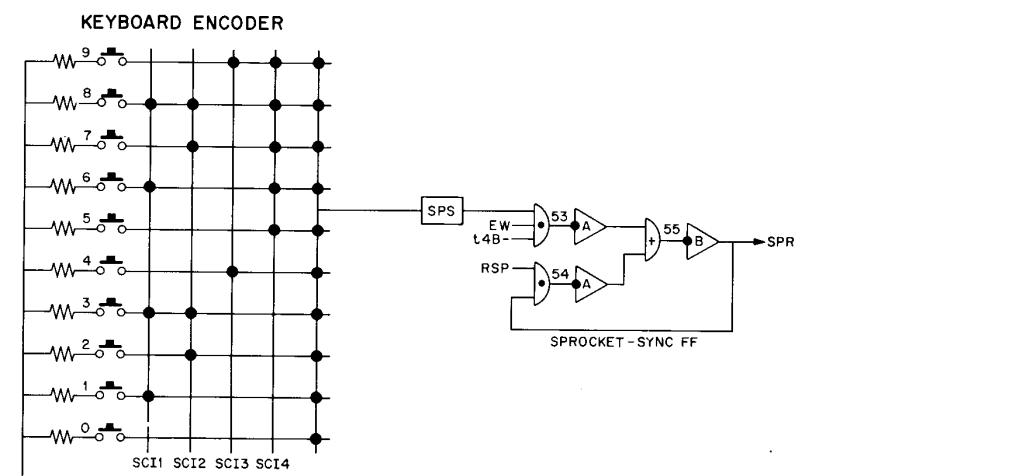
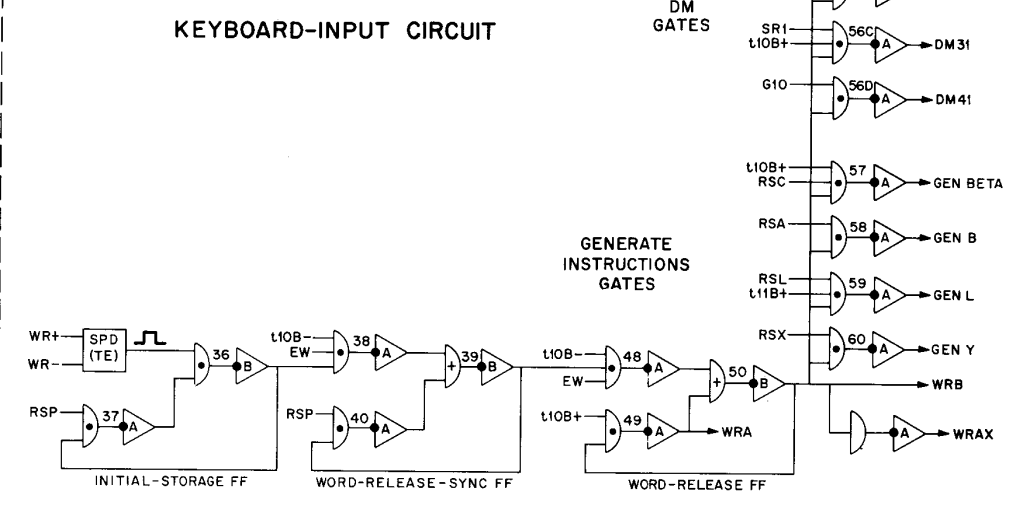
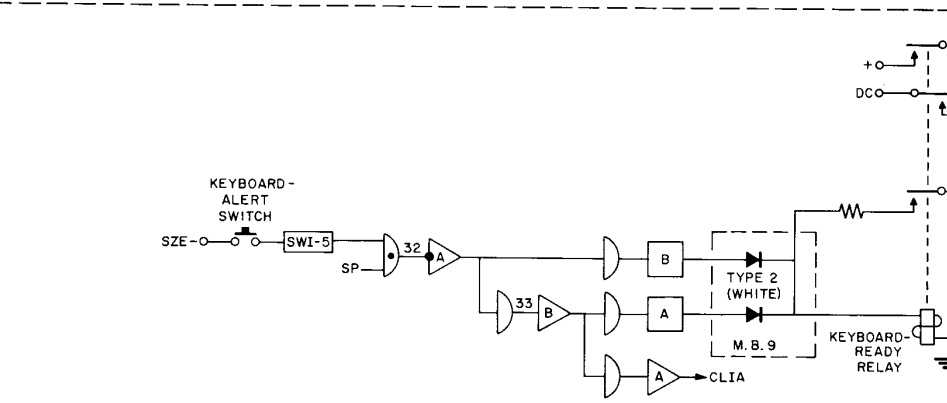
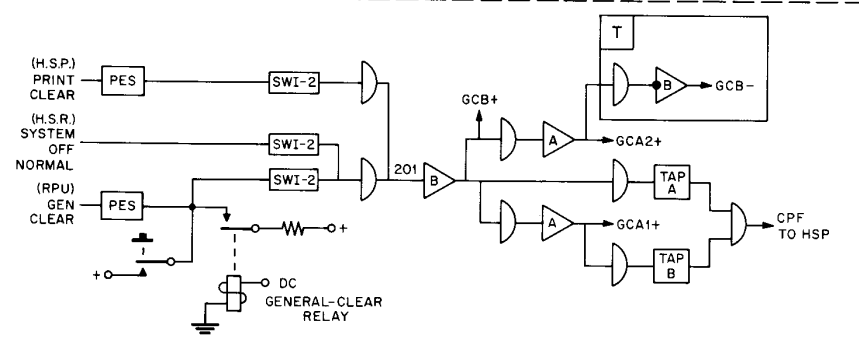
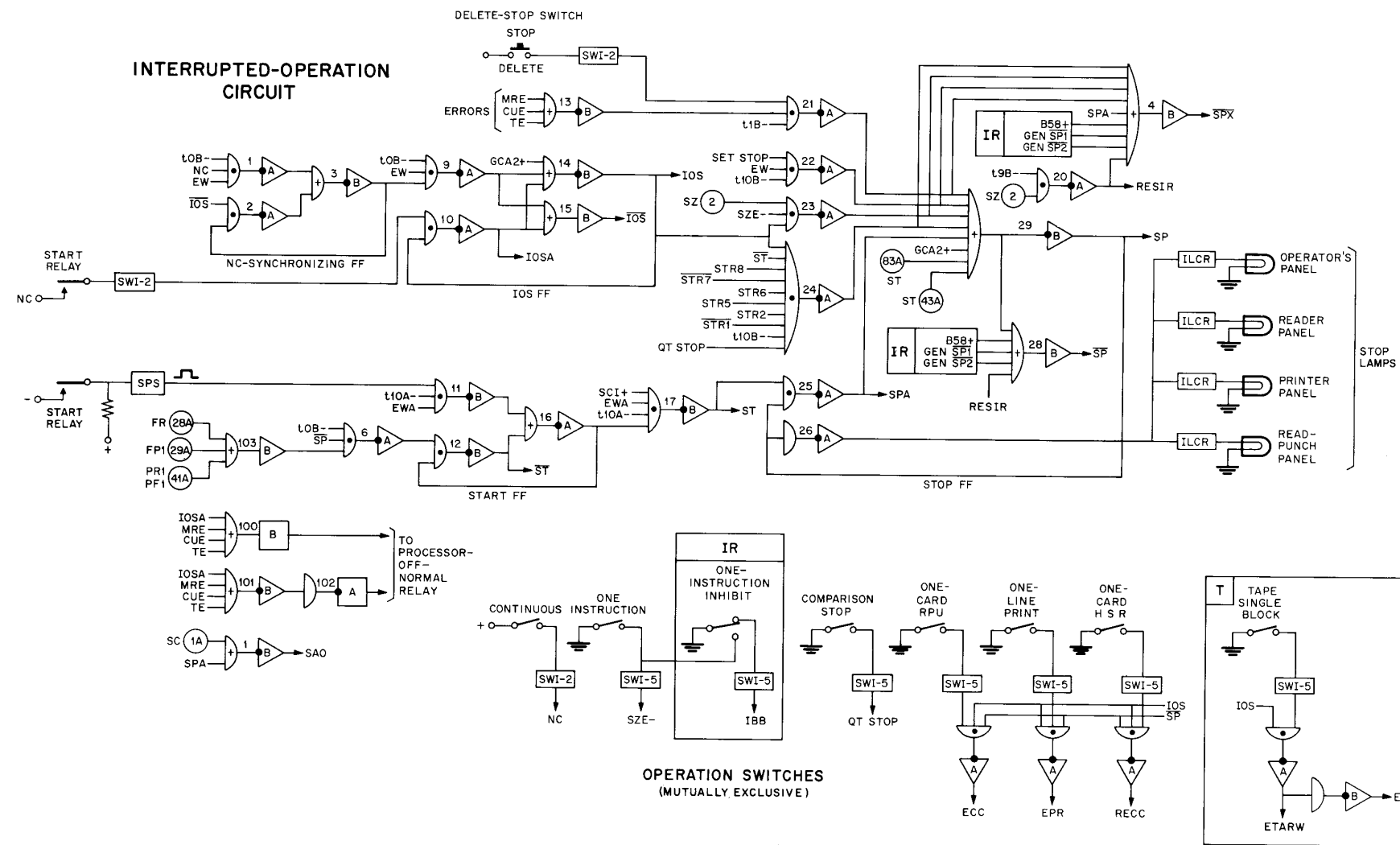


NOTE:
● 80 COLUMN
○ 82 COLUMN



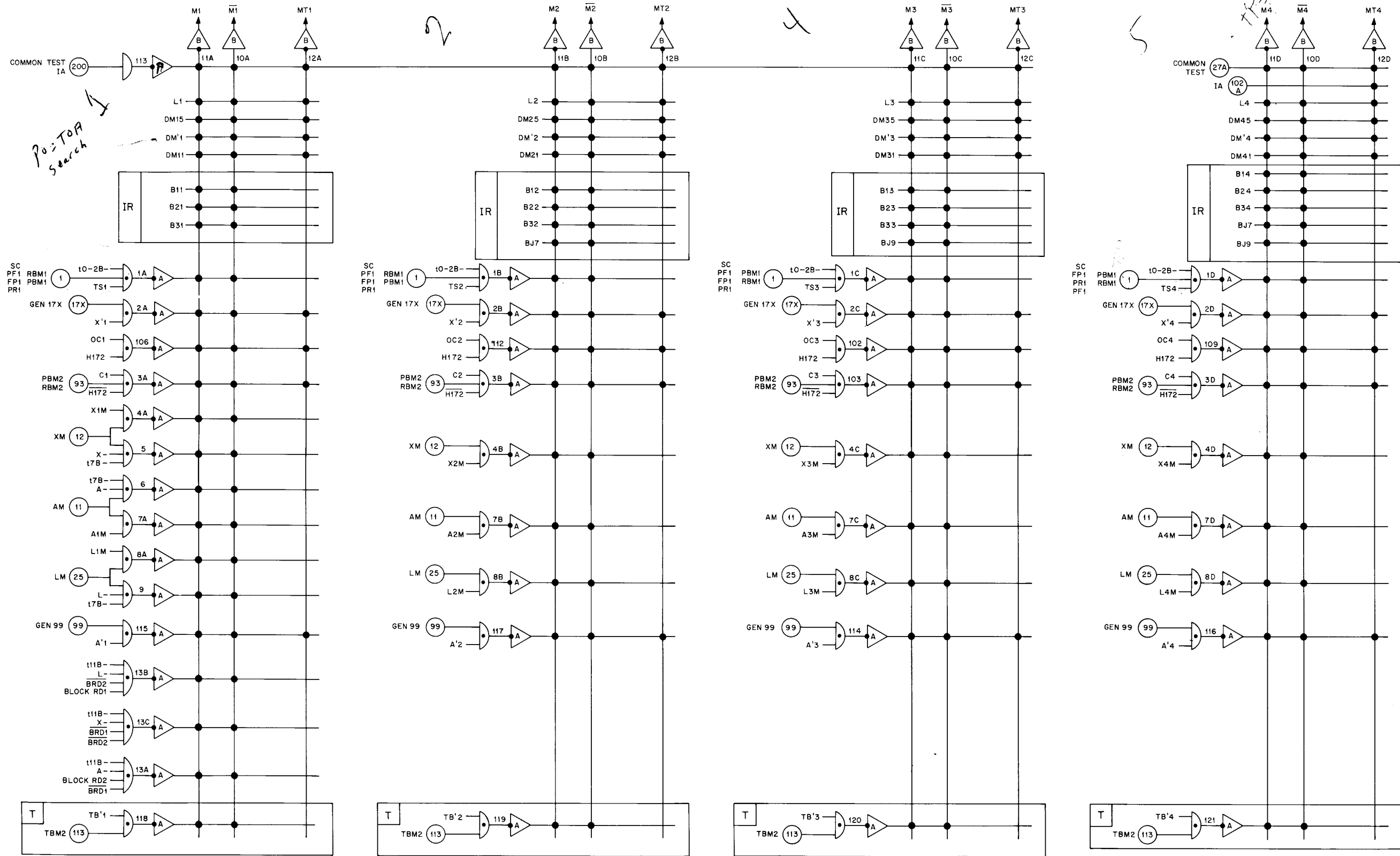
1-4A. Function Encoder (Sheet 1 of 2)





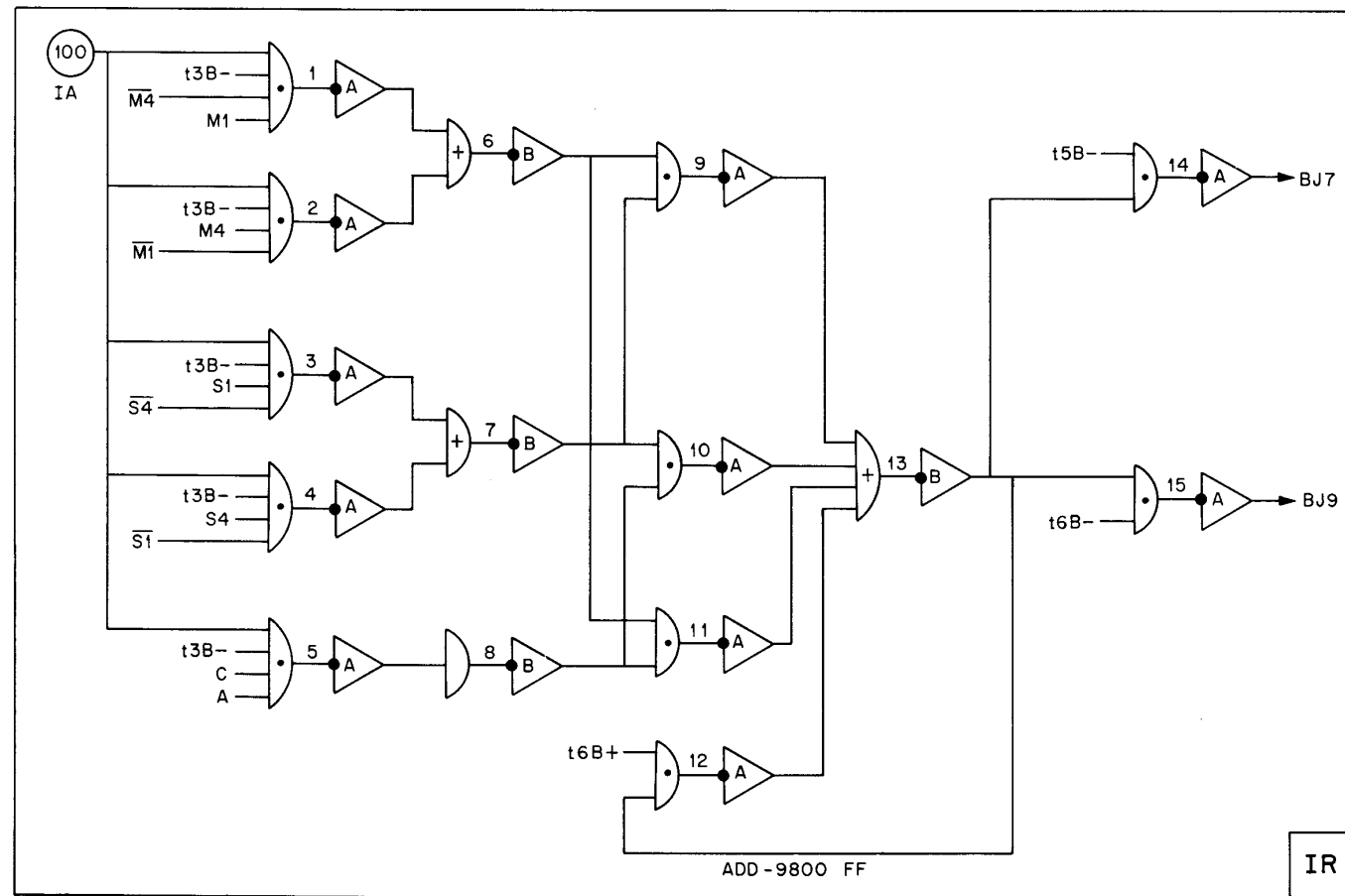
1-5A. Interrupted Operation (Model 131)

Basic System With Magnetic Tape



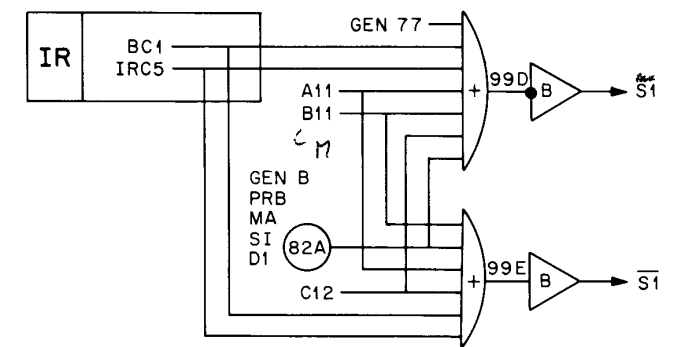
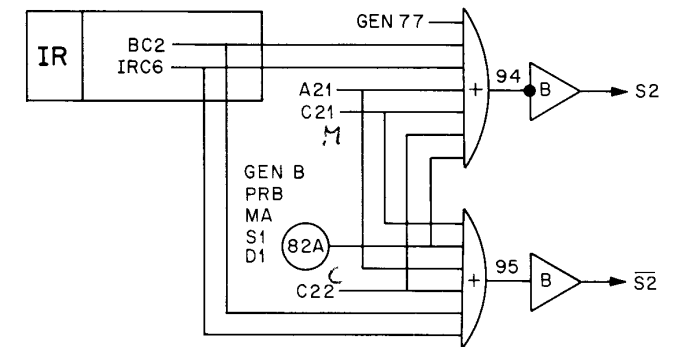
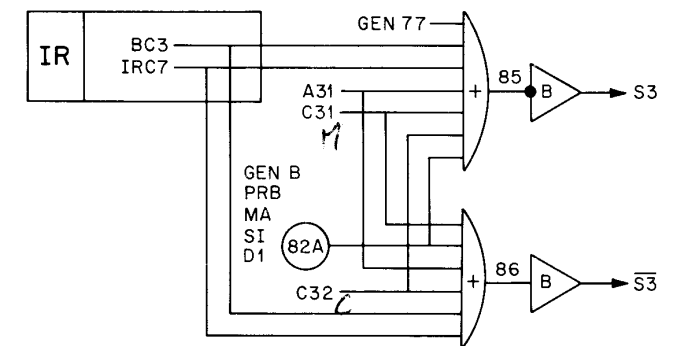
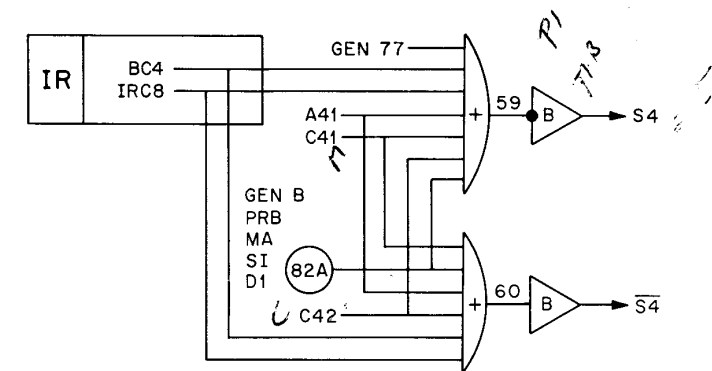
REVISION H 5256

1-6A. M Buffers

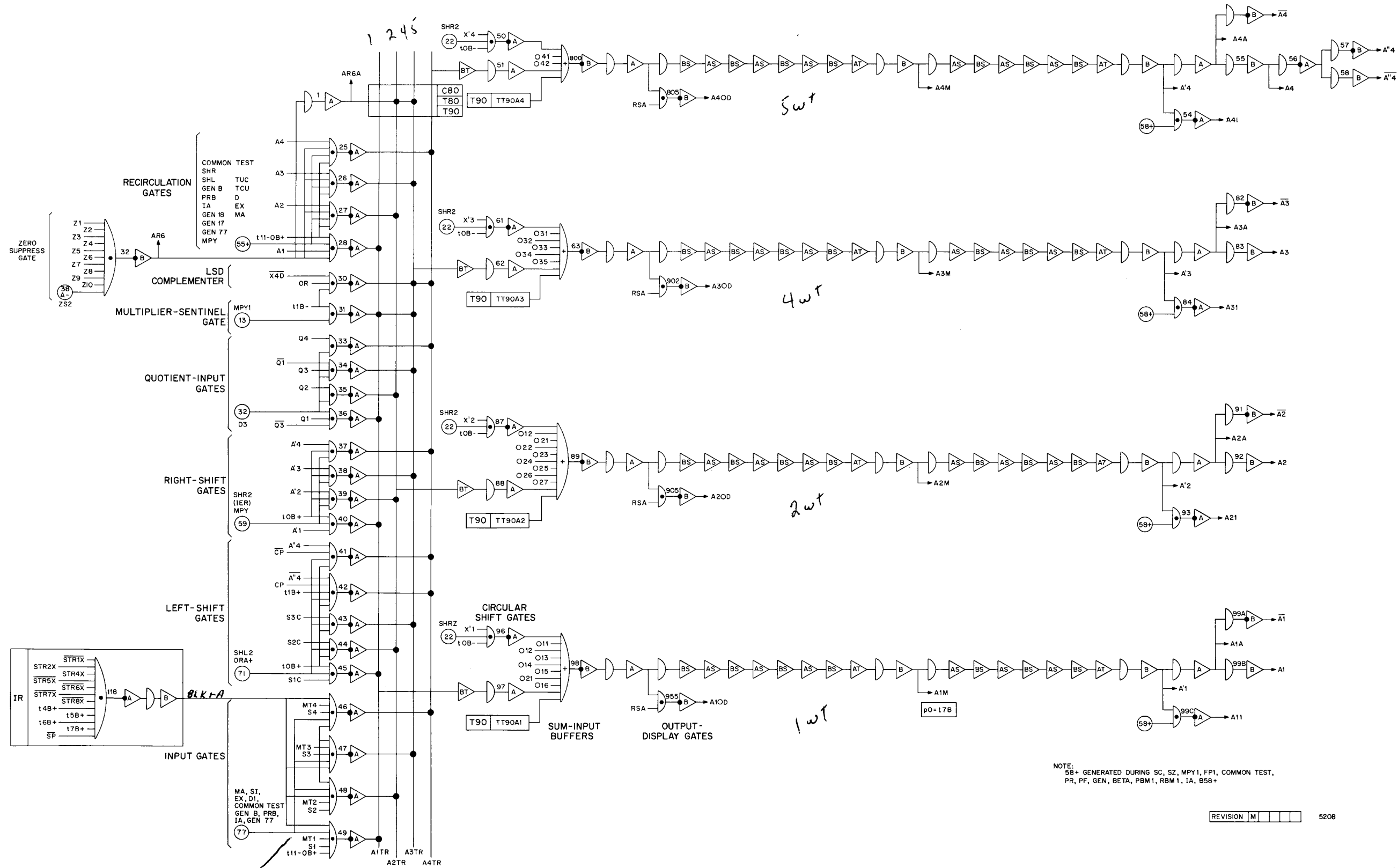


1-7A. S Buffers

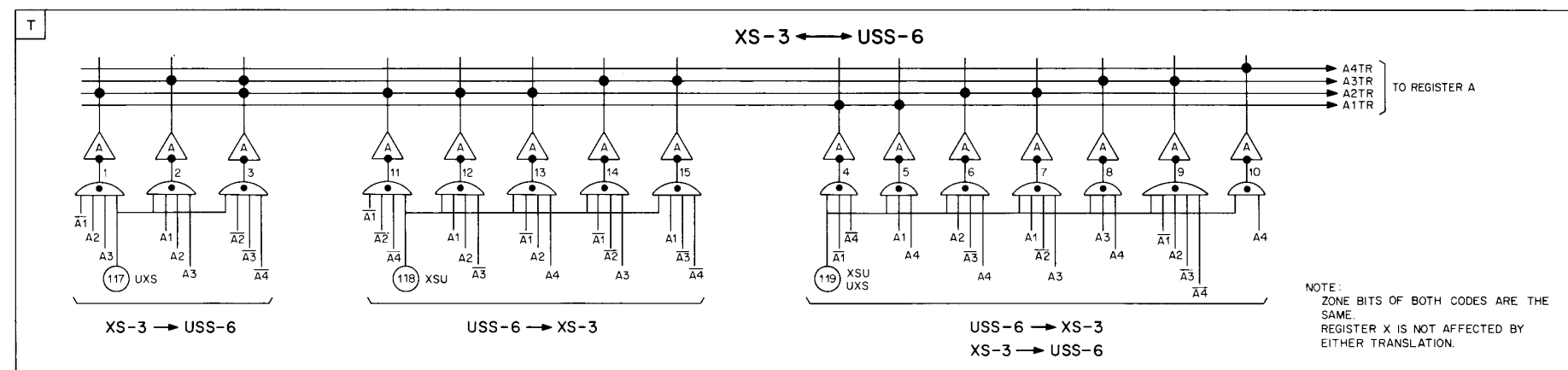
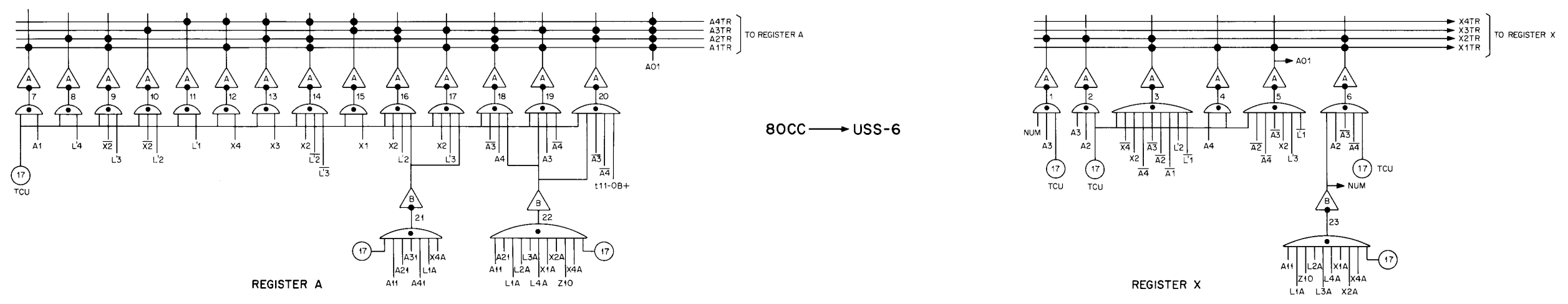
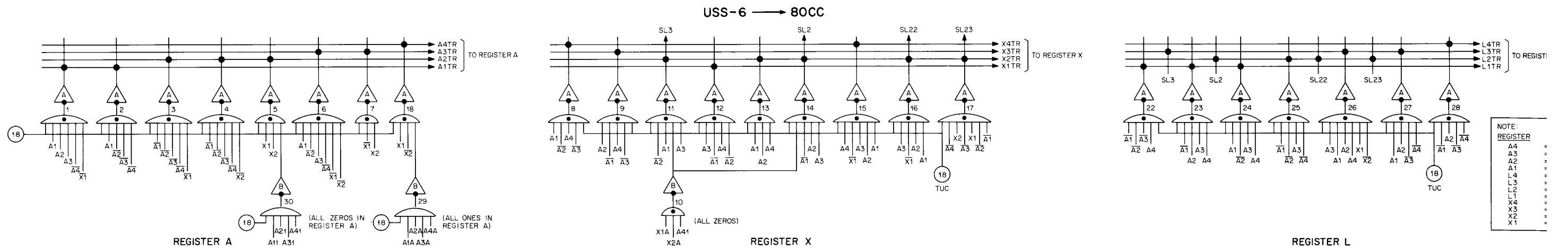
Basic System With Magnetic Tape



REVISION D 5207

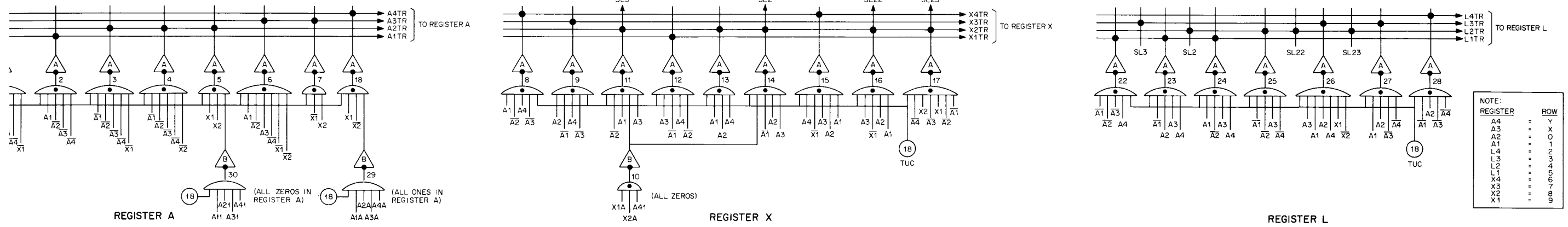


1-8A. Register A

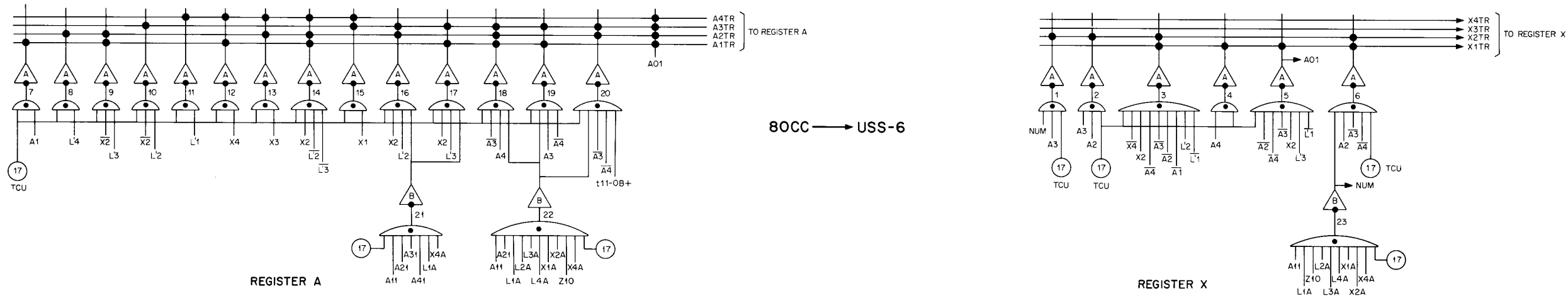


REVISION

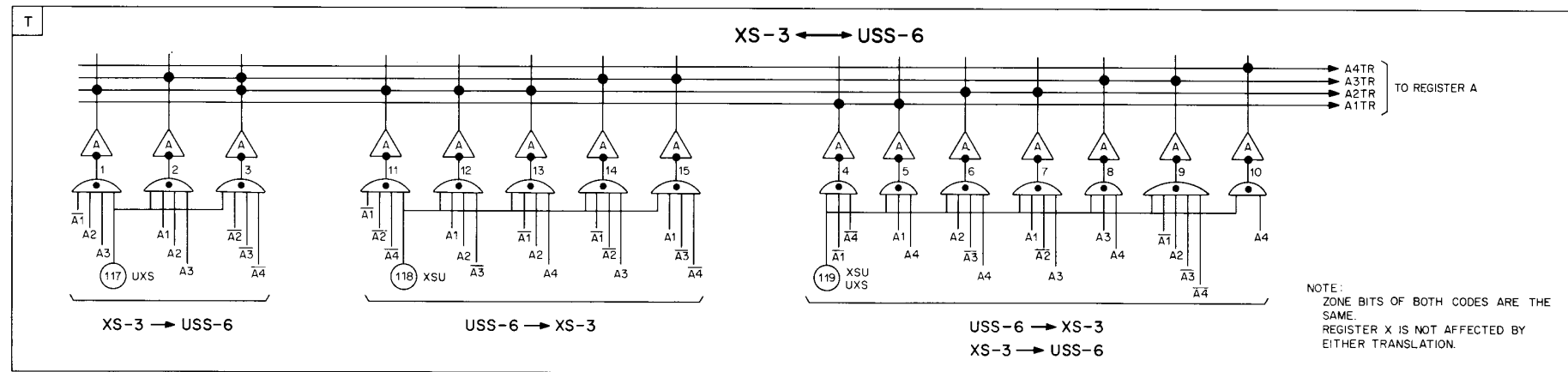
USS-6 → 80CC

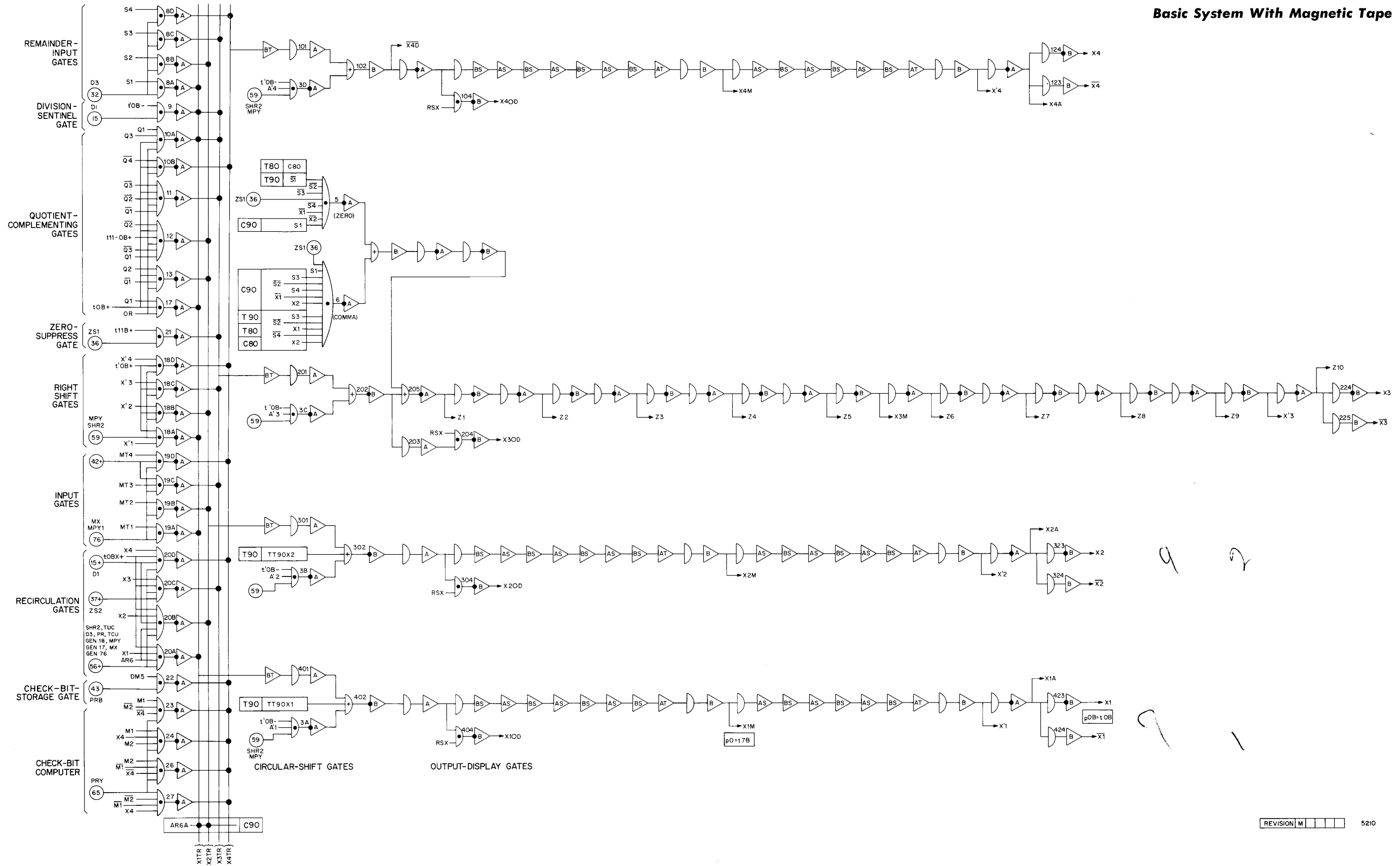


80CC → USS-6

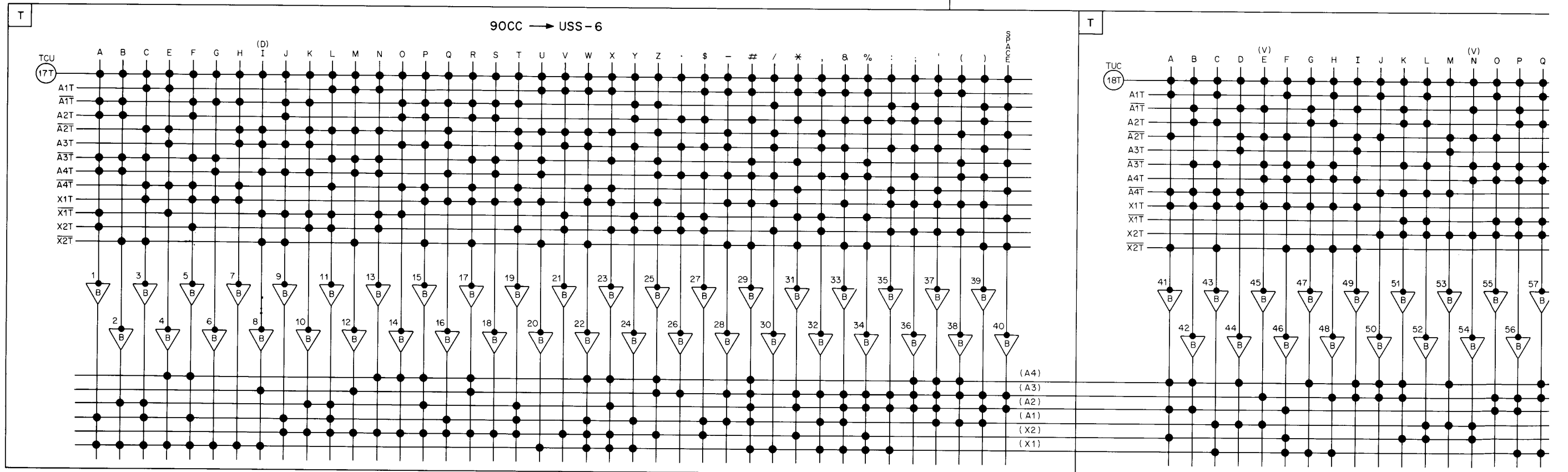
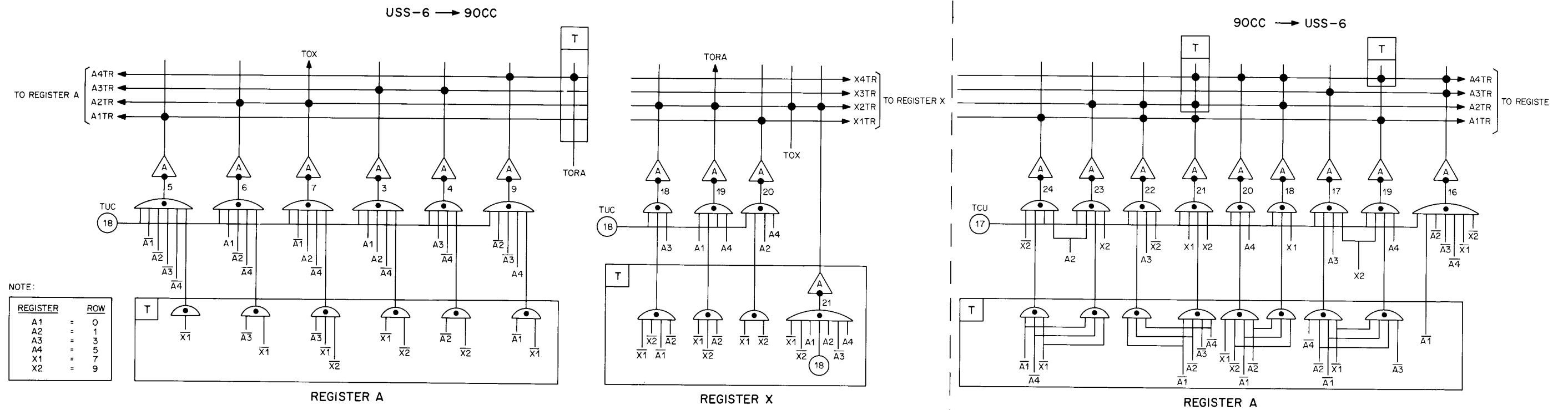


XS-3 ↔ USS-6

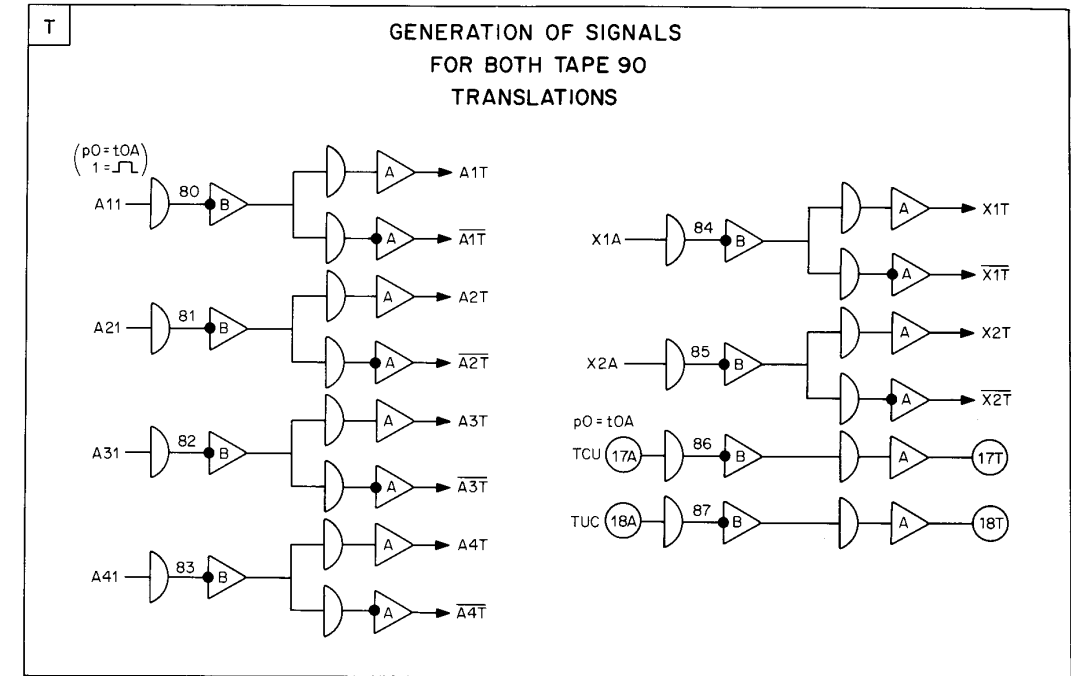
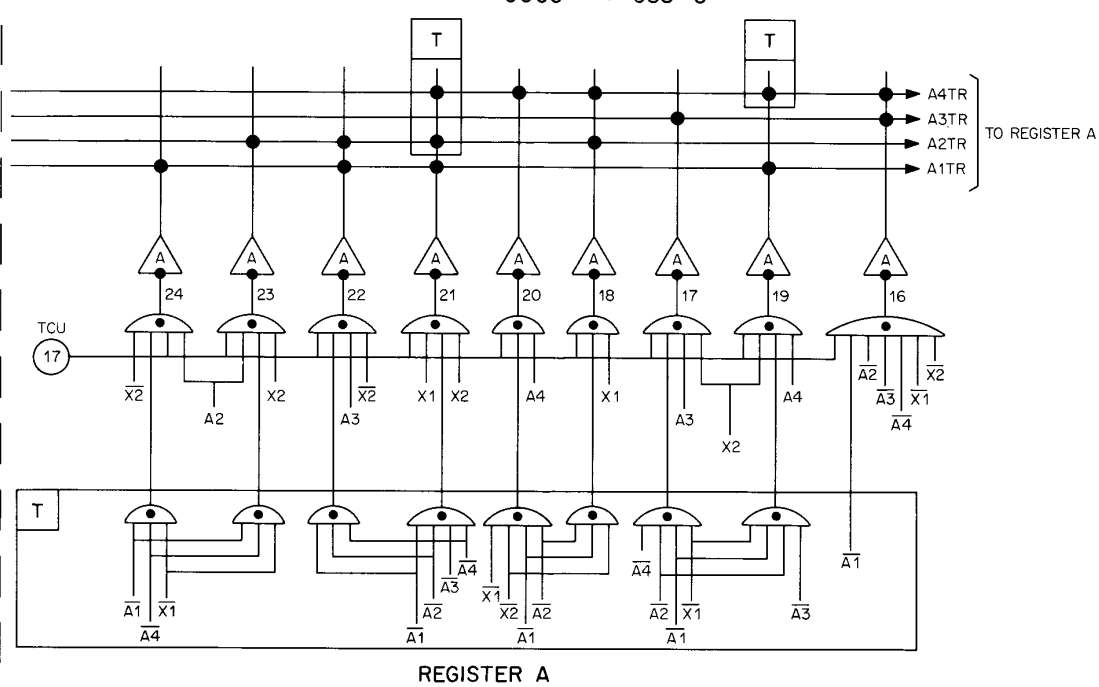
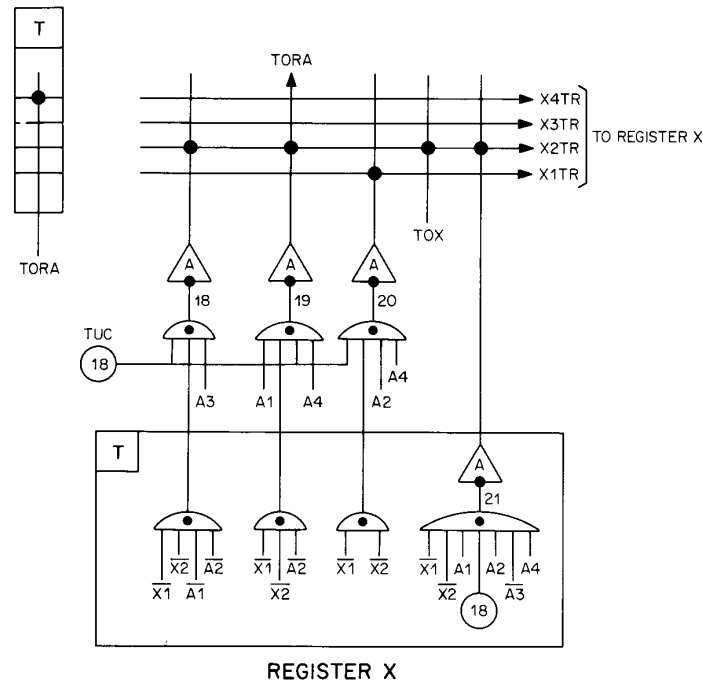




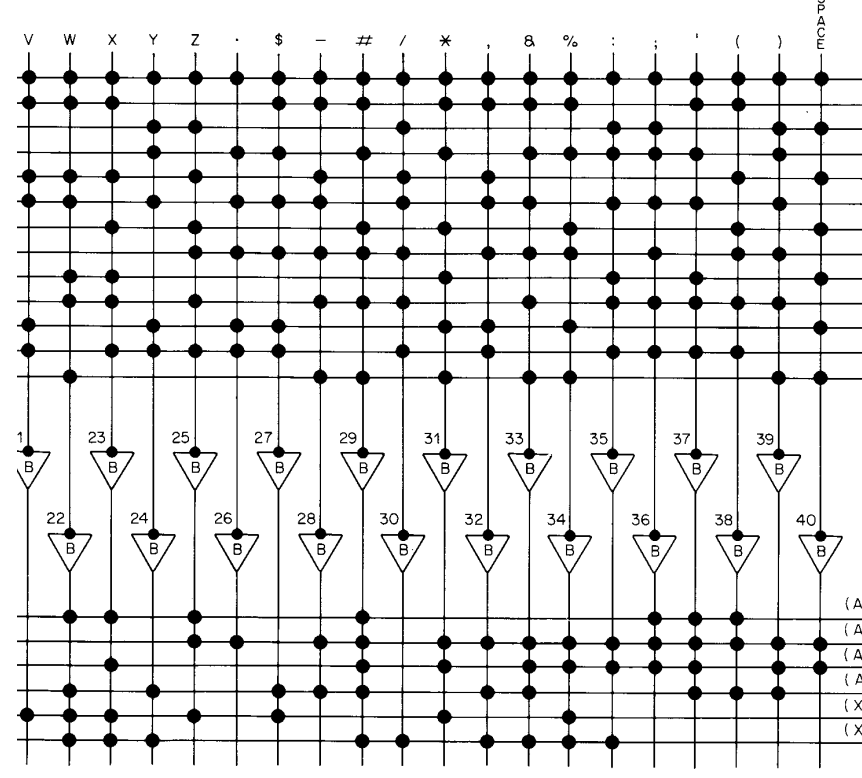
1-10A. Register X



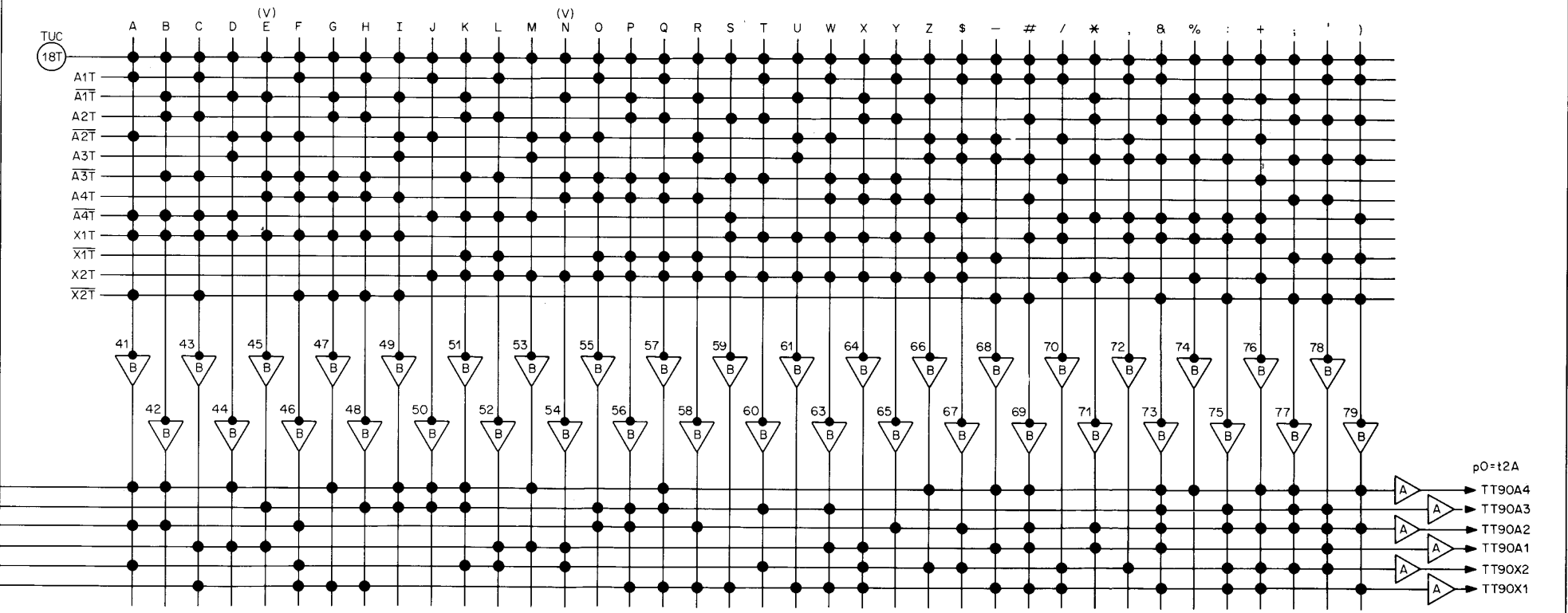
90CC → USS-6

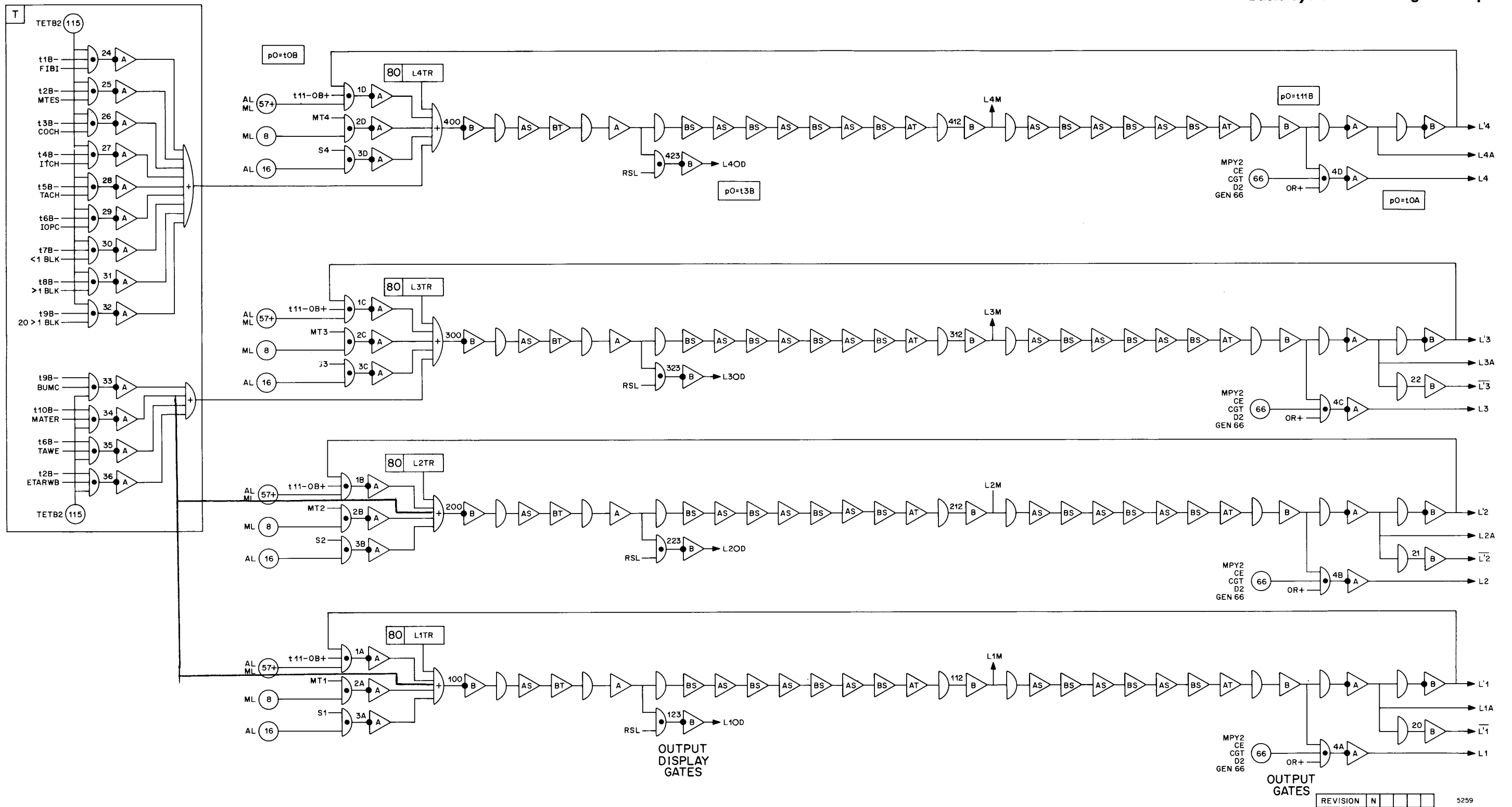


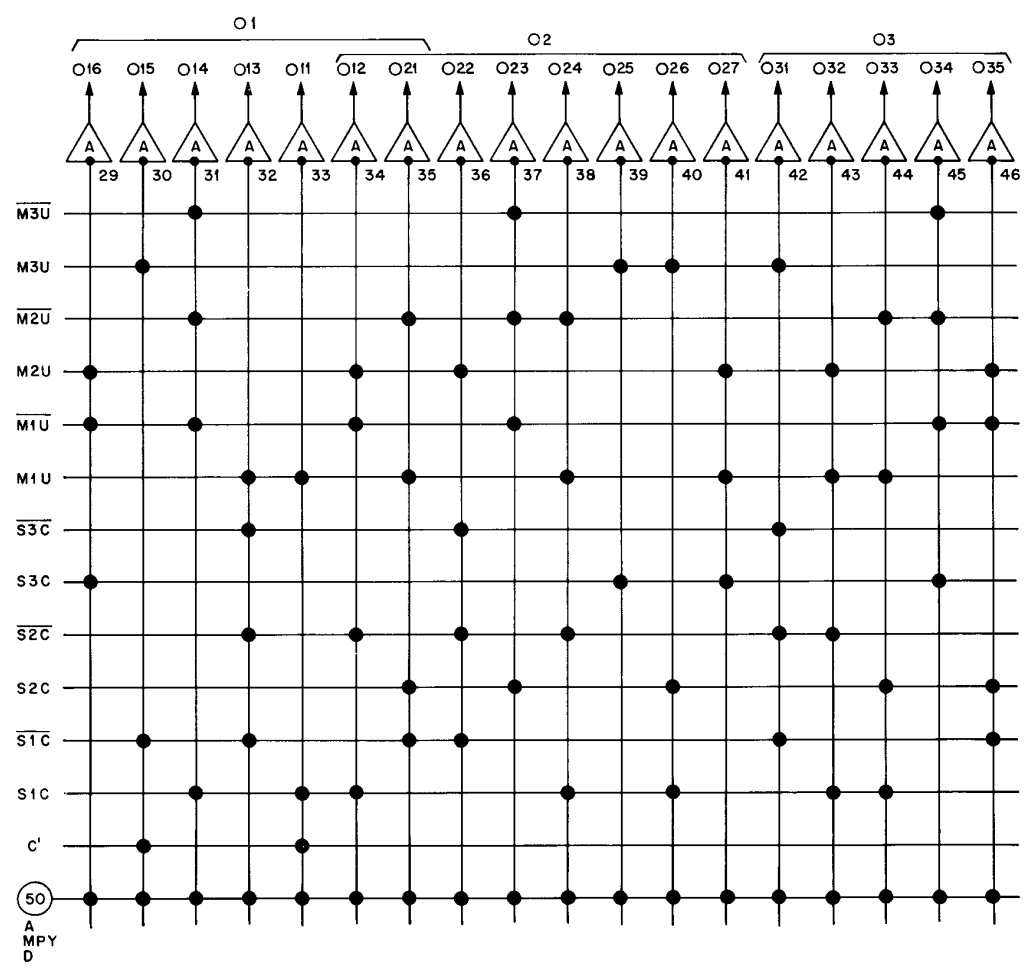
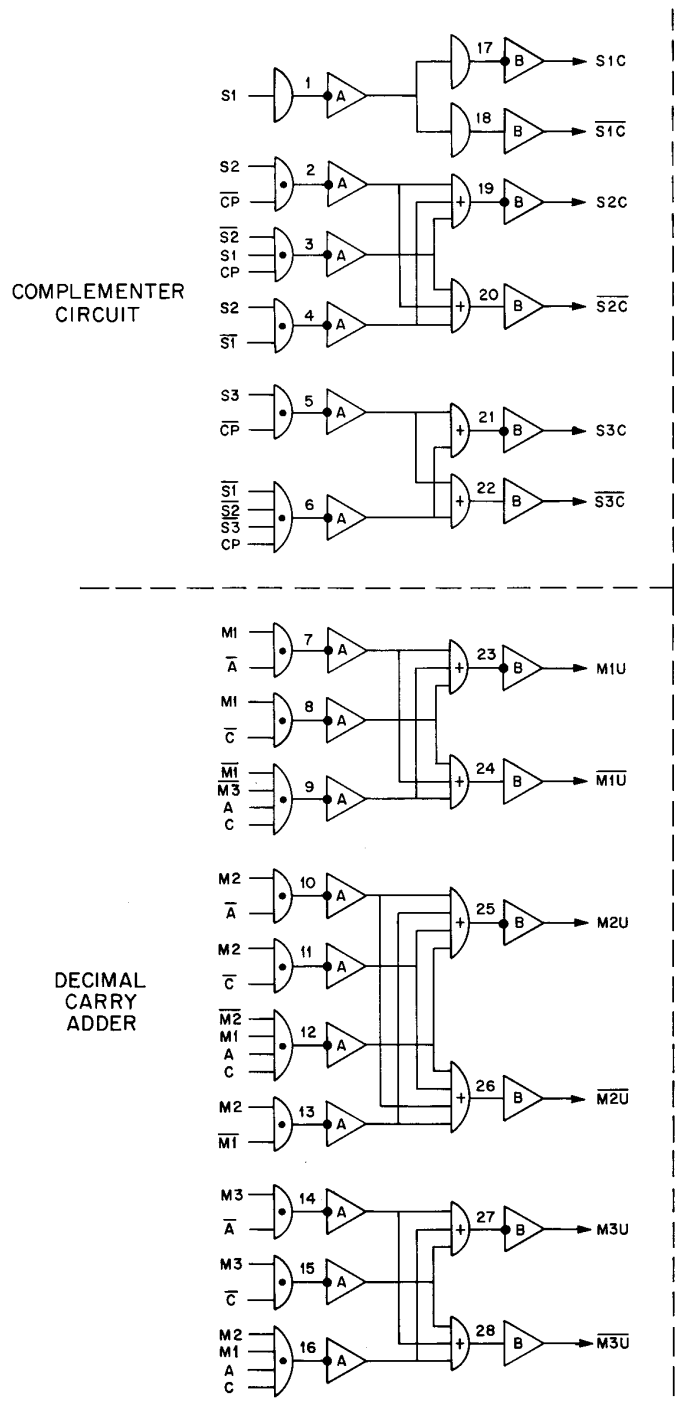
USS-6



USS-6 → 90CC

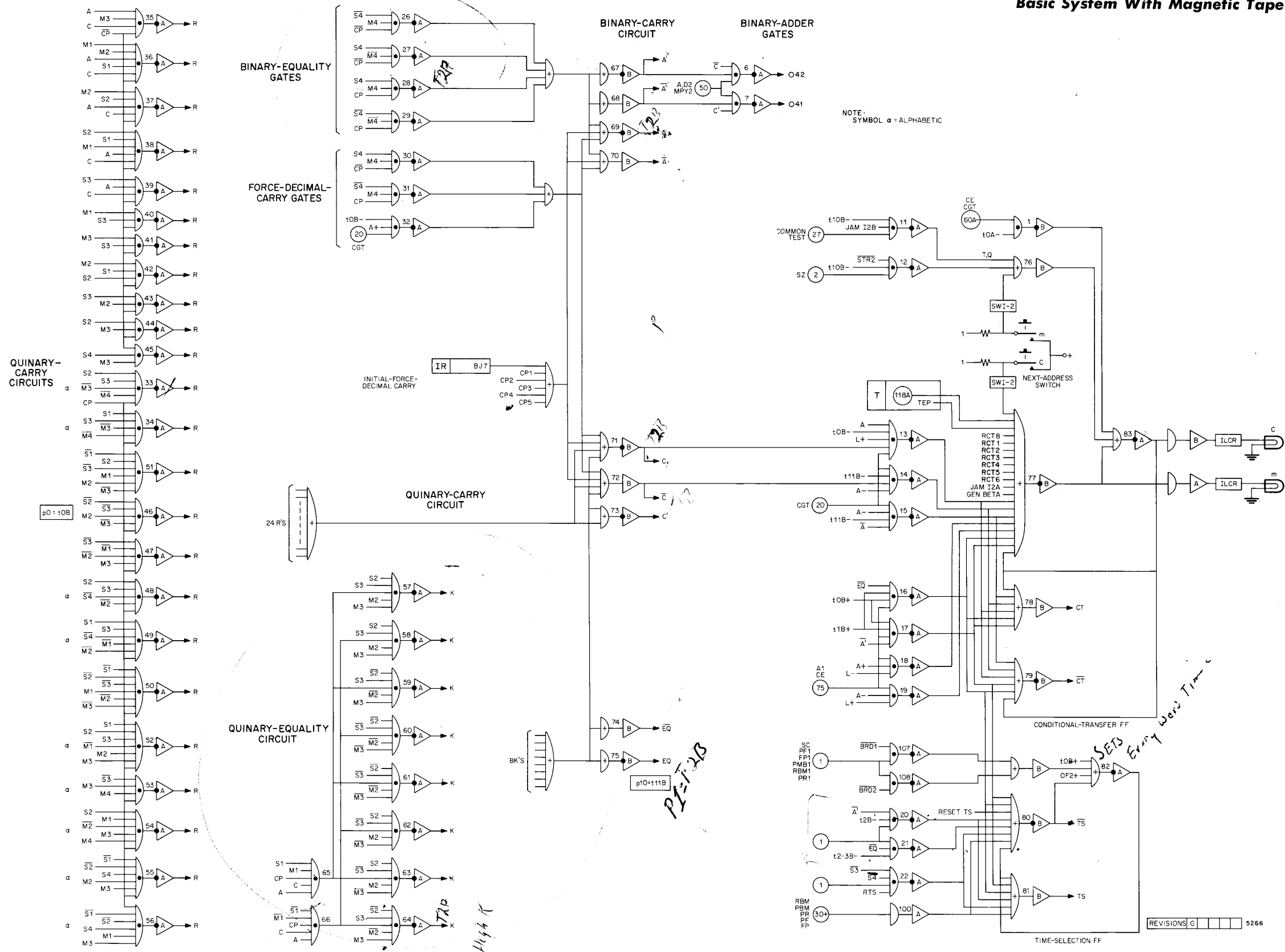






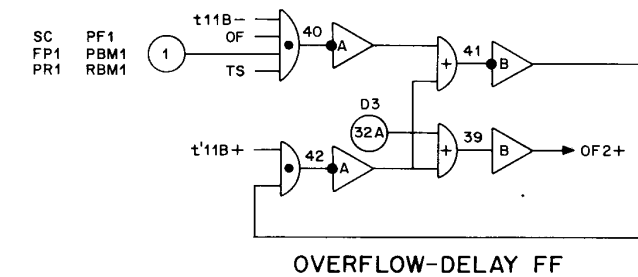
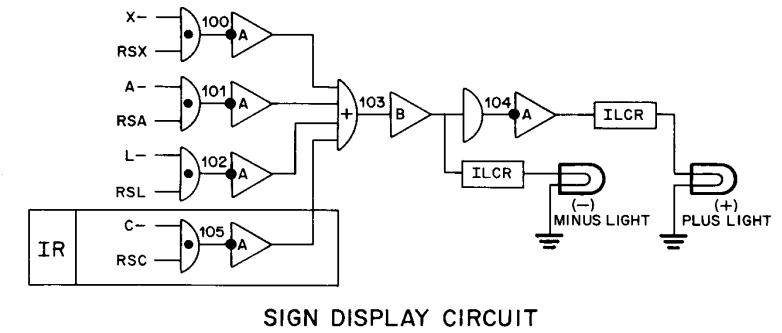
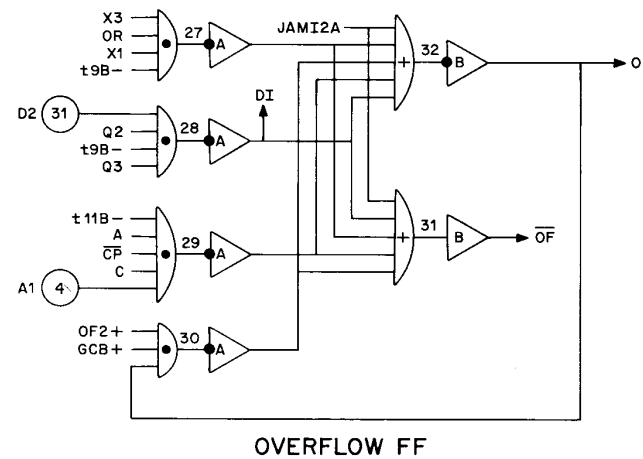
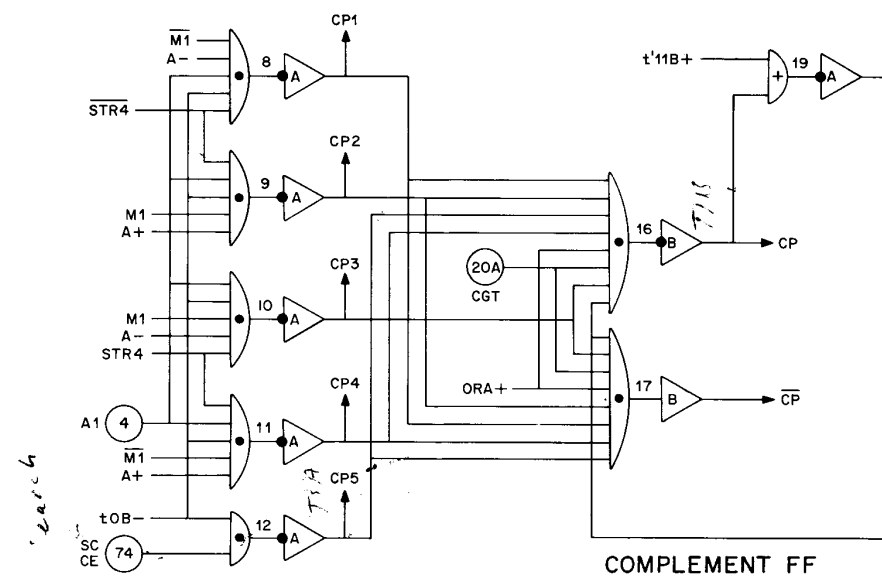
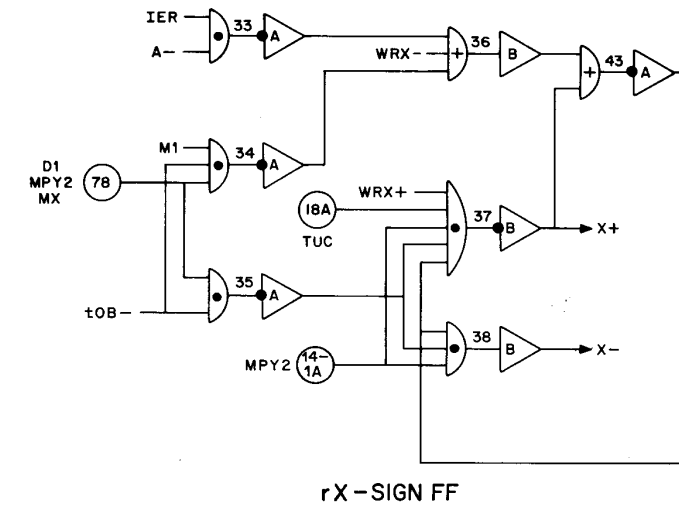
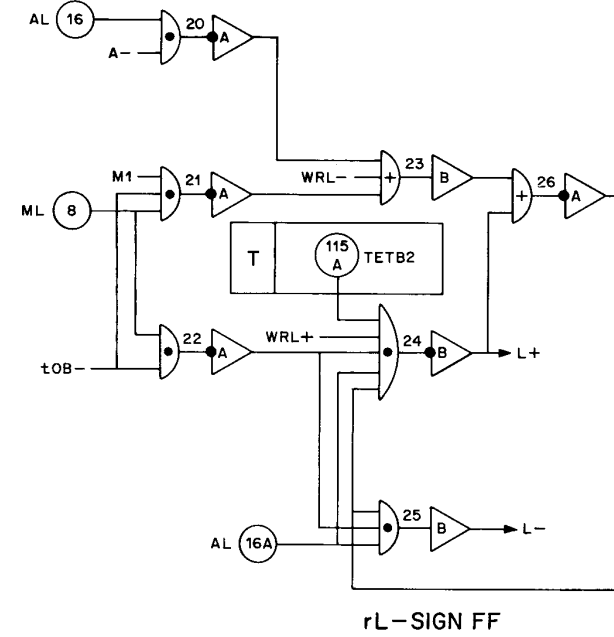
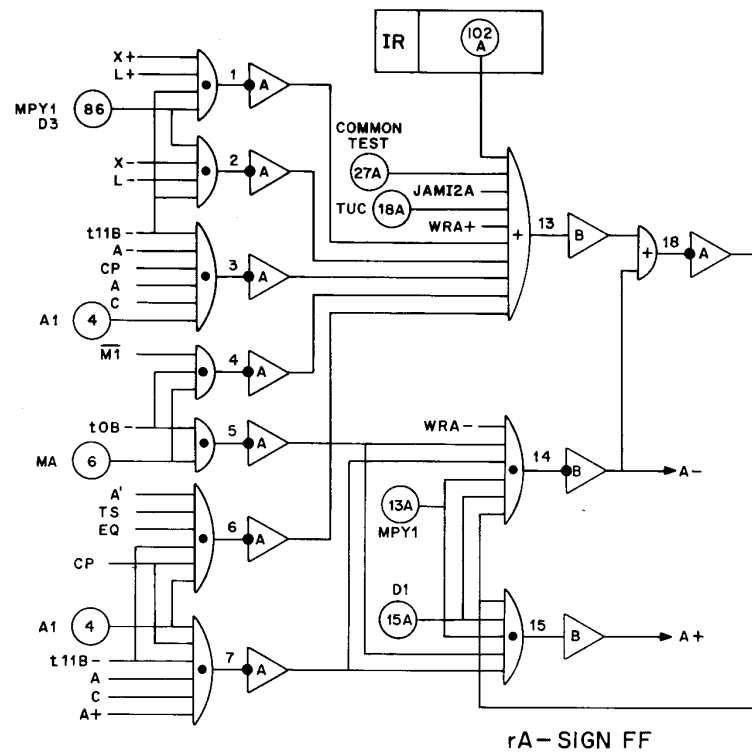
REVISION [] [] [] [] 5213

Basic System With Magnetic Tape



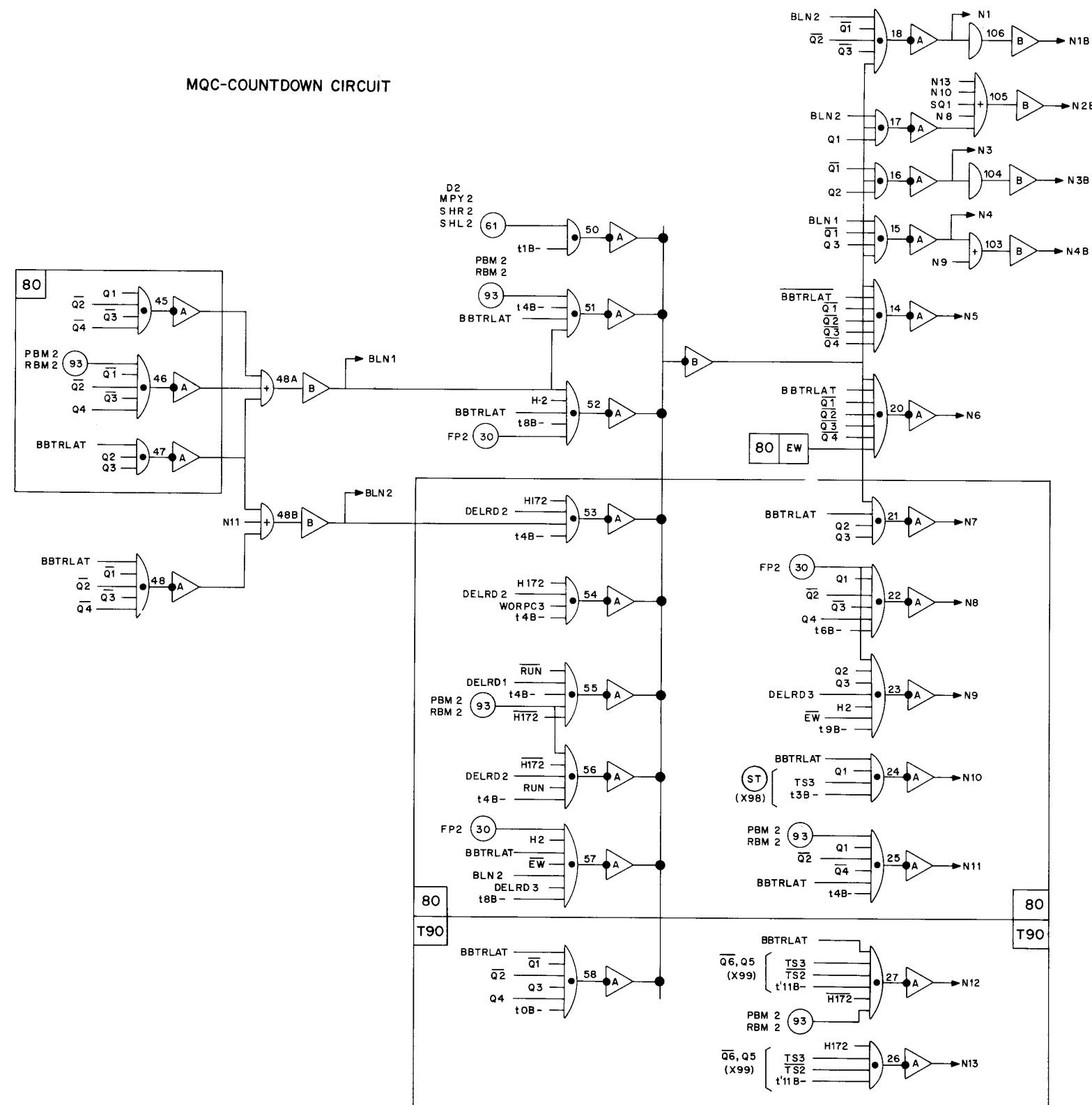
1-14A. Comparator

Basic System With Magnetic Tape

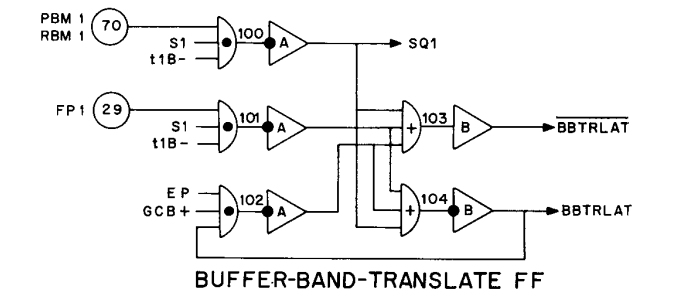
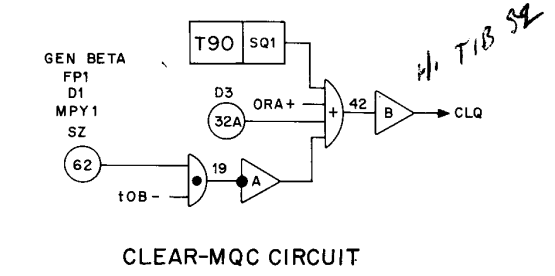
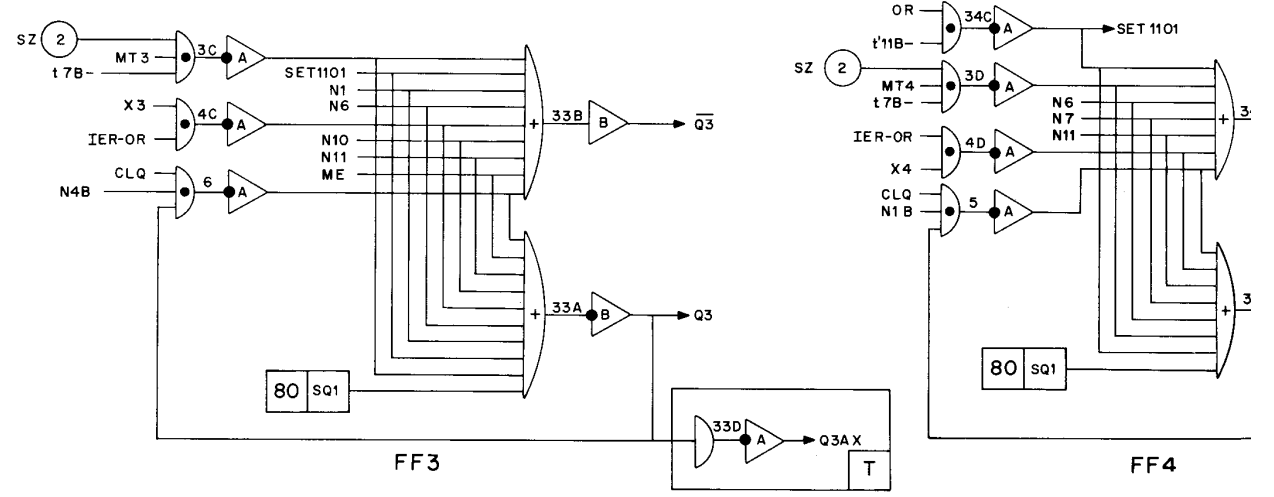
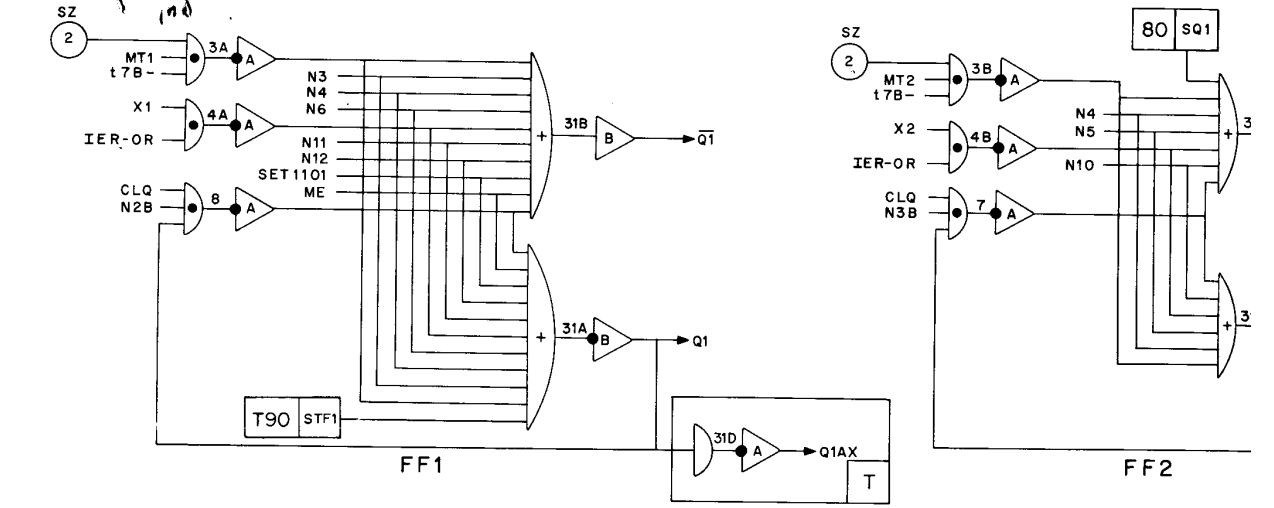


REVISION D 5260

MQC-COUNTDOWN CIRCUIT

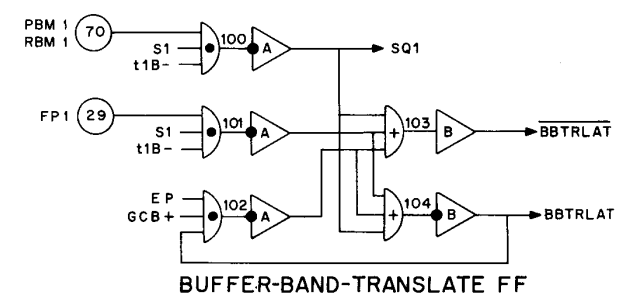
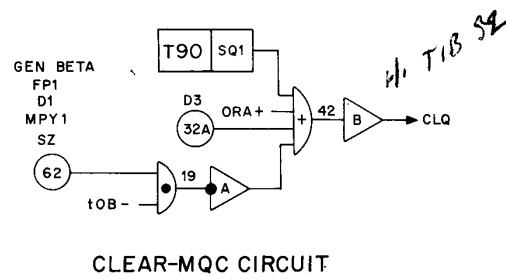
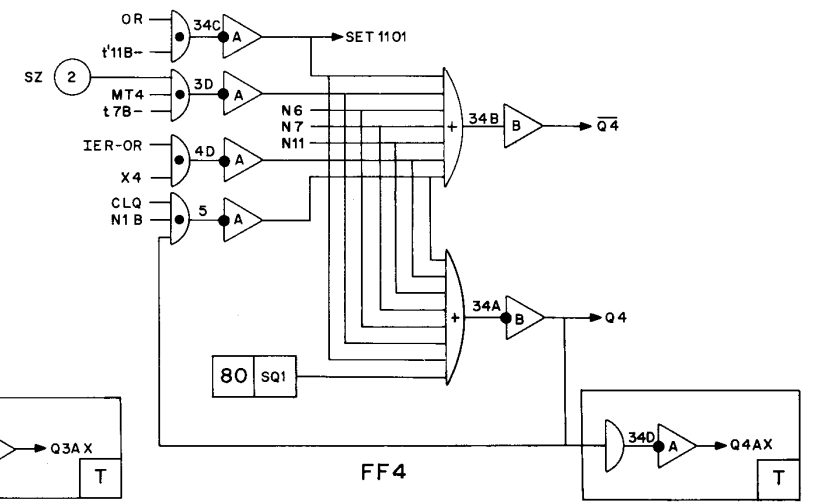
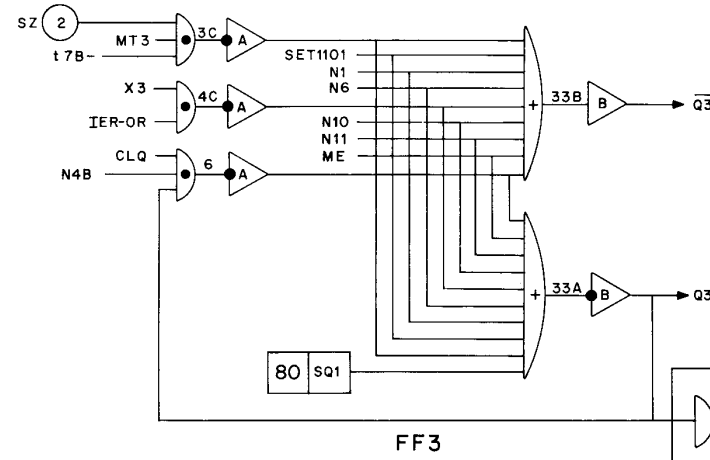
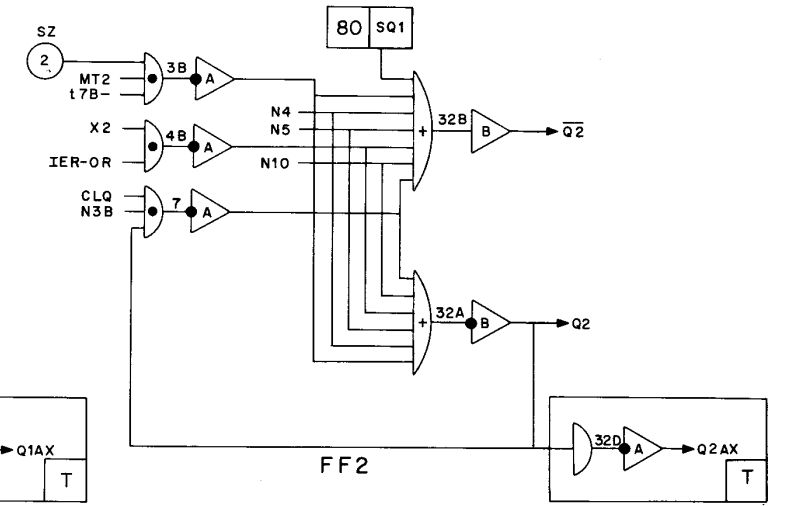
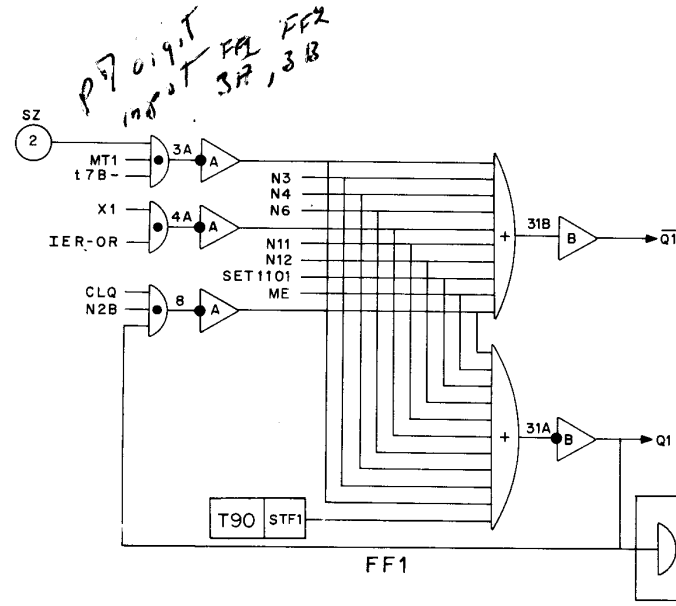
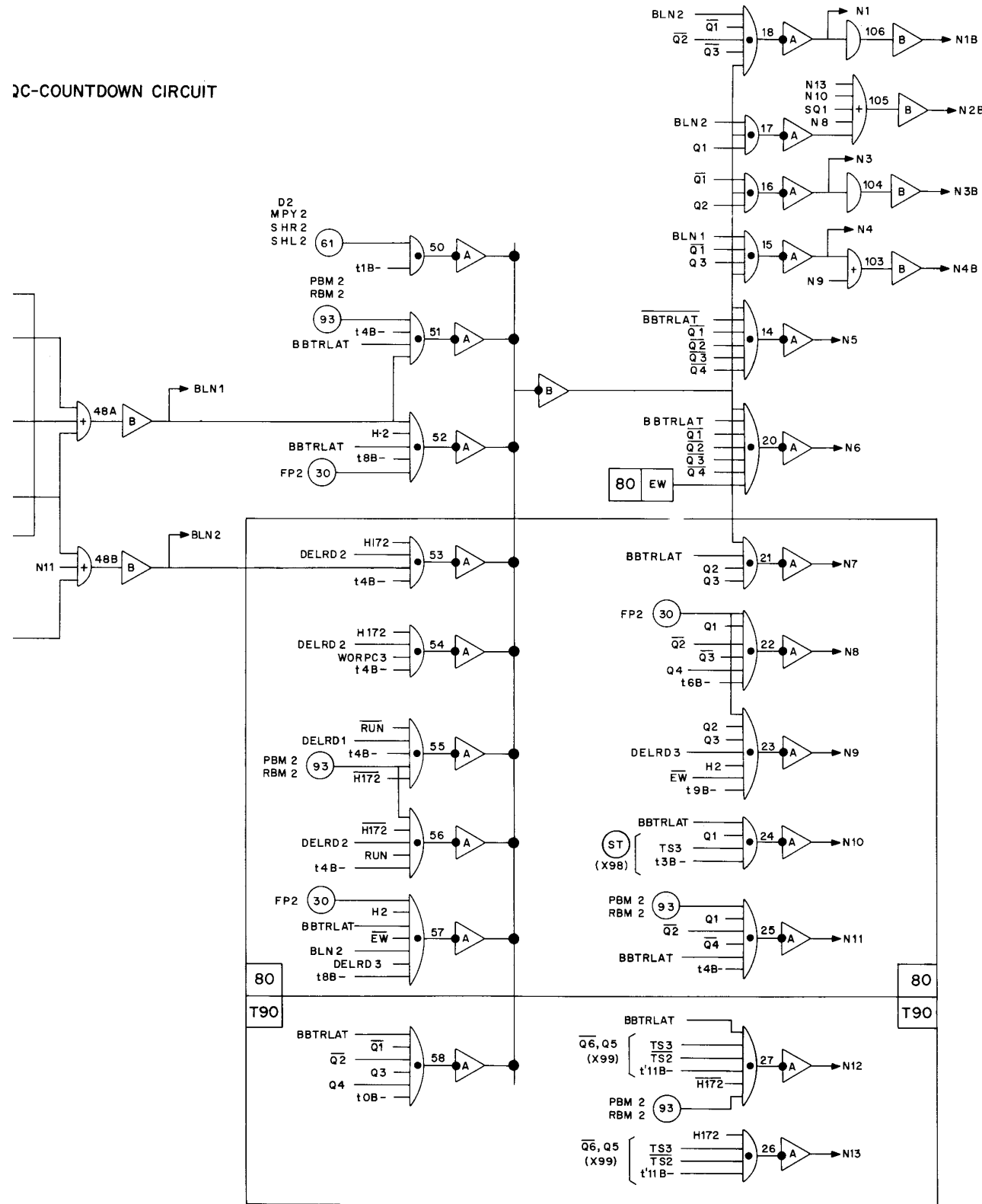


Handwritten note: P7 019T 180T 3A, 3B

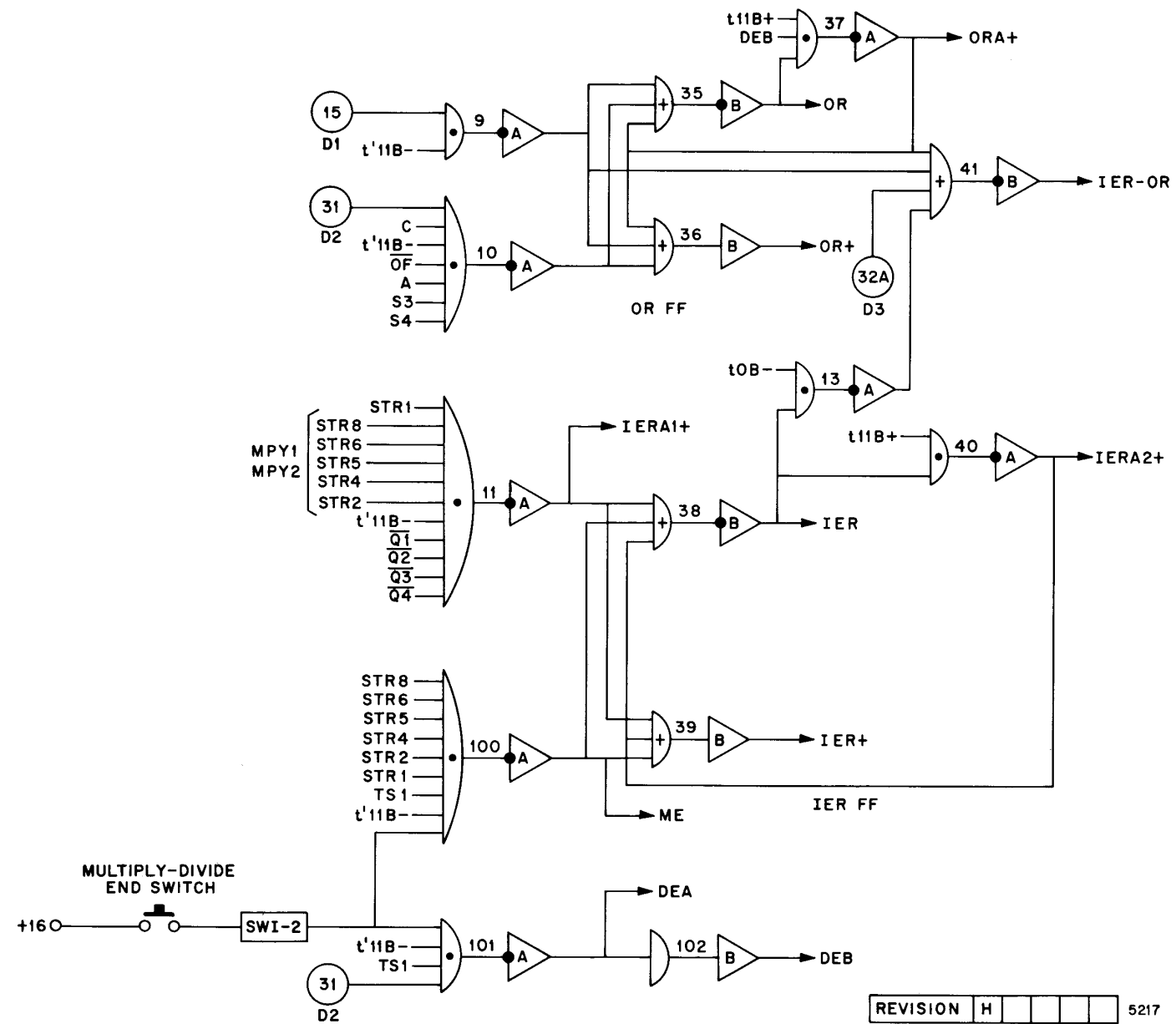


1-16A. Multiplier-Quotient Counter

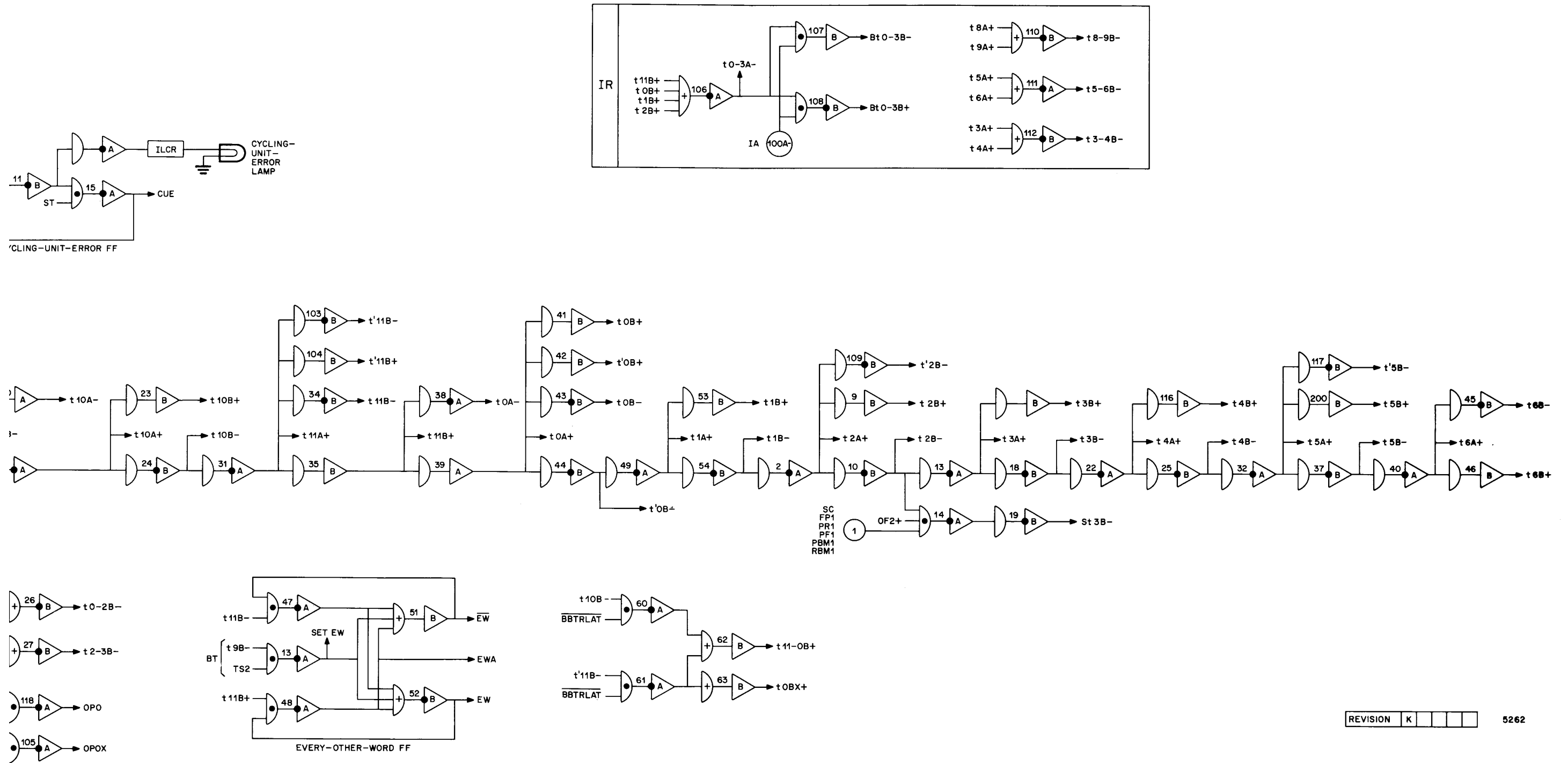
2C-COUNTDOWN CIRCUIT



1-16A. Multiplier-Quotient Counter

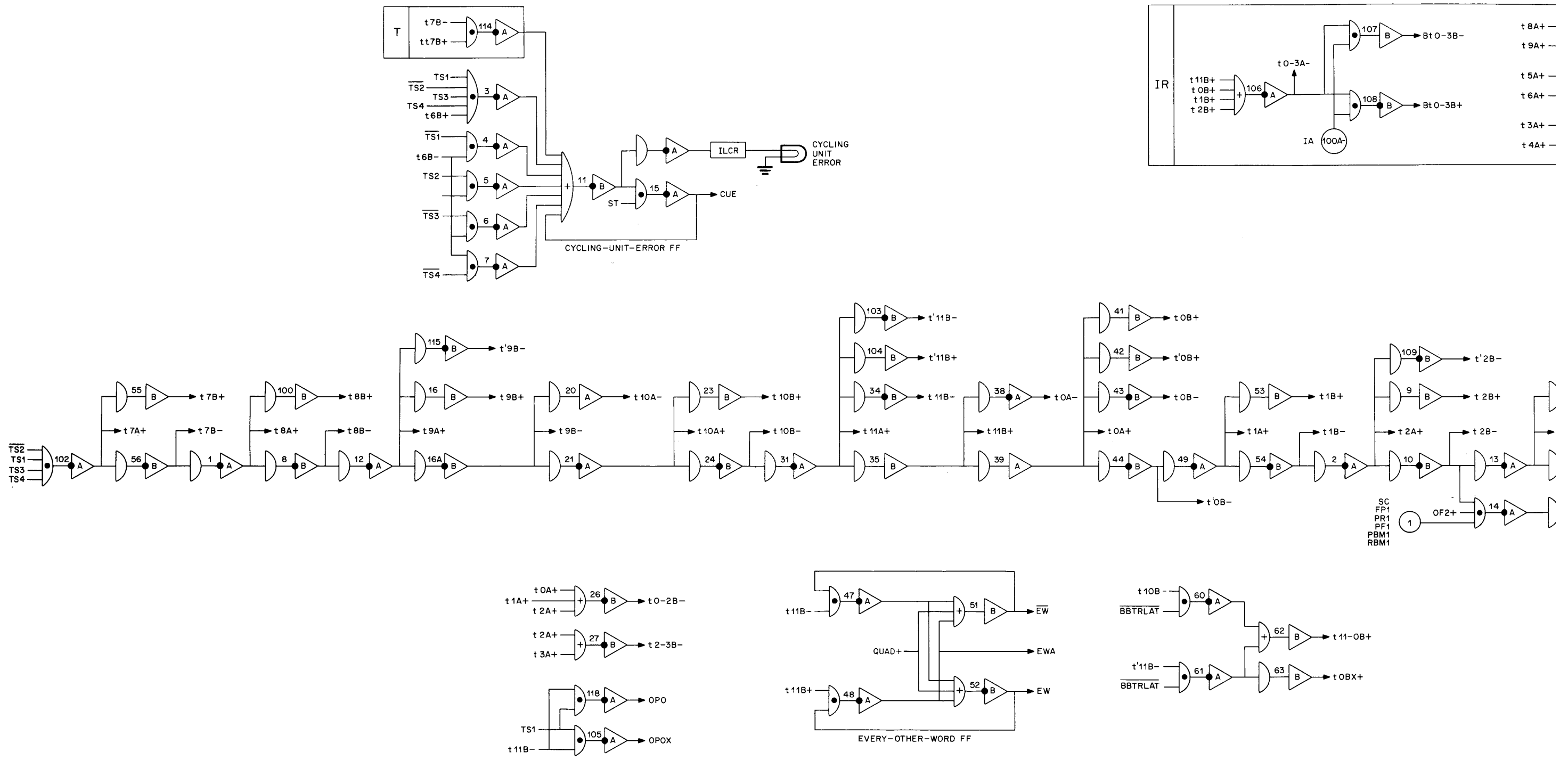


1-17A. IER-OR Flip-Flops

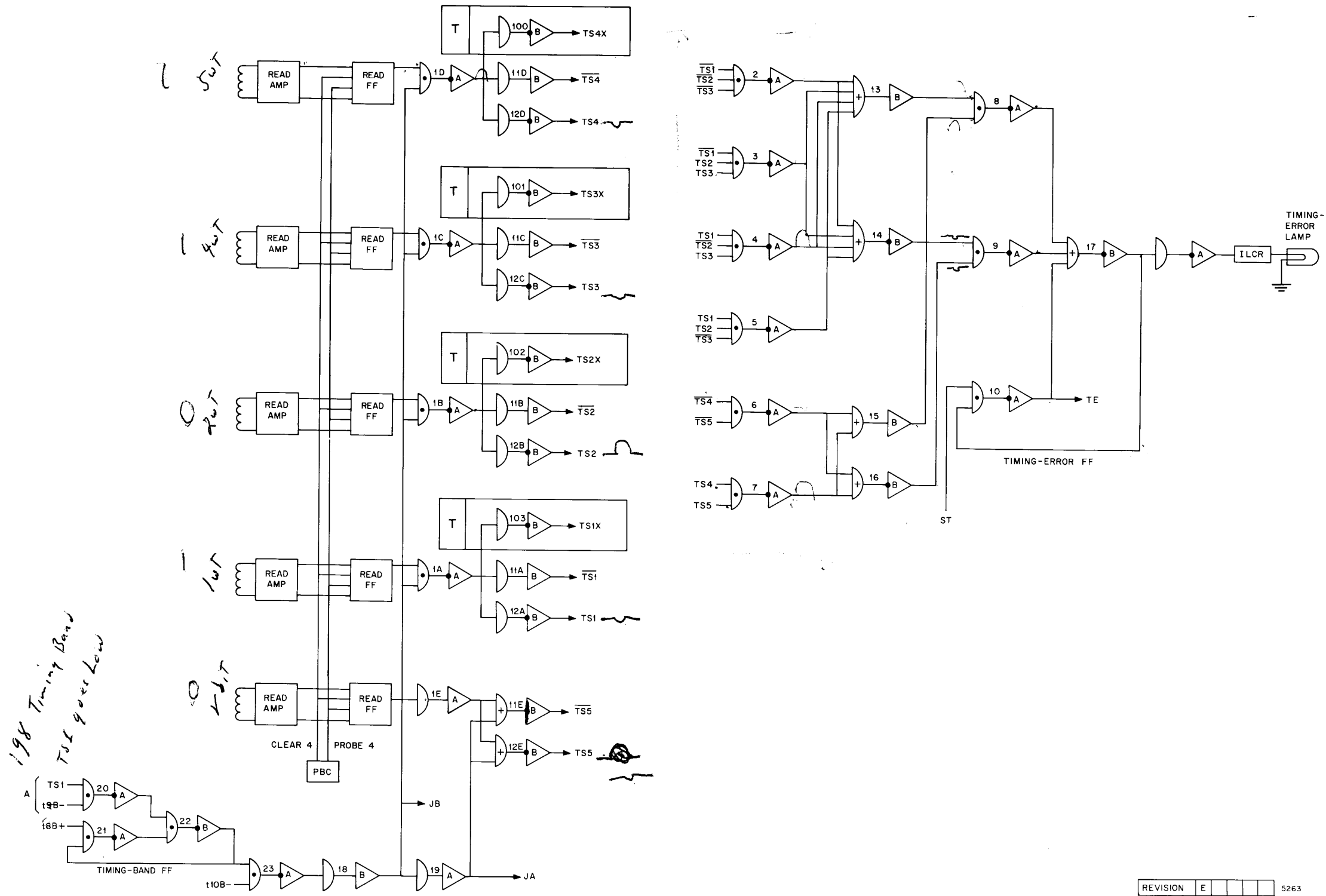


REVISION K [] [] [] [] 5262

1-18A. Cycling Unit (Model 131)

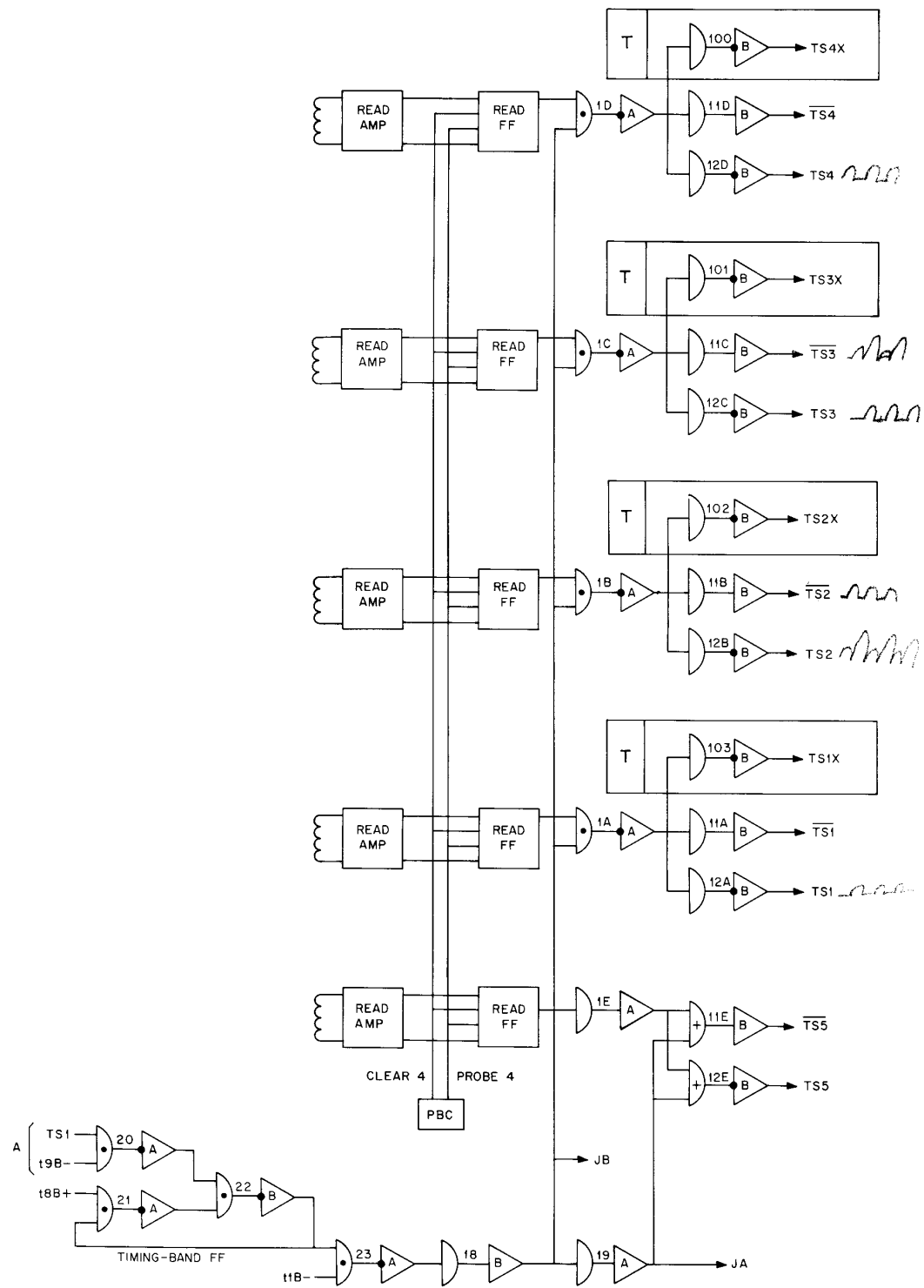


1-18A. Cycling Unit (Model 130)
1-18B

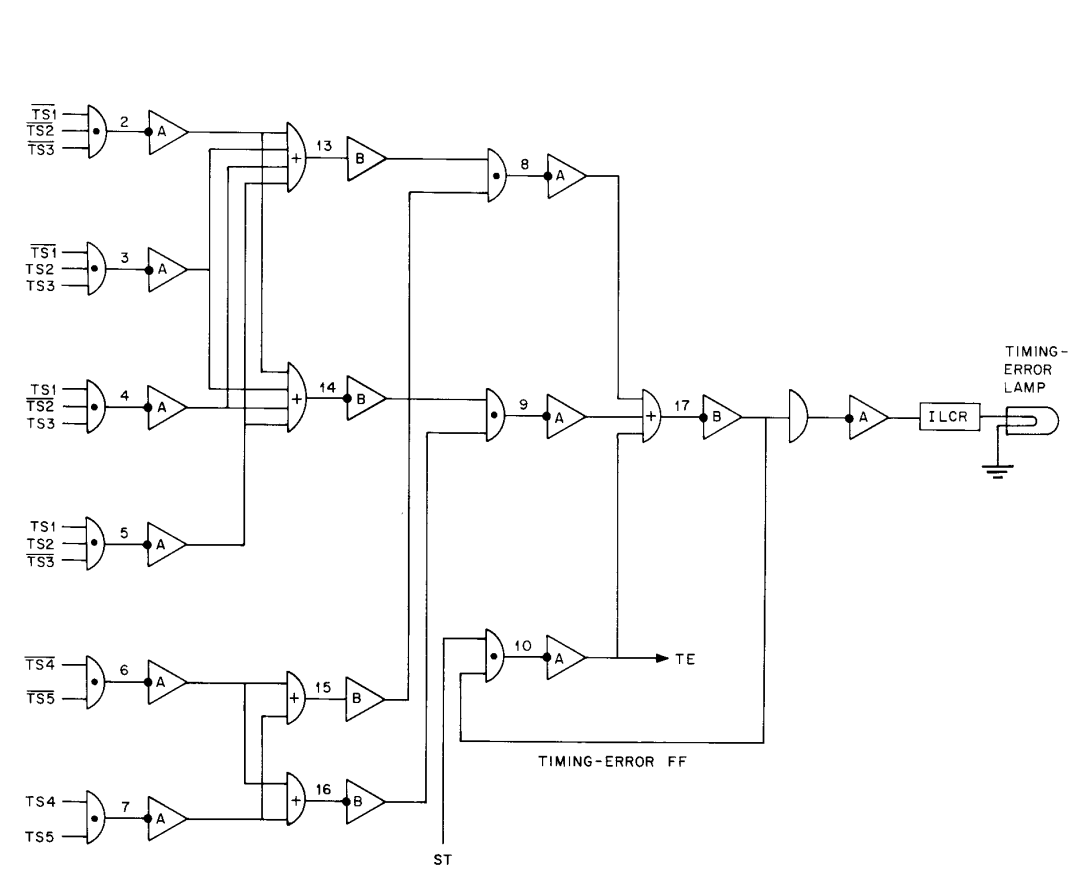


1-19A. Timing-Band Read Circuits (Model 131)

REVISION E 5263

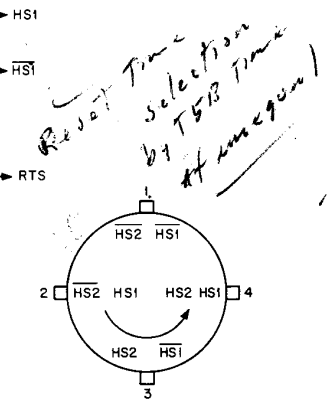
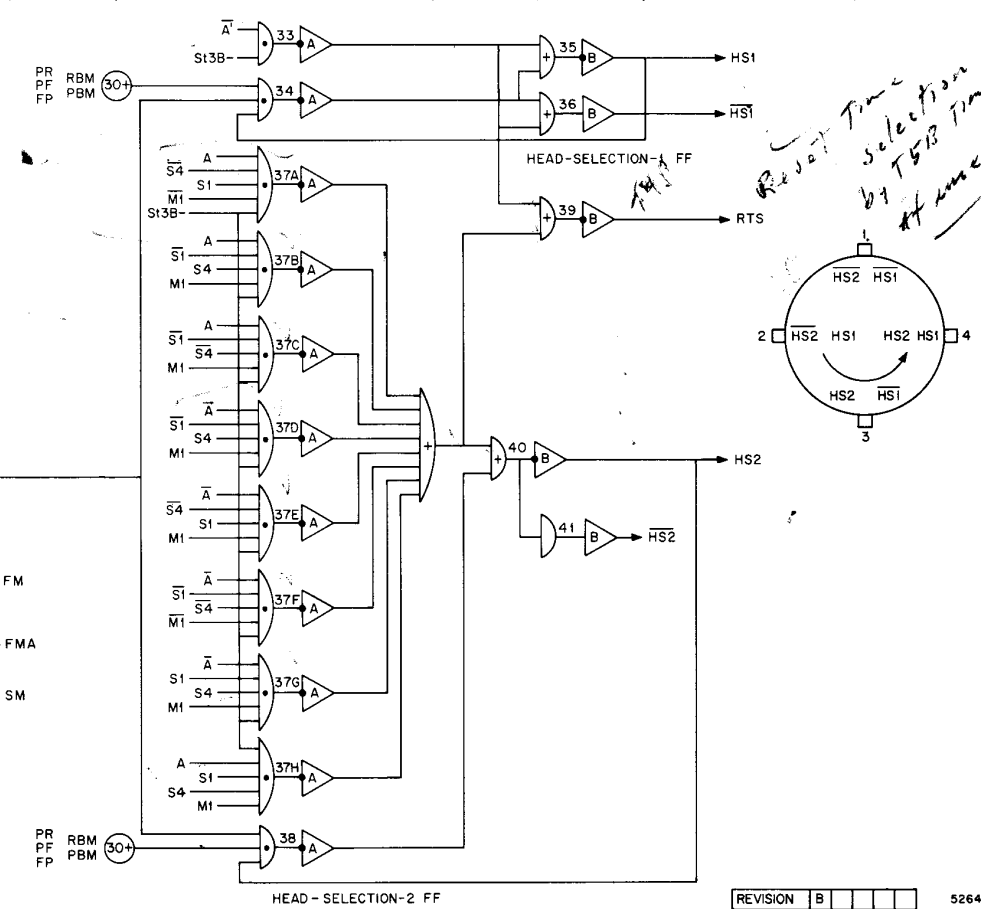
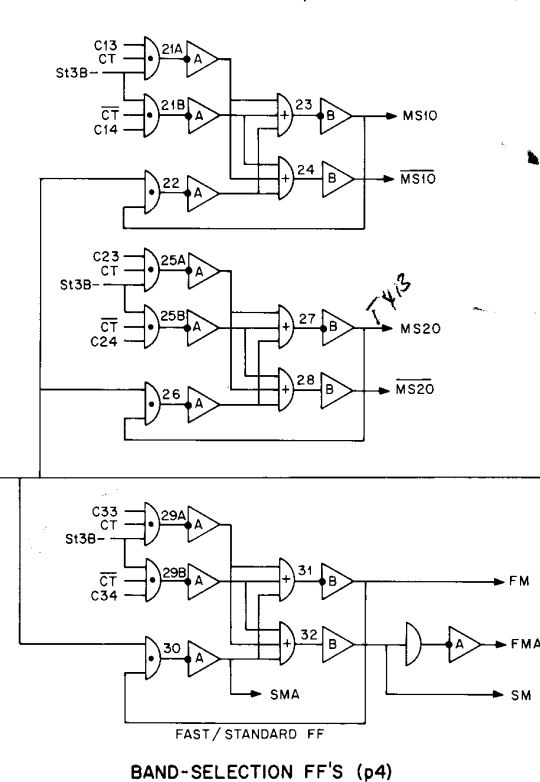
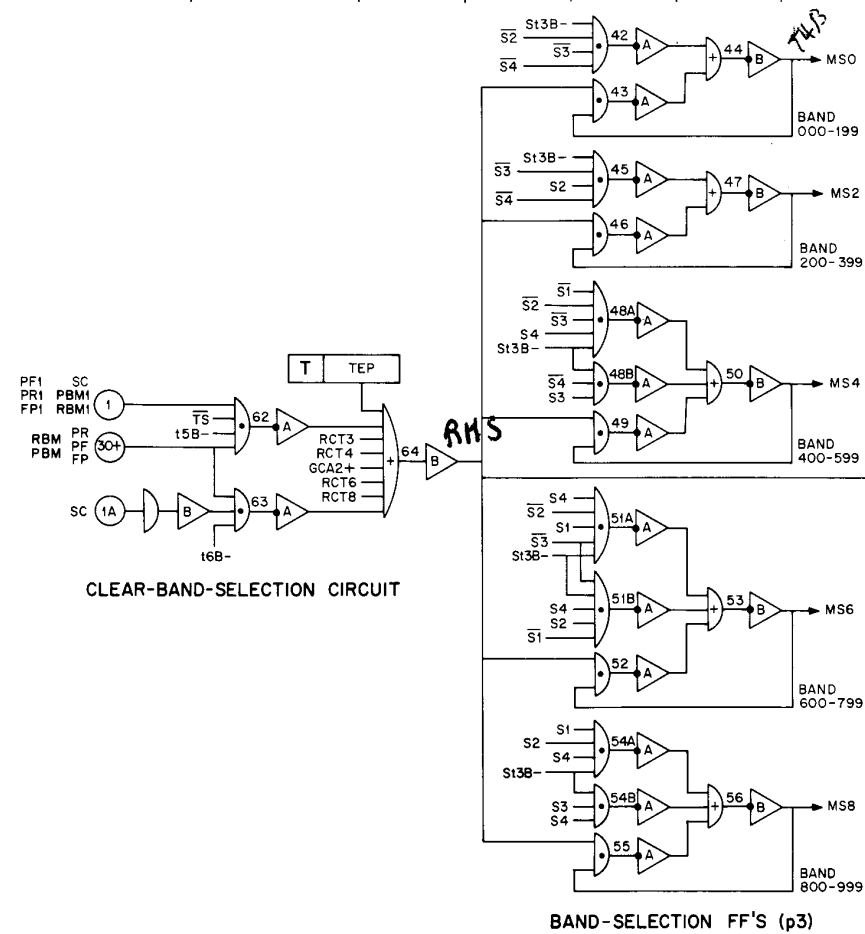
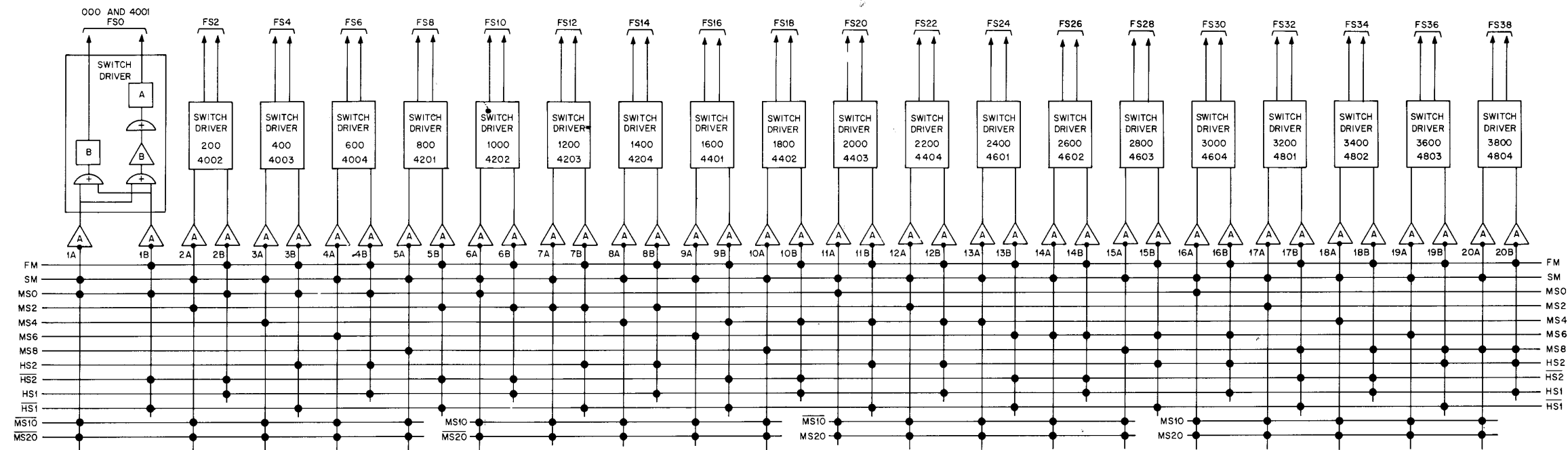


1-19A. Timing-Band Read Circuits (Model 130)
1-19B

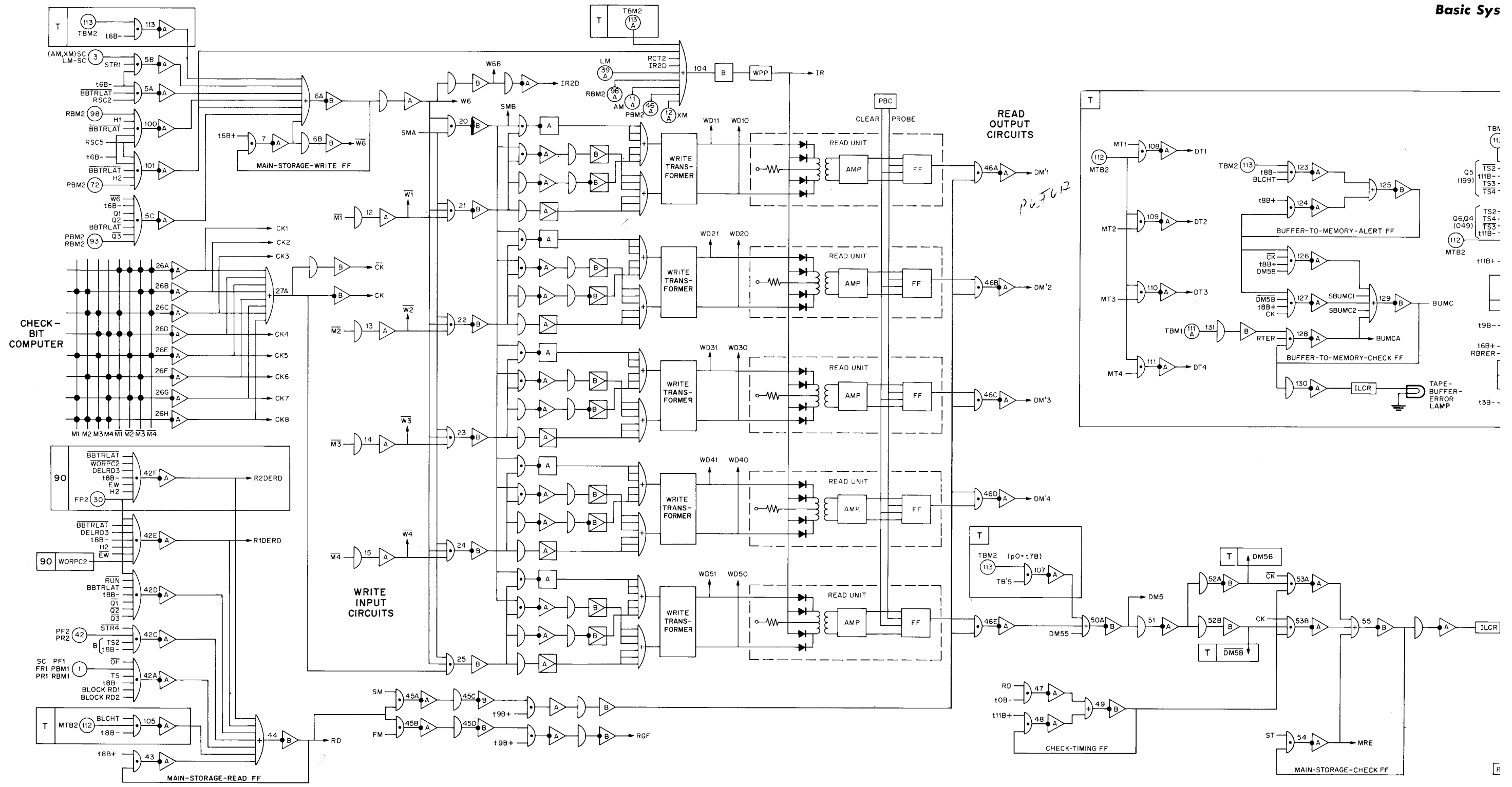


REVISION E 6329
D 809 451

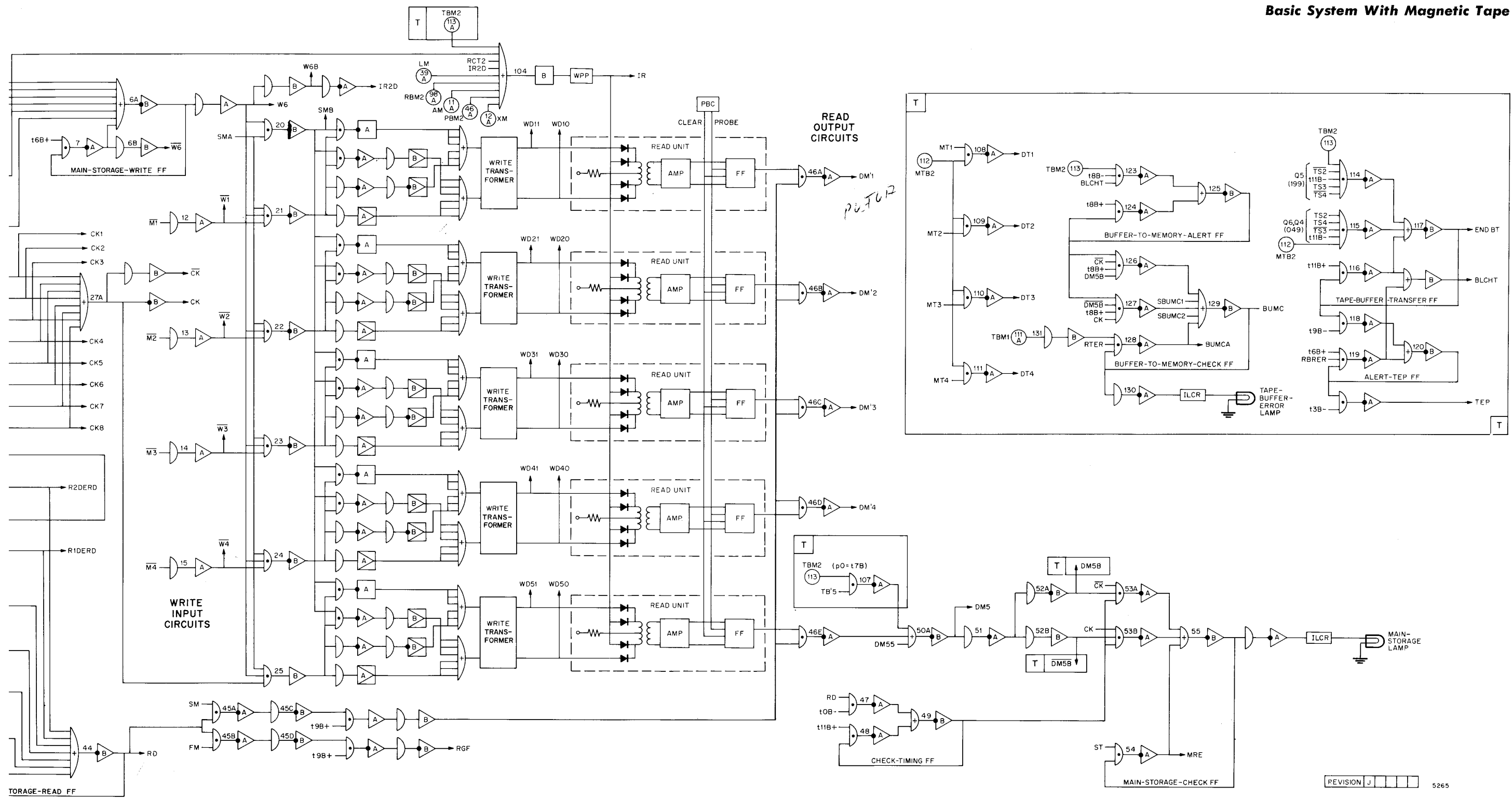
Basic System With Magnetic Tape



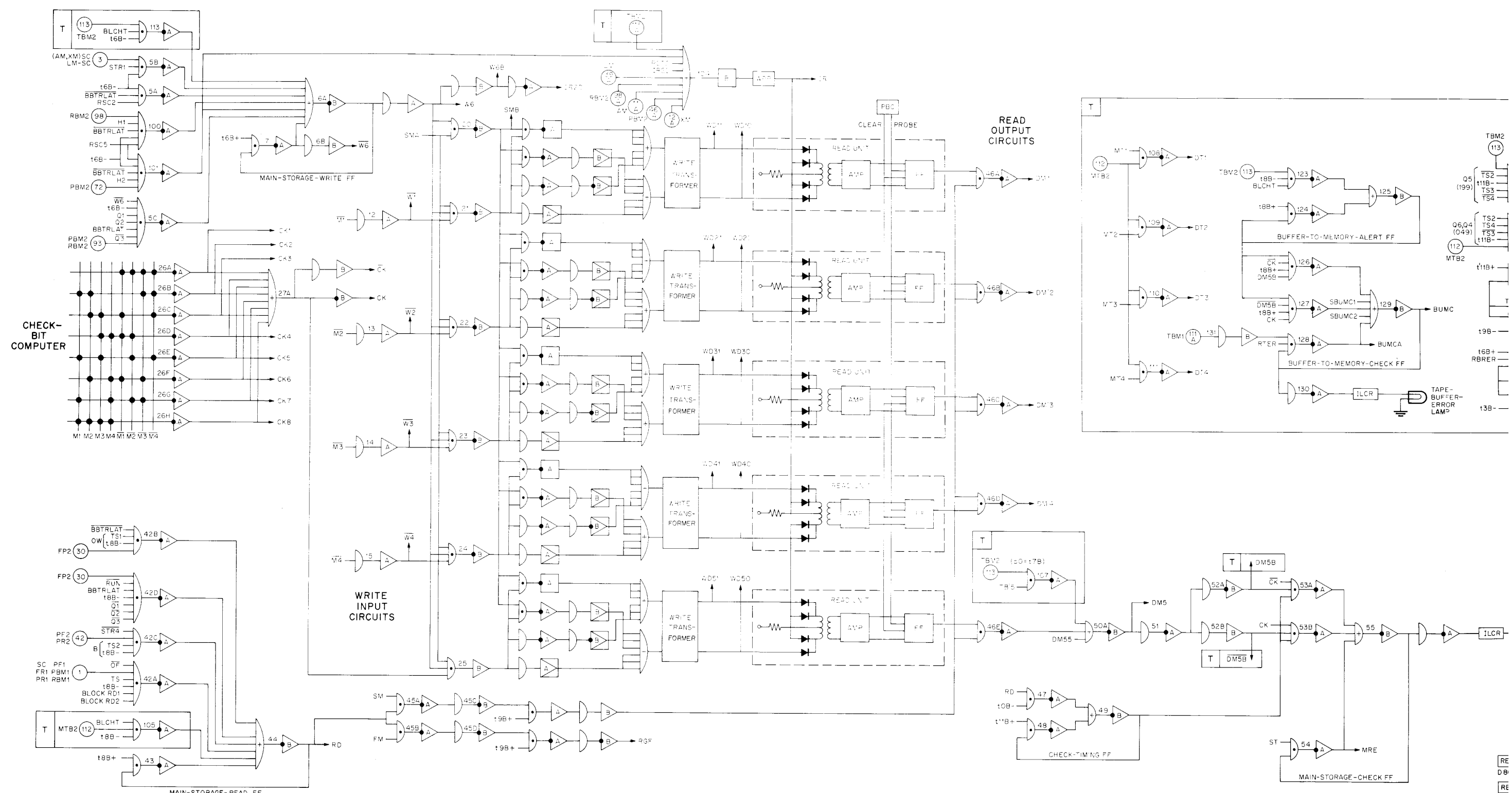
REVISION B 5264



1-21A. Standard-Access Read/Write Circuits (Model 131)



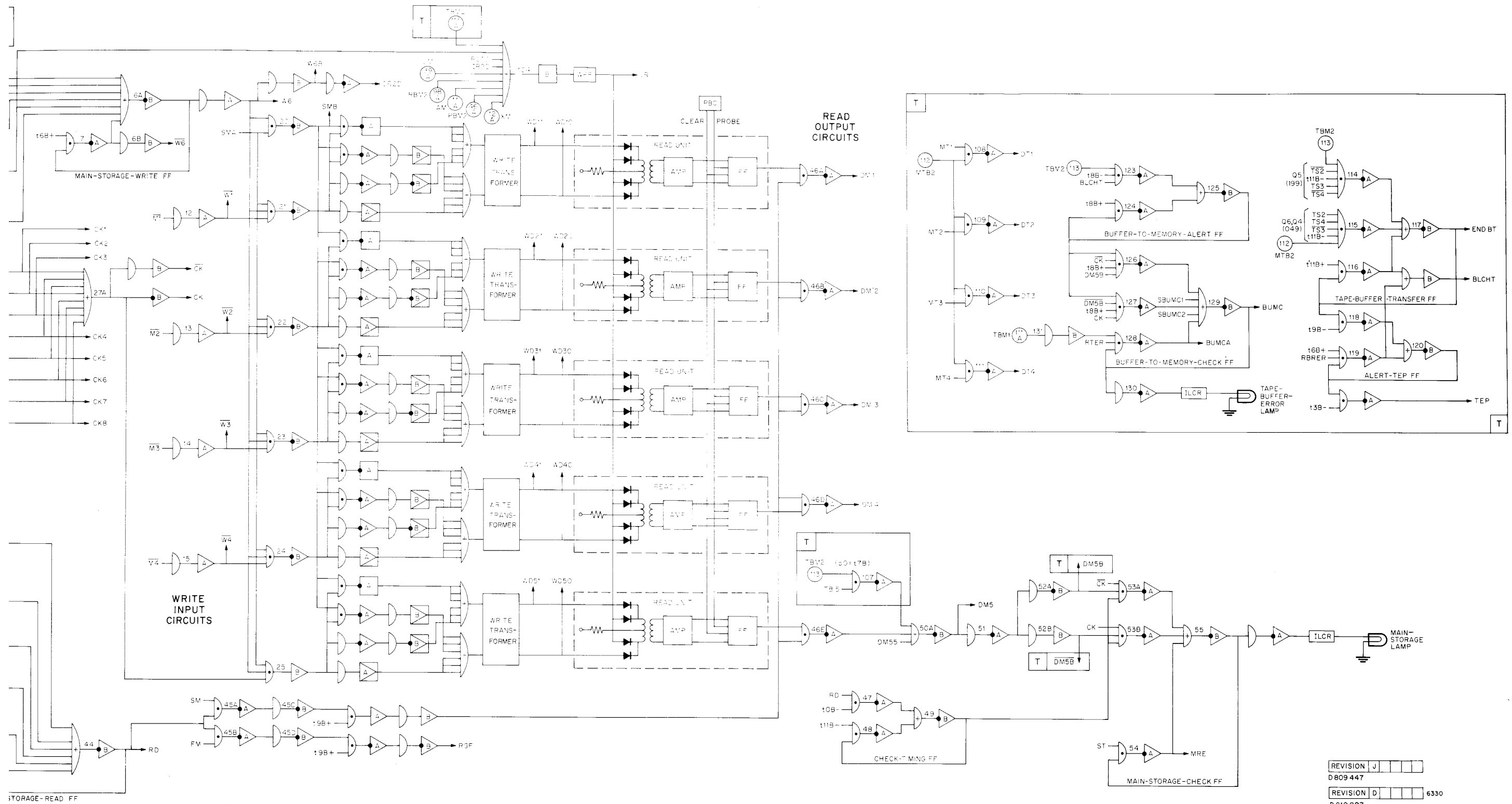
1-21A. Standard-Access Read/Write Circuits (Model 131)



1-21A. Standard-Access Read/Write Circuits (Model 130)

7-21B

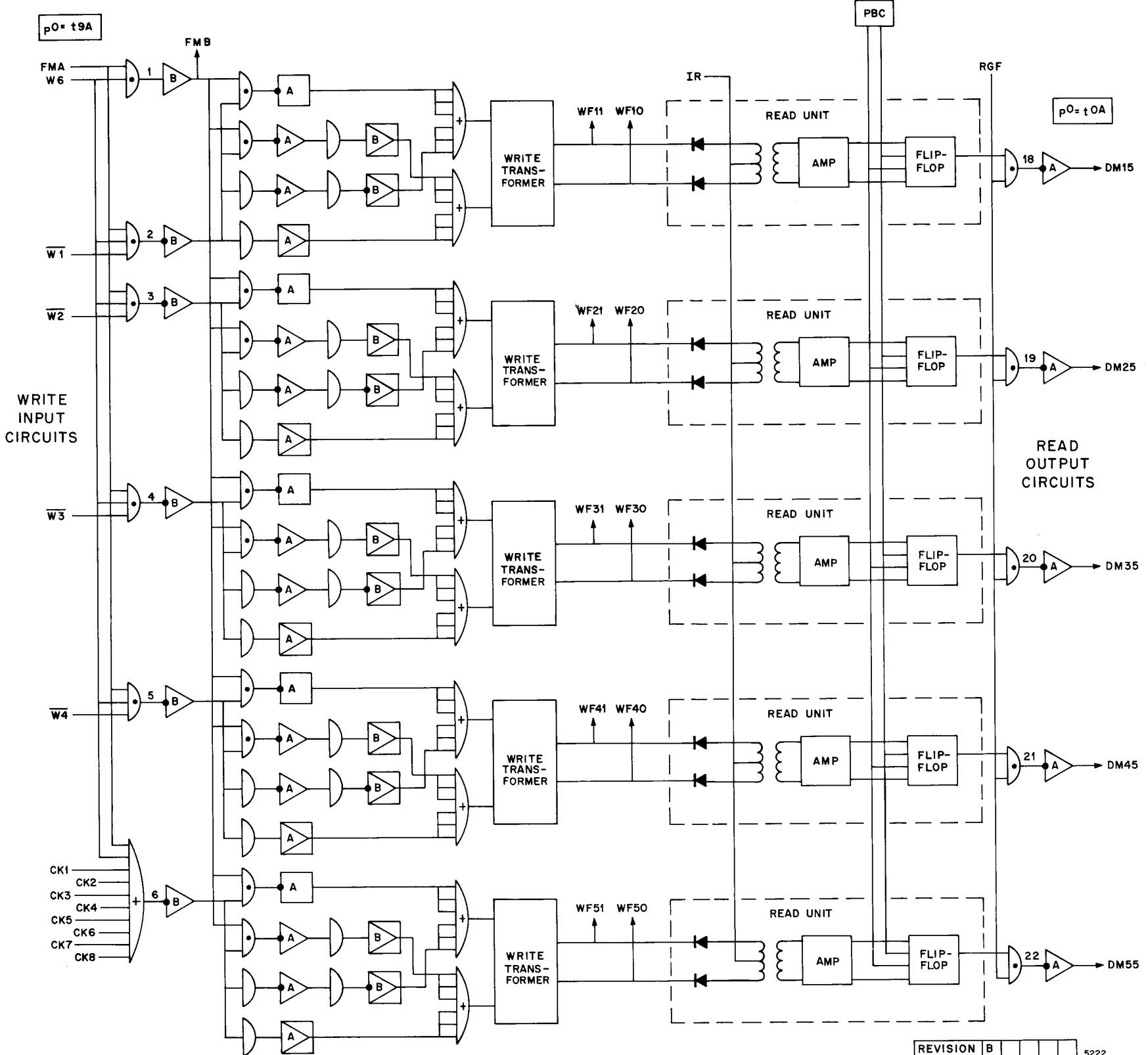
RE DB RE DB



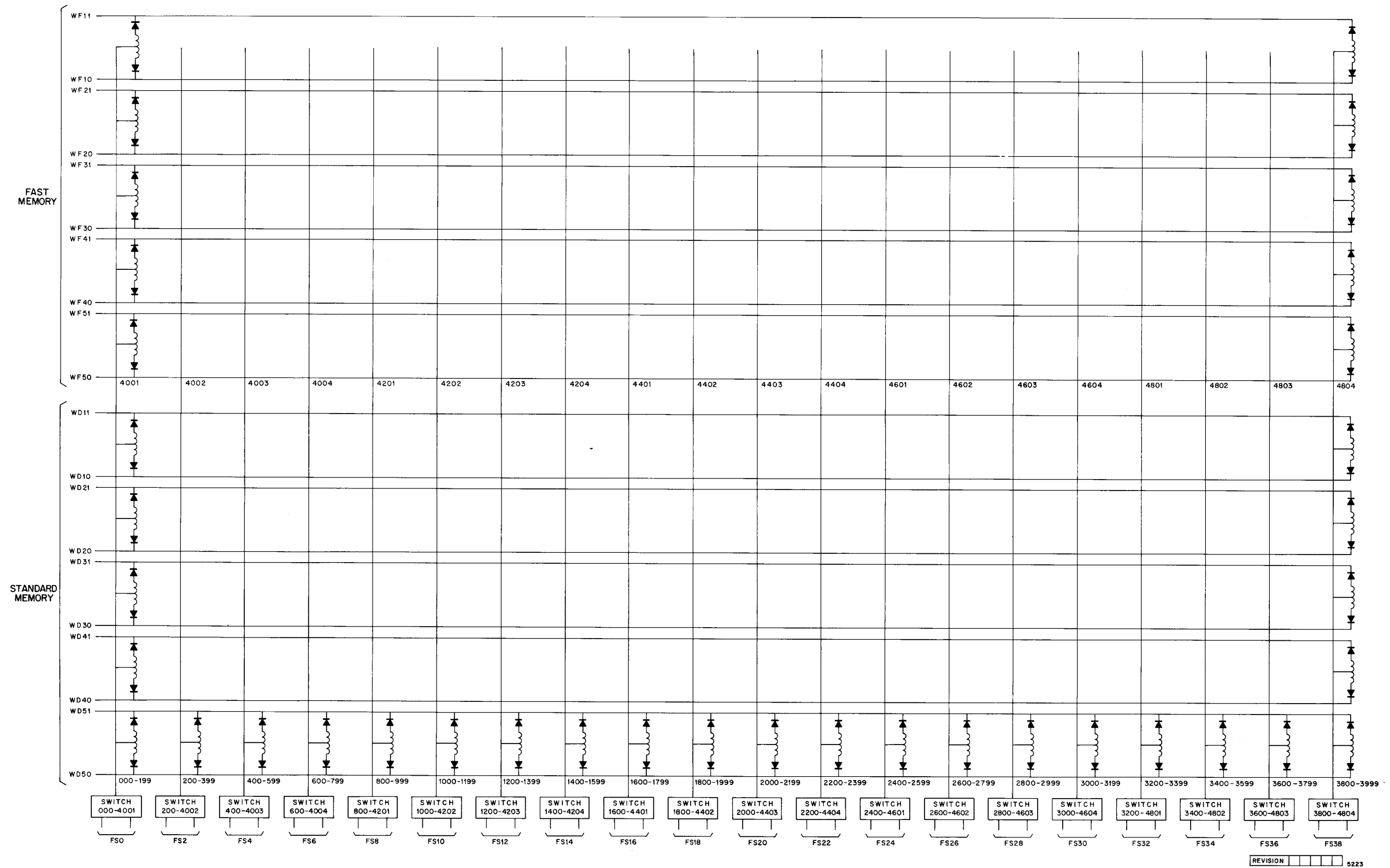
1-21A. Standard-Access Read/Write Circuits (Model 130)

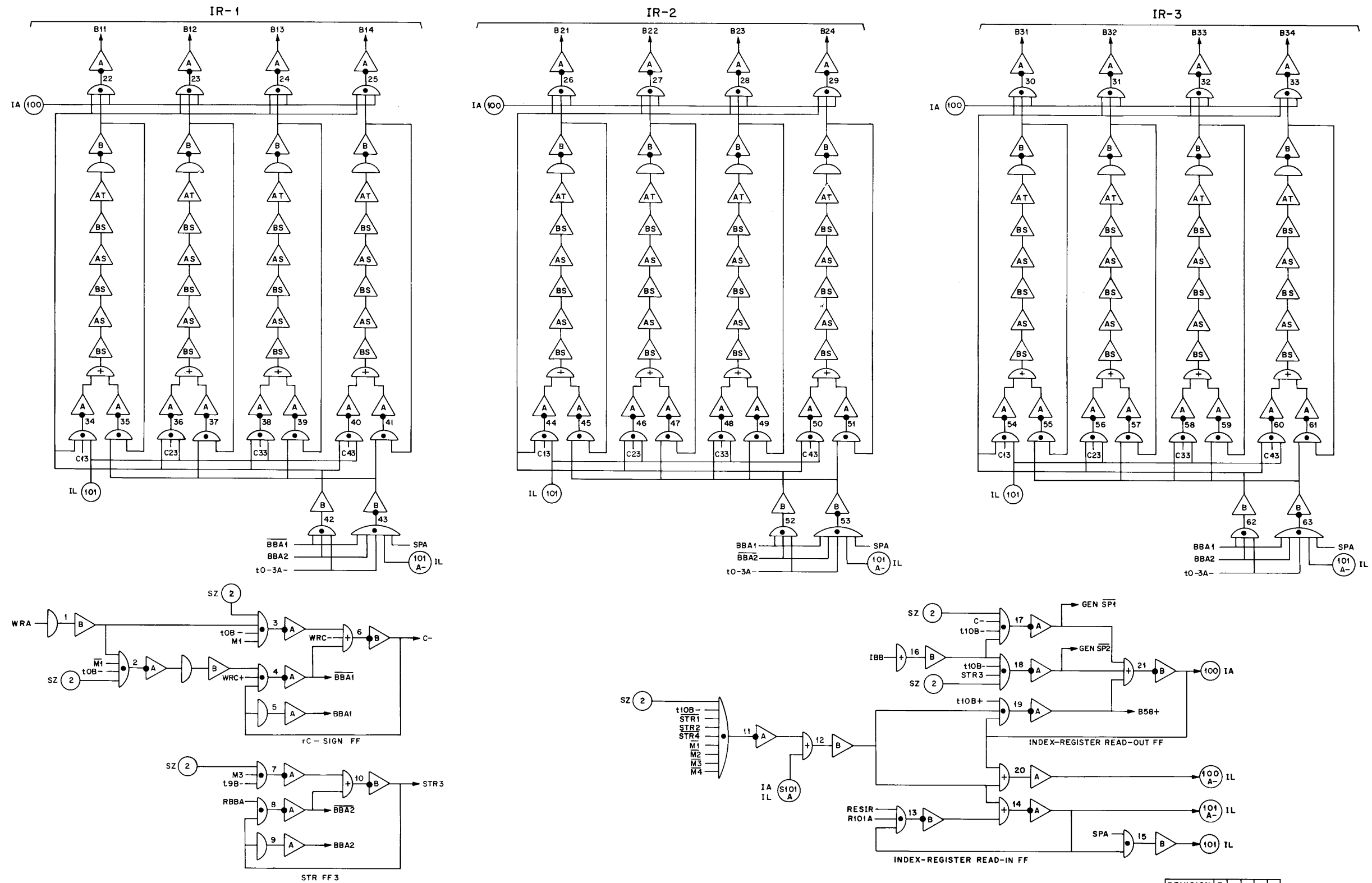
1-21B

REVISION J [] [] [] []
 D809447
 REVISION D [] [] [] [] 6330
 D810807



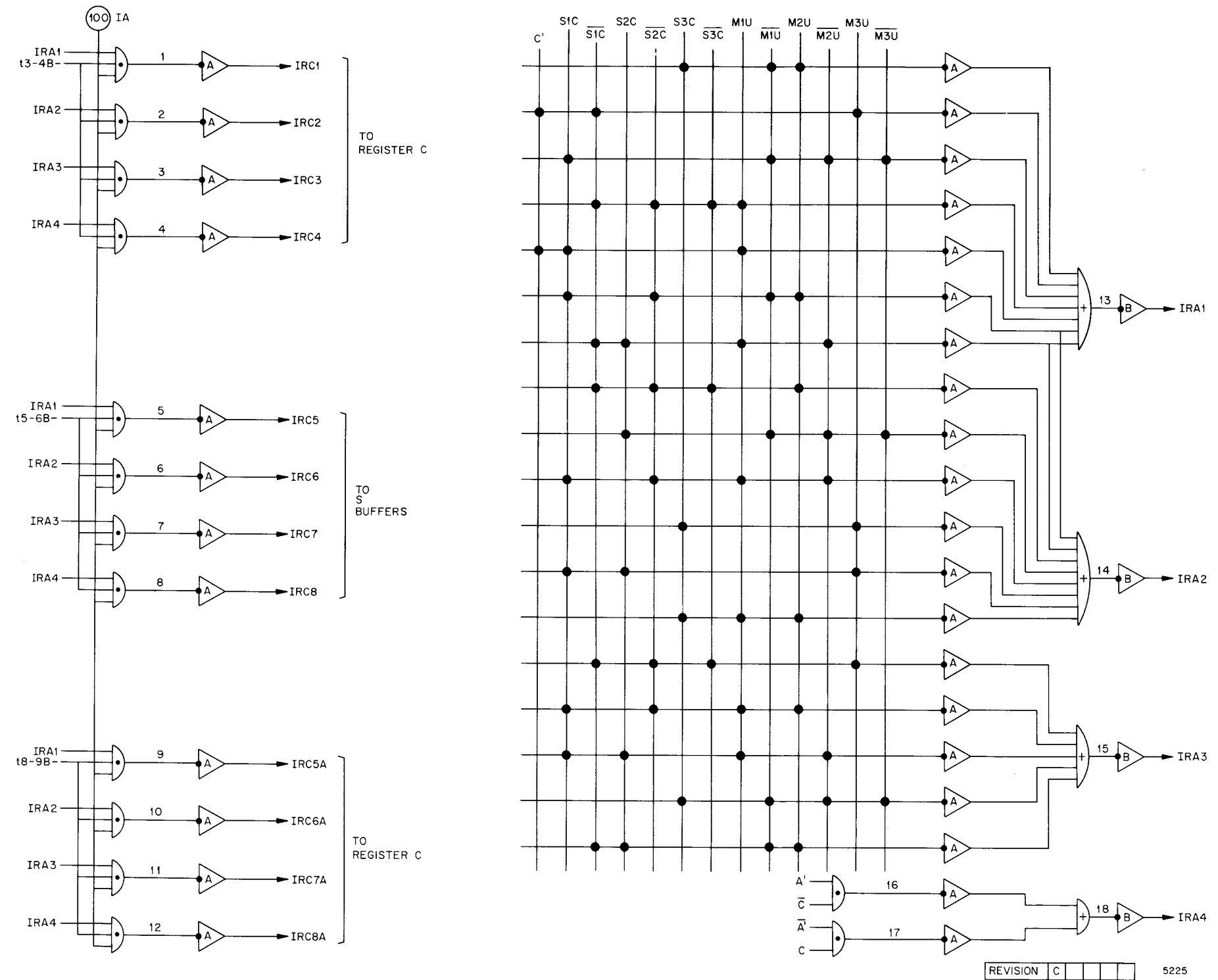
1-22A. Fast-Access Read/Write Circuits



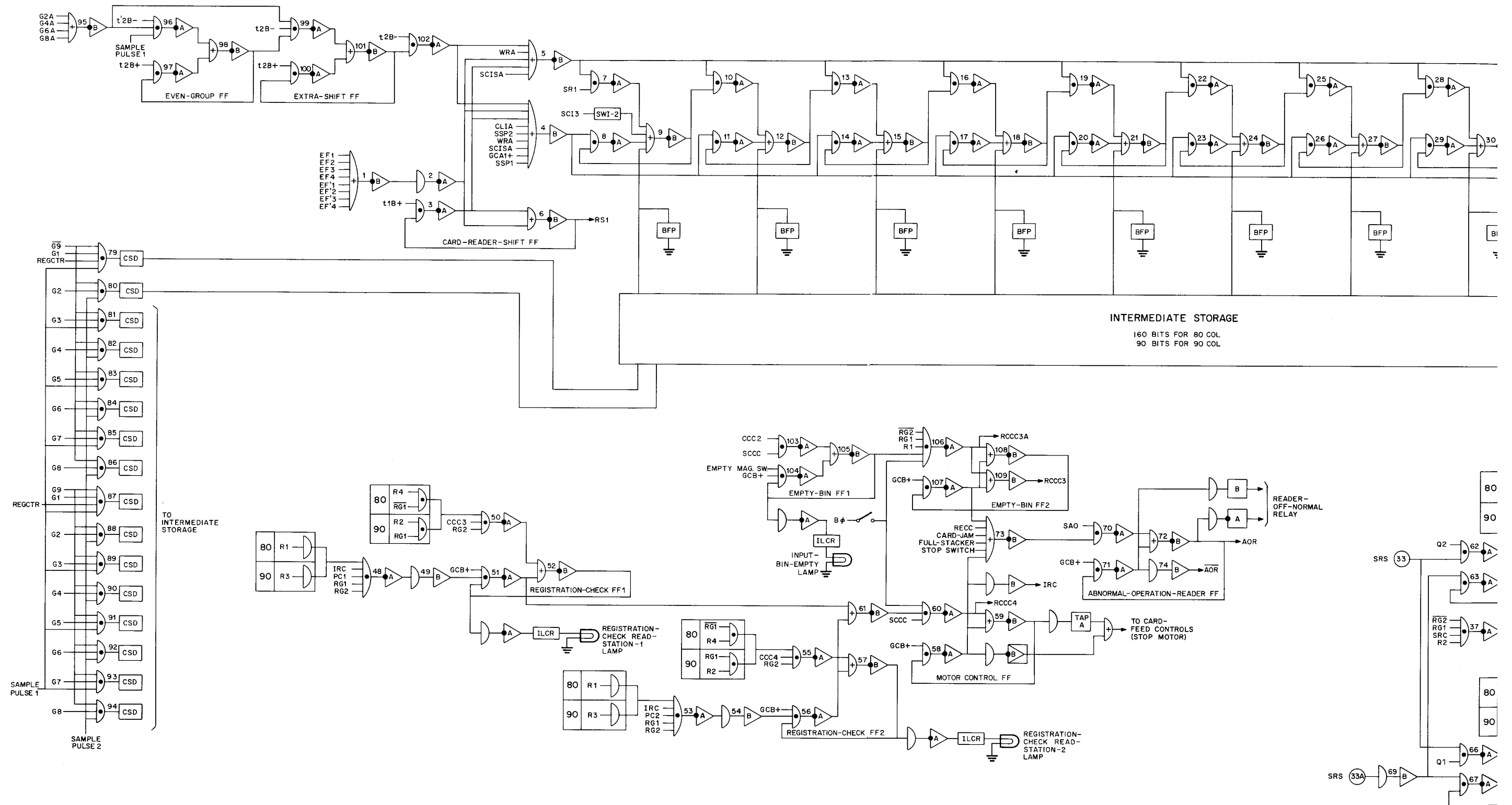


REVISION F 5224

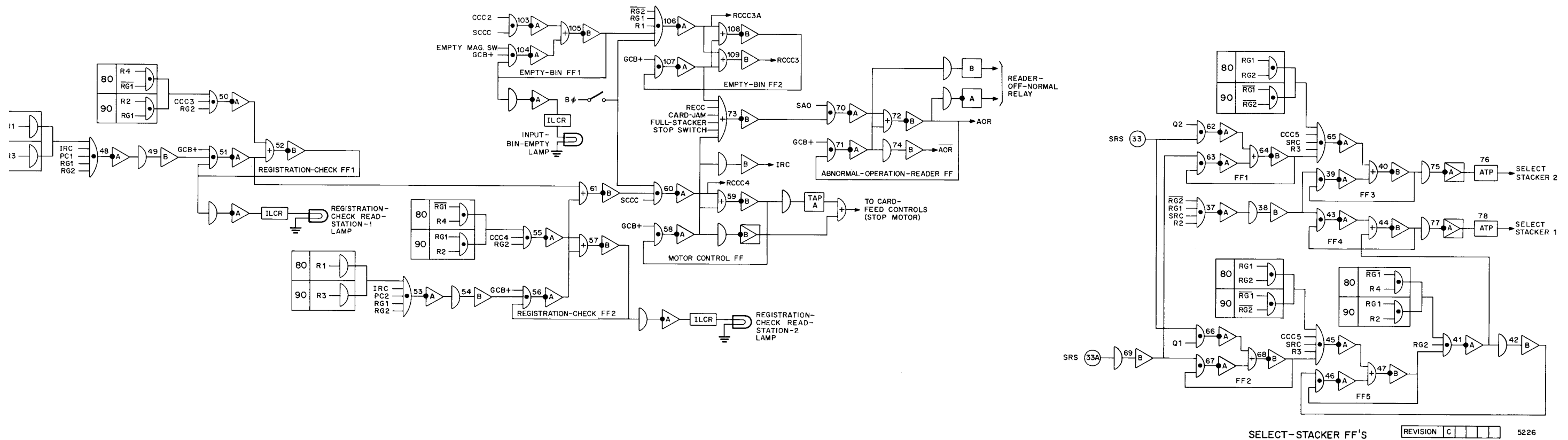
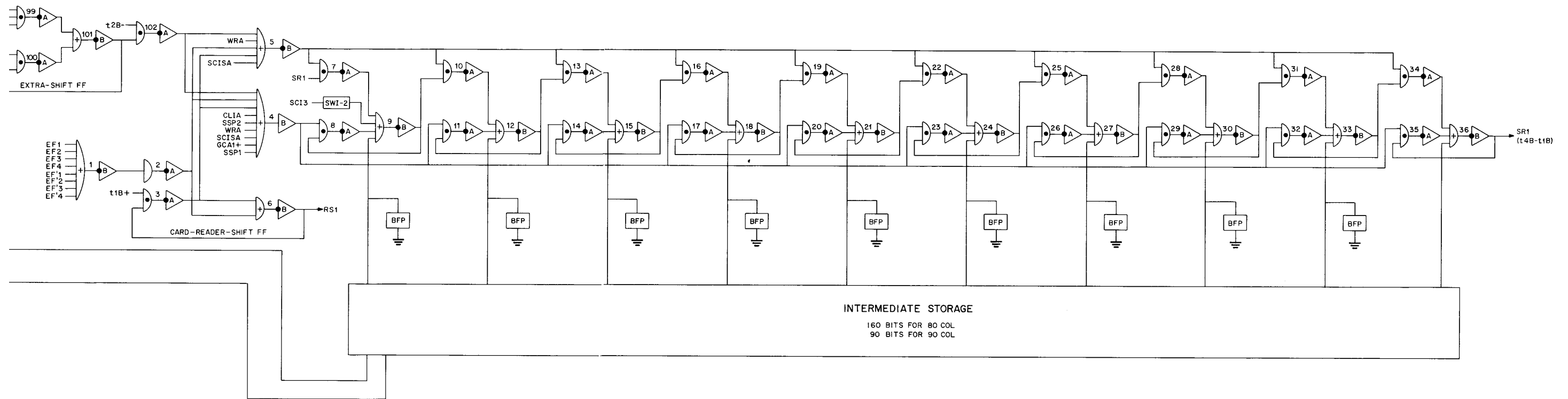
1-24A. Index Registers



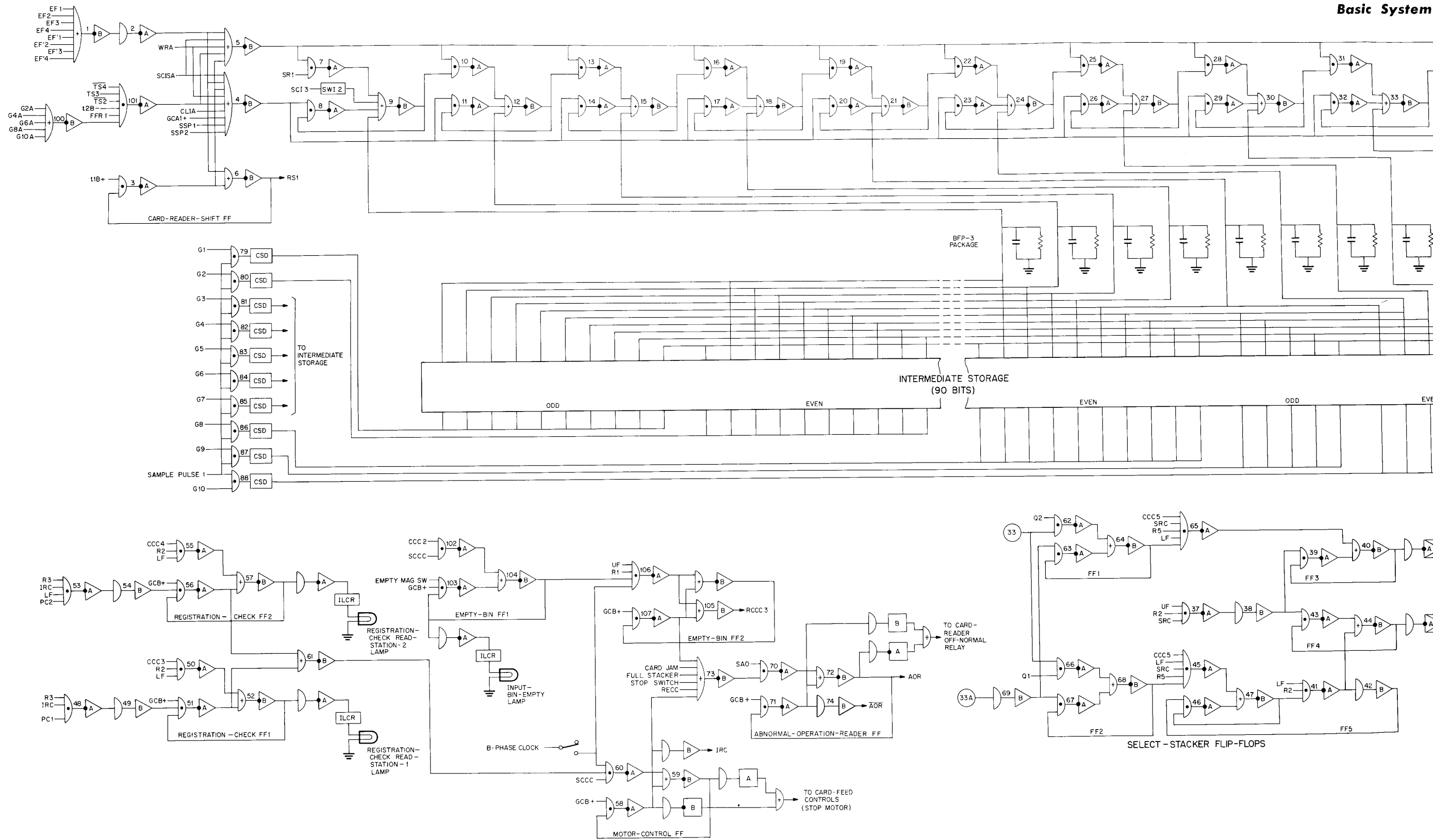
1-25A. Index-Register Adder



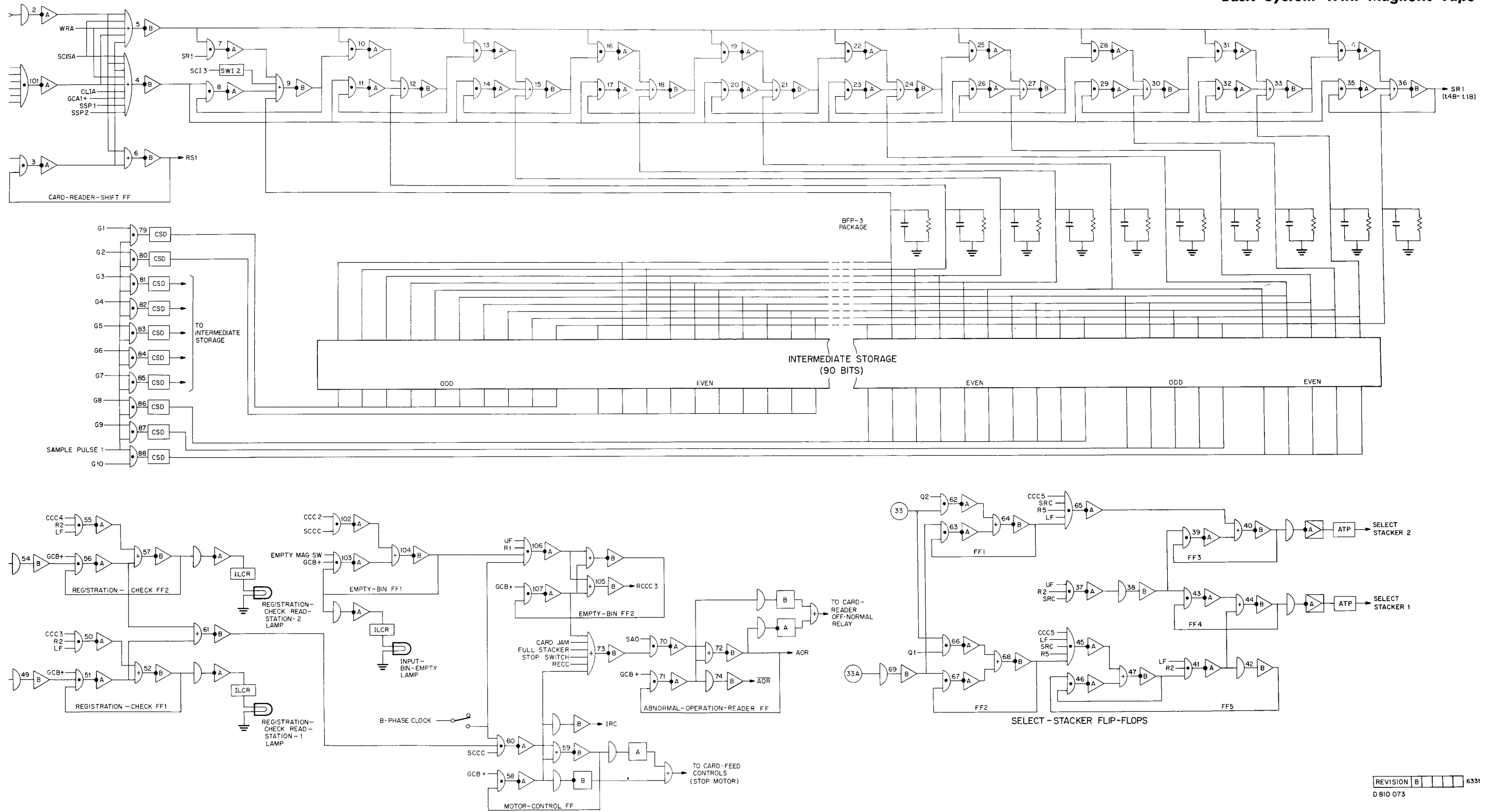
1-26A. Card-Reader Shift Register (Model 131)



1-26A. Card-Reader Shift Register (Model 131)



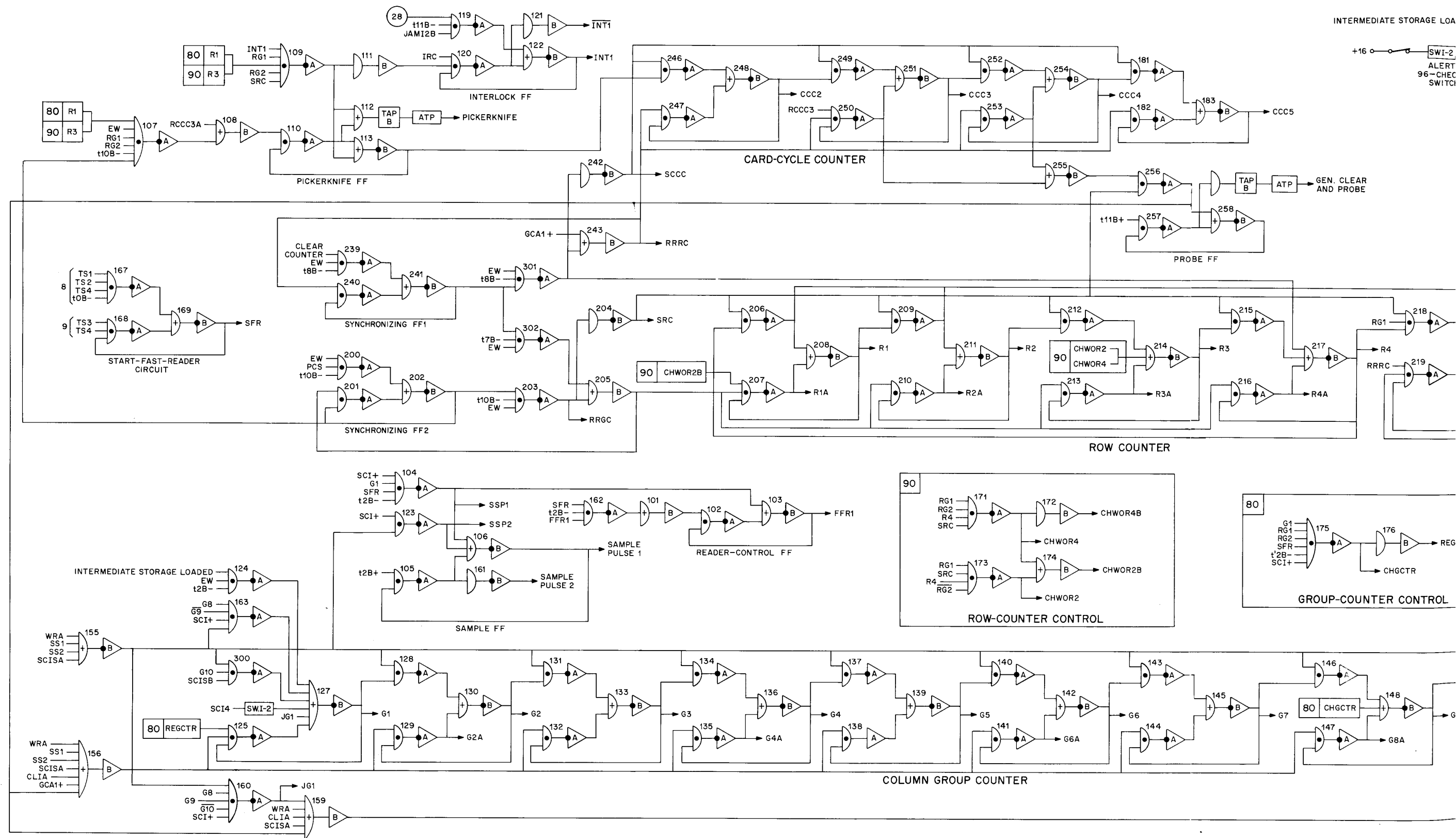
1-26A. Card-Reader Shift Register (Model 130)
 1-26B



1-26A. Card-Reader Shift Register (Model 130)

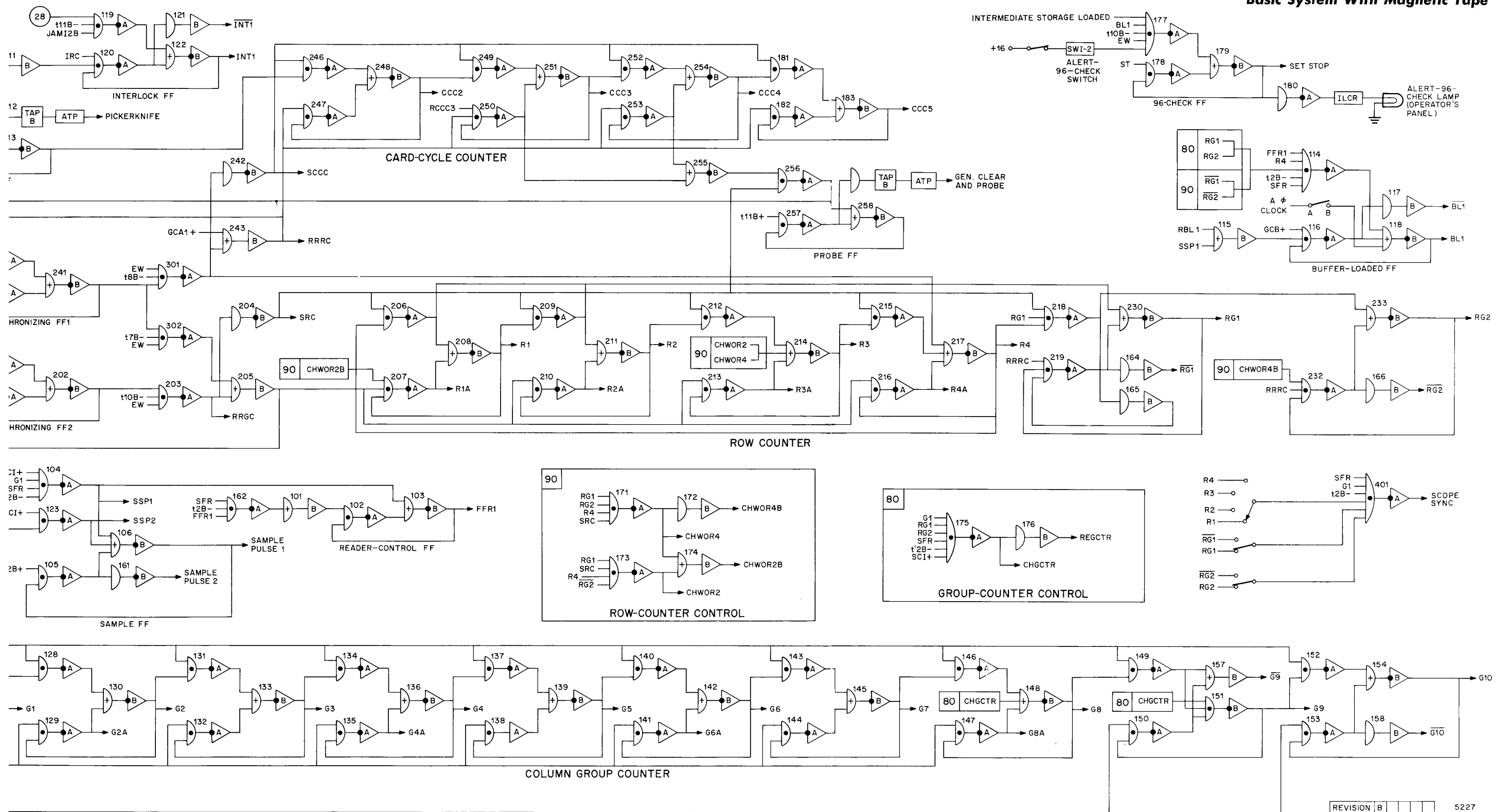
1-26B

REVISION B 6331
D 810 073



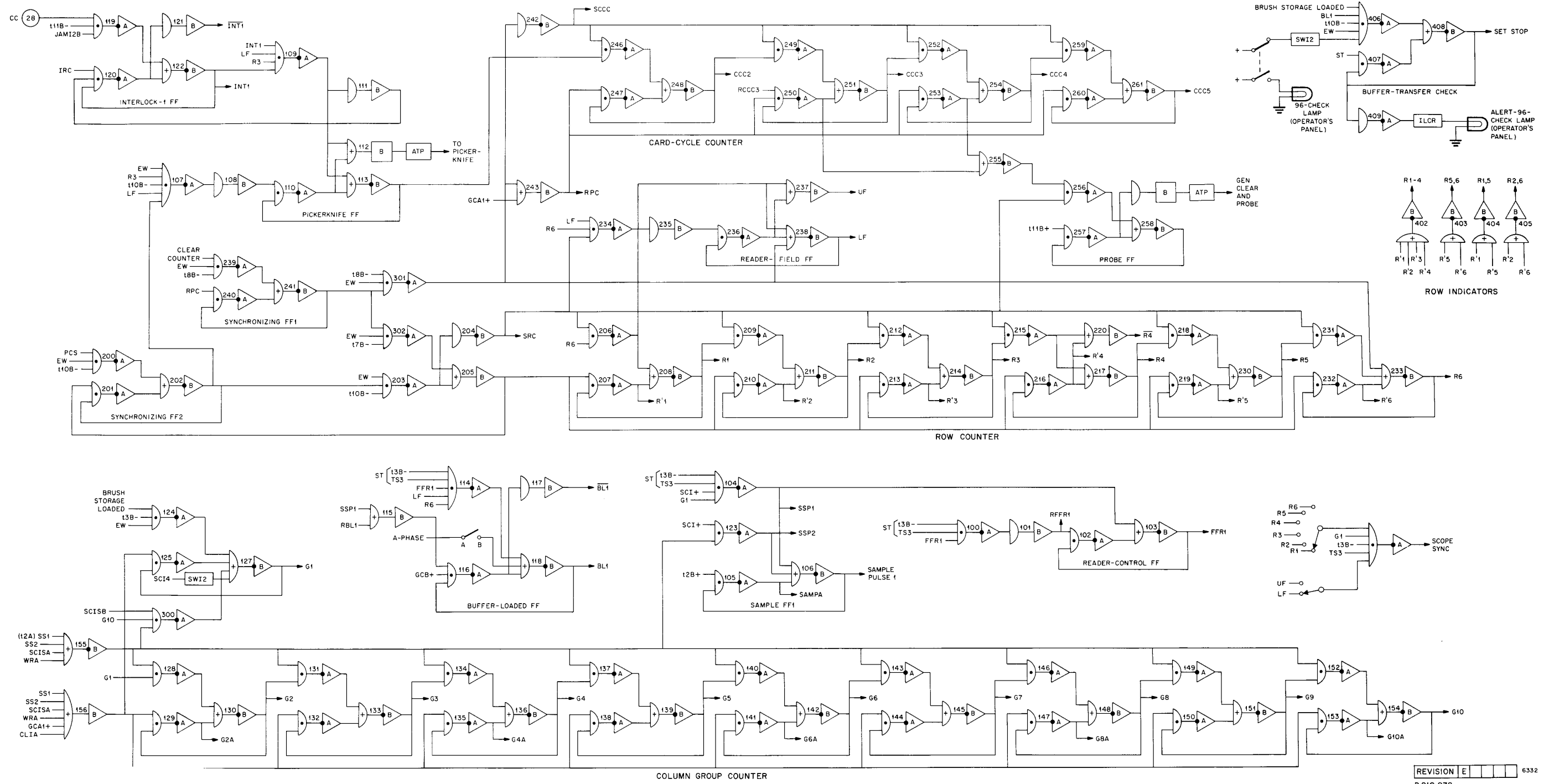
1-27A. Card-Reader Control (Model 131)

Basic System With Magnetic Tape



REVISION B 5227

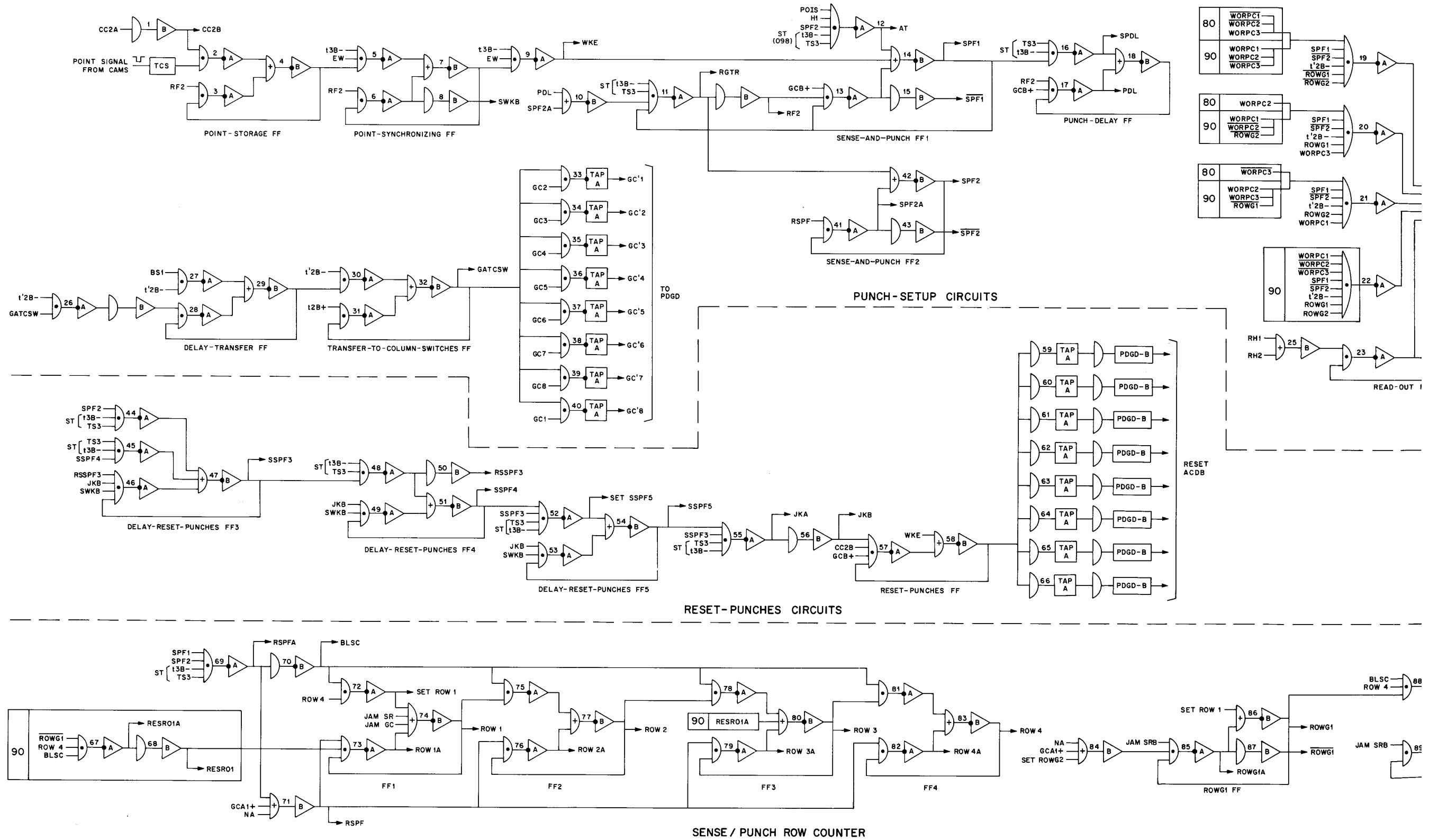
1-27A. Card-Reader Control (Model 131)



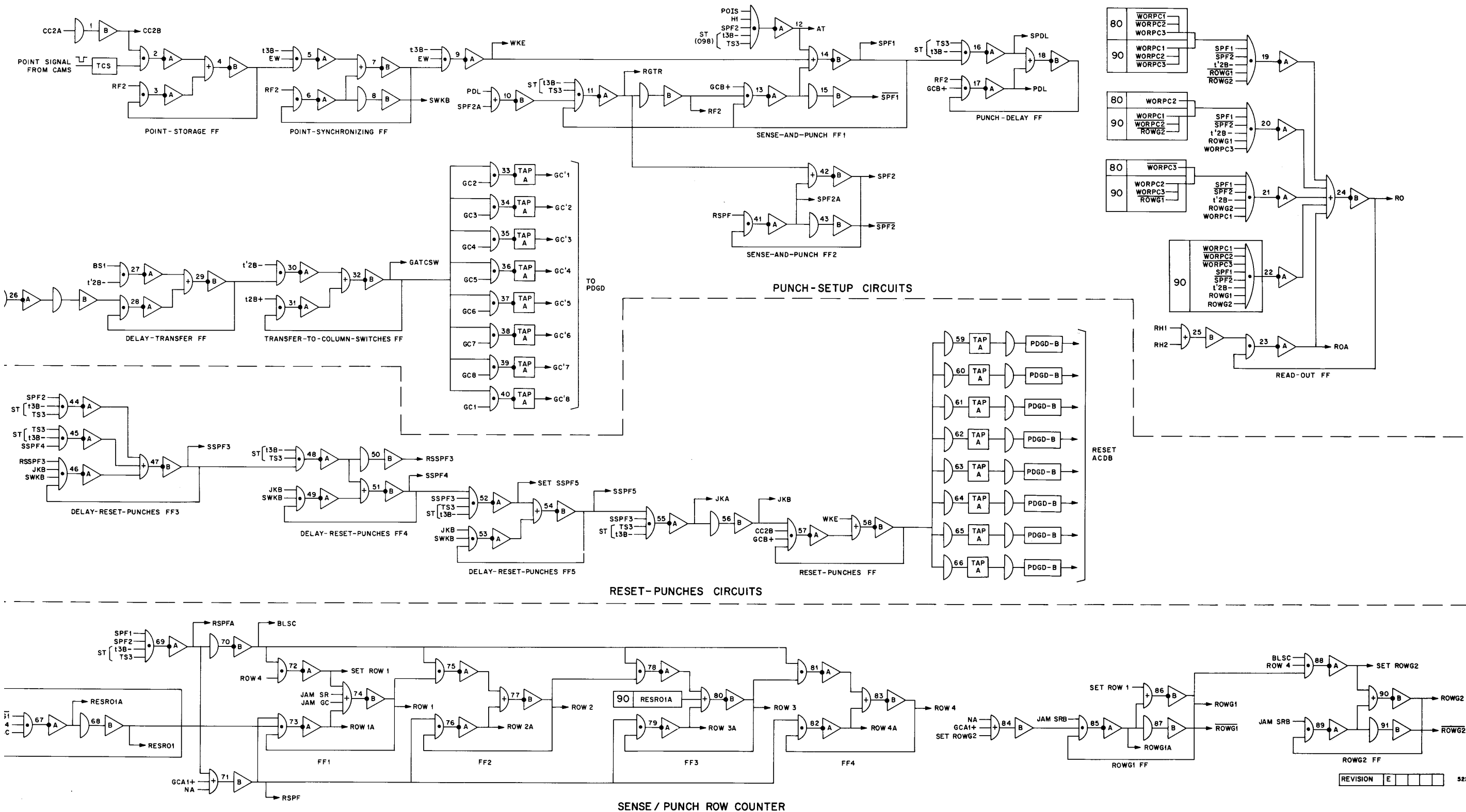
1-27A. Card-Reader Control (Model 130)

1-27B

REVISION E 6332
D 810 072



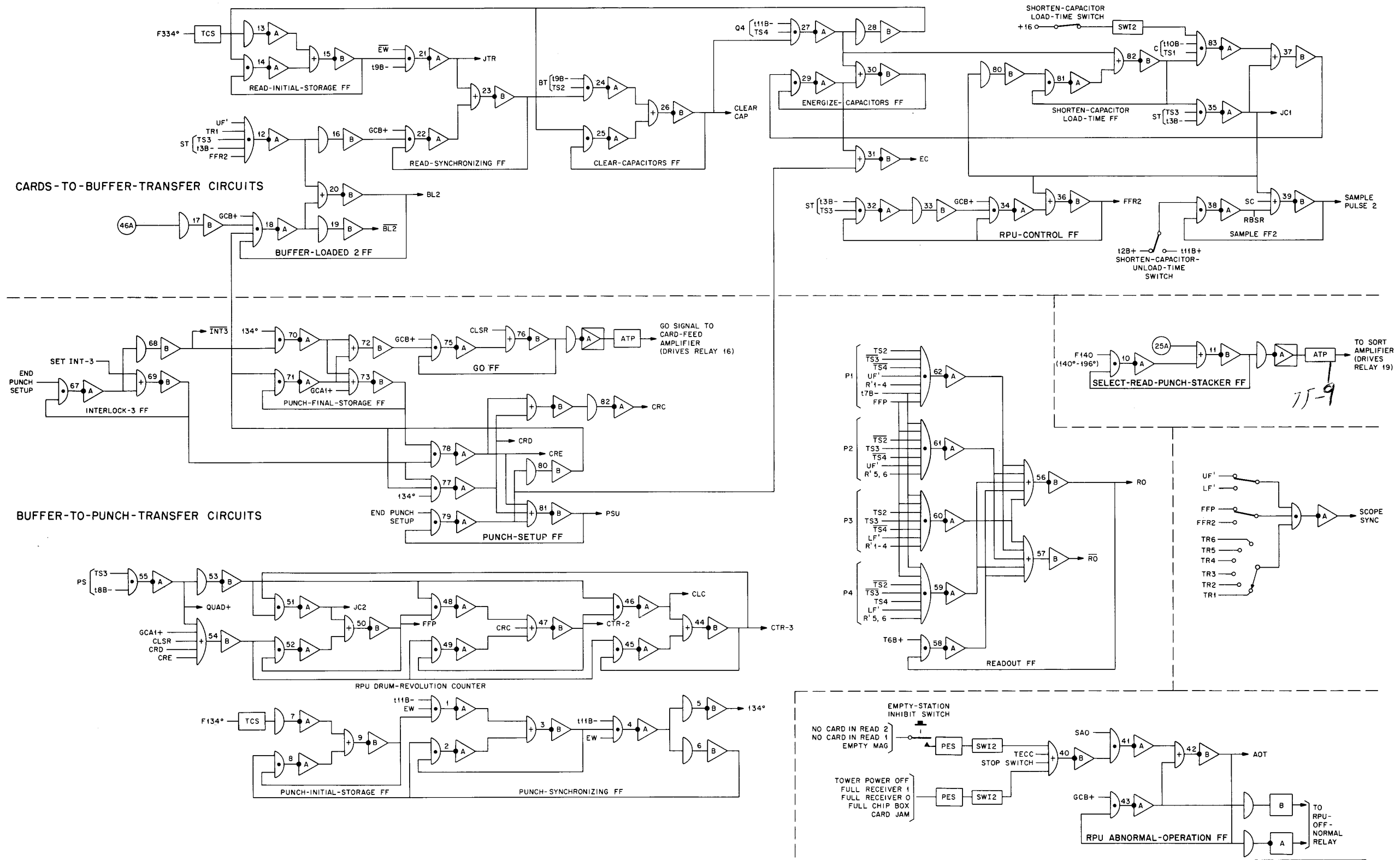
1-28A. Sense and Punch Logic, Part 1 (Model 131)



1-28A. Sense and Punch Logic, Part 1 (Model 131)

REVISION E

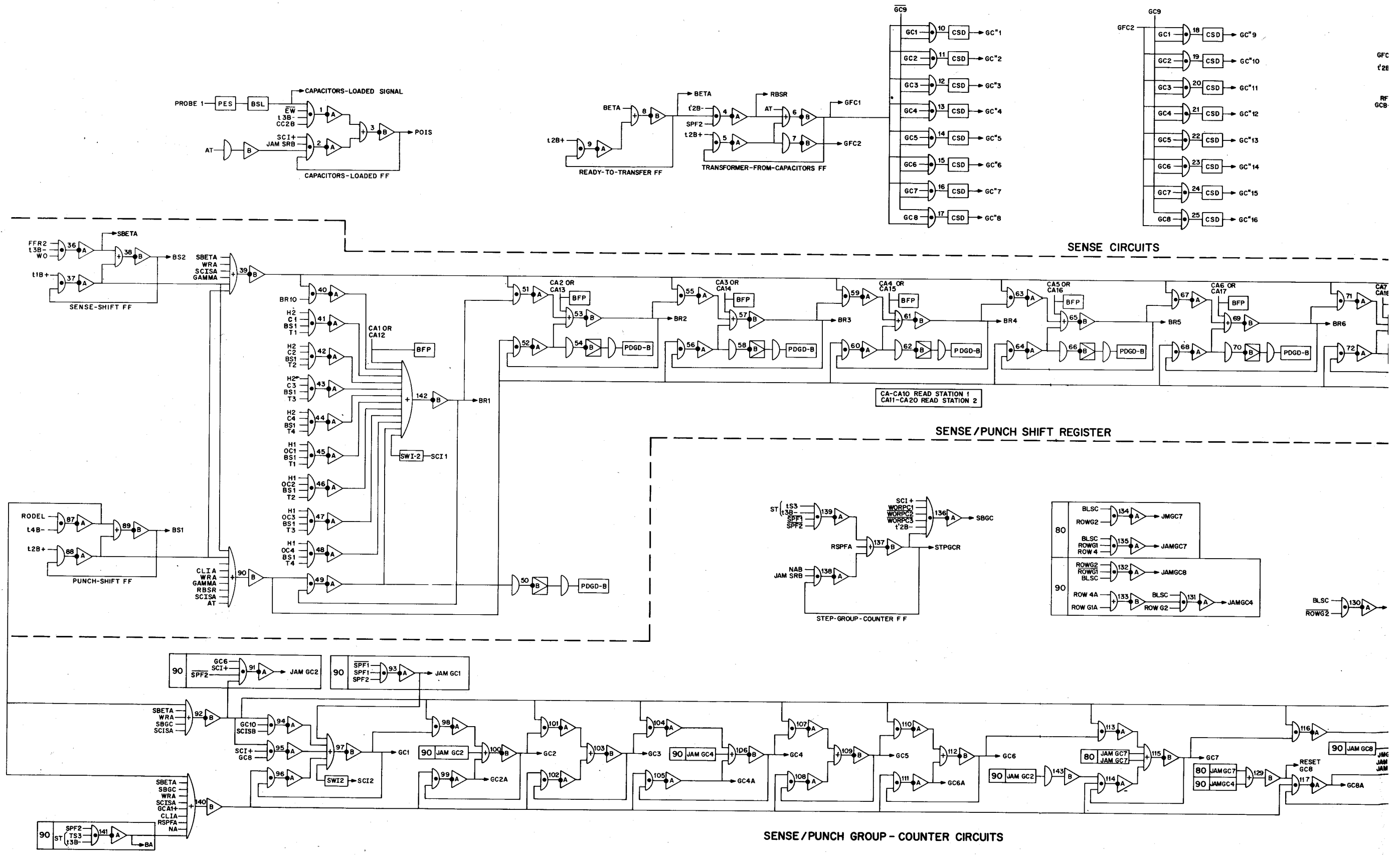
Basic System With Magnetic Tape



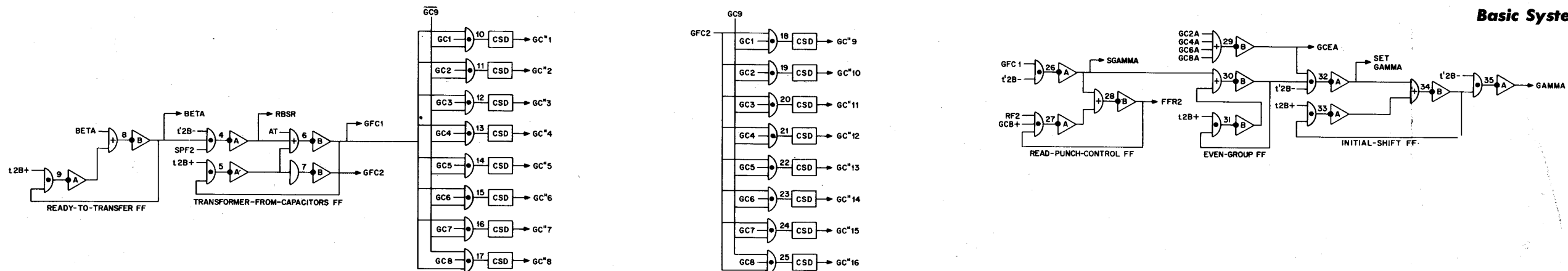
1-28A. Sense and Punch Logic, Part 1 (Model 130)

1-28B

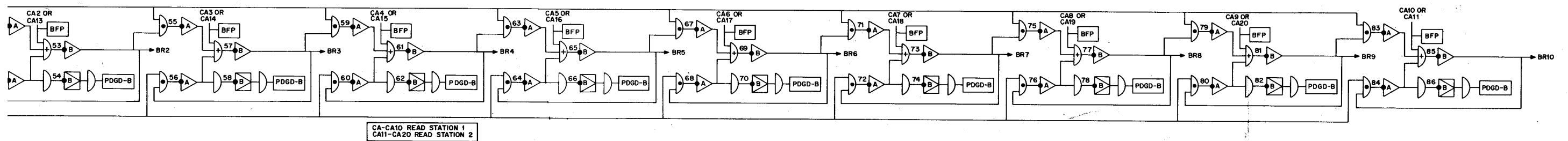
REVISION E 6333
D 810 074



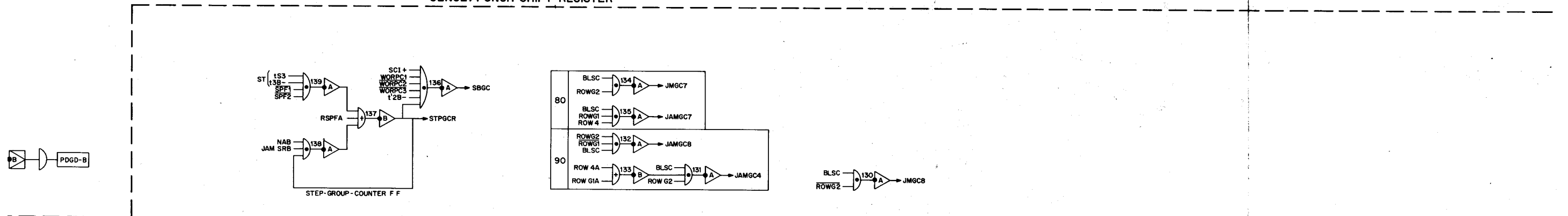
1-29A. Sense and Punch Logic, Part 2 (Model 131)



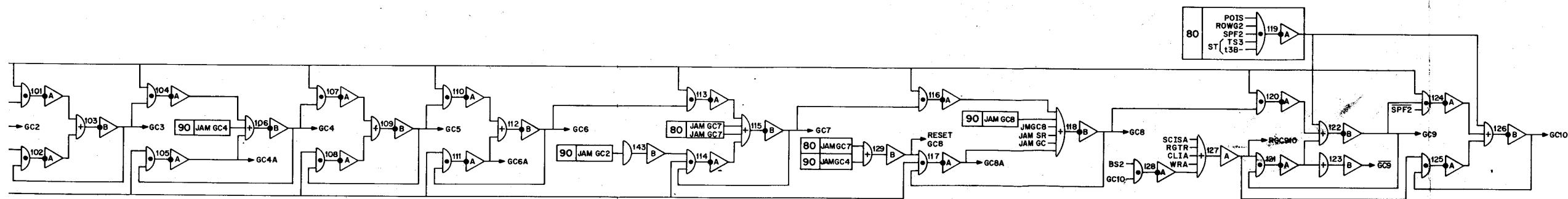
SENSE CIRCUITS

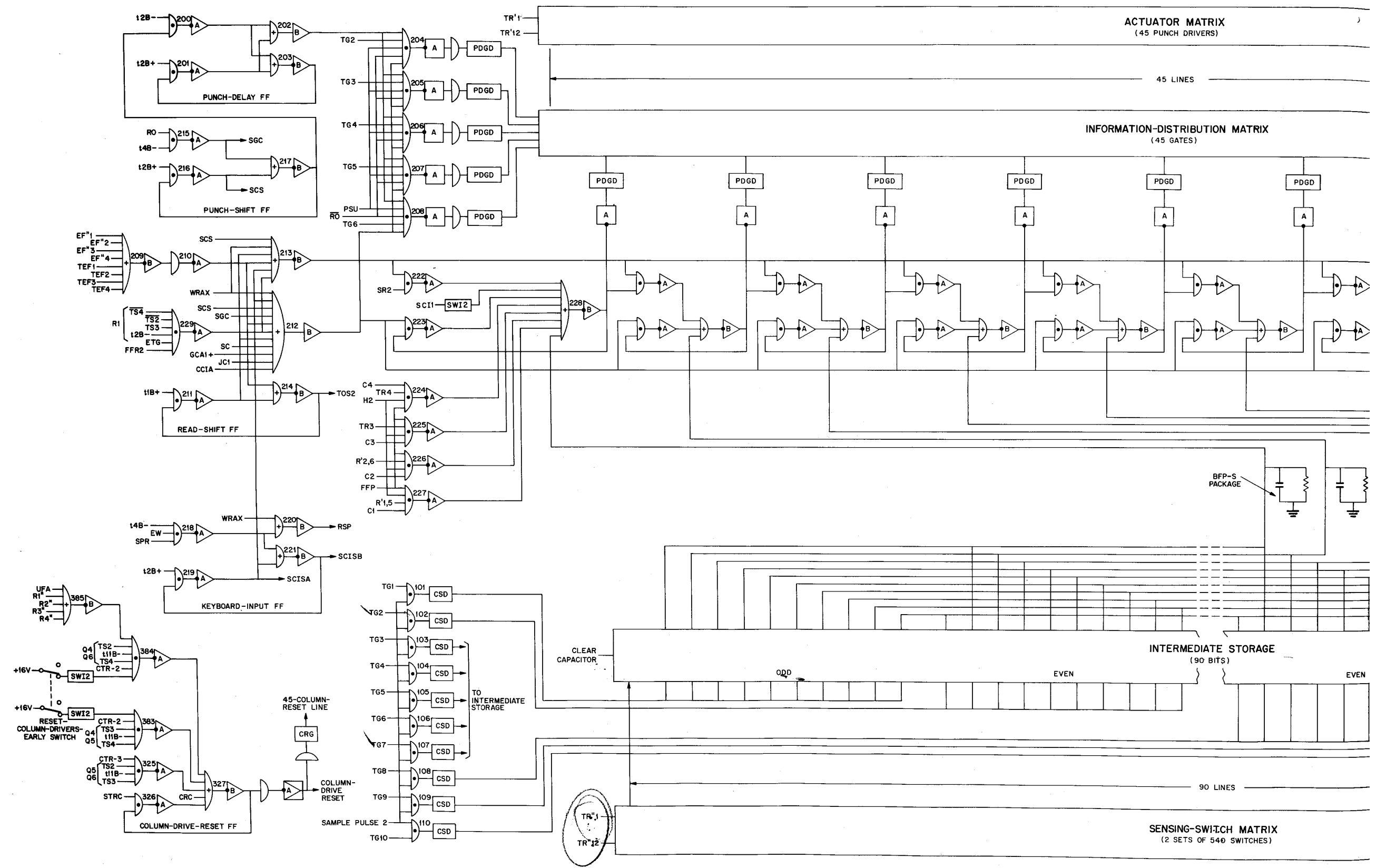


SENSE/PUNCH SHIFT REGISTER



SENSE/PUNCH GROUP - COUNTER CIRCUITS

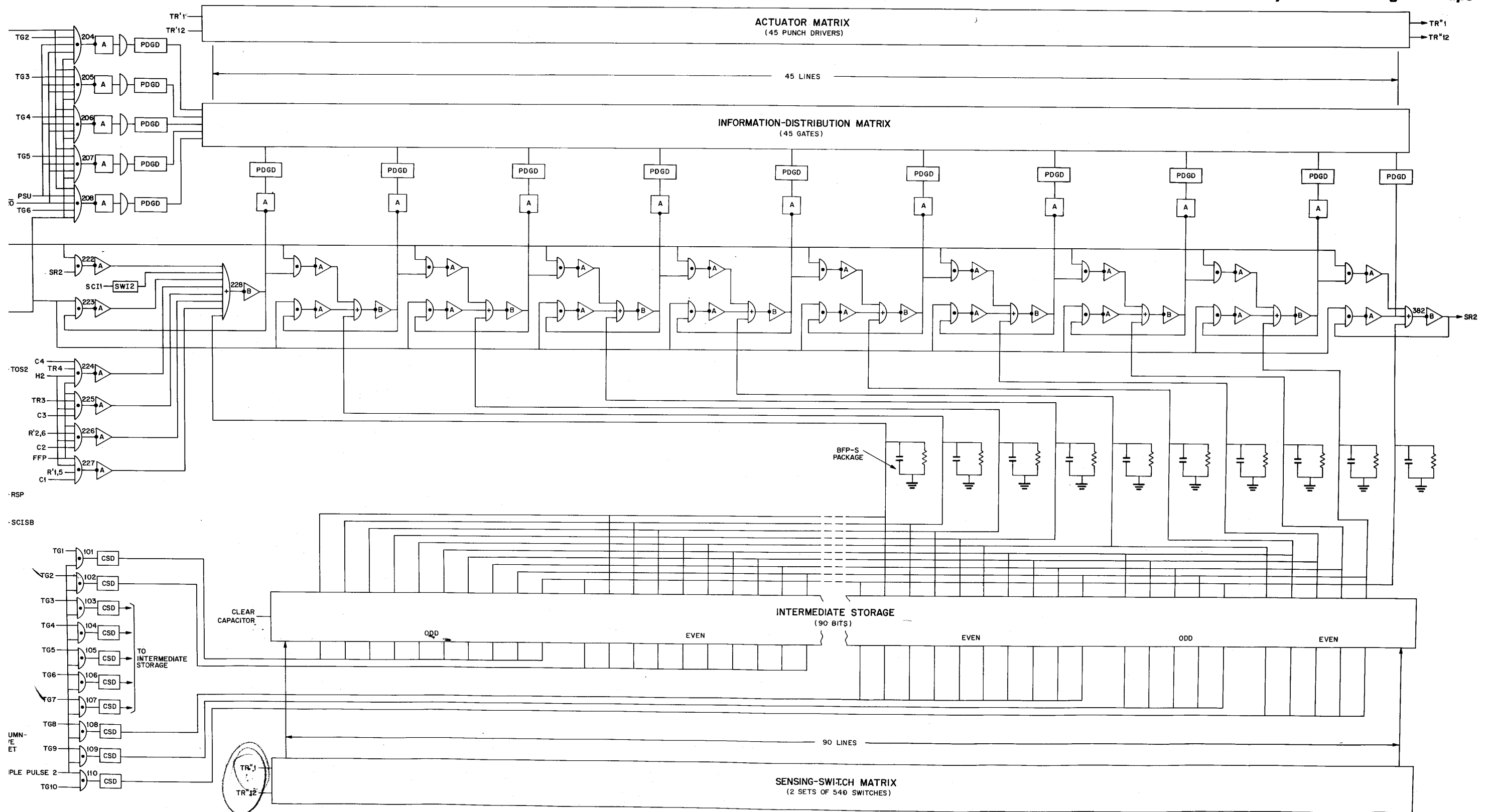




1-29A. Sense and Punch Logic, Part 2 (Model 130)

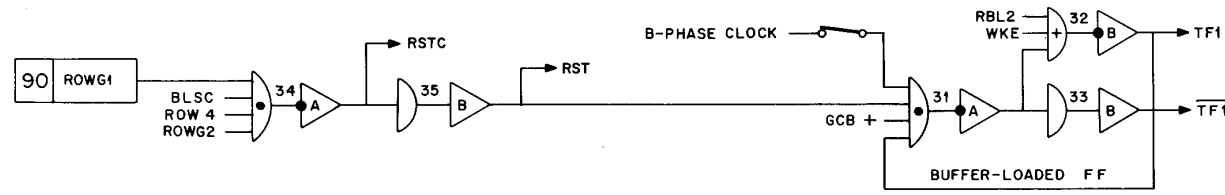
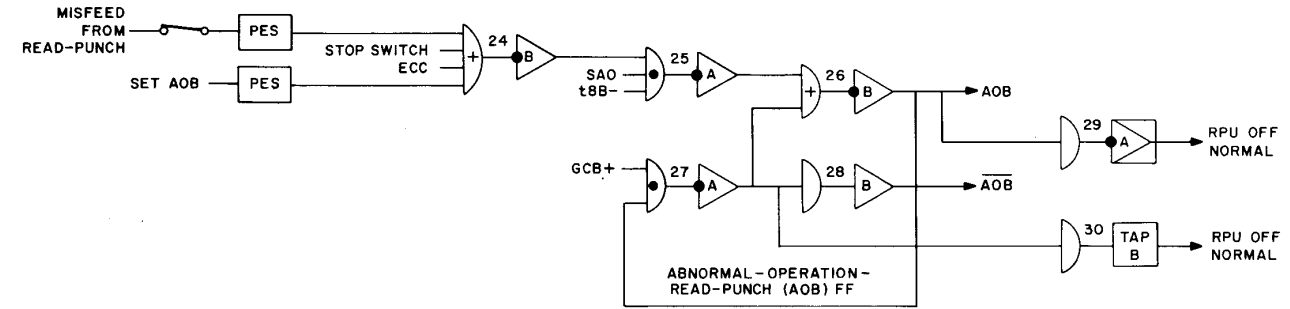
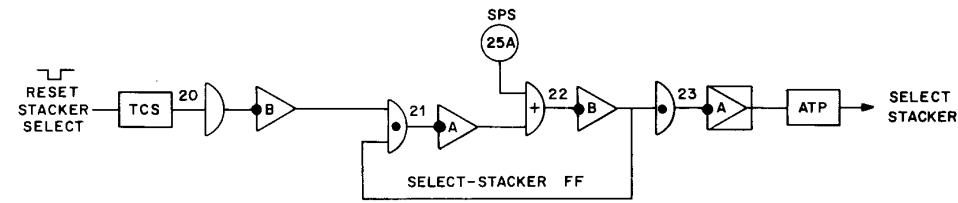
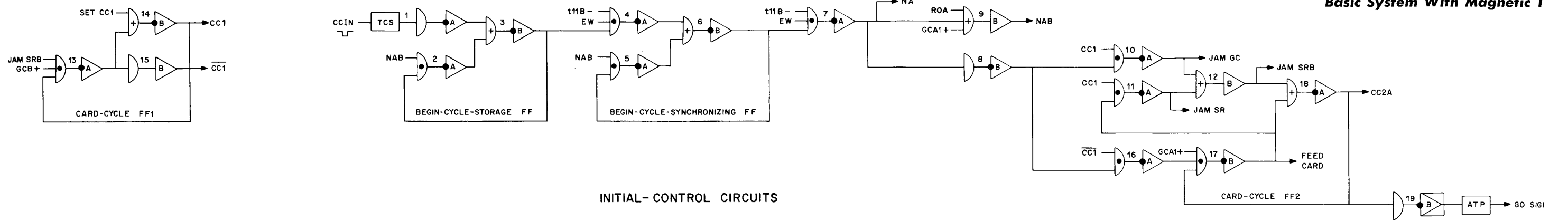
1-29B

Basic System With Magnetic Tape

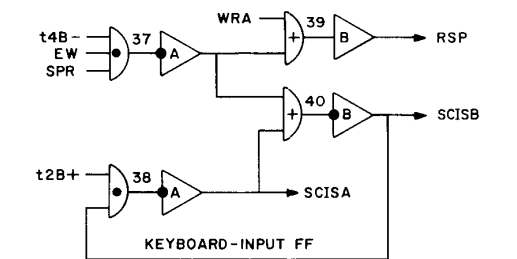
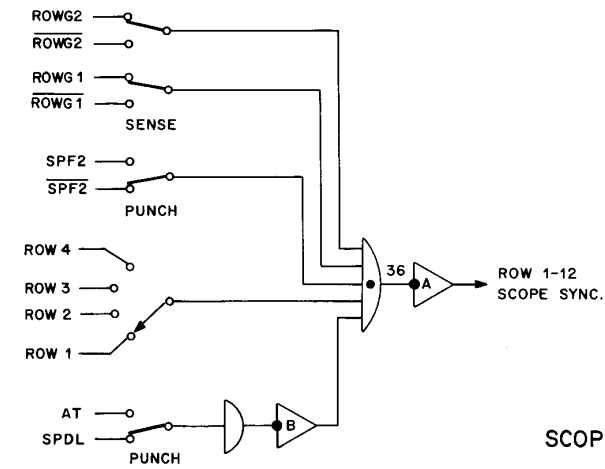


1-29A: Sense and Punch Logic, Part 2 (Model 130)

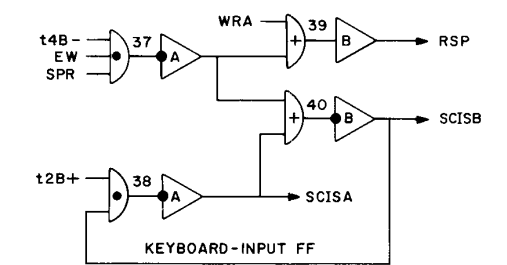
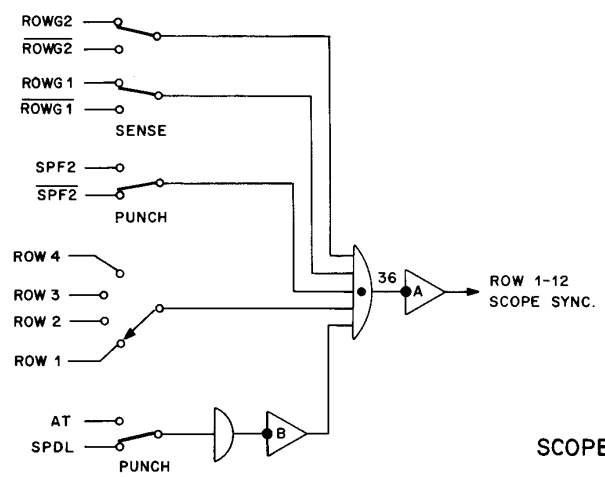
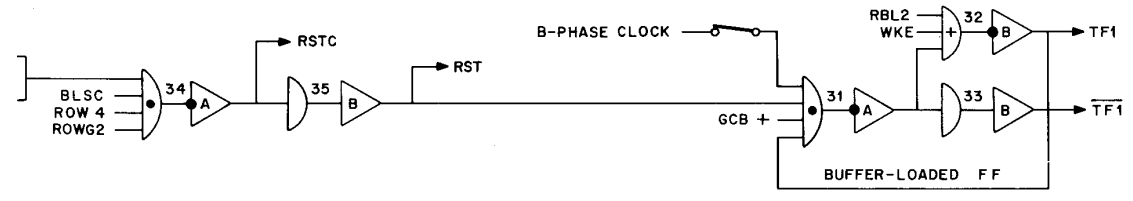
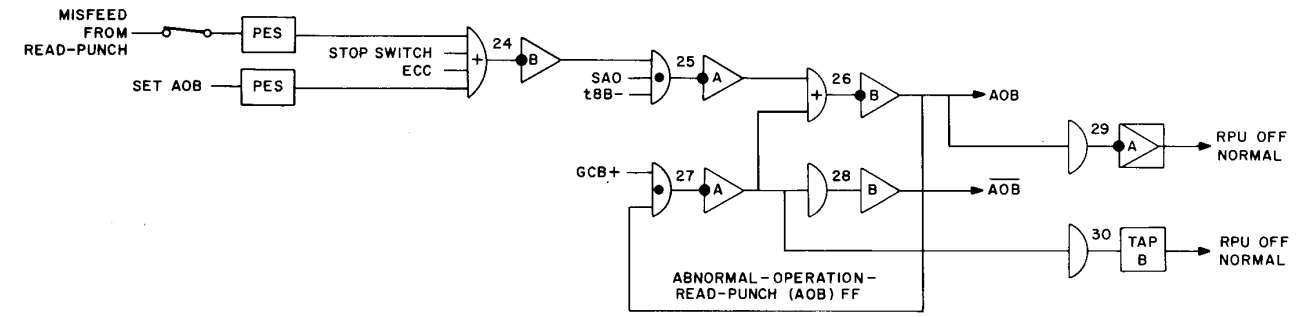
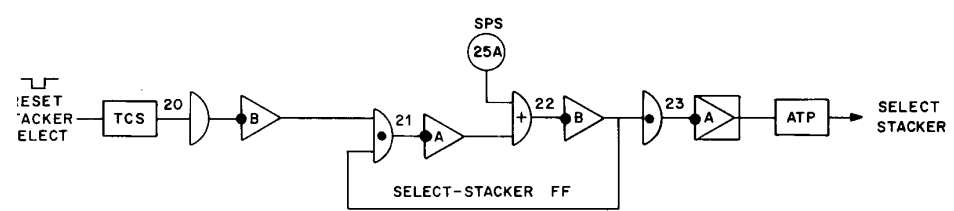
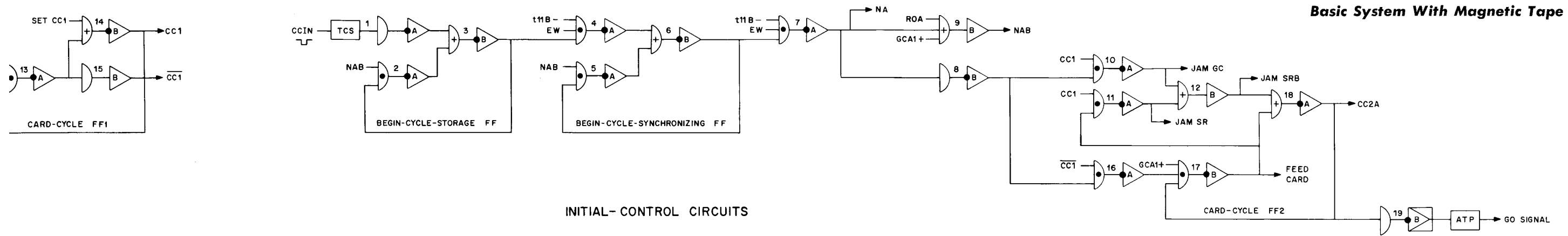
1-29B



END-CARD-CYCLE CIRCUIT

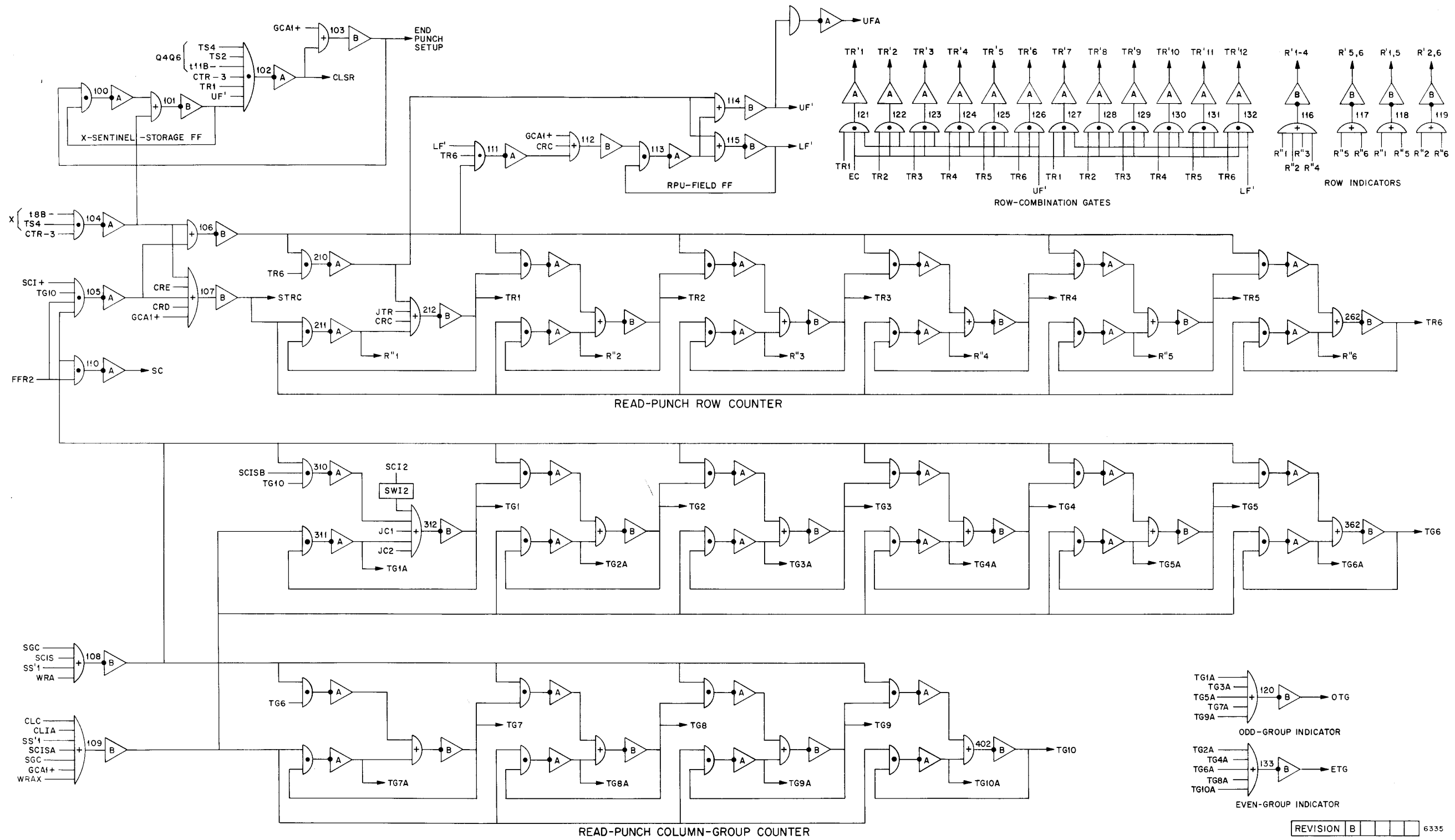


REVISION D



END-CARD-CYCLE CIRCUIT

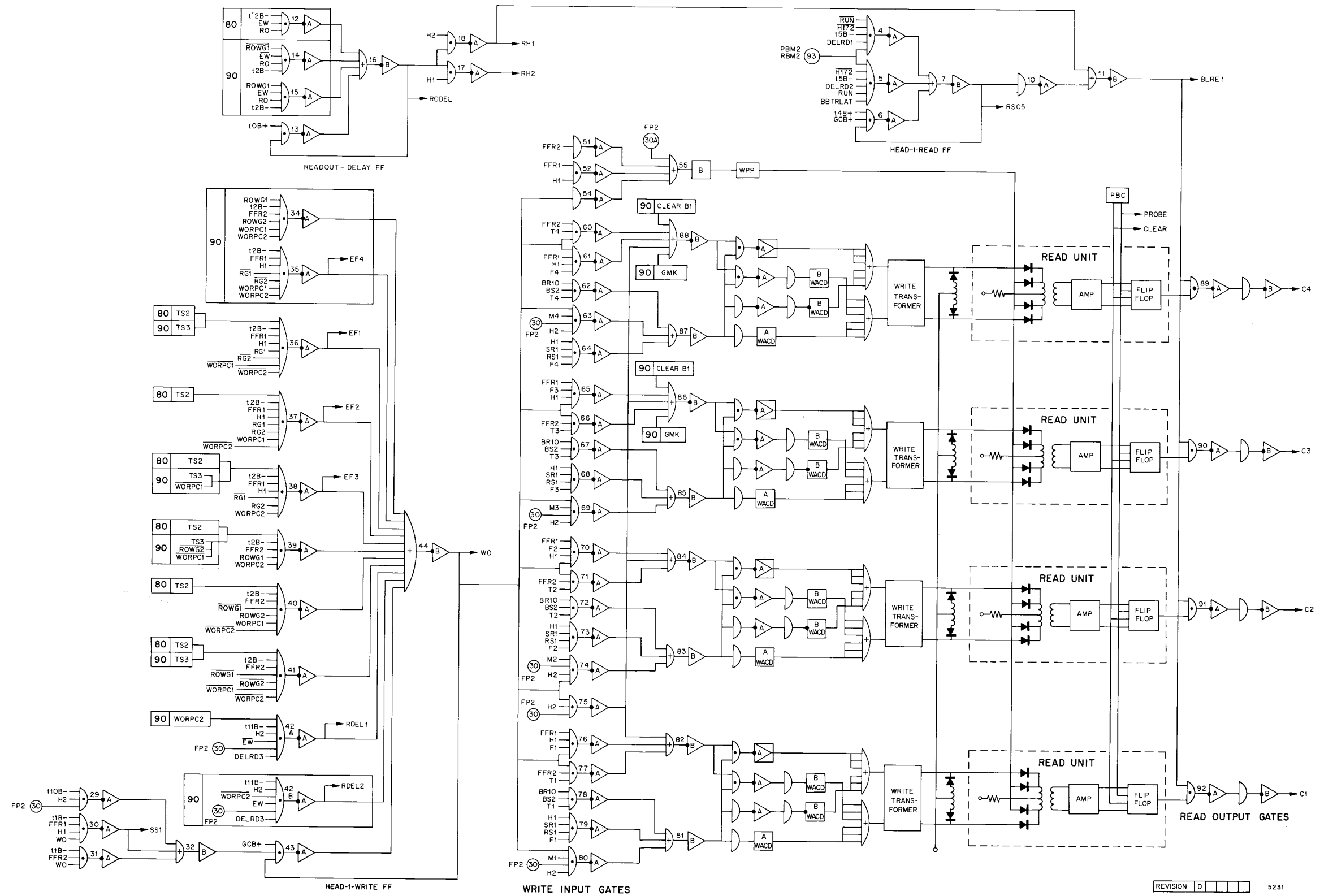
SCOPE SYNCHRONIZING CIRCUIT



REVISION	B				6335
D 810 076					

1-30A. Sense and Punch Logic, Part 3 (Model 130)

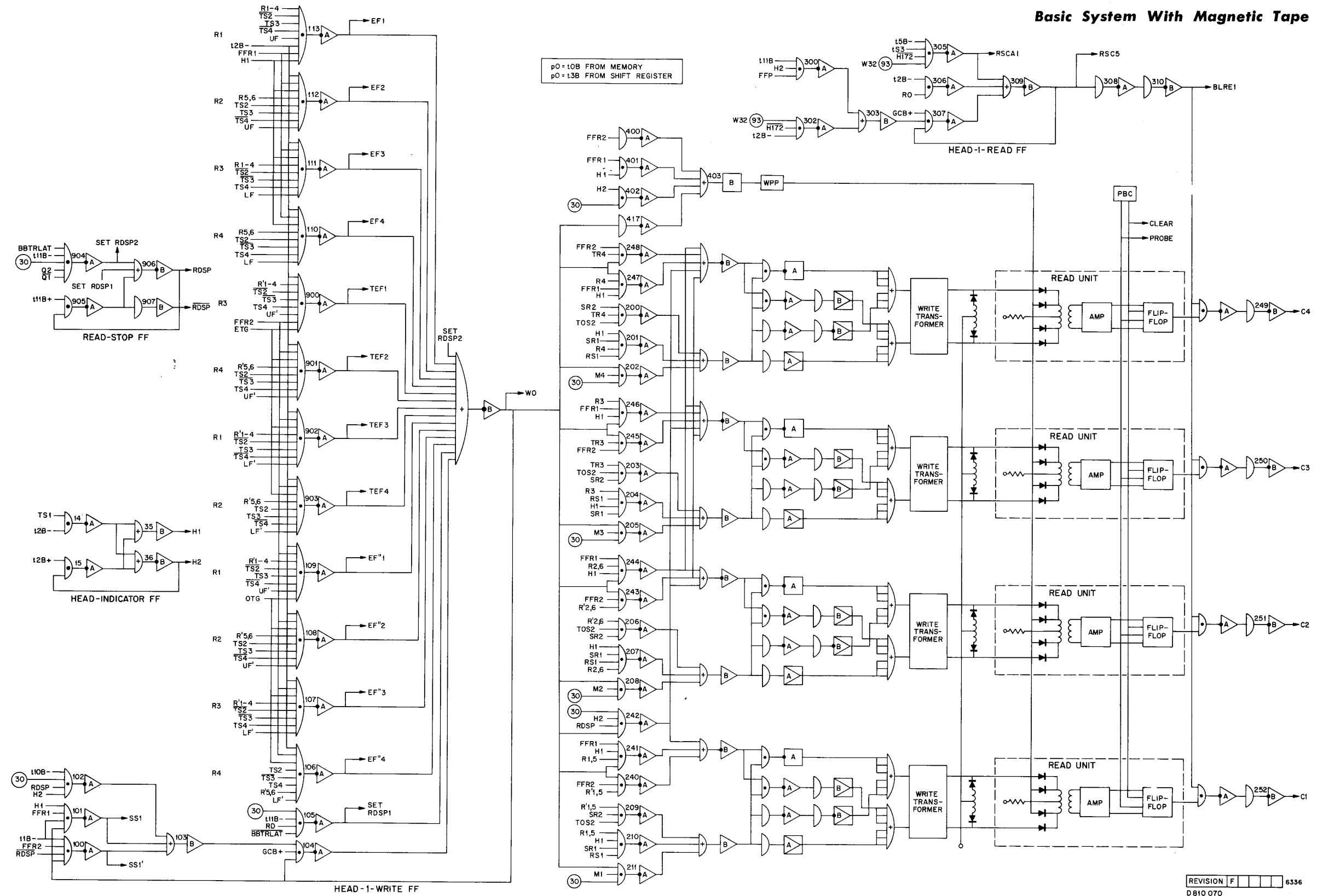
1-303



REVISION D 5231

1-31A. Card-Buffer Head 1 (Model 131)

Basic System With Magnetic Tape

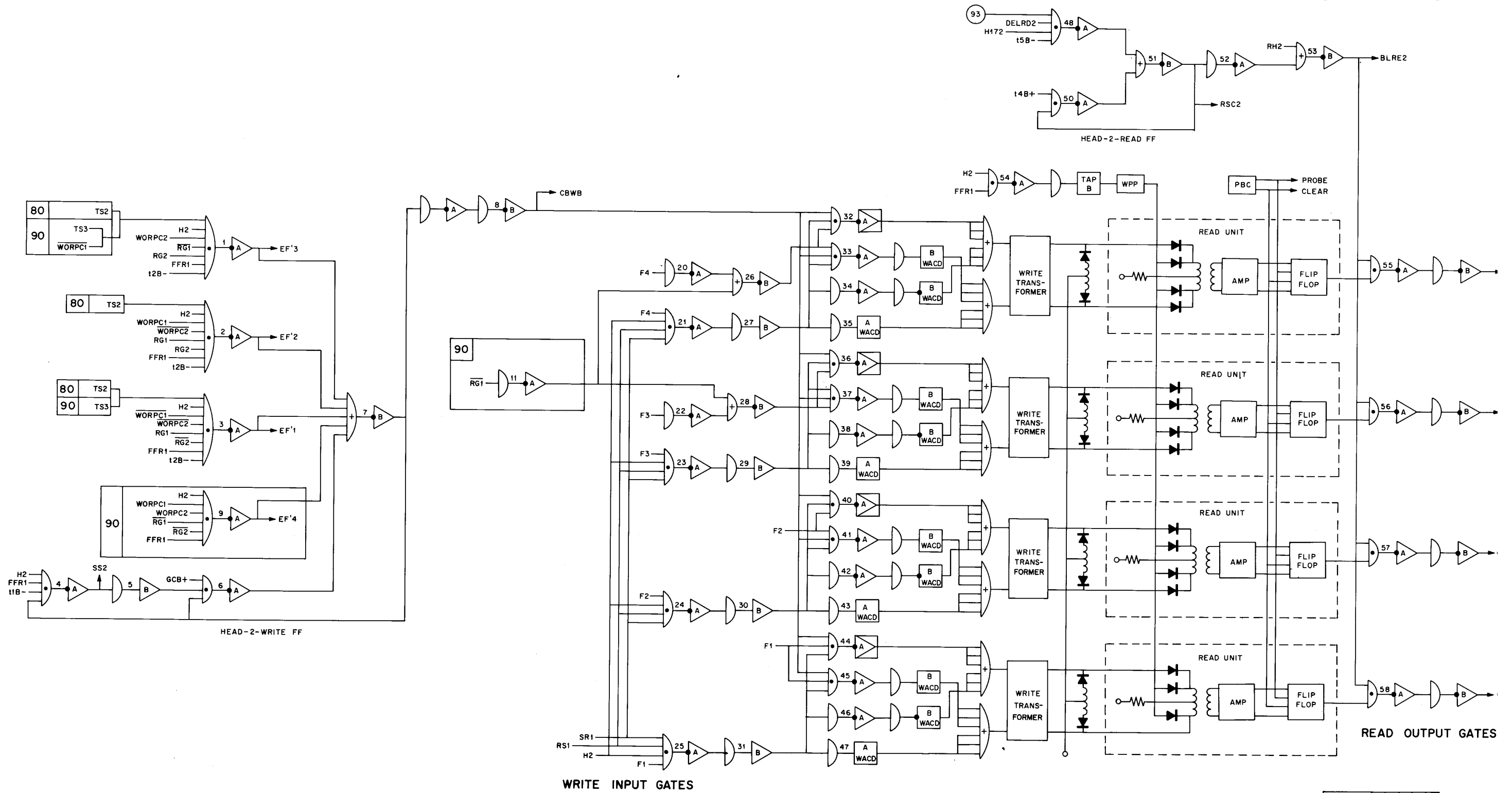


00 = 10B FROM MEMORY
00 = 13B FROM SHIFT REGISTER

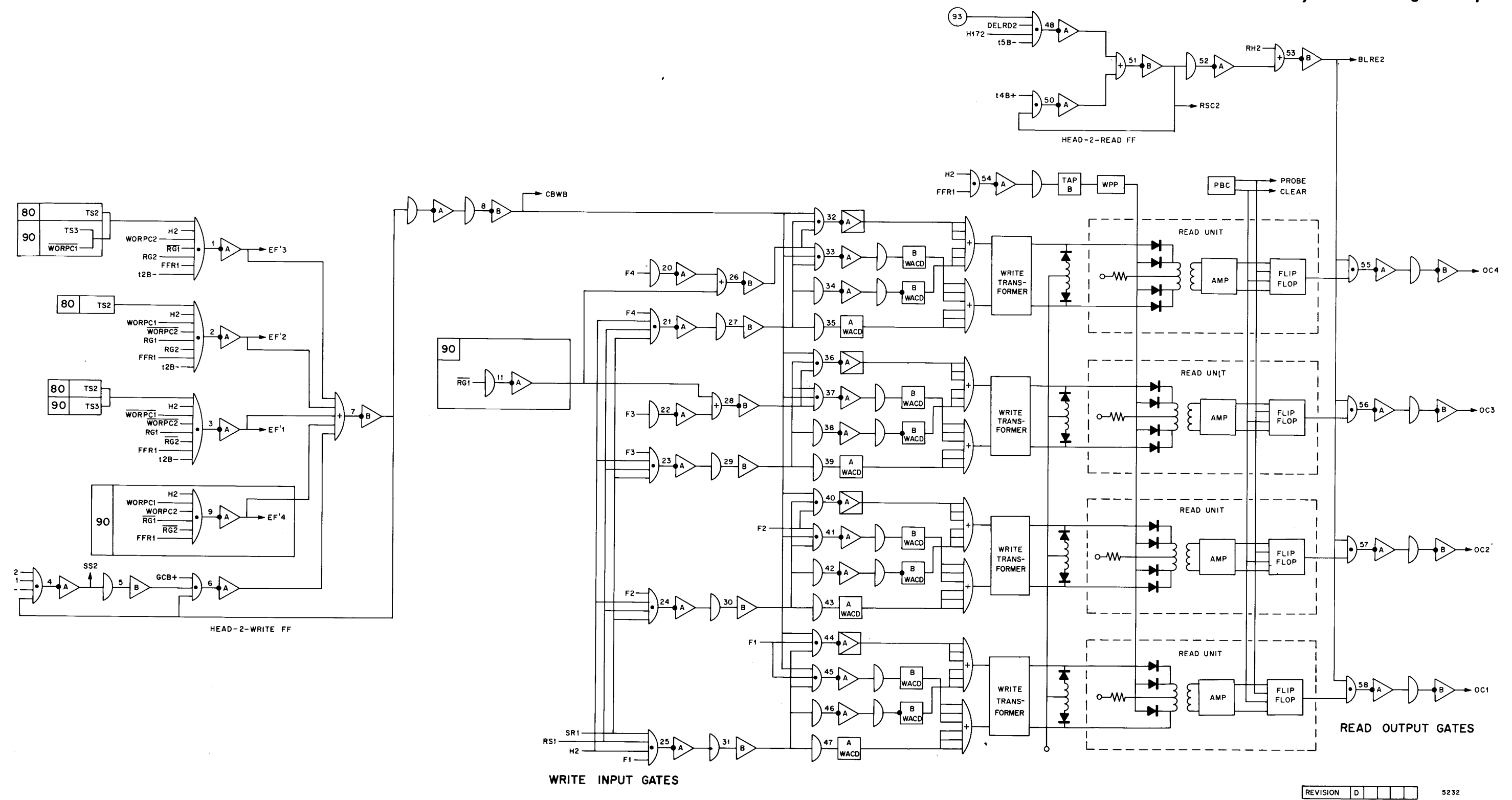
REVISION F 6336
D 810 070

1-31A. Card-Buffer Head 1 (Model 130)

1-31B

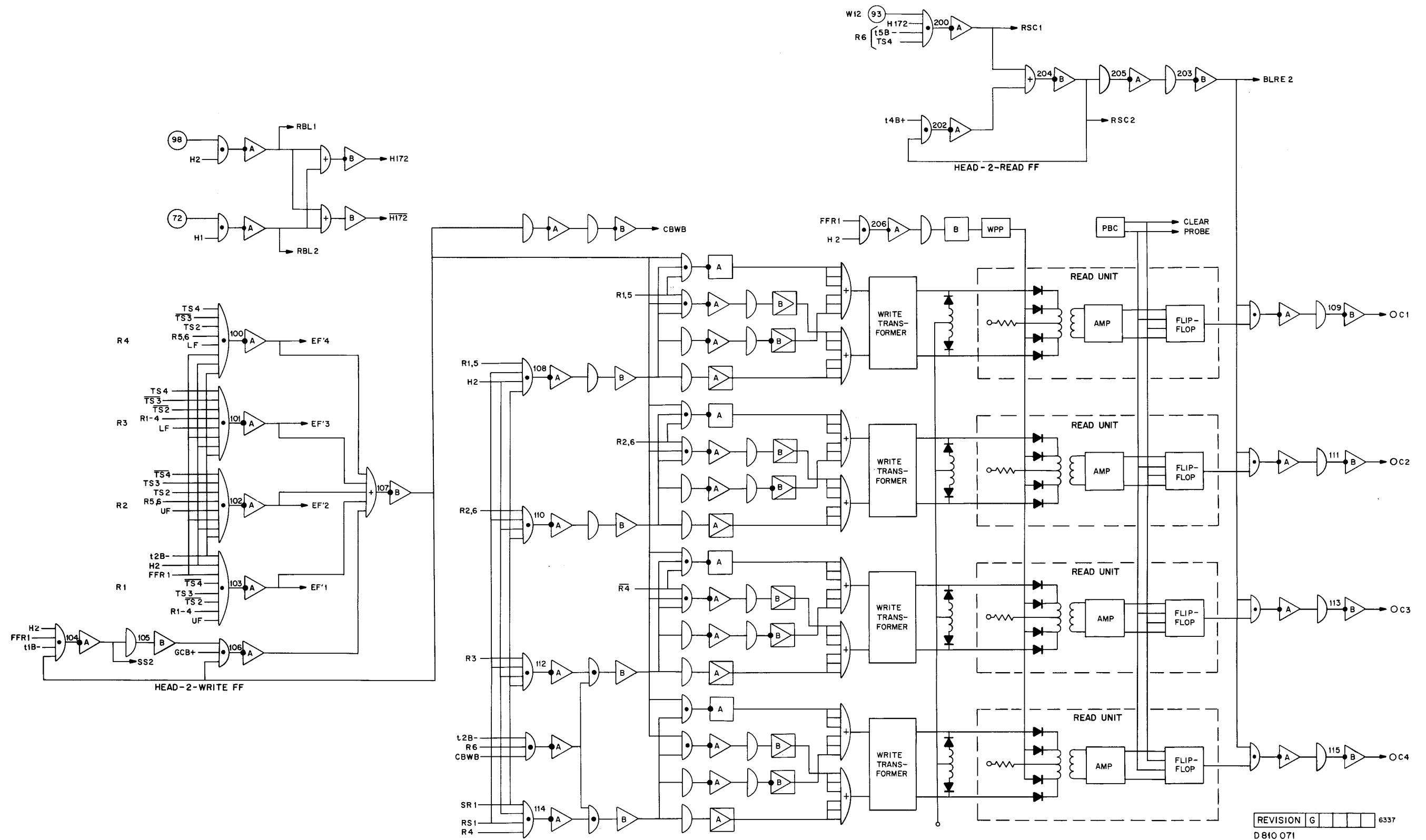


1-32A. Card-Buffer Head 2 (Model 131)



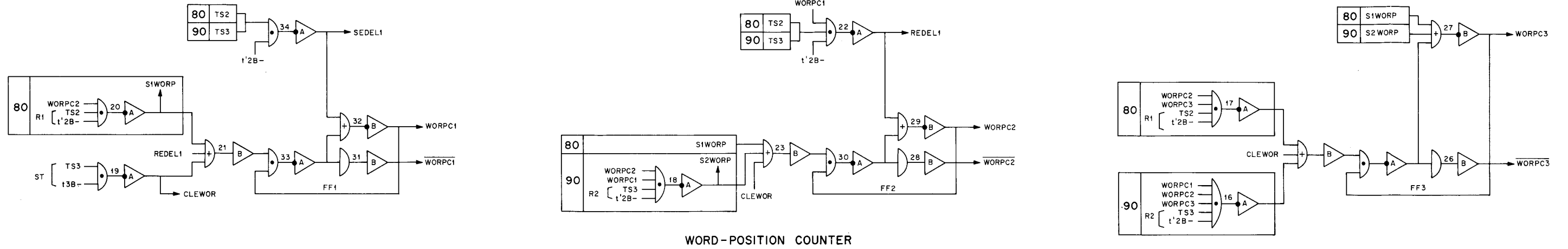
REVISION D 5232

1-32A. Card-Buffer Head 2 (Model 131)

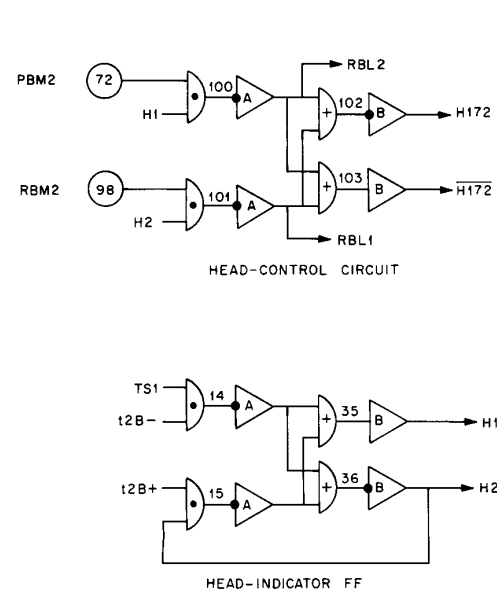


REVISION G 6337
D810 071

1-32A. Card-Buffer Head 2 (Model 130)
1-32B

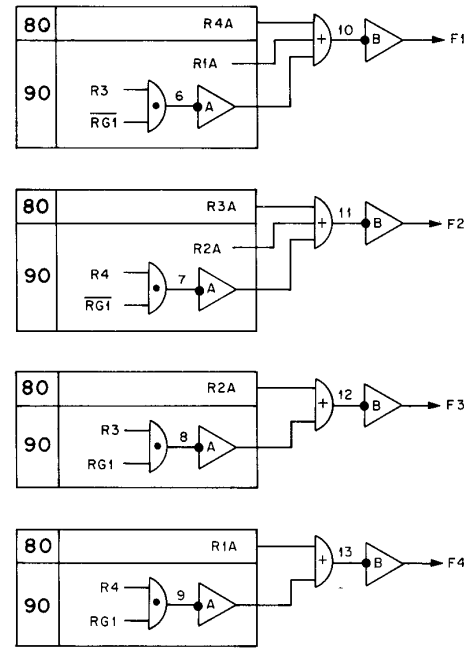


WORD-POSITION COUNTER

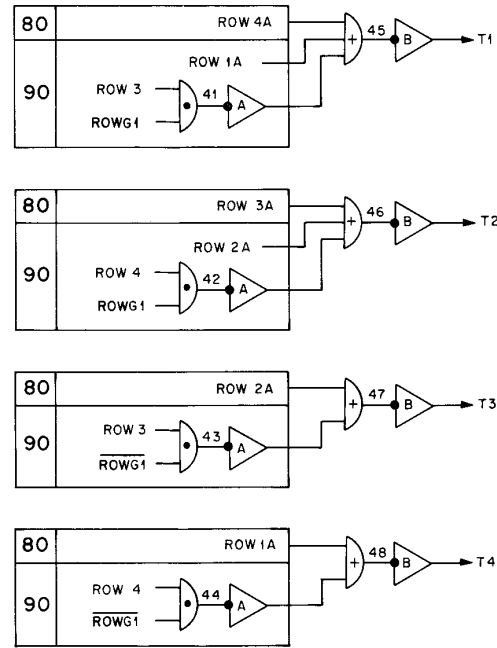


HEAD-CONTROL CIRCUIT

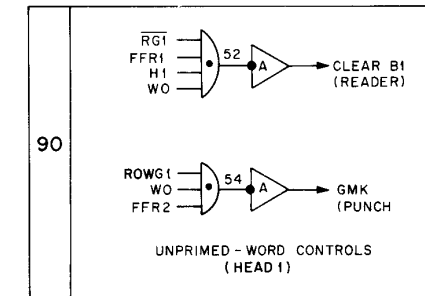
HEAD-INDICATOR FF



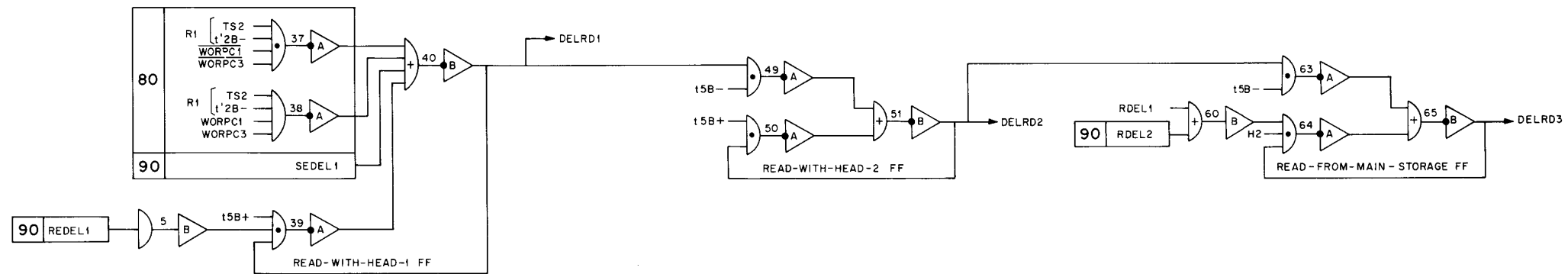
READER - ROW CONTROLS



PUNCH - ROW CONTROLS



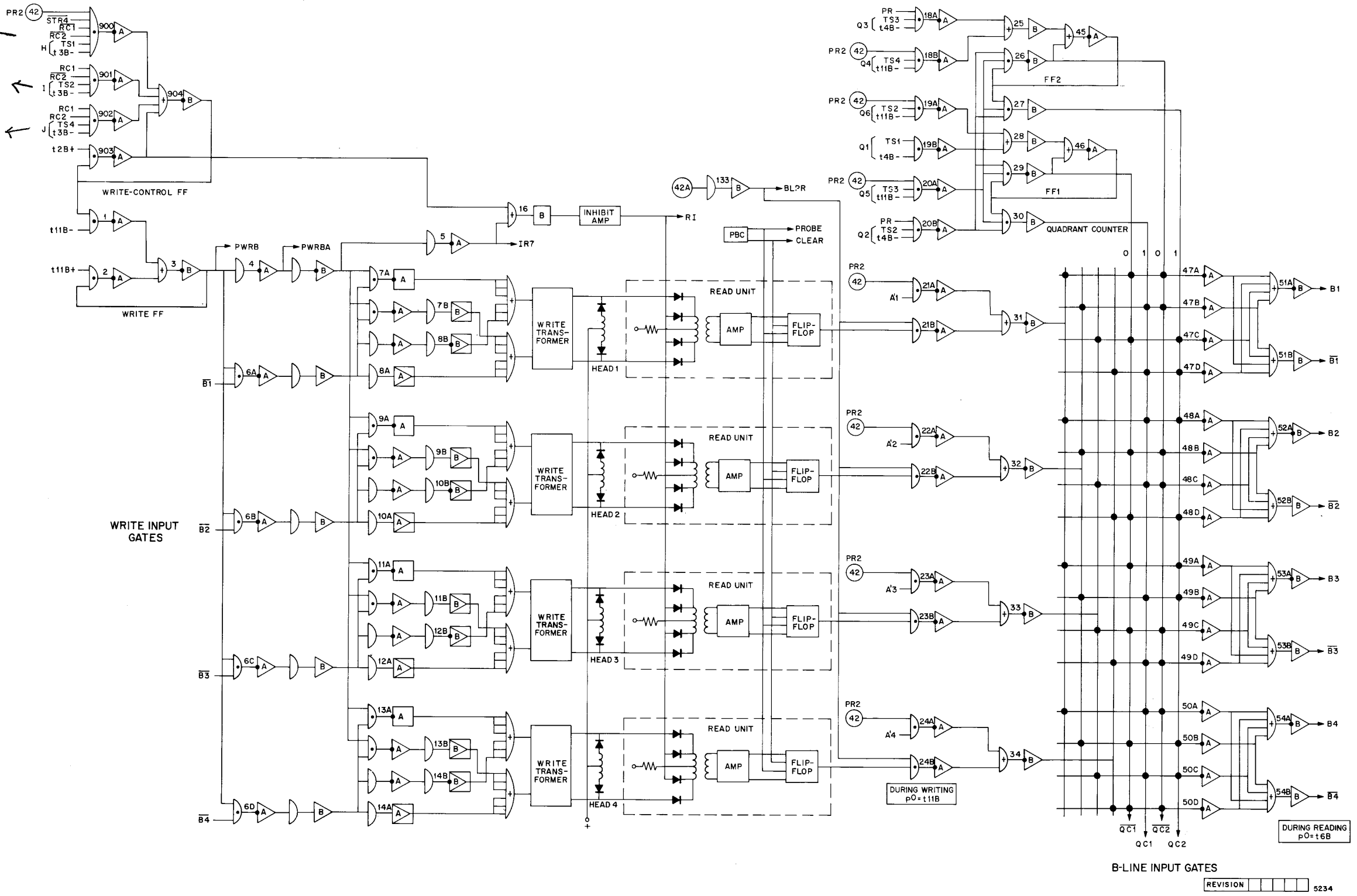
UNPRIMED - WORD CONTROLS (HEAD 1)

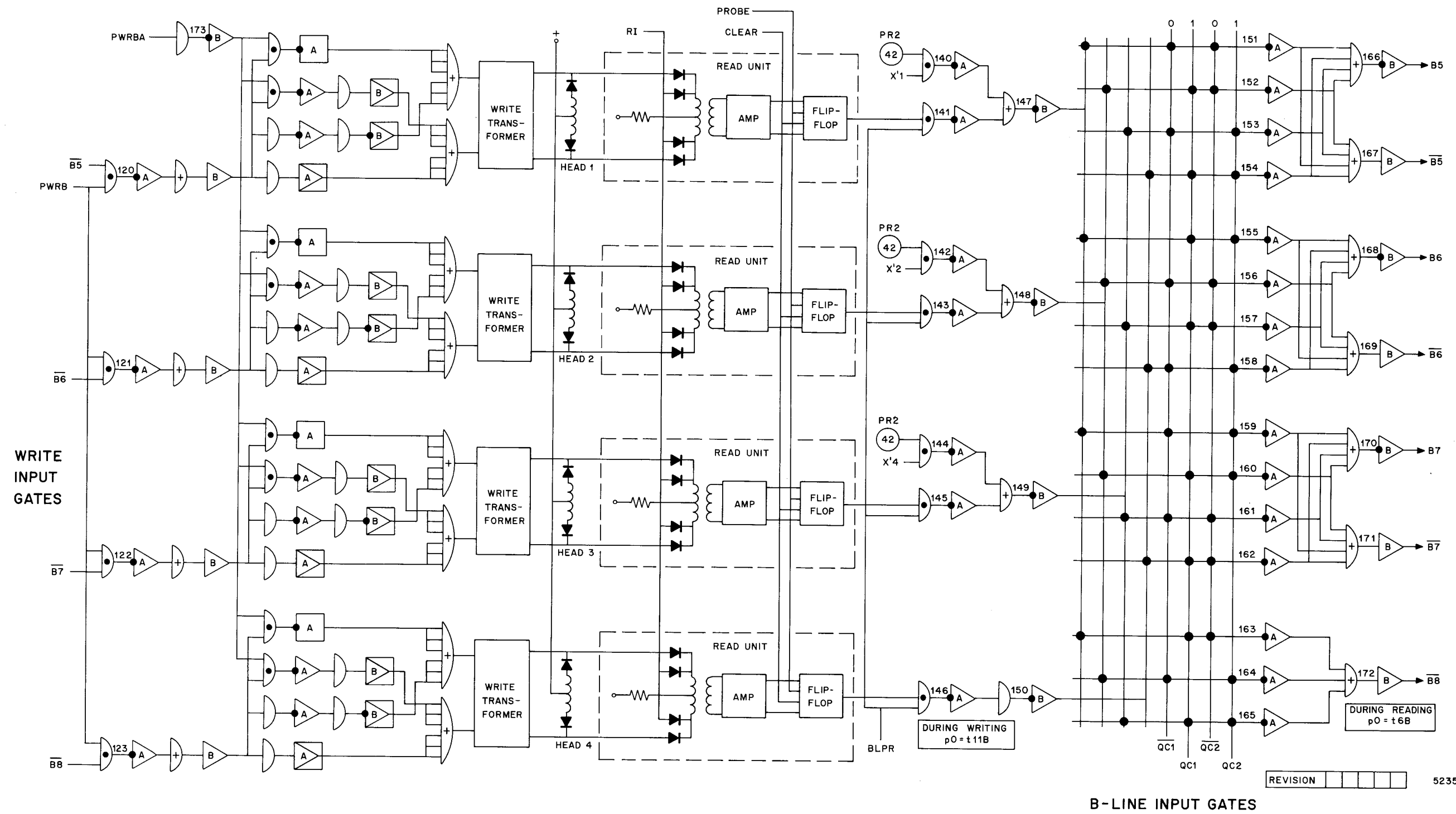


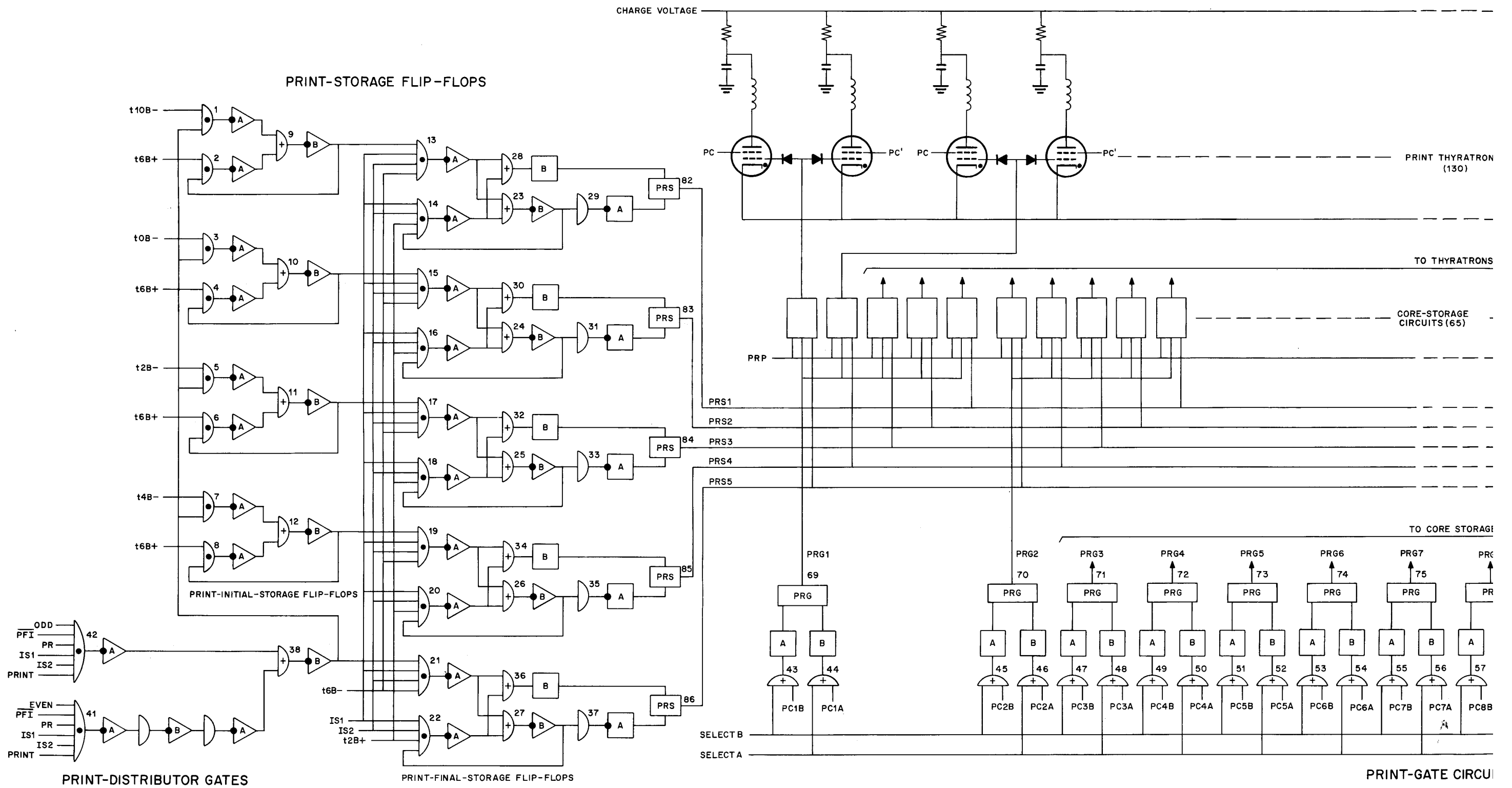
1-33A. Card-Buffer-Band Controls

Basic System With Magnetic Tape

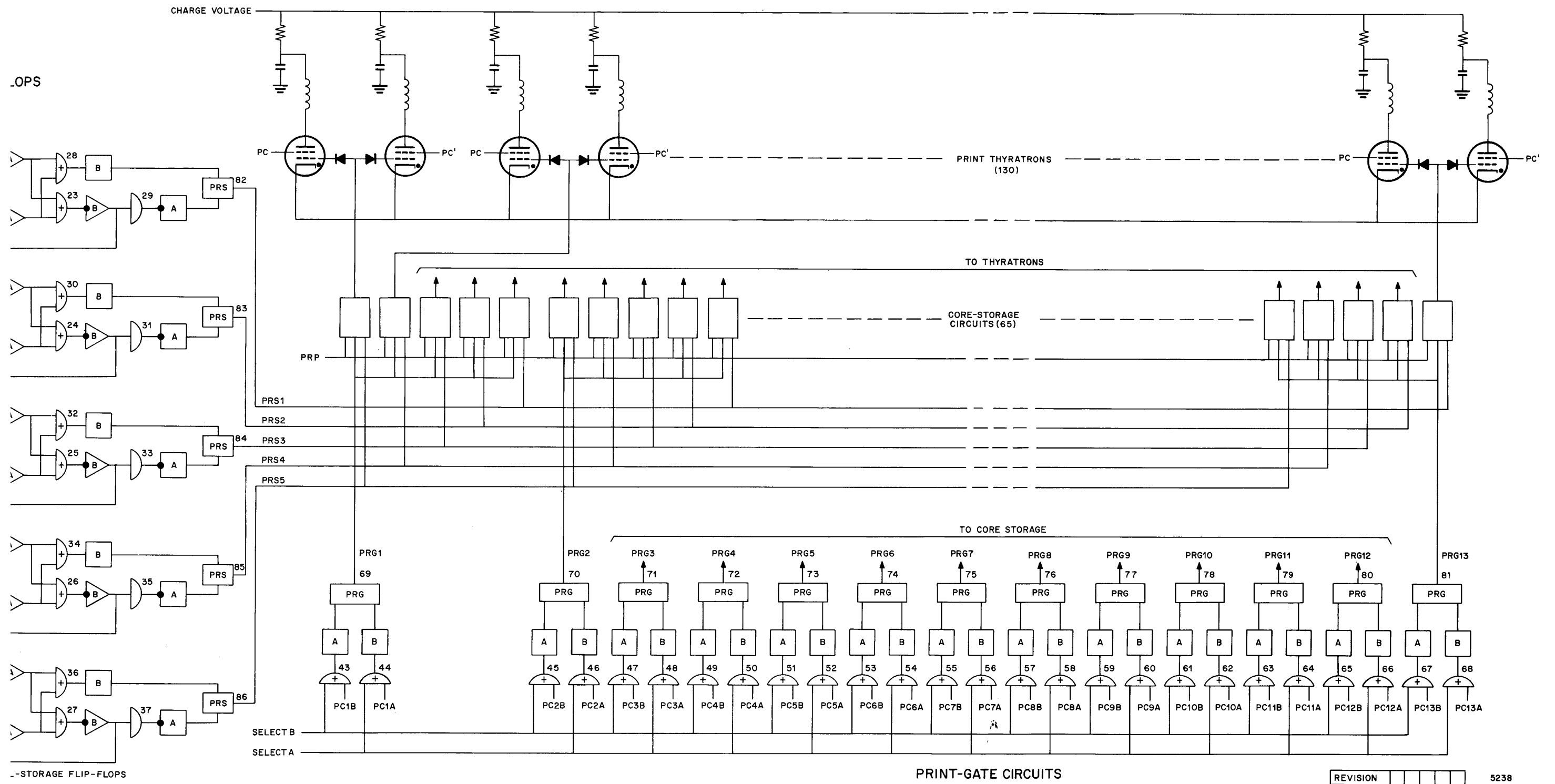
1st Drum Rev
2nd Drum Rev
3rd Drum Rev



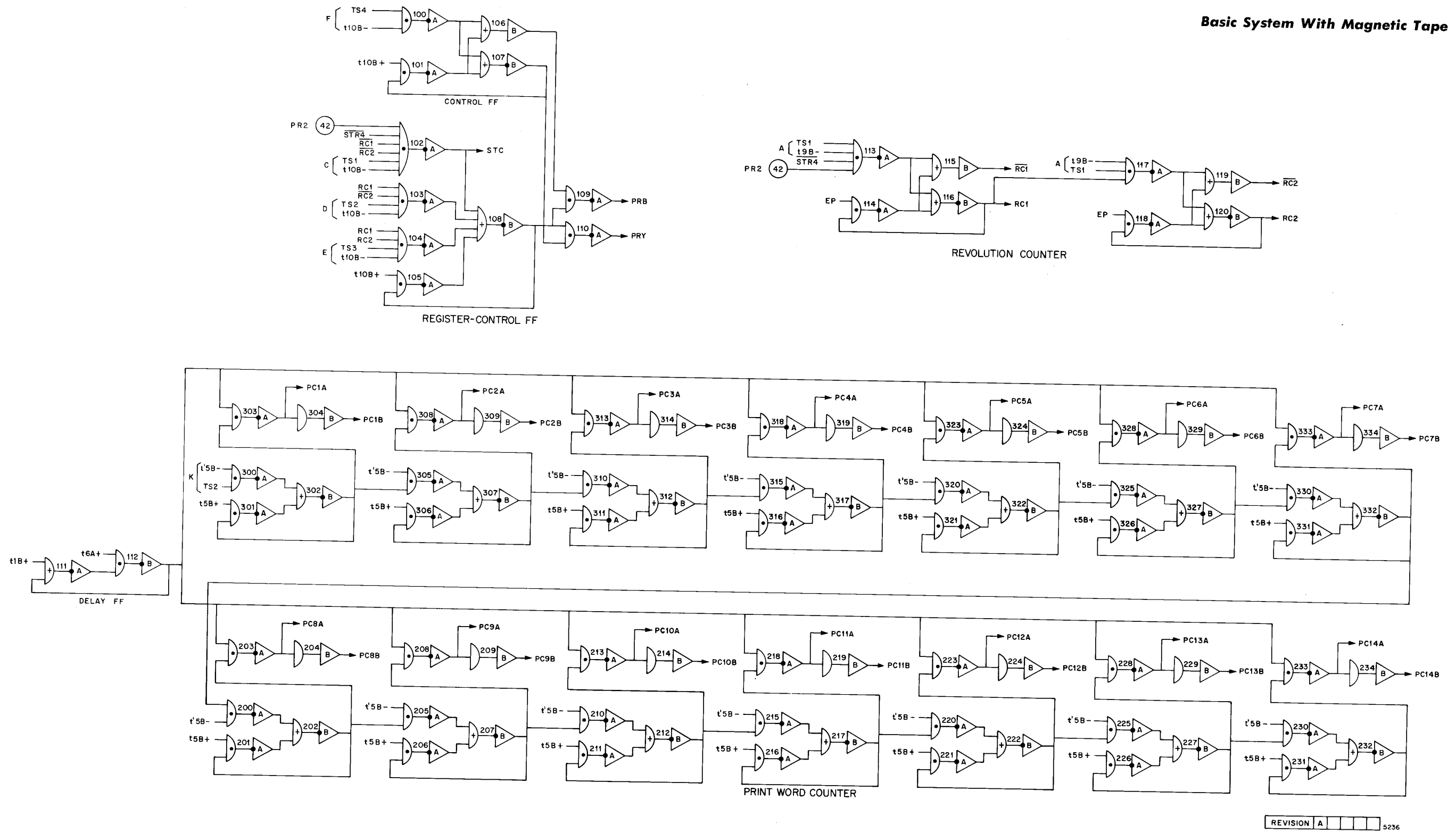




1-38A. Print Distributor

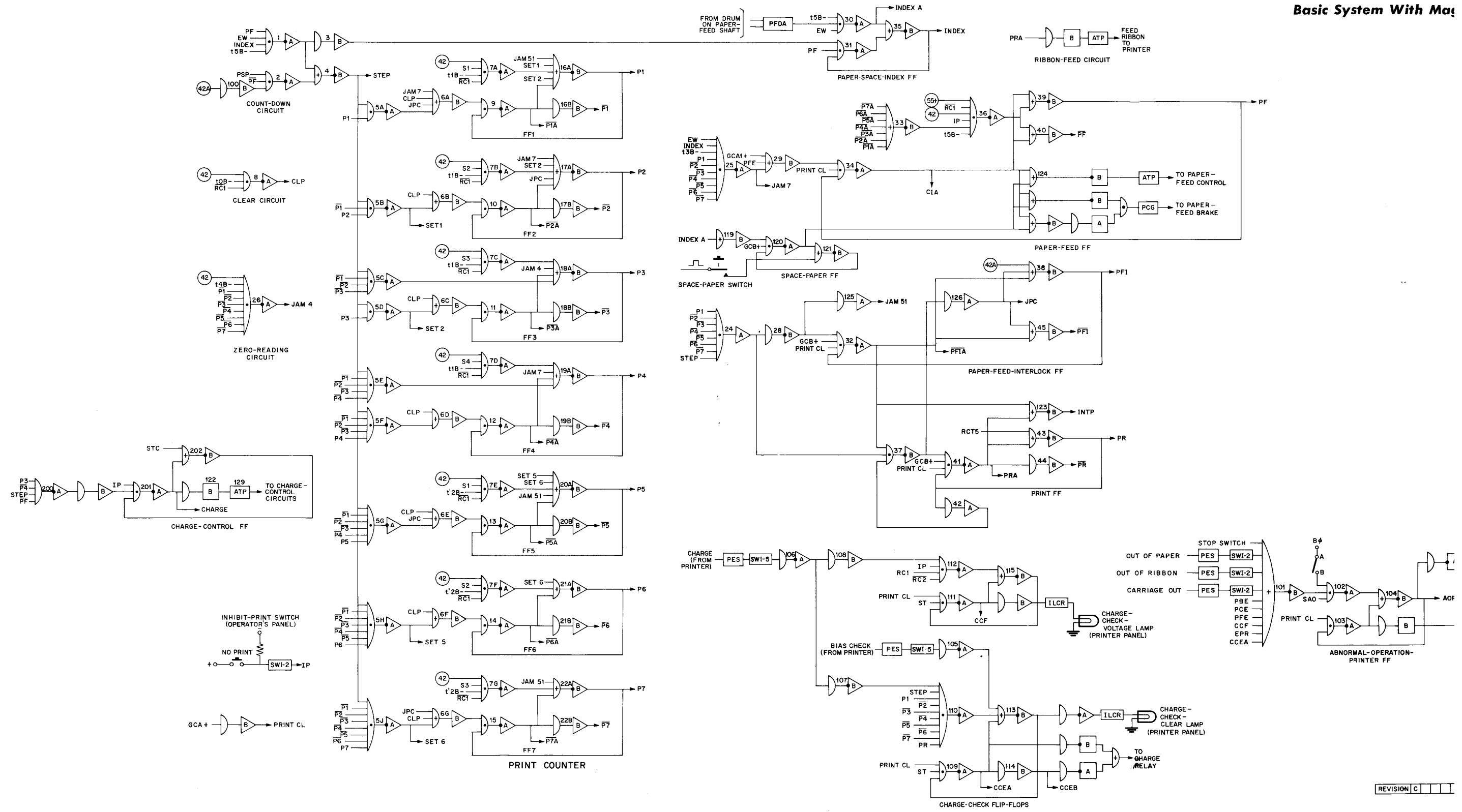


1-38A. Print Distributor



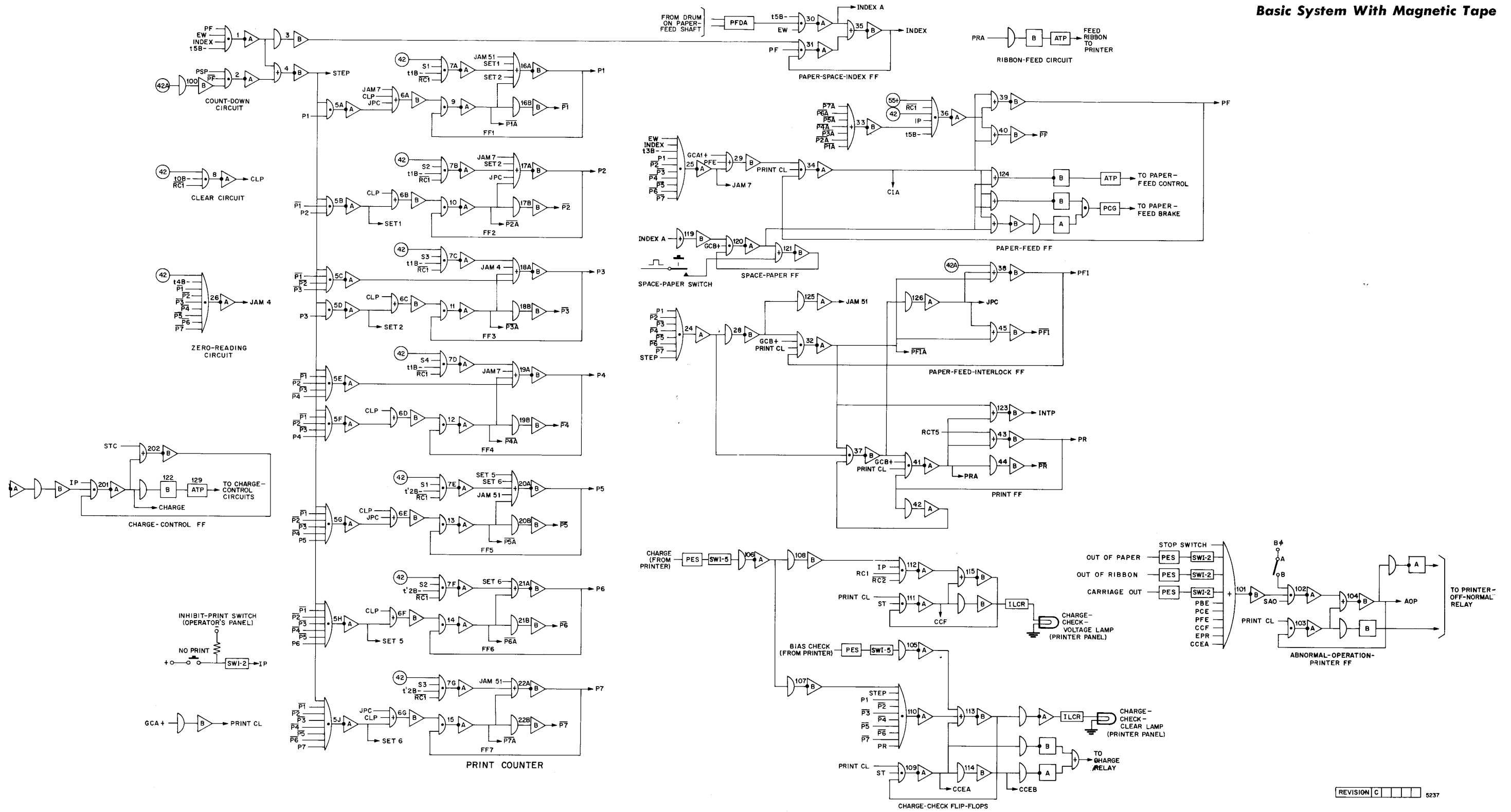
REVISION A [] [] [] [] [] 5236

1-36A. Memory-to-Print-Buffer Control



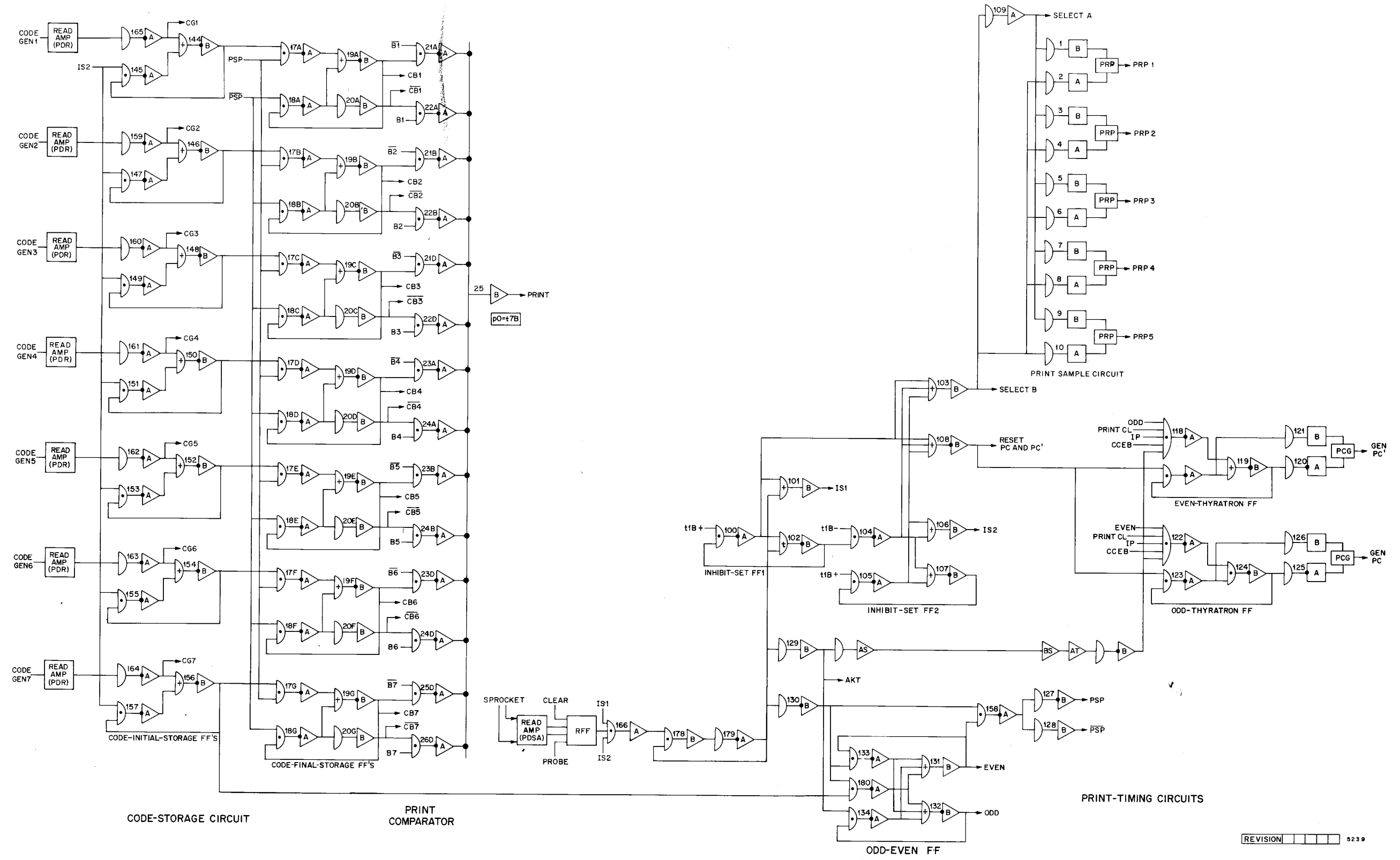
1-37A. Print Control

REVISION C



REVISION C [] [] [] [] 5237

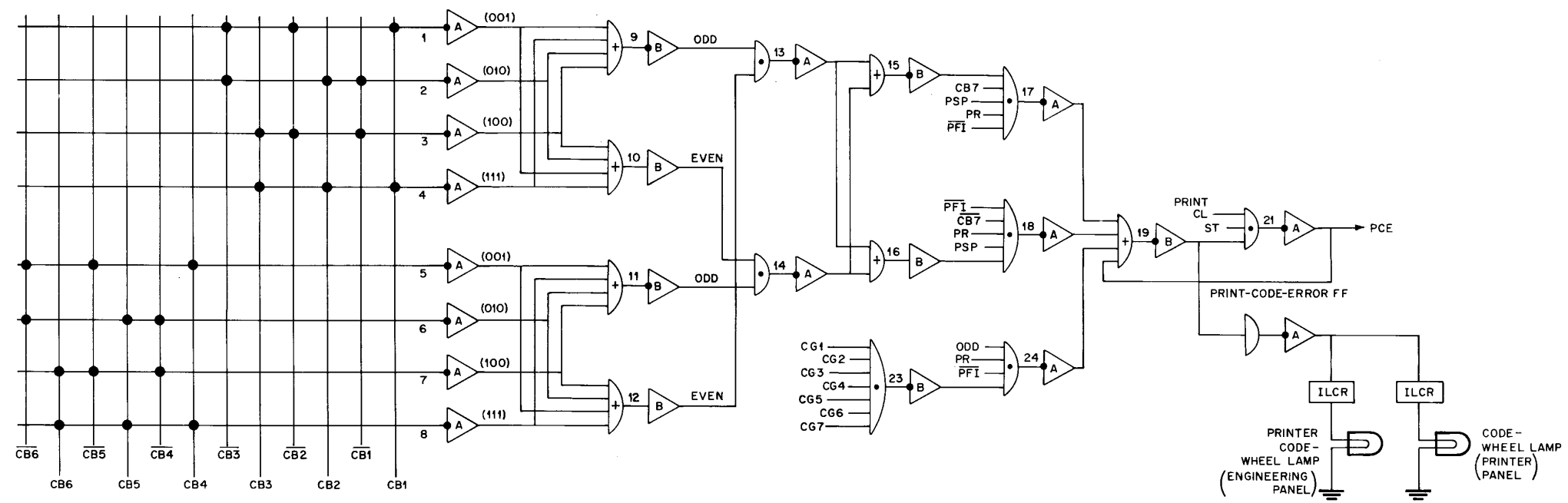
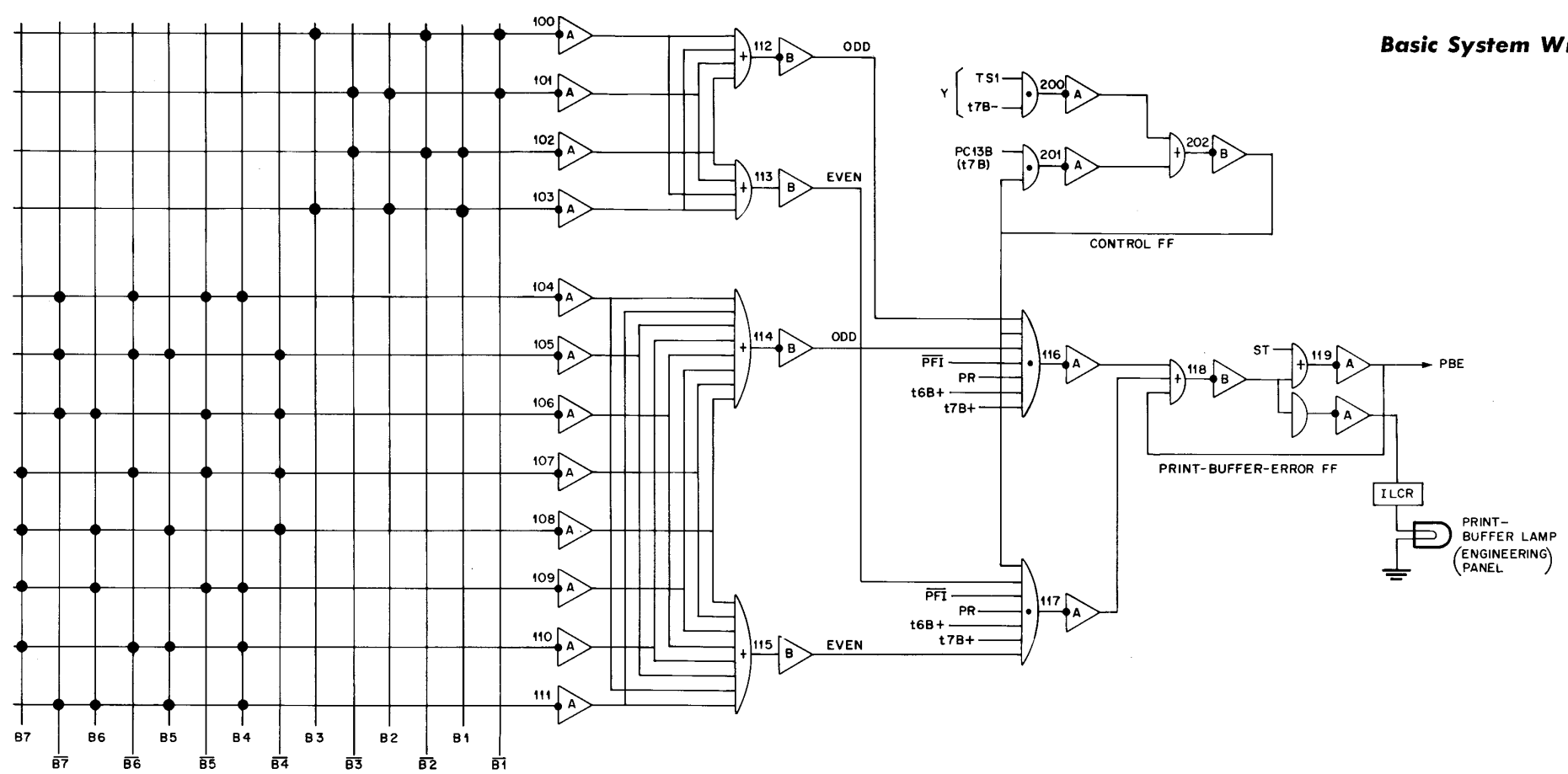
1-37A. Print Control



1-39A. Print Comparator

REVISION [] [] [] [] 5239

Basic System With Magnetic Tape



1-40A. Print-Code and Print-Buffer Error Flip-Flops

REVISION A 5240