

## CHAPTER 12 MAINTENANCE

- |      |                             |
|------|-----------------------------|
| 12.1 | Outline                     |
| 12.2 | Troubleshooting             |
| 12.3 | Parts Replacement           |
| 12.4 | Confirmation Test Procedure |
| 12.5 | Preventive Maintenance      |

### 12.1 Outline

#### (1) General description

This chapter explains the maintenance of this drive using following procedures.

##### ① Troubleshooting (Section 12.2)

This section explains the troubleshooting method by the MTU error code indicated by the FSC of the MTC or the error code displayed on the MTU operator panel.

##### ② Replacement (Section 12.3)

This section explains the replacement procedure of the spare parts.

##### ③ Confirmation test (Section 12.4)

This section explains the confirmation test procedure using the diagnostic function of the MTU after replacement of spare parts.

##### ④ Periodic maintenance (Section 12.4)

This section explains the periodic maintenance procedure.

(2) Easy maintenance

- ① Easy troubleshooting by a lot of error codes
- ② A few spare parts
- ③ Component layout with considering the maintenance
- ④ No adjustment after replacement of spare parts
- ⑤ Easy confirmation after replacement by high performance diagnostic function

## 12.2 Troubleshooting

### 12.2.1 Overview

The messages displayed on the operator panel and sense bytes can be used for troubleshooting.

Troubleshooting analysis is normally performed on the basis of the sense byte contents, using the sense key in each sense byte as the reference. However, error codes may be displayed as the sense bytes of some types of failures. If an error code is displayed, it must be found in the error code table. If the fault symptom code (FSC) indicates that an event may be a drive-related failure, the FSC table must be referred to.

If an error is detected by the drive, the corresponding error code is indicated by the message display on the operator panel.

This chapter explains the information about the errors which can be detected by the drive.

The following items must be checked prior to troubleshooting.

- (1) The DC power supply meets the requirement.
- (2) The controller interface cable is connected correctly.
- (3) The specified terminating resistor is installed.
- (4) The address is set correctly.
- (5) Other settings are correct.
- (6) The cables and connectors inside the unit are connected correctly.

## 12.2.2 Troubleshooting procedure

	Trouble contents		Next procedure
		Detailed	
1	Power failure	The MTU power cannot be turned on or is turned off unexpectedly.	12.2.3
2	Check lamp on the CE panel of MTC is on.	FRU code is displayed on the CE panel.	12.2.4 (3)
3	Error message is displayed on the operator panel of MTU.	"■CHK xx■" is displayed on the operator panel.	12.2.5 (1)
		"##: ERRxx" is displayed on the operator panel.	12.2.5 (2)
4	UNAVAILABLE lamp is on.	The MTC is not connected to the channel.	(Note)
5	FSC is displayed.	FSC is displayed on the console display or logging list.	12.2.4 (2)
6	The host system detects the failure of the subsystem.	ICC (interface control check)	Confirm the host system.
		CC=3	
		CUB (control unit busy)	
7	Other failure	The tape is stopped with abnormal operation.	12.3.2

**Note:**

This error is caused by setting the ENABLE/DISABLE switch on the MTC operator panel to DISABLE. To clear this error, set the ENABLE/DISABLE switch to ENABLE.

12.2.3 Power failure

Trouble contents	Procedure		Possible failure unit Necessary action	Go to	Reference section
	Item	Decision			
Power cannot be turned on and alarm lamp on the power supply is on.	1	Confirm which alarm lamp is on.		Item 9 or 10	
Power cannot be turned on and alarm lamp on the power supply is off.	2	Is the power control cable connected correctly?	Yes	Exchange the power supply.	
			No	Connect correctly.	
MTU power is turned off at power-on or during operating.	3	Is any alarm lamp on the power supply on?	Yes	Confirm which alarm lamp is on.	Item 9 or 10
			No		Item 7
	4	Is the circuit breaker of the AC unit turned off?	Yes		Item 8
			No	Exchange the power supply.	
Power is turned off at power-on or during operating.	5	Turn on the circuit breaker. Can the power be turned on?	Yes	Wait reappear-ance. If this trouble occurs again, exchange the power supply.	
			No	Exchange the power supply.	

12.2.3 Power failure

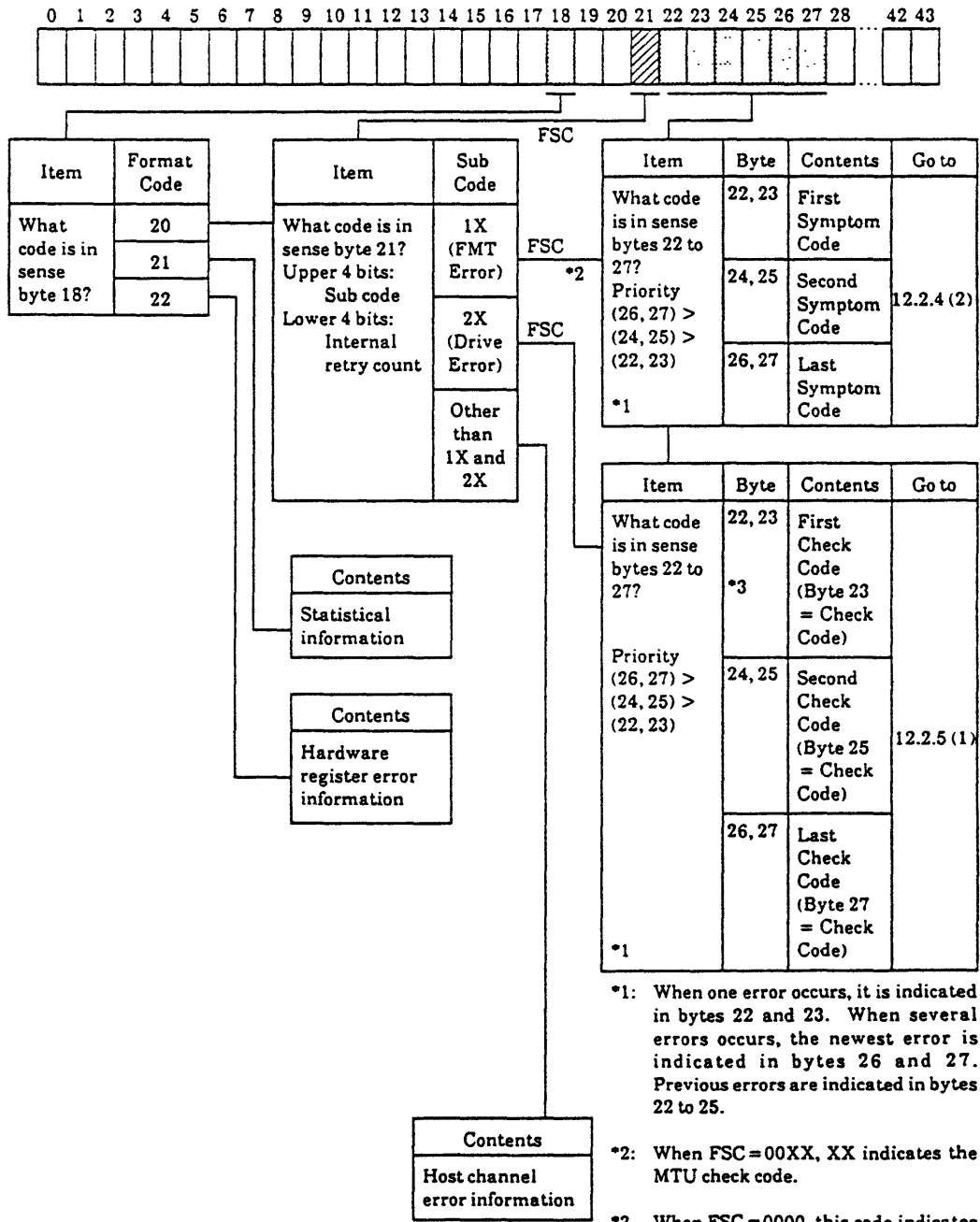
Trouble contents	Procedure		Possible failure unit Necessary action	Go to	Reference section
	Item	Decision			
Power cannot be turned on and alarm lamp on the power supply is on.	1	Confirm which alarm lamp is on.		Item 9 or 10	
Power cannot be turned on and alarm lamp on the power supply is off.	2	Is the power control cable connected correctly?	Yes	Exchange the power supply.	
			No	Connect correctly.	
MTU power is turned off at power-on or during operating.	3	Is any alarm lamp on the power supply on?	Yes	Confirm which alarm lamp is on.	Item 9 or 10
			No		Item 7
	4	Is the circuit breaker of the AC unit turned off?	Yes		Item 8
			No	Exchange the power supply.	
Power is turned off at power-on or during operating.	5	Turn on the circuit breaker. Can the power be turned on?	Yes	Wait reappear-ance. If this trouble occurs again, exchange the power supply.	
			No	Exchange the power supply.	

Trouble contents	Procedure		Possible failure unit Necessary action	Go to	Reference section
	Item	Decision			
PWR ALM lamp is on.	6			Exchange the power supply.	
DEVICE ALM lamp is on.	7	Does the fan at rear of the drive operate correctly?	Yes	Exchange PCA-DVC and power supply.	13.2.6
			No	Exchange the fan assembly.	13.2.13

## 12.2.4 MTC troubleshooting

### (1) Sense byte

Sense byte



(2) Fault symptom code

Priority of possible causes		Contents											Reference		
			Fault Symptom Code	00XX											
<p>● High</p> <p>○ Middle</p> <p>△ Low</p> <p>*: Exchange whole drive.</p> <p>☆: It is recommend to exchange whole drive. Or specified assembly.</p>			MTU error 00XX : XX = Check Code												
Drive	PCA-FA (Formatter/Analog)														12.3.2
	PCA-SCF (SCSI/Core function)														12.3.1
	PCA-WA (Write)	☆													12.3.7
	PCA-DVC (Drive control)	☆													12.3.5
	PCA-SV (Servo)	☆													12.3.6
	ROM kit														
	PCA-OP (Operator panel)														12.3.3
	Lifter solenoid	☆													12.3.10
	Head guide assembly	*													12.3.18
	Loader assembly	☆													12.3.9
	Threader assembly	☆													12.3.3
	Pump	☆													12.3.12
	Motor assembly (file reel)	*													
	Motor assembly (machine reel)	*													
	Fan assembly														12.3.13
Air filter														12.3.4	
PSU	Power supply unit														
Tape	Cartridge tape														
Others	Dirty of head and tape running surface														12.5.2, 3
	Setting error														
	Operation error														
	Interface cable/terminator														
	Host system (including SCSI cable)														
ACL	Automatic cartridge loader													12.3.14	



Priority of possible causes		Contents	Invalid Device REP Code	Reference
Fault Symptom Code				
○ High ○ Middle △ Low  *: Exchange whole drive. ☆: It is recommend to exchange whole drive. Or specified assembly.				
Drive	PCA-FA (Formatter/Analog)		△	12.3.2
	PCA-SCF (SCSI/Core function)		△	12.3.1
	PCA-WA (Write)	☆		12.3.7
	PCA-DVC (Drive control)	☆	○	12.3.5
	PCA-SV (Servo)	☆		12.3.6
	ROM kit		○	
	PCA-OP (Operator panel)			12.3.3
	Lifter solenoid	☆		12.3.10
	Head guide assembly	*		12.3.18
	Loader assembly	☆		12.3.9
	Threader assembly	☆		12.3.8
	Pump	☆		12.3.12
	Motor assembly (file reel)	*		
	Motor assembly (machine reel)	*		
	Fan assebnly			12.3.13
	Air filter			12.3.4
PSU	Power supply unit			
Tape	Cartridge tape			
Others	Dirty of head and tape running surface			12.5.2, 3
	Setting error			
	Operation error			
	Interface cable/terminator			
ACL	Host system (including SCSI cable)			
	Automatic cartridge loader			12.3.14

Priority of possible causes		Contents	Reference																			
			Fault Symptom Code	3C00	3C01	3C02	3C03	3C04	3C10	3C12	3C13	3C14	3C15	3C16								
Drive	PCA-FA (Formatter/Analog)																			12.3.2		
	PCA-SCF (SCSI/Core function)		○	○	○	○	○		○	○	○	○	○	○						12.3.1		
	PCA-WA (Write)	☆																			12.3.7	
	PCA-DVC (Drive control)	☆																			12.3.5	
	PCA-SV (Servo)	☆																			12.3.6	
	ROM kit																					
	PCA-OP (Operator panel)																				12.3.3	
	Lifter solenoid	☆																				12.3.10
	Head guide assembly	*																				12.3.18
	Loader assembly	☆																				12.3.9
	Threader assembly	☆																				12.3.8
	Pump	☆																				12.3.12
	Motor assembly (file reel)	*																				
	Motor assembly (machine reel)	*																				
	Fan assembly																					12.3.13
	Air filter																					12.3.4
PSU	Power supply unit																					
Tape	Cartridge tape																					
Others	Dirty of head and tape running surface																				12.5.2, 3	
	Setting error																					
	Operation error																					
	Interface cable/terminator																					
ACL	Host system (including SCSI cable)																					
	Automatic cartridge loader																				12.3.14	

Priority of possible causes		Contents											Reference					
			Fault Symptom Code	3C23	3C26			3C31	3C33	3C35	3C36	3C37						
◎ High ○ Middle △ Low			Self Test Rtn2 BPR data mismatch															
* Exchange whole drive. ☆ It is recommend to exchange whole drive. Or specified assembly.			Self Test Rtn2 BST error reported															
			Self Test Rtn3 CRC error not set															
			Self Test Rtn3 BPR data mismatch															
			Self Test Rtn3 BC < > 0 when EXPT = 1															
			Self Test Rtn3 BST error reported															
			Self Test Rtn3 CRC error not reset															
Drive	PCA-FA (Formatter/Analog)																	12.3.2
	PCA-SCF (SCSI/Core function)	◎	◎			◎				◎	◎	◎						12.3.1
	PCA-WA (Write)	☆																12.3.7
	PCA-DVC (Drive control)	☆																12.3.5
	PCA-SV (Servo)	☆																12.3.6
	ROM kit																	
	PCA-OP (Operator panel)																	12.3.3
	Lifter solenoid	☆																12.3.10
	Head guide assembly	*																12.3.18
	Loader assembly	☆																12.3.9
	Threader assembly	☆																12.3.8
	Pump	☆																12.3.12
	Motor assembly (file reel)	*																
	Motor assembly (machine reel)	*																
	Fan assembly																	
Air filter																		12.3.4
PSU	Power supply unit																	
Tape	Cartridge tape																	
Others	Dirty of head and tape running surface																	12.5.2, 3
	Setting error																	
	Operation error																	
	Interface cable/terminator																	
	Host system (including SCSI cable)																	
ACL	Automatic cartridge loader																	12.3.14

Priority of possible causes		Contents	Fault Symptom Code									Reference		
			3C43	3C46	3C58	3C59	3C62	3C63	3C6A	3C6B	3C6C			
<p>Priority of possible causes</p> <p> <input type="radio"/> High  <input type="radio"/> Middle  <input type="radio"/> Low </p> <p>*: Exchange whole drive.</p> <p>☆: It is recommend to exchange whole drive. Or specified assembly.</p>		SelfTest Rtn4 BPR data mismatch												
		SelfTest Rtn4 BPR error reported												
		SelfTest Rtn5 LWR-1v10 fail												
		SelfTest Rtn5 LWR 1v11 fail												
		SelfTest Rtn6/7 No in data avail												
		SelfTest Rtn6/7 BPR data mismatch												
		SelfTest Rtn6/7 Data reversal fail (FMT reported)												
		SelfTest Rtn6/7 Data reversal fail (BPR complt not set)												
		SelfTest Rtn6/7 Data decompression												
Drive	PCA-FA (Formatter/Analog)												12.3.2	
	PCA-SCF (SCSI/Core function)	<input type="radio"/>	<input type="radio"/>		<input type="radio"/>	<input type="radio"/>		<input type="radio"/>	<input type="radio"/>	<input type="radio"/>	<input type="radio"/>	<input type="radio"/>	12.3.1	
	PCA-WA (Write)	☆											12.3.7	
	PCA-DVC (Drive control)	☆											12.3.5	
	PCA-SV (Servo)	☆											12.3.6	
	ROM kit													
	PCA-OP (Operator panel)												12.3.3	
	Lifter solenoid	☆												12.3.10
	Head guide assembly	*												12.3.18
	Loader assembly	☆												12.3.9
	Threader assembly	☆												12.3.8
	Pump	☆												12.3.12
	Motor assembly (file reel)	*												
	Motor assembly (machine reel)	*												
	Fan assemnbly													12.3.13
Air filter													12.3.4	
PSU	Power supply unit													
Tape	Cartridge tape													
Others	Dirty of head and tape running surface												12.5.2, 3	
	Setting error													
	Operation error													
	Interface cable/terminator													
	Host system (including SCSI cable)													
ACL	Automatic cartridge loader												12.3.14	

Priority of possible causes		Contents											Reference					
		Fault Symptom Code	3CE0	3CE1	3CE2						3CF0	3CF1		3CF2				
◎ High ○ Middle △ Low  *: Exchange whole drive.  ☆: It is recommend to exchange whole drive. Or specified assembly.			Buffer error reported	Compression reported error	Timeout waiting for FOT						ADPT error on first pass	BFC error	Compression error					
Drive	PCA-FA (Formatter/Analog)																12.3.2	
	PCA-SCF (SCSI/Core function)	○	○	○						○	○	○					12.3.1	
	PCA-WA (Write)	☆															12.3.7	
	PCA-DVC (Drive control)	☆															12.3.5	
	PCA-SV (Servo)	☆															12.3.6	
	ROM kit																	
	PCA-OP (Operator panel)																	12.3.3
	Lifter solenoid	☆																12.3.10
	Head guide assembly	*																12.3.18
	Loader assembly	☆																12.3.9
	Threader assembly	☆																12.3.8
	Pump	☆																12.3.12
	Motor assembly (file reel)	*																
	Motor assembly (machine reel)	*																
	Fan assembly																	12.3.13
Air filter																	12.3.4	
PSU	Power supply unit																	
Tape	Cartridge tape																	
Others	Dirty of head and tape running surface																12.5.2.3	
	Setting error																	
	Operation error																	
	Interface cable/terminator																	
	Host system (including SCSI cable)																	
ACL	Automatic cartridge loader																12.3.14	

Priority of possible causes		Contents	Fault Symptom Code	Reference						
				4C01	4C02	4C11	4C22	4C31	4CE3	
<p>Priority of possible causes</p> <p>⊙ High ○ Middle △ Low</p> <p>*: Exchange whole drive. ☆: It is recommend to exchange whole drive. Or specified assembly.</p>		SCSI chip indicated error while sending data in program transfer mode and parm								
		SCSI chip indicated error while receiving data in program transfer mode get parm (not parity)								
		SCSI chip indicated error while sending message get msg (not parity)								
		SCSI chip indicated error while receiving cmd in program transfer mode get parm (not parity)								
		SCSI chip indicated error while sending status get stat (not parity)								
		SCSI reported error								
Drive	PCA-FA (Formatter/Analog)									12.3.2
	PCA-SCF (SCSI/Core function)	⊙	⊙	⊙	⊙	⊙	⊙	⊙		12.3.1
	PCA-WA (Write)	☆								12.3.7
	PCA-DVC (Drive control)	☆								12.3.5
	PCA-SV (Servo)	☆								12.3.6
	ROM kit									
	PCA-OP (Operator panel)									12.3.3
	Lifter solenoid	☆								12.3.10
	Head guide assembly	*								12.3.18
	Loader assembly	☆								12.3.9
	Threader assembly	☆								12.3.8
	Pump	☆								12.3.12
	Motor assembly (file reel)	*								
	Motor assembly (machine reel)	*								
	Fan assembly									12.3.13
	Air filter									12.3.4
	PSU	Power supply unit								
Tape	Cartridge tape									
Others	Dirty of head and tape running surface									12.5.2, 3
	Setting error									
	Operation error									
	Interface cable/terminator									
	Host system (including SCSI cable)									
ACL	Automatic cartridge loader									12.3.14

Priority of possible causes		Contents	Fault Symptom Code	5039	Back into BOT	5043	Intervention Required	5045	Drive Assigned Elsewhere	5046	Drive Not Online	5049	Bus Out Parity Check	Reference
Priority of possible causes ● High ○ Middle △ Low  *: Exchange whole drive. ☆: It is recommend to exchange whole drive. Or specified assembly.														
Drive	PCA-FA (Formatter/Analog)			●									△	12.3.2
	PCA-SCF (SCSI/Core function)			●		○		△	△				△	12.3.1
	PCA-WA (Write)	☆												12.3.7
	PCA-DVC (Drive control)	☆		○		●		●	○			○		12.3.5
	PCA-SV (Servo)	☆		△										12.3.6
	ROM kit			○										
	PCA-OP (Operator panel)													12.3.3
	Lifter solenoid	☆												12.3.10
	Head guide assembly	*												12.3.18
	Loader assembly	☆												12.3.9
	Threader assembly	☆												12.3.8
	Pump	☆												12.3.12
	Motor assembly (file reel)	*												
	Motor assembly (machine reel)	*												
	Fan assembly													12.3.13
Air filter													12.3.4	
PSU	Power supply unit													
Tape	Cartridge tape													
Others	Dirty of head and tape running surface													12.5.2, 3
	Setting error							○						
	Operation error								●					
	Interface cable/terminator							△	△			○		
ACL	Host system (including SCSI cable)													
	Automatic cartridge loader													12.3.14

Priority of possible causes		Contents										Reference	
		Fault Symptom Code	8000	8001	8002	8004		8170		8190			
◎ High ○ Middle △ Low  *: Exchange whole drive. ☆: It is recommend to exchange whole drive. Or specified assembly.			Processor error	CS 1 bit error (correction successful)	CS 1 bit error (correction impossible)	Unknown cause write trap		Byte count not zero		MOD14 not equal			
Drive	PCA-FA (Formatter/Analog)				○							12.3.2	
	PCA-SCF (SCSI/Core function)	○	○	○	○		○		○			12.3.1	
	PCA-WA (Write)	☆										12.3.7	
	PCA-DVC (Drive control)	☆										12.3.5	
	PCA-SV (Servo)	☆										12.3.6	
	ROM kit												
	PCA-OP (Operator panel)											12.3.3	
	Lifter solenoid	☆											12.3.10
	Head guide assembly	*											12.3.18
	Loader assembly	☆											12.3.9
	Threader assembly	☆											12.3.8
	Pump	☆											12.3.12
	Motor assembly (file reel)	*											
	Motor assembly (machine reel)	*											
	Fan assembly												12.3.13
	Air filter												12.3.4
	PSU	Power supply unit											
Tape	Cartridge tape												
Others	Dirty of head and tape running surface											12.5 2, 3	
	Setting error												
	Operation error												
	Interface cable/terminator												
	Host system (including SCSI cable)												
ACL	Automatic cartridge loader											12.3.14	



Priority of possible causes		Contents	Reference
Fault Symptom Code			
<p>○ High ○ Middle △ Low</p> <p>*: Exchange whole drive. ☆: It is recommend to exchange whole drive. Or specified assembly.</p>		<p>Write PMT error reg (WElt not zero) in which XX (binary)= Bit 0 - Don't care Bit 1 - Customer data Clt/C error Bit 2 - CRC write error Bit 3 - DRC write error Bit 4 - VRC write error Bit 5 - write formatter path error Bit 6 - write trigger VRC error Bit 7 - Don't care (Bit 0 = MSB, Bit 7 = LSB)</p>	
Drive	PCA-FA (Formatter/Analog)	○	12.3.2
	PCA-SCF (SCSI/Core function)		12.3.1
	PCA-WA (Write)	☆	12.3.7
	PCA-DVC (Drive control)	☆	12.3.5
	PCA-SV (Servo)	☆	12.3.6
	ROM kit		
	PCA-OP (Operator panel)		12.3.3
	Lifter solenoid	☆	12.3.10
	Head guide assembly	*	12.3.18
	Loader assembly	☆	12.3.9
	Threader assembly	☆	12.3.8
	Pump	☆	12.3.12
	Motor assembly (file reel)	*	
	Motor assembly (machine reel)	*	
	Fan assembly		12.3.13
	Air filter		12.3.4
PSU	Power supply unit		
Tape	Cartridge tape		
Others	Dirty of head and tape running surface		12.5.2, 3
	Setting error		
	Operation error		
	Interface cable/terminator		
ACL	Host system (including SCSI cable)		
	Automatic cartridge loader		12.3.14

		Priority of possible causes		Contents											Reference				
		○ High ○ Middle △ Low  *: Exchange whole drive.  ☆: It is recommend to exchange whole drive. Or specified assembly.																	
		Fault Symptom Code		Cannot reset RDE	Cannot detect DPOST by RFIE	Cannot detect RDEND by RFIE	Detect RFIE	Cannot reset WEIT register											
Drive	PCA-FA (Formatter/Analog)	○	○	○	○	○	○	○										12.3.2	
	PCA-SCF (SCSI/Core function)																	12.3.1	
	PCA-WA (Write)	☆																12.3.7	
	PCA-DVC (Drive control)	☆		○	△	△											△	12.3.5	
	PCA-SV (Servo)	☆		○	△	△											△	12.3.6	
	ROM kit			○	△	△											△		
	PCA-OP (Operator panel)																	12.3.3	
	Lifter solenoid	☆																	12.3.10
	Head guide assembly	*																	12.3.18
	Loader assembly	☆																	12.3.9
	Threader assembly	☆																	12.3.8
	Pump	☆																	12.3.12
	Motor assembly (file reel)	*																	
	Motor assembly (machine reel)	*																	
	Fan assembly																		12.3.13
	Air filter																		12.3.4
	PSU	Power supply unit																	
Tape	Cartridge tape				○	○	○										○		
Others	Dirty of head and tape running surface				○	○	○										○	12.5.2, 3	
	Setting error																		
	Operation error																		
	Interface cable/terminator				○														
	Host system (including SCSI cable)																		
ACL	Automatic cartridge loader																	12.3.14	

Priority of possible causes		Contents										Reference	
		Fault Symptom Code	8500	8501	8502	8503	8504	8505	8506	8507			
Priority of possible causes ● High ○ Middle △ Low  *: Exchange whole drive. ☆: It is recommend to exchange whole drive. Or specified assembly.			ADIN on time out	Address compare error	ADIN off time out	TSTI on time out at initiate sequence	Drive status 0 parity error at initiate sequence	SPRBB on time out at initiate sequence	Drive status 1 parity error at initiate sequence	STRBB off or TSTI off time out at initiate sequence			
Drive	PCA-FA (Formatter/Analog)	○	○	○	○	○	○	○	○			12.3.2	
	PCA-SCF (SCSI/Core function)											12.3.1	
	PCA-WA (Write)	☆										12.3.7	
	PCA-DVC (Drive control)	☆	○	○	○	○	○	○	○			12.3.5	
	PCA-SV (Servo)	☆										12.3.6	
	ROM kit												
	PCA-OP (Operator panel)											12.3.3	
	Lifter solenoid	☆										12.3.10	
	Head guide assembly	*										12.3.18	
	Loader assembly	☆										12.3.9	
	Threader assembly	☆										12.3.8	
	Pump	☆										12.3.12	
	Motor assembly (file reel)	*											
	Motor assembly (machine reel)	*											
	Fan assembly											12.3.13	
	Air filter											12.3.4	
	PSU	Power supply unit											
Tape	Cartridge tape												
Others	Dirty of head and tape running surface											12.5.2, 3	
	Setting error												
	Operation error												
	Interface cable/terminator		○	○	○	○	○	○	○	○			
	Host system (including SCSI cable)												
ACL	Automatic cartridge loader										12.3.14		

		Priority of possible causes											Contents	Reference				
		◎ High ○ Middle △ Low  * Exchange whole drive. ☆ It is recommend to exchange whole drive. Or specified assembly.																
		Fault Symptom Code	8510	8511	8512	8513	8514	8515	8516	8517	8518	8519	851A	851B	851C			
Drive	PCA-FA (Formatter/Analog)		◎	◎	◎	◎	◎	◎	◎	◎	◎	◎	◎	◎	◎		12.3.2	
	PCA-SCF (SCSI/Core function)																12.3.1	
	PCA-WA (Write)	☆																12.3.7
	PCA-DVC (Drive control)	☆	△	△	△	△	△	△	△	△	△	△	△	△	△	△		12.3.5
	PCA-SV (Servo)	☆																12.3.6
	ROM kit																	
	PCA-OP (Operator panel)																	12.3.3
	Lifter solenoid	☆																12.3.10
	Head guide assembly	*																12.3.18
	Loader assembly	☆																12.3.9
	Threader assembly	☆																12.3.8
	Pump	☆																12.3.12
	Motor assembly (file reel)	*																
	Motor assembly (machine reel)	*																
	Fan assembly																	12.3.13
	Air filter																	12.3.4
	PSU	Power supply unit																
Tape	Cartridge tape																	
Others	Dirty of head and tape running surface																12.5 2, 3	
	Setting error																	
	Operation error																	
	Interface cable/terminator		△	△	△	△	△	△	△	△	△	△	△	△	△			
Host system (including SCSI cable)																		
ACL	Automatic cartridge loader																12.3.14	

		Priority of possible causes											Reference				
		◎ High ○ Middle △ Low  *: Exchange whole drive. ☆: It is recommend to exchange whole drive. Or specified assembly.	Contents														
Fault Symptom Code		8520	8521	8522	8523	8524	8525	8526	8528	8529							
		TSTHB on time at data transfer out sequence	TSTHB off time at data transfer out sequence	TSTHB on time at data transfer in sequence	Data parity error at data transfer in sequence	TSTHB off time at data transfer in sequence	GPC time out	POSI signal off time out	ADI On at WRXFR	ADI On at RDXFR							
Drive	PCA-FA (Formatter/Analog)	○	○	○	○	○	○	○	○	○			○	○	○	12.3.2	
	PCA-SCF (SCSI/Core function)															12.3.1	
	PCA-WA (Write)	☆														12.3.7	
	PCA-DVC (Drive control)	☆	◎	◎	◎	◎	◎	◎	◎	◎			◎	◎	◎	12.3.5	
	PCA-SV (Servo)	☆														12.3.6	
	ROM kit																
	PCA-OP (Operator panel)																12.3.3
	Lifter solenoid	☆															12.3.10
	Head guide assembly	*															12.3.18
	Loader assembly	☆															12.3.9
	Threader assembly	☆															12.3.8
	Pump	☆															12.3.12
	Motor assembly (file reel)	*															
	Motor assembly (machine reel)	*															
	Fan assembly																12.3.13
	Air filter																12.3.4
	PSU	Power supply unit															
Tape	Cartridge tape																
Others	Dirty of head and tape running surface															12.5.2, 3	
	Setting error																
	Operation error																
	Interface cable/terminator		◎	◎	◎	◎	◎	◎	◎	◎			◎	◎	◎		
	Host system (including SCSI cable)																
ACL	Automatic cartridge loader															12.3.14	

Priority of possible causes		Contents								Reference	
			Fault Symptom Code	Sense reject	Invalid status at REWIND operation	Invalid status at UNLOAD operation	Invalid status at DSH operation	Invalid status at INDICATE operation	Invalid status at SEARCH operation		
◎ High ○ Middle △ Low  *: Exchange whole drive. ☆: It is recommend to exchange whole drive. Or specified assembly.											
Drive	PCA-FA (Formatter/Analog)		○	○	○	○	○	○	○	○	12.3.2
	PCA-SCF (SCSI/Core function)										12.3.1
	PCA-WA (Write)	☆									12.3.7
	PCA-DVC (Drive control)	☆	◎	◎	◎	◎	◎	◎	◎	◎	12.3.5
	PCA-SV (Servo)	☆									12.3.6
	ROM kit										
	PCA-OP (Operator panel)										12.3.3
	Lifter solenoid	☆									12.3.10
	Head guide assembly	*									12.3.18
	Loader assembly	☆									12.3.9
	Threader assembly	☆									12.3.8
	Pump	☆									12.3.12
	Motor assembly (file reel)	*									
	Motor assembly (machine reel)	*									
	Fan assembly										12.3.13
	Air filter										12.3.4
	PSU	Power supply unit									
Tape	Cartridge tape										
Others	Dirty of head and tape running surface										12.5.2, 3
	Setting error										
	Operation error										
	Interface cable/terminator		◎	◎	◎	◎	◎	◎	◎	◎	
	Host system (including SCSI cable)										
ACL	Automatic cartridge loader										12.3.14

Priority of possible causes		Contents											Reference		
			Fault Symptom Code	8541				8547	8548			8551		8552	
◎ High ○ Middle △ Low  * Exchange whole drive. ☆ It is recommend to exchange whole drive. Or specified assembly.			Invalid status when WT, WTM and EIS command are issued						Invalid status when WT, WTM and EIS command are terminated	MTU offline during MTU sense			DED off at synchronous interrupt in DVSCAN	Invalid status at synchronous interrupt in DVSCAN	
Drive	PCA-FA (Formatter/Analog)		○					○	○			○	○		12.3.2
	PCA-SCF (SCSI/Core function)														12.3.1
	PCA-WA (Write)	☆													12.3.7
	PCA-DVC (Drive control)	☆	○				○	○			○	○			12.3.5
	PCA-SV (Servo)	☆													12.3.6
	ROM kit														
	PCA-OP (Operator panel)														12.3.3
	Lifter solenoid	☆													12.3.10
	Head guide assembly	*													12.3.18
	Loader assembly	☆													12.3.9
	Threader assembly	☆													12.3.8
	Pump	☆													12.3.12
	Motor assembly (file reel)	*													
	Motor assembly (machine reel)	*													
	Fan assembly														12.3.13
Air filter														12.3.4	
PSU	Power supply unit														
Tape	Cartridge tape														
Others	Dirty of head and tape running surface														12.5.2, 3
	Setting error														
	Operation error														
	Interface cable/terminator		○				○	○			○	○			
	Host system (including SCSI cable)														
ACL	Automatic cartridge loader														12.3.14

	Priority of possible causes  ◎ High ○ Middle △ Low  *: Exchange whole drive. ☆: It is recommend to exchange whole drive. Or specified assembly.	Contents	Fault Symptom Code											Reference				
				8560	8561	8562												
Drive	PCA-FA (Formatter/Analog)		○	○	○												12.3.2	
	PCA-SCF (SCSI/Core function)																	12.3.1
	PCA-WA (Write)	☆																12.3.7
	PCA-DVC (Drive control)	☆	◎	◎	◎						◎							12.3.5
	PCA-SV (Servo)	☆																12.3.6
	ROM kit																	
	PCA-OP (Operator panel)																	12.3.3
	Lifter solenoid	☆																12.3.10
	Head guide assembly	*																12.3.18
	Loader assembly	☆																12.3.9
	Threader assembly	☆																12.3.8
	Pump	☆																12.3.12
	Motor assembly (file reel)	*																
	Motor assembly (machine reel)	*																
	Fan assembly																	12.3.13
	Air filter																	12.3.4
	PSU	Power supply unit																
Tape	Cartridge tape																	
Others	Dirty of head and tape running surface																12.5.2, 3	
	Setting error																	
	Operation error																	
	Interface cable/terminator		◎	◎	◎					◎								
	Host system (including SCSI cable)																	
ACL	Automatic cartridge loader																12.3.14	



Priority of possible causes		Contents	Fault Symptom Code										Reference	
			8570	8580	8590	85A0	85B0	85C0	85D0	85E0	85F0	85G0		85H0
<p>○ High</p> <p>○ Middle</p> <p>△ Low</p> <p>*: Exchange whole drive.</p> <p>☆: It is recommend to exchange whole drive. Or specified assembly.</p>			MTU not ready		MTU off line		Cannot reset interrupt		RDEND off time out		MTU interrupt time out during disconnect command for error		DED status not received during disconnect command for error recovery	
Drive	PCA-FA (Formatter/Analog)		○		○		○		○		○	○		12.3.2
	PCA-SCF (SCSI/Core function)													12.3.1
	PCA-WA (Write)	☆												12.3.7
	PCA-DVC (Drive control)	☆	○		○		○		○		○	○		12.3.5
	PCA-SV (Servo)	☆												12.3.6
	ROM kit													
	PCA-OP (Operator panel)													12.3.3
	Lifter solenoid	☆												12.3.10
	Head guide assembly	*												12.3.18
	Loader assembly	☆												12.3.9
	Threader assembly	☆												12.3.8
	Pump	☆												12.3.12
	Motor assembly (file reel)	*												
	Motor assembly (machine reel)	*												
	Fan assembly													12.3.13
	Air filter													12.3.4
PSU	Power supply unit		○		○		○		○		○	○		
Tape	Cartridge tape													
Others	Dirty of head and tape running surface													12.5.2.3
	Setting error													
	Operation error		△		△		△				△	△		
	Interface cable/terminator		○		○		○		○		○	○		
	Host system (including SCSI cable)													
ACL	Automatic cartridge loader												12.3.14	

Priority of possible causes		Contents	Fault Symptom Code							Reference
			8600	8700	8710	8720	8730	8780	8790	
○ High ○ Middle △ Low  *: Exchange whole drive. ☆: It is recommend to exchange whole drive. Or specified assembly.		Cannot reset RDE, CIRS and WRS register								
		PHIOK on time out after detection of RHOH at V WDHK								
		Cannot reset PHIOK and DPRE after detecting RDEH								
		Detect pattern not equal at WT, WTM and ERS								
		ERASE error recovery failure								
		PHIOK on time out after detection of RHOH at YXYDHK								
		No STR CHK after PHIOK on								
Drive	PCA-FA (Formatter/Analog)		○	○	○	○	○	○	○	12.3.2
	PCA-SCF (SCSI/Core function)									12.3.1
	PCA-WA (Write)	☆				○	○	○	○	12.3.7
	PCA-DVC (Drive control)	☆								12.3.5
	PCA-SV (Servo)	☆								12.3.6
	ROM kit									
	PCA-OP (Operator panel)									12.3.3
	Lifter solenoid	☆								12.3.10
	Head guide assembly	*				△	△	△	△	12.3.18
	Loader assembly	☆								12.3.9
	Threader assembly	☆								12.3.3
	Pump	☆								12.3.12
	Motor assembly (file reel)	*								
	Motor assembly (machine reel)	*								
	Fan assembly									12.3.13
	Air filter									12.3.4
	PSU	Power supply unit								
Tape	Cartridge tape				○	○	○	○		
Others	Dirty of head and tape running surface				○	○	○	○		12.5.2, 3
	Setting error									
	Operation error									
	Interface cable/terminator				△	△	△	△		
	Host system (including SCSI cable)									
ACL	Automatic cartridge loader									12.3.14

Priority of possible causes		Contents	Block not found (error block)			Backward search miss			Forward search miss			Reference
			Fault Symptom Code	8810	8820	8830						
◎ High ○ Middle △ Low  *: Exchange whole drive. ☆: It is recommend to exchange whole drive. Or specified assembly.												
Drive	PCA-FA (Formatter/Analog)		○	○	○							12.3.2
	PCA-SCF (SCSI/Core function)											12.3.1
	PCA-WA (Write)	☆										12.3.7
	PCA-DVC (Drive control)	☆	◎	◎	◎							12.3.5
	PCA-SV (Servo)	☆	△	△	△							12.3.6
	ROM kit											
	PCA-OP (Operator panel)											12.3.3
	Lifter solenoid	☆										12.3.10
	Head guide assembly	*	△	△	△							12.3.18
	Loader assembly	☆										12.3.9
	Threader assembly	☆										12.3.8
	Pump	☆										12.3.12
	Motor assembly (file reel)	*										
	Motor assembly (machine reel)	*										
	Fan assembly											12.3.13
Air filter											12.3.4	
PSU	Power supply unit											
Tape	Cartridge tape		◎	◎	◎							
Others	Dirty of head and tape running surface		◎	◎	◎							12.5.2, 3
	Setting error											
	Operation error											
	Interface cable/terminator											
	Host system (including SCSI cable)											
ACL	Automatic cartridge loader											12.3.14

Priority of possible causes		Contents	Reference																	
			Fault Symptom Code	8900	8910	8920	8930	8940	8950	8960										
<p>Priority of possible causes</p> <p>● High ○ Middle △ Low</p> <p>* Exchange whole drive. ☆ It is recommend to exchange whole drive. Or specified assembly.</p>		Cannot reset timer carry signal at V WRSUP																		
		Cannot reset WBEND at V WRSUP																		
		Cannot reset WCNE at V WRSUP																		
		WBEND not off until prescribed time at WTM or MRS																		
		WBEND not off until prescribed time at WIDS																		
		WBEND time out																		
		Timer not overflow at analog disable operation																		
Drive	PCA-FA (Formatter/Analog)	●					○		○				○						12.3.2	
	PCA-SCF (SCSI/Core function)	○	●	●			●		●	●	●		○						12.3.1	
	PCA-WA (Write)	☆																	12.3.7	
	PCA-DVC (Drive control)	☆																	12.3.5	
	PCA-SV (Servo)	☆																	12.3.6	
	ROM kit																			
	PCA-OP (Operator panel)																		12.3.3	
	Lifter solenoid	☆																	12.3.10	
	Head guide assembly	*																	12.3.13	
	Loader assembly	☆																	12.3.9	
	Threader assembly	☆																	12.3.8	
	Pump	☆																	12.3.12	
	Motor assembly (file reel)	*																		
	Motor assembly (machine reel)	*																		
	Fan assembly																		12.3.13	
Air filter																		12.3.4		
PSU	Power supply unit																			
Tape	Cartridge tape																			
Others	Dirty of head and tape running surface																		12.5.2, 3	
	Setting error																			
	Operation error																			
	Interface cable/terminator																			
	Host system (including SCSI cable)																			
ACL	Automatic cartridge loader																	12.3.14		

Priority of possible causes		Contents											Reference	
			Palt Symptom Code	8A30	8A40							8AA0		
<p>● High</p> <p>○ Middle</p> <p>△ Low</p> <p>*: Exchange whole drive.</p> <p>☆: It is recommend to exchange whole drive. Or specified assembly.</p>			Back into ROT		Invalid command							Compression flag error		
Drive	PCA-FA (Formatter/Analog)		●										○	12.3.2
	PCA-SCF (SCSI/Core function)		○	●										12.3.1
	PCA-WA (Write)	☆												12.3.7
	PCA-DVC (Drive control)	☆												12.3.5
	PCA-SV (Servo)	☆												12.3.6
	ROM kit													
	PCA-OP (Operator panel)													12.3.3
	Lifter solenoid	☆												12.3.10
	Head guide assembly	*												12.3.18
	Loader assembly	☆												12.3.9
	Threader assembly	☆												12.3.8
	Pump	☆												12.3.12
	Motor assembly (file reel)	*												
	Motor assembly (machine reel)	*												
	Fan assembly													12.3.13
	Air filter													12.3.4
PSU	Power supply unit													
Tape	Cartridge tape													
Others	Dirty of head and tape running surface													12.5.2, 3
	Setting error													
	Operation error													
	Interface cable/terminator													
ACL	Host system (including SCSI cable)													
	Automatic cartridge loader													12.3.14

Priority of possible causes		Contents							Reference
		Fault Symptom Code	9000	9001	9002	9004	9005		
◎ High ○ Middle △ Low  *: Exchange whole drive. ☆: It is recommend to exchange whole drive. Or specified assembly.			Slow begin	Slow end before DPOST is detected	Slow end before IBM is detected	Cannot detect DIRDH at IDS write	Cannot detect DIRG at IDS write		
Drive	PCA-FA (Formatter/Analog)	○	○	○	○	○	○		12.3.2
	PCA-SCF (SCSI/Core function)	○	○	○	○	○	○		12.3.1
	PCA-WA (Write) ☆								12.3.7
	PCA-DVC (Drive control) ☆	○	○	○	◎	◎			12.3.5
	PCA-SV (Servo) ☆	◎	◎	◎	△	△			12.3.6
	ROM kit								
	PCA-OP (Operator panel)								12.3.3
	Lifter solenoid ☆								12.3.10
	Head guide assembly *	△	△	△		△	△		12.3.13
	Loader assembly ☆								12.3.9
	Threader assembly ☆								12.3.8
	Pump ☆								12.3.12
	Motor assembly (file reel) *								
	Motor assembly (machine reel) *								
	Fan assebmly								12.3.13
	Air filter								12.3.4
PSU	Power supply unit								
Tape	Cartridge tape	△	△	△		△	△		
Others	Dirty of head and tape running surface	△	△	△		△	△		12.5.2, 3
	Setting error								
	Operation error								
	Interface cable/terminator					△	△		
	Host system (including SCSI cable)								
ACL	Automatic cartridge loader								12.3.14

Priority of possible causes		Contents											Reference								
			Fault Symptom Code	9180	9181	9182	9183	9184	9185	9186	9187	9188									
◎ High ○ Middle △ Low  * Exchange whole drive.  ☆ It is recommend to exchange whole drive. Or specified assembly.		Over regular counts of DBOB and DTM before HB0B is detected																			
		DBOB off between HB0B and DPRE																			
		DPRE on time out after PHOK on																			
		DBOB off before DPOST is detected																			
		RDEND on before DPOST is detected																			
		RDEND on time out after out DPOST is detected																			
		DBOB and DTM detected after IBG of (n) block end is detected																			
		DBOB and DTM detected after IBG (n-1) block end is detected																			
		Long IBG detected																			
Drive	PCA-FA (Formatter/Analog)		○	○	○	○	○	◎	◎	○	○	○									12.3.2
	PCA-SCF (SCSI/Core function)		○	○	○	○	◎	◎	○	○	○										12.3.1
	PCA-WA (Write)	☆	△	△	△	△	△	△	△	△	○										12.3.7
	PCA-DVC (Drive control)	☆	○	○	○	○	△	△	○	○	○										12.3.5
	PCA-SV (Servo)	☆																			12.3.6
	ROM kit																				
	PCA-OP (Operator panel)																				12.3.3
	Lifter solenoid	☆																			12.3.10
	Head guide assembly	*	△	△	△	△				△	△	△									12.3.18
	Loader assembly	☆																			12.3.9
	Threader assembly	☆																			12.3.8
	Pump	☆																			12.3.12
	Motor assembly (file reel)	*																			
	Motor assembly (machine reel)	*																			
	Fan assembly																				12.3.13
	Air filter																				12.3.4
PSU	Power supply unit																				
Tape	Cartridge tape		◎	◎	◎	◎	△	△	◎	◎	◎										
Others	Dirty of head and tape running surface		◎	◎	◎	◎	△	△	◎	◎	◎									12.5.2, 3	
	Setting error																				
	Operation error																				
	Interface cable/terminator																				
	Host system (including SCSI cable)																				
ACL	Automatic cartridge loader																			12.3.14	

		Priority of possible causes				Contents	Reference
		● High	○ Middle	△ Low			
		* Exchange whole drive.					
		☆ It is recommend to exchange whole drive. Or specified assembly.					
Fault Symptom Code		918A	918B	918C	918D		
		RECA dripped at DID write	Cannot set RECA at DID write	Drop out detected at DDS write	Drop out detected at HIG after DDS write		
Drive	PCA-FA (Formatter/Analog)	●	●	○	○		12.3.2
	PCA-SCF (SCSI/Core function)						12.3.1
	PCA-WA (Write)	☆		○	○		12.3.7
	PCA-DVC (Drive control)	☆		○	○		12.3.5
	PCA-SV (Servo)	☆					12.3.6
	ROM kit						
	PCA-OP (Operator panel)						12.3.3
	Lifter solenoid	☆					12.3.10
	Head guide assembly	*		△	△		12.3.18
	Loader assembly	☆					12.3.9
	Threader assembly	☆					12.3.8
	Pump	☆					12.3.12
	Motor assembly (file reel)	*					
	Motor assembly (machine reel)	*					
	Fan assembly						12.3.13
	Air filter						12.3.4
PSU	Power supply unit						
Tape	Cartridge tape	△	△	●	●		
Others	Dirty of head and tape running surface	△	△	●	●		12.5.2, 3
	Setting error						
	Operation error						
	Interface cable/terminator						
	Host system (including SCSI cable)						
ACL	Automatic cartridge loader						12.3.14



Priority of possible causes		Contents	Fault Symptom Code								Reference												
			9190	9191	9192	9194	9195	9196	9198														
◎ High ○ Middle △ Low  *: Exchange whole drive. ☆: It is recommend to exchange whole drive. Or specified assembly.			Cannot detect regular DTM length	Cannot detect regular length after DTM	Drop out length over after DTM and IHG	Cannot detect regular DERS length	Cannot detect regular IBG length after DERS	BOB or DTM length over after DERS and IBG															
Drive	PCA-FA (Formatter/Analog)		◎	◎		○	◎	◎	◎		○											12.3.2	
	PCA-SCF (SCSI/Core function)																					12.3.1	
	PCA-WA (Write)	☆	△	△	△		△	△	△		△												12.3.7
	PCA-DVC (Drive control)	☆	○	○	○		○	○	○		○												12.3.5
	PCA-SV (Servo)	☆																					12.3.6
	ROM kit																						
	PCA-OP (Operator panel)																						12.3.3
	Lifter solenoid	☆																					12.3.10
	Head guide assembly	*	△	△	△		△	△	△		△												12.3.18
	Loader assembly	☆																					12.3.9
	Threader assembly	☆																					12.3.8
	Pump	☆																					12.3.12
	Motor assembly (file reel)	*																					
	Motor assembly (machine reel)	*																					
	Fan assembly																						12.3.13
	Air filter																						12.3.4
PSU	Power supply unit																						
Tape	Cartridge tape		○	○	◎		○	○	○		◎												
Others	Dirty of head and tape running surface		○	○	◎		○	○	○		◎											12.5.2, 3	
	Setting error																						
	Operation error																						
	Interface cable/terminator																						
	Host system (including SCSI cable)																						
ACL	Automatic cartridge loader																					12.3.14	

		Priority of possible causes		Contents	Reference															
		● High	○ Middle			△ Low														
		* : Exchange whole drive. ☆ : It is recommend to exchange whole drive. Or specified assembly.																		
	Fault Symptom Code	919A	919B	919C	919D	919E	919F													
Drive	PCA-FA (Formatter/Analog)	○	○	●	●	●	△												12.3.2	
	PCA-SCF (SCSI/Core function)																		12.3.1	
	PCA-WA (Write)	☆	△	△	△	△	△	△												12.3.7
	PCA-DVC (Drive control)	☆	○	○	△	△	△	△												12.3.5
	PCA-SV (Servo)	☆	△	△	△	△	△	△												12.3.6
	ROM kit																			
	PCA-OP (Operator panel)																			12.3.3
	Lifter solenoid	☆						△												12.3.10
	Head guide assembly	*	△	△				△												12.3.18
	Loader assembly	☆																		12.3.9
	Threader assembly	☆																		12.3.8
	Pump	☆																		12.3.12
	Motor assembly (file reel)	*																		
	Motor assembly (machine reel)	*																		
	Fan assembly																			12.3.13
	Air filter																			12.3.4
PSU	Power supply unit																			
Tape	Cartridge tape	●	●				●													
Others	Dirty of head and tape running surface	●	●				●												12.5.2, 3	
	Setting error																			
	Operation error																			
	Interface cable/terminator				○	○	○													
	Host system (including SCSI cable)																			
ACL	Automatic cartridge loader																		12.3.14	

	Contents	Priority of possible causes				Reference
		High	Middle	Low		
Fault Symptom Code	91A0	91A1	91A2	91A3		
<p>Priority of possible causes</p> <p>● High ○ Middle △ Low</p> <p>*: Exchange whole drive. ☆: It is recommend to exchange whole drive. Or specified assembly</p>						
Drive	PCA-FA (Formatter/Analog)	△	△	△	△	12.3.2
	PCA-SCF (SCSI/Core function)					12.3.1
	PCA-WA (Write)	☆	○	○	○	12.3.7
	PCA-DVC (Drive control)	☆	△	△	△	12.3.5
	PCA-SV (Servo)	☆				12.3.6
	ROM kit					
	PCA-OP (Operator panel)					12.3.3
	Lifter solenoid	☆	△	△	△	12.3.10
	Head guide assembly	*	△	△	△	12.3.18
	Loader assembly	☆				12.3.9
	Threader assembly	☆				12.3.8
	Pump	☆				12.3.12
	Motor assembly (file reel)	*				
	Motor assembly (machine reel)	*				
	Fan assembly					12.3.13
	Air filter					12.3.4
PSU	Power supply unit					
Tape	Cartridge tape	○	○	○	○	
Others	Dirty of head and tape running surface	○	○	○	○	12.5.2, 3
	Setting error					
	Operation error					
	Interface cable/terminator					
	Host system (including SCSI cable)					
ACL	Automatic cartridge loader					12.3.14

Priority of possible causes		Contents	Fault Symptom Code										Reference	
			91F0	91F1	91F2	91F3	91F4							
◎ High ○ Middle △ Low  *: Exchange whole drive. ☆: It is recommend to exchange whole drive. Or specified assembly.		1. Inline 60 - LWR 1v1 0 failure (read error or 1 or more tracks correcting) 2. Data miscompare 3. Inline 61 - 1 or more links not correcting when they should  Inline 60 - LWR 1v1 2 fails (read error or 1 or more tracks correcting)  Read CRC error at inline read test  1. Inline 60 - Multiple read failures 2. Inline 61 - Multiple read failures on prewritten tape or 1 or more tracks correcting when they should not  Cannot detect file-protected stress tape												
Drive	PCA-FA (Formatter/Analog)	○	○	○	○									12.3.2
	PCA-SCF (SCSI/Core function)													12.3.1
	PCA-WA (Write)	☆				○								12.3.7
	PCA-DVC (Drive control)	☆			△		△							12.3.5
	PCA-SV (Servo)	☆					○							12.3.6
	ROM kit													
	PCA-OP (Operator panel)													12.3.3
	Lifter solenoid	☆												12.3.10
	Head guide assembly	*												12.3.18
	Loader assembly	☆												12.3.9
	Threader assembly	☆							○					12.3.8
	Pump	☆												12.3.12
	Motor assembly (file reel)	*												
	Motor assembly (machine reel)	*												
	Fan assembly													12.3.13
	Air filter													12.3.4
PSU	Power supply unit													
Tape	Cartridge tape				○	△	○							
Others	Dirty of head and tape running surface				○	△							12.5.2, 3	
	Setting error													
	Operation error													
	Interface cable/terminator													
	Host system (including SCSI cable)													
ACL	Automatic cartridge loader												12.3.14	

Priority of possible causes		Contents	Fault Symptom Code	Reference
<p>Priority of possible causes</p> <p>⊙ High ○ Middle △ Low</p> <p>* Exchange whole drive.</p> <p>☆ It is recommend to exchange whole drive. Or specified assembly.</p>		<p>Detect SICK after DIPE in which XX (binary) =</p> <p>Bit 0 - Uncorrectable error Bit 1 - Multiple track error Bit 2 - Skew error Bit 3 - Drop out error Bit 4 - CHS out error Bit 5 - Postamble error Bit 6 - Start read check Bit 7 - End data check (Bit 0 = MSB, Bit 7 = LSB)</p>	<p>92XX</p>	
		<p>CHS is not equal to 00 when WTA.WR in which XX (binary) =</p> <p>Bit 0 - 1 track correction Bit 1 - 2 track correction Bit 2 - 3 track correction Bit 3 - 4 track correction Bit 4 - Disk care Bit 5 - Disk care Bit 6 - Error track in A set Bit 7 - Error track in B set (Bit 0 = MSB, Bit 7 = LSB)</p>	<p>93XX</p>	
Drive	PCA-FA (Formatter/Analog)		○	12.3.2
	PCA-SCF (SCSI/Core function)			12.3.1
	PCA-WA (Write)	☆	○	12.3.7
	PCA-DVC (Drive control)	☆	○	12.3.5
	PCA-SV (Servo)	☆		12.3.6
	ROM kit			
	PCA-OP (Operator panel)			12.3.3
	Lifter solenoid	☆		12.3.10
	Head guide assembly	*	△	12.3.18
	Loader assembly	☆		12.3.9
	Threader assembly	☆		12.3.8
	Pump	☆		12.3.12
	Motor assembly (file reel)	*		
	Motor assembly (machine reel)	*		
	Fan assembly			12.3.13
Air filter			12.3.4	
PSU	Power supply unit			
Tape	Cartridge tape		⊙	
Others	Dirty of head and tape running surface		⊙	12.5.2, 3
	Setting error			
	Operation error			
	Interface cable/terminator			
	Host system (including SCSI cable)			
ACL	Automatic cartridge loader			12.3.14

Priority of possible causes		Contents	Fault Symptom Code							Reference
			9400			9600	9610	9620	9630	
◎ High ○ Middle △ Low  *: Exchange whole drive. ☆: It is recommend to exchange whole drive. Or specified assembly.		EFME and RSYE detected at V. WSNSG				Cannot detect (1 - 1) block at WR, WTM and ERS	Cannot detect IBC at WT, WTM and ERS	XBHD and RBHD not equal at VSNG	ERE and FWRE not equal at V WSNSG	
Drive	PCA-FA (Formatter/Analog)	○			○	○	○			12.3.2
	PCA-SCF (SCSI/Core function)									12.3.1
	PCA-WA (Write)	☆			△	△	△	○		12.3.7
	PCA-DVC (Drive control)	☆			○	○	△	○		12.3.5
	PCA-SV (Servo)	☆								12.3.6
	ROM kit							○		
	PCA-OP (Operator panel)									12.3.3
	Lifter solenoid	☆								12.3.10
	Head guide assembly	*								12.3.18
	Loader assembly	☆								12.3.9
	Threader assembly	☆								12.3.8
	Pump	☆								12.3.12
	Motor assembly (file reel)	*								
	Motor assembly (machine reel)	*								
	Fan assembly									12.3.13
	Air filter									12.3.4
	PSU	Power supply unit								
Tape	Cartridge tape	△			○	○	○	○		
Others	Dirty of head and tape running surface	△			○	○	○	○		12.5.2, 3
	Setting error									
	Operation error									
	Interface cable/terminator									
	Host system (including SCSI cable)									
ACL	Automatic cartridge loader									12.3.14

Priority of possible causes		Contents	Fault Symptom Code	Reference
<p>● High</p> <p>○ Middle</p> <p>△ Low</p> <p>∴ Exchange whole drive.</p> <p>☆ It is recommend to exchange whole drive. Or specified assembly.</p>				
		1 track correction in which XX (binary) = bit 0 - 1 track correction bit 1 - 2 track correction bit 2 - 3 track correction bit 3 - 4 track correction bit 4 - fault care bit 5 - fault care bit 6 - error track 8 in A set bit 7 - error track 8 in B set (bit 0 = MSB, bit 7 = LSB)	97XX	
Drive	PCA-FA (Formatter/Analog)		○	12.3.2
	PCA-SCF (SCSI/Core function)			12.3.1
	PCA-WA (Write)	☆	△	12.3.7
	PCA-DVC (Drive control)	☆	○	12.3.5
	PCA-SV (Servo)	☆		12.3.6
	ROM kit			
	PCA-OP (Operator panel)			12.3.3
	Lifter solenoid	☆		12.3.10
	Head guide assembly	*	△	12.3.18
	Loader assembly	☆		12.3.9
	Threader assembly	☆		12.3.8
	Pump	☆		12.3.12
	Motor assembly (file reel)	*		
	Motor assembly (machine reel)	*		
	Fan assembly			12.3.13
Air filter			12.3.4	
PSU	Power supply unit			
Tape	Cartridge tape		○	
Others	Dirty of head and tape running surface		○	12.5.2, 3
	Setting error			
	Operation error			
	Interface cable/terminator			
	Host system (including SCSI cable)			
ACL	Automatic cartridge loader			12.3.14

		Priority of possible causes		Contents		Reference			
		Fault Symptom Code	Out of data block sequence	RDEND signal not found	Invalid code found during read TII	Not capable	IBC not detected at Y%RDSTT	IBC not detected at Y%SRING	Data block not found
			● High						
			○ Middle						
			△ Low						
			*: Exchange whole drive.						
			☆: It is recommend to exchange whole drive. Or specified assembly.						
Drive	PCA-FA (Formatter/Analog)	○	○	○	○	●	●	●	12.3.2
	PCA-SCF (SCSI/Core function)			△				△	12.3.1
	PCA-WA (Write)	☆	△	△	△	△	△	△	12.3.7
	PCA-DVC (Drive control)	☆	○	○	○	○	○	●	12.3.5
	PCA-SV (Servo)	☆	△	△	△	△	△	△	12.3.6
	ROM kit								
	PCA-OP (Operator panel)								12.3.3
	Lifter solenoid	☆							12.3.10
	Head guide assembly	*	△	△	△	△	△	△	12.3.18
	Loader assembly	☆							12.3.9
	Threader assembly	☆							12.3.8
	Pump	☆							12.3.12
	Motor assembly (file reel)	*							
	Motor assembly (machine reel)	*							
	Fan assembly								12.3.13
Air filter								12.3.4	
PSU	Power supply unit								
Tape	Cartridge tape	○	○	○	○	○	○		
Others	Dirty of head and tape running surface	○	○	○	○	○	○	○	12.5.2, 3
	Setting error								
	Operation error								
	Interface cable/terminator								
	Host system (including SCSI cable)								
ACL	Automatic cartridge loader								12.3.14



Priority of possible causes		Contents	Fault Symptom Code	9AXX	9C00	Detected RPTIE and RSYE at Y%RDSNS	Reference
◎ High ○ Middle △ Low  *: Exchange whole drive.  ☆: It is recommend to exchange whole drive. Or specified assembly.		HDI: is not equal to 0 at HD operation in which XX (binary)--  Bit 0 - Uncorrectable error Bit 1 - Multiple track error Bit 2 - Skew error Bit 3 - Drop out error Bit 4 - CRC error Bit 5 - Postamble error Bit 6 - Start read check Bit 7 - End data check (Bit 0 = MSB, Bit 7 = LSB)					
Drive	PCA-FA (Formatter/Analog)		○				12.3.2
	PCA-SCF (SCSI/Core function)						12.3.1
	PCA-WA (Write)	☆	○				12.3.7
	PCA-DVC (Drive control)	☆	◎				12.3.5
	PCA-SV (Servo)	☆					12.3.6
	ROM kit						
	PCA-OP (Operator panel)						12.3.3
	Lifter solenoid	☆					12.3.10
	Head guide assembly	*	○				12.3.18
	Loader assembly	☆					12.3.9
	Threader assembly	☆					12.3.8
	Pump	☆					12.3.12
	Motor assembly (file reel)	*					
	Motor assembly (machine reel)	*					
	Fan assembly						12.3.13
Air filter						12.3.4	
PSU	Power supply unit						
Tape	Cartridge tape		◎				
Others	Dirty of head and tape running surface		◎				12.5.2, 3
	Setting error						
	Operation error						
	Interface cable/terminator						
	Host system (including SCSI cable)						
ACL	Automatic cartridge loader						12.3.14

Priority of possible causes		Contents	Reference											
			Fault Symptom Code	Running over constant but block and TM not found	Detect no signal status successive									
◎ High ○ Middle △ Low  *: Exchange whole drive. ☆: It is recommend to exchange whole drive. Or specified assembly.			9D00	9D10					9E00	9E10				
Drive	PCA-FA (Formatter/Analog)		○	○					○	◎			12.3.2	
	PCA-SCF (SCSI/Core function)		△	△				△	△				12.3.1	
	PCA-WA (Write)	☆	○	○				○	○				12.3.7	
	PCA-DVC (Drive control)	☆	◎	○				○	○				12.3.5	
	PCA-SV (Servo)	☆											12.3.6	
	ROM kit													
	PCA-OP (Operator panel)												12.3.3	
	Lifter solenoid	☆												12.3.10
	Head guide assembly	*	△	△					△	△				12.3.18
	Loader assembly	☆												12.3.9
	Threader assembly	☆												12.3.8
	Pump	☆												12.3.12
	Motor assembly (file reel)	*												
	Motor assembly (machine reel)	*												
	Fan assembly													12.3.13
Air filter													12.3.4	
PSU	Power supply unit													
Tape	Cartridge tape		◎	◎				◎	○					
Others	Dirty of head and tape running surface		◎	◎				◎	○				12.5.2, 3	
	Setting error													
	Operation error													
	Interface cable/terminator													
	Host system (including SCSI cable)													
ACL	Automatic cartridge loader												12.3.14	

Priority of possible causes		Contents	Fault Symptom Code	Reference
○ High ○ Middle △ Low  *: Exchange whole drive. ☆: It is recommend to exchange whole drive. Or specified assembly.				
		1 track correction in which XX (binary) = Bit 0 - 1 track correction Bit 1 - 2 track correction Bit 2 - 3 track correction Bit 3 - 4 track correction Bit 4 - Don't care Bit 5 - Don't care Bit 6 - Error trk 8 in 1 set Bit 7 - Error trk 8 in 1 set (Bit 0 = MSB, Bit 7 = LSB)	9PXX	
Drive	PCA-FA (Formatter/Analog)	○		12.3.2
	PCA-SCF (SCSI/Core function)			12.3.1
	PCA-WA (Write)	☆ ○		12.3.7
	PCA-DVC (Drive control)	☆ ○		12.3.5
	PCA-SV (Servo)	☆ ○		12.3.6
	ROM kit			
	PCA-OP (Operator panel)			12.3.3
	Lifter solenoid	☆		12.3.10
	Head guide assembly	* △		12.3.18
	Loader assembly	☆		12.3.9
	Threader assembly	☆		12.3.8
	Pump	☆		12.3.12
	Motor assembly (file reel)	*		
	Motor assembly (machine reel)	*		
	Fan assembly			12.3.13
Air filter			12.3.4	
PSU	Power supply unit			
Tape	Cartridge tape	○		
Others	Dirty of head and tape running surface	○		12.5.2, 3
	Setting error			
	Operation error			
	Interface cable/terminator			
	Host system (including SCSI cable)			
ACL	Automatic cartridge loader			12.3.14

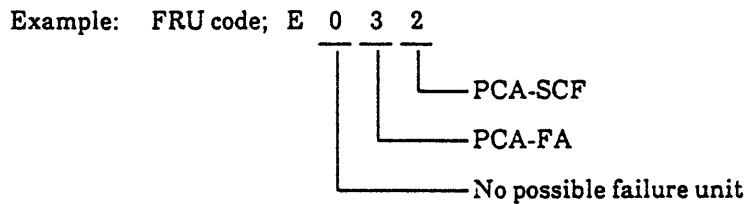
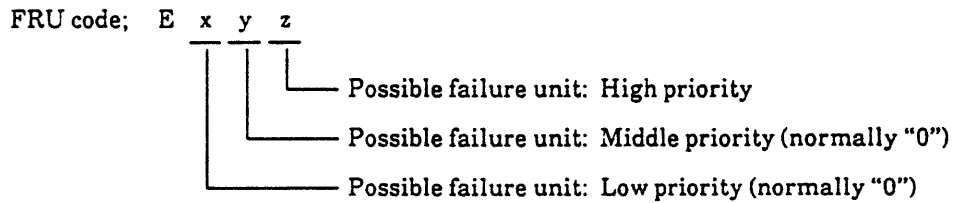
Priority of possible causes		Contents														Reference					
		Fault Symptom Code	E001	E002	E003	E004															
<p>Priority of possible causes</p> <p>● High ○ Middle △ Low</p> <p>*: Exchange whole drive. ☆: It is recommend to exchange whole drive. Or specified assembly.</p>																					
		EOT not set in BST at end of data transfer																			
		Time out waiting for transfer to complete																			
		Overflow set in BST on buffer fetch																			
		Response FJPO not serviced by SIC																			
Drive	PCA-FA (Formatter/Analog)																			12.3.2	
	PCA-SCF (SCSI/Core function)		●	●	●	●															12.3.1
	PCA-WA (Write)	☆																			12.3.7
	PCA-DVC (Drive control)	☆																			12.3.5
	PCA-SV (Servo)	☆																			12.3.6
	ROM kit																				
	PCA-OP (Operator panel)																				12.3.3
	Lifter solenoid	☆																			12.3.10
	Head guide assembly	*																			12.3.18
	Loader assembly	☆																			12.3.9
	Threader assembly	☆																			12.3.8
	Pump	☆																			12.3.12
	Motor assembly (file reel)	*																			
	Motor assembly (machine reel)	*																			
	Fan assembly																				12.3.13
	Air filter																				12.3.4
	PSU	Power supply unit																			
Tape	Cartridge tape																				
Others	Dirty of head and tape running surface																				12.5.2, 3
	Setting error																				
	Operation error																				
	Interface cable/terminator																				
	Host system (including SCSI cable)																				
ACL	Automatic cartridge loader																				12.3.14

Priority of possible causes		Contents	Fault Symptom Code	E1XX	F200	No BFR space assigned to MTU during inline	Reference
○ High ( Middle △ Low  * Exchange whole drive. ☆ It is recommend to exchange whole drive. Or specified assembly.							
Drive	PCA-FA (Formatter/Analog)						12.3.2
	PCA-SCF (SCSI/Core function)	○			○		12.3.1
	PCA-WA (Write)	☆					12.3.7
	PCA-DVC (Drive control)	☆					12.3.5
	PCA-SV (Servo)	☆					12.3.6
	ROM kit						
	PCA-OP (Operator panel)						12.3.3
	Lifter solenoid	☆					12.3.10
	Head guide assembly	*					12.3.18
	Loader assembly	☆					12.3.9
	Threader assembly	☆					12.3.8
	Pump	☆					12.3.12
	Motor assembly (file reel)	*					
	Motor assembly (machine reel)	*					
	Fan assembly						12.3.13
	Air filter						12.3.4
PSU	Power supply unit						
Tape	Cartridge tape						
Others	Dirty of head and tape running surface						12.5.2, 3
	Setting error						
	Operation error						
	Interface cable/terminator						
	Host system (including SCSI cable)						
ACL	Automatic cartridge loader						12.3.14

(3) Field replaceable unit (FRU) code

The MTC detects an error and finds an FRU by a hardware check mechanism and a firmware diagnostic routine.

When a hardware error is detected, a firmware creates and indicates an FRU code on the CE panel. This FRU code indicates a possible failure unit in the MTC section. Each of three-digit hexadecimal number next to "E" indicates the possible failure unit. The nearest hexadecimal number to "E" has a low priority.



When the above FRU code is displayed on the CE panel, the PCA-SCF has the highest possibility of trouble and the PCA-FA has a second possibility of trouble.

FRU code table

Code	Possible failure unit
0	No possible failure unit
1	PCA-SCF (SCSI interface)
2	PCA-SCF (Core function)
3	PCA-FA (Formatter)
4	PCA-FA (Read analog)
5	Reserved
6	Reserved
7	Reserved
8	Reserved
9	Reserved
A	Reserved
B	Reserved
C	Reserved
D	Reserved
E	Reserved
F	Reserved

## 12.2.5 MTU troubleshooting

### (1) Check code

Priority of possible causes		Contents														Reference			
			CODE	00	01	02	03	04	05	06	07	08	09	0A	0B		0C	0D	0E
<p>○ High</p> <p>○ Middle</p> <p>△ Low</p> <p>*: Exchange whole drive.</p> <p>☆: It is recommend to exchange whole drive. Or specified assembly.</p>		MICRO PROCESSOR ERROR																	
		RAM ERROR																	
		REGISTER ERROR																	
		TIMER ERROR																	
		INTERRUPT ERROR (WRONG IRQ TO SERVO)																	
		TOO MANY FTP INTERRUPTS																	
		TOO FEW FTP INTERRUPTS																	
		INTERRUPT ERROR (NMI) FROM INTERFACE MPU																	
		POWER ON RESET HARDWARE ERROR																	
		MACHINE REEL TACHOMETER PHASE ERROR																	
		MACHINE REEL ROTATION COUNTER OVERFLOW																	
		RRC COUNTER COUNTER OVERFLOW																	
		GAP COUNTER PHASE ERROR																	
		ERROR DATA CHECK (SUM CHECK ERROR)																	
		ERROR HARDWARE CHECK																	
Drive	PCA-FA (Formatter/Analog)																		12.3.2
	PCA-SCF (SCSI/Core function)																		12.3.1
	PCA-WA (Write)	☆																	12.3.7
	PCA-DVC (Drive control)	☆	○	○	○	○	○	△	○	○	○	○	○	○	○	○	○	○	12.3.5
	PCA-SV (Servo)	☆							○	○			△	△	△				12.3.6
	ROM kit		○	○	○	○	○				○								
	PCA-OP (Operator panel)																		12.3.3
	Lifter solenoid	☆																	12.3.10
	Head guide assembly	*							△				△	△					12.3.18
	Loader assembly	☆																	12.3.9
	Threader assembly	☆																	12.3.8
	Pump	☆																	12.3.12
	Motor assembly (file reel)	*							○	○			△	○	○				
	Motor assembly (machine reel)	*							○				○	○	○				
	Fan assembly																		12.3.13
Air filter																		12.3.4	
PSU	Power supply unit																		
Tape	Cartridge tape								△				△	△					
Others	Dirty of head and tape running surface																	12.5.2, 3	
	Setting error																		
	Operation error																		
	Interface cable/terminator												△						
	Host system (including SCSI cable)																		
ACL	Automatic cartridge loader																	12.3.14	



Priority of possible causes		Contents	CODE																Reference
			10	11	12	13	14	15	16	17	18	19	1A	1B	1C	1D	1E	1F	
Drive	PCA-FA (Formatter/Analog)																	12.3.2	
	PCA-SCF (SCSI/Core function)																	12.3.1	
	PCA-WA (Write)	☆																12.3.7	
	PCA-DVC (Drive control)	☆	△		○		○	○		△	○	○		○	○			12.3.5	
	PCA-SV (Servo)	☆	○	○						○	○	○	○	○		△	○	12.3.6	
	ROM kit				○		○												
	PCA-OP (Operator panel)																	12.3.3	
	Lifter solenoid	☆																12.3.10	
	Head guide assembly	*																12.3.18	
	Loader assembly	☆	△											○				12.3.9	
	Threader assembly	☆	△															12.3.8	
	Pump	☆	○	△														12.3.12	
	Motor assembly (file reel)	*	○				△		△	○	○	○	○			○			
	Motor assembly (machine reel)	*	○				△		△	○	○	△				△			
	Fan assembly																	12.3.13	
	Air filter																	12.3.4	
	PSU	Power supply unit																	
	Tape	Cartridge tape					○		○	○	△	△	○	△					
Others	Dirty of head and tape running surface																	12.5.2.3	
	Setting error																		
	Operation error												○						
	Interface cable/terminator		△													○			
	Host system (including SCSI cable)																		
ACL	Automatic cartridge loader																	12.3.14	

Priority of possible causes		Contents														Reference				
			CODE	20	21	22	23	24	25	26	27	28	29	2A	2B		2C	2D	2E	2F
Drive	PCA-FA (Formatter/Analog)																		12.3.2	
	PCA-SCF (SCSI/Core function)																		12.3.1	
	PCA-WA (Write)	☆																	12.3.7	
	PCA-DVC (Drive control)	☆				⊙	○	○		⊙		○					⊙	○	12.3.5	
	PCA-SV (Servo)	☆				○				○									12.3.6	
	ROM kit																○	⊙		
	PCA-OP (Operator panel)																		12.3.3	
	Lifter solenoid	☆																	12.3.10	
	Head guide assembly	*																	12.3.18	
	Loader assembly	☆				○						⊙							12.3.9	
	Threader assembly	☆				⊙	⊙			○									12.3.8	
	Pump	☆								△									12.3.12	
	Motor assembly (file reel)	*																		
	Motor assembly (machine reel)	*																		
	Fan assembly																		12.3.13	
	Air filter																		12.3.4	
	PSU	Power supply unit																		
	Tape	Cartridge tape																		
	Others	Dirty of head and tape running surface																		12.5.2, 3
		Setting error																		
Operation error									△											
Interface cable/terminator								△												
Host system (including SCSI cable)																				
ACL	Automatic cartridge loader																		12.3.14	

Priority of possible causes		Contents																	Reference	
			CODE	30	31	32	33	34	35	36	37	38	39	3A	3B	3C	3D	3E		3F
Drive	PCA-FA (Formatter/Analog)														●	●			12.3.2	
	PCA-SCF (SCSI/Core function)																			12.3.1
	PCA-WA (Write)	☆																		12.3.7
	PCA-DVC (Drive control)	☆			○				△						○	○				12.3.5
	PCA-SV (Servo)	☆														○				12.3.6
	ROM kit				●										△	△				
	PCA-OP (Operator panel)																			12.3.3
	Lifter solenoid	☆																		12.3.10
	Head guide assembly	*																		12.3.18
	Loader assembly	☆															△			12.3.9
	Threader assembly	☆																		12.3.8
	Pump	☆																		12.3.12
	Motor assembly (file reel)	*																		
	Motor assembly (machine reel)	*																		
	Fan assembly																			12.3.13
	Air filter																			12.3.4
PSU	Power supply unit																			
Tape	Cartridge tape														●					
Others	Dirty of head and tape running surface									●									12.5.2, 3	
	Setting error																			
	Operation error									○						△				
	Interface cable/terminator																			
	Host system (including SCSI cable)																			
ACL	Automatic cartridge loader																		12.3.14	

Priority of possible causes		Contents		Reference																
				CODE	40	41	42	43	44	45	46	47	48	49	4A	4B	4C	4D	4E	4F
Priority of possible causes ● High ○ Middle △ Low  *: Exchange whole drive. ☆: It is recommend to exchange whole drive. Or specified assembly.		LOADER MOVE TIMEOUT																		
		TAPE PATH SENSOR <CT> & <MR> BOTH ON IN THREAD																		
		TIMER ERROR (HARDWARE)																		
		LEADER BLOCK CANNOT BE PULLED OUT FROM CART																		
		CARTRIDGE LOAD RETRY OUT																		
		TAPE THREAD RETRY OUT																		
		MACHINE REEL TURNS TOO SLOW IN UNLOADING																		
		MACHINE REEL TURNS TOO FAST IN UNLOADING																		
		CARTRIDGE IS STILL IN (NOT EJECTED)																		
		TOO LOOSE OR BROKEN TAPE IS LOADED																		
		THREAD TIME OUT																		
		UNTHREAD TIME OUT																		
		CARTRIDGE UNLOAD TIME OUT																		
		TAPE UNLOAD TIME OUT																		
		TOO FAST THREADING TIME ERROR																		
		TOO FAST UNTHREADING TIME ERROR																		
Drive	PCA-FA (Formatter/Analog)																	12.3.2		
	PCA-SCF (SCSI/Core function)																	12.3.1		
	PCA-WA (Write) ☆																	12.3.7		
	PCA-DVC (Drive control) ☆		○	○	●		△	○	○	○	○	△	○	○	○	○	○	○	12.3.5	
	PCA-SV (Servo) ☆								●	●							●		12.3.6	
	ROM kit				○															
	PCA-OP (Operator panel)																		12.3.3	
	Lifter solenoid ☆																		12.3.10	
	Head guide assembly *																		12.3.18	
	Loader assembly ☆		●				○				●	○				○			12.3.9	
	Threader assembly ☆		●			△		●					●	○			○	○	12.3.8	
	Pump ☆																		12.3.12	
	Motor assembly (file reel) *												○				○			
	Motor assembly (machine reel) *																			
	Fan assembly																		12.3.13	
Air filter																		12.3.4		
PSU	Power supply unit																			
Tape	Cartridge tape																			
Others	Dirty of head and tape running surface																	12.5.2, 3		
	Setting error																			
	Operation error						○	●			△	△		△	△	△	△	△		
	Interface cable/terminator						●						●							
Host system (including SCSI cable)																				
ACL	Automatic cartridge loader																	12.3.14		

Priority of possible causes		Contents													Reference				
		CODE	50	51	52	53	54	55	56	57	58	59	5A	5B		5C	5D	5E	5F
<p>● High</p> <p>○ Middle</p> <p>△ Low</p> <p>*: Exchange whole drive.</p> <p>☆: It is recommend to exchange whole drive. Or specified assembly.</p>			THREADER ARM IS NOT HOME DURING CART LOADING	FILE PROTECT SENSOR IS ALWAYS OFF (WRITE ENABLE)	FILE REEL DIRECTION ERROR BY LOOSE WRAPPING	FILE REEL TURNS TOO FAST BY LOOSE WRAPPING	TAPE PATH SENSOR <CT> IS NOT OFF IN THREADING	FILE REEL DIRECTION ERROR IN THREADING	FILE REEL TURNS TOO SLOW IN UNTHREADING	FILE REEL DIRECTION ERROR IN UNTHREADING	CARTRIDGE "IN" OR "MOUNT" SENSOR FAILURE	MACHINE REEL TACHOMETER FAILURE IN LOAD/UNLOAD	ABNORMAL REEL CLUTCHING IN LOAD	NO CARTRIDGE OR FILE PROTECT SENSOR ERROR(LD)	CARTRIDGE IS NOT LOADING POSITION AT START LD	FILE REEL TURNS TOO FAST AFTER UNTHREADING	MACHINE REEL TURNS TOO SLOW IN CLEANING	MACHINE REEL TURNS TOO FAST IN CLEANING	
Drive	PCA-FA (Formatter/Analog)																	12.3.2	
	PCA-SCF (SCSI/Core function)																		12.3.1
	PCA-WA (Write)	☆																	12.3.7
	PCA-DVC (Drive control)	☆	△	○		○	○	△	△	○	○		○	△			○		12.3.5
	PCA-SV (Servo)	☆		○	○		○		○		○						○	○	12.3.6
	ROM kit																		
	PCA-OP (Operator panel)																		12.3.3
	Lifter solenoid	☆																	12.3.10
	Head guide assembly	*																	12.3.18
	Loader assembly	☆		○							○		○	○					12.3.9
	Threader assembly	☆	○	○			○	○	○	○						○			12.3.8
	Pump	☆																	12.3.12
	Motor assembly (file reel)	*		○	○				○	○	○		○			○			
	Motor assembly (machine reel)	*											○				○		
	Fan assembly																		12.3.13
Air filter																		12.3.4	
PSU	Power supply unit																		
Tape	Cartridge tape				○					△		○		○	○				
Others	Dirty of head and tape running surface																	12.5.2, 3	
	Setting error																		
	Operation error		○	△		△	△		△	△		△	△	○	△	△			
	Interface cable/terminator																		
	Host system (including SCSI cable)																		
ACL	Automatic cartridge loader																	12.3.14	

Priority of possible causes		Contents		Reference														
				CODE	60	61	62	63	64	65	66	67	68	69	6A	6B	6C	6D
<p>● High</p> <p>○ Middle</p> <p>△ Low</p> <p>*: Exchange whole drive.</p> <p>☆: It is recommend to exchange whole drive. Or specified assembly.</p>																		
Drive	PCA-FA (Formatter/Analog)																	12.3.2
	PCA-SCF (SCSI/Core function)																	12.3.1
	PCA-WA (Write)	☆																12.3.7
	PCA-DVC (Drive control)	☆	○	○	○									○				12.3.5
	PCA-SV (Servo)	☆		●	○	○	○	○	○	○								12.3.6
	ROM kit																	
	PCA-OP (Operator panel)																	12.3.3
	Lifter solenoid	☆																12.3.10
	Head guide assembly	*																12.3.18
	Loader assembly	☆																12.3.9
	Threader assembly	☆			△													12.3.8
	Pump	☆																12.3.12
	Motor assembly (file reel)	*			○				○	○								
	Motor assembly (machine reel)	*	○	○	○	○	○							○				
	Fan assembly																	12.3.13
	Air filter																	12.3.4
	PSU	Power supply unit						○	○									
Tape	Cartridge tape												○					
Others	Dirty of head and tape running surface																	12.5.2, 3
	Setting error																	
	Operation error					△												
	Interface cable/terminator					△												
	Host system (including SCSI cable)																	
ACL	Automatic cartridge loader																	12.3.14

Priority of possible causes		Contents														Reference					
		CODE	90	91	92	93	94	95	96	97	98	99	9A	9B	9C		9D	9E	9F		
◎ High ○ Middle △ Low  * Exchange whole drive. ☆ It is recommend to exchange whole drive. Or specified assembly.																					
Drive	PCA-FA (Formatter/Analog)										◎								12.3.2		
	PCA-SCF (SCSI/Core function)									◎										12.3.1	
	PCA-WA (Write)	☆																		12.3.7	
	PCA-DVC (Drive control)	☆	◎																◎	12.3.5	
	PCA-SV (Servo)	☆																		12.3.6	
	ROM kit		○																○		
	PCA-OP (Operator panel)																			12.3.3	
	Lifter solenoid	☆																			12.3.10
	Head guide assembly	*																			12.3.18
	Loader assembly	☆																			12.3.9
	Threader assembly	☆																			12.3.8
	Pump	☆																			12.3.12
	Motor assembly (file reel)	*																			
	Motor assembly (machine reel)	*																			
	Fan assembly																				12.3.13
	Air filter																				12.3.4
	PSU	Power supply unit																			
Tape	Cartridge tape																				
Others	Dirty of head and tape running surface																			12.5.2, 3	
	Setting error																				
	Operation error																				
	Interface cable/terminator																				
ACL	Host system (including SCSI cable)																				
	Automatic cartridge loader																			12.3.14	

Priority of possible causes		Contents	Reference																	
			CODE#	A0	A1	A2	A3	A4	A5	A6	A7	A8	A9	AA	AB	AC	AD	AE	AF	
Drive	PCA-FA (Formatter/Analog)		●	●	○	○					●	●	●		●				12.3.2	
	PCA-SCF (SCSI/Core function)																		12.3.1	
	PCA-WA (Write) ☆																		12.3.7	
	PCA-DVC (Drive control) ☆		○	○	○	○					●	○	○		○				12.3.5	
	PCA-SV (Servo) ☆																		12.3.6	
	ROM kit		△	△	△	△					△	△	△		△					
	PCA-OP (Operator panel)																		12.3.3	
	Lifter solenoid ☆																		12.3.10	
	Head guide assembly *																		12.3.18	
	Loader assembly ☆																		12.3.9	
	Threader assembly ☆																		12.3.8	
	Pump ☆																		12.3.12	
	Motor assembly (file reel) *																			
	Motor assembly (machine reel) *																			
	Fan assembly																		12.3.13	
	Air filter																		12.3.4	
	PSU	Power supply unit																		
	Tape	Cartridge tape																		
	Others	Dirty of head and tape running surface																		12.5.2, 3
		Setting error																		
Operation error					○	○				○										
Interface cable/terminator				○						○										
	Host system (including SCSI cable)									○										
ACL	Automatic cartridge loader																		12.3.14	



Priority of possible causes		Contents	CODE																Reference
			B0	B1	B2	B3	B4	B5	B6	B7	B8	B9	BA	BB	BC	BD	BE	BF	
Drive	PCA-FA (Formatter/Analog)			○	○	○	○		○		○	○	○	○	○	○		12.3.2	
	PCA-SCF (SCSI/Core function)																	12.3.1	
	PCA-WA (Write)	☆																12.3.7	
	PCA-DVC (Drive control)	☆	○		○	○		○		○		○	○	○	○	○		12.3.5	
	PCA-SV (Servo)	☆																12.3.6	
	ROM kit				△	△	△	△		△		△	△	△	△	△	△		
	PCA-OP (Operator panel)																	12.3.3	
	Lifter solenoid	☆																12.3.10	
	Head guide assembly	*																12.3.18	
	Loader assembly	☆																12.3.9	
	Threader assembly	☆																12.3.8	
	Pump	☆																12.3.12	
	Motor assembly (file reel)	*																	
	Motor assembly (machine reel)	*																	
	Fan assembly																	12.3.13	
	Air filter																	12.3.4	
	PSU	Power supply unit																	
	Tape	Cartridge tape																	
Others	Dirty of head and tape running surface																	12.5.2, 3	
	Setting error																		
	Operation error																		
	Interface cable/terminator		○					○											
	Host system (including SCSI cable)		○																
ACL	Automatic cartridge loader																12.3.14		

Priority of possible causes		Contents														Reference				
			CODE	C0	C1	C2	C3	C4	C5	C6	C7	C8	C9	CA	CB		CC	CD	CE	CF
◎ High ○ Middle △ Low  *: Exchange whole drive. ☆: It is recommend to exchange whole drive. Or specified assembly.			LOAD MAGAZINE COMMAND CAN NOT EXECUTE																	
			MOVE MAGAZINE COMMAND PARAMETER ERROR																	
			MOVE MAGAZINE COMMAND CAN NOT EXECUTE																	
			REMOVE MAGAZINE ERROR WHEN CTC LOADING																	
			ACL OVER CURRENT																	
			PINION PHASE ADJUST TIME OUT																	
			BOTTOM STOPPER ARM MOVING RETRY OUT																	
			BOTTOM STOPPER SENSOR <UP> & <DW> BOTH ON																	
			DOWNWARD MAGAZINE MOVING TIME OUT																	
			UPWARD MAGAZINE MOVING TIME OUT																	
			MAGAZINE POSITION MISCALCULATE																	
			MAGAZINE TOP DETECTED DURING MOVING UP OR UNLOADING																	
			CLEANING COMPLETED																	
			CLEANING COMPLETED AFTER SELECT CTCG COMMAND																	
Drive	PCA-FA (Formatter/Analog)																			12.3.2
	PCA-SCF (SCSI/Core function)																			12.3.1
	PCA-WA (Write)	☆																		12.3.7
	PCA-DVC (Drive control)	☆	○	○	○	○	○													12.3.5
	PCA-SV (Servo)	☆																		12.3.6
	ROM kit		○	○	○		△	○						○						
	PCA-OP (Operator panel)																			12.3.3
	Lifter solenoid	☆																		12.3.10
	Head guide assembly	*																		12.3.18
	Loader assembly	☆																		12.3.9
	Threader assembly	☆																		12.3.8
	Pump	☆																		12.3.12
	Motor assembly (file reel)	*																		
	Motor assembly (machine reel)	*																		
	Fan assembly																			12.3.13
Air filter																			12.3.4	
PSU	Power supply unit																			
Tape	Cartridge tape												○	○		○				
Others	Dirty of head and tape running surface																		12.5.2, 3	
	Setting error																			
	Operation error															○				
	Interface cable/terminator																			
	Host system (including SCSI cable)																			
ACL	Automatic cartridge loader																		12.3.14	

		Priority of possible causes														Reference		
		<p> <input checked="" type="radio"/> High  <input type="radio"/> Middle  <input type="radio"/> Low </p> <p>           *: Exchange whole drive.            ☆: It is recommend to exchange whole drive.            Or specified assembly. </p>																
		CODE	Contents															
		D0	D1	D2	D3	D4	D5	D6	D7	D8	D9	DA	DB	DC	DD	DE	DF	
Drive	PCA-FA (Formatter/Analog)																	12.3.2
	PCA-SCF (SCSI/Core function)																	12.3.1
	PCA-WA (Write)	☆																12.3.7
	PCA-DVC (Drive control)	☆	●			○										○		12.3.5
	PCA-SV (Servo)	☆														●		12.3.6
	ROM kit		○	△													△	
	PCA-OP (Operator panel)																	12.3.3
	Lifter solenoid	☆																12.3.10
	Head guide assembly	*																12.3.18
	Loader assembly	☆										●						12.3.9
	Threader assembly	☆																12.3.8
	Pump	☆																12.3.12
	Motor assembly (file reel)	*																
	Motor assembly (machine reel)	*																
	Fan assembly																	12.3.13
Air filter																	12.3.4	
PSU	Power supply unit																	
Tape	Cartridge tape										○							
Others	Dirty of head and tape running surface																	12.5.2, 3
	Setting error															○		
	Operation error			○	○	△	○	○	○	○			○	●			○	
	Interface cable/terminator																	
	Host system (including SCSI cable)																	
ACL	Automatic cartridge loader	○	○	○	○	○	○	○	○	○	○	○	○	○	○	○	○	12.3.14

Priority of possible causes		Contents													Reference				
		CODE	E0	E1	E2	E3	E4	E5	E6	E7	E8	E9	EA	EB		EC	ED	EE	EF
<p>Priority of possible causes</p> <p>⊙ High</p> <p>○ Middle</p> <p>△ Low</p> <p>*: Exchange whole drive.</p> <p>☆: It is recommend to exchange whole drive. Or specified assembly.</p>																			
Drive	PCA-FA (Formatter/Analog)																		12.3.2
	PCA-SCF (SCSI/Core function)										○								12.3.1
	PCA-WA (Write)	☆	○	○			○	○	○	○	○								12.3.7
	PCA-DVC (Drive control)	☆	○	○			△	○				○			○				12.3.5
	PCA-SV (Serve)	☆	○	○			○		○	○	○	○							12.3.6
	ROM kit		△	△			△	△	△	△	△	△				△			
	PCA-OP (Operator panel)																		12.3.3
	Lifter solenoid	☆																	12.3.10
	Head guide assembly	*					○	○											12.3.18
	Loader assembly	☆	○	○							△								12.3.9
	Threader assembly	☆																	12.3.8
	Pump	☆																	12.3.12
	Motor assembly (file reel)	*																	
	Motor assembly (machine reel)	*																	
	Fan assembly																		12.3.13
	Air filter																		12.3.4
PSU	Power supply unit								○	○									
Tape	Cartridge tape																		
Others	Dirty of head and tape running surface																	12.5.2.3	
	Setting error																		
	Operation error																		
	Interface cable/terminator		○	○							○	○							
	Host system (including SCSI cable)																		
ACL	Automatic cartridge loader																	12.3.14	

Priority of possible causes		Contents	Reference																			
			CODE	F0	F1	F2	F3	F4	F5	F6	F7	F8	F9	FA	FB	FC	FD	FE	FF			
<p>○ High</p> <p>○ Middle</p> <p>△ Low</p> <p>*: Exchange whole drive.</p> <p>☆: It is recommend to exchange whole drive. Or specified assembly.</p>																						
Drive	PCA-FA (Formatter/Analog)																			12.3.2		
	PCA-SCF (SCSI/Core function)																				12.3.1	
	PCA-WA (Write)	☆																			12.3.7	
	PCA-DVC (Drive control)	☆	○	○	○	○				○											12.3.5	
	PCA-SV (Servo)	☆																			12.3.6	
	ROM kit																					
	PCA-OP (Operator panel)																					12.3.3
	Lifter solenoid	☆																				12.3.10
	Head guide assembly	*																				12.3.18
	Loader assembly	☆																				12.3.9
	Threader assembly	☆																				12.3.8
	Pump	☆																				12.3.12
	Motor assembly (file reel)	*																				
	Motor assembly (machine reel)	*																				
	Fan assembly			○	○	○	○				○											12.3.13
Air filter																					12.3.4	
PSU	Power supply unit			△	△	△	△			△												
Tape	Cartridge tape																					
Others	Dirty of head and tape running surface																				12.5.2, 3	
	Setting error																					
	Operation error																					
	Interface cable/terminator																					
	Host system (including SCSI cable)																					
ACL	Automatic cartridge loader																				12.3.14	

Priority of possible causes		DIAG. ERROR CODE	Contents								Reference	
			10:ERR41	10:ERR42	10:ERR43	10:ERR44	10:ERR45	10:ERR46	10:ERR47	10:ERR48		
◎ High ○ Middle △ Low  * Exchange whole drive. ☆ It is recommend to exchange whole drive. Or specified assembly.			Defective suspected file reel tacho signal									
			Defective gap counter									
			Defective RRC counter									
			File reel forward detection error									
			File reel backward detection error									
			Defective suspected machine reel tacho signal									
			Machine reel forward detection error									
			Machine reel backward detection error									
Drive	PCA-FA (Formatter/Analog)											12.3.2
	PCA-SCF (SCSI/Core function)											12.3.1
	PCA-WA (Write) ☆											12.3.7
	PCA-DVC (Drive control) ☆	◎	◎	◎	◎	◎	◎	◎	◎	◎		12.3.5
	PCA-SV (Servo) ☆											12.3.6
	ROM kit	○	○	○	○	○	○	○	○	○		
	PCA-OP (Operator panel)											12.3.3
	Lifter solenoid ☆											12.3.10
	Head guide assembly *											12.3.18
	Loader assembly ☆											12.3.9
	Threader assembly ☆											12.3.8
	Pump ☆											12.3.12
	Motor assembly (file reel) *											
	Motor assembly (machine reel) *											
	Fan assembly											12.3.13
Air filter											12.3.4	
PSU	Power supply unit											
Tape	Cartridge tape											
Others	Dirty of head and tape running surface											12.5.2, 3
	Setting error											
	Operation error											
	Interface cable/terminator											
	Host system (including SCSI cable)											
ACL	Automatic cartridge loader											12.3.14

Priority of possible causes		DIAG. ERROR CODE	Contents								Reference
○ High ○ Middle △ Low  *: Exchange whole drive. ☆: It is recommend to exchange whole drive. Or specified assembly.			12:ERR02	12:ERR03	12:ERR04	12:ERR05	12:ERR06	12:ERR07	12:ERR08		
Drive	PCA-FA (Formatter/Analog)										12.3.2
	PCA-SCF (SCSI/Core function)										12.3.1
	PCA-WA (Write)	☆									12.3.7
	PCA-DVC (Drive control)	☆	△	△	△	△	△	△	△		12.3.5
	PCA-SV (Servo)	☆	○	○	○	○	○	○	○		12.3.6
	ROM kit										
	PCA-OP (Operator panel)										12.3.3
	Lifter solenoid	☆									12.3.10
	Head guide assembly	*									12.3.18
	Loader assembly	☆	○	○			○	○	○		12.3.9
	Threader assembly	☆			○	○					12.3.8
	Pump	☆									12.3.12
	Motor assembly (file reel)	*									
	Motor assembly (machine reel)	*									
	Fan assembly										12.3.13
	Air filter										12.3.4
PSU	Power supply unit										
Tape	Cartridge tape										
Others	Dirty of head and tape running surface										12.5.2, 3
	Setting error										
	Operation error										
	Interface cable/terminator										
	Host system (including SCSI cable)										
ACL	Automatic cartridge loader										12.3.14

Priority of possible causes		Contents									Reference		
			DIAG. ERROR CODE	13:ERR01	13:ERR02	13:ERR03	13:ERR04	14:ERR01	14:ERR02	14:ERR03		14:ERR04	
<p>○ High</p> <p>○ Middle</p> <p>△ Low</p> <p>*: Exchange whole drive.</p> <p>☆: It is recommend to exchange whole drive. Or specified assembly.</p>			Forward loading is too slow.	Forward loading is too fast.	Backward loading is too slow	Backward loading is too fast.			Forward threading is too slow.	Forward threading is too fast	Backward threading is too slow.	Backward threading is too fast	
Drive	PCA-FA (Formatter/Analog)												12.3.2
	PCA-SCF (SCSI/Core function)												12.3.1
	PCA-WA (Write) ☆												12.3.7
	PCA-DVC (Drive control) ☆	△	△	△	△			△	△	△	△		12.3.5
	PCA-SV (Servo) ☆	○	○	○	○			○	○	○	○		12.3.6
	ROM kit												
	PCA-OP (Operator panel)												12.3.3
	Lifter solenoid ☆												12.3.10
	Head guide assembly *												12.3.18
	Loader assembly ☆	○	○	○	○								12.3.9
	Threader assembly ☆							○	○	○	○		12.3.8
	Pump ☆												12.3.12
	Motor assembly (file reel) *												
	Motor assembly (machine reel) *												
	Fan assembly												12.3.13
	Air filter												12.3.4
	PSU	Power supply unit											
Tape	Cartridge tape												
	Dirty of head and tape running surface												12.5.2, 3
	Setting error												
	Operation error												
	Interface cable/terminator												
Others	Host system (including SCSI cable)												
ACL	Automatic cartridge loader												12.3.14



Priority of possible causes		DIAG. ERROR CODE	Contents										Reference
			15:ERR01	15:ERR02	15:ERR03	15:ERR04	15:ERR05	15:ERR06	15:ERR08	15:ERR0	15:ERR0D		
<p>● High</p> <p>○ Middle</p> <p>△ Low</p> <p>*: Exchange whole drive.</p> <p>☆: It is recommend to exchange whole drive. Or specified assembly.</p>			Machine reel tachometer A is always "1".	Machine reel tachometer A is always "0".	Machine reel tachometer B is always "1".	Machine reel tachometer B is always "0".	Machine reel tachometer A and B change at same time	Rotational speed of machine reel is too slow.	Phase error in forward rotating of file reel	Phase error in back ward rotating of file reel	Rotational speed of file reel is too fast		
Drive	PCA-FA (Formatter/Analog)												12.3.2
	PCA-SCF (SCSI/Core function)												12.3.1
	PCA-WA (Write)	☆											12.3.7
	PCA-DVC (Drive control)	☆	△	△	△	△	△	△	△	△	△		12.3.5
	PCA-SV (Servo)	☆	○	○	○	○	○	○	○	○	○		12.3.6
	ROM kit												
	PCA-OP (Operator panel)												12.3.3
	Lifter solenoid	☆											12.3.10
	Head guide assembly	*											12.3.18
	Loader assembly	☆											12.3.9
	Threader assembly	☆											12.3.8
	Pump	☆											12.3.12
	Motor assembly (file reel)	*							○	○	○		
	Motor assembly (machine reel)	*	○	○	○	○	○	○					
	Fan assembly												12.3.13
	Air filter												12.3.4
PSU	Power supply unit												
Tape	Cartridge tape												
Others	Dirty of head and tape running surface												12.5.2, 3
	Setting error												
	Operation error												
	Interface cable/terminator												
ACL	Host system (including SCSI cable)												
	Automatic cartridge loader												12.3.14

		DIAG. ERROR CODE	Contents	20:ERROR1	21:ERROR1	Reference
Priority of possible causes ○ High ○ Middle △ Low  *: Exchange whole drive. ☆: It is recommend to exchange whole drive. Or specified assembly.				Loading time is too long.	Loading time is too long.	
Drive	PCA-FA (Formatter/Analog)					12.3.2
	PCA-SCF (SCSI/Core function)					12.3.1
	PCA-WA (Write)	☆				12.3.7
	PCA-DVC (Drive control)	☆	△		△	12.3.5
	PCA-SV (Servo)	☆	○		○	12.3.6
	ROM kit					
	PCA-OP (Operator panel)					12.3.3
	Lifter solenoid	☆				12.3.10
	Head guide assembly	*				12.3.18
	Loader assembly	☆	○		○	12.3.9
	Threader assembly	☆	○		○	12.3.8
	Pump	☆				12.3.12
	Motor assembly (file reel)	*				
	Motor assembly (machine reel)	*				
	Fan assembly					12.3.13
	Air filter					12.3.4
	PSU	Power supply unit				
Tape	Cartridge tape					
Others	Dirty of head and tape running surface	○			○	12.5.2, 3
	Setting error					
	Operation error					
	Interface cable/terminator					
	Host system (including SCSI cable)					
ACL	Automatic cartridge loader					12.3.14

Priority of possible causes		Contents						Reference	
		DIAG. ERROR CODE	22:ERR01	22:ERR02	22:ERR03	22:ERR04	22:ERR05		22:ERR06
<p>Priority of possible causes</p> <p>⊙ High ○ Middle △ Low</p> <p>*: Exchange whole drive. ☆: It is recommend to exchange whole drive. Or specified assembly.</p>			Gap-in position error 1	Gap-in position error 2	Gap-in position error 3	Gap-in position error 4	Gap-in position error 5	Gap-in position error 6	
Drive	PCA-FA (Formatter/Analog)								12.3.2
	PCA-SCF (SCSI/Core function)								12.3.1
	PCA-WA (Write)	☆							12.3.7
	PCA-DVC (Drive control)	☆	⊙	⊙	⊙	⊙	⊙	⊙	12.3.5
	PCA-SV (Servo)	☆							12.3.6
	ROM kit								
	PCA-OP (Operator panel)								12.3.3
	Lifter solenoid	☆							12.3.10
	Head guide assembly	*							12.3.18
	Loader assembly	☆							12.3.9
	Threader assembly	☆							12.3.8
	Pump	☆							12.3.12
	Motor assembly (file reel)	*							
	Motor assembly (machine reel)	*							
	Fan assembly								12.3.13
	Air filter								12.3.4
PSU	Power supply unit								
Tape	Cartridge tape								
Others	Dirty of head and tape running surface								12.5.2, 3
	Setting error								
	Operation error								
	Interface cable/terminator								
	Host system (including SCSI cable)								
ACL	Automatic cartridge loader								12.3.14

		Priority of possible causes		Contents												Reference			
						DIAG. ERROR CODE	23-ERR01	23-ERR02	23-ERR03	23-ERR04	23-ERR05	23-ERR06	23-ERR10	23-ERR11	23-ERR12		23-ERR13	23-ERR14	23-ERR15
		●	High																
		○	Middle																
		△	Low																
		*	Exchange whole drive.																
		☆	It is recommend to exchange whole drive. Or specified assembly.																
Drive	PCA-FA (Formatter/Analog)																12.3.2		
	PCA-SCF (SCSI/Core function)																	12.3.1	
	PCA-WA (Write)	☆																12.3.7	
	PCA-DVC (Drive control)	☆	△	△	△	△	△	△	△			△	△	△	△	△	△	12.3.5	
	PCA-SV (Servo)	☆	●	●	●	●	●	●	●			●	●	●	●	●	●	12.3.6	
	ROM kit																		
	PCA-OP (Operator panel)																	12.3.3	
	Lifter solenoid	☆																	12.3.10
	Head guide assembly	*																	12.3.18
	Loader assembly	☆																	12.3.9
	Threader assembly	☆																	12.3.8
	Pump	☆																	12.3.12
	Motor assembly (file reel)	*	△	△	△	△	△	△	△			△	△	△	△	△	△		
	Motor assembly (machine reel)	*	△	△	△	△	△	△	△			△	△	△	△	△	△		
	Fan assembly																		12.3.13
Air filter																		12.3.4	
PSU	Power supply unit																		
Tape	Cartridge tape																		
Others	Dirty of head and tape running surface																	12.5.2, 3	
	Setting error																		
	Operation error																		
	Interface cable/terminator																		
	Host system (including SCSI cable)																		
ACL	Automatic cartridge loader																	12.3.14	

Priority of possible causes												Reference
		23-ERR20	23-ERR21	23-ERR22	23-ERR23	23-ERR24	23-ERR25	23-ERR26	23-ERR27	23-ERR28	23-ERR29	
<p>● High</p> <p>○ Middle</p> <p>△ Low</p> <p>*: Exchange whole drive.</p> <p>☆: It is recommend to exchange whole drive. Or specified assembly.</p>		Mode changing time is too fast (1)	Mode changing time is too slow (1)	Mode changing time is too fast (2)	Mode changing time is too slow (2)	Mode changing time is too fast (3)	Mode changing time is too slow (3)	Mode changing time is too fast (4)	Mode changing time is too slow (4)	Mode changing time is too fast (5)	Mode changing time is too slow (5)	
Drive	PCA-FA (Formatter/Analog)											12.3.2
	PCA-SCF (SCSI/Core function)											12.3.1
	PCA-WA (Write)	☆										12.3.7
	PCA-DVC (Drive control)	☆	△	△	△	△	△	△	△	△	△	12.3.5
	PCA-SV (Servo)	☆	○	○	○	○	○	○	○	○	○	12.3.6
	ROM kit											
	PCA-OP (Operator panel)											12.3.3
	Lifter solenoid	☆										12.3.10
	Head guide assembly	*										12.3.18
	Loader assembly	☆										12.3.9
	Threader assembly	☆										12.3.8
	Pump	☆										12.3.12
	Motor assembly (file reel)	*	△	△	△	△	△	△	△	△	△	
	Motor assembly (machine reel)	*	△	△	△	△	△	△	△	△	△	
	Fan assembly											12.3.13
	Air filter											12.3.4
PSU	Power supply unit											
Tape	Cartridge tape											
Others	Dirty of head and tape running surface										12.5.2, 3	
	Setting error											
	Operation error											
	Interface cable/terminator											
	Host system (including SCSI cable)											
ACL	Automatic cartridge loader										12.3.14	

Priority of possible causes		Contents										Reference		
		DIAG. ERROR CODE	24:ERR01	24:ERR02	24:ERR03	24:ERR04	24:ERR05	24:ERR06	24:ERR07	24:ERR08	24:ERR09		24:ERR0A	24:ERR0B
<p>○ High</p> <p>○ Middle</p> <p>△ Low</p> <p>*: Exchange whole drive.</p> <p>☆: It is recommend to exchange whole drive. Or specified assembly.</p>			Acceleration time is too fast (1)	Acceleration time is too fast (1)	Acceleration time is too fast (1)	Acceleration time is too fast (1)	Acceleration time is too fast (2)	Acceleration time is too fast (2)	Acceleration time is too fast (2)	Acceleration time is too fast (2)	Acceleration time is too fast (3)	Acceleration time is too fast (3)	Acceleration time is too fast (3)	
Drive	PCA-FA (Formatter/Analog)													12.3.2
	PCA-SCF (SCSI/Core function)													12.3.1
	PCA-WA (Write)	☆												12.3.7
	PCA-DVC (Drive control)	☆	△	△	△	△	△	△	△	△	△	△	△	12.3.5
	PCA-SV (Servo)	☆	○	○	○	○	○	○	○	○	○	○	○	12.3.6
	ROM kit													
	PCA-OP (Operator panel)													12.3.3
	Lifter solenoid	☆												12.3.10
	Head guide assembly	*												12.3.18
	Loader assembly	☆												12.3.9
	Threader assembly	☆												12.3.3
	Pump	☆												12.3.12
	Motor assembly (file reel)	*	△	△	△	△	△	△	△	△	△	△	△	
	Motor assembly (machine reel)	*	△	△	△	△	△	△	△	△	△	△	△	
	Fan assembly													12.3.13
	Air filter													12.3.4
	PSU	Power supply unit												
Tape	Cartridge tape													
Others	Dirty of head and tape running surface													12.5.2, 3
	Setting error													
	Operation error													
	Interface cable/terminator													
ACL	Host system (including SCSI cable)													
	Automatic cartridge loader													12.3.14

Priority of possible causes	DIAG. ERROR CODE	Contents	Reference	
◎ High ○ Middle △ Low *: Exchange whole drive. ☆: It is recommend to exchange whole drive. Or specified assembly.	PCA-FA (Formatter/Analog)	25:ERRx1	Illegal maximum tape speed	12.3.2
	PCA-SCF (SCSI/Core function)	25:ERRx2	Illegal average tape speed	12.3.1
	PCA-WA (Write)	25:ERRx3	Illegal maximum and average tape speed	
	PCA-DVC (Drive control)	25:ERRx4	Illegal minimum tape speed	
	PCA-SV (Servo)	25:ERRx5	Illegal maximum and minimum tape speed	
	ROM kit	25:ERRx6	Illegal average and minimum tape speed	
	PCA-OP (Operator panel)	25:ERRx7	Illegal maximum, average and minimum tape speed	
	Lifter solenoid	25:ERR0x	(Error occurred by MF command around BOT)	
	Head guide assembly	25:ERR1x	(Error occurred by MB command around BOT)	
	Loader assembly	25:ERR2x	(Error occurred by WT command around BOT)	
	Threader assembly	25:ERR3x	(Error occurred by MF command around MOT)	
	Pump	25:ERR4x	(Error occurred by MB command around MOT)	
	Motor assembly (file reel)	25:ERR5x	(Error occurred by WT command around MOT)	
	Motor assembly (machine reel)	25:ERR6x	(Error occurred by MF command around EOT)	
	Fan assembly	25:ERR7x	(Error occurred by MB command around EOT)	
Air filter	25:ERR8x	(Error occurred by WT command around EOT)		
PSU				
Power supply unit				
Tape				
Cartridge tape				
Dirty of head and tape running surface				12.5.2.3
Setting error				
Operation error				
Interface cable/terminator				
Host system (including SCSI cable)				
Others				
Automatic cartridge loader				12.3.14
ACL				

Priority of possible causes		DIAG. ERROR CODE	Contents										Reference					
			Illegal position from MF to MF command	Illegal position from MF to MB command	Illegal position from MF to WT command	Illegal position from MB to WF command	Illegal position from MB to MB command	Illegal position from MB to WT command	Illegal position from WT to MB command	Illegal position from WT to WT command	Illegal position from MB to WT command	(Error occurred around HOY)		(Error occurred around BOY)				
Drive	PCA-FA (Formatter/Analog)																12.3.2	
	PCA-SCF (SCSI/Core function)																	12.3.1
	PCA-WA (Write)	☆																12.3.7
	PCA-DVC (Drive control)	☆	○	○	○	○	○	○	○	○	○	○	○	○	○	○	○	12.3.5
	PCA-SV (Servo)	☆																12.3.6
	ROM kit																	
	PCA-OP (Operator panel)																	12.3.3
	Lifter solenoid	☆																12.3.10
	Head guide assembly	*																12.3.18
	Loader assembly	☆																12.3.9
	Threader assembly	☆																12.3.8
	Pump	☆																12.3.12
	Motor assembly (file reel)	*																
	Motor assembly (machine reel)	*																
	Fan assembly																	12.3.13
Air filter																	12.3.4	
PSU	Power supply unit																	
Tape	Cartridge tape																	
Others	Dirty of head and tape running surface																12.5.2, 3	
	Setting error																	
	Operation error																	
	Interface cable/terminator																	
	Host system (including SCSI cable)																	
ACL	Automatic cartridge loader																12.3.14	



Priority of possible causes		DIAG. ERROR CODE	Contents								Reference
			27:ERR01		28:ERR01		29:ERR01	29:ERR02	29:ERR03	29:ERR04	
◎ High ○ Middle △ Low  *: Exchange whole drive. ☆: It is recommend to exchange whole drive. Or specified assembly.			Execution of Search command is too late		Execution of DSE command is too late.		Distance between FOT and PEOT at write is too short	Distance between FOT and PEOT at write is too long.	Distance between FOT and PEOT at read is too short.	Distance between FOT and PEOT at read is too long.	
Drive	PCA-FA (Formatter/Analog)										12.3.2
	PCA-SCF (SCSI/Core function)										12.3.1
	PCA-WA (Write)	☆									12.3.7
	PCA-DVC (Drive control)	☆	△	△		△	△	△	△		12.3.5
	PCA-SV (Servo)	☆	◎	◎		○	○	○	○		12.3.6
	ROM kit										
	PCA-OP (Operator panel)										12.3.3
	Lifter solenoid	☆									12.3.10
	Head guide assembly	*									12.3.18
	Loader assembly	☆									12.3.9
	Threader assembly	☆									12.3.8
	Pump	☆									12.3.12
	Motor assembly (file reel)	*	△	△		△	△	△	△		
	Motor assembly (machine reel)	*	△	△		△	△	△	△		
	Fan assembly										12.3.13
	Air filter										12.3.4
PSU	Power supply unit										
Tape	Cartridge tape	◎	◎		◎	◎	◎	◎			
Others	Dirty of head and tape running surface										12.5.2, 3
	Setting error										
	Operation error										
	Interface cable/terminator										
	Host system (including SCSI cable)										
ACL	Automatic cartridge loader										12.3.14

Priority of possible causes		DIAG. ERROR CODE	Contents										Reference
			Execution time of Rewind command is too late.					Execution time of Unload command is too late.					
<p>● High</p> <p>○ Middle</p> <p>△ Low</p> <p>*. Exchange whole drive.</p> <p>☆: It is recommend to exchange whole drive. Or specified assembly.</p>													
Drive	PCA-FA (Formatter/Analog)												12.3.2
	PCA-SCF (SCSI/Core function)												12.3.1
	PCA-WA (Write)	☆											12.3.7
	PCA-DVC (Drive control)	☆	△						△				12.3.5
	PCA-SV (Servo)	☆	○						○				12.3.6
	ROM kit												
	PCA-OP (Operator panel)												12.3.3
	Lifter solenoid	☆											12.3.10
	Head guide assembly	*											12.3.18
	Loader assembly	☆							○				12.3.9
	Threader assembly	☆							○				12.3.8
	Pump	☆											12.3.12
	Motor assembly (file reel)	*	△						△				
	Motor assembly (machine reel)	*	△						△				
	Fan assembly												12.3.13
	Air filter												12.3.4
PSU	Power supply unit												
Tape	Cartridge tape		○						△				
Others	Dirty of head and tape running surface												12.5.2, 3
	Setting error												
	Operation error												
	Interface cable/terminator												
	Host system (including SCSI cable)												
ACL	Automatic cartridge loader											12.3.14	

Priority of possible causes  ◎ High ○ Middle ◐ Low  *: Exchange whole drive. ☆: It is recommend to exchange whole drive. Or specified assembly.		Contents							Reference		
		DIAG. ERROR CODE	40.ERR30	40.ERR31	40.ERR40	40.ERR50	40.ERR60	40.ERR70		41.ERR01	
Drive	PCA-FA (Formatter/Analog)									12.3.2	
	PCA-SCF (SCSI/Core function)									12.3.1	
	PCA-WA (Write)	☆								12.3.7	
	PCA-DVC (Drive control)	☆	○	○				○		12.3.5	
	PCA-SV (Servo)	☆								12.3.6	
	ROM kit										
	PCA-OP (Operator panel)									12.3.3	
	Lifter solenoid	☆								12.3.10	
	Head guide assembly	*								12.3.18	
	Loader assembly	☆								12.3.9	
	Threader assembly	☆								12.3.8	
	Pump	☆								12.3.12	
	Motor assembly (file reel)	*									
	Motor assembly (machine reel)	*									
	Fan assembly									12.3.13	
	Air filter									12.3.4	
PSU	Power supply unit										
Tape	Cartridge tape										
Others	Dirty of head and tape running surface									12.5.2, 3	
	Setting error										
	Operation error			◎	◎	◎	◎				
	Interface cable/terminator										
	Host system (including SCSI cable)										
ACL	Automatic cartridge loader		◎	◎	○	○	○	○	○		12.3.14



Priority of possible causes		Contents											Reference					
		DIAG. ERROR CODE	Time out	LWR2 (external mode) error	LWR1 (internal mode) error	LWR1 (normal mode) error	Media error	Write (100Bytes) error	Write (1KB) error	Write (32KB) error	Write (64KB) error	Read (100KBytes) error		Read (1KB) error	Read (32KB) error	Read (64KB) error	Read backward (000Bytes) error	Read backward (1KB) error
Drive	PCA-FA (Formatter/Analog)	○	○	○	○	○	○	○	○	○	○	○	○	○	○	○	○	12.3.2
	PCA-SCF (SCSI/Core function)	○		○	○	○	○	○	○	○	○	○	○	○	○	○	○	12.3.1
	PCA-WA (Write)	☆																12.3.7
	PCA-DVC (Drive control)	☆	△	○			○	○	○	○	○	○	○	○	○	○	○	12.3.5
	PCA-SV (Servo)	☆		○			○	○	○	○	○	○	○	○	○	○	○	12.3.6
	ROM kit																	
	PCA-OP (Operator panel)																	12.3.3
	Lifter solenoid	☆																12.3.10
	Head guide assembly	*					△	○	○	○	○	○	○	○	○	○	○	12.3.18
	Loader assembly	☆																12.3.9
	Threader assembly	☆																12.3.8
	Pump	☆																12.3.12
	Motor assembly (file reel)	*																
	Motor assembly (machine reel)	*																
	Fan assembly																	12.3.13
	Air filter																	12.3.4
	PSU	Power supply unit																
Tape	Cartridge tape						○	○	○	○	○	○	○	○	○	○		
Others	Dirty of head and tape running surface						○	○	○	○	○	○	○	○	○	○	12.5.2, 3	
	Setting error																	
	Operation error																	
	Interface cable/terminator	○	△															
	Host system (including SCSI cable)																	
ACL	Automatic cartridge loader																12.3.11	

Priority of possible causes		Contents										Reference	
		DIAG. ERROR CODE	5X:ERR10	5X:ERR11	5X:ERR12	5X:ERR13	5X:ERR14	5X:ERR15	5X:ERR16	5X:ERR17	5X:ERR18		
Priority of possible causes ○ High ○ Middle △ Low  *: Exchange whole drive. ☆: It is recommend to exchange whole drive. Or specified assembly.			Read backward (32KB) error	Read backward (64KB) error	Locate error	Rewind error	Backspace file error	Forward space file error	Erase error	Write tape mark error	Lifter error		
Drive	PCA-FA (Formatter/Analog)	○	○	○	○	○	○	○	○			12.3.2	
	PCA-SCF (SCSI/Core function)	○	○						○	○		12.3.1	
	PCA-WA (Write)	☆										12.3.7	
	PCA-DVC (Drive control)	☆	○	○	○	○	○	○	○	○		12.3.5	
	PCA-SV (Servo)	☆	○	○	○	○	○	○	○	○		12.3.6	
	ROM kit												
	PCA-OP (Operator panel)											12.3.3	
	Lifter solenoid	☆								○		12.3.10	
	Head guide assembly	*	○	○			○	○	○	○	○	12.3.18	
	Loader assembly	☆										12.3.9	
	Threader assembly	☆										12.3.8	
	Pump	☆								△		12.3.12	
	Motor assembly (file reel)	*											
	Motor assembly (machine reel)	*											
	Fan assembly											12.3.13	
	Air filter											12.3.4	
	PSU	Power supply unit											
Tape	Cartridge tape	○	○										
Others	Dirty of head and tape running surface	○	○									12.5.2, 3	
	Setting error												
	Operation error												
	Interface cable/terminator												
ACL	Host system (including SCSI cable)												
	Automatic cartridge loader											12.3.14	

Priority of possible causes		Contents											Reference		
			DIAG. ERROR CODE	60:ERR01	61:ERR01	61:ERR02	61:ERR03	62:ERR01							
<p>Priority of possible causes</p> <p>● High ○ Middle △ Low</p> <p>*. Exchange whole drive. ☆: It is recommend to exchange whole drive. Or specified assembly.</p>			UNPROTECTED CARTRIDGE IS DETECTED	CLEANING CARTRIDGE CANNOT BE DETECTED	TOO SHORT CLEANING TIME	TOO LONG CLEANING TIME	METAL SENSOR DOES NOT DETECTED								
Drive	PCA-FA (Formatter/Analog)														12.3.2
	PCA-SCF (SCSI/Core function)														12.3.1
	PCA-WA (Write)	☆													12.3.7
	PCA-DVC (Drive control)	☆	○	○	○	○	○								12.3.5
	PCA-SV (Servo)	☆			●	●									12.3.6
	ROM kit														
	PCA-OP (Operator panel)														12.3.3
	Lifter solenoid	☆													12.3.10
	Head guide assembly	*													12.3.18
	Loader assembly	☆	○	○				○							12.3.9
	Threader assembly	☆													12.3.8
	Pump	☆													12.3.12
	Motor assembly (file reel)	*				△	△								
	Motor assembly (machine reel)	*				△	△								
	Fan assembly														12.3.13
	Air filter														12.3.4
PSU	Power supply unit														
Tape	Cartridge tape														
Others	Dirty of head and tape running surface														12.5.2, 3
	Setting error														
	Operation error		○	○			○								
	Interface cable/terminator														
ACL	Host system (including SCSI cable)														
	Automatic cartridge loader													12.3.14	

### 12.3 Parts Replacement

This section explains the replacement procedure of the spare parts.  
Table 12.1 lists the spare parts.

Table 12.1 Spare parts

Item	Parts name	Part number	Reference
1	M2483BM MTU (2 m/s, 3 MB/S, Differential SCSI)	B03B-5530-B112A	12.3.2
5	M2481X11 ACL	B03B-5405-H111A	12.3.3
6	Power Supply Unit	B14L-5105-0326A#A1	12.3.1



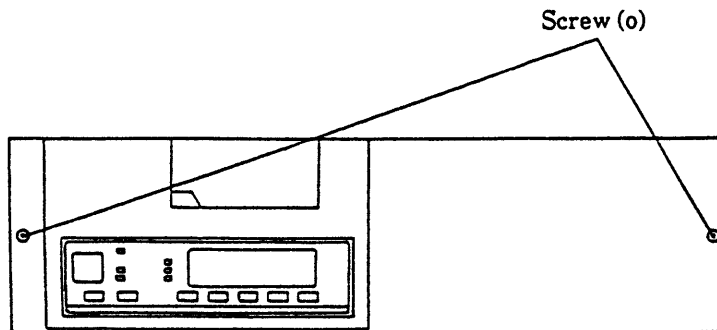
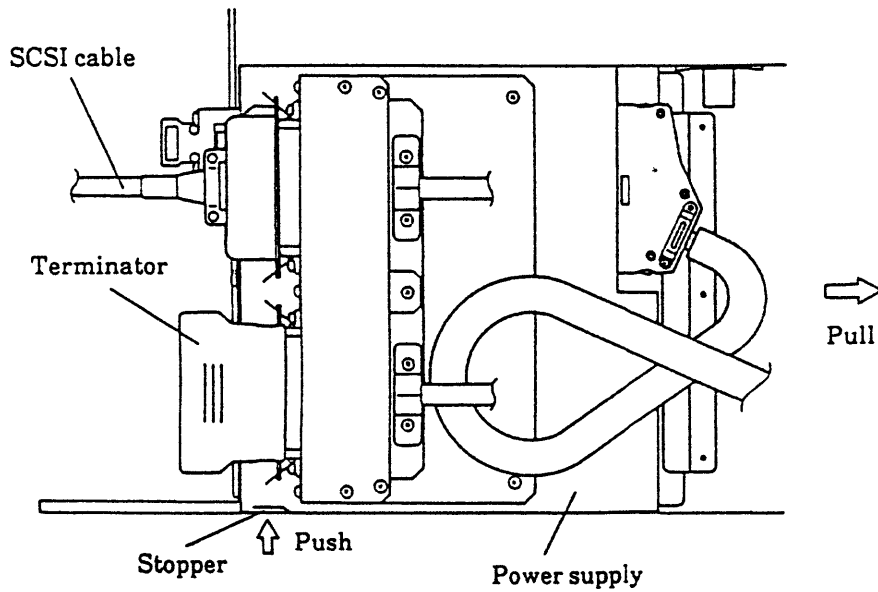
### 12.3.1 Inner cover replacement

#### (1) Drawing-out the inner cover

- ① Remove the SCSI cable and terminator.
- ② Remove 2 screw (o) and then remove the front panel.
- ③ Drawing-out the inner cover with pushing the stopper.

#### (2) Pushing inner cover into mounting tray

- ① Pushing the inner cover into the mounting tray till the stopper is locked.
- ② Fix the front panel with 2 screws (o).



### 12.3.2 Power supply replacement

#### (1) Removal

- ① Remove the DC power cable to the right connector at the rear of MTU.
- ② Remove the 2 screws (m).
- ③ Pull out the power supply to the inner cover.

#### (2) Mounting

- ① Mount the power supply in the reverse order of the removal procedure.

### 12.3.3 MTU replacement

#### (1) Removal

- ① Remove the power supply.
- ② Remove the SCSI cable and terminator cable at the rear of MTU.
- ③ Remove 1 screw (r).
- ④ Remove 4 screws (P) and remove the MTU.

#### (2) Mounting

- ① Mount the MTU in the reverse order of the removal procedure.

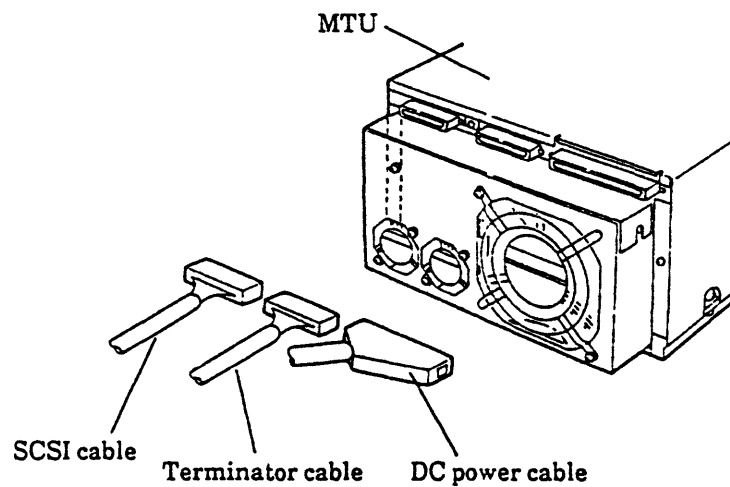


Figure 12.1 Remount 19-inch rack (with drive and Power Supply) (1/2)

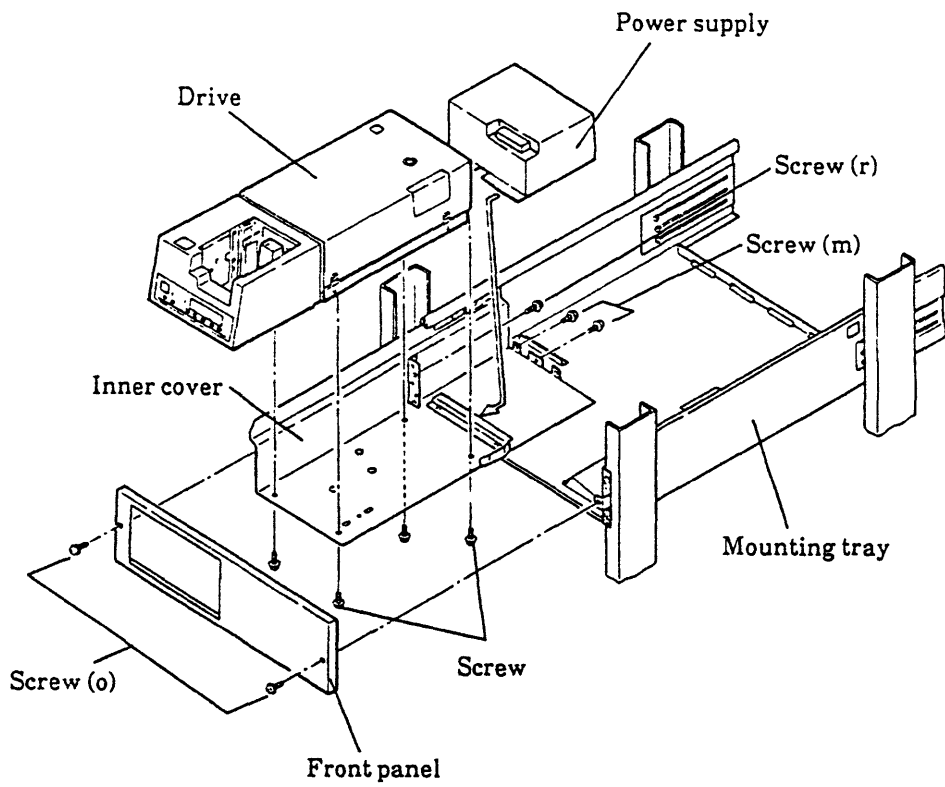


Figure 12.1 Remount 19-inch rack (with drive and Power Supply) (2/2)

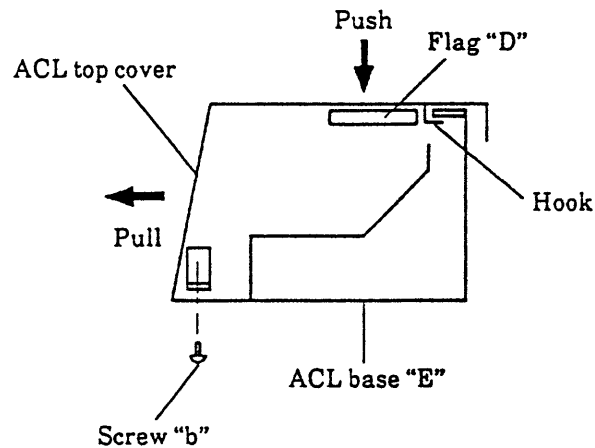
### 12.3.4 Automatic cartridge loader replacement

Refer to Subsection

#### (1) ACL mechanism replacement

##### a. Removal

- ① Remove two screws (b) securing the ACL top cover.
- ② Pull the ACL top cover to the front side while pressing the flag (D) with your finger. When the hook is released, lift up the ACL top cover.



- ③ Remove four screws (c) from the ACL base (E).
- ④ Lift up the ACL mechanism slowly and remove the interface cable (I) and operator panel cable (H). Then, remove the ACL mechanism.

##### b. Mounting

- ① Mount the ACL mechanism in the reverse order of the removal procedure.

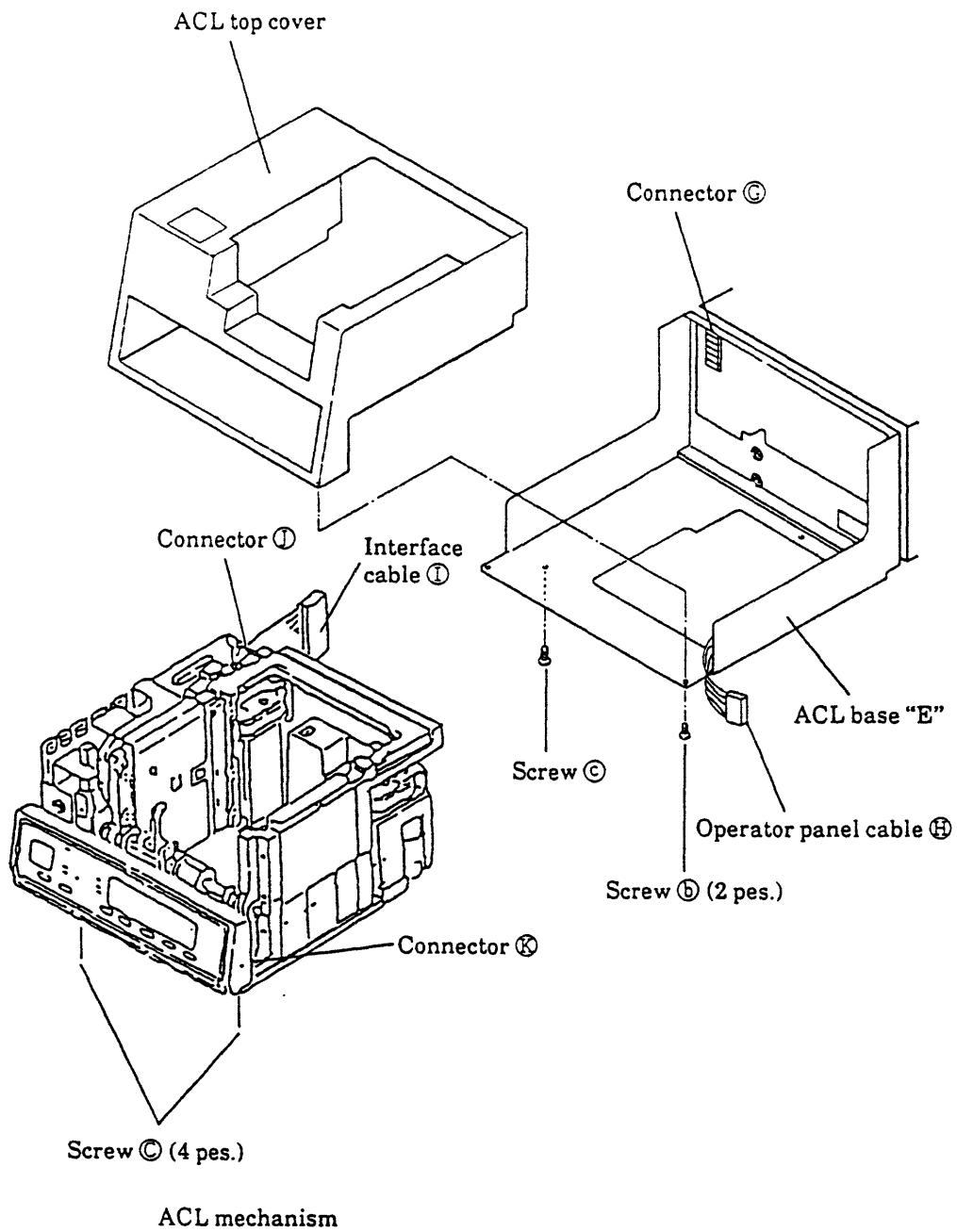
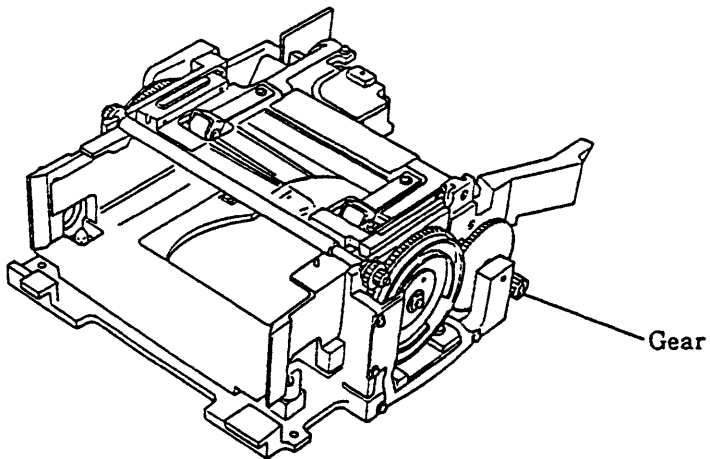
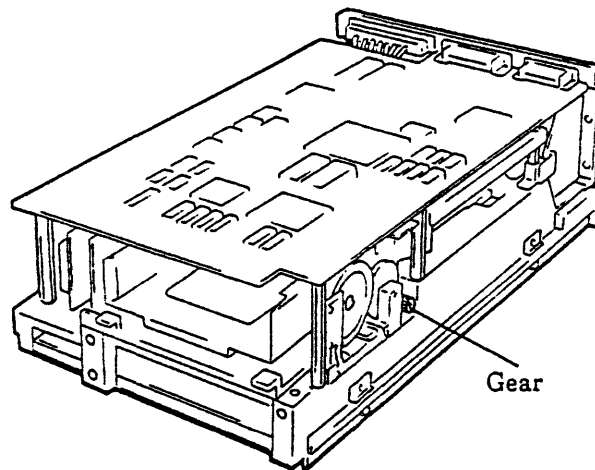


Figure 12.2 ACL mechanism replacement

### 12.3.5 Cartridge tape removal

#### (1) Stopped during loading

- ① Remove the top cover.
- ② Confirm that the tape is wound up completely into the cartridge.
- ③ Turn the gear shown in Figure 12.3 counter clockwise by the phillips screwdriver and remove the cartridge.



#### Note:

This removal work can be done in the state that the loader assembly is mounted.

Figure 12.3 Cartridge tape removal (stopped during loading)

(2) Stopped during threading

- ① Remove the PCA-SCF.
- ② Confirm that the tape is not wound into the mechine reel.
- ③ Remove the threader assembly.
- ④ Remove the leader block from the threader pin.
- ⑤ Place the drive unit left side down.
- ⑥ Store the leader block into the cartridge by turning the file reel motor from the bottom side with a phillips screwdriver.

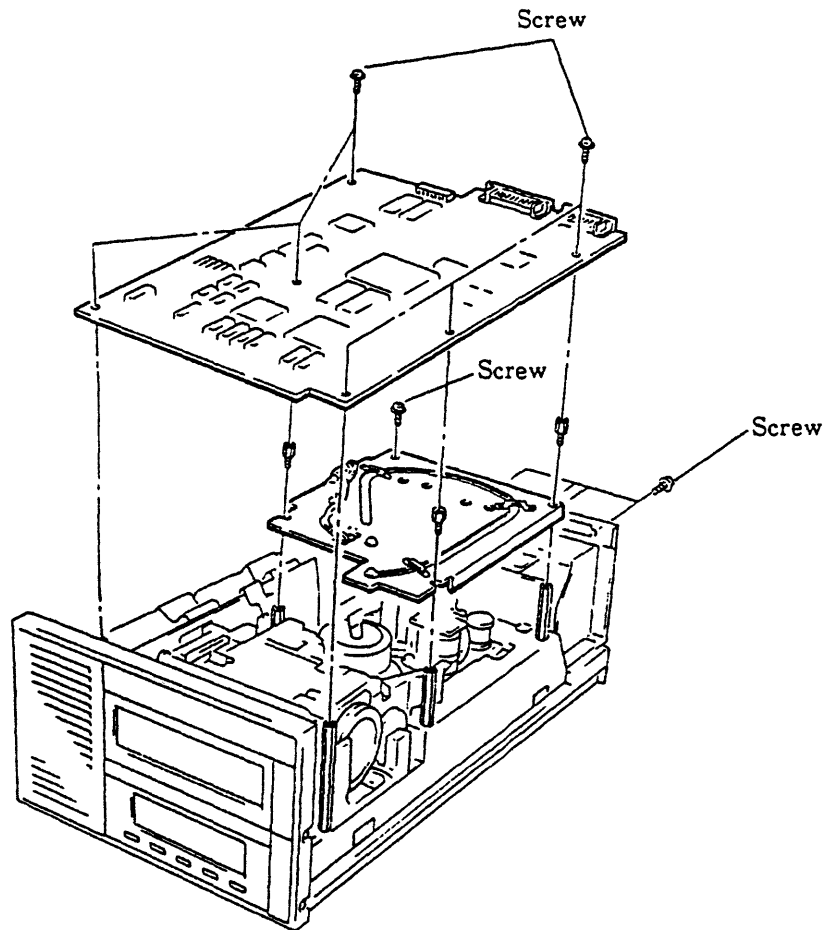
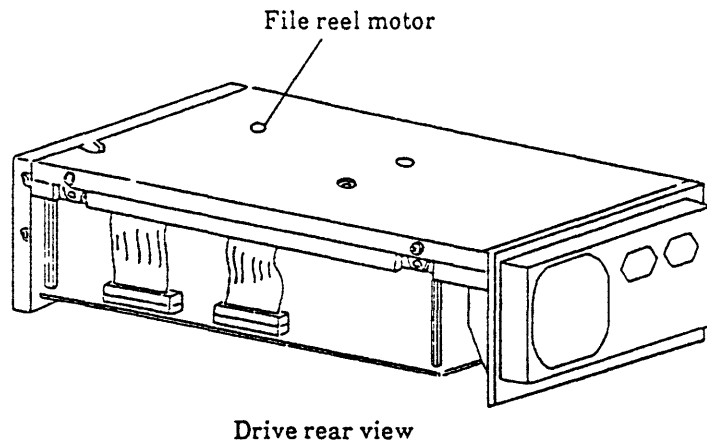


Figure 12.4 Cartridge tape removal (stopped during threading) (1/2)

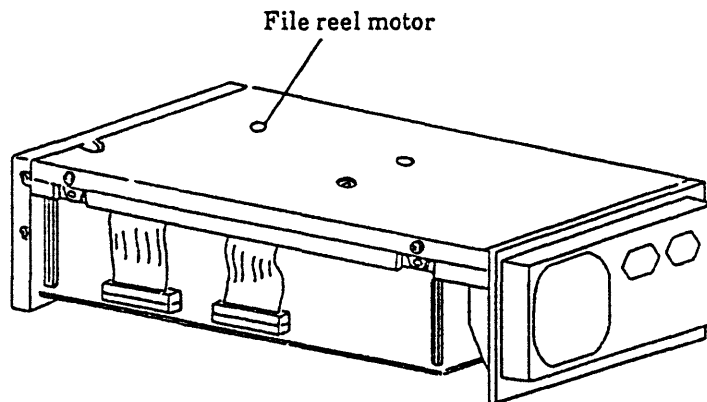


**Figure 12.4 Cartridge tape removal (stopped during threading) (2/2)**

- (3) Tape is wounding into machine reel
- ① Remove the PCA-SCF.
  - ② Place the drive unit left side down.
  - ③ Store the tape into the cartridge by turning the file reel motor with a phillips screwdriver.

**Note:**

Wind up the tape with taking a balance (not add a load to the tape, and not wind a loose tape).



**Figure 12.5 Cartridge tape removal (tape is wounding into machine reel)**



## 12.4 Confirmation Test Procedure

The confirmation test procedure can be done from the operator panel at maintenance.

This section explains the confirmation test contents and its procedure.

### 12.4.1 MTC maintenance function

The basic MTC maintenance capabilities available to the CE include;

- **FUNC0 configuration (00:CNFG)**  
Sets and indicates the MTC and subsystem configuration.
- **FUNC1 offline test (01:OFLN)**  
Executes the MTC self-diagnostics.
- **FUNC2 IMPL (02:IMPL)**  
Reloads the MPU microcode of the MTC.

#### (1) FUNC0; Configuration

Refer to

#### (2) FUNC1; Offline test

- ① Press the RESET switch to set the drive offline, press the UNLOAD switch to eject the cartridge, and remove it from the drive. If the magazine is in the ACL, press the EJECT switch to remove the cartridge.
- ② Press the UNLOAD switch while pressing the TEST switch to enter the test mode. At this time, the tester function is selected and "DIAGMODE" is displayed.
- ③ Press the START switch to enter the setting mode. "SETTING" is displayed.
- ④ Press the START switch again to select the setting mode. "SEL MTC" is displayed.
- ⑤ Press the TEST switch. "CTRL OFL" is displayed and then "PUSH STR" is displayed.
- ⑥ Press the START switch to enter the MTC setting mode. "00:CNFG" is displayed.
- ⑦ Press the START switch to enter the offline test mode. "01:OFLN" is displayed.

- ⑧ Press the TEST switch. "0:RUNOFL" is displayed. At this stage, test routine selection and test option setting can be made. If you need to select the test routine, proceed to step ⑨. If you need the test option setting, proceed to step ⑩. When you finish the test routine selection and/or test option setting or if you do not need to select the test routine and test option setting, press the TEST switch to execute the offline test.
- ⑨ Press the START switch. "1:SELRTN" is displayed. Select the test routine by pressing the TEST switch (increment) and SHIFT + TEST switches (decrement). Selectable routines are as follows.

**Routine 70: SIC Function Tests**

Diagnose the SIC micro-controller, RAM, registers, and basic operation of other hardware.

**Routine 71: SIC Data Buffer Tests**

Perform the function test and read/write test of the automatic data transfer (ADT) buffer.

**Routine 72: SIC SCSI Interface Tests**

Diagnose the basic operation of the SCSI interface control logic.

**Routine 73: SCSI Compression and ROR Tests**

Performs the compression and decompression circuit test.

**Routine 74: Loop Write to Read Tests**

Performs the write/read test of the FMT loop.

- ⑩ Press the START switch. "2:RUNOPT" is displayed. Setable options as follows.

"0:LP ALL"      Execute all test routines repeatedly.

"1:LP ONE"      Execute one test routine repeatedly.

"2:ERRCNT"      Continue the executing test routine even if error occurs.

"3:RSTOPT"      Reset all options.

- ⑪ When the offline test is completed successfully, "0:END" is displayed. At this time, press the START switch to select the test routine and test option, or press the RESET switch to return to the previous state.
- ⑫ If the error occurs during the offline test execution, "FRU:Exxx" is displayed. Troubleshoot according to the displayed FRU code. When the START switch is pressed at this stage, the offline test is continued.

(3) FUNC2; IMPL

- ① Press the START switch twice when "00:CNFG" is displayed. "02:IML" is displayed.
- ② Press the TEST switch to start the IMPL.

## 12.4.2 MTU maintenance function

### (1) Confirmation test contents

- ① "01:AUTO1" — All diagnoses provided by the drive are performed. (Because all tests (2) to (4) are performed by this diagnosis, other tests are not required.)
- ② "02:NOCTG" — The diagnoses not using the cartridge are performed. Sensor, circuit, and motor systems are diagnosed.
- ③ "03:INCTG" — The diagnoses using the cartridge are performed. Operation system diagnoses for checking tape speed and access time are performed.
- ④ "04:INLNE" — An inline diagnosis is performed to check the read and write systems.
- ⑤ "05:CTGCK" — The cartridge motor sensor is diagnosed.
- ⑥ "06:ACLCK" — The automatic cartridge loader option is diagnosed.

### (2) Execution procedure

The switches on the operator panel are used in this operation.

Before a confirmation test is executed, the cartridge must be removed from the unit. When testing a unit with an ACL attached, the magazine must be removed before you can enter the test mode. For tests using the cartridge, a work cartridge must be used. The cartridge used for normal processing must not be used. (Recorded data is not guaranteed.)

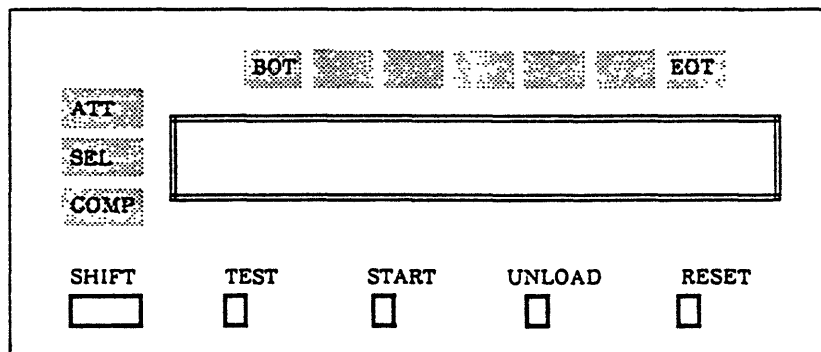


Figure 12.6 Operator panel

- ① Press the RESET switch to set the unit offline, press the UNLOAD switch to eject the cartridge and remove it from the unit. If the magazine is in the ACL, remove the magazine.

- ② While pressing the TEST switch, press the UNLOAD switch for about two seconds to enter the test mode. At this time, the tester function is selected and "DIAGMODE" is displayed.
- ③ Press the TEST switch to select the diagnostic mode.
- ④ Press the START switch and select a diagnosis.
- ⑤ Press the TEST switch to execute the selected diagnosis. If "04:INLNE" is selected, select also one inline diagnosis from "50:LWR 1" to "55:LFTCK" by using the START switch and press the TEST switch again. If "05:CTGCK" is selected, select also one diagnosis from "60:FPCTG" to "62:MTCTG" by using the START switch and press the TEST switch again. If "06:ACLCK" is selected, select also either "40:ACLO1" or "41:ACLO2" by using the START switch and press the TEST switch again. "##:START" (##: a diagnostic routine No. expressed as a decimal number) is displayed on the operator panel while the diagnosis is executing. For the diagnoses requiring operator inter action, messages are displayed on the operator panel. (Example: When the cartridge must be loaded, "MOUNT WORK CTG" is displayed.) When the action by the operator is completed, "##:START" is displayed on the operator panel and the diagnosis continues.
- ⑥ If the RESET switch is pressed in the diagnosis selection status, "DIAGMODE" is terminated and the internal tester function is selected.
- ⑦ If the RESET switch is pressed while the diagnosis is executed, the diagnosis is stopped. At this time, "##:STOP " is displayed and the selection status of "DIAGMODE" is set. (##: stopped diagnostic routine No. expressed as a decimal number)
- ⑧ When the diagnosis terminates normally, "##:END " is displayed on the operator panel and the selection state of "DIAGMODE" is set. (##: routine No. expressed as a decimal number)
- ⑨ If an error occurs while the diagnosis is executing, "□CHK XX□" or "##:ERRXX" is displayed on the display panel.

① "□CHK XX□"

This error was detected by the standard error detection routine.

At this time, "□CHK XX□" is displayed and the diagnosis is stopped. In this state, only the unload operation can be accepted.

When the unload operation terminates, "DIAGMODE" is terminated and the unit enters the power-on status.

② "##:ERRXX"

This error was detected by the diagnostic routine. At that time, "##:ERRXX" was displayed on the operator panel, the diagnosis stopped and the selection status of "DIAGMODE" was set.

Table 12.2 Error code list

ERROR CODE	Abbreviation	Contents
##:ERR01	E@TOUT	TIME OUT
##:ERR02	E@LWR2	LWR2 (external-mode) error
##:ERR03	E@;WR1	LWR1 (internal-mode) error
##:ERR04	E@LSW1	LWR1 (normal-mode) error
##:ERR05	E@MEDIUM	Medium error
##:ERR06	E@WR100	Write (100-byte) error
##:ERR07	E@WR1K	Write (1-KB) error
##:ERR08	E@WR32K	Write (32-KB) error
##:ERR09	E@WR64K	Write (64-KB) error
##:ERR0A	E@RD100	Read (100-byte) error
##:ERR0B	E@RD1K	Read (1-KB) error
##:ERR0C	E@RD32K	Read (32-KB) error
##:ERR0D	E@RD64K	Read (64-KB) error
##:ERR0E	E@RB100	Read backward (100-byte) error
##:ERR0F	E@RB1K	Read backward (1-KB) error
##:ERR10	E@RB32K	Read backward (32-KB) error
##:ERR11	E@RB64K	Read backward (64-KB) error
##:ERR12	E@LOC	Locate error
##:ERR13	E@RWD	Rewind error
##:ERR14	E@BSPF	Back-space file error
##:ERR15	E@FSPF	Forward-space file error
##:ERR16	E@ERS	Erase error
##:ERR17	E@WTM	Write tape mark error
##:ERR18	E@LIFT	Lifter error

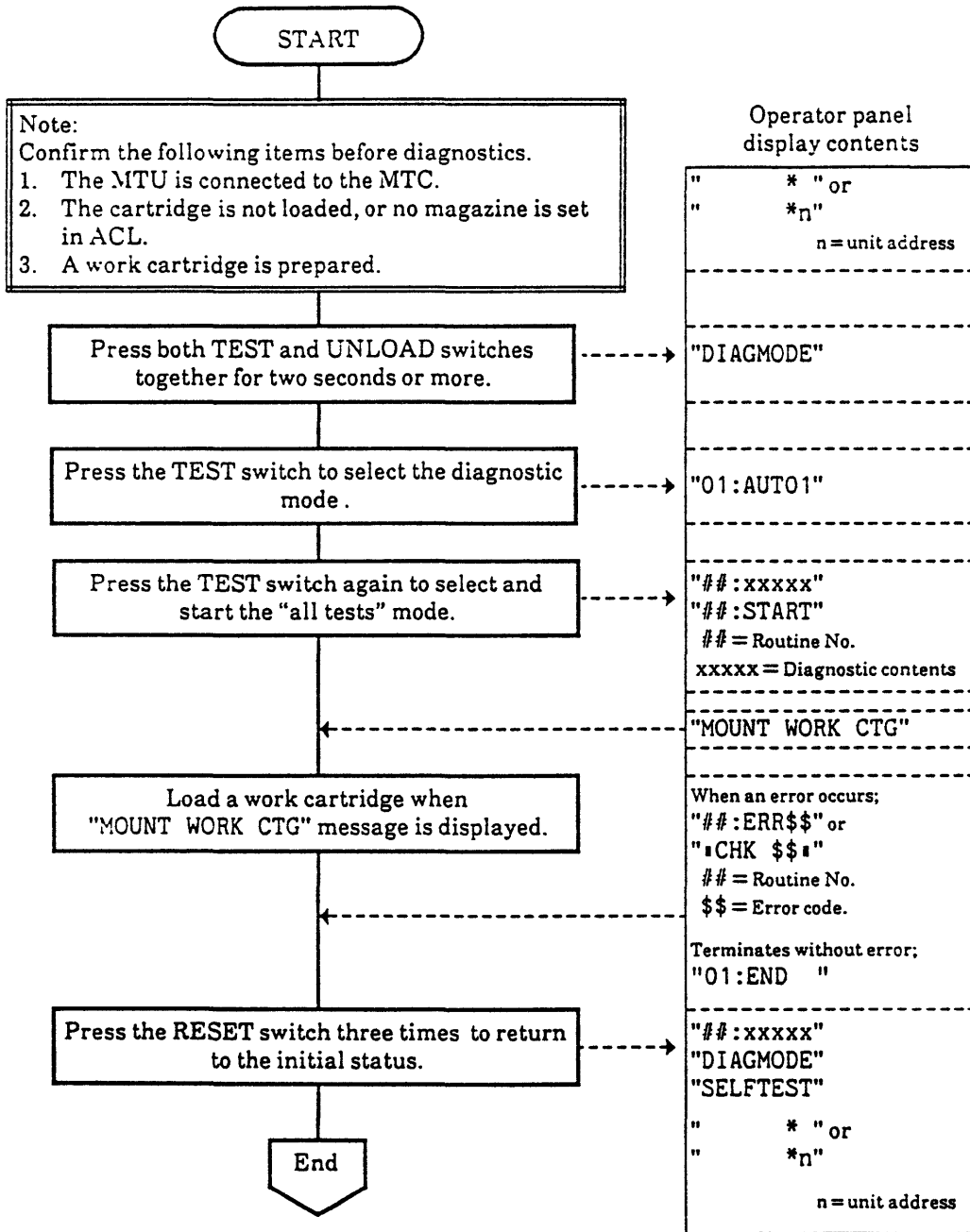


Figure 12.7 Flowchart of DIAG "01:AUTO1" operation

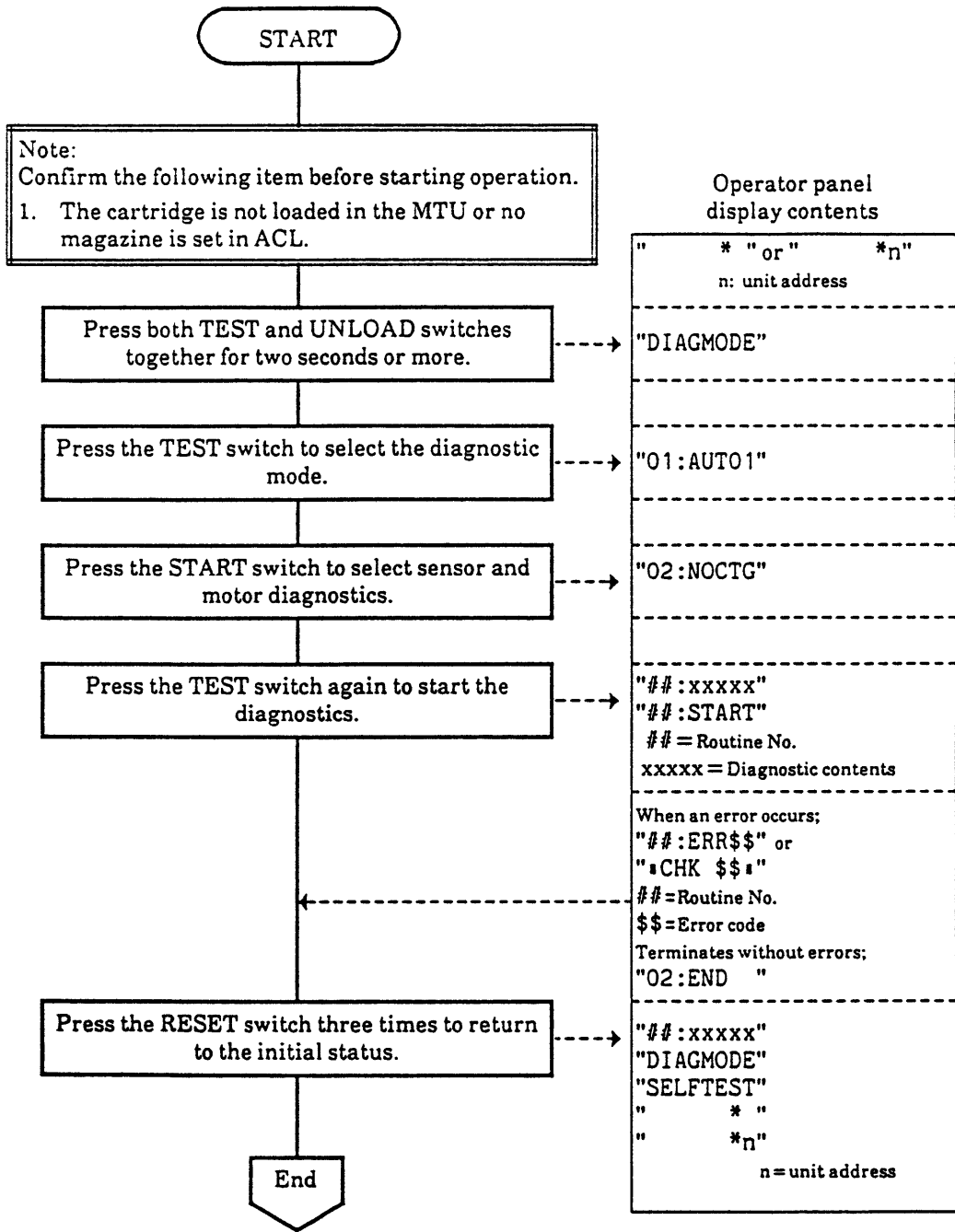


Figure 12.8 Flowchart of DIAG "02:NOCTG" operation



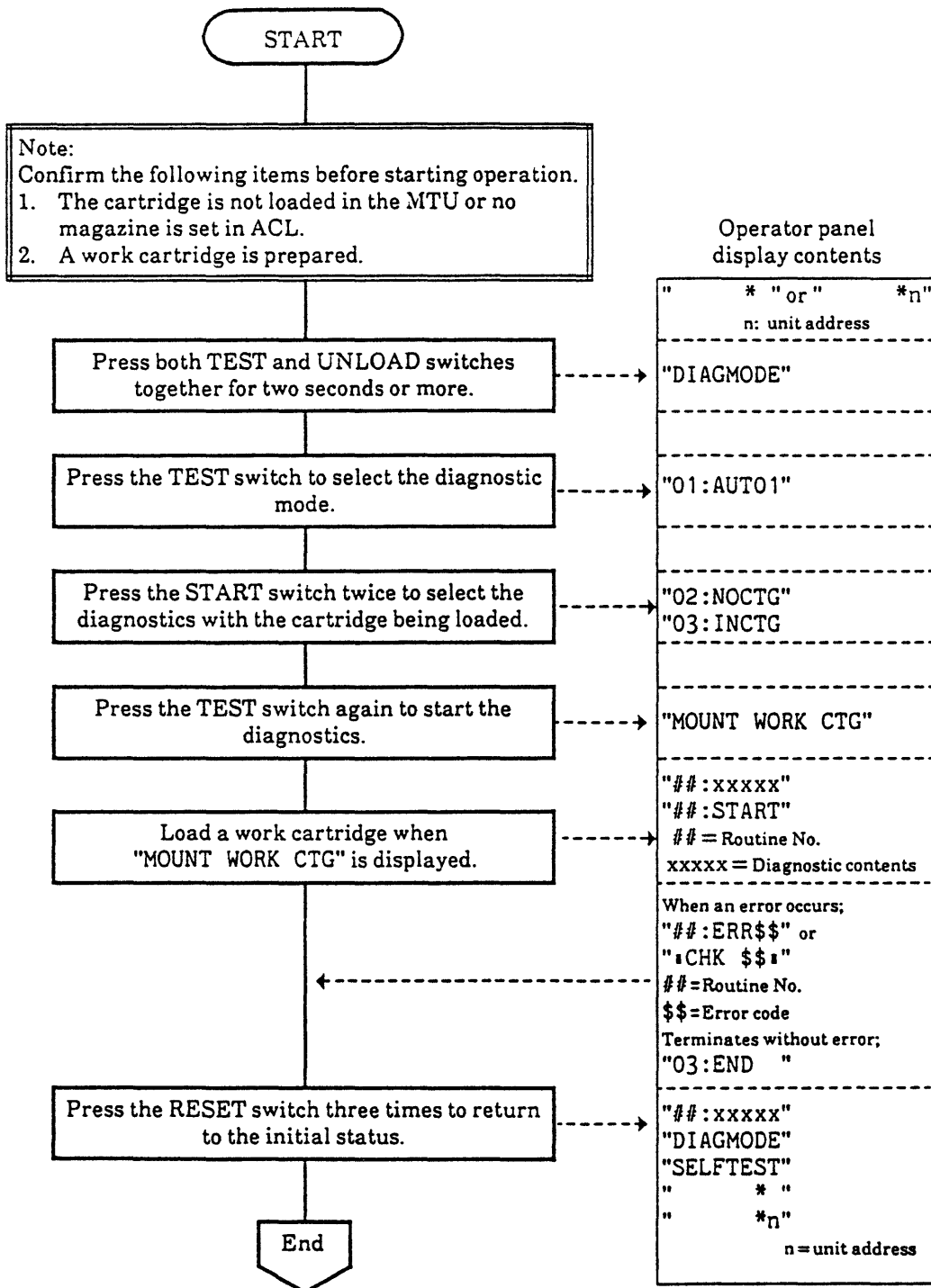


Figure 12.9 Flowchart of DIAG "03:INCTG" operation

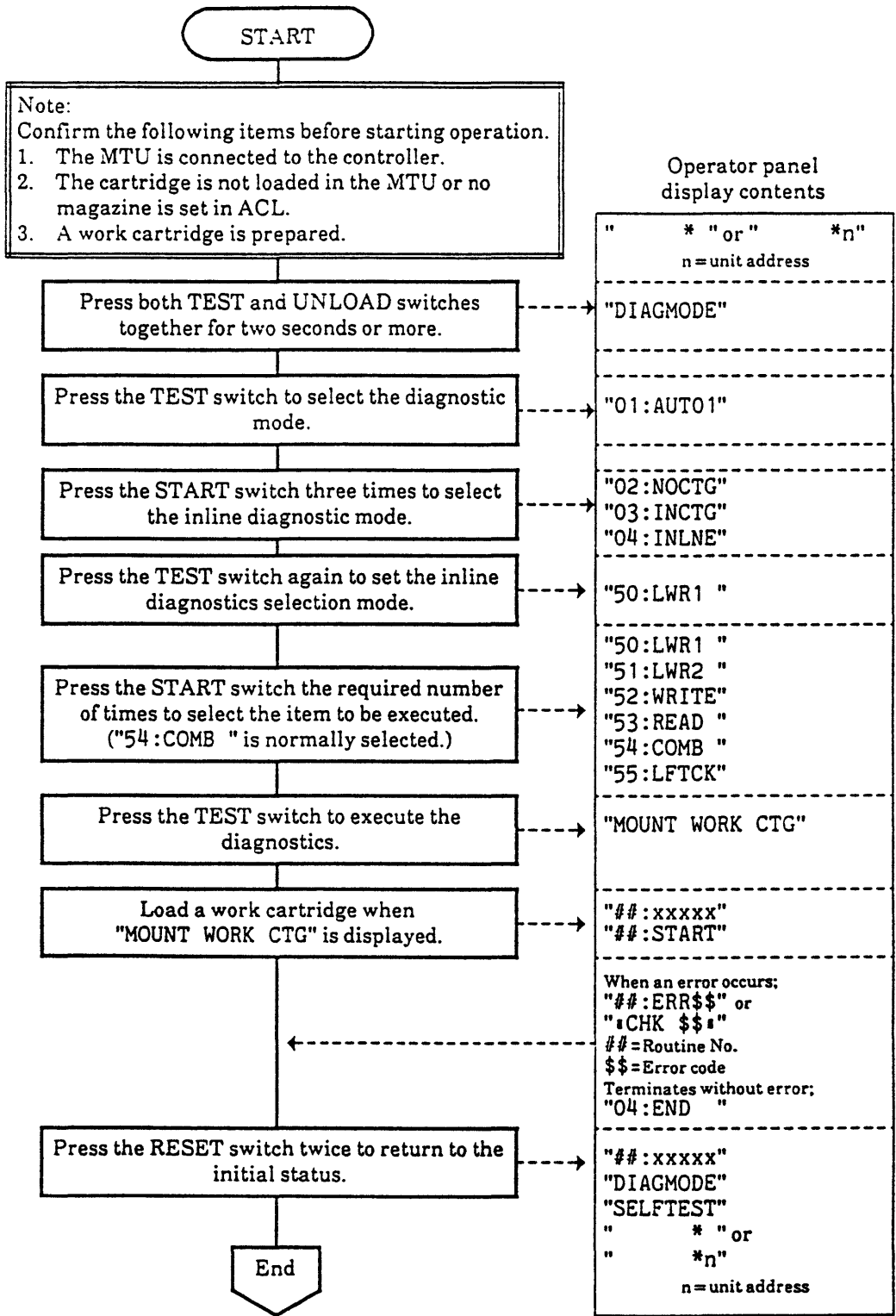


Figure 12.10 Flowchart of DIAG "04:INLNE" operation

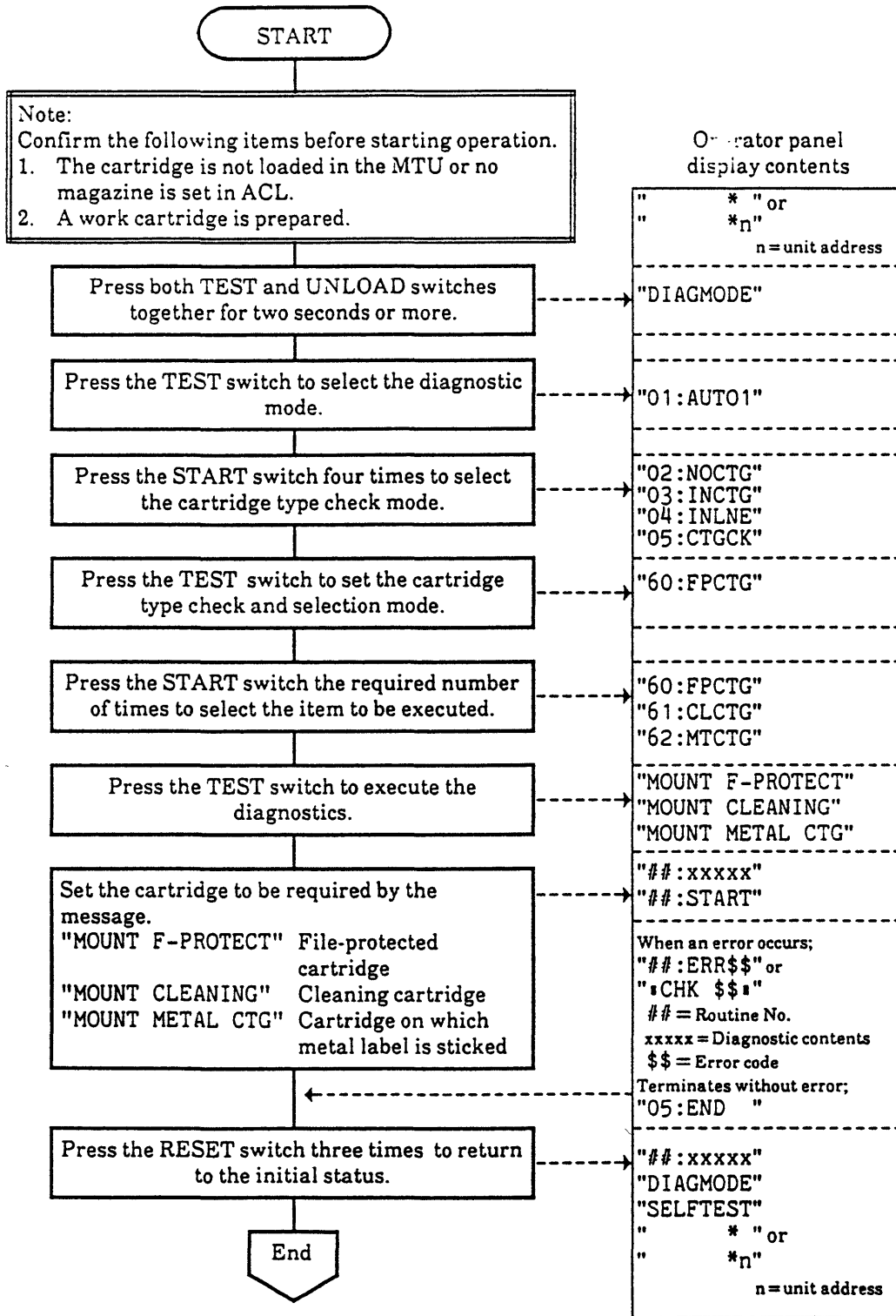


Figure 12.11 Flowchart of DIAG "05:CTGCK" operation

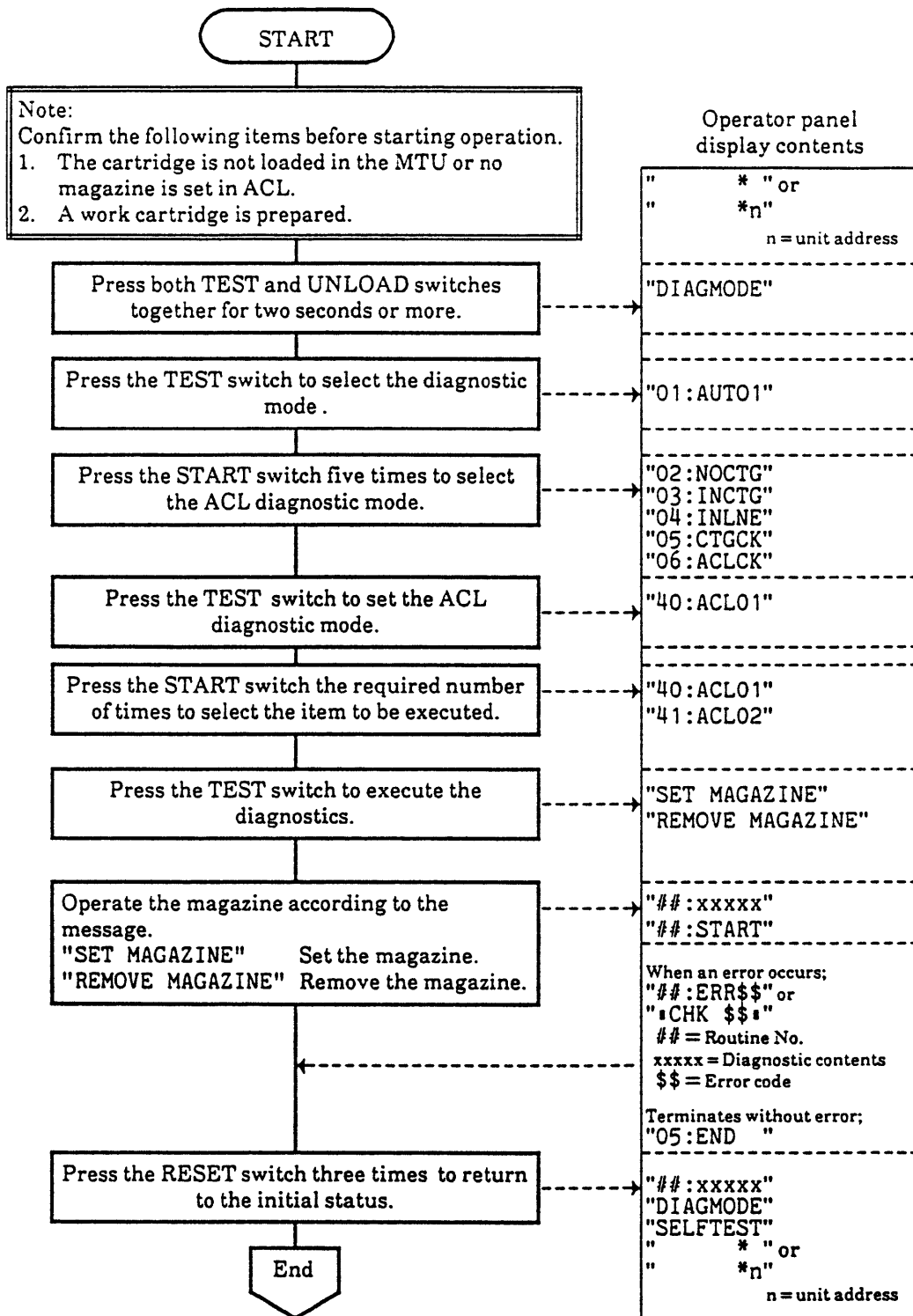


Figure 12.12 Flowchart of DIAG "06: ACLCK" operation

(3) Outline of diagnoses

This section explains the diagnostic routines.

a. "01:AUTO1": execution of all diagnostics

All diagnostics as explained in the following items (2) to (4) are executed.

b. "02:NOCTG": diagnostics of sensor, circuit, and motor systems

10:LOGIC — Checks the logic circuit to control file and machine reels, GAP counter, and RRC counter.

12:PHOTO — Checks photo sensors.

13:LOADER — Checks cartridge loader operation.

14:THRED — Checks threader operation.

15:TACHO — Turns the machine and file reels and checks tachometer pulse intervals, tachometer pulse counter, and tachometer phase.

c. "03:INCTG": diagnostics of the tape-feed system operation

20:LDNRM — Performs normal cartridge loading operation and checks the operation.

22:GAPIO — Outputs a dummy Gap-Out signal internally and checks the operation of Gap-Out and Gap-In logic circuits.

23:ACCTM — Checks access time, positioning time, and mode change time.

24:ACCTM — Checks access time, positioning time, and mode change time.

25:TPSPD — Checks the speed of tape near BOT, middle of the tape, and EOT.

26:TPMTN — Executes reading and writing, checks the operations, and perform the following operations near BOT and EOT.

Move Forward → Move Forward  
Move Forward → Move Backward  
Move Forward → Write  
Move Backward → Move Forward  
Move Backward → Move Backward  
Move Backward → Write  
Write → Move Backward  
Write → Write

27:LOCAT — Checks locate operation.

28:D.S.E — Checks D.S.E. operation.

- 29:E.O.T — Checks the distance from EOT to PEOT.
  - 30:REWIND — Rewinds tape from PEOT and checks the operation.
  - 31:UNLOD — Checks unloading operation.
- d. "04:INLNE": diagnostics of read and write systems
- 50:LWR1 — Checks the MTC data bus in both internal and normal modes.
  - 51:LWR2 — Checks the data buses of MTC and MTU in the external mode.
  - 52:WRITE — Performs medium and actual writing tests.
  - 53:READ — Performs normal read and marginal tests.
  - 54:COMB — Performs LWR and medium test and checks write operation.
  - 55:LFTCK — Checks lifter operation by turning the lifter solenoid on or off and checking the read data.
- e. "05:CTGCK": diagnostics of cartridge mode sensor
- 60:FPCTG — Checks the file protect sensor.
  - 61:CLCTG — Checks the cleaning cartridge sensor.
  - 62:MTCTG — Checks the data compression sensor.
- f. "06:ACLCK": diagnostics of automatic cartridge loader (ACL)
- 40:ACLO1 — Checks the mechanism of ACL.
  - 41:ACLO2 — Checks the operation of ACL by loading/unloading cartridges from the magazine.

## 12.5 Preventive Maintenance

To nip the trouble in the bud, following preventive maintenance should be done. This section explains the preventive maintenance procedure.

Table 12.3 lists the check items for preventive maintenance.

Table 12.3 Preventive maintenance items

Check item		Period	Reference
Cleaning	1	Cleaning by cleaning cartridge	(Note 1) 12.5.1
	2	Tape path cleaning	(Note 2) 12.5.2
Check	1	Each mechanism section	at maintenance

### Notes:

1. When a message “\*CLEAN ” is displayed, or when 50 cartridges are processed.
2. After a data check occurs, a data check occurs again even if the cleaning by a cleaning cartridge is performed.

### 12.5.1 Cleaning using cleaning cartridge

#### (1) Procedure

- ① When the cleaning is required, a message is displayed on the operator panel.
- ② Set the cleaning cartridge into the cartridge entry as same as the data cartridge.
- ③ The drive unit starts the cleaning operation automatically. When the cleaning is completed, the drive unit unloads and ejects the cleaning cartridge.

### 12.5.2 Tape path cleaning

#### (1) Procedure

- ① Remove the small cover of the top cover.
- ② Clean the tape path (head) using the cotton swab and cleaning solvent (isopropyl alcohol) from the window of the top cover (see Figure 12.13).

#### Note:

Do not use the freon solvent.

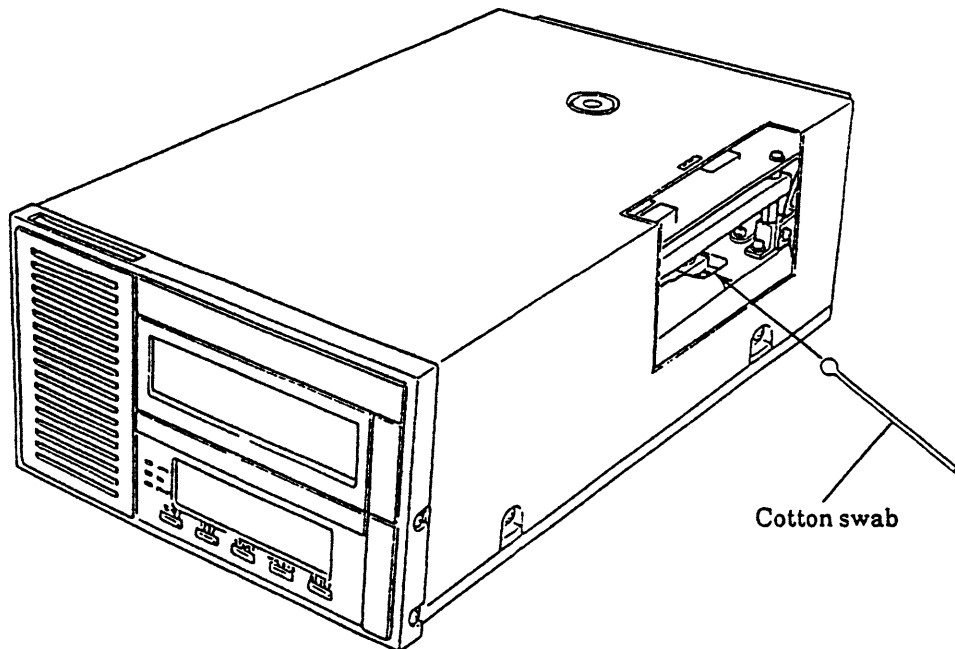


Figure 12.13 Tape path cleaning



**This page is intentionally left blank.**