

MCDONNELL DOUGLAS

SCALE:	APPROVED BY:	DRAWN BY CDM
DATE: 7-9-82		REVISED REV. 2 7-12-82

AUGMENT ENGINE

BLOCK DIAGRAM

DRAWING NUMBER	1 of 1
----------------	--------

RECEIVED FEB 08 1985

PRELIMINARY

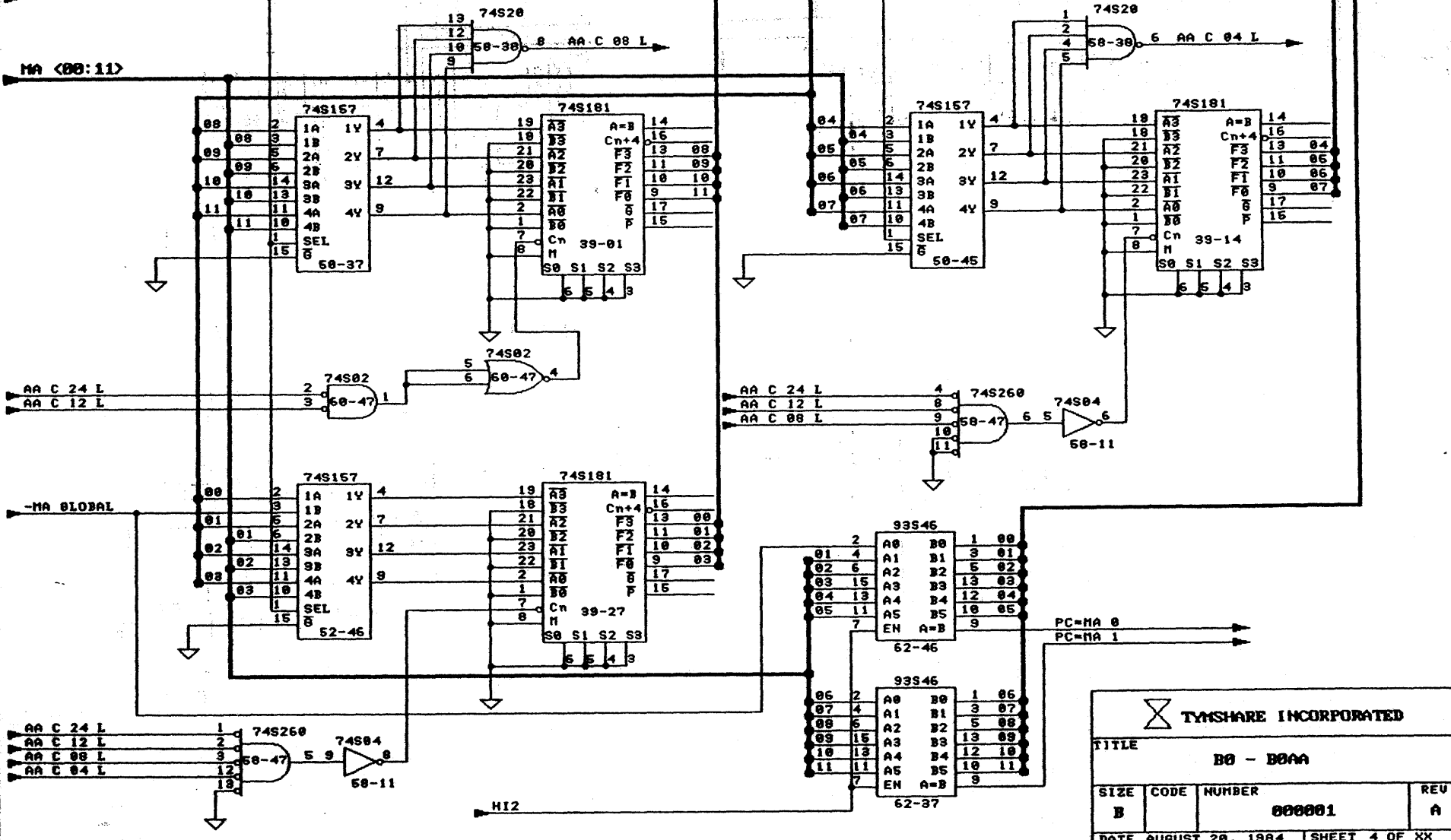
BOAA.DWG
B0


SEL ADDR ADDER FROM MA F0

MA <00:11>

PC <00:11>

AA <00:11>




TYNSHARE INCORPORATED

TITLE **B0 - BOAA**

SIZE	CODE	NUMBER	REV
B		000001	A

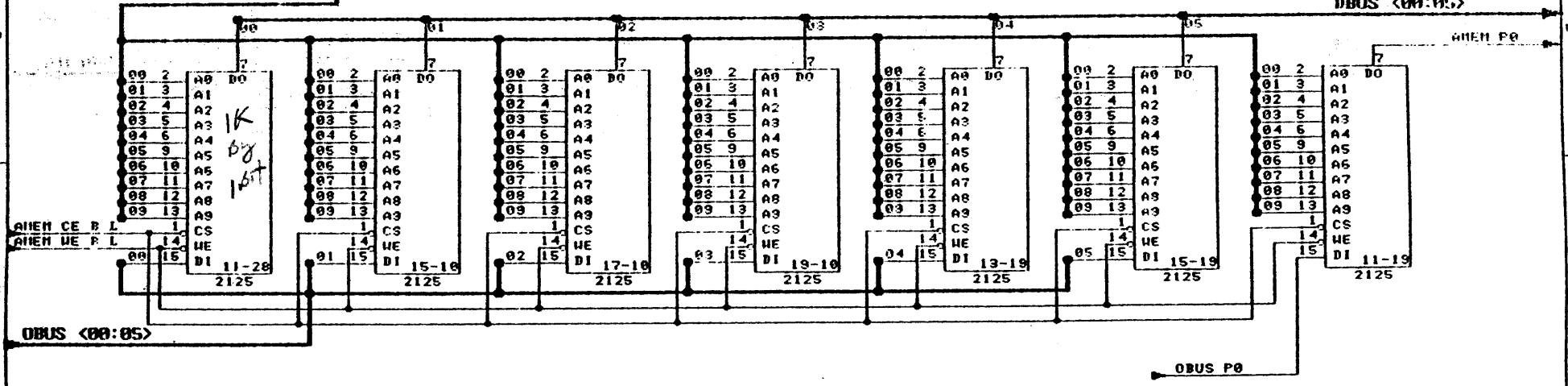
DATE AUGUST 20, 1984 SHEET 4 OF XX

8 7 6 5 4 3 2 1

BOA00.DWG
 (B)

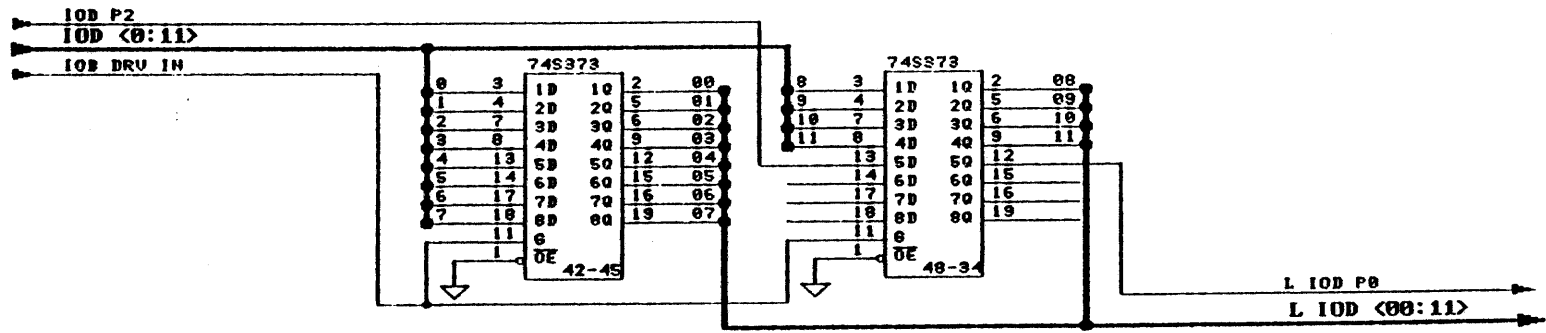
ANEM ADR <01 11 L:09 11 L>

DBUS <00:05>



OBUS <00:05>

OBUS P0

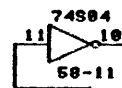
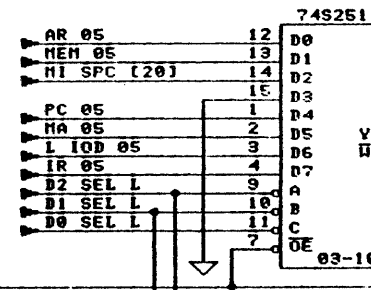
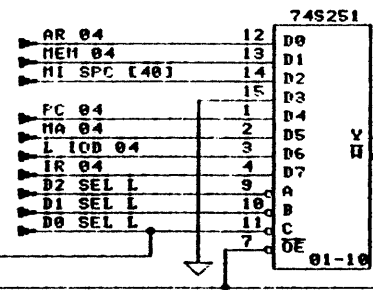
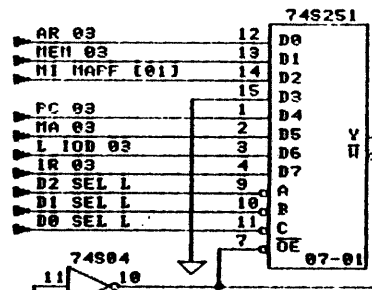
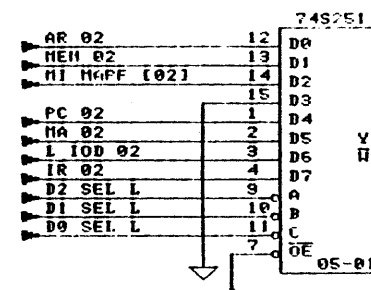
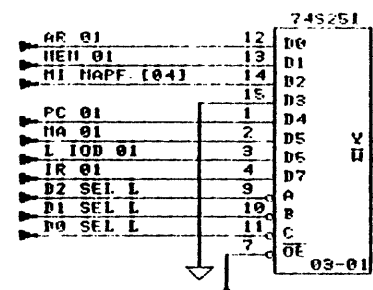
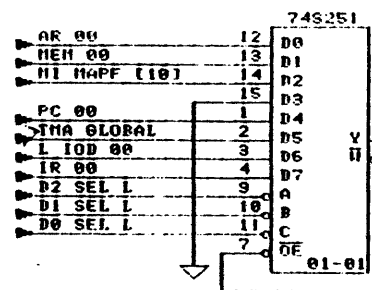


RECEIVED FEB 01 1985
PRELIMINARY

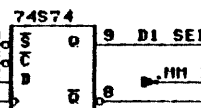
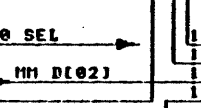
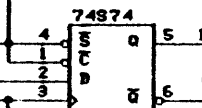
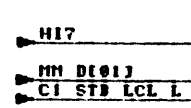
TYMSHARE INCORPORATED

TITLE			
B0 - BOA00			
SIZE	CODE	NUMBER	REV
B		0000001	A
DATE	AUGUST 21, 1984		SHEET 07 OF XX

DBUS <00:05>



ENB DBUS FROM DRUX

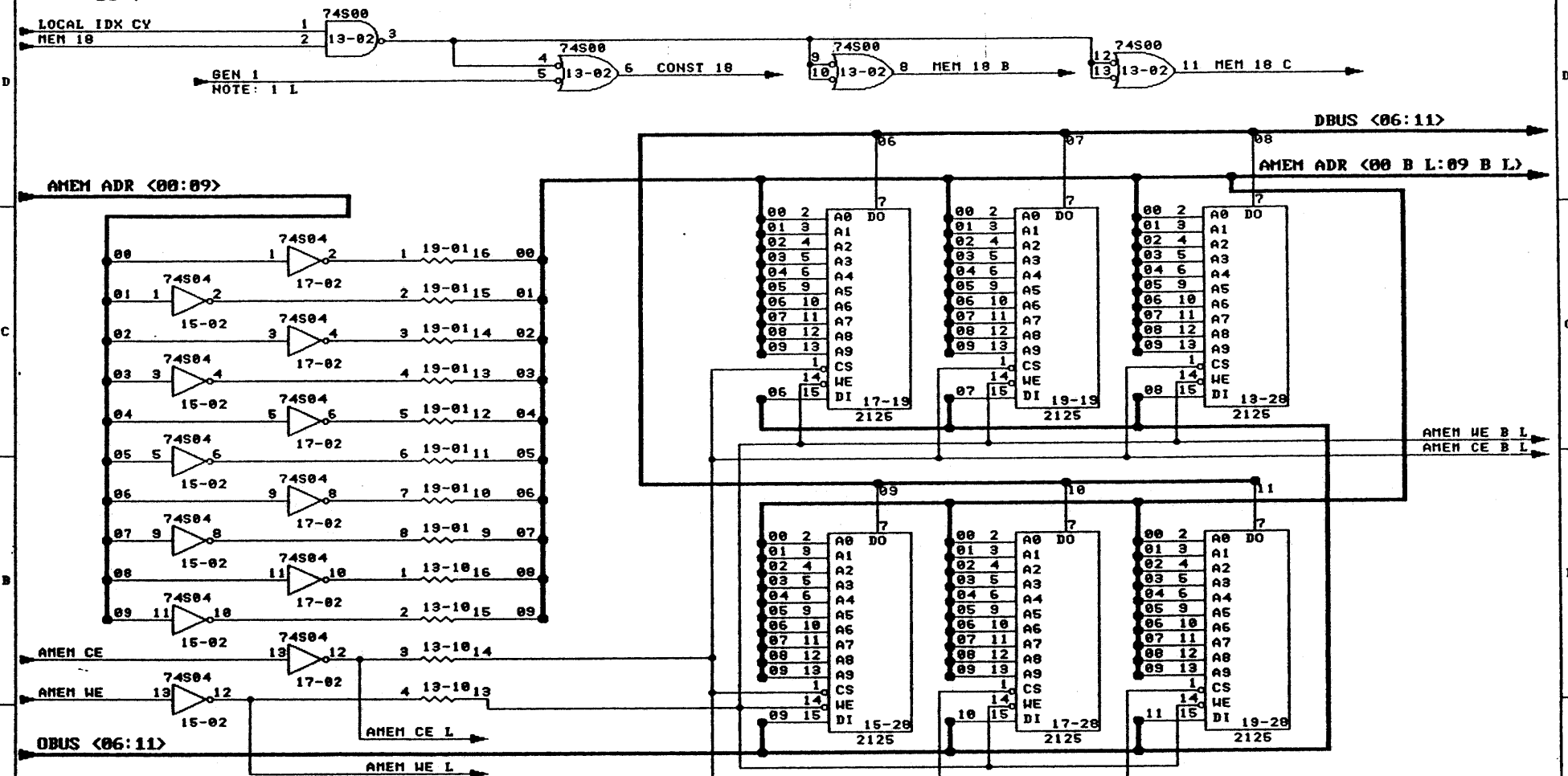


EARLY LOCAL IDX CY L
 UNGATED CLK LCL L

RECEIVED FEB 11 1988
 DATA LIBRARY

SYNSHARE INCORPORATED			
FILE	B0 - BOANDA		
SIZE	CODE	NUMBER	REV
B		0000001	A
DATE		AUGUST 21 1984	SHEET 7A OF 30

B0AM1.DWG
B0



PRELIMINARY

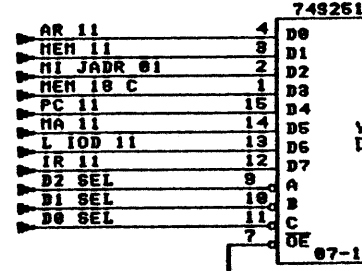
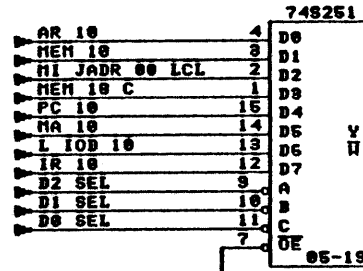
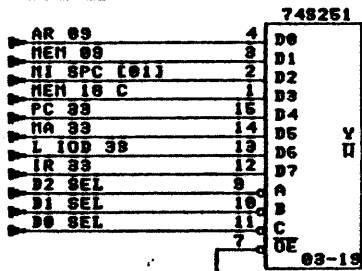
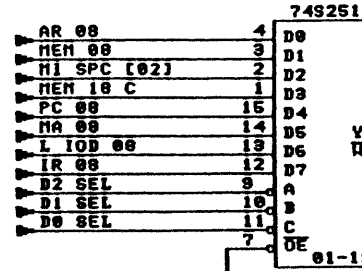
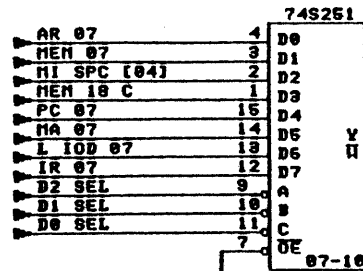
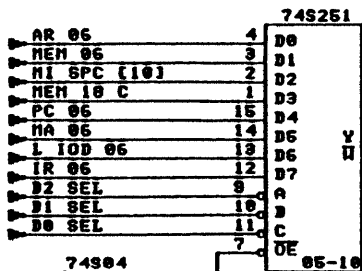
RECEIVED FEB 08 1983

TYMSHARE INCORPORATED

TITLE			
B0 - B0AM1			
SIZE	CODE	NUMBER	REV
B		0000001	A
DATE		AUGUST 21, 1984 SHEET 08 OF XX	

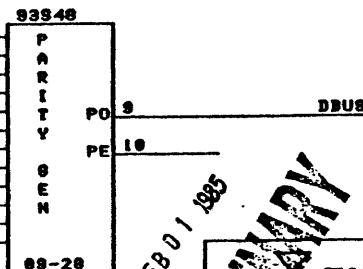
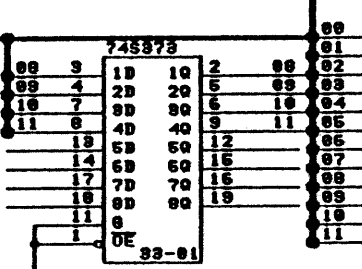
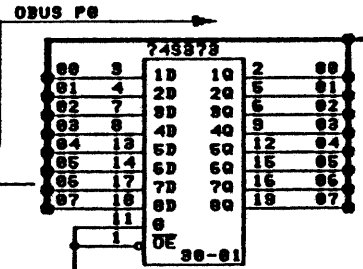
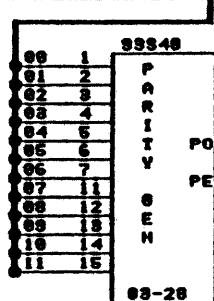
BOAM1A.DMG
B0

DBUS <00:11>

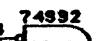


END DBUS FROM DMUX

DBUS <00:11>



HOLD L END AMEN LATCH L



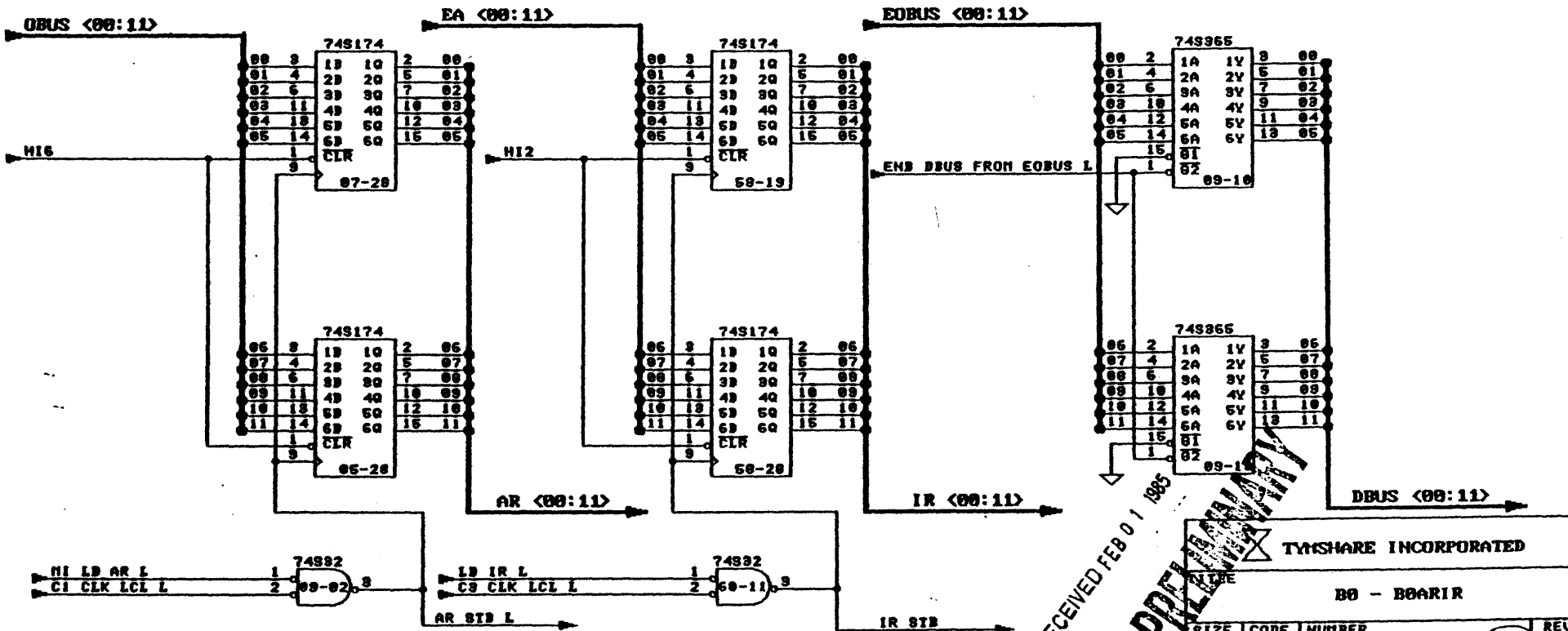
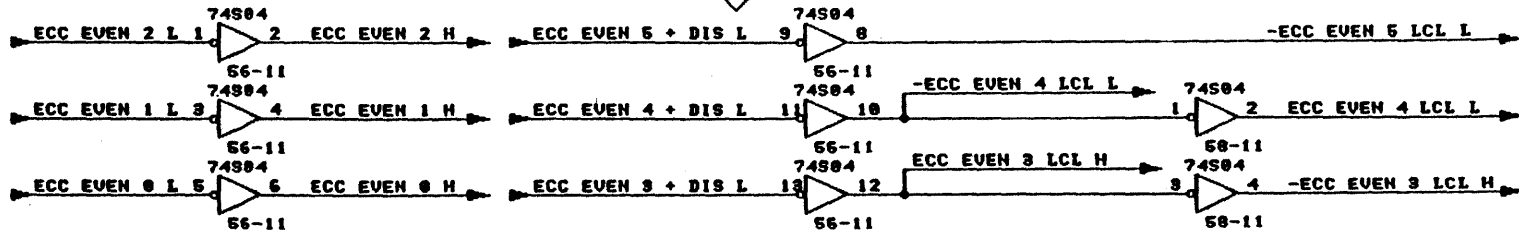
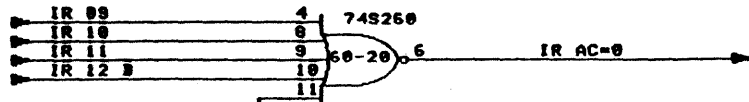
RECEIVED FEB 01 1985
PRELIMINARY

TYMSHARE INCORPORATED

B0 - BOAM1A

SIZE	CODE	NUMBER	REV
B		0000001	A
DATE AUGUST 21, 1984 SHEET 0A OF XX			

BOARIR.DWG
B0



RECEIVED FEB 01 1985

PRELIMINARY

TYMSHARE INCORPORATED

B0 - BOARIR

SIZE	CODE	NUMBER	REV
B		000001	A
DATE AUGUST 21, 1984			SHEET 01 OF XX

BORGSH.DWG
B0

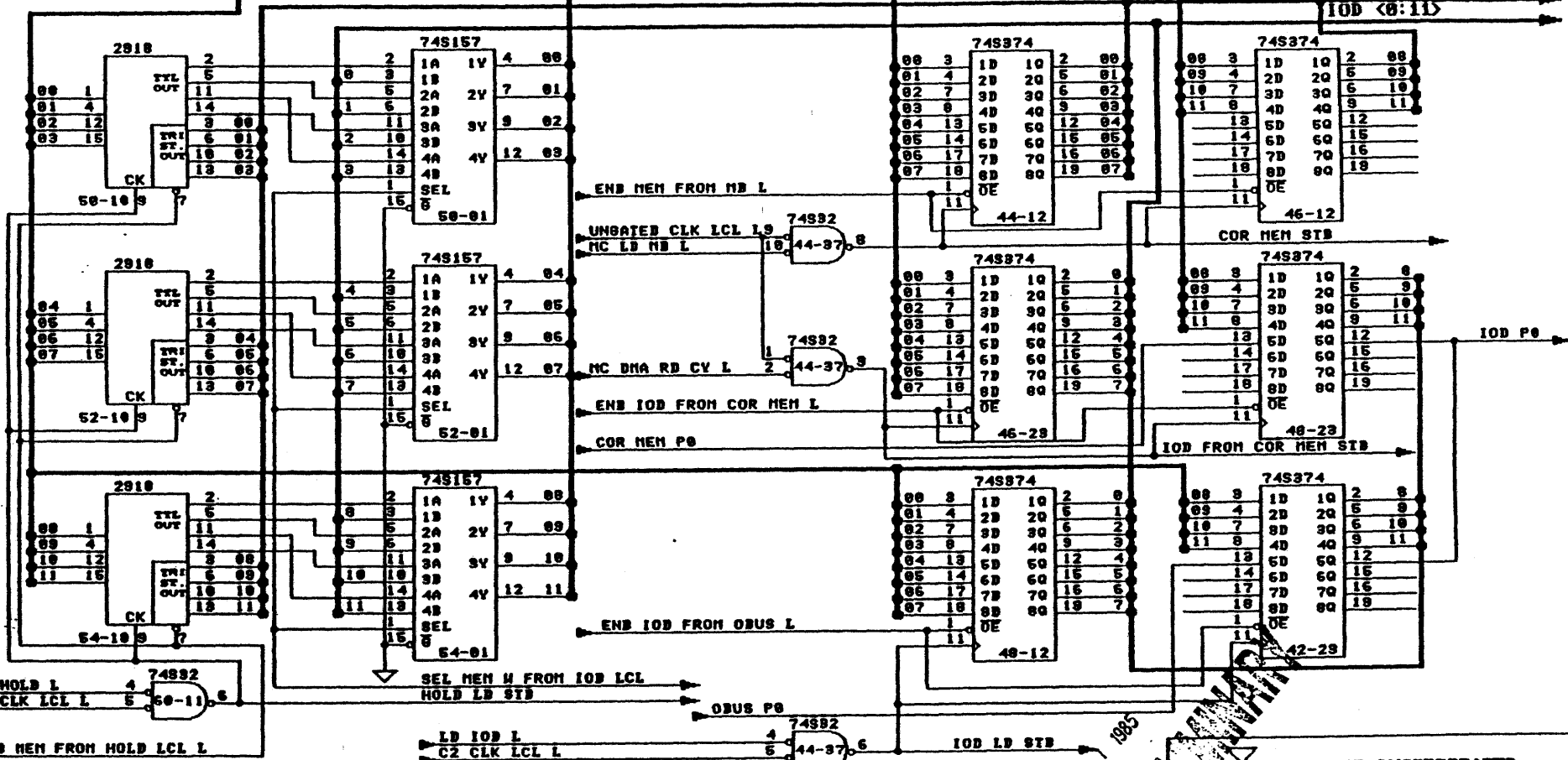
COR MEM <00:11>

OBUS <00:11>

MEM W DAT <00:11>

MEM <00:11>

IOD <0:11>



RECEIVED FEB 07 1985
DATA CENTER

TYMSHARE INCORPORATED

TITLE				B0 - BORGSH	
SIZE	CODE	NUMBER	REV		
B		0000001	A		
DATE AUGUST 21, 1984			SHEET 10 OF XX		

B0PCHA.DMG

B0

UNCOR MEM <00:11>

UBUS <00:11>

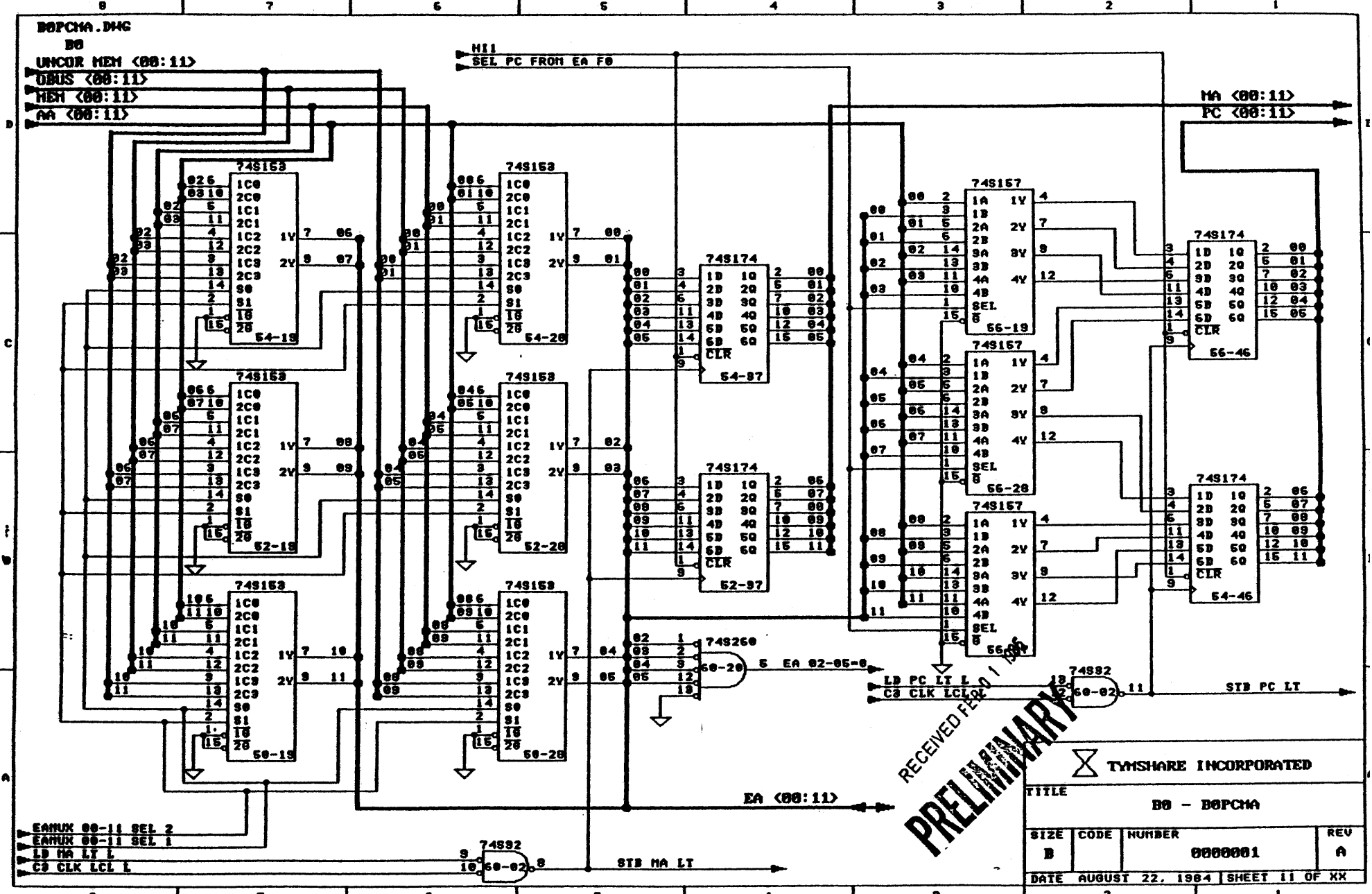
MEM <00:11>

MA <00:11>

H11
SEL PC FROM EA F0

MA <00:11>

PC <00:11>



RECEIVED FEB 1 1985
PRELIMINARY

TM SHARE INCORPORATED

TITLE			
B0 - B0PCHA			
SIZE	CODE	NUMBER	REV
B		0000001	A
DATE AUGUST 22, 1984 SHEET 11 OF XX			

EAUX 00-11 SEL 2
 EAUX 00-11 SEL 1
 LB MA LT L
 C3 CLK LCL L

74S92
 9 60-02 8

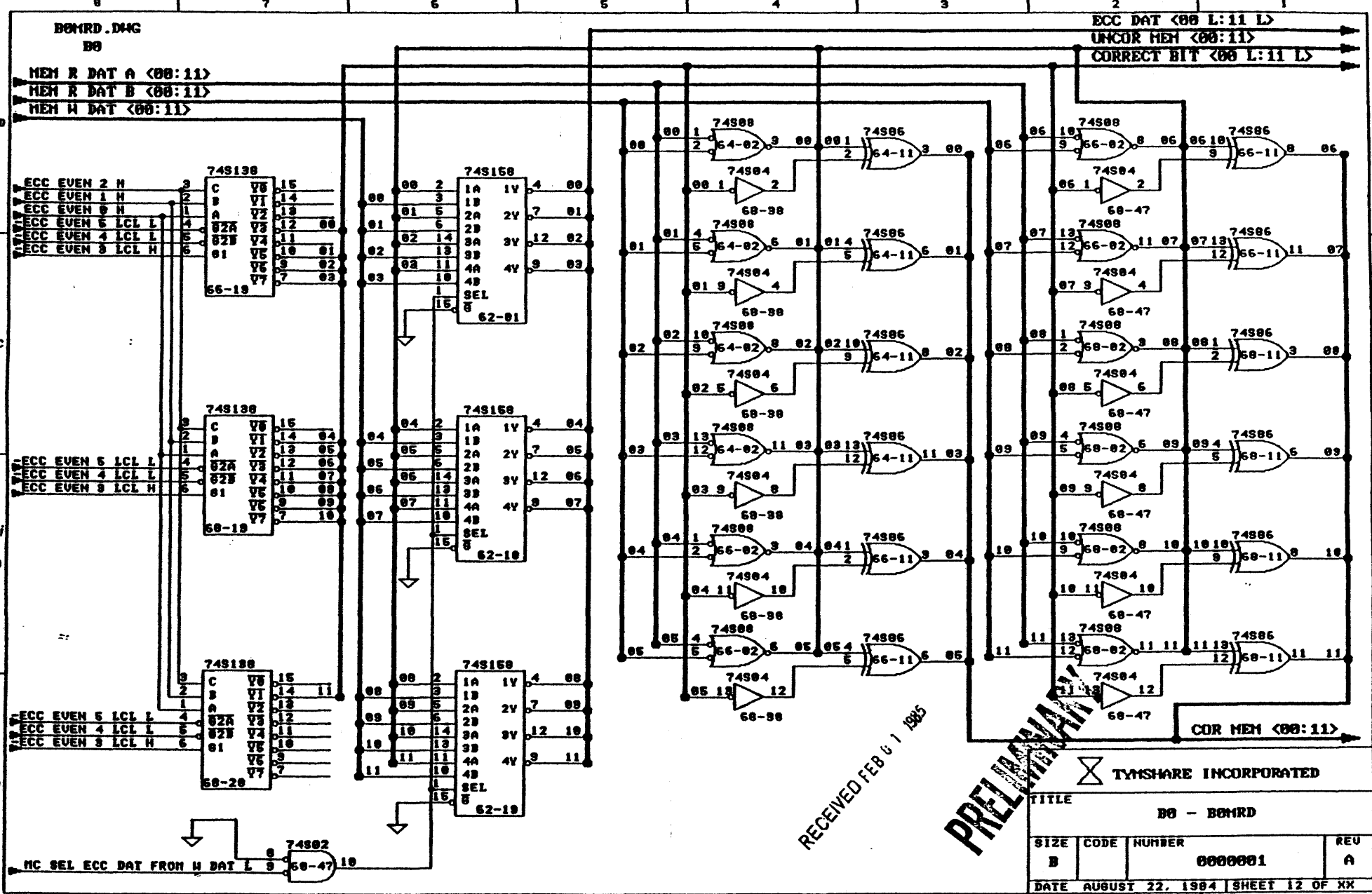
STB MA LT

EA <00:11>

LB PC LT L
 C3 CLK LCL L

74S92
 10 60-02 11

STB PC LT



RECEIVED FEB 01 1985

PRELIMINARY

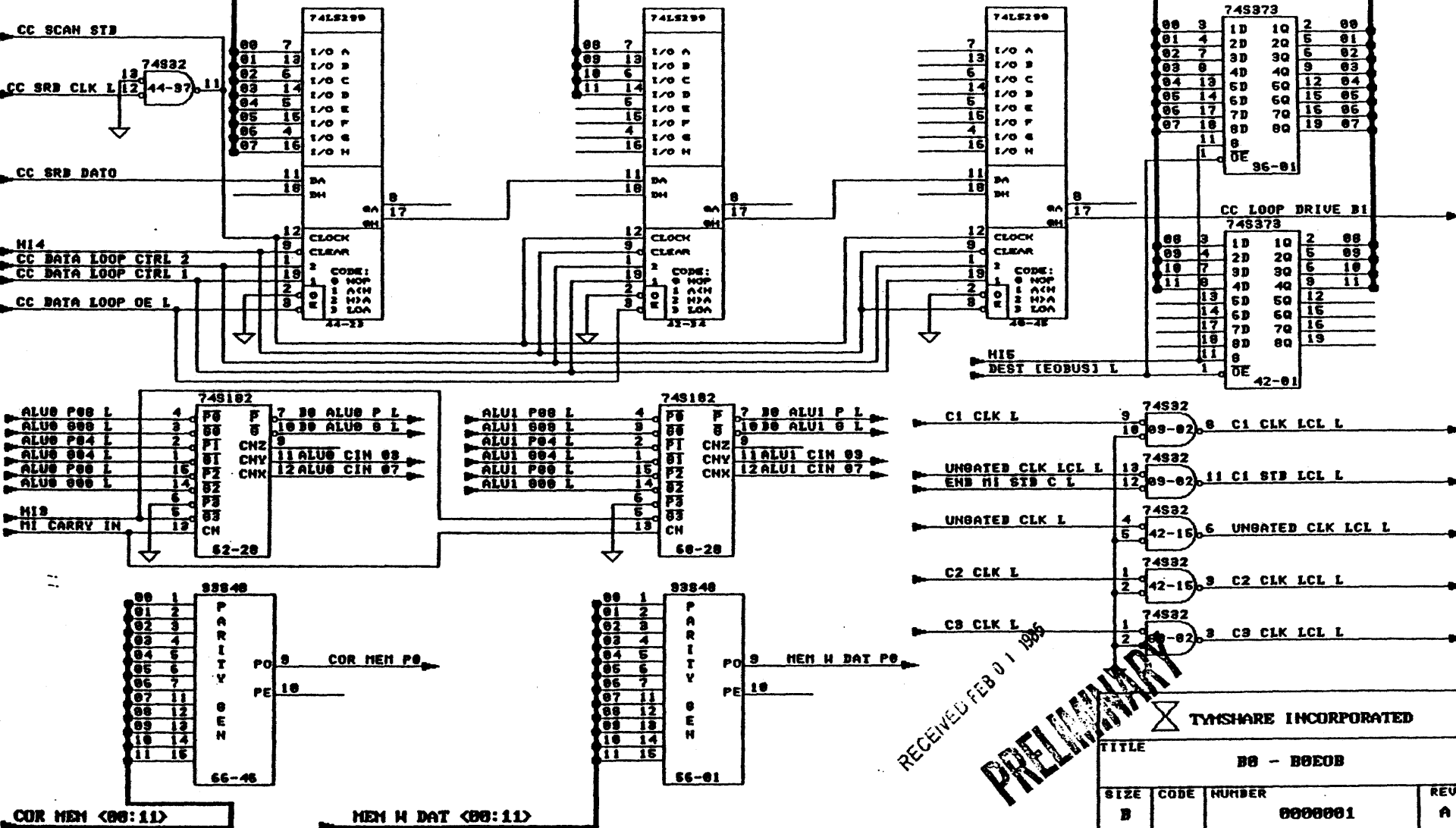
TYMSHARE INCORPORATED

TITLE			
B0 - B0MRD			
SIZE	CODE	NUMBER	REV
B		0000001	A
DATE		AUGUST 22, 1984	SHEET 12 OF XX

B0E0B.DWG
B0

OBUS <00:11>

EOBUS <00:11>



RECEIVED FEB 01 1986

PRELIMINARY

TWMSHARE INCORPORATED

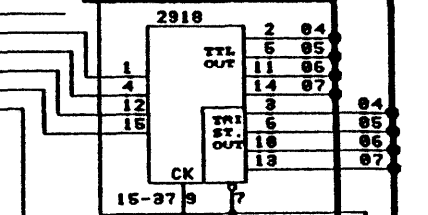
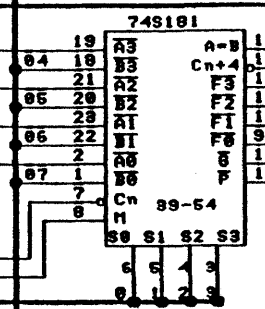
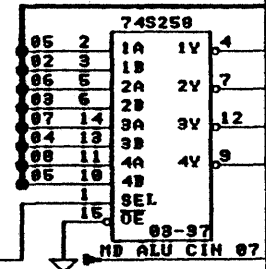
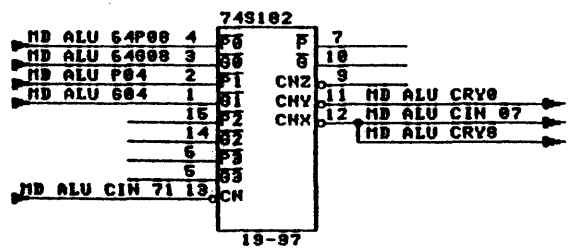
TITLE			
B0 - B0E0B			
SIZE	CODE	NUMBER	REV
B		0000001	A
DATE AUGUST 23, 1984 SHEET 13 OF XX			

BONDH.DWG

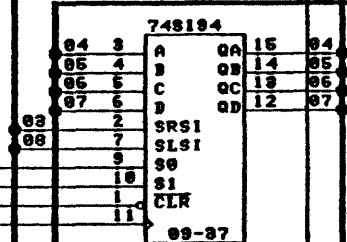
B0

END DRBUS FROM P/D HI L

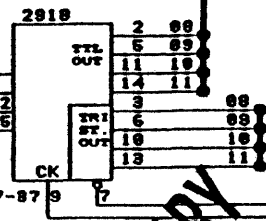
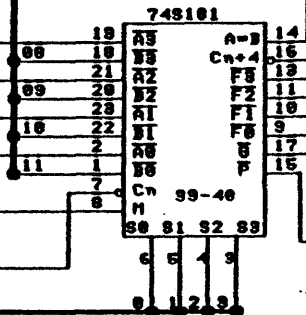
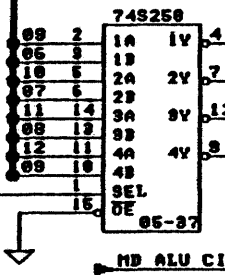
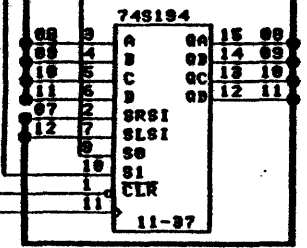
MD ALU A-B
M/D <03:11>
DRBUS <04:11>
P/D <02:12>



SEL P/D R2/-L1
MD ALU M
MD ALU <S0:S3>
P/D CLK L



M/D HI CNT2
M/D HI CNT1
M/D CLR L
M/D CLK L



RECEIVED FEB 01 1984
PRELIMINARY

TYMSHARE INCORPORATED

B0 - BONDH

SIZE	CODE	NUMBER	REV
B		0000001	A
DATE AUGUST 24, 1984			SHEET 14 OF XX

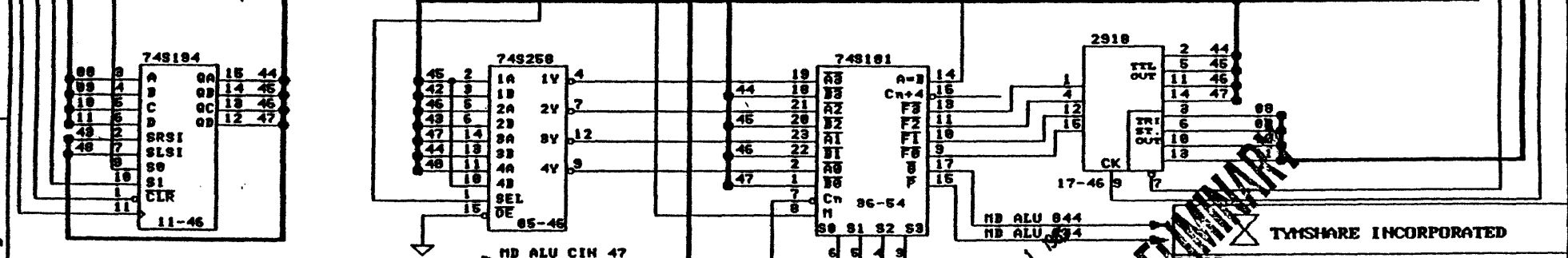
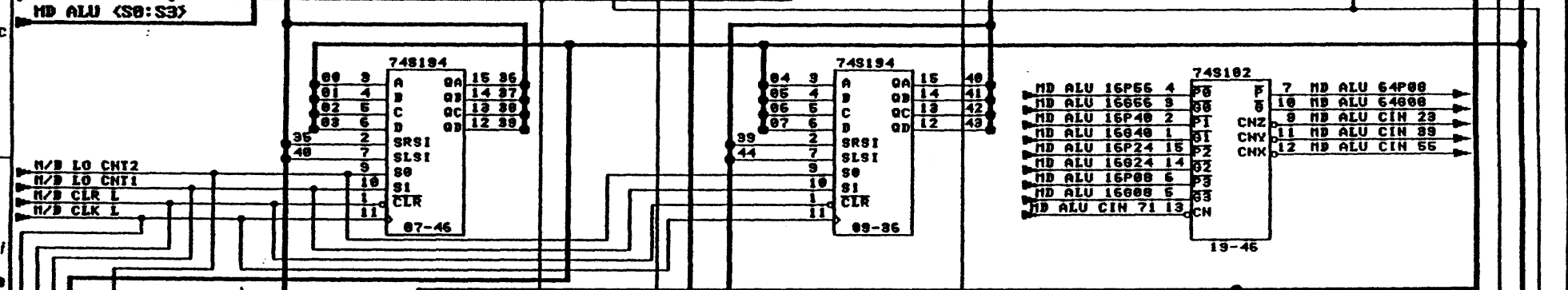
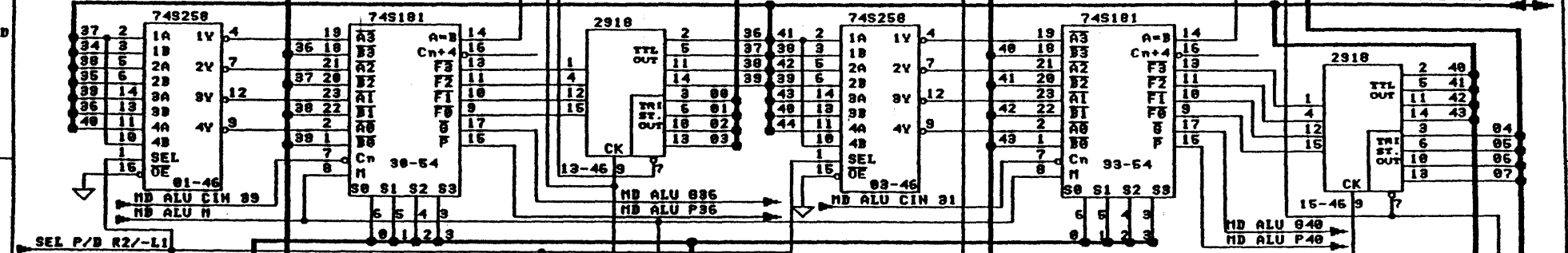
BOMDL DMG

B2

ENB DRBUS FROM P/D LO L

P/D CLK L

MD ALU A-B
M/D <35:48>
DRBUS <88:11>
P/D <34:48>



TYMSHARE INCORPORATED

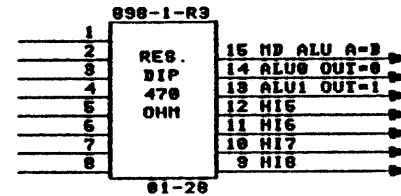
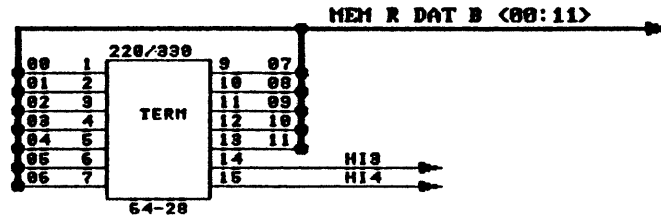
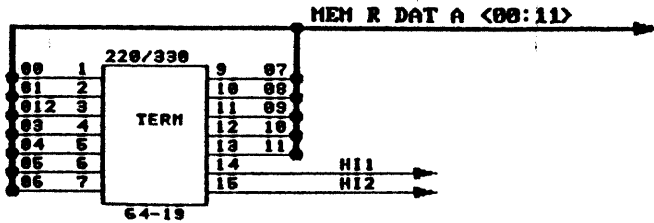
TITLE **B0 - BOMDL**

SIZE	CODE	NUMBER	REV
B		0000001	A
DATE		AUGUST 27, 1984	SHEET 16 OF XX

RECEIVED FEB 01 1985

RECEIVED FEB 01 1985

PRELIMINARY



RECEIVED FEB 01 1985

PRELIMINARY

TITLE			
B0 - B0MISC			
SIZE	CODE	NUMBER	REL
B		000001	A
DATE AUGUST 22, 1984			SHEET XX OF XX

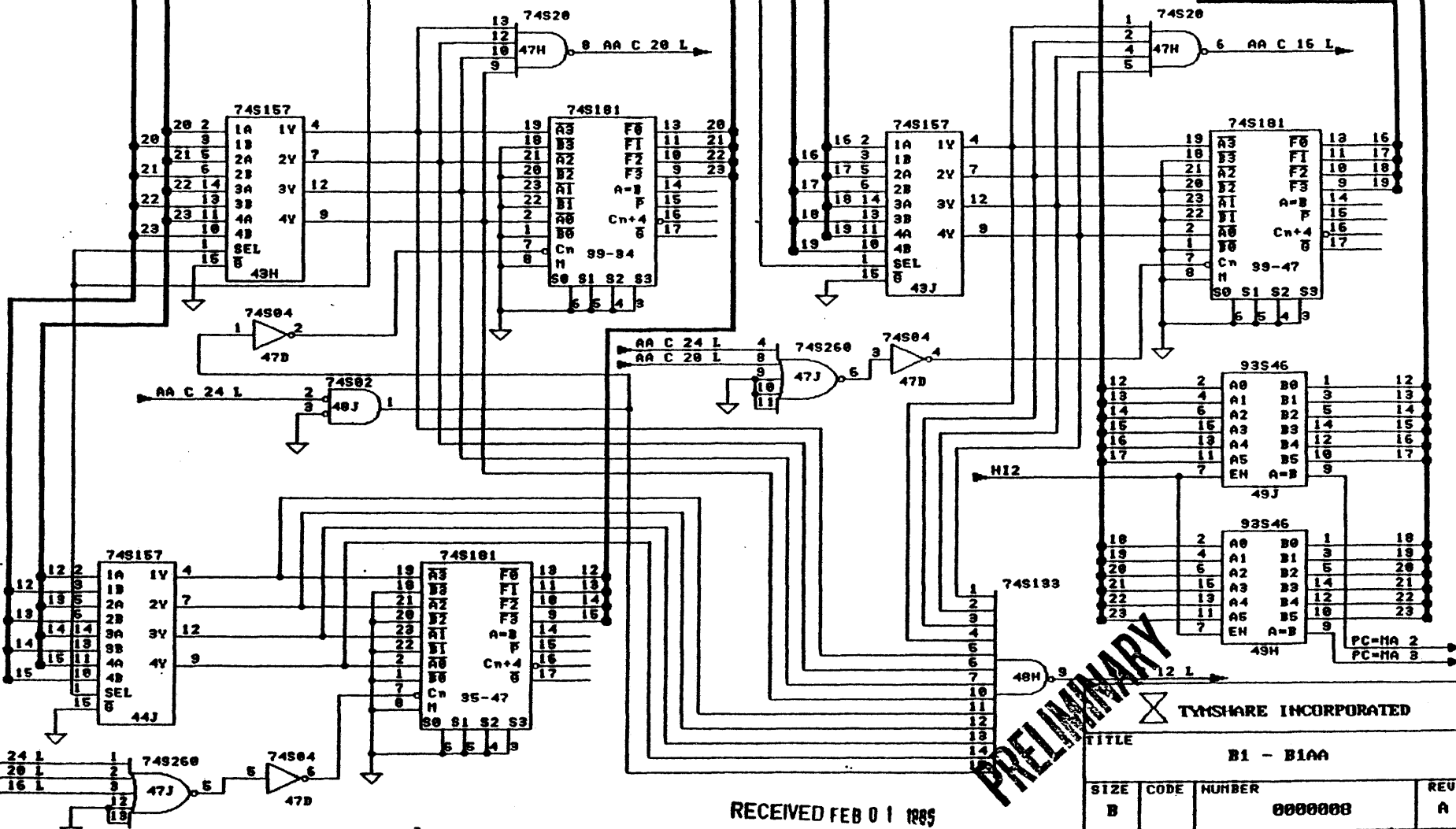
B1AA.D4G
26KL

SEL ADDR ADDER FROM MA F1

AA <12:23>

PC <12:23>

MA <12:23>



PRELIMINARY

TYMSHARE INCORPORATED

TITLE			
B1 - B1AA			
SIZE	CODE	NUMBER	REV
B		000000	A
DATE		NOV 7, 1984	SHEET 04 OF XX

RECEIVED FEB 01 1985

104

B1ALU1.DWG
26KL

DRBUS <12:23>

AC A SEL <[1] B:[10] B>

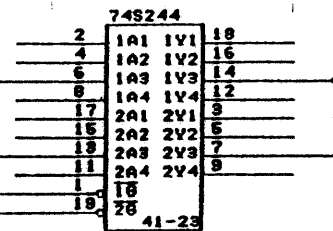
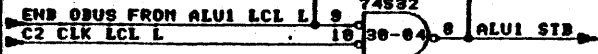
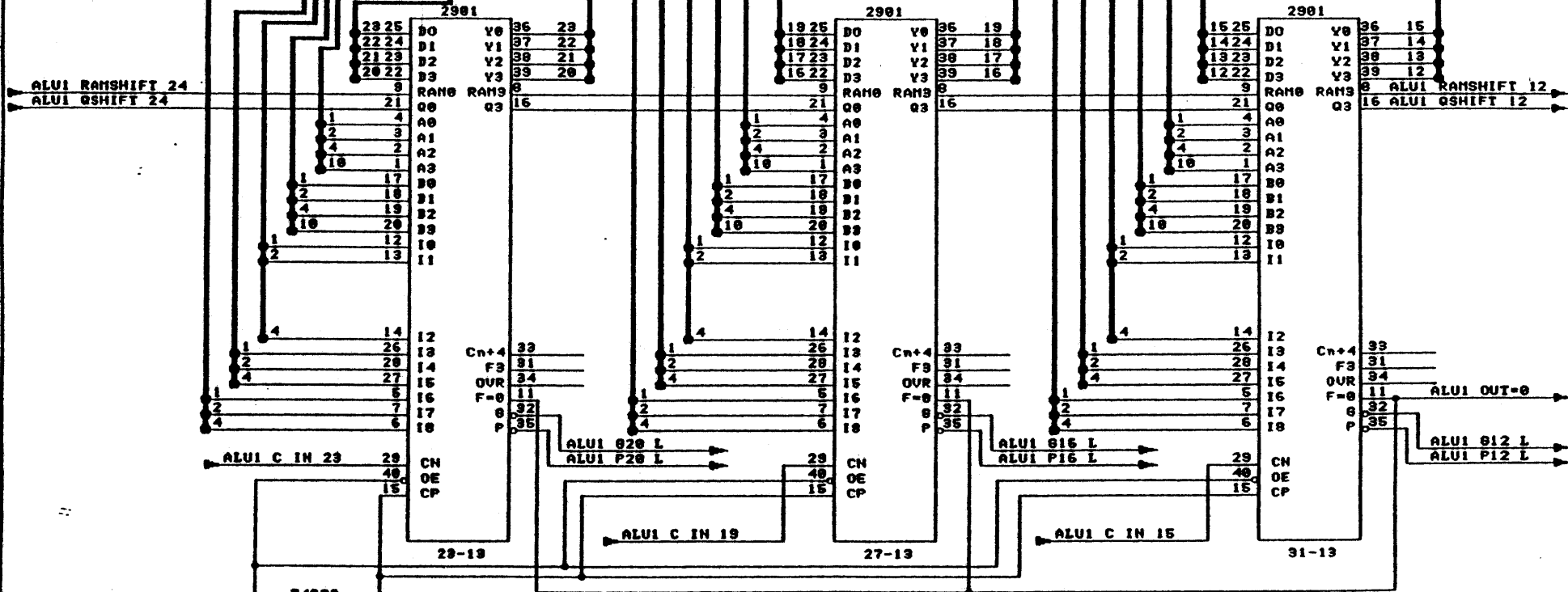
AC B SEL <[1] B:[10] B>

HI ALU SRC <[1] B:[4] B>

HI ALU FUN <[1] B:[4] B>

HI ALU DST <[1] B:[4] B>

OBUS <12:23>



RECEIVED FEB 01 1983

PRELIMINARY

TWNSHARE INCORPORATED

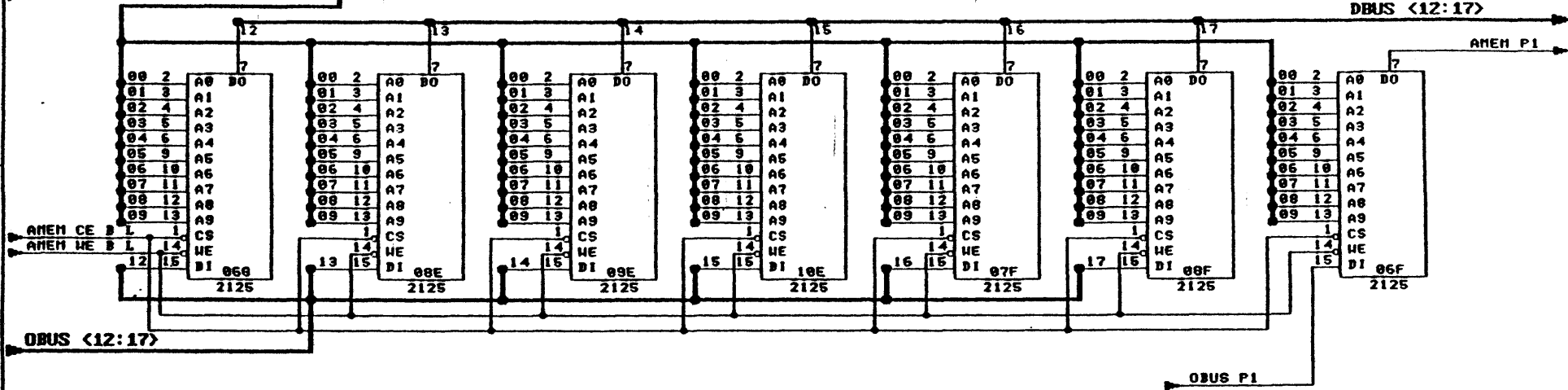
TITLE				REV
B1 - B1ALU1				A
SIZE	CODE	NUMBER	REV	
B		0000008	A	
DATE		NOV 09, 1984	SHEET 62 OF 88	

B1AM0.DMG
26KL

ANEM ADR <00 B L:09 B L>

DBUS <12:17>

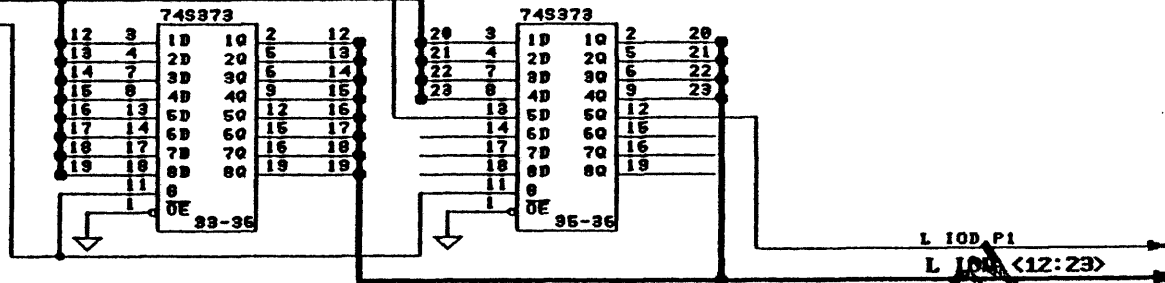
ANEM P1



OBUS <12:17>

OBUS P1

I0D P1
I0D <12:23>
I0D DRV IN



L I0D P1
L I0D <12:23>

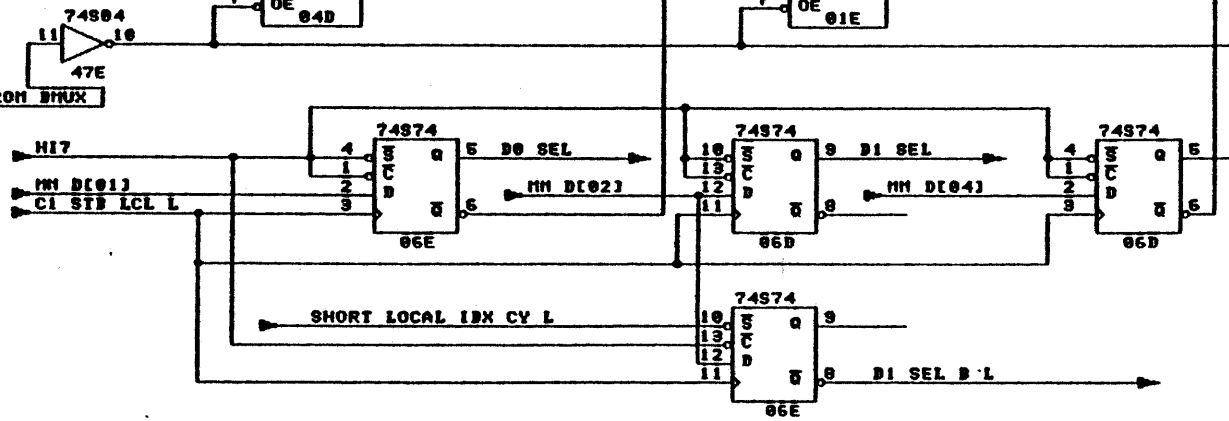
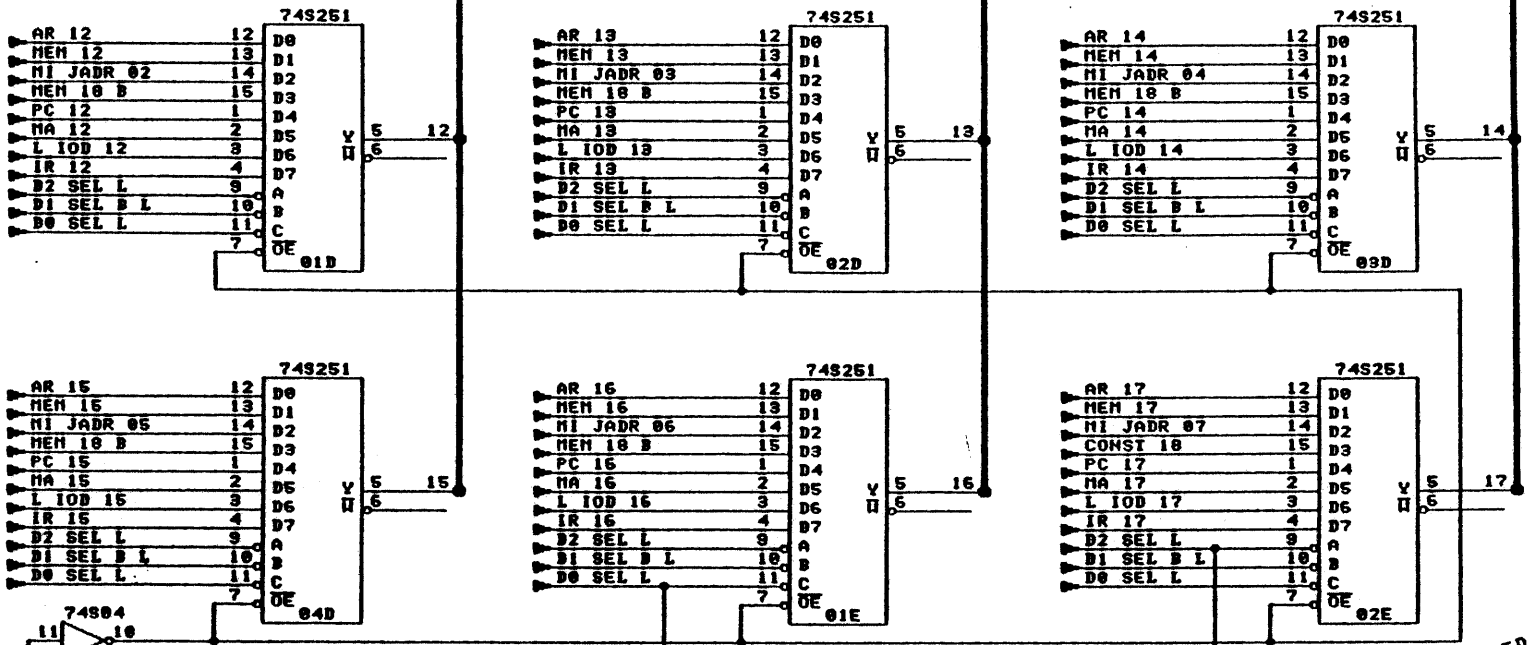
RECEIVED FEB 01 1985

PRELIMINARY

TYMSHARE INCORPORATED

TITLE				B1 - B1AM0
SIZE	CODE	NUMBER	REV	
B		0000000	A	
DATE	NOV. 12, 1984	SHEET 06 OF XX		

DBUS <12:17>

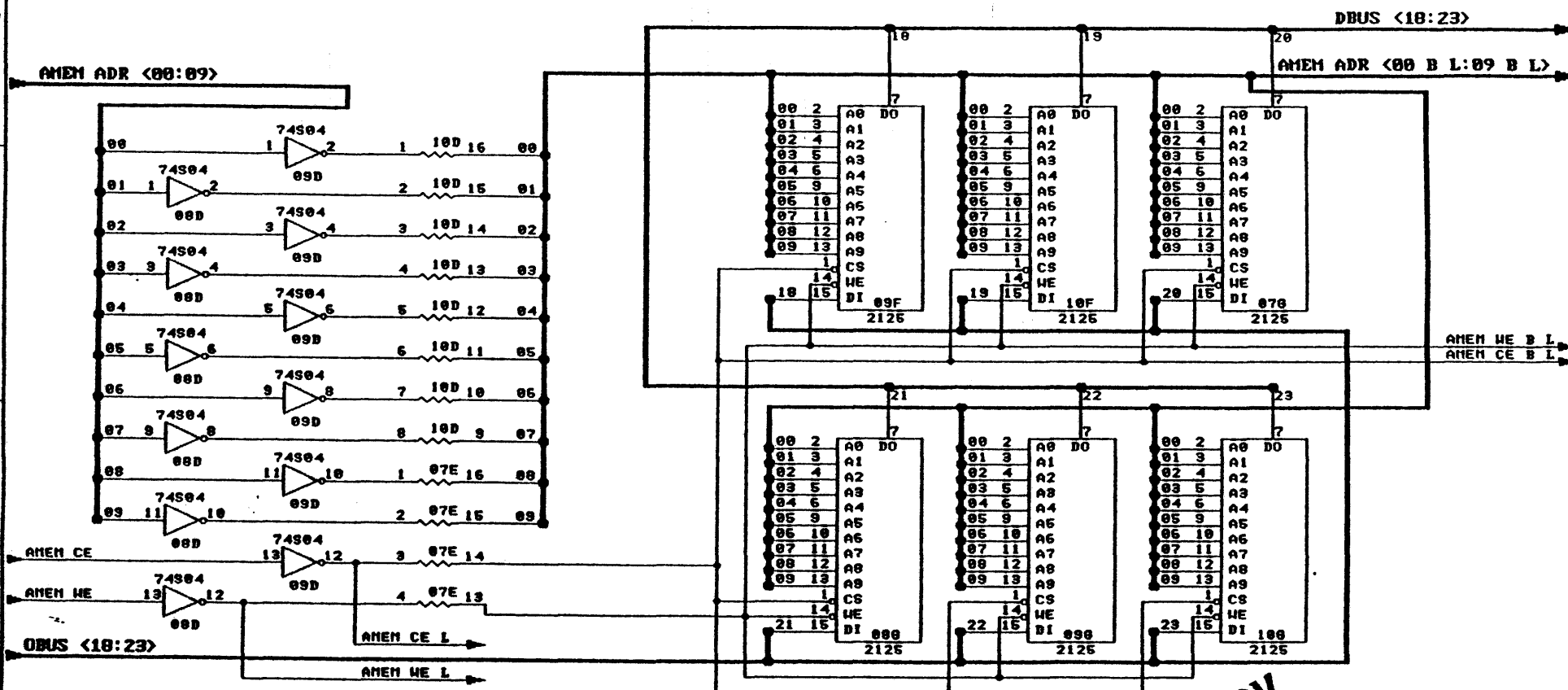


RECEIVED FEB 01 1985

PRELIMINARY

 Tymshare Incorporated			
TITLE			
B1 - B1ANBA			
SIZE	CODE	NUMBER	REV
B		0000000	A
DATE	NOV. 12, 1984	SHEET 6A OF XX	

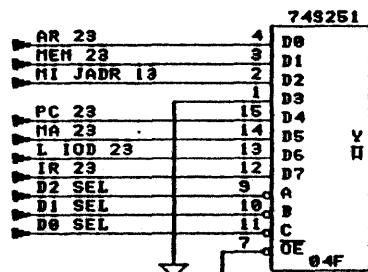
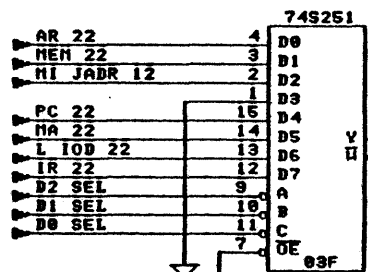
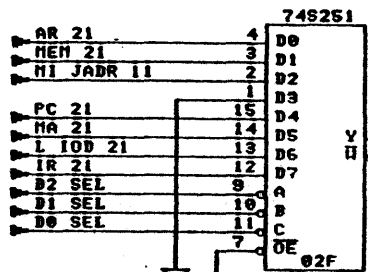
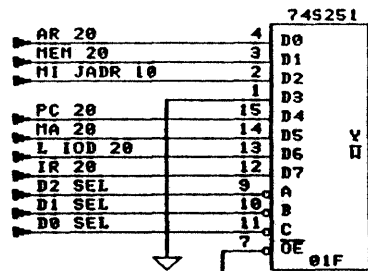
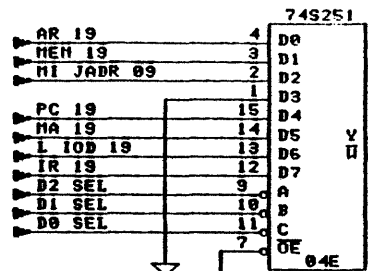
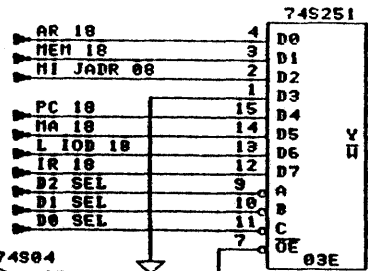
B1A11.DWG
26KL



PRELIMINARY
RECEIVED FEB 1 1985
TYNSHARE INCORPORATED

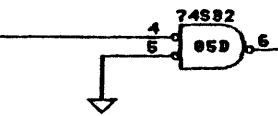
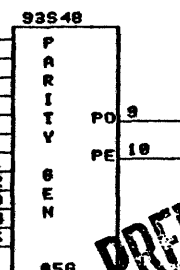
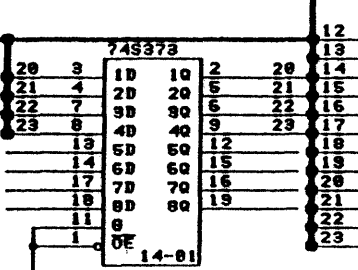
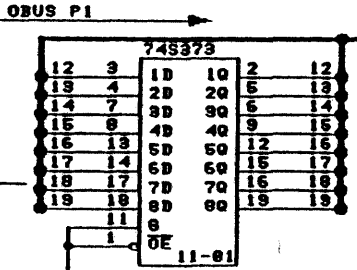
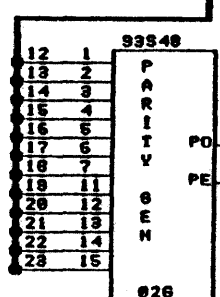
B1 - B1A11

SIZE	CODE	NUMBER	REV
B		0000000	A
DATE	NOV. 12, 1984		SHEET 07 OF XX



END DBUS FROM BHUX

DBUS <12:23>



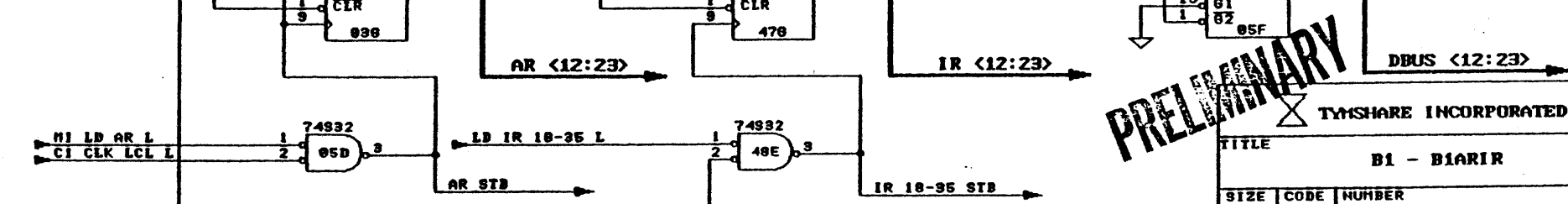
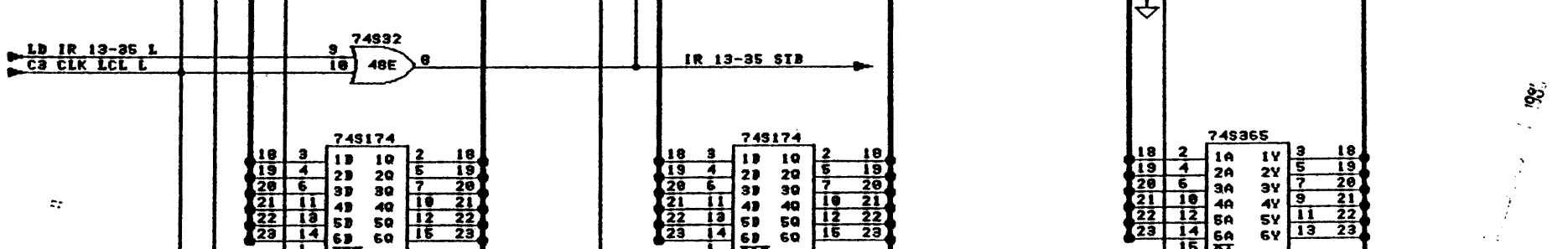
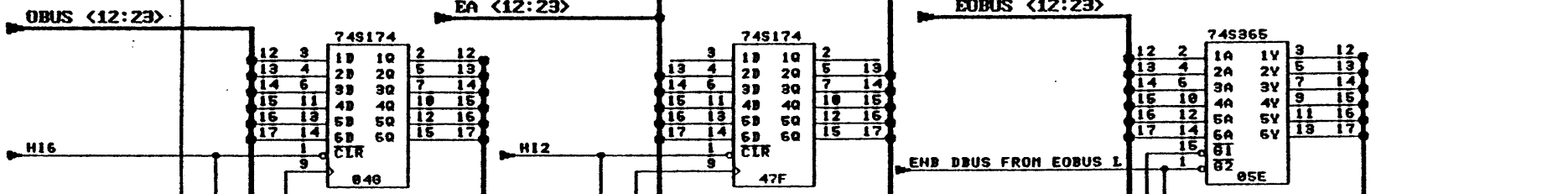
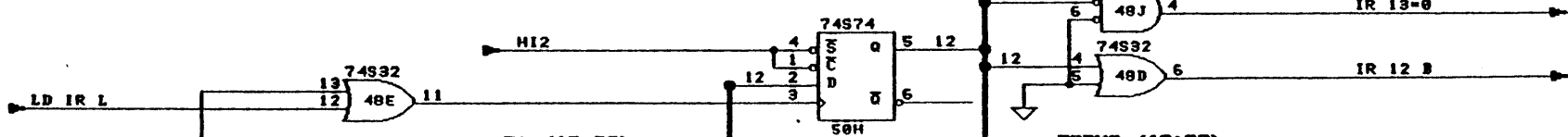
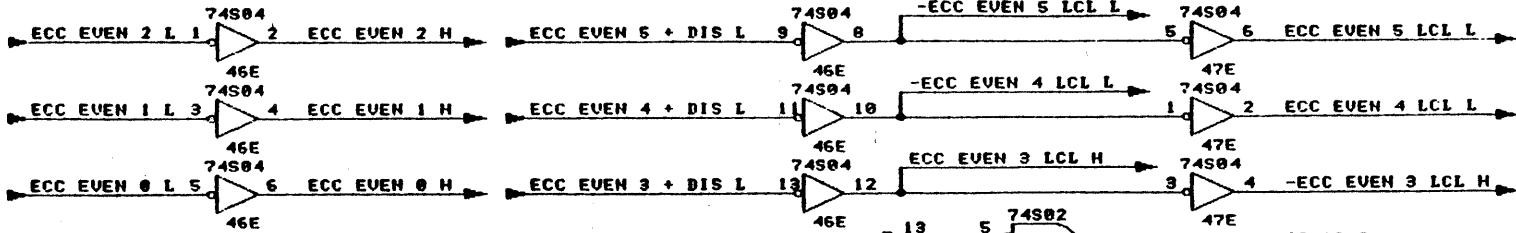
PRELIMINARY

RECEIVED FEB 01 1985

TYMSHARE INCORPORATED

TITLE				B1 - B1A1A
SIZE	CODE	NUMBER	REV	
B		0000000	A	
DATE	NOV. 12, 1984	SHEET 7A OF XX		

BIARIR.DWG
ZGKL



RECEIVED FEB 1 1984

PRELIMINARY

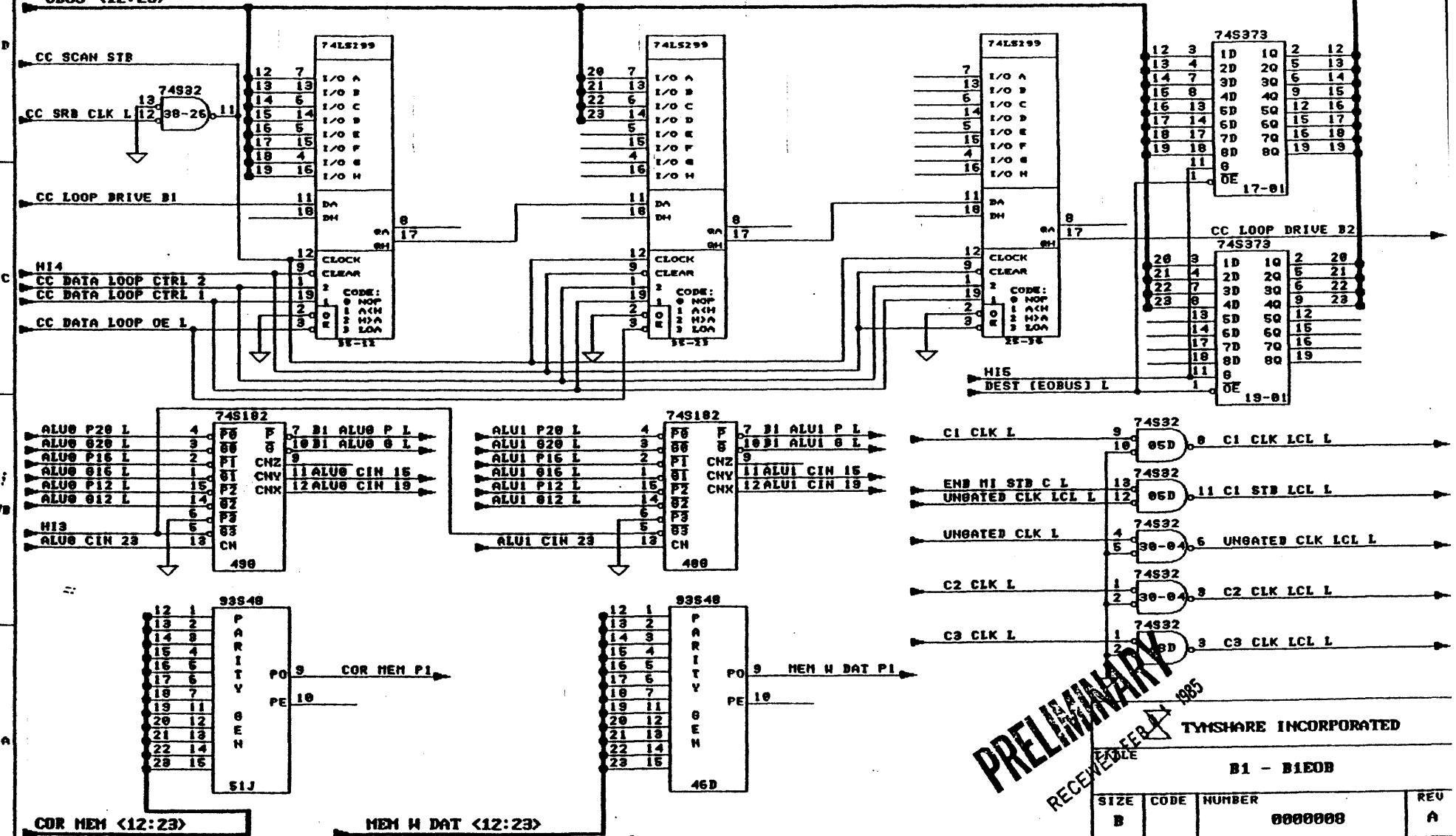
TYMSHARE INCORPORATED

TITLE				B1 - BIARIR	
SIZE	CODE	NUMBER	REV		
B		000000	A		
DATE	NOV. 12, 1984	SHEET 09 OF XX			

B1E0B.DMG
26KL

OBUS <12:23>

E OBUS <12:23>



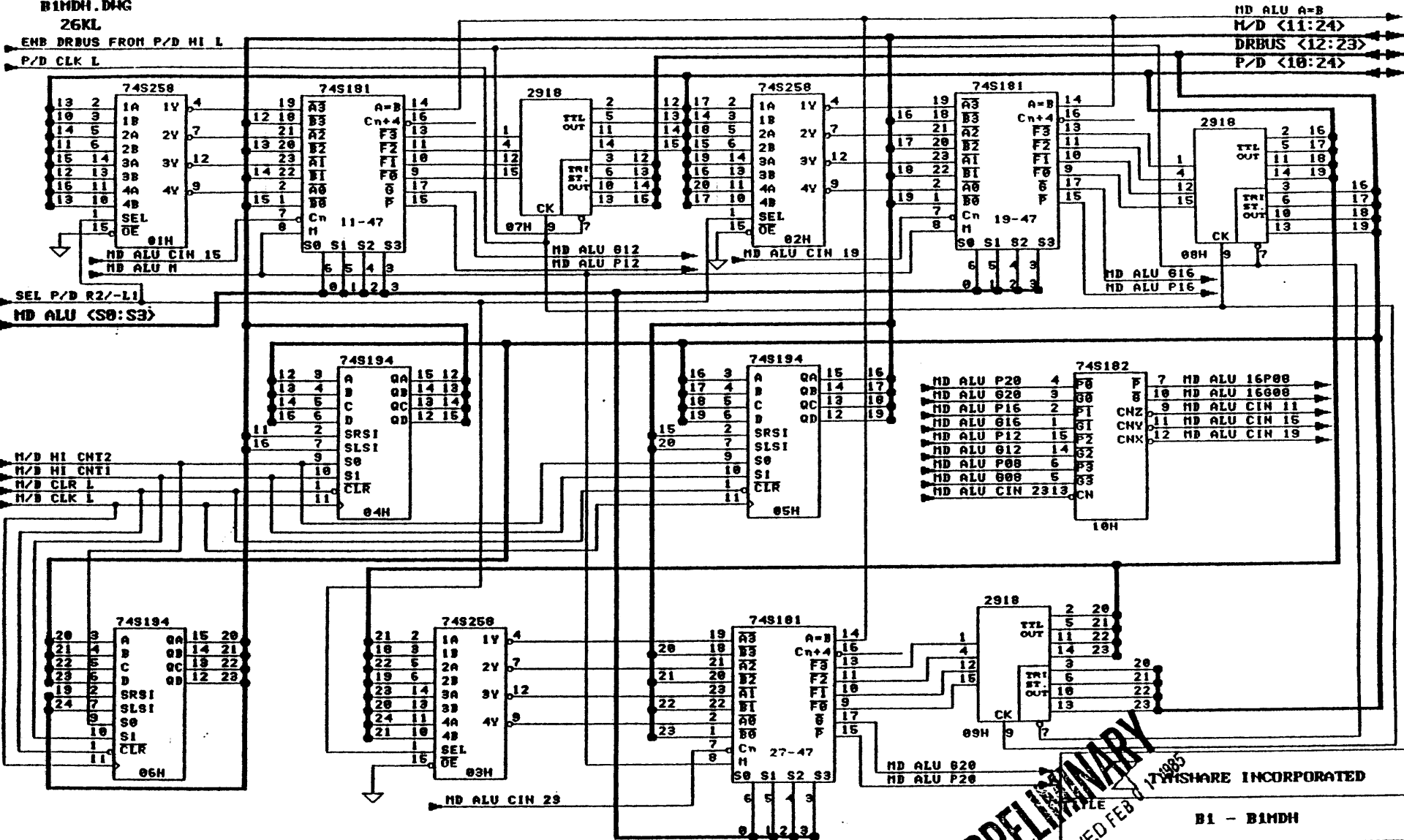
PRELIMINARY
RECEIVED FEB 1985

TYNSHARE INCORPORATED

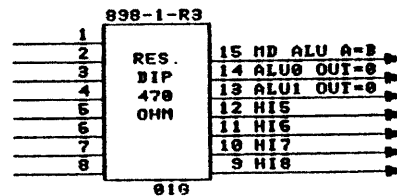
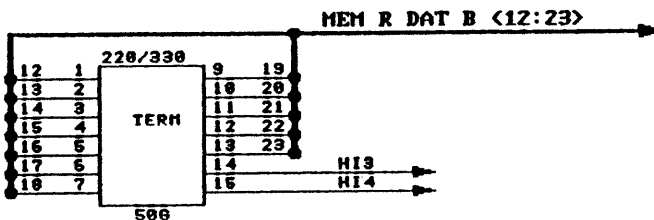
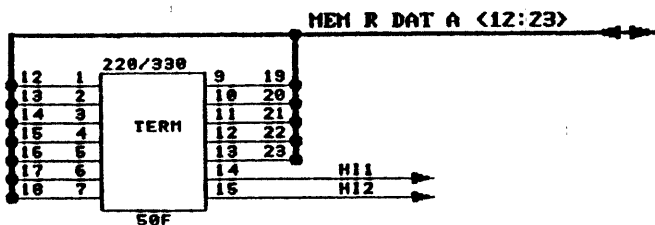
B1 - B1E0B

SIZE	CODE	NUMBER	REV
B		0000000	A
DATE	NOV. 13, 1984	SHEET 09 OF XX	

B1MDH.DWG
26KL



PRELIMINARY
 RECEIVED FEB 17 1985
 WISHARE INCORPORATED
 B1 - B1MDH
 REV B CODE NUMBER 000000 REV A
 DATE NOV. 13, 1984 SHEET 10 OF XX



PRELIMINARY

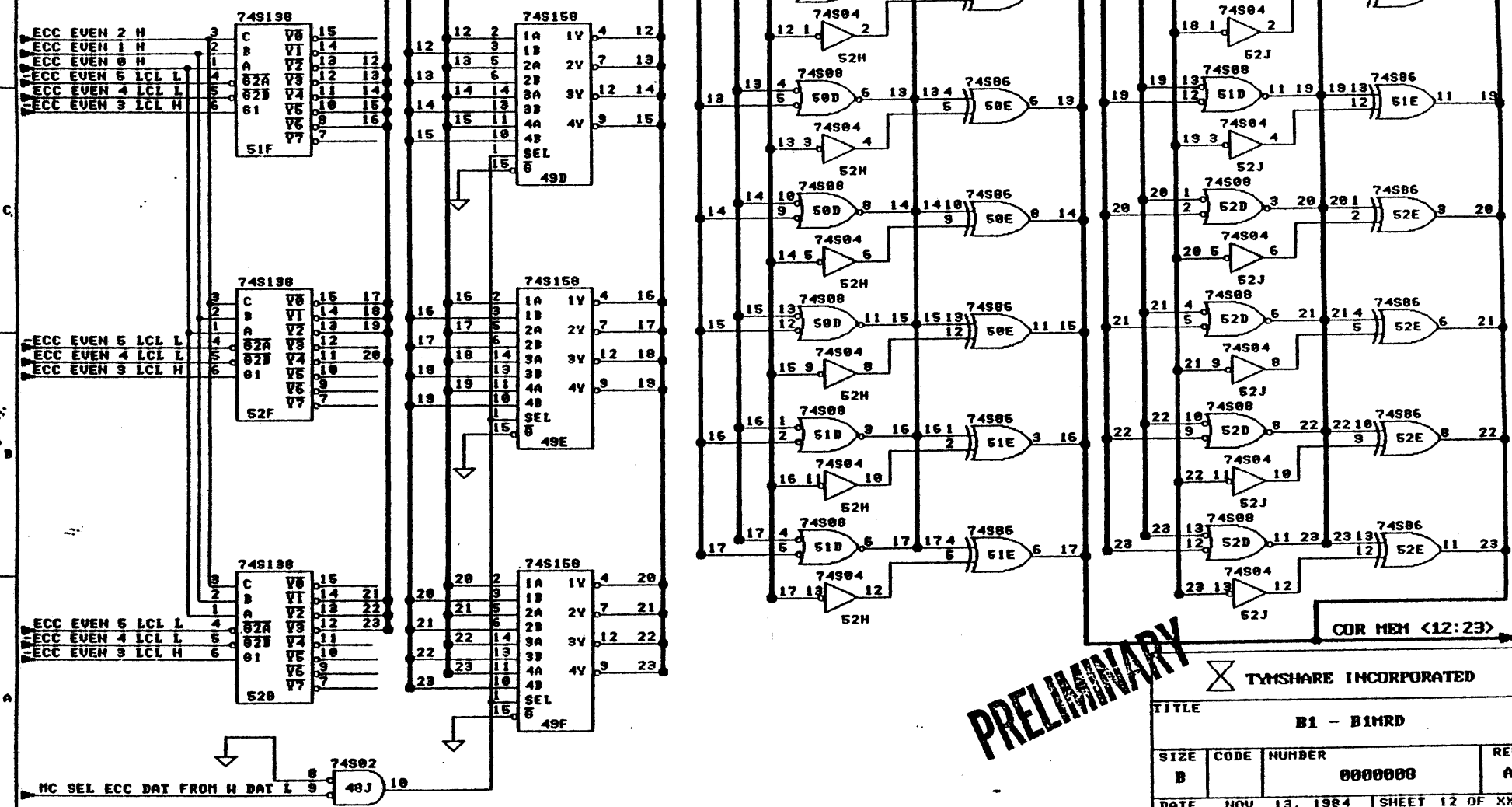
RECEIVED FEB 01 1985

TITLE			
B1 - B1MISC			
SIZE	CODE	NUMBER	REV
B		0000000	A
DATE		NOV. 13, 1984	SHEET 11 OF XX

B1MRD.DWG
26KL

MEM R DAT A <12:23>
MEM R DAT B <12:23>
MEM H DAT <12:23>

ECC DAT <12 L:23 L>
UNCOR MEM <12:23>
CORRECT BIT <12 L:23 L>



PRELIMINARY

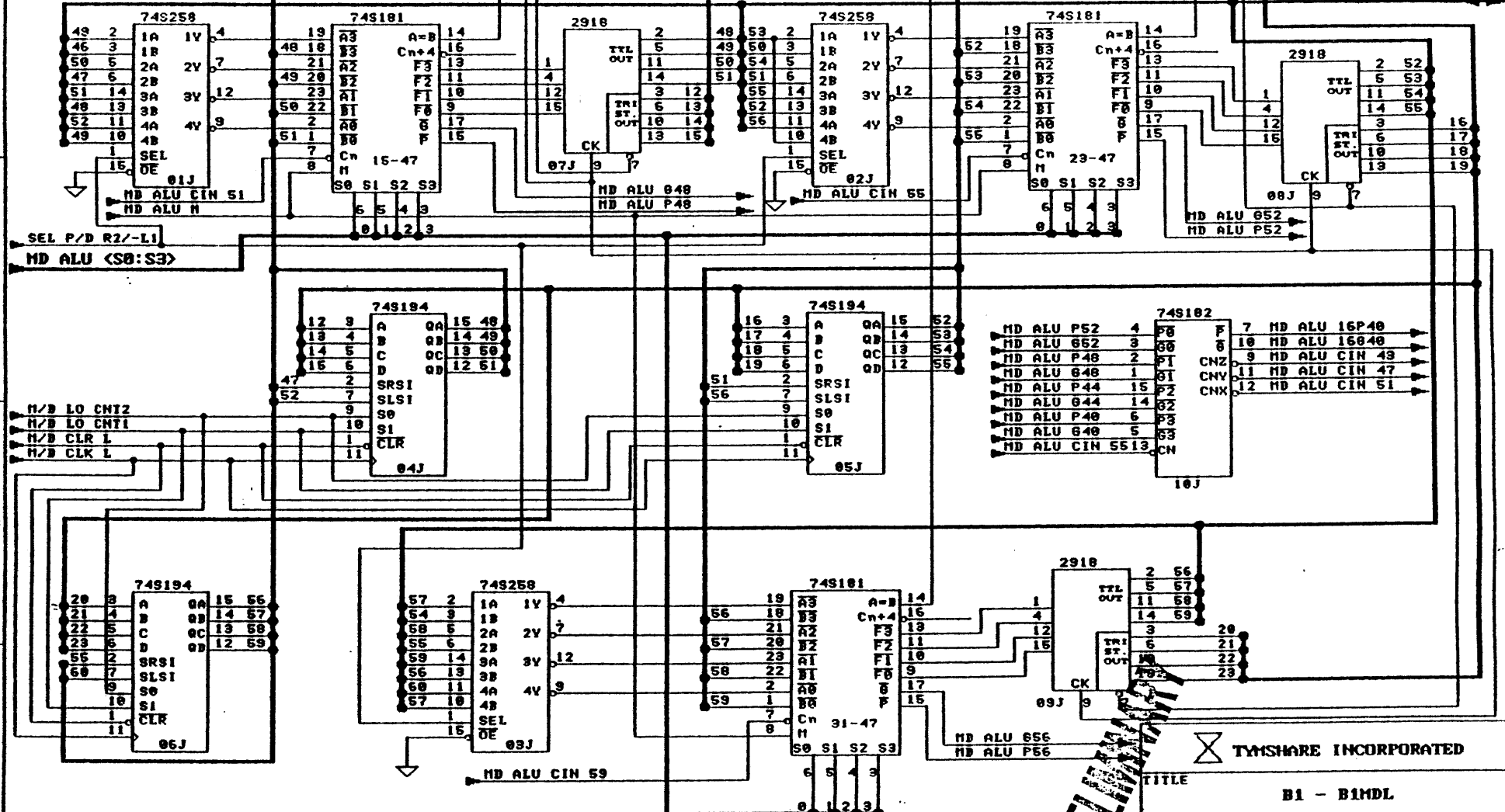
TM SHARE INCORPORATED

TITLE				B1 - B1MRD	
SIZE	CODE	NUMBER	REV		
B		0000008	A		
DATE	NOV. 13, 1984		SHEET 12 OF XX		

**BIMDL D4G
26KL**

END DRBUS FROM P/D LO L
P/D CLK L

MD ALU A-B
M/D <47:60>
DRBUS <12:23>
P/D <46:60>



PRELIMINARY

TYMSHARE INCORPORATED

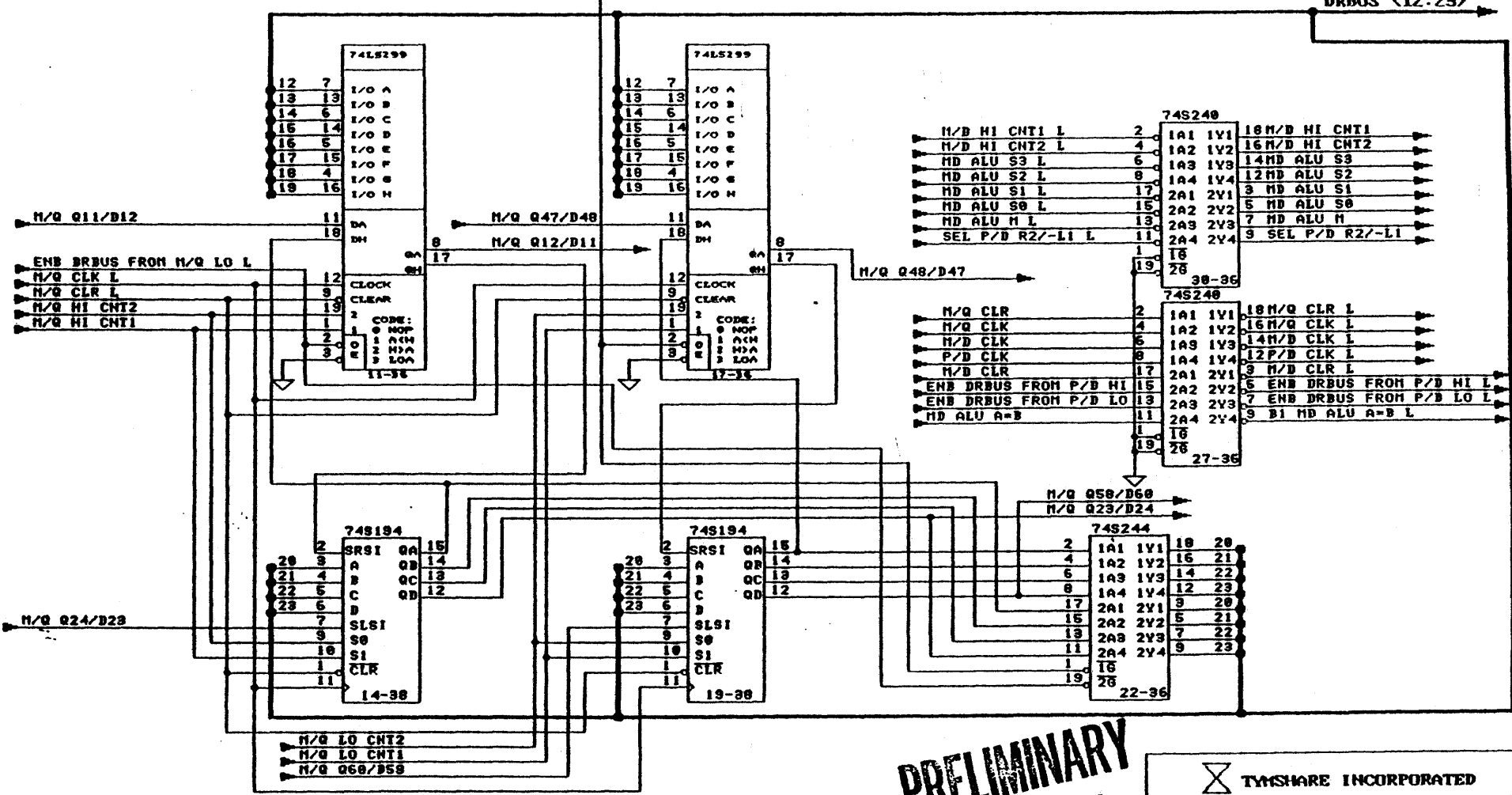
TITLE				B1 - BIMDL	
SIZE	CODE	NUMBER	REV		
B		0000000	A		
DATE	NOV. 13, 1984	SHEET 13 OF XX			

RECEIVED FEB 01 1985

B1MDQ.DWG
26KL

ENB DRBUS FROM M/Q HI L

DRBUS <12:23>

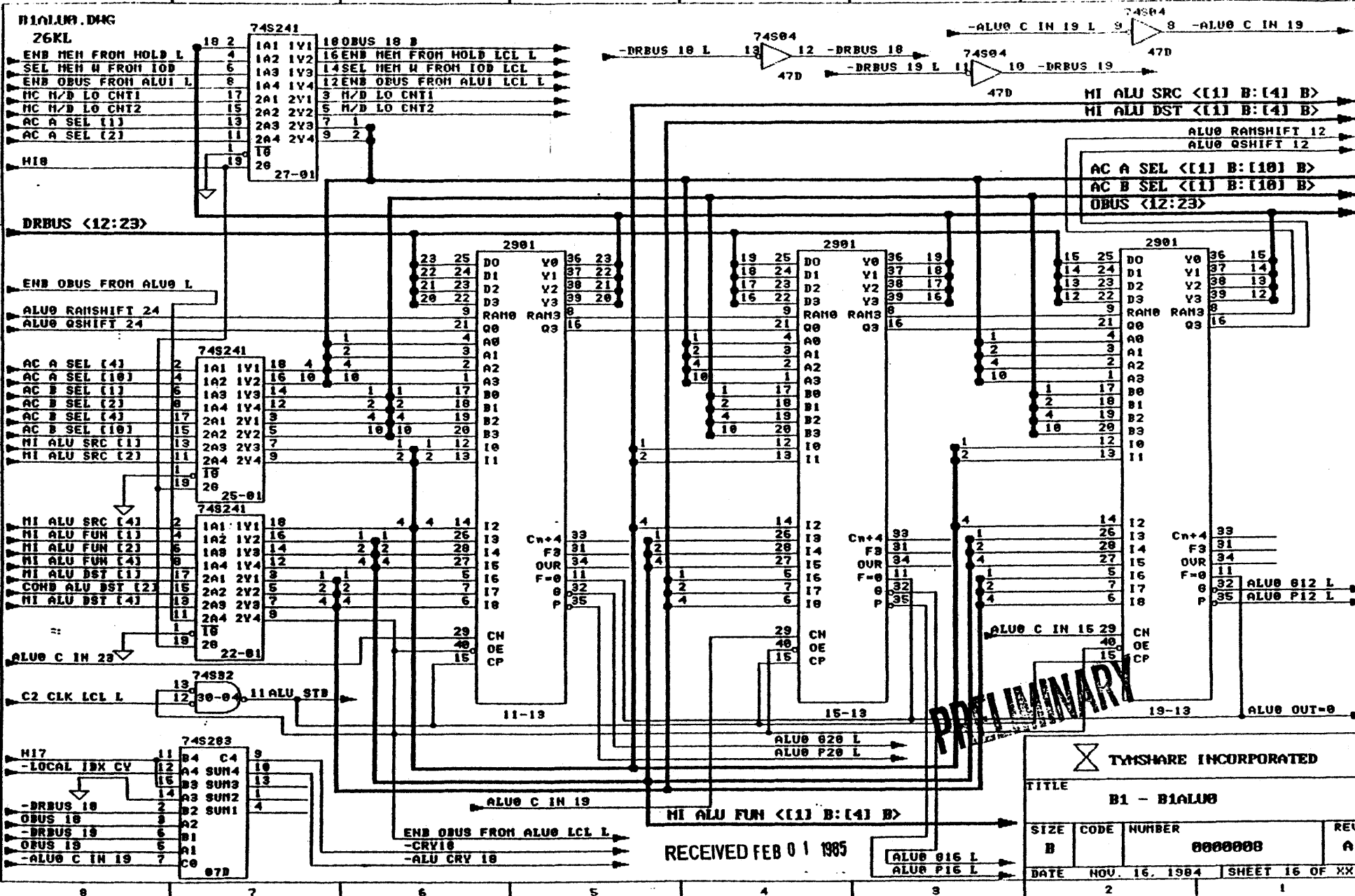


PRELIMINARY
RECEIVED FEB 01 1985

TYMSHARE INCORPORATED

TITLE				B1 - B1MDQ
SIZE	CODE	NUMBER	REV	
B		0000000	A	
DATE			NOV. 13 1984	SHEET 14 OF KK

BIALUM.DWG
26KL



MI ALU SRC <[1] B:[4] B>
MI ALU DST <[1] B:[4] B>
ALU0 RAMSHIFT 12
ALU0 QSHIFT 12
AC A SEL <[1] B:[10] B>
AC B SEL <[1] B:[10] B>
OBUS <12:23>

DRBUS <12:23>

END OBUS FROM ALU0 L

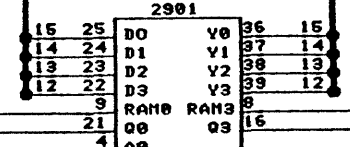
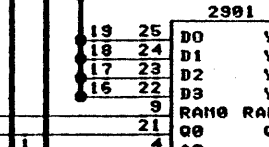
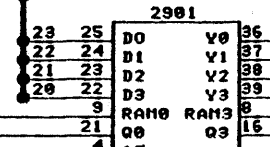
ALU0 RAMSHIFT 24
ALU0 QSHIFT 24

AC A SEL [4]
AC A SEL [10]
AC B SEL [1]
AC B SEL [2]
AC B SEL [4]
AC B SEL [10]
MI ALU SRC [1]
MI ALU SRC [2]

MI ALU SRC [4]
MI ALU FUN [1]
MI ALU FUN [2]
MI ALU FUN [4]
MI ALU DST [1]
COMB ALU DST [2]
MI ALU DST [4]

C2 CLK LCL L
11 ALU STB

H17
-LOCAL IBX CV
-DRBUS 10
OBUS 10
-DRBUS 19
OBUS 19
-ALU C IN 19



ALU0 C IN 23

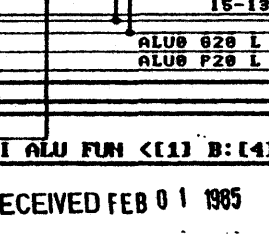
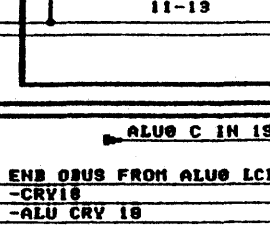
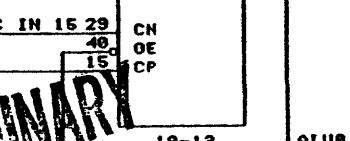
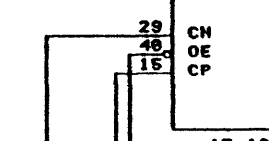
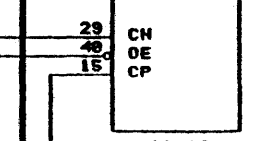
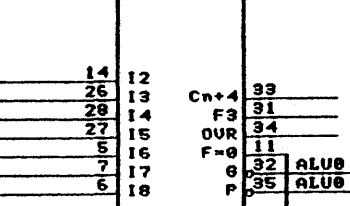
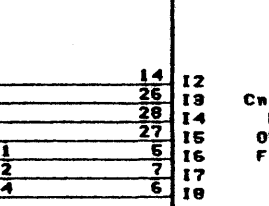
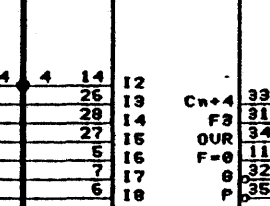
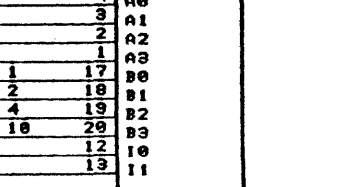
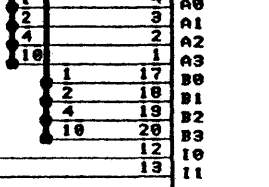
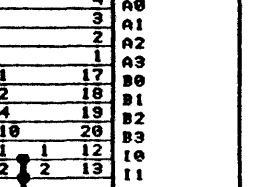
74S241

13	14	1A1	1V1	18	4	18
12	13	1A2	1V2	16	10	18
11	12	1A3	1V3	14		18
10	11	1A4	1V4	12		18
9	10	2A1	2V1	9		18
8	9	2A2	2V2	5		18
7	8	2A3	2V3	7		18
6	7	2A4	2V4	9		18
5	6	1T0		1		18
4	5	1T1		2		18
3	4	1T2		3		18
2	3	1T3		4		18
1	2	1T4		5		18
0	1	1T5		6		18
0	0	1T6		7		18
0	0	1T7		8		18
0	0	1T8		9		18
0	0	1T9		10		18
0	0	1T10		11		18
0	0	1T11		12		18
0	0	1T12		13		18
0	0	1T13		14		18
0	0	1T14		15		18
0	0	1T15		16		18
0	0	1T16		17		18
0	0	1T17		18		18
0	0	1T18		19		18
0	0	1T19		20		18
0	0	1T20		21		18
0	0	1T21		22		18
0	0	1T22		23		18
0	0	1T23		24		18
0	0	1T24		25		18
0	0	1T25		26		18
0	0	1T26		27		18
0	0	1T27		28		18
0	0	1T28		29		18
0	0	1T29		30		18
0	0	1T30		31		18
0	0	1T31		32		18
0	0	1T32		33		18
0	0	1T33		34		18
0	0	1T34		35		18

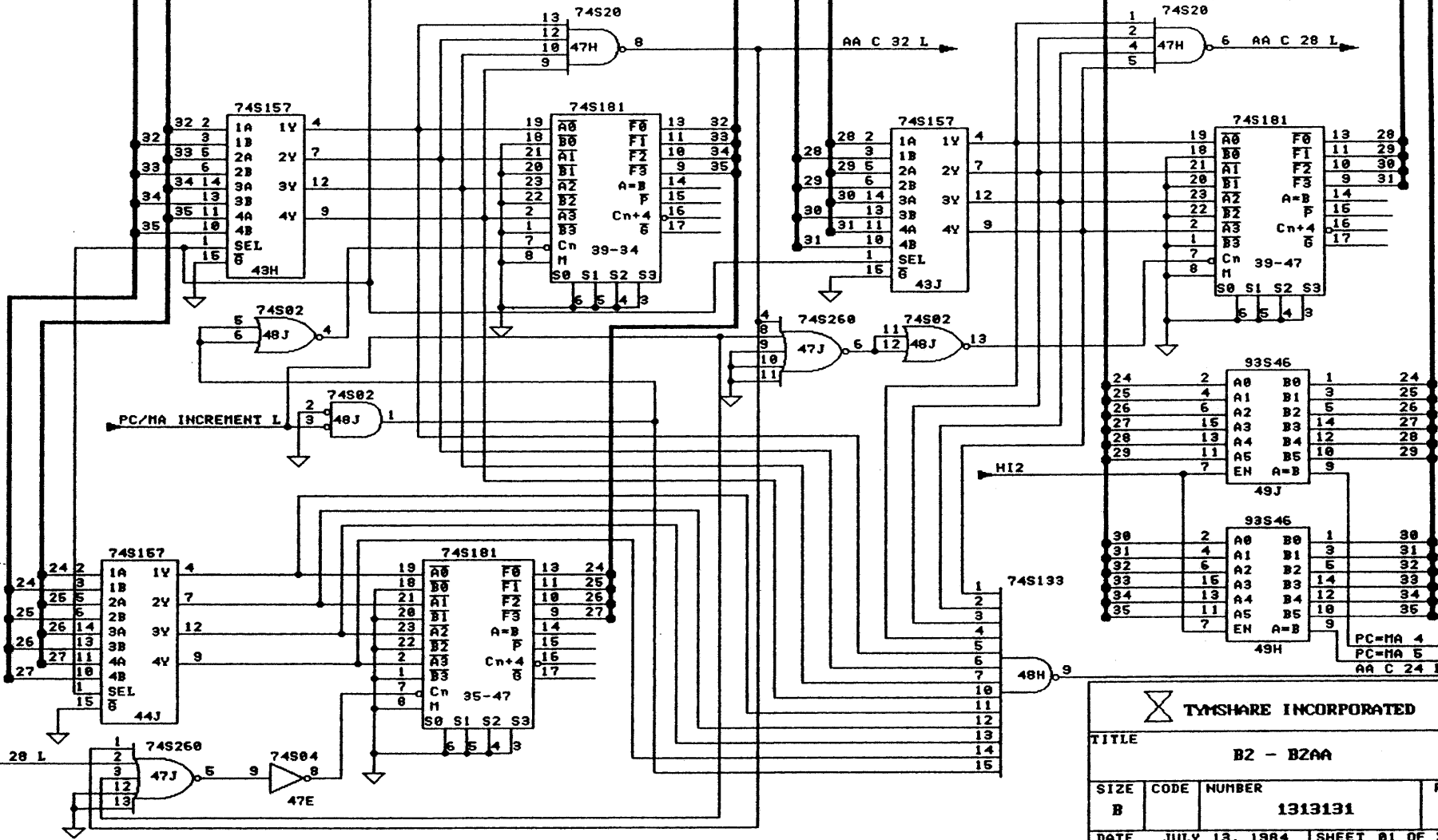
74S283


11	B4	C4	9
12	A4	SUN4	10
13	B3	SUN3	13
14	A3	SUN2	1
15	B2	SUN1	4
16	A2		
17	B1		
18	A1		
19	C0		

H17
-LOCAL IBX CV
-DRBUS 10
OBUS 10
-DRBUS 19
OBUS 19
-ALU C IN 19



SEL ADDR ADDER FROM MA F2
MA <24:35>
AA <24:35>
PC <24:35>




TYMSHARE INCORPORATED

TITLE
B2 - B2AA

SIZE	CODE	NUMBER	REV
B		1313131	A

DATE JULY 13, 1984 SHEET 01 OF XX

PRELIMINARY

RECEIVED FEB 08 1985

B2ALU0.DWG

BZ

74S241

1A1 1Y1 18

1A2 1Y2 16

1A3 1Y3 14

1A4 1Y4 12

2A1 2Y1 3

2A2 2Y2 5

2A3 2Y3 7

2A4 2Y4 9

1 16

19

20

27-01

18

16

14

12

3

5

7

9

1

16

19

20

27-01

18

16

14

12

3

5

7

9

1

16

19

20

22-01

18

16

14

12

3

5

7

9

1

16

19

20

22-01

18

16

14

12

3

5

7

9

1

16

19

20

22-01

18

16

14

12

3

5

7

9

1

16

19

20

22-01

18

16

14

12

3

5

7

9

1

16

19

20

22-01

18

16

14

12

3

5

7

9

1

16

19

20

22-01

18

16

14

12

3

5

7

9

1

16

19

20

22-01

18

16

14

12

3

5

7

9

1

16

19

20

22-01

18

16

14

12

3

5

7

9

1

16

19

20

22-01

18

16

14

12

3

5

7

9

1

16

19

20

22-01

18

16

14

12

3

5

7

9

1

16

19

20

22-01

18

16

14

12

3

5

7

9

1

16

19

20

22-01

18

16

14

12

3

5

7

9

1

16

19

20

22-01

18

16

14

12

3

5

7

9

1

16

19

20

22-01

18

16

14

12

3

5

7

9

1

16

19

20

22-01

18

16

14

12

3

5

7

9

1

16

19

20

22-01

18

16

14

12

3

5

7

9

1

16

19

20

22-01

18

16

14

12

3

5

7

9

1

16

19

20

22-01

18

16

14

12

3

5

7

9

1

16

19

20

22-01

18

16

14

12

3

5

7

9

1

16

19

20

22-01

18

16

14

12

3

5

7

9

1

16

19

20

22-01

18

16

14

12

3

5

7

9

1

16

19

20

22-01

18

16

14

12

3

5

7

9

1

16

19

20

B2ALU1.DWG
B2

Exec
10

DIRUS <24:35>

DRBUS <24:35>

AC A SEL <[1] B:[4] B>

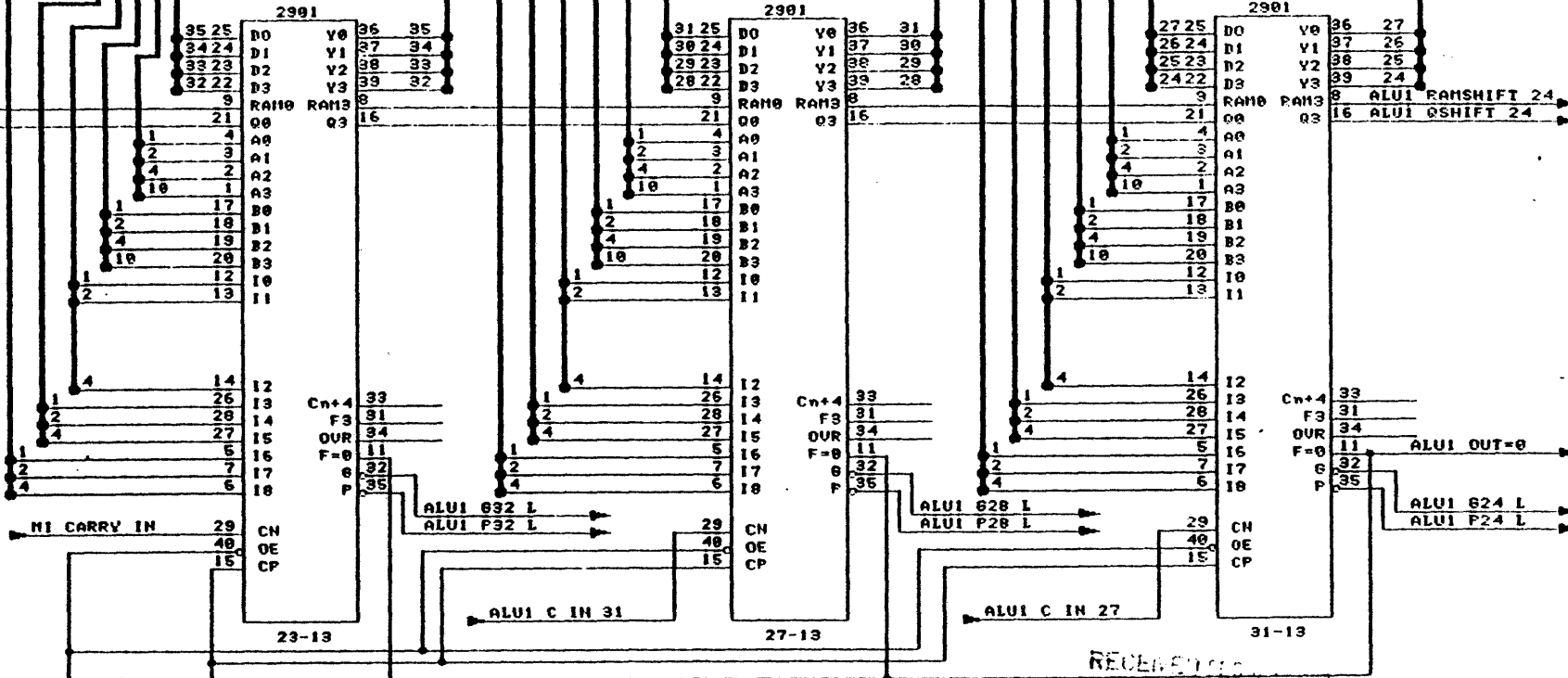
AC B SEL <[1] B:[4] B>

HI ALU SRC <[1] B:[4] B>

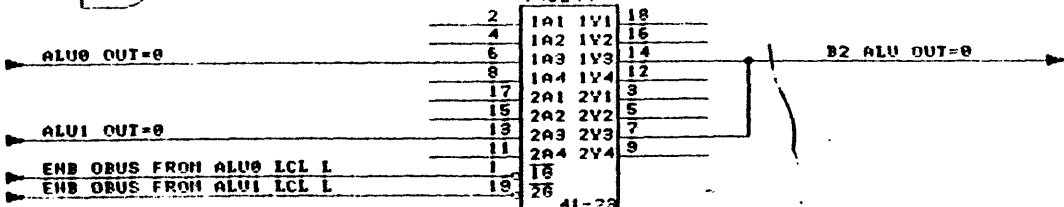
HI ALU FUN <[1] B:[4] B>

HI ALU DST <[1] B:[4] B>

ALUI RAMSHIFT 36
ALUI QSHIFT 36



ENB DBUS FROM ALUI LCL L 9 74S92
C2 CLK LCL L 10 30-04 8 ALUI STB



TYNSHARE INCORPORATED

TITLE
B2 - B2ALU1

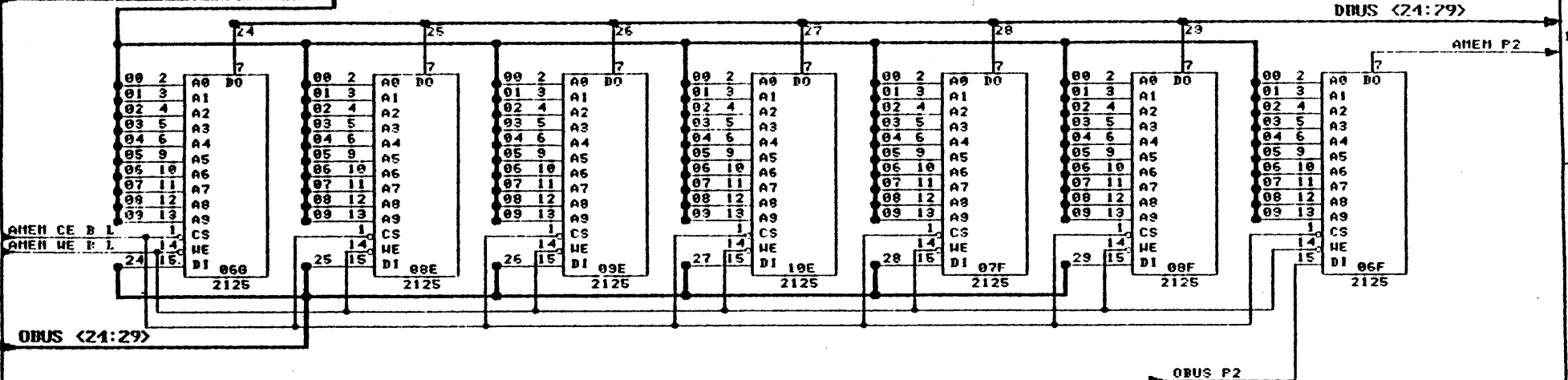
SIZE	CODE	NUMBER	REV
B		1313132	A

DATE JULY 13, 1984 SHEET 03 OF 03

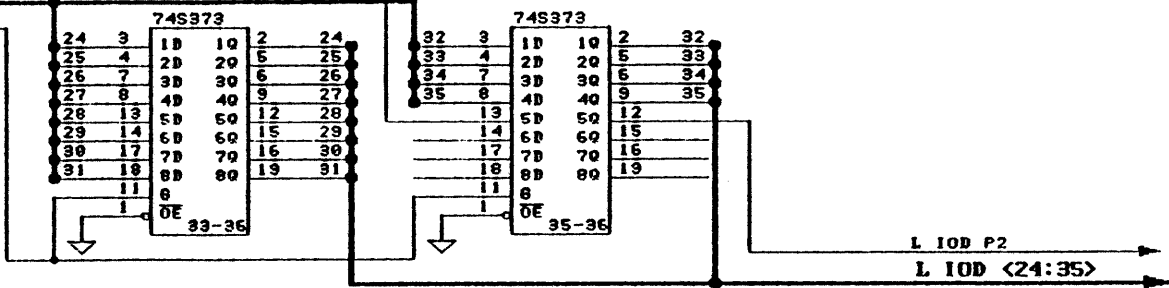
B7AN0.DWG
B2

AMEM ADR <00 B L:09 B L>

DRUS <24:29>



IOB P2
IOD <24:35>
IOB DRU IN

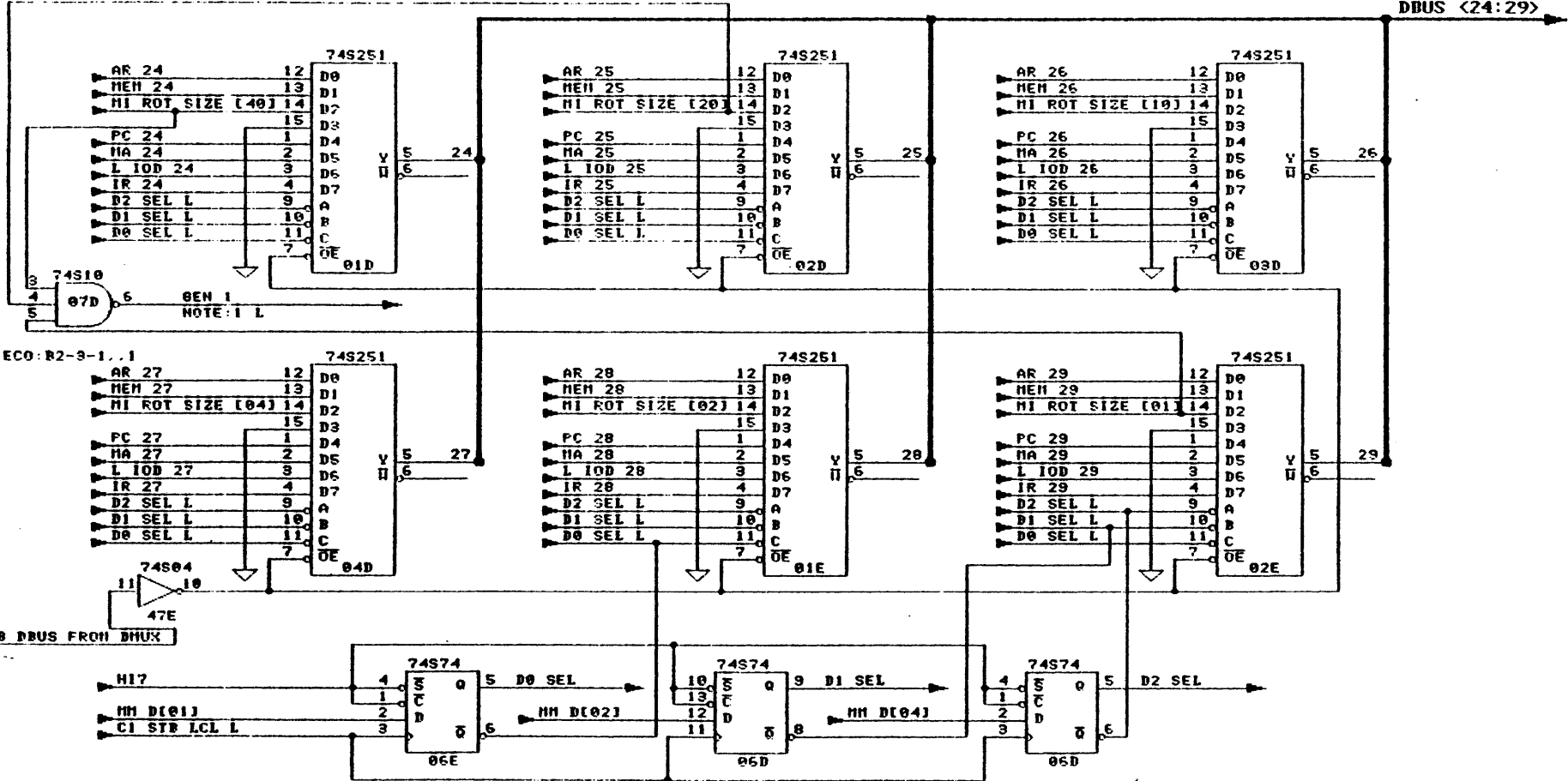


RECEIVED SEP 21 1985

TYMSHARE INCORPORATED

B2 - B2AN0

SIZE	CODE	NUMBER	REV
B		1313132	A
DATE		JULY 13, 1984	SHEET 04 OF 22



NOTE: ECO: R2-3-1..1

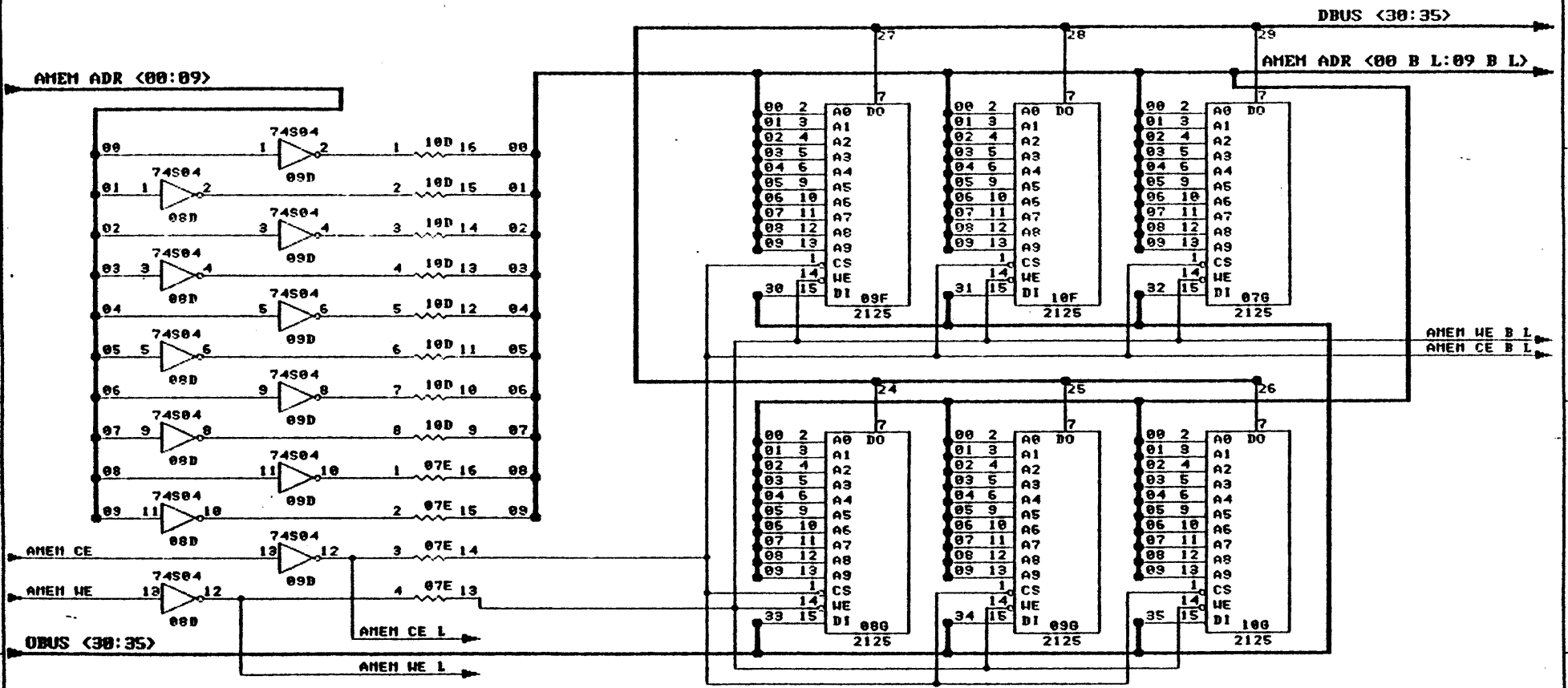
ENB DBUS FROM DBUX

RECEIVED

LIBRARY

TYMSHARE INCORPORATED

TITLE			
B2 - B2AM00			
SIZE	CODE	NUMBER	REV
B		1313132	A
DATE		JULY 13, 1984	SHEET 4A

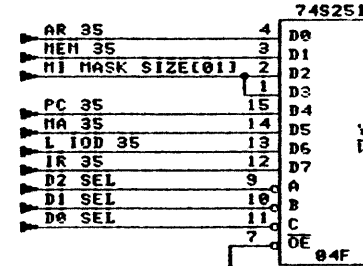
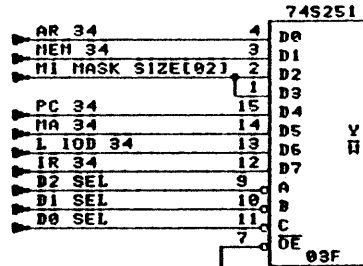
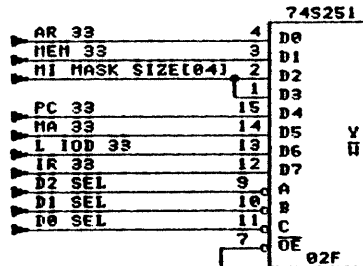
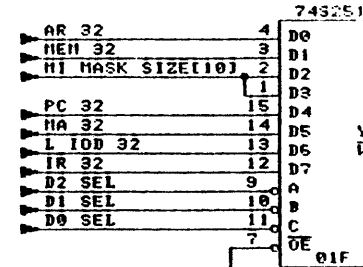
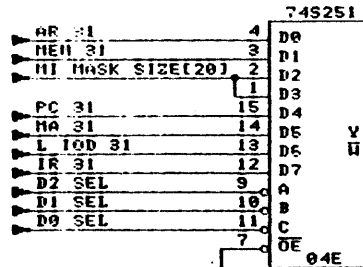
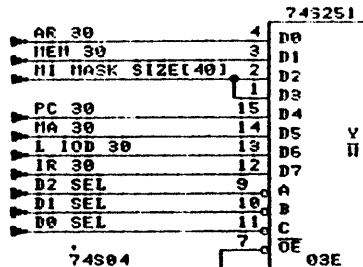


RECORDED
LIBRARY

TITLE			
B2 - B2AM1			
SIZE	CODE	NUMBER	REV
B		1313132	A
DATE	JULY 13, 1984	SHEET 05 OF 07	

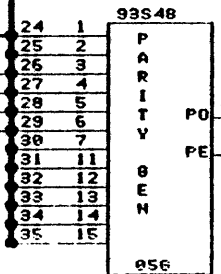
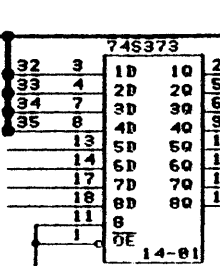
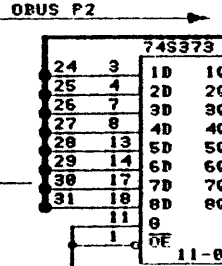
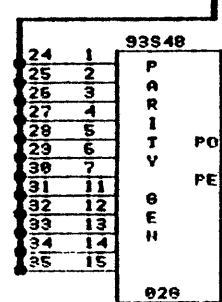
B2AM1A.DMG
D2

DIUS <24:35>

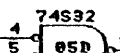


ENB DBUS FROM DMUX

OBUS <24:35>



HOLD L ENB ANEH LATCH L



RECEIVED



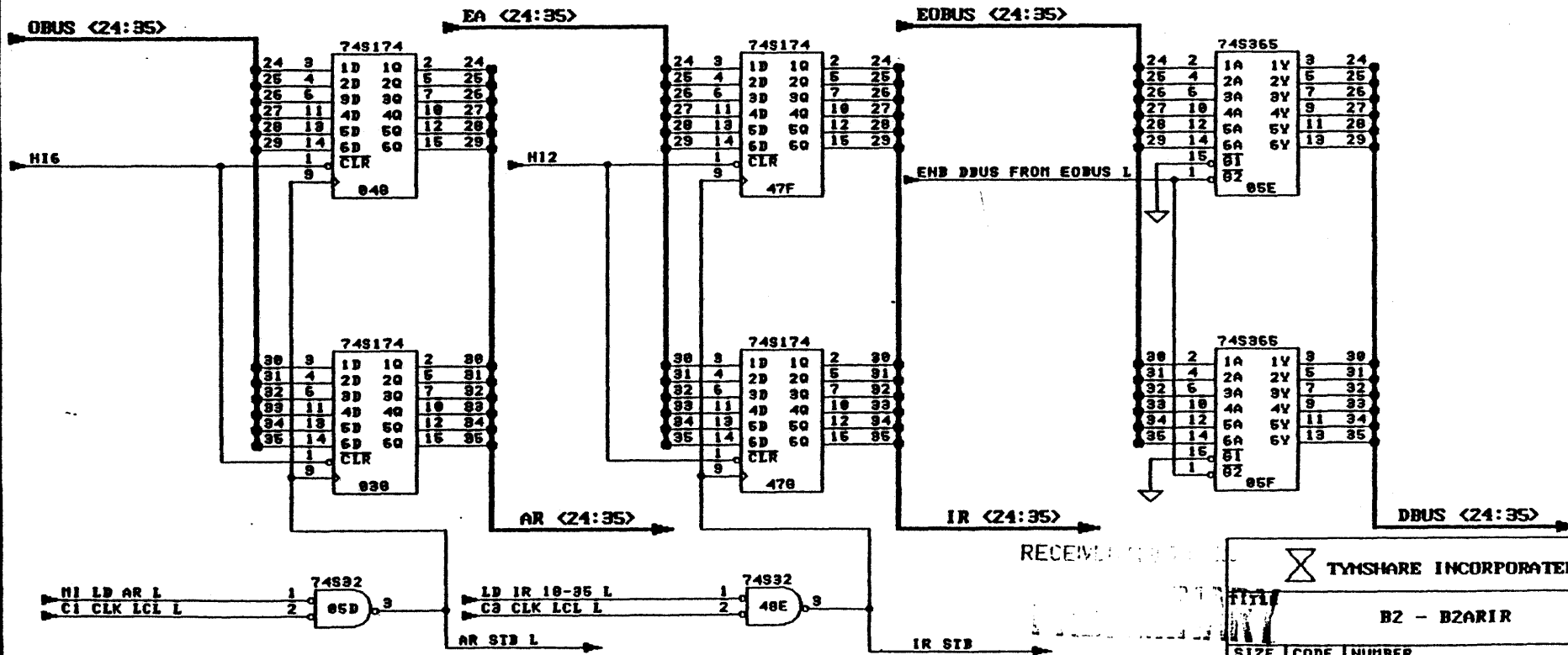
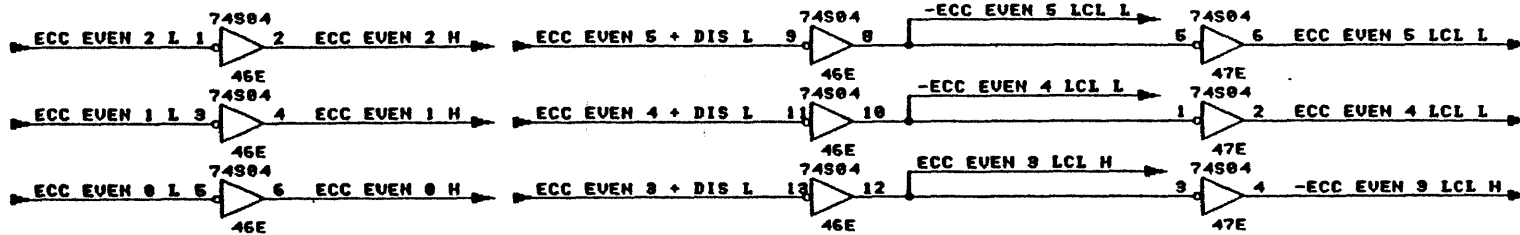
TYMSHARE INCORPORATED

TITLE

B2 - B2AM1A

SIZE	CODE	NUMBER	REV
B		1313132	A
DATE		JULY 13, 1984	SHEET 5A OF XX

B2ARIR.DWG
B2



TYMSHARE INCORPORATED

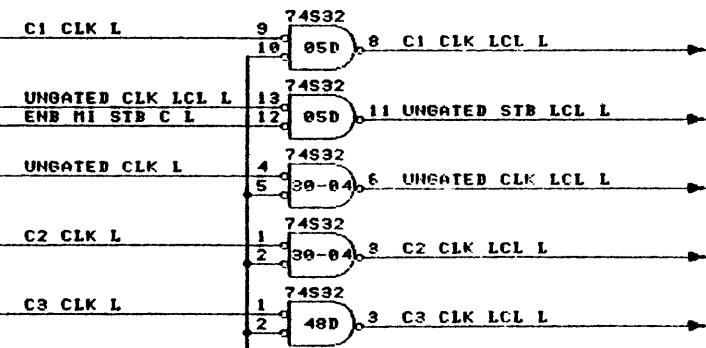
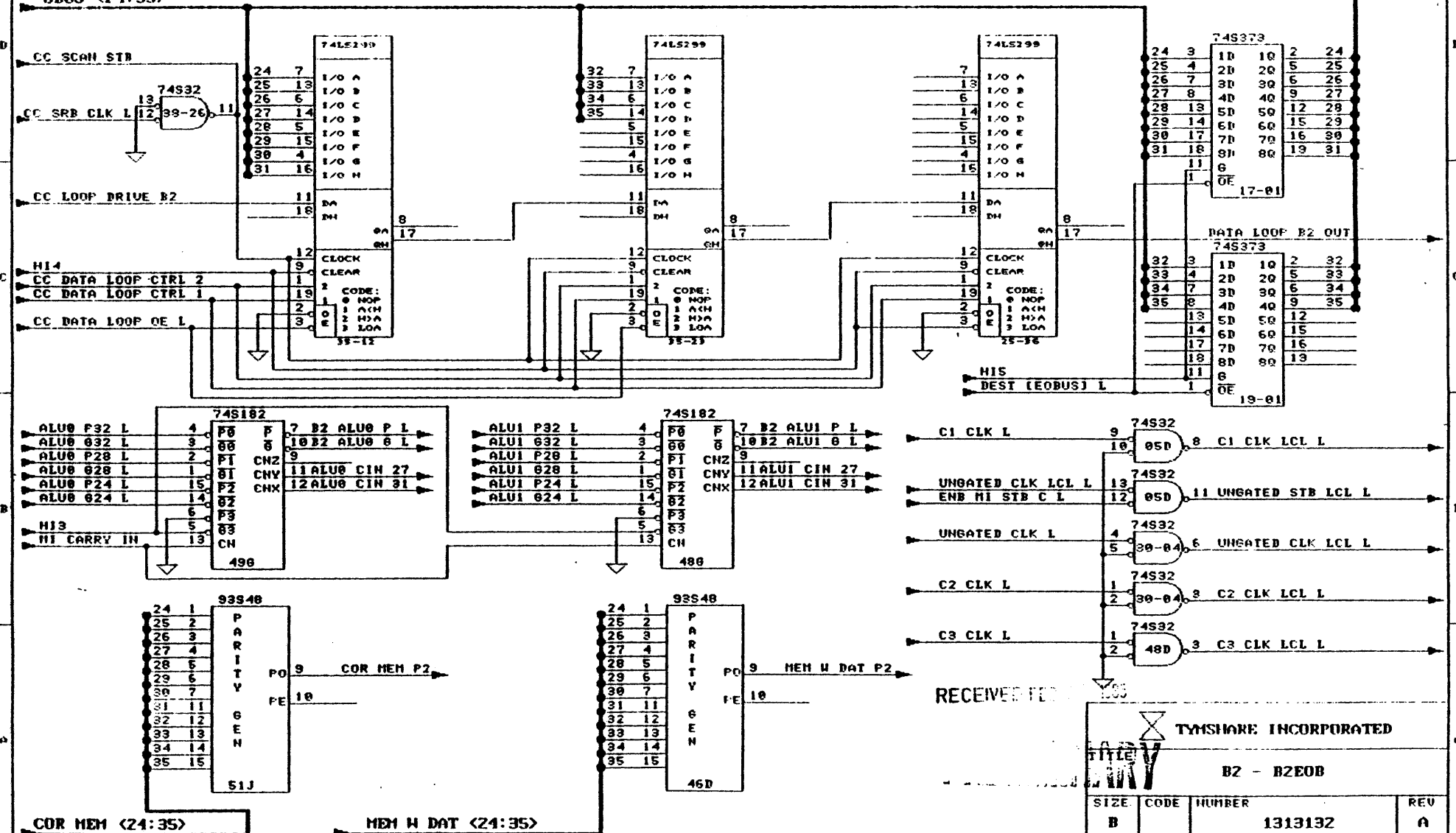
B2 - B2ARIR

SIZE	CODE	NUMBER	REV
B		1313132	A
DATE	JULY 23, 1984		SHEET 06 OF XX

B2E0B.DWG
B2

OBUS <24:35>

EOBUS <24:35>



TYMSHARE INCORPORATED

B2 - B2E0B

SIZE	CODE	NUMBER	REV
B		1313132	A

DATE: JULY 20, 1984 | SHEET 07 OF 08

COR MEM <24:35>

MEM W DAT <24:35>

RECEIVED FOR

B2MDL.DWG

BZ

END DRBUS FROM P/D LO L

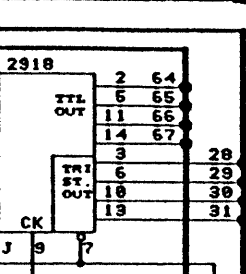
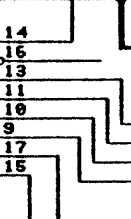
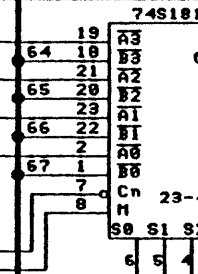
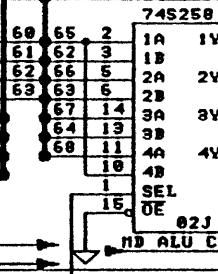
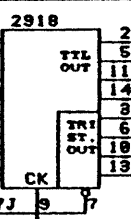
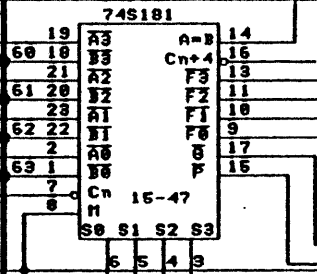
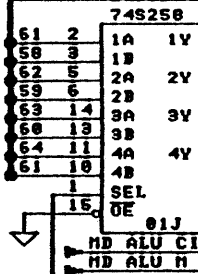
P/D CLK L

MD ALU A=B

M/D <00:71>

DRBUS <24:35>

P/D <00:71>



SEL P/D R2/-L1

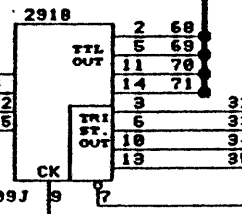
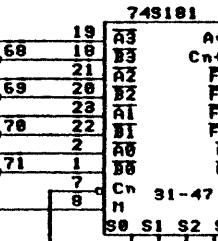
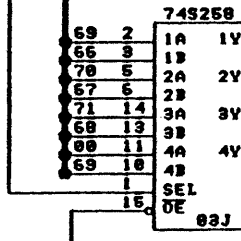
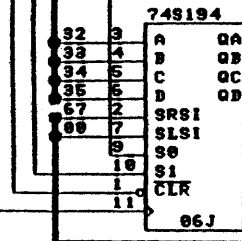
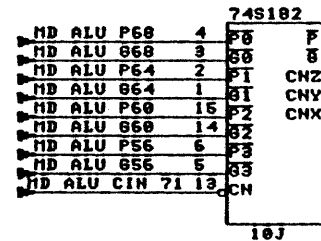
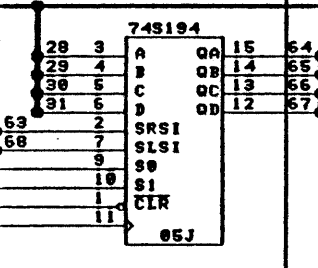
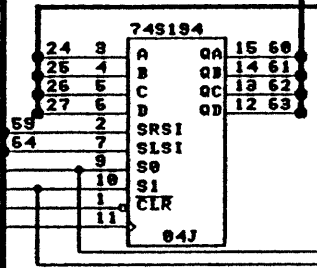
MD ALU <S0:S3>

MD ALU 060
MD ALU P60

MD ALU CIN 67

MD ALU 064
MD ALU P64

N/B LO CNT2
N/B LO CNT1
N/B CLR L
N/B CLK L



MD ALU CIN 71

MD ALU 060
MD ALU P60

TYMSHARE INCORPORATED

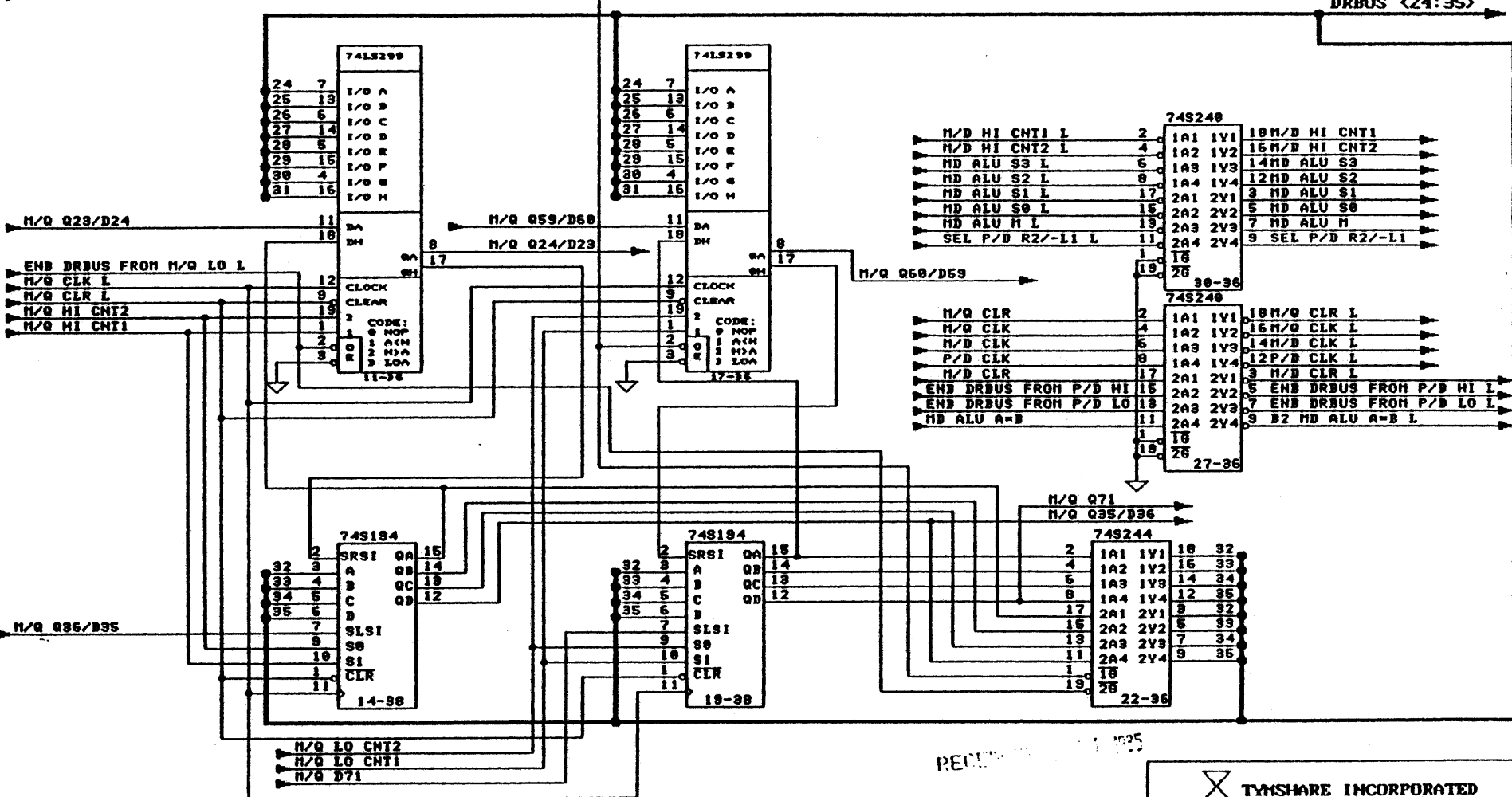
TITLE				BZ - B2MDL	
SIZE	CODE	NUMBER			REV
		1313132			A
DATE		JULY 25, 1984	SHEET 09 OF XX		

RECOVERED

B2MDQ.DWG
B2

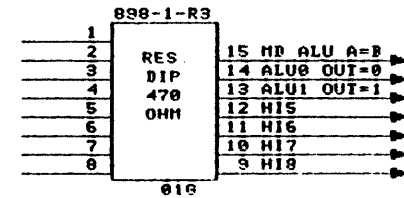
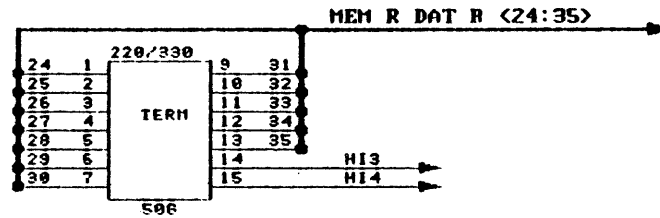
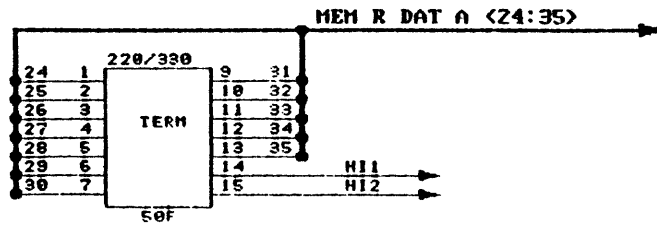
END DRBUS FROM M/Q HI L

DRBUS <24:35>



REVISION 1

TITLE B2 - B2MDQ			
SIZE	CODE	NUMBER	REV
B		1313132	A
DATE	JULY 25, 1984		SHEET 10 OF XX



REVISION

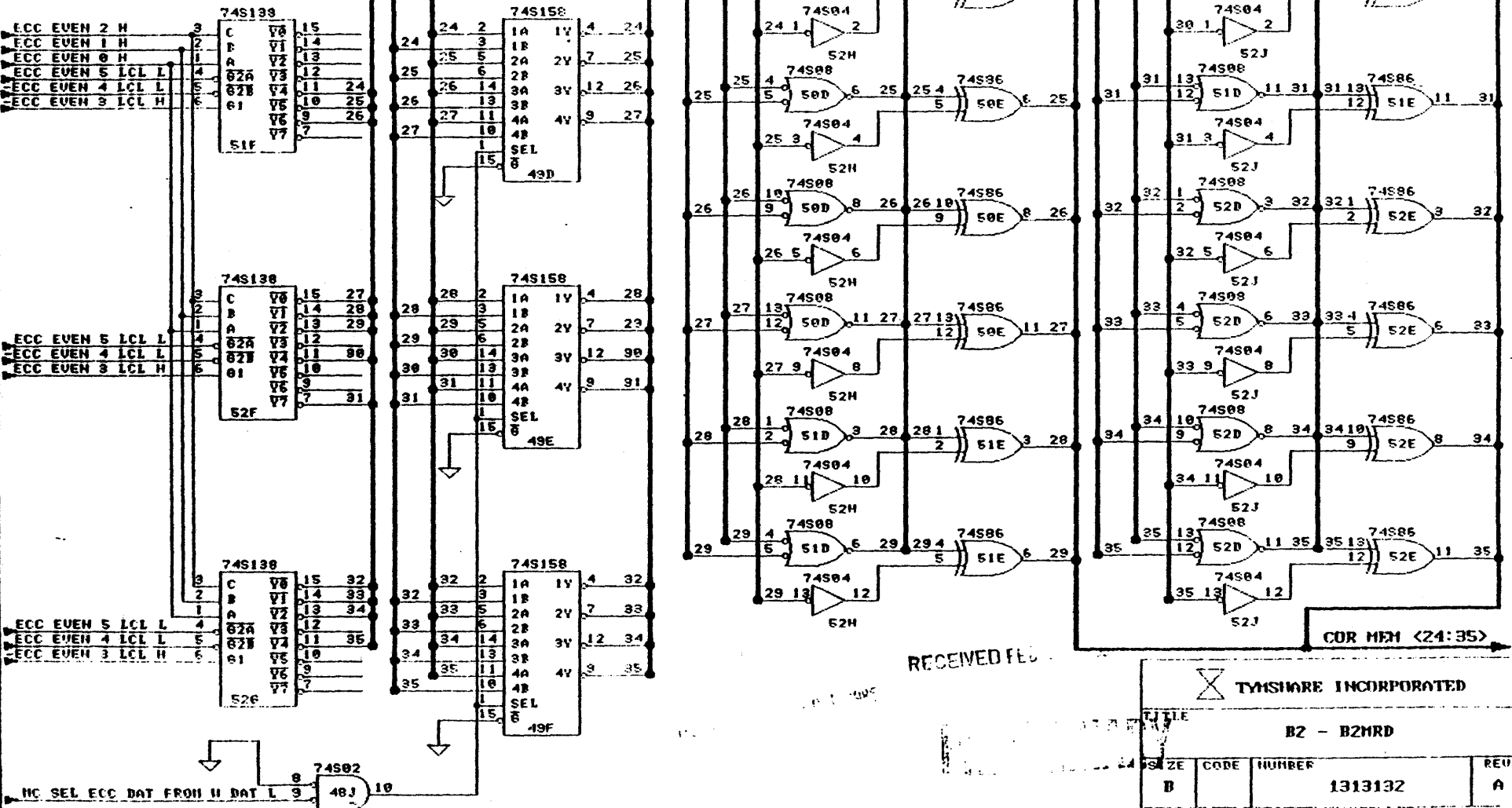
PROPERTY

TITLE B2 - B2MISC			
SIZE B	CODE	NUMBER 1313132	REV A
DATE: JULY 26 1984 SHEET 11 OF 18			

B2HRD.DAC
B2

MEM R DAT A <24:35>
MEM R DAT B <24:35>
MEM W DAT <24:35>

ECC DAT <24 L:35 L>
UNCOR MEM <24:35>
CORRECT BIT <24 L:35 L>



RECEIVED FEB 1984

TYMSHARE INCORPORATED

B2 - B2HRD

TITLE				REV
SIZE	CODE	NUMBER		
B		1313132		A
DATE: JULY 26 1984				
SHEET 12 OF 13				

B2PCMA.DWG

B2

UNCOR MEM <24:35>

DBUS <24:35>

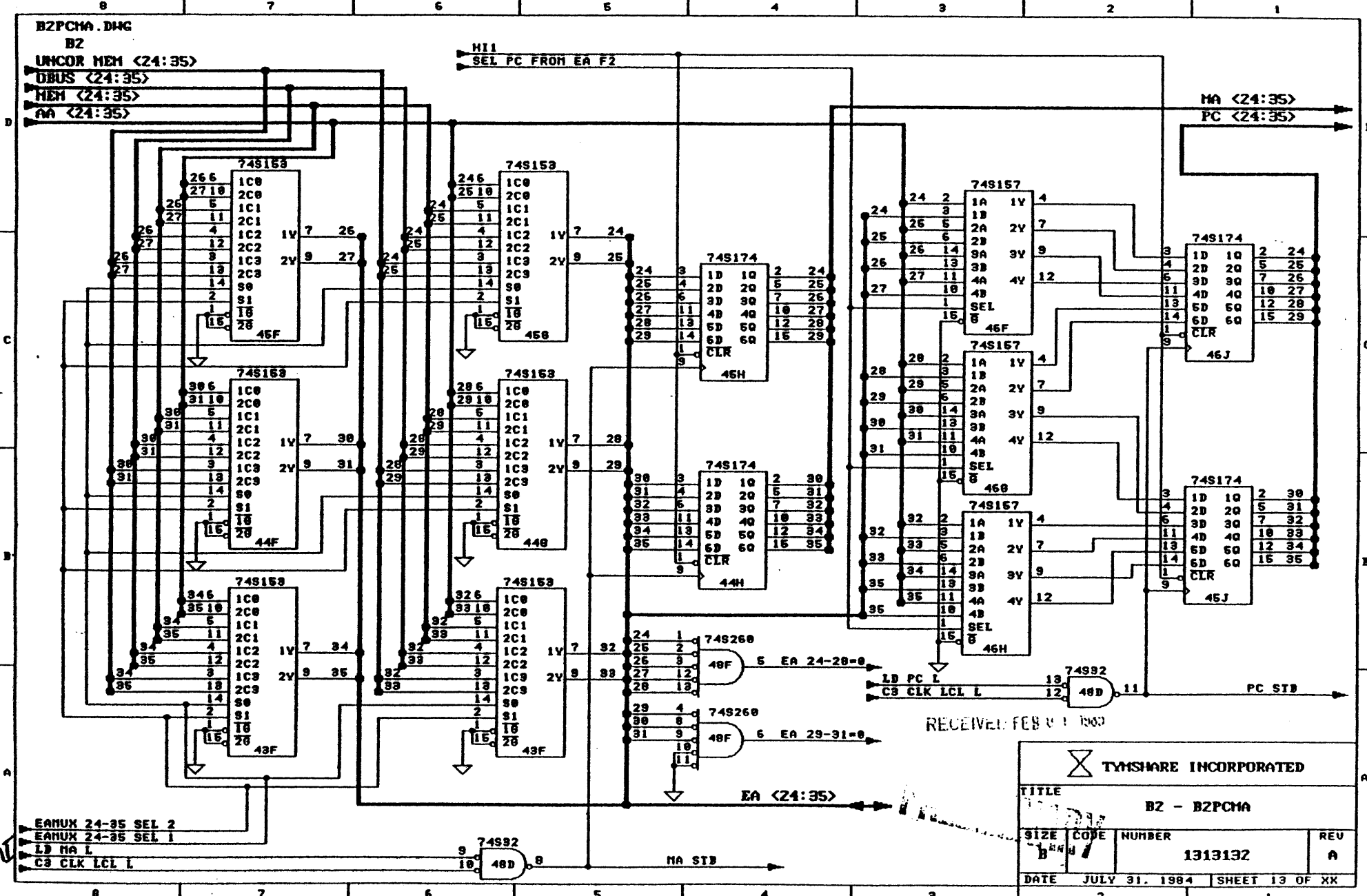
MEM <24:35>

MA <24:35>

H11
SEL PC FROM EA F2

MA <24:35>

PC <24:35>



RECEIVED FEB 11 1984

TM SHARE INCORPORATED

TITLE			
B2 - B2PCMA			
SIZE	CODE	NUMBER	REV
B		1313132	A
DATE		SHEET 13 OF XX	
JULY 31, 1984			

EAUX 24-35 SEL 2

EAUX 24-35 SEL 1

LD MA L

C9 CLK LCL L

EA <24:35>

MA STB

PC STB

LD PC L
C9 CLK LCL L

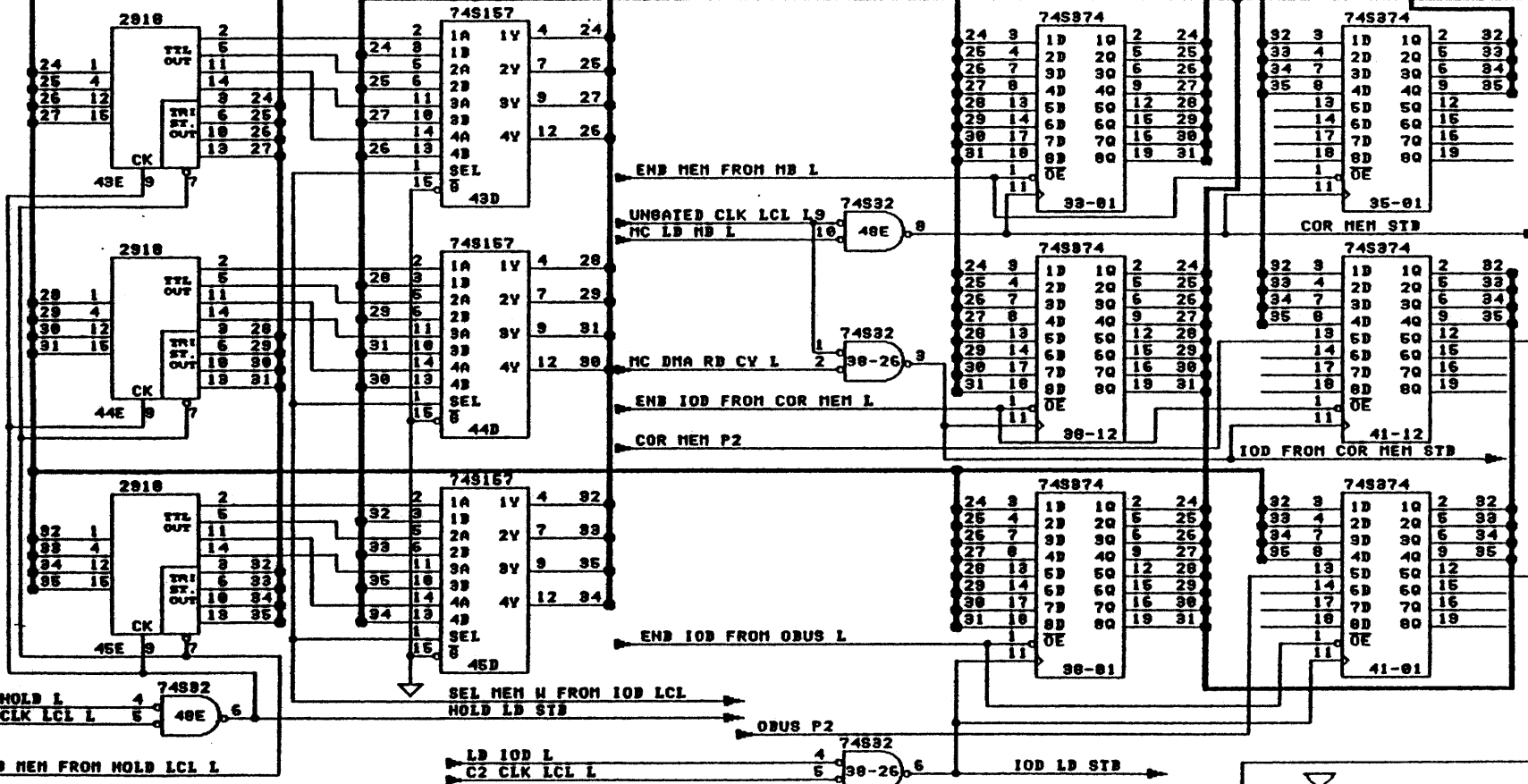
COR MEM <24:35>

OBUS <24:35>

MEM W DAT <24:35>

MEM <24:35>

IOD <24:35>

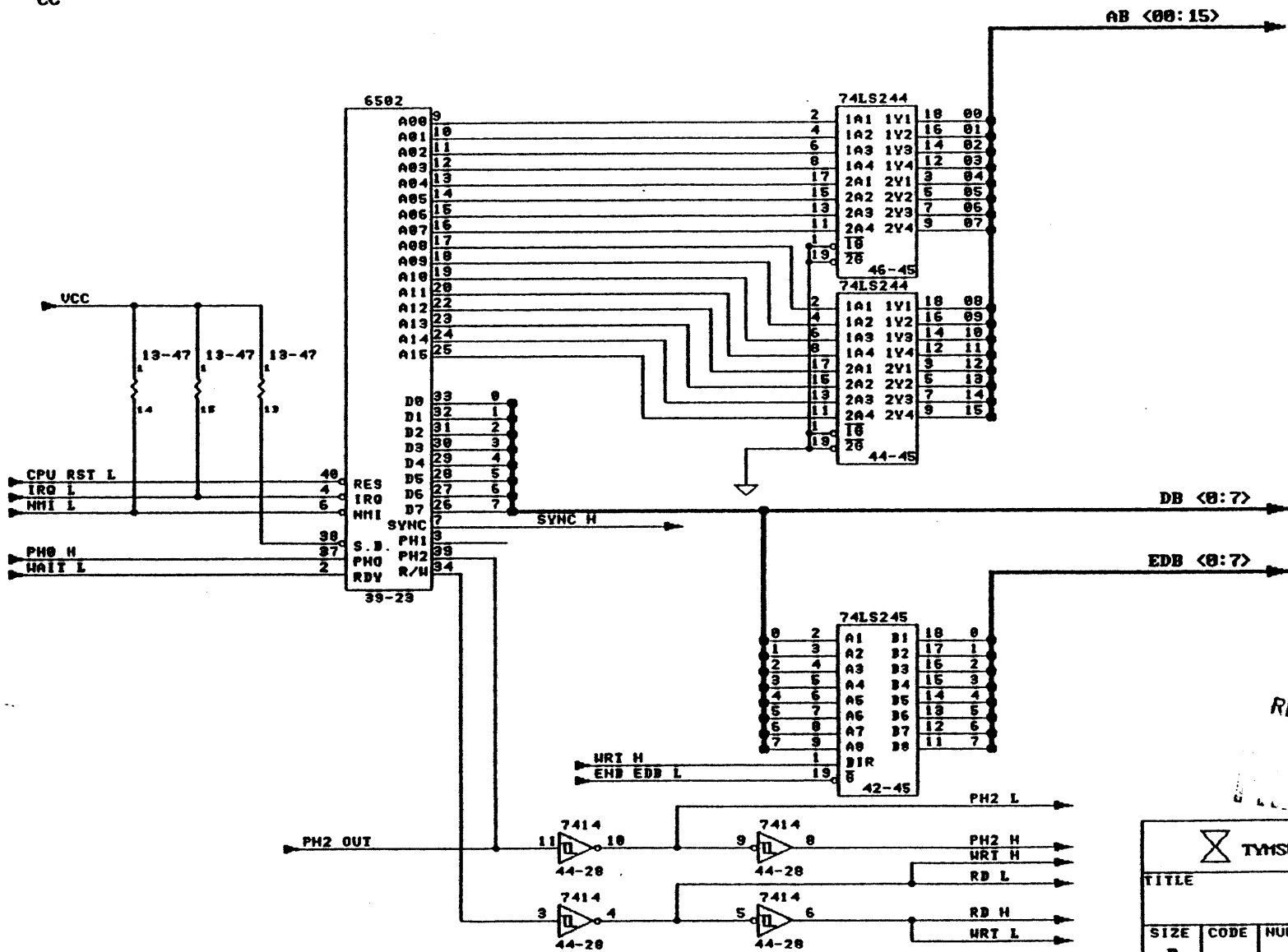


RECEIVED 1985

TWMSHARE INCORPORATED

TITLE				B2 - B2RGSW	
SIZE	CODE	NUMBER	REV		
B		1313132	A		
DATE	JULY 31, 1984	SHEET 14 OF XX			

CC0CPU.DMG
CC



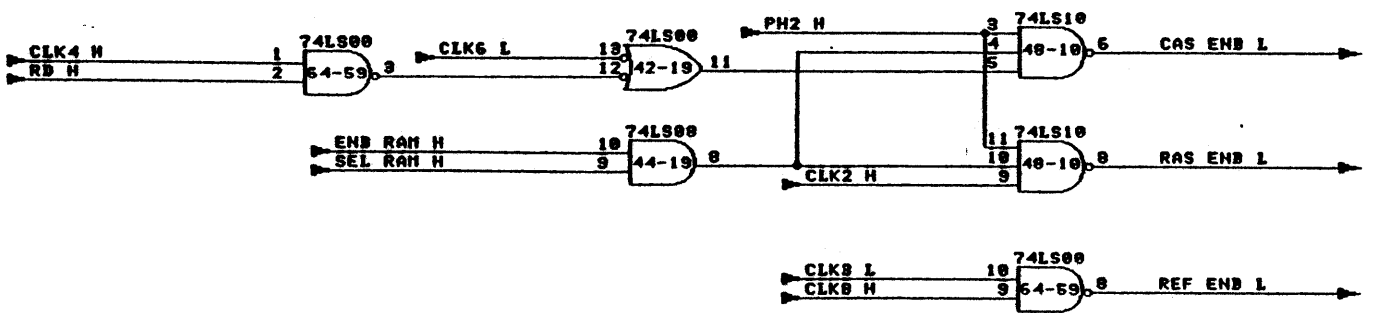
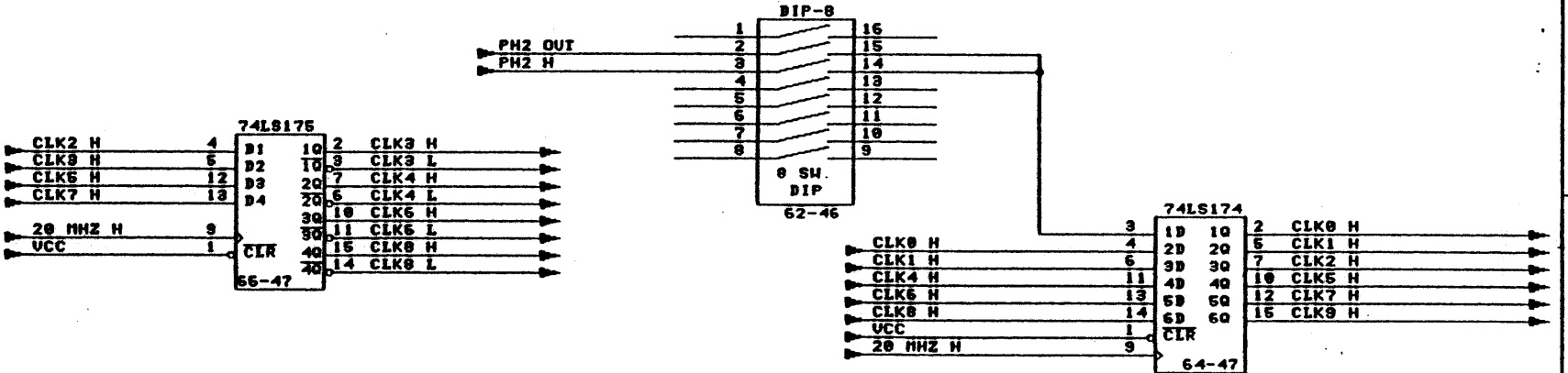
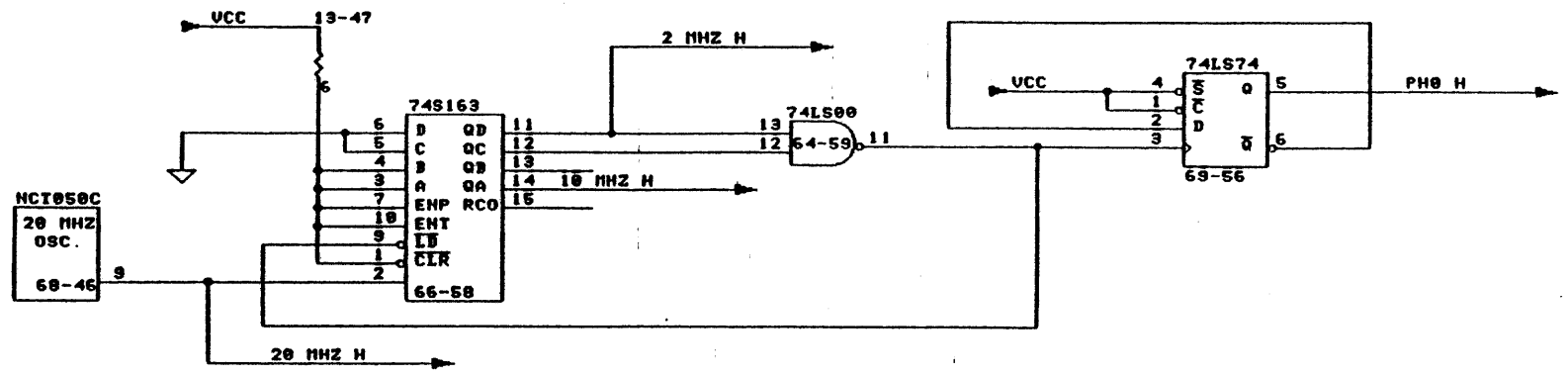
RECEIVED FEB 01 1985

LIBRARY

TYMSHARE INCORPORATED

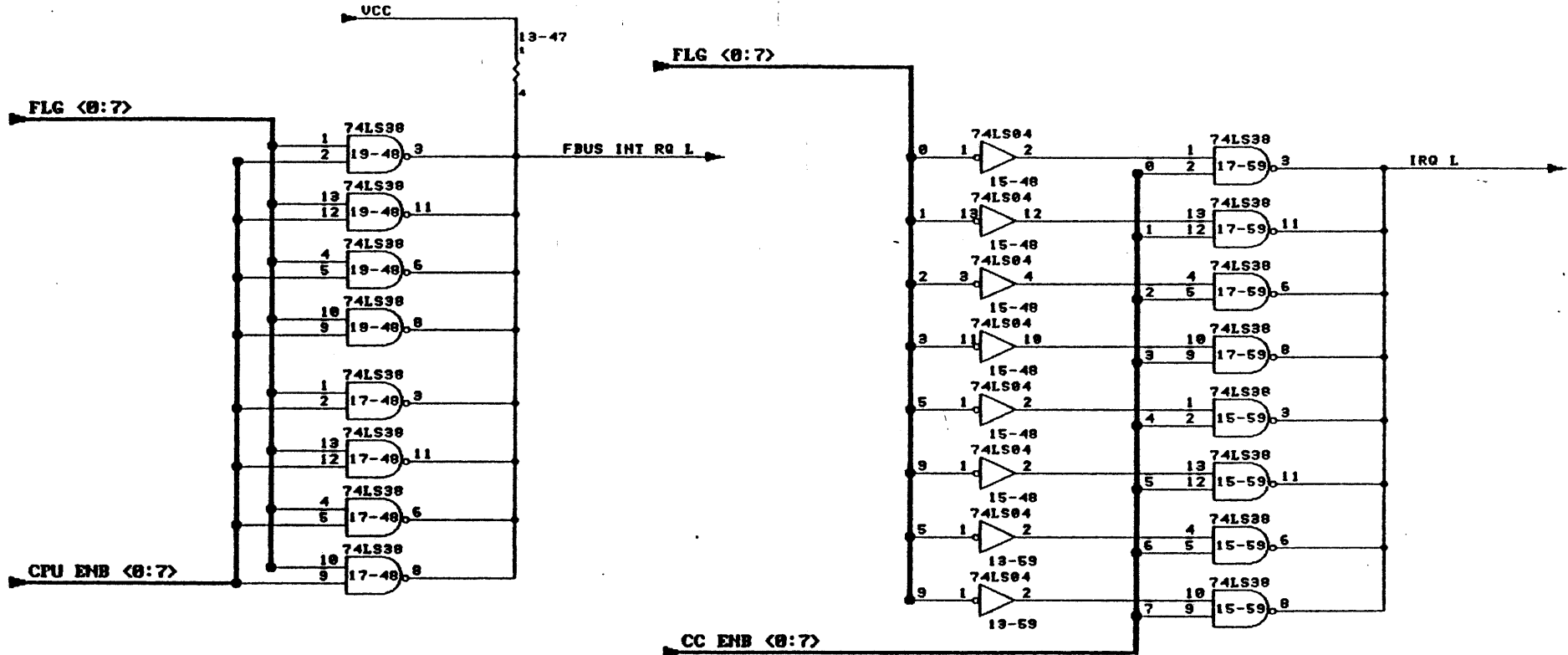
TITLE			
CC - CC0CPU			
SIZE	CODE	NUMBER	REV
B		0000002	A
DATE	AUGUST 28, 1984		SHEET 04 OF XX

CC1CLK.DWG
CC

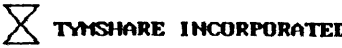


RECEIVED FEB 28 1984
 TMSHARE INCORPORATED
 TITLE: CC - CC1CLK
 SIZE: B CODE: 0000002 NUMBER: 0000002 REV: A
 DATE: AUGUST 28, 1984 SHEET 05 OF XX

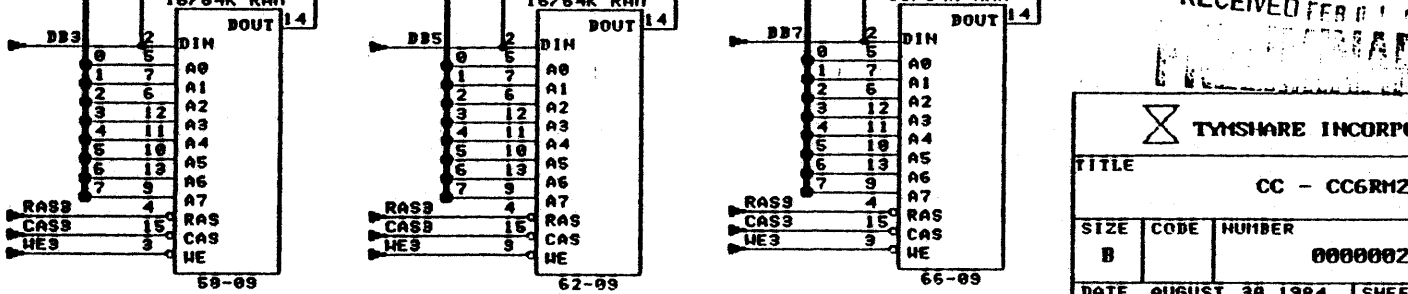
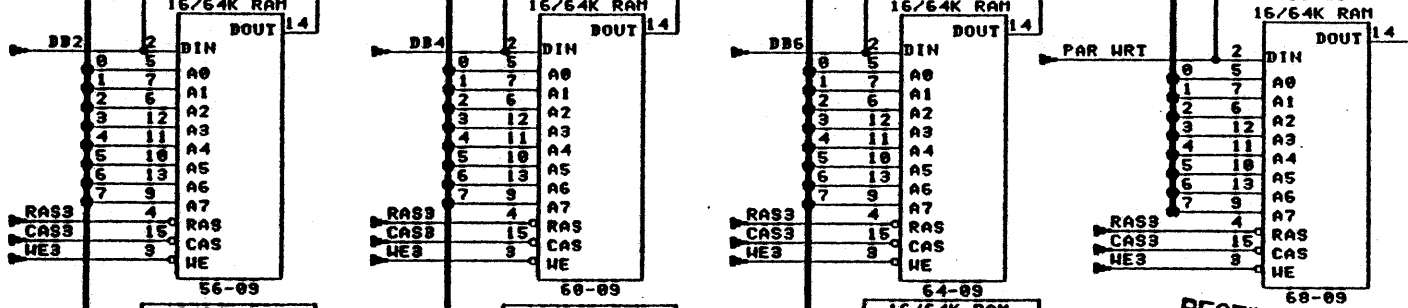
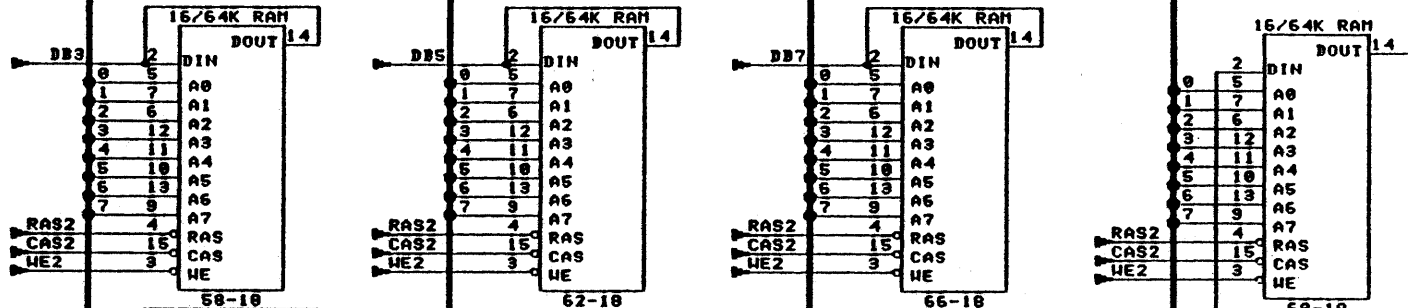
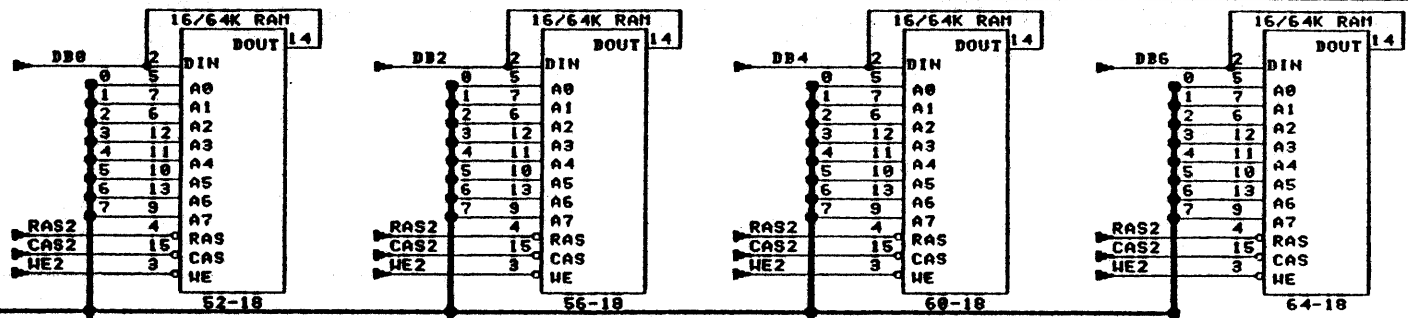
CCLIRQ.DWG
CC



RECEIVED
LIBRARY

 TYMSHARE INCORPORATED				
TITLE CC - CCLIRQ				
SIZE	CODE	NUMBER	REV	
B		0000002	A	
DATE AUGUST 29, 1984			SHEET 06 OF XX	

COGRM2.DWG
CC



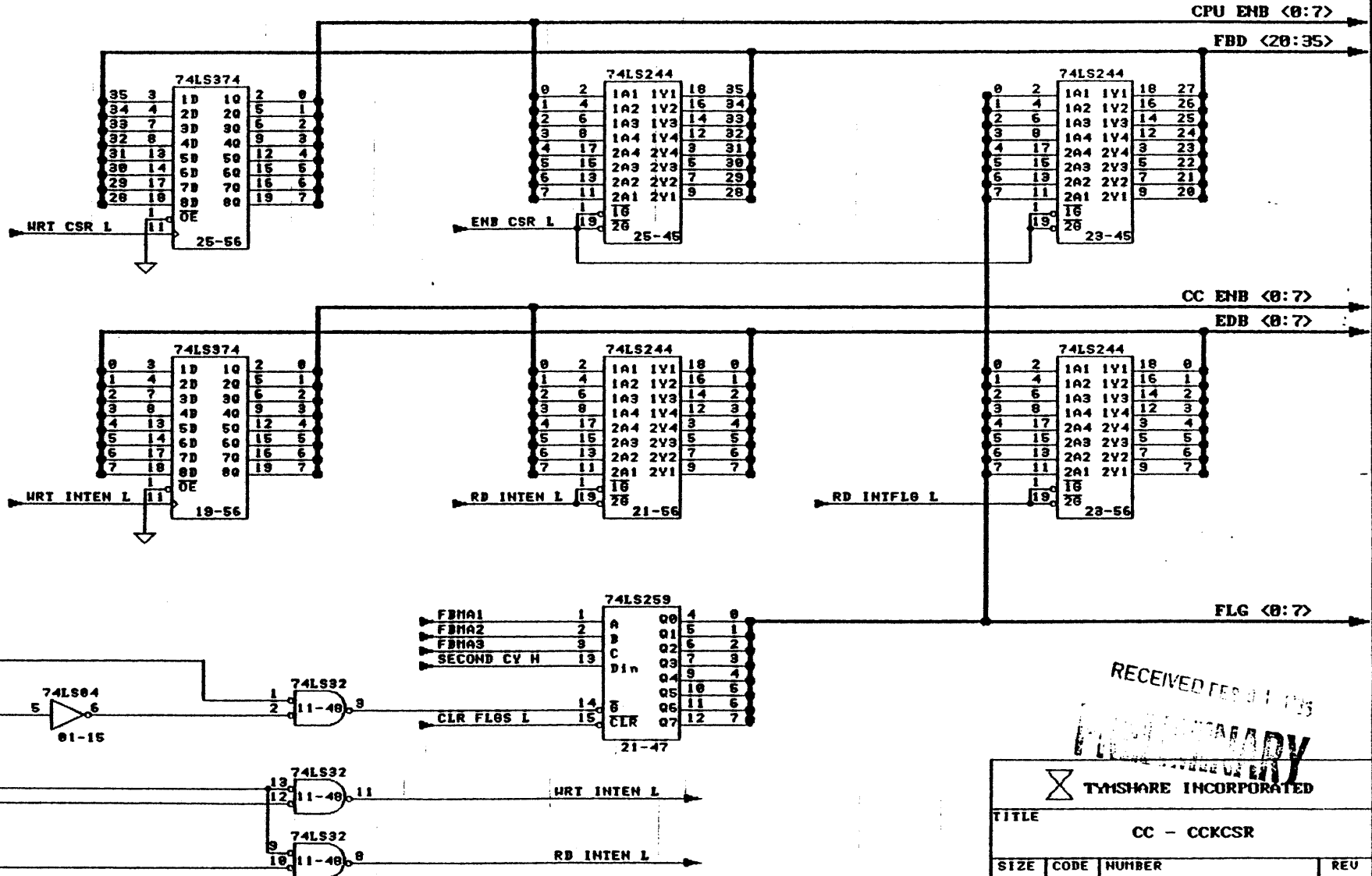
RECEIVED FEB 11 1984
LIBRARY

TYMSHARE INCORPORATED

TITLE
CC - CC6RM2

SIZE	CODE	NUMBER	REV
B		0000002	A

DATE AUGUST 30, 1984 SHEET 07 OF XX



RECEIVED FEB 01 1985
LIBRARY
 TMSHORE INCORPORATED

TITLE
 CC - CCKCSR

SIZE B	CODE	NUMBER 0000002	REV A
-----------	------	-------------------	----------

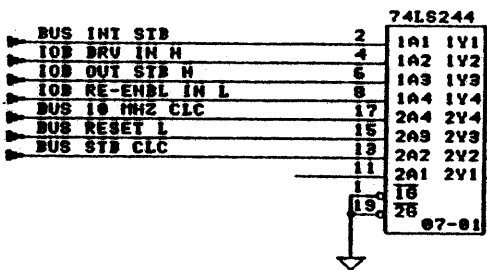
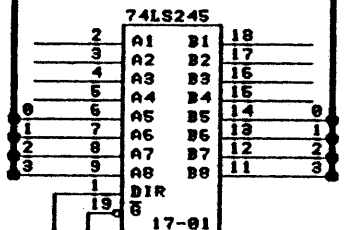
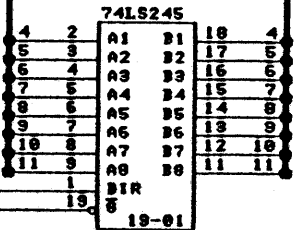
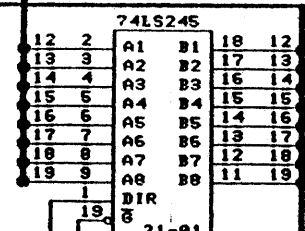
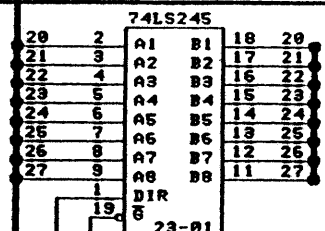
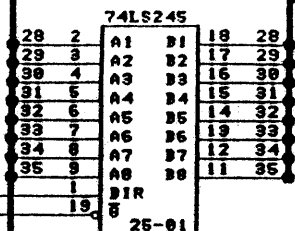
DATE SEPTEMBER 06, 1984 SHEET 08 OF XX

CCGFB . DAG
CC

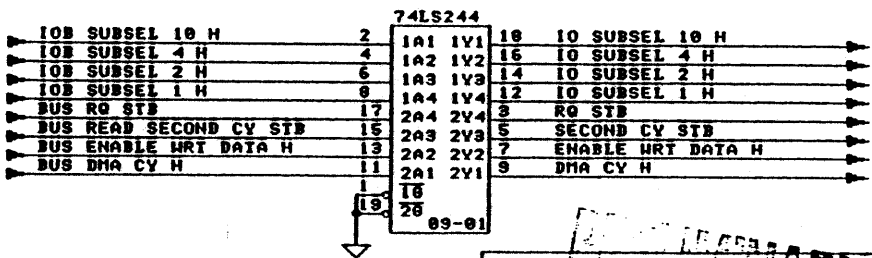
FBD <8:35>

FBUS OUT H
END FBUS L

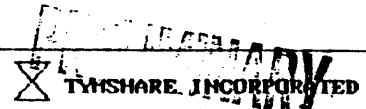
IOD <8:35>



INT STB
IOB IN
OUT STB H
RE-ENBL IN L
FBUS CLC
FBUS RESET L
STB CLC



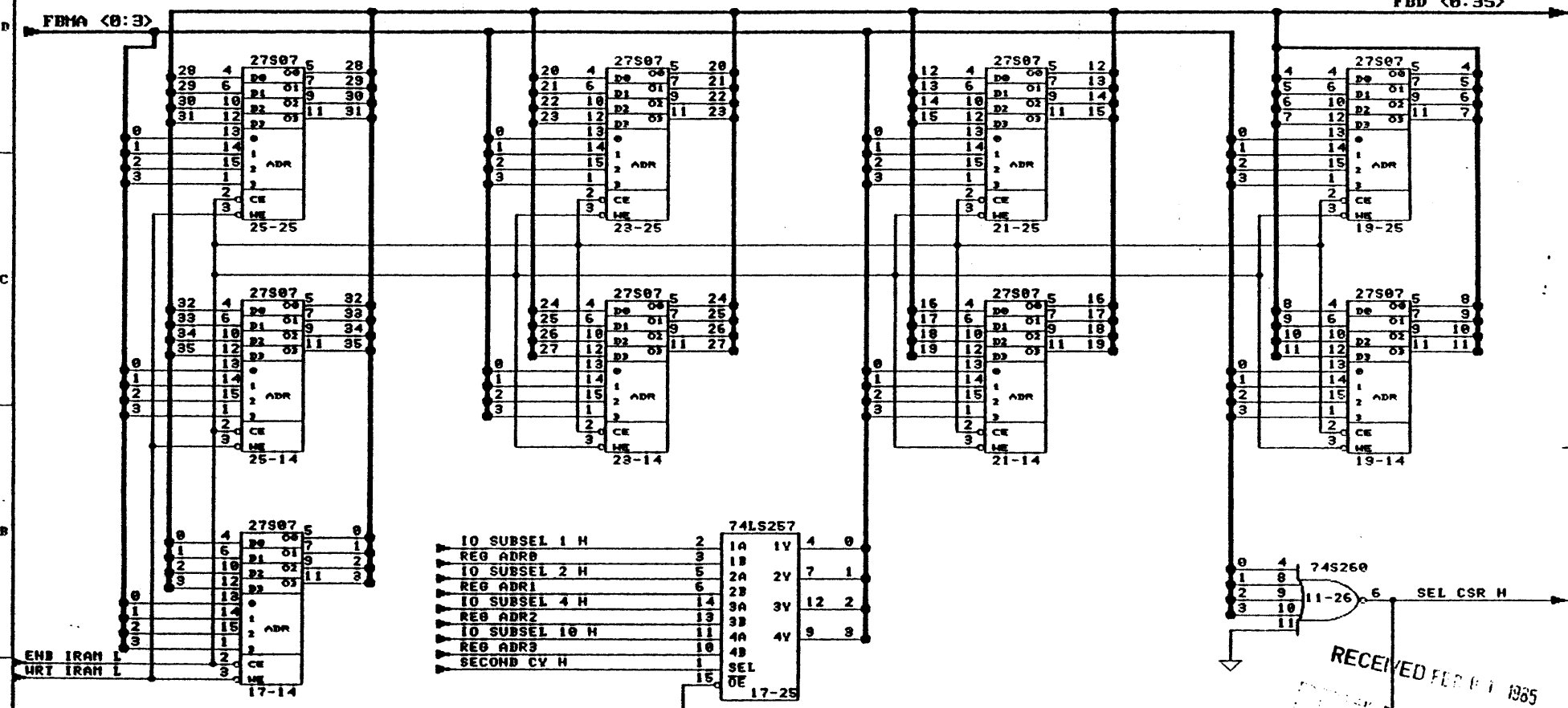
INT STB
IOB IN
OUT STB H
RE-ENBL IN L
FBUS CLC
FBUS RESET L
STB CLC
IOB SUBSEL 10 H
IOB SUBSEL 4 H
IOB SUBSEL 2 H
IOB SUBSEL 1 H
BUS RO STB
BUS READ SECOND CY STB
BUS ENABLE HRT DATA H
BUS DMA CY H



RECEIVED FEB 01 1985

TITLE			
CC - CCGFB			
SIZE	CODE	NUMBER	REV
B		000002	A
DATE SEPTEMBER 06, 1984 SHEET 09 OF XX			

FEMA <0:3>



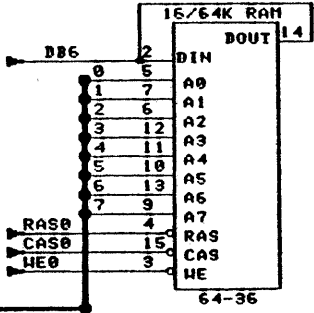
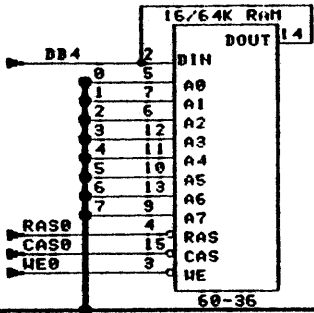
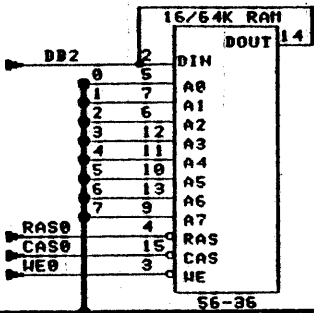
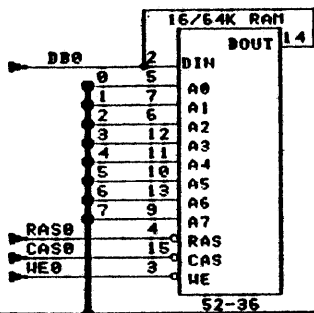
END IRAN L
WRT IRAN L

RECEIVED FEB 11 1985

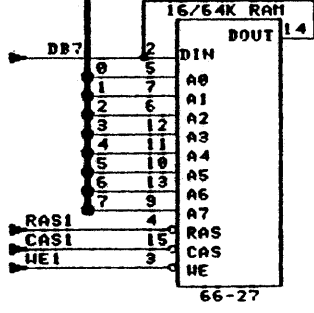
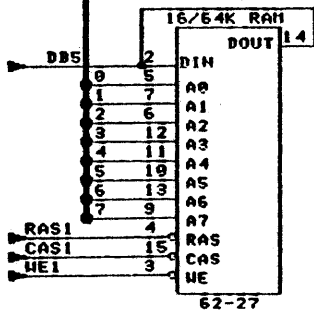
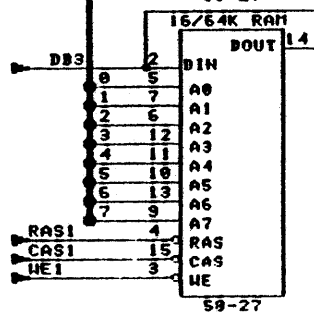
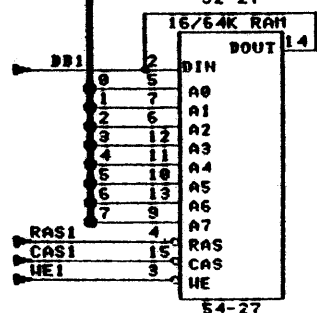
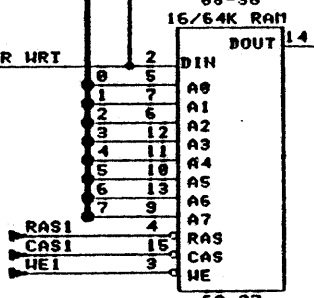
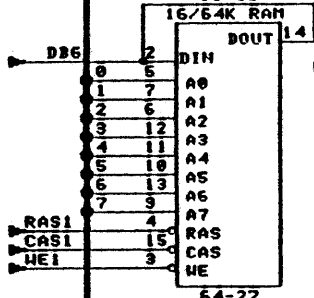
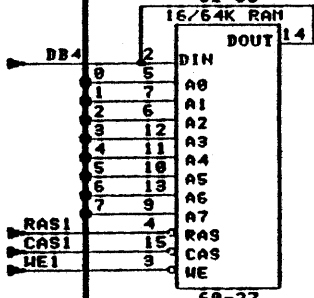
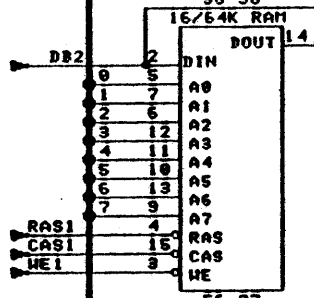
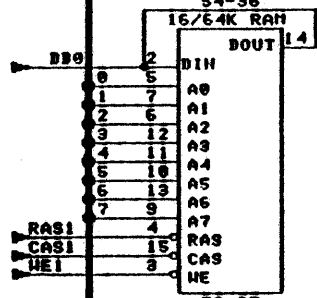
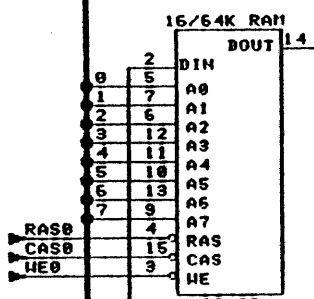
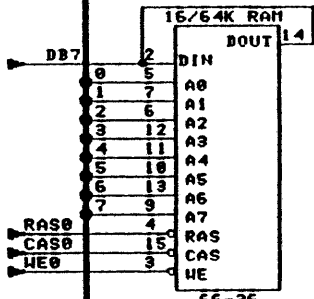
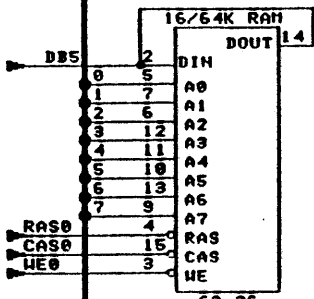
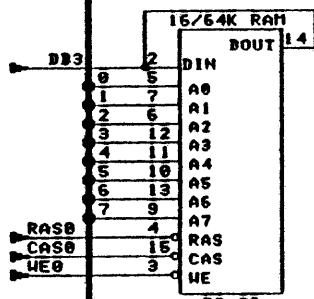
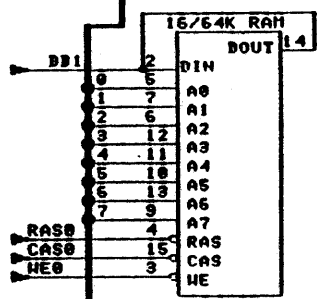
TYMSHARE INCORPORATED

TITLE				CC - CCFFBM	
SIZE	CODE	NUMBER			PEW
B		0000002			A
DATE		SEPT 13, 1984	SHEET 10 OF XX		

CC6RM0.DMG
CC



RCA (0:7)

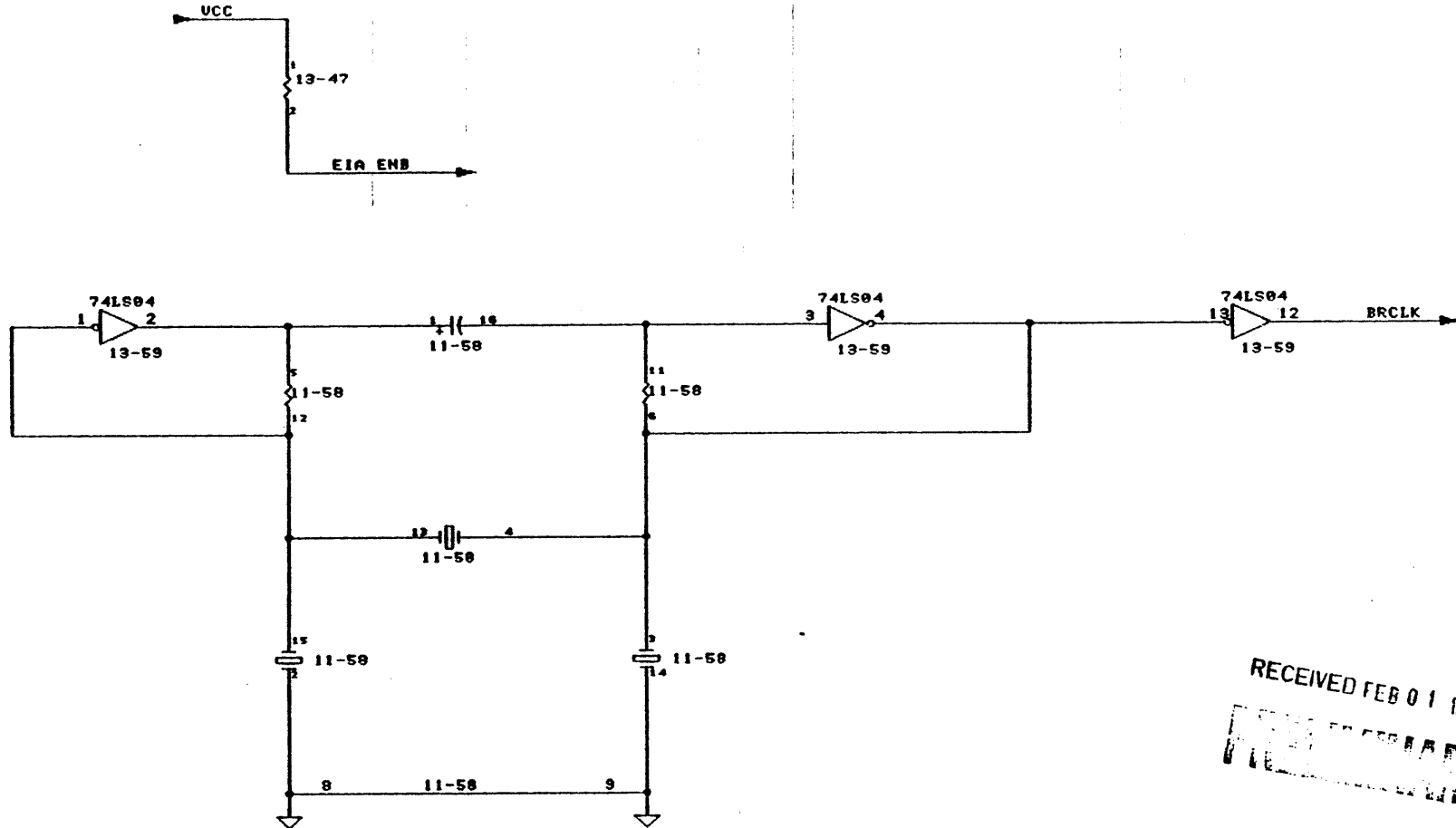


RECEIVED 1001 1985

TYMSHARE
TYMSHARE INCORPORATED

TITLE			
CC - CC6RM0			
SIZE	CODE	NUMBER	REV
B		0000002	A
DATE		SEPT 13, 1984	SHEET 11 OF 1X

CCBBRC.DWG
26KL

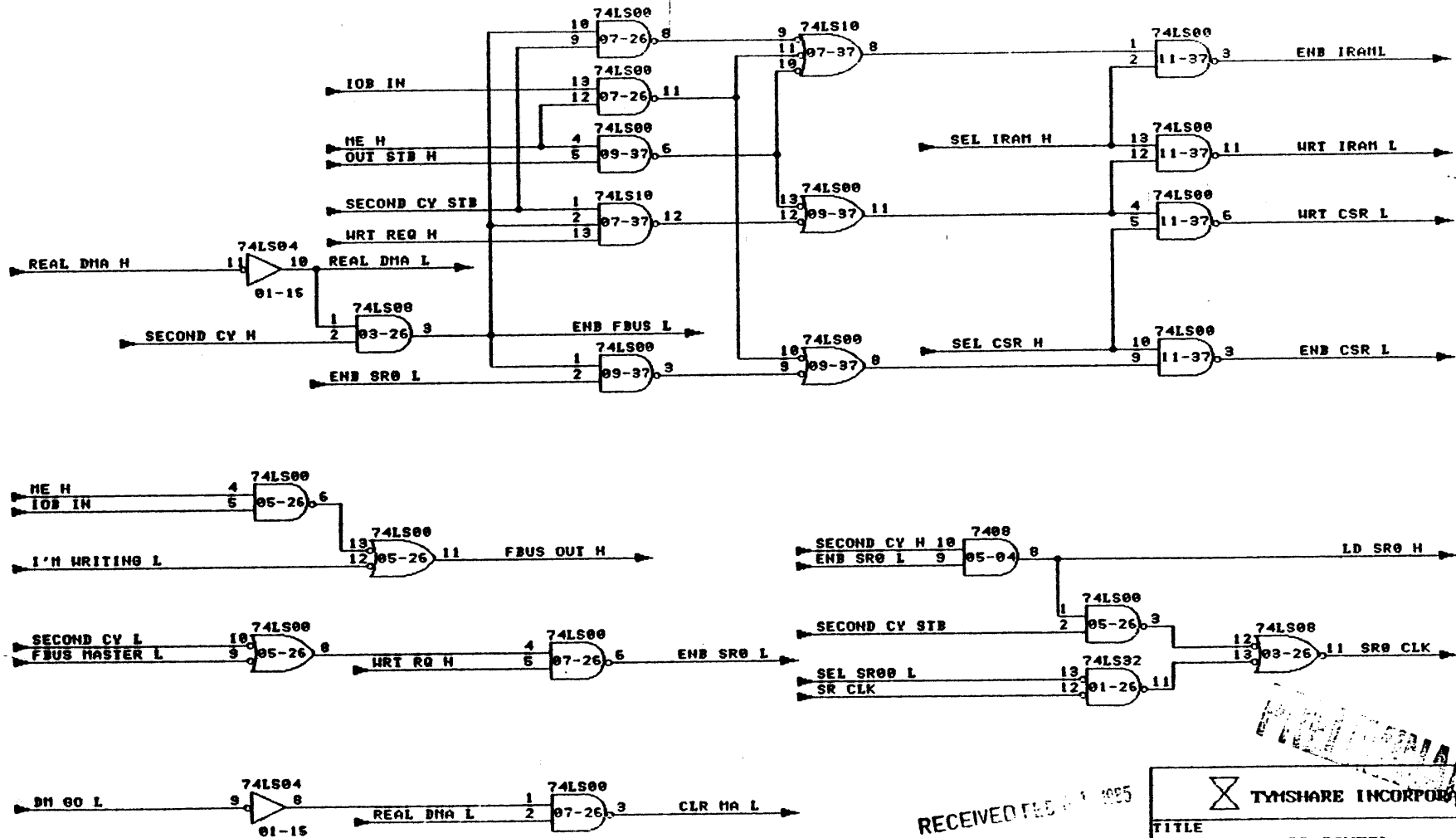


RECEIVED FEB 01 1985
 PRELIMINARY

TYMSHARE INCORPORATED

TITLE			
CC-CCBBRC			
SIZE	CODE	NUMBER	REV
B		0000002	A
DATE	SEPT. 18. 1984	SHEET 12 OF XX	

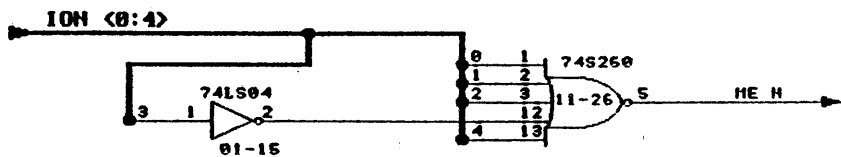
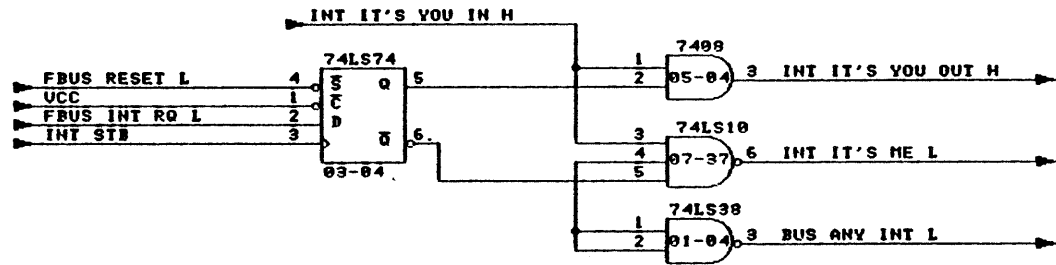
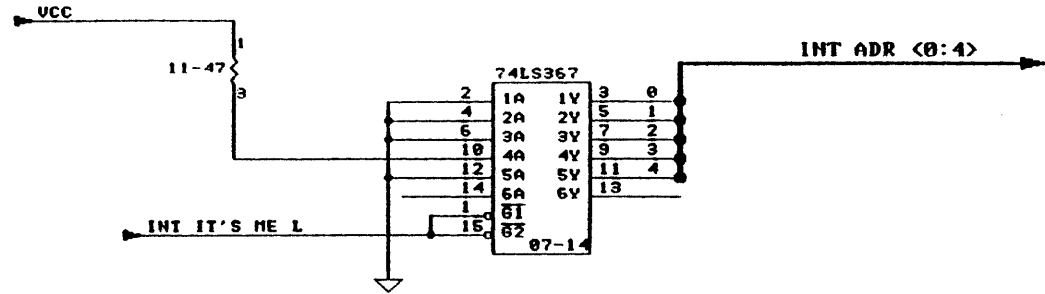
CCHFB.L.DWG
26KL



LIBRARY

RECEIVED FEB 11 1985

TITLE CC-CCHFB.L			
SIZE B	CODE	NUMBER 0000002	REV A
DATE SEPT. 14. 1984		SHEET 13 OF XX	



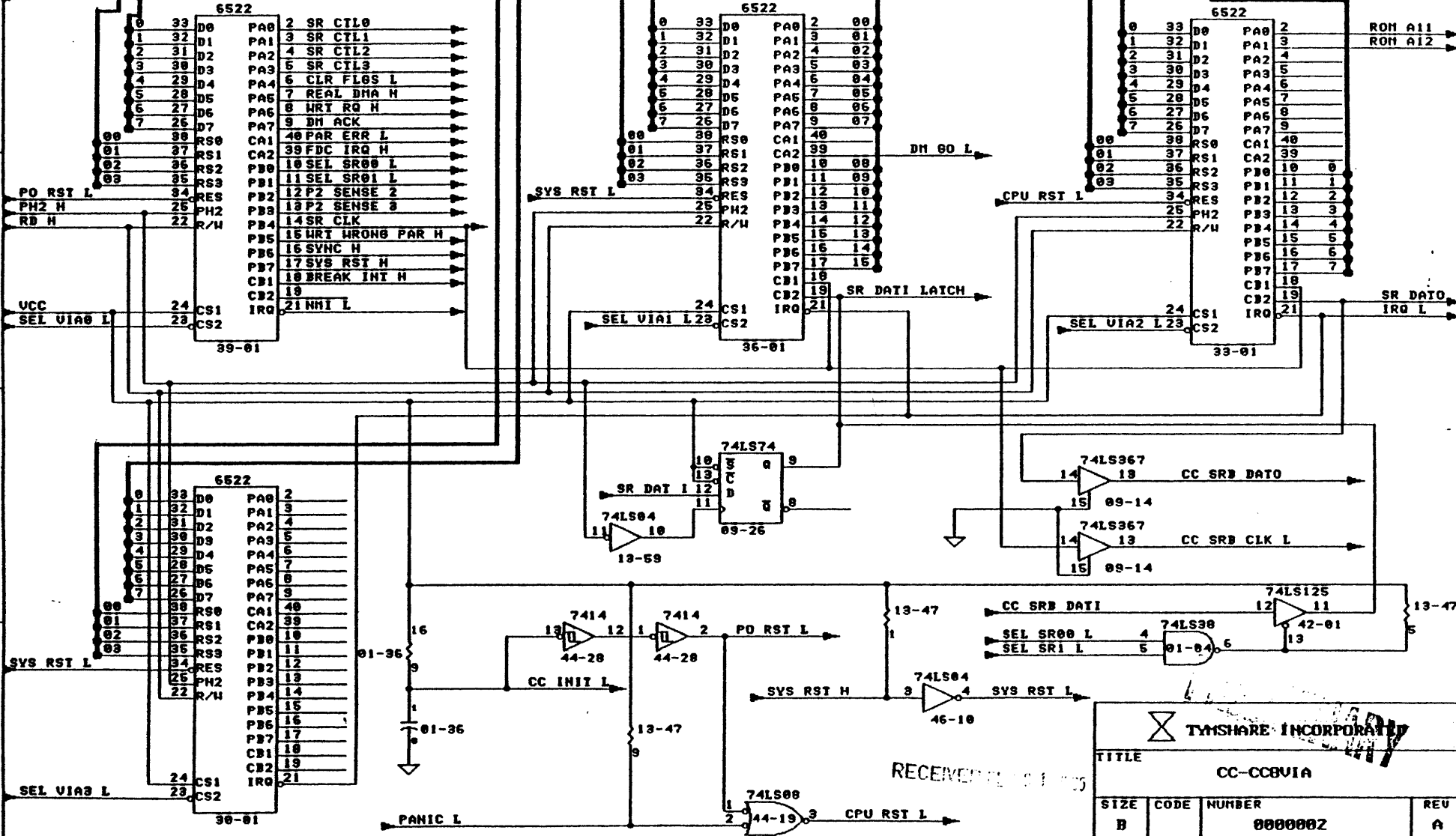
RECEIVED FEB 8 1984
 COPY
 TMSHARE INCORPORATED

TITLE			
CC-CCI FBS			
SIZE	CODE	NUMBR	REV
B		0000002	A
DATE		SEPT 14, 1984	SHEET 14 OF XX

CCBU1A.DWG
26KL

AB <00:03
DB <0:7>

FSDAT <00:15>
PZ DAT <0:7>



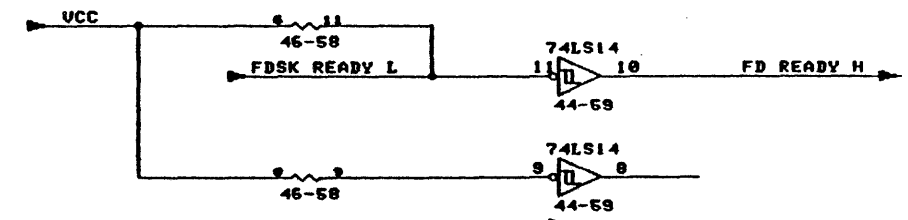
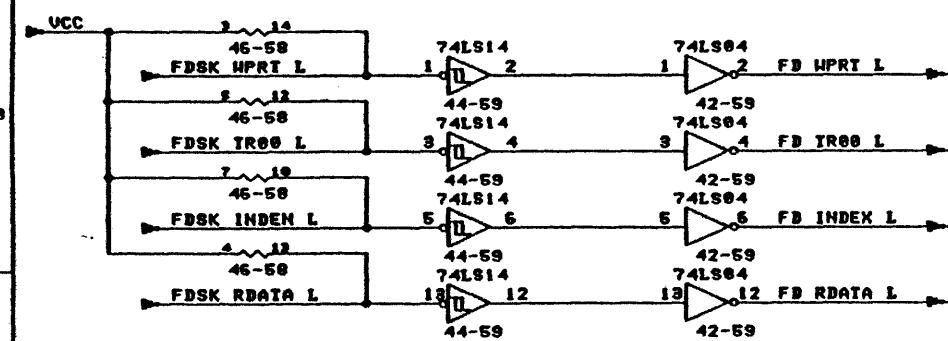
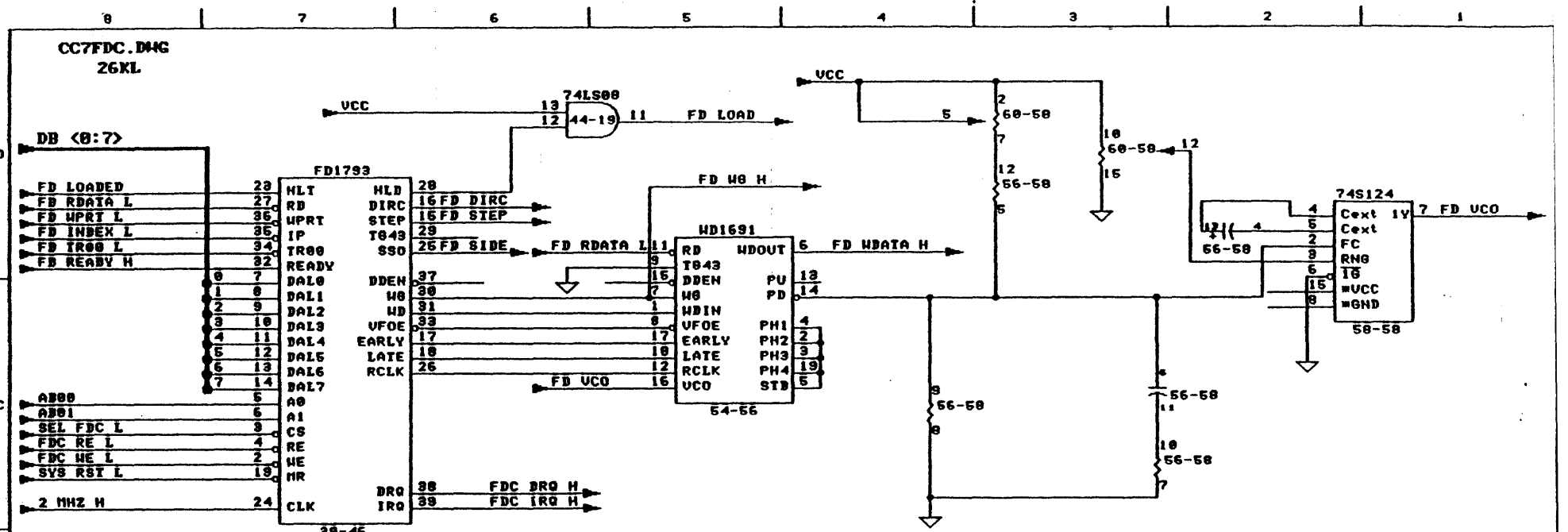
TYMSHARE INCORPORATED

TITLE: CC-CCBU1A

SIZE	CODE	NUMBER	REV
B		0000002	A

DATE: SEPT. 14, 1984 SHEET 16 OF XX

CC7FDC.DWG
26KL



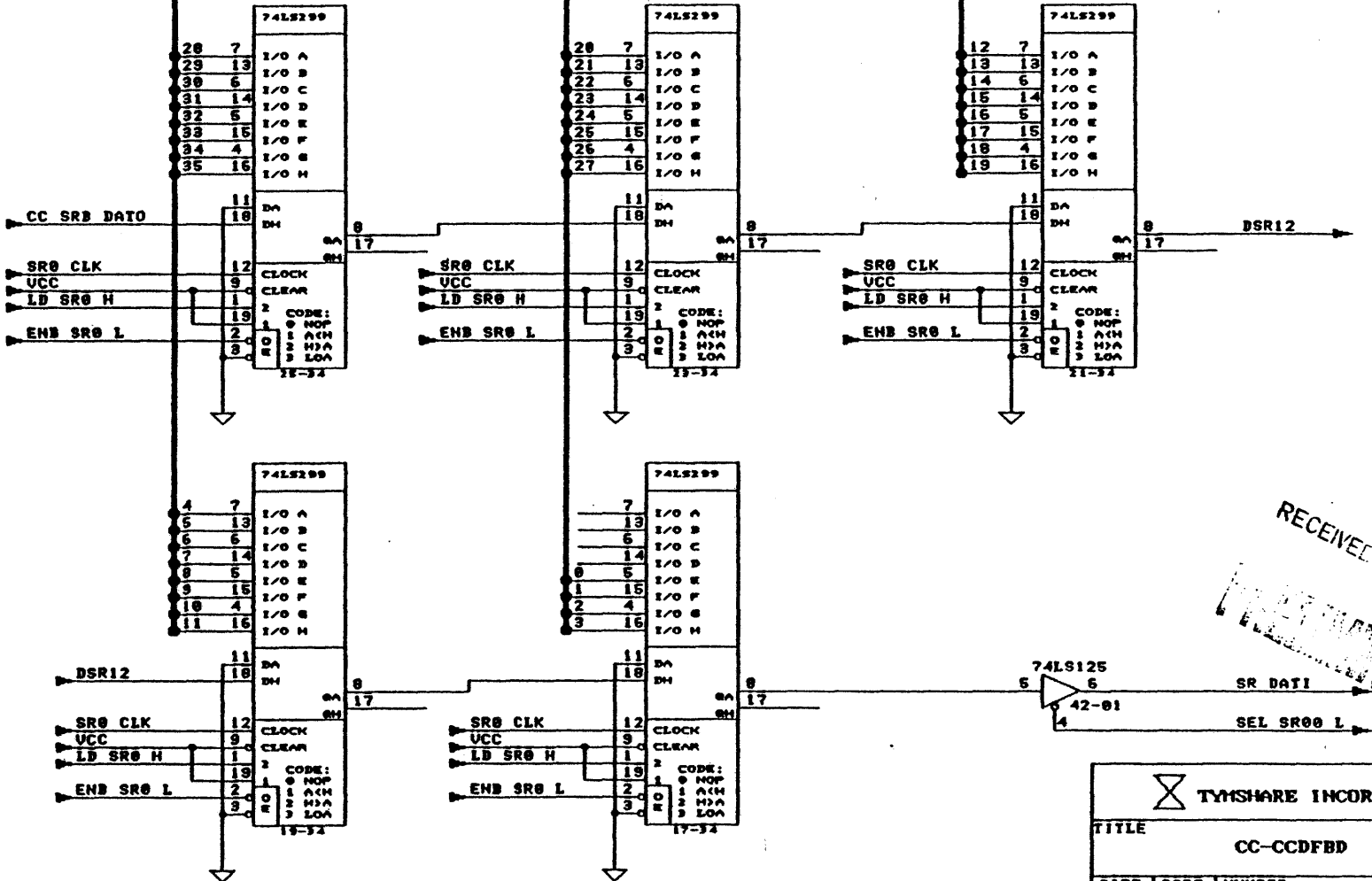
PRELIMINARY

TYNSHARE INCORPORATED

RECEIVED FEB 01 1985

TITLE			
CC-CC7FDC			
SIZE	CODE	NUMBER	REV
B		0000002	A
DATE		SEPT. 18, 1984	SHEET 16 OF XX

FBD <8:35>



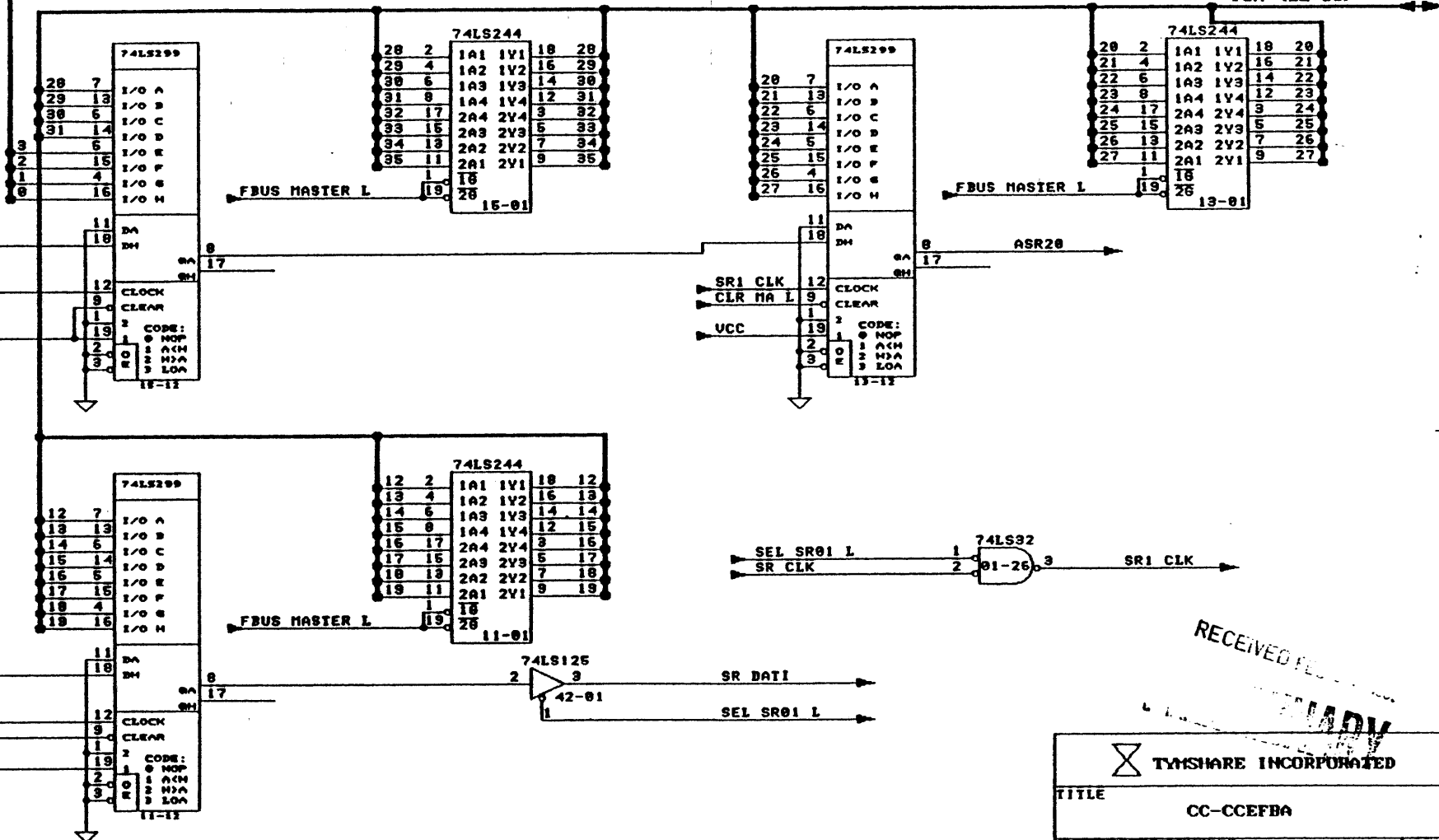
RECEIVED FEB 11 1985
 LIBRARY

TITLE			
CC-CCDFBD			
SIZE	CODE	NUMBER	REV
B		0000002	A
DATE		SEPT. 26, 1984	SHEET 17 OF XX

CCFBA.DWG
26KL

REG ADR <0:3>

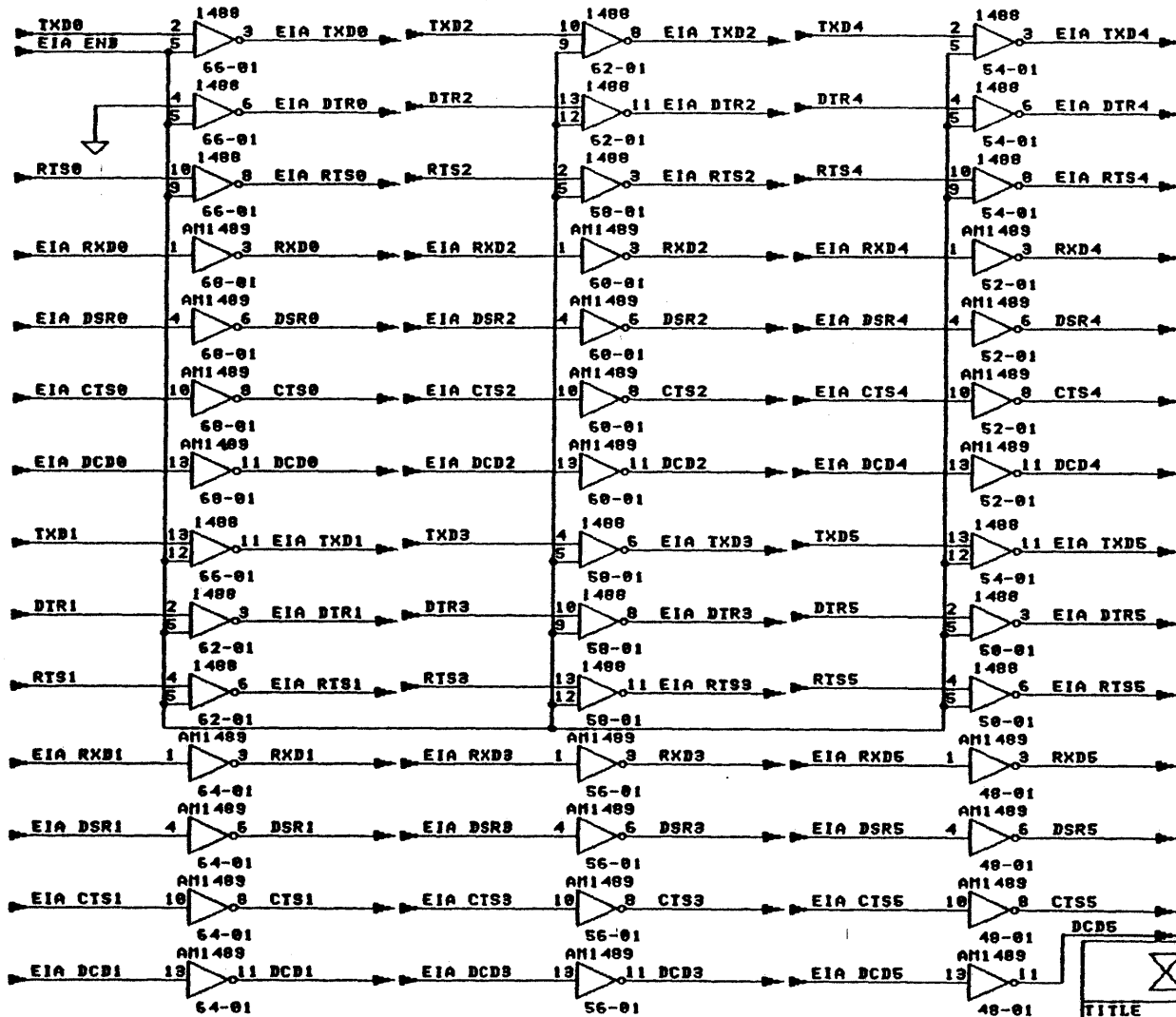
IOA <12:35>



RECEIVED ELECTRONIC
MAY 1984

TYMSHARE INCORPORATED

TITLE			
CC-CCFBA			
SIZE	CODE	NUMBER	REV
B		0000002	A
DATE	SEPT. 26, 1984	SHEET 18 OF XX	

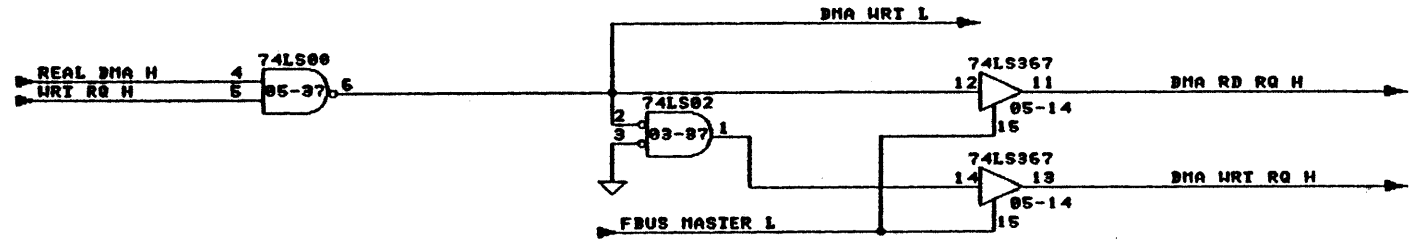
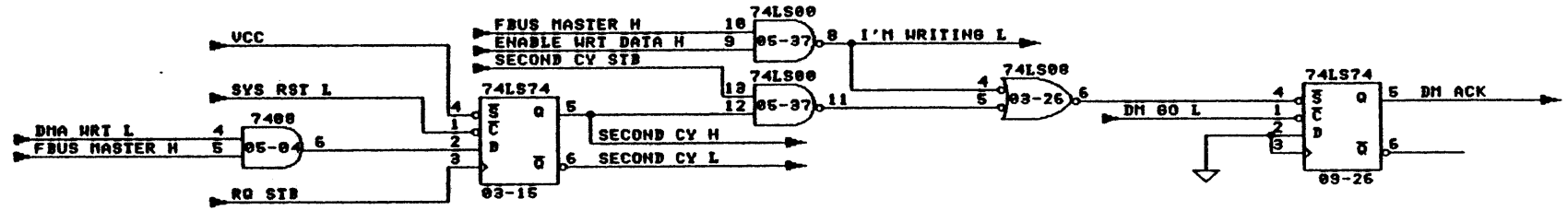
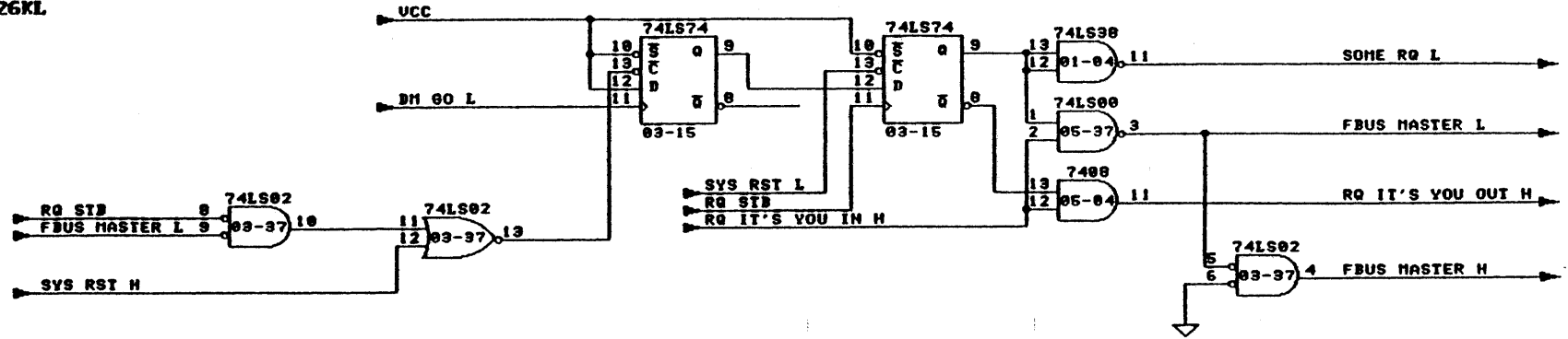


RECEIVED FEB 01 1984
 TELETYPE UNIT

TM SHARE INCORPORATED

TITLE			
CC-CCCEIA			
SIZE	CODE	NUMBER	REV
B		0000002	A
DATE		SEPT. 26, 1984	SHEET 19 OF XX
		2	1

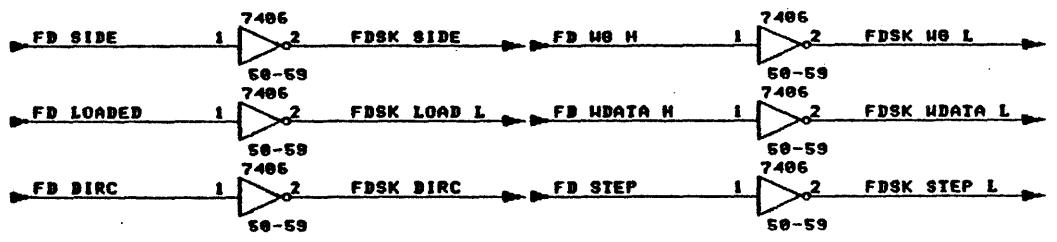
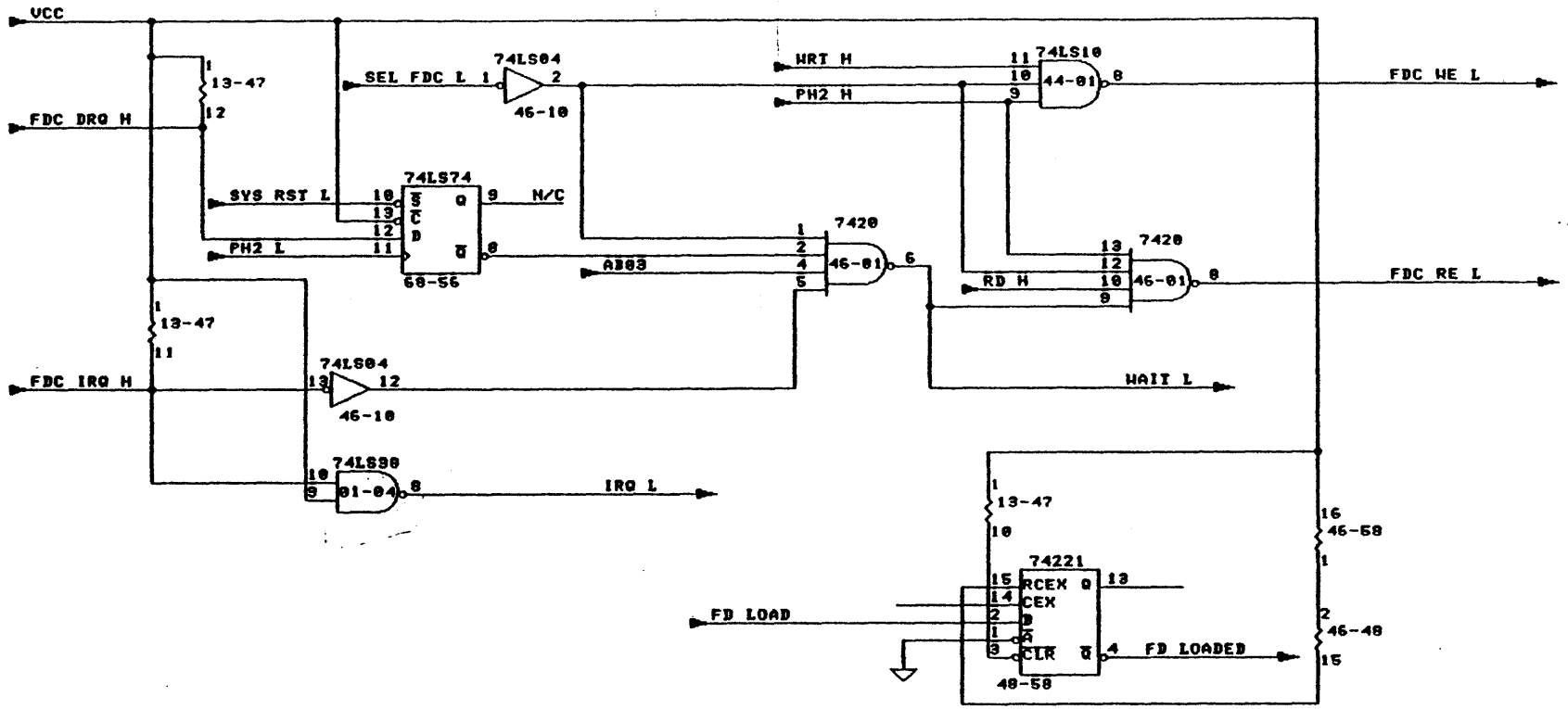
CCJDMA.DMG
26KL



RECEIVED FEB 01 1985

TITLE CC-CCJDMA			
SIZE B	CODE	NUMBER 0000002	REV A
DATE SEPT. 27, 1984 SHEET 20 OF XX			

CC7FDA.DMG
26KL

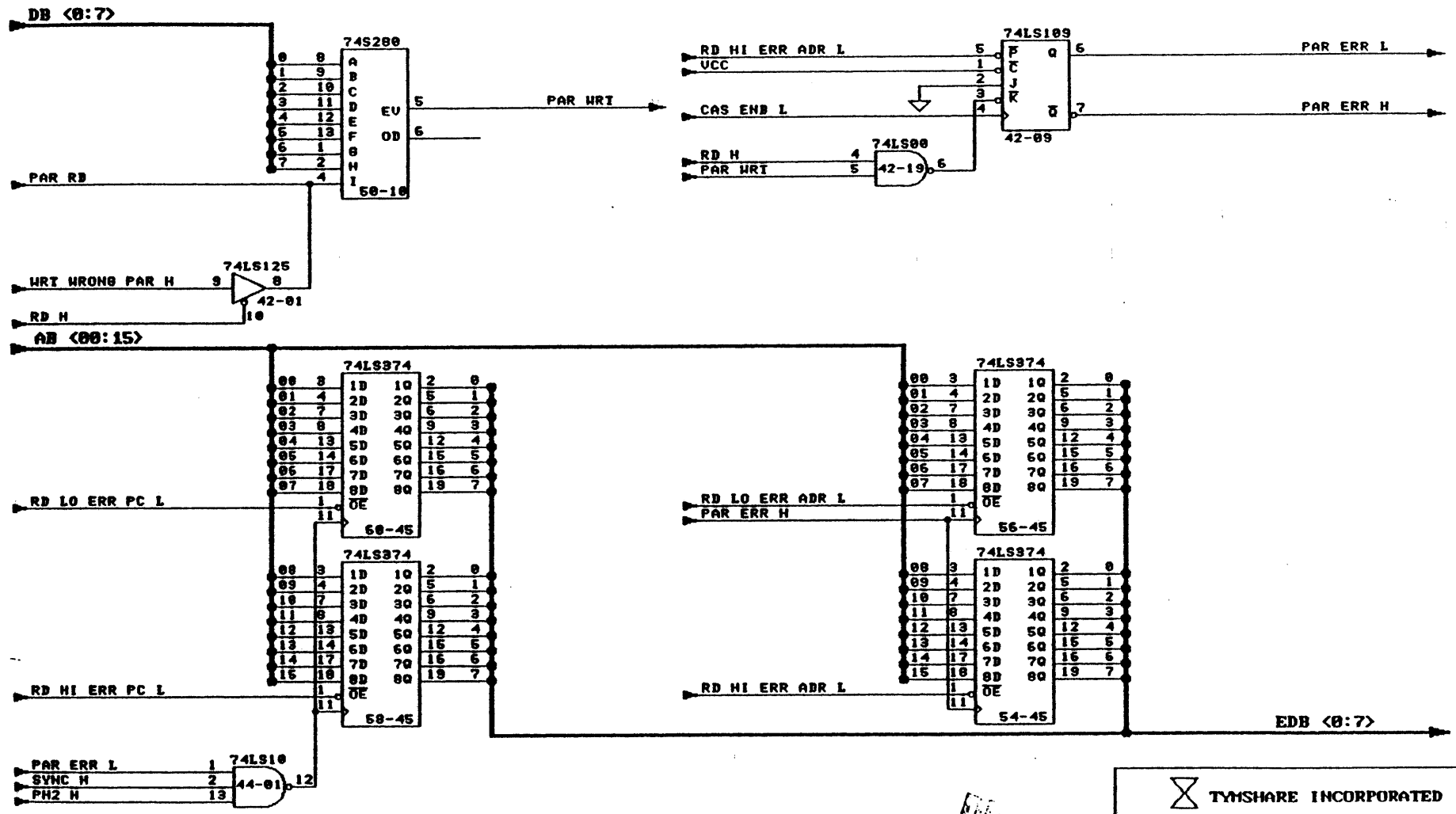


GND _____ CSY24

RECEIVED
MAY 1984

TITLE CC-CC7FDA			
SIZE B	CODE	NUMBER 0000002	REV A
DATE SEPT. 27, 1984		SHEET 20 OF XX	

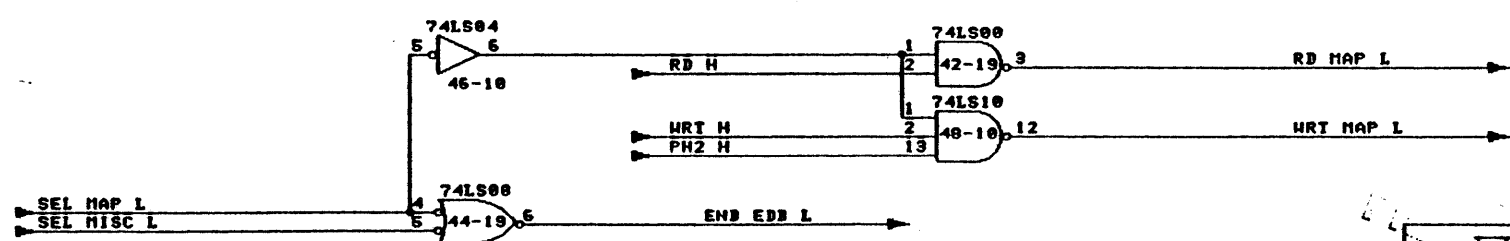
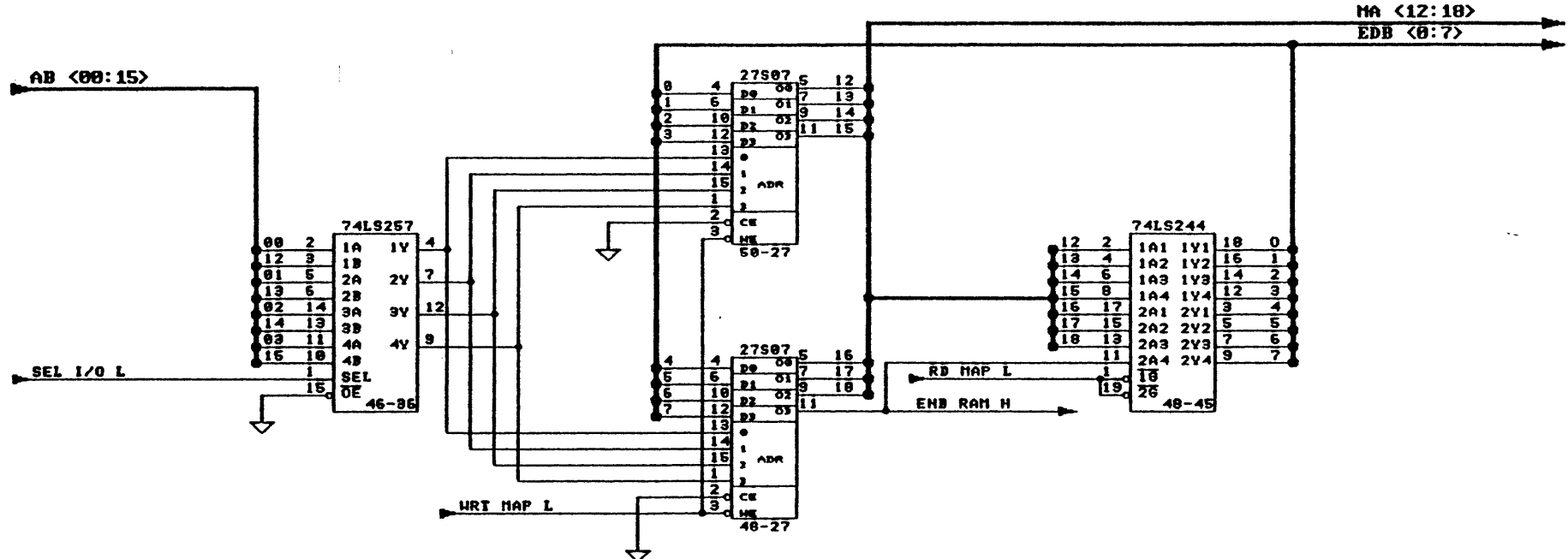
CCSPAR.DWG
26KL



RECEIVED FEB 21 1985

TITLE CC-CCSPAR			
SIZE	CODE	NUMBER	REV
		0000002	A
DATE		SEPT. 28, 1984	SHEET 21 OF XX

CC3MAP.DWG
26KL



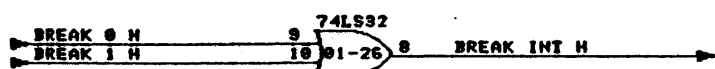
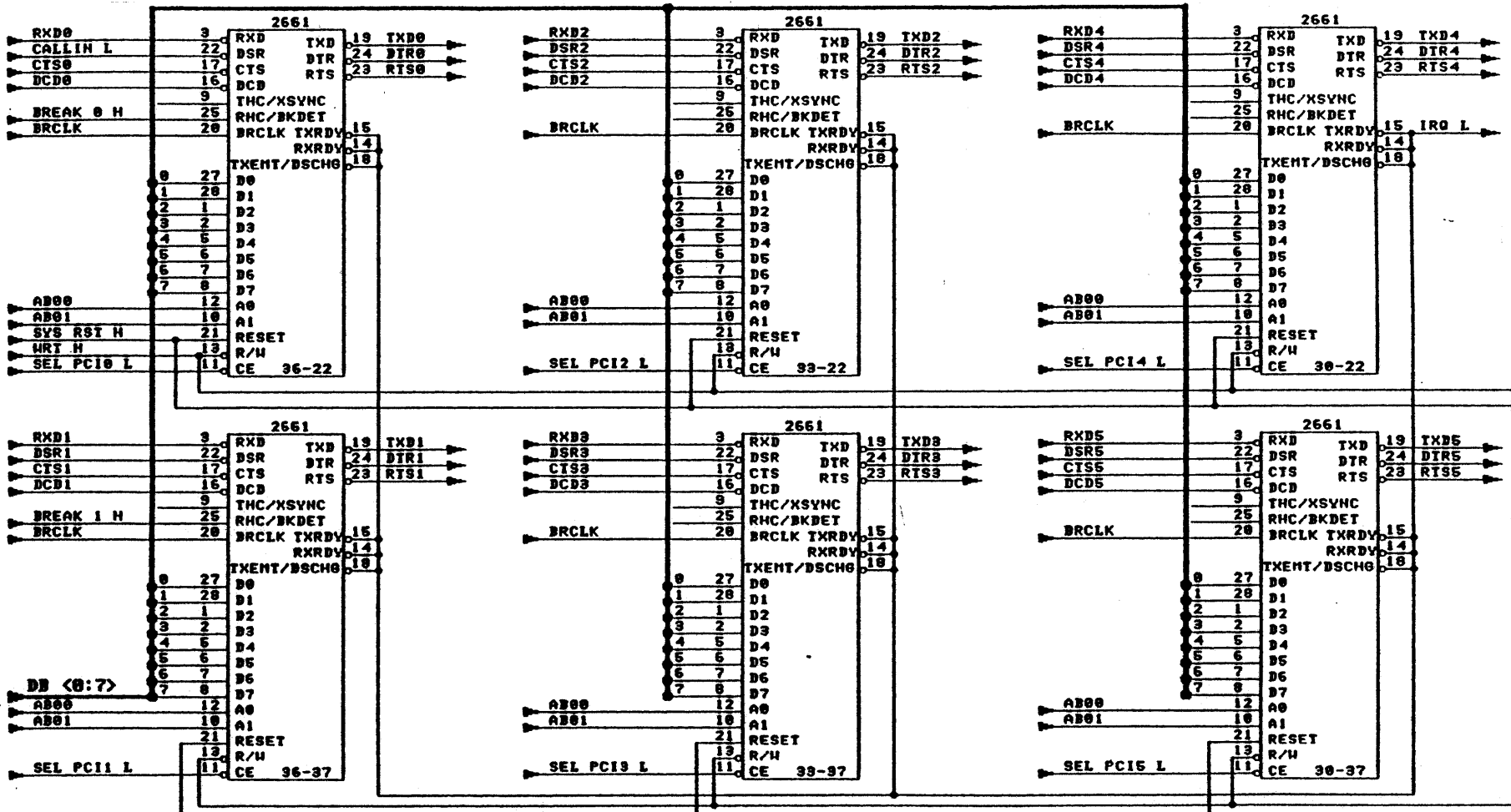
RECEIVED FLOOR

TYNSHAW INCORPORATED

TITLE: CC-CC3MAP

SIZE	CODE	NUMBER	REV
B		000002	A
DATE		SEPT. 28, 1984	SHEET 22 OF XX

CCAPCI .DWG
26KL

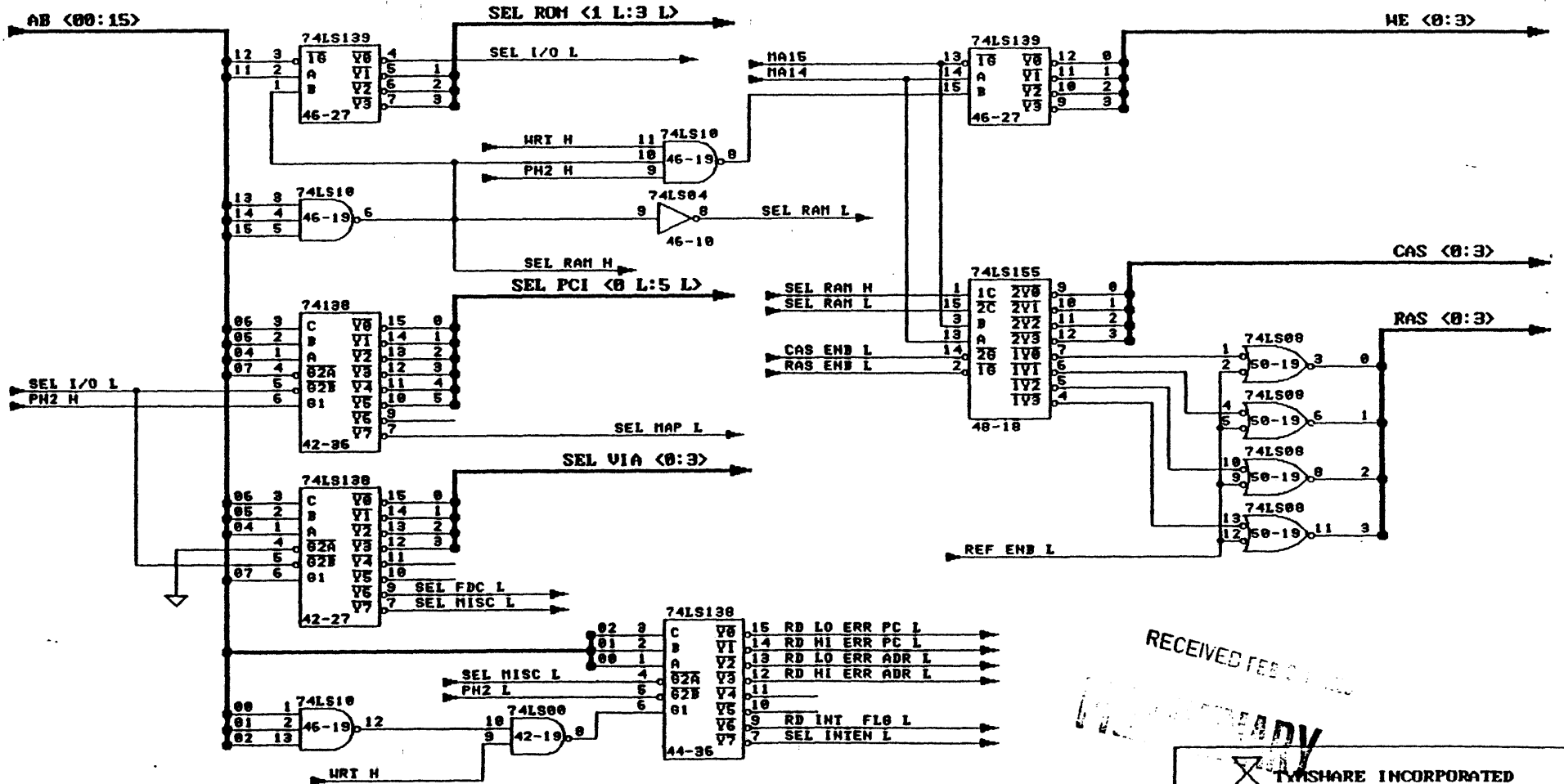


RECEIVED 10/1/84

TYMSHARE INCORPORATED

TITLE		CC-CCAPCI	
REV	DATE	NO. OF SHEETS	SHEET NO.
A	SEPT. 28, 1984	23	23 OF XX

CC2ADR.DWG
26KL



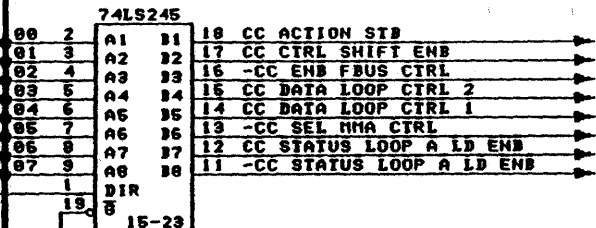
RECEIVED FEB 1984

INVENTORY

 TAMSHARE INCORPORATED			
TITLE			
CC-CC2ADR			
SIZE	CODE	NUMBER	REV
B		0000002	A
DATE OCT. 01. 1984			SHEET 24 OF XX

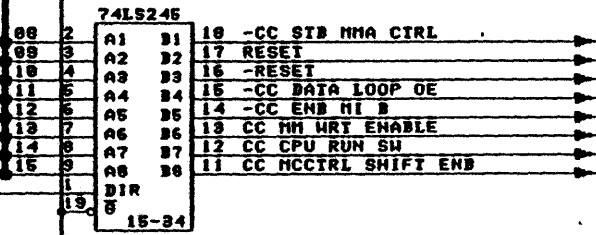
CC9CTL.DWG
26KL

F5DAT <00:15>



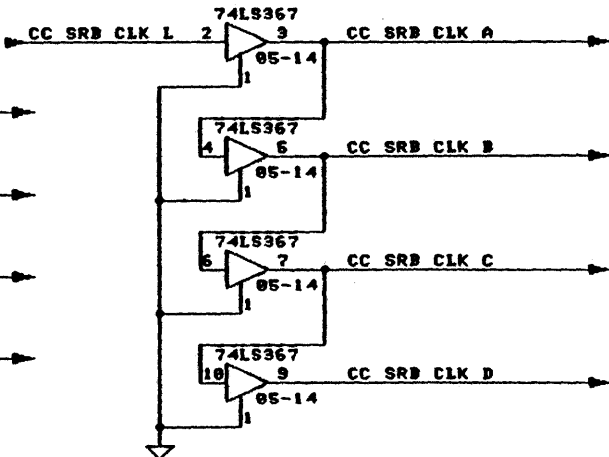
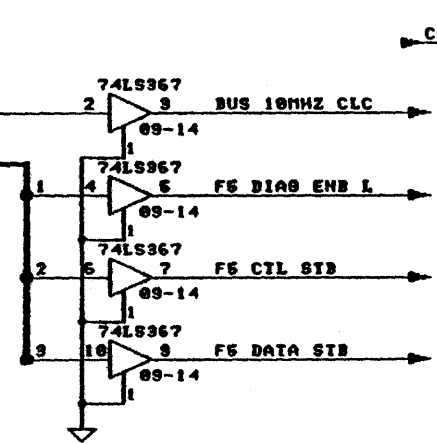
CC ACTION STB	
CC CTRL SHIFT ENB	
-CC ENB FBUS CTRL	
CC DATA LOOP CTRL 2	
CC DATA LOOP CTRL 1	
-CC SEL MMA CTRL	
CC STATUS LOOP A LD ENB	
-CC STATUS LOOP A LD ENB	
-CC STB MMA CTRL	
RESET	
-RESET	
-CC DATA LOOP OE	
-CC ENB MI B	
CC MM WRT ENABLE	
CC CPU RUN SW	
CC HCCTRL SHIFT ENB	

SR CTL1



10MHZ

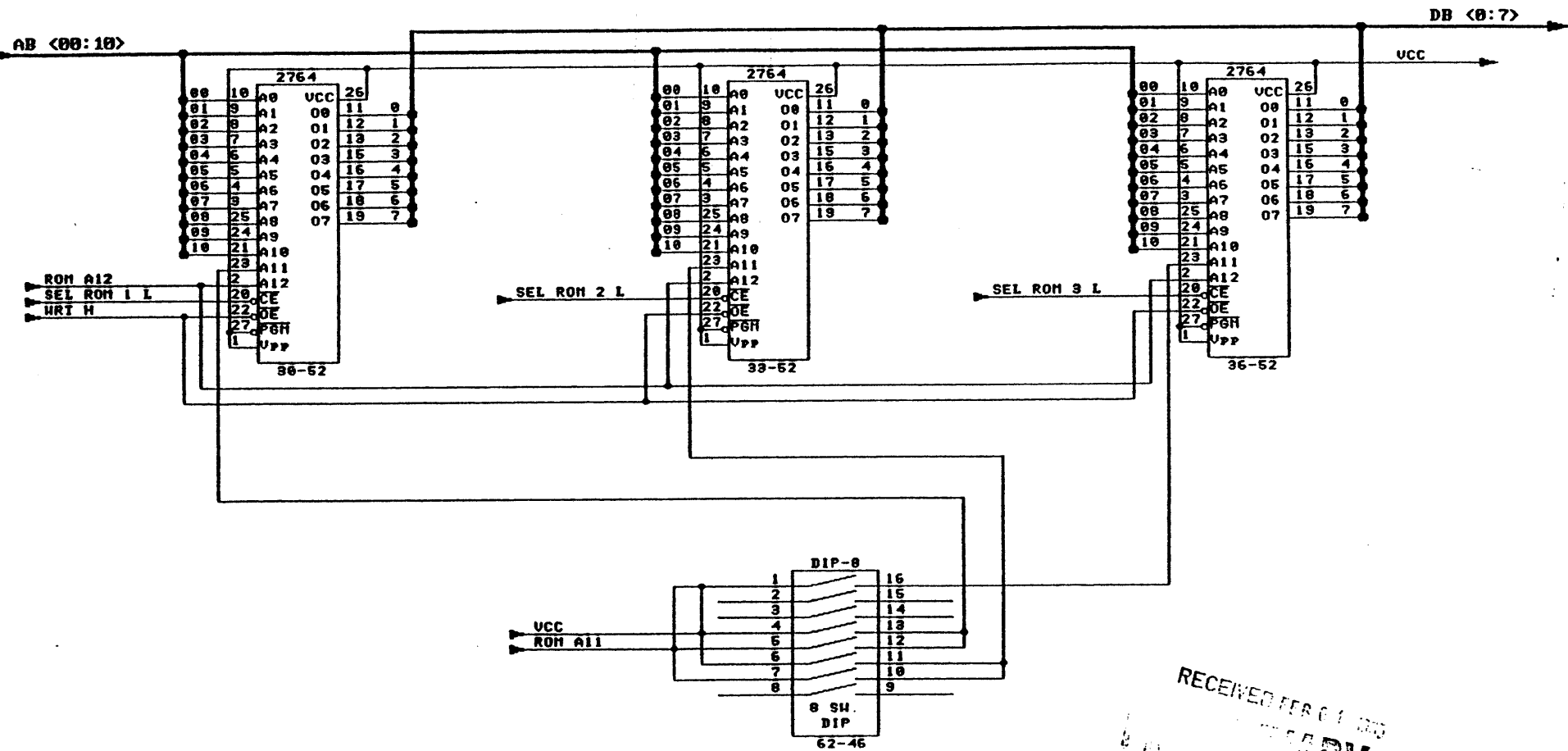
SR CTL <1:3>




RECEIVED FEB 01 1985
LIBRARY

X TYNSHARE INCORPORATED			
TITLE CC-CC9CTL			
SIZE B	CODE	NUMBER 0000002	REV A
DATE OCT. 01. 1984		SHEET 25 OF XX	

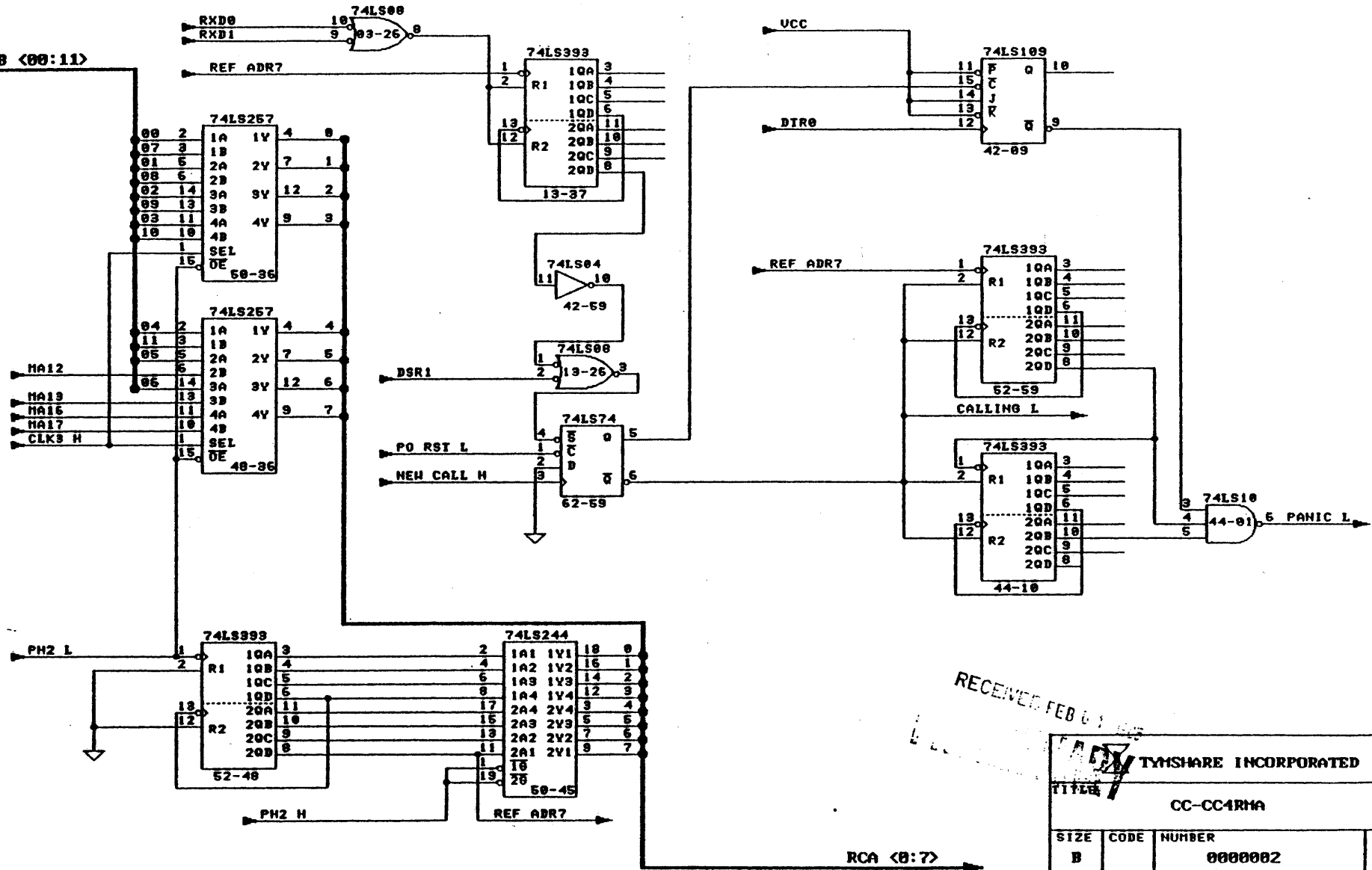
CC9ROM.DWG
26KL



RECEIVED PER G I 000
READY

 TYNSHARE INCORPORATED			
TITLE CC-CC9ROM			
SIZE B	CODE	NUMBER 000002	REV A
DATE OCT. 01, 1984		SHEET 26 OF XX	

CC4RMA.DMG
26KL



RECEIVED FEB 01 1984

TYMSHARE INCORPORATED

TITLE: CC-CC4RMA

SIZE	CODE	NUMBER	REV
B		0000002	A
DATE		OCT. 02. 1984	SHEET 27 OF XX

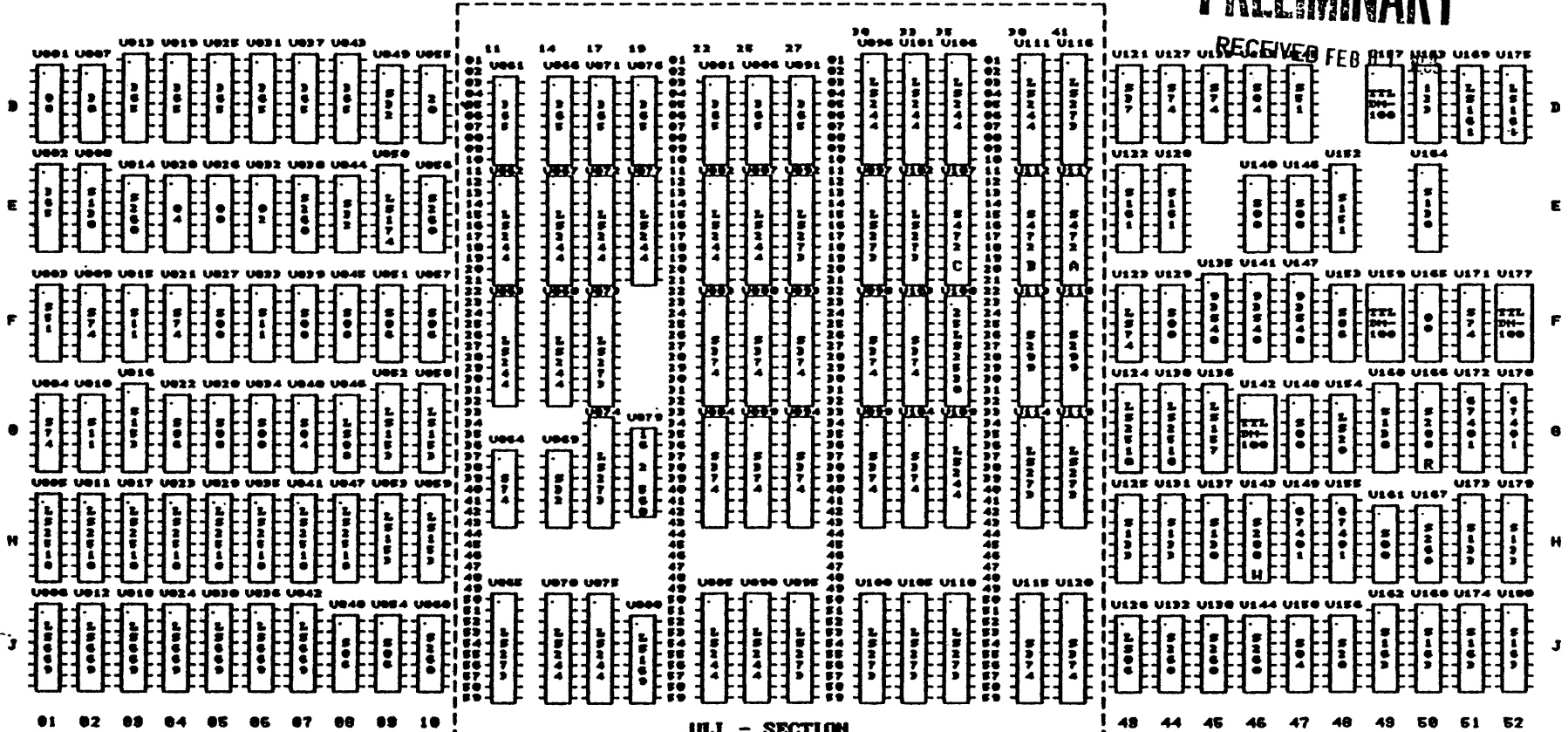
C1

C2

C3

RECEIVED FEB 01 1985

PRELIMINARY



C4

C5

CFDA COMPONENT SIDE STUFFING CHART

TYMSHARE INC.

TITLE CFDASTF

DRAWING NUMBER 101000

DATE APRIL 18, 1984 CDM

SHEET 01 OF 01

CONN	01	SOLDERED TO GND PLANE
<---<	02	INT ADR 0
<---<	03	INT ADR 1
<---<	04	INT ADR 2
<---<	05	INT ADR 3
<---<	06	INT ADR 4
<---<	07	
<---<	08	INT IT'S YOU OUT CFI
<---<	09	
<---<	10	ION 0
<---<	11	ION 1
<---<	12	ION 2
<---<	13	ION 3
<---<	14	ION 4
<---<	15	
<---<	16	DMA RD RG
<---<	17	DMA WRT RG
<---<	18	
<---<	19	RG IT'S YOU IN DSK
<---<	20	
<---<	21	
<---<	22	
<---<	23	
<---<	24	IOA 16
<---<	25	IOA 18
<---<	26	IOA 20
<---<	27	IOA 22
<---<	28	IOA 24
<---<	29	IOA 26
<---<	30	IOA 28
<---<	31	IOA 30
<---<	32	IOA 32
<---<	33	IOA 34
<---<	34	
<---<	35	
<---<	36	SOLDERED TO GND PLANE

C1A

CONN	01	SOLDERED TO GND PLANE
<---<	02	BUS ANY INT L
<---<	03	BUS INT STD
<---<	04	IOB DRU IN
<---<	05	IOB OUT STD
<---<	06	IOB RE-ENBL INT L
<---<	07	BUS RESET L
<---<	08	DSK INT END OUT
<---<	09	
<---<	10	IOB SUB SEL 10
<---<	11	IOB SUB SEL 4
<---<	12	IOB SUB SEL 2
<---<	13	IOB SUB SEL 1
<---<	14	
<---<	15	SOME RG L
<---<	16	BUS RG STD
<---<	17	BUS READ SECOND CY STD
<---<	18	BUS ENABLE WRT DATA
<---<	19	RG IT'S YOU IN X
<---<	20	BUS DMA CY
<---<	21	
<---<	22	
<---<	23	IOA 15
<---<	24	IOA 17
<---<	25	IOA 19
<---<	26	IOA 21
<---<	27	IOA 23
<---<	28	IOA 25
<---<	29	IOA 27
<---<	30	IOA 29
<---<	31	IOA 31
<---<	32	IOA 33
<---<	33	IOA 35
<---<	34	
<---<	35	
<---<	36	SOLDERED TO GND PLANE

C1B

CONN	01	SOLDERED TO GND PLANE
<---<	02	
<---<	03	
<---<	04	SOLDERED TO +5 PLANE
<---<	05	SOLDERED TO +5 PLANE
<---<	06	SOLDERED TO +5 PLANE
<---<	07	SOLDERED TO +5 PLANE
<---<	08	SOLDERED TO +5 PLANE
<---<	09	
<---<	10	
<---<	11	
<---<	12	
<---<	13	
<---<	14	
<---<	15	
<---<	16	
<---<	17	
<---<	18	
<---<	19	
<---<	20	
<---<	21	
<---<	22	
<---<	23	
<---<	24	
<---<	25	
<---<	26	
<---<	27	
<---<	28	
<---<	29	
<---<	30	
<---<	31	
<---<	32	SOLDERED TO +5 PLANE
<---<	33	SOLDERED TO +5 PLANE
<---<	34	SOLDERED TO +5 PLANE
<---<	35	SOLDERED TO +5 PLANE
<---<	36	SOLDERED TO GND PLANE

C1C

VIEWS FROM WIRE WRAP SIDE OF BOARD
WITH BOARD ON EXTENDER

PRELIMINARY

RECEIVED FEB 01 1985



TYNSHARE INCORPORATED

TITLE

CFDA - C1 CONNECTOR

SIZE	CODE	NUMBER	REV
B		101001	A
DATE		APRIL 5, 1984	SHEET 1 OF 29

CONN	01 SOLDERED TO GND PLANE
<<<<<	02 IOD 0
<<<<<	03 IOD 2
<<<<<	04 IOD 4
<<<<<	05 IOD 6
<<<<<	06 IOD 8
<<<<<	07 IOD 10
<<<<<	08 IOD 12
<<<<<	09 IOD 14
<<<<<	10 IOD 17
<<<<<	11 IOD 20
<<<<<	12 IOD 20
<<<<<	13 IOD 26
<<<<<	14 IOD 29
<<<<<	15 IOD 32
<<<<<	16 IOD 35
<<<<<	17
<<<<<	18
<<<<<	19 DISK BUS 0
<<<<<	20 DISK BUS 1
<<<<<	21 DISK BUS 2
<<<<<	22 DISK BUS 3
<<<<<	23 DISK BUS 4
<<<<<	24 DISK BUS 5
<<<<<	25 DISK BUS 6
<<<<<	26 DISK BUS 7
<<<<<	27 DISK BUS 8
<<<<<	28 DISK BUS 9
<<<<<	29 DISK BUS 10
<<<<<	30
<<<<<	31
<<<<<	32
<<<<<	33
<<<<<	34
<<<<<	35
<<<<<	36 SOLDERED TO GND PLANE

C2A

CONN	01 SOLDERED TO GND PLANE
<<<<<	02 IOD 1
<<<<<	03 IOD 3
<<<<<	04 IOD 5
<<<<<	05 IOD 7
<<<<<	06 IOD 9
<<<<<	07 IOD 11
<<<<<	08 IOD 13
<<<<<	09 IOD 15
<<<<<	10 IOD 18
<<<<<	11 IOD 21
<<<<<	12 IOD 24
<<<<<	13 IOD 27
<<<<<	14 IOD 30
<<<<<	15 IOD 33
<<<<<	16
<<<<<	17 SELECT ENABLE
<<<<<	18
<<<<<	19 CLEAR L
<<<<<	20
<<<<<	21
<<<<<	22
<<<<<	23
<<<<<	24
<<<<<	25
<<<<<	26
<<<<<	27
<<<<<	28
<<<<<	29
<<<<<	30
<<<<<	31
<<<<<	32
<<<<<	33
<<<<<	34
<<<<<	35
<<<<<	36 SOLDERED TO GND PLANE


C2B

CONN	01 SOLDERED TO GND PLANE
<<<<<	02
<<<<<	03
<<<<<	04 SOLDERED TO GND PLANE
<<<<<	05 SOLDERED TO GND PLANE
<<<<<	06 SOLDERED TO GND PLANE
<<<<<	07
<<<<<	08
<<<<<	09 IOD 16
<<<<<	10 IOD 19
<<<<<	11 IOD 22
<<<<<	12 IOD 25
<<<<<	13 IOD 28
<<<<<	14 IOD 31
<<<<<	15 IOD 34
<<<<<	16
<<<<<	17
<<<<<	18 SEL UNIT FAULT
<<<<<	19
<<<<<	20 SEL UNIT ON CYLINDER
<<<<<	21 SEL UNIT SEEK ERROR
<<<<<	22 -SEL UNIT READY
<<<<<	23 SEL UNIT WRITE PROTECTED
<<<<<	24 SEL UNIT INDEX PULSE
<<<<<	25 SEL UNIT SECTOR/INDEX
<<<<<	26 SEL UNIT ATTENTION
<<<<<	27
<<<<<	28
<<<<<	29
<<<<<	30
<<<<<	31 SOLDERED TO GND PLANE
<<<<<	32 SOLDERED TO GND PLANE
<<<<<	33 SOLDERED TO GND PLANE
<<<<<	34
<<<<<	35
<<<<<	36 SOLDERED TO GND PLANE

C2C

PRELIMINARY

RECEIVED FEB 1 1985

 TYMSHARE INCORPORATED				
TITLE				
CFDA - C2 CONNECTOR				
SIZE	CODE	NUMBER	REV	
B		101001	A	
DATE			SHEET	
APRIL 6, 1984			2 OF 28	

CONN	
<---<	01 SOLDERED TO GND PLANE
<---<	02 RD DATA
<---<	03 WRITE DATA
<---<	04 READ CLK
<---<	05 SERVO CLK
<---<	06 -CONTROL TAG
<---<	07 -CYLINDER TAG
<---<	08 -HEAD TAG
<---<	09 IR TAG ENABLE
<---<	10 ANY ATTENTION
<---<	11 RESET ATTENTION L
<---<	12 SELECT ERR
<---<	13 UNIT 0
<---<	14 UNIT 1
<---<	15 UNIT 2
<---<	16 SEL UNIT SECTOR 3
<---<	17 SEL UNIT SECTOR 4
<---<	18 SEL UNIT SECTOR 5
<---<	19 SEL UNIT SECTOR 6
<---<	20 SEL UNIT SECTOR 7
<---<	21
<---<	22
<---<	23
<---<	24
<---<	25
<---<	26
<---<	27
<---<	28
<---<	29
<---<	30
<---<	31
<---<	32
<---<	33
<---<	34
<---<	35
<---<	36 SOLDERED TO GND PLANE

CBA

CONN	
<---<	01 SOLDERED TO GND PLANE
<---<	02
<---<	03
<---<	04
<---<	05
<---<	06
<---<	07
<---<	08
<---<	09
<---<	10
<---<	11
<---<	12
<---<	13
<---<	14
<---<	15
<---<	16
<---<	17
<---<	18
<---<	19
<---<	20
<---<	21
<---<	22
<---<	23
<---<	24
<---<	25
<---<	26
<---<	27
<---<	28
<---<	29
<---<	30
<---<	31
<---<	32
<---<	33
<---<	34
<---<	35
<---<	36 SOLDERED TO GND PLANE


CBB

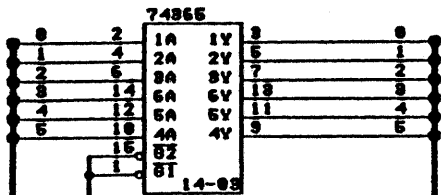
CONN	
<---<	01 SOLDERED TO GND PLANE
<---<	02
<---<	03
<---<	04 SOLDERED TO GND PLANE
<---<	05 SOLDERED TO GND PLANE
<---<	06 SOLDERED TO GND PLANE
<---<	07
<---<	08
<---<	09
<---<	10
<---<	11
<---<	12
<---<	13
<---<	14
<---<	15
<---<	16
<---<	17
<---<	18
<---<	19
<---<	20
<---<	21
<---<	22
<---<	23
<---<	24
<---<	25
<---<	26
<---<	27
<---<	28
<---<	29
<---<	30
<---<	31 SOLDERED TO GND PLANE
<---<	32 SOLDERED TO GND PLANE
<---<	33 SOLDERED TO GND PLANE
<---<	34
<---<	35
<---<	36 SOLDERED TO GND PLANE

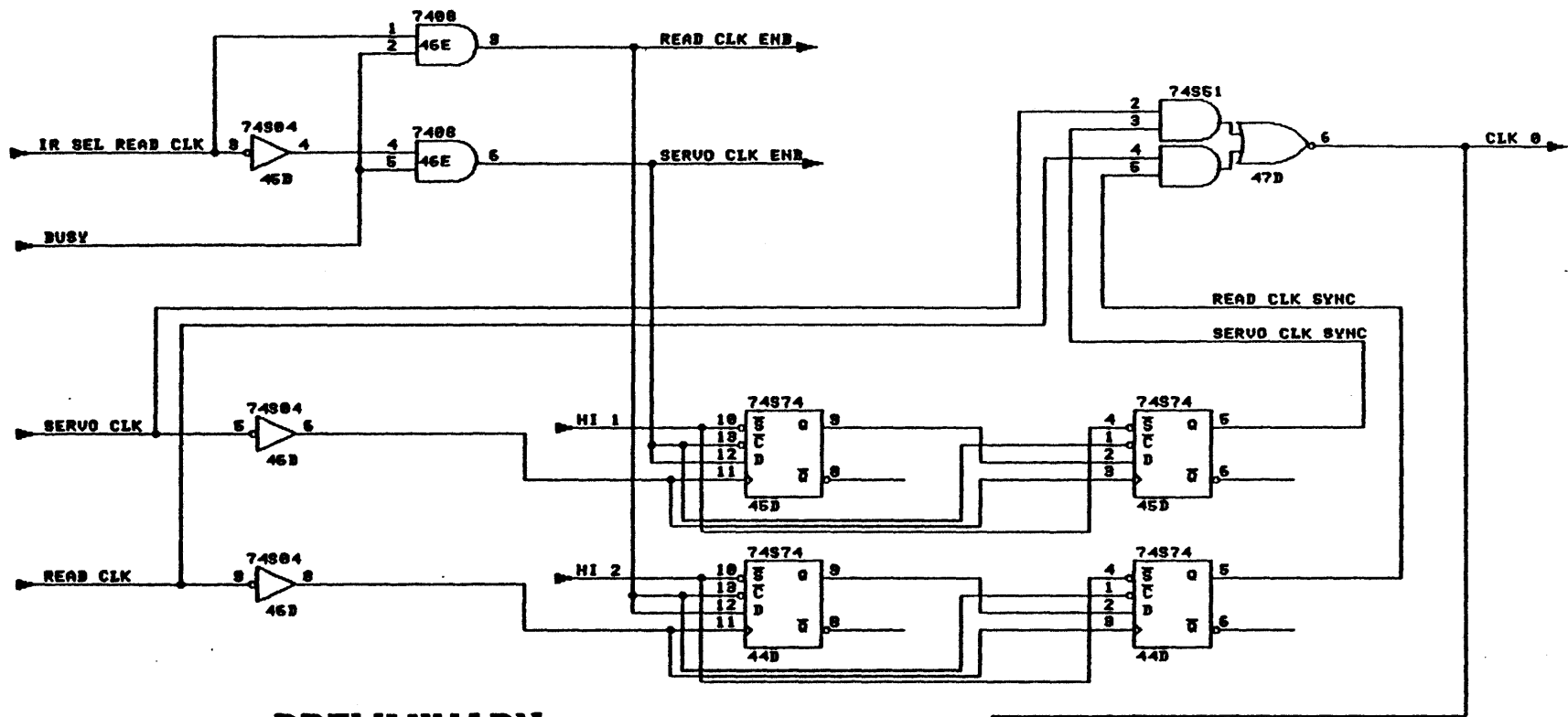
CBC

PRELIMINARY

RECEIVED FEB 01 1985

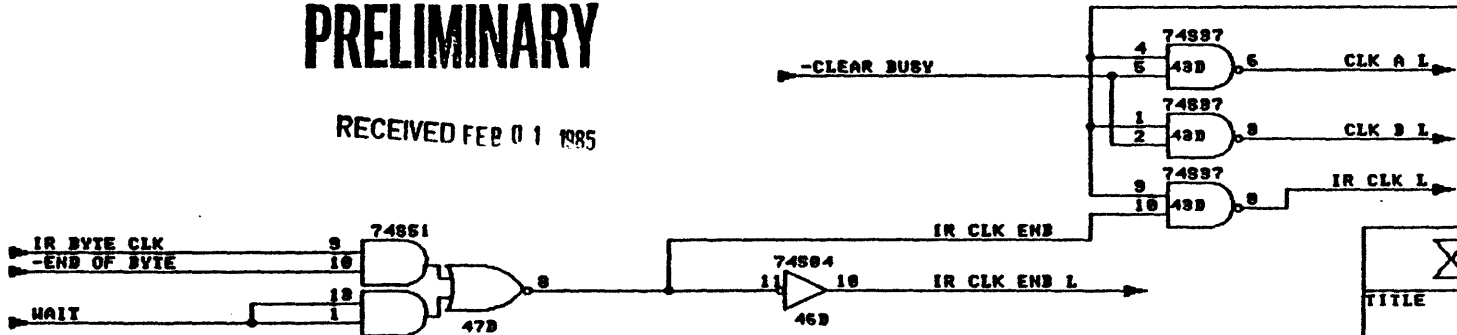
 TYMSHARE INCORPORATED				
TITLE CFDA - C3 CONNECTOR				
SIZE	CODE	NUMBER	REV	
B		101001	A	
DATE		SHEET		OF
APRIL 6, 1984		8		29






PRELIMINARY

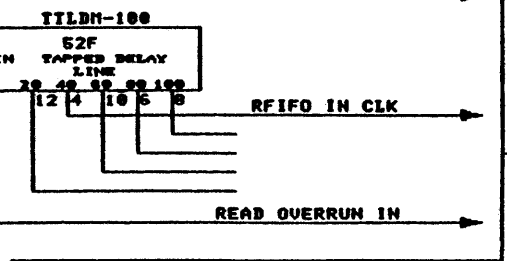
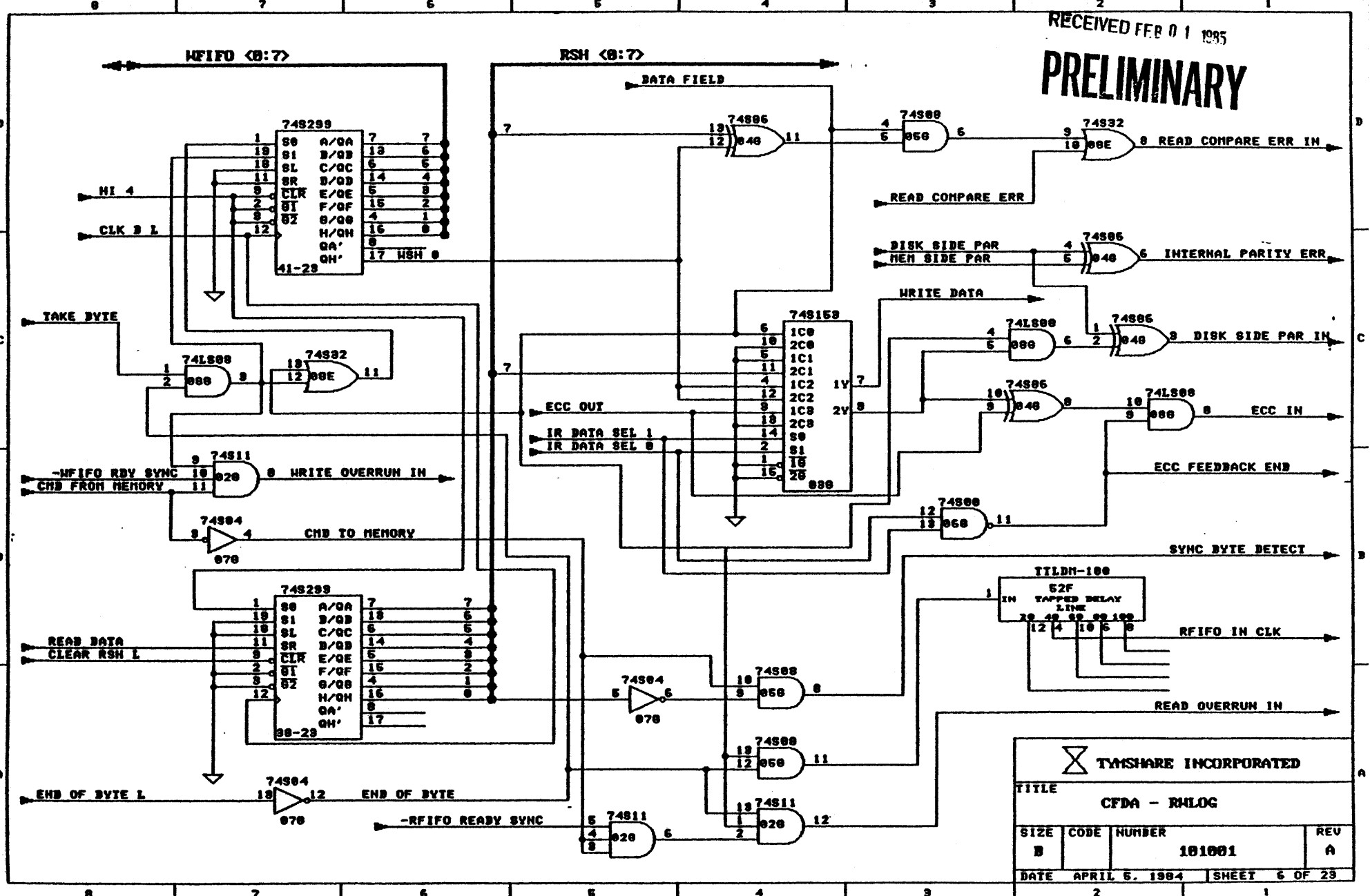
RECEIVED FEB 01 1985




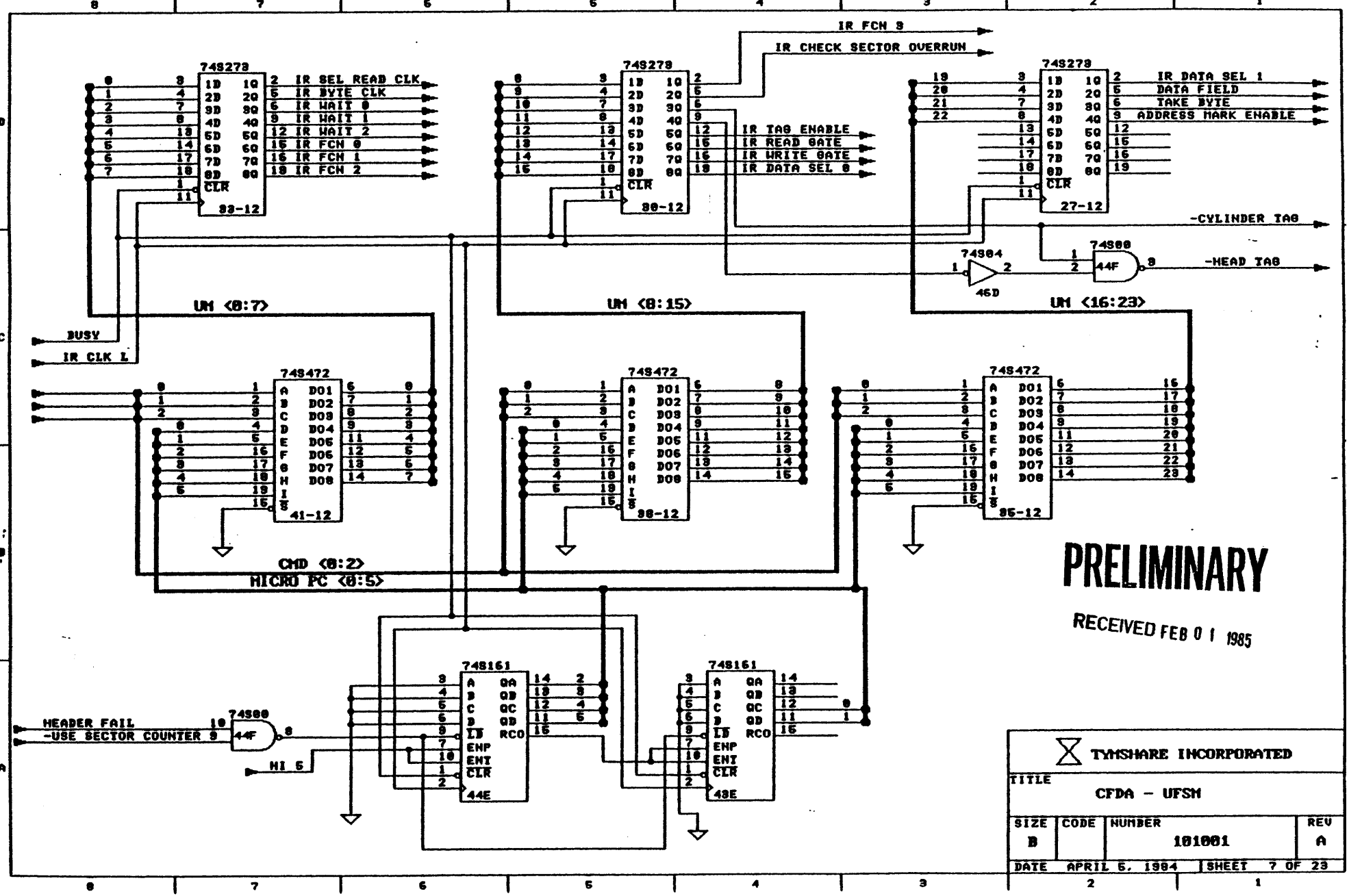
 TYMSHARE INCORPORATED			
TITLE CFDA - CLKSYN			
SIZE B	CODE	NUMBER 101001	REV A
DATE APRIL 5, 1984		SHEET 6 OF 23	

RECEIVED FEB 01 1985

PRELIMINARY




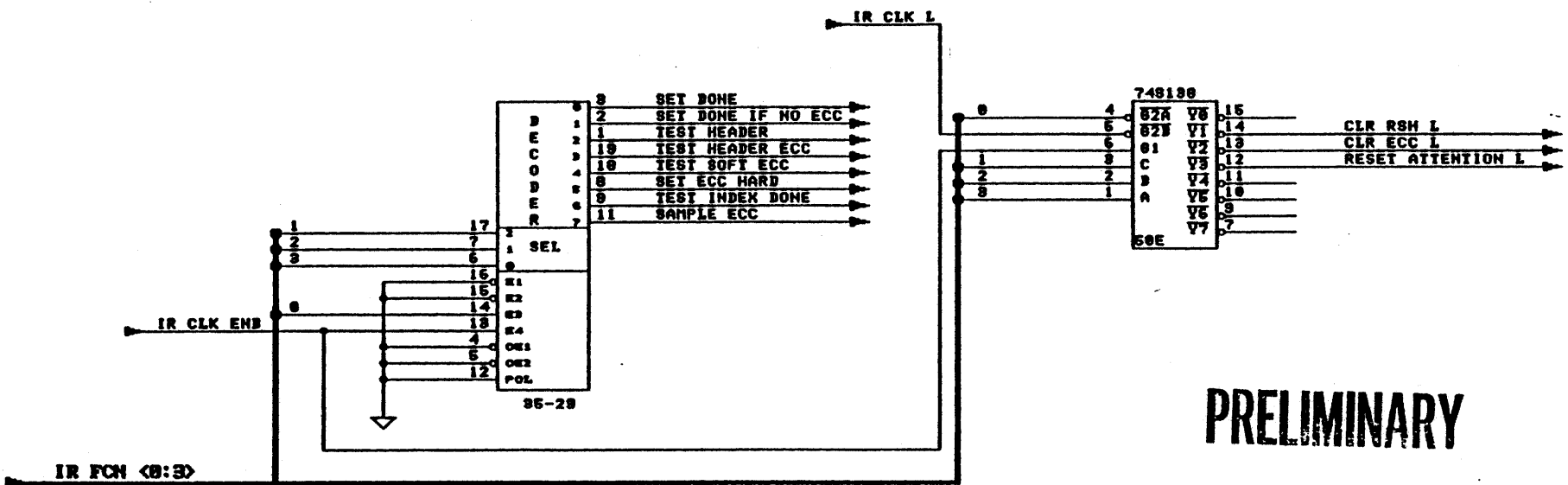
 TYMSHARE INCORPORATED			
TITLE CFDA - RMLOG			
SIZE B	CODE	NUMBER 101001	REV A
DATE APRIL 5, 1984		SHEET 6 OF 29	



PRELIMINARY

RECEIVED FEB 01 1985

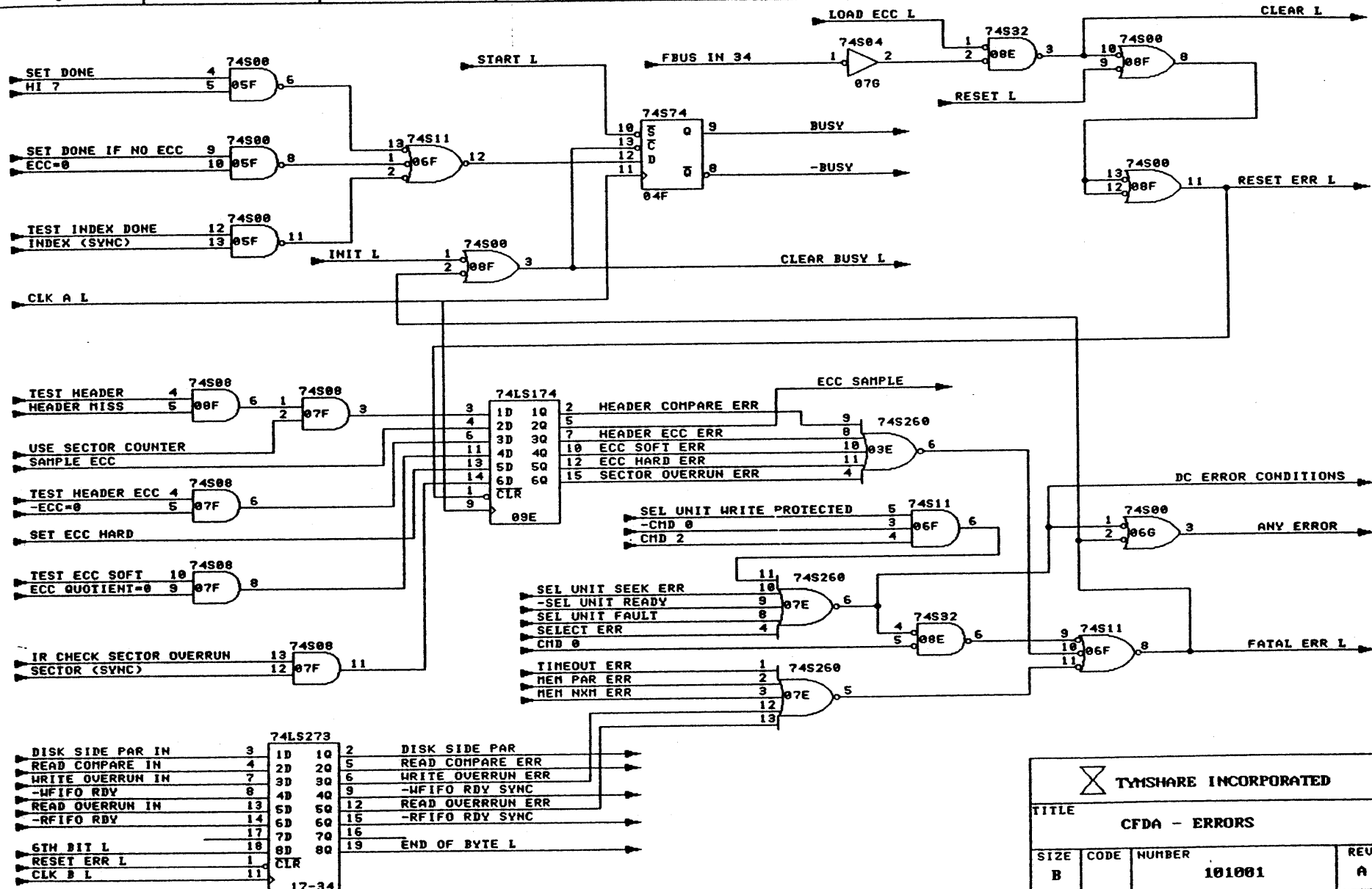
 TYMSHARE INCORPORATED			
TITLE			
CFDA - UFSM			
SIZE	CODE	NUMBER	REV
B		101001	A
DATE		APRIL 6, 1984	SHEET 7 OF 23



PRELIMINARY

RECEIVED FEB 01 1985

TITLE			
CFDA - UFUN			
SIZE	ENGR	NUMBER	REV
B		101001	A
DATE		APRIL 6, 1984	SHEET 8 OF 23

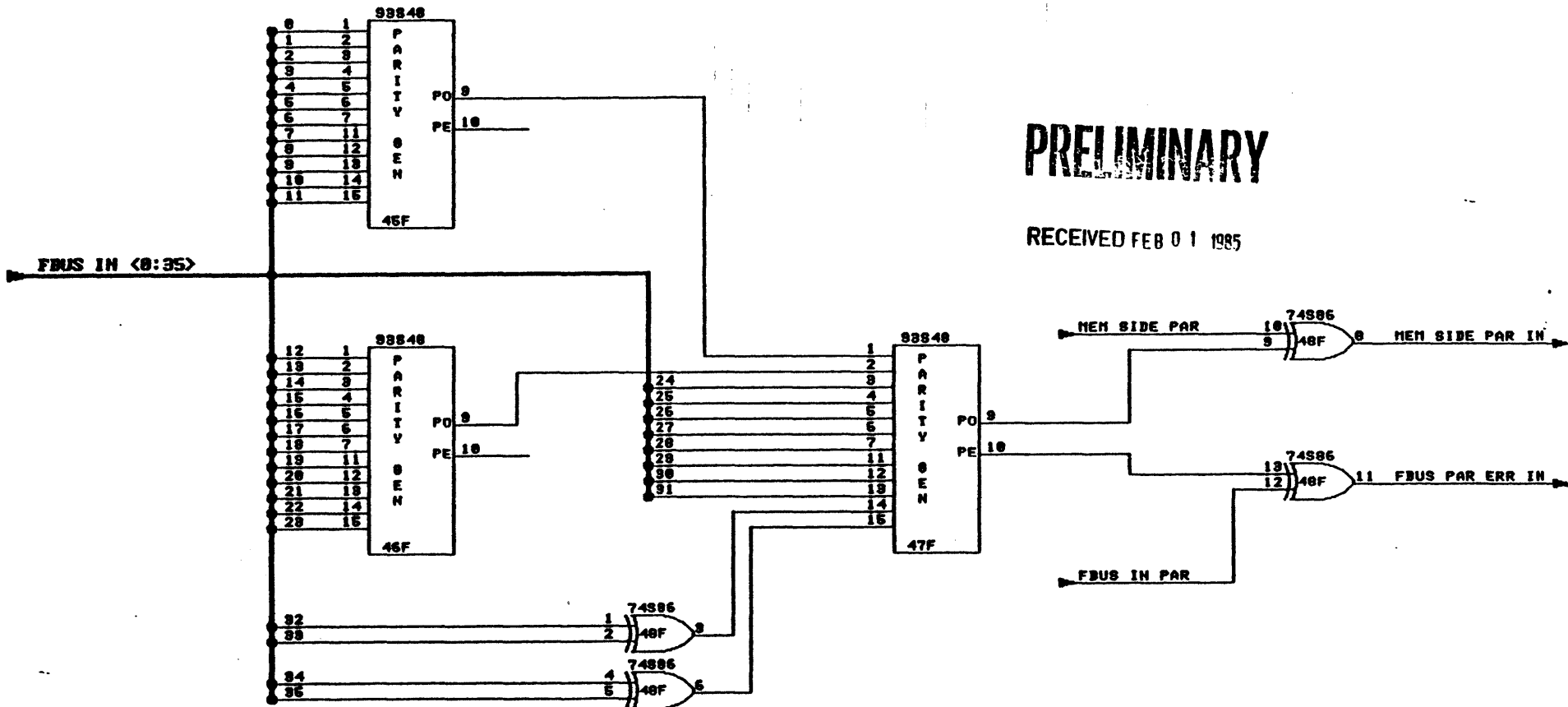


TYMSHARE INCORPORATED

TITLE			
CFDA - ERRORS			
SIZE	CODE	NUMBER	REV
B		101001	A
DATE	APRIL 11, 1984		SHEET 11 OF 23

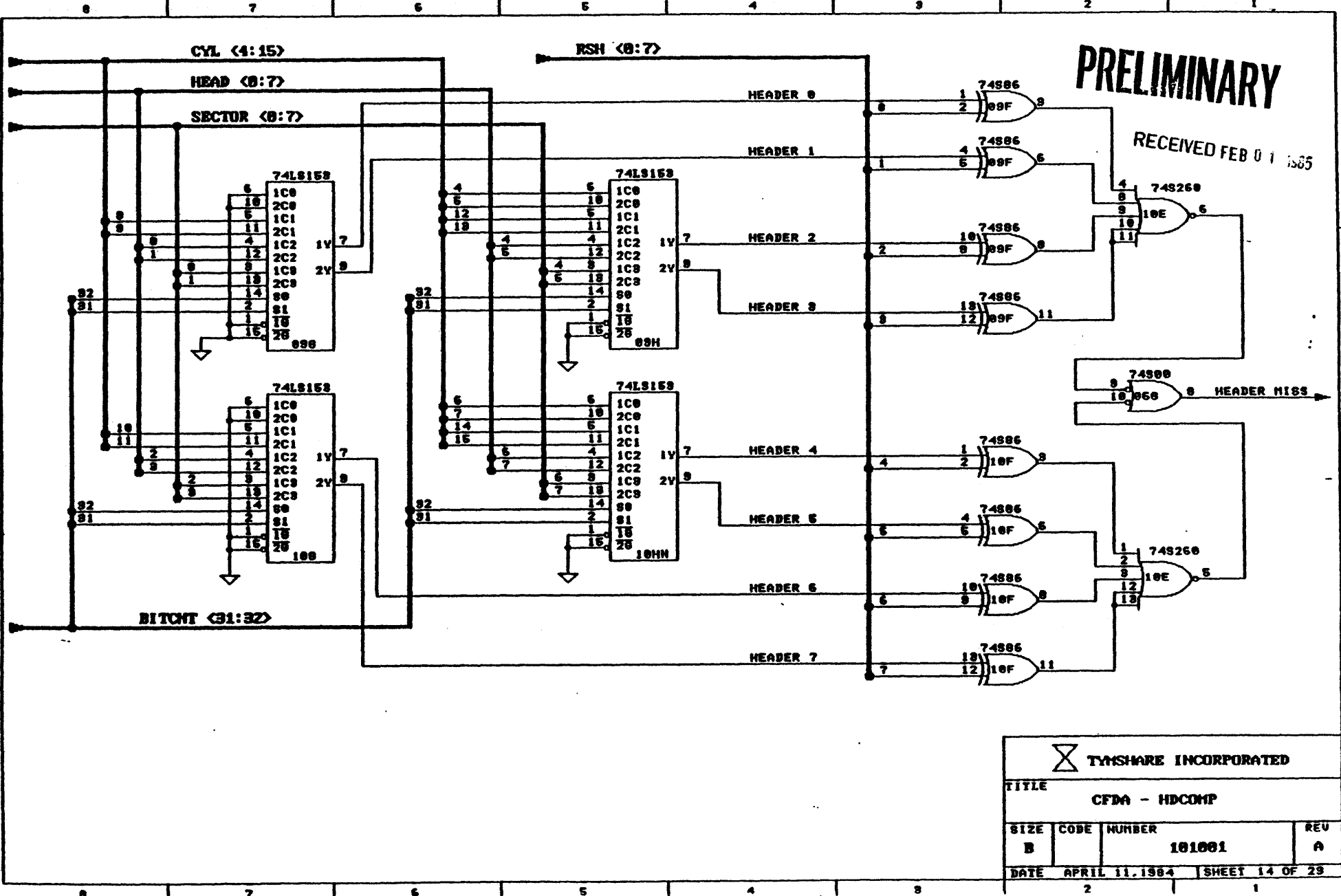
PRELIMINARY

RECEIVED FEB 01 1985



 TYNSHARE INCORPORATED

TITLE				
CFDA - PARITY				
SIZE	CODE	NUMBER	REV	
B		101001	A	
DATE	APRIL 11, 1984		SHEET 13 OF 23	



PRELIMINARY

RECEIVED FEB 01 1985

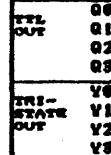
 **TYNSHARE INCORPORATED**

TITLE			
CFDA - HDCOMP			
SIZE	CODE	NUMBER	REV
B		101001	A
DATE		APRIL 11, 1984	SHEET 14 OF 29

FBUS IN <0:35>

74LS278

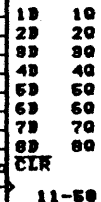
25LS2518



DONE INT END
 ANY ATT INT END
 82B MODE

INIT L

FBUS OUT <0:35>

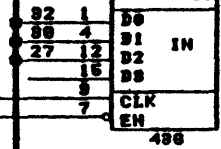


2 SERVO OFFSET PLUS
 6 SERVO OFFSET MINUS
 6 DATA STROBE EARLY
 9 DATA STROBE LATE
 12 FAULT CLEAR
 15 RECALIBRATE
 16 RELEASE
 19 USE SECTOR COUNTER

74984

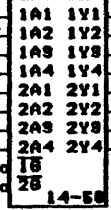
USE SECTOR COUNTER L

LOAD CHD L
READ CHD L



SELECT ERR
 SEL UNIT WRITE PROTECTED
 -SEL UNIT READY
 SEL UNIT ON CYLINDER
 SEL UNIT SEEK ERR
 SEL UNIT FAULT
 HEADER ECC ERR
 HEADER COMPARE ERR

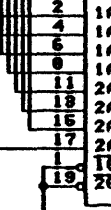
74LS244



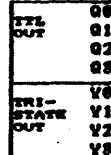
PRELIMINARY

RECEIVED FEB 01 1985

74LS244

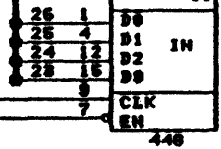


25LS2518



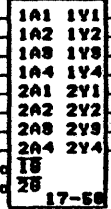
CHD 2
 CHD 1
 CHD 0
 CHD FROM MEMORY

LOAD CHD L
READ CHD L



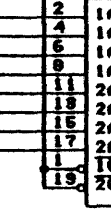
-BUSY
 ECC HARD ERR
 ECC SOFT ERR
 READ OVERRUN ERR
 WRITE OVERRUN ERR
 SECTOR OVERRUN ERR
 INTERNAL PARITY ERR
 USE SECTOR COUNTER

74LS244



ANY ERR
 ANY ATTENTION
 -ACTIVE
 READ COMPARE ERR
 TIMEOUT ERR
 MEM PARITY ERR

74LS244



74984

CHD 0 L

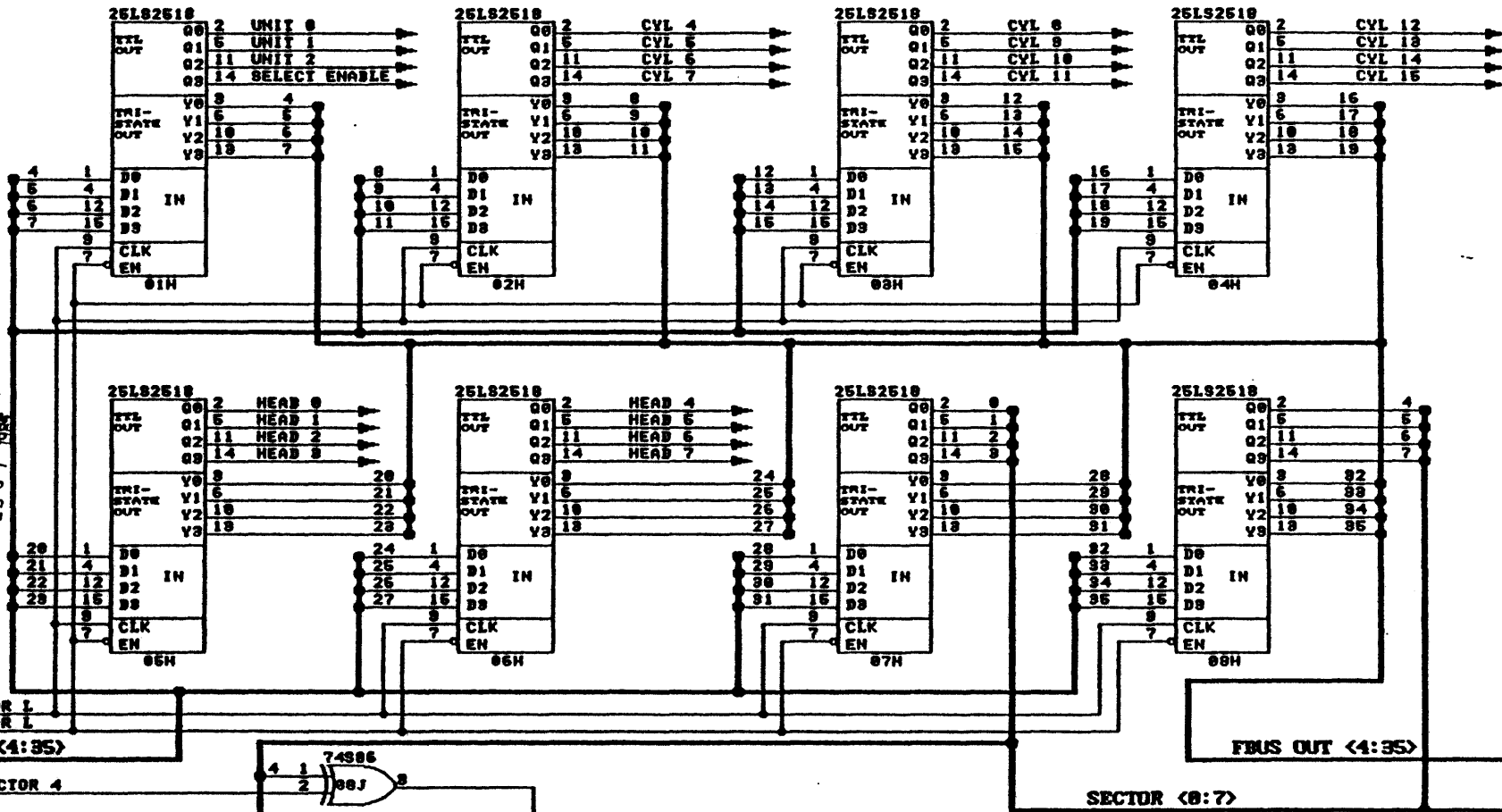


TYMSHARE INCORPORATED

TITLE			
CFDA - CSREG			
SIZE	CODE	NUMBER	REV
B		101001	A
DATE		APRIL 11, 1984	SHEET 16 OF 29

PRELIMINARY

RECEIVED FEB 01 1984



LOAD DISK ADR L
HEAD DISK ADR L

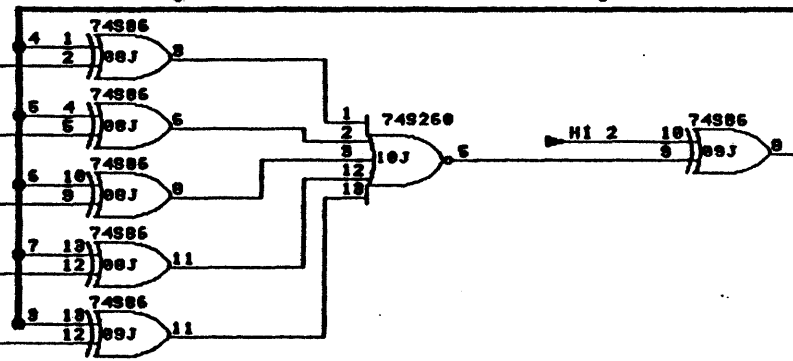
FBUS IN <4:35>

FBUS OUT <4:35>

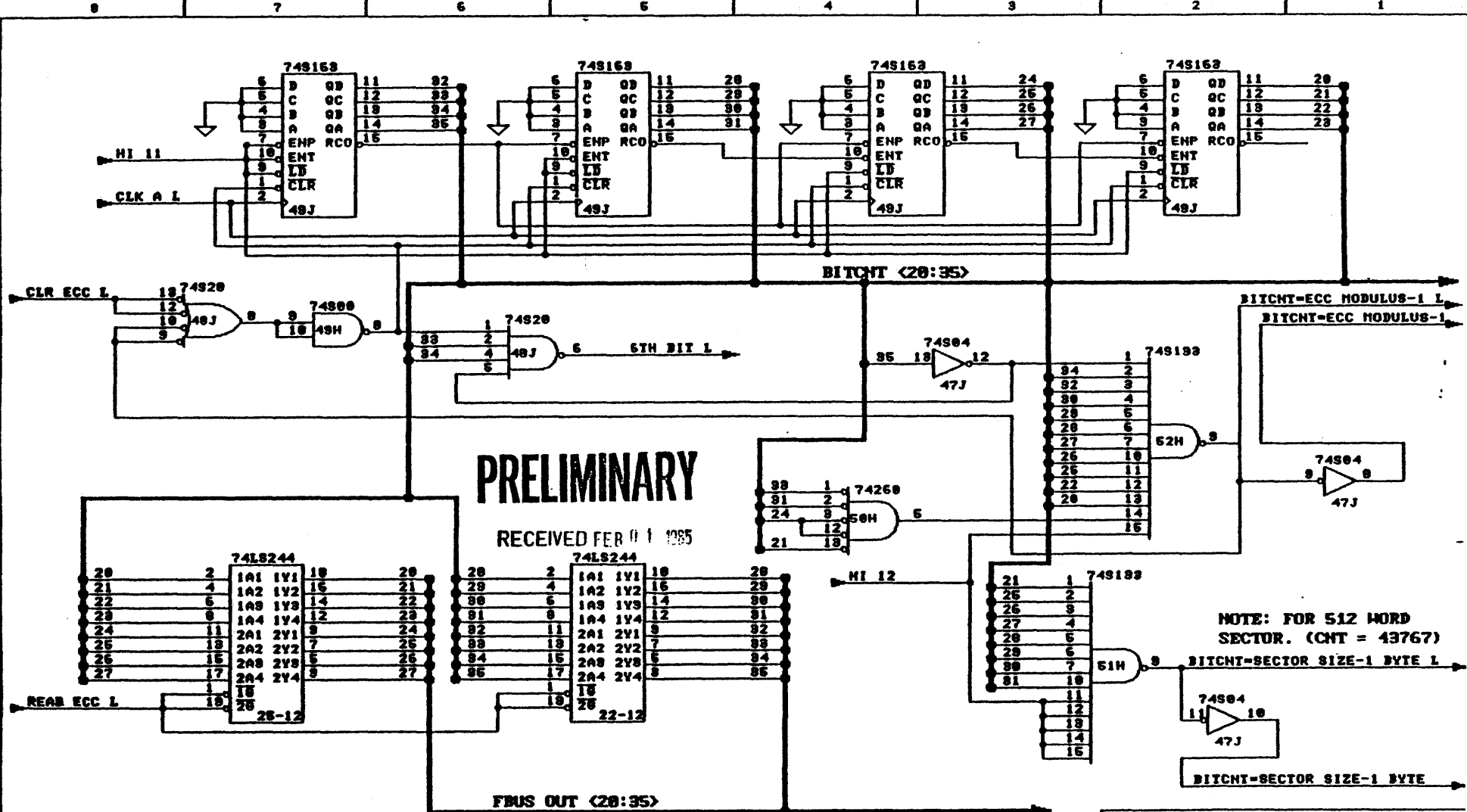
SECTOR <0:7>

-ON SECTOR

SEL UNIT SECTOR 4
SEL UNIT SECTOR 5
SEL UNIT SECTOR 6
SEL UNIT SECTOR 7
SEL UNIT SECTOR 8



X TMSHARE INCORPORATED			
TITLE			
CFDA - DSKADR			
SIZE	CODE	NUMBER	REV
B		101001	A
DATE		APRIL 11, 1984	SHEET 16 OF 29

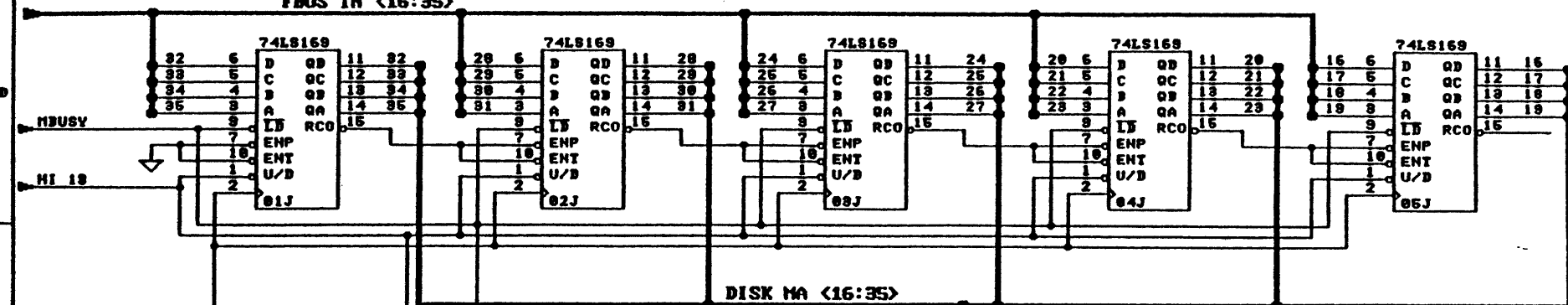


PRELIMINARY
 RECEIVED PER 01 1985

NOTE: FOR 512 WORD SECTOR. (CNT = 43767)

TITLE			
CFDA - BITCNT			
SIZE	CODE	NUMBER	REV
B		101001	A
DATE	APRIL 19, 1984		SHEET 17 OF 23

FBUS IN <16:35>



DISK MA <16:35>

PRELIMINARY

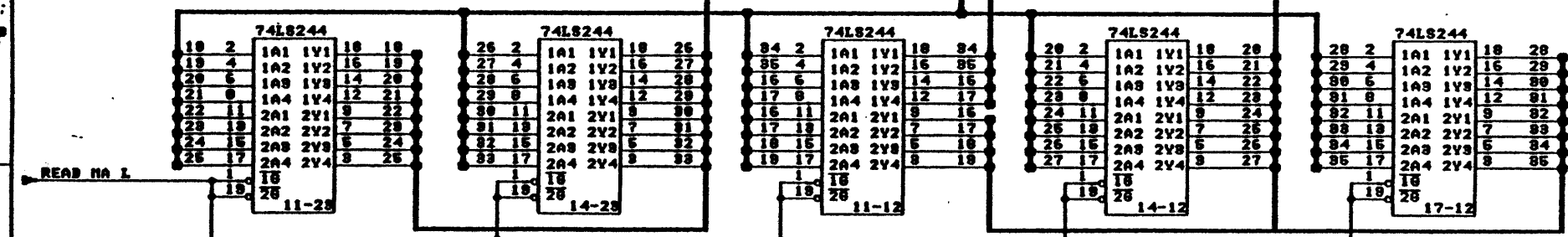
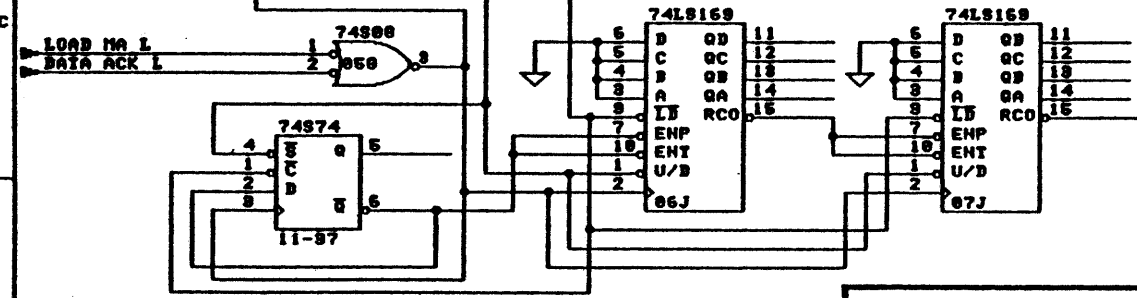
NOTE: COUNTS TO 511 FOR A 512 WD SECTOR SIZE

RECEIVED FEB 01 1985

LAST WD IN SECTOR L

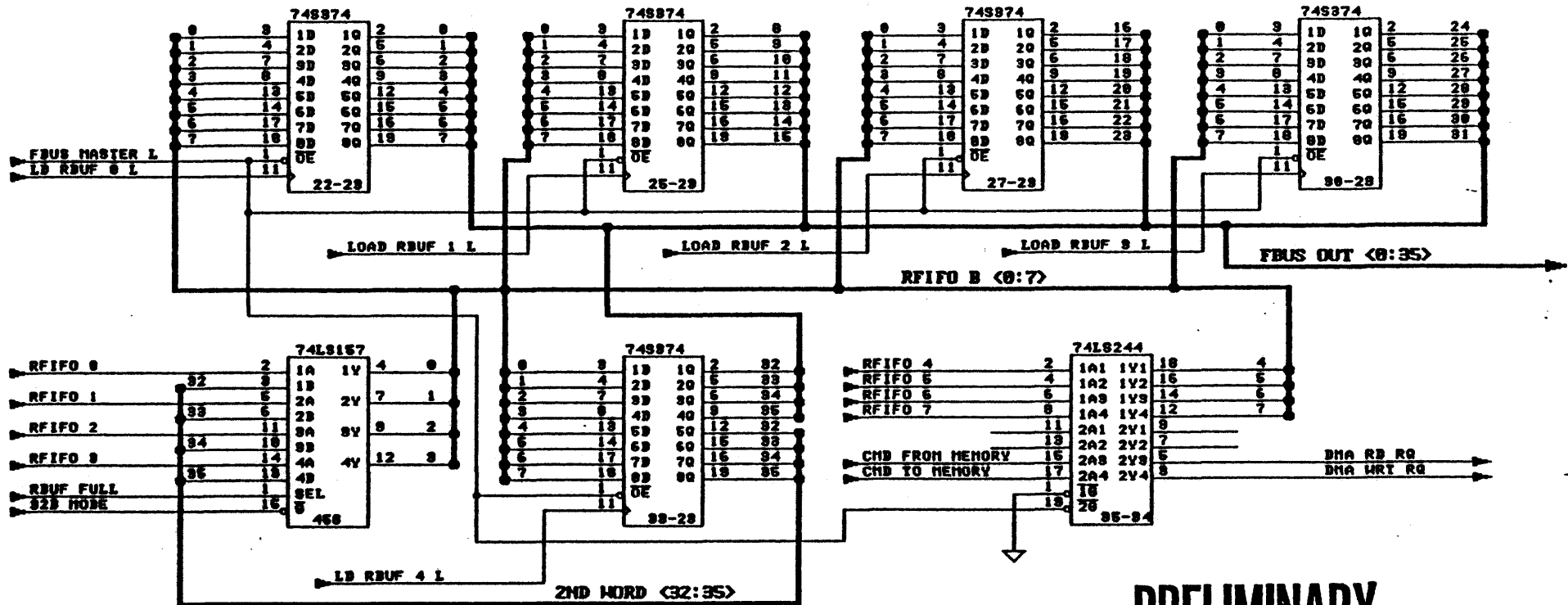
FBUS OUT <16:35>

IOA <16:35>




 TYMSHARE INCORPORATED

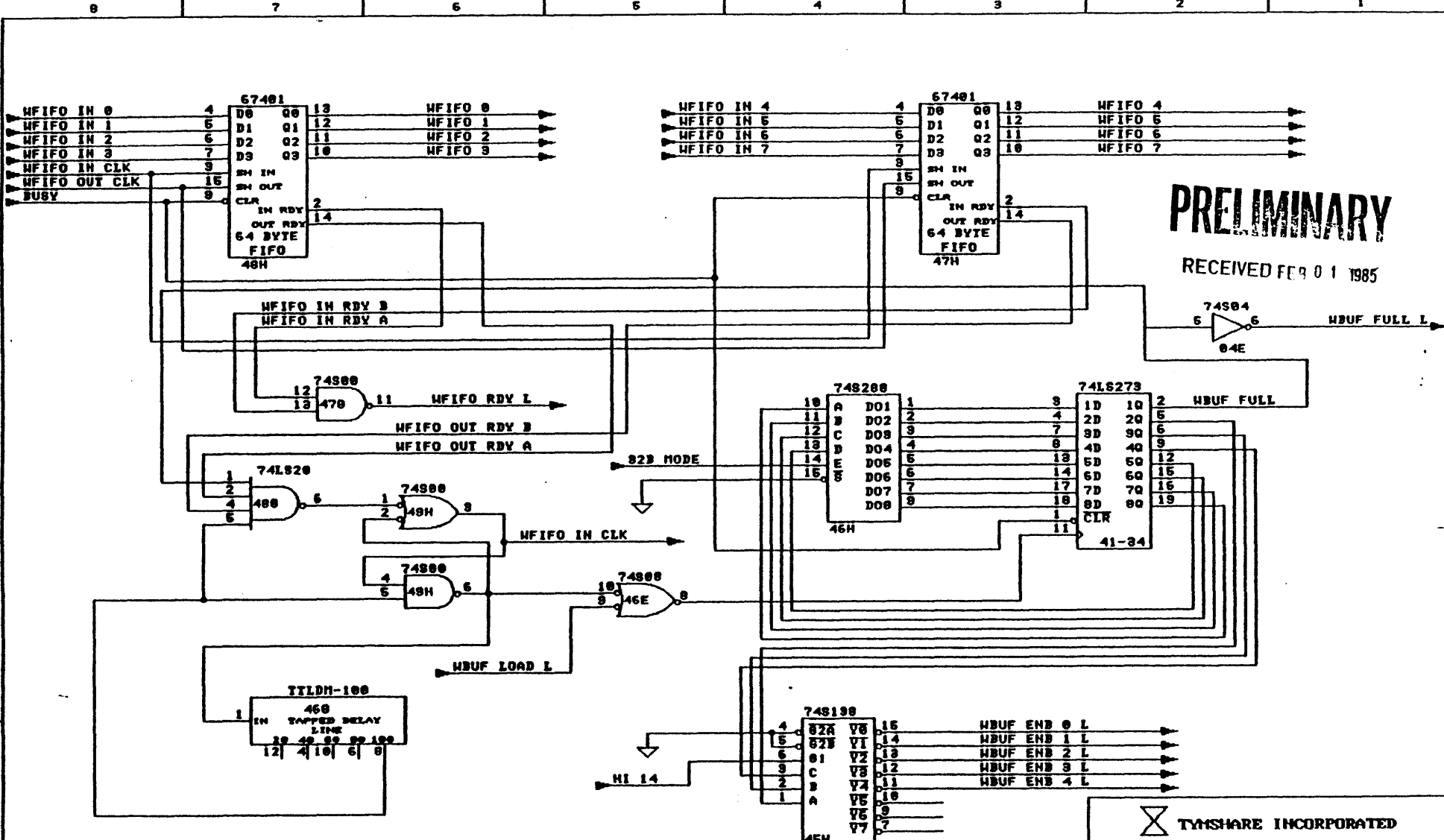
TITLE			
CFDA - DSKMA			
SIZE	CODE	NUMBER	REV
B		101001	A
DATE		APRIL 19, 1984	SHEET 18 OF 23



PRELIMINARY

RECEIVED FEB 01 1985

 TMSHARE INCORPORATED			
TITLE			
CFDA - RBUF			
SIZE	CODE	NUMBER	REV
B		101001	A
DATE		APRIL 19, 1984	SHEET 19 OF 29



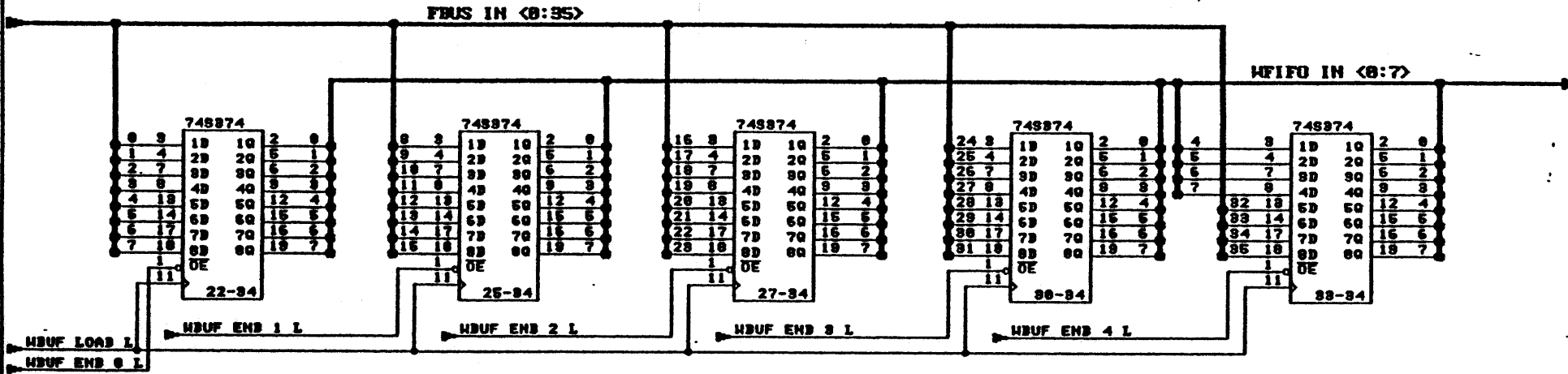
PRELIMINARY

RECEIVED FEB 01 1985

TITLE			
CFDA - HFCTRL			
SIZE	CODE	NUMBER	REV
B		101001	A
DATE		APRIL 19, 1984	SHEET 21 OF 29

PRELIMINARY

RECEIVED FEB 01 1985

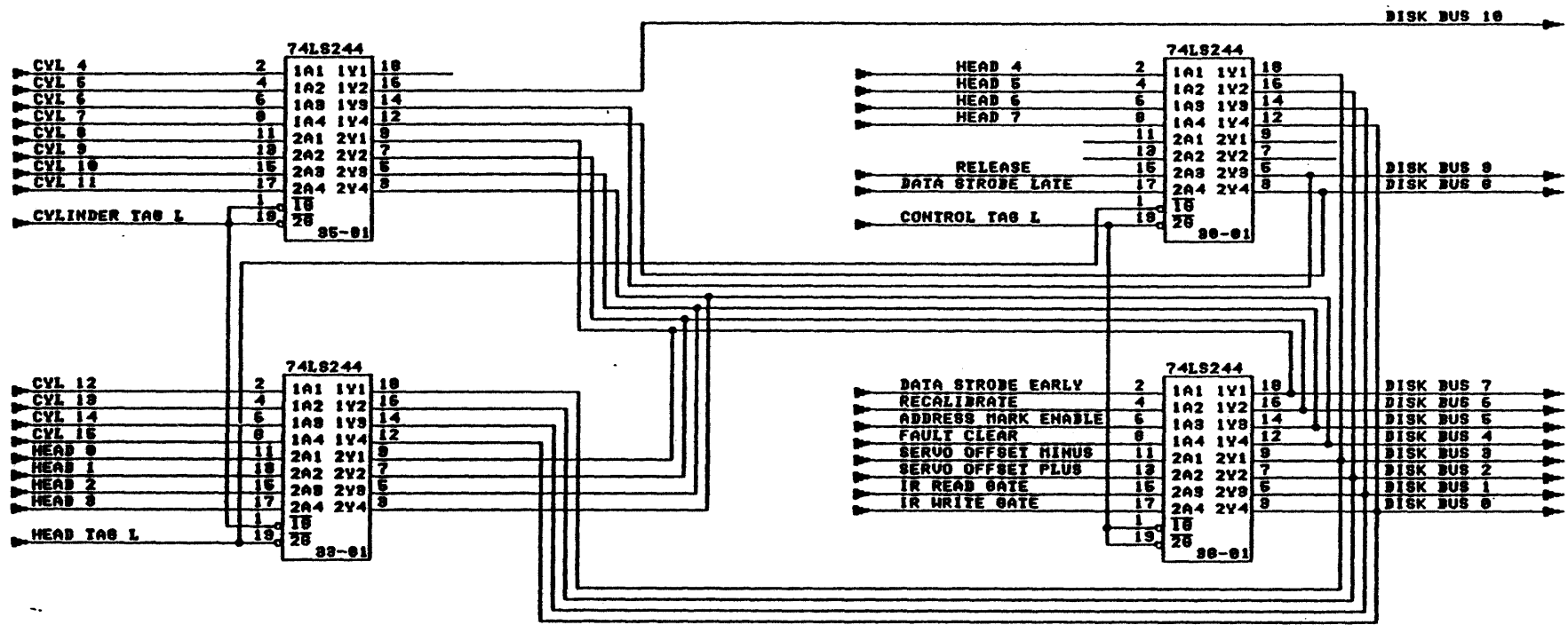


TYMSHARE INCORPORATED

TITLE			
CFDA - MBUF			
SIZE	CODE	NUMBER	REV
B		101001	A
DATE		SHEET 22 OF 29	
APRIL 19, 1984			

PRELIMINARY

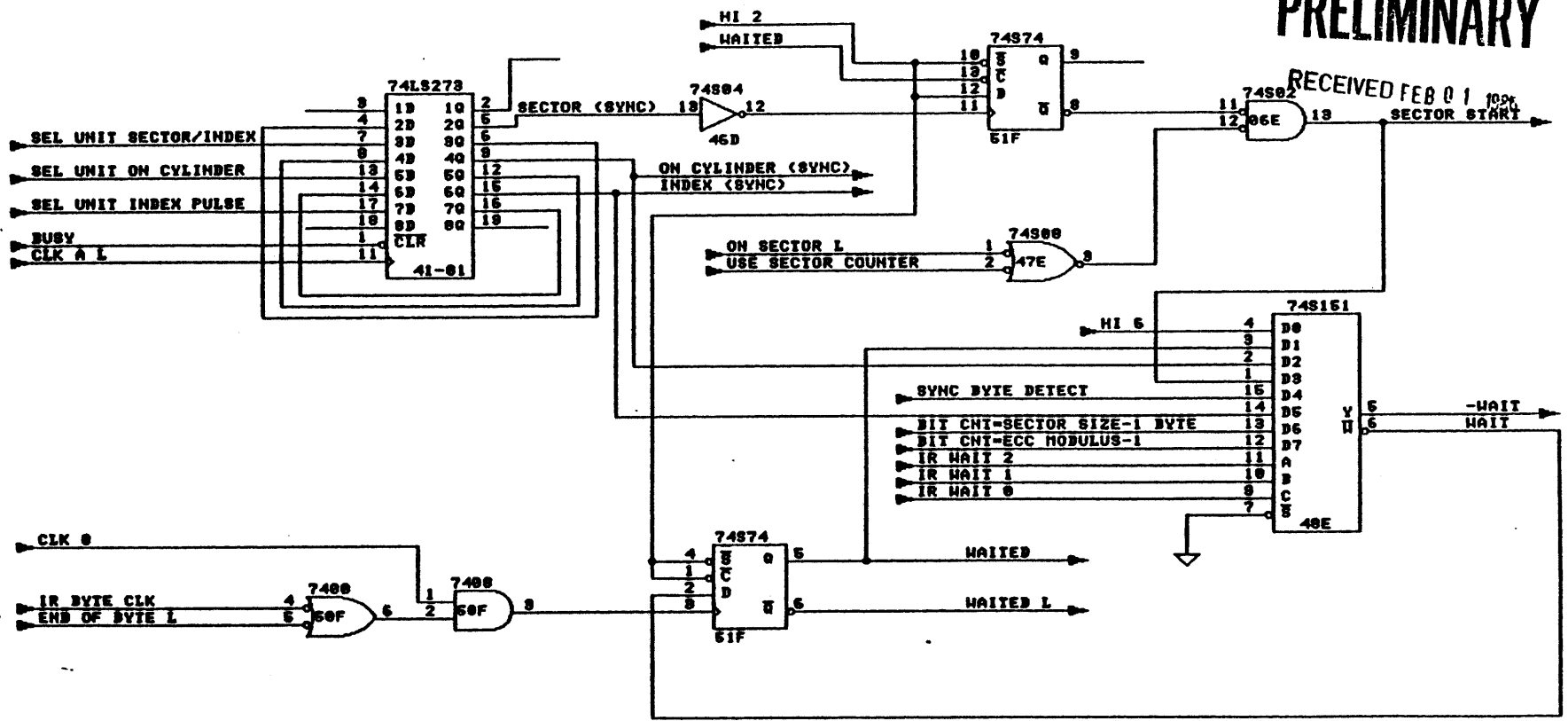
RECEIVED FEB 01 1985



TWISHARE INCORPORATED			
TITLE CFDA - DSKBUS			
SIZE	CODE	NUMBER	REV
B		101001	A
DATE		SHEET	
APRIL 18, 1984		23 OF 29	

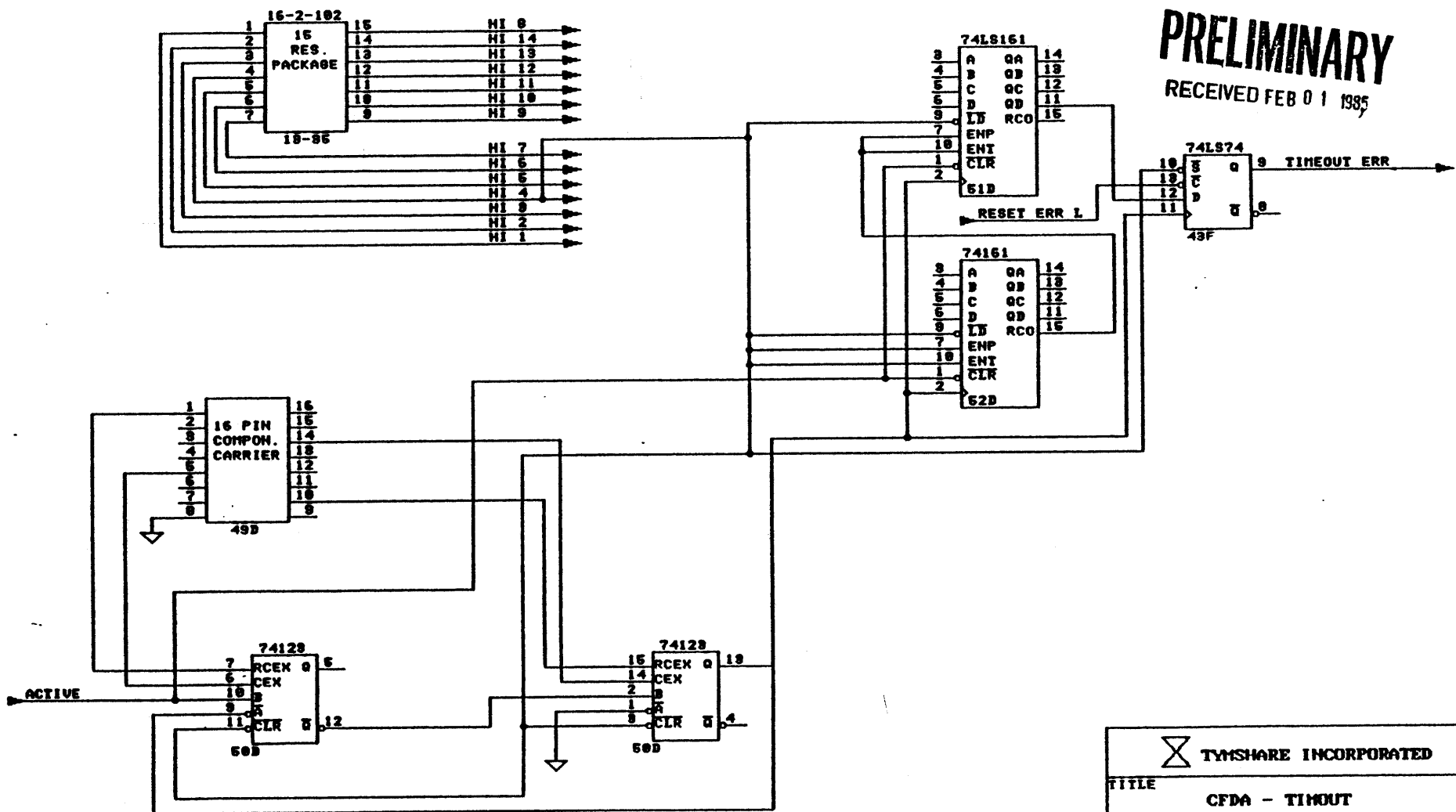
PRELIMINARY


RECEIVED FEB 01 1984
SECTOR START



TMSHARE INCORPORATED			
TITLE CFDA - WAIT			
SIZE B	CODE	NUMBER 101009	REV A
DATE APRIL 6, 1984		SHEET 9 OF 23	

PRELIMINARY
 RECEIVED FEB 01 1985

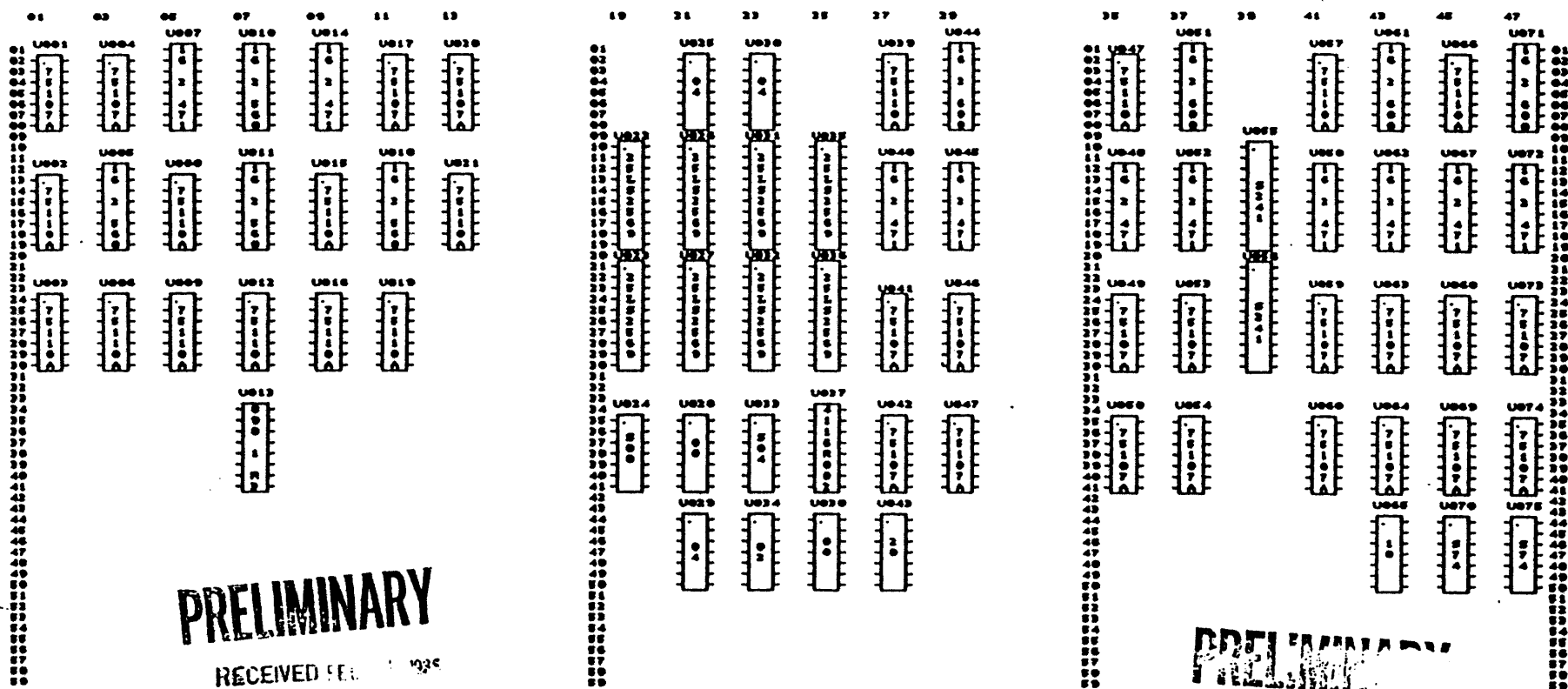


 TYMSHARE INCORPORATED			
TITLE CFDA - TIMEOUT			
SIZE B	CODE	NUMBER 101010	REV A
DATE APRIL 9, 1984		SHEET 10 OF XX	

C1

C2

C3



C4

C5

CFDB COMPONENT SIDE STUFFING CHART

TYNSHARE INC.	
TITLE	CFDBSTF
DRAWING NUMBER	102000
DATE	APRIL 14, 1984
SHEET 01 OF 01	

CONN	01	SOLDERED TO GND PLANE
<<<<	02	INDEX +
<<<<	03	INDEX -
<<<<	04	SECTOR MARK +
<<<<	05	SECTOR MARK -
<<<<	06	FAULT +
<<<<	07	FAULT -
<<<<	08	SEEK ERROR +
<<<<	09	SEEK ERROR -
<<<<	10	ON-CYLINDER +
<<<<	11	ON-CYLINDER -
<<<<	12	UNIT READY +
<<<<	13	UNIT READY -
<<<<	14	WRITE PROTECTED +
<<<<	15	WRITE PROTECTED -
<<<<	16	ADDRESS MARK +
<<<<	17	ADDRESS MARK -
<<<<	18	CTRL 3 INDEX +
<<<<	19	CTRL 3 INDEX -
<<<<	20	CTRL 3 SECTOR MARK +
<<<<	21	CTRL 3 SECTOR MARK -
<<<<	22	CTRL 3 FAULT +
<<<<	23	CTRL 3 FAULT -
<<<<	24	CTRL 3 SEEK ERROR +
<<<<	25	CTRL 3 SEEK ERROR -
<<<<	26	CTRL 3 ON-CYLINDER +
<<<<	27	CTRL 3 ON-CYLINDER -
<<<<	28	CTRL 3 UNIT READY +
<<<<	29	CTRL 3 UNIT READY -
<<<<	30	CTRL 3 WRITE PROTECTED +
<<<<	31	CTRL 3 WRITE PROTECTED -
<<<<	32	CTRL 3 ADDRESS MARK +
<<<<	33	CTRL 3 ADDRESS MARK -
<<<<	34	BUS 10 +
<<<<	35	BUS 10 -
<<<<	36	SOLDERED TO GND PLANE

C1A

CONN	01	SOLDERED TO GND PLANE
<<<<	02	DEV SEL 3 +
<<<<	03	DEV SEL 3 -
<<<<	04	DEV SEL 2 +
<<<<	05	DEV SEL 2 -
<<<<	06	DEV SEL 1 +
<<<<	07	DEV SEL 1 -
<<<<	08	DEV SEL 0 +
<<<<	09	DEV SEL 0 -
<<<<	10	SELECT ENABLE +
<<<<	11	SELECT ENABLE -
<<<<	12	SET CYLINDER +
<<<<	13	SET CYLINDER -
<<<<	14	SET HEAD ADDRESS +
<<<<	15	SET HEAD ADDRESS -
<<<<	16	CONTROL SELECT +
<<<<	17	CONTROL SELECT -
<<<<	18	BUS 9 +
<<<<	19	BUS 9 -
<<<<	20	BUS 1 +
<<<<	21	BUS 1 -
<<<<	22	BUS 2 +
<<<<	23	BUS 2 -
<<<<	24	BUS 3 +
<<<<	25	BUS 3 -
<<<<	26	BUS 4 +
<<<<	27	BUS 4 -
<<<<	28	BUS 5 +
<<<<	29	BUS 5 -
<<<<	30	BUS 6 +
<<<<	31	BUS 6 -
<<<<	32	BUS 7 +
<<<<	33	BUS 7 -
<<<<	34	BUS 8 +
<<<<	35	BUS 8 -
<<<<	36	SOLDERED TO GND PLANE

C1B


CONN	01	SOLDERED TO GND PLANE
<<<<	02	BUS 9 +
<<<<	03	BUS 9 -
<<<<	04	SOLDERED TO +5 PLANE
<<<<	05	SOLDERED TO +5 PLANE
<<<<	06	SOLDERED TO +5 PLANE
<<<<	07	SOLDERED TO +5 PLANE
<<<<	08	SOLDERED TO +5 PLANE
<<<<	09	DEVICE ENA +
<<<<	10	DEVICE ENA -
<<<<	11	CTRL 3 DEV SEL 3 +
<<<<	12	CTRL 3 DEV SEL 3 -
<<<<	13	CTRL 3 DEV SEL 2 +
<<<<	14	CTRL 3 DEV SEL 2 -
<<<<	15	CTRL 3 DEV SEL 1 +
<<<<	16	CTRL 3 DEV SEL 1 -
<<<<	17	CTRL 3 DEV SEL 0 +
<<<<	18	CTRL 3 DEV SEL 0 -
<<<<	19	CTRL 3 SELECT ENABLE +
<<<<	20	CTRL 3 SELECT ENABLE -
<<<<	21	CTRL 3 SET CYLINDER +
<<<<	22	CTRL 3 SET CYLINDER -
<<<<	23	CTRL 3 SET HEAD SELECT +
<<<<	24	CTRL 3 SET HEAD SELECT -
<<<<	25	CTRL 3 CONTROL SELECT +
<<<<	26	CTRL 3 CONTROL SELECT -
<<<<	27	CTRL 3 BUS 0 +
<<<<	28	CTRL 3 BUS 0 -
<<<<	29	CTRL 3 BUS 1 +
<<<<	30	CTRL 3 BUS 1 -
<<<<	31	SOLDERED TO +5 PLANE
<<<<	32	SOLDERED TO +5 PLANE
<<<<	33	SOLDERED TO +5 PLANE
<<<<	34	SOLDERED TO +5 PLANE
<<<<	35	SOLDERED TO +5 PLANE
<<<<	36	SOLDERED TO GND PLANE

C1C

PRELIMINARY

RECEIVED FEB 01 1985

VIEWS FROM WIRE WRAP SIDE OF BOARD
WITH BOARD ON EXTENDER

 TYMSHARE INCORPORATED			
TITLE			
CFDB - C1 CONNECTOR			
SIZE	CODE	NUMBER	REV
B		102001	A
DATE		APRIL 15, 1984	SHEET 1 OF 12

CONN	01	SOLDERED TO GND PLANE
<<<<	02	CTRL B BUS 2 +
<<<<	03	CTRL B BUS 2 -
<<<<	04	CTRL B BUS 3 +
<<<<	05	CTRL B BUS 3 -
<<<<	06	CTRL B BUS 4 +
<<<<	07	CTRL B BUS 4 -
<<<<	08	
<<<<	09	DISK BUS 0
<<<<	10	DISK BUS 1
<<<<	11	DISK BUS 2
<<<<	12	DISK BUS 3
<<<<	13	DISK BUS 4
<<<<	14	DISK BUS 5
<<<<	15	DISK BUS 6
<<<<	16	DISK BUS 7
<<<<	17	DISK BUS 8
<<<<	18	DISK BUS 9
<<<<	19	CTRL B DISK BUS 0
<<<<	20	CTRL B DISK BUS 1
<<<<	21	CTRL B DISK BUS 2
<<<<	22	CTRL B DISK BUS 3
<<<<	23	CTRL B DISK BUS 4
<<<<	24	CTRL B DISK BUS 5
<<<<	25	CTRL B DISK BUS 6
<<<<	26	CTRL B DISK BUS 7
<<<<	27	CTRL B DISK BUS 8
<<<<	28	CTRL B DISK BUS 9
<<<<	29	DRIVE 0 SERVO CLK +
<<<<	30	DRIVE 0 SERVO CLK -
<<<<	31	DRIVE 0 READ CLOCK +
<<<<	32	DRIVE 0 READ CLOCK -
<<<<	33	DRIVE 0 READ DATA +
<<<<	34	DRIVE 0 READ DATA -
<<<<	35	DRIVE 0 SELECTED +
<<<<	36	SOLDERED TO GND PLANE

C2A

CONN	01	SOLDERED TO GND PLANE
<<<<	02	CTRL B BUS 5 +
<<<<	03	CTRL B BUS 5 -
<<<<	04	CTRL B BUS 6 +
<<<<	05	CTRL B BUS 6 -
<<<<	06	CTRL B BUS 7 +
<<<<	07	CTRL B BUS 7 -
<<<<	08	CTRL B BUS 8 +
<<<<	09	CTRL B BUS 8 -
<<<<	10	CTRL B BUS 9 +
<<<<	11	CTRL B BUS 9 -
<<<<	12	CTRL B DEVICE ENABLE +
<<<<	13	CTRL B DEVICE ENABLE -
<<<<	14	DEVICE BUS 10
<<<<	15	
<<<<	16	
<<<<	17	SELECT ENABLE
<<<<	18	SEL UNIT FAULT
<<<<	19	CLEAR L
<<<<	20	SEL UNIT ON CYLINDER
<<<<	21	SEL UNIT SEEK ERR
<<<<	22	-SEL UNIT READY
<<<<	23	SEL UNIT WRITE PROTECTED
<<<<	24	SEL UNIT INDEX PULSE
<<<<	25	SEL UNIT SECTOR/INDEX
<<<<	26	SEL UNIT ATTENTION
<<<<	27	DRIVE 0 SEEK END +
<<<<	28	DRIVE 0 SEEK END -
<<<<	29	DRIVE 0 INDEX +
<<<<	30	DRIVE 0 INDEX -
<<<<	31	DRIVE 0 SECTOR +
<<<<	32	DRIVE 0 SECTOR -
<<<<	33	DRIVE 0 WRITE CLOCK +
<<<<	34	DRIVE 0 WRITE CLOCK -
<<<<	35	DRIVE 0 SELECTED -
<<<<	36	SOLDERED TO GND PLANE


C2B

CONN	01	SOLDERED TO GND PLANE
<<<<	02	
<<<<	03	
<<<<	04	SOLDERED TO GND PLANE
<<<<	05	SOLDERED TO GND PLANE
<<<<	06	SOLDERED TO GND PLANE
<<<<	07	
<<<<	08	
<<<<	09	
<<<<	10	
<<<<	11	
<<<<	12	-5V
<<<<	13	-5V
<<<<	14	
<<<<	15	
<<<<	16	
<<<<	17	
<<<<	18	
<<<<	19	
<<<<	20	N/C
<<<<	21	
<<<<	22	
<<<<	23	
<<<<	24	
<<<<	25	
<<<<	26	
<<<<	27	DRIVE 0 WRITE DATA +
<<<<	28	DRIVE 0 WRITE DATA -
<<<<	29	DRIVE 1 SERVO CLOCK +
<<<<	30	DRIVE 1 SERVO CLOCK -
<<<<	31	SOLDERED TO GND PLANE
<<<<	32	SOLDERED TO GND PLANE
<<<<	33	SOLDERED TO GND PLANE
<<<<	34	
<<<<	35	
<<<<	36	SOLDERED TO GND PLANE

C2C

PRELIMINARY

RECEIVED FEB 01 1985

 TYMSHARE INCORPORATED			
TITLE CFDB - C2 CONNECTOR			
SIZE B	CODE	NUMBER 182001	REV A
DATE APRIL 16, 1984		SHEET 2 OF 12	

CONN	DESCRIPTION
01	SOLDERED TO GND PLANE
02	RD DATA
03	WRITE DATA
04	READ CLK
05	SERVO CLK
06	-CONTROL TAG
07	-CYLINDER TAG
08	-HEAD TAG
09	IR TAG ENABLE
10	ANY ATTENTION
11	RESET ATTENTION L
12	SELECT ERR
13	UNIT 0
14	UNIT 1
15	UNIT 2
16	SEL UNIT SECTOR 3
17	SEL UNIT SECTOR 4
18	SEL UNIT SECTOR 5
19	SEL UNIT SECTOR 6
20	SEL UNIT SECTOR 7
21	DRIVE 1 READ CLOCK +
22	DRIVE 1 READ CLOCK -
23	DRIVE 1 READ DATA +
24	DRIVE 1 READ DATA -
25	DRIVE 1 SELECTED +
26	DRIVE 1 SELECTED -
27	DRIVE 1 SEEK END +
28	DRIVE 1 SEEK END -
29	DRIVE 1 INDEX +
30	DRIVE 1 INDEX -
31	DRIVE 1 SECTOR +
32	DRIVE 1 SECTOR -
33	DRIVE 1 WRITE CLOCK +
34	DRIVE 1 WRITE CLOCK -
35	DRIVE 1 WRITE DATA +
36	SOLDERED TO GND PLANE

C8A

CONN	DESCRIPTION
01	SOLDERED TO GND PLANE
02	CTRL 3 READ DATA
03	CTRL 3 WRITE DATA
04	CTRL 3 READ CLK
05	CTRL 3 SERVO CLK
06	-CTRL 3 CONTROL TAG
07	-CTRL 3 CYLINDER TAG
08	-CTRL 3 HEAD TAG
09	CTRL 3 IR TAG ENABLE
10	CTRL 3 ANY ATTENTION
11	CTRL 3 RESET ATTENTION L
12	CTRL 3 SELECT ERR
13	CTRL 3 UNIT 0
14	CTRL 3 UNIT 1
15	CTRL 3 UNIT 2
16	CTRL 3 SECTOR 3
17	CTRL 3 SECTOR 4
18	CTRL 3 SECTOR 5
19	CTRL 3 SECTOR 6
20	CTRL 3 SECTOR 7
21	DRIVE 2 SERVO CLOCK +
22	DRIVE 2 SERVO CLOCK -
23	DRIVE 2 READ CLOCK +
24	DRIVE 2 READ CLOCK -
25	DRIVE 2 READ DATA +
26	DRIVE 2 READ DATA -
27	DRIVE 2 SELECTED +
28	DRIVE 2 SELECTED -
29	DRIVE 2 SEEK END +
30	DRIVE 2 SEEK END -
31	DRIVE 2 INDEX +
32	DRIVE 2 INDEX -
33	DRIVE 2 SECTOR +
34	DRIVE 2 SECTOR -
35	DRIVE 1 WRITE DATA -
36	SOLDERED TO GND PLANE


C8B

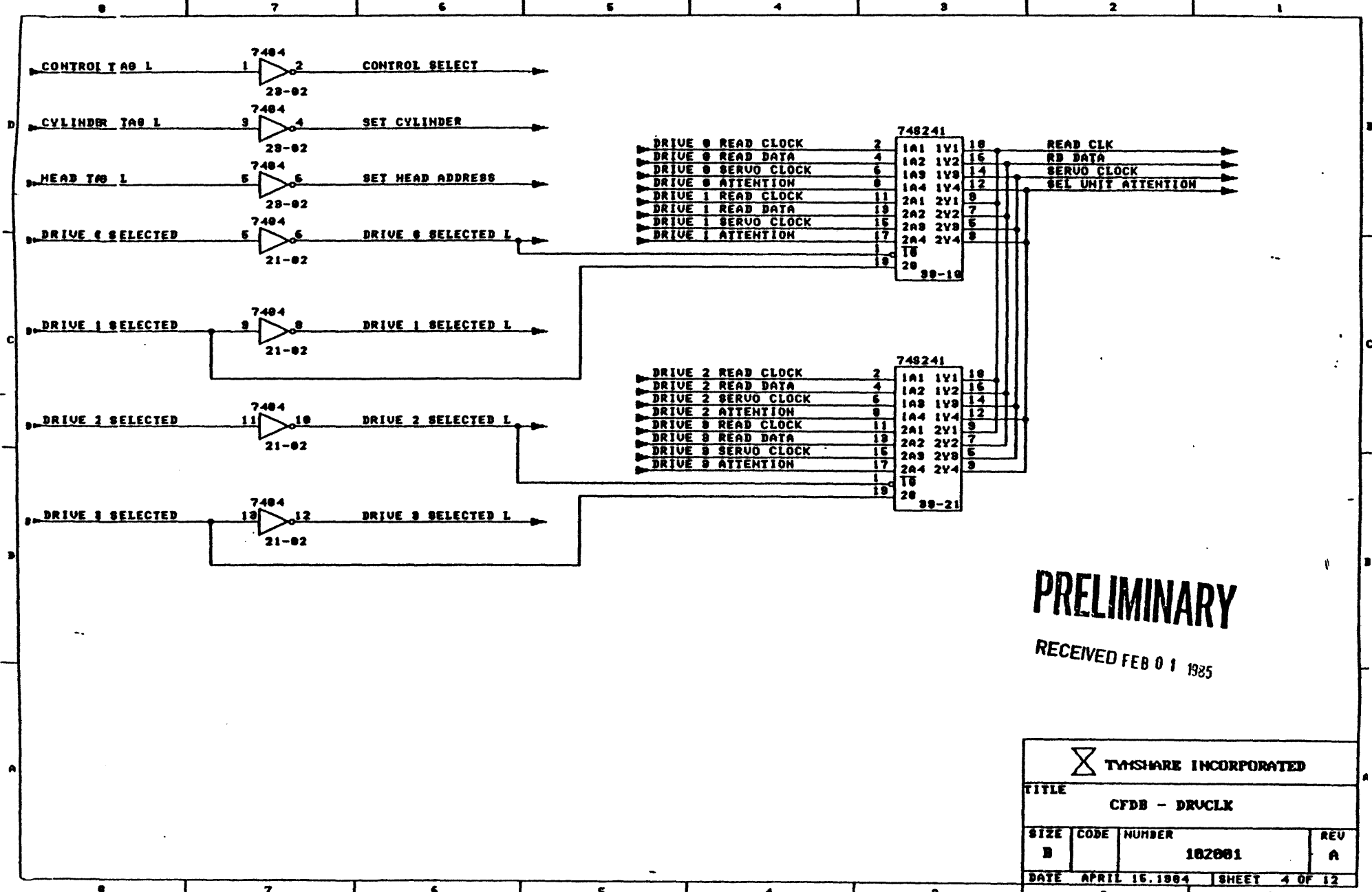
CONN	DESCRIPTION
01	SOLDERED TO GND PLANE
02	DRIVE 2 WRITE CLOCK +
03	DRIVE 2 WRITE CLOCK -
04	SOLDERED TO GND PLANE
05	SOLDERED TO GND PLANE
06	SOLDERED TO GND PLANE
07	
08	
09	DRIVE 2 WRITE DATA +
10	DRIVE 2 WRITE DATA -
11	DRIVE 3 SERVO CLOCK +
12	DRIVE 3 SERVO CLOCK -
13	DRIVE 3 READ CLOCK +
14	DRIVE 3 READ CLOCK -
15	DRIVE 3 READ DATA +
16	DRIVE 3 READ DATA -
17	DRIVE 3 SELECTED +
18	DRIVE 3 SELECTED -
19	DRIVE 3 SEEK END +
20	DRIVE 3 SEEK END -
21	DRIVE 3 INDEX +
22	DRIVE 3 INDEX -
23	DRIVE 3 SECTOR +
24	DRIVE 3 SECTOR -
25	DRIVE 3 WRITE CLOCK +
26	DRIVE 3 WRITE CLOCK -
27	DRIVE 3 WRITE DATA +
28	DRIVE 3 WRITE DATA -
29	-5V
30	-5V
31	SOLDERED TO GND PLANE
32	SOLDERED TO GND PLANE
33	SOLDERED TO GND PLANE
34	
35	
36	SOLDERED TO GND PLANE

C8C


PRELIMINARY

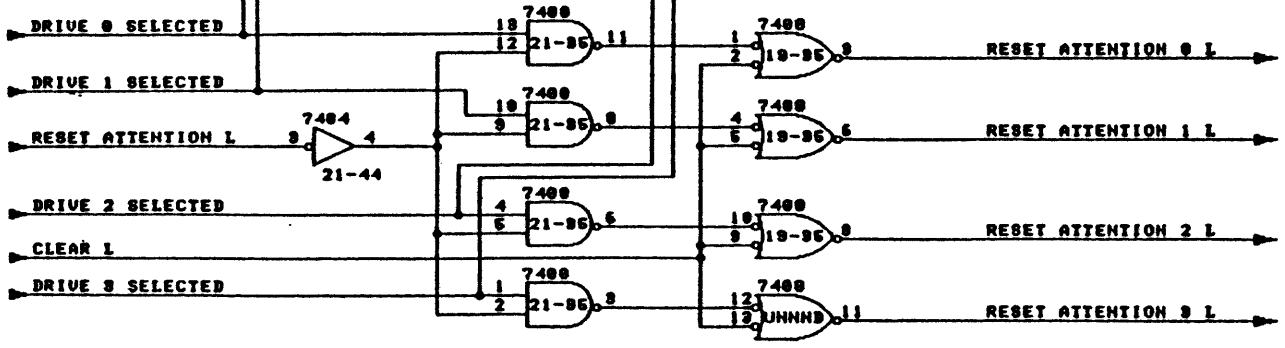
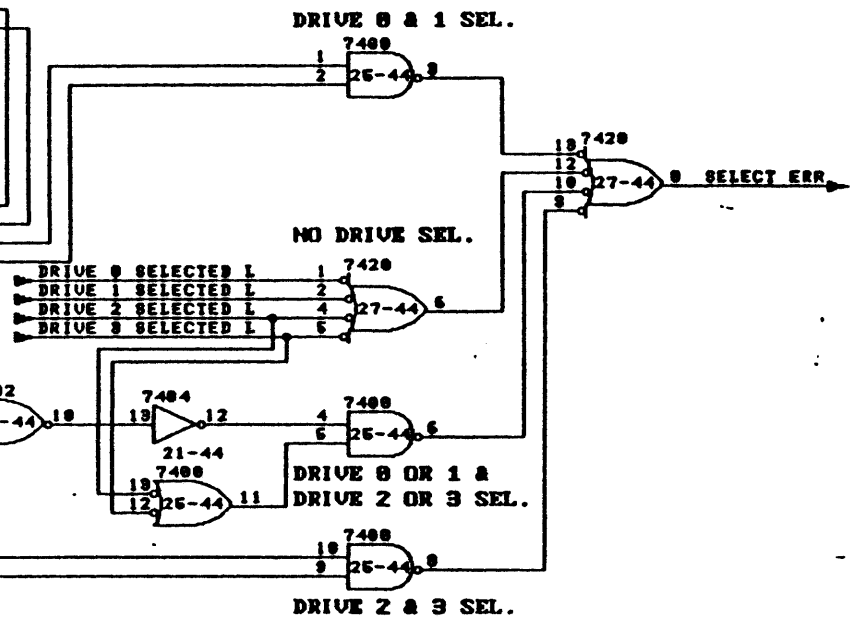
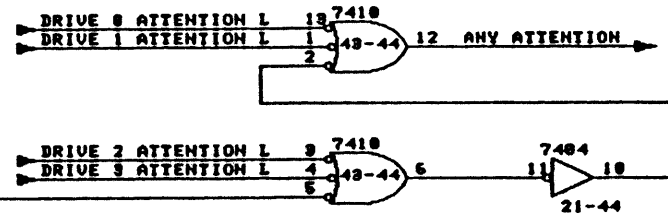
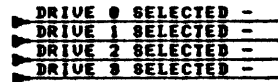
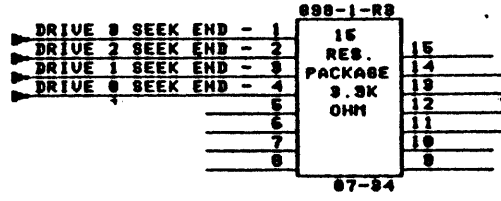
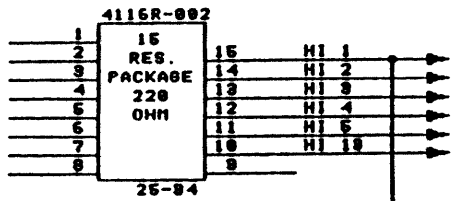
RECEIVED FEB 01 1985

 TYNSHARE INCORPORATED			
TITLE			
CFDB - C3 CONNECTOR			
SIZE	CODE	NUMBER	REV
B		102001	A
DATE		APRIL 16, 1984	SHEET 3 OF 12




PRELIMINARY
 RECEIVED FEB 01 1985

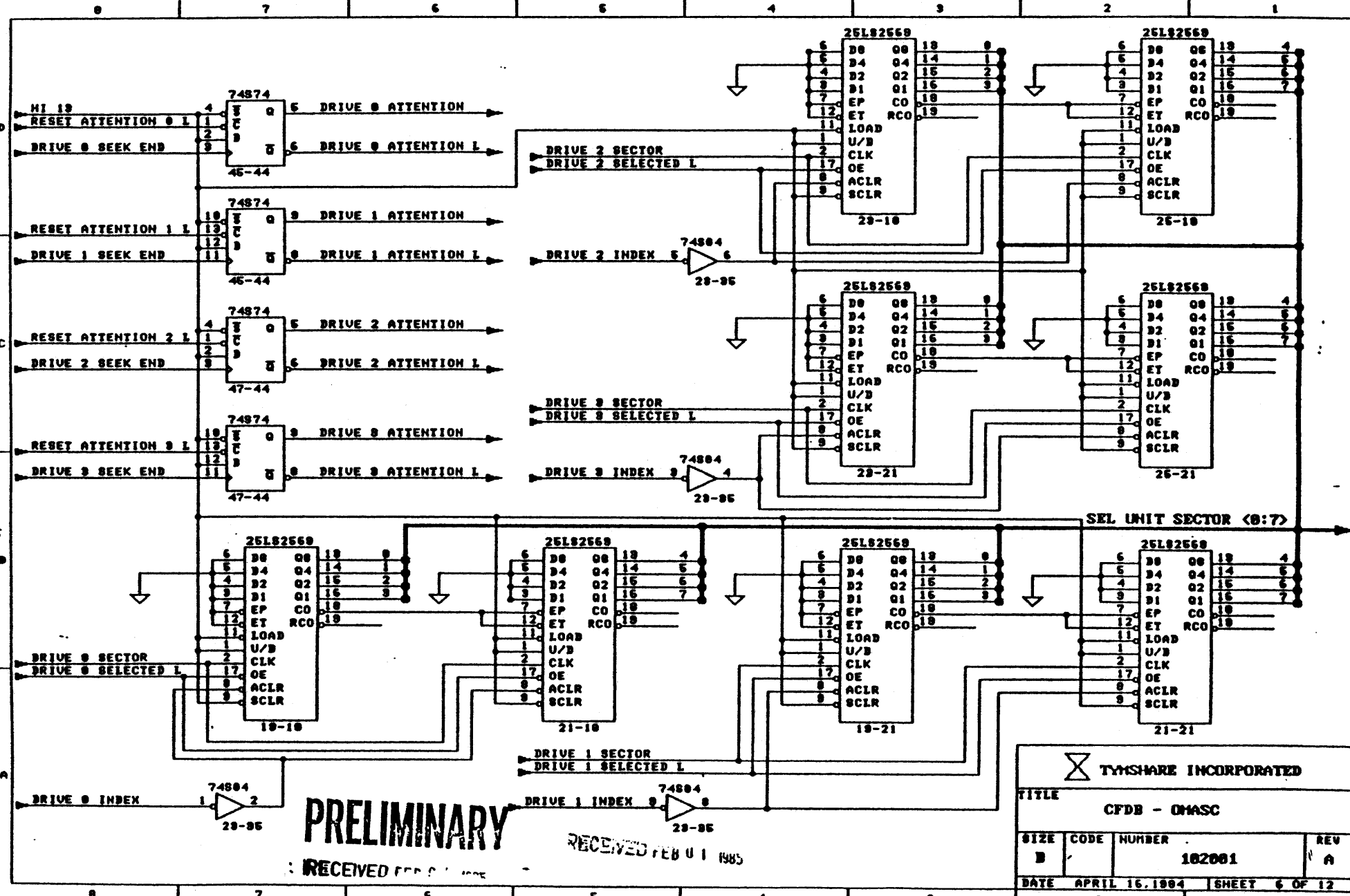
 TMSHARE INCORPORATED			
TITLE CFDB - DRUCLK			
SIZE B	CODE	NUMBER 102001	REV A
DATE APRIL 16, 1984 SHEET 4 OF 12			



PRELIMINARY

RECEIVED FEB 01 1983

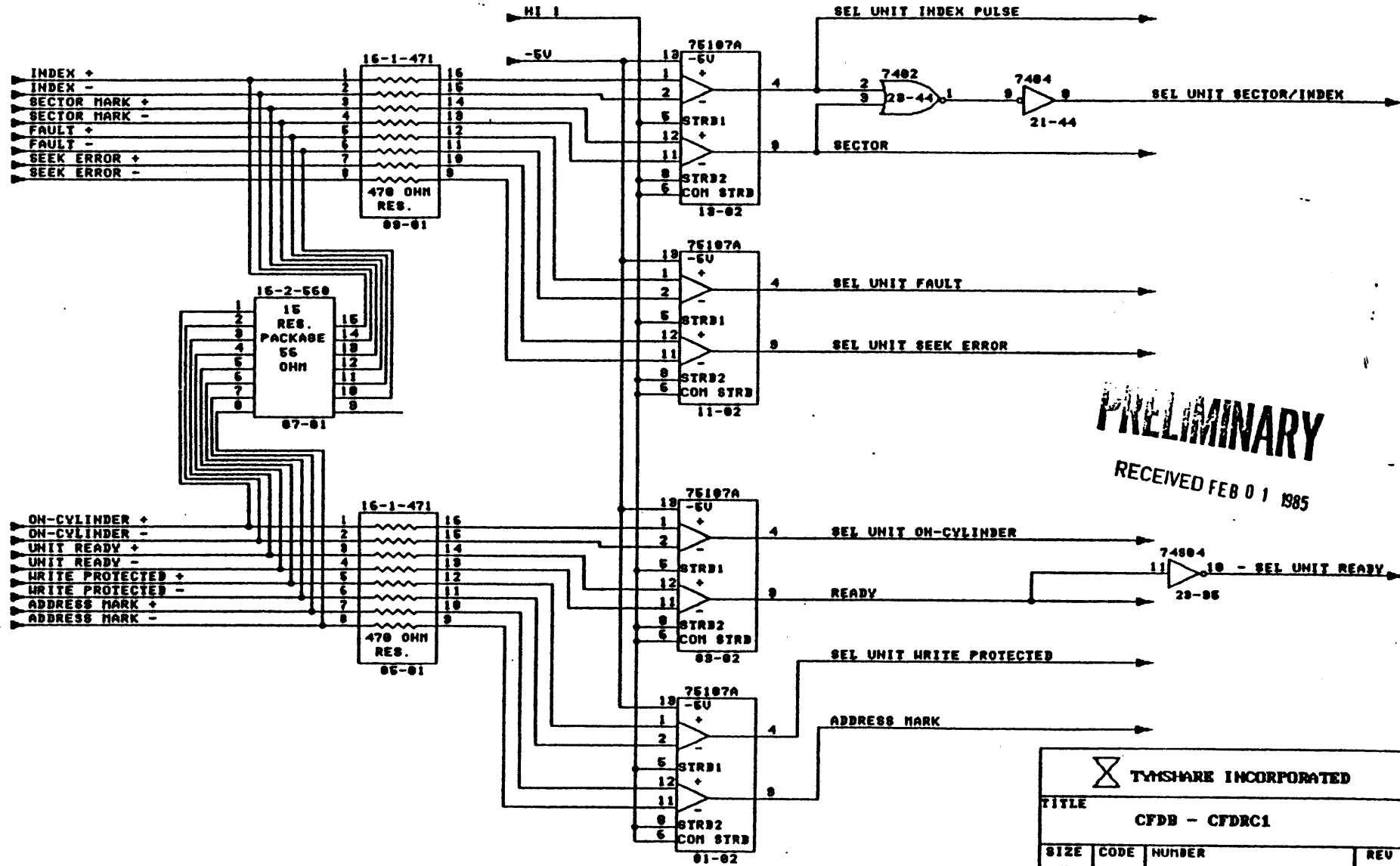
 TYMSHARE INCORPORATED			
TITLE CFDB - SELERR			
SIZE B	CODE	NUMBER 102001	REV A
DATE APRIL 15, 1984		SHEET 6 OF 12	



PRELIMINARY

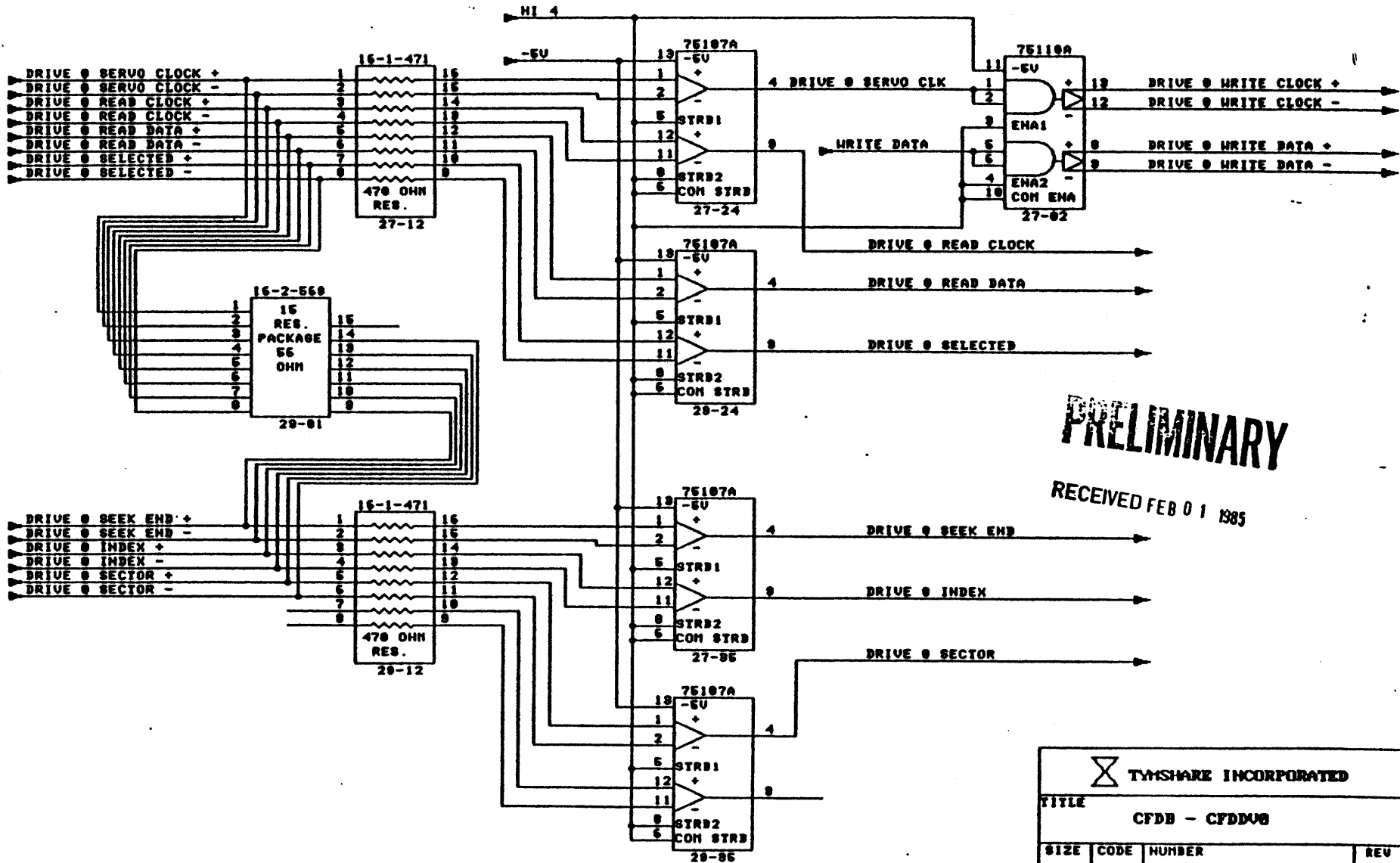
RECEIVED FEB 01 1985

TITLE CFDB - OMASC			
SIZE B	CODE 102001	NUMBER 102001	REV A
DATE APRIL 16, 1984		SHEET 6 OF 12	




PRELIMINARY
 RECEIVED FEB 01 1985

TITLE				
CFDB - CFDR1				
SIZE	CODE	NUMBER	REV	
B		102001	A	
DATE	APRIL 17, 1984	SHEET	7 OF 12	
	2		1	



PRELIMINARY

RECEIVED FEB 01 1985

 TMSHARE INCORPORATED

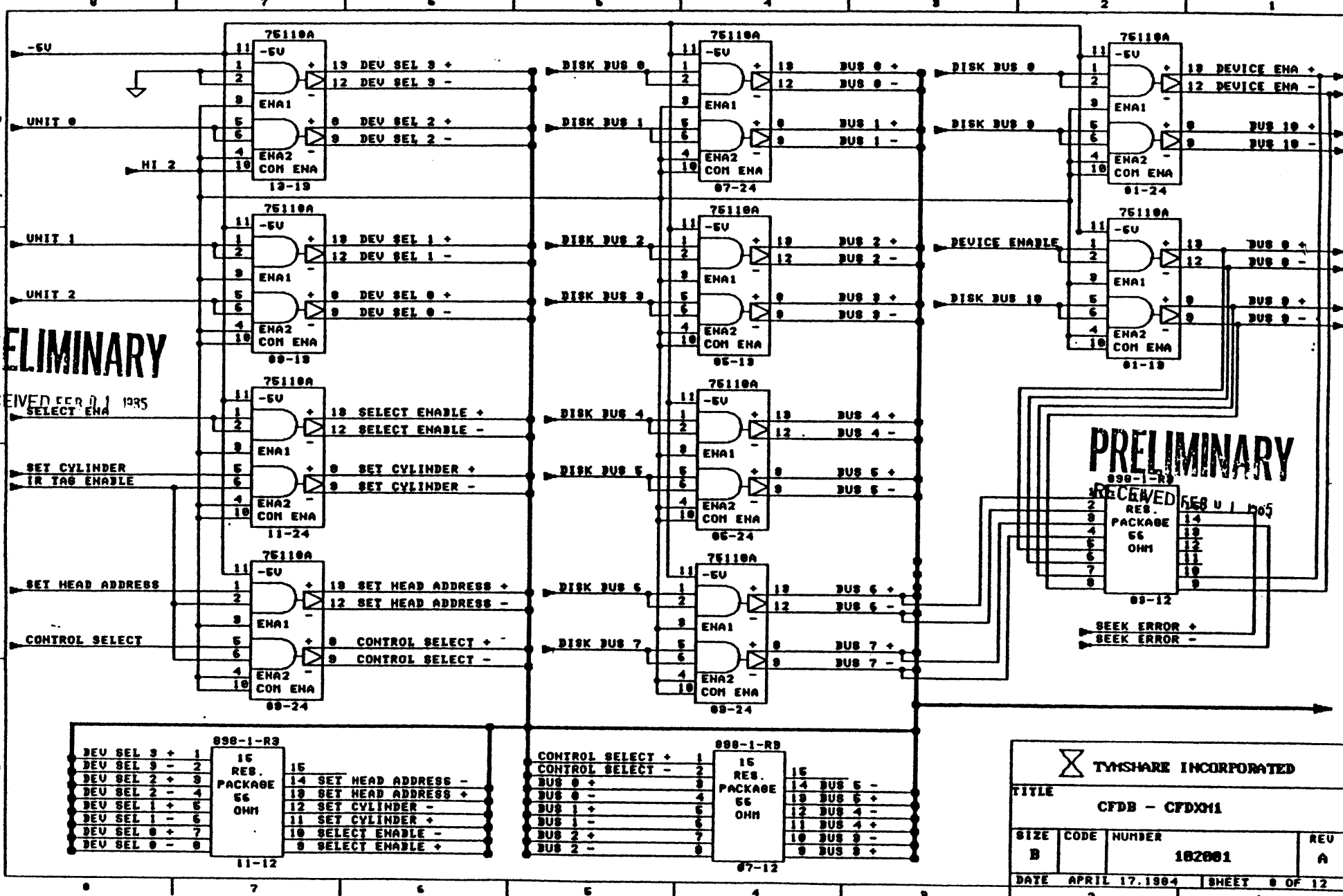
TITLE			
CFDB - CFDDUB			
SIZE	CODE	NUMBER	REV
B		102001	A
DATE		APRIL 17, 1984	SHEET 7 OF 12

PRELIMINARY

RECEIVED FEB 11 1985
SELECT ENA

PRELIMINARY

RECEIVED FEB 11 1985
RES. PACKAGE 56 OHM



898-1-R3

DEV SEL 3 +	1	15	RES.
DEV SEL 3 -	2	15	RES.
DEV SEL 2 +	3	14	SET HEAD ADDRESS -
DEV SEL 2 -	4	14	SET HEAD ADDRESS +
DEV SEL 1 +	5	12	SET CYLINDER -
DEV SEL 1 -	6	11	SET CYLINDER +
DEV SEL 0 +	7	10	SELECT ENABLE -
DEV SEL 0 -	8	9	SELECT ENABLE +

11-12

898-1-R3

CONTROL SELECT +	1	15	RES.
CONTROL SELECT -	2	15	RES.
BUS 0 +	3	14	BUS 5 -
BUS 0 -	4	14	BUS 5 +
BUS 1 +	5	12	BUS 4 -
BUS 1 -	6	12	BUS 4 +
BUS 2 +	7	10	BUS 3 -
BUS 2 -	8	9	BUS 3 +

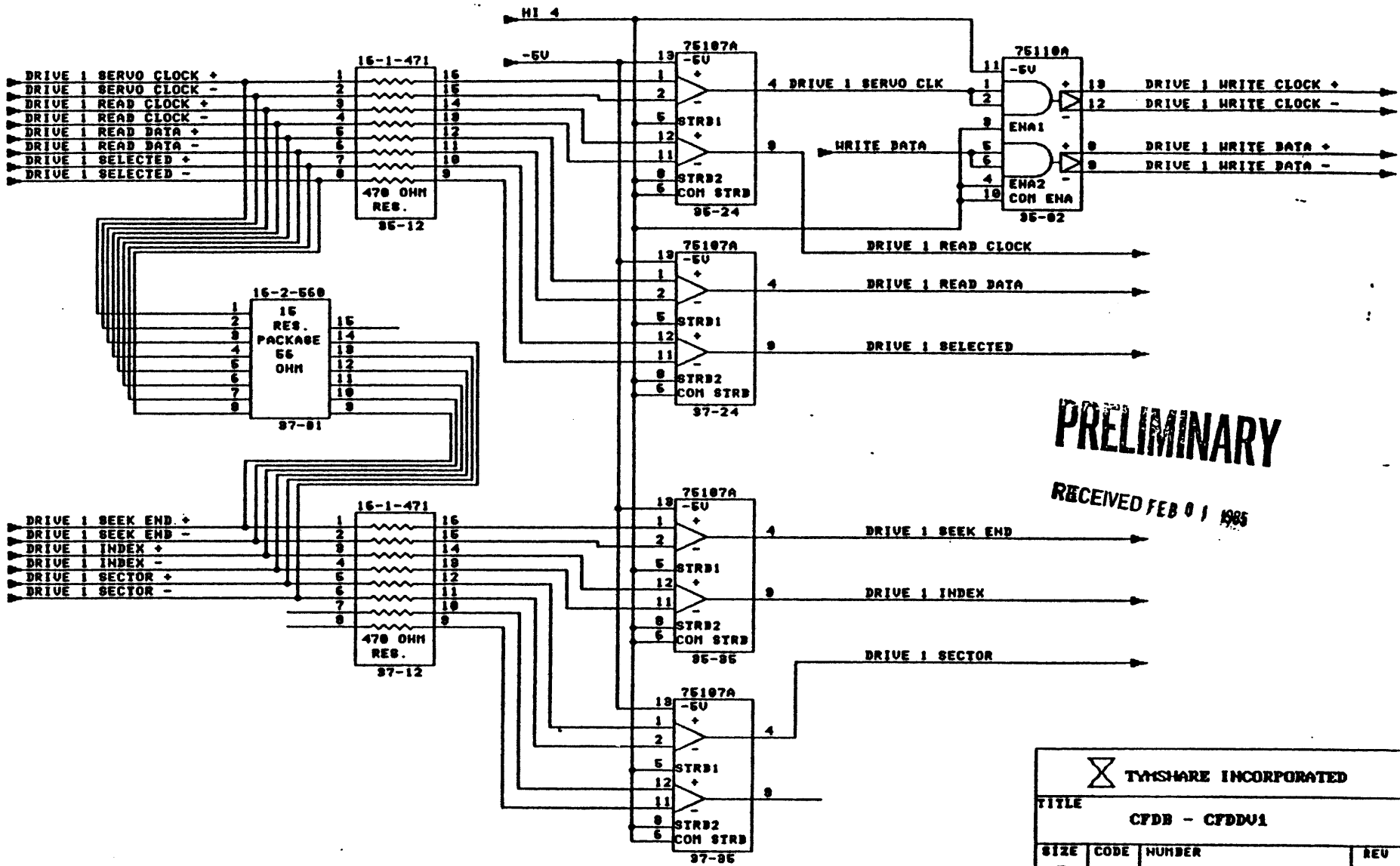
87-12

TYMSHARE INCORPORATED

TITLE: **CFDB - CFDX01**

SIZE	CODE	NUMBER	REV
B		182001	A

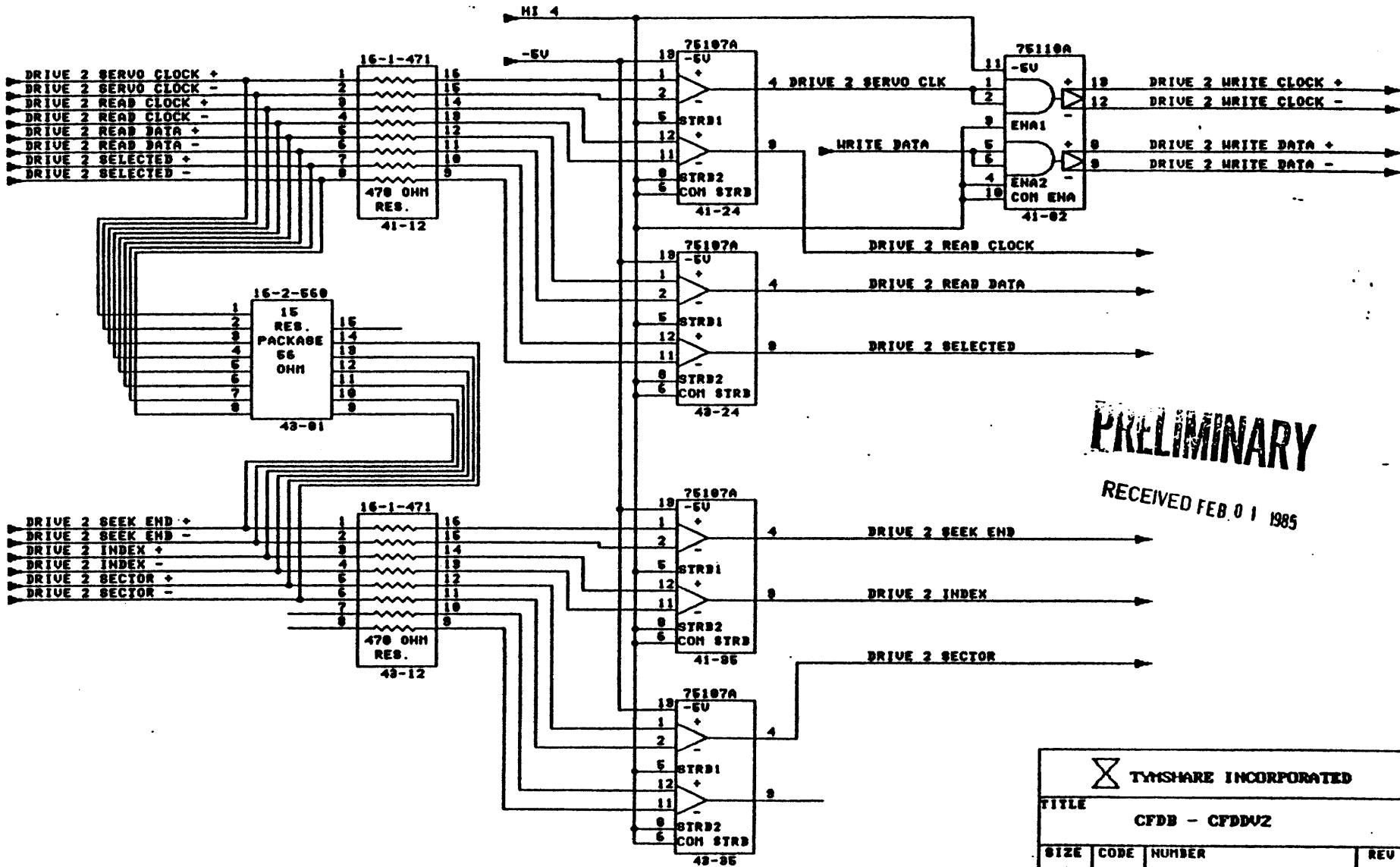
DATE: APRIL 17, 1984 SHEET 8 OF 12



PRELIMINARY

RECEIVED FEB 01 1985

TITLE			
CFDB - CFDDU1			
SIZE	CODE	NUMBER	REV
B		102001	A
DATE		APRIL 19, 1984	SHEET 8 OF 12

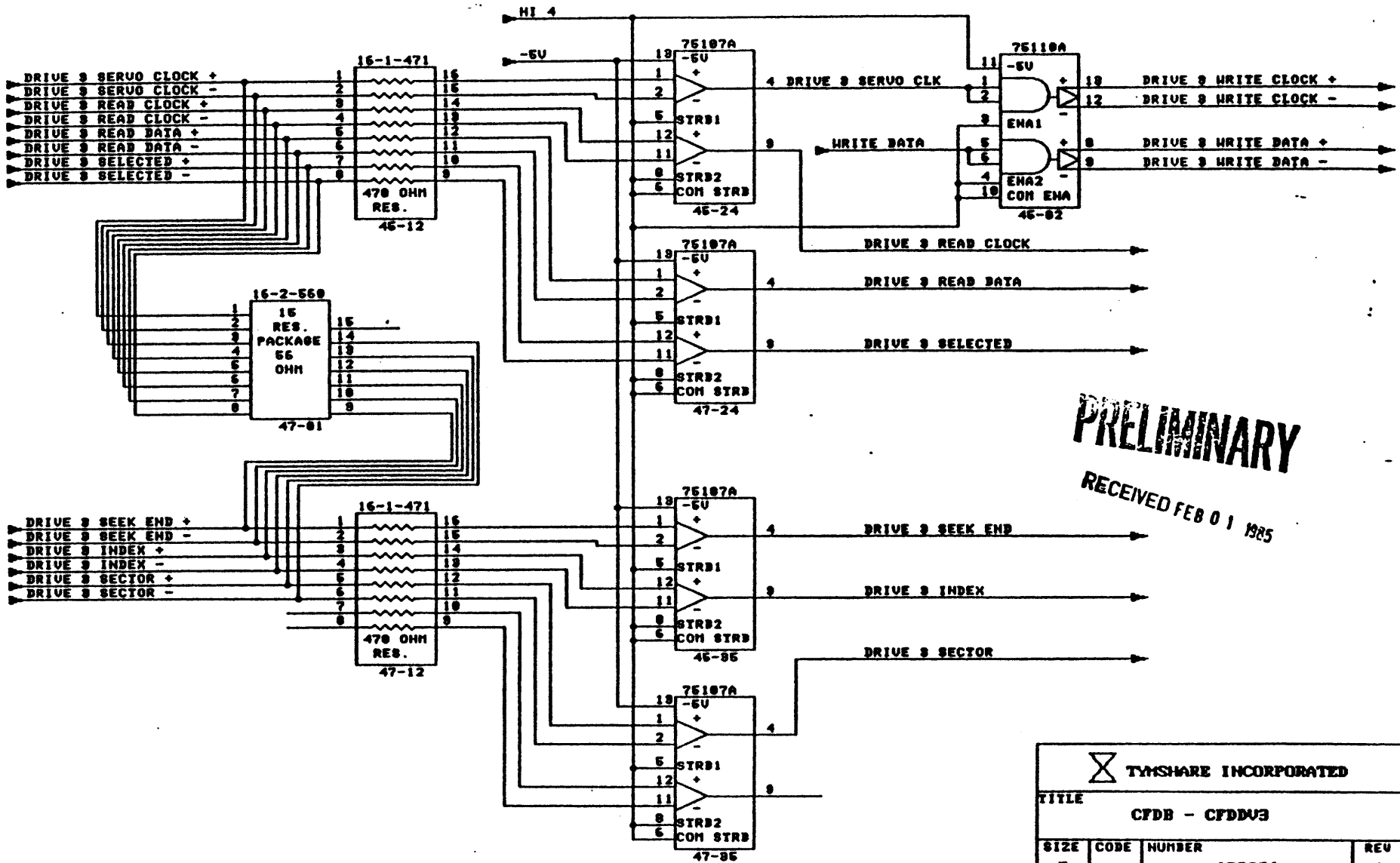


PRELIMINARY

RECEIVED FEB 01 1985


 TYMSHARE INCORPORATED

TITLE			
CFDB - CFDDV2			
SIZE	CODE	NUMBER	REV
B		102001	A
DATE		APRIL 19, 1984	SHEET 00 OF 12

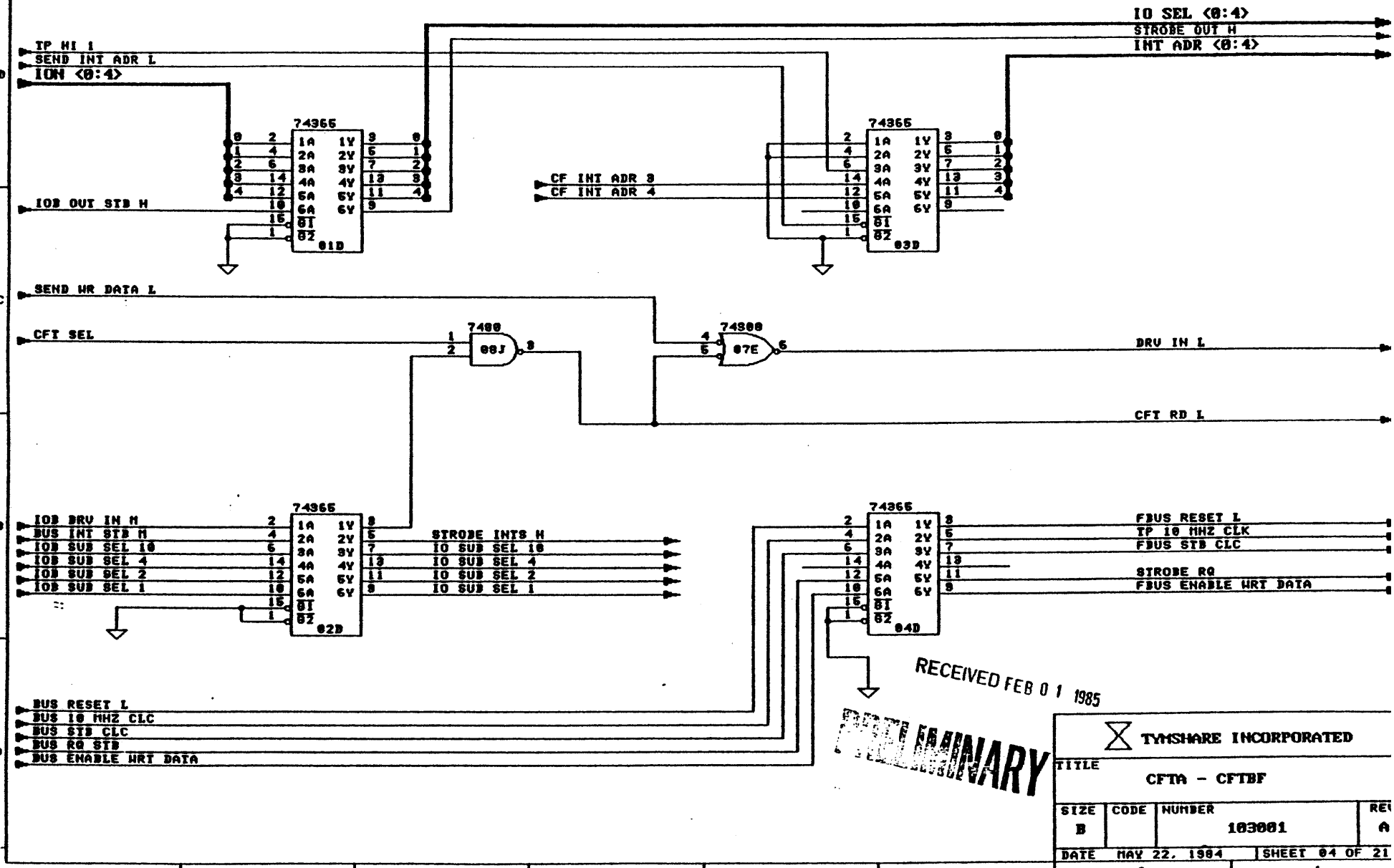


PRELIMINARY

RECEIVED FEB 01 1985

 TMSHARE INCORPORATED			
TITLE			
CFDB - CFDDU3			
SIZE	CODE	NUMBER	REV
B		182801	A
DATE		APRIL 19, 1984	SHEET 10 OF 12

CFTBF.DWG
CFTA



RECEIVED FEB 01 1985

PRELIMINARY

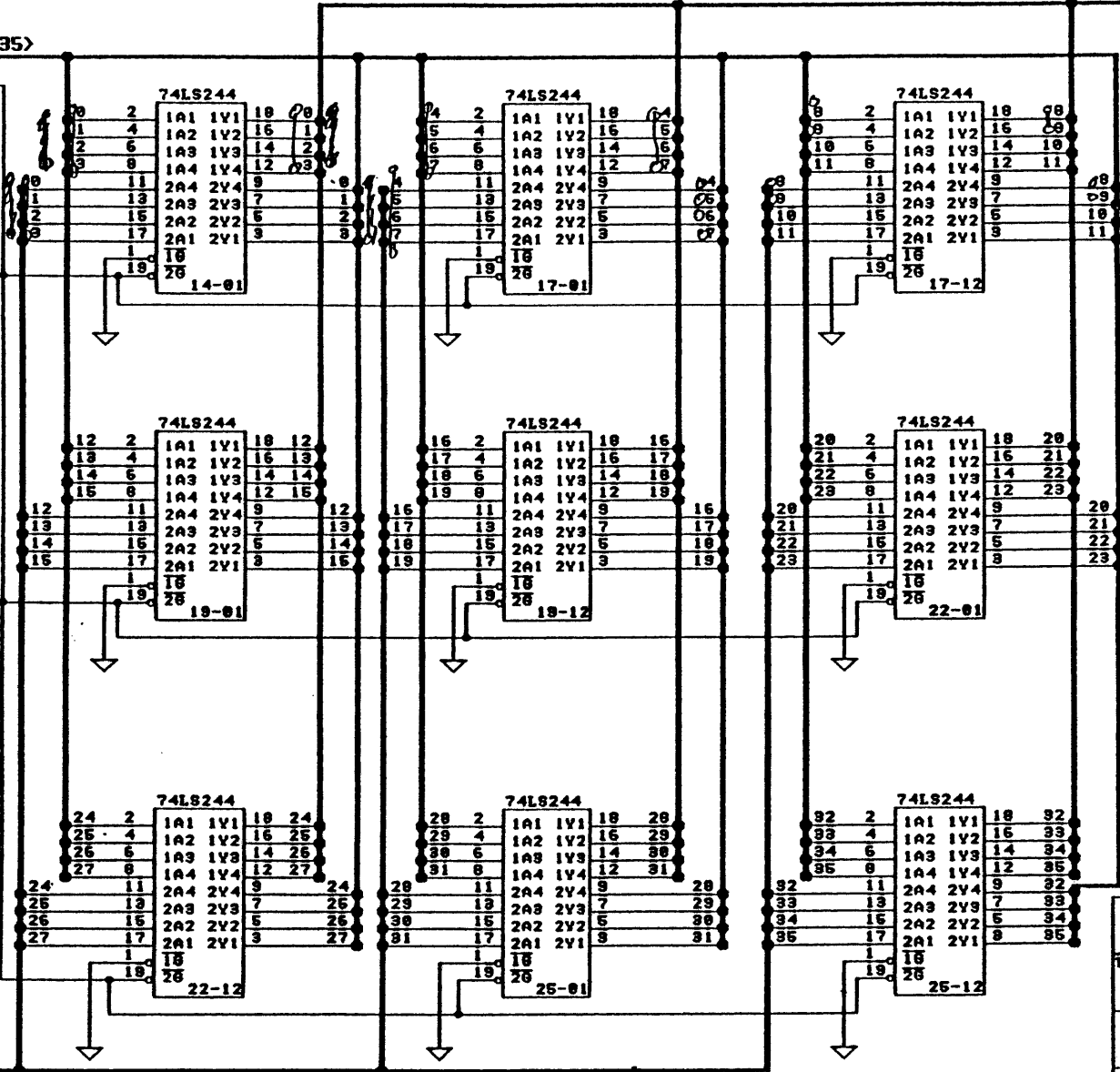
TITLE CFTA - CFTBF			
SIZE B	CODE	NUMBER 103001	REV A
DATE MAY 22, 1984		SHEET 04 OF 21	

CFTBF1.DWG
CFTA

FBUS OUT <0:35>

IOD <0:35>

DRV IN L



RECEIVED FEB 0 1 1985
PRELIMINARY

TYMSHARE INCORPORATED

TITLE			
CFTA - CFTBF1			
SIZE	CODE	NUMBER	REV
B		103001	A
DATE		MAY 22, 1984	SHEET 05 OF 21

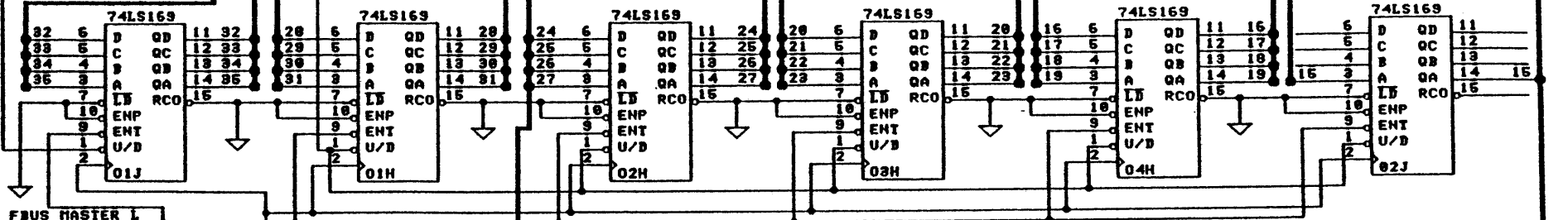
FBUS IN <0:35>

CFTCHA.DMC
CFTA

FBUS OUT <2:35>

TP MA <15:35>

TP HI 2

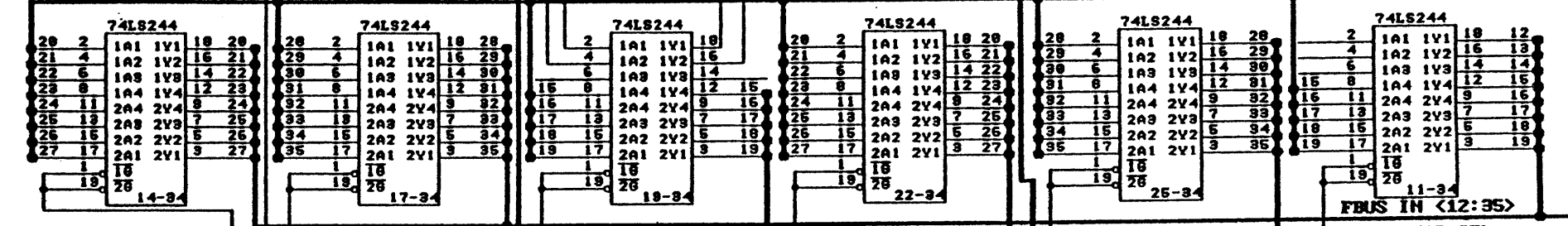


FBUS MASTER L

OUT
IN

DMA RD RQ
DMA HRT RQ

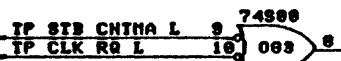
TP CNT <2:13>



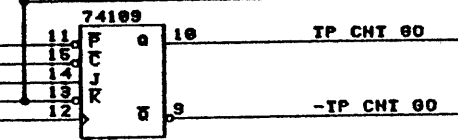
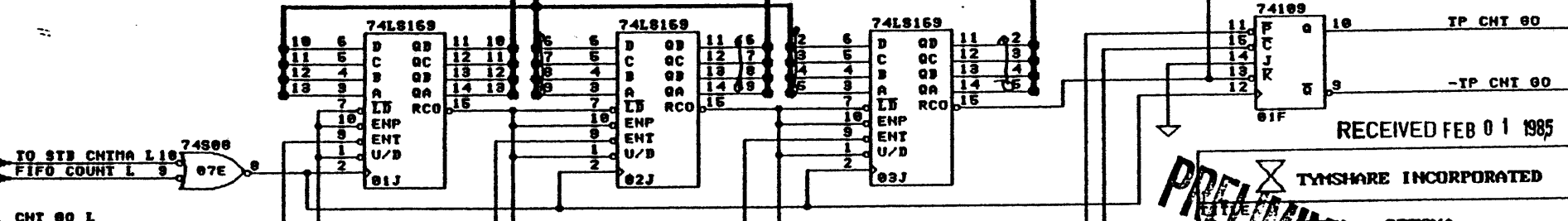
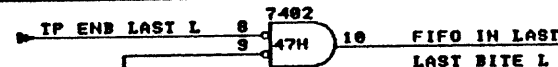
TP CHTHA TO BUS L

FBUS IN <12:35>

IOA <15:35>



FBUS MASTER L



RECEIVED FEB 01 1985

PRELIMINARY

TYNSHARE INCORPORATED

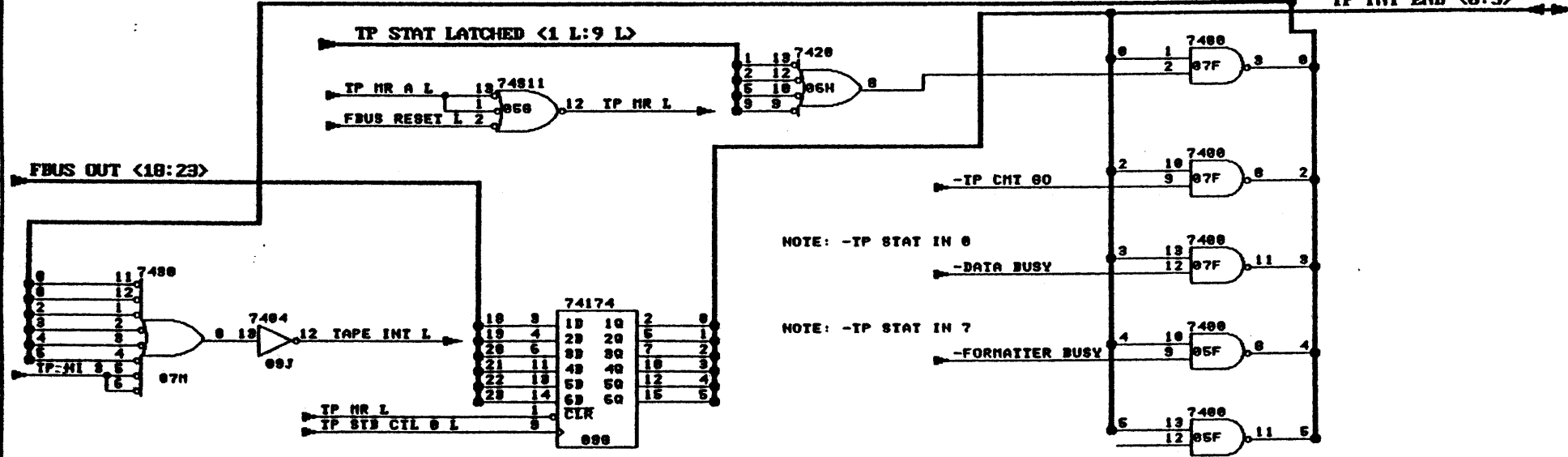
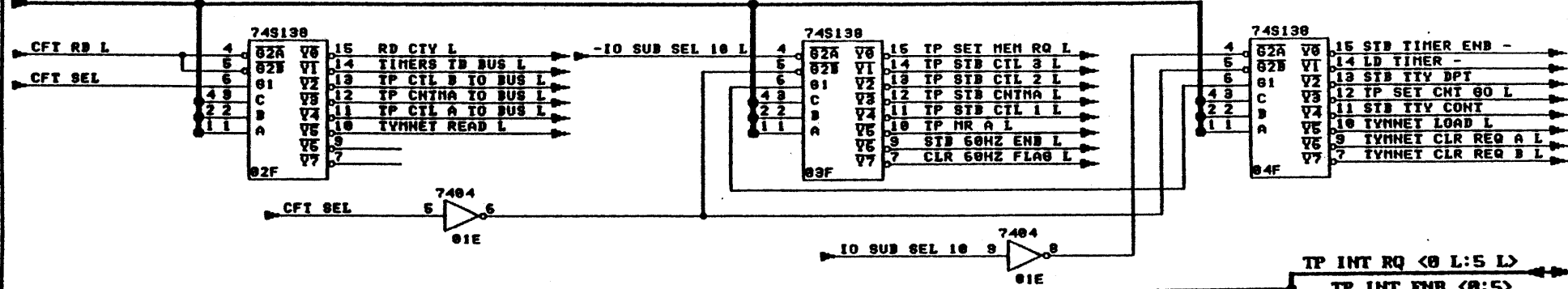
CFTCHA

SIZE	CODE	NUMBER	RE
B		103001	A
DATE	MAY 22, 1984		SHEET 06 OF 21

TP SET CNT 00 L
-H BUSY L

CFTCT1.DWG
CFTA

IOB SUB SEL <1:4>



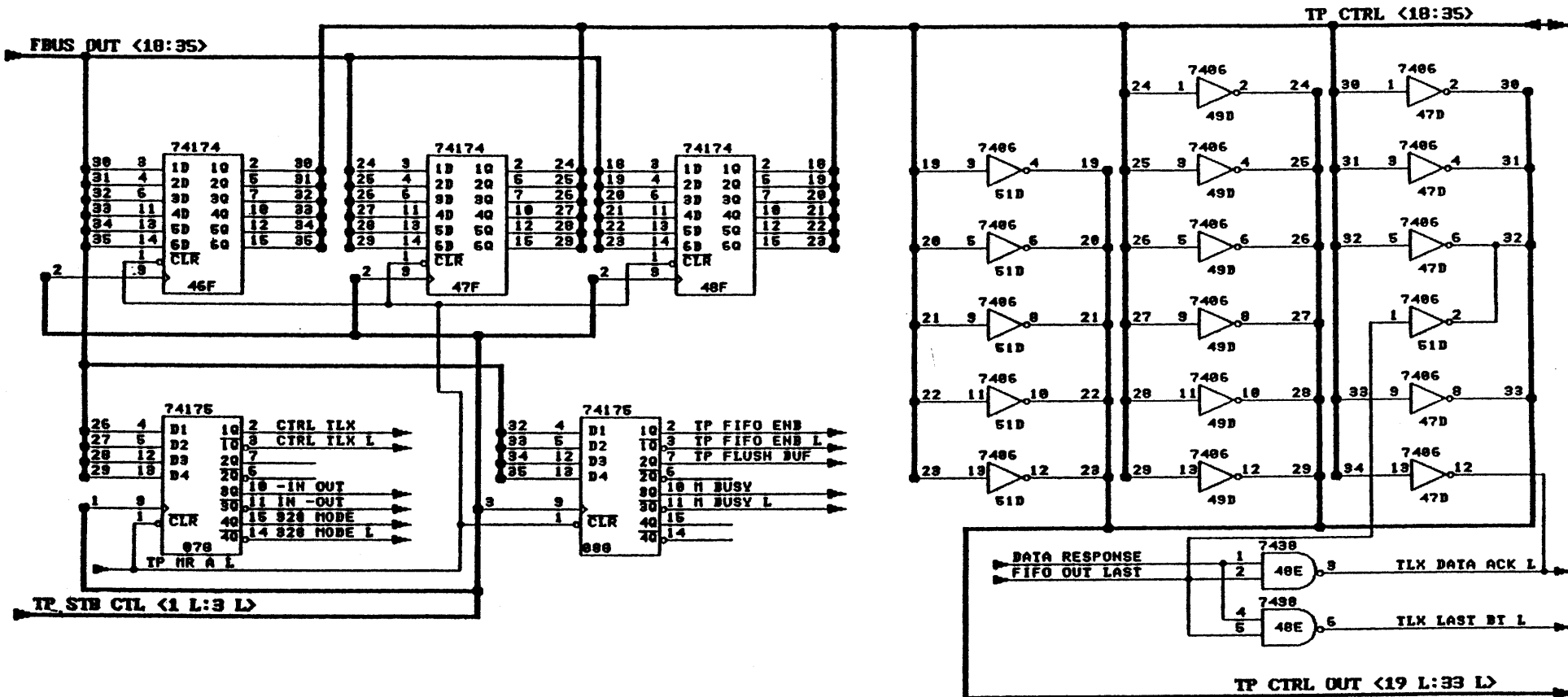
NOTE: -TP STAT IN 0

NOTE: -TP STAT IN 7


RECEIVED FEB 01 1985
PRELIMINARY

TITLE			
CFTA - CFTCT1			
SIZE	CODE	NUMBER	REV
B		103001	A
DATE			SHEET
MAY 24, 1984			07 OF 21

CFTCT3.DWG
CFTA



RECEIVED FEB 01 1984
PRELIMINARY

 TYMSHARE INCORPORATED			
TITLE			
CFTA - CFTCT3			
SIZE	CODE	NUMBER	REV
B		103001	A
DATE		MAY 24, 1984	SHEET 08 OF 21

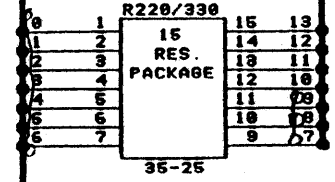
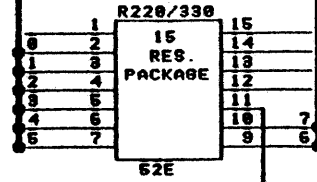
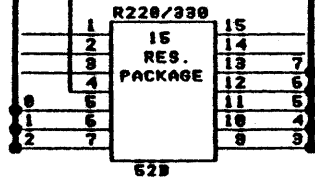
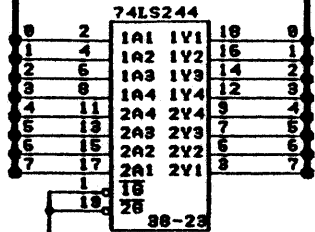
CFTCT4.DWG
CFTA

TP DAT BUS P L
TP DAT BUS <0 L:7 L>

TP DAT BUS IN <0 L:7 L>

IRD <0 L:7 L>

TP STAT IN <0 L:31 L>

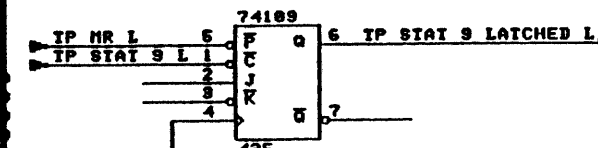
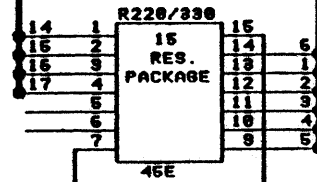
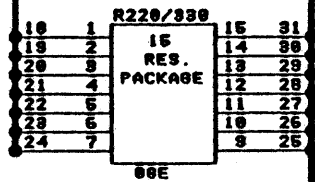
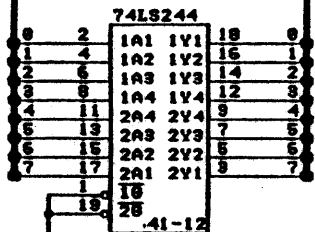


IRD P L

TP RD BUS <0 L:7 L>

TP HI <1:6>

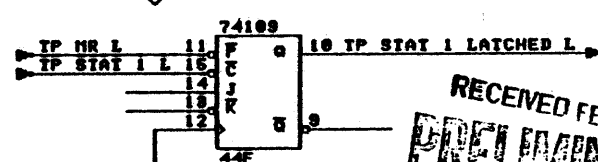
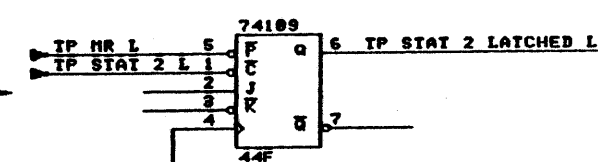
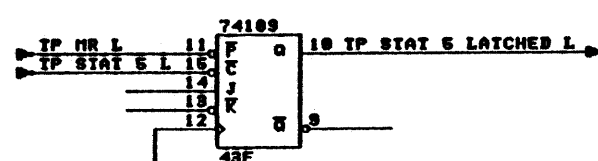
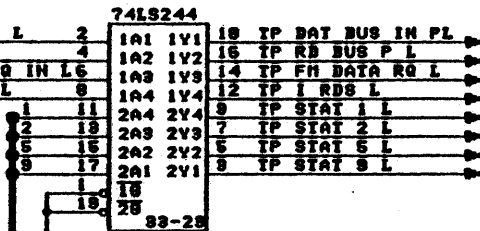
I RD <0 L:7 L>



TP FH DATA RQ IN L

TP I RDS IN L

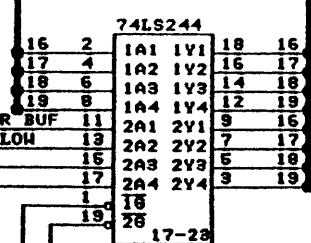
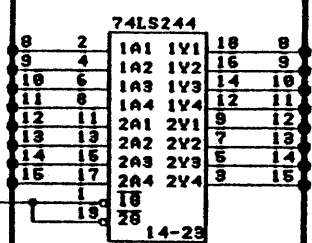
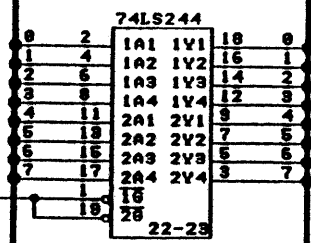
TP DAT BUS P L
I RD P L
TP FH DATA RQ IN L
TP I RDS IN L



RECEIVED FEB 01 1985
PRELIMINARY

TITLE			
CFTA - CFTCT4			
SIZE	CODE	NUMBER	REV
B		103001	A
DATE	MAY 25, 1984		SHEET 09 OF 21

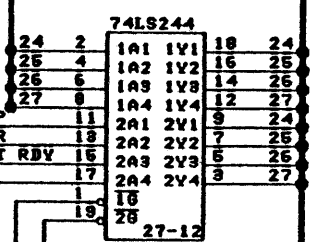
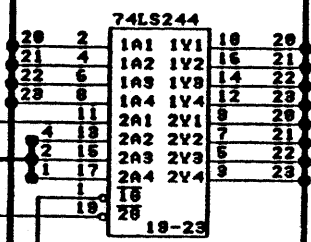
TP STAT IN (0 L:31 L)



FIFO ROY FOR BUF 11
 TIMER OVERFLOW 13
 TP QUERRUN 15
 TP CNT 80 17

TP CTL A TO BUS L

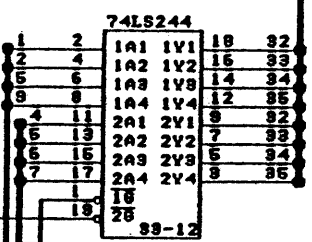
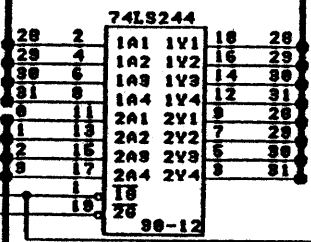
TP CTL B TO BUS L



FIFO FUCKUP 11
 FIFO IN PAR 13
 TAPE RD DAT RBY 15
 TIMER INT 17

TP RD PAR ERR

BUF CNT (1:4)

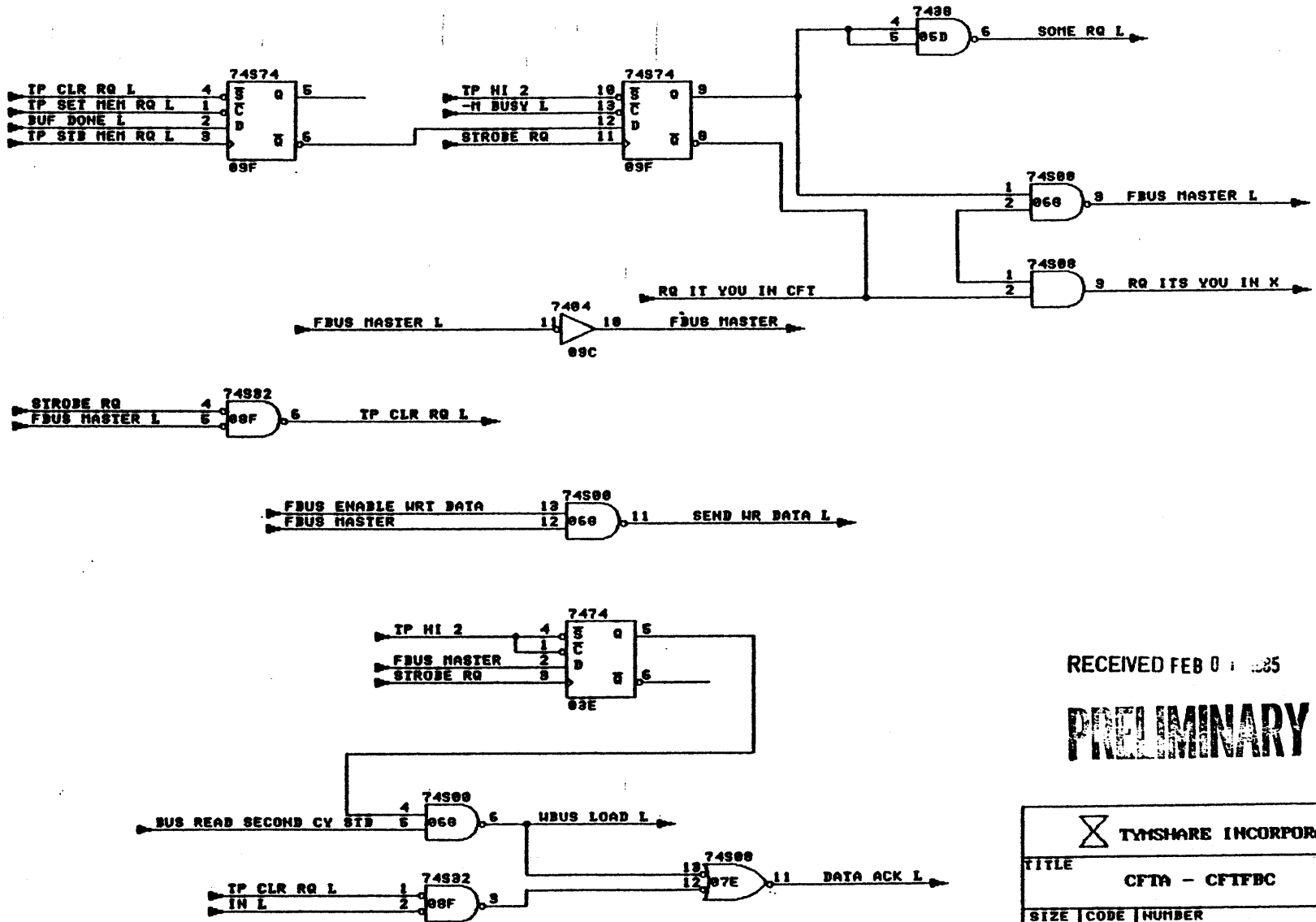


TP RD DAT (0 L:7 L)

TP STAT LATCHED (0 L:9 L)


RECEIVED FEB 01 1985
PRELIMINARY

TITLE			
CFTA - CFTCTS			
SIZE	CODE	NUMBER	REV
B		103001	A
DATE		MAY 25, 1984	SHEET 10 OF 21

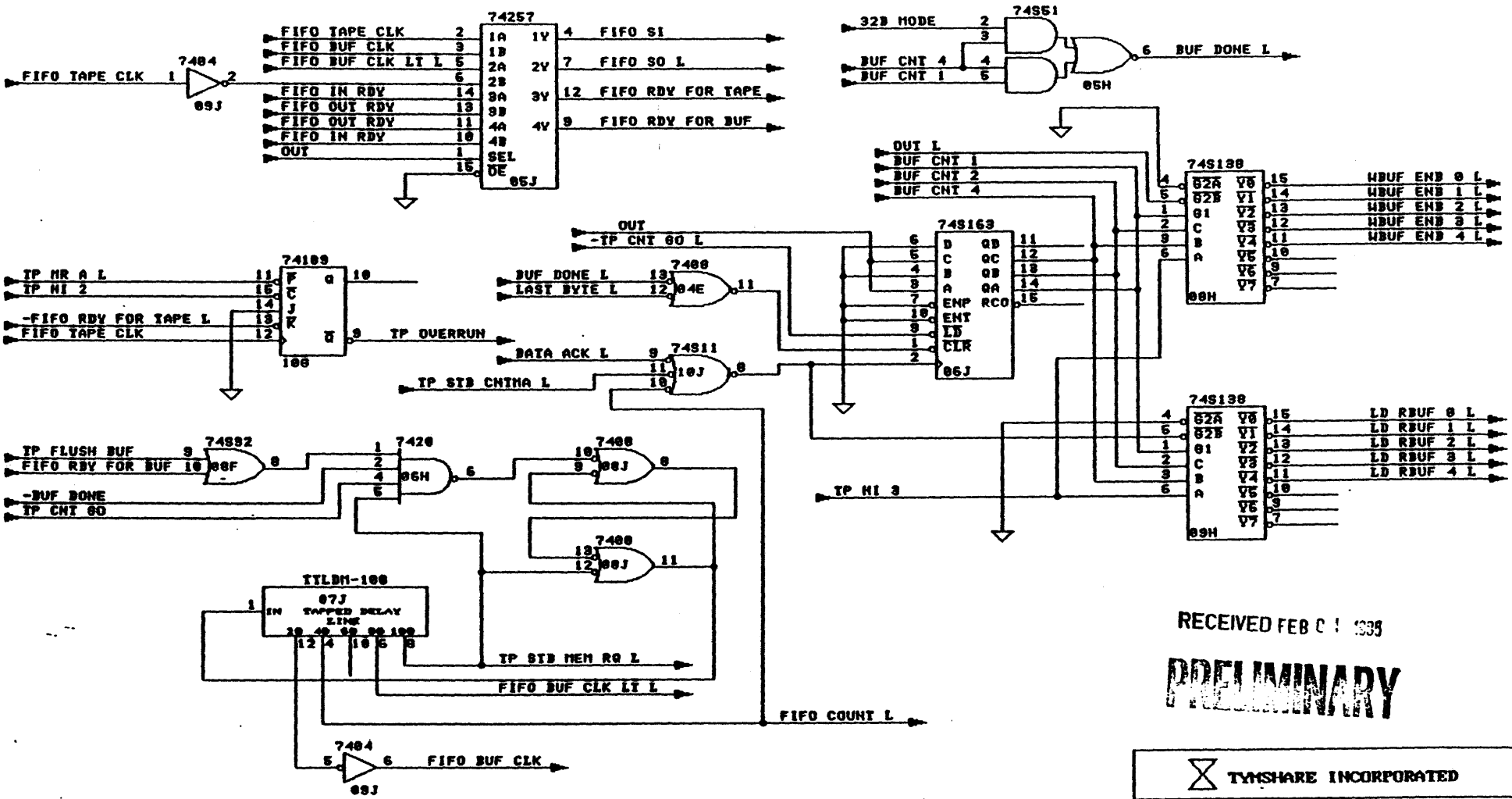


RECEIVED FEB 0 1985

PRELIMINARY

 TMSHARE INCORPORATED			
TITLE			
CFTA - CFTFBC			
SIZE	CODE	NUMBER	REV
B		103001	A
DATE		MAY 25, 1984	SHEET 11 OF 21

CFTFCT.DWG
CFTA



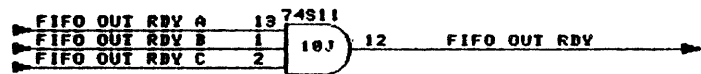
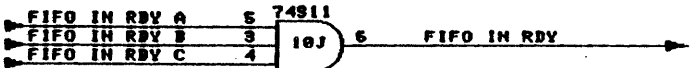
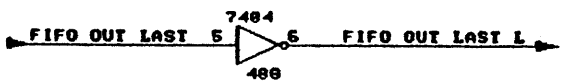
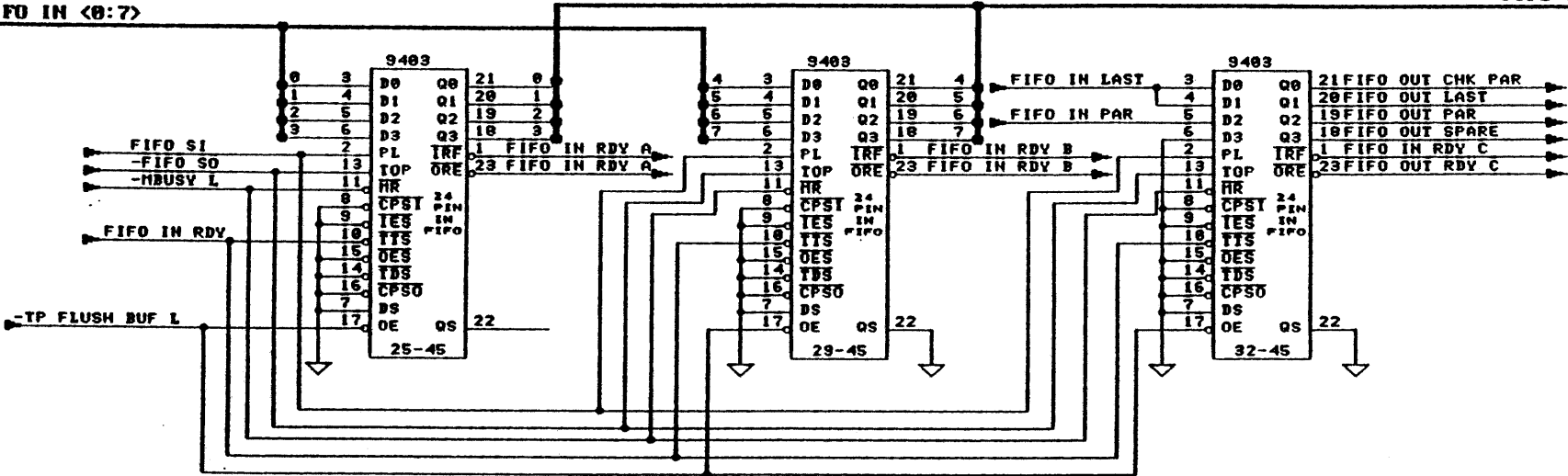
RECEIVED FEB 01 1985

PRELIMINARY

TITLE			
CFTA - CFTFCT			
SIZE	CODE	NUMBER	REV
B		103001	A
DATE		MAY 29, 1984	SHEET 12 OF 21

FIFO IN <0:7>

FIFO OUT <0:7>



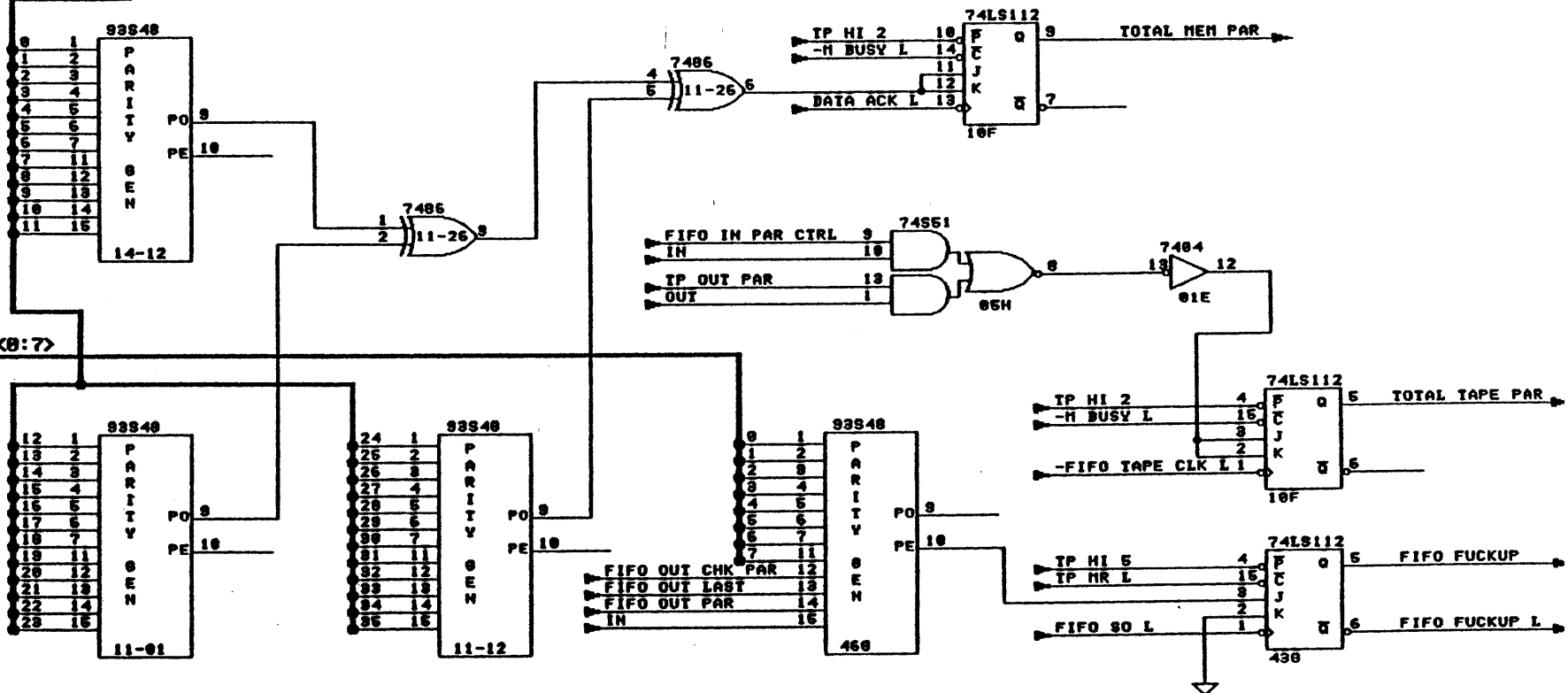
RECEIVED FEB 01 1985
PRELIMINARY

TITLE CFTA - CFTFIF			
SIZE B	CODE	NUMBER 103001	REV A
DATE JUNE 25, 1984		SHEET 13 OF XX	

CFTFI1.DWG
CFTA

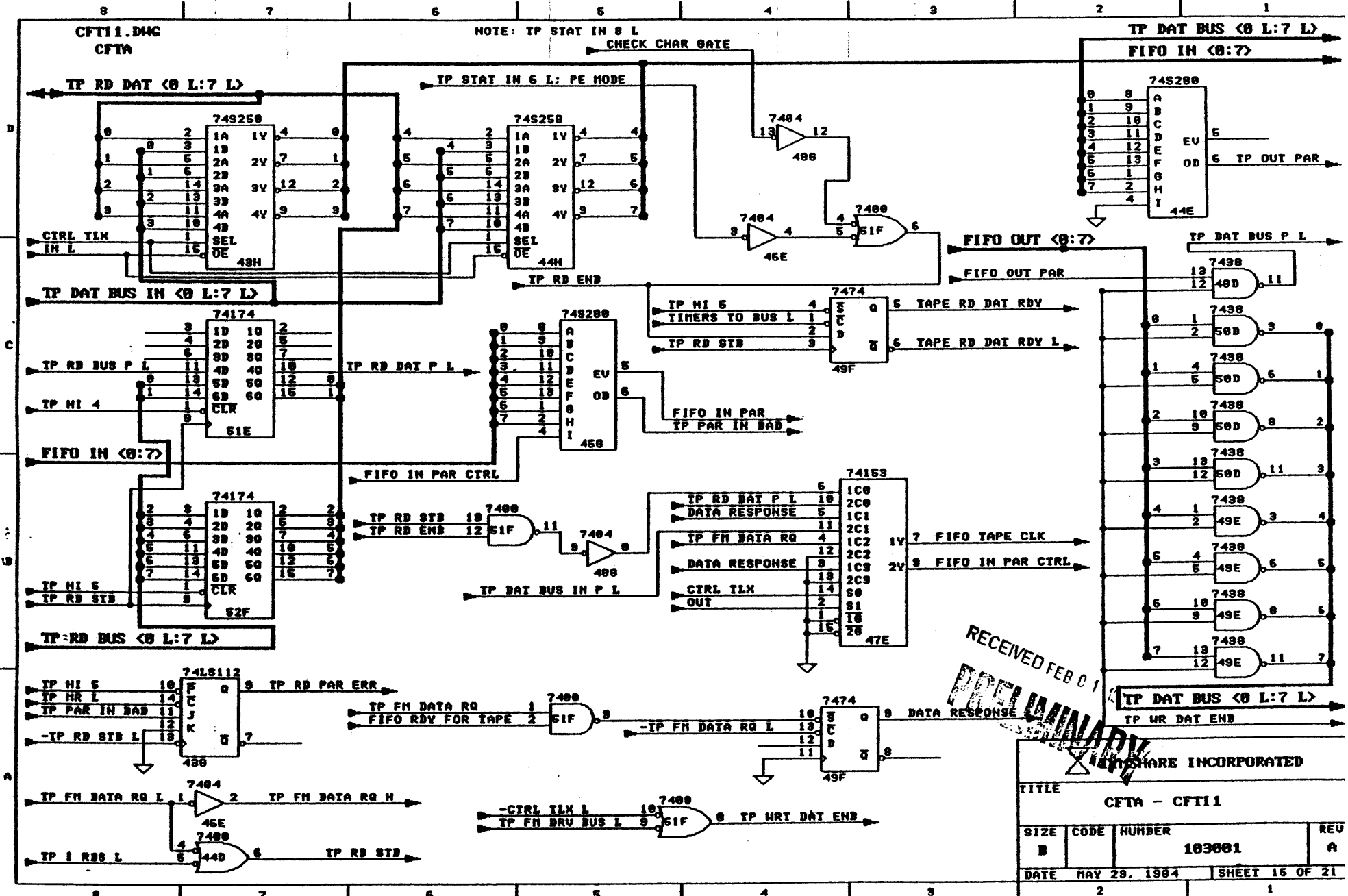
FBUS IN <8:35>

FIFO OUT <8:7>



RECEIVED FEB 01 1985
PRELIMINARY

TITLE			
CFTA - CFTFI1			
SIZE	CODE	NUMBER	REV
B		103001	A
DATE		MAY 30, 1984	SHEET 14 OF 21



CFT11.DWG
CFTA

NOTE: TP STAT IN 8 L
CHECK CHAR GATE

TP DAT BUS (0 L:7 L)
FIFO IN (0:7)

TP RD DAT (0 L:7 L)

TP STAT IN 6 L: PE NODE

FIFO OUT (0:7)

TP DAT BUS P L

TP DAT BUS IN (0 L:7 L)

TP RD END

FIFO OUT PAR

TP RD BUS P L

TP RD DAT P L

TP HI 6
TIMERS TO BUS L

TP RD STD

FIFO IN PAR
TP PAR IN BAD

FIFO IN (0:7)

FIFO IN PAR CTRL

TP HI 6
TP RD STD

TP RD BUS (0 L:7 L)

TP HI 6
TP HR L
TP PAR IN BAD
-TP RD STD L

TP FH DATA RQ
FIFO RBY FOR TAPE

-TP FH DATA RQ L
DATA RESPONSE

TP FH DATA RQ L
TP FH DATA RQ H

-CTRL TLX L
TP FH DRU BUS L

TP I RBS L
TP RD STD

TP DAT BUS (0 L:7 L)

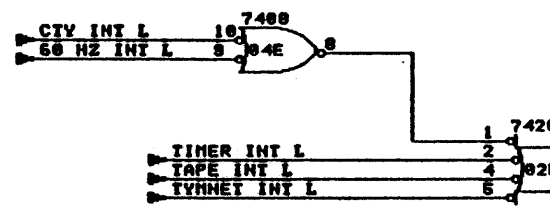
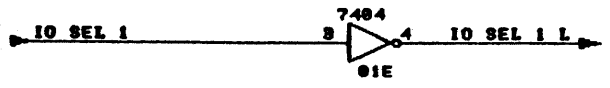
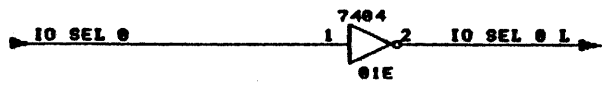
TP HR DAT END

RECEIVED FEB 01 1984

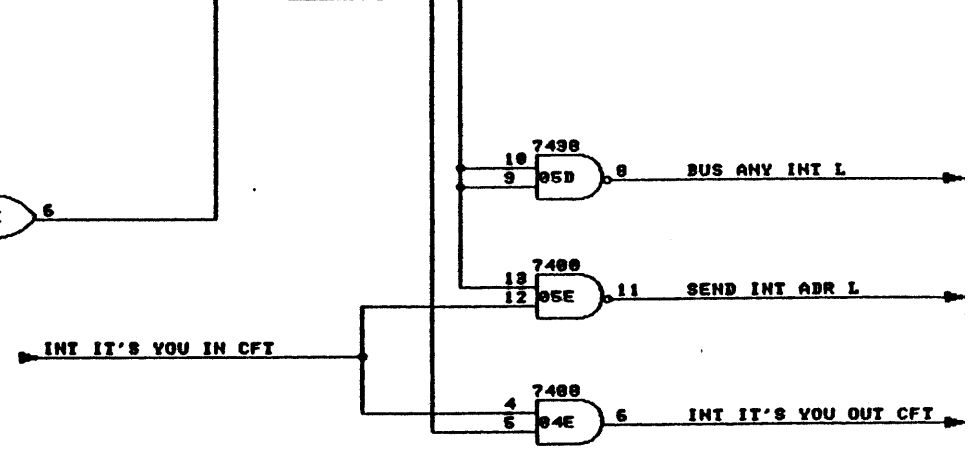
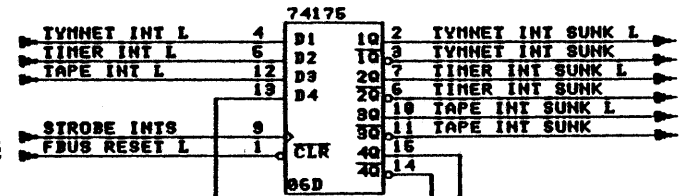
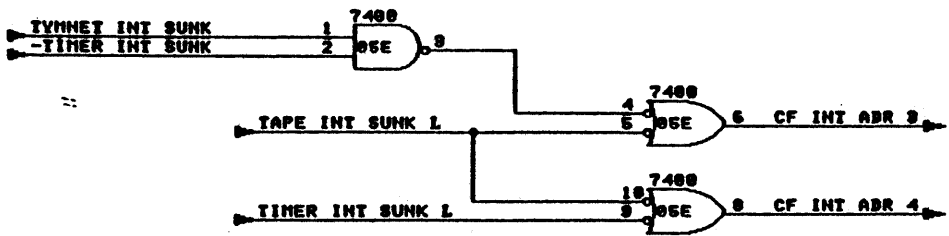
SHARE INCORPORATED

TITLE			
CFTA - CFT11			
SIZE	CODE	NUMBER	REV
B		103001	A
DATE		MAY 29, 1984	SHEET 16 OF 21

CFTINT.DWG
CFTA



NOTE:
DEVICE ADDRESSES
CTV. 60 HZ CLK 4
TIMER 5
TYNNET 6
TAPE 7



RECEIVED FEB 01 1985

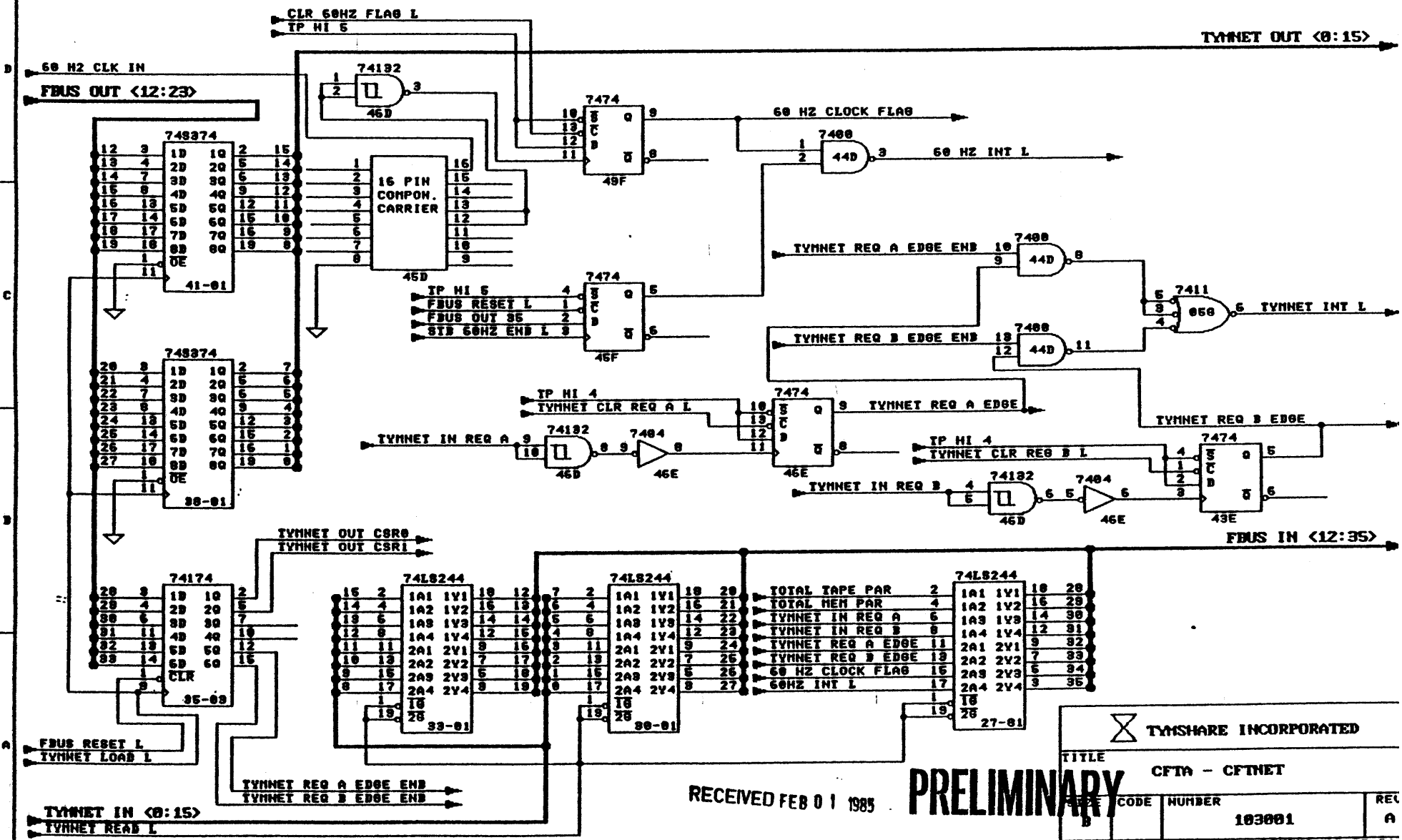
PRELIMINARY

TYNSHARE INCORPORATED

TITLE
CFTA - CFTINT

SIZE	CODE	NUMBER	REV
B		103001	A
DATE		MAY 30, 1984	SHEET 16 OF 21

CFTNET.DMG
CFTA

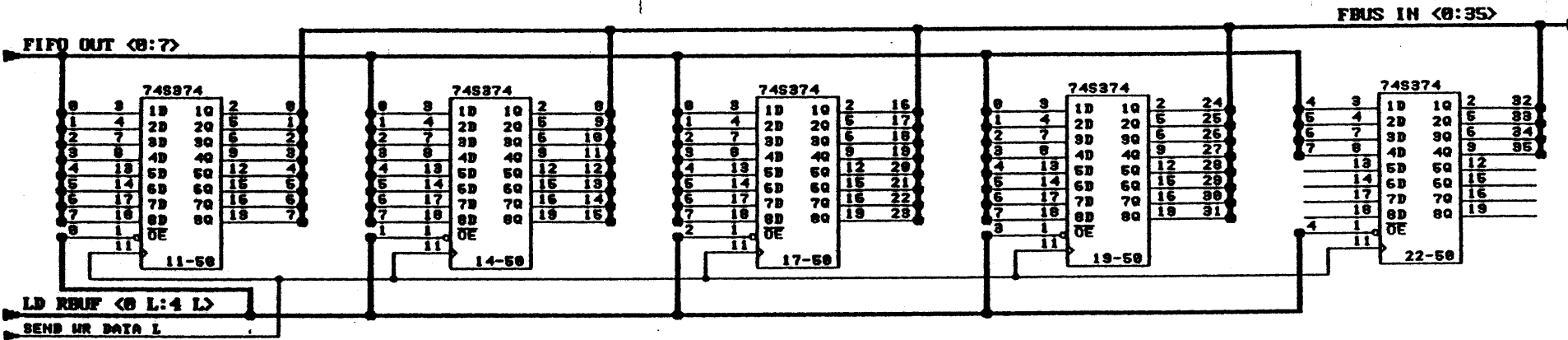


TITLE CFTA - CFTNET			
DATE	CODE	NUMBER	REV
JUNE 1, 1984		103001	A
SHEET 17 OF 21			

RECEIVED FEB 01 1985

PRELIMINARY

CFTRBF.DMG
CFTA



RECEIVED FEB 01 1985

PRELIMINARY

⊗ TMSHARE INCORPORATED

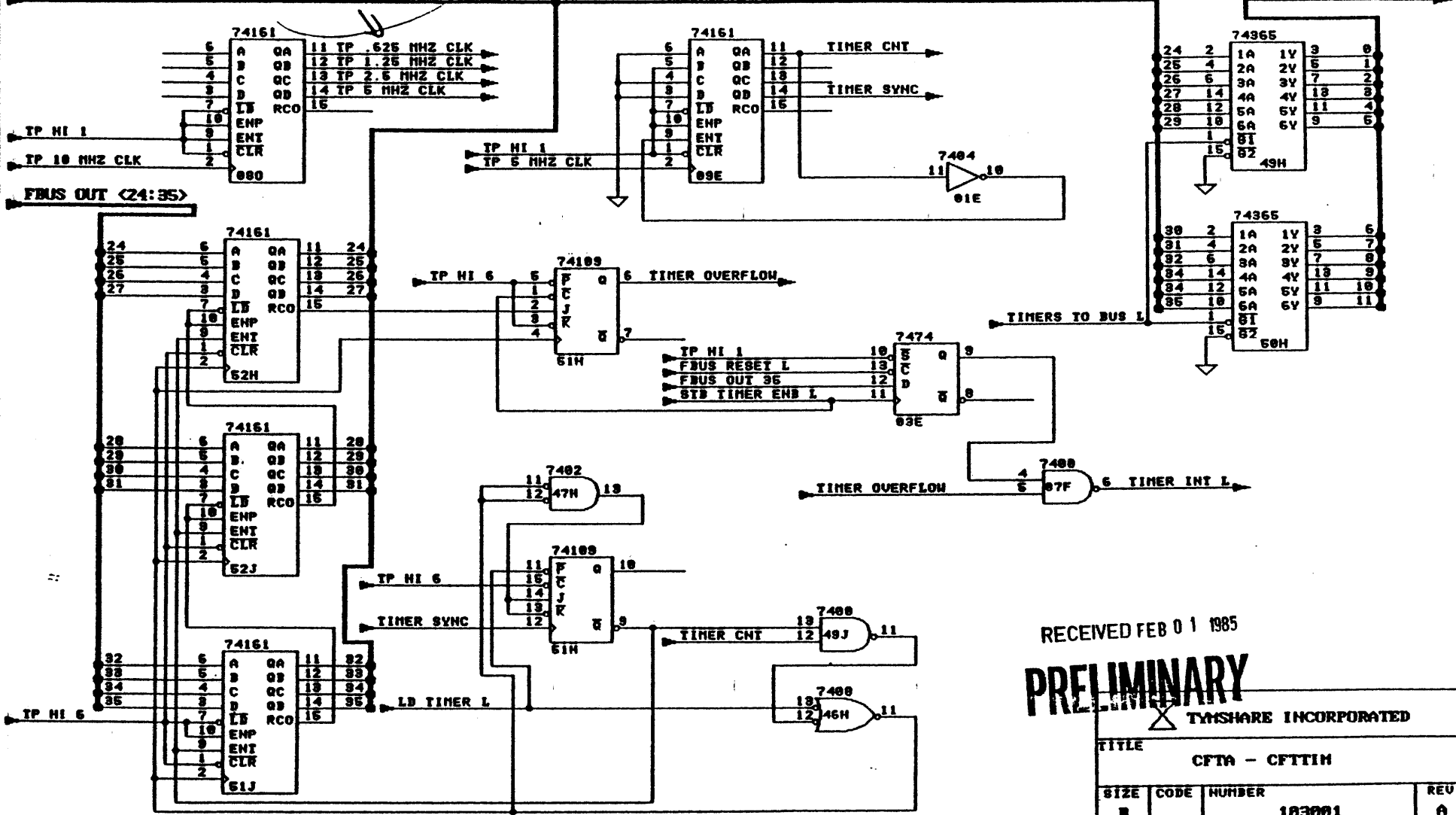
TITLE		CFTA - CFTRBF	
CODE	NUMBER	REI	
	103001	A	
DATE	MAY 31, 1984	SHEET 18 OF 21	

CFTTIN.DMC
CFTA

SAFETY NO. NO. RAUC

TIMER <24:35>

FBUS IN <0:11>



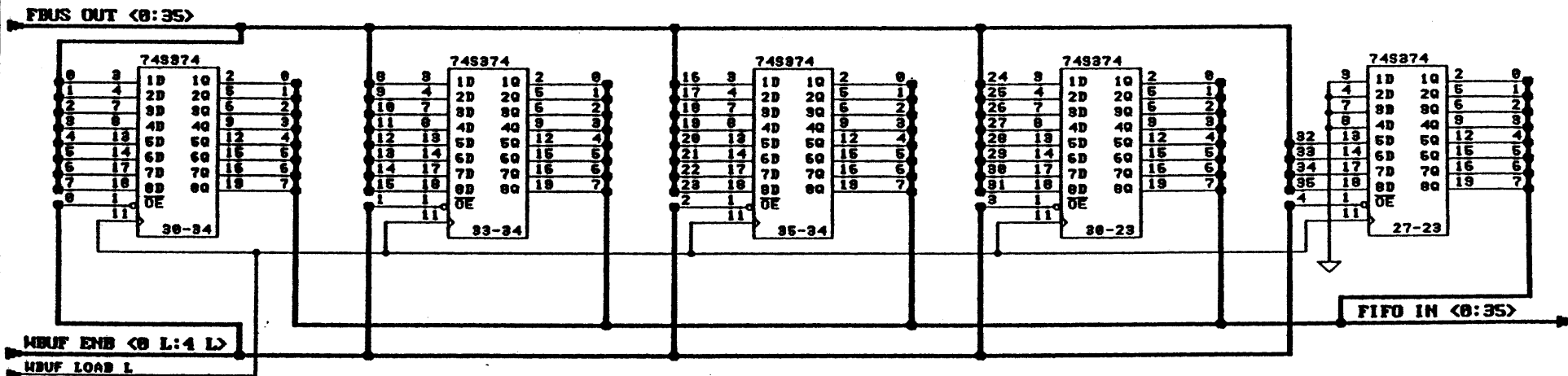
RECEIVED FEB 01 1985

PRELIMINARY

TIMSHARE INCORPORATED

TITLE				CFTA - CFTTIN	
SIZE	CODE	NUMBER			REV
B		103001			A
DATE		MAY 31, 1984		SHEET 19 OF 21	

CFTMBF.DMG
CFTA



RECEIVED FEB 01 1985

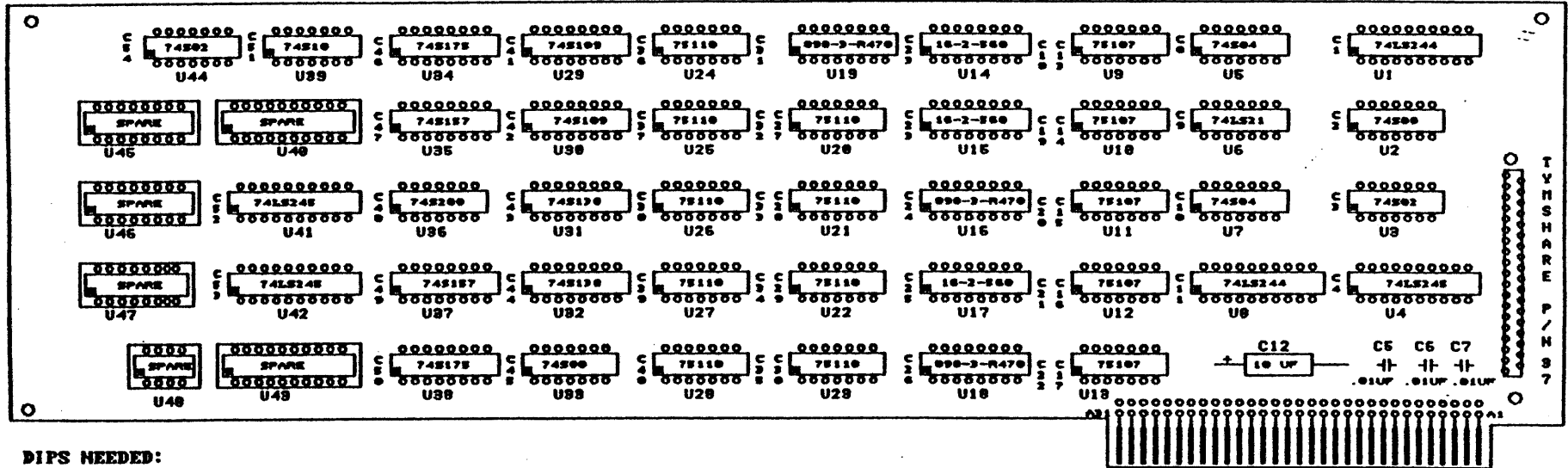
RECEIVED FEB 01 1985

PRELIMINARY

TYMSHARE INCORPORATED


TITLE			
CFTA - CFTMBF			
SIZE	CODE	NUMBER	REV
B		103001	A
DATE		JUNE 1, 1984	SHEET 21 OF 21

PRELIMINARY
RECEIVED FEB 01 1985



DIPS NEEDED:

(1)	74S00	U033	(9)	75110	U020	(2)	74S175	U035	(3)	74LS245	U004
(2)	74S02	U044			U021			U037			U042
		U003			U022	(2)	74S175	U038			U041
(2)	74S04	U005			U023			U034	(3)	R470	U016
		U007			U024	(1)	74S200	U036			U018
(1)	74S00	U002			U025						U019
(1)	74S10	U039			U026	(1)	74LS21	U006	(3)	R560	U017
(5)	75107	U009			U027	(2)	74LS244	U001			U014
		U010			U028			U008			U015
		U011	(2)	74S138	U032						
		U012			U031						
		U013									
(2)	74S109	U029									
		U030									

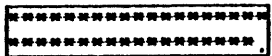
 TYNSHARE INCORPORATED			
TITLE IBMINT - STUFF CHART			
SIZE B	CODE	NUMBER 105001	REV A
DATE DECEMBER 03, 1984		SHEET 01 OF 01	

IBMBLD1.DWG
26KL

- () 1. Mount 37 pin connector to mounting bracket, then mount bracket to board and solder connector in the holes provided.
- () 2. Prepare a strip header by cutting the header to 19 pairs.



Side view



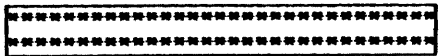
Top view

Remove pin. This pin would have gone into X122 Y31.

- () 3. Solder the strip header to location (X121 Y13). Be sure to solder all individual pins to their respective holes.
- () 4. Prepare a strip header by cutting it to 31 pairs.



Side view

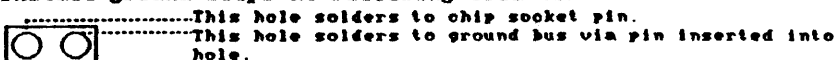


Top view

- () 5. Solder the strip header to location (X92 Y36).
- 6. Install Vcc power pins at following locations:

- | | | | |
|-------------|-------------|-------------|-------------|
| () X98 Y00 | () X81 Y5 | () X81 Y10 | () X81 Y15 |
| () X81 Y20 | () X81 Y25 | () X81 Y30 | () X81 Y35 |
| () X71 Y35 | () X61 Y5 | () X61 Y10 | () X61 Y15 |
| () X61 Y20 | () X61 Y25 | () X61 Y30 | () X61 Y35 |
| () X51 Y5 | () X51 Y10 | () X51 Y15 | () X51 Y20 |
| () X51 Y25 | () X51 Y30 | () X51 Y35 | () X41 Y11 |
| () X41 Y20 | () X41 Y25 | () X41 Y30 | () X41 Y35 |
| () X31 Y11 | | | |

- 7. Install ground clips at following locations:



Cut ground clips to look like this.

- | | | | |
|-------------|-------------|-------------|-------------|
| () X98 Y2 | () X73 Y2 | () X73 Y7 | () X73 Y12 |
| () X73 Y17 | () X73 Y22 | () X73 Y27 | () X73 Y32 |
| () X63 Y32 | () X53 Y2 | () X53 Y7 | () X53 Y12 |
| () X53 Y17 | () X53 Y22 | () X53 Y27 | () X53 Y32 |
| () X42 Y2 | () X42 Y7 | () X42 Y12 | () X42 Y17 |
| () X42 Y22 | () X42 Y27 | () X42 Y32 | () X40 Y1 |
| () X32 Y17 | () X32 Y22 | () X32 Y27 | () X32 Y32 |
| () X30 Y1 | | | |

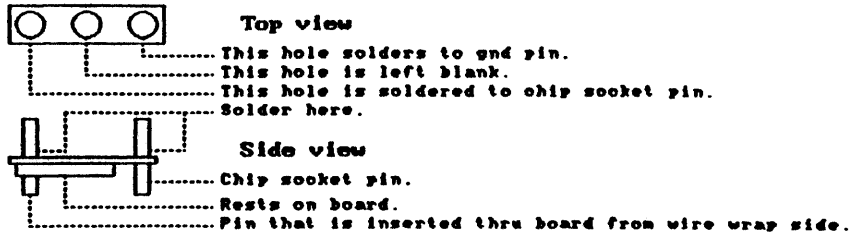
PRELIMINARY

RECEIVED FEB 01 1985

BD. SERIAL # _____
 DATE: _____
 ASSEMBLER: _____
 TIME START _____
 TIME FINISH _____

TITLE IBMINT - BUILD INFO.			
SIZE B	CODE	NUMBER 105001	REV A
DATE SEPTEMBER 06, 1984 SHEET 01 OF 02			

- () 8. Install chip sockets as per IBMINTSTF.
9. Install ground clips at following locations:

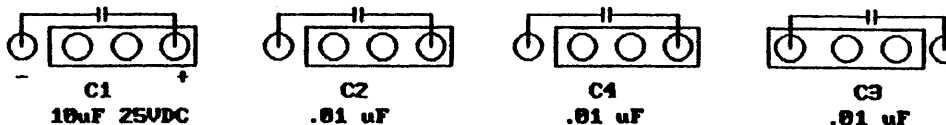


- () X72 Y10 () X72 Y20 () X72 Y25

10. Wire the following Vcc to:

- | | |
|------------------------|------------------------|
| () X90 Y00 to U000-14 | () X81 Y5 to U009-14 |
| () X81 Y10 to U010-14 | () X81 Y15 to U011-14 |
| () X81 Y20 to U012-14 | () X81 Y25 to U013-14 |
| () X81 Y30 to U014-14 | () X81 Y35 to U015-14 |
| () X71 Y35 to U022-14 | () X61 Y5 to U023-14 |
| () X61 Y10 to U024-14 | () X61 Y15 to U025-14 |
| () X61 Y20 to U026-14 | () X61 Y25 to U027-14 |
| () X61 Y30 to U028-16 | () X61 Y35 to U029-14 |
| () X51 Y5 to U030-16 | () X51 Y10 to U031-16 |
| () X51 Y15 to U032-16 | () X51 Y20 to U033-16 |
| () X51 Y25 to U034-16 | () X51 Y30 to U035-16 |
| () X51 Y35 to U036-16 | () X41 Y11 to U037-20 |
| () X41 Y20 to U038-14 | () X41 Y25 to U039-14 |
| () X41 Y30 to U040-14 | () X41 Y35 to U041-14 |
| () X31 Y11 to U042-20 | |

- () 11. Check to see that there is not a power to ground short.
- () 12. Install tabs with Uxxx on appropriate chip socket location on wire wrap side of board.
- () 13. Install tab with marking for A bus connector.
B
- () 14. Install tab with marking for J1.
- () 15. Solder in capacitor C1, C2, C3, C4.

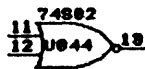
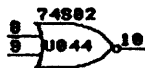
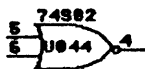
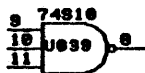
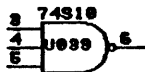
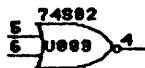
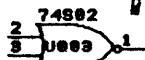
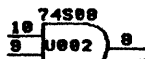


PRELIMINARY

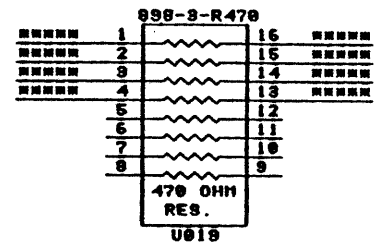
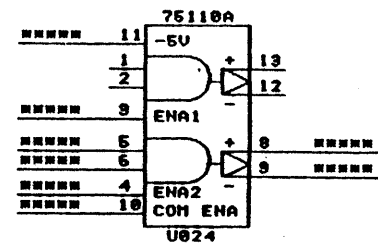
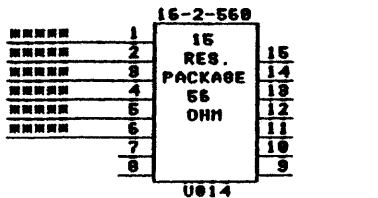
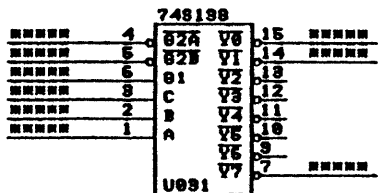
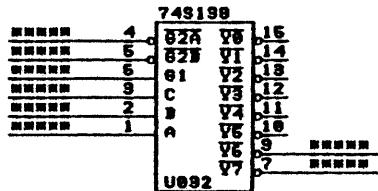
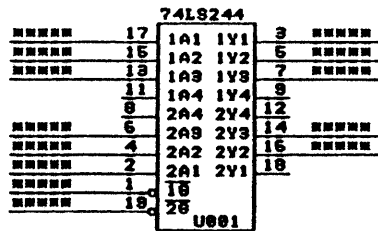
RECEIVED FEB 01 1985

BD. SERIAL # _____
DATE: _____
ASSEMBLER: _____
TIME START _____
TIME FINISH _____

TITLE			
IBMINT - BUILD INFO.			
SIZE	CODE	NUMBER	REV
B		105001	A
DATE SEPTEMBER 06, 1984			SHEET 02 OF 02
2			1



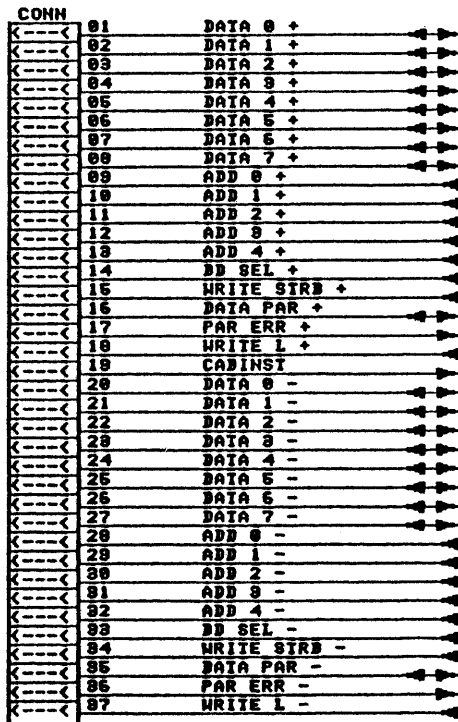
PRELIMINARY
RECEIVED FEB 5 1984



***** INDICATES PINS USED IN MULTIPLE PACKAGE.

TITLE			
IBMINT - UNUSED CIRCUITS			
SIZE	CODE	NUMBER	REV
B		105001	A
DATE		SEPT. 12. 1984	SHEET 01 OF 01

IBMCH2.DWG
26KL



J1

BUS CONNECTOR FROM THE IBM PC TO THE SYSTEM 26KL

PRELIMINARY

RECEIVED FEB 01 1985



TYMSHARE INCORPORATED

TITLE

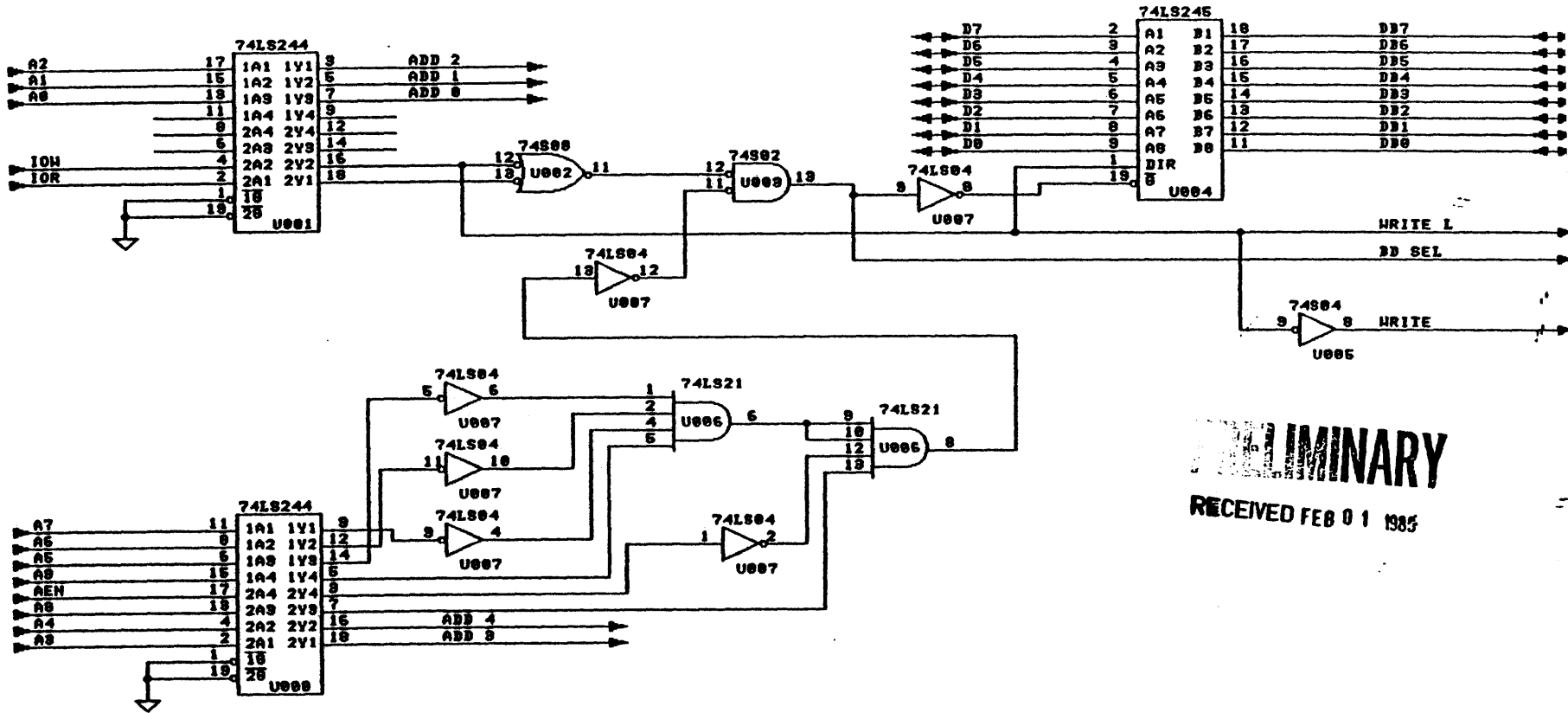
IBMINT - J1 CONNECTOR

SIZE	CODE	NUMBER	REV
B		105001	A
DATE	SEPT. 11. 1984		SHEET 2 OF 10

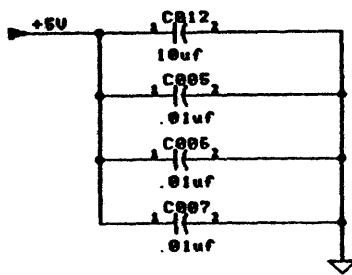
2


1

IBM001.DWG
26KL



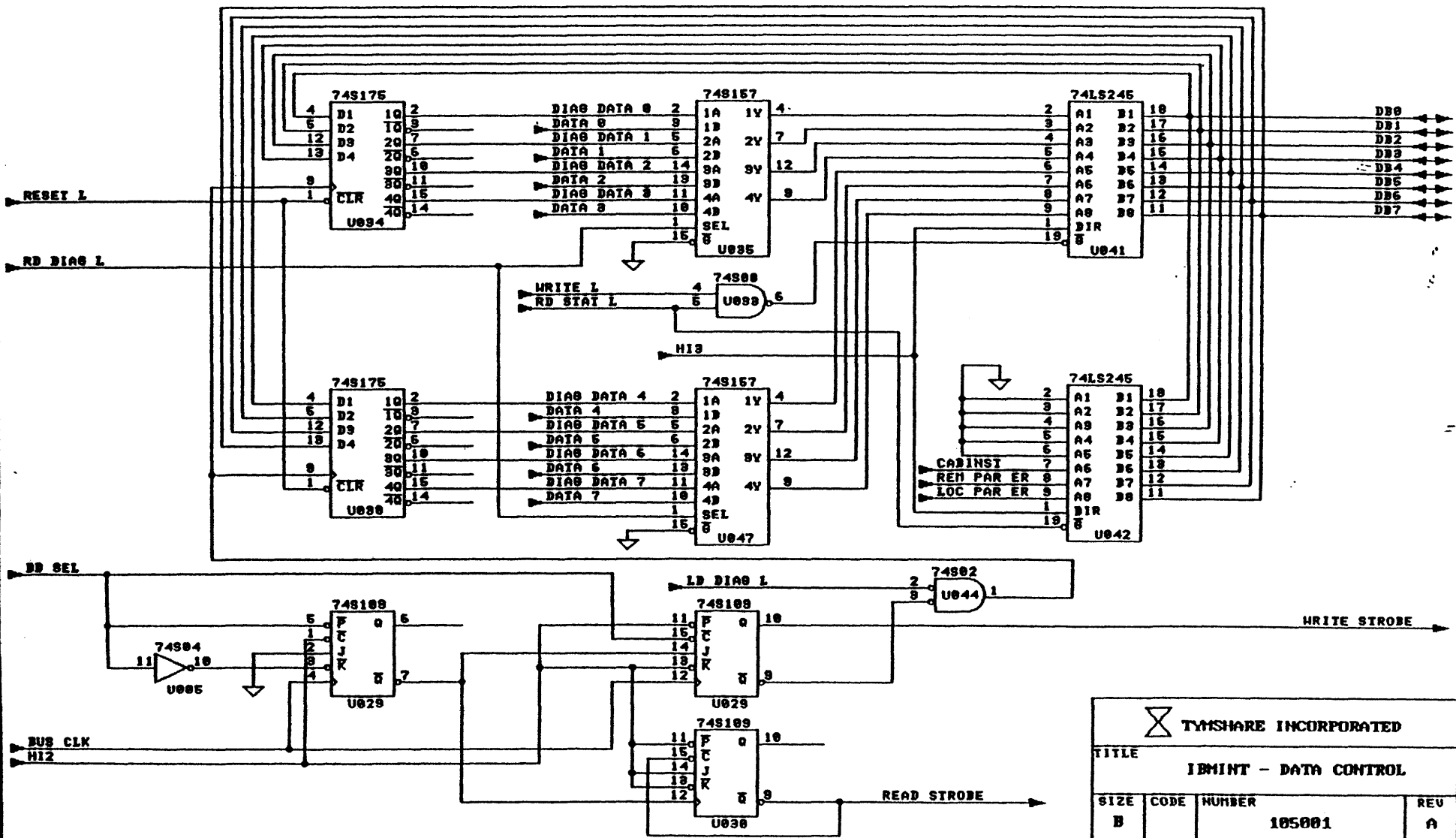
PRELIMINARY
RECEIVED FEB 01 1985



 TYMSHARE INCORPORATED			
TITLE IBMINT - BUS CONTROL			
SIZE B	CODE	NUMBER 105001	REV A
DATE		SEPT. 10, 1984	SHEET 3 OF 10

PRELIMINARY

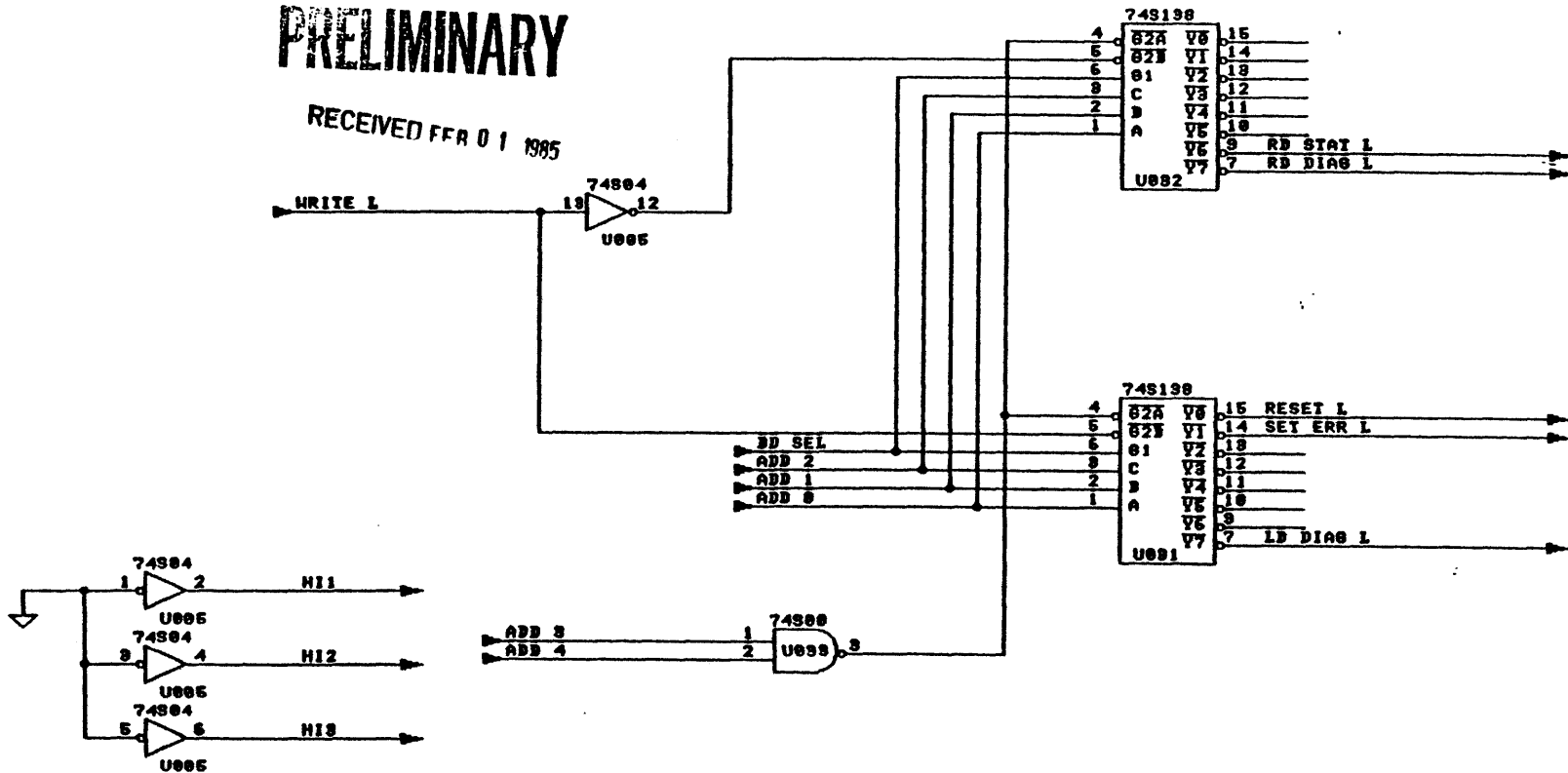
RECEIVED FEB 01 1985




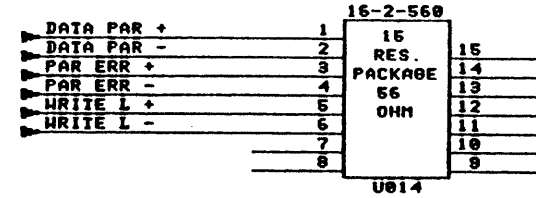
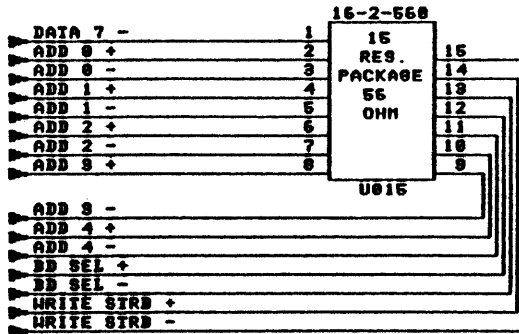
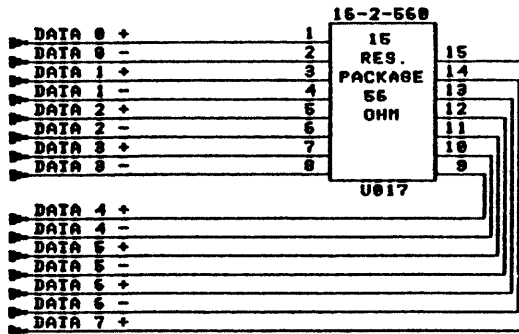
TITLE			
IBMINT - DATA CONTROL			
SIZE	CODE	NUMBER	REV
B		105001	A
DATE		SEPT. 10, 1984	SHEET 4 OF 10

PRELIMINARY

RECEIVED FFR 0 1 1985




 TWSHARE INCORPORATED			
TITLE			
IBMINT - FUNCTION DECODE			
SIZE	CODE	NUMBER	REV
B		105001	A
DATE		SEPT. 10. 1984	SHEET 5 OF 10



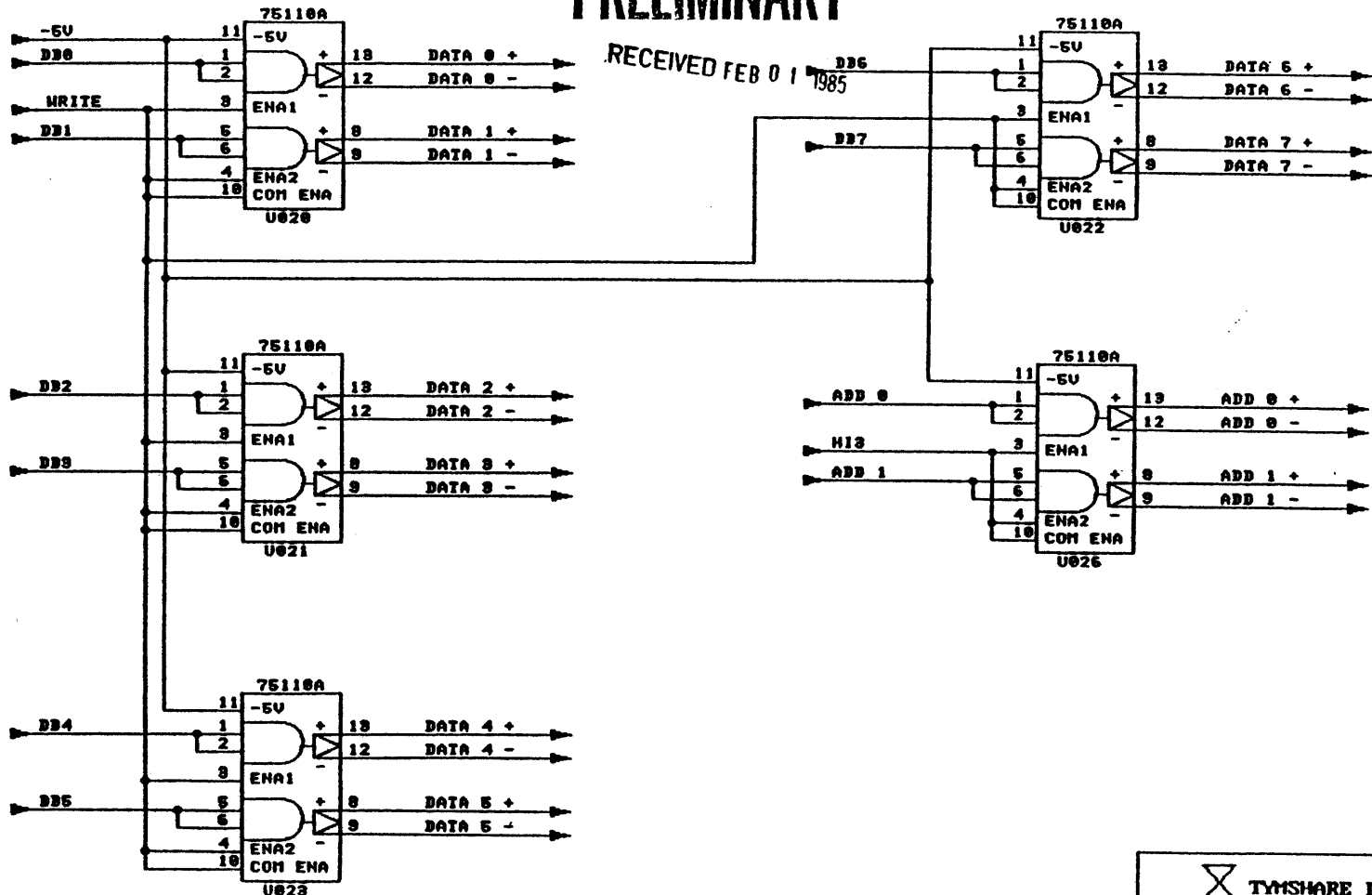
PRELIMINARY

RECEIVED FEB 01 1985

 TYMSHARE INCORPORATED			
TITLE IBMINT - TERMINATING RESISTORS			
SIZE	CODE	NUMBER	REV
B		105001	A
DATE		SEPT. 11, 1984	SHEET 6 OF 10

PRELIMINARY

RECEIVED FEB 01 1985



 TYMSHARE INCORPORATED

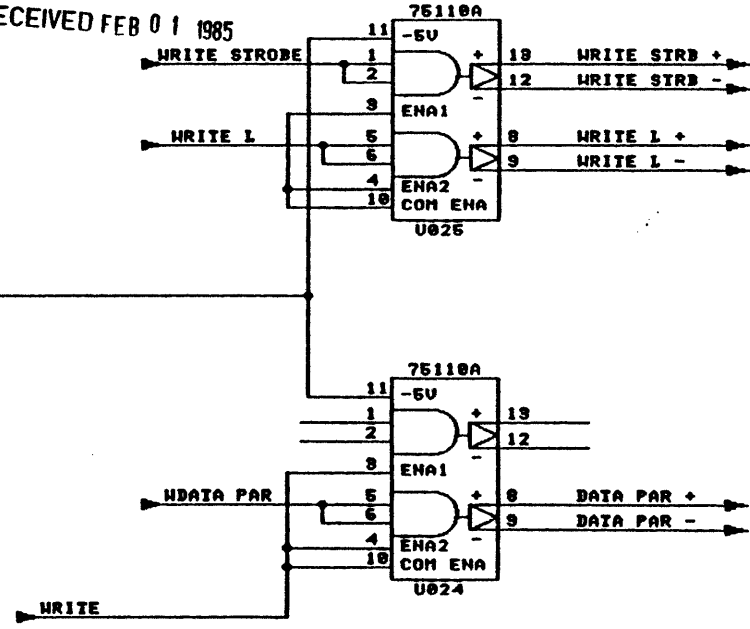
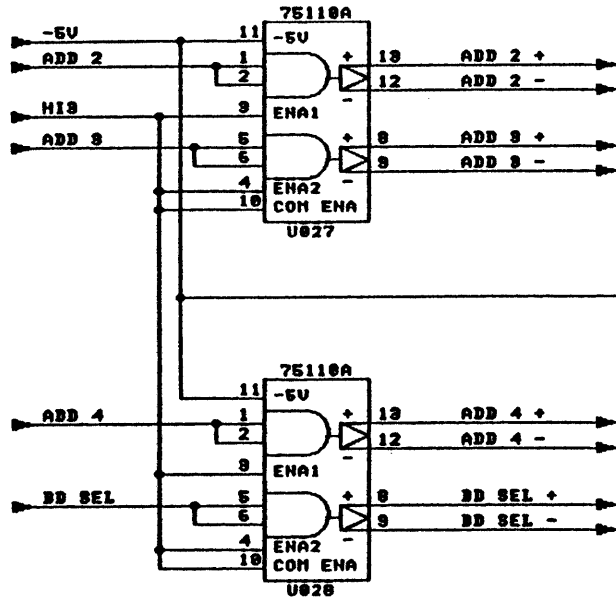
TITLE

IBMINT - DRIVERS 0

SIZE	CODE	NUMBER	REV
B		105001	A
DATE		SEPT. 11, 1984	SHEET 7 OF 10

PRELIMINARY

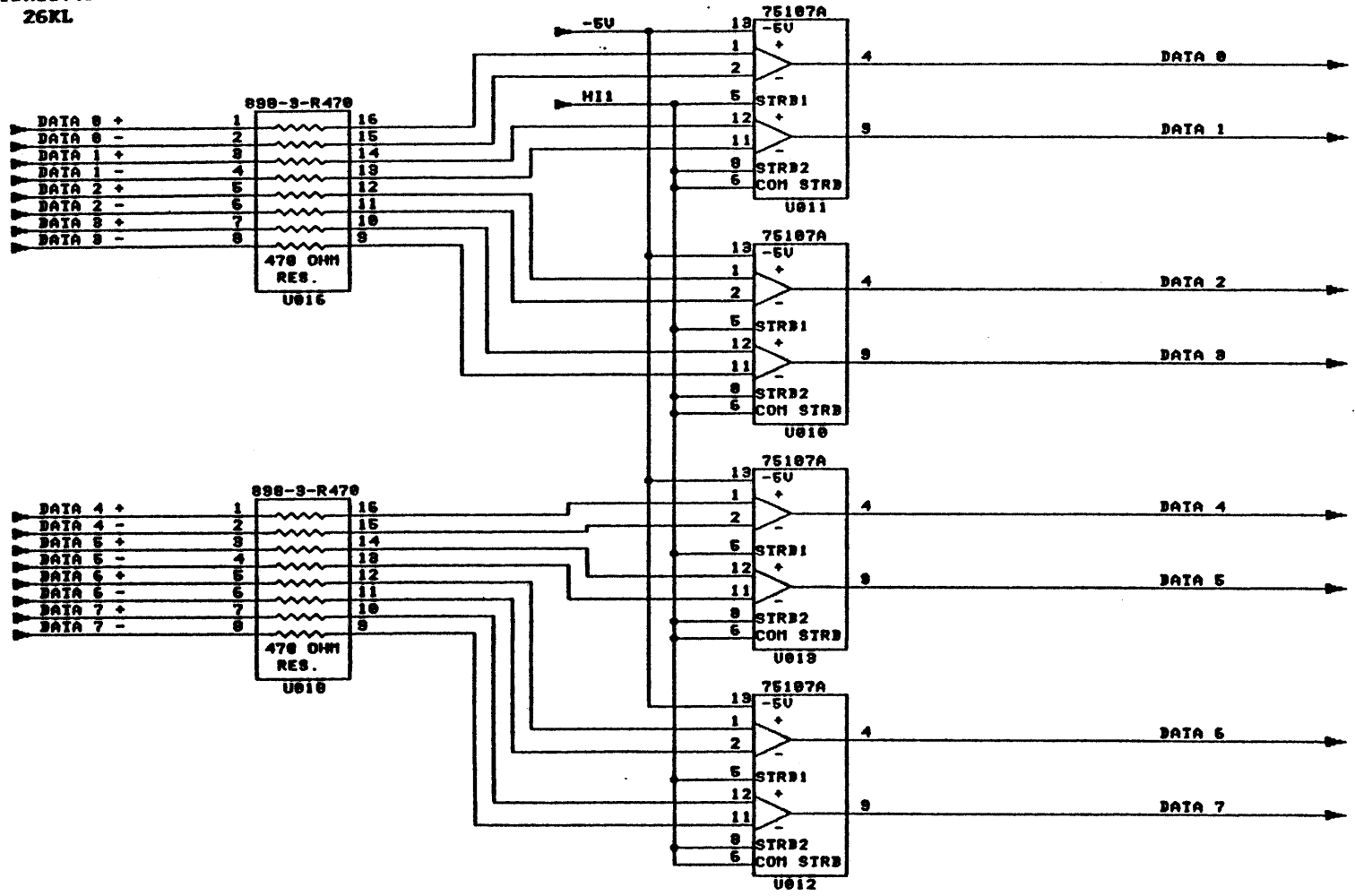
RECEIVED FEB 01 1985




TYMSHARE INCORPORATED

TITLE			
IBMINT - DRIVERS 1			
SIZE	CODE	NUMBER	REV
B		105001	A
DATE		SEPT. 11. 1984 SHEET 8 OF 10	

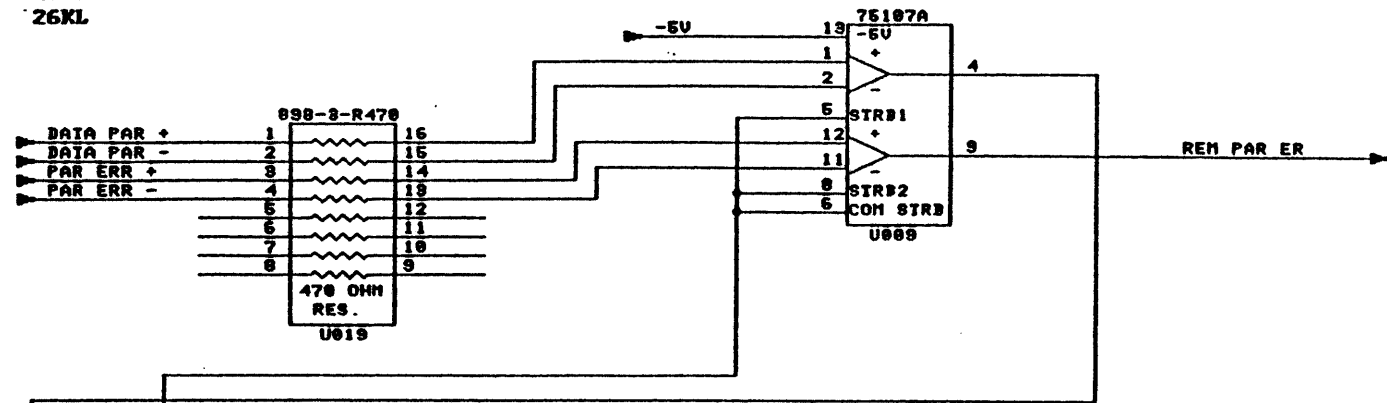
IBM007.DWG
26KL



PRELIMINARY
RECEIVED FEB 01 1985

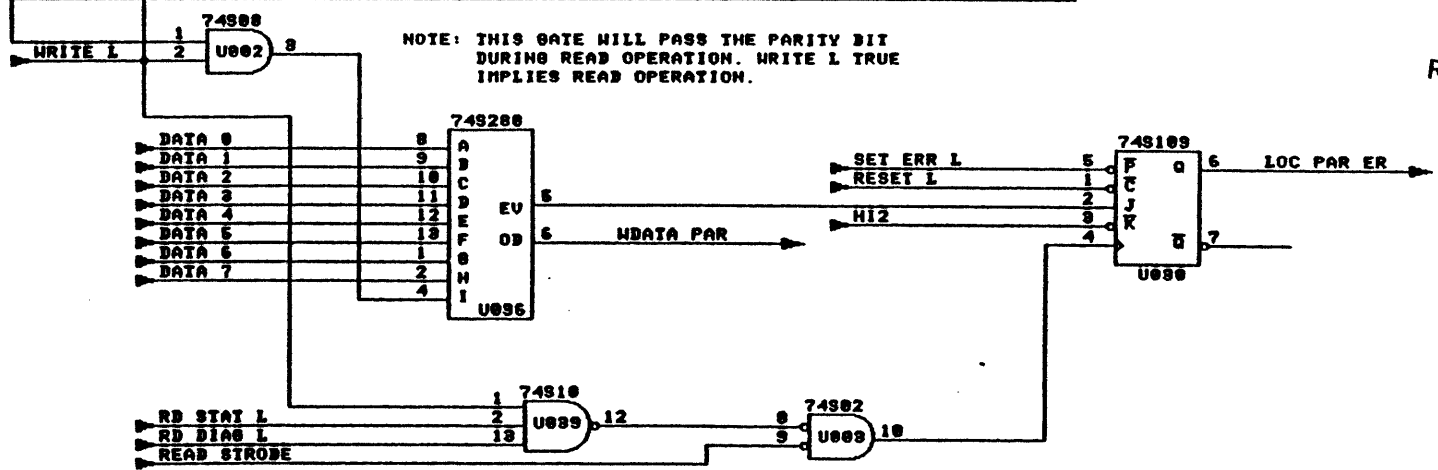
 TWSHARE INCORPORATED				
TITLE IBMINT - RECEIVER				
SIZE B	CODE	NUMBER 105001	REV A	
DATE SEPT. 11, 1984			SHEET 9 OF 10	

IBM088.DMG
26KL



PRELIMINARY

RECEIVED FEB 01 1985



TITLE IBMINT - RECEIVER				
SIZE B	CODE	NUMBER 105001	REV A	
DATE SEPT. 11, 1984		SHEET 10 OF 10		

CCBLK.DWG
26KL

STANDARD VOICE GRADE LINE

K188D LOGIC ANALYZER

SCOPE WITH GPIB

DIGITAL VOLT METER

GPIB (IEEE 488)

CONSOLE INTERFACE
CABLE
(8 BIT BIDIRECTIONAL)

CTY CABLE (RS232)

LOGIC POD A

LOGIC POD B

SYSTEM 26KL

POWER
SUPPLY

NODE CONNECTION
TO TYMNET.

BLOCK DIAGRAM OF "TRED" (TYMSHARE REMOTE DIAGNOSIS)

THIS SYSTEM WILL ALLOW THE REMOTE USER TO INTERROGATE THE LOGIC ANALYZER DATA, OSCILSCOPE DATA, DIGITAL VOLT METER DATA, AND POWER SUPPLY INFORMATION.

THE POWER SUPPLY CAN BE ADJUSTED BY MEANS OF THE REMOTE CONSOLE COMPUTER. THUS ALLOWING FOR +- MARGINS.

GPIB (IEEE 488)

K188D LOGIC ANALYZER

SCOPE WITH GPIB

DIGITAL VOLT METER

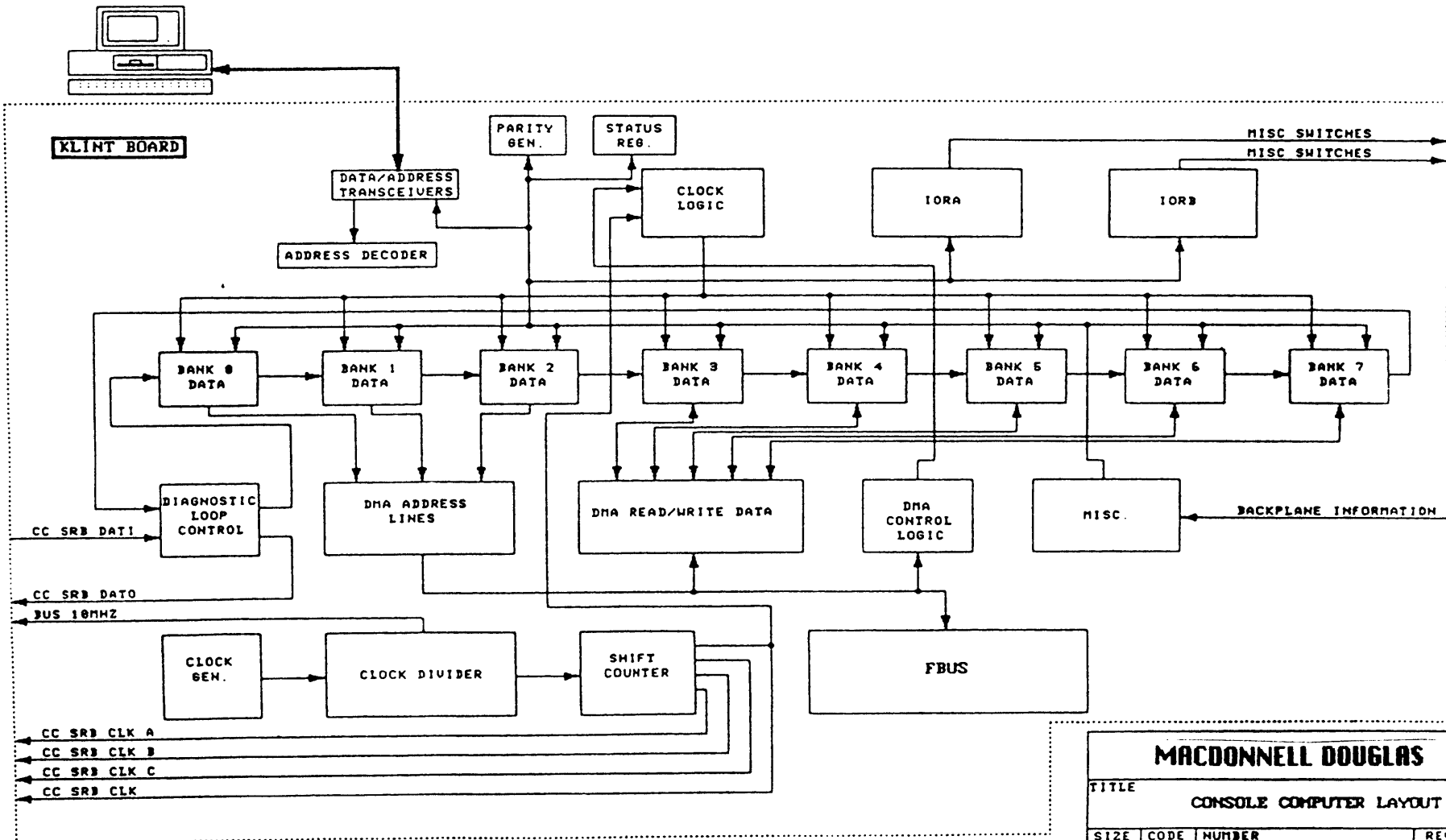
MACDONNELL DOUGLAS

TITLE

CONSOLE COMPUTER LAYOUT

SIZE	CODE	NUMBER	REV
B		000001	A

DATE	AUGUST 20, 1984	SHEET	1 OF XX
------	-----------------	-------	---------



MACDONNELL DOUGLAS

TITLE			
CONSOLE COMPUTER LAYOUT			
SIZE	CODE	NUMBER	REV
B		000001	A
DATE		12-28-84	SHEET 2 OF 3


KLBLD2.DWG
26KL

NOTE: THE DIP SIDE OF THE BOARD IS VCC, THE PIN SIDE IS GROUND.

() INSTALL BUS STRIP ACROSS THE TWO GAPS IN THE VCC PLANE, NEAR CONN. 1 AND CONN. 3.
INSTALL GROUND WIRES ON THE FOLLOWING PINS:

- | | | | | | | | |
|---------------------|---------------------|---------------------|---------------------|---------------------|---------------------|---------------------|---------------------|
| () 01-01
02-07G | () 09-12
10-19G | () 17-01
18-07G | () 23-13
24-13G | () 30-25
31-25G | () 39-37
40-37G | () 50-13
51-13G | () 60-13
61-19G |
| () 01-12
02-19G | () 09-23
10-31G | () 17-13
18-19G | () 23-25
24-25G | () 30-37
31-37G | () 42-01
43-01G | () 50-25
51-25G | () 62-01
63-01G |
| () 01-23
02-31G | () 11-01
12-01G | () 17-25
18-31G | () 23-37
24-37G | () 33-01
34-01G | () 42-13
43-13G | () 50-37
51-37G | () 62-13
63-13G |
| () 03-01
04-01G | () 11-12
12-13G | () 17-37
18-43G | () 25-01
26-07G | () 33-13
34-13G | () 42-25
43-25G | () 52-13
53-19G | () 64-01
65-07G |
| () 03-12
04-13G | () 11-23
12-25G | () 19-01
20-01G | () 25-13
26-19G | () 33-25
34-25G | () 42-37
43-37G | () 52-25
53-31G | () 66-01
67-01G |
| () 03-23
04-25G | () 13-01
14-07G | () 19-13
20-13G | () 25-25
26-31G | () 33-37
34-37G | () 44-01
45-07G | () 52-37
53-43G | () 68-01
69-07G |
| () 05-01
06-07G | () 13-12
14-19G | () 19-25
20-25G | () 25-37
26-43G | () 36-01
37-01G | () 44-13
45-19G | () 54-13
55-13G | |
| () 05-12
06-19G | () 13-23
14-31G | () 19-37
20-37G | () 27-01
28-01G | () 36-13
37-13G | () 44-25
45-31G | () 54-25
55-25G | |
| () 05-23
06-31G | () 13-37
14-43G | () 21-01
22-07G | () 27-13
28-13G | () 36-25
37-25G | () 44-37
45-43G | () 54-37
55-37G | |
| () 07-01
08-01G | () 15-01
16-01G | () 21-13
22-19G | () 27-25
28-25G | () 36-37
37-37G | () 46-37
47-37G | () 56-13
57-19G | |
| () 07-12
08-13G | () 15-13
16-13G | () 21-25
22-31G | () 27-37
28-37G | () 39-01
40-01G | () 48-13
49-19G | () 58-01
59-01G | |
| () 07-23
08-25G | () 15-25
16-25G | () 21-37
22-43G | () 30-01
31-01G | () 39-13
40-13G | () 48-25
49-31G | () 58-13
59-13G | |
| () 09-01
10-07G | () 15-37
16-37G | () 23-01
24-01G | () 30-13
31-13G | () 39-25
40-25G | () 48-37
49-43G | () 60-01
61-07G | |

LIBRARY

 TYMSHARE INCORPORATED			
TITLE KLINT-GND WIRES			
SIZE B	CODE	NUMBER 0000000	REV A
DATE OCT. 18. 1984		SHEET 01 OF 01	

KLBLD3.DWG
26KL

INSTALL VCC WIRES ON THE FOLLOWING PINS:

() 02-01V 02-01 02-02	() 08-19V 08-12 08-13	() 14-25V 14-23 14-24	() 20-07V 20-01 20-02	() 24-31V 24-25 24-26	() 31-07V 31-01 31-02	() 37-31V 37-25 37-26	() 45-01V 45-01 45-02	() 51-31V 51-25 51-26	() 59-07V 59-01 59-02
() 02-13V 02-12 02-13	() 08-31V 08-23 08-24	() 14-37V 14-37 14-38	() 20-19V 20-13 20-14	() 24-43V 24-37 24-38	() 31-19V 31-13 31-14	() 37-43V 37-37 37-38	() 45-13V 45-13 45-14	() 51-43V 51-37 51-38	() 59-19V 59-13 59-14
() 02-25V 02-23 02-24	() 10-01V 10-01 10-02	() 16-07V 16-01 16-02	() 20-31V 20-25 20-26	() 26-01V 26-01 26-02	() 31-31V 31-25 31-26	() 40-07V 40-01 40-02	() 45-25V 45-25 45-26	() 53-13V 53-13 53-14	() 61-01V 61-01 61-02
() 04-07V 04-01 04-02	() 10-13V 10-12 10-13	() 16-19V 16-13 16-14	() 20-43V 20-37 20-38	() 26-13V 26-13 26-14	() 31-43V 31-37 31-38	() 40-19V 40-13 40-14	() 45-37V 45-37 45-38	() 53-25V 53-25 53-26	() 61-13V 61-13 61-14
() 04-19V 04-12 04-13	() 10-25V 10-23 10-24	() 16-31V 16-25 16-26	() 22-01V 22-01 22-02	() 26-25V 26-25 26-26	() 34-07V 34-01 34-02	() 40-31V 40-25 40-26	() 47-43V 47-37 47-38	() 53-37V 53-37 53-38	() 63-07V 63-01 63-02
() 04-31V 04-23 04-24	() 12-07V 12-01 12-02	() 16-43V 16-37 16-38	() 22-13V 22-13 22-14	() 26-37V 26-37 26-38	() 34-19V 34-13 34-14	() 40-43V 40-37 40-38	() 49-13V 49-13 49-14	() 55-19V 55-13 55-14	() 63-19V 63-13 63-14
() 06-01V 06-01 06-02	() 12-19V 12-12 12-13	() 18-01V 18-01 18-02	() 22-25V 22-25 22-26	() 28-07V 28-01 28-02	() 34-31V 34-25 34-26	() 43-07V 43-01 43-02	() 49-25V 49-25 49-26	() 55-31V 55-25 55-26	() 65-01V 65-01 65-02
() 06-13V 06-12 06-13	() 12-31V 12-23 12-24	() 18-13V 18-13 18-14	() 22-37V 22-37 22-38	() 28-19V 28-13 28-14	() 34-43V 34-37 34-38	() 43-19V 43-13 43-14	() 49-37V 49-37 49-38	() 55-43V 55-37 55-38	() 67-07V 67-01 67-02
() 06-25V 06-23 06-24	() 14-01V 14-01 14-02	() 18-25V 18-25 18-26	() 24-07V 24-01 24-02	() 28-31V 28-25 28-26	() 37-07V 37-01 37-02	() 43-31V 43-25 43-26	() 51-19V 51-13 51-14	() 57-13V 57-13 57-14	() 69-01V 69-01 69-02
() 08-07V 08-01 08-02	() 14-13V 14-12 14-13	() 18-37V 18-37 18-38	() 24-19V 24-13 24-14	() 28-43V 28-37 28-38	() 37-19V 37-13 37-14	() 43-43V 43-37 43-38			



TYMSHARE INCORPORATED

TITLE			
KLINT-VCC WIRES			
SIZE	CODE	NUMBER	REV
B		000000	A
DATE	OCT. 18. 1984		SHEET 01 OF 01

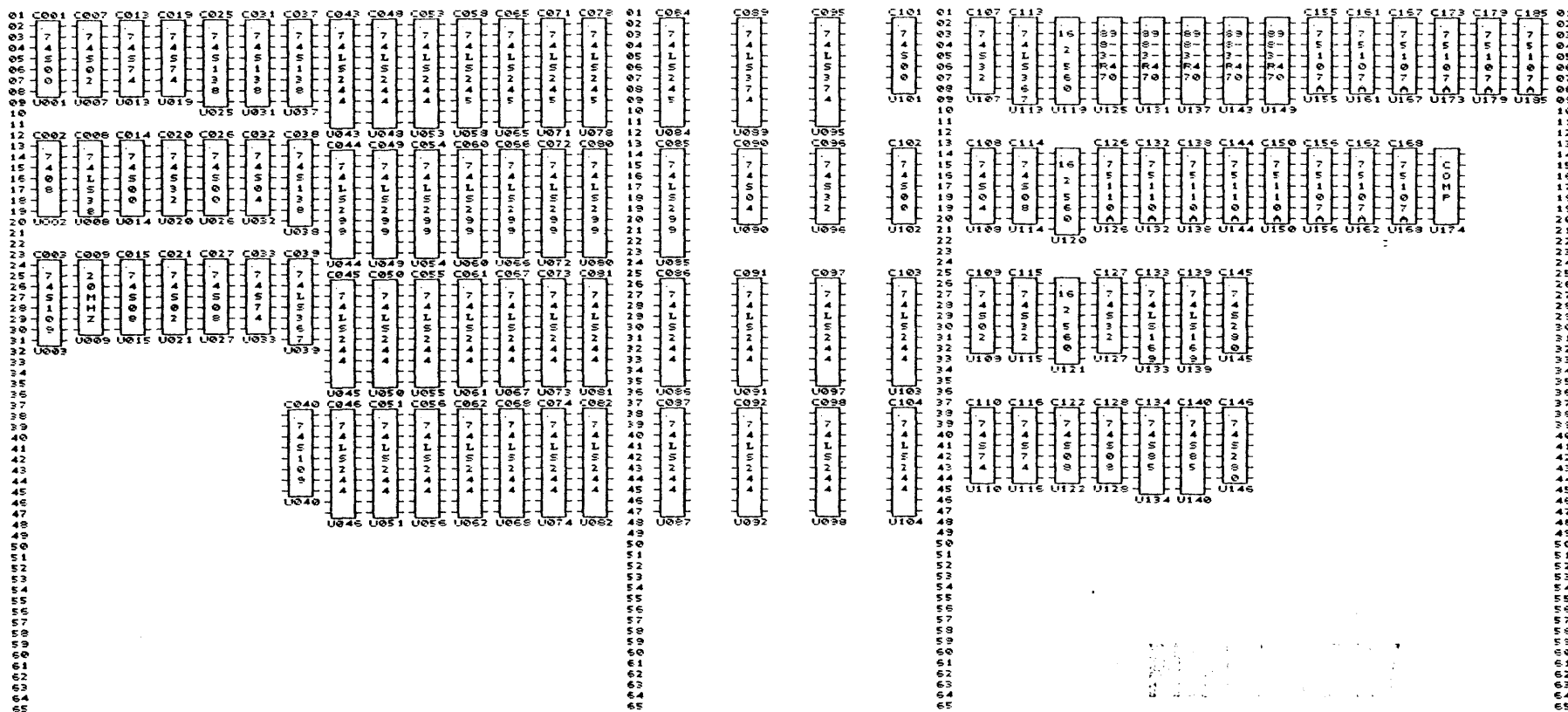
KLINT-VCC WIRES

KLINTSTF .DWG
26KL

J1

J2

J3



01 03 05 07 09 11 13 15 17 19 21 23 25 27 30 33 36 39 42 44 46 49 50 52 54 55 58 60 62 64 66 68

NOTE: FOR B.O.M. SEE
KLROM.DOC
FOR STUFFER SEE
KLSTF.DOC
FOR DIPCHECK SEE
KLDIPCHK.DOC

J4 (OPTIONAL)

J5 (OPTIONAL)

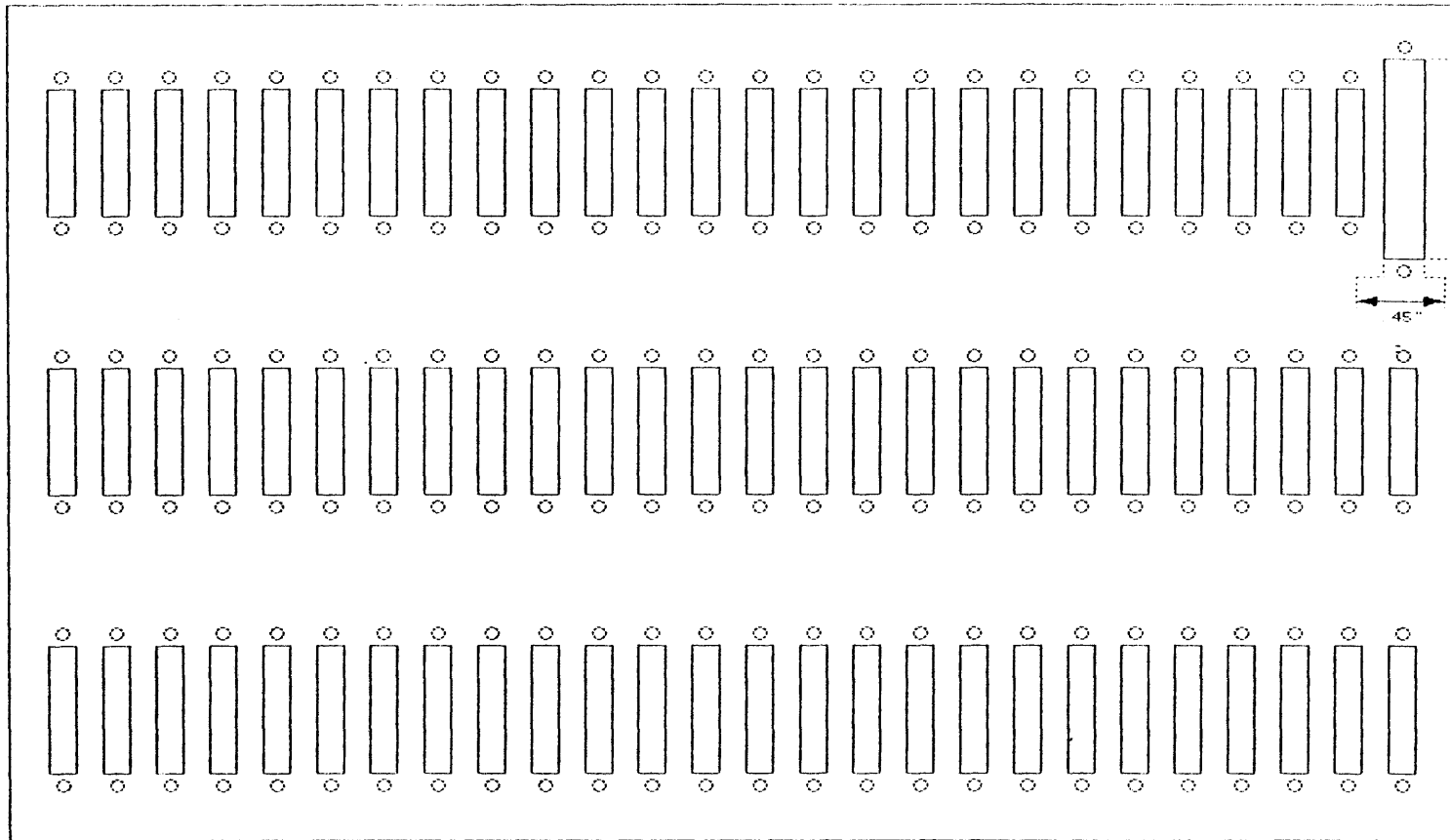
KLINT COMPONENT SIDE STUFFING CHART

TYMSHARE INC.


TITLE KLINTSTF

DRAWING NUMBER 104000
DATE MAY 2, 1985 CDD
SHEET 01 OF 01 REV C

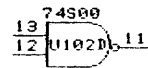
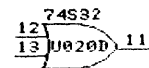
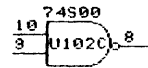
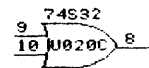
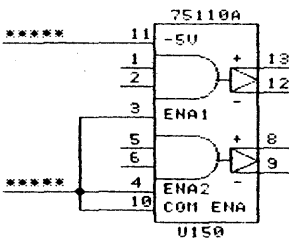
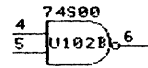
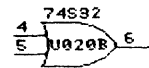
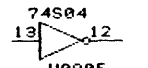
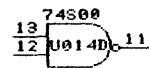
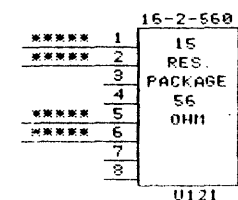
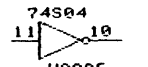
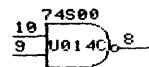
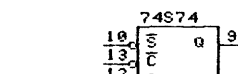
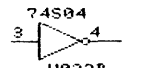
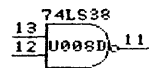
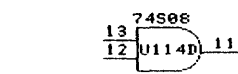
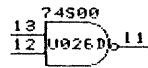
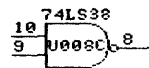
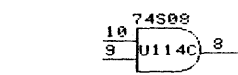
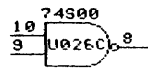
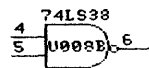
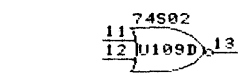
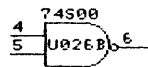
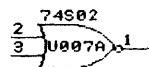
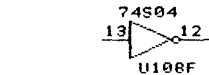
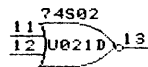
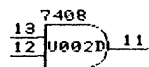
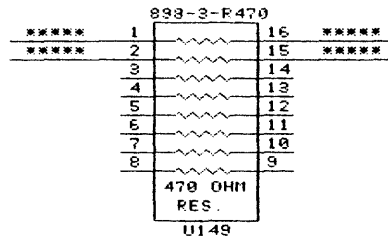
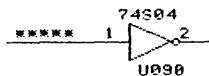
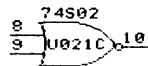
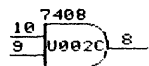
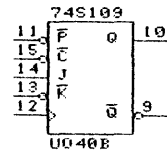
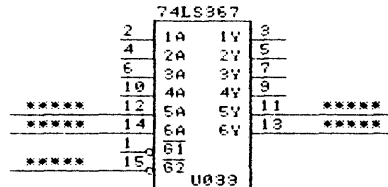
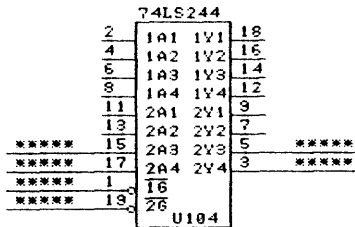
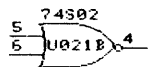
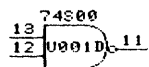
KLINT101.DWG
26KL



VIEW FROM WIRE WRAP SIDE OF I/O PANEL

 TYMSHARE INCORPORATED			
TITLE KLINT - I/O CONNECTOR MOUNTING			
SIZE	CODE	NUMBER	REV
B			C
DATE	NOV 2 1985	SHEET 01 OF 02	

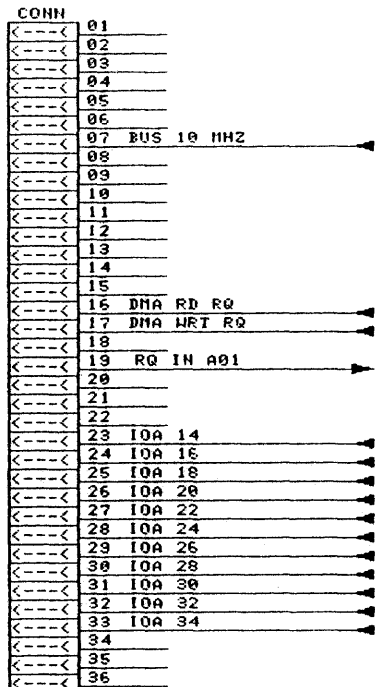
KLINTUN.DWG
26KL



**** INDICATES PINS USED
IN MULTIPLE PACKAGE.

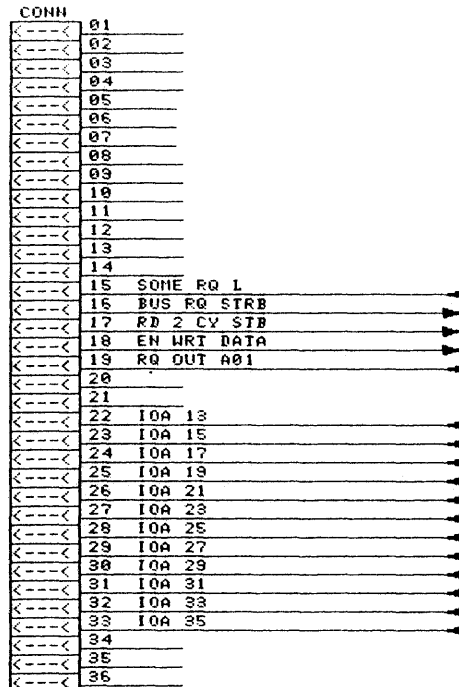
TITLE			
KLINT - USED CIRCUITS			
SIZE	CODE	NUMBER	REV
B		104001	C
DATE	MAY 2, 1985		SHEET 01 OF 01

KLINTCN1.DWG
26KL



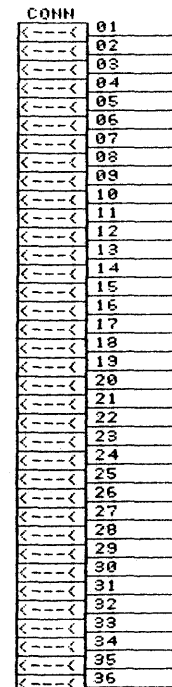
J1A

PINS 1 AND 36 SOLDERED
TO GND PLANE.



J1B

PINS 1 AND 36 SOLDERED
TO GND PLANE.



J1C

PINS 1 AND 36 SOLDERED
TO GND PLANE.
PINS 4-8 AND 31-35 ARE
SOLDERED TO +5V PLANE.



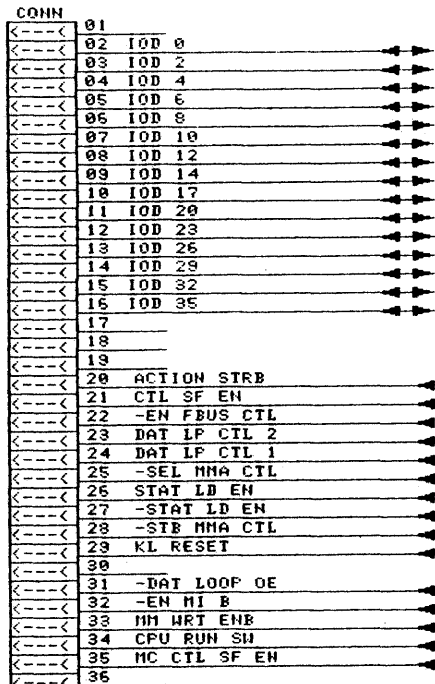
TYMSHARE INCORPORATED

TITLE

KLINT - J1 CONNECTOR

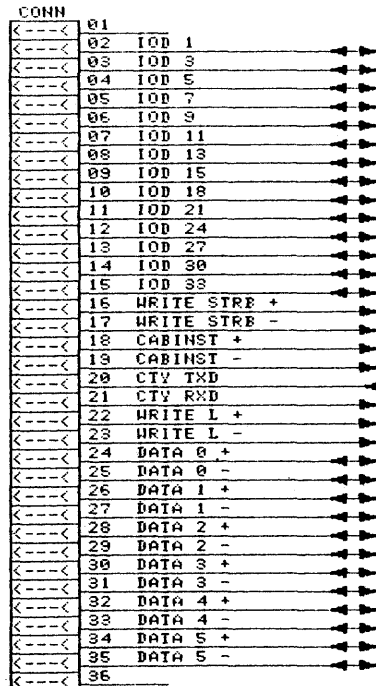
SIZE	ENGR	NUMBER	REV
B	CDM	104001	C
DATE	MAY 2, 1985		SHEET 1 OF 25

KLINTCN2.DWG
26KL



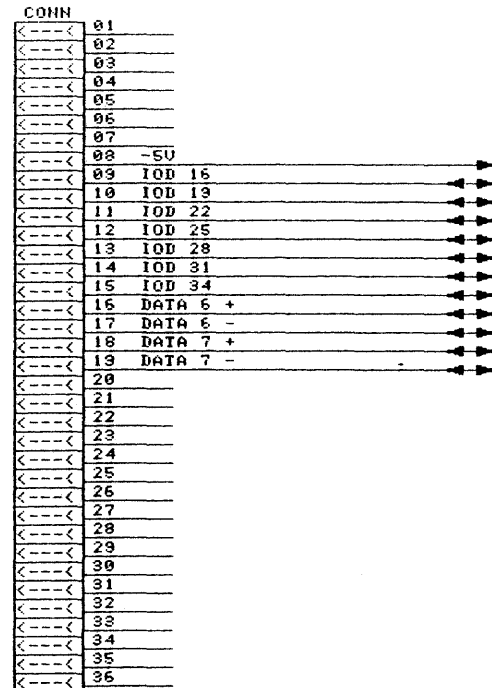
J2A

PINS 1 AND 36 SOLDERED
TO GND PLANE.



J2B

PINS 1 AND 36 SOLDERED
TO GND PLANE.



J2C

PINS 1 AND 36 SOLDERED
TO GND PLANE.



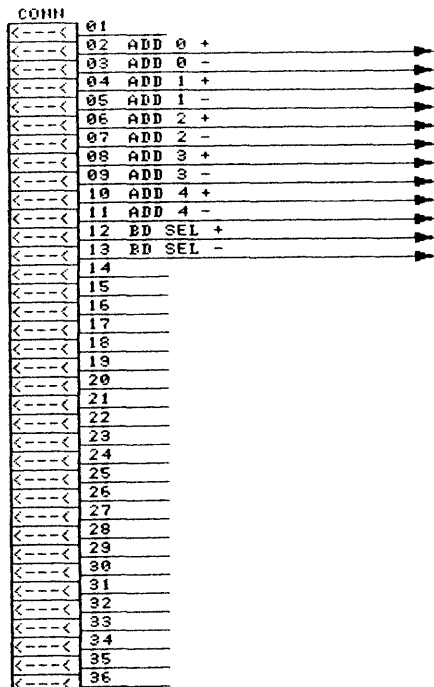
TYMSHARE INCORPORATED

TITLE

KLINT - J2 CONNECTOR

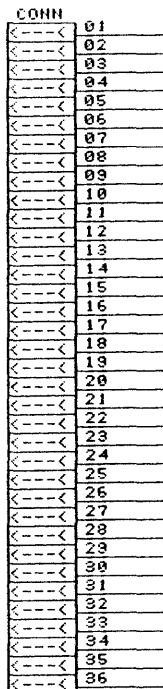
SIZE	ENGR	NUMBER	REV
B	CDM	104001	C
DATE	MAY 2, 1985		SHEET 2 OF 25

KLINTCN3.DWG
26KL



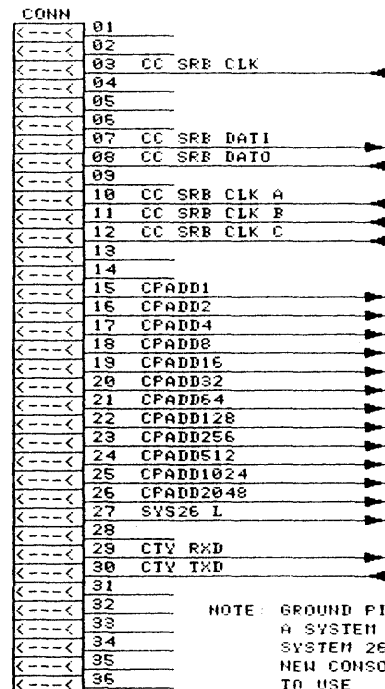
J3A

PINS 1 AND 36 SOLDERED
TO GND PLANE.



J3B

PINS 1 AND 36 SOLDERED
TO GND PLANE.



J3C

PINS 1 AND 36 SOLDERED
TO GND PLANE.

NOTE: GROUND PIN 27 ONLY IF THIS IS
A SYSTEM 26 AND NOT IF A
SYSTEM 26KL. THIS WILL TELL THE
NEW CONSOLE COMPUTER WHAT CODE
TO USE.

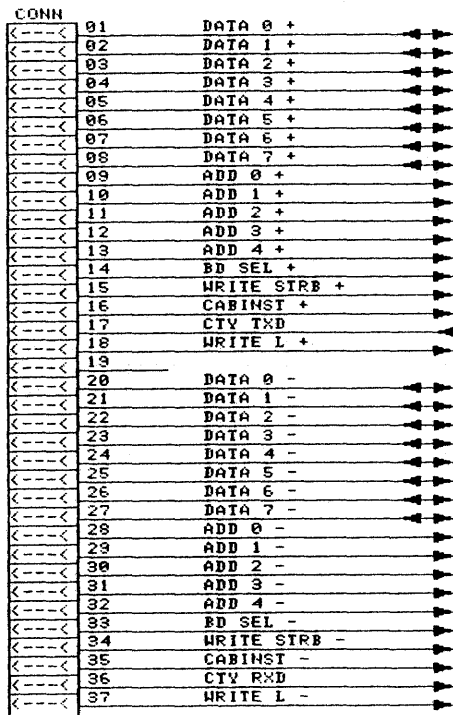


TYMSHARE INCORPORATED

TITLE

KLINT - J3 CONNECTOR


SIZE	ENGR	NUMBER	REV
B	CDM	104001	C
DATE	MAY 2, 1985		SHEET 3 OF 25



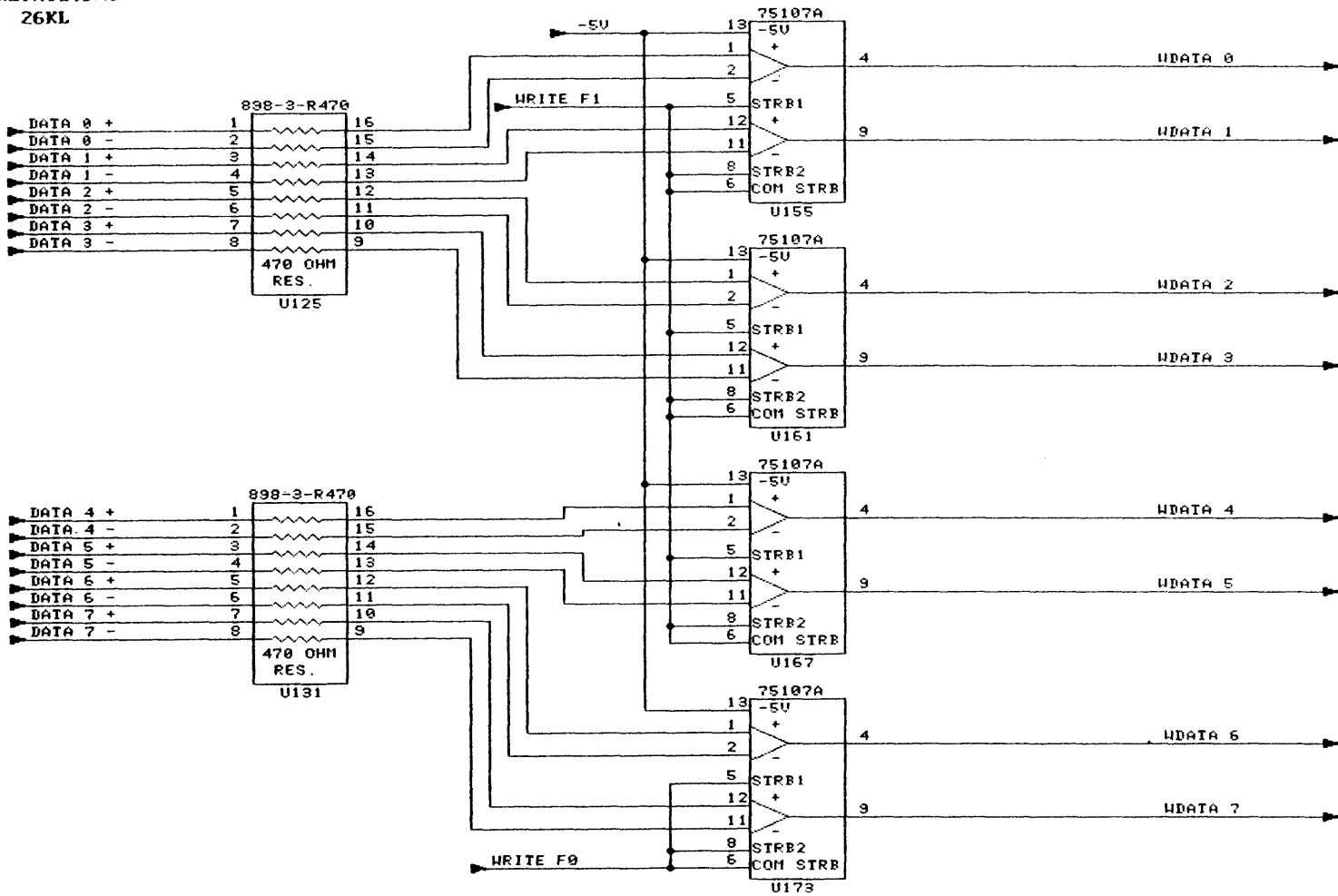
J4


BUS CONNECTOR FROM THE SYSTEM 26KL TO THE IBM PC

(OPTIONAL)

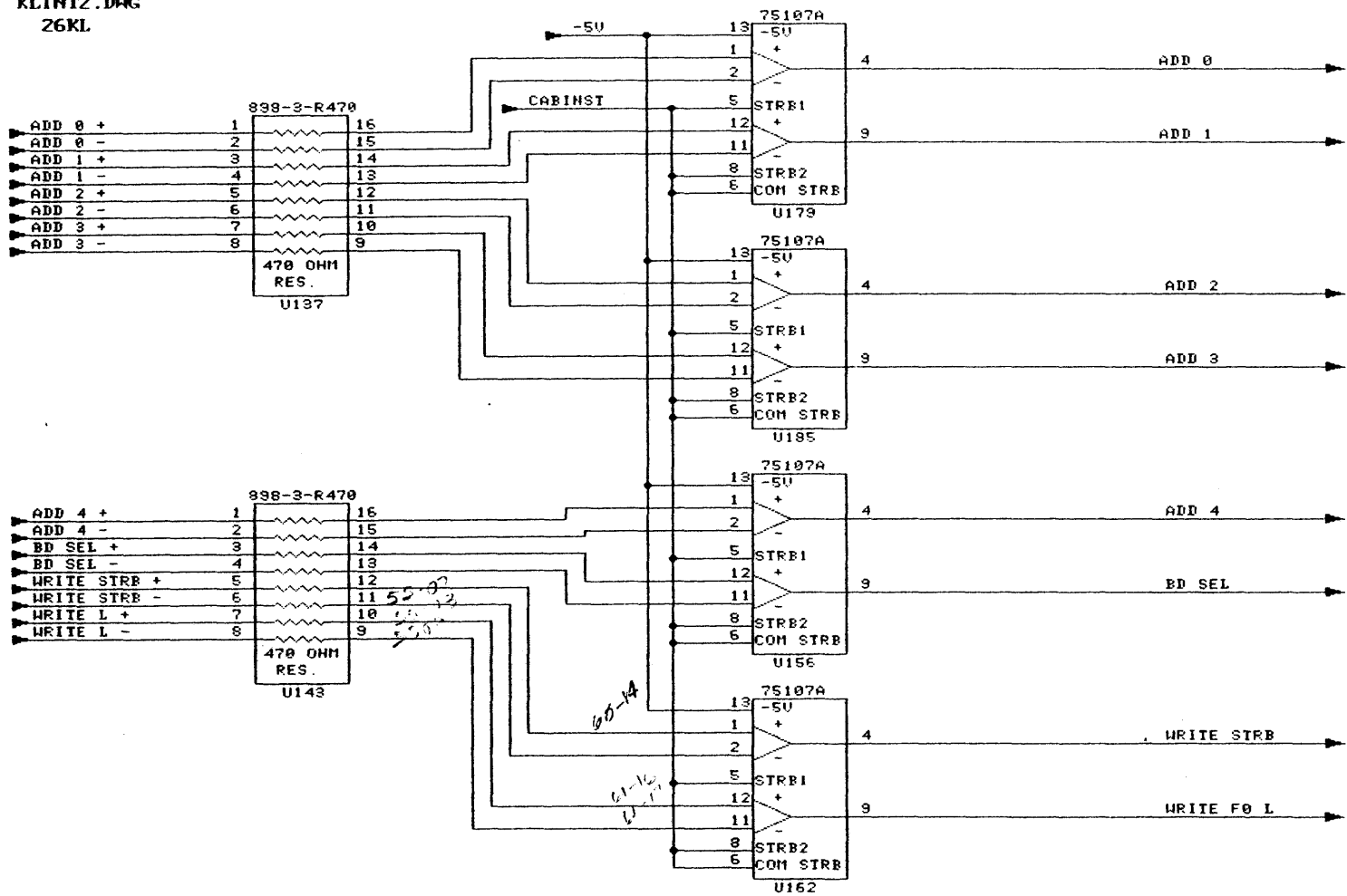
 TYMSHARE INCORPORATED			
TITLE			
KLINT - J4 CONNECTOR			
SIZE	ENGR	NUMBER	REV
B	CDM	104001	C
DATE	MAY 2, 1985		SHEET 4 OF 25
	2		1


KLINT1.DWG
26KL



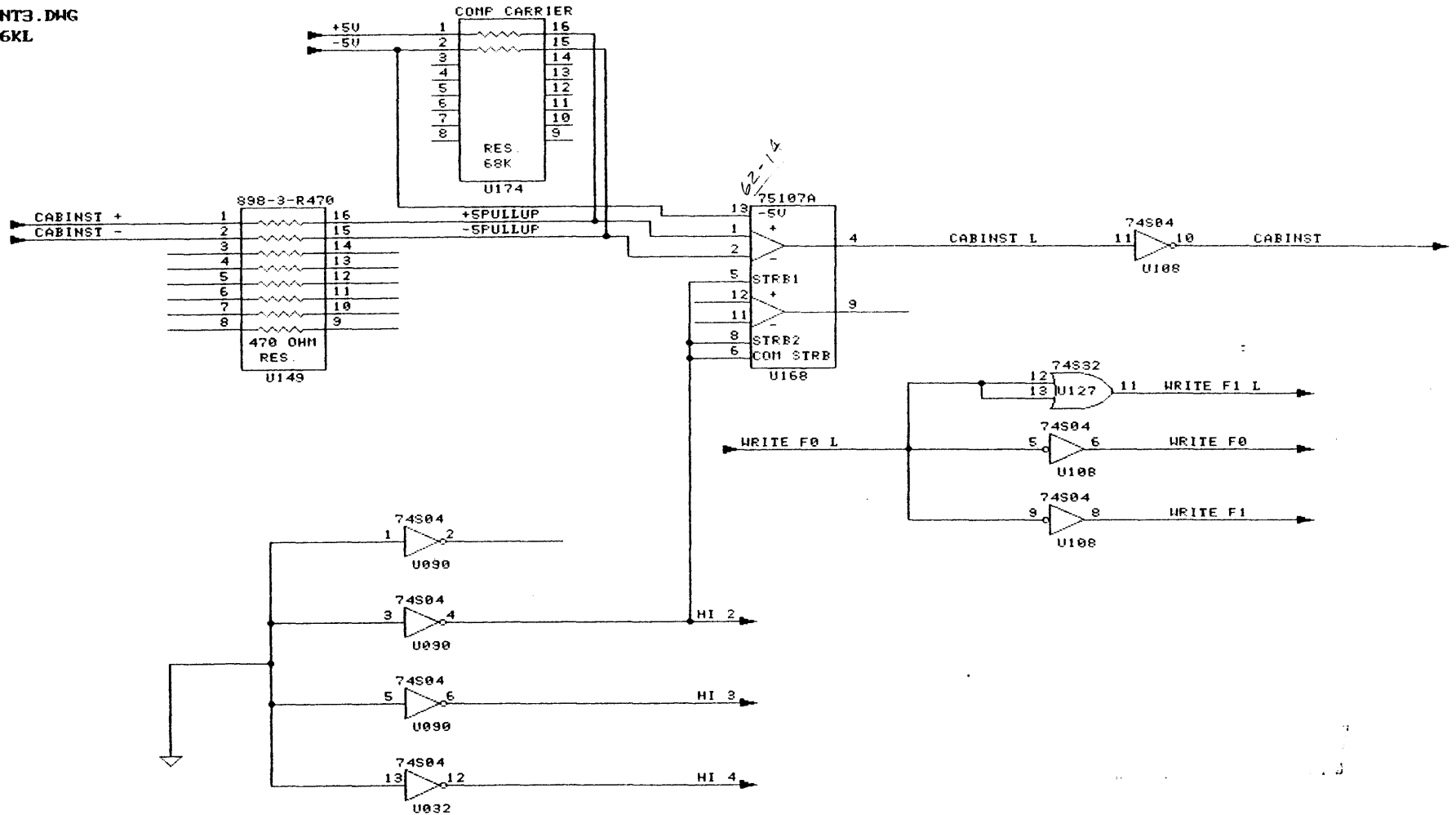
 TYMSHARE INCORPORATED			
TITLE KLINT - DATA RECEIVERS			
SIZE	ENGR	NUMBER	REV
B	CDM	104001	C
DATE	MAY 21, 1985		SHEET 5 OF 25


KLINTZ.DWG
26KL



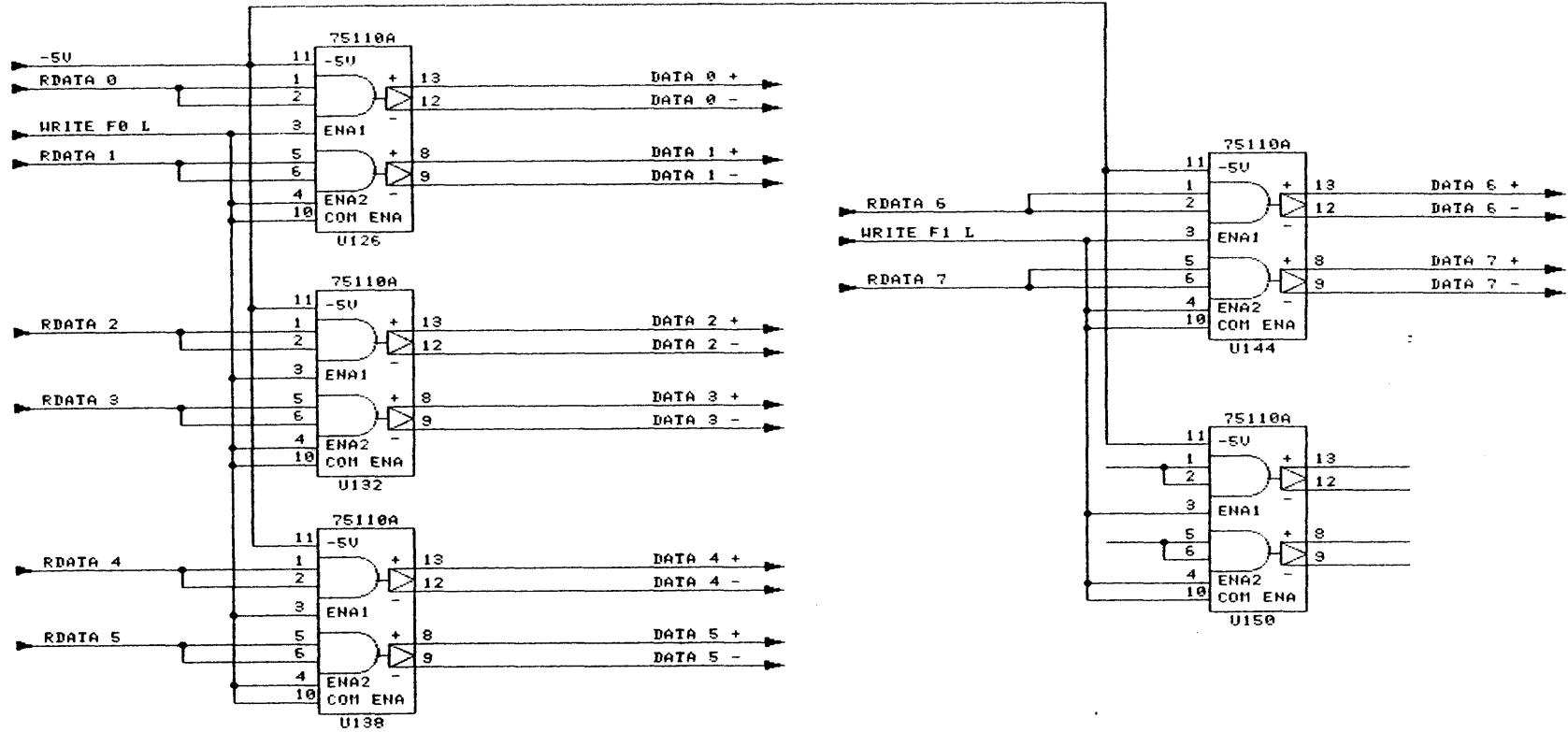
 TYMSHARE INCORPORATED			
TITLE			
KLINT - ADDRESS RECEIVERS 1			
SIZE	ENGR	NUMBER	REV
B	CDM	104001	C
DATE	APRIL 3, 1984		SHEET 6 OF 25

KLINT3.DWG
26KL




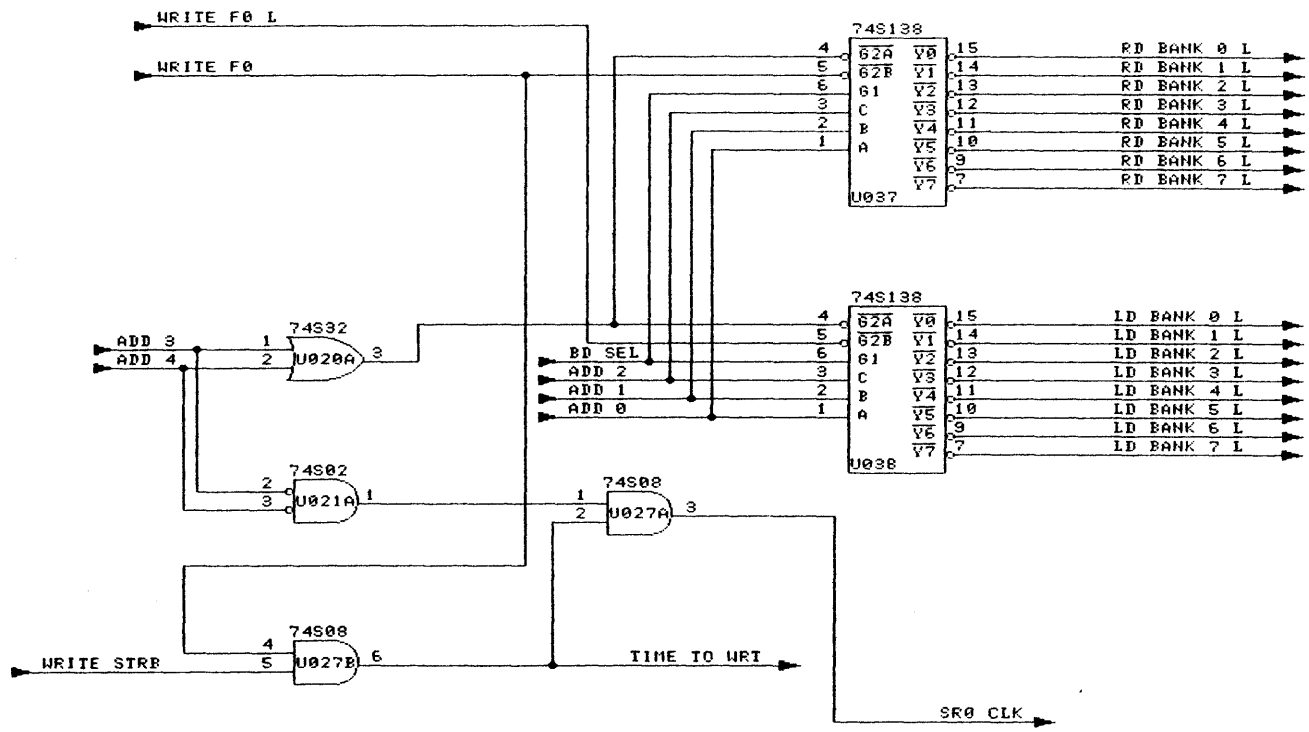
 TYMSHARE INCORPORATED			
TITLE KLINT - ADDRESS RECEIVERS 2			
SIZE B	ENGR CDM	NUMBER 104001	REV C
DATE MAY 2, 1985	SHEET 7 OF 25		


KLINT4.DWG
26KL



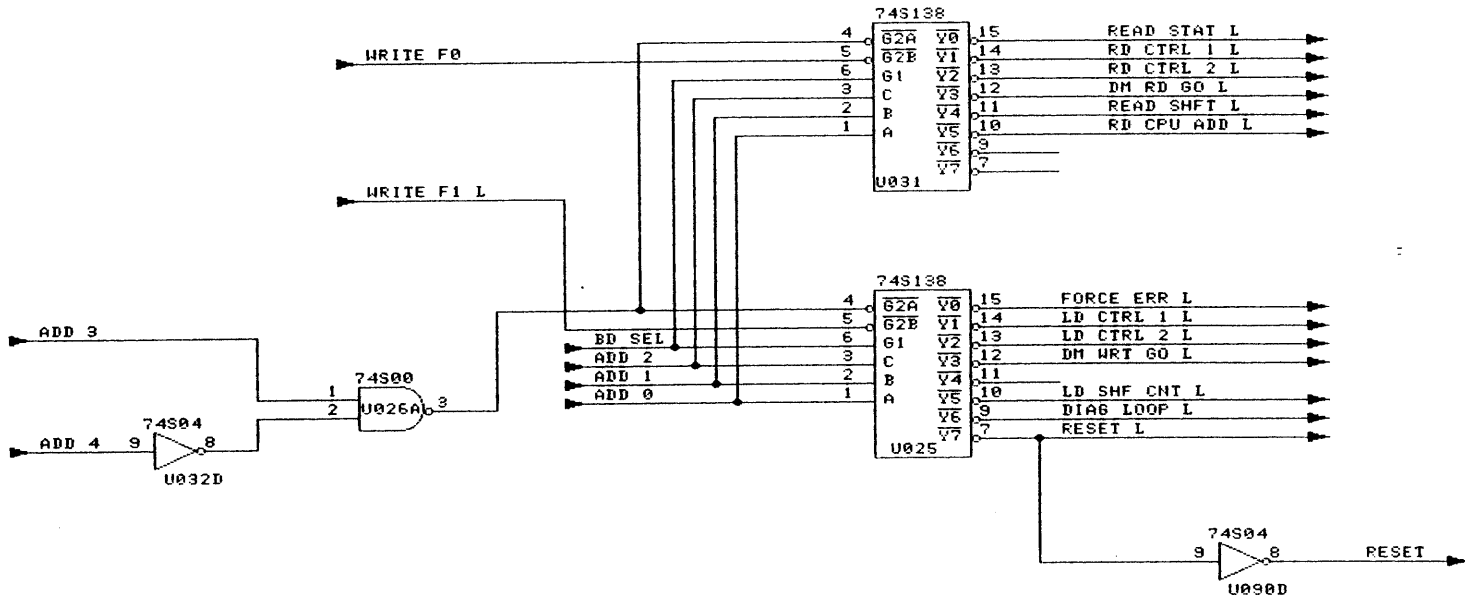
KLINT4.DWG
26KL

 TYMSHARE INCORPORATED			
TITLE KLINT - DATA TRANSMITERS			
SIZE B	ENGR CDM	NUMBER 104001	PEU C
DATE MAY 2, 1985		SHEET 8 OF 25	




 TYMSHARE INCORPORATED			
TITLE			
KLINT - FUNCTION SELECT 1			
SIZE	ENGR	NUMBER	REV
B	CDM	104001	C
DATE	MAY 2, 1985		SHEET 9 OF 25

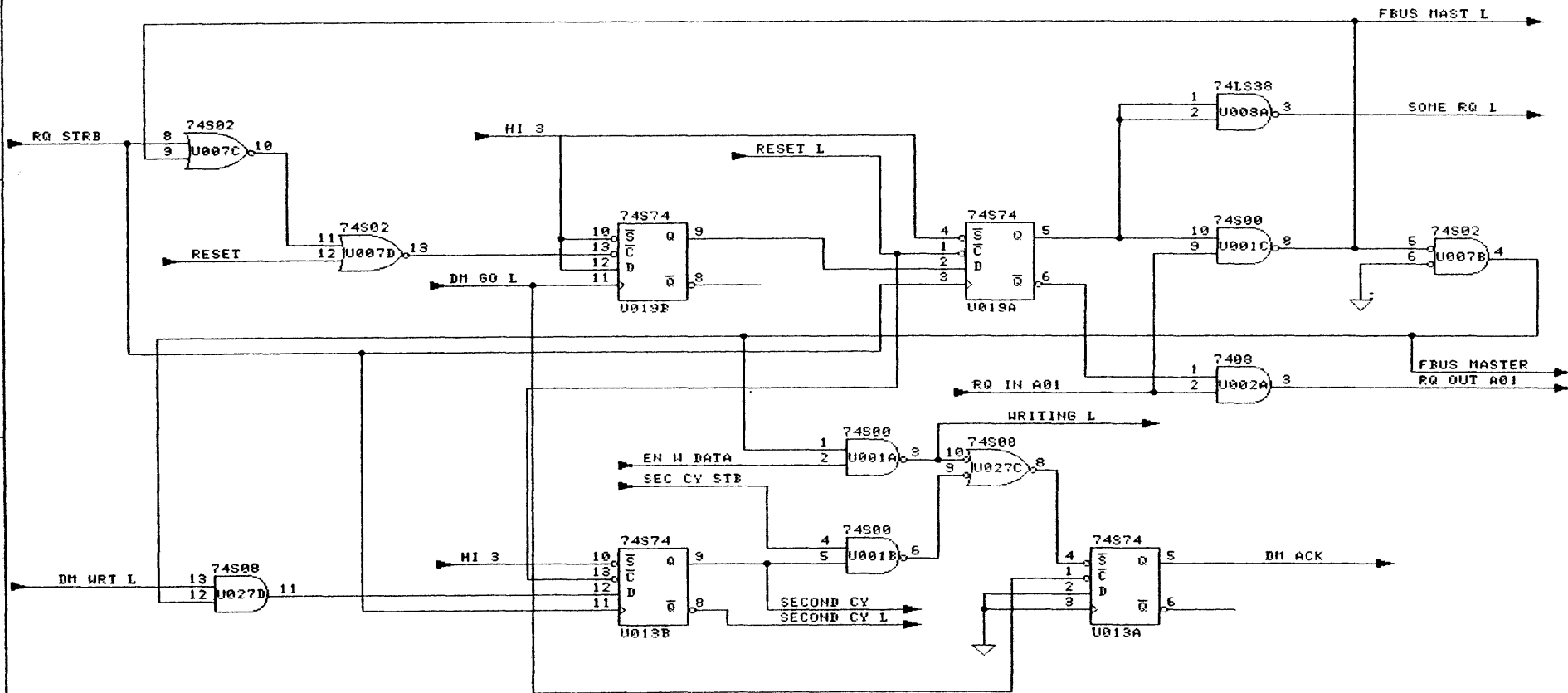
KLINT6.DHG
26KL




REVISIONS

 TYMSHARE INCORPORATED			
TITLE KLINT - FUNCTION SELECT 2			
SIZE	ENGR	NUMBER	PEU
B	CDM	104001	C
DATE	MAY 2, 1985		SHEET 10 OF 25

KLINT7.DWG
26KL

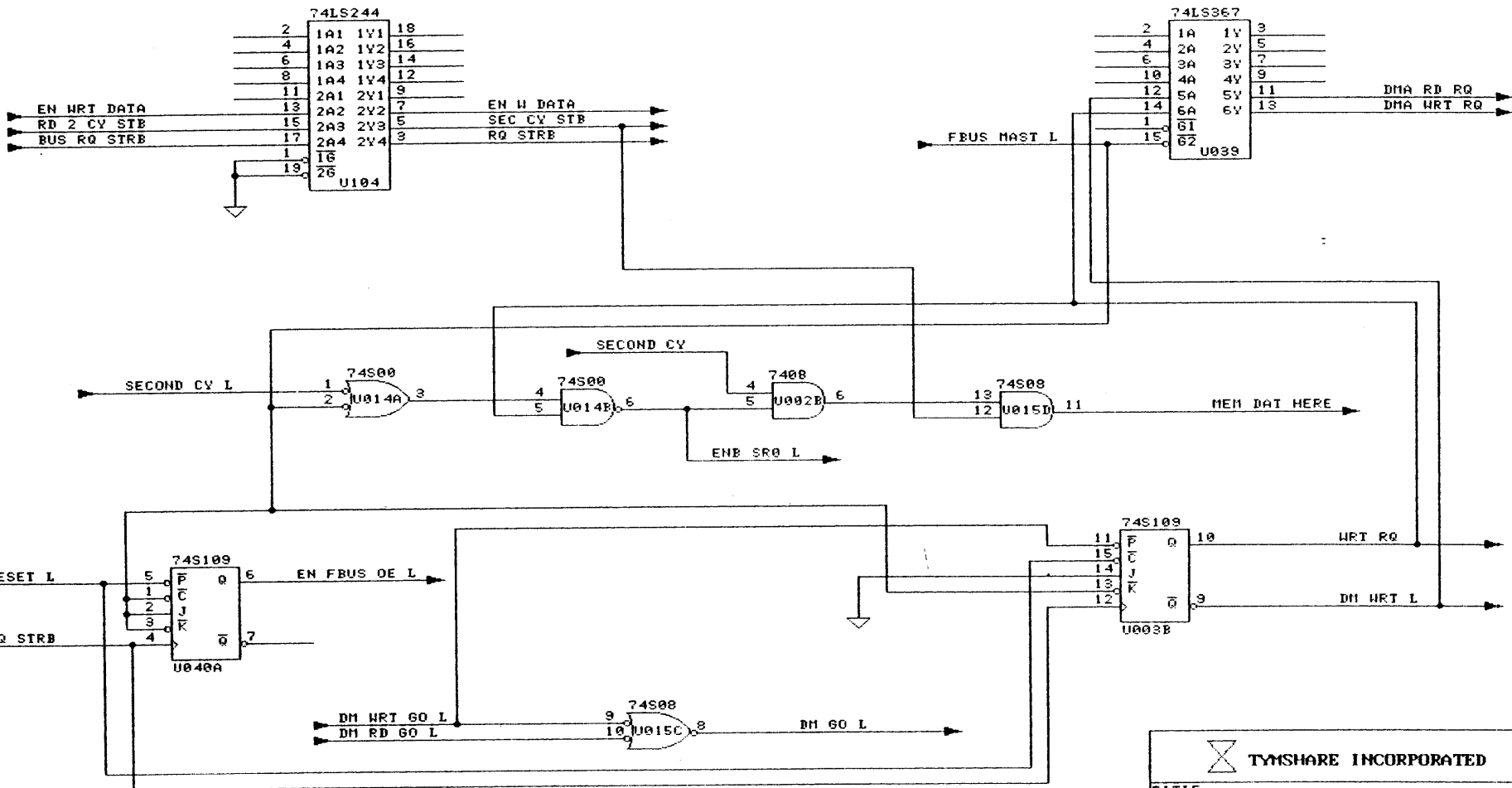



PROOF

 TYMSHARE INCORPORATED

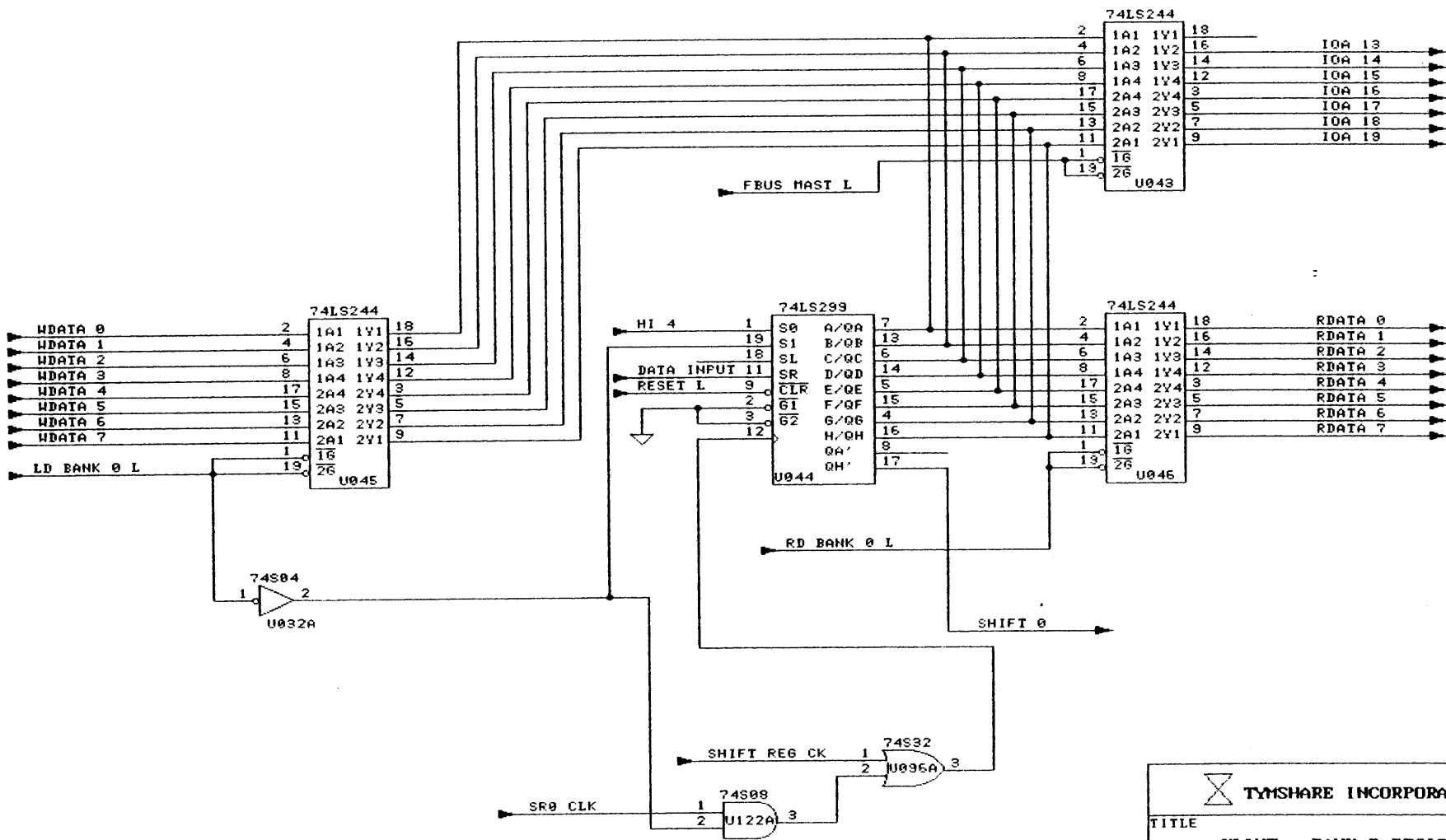
TITLE			
KLINT - DMA WRITE/READ LOGIC 1			
SIZE	ENGR	NUMBER	REV
B	CDM	104001	C
DATE		MAY 2, 1985	SHEET 11 OF 25


KLINTB.DWG
26KL

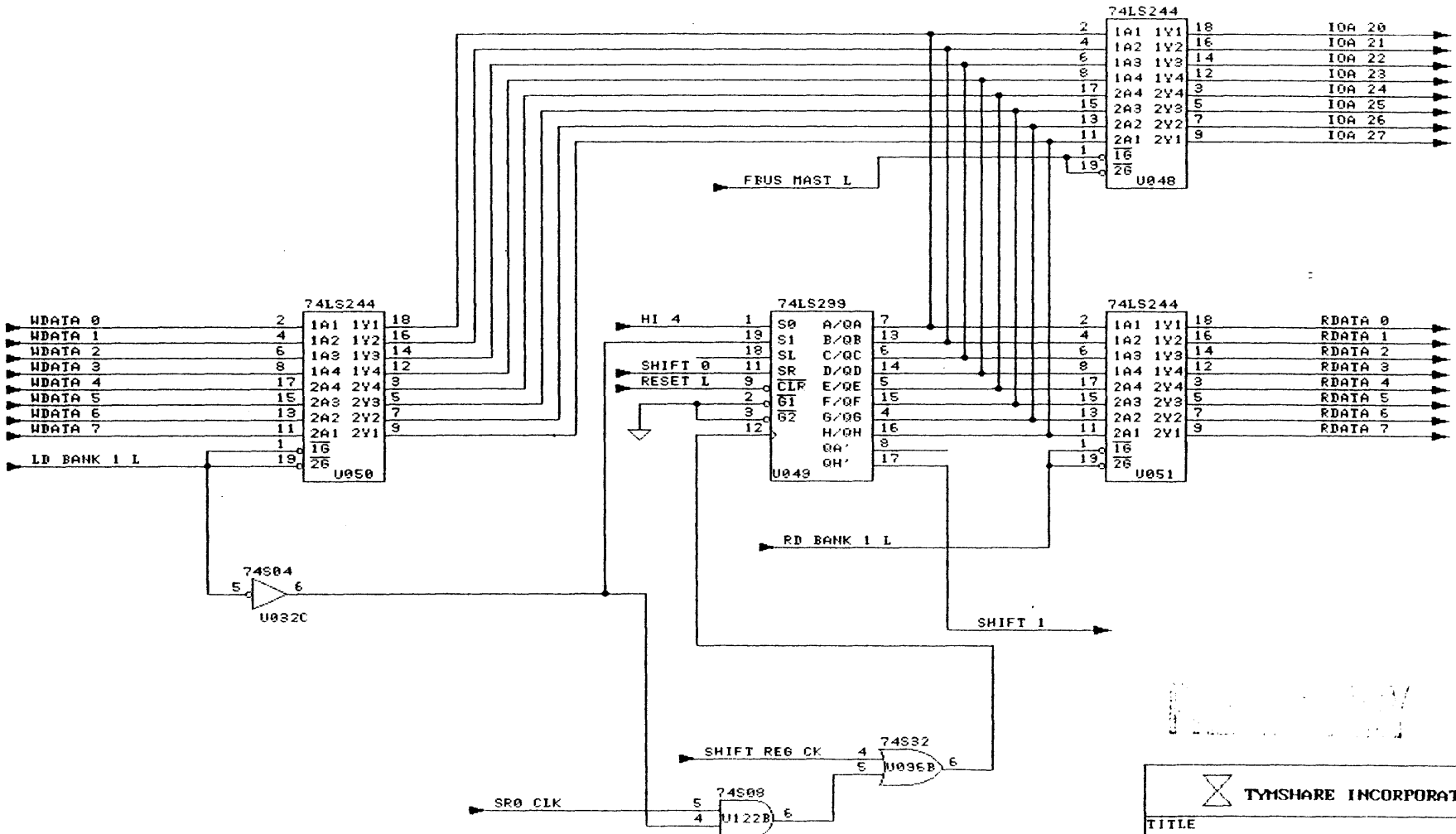


 TMSHARE INCORPORATED			
TITLE			
KLINT - DMA READ/WRITE LOGIC 2			
SIZE	ENGR	NUMBER	REV
B	CDM	104001	C
DATE		SHEET	
MAY 2, 1985		12 OF 25	

KLINT9.DMG
26KL



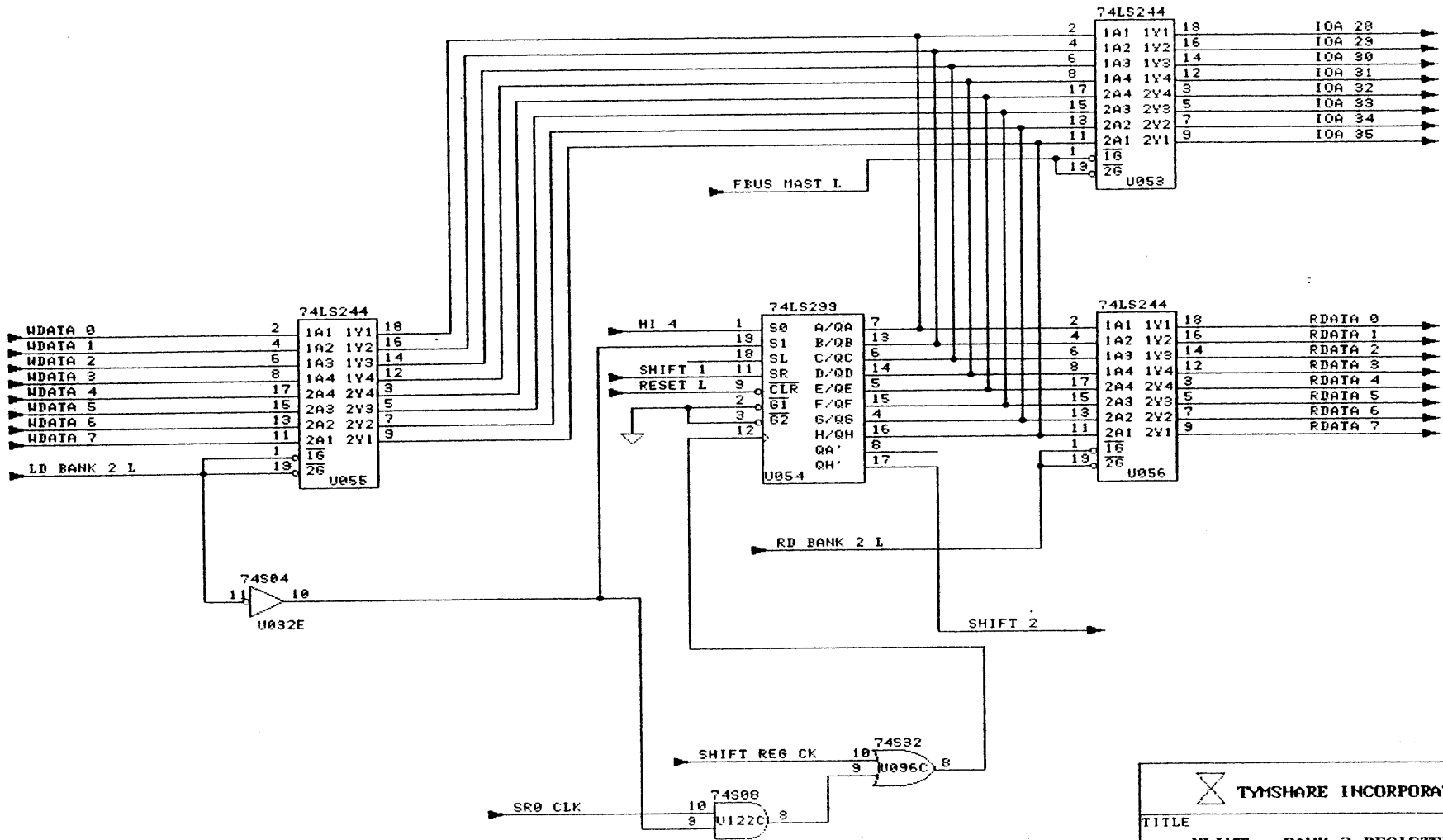
 TYMSHARE INCORPORATED			
TITLE			
KLINT - BANK 0 REGISTERS			
SIZE	ENGR	NUMBER	REV
B	CDM	104001	C
DATE	MAY 2, 1985		SHEET 13 OF 25



REVISED

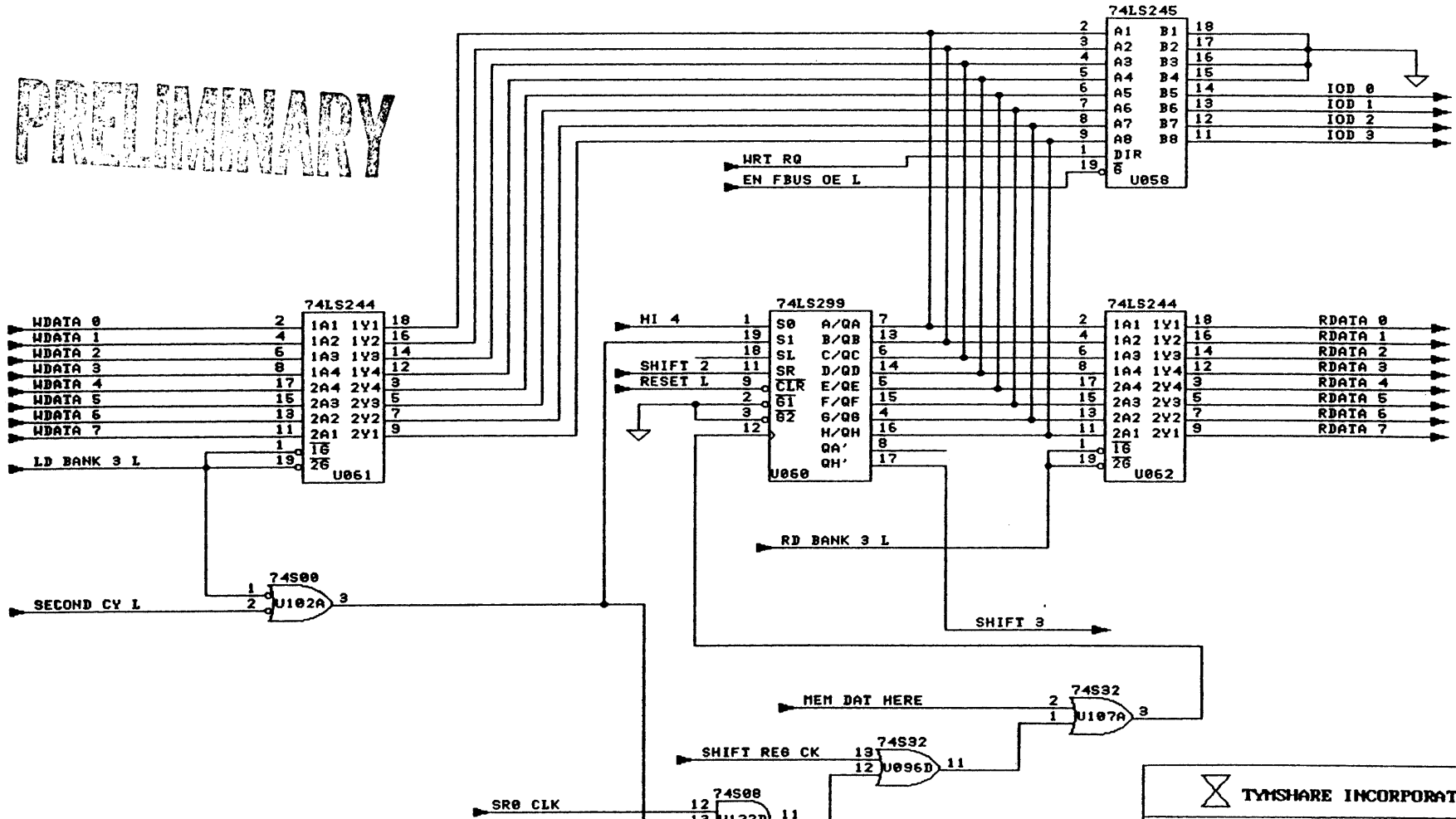
TITLE			
KLINT - BANK 1 REGISTERS			
SIZE	ENGR	NUMBER	REV
B	CDM	104001	C
DATE		MAY 2, 1985	SHEET 14 OF 25

KLINT11.DMG
26KL



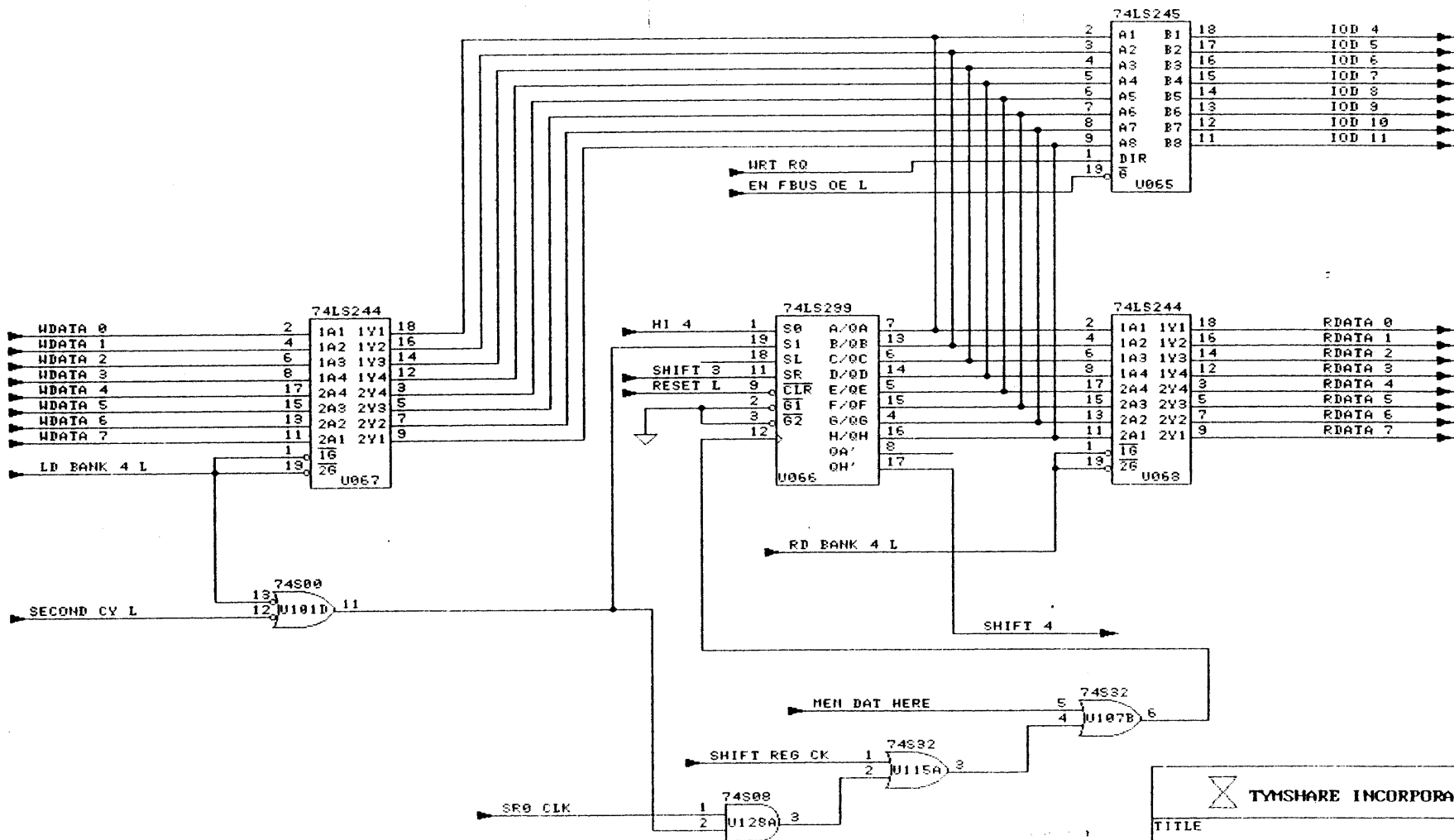
TITLE				
KLINT - BANK 2 REGISTERS				
SIZE	ENGR	NUMBER	REV	
B	CDM	104001	C	
DATE	MAY 2, 1985	SHEET	15 OF 24	


PRELIMINARY



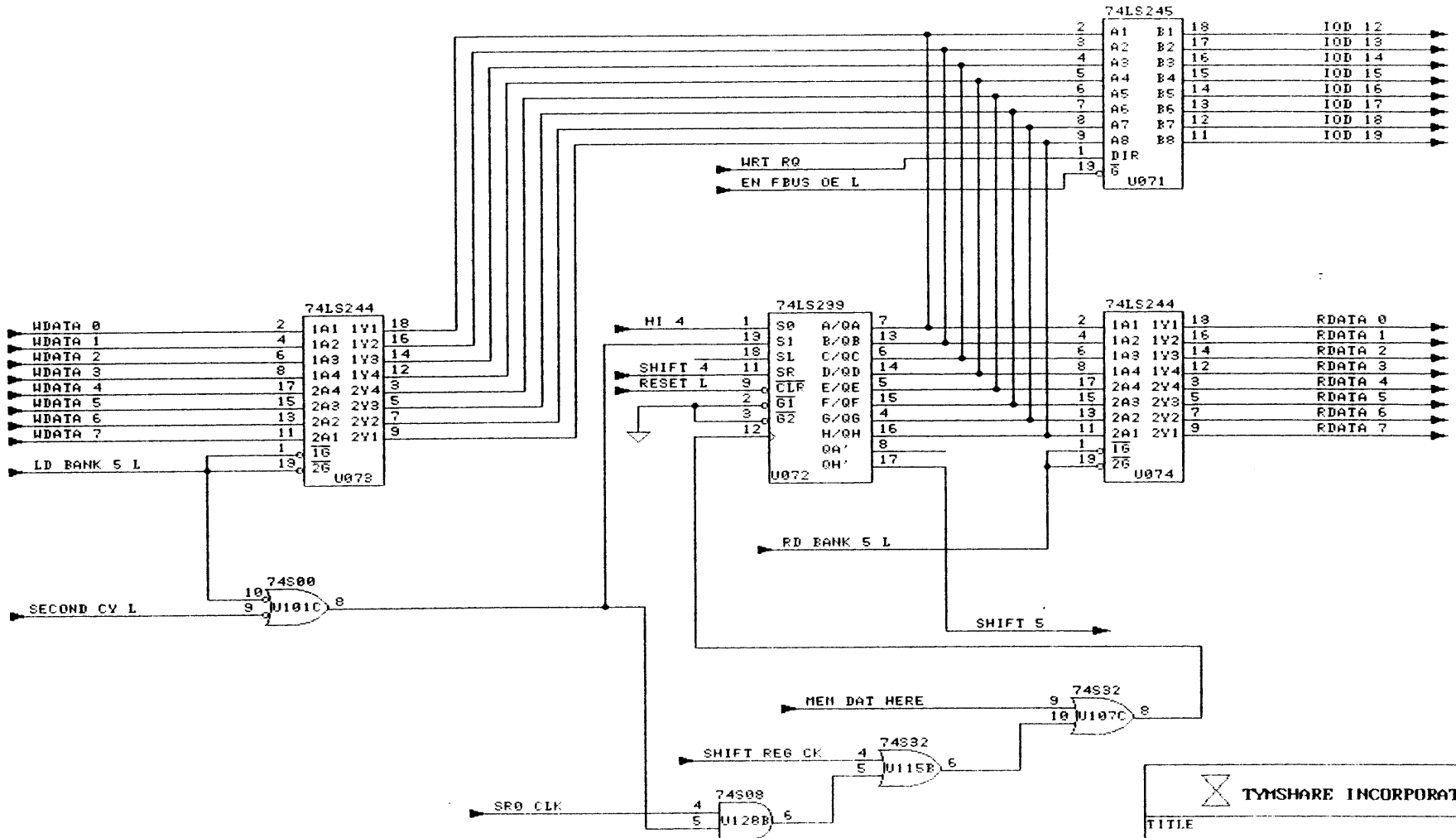
TITLE			
KLINT - BANK 3 REGISTERS			
SIZE	ENGR	NUMBER	REV
B	CDM	104001	C
DATE		MAY 2, 1985	SHEET 16 OF 25


KLINT13.DWG
26KL



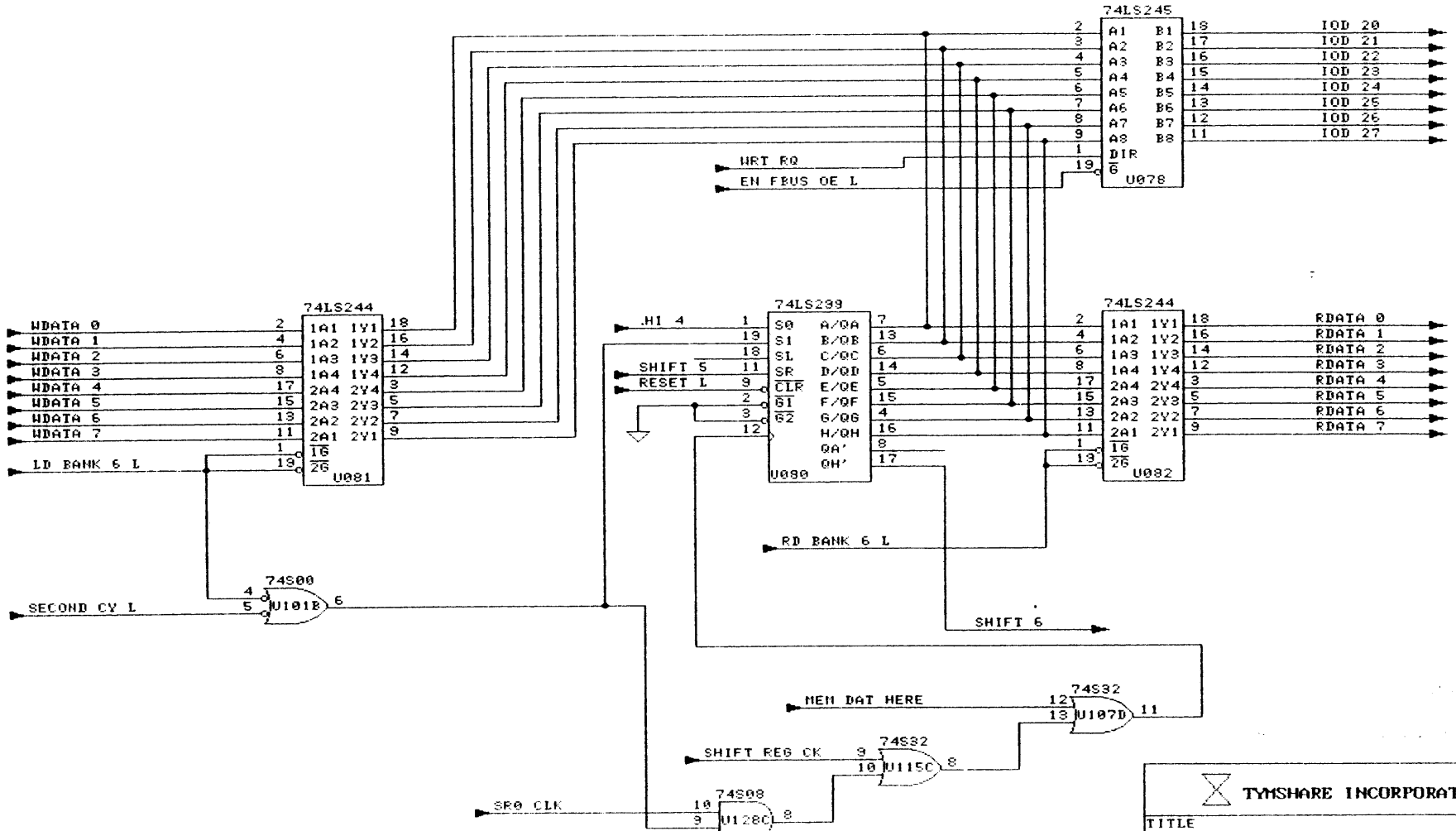
 TYMSHARE INCORPORATED			
TITLE			
KLINT - BANK 4 REGISTERS			
SIZE	ENGR	NUMBER	REV
B	CDM	104001	C
DATE		SHEET	
MAY 2, 1985		17 OF 25	

KLINT14.DWG
26KL



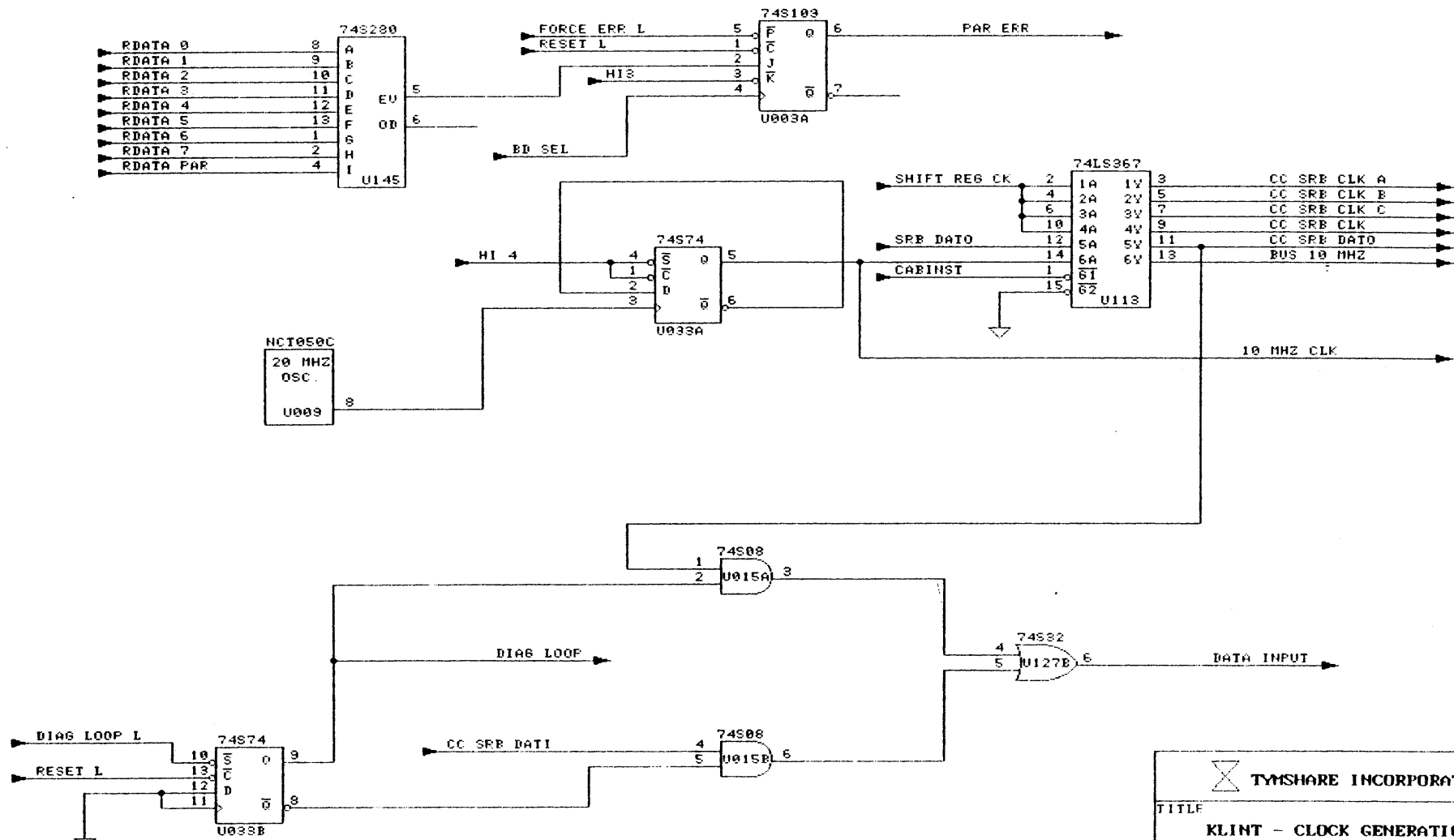
 TYMSHARE INCORPORATED			
TITLE			
KLINT - BANK 5 REGISTERS			
SIZE	ENGR	NUMBER	REV
B	CDM	104001	C
DATE	REV 2 1985		SHEET 18 OF 26

KLINT15.DWG
26KL



TITLE			
KLINT - BANK 6 REGISTERS			
SIZE	ENGR	NUMBER	REV
B	CDM	104001	C
DATE	HAY 2, 1985		SHEET 19 OF 25

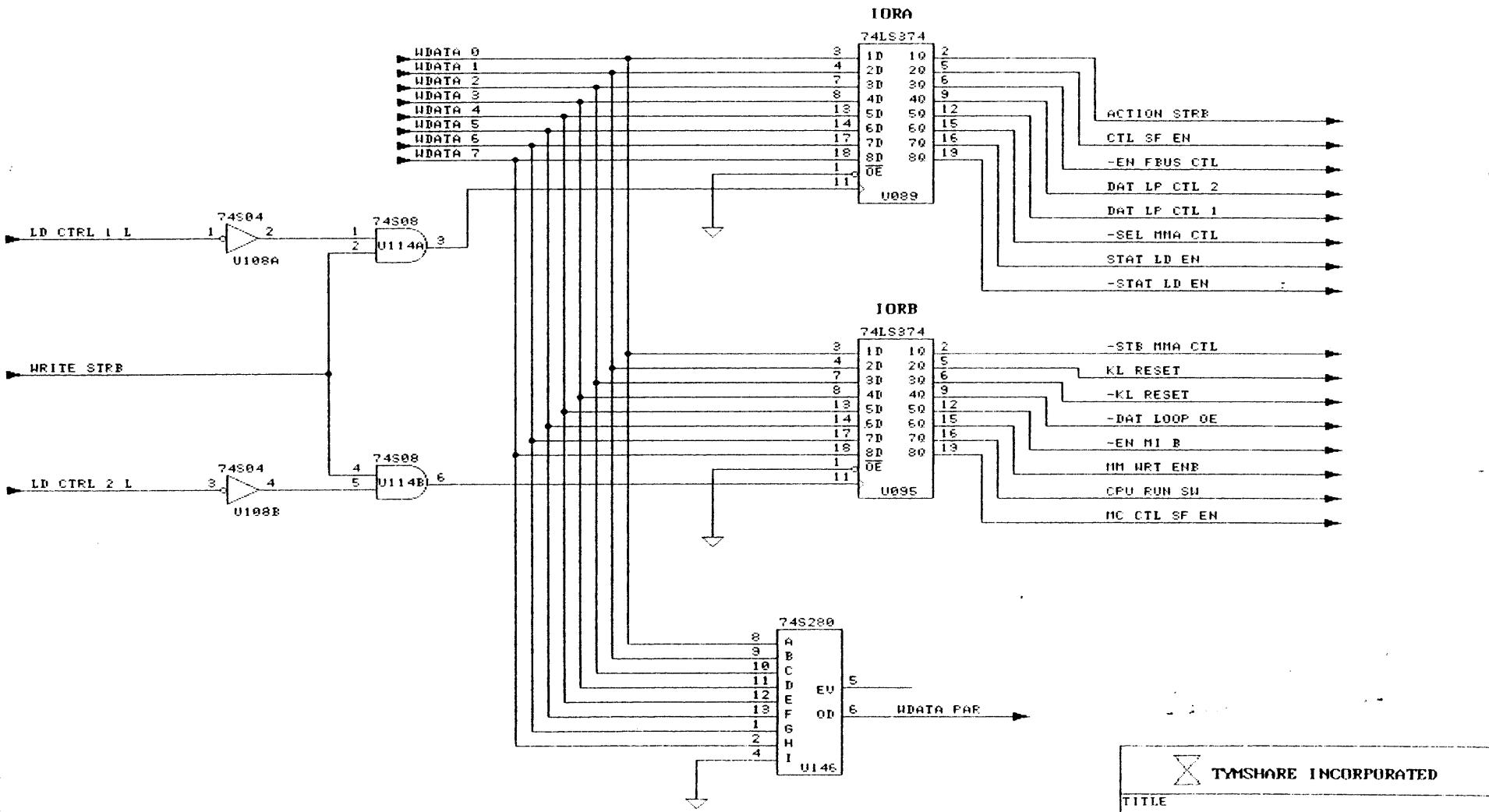
KLINT17.DWG
26KL



THIS CIRCUIT USED FOR
DIAGNOSTIC LOOP BACK.

TITLE			
KLINT - CLOCK GENERATION			
SIZE	ENGR	NUMBER	PEU
B	CDM	104001	C
DATE	MAY 2 1985		SHEET 21 OF 26

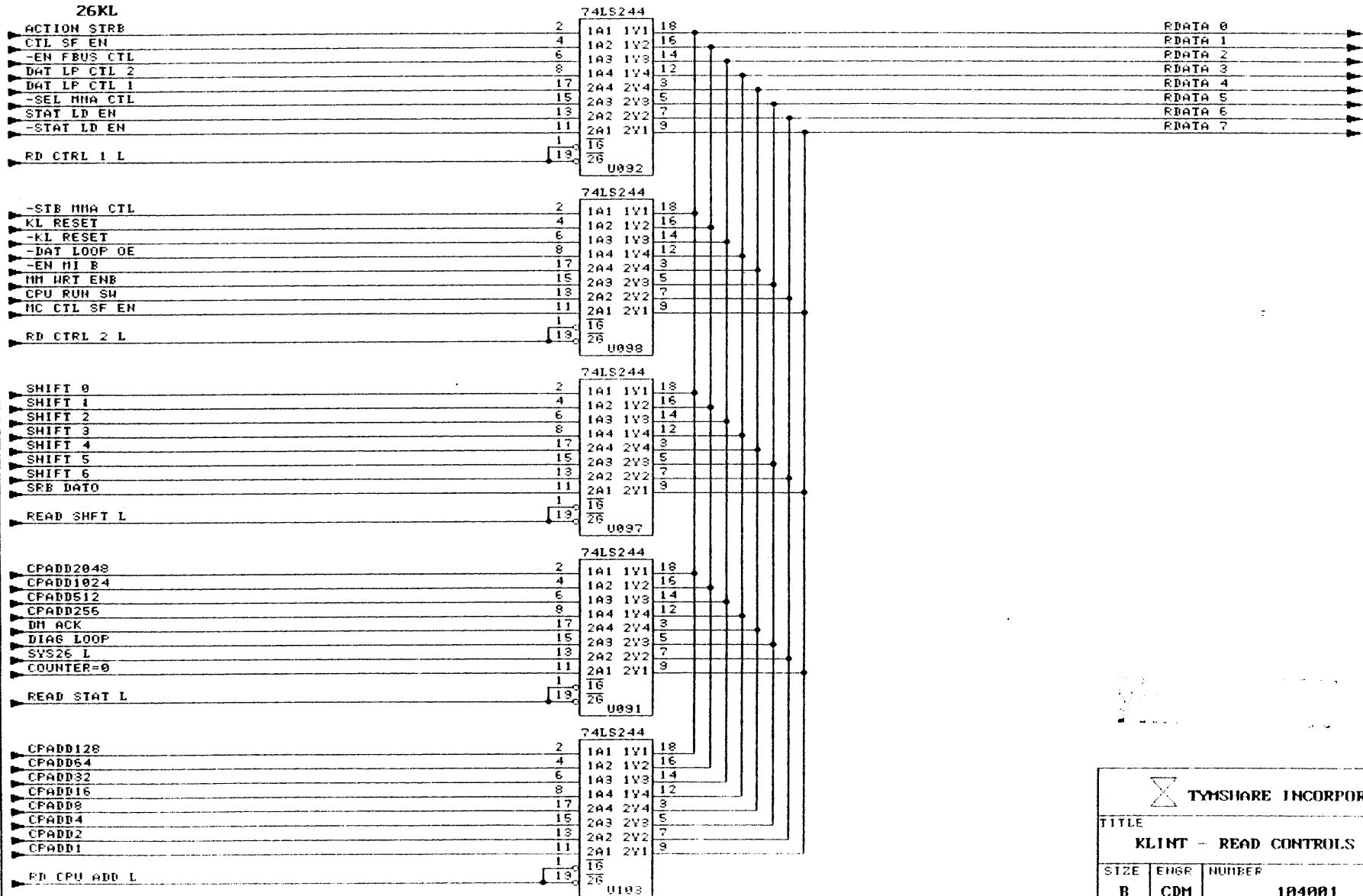
KLINT18.DWG
26KL



TITLE			
KLINT - IORA/IORB CONTROLS			
SIZE	ENGR	NUMBER	REV
B	CDM	104001	C
DATE	MAY 2, 1985		SHEET 25 OF 26

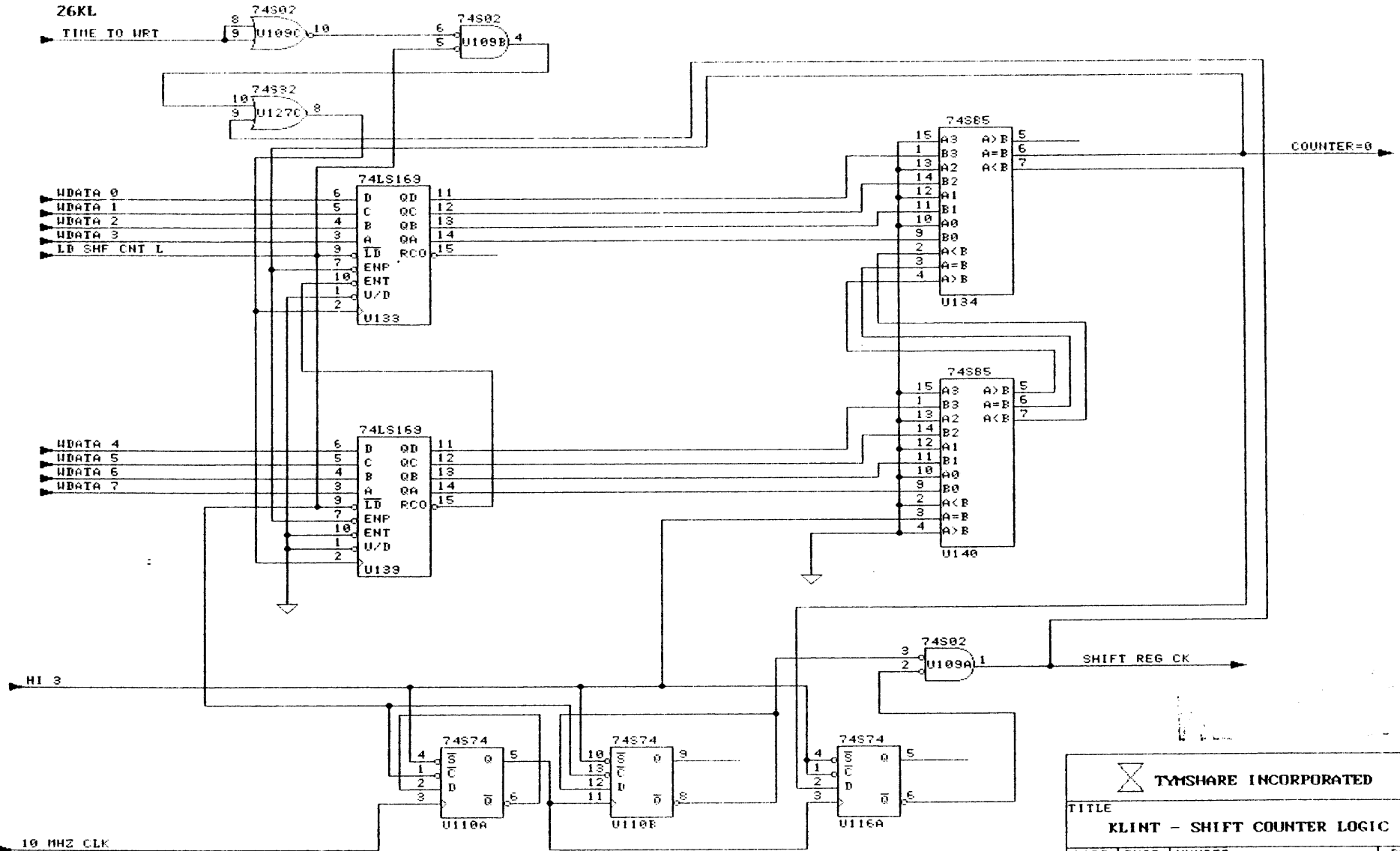
KLINT19.DWG


Z6KL



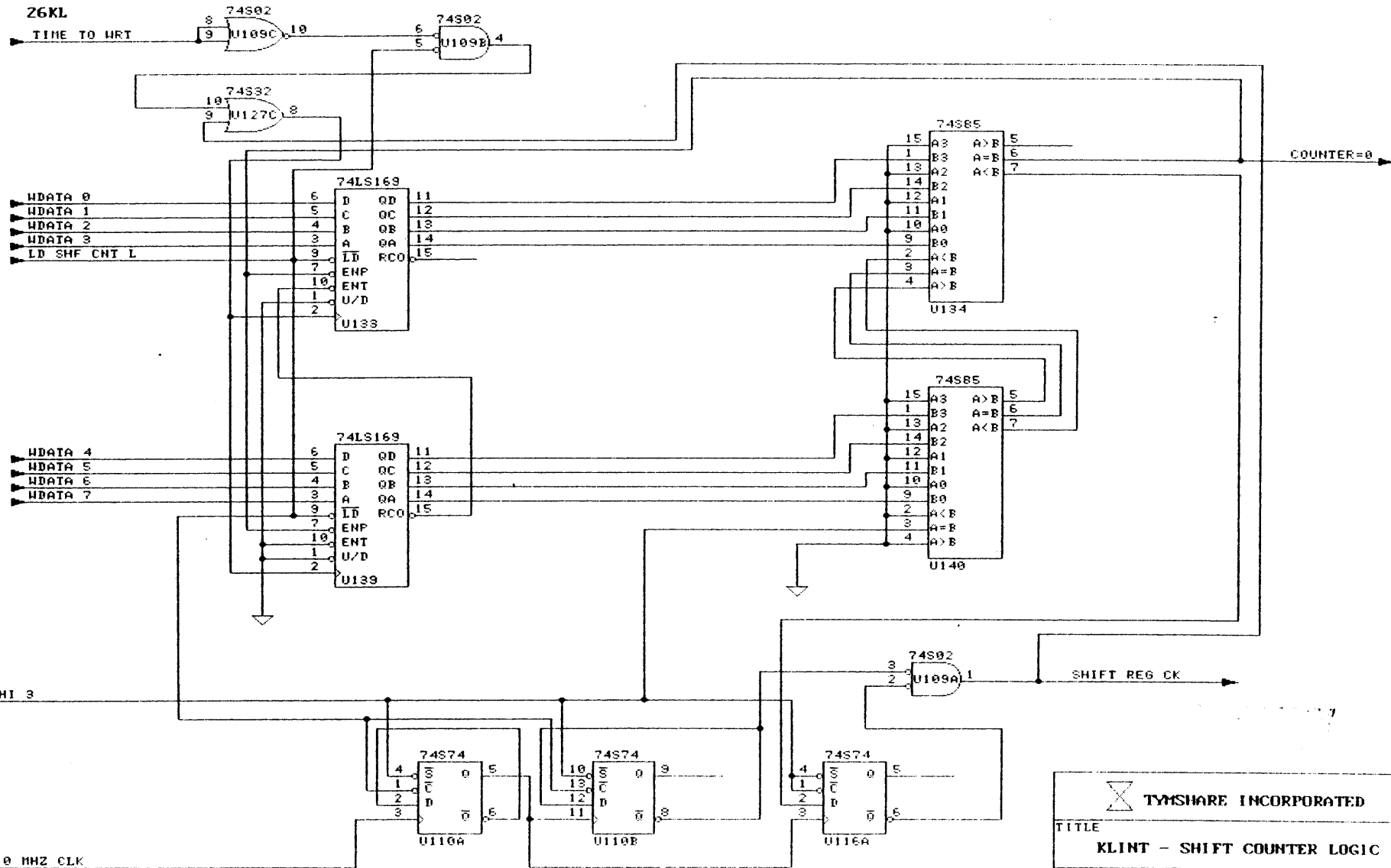
TITLE			
KLINT - READ CONTROLS LOGIC			
SIZE	ENSR	NUMBER	PEN
B	CDM	104001	C
DATE	MAY 2, 1985		SHEET 23 OF 25


KLINT20.DWG
26KL



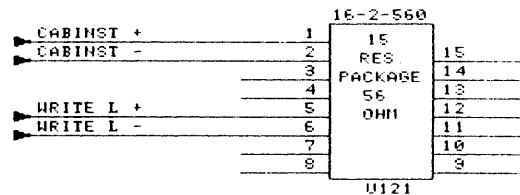
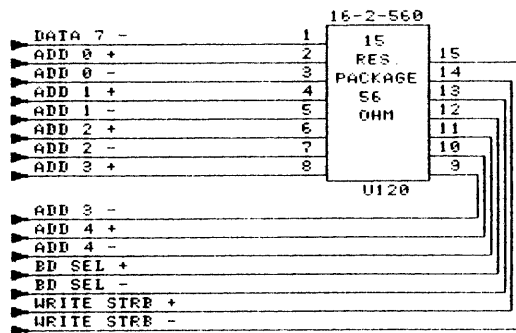
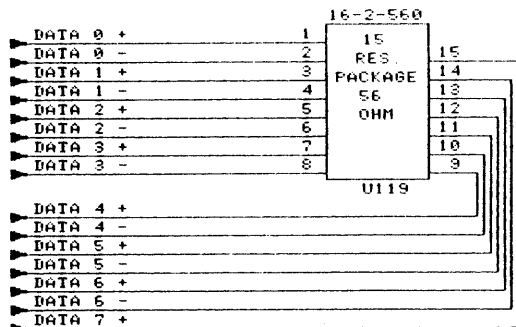
 TYMSHARE INCORPORATED			
TITLE KLINT - SHIFT COUNTER LOGIC			
SIZE B	ENGR CDM	NUMBER 104001	PEU C
DATE MAY 2, 1985		SHEET 24 OF 25	


KLINT20.DWG
26KL



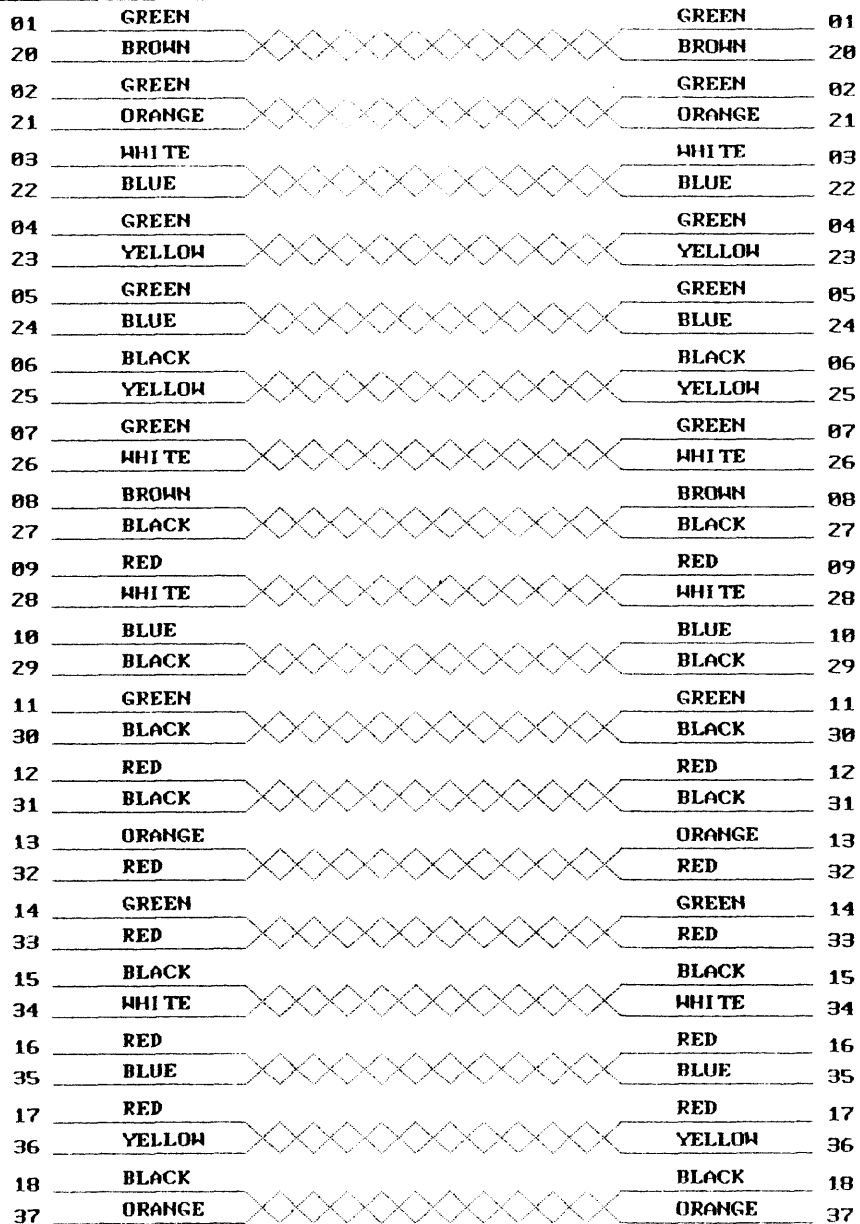
 TYMSHARE INCORPORATED			
TITLE			
KLINT - SHIFT COUNTER LOGIC			
SIZE	ENGR	NUMBER	REV
B	CDM	104001	C
DATE	MAY 2, 1985		SHEET 24 OF 25

KLINT21.DWG
26KL

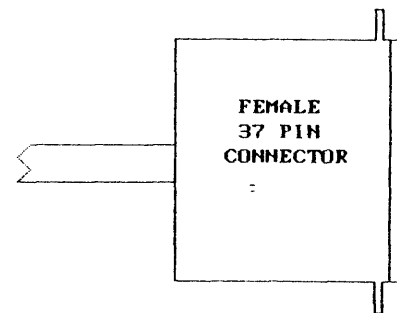



 TMSHARE INCORPORATED				
TITLE KLINT - TERMINATORS				
SIZE	ENGR	NUMBER	REV	
B	CDM	104001	C	
DATE	MAY 2 1985		SHEET 25 OF 26	

KLINTCAB.DWG
26KL



CONNECTORS AT BOTH ENDS OF
CABLE ARE IDENTICAL.



 TYMSHARE INCORPORATED			
TITLE KLINT - CABLE LAYOUT			
SIZE	CODE	NUMBER	REV
B		104002	C
DATE	MAY 2, 1985		SHEET 01 OF 01

NETCON1.DWG
LPT

CONN	
<<<< 01	
<<<< 02	INT ADR 0
<<<< 03	INT ADR 1
<<<< 04	INT ADR 2
<<<< 05	INT ADR 3
<<<< 06	INT ADR 4
<<<< 07	BUS 10 MHZ CLK
<<<< 08	INT IT'S YOU IN CFT H
<<<< 09	BUS STB CLC
<<<< 10	ION 0
<<<< 11	ION 1
<<<< 12	ION 2
<<<< 13	ION 3
<<<< 14	ION 4
<<<< 15	
<<<< 16	DMA RD RQ H
<<<< 17	DMA WRT RQ H
<<<< 18	
<<<< 19	RQ ITS YOU IN H
<<<< 20	
<<<< 21	
<<<< 22	
<<<< 23	IOA 14
<<<< 24	IOA 15
<<<< 25	IOA 18
<<<< 26	IOA 20
<<<< 27	IOA 22
<<<< 28	IOA 24
<<<< 29	IOA 26
<<<< 30	IOA 28
<<<< 31	IOA 30
<<<< 32	IOA 32
<<<< 33	IOA 34
<<<< 34	
<<<< 35	
<<<< 36	


C1A

CONN	
<<<< 01	
<<<< 02	BUS ANY INT L
<<<< 03	BUS INT STB
<<<< 04	IOB DRU IN H
<<<< 05	IOB OUT STB H
<<<< 06	IOB RE-ENB INT L
<<<< 07	BUS RESET L
<<<< 08	INT IT'S YOU OUT CFT H
<<<< 09	
<<<< 10	IOB SUB SEL 10 H
<<<< 11	IOB SUB SEL 4 H
<<<< 12	IOB SUB SEL 2 H
<<<< 13	IOB SUB SEL 1 H
<<<< 14	
<<<< 15	SOME RQ L
<<<< 16	BUS RQ STB
<<<< 17	BUS READ SECOND CY STB
<<<< 18	BUS ENABLE WRT DATA H
<<<< 19	RQ IT'S YOU OUT H
<<<< 20	BUS DMA CY H
<<<< 21	
<<<< 22	IOA 13
<<<< 23	IOA 15
<<<< 24	IOA 17
<<<< 25	IOA 19
<<<< 26	IOA 21
<<<< 27	IOA 23
<<<< 28	IOA 25
<<<< 29	IOA 27
<<<< 30	IOA 29
<<<< 31	IOA 31
<<<< 32	IOA 33
<<<< 33	IOA 35
<<<< 34	
<<<< 35	
<<<< 36	

C1B

CONN	
<<<< 01	
<<<< 02	
<<<< 03	
<<<< 04	
<<<< 05	
<<<< 06	
<<<< 07	
<<<< 08	
<<<< 09	
<<<< 10	
<<<< 11	
<<<< 12	
<<<< 13	
<<<< 14	
<<<< 15	
<<<< 16	
<<<< 17	
<<<< 18	
<<<< 19	
<<<< 20	
<<<< 21	
<<<< 22	
<<<< 23	
<<<< 24	
<<<< 25	
<<<< 26	
<<<< 27	
<<<< 28	
<<<< 29	
<<<< 30	
<<<< 31	
<<<< 32	
<<<< 33	
<<<< 34	
<<<< 35	
<<<< 36	

C1C

 TYMSHARE INCORPORATED			
TITLE LPT/NET - CONNECTER1			
SIZE B	CODE NUMBER	000001	REV A
DATE	AUGUST 1, 1984	SHEET	1 OF XX

NETCON2.DWG
LPT

CONN	
<---<	01
<---<	02 IOD 0
<---<	03 IOD 2
<---<	04 IOD 4
<---<	05 IOD 6
<---<	06 IOD 8
<---<	07 IOD 10
<---<	08 IOD 12
<---<	09 IOD 14
<---<	10 IOD 17
<---<	11 IOD 20
<---<	12 IOD 23
<---<	13 IOD 26
<---<	14 IOD 29
<---<	15 IOD 32
<---<	16 IOD 35
<---<	17 READY-FOR-NEXT-HOST-BIT +
<---<	18 THERE'S-YOUR-IMP-BIT +
<---<	19 IMP-DATA-BIT +
<---<	20 LAST-IMP-BIT +
<---<	21
<---<	22 READY-FOR-NEXT-IMP-BIT +
<---<	23 THERE'S-YOUR-HOST-BIT +
<---<	24
<---<	25 LAST-HOST-BIT +
<---<	26
<---<	27
<---<	28
<---<	29
<---<	30
<---<	31
<---<	32
<---<	33
<---<	34
<---<	35 IMP RDY L
<---<	36

C2A

CONN	
<---<	01
<---<	02 IOD 1
<---<	03 IOD 3
<---<	04 IOD 5
<---<	05 IOD 7
<---<	06 IOD 9
<---<	07 IOD 11
<---<	08 IOD 13
<---<	09 IOD 15
<---<	10 IOD 18
<---<	11 IOD 21
<---<	12 IOD 24
<---<	13 IOD 27
<---<	14 IOD 30
<---<	15 IOD 33
<---<	16
<---<	17 READY-FOR-NEXT-HOST-BIT -
<---<	18 THERE'S-YOUR-IMP-BIT -
<---<	19 IMP-DATA-BIT -
<---<	20 LAST-IMP-BIT -
<---<	21
<---<	22 READY-FOR-NEXT-IMP-BIT -
<---<	23 THERE'S-YOUR-HOST-BIT -
<---<	24
<---<	25 LAST-HOST-BIT -
<---<	26
<---<	27
<---<	28
<---<	29
<---<	30
<---<	31
<---<	32
<---<	33
<---<	34
<---<	35
<---<	36

C2B

CONN	
<---<	01
<---<	02
<---<	03
<---<	04
<---<	05
<---<	06
<---<	07
<---<	08
<---<	09 IOD 16
<---<	10 IOD 19
<---<	11 IOD 22
<---<	12 IOD 25
<---<	13 IOD 28
<---<	14 IOD 31
<---<	15 IOD 34
<---<	16
<---<	17 READY-FOR-NEXT-HOST-BIT
<---<	18 THERE'S-YOUR-IMP-BIT
<---<	19 IMP-DATA-BIT
<---<	20 LAST-IMP-BIT
<---<	21
<---<	22 READY-FOR-NEXT-IMP-BIT
<---<	23 THERE'S-YOUR-HOST-BIT
<---<	24 HOST-DATA-BIT
<---<	25 LAST-HOST-BIT
<---<	26 HOST-READY-OUT
<---<	27 HOST-READY-IN
<---<	28
<---<	29
<---<	30
<---<	31
<---<	32
<---<	33
<---<	34
<---<	35
<---<	36

C2C



TYMSHARE INCORPORATED

TITLE

LPT/NET - CONNECTER2

SIZE	CODE	NUMBER	REV
B		000001	A
DATE		AUGUST 1, 1984	SHEET 1 OF XX

NETCONS.DWG
LPT

CONN	
<<<< 01	
<<<< 02	
<<<< 03	
<<<< 04	
<<<< 05	
<<<< 06	
<<<< 07	
<<<< 08	
<<<< 09	
<<<< 10	
<<<< 11	
<<<< 12	
<<<< 13	
<<<< 14	
<<<< 15	
<<<< 16	
<<<< 17	
<<<< 18	
<<<< 19	LPT PAPER INST
<<<< 20	LPT PRINT CMD
<<<< 21	LPT DATA BIT 1
<<<< 22	LPT DATA BIT 2
<<<< 23	LPT DATA BIT 3
<<<< 24	LPT DATA BIT 4
<<<< 25	LPT DATA BIT 5
<<<< 26	LPT DATA BIT 6
<<<< 27	LPT DATA BIT 7
<<<< 28	LPT DATA BIT 8
<<<< 29	LPT SPARE OUT
<<<< 30	LPT STROBE DATA
<<<< 31	
<<<< 32	
<<<< 33	
<<<< 34	
<<<< 35	
<<<< 36	


C3A

CONN	
<<<< 01	
<<<< 02	
<<<< 03	
<<<< 04	
<<<< 05	
<<<< 06	
<<<< 07	
<<<< 08	
<<<< 09	
<<<< 10	
<<<< 11	
<<<< 12	
<<<< 13	
<<<< 14	
<<<< 15	
<<<< 16	
<<<< 17	
<<<< 18	
<<<< 19	
<<<< 20	
<<<< 21	
<<<< 22	
<<<< 23	
<<<< 24	
<<<< 25	
<<<< 26	
<<<< 27	
<<<< 28	
<<<< 29	
<<<< 30	
<<<< 31	
<<<< 32	
<<<< 33	
<<<< 34	
<<<< 35	
<<<< 36	

C3B

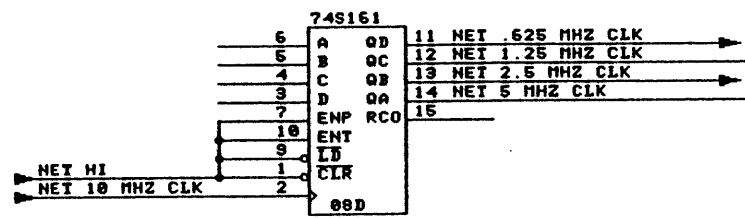
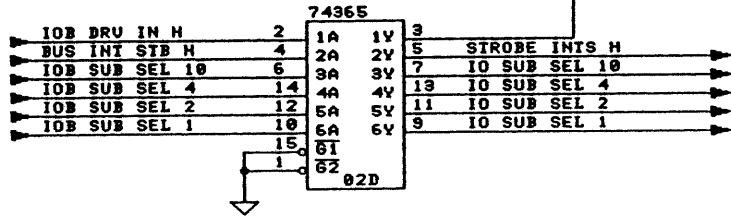
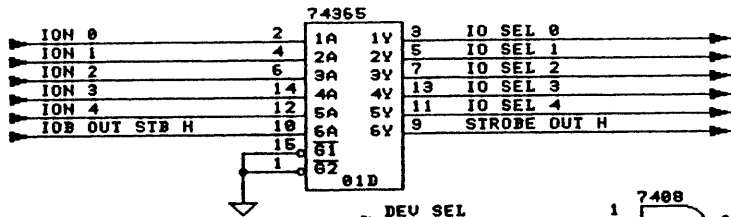
CONN	
<<<< 01	
<<<< 02	
<<<< 03	
<<<< 04	
<<<< 05	
<<<< 06	
<<<< 07	
<<<< 08	
<<<< 09	
<<<< 10	
<<<< 11	
<<<< 12	
<<<< 13	
<<<< 14	
<<<< 15	
<<<< 16	
<<<< 17	
<<<< 18	
<<<< 19	
<<<< 20	
<<<< 21	
<<<< 22	
<<<< 23	
<<<< 24	
<<<< 25	LPT PRESENT
<<<< 26	LPT LOW PAPER
<<<< 27	LPT PRINTER READY
<<<< 28	LPT ON LINE
<<<< 29	LPT READY
<<<< 30	LPT DATA REQUEST
<<<< 31	
<<<< 32	
<<<< 33	
<<<< 34	
<<<< 35	-50.0V
<<<< 36	

C3C

 TYMSHARE INCORPORATED			
TITLE LPT/NET - CONNECTERS			
SIZE B	CODE	NUMBER 000001	REV A
DATE AUGUST 2, 1984		SHEET 3 OF XX	

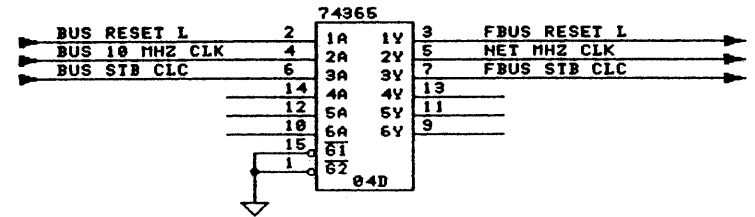
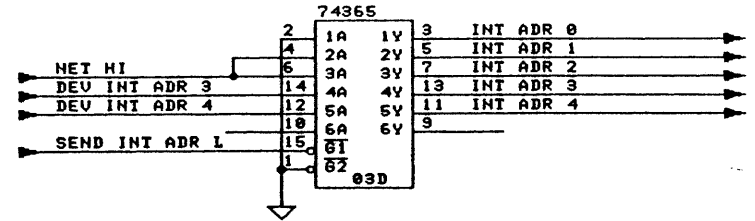
NETBF.DMG
LPT

NOTE: THESE TWO BUFFERS RECEIVE THE DEVICE SELECT AND CONTROL SIGNALS FROM THE CPU

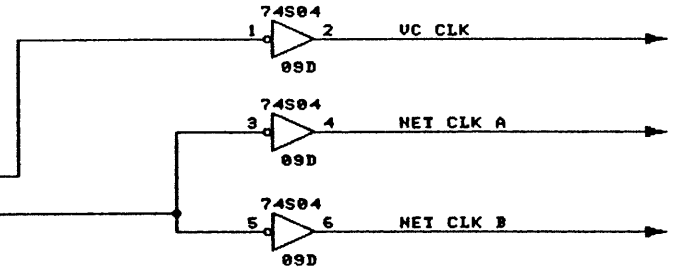


NOTE: DIVIDE DOWN SYSTEM CLOCK FOR LOCAL USE

THIS DRIVES THE DEVICE NUMBER ONTO THE FBUS WHEN THIS DEVICE'S MICRO-INTERRUPT IS ACKNOWLEDGED BY THE BUS CONTROL LOGIC.



NOTE: MORE FBUS RECEIVERS



TITLE				
LPT/NET - NETBF				
SIZE	CODE	NUMBER	REV	
B		000001	A	
DATE AUGUST 2, 1984			SHEET 4 OF XX	

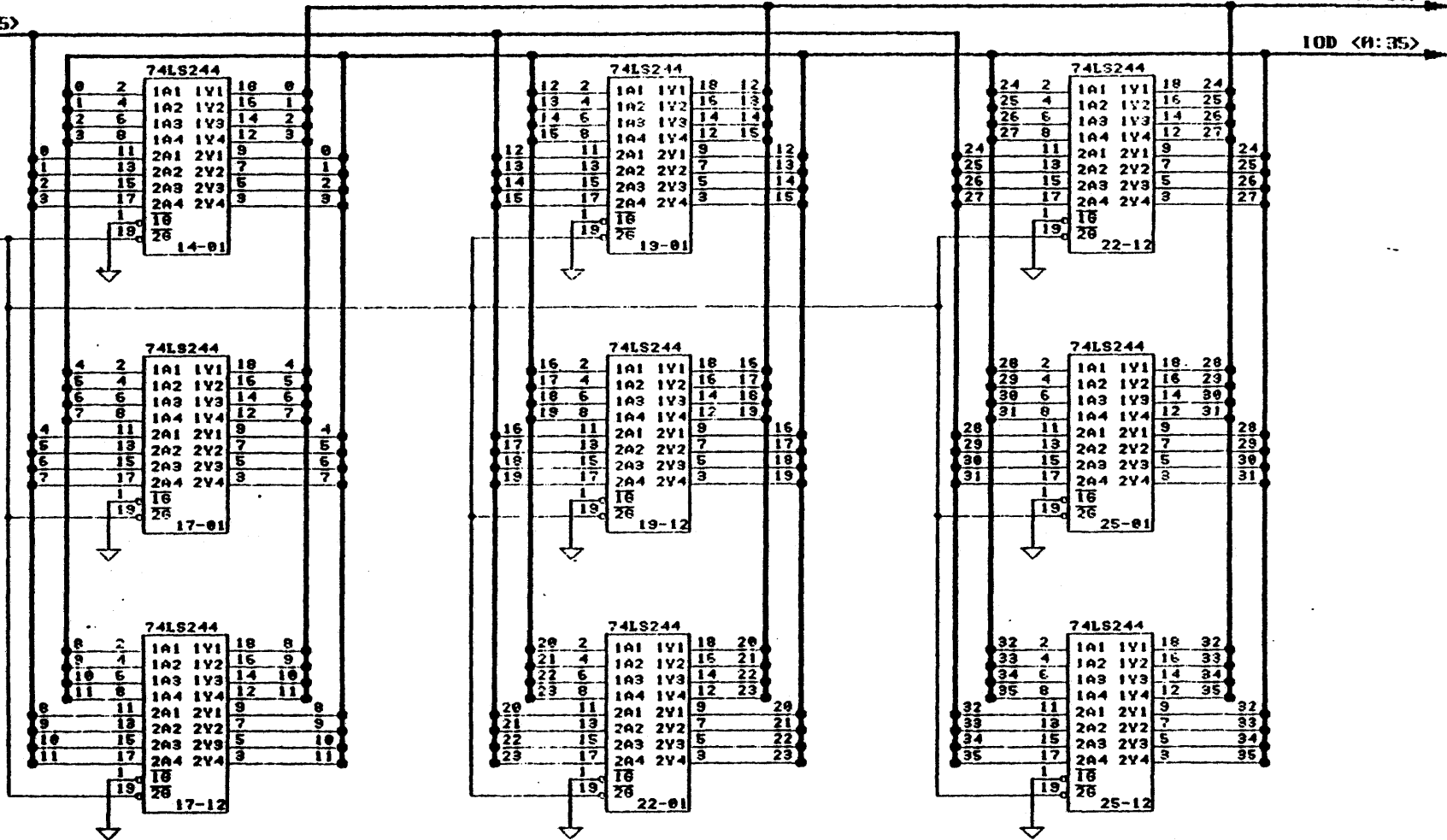
NETDF1.DMG
LPT

FRIS IN (0:35)

FRIS OUT (0:35)

IOD (0:35)

DRV IN L



TM SHARE INCORPORATED

RECEIVED FEB 01 1985

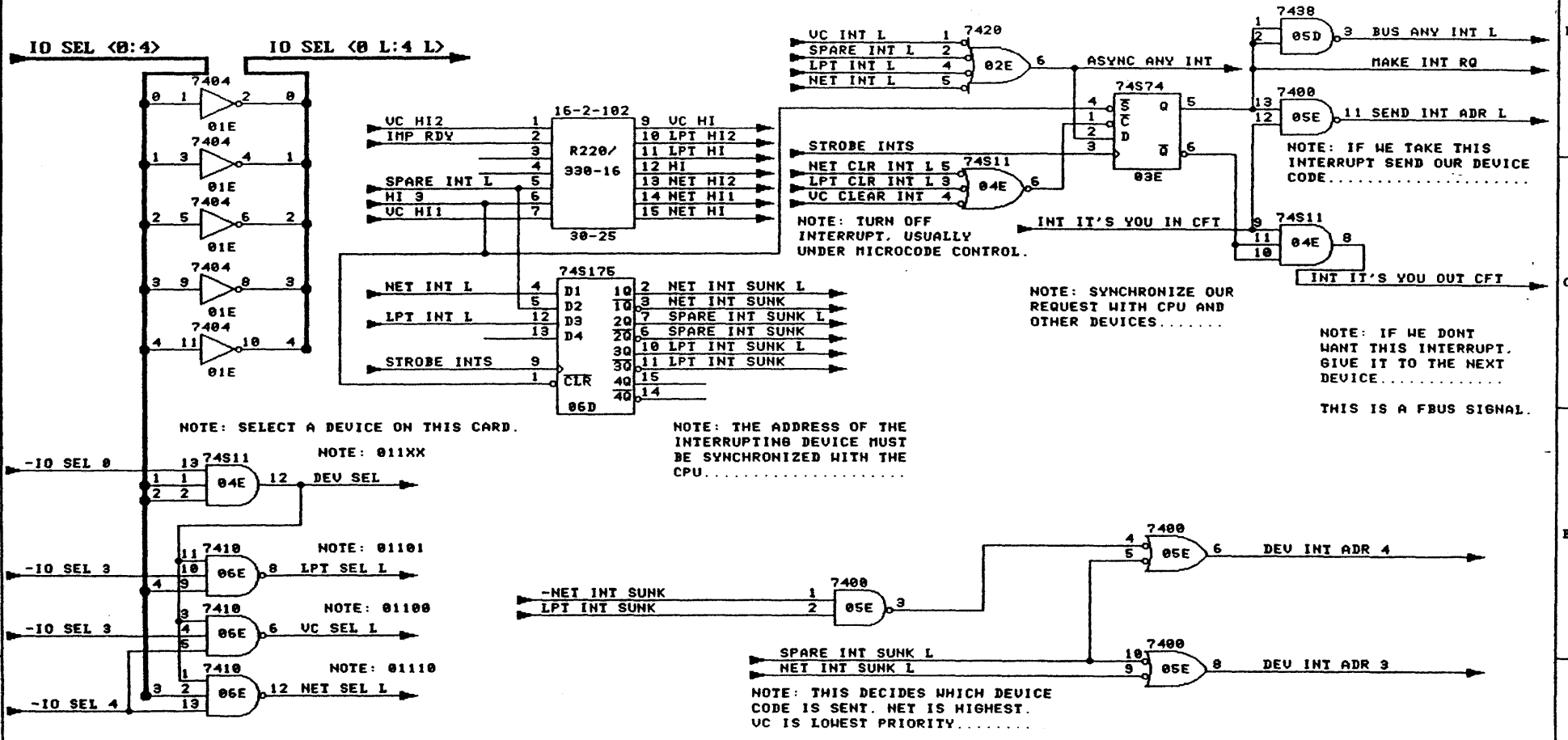
LPT/NET - NETDF1

PRELIMINARY

CODE	NUMBER	REV
	000001	A

DATE AUGUST 2, 1984 SHEET 5 OF 5

LPTINT.DWG
LPT

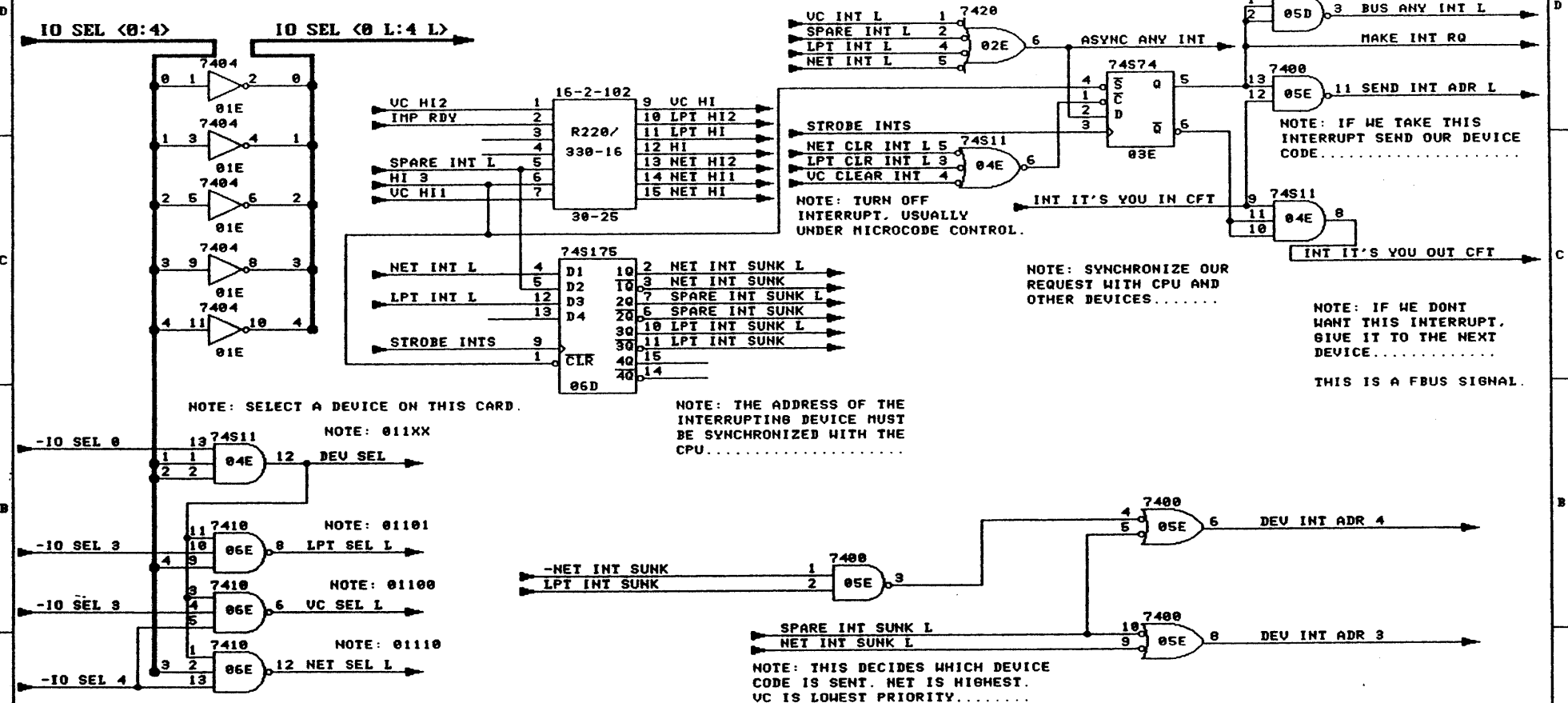


TITLE LPT/NET - LPTINT			
SIZE B	CODE	NUMBER 000001	REV A
DATE AUGUST 2, 1984		SHEET 6 OF XX	

LPTINT.DWG
LPT

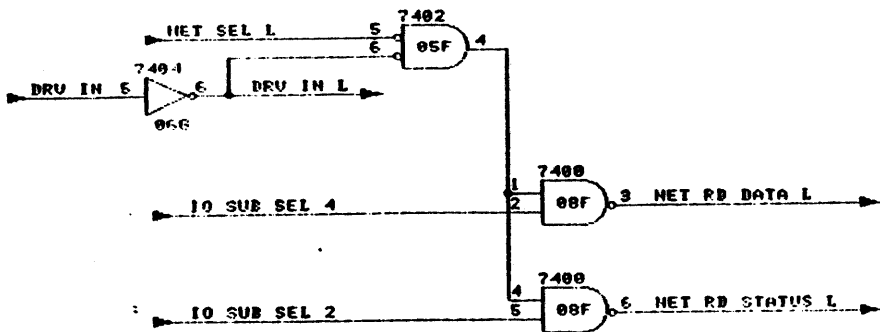
RECEIVED FEB 08 1985

LIBRARY



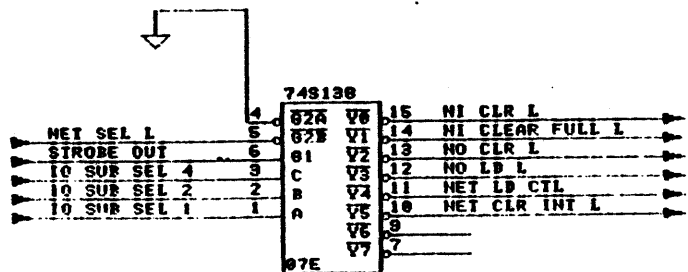
TYMSHARE INCORPORATED			
TITLE			
LPT/NET - LPTINT			
SIZE	CODE	NUMBER	REV
B		000001	A
DATE AUGUST 2, 1984		SHEET 6 OF XX	

NETCT1.DWG
LPT



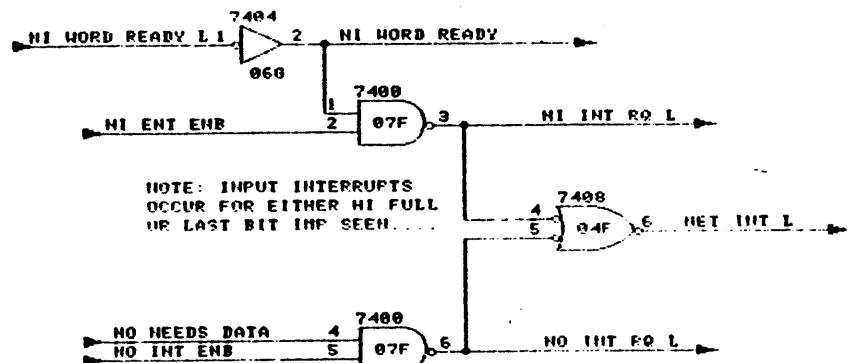
NOTE: NET INPUT SUBSELECTS

- 2 STATUS
- 4 DATA (SHIFT REGISTER)....



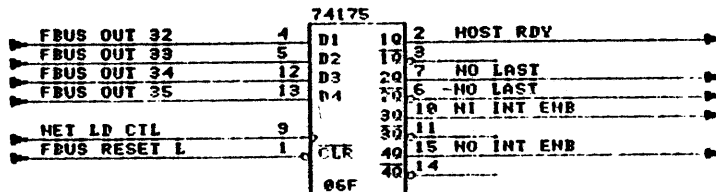
NOTE: NET OUTPUT SUBSELECTS

- 0 RESET INPUT. CLEARS NI FULL AND LAST BIT SEEN.....
- 1 CLEAR NI FULL (WORD TAKEN).
- 2 RESET OUTPUT SIDE.....
- 3 OUTPUT A WORD TO NETWORK....
- 4 SET NET INTERFACE CONTROL BITS
- 5 CLEAR INTERRUPTS (NOT USED BY MICROCODE).



NOTE: INPUT INTERRUPTS OCCUR FOR EITHER HI FULL OR LAST BIT IMP SEEN....

NOTE: OUTPUT INTERRUPTS OCCUR ON NO EMPTY AND -NO LAST. OR ON LAST BIT TAKEN.....



NOTE: NOTE THAT THERE IS NO SPECIAL BIT FOR LAST BIT SEEN, AS NI INT ENB CONTROLS INTERRUPTS FOR THAT CAUSE.....

CAUTION: AFTER SETTING NO LAST, DO NOT LOAD SHIFTER UNTIL NO NEEDS DATA IS TRUE.

TITLE		LPT/NET - NETCT1	
DATE	AUGUST 3, 1984	SHEET	7 OF XX
REV	A	CODE	000001

RECEIVED FEB 01 1985
PRELIMINARY

NETICT.DWG
LPT

NOTE: ASSERTED WHEN READY FOR DATA FROM NETWORK. IT IS FALSE WHEN A BIT IS TAKEN, AND GOES TRUE ON THE NEXT CYCLE THAT THERE IS SPACE FOR MORE DATA AND WE DONT HAVE LAST INP SEEN.

NOTE: REMEMBER WE HAVE SEEN THE LAST BIT. NOTE THAT INP IS SUPPOSED TO HOLD IT UNTIL RFRMR (NI RDY) GOES HIGH BUT THIS MAKES SURE.

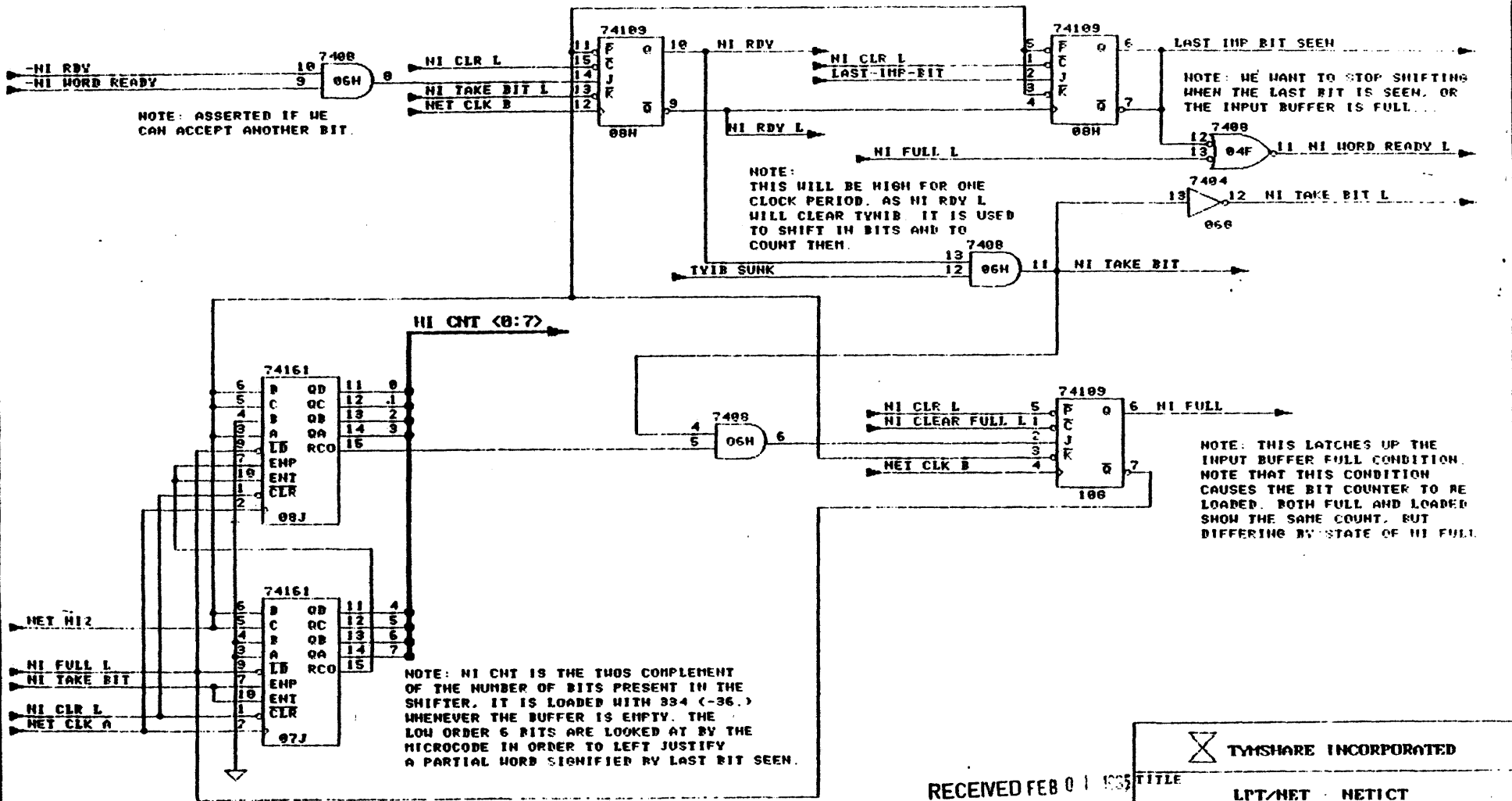
NOTE: ASSERTED IF WE CAN ACCEPT ANOTHER BIT.

NOTE: WE WANT TO STOP SHIFTING WHEN THE LAST BIT IS SEEN, OR THE INPUT BUFFER IS FULL.

NOTE: THIS WILL BE HIGH FOR ONE CLOCK PERIOD. AS NI RDY L WILL CLEAR TVNIB IT IS USED TO SHIFT IN BITS AND TO COUNT THEM.

NOTE: THIS LATCHES UP THE INPUT BUFFER FULL CONDITION. NOTE THAT THIS CONDITION CAUSES THE BIT COUNTER TO RE LOADED. BOTH FULL AND LOADED SHOW THE SAME COUNT, BUT DIFFERING BY STATE OF NI FULL.

NOTE: NI CNT IS THE TWO'S COMPLEMENT OF THE NUMBER OF BITS PRESENT IN THE SHIFTER. IT IS LOADED WITH 334 (-36.) WHENEVER THE BUFFER IS EMPTY. THE LOW ORDER 6 BITS ARE LOOKED AT BY THE MICROCODE IN ORDER TO LEFT JUSTIFY A PARTIAL WORD SIGNIFIED BY LAST BIT SEEN.



RECEIVED FEB 01 1985

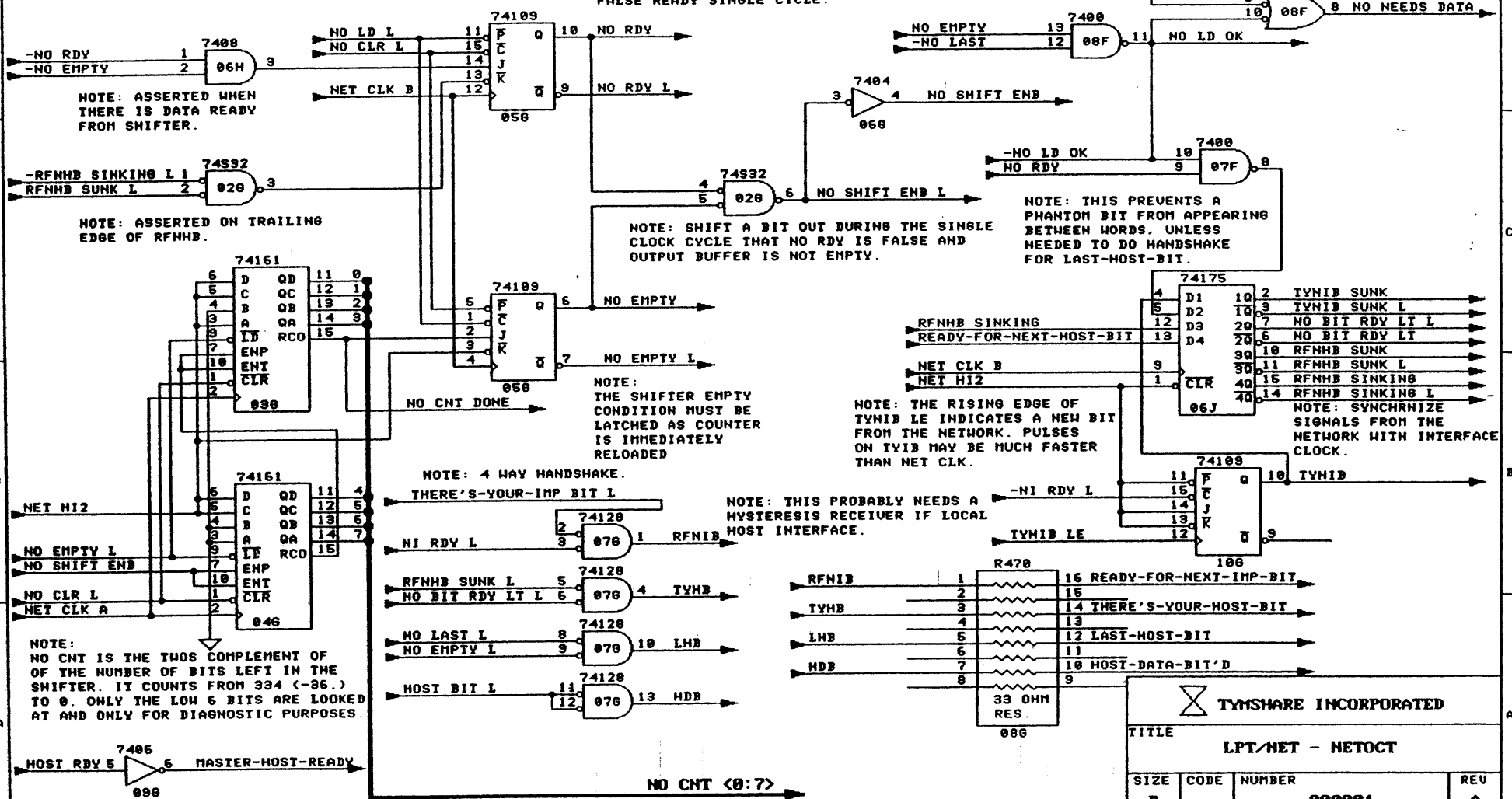
PRELIMINARY

TITLE			
LPT/NET - NETICT			
REV	NUMBER	CODE	ZE
A	000001	B	
DATE		SHEET	
AUGUST 3, 1984		9 OF 22	

NETOCT.DWG
LPT

NOTE: ASSERTED WHEN THERE IS A BIT READY FOR THE NETWORK. IT IS FALSE WHEN A BIT IS TAKEN AND THERE IS NO DATA READY. IF THE SHIFT HAS DATA LEFT, IT WILL BE FALSE READY SINGLE CYCLE.

NOTE: OUTPUT ASSERTED IF EMPTY AND NOT READY. HAPPENS ONLY ON LAST BIT.



NOTE: ASSERTED WHEN THERE IS DATA READY FROM SHIFTER.

NOTE: ASSERTED ON TRAILING EDGE OF RFNHB.

NOTE: SHIFT A BIT OUT DURING THE SINGLE CLOCK CYCLE THAT NO RDY IS FALSE AND OUTPUT BUFFER IS NOT EMPTY.

NOTE: THIS PREVENTS A PHANTOM BIT FROM APPEARING BETWEEN WORDS, UNLESS NEEDED TO DO HANDSHAKE FOR LAST-HOST-BIT.

NOTE: THE SHIFTER EMPTY CONDITION MUST BE LATCHED AS COUNTER IS IMMEDIATELY RELOADED

NOTE: THE RISING EDGE OF TYNIB LE INDICATES A NEW BIT FROM THE NETWORK. PULSES ON TYNIB MAY BE MUCH FASTER THAN NET CLK.

NOTE: SYNCHRONIZE SIGNALS FROM THE NETWORK WITH INTERFACE CLOCK.

NOTE: 4 WAY HANDSHAKE.

NOTE: THIS PROBABLY NEEDS A HYSTERESIS RECEIVER IF LOCAL HOST INTERFACE.

NOTE: NO CNT IS THE TWO'S COMPLEMENT OF THE NUMBER OF BITS LEFT IN THE SHIFTER. IT COUNTS FROM 334 (-36.) TO 0. ONLY THE LOW 6 BITS ARE LOOKED AT AND ONLY FOR DIAGNOSTIC PURPOSES.

NOTE: THIS SHOULD BE A RELAY TO BE TO 1822 SPEC.

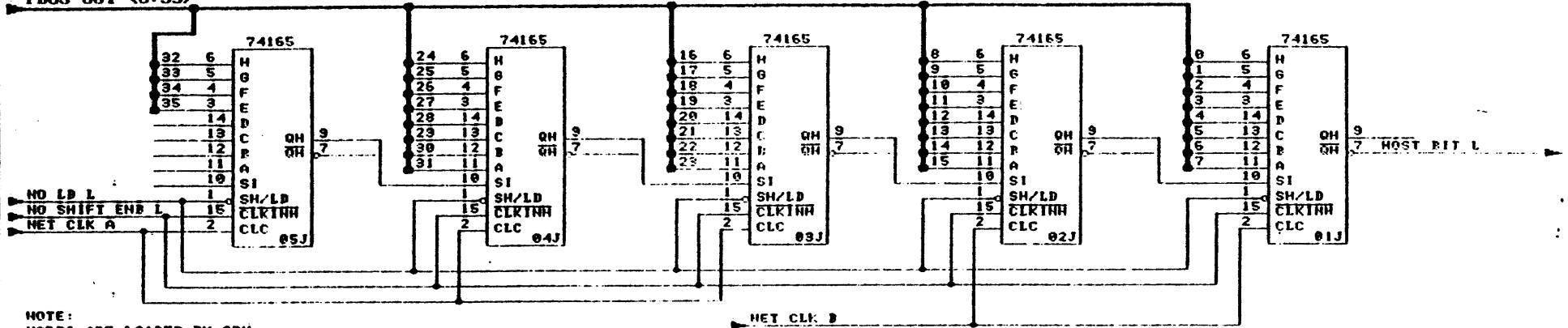
TYMSHARE INCORPORATED

TITLE
LPT/NET - NETOCT

SIZE B	CODE	NUMBER 000001	REV A
DATE AUGUST 7, 1984		SHEET 9 OF XX	

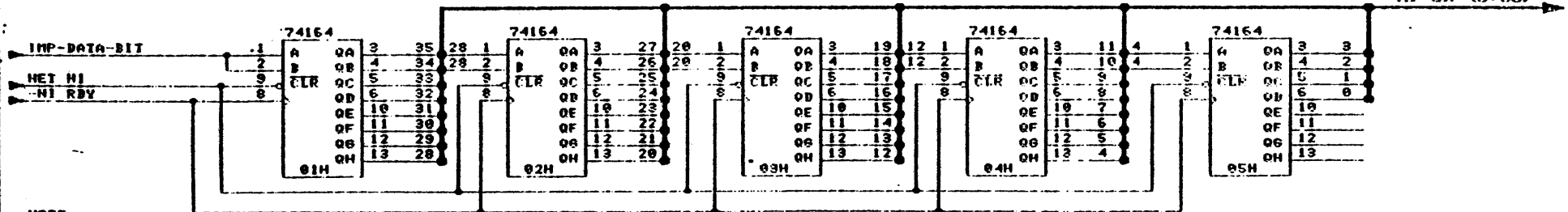
NETSR, DAC
LPT

FIBUS OUT <0:35>



NOTE:
WORDS ARE LOADED BY CPU
AND SHIFTED OUT ON EACH
CLOCK TIC WHEN SHIFT END
IS TRUE.

NI SR <0:35>



NOTE:
DATA FROM NET IS SHIFTED
IN ON THE TRAILING EDGE
OF NI RBY AND READ AS A
WORD BY THE CPU.

RECEIVED FEB 01 1985

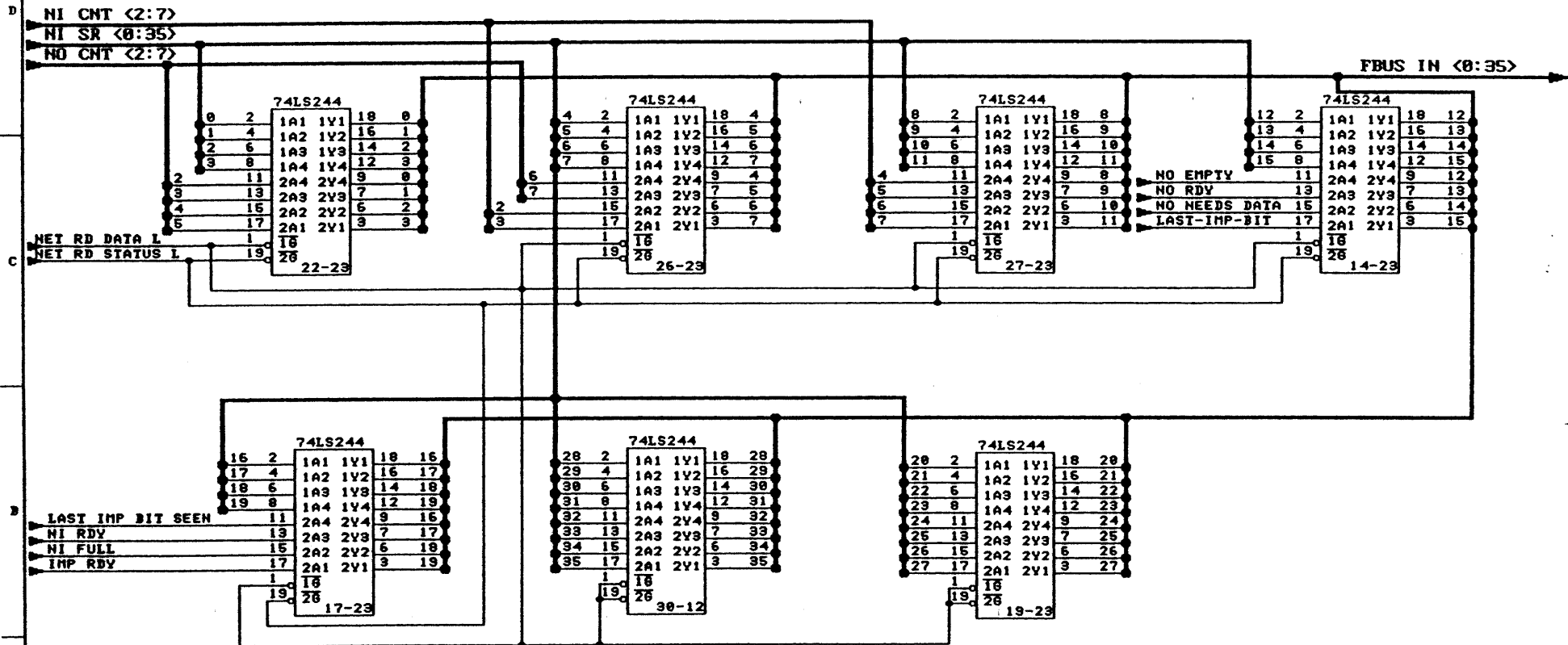
TYMSHARE INCORPORATED

PRELIMINARY

LPT/NET - NETSR

SIZE	CODE	NUMBER	REV
B		000001	A
DATE AUGUST 8, 1984			SHEET 10 OF 10

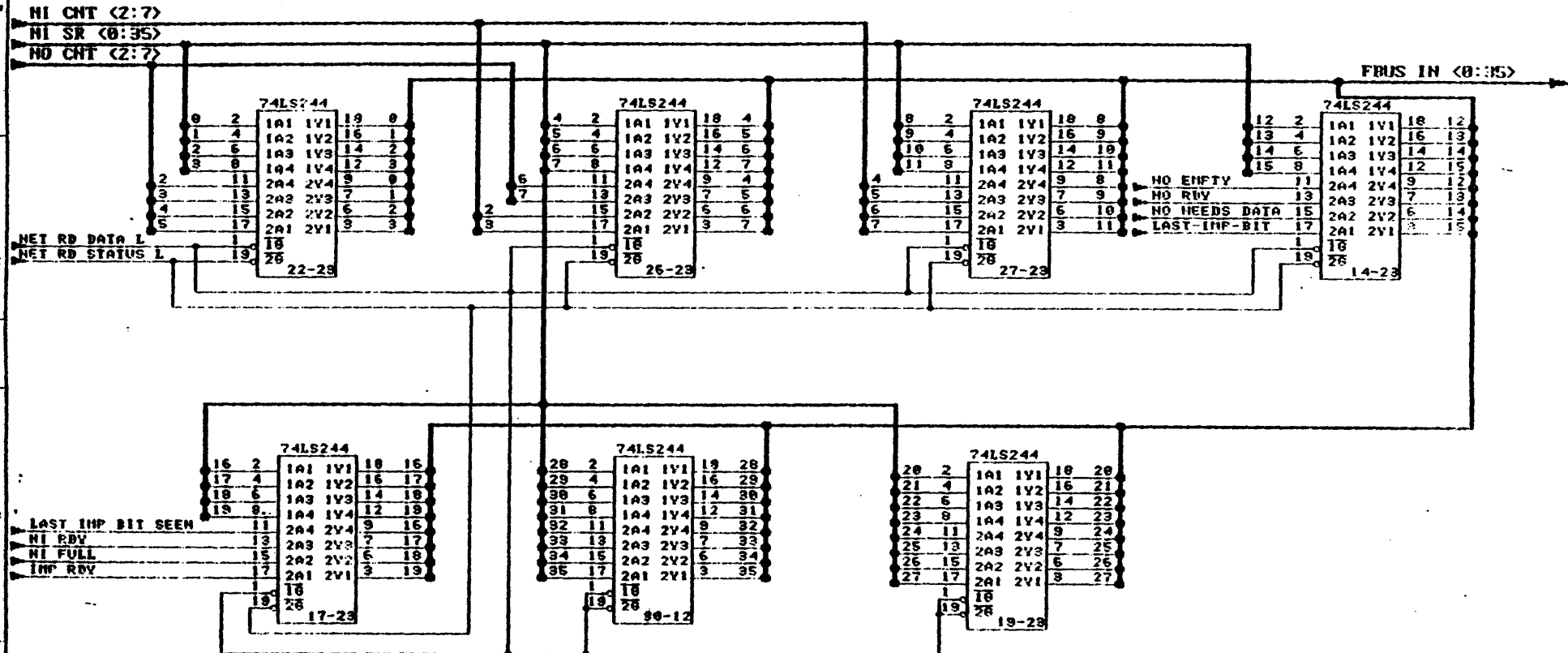
NETIMX.DMG
LPT



 TYMSHARE INCORPORATED

TITLE			
LPT/NET - NETIMX			
SIZE	CODE	NUMBER	REV
B		000001	A
DATE		AUGUST 9, 1984	SHEET 11 OF XX

NETIMX.DWG
LPT



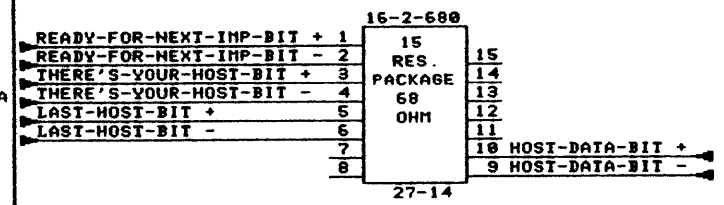
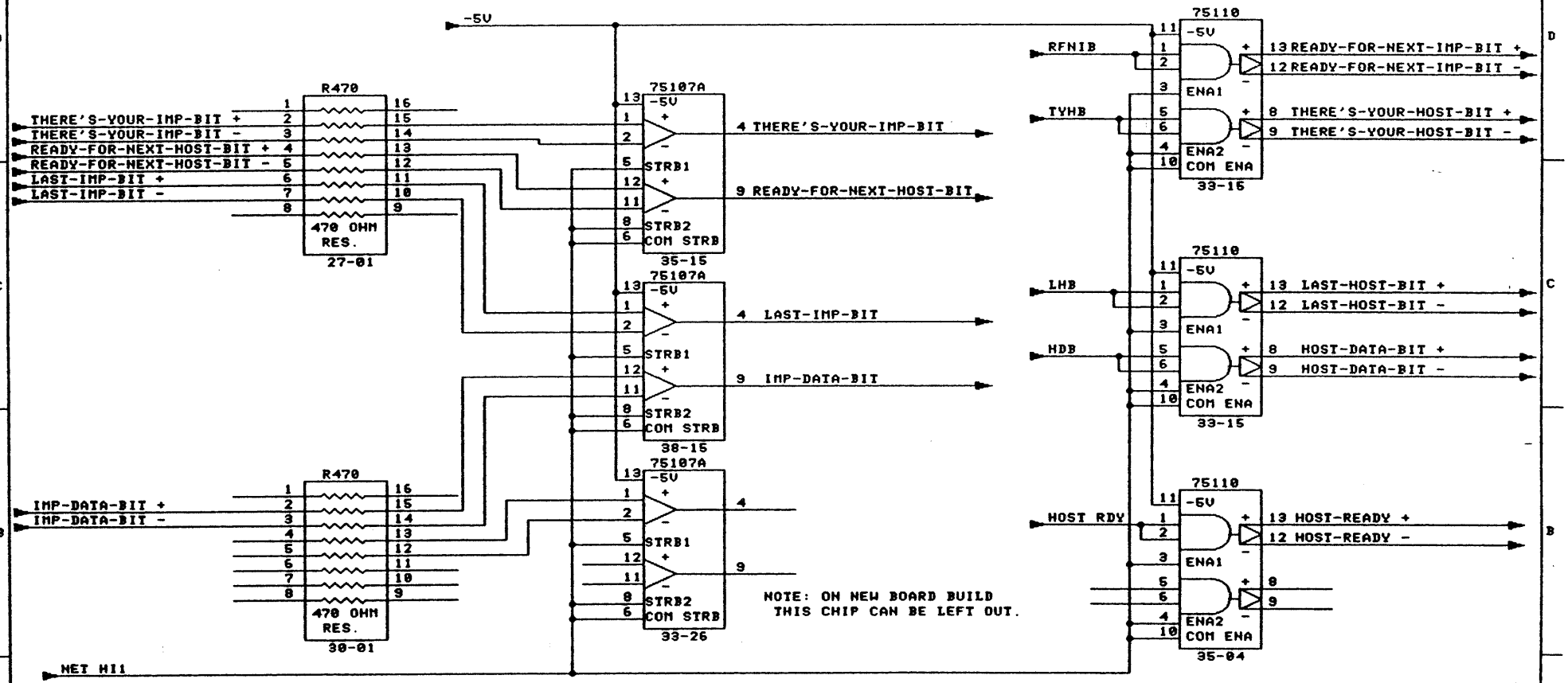
RECEIVED FEB 01 1985
PRELIMINARY

TMSHARE INCORPORATED

LPT/NET - NETIMX

SIZE	CODE	NUMBER	REV
B		000001	A
DATE		AUGUST 9, 1984	SHEET 11 OF 22

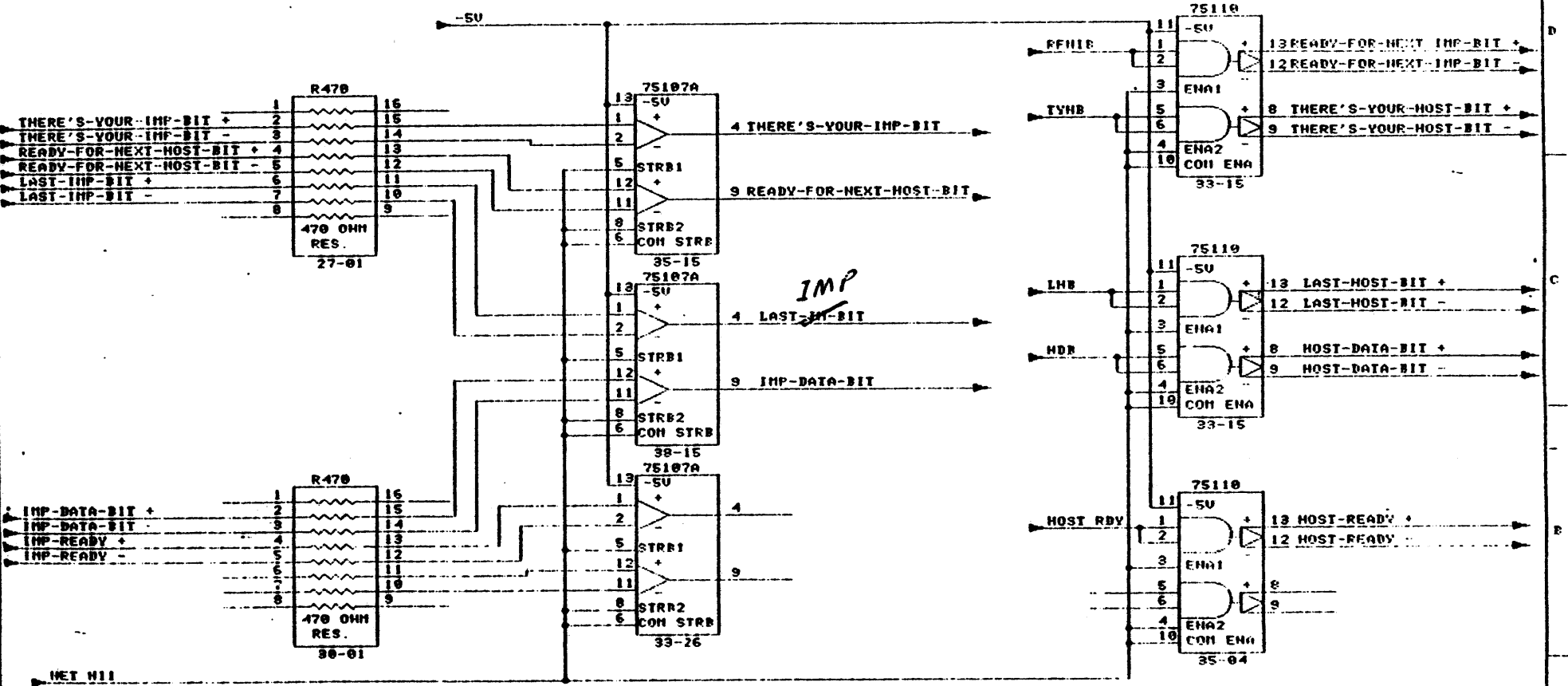
NETLC.DWG
LPT



NOTE: ON NEW BOARD BUILD
THIS CHIP CAN BE LEFT OUT.

TITLE			
LPT/NET - NETLC			
SIZE	CODE	NUMBER	REV
B		000001	A
DATE		AUGUST 9, 1984	SHEET 12 OF XX

NETLC.DWG
I.P.T



RECEIVED FEB 01 1985
PRELIMINARY

LPT/NET - NETLC			
REV	CODE	NUMBER	REV
B		000001	A
DATE: AUGUST 9 1984 SHEET 12 OF 20			

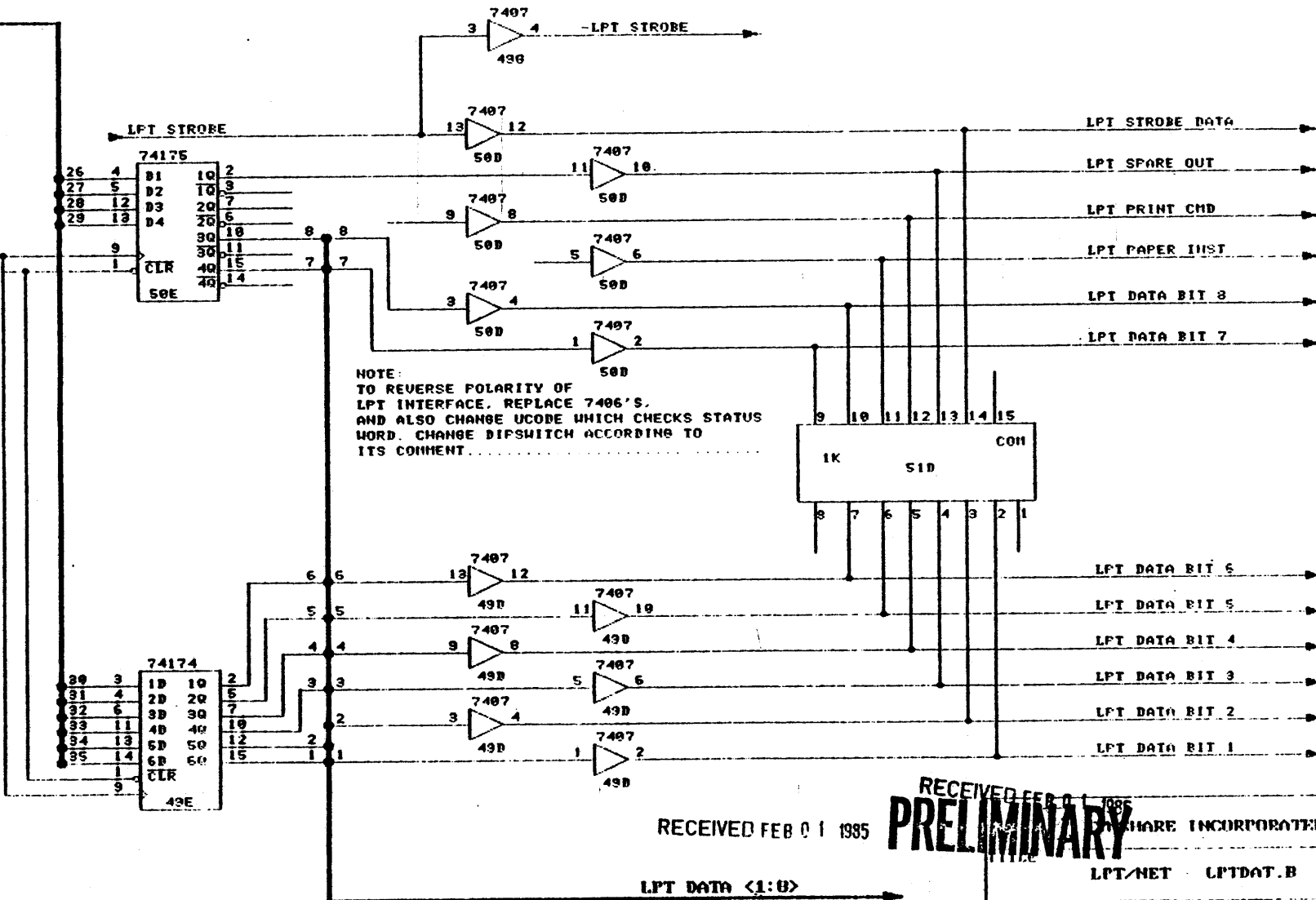
LPTDAT.B.DWG
LPT

FBUS OUT <26:35>

NOTE:
THE SENSE OF THIS MAY NOT BE RIGHT FOR CENTRONICS
THE EXTRA INVERTER IS JUST IN CASE.

-LPT RESET
STB LPT DAT

NOTE:
THESE TWO LATCHES
HOLD DATA AND
COMMANDS. BOTH
LATCHED BY PRINTER
ON LPT STROBE DATA.



NOTE:
TO REVERSE POLARITY OF
LPT INTERFACE, REPLACE 7406'S,
AND ALSO CHANGE UCODE WHICH CHECKS STATUS
WORD. CHANGE DIPSWITCH ACCORDING TO
ITS COMMENT.

RECEIVED FEB 01 1985

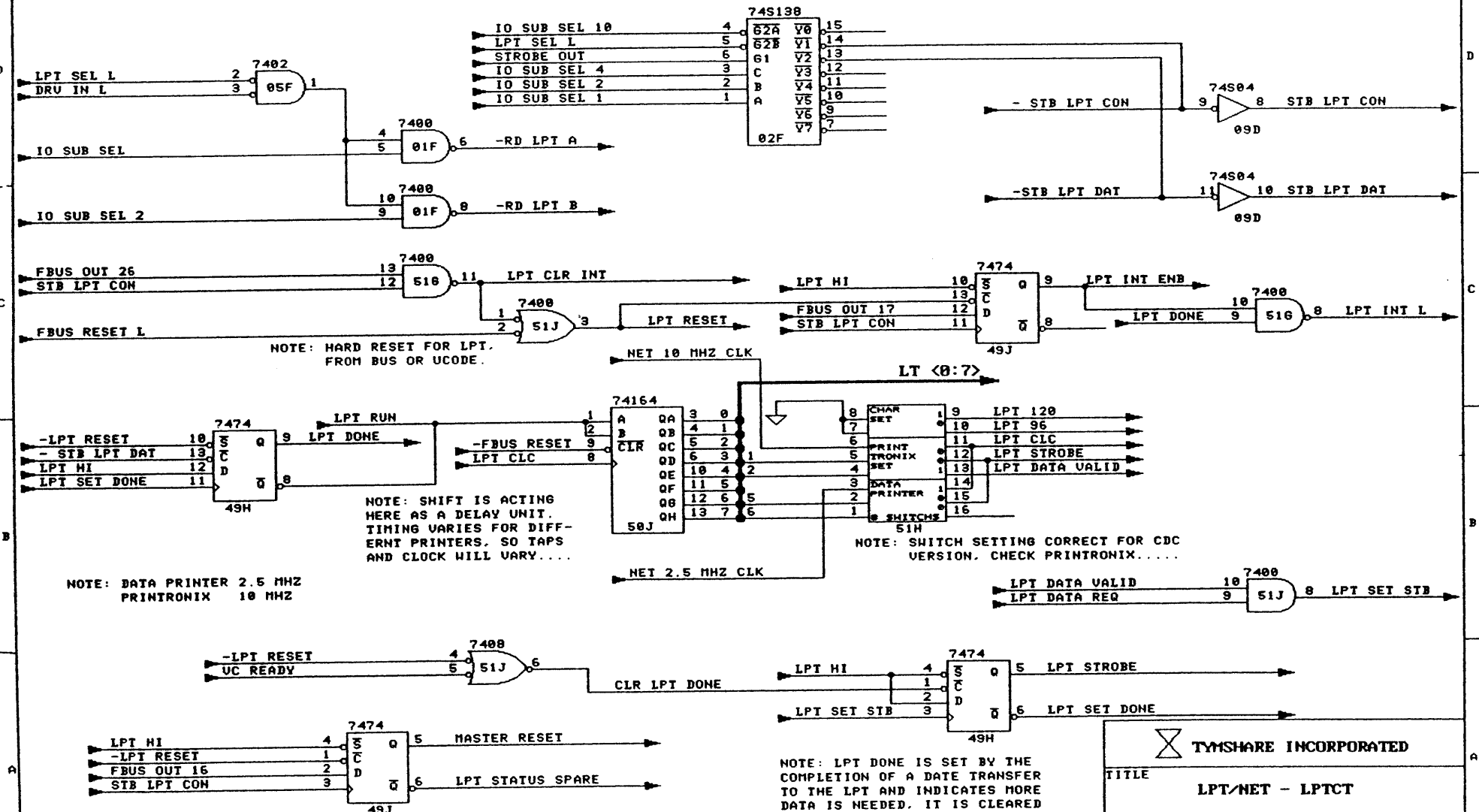
RECEIVED FEB 01 1985
PRELIMINARY

SHARE INCORPORATED

LPT/NET - LPTDAT.B

SIZE	CODE	NUMBER	REV
U		000001	A
DATE: AUGUST 15 1984 TIME: 14:00			

LPTCT.DWG
LPT



NOTE: HARD RESET FOR LPT.
FROM BUS OR UCODE.

NOTE: SHIFT IS ACTING
HERE AS A DELAY UNIT.
TIMING VARIES FOR DIFF-
ERENT PRINTERS. SO TAPS
AND CLOCK WILL VARY....

NOTE: SWITCH SETTING CORRECT FOR CDC
VERSION. CHECK PRINTRONIX.....

NOTE: DATA PRINTER 2.5 MHZ
PRINTRONIX 10 MHZ

NOTE: LPT DONE IS SET BY THE
COMPLETION OF A DATE TRANSFER
TO THE LPT AND INDICATES MORE
DATA IS NEEDED. IT IS CLEARED
BY RESET OR MORE DATA.....

TITLE			
LPT/NET - LPTCT			
SIZE	CODE	NUMBER	REV
B		000001	A
DATE		AUGUST 16, 1984	SHEET 15 OF XX

LPTDAT.CDC.DMG
LPT

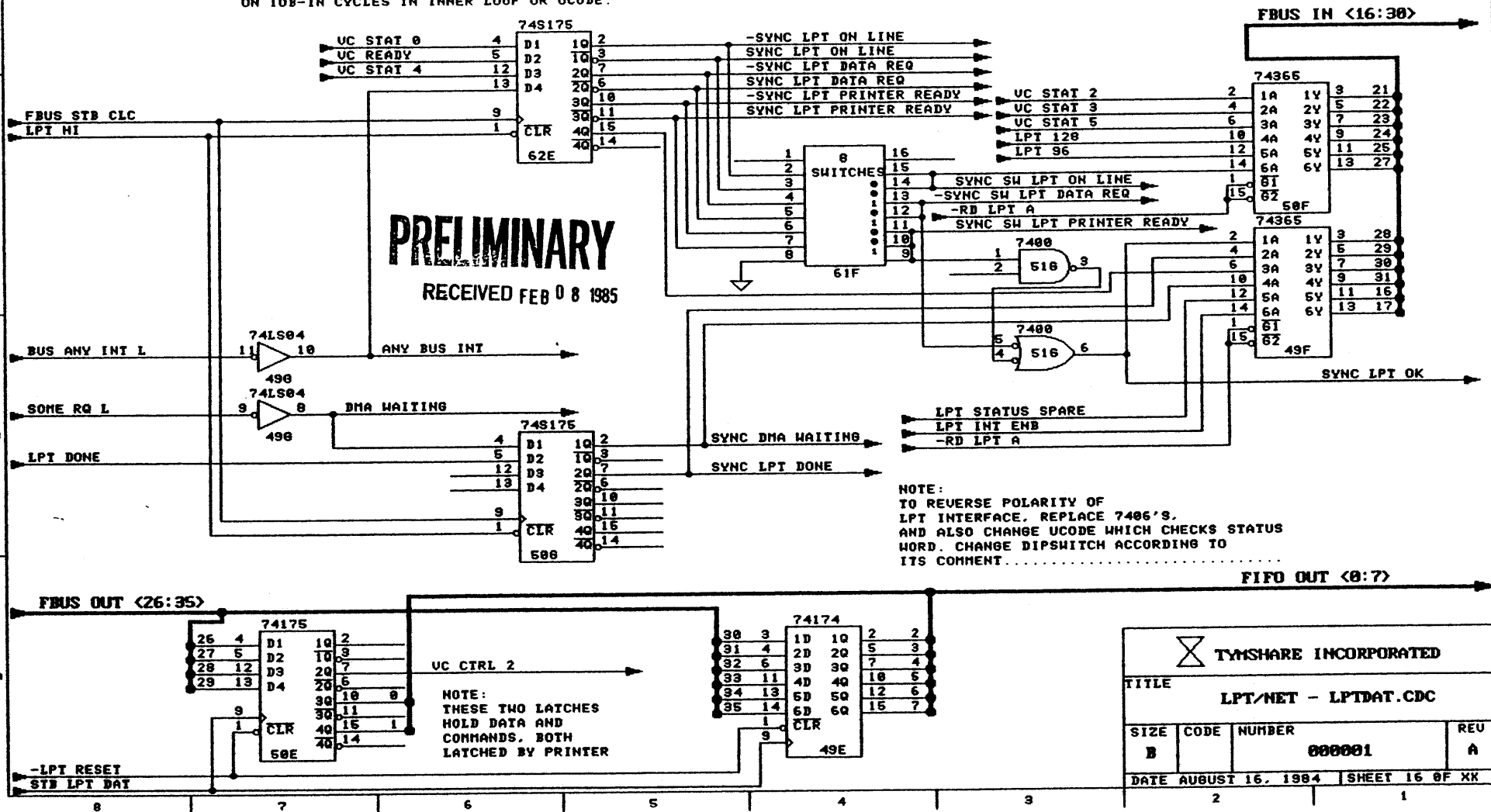
NOTE:
THIS IS USED TO SYNCHRONIZE BUS
AND DEVICE SIGNALS SO THAT
CONDITIONAL JUMPS MAY BE DONE
ON IOB-IN CYCLES IN INNER LOOP OR UCODE.

NOTE:
PRINTER SWITCHES

12345678
DATA PRODUCTS *** *
CENTRONIX * * * *

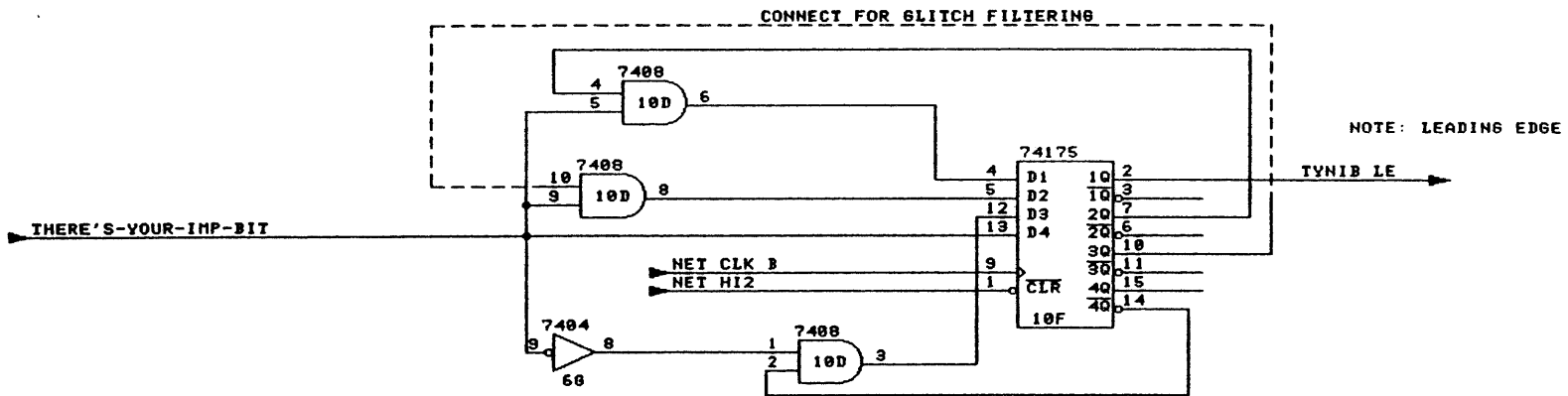
* MEANS ON
[SETTING NOT YET DEBUGGED]

PRELIMINARY
RECEIVED FEB 08 1985



TITLE			
LPT/NET - LPTDAT.CDC			
SIZE	CODE	NUMBER	REV
B		000001	A
DATE AUGUST 16, 1984		SHEET 16 OF XX	

GLITCH
LPT

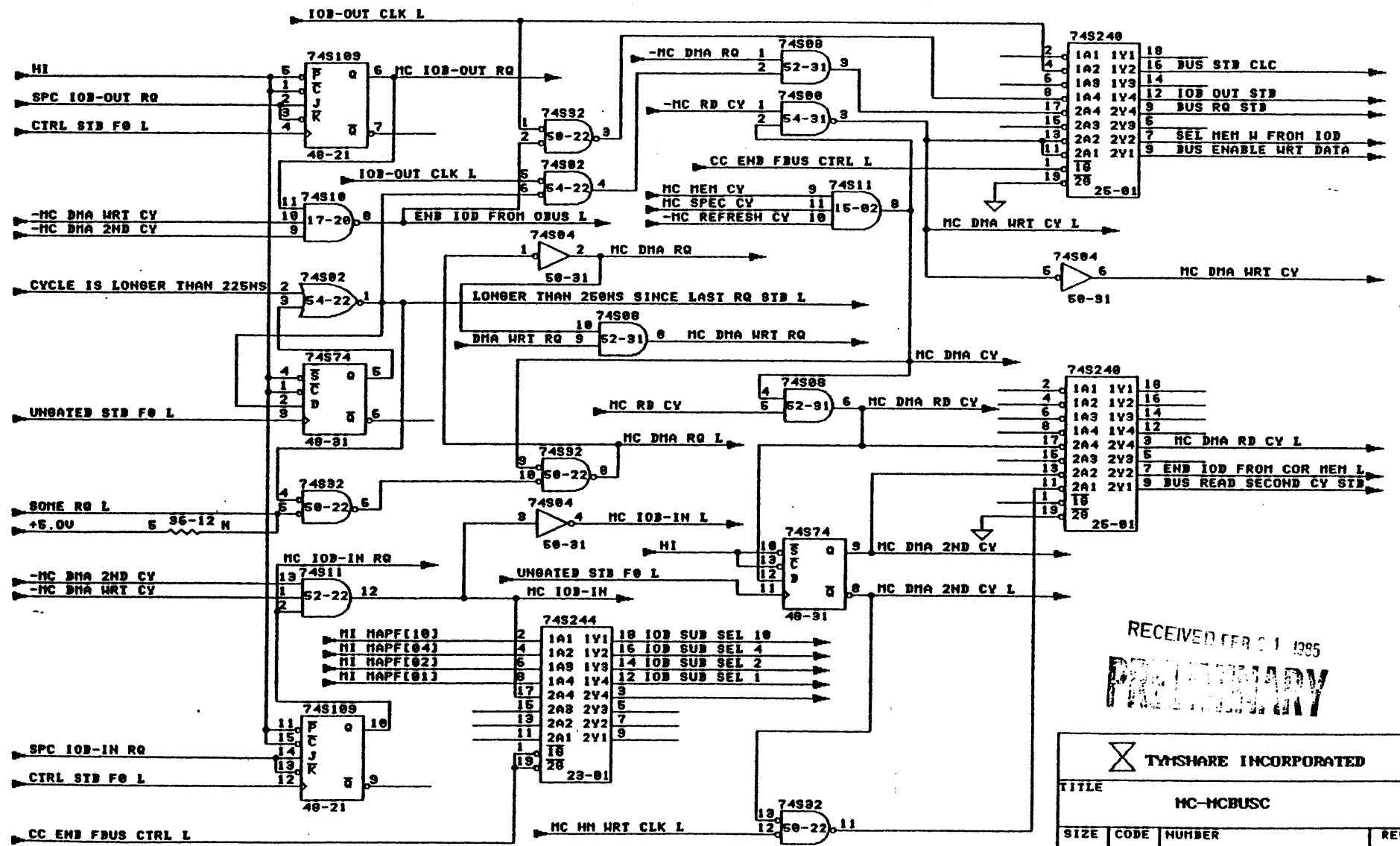


⊗ TMSHARE INCORPORATED

TITLE
GLITCH

SIZE	CODE	NUMBER	REV
B		000001	A
DATE		AUGUST 10, 1984	SHEET 17 OF XX

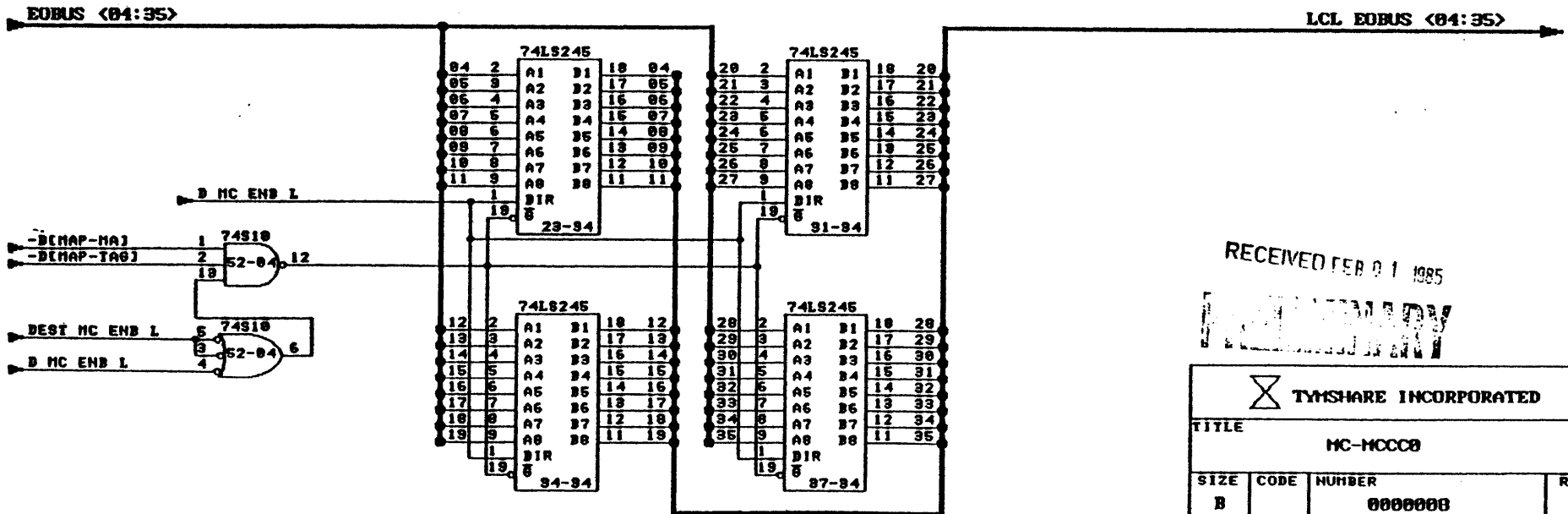
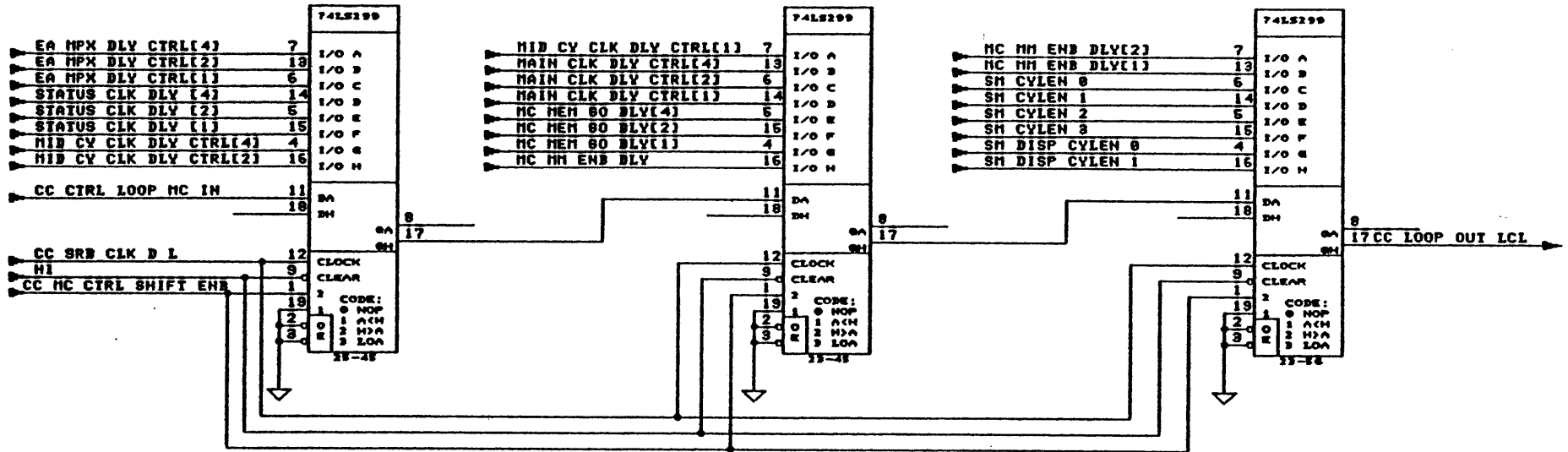
MCBUSC.DWG
26XL



RECEIVED FEB 01 1985
PRELIMINARY

TITLE			
MC-MCBUSC			
SIZE	CODE	NUMBER	REV
B		000000	A
DATE		OCT. 03, 1984	SHEET 04 OF XX

MCCCB.DWG
2GKL

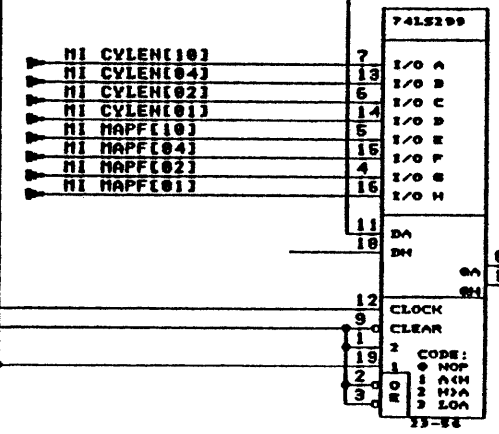
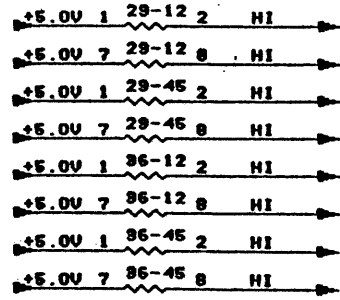
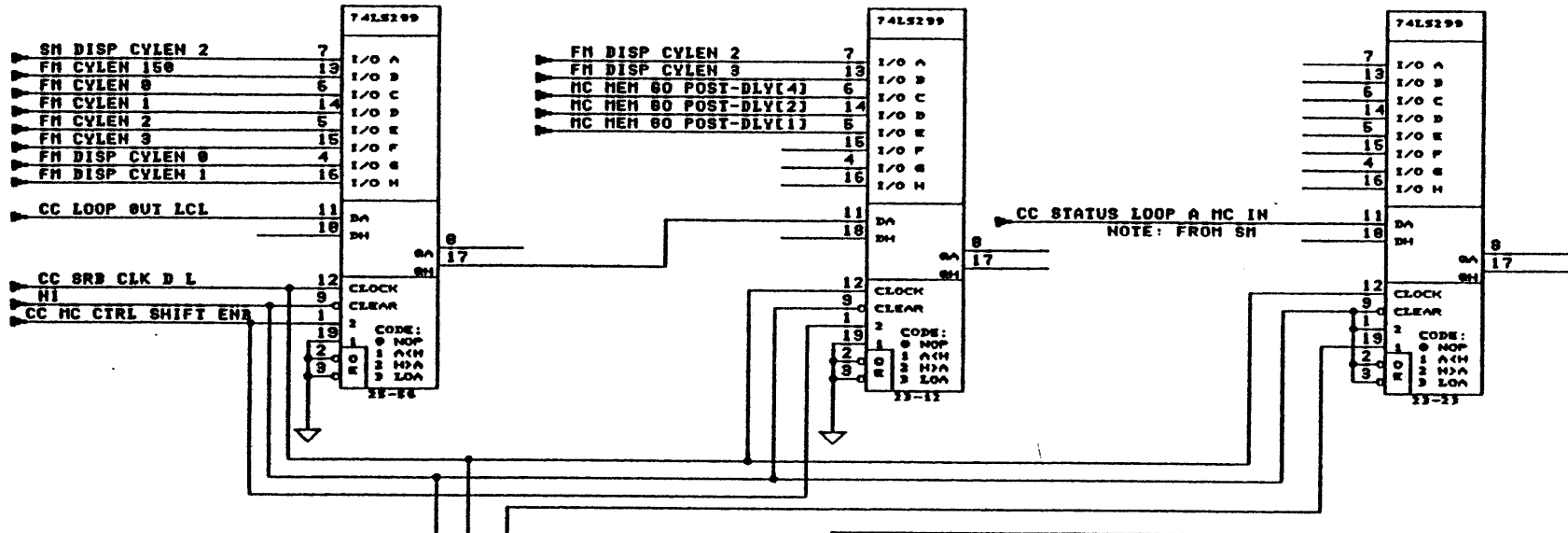


RECEIVED FEB 01 1985

LIBRARY

TITLE			
MC-MCCCB			
SIZE	CODE	NUMBER	REV
B		000000	A
DATE		OCT. 04. 1984	SHEET 05 OF XX

MCCC1.DWG
26KL



CC STATUS LOOP A LB ENB

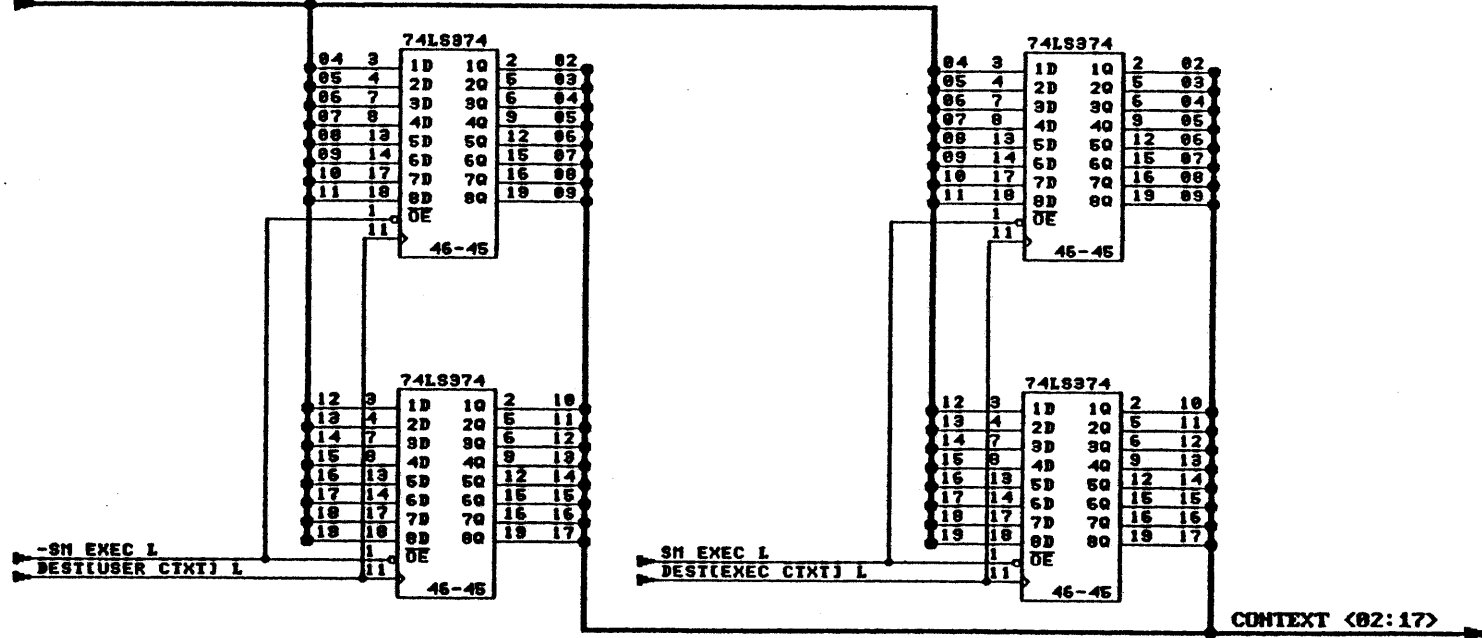
RECEIVED FEB 01 1985
 LIBRARY

TITLE			
MC-MCCC1			
SIZE	CODE	NUMBER	REV
B		000000	A
DATE	OCT. 04, 1984		SHEET 06 OF XX


NOTE: USER CONTEXT REGISTER

NOTE: EXEC CONTEXT REGISTER

LCL EOBUS <04:19>

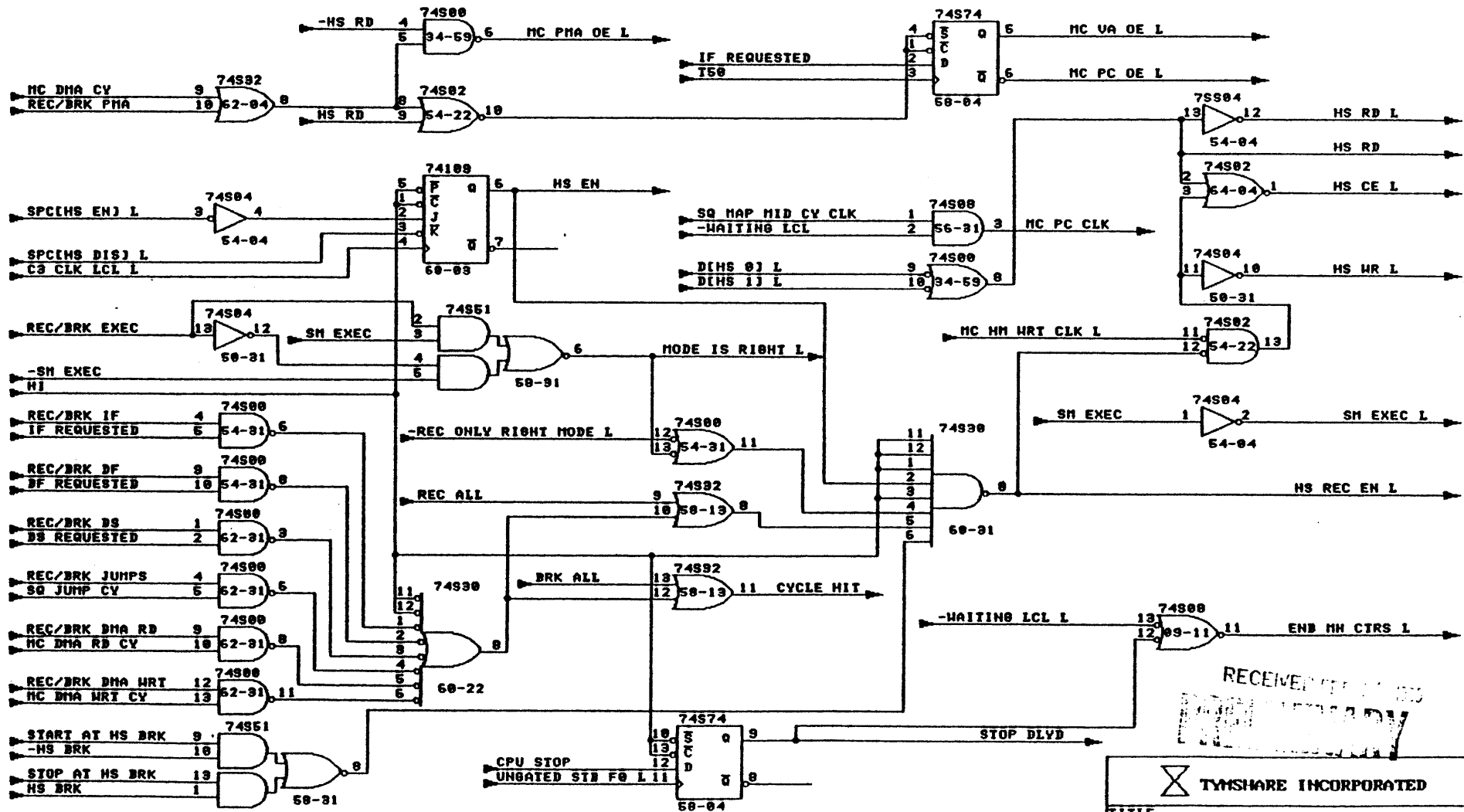


RECEIVED
PRELIMINARY

 TYMSHARE INCORPORATED			
TITLE			
MC-MCCTXT			
SIZE	CODE	NUMBER	REV
B		0000000	A
DATE		SHEET	
OCT. 04, 1984		07 OF XX	

MCHS1.DWG
26KL

NOTE: UA/PC/PMC Select

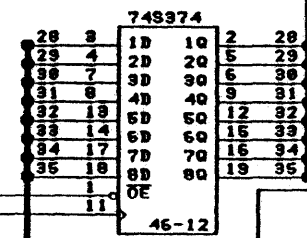
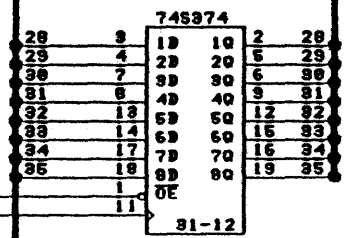
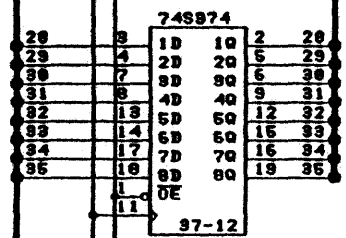
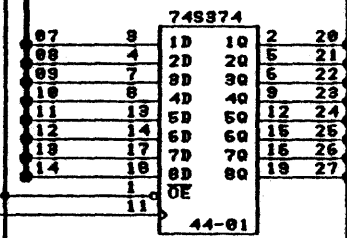
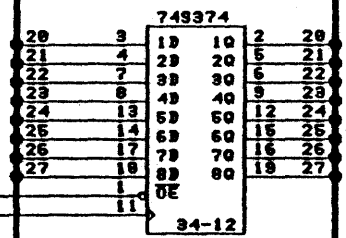
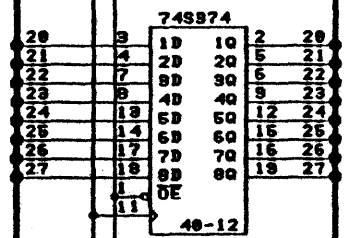
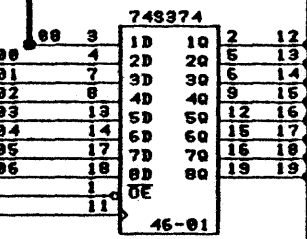
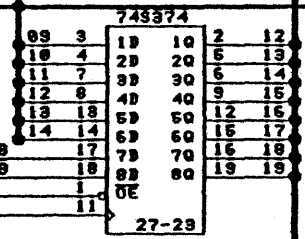
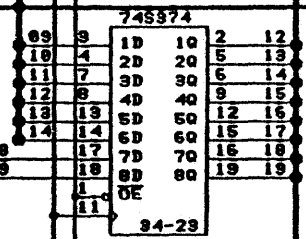
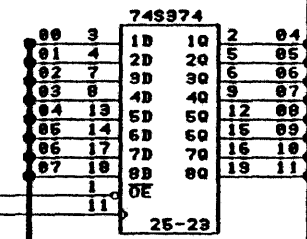
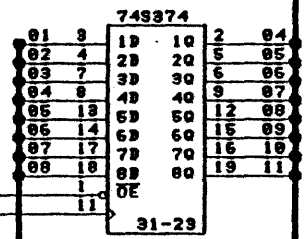
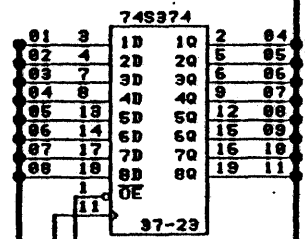


NOTE: THIS DIP IS IN 37-59 ON MC/1

RECEIVED
LIBRARY

TYMSHARE INCORPORATED

TITLE			
MC-MCHS1			
SIZE	CODE	NUMBER	REV
B		000000	A
DATE		OCT. 05, 1984	SHEET 00 OF XX



CONTROL SIG (00:00)
EAX/PMA (00:14)

EA LCL (18:35)
PMA 28 F3:35 F3)
MC PC CLK
MC PC OE L

UNGATED STD F0 L
MC VA OE L

HJ
MC PMA OE L

NOTE: MC PC Register

NOTE: MC VA Register

NOTE: MC PMA Buffer

RECEIVED FEB 01 1985
PHOTOGRAPHY

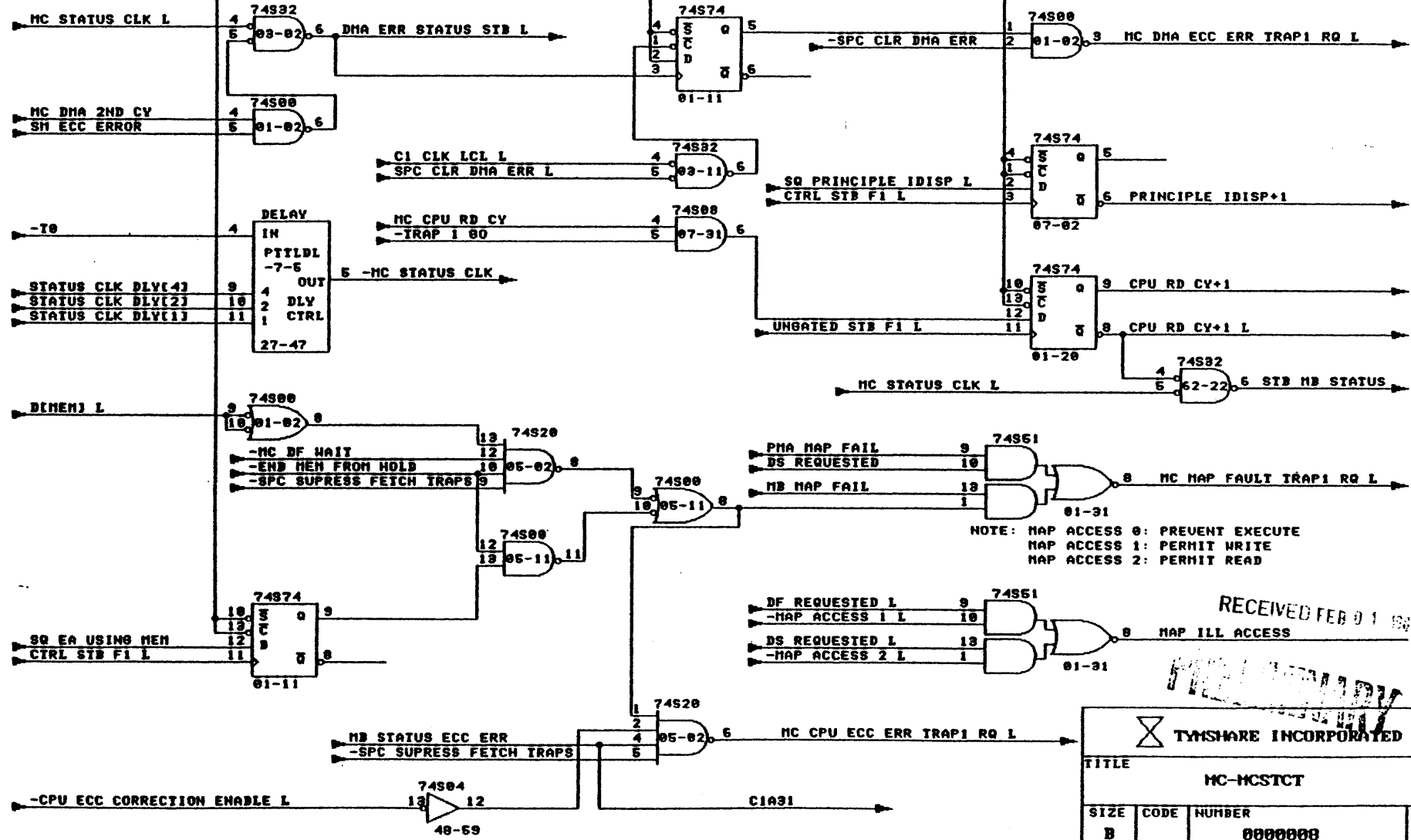
TYMSHARE INCORPORATED

TITLE: MC-MCHS2

SIZE	CODE	NUMBER	REV
B		0000000	A

DATE: OCT. 05, 1984 SHEET 09 OF XX

MCSTCT.DWG
26KL



NOTE: MAP ACCESS 0: PREVENT EXECUTE
MAP ACCESS 1: PERMIT WRITE
MAP ACCESS 2: PERMIT READ

RECEIVED FEB 01 1984
MILITARY

TITLE			
MC-MCSTCT			
SIZE	CODE	NUMBER	REV
B		000000	A
DATE		OCT. 08, 1984	SHEET 10 OF XX

MCMS3.DWG
26KL

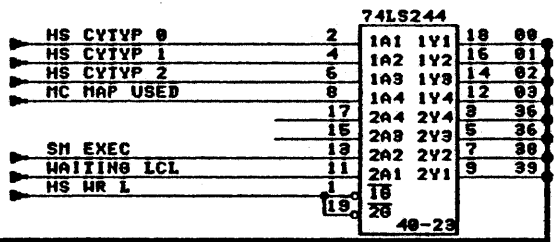
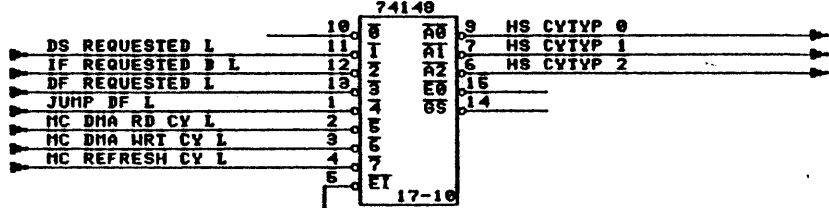
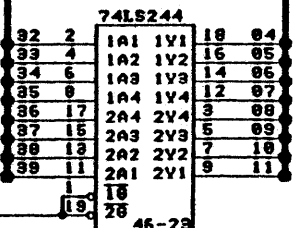
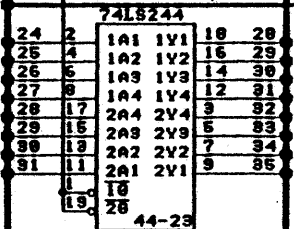
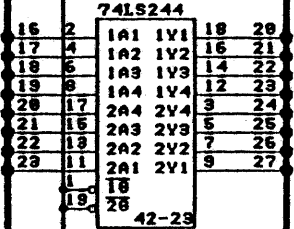
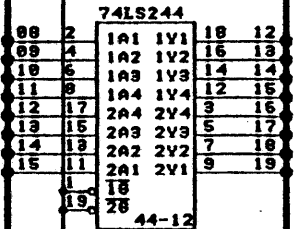
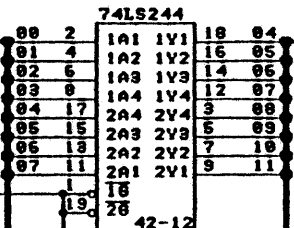
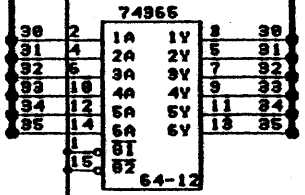
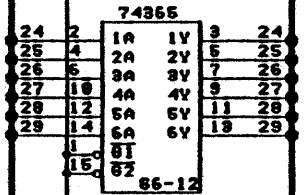
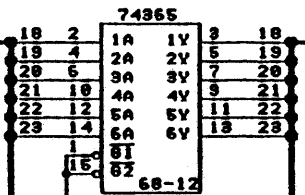
HS <00:39>

LCL EOBUS <04:35>

DLHS 0) L

EA <18:35>

EA LCL <18:35>

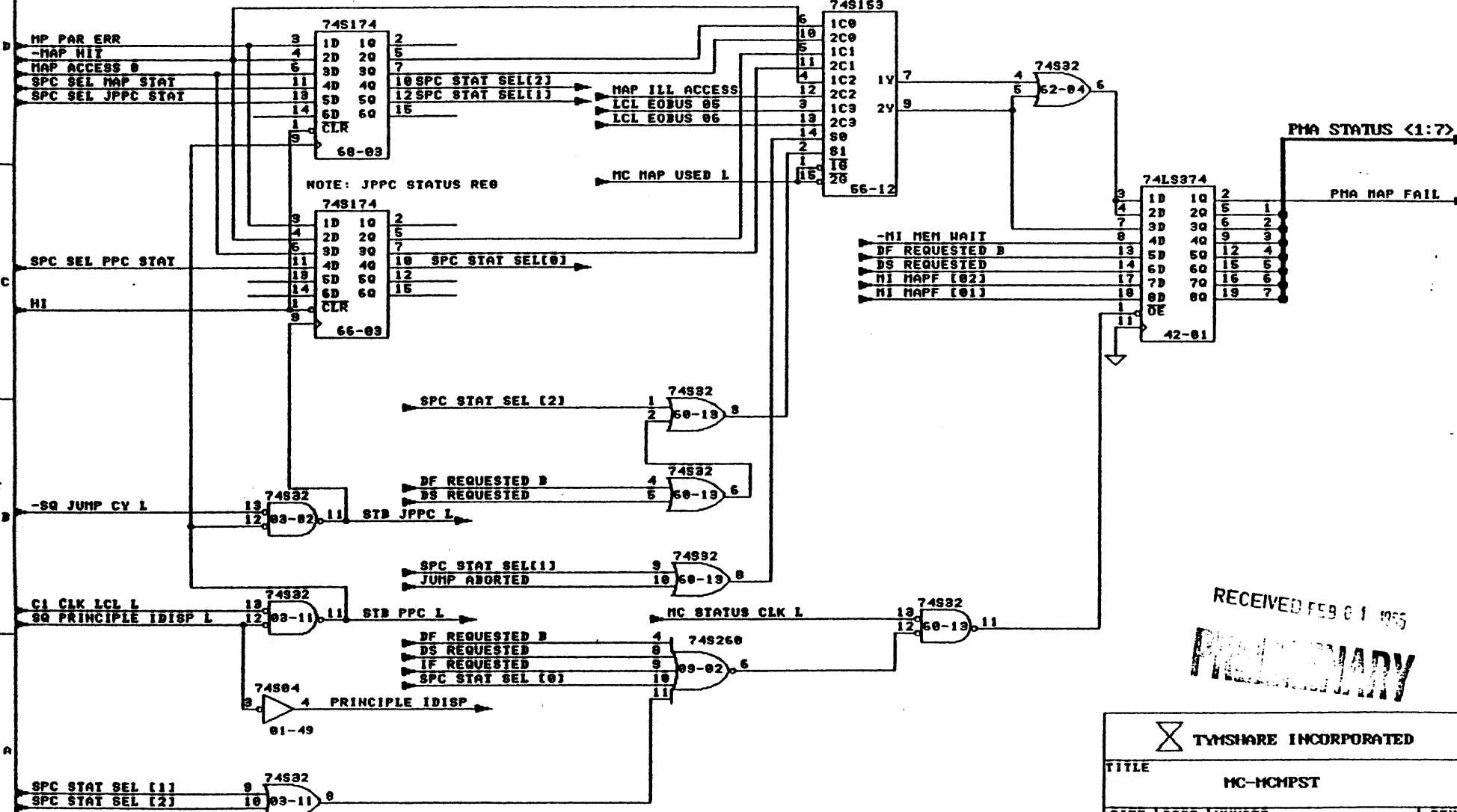


RECEIVED FEB 01 1985
 FROM LABORATORY

TITLE			
MC-MCMS3			
SIZE	CODE	NUMBER	REV
B		000000	A
DATE		OCT. 09, 1984	SHEET 11 OF XX

MCMPSST.DWG
26KL

NOTE: PCC STATUS REG



NOTE: JPPC STATUS REG

PMA STATUS <1:7>

PMA MAP FAIL

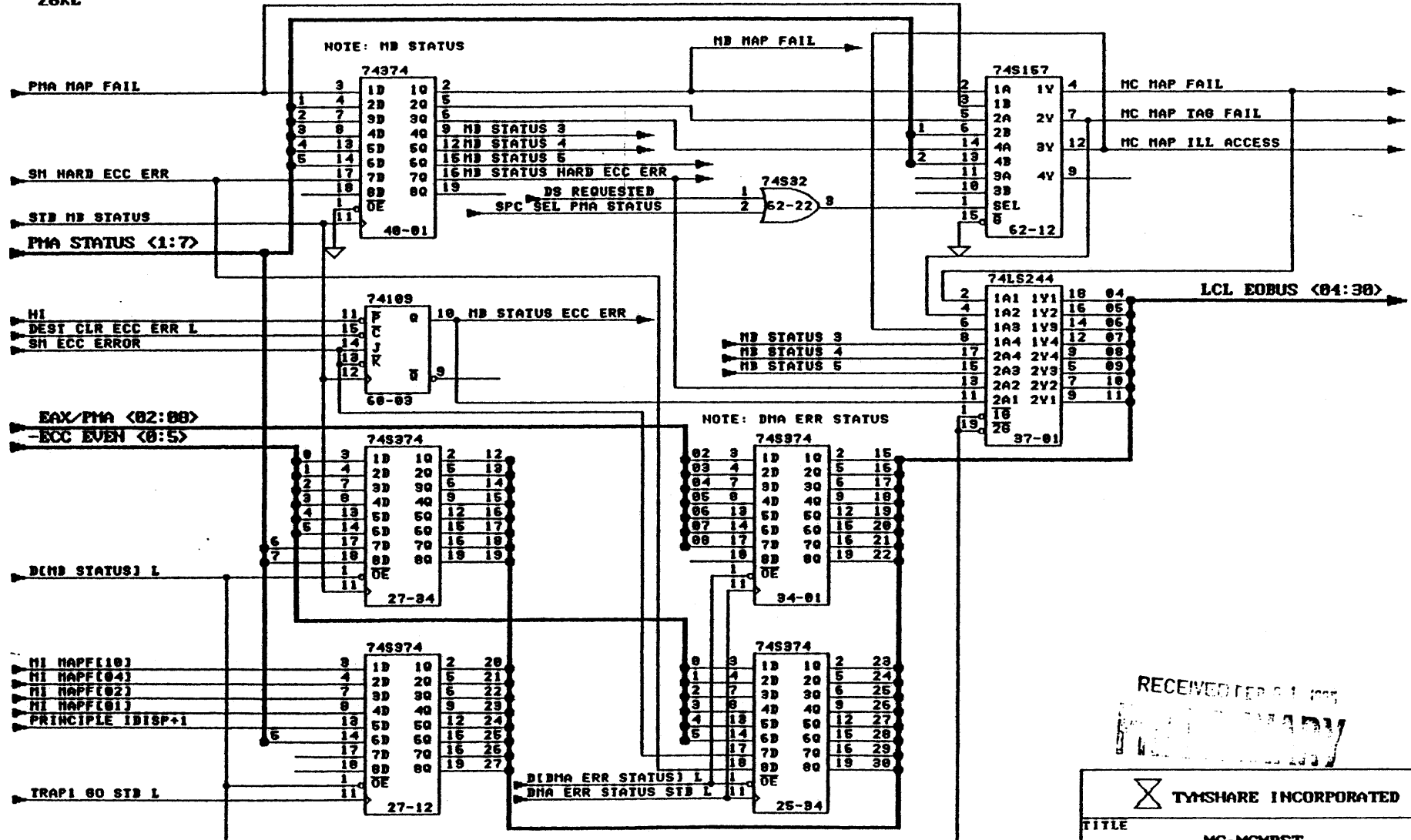
RECEIVED FEB 01 1985

PRELIMINARY

TYNSHARE INCORPORATED

TITLE			
MC-MCMPSST			
SIZE	CODE	NUMBER	REV
B		0000000	A
DATE	OCT. 09. 1984	SHEET 12 OF XX	

MCMBST.DWG
26KL



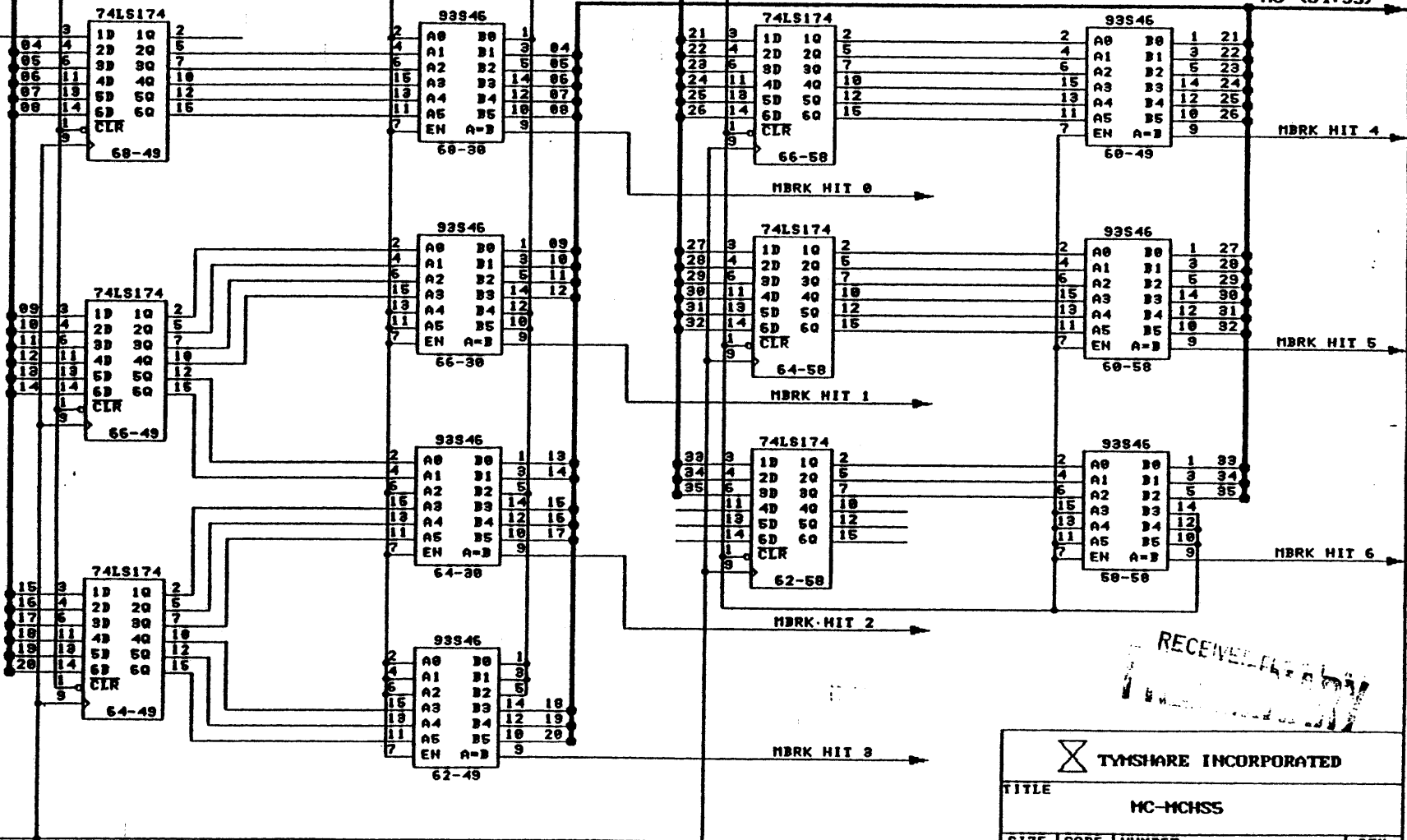
RECEIVED OCT 11 1984
MCMBST

TITLE MC-MCMBST			
SIZE B	CODE	NUMBER 0000000	REV A
DATE OCT. 10, 1984		SHEET 13 OF XX	

MCHSS.DWG
26KL

HI
LCL EOBUS <04:35>

HS <04:35>



DEST (HS C0) L

RECEIVED
10/10/84

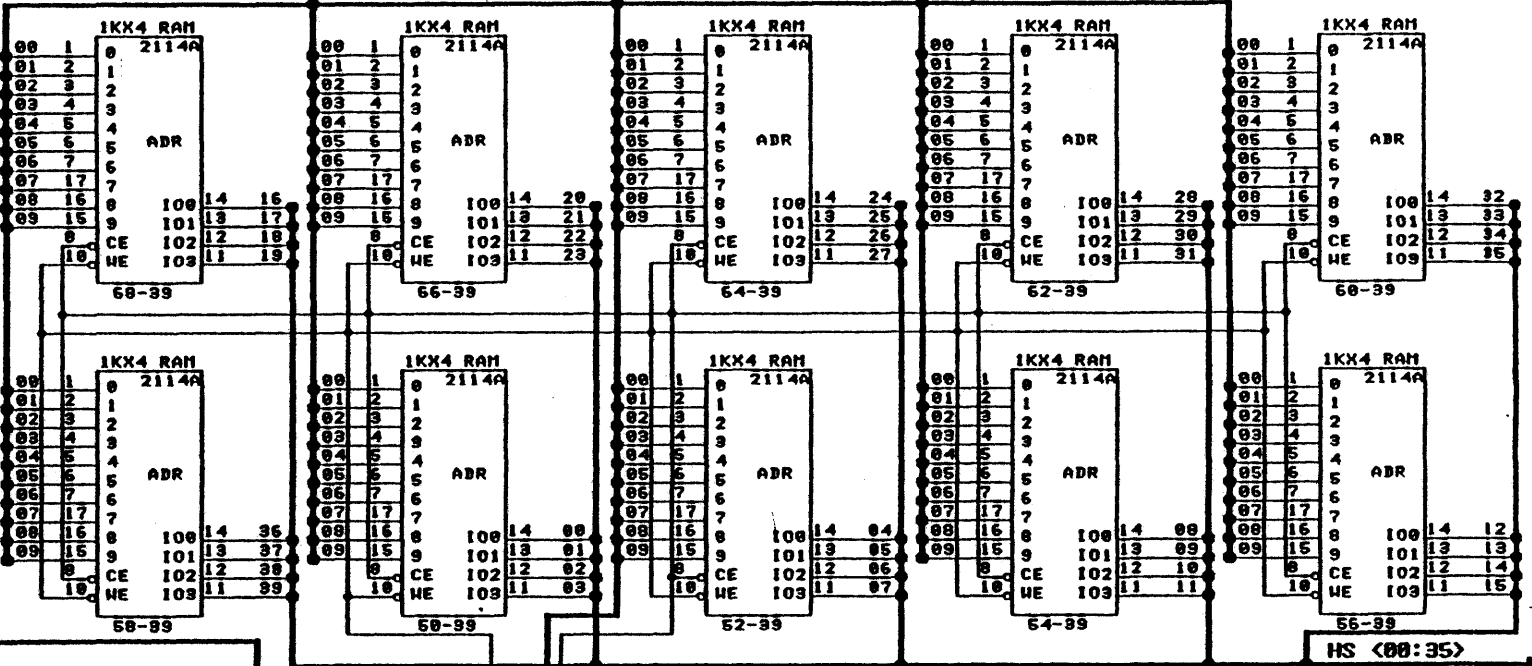
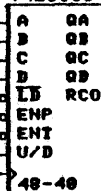
TITLE MC-MCHSS			
SIZE B	CODE	NUMBER 000000	REV A
DATE OCT. 10. 1984		SHEET 14 OF XX	

MCHS4.DWG
26KL

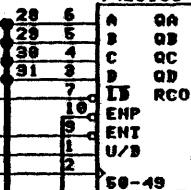
NONMESIC <00:09>

MS REC EN L 9 74S11
DCHS 0J L 11 52-22 8
18

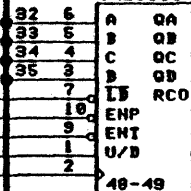
74LS169



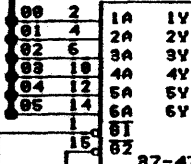
74LS169



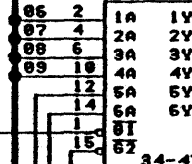
74LS169



74965



74965



LCL EOBUS <12:35>

HS AD <00:09>

DCHS 1J L
DLY CNT 34
DLY CNT 35

END NH CTRS L
DEST (NS C1) L
HI
NOT STOPPED STD L

HS CE L
HS NR L

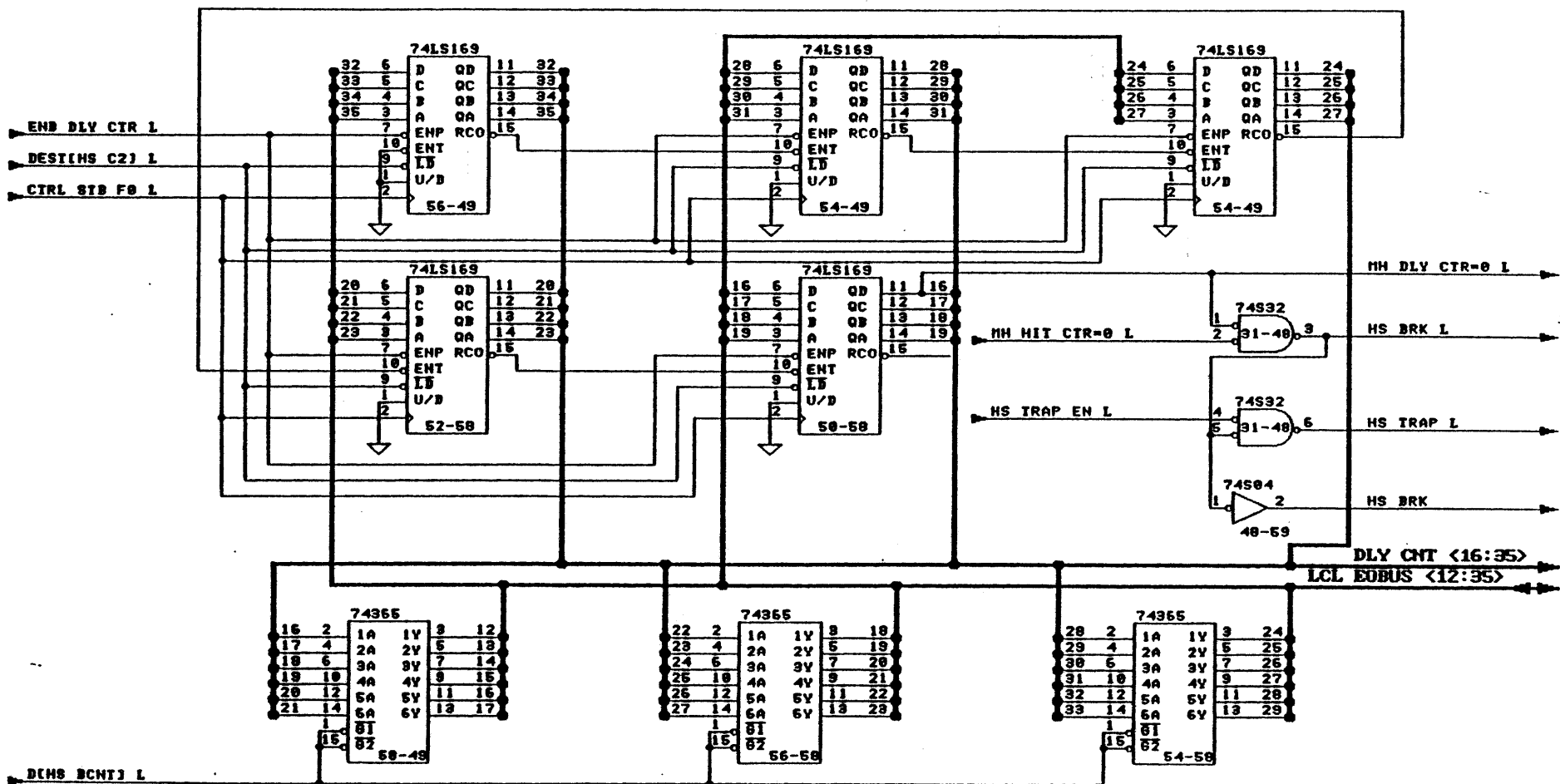
RECEIVED FOR FILE

TWMSHARE INCORPORATED

TITLE MC-MCHS4


REV B	CODE NUMBER 0000000	REV A
DATE OCT. 11. 1984		SHEET 15 OF XX

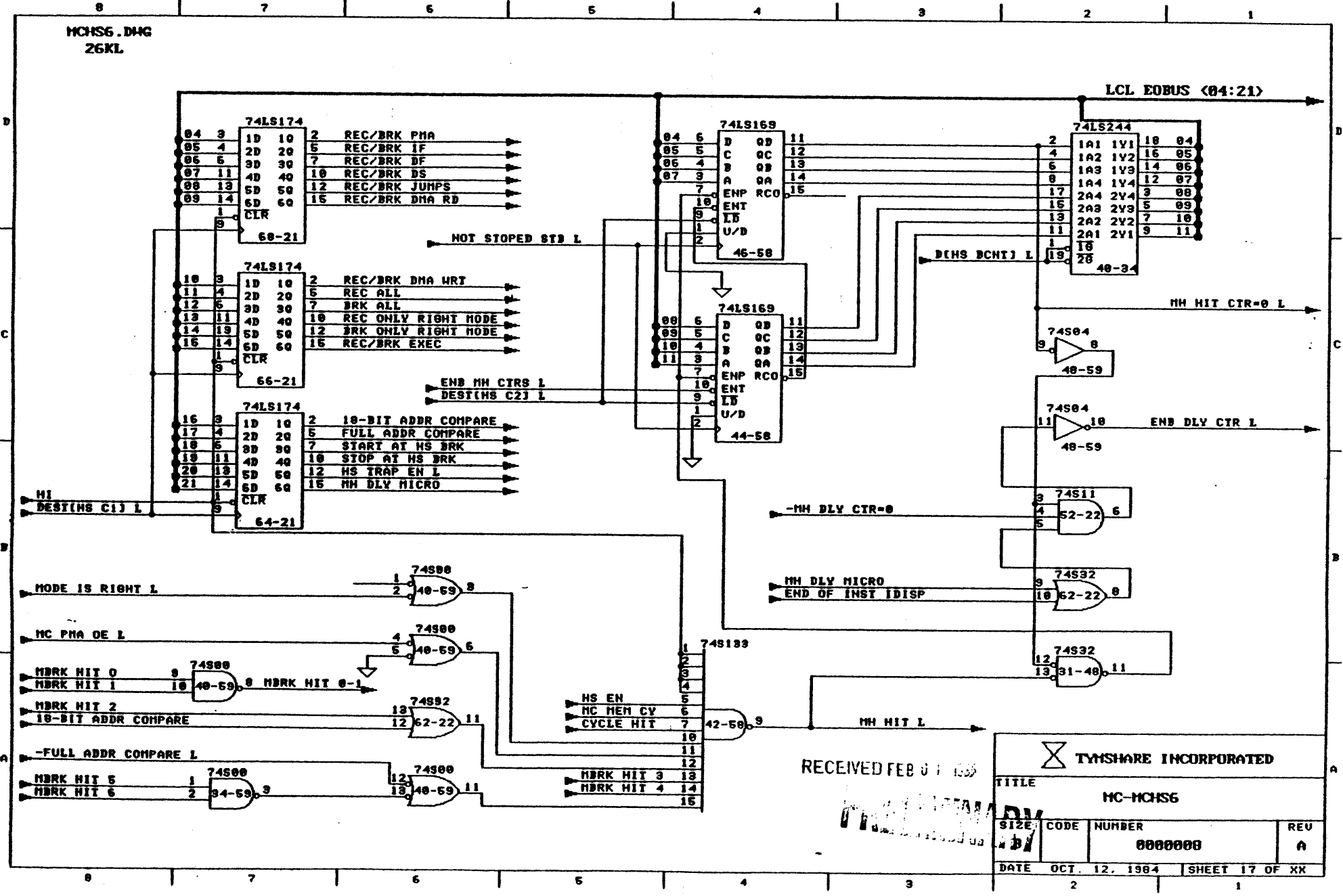
MCMS7.DMG
26KL



RECEIVED FEB 01 1983

PRELIMINARY

 TYMSHARE INCORPORATED			
TITLE		MC-MCMS7	
SIZE	CODE	NUMBER	REV
3		000000	A
DATE		SHEET	
OCT. 11. 1984		16 OF XX	

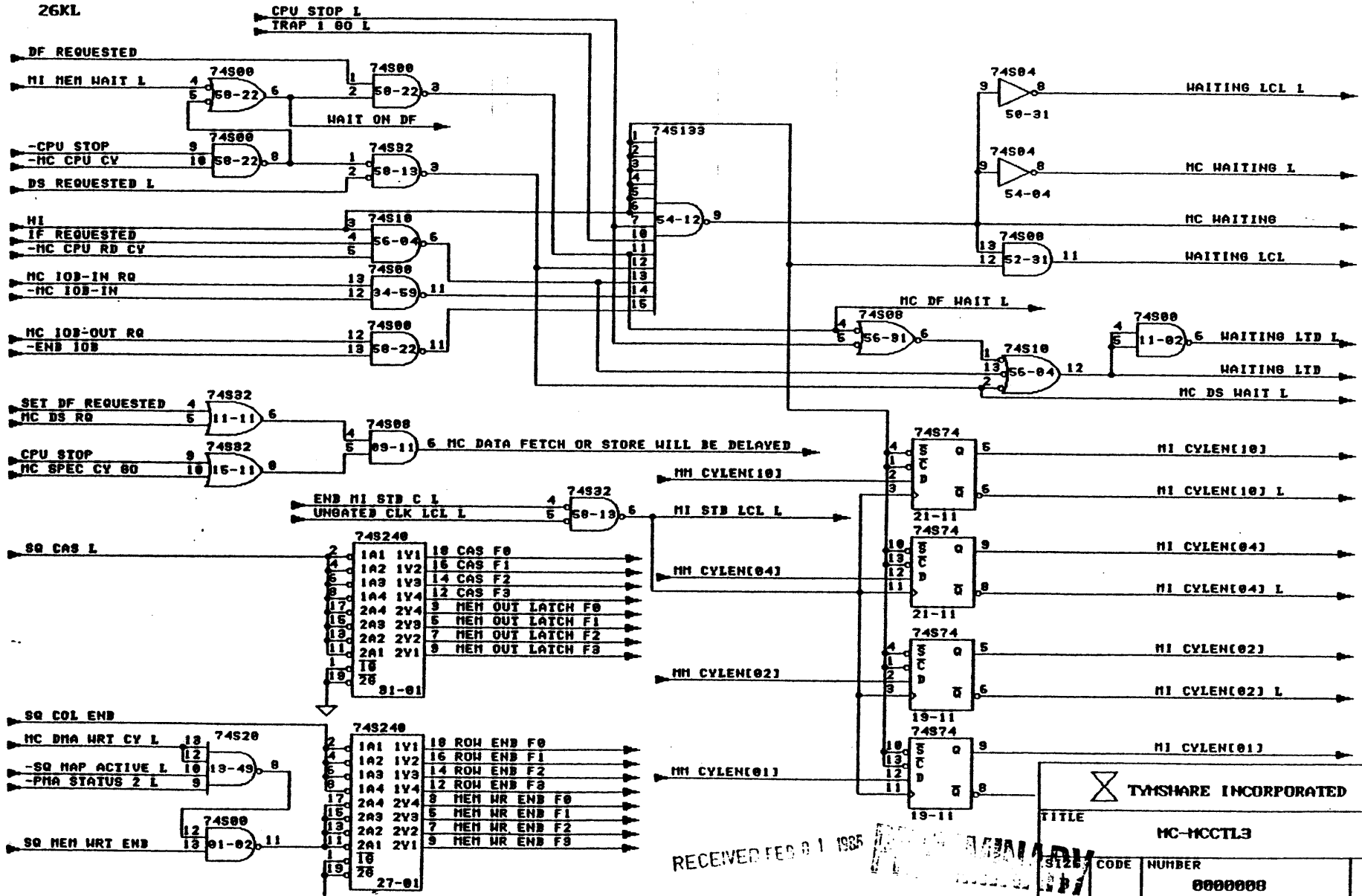


RECEIVED FEB 01 1985

TYNSHARE INCORPORATED

TITLE				MC-MCHS6	
SIZE	CODE	NUMBER	REV		
		0000000	A		
DATE OCT. 12. 1984			SHEET 17 OF XX		

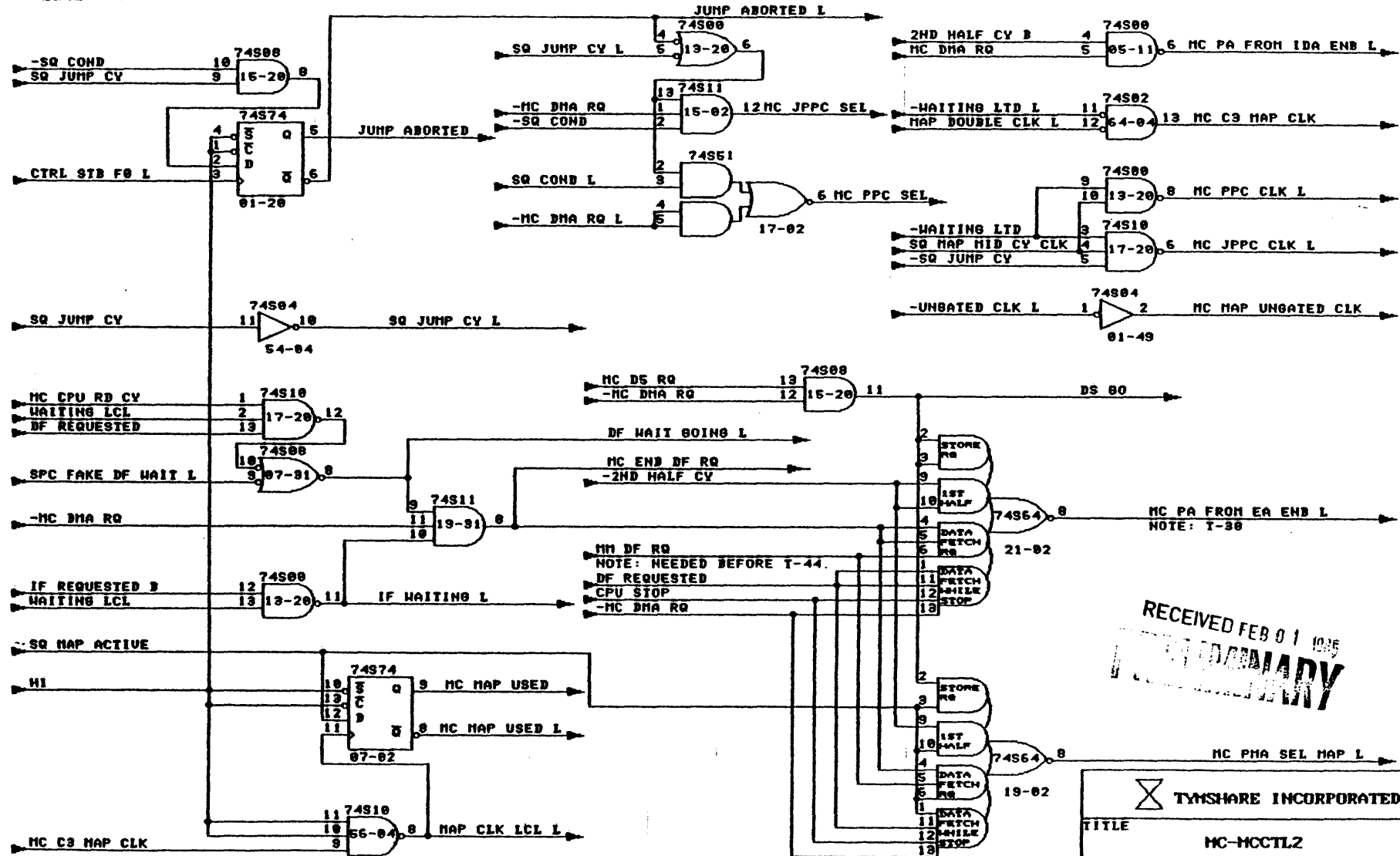
MCCTL3.DWG
26KL



RECEIVED FEB 01 1985

TITLE			
MC-MCCTL3			
SIZE	CODE	NUMBER	REV
		0000000	A
DATE		SHEET	
OCT. 15, 1984		18 OF XX	

MCCTL2.DWG
26KL

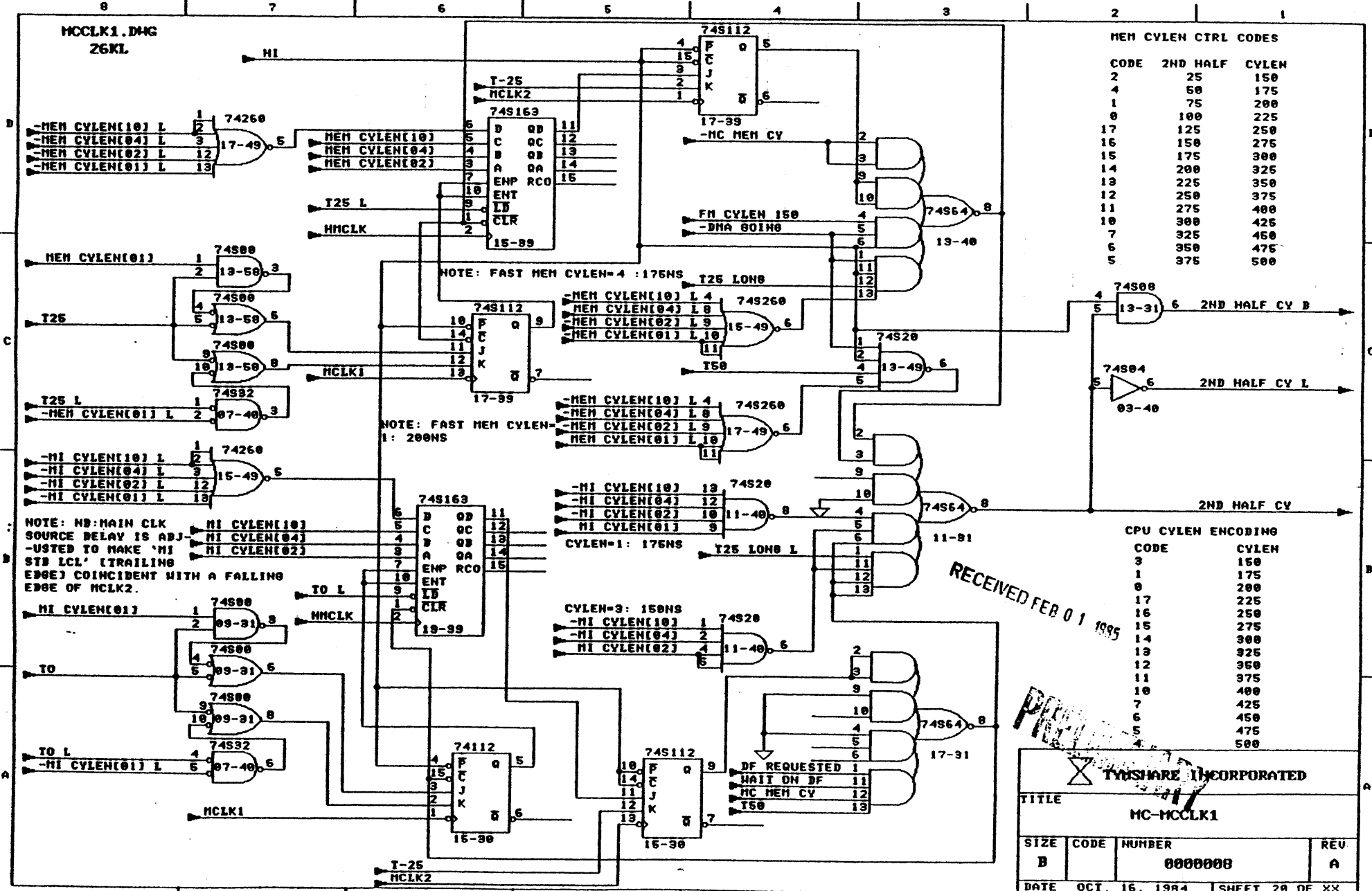


RECEIVED FEB 01 1985
LIBRARY

TYMSHARE INCORPORATED

TITLE			
MC-MCCTL2			
SIZE	CODE	NUMBER	REV
B		0000008	A
DATE		OCT. 15, 1984	SHEET 19 OF XX

MCCLK1.DWG
26KL



MEM CYLEN CTRL CODES

CODE	2ND HALF	CYLEN
2	25	150
4	50	175
1	75	200
0	100	225
17	125	250
16	150	275
15	175	300
14	200	325
13	225	350
12	250	375
11	275	400
10	300	425
7	325	450
6	350	475
5	375	500

CPU CYLEN ENCODING

CODE	CYLEN
3	150
1	175
0	200
17	225
16	250
15	275
14	300
13	325
12	350
11	375
10	400
7	425
6	450
5	475
4	500

RECEIVED FEB 01 1985

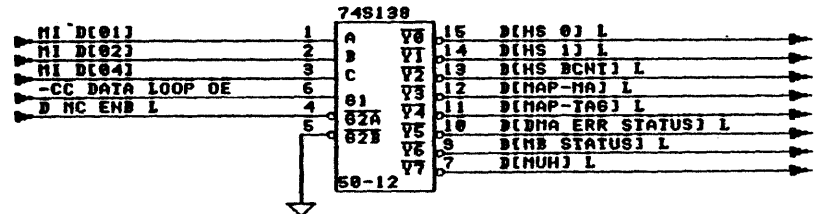
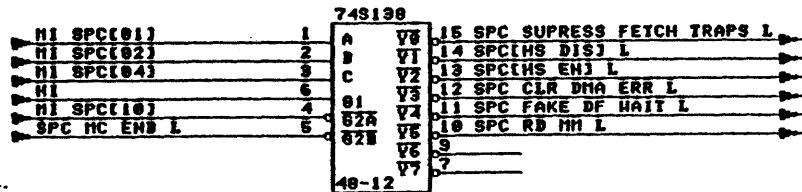
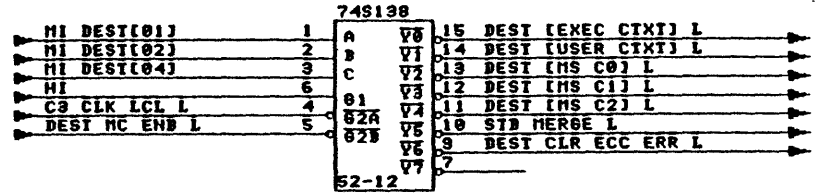
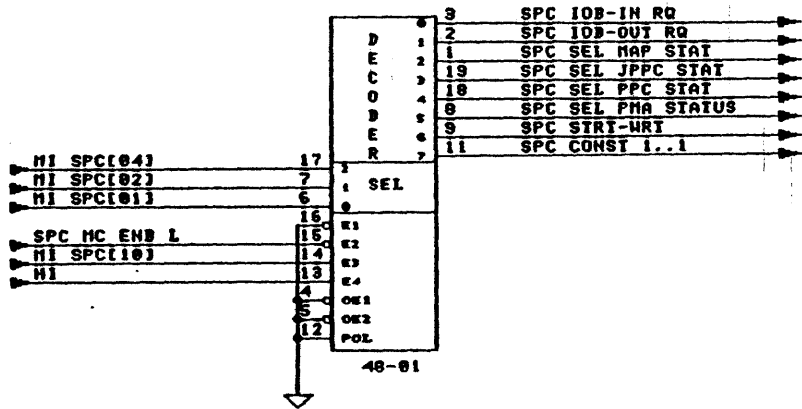
TYMSHARE INCORPORATED

TITLE
MC-MCLK1

SIZE B	CODE 000000	NUMBER 000000	REV A
------------------	-----------------------	-------------------------	-----------------

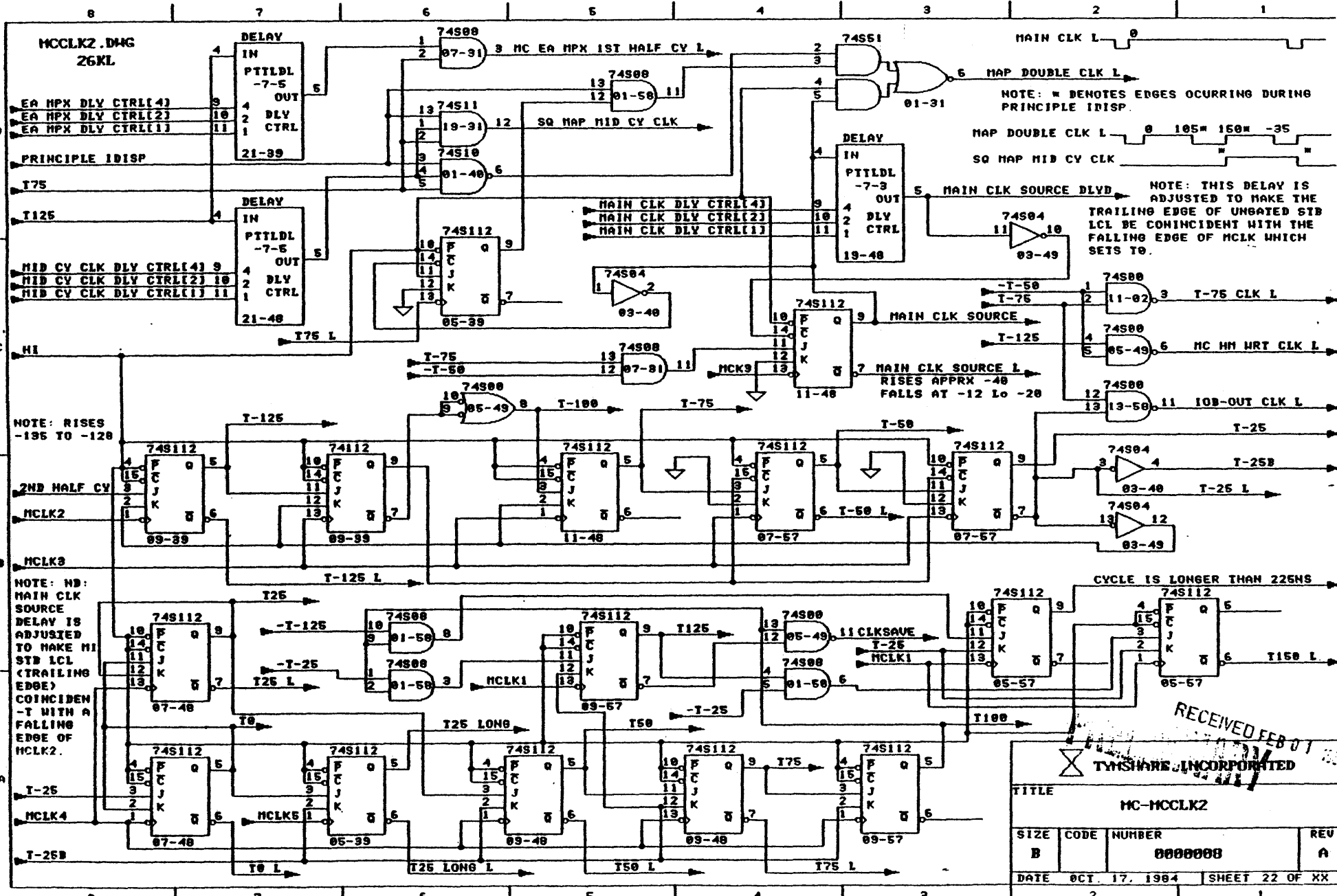
DATE OCT. 16, 1984 SHEET 20 OF XX

MCCTL0.DWG
26KL



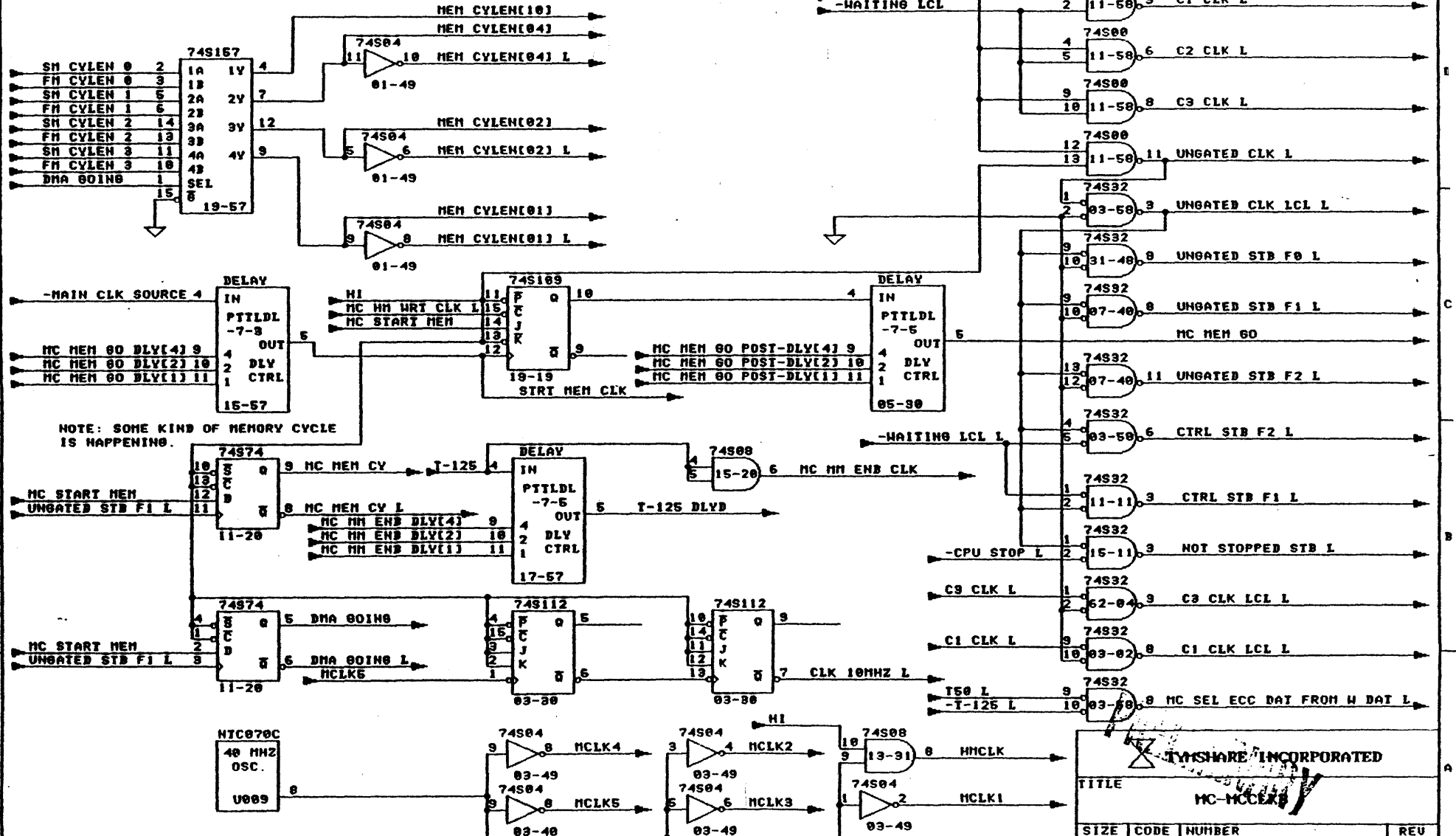
RECEIVED FEB 0 1994

TITLE MC-MCCTL0			
SIZE B	CODE	NUMBER 0000000	REV A
DATE OCT. 17. 1994		SHEET 21 OF XX	



TITLE			
MC-MCLK2			
SIZE	CODE	NUMBER	REV
B		000000	A
DATE		OCT. 17. 1984	SHEET 22 OF XX

MCCLK3.DMG
26KL



NOTE: SOME KIND OF MEMORY CYCLE IS HAPPENING.

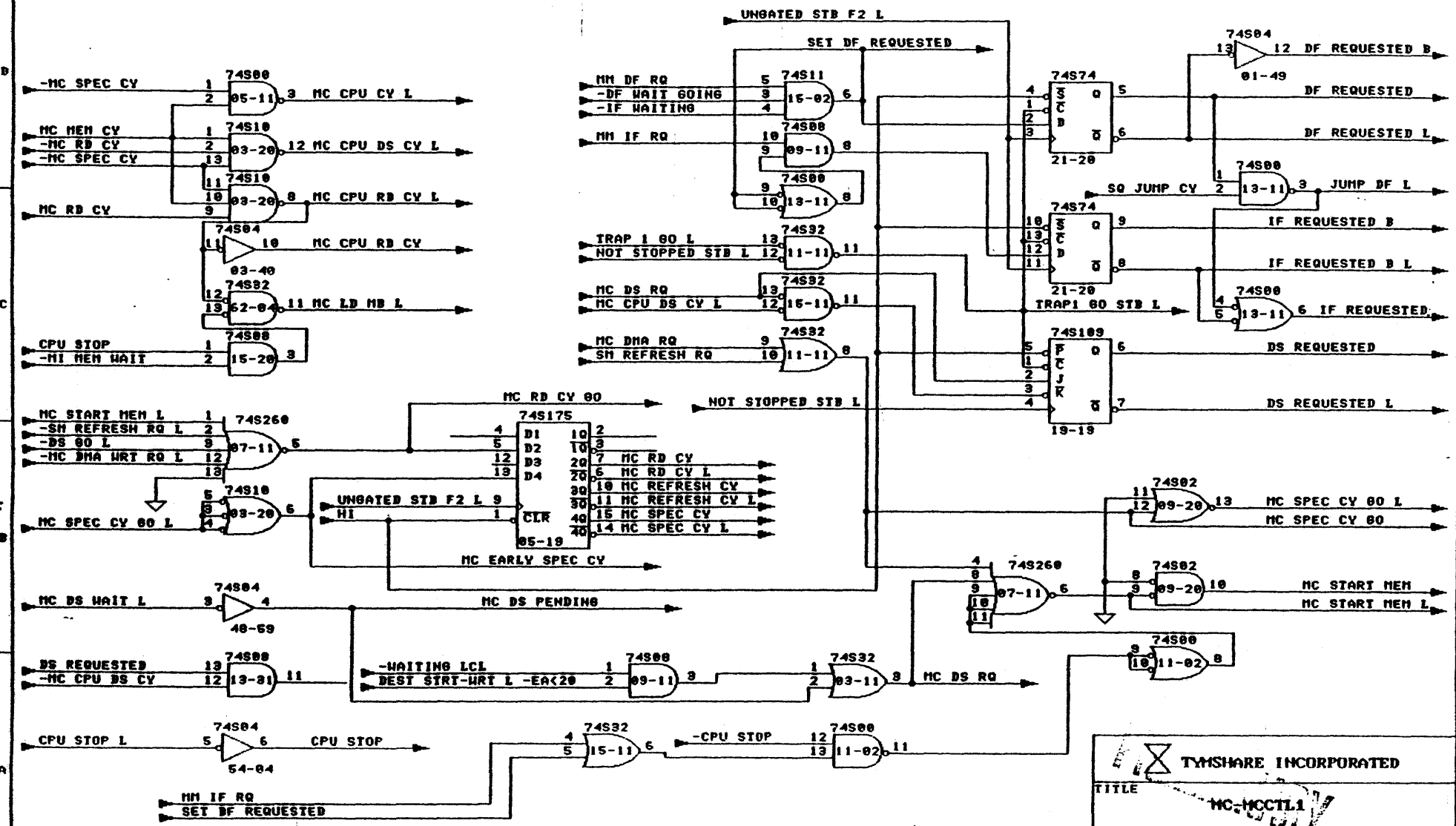
TYNESHARE INCORPORATED

TITLE
MC-MCLK3

SIZE B	CODE 0000000	NUMBER 0000000	REV A
DATE OCT. 29, 1984		SHEET 23 OF XX	

RECEIVED FEB 3 1985

MCCTL1.DWG
26KL

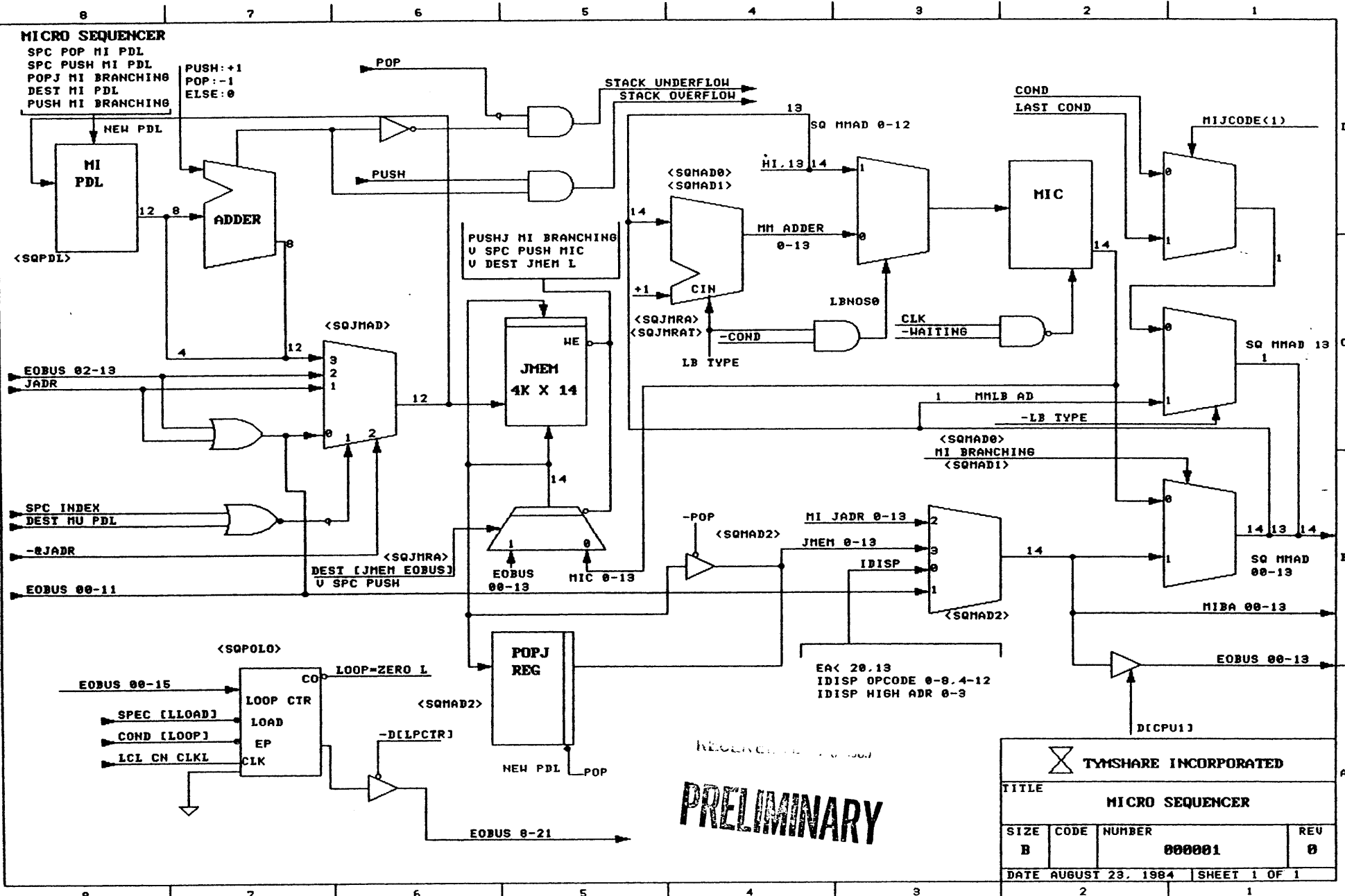


TYMSHARE INCORPORATED


TITLE: MC-MCCTL1

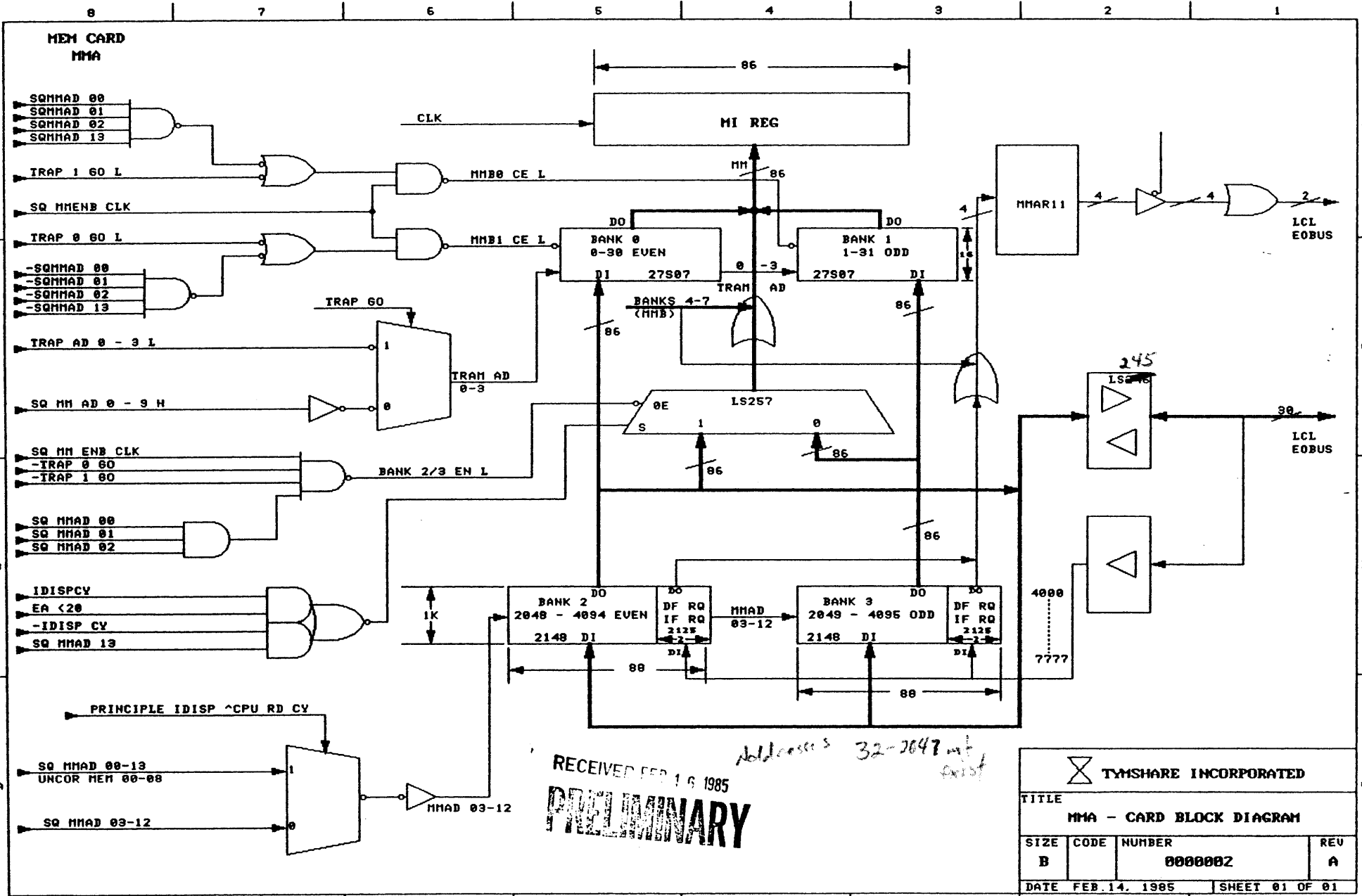
SIZE: B	CODE: 0000000	NUMBER: 0000000	REV: A
DATE: OCT. 30, 1984			SHEET 24 OF XX

RECEIVED FEB 01 1985




RECEIVED 10/10/84
PRELIMINARY

 TYMSHARE INCORPORATED			
TITLE MICRO SEQUENCER			
SIZE B	CODE	NUMBER 000001	REV 0
DATE AUGUST 23, 1984		SHEET 1 OF 1	



RECEIVED FEB 16 1985
PRELIMINARY

Addresses 32-7647 not exist

 TYMSHARE INCORPORATED			
TITLE MMA - CARD BLOCK DIAGRAM			
SIZE B	CODE	NUMBER 0000002	REV A
DATE FEB. 14, 1985		SHEET 01 OF 01	

RECEIVED MAR 1 8 1985

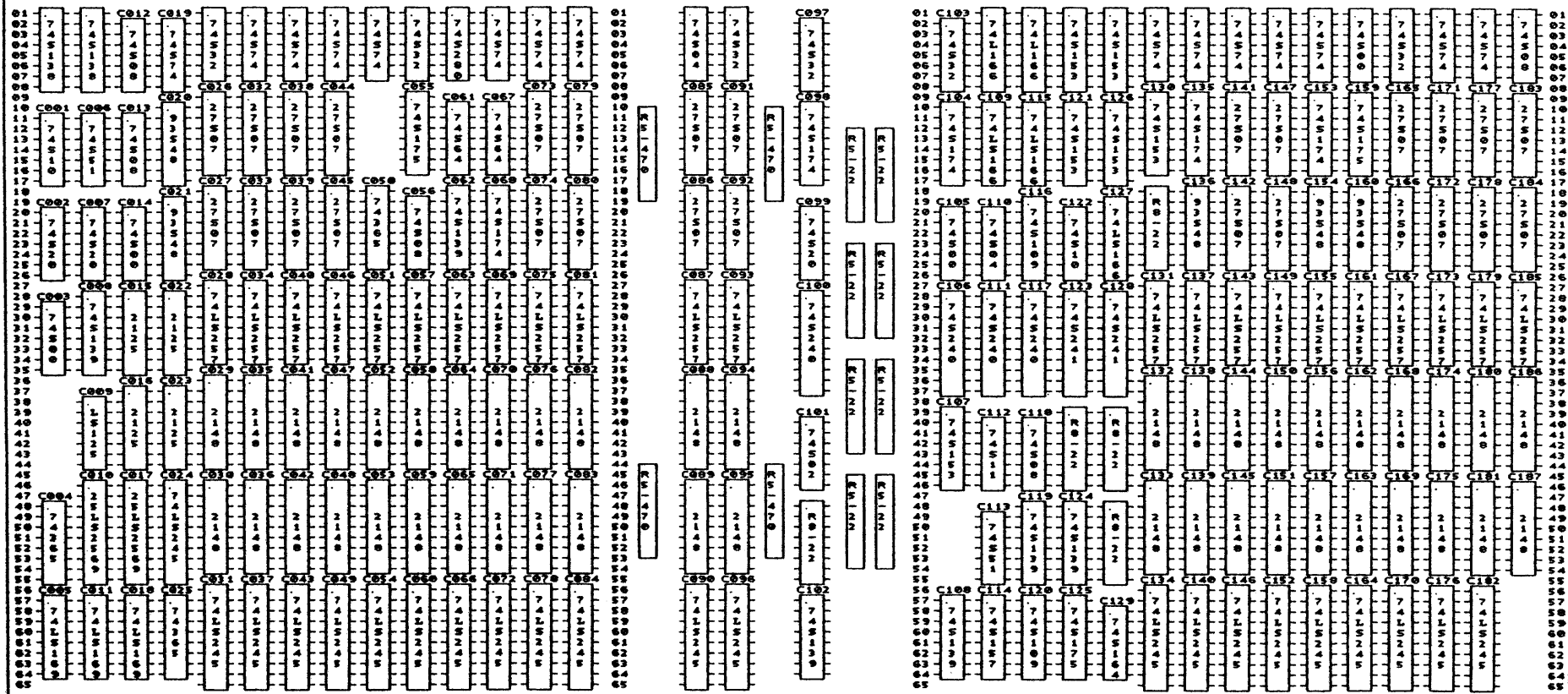
MMA-2STF.DWG
26

C1

C2

C3

MACTED



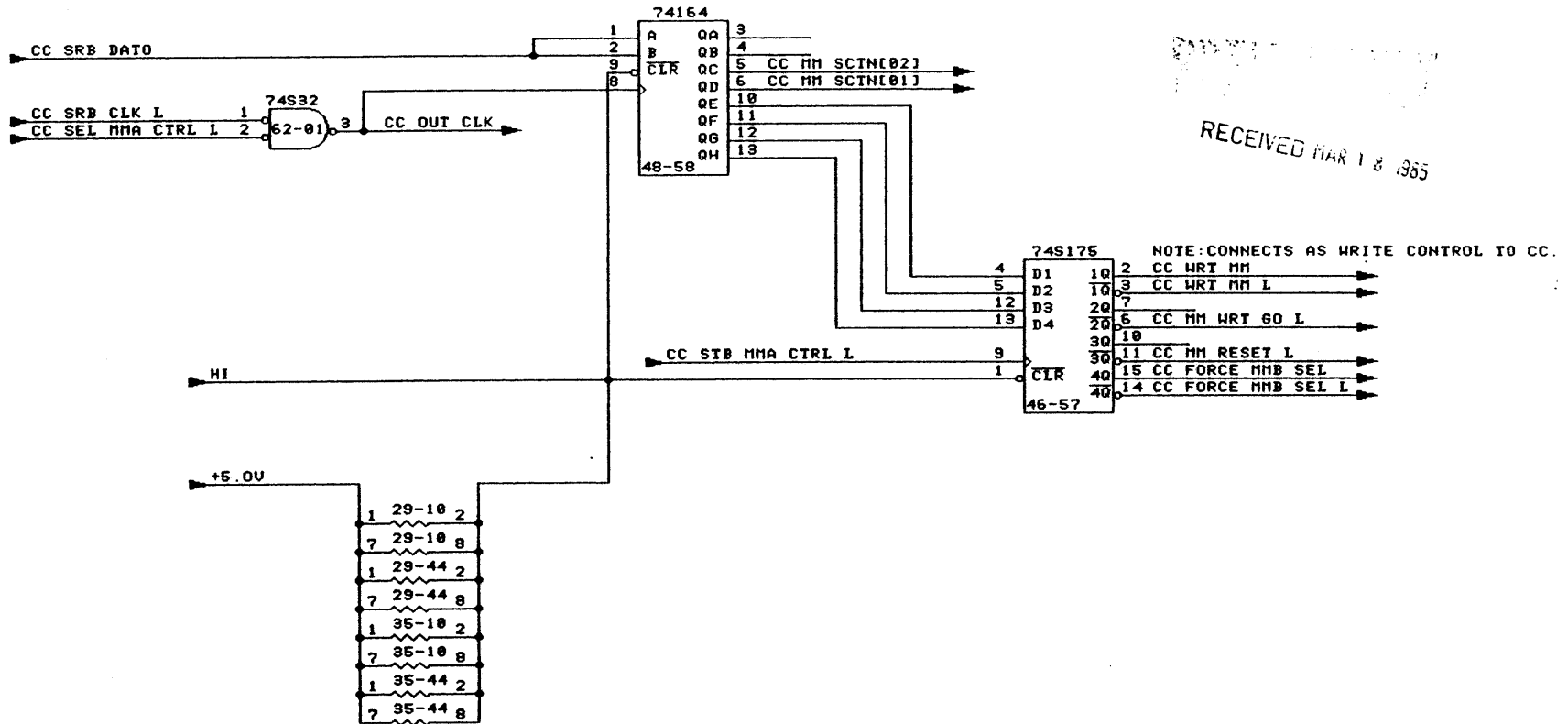
01 03 05 07 09 11 13 15 17 19 21 23 25 27 29 31 33 35 36 38 39 40 42 44 46 48 50 52 54 56 58 60 62 64 66 68

C4

C5

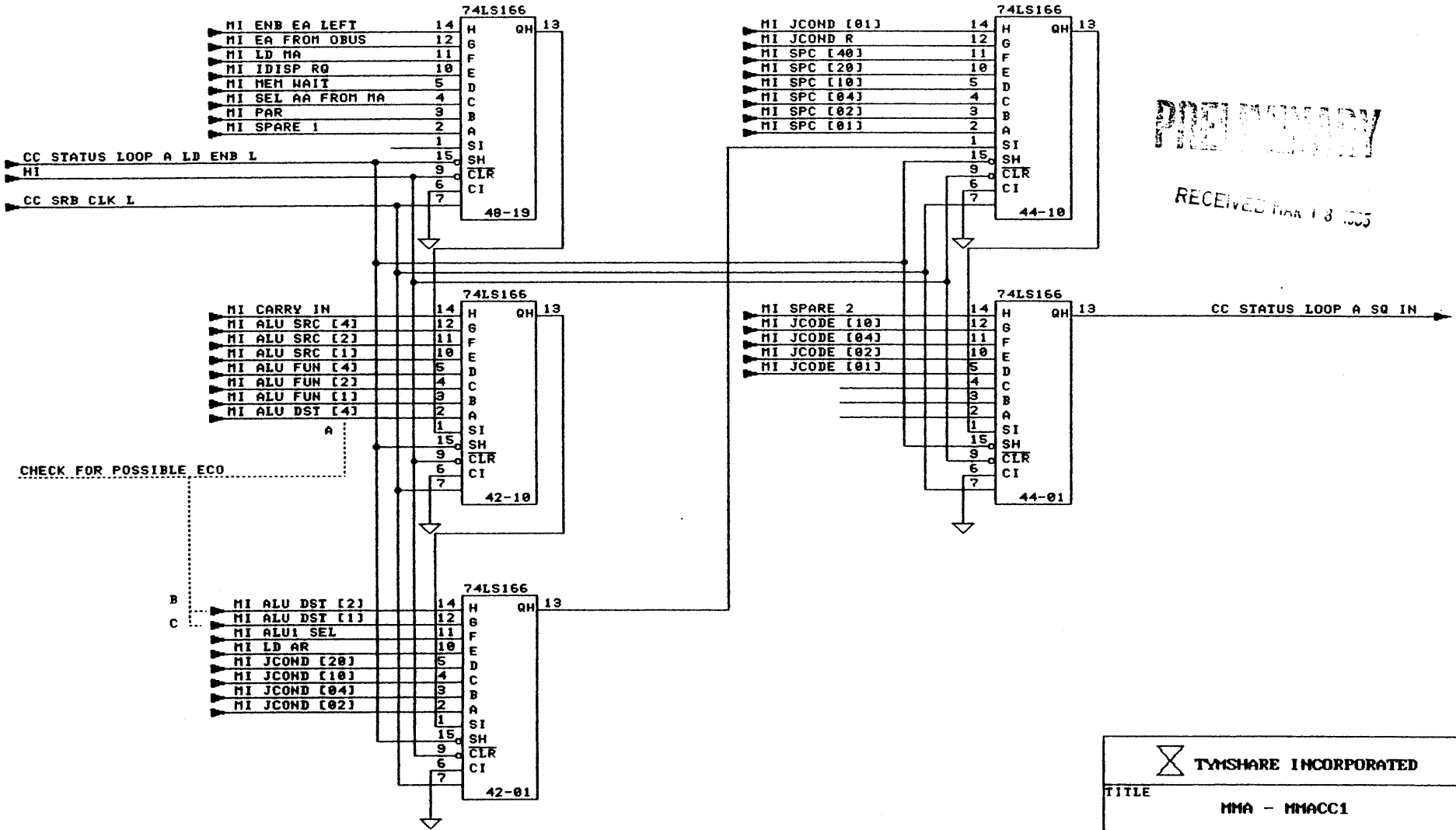
MMA-2 COMPONENT SIDE STUFFING CHART

TYMSHARE INC.	
TITLE	MMA-2STF
DRAWING NUMBER 118001	
DATE MAR. 01. 1985	CDM
SHEET 01 OF 01	



RECEIVED MAR 18 1985

TITLE MMA - MMACCB			
SIZE B	CODE -2	NUMBER 110001	REV A
DATE MARCH 4, 1985		SHEET 04 OF 31	



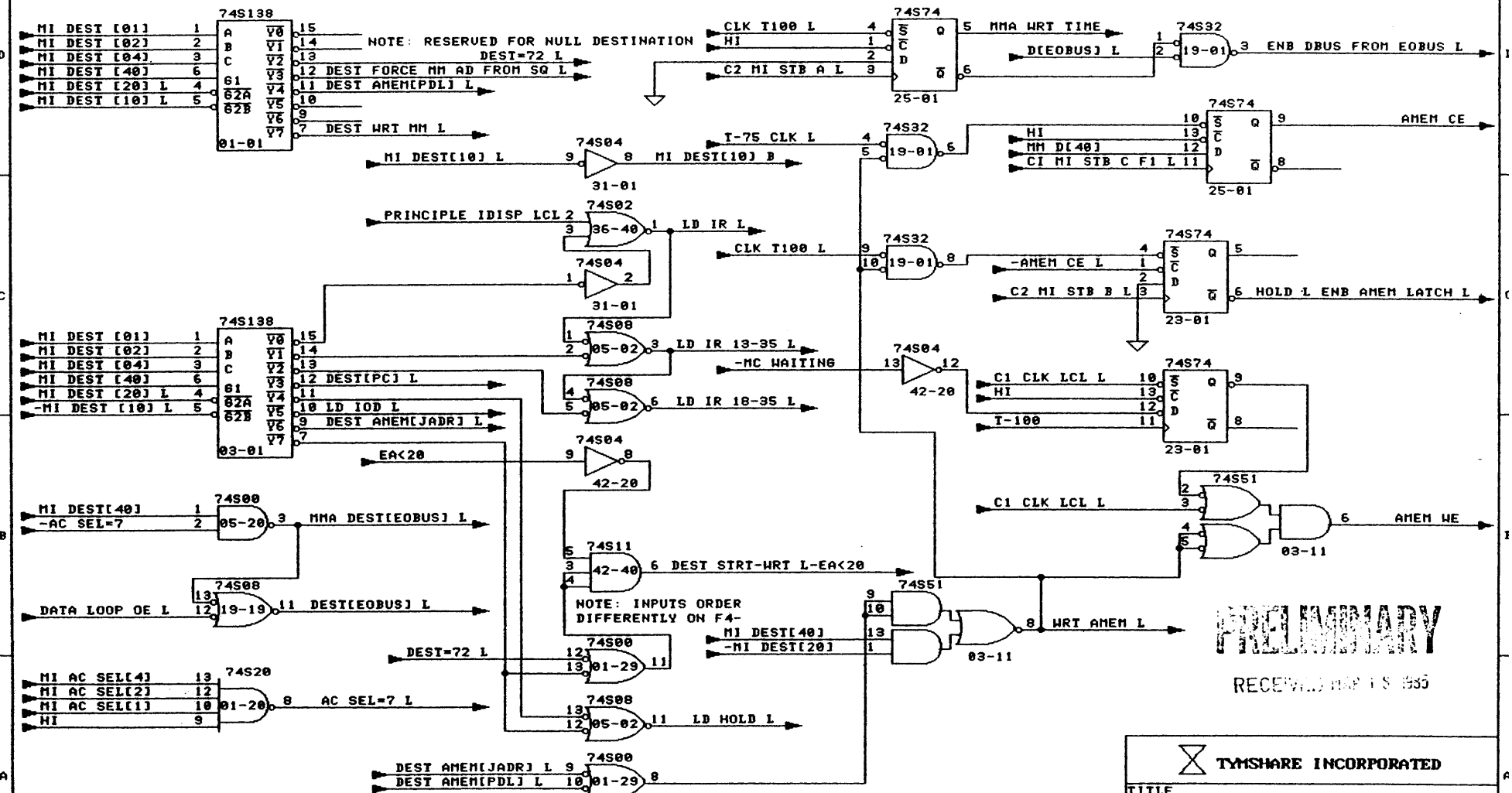
PRELIMINARY

RECEIVED MAR 13 1985


 TYMSHARE INCORPORATED

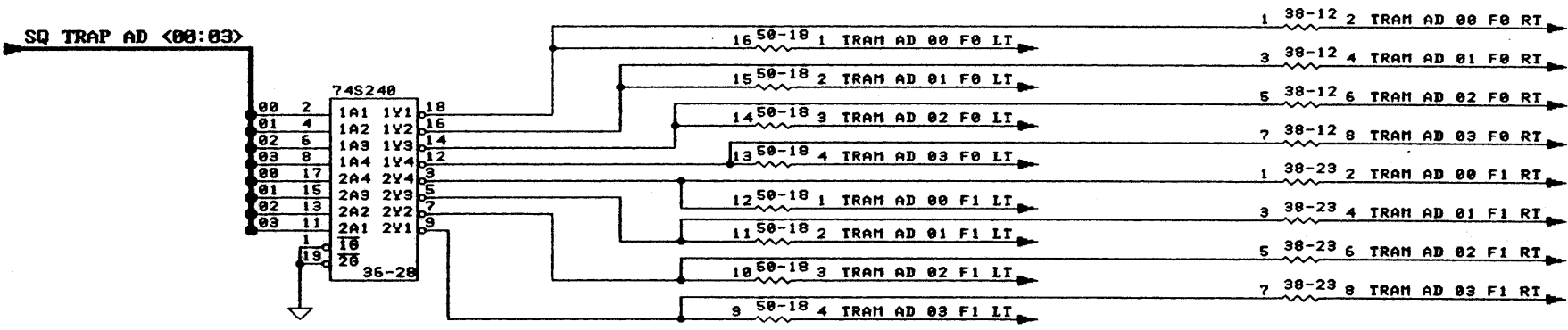
TITLE			
MMA - MMACC1			
SIZE	CODE	NUMBER	REV
B	-2	110001	A
DATE		MAR. 04. 1985	SHEET 05 OF 31

MMACT1.DWG
26




PRELIMINARY
RECEIVED MAR 15 1985

 TYMSHARE INCORPORATED			
TITLE			
MMA - MACT1			
SIZE	CODE	NUMBER	REV
B	-2	118001	A
DATE		SHEET	
MAR. 04, 1985		07 OF 31	



PRELIMINARY
RECEIVED MAR 18 1985

 TYMSHARE INCORPORATED			
TITLE MMA - MMAFN0			
SIZE B	CODE -2	NUMBER 118881	REV A
DATE MAR. 04. 1985		SHEET 08 OF 31	

MMAFN1.DWG

26

MM AD <04:12>

ENB MM FROM BANK 2/3

-MM MRT GO

SQ MM AD 03

ENB MM FROM BANK 2/3 LT L

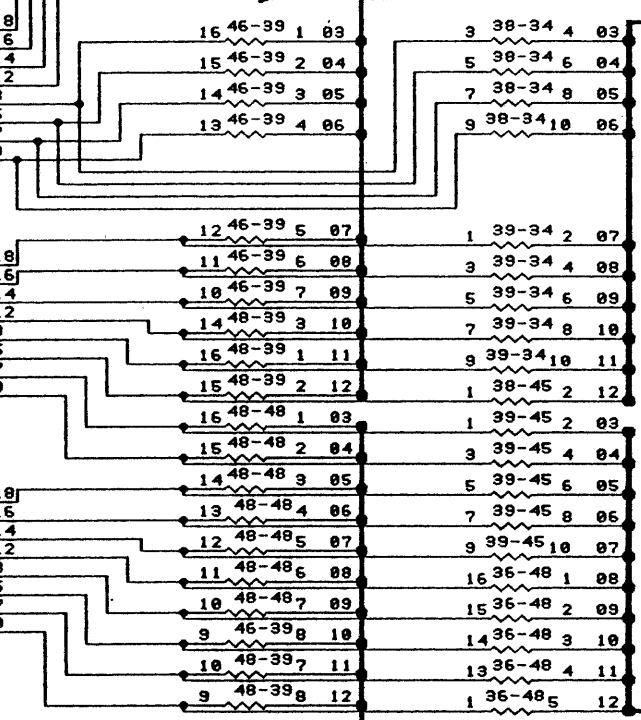
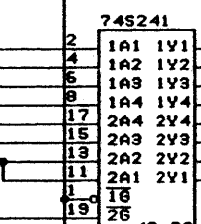
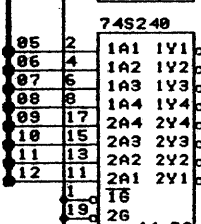
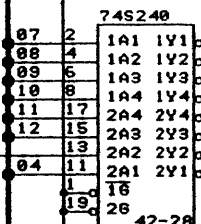
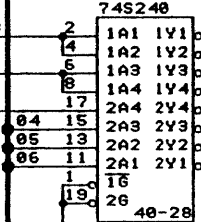
ENB MM FROM BANK 2/3 RT L

R/W DIR LT

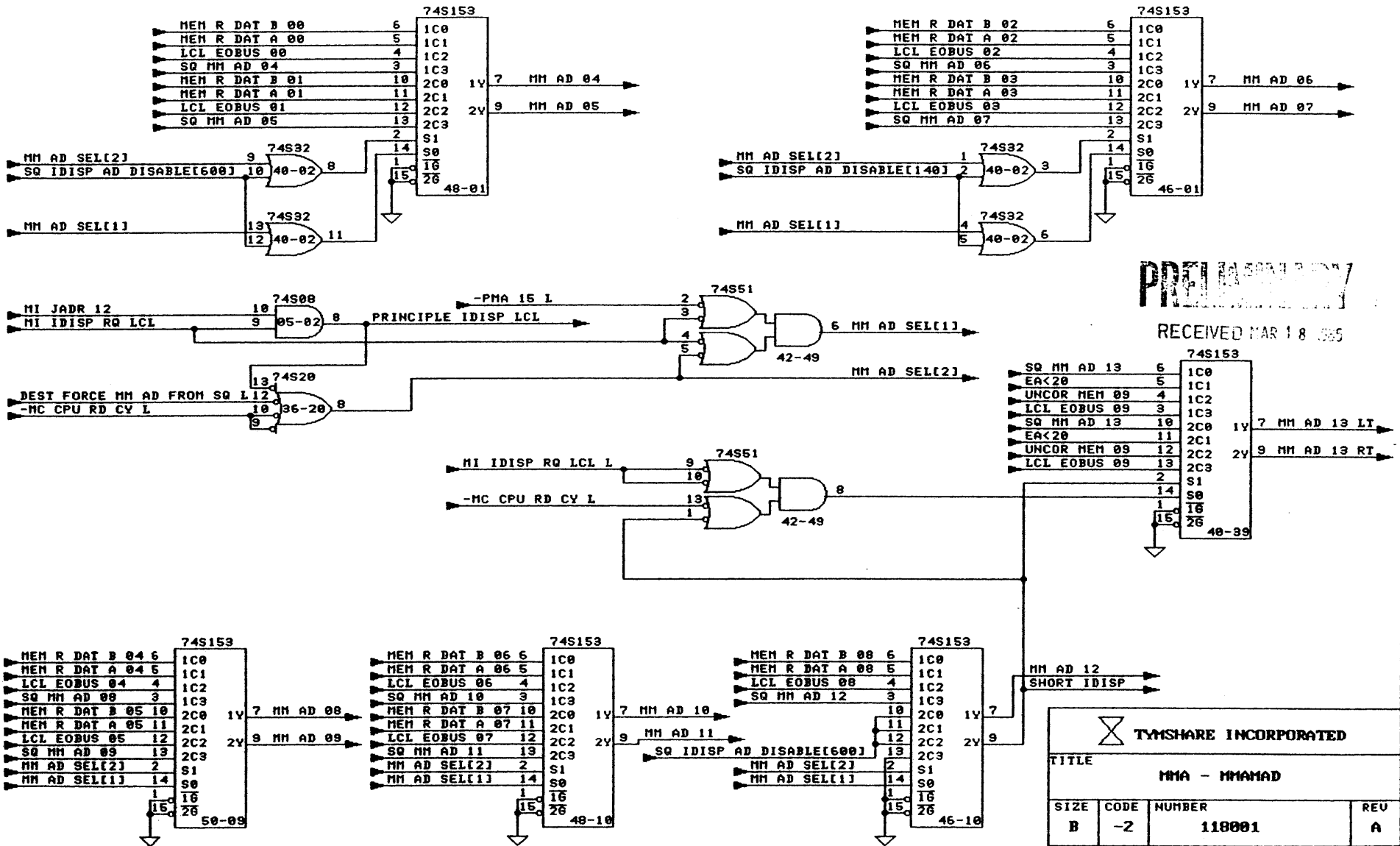
R/W DIR RT

MM AD <03 F2 LT:12 F2 LT>

MM AD <03 F2 RT:12 F2 RT>



!!!!!!CHECK ECO'S (SEE MASTER PRINT MMAMAD)!!!!!!

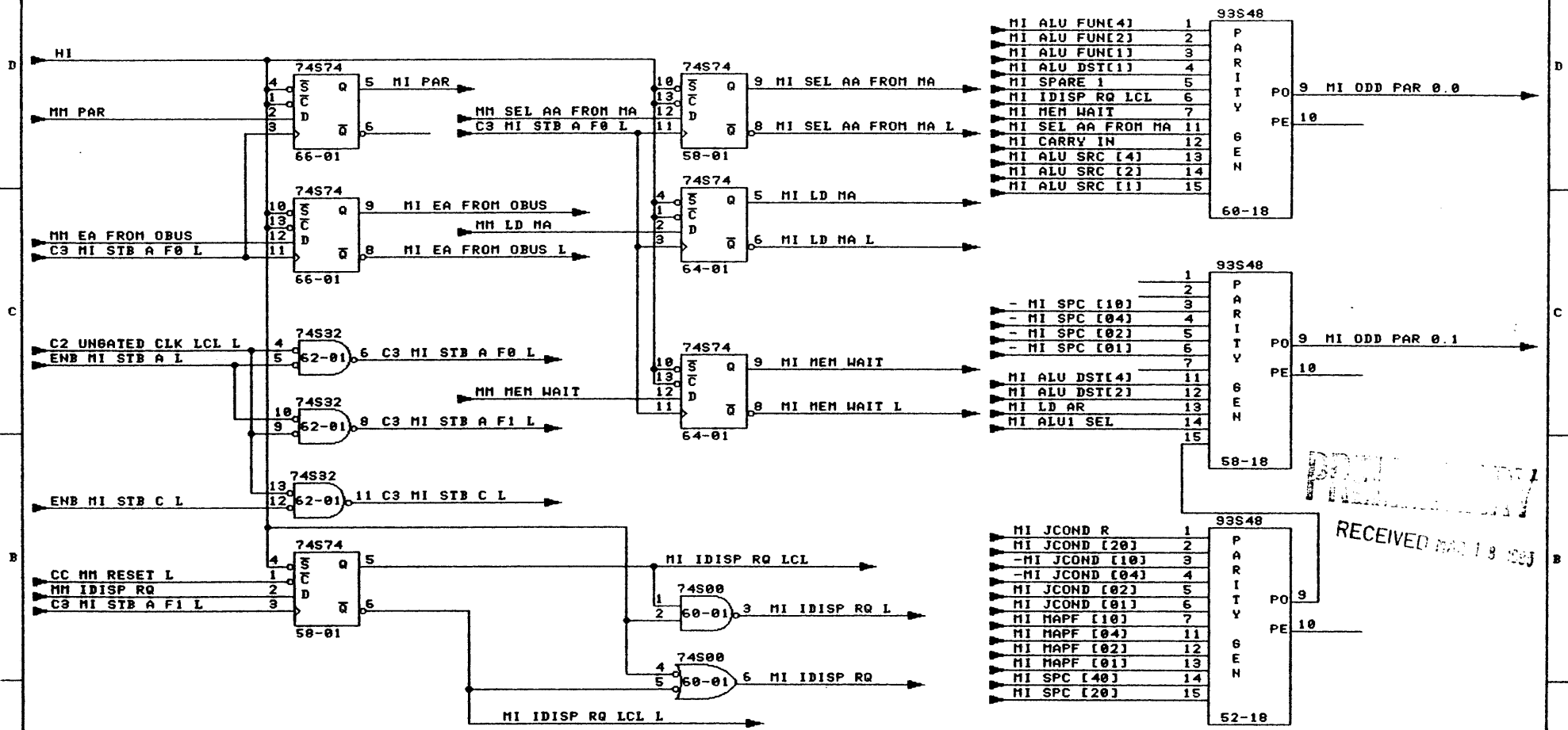


PRELIMINARY

RECEIVED MAR 18 1985

TITLE			
MMA - MMAMAD			
SIZE	CODE	NUMBER	REV
B	-2	110001	A
DATE		SHEET	
MAR. 04, 1985		10 OF 31	

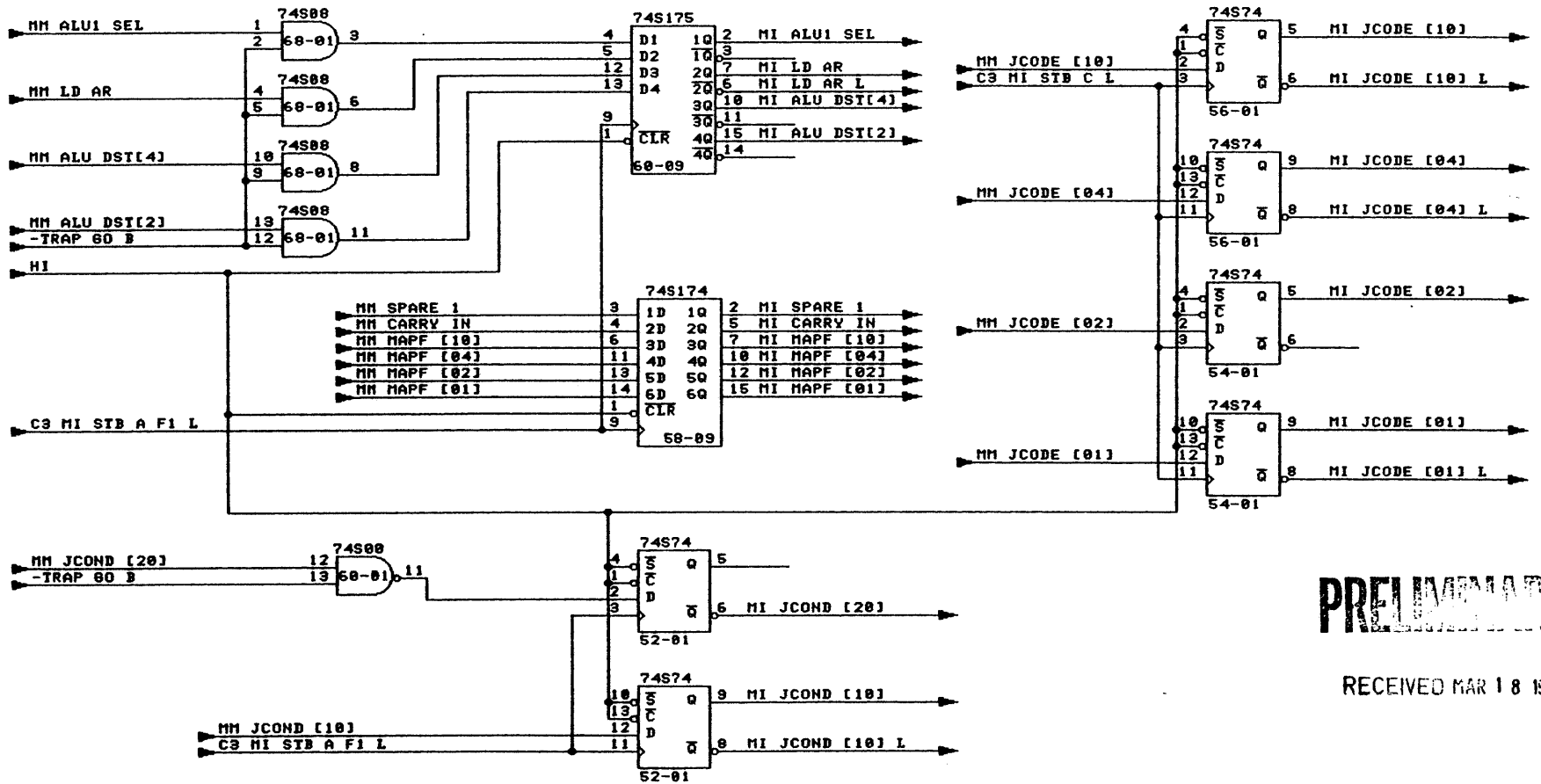
MMA10.DWG
26



RECEIVED MAR 19 1985


TITLE			
MMA - MMA10			
SIZE	CODE	NUMBER	REV
B	-2	118001	A
DATE		MAR 05, 1985	SHEET 11 OF 31

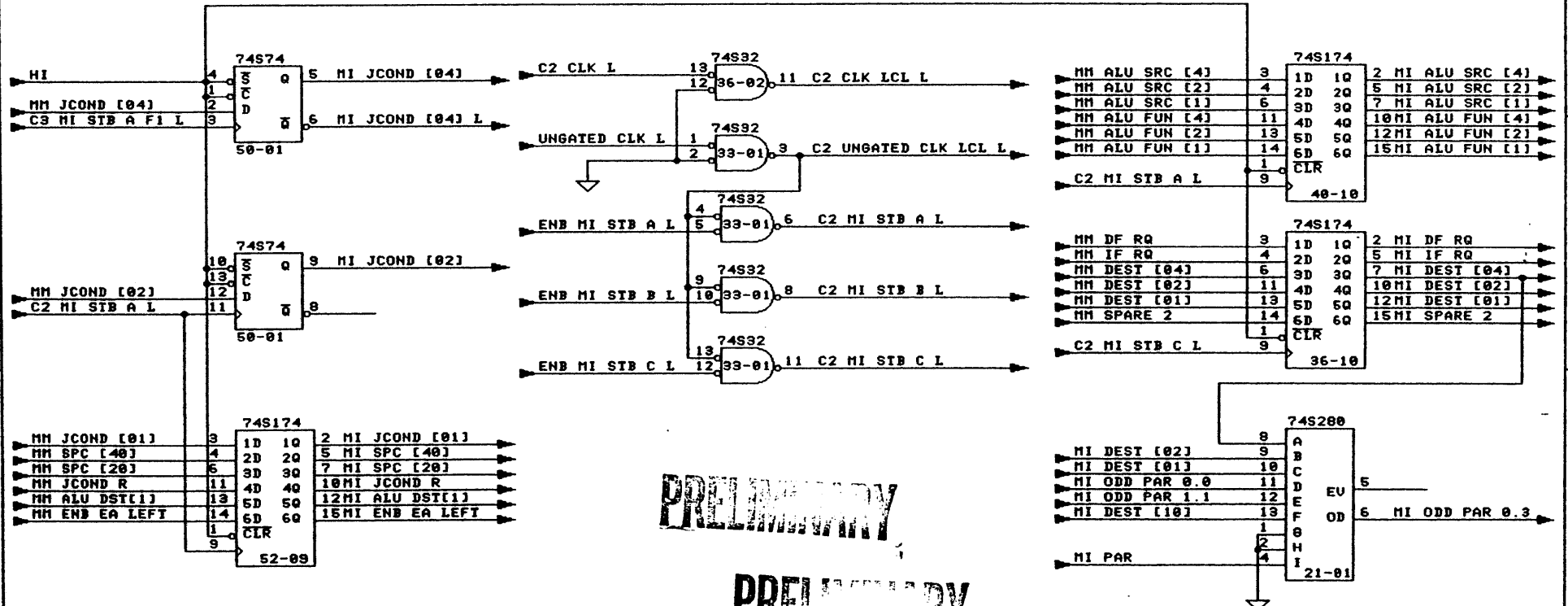
MMAMI1.DWG
26



PRELIMINARY

RECEIVED MAR 18 1985

 TYMSHARE INCORPORATED			
TITLE MMA - MMAMI1			
SIZE B	CODE -2	NUMBER 110001	REV A
DATE MAR.05. 1985		SHEET 12 OF 31	

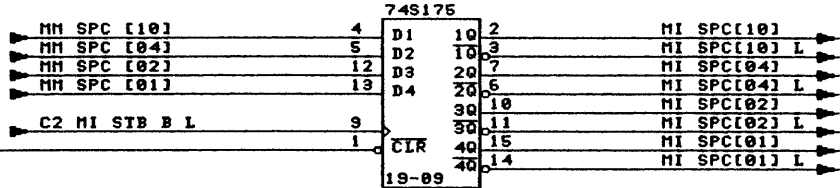
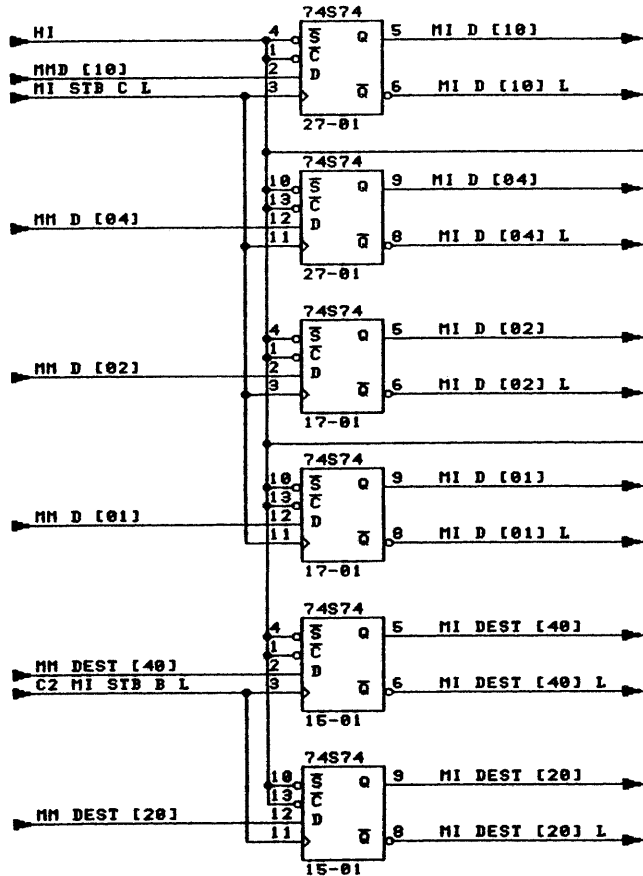


PRELIMINARY

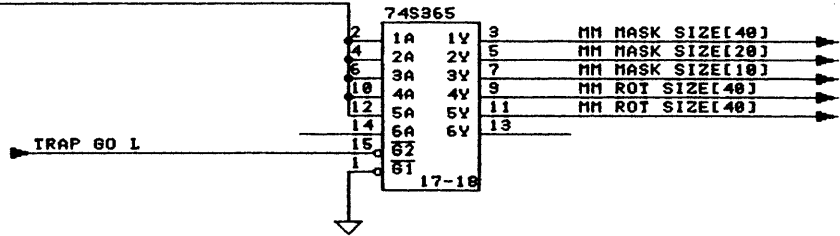
PRELIMINARY

RECEIVED MAR 12 1985

TITLE			
MMA - MMAM12			
SIZE	CODE	NUMBER	REV
B	-2	110001	A
DATE		MAR.06. 1985	SHEET 13 OF 31




NOTE CAUSE BOTH MASKER AND ROTATOR TO BE BYPASSED ON TRAP CYCLES, SINCE MASK AND ROT FIELDS DON'T EXIST IN TRAP RAM.

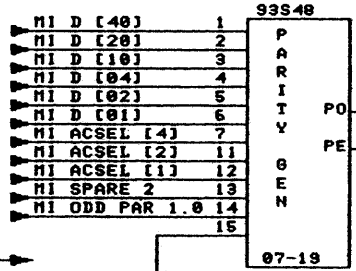
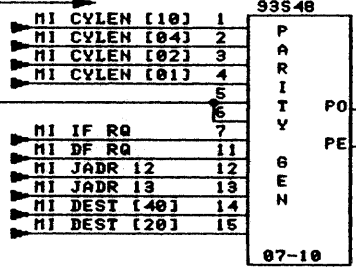
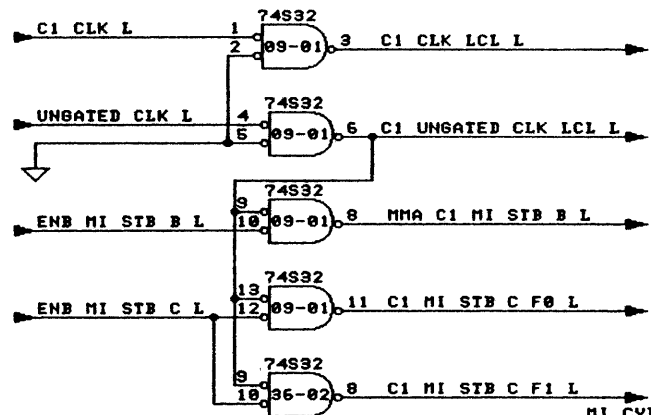
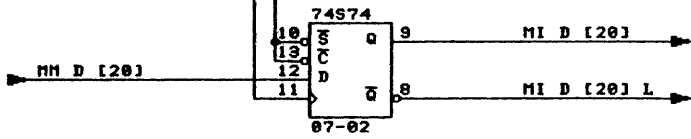
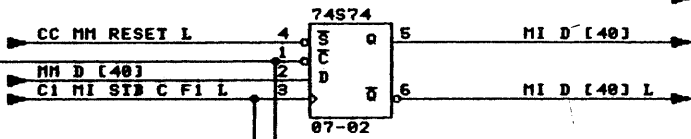
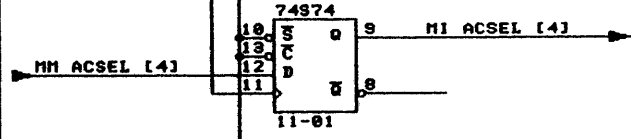
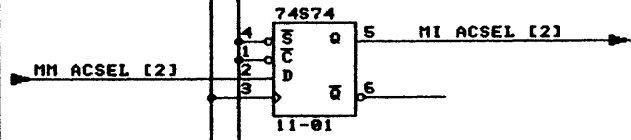
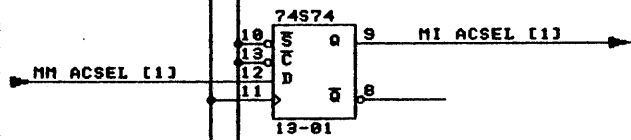
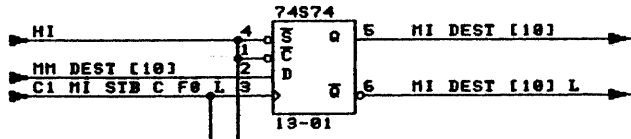
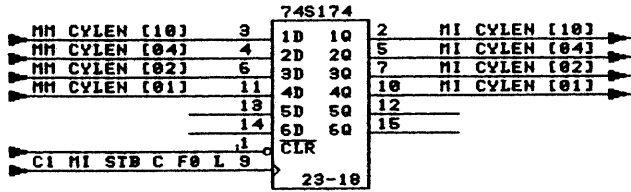


PRELIMINARY

RECEIVED MAR 18 1985

 TYMSHARE INCORPORATED			
TITLE MMA - MMA13			
SIZE	CODE	NUMBER	REV
B	-2	118001	A
DATE MAR. 05. 1985		SHEET 14 OF 31	

MMAMI4.DWG
26



PRELIMINARY

RECEIVED MAR 05 1985

TYMSHARE INCORPORATED

TITLE			
MMA - MMAMI4			
SIZE	CODE	NUMBER	REV
B	-2	110001	A
DATE		SHEET	
MAR. 05. 1985		15 OF 31	

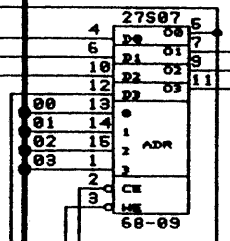
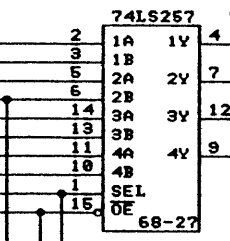
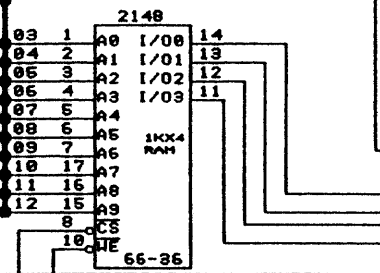
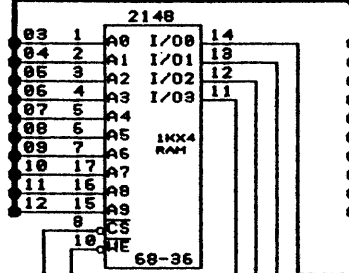
MMAR00.DWG
26

TRAM AD <00 F0 LT:03 F0 LT>

MM ENB EA LEFT

MM AD <03 F2 LT:12 F2 LT>

MM AD 19 LT
ENB MM FROM BANK 2/3 LT L



LCL EOBUS <00:07>

MMB2 CE LT L
MMB2 WE A L

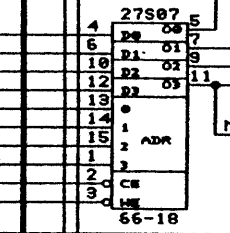
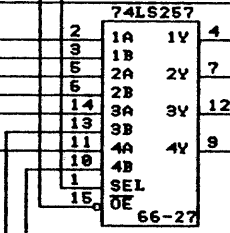
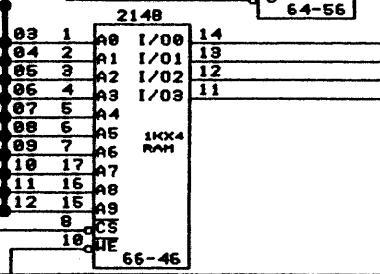
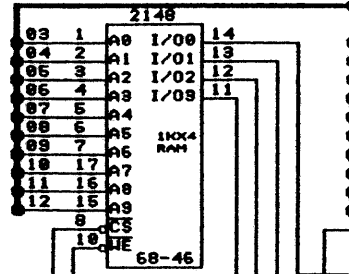
RECEIVED MAR 1 9 1985

R/W DIR LT
EVEN R/W ENB A L
ODD R/W ENB A L

PRELIMINARY

RECEIVED MAR 1 8 1985

MM AD <03 F3 LT:12 F3 LT>



MM LD MA
MM IDISP RA

MM PAR

MM SPARE 1

MM SEL AA FROM MA
MM MEM WAIT

MMB3 CE LT L
MMB3 WE A L

MMB1 CE LT L
MMB1 WE A L
MMB0 CE LT L
MMB0 WE A L

TRAM AD <00 F1 LT:03 F1 LT>

TYMSHARE INCORPORATED

TITLE
MMA - MMAR00

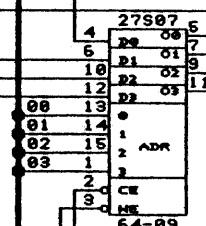
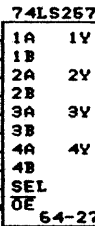
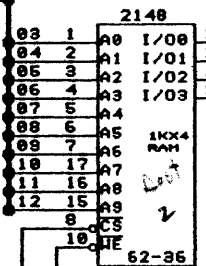
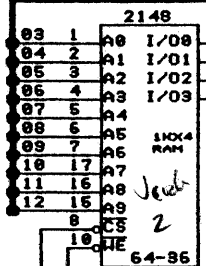
SIZE B	CODE -2	NUMBER 118001	REV A
DATE MAR. 11. 1985		SHEET 16 OF 31	

TRAN AD <00 F0 LT:03 F0 LT>

MM CARRY IN

MM AD <03 F2 LT:12 F2 LT>

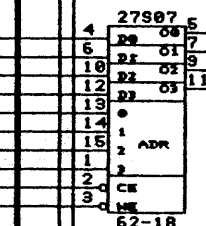
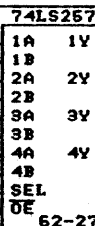
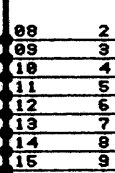
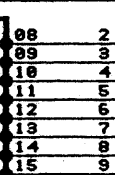
MM AD 13 LT
ENB MM FROM BANK 2/3 LT 1



LCL EOBUS <08:15>

MMB2 CE LT L
MMB2 WE A L

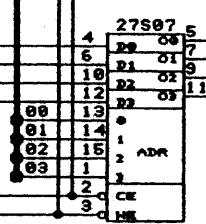
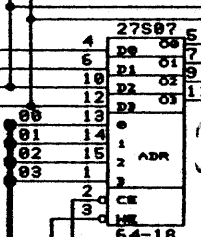
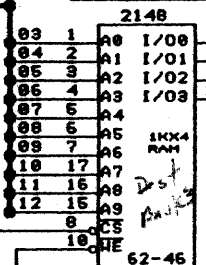
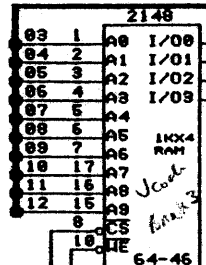
RECEIVED MAR 1 8 1985



R/W DIR LT
EVEN R/W ENB A L
ODD R/W ENB A L

PRELIMINARY

MM AD <03 F3 LT:12 F3 LT>



MMB3 CE LT L
MMB3 WE A L

TRAN AD <00 F1 LT:03 F1 LT>

MM ALU DST[4]

MMB1 CE LT L
MMB1 WE A L
MMB0 CE LT L
MMB0 WE A L

MM ALU FUN[1]

MM ALU SRC[4]

MM ALU SRC[2]
MM ALU SRC[1]

MM ALU SRC[4]
MM ALU FUN[4]

TYMSHARE INCORPORATED

TITLE

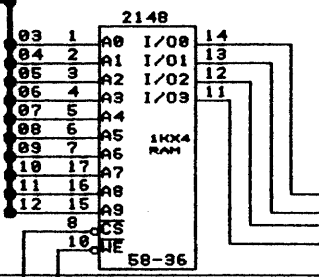
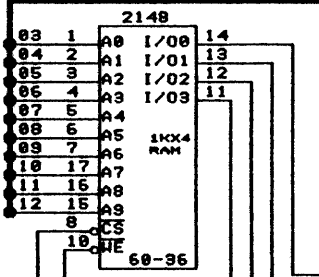
MMA - MMAR01

SIZE	CODE	NUMBER	REV
B	-2	118001	A

DATE MAR. 12. 1985 SHEET 17 OF 91

MM AD <03 F2 LT:12 F2 LT>

MM AD 13 LT
ENB MM FROM BANK 2/3 LT L

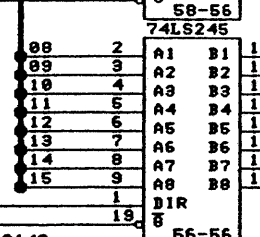
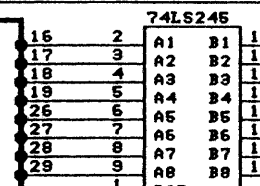


LCL EOBUS <16:29>

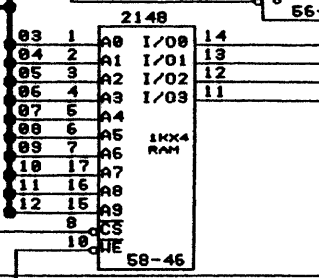
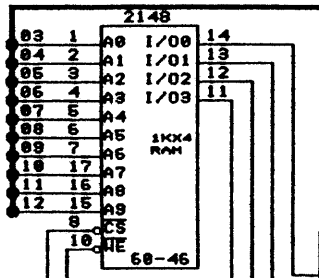
MHB2 CE LT L
MHB2 WE A L

RECEIVED MAR 1 8 1985

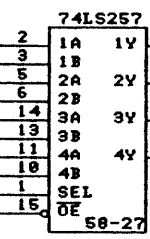
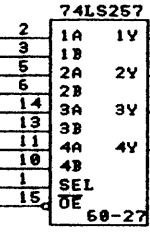
R/W DIR LT
EVEN R/W ENB A L
ODD R/W ENB A L



MM AD <03 F3 LT:12 F3 LT>



MHB3 CE LT L
MHB3 WE A L



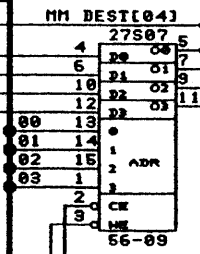
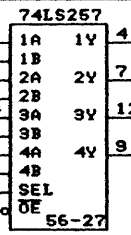
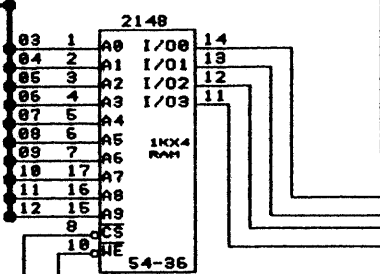
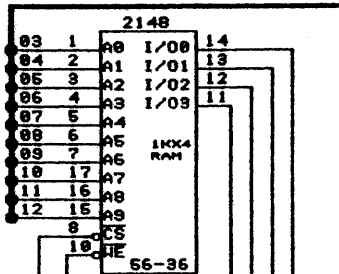
TITLE			
MMA - MMAR02			
SIZE	CODE	NUMBER	REV
B	-2	110001	A
DATE	MAR. 12, 1985		SHEET 10 OF 31

MMAR03.DWG
26KL

TRAM AD <00 F0 LT:03 F0 LT>

MM AD <03 F2 LT:12 F2 LT>

MM AD 19 LT
ENB MM FROM BANK 2/3 LT L

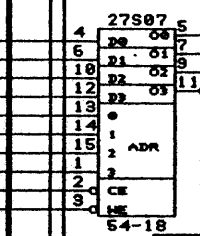
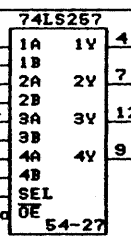
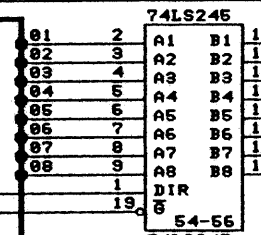


LCL EOBUS <01:00>

MMB2 CE LT L
MMB2 WE C L

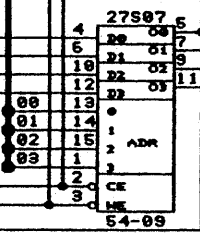
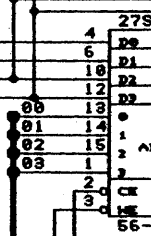
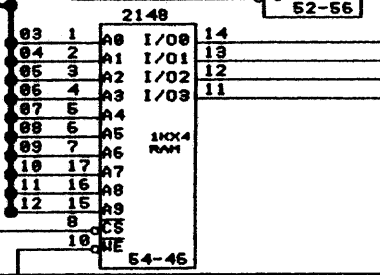
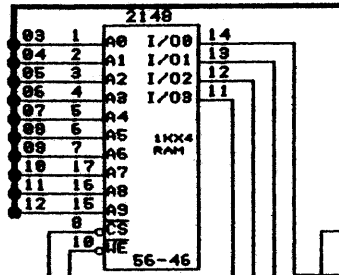
RECEIVED MAR 18 1985

R/W DIR LT
EVEN R/W ENB C L
ODD R/W ENB C L



PRELIMINARY

MM AD <03 F3 LT:12 F3 LT>



MMB1 CE LT L
MMB1 WE C L
MMB0 CE LT L
MMB0 WE C L

TRAM AD <00 F1 LT:03 F1 LT>

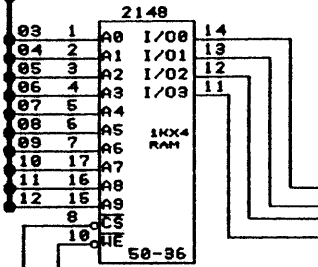
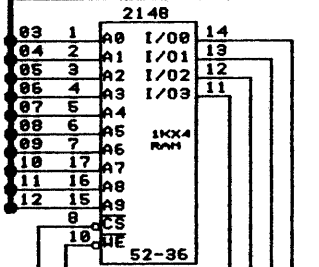
MMB3 CE LT L
MMB3 WE C L

TYNSHARE INCORPORATED

TITLE			
MMA - MMAR03			
SIZE	CODE	NUMBER	REV
B	-2	110001	A
DATE		MAR.12. 1985	SHEET 19 OF 31

MM AD <03 F2 LT:12 F2 LT>

MM AD 13 LT
ENB MM FROM BANK 2/3 LT L



LCL EOBUS <20:30>

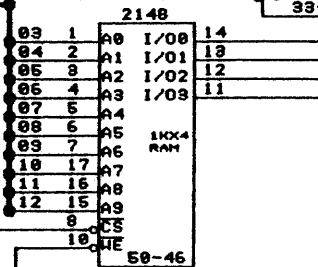
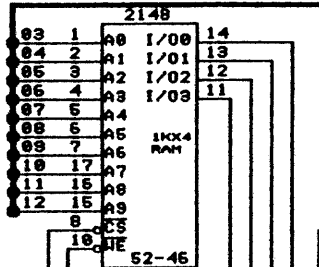
MMB2 CE LT L
MMB2 WE A L

RECEIVED MAR 13 1985

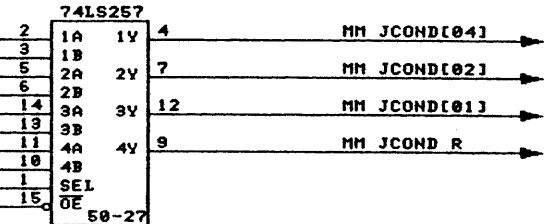
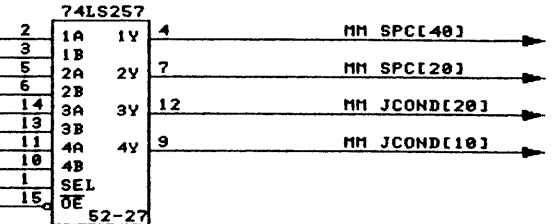
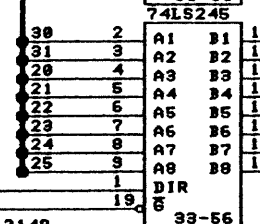
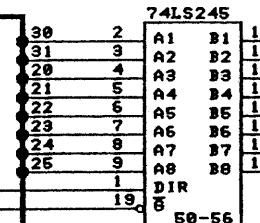
R/W DIR LT
EVEN R/W ENB A L
ODD R/W ENB A L

PRELIMINARY

MM AD <03 F3 LT:12 F3 LT>



MMB3 CE LT L
MMB3 WE A L

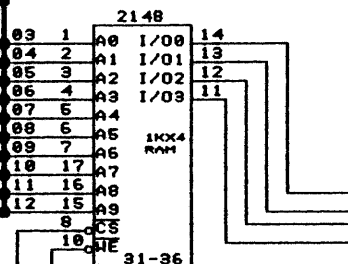
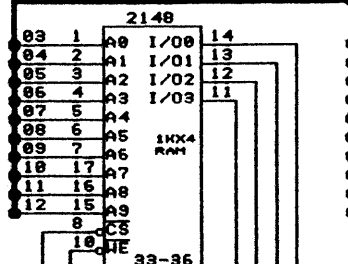


TITLE			
MMA - MMAR04			
SIZE	CODE	NUMBER	REV
B	-2	110001	A
DATE		SHEET	
MAR. 13, 1985		20 OF 31	

TRAM AD <00 F0 RT:03 F0 RT>

MM AD <03 F2 RT:12 F2 RT>

MM AD 13 RT
ENB MM FROM BANK 2/3 RT L



LCL EOBUS <00:15>

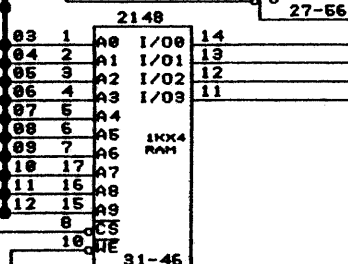
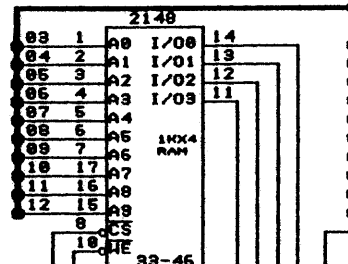
MHB2 CE RT L
MHB2 WE C L

RECEIVED MAR 18 1985

R/W DIR RT
EVEN R/W ENB C L
ODD R/W ENB C L

PRELIMINARY

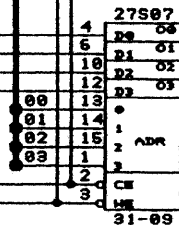
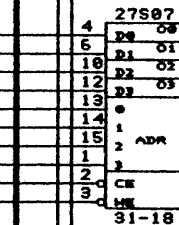
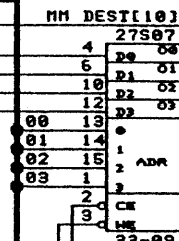
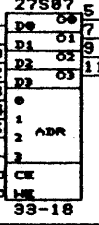
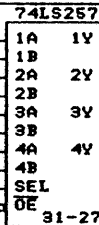
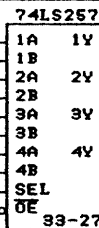
MM AD <03 F3 RT:12 F3 RT>



MHB3 CE RT L
MHB3 WE C L

TRAM AD <00 F1 RT:03 F1 RT>

MHB1 CE RT L
MHB1 WE C L
MHB0 CE RT L
MHB0 WE C L



TYMSHARE INCORPORATED

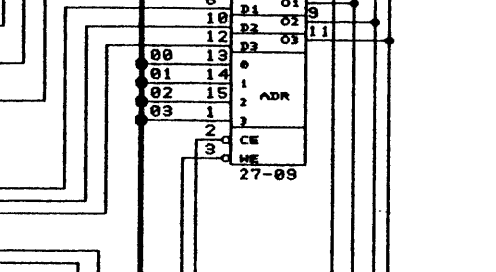
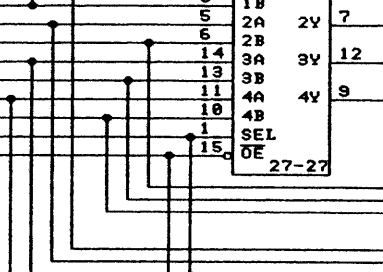
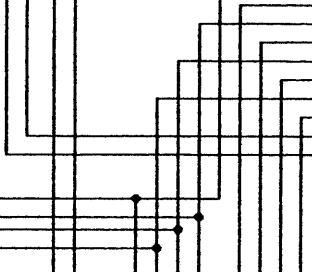
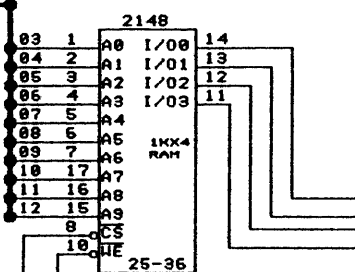
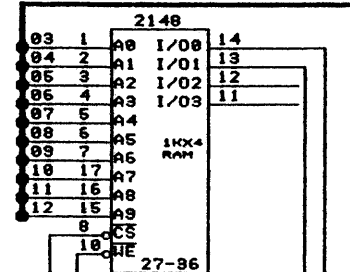
TITLE			
MMA - MMAR05			
SIZE	CODE	NUMBER	REV
B	-2	118001	A
DATE MAR. 13, 1985		SHEET 21 OF 31	

TRAM AD <00 F0 RT:03 F0 RT>

MM AD <03 F2 RT:12 F2 RT>

MM AD 13 RT
ENB MM FROM BANK 2/9 RT L

MM R/W EVEN C 22
MM R/W EVEN C 23

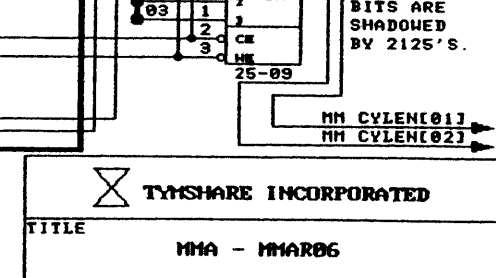
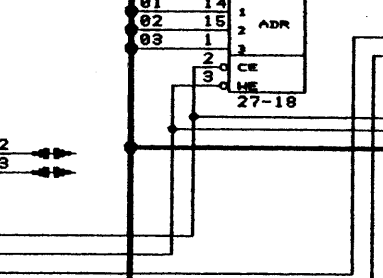
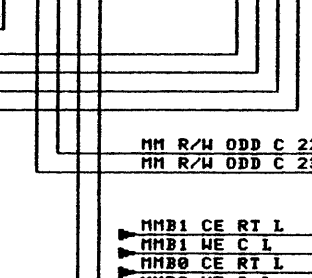
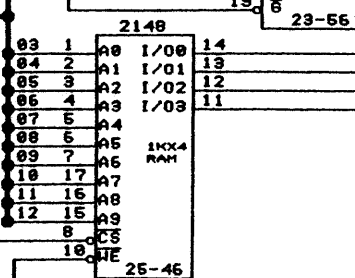
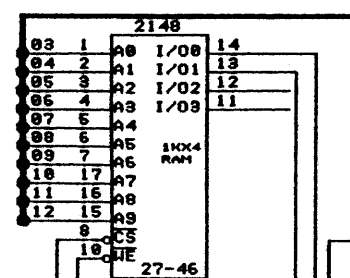


LCL EOBUS <16:23>

MHB2 CE RT L
MHB2 WE C L

R/W DIR RT
EVEN R/W ENB C L
ODD R/W ENB C L

MM AD <03 F3 RT:12 F3 RT>



RECEIVED MAR 18 1985

PRELIMINARY

MM R/W ODD C 22
MM R/W ODD C 23

MHB1 CE RT L
MHB1 WE C L
MHB0 CE RT L
MHB0 WE C L

TRAM AD <00 F1 RT:03 F1 RT>

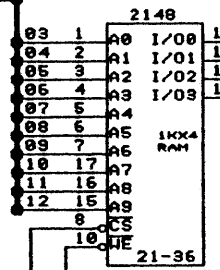
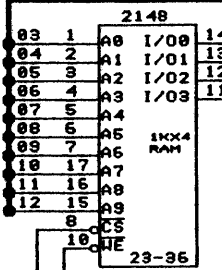
NOTE:
THESE TWO
BITS ARE
SHADOWED
BY 2125'S.

TYMSHARE INCORPORATED

TITLE			
MMA - MMA086			
SIZE	CODE	NUMBER	REV
B	-2	118001	A
DATE		MAR. 13, 1985	SHEET 22 OF 31

MM AD <03 F2 RT:12 F2 RT>

MM AD 13 RT
ENB MM FROM BANK 2/3 RT L



LCL EOBUS <00:21>

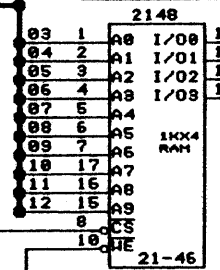
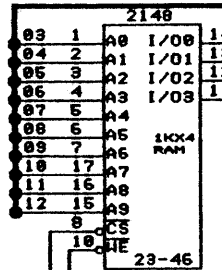
MMB2 CE RT L
MMB2 WE B L

RECEIVED MAR 18 1985

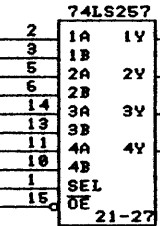
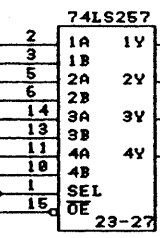
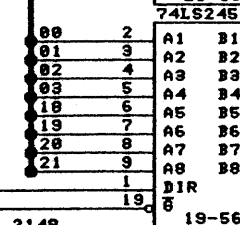
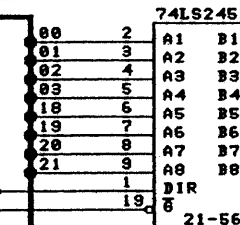
R/W DIR RT
EVEN R/W ENB B L
ODD R/W ENB B L

PRELIMINARY

MM AD <03 F3 RT:12 F3 RT>



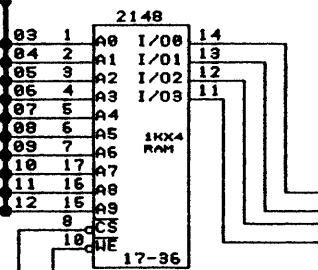
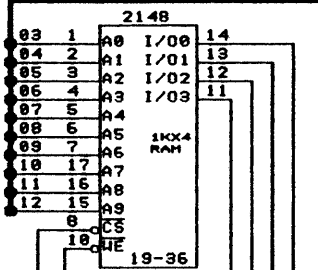
MMB3 CE RT L
MMB3 WE B L



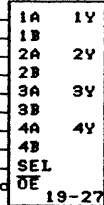
TITLE			
MMA - MMAR07			
SIZE	CODE	NUMBER	REV
B	-2	118001	A
DATE	MAR. 14, 1985		SHEET 23 OF 31

MM AD <03 F2 RT:12 F2 RT>

MM AD 13 RT
ENB MM FROM BANK 2/3 RT L



74LS257



MM ROT SIZE[02]

MM ROT SIZE[01]

MM MASK SIZE[40]

MM MASK SIZE[20]

LCL EOBUS <22:29>

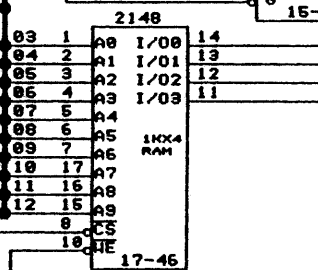
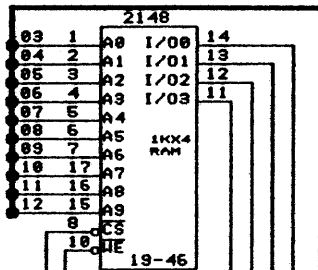
MMB2 CE RT L
MMB2 WE B L

RECEIVED MAR 18 1985

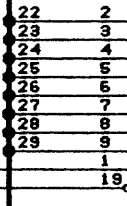
R/W DIR RT
EVEN R/W ENB B L
ODD R/W ENB B L

PRELIMINARY

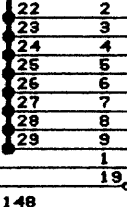
MM AD <03 F3 RT:12 F3 RT>



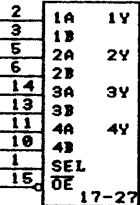
74LS245



74LS245



74LS257



MM MASK SIZE[10]

MM MASK SIZE[04]

MM MASK SIZE[02]

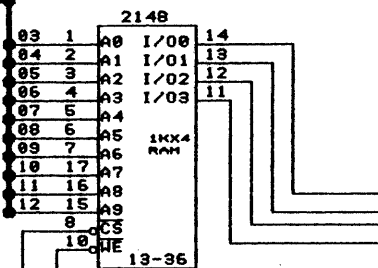
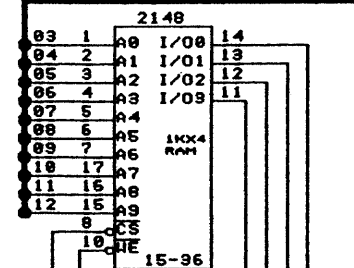
MM MASK SIZE[01]

TITLE			
MMA - MMAR08			
SIZE	CODE	NUMBER	REV
B	-2	118001	A
DATE		MAR.14. 1985	SHEET 24 OF 31

TRAM AD <00 F0 RT:03 F0 RT>

MM AD <03 F2 RT:12 F2 RT>

MM AD 13 RT
ENB MM FROM BANK 2/3 RT L



LCL EDBUS <04:11>

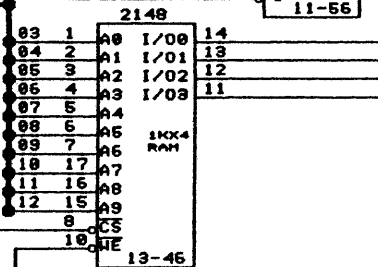
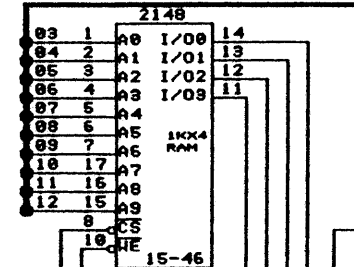
MMB2 CE RT L
MMB2 WE B L

RECEIVED MAR 18 1985

R/W DIR RT
EVEN R/W ENB B L
ODD R/W ENB B L

PRELIMINARY

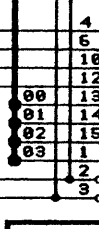
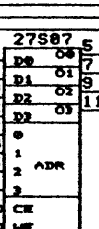
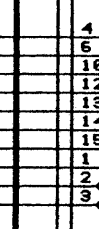
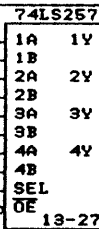
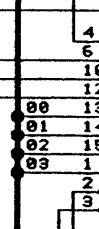
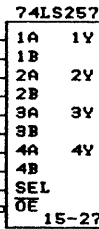
MM AD <03 F3 RT:12 F3 RT>



MMB9 CE RT L
MMB9 WE B L

MMB1 CE RT L
MMB1 WE B L
MMB0 CE RT L
MMB0 WE B L

TRAM AD <00 F1 RT:03 F1 RT>



MM JADR <00:07>

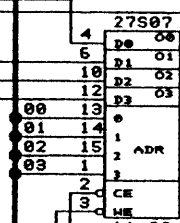
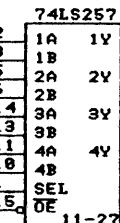
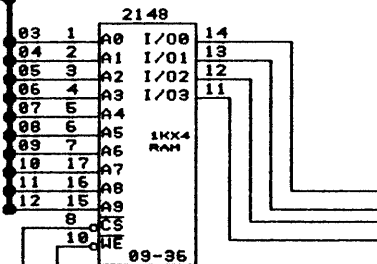
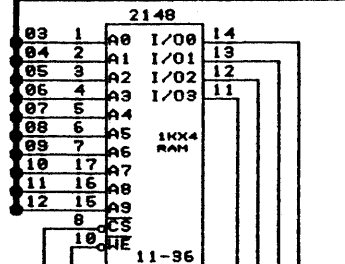
TYMSHARE INCORPORATED

TITLE			
MMA - MMAR09			
SIZE	CODE	NUMBER	REV
B	-2	118001	A
DATE	MAR. 14, 1985		SHEET 26 OF 31

TRAM AD <00 F0 RT:03 F0 RT>

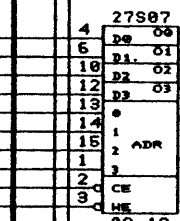
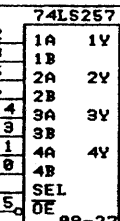
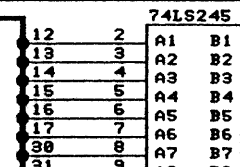
MM AD <03 F2 RT:12 F2 RT>

MM AD 13 RT
ENB MM FROM BANK 2/3 RT L



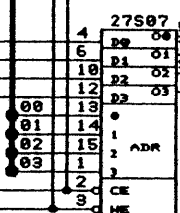
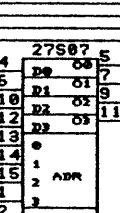
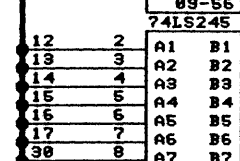
LCL EOBUS <12:31>

MMB2 CE RT L
MMB2 WE B L



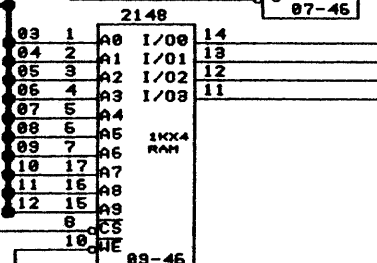
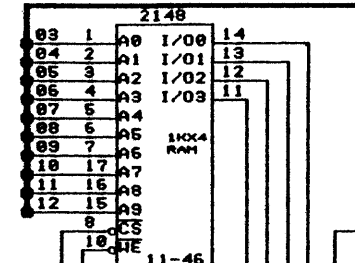
PRELIMINARY

R/W DIR RT
EVEN R/W ENB B L
ODD R/W ENB B L



RECEIVED MAR 18 1985

MM AD <03 F3 RT:12 F3 RT>



MMB1 CE RT L
MMB1 WE B L
MMB0 CE RT L
MMB0 WE B L

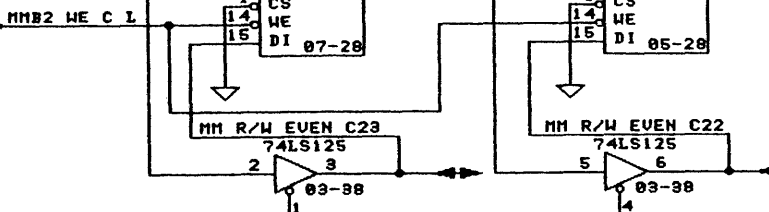
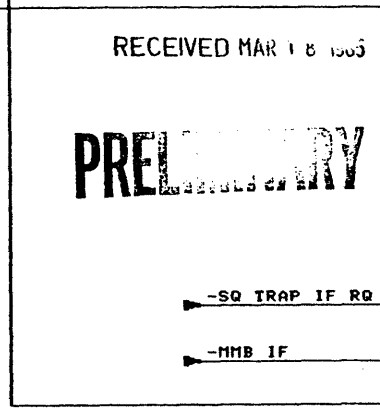
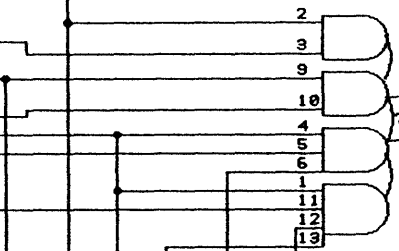
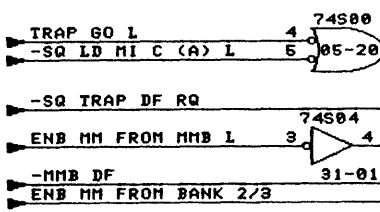
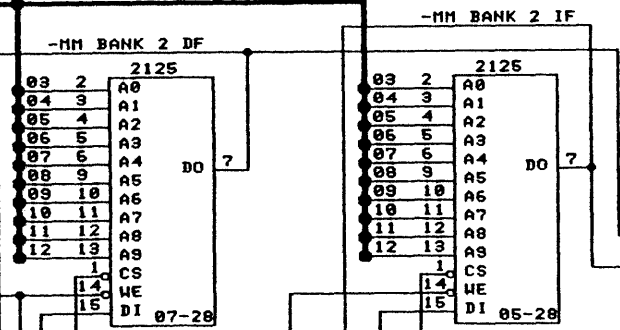
TRAM AD <00 F1 RT:03 F1 RT>

TYMSHARE INCORPORATED

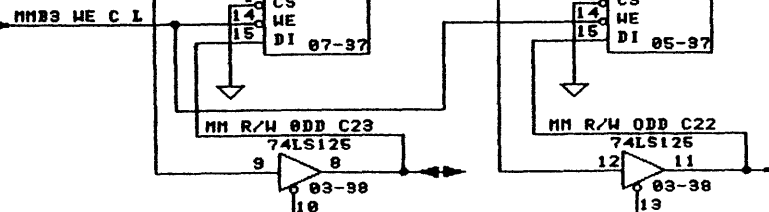
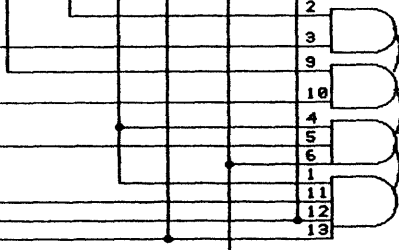
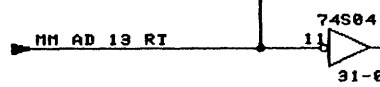
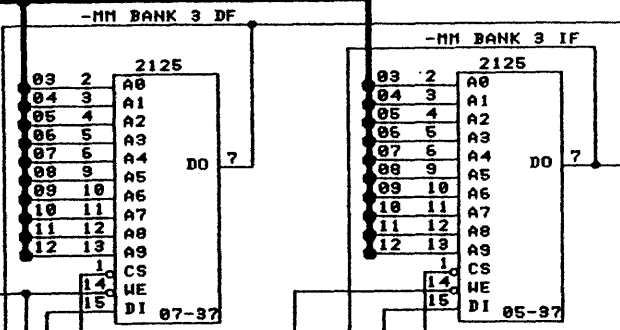
TITLE			
MMA - MMAR10			
SIZE	CODE	NUMBER	REV
B	-2	118001	A
DATE		MAR. 18, 1985	SHEET 26 OF 31


26

MM AD <03 F2 RT:12 F2 RT>

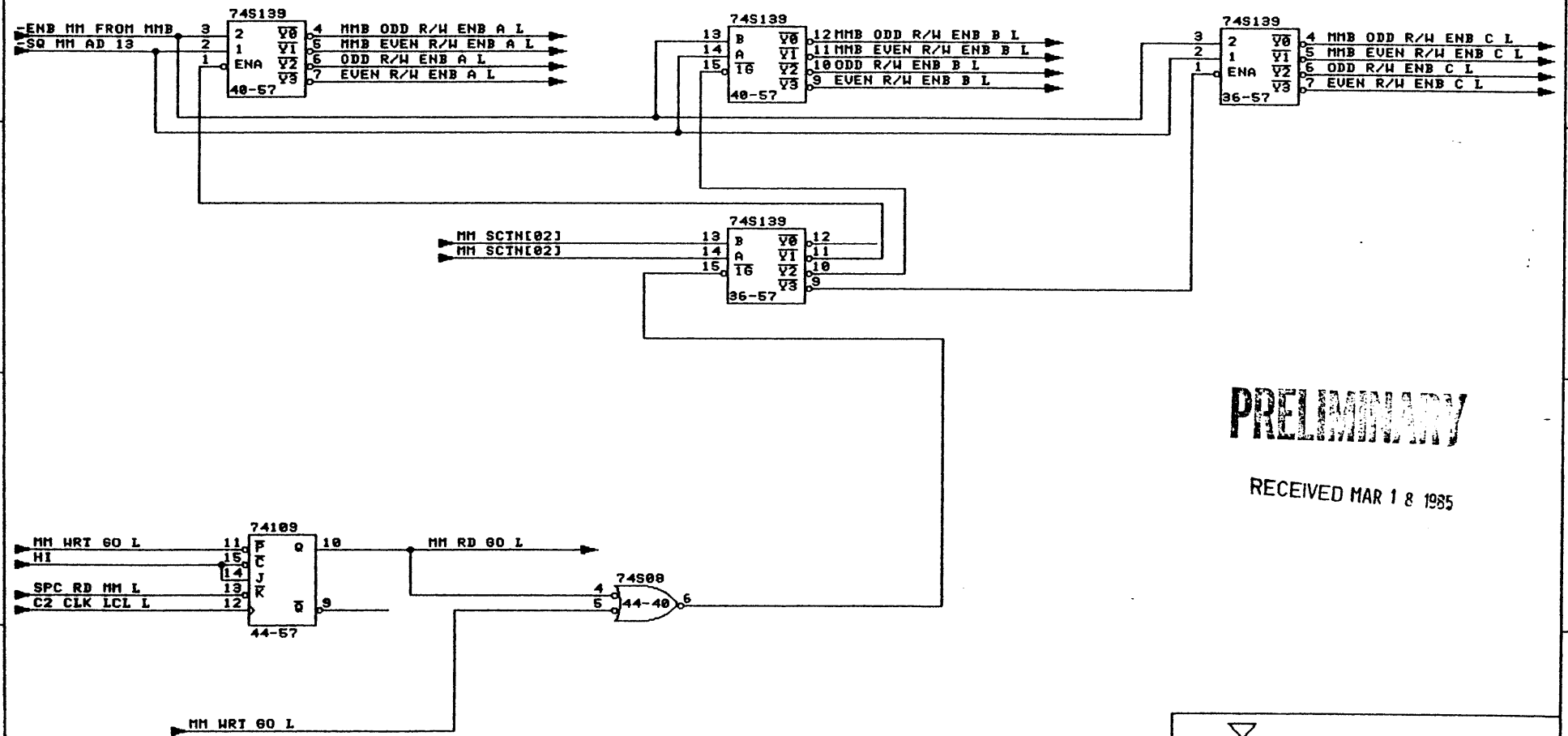


MM AD <03 F3 RT:12 F3 RT>




 TYMSHARE INCORPORATED			
TITLE			
MMA - MMAR11			
SIZE	CODE	NUMBER	REV
B	-2	110001	A
DATE		MAR. 10, 1985	SHEET 27 OF 31

NOTE: 'ODD' AND 'EVEN' SHOULD BE RENAMED 'MNA ODD' AND 'MMA EVEN'



PRELIMINARY

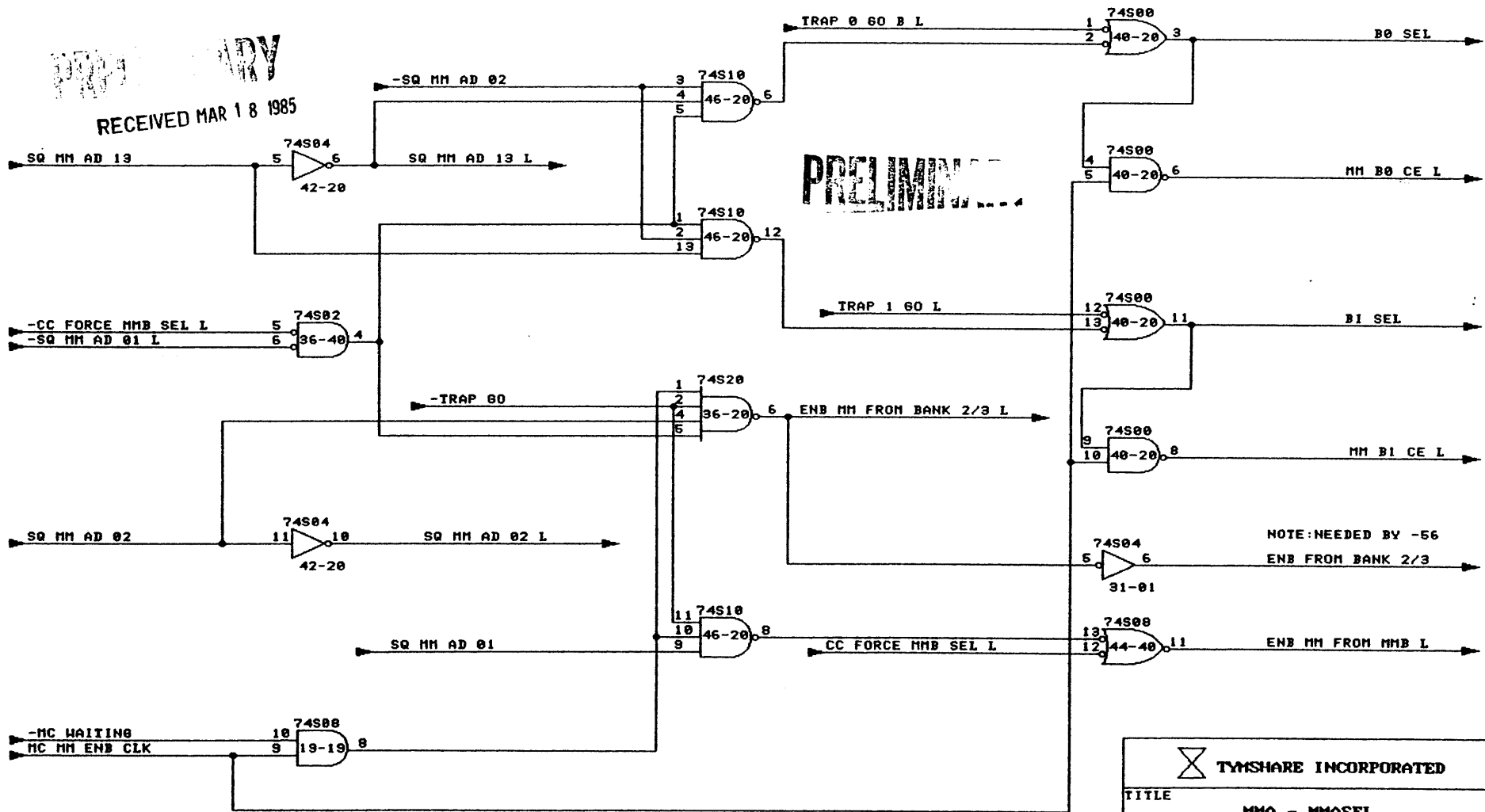
RECEIVED MAR 18 1985


 TYMSHARE INCORPORATED			
TITLE			
MMA - MMARH			
SIZE	CODE	NUMBER	REV
B	-2	118001	A
DATE		SHEET 28 OF 31	
FEB. 00, 1985		2 1	

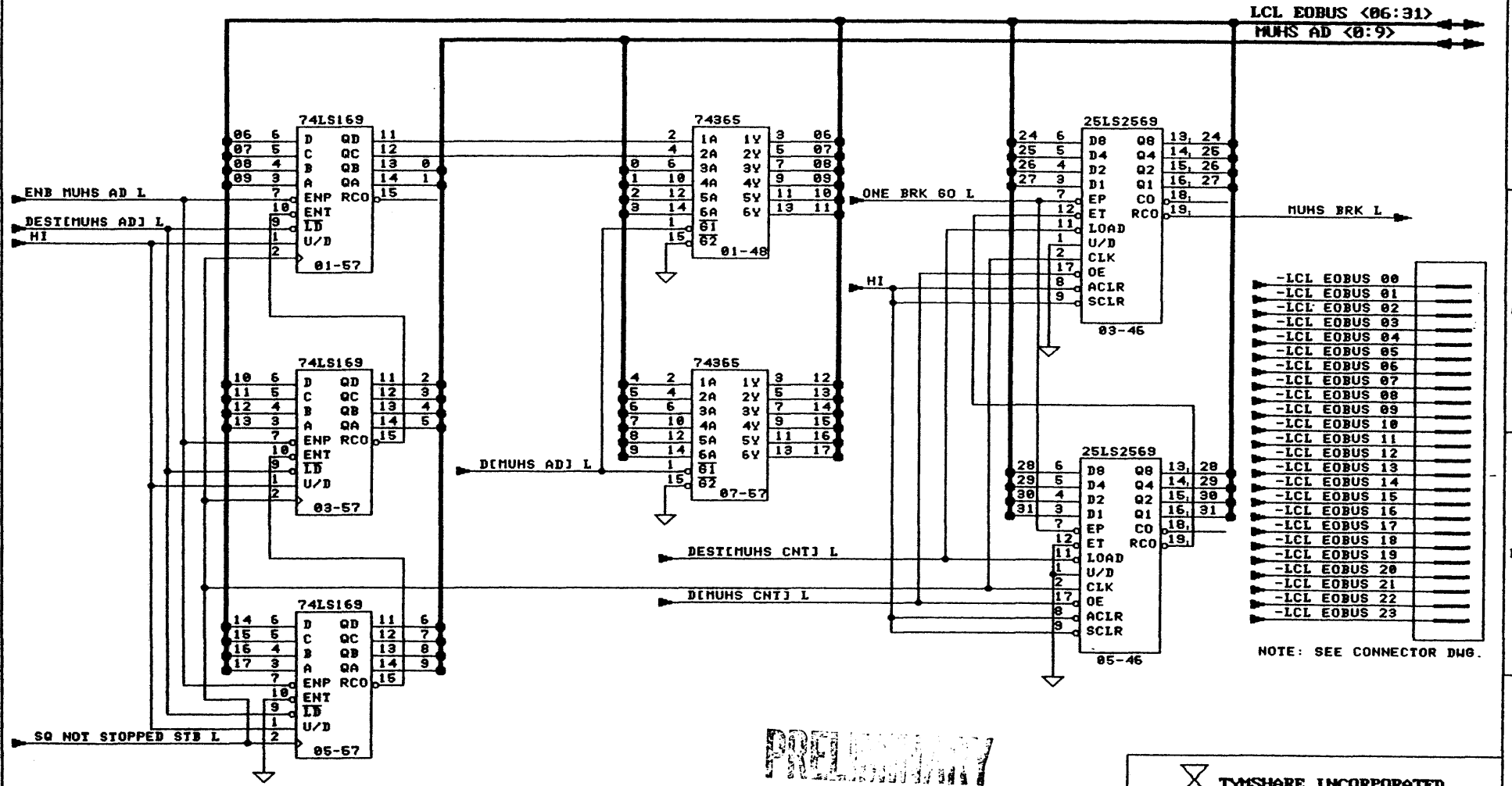
!!!!CHECK MASTER DWG POSSIBLE ECO'S!!!!

RECEIVED MAR 18 1985

PRELIMINARY



 TYMSHARE INCORPORATED			
TITLE			
MMA - MMASEL			
SIZE	CODE	NUMBER	REV
B	-2	118001	A
DATE		SHEET 29 OF 31	
MAR. 10, 1985			




- LCL EOBUS 00
- LCL EOBUS 01
- LCL EOBUS 02
- LCL EOBUS 03
- LCL EOBUS 04
- LCL EOBUS 05
- LCL EOBUS 06
- LCL EOBUS 07
- LCL EOBUS 08
- LCL EOBUS 09
- LCL EOBUS 10
- LCL EOBUS 11
- LCL EOBUS 12
- LCL EOBUS 13
- LCL EOBUS 14
- LCL EOBUS 15
- LCL EOBUS 16
- LCL EOBUS 17
- LCL EOBUS 18
- LCL EOBUS 19
- LCL EOBUS 20
- LCL EOBUS 21
- LCL EOBUS 22
- LCL EOBUS 23

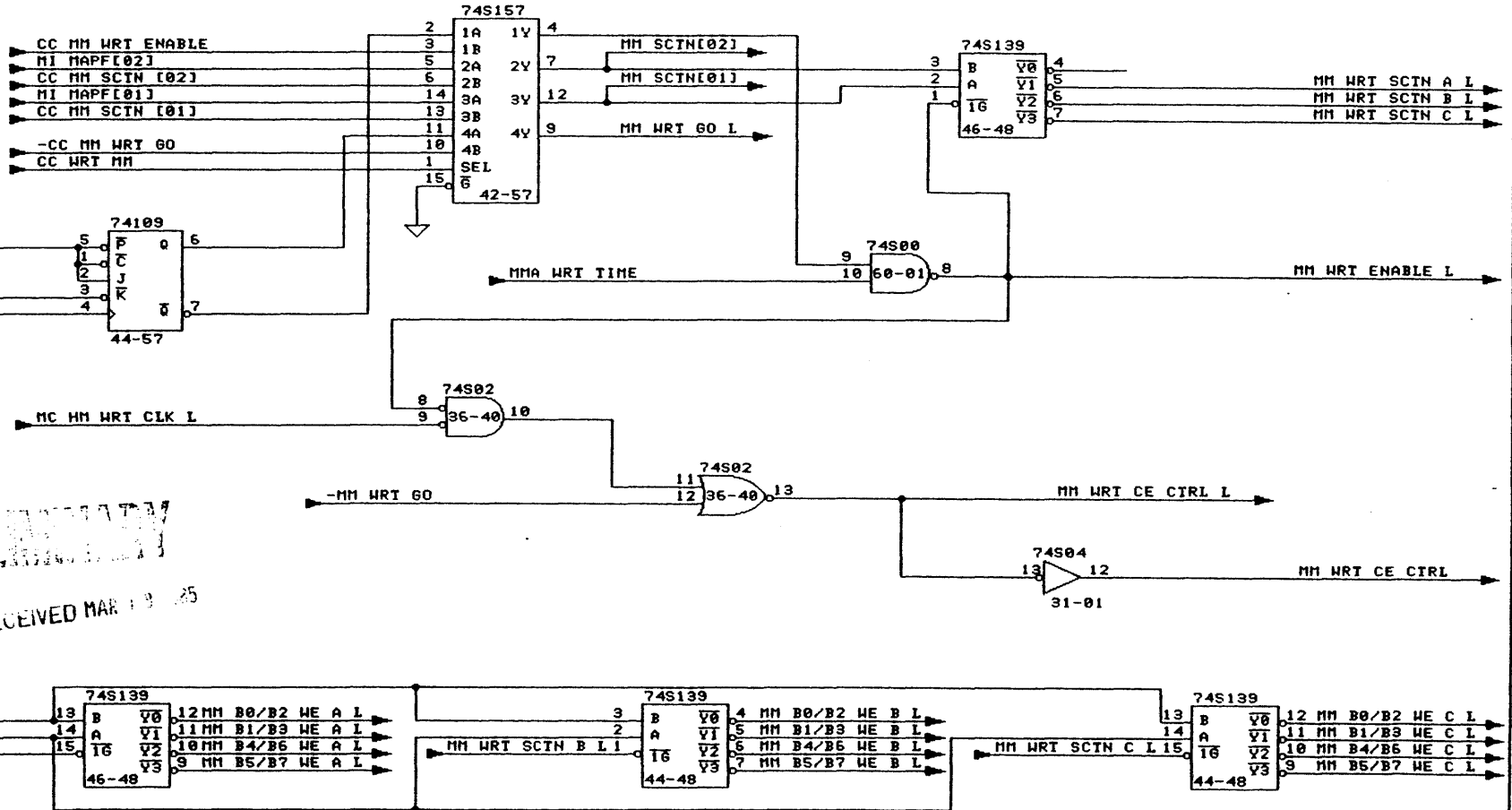
NOTE: SEE CONNECTOR DWG.

PRELIMINARY

RECEIVED MAR 18 1985

 TYMSHARE INCORPORATED			
TITLE			
MMA - MMAUH			
SIZE	CODE	NUMBER	REV
B	-2	118001	A
DATE		SHEET	
MAR. 18. 1985		30 OF 31	

!!!CHECK MASTER DWG FOR POSSIBLE ECO'S.!!!

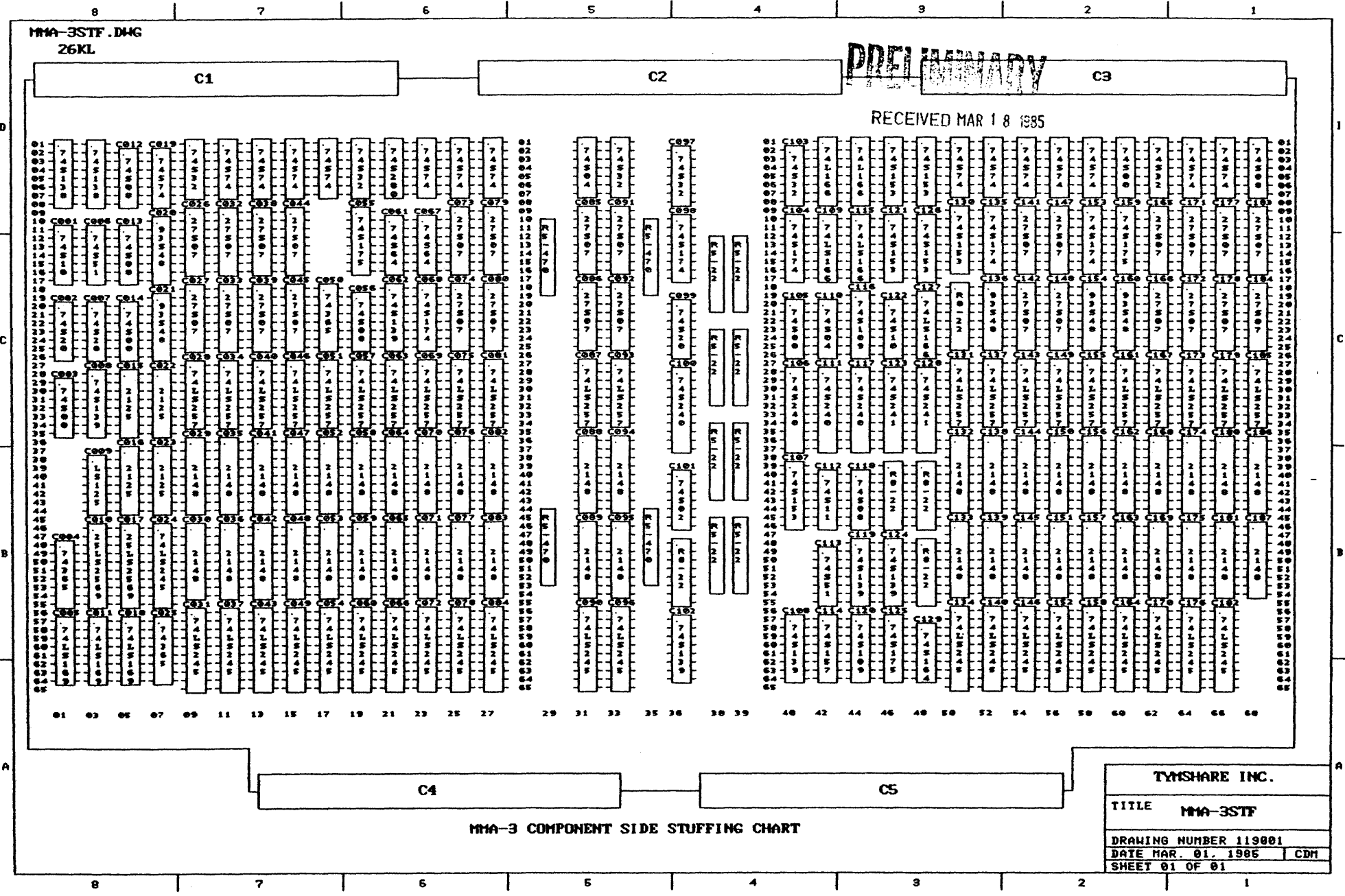


PRELIMINARY
I RECEIVED MAR 18 1985

TITLE			
MMA - MMAWRT			
SIZE	CODE	NUMBER	REV
B	-2	11001	A
DATE		MAR. 18. 1985	SHEET 31 OF 31

PRELIMINARY

RECEIVED MAR 18 1985



C4

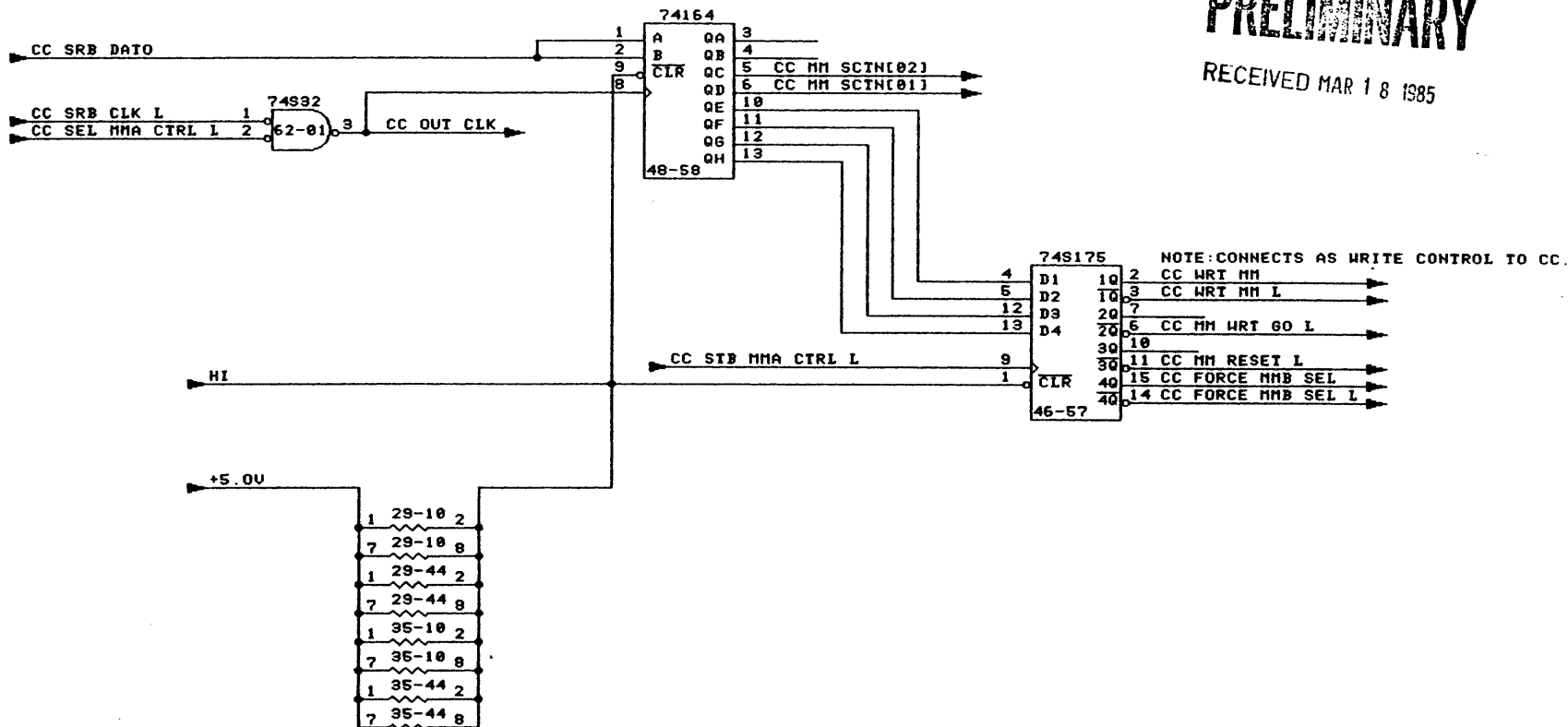
C5

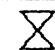
MMA-3 COMPONENT SIDE STUFFING CHART

TYMSHARE INC.
TITLE MMA-3STF
DRAWING NUMBER 119001
DATE MAR. 01, 1986 CDM
SHEET 01 OF 01

PRELIMINARY

RECEIVED MAR 18 1985



 **TYMSHARE INCORPORATED**

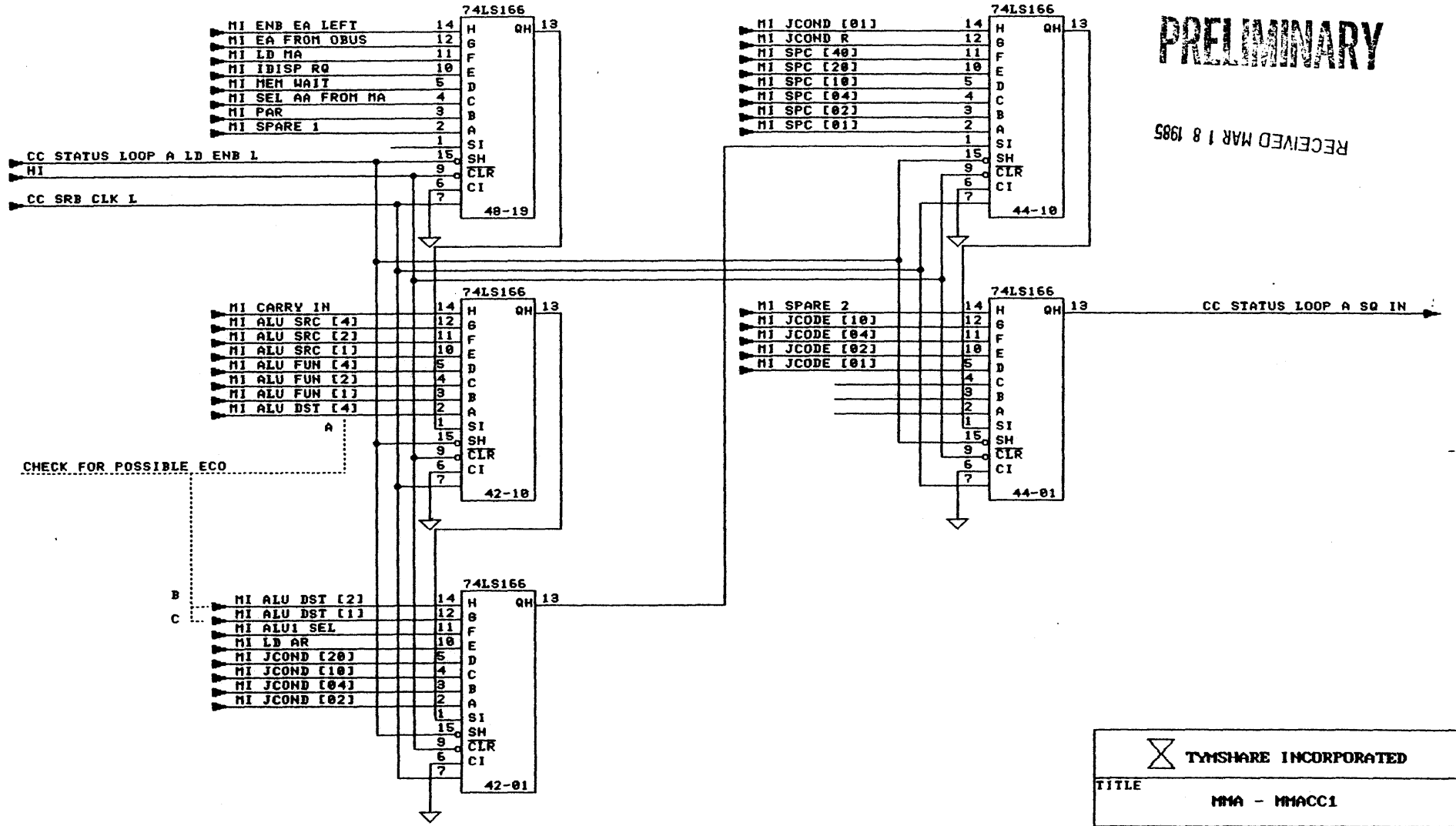
TITLE
MMA - MMACCB

SIZE	CODE	NUMBER	REV
B	-3	119001	A

DATE MARCH 1, 1985 SHEET 04 OF 31

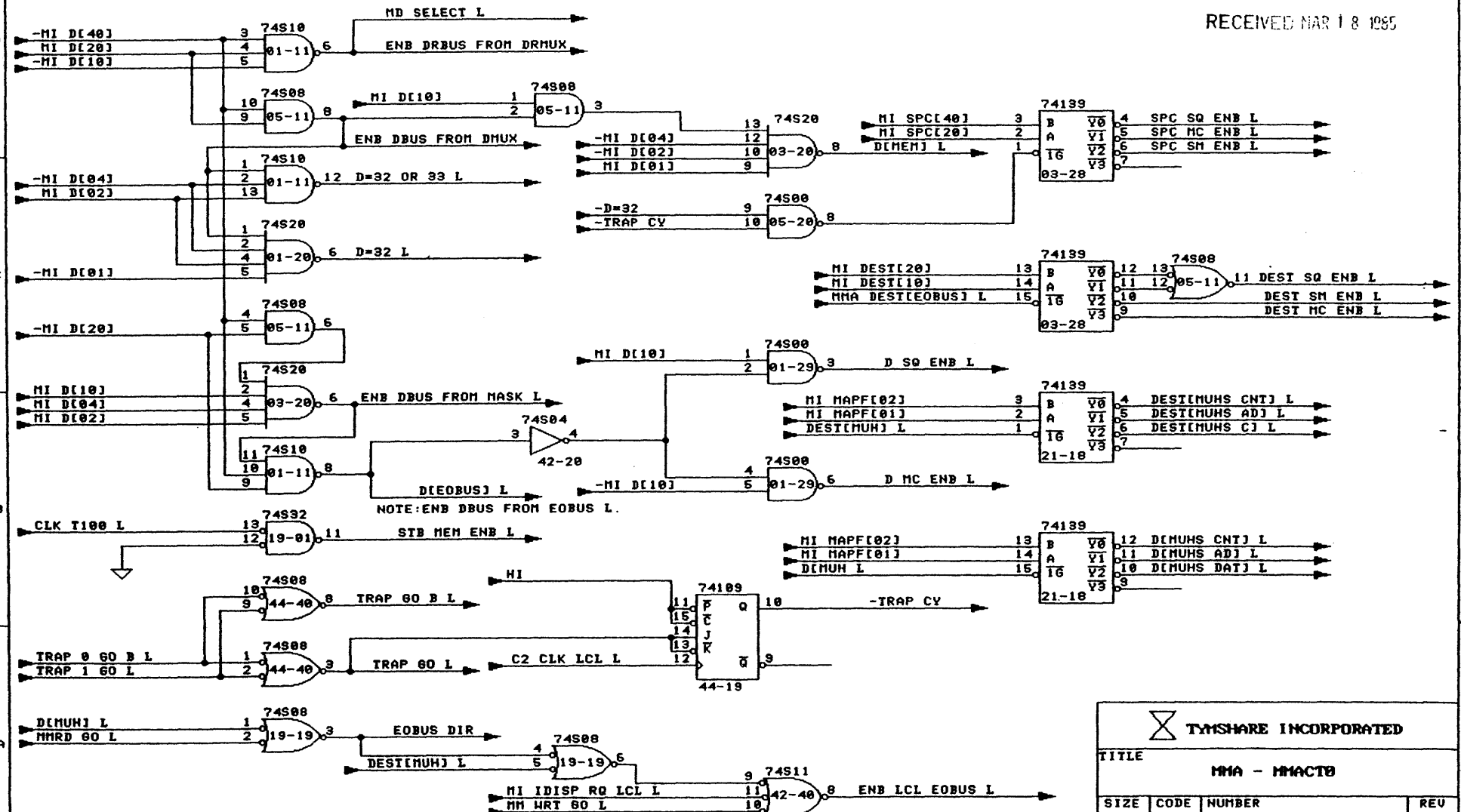
PRELIMINARY

RECEIVED MAR 18 1985

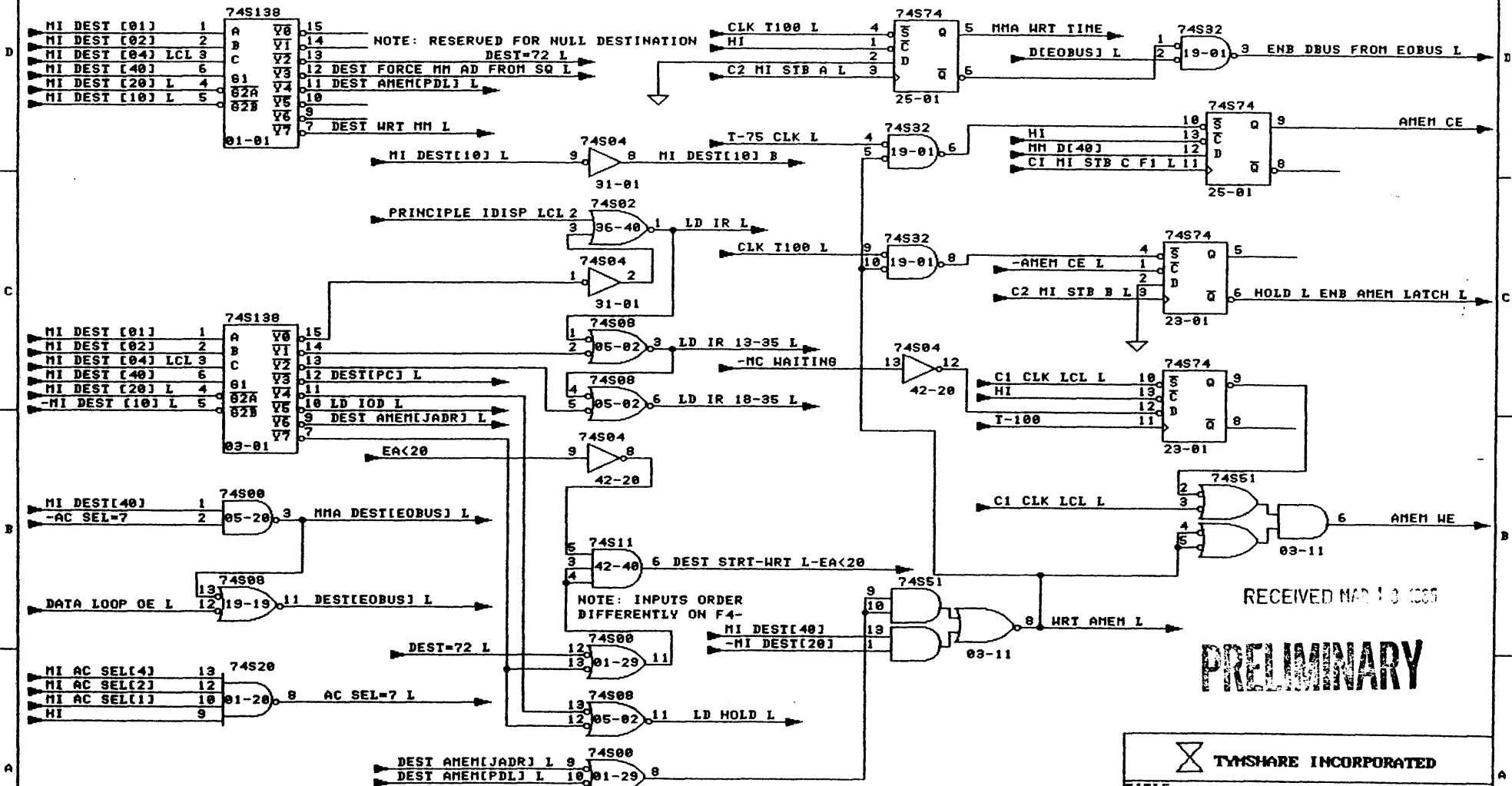


TITLE			
MMA - MMACC1			
SIZE	CODE	NUMBER	REV
B	-3	119801	A
DATE		MAR. 04, 1985	SHEET 05 OF 31

RECEIVED MAR 18 1985

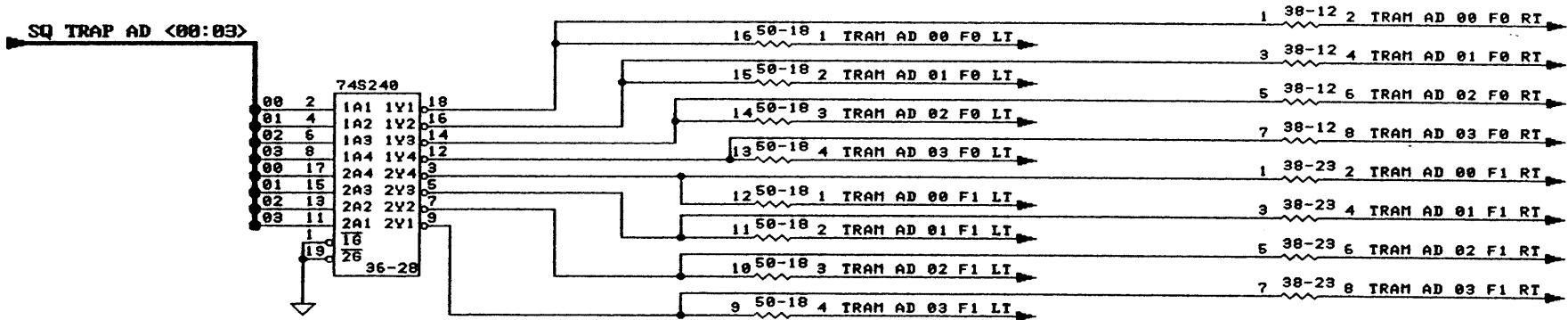


TITLE			
MMA - MACT0			
SIZE	CODE	NUMBER	REV
B	-3	119001	A
DATE MAR. 4. 1985		SHEET 06 OF 31	



PRELIMINARY

TITLE			
MMA - MMACT1			
SIZE	CODE	NUMBER	REV
B	-3	119001	A
DATE		SHEET	
MAR. 04, 1985		07 OF 31	



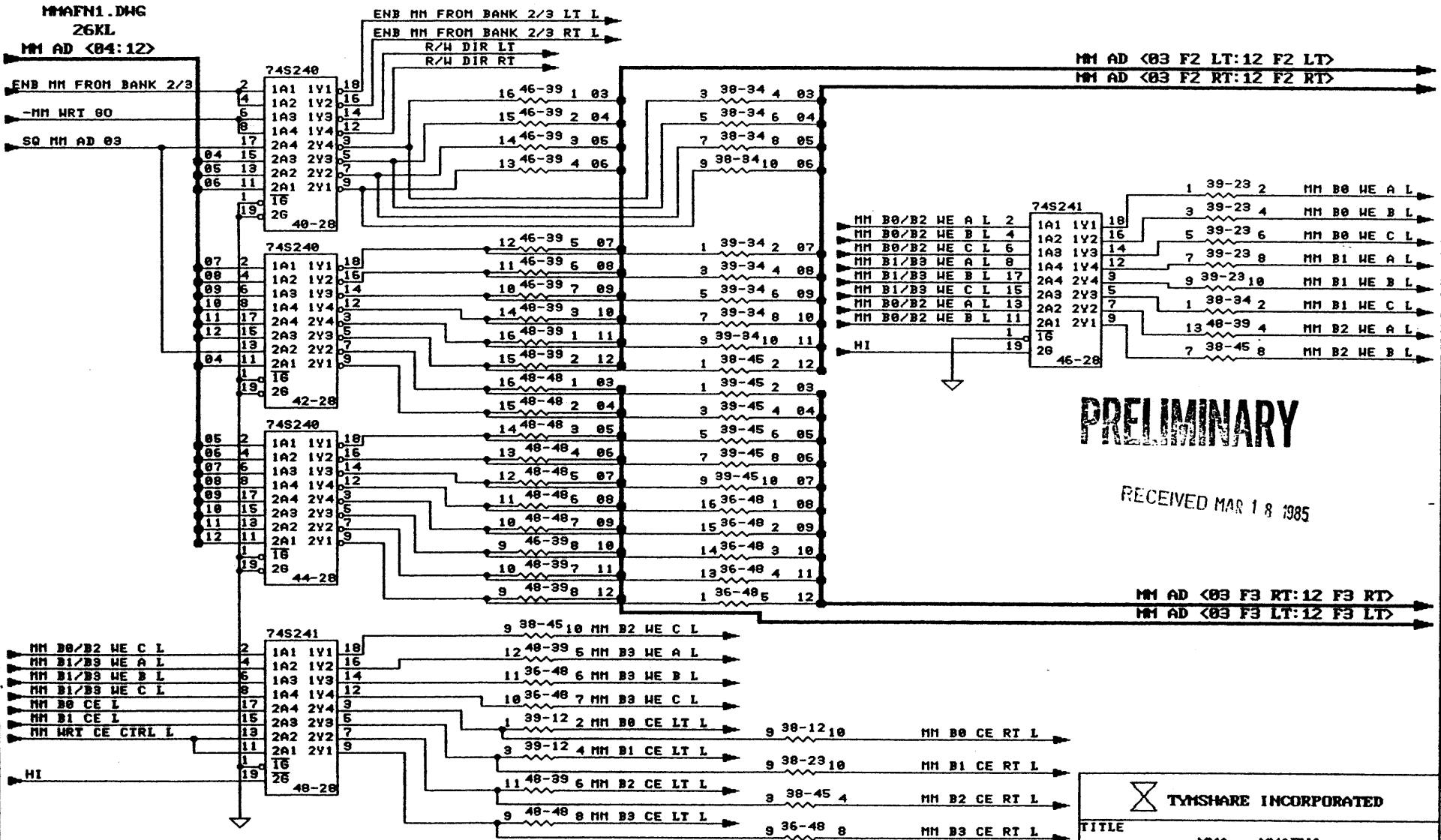
PRELIMINARY

RECEIVED MAR 18 1985

 TYMSHARE INCORPORATED

TITLE			
MMA - MMAFNO			
SIZE	CODE	NUMBER	REV
B	-3	119001	A
DATE		SHEET	
MAR. 04, 1985		08 OF 31	

MMAFN1.DWG
26KL
MM AD <04:12>



PRELIMINARY

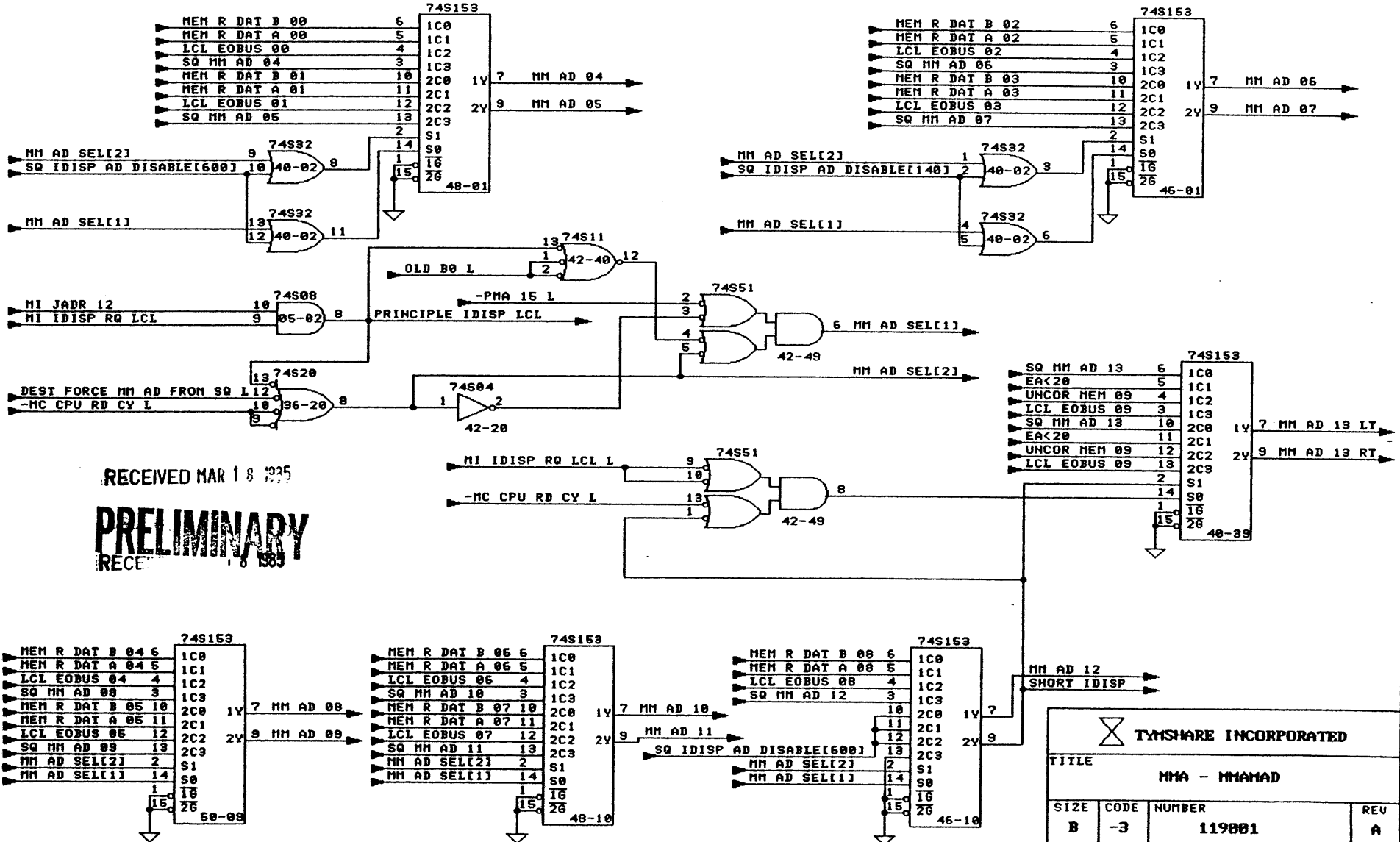
RECEIVED MAR 18 1985

 TYMSHARE INCORPORATED

TITLE			
MMA - MMAFN1			
SIZE	CODE	NUMBER	REV
B	-3	119001	A
DATE		SHEET	
MAR. 04. 1985		09 OF 31	

MHAMAD.DWG
26KL

!!!!CHECK EC0'S (SEE MASTER MHAMAD)!!!!



RECEIVED MAR 18 1985

PRELIMINARY
RECEIVED MAR 18 1985

⏏

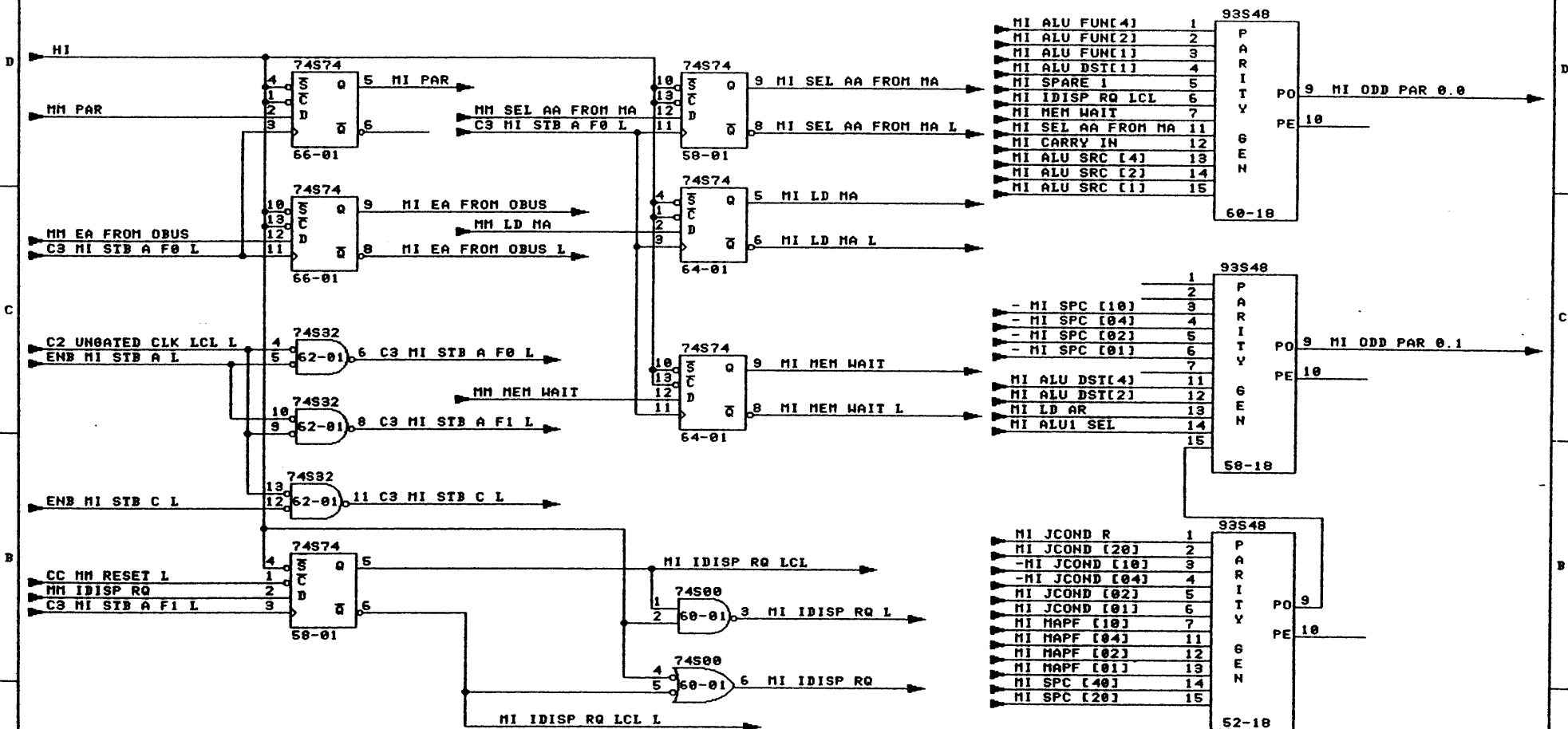
TYMSHARE INCORPORATED

TITLE
MMA - MHAMAD

SIZE	CODE	NUMBER	REV
B	-3	119001	A

DATE MAR. 04, 1985 SHEET 10 OF 31

!!!!!!CHECK ECO'S (SEE MASTER MMAMI0)!!!!!!

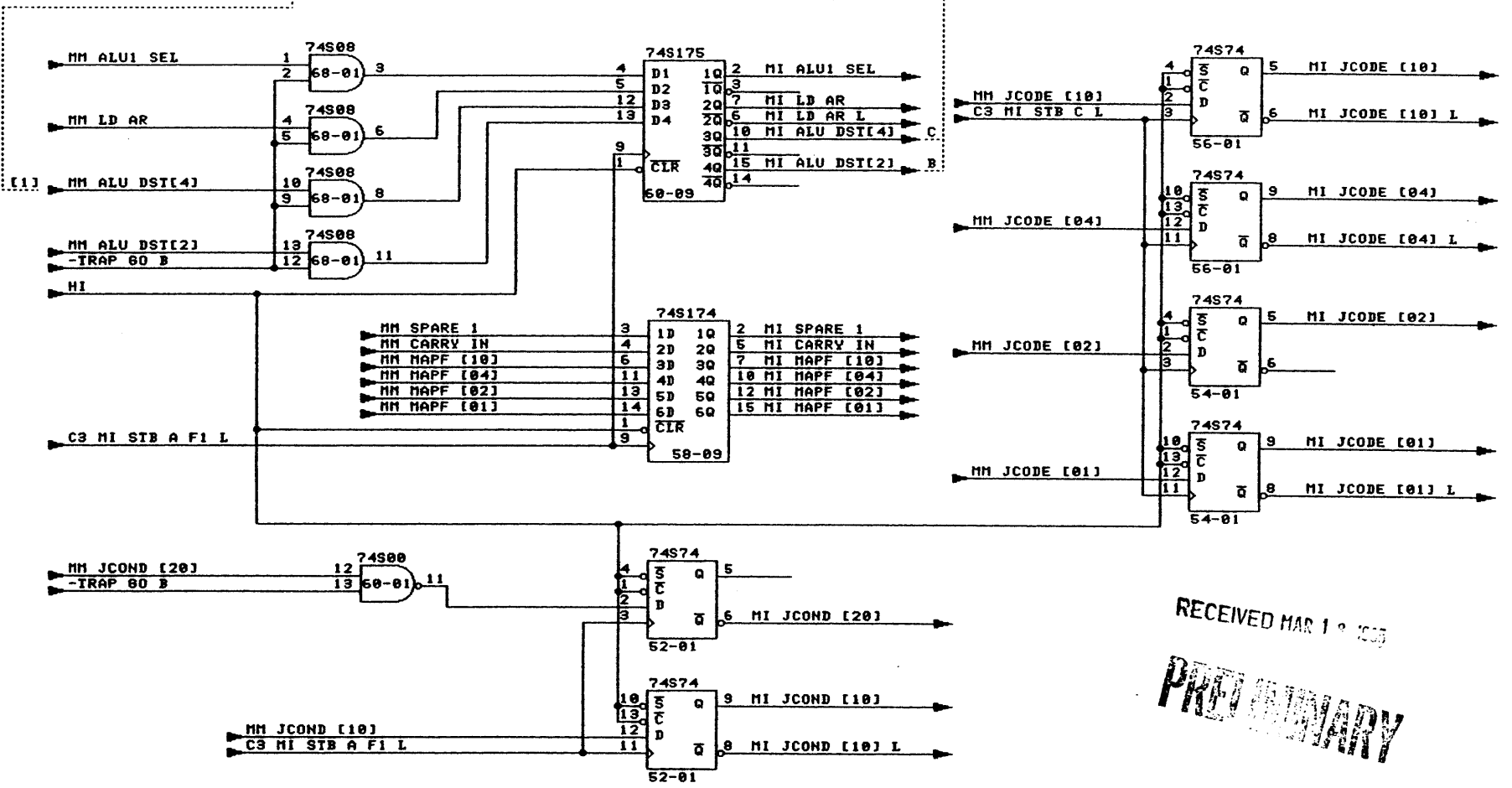


PRELIMINARY
RECEIVED MAR 18 1985


TYMSHARE INCORPORATED			
TITLE MMA - MMAMI0			
SIZE B	CODE -3	NUMBER 119001	REV A
DATE MAR 04, 1985		SHEET 11 OF 31	

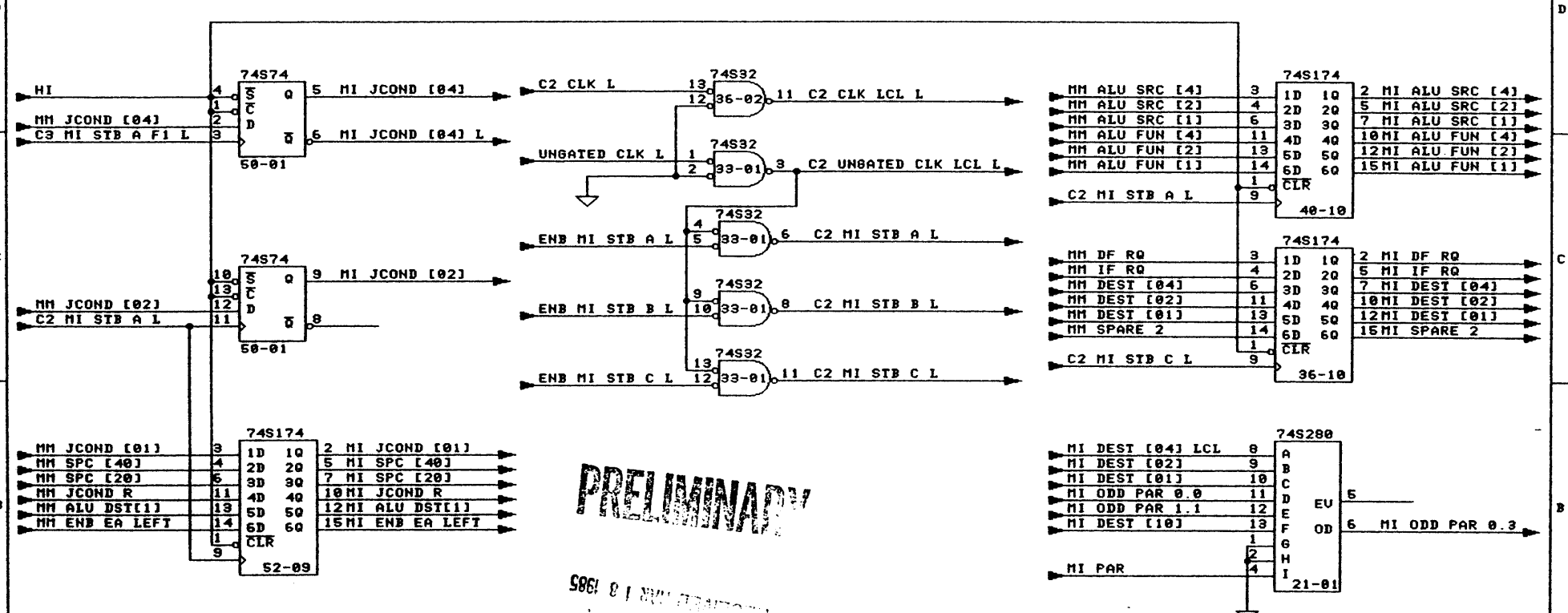
MMAMI1.DWG
26KL

!!!!CHECK FOR POSSIBLE ECO'S (SEE MASTER.DWG MMAMI1)!!!!



RECEIVED MAR 1 9 1985
PRELIMINARY

 TYMSHARE INCORPORATED				
TITLE				
MMA - MMAMI1				
SIZE	CODE	NUMBER	REV	
B	-3	119001	A	
DATE MAR.05, 1985			SHEET 12 OF 31	

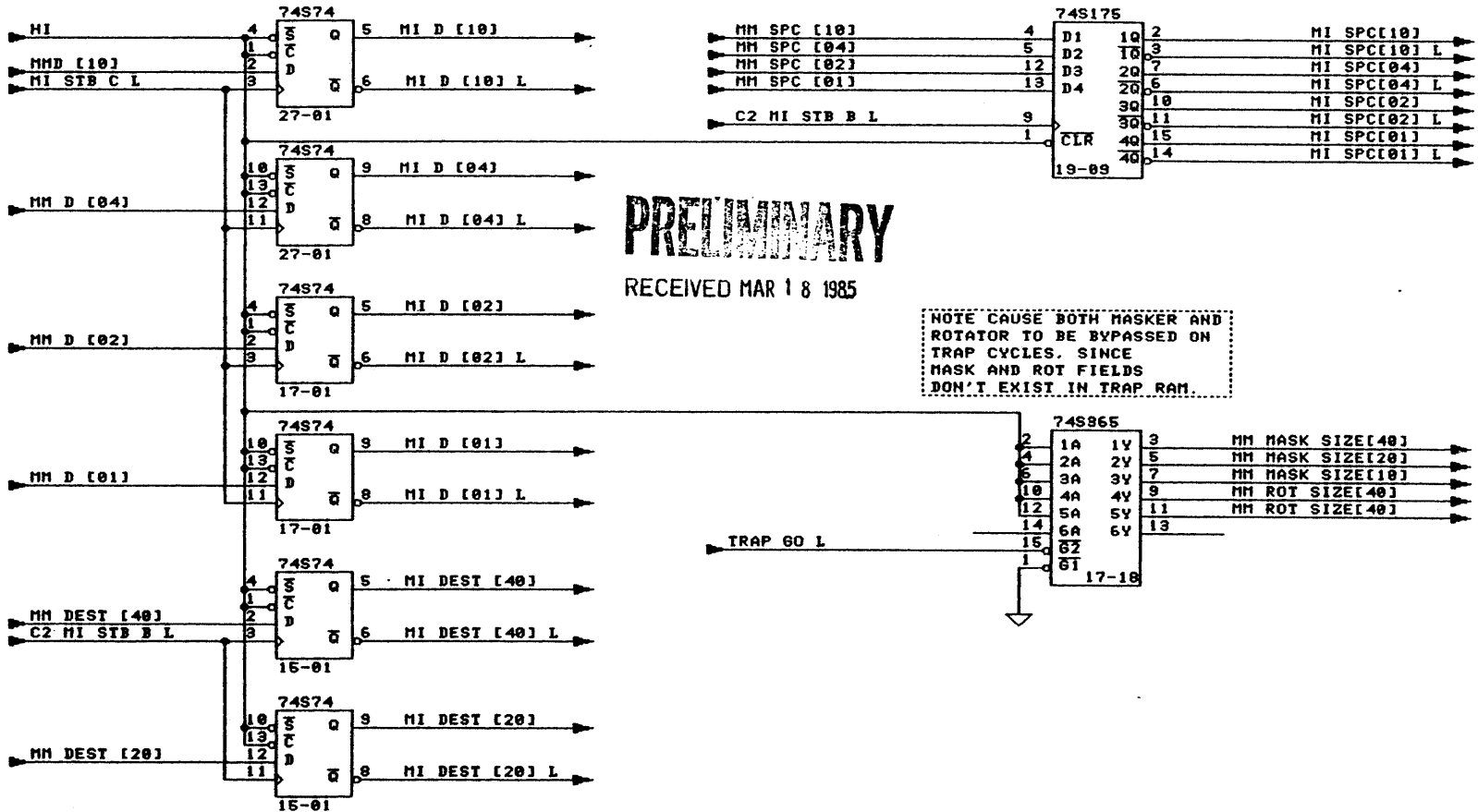


PRELIMINARY

5861 0 1 2 3 4 5 6 7 8 9 10 11 12 13 14 15 16 17 18 19 20 21 22 23 24 25 26 27 28 29 30 31 32 33 34 35 36 37 38 39 40 41 42 43 44 45 46 47 48 49 50 51 52 53 54 55 56 57 58 59 60 61 62 63 64 65 66 67 68 69 70 71 72 73 74 75 76 77 78 79 80 81 82 83 84 85 86 87 88 89 90 91 92 93 94 95 96 97 98 99 100

RECEIVED MAR 1 8 1986

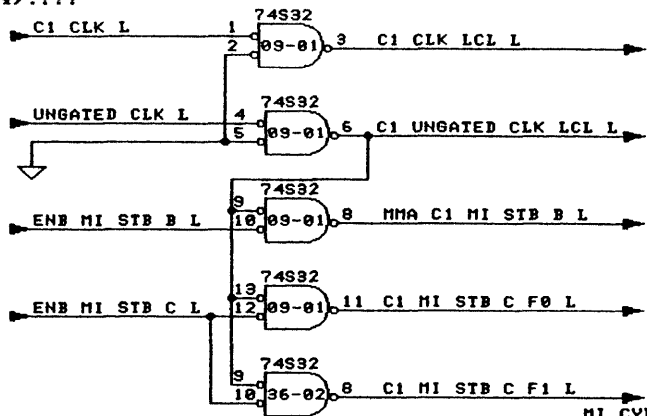
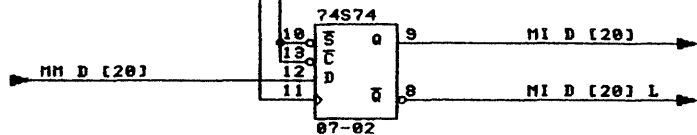
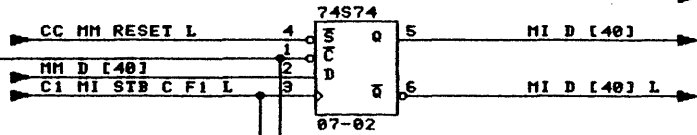
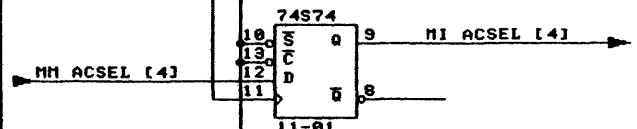
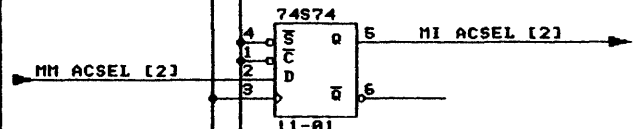
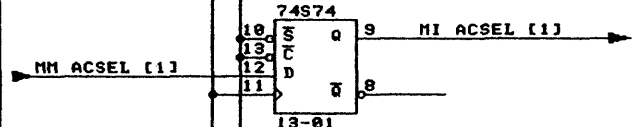
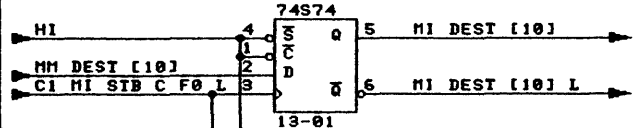
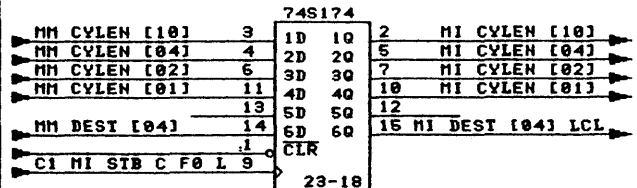
TITLE MMA - MMAMI2			
SIZE B	CODE -3	NUMBER 119001	REV A
DATE MAR. 05. 1986		SHEET 13 OF 31	



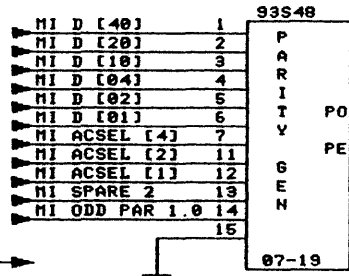
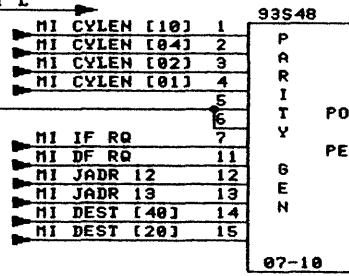
PRELIMINARY
RECEIVED MAR 18 1985

NOTE CAUSE BOTH MASKER AND ROTATOR TO BE BYPASSED ON TRAP CYCLES. SINCE MASK AND ROT FIELDS DON'T EXIST IN TRAP RAM.

TITLE			
MMA - MMAM13			
SIZE	CODE	NUMBER	REV
B	-3	119001	A
DATE		MAR.05, 1985	SHEET 14 OF 31



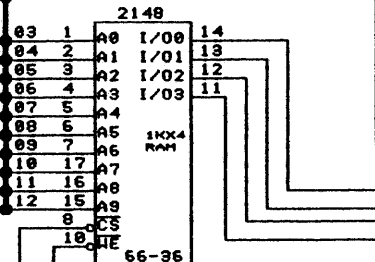
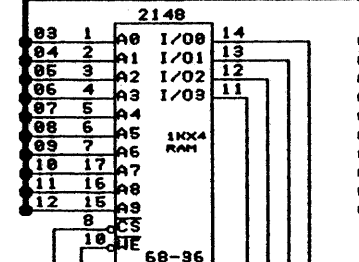
PRELIMINARY
RECEIVED MAR 18 1985



TITLE			
MMA - MMAMI4			
SIZE	CODE	NUMBER	REV
B	-3	119001	A
DATE		MAR. 05. 1985	SHEET 15 OF 31

MM AD <03 F2 LT:12 F2 LT>

MM AD 19 LT
ENB MM FROM BANK 2/3 LT L



LCL EDBUS <00:07>

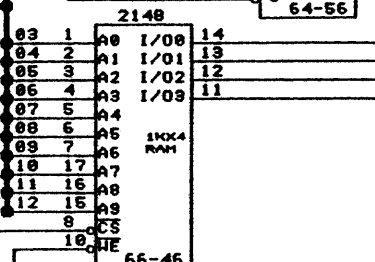
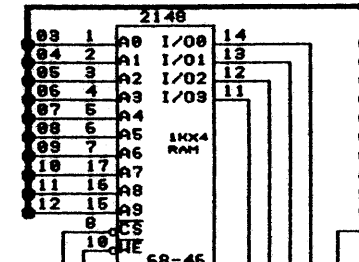
MHB2 CE LT L
MHB2 WE A L

PRELIMINARY

R/W DIR LT
EVEN R/W ENB A L
ODD R/W ENB A L

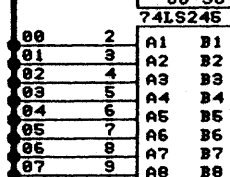
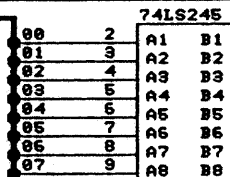
RECEIVED MAR 18 1985

MM AD <03 F3 LT:12 F3 LT>

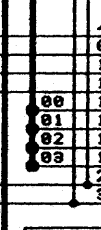
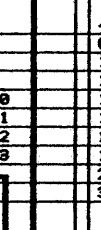
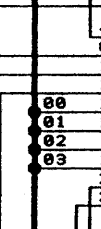
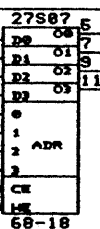
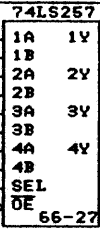
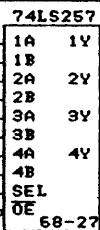


MHB3 CE LT L
MHB3 WE A L

TRAM AD <00 F1 LT:03 F1 LT>



MHB1 CE LT L
MHB1 WE A L
MHB0 CE LT L
MHB0 WE A L



MM LD MA
MM IDISP RQ

MM PAR
MM SPARE 1

MM SEL AA FROM MA
MM MEM WAIT

TYMSHARE INCORPORATED

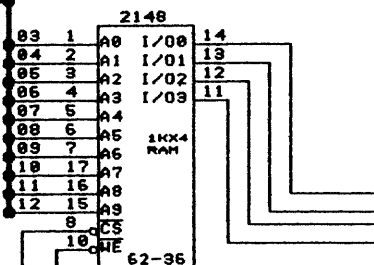
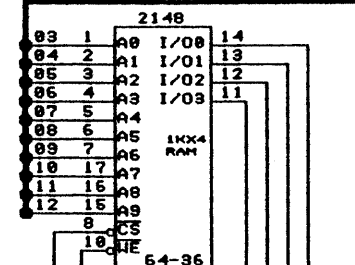
TITLE			
MMA - MMA800			
SIZE	CODE	NUMBER	REV
B	-3	119001	A
DATE		MAR. 11, 1985	SHEET 16 OF 31

MMA01.DWG
26KL

TRAM AD <00 F0 LT:03 F0 LT>

MM AD <03 F2 LT:12 F2 LT>

MM AD 13 LT
ENB MM FROM BANK 2/3 LT L



LCL EOBUS <08:15>

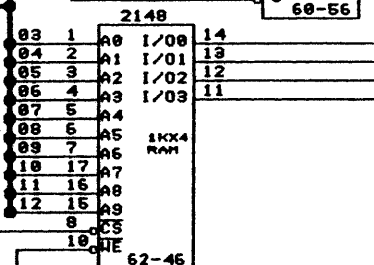
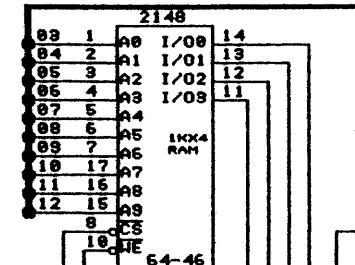
MMB2 CE LT L
MMB2 WE A L

PRELIMINARY

R/W DIR LT
EVEN R/W ENB A L
ODD R/W ENB A L

RECEIVED MAR 1 8 1985

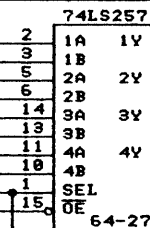
MM AD <03 F3 LT:12 F3 LT>



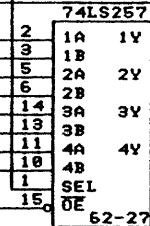
MMB3 CE LT L
MMB3 WE A L

TRAM AD <00 F1 LT:03 F1 LT>

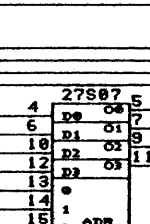
MM CARRY IN



MM ALU SRC[4]



MM ALU FUNC[1]



MM ALU SRC[4]
MM ALU FUNC[4]

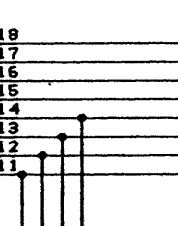
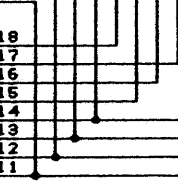
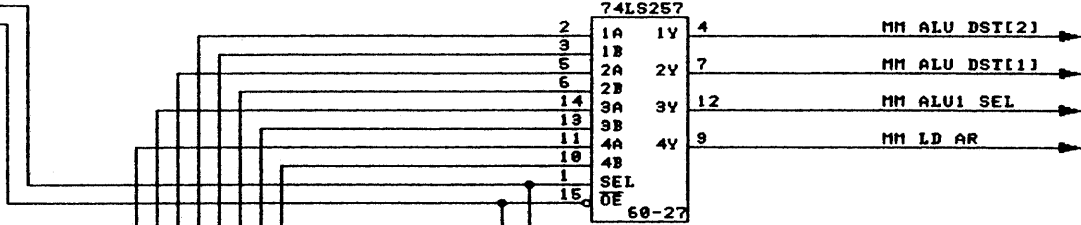
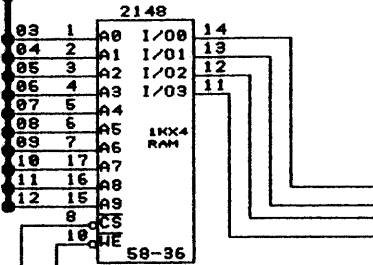
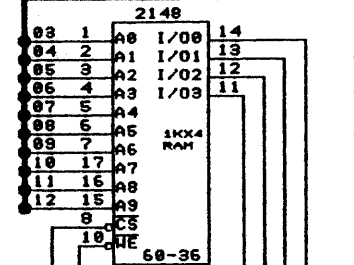
TYMSHARE INCORPORATED

TITLE			
MMA - MMA01			
SIZE	CODE	NUMBER	REV
B	-3	119001	A
DATE	MAR. 12, 1985		SHEET 17 OF 31

MMAR02.DWG
26KL

MM AD <03 F2 LT:12 F2 LT>

MM AD 13 LT
ENB MM FROM BANK 2/3 LT L



LCL EOBUS <16:29>

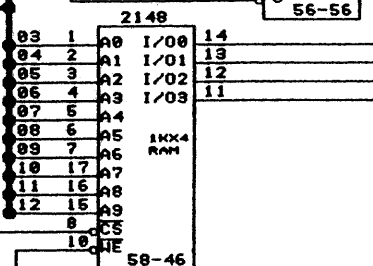
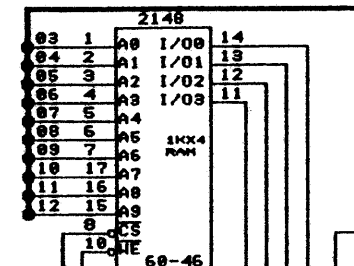
MMB2 CE LT L
MMB2 WE A L

PRELIMINARY

R/W DIR LT
EVEN R/W ENB A L
ODD R/W ENB A L

RECEIVED MAR 18 1985

MM AD <03 F3 LT:12 F3 LT>



MMB3 CE LT L
MMB3 WE A L

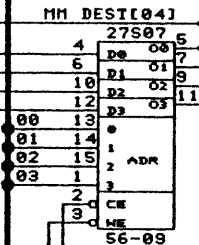
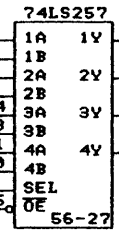
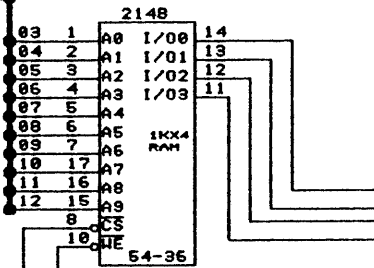
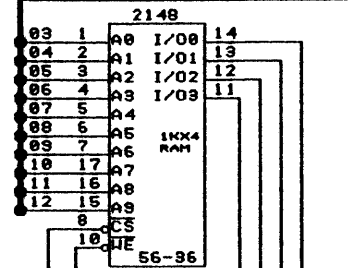
TITLE			
MMA - MMAR02			
SIZE	CODE	NUMBER	REV
B	-3	119001	A
DATE		MAR.12. 1985	SHEET 18 OF 31

MAR03.DWG
26KL

TRAM AD <00 F0 LT:03 F0 LT>

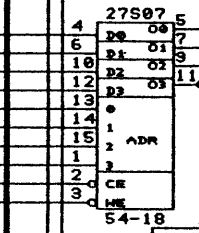
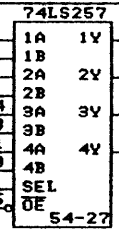
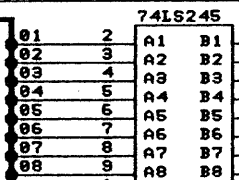
MM AD <03 F2 LT:12 F2 LT>

MM AD 19 LT
ENB MM FROM BANK 2/3 LT L



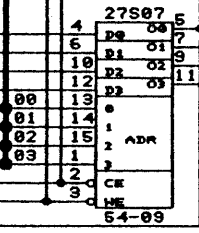
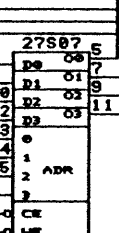
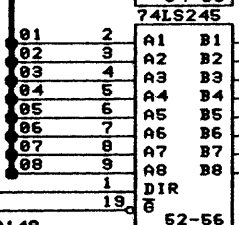
LCL EOBUS <01:00>

MMB2 CE LT L
MMB2 WE C L



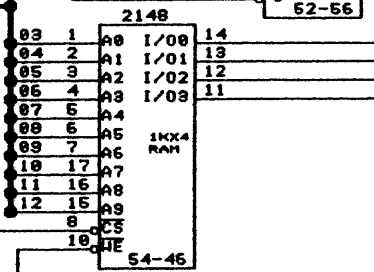
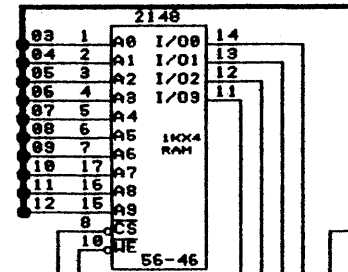
PRELIMINARY

R/W DIR LT
EVEN R/W ENB C L
ODD R/W ENB C L



RECEIVED MAR 18 1985

MM AD <03 F3 LT:12 F3 LT>



MMB1 CE LT L
MMB1 WE C L
MMB0 CE LT L
MMB0 WE C L

TRAM AD <00 F1 LT:03 F1 LT>

MMB3 CE LT L
MMB3 WE C L

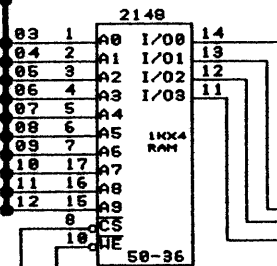
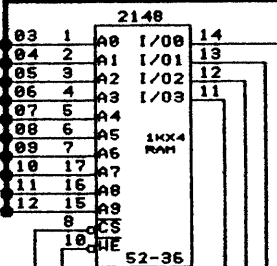
TYMSHARE INCORPORATED

TITLE			
MMA - MMAR03			
SIZE	CODE	NUMBER	REV
B	-3	119001	A
DATE		MAR. 12. 1985	SHEET 19 OF 31

MMAR04.DWG
26KL

MM AD <03 F2 LT:12 F2 LT>

MM AD 13 LT
ENB MM FROM BANK 2/3 LT L



LCL EOBUS <20:30>

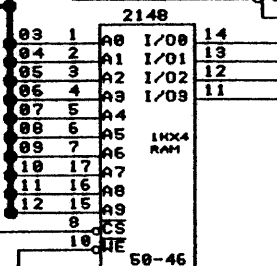
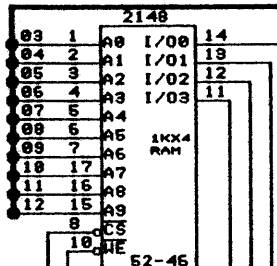
MMB2 CE LT L
MMB2 WE A L

PRELIMINARY

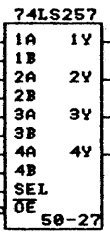
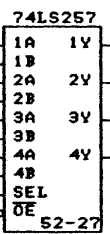
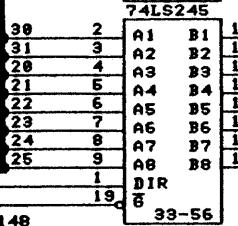
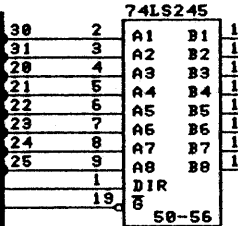
R/W DIR LT
EVEN R/W ENB A L
ODD R/W ENB A L

RECEIVED MAR 18 1985

MM AD <03 F3 LT:12 F3 LT>



MMB3 CE LT L
MMB3 WE A L



MM SPC[40]

MM SPC[20]

MM JCONDC[20]

MM JCONDC[10]

MM JCONDC[4]

MM JCONDC[2]

MM JCONDC[1]

MM JCOND R

TITLE			
MMA - MMAR04			
SIZE	CODE	NUMBER	REV
B	-3	119001	A
DATE		SHEET	
MAR. 13, 1985		20 OF 31	

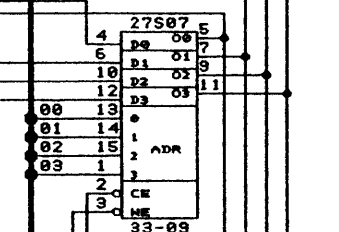
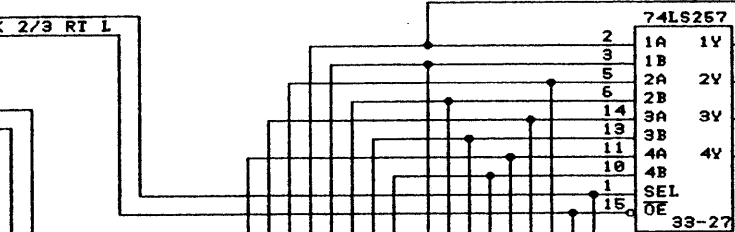
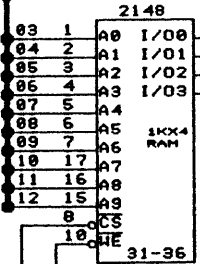
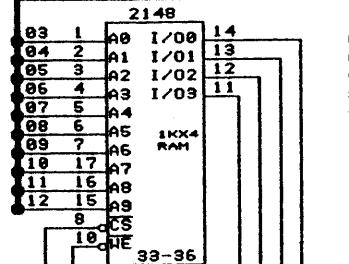
MMAR05.DWG
26KL

TRAM AD <00 F0 RT:03 F0 RT>

MM DEST[10]

MM AD <03 F2 RT:12 F2 RT>

MM AD 19 RT
ENB MM FROM BANK 2/3 RT L



LCL EOBUS <00:15>

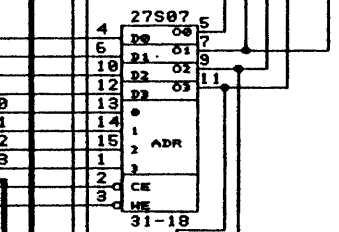
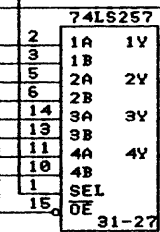
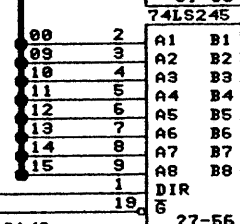
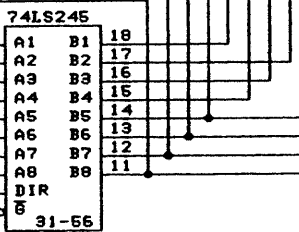
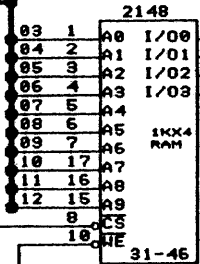
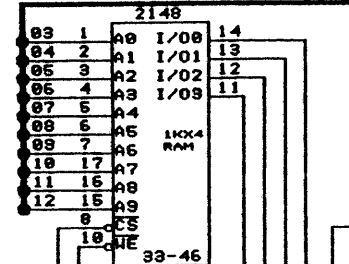
MMB2 CE RT L
MMB2 WE C L

PRELIMINARY

R/W DIR RT
EVEN R/W ENB C L
ODD R/W ENB C L

RECEIVED MAR 18 1985

MM AD <03 F3 RT:12 F3 RT>



MMB1 CE RT L
MMB1 WE C L
MMB0 CE RT L
MMB0 WE C L

TRAM AD <00 F1 RT:03 F1 RT>

MMB3 CE RT L
MMB3 WE C L

TYMSHARE INCORPORATED

TITLE			
MMA - MMAR05			
SIZE	CODE	NUMBER	REV
B	-3	119001	A
DATE	MAR. 13, 1985		SHEET 21 OF 31

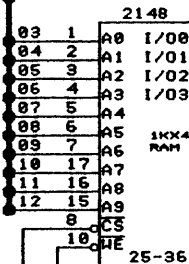
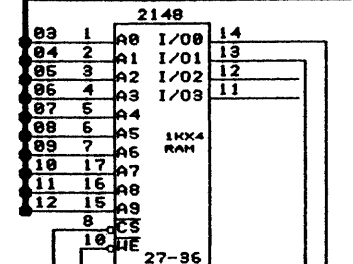
MMAR06.DWG
26KL

TRAM AD <00 F0 RT:03 F0 RT>

MM AD <03 F2 RT:12 F2 RT>

MM AD 13 RT
ENB MM FROM BANK 2/3 RT L

MM R/W EVEN C 22
MM R/W EVEN C 23

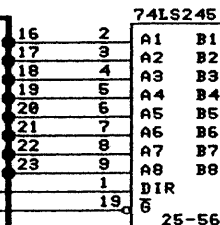


LCL EOBUS <16:23>

NMB2 CE RT L
NMB2 WE C L

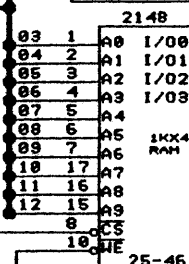
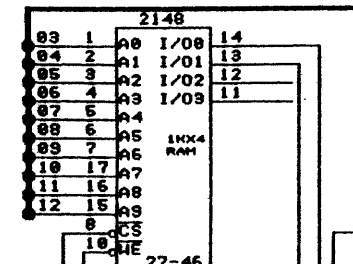
PRELIMINARY

R/W DIR RT
EVEN R/W ENB C L
ODD R/W ENB C L



RECEIVED MAR 1 8 1985

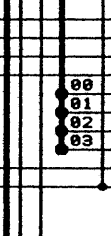
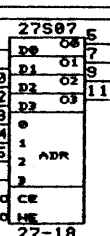
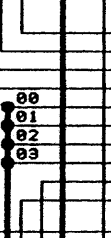
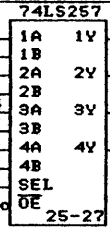
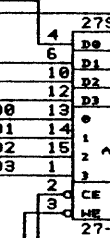
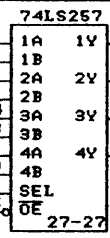
MM AD <03 F3 RT:12 F3 RT>



NMB1 CE RT L
NMB1 WE C L
NMB0 CE RT L
NMB0 WE C L

NMB3 CE RT L
NMB3 WE C L

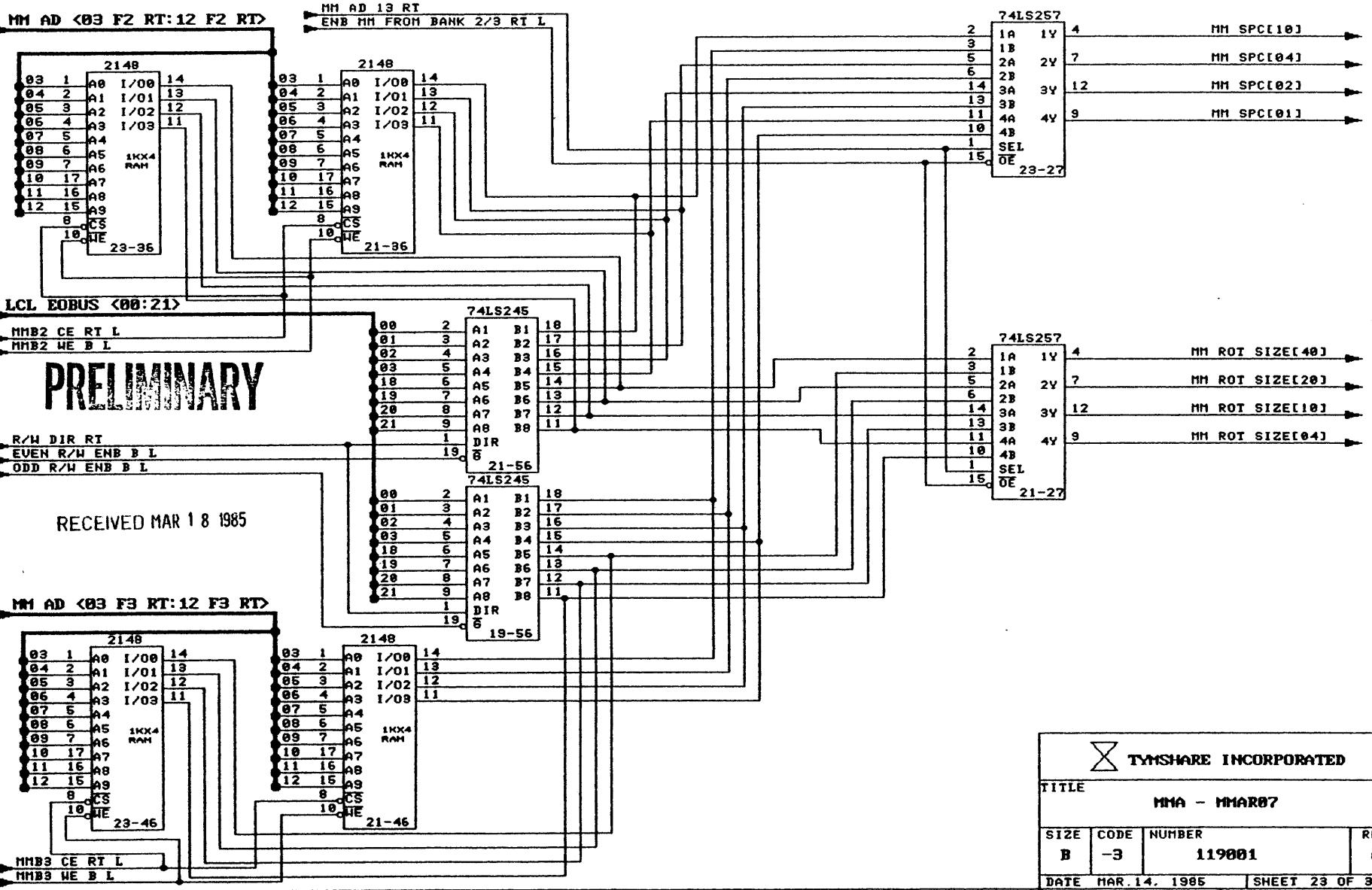
TRAM AD <00 F1 RT:03 F1 RT>



NOTE:
THESE TWO
BITS ARE
SHADOWED
BY 2125'S.

TYMSHARE INCORPORATED

TITLE			
MMA - MMAR06			
SIZE	CODE	NUMBER	REV
B	-3	119001	A
DATE		MAR. 13. 1985	SHEET 22 OF 31



PRELIMINARY

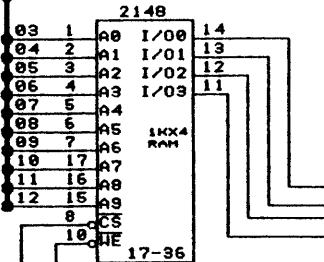
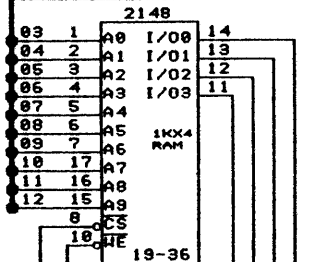
RECEIVED MAR 18 1985

TITLE			
MMA - MMAR07			
SIZE	CODE	NUMBER	REV
B	-3	119001	A
DATE		SHEET	
MAR. 14, 1985		23 OF 31	

MMAR00.DWG
26KL

MM AD <03 F2 RT:12 F2 RT>

MM AD 13 RT
ENB MM FROM BANK 2/3 RT L



LCL EOBUS <22:29>

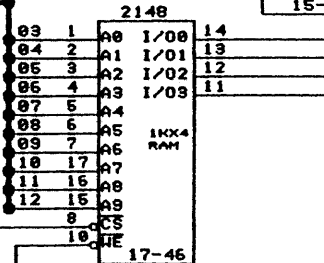
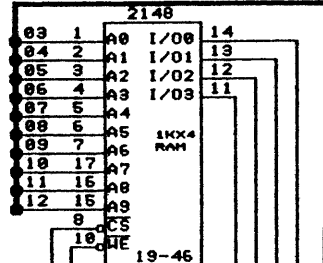
HMB2 CE RT L
HMB2 WE B L

PRELIMINARY

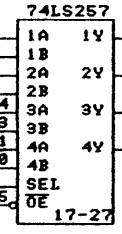
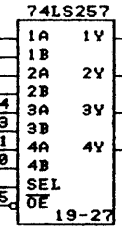
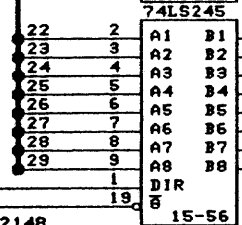
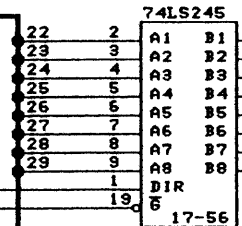
R/W DIR RT
EVEN R/W ENB B L
ODD R/W ENB B L

RECEIVED MAR 19 1985

MM AD <03 F3 RT:12 F3 RT>



HMB3 CE RT L
HMB3 WE B L



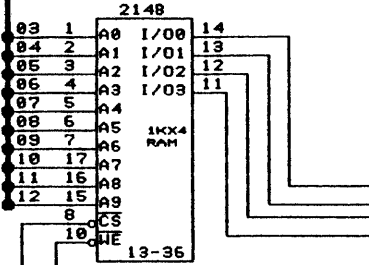
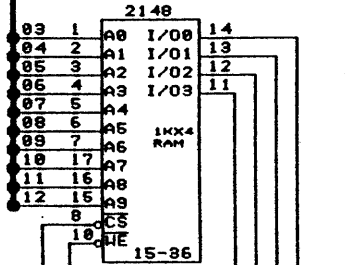
TITLE			
MMA - MMAR00			
SIZE	CODE	NUMBER	REV
B	-3	119001	A
DATE		MAR. 14, 1985	SHEET 24 OF 31

MMAR09.DWG
26KL

TRAM AD <00 F0 RT:03 F0 RT>

MM AD <03 F2 RT:12 F2 RT>

MM AD 13 RT
ENB MM FROM BANK 2/3 RT L



LCL EDBUS <04:11>

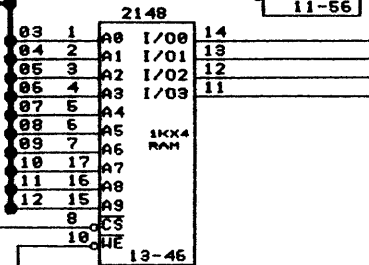
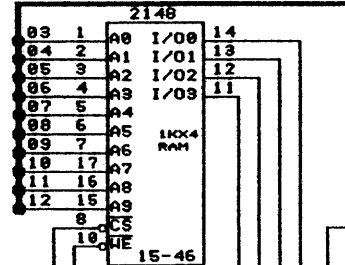
HMB2 CE RT L
HMB2 WE B L

PRELIMINARY

R/W DIR RT
EVEN R/W ENB B L
ODD R/W ENB B L

RECEIVED MAR 18 1985

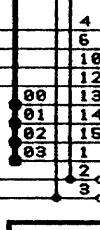
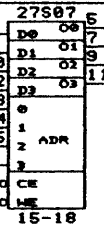
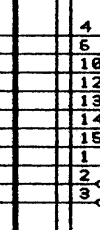
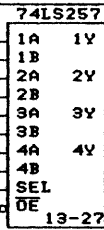
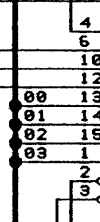
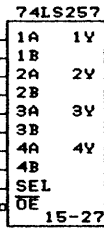
MM AD <03 F3 RT:12 F3 RT>



HMB3 CE RT L
HMB3 WE B L

TRAM AD <00 F1 RT:03 F1 RT>

HMB1 CE RT L
HMB1 WE B L
HMB0 CE RT L
HMB0 WE B L



MM JADR <00:07>

TYMSHARE INCORPORATED

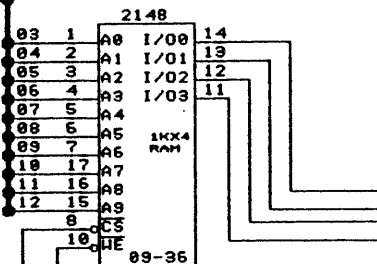
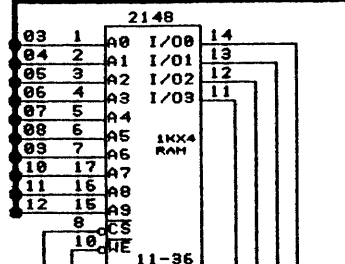
TITLE			
MMA - MMAR09			
SIZE	CODE	NUMBER	REV
B	-3	119001	A
DATE		MAR. 14. 1985	SHEET 25 OF 31

MMAR10.DWG !!!CHECK MASTER DWG FOR ECO'S!!!
26KL

TRAM AD <00 F0 RT:03 F0 RT>

MM AD <03 F2 RT:12 F2 RT>

MM AD 13 RT
ENB MM FROM BANK 2/3 RT L



LCL EDBUS <12:31>

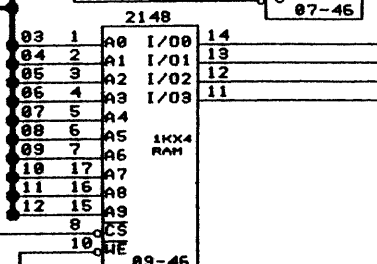
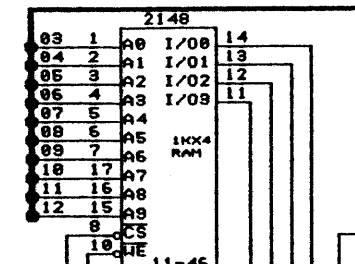
MMB2 CE RT L
MMB2 WE B L

PRELIMINARY

R/W DIR RT
EVEN R/W ENB B L
ODD R/W ENB B L

RECEIVED 10 18 1985

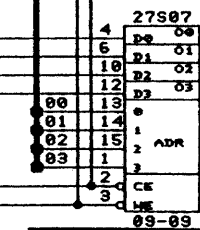
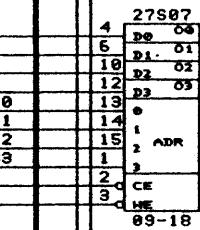
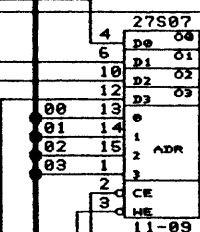
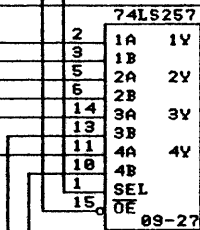
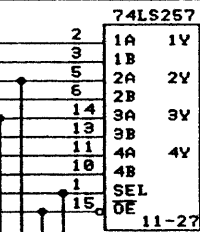
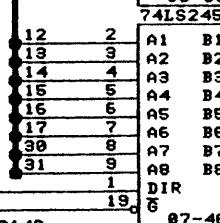
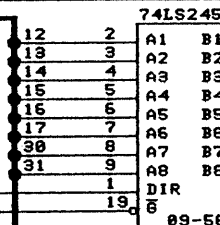
MM AD <03 F3 RT:12 F3 RT>



MMB3 CE RT L
MMB3 WE B L

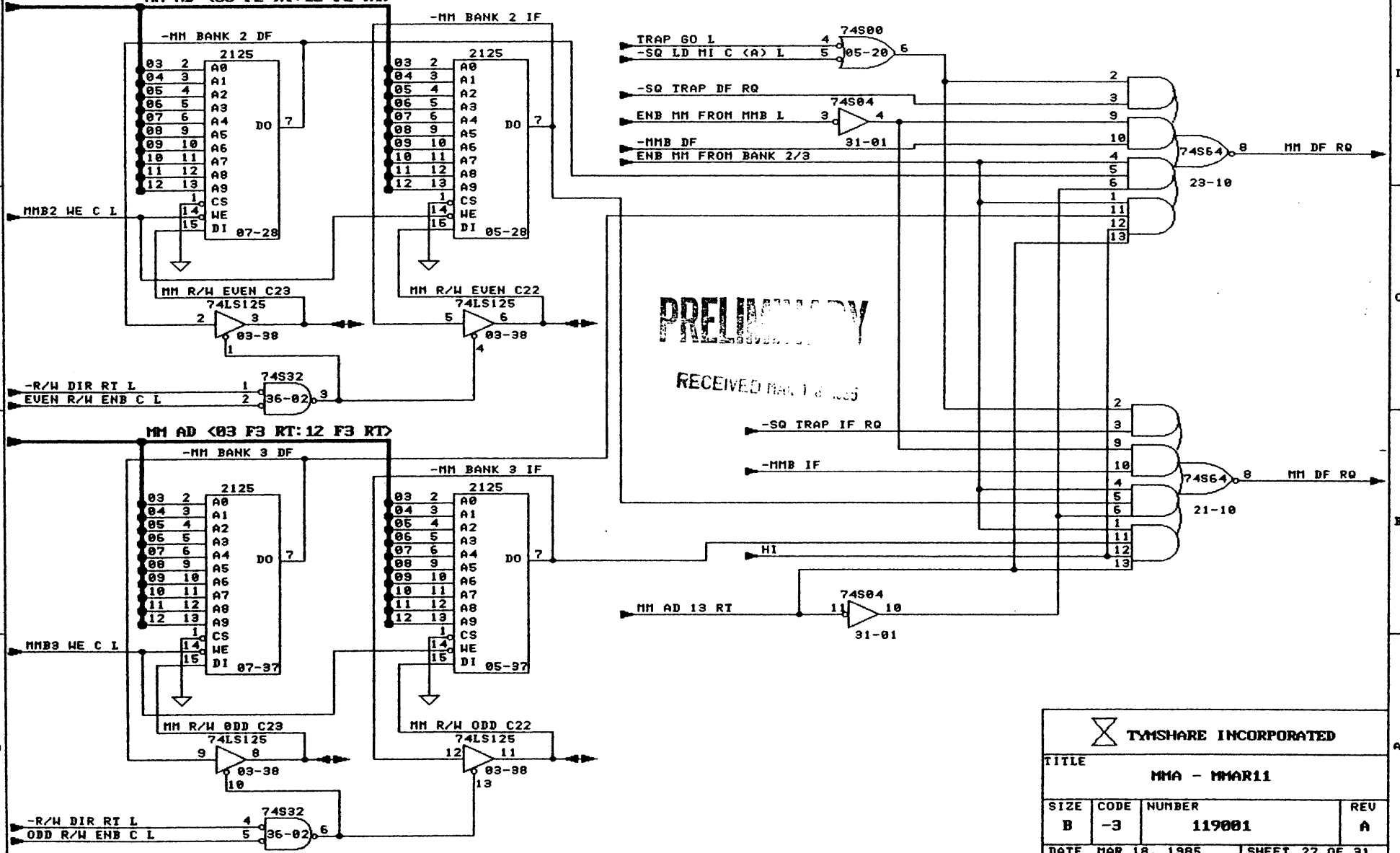
TRAM AD <00 F1 RT:03 F1 RT>

MMB1 CE RT L
MMB1 WE B L
MMB0 CE RT L
MMB0 WE B L



TYMSHARE INCORPORATED

TITLE			
MMA - MMAR10			
SIZE	CODE	NUMBER	REV
B	-3	119001	A
DATE		MAR. 14, 1985	SHEET 26 OF 31

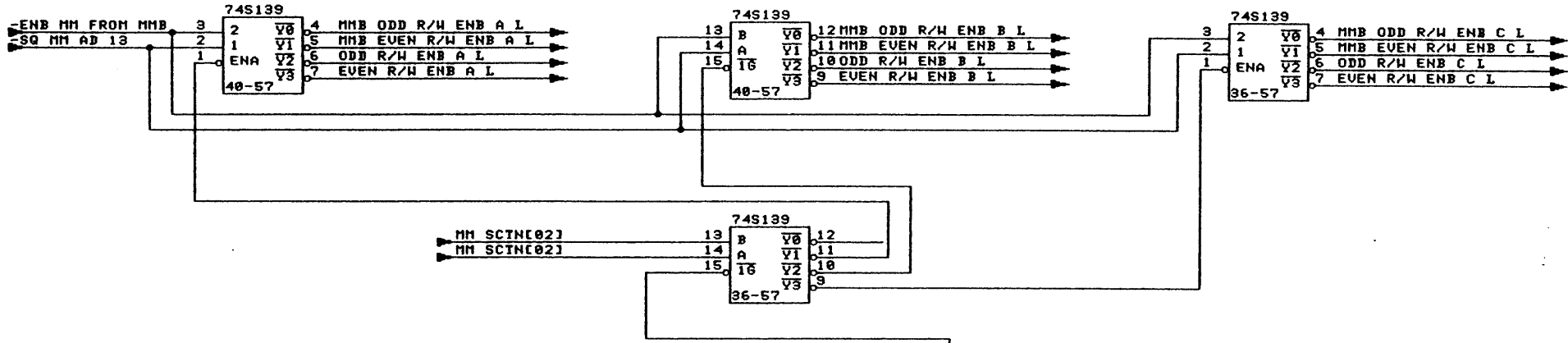


PRELIMINARY
RECEIVED MAR 18 1985

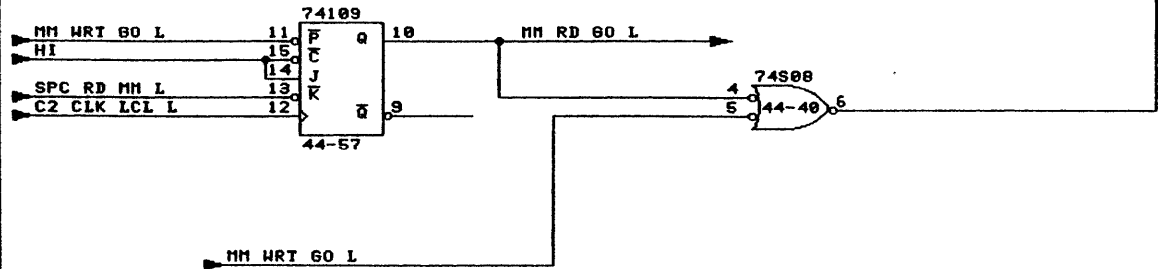
TITLE MMA - MMAR11			
SIZE B	CODE -3	NUMBER 119001	REV A
DATE MAR. 18. 1985		SHEET 27 OF 31	


MARW.DWG
26KL

NOTE: 'ODD' AND 'EVEN' SHOULD BE
RENAMED 'MMA ODD' AND 'MMA EVEN'



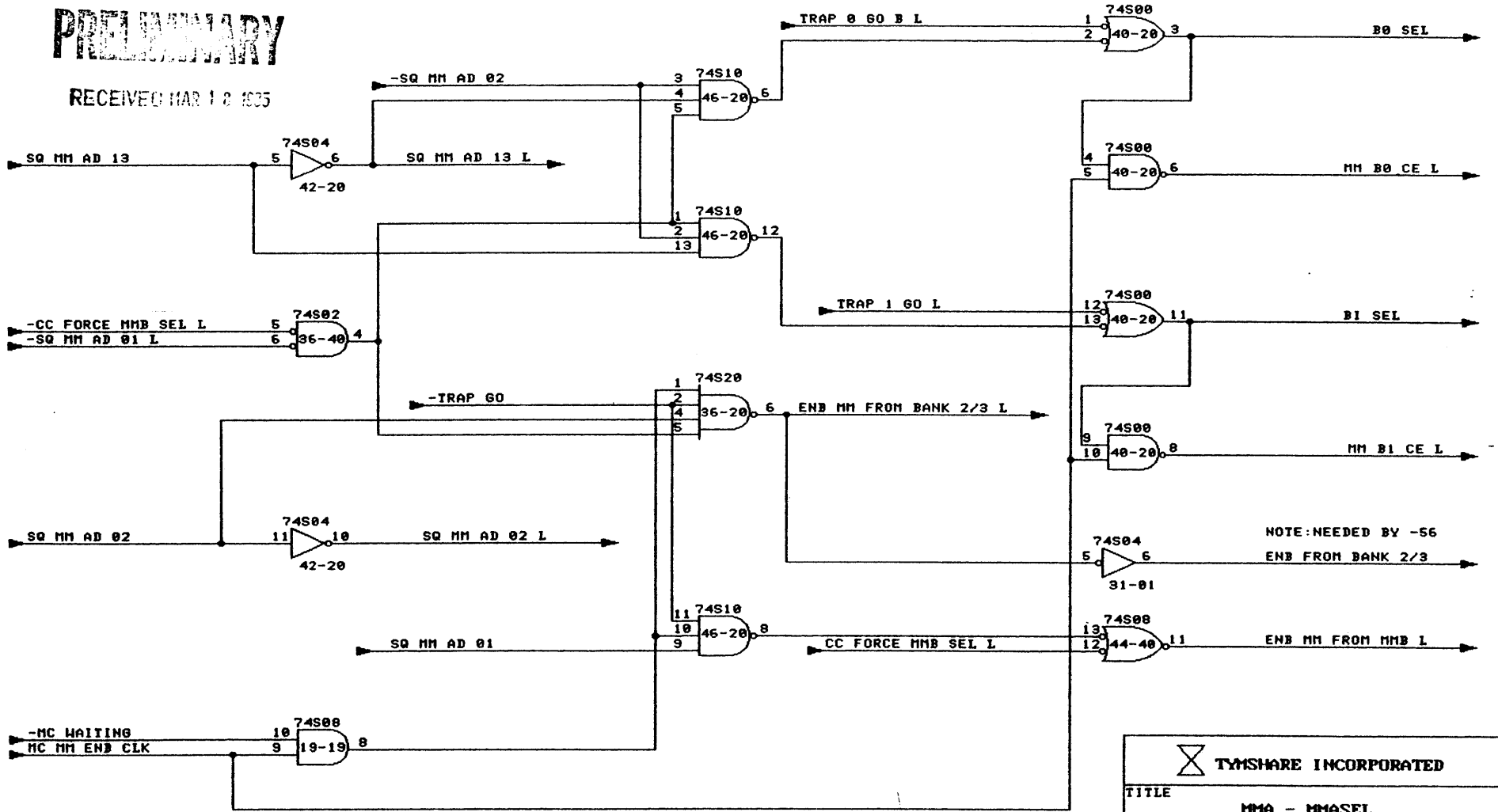
PRELIMINARY
RECEIVED MAR 13 1985




 TYMSHARE INCORPORATED			
TITLE			
MMA - MARW			
SIZE	CODE	NUMBER	REV
B	-3	119001	A
DATE FEB. 08, 1985			SHEET 28 OF 31

PRELIMINARY

RECEIVED MAR 18 1985

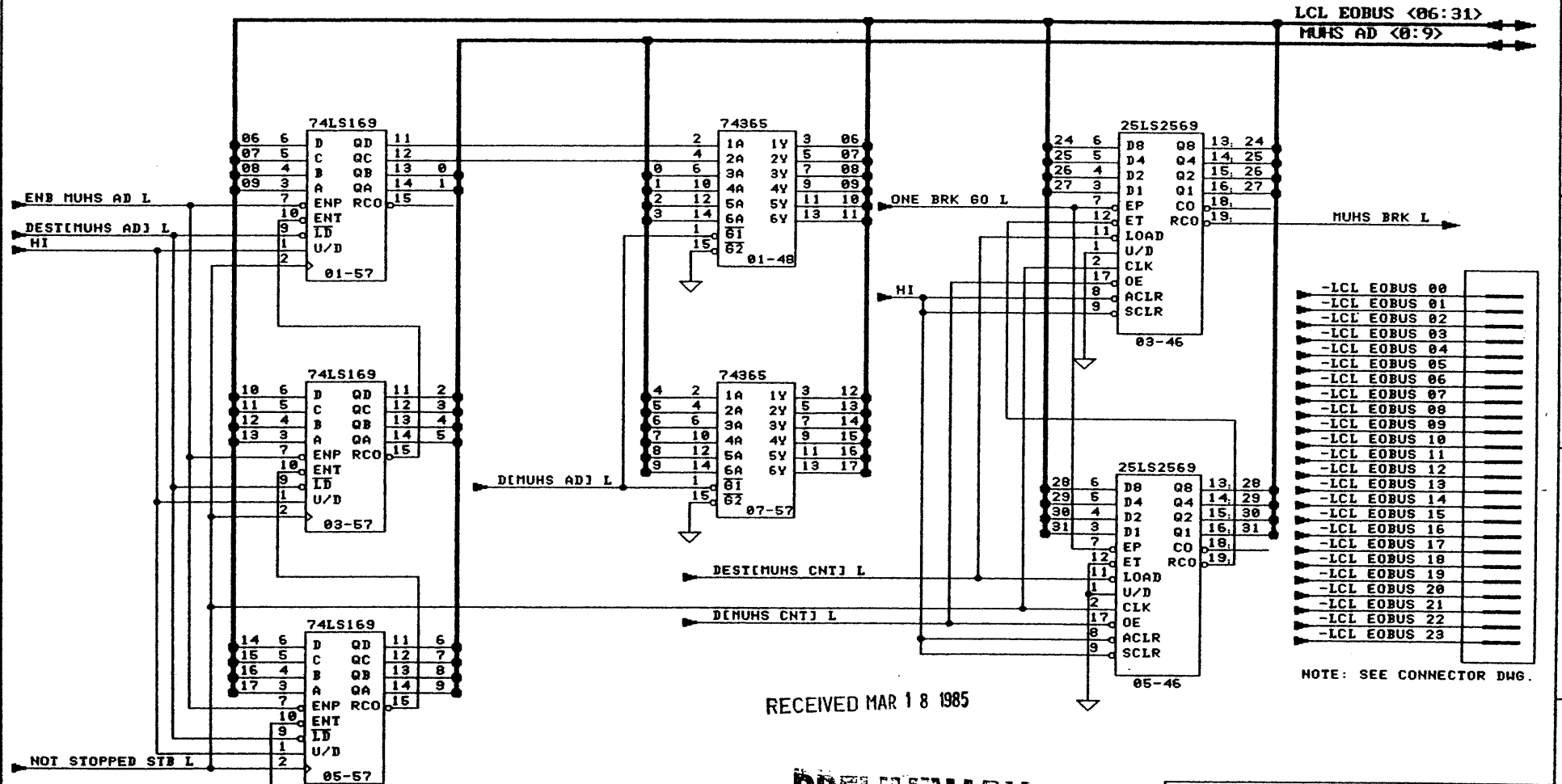



TYMSHARE INCORPORATED

TITLE
MM - MMASEL

SIZE B	CODE -3	NUMBER 119001	REV A
DATE MAR. 18. 1985		SHEET 29 OF 31	

MMAUH.DWG
26XL



- LCL EOBUS 00
- LCL EOBUS 01
- LCL EOBUS 02
- LCL EOBUS 03
- LCL EOBUS 04
- LCL EOBUS 05
- LCL EOBUS 06
- LCL EOBUS 07
- LCL EOBUS 08
- LCL EOBUS 09
- LCL EOBUS 10
- LCL EOBUS 11
- LCL EOBUS 12
- LCL EOBUS 13
- LCL EOBUS 14
- LCL EOBUS 15
- LCL EOBUS 16
- LCL EOBUS 17
- LCL EOBUS 18
- LCL EOBUS 19
- LCL EOBUS 20
- LCL EOBUS 21
- LCL EOBUS 22
- LCL EOBUS 23

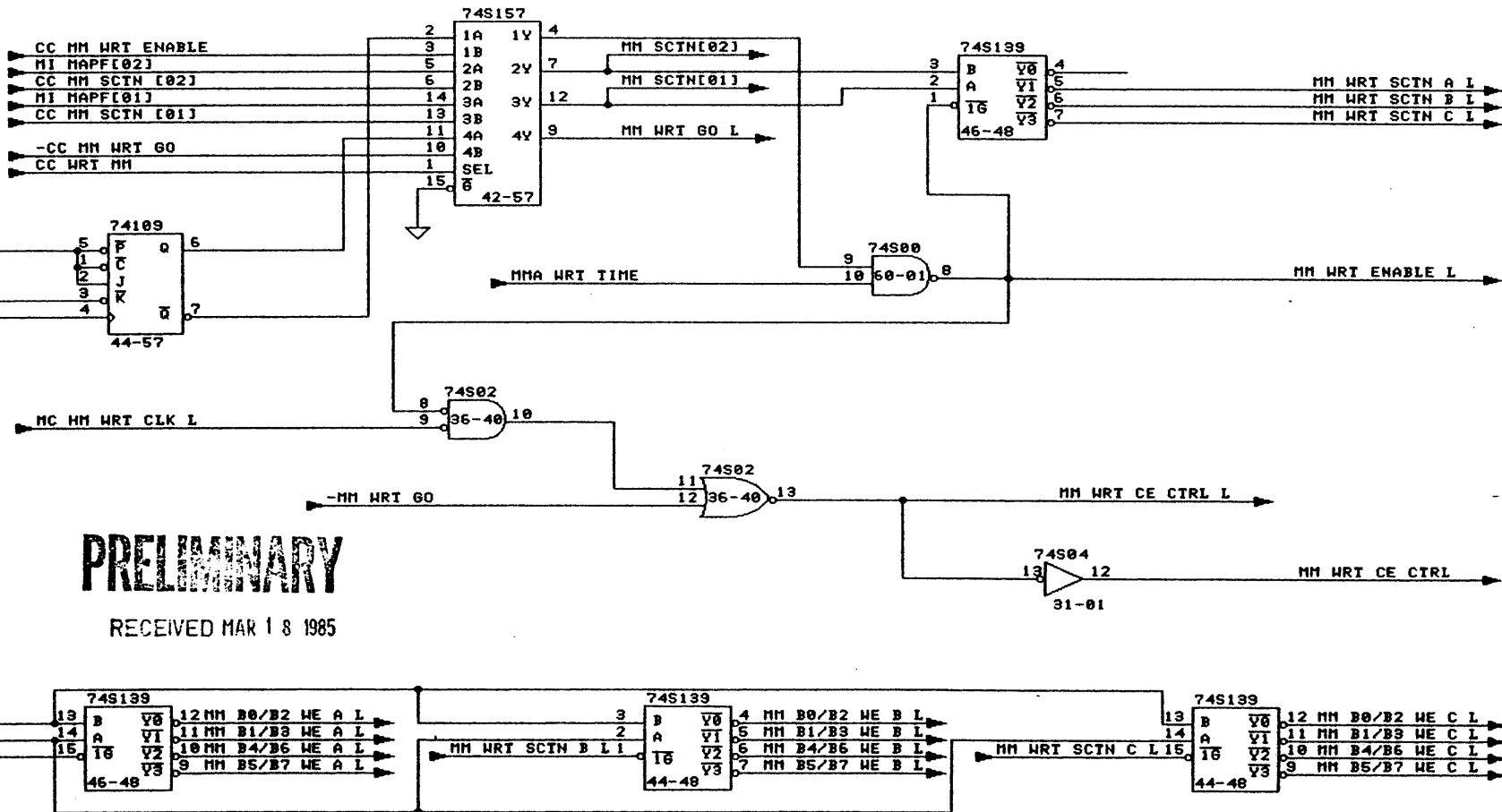
NOTE: SEE CONNECTOR DWG.

RECEIVED MAR 18 1985

DDI
PRELIMINARY

TITLE MMA - MMAUH			
SIZE B	CODE -3	NUMBER 119001	REV A
DATE MAR. 18, 1985		SHEET 30 OF 31	

!!!CHECK MASTER DWG FOR POSSIBLE ECO'S!!!



PRELIMINARY

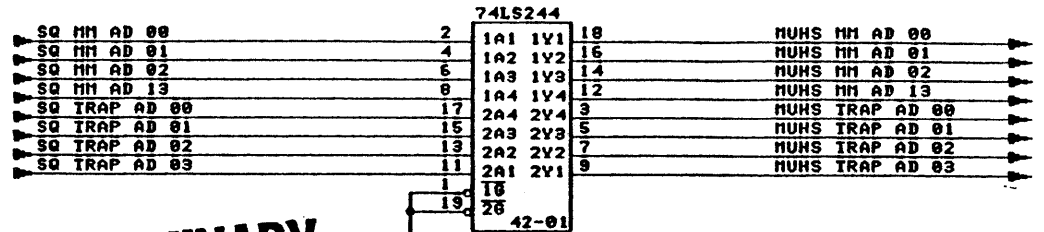
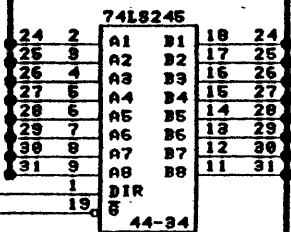
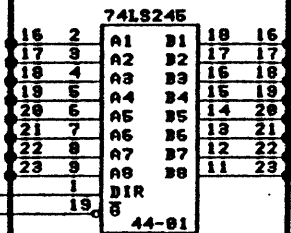
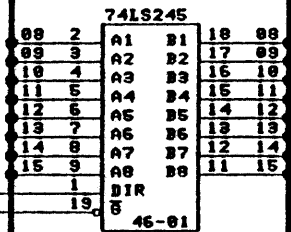
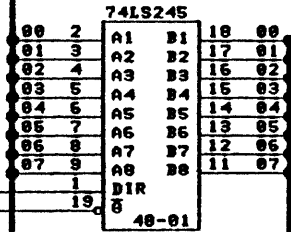
RECEIVED MAR 18 1985

 TYMSHARE INCORPORATED

TITLE			
MMA - MMAWRT			
SIZE	CODE	NUMBER	REV
B	-3	119001	A
DATE		MAR. 18. 1985	SHEET 31 OF 31

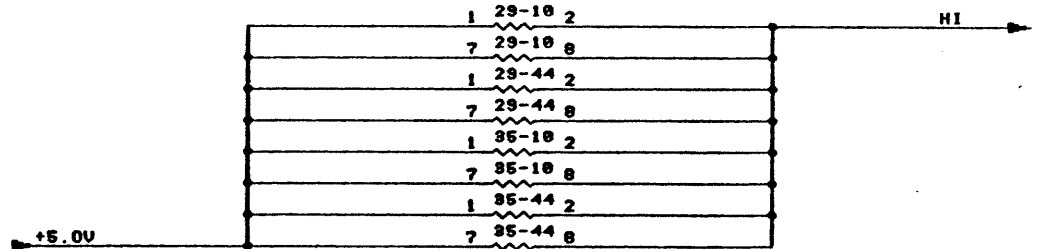
MMBE0B.DWG
26KL

EOBUS <00:31>



PRELIMINARY

RECEIVED FEB 01 1985



EOBUS DIR
END LCL EOBUS I

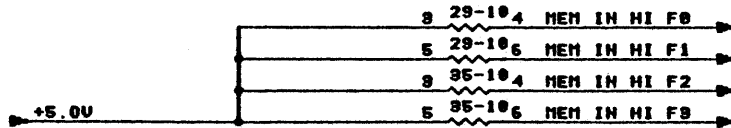
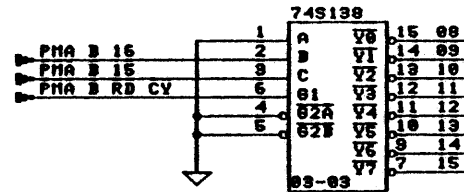
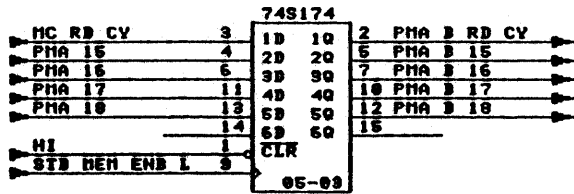
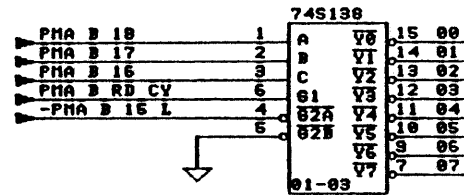
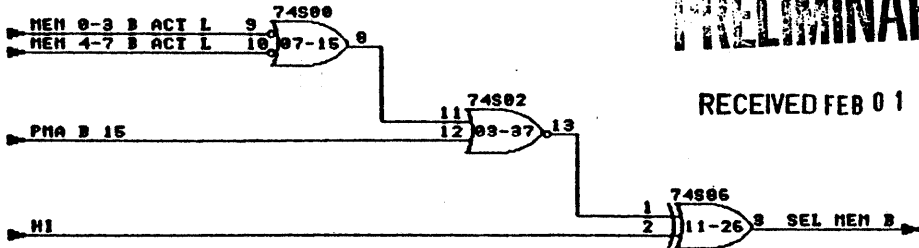
LCL EOBUS <00:31>

 TYMSHARE INCORPORATED

TITLE			
MM-MMBE0B			
SIZE	CODE	NUMBER	REV
B		0000009	A
DATE	OCT. 30, 1984	SHEET 04 OF XX	

PRELIMINARY

RECEIVED FEB 01 1985



MEM OUT ENB <00 L:15 L>

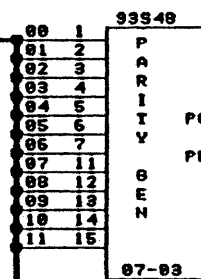
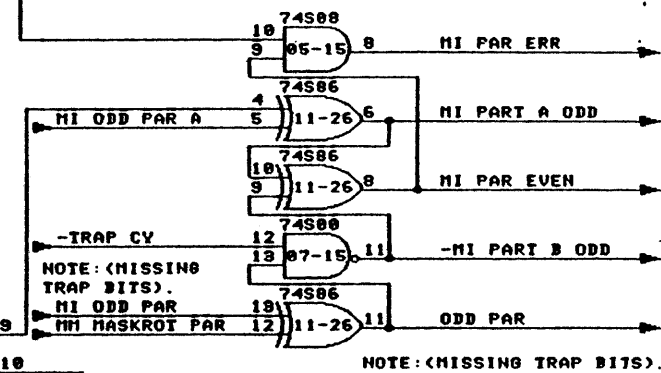
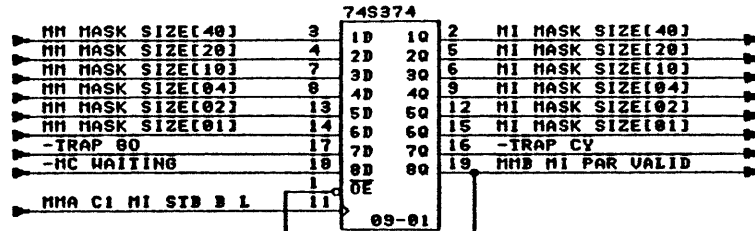
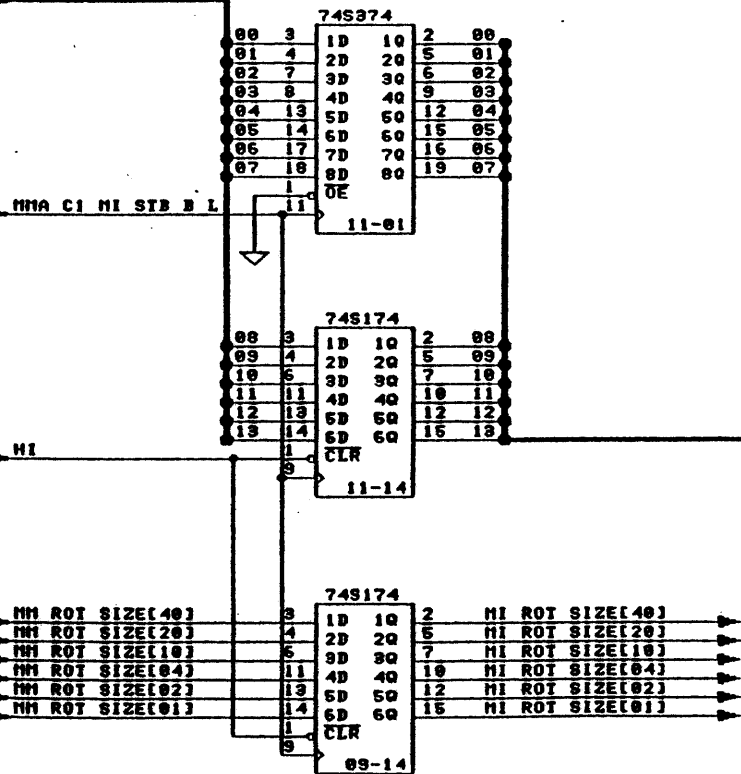
TYMSHARE INCORPORATED

TITLE			
MM-MBMC			
SIZE	CODE	NUMBER	REV
B		0000009	A
DATE OCT. 31, 1984			SHEET 05 OF XX

PRELIMINARY

RECEIVED FEB 01 1985

MI JADR <00:13>



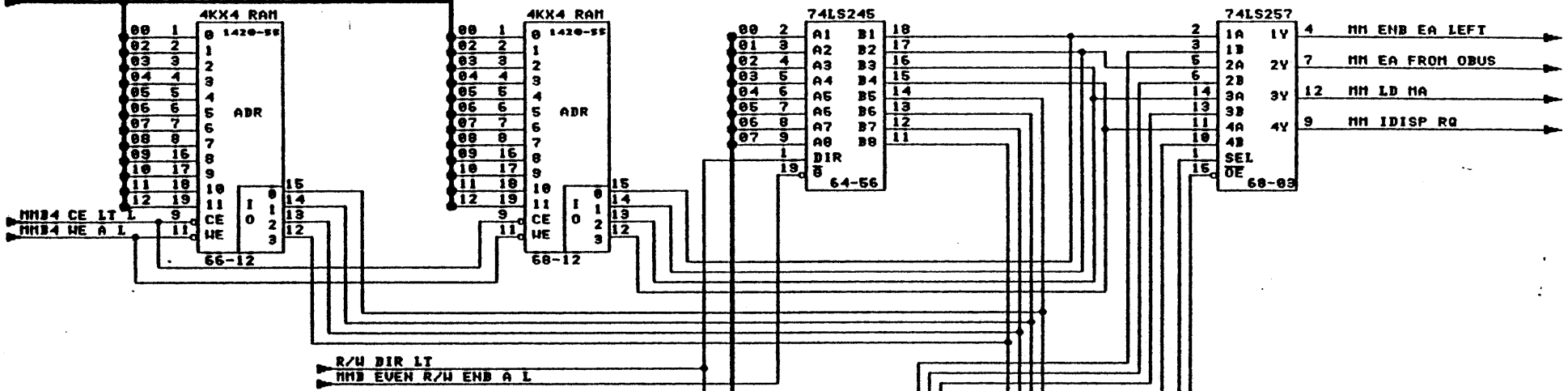
MI JADR <00:13>

TITLE			
MIM-MIM10			
SIZE	CODE	NUMBER	REV
B		0000009	A
DATE	OCT. 31. 1984		SHEET 06 OF XX

PRELIMINARY

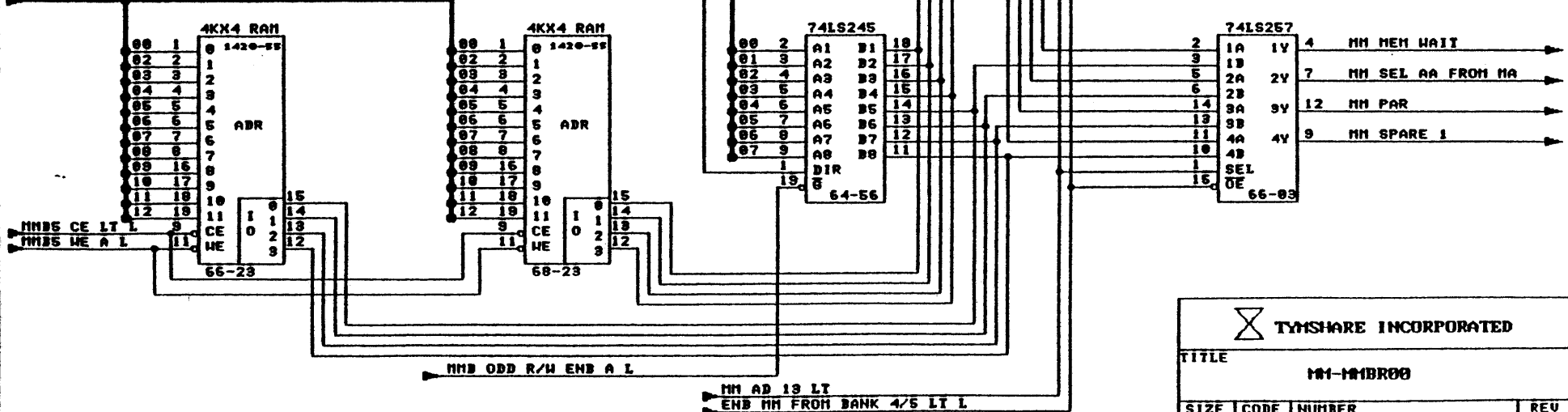
RECEIVED FEB 01 1985

M1 AD <00 F4 LT:12 F4 LT>



LCL EDBUS <00:07>

M1 AD <00 F5 LT:12 F5 LT>



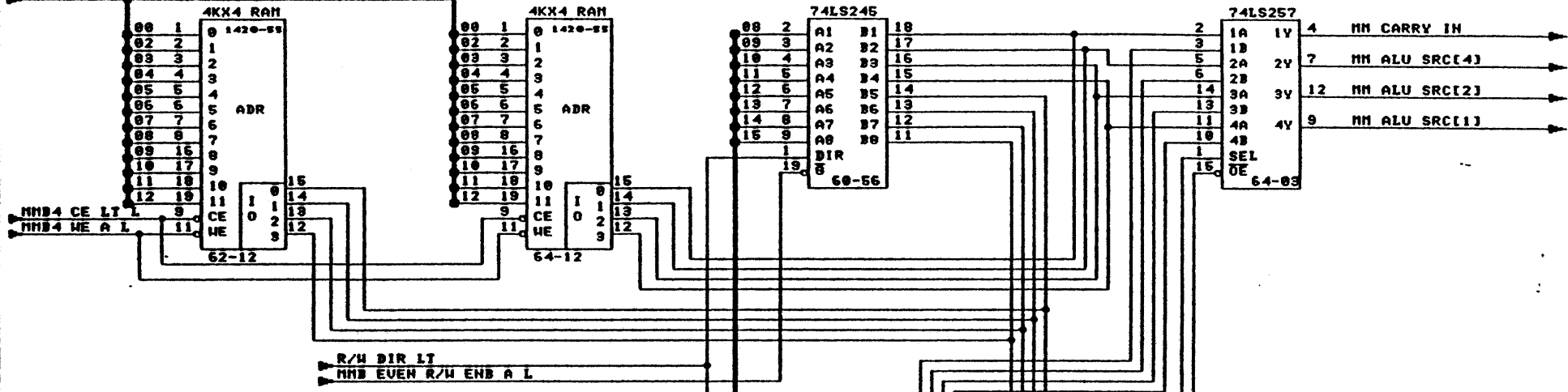
TYMSHARE INCORPORATED

TITLE			
M1-M1B00			
SIZE	CODE	NUMBER	REV
B		0000009	A
DATE	OCT. 31. 1984	SHEET 07 OF XX	

PRELIMINARY

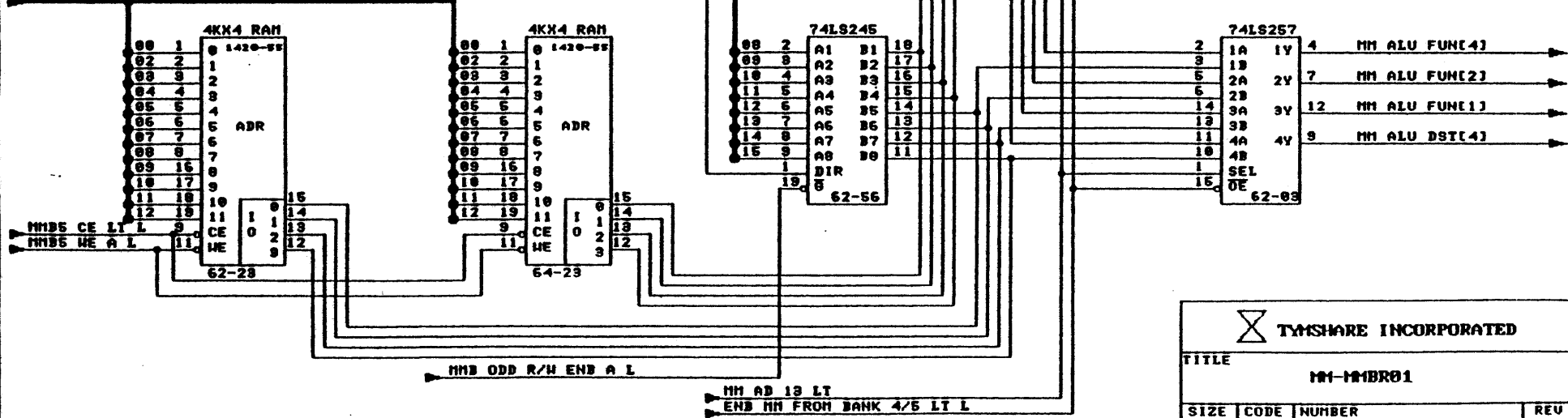
RECEIVED FEB 01 1985

MM AD <00 F4 LT:12 F4 LT>



LCL EDBUS <00:15>

MM AD <00 F5 LT:12 F5 LT>



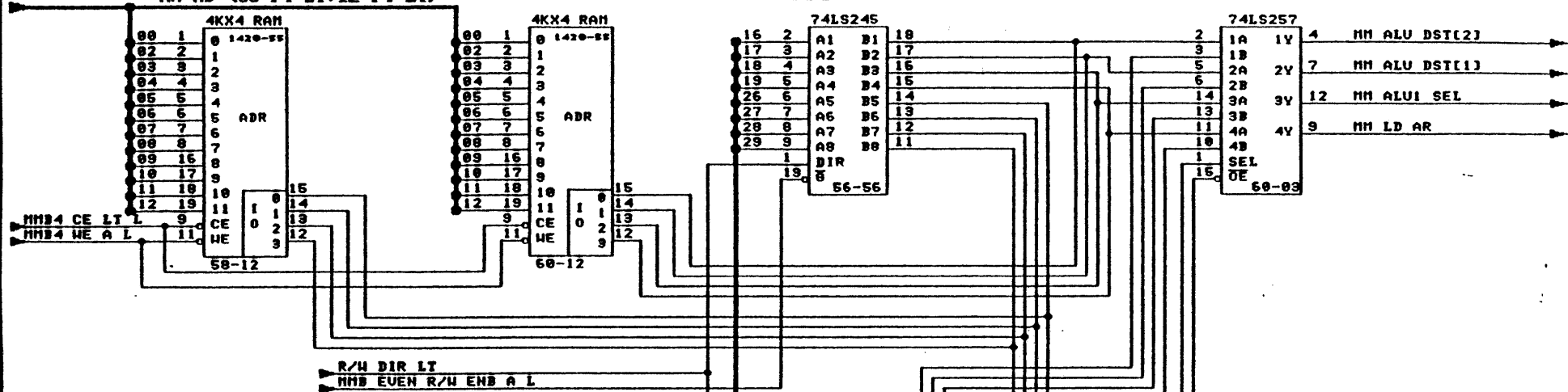
TYMSHARE INCORPORATED

TITLE			
MM-MMBR01			
SIZE	CODE	NUMBER	REV
B		0000009	A
DATE		NOV. 01, 1984	SHEET 08 OF XX

PRELIMINARY

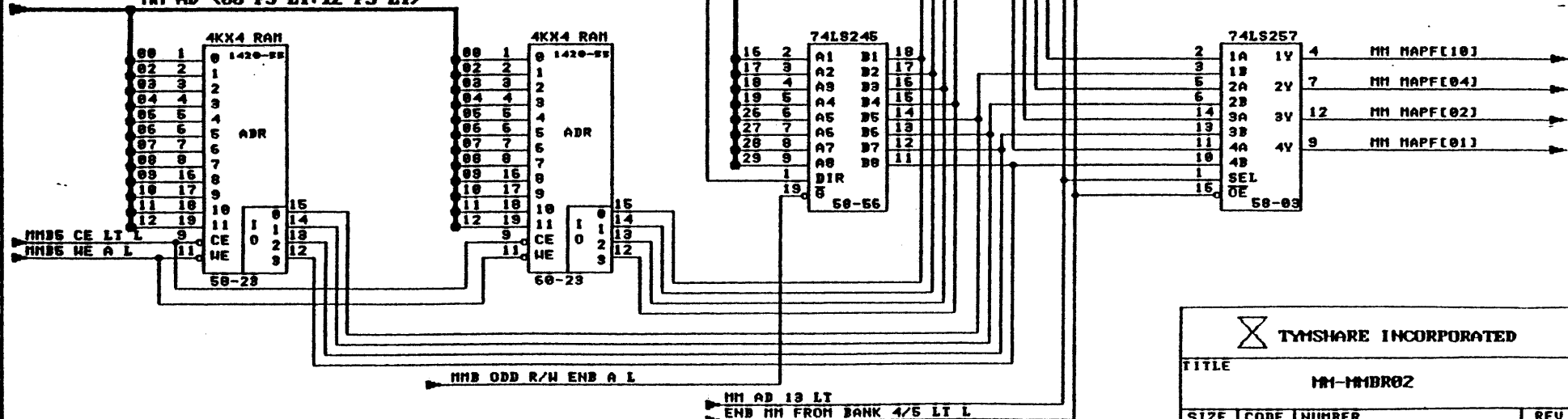
RECEIVED FEB 01 1985

MM AD <00 F4 LT:12 F4 LT>



LCL EOBUS <16:29>

MM AD <00 F5 LT:12 F5 LT>



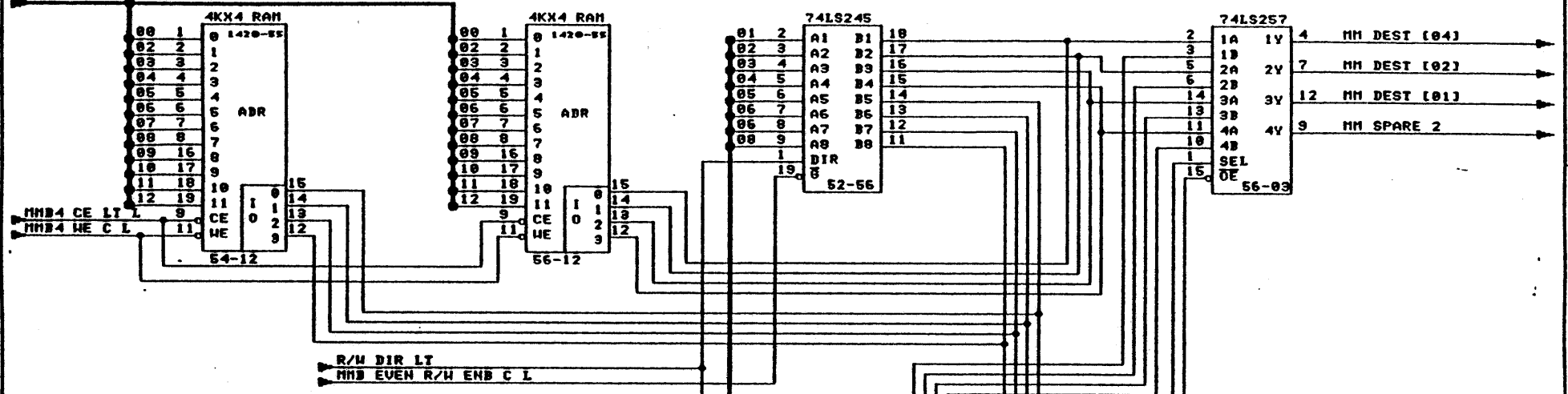
TYMSHARE INCORPORATED

TITLE			
MM-MBR02			
SIZE	CODE	NUMBER	REV
B		0000009	A
DATE		NOV. 01, 1984	SHEET 09 OF XX

PRELIMINARY

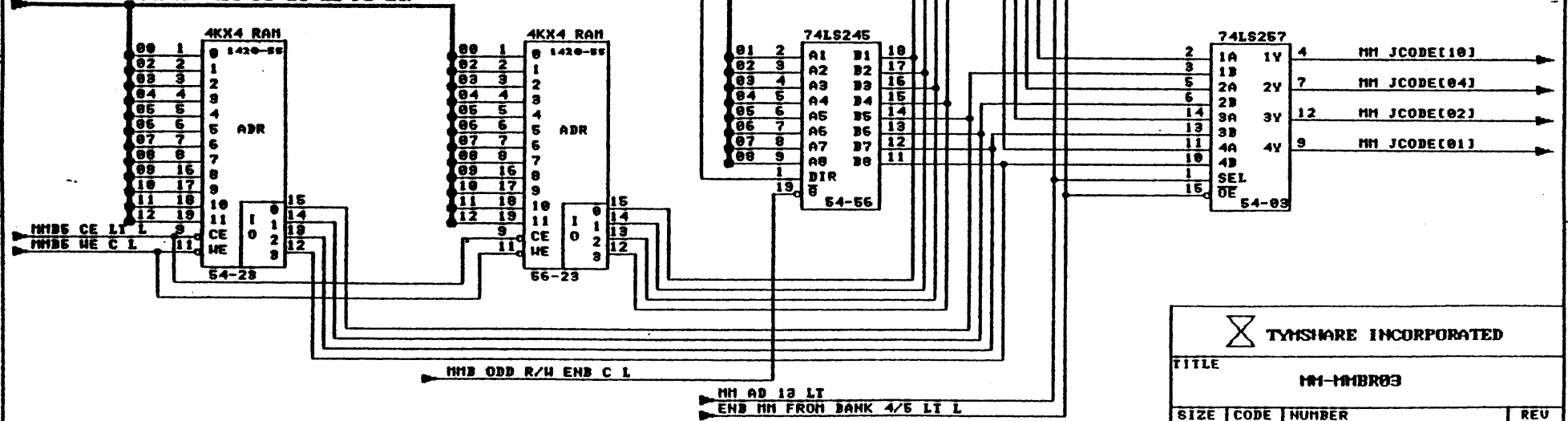
RECEIVED FEB 01 1985

M1 AD <00 F4 LT:12 F4 LT>



LCL EOBUS <01:00>

M1 AD <00 F5 LT:12 F5 LT>



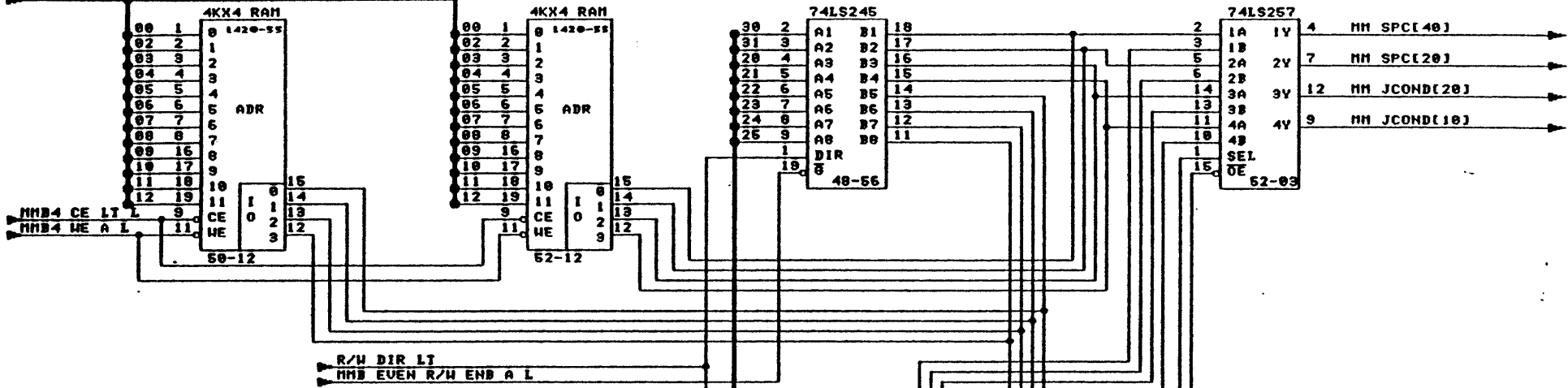
TYMSHARE INCORPORATED

TITLE			
M1-M1BR03			
SIZE	CODE	NUMBER	REV
B		0000009	A
DATE		NOV. 01, 1984	SHEET 10 OF XX

PRELIMINARY

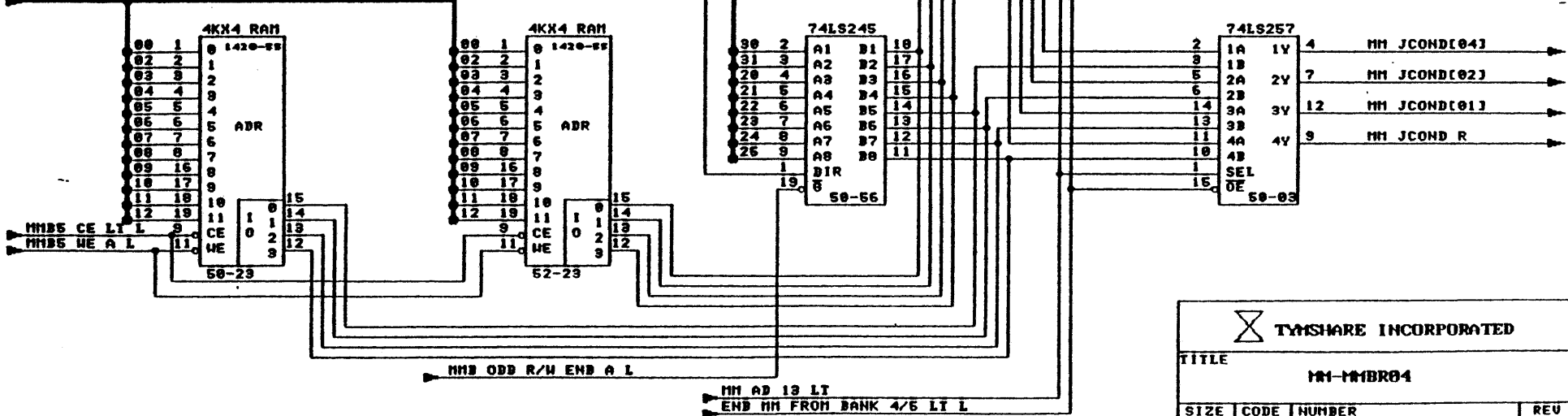
RECEIVED FEB 01 1985

M1 AD <00 F4 LT:12 F4 LT>



LCL EOBUS <20:30>

M1 AD <00 F5 LT:12 F5 LT>



TYMSHARE INCORPORATED

TITLE			
M1-M1BR04			
SIZE	CODE	NUMBER	REV
B		0000009	A
DATE	NOV. 02, 1984	SHEET 11 OF XX	

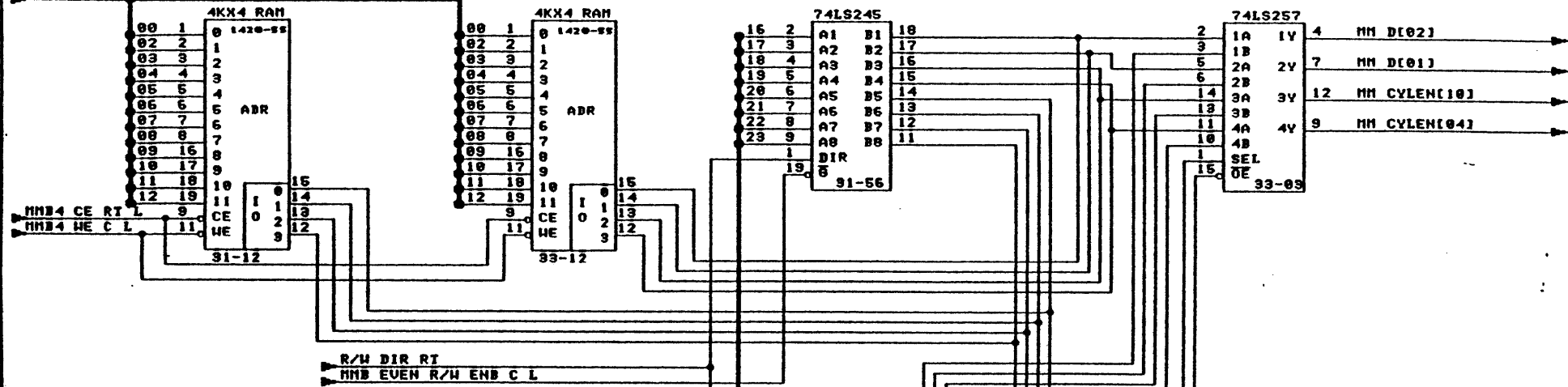
MMBR06.DWG
26KL

PRELIMINARY

RECEIVED FEB 01 1985

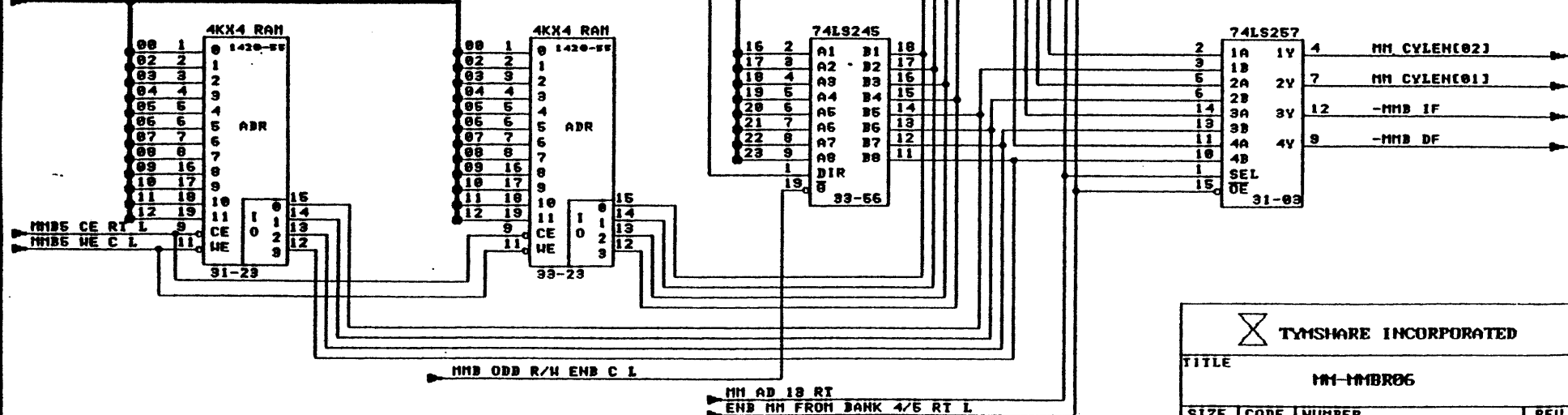
RECEIVED FEB 01 1985

MM AD <00 F4 RT:12 F4 RT>



LCL EOBUS <16:23>

MM AD <00 F5 RT:12 F5 RT>



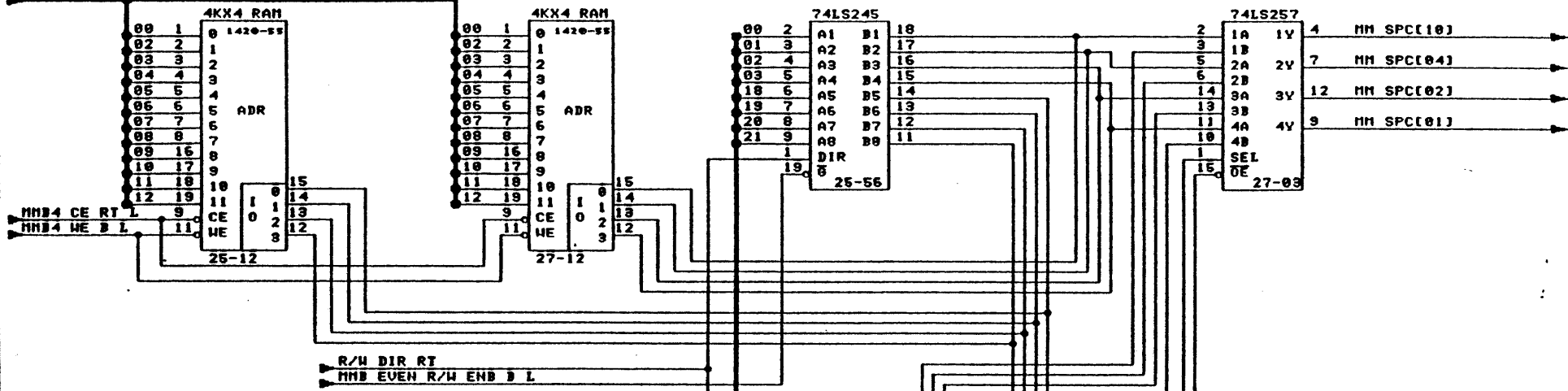
TYMSHARE INCORPORATED

TITLE			
MM-MMBR06			
SIZE	CODE	NUMBER	REV
B		0000009	A
DATE	NOV. 02, 1984	SHEET 13 OF XX	

PRELIMINARY

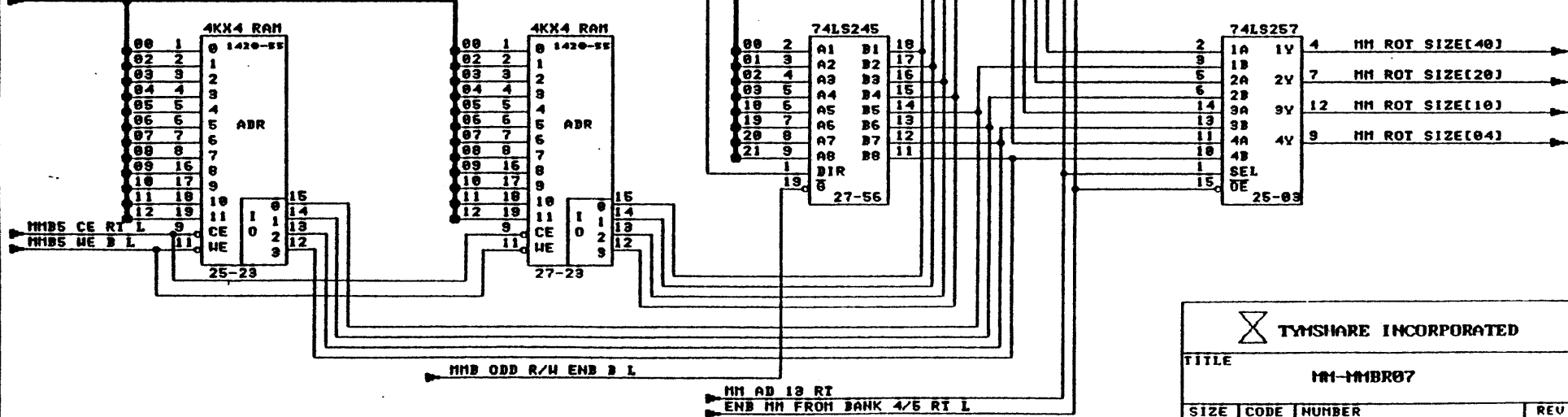
RECEIVED FEB 01 1985

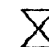
MM AD <00 F4 RT:12 F4 RT>



LCL EDBUS <00:21>

MM AD <00 F5 RT:12 F5 RT>



 TYMSHARE INCORPORATED

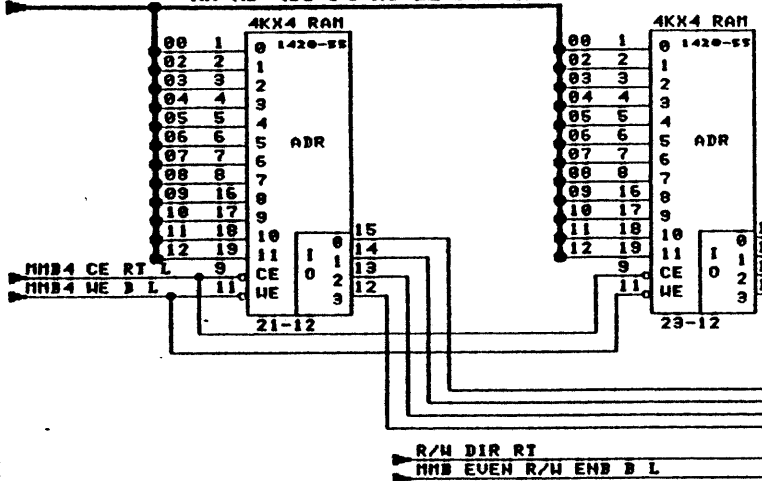
TITLE			
MM-MMBR07			
SIZE	CODE	NUMBER	REV
B		0000009	A
DATE		NOV. 02, 1984	SHEET 14 OF XX

PRELIMINARY

RECEIVED FEB 01 1985

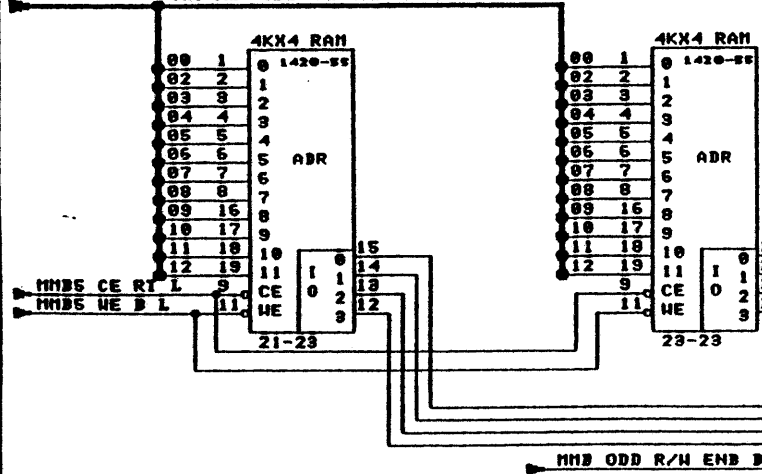
MIBR08.DWG
26KL

MM AD <00 F4 RT:12 F4 RT>

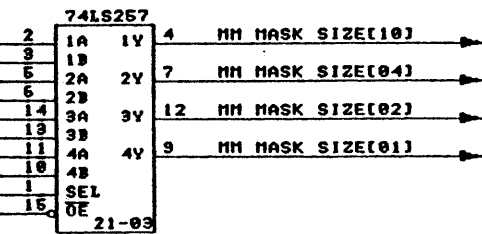
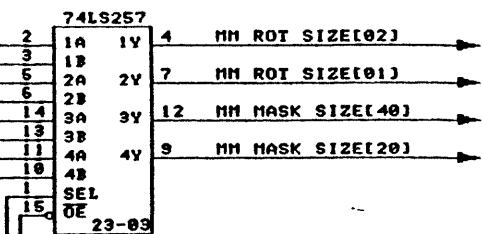


LCL EDIBUS <22:29>

MM AD <00 F5 RT:12 F5 RT>



MM AD 13 RT
END MM FROM BANK 4/5 RT L



PRELIMINARY

TYMWARE INCORPORATED

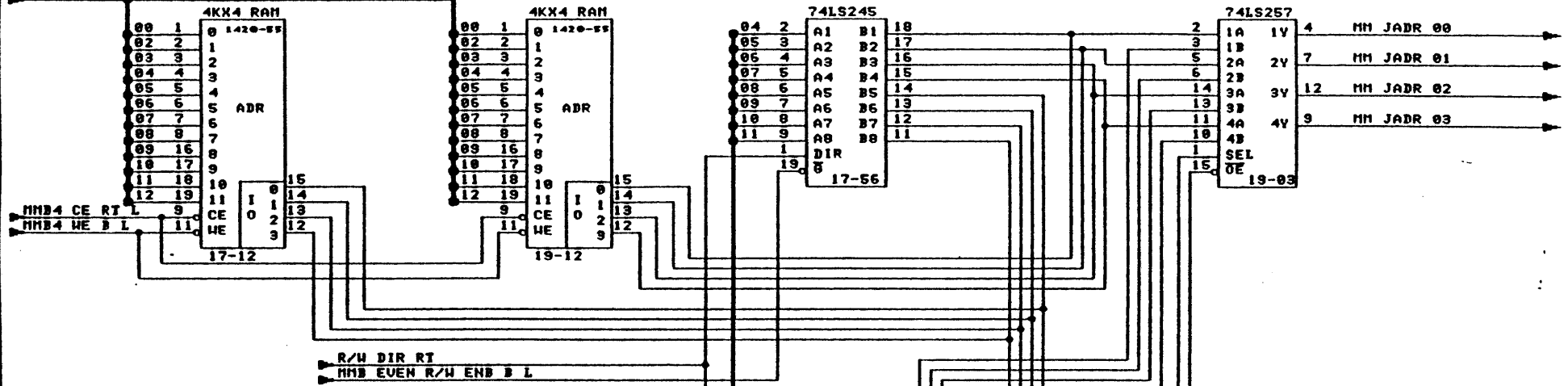
RECEIVED FEB 01 1985

TITLE: MM-MIBR08

SIZE	CODE	NUMBER	REV
B		0000009	A
DATE	NOV. 02, 1984	SHEET 15 OF 33	

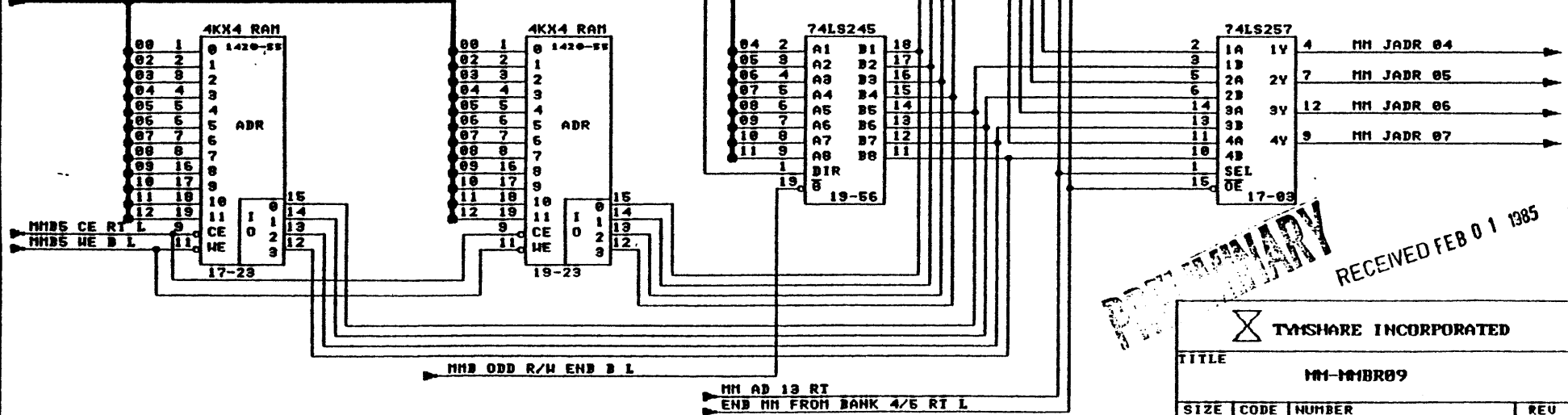
M1BR09.DWG
26KL

M1 AD <00 F4 RT:12 F4 RT>



LCL EOBUS <04:11>

M1 AD <00 F5 RT:12 F5 RT>

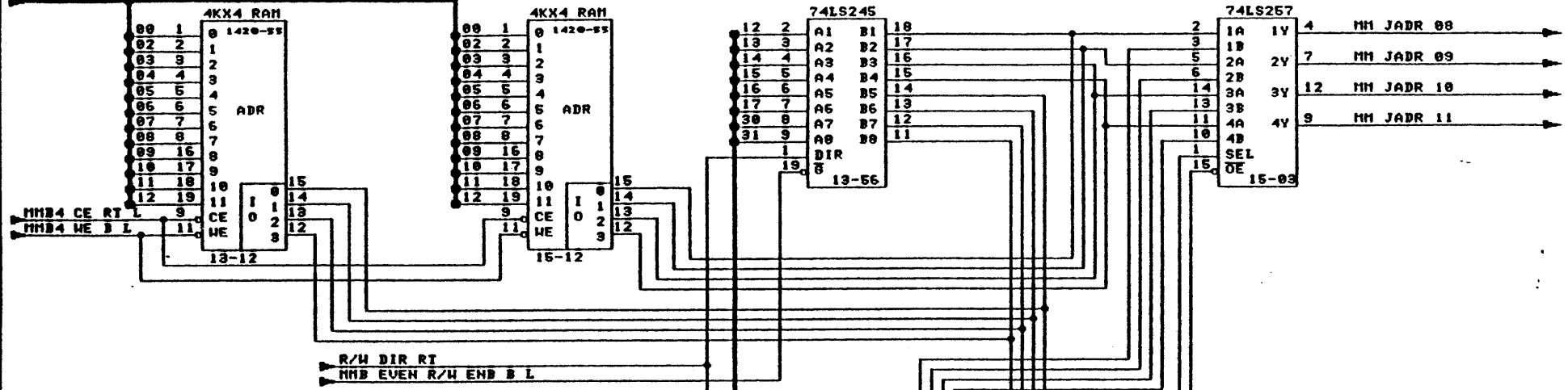


RECEIVED FEB 01 1985

TITLE			
M1-M1BR09			
SIZE	CODE	NUMBER	REV
B		0000009	A
DATE	NOV. 02, 1984	SHEET 16 OF XX	

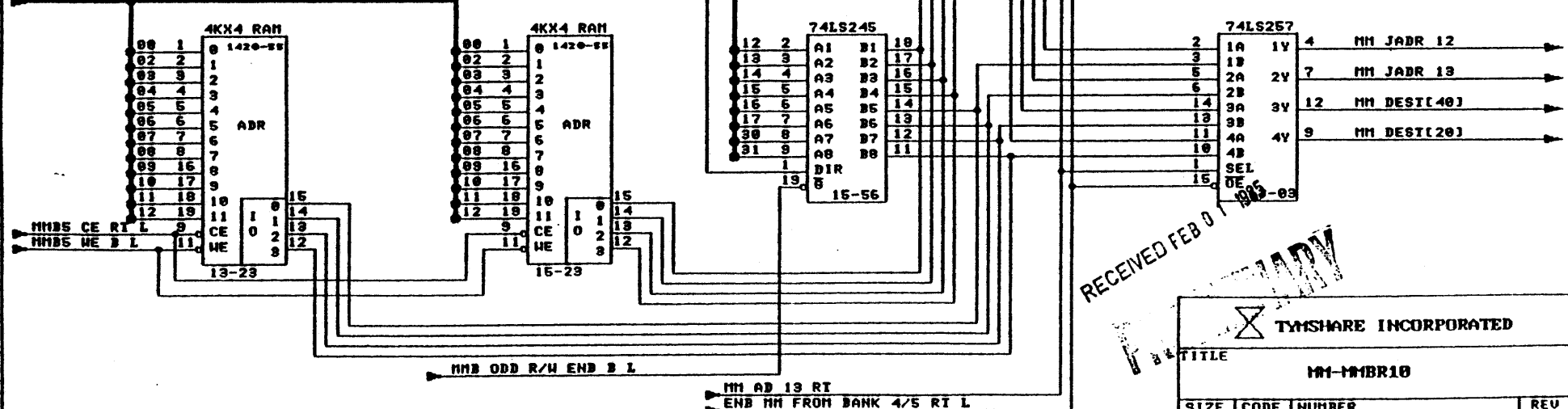
M1BR10.DWG
26KL

MM AD <00 F4 RT:12 F4 RT>



LCL EOBUS <12:31>

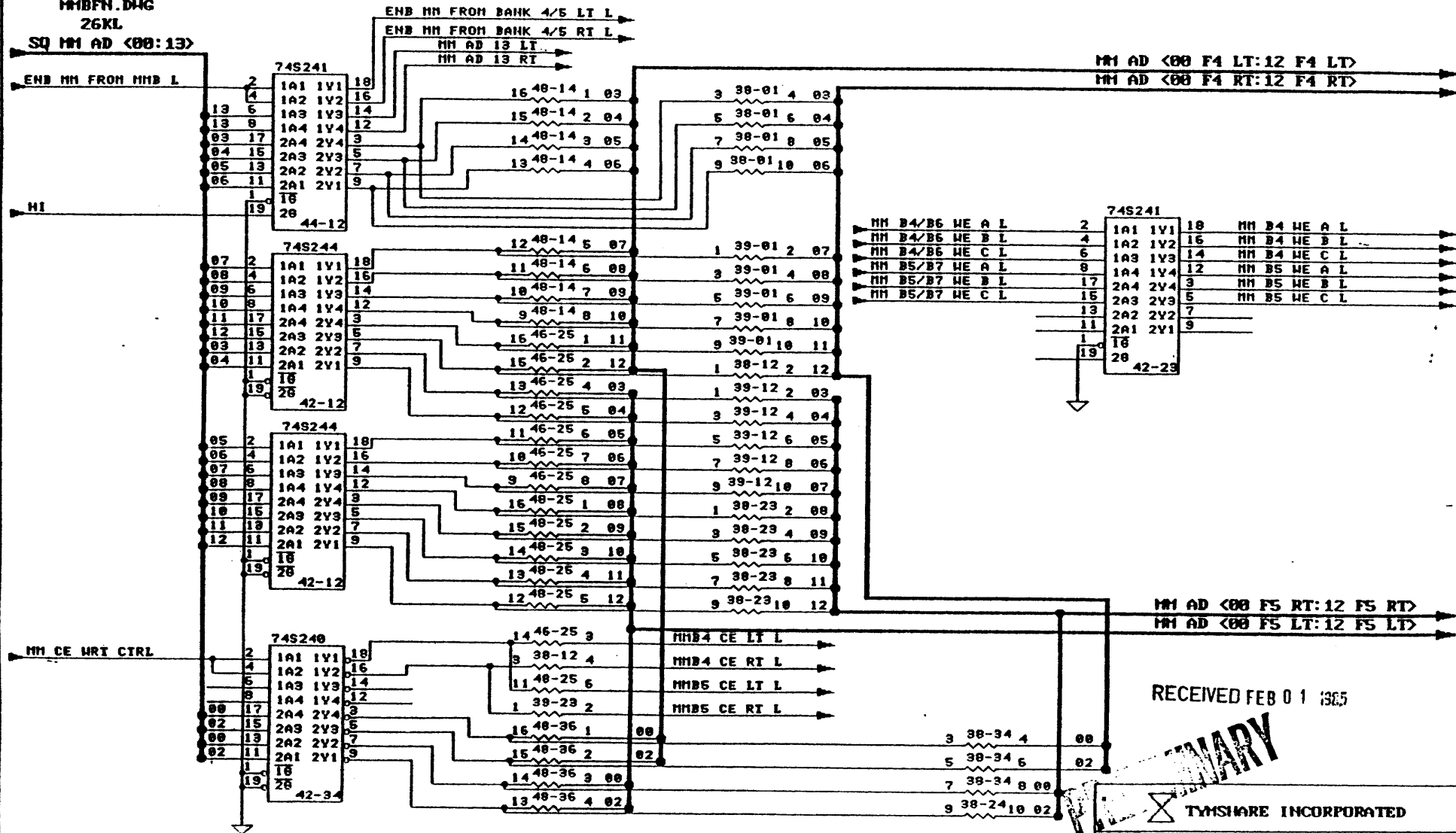
MM AD <00 F5 RT:12 F5 RT>



RECEIVED FEB 01 1985

TWSHARE INCORPORATED			
TITLE			
M1-M1BR10			
SIZE	CODE	NUMBER	REV
B		0000009	A
DATE	NOV. 02. 1984	SHEET 17 OF XX	

M1BFN.DWG
26KL
SQ MM AD <00:13>



RECEIVED FEB 01 1985



TYMSHARE INCORPORATED

TITLE
M1-M1BFN

SIZE	CODE	NUMBER	REV
B		0000009	A

DATE NOV. 31, 1984 SHEET 18 OF XX

MMBUH2.DMG
26KL

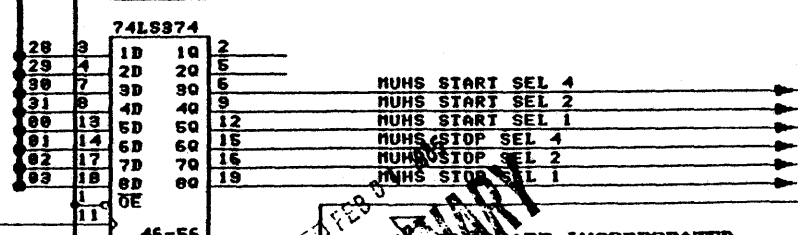
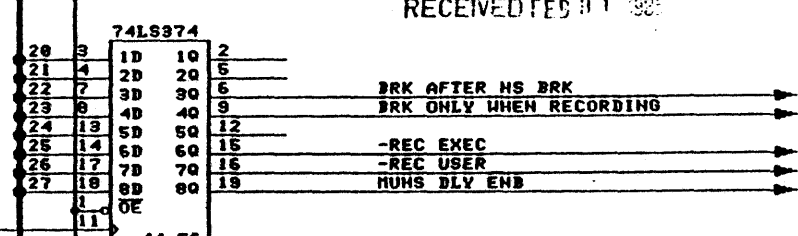
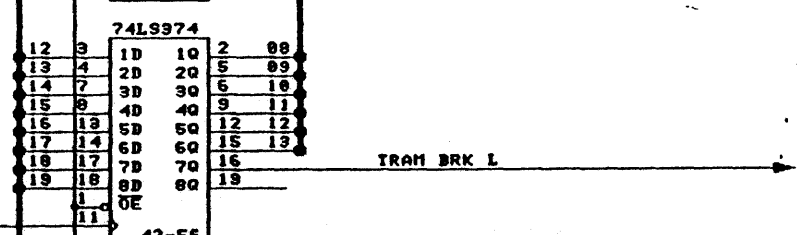
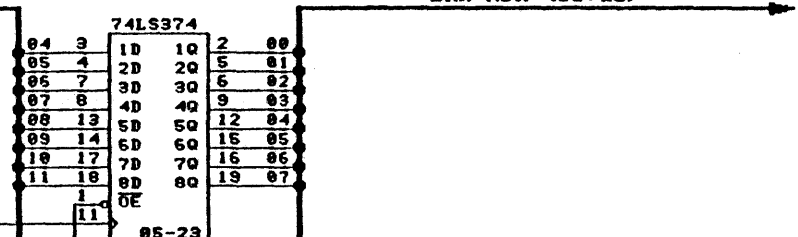
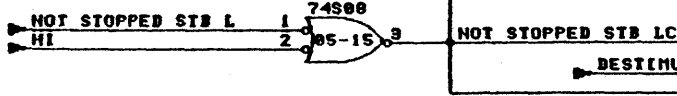
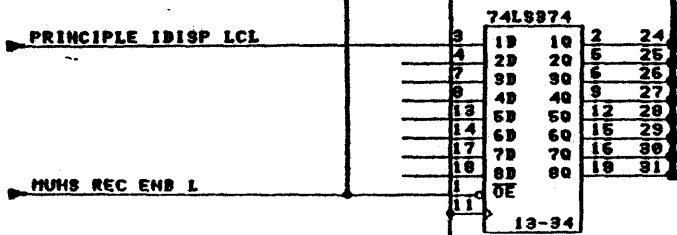
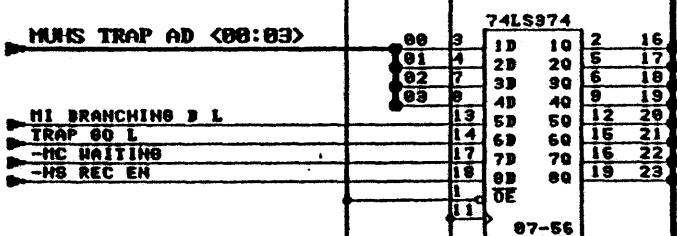
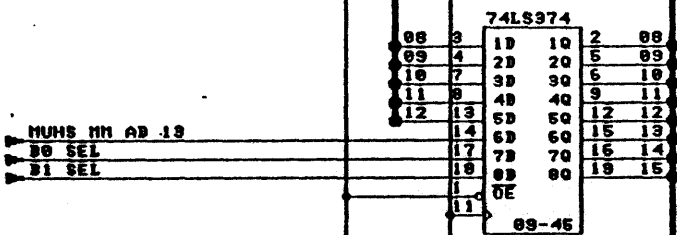
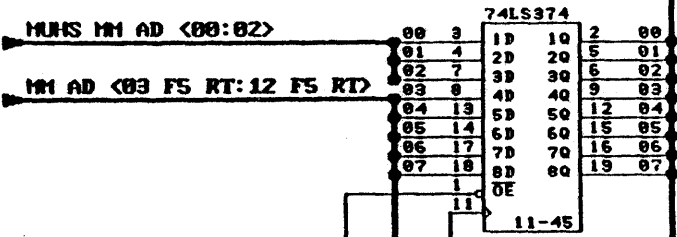
NOTE: MICROMISTORY REGISTER

MUHS <00:31>

NOTE: CENTRAL REGISTER

LCL EDBUS <00:31>

BRK ADR <00:13>



RECEIVED FEB 11 1985

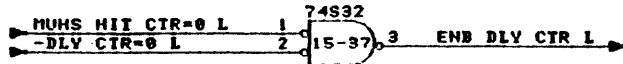
SOFTWARE INCORPORATED

TITLE: MMBUH2

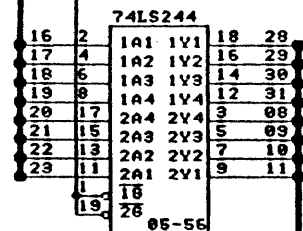
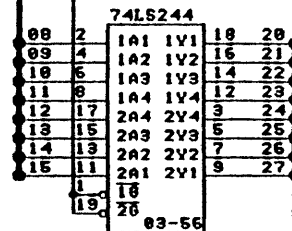
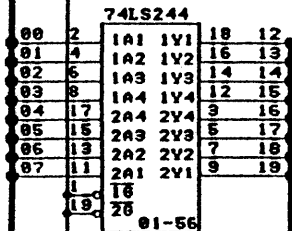
SIZE	CODE	NUMBER	REV
B		0000009	A

DATE: NOV. 06, 1984 SHEET 19 OF XX

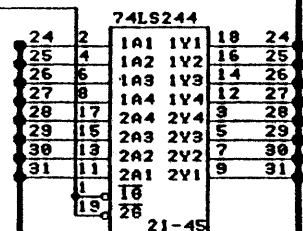
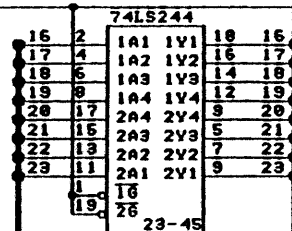
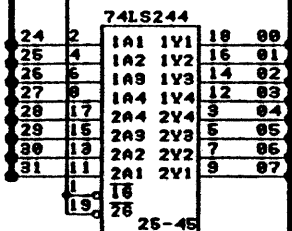
MMBUS.DMG
26KL



DIMUHS DATA L
 MUHS <00:31>



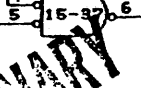
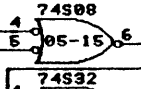
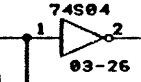
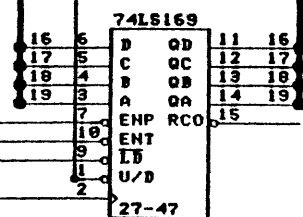
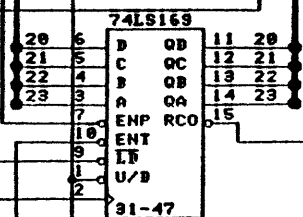
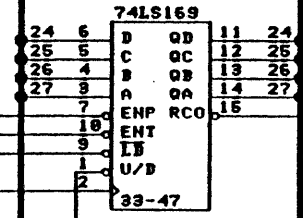
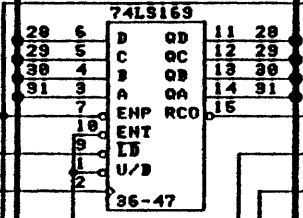
DIMUHS DLY L



RECEIVED FEB 01 1985

DLY CNT <16:31>
 LCL EOBUS <00:31>

END DLY CTR L
 DESTIMUHS DLY L
 NOT STOPPED STD LCL L



-DLY CTR=0 L
 -MUHS DLY ENB L
 MUHS HIT CTR=0 L
 MUHS BRK L

PROHIBITED

TYMSHARE INCORPORATED

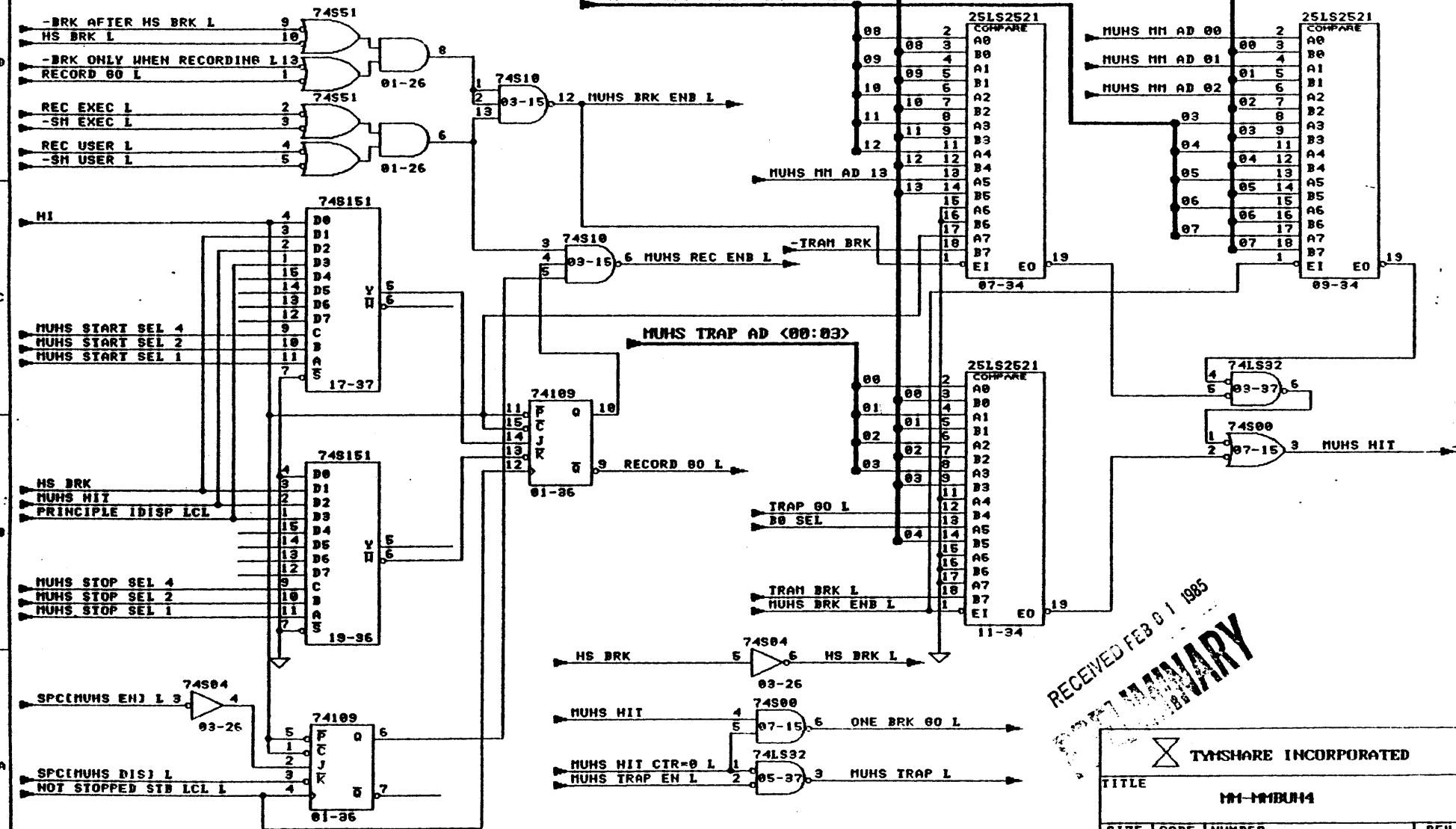
TITLE			
MM-MMBUS			
SIZE	CODE	NUMBER	REV
B		0000009	A
DATE	NOV. 06. 1984	SHEET 20 OF XX	

8 7 6 5 4 3 2 1

8 7 6 5 4 3 2 1

MMBUN4.DWG
26KL

BRK ADR <00:13>
MM AD <00 F4 RT:12 F4 RT>



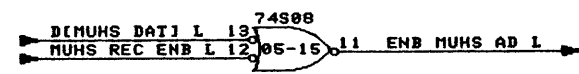
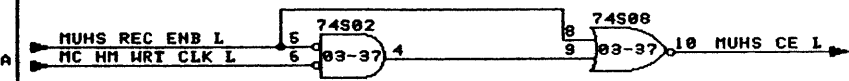
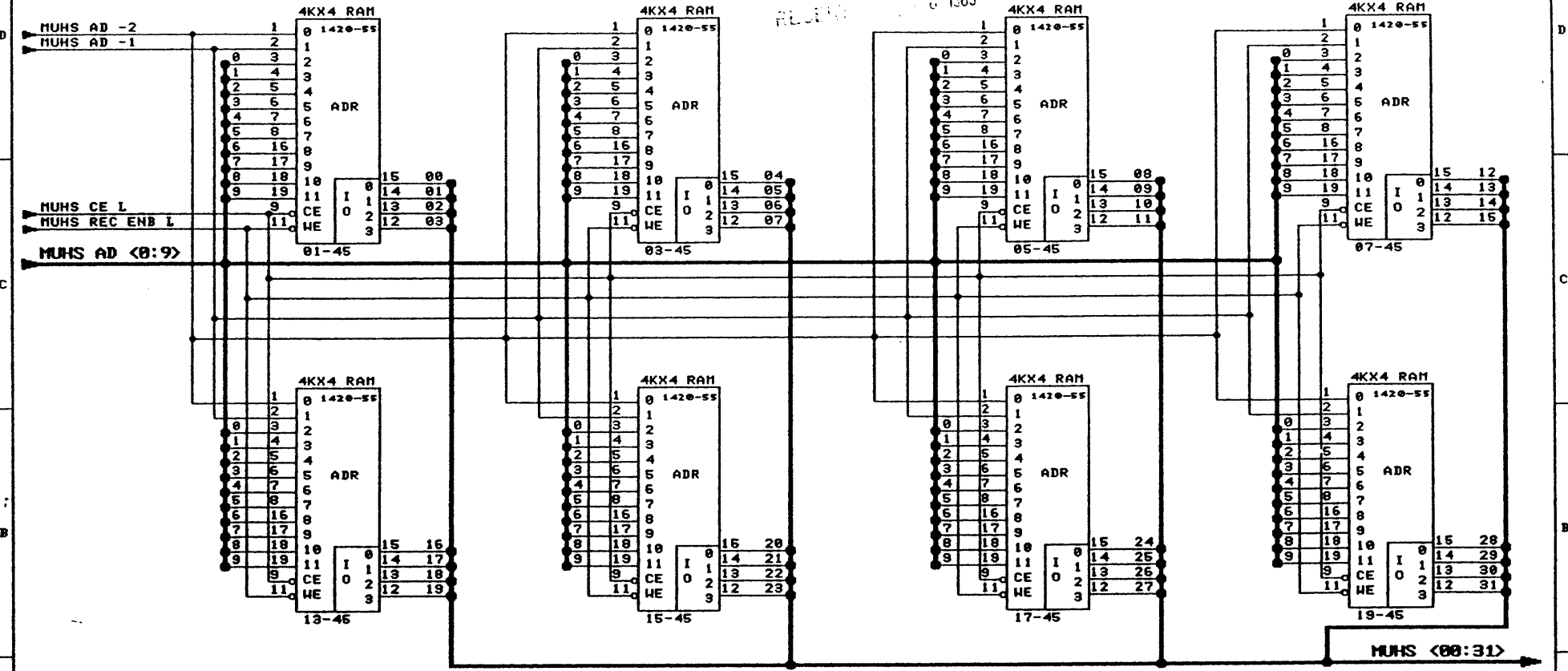
RECEIVED FEB 01 1985
LIBRARY

TITLE			
MM-MMBUN4			
SIZE	CODE	NUMBER	REV
B		0000009	A
DATE	NOV. 07, 1984	SHEET 21 OF XX	

MMBUH3.DWG
26KL

PRELIMINARY

REVISED 10/16/83



TITLE			
MM-MMBUH3			
SIZE	CODE	NUMBER	REV
B		0000009	A
DATE		NOV. 07, 1984	SHEET 22 OF XX

MP5CH1.DHG
26XL

CONN	Signal
<<<< 01	
<<<< 02	PHA 24 F0
<<<< 03	PHA 24 F1
<<<< 04	
<<<< 05	
<<<< 06	PHA 25 F0
<<<< 07	PHA 25 F1
<<<< 08	
<<<< 09	
<<<< 10	PHA 26 F0
<<<< 11	PHA 26 F1
<<<< 12	
<<<< 13	
<<<< 14	PHA 27 F0
<<<< 15	PHA 27 F1
<<<< 16	
<<<< 17	
<<<< 18	PHA 28 F0
<<<< 19	PHA 28 F1
<<<< 20	
<<<< 21	PHA 28 F3
<<<< 22	PHA 29 F0
<<<< 23	PHA 29 F1
<<<< 24	
<<<< 25	PHA 29 F3
<<<< 26	PHA 30 F0
<<<< 27	PHA 30 F1
<<<< 28	
<<<< 29	PHA 30 F3
<<<< 30	PHA 31 F0
<<<< 31	PHA 31 F1
<<<< 32	
<<<< 33	PHA 31 F3
<<<< 34	PHA 32 F0
<<<< 35	PHA 32 F1
<<<< 36	

C1A

PINS 1 AND 36 SOLDERED
TO GND PLANE

CONN	Signal
<<<< 01	
<<<< 02	PHA 13 F0
<<<< 03	PHA 13 F1
<<<< 04	
<<<< 05	
<<<< 06	PHA 14 F0
<<<< 07	PHA 14 F1
<<<< 08	
<<<< 09	
<<<< 10	PHA 22 F0
<<<< 11	PHA 22 F1
<<<< 12	
<<<< 13	
<<<< 14	PHA 23 F0
<<<< 15	PHA 23 F1
<<<< 16	
<<<< 17	
<<<< 18	SQ MAP ACTIVE
<<<< 19	C1 CLK L
<<<< 20	MEM START 00
<<<< 21	MEM START 01
<<<< 22	MEM START 02
<<<< 23	MEM START 03
<<<< 24	MEM START 04
<<<< 25	MEM START 05
<<<< 26	MEM START 06
<<<< 27	MEM START 07
<<<< 28	
<<<< 29	LD PC LT L
<<<< 30	
<<<< 31	
<<<< 32	
<<<< 33	
<<<< 34	
<<<< 35	CLK I100 L
<<<< 36	

C1B


PINS 1 AND 36 SOLDERED
TO GND PLANE

CONN	Signal
<<<< 01	
<<<< 02	MC MEM 60
<<<< 03	MC PHA OE L
<<<< 04	
<<<< 05	
<<<< 06	
<<<< 07	
<<<< 08	
<<<< 09	MAP ACCESS 0
<<<< 10	
<<<< 11	
<<<< 12	
<<<< 13	MAP ACCESS 1
<<<< 14	MAP ACCESS 2
<<<< 15	MAP ACCESS 3
<<<< 16	
<<<< 17	
<<<< 18	
<<<< 19	IOA PH
<<<< 20	MC PHA SEL MAP L
<<<< 21	MC MAP UNGATED CLK
<<<< 22	
<<<< 23	
<<<< 24	
<<<< 25	RESET
<<<< 26	DEMOP-HAJ L
<<<< 27	IOA PL
<<<< 28	
<<<< 29	
<<<< 30	MC REFRESH CV
<<<< 31	
<<<< 32	
<<<< 33	
<<<< 34	
<<<< 35	
<<<< 36	

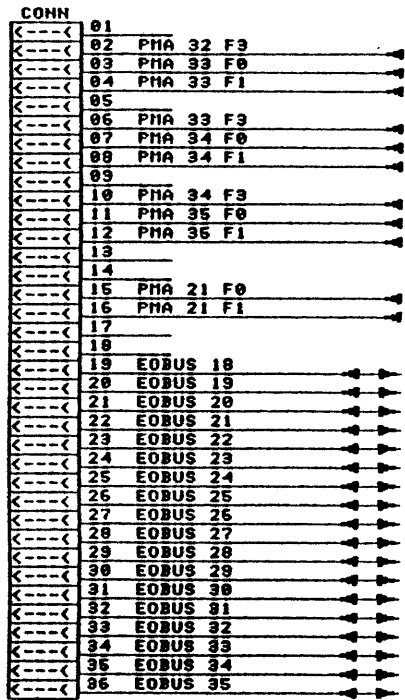
C1C

PINS 1, 10-12, 16-18, 22-24, 28-29, 36
ARE SOLDERED TO GND PLANE
PINS 4-8 AND 32-35 ARE SOLDERED TO
+5V PLANE

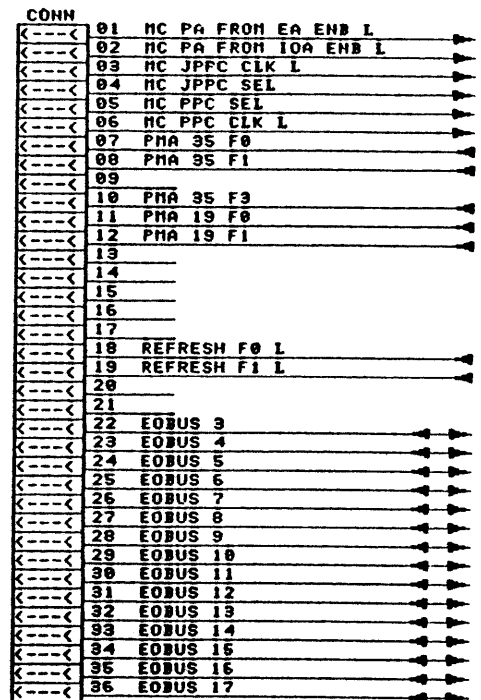
PRELIMINARY
 RECEIVED FEB 01 1985

 TYMSHARE INCORPORATED			
TITLE			
MP5 - C1 CONNECTOR			
SIZE	CODE	NUMBER	REV
B		110001	A
DATE	APRIL 19, 1984		SHEET 1 OF 26

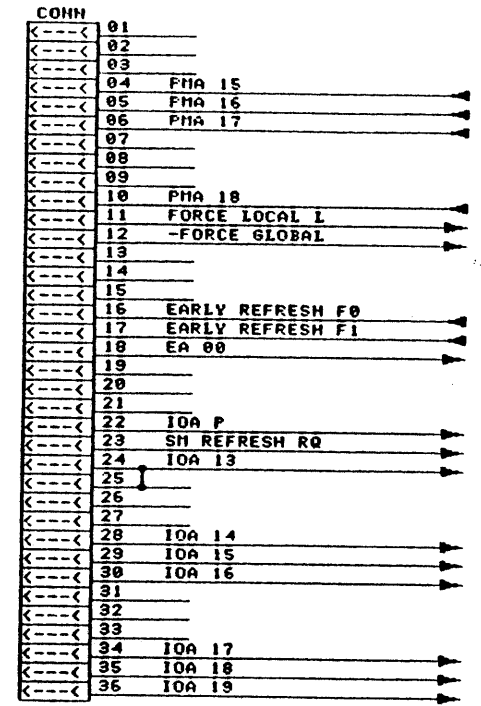
MP5CN2.DWG
26KL



C2A




C2B



C2C

PINS 1-3,7-9,13-15,19-21,25-27,
31-33 ARE SOLDERED TO GND. PLANE.

PRIMARY
 RECEIVED FEB 11 1985

 TYMSHORE INCORPORATED			
TITLE			
MP5 - C2 CONNECTOR			
SIZE	CODE	NUMBER	REV
B		110001	A
DATE	APRIL 20, 1984		SHEET 2 OF 26

MPSCH3.DWG
26KL

CONN

01	EA 18
02	EA 19
03	EA 20
04	EA 21
05	EA 22
06	EA 23
07	EA 24
08	EA 25
09	EA 26
10	EA 27
11	EA 28
12	EA 29
13	EA 30
14	EA 31
15	EA 32
16	EA 33
17	EA 34
18	EA 35
19	EA 18-22=0
20	MAKE LOCAL
21	EA GLOBAL B
22	EA 01
23	
24	EA=AC
25	EA 06
26	EA 07
27	EA 08
28	EA 09
29	EA 10
30	EA 11
31	EA 12
32	EA 13
33	EA 14
34	EA 15
35	EA 16
36	EA 17

C3A

CONN

01	10A 20
02	10A 21
03	10A 22
04	10A 23
05	10A 24
06	10A 25
07	10A 26
08	10A 27
09	10A 28
10	10A 29
11	10A 30
12	10A 31
13	10A 32
14	10A 33
15	10A 34
16	10A 35
17	EAX/PMA 00
18	EAX/PMA 01
19	EAX/PMA 02
20	EAX/PMA 03
21	EAX/PMA 04
22	EAX/PMA 05
23	EAX/PMA 06
24	EAX/PMA 07
25	EAX/PMA 08
26	EAX/PMA 09
27	EAX/PMA 10
28	EAX/PMA 11
29	EAX/PMA 12
30	EAX/PMA 13
31	
32	
33	
34	D[EFF ADR] L
35	LOCAL IDX CY
36	EA SECT=0

C3B

CONN


01	
02	
03	
04	EA=EOP L
05	SD IDISP CY L
06	SEL SHEN(MA) L
07	
08	
09	
10	DRBUS 18
11	-EA GLOBAL
12	SHEN NR ENB L
13	
14	
15	
16	T-75
17	MAP HIT L
18	CRV18 L
19	
20	
21	
22	MC C3 MAP CLK
23	D[MAP-TAG] L
24	SH USER
25	
26	
27	
28	DEST [EXEC CTXT] L
29	DEST [USER CTXT] L
30	
31	
32	
33	
34	DEST [MAP-TAG]
35	DEST [MAP-MA]
36	GLOBAL IND CY

C3C

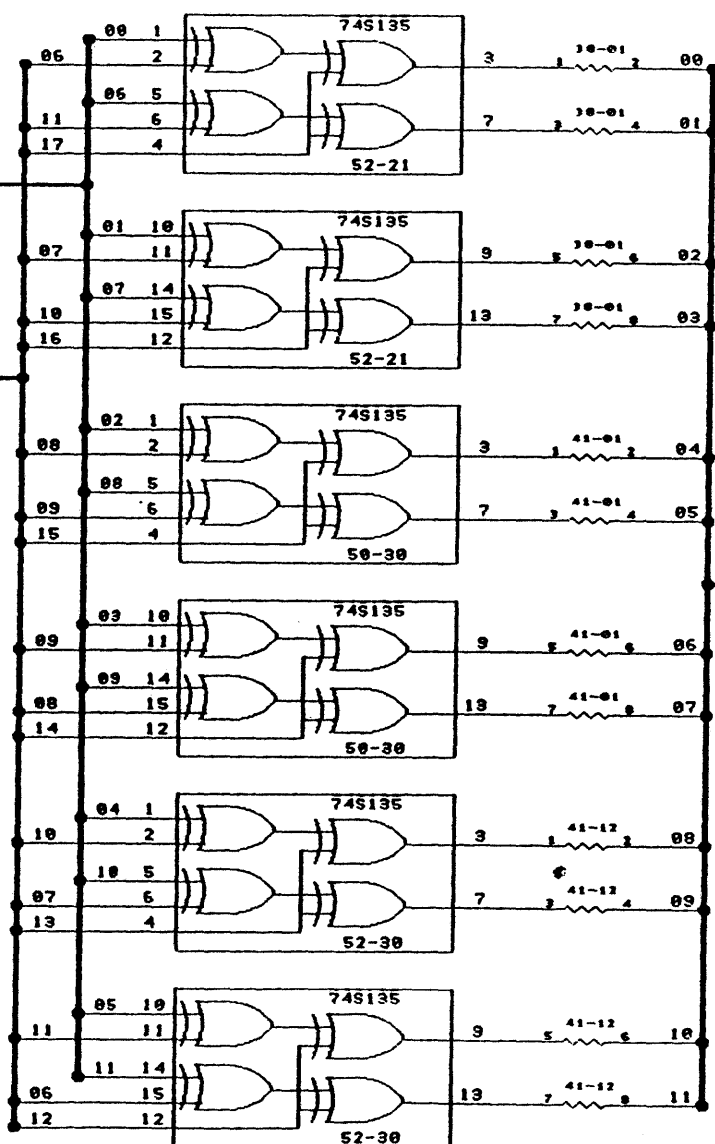
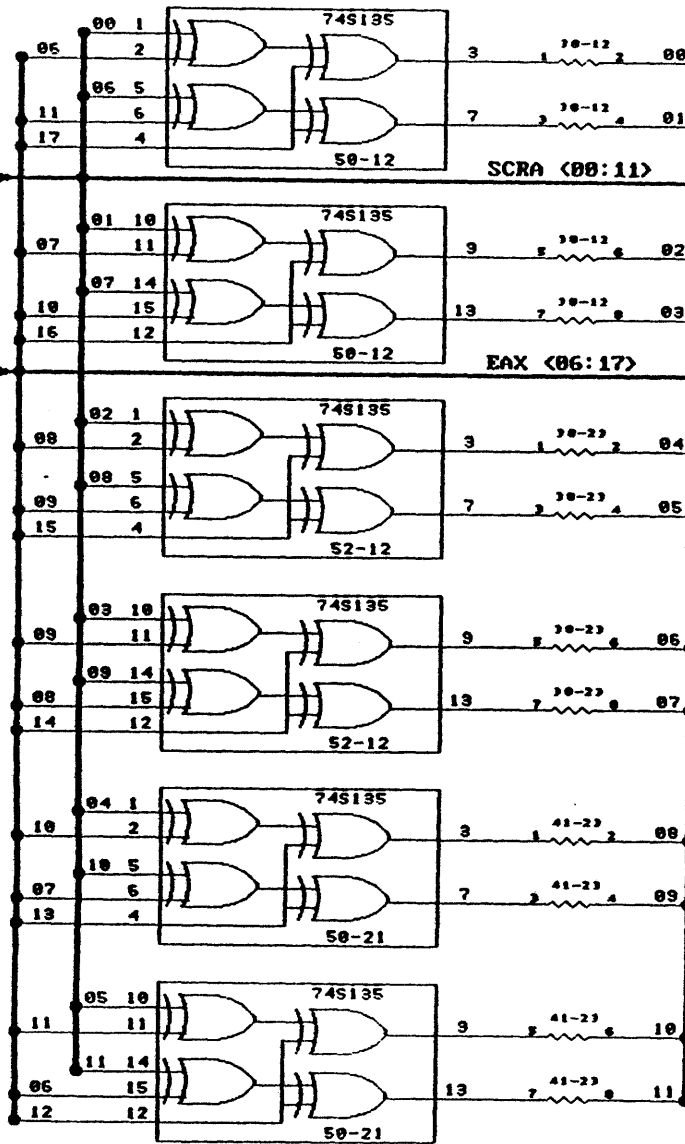
PINS 1-3,7-9,13-15,19-21,25-27,
31-33 ARE SOLDERED TO GND. PLANE.

PRIMARY

RECEIVED 11 1985

 TYMSHARE INCORPORATED			
TITLE			
MPS - C3 CONNECTOR			
SIZE	CODE	NUMBER	REV
B		110001	A
DATE	APRIL 20, 1984		SHEET 3 OF 25

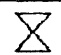
MPSADU0.DWG
26KL



MAP ADR <00 F0:11 F0>

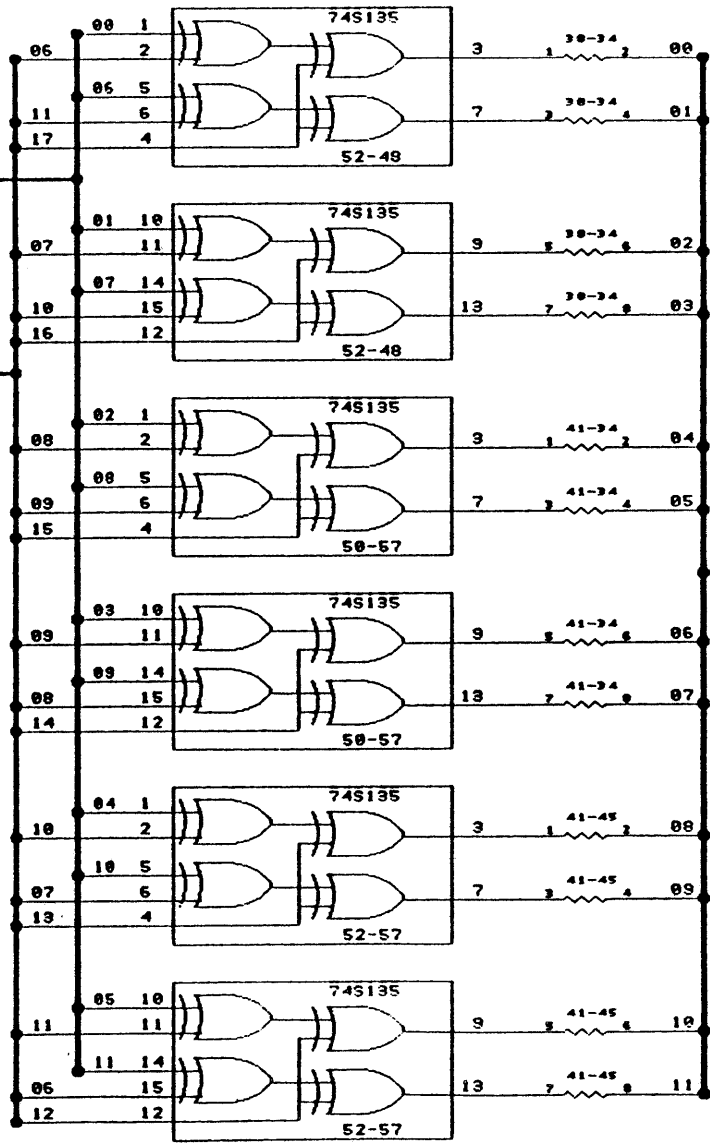
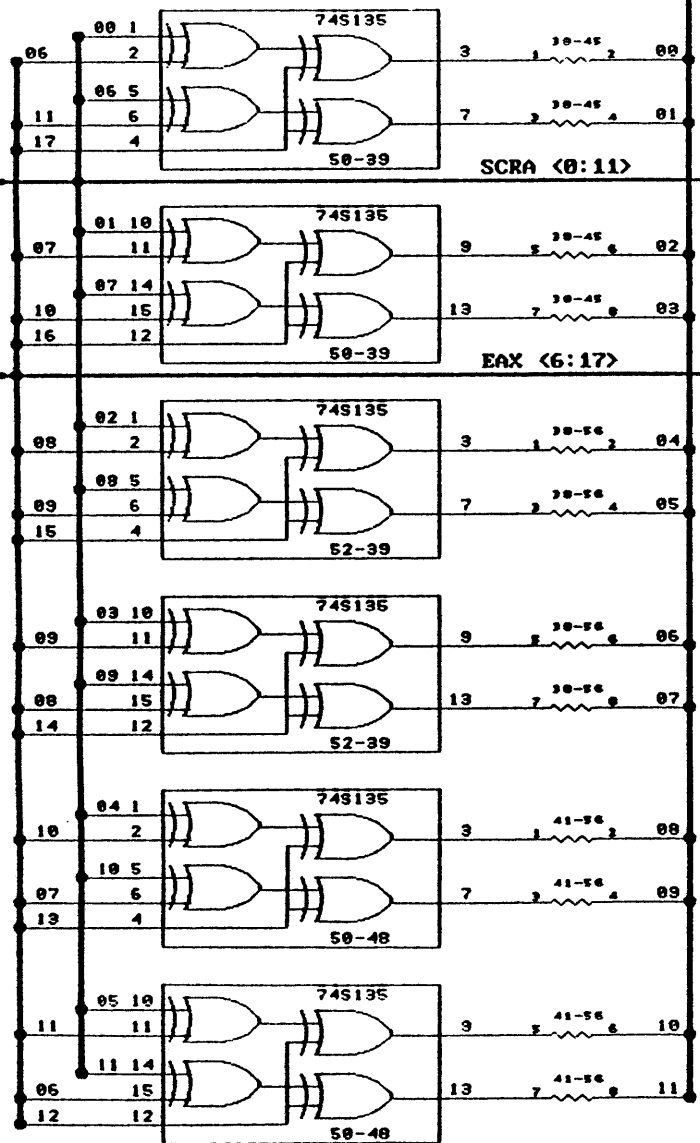
MAP ADR <00 F1:11 F1>

RECEIVED FEB 01 1985
PRELIMINARY

 TYMSHARE INCORPORATED

TITLE			
MPS - MPSADU0			
SIZE	CODE	NUMBER	REV
B		110001	A
DATE APRIL 24, 1984			SHEET 4 OF 26

MP5ADU1.DMG
26KL



MAP ADR <00 FL:11 F2>

MAP ADR <00 F3:11 F5>

PRELIMINARY

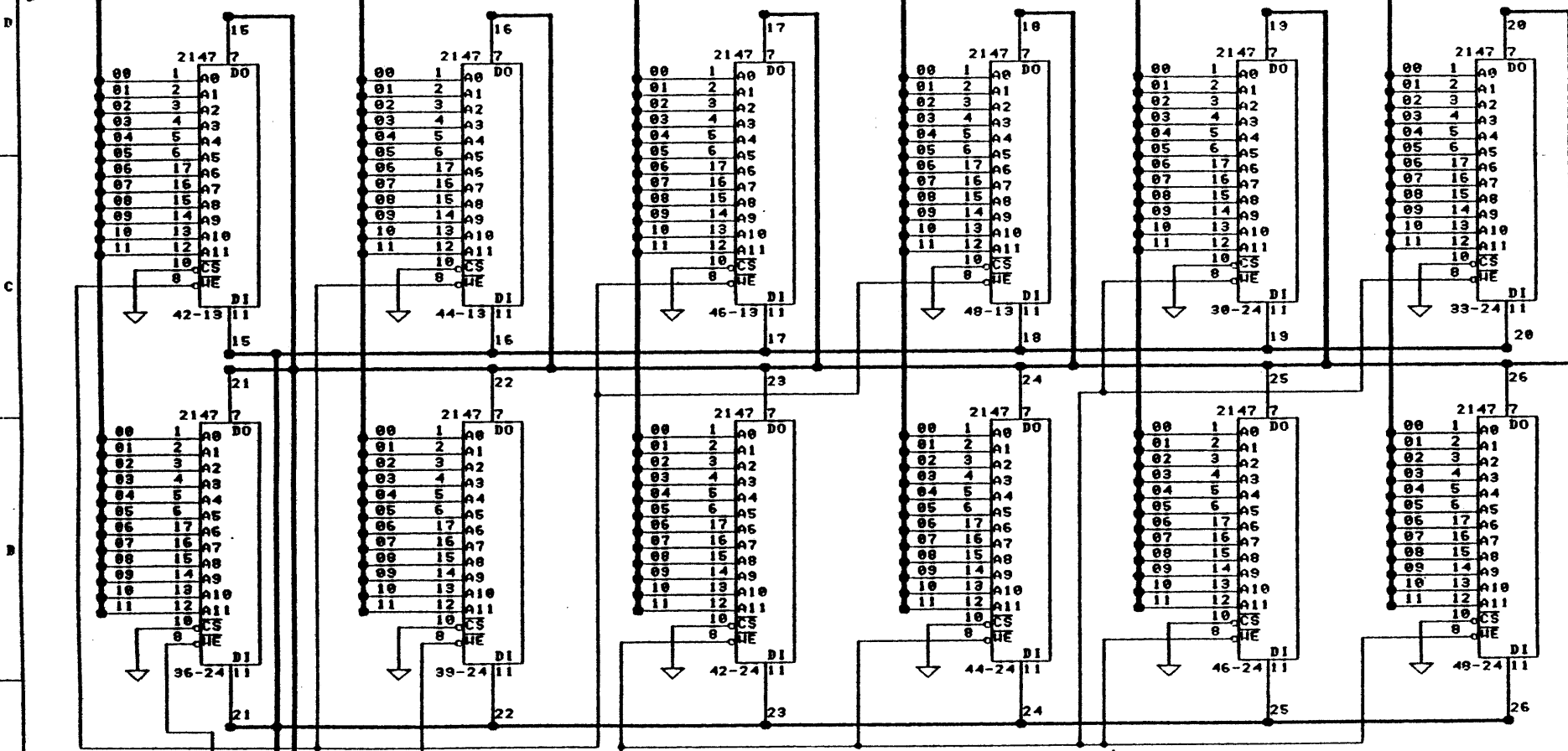
RECEIVED FEB 01 1995

⊗ TMSHARE INCORPORATED

TITLE			
MPS - MP5ADU1			
SIZE	CODE	NUMBER	REV
B		110001	A
DATE		APRIL 24, 1994	SHEET 5 OF 26

MPSARA1.DWG
26KL

MAP ADR <00 F1:11 F1>



MAP TAG WE F2 L
MAP TAG WE F1 L
LCL EOBUS <15:26>

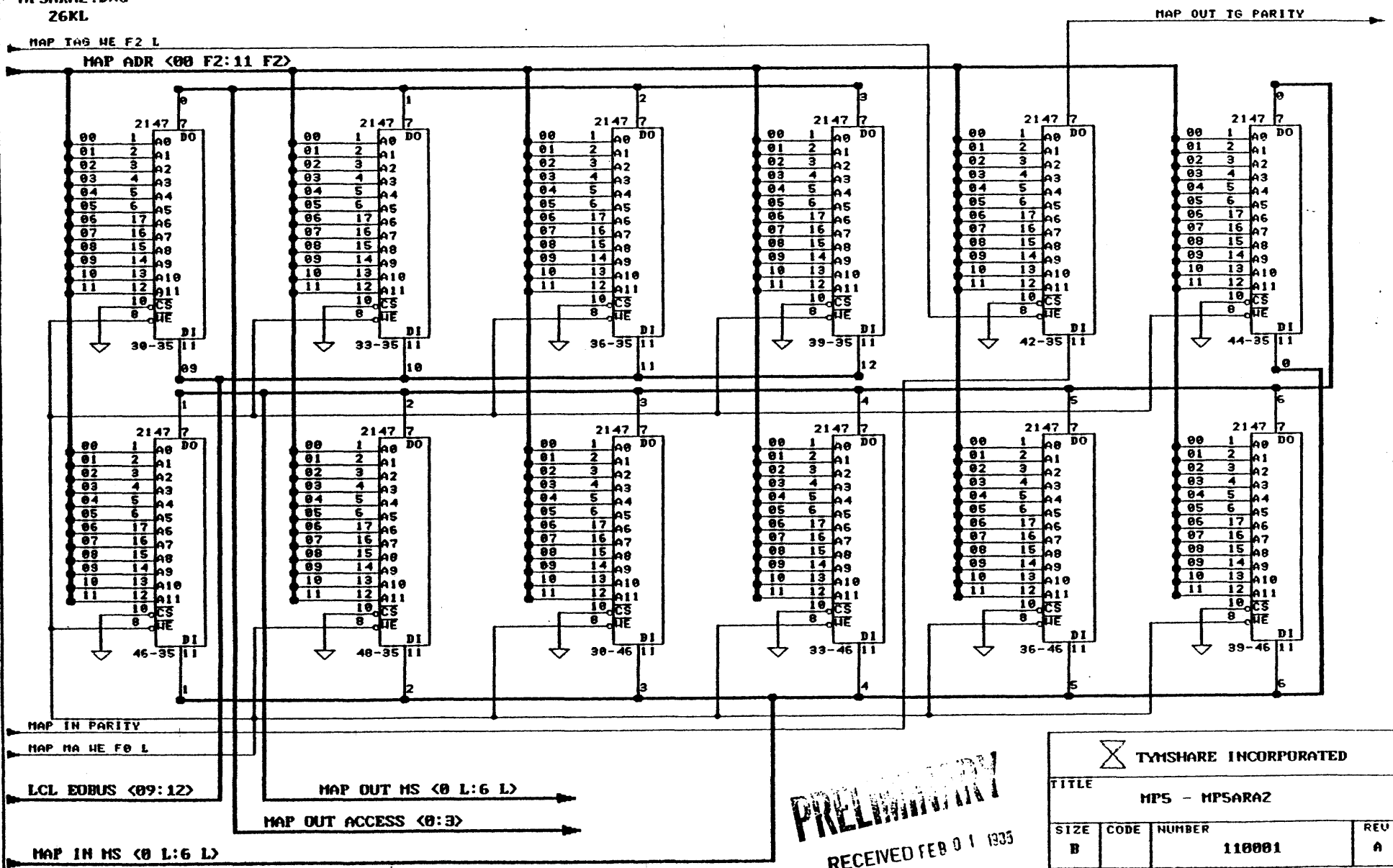
MAP OUT TAG <15:26>

RECEIVED
PRELIMINARY

TVMSHARE INCORPORATED

TITLE			
MPS - MPSARA1			
SIZE	CODE	NUMBER	REV
B		110001	A
DATE		APRIL 26, 1994	SHEET 7 OF 25

MPSARAZ.DHG
26KL



PRELIMINARY
RECEIVED FEB 01 1985

TYMSHARE INCORPORATED

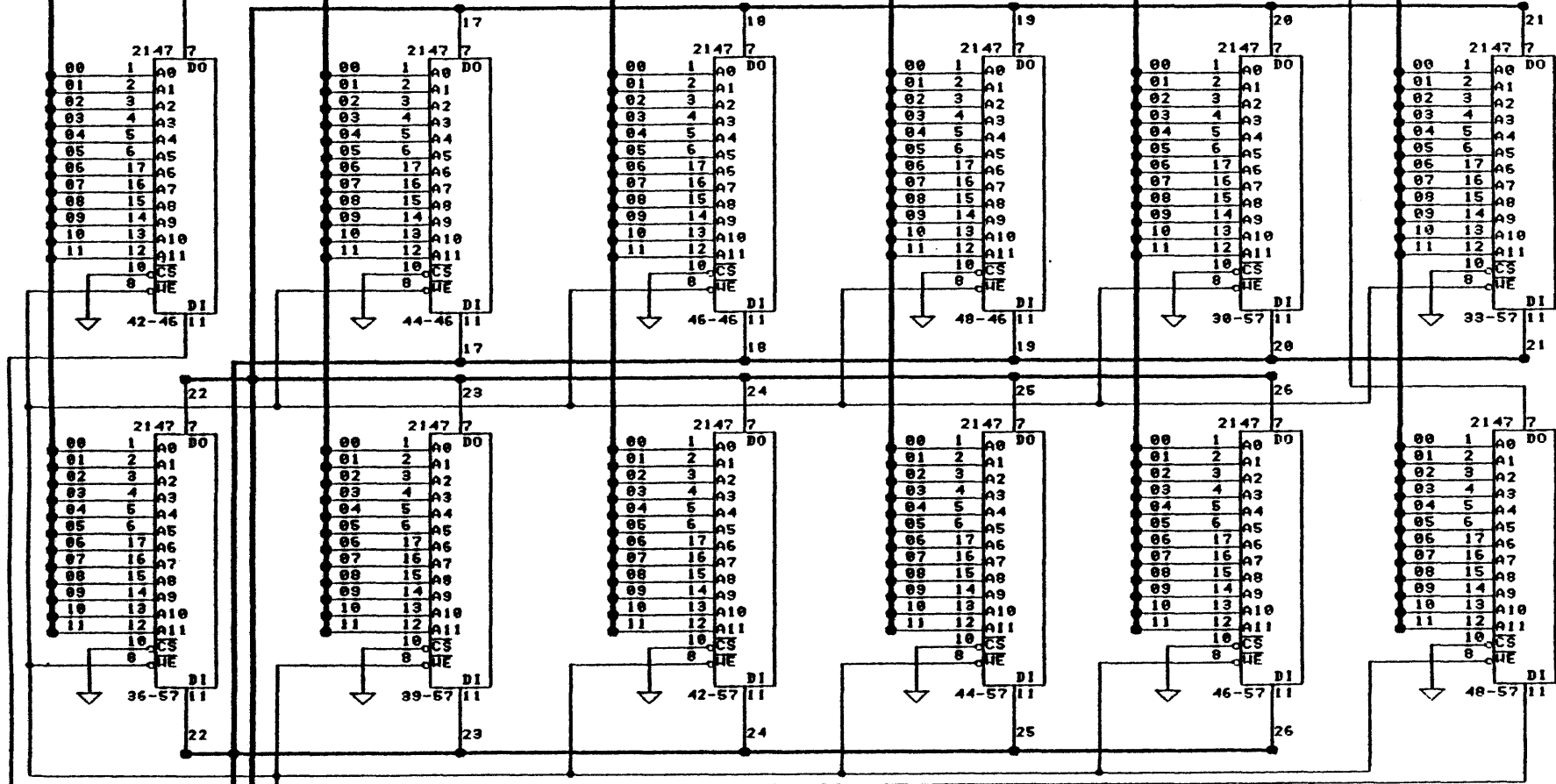
TITLE			
MPS - MPSARAZ			
SIZE	CODE	NUMBER	REV
B		110001	A
DATE	APRIL 26, 1984		SHEET 9 OF 26

MPSARA3.DWG
26XL

MAP ADR <00 F3:11 F3>

MAP OUT MA PARITY

MAP OUT MS 7 L



MAP MA WE F1 L

LCL EOBUS <17:26>

MAP OUT PA <17:26>

MAP IN MS 7 L

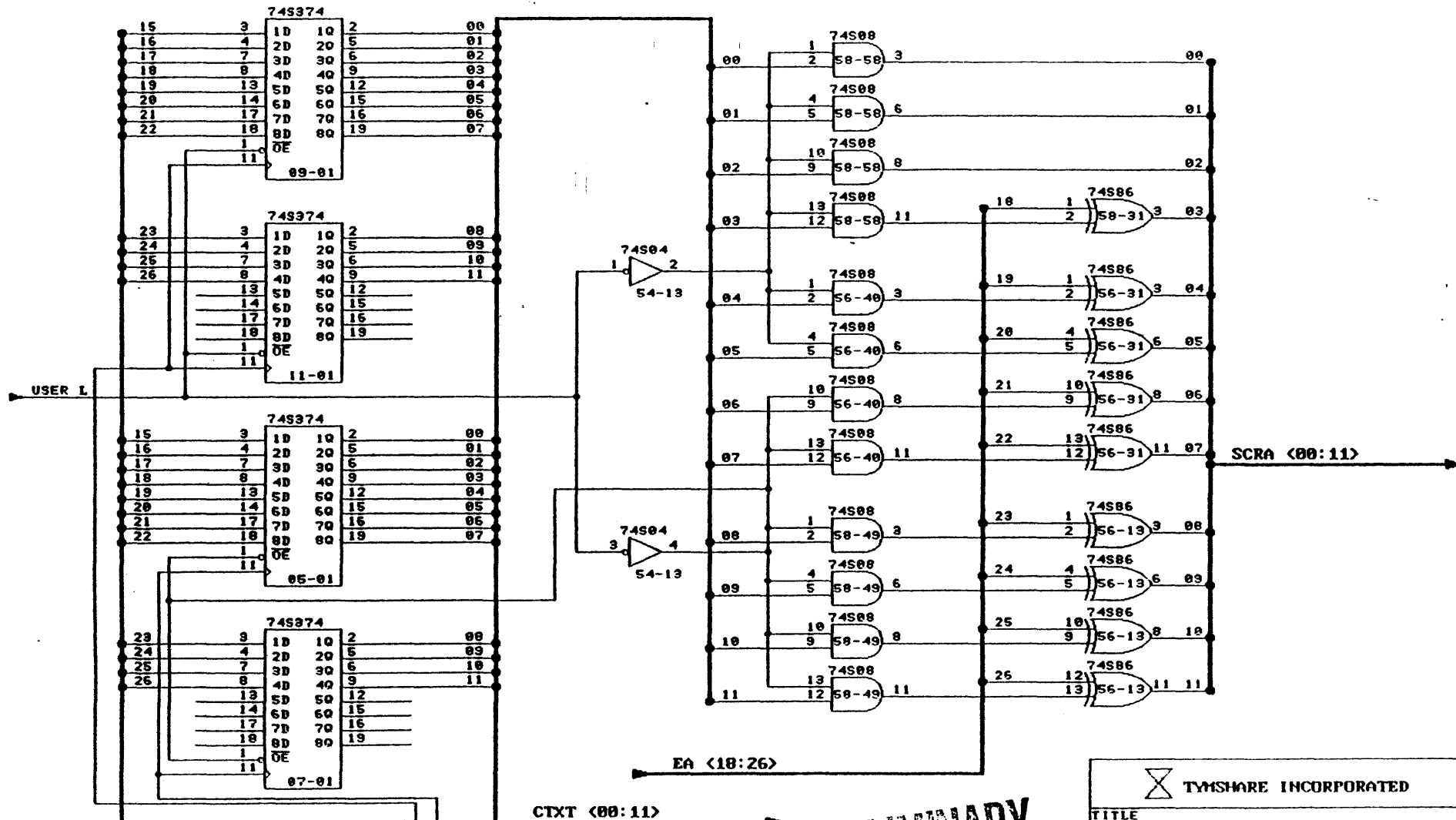
MAP IN PARITY

PRELIMINARY
RECEIVED FEB 01 1985

TYMSHARE INCORPORATED

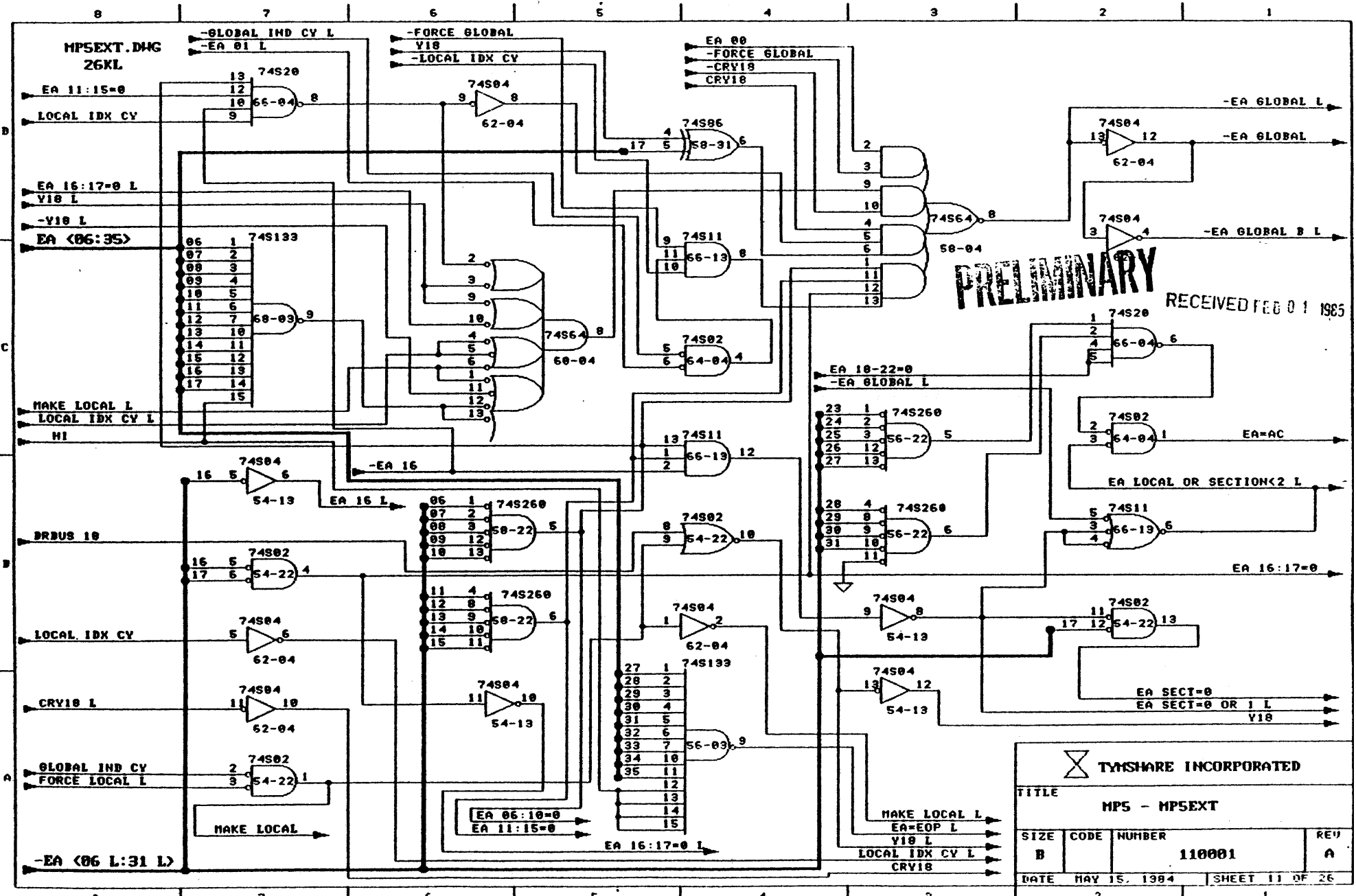
TITLE			
MPS - MPSARA3			
SIZE	CODE	NUMBER	REV
B		110001	A
DATE	APRIL 26, 1984		SHEET 9 OF 26

MP5CTXT.DWG
26KL



PRELIMINARY
RECEIVED FEB 01 1985

TITLE			
MPS - MP5CTXT			
SIZE	CODE	NUMBER	REV
B		110001	A
DATE	APRIL 26, 1984		SHEET 10 OF 26



PRELIMINARY

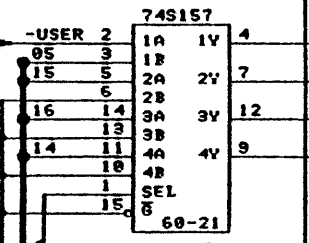
RECEIVED FEB 01 1985

TYMSHARE INCORPORATED

TITLE			
MP5 - MP5EXT			
SIZE	CODE	NUMBER	REV
B		110001	A
DATE		MAY 15, 1984	SHEET 11 OF 26

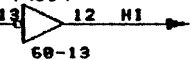
MP51PAR.DMG
26KL

DEST [MAP-MA]

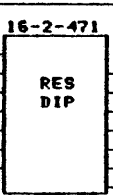


NOTE: WIRE LIST SAYS THAT THIS IS NOT REALLY HI BELIEVE

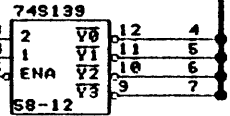
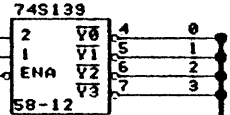
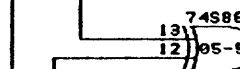
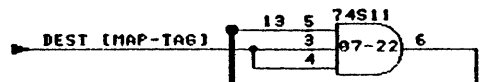
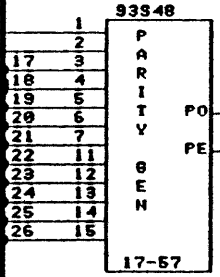
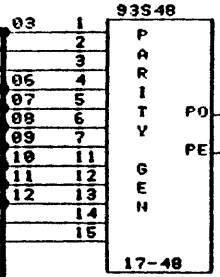
74S04



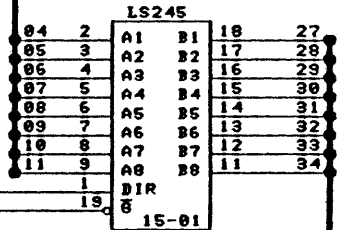
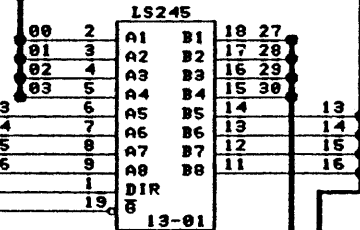
BELIEVE TO BE WRONG.



HI <1:6:>



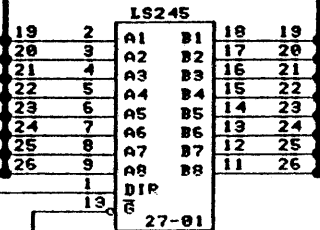
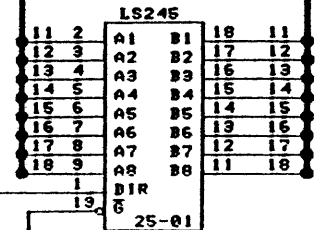
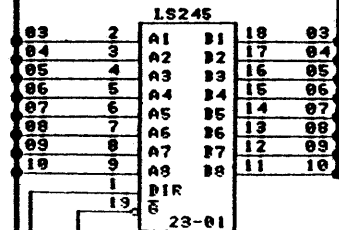
MAP ADR <00 F0:11 F0>



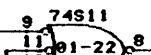
PMA <13:16>

MAP IN PARITY
MAP IN MS <0 L:7 L>

LCL EOBUS <03:26>



EOBUS <03:34>
B[EFF ADR] L
B[MAP-MA] L
B[MAP-TAG] L



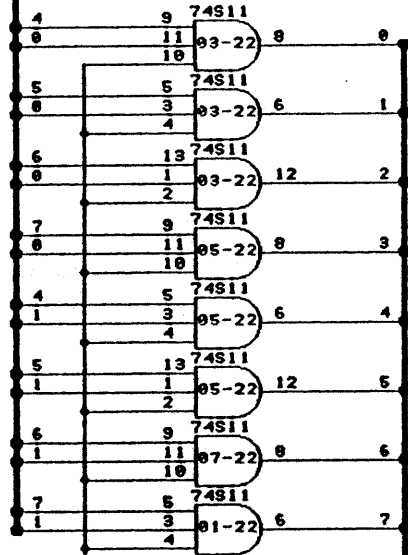
PRELIMINARY

RECEIVED FEB 01 1985

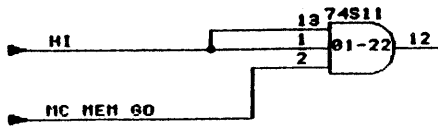
 TYMSHARE INCORPORATED			
TITLE MPS - MP51PAR			
SIZE B	CODE	NUMBER 110001	REV A
DATE MAY 11, 1984		SHEET 12 OF 26	

MPSMST.DWG
26KL


PMA MS <0:7>

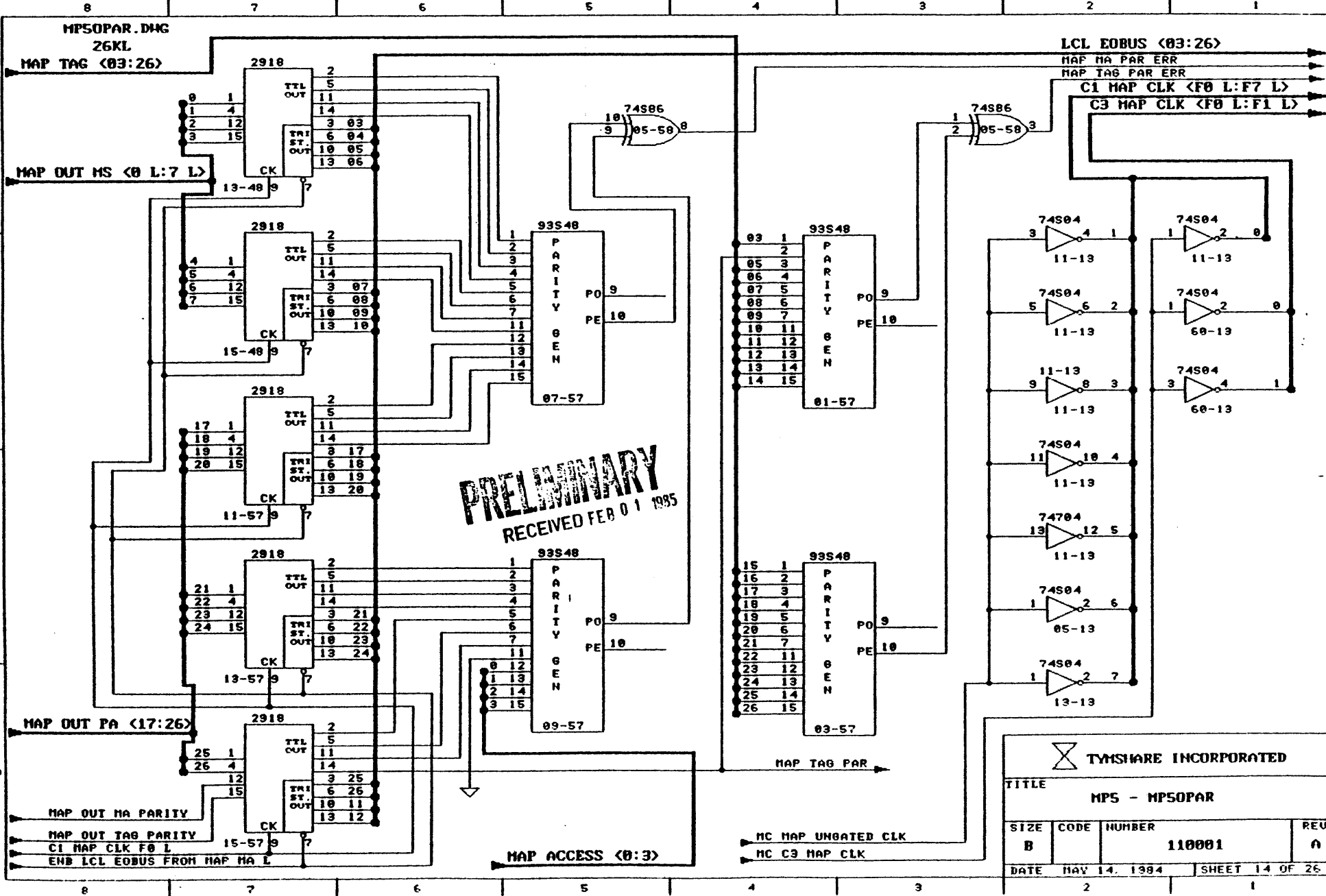


MEM START <0:7>



PRELIMINARY
RECEIVED FEB 01 1984

 TWISSHARE INCORPORATED			
TITLE			
MPS - MPSMST			
SIZE	CODE	NUMBER	REV
B		110001	A
DATE		MAY 3, 1984	SHEET 13 OF 26



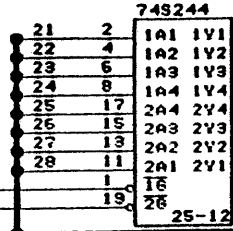
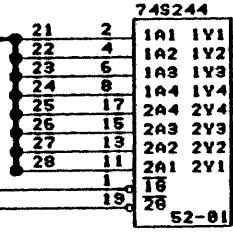
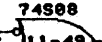
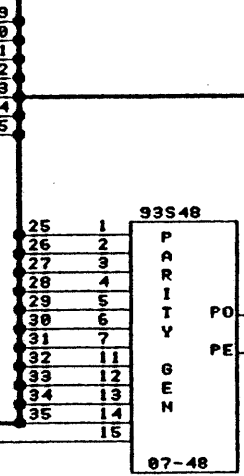
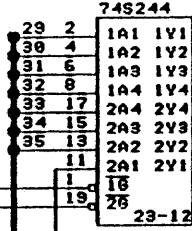
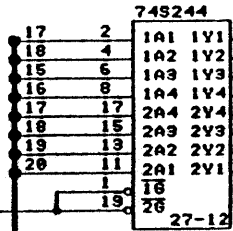
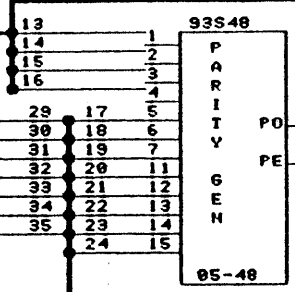
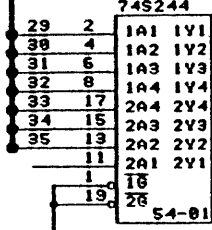
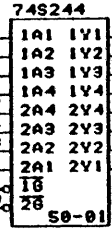
PRELIMINARY
RECEIVED FEB 01 1985

TYMSHARE INCORPORATED			
TITLE			
MPS - MPSOPAR			
SIZE	CODE	NUMBER	REV
B		110001	A
DATE		NOV 14, 1984	SHEET 14 OF 26

MPSPA10.DMG!
26KL
EA <18:35>

PD <13:16>

EAX <13:17>



PA <17:26>

PADR <17:35>

IOA PL

HC PA FROM EA ENB L

HC PA FROM IOA ENB L

IOA P

IOA P LCL

IOA <17:35>

RECEIVED FEB 11 1985

TYMSHARE INCORPORATED

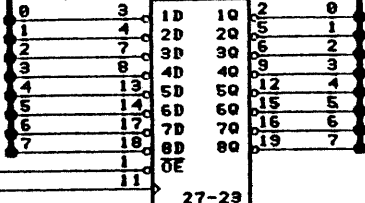
TITLE			
MPS - MPSPA10			
SIZE	CODE	NUMBER	REV
B		110001	A
DATE		SHEET	
MAY 10, 1984		15 OF 26	

MP5APC.DWG
26KL

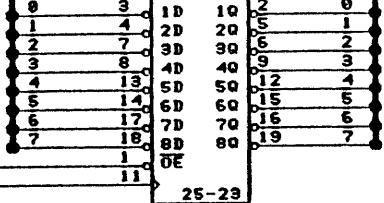
PA MS (0 L:7 L)

PADR MS (0 L:7 L)

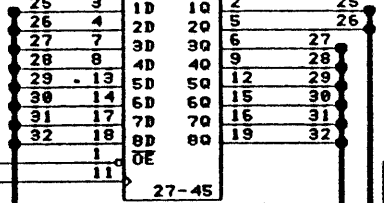
PPC
74S374



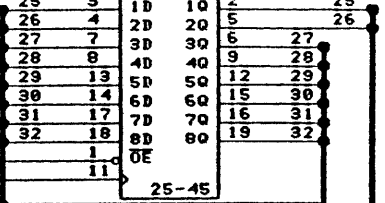
JPPC
74S374



PPC
74S374



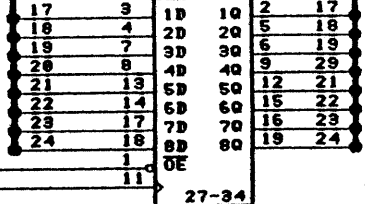
JPPC
74S374



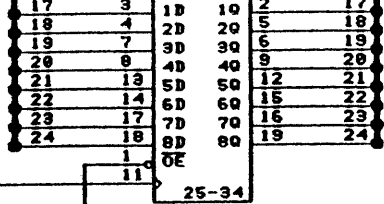
PA (17:35)

PADR (17:35)

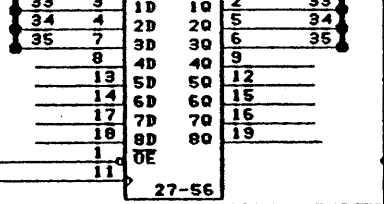
PPC
74S374



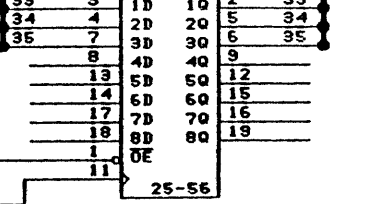
JPPC
74S374



PPC
74S374



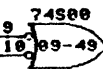
JPPC
74S374



MC PPC SEL



PPC OUT ENB L

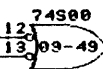


PPC CLK

MC JPPC SEL



JPPC OUT ENB L



JPPC CLK

MC PPC CLK L

HI

MC JPPC CLK L

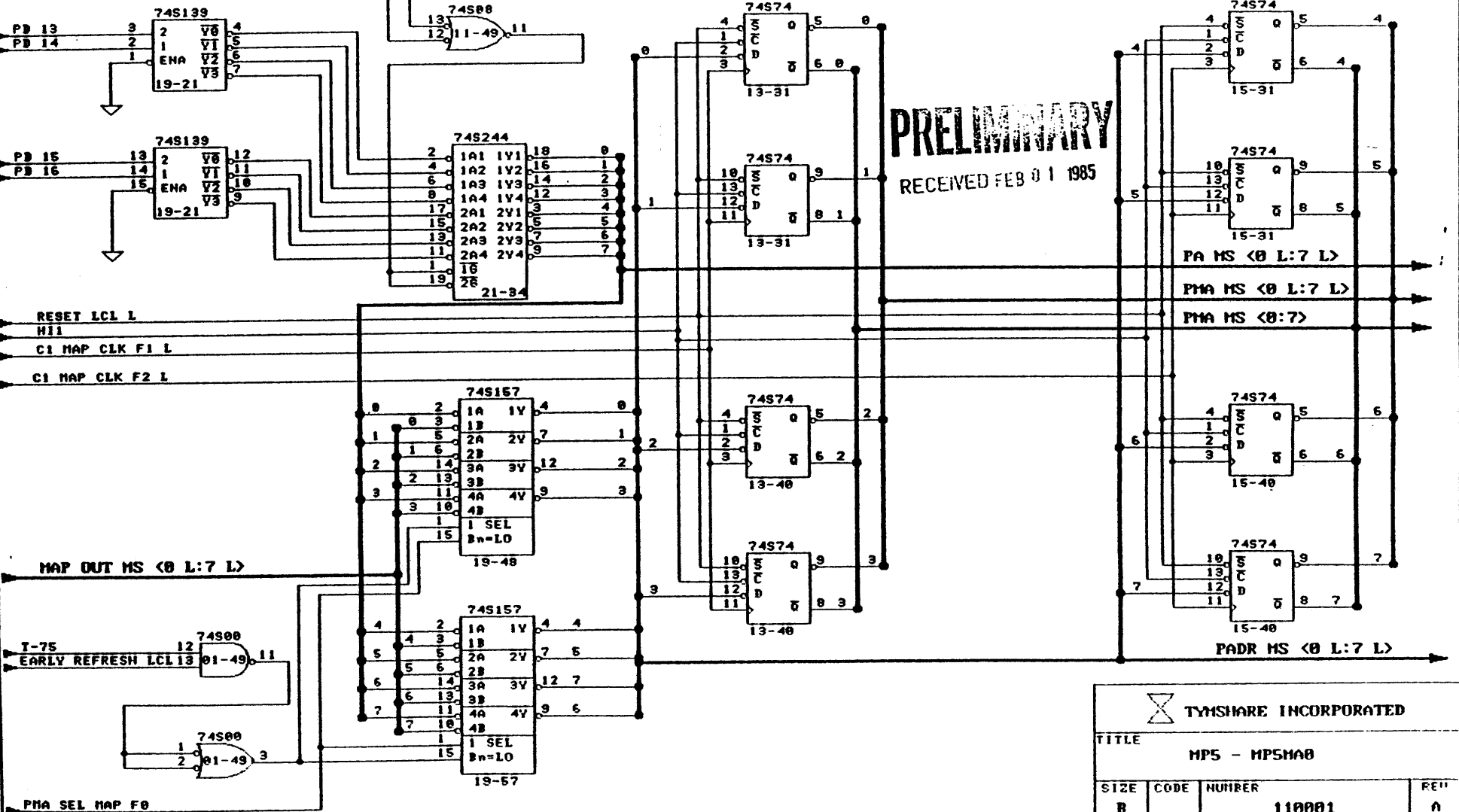
RECEIVED FEB 04 1985
PRELIMINARY
RECEIVED FEB 04 1985

TYMSHORE INCORPORATED


TITLE			
MP5 - MP5APC			
SIZE	CODE	NUMBER	REV
B		110001	A
DATE	MAY 3, 1984		SHEET 16 OF 26

MPSMA8.DMG
26KL

MC PA FROM 10A ENB L
MC PA FROM EA ENB L



PRELIMINARY
RECEIVED FEB 01 1985

 TYMSHARE INCORPORATED			
TITLE			
MPS - MPSMA8			
SIZE	CODE	NUMBER	REV
B		110001	A
DATE		MAY 1, 1984	SHEET 17 OF 26

MPS5PMA1.DWG
26KL

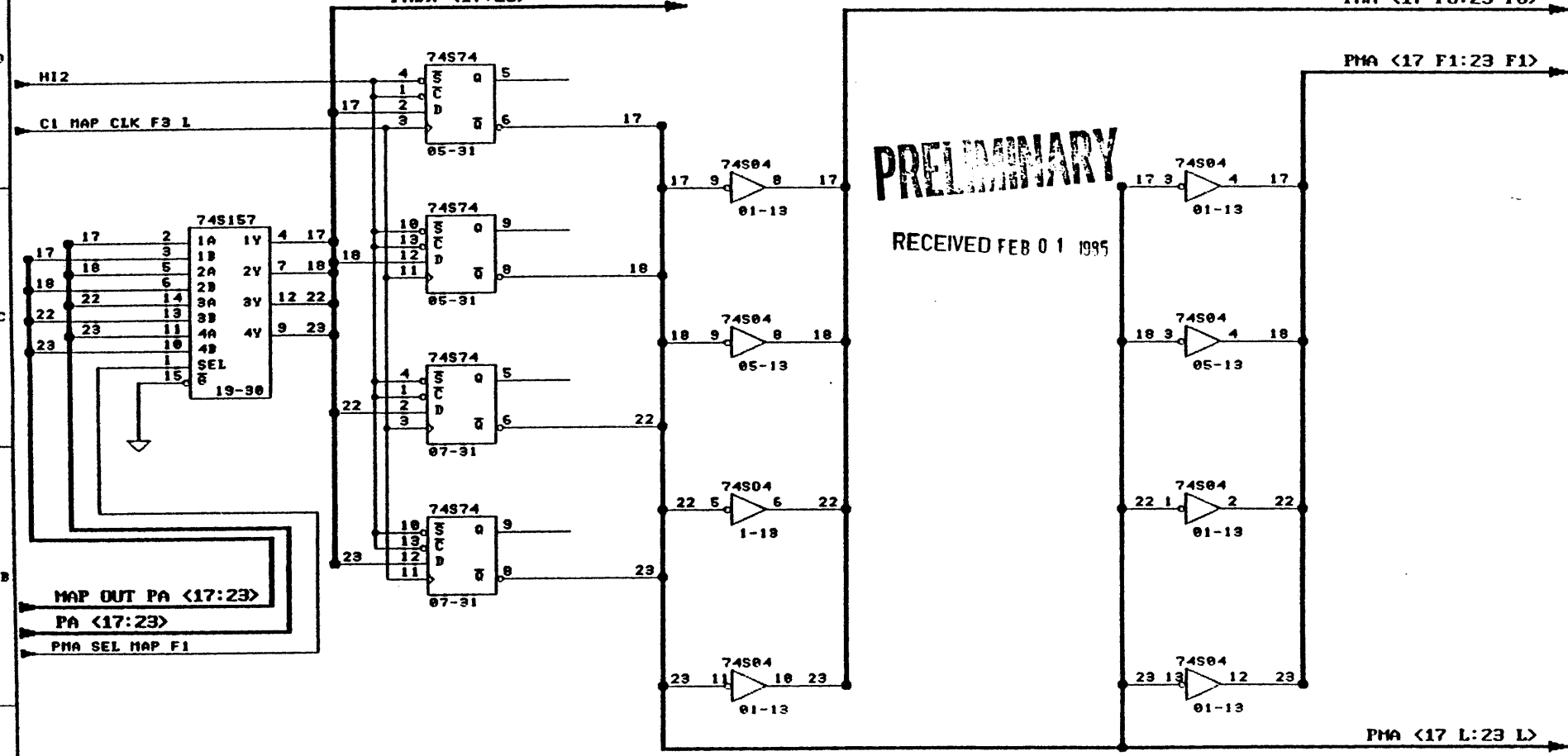
PADR <17:23>

PMA <17 F0:23 F0>

PMA <17 F1:23 F1>

PRELIMINARY

RECEIVED FEB 01 1995



MAP OUT PA <17:23>

PA <17:23>

PMA SEL MAP F1



TYMSHARE INCORPORATED

TITLE

MP5 - MPS5PMA1

SIZE	CODE	NUMBER	FEU
B		110001	A
DATE		MAY 3, 1994	SHEET 18 OF 26

MPS5PMA2.DWG
26XL

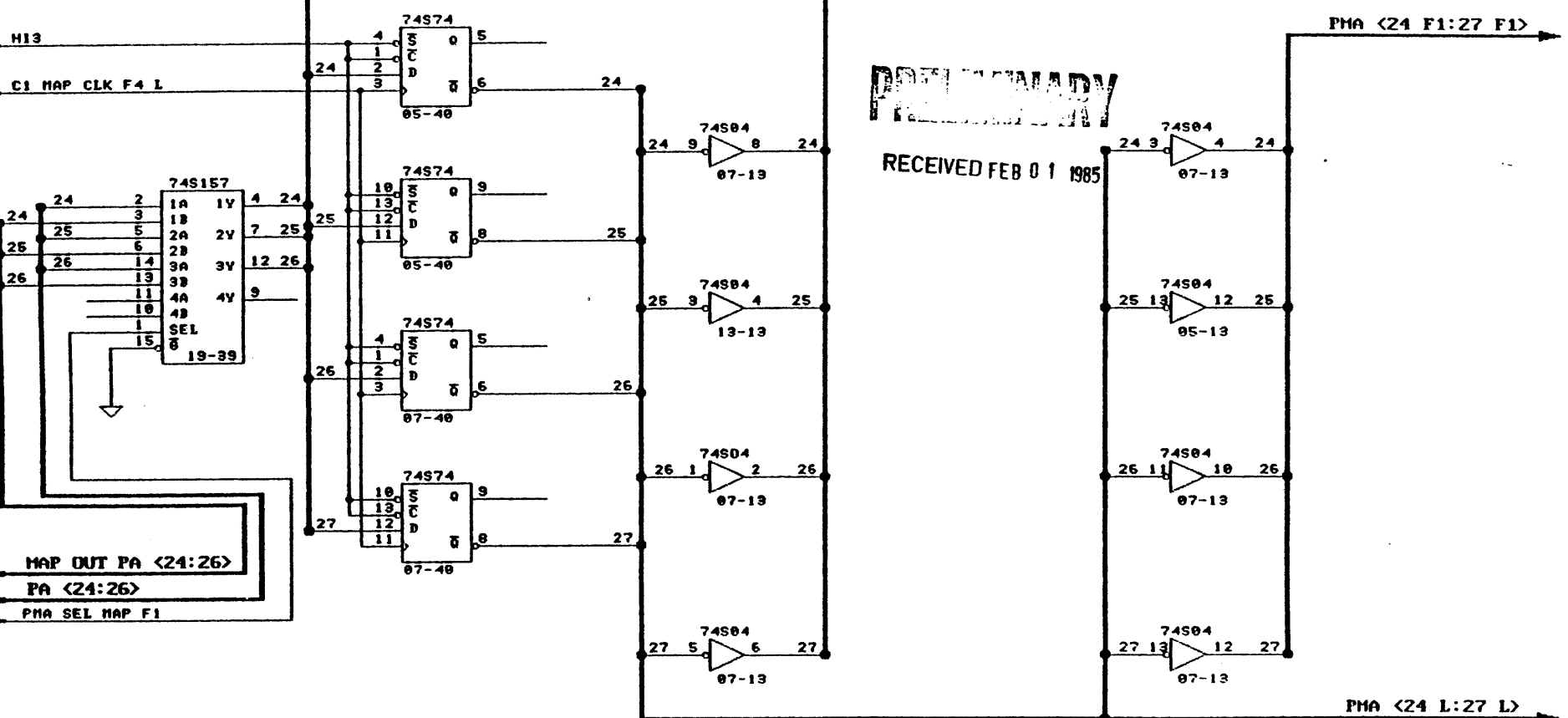
PADR <24:27>

PMA <24 F0:27 F0>

PMA <24 F1:27 F1>

PRELIMINARY

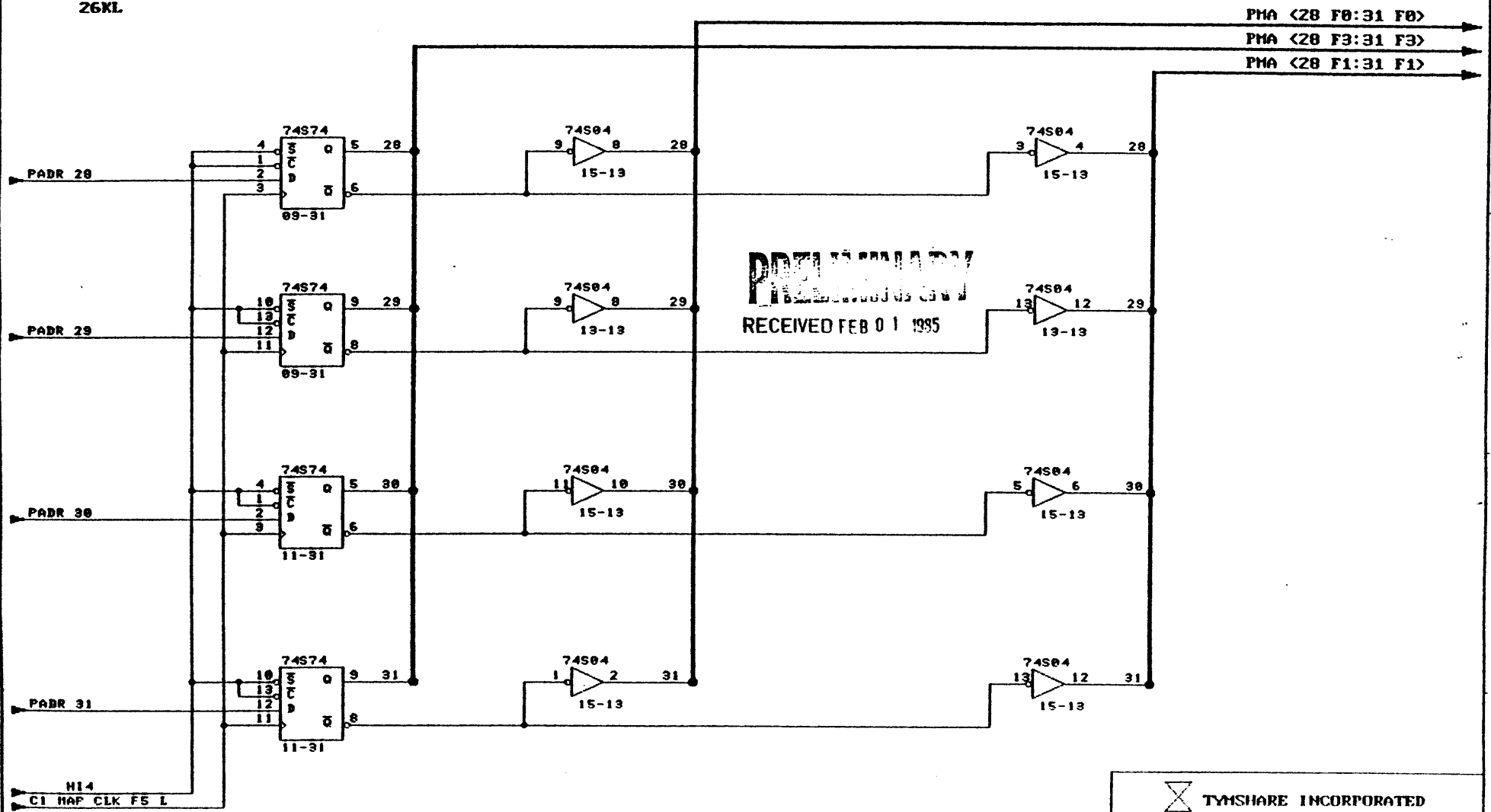
RECEIVED FEB 01 1985




 TYMSHARE INCORPORATED

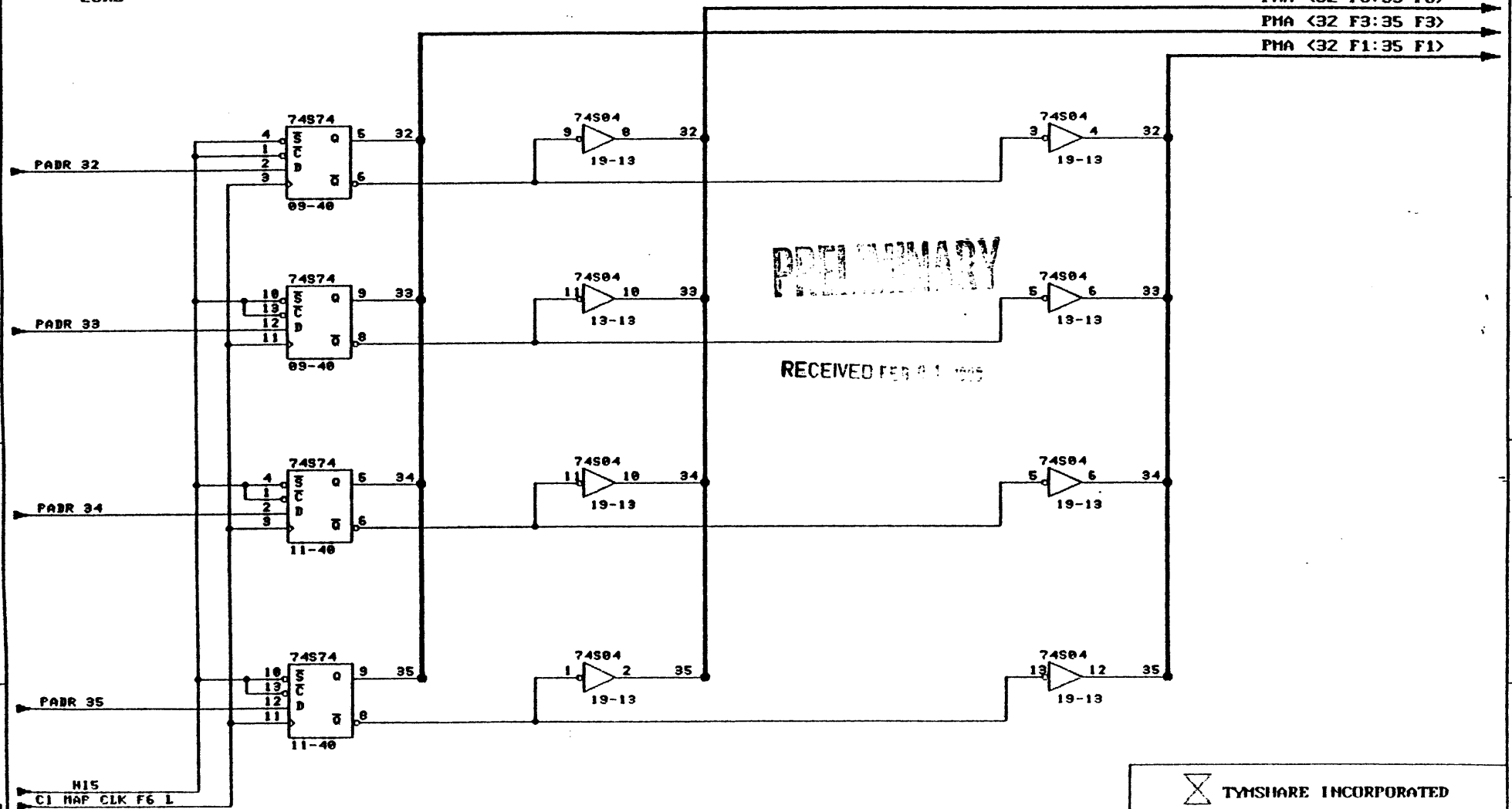
TITLE			
MPS - MPS5PMA2			
SIZE	CODE	NUMBER	REV
B		110001	A
DATE	MAY 4, 1984		SHEET 19 OF 26


MPS7MA3.DWG
26KL



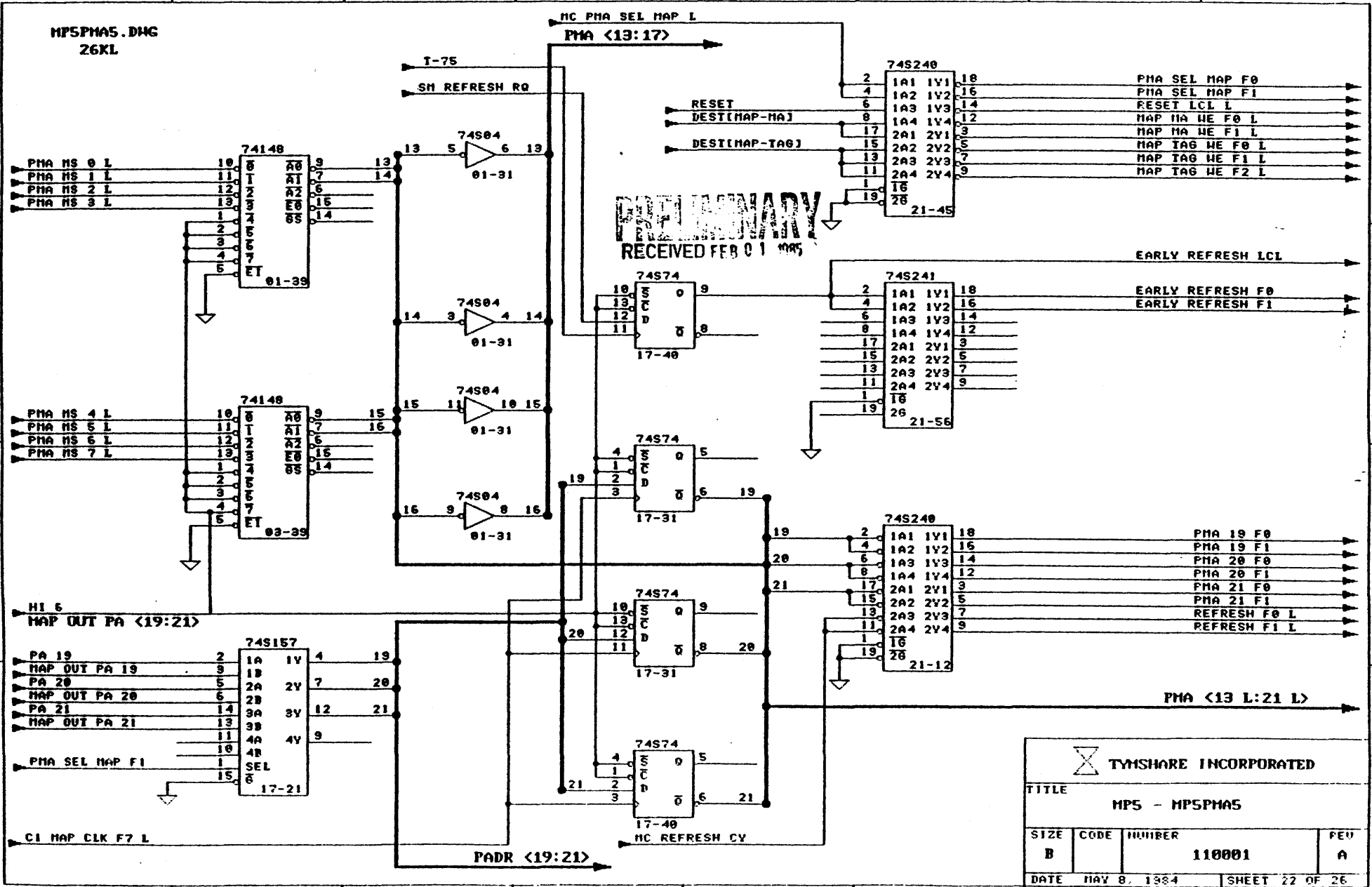
 TYMSHARE INCORPORATED			
TITLE MPS - MPS7MA3			
SIZE D	CODE	NUMBER 110001	REV A
DATE MAY 4, 1984			SHEET 20 OF 26

MP5PMA4.DWG
26KL



 TYMSHARE INCORPORATED			
TITLE MPS - MP5PMA4			
SIZE B	CODE	NUMBER 110001	REV A
DATE MAY 4, 1984		SHEET 21 OF 26	

MP5PHAS.DWG
26KL

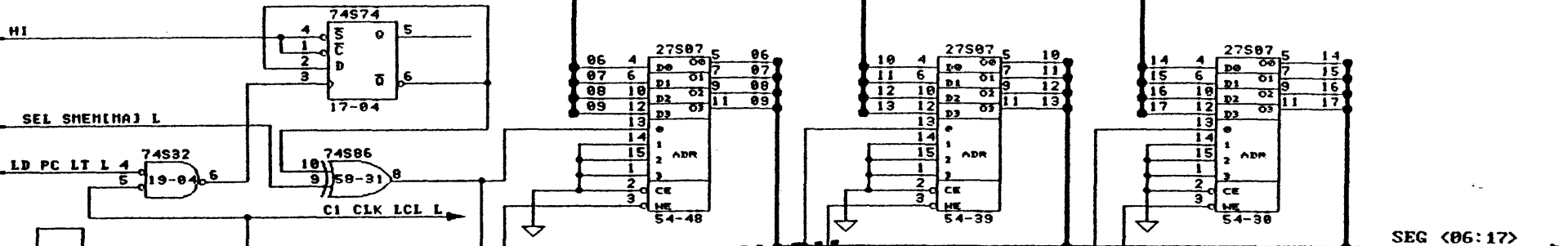


RECEIVED FEB 01 1985

TITLE			
MP5 - MP5PHAS			
SIZE	CODE	NUMBER	REV
B		110001	A
DATE		MAY 8, 1984	SHEET 22 OF 26

MP5SEG.DWG
26KL

VA <06:17>

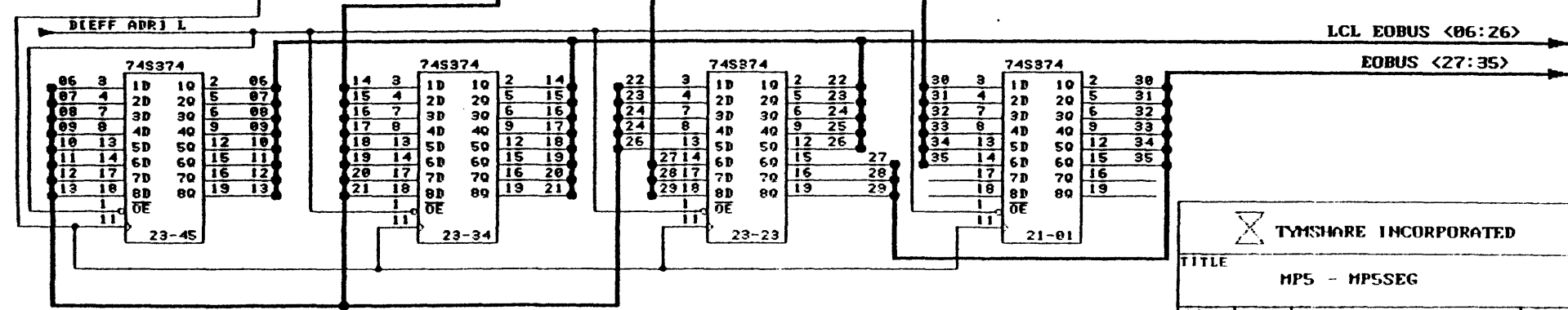
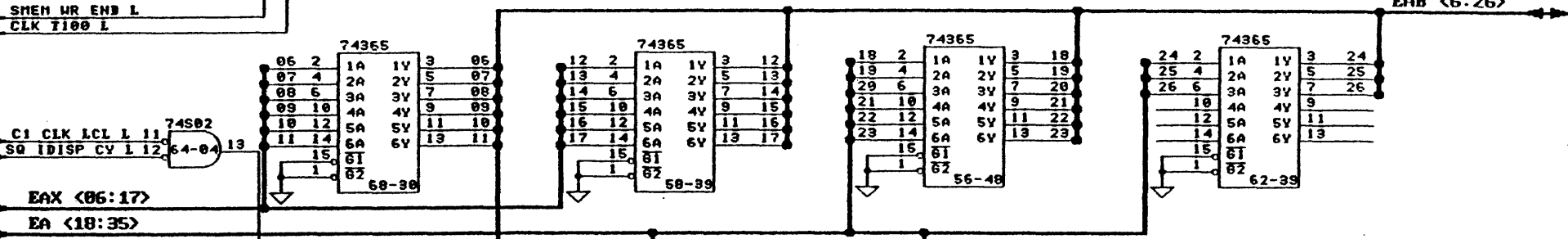


PRELIMINARY

RECEIVED FEB 01 1985

SEG <06:17>

EAB <6:26>



TYMSHARE INCORPORATED

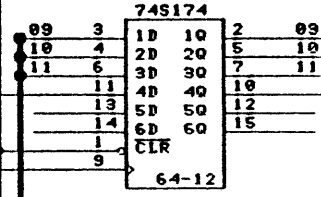
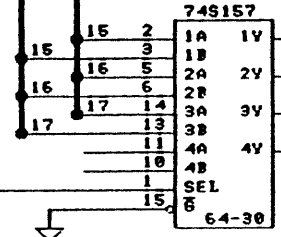
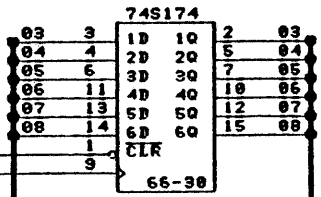
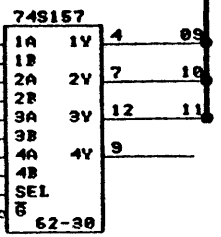
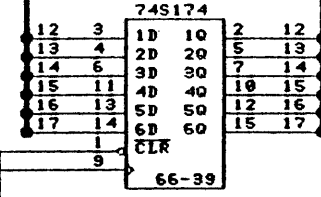
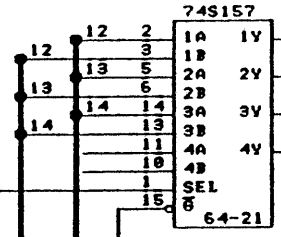
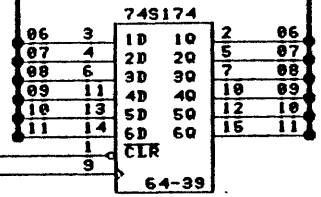
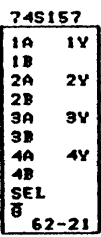
TITLE			
MP5 - MP5SEG			
SIZE	CODE	NUMBER	REV
B		110001	A
DATE		SHEET	
MAY 17, 1984		23 OF 26	

MPSUAB.DMG
26KL

SEG <06:17>

VA <06:17>

EAX <06:17>



EA <06:17>

EA GLOBAL

C3 MAP CLK F1 L

HI

CTXT <03:11>

- USER

-VA USER

VA CTXT <03:11>

PRELIMINARY

RECEIVED

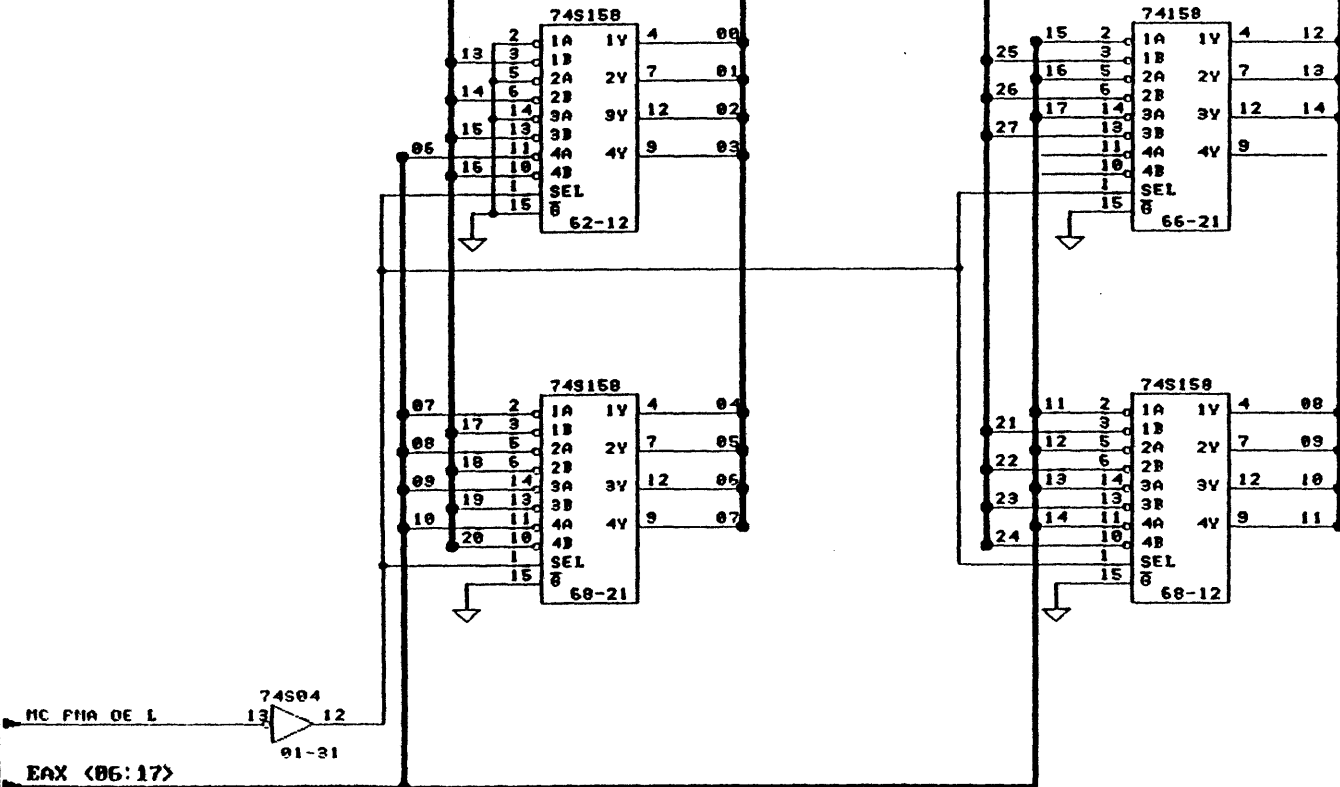
MAY 14 1984

TYMSHORE INCORPORATED

TITLE
MPS - MPSUAB


SIZE	CODE	NUMBER	PEU
B		110001	A

DATE MAY 14 1984 SHEET 24 OF 26



PRELIMINARY

RECEIVED FEB 01 1985

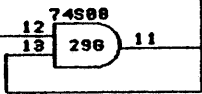
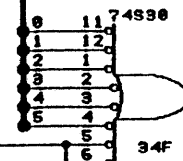
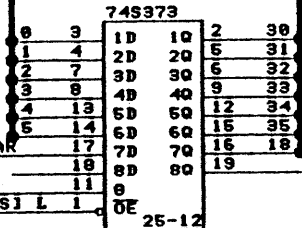
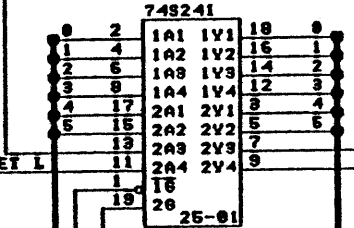
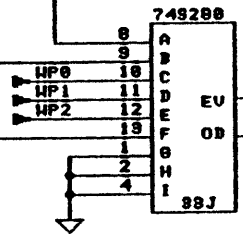
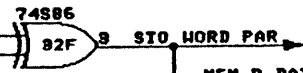
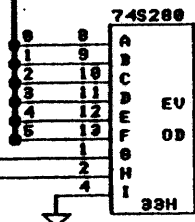
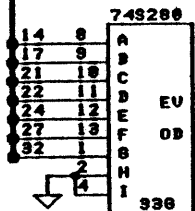
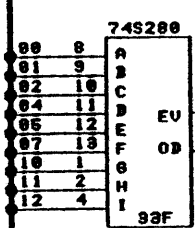
 TYMSHARE INCORPORATED				
TITLE MPS - MPS0A1				
SIZE	CODE	NUMBER	REV	
B		110001	A	
DATE			SHEET	
MAY 10 1984			25 OF 26	

SMECC0.DWG
SM

ECC DAT <00 H:32 H>

MEM R DAT ECC <0:5>

E0BUS <10:35>



MEM R DAT ECC <0:5>

MEM R DAT WORD PAR

ECC DAT 03 H

ECC EVEN <0 H:5 H>

HI

MEM R DAT WORD PAR

DIPC FLAG(S) L

-ECC ODD <0 L:5 L>

SM ECC ERROR

SM HARD ECC ERR

MEM H DAT WORD PAR H

BUS RESET L

SM BUS RESET L

MEM H DAT ECC <0 H:5 H>

RECEIVED FROM

PRELIMINARY

TYMSHARE INCORPORATED

TITLE			
SM - SMECC0			
SIZE	CODE	NUMBER	REV
B		111002	A
DATE		SHEET 04 OF XX	
JUNE 26, 1984			

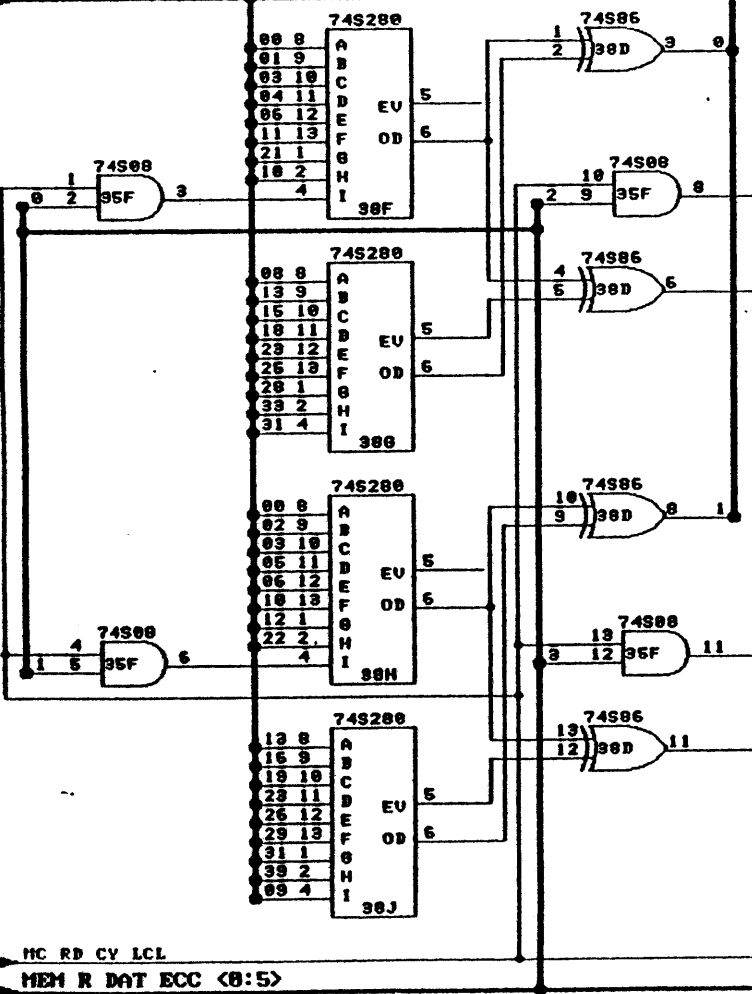
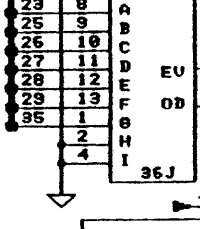
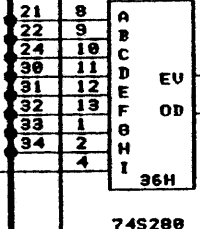
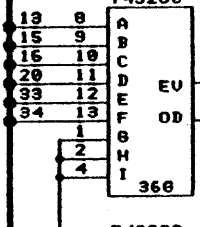
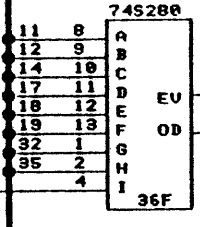
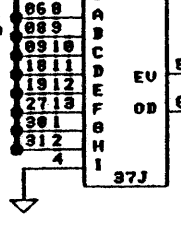
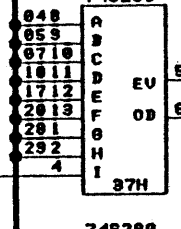
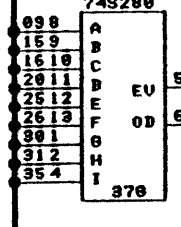
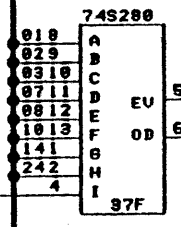
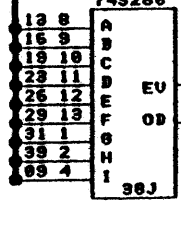
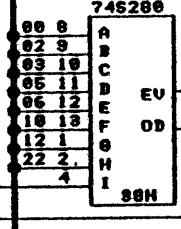
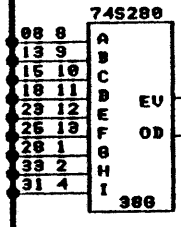
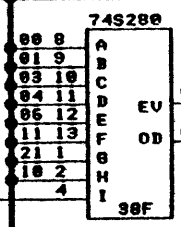
SHECC1.DWG

SM

ECC DAT <00:35>

ECC ODD <0:3>; ECC EVEN <0 L:5 L>

ECC EVEN <0:5>



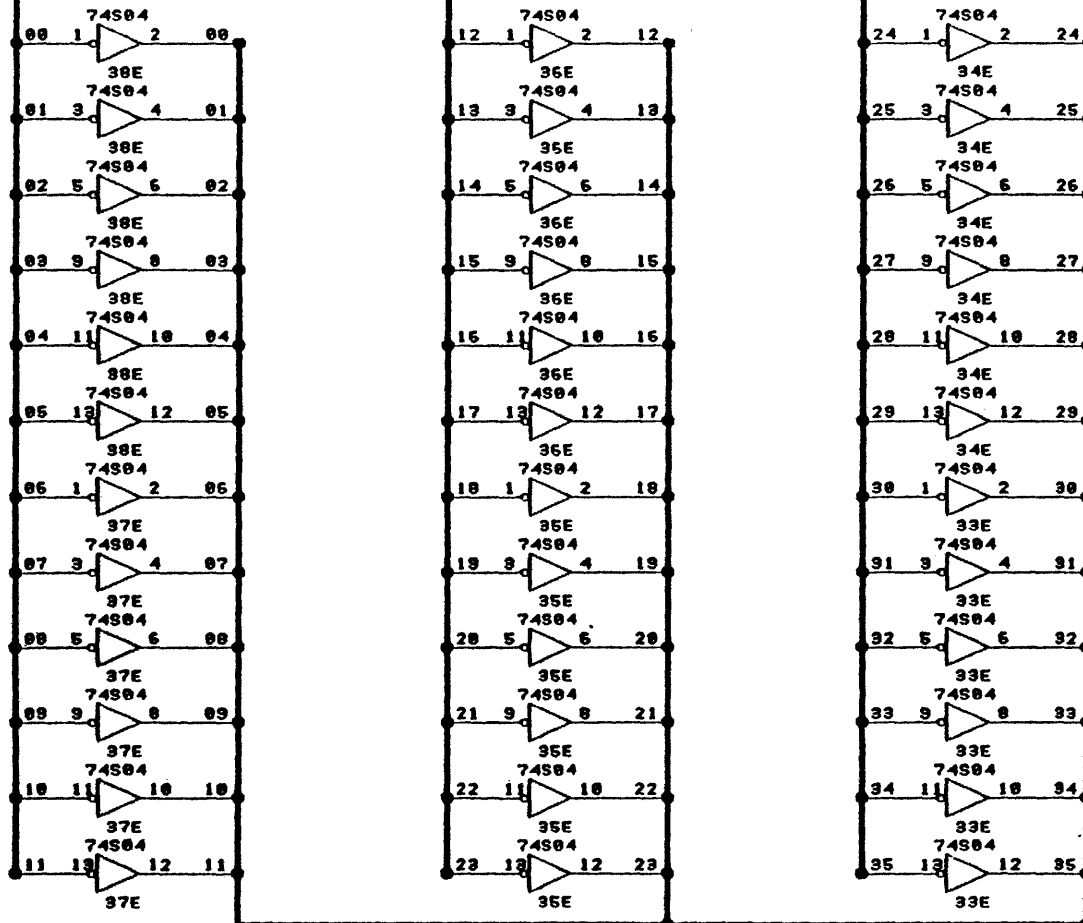
PRELIMINARY

RECEIVED FEB 01 1985

TYMSHARE INCORPORATED

TITLE				SM - SHECC1
SIZE	CODE	NUMBER	REV	
B		111002	A	
DATE	JUNE 26, 1984	SHEET	05	OF XX


ECC DAT <00 L:35 L>



ECC DAT <00:35>

PRELIMINARY

RECEIVED FEB 01 1985

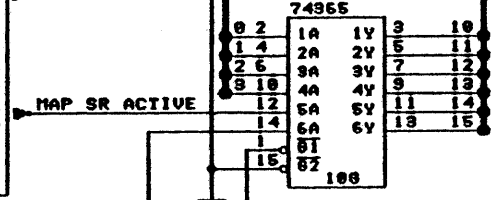
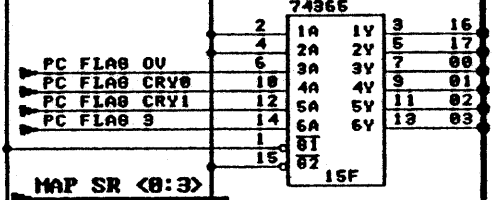
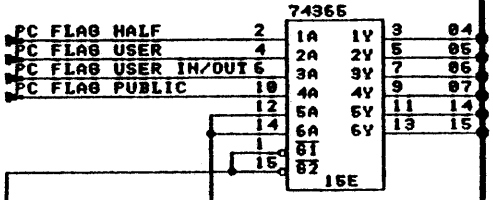
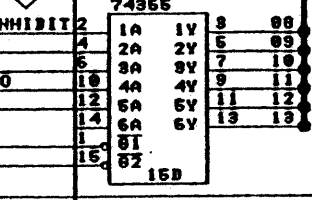
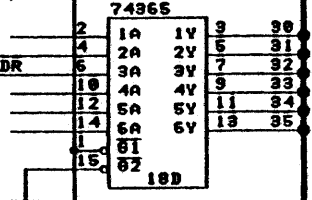
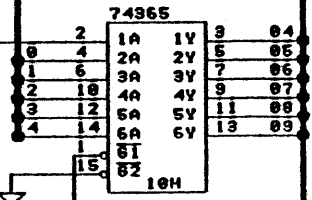
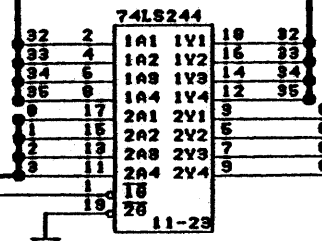
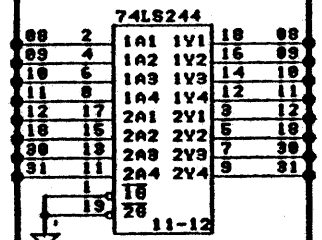
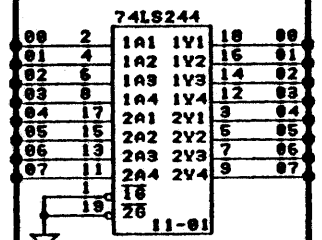
 TYMSHARE INCORPORATED

TITLE			
SM - SMECC2			
SIZE	CODE	NUMBER	REV
B		111002	A
DATE	JUNE 27, 1984		SHEET 06 OF XX

INT ADR REG <0:4>

LCL EOBUS <00:35>

EOBUS <00:35>



BUS ANY INT L
FORCE DEV ADR FROM INT ADR

PC FLAG ADDRESS FAILURE INHIBIT
PC FLAG TRAP 2
PC FLAG TRAP 1
PC FLAG FLOATING UNDERFLO
PC FLAG NO DIVIDE

D[PC FLAG] L

PC FLAG HALF
PC FLAG USER
PC FLAG USER IN/OUT 6
PC FLAG PUBLIC

PC FLAG OU
PC FLAG CRY0
PC FLAG CRY1
PC FLAG 9

MAP SR <0:3>

MAP SR ACTIVE

PC FLAG AROU TRAP

DEV ADR REG <0:4>

D[USER/INT] L

TYMSHARE INCORPORATED

PRELIMINARY

RECEIVED FEB 01 1985

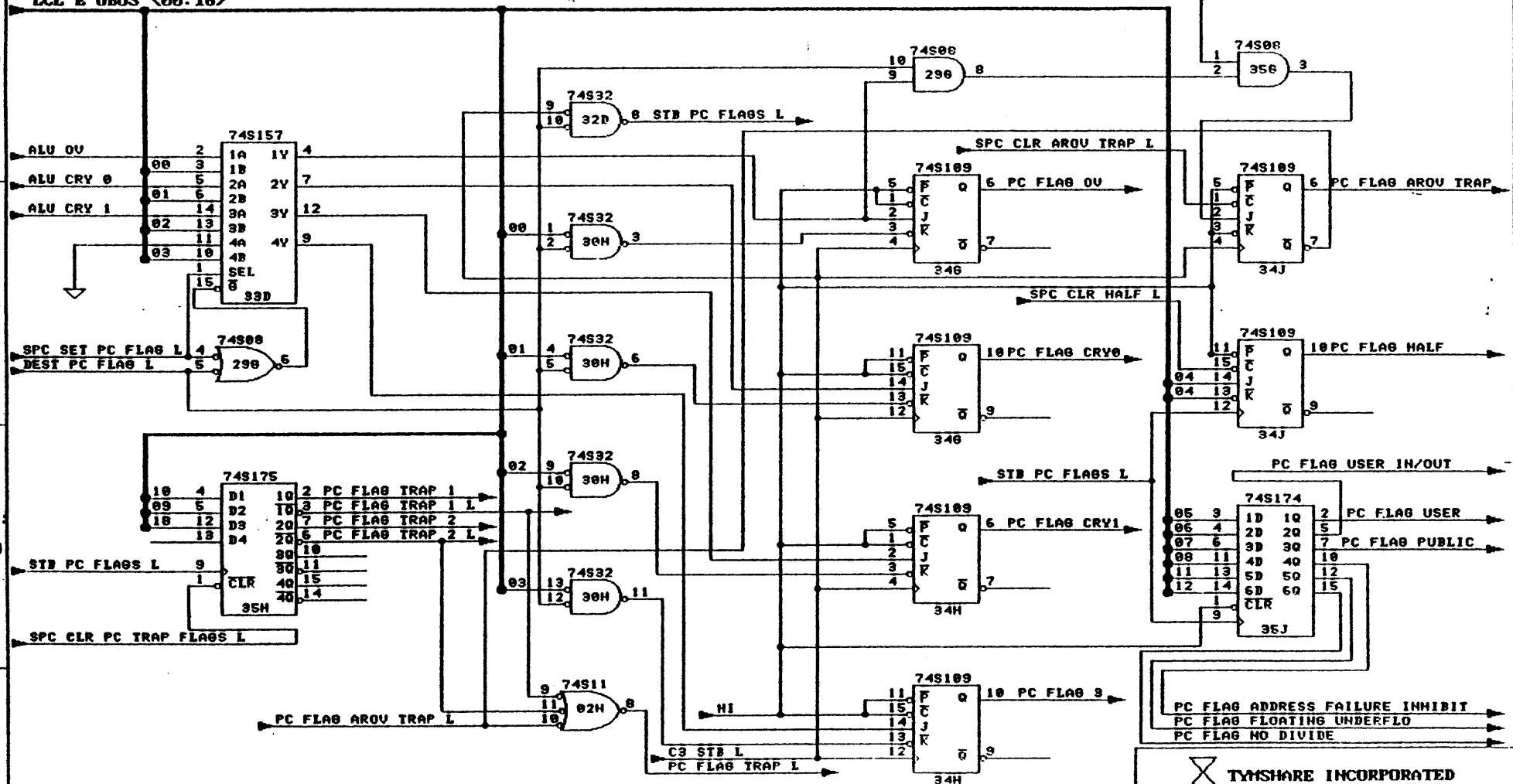
TITLE			
SM - SMEOB			
SIZE	CODE	NUMBER	REV
B		111002	A
DATE		JUNE 27, 1984	SHEET 07 OF XX


SMFLAG.DWG

SM

LCL E OBUS <00:10>

CPU MODE ENB AROU TRAP



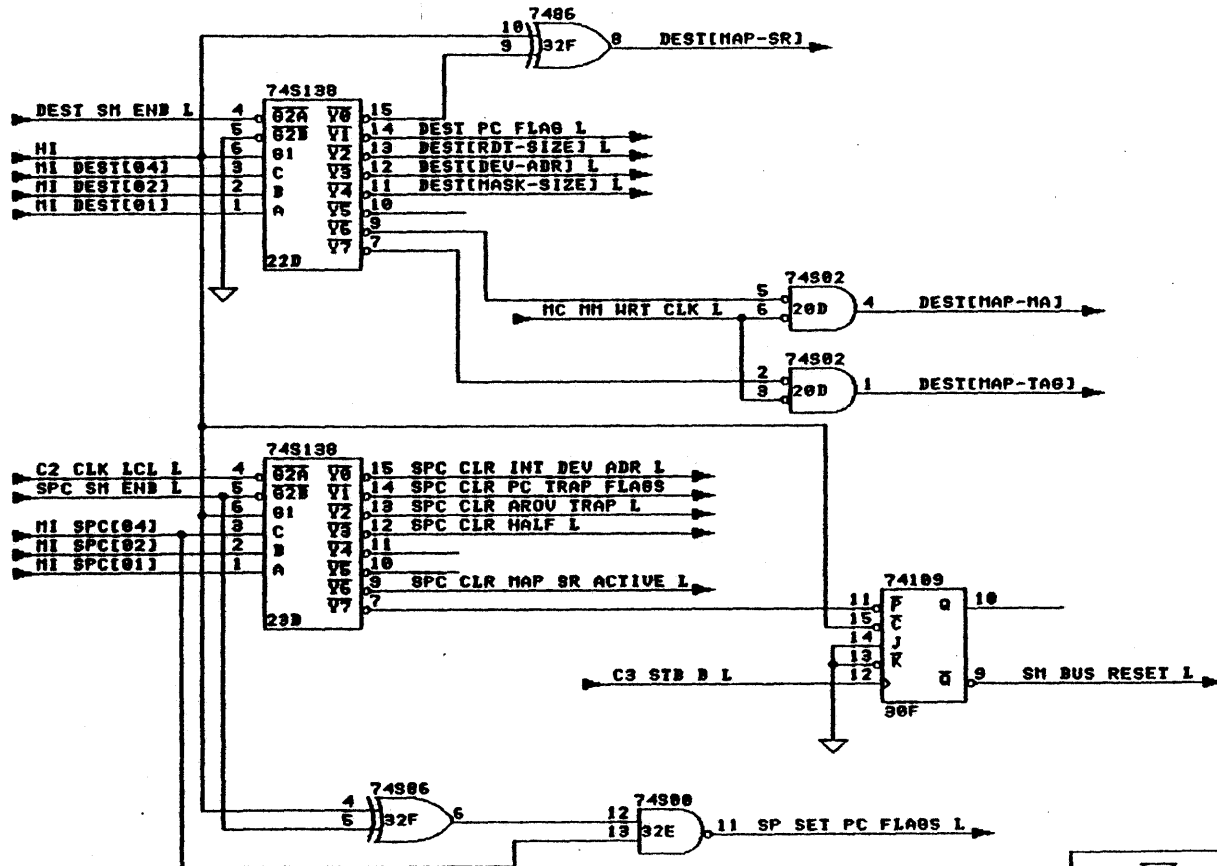

TYMSHARE INCORPORATED

TITLE SM - SMFLAG

SIZE	CODE	NUMBER	REV
B		111002	A
DATE		JUNE 28, 1984	SHEET 08 OF 22

PRELIMINARY

RECEIVED FEB 01 1985



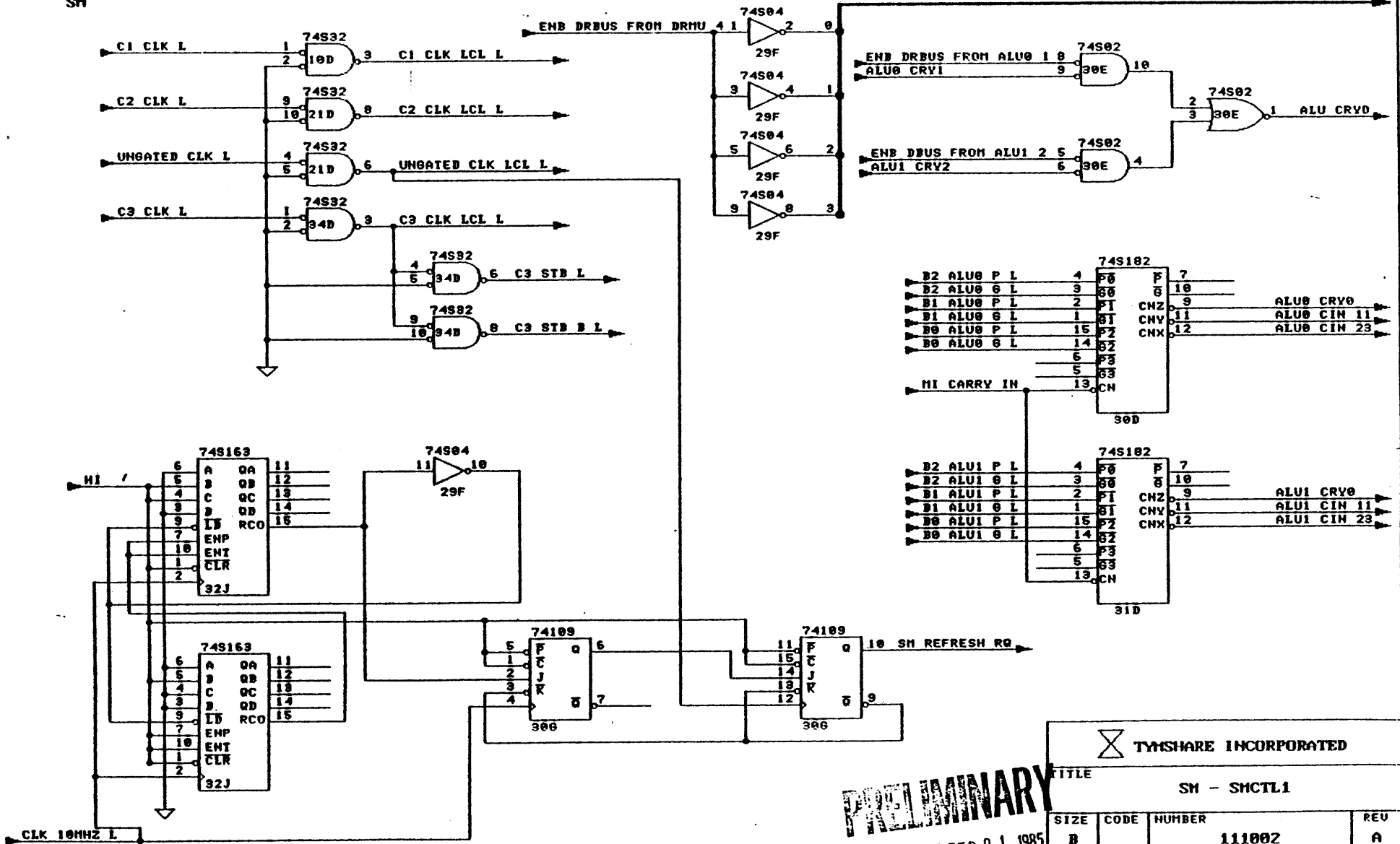
PRELIMINARY

RECEIVED FEB 01 1983

TYMSHARE INCORPORATED

TITLE			
SM - SMCTL0			
SIZE	CODE	NUMBER	REV
B		111002	A
DATE		JUNE 29, 1984	SHEET 03 OF XX

SMCTL1.DWG
SM



PRELIMINARY
RECEIVED FEB 01 1985

TITLE		SM - SMCTL1	
SIZE	CODE	NUMBER	REV
B		111002	A
DATE	JUNE 28, 1984		SHEET 10 OF XX

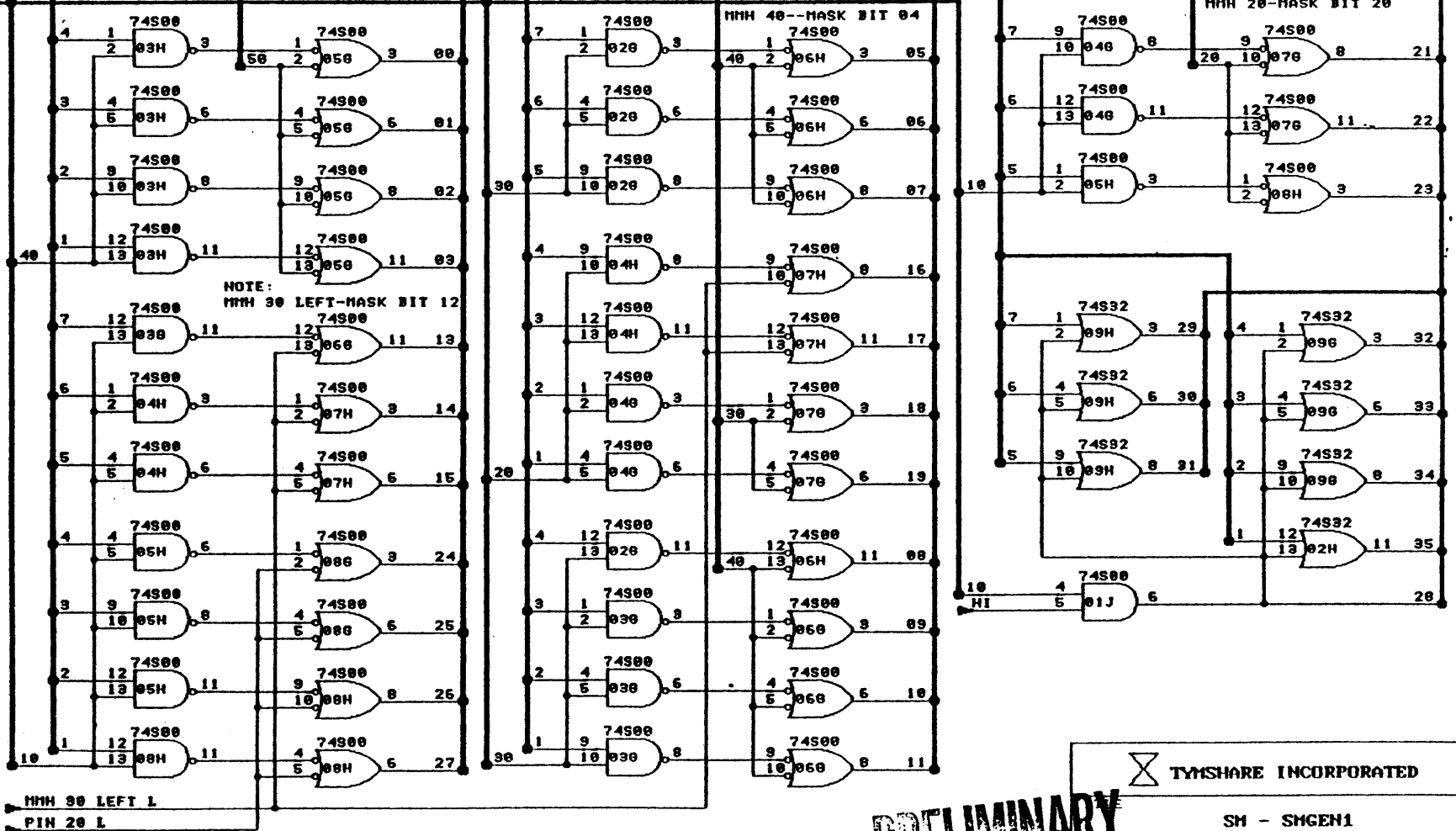
SMGEN1.DWG
SM

MH1 <20 L:50 L>

MH1 <1:7>

MH1 <10:40>

MASK BIT <00:35>

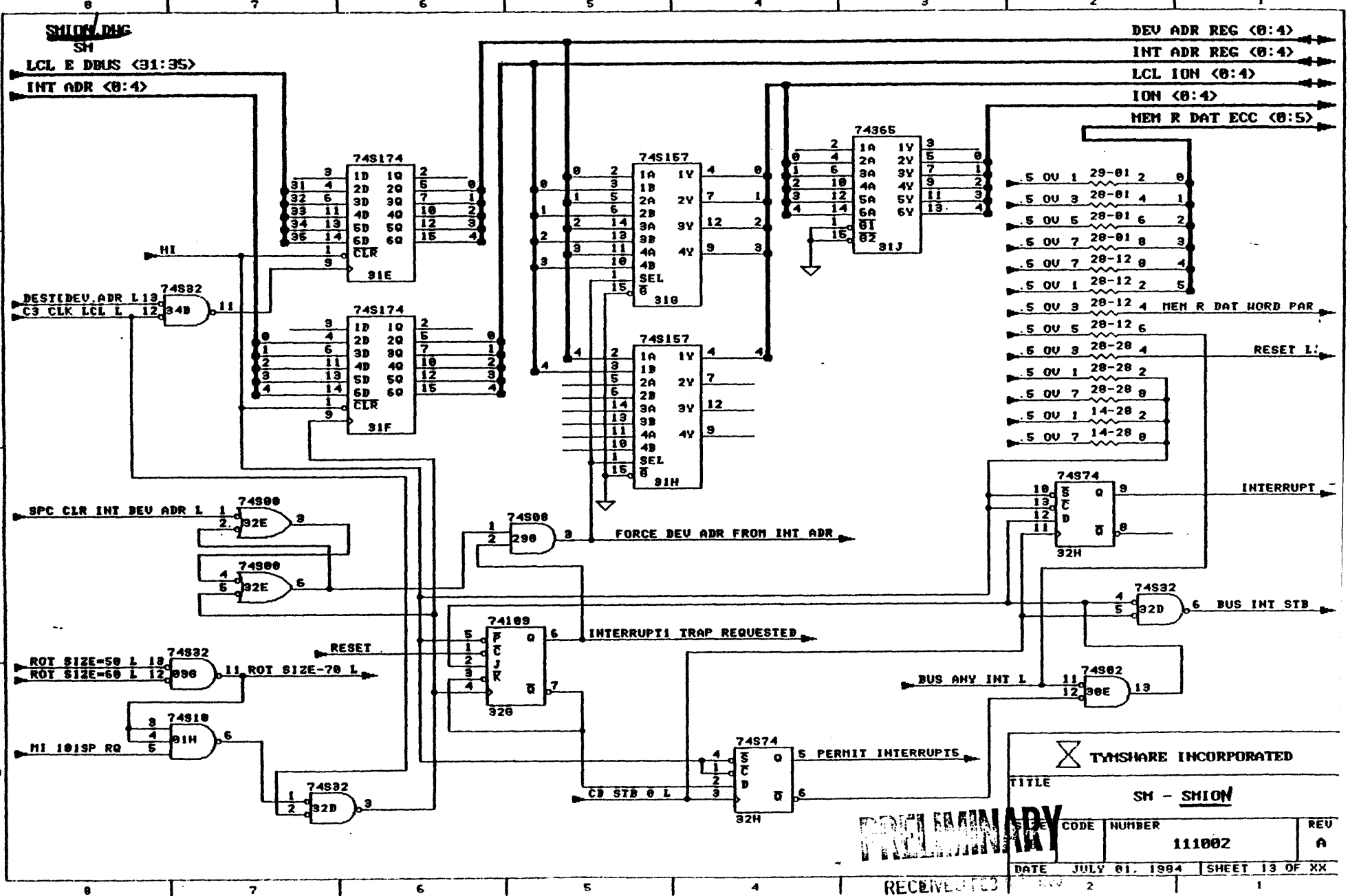



TYMSHARE INCORPORATED

SM - SMGEN1

PRELIMINARY
RECEIVED FEB 01 1985

SIZE	CODE	NUMBER	REV
B		111002	A
DATE	JUNE 29, 1984	SHEET 12 OF XX	




TYMSHARE INCORPORATED

TITLE: **SH - SHION**

DATE	CODE NUMBER	REV
JULY 01, 1984	111002	A

SHEET 13 OF XX

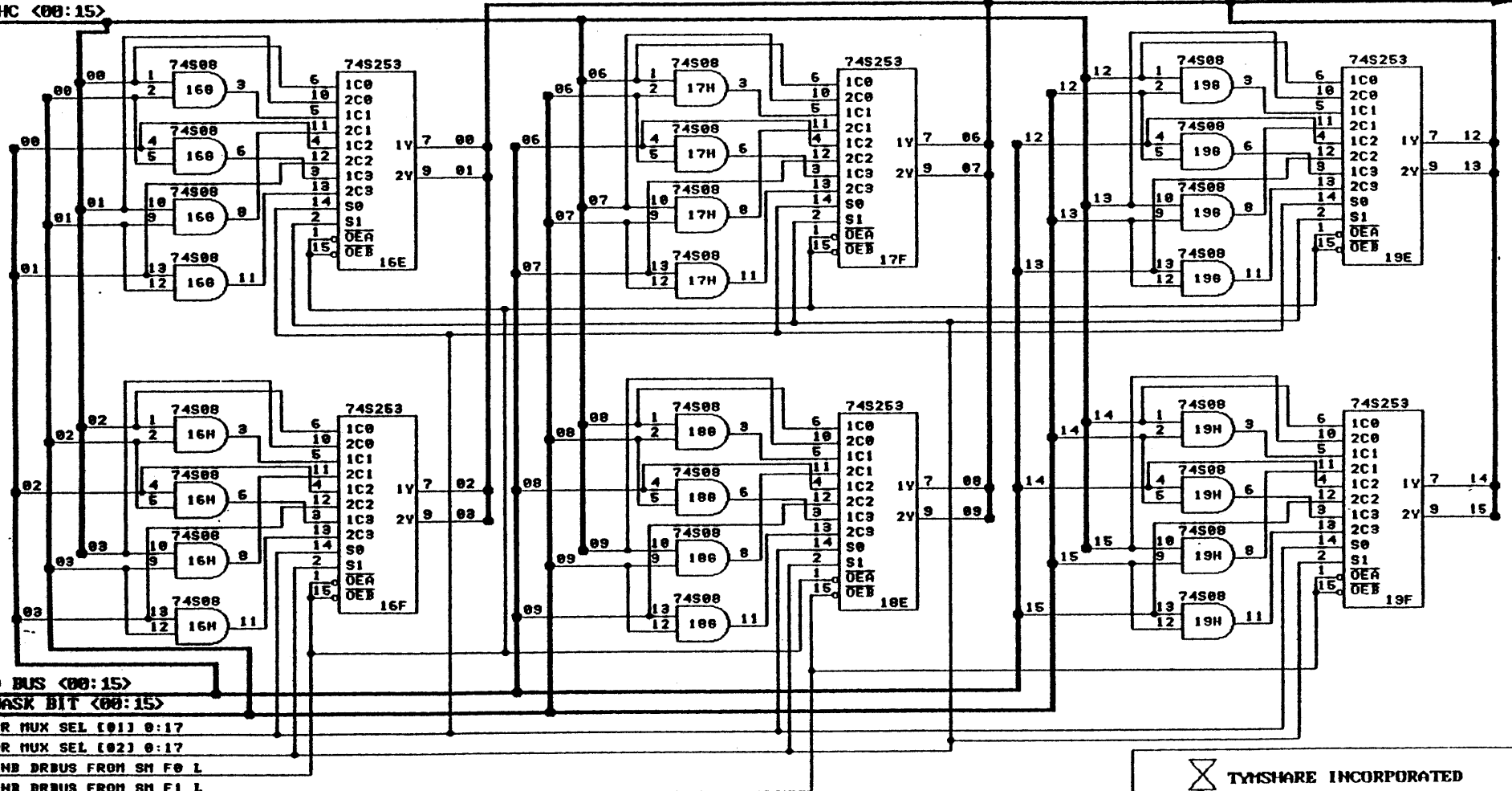
PRELIMINARY

RECEIVED

SMMSK0.DMG
SM

SHC <00:15>

DRBUS <00:15>



D BUS <00:15>
 MASK BIT <00:15>
 DR MUX SEL [0] 0:17
 DR MUX SEL [02] 0:17
 END DRBUS FROM SM F0 L
 END DRBUS FROM SM F1 L

TYMSHARE INCORPORATED

SM - SMMSK0

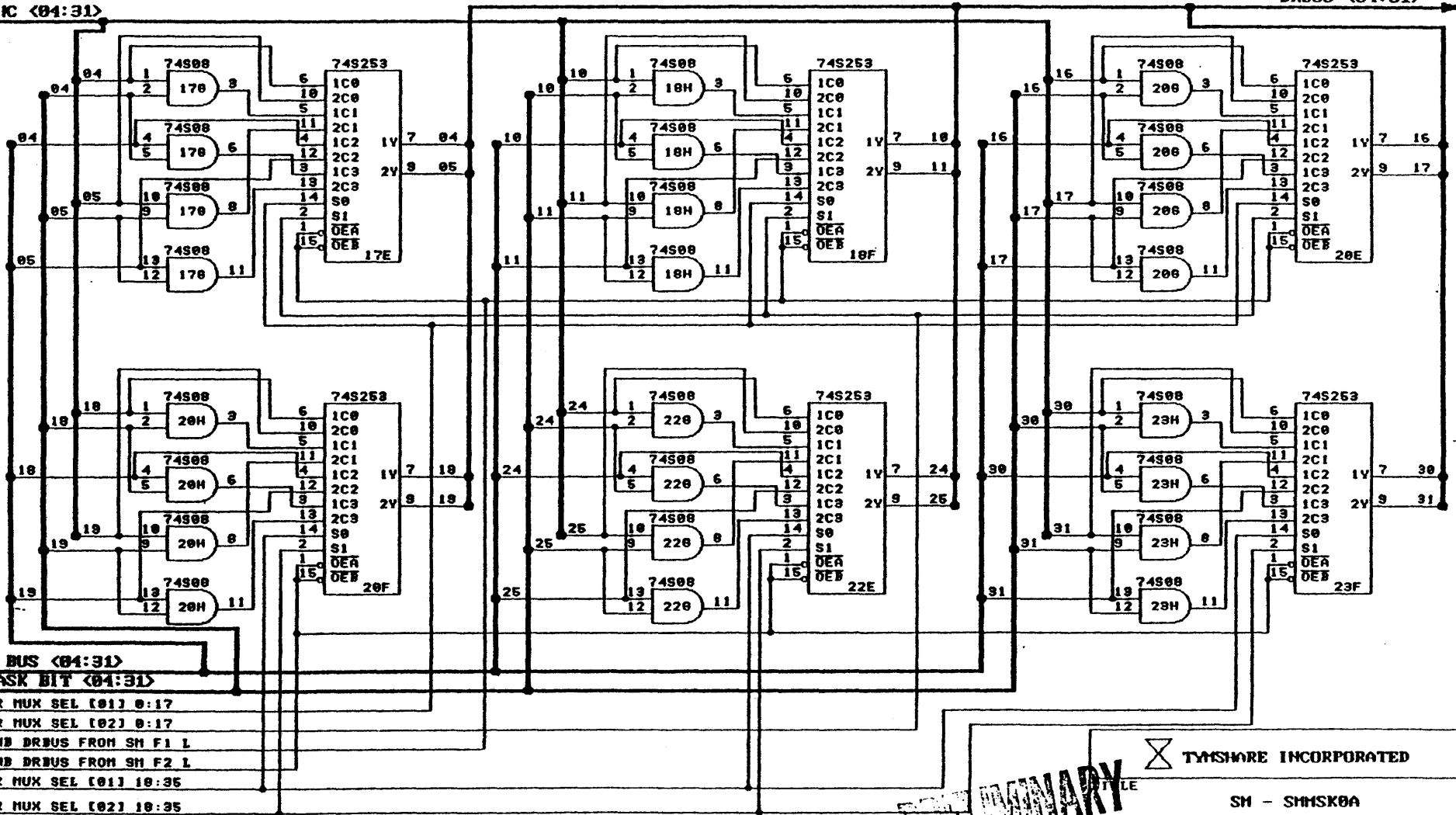
PROHIBITED COPY

RECEIVED FEB 01 1985

SIZE	CODE	NUMBER	REV
B		111002	A
DATE	JULY 02, 1984		SHEET 14 OF XX

SIC <04:31>

DRBUS <04:31>



D BUS <04:31>
MASK BIT <04:31>

DR MUX SEL [01] 0:17
DR MUX SEL [02] 0:17
END DRBUS FROM SM F1 L
END DRBUS FROM SM F2 L
DR MUX SEL [01] 10:35
DR MUX SEL [02] 10:35

TYNSHARE INCORPORATED

SM - SHMSK0A

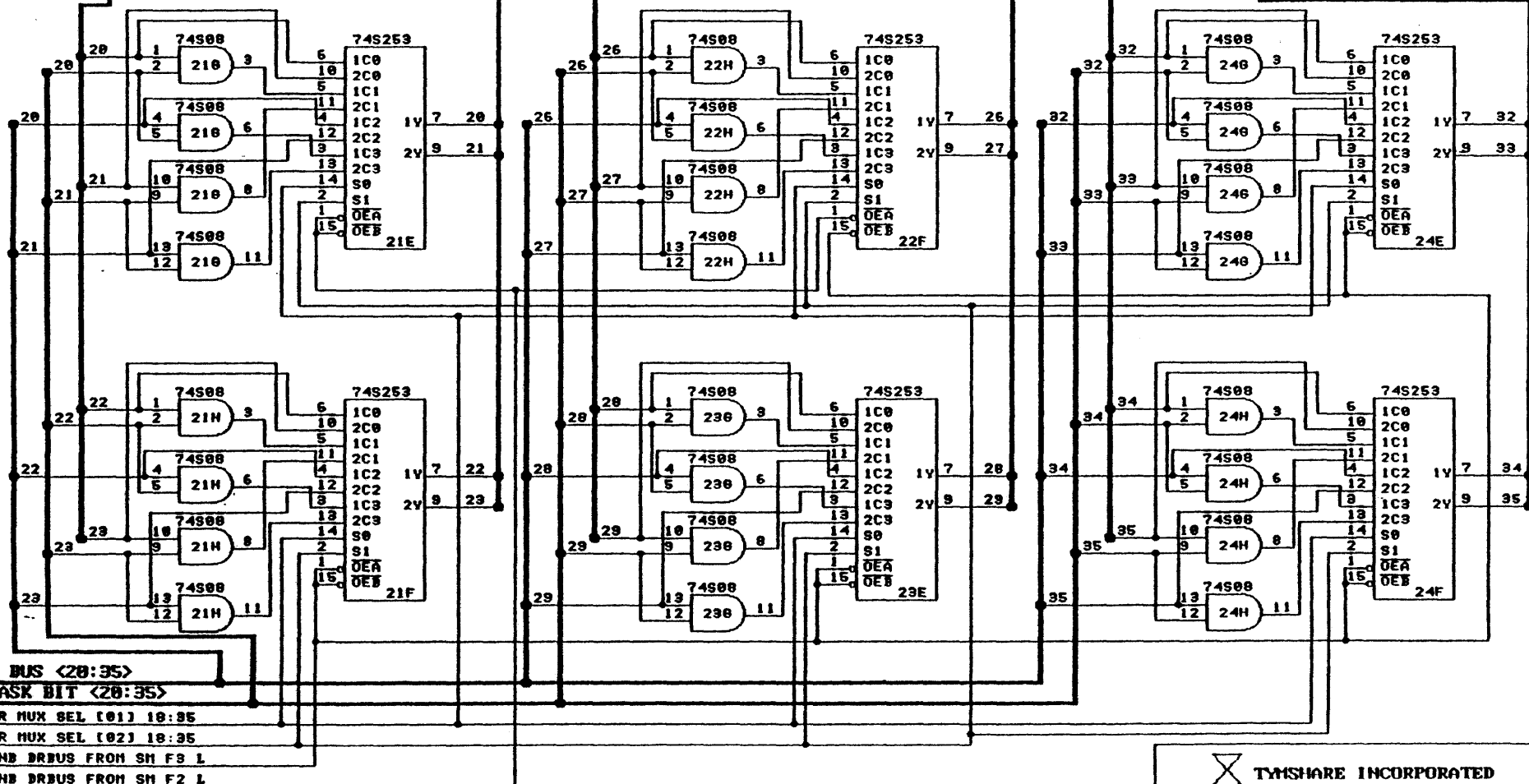
PRELIMINARY
RECEIVED FEB 11 1984

SIZE	CODE	NUMBER	REV
B		111002	A
DATE		JULY 03, 1984	SHEET 15 OF XX

SMASK1.DWG
SM

SHC <20:35>

DRBUS <20:35>



D BUS <20:35>
MASK BIT <20:35>

DR MUX SEL [01] 18:35
DR MUX SEL [02] 18:35
END DRBUS FROM SM F3 L
END DRBUS FROM SM F2 L

TM SHARE INCORPORATED

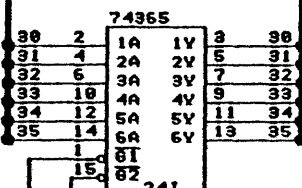
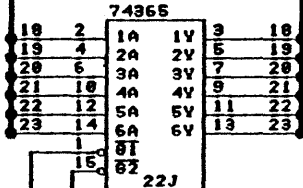
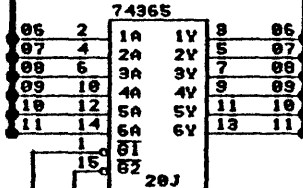
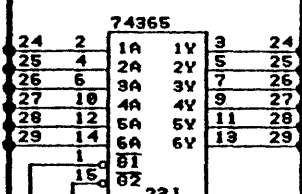
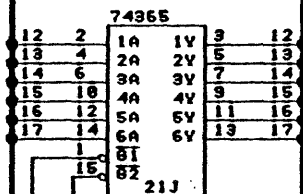
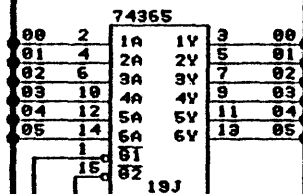
PRELIMINARY

SM - SMASK1

SIZE	CODE	NUMBER	REV
		111002	A
RECEIVED FEB 01 1985 B		DATE	JULY 03, 1984
		SHEET	16 OF XX

MASK BIT (00:35)

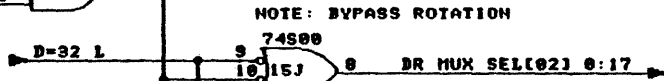
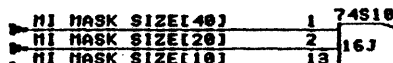
END DBUS FROM MASK L



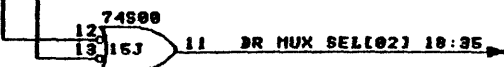
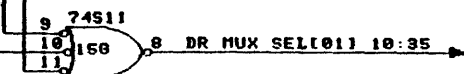
NOTE: ROT SIZE=60: NO ROTATE SPECIFIED

NOTE: MASK SIZE=70: NO MASK SIZE SPECIFIED

NOTE: BYPASS MASKER



NOTE: --MASK SIZE BEING USED AS PART OF CONSTANT



TYMSHARE INCORPORATED

TITLE				SM - SMASK2
REV	NUMBER	CODE	DATE	111002
A	111002	B	JULY 02, 1984	
SHEET 17 OF XX				

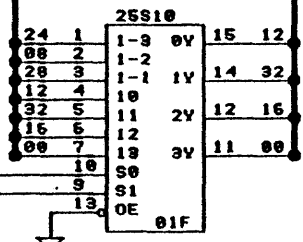
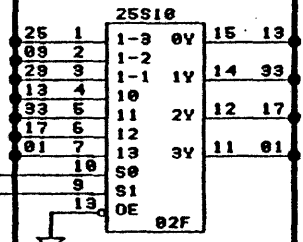
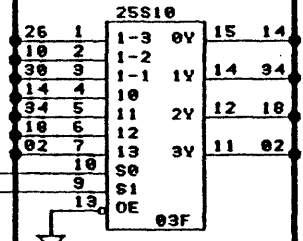
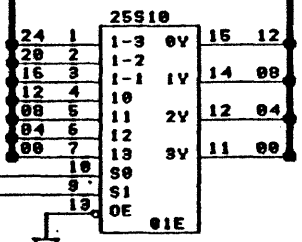
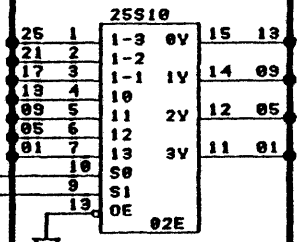
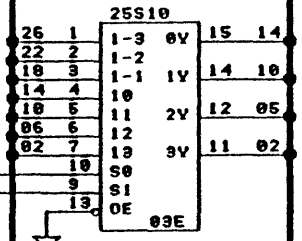
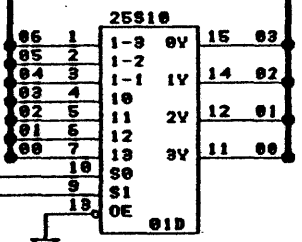
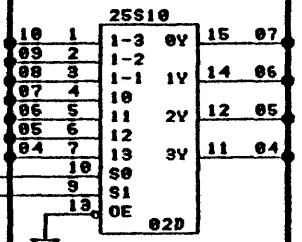
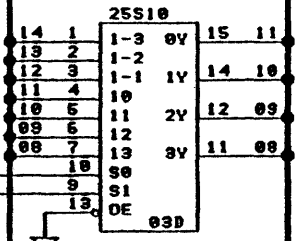
PRELIMINARY

RECEIVED FEB 01

SHROT0.DWG
SM

D BUS <00:14>

SHA <00:25>
SHB <00:34>
SHC <00:34>



ROT SIZE {01}
ROT SIZE {02}

ROT SIZE {04}
ROT SIZE {10}

ROT SIZE {20}
ROT SIZE {40}

TYMSHARE INCORPORATED

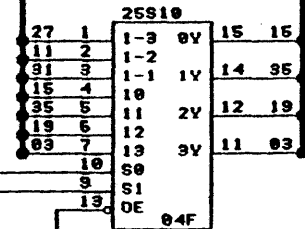
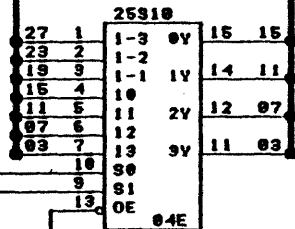
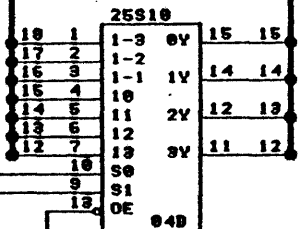
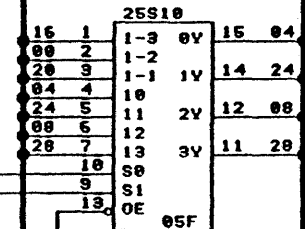
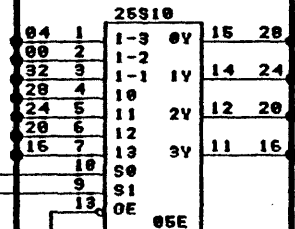
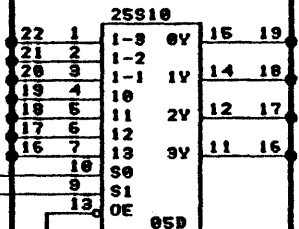
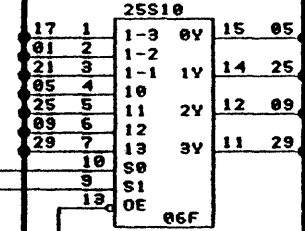
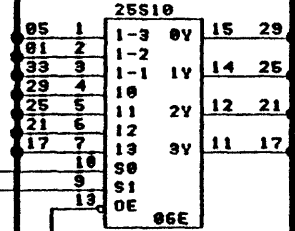
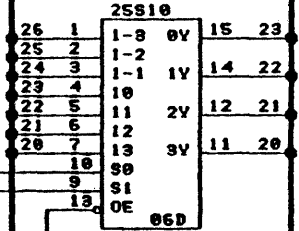
TITLE				SM - SHROT0
REV	CODE	NUMBER	REV	
B		111002	A	
DATE	JULY 05, 1984		SHEET 18 OF XX	

PRELIMINARY
RECEIVED FEB 01 1985

SMROT1.DWG
SM

D BUS <10:26>

SHA <00:33>
SHB <00:35>
SHC <03:35>



ROT SIZE {01}
ROT SIZE {02}

ROT SIZE {04}
ROT SIZE {10}

ROT SIZE {20}
ROT SIZE {40}

TYMSHARE INCORPORATED

PRELIMINARY

SM - SMROT1

RECEIVED FEB 01 1985

SIZE	CODE	NUMBER	REV
B		111002	A
DATE	JULY 05, 1984		SHEET 13 OF XX

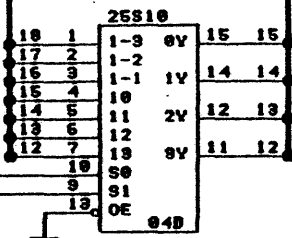
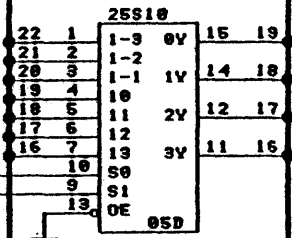
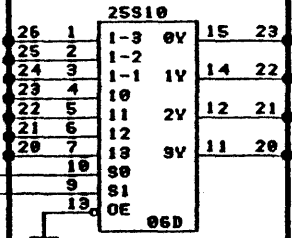
SHROT1.DWG
SM

D BUS <10:26>

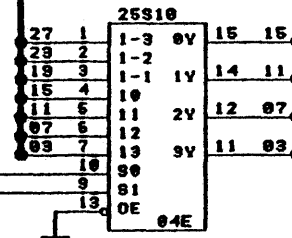
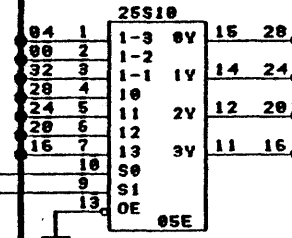
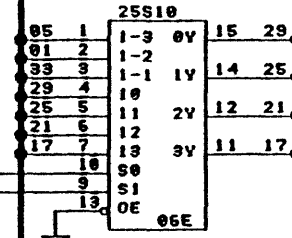
SHA <00:33>

SHB <00:35>

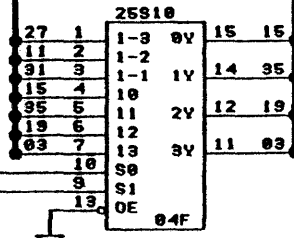
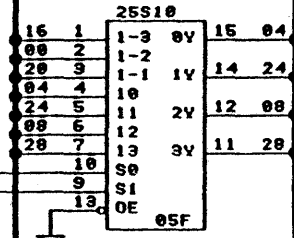
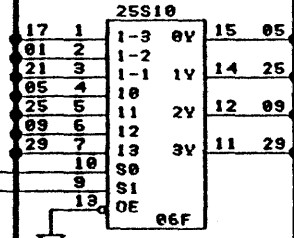
SHC <03:35>



ROT SIZE {011}
ROT SIZE {02}



ROT SIZE {04}
ROT SIZE {10}



ROT SIZE {20}
ROT SIZE {40}

TYMSHARE INCORPORATED

PRELIMINARY

SM - SHROT1

RECEIVED FEB 01 1985

SIZE	CODE	NUMBER	REV
B		111002	A
DATE	JULY 05, 1984		SHEET 13 OF XX

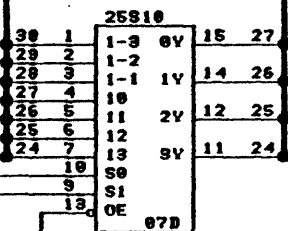
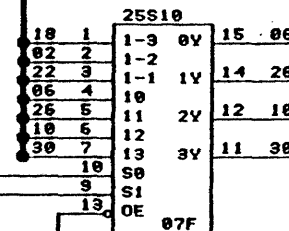
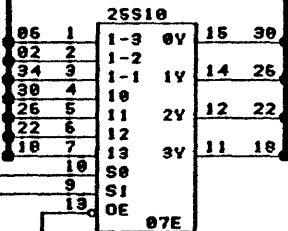
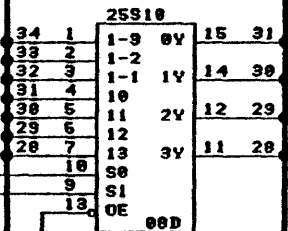
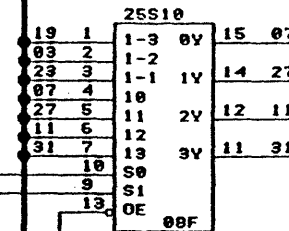
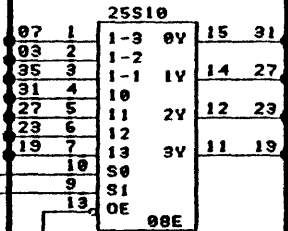
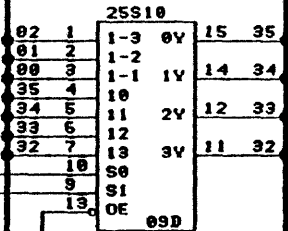
SHROTZ.DWG
SM

D BUS <00:35>

SHA <02:35>

SIB <02:31>

SHC <06:31>



ROT SIZE {01}

ROT SIZE {02}

ROT SIZE {04}

ROT SIZE {10}

ROT SIZE {20}

ROT SIZE {40}

TYMSHARE INCORPORATED

SM - SHROTZ

PRELIMINARY

RECEIVED FEB 01 1985

DATE	CODE	NUMBER	REV
JULY 05, 1984	B	111002	A

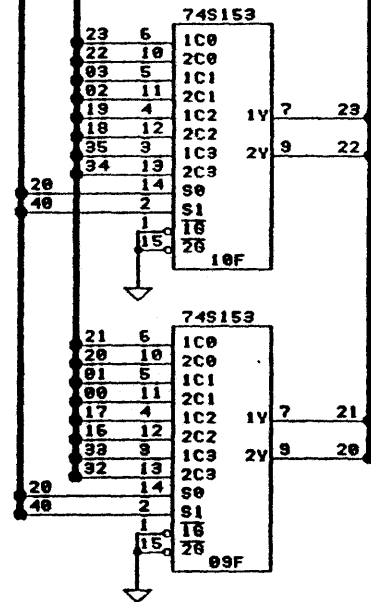
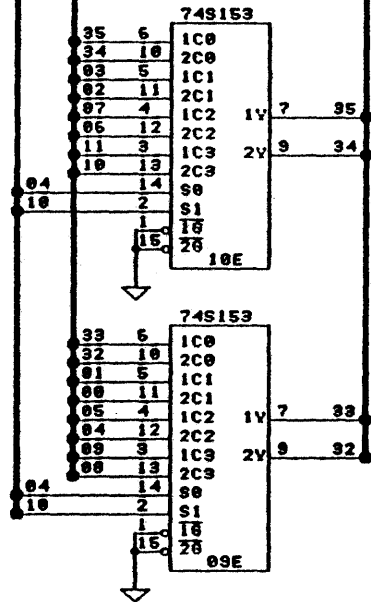
SMROT3.DWG
SM


SHB <00:35>

SHA <00:35>

ROT SIZE <04:40>

SHC <20:23>




TYMSHARE INCORPORATED

PRELIMINARY

SM - SMROT3

SIZE	CODE	NUMBER	REV
B		111002	A
DATE	JULY 02, 1984		SHEET 21 OF XX

RECEIVED FEB 01 1985

SMRS10.DWG
SM

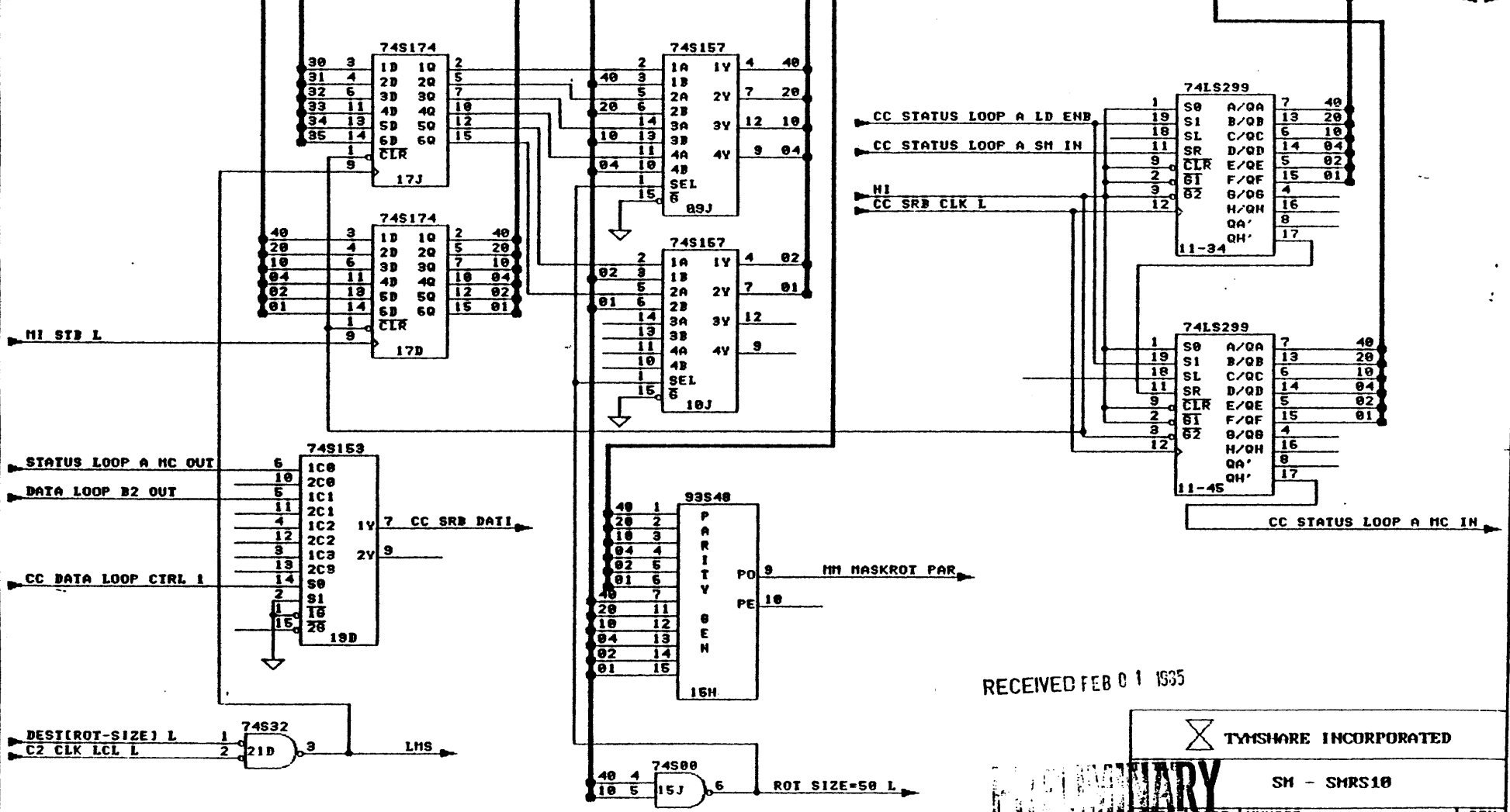
LCL EOBUS <30:35>

MM ROT SIZE <01:40>

MI ROT SIZE <01:40>

ROT SIZE <01:40>

MI MASK SIZE <01:40>



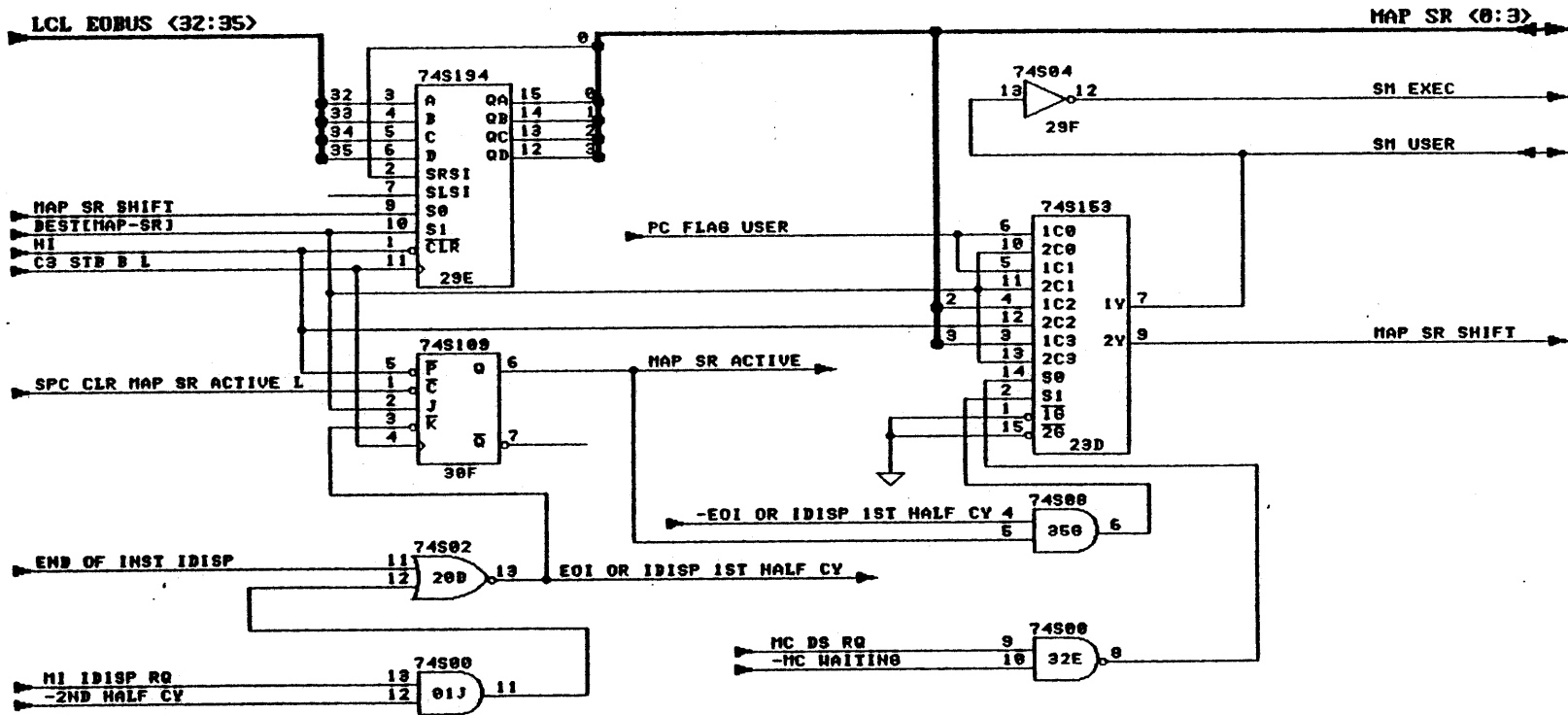
RECEIVED FEB 01 1985

TYMSHARE INCORPORATED


SM - SMRS10

SIZE	CODE	NUMBER	REV
B		111002	A
DATE	JULY 02, 1984		SHEET 22 OF XX

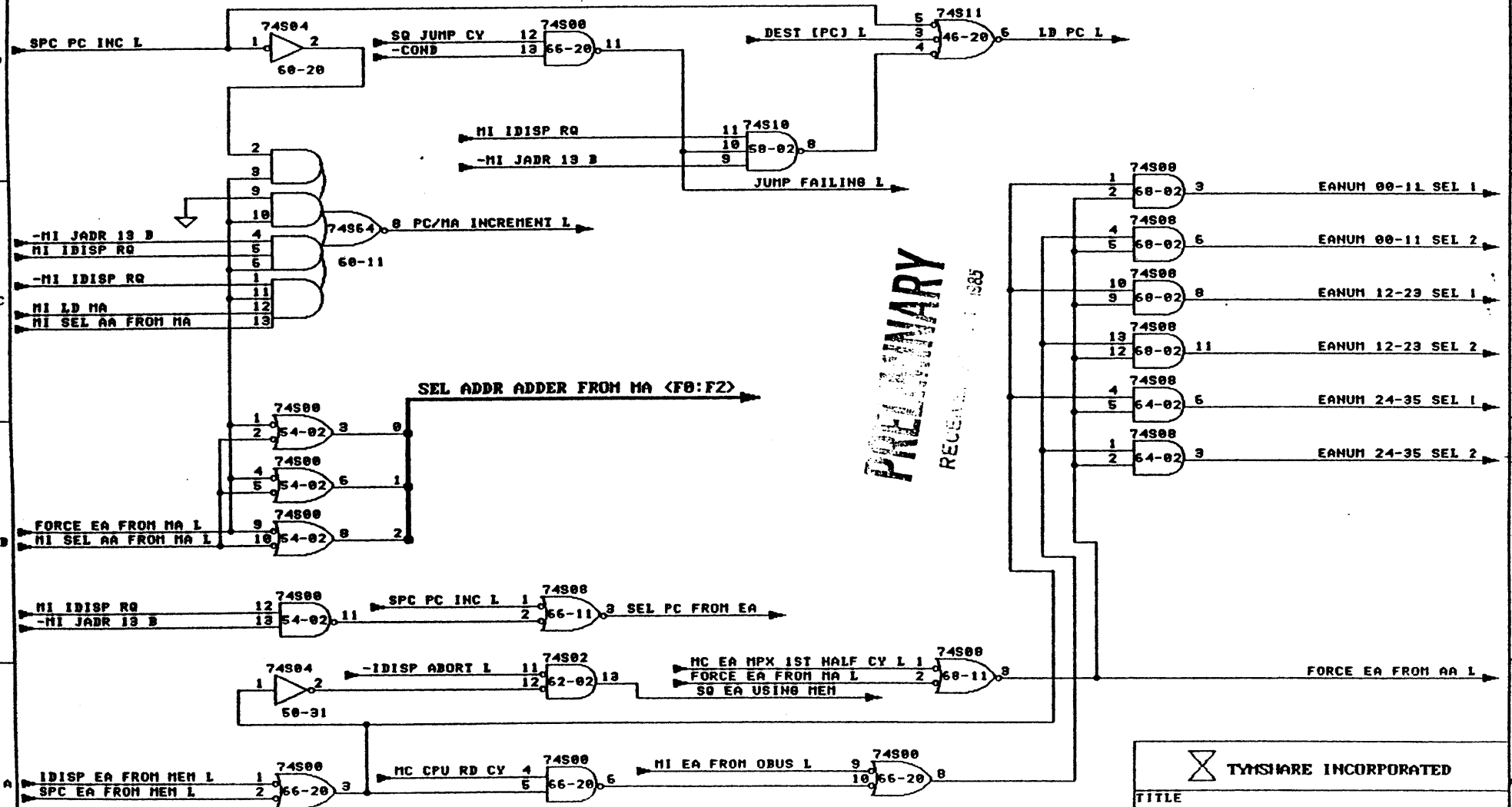
SHUSER.DWG
SM



RECEIVED FEB 01 1985

 TYNSHARE INCORPORATED			
SM - SHUSER			
SIZE	CODE	NUMBER	REV
B		111002	A
DATE	JULY 03, 1984		SHEET 23 OF XX

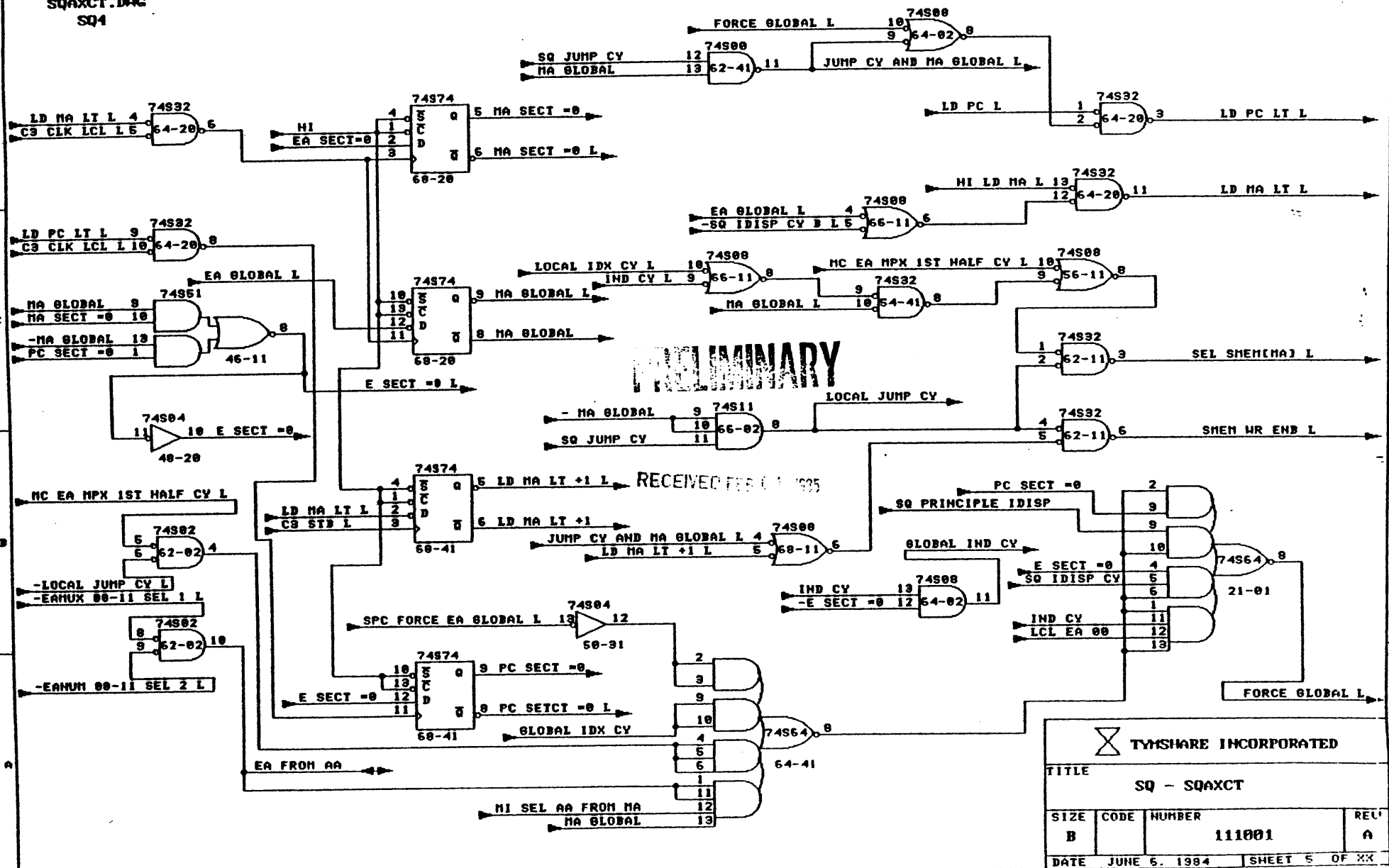
SQRECT.DWG
SQ4



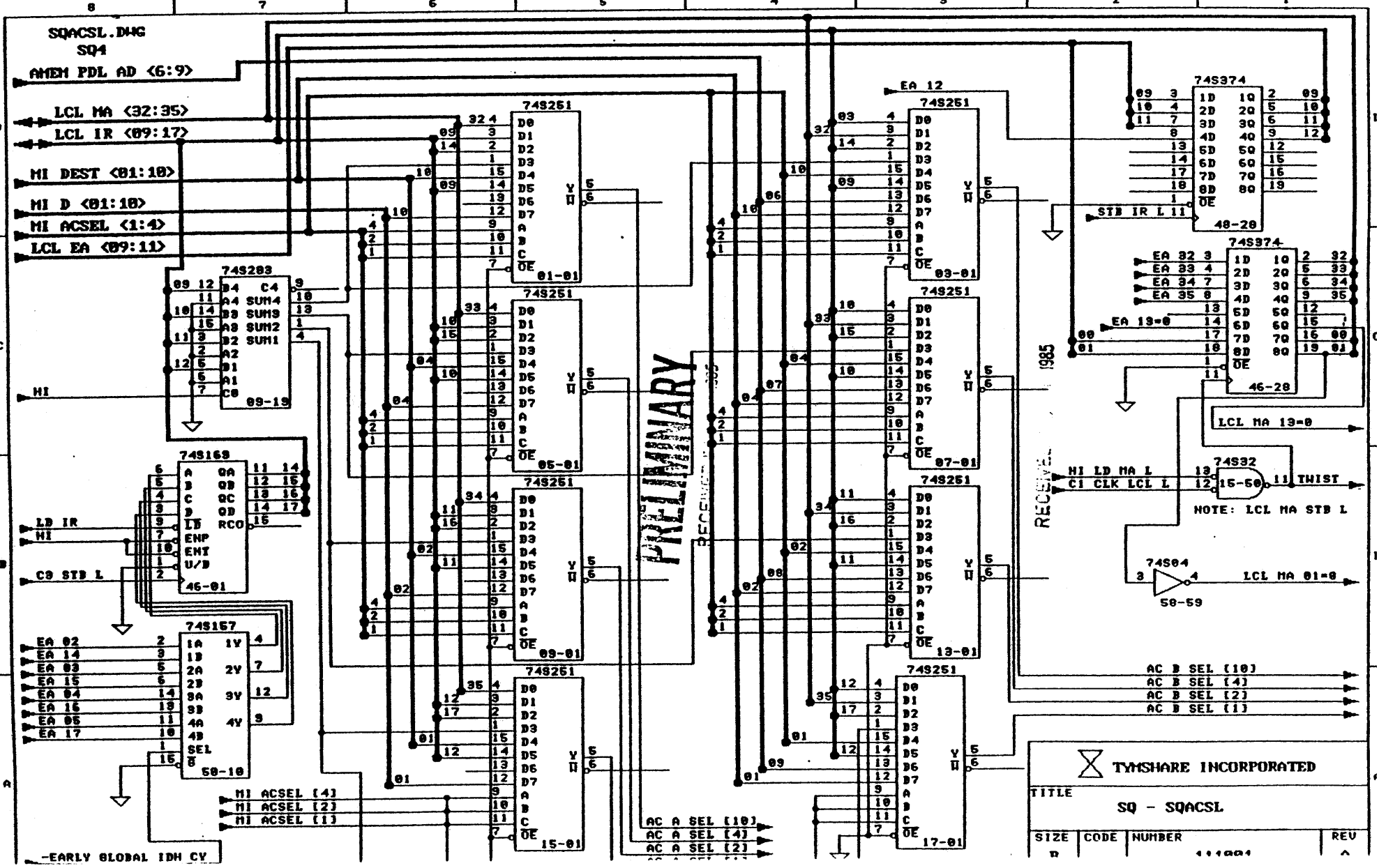
PRELIMINARY
 RECEIVED 11-1985

TYMSHARE INCORPORATED			
TITLE SQ - SQRECT			
SIZE B	CODE	NUMBER 111001	REV A
DATE		SHEET 4 OF XX	
JUNE 6, 1984			

SQAXCT.DWG
SQ4



TITLE				
SQ - SQAXCT				
SIZE	CODE	NUMBER	REV	
B		111001	A	
DATE	JUNE 6, 1984	SHEET 5 OF XX		



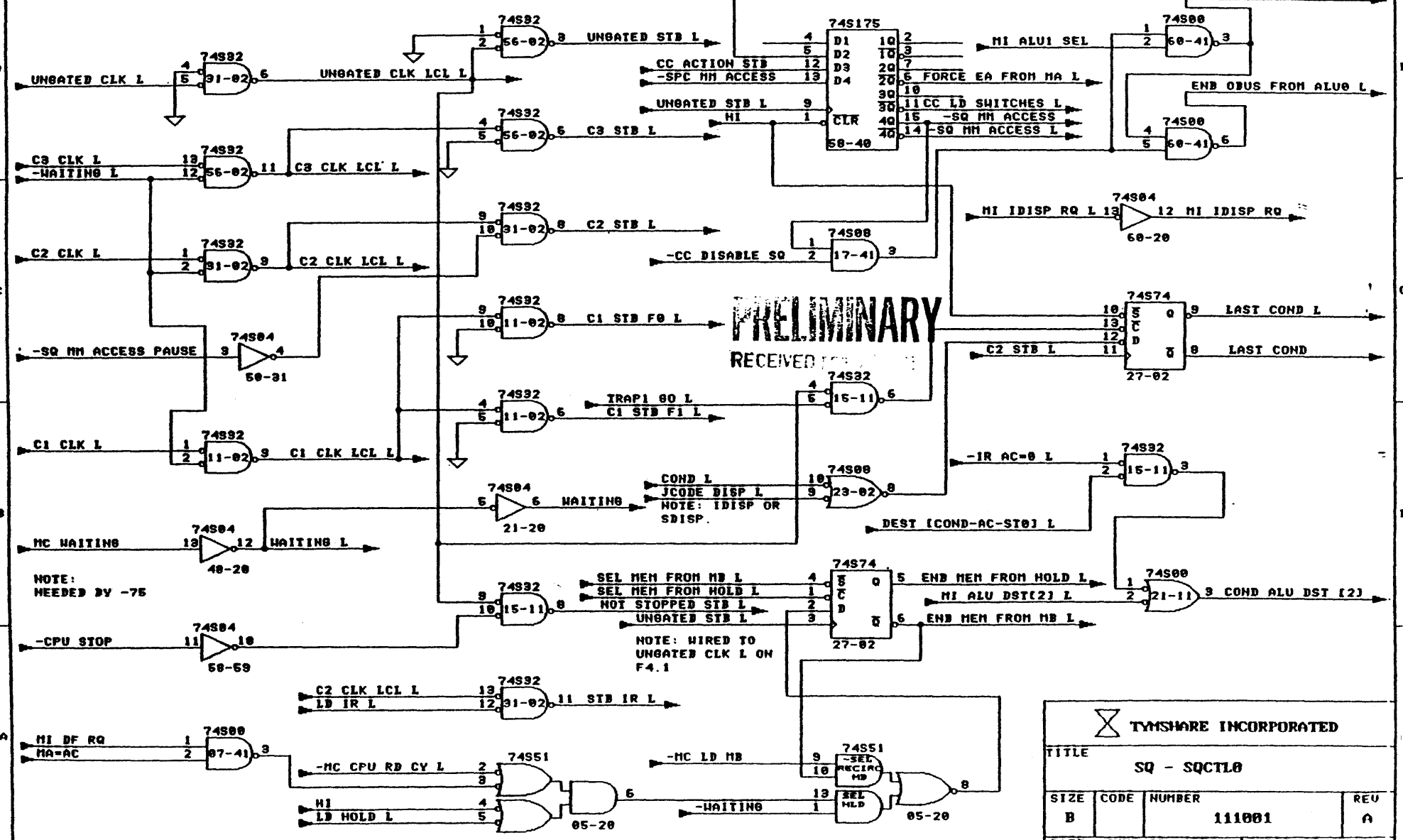
PRELIMINARY

TITLE			
SQ - SQACSL			
SIZE	CODE	NUMBER	REV
D		111001	A

SQCTL0.DMG
SQ4

MC DATA FETCH OR STORE WILL BE DELAYED

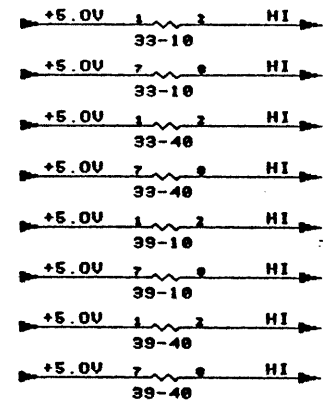
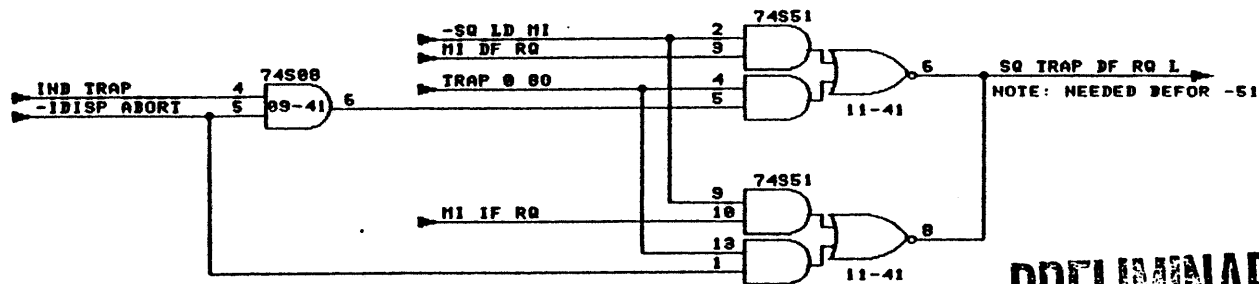
END OBUS FROM ALU1 L



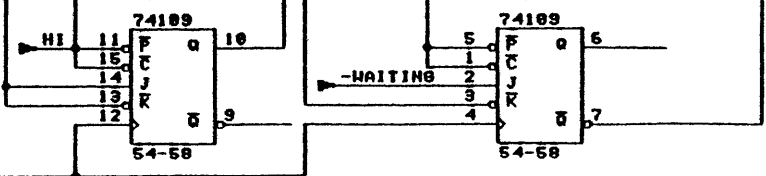
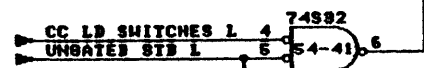
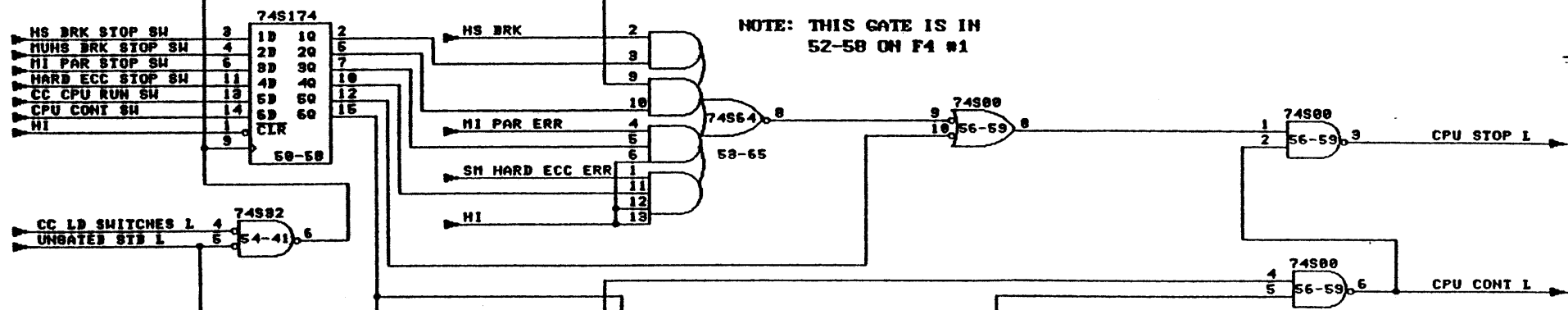
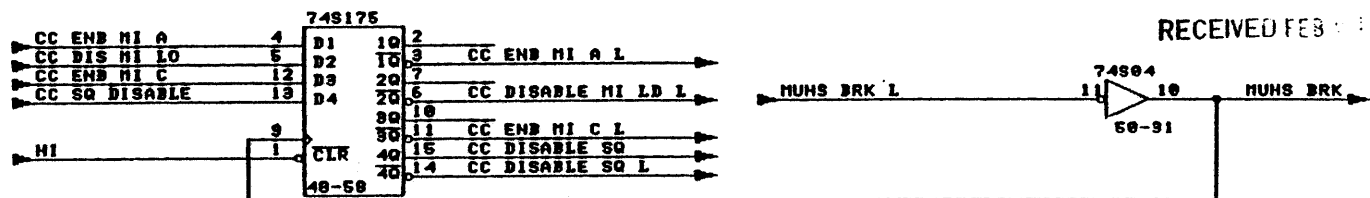
PRELIMINARY
RECEIVED FOR REVIEW

TITLE			
SQ - SQCTL0			
SIZE	CODE	NUMBER	REV
B		111001	A
DATE		JUNE 20, 1984	SHEET 10 OF XX

SQCTL1.DWG
SQ4



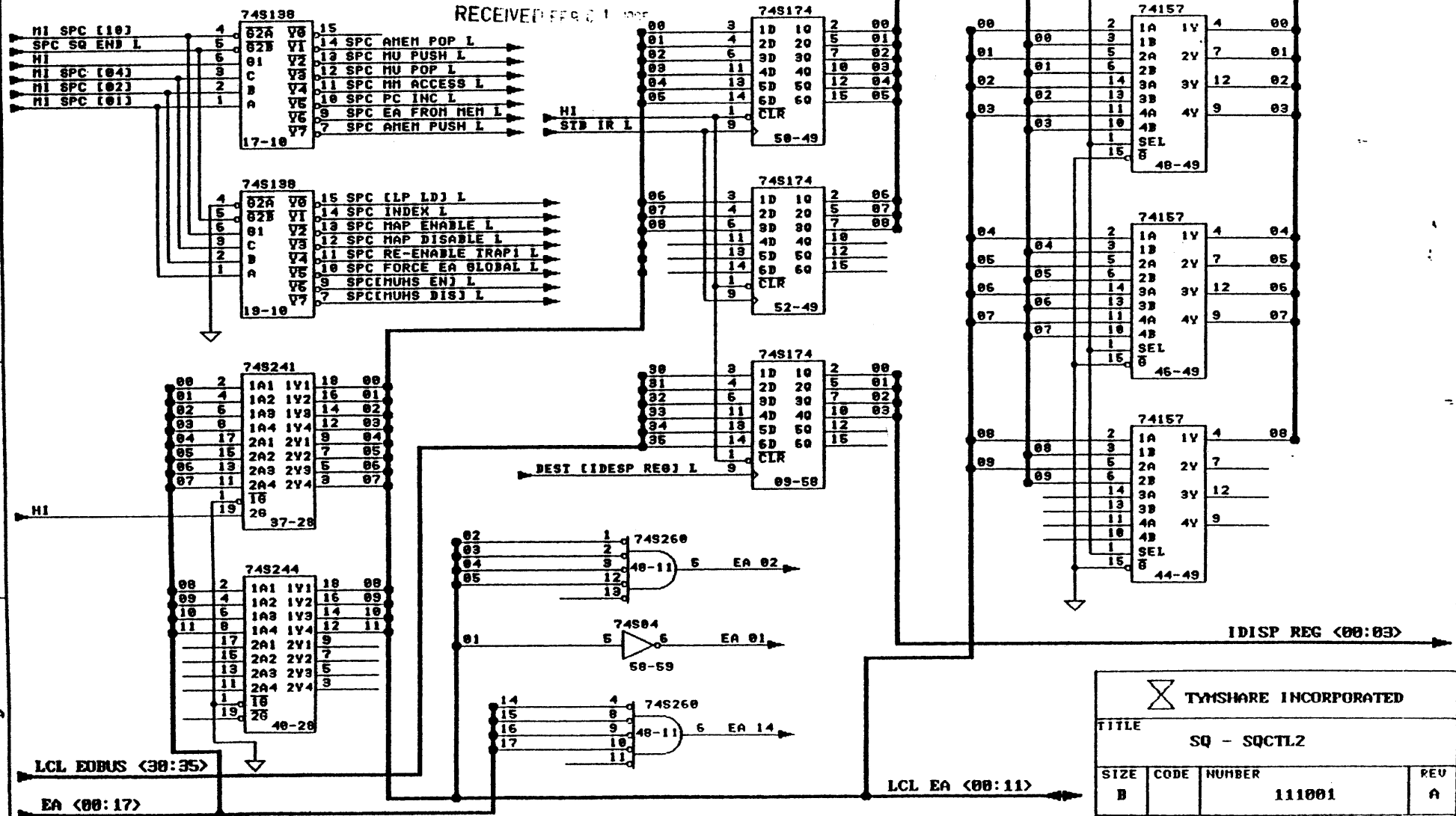
PRELIMINARY
RECEIVED FEB 1984



TITLE			
SQ - SQCTL1			
SIZE	CODE	NUMBER	REV
B		111001	A
DATE	JUNE 14, 1984		SHEET 11 OF XX

PRELIMINARY

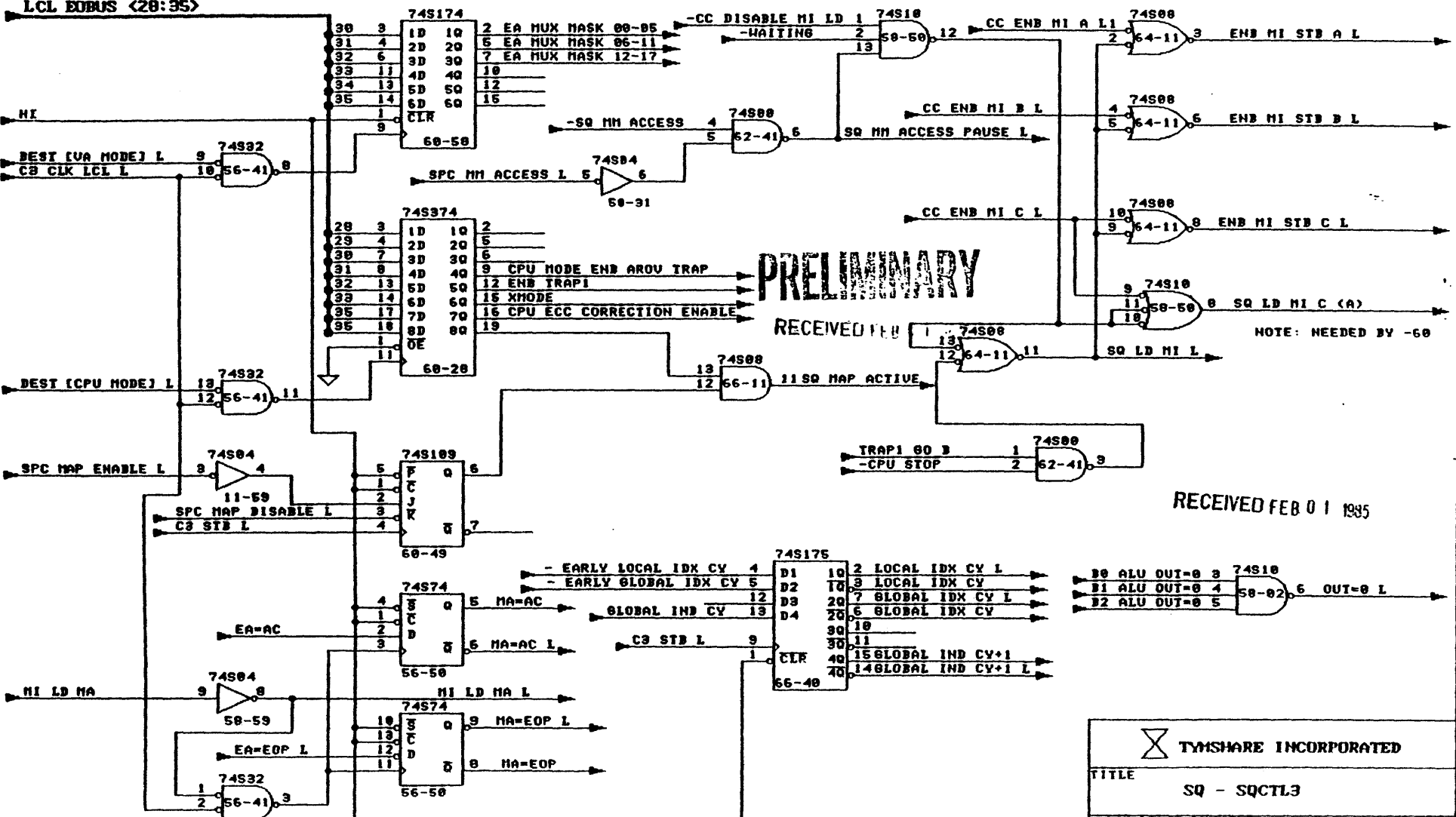
RECEIVED FROM L



TITLE			
SQ - SQCTL2			
SIZE	CODE	NUMBER	REV
B		111001	A
DATE		JUNE 16, 1984	SHEET 12 OF XX

SQCTL3.DWG
SQ4

LCL EOBUS <28:35>

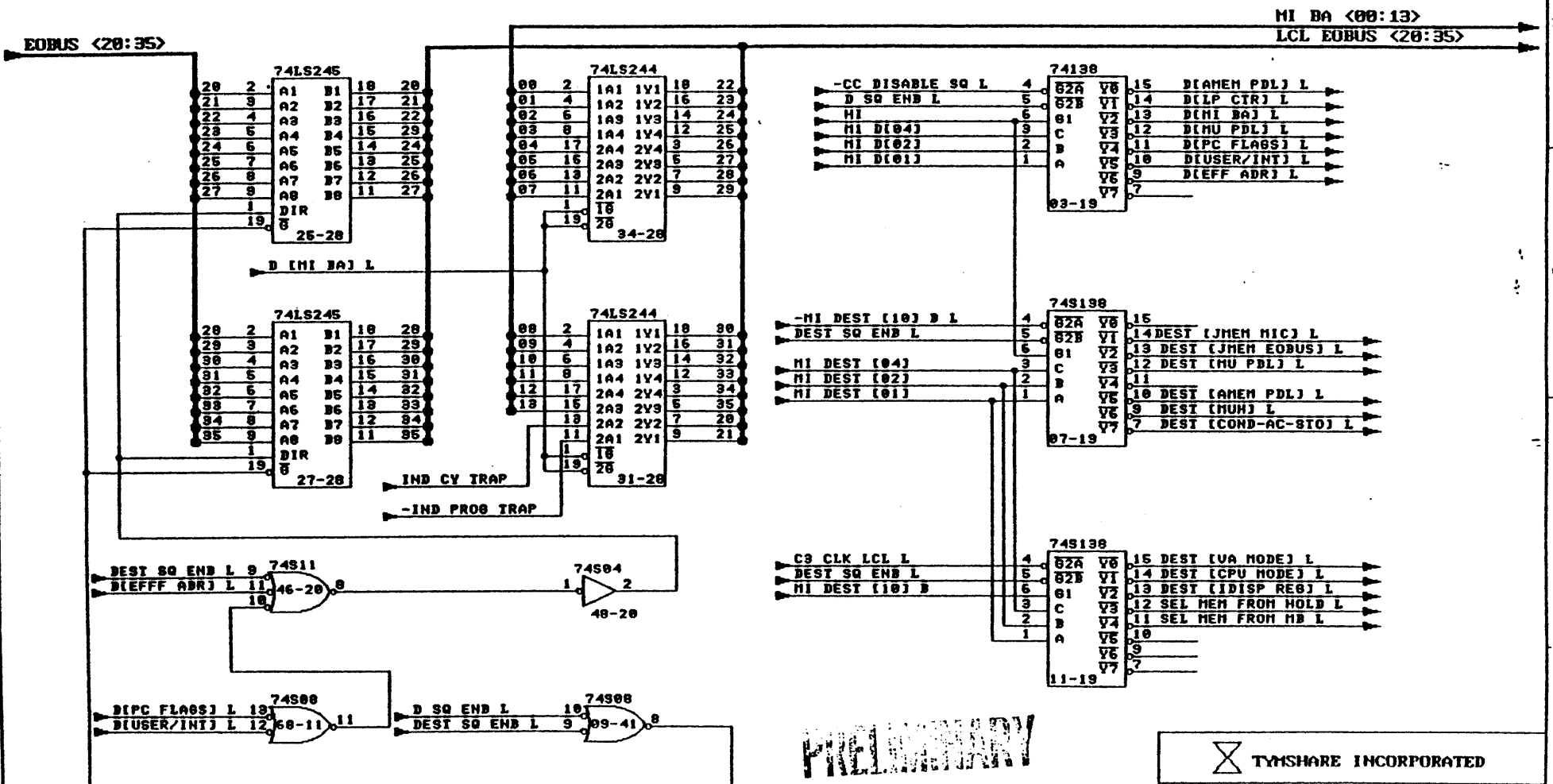


PRELIMINARY

RECEIVED FEB 1 1984

RECEIVED FEB 01 1985

TITLE			
SQ - SQCTL3			
SIZE	CODE	NUMBER	REV
B		111001	A
DATE		JUNE 18, 1984	SHEET 13 OF XX



PRELIMINARY

RECEIVED

TITLE			
SQ - SQE0B			
SIZE	CODE	NUMBER	REV
B		111001	0
DATE	JUNE 18, 1984		SHEET 14 OF XX

SQJMD.DWG
SQ4

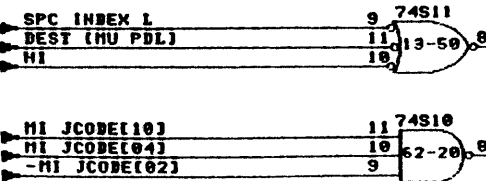
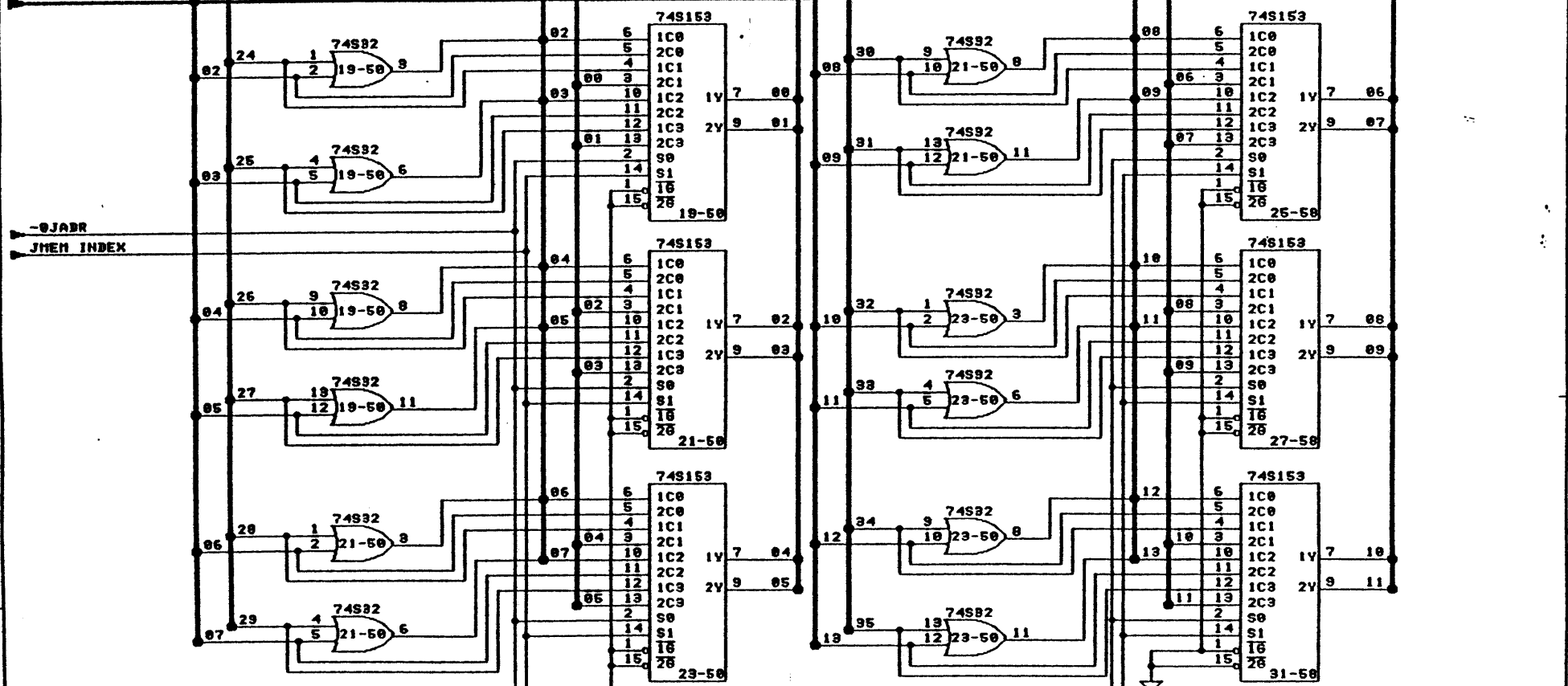
MI PDL <00:11>

SDISP AD <02:13>

LCL EBUS <24:35>

MI JADR <02:13>

JMEM AD <00:11>



RECEIVED

PRELIMINARY

TYMSHARE INCORPORATED

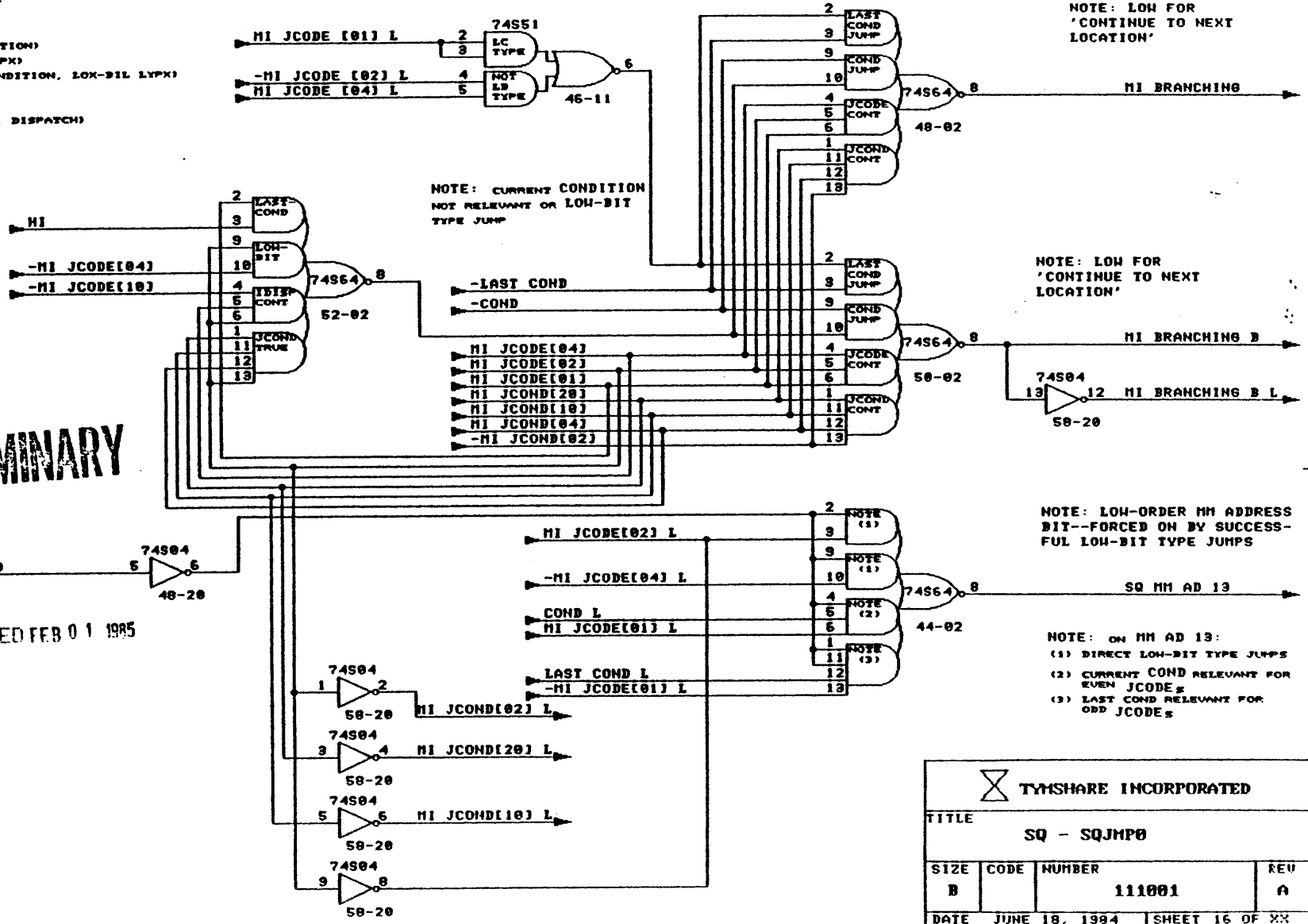
TITLE			
SQ - SQJMD			
SIZE	CODE	NUMBER	REV
B		111001	A
DATE		JUNE 10, 1984	SHEET 15 OF XX

SQJMP0.DWG
SQ4

NOTE: LAST CONDITION
RELEVANT AND NOT
LOW BIT TYPE JUMP


JCODE FIELD VALUES:

- 0 JUMP
- 1 JUMPLC (LAST CONDITION)
- 2 LBJUMP (LOX-BIL LYPK)
- 3 LBJUNPLC (LAST CONDITION, LOX-BIL LYPK)
- 4 PUSHJ
- 5 PUSHJLC
- 6 IBISP (MACRO-INSL. DISPATCH)
- 7 CONT
- 8 POPJ
- 9 POPJLC
- 10 LBPOPJ
- 11 LBPOPJLC
- 12 OJADR
- 13 OJADRLC
- 14 SBISP (00BUS)
- 15 CONT1

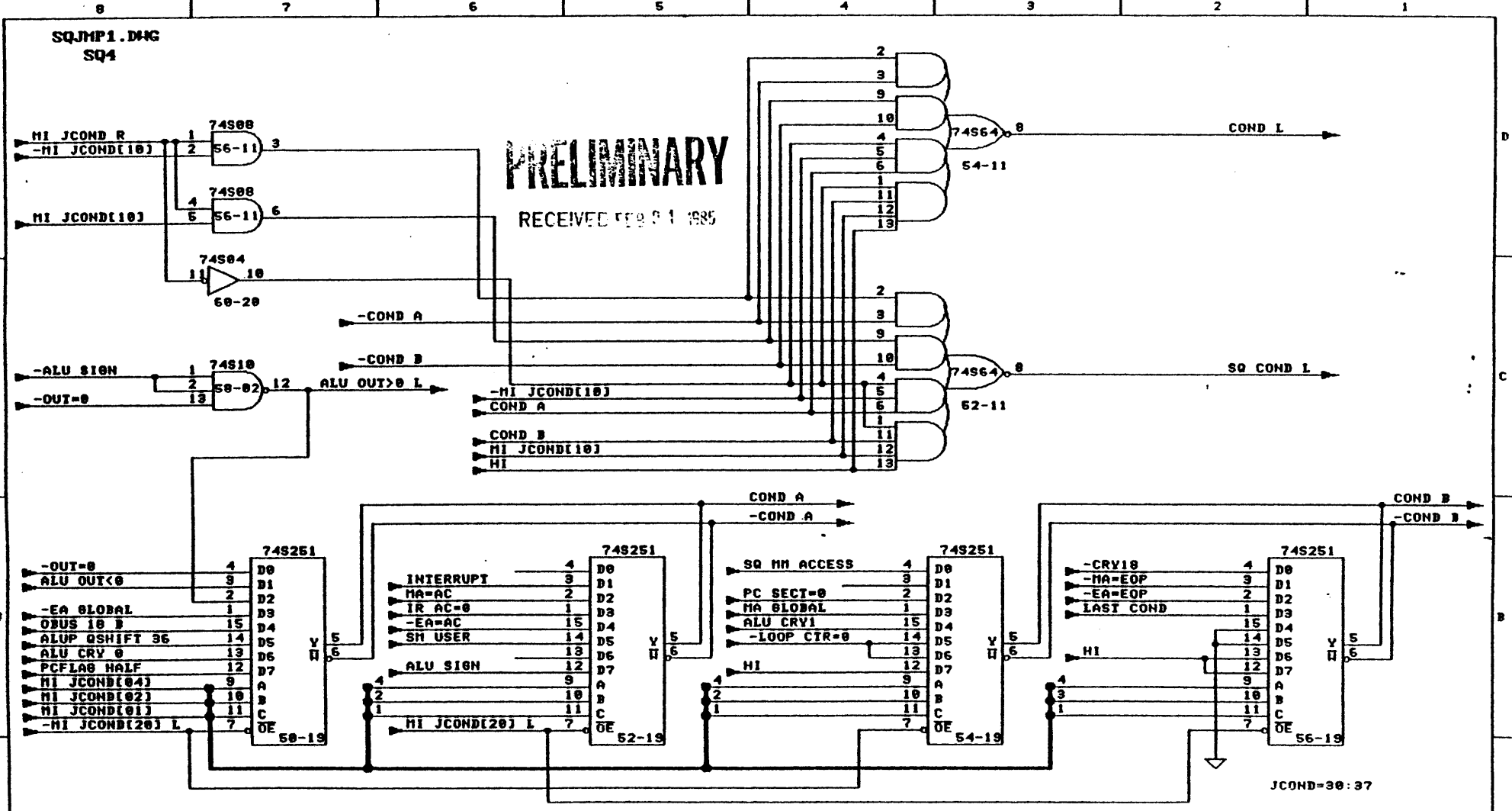



PRELIMINARY

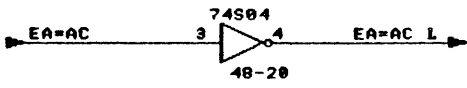
RECEIVED FEB 01 1985

 TYMSHARE INCORPORATED			
TITLE			
SQ - SQJMP0			
SIZE	CODE	NUMBER	REV
B		111001	A
DATE	JUNE 18, 1984		SHEET 16 OF XX

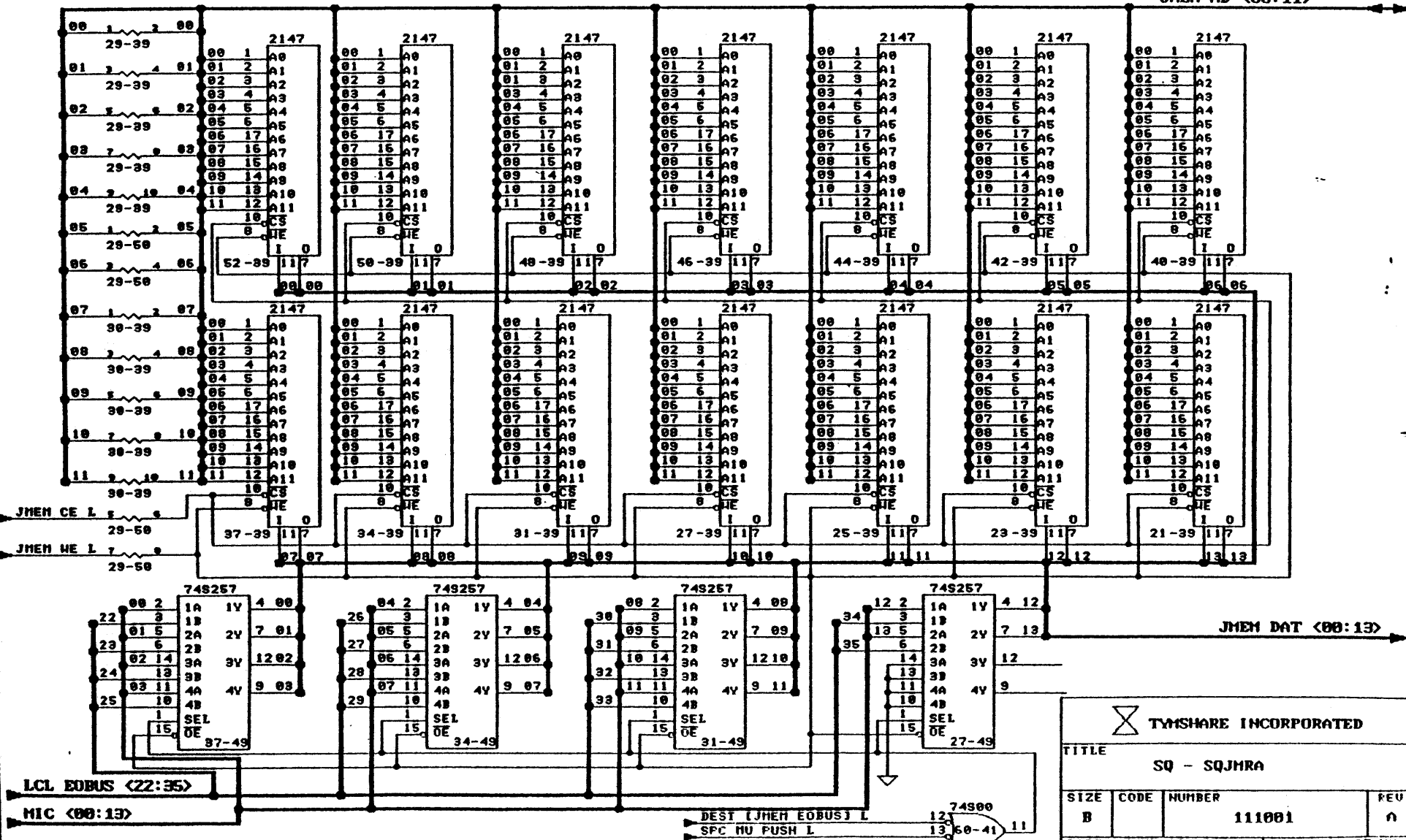
PRELIMINARY
RECEIVED SEP 9 1 1985



 TYMSHARE INCORPORATED			
TITLE SQ - SQJMP1			
SIZE B	CODE	NUMBER 111001	REV A
DATE JUNE 18, 1984		SHEET 17 OF XX	



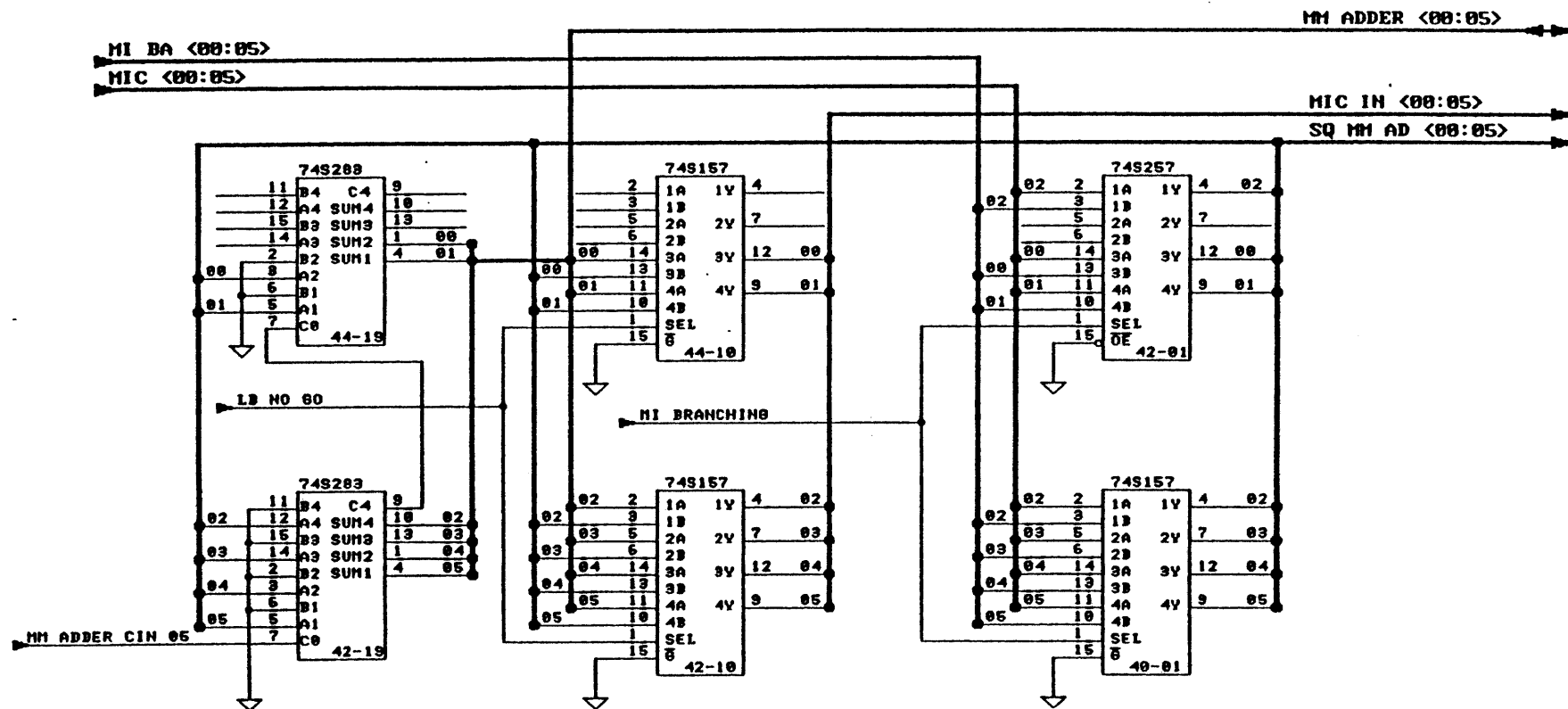
JMEM AD <00:11>



JMEM DAT <00:13>

TM SHARE INCORPORATED

TITLE			
SQ - SQJHRA			
SIZE	CODE	NUMBER	REV
B		111001	0
DATE		JUNE 19, 1984	SHEET 19 OF 22

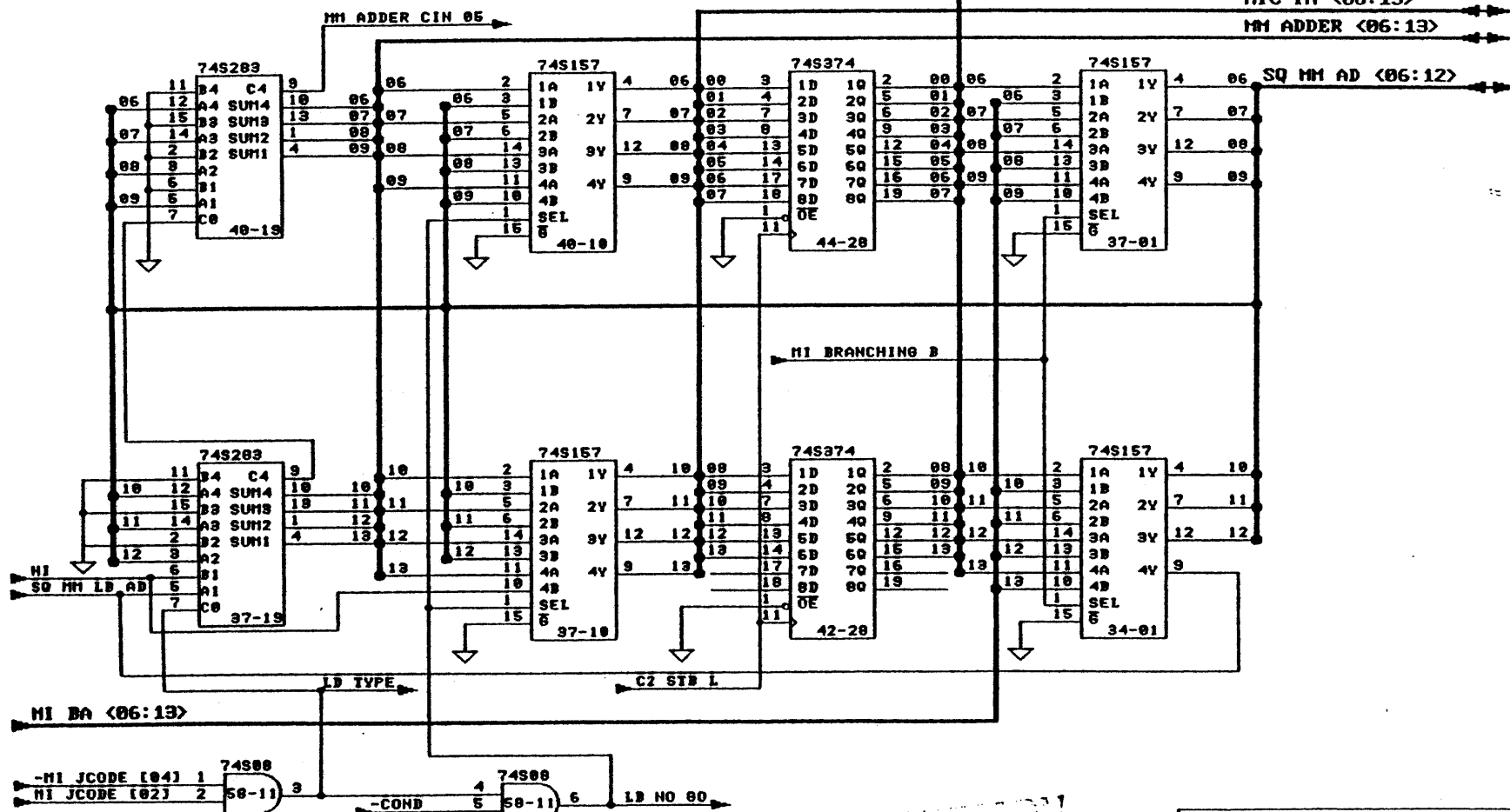


PRELIMINARY
REVISED FEB 1985

TITLE			
SQ - SQMAD0			
SIZE	CODE	NUMBR	REV
B		111001	A
DATE	JUNE 19, 1984		SHEET 19 OF XX

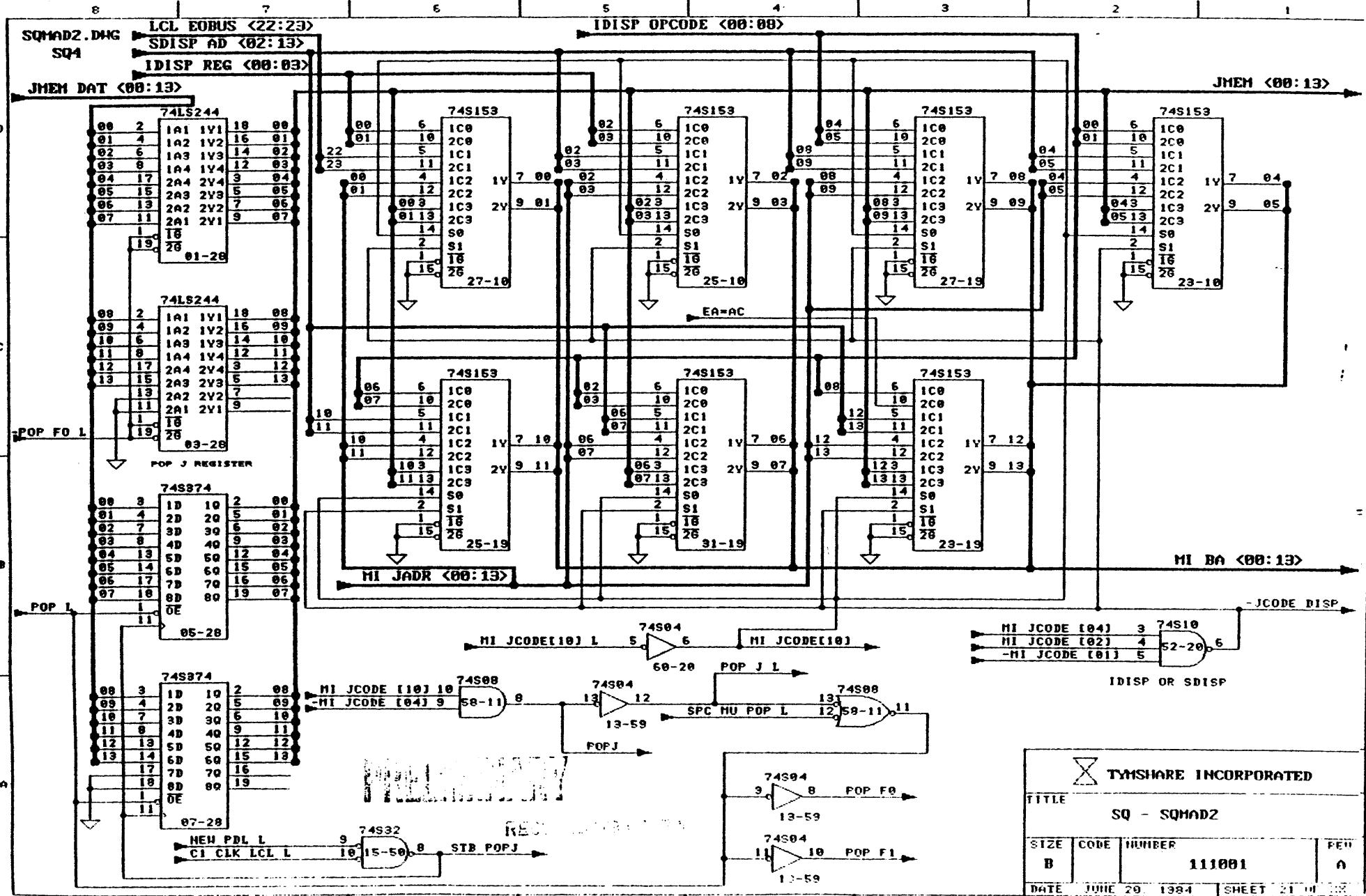
SQMAD1.DWG
SQ4

MIC <00:13>
MIC IN <00:13>
MM ADDER <06:13>



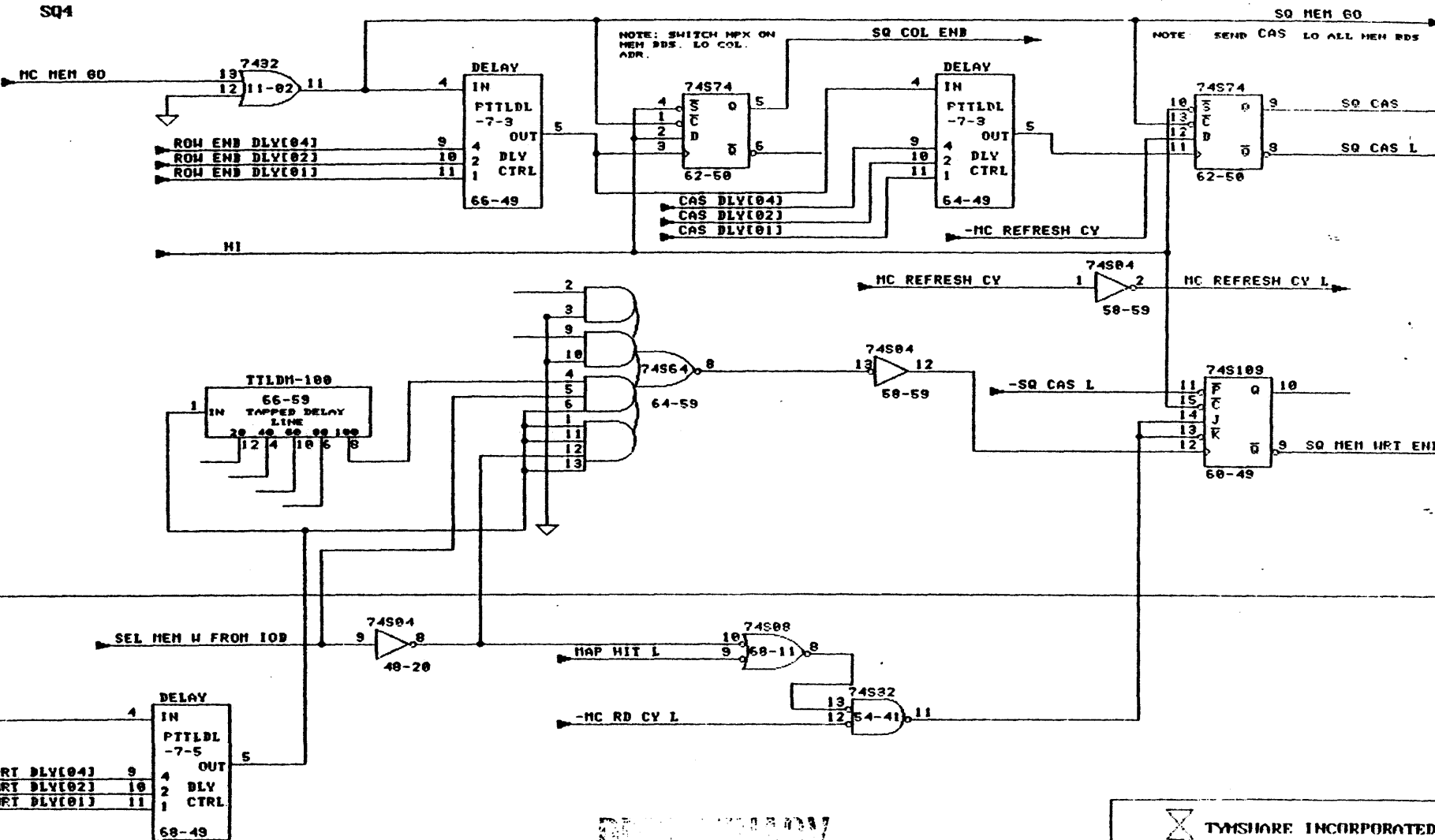
PROHIBITED
RECEIVED FEB 01 1985

TITLE			
SQ - SQMAD1			
SIZE	CODE	NUMBER	REV
B		111001	A
DATE		JUNE 20, 1984	SHEET 20 OF XX



TITLE				
SQ - SQMAD2				
SIZE	CODE	NUMBER	REV	
B		111001	0	
DATE		JUNE 20, 1984	SHEET 21 OF 22	

SQMHC.DWG
SQ4



RECEIVED

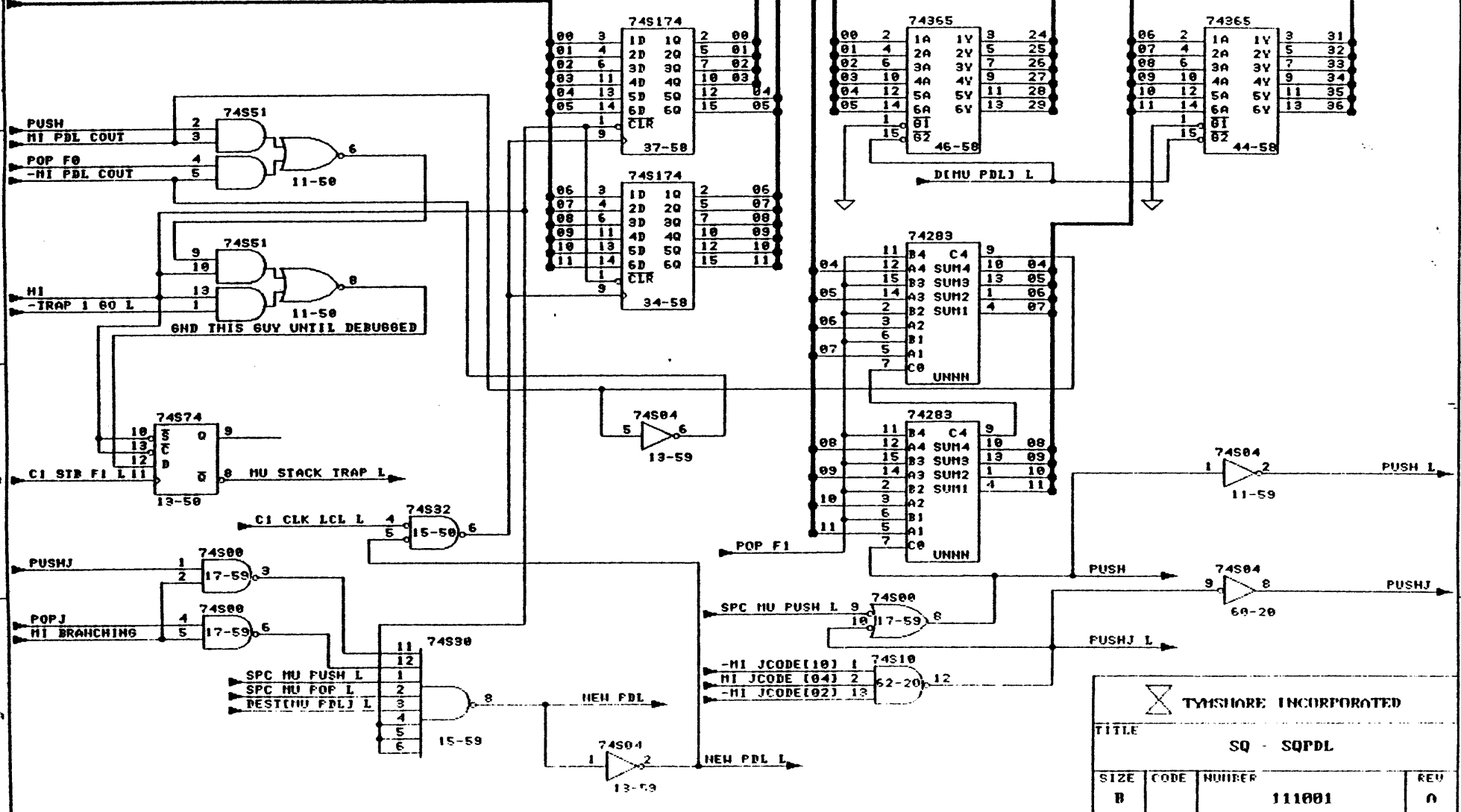
TITLE		
SQ - SQMHC		
SIZE	CODE	NUMBER
B		111001
DATE	JUNE 20 1984	SHEET 25 OF

PRELIMINARY

SQPDL.DMG
SQ4

LCL EOBUS (24:35)
HI PDL REG (04:11)
HI PDL (00:11)

JMEM AD (00:11)



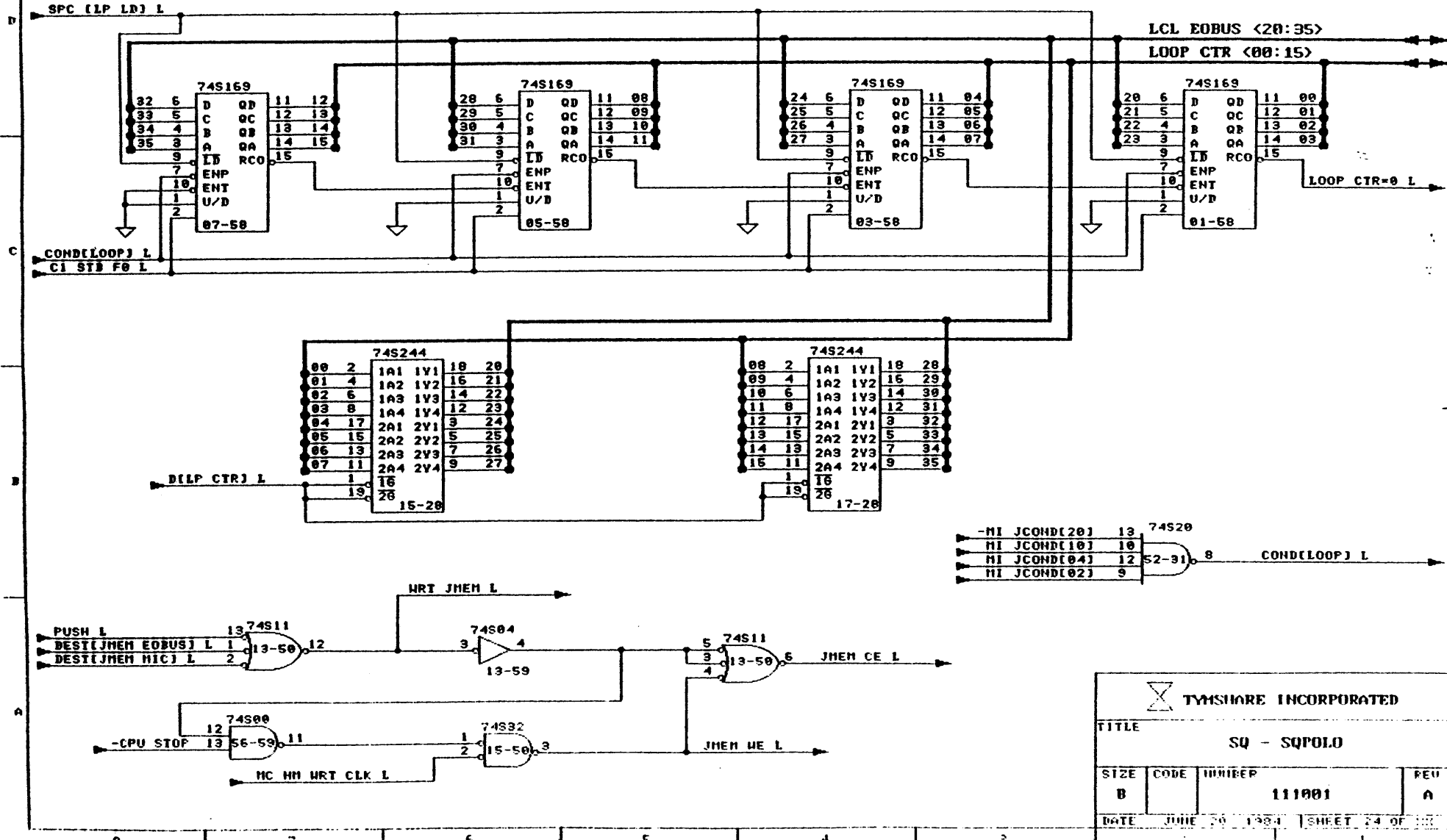
GND THIS GUY UNTIL DEBUGGED

TYMSHARE INCORPORATED

TITLE: SQ - SQPDL

SIZE	CODE	NUMBER	REV
B		111001	0

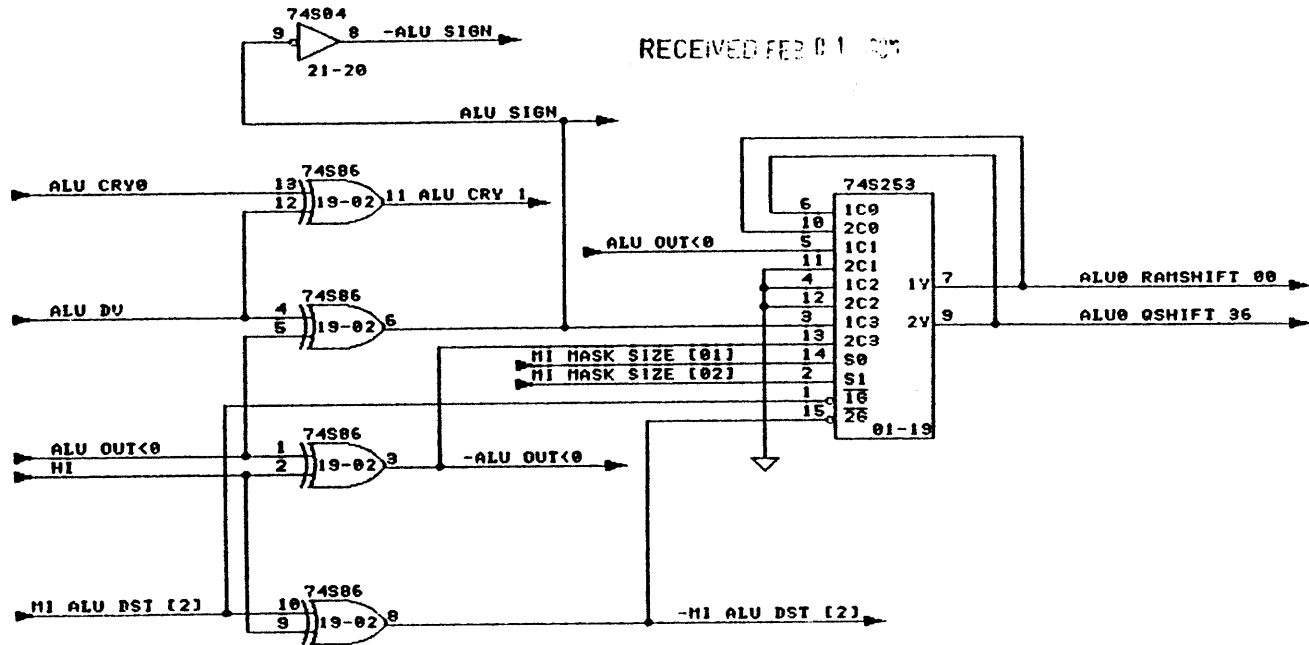
DATE: JUNE 20, 1984 SHEET 23 OF 23

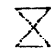


 TYMSHARE INCORPORATED			
TITLE			
SQ - SQPOLO			
SIZE	CODE	THIRTEP	REV
B		111001	A
DATE		JUNE 20 1984	SHEET 24 OF 24

PRELIMINARY

RECEIVED FEB 01 1984

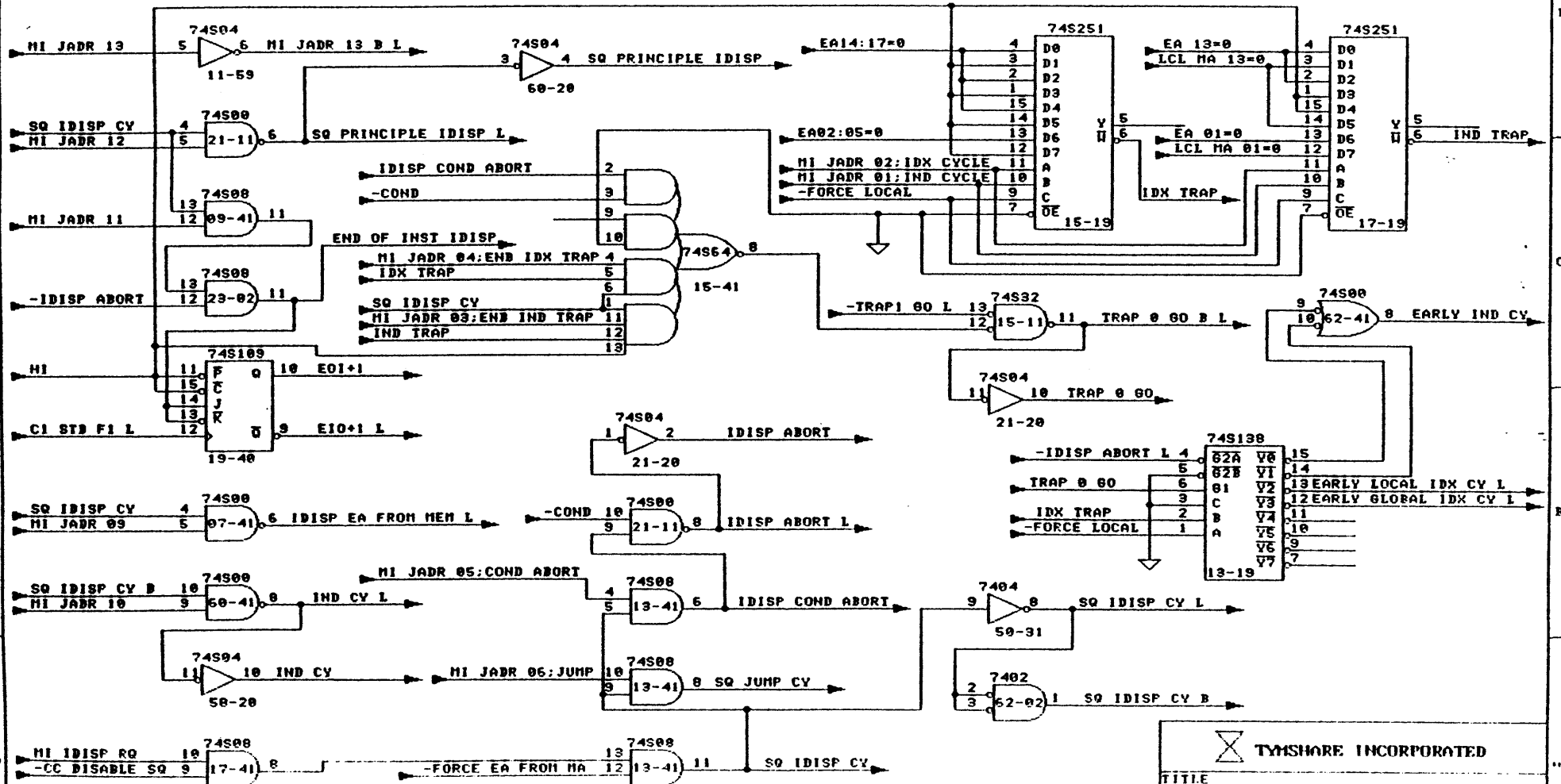


 TYMSHARE INCORPORATED

TITLE				
SQ - SQRMSH				
SIZE	CODE	NUMBER	REV	
B		11001	A	
DATE	JUNE 22 1984	SHEET	25	OF

PRELIMINARY

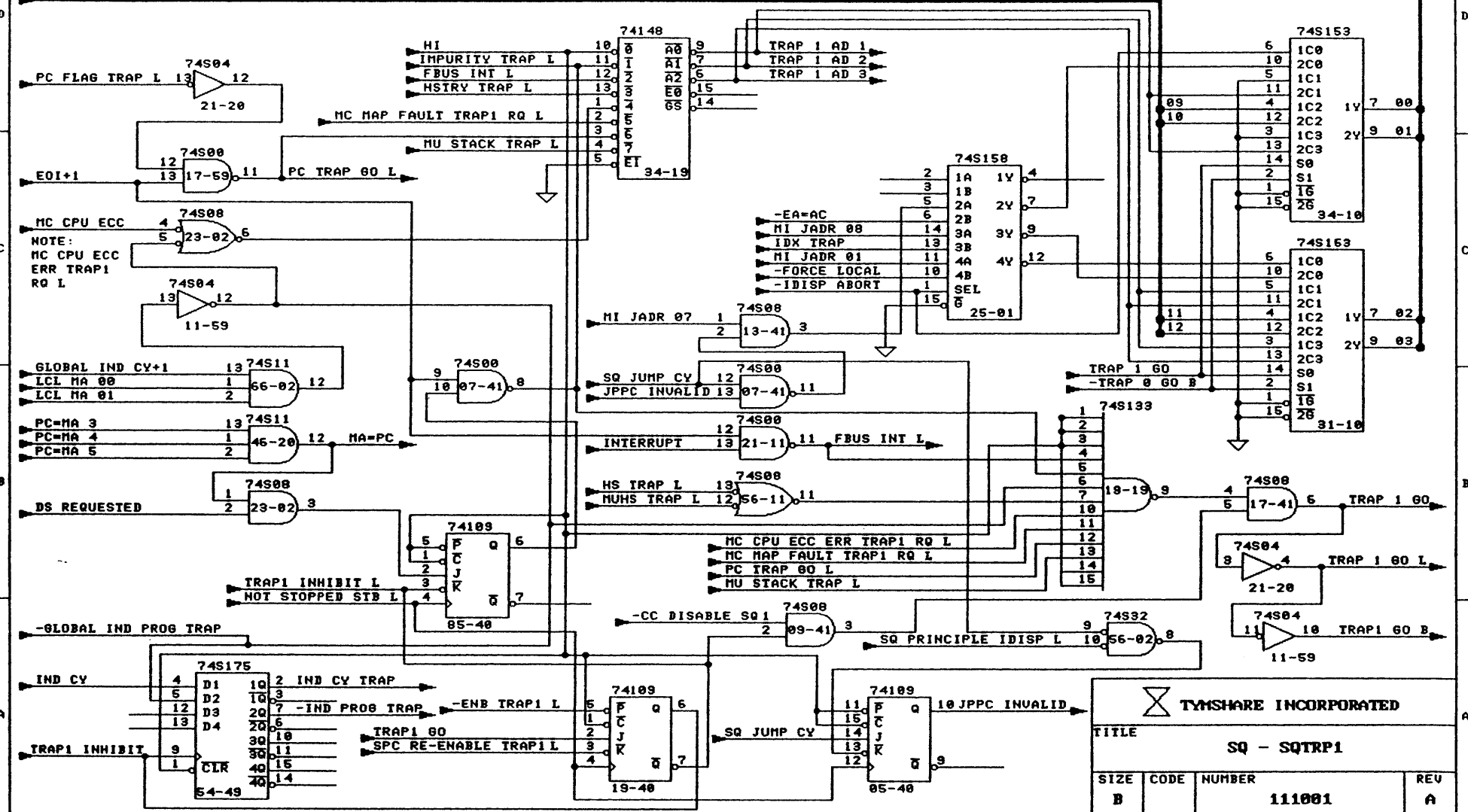
RECEIVED 109 11 1983



TITLE				
SQ - SQTRP0				
SIZE	CODE	NUMBER	REV	
B		111001	A	
DATE		JUNE 22, 1984	SHEET 06 OF 06	

SQ MM AD <09:12>

SQ TRAP AD <00:03>



TYMSHARE INCORPORATED			
TITLE			
SQ - SQTRP1			
SIZE	CODE	NUMBER	REV
B		111001	A
DATE	JUNE 22, 1984		SHEET 27 OF XX

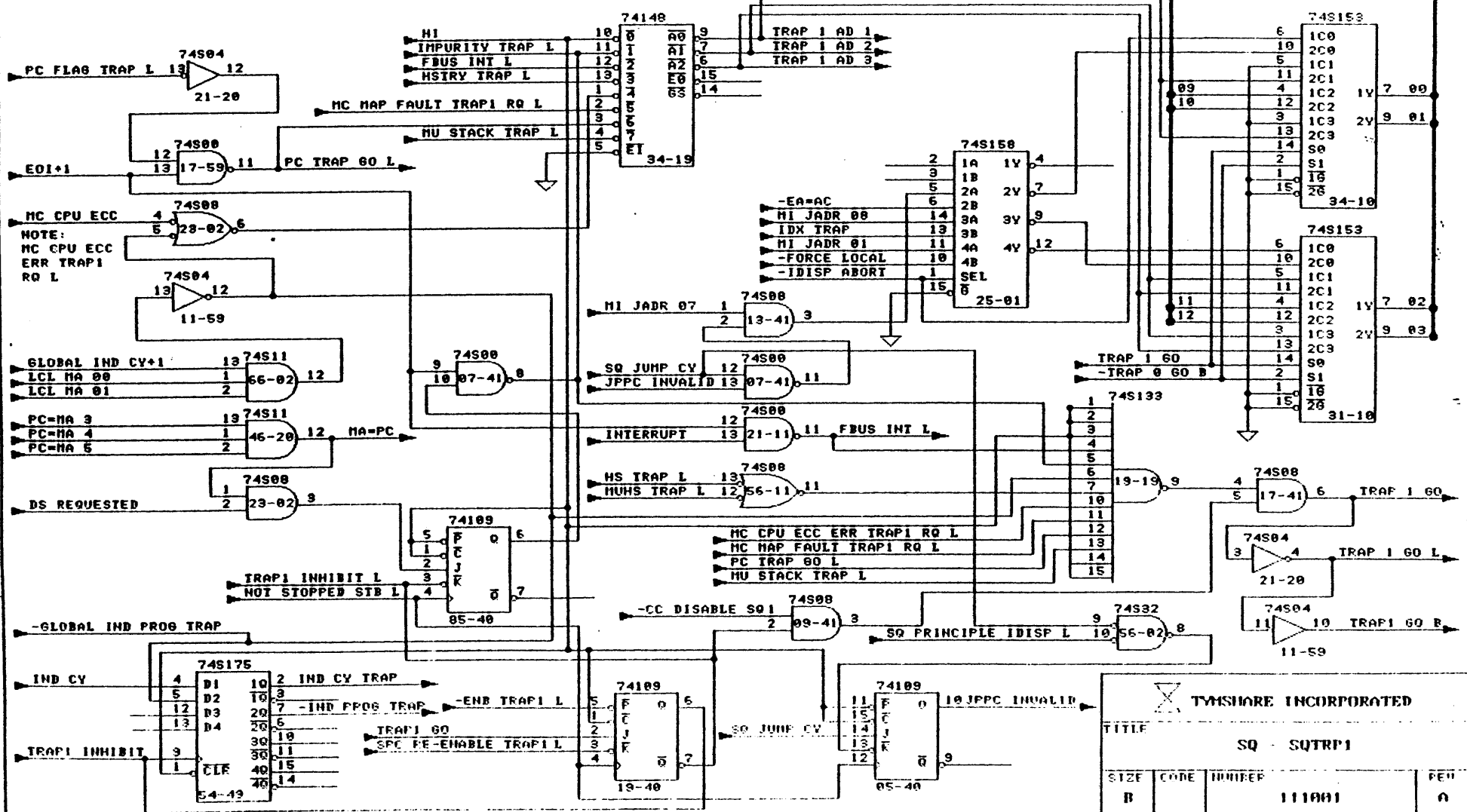
SQTRP1.DWG
SQ4

PROVISIONAL

RECEIVED FEB 01 1935

SQ TRAP AD <00:03>

SQ MM AD <09:12>



TM SHARE INCORPORATED

TITLE: SQ - SQTRP1

SIZE	CODE	NUMBER	REV
B		111001	0

DATE: 11/11/83