

SONY

SDT-9000/PB DDS Drive *Internal Digital Data Storage Drive Unit*

QUICK START

To install your Sony SDT-9000/PB DDS drive, please follow the steps described in this quick start guide. For more detailed information concerning the installation, please refer to the included Operator's Guide. Sony is serious about support. If you should encounter difficulties during the installation, please see the back page of this quick start card to learn how to obtain technical support.

The Internal DDS Drive Unit SDT-9000 offers many features:

- Up to 24GB data capacity using DDS-3, 125 meter length tape, assuming 2:1 compression. (Native capacity, 12 GB).
- Exceptional data reliability produced by Read After Write Function and third-level error correction code.
- Stored data automatically checked for compression.
- Embedded SCSI interface .
- Supports SCSI-2 sequential-access devices command set.
- Compatibility Reading/Writing DDS-1, DDS-2, DDS-3, and DDS-DC data cartridge formats.

HEAD CLEANING INSTRUCTIONS

1. Insert the head cleaning cartridge (DGD 15CL) into the DDS cartridge receptacle. Cleaning starts automatically.
2. After about 10 seconds, cleaning will stop and the cartridge will eject automatically.

One head cleaning cartridge can be used about 50 times.

Do not rewind the cleaning cartridge. When you reach the end of the cartridge, dispose of it and buy a new one.

Technical Support

Technical Support can be reached 8:00am to 8:00pm, Central Time, Monday through Friday. Please have your model number, serial number, date of purchase and receipt handy before calling Technical Support. Free telephone support is offered for 90 days from your first call.

Phone (800) 588-3847
Sony Web Site <http://www.sony.com/storagesupport>

©2000 Sony Electronics Inc.
Reproduction in part or in whole without written permission is prohibited. All rights reserved.
Sony and Storage by Sony are trademarks of Sony.
Pentium is a trademark of Intel Corp. Windows and Windows NT are trademarks of Microsoft Corporation. All other trademarks are the trademarks of their respective owners.
Features and specifications subject to change without notice.
Printed USA 03/00
SDT-9000/PB-QSC/0300

Storage by Sony

GENERAL USE INSTRUCTIONS

1. Insert a data cartridge as shown below. The **TAPE** indicator will blink, and if the cartridge is write-protected, the **STATUS** indicator will light.
2. Computer software controls the reading and writing of tapes. While reading or writing, the **BUSY** indicator blinks.

TAPE Indicator

regular blinking – inserting/removing a cartridge.
alternating long-short blinking cartridge deteriorated.

BUSY Indicator

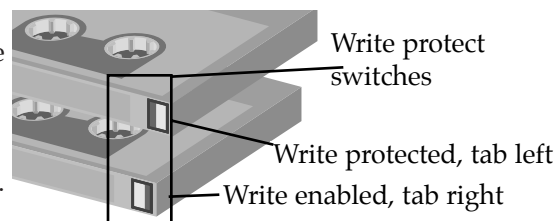
regular blinking – drive is ready or writing normally

STATUS Indicator

repeated long on, short off blinking – drive needs cleaning.
blinking regular interval – end of tape during cleaning.
repeating short on (once or twice), long off blinking – drive is malfunctioning.

To remove cartridges: Press the **EJECT** button. The cartridge ejects automatically. **CAUTION:** Do not push the **EJECT** button while the **BUSY** indicator is blinking as it may destroy data on the tape.

Write Protection of data cartridges: To change the Write protect switch: using your fingernail, push the switch as shown in the illustration.

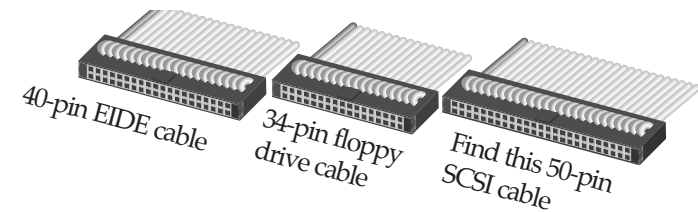
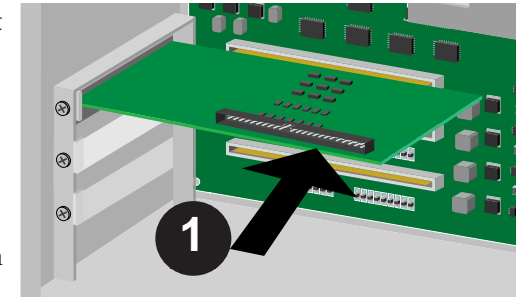


SDT-9000/PB DDS Quick Start Card

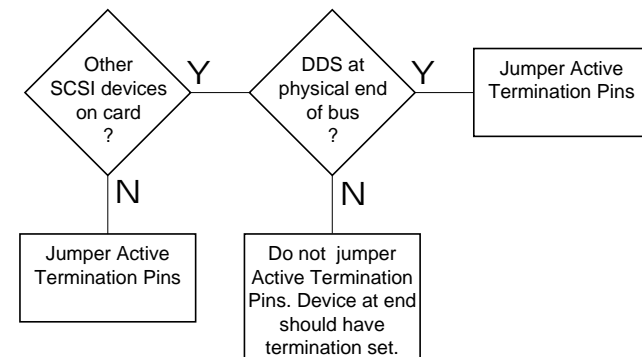
HARDWARE INSTALLATION

- ❑ *If your computer is powered on, save your work and shut down.*
- ❑ *Caution: Unplug the power cord from both the electrical outlet and the computer. Follow Electrostatic Discharge precautions.*
- ❑ *Remove the cover from your computer system. Refer to your computer user's guide if you have trouble opening the case.*

1. Locate the 50 pin SCSI port on your SCSI-2 adapter card. If there are already devices attached to the card you will need to verify their location on the SCSI cable and their SCSI ID. Take care to follow the correct ribbon cable. With a SCSI-2 adapter card present there are normally three different ribbon cables present. Internal ribbon data cables can only be differentiated by the pin widths.

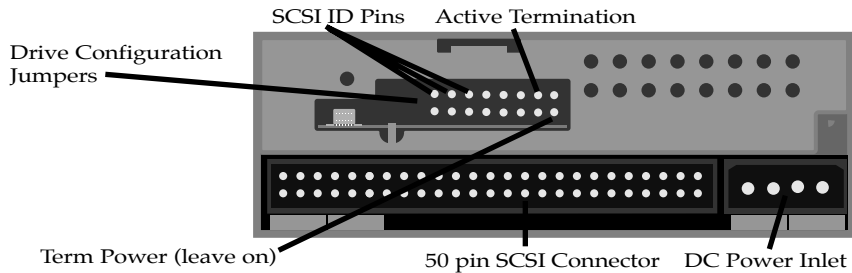


2. Determine whether the SDT-9000/PB will be at the end of the SCSI cable. Each end of the SCSI cable needs to supply termination.



SDT-9000/PB DDS Quick Start Card

SDT-9000/PB Connectors & Configuration Pins

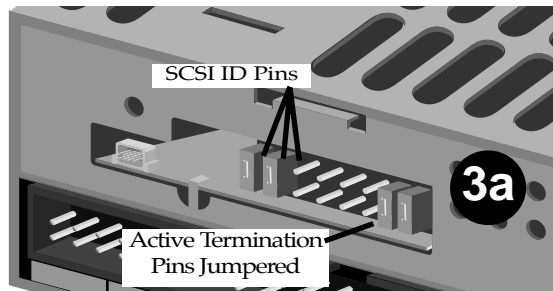


3. Set the SDT-9000/PB drive configuration jumpers.

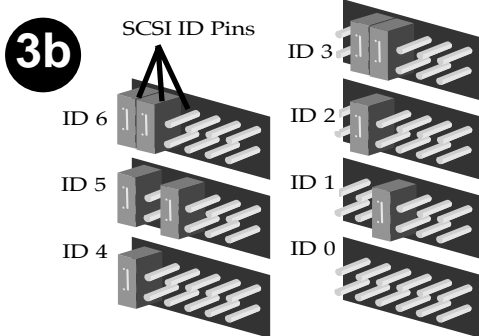
- a. If the SDT-9000/PB is the only drive attached to the SCSI-2 adapter card, or if it is at the connection on the cable farthest away from the SCSI-2 adapter card the CRX 145S should have the Active Termination pins jumpered as in the example. If another device is at the end of the bus, so that the SDT-9000/PB is closer to the SCSI-2 adapter card, the Active Terminator pins on the SDT-9000/PB should be left unjumpered.

- b. Set SCSI ID.

Each device on the SCSI chain requires its own unique SCSI ID. A 50 pin SCSI-2 chain has SCSI IDs from 0 to 7. Normally the SCSI-2 adapter card will be set as SCSI ID 7. To set the SCSI ID of the SDT-9000/PB use the examples from the SCSI ID table. The SCSI Jumper pins are the three right most pins of the Drive Configuration jumpers.

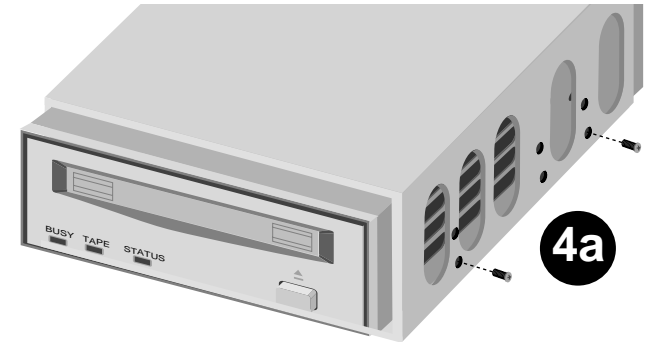


SCSI ID Table

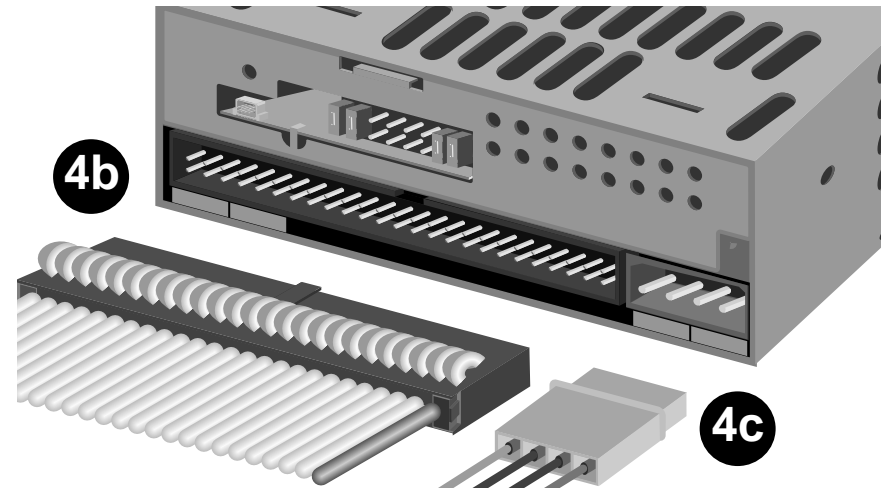


4. Install the SDT-9000/PB drive:

- a. Physically install the drive in the drive bay. To install the SDT-9000/PB drive you position the drive in the drive bay so that the screw holes of the drive are aligned with the screw holes in the drive bay. Then tighten the screws until they are firm. Do not over tighten the screws.



- b. Attach the SCSI cable so that the red line that signifies Pin 1 of the cable is aligned with Pin 1 on the SDT-9000/PB, closest pin to the power connectors.
- c. Plug your standard power connection to the SDT-9000/PB.



5. Replace the cover, power up system and install the software.

S O F T W A R E
I N S T A L L & U S E

S O F T W A R E
I N S T A L L & U S E