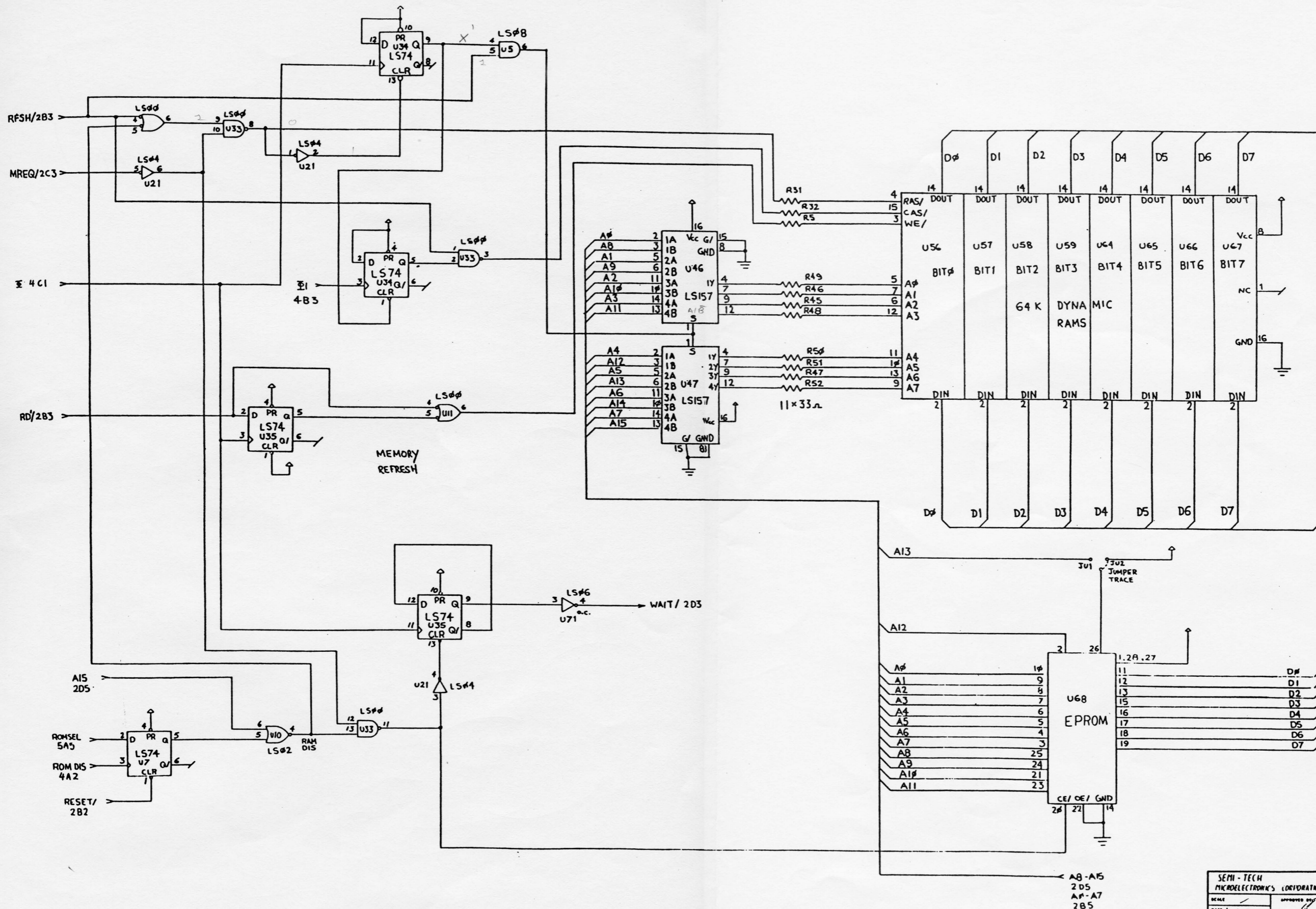
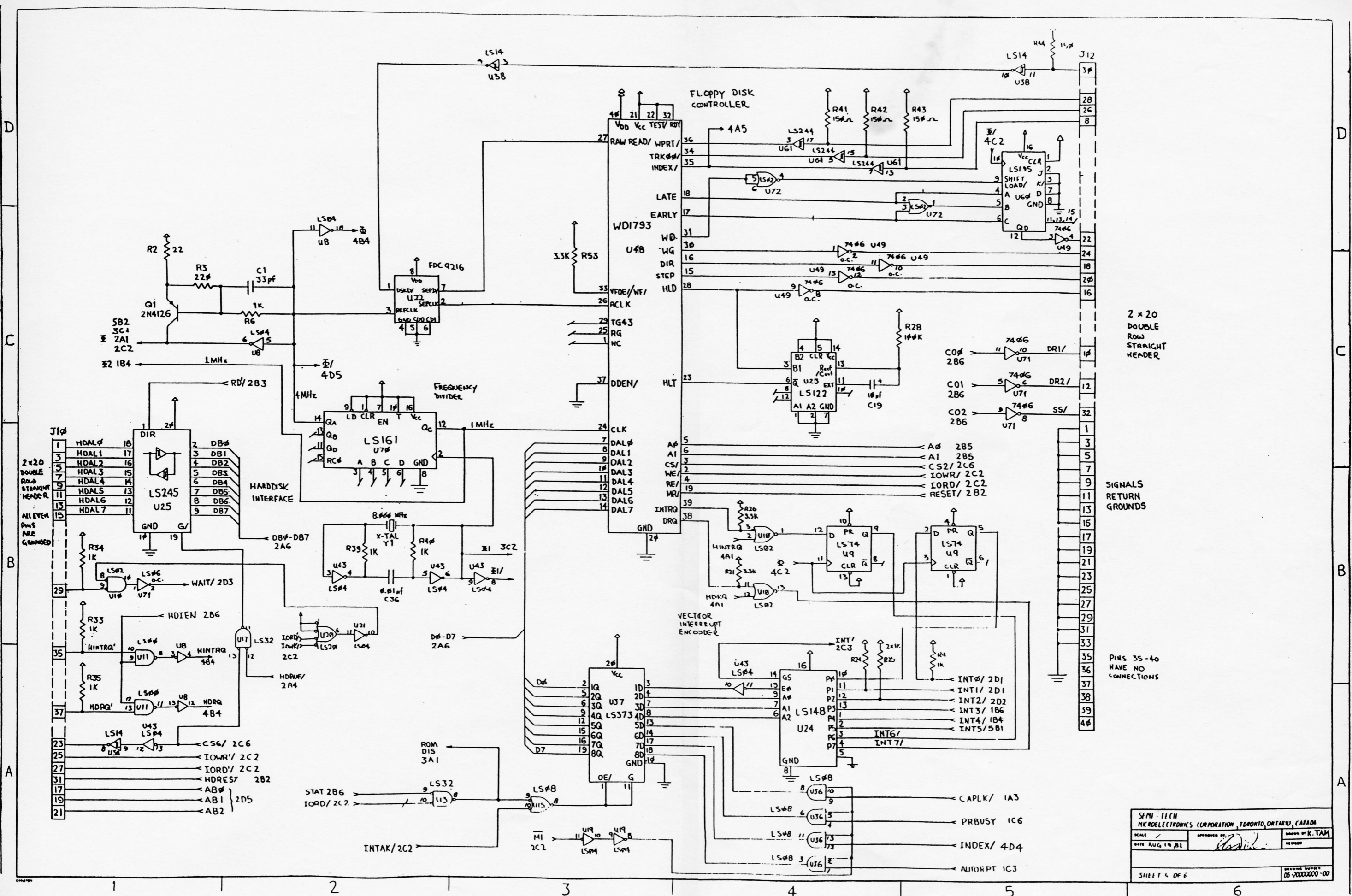


SEMI-TECH
 MICROELECTRONICS CORPORATION, TORONTO, ONTARIO, CANADA
 DATE AUG 19, 82
 SHEET 5 OF 6



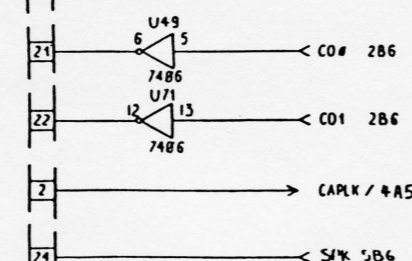
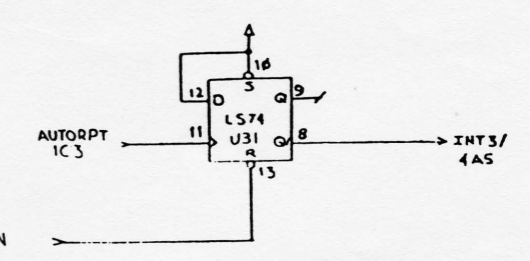
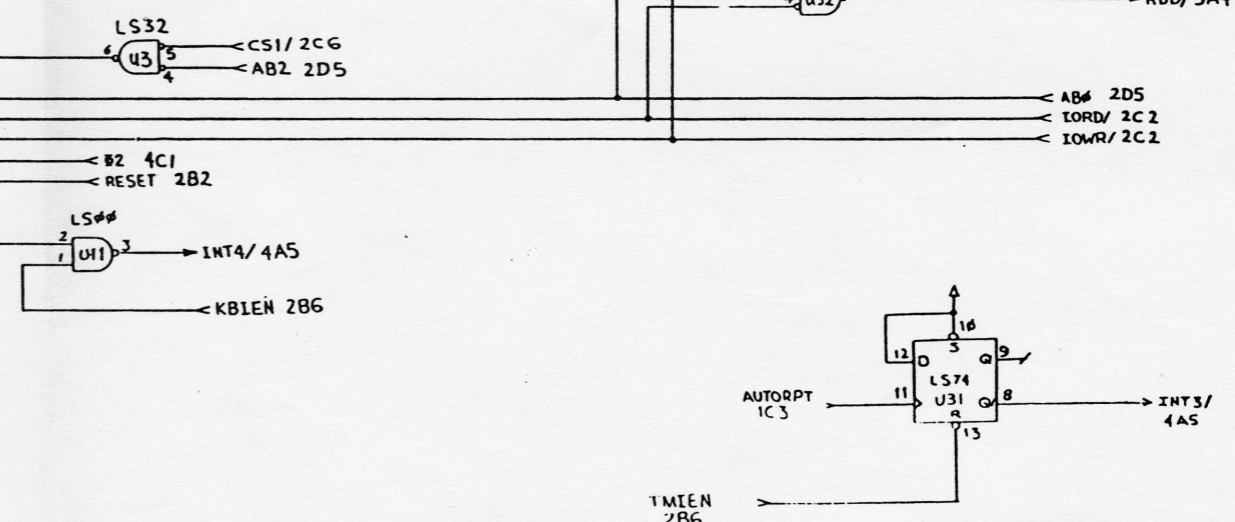
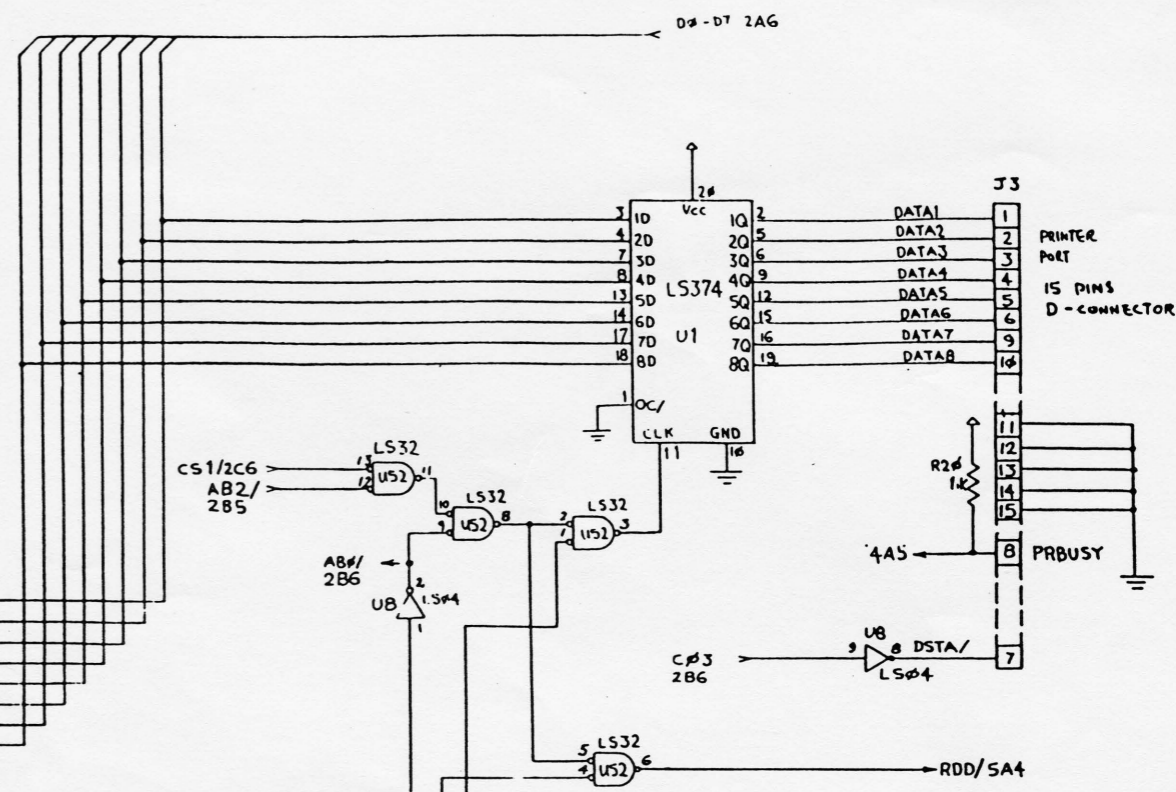
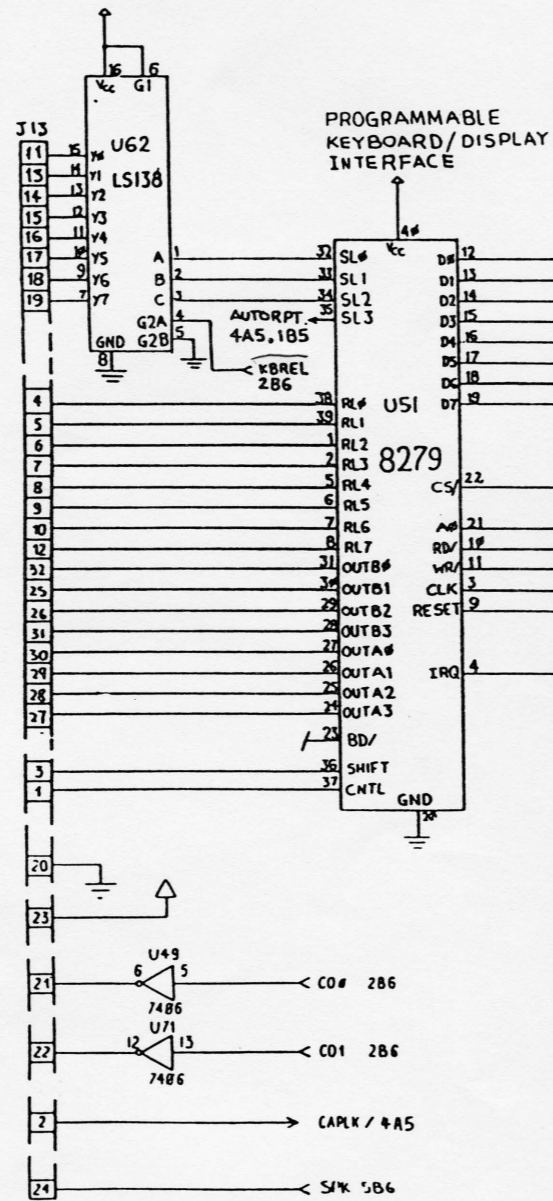
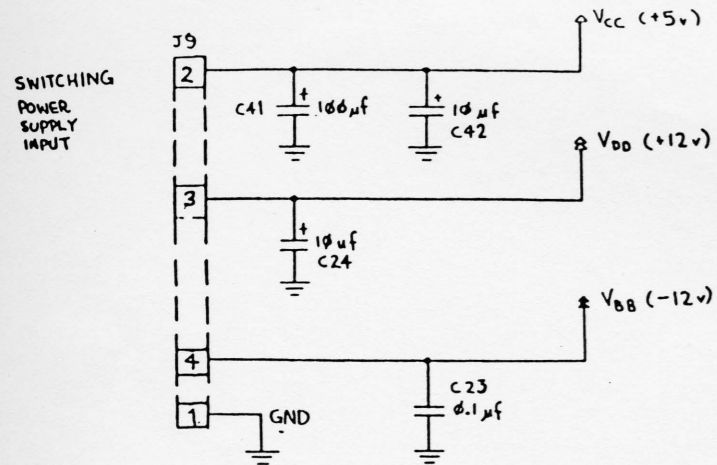
SEMI-TECH
 MICROELECTRONICS CORPORATION, TORONTO, ONTARIO, CANADA
 SCALE: _____ APPROVED BY: _____ DESIGNED BY: K.TAM
 DATE: AUG 19 82
 SHEET 3 OF 6
 DRAWING NUMBER: 06-200110-10



2 x 20
DOUBLE
ROW
STRAIGHT
HEADER

SIGNALS
RETURN
GROUNDS

PINS 35-40
HAVE NO
CONNECTIONS



SEM-Tech MICROELECTRONICS CORPORATION, TORONTO, ONTARIO, CANADA		
SCALE	APPROVED BY: <i>[Signature]</i>	DESIGN BY: K. TAM
DATE: AUG 19, 82		REVISED BY: K. TAM
REVISED ON: NOV 6, 1982		
REVISED ON: JAN 12, 1983		
SHEET 1 OF 6		REVISION NUMBER: 06 200000-00

Pied Piper Memory Timing

