

SDS 910 COMPUTER
Logic Layouts,
Current and History

SDS 900551C

April 1966

This publication supersedes SDS 900551A dated
April 1965 and SDS 900551B dated December 1964.



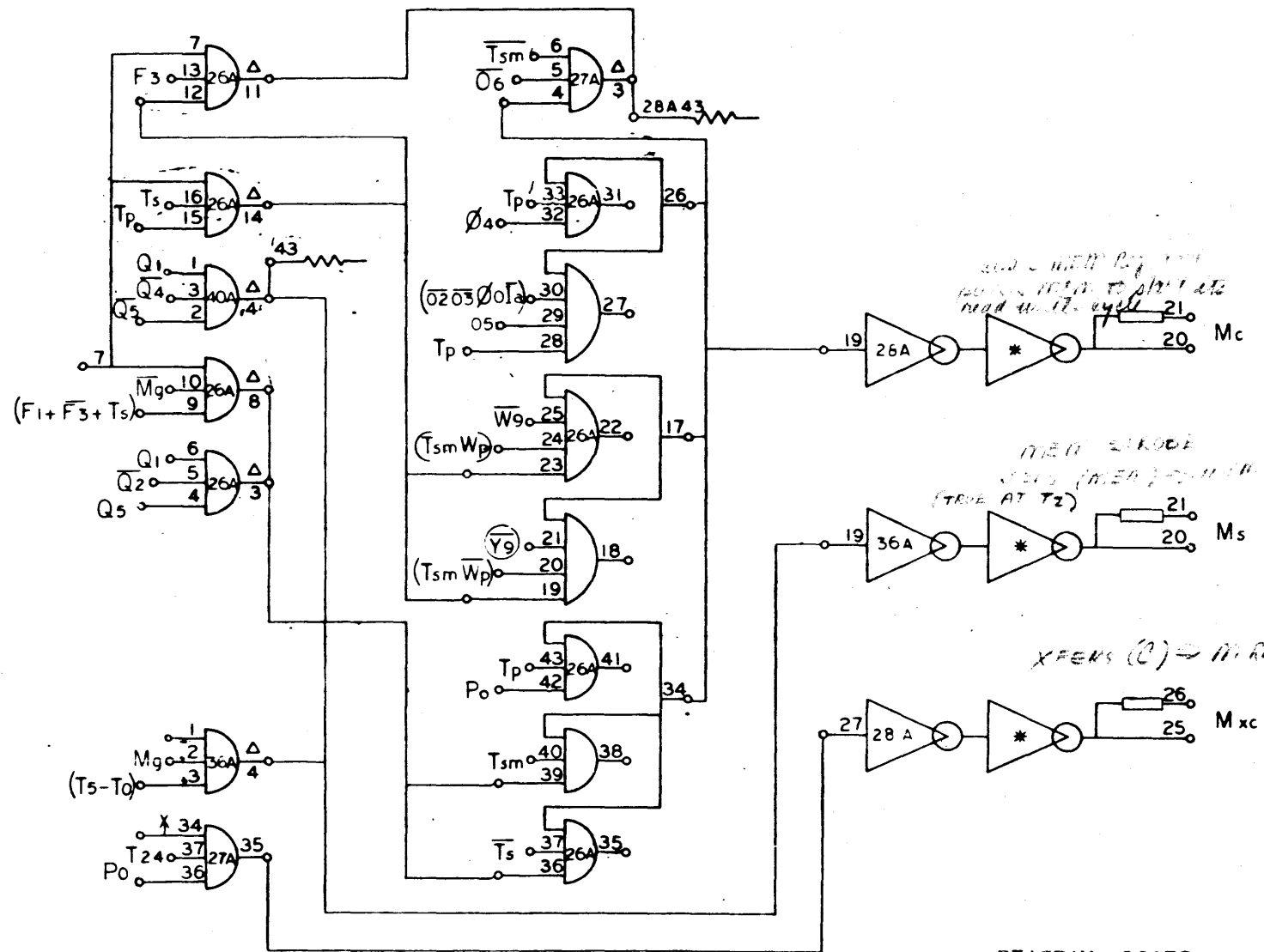
SCIENTIFIC DATA SYSTEMS • 1649 Seventeenth Street • Santa Monica, Calif. • (213) 871-0960

PREFACE

This printing of the 910 logic layouts applies to all SDS 910 Computers.

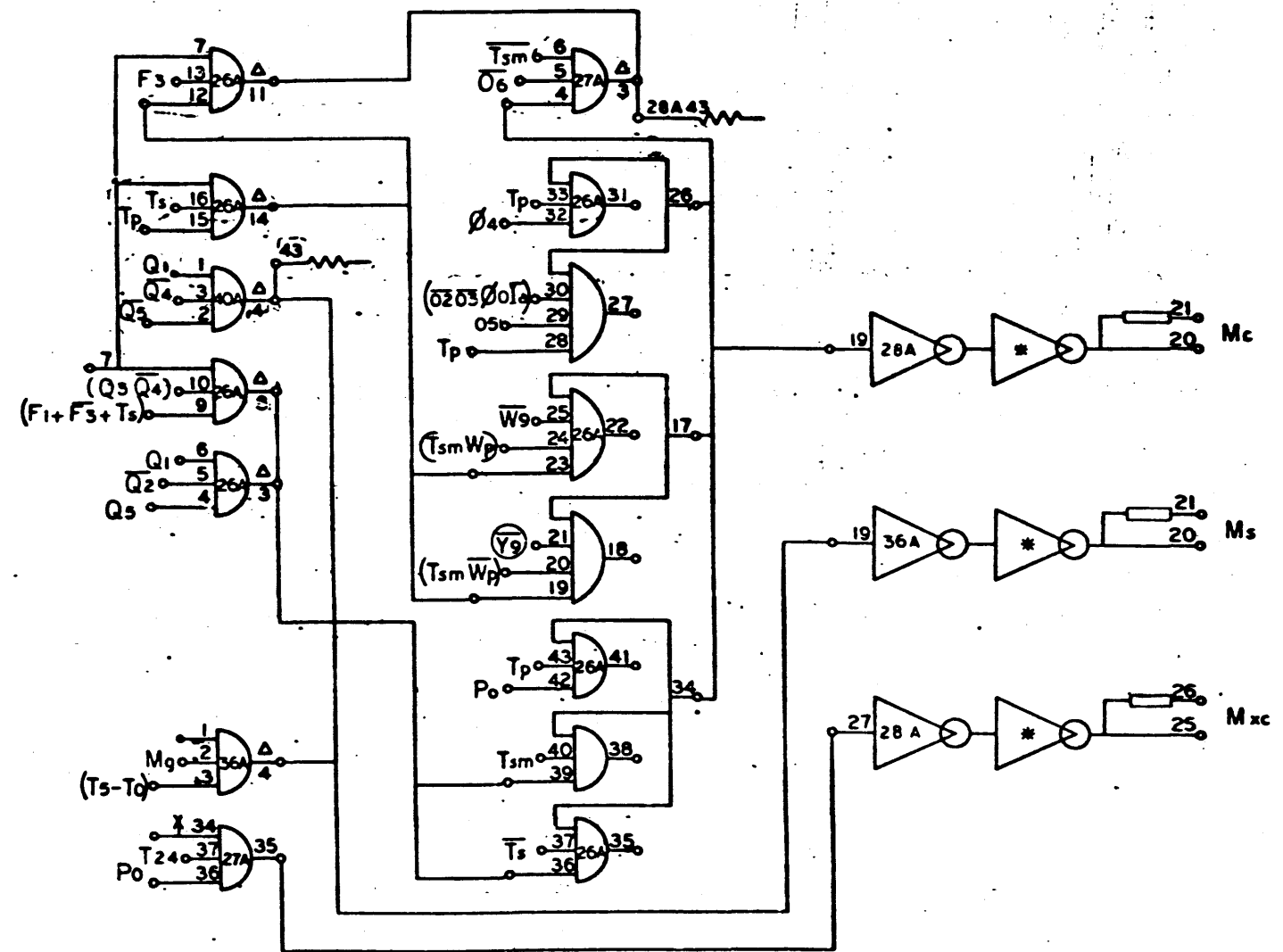
1. Current sheets are the latest revisions. (See page 137.)
2. History sheets start with Revision L. (See page 137.)
3. Revision sheets may be supplied separately and should be collated by the user.

1



DIAGRAM, LOGIC,
COMPUTER DWG. NO. 101702

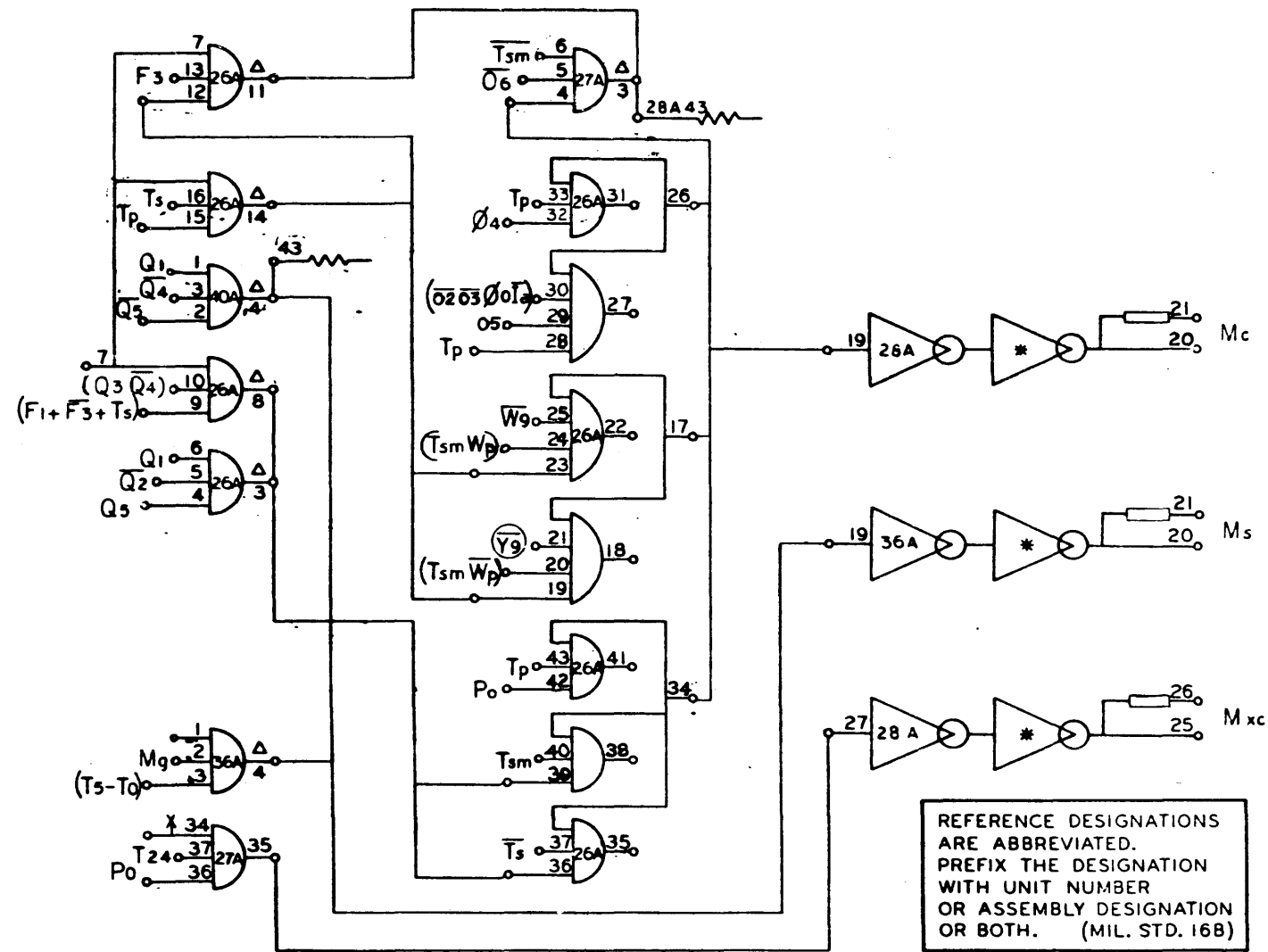
REV		DESCRIPTION	CHK	DATE	APPROVED
A		REL TO MFG			
D		SEE REV. E.O.			



910-920
Page 1
D

NO.	DRAWING NO.	DESCRIPTION	REFERENCE DESIGNATION	ITEM NO.
NOTES UNLESS SPECIFIED				
1. TELEPHONE	D-400	10/1/62	SDS DIGITIZED DATA SYSTEMS	
2. JAN 2 1962	CHYER	10-1-62	1941 FIFTEENTH STREET, SANTA MONICA, CALIFORNIA	
3. JAN 2 1962	APPO	10-1-62	WIRE	
4. CHECK ALL GROUP NAMES			DIAGRAM, LOGIC, COMPUTER	
5. CHECK NUMBER			REV	DRAWING NO.
6. ALL DIMENSIONS			D	101702
				D
			SCALE	DO NOT SCALE DRAWING SHEET

REVISIONS				
REV	DESCRIPTION	CHK	DATE	APPROVED
A	REL TO MFG			
D	SEE REV. E.O.			
F	SEE REV. E.O.			



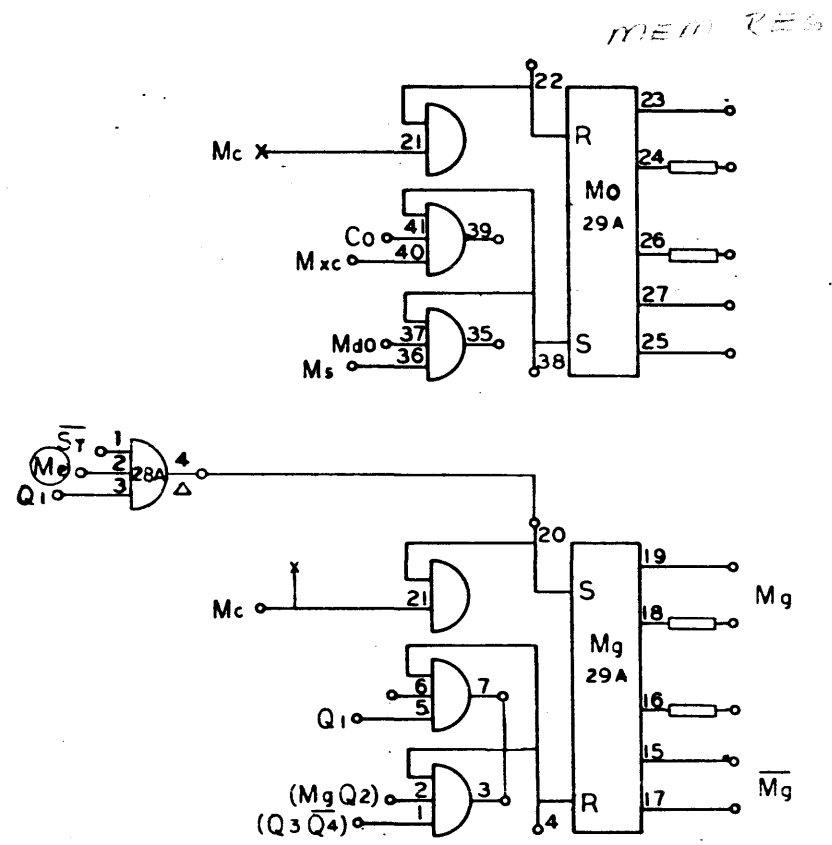
910-920
Page 1
F

NO. OF	DRAWING NO.	DESCRIPTION	REFERENCE DESIGNATION	DATE
MATERIAL LIST				
NOTES UNLESS SPECIFIED		DRAWN	CHECK	APPR.
1. TOLERANCES UNLESS OTHERWISE SPECIFIED				
2. DIMENSIONS UNLESS OTHERWISE SPECIFIED				
3. HOLE DIMENSIONS UNLESS OTHERWISE SPECIFIED				
4. ALL DIMENSIONS UNLESS OTHERWISE SPECIFIED				
MATERIAL LIST				
TITLE		DIAGRAM, LOGIC, COMPUTER		
DRAWN BY		DATE	DWG. NO.	SHEET
			101702	=
NEXT ASSY.		SCALE	DO NOT SCALE DRAWING	SHEET

101702 F

107

REV		DESCRIPTION		CHK	DATE	APPROVED
A		REL TO MFG				



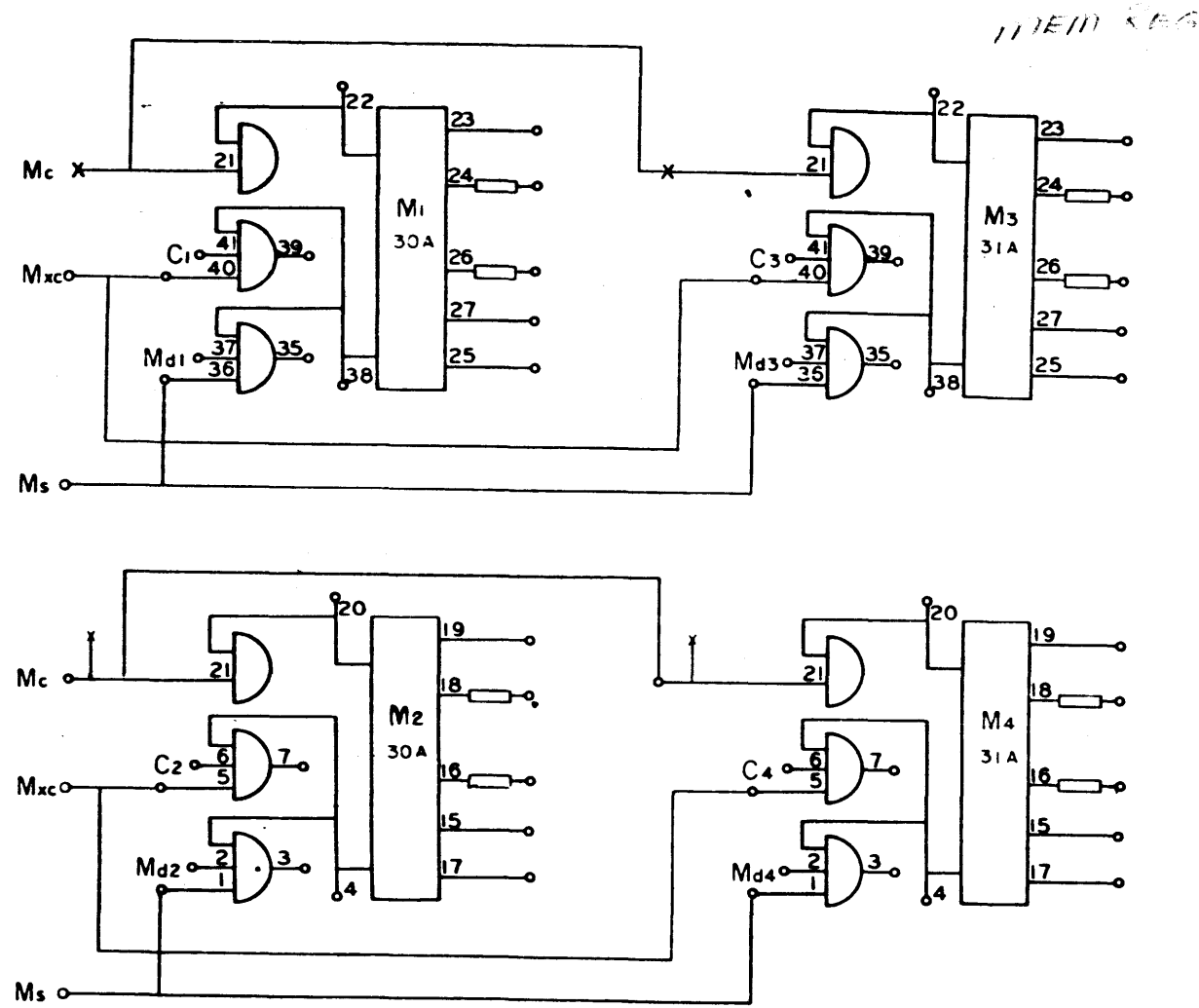
910-920
Page 2
A

101702 A (4)

NO. IN CH.	DRAWING NO.	DESCRIPTION	REFERENCE DESIGNATION	ITEM NO.
MATERIAL LIST				
NOTES UNLESS SPECIFIED		DRAWN	DATE	 1248 FIFTEENTH STREET SANTA MONICA, CALIFORNIA DIAGRAM, LOGIC, COMPUTER
1. TOLERANCES IN 2.500 ANGULAR DIM & C/D 2.5°		CHECK	DATE	
2. BREAK ALL SHARP EDGES AND APPROX.		APPR.	DATE	
3. HIDE SURFACE 4. ALL DIM. IN INCHES				
MODEL NO.		SIZE	DWG NO.	
NEXT ASSY.			D	101702
SCALE			DO NOT SCALE DRAWING	SHEET

159

REVISIONS			
REV	DESCRIPTION	CHK	DATE
A	REL TO MFG		



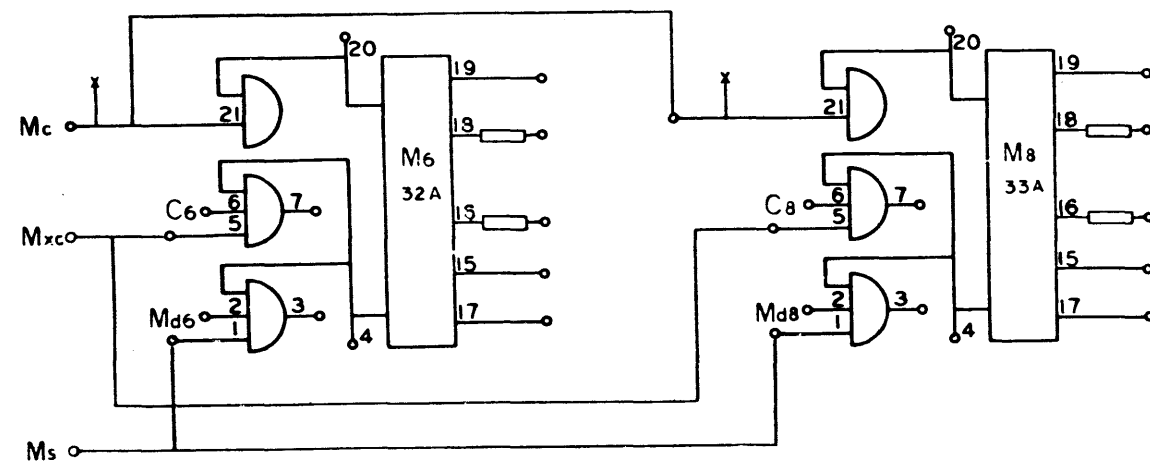
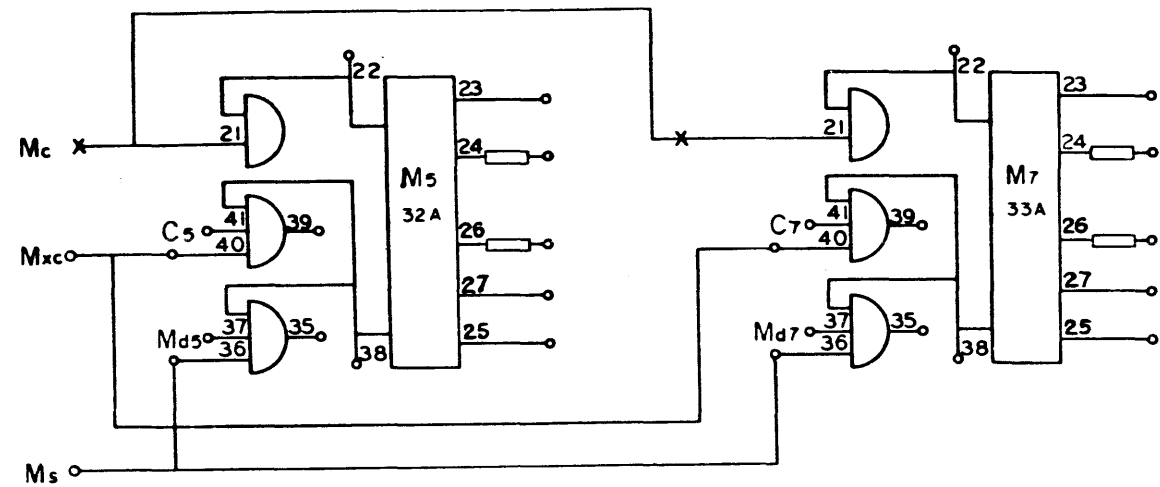
910-920
Page 3
A

101702
A

NO. REQ.	DRAWING NO.	DESCRIPTION	REFERENCE DESIGNATION	ITEM NO.
MATERIAL LIST				
NOTES UNLESS SPECIFIED: 1. TOLERANCES: FRACTIONS DECIMALS ANGLES DIMS ANGLES DIMS 2. BREAK ALL DIMENSIONS AND APPROX. 3. HATCH SURFACES ✓ 4. ALL DIMS IN DIMS		DRAWN: [Signature] CHECK: [Signature] APPR: [Signature]	SDS SCIENTIFIC DATA SYSTEMS 1745 FIFTEENTH STREET, SANTA MONICA, CALIFORNIA	
MODEL NO.		TITLE DIAGRAM, LOGIC, COMPUTER		
NEXT ASSY.		REV. NO. D	101702	
SCALE		DO NOT SCALE DRAWING SHEET		

REVISIONS			
REV	DESCRIPTION	CHK	DATE
A	REL TO MFG		

MEIN REG



910-920
Page 4
A

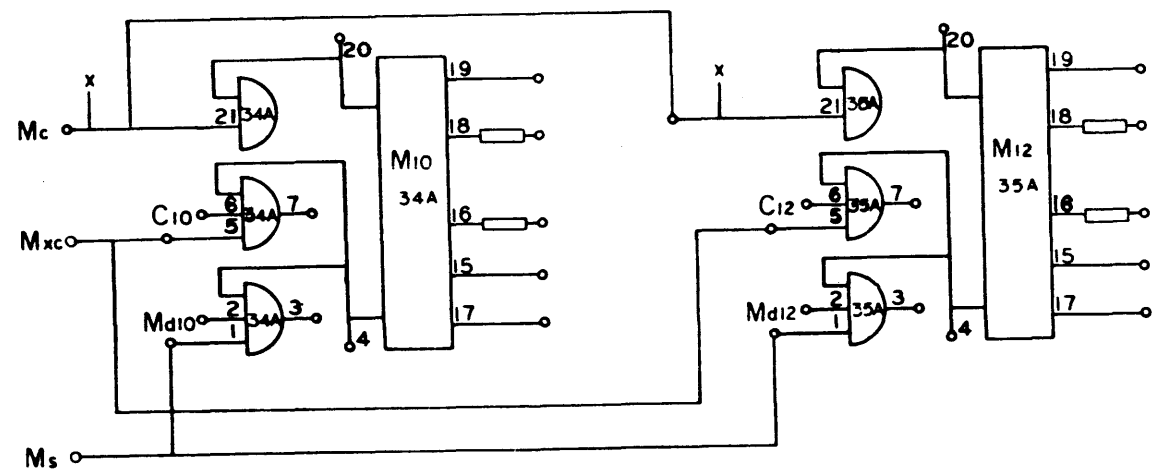
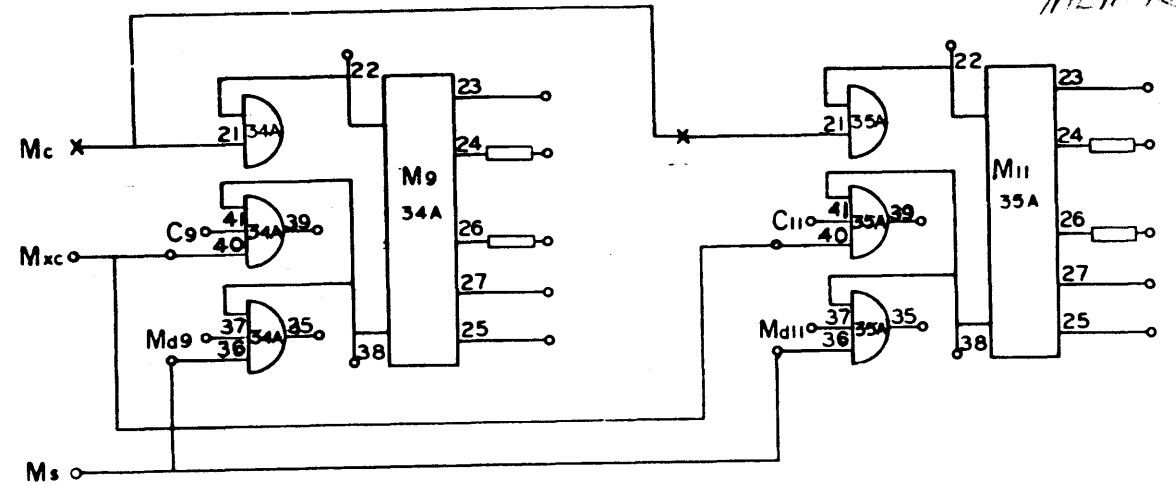
6

101702 A

NO. REV.	DRAWING NO.	DESCRIPTION	REFERENCE DESIGNATION	ITEM NO.
NOTES UNLESS SPECIFIED				
1. TOLERANCES UNLESS SPECIFIED SEE 2.000		2. BREAK ALL SHARP EDGES AND CORNERS	3. HATCH SURFACES 4. ALL DIM. IN INCHES	
DRAWN: [Signature]		CHECK: [Signature]	APPROVED: [Signature]	
MATERIAL LIST		<p>SDS SCIENTIFIC DATA SYSTEMS 1542 FIFTEENTH STREET, SANTA MONICA, CALIFORNIA</p> <p>TITLE: DIAGRAM, LOGIC, COMPUTER</p>		
MODEL NO.		SIZE: D	DWG NO.: 101702	ITEM NO.: A
NEXT ASSY:		SCALE: DO NOT SCALE DRAWING SHEET		

REVISIONS			
REV	DESCRIPTION	CHR	DATE
A	REL TO MFG		10-28-64

MEM REG



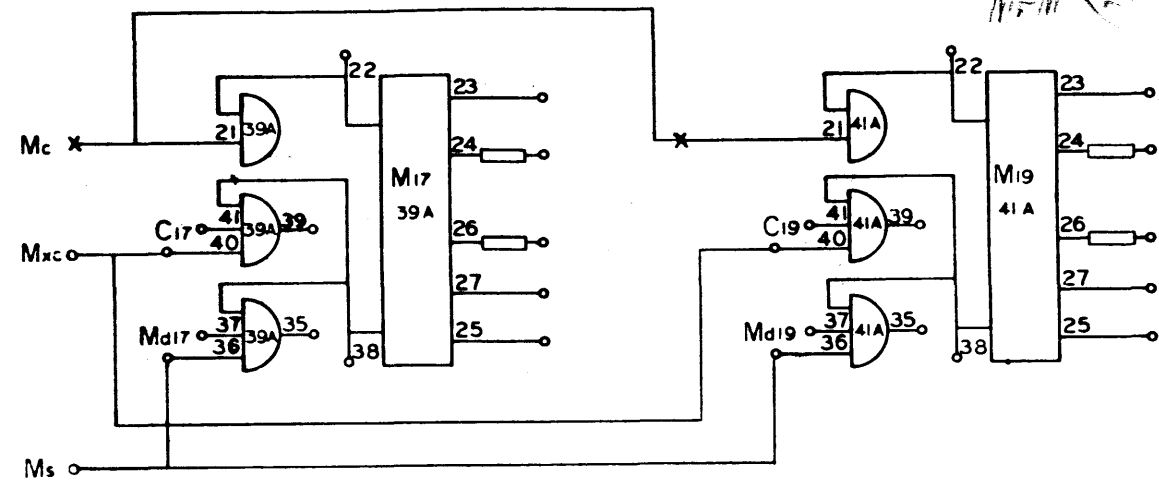
7

910-920
Page 5
A

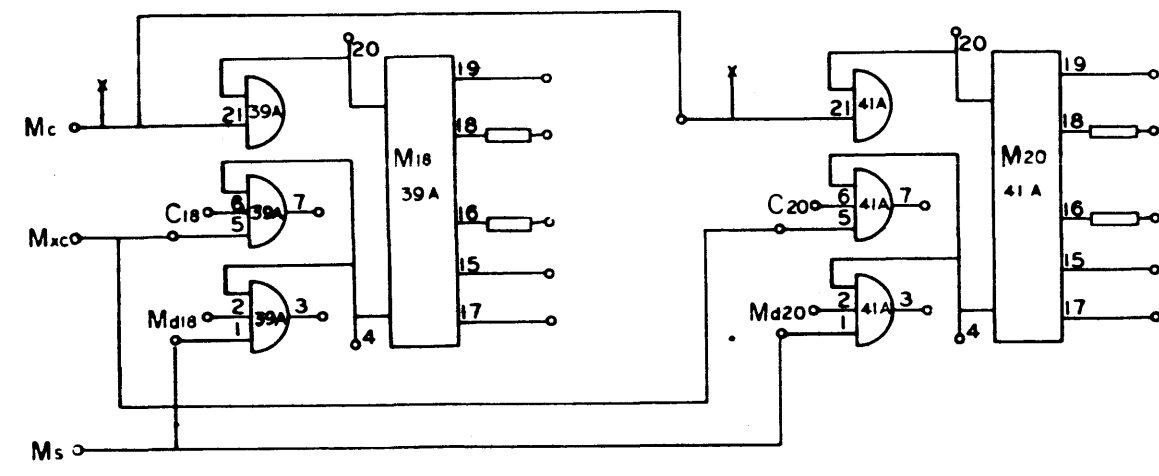
101702 A

NO. REQ.	DRAWING NO.	DESCRIPTION	REFERENCE DESIGNATION	ITEM NO.
MATERIAL LIST				
NOTES UNLESS SPECIFIED		DRAWN: <i>24</i>	 1548 FIFTEENTH STREET, SANTA MONICA, CALIFORNIA	
1. TOLERANCES		CHECK: <i>24</i>		
2. DIMS ALL SHARP EDGES		APPR: <i>24</i>		
3. DIMS APPROX			TITLE	
4. DIMS APPROX			DIAGRAM, LOGIC, COMPUTER	
5. DIMS APPROX			REV: D DWG NO: 101702	
6. DIMS APPROX			SHEET: A	
7. DIMS APPROX			SCALE: DO NOT SCALE DRAWING	
8. DIMS APPROX			SHEET	

REVISORS				10702
REV	DESCRIPTION	CHK	DATE	APPROVED
A	REL TO MFG			



NEW REF



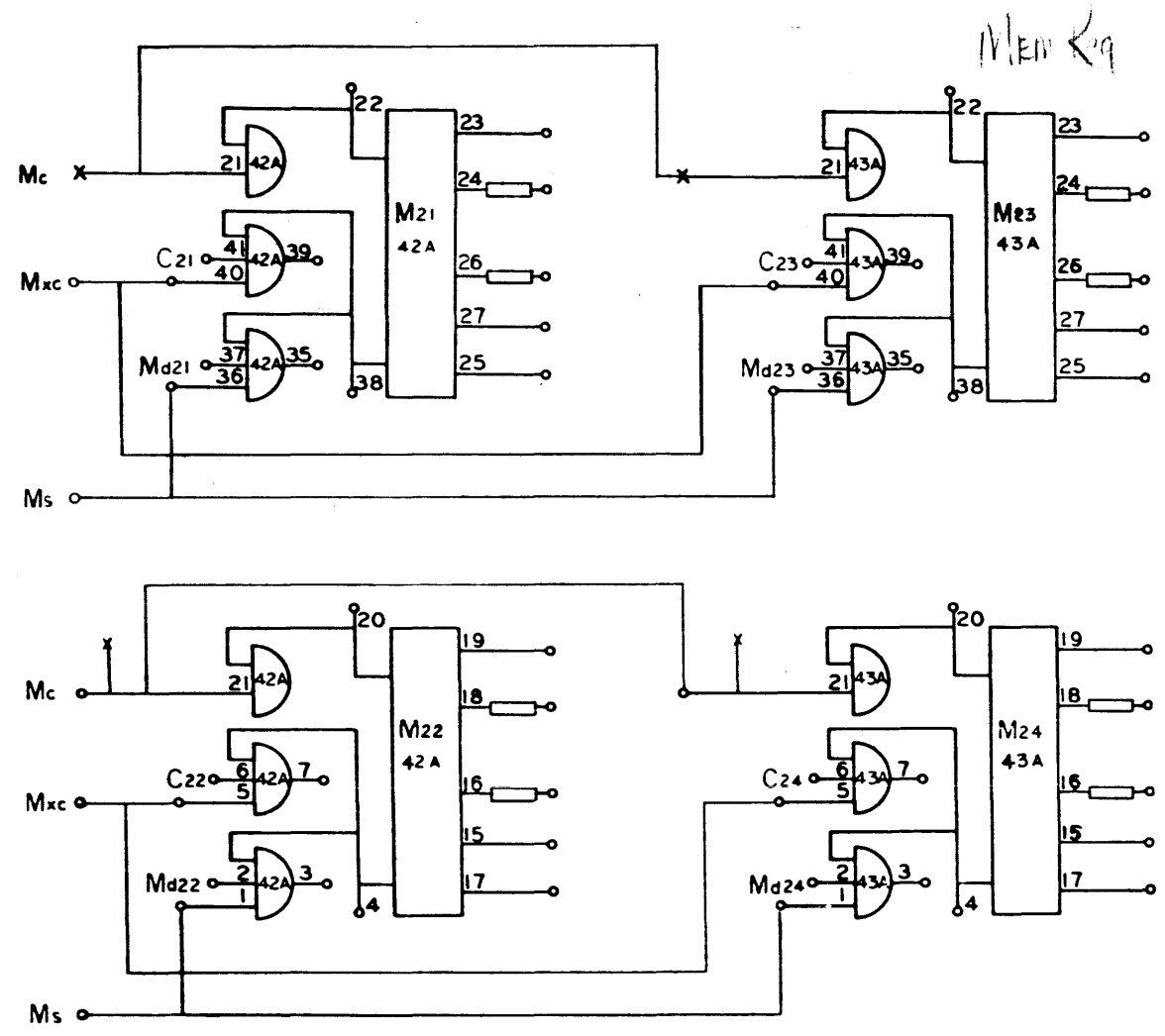
9

910-920
Page 7
A

101702/A

REV	DRAWING NO.	DESCRIPTION	REFERENCE DESIGNATION	ITEM NO.
NOTES UNLESS SPECIFIED				
1. TOLERANCES UNLESS SPECIFIED				
2. DIMENSIONS ARE IN INCHES				
3. BREAK ALL SHARP EDGES AND APPROX.				
4. HIDE SURFACES				
5. ALL DIM. IN INCHES				
DRAWN		CHECKED		
APPR		APPR		
<div style="text-align: center;"> SDS SOUVENIR DATA SYSTEMS 1542 FIFTEENTH STREET SANTA MONICA, CALIFORNIA </div>				
MODEL NO.			REV D	
PART NO.			DWG NO. 101702	
SCALE			DO NOT SCALE DRAWING SHEET	

REVISIONS		01702	
REV	DESCRIPTION	CHK	DATE
A	REL TO MFG		



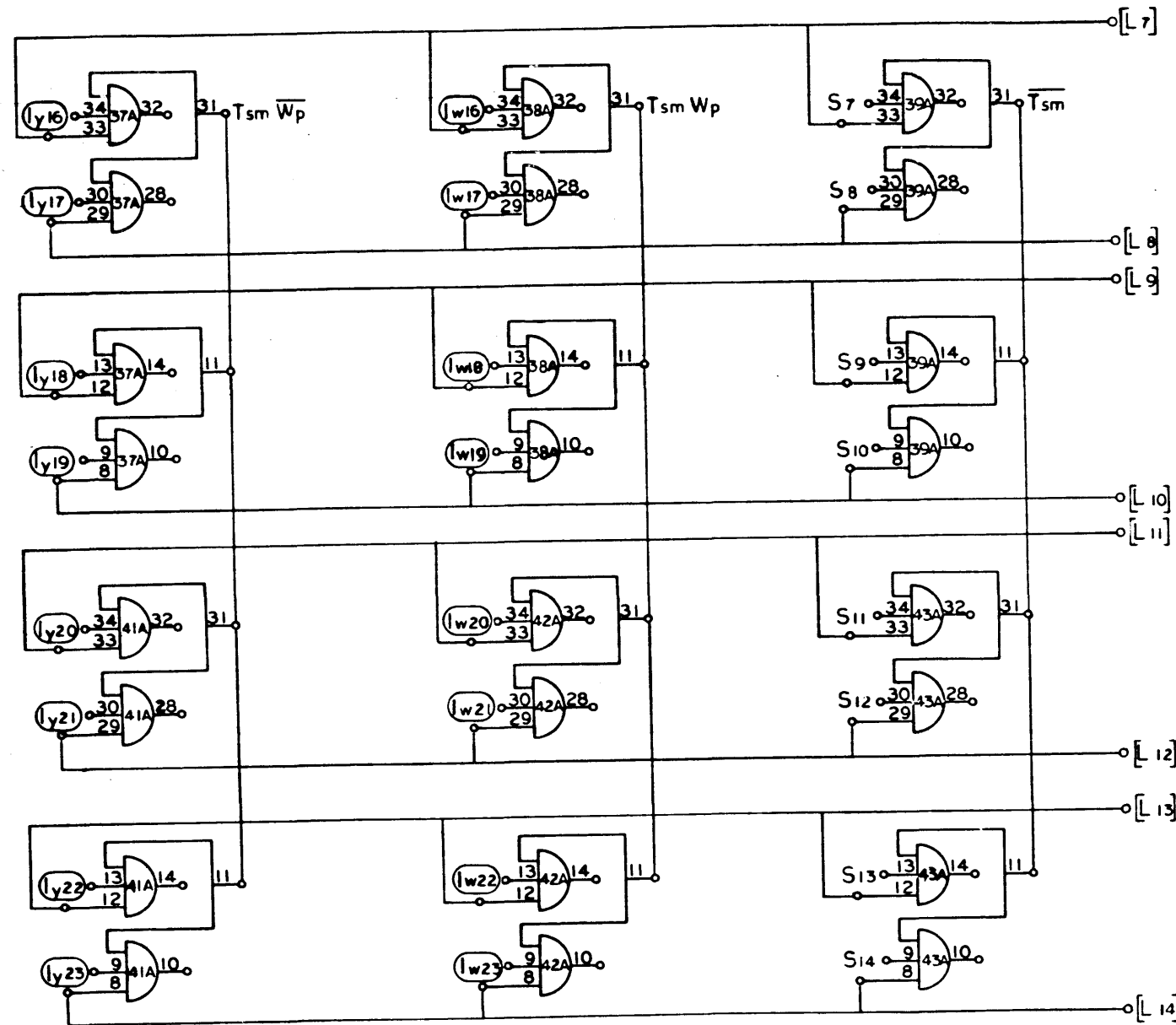
910-920
Page 8
A

10
V-01702

NO. REQ.	DRAWING NO.	DESCRIPTION	REFERENCE DESIGNATION	ITEM NO.
MATERIAL LIST				
NOTES UNLESS SPECIFIED		DRAWN	SDS SCIENTIFIC DATA SYSTEMS	
1. TOLERANCES UNLESS SPECIFIED		CHECK	1942 FIFTEENTH STREET SANTA MONICA, CALIFORNIA	
2. DIMENSIONS UNLESS SPECIFIED		APPR.	TITLE	
3. BREAK ALL SHARP EDGES 0.10 APPROX.			DIAGRAM, LOGIC, COMPUTER	
4. BACK SURFACES				
5. ALL DIM. IN INCHES			SIZE	DWG. NO.
MODEL NO.			D	01702
NEXT ASSY.			SCALE	DO NOT SCALE DRAWING SHEET

REVISIONS				
REV	DESCRIPTION	CHK	DATE	APPROVED
A	REL TO MFG		12/1/68	

Annotations taken from the 5 REG



11

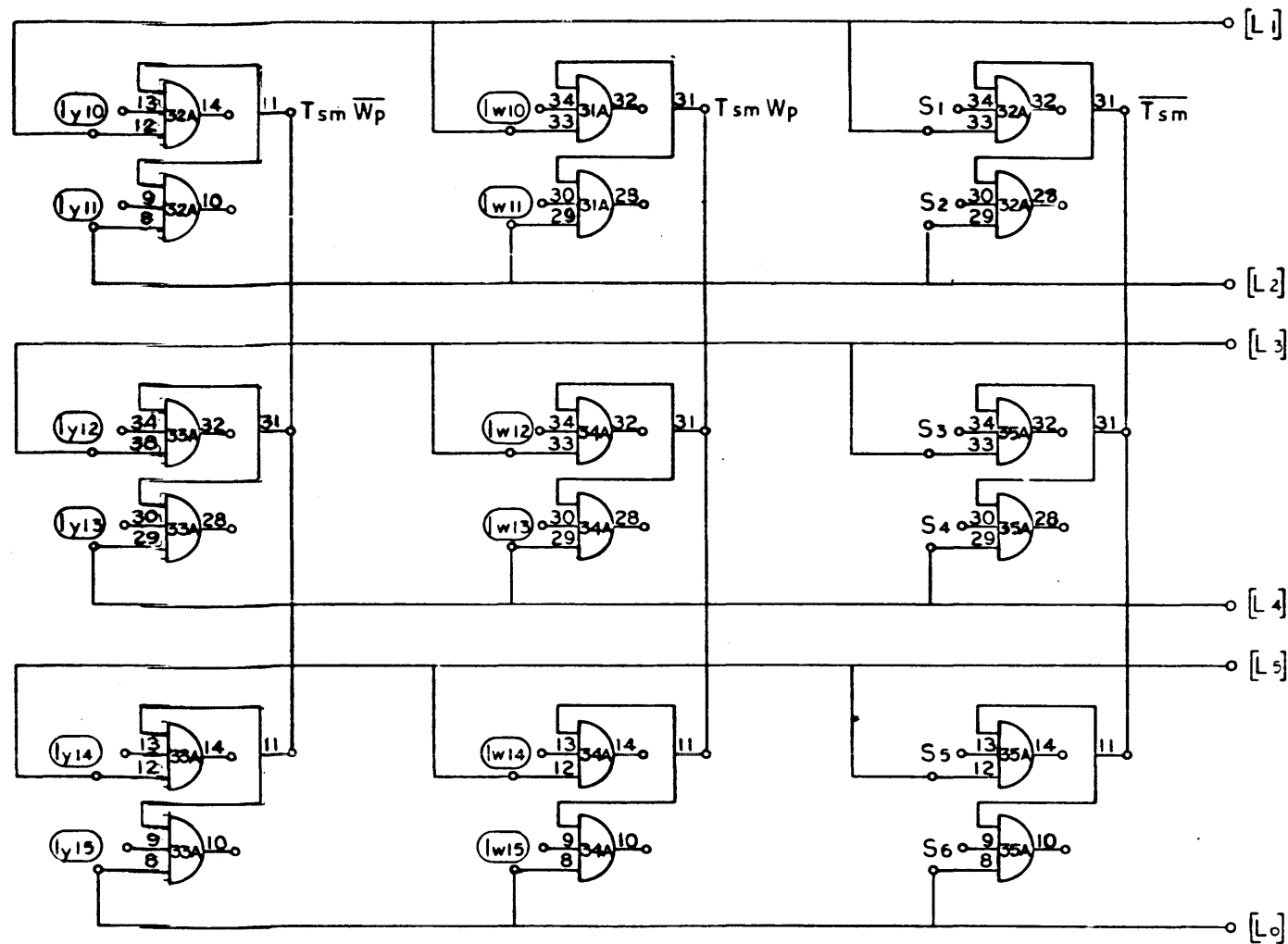
1017C2A

910-920
Page 9
A

REV	DRAWING NO.	DESCRIPTION	REFERENCE DESIGNATION	ITEM NO.
MATERIAL LIST				
NOTS UNLESS SPECIFIED 1. DIMENSIONS 2. TOLERANCES 3. FINISHES 4. SURFACES 5. ALL DIM. IN INCHES				
DRAWN: <i>lh</i> CHECK: <i>lh</i> APPR: <i>lh</i>		SDS SCIENTIFIC DATA SYSTEMS 1542 FIFTEENTH STREET SANTA MONICA CALIFORNIA TITLE: DIAGRAM, LOGIC, COMPUTER		
MODEL NO.		REV	DWG NO.	ITEM
		D	1017C2	A
ENTRY ASSY.		SCALE	DO NOT SCALE DRAWING	SHEET

REVISIONS			
REV	DESCRIPTION	CHK	DATE
A	REL TO MFG		

Address from the S 101-02



910-920
Page 10
A

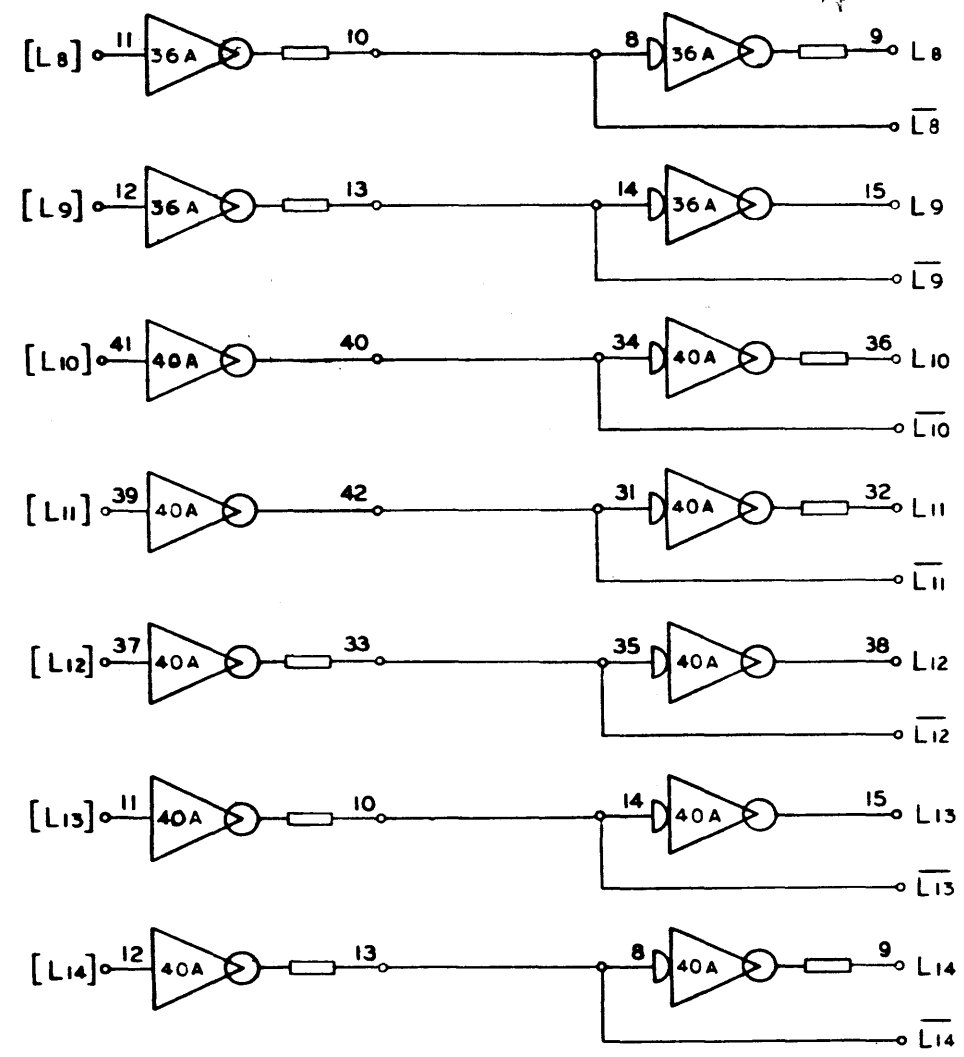
12

101-02
A

REV	DRAWING NO.	DESCRIPTION	REFERENCE DESIGNATION	TOP
NOTES UNLESS SPECIFIED				
1. TOLERANCES	ANGULAR	CHECK		
2. BREAK ALL SHARP EDGES AND POINTS		APR. 1962		
3. BACK SURFACES				
4. ALL DIM. IN INCHES				
MODEL NO.		SDS SCIENTIFIC DATA SYSTEMS		
NEXT ASSY.		1942 FIFTEENTH STREET, SANTA MONICA, CALIFORNIA		
		TITLE		
		DIAGRAM, LOGIC, COMPUTER		
		REV	DWS NO.	
		D	101-02	
		SCALE	DO NOT SCALE DRAWING SHEET	

REV		REVISIONS		CHK	DATE	APPROVED
A		REL TO MFG				

Address lines to Memory



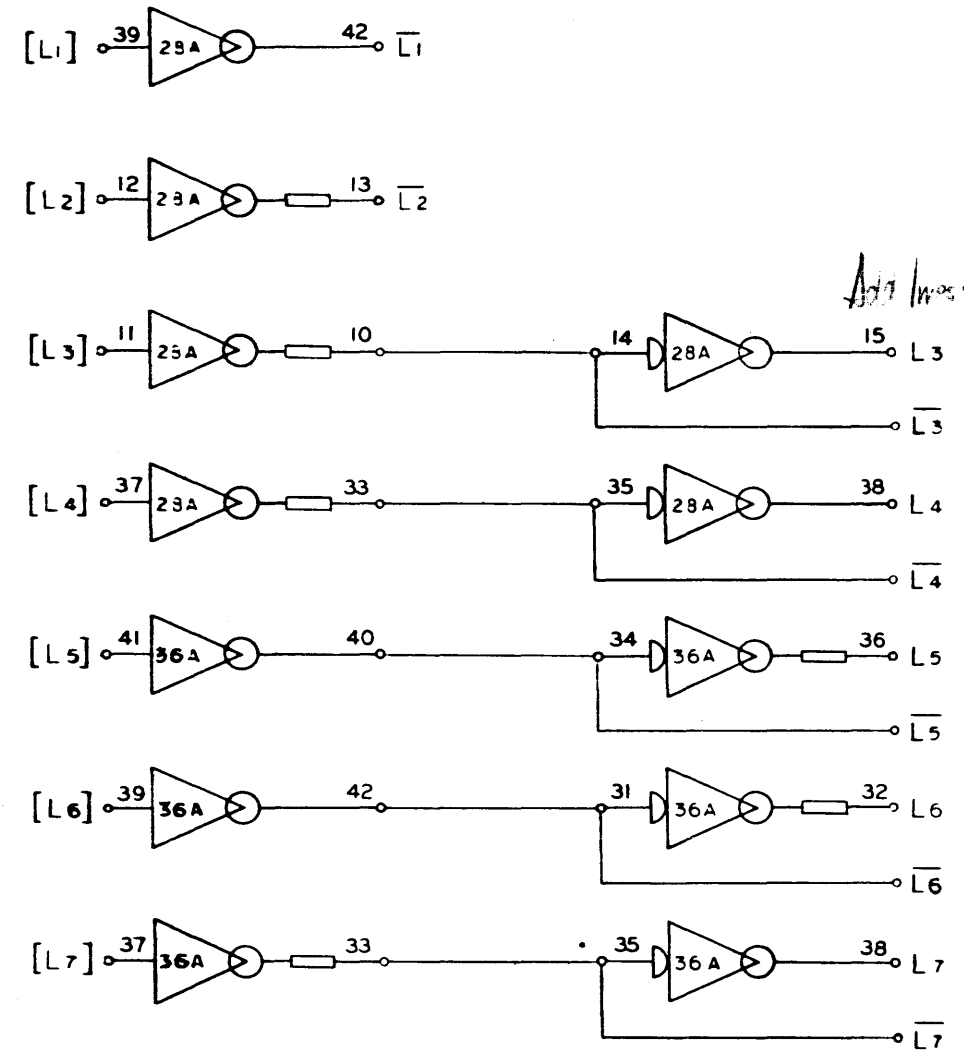
13

910-920
Page 11
A

101702/A

DRAWING NO.	DESCRIPTION	REFERENCE DESIGNATION	ITEM NO.
<p>NOTES UNLESS SPECIFIED</p> <p>1. DIMENSIONS UNLESS SPECIFIED</p> <p>2. HIDE ALL SHARP EDGES</p> <p>3. BACK SURFACES</p> <p>4. ALL DIM. IN INCHES</p>			
<p>DRAWN: [Signature]</p> <p>CHECK: [Signature]</p> <p>APPR: [Signature]</p>	<p>MATERIAL LIST</p>	<p>SDS DATA SYSTEMS</p> <p>1248 FIFTEENTH STREET, SANTA MONICA, CALIFORNIA</p>	<p>TITLE</p> <p>DIAGRAM, LOGIC, COMPUTER</p>
MODEL NO.		REV. NO.	
		D	01702 A
NEXT ASBY.		SCALE	DO NOT SCALE DRAWING SHEET

REVISIONS			
REV	DESCRIPTION	CHK	DATE
A	REL TO MFG		



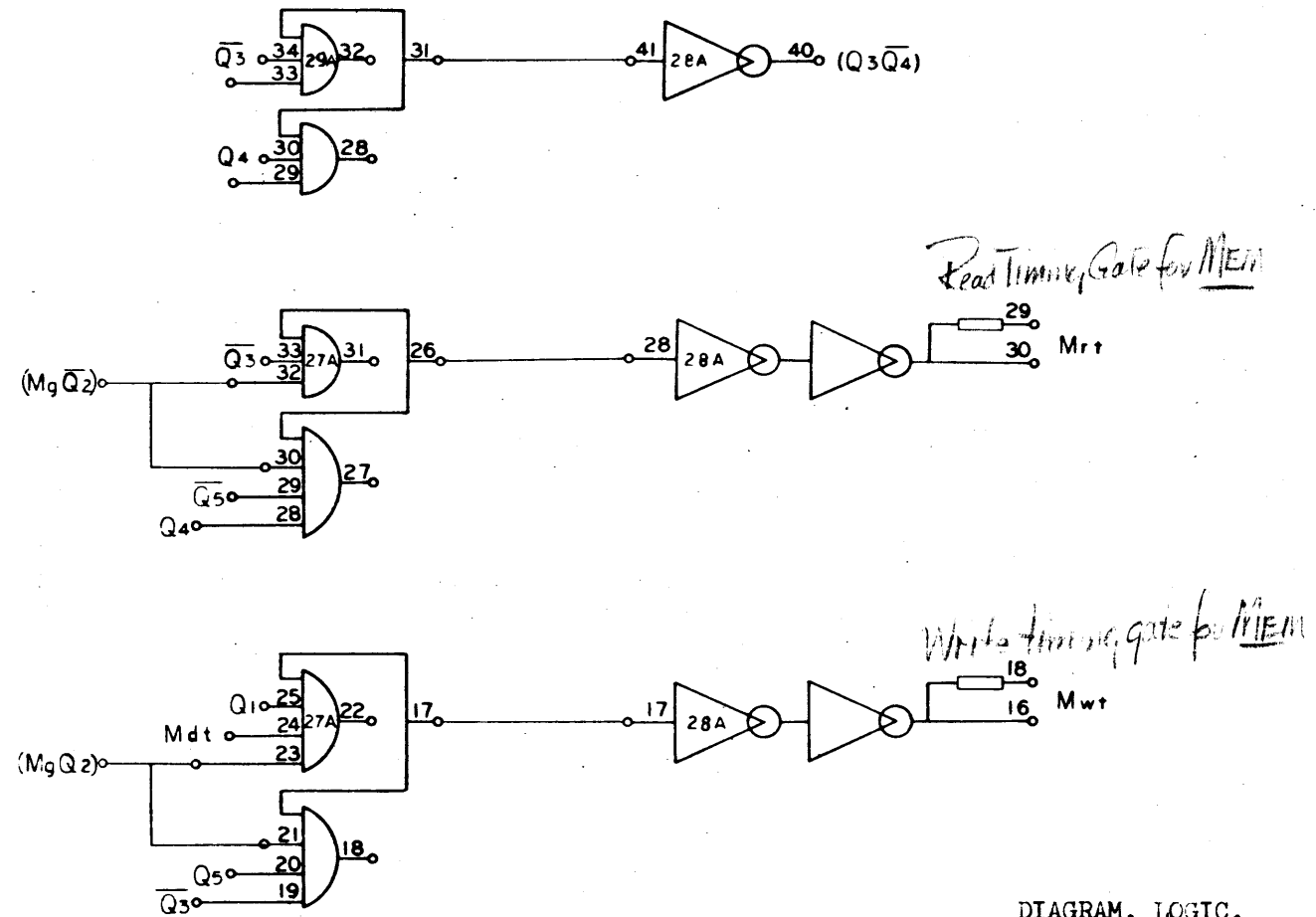
ADD IN-OUT MEM

14

910-920
Page 12
A

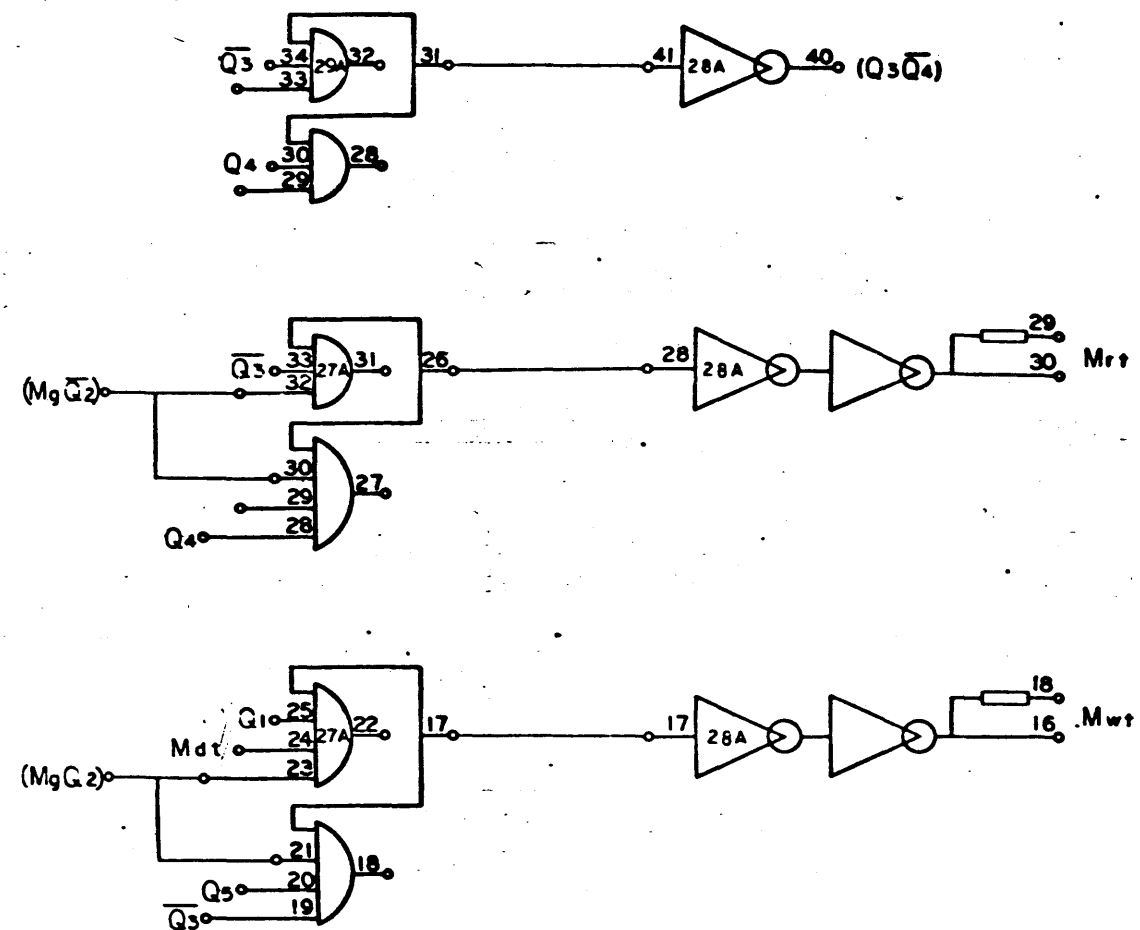
NO	DRAWING NO.	DESCRIPTION	REFERENCE DESIGNATION	ITEM NO.
MATERIAL LIST				
NOTES UNLESS SPECIFIED 1. TOLERANCES .01 ± .000 ANGULAR .005 ± .000 2. BREAK ALL SHARP EDGES 3. H. CH. SURFACES ✓ 4. ALL DIM. IN INCHES				
DRAWN: <i>[Signature]</i> CHECK: <i>[Signature]</i> A-911		SDS SCIENTIFIC DATA SYSTEMS 1642 24TH STREET SANTA MONICA CALIFORNIA TITLE: DIAGRAM, LOGIC, COMPUTER		
MODEL NO.		S.Z.	DWG NO.	
NEXT ADV.		D	01702	A
SCALE		DO NOT SCALE DRAWING SHEET		

15



DIAGRAM, LOGIC,
COMPUTER DWG. NO. 101702

REVISIONS			01702 D	
REV	DESCRIPTION	DATE	BY	APPROVED
A	REL TO MFG	11/1/62	WJ	WJ
D	SEE REV E.O.	10/1/62	WJ	WJ

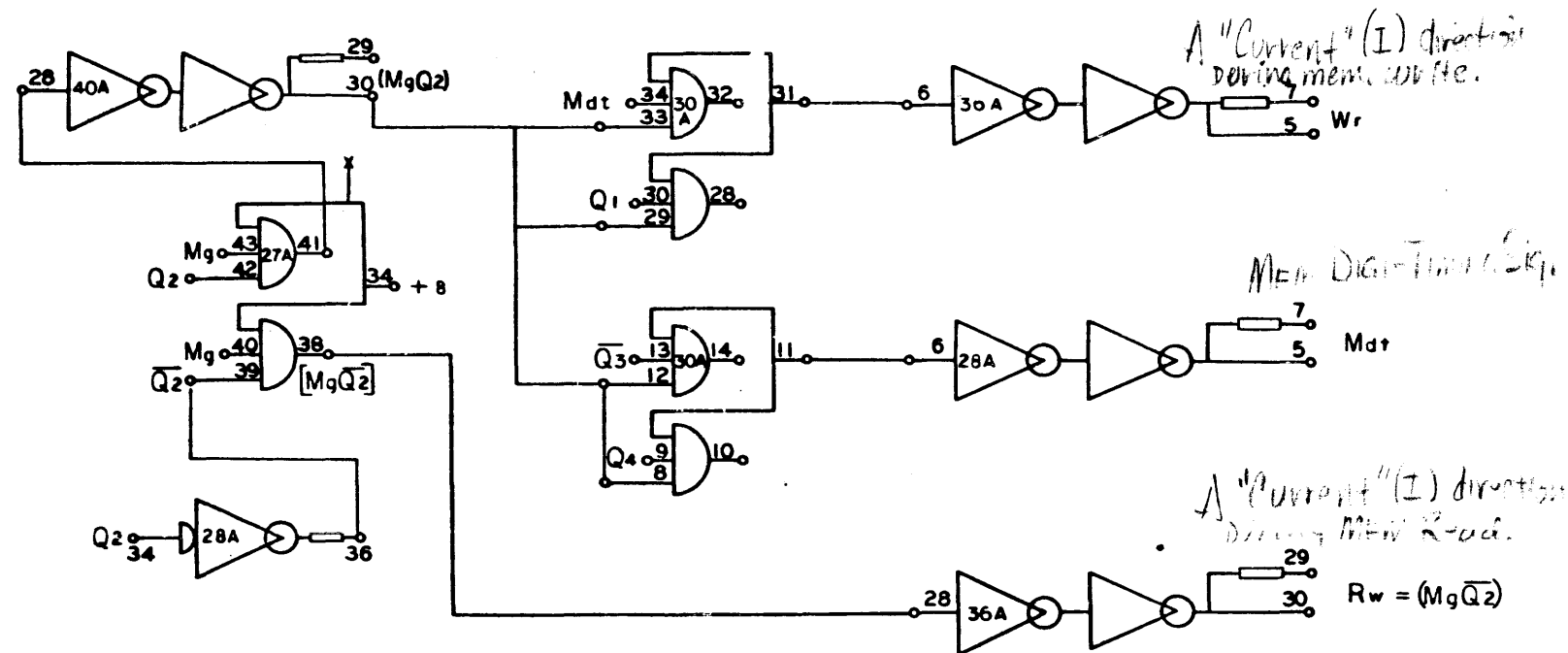


16

910-920
Page 13
D

NO	REV	DRAWING NO.	DESCRIPTION	REFERENCE DESIGNATION	FORM NO.
MATERIAL LIST					
NOTES UNLESS SPECIFIED		DRAWN	10/15/62	SDS SCIENTIFIC DATA SYSTEMS 1935 PATTERSON STREET SANTA MONICA CALIFORNIA	
1. TOLERANCES UNLESS SPECIFIED		CHECK	11/1/62		
2. DIMENSIONS UNLESS SPECIFIED		APP'D	10/1/62	TITLE DIAGRAM, LOGIC, COMPUTER	
3. BREAK ALL SHARP CORNERS AND NOTCHES					
4. HOLE SURFACES				SIZE D	
5. ALL DIM. IN INCHES				DWG NO. 101702	
NEXT ASSY.				SCALE DO NOT SCALE DRAWING	

REVISIONS				C1702	A
REV.	DESCRIPTION	CHK.	DATE	APPROV.	
A	REL TO MFG		10-14-62		

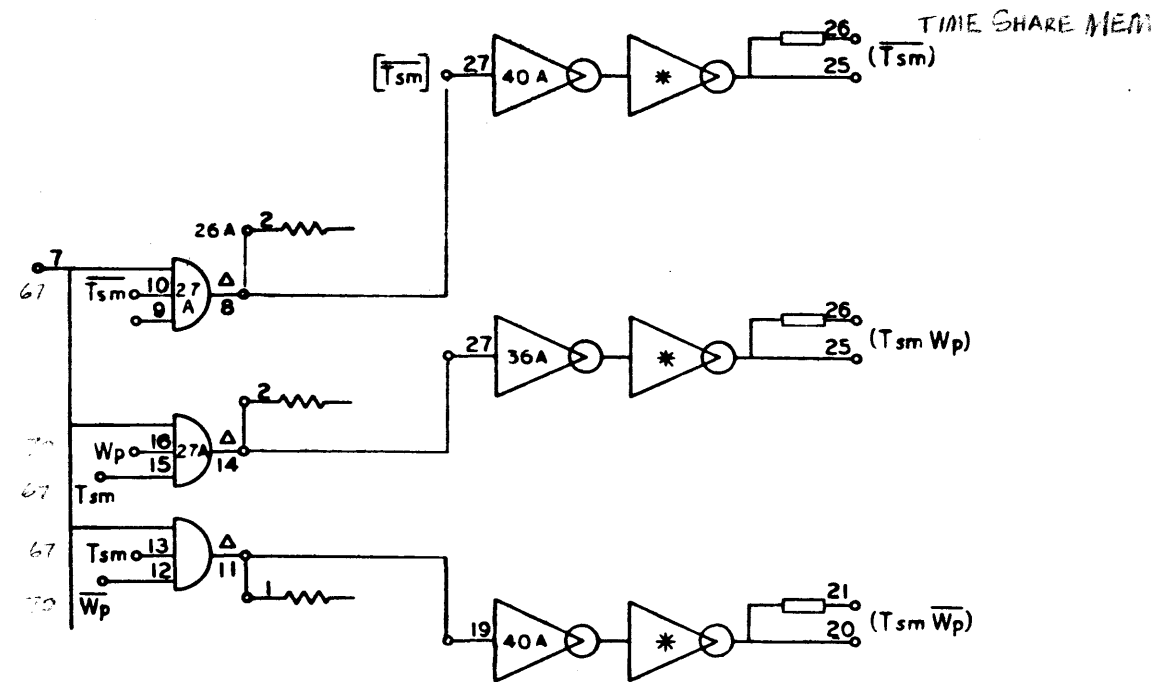


910-920
Page 14
A

NO. REV.	DRAWING NO.	DESCRIPTION	REFERENCE DESIGNATION	ITEM NO.
MATERIAL LIST				
NOTED UNLESS OTHERWISE SPECIFIED:		DRAWN: <i>KH</i>	DATE: 9-5-62	 SDS SYSTEMS DATA SYSTEMS <small>1445 EIGHTH STREET SANTA MONICA, CALIFORNIA</small>
1. TOLERANCES UNLESS OTHERWISE SPECIFIED:	ANGULAR ±1°	CHECK: <i>JL</i>	DATE: 9-1-62	
2. DIMENSIONS UNLESS OTHERWISE SPECIFIED:	AS SHOWN	APPR: <i>J. C. C.</i>	DATE: 10/1/62	
3. DIMENSIONS UNLESS OTHERWISE SPECIFIED:	AS SHOWN			
MODEL NO.		SPEC. DATE NO.		
SERIAL NO.		D		1017102
		SCALE		DO NOT SCALE DRAWING SHEET

101702 A

REV		DESCRIPTION		CHK	DATE	APPROVED
A		REL TO MFG			10-1-62	

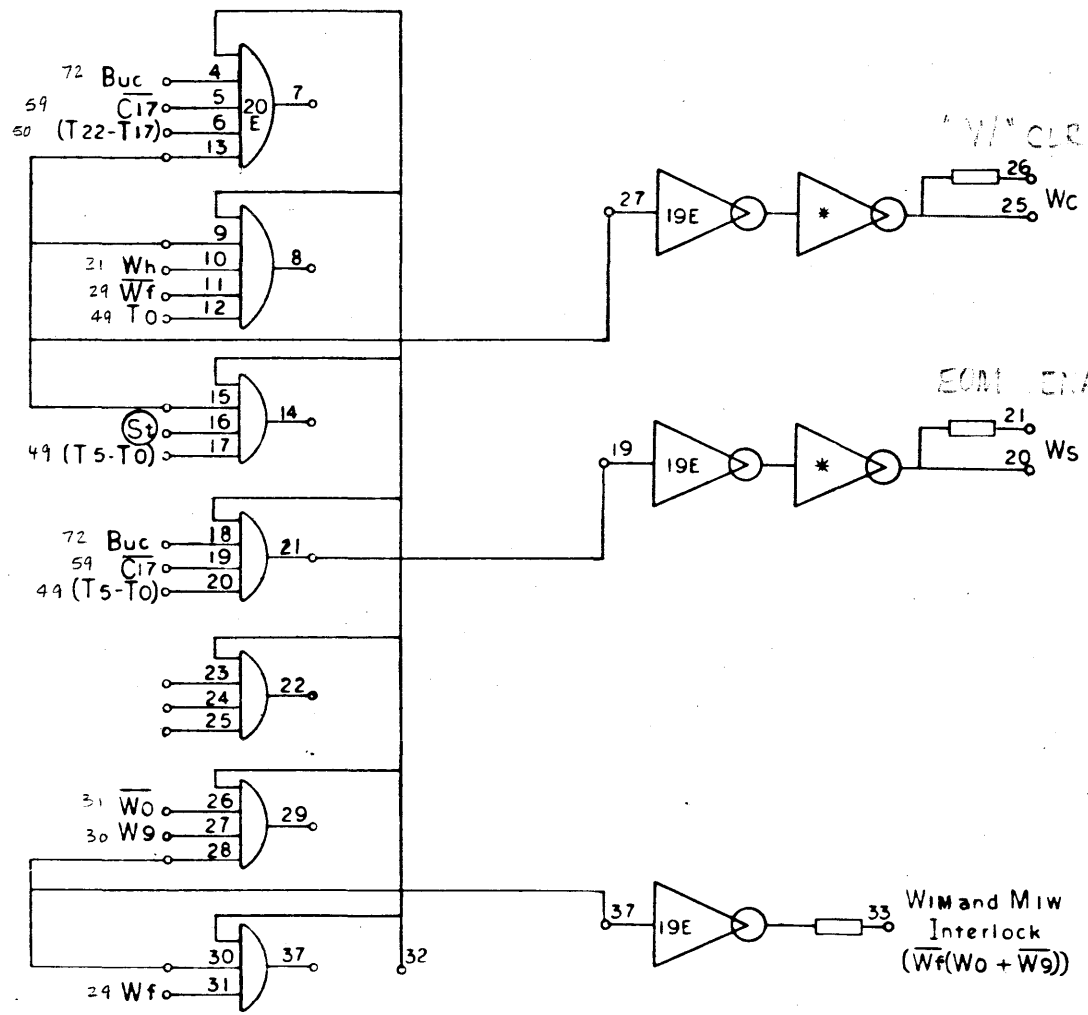


(B)

910-920
Page 15
A

101702 A

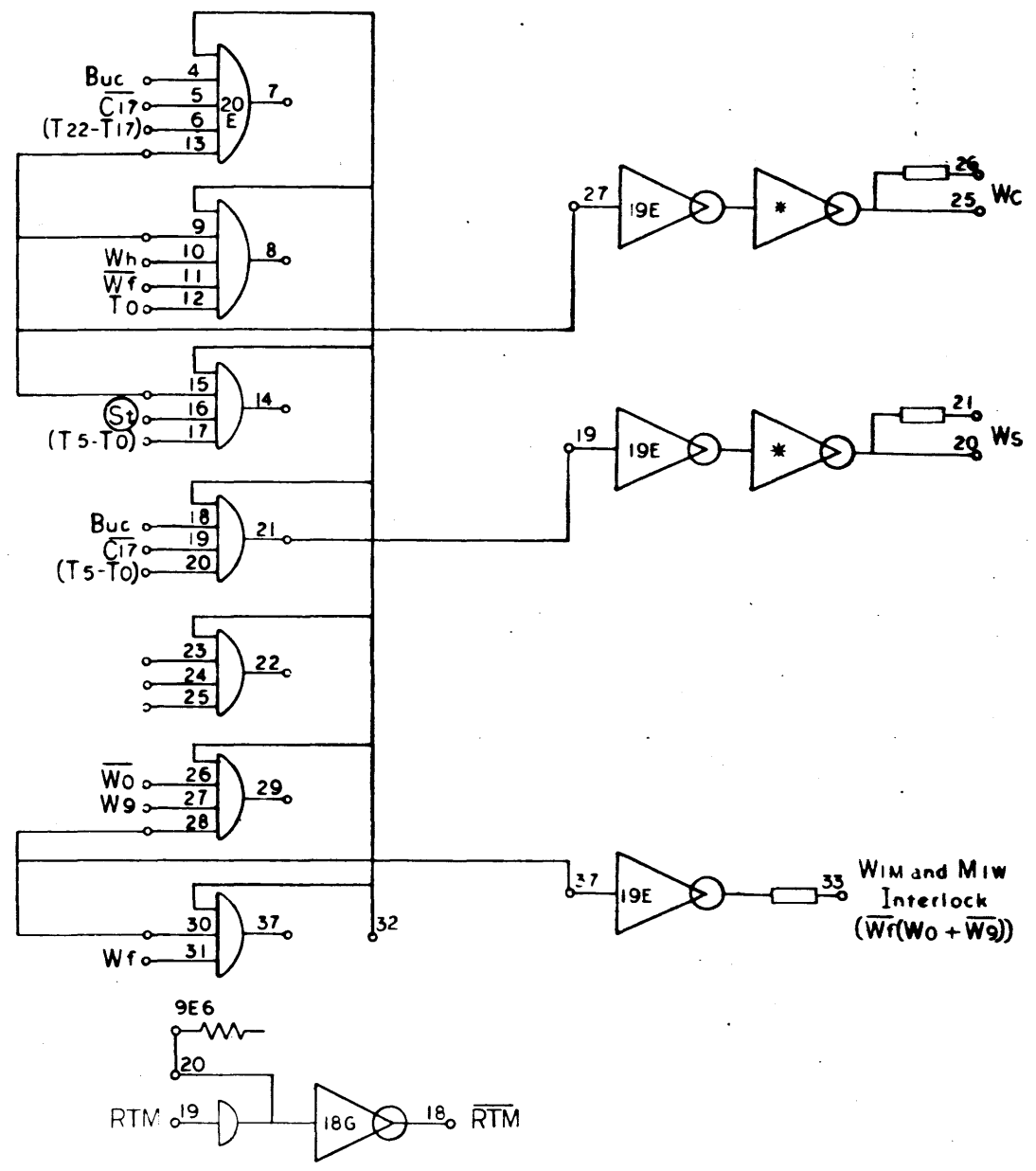
DRAWING NO.	DESCRIPTION	REFERENCE DESIGNATION	ITER. NO.
NOTES UNLESS SPECIFIED: 1. DIMENSIONS UNLESS OTHERWISE SPECIFIED ARE IN INCHES. 2. DIMENSIONS IN PARENTHESES ARE FOR INFORMATION ONLY. 3. DIMENSIONS IN BRACKETS ARE FOR INFORMATION ONLY. 4. DIMENSIONS IN SQUARE BRACKETS ARE FOR INFORMATION ONLY.			
DATE	BY	CHKD BY	APPV. BY
9-19-62	ALH	Ld	12/1/62
MATERIAL LIST S/D 2 S/D 3 S/D 4 S/D 5 S/D 6 S/D 7 S/D 8 S/D 9 S/D 10 S/D 11 S/D 12 S/D 13 S/D 14 S/D 15 S/D 16 S/D 17 S/D 18 S/D 19 S/D 20 S/D 21 S/D 22 S/D 23 S/D 24 S/D 25 S/D 26 S/D 27 S/D 28 S/D 29 S/D 30 S/D 31 S/D 32 S/D 33 S/D 34 S/D 35 S/D 36 S/D 37 S/D 38 S/D 39 S/D 40 S/D 41 S/D 42 S/D 43 S/D 44 S/D 45 S/D 46 S/D 47 S/D 48 S/D 49 S/D 50 S/D 51 S/D 52 S/D 53 S/D 54 S/D 55 S/D 56 S/D 57 S/D 58 S/D 59 S/D 60 S/D 61 S/D 62 S/D 63 S/D 64 S/D 65 S/D 66 S/D 67 S/D 68 S/D 69 S/D 70 S/D 71 S/D 72 S/D 73 S/D 74 S/D 75 S/D 76 S/D 77 S/D 78 S/D 79 S/D 80 S/D 81 S/D 82 S/D 83 S/D 84 S/D 85 S/D 86 S/D 87 S/D 88 S/D 89 S/D 90 S/D 91 S/D 92 S/D 93 S/D 94 S/D 95 S/D 96 S/D 97 S/D 98 S/D 99 S/D 100		TITLE DIAGRAM, LOGIC, COMPUTER	
REV. NO.	REV. NO.	REV. NO.	REV. NO.
D	101702		A
SCALE	BY	DATE	SHEET



19

DIAGRAM, LOGIC,
 COMPUTER DWG. NO. 101702

16



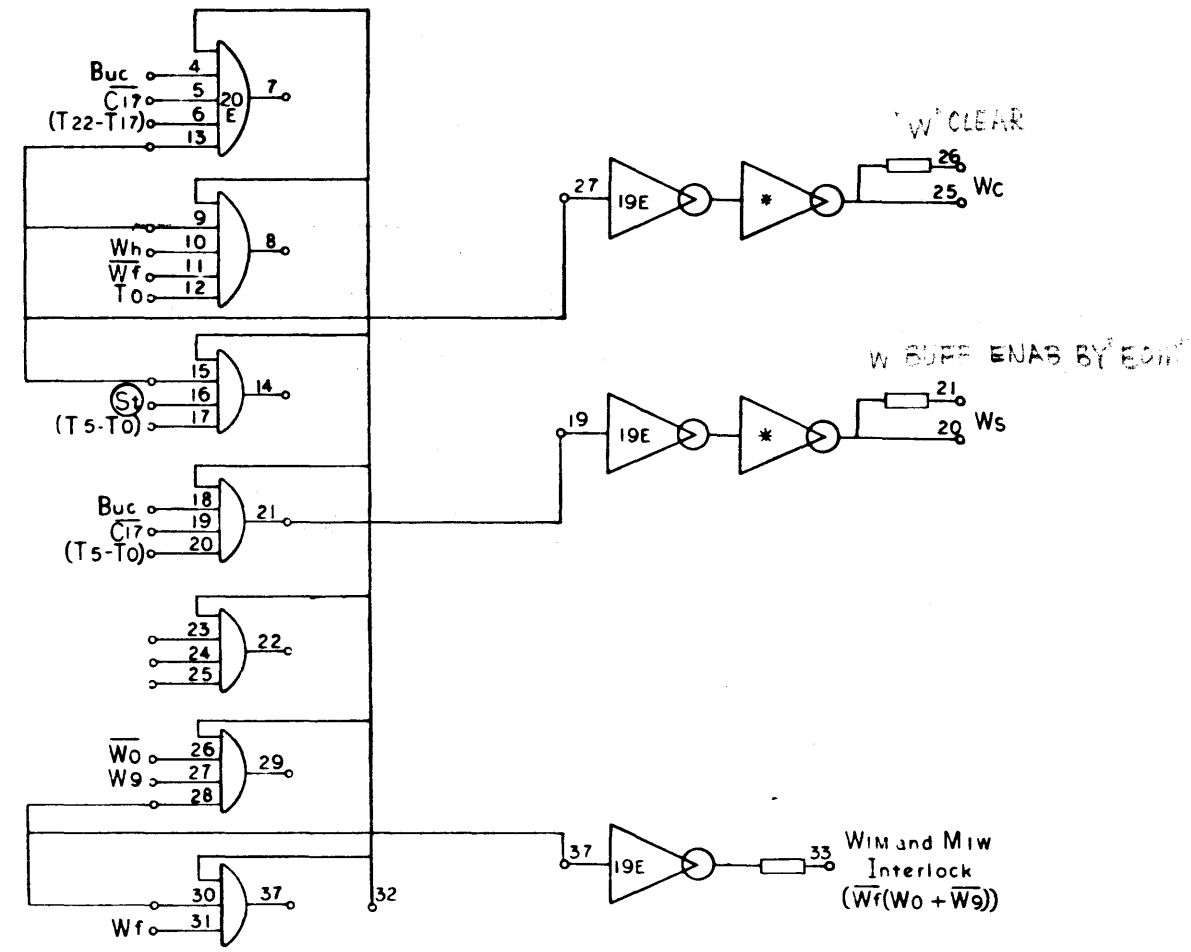
20

DIAGRAM, LOGIC,
COMPUTER DWG. NO. 101702

Γ.

SEE PREVIOUS
PAGE

REVISIONS			
REV	DESCRIPTION	CHK	DATE
A	REL TO MFG		10-16-62
M	SEE REV E.O.		10-16-62
P	SEE REV E.O.		10-16-62



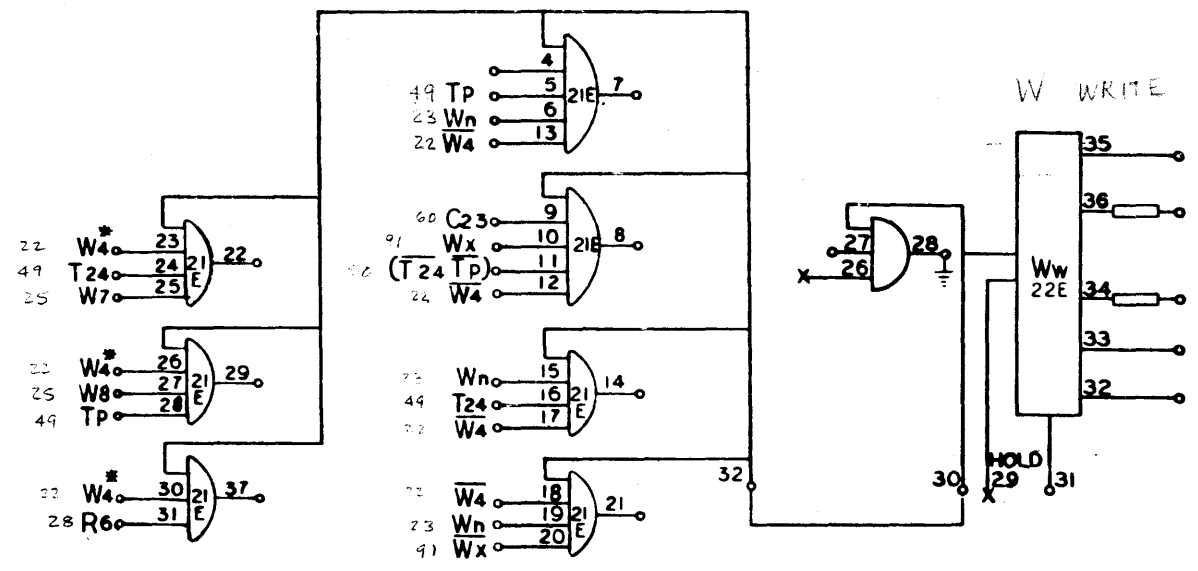
21

910
Page 16
P

NO. REG	DRAWING NO.	DESCRIPTION	REFERENCE DESIGNATION	103 ITEM NO.
NOTES UNLESS SPECIFIED				
1. TOLERANCES XX ± .030 XXX ± .010		ANGULAR ± 15'	SDS SCIENTIFIC DATA SYSTEMS 1528 FIFTEENTH STREET SANTA MONICA CALIFORNIA	
2. BREAK ALL SHARP EDGES @ 18 APPROX.			TITLE DIAGRAM, LOGIC, COMPUTER	
3. HATCH SURFACES ✓			MODEL NO. D 101702 P	
4. ALL DIM. IN DECIMS			NEXT ASSY.	
SCALE			DO NOT SCALE DRAWING	SHEET

SEE PG 16 A

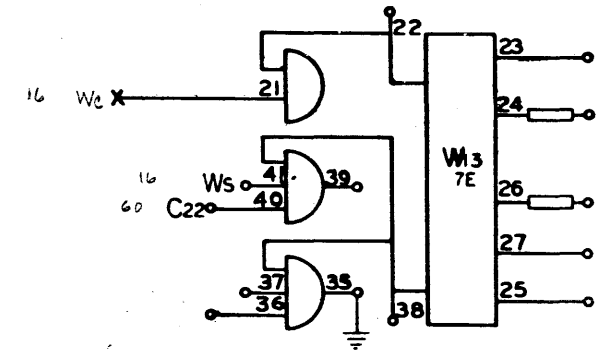
REVISIONS				101702	A
REV.	DESCRIPTION	CHK.	DATE	APPROVED	
A	REL TO MFG		1/4/62		



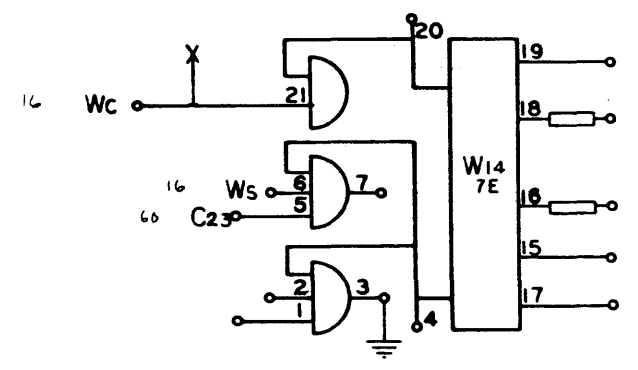
910
Page 17
A

NO.	DRAWING NO.	DESCRIPTION	REFERENCE DESIGNATION	FORM NO.
MATERIAL LIST				
NOTES UNLESS SPECIFIED		DRAWN <i>LB</i>	DATE <i>2-15-62</i>	SDS SCIENTIFIC DATA SYSTEMS 1540 FIFTEENTH STREET, SANTA MONICA, CALIFORNIA
1. DIMENSIONS ARE 2 DEC ANGULAR 2 1/2"		CHECK <i>LB</i>	DATE <i>1-11-62</i>	
2. BRING ALL SHARP EDGES AND CORNERS		APPR. <i>J. G. W.</i>	DATE <i>10/11/62</i>	
3. HOLE LOCATIONS				TITLE
4. HOLE SIZES				DIAGRAM, LOGIC, COMPUTER
5. ALL DIM IN INCHES				
MODEL NO.		REV. D	DATE NO. 101702	A
WEEK ASSY.		SCALE	DO NOT SCALE DRAWING	SHEET

REVISIONS		01702	
REV.	DESCRIPTION	CHK.	DATE
A	REL TO MFG		



W10, 11, 12, 13, 14 = Designation I/O UNIT
TO BE ACTIVATED



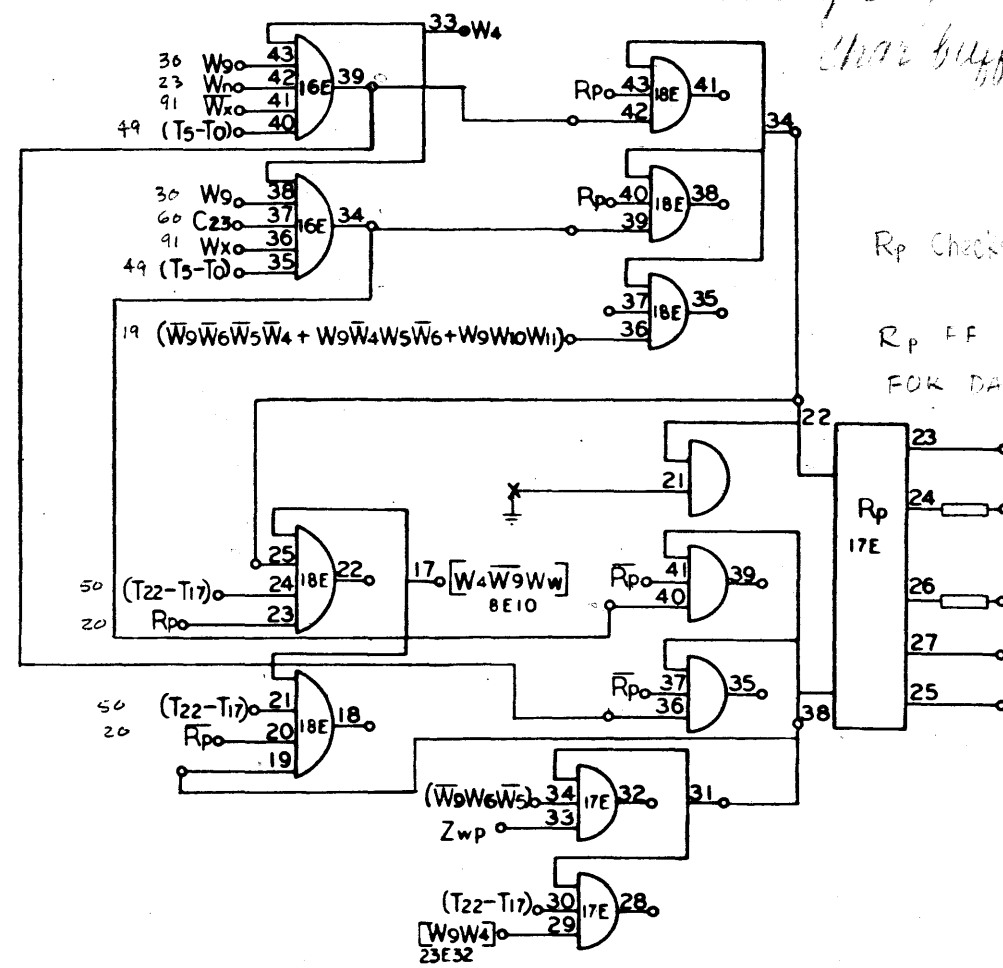
910
Page 18
A

23

101702
A

DWG. NO.	DRAWING NO.	DESCRIPTION	REFERENCE DESIGNATION	ITEM NO.
NOTES UNLESS SPECIFIED		MATERIAL LIST		
1. UNLESS OTHERWISE SPECIFIED	DRAWN	RH	9-19-62	 1948 FIFTEENTH STREET SANTA MONICA, CALIFORNIA
2. DIMENSIONS ARE IN INCHES	CHECK	RH	10-1-62	
3. CHECK ALL DIMENSIONS	APPR.	J. Colson	12/1/62	
4. ALL DIMENSIONS				
		DIAGRAM, LOGIC, COMPUTER		
MODEL NO.		DWG. NO.	101702	A
REV. A				
		SCALE	DO NOT SCALE DRAWING	SHEET

Parity Bit \bar{W}_4
Char buffer

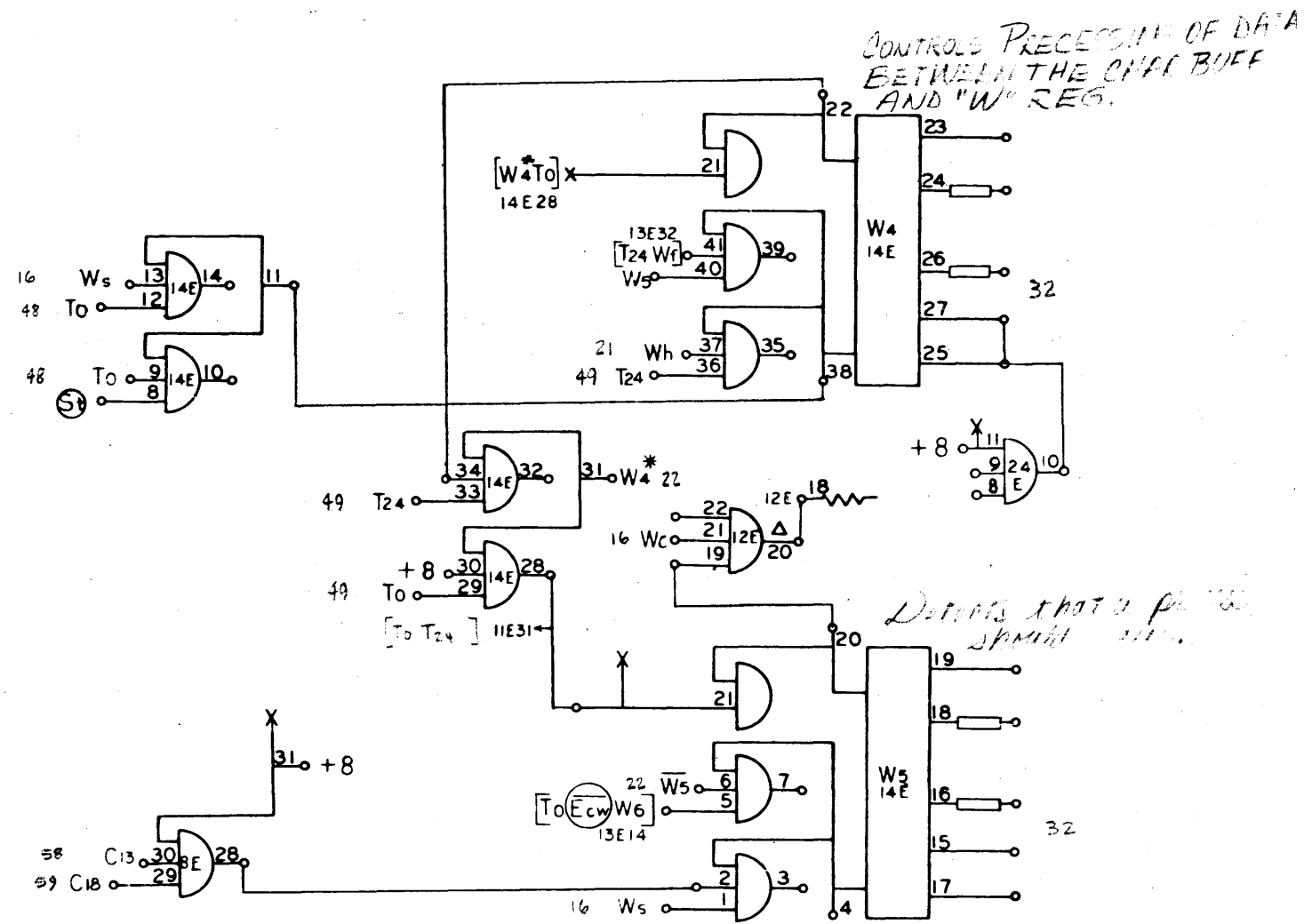


R_p checks parity for incoming data

$R_p FF = \text{PARITY GENERATION FOR DATA FROM MEMORY PER PA.}$

25

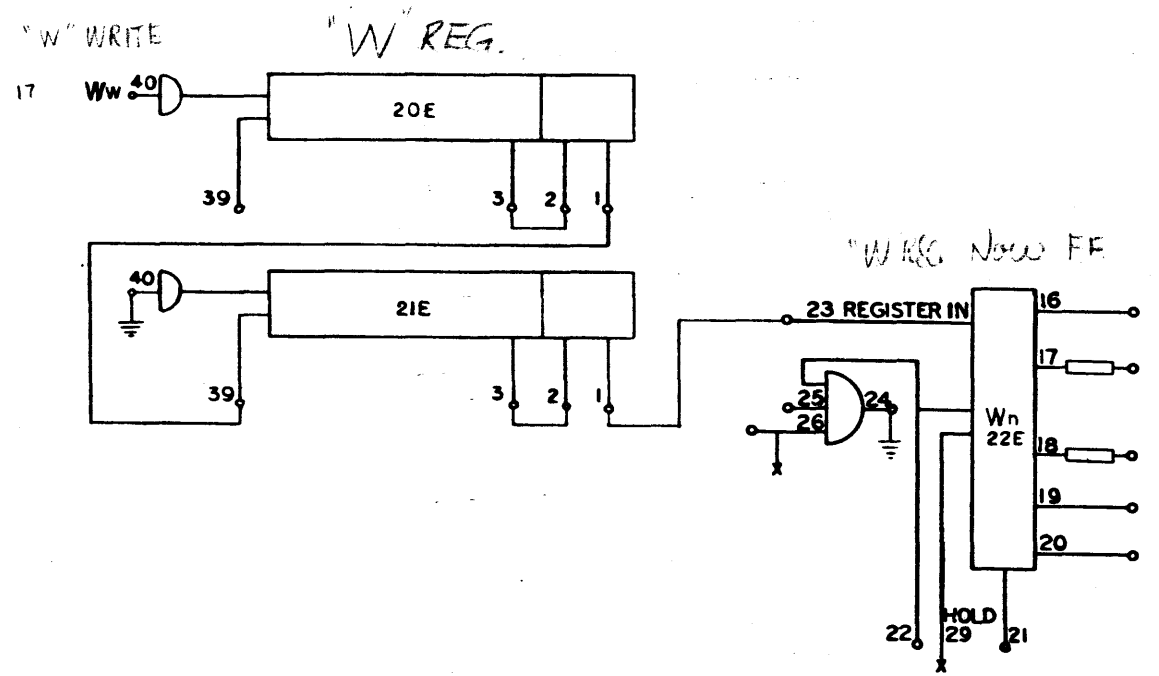
DIAGRAM, LOGIC,
COMPUTER DWG. NO. 101702



DIAGRAM, LOGIC,
COMPUTER DWG. NO. 101702

24

REVISIONS			
REV.	DESCRIPTION	CHK.	DATE
A	RELEASED TO MFG	Jd	10/1/62



910
Page 23
A

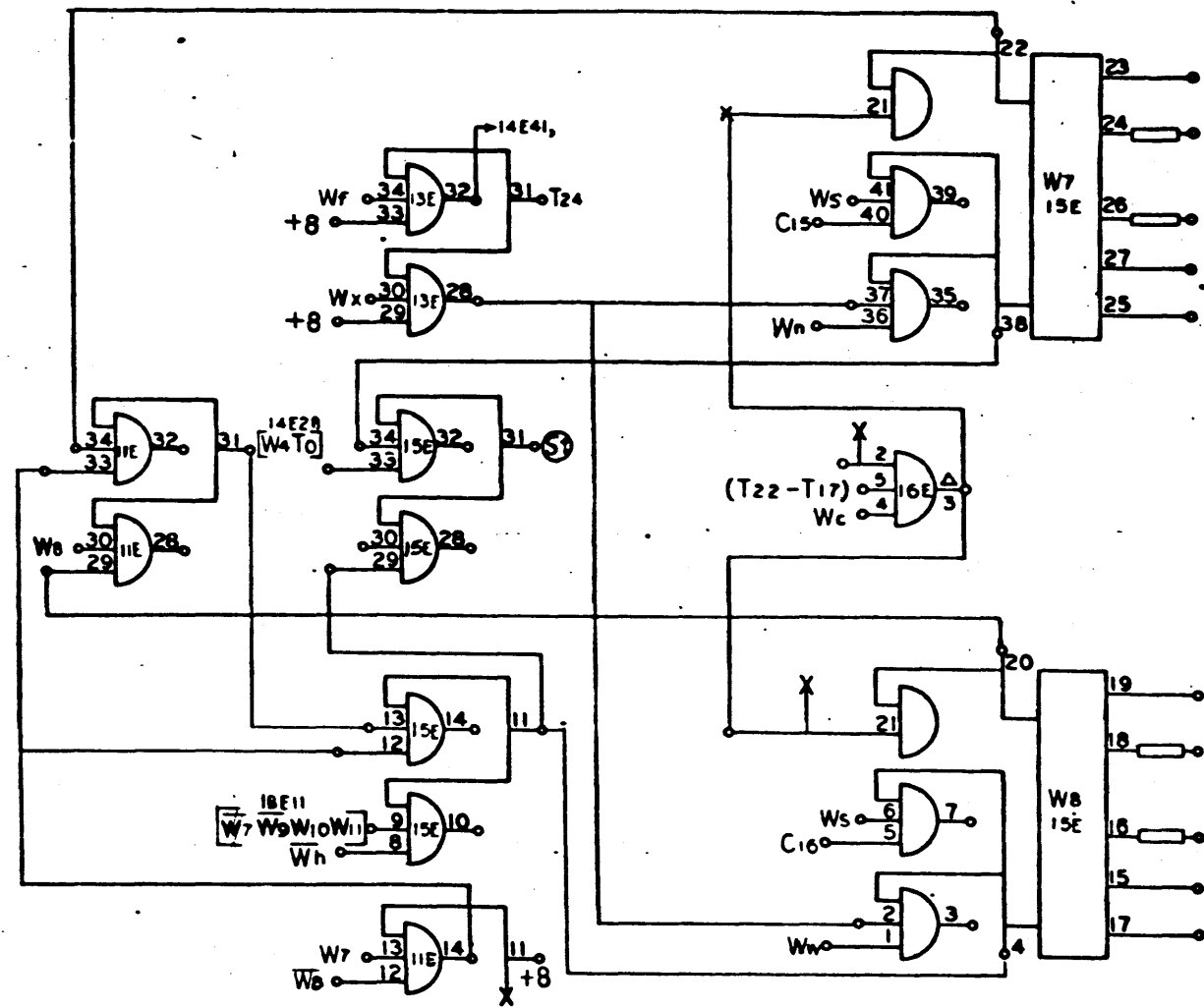
31

101702 A

DRAWING NO.	DESCRIPTION	REFERENCE DESIGNATION	REV.
			A
MATERIAL LIST			
UNLESS SPECIFIED			
1. DIMENSIONS	AS SHOWN		
2. TOLERANCES	AS SHOWN		
3. SURFACE FINISH	AS SHOWN		
4. ALL DIMENSIONS	UNLESS OTHERWISE SPECIFIED		
DRAWN: Jd		DATE: 9-19-62	
CHECK: Jd		DATE: 10-1-62	
APPR: Jd		DATE: 10/1/62	
TITLE			
DIAGRAM, LOGIC, COMPUTER			
SCALE		SHEET	
D		101702 A	

23

REVISIONS				101702	D
REV	DESCRIPTION	CHK	DATE	APPROVED	
A	REL TO MFG				
D	SEE REV E.O.				

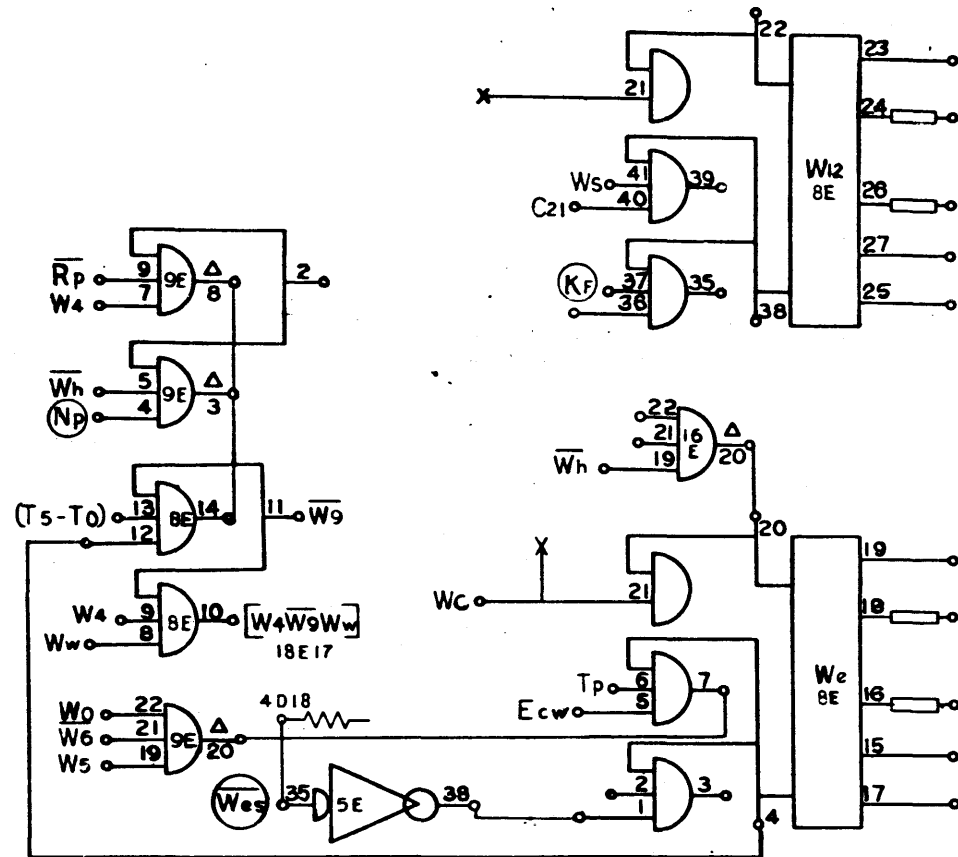


910
Page 25
D

NO. REV.	DRAWING NO.	DESCRIPTION	REFERENCE DESIGNATION	ITEM NO.
MATERIAL LIST				
NOTES UNLESS SPECIFIED				
1. TOLERANCES	DRAWN	9-10-62	SDS SCIENTIFIC DATA SYSTEMS 1545 FORTY-FIFTH STREET, SANTA MONICA, CALIFORNIA	
2. DIMENSIONS	CHECKED	11-1-62		
3. SURFACE FINISH	APPROVED	10/1/62		
4. MATERIALS				
TITLE			DIAGRAM, LOGIC COMPUTER	
MODEL NO.		REV. NO.	D	101702
NEXT ASSY.		SCALE	DO NOT SCALE DRAWING	.1:1

SEE PREVIOUS PAGE

REVISIONS			
REV	DESCRIPTION	CHK	DATE
A	REL TO MFG	SD	9-10-64
F	SEE REV E.O.	SD	7-16-64



910
Page 26
F

37

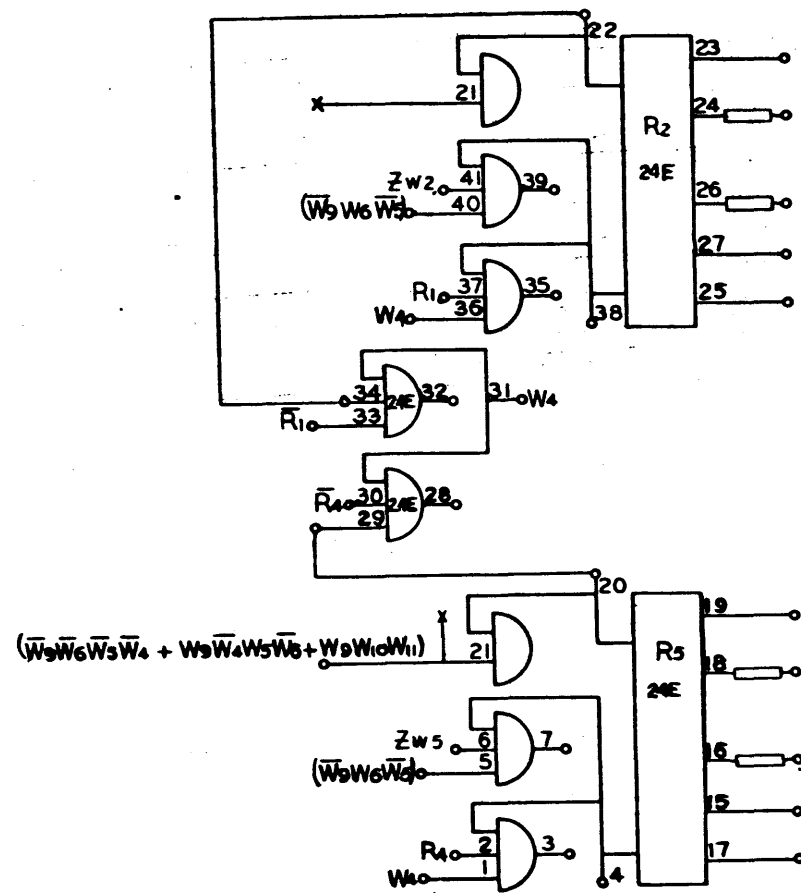
101702 F

ECO. ECR.	DRAWING NO.	DESCRIPTION	REFERENCE DESIGNATION	ITEM NO.
NOTES UNLESS SPECIFIED				
1. TO BE CHECKED		9-10-64	SDS SCIENTIFIC DATA SYSTEMS 1745 FIFTH AVENUE, SANTA MONICA, CALIFORNIA	TITLE DIAGRAM, LOGIC, COMPUTER
2. CHECK ALL DIMENSIONS AND SPACING		10-1-64		
3. CHECK SURFACE		10/1/64		
4. ALL DIMENSIONS				
MODEL NO.			C-37	REV. NO.
			D	101702
				F
SCALE			DO NOT SCALE DRAWING	SHEET

SEE PREVIOUS PAGE

REVISIONS				101702	A
REV.	DESCRIPTION	CHKD.	DATE	APPROVED	
A	RFL TO MFG	JH	11/14/62	[Signature]	

Final CHAK buff



38

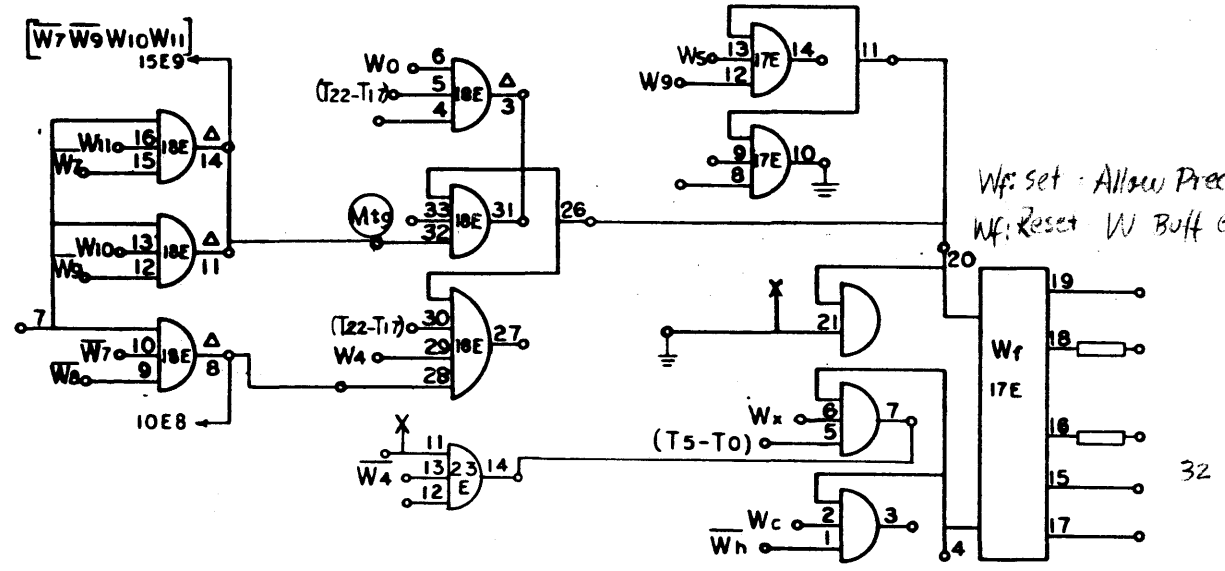
910
Page 27
A

101702/A

NO. REV.	DRAWING NO.	DESCRIPTION	REFERENCE DESIGNATION	ITEM NO.
MATERIAL LIST				
NOTES UNLESS SPECIFIED		DESIGN: KCH	DATE: 9-19-62	SDS SCIENTIFIC DATA SYSTEMS 1745 FIFTEENTH STREET SANTA MONICA, CALIFORNIA
1. TOLERANCES UNLESS SPECIFIED: .005 ANGULAR .010		CHECK: JH	DATE: 11-14-62	
2. BREAK ALL DIMENSIONS AND APPROX. 3. HIDE SURFACES ✓ 4. ALL DIM. IN INCHES		APPR: [Signature]	DATE: 11/14/62	
DIAGRAM, LOGIC, COMPUTER				
MODEL NO.		REV. D	DWG. NO. 101702	A
NEXT ASSY.		SCALE	DO NOT SCALE DRAWING	CHECK

27

REVISIONS				101702	A
REV.	DESCRIPTION	CHK	DATE	APPROVED	
A	REL TO MFG	JH	10/1/62	[Signature]	



Wf: set - Allow Process
Wf: Reset W Buff either full or Empty

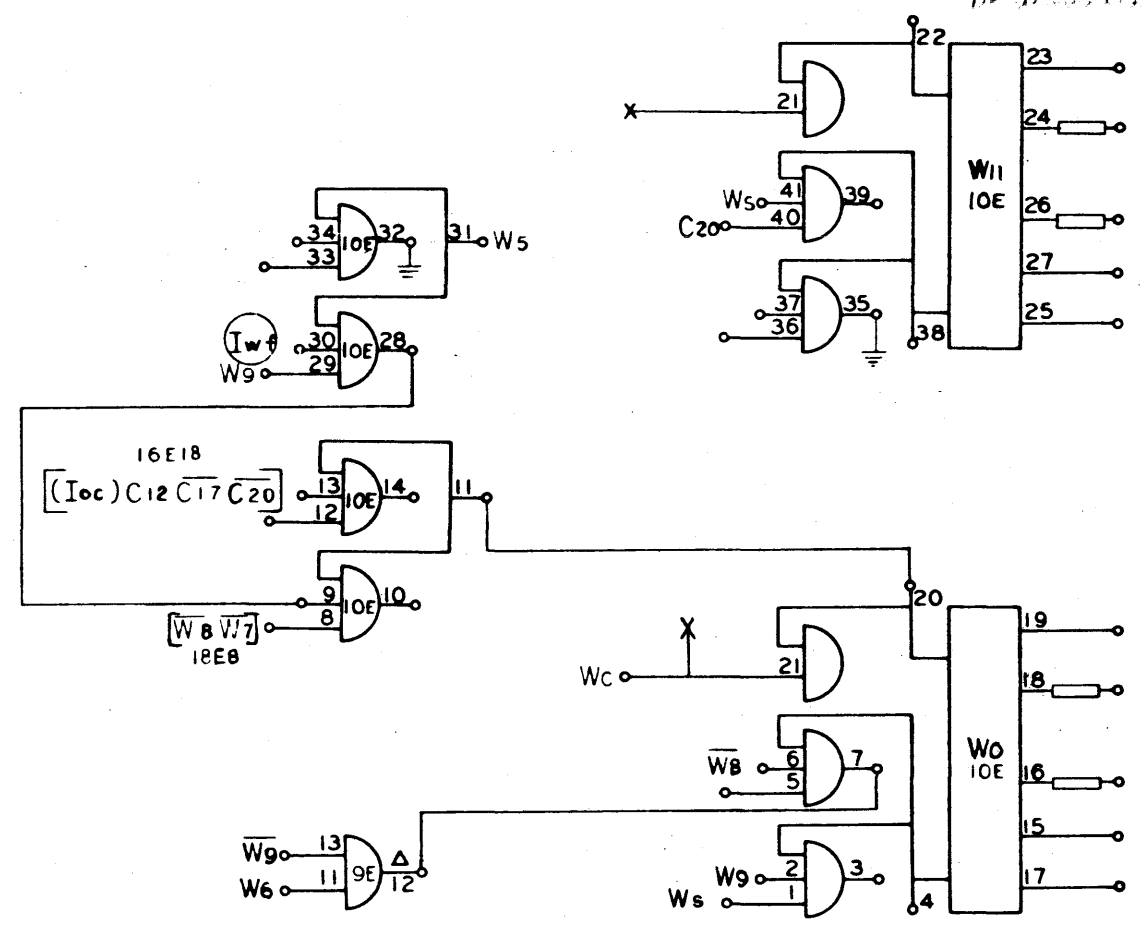
46

910
Page 29
A

101702 A

NO. REV.	DRAWING NO.	DESCRIPTION	REFERENCE DESIGNATION	ITEM NO.
MATERIAL LIST				
NOTES UNLESS SPECIFIED		DRAWN: JH 9-20-62	SD3 QUANTUM DATA SYSTEMS 1248 FIFTEENTH STREET SANTA MONICA, CALIFORNIA	
1. TOLERANCES UNLESS SPECIFIED		CHECK: JH 10-1-62	DIAGRAM, LOGIC, COMPUTER	
2. DIMENSIONS UNLESS SPECIFIED		APP: JH 10/1/62		
3. HOLE SURFACES			SIZE: D	DWG. NO.: 101702
4. ALL DIM. IN DIMENSIONS				A
MODEL NO.			SCALE	DO NOT SCALE DRAWING
NEXT ASSY.				SHEET

No. 11, 12, 13, 14 designate I/O unit to
be activated

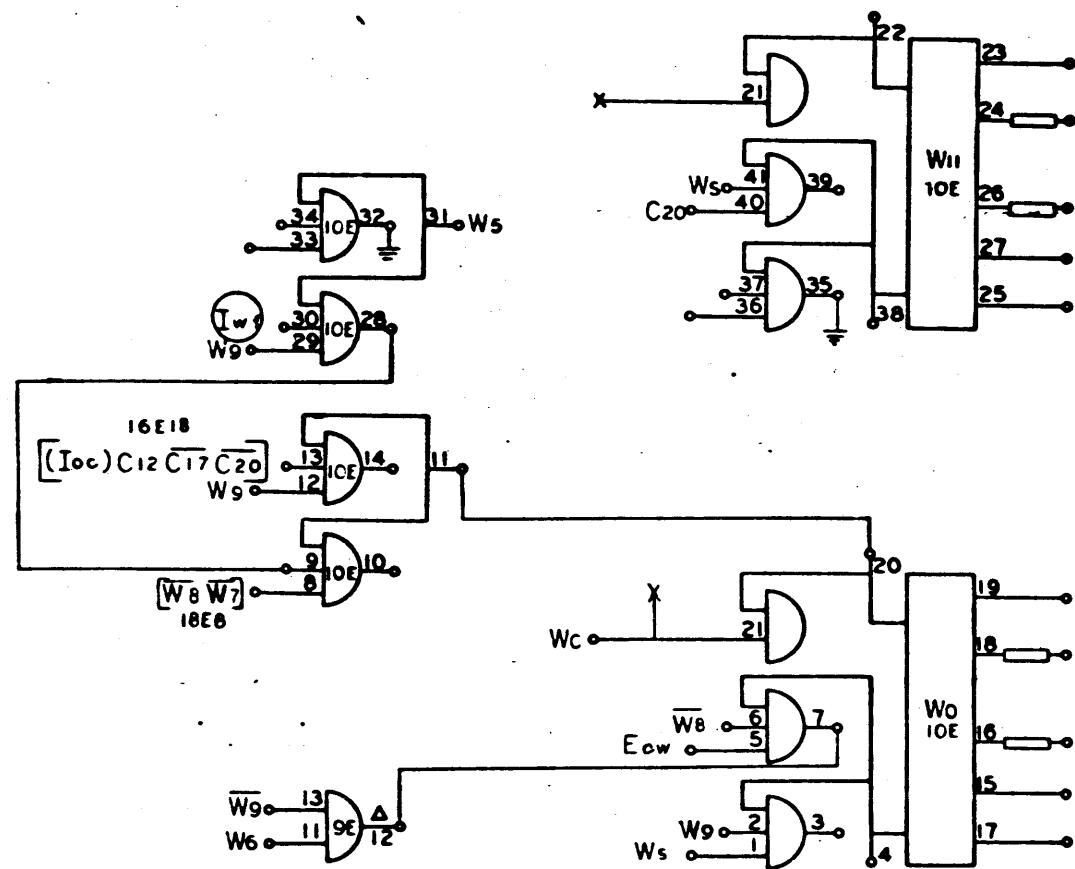


See Book

DIAGRAM, LOGIC,
COMPUTER DWG. NO. 101702

43

REVISIONS				101702	F
REV	DESCRIPTION	CHK	DATE	APPROVED	
A	REL TO MFG				
F	SEE REV E.O.				



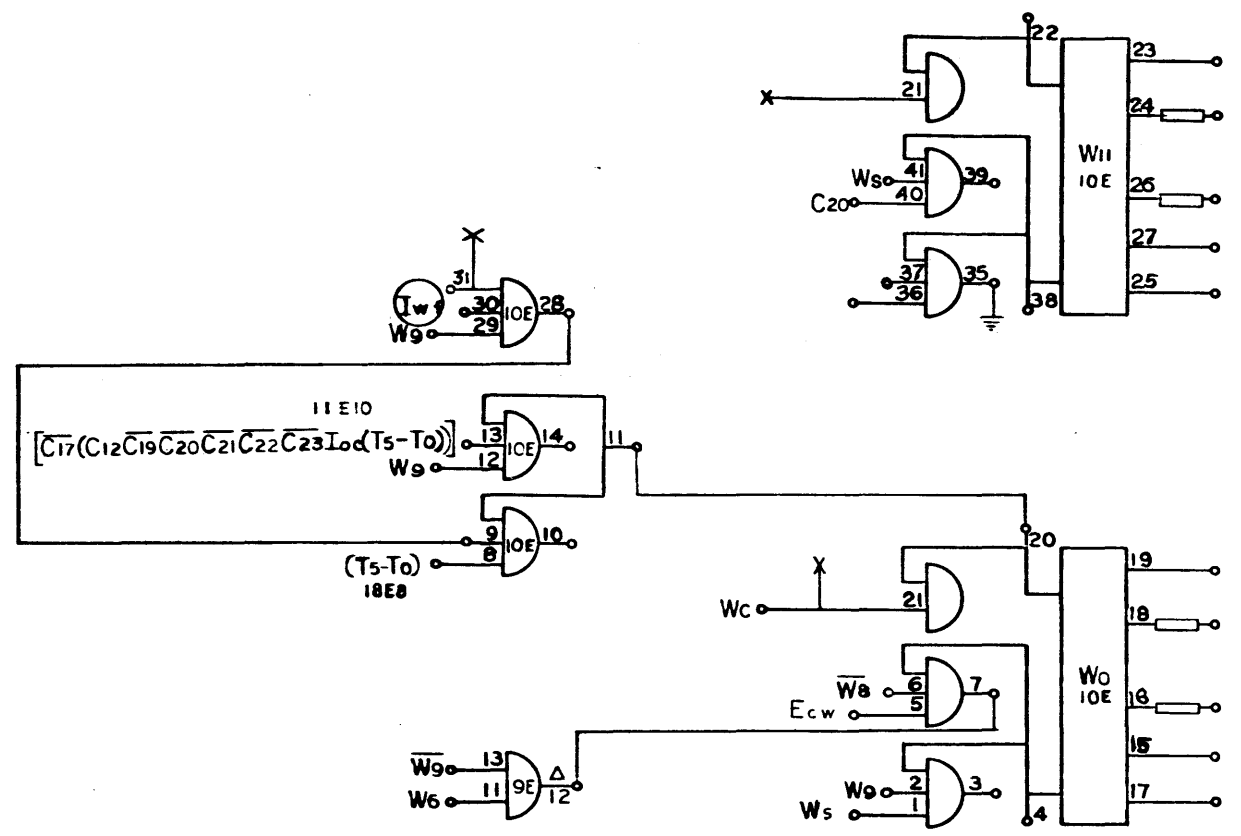
44

910
Page 31
F

101702 F

NO. REV.	DRAWING NO.	DESCRIPTION	REFERENCE DESIGNATION	ITEM NO.
MATERIAL LIST				
NOTES UNLESS SPECIFIED		DRAWN	DATE	
1. TOLERANCES AS SHOWN		CHECK	DATE	
2. DIMENSIONS UNLESS OTHERWISE SPECIFIED		APPR	DATE	
3. DIMENSIONS UNLESS OTHERWISE SPECIFIED				
4. ALL DIM. IN INCHES				
5. ALL DIM. IN MILLIMETERS				
6. ALL DIM. IN METERS				
7. ALL DIM. IN FEET				
8. ALL DIM. IN INCHES				
9. ALL DIM. IN MILLIMETERS				
10. ALL DIM. IN METERS				
11. ALL DIM. IN FEET				
12. ALL DIM. IN INCHES				
13. ALL DIM. IN MILLIMETERS				
14. ALL DIM. IN METERS				
15. ALL DIM. IN FEET				
16. ALL DIM. IN INCHES				
17. ALL DIM. IN MILLIMETERS				
18. ALL DIM. IN METERS				
19. ALL DIM. IN FEET				
20. ALL DIM. IN INCHES				
21. ALL DIM. IN MILLIMETERS				
22. ALL DIM. IN METERS				
23. ALL DIM. IN FEET				
24. ALL DIM. IN INCHES				
25. ALL DIM. IN MILLIMETERS				
26. ALL DIM. IN METERS				
27. ALL DIM. IN FEET				
28. ALL DIM. IN INCHES				
29. ALL DIM. IN MILLIMETERS				
30. ALL DIM. IN METERS				
31. ALL DIM. IN FEET				
32. ALL DIM. IN INCHES				
33. ALL DIM. IN MILLIMETERS				
34. ALL DIM. IN METERS				
35. ALL DIM. IN FEET				
36. ALL DIM. IN INCHES				
37. ALL DIM. IN MILLIMETERS				
38. ALL DIM. IN METERS				
39. ALL DIM. IN FEET				
40. ALL DIM. IN INCHES				
41. ALL DIM. IN MILLIMETERS				
42. ALL DIM. IN METERS				
43. ALL DIM. IN FEET				
44. ALL DIM. IN INCHES				
45. ALL DIM. IN MILLIMETERS				
46. ALL DIM. IN METERS				
47. ALL DIM. IN FEET				
48. ALL DIM. IN INCHES				
49. ALL DIM. IN MILLIMETERS				
50. ALL DIM. IN METERS				
51. ALL DIM. IN FEET				
52. ALL DIM. IN INCHES				
53. ALL DIM. IN MILLIMETERS				
54. ALL DIM. IN METERS				
55. ALL DIM. IN FEET				
56. ALL DIM. IN INCHES				
57. ALL DIM. IN MILLIMETERS				
58. ALL DIM. IN METERS				
59. ALL DIM. IN FEET				
60. ALL DIM. IN INCHES				
61. ALL DIM. IN MILLIMETERS				
62. ALL DIM. IN METERS				
63. ALL DIM. IN FEET				
64. ALL DIM. IN INCHES				
65. ALL DIM. IN MILLIMETERS				
66. ALL DIM. IN METERS				
67. ALL DIM. IN FEET				
68. ALL DIM. IN INCHES				
69. ALL DIM. IN MILLIMETERS				
70. ALL DIM. IN METERS				
71. ALL DIM. IN FEET				
72. ALL DIM. IN INCHES				
73. ALL DIM. IN MILLIMETERS				
74. ALL DIM. IN METERS				
75. ALL DIM. IN FEET				
76. ALL DIM. IN INCHES				
77. ALL DIM. IN MILLIMETERS				
78. ALL DIM. IN METERS				
79. ALL DIM. IN FEET				
80. ALL DIM. IN INCHES				
81. ALL DIM. IN MILLIMETERS				
82. ALL DIM. IN METERS				
83. ALL DIM. IN FEET				
84. ALL DIM. IN INCHES				
85. ALL DIM. IN MILLIMETERS				
86. ALL DIM. IN METERS				
87. ALL DIM. IN FEET				
88. ALL DIM. IN INCHES				
89. ALL DIM. IN MILLIMETERS				
90. ALL DIM. IN METERS				
91. ALL DIM. IN FEET				
92. ALL DIM. IN INCHES				
93. ALL DIM. IN MILLIMETERS				
94. ALL DIM. IN METERS				
95. ALL DIM. IN FEET				
96. ALL DIM. IN INCHES				
97. ALL DIM. IN MILLIMETERS				
98. ALL DIM. IN METERS				
99. ALL DIM. IN FEET				
100. ALL DIM. IN INCHES				
101. ALL DIM. IN MILLIMETERS				
102. ALL DIM. IN METERS				
103. ALL DIM. IN FEET				
104. ALL DIM. IN INCHES				
105. ALL DIM. IN MILLIMETERS				
106. ALL DIM. IN METERS				
107. ALL DIM. IN FEET				
108. ALL DIM. IN INCHES				
109. ALL DIM. IN MILLIMETERS				
110. ALL DIM. IN METERS				
111. ALL DIM. IN FEET				
112. ALL DIM. IN INCHES				
113. ALL DIM. IN MILLIMETERS				
114. ALL DIM. IN METERS				
115. ALL DIM. IN FEET				
116. ALL DIM. IN INCHES				
117. ALL DIM. IN MILLIMETERS				
118. ALL DIM. IN METERS				
119. ALL DIM. IN FEET				
120. ALL DIM. IN INCHES				
121. ALL DIM. IN MILLIMETERS				
122. ALL DIM. IN METERS				
123. ALL DIM. IN FEET				
124. ALL DIM. IN INCHES				
125. ALL DIM. IN MILLIMETERS				
126. ALL DIM. IN METERS				
127. ALL DIM. IN FEET				
128. ALL DIM. IN INCHES				
129. ALL DIM. IN MILLIMETERS				
130. ALL DIM. IN METERS				
131. ALL DIM. IN FEET				
132. ALL DIM. IN INCHES				
133. ALL DIM. IN MILLIMETERS				
134. ALL DIM. IN METERS				
135. ALL DIM. IN FEET				
136. ALL DIM. IN INCHES				
137. ALL DIM. IN MILLIMETERS				
138. ALL DIM. IN METERS				
139. ALL DIM. IN FEET				
140. ALL DIM. IN INCHES				
141. ALL DIM. IN MILLIMETERS				
142. ALL DIM. IN METERS				
143. ALL DIM. IN FEET				
144. ALL DIM. IN INCHES				
145. ALL DIM. IN MILLIMETERS				
146. ALL DIM. IN METERS				
147. ALL DIM. IN FEET				
148. ALL DIM. IN INCHES				
149. ALL DIM. IN MILLIMETERS				
150. ALL DIM. IN METERS				
151. ALL DIM. IN FEET				
152. ALL DIM. IN INCHES				
153. ALL DIM. IN MILLIMETERS				
154. ALL DIM. IN METERS				
155. ALL DIM. IN FEET				
156. ALL DIM. IN INCHES				
157. ALL DIM. IN MILLIMETERS				
158. ALL DIM. IN METERS				
159. ALL DIM. IN FEET				
160. ALL DIM. IN INCHES				
161. ALL DIM. IN MILLIMETERS				
162. ALL DIM. IN METERS				
163. ALL DIM. IN FEET				
164. ALL DIM. IN INCHES				
165. ALL DIM. IN MILLIMETERS				
166. ALL DIM. IN METERS				
167. ALL DIM. IN FEET				
168. ALL DIM. IN INCHES				
169. ALL DIM. IN MILLIMETERS				
170. ALL DIM. IN METERS				
171. ALL DIM. IN FEET				
172. ALL DIM. IN INCHES				
173. ALL DIM. IN MILLIMETERS				
174. ALL DIM. IN METERS				
175. ALL DIM. IN FEET				
176. ALL DIM. IN INCHES				
177. ALL DIM. IN MILLIMETERS				
178. ALL DIM. IN METERS				
179. ALL DIM. IN FEET				
180. ALL DIM. IN INCHES				
181. ALL DIM. IN MILLIMETERS				
182. ALL DIM. IN METERS				
183. ALL DIM. IN FEET				
184. ALL DIM. IN INCHES				
185. ALL DIM. IN MILLIMETERS				
186. ALL DIM. IN METERS				
187. ALL DIM. IN FEET				
188. ALL DIM. IN INCHES				
189. ALL DIM. IN MILLIMETERS				
190. ALL DIM. IN METERS				
191. ALL DIM. IN FEET				
192. ALL DIM. IN INCHES				
193. ALL DIM. IN MILLIMETERS				
194. ALL DIM. IN METERS				
195. ALL DIM. IN FEET				
196. ALL DIM. IN INCHES				
197. ALL DIM. IN MILLIMETERS				
198. ALL DIM. IN METERS				
199. ALL DIM. IN FEET				
200. ALL DIM. IN INCHES				
201. ALL DIM. IN MILLIMETERS				
202. ALL DIM. IN METERS				
203. ALL DIM. IN FEET				
204. ALL DIM. IN INCHES				
205. ALL DIM. IN MILLIMETERS				
206. ALL DIM. IN METERS				
207. ALL DIM. IN FEET				
208. ALL DIM. IN INCHES				
209. ALL DIM. IN MILLIMETERS				
210. ALL DIM. IN METERS				
211. ALL DIM. IN FEET				
212. ALL DIM. IN INCHES				
213. ALL DIM. IN MILLIMETERS				
214. ALL DIM. IN METERS				
215. ALL DIM. IN FEET				
216. ALL DIM. IN INCHES				
217. ALL DIM. IN MILLIMETERS				
218. ALL DIM. IN METERS				
219. ALL DIM. IN FEET				
220. ALL DIM. IN INCHES				
221. ALL DIM. IN MILLIMETERS				
222. ALL DIM. IN METERS				
223. ALL DIM. IN FEET				
224. ALL DIM. IN INCHES				
225. ALL DIM. IN MILLIMETERS				
226. ALL DIM. IN METERS				
227. ALL DIM. IN FEET				
228. ALL DIM. IN INCHES				
229. ALL DIM. IN MILLIMETERS				
230. ALL DIM. IN METERS				
231. ALL DIM. IN FEET				
232. ALL DIM. IN INCHES				
233. ALL DIM. IN MILLIMETERS				
234. ALL DIM. IN METERS				
235. ALL DIM. IN FEET				
236. ALL DIM. IN INCHES				
237. ALL DIM. IN MILLIMETERS				
238. ALL DIM. IN METERS				
239. ALL DIM. IN FEET				
240. ALL DIM. IN INCHES				
241. ALL DIM. IN MILLIMETERS				
242. ALL DIM. IN METERS				
243. ALL DIM. IN FEET				
244. ALL DIM. IN INCHES				
245. ALL DIM. IN MILLIMETERS				
246. ALL DIM. IN METERS				
247. ALL DIM. IN FEET				
248. ALL DIM. IN INCHES				
249. ALL DIM. IN MILLIMETERS				
250. ALL DIM. IN METERS				
251. ALL DIM. IN FEET				
252. ALL DIM. IN INCHES				
253. ALL DIM. IN MILLIMETERS				
254. ALL DIM. IN METERS				
255. ALL DIM. IN FEET				
256. ALL DIM. IN INCHES				
257. ALL DIM. IN MILLIMETERS				
258. ALL DIM. IN METERS				
259. ALL DIM. IN FEET				
260. ALL DIM. IN INCHES				
261. ALL DIM. IN MILLIMETERS				
262. ALL DIM. IN METERS				
263. ALL DIM. IN FEET				
264. ALL DIM. IN INCHES				
265. ALL DIM. IN MILLIMETERS				
266. ALL DIM. IN METERS				
267. ALL DIM. IN FEET				
268. ALL DIM. IN INCHES				
269. ALL DIM. IN MILLIMETERS				
270. ALL DIM. IN METERS				
271. ALL DIM. IN FEET				
272. ALL DIM. IN INCHES				
273. ALL DIM. IN MILLIMETERS				
274. ALL DIM. IN METERS				
275. ALL DIM. IN FEET				
276. ALL DIM. IN INCHES				
277. ALL DIM. IN MILLIMETERS				
278. ALL DIM. IN METERS				
279. ALL DIM. IN FEET				
280. ALL DIM. IN INCHES				

REVISIONS				
REV.	DESCRIPTION	CHK.	DATE	APPROVED
A	REL TO MFG	JA	11/1/62	
F	SEE REV. E.O.	JA	11/1/62	
H	SEE REV. E.O.	JA	11/1/62	WB
K	SEE REV. E.O.	JA	11/1/62	WB



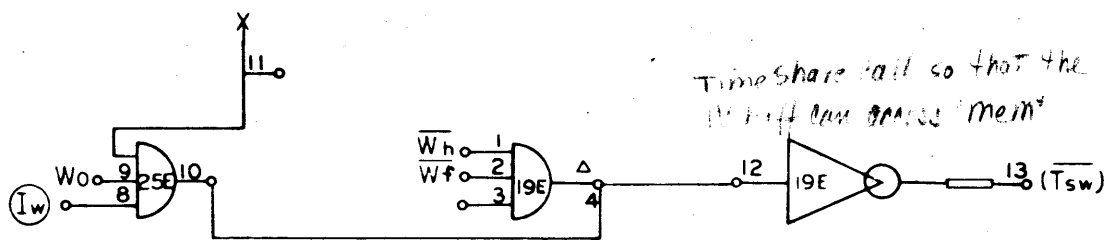
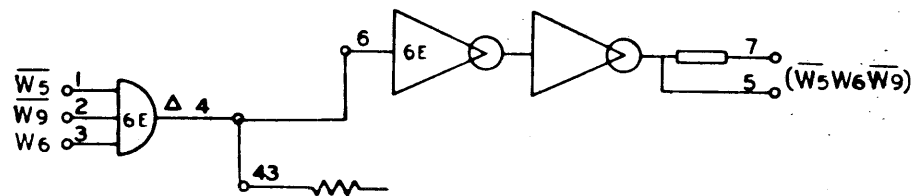
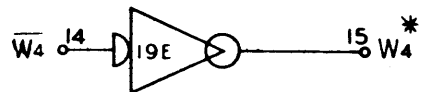
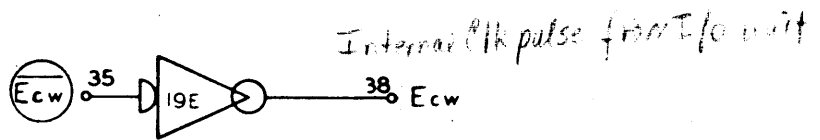
46

910
Page 31
K

101702 K

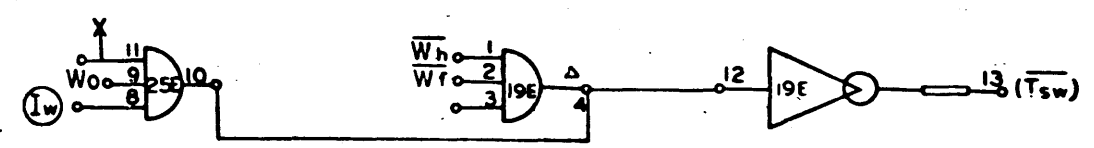
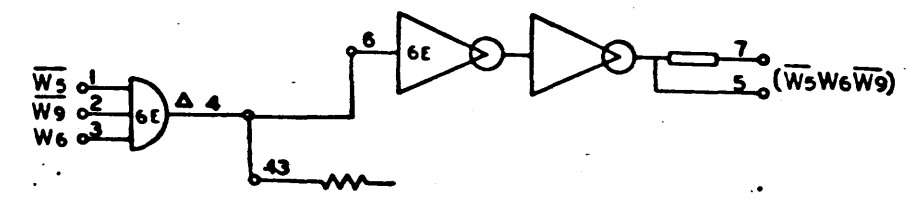
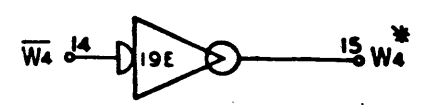
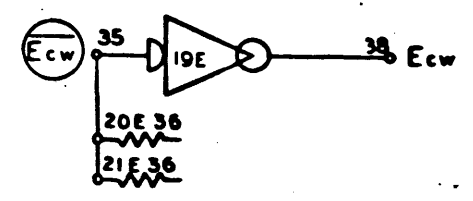
NO. REV.	DRAWING NO.	DESCRIPTION	REFERENCE DESIGNATION	ITEM NO.
MATERIAL LIST				
NOTES UNLESS SPECIFIED		DRAWN: <i>JA</i>	DATE: 9-20-62	 1645 FIFTEENTH STREET, SANTA MONICA, CALIFORNIA
1. TOLERANCES UNLESS SPECIFIED: DIM. 0.000 0.001 0.002 0.005 0.010 0.020 0.050 0.100 0.200 0.500 1.000 2.000 5.000 10.000 20.000 50.000 100.000 200.000 500.000 1000.000 2. BREAK ALL DIMENSIONS AND SPACES 3. DIMENSIONS TO CENTER UNLESS SPECIFIED 4. ALL DIMS. IN INCHES		CHECK: <i>JA</i>	DATE: 11-1-62	
MODEL NO.		APPV: <i>JA</i>	DATE: 11/1/62	SHEET NO. D OF SHEETS 101702 SHEET K
NEXT ASSY.		SCALE: NO. NOT SCALE DRAWING		SHEET

SEE PAGE 31A



DIAGRAM, LOGIC,
COMPUTER DWG. NO. 101702

REVISIONS				101702	D
REV	DESCRIPTION	CHK	DATE	APPROVED	
A	REL TO MFG	LH	3-22-62		
D	SEE REV E.O.	LH	1-13-64		



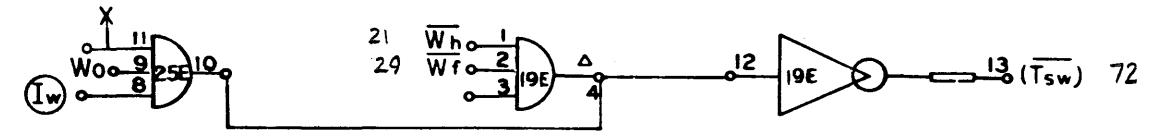
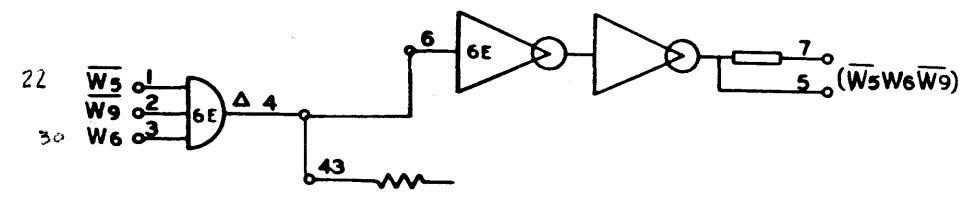
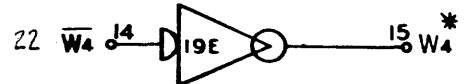
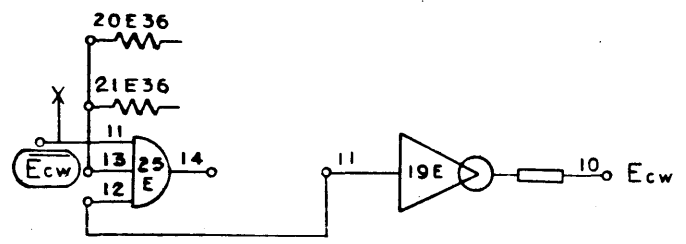
42

910
Page 32
D

NO	DRAWING NO.	DESCRIPTION	REFERENCE DESIGNATION	ITEM NO.
MATERIAL LIST				
NOTES UNLESS SPECIFIED		DRAWN <i>LH</i>	0-20-62	SDS SCIENTIFIC DATA SYSTEMS <small>1942 CENTURY STREET SANTA MONICA CALIFORNIA</small>
1. TOLERANCES UNLESS OTHERWISE SPECIFIED		CHECK <i>AL</i>	11-1-64	
2. DRAW ALL DIMENSIONS TO CENTER UNLESS OTHERWISE SPECIFIED		APPR. <i>G. W. M.</i>	12/1/64	
3. DIMENSIONS TO CENTER UNLESS OTHERWISE SPECIFIED				TITLE
4. ALL DIMENSIONS TO CENTER UNLESS OTHERWISE SPECIFIED				DIAGRAM, LOGIC, COMPUTER
MODEL NO.		REV. NO.	101702	D
NEXT ASST.		SCALE	DO NOT SCALE DRAWING	SHEET

SEE NEXT PAGE

REVISIONS				101702	F
REV	DESCRIPTION	CHK	DATE	APPROVED	
A	REL TO MFG	LH	12-26-62	[Signature]	
D	SEE REV E.O.	LH	11-13-62	[Signature]	
F	SEE REV E.O.	LH	10-20-62	[Signature]	



910
Page 32
F

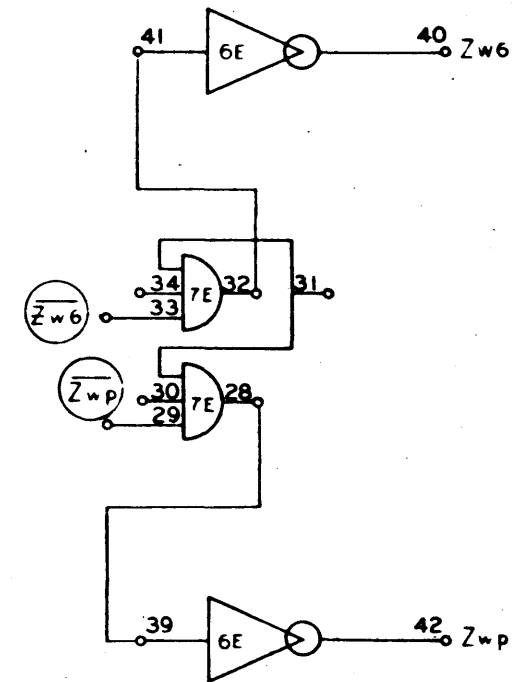
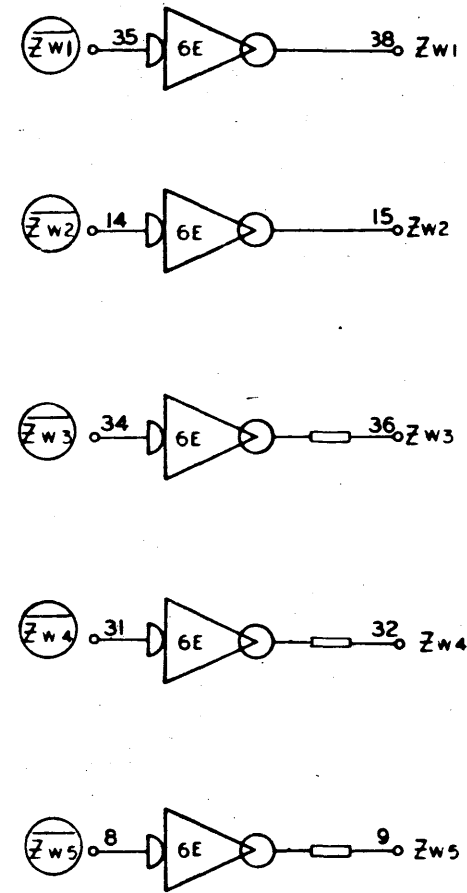
49

101702 F

NO. INCL.	DRAWING NO.	DESCRIPTION	REFERENCE DESIGNATION	ITEM NO.
NOTES UNLESS SPECIFIED				
1. DIMENSIONS UNLESS SPECIFIED ARE IN INCHES		DRAWN LH 0-20-62	CDS CONTROL DATA SYSTEMS 1242 FIFTEENTH STREET, SANTA MONICA, CALIFORNIA	TITLE DIAGRAM, LOGIC, COMPUTER
2. CHECK ALL SHARP CORNERS AND SPACES		CHECK LH 11-1-62		
3. BACK SURFACE ✓		APPR. [Signature]		
4. ALL DIM. IN INCHES				
MODEL NO.			REV. NO. D 101702	F
NEXT ASSY.			SCALE	DO NOT SCALE DRAWINGS SHEET

Inputs to Char buffer

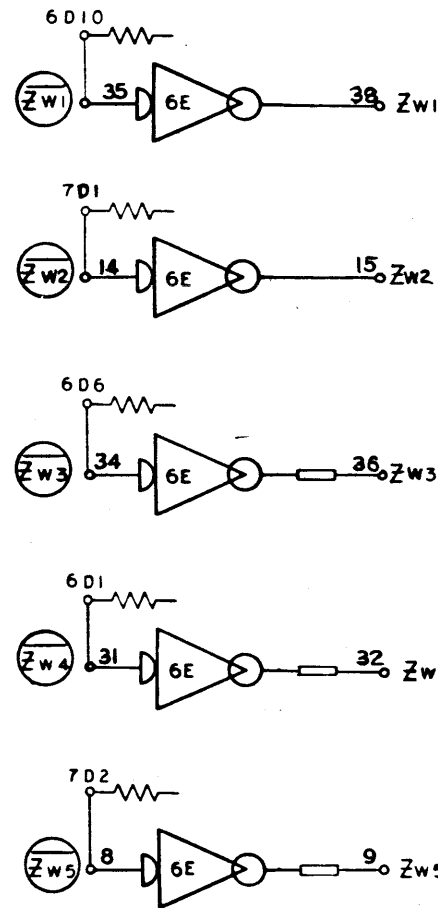
50



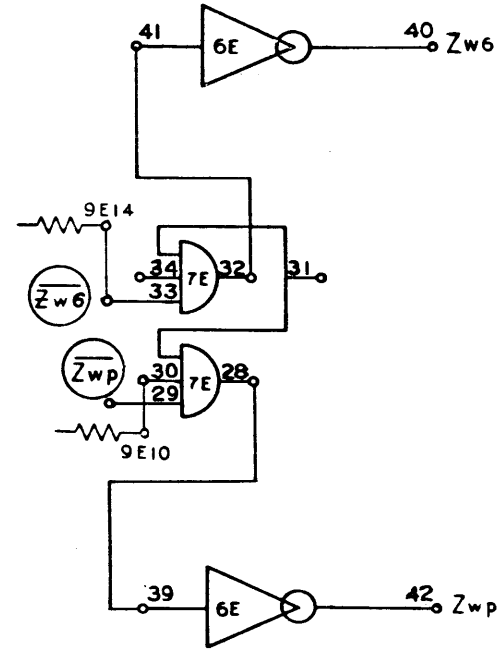
DIAGRAM, LOGIC,
COMPUTER DWG. NO. 101702

SEE NEXT PAGE

REVISIONS			C1702	
REV	DESCRIPTION	CHK	DATE	APPROVED
A	REL TO MFG		10-1-61	
F	SEE REV E.O.		10-1-61	



Input to the PHAS BUFFER
(R₀ → R₀ & R_p)



910
Page 33
F

(51)

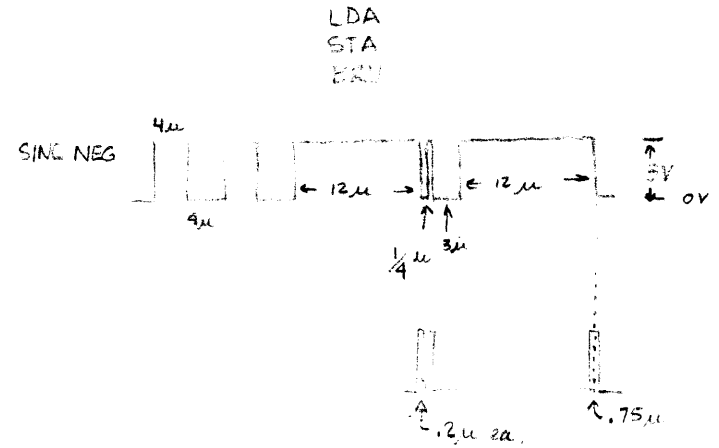
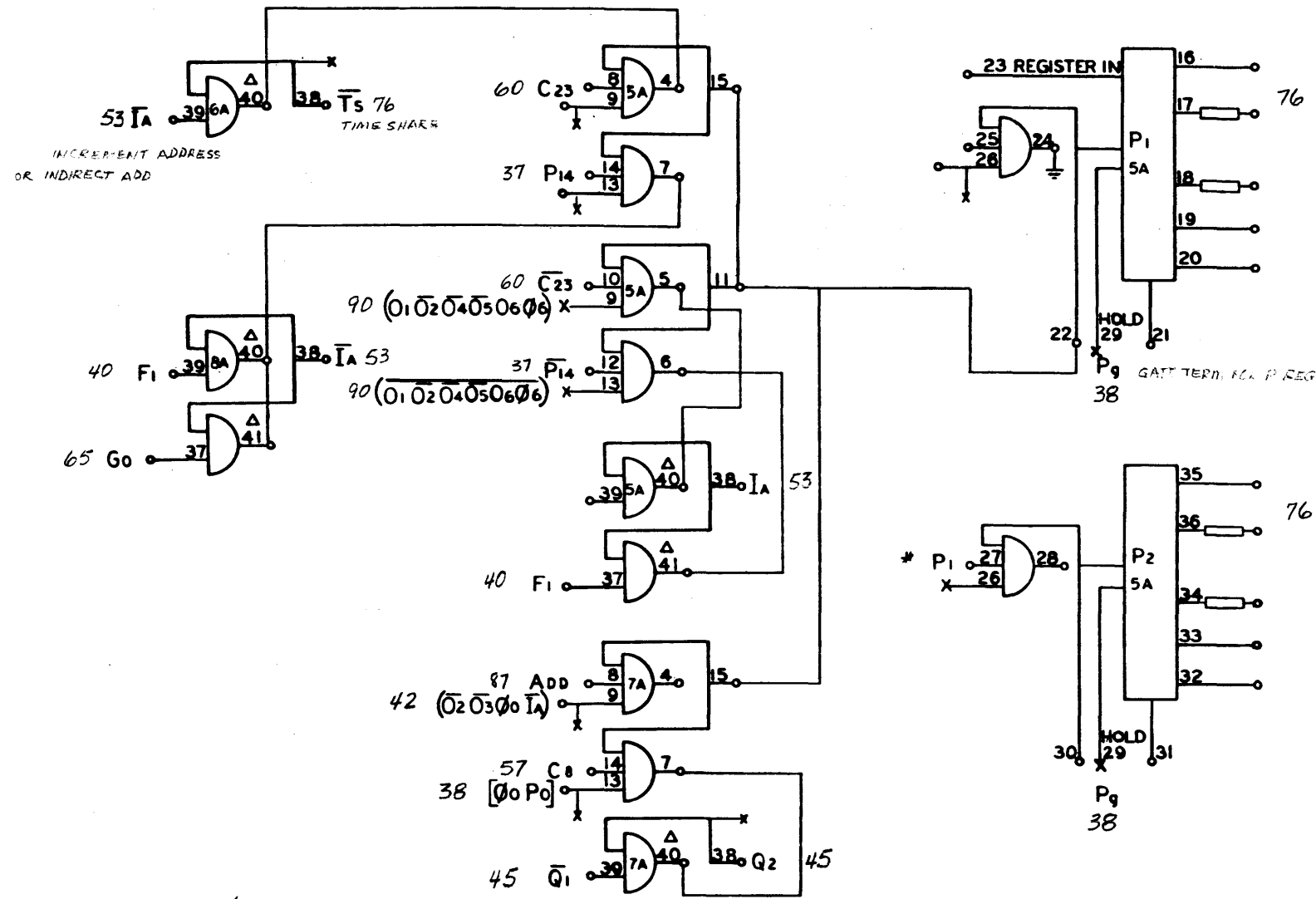
101702 F

NO. REV.	DRAWING NO.	DESCRIPTION	REFERENCE DESIGNATION	ITER NO.
MATERIAL LIST				
NOTES UNLESS SPECIFIED		DRAWN: LH 5-20-60	SD3 SCIENTIFIC DATA SYSTEMS 1545 FIFTEENTH STREET SANTA MONICA, CALIFORNIA	
1. TOLERANCES UNLESS SPECIFIED		CHECK: LH 10-1-61		
2. BREAK ALL SHARP CORNERS AND APPROX.		APPR: J. C. C. 10-1-61		
3. HATCH SHOWN ✓		TITLE DIAGRAM, LOGIC, COMPUTER		
4. ALL DIM. IN INCHES				
MODEL NO.		SIZE: D	DWG. NO.: 101702	REV: F
NEXT ASSY.		SCALE:	DO NOT SCALE DRAWING	SHEET:

33

ZW1, 2, 3, 4, 5, 6, ZWP

REVISIONS				101702	A
REV.	DESCRIPTION	CHK.	DATE	APPROVED	
A	REL TO MFG				

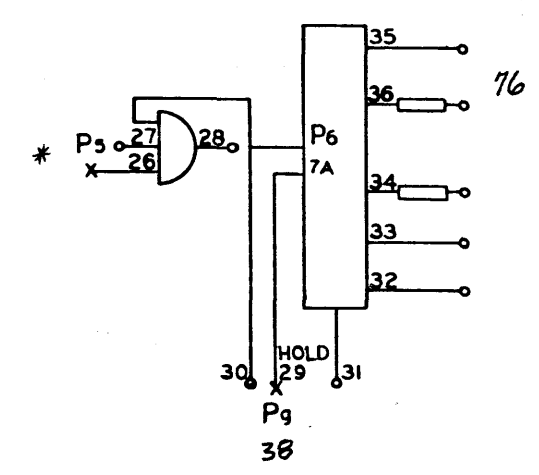
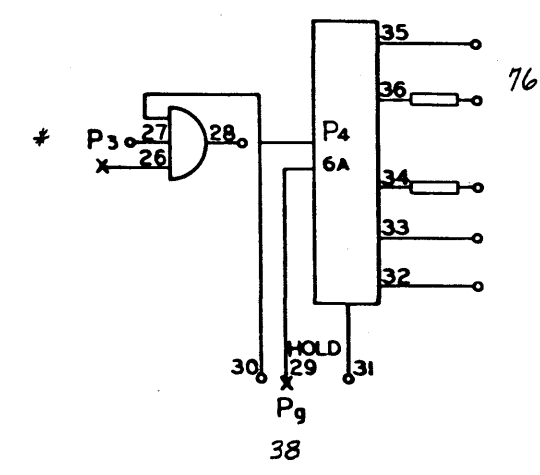
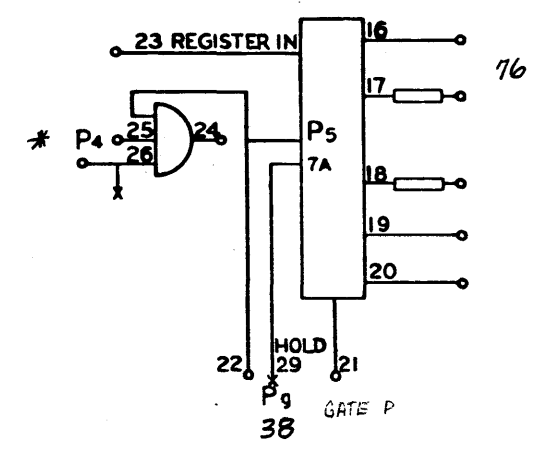
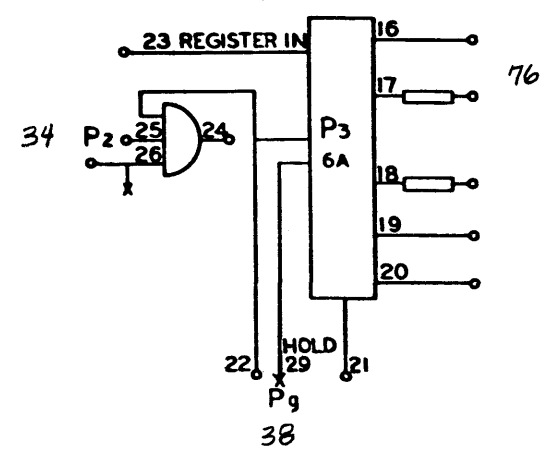


910
Page 34
A

REV.	DRAWING NO.	DESCRIPTION	REFERENCE DESIGNATION	REV.
MATERIAL LIST				
NOTES UNLESS SPECIFIED				
1. TOLERANCES UNLESS SPECIFIED	DRAWN	CHKD	DATE	
2. DIMENSIONS UNLESS SPECIFIED				
3. HOLE LOCATIONS UNLESS SPECIFIED				
4. HOLE DIAMETERS UNLESS SPECIFIED				
SDS SCIENTIFIC DATA SYSTEMS		1945 PATTERSON STREET, SANTA MONICA, CALIFORNIA		
TITLE				
DIAGRAM, LOGIC, COMPUTER				
REV.	DATE	REV.	DATE	
D	10/1/62			
SCALE		SHEET		

PROGRAM COUNTER
BITS 1,2

REVISIONS				101702	A
REV.	DESCRIPTION	CHK.	DATE	APPROVED	
A	REL TO MFG	JH	10-1-67	JH	



910
Page 35
A

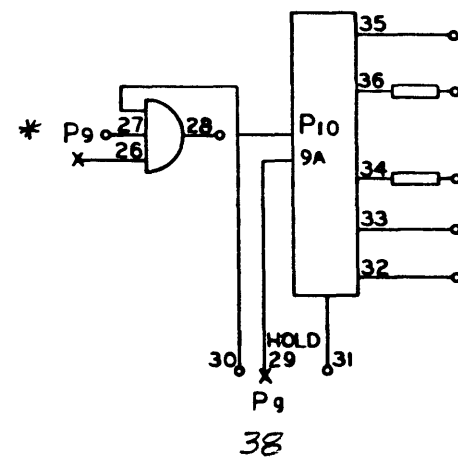
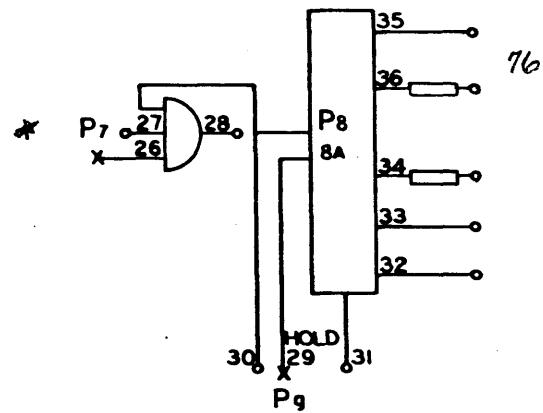
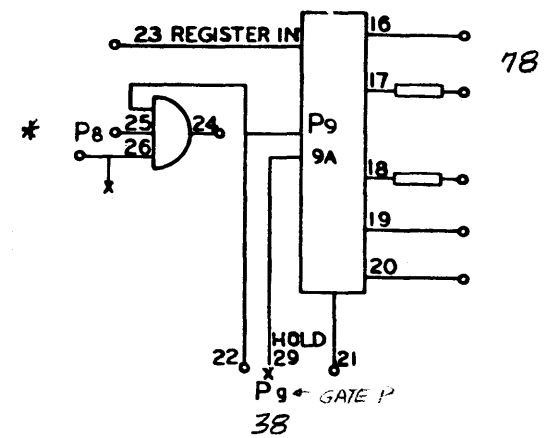
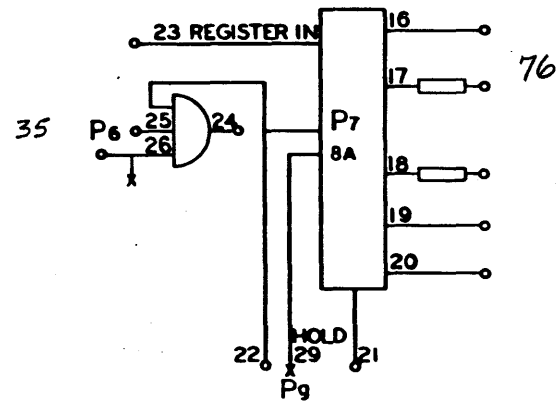
* THIS PAGE

P 3, 4, 5, 6

53
101702 A

NO. REQ.	DRAWING NO.	DESCRIPTION	REFERENCE DESIGNATION	ITEM NO.
MATERIAL LIST				
NOTES UNLESS SPECIFIED		DRAWN	9-20-67	SDS SCIENTIFIC DATA SYSTEMS <small>1545 FIFTEENTH STREET, SANTA MONICA, CALIFORNIA</small>
1. TOLERANCES DIM 2.000 3.000 4.000 5.000		CHECK	10-1-67	
2. BREAK ALL DIMENSIONS AND APPROX. 3. HATCH SURFACES 4. ALL DIM IN INCHES		APPL.	10/1/67	
		TITLE		
		DIAGRAM, LOGIC, COMPUTER		
MODEL NO.		REV. D		DATE 101702
NEXT ASSY.		SCALE		SHEET A

REVISIONS				101702	A
REV.	DESCRIPTION	CHK.	DATE	APPROVED	
A	REL TO MFG	JH	12/1/67	[Signature]	



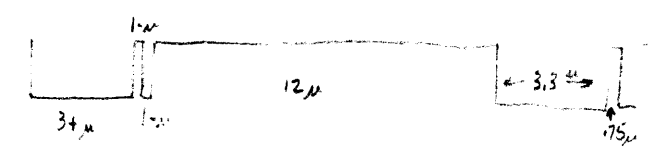
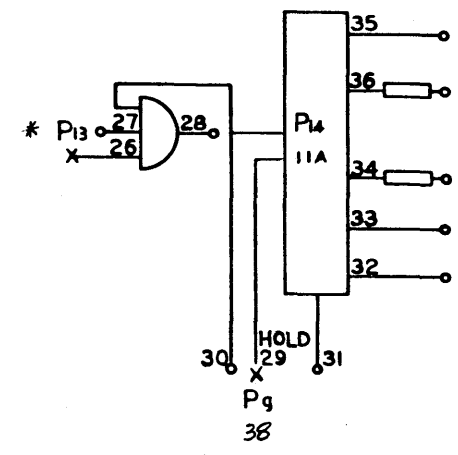
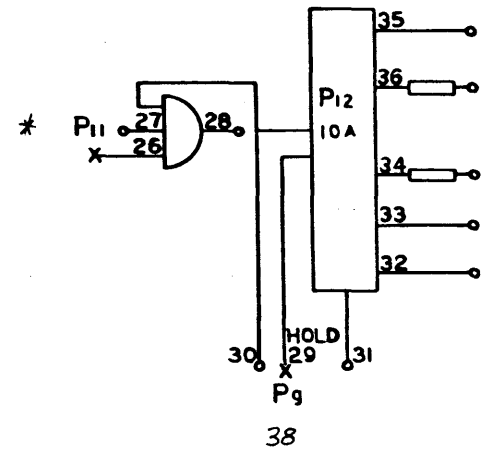
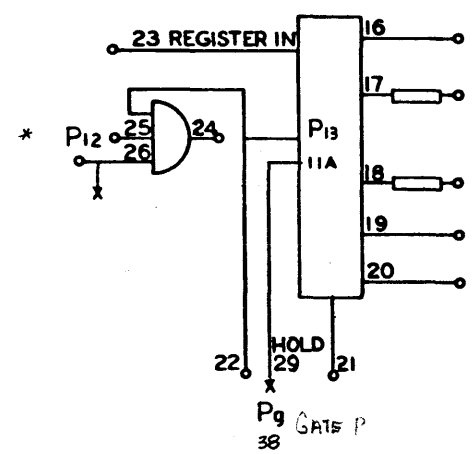
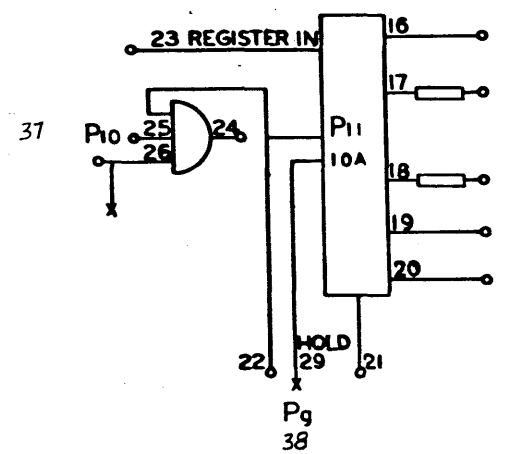
54

910
Page 36
A

101702 A

NO. REV.	DRAWING NO.	DESCRIPTION	REFERENCE DESIGNATION	ITEM NO.
MATERIAL LIST				
NOTES UNLESS SPECIFIED		DRAWN <i>ACB</i>	9-20-62	 SDS SCIENTIFIC DATA SYSTEMS <small>1542 FIFTEENTH STREET, SANTA MONICA, CALIFORNIA</small>
1. TOLERANCES JE 2.000 ANGULAR JIE 2.000 2.54"		CHECK <i>[Signature]</i>	12-1-67	
2. DIMS ALL SHARP CORNERS AND APERT.		APPR. <i>[Signature]</i>	12/1/67	
3. BACK SURFACES ∇				
4. ALL DIMS IN INCHES				
MODEL NO.			SIZE D	DWG. NO. 101702
NEXT ASSY.				A
		SCALE	DO NOT SCALE DRAWING	SHEET

REVISIONS		.01702		A
REV	DESCRIPTION	CHK	DATE	APPROVED
A	REL TO MFG	JH	12/1/62	[Signature]



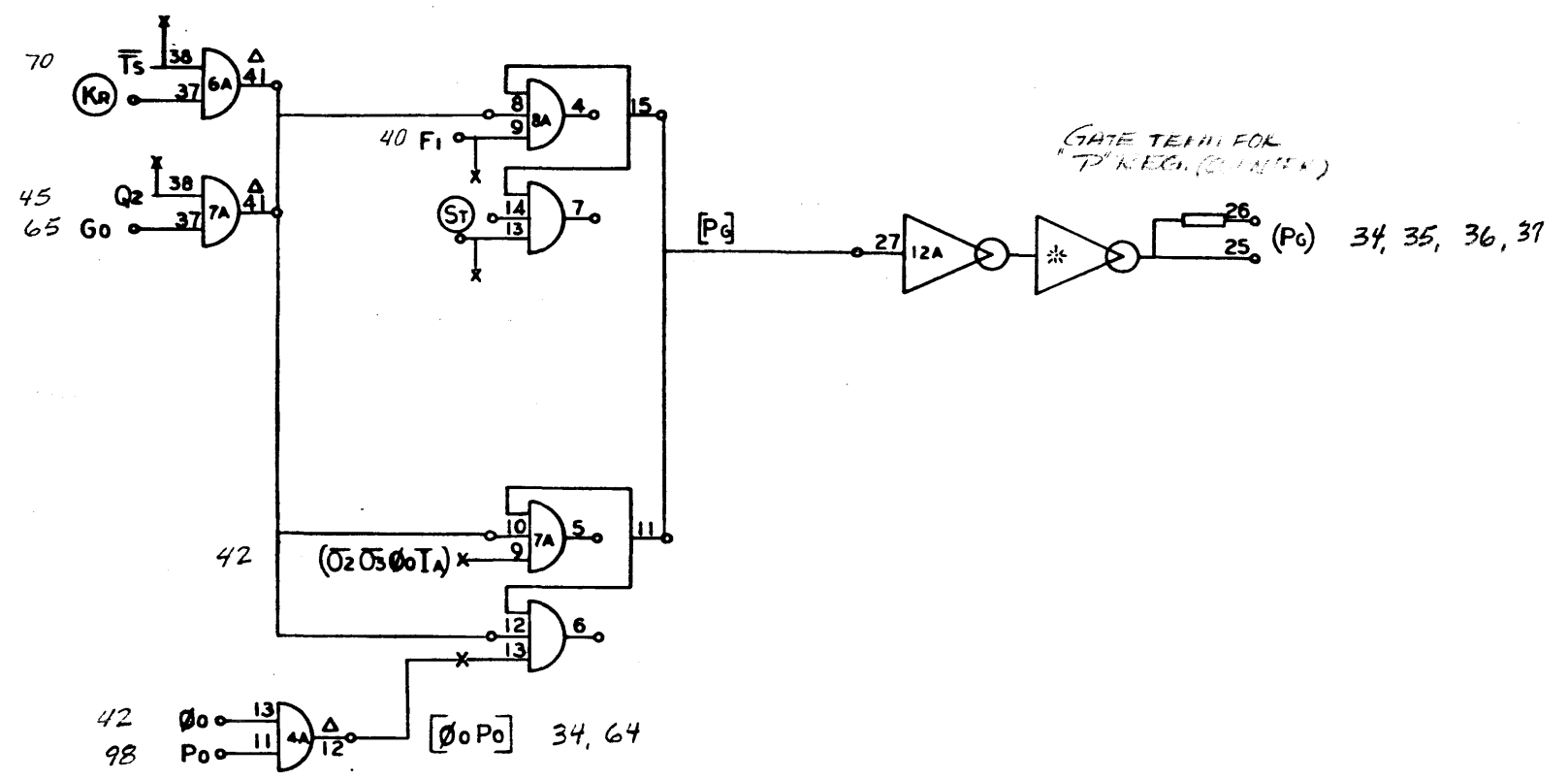
910
Page 37
A

55

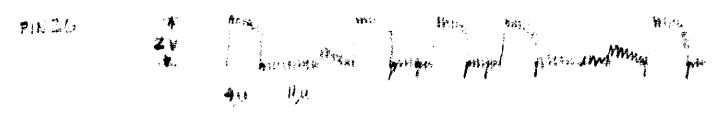
101702 A

NO. REV.	DRAWING NO.	DESCRIPTION	REFERENCE DESIGNATION	ITEM NO.
MATERIAL LIST				
NOTES UNLESS SPECIFIED		DRAWN <i>AK</i>	9-20-20	SDS SCIENTIFIC DATA SYSTEMS 1545 FIFTEENTH STREET SANTA MONICA, CALIFORNIA TITLE DIAGRAM, LOGIC COMPUTER
1. TOLERANCES UNLESS SPECIFIED		CHECK <i>JH</i>	8-1-62	
2. HOLE DIMENSIONS		APPR. <i>JH</i>	12/1/62	
3. HOLE SURFACES				
4. ALL DIM. IN INCHES				
CODEL. NO.		D		101702
NEXT ASSY.				A
SCALE		DO NOT SCALE DRAWING		SHEET

REVISIONS				101702	A
REV.	DESCRIPTION	CHKD.	DATE	APPROVED	
A	REL TO MFG				



LDA
CIA
BKU



56

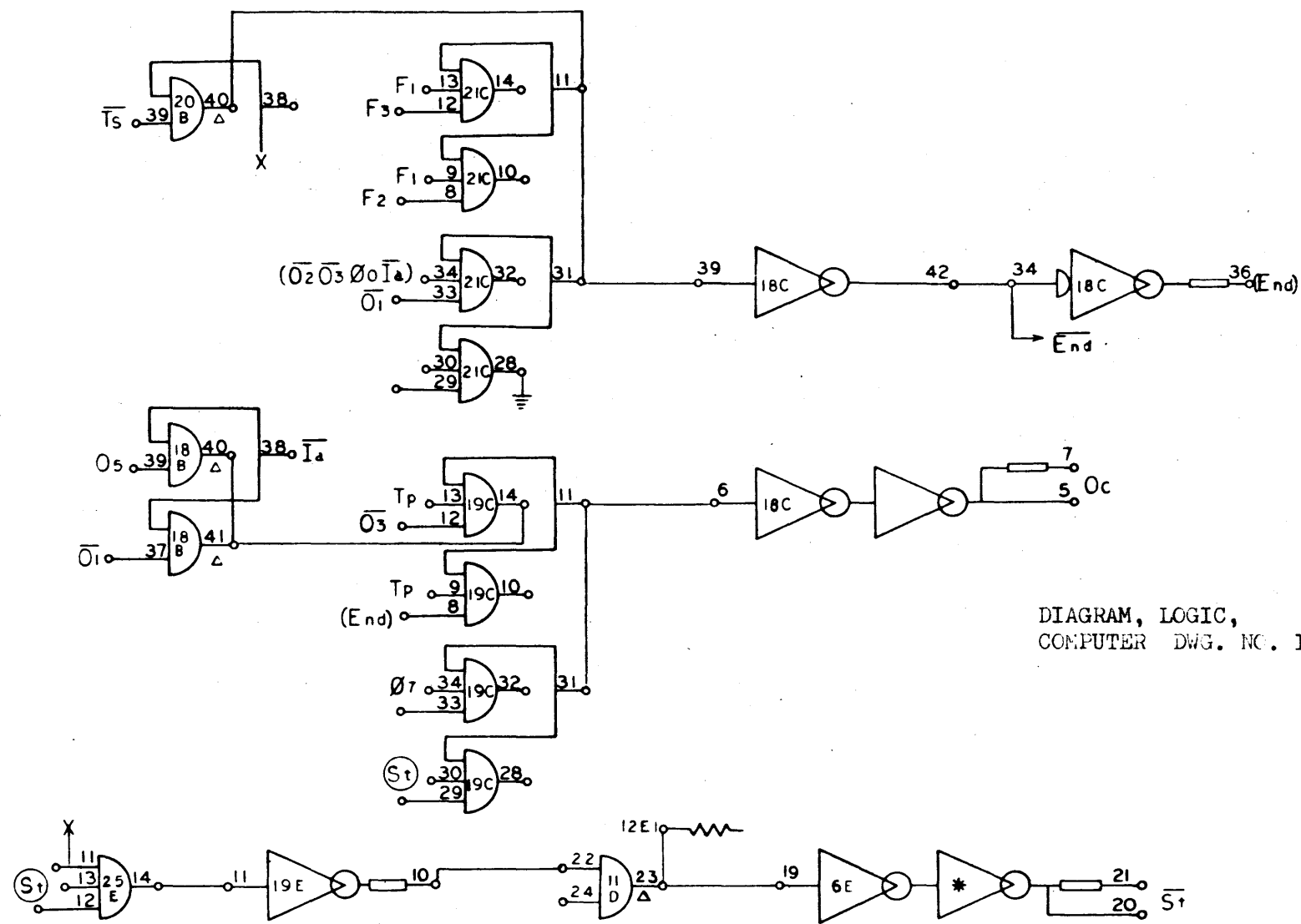
910
Page 38
A

101702/A

REV. NO.	DRAWING NO.	DESCRIPTION	REFERENCE DESIGNATION	ITEM NO.
MATERIAL LIST				
NOTES UNLESS SPECIFIED: <ul style="list-style-type: none"> 1. TOLERANCES: DIM 2.000 ANGULAR 1/2° 2. FINISH: ALL SURFACES 320 3. HOLE SURFACE: J 4. ALL DIMS IN INCHES 				
DRAWN: <i>AD</i> 10/20/62 CHECKED: <i>AD</i> 11/1/62 APPR.: <i>AD</i> 10/1/62		SDS SCIENTIFIC DATA SYSTEMS 1048 FIFTEENTH STREET, SANTA MONICA, CALIFORNIA		
MODEL NO. NEXT ASSEMBLY		DIAGRAM, LOGIC, COMPUTER		
		REV. D DATE 101702	ITEM NO. A	
		SCALE	DO NOT SCALE DRAWING	

Pg

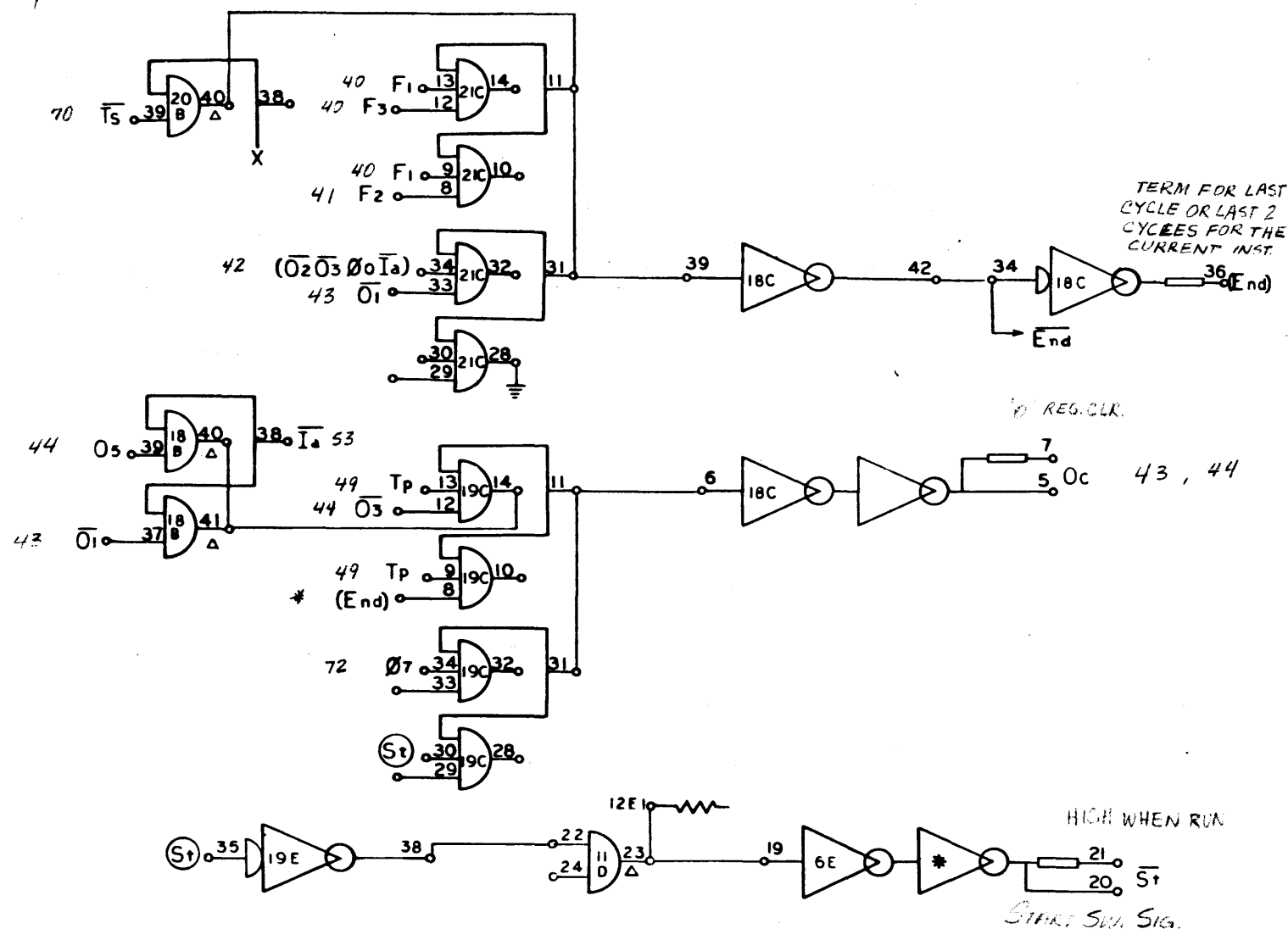
38



DIAGRAM, LOGIC,
COMPUTER DWG. NO. 101702

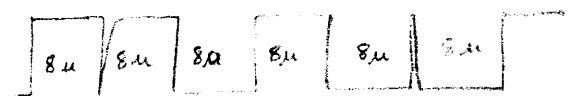
57

REVISIONS				101702	F
REV	DESCRIPTION	CHK	DATE	APPROVED	
A	REL TO MFG	<i>JA</i>	12-1-67		
F	SEE REV E.O.	<i>JA</i>	1-15-68		



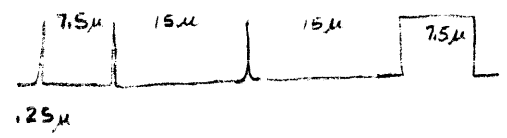
LDA
STA
BRU

39, 48, 61



REG. CLR.

10V



HIGH WHEN RUN

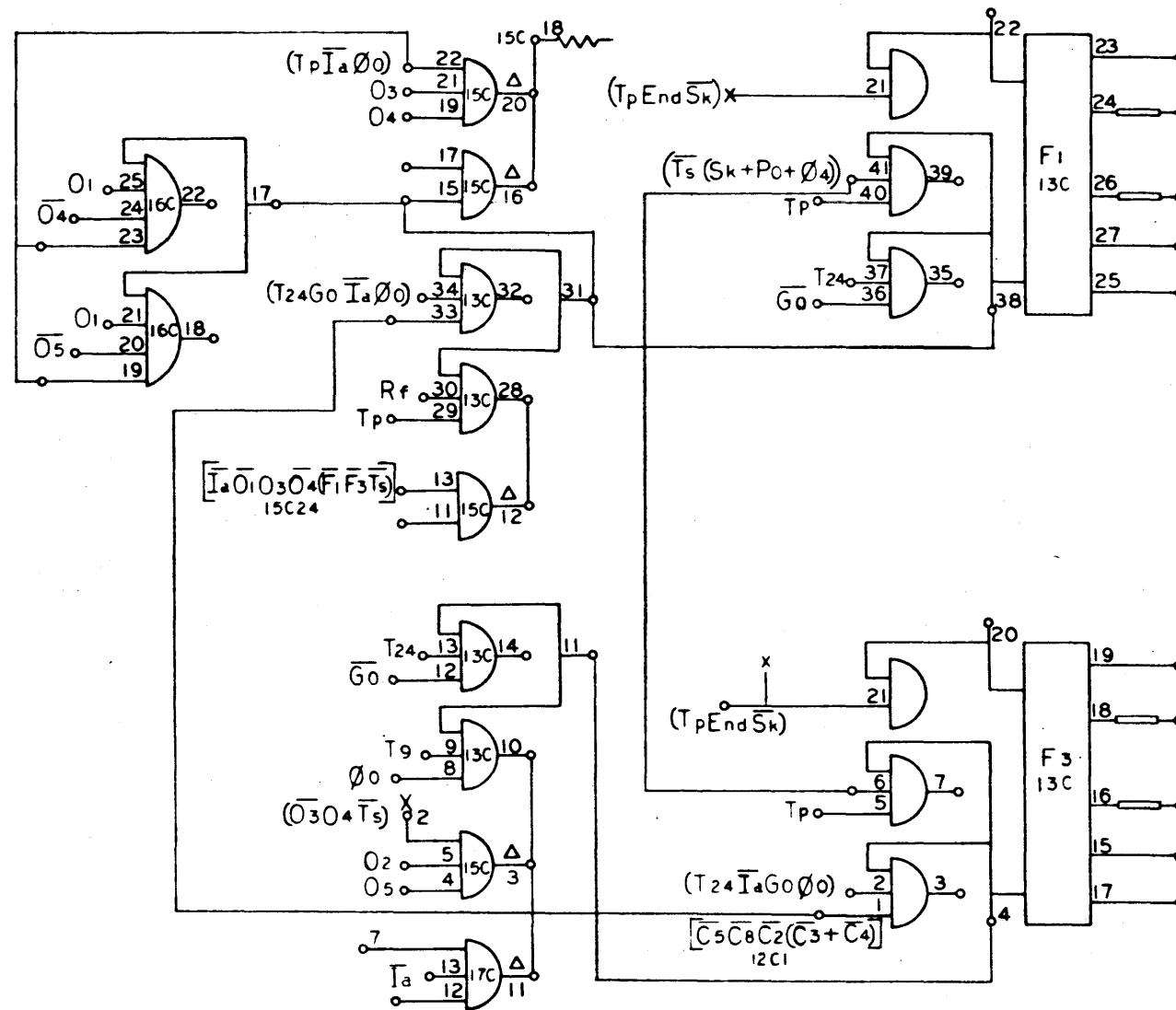
START SW. SIG.

910
Page 39
F

58

NO. DES.	DRAWING NO.	DESCRIPTION	REFERENCE DESIGNATION	ITEM NO.
MATERIAL LIST				
NOTES UNLESS SPECIFIED				
1. TOLERANCES UNLESS SPECIFIED				
2. DIMENSIONS ARE IN INCHES				
3. HOLE ALL SHARP EDGES AND SQUARE				
4. HOLE SURFACES				
5. ALL DIM. IN INCHES				
DRAWN <i>JA</i>		DATE 12-1-67	SDS SCIENTIFIC DATA SYSTEMS	
CHECK <i>JA</i>		DATE 12-1-67	1345 FORTYFIFTH STREET, SANTA MONICA, CALIFORNIA	
APPR. <i>JA</i>		DATE 12-1-67	TITLE	
		DIAGRAM, LOGIC, COMPUTER		
MODEL NO.		REV. D	DWG. NO. 101702	SHEET F
NEXT ASSY.		SCALE		
		DO NOT SCALE DRAWING		

\overline{END} , END, OC, \overline{St}



DIAGRAM, LOGIC,
COMPUTER DWG. NO. 101702

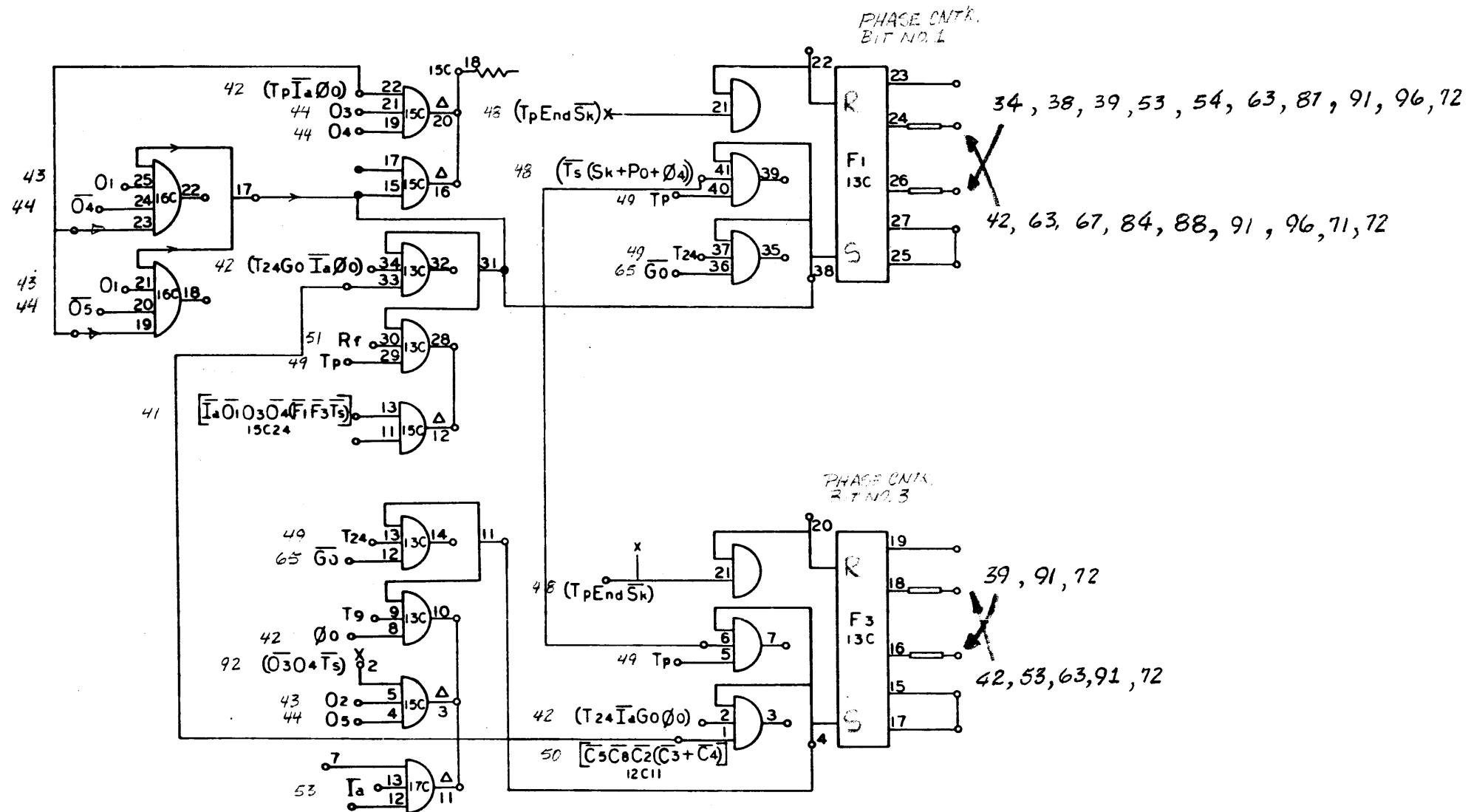
REVISIONS			
REV.	DESCRIPTION	CHK.	DATE
A	REL TO MFG		
D	SEE REV E.O.		

LDA
STA
BRU



INCLUDE

REPEATS

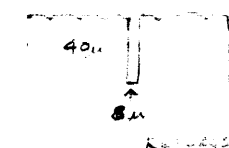


34, 38, 39, 53, 54, 63, 81, 91, 96, 12

42, 63, 67, 84, 88, 91, 96, 11, 12

39, 91, 12

42, 53, 63, 91, 12



REPEATS

60

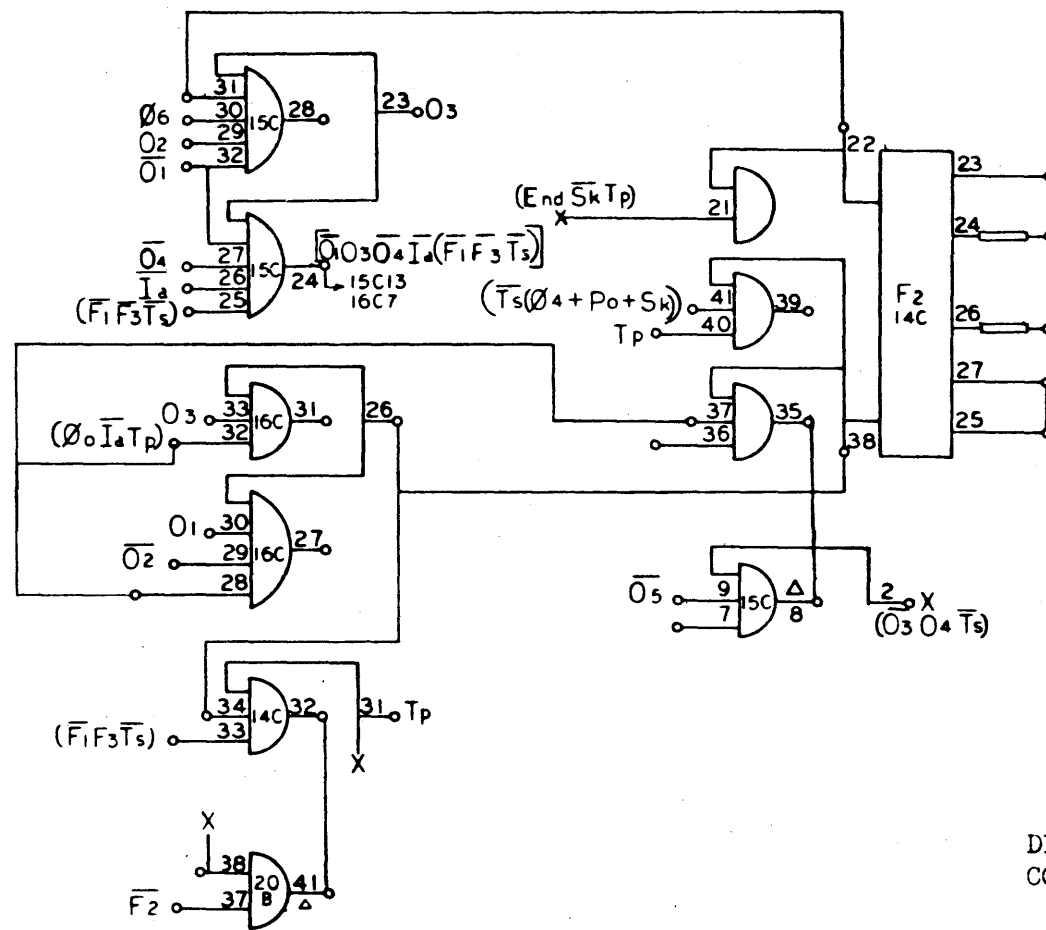
910
Page 40
D

101702 D

NO. REQ.	DRAWING NO.	DESCRIPTION	REFERENCE DESIGNATION	ITEM NO.
MATERIAL LIST				
NOTES UNLESS SPECIFIED				
1. TOLERANCES UNLESS SPECIFIED: ANGULAR ± 1/2°				
2. DIMENSIONS ARE UNLESS OTHERWISE SPECIFIED				
3. HOLE SURFACES				
4. ALL DIM. IN INCHES				
DRAWN: <i>MAH</i>		DATE: 9-20-62		
CHECK: <i>SH</i>		DATE: 10-1-62		
APPR: <i>W-U</i>		DATE: 10-1-62		
SDS SCIENTIFIC DATA SYSTEMS 1540 FIFTEENTH STREET, SANTA MONICA, CALIFORNIA				
TITLE				
DIAGRAM, LOGIC, COMPUTER				
MODEL NO.		SIZE: D	DWG. NO.: 101702	SHEET: D
NEXT ASSY.		SCALE: DO NOT SCALE DRAWINGS		

F1, F3

40

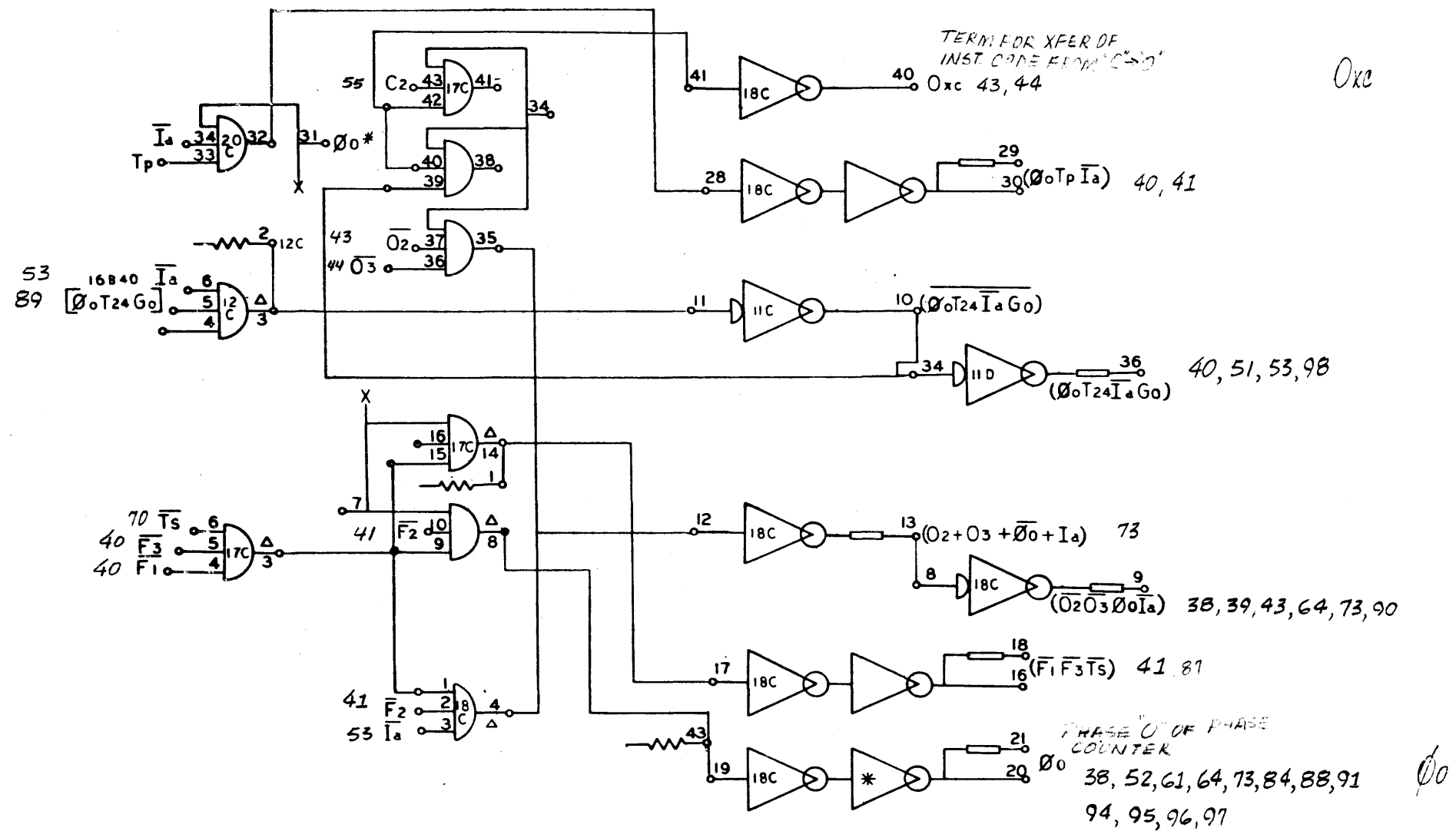


61

DIAGRAM, LOGIC,
COMPUTER DWG. NO. 101702

SEE NEXT PAGE

REVISIONS		C1702 A	
REV	DESCRIPTION	CHK	DATE
A	REL TO MFG		



910
Page 42
A

NO. REQ.	DRAWING NO.	DESCRIPTION	REFERENCE DESIGNATION	ITEM NO.
MATERIAL LIST				
NOTES UNLESS SPECIFIED		DRAWN: ALH	DATE: 9-20-62	SDS SCIENTIFIC DATA SYSTEMS 1742 FIFTEENTH STREET, SANTA MONICA, CALIFORNIA TITLE: DIAGRAM, LOGIC, COMPUTER
1. TOLERANCES UNLESS SPECIFIED: ANGULAR ±10°		CHECK: ALH	APPV: J-W-U	
2. BREAK ALL SHARP CORNERS AND EDGES.				
3. HATCH SURFACES WITH 'J'.				MODEL NO.: NEXT ASSY.:
				SIZE: D DWG. NO.: 101702 SCALE: DO NOT SCALE DRAWING

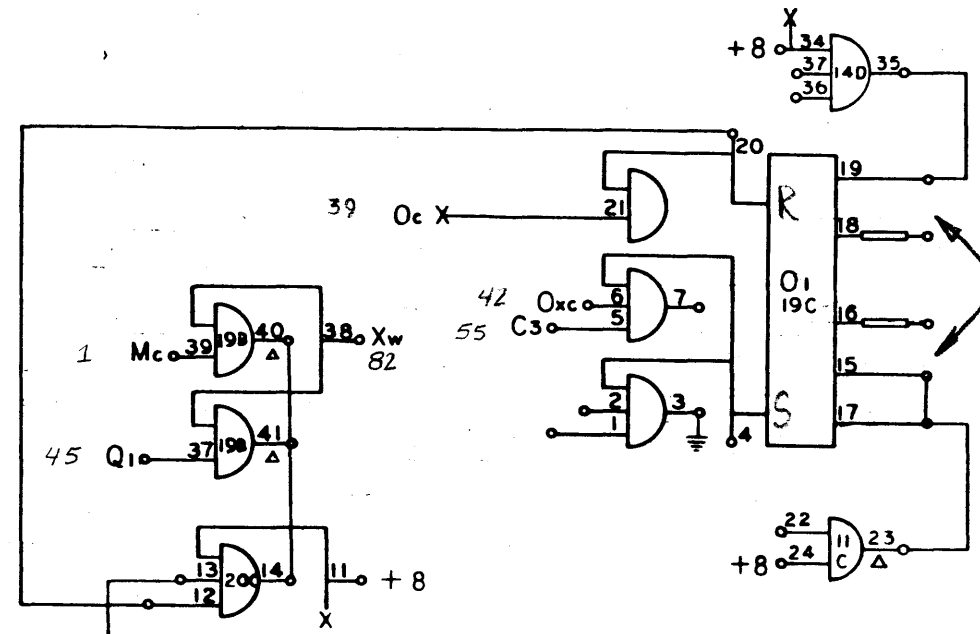
42 $O_{xc}, (\overline{O_0} T_p \overline{I_a}), (\overline{O_0} T_{24} \overline{I_a} G_0), (\overline{O_0} T_{24} \overline{I_a} G_0), (O_2 + O_3 + \overline{O_0} + I_a), (\overline{O_2} \overline{O_3} \overline{O_0} \overline{I_a}), (F_1 \overline{F_3} \overline{T_s}), \overline{O_0}$

63
101702 A

REV.		DESCRIPTION		CHK	DATE	APPROVED
A	REL TO MFG				10/1/62	

LDA (0, USED ONLY THIS INST)
STA
BRU

10V	32u	26	32	26
-----	-----	----	----	----



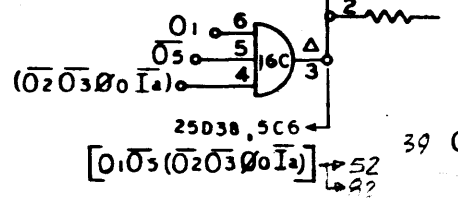
40, 41, 49, 50, 52, 64, 71, 84, 90, 92, 95, 96

39, 41, 49, 50, 64, 65, 68, 72, 84, 91, 93

(OPERATION REG)
INSTRUCTION REG
BITS 1, 2

LDA USE THIS BIT
STA
BRU

10V	40u	8	40	8
-----	-----	---	----	---



10, 41, 49, 50, 52, 71, 82, 90, 92, 94

1, 42, 48, 49, 50, 52, 65, 68, 81, 84, 90, 91, 95

OPTR REG
[1, 2, 3, 4, 5, 6, 7, 8, 9, 10, 11, 12, 13, 14, 15, 16, 17, 18, 19, 20, 21, 22, 23, 24, 25, 26, 27, 28, 29, 30, 31, 32, 33, 34, 35, 36, 37, 38, 39, 40, 41, 42, 43, 44, 45, 46, 47, 48, 49, 50, 51, 52, 53, 54, 55, 56, 57, 58, 59, 60, 61, 62, 63, 64, 65, 66, 67, 68, 69, 70, 71, 72, 73, 74, 75, 76, 77, 78, 79, 80, 81, 82, 83, 84, 85, 86, 87, 88, 89, 90, 91, 92, 93, 94, 95, 96, 97, 98, 99, 100]

910
Page 43
A

Handwritten notes:
44, 42, 48, 49, 50, 52, 65, 68, 81, 84, 90, 91, 95
[0, 05 (02 03 00 Ia)]

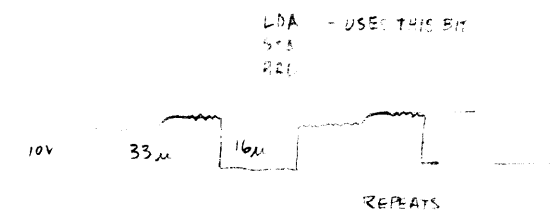
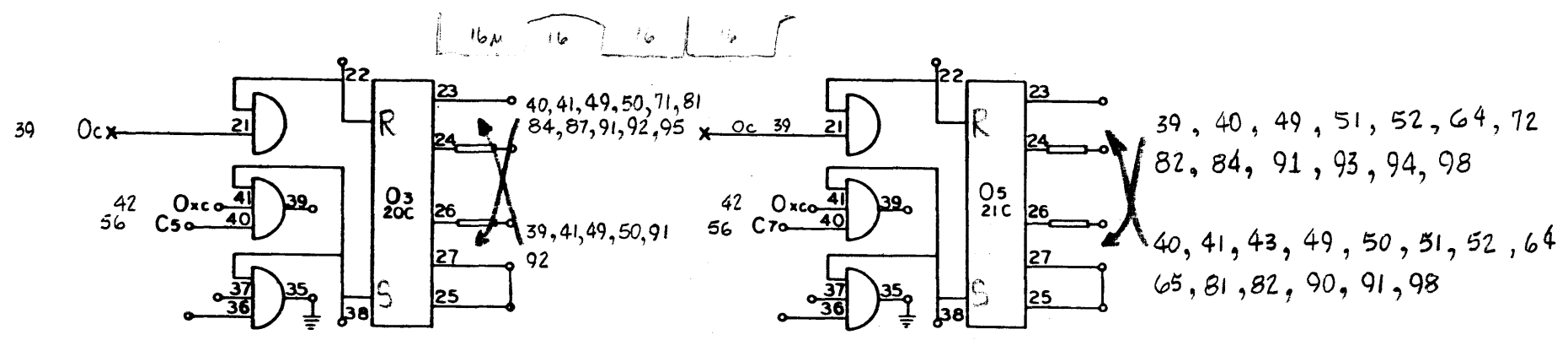
NO. REV.	DRAWING NO.	DESCRIPTION	REFERENCE DESIGNATION	ITEM NO.
MATERIAL LIST				
NOTES UNLESS SPECIFIED		DRAWN: <i>SA</i>	CHECK: <i>SA</i>	DATE: 10-1-62
1. TOLERANCES UNLESS SPECIFIED		APPR: <i>SA</i>	DATE: 10/1/62	
2. DIMENSIONS UNLESS SPECIFIED		SDS (SOCIETY OF DATA SYSTEMS)		
3. DIMENSIONS UNLESS SPECIFIED		1545 FIFTEENTH STREET, SANTA MONICA, CALIFORNIA		
4. DIMENSIONS UNLESS SPECIFIED		DIAGRAM, LOGIC, COMPUTER		
MODEL NO.		REV. NO.	101702	A
NEXT ASSY.		FILE	DO NOT SCALE DRAWING	INSET

O1, O2, [0, 05 (02 03 00 Ia)]

REVISIONS		01702	
REV	DESCRIPTION	CHK	DATE
A	REL TO MFG		

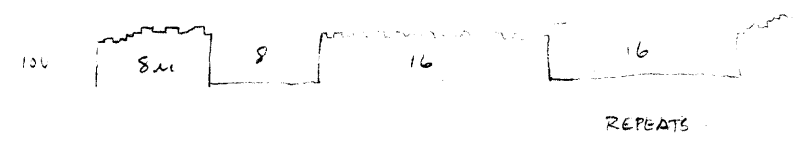
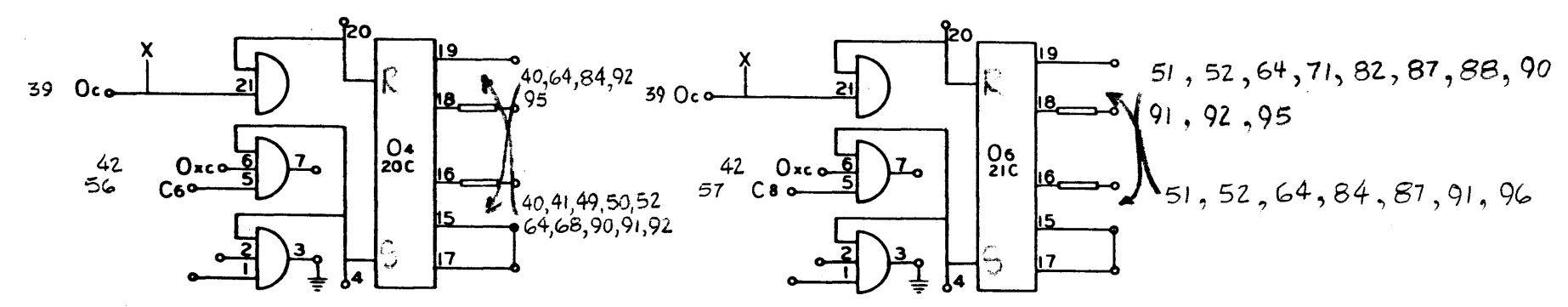
LDA
STA
BRU

REPEATS



OPERATION REG
BITS 3, 4, 5, 6

SIGNAL SAME
AS O3



65

910
Page 44
A

101702 A

44

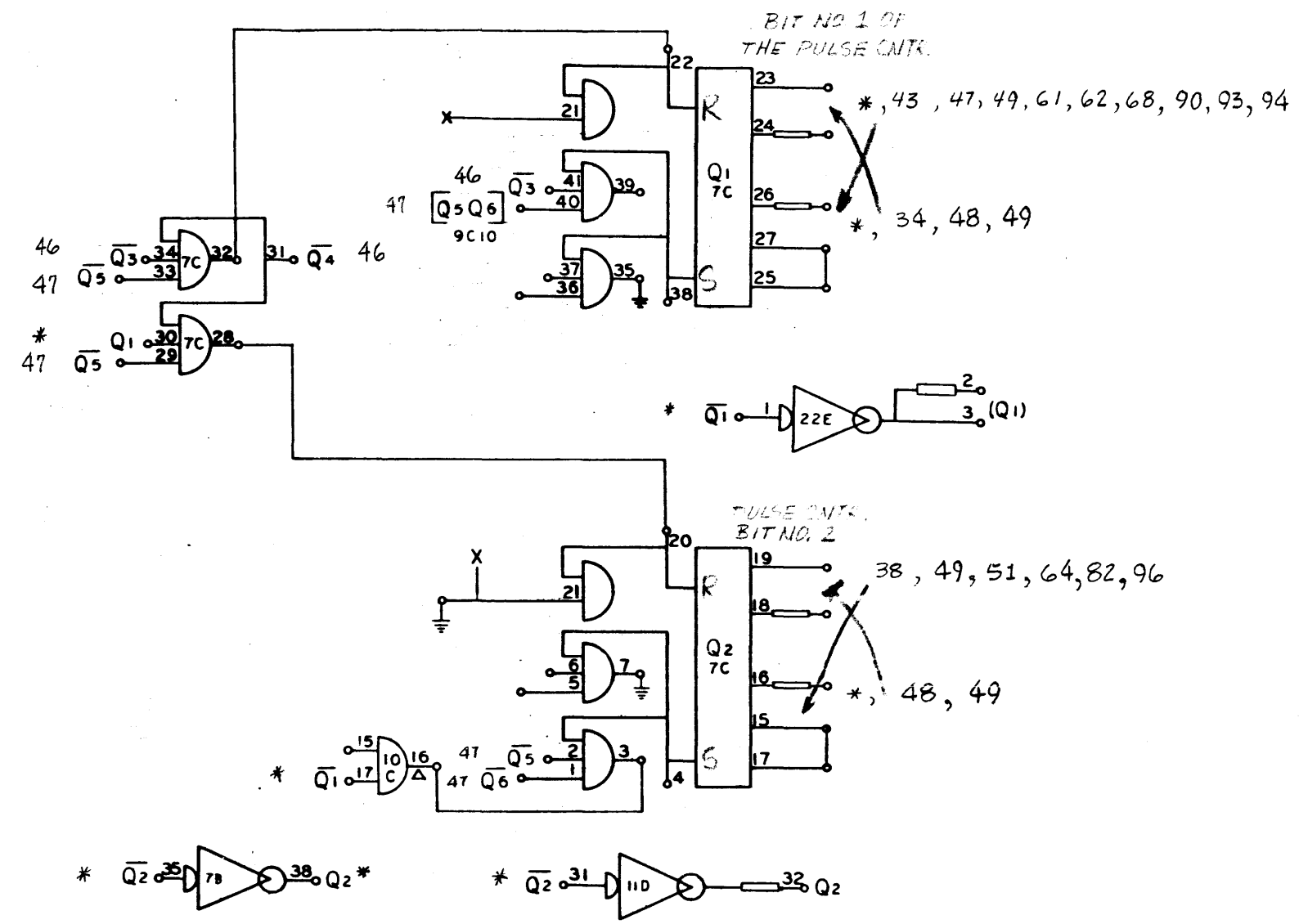
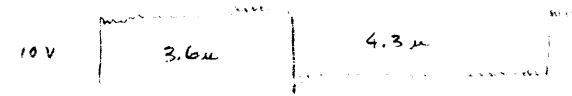
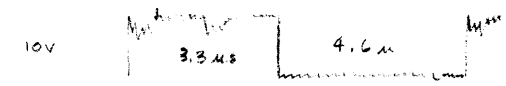
O3, O4, O5, O6

REV	DRAWING NO.	DESCRIPTION	REFERENCE DESIGNATION	ITEM NO.
		MATERIAL LIST		
NOTES UNLESS SPECIFIED		DRAWN: <i>ALH</i>	DATE: <i>9-20-62</i>	
1. TOLERANCES UNLESS SPECIFIED		CHKD: <i>BN</i>	DATE: <i>11-1-62</i>	
2. DIMENSIONS ARE IN INCHES UNLESS OTHERWISE SPECIFIED		APPR: <i>ALH</i>	DATE: <i>11-1-62</i>	
3. CLEAR ALL SHARP EDGES AND SPACINGS		SDS SCIENTIFIC DATA SYSTEMS 1545 FIFTEENTH STREET SANTA MONICA CALIFORNIA		
4. FINISH SURFACES				
5. ALL DIMENSIONS ARE IN INCHES		TITLE DIAGRAM, LOGIC COMPUTER		
MODEL LIT.		SIZE	DWG NO.	
NEXT ASSY.		D	101702	
SCALE		DO NOT SCALE DRAWING	SHEET	

REV		DESCRIPTION		CHK	DATE	APPROVED
A		REL TO MFG				

LDA
STA
RST

REPEATS



66

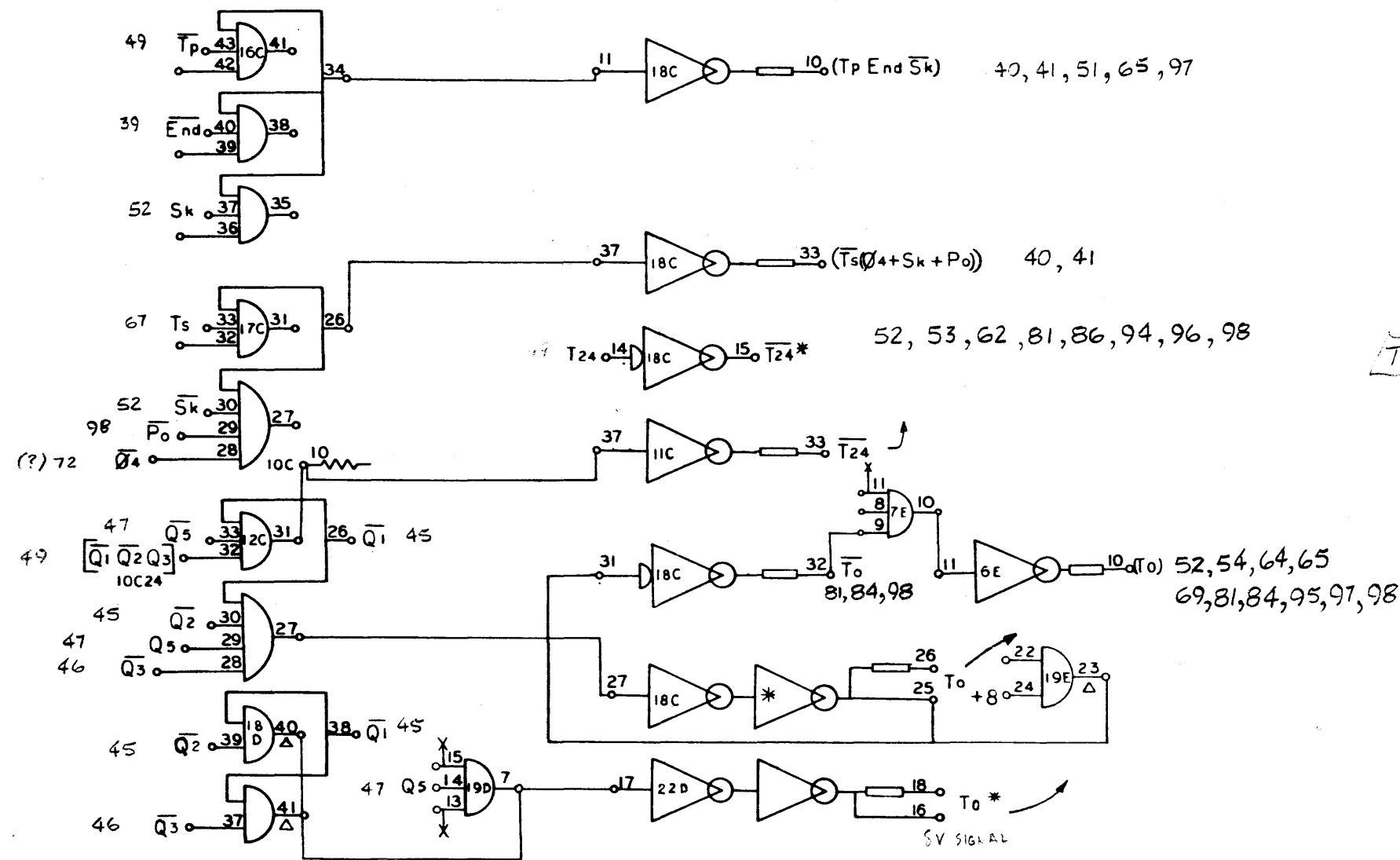
910
Page 45
A

NO. REV.	DRAWING NO.	DESCRIPTION	REFERENCE DESIGNATION	ITEM NO.
MATERIAL LIST				
NOTES UNLESS SPECIFIED		DRAWN: <i>RB</i>	DATE: 2-2-62	
1. TOLERANCES UNLESS SPECIFIED ARE AS SHOWN		CHECK: <i>SH</i>	DATE: 10-11-61	
2. EXCEPT ALL DIMENSIONS ARE IN INCHES		APPR: <i>W. G. W.</i>	DATE: 12/1/62	
3. DIMENSIONS UNLESS OTHERWISE SPECIFIED				
4. DIMENSIONS UNLESS OTHERWISE SPECIFIED		1540 FIFTEENTH STREET, SANTA MONICA, CALIFORNIA		
5. DIMENSIONS UNLESS OTHERWISE SPECIFIED		TITLE: DIAGRAM, LOGIC, COMPUTER		
MODEL, ETC.		REV. NO.	101702	A
CHK'D BY:		SCALE:	DO NOT SCALE DRAWING	SHEET

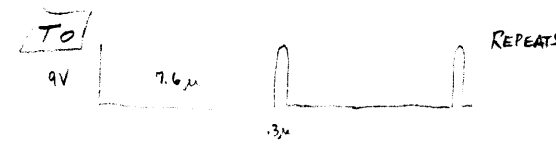
Q1, Q2

45

REVISIONS				01702	A
REV	DESCRIPTION	CHK	DATE	APPROVED	
A	REL TO MFG	AK	11/1/64		



LDA
STA
BRU



910
Page 48
A
ONE OF 24 BIT PULSE
TIMES MAKING UP THE PULSE
RAMBLE SECTION OF THE
COMPUTER WORD

NO. REV.	DRAWING NO.	DESCRIPTION	REFERENCE DESIGNATION	ITEM NO.
NOTES UNLESS SPECIFIED				
1. DIMENSIONS UNLESS OTHERWISE SPECIFIED ARE IN INCHES		2. DIMENSIONS UNLESS OTHERWISE SPECIFIED ARE IN MILLIMETERS	MATERIAL LIST	
3. BREAK ALL SHARP EDGES AND POINTS		SDS SCIENTIFIC DATA SYSTEMS 1545 FIFTEENTH STREET SANTA MONICA, CALIFORNIA		
4. CADL SURFACES		TITLE DIAGRAM, LOGIC, COMPUTER		
5. ALL DIM. IN INCHES		DRAWN: L.H. 9-20-64 CHECK: J.H. 11-1-64 APPR: J.H. 11-1-64		
MODEL NO.	DWG. NO.	REV.		SCALE
	101702	D		DO NOT SCALE DRAWING
SHEET NO.		SHEET		

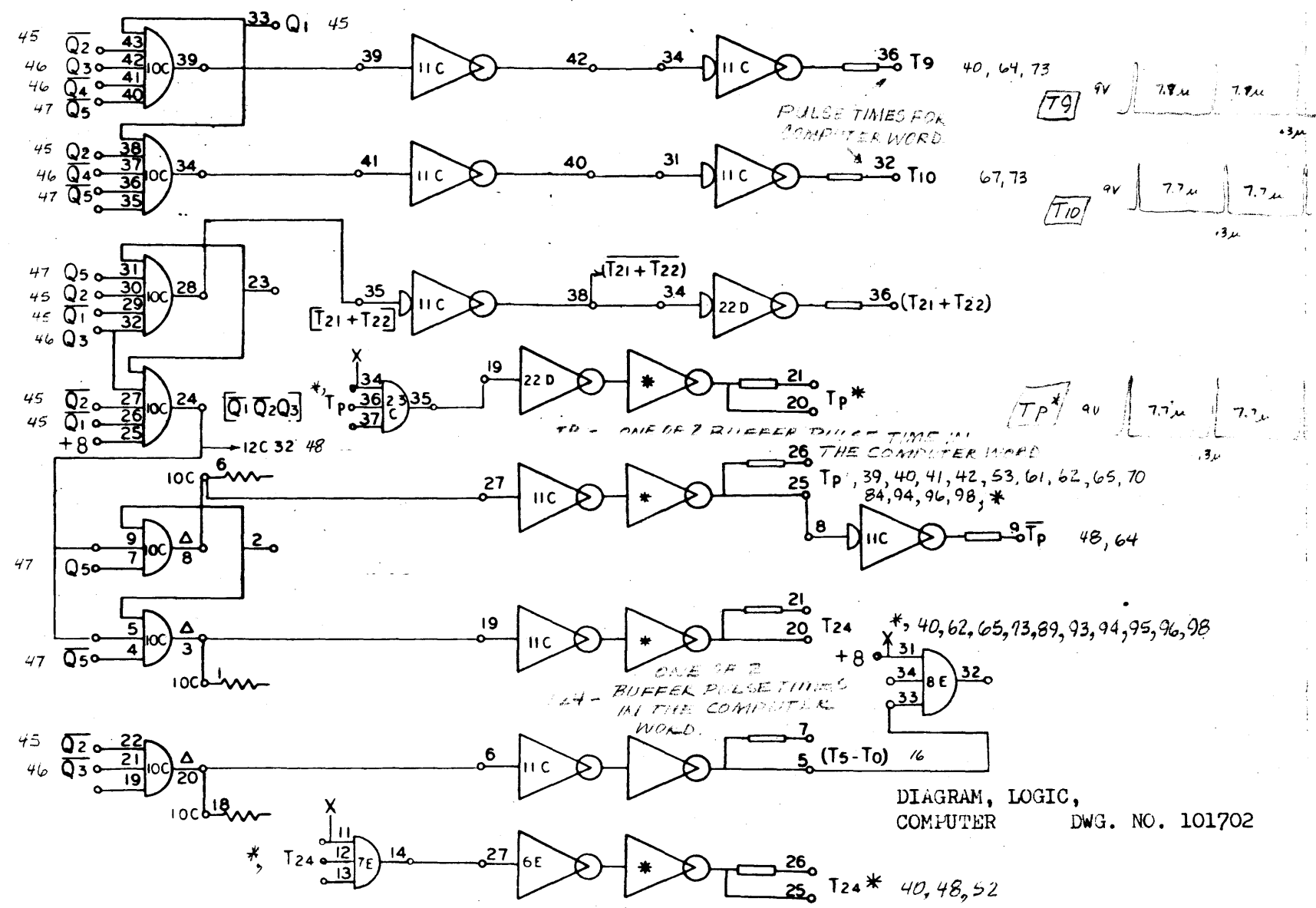
$$(TP\ END\ \bar{S}k) - (\bar{T}s(\phi4 + S_k + P_0)) = \bar{T}24, T_0, \bar{T}0$$

69

101702 A

70

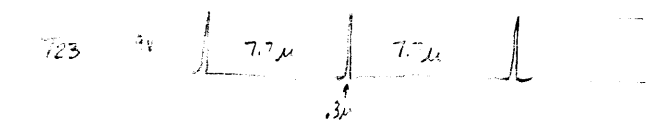
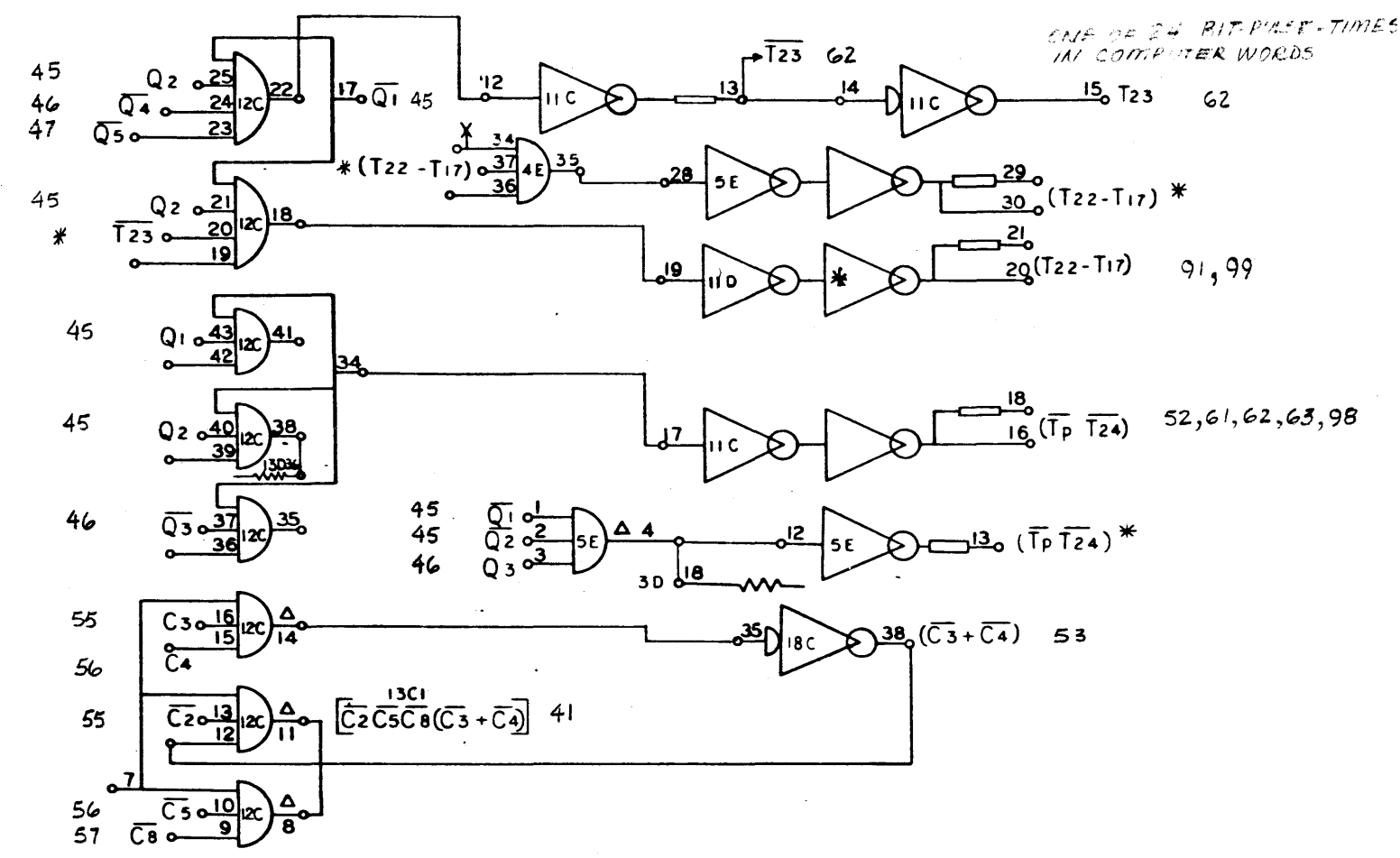
LDA
STA
BRU



$[\bar{Q}_1 \bar{Q}_2 \bar{Q}_3]$, T_9 , T_{10} , $(T_{21} + T_{22})$, T_{P^*} , \bar{T}_P , T_P , T_{24} , $(T_5 - T_0)$, T_{24}^*

REV		DESCRIPTION		CHK	DATE	APPROVED
A		REL TO MFG				

LDA
STA
BRU



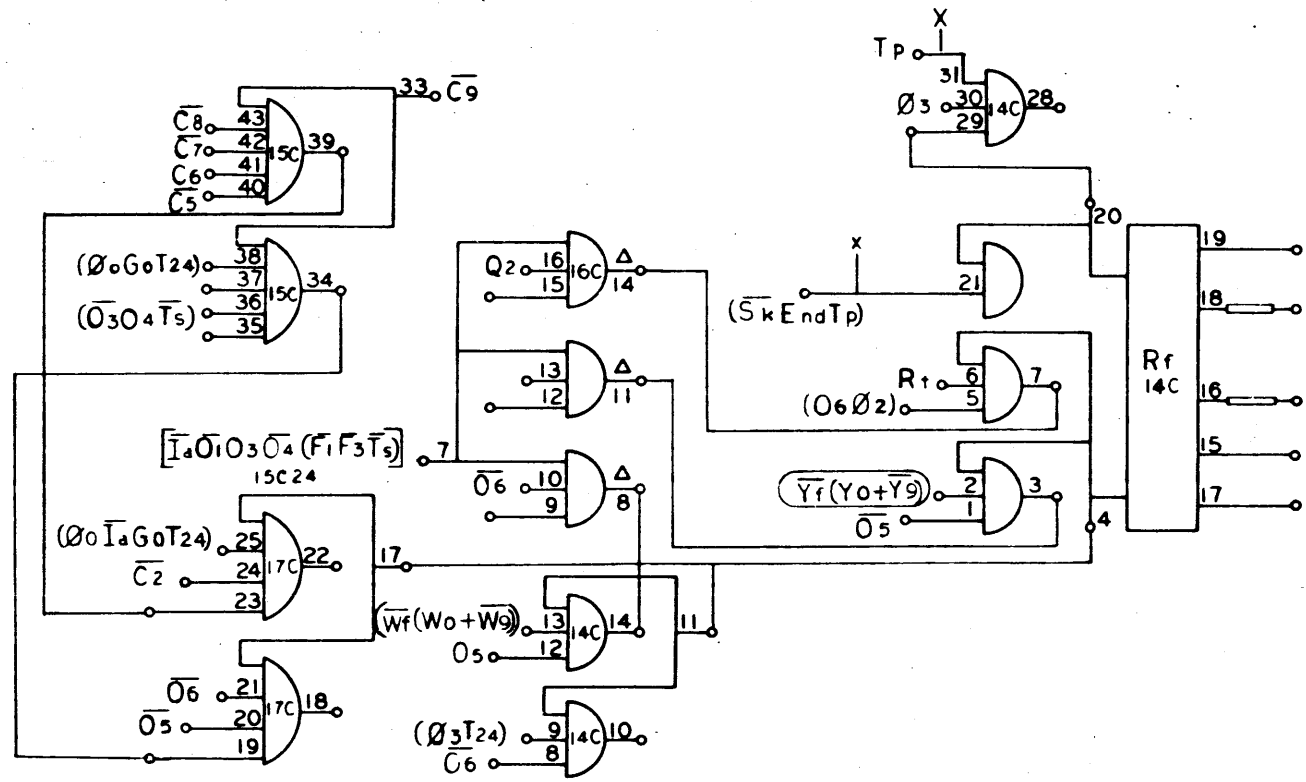
71

910
PAGE 50
A

NO. REQ.	DRAWING NO.	DESCRIPTION	REFERENCE DESIGNATION	ITEM NO.
MATERIAL LIST				
NOTES UNLESS SPECIFIED		DRAWN: <i>[Signature]</i>	DATE: 9-20-62	SDS SCIENTIFIC DATA SYSTEMS 1942 FIFTEENTH STREET SANTA MONICA CALIFORNIA TITLE: DIAGRAM, LOGIC, COMPUTER
1. TOLERANCES UNLESS SPECIFIED		CHECK: <i>[Signature]</i>	DATE: 10-1-62	
2. DIMENSIONS UNLESS SPECIFIED		APP: <i>[Signature]</i>	DATE: 10-1-62	
3. CLEAR ALL STAMP ERRORS AND APPROVE				MODEL NO.
4. HATCH SURFACES				SIZE DWG NO. D 101702
5. ALL DIM. IN INCHES				SCALE
				DO NOT SCALE DRAWING SHEET

50 $T_{23}, \bar{T}_{23}, (T_{22}-T_{17})^*, (T_{22}-T_{17}), (\bar{T}_P \bar{T}_{24}), (\bar{T}_P \bar{T}_{24})^*, (\bar{C}_3 + \bar{C}_4), [\bar{C}_2 \bar{C}_5 \bar{C}_8 (\bar{C}_3 + \bar{C}_4)]$

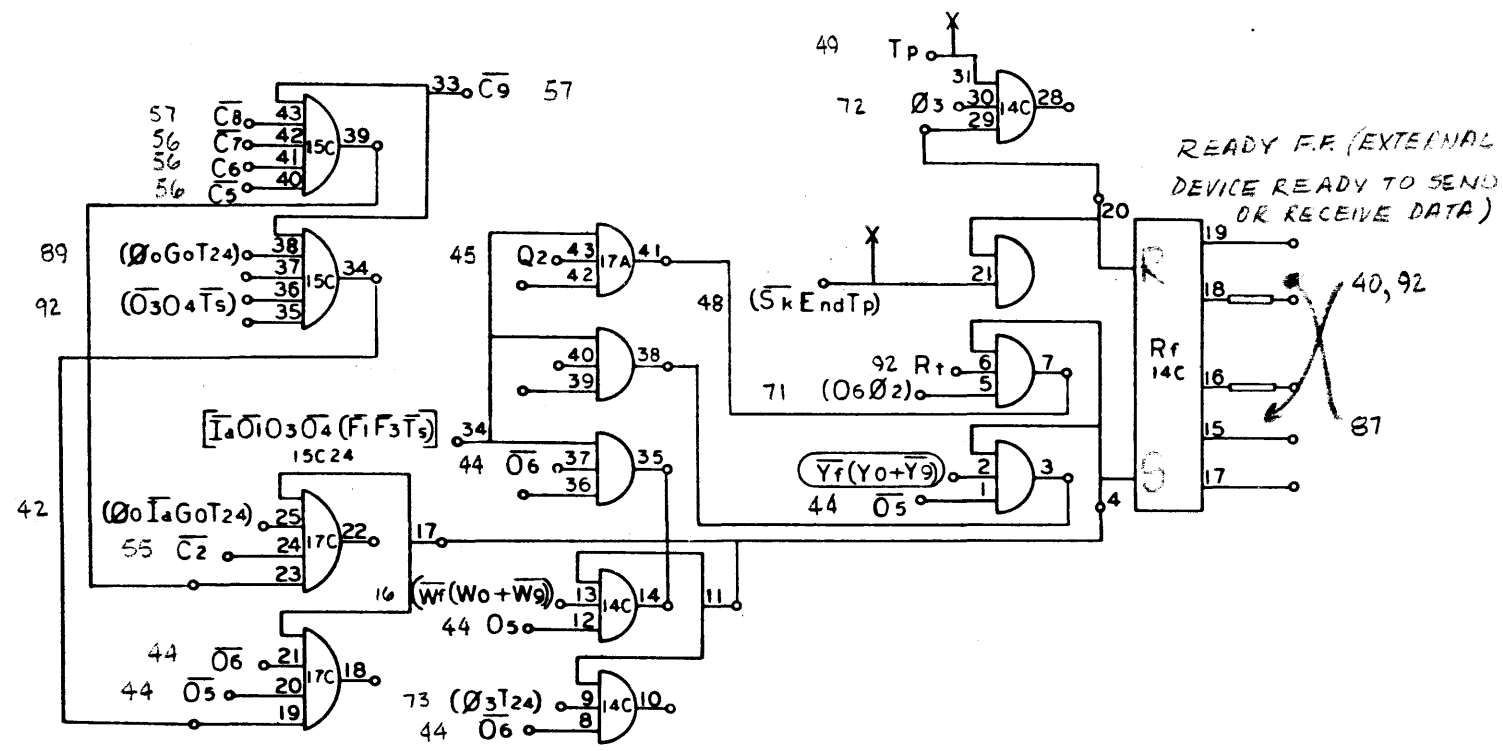
72



DIAGRAM, LOGIC,
COMPUTER DWG. NO. 101702

SEE NEXT SHEET

REVISIONS			
REV.	DESCRIPTION	CHK.	DATE
A	REL TO MFG		
B	SEE REV. E.O.		



READY F.F. (EXTERNAL
DEVICE READY TO SEND
OR RECEIVE DATA)

LDA
5-P
BRU

+8V LEVEL
WHILE RUN

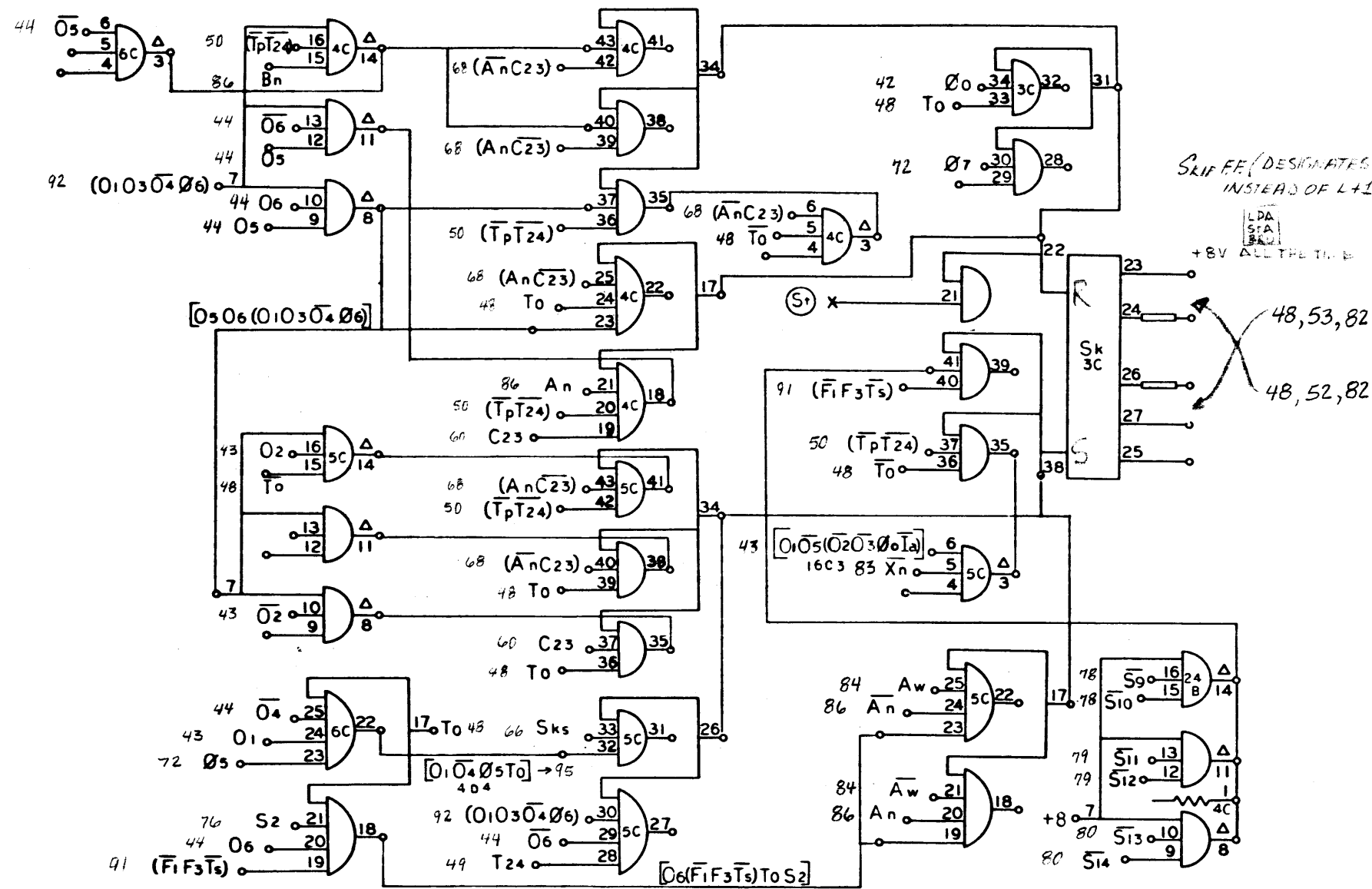
S10
PAGE 51
B

73
101702
B

NO. REG.	BRAWING NO.	DESCRIPTION	REFERENCE DESIGNATION	ITEM NO.
MATERIAL LIST				
NOTES UNLESS SPECIFIED				
1. TOLERANCES DIM 2.000 ANGULAR 2 1/2"				
2. BREAK ALL SHARP EDGES AND POINTS				
3. TACK SURFACES ✓				
4. ALL DIM. IN INCHES				
MODEL NO.		Dwg No.		3
NEXT ASSY		D		101702
SCALE		DO NOT SCALE DRAWING		SHEET

51 Rf, Rf-bar

REV		DESCRIPTION		REVISIONS		CHE	DATE	APPROVED
A		REL TO MFG						

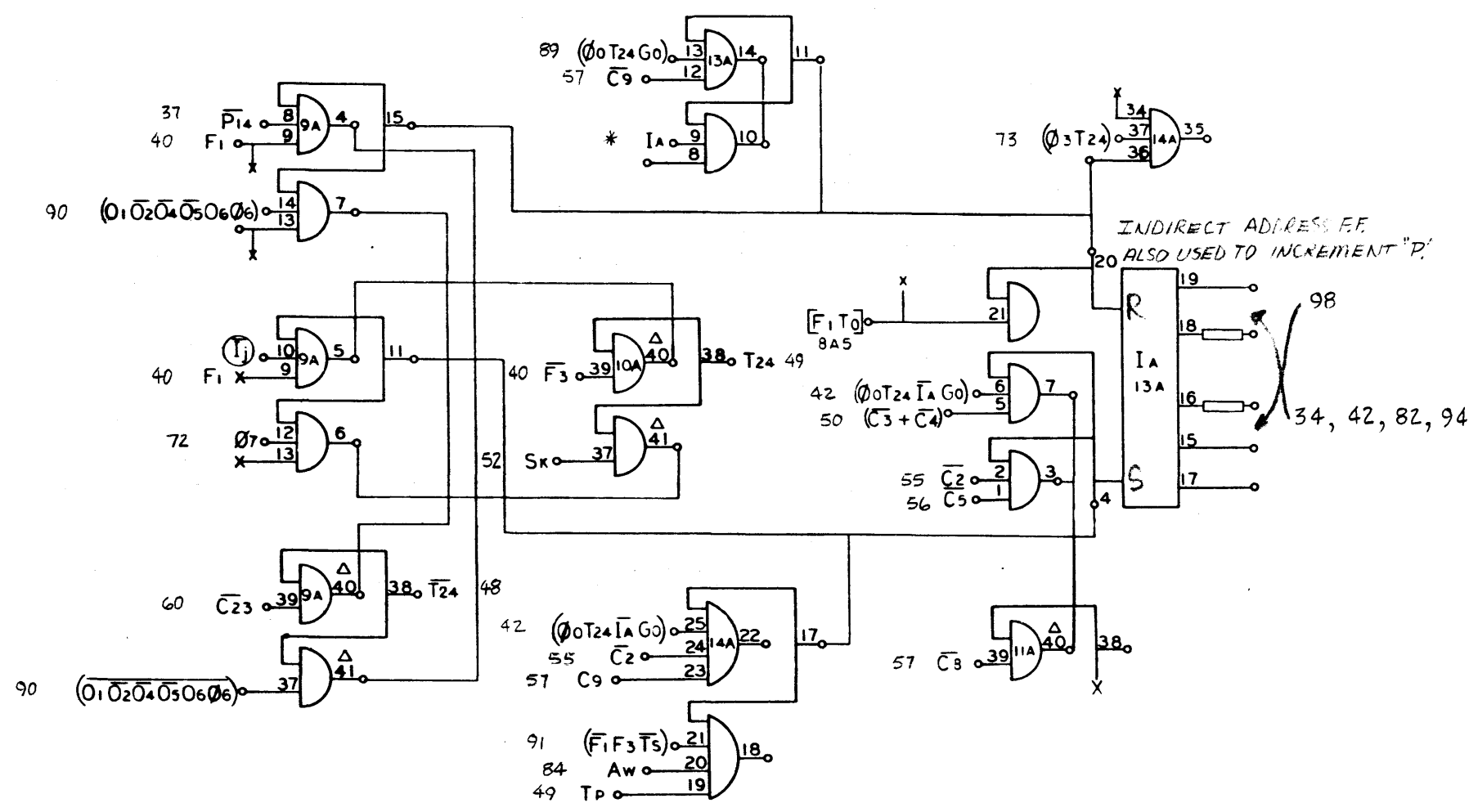


910
PAGE 52
A

NO. REV	DRAWING NO.	DESCRIPTION	REFERENCE DESIGNATION	ITEM NO.
MATERIAL LIST				
NOTES UNLESS SPECIFIED				
1. TOLERANCES UNLESS SPECIFIED: ANGULAR ±1°				
2. DIMENSIONS ARE IN INCHES UNLESS OTHERWISE SPECIFIED				
3. CHECK ALL SHARP EDGES AND APPROX.				
4. HATCH SURFACES				
5. ALL DIM. IN INCHES				
DRAWN: LH		CHECK: LH	DATE: 11-16-61	
APPROVED: [Signature]		TITLE: DIAGRAM, LOGIC COMPUTER		
MODEL NO.		REV. NO. D		REV. NO. 101702
NEXT ASSY.		SCALE		DO NOT SCALE DRAWING

Sk, Sk-bar, (01, 04, 05 To)

REVISIONS				101702
REV	DESCRIPTION	CHK	DATE	APPROVED
A	REL TO MFG	JH	11-1-64	



910
PAGE 53
A

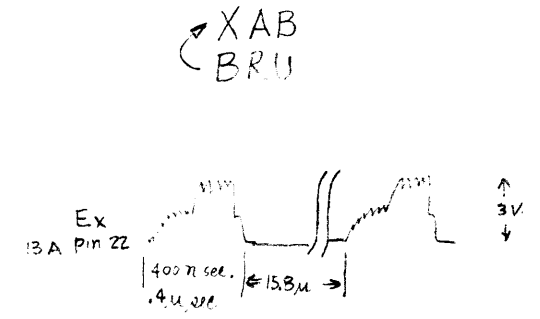
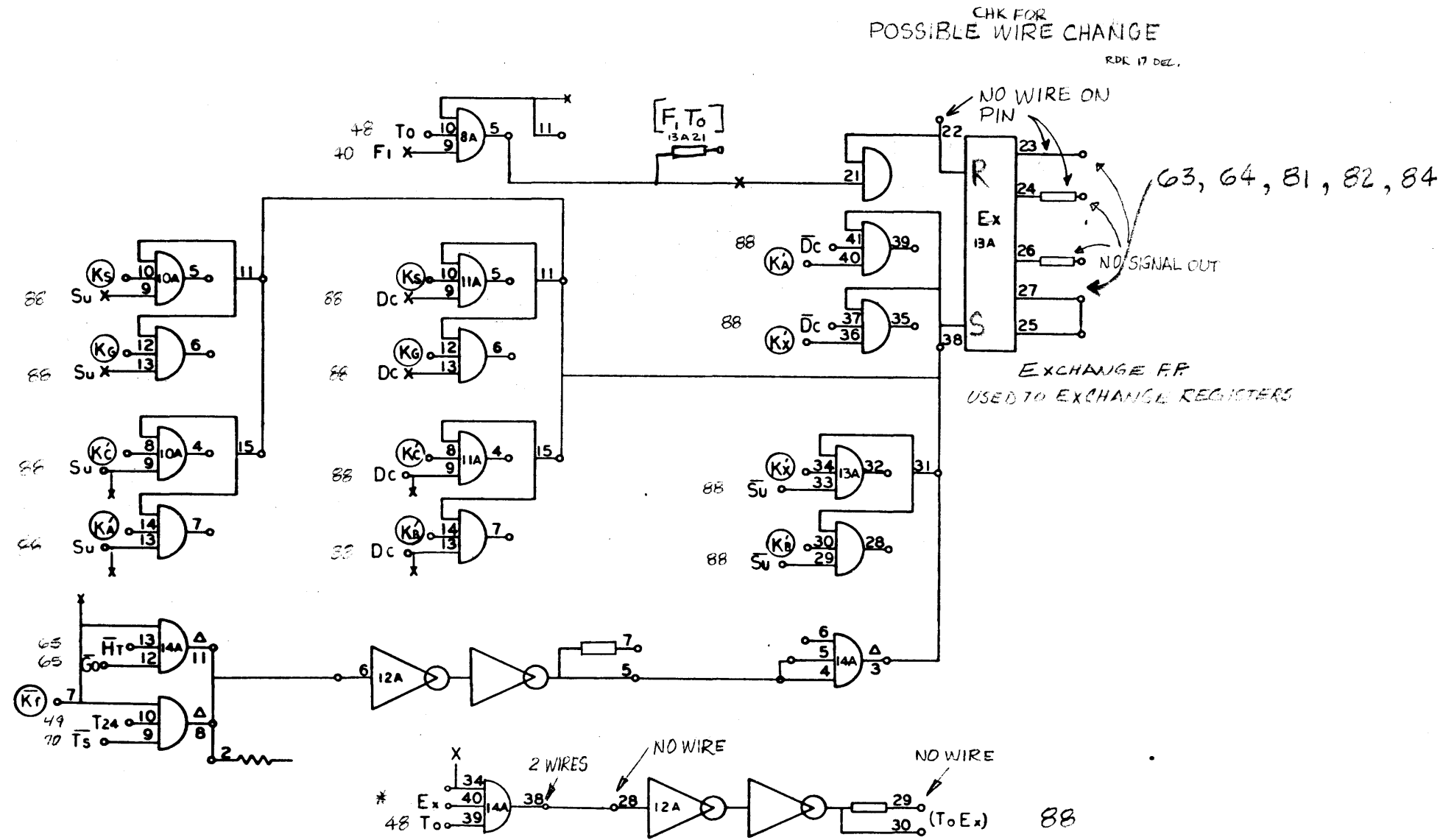
7

101702 A

NO. REQ.	DRAWING NO.	DESCRIPTION	REFERENCE DESIGNATION	ITEM NO.
MATERIAL LIST				
NOTES UNLESS SPECIFIED		DRAWN: CA 9-20-62	SDS SCIENTIFIC DATA SYSTEMS 1745 FIFTEENTH STREET SANTA MONICA CALIFORNIA TITLE: DIAGRAM, LOGIC, COMPUTER	
1. TOLERANCES UNLESS SPECIFIED: DIMENSIONS ±.005, ANGLES ±1°		CHECK: CA 11-1-64		
2. BREAK ALL SHARP EDGES AND SPICES		APPR: JH 11-1-64		
3. HATCH SURFACE: <input checked="" type="checkbox"/> 4. ALL DIM IN DIMENSIONS				
MODEL NO.		REV: D	DCS NO.: 101702	
NEXT ACT.		SCALE:	DO NOT SCALE DRAWING	SHEET:

REVISIONS			
REV.	DESCRIPTION	CHK	DATE
A	REL TO MFG		

76



XAB
BRU

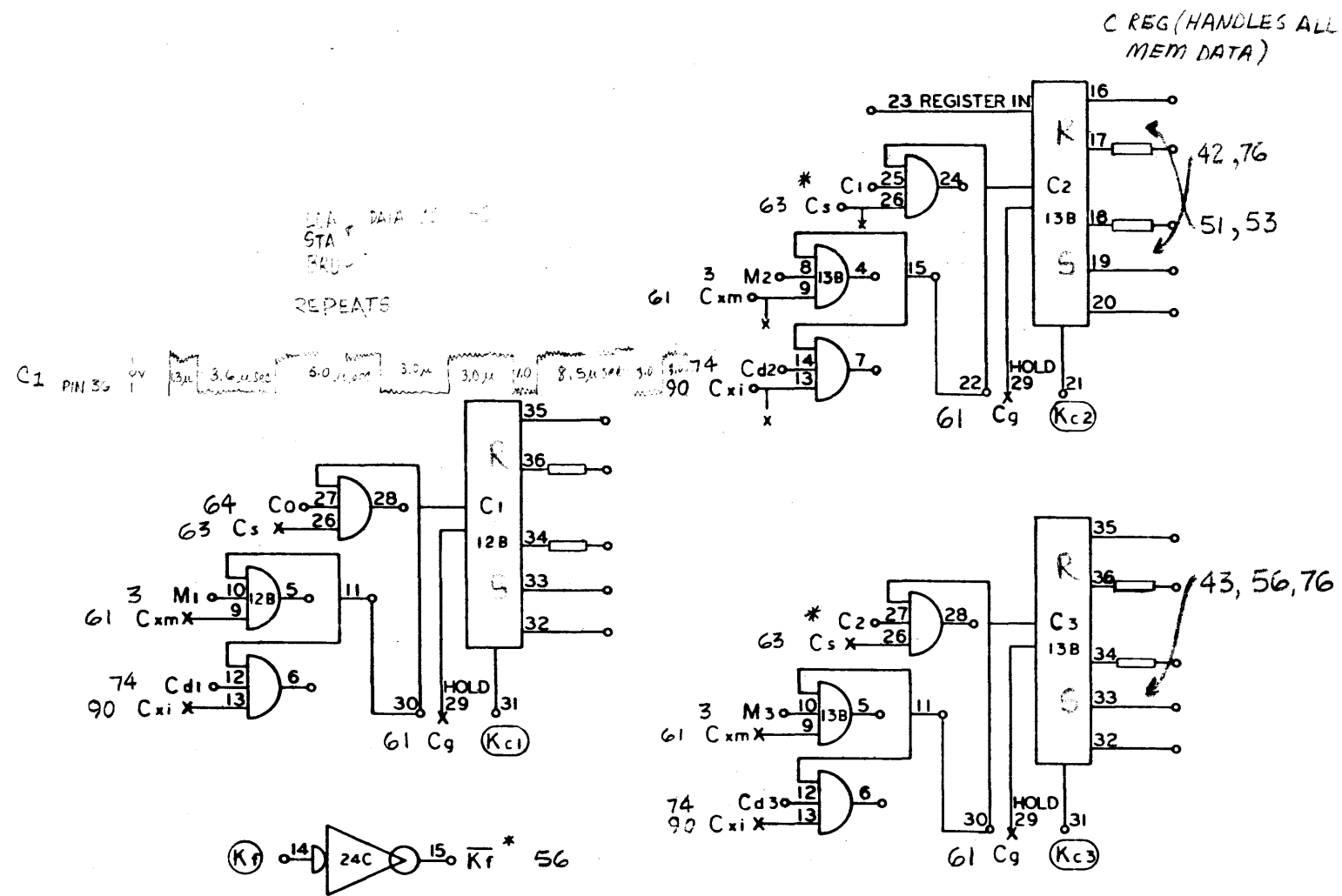
910
PAGE 54
A

REV.	DRAWING NO.	DESCRIPTION	REFERENCE DESIGNATION	ITEM NO.
MATERIAL LIST				
1. TOLERANCES UNLESS SPECIFIED: .005 ANGULAR .005 DIM. .005 SURFACE .005 ALL DIMENSIONS UNLESS NOTED OTHERWISE		DRAWN: <i>[Signature]</i> CHECK: <i>[Signature]</i> APPR: <i>[Signature]</i>	DATE: 12-11-67 TITLE: DIAGRAM, LOGIC, COMPUTER	SHEET NO.: 101702 A
MODEL NO.	REV. NO. D	DWG. NO. 101702		
SCALE		DO NOT SCALE DRAWING		

Ex, Ex̄, (ToEx) 54

101702 A

REV		DESCRIPTION	CHK	DATE	APPROVED
A		REL TO MFG			



910
PAGE 55
A

NO. REG	DRAWING NO.	DESCRIPTION	REFERENCE DESIGNATION	ITEM NO.
MATERIAL LIST				
NOTES UNLESS SPECIFIED				
1. TOLERANCES UNLESS SPECIFIED		DRAWN	CHKD	
2. DIMENSIONS ARE IN INCHES		CHECKED	DATE	
3. BREAK ALL SHARP EDGES .010 APPROX.		APPR.	DATE	
4. HATCH SURFACES				
5. ALL DIM. IN INCHES				
MODEL NO.		SDS DIGITIZED DATA SYSTEMS 1940 FIFTEENTH STREET SANTA MONICA, CALIFORNIA		
NEXT ASSY.		TITLE DIAGRAM, LOGIC, COMPUTER		
		REV. ECD FOR		
		D		01702
		SCALE: DO NOT SCALE DRAWINGS		

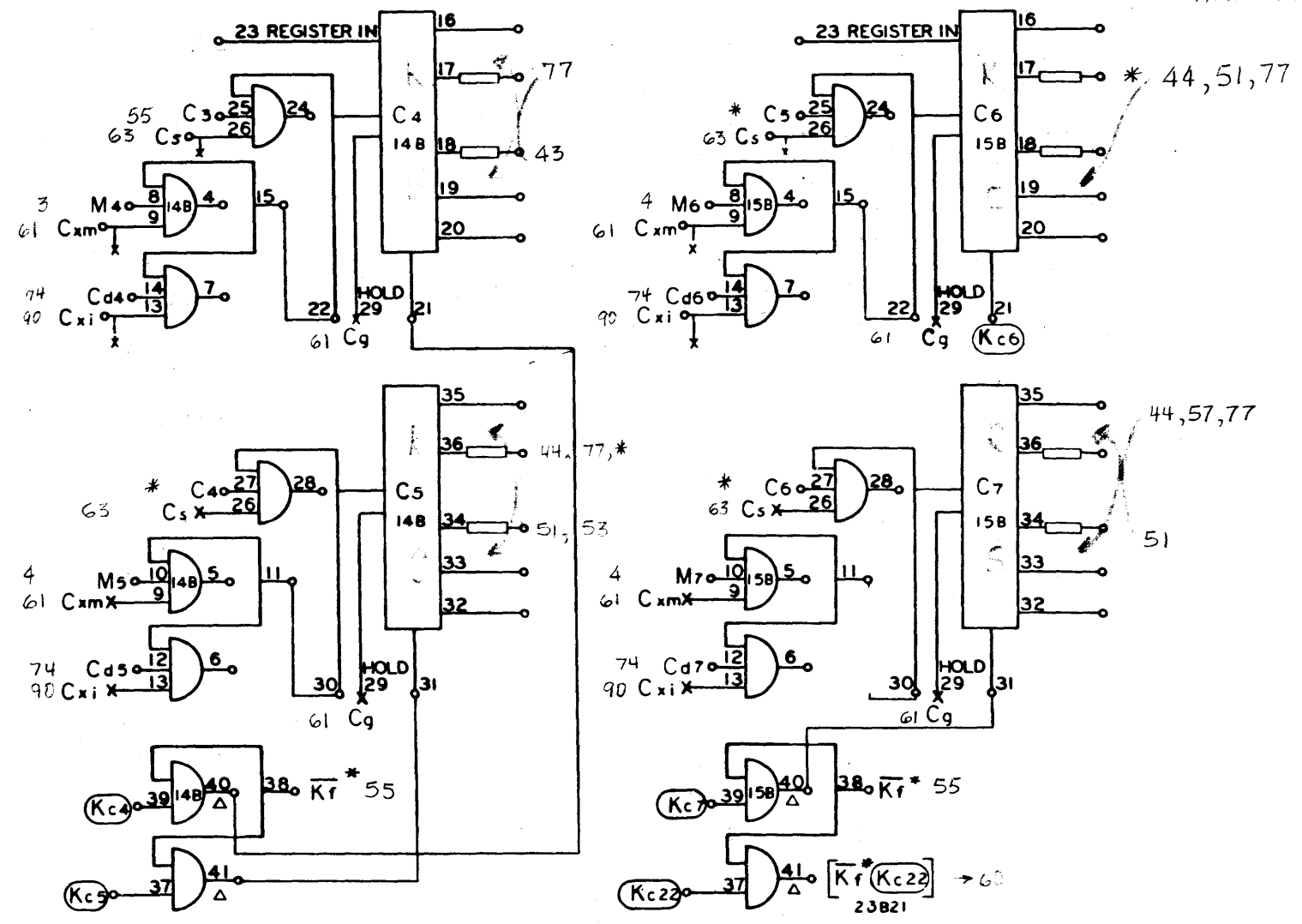
55 $\bar{K}f^*$, C_1 , \bar{C}_1 , C_2 , \bar{C}_2 , C_3 , \bar{C}_3

77

101702 A

REVISIONS		C:702 A	
REV	DESCRIPTION	CHK	DATE
A	REL TO MFG		

C REG. IN LINE
ALL TEST DATA



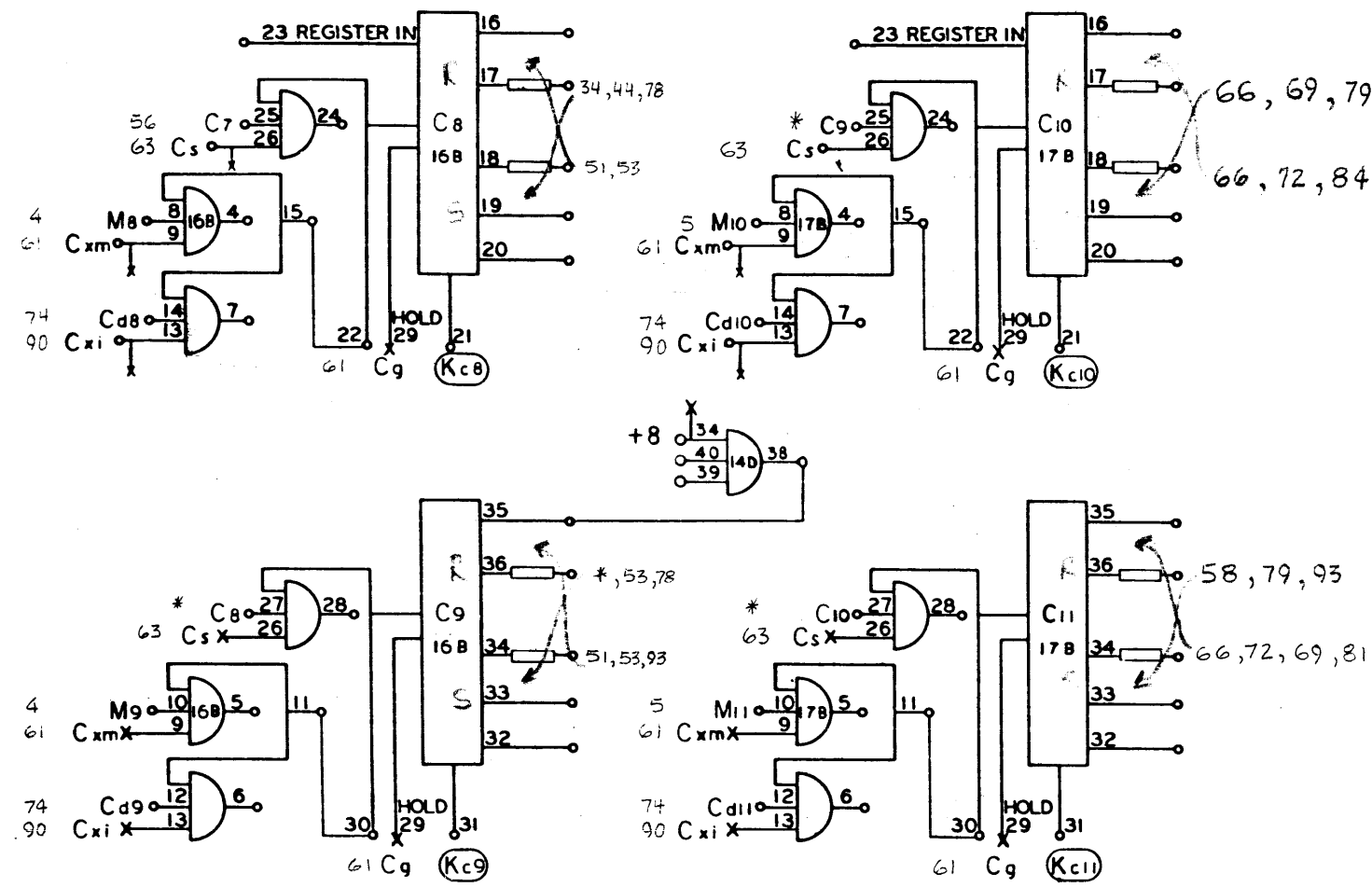
910
PAGE 56
A

NO. REV	DRAWING NO.	DESCRIPTION	REFERENCE DESIGNATION	ITEM NO.
MATERIAL LIST				
NOTES UNLESS SPECIFIED		DATE	SDS ORIENTED DATA SYSTEMS	
1. TOLERANCES UNLESS SPECIFIED		CHK	1542 FIFTEENTH STREET, SANTA MONICA, CALIFORNIA	
2. DIMENSIONS ARE IN INCHES		APP	TITLE	
3. DIMENSIONS ARE IN MILLIMETERS				
4. DIMENSIONS ARE IN MILLIMETERS			DIAGRAM, LOGIC COMPUTER	
5. DIMENSIONS ARE IN MILLIMETERS				
MODEL NO.		SIZE	DWG NO.	
		D	101702	A
SCALE		DO NOT SCALE DRAWING		

$C_4, \bar{C}_4, C_5, \bar{C}_5, C_6, \bar{C}_6, C_7, \bar{C}_7, [Kf * Kc22]$

REV		DESCRIPTION		REVISIONS		CHK	DATE	APPROVER
A		REL	0 MFG					

C REG (HANDLES ALL MEMORY DATA)



910
PAGE 57
A

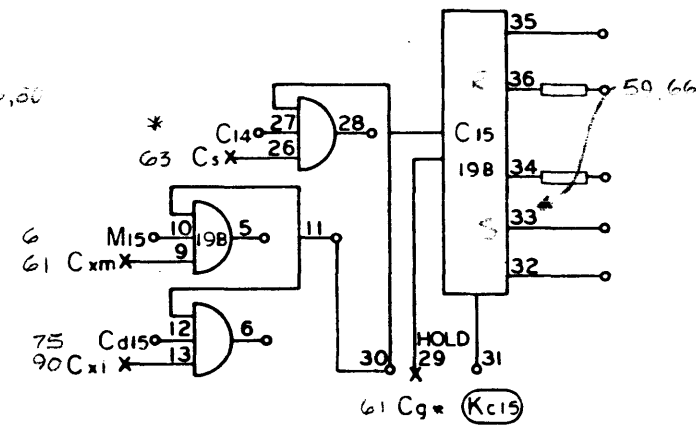
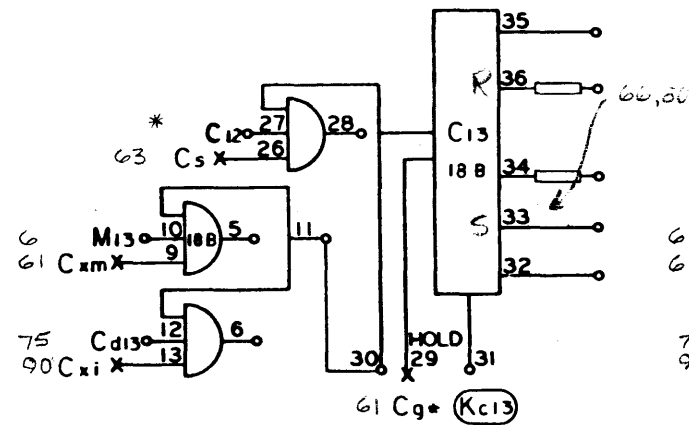
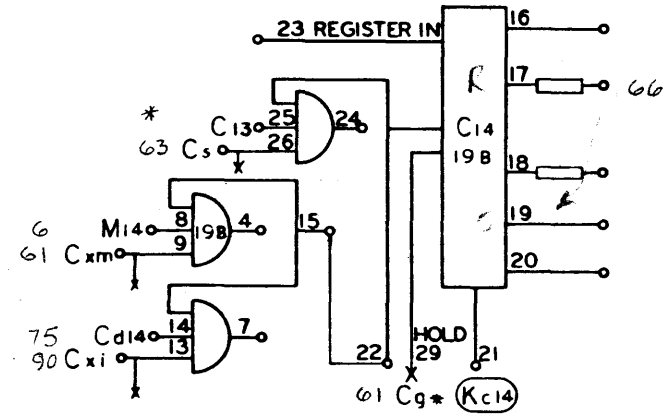
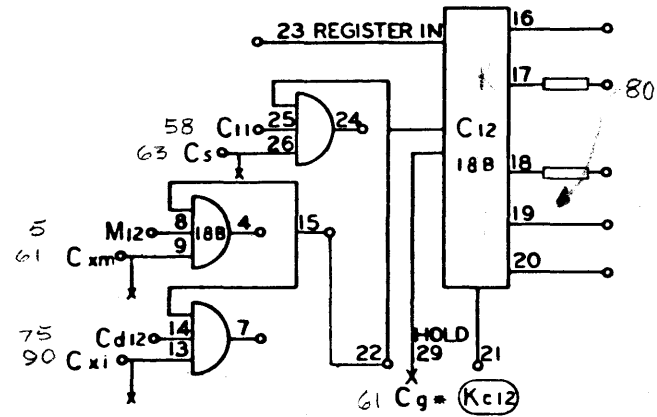
79

NO. REG.	DRAWING NO.	DESCRIPTION	REFERENCE DESIGNATION	ITEM NO.
MATERIAL LIST				
NOTES UNLESS SPECIFIED		DRAWN: <i>SA</i>	DATE: 10/1/67	 1548 FIFTEENTH STREET, SANTA MONICA, CALIFORNIA
1. TOLERANCES IN 2.000 ANGULAR DIM 2.000 2.12"		CHECK: <i>SA</i>	DATE: 10/1/67	
2. BEVEL ALL SHARP EDGES AND 1/8" R.		APPR: <i>SA</i>	DATE: 10/1/67	TITLE DIAGRAM, LOG C, COMPUTER
3. HIDE SURFACES <i>J</i>				
4. ALL DIM IN INCHES				MODEL NO. D
				PART NO. 101702
				A
				SCALE: 50 PER SCALE DRAWING SHEET

57. C8, C8, C9, C9, C10, C10, C11, C11

REVISIONS		DATE	APPROVED
REV	DESCRIPTION	DATE	APPROVED
A	REL TO MFG		

C REG: HANDLES ALL MEMORY DATA



80

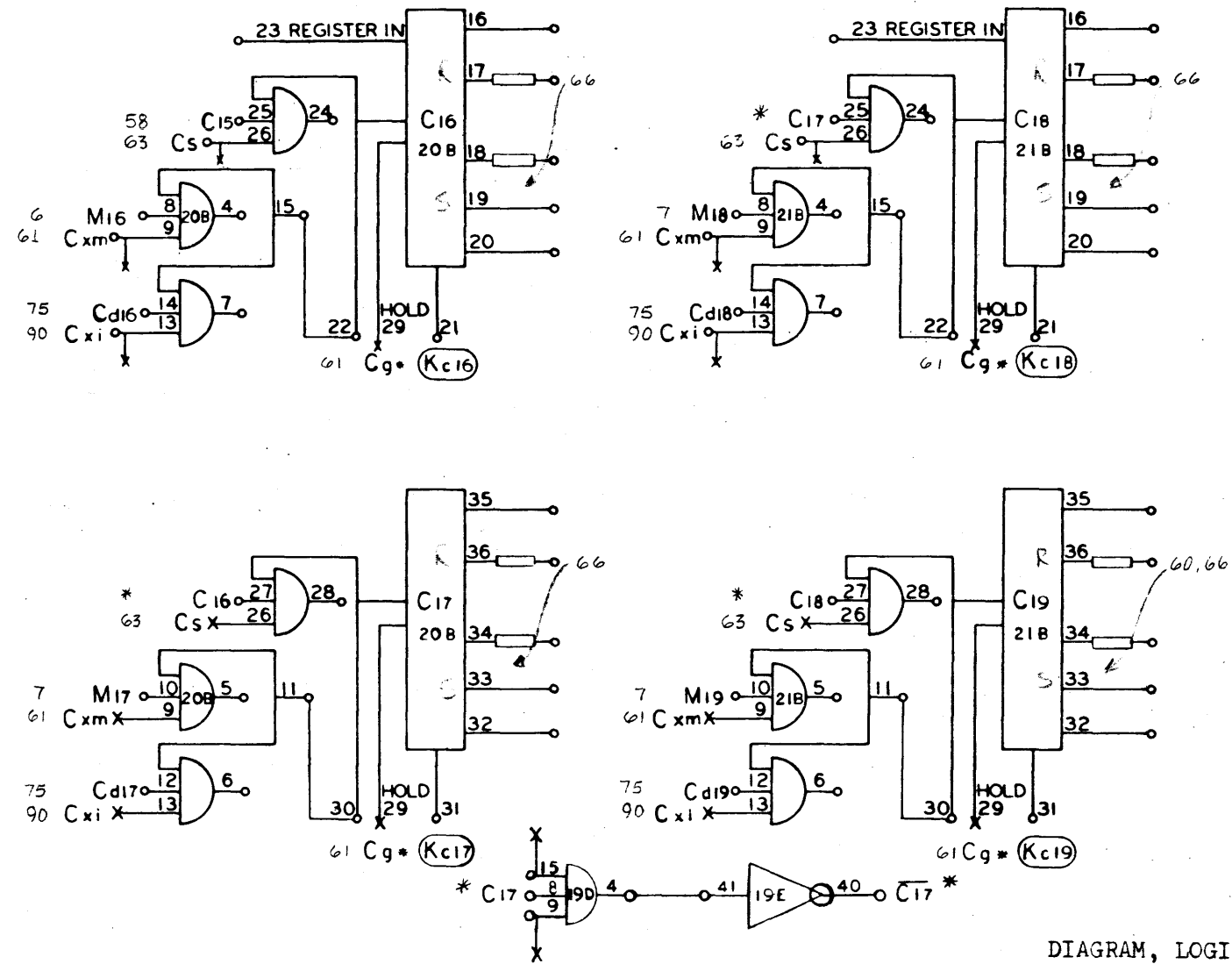
910
PAGE 58
A

DWG NO.	DRAWING NO.	DESCRIPTION	REFERENCE DESIGNATION	ITEM NO.
MATERIAL LIST				
NOTES UNLESS SPECIFIED: 1. TOLERANCES: DIM 2.000 ANGULAR 2.15° 2. SURFACE FINISH: SHARP EDGES AND ALL DIMS 3. MACH. SURFACES 4. ALL DIMS IN INCHES				
DRAWN: [Signature]		CHECK: [Signature]	SDS SCIENTIFIC DATA SYSTEMS 1542 FIFTEENTH STREET, SANTA MONICA, CALIFORNIA	
APPR: [Signature]		TITLE DIAGRAM, LOGIC, COMPUTER		
MODEL NO.		DWG NO. 101702		A
MFG. ASSY.		DO NOT SCALE DRAWING		INCHES

C12, C12, C13, C13, C14, C14, C15, C15

58

C REG: HANDLES ALL
MEM DATA

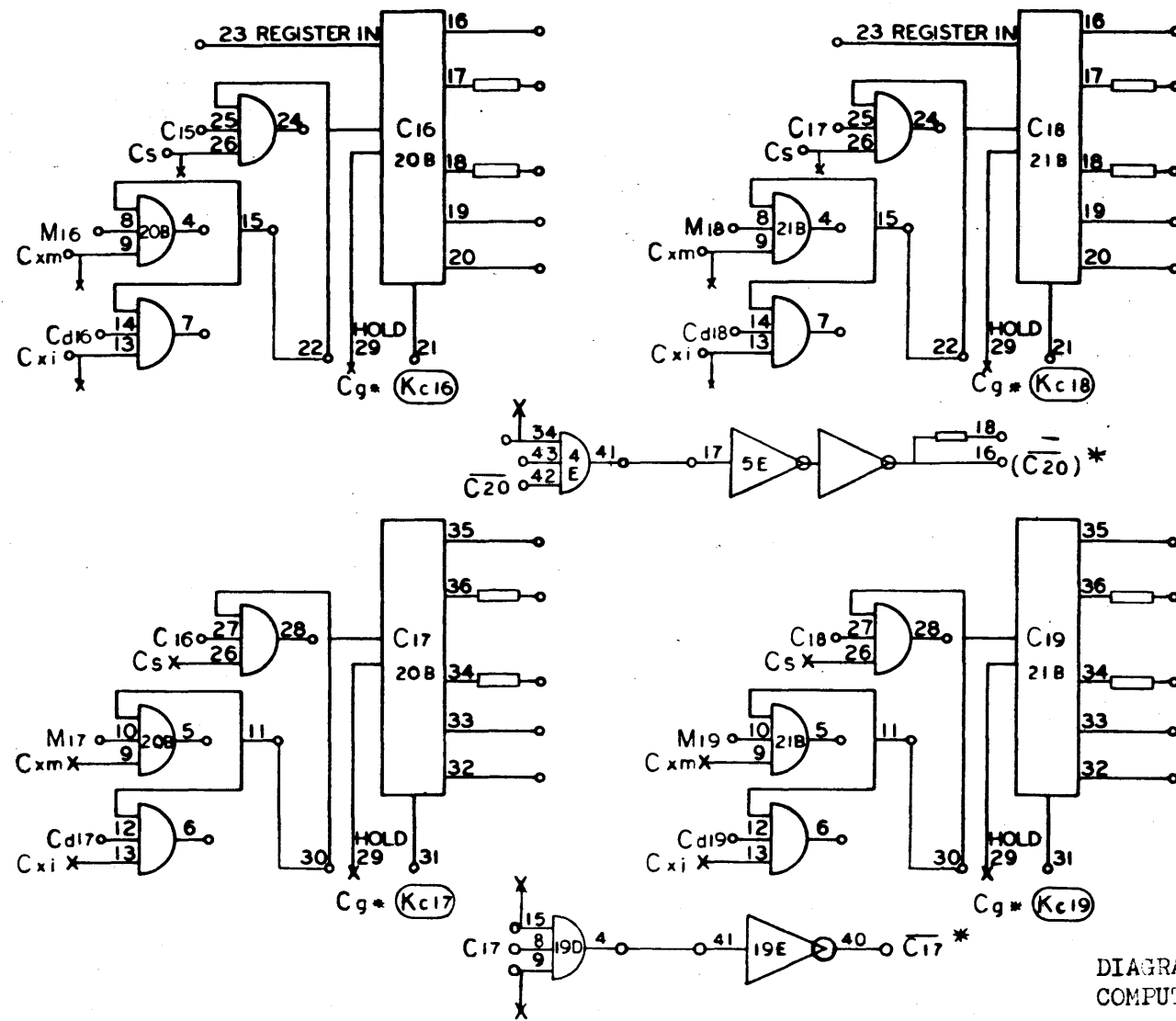


81

DIAGRAM, LOGIC,
COMPUTER DWG. NO. 101702
910
PAGE 59
A

$C_{16}, \bar{C}_{16}, C_{17}, \bar{C}_{17}, C_{18}, \bar{C}_{18}, C_{19}, \bar{C}_{19}, \bar{C}_{17}^*$

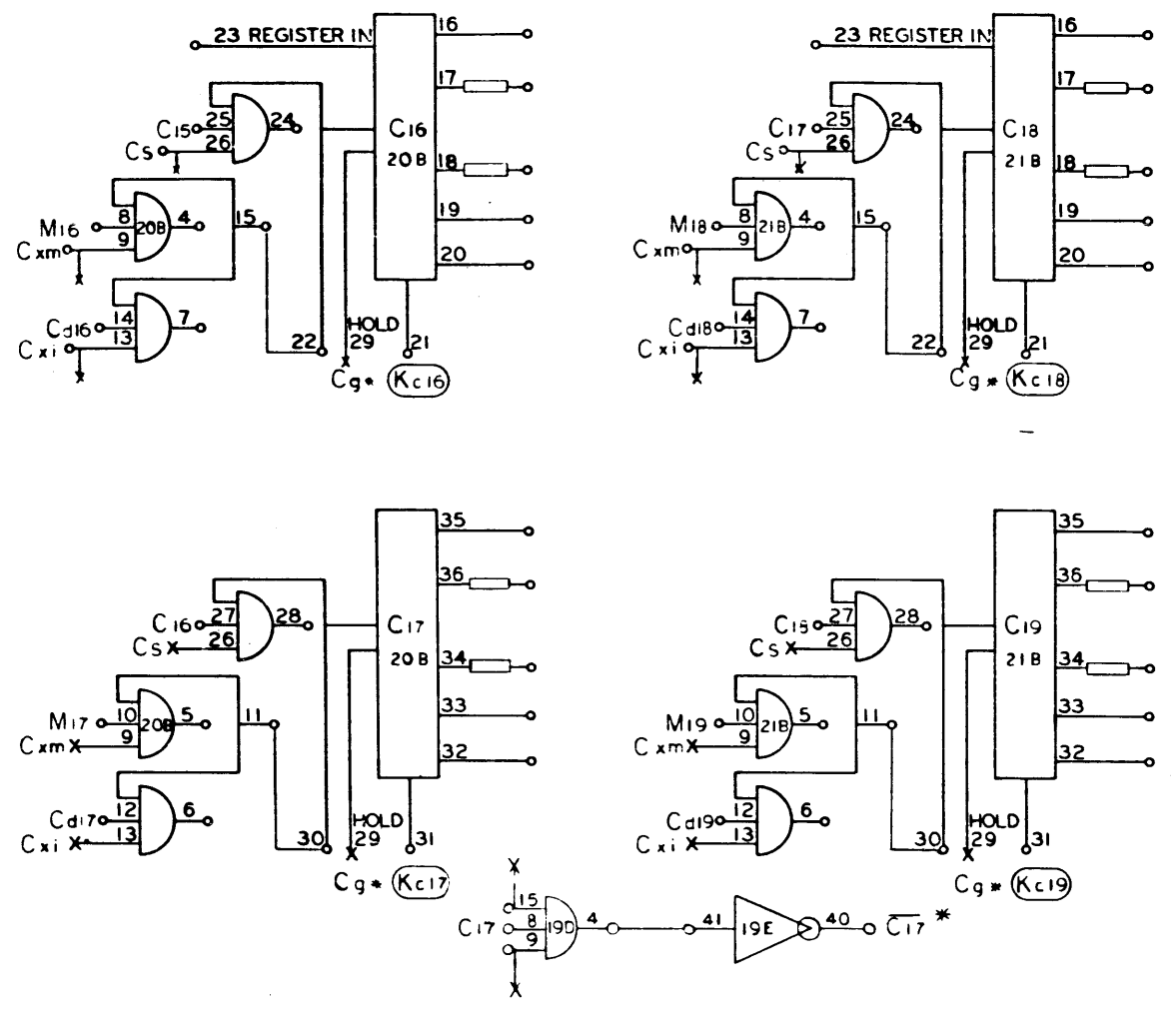
82



DIAGRAM, LOGIC,
COMPUTER DWG. NO. 101702

SEE PREVIOUS PAGE

REVISIONS		DATE	APPROVED
REV	DESCRIPTION	CHE	DATE
A	REL TO MFG		
D	SEE REV E.O.		
K	SEE REV E.O.		



910
PAGE 59
K

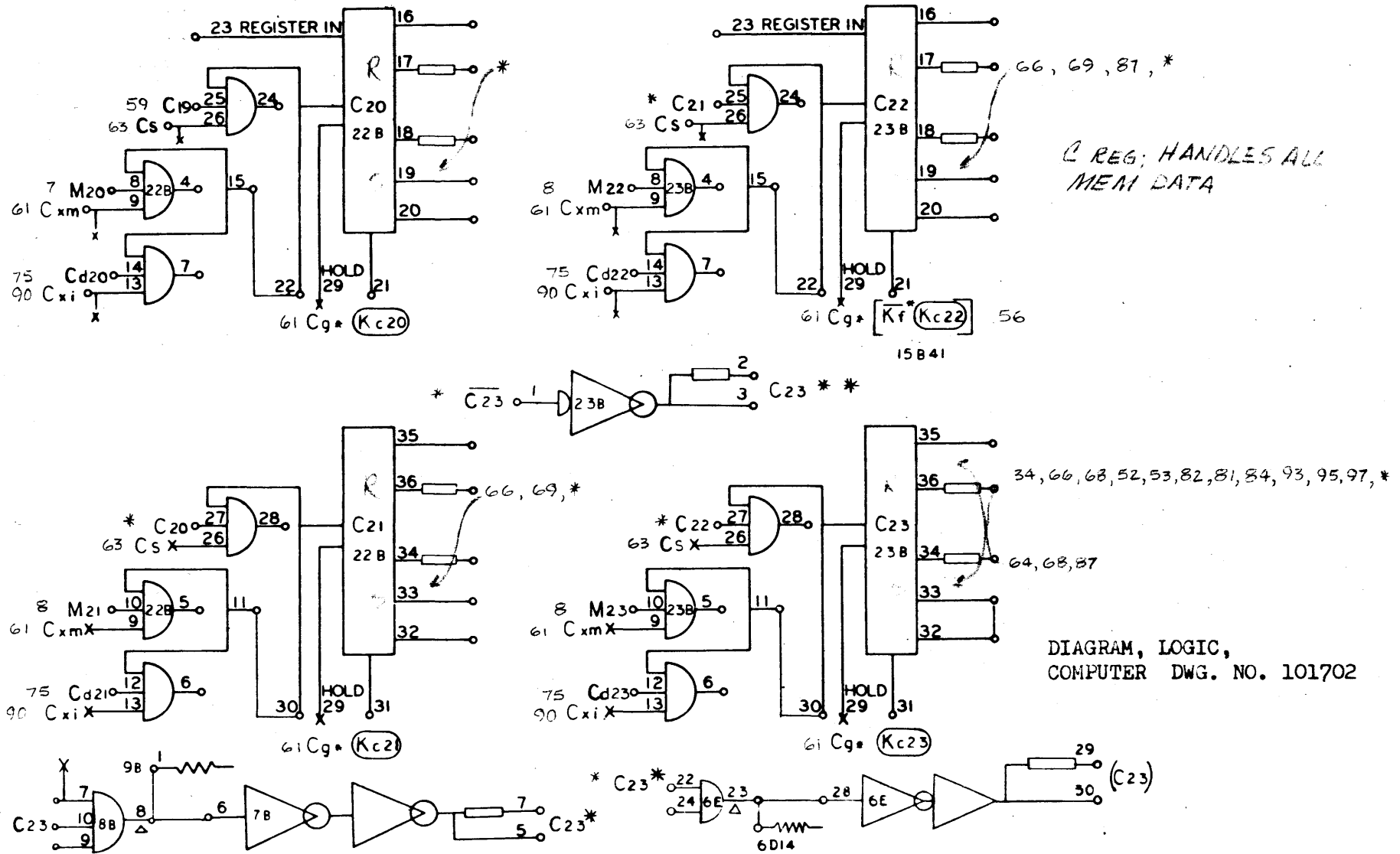
83

101702 K

NO. REV.	DRAWING NO.	DESCRIPTION	REFERENCE DESIGNATION	ITEM NO.
MATERIAL LIST				
NOTES UNLESS SPECIFIED:		DRAWN	CHECKED	APPROVED
1. DIMENSIONS: .001" MIN. .005" NOM. .010" MAX.				
2. FINISH: ALL SURFACES TO BE APPROVED.				
3. MACH. SURFACES: ✓				
4. ALL DIM. IN INCHES				
SDS SCIENTIFIC DATA SYSTEMS 152 FIFTEENTH STREET, SANTA MONICA, CALIFORNIA		TITLE		
		DIAGRAM, LOGIC, COMPUTER		
MODEL NO.	REV.	DWG. NO.		
	D	101702	K	
NEXT ASSY.	SCALE		DO NOT SCALE DRAWING	SHEET

SEE PREVIOUS PAGES (2)

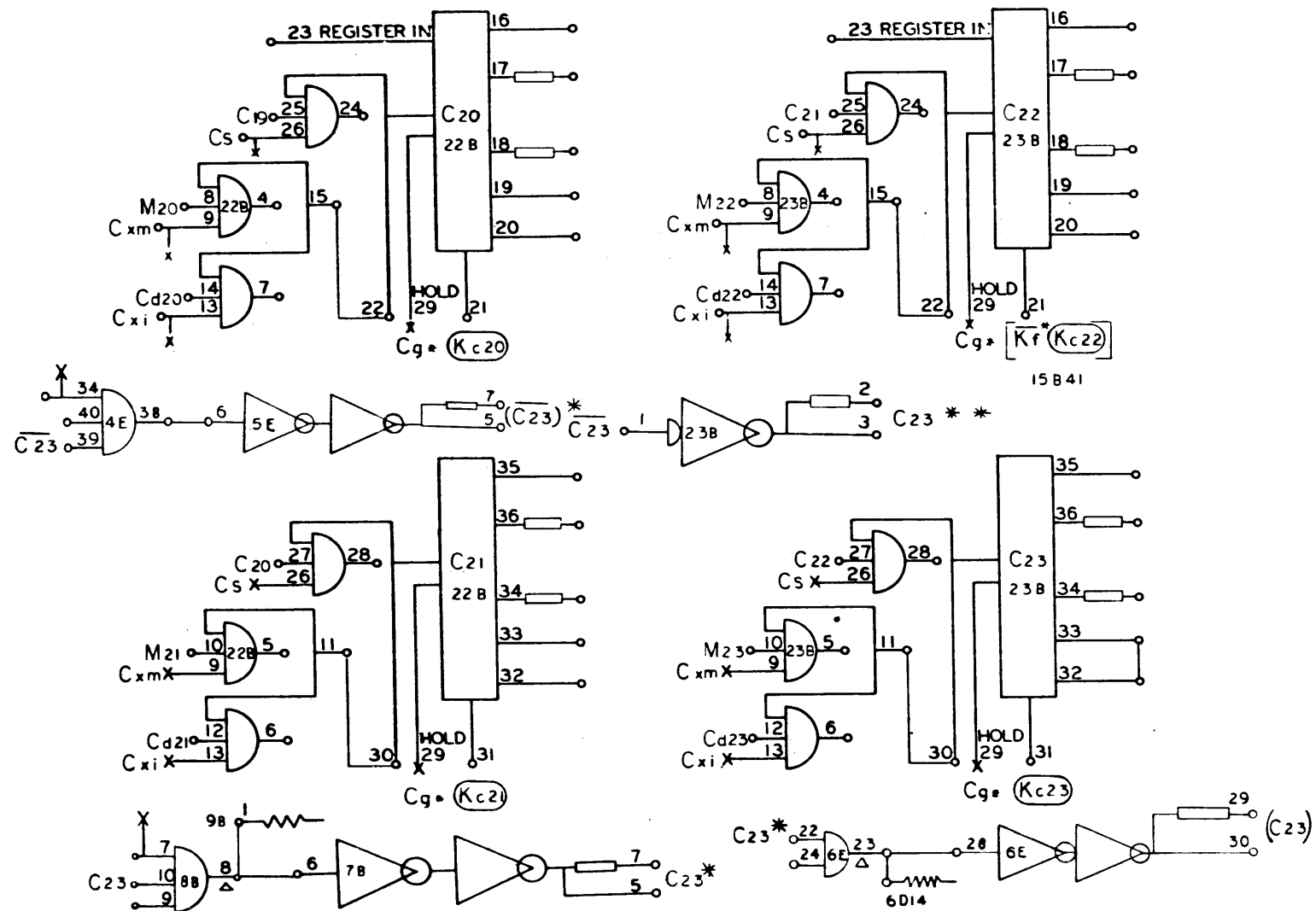
84



DIAGRAM, LOGIC, COMPUTER DWG. NO. 101702

C20, C20, C21, C21, C22, C22, C23, C23, C23**, C23*, (C23)

REVISIONS			C1702 D	
REV	DESCRIPTION	CHE	DATE	APPROVED
A	REL TO MFG		10-1-67	
D	SEE REV E.O.		10-1-67	



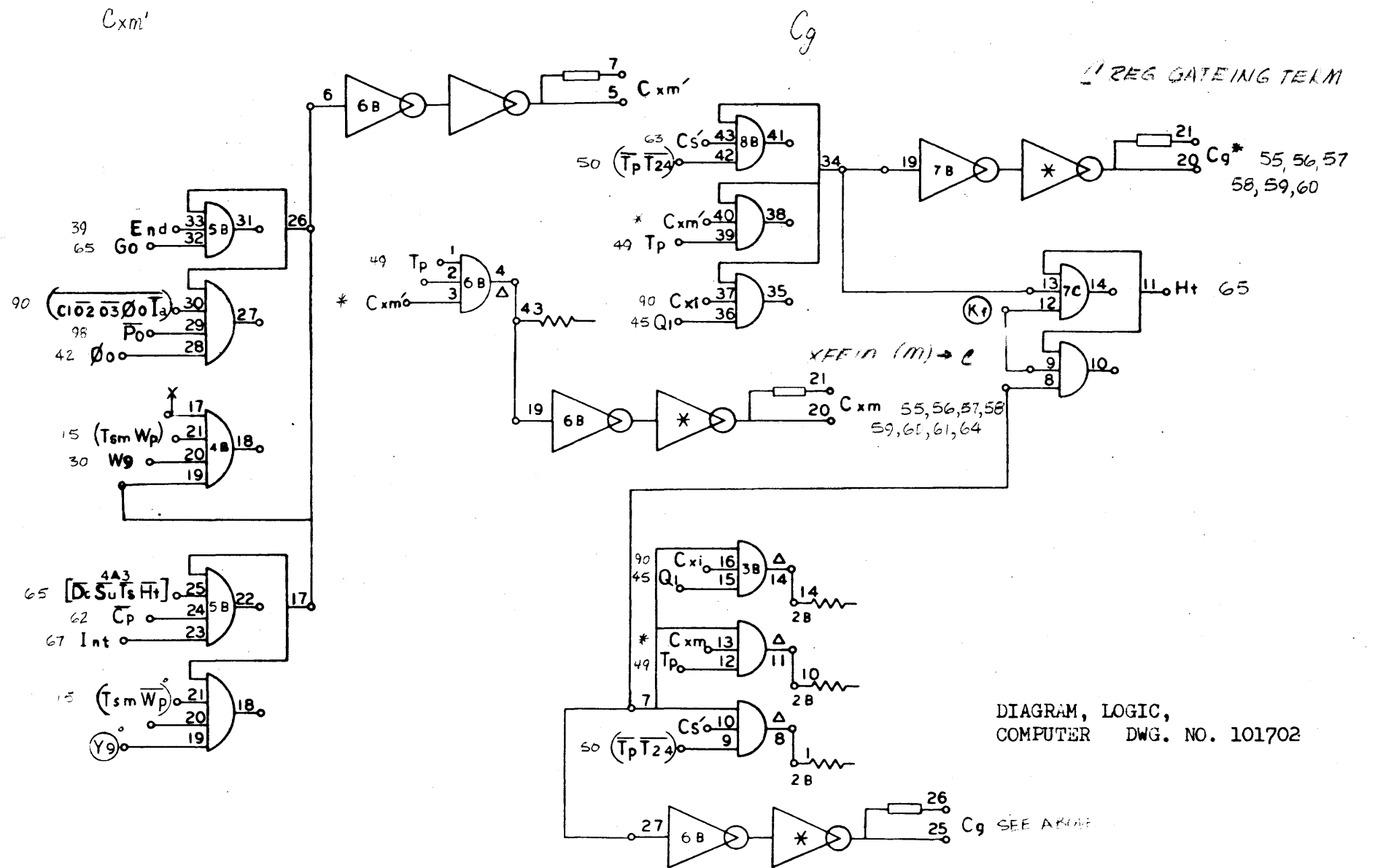
910
PAGE 60
D

85
C1702 D

NO. REQ.	DRAWING NO.	DESCRIPTION	REFERENCE DESIGNATION	ITEM NO.
MATERIAL LIST				
NOTES UNLESS SPECIFIED		DRAWN: <i>L.B.</i>	DATE: <i>9-2-67</i>	<div style="text-align: center;"> <p>SDS FORNENT-70 DATA SYSTEMS 1540 FIFTEENTH STREET SANTA MONICA, CALIFORNIA</p> </div>
1. TOLERANCES .30 ± .030 ANGULAR .015 ± .010 2. BREAK ALL SHARP EDGES 3. HIDE SURFACE 4. ALL P.T.S. TO BE SHOWN		CHEK: <i>AD</i>	DATE: <i>10-1-67</i>	
		APPR: <i>[Signature]</i>	DATE: <i>10-1-67</i>	TITLE
		DIAGRAM, LOGIC, COMPUTER		
MODEL NO.		REV: D		DWG NO. 101702
NEXT ASSY.		SCALE		DO NOT SCALE DRAWING SHEET

SEE PREVIOUS PAGE

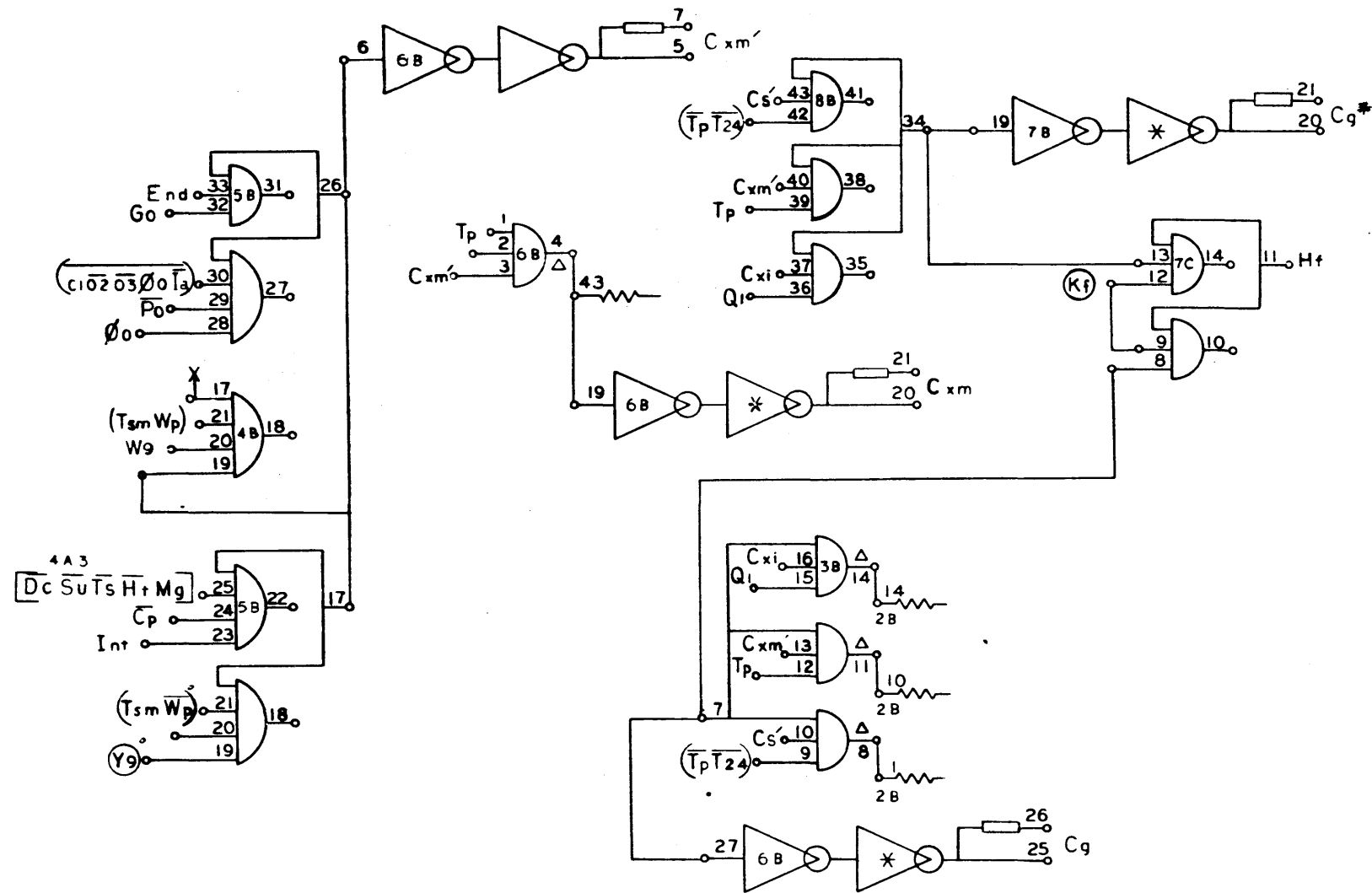
86



DIAGRAM, LOGIC,
COMPUTER DWG. NO. 101702

C_{xm}' , C_{xm} , C_g , C_g^* , Ht

REVISIONS			
REV	DESCRIPTION	CHK	DATE
A	REL TO MFG	SH	10-1-64
D	SEE REV E.O.	SH	1-13-65



910
PAGE 61
D

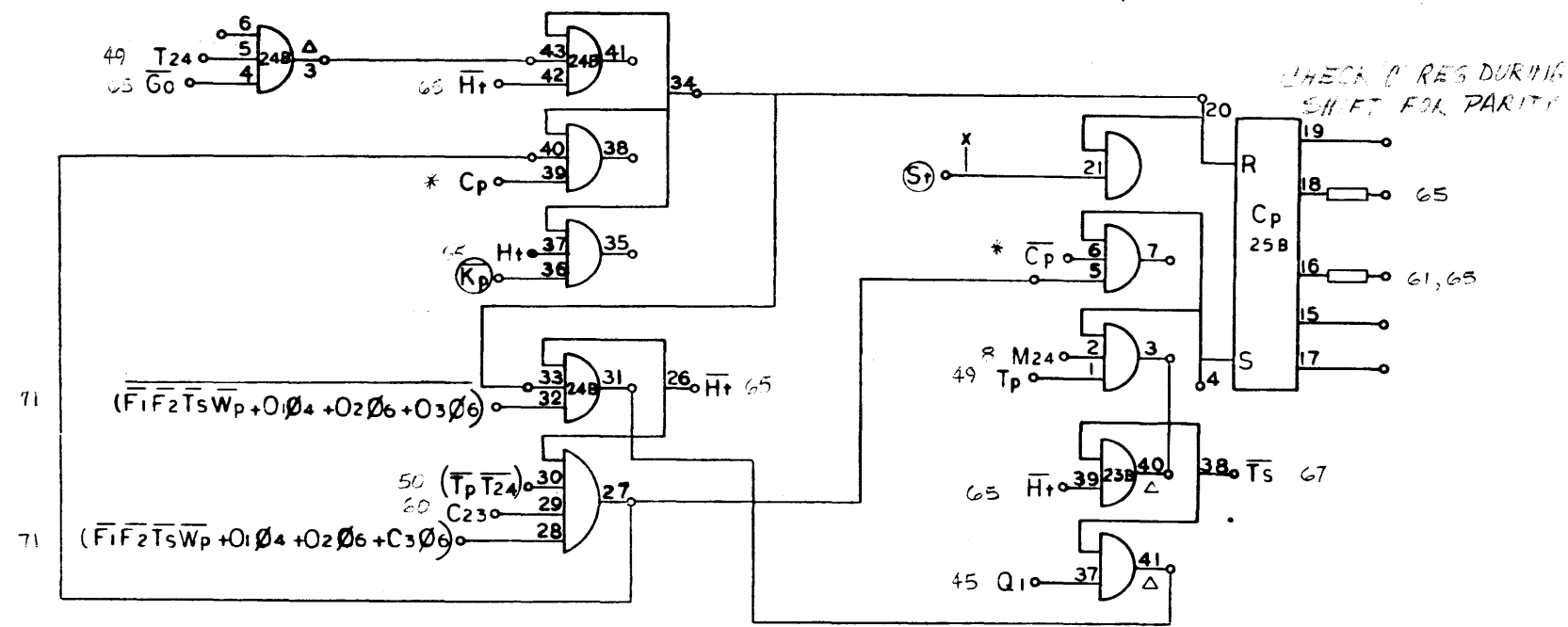
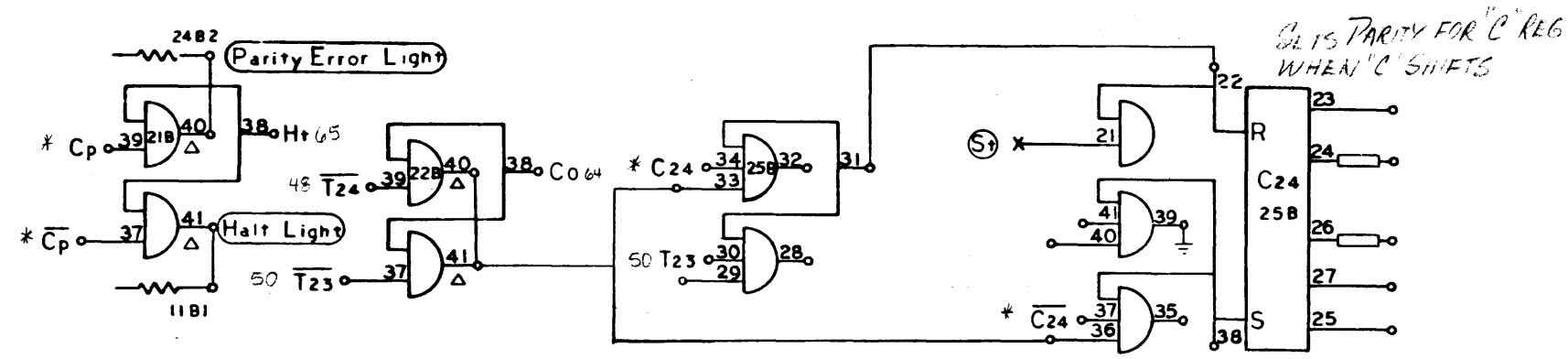
87

101702 D

NO. REQ	DRAWING NO.	DESCRIPTION	REFERENCE DESIGNATION	ITEM NO.
NOTES UNLESS SPECIFIED				
1. TOLERANCES UNLESS OTHERWISE SPECIFIED ARE AS SHOWN				
2. BREAK ALL SHARP EDGES .010 APPROX.				
3. MACH. SURFACES				
4. ALL DIM. IN INCHES				
DRAWN		CHKD	DATE	
CHECKED		APPR.	DATE	
<div style="text-align: center;"> <p>1742 FIFTEENTH STREET SANTA MONICA, CALIFORNIA</p> </div>				
TITLE			DWG NO.	
DIAGRAM, LOGIC, COMPUTER			101702	
MODEL NO.			SHEET	
NEXT ASSY.			D 101702 10	
SCALE		DO NOT SCALE DRAWING		SHEET

SEE PREVIOUS PAGE

REV.		DESCRIPTION	CHEK	DATE	APPROVED
A		REL TO MFG			



88

910
PAGE 62
A

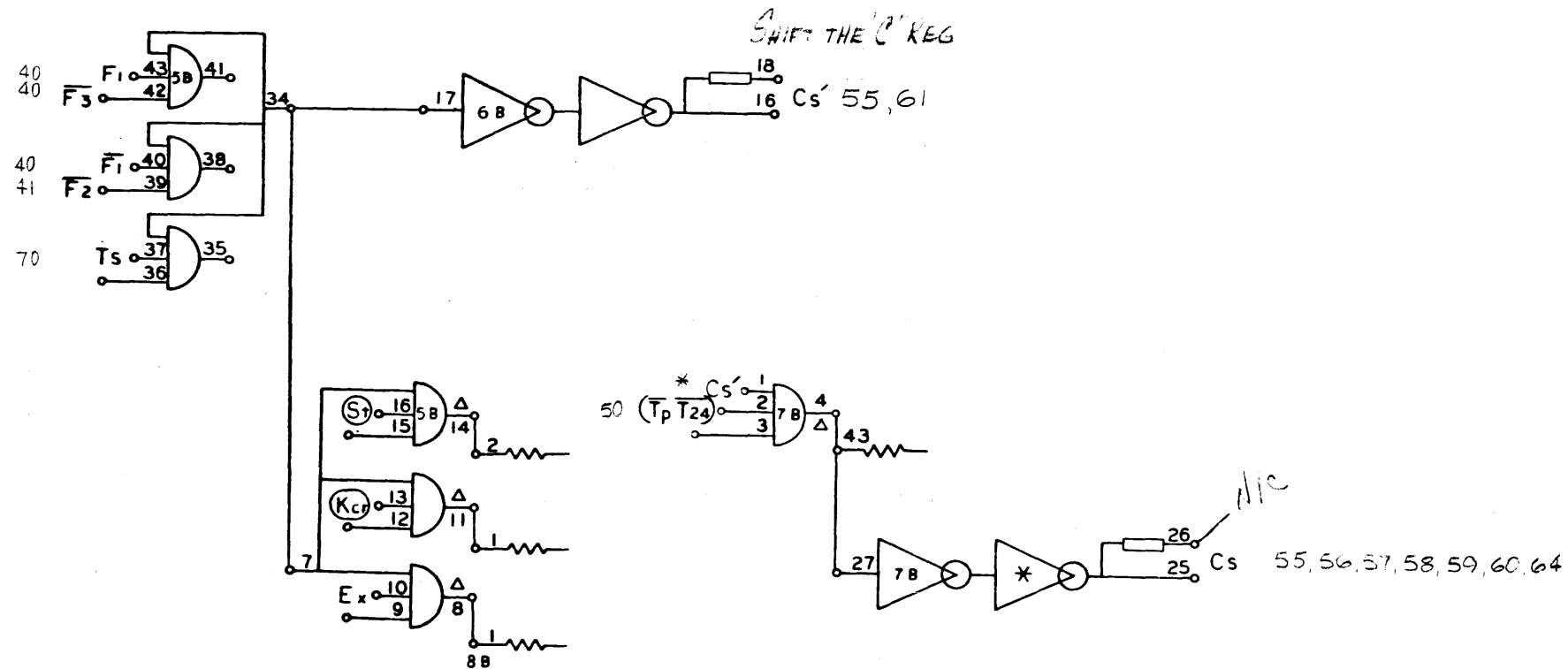
NO. REV.	DRAWING NO.	DESCRIPTION	REFERENCE DESIGNATION	ITEM NO.
MATERIAL LIST				
NOTES UNLESS SPECIFIED: 1. DIMENSIONS ARE IN INCHES UNLESS OTHERWISE SPECIFIED. 2. UNLESS ALL DIMENSIONS ARE SPECIFIED. 3. DIMENSIONS ARE TO CENTER UNLESS OTHERWISE SPECIFIED. 4. ALL DIM. IN INCHES.				
DRAWN: <i>SK</i> CHECK: <i>SK</i> APPR: <i>SK</i>		SDS SCIENTIFIC DATA SYSTEMS 1542 FIFTEENTH STREET, SANTA MONICA, CALIFORNIA		
MODEL NO. NEXT ASSY.		TITLE DIAGRAM, LOGIC, COMPUTER		
		SIZE: D DWG. NO.: 101702		SHEET: 62
		SCALE: DO NOT SCALE DRAWING		

C24, C24, Cp, Cp

62

101702
A

REV		DESCRIPTION		CHK	DATE	APPROVED
A		REL TO MFG				



910
PAGE 63
A

89

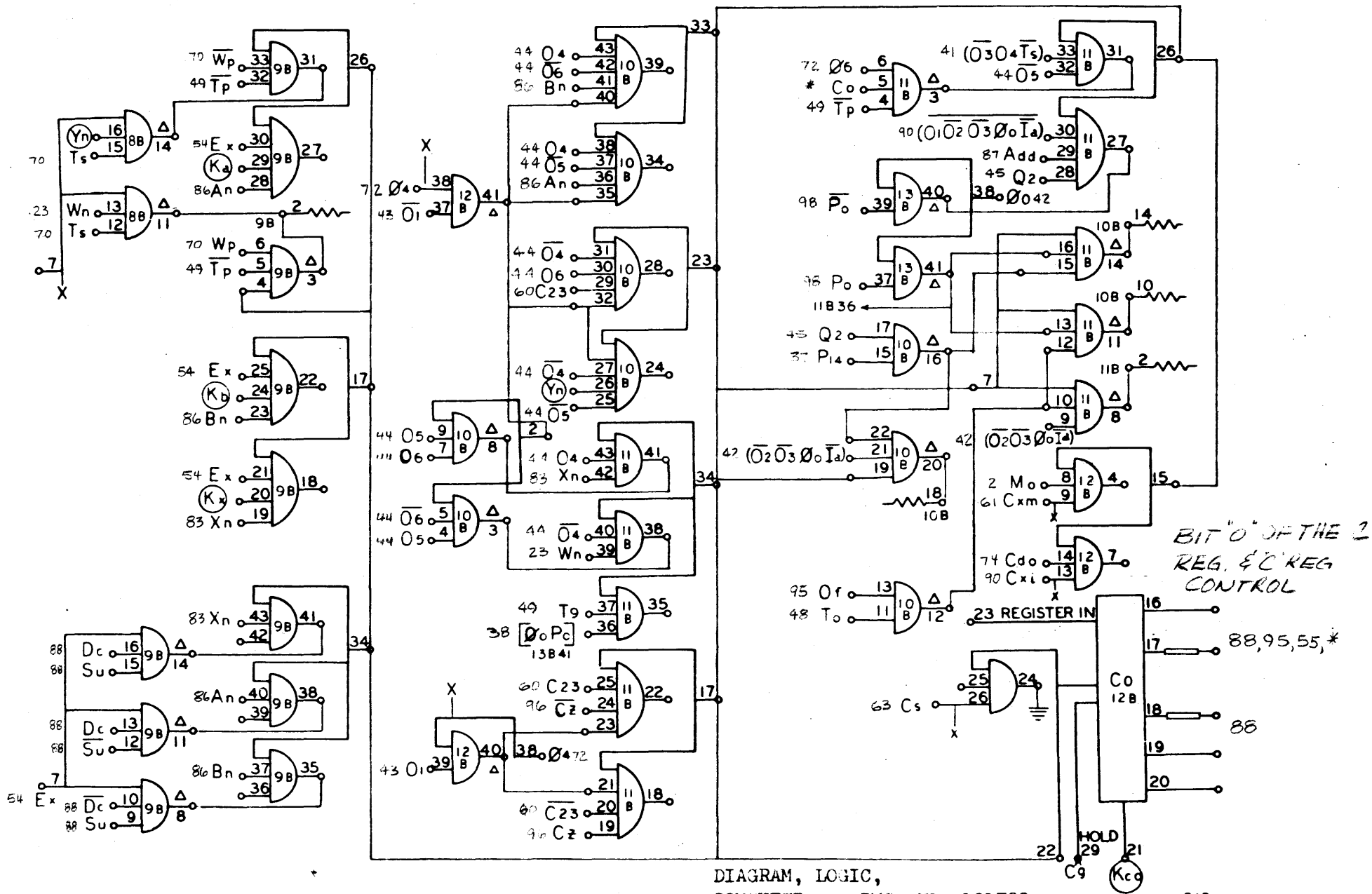
101702 | A

NO. REV	DRAWING NO.	DESCRIPTION	REFERENCE DESIGNATION	ITEM NO.
MATERIAL LIST				
NOTES UNLESS SPECIFIED		DRAWN	SDS SCIENTIFIC DATA SYSTEMS 1545 FIFTEENTH STREET, SANTA MONICA, CALIFORNIA	
1. TOLERANCES DIM 2-0-00 ANGULAR DIM 2-0-10 ± 1/2°		CHECK		
2. BREAK ALL SHARP EDGES AND APPROX. 3. HATCH SURFACES ✓ 4. ALL DIM. IN INCHES		APPR.		
TITLE			DIAGRAM, LOGIC, COMPUTER	
MODEL NO.		SIZE	DWS NO.	
NEXT ASSY.		D	101702	
SCALE		DO NOT SCALE DRAWING		DATE

63

Cs, Cs'

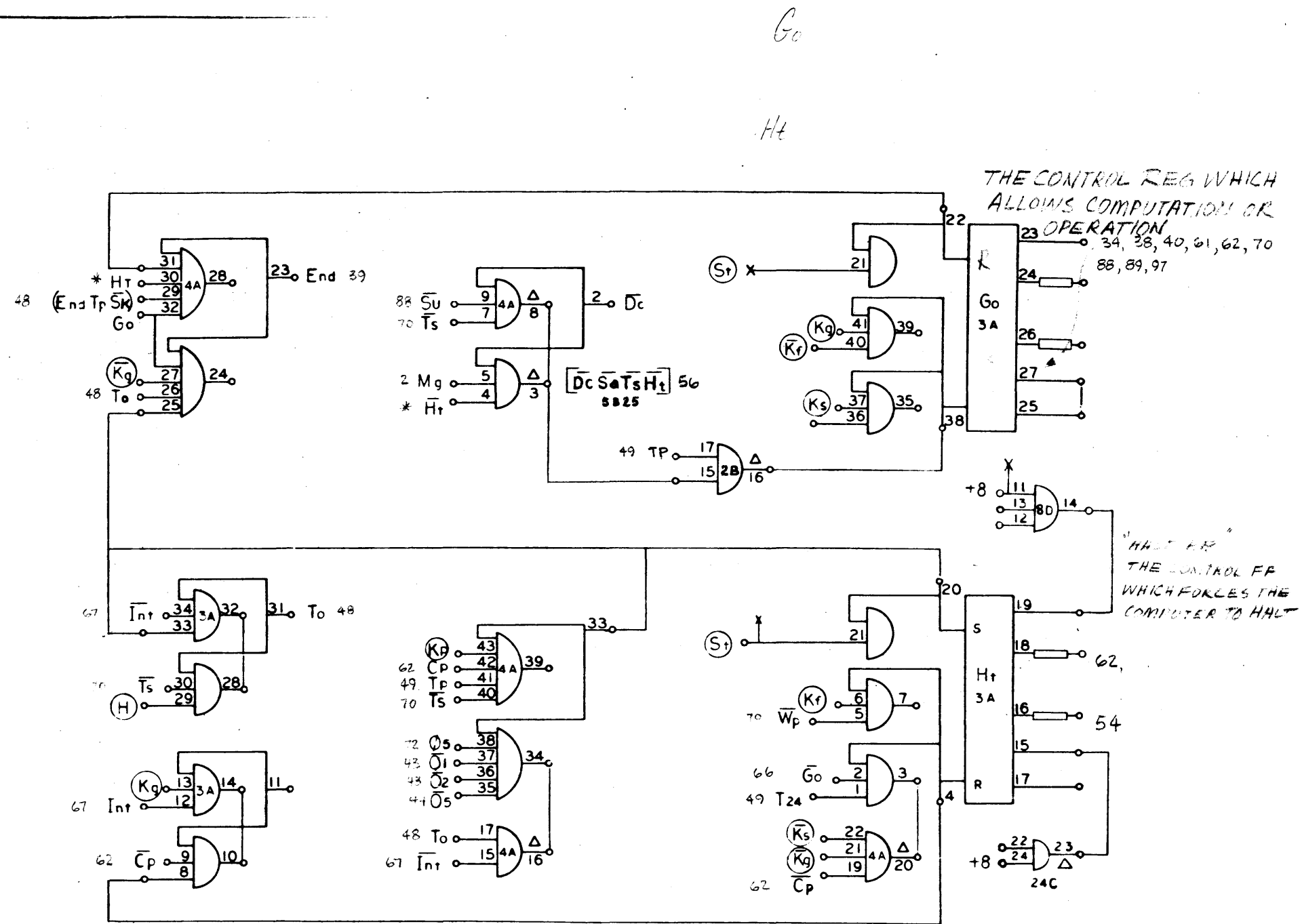
90



DIAGRAM, LOGIC,
COMPUTER DWG. NO. 101702

Co, Co 64

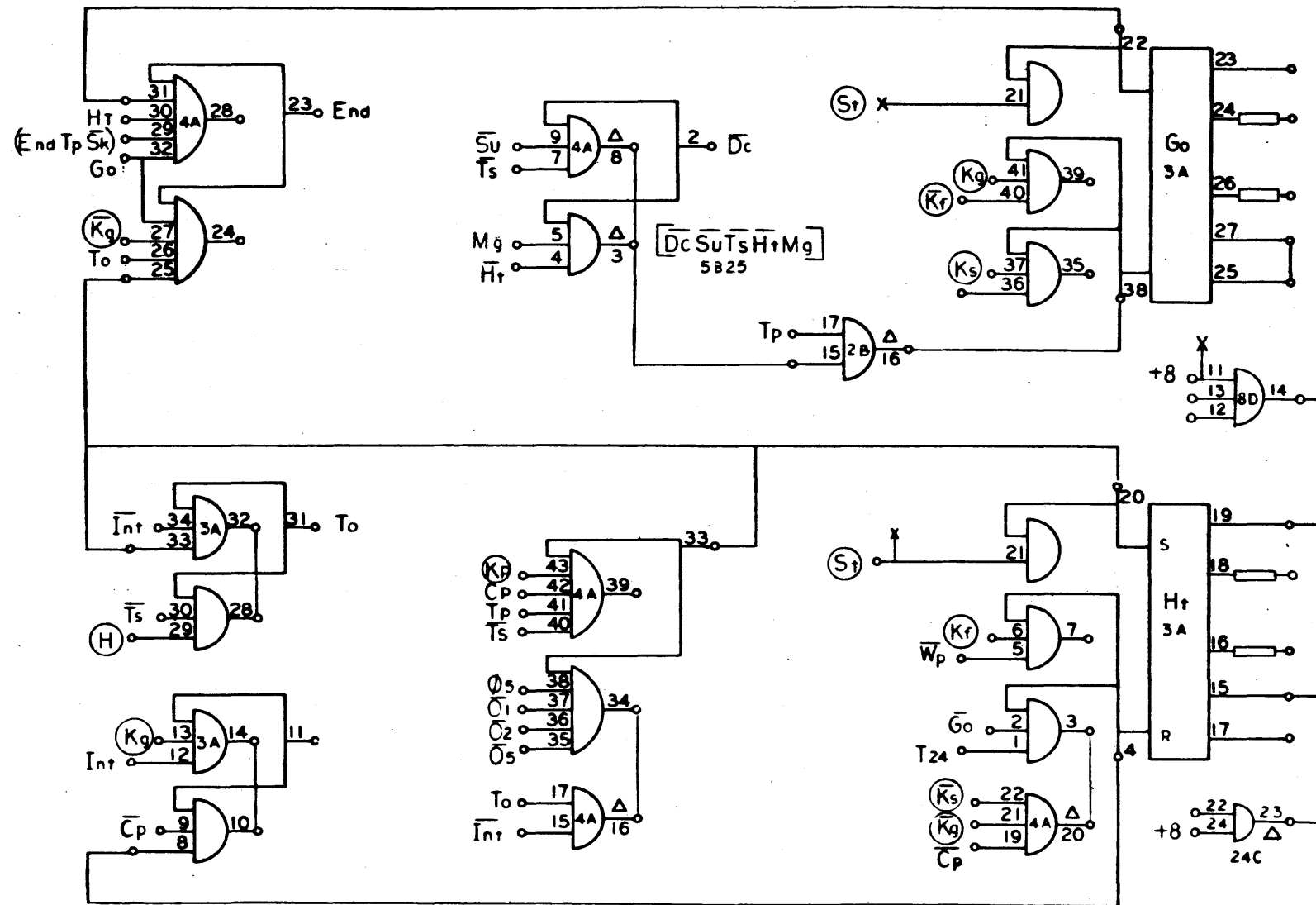
92



DIAGRAM, LOGIC, COMPUTER DWG. NO. 101702

910- PAGE 65 A

$[\overline{Dc} \overline{Sv} \overline{Ts} \overline{Ht}] , \overline{Go}, \overline{Go}, \overline{Ht}, \overline{Ht}$



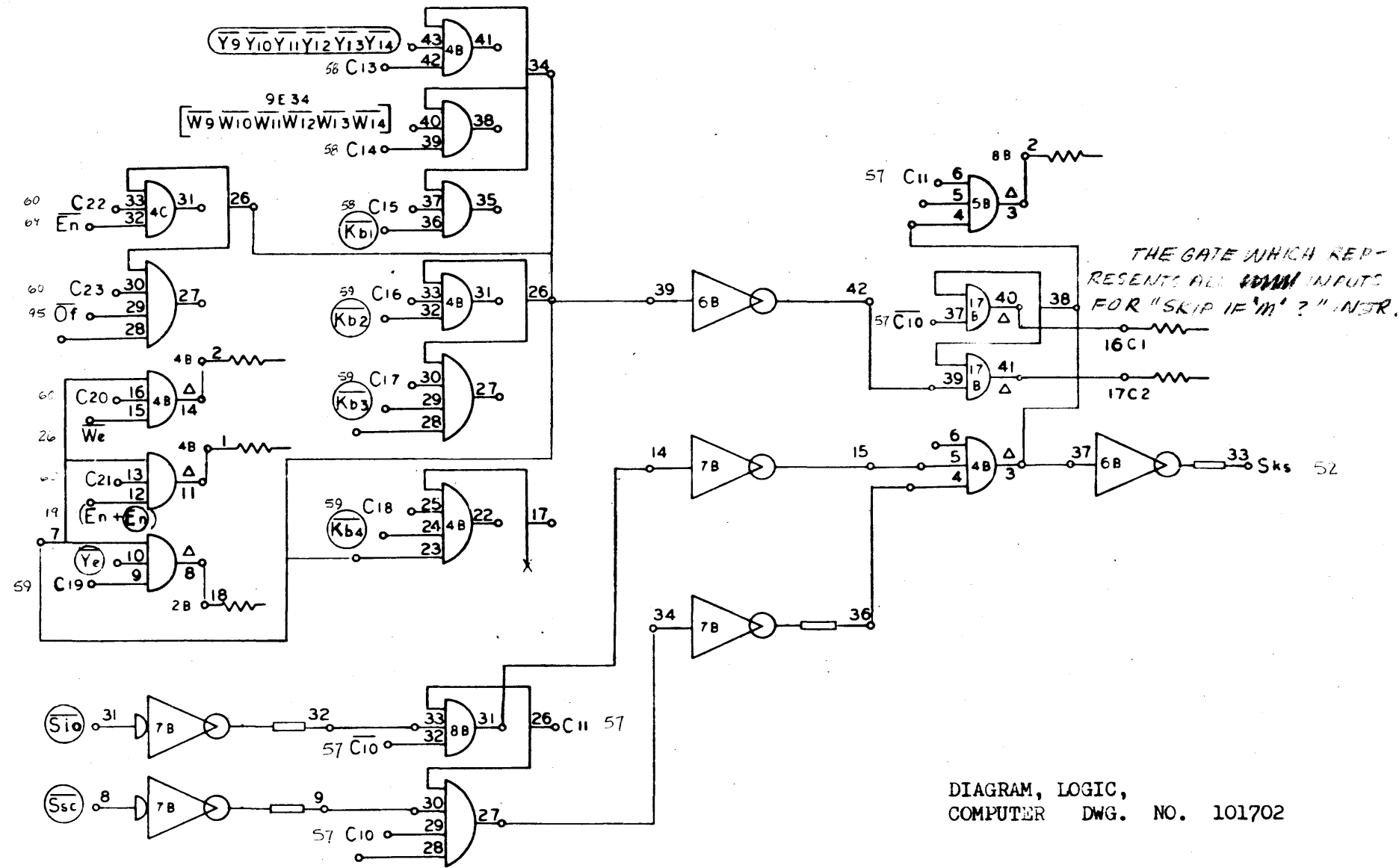
DIAGRAM, LOGIC,
COMPUTER DWG. NO. 101702

910
PAGE 65
D

93

SEE PREVIOUS PG.

94

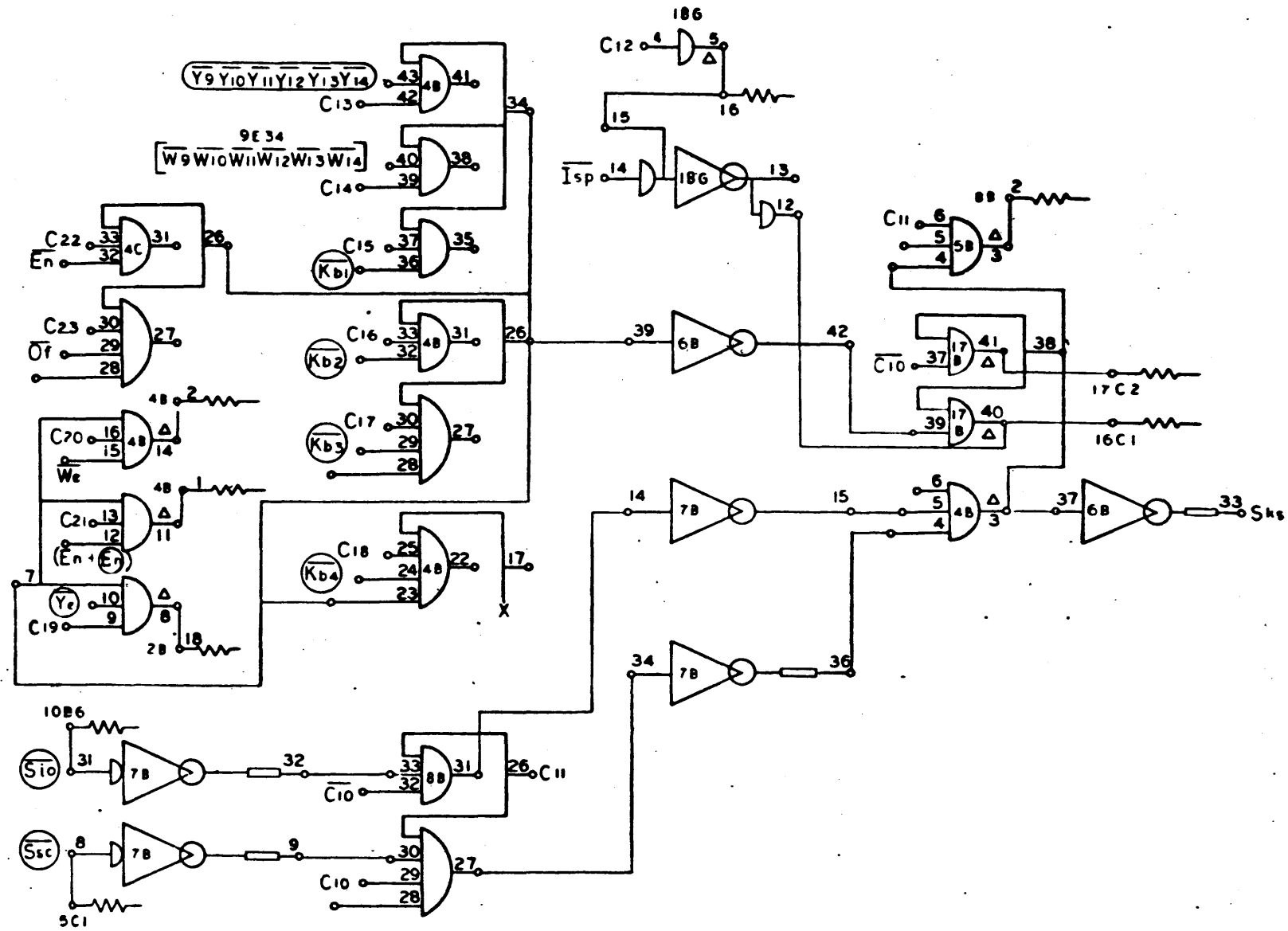


DIAGRAM, LOGIC,
COMPUTER DWG. NO. 101702

Sks, 86

REVISIONS			
REV	DESCRIPTION	CHK	DATE
1	REL TO MFG		
2	SEE REV F.O.		
3	SEE REV F.O.		

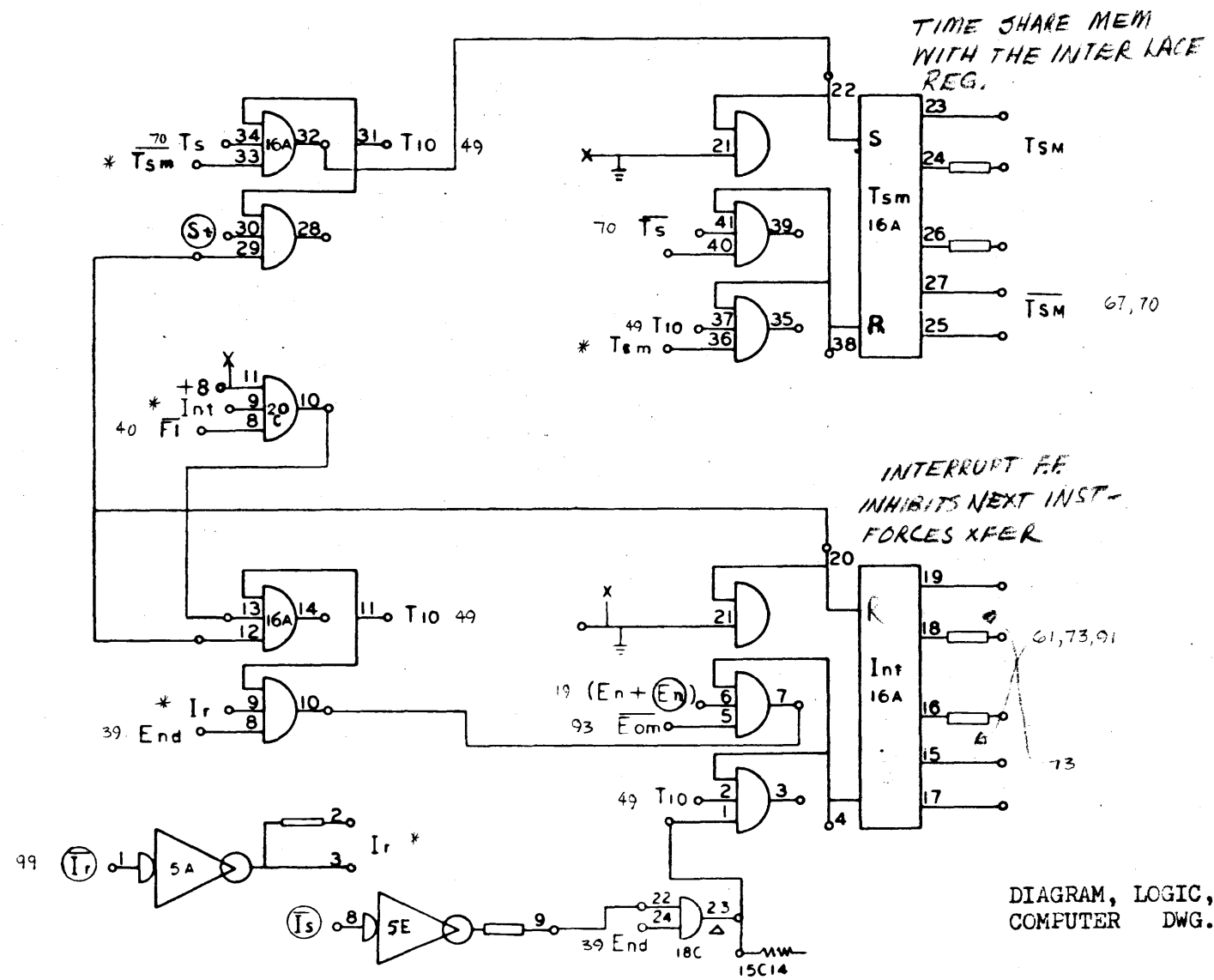
96



910
PAGE 66
G

NO	DRAWING NO	DESCRIPTION	REFERENCE DESIGNATION	REV
NOTES UNLESS SPECIFIED				
1. TOLERANCES		DRAWN	MATERIAL LIST	
2. DIMENSIONS		CHECK	SDS SCIENTIFIC DATA SYSTEMS	
3. FINISHES		APPD	142 FIFTH STREET SANTA MONICA CALIFORNIA	
4. MARK SURFACES		TITLE		
5. ALL DIM IN INCHES		DIAGRAM, LOGIC, COMPUTER		
MODEL NO		SIZE	DWG NO	
		D	101702	
NEXT ASSY		S-SALE DO NOT SCALE DRAWING SHEET		

SEE PREVIOUS PAGES

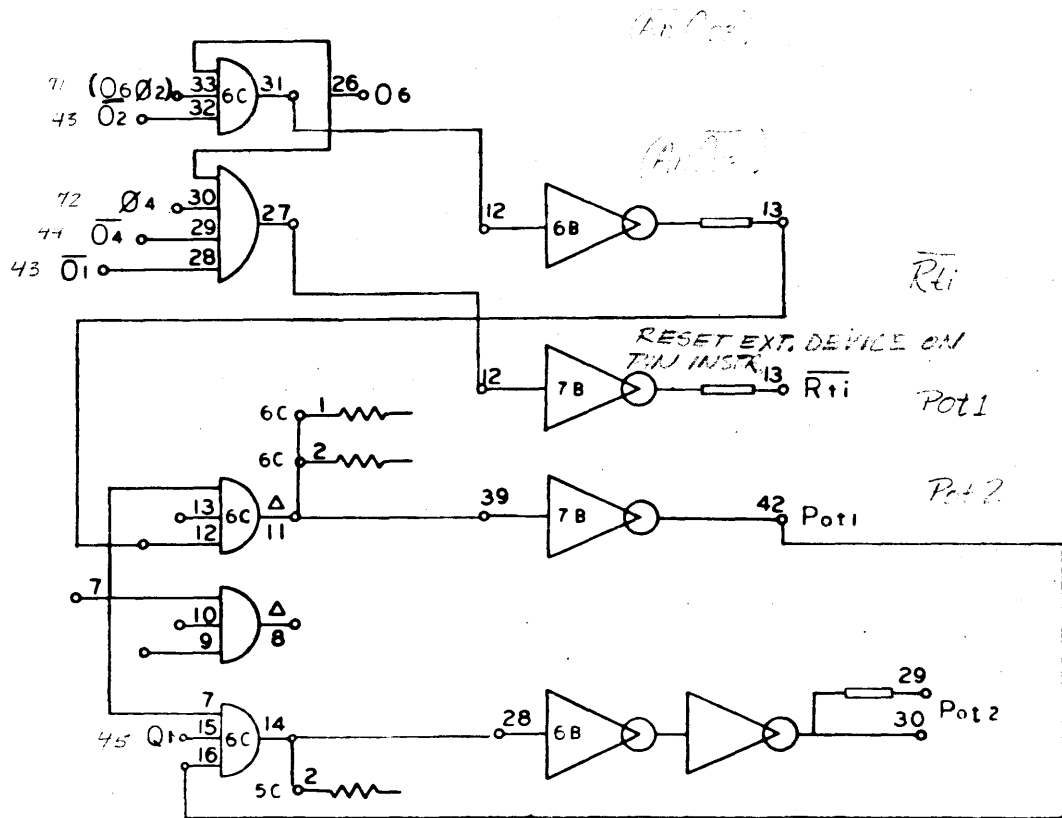
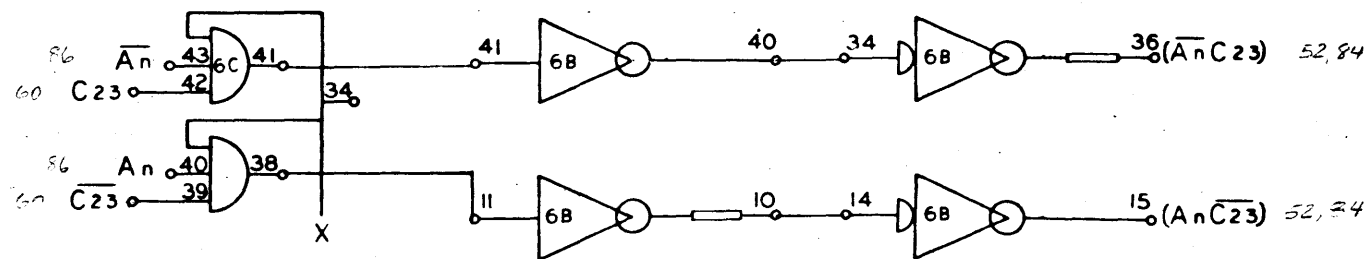


97

913
PAGE 67
A

67 I_r , T_{sm} , $\overline{T_{sm}}$, Int , \overline{Int}

98

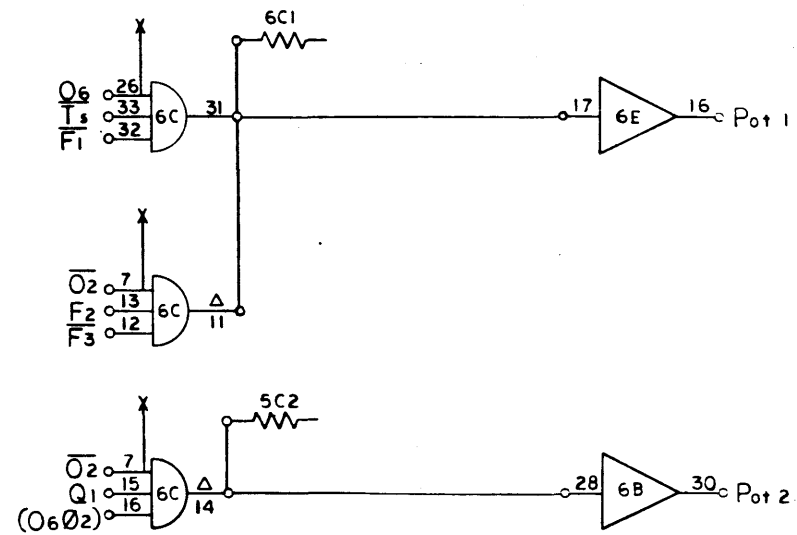
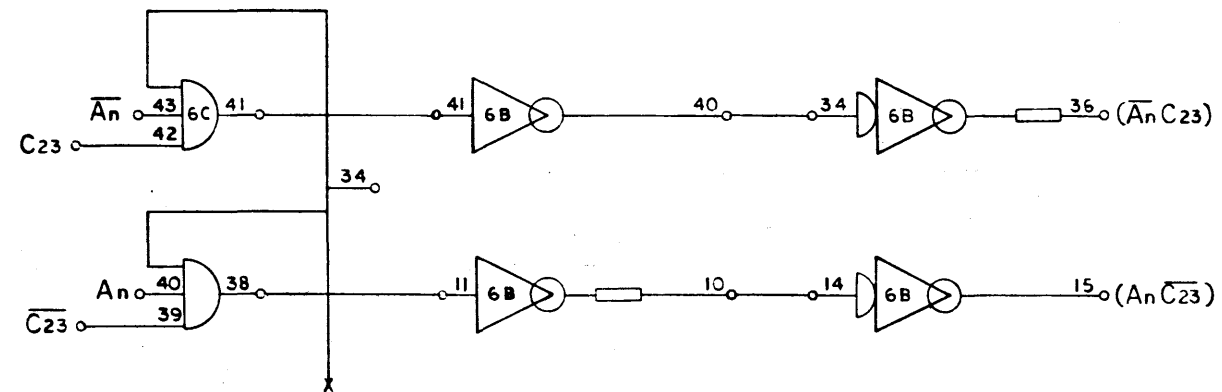


DIAGRAM, LOGIC
COMPUTER DWG. NO. 101702

$(\overline{A}nC_{23})$, $(An\overline{C}_{23})$, \overline{R}_{ti} , Pot 1, Pot 2.

68

REVISIONS				101702	J
REV	DESCRIPTION	CHK	DATE	APPROVED	
A	RELEASED TO MFG				
J	REVISED & REDRAWN SEE REV E.O.				



910
PAGE 68
J

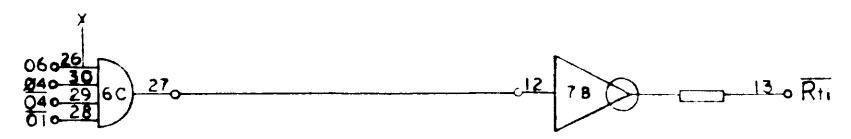
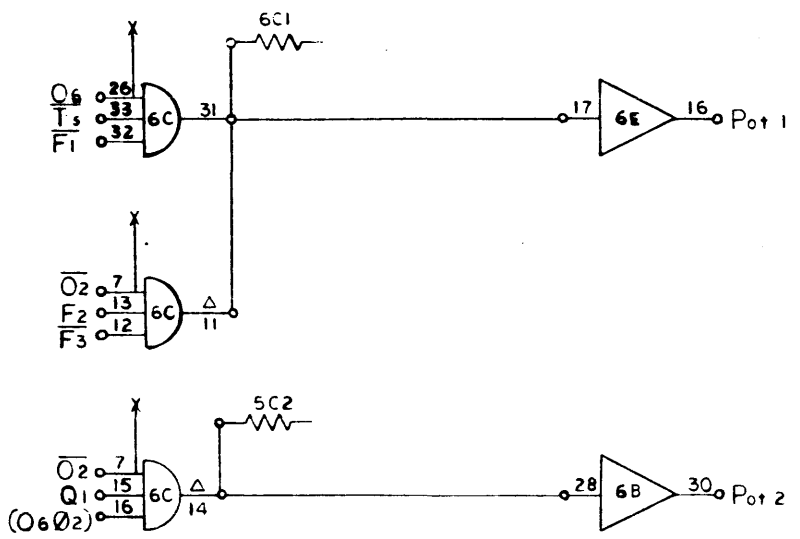
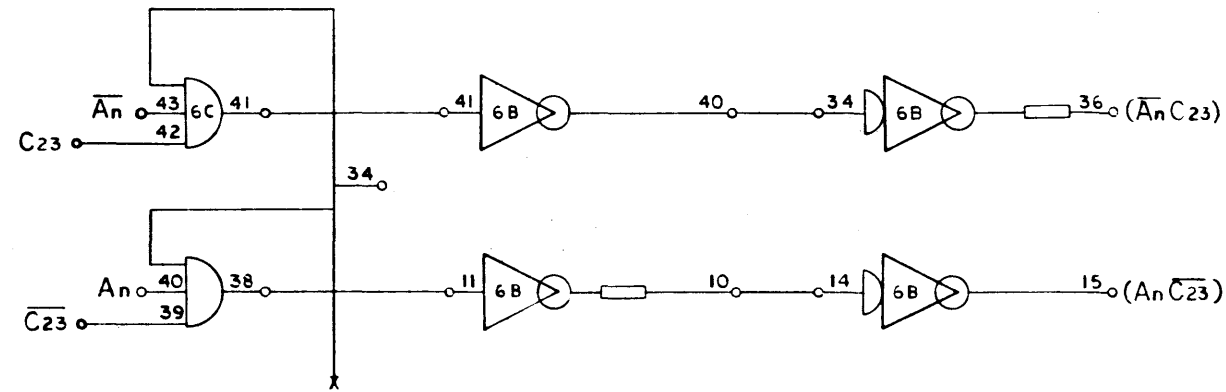
99

101702 J

NO. REV.	DRAWING NO.	DESCRIPTION	REFERENCE DESIGNATION	ITEM NO.
MATERIAL LIST				
NOTES UNLESS SPECIFIED		DRAWN: Richard Kiefer 6-9-64	SDS SCIENTIFIC DATA SYSTEMS 1545 FIFTEENTH STREET, SANTA MONICA, CALIFORNIA	
1. TOLERANCES XX ±.000 ANGULAR XX ±.010 2 1/2°		CHECK: [Signature] 6-8-64	TITLE DIAGRAM, LOGIC COMPUTER	
2. SURFACE ALL SHARP EDGES AND APPROX.		APPR.		
3. BACK SURFACE			MODEL NO. 910 SERIAL NO. D 101702 NEXT ASSY.	
4. ALL DIM. IN INCHES				
SCALE			DO NOT SCALE DRAWING	SHEET

SEE PREVIOUS PAGE

REVISIONS				101702	
REV	DESCRIPTION	CHK	DATE	APPROVED	
A	RELEASED TO MFG				
J	REVISED & REDRAWN SEE REV E.C.				
R	SEE REV E.C.				

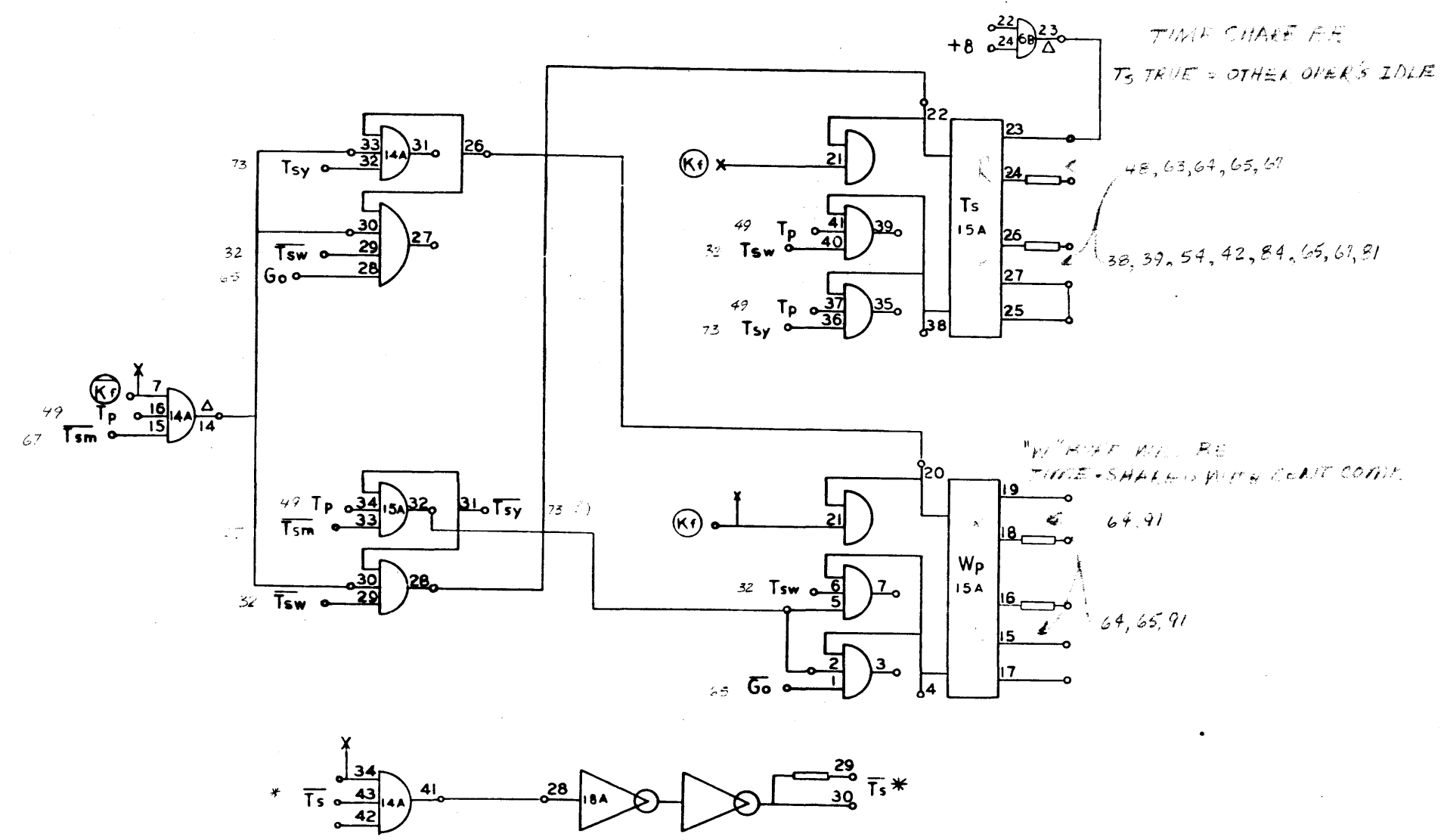


910
PAGE 65
R

NO. REV.	DRAWING NO.	DESCRIPTION	REFERENCE DESIGNATION	ITEM NO.
NOTES UNLESS SPECIFIED		MATERIAL LIST		
1. TOLERANCE AS 2.51" ANGULAR SEE 2.51"		DRAWN 11/14/64	SDS SCIENTIFIC DATA SYSTEMS 1542 FIFTEENTH STREET SANTA MONICA CALIFORNIA	TITLE DIAGRAM LOGIC COMPUTER
2. BREAK ALL SHARP EDGES 3. DIM APPROX 4. ALL DIM. IN INCHES		CHECK 11/14/64	APPD	MODEL NO. 910
NEXT ASSY		SCALE DO NOT SCALE DRAWING		SIZE DWG NO. D 101702
				SHEET

SEE PREVIOUS PAGE

REVISIONS				101702	A
REV	DESCRIPTION	CHK	DATE	APPROVED	
A	REL TO MFG				



102

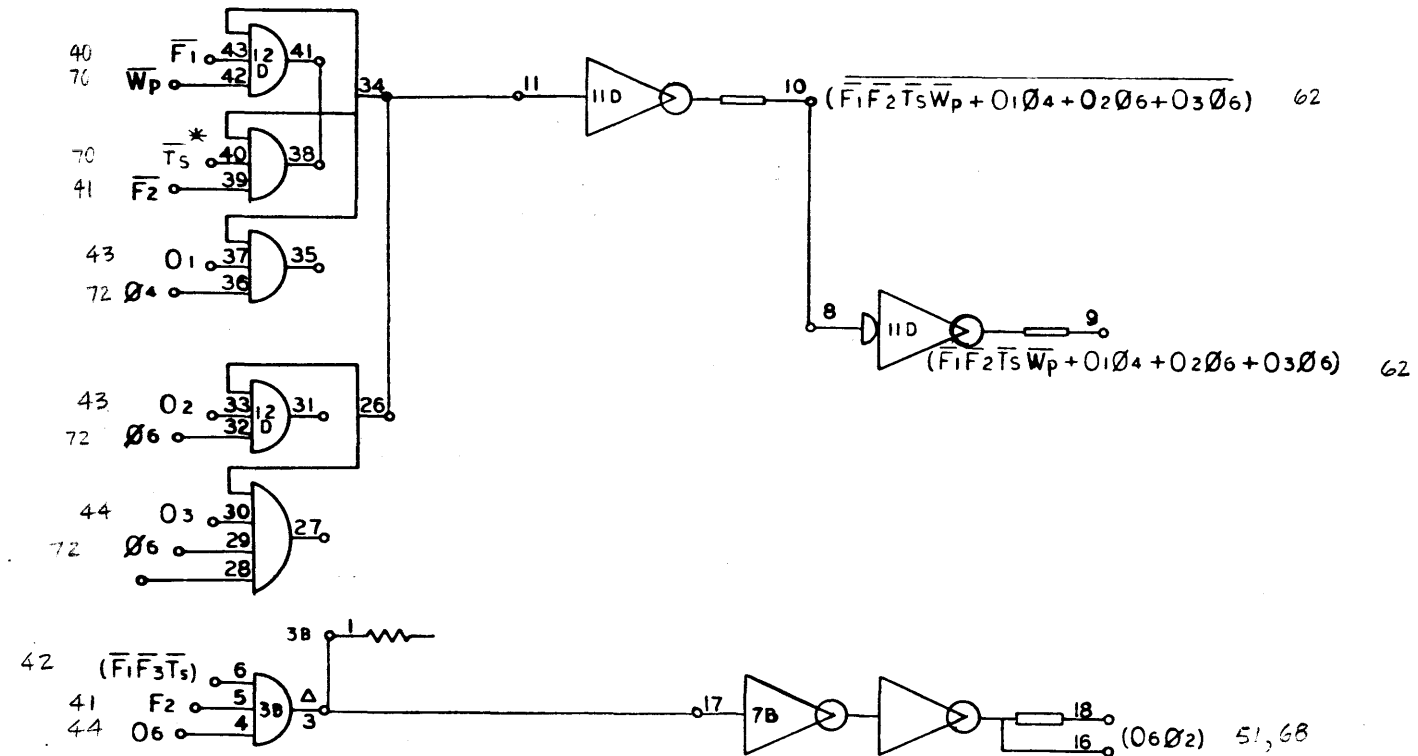
910
PAGE 70
A

NO. REV.	DRAWING NO.	DESCRIPTION	REFERENCE DESIGNATION	ITEM NO.
NOTES UNLESS SPECIFIED				
1. TOLERANCES UNLESS SPECIFIED		DRAWN	0 20 65	
2. BREAK ALL SHARP EDGES AND SPICES		CHECK	10-1-67	
3. HIDE SURFACES		APPV.	11 26	
4. ALL DIM. IN INCHES		TITLE		
		SDS SCIENTIFIC DATA SYSTEMS 1545 FIFTEENTH STREET SANTA MONICA, CALIFORNIA		
		DIAGRAM, LOGIC, COMPUTER		
MODEL NO.		SIZE	DWG. NO.	ITEM NO.
		D	101702	A
NEXT ASSY.		SCALE		
		DO NOT SCALE DRAWINGS		

T_s , $\overline{T_s}$, W_p , $\overline{W_p}$, $\overline{T_s}^*$,

70

REVISIONS			
REV	DESCRIPTION	CHK	DATE
A	REL TO MFG	SH	10/14/64



103

101702 A

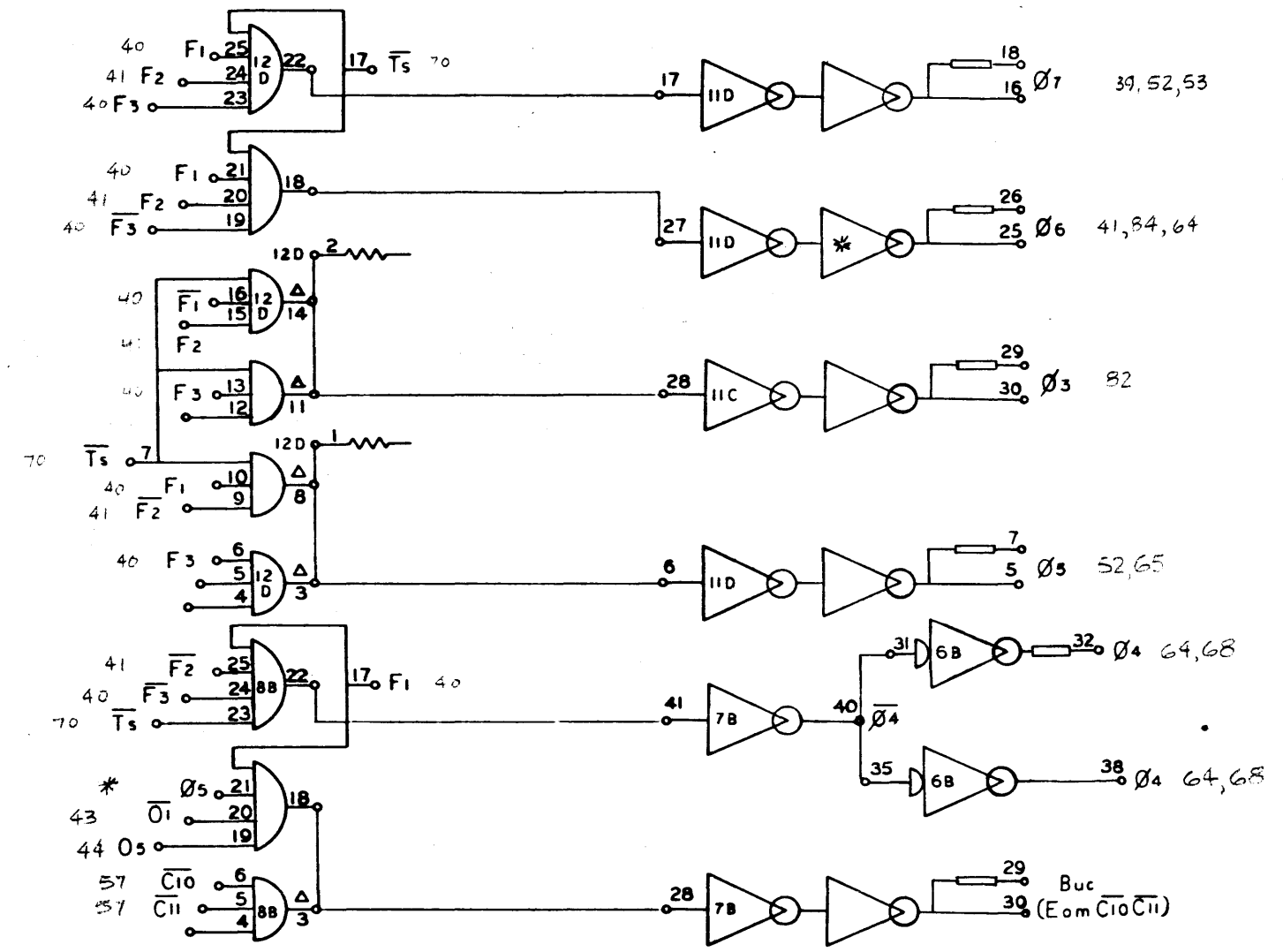
910
PAGE 71
A

NO. REV.	DRAWING NO.	DESCRIPTION	REFERENCE DESIGNATION	ITEM NO.
NOTES UNLESS SPECIFIED				
1. TOLERANCES		2. DIMENSIONS	MATERIAL LIST	
UNLESS SPECIFIED		UNLESS SPECIFIED	SDS DATA SYSTEMS	
3. 0.005 ANGULAR		4. 0.005 2-W	1545 FIFTEENTH STREET, SANTA MONICA, CALIFORNIA	
5. BREAK ALL SHARP EDGES AND APPROX.		TITLE		
6. HATCH SURFACES		DIAGRAM, LOGIC, COMPUTER		
7. ALL DIM. IN INCHES		MODEL NO.		
NEXT ASSY.		SIZE		DWG. NO.
		D		101702
		SCALE		SHEET
		DO NOT SCALE DRAWING		

71 $(0_6 \phi_2)$, $(\bar{F}_1 \bar{F}_2 \bar{T}_s \bar{W}_p + 0_1 \phi_4 + 0_2 \phi_6 + 0_3 \phi_6)$, $(\bar{F}_1 \bar{F}_2 \bar{T}_s \bar{W}_p + 0_1 \phi_4 + 0_2 \phi_6 + 0_3 \phi_6)$

REVISIONS			
REV.	DESCRIPTION	CHK.	DATE
A	REL TO MFG		

PHASE COUNTS



Ø7
Ø6
Ø3
Ø5
Ø4
Ø4
Buc

104

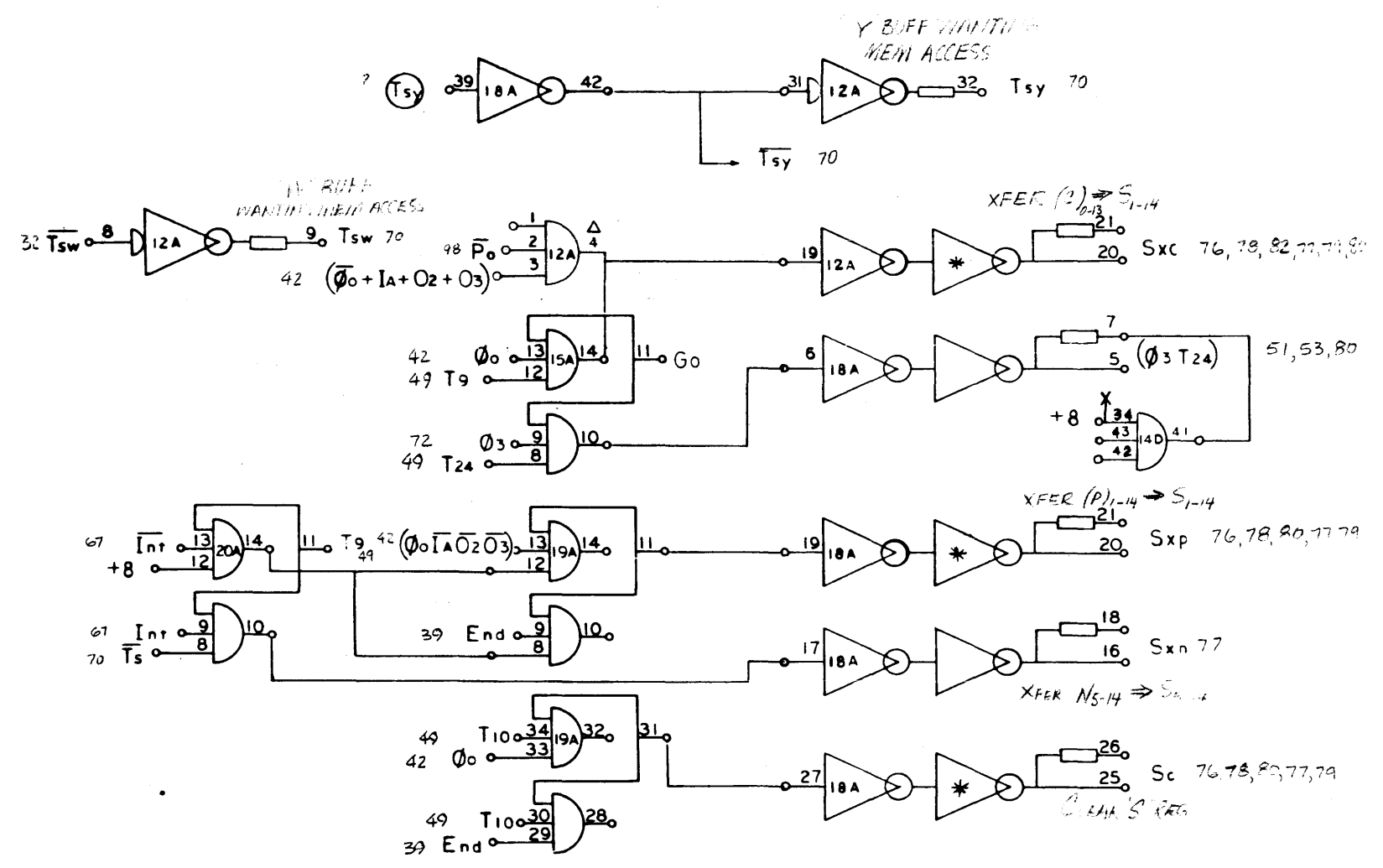
910
PAGE 72
A

NO. REQ.	DRAWING NO.	DESCRIPTION	REFERENCE DESIGNATION	ITEM NO.
MATERIAL LIST				
NOTES UNLESS SPECIFIED		DRAWN	3-2-62	
1. TOLERANCES XX ± .005 ANGULAR XX ± .010 2 1/2°		CHECK	12-1-64	
2. BREAK ALL SHARP EDGES 3/16 APPROX.		APPR.	12-1-64	
3. HATCH SURFACES ✓				
4. ALL DIM. IN INCHES				
MODEL NO.				
NEXT ASSY.		1545 FIFTEENTH STREET SANTA MONICA CALIFORNIA		
		TITLE		
		DIAGRAM, LOGIC COMPUTER		
		SIZE	DWG. NO.	REV.
		D	101702	A
		SCALE	DO NOT SCALE DRAWING	5'-11"

Ø7, Ø6, Ø3, Ø4, Ø5, Buc, (Eom C10 C11)

72

REV		DESCRIPTION	CHEK	DATE	APPROVED
A		REL TO MFG			



910
PAGE 73
A

105

101702/A

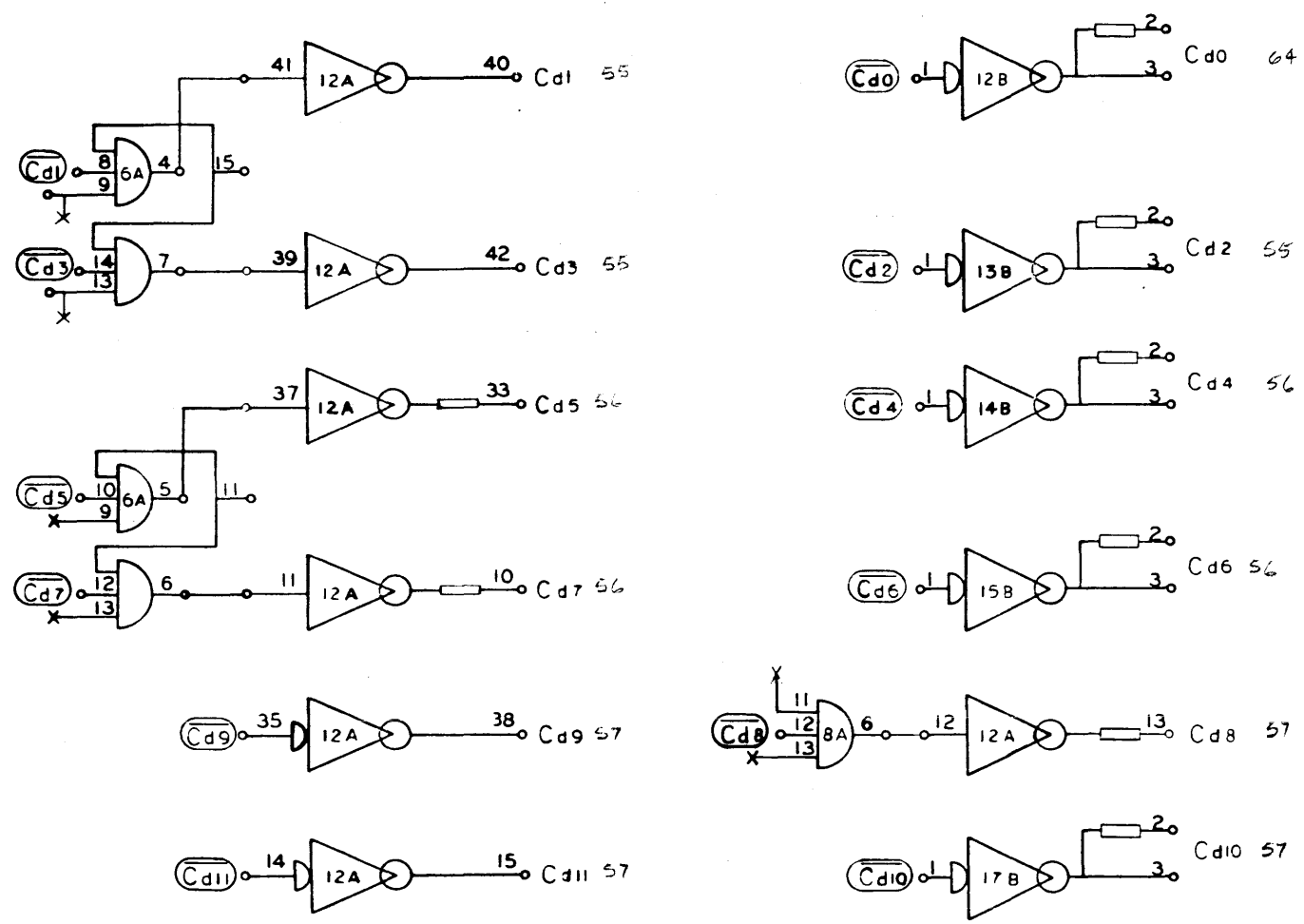
NO. REV.	DRAWING NO.	DESCRIPTION	REFERENCE DESIGNATION	ITEM NO.
MATERIAL LIST				
NOTES UNLESS SPECIFIED		DRAWN	SDS SCIENTIFIC DATA SYSTEMS	
1. TOLERANCES DIM ± .005 HOLE ± .010		CHECK	1425 FIFTEENTH STREET SANTA MONICA, CALIFORNIA	
2. BREAK ALL SHARP EDGES AND APPROVE.		APPR	TITLE	
3. DASH SURFACES			DIAGRAM, LOGIC, COMPUTER	
4. ALL DIM. IN INCHES				
MODEL NO.		SIZE	DWG NO.	
NEXT ASSY.		D	101702	1A
SCALE		DO NOT SCALE DRAWING SHEET		

73

TSY, SXC, ($\phi 3 T24$), SXP, SXP, SC

REVISIONS		DATE	APPROVED
REV	DESCRIPTION	CHE	DATE
A	REL TO MFG		

DATA LINES FROM
EXT. DECK



106

101/02/A

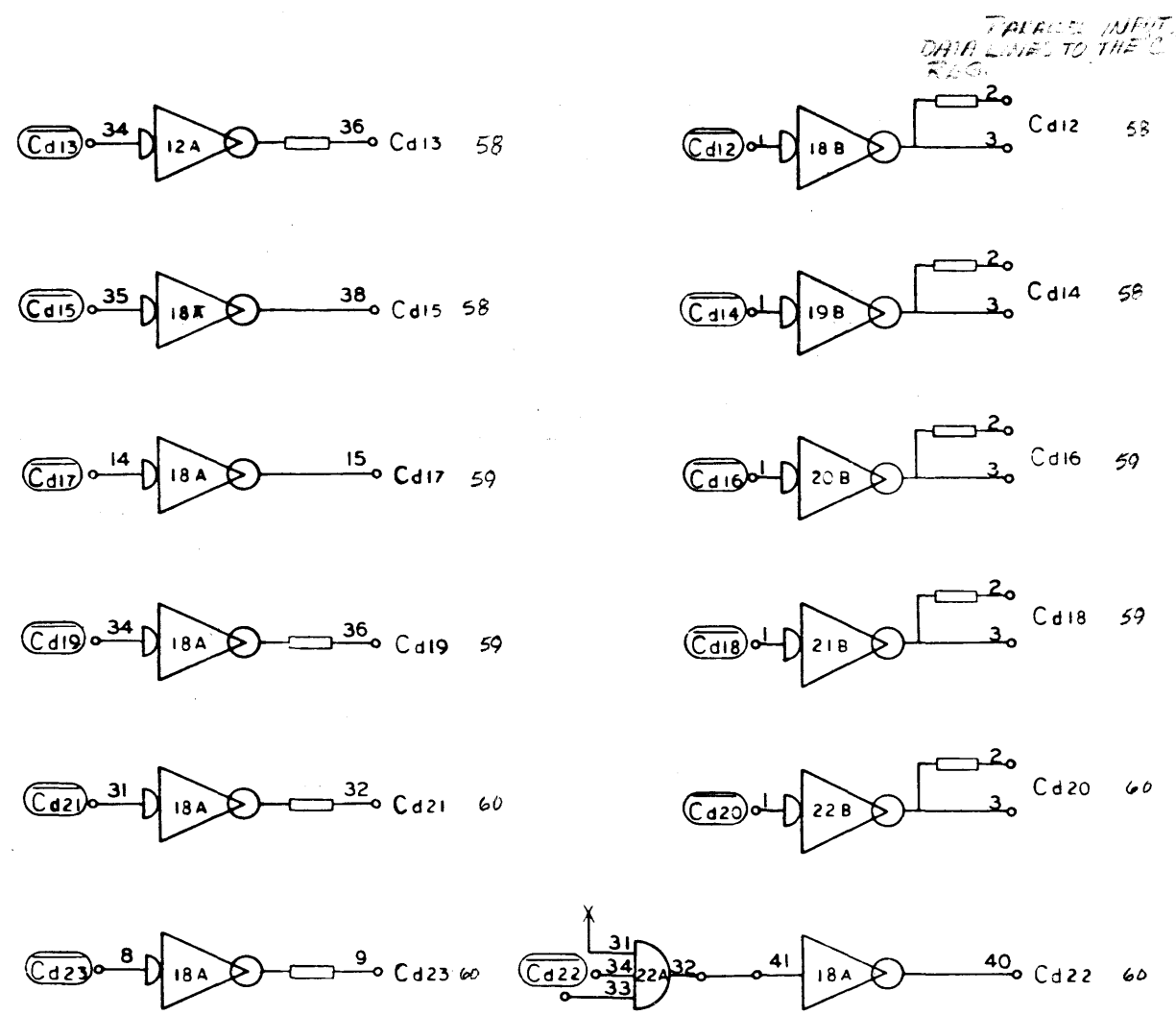
910
PAGE 7:
A

NO. REQ.	DRAWING NO.	DESCRIPTION	REFERENCE DESIGNATION	ITEM NO.
MATERIAL LIST				
NOTES UNLESS SPECIFIED		DRAWN	DATE	SDS SCIENTIFIC DATA SYSTEMS <small>1745 FIFTEENTH STREET SANTA MONICA CALIFORNIA</small> TITLE DIAGRAM, LOGIC, COMPUTER
1. TOLERANCES UNLESS SPECIFIED SEE 2.010		CHECK	DATE	
2. BREAK ALL SHARP EDGES 3. HATCH SURFACES 4. ALL DIM. IN INCHES		APPR	DATE	
MODEL NO.		SIZE	DWG NO.	ITEM NO.
		D	C 702	A
NEXT ASSY.		SCALE	DO NOT SCALE DRAWING	SHEET

Cd0, 1, 2, 3, 4, 5, 6, 7, 8, 9, 10, 11

74

REV		DESCRIPTION	CHK	DATE	APPROVED
A		REL TO MFG			



107

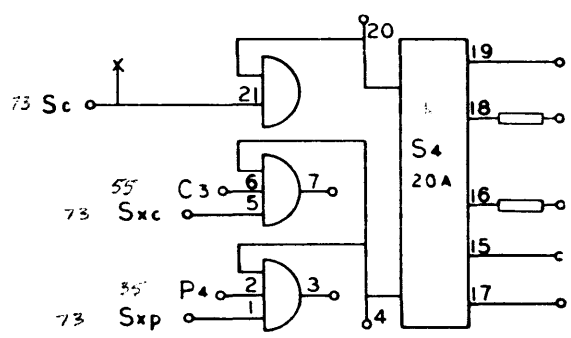
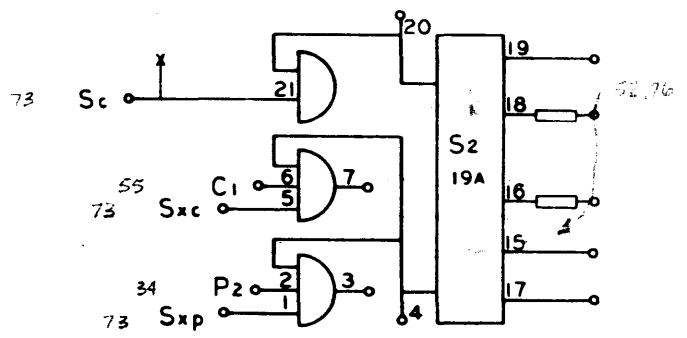
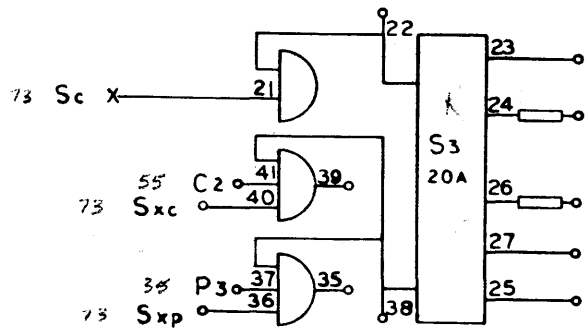
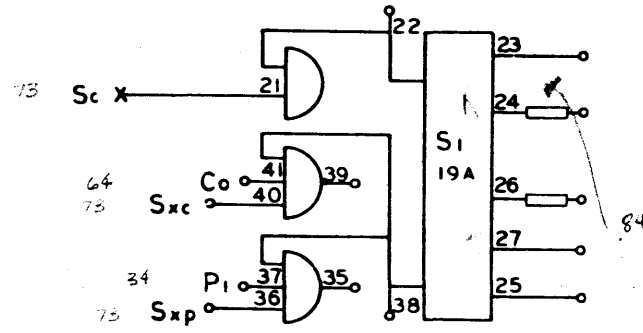
910
PAGE 75
A

NO. REQ	DRAWING NO.	DESCRIPTION	REFERENCE DESIGNATION
MATERIAL LIST			
NOTES UNLESS SPECIFIED 1. TOLERANCES .25 ±.010 ANGULAR .125 ±.010 ±1/2° 2. BREAK ALL SHARP EDGES .010 APPROX. 3. MACH. SURFACES ✓ 4. ALL DIM. IN INCHES		DRAWN: [Signature] CHECK: [Signature] APPR: [Signature]	SDS SCIENTIFIC DATA SYSTEMS 1542 FIFTEENTH STREET, SANTA MONICA, CALIFORNIA TITLE: DIAGRAM, LOGIC, COMPUTER
MODEL NO.		SIZE	DWG NO.
		D	101702
NEXT ASSY.		SCALE	DO NOT SCALE DRAWING SHEET

75 - Cd12, 13, 14, 15, 16, 20, 18, 19, 20, 21, 22, 23

REV	DESCRIPTION	CHK	DATE	APPROVED
A	REL TO MFG			

MEM ADDRESS REG



S1

S2

S3

S4

108

910
PAGE 75
A

NO. REG	DRAWING NO.	DESCRIPTION	REFERENCE DESIGNATION	ITEM NO.
MATERIAL LIST				
NOTES UNLESS SPECIFIED		DRAWN: <i>[Signature]</i> CHECK: <i>[Signature]</i> APPR: <i>[Signature]</i>	SDS SCIENTIFIC DATA SYSTEMS <small>1745 FIFTEENTH STREET SANTA MONICA, CALIFORNIA</small>	
1. TOLERANCES 25 ± 0.00 50 ± 0.10 ANGULAR 25° 2. BREAK ALL SHARP EDGES 3/16 APPROX 3. HATCH SURFACES 4. ALL DIM. IN INCHES		TITLE DIAGRAM, LOGIC, COMPUTER		
MODEL NO.		SIZE	DWG NO.	
NEXT ASSY.		D	101702 A	
SCALE		DO NOT SCALE DRAWING		SHEET

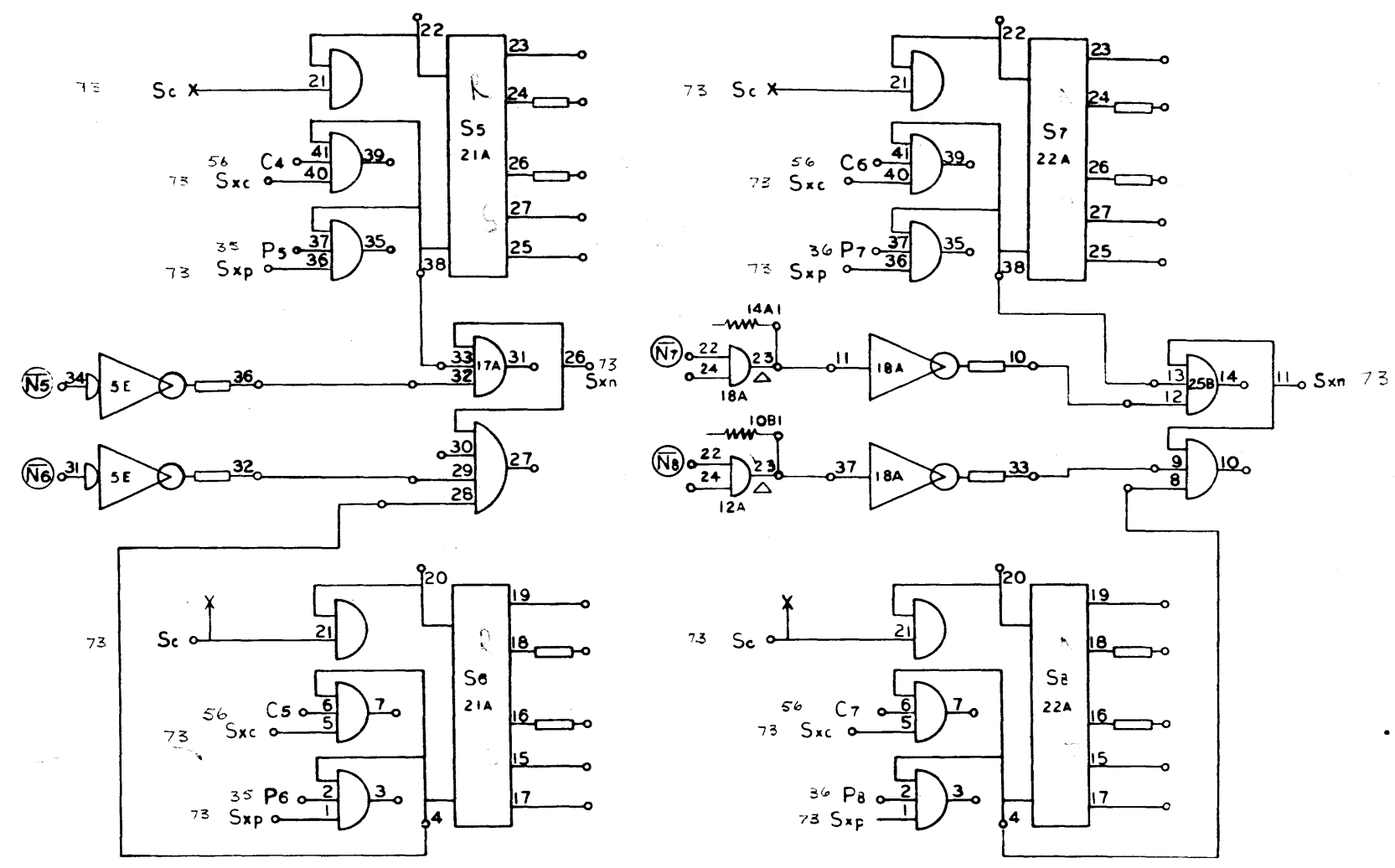
S1, 2, 3, 4

76

V. 10/1/71

REV		DESCRIPTION		REVISIONS		CHK	DATE	APPROVED
A		REL TO MFG.						

MLM Add. Req.



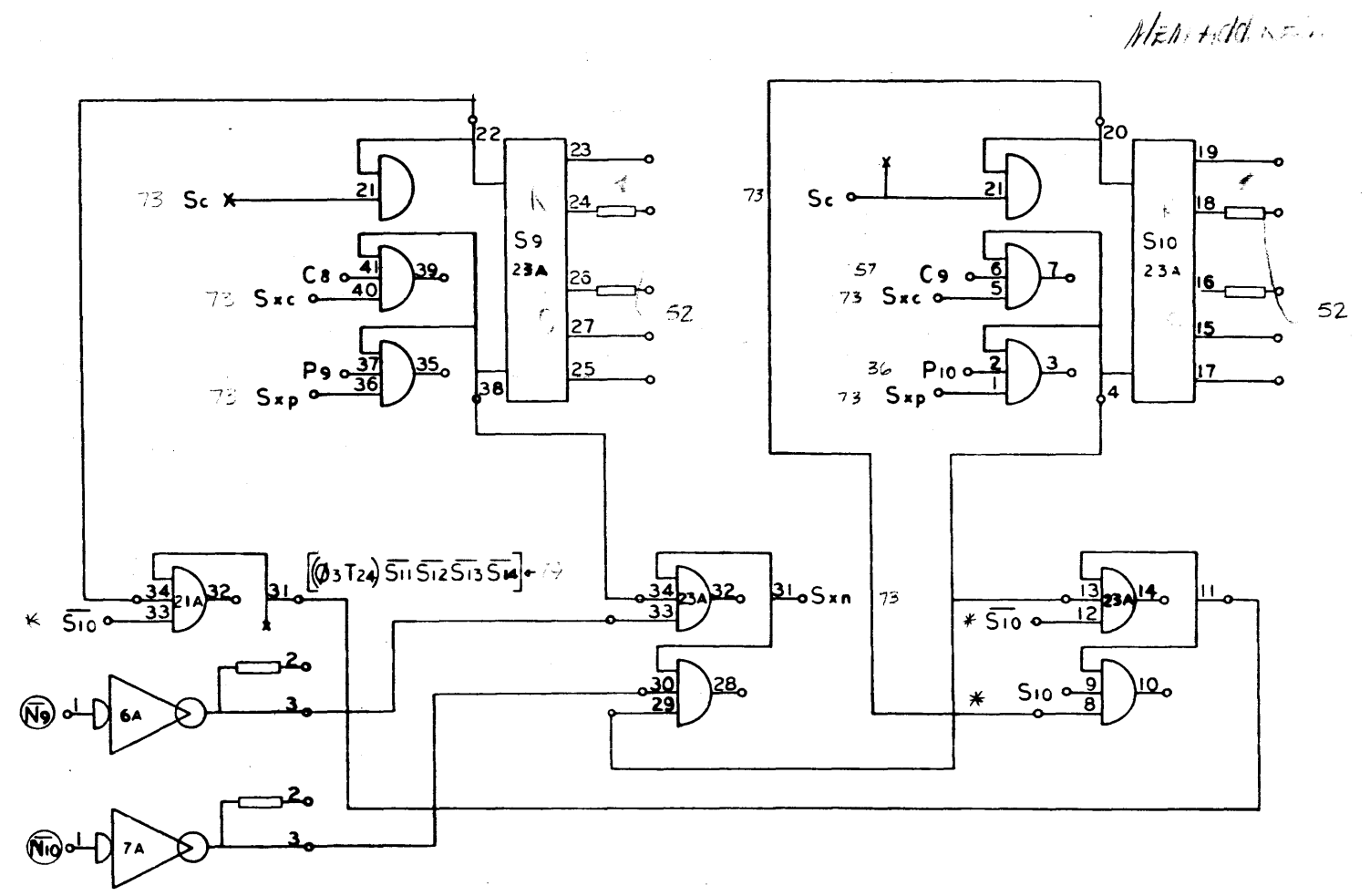
910
PAGE 77
A

109

NO. REV.	DRAWING NO.	DESCRIPTION	REFERENCE DESIGNATION	ITEM NO.
MATERIAL LIST				
NOTES UNLESS SPECIFIED				
1. TOLERANCES: DIM 0.008 ANGULAR SEE 2. DIM 0.1°				
2. BREAK ALL SHARP EDGES 0.10 APPROX.				
3. BACK SURFACES ✓				
4. ALL DIMS IN INCHES				
DRAWN: [Signature]		SDS SCIENTIFIC DATA SYSTEMS 1542 FIFTEENTH STREET SANTA MONICA, CALIFORNIA		
CHECK: [Signature]		TITLE: DIAGRAM, LOGIC, COMPUTER		
APPR:		MODEL NO. D DWG NO. 101702		
NEXT ASBY:		SCALE: DO NOT SCALE DRAWING SHEET		

77 S 5,6,7,8

REVISIONS			
REV	DESCRIPTION	CHK	DATE
A	REL TO MFG		



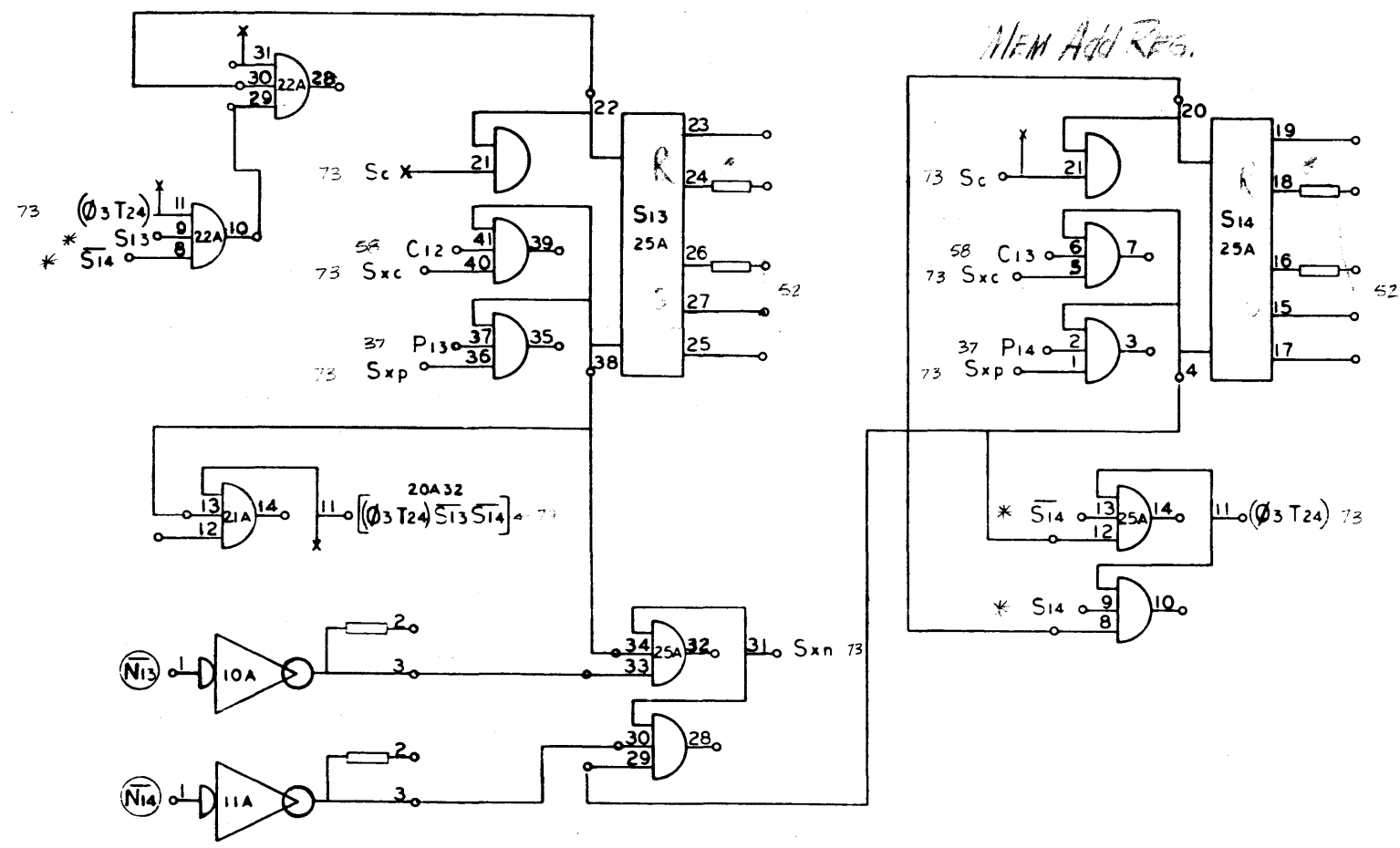
110

910
PAGE 78
A

NO. REQ	DRAWING NO.	DESCRIPTION	REFERENCE DESIGNATION	ITEM
MATERIAL LIST				
NOTES UNLESS SPECIFIED 1. TOLERANCES 2. BREAK ALL SHARP EDGES 3. HATCH SURFACES 4. ALL DIM. IN INCHES				
DRAWN: <i>LL</i>				
CHECK: <i>SH</i>		TITLE DIAGRAM, LOGIC, COMPUTER		
APPR:		MODEL NO. D		
		DWG NO. 101702		
NEXT ASSY.		SCALE DO NOT SCALE DRAWING SHEET		

See 110

REVISIONS		CHK		DATE		APPROVED	
REV.	DESCRIPTION	CHK	DATE	APPROVED			
A	REL 10 MFG						



112

910
PAGE 80
A

NO. REQ.	DRAWING NO.	DESCRIPTION	REFERENCE DESIGNATION	ITEM NO.	
MATERIAL LIST					
NOTES UNLESS SPECIFIED		DRAWN <i>LB</i>	SDS SCIENTIFIC DATA SYSTEMS 1525 FIFTEENTH STREET, SANTA MONICA, CALIFORNIA		
1. TOLERANCES .001 ± .000 ANGULAR .002 ± .010 ± 1/2°		CHECK <i>SH</i>			TITLE
2. BREAK ALL SHARP EDGES .010 APPROX.		APPR.			DIAGRAM, LOGIC, COMPUTER
3. HATCH SURFACES ✓					
4. ALL DIM. IN INCHES					
MODEL NO.		SIZE	DWG NO.	ITEM NO.	
		D	101702	A	
NEXT ASSY.		SCALE	DO NOT SCALE DRAWING	SHEET	

S13,14

80

REVISIONS			
REV	DESCRIPTION	CHK	DATE
A	REL TO MFG		

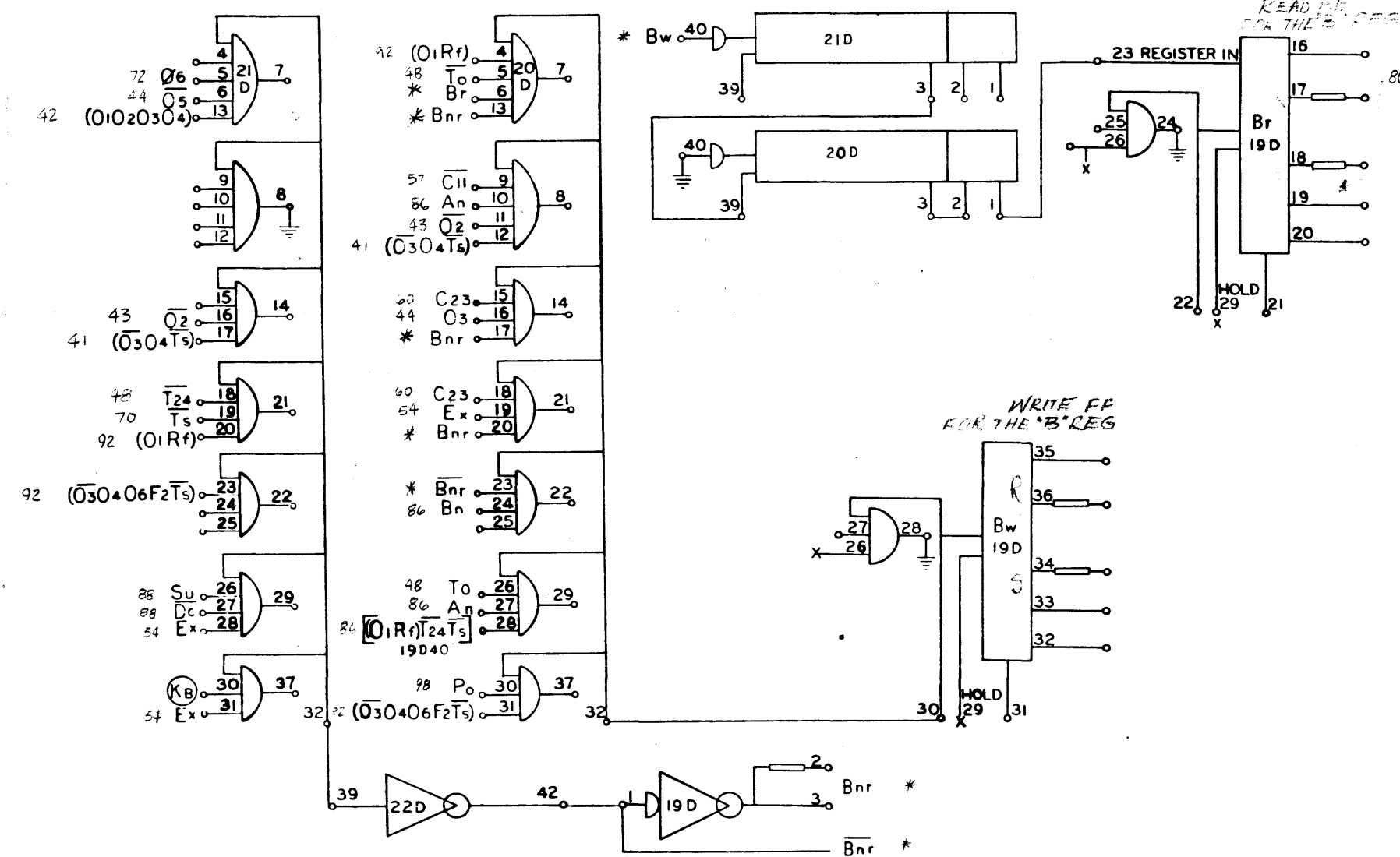
B 111

READ FF FOR THE B REG

WRITE FF FOR THE B REG

BLOCKS RECIRCULATION OF THE B REG.

910
PAGE 8:
A



Or
Bw
Bw

113

V 11/101

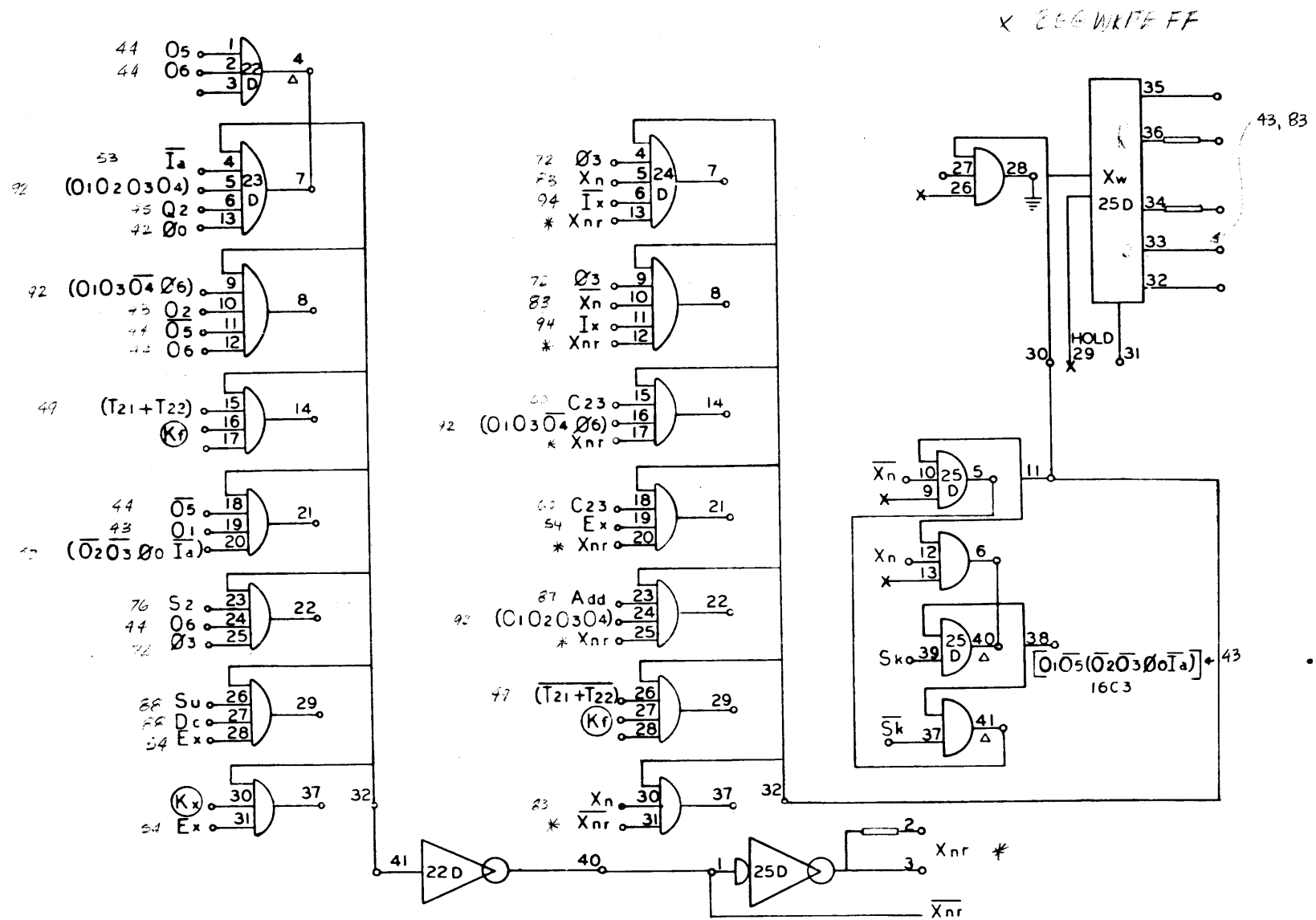
NO. REV	DRAWING NO.	DESCRIPTION	REFERENCE DESIGNATION	ITEM NO.
MATERIAL LIST				
NOTES UNLESS SPECIFIED		DRAWN	CHECK	APPR.
1. TOLERANCES UNLESS SPECIFIED				
2. ANGULAR				
3. BREAK ALL SHARP EDGES				
4. HIDE ALL SURFACES				
5. ALL DIM. IN INCHES				
			1742 FIFTEENTH STREET, SANTA MONICA, CALIFORNIA	
TITLE			DIAGRAM, LOGIC, COMPUTER	
MODEL NO.			SIZE	DWG NO.
			D	01702
NEXT ASSY.			SCALE	DO NOT SCALE DRAWING SHEET

81

Br, \overline{Br} , Bw, \overline{Bw} , Bnr, \overline{Bnr}

REVISIONS			
REV	DESCRIPTION	CHK	DATE
A	REL TO MFG		

114



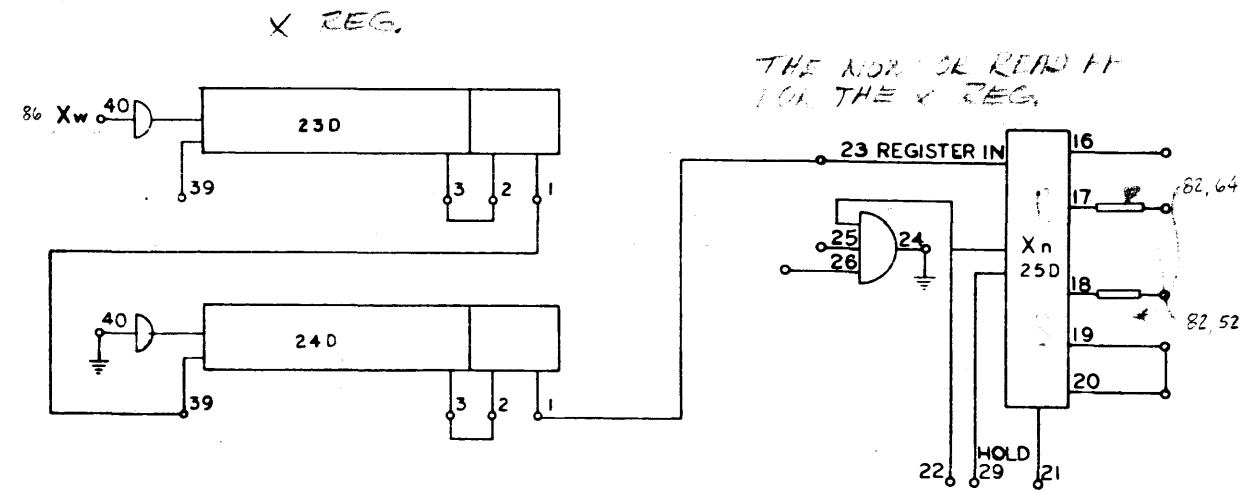
910
PAGE 82
A

NO. REQ	DRAWING NO.	DESCRIPTION	REFERENCE DESIGNATION	ITEM NO.
MATERIAL LIST				
1542 FIFTEENTH STREET SANTA MONICA, CALIFORNIA				
TITLE				
DIAGRAM, LOGIC, COMPUTER				
MODEL NO.		ISS	DWG NO.	ITEM NO.
		D	101702	A
NEXT ASBY.		SCALE	DO NOT SCALE DRAWING	SHEET

$X_w, \bar{X}_w, X_{nr}, \bar{X}_{nr}$

82

REVISIONS			
REV	DESCRIPTION	CHK	DATE / APPROVED
A	REL TO MFG		



910
PAGE 33
A

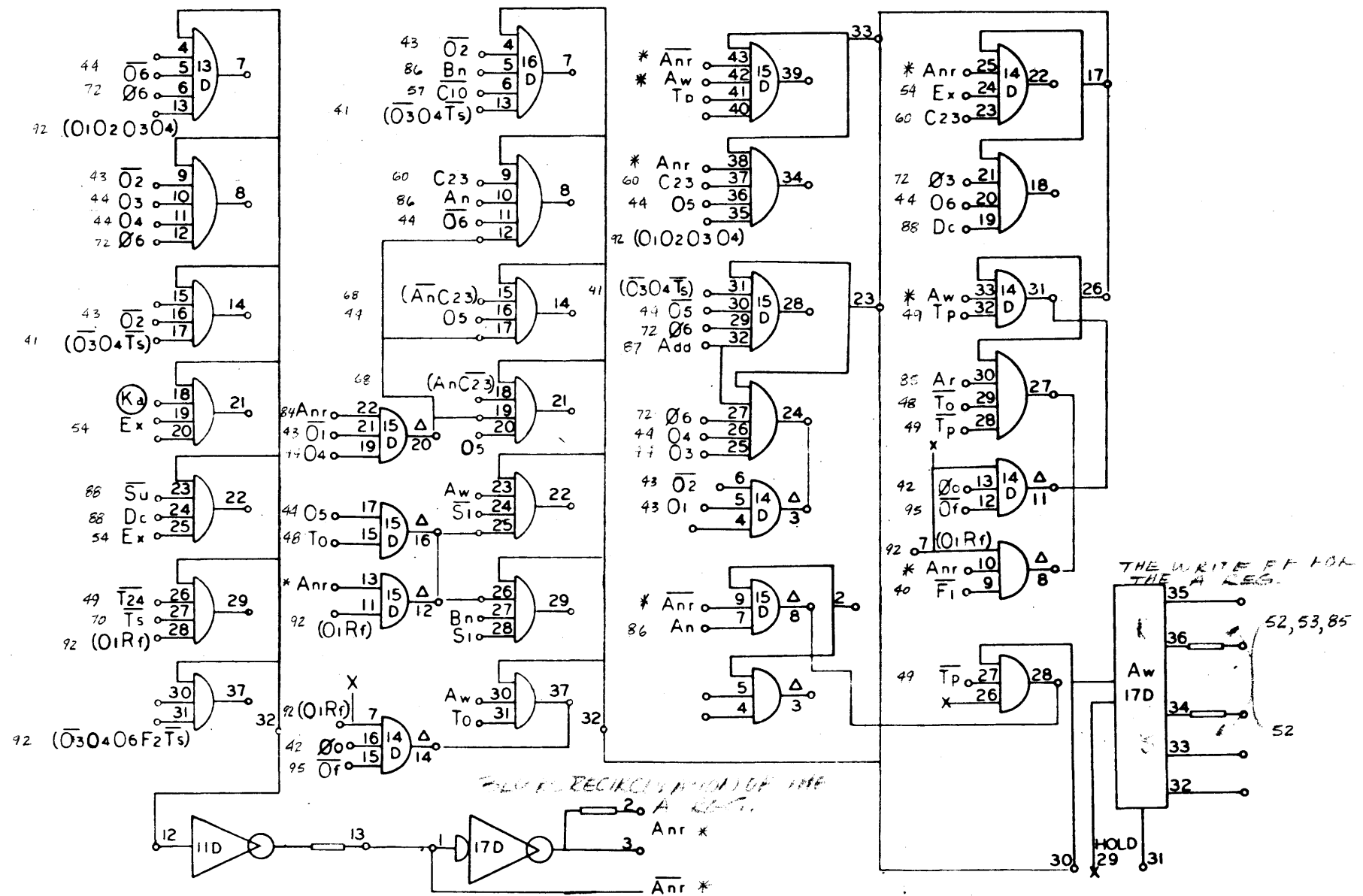
115

NO. REV.	DRAWING NO.	DESCRIPTION	REFERENCE DESIGNATION	ITEM NO.
MATERIAL LIST				
NOTES UNLESS SPECIFIED		DRAWN	SDS SCIENTIFIC DATA SYSTEMS <small>1542 S. PINEAVALLE STREET, SANTA MONICA, CALIFORNIA</small>	
1. TOLERANCES <small>JE ± 0.00 .50 ± 0.10</small>		CHECK		
2. BREAK ALL SHARP EDGES <small>0.10 RADIUS</small> 3. MACH. SURFACES ✓ 4. ALL DIM. IN INCHES		APPR.		
TITLE			DIAGRAM, LOGIC, COMPUTER	
MODEL NO.		REV.	DWS NO.	
NEXT ASSY.		D	101702	
SCALE			DO NOT SCALE DRAWING SHEET	

83

X_n, \bar{X}_n

116

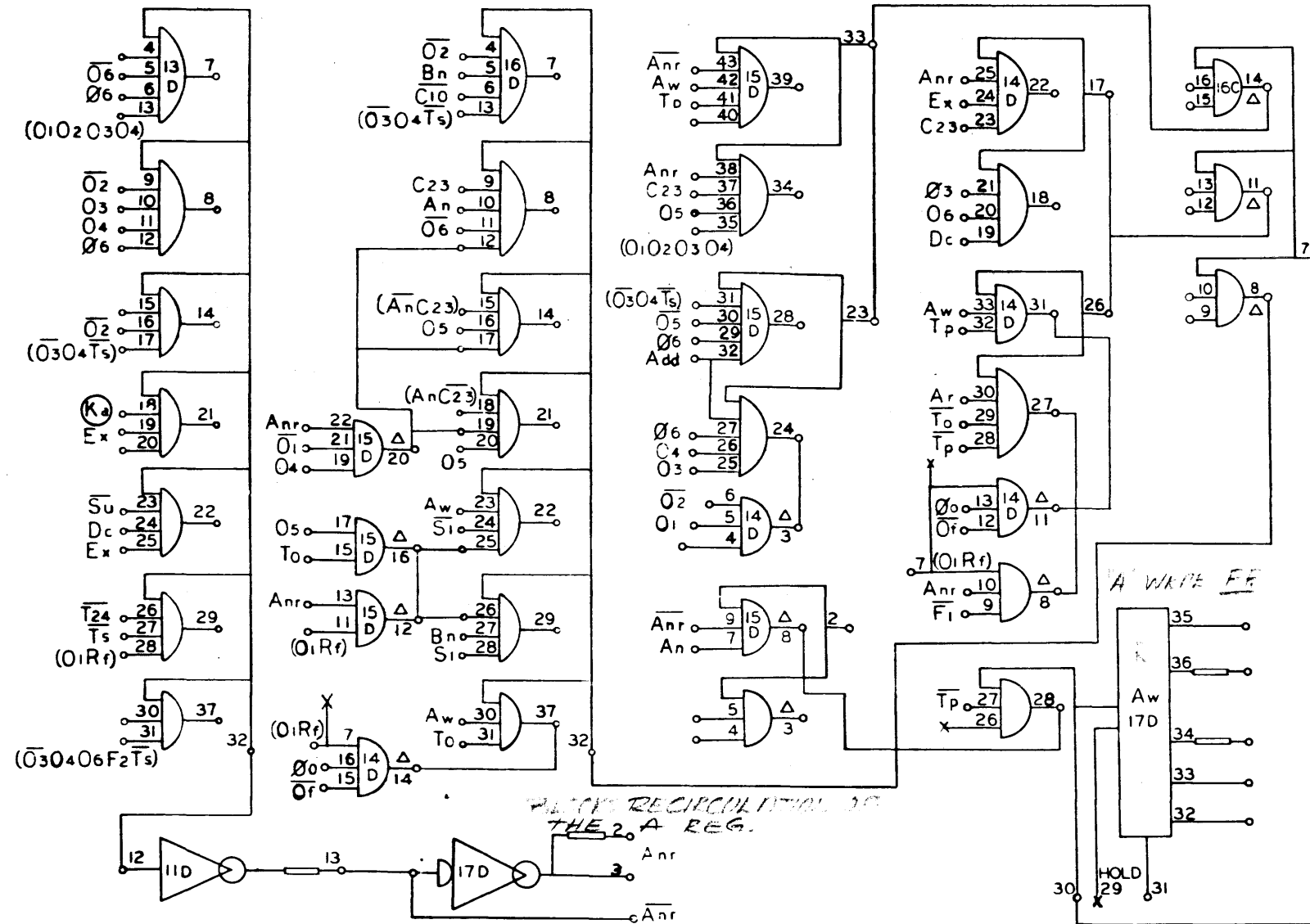


DIAGRAM, LOGIC,
COMPUTER DWG. NO. 101702

Anr, Anr, An, An

84

REVISIONS			01702	B
REV	DESCRIPTION	CHK	DATE	APPROVED
A	REL TO MFG			
B	SEE REV. E.O.			



910
PAGE 81
B

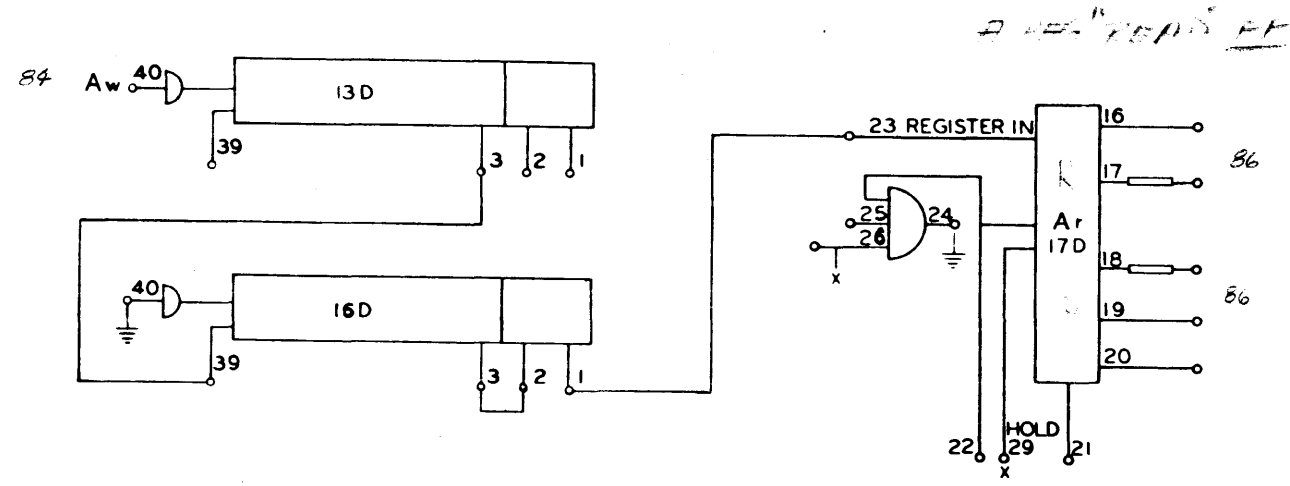
117

101702 B

SEE PREVIOUS PAGE

NO. REQ	DRAWING NO.	DESCRIPTION	REFERENCE DESIGNATION	ITEM NO.
NOTES UNLESS SPECIFIED 1. TOLERANCES: .005 ANGULAR .125 .010 .010 2. BREAK ALL SHARP EDGES .010 APPROX. 3. HATCH SURFACES ✓ 4. ALL DIM. IN INCHES				
DRAWN: <i>1-4</i> CHECK: <i>2-1</i> APPR: <i>10/21</i>		SDS SCIENTIFIC DATA SYSTEMS 1542 FIFTEENTH STREET SANTA MONICA, CALIFORNIA		
MODEL NO. NEXT ASSY.		TITLE DIAGRAM, LOGIC, COMPUTER		
		SIZE D	DWG NO. 101702	B
		SCALE DO NOT SCALE DRAWING	SHEET	

REVISIONS			
REV	DESCRIPTION	CHK	DATE
A	REL TO MFG		



118

910
PAGE 85
A

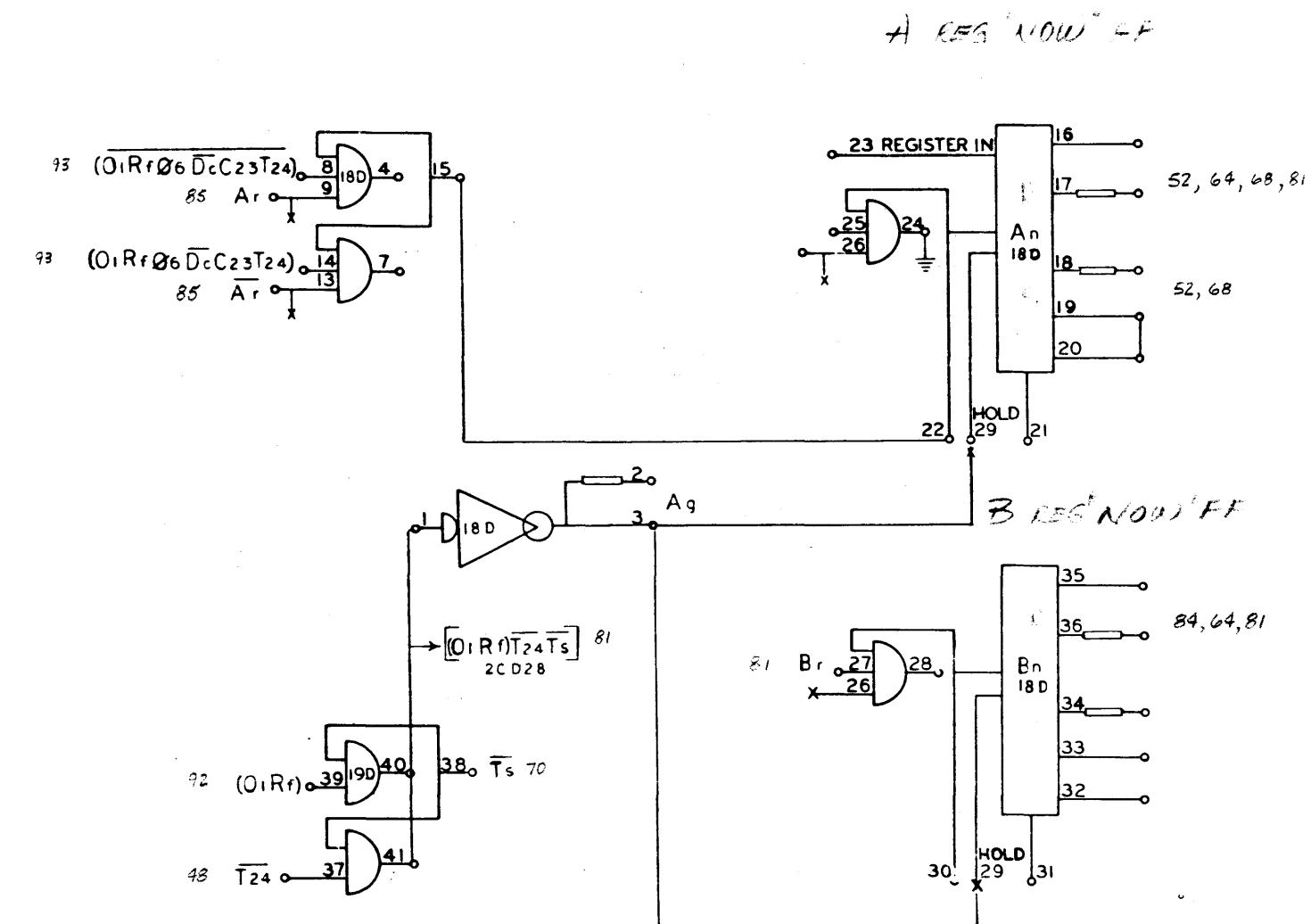
101702 A

NO. REQ.	DRAWING NO.	DESCRIPTION	REFERENCE DESIGNATION	ITEM NO.
MATERIAL LIST				
NOTES UNLESS SPECIFIED		DRAWN <i>LH</i>	12066	SDS SCIENTIFIC DATA SYSTEMS <small>1442 FIFTEENTH STREET, SANTA MONICA, CALIFORNIA</small>
1. TOLERANCES .05 ± .010 ANGULAR .05 ± .010 ± .01 2. BREAK ALL SHARP EDGES 3. HIDE SURFACES 4. ALL DIM. IN INCHES		CHECK <i>[initials]</i>	12066	
		APPR <i>[initials]</i>		DIAGRAM, LOGIC, COMPUTER
MODEL NO.		SIZE	DWG NO.	
NEXT ASSY.		D	101702	
SCALE			DO NOT SCALE DRAWING	SHEET

Ar, Ar

85

REV	DESCRIPTION	CHK	DATE	APPROVED
A	REL TO MFG			



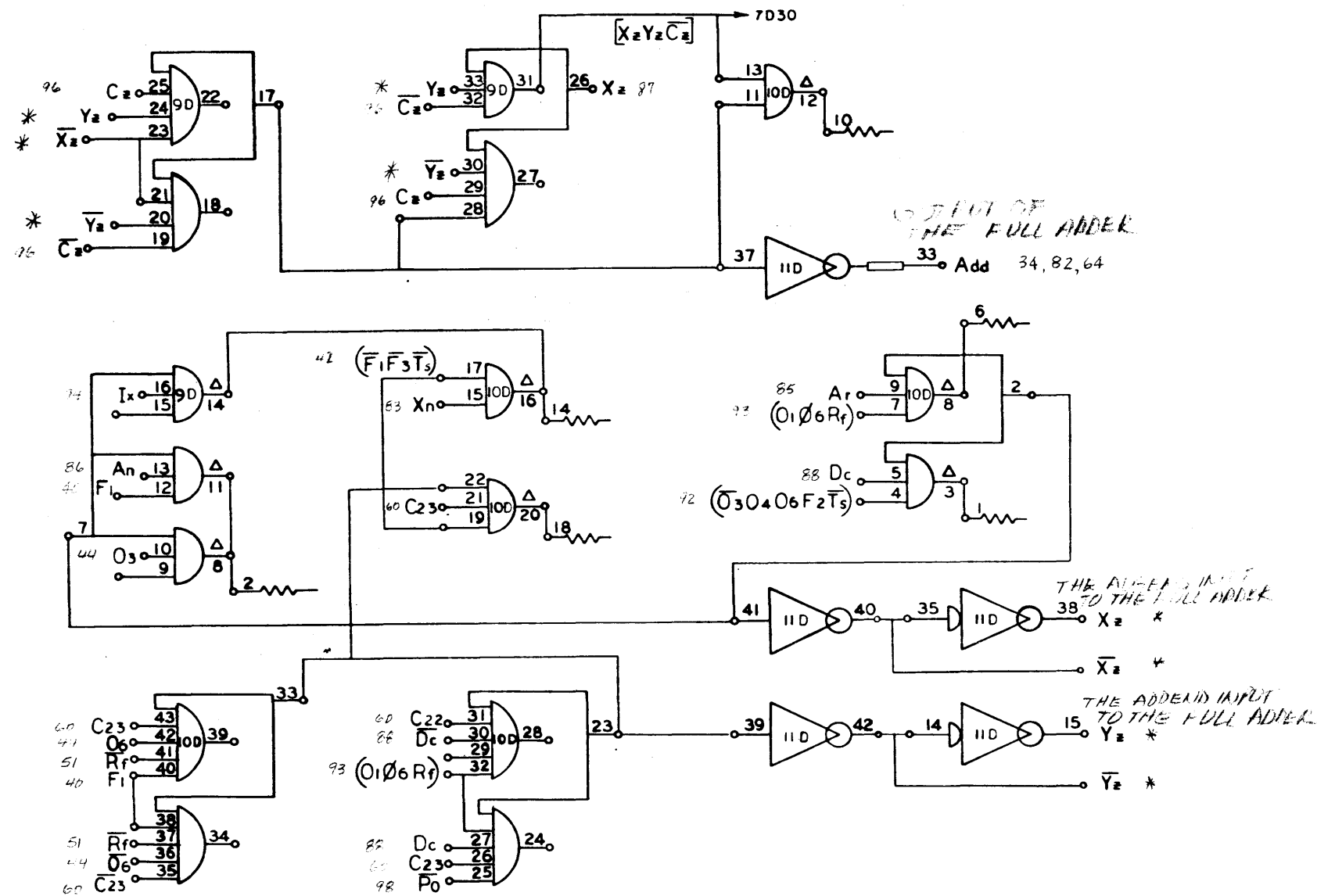
910
PAGE 86
A

119
V
10/10/51

NO. REG	DRAWING NO.	DESCRIPTION	REFERENCE DESIGNATION	ITEM NO.
MATERIAL LIST				
NOTES UNLESS SPECIFIED		DRAWN	SDS SCIENTIFIC DATA SYSTEMS 1942 FIFTEENTH STREET SANTA MONICA, CALIFORNIA	
1. TOLERANCES UNLESS SPECIFIED		CHECK		
2. BREAK ALL SHARP EDGES 0.10 APPROX.		APPR		
3. HATCH SURFACES		TITLE		
4. ALL DIM. IN INCHES		DIAGRAM, LOGIC, COMPUTER		
MODEL NO.		SIZE	DWG NO.	
NEXT ASSY		D	101702	
		SCALE	DO NOT SCALE DRAWING SHEET	

86 $A_n, \bar{A}_n, B_n, \bar{B}_n, [(O_1 R_f) \bar{T}_{24} \bar{T}_s]$
2CD2B

REV		DESCRIPTION		CHK	DATE	APPROVED
A		REL TO MFG				



Add

Xz

Yz

120

910
PAGE 87
A

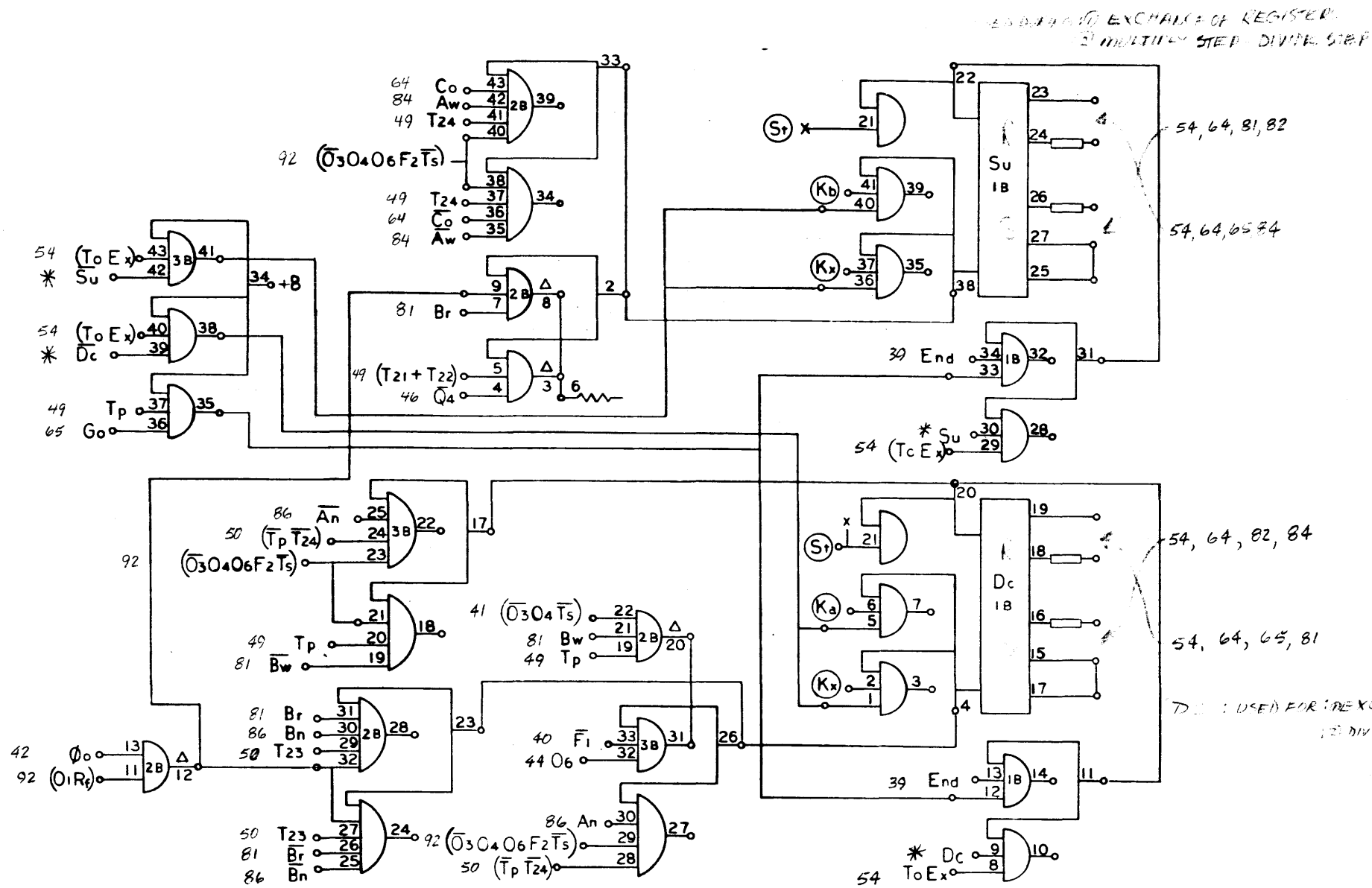
101702 A

NO. REQ.	DRAWING NO.	DESCRIPTION	REFERENCE DESIGNATION	ITEM NO.
NOTES UNLESS SPECIFIED				
1. TOLERANCES DIM ± 0.005 ANGULAR DIM ± 0.10		2. BREAK ALL SHARP EDGES AND APPROX.	3. BACK SURFACE	4. ALL DIM. IN INCHES
DRAWN: <i>KA</i>		DATE: <i>11-1-67</i>		
APPR: <i>LD</i>		TITLE: DIAGRAM, LOGIC, COMPUTER		
MODEL NO.		SIZE: D	DWG NO.: 101702	ITEM NO.: A
TEXT ABST.		SCALE: DO NOT SCALE DRAWING SHEET		

$[XzYz\bar{Cz}]$, Add, Xz, \bar{Xz} , Yz, \bar{Yz}

87

REV.		DESCRIPTION		REVISIONS		DATE		APPROVED	
A		REL TO MFG							C 702 1 A



910
PAGE 85
A

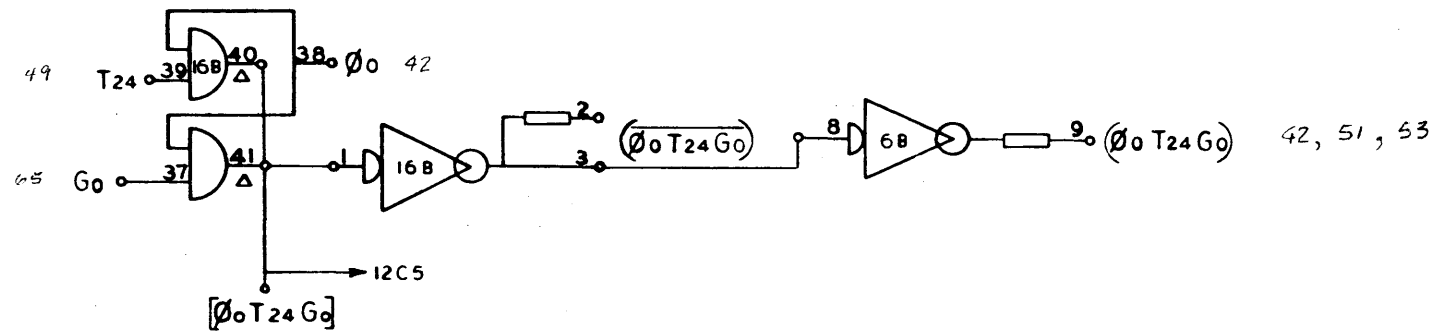
121

101702
A

NO. REQ.	DRAWING NO.	DESCRIPTION	REFERENCE DESIGNATION	ITEM NO.
MATERIAL LIST				
NOTES UNLESS SPECIFIED				
1. TOLERANCES XX ± .000 ANGULAR SEE 2.040 ± .1°				
2. BREAK ALL SHARP EDGES BY APPROX.				
3. HATCH SURFACES ✓				
4. ALL DIM. IN INCHES				
DRAWN: <i>CH</i>		DATE: 9-20-62	SDS SCIENTIFIC DATA SYSTEMS 1625 FIFTEENTH STREET, SANTA MONICA, CALIFORNIA	
CHECK: <i>CH</i>		DATE: 10-1-62	TITLE: DIAGRAM, LOGIC COMPUTER	
APPR: <i>J. H. H.</i>		DATE: 10-1-62	MODEL NO.:	
NEXT ASSY.:		SIZE: D	DWG NO.:	A
		SCALE:	DO NOT SCALE DRAWING	SHEET:

88- Su, Sv, Dc, Dc

REVISIONS			
REV	DESCRIPTION	CHK DATE	APPROVED
A	REL TO MFG		



122

910
PAGE 89
A

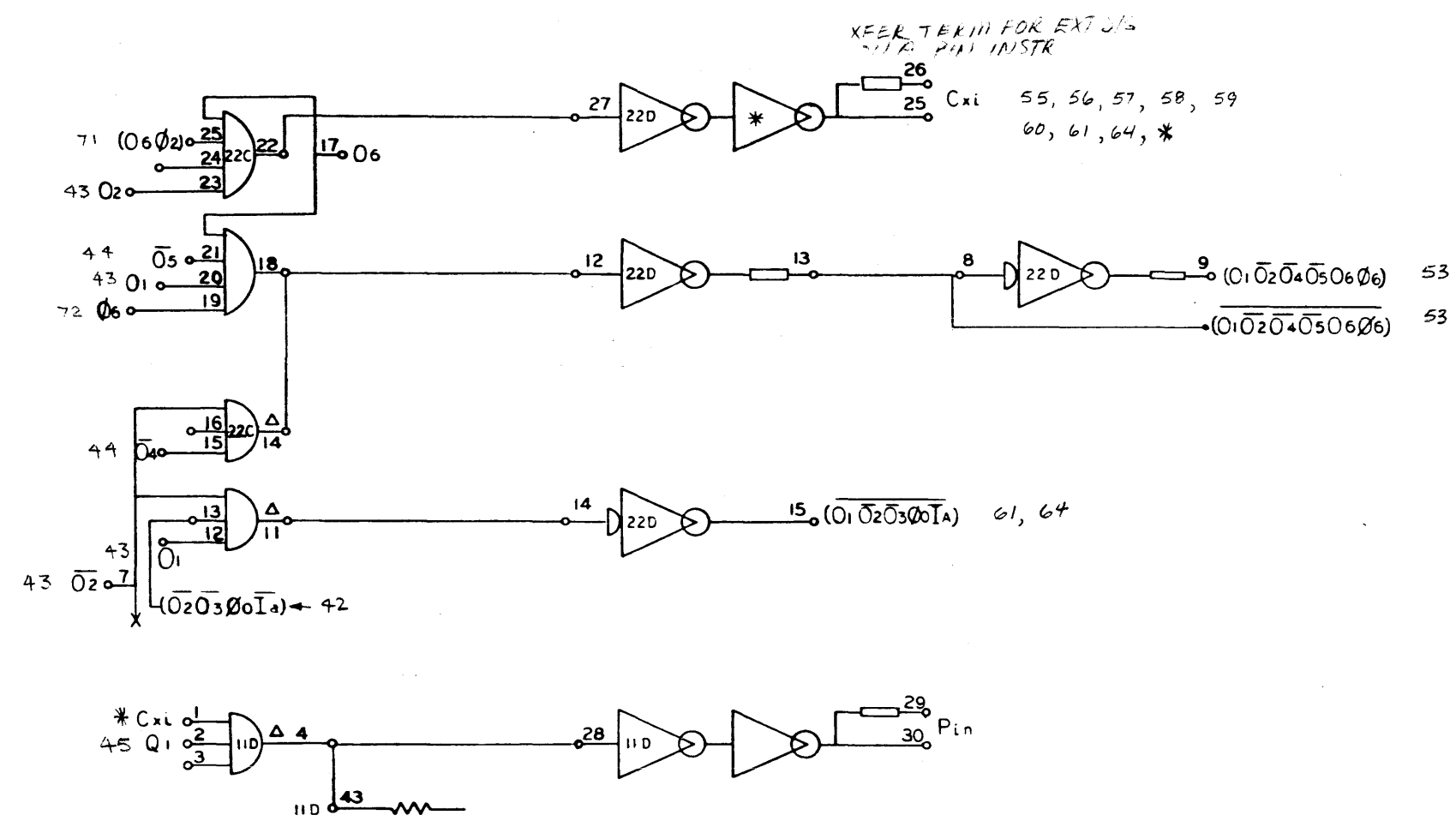
101702
A

NO. REG.	DRAWING NO.	DESCRIPTION	REFERENCE DESIGNATION	ITEM NO.
NOTES UNLESS SPECIFIED				
1. TOLERANCES DIM ± 0.00 ANGULAR ± 1/2°		CHECK		
2. BREAK ALL SHARP EDGES R10 APPROX		APPR.		
3. HATCH SURFACES				
4. ALL DIM. IN INCHES				
MATERIAL LIST			SDS SCIENTIFIC DATA SYSTEMS 1542 FIFTEENTH STREET SANTA MONICA, CALIFORNIA	
TITLE			DIAGRAM, LOGIC, COMPUTER	
MODEL NO.			SIZE	DWG NO.
NEXT ASSY.			D	101702 A
SCALE			DO NOT SCALE DRAWING	SHEET

(Ø0 T24 G0)

89

REVISIONS			
RIV	DESCRIPTION	CHK	DATE
A	REL TO MFG		



123

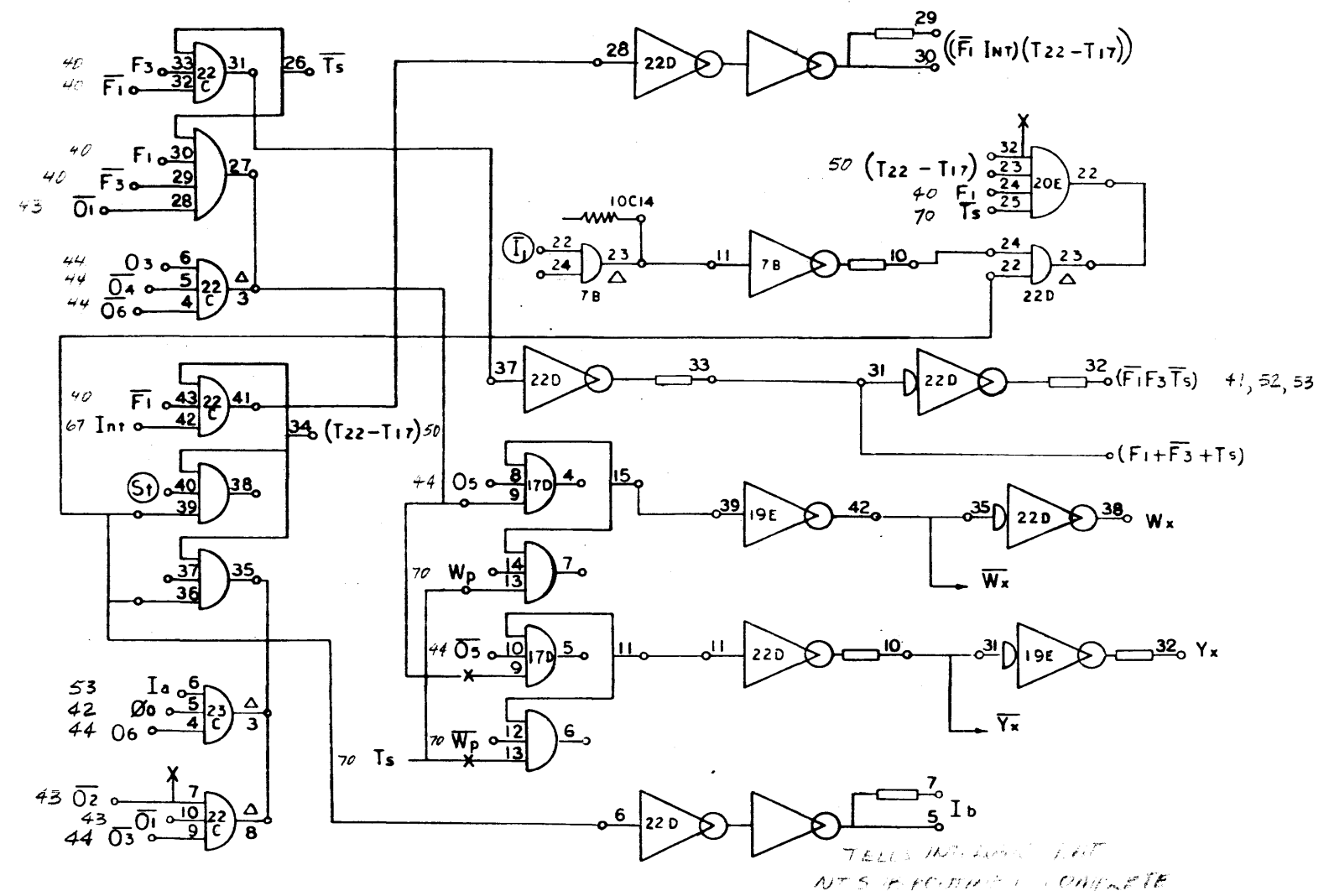
101702
A

910
PAGE 90
A

NO. REQ	DRAWING NO.	DESCRIPTION	REFERENCE DESIGNATION	ITEM NO.
MATERIAL LIST				
NOTES UNLESS SPECIFIED		DRAWN	DATE	
1. TOLERANCES 2. UNLESS OTHERWISE SPECIFIED 3. BREAK ALL SHARP EDGES 4. HIDE SURFACES 5. ALL DIM. IN INCHES		CHECK	DATE	
		APPR.		
		1942 FIFTEENTH STREET, SANTA MONICA, CALIFORNIA		
		TITLE DIAGRAM, LOGIC, COMPUTER		
MODEL NO.		REV	DWG. NO.	ITEM NO.
		D	101702	A
NEXT ASSY.		SCALE	DO NOT SCALE DRAWING	SHEET

90 Cxi, (01 02 04 05 06 06), (01 02 04 05 06 06), (01 02 03 06 Ia), Pin

REV		DESCRIPTION	CHK	DATE	APPROVED
A		REL TO MFG			



124

Yx

Yx

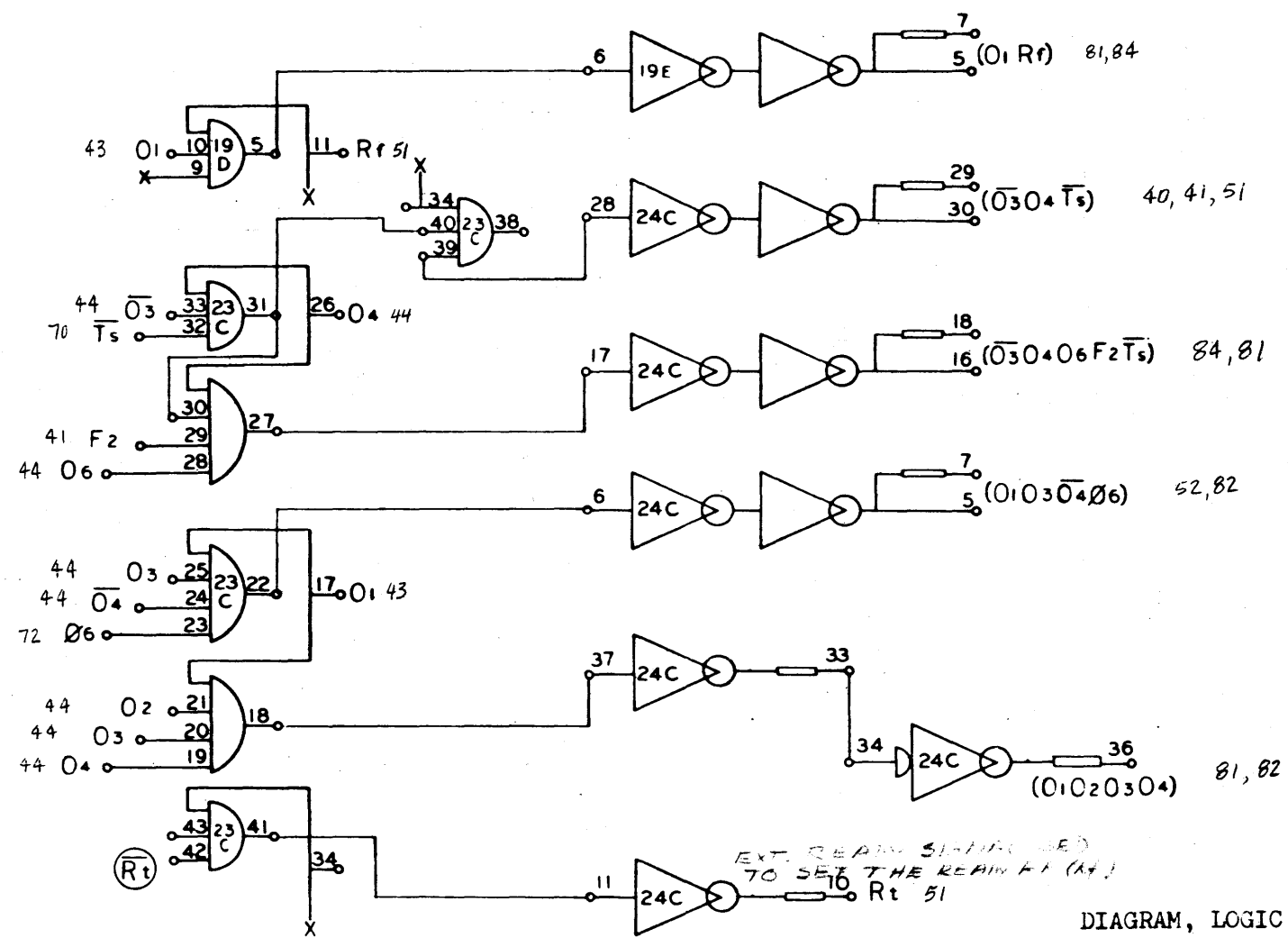
Ib

TELLS INT. JAMES L. HAT
NTS IF POSSIBLE. COMPLETE

910
PAGE 91
A

DWG NO.	DRAWING NO.	DESCRIPTION	REFERENCE DESIGNATION	ITEM NO.
MATERIAL LIST				
NOTES UNLESS SPECIFIED				
1. TOLERANCES	2. DIMENSIONS	3. ANGULAR	4. FINISH	5. TYPICAL
1. TOLERANCES	2. DIMENSIONS	3. ANGULAR	4. FINISH	5. TYPICAL
1. TOLERANCES	2. DIMENSIONS	3. ANGULAR	4. FINISH	5. TYPICAL
SDS SCIENTIFIC DATA SYSTEMS 1525 FIFTEENTH STREET, SANTA MONICA, CALIFORNIA				
TITLE DIAGRAM, LOGIC, COMPUTER				
MODEL NO.		SIZE	DWG NO.	ITEM NO.
		D	101702	1A
NET WT. ASBY.		SCALE	80-HOT SCALE DRAWING	SHEET

$((\bar{F}_1 \text{Int})(T_{22}-T_{17}), (\bar{F}_1 F_3 \bar{T}_s), (F_1 + \bar{F}_3 + T_s), W_x, \bar{W}_x, Y_x, \bar{Y}_x, I_b$



DIAGRAM, LOGIC,
COMPUTER DWG. NO. 101702

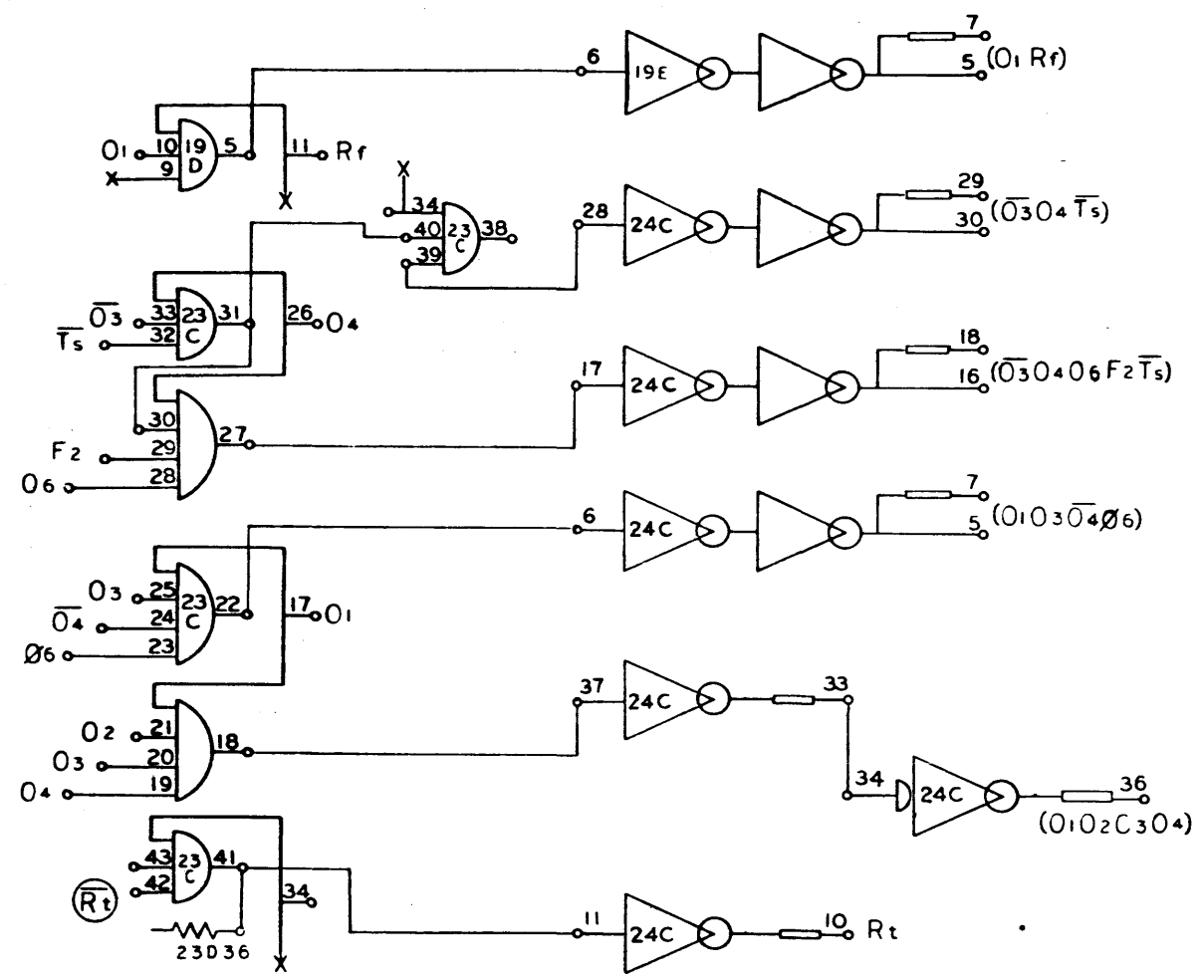
125

R_t

910
PAGE 92
A

92 $(O_1 R_f)$, $(\bar{O}_3 O_4 \bar{T}_s)$, $(\bar{O}_3 O_4 O_6 F_2 \bar{T}_s)$, $(O_1 O_3 \bar{O}_4 \bar{O}_6)$, $(O_1 O_2 O_3 O_4)$, R_t

REVISIONS			
REV	DESCRIPTION	CHK	DATE APPROVED
A	REL TO MFG		
F	SEE REV E.O.		

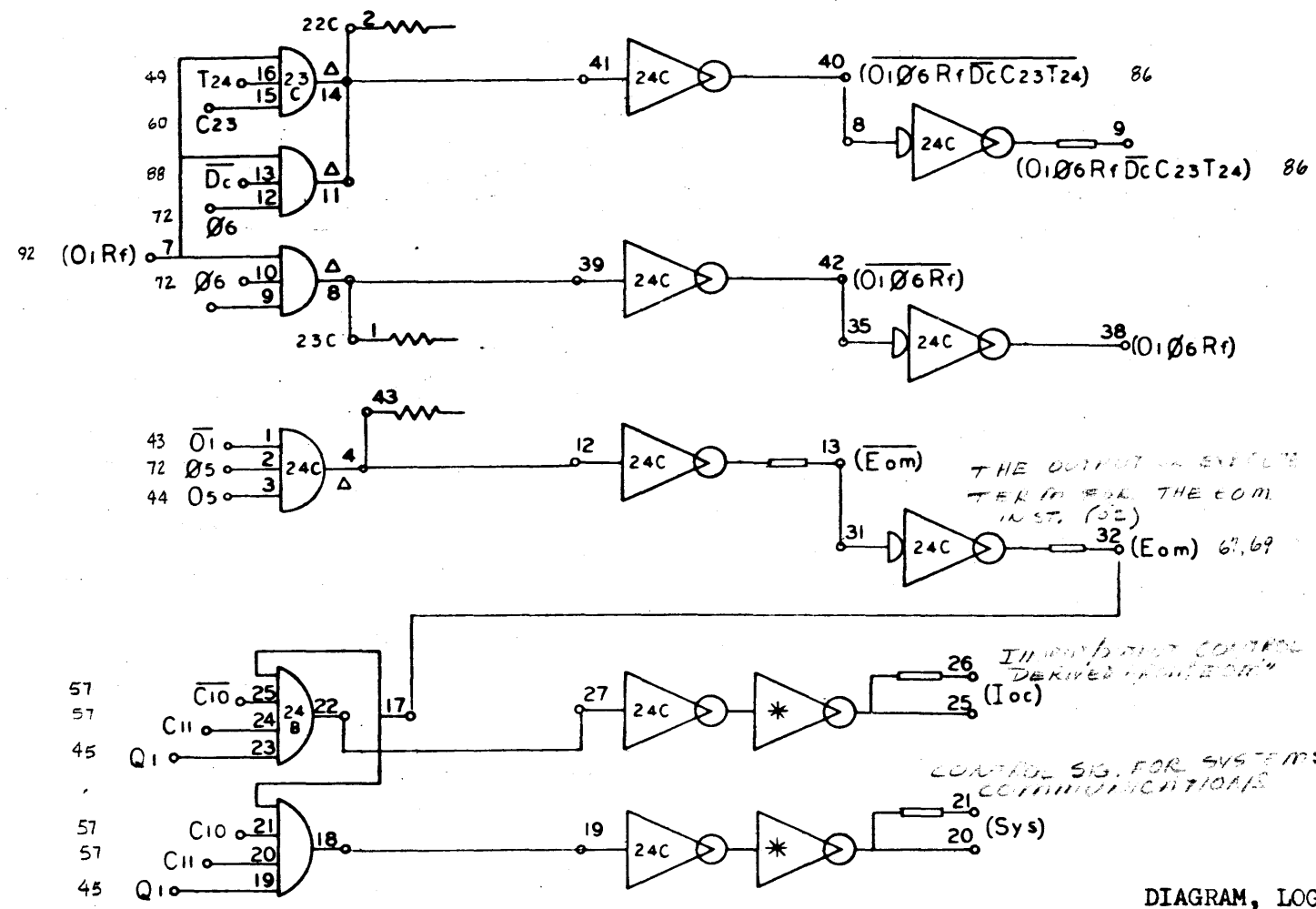


126

910
PAGE 92
F

REV	DRAWING NO.	DESCRIPTION	REFERENCE DESIGNATION	ITEM NO.
MATERIAL LIST				
NOTES UNLESS SPECIFIED		DRAWN <i>LH</i>	DATE <i>9-1-67</i>	SDS SCIENTIFIC DATA SYSTEMS <small>1545 FIFTEENTH STREET SANTA MONICA CALIFORNIA</small>
1. TOLERANCES UNLESS SPECIFIED		CHECK <i>LH</i>	DATE <i>9-1-67</i>	
2. BREAK ALL SHARP EDGES 90° APPROX.		APPR <i>LH</i>		
3. HATCH SURFACES				TITLE
4. ALL DIM. IN INCHES				DIAGRAM, LOGIC, COMPUTER
MODEL NO.		REV D	DWG NO. 101702	SHEET F
NEXT ASSY.		SCALE	DO NOT SCALE DRAWING	SHEET

SEE PREVIOUS PAGE



DIAGRAM, LOGIC,
COMPUTER DWG. NO. 101702

Eom

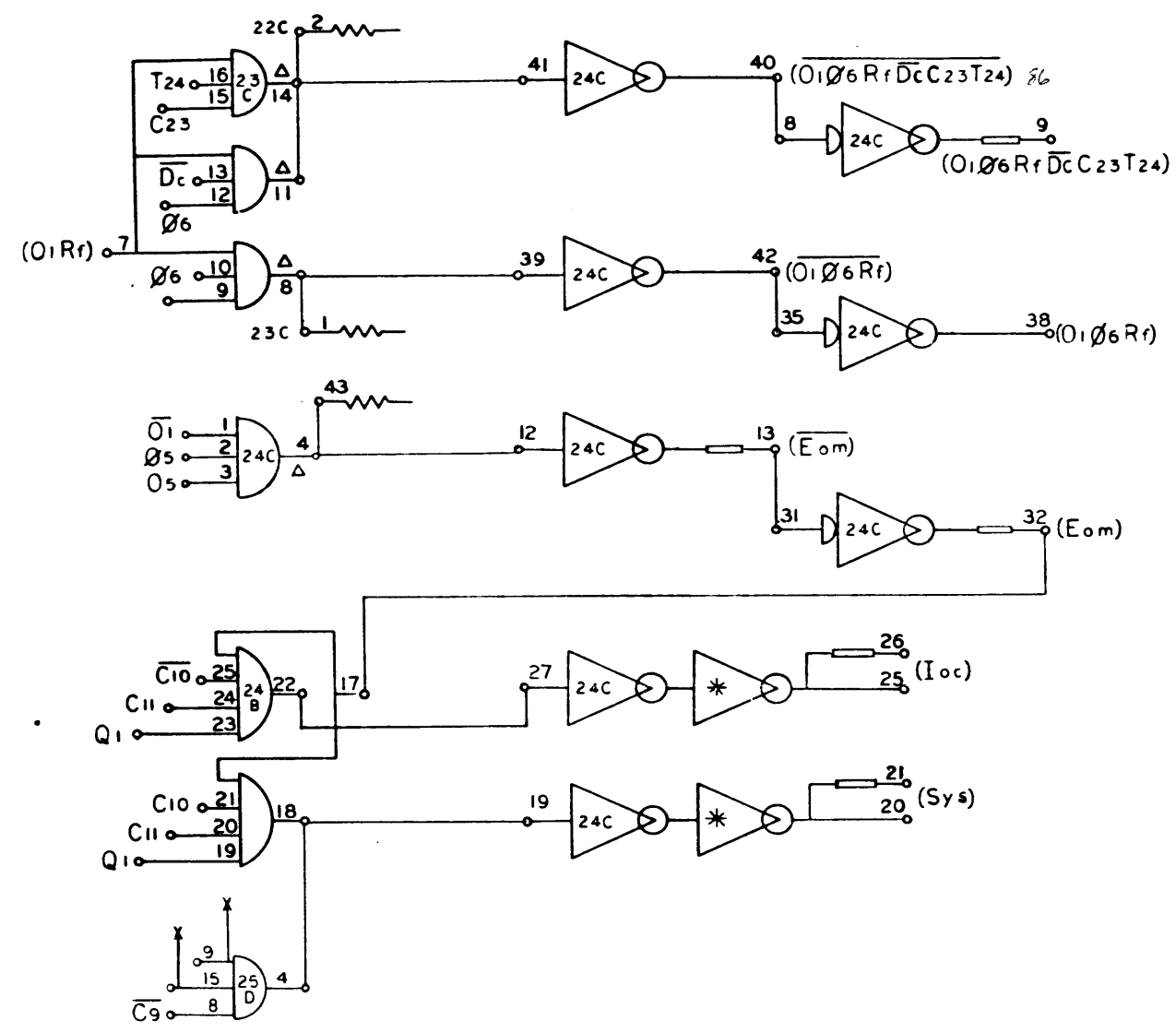
Ioc

Sys

$(\overline{O_1 \ Ø_6 \ R_f \ D_c \ C_{23} \ T_{24}})$, $(O_1 \ Ø_6 \ R_f \ D_c \ C_{23} \ T_{24})$, $(\overline{O_1 \ Ø_6 \ R_f})$, (\overline{Eom}) , (Ioc) , (Sys)

128

REVISIONS				
REV	DESCRIPTION	CHK	DATE	APPROVD
A	REL TO MFG			
J	SEE REVISION E.O.			



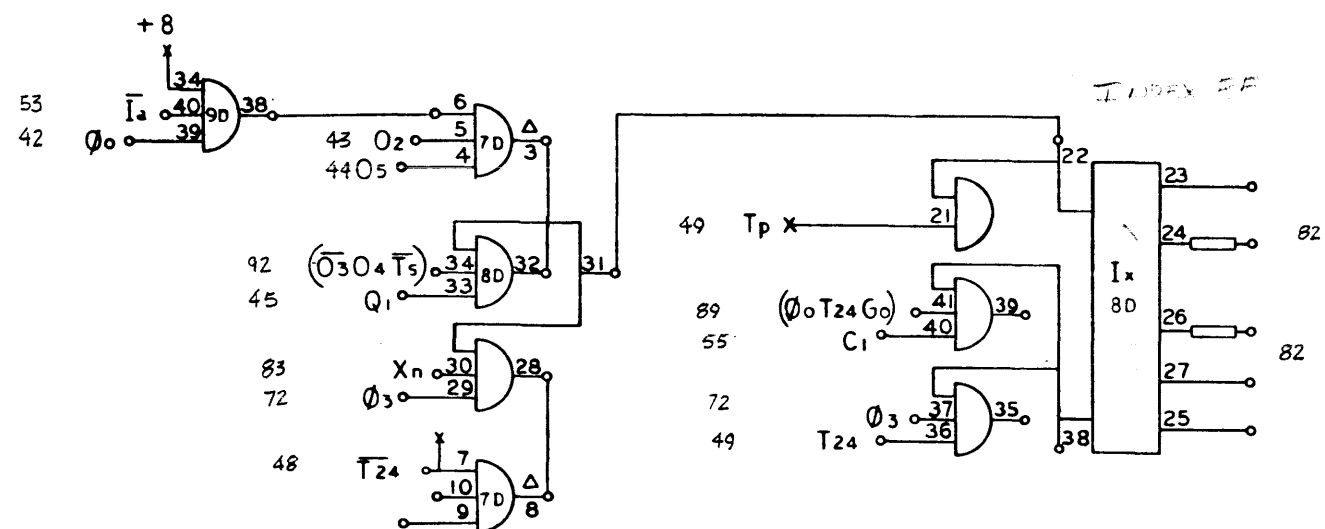
910
PAGE 93
J

NO. REG	DRAWING NO.	DESCRIPTION	REFERENCE DESIGNATION	ITEM NO.
MATERIAL LIST				
NOTES UNLESS SPECIFIED: 1. TOLERANCES: 25 ± 0.00 ANGULAR ± 15" 25 ± 0.10 ± 15" 2. BREAK ALL SHARP EDGES 2:1 APPROX. 3. HIDDEN SURFACES ✓ 4. ALL DIM. IN INCHES				
MODEL NO. 910 NEXT ABBY.		TITLE DIAGRAM, LOGIC, COMPUTER		
SCALE		DO NOT SCALE DRAWING SHEET		
DRAWN: J.C. CHECK: J.C. APPR.		SDS SCIENTIFIC DATA SYSTEMS 1542 FIFTEENTH STREET, SANTA MONICA, CALIFORNIA SIZE: D DWS NO.: 101702		

SEE PREVIOUS PAGE

93

REVISIONS			
REV	DESCRIPTION	CHK	DATE
A	REL TO MF6		



910
PAGE 94
A

129

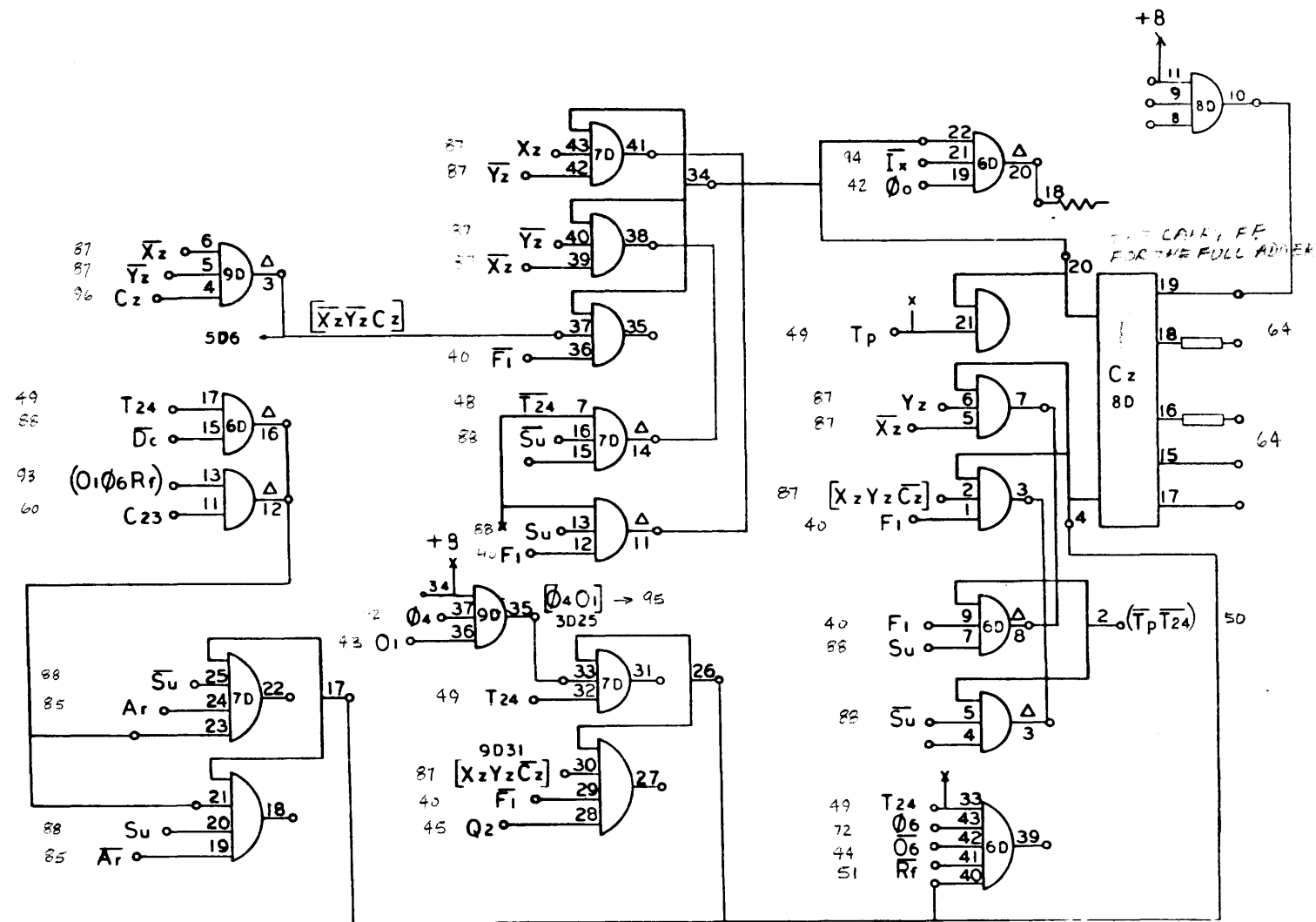
101702
A

SDS NO.	DRAWING NO.	DESCRIPTION	REFERENCE DESIGNATION	ITEM NO.
MATERIAL LIST				
NOTES UNLESS SPECIFIED		DRAWN	CHECK	APPR.
1. TOLERANCES DIM ± .000 ANGULAR DIM ± .000 ± 1/2°		1. H	2. H	3. H
2. BREAK ALL SHARP EDGES AND APPROX.				
3. HIDE SURFACES ✓				
4. ALL DIM. IN INCHES				
MODEL NO.				
LIBRY ASSY.		1945 FIFTEENTH STREET, SANTA MONICA, CALIFORNIA		
		TITLE		
		DIAGRAM, LOGIC, COMPUTER		
		REV	DWG. NO.	
		D	101702	
		SCALE		SHEET
		DO NOT SCALE DRAWING		

94

I_x, \bar{I}_x

REVISIONS			DATE	APPROVED
REV	DESCRIPTION	CHK	DATE	APPROVED
A	REL TO MFG			



910
PAGE 96
A

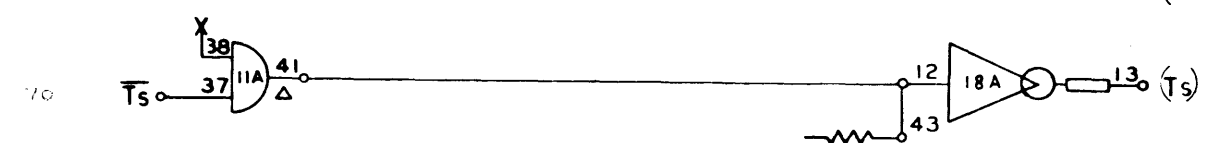
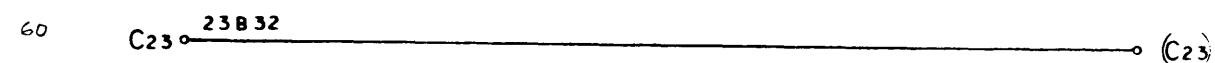
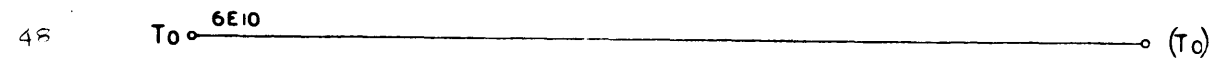
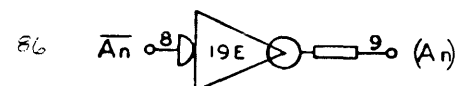
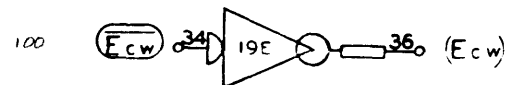
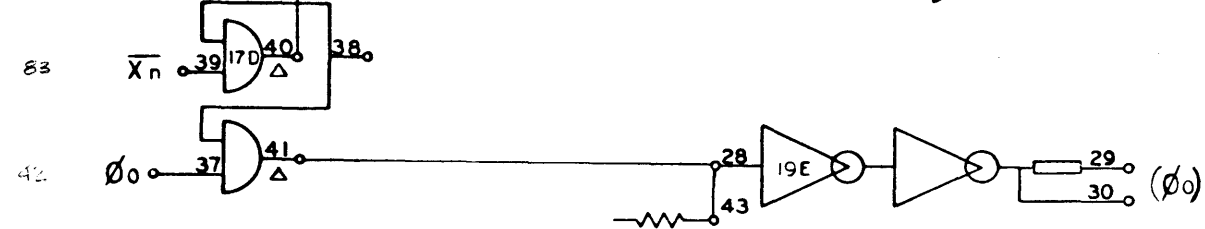
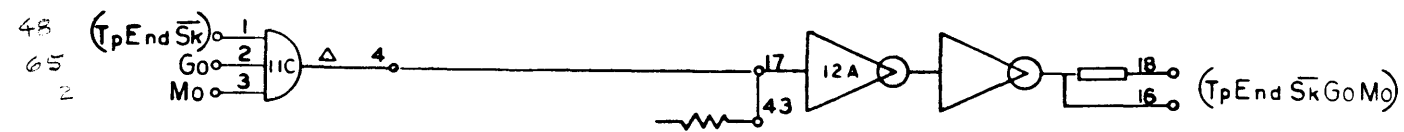
131

101702 A

NO.	DRAWING NO.	DESCRIPTION	REFERENCE DESIGNATION	ITEM NO.
MATERIAL LIST				
SDS SCIENTIFIC DATA SYSTEMS 1948 FIFTEENTH STREET, SANTA MONICA, CALIFORNIA				
NOTES UNLESS SPECIFIED: 1. TOLERANCES: DIM. ±.005 ANGULAR ±1° 2. CHECK ALL SHARP EDGES FOR ROUNDS 3. SPILL SURFACES ✓ 4. ALL DIM. IN INCHES				
DRAWN: [Signature]		TITLE: DIAGRAM, LOGIC, COMPUTER		
CHECK: [Signature]		DWG. NO.: 101702		
APPR: [Signature]		SCALE: DO NOT SCALE DRAWING SHEET		
A.D.D.M. NO.:		NEXT ASSY.:		

96 $[\bar{X}_z \bar{Y}_z C_z]$, C_z , \bar{C}_z

REVISIONS		
REV	DESCRIPTION	CHE DATE APPROVED
1	REL TO MFG	



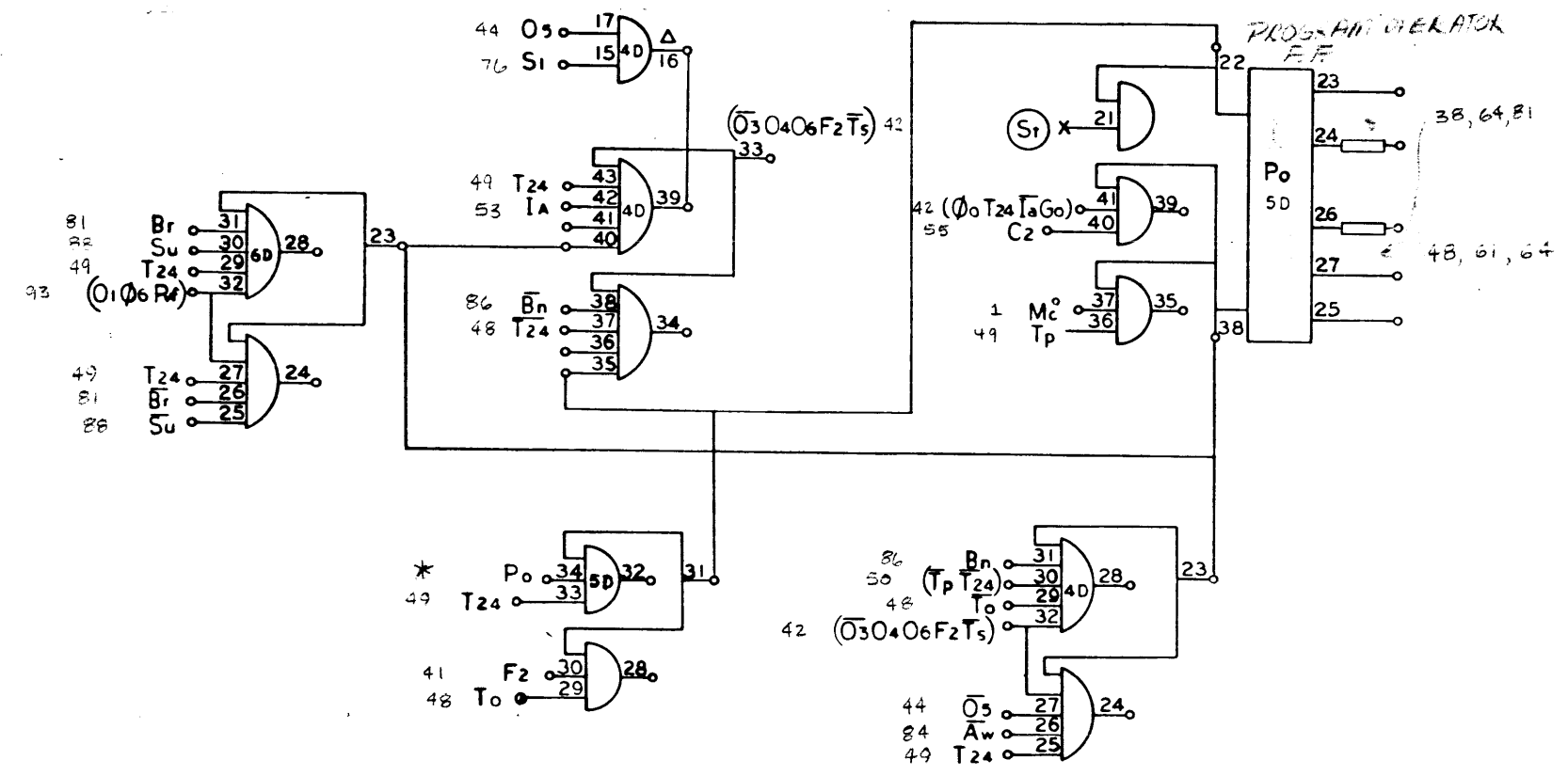
132

910
PAGE 97
A

NO. REQ.	DRAWING NO.	DESCRIPTION	REFERENCE DESIGNATION	QTY
MATERIAL LIST				
NOTES UNLESS SPECIFIED		DRAWN		
1. TOLERANCES UNLESS SPECIFIED		CHECK	1548 FIFTEENTH STREET SANTA MONICA CALIFORNIA	
2. BREAK ALL SHARP CORNERS 2X		APPR	TITLE	
3. BREAK ALL SHARP EDGES 2X			DIAGRAM, LOGIC, COMPUTER	
4. BACK SURFACES			MODEL NO.	
5. ALL DIM. IN INCHES			SIZE D	
			DWS NO. 101702	
			NEXT ASSY.	
			SCALE	
			DO NOT SCALE DRAWING SHEET	

(TpEnd Sk Go Mo), (Bn), (Xn), (phi_0), (E_cw), (An), (To), (C23), (Ts) 97

REV	DESCRIPTION	CHE	DATE	APPROVED
A	REL TO MFG			



910
PAGE 93
A

133

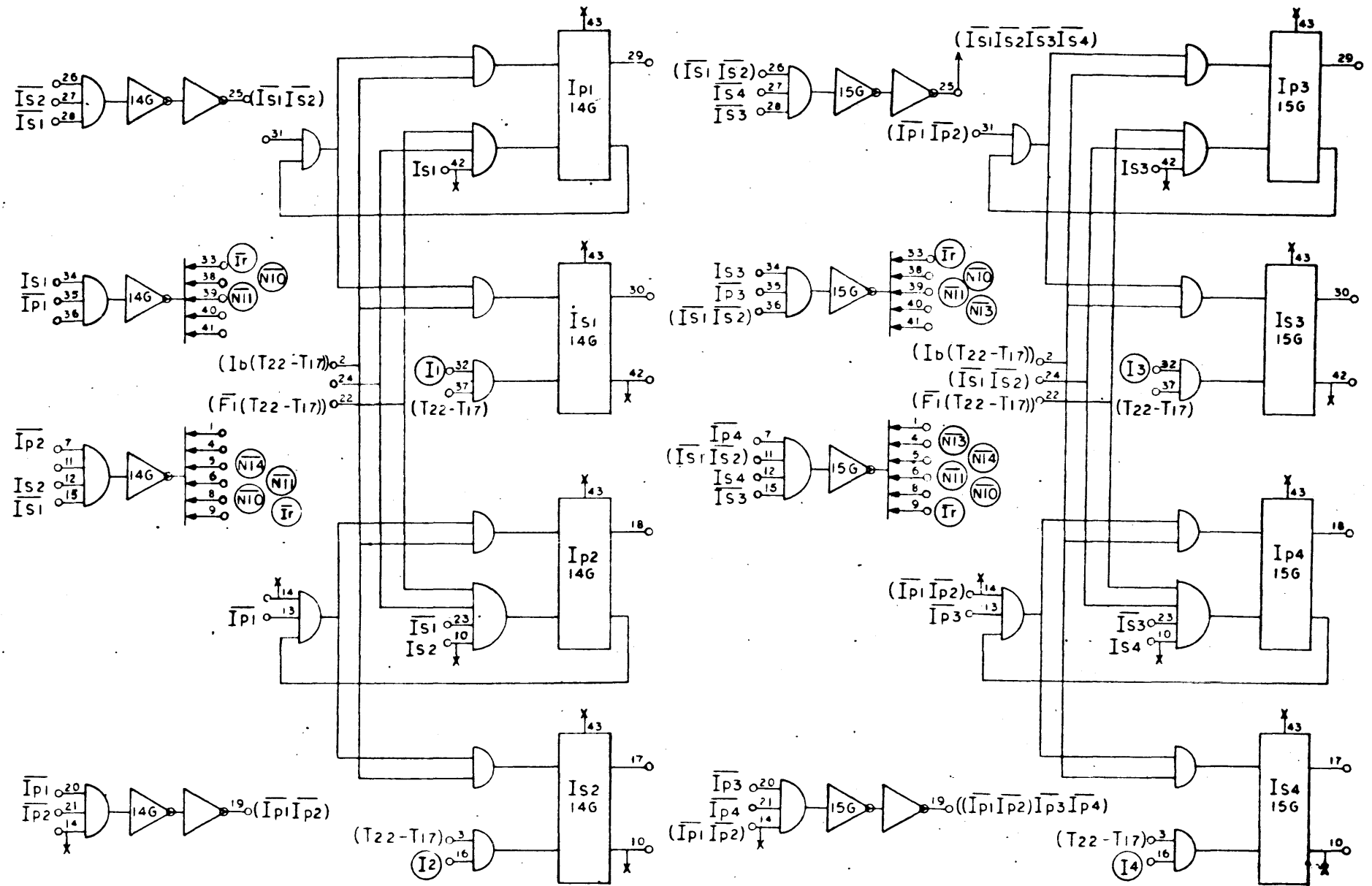
101702
A

NO. REV	DRAWING NO.	DESCRIPTION	REFERENCE DESIGNATION	ITEM NO.
MATERIAL LIST				
NOTES UNLESS SPECIFIED		DRAWN	12-65	
1. TOLERANCES DIM 2.000 ANGULAR 3/16 2.000 2 1/2"		CHECK	10-74	
2. BREAK ALL SHARP EDGES 3/16 SURFACE		APPR.		
3. HIDE SURFACES				
4. ALL DIM. IN INCHES				
		1545 FIFTEENTH STREET, SANTA MONICA, CALIFORNIA		
		TITLE DIAGRAM, LOGIC, COMPUTER		
MODEL NO.		SIZE	DWG NO.	ITEM NO.
NEXT ASSY.		D	101702	A
		SCALE	DO NOT SCALE DRAWING	SHEET

98 Po, Po

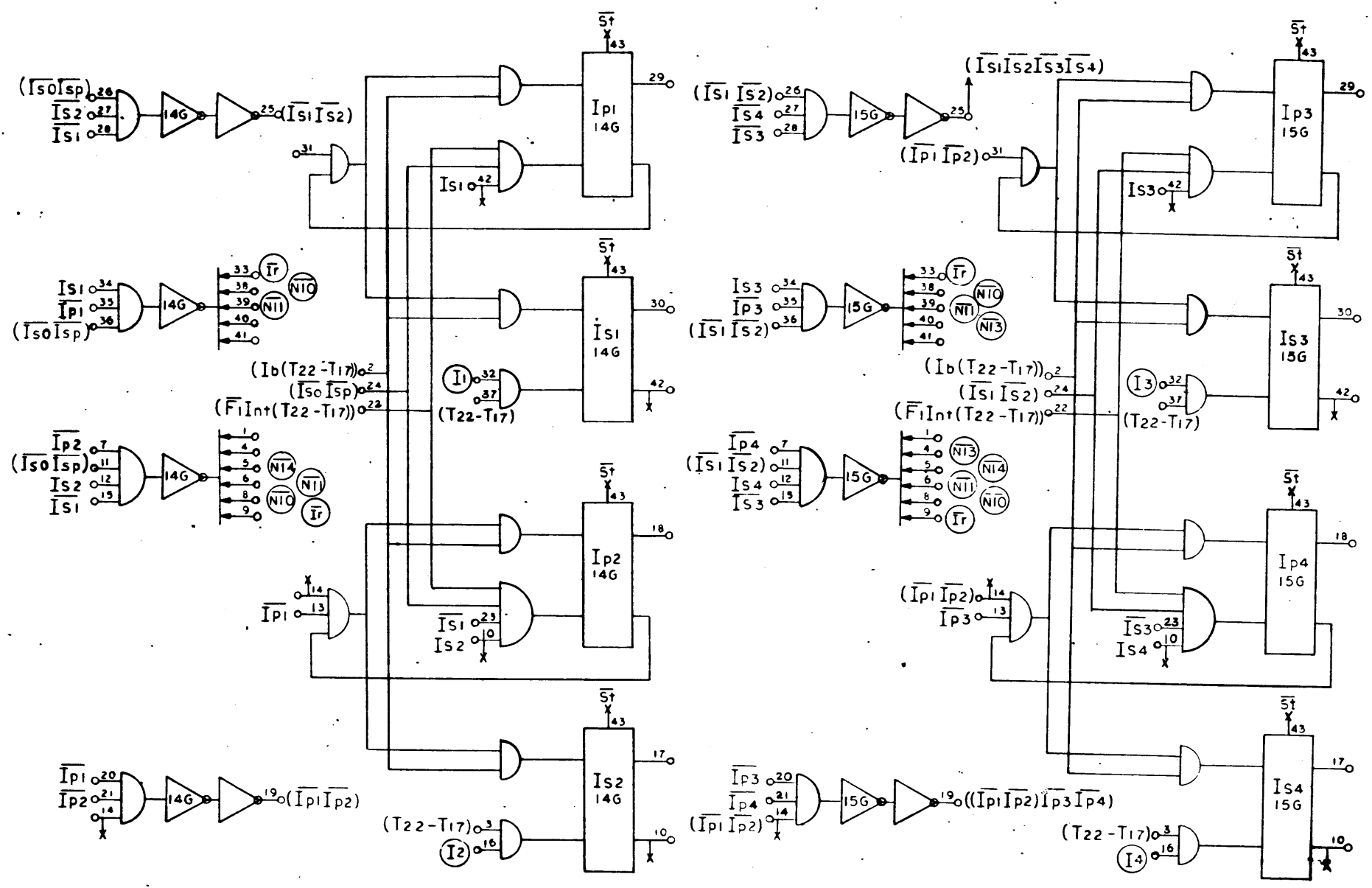
Ip1, Ip2, Ip3, Ip4: COMPUTER HAS ENTERED THE INTERRUPT PROG
 Is1, Is2, Is3, Is4: REQ. FOR "Interrupt Request."

134



DIAGRAM, LOGIC
 COMPUTER DWG. NO. 101702

REVISIONS				DATE	APPROVED
REV	DESCRIPTION	CHK	DATE	APPROVED	
A	REL TO MFG				
G	SEE REV E.O.				



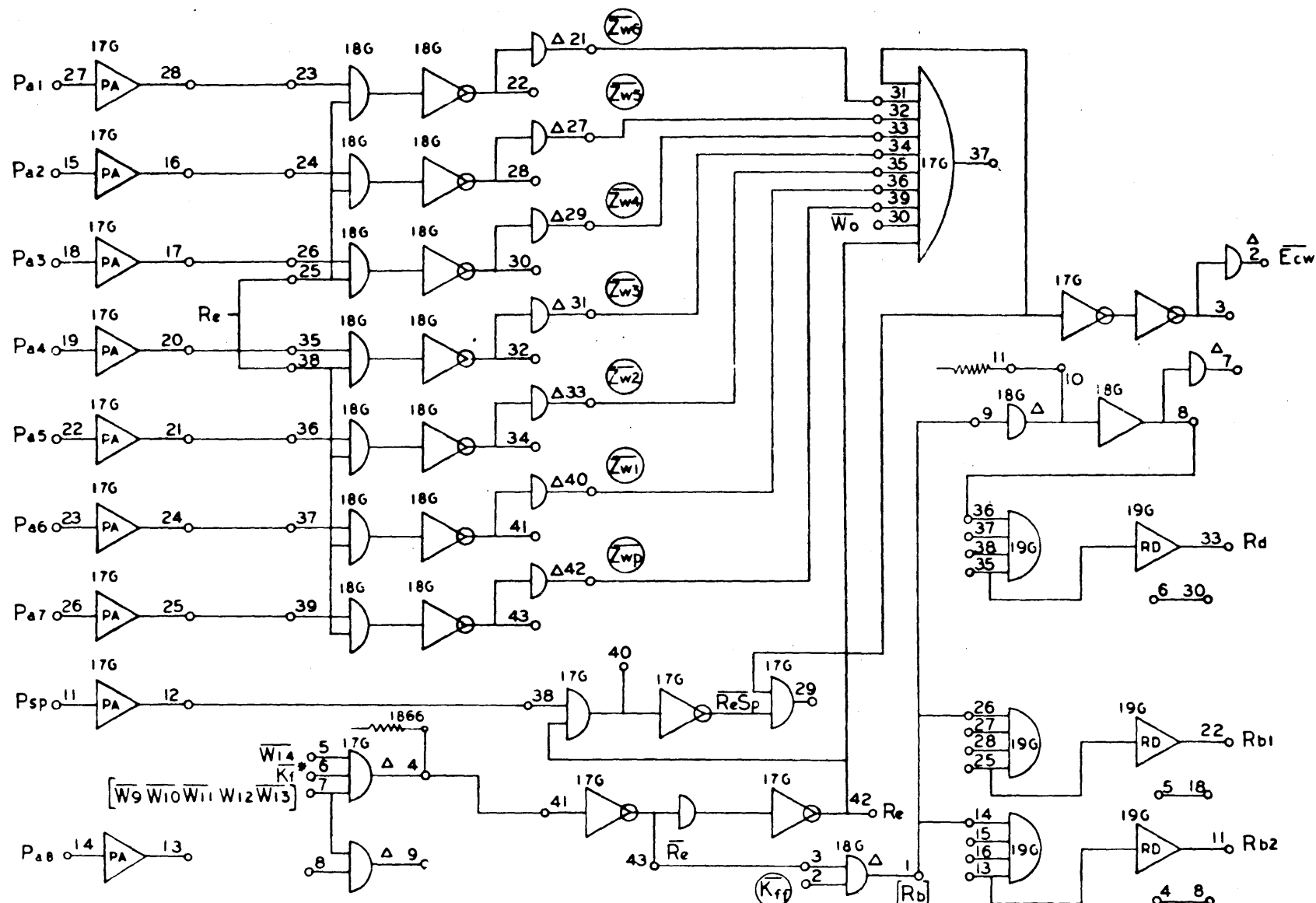
910-920
Priority Interrupt
Page 99
G

135

101702 G

NO. REQ.	DRAWING NO.	DESCRIPTION	REFERENCE DESIGNATION	ITEM NO.
NOTES UNLESS SPECIFIED				
1. TOLERANCES UNLESS SPECIFIED: ANGULAR .0005"				
2. BREAK ALL SHARP CORNERS AND EDGES.				
3. DIMENSIONS ON SURFACES.				
4. ALL DIM. IN INCHES.				
DRAWN: <i>AK</i>		DATE: 11-20-64		
CHECK: <i>AF</i>		DATE: 11-20-64		
APPR: <i>11-20-64</i>		DATE: 11-20-64		
MODEL NO.		SEE DWG NO. 101702		
NEXT ASBY		SCALE: DO NOT SCALE DRAWING SHEET		
		SDS		ITEM NO. G
		SDS SONATYPE DATA SYSTEMS 1542 FIFTEENTH STREET SANTA MONICA CALIFORNIA		
		TITLE: DIAGRAM, LOGIC, COMPUTER		

136

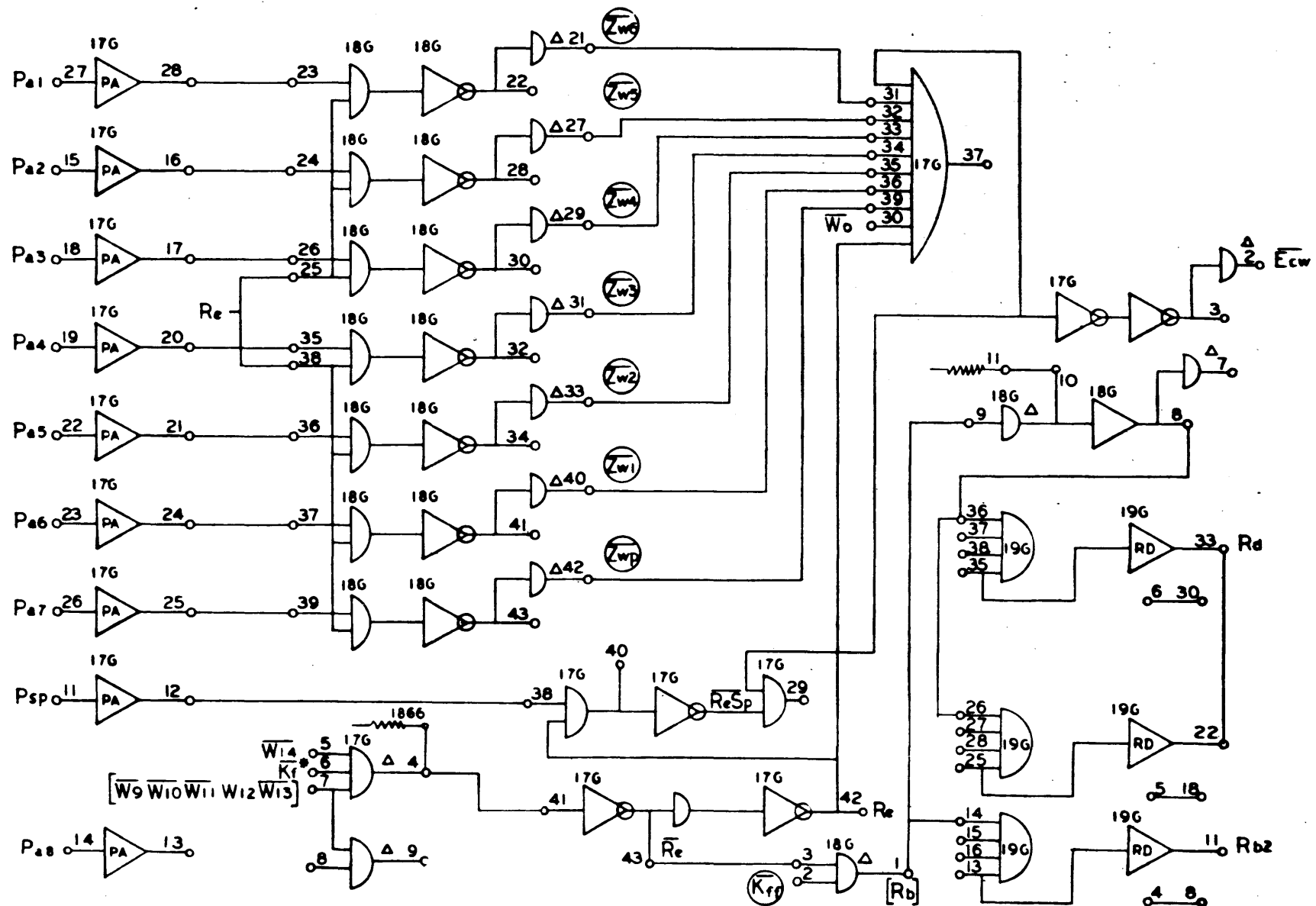


Photocell 17G10 - Par Reference
 Reader Relay 19G40
 Drive Common COMMON

$$E_{cw} = \overline{Zw1} \overline{Zw2} \overline{Zw3} \overline{Zw4} \overline{Zw5} \overline{Zw6} \overline{Zwp} \overline{W0} Re + (ReSp)$$

$$\therefore E_{cw} = (Zw1 + Zw2 + Zw3 + Zw4 + Zw5 + Zw6 + Zwp + W0 + \overline{Re}) (ReSp)$$

DIAGRAM, LOGIC,
 COMPUTER DWG. NO. 101702



Photocell 17G10 - Par
 Reference
 Reader Relay 19G40
 Drive Common COMMON

$$E_{cw} = \overline{Zw_1} \overline{Zw_2} \overline{Zw_3} \overline{Zw_4} \overline{Zw_5} \overline{Zw_6} \overline{Zw_p} \overline{W_0} \overline{R_e} + (\overline{R_e} \overline{S_p})$$

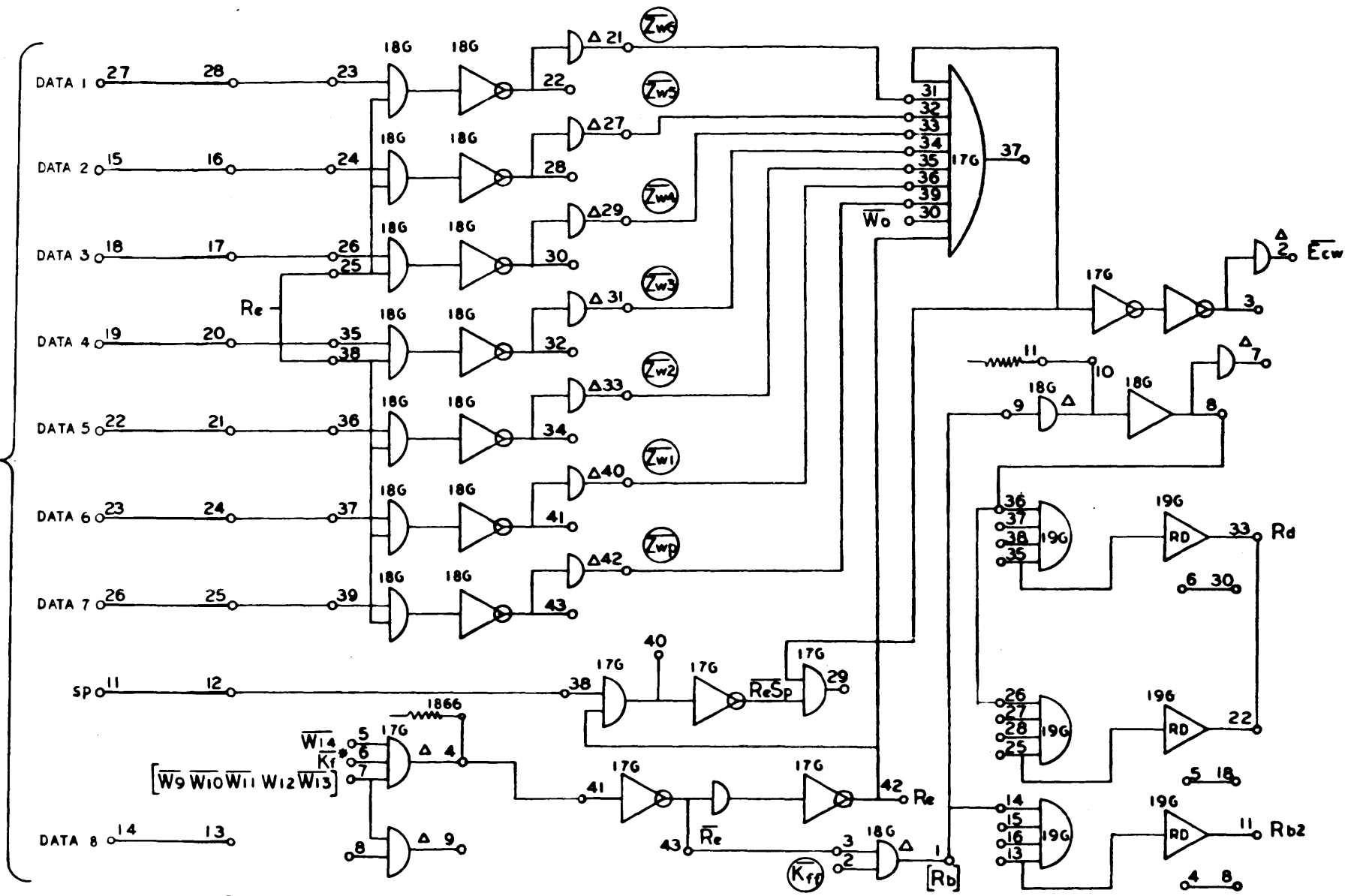
$$\therefore E_{cw} = (Zw_1 + Zw_2 + Zw_3 + Zw_4 + Zw_5 + Zw_6 + Zw_p + W_0 + \overline{R_e}) (\overline{R_e} \overline{S_p})$$

DIAGRAM, LOGIC
 COMPUTER DWG. NO. 101702

1.37

138

REF PHOTO
READER SCHE-
MATIC. 103628



Photocell 17G10 - Par Reference
Reader Relay 19G40 COMMON
Drive Common

$$E_{cw} = \overline{Zw1} \overline{Zw2} \overline{Zw3} \overline{Zw4} \overline{Zw5} \overline{Zw6} \overline{ZwP} \overline{W0} Re + (ReSp)$$

$$\therefore E_{cw} = (Zw1 + Zw2 + Zw3 + Zw4 + Zw5 + Zw6 + ZwP + W0 + \overline{Re}) (ReSp)$$

DIAGRAM, LOGIC,
COMPUTER DWG. NO. 101702 910-920
Photo Reader
Page 100
L

PIN LOCATOR - ROW A

LOC	1	LOC	2	LOC	3	LOC	4	LOC	5	LOC	6	LOC	7	LOC	8	LOC	9	LOC	10	LOC	11	LOC	12	LOC	13
PIN	PAGE	PIN	PAGE	PIN	PAGE	PIN	PAGE	PIN	PAGE	PIN	PAGE	PIN	PAGE	PIN	PAGE	PIN	PAGE	PIN	PAGE	PIN	PAGE	PIN	PAGE	PIN	PAGE
1		1		1	65	1		1	67	1	78	1	78	1	79	1	79	1	80	1	80	1	73	1	53
2		2		2		2	65	2		2		2		2		2		2		2		2		2	
3		3		3		3		3		3		3		3		3		3		3		3		3	
4		4		4		4		4	34	4	74	4	34	4	38	4	53	4	54	4	54	4		4	
5		5		5		5		5		5		5	38	5	54	5		5		5		5	54	5	
6		6		6		6		6		6		6		6	74	6		6		6		6		6	
7		7		7	65	7		7		7		7	34	7	38	7		7		7		7		7	
8		8		8		8		8		8		8		8		8		8		8		8	73	8	
9		9		9		9		9		9		9	34 - 38	9	38 - 54	9		9		9		9		9	
10		10		10		10		10		10		10	38	10	54	10		10		10		10	74	10	
11		11		11	38	11		11		11		11		11	54 - 74	11		11		11		11		11	
12		12		12		12		12		12		12		12	74	12		12		12		12		12	
13		13		13		13		13		13		13	34 - 38	13	38 - 74	13		13		13		13		13	
14		14		14		14		14		14		14	34	14	38	14		14		14		14		14	
15		15		15	65	15		15		15		15		15		15		15		15		15		15	
16		16		16		16		16		16	35	16	35	16	36	16	36	16	37	16	37	16	97	16	
17		17		17		17		17		17		17	35	17		17		17		17		17		17	
18		18		18		18		18		18		18		18		18		18		18		18		18	
19		19		19	65	19		19		19		19		19		19		19		19		19	73	19	
20		20		20		20		20		20		20		20		20		20		20		20		20	
21		21		21		21		21		21		21		21		21		21		21		21		21	53 - 54
22		22		22		22		22		22		22		22		22		22		22		22	77	22	54
23		23		23		23		23		23		23		23		23		23		23		23		23	
24		24		24		24		24		24		24		24		24		24		24		24		24	
25		25		25		25		25		25		25		25		25		25		25		25	38	25	
26		26		26		26		26		26		26		26		26		26		26		26		26	
27		27		27		27		27		27		27		27		27		27		27		27		27	
28		28		28		28		28		28		28		28		28		28		28		28	54	28	
29		29		29		29		29		29		29		29		29		29		29		29		29	
30		30		30		30		30		30		30		30		30		30		30		30		30	
31		31		31		31		31		31		31		31		31		31		31		31	73	31	
32		32		32		32		32		32		32		32		32		32		32		32		32	
33		33		33		33		33		33		33		33		33		33		33		33	74	33	
34		34		34		34		34		34		34		34		34		34		34		34	75	34	
35		35		35		35		35		35		35		35		35		35		35		35	74	35	
36		36		36		36		36		36		36		36		36		36		36		36	75	36	
37		37		37		37		37		37	38	37	38	37	34	37	53	37	53	37	97	37	74	37	
38		38		38		38		38		38	34 - 38	38	34 - 38	38		38		38		38	53 - 97	38		38	
39		39		39		39		39		39	34	39	34	39		39		39		39	53	39		39	
40		40		40		40		40		40		40		40		40		40		40		40		40	
41		41		41		41		41		41	38	41	38	41		41		41		41	97	41		41	
42		42		42		42		42		42		42		42		42		42		42		42		42	
43		43		43		43		43		43		43		43		43		43		43		43	97	43	
44		44		44		44		44		44		44		44		44		44		44		44		44	
45		45		45		45		45		45		45		45		45		45		45		45		45	
46		46		46		46		46		46		46		46		46		46		46		46		46	
47		47		47		47		47		47		47		47		47		47		47		47		47	

139

PIN LOCATOR - ROW A

LOC	14	LOC	15	LOC	16	LOC	17	LOC	18	LOC	19	LOC	20	LOC	21	LOC	22	LOC	23	LOC	24	LOC	25	LOC
PIN	PAGE	PIN	PAGE	PIN	PAGE	PIN	PAGE	PIN	PAGE	PIN	PAGE	PIN	PAGE	PIN	PAGE	PIN	PAGE	PIN	PAGE	PIN	PAGE	PIN	PAGE	
1	77	1	70	1	67	1		1	79	1	76	1	76	1	77	1	77	1	78	1	79	1	80	1
2	54	2		2		2		2		2		2		2		2		2		2		2		2
3		3		3		3		3		3		3		3		3		3		3		3		3
4		4		4		4		4		4		4		4		4		4		4		4		4
5		5		5		5		5	73	5		5		5		5		5		5		5		5
6		6		6		6		6	73	6		6		6		6		6		6		6		6
7	54, 70	7		7		7		7	73	7		7		7		7		7		7		7		7
8	54	8	73	8		8		8	75	8	73	8	73	8	79	8	80	8		8		8		8
9		9		9		9		9	75	9		9		9	79	9	80	9		9		9		9
10		10		10		10		10	77	10		10		10	79	10	80	10		10		10		10
11		11		11		11		11	77	11		11		11	79, 80	11	79, 80	11		11		11		11
12		12		12		12		12	97	12		12		12	80	12	79	12		12		12		12
13		13		13		13		13	97	13		13		13	80	13	79	13		13		13		13
14	70	14		14		14		14	75	14		14		14	80	14	79	14		14		14		14
15	70	15	70	15		15		15	75	15	76	15	76	15	77	15	77	15		15		15		15
16	70	16		16		16		16	73	16		16		16		16		16		16		16		16
17	53	17		17		17		17		17		17		17		17		17		17		17		17
18		18		18		18		18		18		18		18		18		18		18		18		18
19		19		19		19		19		19		19		19		19		19		19		19		19
20		20		20		20		20		20		20		20		20		20		20		20		20
21		21		21		21		21		21		21		21		21		21		21		21		21
22		22		22		22		22	77	22		22		22		22		22		22		22		22
23		23		23		23		23	77	23		23		23		23		23		23		23		23
24		24		24		24		24	77	24		24		24		24		24		24		24		24
25		25		25		25		25	73	25		25		25		25		25		25		25		25
26	70	26		26		26	77	26	73	26		26		26		26		26		26		26		26
27		27		27		27		27	73	27		27		27		27		27		27		27		27
28		28		28		28		28	70	28	73	28	79	28	79	28	80	28		28		28		28
29		29		29		29		29	70	29		29		29	79	29	80	29		29		29		29
30		30		30		30		30	70	30		30		30	79	30	80	30		30		30		30
31		31		31		31		31	75	31		31		31	78, 79	31	75, 80	31		31		31		31
32		32		32		32		32	75	32		32		32	78	32	75	32		32		32		32
33		33		33		33		33	77	33		33		33	78	33	75	33		33		33		33
34	70, 53, 54	34		34		34		34	75	34		34		34	78	34	75	34		34		34		34
35	53	35		35		35		35	75	35	76	35	76	35	77	35	77	35		35		35		35
36	53	36		36		36		36	75	36		36		36		36		36		36		36		36
37	53	37		37		37		37	77	37		37		37		37		37		37		37		37
38	54	38		38		38		38	75	38		38		38		38		38		38		38		38
39	54	39		39		39		39	73	39		39		39		39		39		39		39		39
40	54	40		40		40		40	75	40		40		40		40		40		40		40		40
41	70	41		41		41		41	75	41		41		41		41		41		41		41		41
42	70	42		42		42		42	73	42		42		42		42		42		42		42		42
43	70	43		43		43		43	97	43		43		43		43		43		43		43		43
44		44		44		44		44		44		44		44		44		44		44		44		44
45		45		45		45		45		45		45		45		45		45		45		45		45
46		46		46		46		46		46		46		46		46		46		46		46		46
47		47		47		47		47		47		47		47		47		47		47		47		47

140

PIN LOCATOR - ROW A

LOC	14	LOC	15	LOC	16	LOC	17	LOC	18	LOC	19	LOC	20	LOC	21	LOC	22	LOC	23	LOC	24	LOC	25	LOC	
PIN	PAGE	PIN	PAGE	PIN	PAGE	PIN	PAGE	PIN	PAGE	PIN	PAGE	PIN	PAGE	PIN	PAGE	PIN	PAGE	PIN	PAGE	PIN	PAGE	PIN	PAGE	PIN	PAGE
1	77	1	70	1	67	1		1	79	1	76	1	76	1	77	1	77	1	78	1	79	1	80	1	
2	54	2		2		2		2		2		2		2		2		2		2		2		2	
3		3		3		3		3		3		3		3		3		3		3		3		3	
4		4		4		4		4		4		4		4		4		4		4		4		4	
5		5		5		5		5	73	5		5		5		5		5		5		5		5	
6		6		6		6		6	73	6		6		6		6		6		6		6		6	
7	54, 70	7		7		7	64	7	73	7		7		7		7		7		7		7		7	
8	54	8	73	8		8		8	75	8	73	8	73	8	79	8	80	8		8		8		8	
9		9		9		9		9	75	9		9		9	79	9	80	9		9		9		9	
10		10		10		10		10	77	10		10		10	79	10	80	10		10		10		10	
11		11		11		11		11	77	11		11		11	79, 80	11	79, 80	11		11		11		11	
12		12		12		12		12	97	12		12		12	80	12	79	12		12		12		12	
13		13		13		13		13	97	13		13		13	80	13	79	13		13		13		13	
14	70	14		14		14		14	75	14		14		14	80	14	79	14		14		14		14	
15	70	15	70	15		15		15	75	15	76	15	76	15	77	15	77	15		15		15		15	
16	70	16		16		16		16	73	16		16		16		16		16		16		16		16	
17	53	17		17		17		17		17		17		17		17		17		17		17		17	
18		18		18		18		18		18		18		18		18		18		18		18		18	
19		19		19		19		19		19		19		19		19		19		19		19		19	
20		20		20		20		20		20		20		20		20		20		20		20		20	
21		21		21		21		21		21		21		21		21		21		21		21		21	
22		22		22		22		22	77	22		22		22		22		22		22		22		22	
23		23		23		23		23	77	23		23		23		23		23		23		23		23	
24		24		24		24		24	77	24		24		24		24		24		24		24		24	
25		25		25		25		25	73	25		25		25		25		25		25		25		25	
26	70	26		26		26	77	26	73	26		26		26		26		26		26		26		26	
27		27		27		27		27	73	27		27		27		27		27		27		27		27	
28		28		28		28		28	70	28	73	28	79	28	79	28	80	28		28		28		28	
29		29		29		29		29	70	29		29		29	79	29	80	29		29		29		29	
30		30		30		30		30	70	30		30		30	79	30	80	30		30		30		30	
31		31		31		31		31	75	31		31		31	78, 79	31	75, 80	31		31		31		31	
32		32		32		32		32	75	32		32		32	78	32	75	32		32		32		32	
33		33		33		33		33	77	33		33		33	78	33	75	33		33		33		33	
34	70, 53, 54	34		34		34	51	34	75	34		34		34	78	34	75	34		34		34		34	
35	53	35		35		35		35	75	35	76	35	76	35	77	35	77	35		35		35		35	
36	53	36		36		36		36	75	36		36		36		36		36		36		36		36	
37	53	37		37		37		37	77	37		37		37		37		37		37		37		37	
38	54	38		38		38		38	75	38		38		38		38		38		38		38		38	
39	54	39		39		39		39	73	39		39		39		39		39		39		39		39	
40	54	40		40		40		40	75	40		40		40		40		40		40		40		40	
41	70	41		41		41		41	75	41		41		41		41		41		41		41		41	
42	70	42		42		42		42	73	42		42		42		42		42		42		42		42	
43	70	43		43		43		43	97	43		43		43		43		43		43		43		43	
44		44		44		44		44		44		44		44		44		44		44		44		44	
45		45		45		45		45		45		45		45		45		45		45		45		45	
46		46		46		46		46		46		46		46		46		46		46		46		46	
47		47		47		47		47		47		47		47		47		47		47		47		47	

141

PIN LOCATOR - ROW A

LOC	26	LOC	27	LOC	28	LOC	29	LOC	30	LOC	31	LOC	32	LOC	33	LOC	34	LOC	35	LOC	36	LOC	37	LOC	38
PIN	PAGE	PIN	PAGE	PIN	PAGE	PIN	PAGE	PIN	PAGE	PIN	PAGE	PIN	PAGE	PIN	PAGE	PIN	PAGE	PIN	PAGE	PIN	PAGE	PIN	PAGE	PIN	PAGE
1		1	15	1	2	1	2	1	3	1	3	1	4	1	4	1	5	1	5	1	1	1	6	1	6
2	15	2	15	2		2		2		2		2		2		2		2		2		2		2	
3	1	3	1	3		3		3		3		3		3		3		3		3		3		3	
4		4		4		4		4		4		4		4		4		4		4		4		4	
5		5		5	14	5		5		5		5		5		5		5		5	14	5		5	
6		6		6	14	6		6		6		6		6		6		6		6	14	6		6	
7		7	15	7	14	7		7		7		7		7		7		7		7	14	7		7	
8		8		8		8		8	14	8		8	10	8	10	8	10	8	10	8	11	8	9	8	9
9		9		9		9		9		9		9		9		9		9		9		9		9	
10		10		10	12	10		10		10		10		10		10		10		10		10		10	
11		11		11		11		11		11		11		11		11		11		11		11		11	
12		12		12		12		12		12		12		12		12		12		12		12		12	
13		13		13		13		13		13		13		13		13		13		13		13		13	
14		14		14		14		14		14		14		14		14		14		14		14		14	
15		15		15		15	2	15	3	15	3	15	4	15	4	15	5	15	5	15		15	6	15	6
16		16		16	13	16		16		16		16		16		16		16		16		16		16	
17		17	13	17	13	17		17		17		17		17		17		17		17		17		17	
18		18		18	13	18		18		18		18		18		18		18		18		18		18	
19		19		19	1	19		19		19		19		19		19		19		19	1	19		19	
20		20		20	1	20		20		20		20		20		20		20		20	1	20		20	
21		21		21	1	21		21		21		21		21		21		21		21	1	21		21	
22		22		22		22		22		22		22		22		22		22		22		22		22	
23		23		23		23		23		23		23		23		23		23		23		23		23	
24		24		24		24		24		24		24		24		24		24		24		24		24	
25		25		25	1	25		25		25		25		25		25		25		25	15	25		25	
26		26		26	1	26		26		26		26		26		26		26		26	15	26		26	
27		27		27	1	27		27		27		27		27		27		27		27	15	27		27	
28		28		28	13	28	13	28	14	28	10	28	10	28	10	28	10	28	10	28	14	28	9	28	9
29		29		29	13	29		29		29		29		29		29		29		29	14	29		29	
30		30		30	13	30		30		30		30		30		30		30		30	14	30		30	
31		31		31		31		31		31		31		31		31		31		31	12	31		31	
32		32		32		32		32		32		32		32		32		32		32		32		32	
33		33		33	12	33		33		33		33		33		33		33		33		33		33	
34		34	1, 14	34	14	34		34		34		34		34		34		34		34		34		34	
35		35	1	35	12	35	2	35	3	35	3	35	4	35	4	35	5	35	5	35		35	6	35	6
36		36	1	36	14	36		36		36		36		36		36		36		36		36		36	
37		37	1	37	12	37		37		37		37		37		37		37		37		37		37	
38		38	14	38	12	38		38		38		38		38		38		38		38		38		38	
39		39		39	12	39		39		39		39		39		39		39		39		39		39	
40		40		40	13	40		40		40		40		40		40		40		40		40		40	
41		41		41	13	41		41		41		41		41		41		41		41		41		41	
42		42		42	12	42		42		42		42		42		42		42		42		42		42	
43		43		43	1	43		43		43		43		43		43		43		43		43		43	
44		44		44		44		44		44		44		44		44		44		44		44		44	
45		45		45		45		45		45		45		45		45		45		45		45		45	
46		46		46		46		46		46		46		46		46		46		46		46		46	
47		47		47		47		47		47		47		47		47		47		47		47		47	

142

PIN LOCATOR - ROW B

LOC	1	LOC	2	LOC	3	LOC	4	LOC	5	LOC	6	LOC	7	LOC	8	LOC	9	LOC	10	LOC	11	LOC	12	LOC	13
PIN	PAGE	PIN	PAGE	PIN	PAGE	PIN	PAGE	PIN	PAGE	PIN	PAGE	PIN	PAGE	PIN	PAGE	PIN	PAGE	PIN	PAGE	PIN	PAGE	PIN	PAGE	PIN	PAGE
1	88	1	61	1	71	1	66	1	63	1	61	1	63	1	63	1	60	1	77	1	62	1	74	1	74
2		2	88	2		2		2	63	2		2		2	66	2	64	2	64	2	64	2	74	2	74
3		3		3	71	3		3	66	3		3		3	72	3		3		3		3	74	3	74
4		4		4	71	4		4		4		4		4		4		4		4		4	64	4	55
5		5		5	71	5		5		5		5	60	5		5		5		5		5	55	5	
6		6		6	71	6		6		6		6	60	6		6		6		6		6	55	6	
7		7		7	61	7		7	63	7		7	60	7	64, 60	7		7	64	7		7	64	7	
8		8		8		8		8		8	89	8	66	8	60	8		8		8		8	64	8	
9		9		9		9		9		9	89	9	66	9	60	9		9		9		9	55, 64	9	
10		10	61	10		10		10		10	68	10	91	10	60	10		10		10		10	55	10	
11		11	88	11		11		11		11		11	91	11	64	11		11		11		11	55	11	
12		12	88	12		12		12		12		12	68	12		12		12		12		12	55	12	
13		13	88	13		13		13		13		13	68	13		13		13		13		13	55, 64	13	
14		14	61	14		14		14		14		14	66	14		14		14		14		14	64	14	
15		15	65	15		15		15		15		15	66	15		15		15		15		15		15	
16		16	65	16		16		16		16	63	16	71	16		16		16		16		16		16	
17		17	65	17	88	17	66, 61	17	61	17	63	17	71	17	72	17		17		17		17		17	
18		18	66	18		18	61	18		18	63	18	71	18		18		18		18		18		18	
19		19	88	19		19		19		19	61	19	61	19		19		19		19		19		19	
20		20		20		20		20		20	61	20	61	20		20		20		20		20		20	
21		21		21		21		21		21	61	21	61	21		21		21		21		21		21	
22		22		22		22	66	22		22	70	22	91	22		22		22		22		22		22	
23		23		23		23		23		23	70	23	91	23		23		23		23		23		23	
24		24		24		24		24		24	70	24	91	24		24		24		24		24		24	
25		25		25		25		25		25	61	25	63	25		25		25		25		25		25	
26		26		26		26		26		26	61	26	63	26	66	26		26		26		26	55	26	
27		27		27		27		27		27	61	27	63	27		27		27		27		27	55	27	
28		28		28		28		28		28	68	28	72	28		28		28		28		28	55	28	
29		29		29		29		29		29	68	29	72	29		29		29		29		29	55, 64	29	
30		30		30		30		30		30	68	30	72	30		30		30		30		30	55	30	
31		31		31		31		31		31	72	31	66	31		31		31		31		31		31	
32		32		32		32		32		32	72	32	66	32		32		32		32		32		32	
33		33		33		33		33		33	66	33		33		33		33		33		33		33	
34		34		34		34		34	63	34	68	34	66	34	61	34		34		34		34		34	
35		35		35		35		35		35	72	35	45	35		35		35		35		35		35	
36		36		36		36		36		36	68	36	66	36		36		36		36		36		36	
37		37		37		37		37		37	66	37		37		37		37		37		37	64	37	64
38		38		38		38		38		38	72	38	45	38		38		38		38		38		38	
39		39		39		39		39		39	66	39	68	39		39		39		39		39		39	
40		40		40		40		40		40	68	40	72	40		40		40		40		40		40	
41		41		41		41		41		41	68	41	72	41		41		41		41		41		41	
42		42		42		42		42		42	66	42	68	42		42		42		42		42		42	
43		43		43		43		43		43	61	43	63	43		43		43		43		43		43	
44		44		44		44		44		44		44		44		44		44		44		44		44	
45		45		45		45		45		45		45		45		45		45		45		45		45	
46		46		46		46		46		46		46		46		46		46		46		46		46	
47		47		47		47		47		47		47		47		47		47		47		47		47	

145

PIN LOCATOR - ROW B

LOC	1	LOC	2	LOC	3	LOC	4	LOC	5	LOC	6	LOC	7	LOC	8	LOC	9	LOC	10	LOC	11	LOC	12	LOC	13
PIN	PAGE	PIN	PAGE	PIN	PAGE	PIN	PAGE	PIN	PAGE	PIN	PAGE	PIN	PAGE	PIN	PAGE	PIN	PAGE	PIN	PAGE	PIN	PAGE	PIN	PAGE	PIN	PAGE
1	88	1	61	1	71	1	66	1	63	1	61	1	63	1	63	1	60	1	77	1	62	1	74	1	74
2		2	88	2		2		2	63	2		2		2	66	2	64	2	64	2	64	2	74	2	74
3		3		3	71	3		3	66	3		3		3	72	3		3		3		3	74	3	74
4		4		4	71	4		4		4		4		4		4		4		4		4	64	4	55
5		5		5	71	5		5		5		5	60	5		5		5		5		5	55	5	
6		6		6	71	6		6		6		6	60	6		6		6	66	6		6	55	6	
7		7		7	61	7		7	63	7		7	60	7	64, 60	7		7	64	7		7	64	7	
8		8		8		8		8		8	89	8	66	8	60	8		8		8		8	64	8	
9		9		9		9		9		9	89	9	66	9	60	9		9		9		9	55, 64	9	
10		10	61	10		10		10		10	68	10	91	10	60	10		10		10		10	55	10	
11		11	88	11		11		11		11		11	91	11	64	11		11		11		11	55	11	
12		12	88	12		12		12		12		12	68	12		12		12		12		12	55	12	
13		13	88	13		13		13		13		13	68	13		13		13		13		13	55, 64	13	
14		14	61	14		14		14		14		14	66	14		14		14		14		14	64	14	
15		15	65	15		15		15		15		15	66	15		15		15		15		15		15	
16		16	65	16		16		16		16	63	16	71	16		16		16		16		16		16	
17		17	65	17	88	17	66 - 61	17	61	17	63	17	71	17	72	17		17		17		17		17	
18		18	66	18		18	61	18		18	63	18	71	18		18		18		18		18		18	
19		19	88	19		19		19		19	61	19	61	19		19		19		19		19		19	
20		20		20		20		20		20	61	20	61	20		20		20		20		20		20	
21		21		21		21		21		21	61	21	61	21		21		21		21		21		21	
22		22		22		22	66	22		22	70	22	91	22		22		22		22		22		22	
23		23		23		23		23		23	70	23	91	23		23		23		23		23		23	
24		24		24		24		24		24	70	24	91	24		24		24		24		24		24	
25		25		25		25		25		25	61	25	63	25		25		25		25		25		25	
26		26		26		26		26		26	61	26	63	26	66	26		26		26		26	55	26	
27		27		27		27		27		27	61	27	63	27		27		27		27		27	55	27	
28		28		28		28		28		28	68	28	72	28		28		28		28		28	55	28	
29		29		29		29		29		29	68	29	72	29		29		29		29		29	55, 64	29	
30		30		30		30		30		30	68	30	72	30		30		30		30		30	55	30	
31		31		31		31		31		31	72	31	66	31		31		31		31		31		31	
32		32		32		32		32		32	72	32	66	32		32		32		32		32		32	
33		33		33		33		33		33	66	33		33		33		33		33		33		33	
34		34		34		34		34	63	34	68	34	66	34	61	34		34		34		34		34	
35		35		35		35		35		35	72	35	45	35		35		35		35		35		35	
36		36		36		36		36		36	68	36	66	36		36		36		36		36		36	
37		37		37		37		37		37	66	37		37		37		37		37		37	64	37	64
38		38		38		38		38		38	72	38	45	38		38		38		38		38		38	
39		39		39		39		39		39	66	39	68	39		39		39		39		39		39	
40		40		40		40		40		40	68	40	72	40		40		40		40		40		40	
41		41		41		41		41		41	68	41	72	41		41		41		41		41		41	
42		42		42		42		42		42	66	42	68	42		42		42		42		42		42	
43		43		43		43		43		43	61	43	63	43		43		43		43		43		43	
44		44		44		44		44		44		44		44		44		44		44		44		44	
45		45		45		45		45		45		45		45		45		45		45		45		45	
46		46		46		46		46		46		46		46		46		46		46		46		46	
47		47		47		47		47		47		47		47		47		47		47		47		47	

146

PIN LOCATOR - ROW B

LOC	1	LOC	2	LOC	3	LOC	4	LOC	5	LOC	6	LOC	7	LOC	8	LOC	9	LOC	10	LOC	11	LOC	12	LOC	13
PIN	PAGE	PIN	PAGE	PIN	PAGE	PIN	PAGE	PIN	PAGE	PIN	PAGE	PIN	PAGE	PIN	PAGE	PIN	PAGE	PIN	PAGE	PIN	PAGE	PIN	PAGE	PIN	PAGE
1	88	1	61	1	71	1	66	1	63	1	61	1	63	1	63	1	60	1	77	1	62	1	74	1	74
2		2	88	2		2		2	63	2		2		2	66	2	64	2	64	2	64	2	74	2	74
3		3		3	71	3		3	66	3		3		3	72	3		3		3		3	74	3	74
4		4		4	71	4		4		4		4		4		4		4		4		4	64	4	55
5		5		5	71	5		5		5		5	60	5		5		5		5		5	55	5	
6		6		6	71	6		6		6		6	60	6		6		6	66	6		6	55	6	
7		7		7	61	7		7	63	7		7	60	7	64, 60	7		7	64	7		7	64	7	
8		8		8		8		8		8	89	8	66	8	60	8		8		8		8	64	8	
9		9		9		9		9		9	89	9	66	9	60	9		9		9		9	55, 64	9	
10		10	61	10		10		10		10	68	10	91	10	60	10		10		10		10	55	10	
11		11	88	11		11		11		11	68	11	91	11	64	11		11		11		11	55	11	
12		12	88	12		12		12		12		12	68	12		12		12		12		12	55	12	
13		13	88	13		13		13		13		13	68	13		13		13		13		13	55, 64	13	
14		14	61	14		14		14		14	68	14	66	14		14		14		14		14	64	14	
15		15	65	15		15		15		15	68	15	66	15		15		15		15		15		15	
16		16	65	16		16		16		16	63	16	71	16		16		16		16		16		16	
17		17	65	17	88	17	66 - 61	17	61	17	63	17	71	17	72	17		17		17		17		17	
18		18	66	18		18	61	18		18	63	18	71	18		18		18		18		18		18	
19		19	88	19		19		19		19	61	19	61	19		19		19		19		19		19	
20		20		20		20		20		20	61	20	61	20		20		20		20		20		20	
21		21		21		21		21		21	61	21	61	21		21		21		21		21		21	
22		22		22		22	66	22		22	70	22	91	22		22		22		22		22		22	
23		23		23		23		23		23	70	23	91	23		23		23		23		23		23	
24		24		24		24		24		24	70	24	91	24		24		24		24		24		24	
25		25		25		25		25		25	61	25	63	25		25		25		25		25		25	
26		26		26		26		26		26	61	26	63	26	66	26		26		26		26	55	26	
27		27		27		27		27		27	61	27	63	27		27		27		27		27	55	27	
28		28		28		28		28		28	68	28	72	28		28		28		28		28	55	28	
29		29		29		29		29		29	68	29	72	29		29		29		29		29	55, 64	29	
30		30		30		30		30		30	68	30	72	30		30		30		30		30	55	30	
31		31		31		31		31		31	72	31	66	31		31		31		31		31		31	
32		32		32		32		32		32	72	32	66	32		32		32		32		32		32	
33		33		33		33		33		33	66	33		33		33		33		33		33		33	
34		34		34		34		34	63	34	68	34	66	34	61	34		34		34		34		34	
35		35		35		35		35		35	72	35	45	35		35		35		35		35		35	
36		36		36		36		36		36	68	36	66	36		36		36		36		36		36	
37		37		37		37		37		37	66	37		37		37		37		37		37	64	37	64
38		38		38		38		38		38	72	38	45	38		38		38		38		38		38	
39		39		39		39		39		39	66	39		39		39		39		39		39		39	
40		40		40		40		40		40	68	40	72	40		40		40		40		40		40	
41		41		41		41		41		41	68	41	72	41		41		41		41		41		41	
42		42		42		42		42		42	66	42		42		42		42		42		42		42	
43		43		43		43		43		43	61	43	63	43		43		43		43		43		43	
44		44		44		44		44		44		44		44		44		44		44		44		44	
45		45		45		45		45		45		45		45		45		45		45		45		45	
46		46		46		46		46		46		46		46		46		46		46		46		46	
47		47		47		47		47		47		47		47		47		47		47		47		47	

147

REVISIONS				0172	N
REV.	DESCRIPTION	CHK.	DATE	APPROVED	
N	SEE REVISION E.O.		4/65		

LOC 26		LOC 27		LOC 28		LOC 29		LOC 30		LOC 31		LOC 32		LOC 33		LOC 34		LOC 35		LOC 36		LOC 37		LOC 38			
PIN	PAGE	PIN	PAGE	PIN	PAGE	PIN	PAGE	PIN	PAGE	PIN	PAGE	PIN	PAGE	PIN	PAGE	PIN	PAGE	PIN	PAGE	PIN	PAGE	PIN	PAGE	PIN	PAGE	PIN	PAGE
1		1	135	1		1	135	1		1		1		1		1		1		1		1		1		1	133
2		2	135	2		2	135	2		2		2		2		2		2		2		2		2		2	
3		3	135	3		3		3		3		3		3		3		3		3		3		3		3	
4		4		4		4		4		4		4		4		4		4		4		4		4		4	133
5		5		5		5		5		5		5		5		5		5		5		5		5		5	
6		6		6	135	6		6		6		6		6		6		6		6		6		6		6	133
7		7		7		7	117	7	121	7	118	7	122	7	119	7	123	7	120	7	124	7		7		7	
8		8		8		8		8		8		8		8		8		8		8		8		8		8	
9		9		9	135	9		9		9		9		9		9		9		9		9		9		9	
10		10		10	135	10		10		10		10		10		10		10		10		10		10		10	
11		11		11		11		11		11		11		11		11		11		11		11		11		11	133
12		12		12		12		12		12		12		12		12		12		12		12		12		12	
13		13		13		13		13		13		13		13		13		13		13		13		13		13	
14		14		14	135	14	117	14	121	14	118	14	122	14	119	14	123	14	120	14	124	14		14		14	
15		15		15		15		15		15		15		15		15		15		15		15		15		15	
16		16		16	135	16	117	16	121	16	118	16	122	16	119	16	123	16	120	16	124	16		16		16	
17		17		17		17		17		17		17		17		17		17		17		17		17		17	133
18		18		18	135	18	117	18	121	18	118	18	122	18	119	18	123	18	120	18	124	18		18		18	
19		19		19		19		19		19		19		19		19		19		19		19		19		19	
20		20		20	135	20	117	20	121	20	118	20	122	20	119	20	123	20	120	20	124	20		20		20	
21		21		21		21		21		21		21		21		21		21		21		21		21		21	
22		22		22	135	22	117	22	121	22	118	22	122	22	119	22	123	22	120	22	124	22		22		22	
23		23		23		23		23		23		23		23		23		23		23		23		23		23	
24		24		24		24	117	24	121	24	118	24	122	24	119	24	123	24	120	24	124	24		24		24	133
25		25		25		25		25		25		25		25		25		25		25		25		25		25	
26		26		26		26	117	26	121	26	118	26	122	26	119	26	123	26	120	26	124	26		26		26	
27		27		27		27	117	27	121	27	118	27	122	27	119	27	123	27	120	27	124	27		27		27	133
28		28		28		28	117	28	121	28	118	28	122	28	119	28	123	28	120	28	124	28		28		28	133
29		29		29		29		29		29		29		29		29		29		29		29		29		29	
30		30		30		30	117	30	121	30	118	30	122	30	119	30	123	30	120	30	124	30		30		30	
31		31		31		31		31		31		31		31		31		31		31		31		31		31	
32		32		32		32	117	32	121	32	118	32	122	32	119	32	123	32	120	32	124	32		32		32	
33		33		33		33		33		33		33		33		33		33		33		33		33		33	
34		34		34		34		34		34		34		34		34		34		34		34		34		34	
35		35		35	135	35		35		35		35		35		35		35		35		35		35		35	
36		36	135	36		36	135	36		36		36		36		36		36		36		36		36		36	
37		37		37		37		37		37		37		37		37		37		37		37		37		37	
38		38		38		38		38		38		38		38		38		38		38		38		38		38	
39		39		39		39		39		39		39		39		39		39		39		39		39		39	
40		40	135	40		40		40	117	40	121	40	118	40	122	40	119	40	123	40	120	40	124	40		40	
41		41		41		41		41		41		41		41		41		41		41		41		41		41	
42		42		42		42	117	42	121	42	118	42	122	42	119	42	123	42	120	42	124	42		42		42	
43		43	135	43		43	117	43	121	43	118	43	122	43	119	43	123	43	120	43	124	43		43		43	
44		44		44		44		44		44		44		44		44		44		44		44		44		44	
45		45		45		45		45		45		45		45		45		45		45		45		45		45	
46		46		46		46		46		46		46		46		46		46		46		46		46		46	
47		47		47		47		47		47		47		47		47		47		47		47		47		47	


ROW
B

150

910
PAGE 106A
N

900551

101702 N

NO. REV.	DRAWING NO.	DESCRIPTION	REFERENCE DESIGNATION	ITEM NO.
		MATERIAL LIST		
NOTES UNLESS SPECIFIED		DRAWN DEGOES 7/65	 SDS SCIENTIFIC DATA SYSTEMS SANTA MONICA, CALIFORNIA	
1. TOLERANCES UNLESS SPECIFIED		CHECK B. P. R. 10/65		
2. DIMENSIONS UNLESS SPECIFIED		APPR. [Signature] 4-7-65		
3. HOLE ALL SHARP EDGES AND APPROX.			TITLE DIAGRAM, LOGIC COMPUTER	
4. HOLE SHARPENED				
5. HOLE TO BE DRILLED				
MODEL NO.	910	SIZE	D	CHANGES LETTER N
DATE		DATE	101702	
SCALE		DO NOT SCALE DRAWINGS		SHEET

REVISIONS				DATE	APPROVED
REV.	DESCRIPTION	CHK.	DATE	APPROVED	
N	SEE REVISION E.O.		1/16/65		

LOC 39		LOC 40		LOC 41		LOC 42		LOC 43		LOC 44		LOC 45		LOC		LOC		LOC		LOC		LOC	
PIN	PAGE	PIN	PAGE	PIN	PAGE	PIN	PAGE	PIN	PAGE	PIN	PAGE	PIN	PAGE	PIN	PAGE	PIN	PAGE	PIN	PAGE	PIN	PAGE	PIN	PAGE
1	134	1		1		1		1		1	130	1		1		1		1		1		1	
2		2		2		2		2		2		2		2		2		2		2		2	
3		3		3		3		3		3		3	128	3		3		3		3		3	
4	134	4		4		4		4		4	130	4	128	4		4		4		4		4	
5		5		5		5		5		5		5		5		5		5		5		5	
6	134	6	116	6	115	6	116	6	115	6	130	6	128	6		6		6		6		6	
7		7		7		7		7		7		7		7		7		7		7		7	
8		8	116	8	115	8	116	8	115	8	130	8	128	8		8		8		8		8	
9		9		9		9		9		9		9		9		9		9		9		9	
10		10	116	10	115	10	116	10	115	10	131	10	128	10		10		10		10		10	
11	134	11		11		11		11		11		11		11		11		11		11		11	
12		12	116	12	115	12	116	12	115	12	131	12	128	12		12		12		12		12	
13		13		13		13		13		13		13		13		13		13		13		13	
14		14	116	14	115	14	116	14	115	14	131	14	128	14		14		14		14		14	
15		15		15		15		15		15		15		15		15		15		15		15	
16		16	116	16	115	16	116	16	115	16	131	16	128	16		16		16		16		16	
17	134	17		17		17		17		17		17		17		17		17		17		17	
18		18	116	18	115	18	116	18	115	18	131	18	128	18		18		18		18		18	
19		19		19		19		19		19		19		19		19		19		19		19	
20		20	116	20	115	20	116	20	115	20	131	20	128	20		20		20		20		20	
21		21		21		21		21		21		21		21		21		21		21		21	
22		22	116	22	115	22	116	22	115	22	131	22	129	22		22		22		22		22	
23		23		23		23		23		23		23		23		23		23		23		23	
24	134	24	116	24	115	24	116	24	115	24	131	24	129	24		24		24		24		24	
25		25		25		25		25		25		25		25		25		25		25		25	
26		26		26		26		26		26	131	26	129	26		26		26		26		26	
27	134	27		27		27		27		27		27		27		27		27		27		27	
28	134	28		28		28		28		28	131	28	129	28		28		28		28		28	
29		29		29		29		29		29		29		29		29		29		29		29	
30		30	116	30	115	30	116	30	115	30	132	30	129	30		30		30		30		30	
31		31		31		31		31		31		31		31		31		31		31		31	
32		32	116	32	115	32	116	32	115	32	132	32	129	32		32		32		32		32	
33		33		33		33		33		33		33		33		33		33		33		33	
34		34	116	34	115	34	116	34	115	34	132	34	129	34		34		34		34		34	
35		35		35		35		35		35		35		35		35		35		35		35	
36		36	116	36	115	36	116	36	115	36	132	36	129	36		36		36		36		36	
37		37		37		37		37		37		37	129	37		37		37		37		37	
38		38		38		38		38		38		38	129	38		38		38		38		38	
39		39		39		39		39		39		39	130	39		39		39		39		39	
40		40		40		40		40		40		40		40		40		40		40		40	
41		41		41		41		41		41		41		41		41		41		41		41	
42		42		42		42		42	132	42	130	42		42		42		42		42		42	
43		43		43		43		43		43		43		43		43		43		43		43	
44		44		44		44		44		44		44		44		44		44		44		44	
45		45		45		45		45		45		45		45		45		45		45		45	
46		46		46		46		46		46		46		46		46		46		46		46	
47		47		47		47		47		47		47		47		47		47		47		47	

ROW
B

151

910
PAGE 106 B
N

900551

NO. 910	DRAWING NO.	DESCRIPTION	REFERENCE DESIGNATION	REV. N
NOTES UNLESS SPECIFIED				
1. TOLERANCES UNLESS SPECIFIED	2. DIMENSIONS UNLESS SPECIFIED	3. BREAK ALL SHARP EDGES AND APPROX.	4. MARK SURFACES	5. ALL DIM. IN INCHES
DRAWN	DEGOES	CHECK	APPR.	TITLE
				DIAGRAM, LOGIC COMPUTER
MODEL NO.	910	SIZE	D	SCALE
NEXT ASSY.		DWG. NO.	101702	DO NOT SCALE DRAWING
		DATE	1/16/65	SHEET
				N

101702 N

PIN LOCATOR - ROW B

LOC	14	LOC	15	LOC	16	LOC	17	LOC	18	LOC	19	LOC	20	LOC	21	LOC	22	LOC	23	LOC	24	LOC	25	LOC	
PIN	PAGE	PIN	PAGE	PIN	PAGE	PIN	PAGE	PIN	PAGE	PIN	PAGE	PIN	PAGE	PIN	PAGE	PIN	PAGE	PIN	PAGE	PIN	PAGE	PIN	PAGE	PIN	PAGE
1	74	1	74	1	89	1	74	1	75	1	75	1	75	1	75	1	75	1	67	1		1	62	1	
2	74	2	74	2	89	2	74	2	75	2	75	2	75	2	75	2	75	2	67	2	62	2		2	
3	74	3	74	3	89	3	74	3	75	3	75	3	75	3	75	3	75	3	67	3		3		3	
4	56	4	56	4	57	4	57	4	58	4	58	4	59	4	59	4	60	4	60	4		4		4	
5		5		5		5		5		5		5		5		5		5		5		5		5	
6		6		6		6		6		6		6		6		6		6		6		6		6	
7		7		7		7		7		7		7		7		7		7		7	52	7		7	
8		8		8		8		8		8		8		8		8		8		8		8	77	8	
9		9		9		9		9		9		9		9		9		9		9		9		9	
10		10		10		10		10		10		10		10		10		10		10		10		10	
11		11		11		11		11		11		11		11		11		11		11		11		11	
12		12		12		12		12		12		12		12		12		12		12		12		12	
13		13		13		13		13		13		13		13		13		13		13		13		13	
14		14		14		14		14		14		14		14		14		14		14		14		14	
15		15		15		15		15		15		15		15		15		15		15		15	62	15	
16		16		16		16		16		16		16		16		16		16		16		16		16	
17		17		17		17		17		17		17		17		17		17		17	93	17		17	
18		18		18		18		18		18		18		18		18		18		18		18		18	
19		19		19		19		19		19		19		19		19		19		19		19		19	
20		20		20		20		20		20		20		20		20		20		20		20		20	
21		21		21		21		21		21		21		21		21		21		21		21		21	
22		22		22		22		22		22		22		22		22		22		22		22		22	
23		23		23		23		23		23		23		23		23		23		23		23		23	
24		24		24		24		24		24		24		24		24		24		24		24		24	
25		25		25		25		25		25		25		25		25		25		25		25		25	
26		26		26		26		26		26		26		26		26		26		26	62	26		26	
27		27		27		27		27		27		27		27		27		27		27		27		27	
28		28		28		28		28		28		28		28		28		28		28		28		28	
29		29		29		29		29		29		29		29		29		29		29		29		29	
30		30		30		30		30		30		30		30		30		30		30		30		30	
31		31		31		31		31		31		31		31		31		31		31		31		31	
32		32		32		32		32		32		32		32		32		32		32		32		32	
33		33		33		33		33		33		33		33		33		33		33		33		33	
34		34		34		34		34		34		34		34		34		34		34		34		34	
35		35		35		35		35		35		35		35		35		35		35		35		35	
36		36		36		36		36		36		36		36		36		36		36		36		36	
37		37		37	89	37	66	37	39	37	43	37	41	37	62	37	62	37	62	37		37		37	
38		38		38		38		38		38		38	39 - 41	38		38		38		38		38		38	
39		39		39		39		39		39		39	39	39		39		39		39		39		39	
40		40		40		40		40		40		40	39	40		40		40		40		40		40	
41		41		41		41		41		41		41	41	41		41		41		41		41		41	
42		42		42		42		42		42		42		42		42		42		42		42		42	
43		43		43		43		43		43		43		43		43		43		43		43		43	
44		44		44		44		44		44		44		44		44		44		44		44		44	
45		45		45		45		45		45		45		45		45		45		45		45		45	
46		46		46		46		46		46		46		46		46		46		46		46		46	
47		47		47		47		47		47		47		47		47		47		47		47		47	

148

PIN LOCATOR - ROW B

LOC	14	LOC	15	LOC	16	LOC	17	LOC	18	LOC	19	LOC	20	LOC	21	LOC	22	LOC	23	LOC	24	LOC	25	LOC
PIN	PAGE	PIN	PAGE	PIN	PAGE	PIN	PAGE	PIN	PAGE	PIN	PAGE	PIN	PAGE	PIN	PAGE	PIN	PAGE	PIN	PAGE	PIN	PAGE	PIN	PAGE	
1	74	1	74	1	89	1	74	1	75	1	75	1	75	1	75	1	75	1	60	1		1	62	1
2	74	2	74	2	89	2	74	2	75	2	75	2	75	2	75	2	75	2	60	2	62	2		2
3	74	3	74	3	89	3	74	3	75	3	75	3	75	3	75	3	75	3	60	3		3		3
4	56	4	56	4	57	4	57	4	58	4	58	4	59	4	59	4	60	4	60	4		4		4
5		5		5		5		5		5		5		5		5		5		5		5		5
6		6		6		6		6		6		6		6		6		6		6		6		6
7		7		7		7		7		7		7		7		7		7		7	52	7		7
8		8		8		8		8		8		8		8		8		8		8		8	77	8
9		9		9		9		9		9		9		9		9		9		9		9		9
10		10		10		10		10		10		10		10		10		10		10		10		10
11		11		11		11		11		11		11		11		11		11		11		11		11
12		12		12		12		12		12		12		12		12		12		12		12		12
13		13		13		13		13		13		13		13		13		13		13		13		13
14		14		14		14		14		14		14		14		14		14		14		14		14
15		15		15		15		15		15		15		15		15		15		15		15	62	15
16		16		16		16		16		16		16		16		16		16		16		16		16
17		17		17		17		17		17		17		17		17		17		17	93	17		17
18		18		18		18		18		18		18		18		18		18		18		18		18
19		19		19		19		19		19		19		19		19		19		19		19		19
20		20		20		20		20		20		20		20		20		20		20		20		20
21		21		21		21		21		21		21		21		21		21		21		21		21
22		22		22		22		22		22		22		22		22		22		22		22		22
23		23		23		23		23		23		23		23		23		23		23		23		23
24		24		24		24		24		24		24		24		24		24		24		24		24
25		25		25		25		25		25		25		25		25		25		25		25		25
26		26		26		26		26		26		26		26		26		26		26	62	26		26
27		27		27		27		27		27		27		27		27		27		27		27		27
28		28		28		28		28		28		28		28		28		28		28		28		28
29		29		29		29		29		29		29		29		29		29		29		29		29
30		30		30		30		30		30		30		30		30		30		30		30		30
31		31		31		31		31		31		31		31		31		31		31		31		31
32		32		32		32		32		32		32		32		32		32		32		32		32
33		33		33		33		33		33		33		33		33		33		33		33		33
34		34		34		34		34		34		34		34		34		34		34		34		34
35		35		35		35		35		35		35		35		35		35		35		35		35
36		36		36		36		36		36		36		36		36		36		36		36		36
37		37		37	89	37	66	37	39	37	43	37	41	37	62	37	62	37	62	37		37		37
38		38		38		38		38		38		38	39 - 41	38		38		38		38		38		38
39		39		39		39		39		39		39	39	39		39		39		39		39		39
40		40		40		40		40		40		40	39	40		40		40		40		40		40
41		41		41		41		41		41		41	41	41		41		41		41		41		41
42		42		42		42		42		42		42		42		42		42		42		42		42
43		43		43		43		43		43		43		43		43		43		43		43		43
44		44		44		44		44		44		44		44		44		44		44		44		44
45		45		45		45		45		45		45		45		45		45		45		45		45
46		46		46		46		46		46		46		46		46		46		46		46		46
47		47		47		47		47		47		47		47		47		47		47		47		47

149

PIN LOCATOR - ROW C

LOC	1	LOC	2	LOC	3	LOC	4	LOC	5	LOC	6	LOC	7	LOC	8	LOC	9	LOC	10	LOC	11	LOC	12	LOC	13
PIN	PAGE	PIN	PAGE	PIN	PAGE	PIN	PAGE	PIN	PAGE	PIN	PAGE	PIN	PAGE	PIN	PAGE	PIN	PAGE	PIN	PAGE	PIN	PAGE	PIN	PAGE	PIN	PAGE
1		1		1	69	1	52	1		1	68	1	45	1	46	1	47	1	49	1	97	1		1	40
2		2		2		2		2	68	2	68	2		2		2		2		2		2	42	2	
3		3		3		3	52	3	52	3	52	3		3		3		3		3		3		3	
4		4		4		4		4		4		4		4		4		4		4		4		4	
5		5		5		5		5		5		5		5		5		5		5	49	5		5	
6		6		6		6		6		6		6		6		6		6		6		6		6	
7		7		7		7		7		7	68	7		7		7		7		7		7	50	7	
8		8		8		8		8		8		8	61	8		8		8		8		8		8	
9		9		9		9		9		9		9		9		9		9		9		9		9	
10		10		10		10		10		10		10		10		10		10	48	10	42	10		10	
11		11		11		11		11		11		11		11		11		11	69	11	42	11		11	
12		12		12		12		12		12		12		12		12		12	69	12	50	12		12	
13		13		13		13		13		13		13		13		13		13	69	13		13		13	
14		14		14		14		14		14		14		14		14		14	91	14		14		14	
15		15		15		15		15		15		15	45	15		15		15	45	15		15		15	
16		16		16		16		16		16		16		16		16		16	45	16		16		16	
17		17		17		17		17		17	52	17		17		17		17	45	17		17		17	
18		18		18		18		18		18		18		18		18		18	49	18		18		18	
19		19		19		19		19		19		19		19		19		19		19	49	19		19	
20		20		20		20		20		20		20		20		20		20		20	49	20		20	
21		21		21	52, 69	21		21		21		21		21		21		21		21	49	21		21	
22		22		22	52	22		22		22		22		22		22		22		22	43	22		22	
23		23		23		23		23		23		23		23		23		23		23	43	23		23	
24		24		24		24		24		24		24		24		24		24		24	43	24		24	
25		25		25		25		25		25		25		25		25		25		25	49	25		25	
26		26		26		26	66	26		26	68	26		26		26		26		26	49	26	48	26	
27		27		27		27		27		27		27		27		27		27		27	49	27		27	
28		28		28		28		28		28		28		28		28		28		28	72	28		28	
29		29		29		29		29		29		29		29		29		29		29	72	29		29	
30		30		30		30		30		30		30		30		30		30		30	72	30		30	
31		31		31		31		31		31		31		31		31		31		31	49	31		31	
32		32		32		32		32		32		32		32		32		32		32	49	32		32	
33		33		33		33		33		33		33		33		33		33		33	48	33		33	
34		34		34		34	52	34		34	68, 69	34		34		34		34		34	49	34	50	34	
35		35		35		35		35		35	69	35		35		35		35		35	49	35		35	
36		36		36		36		36		36	69	36		36		36		36		36	49	36		36	
37		37		37		37		37		37	69	37		37		37		37		37	48	37		37	
38		38		38		38		38		38	68	38		38		38		38		38	49	38		38	
39		39		39		39		39		39		39		39		39		39		39		39		39	
40		40		40		40		40		40		40		40		40		40		40		40		40	
41		41		41		41		41		41		41		41		41		41		41		41		41	
42		42		42		42		42		42		42		42		42		42		42		42		42	
43		43		43		43		43		43		43		43		43		43		43		43		43	
44		44		44		44		44		44		44		44		44		44		44		44		44	
45		45		45		45		45		45		45		45		45		45		45		45		45	
46		46		46		46		46		46		46		46		46		46		46		46		46	
47		47		47		47		47		47		47		47		47		47		47		47		47	

PIN LOCATOR - ROW C

LOC	1	LOC	2	LOC	3	LOC	4	LOC	5	LOC	6	LOC	7	LOC	8	LOC	9	LOC	10	LOC	11	LOC	12	LOC	13
PIN	PAGE	PIN	PAGE	PIN	PAGE	PIN	PAGE	PIN	PAGE	PIN	PAGE	PIN	PAGE	PIN	PAGE	PIN	PAGE	PIN	PAGE	PIN	PAGE	PIN	PAGE	PIN	PAGE
1		1		1	69	1	52	1	66	1	68	1	45	1	46	1	47	1	49	1	97	1		1	40
2		2		2		2		2	68	2	68	2		2		2		2		2		2	42	2	
3		3		3		3	52	3	52	3	52	3		3		3		3		3		3		3	
4		4		4		4		4		4		4		4		4		4		4		4		4	
5		5		5		5		5		5		5		5		5		5		5	49	5		5	
6		6		6		6		6		6		6		6		6		6		6		6		6	
7		7		7		7		7		7	68	7		7		7		7		7		7	50	7	
8		8		8		8		8		8		8	61	8		8		8		8		8		8	
9		9		9		9		9		9		9		9		9		9		9		9		9	
10		10		10		10		10		10		10		10		10		10	48	10	42	10		10	
11		11		11		11		11		11		11		11		11		11	69	11	42	11		11	
12		12		12		12		12		12		12		12		12		12	69	12	50	12		12	
13		13		13		13		13		13		13		13		13		13	69	13		13		13	
14		14		14		14		14		14		14		14		14		14	91	14		14		14	
15		15		15		15		15		15		15	45	15		15		15	45	15		15		15	
16		16		16		16		16		16		16		16		16		16	45	16		16		16	
17		17		17		17		17		17	52	17		17		17		17	45	17		17		17	
18		18		18		18		18		18		18		18		18		18	49	18		18		18	
19		19		19		19		19		19		19		19		19		19		19	49	19		19	
20		20		20		20		20		20		20		20		20		20		20	49	20		20	
21		21		21	52, 69	21		21		21		21		21		21		21		21	49	21		21	
22		22		22	52	22		22		22		22		22		22		22		22		22	43	22	
23		23		23		23		23		23		23		23		23		23		23		23	43	23	
24		24		24		24		24		24		24		24		24		24		24		24	43	24	
25		25		25		25		25		25		25		25		25		25		25	49	25		25	
26		26		26		26	66	26		26	68	26		26		26		26		26	49	26	48	26	
27		27		27		27		27		27		27		27		27		27		27	49	27		27	
28		28		28		28		28		28		28		28		28		28		28	72	28		28	
29		29		29		29		29		29		29		29		29		29		29	72	29		29	
30		30		30		30		30		30		30		30		30		30		30	72	30		30	
31		31		31		31		31		31		31		31		31		31		31	49	31		31	
32		32		32		32		32		32		32		32		32		32		32	49	32		32	
33		33		33		33		33		33		33		33		33		33		33	48	33		33	
34		34		34		34	52	34		34	68, 69	34		34		34		34		34	49	34	50	34	
35		35		35		35		35		35	69	35		35		35		35		35	49	35		35	
36		36		36		36		36		36	69	36		36		36		36		36	49	36		36	
37		37		37		37		37		37	69	37		37		37		37		37	48	37		37	
38		38		38		38		38		38	68	38		38		38		38		38	49	38		38	
39		39		39		39		39		39		39		39		39		39		39		39		39	
40		40		40		40		40		40		40		40		40		40		40		40		40	
41		41		41		41		41		41		41		41		41		41		41		41		41	
42		42		42		42		42		42		42		42		42		42		42		42		42	
43		43		43		43		43		43		43		43		43		43		43		43		43	
44		44		44		44		44		44		44		44		44		44		44		44		44	
45		45		45		45		45		45		45		45		45		45		45		45		45	
46		46		46		46		46		46		46		46		46		46		46		46		46	
47		47		47		47		47		47		47		47		47		47		47		47		47	

153

PIN LOCATOR - ROW C

LOC	14	LOC	15	LOC	16	LOC	17	LOC	18	LOC	19	LOC	20	LOC	21	LOC	22	LOC	23	LOC	24	LOC	25	LOC	
PIN	PAGE	PIN	PAGE	PIN	PAGE	PIN	PAGE	PIN	PAGE	PIN	PAGE	PIN	PAGE	PIN	PAGE	PIN	PAGE	PIN	PAGE	PIN	PAGE	PIN	PAGE	PIN	PAGE
1	51	1		1	66	1	42	1	42	1	43	1	44	1	44	1		1	93	1	93	1		1	
2		2	40, 41	2	43	2	66	2		2		2		2		2	43	2	91	2		2		2	
3		3	40	3		3	42	3		3		3		3		3	91	3		3		3		3	
4		4	40	4		4		4		4		4		4		4		4		4		4		4	
5		5	40	5		5		5	39	5		5		5		5		5		5		5	92	5	5
6		6		6		6		6	39	6		6		6		6		6		6		6	92	6	6
7	51, 70	7	41	7	51	7	40, 42	7	39	7		7		7		7	90, 91	7	93	7	92	7	7	7	
8	51	8	41	8		8	42	8	42	8	39	8	67	8	39	8	91	8		8	93	8	8	8	
9		9	41	9		9	42	9	42	9		9	67	9		9	91	9		9	93	9	9	9	
10		10		10		10	42	10	48	10		10	67	10		10	91	10		10	92	10		10	
11		11	40	11		11	40	11	48	11		11	43, 67	11		11	90	11		11	92	11		11	
12		12	40	12		12	40	12	42	12		12	43	12		12		12		12	93	12		12	
13		13	40	13		13	40	13	42	13		13	43	13		13		13		13	93	13		13	
14		14	67	14		14	42	14	48	14		14	43	14		14		14		14	55	14		14	
15		15	40	15		15	42	15	48	15	43	15	44	15	44	15		15		15	55	15		15	
16		16		16		16	42	16	42	16		16		16		16		16		16	92	16		16	
17		17		17	40	17	51	17		17		17		17		17		17	92	17	92	17		17	
18		18		18		18		18		18		18		18		18		18		18	92	18		18	
19		19		19		19		19		19		19		19		19		19		19	93	19		19	
20		20		20		20		20		20		20		20		20		20		20	93	20		20	
21	41, 51	21		21		21		21		21		21		21		21		21		21	93	21		21	
22	41	22		22		22		22	67	22		22		22		22		22		22	65	22		22	
23		23	41	23		23		23	67	23		23		23		23		23		23	65	23		23	
24		24		24		24		24	67	24		24		24		24		24		24	65	24		24	
25		25		25		25		25	48	25		25		25		25		25		25	93	25		25	
26		26		26	41	26	48	26	48	26		26		26		26	91	26		26	93	26		26	
27		27		27		27		27	48	27		27		27		27		27		27	93	27		27	
28	51	28		28		28		28	42	28	39	28		28	39	28		28		28	92	28		28	
29	51	29		29		29		29	42	29		29		29		29		29		29	92	29		29	
30	51	30		30		30		30	42	30		30		30		30		30		30	92	30		30	
31	41, 51	31		31		31		31	48	31		31	42	31		31		31		31	93	31		31	
32	41	32		32		32		32	48	32		32		32		32		32		32	93	32		32	
33		33	51	33		33		33	48	33		33		33		33		33		33	92	33		33	
34		34		34	48	34	42	34	39	34		34		34		34		34	92, 49	34	92	34		34	
35		35		35		35		35	50	35	43	35	44	35	44	35		35	49	35	93	35		35	
36		36		36		36		36	39	36		36		36		36		36	49	36	92	36		36	
37		37		37		37		37	48	37		37		37		37		37	49	37	92	37		37	
38		38		38		38		38	50	38		38		38		38		38	92	38	93	38		38	
39		39		39		39		39	39	39		39		39		39		39		39		39		39	
40		40		40		40		40	42	40		40		40		40		40		40		40		40	
41		41		41		41		41	42	41		41		41		41		41		41		41		41	
42		42		42		42		42	39	42		42		42		42		42		42		42		42	
43		43		43		43		43	42	43		43		43		43		43		43		43		43	
44		44		44		44		44		44		44		44		44		44		44		44		44	
45		45		45		45		45		45		45		45		45		45		45		45		45	
46		46		46		46		46		46		46		46		46		46		46		46		46	
47		47		47		47		47		47		47		47		47		47		47		47		47	

154

ROWS 29 - 40

PIN LOCATOR - ROW C

LOC	26	LOC	27	LOC	28	LOC	LOC	LOC	41	LOC	42	LOC	43	LOC	44	LOC	45	LOC	LOC	LOC	LOC		
PIN	PAGE	PIN	PAGE	PIN	PAGE	PIN	PAGE	PIN	PAGE	PIN	PAGE	PIN	PAGE	PIN	PAGE	PIN	PAGE	PIN	PAGE	PIN	PAGE		
1		1		1		1		1		1		1		1		1		1		1		1	
2		2		2		2		2		2		2		2		2		2		2		2	
3		3		3		3		3		3		3		3		3		3		3		3	
4		4		4		4		4		4		4		4		4		4		4		4	
5		5		5		5		5		5		5		5		5		5		5		5	
6		6		6		6		6		6		6		6		6		6		6		6	
7		7		7		7		7		7		7		7		7		7		7		7	
8		8		8		8		8	132	8	131	8	130	8	129	8	128	8		8		8	
9	127	9	126	9	125	9		9		9		9		9		9		9		9		9	
10		10		10		10		10	132	10	131	10	130	10	129	10	128	10		10		10	
11		11		11		11		11		11		11		11		11		11		11		11	
12		12		12		12		12	132	12	131	12	130	12	129	12	128	12		12		12	
13		13		13		13		13		13		13		13		13		13		13		13	
14		14		14		14		14	132	14	131	14	130	14	129	14	128	14		14		14	
15		15		15		15		15		15		15		15		15		15		15		15	
16	127	16	126	16	125	16		16	132	16	131	16	130	16	129	16	128	16		16		16	
17		17		17		17		17		17		17		17		17		17		17		17	
18		18		18		18		18	132	18	131	18	130	18	129	18	128	18		18		18	
19		19		19		19		19		19		19		19		19		19		19		19	
20		20		20		20		20	132	20	131	20	130	20	129	20	128	20		20		20	
21		21		21		21		21		21		21		21		21		21		21		21	
22		22		22		22		22	132	22	131	22	130	22	129	22	128	22		22		22	
23		23		23		23		23		23		23		23		23		23		23		23	
24		24		24		24		24	132	24	131	24	130	24	129	24	128	24		24		24	
25		25		25		25		25		25		25		25		25		25		25		25	
26		26		26		26		26		26		26		26		26		26		26		26	
27		27		27		27		27		27		27		27		27		27		27		27	
28		28		28		28		28	132	28	131	28	130	28	129	28	128	28		28		28	
29		29		29		29		29		29		29		29		29		29		29		29	
30		30		30		30		30	132	30	131	30	130	30	129	30	128	30		30		30	
31		31		31		31		31		31		31		31		31		31		31		31	
32		32		32		32		32	132	32	131	32	130	32	129	32	128	32		32		32	
33		33		33		33		33		33		33		33		33		33		33		33	
34		34		34		34		34	132	34	131	34	130	34	129	34	128	34		34		34	
35		35		35		35		35		35		35		35		35		35		35		35	
36	127	36	126	36	125	36		36	132	36	131	36	130	36	129	36	128	36		36		36	
37		37		37		37		37		37		37		37		37		37		37		37	
38		38		38		38		38	132	38	131	38	130	38	129	38	128	38		38		38	
39		39		39		39		39		39		39		39		39		39		39		39	
40		40		40		40		40		40		40		40		40		40		40		40	
41		41		41		41		41		41		41		41		41		41		41		41	
42		42		42		42		42		42		42		42		42		42		42		42	
43	127	43	126	43	125	43		43		43		43		43		43		43		43		43	
44		44		44		44		44		44		44		44		44		44		44		44	
45		45		45		45		45		45		45		45		45		45		45		45	
46		46		46		46		46		46		46		46		46		46		46		46	
47		47		47		47		47		47		47		47		47		47		47		47	

PIN LOCATOR - ROW C

LOC	14	LOC	15	LOC	16	LOC	17	LOC	18	LOC	19	LOC	20	LOC	21	LOC	22	LOC	23	LOC	24	LOC	25	LOC	
PIN	PAGE	PIN	PAGE	PIN	PAGE	PIN	PAGE	PIN	PAGE	PIN	PAGE	PIN	PAGE	PIN	PAGE	PIN	PAGE	PIN	PAGE	PIN	PAGE	PIN	PAGE	PIN	PAGE
1	51	1		1	66	1	42	1	42	1	43	1	44	1	44	1		1	93	1	93	1		1	
2		2	40, 41	2	43	2	66	2		2		2		2		2	43	2	91	2		2		2	
3		3	40	3		3	42	3		3		3		3		3	91	3		3		3		3	
4		4	40	4		4		4		4		4		4		4		4		4		4		4	
5		5	40	5		5		5	39	5		5		5		5		5		5		5	92	5	
6		6		6		6		6	39	6		6		6		6		6		6		6	92	6	
7	51, 70	7	41	7	84	7	40, 42	7	39	7		7		7		7	90, 91	7	93	7	92	7	92	7	
8	51	8	41	8		8	42	8	42	8	39	8	67	8	39	8	91	8		8	93	8		8	
9		9	41	9		9	42	9	42	9		9	67	9		9	91	9		9	93	9		9	
10		10		10		10	42	10	48	10		10	67	10		10	91	10		10	92	10		10	
11		11	40	11		11	40	11	48	11		11	43, 67	11		11	90	11		11	92	11		11	
12		12	40	12		12	40	12	42	12		12	43	12		12		12		12	93	12		12	
13		13	40	13		13	40	13	42	13		13	43	13		13		13		13	93	13		13	
14		14	67	14		14	42	14	48	14		14	43	14		14		14		14	55	14		14	
15		15	40	15		15	42	15	48	15	43	15	44	15	44	15		15		15	55	15		15	
16		16		16		16	42	16	42	16		16		16		16		16		16	92	16		16	
17		17		17	40	17	51	17		17		17		17		17		17	92	17	92	17		17	
18		18		18		18		18		18		18		18		18		18		18	92	18		18	
19		19		19		19		19		19		19		19		19		19		19	93	19		19	
20		20		20		20		20		20		20		20		20		20		20	93	20		20	
21	41, 51	21		21		21		21		21		21		21		21		21		21	93	21		21	
22	41	22		22		22		22	67	22		22		22		22		22		22	65	22		22	
23		23	41	23		23		23	67	23		23		23		23		23		23	65	23		23	
24		24		24		24		24	67	24		24		24		24		24		24	65	24		24	
25		25		25		25		25	48	25		25		25		25		25		25	93	25		25	
26		26		26	41	26	48	26	48	26		26		26		26	91	26		26	93	26		26	
27		27		27		27		27	48	27		27		27		27		27		27	93	27		27	
28	51	28		28		28		28	42	28	39	28		28	39	28		28		28	92	28		28	
29	51	29		29		29		29	42	29		29		29		29		29		29	92	29		29	
30	51	30		30		30		30	42	30		30		30		30		30		30	92	30		30	
31	41, 51	31		31		31		31	48	31		31	42	31		31		31		31	93	31		31	
32	41	32		32		32		32	48	32		32		32		32		32		32	93	32		32	
33		33	51	33		33		33	48	33		33		33		33		33		33	92	33		33	
34		34		34	48	34	42	34	39	34		34		34		34		34	92, 49	34	92	34		34	
35		35		35		35		35	50	35	43	35	44	35	44	35		35	49	35	93	35		35	
36		36		36		36		36	39	36		36		36		36		36	49	36	92	36		36	
37		37		37		37		37	48	37		37		37		37		37	49	37	92	37		37	
38		38		38		38		38	50	38		38		38		38		38	92	38	93	38		38	
39		39		39		39		39	39	39		39		39		39		39		39		39		39	
40		40		40		40		40	42	40		40		40		40		40		40		40		40	
41		41		41		41		41	42	41		41		41		41		41		41		41		41	
42		42		42		42		42	39	42		42		42		42		42		42		42		42	
43		43		43		43		43	42	43		43		43		43		43		43		43		43	
44		44		44		44		44		44		44		44		44		44		44		44		44	
45		45		45		45		45		45		45		45		45		45		45		45		45	
46		46		46		46		46		46		46		46		46		46		46		46		46	
47		47		47		47		47		47		47		47		47		47		47		47		47	

155

PIN LOCATOR - ROW D

LOC	1	LOC	2	LOC	3	LOC	4	LOC	5	LOC	6	LOC	7	LOC	8	LOC	9	LOC	10	LOC	11	LOC	12	LOC	13
PIN	PAGE	PIN	PAGE	PIN	PAGE	PIN	PAGE	PIN	PAGE	PIN	PAGE	PIN	PAGE	PIN	PAGE	PIN	PAGE	PIN	PAGE	PIN	PAGE	PIN	PAGE	PIN	PAGE
1		1		1		1		1	95	1		1		1	96	1	96	1	87	1	90	1	72	1	85
2		2		2	95	2	95	2		2	96	2		2		2	87	2		2		2		2	85
3		3		3		3		3		3		3	94	3		3	96	3		3		3		3	85
4		4		4		4		4		4		4		4		4		4		4		4		4	84
5		5		5		5		5		5		5		5		5		5		5	72	5		5	
6		6		6		6		6		6		6		6		6		6		6	72	6		6	
7		7		7	95	7		7		7	96	7	94, 96	7		7	87	7		7	72	7		7	
8		8		8		8		8		8	96	8	94	8		8		8		8	71	8		8	
9		9		9		9		9		9	96	9	94	9		9		9		9		9		9	
10		10		10		10		10		10		10	94	10		10		10		10		10		10	
11		11		11		11		11		11	96	11	96	11	65, 96	11		11		11		11		11	
12		12		12		12		12		12	96	12		12	65	12		12		12	84	12		12	
13		13		13		13		13		13	96	13		13	65	13		13		13	84	13		13	
14		14		14		14		14		14	60	14		14	65	14		14		14	87	14		14	
15		15		15	95	15	98	15		15	96	15		15	96	15		15		15	87	15		15	
16		16		16	95	16	98	16		16		16		16		16		16		16	72	16		16	
17		17		17	95	17	98	17		17		17		17		17		17		17	72	17		17	
18		18		18		18		18		18		18		18		18		18		18	72	18		18	
19		19		19	95	19	95	19		19		19		19		19		19		19	50	19		19	
20		20		20		20		20		20		20		20		20		20		20	50	20		20	
21		21		21		21		21	95, 98	21		21		21	94, 96	21		21		21	50	21		21	
22		22		22		22		22	98	22		22		22	94	22		22		22	39	22		22	
23		23		23		23	98	23		23	98	23		23		23		23		23		23		23	
24		24		24		24		24		24		24		24		24		24		24		24		24	
25		25		25		25		25		25		25		25		25		25		25	72	25		25	
26		26		26		26		26		26		26		26		26		26		26	72	26	71	26	
27		27		27		27		27		27		27		27		27		27		27	72	27		27	
28		28		28		28		28		28		28		28		28		28		28	90	28		28	
29		29		29		29		29		29		29		29		29		29		29	90	29		29	
30		30		30		30		30		30		30		30		30		30		30	90	30		30	
31		31		31		31		31		31		31		31		31		31		31	45	31		31	
32		32		32		32		32		32		32		32		32		32		32	45	32		32	
33		33		33		33		33		33	95, 96	33		33		33		33		33	87	33		33	
34		34		34		34		34		34	95	34		34		34	94, 96, 97	34		34	42	34		34	
35		35		35		35		35		35		35		35		35	96	35		35	87	35		35	
36		36		36		36		36		36		36		36		36	96	36		36	42	36		36	50
37		37		37		37		37		37		37		37		37	96	37		37	87	37		37	84
38		38		38		38		38		38		38		38		38	94	38		38		38		38	
39		39		39		39		39		39	95	39		39		39	94	39		39		39		39	85
40		40		40		40		40		40		40		40		40	94	40		40		40		40	85
41		41		41		41		41		41		41		41		41	47	41		41		41		41	
42		42		42		42		42		42		42		42		42	47	42		42		42		42	
43		43		43		43		43		43		43		43		43	47	43		43	90	43		43	
44		44		44		44		44		44		44		44		44		44		44		44		44	
45		45		45		45		45		45		45		45		45		45		45		45		45	
46		46		46		46		46		46		46		46		46		46		46		46		46	
47		47		47		47		47		47		47		47		47		47		47		47		47	

157

PIN LOCATOR - ROW D

LOC	LOC	LOC	3	LOC	4	LOC	5	LOC	6	LOC	7	LOC	8	LOC	9	LOC	10	LOC	11	LOC	12	LOC	13
PIN	PAGE	PIN	PAGE	PIN	PAGE	PIN	PAGE	PIN	PAGE	PIN	PAGE	PIN	PAGE	PIN	PAGE	PIN	PAGE	PIN	PAGE	PIN	PAGE	PIN	PAGE
1		1		1		1	95	1	33	1	33	1	96	1	96	1	87	1	90	1	72	1	85
2		2		2	95	2	95	2		2	96	2		2	87	2		2		2		2	85
3		3		3		3		3		3	94	3		3	96	3		3		3		3	85
4		4		4		4		4		4		4		4		4		4		4		4	84
5		5		5		5		5		5		5		5		5		5		5	72	5	
6		6		6		6		6	33	6		6		6		6		6		6	72	6	
7		7		7	95	7		7	96	7	94, 96	7		7	87	7		7		7	72	7	
8		8		8		8		8	96	8	94	8		8		8		8		8	71	8	
9		9		9		9		9	96	9	94	9		9		9		9		9		9	
10		10		10		10		10	33	10	94	10		10		10		10		10		10	
11		11		11		11		11	96	11	96	11	65, 96	11		11		11		11		11	
12		12		12		12		12	96	12		12	65	12		12		12		12	84	12	
13		13		13		13		13	96	13		13	65	13		13		13		13	84	13	
14		14		14		14	21	14	60	14		14	65	14		14		14		14	87	14	
15		15		15	95	15	98	15	96	15		15	96	15		15		15		15	87	15	
16		16		16	95	16	98	16		16		16		16		16		16		16	72	16	
17		17		17	95	17	98	17		17		17		17		17		17		17	72	17	
18		18		18		18	26	18		18		18		18		18		18		18	72	18	
19		19		19	95	19	95	19		19		19		19		19		19		19	50	19	
20		20		20		20		20		20		20		20		20		20		20	50	20	
21		21		21		21	95, 98	21		21		21	94, 96	21		21		21		21	50	21	
22		22		22		22	98	22		22		22	94	22		22		22		22	39	22	
23		23		23		23	98	23	98	23		23		23		23		23		23		23	
24		24		24		24		24		24		24		24		24		24		24		24	
25		25		25		25		25		25		25		25		25		25		25	72	25	
26		26		26		26		26		26		26		26		26		26		26	72	26	71
27		27		27		27		27		27		27		27		27		27		27	72	27	
28		28		28		28		28		28		28		28		28		28		28	90	28	
29		29		29		29		29		29		29		29		29		29		29	90	29	
30		30		30		30		30		30		30		30		30		30		30	90	30	
31		31		31		31		31		31		31		31		31		31		31	45	31	
32		32		32		32		32		32		32		32		32		32		32	45	32	
33		33		33		33		33	95, 96	33		33		33		33		33		33	87	33	
34		34		34		34		34	95	34		34		34	94, 96, 47	34		34		34	42	34	
35		35		35		35		35		35		35		35	96	35		35		35	87	35	
36		36		36		36		36		36		36		36	96	36		36		36	42	36	50
37		37		37		37		37		37		37		37	96	37		37		37	87	37	84
38		38		38		38		38		38		38		38	94	38		38		38		38	
39		39		39		39		39	96	39		39		39	94	39		39		39		39	85
40		40		40		40		40		40		40		40	94	40		40		40		40	85
41		41		41		41		41		41		41		41	47	41		41		41		41	
42		42		42		42		42		42		42		42	47	42		42		42		42	
43		43		43		43		43		43		43		43	47	43		43		43	90	43	
44		44		44		44		44		44		44		44		44		44		44		44	
45		45		45		45		45		45		45		45		45		45		45		45	
46		46		46		46		46		46		46		46		46		46		46		46	
47		47		47		47		47		47		47		47		47		47		47		47	

152

PIN LOCATOR - ROW D

LOC	14	LOC	15	LOC	16	LOC	17	LOC	18	LOC	19	LOC	20	LOC	21	LOC	22	LOC	23	LOC	24	LOC	25	LOC	
PIN	PAGE	PIN	PAGE	PIN	PAGE	PIN	PAGE	PIN	PAGE	PIN	PAGE	PIN	PAGE	PIN	PAGE	PIN	PAGE	PIN	PAGE	PIN	PAGE	PIN	PAGE	PIN	PAGE
1		1		1	85	1	84	1	86	1	81	1	81	1	81	1	82	1	83	1	83	1	82	1	
2		2	84	2	85	2	84	2		2	81	2		2		2		2	83	2	83	2	82	2	
3	84	3		3	85	3	84	3		3	81	3		3		3		3	83	3	83	3	82	3	
4		4		4	84	4	91	4		4	59	4		4		4		4	82	4	82	4		4	
5		5		5		5		5		5	92	5		5		5	91	5		5		5	82	5	
6		6		6		6		6		6		6		6		6		6		6		6	82	6	
7		7	84	7		7		7	86	7	48	7		7		7		7		7		7		7	
8		8	84	8		8		8	86	8	59	8		8		8		8		8		8		8	
9		9	84	9		9		9	86	9	92, 59	9		9		9		9		9		9		9	
10		10		10		10		10		10	92	10		10		10		10		10		10	82	10	
11		11	84	11		11		11		11	92	11		11		11		11		11		11		11	
12		12	84	12		12		12		12		12		12		12	90	12		12		12		12	
13		13	84	13		13		13	86	13	48	13		13		13		13		13		13		13	
14		14		14		14		14		14	48	14		14		14		14		14	55	14		14	
15		15	84	15		15		15		15	48, 59	15		15		15		15		15	55	15		15	
16		16	84	16		16	85	16		16	81	16		16		16	48	16		16	82	16	83	16	
17		17	84	17		17		17		17		17		17		17	48	17		17		17		17	
18		18		18		18		18		18		18		18		18	48	18		18		18		18	
19		19	84	19		19		19		19		19		19		19	49	19		19		19		19	
20		20		20		20		20		20		20		20		20	49	20		20		20		20	
21		21		21		21		21		21		21		21		21	49	21		21		21		21	
22		22		22		22		22		22		22		22		22	91	22		22		22		22	
23		23		23		23		23		23		23		23		23	91	23		23		23		23	
24		24		24		24		24		24		24		24		24	91	24		24		24		24	
25		25		25		25		25		25		25		25		25	90	25		25		25		25	
26		26		26		26	84, 85	26		26		26		26		26	90	26		26		26	82, 83	26	
27		27		27		27	84	27		27		27		27		27	90	27		27		27	82	27	
28		28		28		28	84	28		28		28		28		28	91	28		28		28	82	28	
29		29		29		29	84, 85	29		29		29		29		29		29		29		29	82, 83	29	
30		30		30		30	84	30		30		30		30		30		30		30		30	82	30	
31		31		31		31		31		31		31		31		31		31		31		31		31	
32		32		32		32		32		32		32		32		32		32		32		32		32	
33		33		33		33		33		33		33		33		33		33		33		33		33	
34	43, 57, 73	34		34		34		34		34		34		34		34	49	34		34		34		34	
35	43	35		35		35		35		35		35		35		35	91	35		35		35		35	
36	43	36		36		36		36		36		36		36		36	49	36		36		36		36	
37	43	37		37	84	37	97	37	48	37	86	37	81	37	81	37	91	37	82	37	82	37		37	
38	57	38		38		38		38		38		38		38		38	91	38		38		38		38	
39	57	39		39	85	39		39		39		39	81	39	81	39	81	39	83	39	83	39		39	
40	57	40		40	85	40		40		40		40	81	40	81	40	82	40	83	40	83	40		40	
41	73	41		41		41		41		41		41		41		41	82	41		41		41		41	
42	73	42		42		42		42		42		42		42		42	81	42		42		42		42	
43	73	43		43		43		43		43		43		43		43		43		43		43		43	
44		44		44		44		44		44		44		44		44		44		44		44		44	
45		45		45		45		45		45		45		45		45		45		45		45		45	
46		46		46		46		46		46		46		46		46		46		46		46		46	
47		47		47		47		47		47		47		47		47		47		47		47		47	

159

PIN LOCATOR - ROW D

LOC	14	LOC	15	LOC	16	LOC	17	LOC	18	LOC	19	LOC	20	LOC	21	LOC	22	LOC	23	LOC	24	LOC	25	LOC
PIN	PAGE	PIN	PAGE	PIN	PAGE	PIN	PAGE	PIN	PAGE	PIN	PAGE	PIN	PAGE	PIN	PAGE	PIN	PAGE	PIN	PAGE	PIN	PAGE	PIN	PAGE	
1		1		1	85	1	84	1	86	1	81	1	81	1	81	1	82	1	83	1	83	1	82	1
2		2	84	2	85	2	84	2	↓	2	81	2		2		2	↓	2	83	2	83	2	82	2
3	84	3	↓	3	85	3	84	3	↓	3	81	3		3		3	↓	3	83	3	83	3	82	3
4		4	↓	4	84	4	91	4	↓	4	59	4		4		4	↓	4	82	4	82	4		4
5		5	↓	5		5		5		5	92	5		5		5	91	5		5		5	82	5
6		6		6		6		6		6		6		6		6		6		6		6	82	6
7		7	84	7		7		7	86	7	48	7		7		7		7		7		7		7
8		8	84	8		8		8	86	8	59	8		8		8		8		8		8		8
9		9	84	9		9		9	86	9	92, 59	9		9		9		9		9		9		9
10		10		10		10		10		10	92	10		10		10	↓	10		10		10	82	10
11		11	84	11		11		11		11	92	11		11		11	↓	11		11		11	↓	11
12		12	84	12		12		12		12		12		12		12	90	12		12		12	↓	12
13		13	84	13		13		13	86	13	48	13		13		13	↓	13		13	↓	13	↓	13
14		14		14		14		14		14	48	14		14		14		14		14	55	14		14
15		15	84	15		15	↓	15		15	48, 59	15		15		15	↓	15		15	55	15		15
16		16	84	16		16	85	16		16	81	16		16		16	48	16		16	82	16	83	16
17		17	84	17		17		17		17		17		17		17	48	17		17		17		17
18		18		18		18		18		18		18		18		18	48	18		18		18		18
19		19	84	19		19		19		19		19		19		19	49	19		19		19		19
20		20		20		20		20		20		20		20		20	49	20		20		20		20
21		21		21		21		21		21		21		21		21	49	21		21		21		21
22		22		22		22		22		22		22		22		22	91	22		22		22		22
23		23		23		23		23		23		23		23		23	91	23		23		23		23
24		24		24		24		24		24		24		24		24	91	24		24		24		24
25		25		25		25	↓	25		25		25		25		25	90	25		25		25	↓	25
26		26		26		26	84, 85	26		26		26		26		26	90	26		26		26	82, 83	26
27		27		27		27	84	27		27		27		27		27	90	27		27		27	82	27
28		28		28		28	84	28		28		28		28		28	91	28		28		28	82	28
29		29		29		29	84, 85	29		29		29		29		29		29		29		29	82, 83	29
30		30		30		30	84	30		30		30		30		30		30		30		30	82	30
31		31		31		31		31		31		31		31		31		31		31		31		31
32		32		32	↓	32		32		32		32	↓	32	↓	32		32	↓	32	↓	32		32
33		33		33		33		33		33		33		33		33	↓	33		33		33		33
34	43, 57, 73	34		34		34		34		34		34		34		34	49	34		34		34		34
35	43	35		35		35		35		35		35		35		35	91	35		35		35		35
36	43	36		36		36	↓	36	↓	36	↓	36		36		36	49	36	92	36		36		36
37	43	37		37	84	37	97	37	48	37	86	37	81	37	81	37	91	37	82	37	82	37		37
38	57	38		38		38		38		38		38		38		38	91	38		38		38		38
39	57	39		39	85	39		39		39		39	81	39	81	39	81	39	83	39	83	39		39
40	57	40		40	85	40		40		40		40	81	40	81	40	82	40	83	40	83	40		40
41	73	41		41		41	↓	41	↓	41	↓	41		41		41	82	41		41		41	↓	41
42	73	42		42		42		42		42		42		42		42	81	42		42		42		42
43	73	43	↓	43		43		43		43		43		43		43		43		43		43		43
44		44		44		44		44		44		44		44		44		44		44		44		44
45		45		45		45		45		45		45		45		45		45		45		45		45
46		46		46		46		46		46		46		46		46		46		46		46		46
47		47		47		47		47		47		47		47		47		47		47		47		47

60

PIN LOCATOR - ROW D

LOC	14	LOC	15	LOC	16	LOC	17	LOC	18	LOC	19	LOC	20	LOC	21	LOC	22	LOC	23	LOC	24	LOC	25	LOC
PIN	PAGE	PIN	PAGE	PIN	PAGE	PIN	PAGE	PIN	PAGE	PIN	PAGE	PIN	PAGE	PIN	PAGE	PIN	PAGE	PIN	PAGE	PIN	PAGE	PIN	PAGE	
1		1		1	85	1	84	1	86	1	81	1	81	1	81	1	82	1	83	1	83	1	82	1
2		2	84	2	85	2	84	2		2	81	2		2		2		2	83	2	83	2	82	2
3	84	3		3	85	3	84	3		3	81	3		3		3		3	83	3	83	3	82	3
4		4		4	84	4	91	4		4	59	4		4		4		4	82	4	82	4	93	4
5		5		5		5		5		5	92	5		5		5	91	5		5		5	82	5
6		6		6		6		6		6		6		6		6		6		6		6	82	6
7		7	84	7		7		7	86	7	48	7		7		7		7		7		7		7
8		8	84	8		8		8	86	8	59	8		8		8		8		8		8	93	8
9		9	84	9		9		9	86	9	92, 59	9		9		9		9		9		9		9
10		10		10		10		10		10	92	10		10		10		10		10		10	82	10
11		11	84	11		11		11		11	92	11		11		11		11		11		11		11
12		12	84	12		12		12		12		12		12		12	90	12		12		12		12
13		13	84	13		13		13	86	13	48	13		13		13		13		13		13		13
14		14		14		14		14		14	48	14		14		14		14		14	55	14		14
15		15	84	15		15		15		15	48, 59	15		15		15		15		15	55	15	93	15
16		16	84	16		16	85	16		16	81	16		16		16	48	16		16	82	16	83	16
17		17	84	17		17		17		17		17		17		17	48	17		17		17		17
18		18		18		18		18		18		18		18		18	48	18		18		18		18
19		19	84	19		19		19		19		19		19		19	49	19		19		19		19
20		20		20		20		20		20		20		20		20	49	20		20		20		20
21		21		21		21		21		21		21		21		21	49	21		21		21		21
22		22		22		22		22		22		22		22		22	91	22		22		22		22
23		23		23		23		23		23		23		23		23	91	23		23		23		23
24		24		24		24		24		24		24		24		24	91	24		24		24		24
25		25		25		25		25		25		25		25		25	90	25		25		25		25
26		26		26		26	84, 85	26		26		26		26		26	90	26		26		26	82, 83	26
27		27		27		27	84	27		27		27		27		27	90	27		27		27	82	27
28		28		28		28	84	28		28		28		28		28	91	28		28		28	82	28
29		29		29		29	84, 85	29		29		29		29		29		29		29		29	82, 83	29
30		30		30		30	84	30		30		30		30		30		30		30		30	82	30
31		31		31		31		31		31		31		31		31		31		31		31		31
32		32		32		32		32		32		32		32		32		32		32		32		32
33		33		33		33		33		33		33		33		33		33		33		33		33
34	43, 57, 73	34		34		34		34		34		34		34		34	49	34		34		34		34
35	43	35		35		35		35		35		35		35		35	91	35		35		35		35
36	43	36		36		36		36		36		36		36		36	49	36	92	36		36		36
37	43	37		37	84	37	97	37	48	37	86	37	81	37	81	37	91	37	82	37	82	37		37
38	57	38		38		38		38		38		38		38		38	91	38		38		38		38
39	57	39		39	85	39		39		39		39	81	39	81	39	81	39	83	39	83	39		39
40	57	40		40	85	40		40		40		40	81	40	81	40	82	40	83	40	83	40		40
41	73	41		41		41		41		41		41		41		41	82	41		41		41		41
42	73	42		42		42		42		42		42		42		42	81	42		42		42		42
43	73	43		43		43		43		43		43		43		43		43		43		43		43
44		44		44		44		44		44		44		44		44		44		44		44		44
45		45		45		45		45		45		45		45		45		45		45		45		45
46		46		46		46		46		46		46		46		46		46		46		46		46
47		47		47		47		47		47		47		47		47		47		47		47		47

161

PIN LOCATOR - ROW E

LOC	1	LOC	2	LOC	3	LOC	4	LOC	5	LOC	6	LOC	7	LOC	8	LOC	9	LOC	10	LOC	11	LOC	12	LOC	13
PIN	PAGE	PIN	PAGE	PIN	PAGE	PIN	PAGE	PIN	PAGE	PIN	PAGE	PIN	PAGE	PIN	PAGE	PIN	PAGE	PIN	PAGE	PIN	PAGE	PIN	PAGE	PIN	PAGE
1		1		1		1		1	50	1	32	1	18	1	26	1	97	1	31	1	21	1	39	1	30
2		2		2		2		2		2		2		2		2	26	2		2		2		2	
3		3		3		3		3		3		3		3		3		3		3		3		3	
4		4		4		4		4		4		4		4		4		4		4		4		4	
5		5		5		5		5		5		5		5		5		5		5		5		5	
6		6		6		6		6		6		6		6		6		6		6		6		6	
7		7		7		7		7		7		7		7		7	26	7		7		7		7	
8		8		8		8		8	67	8	33	8	48	8		8	26	8		8		8		8	
9		9		9		9		9	67	9	33	9	48	9		9	26	9		9		9		9	
10		10		10		10		10	30	10	48	10	48	10		10		10		10		10		10	
11		11		11		11		11	30	11	48	11	48, 49	11		11	31	11		11	25, 21	11	21	11	
12		12		12		12		12	50	12	19	12	49	12		12	31	12		12	25	12	21	12	
13		13		13		13		13	50	13	19	13	49	13		13	31	13		13	25	13	21	13	
14		14		14		14		14	21	14	33	14	49	14		14		14		14	25	14		14	
15		15		15		15		15	21	15	33	15	18	15		15	19	15		15	21	15	21	15	
16		16		16		16		16		16		16		16		16		16		16		16	21	16	
17		17		17		17		17		17		17		17		17		17		17		17	21	17	
18		18		18		18		18		18		18		18		18		18		18		18	22	18	
19		19		19		19		19		19	39	19		19		19	26	19		19		19		19	
20		20		20		20		20		20		20		20		20		20		20		20		20	
21		21		21		21		21		21		21		21		21		21		21		21		21	
22		22		22		22		22	30	22	60	22		22		22		22		22		22		22	
23		23		23		23		23		23	60	23		23		23	19	23		23		23	21	23	
24		24		24		24		24		24	60	24		24		24		24		24		24		24	
25		25		25		25		25		25	49	25		25		25		25		25		25		25	
26		26		26		26		26		26	49	26		26		26		26		26		26		26	
27		27		27		27		27		27	49	27		27		27		27		27		27		27	
28		28		28		28		28		28	60	28	33	28	22	28		28		28	25	28		28	25
29		29		29		29		29		29	60	29		29		29		29		29		29		29	
30		30		30		30		30		30	60	30		30		30		30		30		30		30	
31		31		31		31		31	77	31	33	31		31	22, 49	31		31		31		31		31	
32		32		32		32		32	77	32	33	32		32	49	32		32		32		32		32	
33		33		33		33		33		33	97	33		33		33		33		33		33		33	
34		34		34		34	50	34	77	34	33	34		34		34		34		34		34		34	
35		35		35		35		35	26	35	33	35	18	35	26	35		35		35	21	35		35	30
36		36		36		36		36	77	36	33	36		36		36		36		36		36		36	
37		37		37		37		37		37	97	37		37		37		37		37		37		37	
38		38		38		38		38	26	38	33	38		38		38		38		38		38		38	
39		39		39		39		39		39		39		39		39		39		39		39		39	
40		40		40		40		40		40		40		40		40		40		40		40		40	
41		41		41		41		41		41		41		41		41		41		41		41		41	
42		42		42		42		42		42		42		42		42		42		42		42		42	
43		43		43		43		43	30	43	32	43		43		43		43		43		43		43	
44		44		44		44		44		44		44		44		44		44		44		44		44	
45		45		45		45		45		45		45		45		45		45		45		45		45	
46		46		46		46		46		46		46		46		46		46		46		46		46	
47		47		47		47		47		47		47		47		47		47		47		47		47	

PIN LOCATOR - ROW E

LOC	1	LOC	2	LOC	3	LOC	4	LOC	5	LOC	6	LOC	7	LOC	8	LOC	9	LOC	10	LOC	11	LOC	12	LOC	13
PIN	PAGE	PIN	PAGE	PIN	PAGE	PIN	PAGE	PIN	PAGE	PIN	PAGE	PIN	PAGE	PIN	PAGE	PIN	PAGE	PIN	PAGE	PIN	PAGE	PIN	PAGE	PIN	PAGE
1		1		1		1		1	50	1	32	1	18	1	26	1	97	1	31	1	21	1	39	1	30
2		2		2		2		2		2		2		2		2	26	2		2		2	21	2	
3		3		3		3		3		3		3		3		3		3		3		3		3	
4		4		4		4		4		4		4		4		4		4		4		4		4	
5		5		5		5		5	60	5		5		5		5		5		5		5		5	
6		6		6		6		6		6		6		6		6		6		6		6		6	
7		7		7		7		7		7		7		7		7	26	7		7		7	21	7	
8		8		8		8		8	67	8	33	8	48	8		8	26	8		8		8	21	8	
9		9		9		9		9	67	9	33	9	48	9		9	26	9		9		9	21	9	
10		10		10		10		10	30	10	48	10	48	10		10		10		10		10		10	
11		11		11		11		11	30	11	48	11	48, 49	11		11	31	11		11	25, 21	11	21	11	
12		12		12		12		12	50	12	19	12	49	12		12	31	12		12	25	12	21	12	
13		13		13		13		13	50	13	19	13	49	13		13	31	13		13	25	13	21	13	
14		14		14		14		14	21	14	33	14	49	14		14		14		14	25	14		14	
15		15		15		15		15	21	15	33	15	18	15		15	19	15		15	21	15	21	15	
16		16		16		16		16	59	16		16		16		16		16		16		16	21	16	
17		17		17		17		17		17		17		17		17		17		17		17	21	17	
18		18		18		18		18		18		18		18		18		18		18		18	22	18	
19		19		19		19		19		19	39	19		19		19	26	19		19		19		19	
20		20		20		20		20		20		20		20		20		20		20		20		20	
21		21		21		21		21		21		21		21		21		21		21		21		21	
22		22		22		22		22	30	22	60	22		22		22		22		22		22		22	
23		23		23		23		23		23	60	23		23		23	19	23		23		23	21	23	
24		24		24		24		24		24	60	24		24		24		24		24		24		24	
25		25		25		25		25		25	49	25		25		25		25		25		25		25	
26		26		26		26		26		26	49	26		26		26		26		26		26		26	
27		27		27		27		27		27	49	27		27		27		27		27		27		27	
28		28		28		28		28	50	28	60	28	33	28	22	28		28		28	25	28		28	25
29		29		29		29		29		29	60	29		29		29		29		29		29		29	
30		30		30		30		30		30	60	30		30		30		30		30		30		30	
31		31		31		31		31	77	31	33	31		31	22, 49	31		31		31		31		31	
32		32		32		32		32	77	32	33	32		32	49	32		32		32		32		32	
33		33		33		33		33		33	97	33		33		33		33		33		33		33	
34		34		34		34	50, 60, 59	34	77	34	33	34		34		34		34		34		34		34	
35		35		35		35	50	35	26	35	33	35	18	35	26	35		35		35	21	35		35	30
36		36		36		36		36	77	36	33	36		36		36		36		36		36		36	
37		37		37		37		37		37	97	37		37		37		37		37		37		37	
38		38		38		38	60	38	26	38	33	38		38		38		38		38		38		38	
39		39		39		39		39		39		39		39		39		39		39		39		39	
40		40		40		40		40		40		40		40		40		40		40		40		40	
41		41		41		41	59	41		41		41		41		41		41		41		41		41	
42		42		42		42		42		42		42		42		42		42		42		42		42	
43		43		43		43		43	30	43	32	43		43		43		43		43		43		43	
44		44		44		44		44		44		44		44		44		44		44		44		44	
45		45		45		45		45		45		45		45		45		45		45		45		45	
46		46		46		46		46		46		46		46		46		46		46		46		46	
47		47		47		47		47		47		47		47		47		47		47		47		47	

163

PIN LOCATOR - ROW E

LOC	1	LOC	2	LOC	3	LOC	4	LOC	5	LOC	6	LOC	7	LOC	8	LOC	9	LOC	10	LOC	11	LOC	12	LOC	13
PIN	PAGE	PIN	PAGE	PIN	PAGE	PIN	PAGE	PIN	PAGE	PIN	PAGE	PIN	PAGE	PIN	PAGE	PIN	PAGE	PIN	PAGE	PIN	PAGE	PIN	PAGE	PIN	PAGE
1		1		1		1		1	50	1	32	1	18	1	26	1	97	1	31	1	21	1	39	1	30
2		2		2		2		2	↓	2	↓	2	↓	2	↓	2	26	2	↓	2	↓	2	↓	2	↓
3		3		3		3		3	↓	3	↓	3	↓	3	↓	3	↓	3	↓	3	↓	3	↓	3	↓
4		4		4		4		4	↓	4	↓	4	↓	4	↓	4	↓	4	↓	4	↓	4	↓	4	↓
5		5		5		5		5	60	5	↓	5	↓	5	↓	5	↓	5	↓	5	↓	5	↓	5	↓
6		6		6		6		6	↓	6	↓	6	↓	6	↓	6	↓	6	↓	6	↓	6	↓	6	↓
7		7		7		7		7	↓	7	↓	7	↓	7	↓	7	26	7	↓	7	↓	7	21	7	↓
8		8		8		8		8	67	8	33	8	48	8	↓	8	26	8	↓	8	↓	8	21	8	↓
9		9		9		9		9	67	9	33	9	48	9	↓	9	26	9	↓	9	↓	9	21	9	↓
10		10		10		10		10	30	10	48	10	48	10	↓	10	33	10	↓	10	↓	10	↓	10	↓
11		11		11		11		11	30	11	48	11	48, 49	11	↓	11	31	11	↓	11	25, 21	11	21	11	↓
12		12		12		12		12	50	12	19	12	49	12	↓	12	31	12	↓	12	25	12	21	12	↓
13		13		13		13		13	50	13	19	13	49	13	↓	13	31	13	↓	13	25	13	21	13	↓
14		14		14		14		14	21	14	33	14	49	14	↓	14	33	14	↓	14	25	14	↓	14	↓
15		15		15		15		15	21	15	33	15	18	15	↓	15	19	15	↓	15	21	15	21	15	↓
16		16		16		16		16	59	16	↓	16	↓	16	↓	16	↓	16	↓	16	↓	16	21	16	↓
17		17		17		17		17	↓	17	↓	17	↓	17	↓	17	↓	17	↓	17	↓	17	21	17	↓
18		18		18		18		18	↓	18	↓	18	↓	18	↓	18	↓	18	↓	18	↓	18	22	18	↓
19		19		19		19		19	↓	19	39	19	↓	19	↓	19	26	19	↓	19	↓	19	↓	19	↓
20		20		20		20		20	↓	20	↓	20	↓	20	↓	20	↓	20	↓	20	↓	20	↓	20	↓
21		21		21		21		21	↓	21	↓	21	↓	21	↓	21	↓	21	↓	21	↓	21	↓	21	↓
22		22		22		22		22	30	22	60	22	↓	22	↓	22	↓	22	↓	22	↓	22	↓	22	↓
23		23		23		23		23	↓	23	60	23	↓	23	↓	23	19	23	↓	23	↓	23	21	23	↓
24		24		24		24		24	↓	24	60	24	↓	24	↓	24	↓	24	↓	24	↓	24	↓	24	↓
25		25		25		25		25	↓	25	49	25	↓	25	↓	25	↓	25	↓	25	↓	25	↓	25	↓
26		26		26		26		26	↓	26	49	26	↓	26	↓	26	↓	26	↓	26	↓	26	↓	26	↓
27		27		27		27		27	↓	27	49	27	↓	27	↓	27	↓	27	↓	27	↓	27	↓	27	↓
28		28		28		28		28	50	28	60	28	33	28	22	28	↓	28	↓	28	25	28	↓	28	25
29		29		29		29		29	↓	29	60	29	↓	29	↓	29	↓	29	↓	29	↓	29	↓	29	↓
30		30		30		30		30	↓	30	60	30	↓	30	↓	30	↓	30	↓	30	↓	30	↓	30	↓
31		31		31		31		31	77	31	33	31	↓	31	22, 49	31	↓	31	↓	31	↓	31	↓	31	↓
32		32		32		32		32	77	32	33	32	↓	32	49	32	↓	32	↓	32	↓	32	↓	32	↓
33		33		33		33		33	↓	33	97	33	↓	33	↓	33	↓	33	↓	33	↓	33	↓	33	↓
34		34		34		34	50, 60, 59	34	77	34	33	34	↓	34	↓	34	↓	34	↓	34	↓	34	↓	34	↓
35		35		35		35	50	35	26	35	33	35	18	35	26	35	↓	35	↓	35	21	35	↓	35	30
36		36		36		36	↓	36	77	36	33	36	↓	36	↓	36	↓	36	↓	36	↓	36	↓	36	↓
37		37		37		37	↓	37	↓	37	97	37	↓	37	↓	37	↓	37	↓	37	↓	37	↓	37	↓
38		38		38		38	60	38	26	38	33	38	↓	38	↓	38	↓	38	↓	38	↓	38	↓	38	↓
39		39		39		39	↓	39	↓	39	↓	39	↓	39	↓	39	↓	39	↓	39	↓	39	↓	39	↓
40		40		40		40	↓	40	↓	40	↓	40	↓	40	↓	40	↓	40	↓	40	↓	40	↓	40	↓
41		41		41		41	59	41	↓	41	↓	41	↓	41	↓	41	↓	41	↓	41	↓	41	↓	41	↓
42		42		42		42	↓	42	↓	42	↓	42	↓	42	↓	42	↓	42	↓	42	↓	42	↓	42	↓
43		43		43		43	↓	43	30	43	32	43	↓	43	↓	43	↓	43	↓	43	↓	43	↓	43	↓
44		44		44		44	↓	44	↓	44	↓	44	↓	44	↓	44	↓	44	↓	44	↓	44	↓	44	↓
45		45		45		45	↓	45	↓	45	↓	45	↓	45	↓	45	↓	45	↓	45	↓	45	↓	45	↓
46		46		46		46	↓	46	↓	46	↓	46	↓	46	↓	46	↓	46	↓	46	↓	46	↓	46	↓
47		47		47		47	↓	47	↓	47	↓	47	↓	47	↓	47	↓	47	↓	47	↓	47	↓	47	↓

164

PIN LOCATOR - ROW E

LOC	1	LOC	2	LOC	3	LOC	4	LOC	5	LOC	6	LOC	7	LOC	8	LOC	9	LOC	10	LOC	11	LOC	12	LOC	13
PIN	PAGE	PIN	PAGE	PIN	PAGE	PIN	PAGE	PIN	PAGE	PIN	PAGE	PIN	PAGE	PIN	PAGE	PIN	PAGE	PIN	PAGE	PIN	PAGE	PIN	PAGE	PIN	PAGE
1		1		1		1		1	50	1	32	1	18	1	26	1	97	1	31	1	21	1	39	1	30
2		2		2		2		2	↓	2	↓	2	↓	2	↓	2	26	2	↓	2	↓	2	↓	2	↓
3		3		3		3		3	↓	3	↓	3	↓	3	↓	3	↓	3	↓	3	↓	3	↓	3	↓
4		4		4		4		4	↓	4	↓	4	↓	4	↓	4	↓	4	↓	4	↓	4	↓	4	↓
5		5		5		5		5	60	5	↓	5	↓	5	↓	5	↓	5	↓	5	↓	5	↓	5	↓
6		6		6		6		6	↓	6	↓	6	↓	6	↓	6	↓	6	↓	6	↓	6	↓	6	↓
7		7		7		7		7	↓	7	↓	7	↓	7	↓	7	26	7	↓	7	↓	7	↓	7	↓
8		8		8		8		8	67	8	33	8	48	8	↓	8	26	8	↓	8	↓	8	↓	8	↓
9		9		9		9		9	67	9	33	9	48	9	↓	9	26	9	↓	9	↓	9	↓	9	↓
10		10		10		10		10	30	10	48	10	48	10	↓	10	33	10	↓	10	↓	10	↓	10	↓
11		11		11		11		11	30	11	48	11	48, 49	11	↓	11	31	11	↓	11	25, 21	11	↓	11	↓
12		12		12		12		12	50	12	19	12	49	12	↓	12	31	12	↓	12	25	12	↓	12	↓
13		13		13		13		13	50	13	19	13	49	13	↓	13	31	13	↓	13	25	13	↓	13	↓
14		14		14		14		14	21	14	33	14	49	14	↓	14	33	14	↓	14	25	14	↓	14	↓
15		15		15		15		15	21	15	33	15	18	15	↓	15	19	15	↓	15	21	15	↓	15	↓
16		16		16		16		16	59	16	↓	16	↓	16	↓	16	↓	16	↓	16	↓	16	↓	16	↓
17		17		17		17		17	↓	17	↓	17	↓	17	↓	17	↓	17	↓	17	↓	17	↓	17	↓
18		18		18		18		18	↓	18	↓	18	↓	18	↓	18	↓	18	↓	18	↓	18	↓	18	↓
19		19		19		19		19	↓	19	39	19	↓	19	↓	19	26	19	↓	19	↓	19	↓	19	↓
20		20		20		20		20	↓	20	↓	20	↓	20	↓	20	↓	20	↓	20	↓	20	↓	20	↓
21		21		21		21		21	↓	21	↓	21	↓	21	↓	21	↓	21	↓	21	↓	21	↓	21	↓
22		22		22		22		22	30	22	60	22	↓	22	↓	22	↓	22	↓	22	↓	22	↓	22	↓
23		23		23		23		23	↓	23	60	23	↓	23	↓	23	19	23	↓	23	↓	23	↓	23	↓
24		24		24		24		24	↓	24	60	24	↓	24	↓	24	↓	24	↓	24	↓	24	↓	24	↓
25		25		25		25		25	↓	25	49	25	↓	25	↓	25	↓	25	↓	25	↓	25	↓	25	↓
26		26		26		26		26	↓	26	49	26	↓	26	↓	26	↓	26	↓	26	↓	26	↓	26	↓
27		27		27		27		27	↓	27	49	27	↓	27	↓	27	↓	27	↓	27	↓	27	↓	27	↓
28		28		28		28		28	50	28	60	28	33	28	22	28	↓	28	↓	28	25	28	↓	28	↓
29		29		29		29		29	↓	29	60	29	↓	29	↓	29	↓	29	↓	29	↓	29	↓	29	↓
30		30		30		30		30	↓	30	60	30	↓	30	↓	30	↓	30	↓	30	↓	30	↓	30	↓
31		31		31		31		31	77	31	33	31	↓	31	22, 49	31	↓	31	↓	31	↓	31	↓	31	↓
32		32		32		32		32	77	32	33	32	↓	32	49	32	↓	32	↓	32	↓	32	↓	32	↓
33		33		33		33		33	↓	33	97	33	↓	33	↓	33	↓	33	↓	33	↓	33	↓	33	↓
34		34		34		34	50, 60, 59	34	77	34	33	34	↓	34	↓	34	↓	34	↓	34	↓	34	↓	34	↓
35		35		35		35	50	35	26	35	33	35	18	35	26	35	↓	35	31	35	21	35	↓	35	30
36		36		36		36		36	77	36	33	36	↓	36	↓	36	↓	36	↓	36	↓	36	↓	36	↓
37		37		37		37		37	↓	37	97	37	↓	37	↓	37	↓	37	↓	37	↓	37	↓	37	↓
38		38		38		38	60	38	26	38	33	38	↓	38	↓	38	↓	38	↓	38	↓	38	↓	38	↓
39		39		39		39		39	↓	39	↓	39	↓	39	↓	39	↓	39	↓	39	↓	39	↓	39	↓
40		40		40		40		40	↓	40	↓	40	↓	40	↓	40	↓	40	↓	40	↓	40	↓	40	↓
41		41		41		41	59	41	↓	41	↓	41	↓	41	↓	41	↓	41	↓	41	↓	41	↓	41	↓
42		42		42		42		42	↓	42	↓	42	↓	42	↓	42	↓	42	↓	42	↓	42	↓	42	↓
43		43		43		43		43	30	43	32	43	↓	43	↓	43	↓	43	↓	43	↓	43	↓	43	↓
44		44		44		44		44	↓	44	↓	44	↓	44	↓	44	↓	44	↓	44	↓	44	↓	44	↓
45		45		45		45		45	↓	45	↓	45	↓	45	↓	45	↓	45	↓	45	↓	45	↓	45	↓
46		46		46		46		46	↓	46	↓	46	↓	46	↓	46	↓	46	↓	46	↓	46	↓	46	↓
47		47		47		47		47	↓	47	↓	47	↓	47	↓	47	↓	47	↓	47	↓	47	↓	47	↓

165

PIN LOCATOR - ROW E

LOC	1	LOC	2	LOC	3	LOC	4	LOC	5	LOC	6	LOC	7	LOC	8	LOC	9	LOC	10	LOC	11	LOC	12	LOC	13
PIN	PAGE	PIN	PAGE	PIN	PAGE	PIN	PAGE	PIN	PAGE	PIN	PAGE	PIN	PAGE	PIN	PAGE	PIN	PAGE	PIN	PAGE	PIN	PAGE	PIN	PAGE	PIN	PAGE
1		1		1		1		1	50	1	32	1	18	1	26	1	97	1	31	1	21	1	39	1	30
2		2		2		2		2	↓	2	↓	2	↓	2	↓	2	26	2	↓	2	↓	2	↓	2	↓
3		3		3		3		3	↓	3	↓	3	↓	3	↓	3	↓	3	↓	3	↓	3	↓	3	↓
4		4		4		4		4	↓	4	↓	4	↓	4	↓	4	↓	4	↓	4	↓	4	↓	4	↓
5		5		5		5		5	60	5	↓	5	↓	5	↓	5	↓	5	↓	5	↓	5	↓	5	↓
6		6		6		6		6	↓	6	↓	6	↓	6	↓	6	↓	6	↓	6	↓	6	↓	6	↓
7		7		7		7		7	↓	7	↓	7	↓	7	↓	7	26	7	↓	7	↓	7	↓	7	↓
8		8		8		8		8	67	8	33	8	48	8	↓	8	26	8	↓	8	↓	8	↓	8	↓
9		9		9		9		9	67	9	33	9	48	9	↓	9	26	9	↓	9	↓	9	↓	9	↓
10		10		10		10		10	30	10	48	10	48	10	↓	10	33	10	↓	10	↓	10	↓	10	↓
11		11		11		11		11	30	11	48	11	48, 49	11	↓	11	31	11	↓	11	25, 21	11	↓	11	↓
12		12		12		12		12	50	12	19	12	49	12	↓	12	31	12	↓	12	25	12	↓	12	↓
13		13		13		13		13	50	13	19	13	49	13	↓	13	31	13	↓	13	25	13	↓	13	↓
14		14		14		14		14	21	14	33	14	49	14	↓	14	33	14	↓	14	25	14	↓	14	↓
15		15		15		15		15	21	15	33	15	18	15	↓	15	19	15	↓	15	21	15	↓	15	↓
16		16		16		16		16	59	16	68	16	↓	16	↓	16	↓	16	↓	16	↓	16	↓	16	↓
17		17		17		17		17	↓	17	68	17	↓	17	↓	17	↓	17	↓	17	↓	17	↓	17	↓
18		18		18		18		18	↓	18	↓	18	↓	18	↓	18	↓	18	↓	18	↓	18	↓	18	↓
19		19		19		19		19	39	19	↓	19	↓	19	↓	19	26	19	↓	19	↓	19	↓	19	↓
20		20		20		20		20	↓	20	↓	20	↓	20	↓	20	↓	20	↓	20	↓	20	↓	20	↓
21		21		21		21		21	↓	21	↓	21	↓	21	↓	21	↓	21	↓	21	↓	21	↓	21	↓
22		22		22		22		22	30	22	60	22	↓	22	↓	22	↓	22	↓	22	↓	22	↓	22	↓
23		23		23		23		23	↓	23	60	23	↓	23	↓	23	19	23	↓	23	↓	23	21	23	↓
24		24		24		24		24	↓	24	60	24	↓	24	↓	24	↓	24	↓	24	↓	24	↓	24	↓
25		25		25		25		25	↓	25	49	25	↓	25	↓	25	↓	25	↓	25	↓	25	↓	25	↓
26		26		26		26		26	↓	26	49	26	↓	26	↓	26	↓	26	↓	26	↓	26	↓	26	↓
27		27		27		27		27	↓	27	49	27	↓	27	↓	27	↓	27	↓	27	↓	27	↓	27	↓
28		28		28		28		28	50	28	60	28	33	28	22	28	↓	28	↓	28	25	28	↓	28	25
29		29		29		29		29	↓	29	60	29	↓	29	↓	29	↓	29	↓	29	↓	29	↓	29	↓
30		30		30		30		30	↓	30	60	30	↓	30	↓	30	↓	30	↓	30	↓	30	↓	30	↓
31		31		31		31		31	77	31	33	31	↓	31	22, 49	31	↓	31	↓	31	↓	31	↓	31	↓
32		32		32		32		32	77	32	33	32	↓	32	49	32	↓	32	↓	32	↓	32	↓	32	↓
33		33		33		33		33	↓	33	97	33	↓	33	↓	33	↓	33	↓	33	↓	33	↓	33	↓
34		34		34		34	50, 60, 59	34	77	34	33	34	↓	34	↓	34	↓	34	↓	34	↓	34	↓	34	↓
35		35		35		35	50	35	26	35	33	35	18	35	26	35	↓	35	31	35	21	35	↓	35	30
36		36		36		36	↓	36	77	36	33	36	↓	36	↓	36	↓	36	↓	36	↓	36	↓	36	↓
37		37		37		37	↓	37	↓	37	97	37	↓	37	↓	37	↓	37	↓	37	↓	37	↓	37	↓
38		38		38		38	60	38	26	38	33	38	↓	38	↓	38	↓	38	↓	38	↓	38	↓	38	↓
39		39		39		39	↓	39	↓	39	↓	39	↓	39	↓	39	↓	39	↓	39	↓	39	↓	39	↓
40		40		40		40	↓	40	↓	40	↓	40	↓	40	↓	40	↓	40	↓	40	↓	40	↓	40	↓
41		41		41		41	59	41	↓	41	↓	41	↓	41	↓	41	↓	41	↓	41	↓	41	↓	41	↓
42		42		42		42	↓	42	↓	42	↓	42	↓	42	↓	42	↓	42	↓	42	↓	42	↓	42	↓
43		43		43		43	↓	43	30	43	32	43	↓	43	↓	43	↓	43	↓	43	↓	43	↓	43	↓
44		44		44		44	↓	44	↓	44	↓	44	↓	44	↓	44	↓	44	↓	44	↓	44	↓	44	↓
45		45		45		45	↓	45	↓	45	↓	45	↓	45	↓	45	↓	45	↓	45	↓	45	↓	45	↓
46		46		46		46	↓	46	↓	46	↓	46	↓	46	↓	46	↓	46	↓	46	↓	46	↓	46	↓
47		47		47		47	↓	47	↓	47	↓	47	↓	47	↓	47	↓	47	↓	47	↓	47	↓	47	↓

166

PIN LOCATOR - ROW E

LOC	1	LOC	2	LOC	3	LOC	4	LOC	5	LOC	6	LOC	7	LOC	8	LOC	9	LOC	10	LOC	11	LOC	12	LOC	13
PIN	PAGE	PIN	PAGE	PIN	PAGE	PIN	PAGE	PIN	PAGE	PIN	PAGE	PIN	PAGE	PIN	PAGE	PIN	PAGE	PIN	PAGE	PIN	PAGE	PIN	PAGE	PIN	PAGE
1		1		1		1		1	50	1	32	1	18	1	26	1	97	1	31	1	21	1	39	1	30
2		2		2		2		2		2		2		2		2	26	2		2		2	21	2	
3		3		3		3		3		3		3		3		3		3		3		3		3	
4		4		4		4		4		4		4		4		4		4		4		4		4	
5		5		5		5		5	60	5		5		5		5		5		5		5		5	
6		6		6		6		6		6		6		6		6		6		6		6		6	
7		7		7		7		7		7		7		7		7	26	7		7		7	21	7	
8		8		8		8		8	67	8	33	8	48	8		8	26	8		8		8	21	8	
9		9		9		9		9	67	9	33	9	48	9		9	26	9		9		9	21	9	
10		10		10		10		10	30	10	48	10	48	10		10	33	10		10		10		10	
11		11		11		11		11	30	11	48	11	48, 49	11		11	31	11		11	25, 21	11	21	11	
12		12		12		12		12	50	12	19	12	49	12		12	31	12		12	25	12	21	12	
13		13		13		13		13	50	13	19	13	49	13		13	31	13		13	25	13	21	13	
14		14		14		14		14	21	14	33	14	49	14		14	33	14		14	25	14		14	
15		15		15		15		15	21	15	33	15	18	15		15	19	15		15	21	15	21	15	
16		16		16		16		16	21	16	68	16		16		16		16		16		16	21	16	
17		17		17		17		17	21	17	68	17		17		17		17		17		17	21	17	
18		18		18		18		18	21	18		18		18		18		18		18		18	22	18	
19		19		19		19		19		19	39	19		19		19	26	19		19		19		19	
20		20		20		20		20		20		20		20		20		20		20		20		20	
21		21		21		21		21		21		21		21		21		21		21		21		21	
22		22		22		22		22	30	22	60	22		22		22		22		22		22		22	
23		23		23		23		23		23	60	23		23		23	19	23		23		23	21	23	
24		24		24		24		24		24	60	24		24		24		24		24		24		24	
25		25		25		25		25		25	49	25		25		25		25		25		25		25	
26		26		26		26		26		26	49	26		26		26		26		26		26		26	
27		27		27		27		27		27	49	27		27		27		27		27		27		27	
28		28		28		28		28	50	28	60	28	33	28	22	28		28		28	25	28		28	25
29		29		29		29		29		29	60	29		29		29		29		29		29		29	
30		30		30		30		30		30	60	30		30		30		30		30		30		30	
31		31		31		31		31	77	31	33	31		31	22, 49	31		31		31		31		31	
32		32		32		32		32	77	32	33	32		32	49	32		32		32		32		32	
33		33		33		33		33		33	97	33		33		33		33		33		33		33	
34		34		34		34	50, 59	34	77	34	33	34		34		34		34		34		34		34	
35		35		35		35	50	35	26	35	33	35	18	35	26	35		35	31	35	21	35		35	30
36		36		36		36		36	77	36	33	36		36		36		36		36		36		36	
37		37		37		37		37		37	97	37		37		37		37		37		37		37	
38		38		38		38	60	38	26	38	33	38		38		38		38		38		38		38	
39		39		39		39		39		39		39		39		39		39		39		39		39	
40		40		40		40		40		40		40		40		40		40		40		40		40	
41		41		41		41	21	41		41		41		41		41		41		41		41		41	
42		42		42		42	21	42		42		42		42		42		42		42		42		42	
43		43		43		43	21	43	30	43	32	43		43		43		43		43		43		43	
44		44		44		44		44		44		44		44		44		44		44		44		44	
45		45		45		45		45		45		45		45		45		45		45		45		45	
46		46		46		46		46		46		46		46		46		46		46		46		46	
47		47		47		47		47		47		47		47		47		47		47		47		47	

167

PIN LOCATOR - ROW E

LOC	1	LOC	2	LOC	3	LOC	4	LOC	5	LOC	6	LOC	7	LOC	8	LOC	9	LOC	10	LOC	11	LOC	12	LOC	13
PIN	PAGE	PIN	PAGE	PIN	PAGE	PIN	PAGE	PIN	PAGE	PIN	PAGE	PIN	PAGE	PIN	PAGE	PIN	PAGE	PIN	PAGE	PIN	PAGE	PIN	PAGE	PIN	PAGE
1		1		1		1		1	50	1	32	1	18	1	26	1	97	1	31	1	21	1	39	1	30
2		2		2		2		2	↓	2	↓	2	↓	2	↓	2	26	2	↓	2	↓	2	21	2	↓
3		3		3		3		3	↓	3	↓	3	↓	3	↓	3	↓	3	↓	3	↓	3	↓	3	↓
4		4		4		4		4	↓	4	↓	4	↓	4	↓	4	↓	4	↓	4	↓	4	↓	4	↓
5		5		5		5		5	60	5	↓	5	↓	5	↓	5	↓	5	↓	5	↓	5	↓	5	↓
6		6		6		6		6	↓	6	↓	6	↓	6	↓	6	16	6	↓	6	↓	6	↓	6	↓
7		7		7		7		7	↓	7	↓	7	↓	7	↓	7	26	7	↓	7	↓	7	21	7	↓
8		8		8		8		8	67	8	33	8	48	8	↓	8	26	8	↓	8	↓	8	21	8	↓
9		9		9		9		9	67	9	33	9	48	9	↓	9	26	9	↓	9	↓	9	21	9	↓
10		10		10		10		10	30	10	48	10	48	10	↓	10	33	10	↓	10	↓	10	↓	10	↓
11		11		11		11		11	30	11	48	11	48, 49	11	↓	11	31	11	↓	11	25, 21	11	21	11	↓
12		12		12		12		12	50	12	19	12	49	12	↓	12	31	12	↓	12	25	12	21	12	↓
13		13		13		13		13	50	13	19	13	49	13	↓	13	31	13	↓	13	25	13	21	13	↓
14		14		14		14		14	21	14	33	14	49	14	↓	14	33	14	↓	14	25	14	↓	14	↓
15		15		15		15		15	21	15	33	15	18	15	↓	15	19	15	↓	15	21	15	21	15	↓
16		16		16		16		16	21	16	68	16	↓	16	↓	16	↓	16	↓	16	↓	16	21	16	↓
17		17		17		17		17	21	17	68	17	↓	17	↓	17	↓	17	↓	17	↓	17	21	17	↓
18		18		18		18		18	21	18	↓	18	↓	18	↓	18	↓	18	↓	18	↓	18	22	18	↓
19		19		19		19		19	↓	19	39	19	↓	19	↓	19	26	19	↓	19	↓	19	↓	19	↓
20		20		20		20		20	↓	20	↓	20	↓	20	↓	20	↓	20	↓	20	↓	20	↓	20	↓
21		21		21		21		21	↓	21	↓	21	↓	21	↓	21	↓	21	↓	21	↓	21	↓	21	↓
22		22		22		22		22	30	22	60	22	↓	22	↓	22	↓	22	↓	22	↓	22	↓	22	↓
23		23		23		23		23	↓	23	60	23	↓	23	↓	23	19	23	↓	23	↓	23	21	23	↓
24		24		24		24		24	↓	24	60	24	↓	24	↓	24	↓	24	↓	24	↓	24	↓	24	↓
25		25		25		25		25	↓	25	49	25	↓	25	↓	25	↓	25	↓	25	↓	25	↓	25	↓
26		26		26		26		26	↓	26	49	26	↓	26	↓	26	↓	26	↓	26	↓	26	↓	26	↓
27		27		27		27		27	↓	27	49	27	↓	27	↓	27	↓	27	↓	27	↓	27	↓	27	↓
28		28		28		28		28	50	28	60	28	33	28	22	28	↓	28	↓	28	25	28	↓	28	25
29		29		29		29		29	↓	29	60	29	↓	29	↓	29	↓	29	↓	29	↓	29	↓	29	↓
30		30		30		30		30	↓	30	60	30	↓	30	↓	30	↓	30	↓	30	↓	30	↓	30	↓
31		31		31		31		31	77	31	33	31	↓	31	22, 49	31	↓	31	31	31	↓	31	↓	31	↓
32		32		32		32		32	77	32	33	32	↓	32	49	32	↓	32	↓	32	↓	32	↓	32	↓
33		33		33		33		33	↓	33	97	33	↓	33	↓	33	↓	33	↓	33	↓	33	↓	33	↓
34		34		34		34		34	50, 59	34	77	34	33	34	↓	34	↓	34	↓	34	↓	34	↓	34	↓
35		35		35		35		35	50	35	26	35	33	35	18	35	26	35	31	35	21	35	↓	35	30
36		36		36		36		36	↓	36	77	36	33	36	↓	36	↓	36	↓	36	↓	36	↓	36	↓
37		37		37		37		37	↓	37	97	37	↓	37	↓	37	↓	37	↓	37	↓	37	↓	37	↓
38		38		38		38		38	60	38	26	38	33	38	↓	38	↓	38	↓	38	↓	38	↓	38	↓
39		39		39		39		39	↓	39	↓	39	↓	39	↓	39	↓	39	↓	39	↓	39	↓	39	↓
40		40		40		40		40	↓	40	↓	40	↓	40	↓	40	↓	40	↓	40	↓	40	↓	40	↓
41		41		41		41		41	21	41	↓	41	↓	41	↓	41	↓	41	↓	41	↓	41	↓	41	↓
42		42		42		42		42	21	42	↓	42	↓	42	↓	42	↓	42	↓	42	↓	42	↓	42	↓
43		43		43		43		43	21	43	30	43	32	43	↓	43	↓	43	↓	43	↓	43	↓	43	↓
44		44		44		44		44	↓	44	↓	44	↓	44	↓	44	↓	44	↓	44	↓	44	↓	44	↓
45		45		45		45		45	↓	45	↓	45	↓	45	↓	45	↓	45	↓	45	↓	45	↓	45	↓
46		46		46		46		46	↓	46	↓	46	↓	46	↓	46	↓	46	↓	46	↓	46	↓	46	↓
47		47		47		47		47	↓	47	↓	47	↓	47	↓	47	↓	47	↓	47	↓	47	↓	47	↓

168

PIN LOCATOR - ROW E

LOC	14	LOC	15	LOC	16	LOC	17	LOC	18	LOC	19	LOC	20	LOC	21	LOC	22	LOC	23	LOC	24	LOC	25	LOC	
PIN	PAGE	PIN	PAGE	PIN	PAGE	PIN	PAGE	PIN	PAGE	PIN	PAGE	PIN	PAGE	PIN	PAGE	PIN	PAGE	PIN	PAGE	PIN	PAGE	PIN	PAGE	PIN	PAGE
1	22	1	25	1		1	29	1		1	32	1	23	1	23	1		1	28	1	27	1	24	1	
2		2		2	25, 21	2		2		2		2	23	2	23	2		2		2		2		2	
3		3		3	25	3		3	29	3		3	23	3	23	3		3		3		3		3	
4		4		4	25	4		4		4		4	16	4	17	4	28	4		4		4		4	
5		5		5	25	5		5		5	92	5		5		5		5		5		5		5	
6		6		6		6		6		6	92	6		6		6		6		6		6		6	
7		7		7	21	7		7		7	92	7		7		7		7		7		7		7	
8		8		8	21	8		8		8	97	8		8		8		8		8	22	8	32	8	
9		9		9	21	9		9		9	97	9		9		9		9		9	22	9		9	
10		10		10		10		10		10	39	10		10		10		10		10	22	10		10	
11		11		11	19	11		11		11	39	11		11		11		11	28, 29	11	30, 22	11	32, 39	11	
12		12		12		12		12		12	32	12		12		12		12	29	12	30	12	39	12	
13		13		13		13		13		13		13		13		13		13		13	30	13		13	
14		14		14		14		14		14		14		14		14		14		14	30	14		14	
15		15		15		15		15		15		15		15		15		15	28	15	27	15	24	15	
16		16		16		16		16		16	19	16		16		16	23	16		16		16		16	
17		17		17		17		17	20	17	19	17		17		17		17		17		17		17	
18		18		18		18		18		18	19	18		18		18		18		18		18		18	
19		19		19	26	19		19		19	16	19		19		19		19		19		19		19	
20		20		20		20		20		20	16	20		20		20		20		20		20		20	
21		21		21		21	20, 29	21		21	16	21		21		21		21		21		21		21	
22		22		22		22	20	22		22	48	22	91	22		22		22		22		22		22	
23		23		23	19	23		23		23	48	23		23		23		23		23		23		23	
24		24		24		24		24		24	48	24		24		24		24		24		24		24	
25		25		25		25		25		25	16	25		25		25		25		25		25		25	
26		26		26		26		26	29	26	16	26	16	26		26	17, 23	26		26		26		26	
27		27		27		27		27		27	16	27		27		27	17	27		27		27		27	
28		28		28		28		28		28	97	28		28		28		28		28		28		28	
29		29		29		29		29		29	97	29		29		29		29		29		29		29	
30		30		30		30		30		30	97	30		30		30		30		30		30		30	
31		31		31		31		31		31	91	31		31		31		31		31		31		31	
32		32		32		32		32		32	91	32	16, 91	32		32		32		32		32		32	
33		33		33	20	33		33		33	16	33		33		33		33		33		33		33	
34		34		34		34		34	20	34	97	34		34		34		34		34		34		34	
35		35		35		35		35		35	32	35		35		35		35		35		35		35	
36		36		36		36		36		36	97	36		36		36		36		36		36		36	
37		37		37		37		37		37	16	37	16	37	17	37	28	37		37		37		37	
38		38		38		38		38		38	32	38		38		38		38		38		38		38	
39		39		39		39		39		39	91	39	23	39	23	39		39		39		39		39	
40		40		40		40		40		40	59	40	23	40	23	40		40		40		40		40	
41		41		41		41		41		41	59	41		41		41		41		41		41		41	
42		42		42		42		42		42	91	42		42		42		42		42		42		42	
43		43		43		43		43		43	97	43		43		43		43		43		43		43	
44		44		44		44		44		44		44		44		44		44		44		44		44	
45		45		45		45		45		45		45		45		45		45		45		45		45	
46		46		46		46		46		46		46		46		46		46		46		46		46	
47		47		47		47		47		47		47		47		47		47		47		47		47	

169

PIN LOCATOR - ROW E

LOC	14	LOC	15	LOC	16	LOC	17	LOC	18	LOC	19	LOC	20	LOC	21	LOC	22	LOC	23	LOC	24	LOC	25	LOC	
PIN	PAGE	PIN	PAGE	PIN	PAGE	PIN	PAGE	PIN	PAGE	PIN	PAGE	PIN	PAGE	PIN	PAGE	PIN	PAGE	PIN	PAGE	PIN	PAGE	PIN	PAGE	PIN	PAGE
1	22	1	25	1		1	29	1		1	32	1	23	1	23	1	45	1	28	1	27	1	24	1	
2		2		2	25, 21	2		2		2		2	23	2	23	2		2		2		2		2	
3		3		3	25	3		3	29	3		3	23	3	23	3		3		3		3		3	
4		4		4	25	4		4		4		4	16	4	17	4	28	4		4		4		4	
5		5		5	25	5		5		5	92	5		5		5		5		5		5		5	
6		6		6		6		6		6		6		6		6		6		6		6		6	
7		7		7	21	7		7		7		7		7		7		7		7		7		7	
8		8		8	21	8		8		8	97	8		8		8		8		8	22	8	32	8	
9		9		9	21	9		9		9	97	9		9		9		9		9	22	9		9	
10		10		10		10		10		10	39	10		10		10		10		10	22	10		10	
11		11		11	19	11		11		11	39	11		11		11		11	28, 29	11	30, 22	11	32, 39	11	
12		12		12		12		12		12	32	12		12		12		12	29	12	30	12	39	12	
13		13		13		13		13		13		13		13		13		13		13	30	13		13	
14		14		14		14		14		14		14		14		14		14		14	30	14		14	
15		15		15		15		15		15		15		15		15		15	28	15	27	15	24	15	
16		16		16		16		16		16	19	16		16		16	23	16		16		16		16	
17		17		17		17		17	20	17		17		17		17		17		17		17		17	
18		18		18		18		18		18		18		18		18		18		18		18		18	
19		19		19	26	19		19		19	16	19		19		19		19		19		19		19	
20		20		20		20		20		20		20		20		20		20		20		20		20	
21		21		21		21	20, 29	21		21		21		21		21		21		21		21		21	
22		22		22		22	20	22		22	48	22	91	22		22		22		22		22		22	
23		23		23	19	23		23		23		23		23		23		23		23		23		23	
24		24		24		24		24		24		24		24		24		24		24		24		24	
25		25		25		25		25		25	16	25		25		25		25		25		25		25	
26		26		26		26		26	29	26		26	16	26		26	17, 23	26		26		26		26	
27		27		27		27		27		27		27		27		27	17	27		27		27		27	
28		28		28		28		28		28	97	28		28		28		28		28		28		28	
29		29		29		29		29		29		29		29		29		29		29		29		29	
30		30		30		30		30		30		30		30		30		30		30		30		30	
31		31		31		31		31		31	91	31		31		31		31		31		31		31	
32		32		32		32		32		32	91	32	16, 91	32		32		32		32		32		32	
33		33		33	20	33		33		33	16	33		33		33		33		33		33		33	
34		34		34		34		34	20	34	97	34		34		34		34		34		34		34	
35		35		35		35		35		35	32	35		35		35		35		35		35		35	
36		36		36		36		36		36	97	36	32	36	32	36		36		36		36		36	
37		37		37		37		37		37	16	37	16	37	17	37	28	37		37		37		37	
38		38		38		38		38		38	32	38		38		38		38		38		38		38	
39		39		39		39		39		39	91	39	23	39	23	39		39		39		39		39	
40		40		40		40		40		40	59	40	23	40	23	40		40		40		40		40	
41		41		41		41		41		41	59	41		41		41		41		41		41		41	
42		42		42		42		42		42	91	42		42		42		42		42		42		42	
43		43		43		43		43		43	97	43		43		43		43		43		43		43	
44		44		44		44		44		44		44		44		44		44		44		44		44	
45		45		45		45		45		45		45		45		45		45		45		45		45	
46		46		46		46		46		46		46		46		46		46		46		46		46	
47		47		47		47		47		47		47		47		47		47		47		47		47	

170

PIN LOCATOR - ROW E

LOC	14	LOC	15	LOC	16	LOC	17	LOC	18	LOC	19	LOC	20	LOC	21	LOC	22	LOC	23	LOC	24	LOC	25	LOC	
PIN	PAGE	PIN	PAGE	PIN	PAGE	PIN	PAGE	PIN	PAGE	PIN	PAGE	PIN	PAGE	PIN	PAGE	PIN	PAGE	PIN	PAGE	PIN	PAGE	PIN	PAGE	PIN	PAGE
1	22	1	25	1		1	29	1		1	32	1	23	1	23	1	45	1	28	1	27	1	24	1	
2		2		2	25, 21	2		2		2		2	23	2	23	2		2		2		2		2	
3		3		3	25	3		3	29	3		3	23	3	23	3		3		3		3		3	
4		4		4	25	4		4		4		4	16	4	17	4	28	4		4		4		4	
5		5		5	25	5		5		5	92	5		5		5		5		5		5		5	
6		6		6		6		6		6		6		6		6		6		6		6		6	
7		7		7	21	7		7		7		7		7		7		7		7		7		7	
8		8		8	21	8		8		8	97	8		8		8		8		8	22	8	32	8	
9		9		9	21	9		9		9	97	9		9		9		9		9	22	9		9	
10		10		10		10		10		10	32	10		10		10		10		10	22	10		10	
11		11		11	19	11		11		11	32	11		11		11		11	28, 29	11	30, 22	11		11	
12		12		12		12		12		12	32	12		12		12		12	29	12	30	12		12	
13		13		13		13		13		13		13		13		13		13		13	30	13		13	
14		14		14		14		14		14		14		14		14		14		14	30	14		14	
15		15		15		15		15		15		15		15		15		15	28	15	27	15	24	15	
16		16		16		16		16		16	19	16		16		16	23	16		16		16		16	
17		17		17		17		17	20	17		17		17		17		17		17		17		17	
18		18		18		18		18		18		18		18		18		18		18		18		18	
19		19		19	26	19		19		19	16	19		19		19		19		19		19		19	
20		20		20		20		20		20		20		20		20		20		20		20		20	
21		21		21		21	20, 22	21		21		21		21		21		21		21		21		21	
22		22		22		22	20	22		22	48	22	91	22		22		22		22		22		22	
23		23		23	19	23		23		23		23		23		23		23		23		23		23	
24		24		24		24		24		24		24		24		24		24		24		24		24	
25		25		25		25		25		25	16	25		25		25		25		25		25		25	
26		26		26		26		26	29	26		26	16	26		26	17, 23	26		26		26		26	
27		27		27		27		27		27		27		27		27	17	27		27		27		27	
28		28		28		28		28		28	97	28		28		28		28		28		28		28	
29		29		29		29		29		29		29		29		29		29		29		29		29	
30		30		30		30		30		30		30		30		30		30		30		30		30	
31		31		31		31		31		31	91	31		31		31		31		31		31		31	
32		32		32		32		32		32	91	32	16, 91	32		32		32		32		32		32	
33		33		33	20	33		33		33	16	33		33		33		33		33		33		33	
34		34		34		34		34	20	34	97	34		34		34		34		34		34		34	
35		35		35		35		35		35	39	35		35		35		35		35		35		35	
36		36		36		36		36		36	97	36	32	36	32	36		36		36		36		36	
37		37		37		37		37		37	16	37	16	37	17	37	28	37		37		37		37	
38		38		38		38		38		38	39	38		38		38		38		38		38		38	
39		39		39		39		39		39	91	39	23	39	23	39		39		39		39		39	
40		40		40		40		40		40	59	40	23	40	23	40		40		40		40		40	
41		41		41		41		41		41	59	41		41		41		41		41		41		41	
42		42		42		42		42		42	91	42		42		42		42		42		42		42	
43		43		43		43		43		43	97	43		43		43		43		43		43		43	
44		44		44		44		44		44		44		44		44		44		44		44		44	
45		45		45		45		45		45		45		45		45		45		45		45		45	
46		46		46		46		46		46		46		46		46		46		46		46		46	
47		47		47		47		47		47		47		47		47		47		47		47		47	

171

910 MODULE LOCATION CHART

	1	2	3	4	5	6	7	8	9	10	11	12	13	14	15	16	17	18	19	20	21	22	23	24	25	
A			Go FK52		P1 FK51	P3 FK51	P5 FK51	P7 FK51	P9 FK51	P11 FK51	P13 FK51		Ex FK52		Ts FK52	Tsm FK52			S1 FK52	S3 FK52	S5 FK52	S7 FK52	S9 FK52	S11 FK52	S13 FK52	
			Ht		P2 FK51	P4 FK51	P6 FK51	P8 FK51	P10 FK51	P12 FK51	P14 FK51		Ia		Wp	Int			S2	S4	S6	S8	S10	S12	S14	
B	Sw FK52	GK52	GK51	GK51	GK51	IK51	IK51	GK51	GK51	GK52	GK51	FK51	FK51	FK51	FK51	FK51	FK51	FK51	FK51	FK51	FK51	FK51	FK51	GK51	FK52	
	Oc											C1	C3	C5	C7	C9	C11	C13	C15	C17	C19	C21	C23		Cp	
C	CLOCK CK51		Sk FK52				Q1 FK52	Q3 FK52	Q5 FK52				F1 FK52	F2 FK52					O1 FK52	O3 FK52	O5 FK52				Y BUFFER	
			Em				Q2	Q4	Q6				F3	Rf					O2	O4	O6				IK51	P9
D			GK52	GK52	FK52	GK52	GK51	FK52	GK51	GK52	IK51	GK51	DK51	GK51	GK52	DK51	FK51	FK51	FK51	DK51	DK51	IK51	DK51	DK51	FK51	Xm
					Of			Ix					Amr	sAw	sAw	sAw		Ar	Bm	Br					Xmr	sXw
E							W13	W12		W11	W10		W9	W4	W7								Wm	R1	R2	R3
			GK51	IK51	IK51	FK52	FK52	GK52	FK52	FK52	GK52	FK52	FK52	FK52	FK52	GK52	FK52	GK51	IK51	DK51	DK51	FK51	FK52	FK52	FK52	FK52
F							W14	We		Wo	Wh		W6	W5	W8											
G	1 P1	CONTROL PANEL 2 P2	POT 3 P3	EOM P10	INTER LACE 1 P10	AUX 1 P6	AUX 2 P6	AUX 3 P6	AUX 4 P6	MAG TAPE 1 P14	PIN P15	PRI INT P8	INTERRUPT LCGIC SK55 1 & 2 SK55 3 & 4		PHOTO READER P4	PHOTO READER AMPS HK54	PHOTO READER IK53	PHOTO READER RK51	LOGIC LAMP REG SK56					START STOP INT SK55	AUTO START STOP CONN	INTER LACE 2 P11

910 MODULE LOCATION CHART

	1	2	3	4	5	6	7	8	9	10	11	12	13	14	15	16	17	18	19	20	21	22	23	24	25	
A			Go		P1	P3	P5	P7	P9	P11	P13		Ex		Ts	Tsm			S1	S3	S5	S7	S9	S11	S13	
			FK52	GK52	FK51	FK51	FK51	FK51	FK51	FK51	FK51	FK51	IK51	FK52	GK51	FK52	FK52	GK51	IK51	FK52	FK52	FK52	FK52	FK52	FK52	FK52
B			Ht		P2	P4	P6	P8	P10	P12	P14		Ia		Wp	Int			S2	S4	S6	S8	S10	S12	S14	
	Sw											C0	C2	C4	C6	C8	C10	C12	C14	C16	C18	C20	C22		C24	
	FK52	GK52	GK51	GK51	GK51	IK51	IK51	GK51	GK51	GK52	GK51	FK51	FK51	FK51	FK51	FK51	FK51	FK51	FK51	FK51	FK51	FK51	FK51	FK51	GK51	FK52
C	Oc											C1	C3	C5	C7	C9	C11	C13	C15	C17	C19	C21	C23		Cp	
	CLOCK		Sk				Q1	Q3	Q5			F1	F2						O1	O3	O5				Y	BUFFER
	CK54	CK53	FK52	GK51	GK51	GK51	FK52	FK52	FK52	GK52	IK51	GK51	FK52	FK52	GK52	GK51	GK51	IK51	FK52	FK52	FK52	GK51	GK51	IK51		
D							Q2	Q4	Q6			F3	Rf					O2	O4	O6					P9	
					Po			Ix									Ar	Bm	Br						Xm	
			GK52	GK52	FK52	GK52	GK51	FK52	GK51	GK52	IK51	GK51	DK51	GK51	GK52	DK51	FK51	FK51	FK51	DK51	DK51	IK51	DK51	DK51	FK51	FK51
E					OF			Cz				Amr	sAw	sAw	sAw		Aw	Am	Bw					Xmr	sXw	Xw
							W13	W12		W11	W10		W9	W4	W7		Wf					Wm	R1	R2	R3	
				GK51	IK51	IK51	FK52	FK52	GK52	FK52	FK52	GK52	FK52	FK52	FK52	GK52	FK52	GK51	IK51	DK51	DK51	FK51	FK52	FK52	FK52	FK52
F							W14	We		Wo	Wh		W6	W5	W8		Rp					Ww	R6	R5	R4	
G		CONTROL PANEL		POT	EOM	INTER LACE	AUX	AUX	AUX	AUX	MAG TAPE	PIN	PRI INT	INTERRUPT LOGIC	PHOTO READER	PHOTO READER AMPS	PHOTO READER		LOGIC LAMP REG				START STOP INT	AUTO START STOP CONN	INTER LACE	
	1	2	3	P10	P10	P10	1	1	2	3	1			SK55 1 & 2	SK55 3 & 4	HK54	IK53	RK51	SK56			SK55			2	
	P1	P2	P3	P10	P10	P10	P6	P6	P6	P6	P14	P15	P8		P4									P12	P11	

910 MODULE LOCATION CHART

	1	2	3	4	5	6	7	8	9	10	11	12	13	14	15	16	17	18	19	20	21	22	23	24	25			
A			Go FK52		P1 FK51	P3 FK51	P5 FK51	P7 FK51	P9 FK51	P11 FK51	P14 FK51		Ex FK52		Ts FK52	Tsm FK52			S1 FK52	S3 FK52	S5 FK52	S7 FK52	S9 FK52	S11 FK52	S13 FK52	A		
			Ht		P2 FK51	P4 FK51	P6 FK51	P8 FK51	P10 FK51	P12 FK51	P12 FK51		Ia		Wp	Int			S2 FK52	S4 FK52	S6 FK52	S8 FK52	S10 FK52	S12 FK52	S14 FK52	A		
B	Sw FK52	GK52	GK51	GK51	GK51	IK51	IK51	GK51	GK51	GK52	GK51		C0 FK51	C2 FK51	C4 FK51	C6 FK51	C6 FK51	C8 FK51	C10 FK51	C12 FK51	C14 FK51	C16 FK51	C18 FK51	C22 FK51	C24 FK52	B		
	Oc												C1 FK51	C3 FK51	C5 FK51	C7 FK51	C9 FK51	C11 FK51	C13 FK51	C15 FK51	C17 FK51	C19 FK51	C21 FK51	C23 FK51	Cp FK52	B		
C	CLOCK CK54	CK53	Sk FK52				Q1 FK52	Q3 FK52	Q5 FK52				F1 FK52	F2 FK52					O1 FK52	O3 FK52	O5 FK52				Y BUFFER P9	C		
			Em				Q2 FK52	Q4 FK52	Q6 FK52				F3 FK52	Rf FK52						O2 FK52	O4 FK52	O6 FK52					C	
D					Po FK52			Ix FK52										Ar FK51	Bm FK51	Br FK51					Xm FK51	D		
			GK52	GK52	FK52	GK52	GK51	GK52	GK51	GK52	IK51	GK51	PK51 Amr	GK51 sAw	GK52 sAw	DK51 sAw	FK51	FK51	FK51	DK51 sBw	DK51 Bmr	IK51	DK51 Xmr	DK51 sXw	DK51 Xw	FK51	D	
E							W13 FK52	W12 FK52		W11 FK52	W10 FK52		W9 FK52	W4 FK52	W7 FK52		Wf FK52							Wm FK51	R1 FK52	R2 FK52	R3 FK52	E
				GK51	IK51	IK51																					E	
F							W14 FK52	We FK52		Wo FK52	Wh FK52		W6 FK52	W5 FK52	W8 FK52		Rp FK52							Wm FK51	R6 FK52	R5 FK52	R4 FK52	F
																											F	
G		CONTROL PANEL		POT	EOM	INTER LACE	AUX	AUX	AUX	AUX	MAG TAPE	PIN	PRI INT	INTERRUPT LOGIC	PHOTO READER	PHOTO READER AMPS	PHOTO READER	LOGIC LAMP REG				START STOP INT	AUTO START STOP CONN	INTER LACE		G		
	1 P1	2 P2	3 P3	P10	P10	P10	1 P6	2 P6	3 P6	4 P6	1 P14			SK55 1 & 2	SK55 3 & 4		HK54	IK53	RK51	SK56		SK55		2 P11		G		

910 - 920 MODULE & MEMORY LOCATION CHART

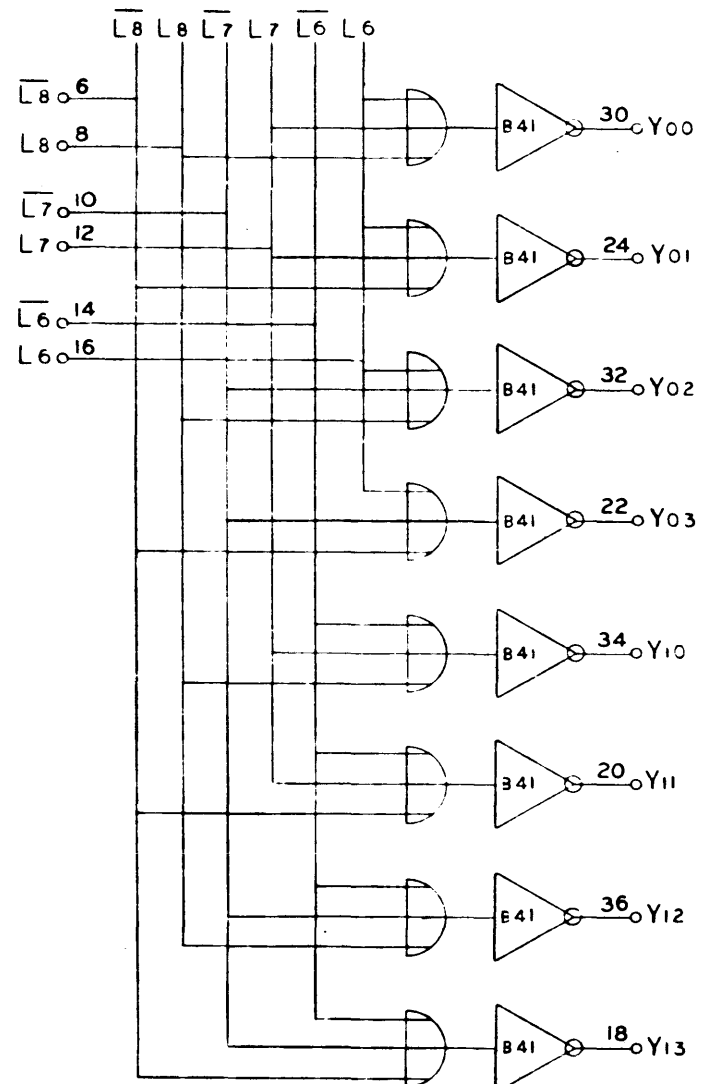
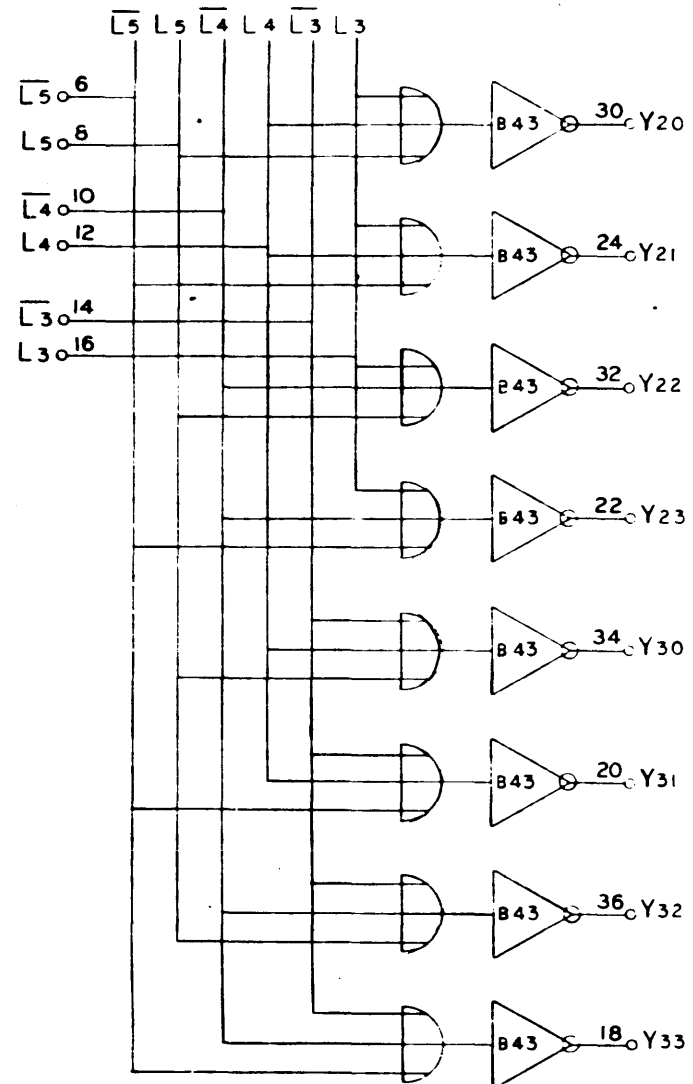
17

	26	27	28	29	30	31	32	33	34	35	36	37	38	39	40	41	42	43	44	45		
A	GK51	GK51	IK51	M0 FK52	M2 FK52	M4 FK52	M6 FK52	M8 FK52	M10 FK52	M12 FK52	IK51	M14 FK52	M16 FK52	M18 FK52	IK51	M20 FK52	M22 FK52	M24 FK52		SK54		A
				Mg	M1	M3	M5	M7	M9	M11		M13	M15	M17		M19	M21	M23				
B		SK53		SK51 or SK52	x QK51	x QK51	y QK51	y QK51	x QK51	x QK51	y QK51	y QK51										B
C	Z HK52	Z HK52	Z HK52													md	md	md	md	md		C
				M	E	M	O TB32	R	Y	- MEMORY CONN	S	T	A	C	K	AK51	AK51	AK51	AK51	AK51		
D	Z HK52	Z HK52	Z HK52													md	md	md	md	md		D
				M	E	M	O TB32	R	Y	- MEMORY CONN	S	T	A	C	K	AK51	AK51	AK51	AK51	AK51		
E	Z HK52	Z HK52	Z HK52													md	md	md	md	md		E
				M	E	M	O TB32	R	Y	- MEMORY CONN	S	T	A	C	K	AK51	AK51	AK51	AK51	AK51		
F	Z HK52	Z HK52	Z HK52													md	md	md	md	md		F
				M	E	M	O TB32	R	Y	- MEMORY CONN	S	T	A	C	K	AK51	AK51	AK51	AK51	AK51		
G																						G

910-920 MODULE & MEMORY LOCATION CHART

	26	27	28	29	30	31	32	33	34	35	36	37	38	39	40	41	42	43	44	45			
A	GK51	GK51	IK51	M0 FK52 Mg	M2 FK52 M1	M4 FK52 M3	M6 FK52 M5	M8 FK52 M7	M10 FK52 M9	M12 FK52 M11	IK51	M14 FK52 M13	M16 FK52 M15	M18 FK52 M17	IK51	M20 FK52 M19	M22 FK52 M21	M24 FK52 M23		SK57		A	
B		SK53			X QK53	X QK53	Y QK53	Y QK53	X QK53	X QK53	Y QK53	Y QK53										B	
C	Z HK52	Z HK52	Z HK52	M E	M E	O M TB-32	R M	Y Memory Conn.	-	S	T	A	C	K		Md HK59	Md HK59	Md HK59	Md HK59	Md HK59			C
D	Z HK52	Z HK52	Z HK52	M E	M E	O M TB-32	R M	Y Memory Conn.	-	S	T	A	C	K		Md HK59	Md HK59	Md HK59	Md HK59	Md HK59			D
E	Z HK52	Z HK52	Z HK52	M E	M E	O M TB-32	R M	Y Memory Conn.	-	S	T	A	C	K		Md HK59	Md HK59	Md HK59	Md HK59	Md HK59			E
F	Z HK52	Z HK52	Z HK52	M E	M E	O M TB-32	R M	Y Memory Conn.	-	S	T	A	C	K		Md HK59	Md HK59	Md HK59	Md HK59	Md HK59			F
G																							G

REVISIONS			
REV	DESCRIPTION	CHK	DATE
A	RELEASED TO MFG		



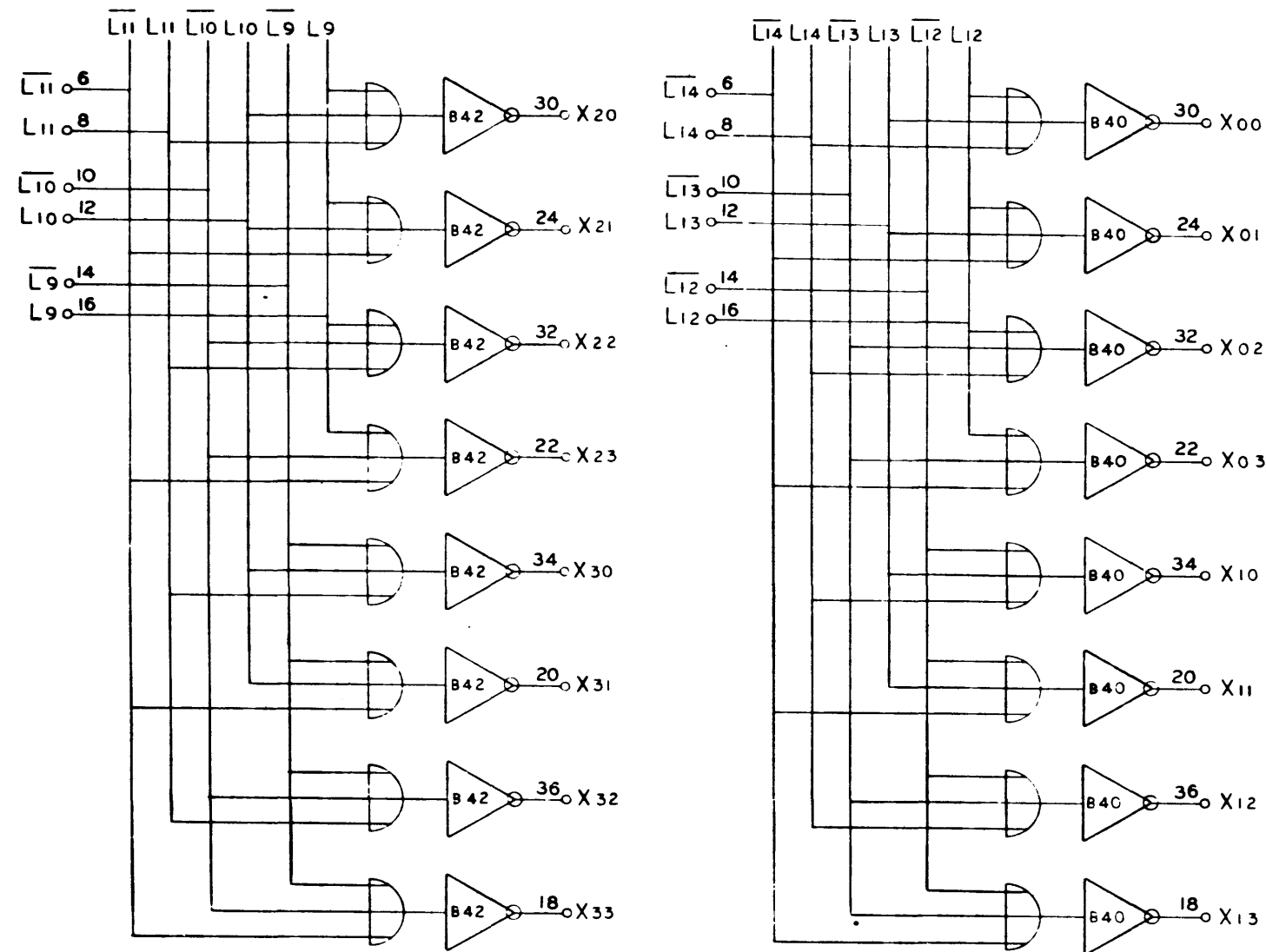
Address Decode
910-920
Page 115

177

10/10/51

NO. REQ.	DRAWING NO.	DESCRIPTION	REFERENCE DESIGNATION	ITEM NO.
MATERIAL LIST				
NOTES UNLESS SPECIFIED: 1. TOLERANCES: XX ±.000 ANGULAR SEE 2.010 2.5° 2. BREAK ALL SHARP EDGES 0.05 APPROX. 3. HATCH SURFACES ✓ 4. ALL DIM. IN INCHES		DRAWN: [Signature] CHECK: [Signature] APPR: [Signature]	SDS SCIENTIFIC DATA SYSTEMS 1542 FIFTEENTH STREET SANTA MONICA, CALIFORNIA	
MODEL NO.		TITLE		ITEM NO.
NEXT ASSY.		DIAGRAM, LOGIC. COMPUTER		A
SCALE		DO NOT SCALE DRAWING		SHEET

REVISIONS			
REV	DESCRIPTION	CHK	DATE
A	RELEASED TO MFG		



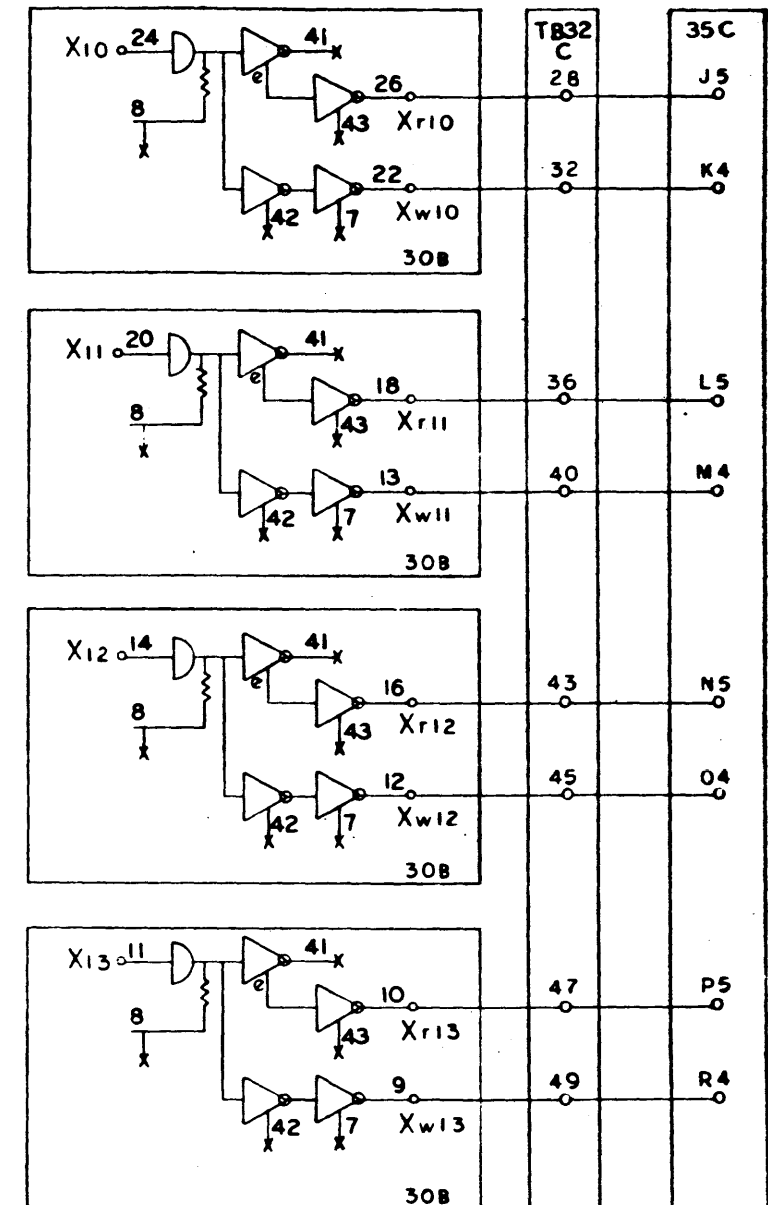
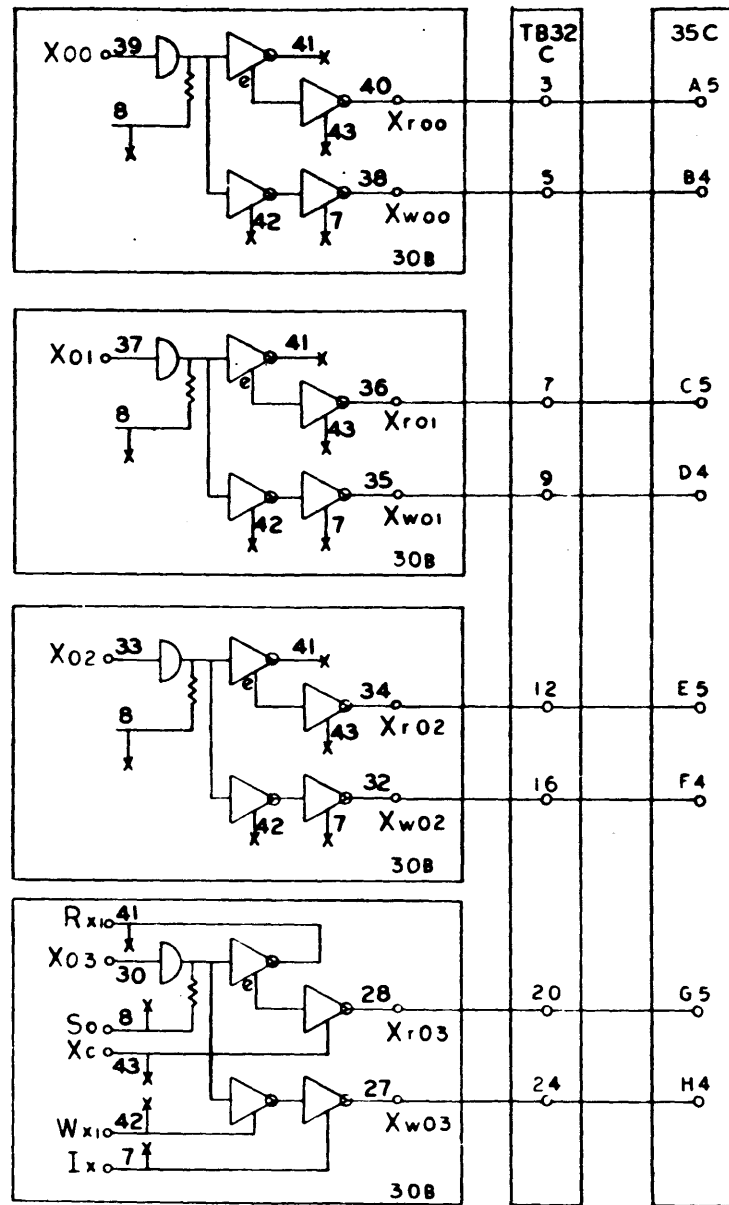
Address Decode
910-920
Page 116

178

101702 A

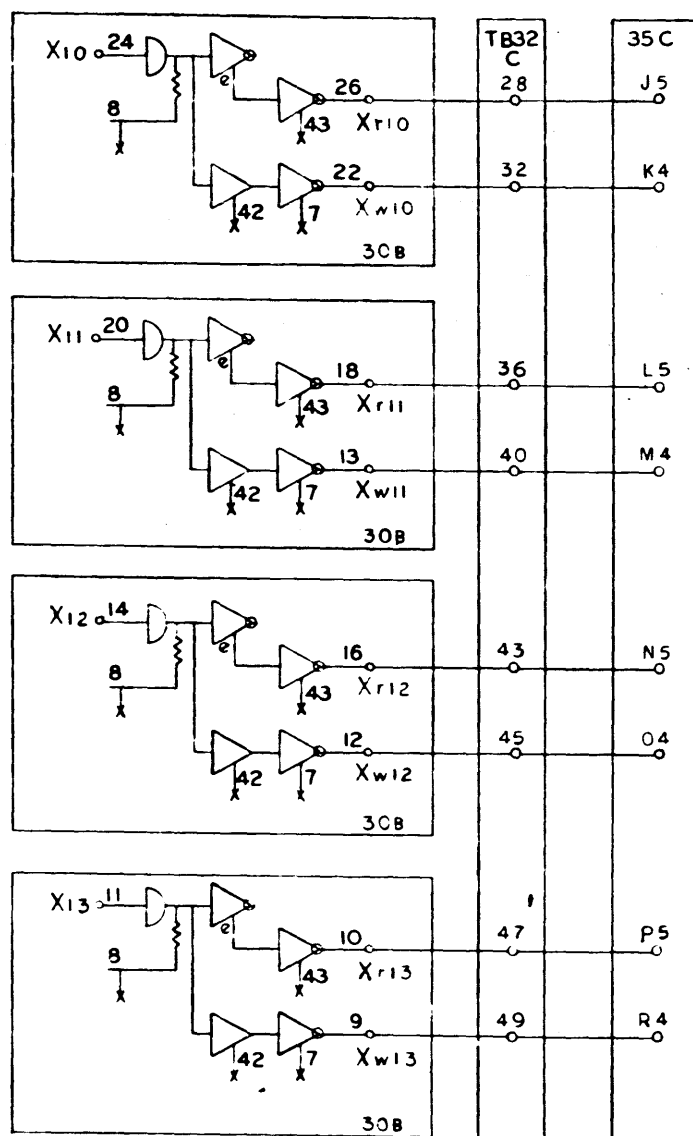
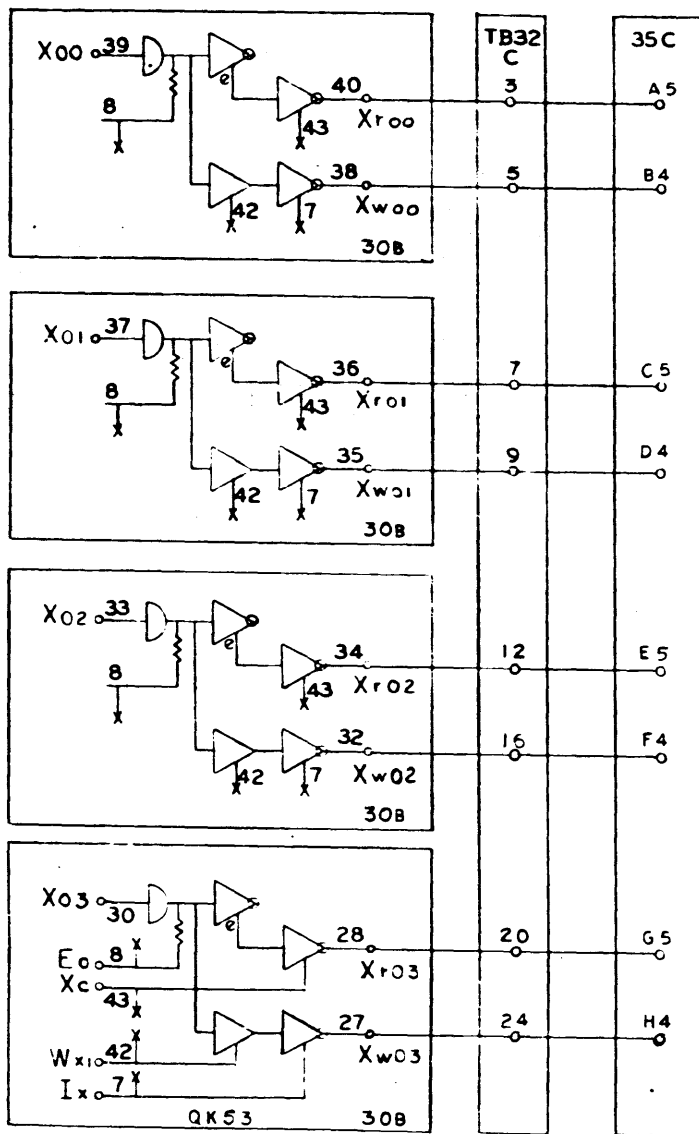
NO. RES.	DRAWING NO.	DESCRIPTION	REFERENCE DESIGNATION	ITEM NO.
MATERIAL LIST				
NOTES UNLESS SPECIFIED		DRAWN	 1542 FIFTEENTH STREET SANTA MONICA CALIFORNIA	
1. TOLERANCES DIM ± 0.00 ANGULAR DIM ± 0.0 2 1/2°		CHECK		
2. BREAK ALL SHARP EDGES 0.04 APPROX.		APPR.		
3. MATCH SURFACES ✓			TITLE DIAGRAM, LOGIC, COMPUTER	
4. ALL DIM. IN INCHES				
MODEL NO.		SIZE	DWG NO.	ITEM
NEXT ASSY.		D	101702	A
SCALE		DO NOT SCALE DRAWING		SHEET

177



DIAGRAM, LOGIC,
COMPUTER DWG. NO. 101702

REVISIONS			101702	C
REV	DESCRIPTION	CHK	DATE	APPROVED
C	SEE REV. E.O.			



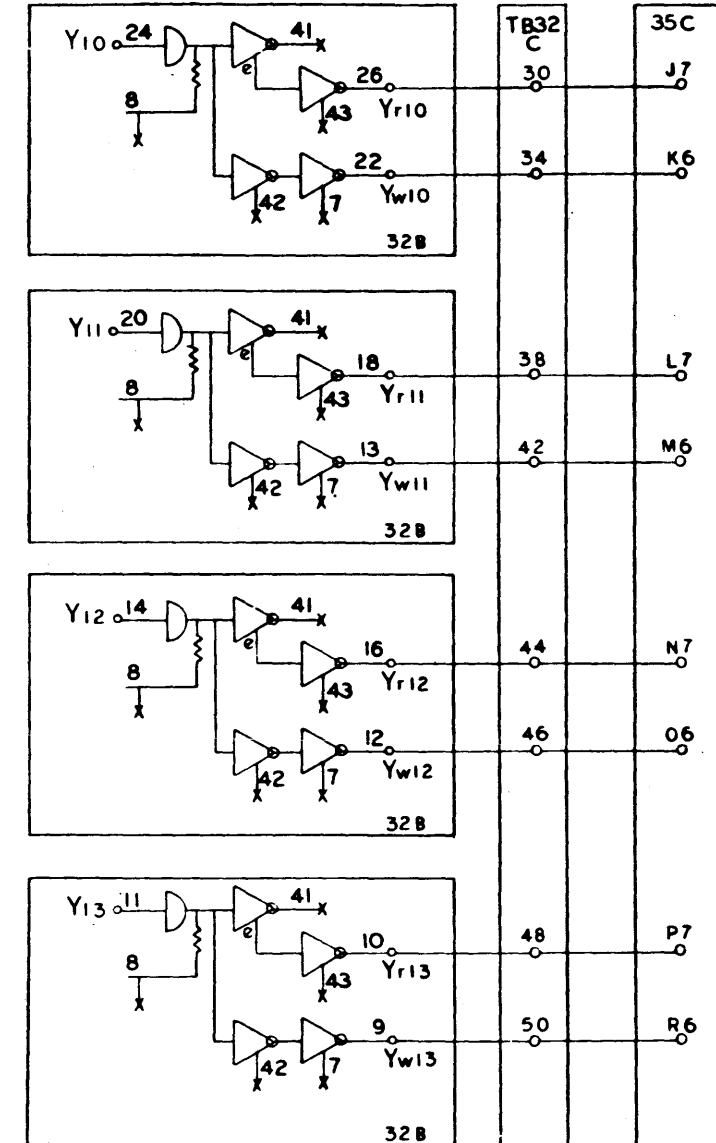
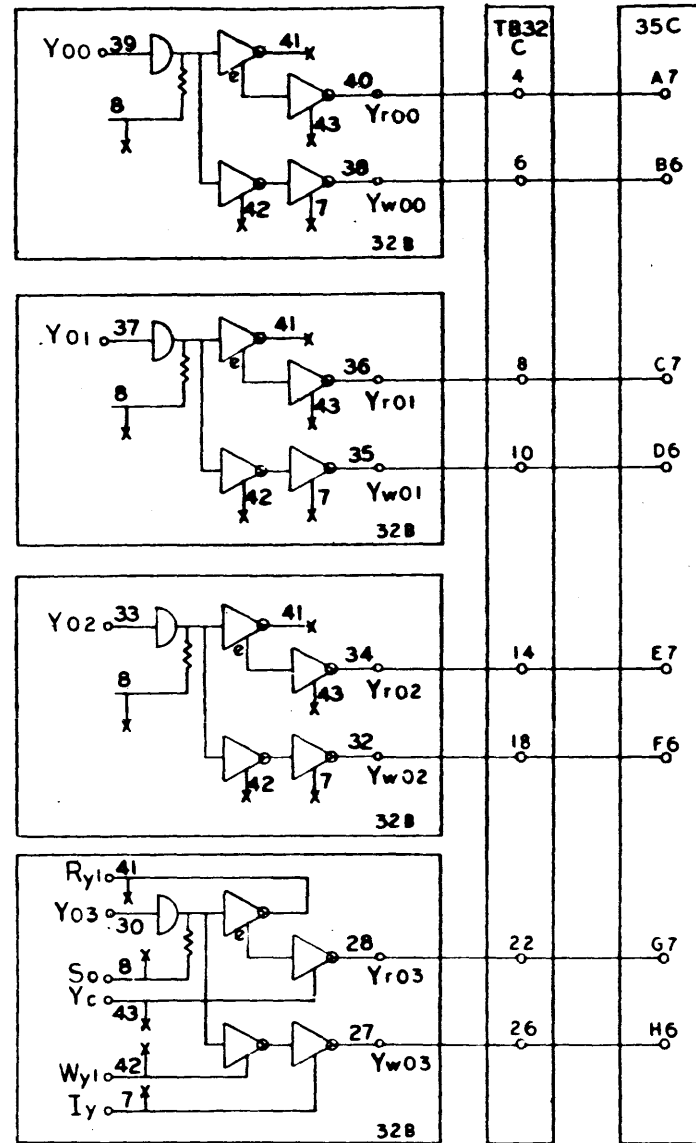
X-Y Selector
910-920
Page 117
C

NO. REQ.	DRAWING NO.	DESCRIPTION	REFERENCE DESIGNATION	ITEM NO.
NOTES UNLESS SPECIFIED				
1. TOLERANCES AS ± 0.005 ANGULAR SEE ± 0.10				
2. BREAK ALL SHARP EDGES 0.01 APPROX.				
3. MACH. SURFACES ✓				
4. ALL DIM. IN INCHES				
DRAWN CHK APPV		MATERIAL LIST		
910		SDS SCIENTIFIC DATA SYSTEMS 1922 FIFTEENTH STREET SANTA MONICA, CALIFORNIA		
NEXT ASSY.		TITLE DIAGRAM, LOGIC CCMPUTER		
910		SIZE D 101702		C
SCALE		DO NOT SCALE DRAWING SHEET		

180

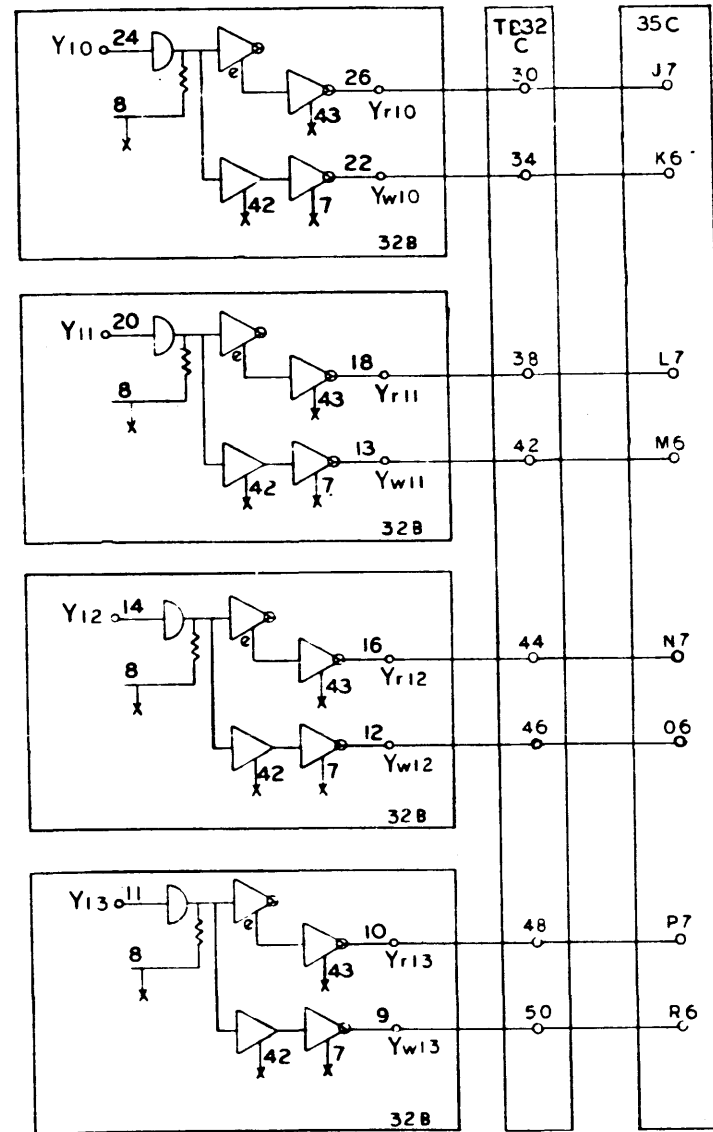
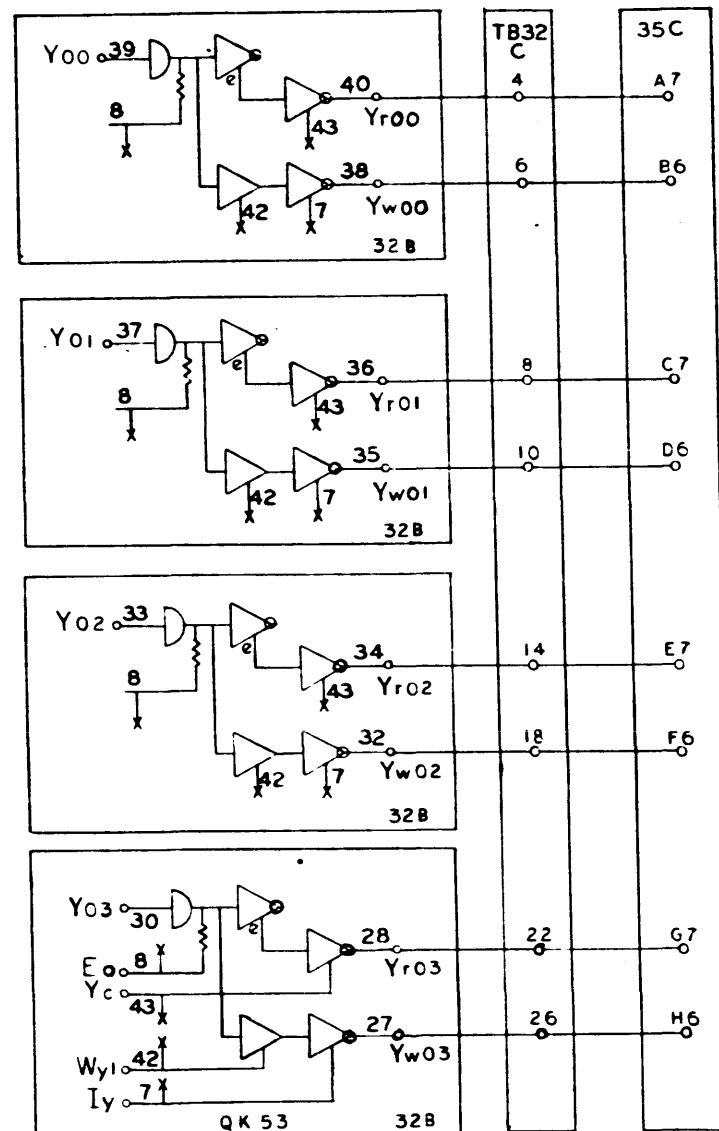
101702 C

181



DIAGRAM, LOGIC,
COMPUTER DWG. NO. 101702

REV		DESCRIPTION		CHK	DATE	APPROVED
C	SEE REV. E.O.					



X-Y Selector
910-920
Page 118
C

182

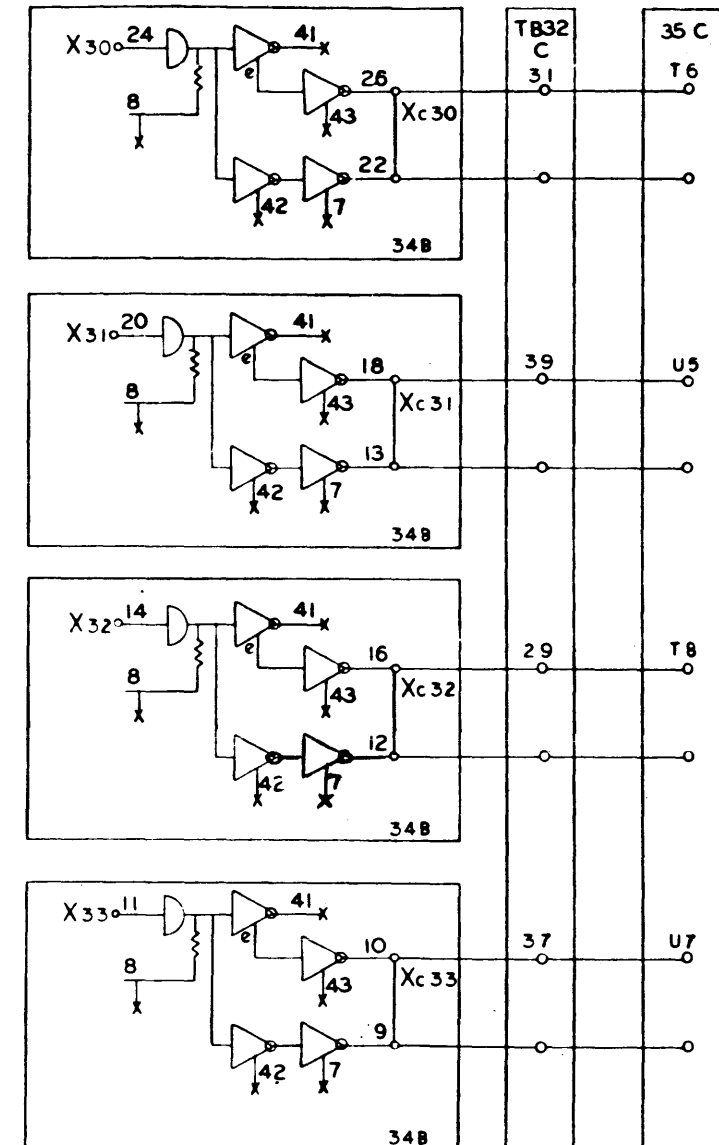
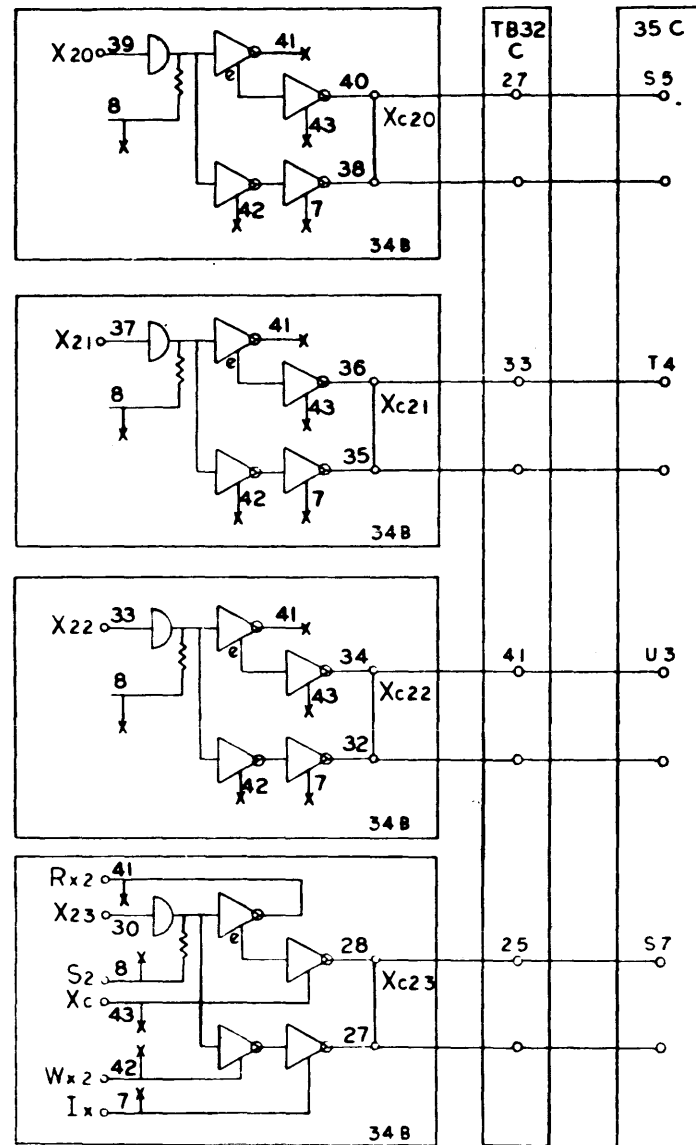
101702 | C |

NO. REV.	DRAWING NO.	DESCRIPTION	REFERENCE DESIGNATION	ITEM NO.
NOTES UNLESS SPECIFIED				
1. TOLERANCES ±.005 ANGULAR ±.010 ±.015		CHECK	DET	DATE
2. BREAK ALL SHARP EDGES 0.015 MINIMUM		APPR	DATE	
3. HATCH SURFACES ✓				
4. ALL DIM. IN INCHES				
MODEL NO. 910		DWS NO. D 101702		C
NEXT ASSY.		SCALE		DO NOT SCALE DRAWING SHEET

SDS SCIENTIFIC DATA SYSTEMS

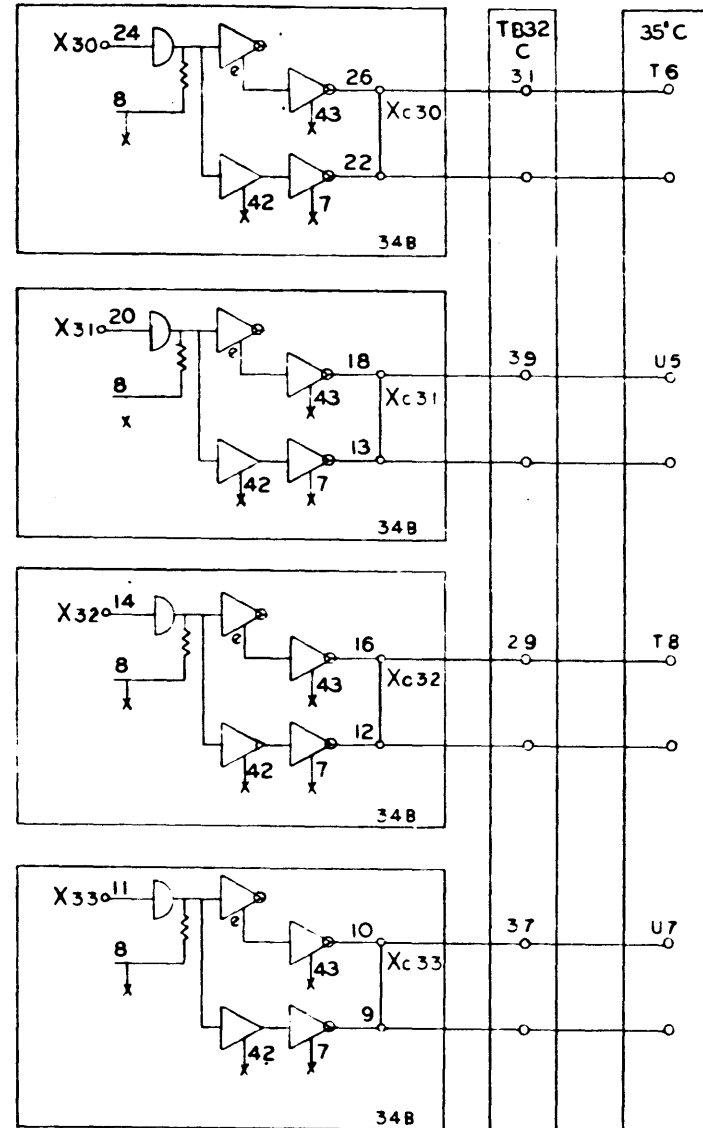
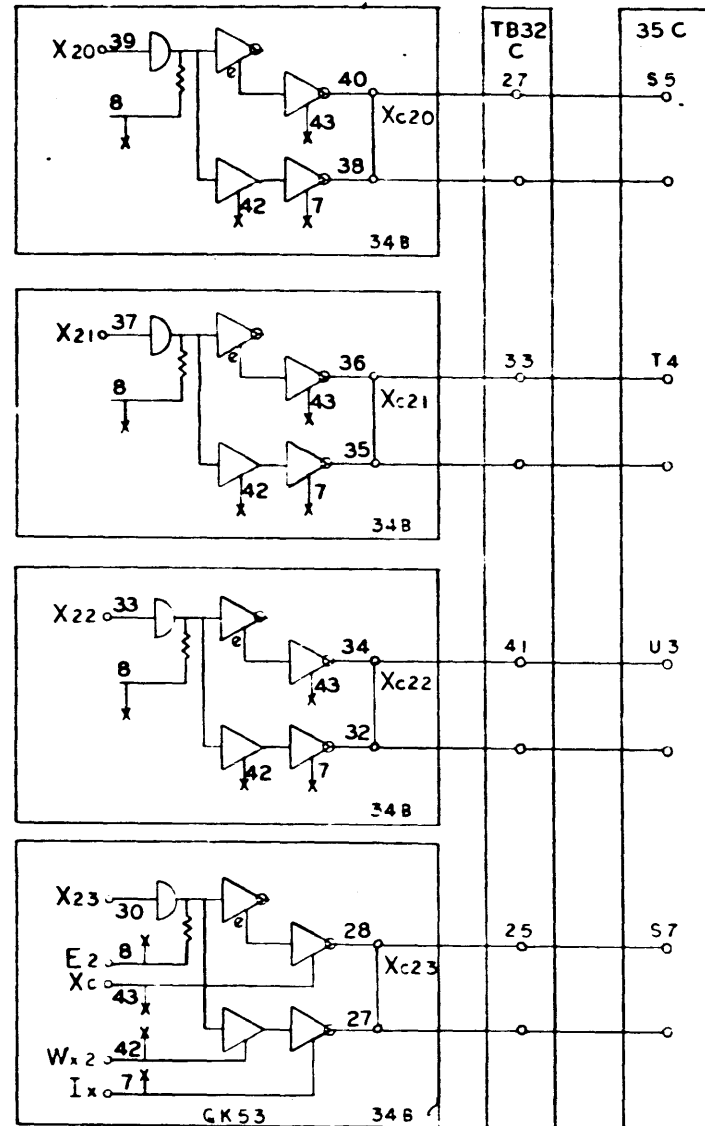
DIAGRAM, LOGIC
COMPUTER

183



DIAGRAM, LOGIC,
COMPUTER DWG. NO. 101702

REV		DESCRIPTION	CHK	DATE	APPROVED
C		SEE REV. E.O.			



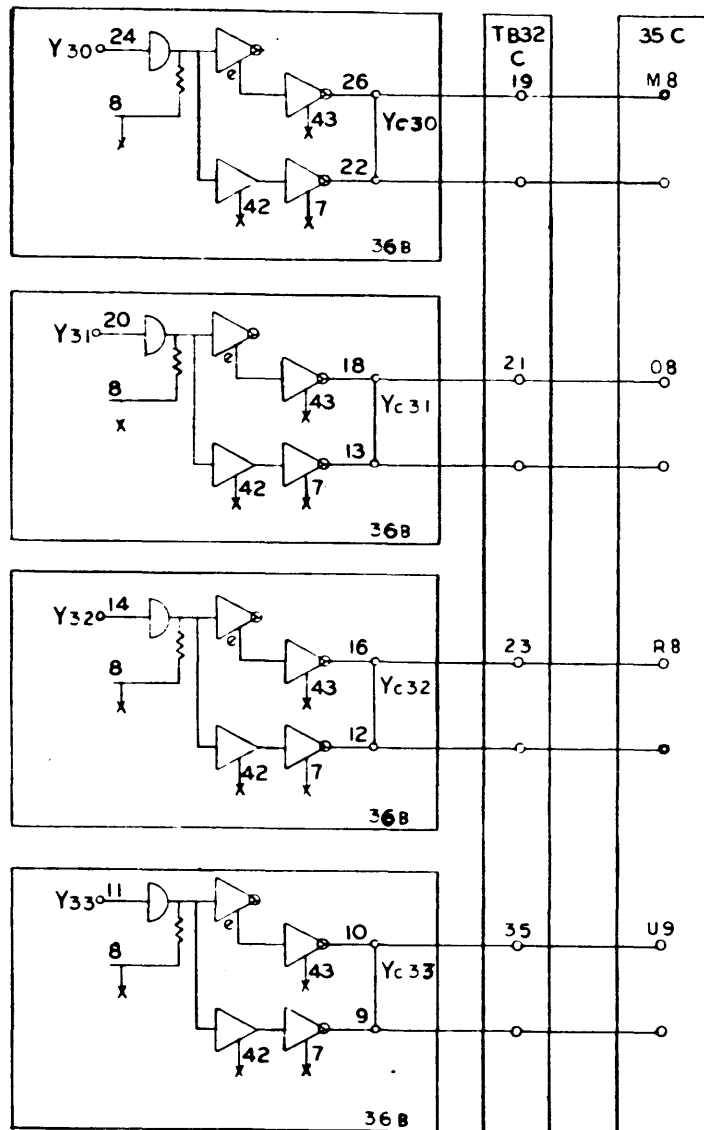
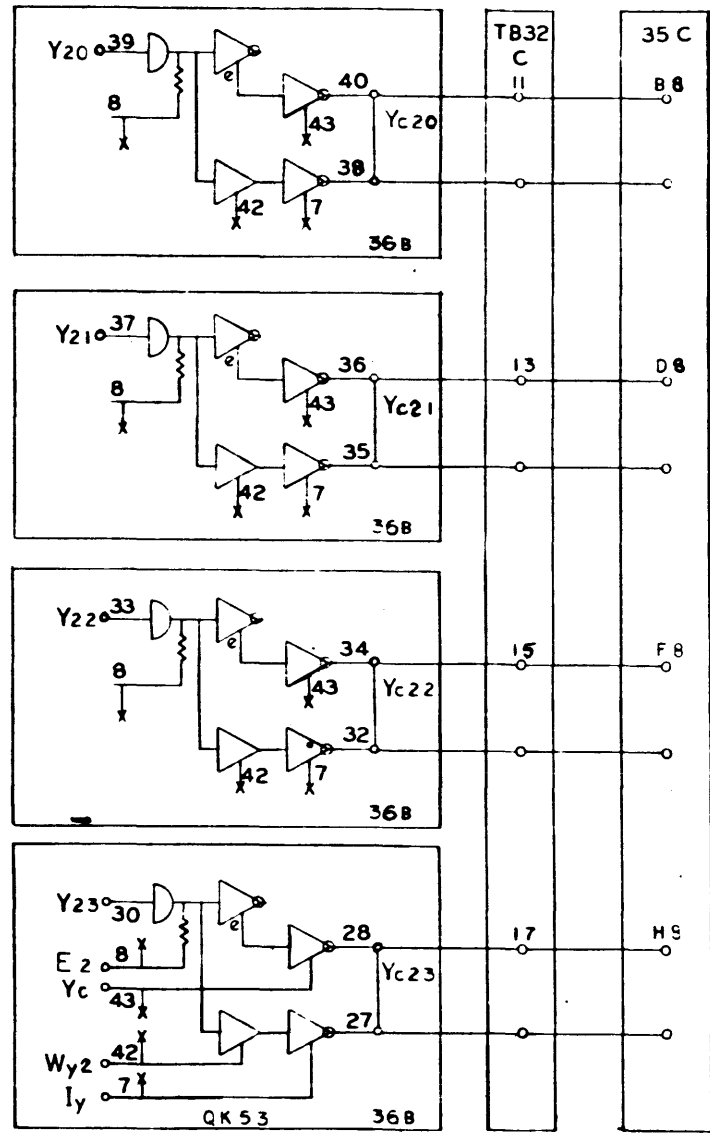
X-Y Selector
910-920
Page 119
C

184

101702 | C |

NO. REV.	DRAWING NO.	DESCRIPTION	REFERENCE DESIGNATION	ITEM NO.
NOTES UNLESS SPECIFIED		MATERIAL LIST		
1. TOLERANCES DIM ± .005 ANGULAR ± 1°		DRAWN D.F.T.	5/63	
2. BREAK ALL SHARP EDGES AND APPROX.		CHECK J.T.	11/63	
3. MACH. SURFACES ✓		APPR. J.T.	11/63	
4. ALL DIM. IN INCHES		TITLE		
		SDS SCIENTIFIC DATA SYSTEMS 1542 FIFTEENTH STREET, SANTA MONICA, CALIFORNIA		
MODEL NO. 910		SIZE D		DWG. NO. 101702
NEXT ASSY.		SCALE		SHEET

REVISIONS		101702	
REV	DESCRIPTION	CHE	DATE
C	SEE REV. E.O.		



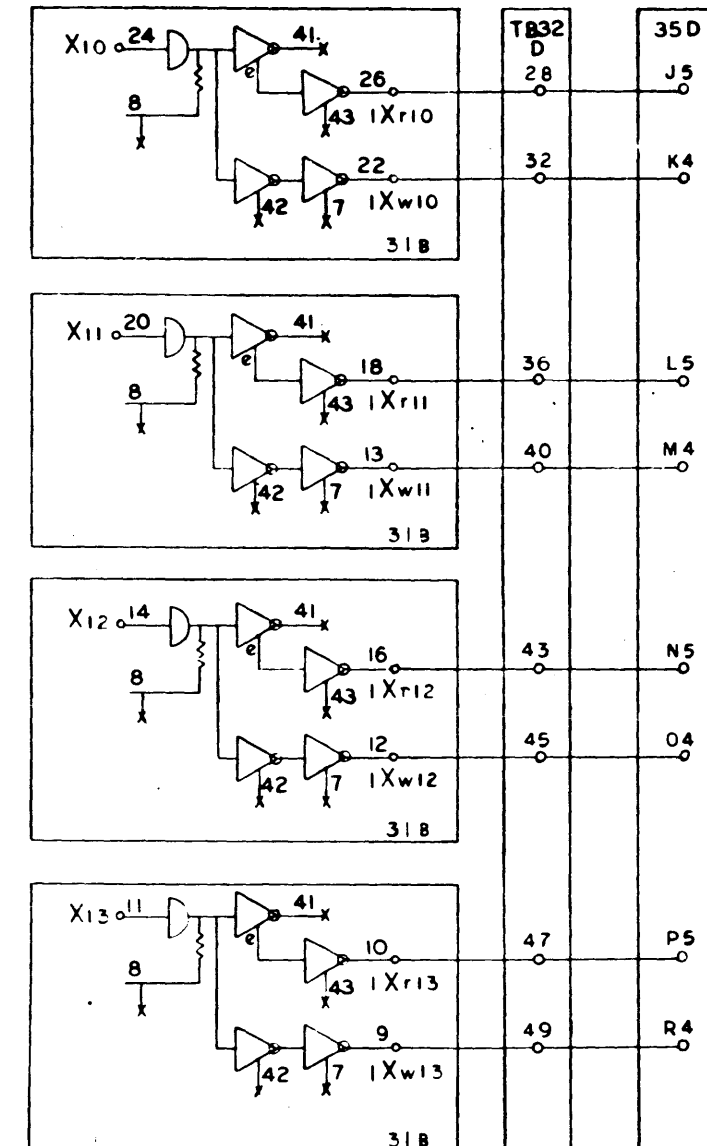
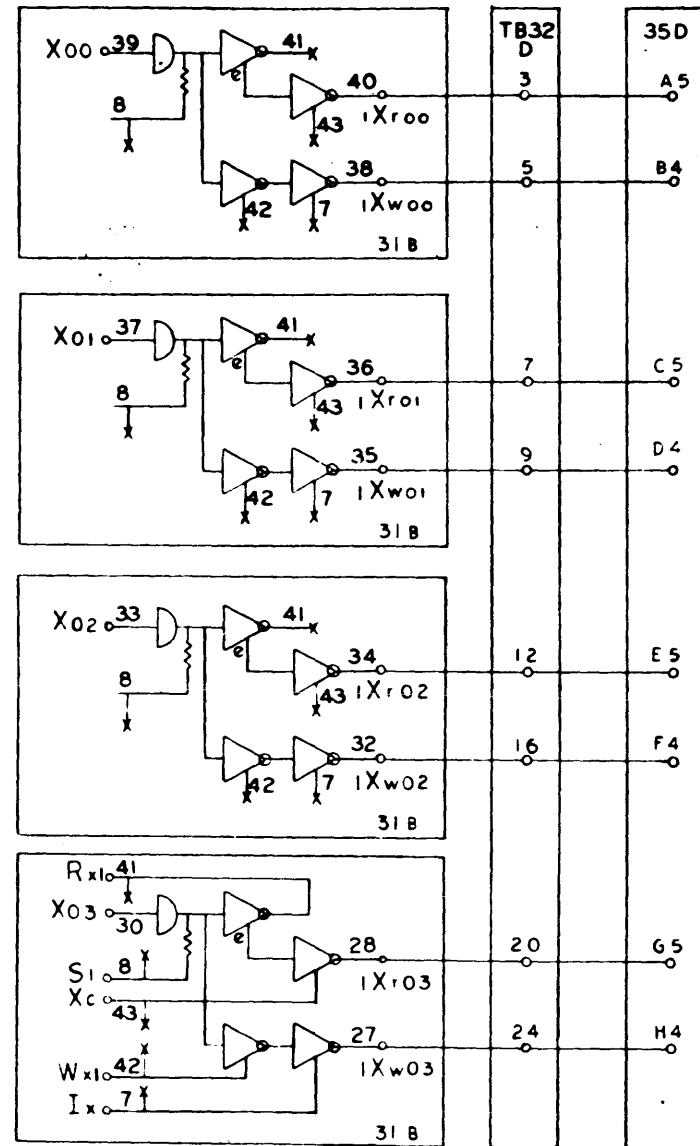
X-Y Selector
910-920
Page 120
C

186

101702 (C)

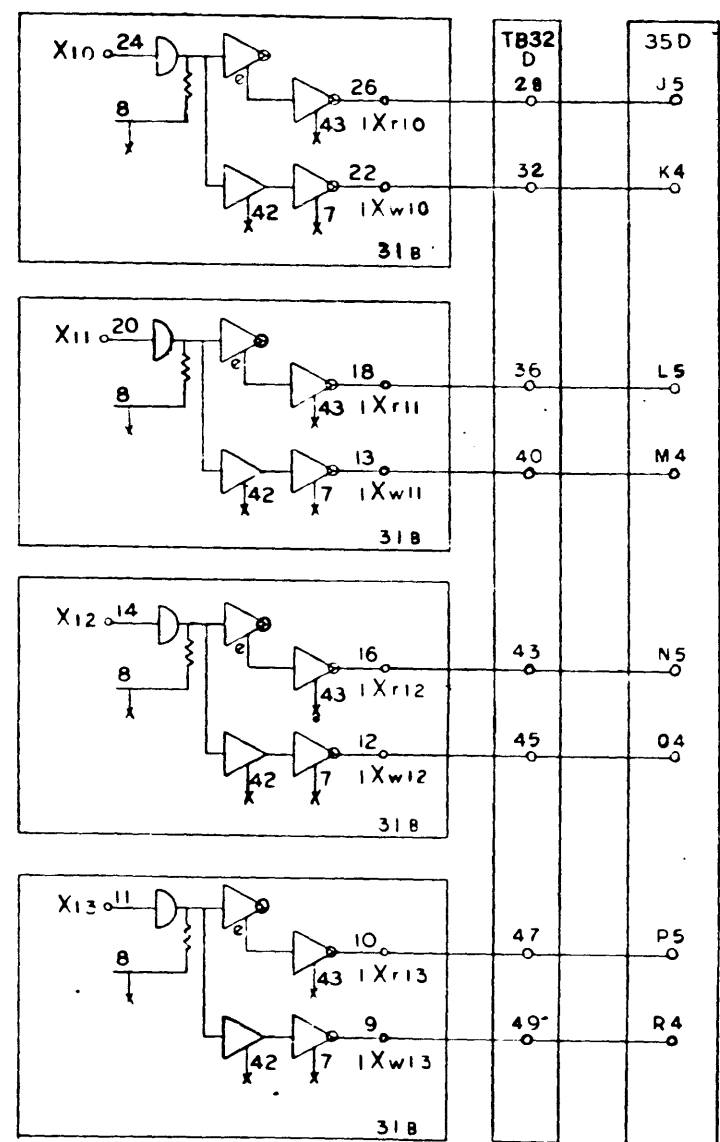
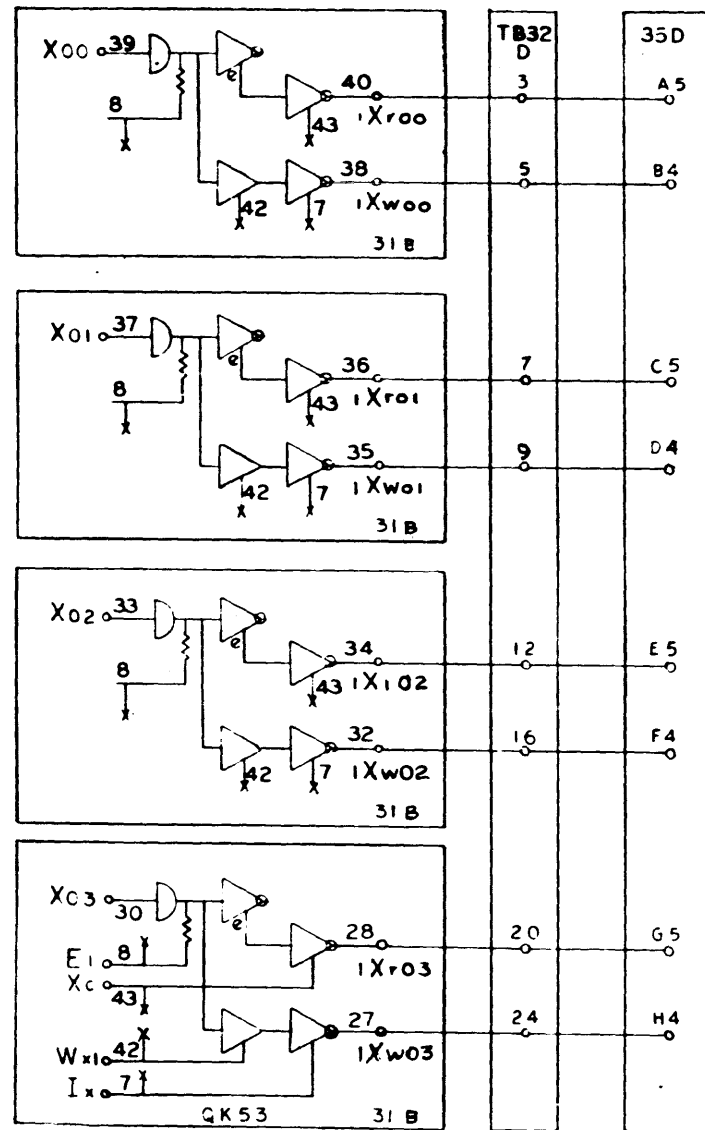
NO	REQ	DRAWING NO.	DESCRIPTION	REFERENCE DESIGNATION	REV
NOTES UNLESS SPECIFIED					
1 TOLERANCES		DRAWN	D.F.T	1/15/63	
25 ± .030		CHECK		1/15/63	
.001 ± .010		APPR		1/15/63	
3 BREAK ALL SHARP EDGES		TITLE			
4 .010 APPROX		SDS SCIENTIFIC DATA SYSTEMS 1525 FIFTEENTH STREET, SANTA MONICA, CALIFORNIA			
5 MACH SURFACES					
6 ALL DIM. IN INCHES					
MODEL NO.		910		SIZE	D
NEXT ASSY.				DWG NO.	101702
					C
				SCALE	DO NOT SCALE DRAWING SHEET

187



DIAGRAM, LOGIC,
COMPUTER DWG. NO. 101702

REV		REVISIONS			101702
NO.	DESCRIPTION	CHK	DATE	APPROVED	
C	SEE REV. E.O.				



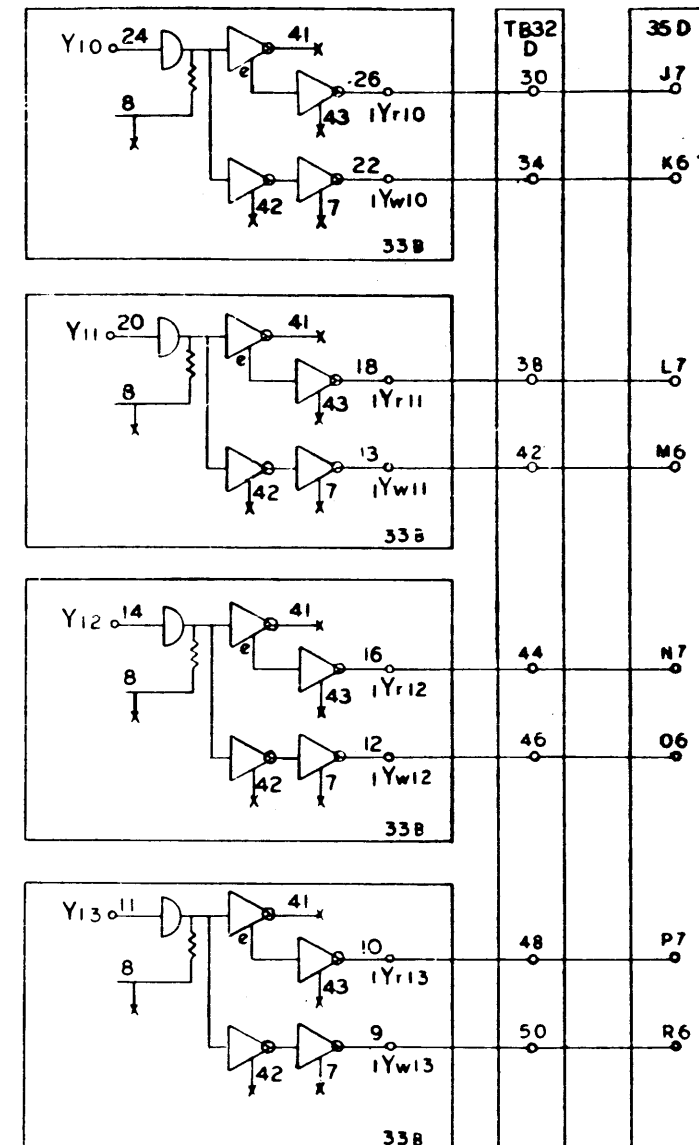
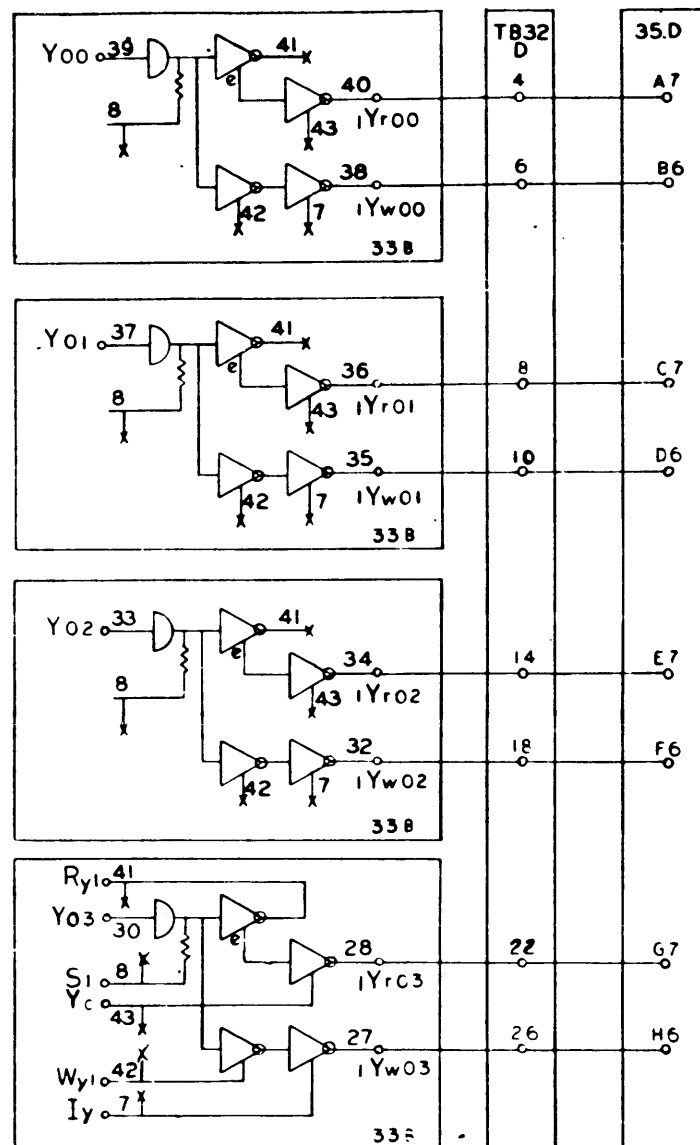
X-Y Selector
910-920
Page 121
C

188

101702 | C |

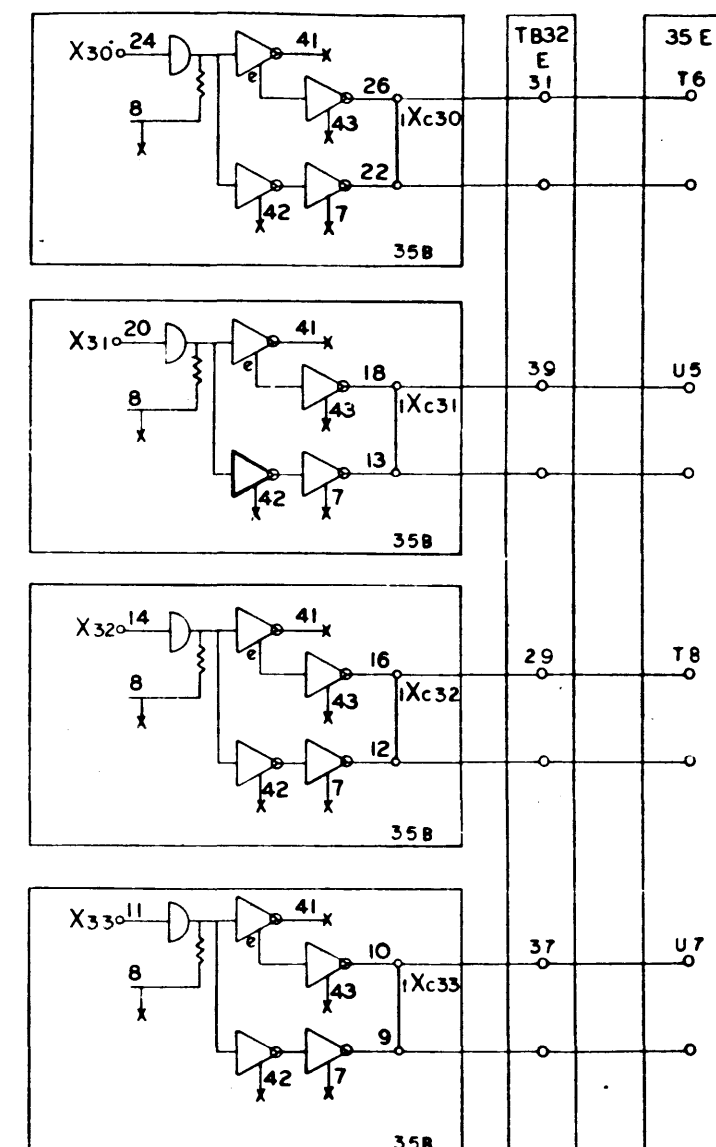
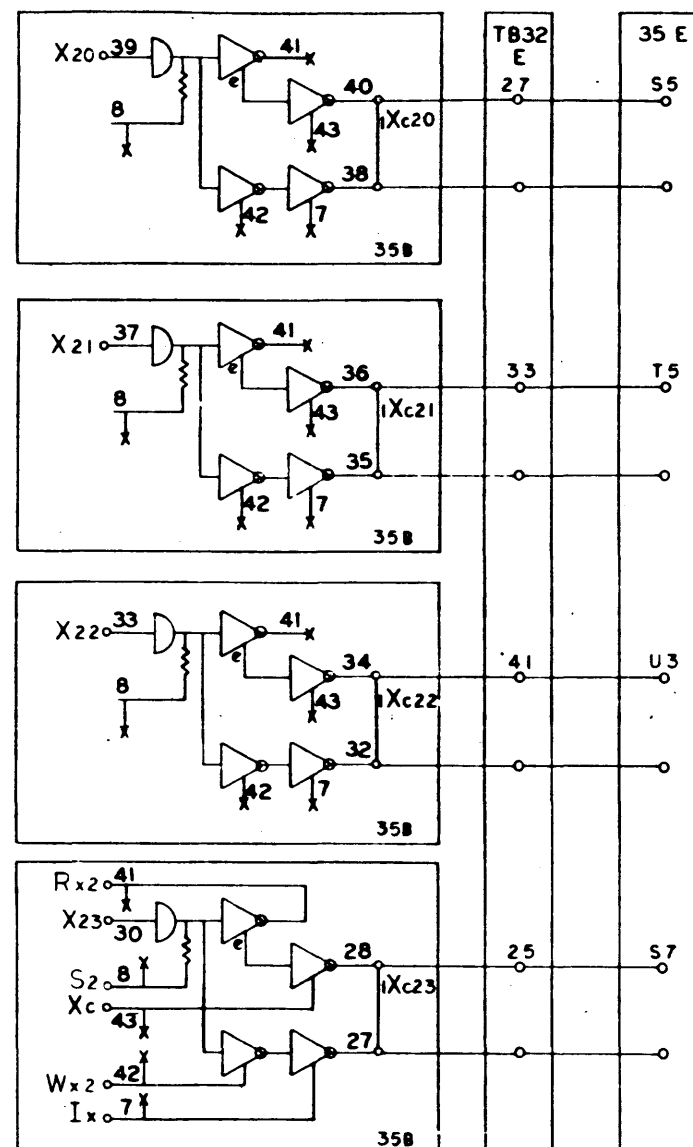
NO. REQ.	DRAWING NO.	DESCRIPTION	REFERENCE DESIGNATION	ITEM NO.
NOTES UNLESS SPECIFIED				
1. TOLERANCES XX ± 0.005 ANGULAR XXX ± 0.010 ± 1/2°		DRAWN D.F.T. 1/15/63	CHECK 1/15/63	
2. BREAK ALL SHARP EDGES AND APPROX.		APPR. 1/14/63	TITLE	
3. HATCH SURFACES				
4. ALL DIM. IN INCHES				
MODEL NO. 910		SDS SCIENTIFIC DATA SYSTEMS 1525 FIFTEENTH STREET, SANTA MONICA, CALIFORNIA		
NEXT ASSY.		DIAGRAM, LOGIC COMPUTER		
		SIZE D	DWG. NO. 101702	C
		SCALE	DO NOT SCALE DRAWING	SHEET

189



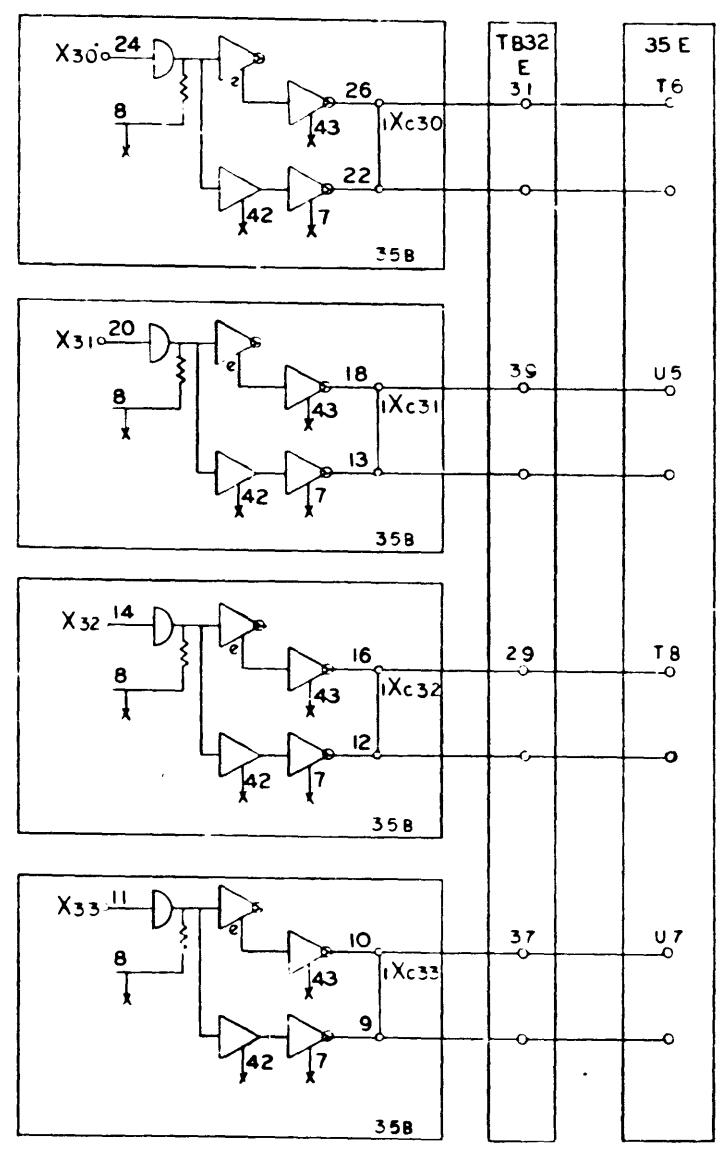
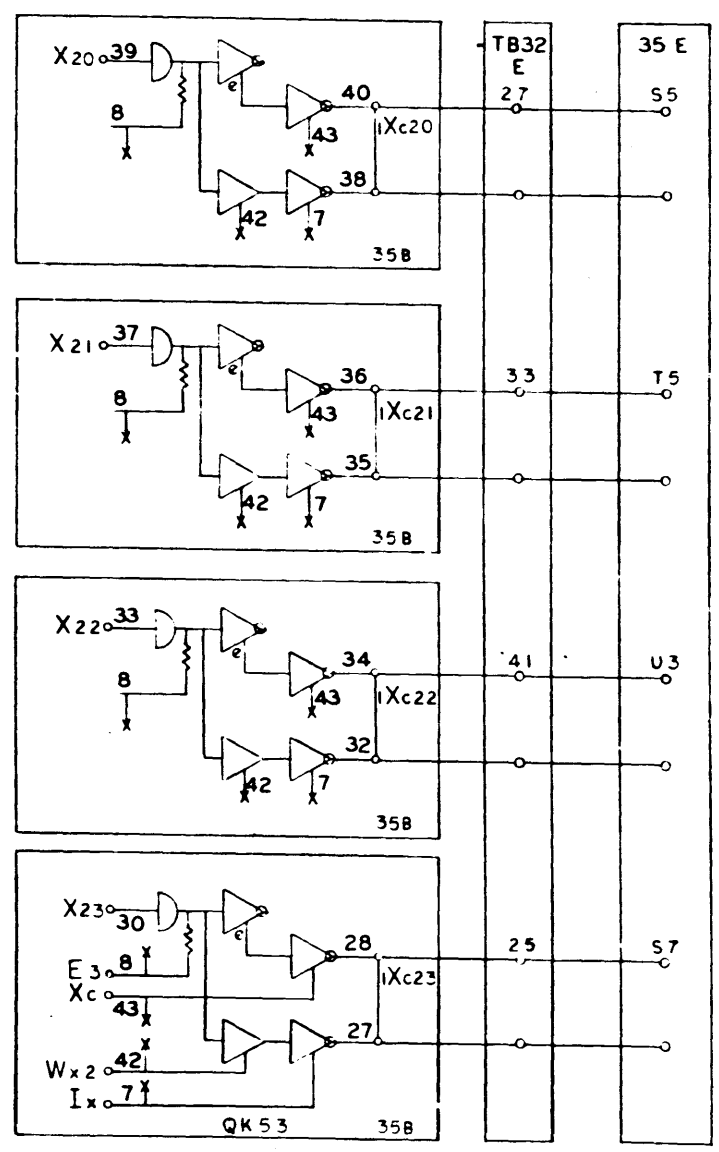
DIAGRAM, LOGIC,
COMPUTER DWG. NO. 101702

191



DIAGRAM, LOGIC
COMPUTER DWG. NO. 101702

REVISIONS			
REV	DESCRIPTION	CHK	DATE
C	SEE REV. E.O.		

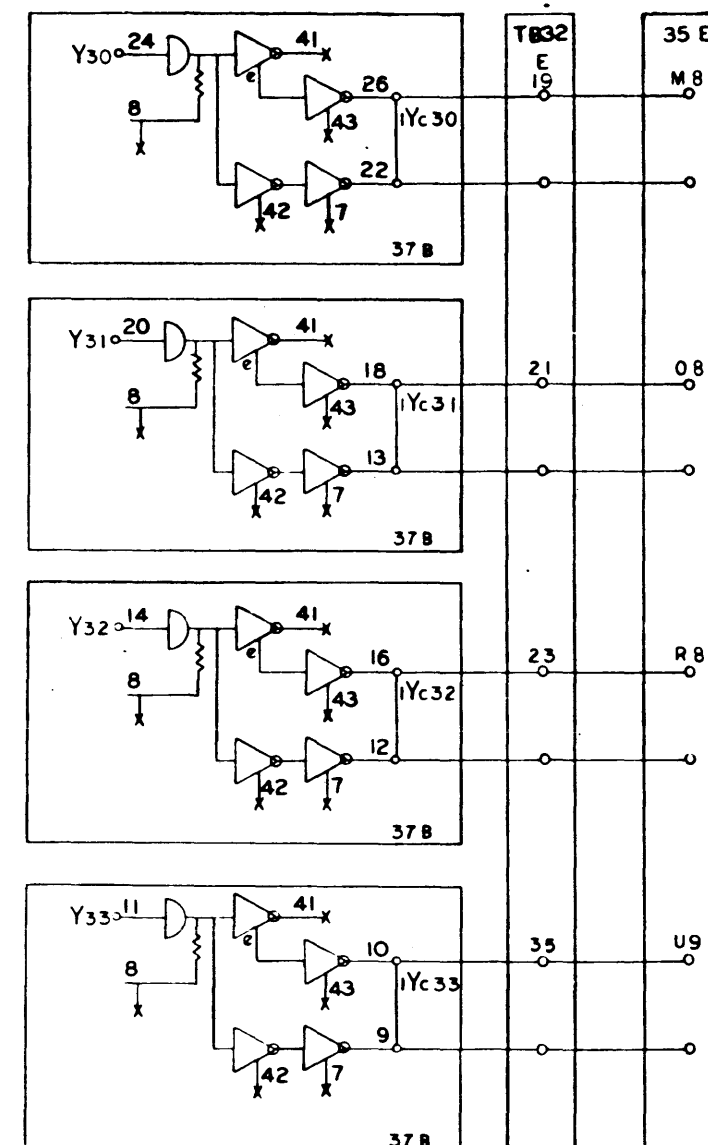
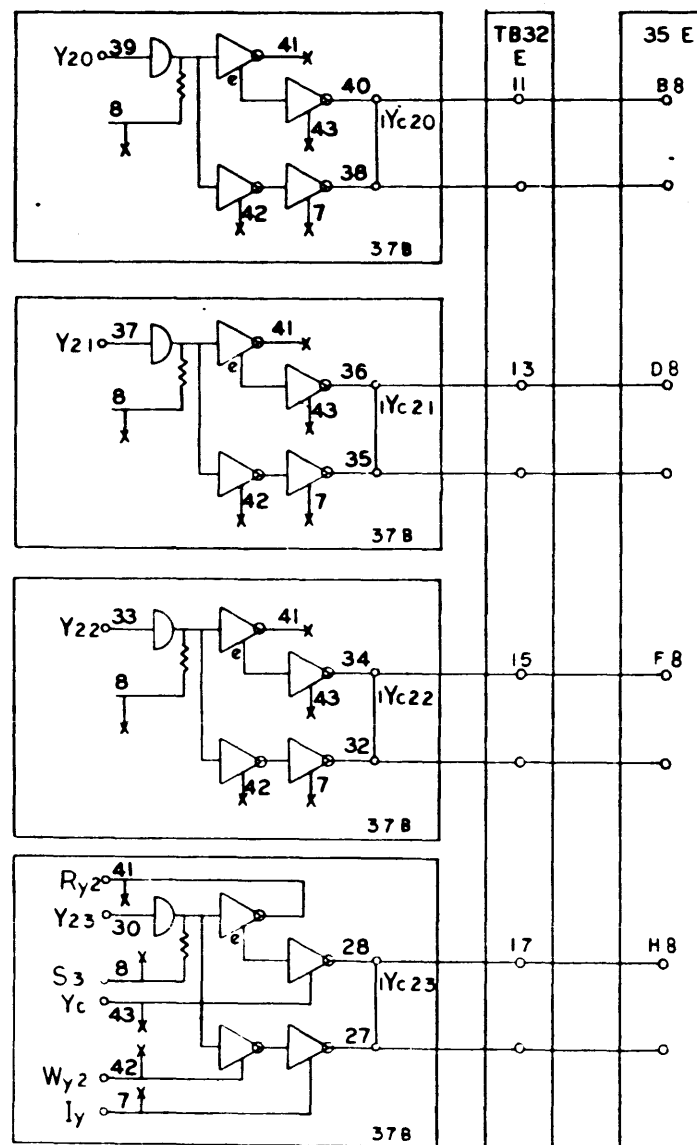


X-Y Selector
910-920
Page 123
C

192
101702 | C |

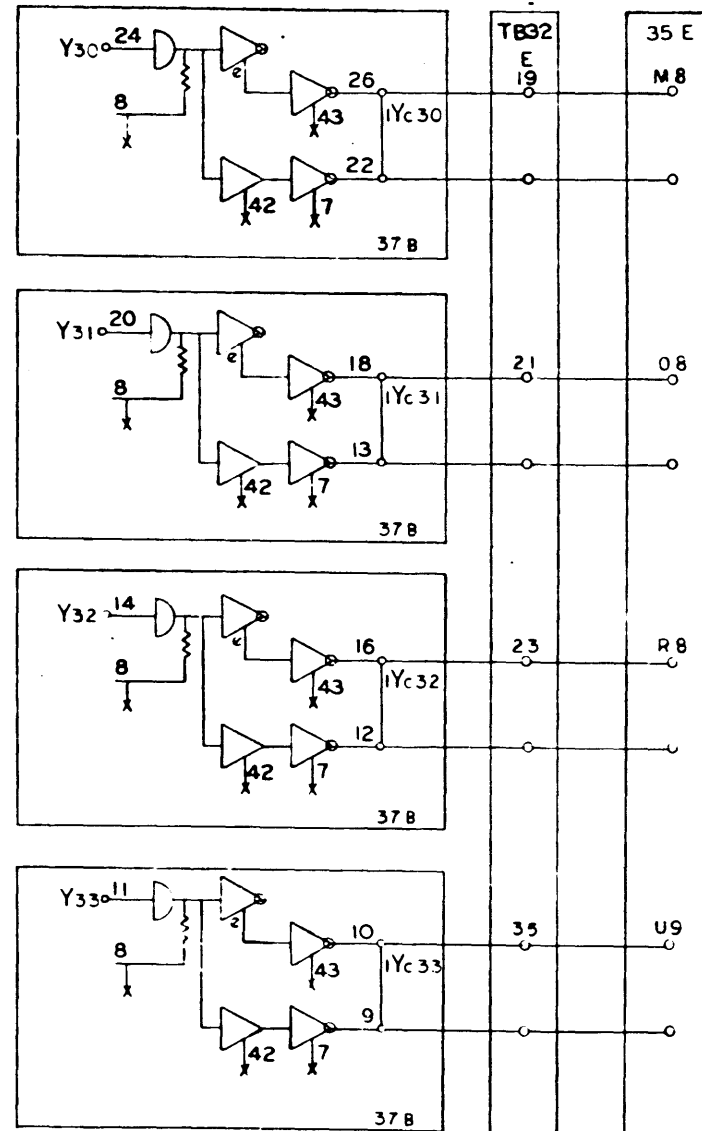
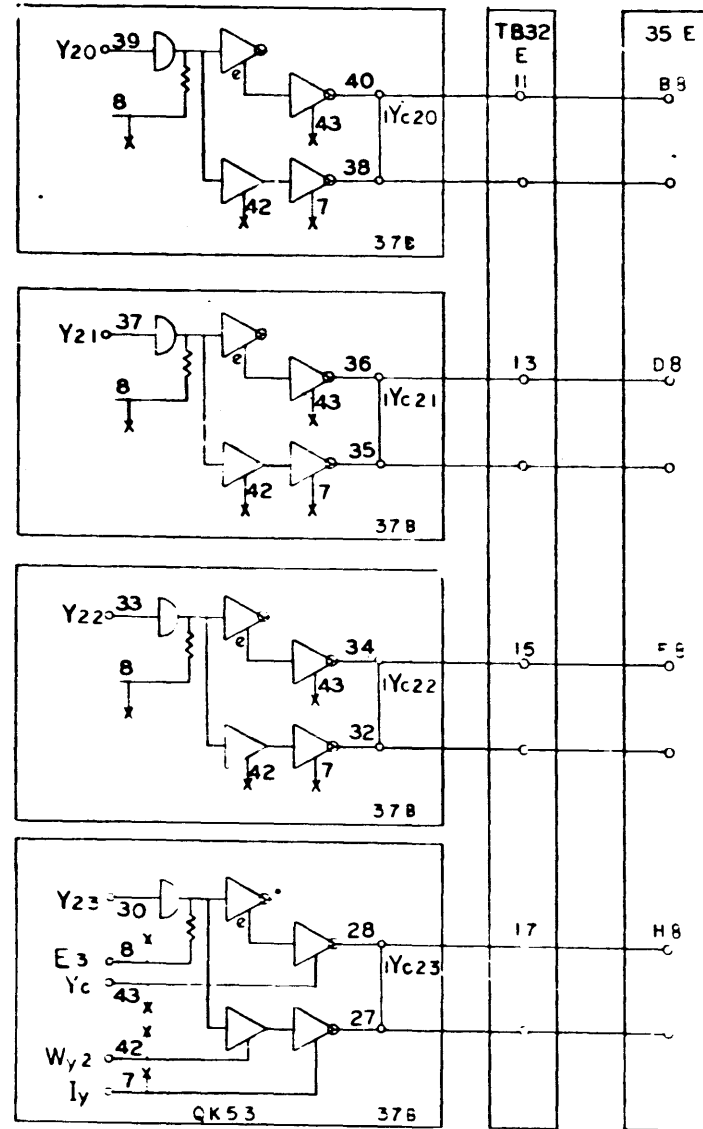
NO. REQ.	DRAWING NO.	DESCRIPTION	REFERENCE DESIGNATION	ITEM NO.
NOTES UNLESS SPECIFIED				
1. TOLERANCES UNLESS SPECIFIED				
2. SEE T. 008 ANGULAR ±1°				
3. BREAK ALL SHARP EDGES AND SPICES				
4. HATCH SURFACES				
5. ALL DIM. IN INCHES				
DRAWN		D.F.T.	11/15/63	
CHECK			1-1-63	
APPR			1-4-63	
MATERIAL LIST				
SDS SCIENTIFIC DATA SYSTEMS 1942 FIFTEENTH STREET SANTA MONICA CALIFORNIA				
TITLE DIAGRAM, LOGIC COMPUTER				
MODEL NO. 910		REV. D		QWC NO. 101702
NEXT ASSY.		SCALE		DO NOT SCALE DRAWING SHEET

193



DIAGRAM, LOGIC,
COMPUTER DWG. NO. 101702 X-Y Selector
910-920
Page 124

REVISIONS				101702
REV	DESCRIPTION	CHK	DATE	APPROVED
C	SEE REV. E.O.		11/16/63	



X-Y Selector
910-920
Page 124
C

194

101702 (C)

NO. REQ.	DRAWING NO.	DESCRIPTION	REFERENCE DESIGNATION	ITEM NO.
NOTES UNLESS SPECIFIED				
1. TOLERANCES XX - 0.005 XXX - 0.010		2. ANGULAR 1" = 1"	3. BREAK ALL SHARP EDGES AND APPROX.	
4. MACH SURFACES		5. ALL DIM. IN INCHES		
DRAWN: D.F.T. 11/16/63		CHECKED: [Signature] 11/16/63	APPROVED: [Signature] 11/16/63	
MODEL NO. 910		DWS NO. 101702		C
NEXT ASSY.		SCALE: GO NEXT SCALE DRAWING SHEET		

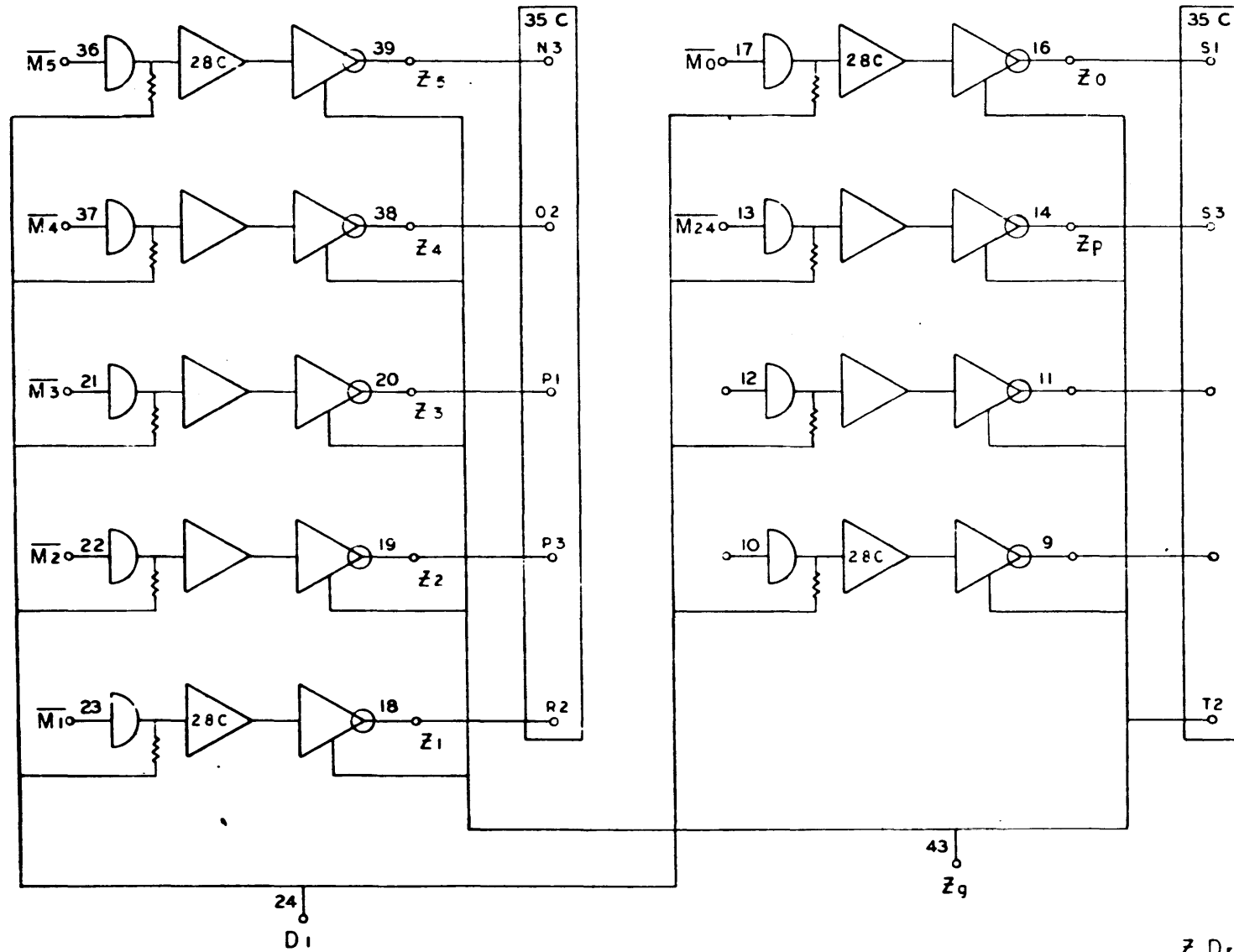
SDS SCIENTIFIC DATA SYSTEMS

1542 FIFTEENTH STREET, SANTA MONICA, CALIFORNIA

DIAGRAM, LOGIC
COMPUTER

REVISIONS			
REV	DESCRIPTION	CHK	DATE
A	RELEASED TO MFG		11/15/64

SIMILAR FOR EXPANDED MEMORY
IN ROWS D, E & F



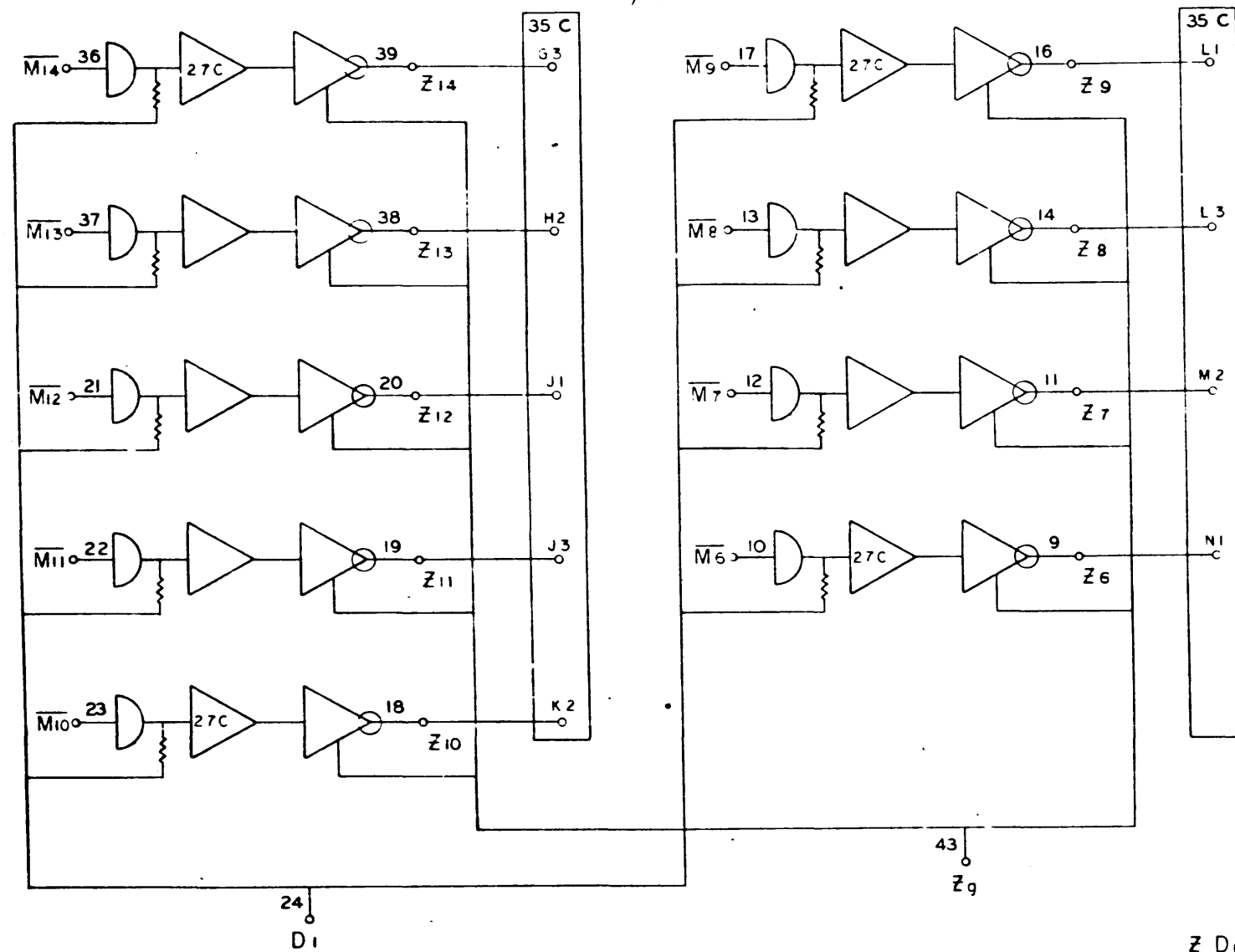
195

Z Driver
910 - 920
Page 125

NO	DRAWING NO.	DESCRIPTION	REFERENCE DESIGNATION	ITER
1		NOTES UNLESS SPECIFIED		
1		TOLERANCES		
2		UNLESS OTHERWISE SPECIFIED		
3		EDGES ALL SHARP EDGES		
4		RADIUS SURFACES		
5		ALL DIM. IN INCHES		
DRAWN		MATERIAL LIST		
CHECK		SDS SCIENTIFIC DATA SYSTEMS		
APPR.		1922 FIFTEENTH STREET SANTA MONICA CALIFORNIA		
		TITLE		
		DIAGRAM, LOGIC, COMPUTER		
MODEL NO.		SIZE	DWG NO.	
NEXT ASSY.		D	101702	A
		SCALE	DO NOT SCALE DRAWING	SHEET

REV		DESCRIPTION	CHK	DATE	APPROVED
A		RELEASED TO MFG			

SIMILAR FOR EXPANDED MEMORY
IN ROWS D, E & F



Z Driver
910 - 920
Page 126

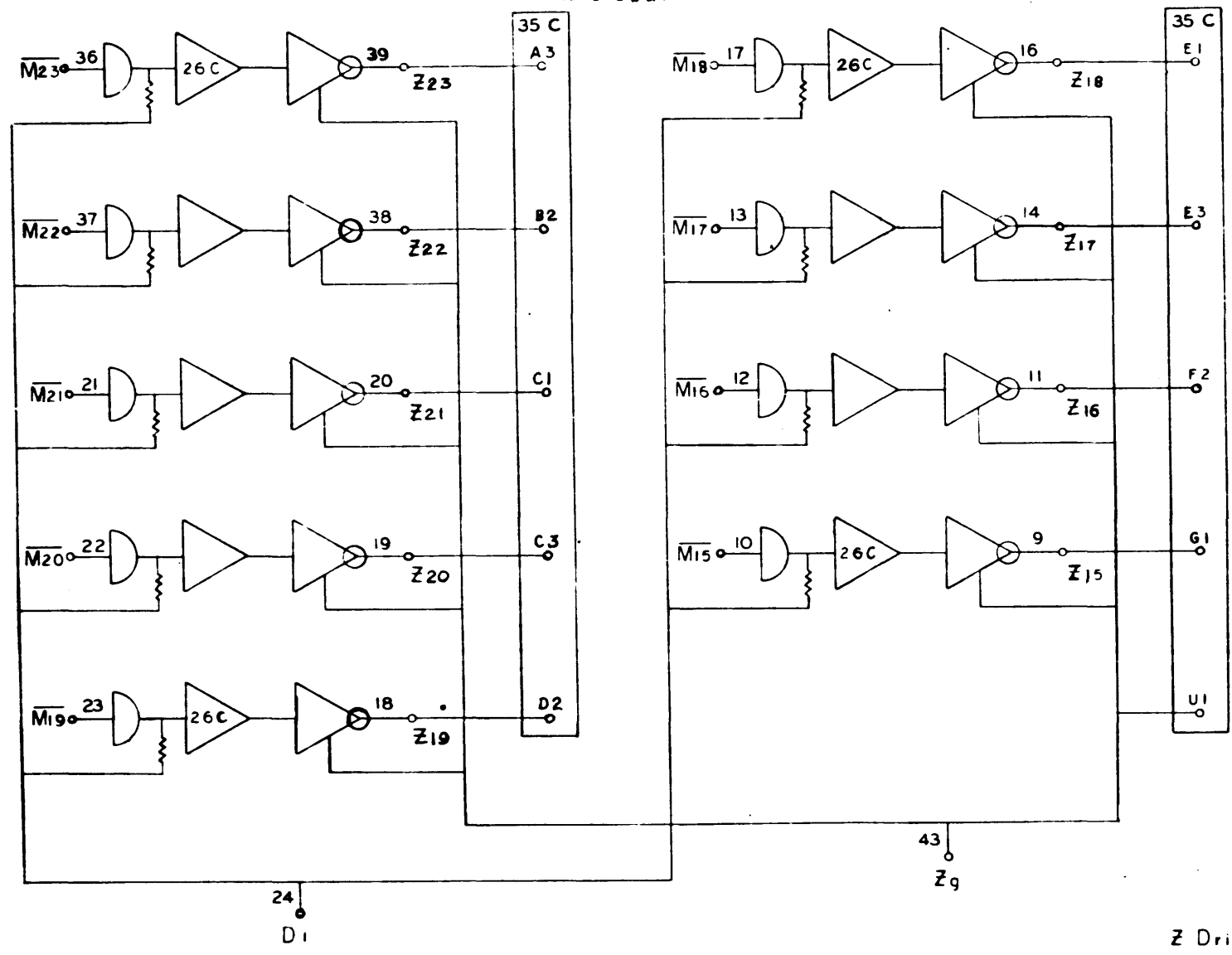
196

101702
A

NO. REQ.	DRAWING NO.	DESCRIPTION	REFERENCE DESIGNATION	ITEM NO.
MATERIAL LIST				
NOTES UNLESS SPECIFIED 1. TOLERANCES .XX ± .030 ANGULAR .XX ± .010 ± .1° 2. BREAK ALL SHARP EDGES 3.16 APPROX. 3. BACK SURFACES 4. ALL DIM. IN INCHES		DRAWN CHECK APPR.	SDS SCIENTIFIC DATA SYSTEMS 1542 FIFTEENTH STREET SANTA MONICA CALIFORNIA	
MODEL NO.		TITLE DIAGRAM LOGIC, COMPUTER		
NEXT ASSY.		SIZE D	DWG NO. C1702	A
SCALE		DO NOT SCALE DRAWING SHEET		

REVISIONS			
REV	DESCRIPTION	CHK	DATE
A	RELEASED TO MFG		11/1/67

SIMILAR FOR EXPANDED MEMORY
IN ROWS DE & F



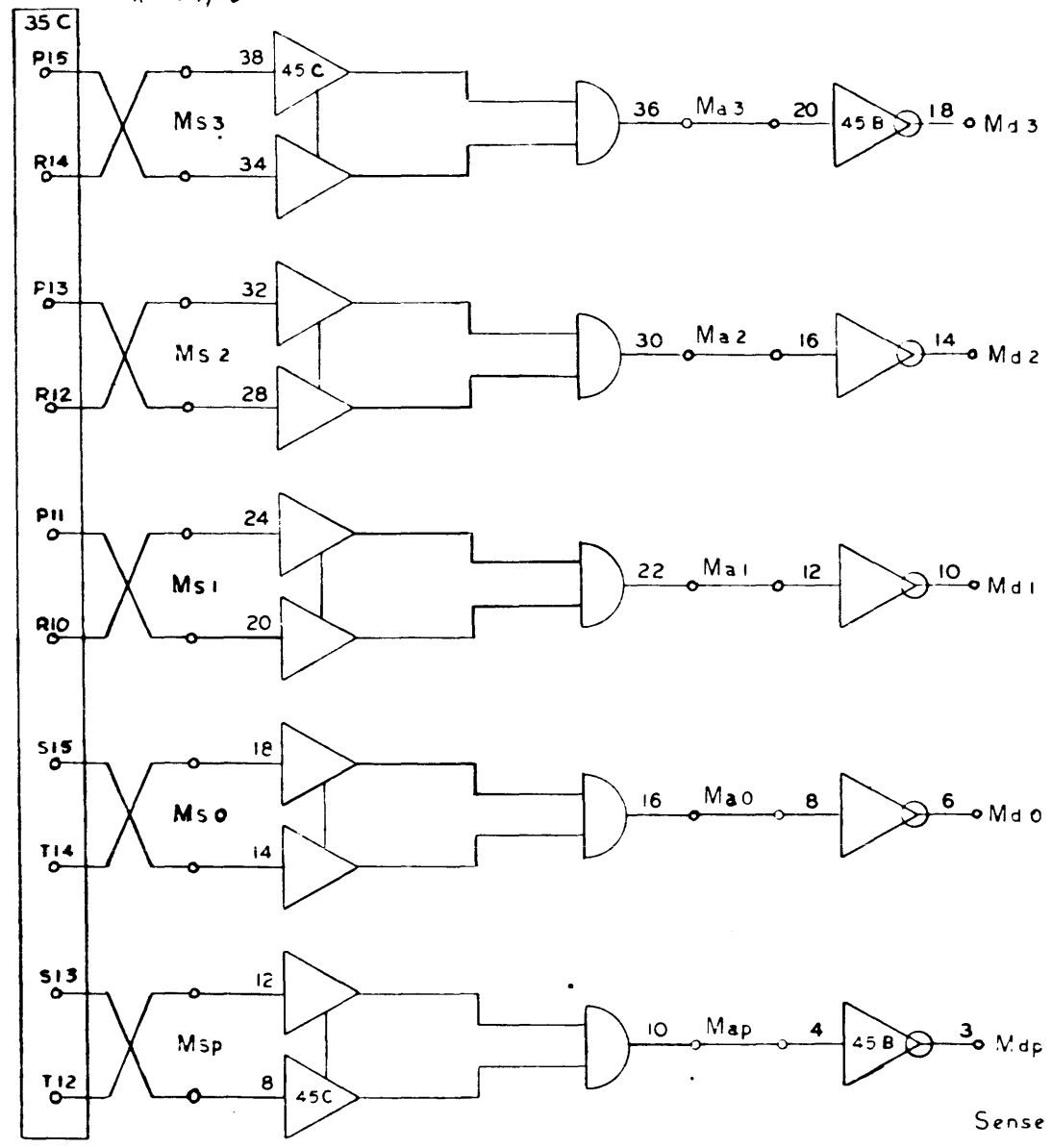
197

Z Driver
910 - 920
Page 127

NO. REV.	DRAWING NO.	DESCRIPTION	REFERENCE DESIGNATION	ITEM NO.
NOTES UNLESS SPECIFIED				
1. TOLERANCES DIM ± 0.005 ANGULAR ± 1/2°		DRAWN	MATERIAL LIST	
2. BREAK ALL SHARP EDGES 0.10 APPROX.		CHECK	SDS SCIENTIFIC DATA SYSTEMS 1848 FIFTEENTH STREET SANTA MONICA, CALIFORNIA	
3. MACH. SURFACES ✓		APPR	TITLE DIAGRAM, LOGIC, COMPUTER	
4. ALL DIM. IN INCHES			MODEL NO. D 101702	
NEXT ASSY			SCALE DO NOT SCALE DRAWING	

REVISIONS			
REV	DESCRIPTION	CHK	DATE
A	RELEASED TO MFG		

SIMILAR FOR EXPANDED MEMORY
IN ROWS DE & F



Sense Amplifier
&
Discriminator

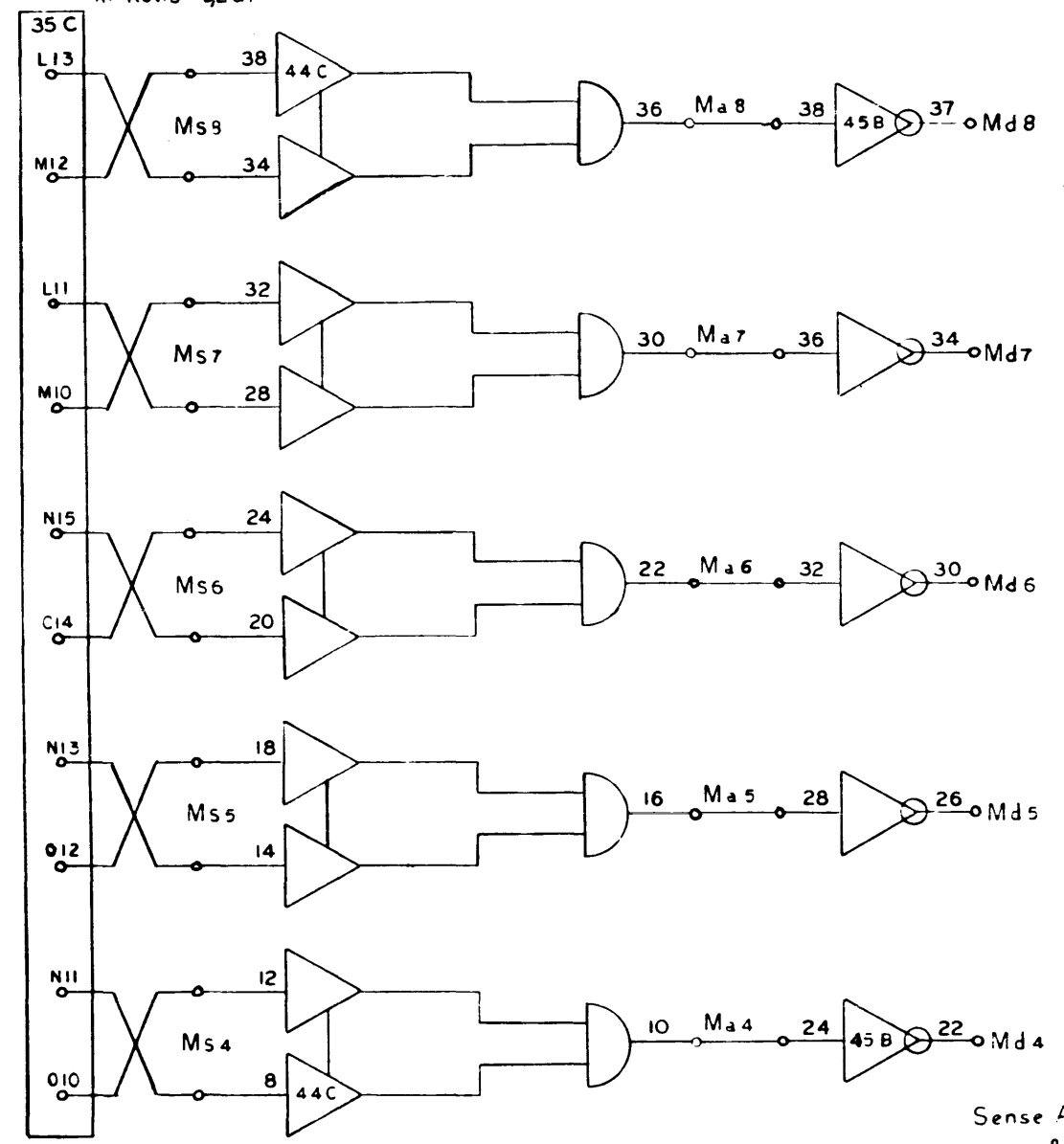
198

10/1/67

NO. RES.	DRAWING NO.	DESCRIPTION	REFERENCE DESIGNATION	ITEM NO.
MATERIAL LIST				
NOTES UNLESS SPECIFIED				
1. TOLERANCES 2E ±.010 ANGULAR 3E ±.010 2°				
2. BREAK ALL SHARP EDGES .010 APPROX.				
3. HATCH SURFACES ✓				
4. ALL DIM. IN INCHES				
DRAWN		DATE	TITLE	
CHECK		DATE	SDS SCIENTIFIC DATA SYSTEMS 1542 FIFTEENTH STREET, SANTA MONICA, CALIFORNIA	
APPR.		DATE	DIAGRAM LOGIC, COMPUTER	
MODEL NO.		SIZE	DWG. NO.	
NEXT ASSY.		D	101702 1 A	
SCALE		DO NOT SCALE DRAWING		SHEET

REVISIONS		101702	
REV	DESCRIPTION	CHE	APPROVAL
A	RELEASED TO MFG		

SIMILAR FOR EXPANDED MEMORY
IN ROWS DE & F



Sense Amplifier
&
Discriminator
Page 129

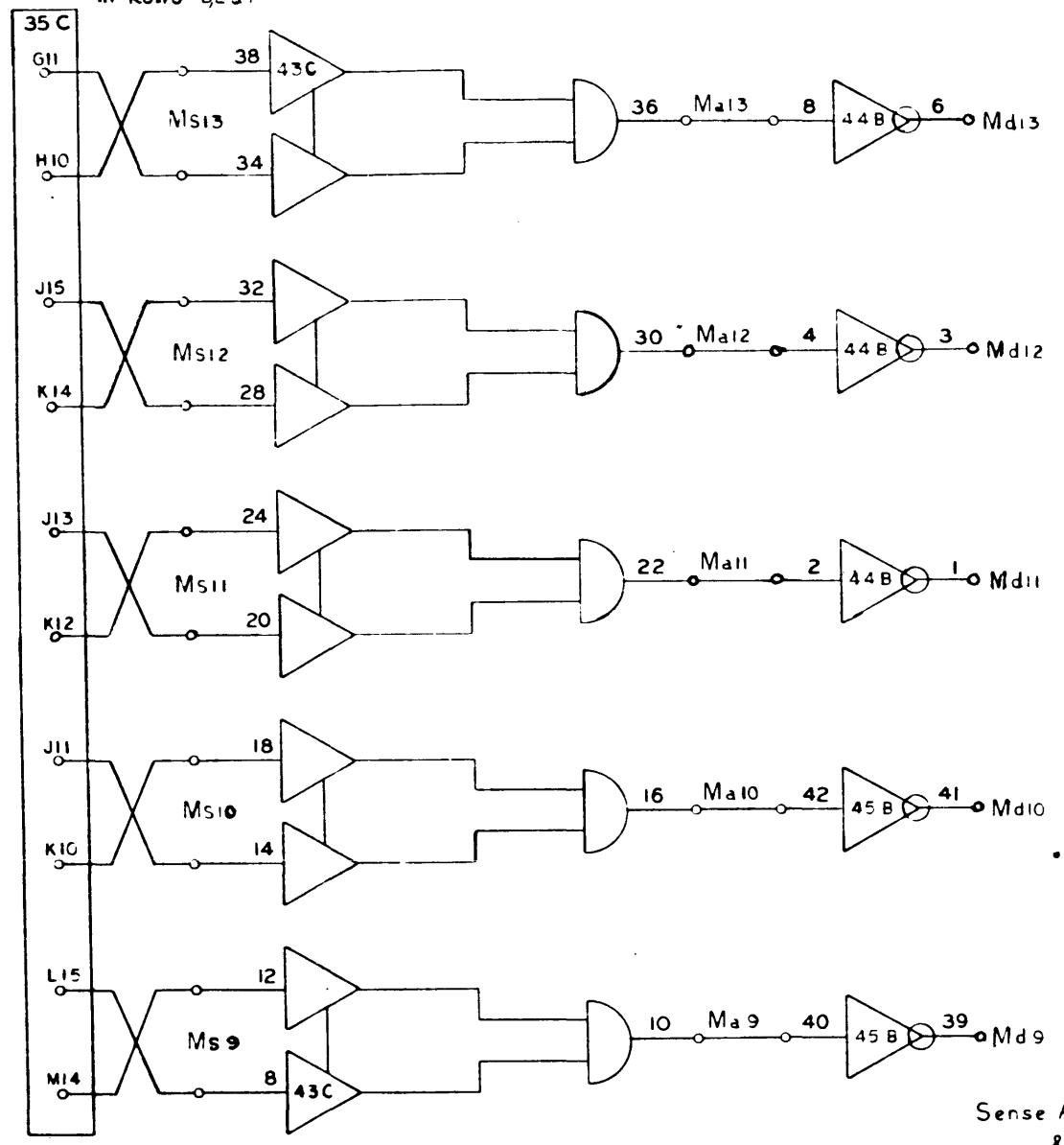
199

V 012111

NO. REV.	DRAWING NO.	DESCRIPTION	REFERENCE DESIGNATION	ITEM NO.
MATERIAL LIST				
NOTES UNLESS SPECIFIED		DRAWN	SDS SCIENTIFIC DATA SYSTEMS	
1. TOLERANCES 28 ± .030 ANGULAR 28 ± .010 ± 1/2°		CHECK	1545 FIFTEENTH STREET SANTA MONICA, CALIFORNIA	
2. BREAK ALL SHARP EDGES .010 APPROX.		APPR.	TITLE DIAGRAM, LCGIC, COMPUTER	
3. MACH. SURFACES ✓				
4. ALL DIM. IN INCHES			MODEL NO.	
NEXT ASSY.			SIZE D DWG NO. 101702	
			SCALE DO NOT SCALE DRAWING SHEET A	

REV		DESCRIPTION		CHK	DATE	APPROVED
A		RELEASED TO VFG				

SIMILAR FOR EXPANDED MEMORY
IN ROWS DE & F



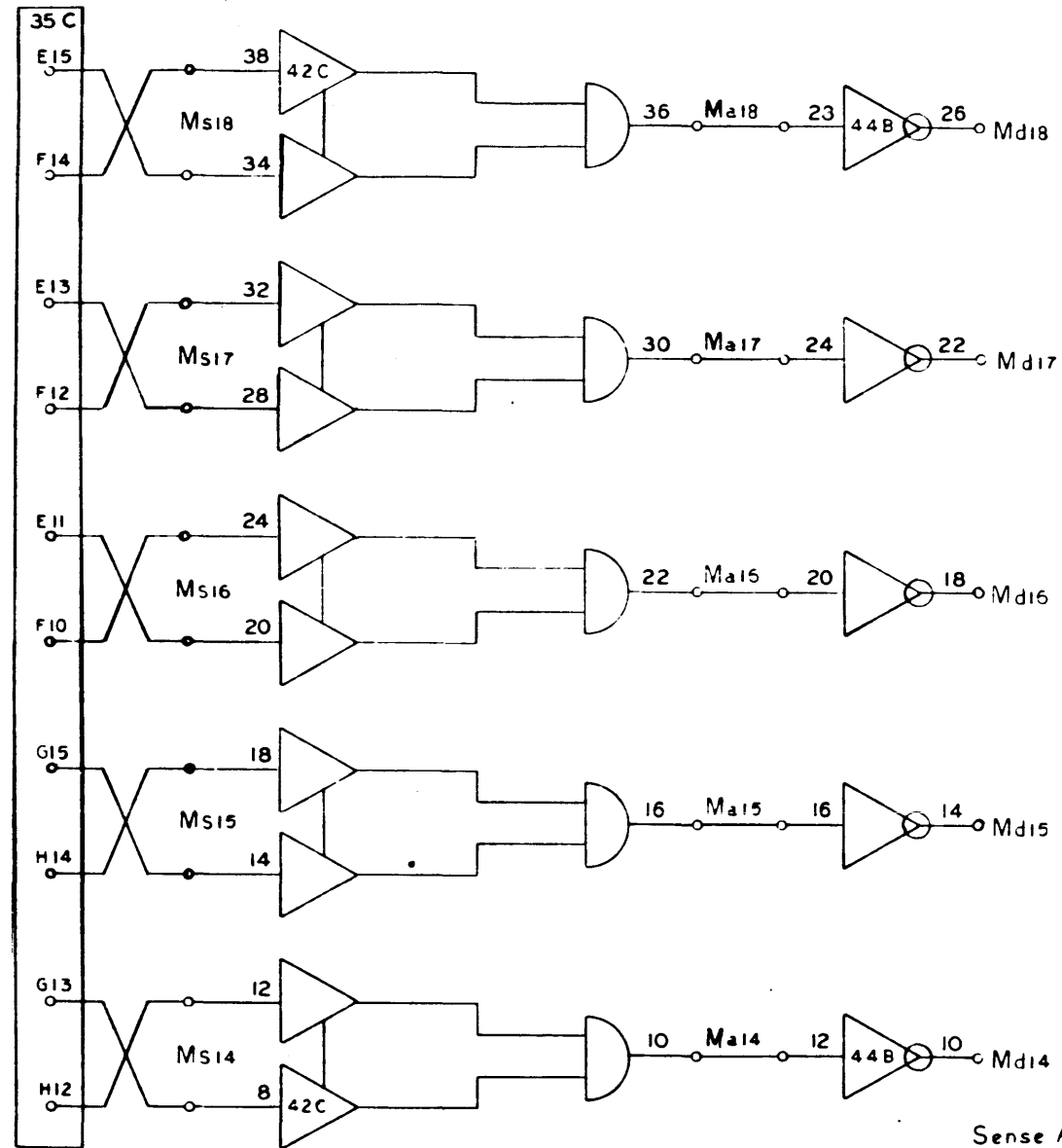
Sense Amplifier
&
Discriminator
Page 130

200

NO. REQ.	DRAWING NO.	DESCRIPTION	REFERENCE DESIGNATION	ITEM NO.
MATERIAL LIST				
NOTES UNLESS SPECIFIED		DRAWN	SDS SCIENTIFIC DATA SYSTEMS 1542 FIFTEENTH STREET SANTA MONICA CALIFORNIA	
1. TOLERANCES UNLESS OTHERWISE SPECIFIED ANGULAR ± 1/2°		CHECK	TITLE DIAGRAM, LOGIC, COMPUTER	
2. BREAK ALL SHARP EDGES 0.10 APPROX.		APPR.		
3. MACH. SURFACES ✓				
4. ALL DIM. IN INCHES				
MODEL NO.		SIZE	DWG. NO.	ITEM NO.
NEXT ASSY.		D	101702	A
SCALE		DO NOT SCALE DRAWING		SHEET

REV		REVISIONS		
NO.	DESCRIPTION	CHK	DATE	APPROVED
A	RELEASED TO MFG	<i>Ad</i>	<i>1/17/72</i>	<i>[Signature]</i>

SIMILAR FOR EXPANDED MEMORY
IN ROWS D,E & F



Sense Amplifier
&
Discriminator

Page 131

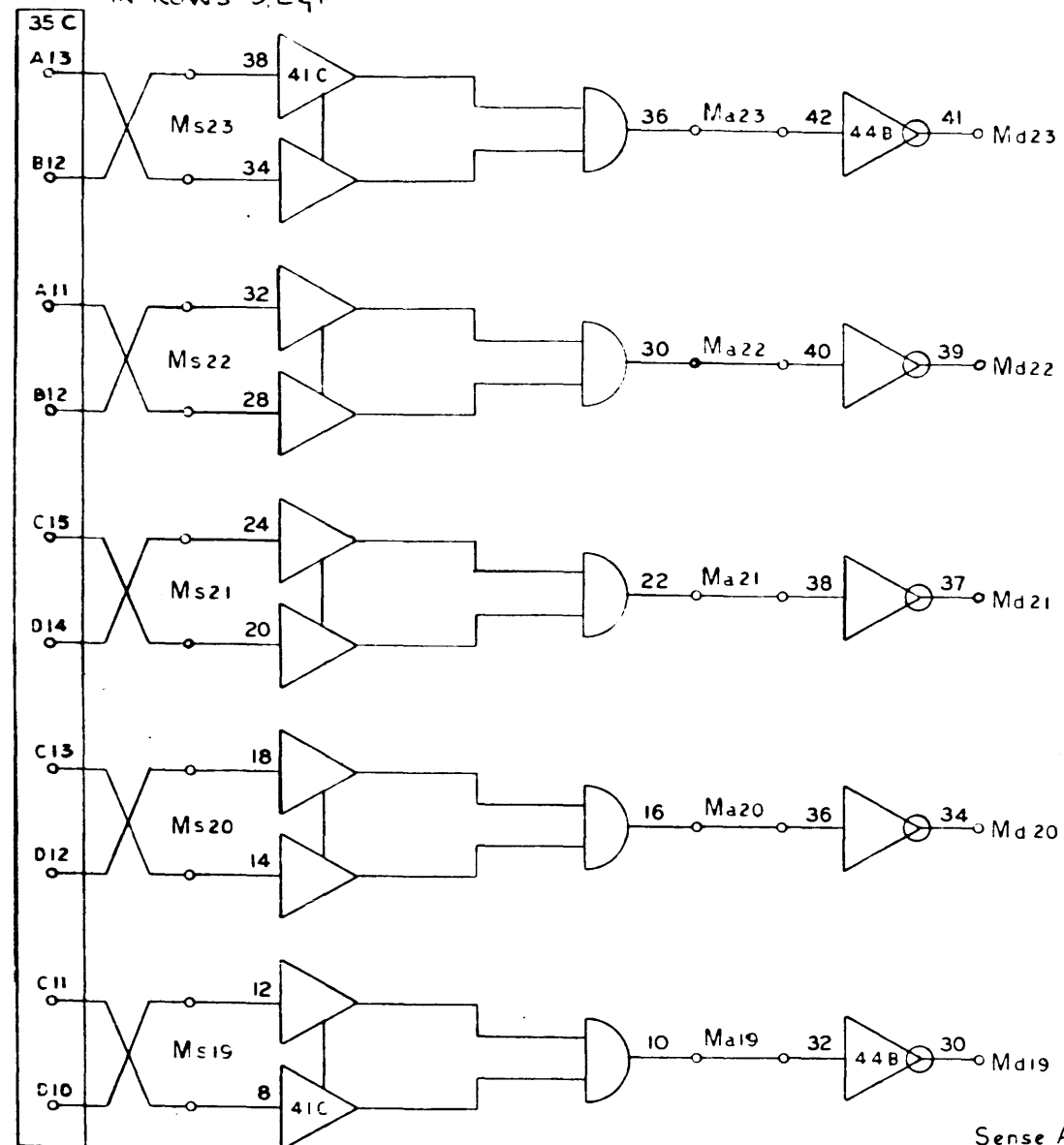
201

101702 A

NO. REQ.	DRAWING NO.	DESCRIPTION	REFERENCE DESIGNATION	ITEM NO.
NOTES UNLESS SPECIFIED				
1. TOLERANCES XX ± .030 .XX ± .010		ANGULAR ± 1°	CHECK <i>[Signature]</i> DATE <i>1/17/72</i>	SDS SCIENTIFIC DATA SYSTEMS 1542 FIFTEENTH STREET SANTA MONICA CALIFORNIA TITLE DIAGRAM, LOGIC, COMPUTER
2. BREAK ALL SHARP EDGES 3/16 APPROX.		3. BACK SURFACES 4. ALL DIM. IN INCHES	APPR. <i>[Signature]</i> DATE <i>1/17/72</i>	
MODEL NO.		SIZE D	DWG. NO. 101702	A
NEXT ASSY.		SCALE	DO NOT SCALE DRAWING	SHEET

REVISIONS			
REV	DESCRIPTION	CHK	DATE
A	RELEASED TO YFG		

SIMILAR FOR EXPANDED MEMORY
IN ROWS D, E & F



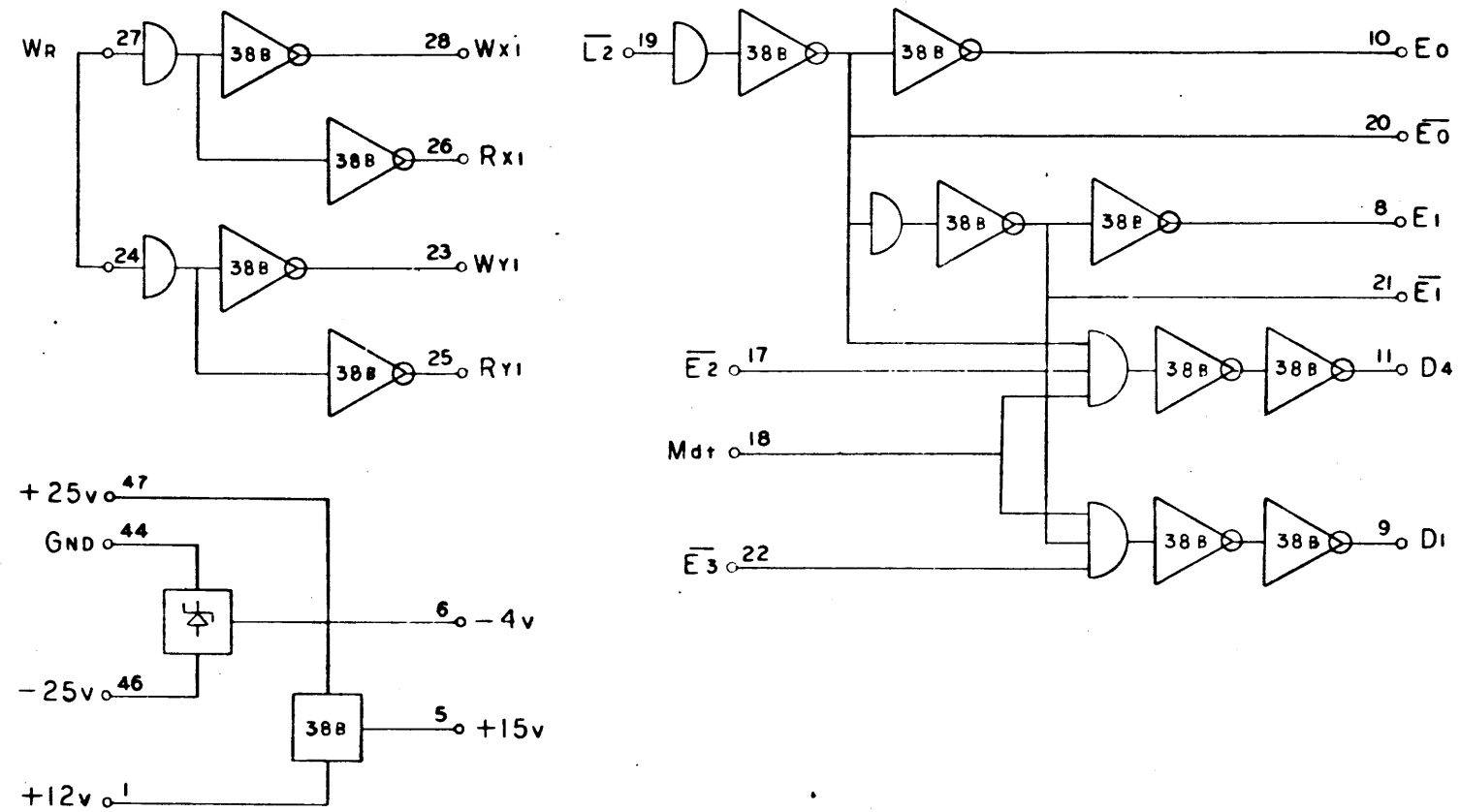
Sense Amplifier
&
Discriminator

Page 132

202

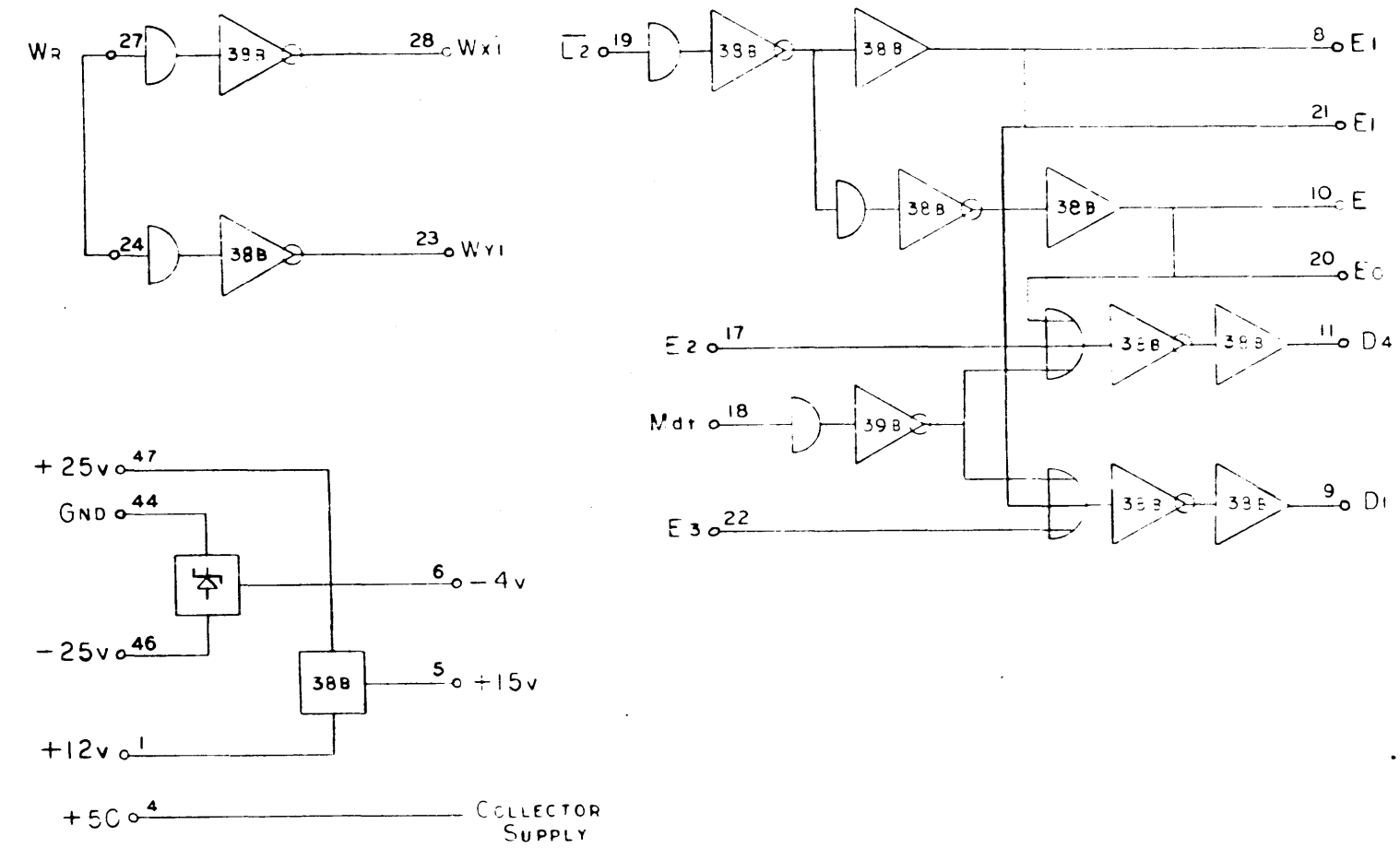
NO REV	DRAWING NO.	DESCRIPTION	REFERENCE DESIGNATION
NOTES UNLESS SPECIFIED		MATERIAL LIST	
1. TOLERANCES 20 ± 0.00 ANGULAR 30 ± 0.00 2 1/2°		SDS SCIENTIFIC DATA SYSTEMS 1425 FIFTEENTH STREET SANTA MONICA CALIFORNIA	
2. BREAK ALL SHARP EDGES 3/16 APPROX		TITLE DIAGRAM, LOGIC, COMPUTER	
3. HATCH SURFACES ✓		MODEL NO. D 101702	
4. ALL DIM. IN INCHES		NEXT ASSY	
SCALE		DO NOT SCALE DRAWING SHEET	

203



DIAGRAM, LOGIC,
COMPUTER DWG. NO. 101702

REVISIONS				
REV	DESCRIPTION	CHK	DATE	APPROVED
C	SEC REV. E.O.			



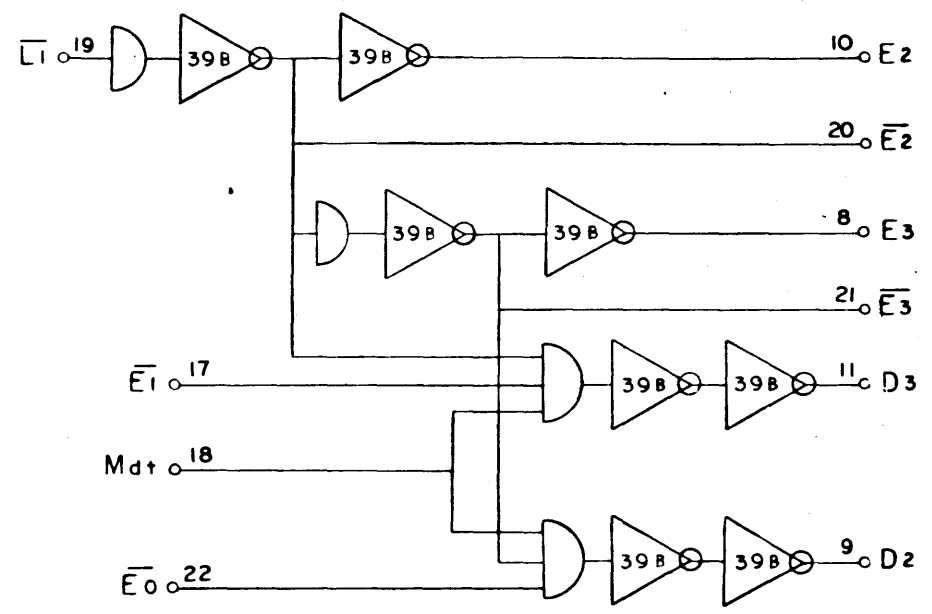
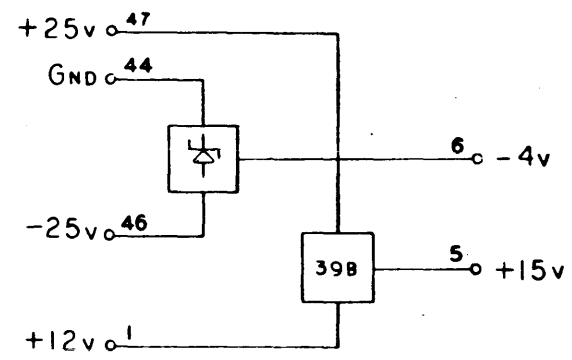
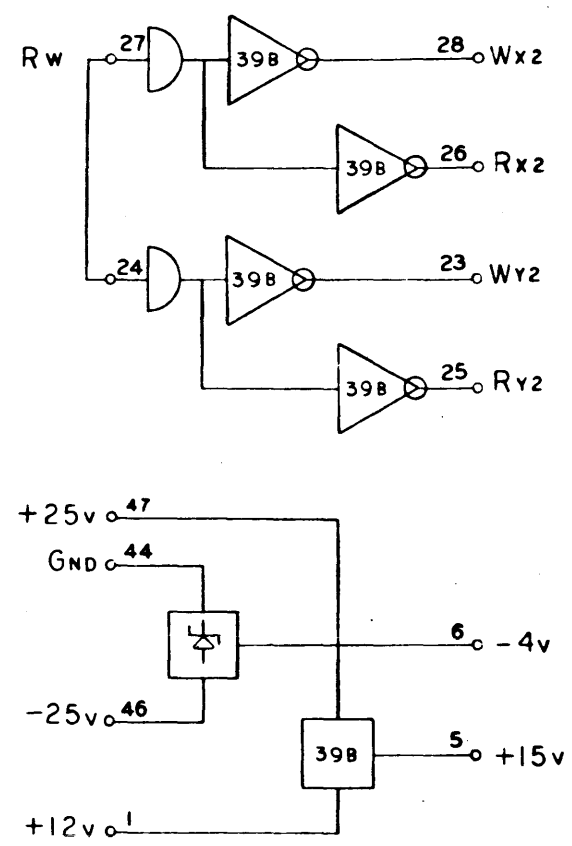
HK55
Selector Control
910-920
Page 133
C

204

101702/C

NO. REQ.	DRAWING NO.	DESCRIPTION	REFERENCE DESIGNATION	ITEM NO.
NOTES UNLESS SPECIFIED				
1. TOLERANCES XX : 0.30 ANGULAR XXX : 0.10				
2. BREAK ALL SHARP EDGES BY APPROX.				
3. HATCH SURFACES ✓				
4. ALL DIM. IN INCHES				
MODEL NO. 910		TITLE DIAGRAM, LOGIC COMPUTER		
NEXT ASSY.		SCALE DO NOT SCALE DRAWING SHEET		
		SIZE DWG NO. D 101702		C

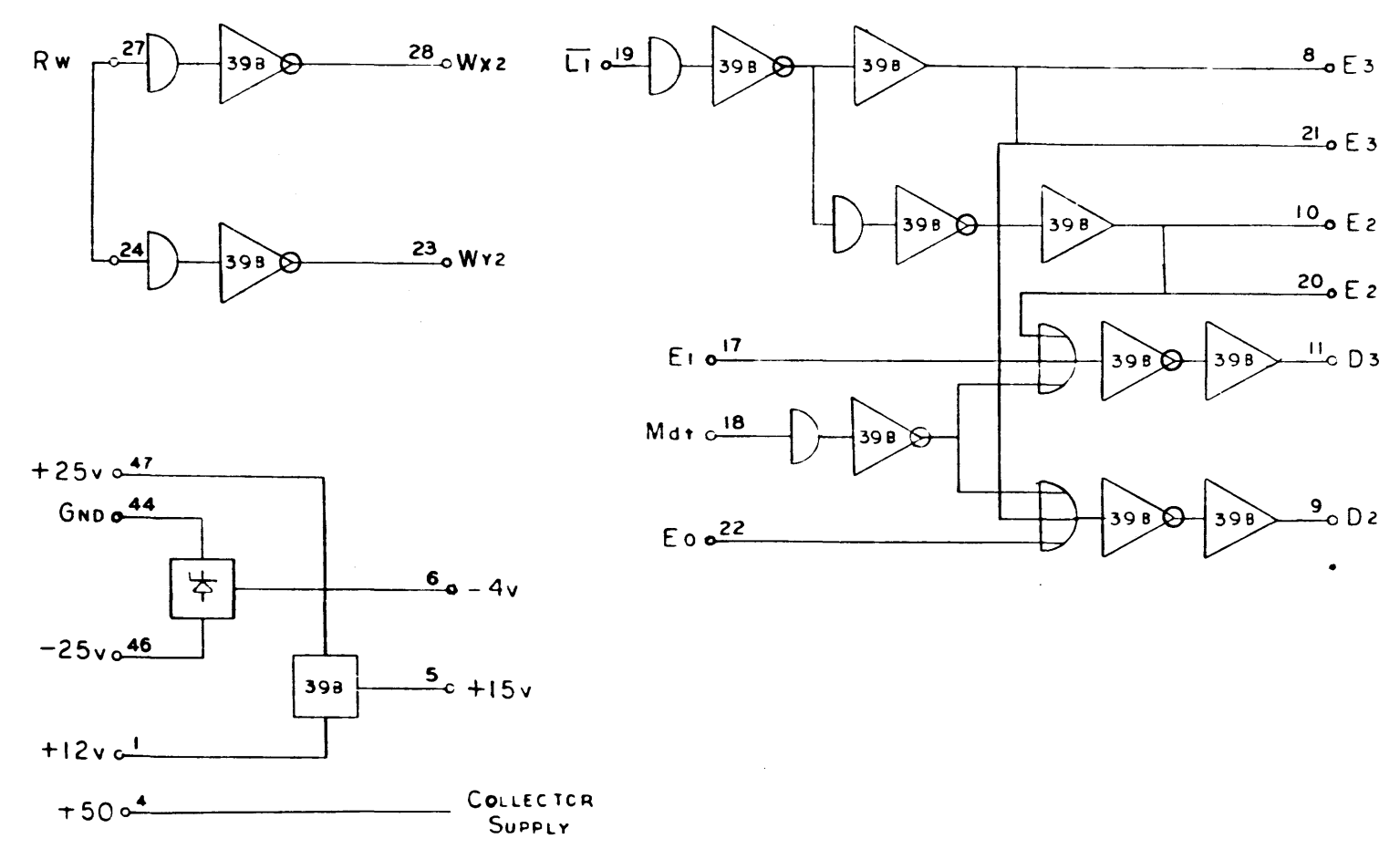
205



DIAGRAM, LOGIC,
COMPUTER DWG. NO. 101702

Selector Control
910-920
Page 134

REV		DESCRIPTION		REVISIONS		CHK	DATE	APPROVED
C	SEE REV E.O.						11/7	[Signature]



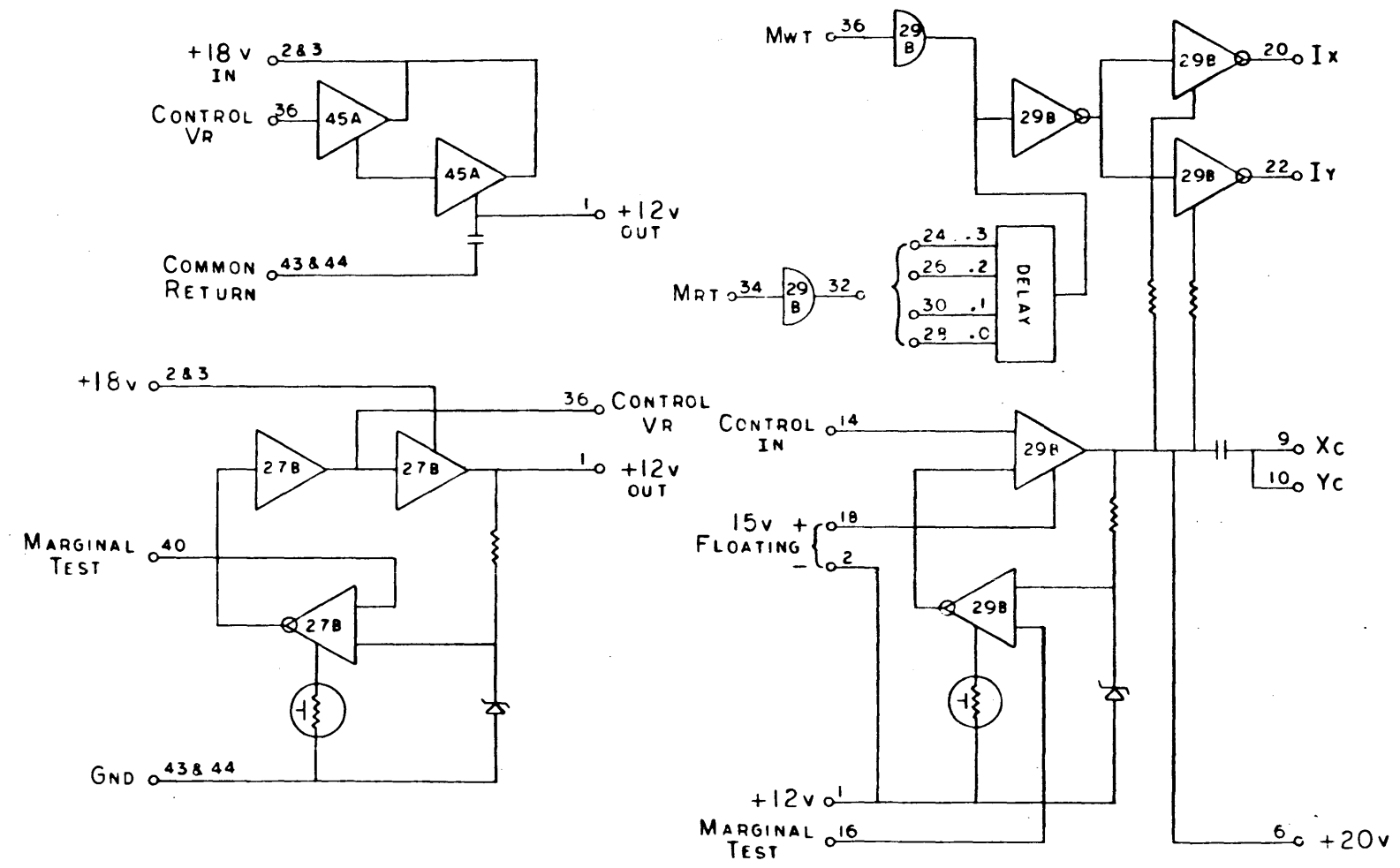
HK55
Selector Control
910-920
Page 134
C

206

101702 | C |

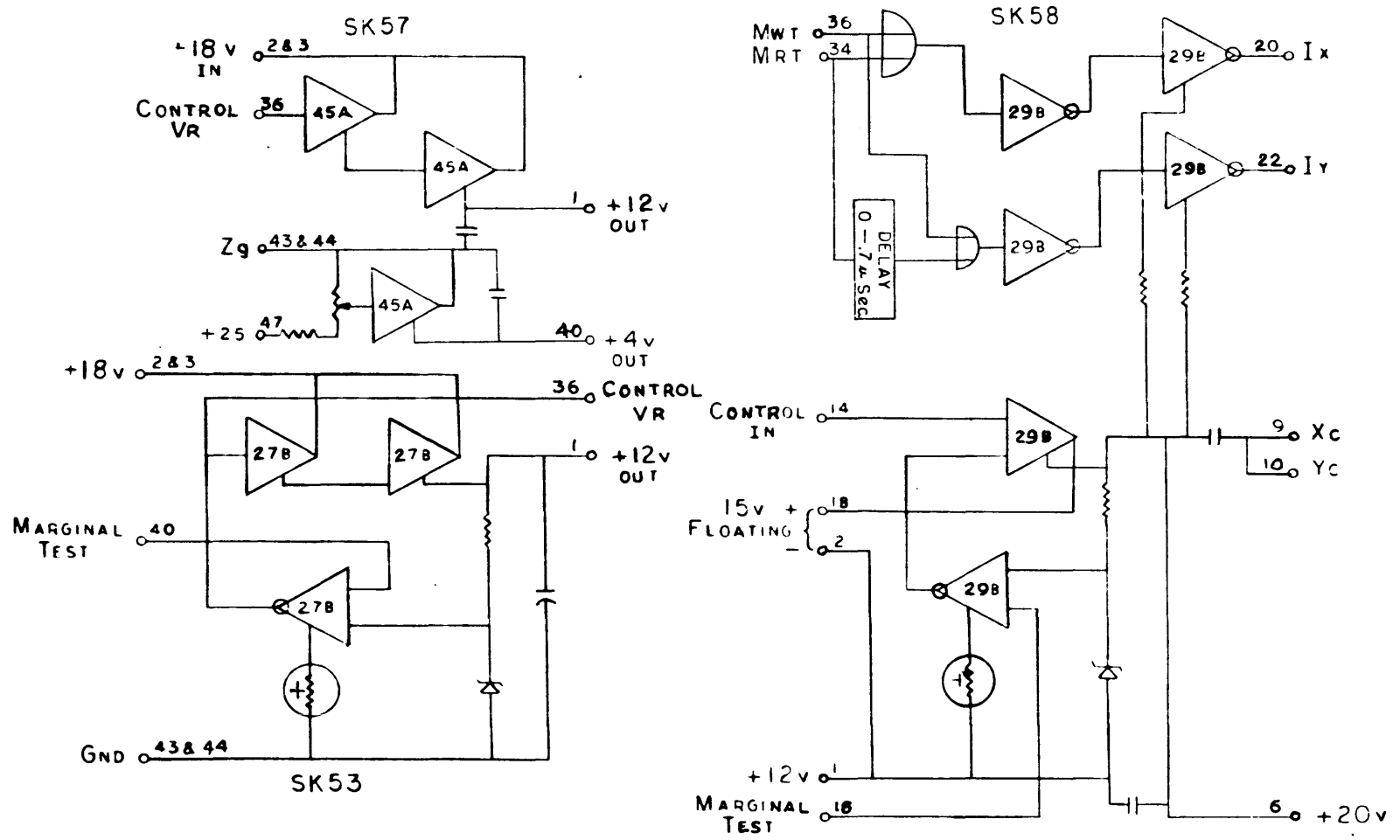
NO. REV	DRAWING NO.	DESCRIPTION	REFERENCE DESIGNATION	ITEM NO.
MATERIAL LIST				
NOTES UNLESS SPECIFIED		DRAWN: D.E.S. 11/15/63 CHECK: [Signature] 11/15/63 APPR: [Signature] 11/15/63	SDS SCIENTIFIC DATA SYSTEMS 1542 FIFTEENTH STREET SANTA MONICA, CALIFORNIA	
1. TOLERANCES UNLESS SPECIFIED: XX ± .005 ANGULAR ± .1° SEE 2. DIM. 2.14 2. BREAK ALL SHARP EDGES .010 APPROX. 3. HATCH SURFACES ✓ 4. ALL DIM. IN INCHES		DIAGRAM, LOGIC COMPUTER		
MODEL NO.	910	REV. NO.	D	101702
NEXT ASSY.		SCALE	DO NOT SCALE DRAWING	SHEET

207



DIAGRAM, LOGIC,
COMPUTER DWG. NO. 101702
Current & Voltage Regulator
910-920
Page 135

REVISIONS		101702	D
REV	DESCRIPTION	CHE	DATE
A	RELEASED TO MFG	sd	1/13
D	SEE REV. E.O.	DFT	1/13



Current & Voltage Regulator
 910 - 920
 Page 135
 D

208

101701 D

NO. REG.	DRAWING NO.	DESCRIPTION	REFERENCE DESIGNATION	ITEM NO.
MATERIAL LIST				
NOTES UNLESS SPECIFIED		DRAWN	CHECK	DATE
1. UNLESS OTHERWISE SPECIFIED, ALL DIMENSIONS ARE IN INCHES.		sd	sd	1/13
2. BREAK ALL SHARP EDGES AND CORNERS.		APPR	sd	1/13
3. HATCH SURFACES.				
4. ALL DIM. IN DIMENSIONS.				
MODEL NO. 910		TITLE DIAGRAM, LOGIC COMPUTER		
NEXT ASSY.		REV. NO. D	REV. NO. 101702	REV. NO. D
		SCALE	DO NOT SCALE DRAWING	QUEST

209

PAGE	CHG	PAGE	CHG	PAGE	CHG	PAGE	CHG	PAGE	CHG
1	A	41	A	81	A	121	A	161	
2	A	42	A	82	A	122	A	162	
3	A	43	A	83	A	123	A	163	
4	A	44	A	84	B	124	A	164	
5	A	45	A	85	A	125	A	165	
6	A	46	A	86	A	126	A	166	
7	A	47	A	87	A	127	A	167	
8	A	48	A	88	A	128	A	168	
9	A	49	A	89	A	129	A	169	
10	A	50	A	90	A	130	A	170	
11	A	51	B	91	A	131	A	171	
12	A	52	A	92	A	132	A	172	
13	A	53	A	93	A	133	A	173	
14	A	54	A	94	A	134	A	174	
15	A	55	A	95	A	135	A	175	
16	A	56	A	96	A			176	
17	A	57	A	97	A	137	B	177	
18	A	58	A	98	A	138		178	
19	A	59	A	99	A	139		179	
20	A	60	A	100	A	140		180	
21	A	61	A	101	A	141		181	
22	A	62	A	102	A	142		182	
23	A	63	A	103	A	143		183	
24	A	64	B	104	A	144		184	
25	A	65	A	105	A	145		185	
26	A	66	A	106	A	146		186	
27	A	67	A	107	A	147		187	
28	A	68	A	108	A	148		188	
29	A	69	A	109	A	149		189	
30	A	70	A	110	A	150		190	
31	A	71	A	111	A	151		191	
32	A	72	A	112	A	152		192	
33	A	73	A	113	A	153		193	
34	A	74	A	114	A	154		194	
35	A	75	A	115	A	155		195	
36	A	76	A	116	A	156		196	
37	A	77	A	117	A	157		197	
38	A	78	A	118	A	158		198	
39	A	79	A	119	A	159		199	
40	A	80	A	120	A	160		200	

WIRE LIST 101080 A, B, C
Effective 910 S/N1104

NOTES:

1. REV. LETTERS LISTED INDICATE STATUS OF EACH SHEET OF THIS MULTIPLE SHEET DWG.
2. CHECK INDIVIDUAL SHEETS FOR REV. LETTER AGAINST THIS SHEET BEFORE USING THIS DWG.

PAGE	CHG	PAGE	CHG	PAGE	CHG	PAGE	CHG	PAGE	CHG
1	A	41	A	81	A	121	C	161	
2	A	42	A	82	A	122	C	162	
3	A	43	A	83	A	123	C	163	
4	A	44	A	84	B	124	C	164	
5	A	45	A	85	A	125	A	165	
6	A	46	A	86	A	126	A	166	
7	A	47	A	87	A	127	A	167	
8	A	48	A	88	A	128	A	168	
9	A	49	A	89	A	129	A	169	
10	A	50	A	90	A	130	A	170	
11	A	51	B	91	A	131	A	171	
12	A	52	A	92	A	132	A	172	
13	A	53	A	93	A	133	C	173	
14	A	54	A	94	A	134	C	174	
15	A	55	A	95	A	135	A	175	
16	A	56	A	96	A			176	
17	A	57	A	97	A	137	C	177	
18	A	58	A	98	A	138		178	
19	A	59	A	99	A	139		179	
20	A	60	A	100	A	140		180	
21	A	61	A	101	A	141		181	
22	A	62	A	102	A	142		182	
23	A	63	A	103	A	143		183	
24	A	64	B	104	A	144		184	
25	A	65	A	105	A	145		185	
26	A	66	A	106	A	146		186	
27	A	67	A	107	A	147		187	
28	A	68	A	108	A	148		188	
29	A	69	A	109	A	149		189	
30	A	70	A	110	A	150		190	
31	A	71	A	111	A	151		191	
32	A	72	A	112	A	152		192	
33	A	73	A	113	A	153		193	
34	A	74	A	114	A	154		194	
35	A	75	A	115	A	155		195	
36	A	76	A	116	A	156		196	
37	A	77	A	117	C	157		197	
38	A	78	A	118	C	158		198	
39	A	79	A	119	C	159		199	
40	A	80	A	120	C	160		200	

WIRE LIST 101080 A thru F
Effective 910 S/N 1108

210

NOTES:

1. REV. LETTERS LISTED INDICATE STATUS OF EACH SHEET OF THIS MULTIPLE SHEET DWG.
2. CHECK INDIVIDUAL SHEETS FOR REV. LETTER AGAINST THIS SHEET BEFORE USING THIS DWG.

211

PAGE	CHG	PAGE	CHG	PAGE	CHG	PAGE	CHG	PAGE	CHG
1	D	41	D	81	A	121	C	161	
2	A	42	A	82	A	122	C	162	
3	A	43	A	83	A	123	C	163	
4	A	44	A	84	B	124	C	164	
5	A	45	A	85	A	125	A	165	
6	A	46	A	86	A	126	A	166	
7	A	47	A	87	A	127	A	167	
8	A	48	A	88	A	128	A	168	
9	A	49	A	89	A	129	A	169	
10	A	50	A	90	A	130	A	170	
11	A	51	B	91	A	131	A	171	
12	A	52	A	92	A	132	A	172	
13	D	53	A	93	A	133	C	173	
14	A	54	A	94	A	134	C	174	
15	A	55	A	95	A	135	D	175	
16	A	56	A	96	A			176	
17	A	57	A	97	A	137	D	177	
18	A	58	A	98	A	138	D	178	
19	A	59	D	99	A	139	D	179	
20	A	60	D	100	A	140	D	180	
21	A	61	D	101	A	141	D	181	
22	D	62	A	102	D	142		182	
23	A	63	A	103	A	143		183	
24	A	64	B	104	A	144		184	
25	D	65	D	105	A	145		185	
26	A	66	A	106	D	146		186	
27	A	67	A	107	A	147		187	
28	A	68	A	108	D	148		188	
29	A	69	A	109	A	149		189	
30	D	70	A	110	A	150		190	
31	A	71	A	111	D	151		191	
32	D	72	A	112	D	152		192	
33	A	73	A	113	D	153		193	
34	A	74	A	114	D	154		194	
35	A	75	A	115	A	155		195	
36	A	76	A	116	A	156		196	
37	A	77	A	117	C	157		197	
38	A	78	A	118	C	158		198	
39	A	79	A	119	C	159		199	
40	D	80	A	120	C	160		200	

WIRE LIST 101080 A thru J
Effective 910 S/N 1113

NOTES:

1. REV. LETTERS LISTED INDICATE STATUS OF EACH SHEET OF THIS MULTIPLE SHEET DWG.
2. CHECK INDIVIDUAL SHEETS FOR REV. LETTER AGAINST THIS SHEET BEFORE USING THIS DWG.

PAGE	CHG	PAGE	CHG	PAGE	CHG	PAGE	CHG	PAGE	CHG
1	D	41	D	81	A	121	C	161	
2	A	42	A	82	A	122	C	162	
3	A	43	A	83	A	123	C	163	
4	A	44	A	84	B	124	C	164	
5	A	45	A	85	A	125	A	165	
6	A	46	A	86	A	126	A	166	
7	A	47	A	87	A	127	A	167	
8	A	48	A	88	A	128	A	168	
9	A	49	A	89	A	129	A	169	
10	A	50	A	90	A	130	A	170	
11	A	51	B	91	A	131	A	171	
12	A	52	A	92	A	132	A	172	
13	D	53	A	93	A	133	C	173	
14	A	54	A	94	A	134	C	174	
15	A	55	A	95	A	135	D	175	
16	A	56	A	96	A			176	
17	A	57	A	97	A	137	E	177	
18	A	58	A	98	A	138	D	178	
19	A	59	D	99	A	139	D	179	
20	A	60	D	100	A	140	D	180	
21	A	61	D	101	A	141	E	181	
22	D	62	A	102	D	142	E	182	
23	A	63	A	103	A	143	E	183	
24	A	64	B	104	A	144	E	184	
25	D	65	D	105	A	145	E	185	
26	A	66	A	106	D	146	E	186	
27	A	67	A	107	A	147	E	187	
28	A	68	A	108	D	148	E	188	
29	A	69	A	109	A	149	E	189	
30	D	70	A	110	A	150	E	190	
31	A	71	A	111	D	151	E	191	
32	D	72	A	112	D	152	E	192	
33	A	73	A	113	D	153	E	193	
34	A	74	A	114	D	154	E	194	
35	A	75	A	115	A	155	E	195	
36	A	76	A	116	A	156		196	
37	A	77	A	117	C	157		197	
38	A	78	A	118	C	158		198	
39	A	79	A	119	C	159		199	
40	D	80	A	120	C	160		200	

WIRE LIST 101080 K thru N
Effective 910 S/N 1118

212

NOTES:

1. REV. LETTERS LISTED INDICATE STATUS OF EACH SHEET OF THIS MULTIPLE SHEET DWG.
2. CHECK INDIVIDUAL SHEETS FOR REV. LETTER AGAINST THIS SHEET BEFORE USING THIS DWG.

213

PAGE	CHG	PAGE	CHG	PAGE	CHG	PAGE	CHG	PAGE	CHG
1	F	41	D	81	A	121	C	161	
2	A	42	A	82	A	122	C	162	
3	A	43	A	83	A	123	C	163	
4	A	44	A	84	B	124	C	164	
5	A	45	A	85	A	125	A	165	
6	A	46	A	86	A	126	A	166	
7	A	47	A	87	A	127	A	167	
8	A	48	A	88	A	128	A	168	
9	A	49	A	89	A	129	A	169	
10	A	50	A	90	A	130	A	170	
11	A	51	B	91	A	131	A	171	
12	A	52	A	92	F	132	A	172	
13	D	53	A	93	A	133	C	173	
14	A	54	A	94	A	134	C	174	
15	A	55	A	95	A	135	D	175	
16	A	56	A	96	A			176	
17	A	57	A	97	A	137	F	177	
18	A	58	A	98	A	138	D	178	
19	A	59	D	99	A	139	F	179	
20	A	60	D	100	F	140	D	180	
21	F	61	D	101	A	141	E	181	
22	D	62	A	102	D	142	E	182	
23	A	63	A	103	A	143	E	183	
24	A	64	B	104	A	144	E	184	
25	D	65	D	105	F	145	E	185	
26	F	66	F	106	D	146	E	186	
27	A	67	A	107	F	147	E	187	
28	A	68	A	108	D	148	E	188	
29	A	69	A	109	F	149	E	189	
30	D	70	A	110	F	150	E	190	
31	F	71	A	111	F	151	E	191	
32	F	72	A	112	F	152	E	192	
33	F	73	A	113	D	153	E	193	
34	A	74	A	114	D	154	E	194	
35	A	75	A	115	A	155	E	195	
36	A	76	A	116	A	156	F	196	
37	A	77	A	117	C	157	F	197	
38	A	78	A	118	C	158		198	
39	F	79	A	119	C	159		199	
40	D	80	A	120	C	160		200	

WIRE LIST 101080 P thru S
Effective 910 S/N 1124

NOTES:

1. REV. LETTERS LISTED INDICATE STATUS OF EACH SHEET OF THIS MULTIPLE SHEET DWG.
2. CHECK INDIVIDUAL SHEETS FOR REV. LETTER AGAINST THIS SHEET BEFORE USING THIS DWG.

PAGE	CHG	PAGE	CHG	PAGE	CHG	PAGE	CHG	PAGE	CHG
1	F	41	D	81	A	121	C	161	
2	A	42	A	82	A	122	C	162	
3	A	43	A	83	A	123	C	163	
4	A	44	A	84	B	124	C	164	
5	A	45	A	85	A	125	A	165	
6	A	46	A	86	A	126	A	166	
7	A	47	A	87	A	127	A	167	
8	A	48	A	88	A	128	A	168	
9	A	49	A	89	A	129	A	169	
10	A	50	A	90	A	130	A	170	
11	A	51	B	91	A	131	A	171	
12	A	52	A	92	F	132	A	172	
13	D	53	A	93	A	133	C	173	
14	A	54	A	94	A	134	C	174	
15	A	55	A	95	A	135	D	175	
16	A	56	A	96	A			176	
17	A	57	A	97	A	137	G	177	
18	A	58	A	98	A	138	D	178	
19	A	59	D	99	G	139	F	179	
20	A	60	D	100	F	140	D	180	
21	F	61	D	101	A	141	E	181	
22	D	62	A	102	D	142	E	182	
23	A	63	A	103	A	143	E	183	
24	A	64	B	104	A	144	E	184	
25	D	65	D	105	F	145	E	185	
26	F	66	G	106	D	146	E	186	
27	A	67	A	107	F	147	E	187	
28	A	68	A	108	D	148	E	188	
29	A	69	A	109	F	149	E	189	
30	D	70	A	110	F	150	E	190	
31	F	71	A	111	F	151	E	191	
32	F	72	A	112	F	152	E	192	
33	F	73	A	113	D	153	E	193	
34	A	74	A	114	D	154	E	194	
35	A	75	A	115	A	155	E	195	
36	A	76	A	116	A	156	F	196	
37	A	77	A	117	C	157	F	197	
38	A	78	A	118	C	158		198	
39	F	79	A	119	C	159		199	
40	D	80	A	120	C	160		200	

WIRE LIST 101080 T, U & V
Effective 910 S/N 1134

214

NOTES:

1. REV. LETTERS LISTED INDICATE STATUS OF EACH SHEET OF THIS MULTIPLE SHEET DWG.
2. CHECK INDIVIDUAL SHEETS FOR REV. LETTER AGAINST THIS SHEET BEFORE USING THIS DWG.

215

PAGE	CHG	PAGE	CHG	PAGE	CHG	PAGE	CHG	PAGE	CHG
1	F	41	D	81	A	121	C	161	
2	A	42	A	82	A	122	C	162	
3	A	43	A	83	A	123	C	163	
4	A	44	A	84	B	124	C	164	
5	A	45	A	85	A	125	A	165	
6	A	46	A	86	A	126	A	166	
7	A	47	A	87	A	127	A	167	
8	A	48	A	88	A	128	A	168	
9	A	49	A	89	A	129	A	169	
10	A	50	A	90	A	130	A	170	
11	A	51	B	91	A	131	A	171	
12	A	52	A	92	F	132	A	172	
13	D	53	A	93	A	133	C	173	
14	A	54	A	94	A	134	C	174	
15	A	55	A	95	A	135	D	175	
16	A	56	A	96	A			176	
17	A	57	A	97	A	137	H	177	
18	A	58	A	98	A	138	D	178	
19	A	59	D	99	G	139	F	179	
20	A	60	D	100	F	140	D	180	
21	F	61	D	101	A	141	E	181	
22	D	62	A	102	D	142	E	182	
23	A	63	A	103	A	143	E	183	
24	A	64	B	104	A	144	E	184	
25	D	65	D	105	F	145	E	185	
26	F	66	G	106	D	146	E	186	
27	A	67	A	107	F	147	E	187	
28	A	68	A	108	D	148	E	188	
29	A	69	A	109	F	149	E	189	
30	D	70	A	110	F	150	E	190	
31	H	71	A	111	H	151	E	191	
32	F	72	A	112	F	152	E	192	
33	F	73	A	113	D	153	E	193	
34	A	74	A	114	D	154	E	194	
35	A	75	A	115	A	155	E	195	
36	A	76	A	116	A	156	F	196	
37	A	77	A	117	C	157	F	197	
38	A	78	A	118	C	158		198	
39	F	79	A	119	C	159		199	
40	D	80	A	120	C	160		200	

WIRE LIST 101080 W
Effective 910 S/N 1171

NOTES:

1. REV. LETTERS LISTED INDICATE STATUS OF EACH SHEET OF THIS MULTIPLE SHEET DWG.
2. CHECK INDIVIDUAL SHEETS FOR REV. LETTER AGAINST THIS SHEET BEFORE USING THIS DWG.

PAGE	CHG	PAGE	CHG	PAGE	CHG	PAGE	CHG	PAGE	CHG
1	F	41	D	81	A	121	C	161	
2	A	42	A	82	A	122	C	162	
3	A	43	A	83	A	123	C	163	
4	A	44	A	84	B	124	C	164	
5	A	45	A	85	A	125	A	165	
6	A	46	A	86	A	126	A	166	
7	A	47	A	87	A	127	A	167	
8	A	48	A	88	A	128	A	168	
9	A	49	A	89	A	129	A	169	
10	A	50	A	90	A	130	A	170	
11	A	51	B	91	A	131	A	171	
12	A	52	A	92	F	132	A	172	
13	D	53	A	93	J	133	C	173	
14	A	54	A	94	A	134	C	174	
15	A	55	A	95	A	135	D	175	
16	A	56	A	96	A			176	
17	A	57	A	97	A	137	J	177	
18	A	58	A	98	A	138	D	178	
19	A	59	D	99	G	139	F	179	
20	A	60	D	100	F	140	D	180	
21	F	61	D	101	A	141	E	181	
22	D	62	A	102	D	142	E	182	
23	A	63	A	103	A	143	E	183	
24	A	64	B	104	A	144	E	184	
25	D	65	D	105	J	145	E	185	
26	F	66	G	106	D	146	E	186	
27	A	67	A	107	F	147	E	187	
28	A	68	J	108	D	148	E	188	
29	A	69	A	109	F	149	E	189	
30	D	70	A	110	J	150	E	190	
31	H	71	A	111	J	151	E	191	
32	F	72	A	112	F	152	E	192	
33	F	73	A	113	D	153	E	193	
34	A	74	A	114	D	154	E	194	
35	A	75	A	115	A	155	E	195	
36	A	76	A	116	A	156	F	196	
37	A	77	A	117	C	157	F	197	
38	A	78	A	118	C	158		198	
39	F	79	A	119	C	159		199	
40	D	80	A	120	C	160		200	

WIRE LIST 101080 X
Effective 910 S/N 1191

216

NOTES:

1. REV. LETTERS LISTED INDICATE STATUS OF EACH SHEET OF THIS MULTIPLE SHEET DWG.
2. CHECK INDIVIDUAL SHEETS FOR REV. LETTER AGAINST THIS SHEET BEFORE USING THIS DWG.

217

PAGE	CHG	PAGE	CHG	PAGE	CHG	PAGE	CHG	PAGE	CHG
1	F	41	D	81	A	121	C	161	
2	A	42	A	82	A	122	C	162	
3	A	43	A	83	A	123	C	163	
4	A	44	A	84	B	124	C	164	
5	A	45	A	85	A	125	A	165	
6	A	46	A	86	A	126	A	166	
7	A	47	A	87	A	127	A	167	
8	A	48	A	88	A	128	A	168	
9	A	49	A	89	A	129	A	169	
10	A	50	A	90	A	130	A	170	
11	A	51	B	91	A	131	A	171	
12	A	52	A	92	F	132	A	172	
13	D	53	A	93	J	133	C	173	
14	A	54	A	94	A	134	C	174	
15	A	55	A	95	A	135	D	175	
16	A	56	A	96	A			176	
17	A	57	A	97	A	137	K	177	
18	A	58	A	98	A	138	D	178	
19	A	59	K	99	G	139	F	179	
20	A	60	D	100	F	140	D	180	
21	K	61	D	101	A	141	E	181	
22	D	62	A	102	D	142	E	182	
23	A	63	A	103	A	143	E	183	
24	A	64	B	104	A	144	E	184	
25	K	65	D	105	J	145	E	185	
26	F	66	G	106	D	146	E	186	
27	A	67	A	107	F	147	E	187	
28	A	68	J	108	D	148	F	188	
29	A	69	A	109	F	149	E	189	
30	D	70	A	110	J	150	K	190	
31	K	71	A	111	K	151	E	191	
32	F	72	A	112	F	152	E	192	
33	F	73	A	113	D	153	E	193	
34	A	74	A	114	D	154	E	194	
35	A	75	A	115	A	155	E	195	
36	A	76	A	116	A	156	F	196	
37	A	77	A	117	C	157	F	197	
38	A	78	A	118	C	158		198	
39	F	79	A	119	C	159		199	
40	D	80	A	120	C	160		200	

WIRE LIST 101080 Y
Effective 910 S/N 1205

NOTES:

1. REV. LETTERS LISTED INDICATE STATUS OF EACH SHEET OF THIS MULTIPLE SHEET DWG.
2. CHECK INDIVIDUAL SHEETS FOR REV. LETTER AGAINST THIS SHEET BEFORE USING THIS DWG.

PAGE	CHG	PAGE	CHG	PAGE	CHG	PAGE	CHG	PAGE	CHG
1	F	41	D	81	A	121	C	161	
2	A	42	A	82	A	122	C	162	
3	A	43	A	83	A	123	C	163	
4	A	44	A	84	B	124	C	164	
5	A	45	A	85	A	125	A	165	
6	A	46	A	86	A	126	A	166	
7	A	47	A	87	A	127	A	167	
8	A	48	A	88	A	128	A	168	
9	A	49	A	89	A	129	A	169	
10	A	50	A	90	A	130	A	170	
11	A	51	B	91	A	131	A	171	
12	A	52	A	92	F	132	A	172	
13	D	53	A	93	J	133	C	173	
14	A	54	A	94	A	134	C	174	
15	A	55	A	95	A	135	D	175	
16	A	56	A	96	A			176	
17	A	57	A	97	A	137	L	177	
18	A	58	A	98	A	138	D	178	
19	A	59	K	99	G	139	F	179	
20	A	60	D	* 100	L	140	D	180	
21	K	61	D	101	A	141	E	181	
22	D	62	A	102	D	142	E	182	
23	A	63	A	103	A	143	E	183	
24	A	64	B	104	A	144	E	184	
25	K	65	D	105	J	145	E	185	
26	F	66	G	106	D	146	E	186	
27	A	67	A	107	F	147	E	187	
28	A	68	J	108	D	148	E	188	
29	A	69	A	109	F	149	E	189	
30	D	70	A	110	J	150	K	190	
31	K	71	A	111	K	151	E	191	
32	F	72	A	112	F	152	E	192	
33	F	73	A	113	L	153	E	193	
34	A	74	A	114	D	154	E	194	
35	A	75	A	115	A	155	E	195	
36	A	76	A	116	A	156	F	196	
37	A	77	A	117	C	157	F	197	
38	A	78	A	118	C	158		198	
39	F	79	A	119	C	159		199	
40	D	80	A	120	C	160		200	

WIRE LIST 101080 Z
Effective 910 S/N 1205
NO WIRING CHANGES*

218

NOTES:

1. REV. LETTERS LISTED INDICATE STATUS OF EACH SHEET OF THIS MULTIPLE SHEET DWG.
2. CHECK INDIVIDUAL SHEETS FOR REV. LETTER AGAINST THIS SHEET BEFORE USING THIS DWG.

219

PAGE	CHG	PAGE	CHG	PAGE	CHG	PAGE	CHG	PAGE	CHG
1	F	41	D	81	A	121	C	161	
2	A	42	A	82	A	122	C	162	
3	A	43	A	83	A	123	C	163	
4	A	44	A	84	B	124	C	164	
5	A	45	A	85	A	125	A	165	
6	A	46	A	86	A	126	A	166	
7	A	47	A	87	A	127	A	167	
8	A	48	A	88	A	128	A	168	
9	A	49	A	89	A	129	A	169	
10	A	50	A	90	A	130	A	170	
11	A	51	B	91	A	131	A	171	
12	A	52	A	92	F	132	A	172	
13	D	53	A	93	J	133	C	173	
14	A	54	A	94	A	134	C	174	
15	A	55	A	95	A	135	D	175	
16	M	56	A	96	A			176	
17	A	57	A	97	A	137	M	177	
18	A	58	A	98	A	138	D	178	
19	A	59	K	99	G	139	F	179	
20	A	60	D	100	L	140	D	180	
21	K	61	D	101	A	141	E	181	
22	D	62	A	102	D	142	E	182	
23	A	63	A	103	A	143	E	183	
24	A	64	B	104	A	144	E	184	
25	K	65	D	105	J	145	E	185	
26	F	66	G	106	D	146	E	186	
27	A	67	A	107	F	147	E	187	
28	A	68	J	108	D	148	E	188	
29	A	69	A	109	F	149	E	189	
30	D	70	A	110	J	150	K	190	
31	K	71	A	111	M	151	E	191	
32	F	72	A	112	F	152	E	192	
33	F	73	A	113	L	153	E	193	
34	A	74	A	114	D	154	E	194	
35	A	75	A	115	A	155	E	195	
36	A	76	A	116	A	156	F	196	
37	A	77	A	117	C	157	F	197	
38	A	78	A	118	C	158		198	
39	F	79	A	119	C	159		199	
40	D	80	A	120	C	160		200	

WIRE LIST 101080 AA & AB
 Effective S/N 1220 for AA
 S/N 1224 for AB

AA: RUNNING TIME METER
 AB: MISTAKE IN 101080W
 NO LOGIC CHANGE

NOTES:

1. REV. LETTERS LISTED INDICATE STATUS OF EACH SHEET OF THIS MULTIPLE SHEET DWG.
2. CHECK INDIVIDUAL SHEETS FOR REV. LETTER AGAINST THIS SHEET BEFORE USING THIS DWG.

PAGE	CHG	PAGE	CHG	PAGE	CHG	PAGE	CHG	PAGE	CHG
1	F	41	D	81	A	118	C		
2	A	42	A	82	A	119	C		
3	A	43	A	83	A	120	C		
4	A	44	A	84	B	121	C		
5	A	45	A	85	A	122	C		
6	A	46	A	86	A	123	C		
7	A	47	A	87	A	124	C		
8	A	48	A	88	A	125	A		
9	A	49	A	89	A	126	A		
10	A	50	A	90	A	127	A		
11	A	51	B	91	A	128	A		
12	A	52	A	92	F	129	A		
13	D	53	A	93	J	130	A		
14	A	54	A	94	A	131	A		
15	A	55	A	95	A	132	A		
16	M	56	A	96	A	133	C		
17	A	57	A	97	A	134	C		
18	A	58	A	98	A	135	D		
19	A	59	K	99	G	136	M		
20	A	60	D	100	L	137	N		
21	K	61	D	101	A	138	D		
22	D	62	A	102	D	139	F		
23	A	63	A	103	A	140	D		
24	A	64	B	104	N	141	E		
25	K	65	D	105	J	142	E		
26	F	66	G	106	D	143	E		
27	A	67	A	106A	N	144	E		
28	A	68	J	106B	N	145	E		
29	A	69	A	107	F	146	E		
30	D	70	A	108	D	147	E		
31	K	71	A	108A	N	148	N		
32	F	72	A	109	F	149	E		
33	F	73	A	110	J	150	K		
34	A	74	A	111	M	155	E		
35	A	75	A	112	F	156	F		
36	A	76	A	113	L	157	F		
37	A	77	A	114	D				
38	A	78	A	115	A				
39	F	79	A	116	A				
40	D	80	A	117	C				

EFFECTIVITY: NONE, General Updatings and additions only.

NOTES:

1. REV. LETTERS LISTED INDICATE STATUS OF EACH SHEET OF THIS MULTIPLE SHEET DWG.
2. CHECK INDIVIDUAL SHEETS FOR REV. LETTER AGAINST THIS SHEET BEFORE USING THIS DWG.

PAGE	CHG	PAGE	CHG	PAGE	CHG	PAGE	CHG	PAGE	CHG
1	F	41	D	81	A	118	C		
2	A	42	A	82	A	119	C		
3	A	43	A	83	A	120	C		
4	A	44	A	84	B	121	C		
5	A	45	A	85	A	122	C		
6	A	46	A	86	A	123	C		
7	A	47	A	87	A	124	C		
8	A	48	A	88	A	125	A		
9	A	49	A	89	A	126	A		
10	A	50	A	90	A	127	A		
11	A	51	B	91	A	128	A		
12	A	52	A	92	F	129	A		
13	D	53	A	93	J	130	A		
14	A	54	A	94	A	131	A		
15	A	55	A	95	A	132	A		
16	P	56	A	96	A	133	C		
17	A	57	A	97	A	134	C		
18	A	58	A	98	A	135	D		
19	A	59	K	99	G	136	M		
20	A	60	D	100	L	137	P		
21	K	61	D	101	A	138	D		
22	D	62	A	102	D	139	F		
23	A	63	A	103	A	140	D		
24	A	64	B	104	N	141	E		
25	K	65	D	105	J	142	E		
26	F	66	G	106	D	143	E		
27	A	67	A	106A	N	144	E		
28	A	68	J	106B	N	145	E		
29	A	69	A	107	F	146	E		
30	D	70	A	108	D	147	E		
31	K	71	A	108A	N	148	N		
32	F	72	A	109	F	149	E		
33	F	73	A	110	J	150	K		
34	A	74	A	111	M	155	E		
35	A	75	A	112	F	156	F		
36	A	76	A	113	L	157	F		
37	A	77	A	114	D				
38	A	78	A	115	A				
39	F	79	A	116	A				
40	D	80	A	117	C				

NOTES:
1. REV. LETTERS LISTED INDICATE STATUS OF EACH SHEET OF THIS MULTIPLE SHEET DWG.
2. CHECK INDIVIDUAL SHEETS FOR REV. LETTER AGAINST THIS SHEET BEFORE USING THIS DWG.

DIAGRAM, LOGIC,
COMPUTER DWG. NO. 101702

221

PAGE	CHG	PAGE	CHG	PAGE	CHG	PAGE	CHG	PAGE	CHG
1	F	41	D	81	A	118	C		
2	A	42	A	82	A	119	C		
3	A	43	A	83	A	120	C		
4	A	44	A	84	B	121	C		
5	A	45	A	85	A	122	C		
6	A	46	A	86	A	123	C		
7	A	47	A	87	A	124	C		
8	A	48	A	88	A	125	A		
9	A	49	A	89	A	126	A		
10	A	50	A	90	A	127	A		
11	A	51	B	91	A	128	A		
12	A	52	A	92	F	129	A		
13	D	53	A	93	J	130	A		
14	A	54	A	94	A	131	A		
15	A	55	A	95	A	132	A		
16	P	56	A	96	A	133	C		
17	A	57	A	97	A	134	C		
18	A	58	A	98	A	135	D		
19	A	59	K	99	G	136	M		
20	A	60	D	100	L	137	R		
21	K	61	D	101	A	138	D		
22	D	62	A	102	D	139	F		
23	A	63	A	103	A	140	D		
24	A	64	B	104	N	141	E		
25	K	65	D	105	J	142	E		
26	F	66	G	106	D	143	E		
27	A	67	A	106A	N	144	E		
28	A	68	R	106B	N	145	F		
29	A	69	A	107	F	146	E		
30	D	70	A	108	D	147	E		
31	K	71	A	108A	N	148	N		
32	F	72	A	109	F	149	E		
33	F	73	A	110	J	150	K		
34	A	74	A	111	M	155	E		
35	A	75	A	112	F	156	F		
36	A	76	A	113	L	157	F		
37	A	77	A	114	D				
38	A	78	A	115	A				
39	F	79	A	116	A				
40	D	80	A	117	C				

NOTES:
 1. REV LETTERS LISTED INDICATE STATUS OF EACH SHEET OF THIS MULTIPLE SHEET DWG.
 2. CHECK INDIVIDUAL SHEETS FOR REV. LETTER AGAINST THIS SHEET BEFORE USING THIS DWG.

DIAGRAM, LOGIC,
 COMPUTER DWG. NO. 101702

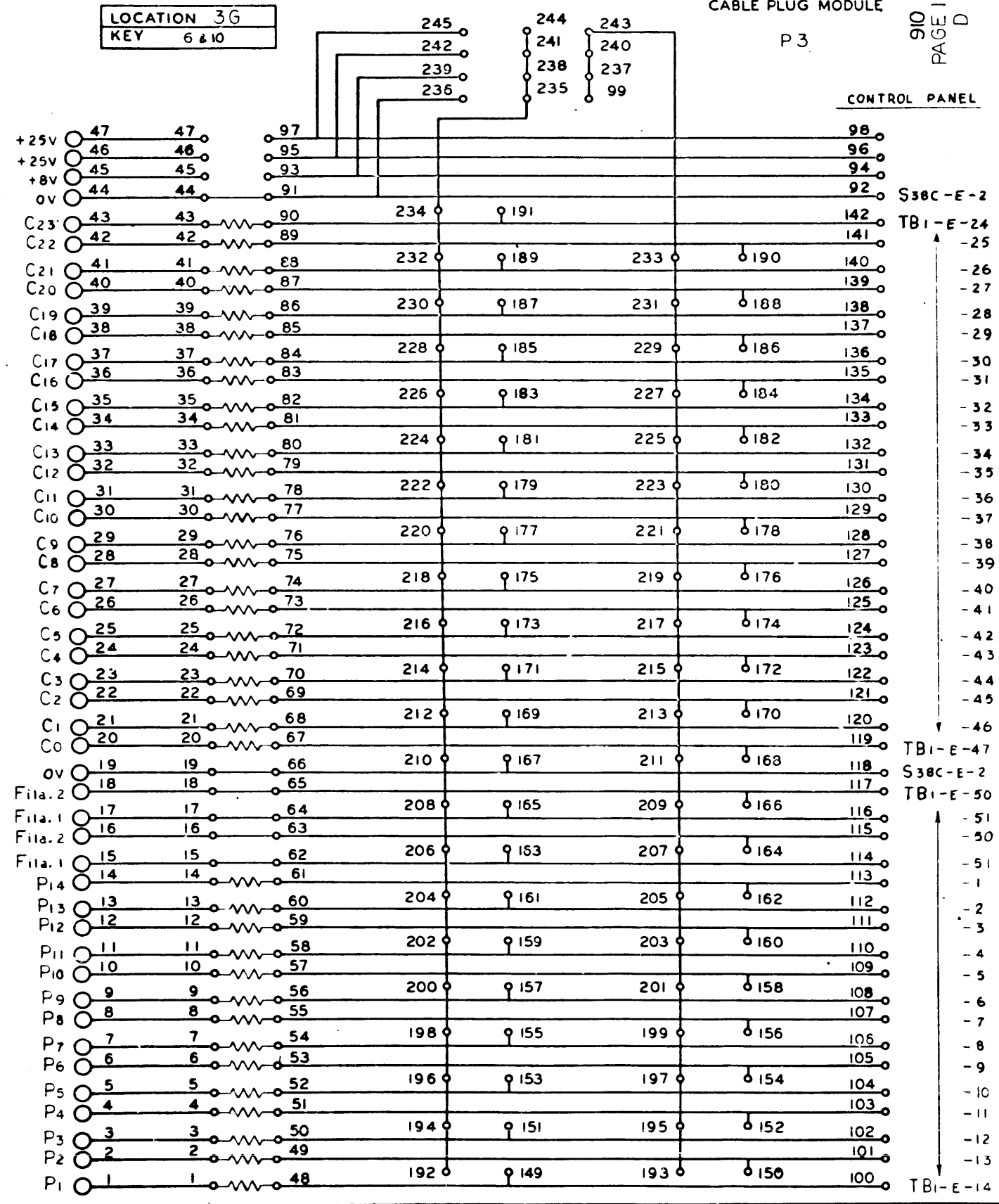
REVISIONS				
REV	DESCRIPTION	CHK	DATE	APPROVED
0	SEE REV. F.			

LOCATION 3G
KEY 6 & 10

CABLE PLUG MODULE
P3

910
PAGE 138
D

CONTROL PANEL



223

10702 D

NO. REQ.	DRAWING NO.	DESCRIPTION	REFERENCE DESIGNATION	ITEM NO.
MATERIAL LIST				
NOTES UNLESS SPECIFIED		DRAWN	<div style="text-align: center;"> <p>1525 PETERSON STREET, SANTA MONICA, CALIFORNIA</p> <p>DIAGRAM, LOGIC COMPUTER</p> </div>	
1. TOLERANCES UNLESS SPECIFIED: ANGULAR ±1°		CHECK		
2. BREAK ALL SHARP EDGES AND APPROX.		APPR.		
3. HATCH SURFACES				
4. ALL DIM. IN INCHES				
MODEL NO.	910	SIZE	DWG NO.	
NEXT ASSY		SCALE	10702	D
		DO NOT SCALE DRAWING		SHEET

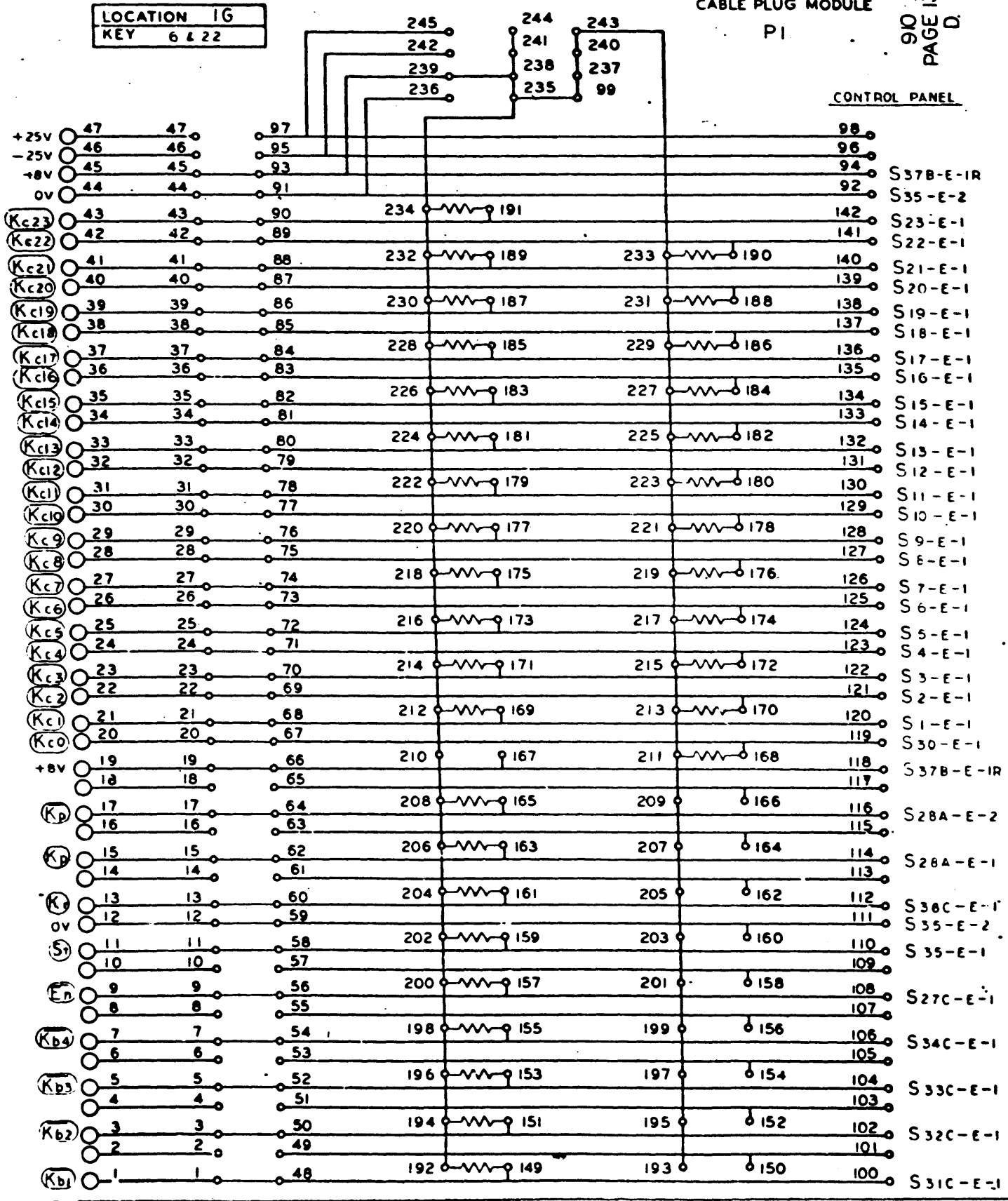
REVISIONS			
REV	DESCRIPTION	CHK DATE	APPROVED
D	SEE REV EC		2/2

LOCATION 1G
KEY 6 & 22

CABLE PLUG MODULE
PI

910
PAGE 139
D

CONTROL PANEL



NO. REV	DRAWING NO.	DESCRIPTION	REFERENCE DESIGNATION	DATE
NOTES UNLESS SPECIFIED				
1. TOLERANCES UNLESS OTHERWISE SPECIFIED		CHECK	DATE	
2. DIMENSIONS UNLESS OTHERWISE SPECIFIED		APPROV		
3. DIMENSIONS UNLESS OTHERWISE SPECIFIED				
4. DIMENSIONS UNLESS OTHERWISE SPECIFIED				
MATERIAL LIST				
SDS COMPTON DATA SYSTEMS				
DIAGRAM, LOGIC COMPUTER				
MODEL NO. 910		FILE NO. 101702		D
NEXT ASSY		DO NOT SCALE DRAWING		CHECK

101702 D

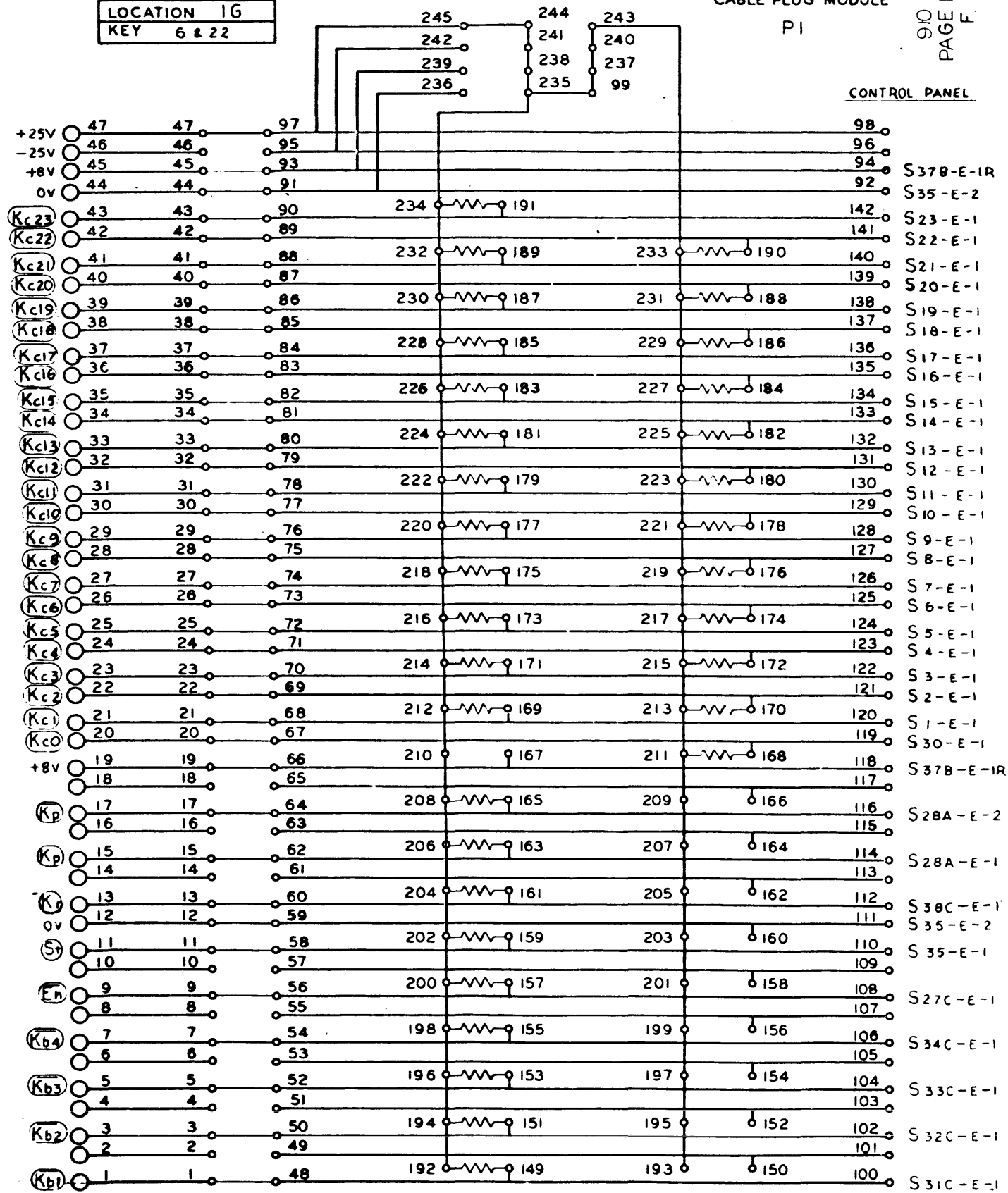
REVISIONS		
REV	DESCRIPTION	CHK
D	SEE REV. E.O.	
F	SEE REV. E.O.	

LOCATION 1G
KEY 6 & 22

CABLE PLUG MODULE
PI

910
PAGE 139
E

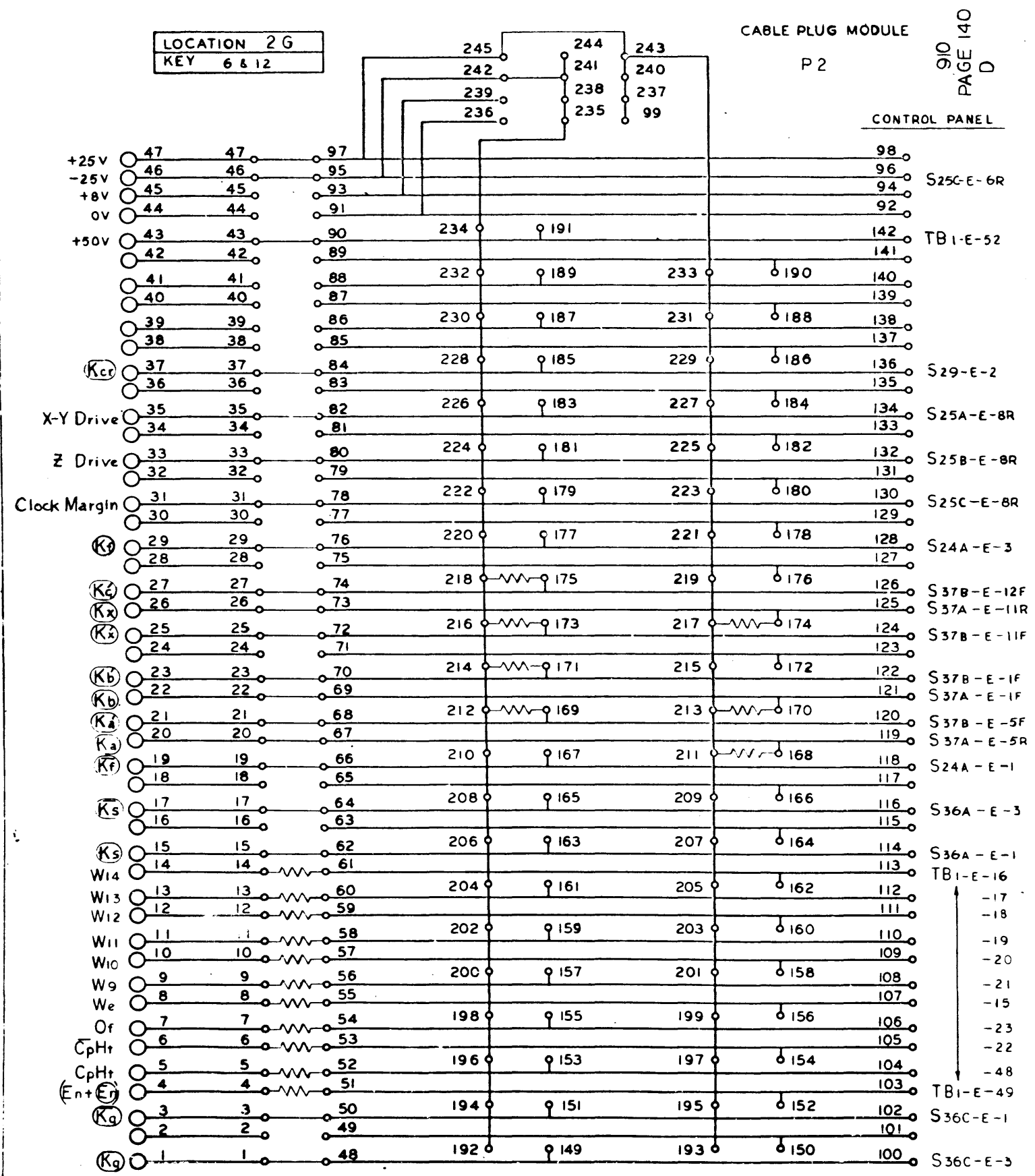
CONTROL PANEL



225

NO. REQ.	DRAWING NO.	DESCRIPTION	REFERENCE DESIGNATION	ITEM NO.
MATERIAL LIST				
NOTES UNLESS SPECIFIED		DRAWN	CHECK	APPR.
1 TOLERANCES UNLESS SPECIFIED ARE AS SHOWN 2 BREAK ALL SHARP EDGES 3 HATCH SURFACES 4 ALL DIM. IN INCHES		SDS SCIENTIFIC DATA SYSTEMS 1525 FIFTEENTH STREET, SANTA MONICA, CALIFORNIA		
MODEL NO. 910		TITLE DIAGRAM, LOGIC COMPUTER		
NEXT ASBY.		SCALE	SIZE D	DWG. NO. 101702
		DO NOT SCALE DRAWING		SHEET F

REVISIONS	
REV	DESCRIPTION
D	SEE REV. EC



NO. REQ.	DRAWING NO.	DESCRIPTION	REFERENCE DESIGNATION	ITL NO.
NOTES UNLESS SPECIFIED				
1. TOLERANCES AS SHOWN SEE 2.010		ANGULAR 2.5°	DRAWN	
2. BREAK ALL SHARP EDGES AND APPROX.		3. HATCH SURFACES	CHECK	APPR.
4. ALL DIM. IN INCHES		TITLE		
MODEL NO. 910		SDS SCIENTIFIC DATA SYSTEMS 1542 FIFTEENTH STREET SANTA MONICA, CALIFORNIA		
NEXT ASSY.		DIAGRAM LOGIC COMPUTER		
SCALE		SIZE D	DWG. NO. 101702	SHEET D
		DO NOT SCALE DRAWING		

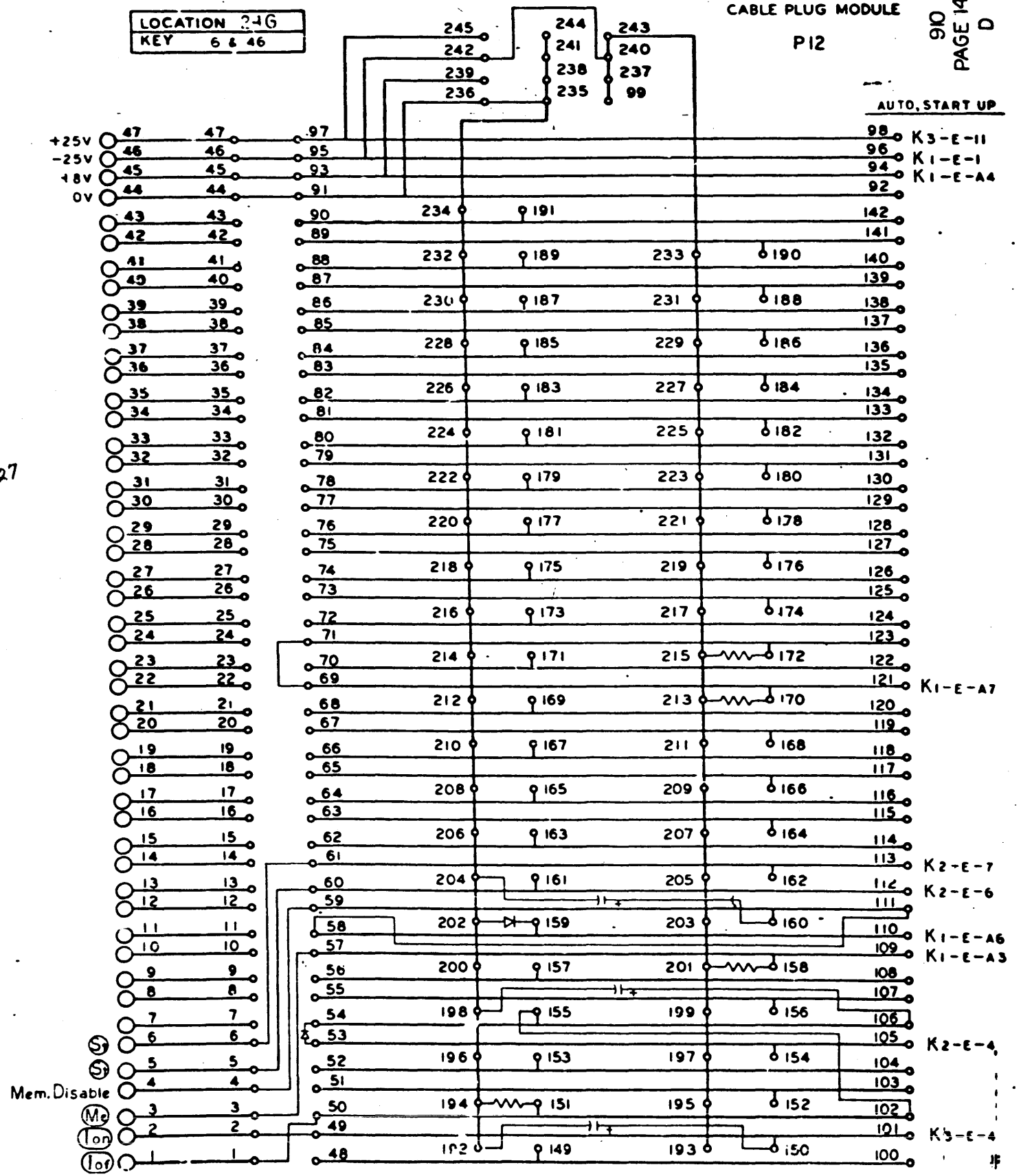
REVISIONS			
REV.	DESCRIPTION	DATE	APPROVED
C	SEE REV. E2		

LOCATION 246
KEY 6 & 46

CABLE PLUG MODULE
P12

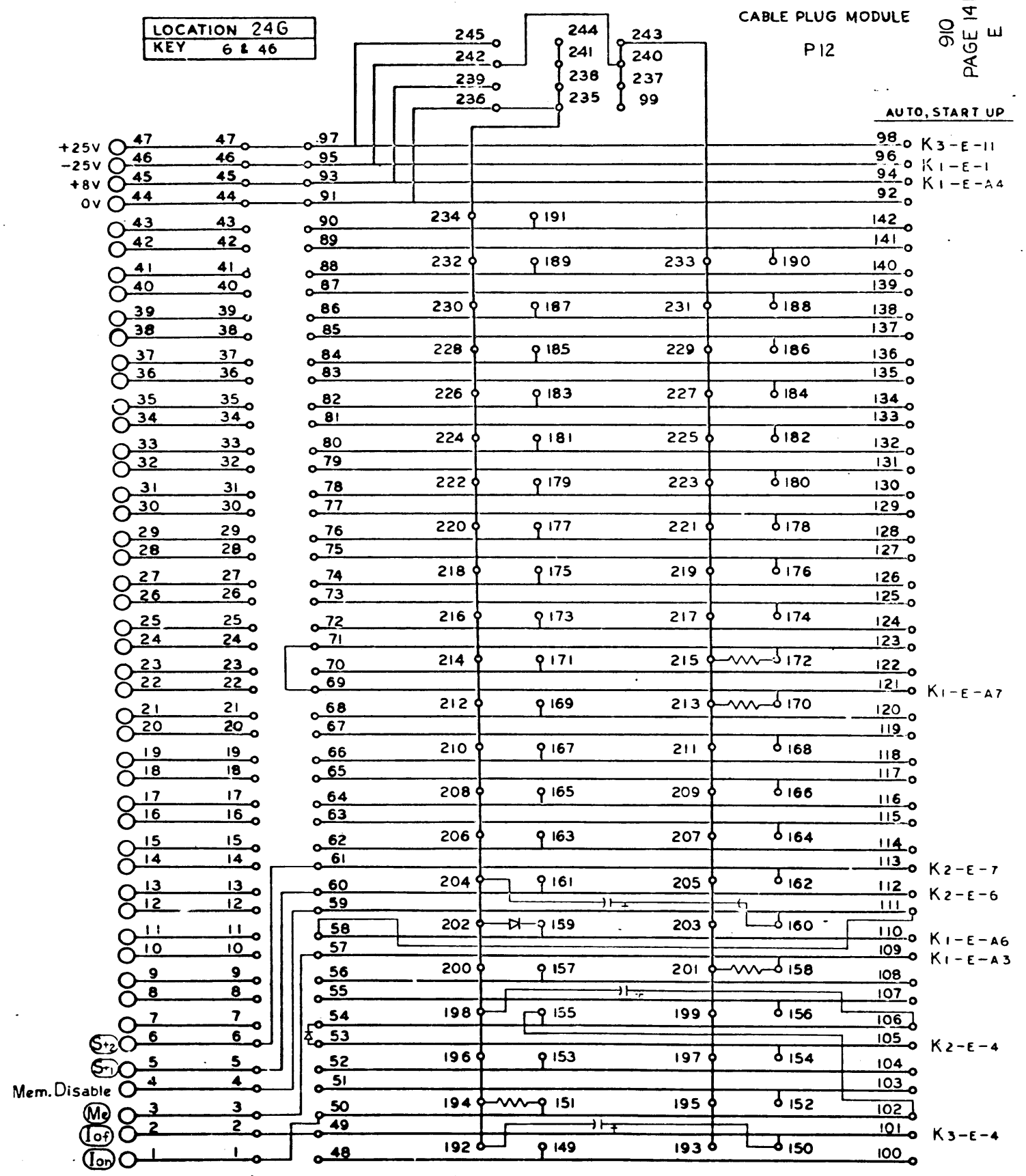
90
PAGE 141
D

AUTO START UP



NO. REV.	DRAWING NO.	DESCRIPTION	REFERENCE DESIGNATION	DATE
NOTES UNLESS SPECIFIED				
1. UNLESS OTHERWISE SPECIFIED, ALL DIMENSIONS ARE IN INCHES.		DRAWN		
2. BREAK ALL DIMENSION LINES AT 45 DEGREES.		CHECK		
3. BREAK SURFACES WITH APPROXIMATELY 45 DEGREE ANGLES.		APPROV.		
4. ALL DIM. IN INCHES.		TITLE		
SDS SCIENTIFIC DATA SYSTEMS		DIAGRAM LOG C COMPUTER		
MODEL NO.	910	REV. NO.	D	101702
NEXT ADDY.		SCALE	DO NOT COPY DRAWING SHEET	

REVISIONS		
REV.	DESCRIPTION	DATE
D	SEE REV. E.C.	
E	SEE REV. E.C.	



NO. REV.	DRAWING NO.	DESCRIPTION	REFERENCE DESIGNATION
			K3
NOTES UNLESS SPECIFIED		MATERIAL LIST	
1. TOLERANCES UNLESS SPECIFIED: .0005 ANGULAR .010		SCIENTIFIC DATA SYSTEMS	
2. BREAK ALL SHARP CORNERS		1545 FIFTEENTH STREET SANTA MONICA, CALIFORNIA	
3. HATCH SURFACES		TITLE	
4. ALL DIM. IN INCHES		DIAGRAM LOGIC COMPUTER	
MODEL NO.	910	SIZE	DWG NO.
NEXT ASSY.		D	101702 E
SCALE	DO NOT SCALE DRAWING	SHEET	

910 1G
920 1G
Control Panel Wired

910 2G
920 2G
Control Panel Wired

229

Pin	Logic	Conn Circuit	Pin	Logic	Conn Circuit
1	$\overline{Rb1}$	Pullup	25	$Kc5$	Pullup
2			26	$Kc6$	"
3	$\overline{Rb2}$	Pullup	27	$Kc7$	"
4			28	$Kc8$	"
5	$\overline{Rb3}$	Pullup	29	$Kc9$	"
6			30	$Kc10$	"
7	$\overline{Rb4}$	Pullup	31	$Kc11$	"
8			32	$Kc12$	"
9	\overline{En}		33	$Kc13$	"
10			34	$Kc14$	"
11	St	Pullup	35	$Kc15$	"
12			36	$Kc16$	"
13	Kr	Pullup	37	$Kc17$	"
14			38	$Kc18$	"
15	Kp	Pullup	39	$Kc19$	"
16	\overline{Kp}		40	$Kc20$	"
17		Pullup	41	$Kc21$	"
18			42	$Kc22$	"
19			43	$Kc23$	Pullup
20	$Kc0$	Pullup	44	+ 0v	
21	$Kc1$	"	45	+ 8v	
22	$Kc2$	"	46	-25v	
23	$Kc3$	"	47	+25v	
24	$Kc4$	"			

Pin	Logic	Conn Circuit	Pin	Logic	Conn Circuit
1	Kg	Pulldown	25	Kx'	Pulldown
2			26	Kx	Pullup
3	\overline{Kg}	Pulldown	27	Kc'	Pulldown
4	$(En + \overline{En})$	100K	28		
5	$Cp Ht$	"	29	Kf	Pulldown
6	$\overline{Cp Ht}$	"	30		
7	Of	"	31	Clock Margin	(Short)
8	We	"	32		"
9	$(W9)$	"	33	Voltage Reg. Margin	"
10	$(W10)$	"	34		"
11	$(W11)$	"	35	Current Reg. Margin	"
12	$(W12)$	"	36		
13	$(W13)$	"	37	Kcr	Pulldown
14	$(W14)$	100K	38		
15	Ks	Pulldown	39		(Short)
16			40		
17	\overline{Ks}	Pulldown	41		(Short)
18			42		
19	\overline{Kf}	Pulldown	43	+ 50 v	Short
20	Ka	Pullup	44	+ 0 v	(Short)
21	Ka'	Pulldown	45	+ 8 v	"
22	Kb	Pullup	46	- 25 v	"
23	Kb'	Pulldown	47	+ 25 v	(Short)
24					

910
920
Control Panel

3G
3G
Wired

Pin	Logic	Conn Circuit	Pin	Logic	Conn Circuit
1	(P1)	100K	25	(C5)	100K
2	(P2)	"	26	(C6)	"
3	(P3)	"	27	(C7)	"
4	(P4)	"	28	(C8)	"
5	(P5)	"	29	(C9)	"
6	(P6)	"	30	(C10)	"
7	(P7)	"	31	(C11)	"
8	(P8)	"	32	(C12)	"
9	(P9)	"	33	(C13)	"
10	(P10)	"	34	(C14)	"
11	(P11)	"	35	(C15)	"
12	(P12)	"	36	(C16)	"
13	(P13)	"	37	(C17)	"
14	(P14)	100K	38	(C18)	"
15	Filament #1	Short	39	(C19)	"
16	Filament #2	Short	40	(C20)	"
17	Filament #1	"	41	(C21)	"
18	Filament #2	"	42	(C22)	"
19	+ 0 v	Short	43	(C23)	100K
20	(C0)	100K	44	+ 0 v	(short)
21	(C1)	"	45	+ 8 v	
22	(C2)	"	46	-25 v	(short)
23	(C3)	"	47	+25 v	
24	(C4)	100K			

Key = 6-10

910
920
Parallel output

4G
4G

Pin	Logic	Conn Circuit	Pin	Logic	Conn Circuit
1	Pot 1	(Bead)	25	(C5)	(Bead)
2	Pot 2	"	26	(C6)	"
3	Ioc	"	27	(C7)	"
4	Buc	"	28	(C8)	"
5	Sys	(Bead)	29	(C9)	"
6	Eom		30	(C10)	"
7	Q1		31	(C11)	"
8	Q2		32	(C12)	"
9			33	(C13)	"
10			34	(C14)	"
11			35	(C15)	"
12			36	(C16)	"
13			37	(C17)	"
14	\overline{Sio}	(Bead)	38	(C18)	"
15	\overline{Ssc}	"	39	(C19)	"
16	\overline{Rf}	"	40	(C20)	"
17	\overline{St}	"	41	(C21)	"
18	$\overline{CT7}$	(Bead)	42	(C22)	"
19		(Bead)	43	(C23)	(Bead)
20	(C0)	"	44	+ 0 v	(Short)
21	(C1)	"	45	+ 8 v	
22	(C2)	"	46	-25 v	
23	(C3)	"	47	+25 v	(Short)
24	(C4)	(Bead)			

Key = 6-20

910
Parallel Output
920
5G
5G

910
920
Interlace
6G
6G
Wired

Pin	Logic	Conn Circuit	Pin	Logic	Conn Circuit
1	Pot 1	(Bead)	25	(C5)	(Bead)
2	Pot 2	"	26	(C6)	"
3	Ioc	"	27	(C7)	"
4	Buc	"	28	(C8)	"
5	Sys	(Bead)	29	(C9)	"
6	Eom	"	30	(C10)	"
7	Q1	"	31	(C11)	"
8	Q2	"	32	(C12)	"
9		"	33	(C13)	"
10		"	34	(C14)	"
11		"	35	(C15)	"
12		"	36	(C16)	"
13		"	37	(C17)	"
14	\overline{Sio}	(Short)	38	(C18)	"
15	\overline{Ssc}	"	39	(C19)	"
16	\overline{Rf}	"	40	(C20)	"
17	St	(Short)	41	(C21)	"
18	$\overline{C17}$	"	42	(C22)	"
19		(Bead)	43	(C23)	(Bead)
20	(C0)	"	44	+ 0 v	(Short)
21	(C1)	"	45	+ 8 v	"
22	(C2)	"	46	-25 v	"
23	(C3)	"	47	+25 v	(Short)
24	(C4)	(Bead)			

Pin	Logic	Conn Circuit	Pin	Logic	Conn Circuit
1	Pot 1	(Bead)	25	(C5)	(Bead)
2	Pot 2	"	26	(C6)	"
3	Ioc	"	27	(C7)	"
4	Buc	"	28	(C8)	"
5	Sys	(Bead)	29	(C9)	"
6	Eom	(Short)	30	(C10)	"
7	Q1	"	31	(C11)	"
8	Q2	"	32	(C12)	"
9	W9	"	33	(C13)	"
10	Y9	(Short)	34	(C14)	"
11		"	35	(C15)	"
12		"	36	(C16)	"
13		"	37	(C17)	"
14	\overline{Sio}	(Short)	38	(C18)	"
15	\overline{Ssc}	"	39	(C19)	"
16	\overline{Rf}	8.2k Pull up	40	(C20)	"
17	St	(Short)	41	(C21)	"
18	$\overline{C17}$	(Short)	42	(C22)	"
19		(Bead)	43	(C23)	(Bead)
20	(C0)	"	44	+ 0 v	(Short)
21	(C1)	"	45	+ 8 v	"
22	(C2)	"	46	-25 v	"
23	(C3)	"	47	+25 v	(Short)
24	(C4)	(Bead)			

231

Pin	Logic	Conn Circuit	Pin	Logic	Conn Circuit
1	$\overline{Zw1}$	Pull-up	25	(R1)	(Bead)
2	$\overline{Zw2}$	"	26	(R2)	"
3	$\overline{Zw3}$	"	27	(R3)	"
4	$\overline{Zw4}$	"	28	(R4)	"
5	$\overline{Zw5}$	"	29	(R5)	"
6	$\overline{Zw6}$	"	30	(R6)	"
7	\overline{Zwp}	"	31	(Rp)	"
8	\overline{Ecw}	"	32	(C12)	"
9	\overline{Whs}	"	33	(C13)	"
10	\overline{Sio}	"	34	(C14)	"
11	Buc	Short	35	(C15)	"
12	\overline{Np}	Pull-up	36	(C16)	"
13	\overline{Wes}	Pull-up	37	$\overline{(C17)}$	"
14	(W0)	(Bead)	38	(C18)	"
15	(W5)	"	39	(C19)	"
16	(W6)	"	40	(C20)	"
17	Q2	"	41	(C21)	"
18	Ioc	"	42	(C22)	"
19	(W9)	"	43	(C23)	(Bead)
20	(W10)	"	44	+ 0 v	(Short)
21	(W11)	"	45	+ 8 v	"
22	(W12)	"	46	-25 v	"
23	(W13)	"	47	+25 v	(Short)
24	(W14)	(Bead)			

Pin	Logic	Conn Circuit	Pin	Logic	Conn Circuit
1	$\overline{Zw1}$		25	(R1)	
2	$\overline{Zw2}$		26	(R2)	
3	$\overline{Zw3}$		27	(R3)	
4	$\overline{Zw4}$		28	(R4)	
5	$\overline{Zw5}$		29	(R5)	
6	$\overline{Zw6}$		30	(R6)	
7	\overline{Zwp}		31	(Rp)	
8	\overline{Ecw}		32	(C12)	
9	\overline{Whs}		33	(C13)	
10	\overline{Sio}		34	(C14)	
11	Buc		35	(C15)	
12	\overline{Mtg}		36	(C16)	
13	\overline{Wes}		37	$\overline{(C17)}$	
14	(W0)		38	(C18)	
15	(W5)		39	(C19)	
16	(W6)		40	(C20)	
17	Q2		41	(C21)	
18	Ioc		42	(C22)	
19	(W9)		43	(C23)	
20	(W10)		44	+ 0 v	
21	(W11)		45	+ 8 v	
22	(W12)		46	-25 v	
23	(W13)		47	+25 v	
24	(W14)				

910
Parallel Input
920

12G
12G

Pin	Logic	Conn Circuit	Pin	Logic	Conn Circuit
1	Pin	(Bead)	25	$\overline{Cd5}$	(3.9K pull up)
2	\overline{Sio}		26	$\overline{Cd6}$	"
3		(Bead)	27	$\overline{Cd7}$	"
4			28	$\overline{Cd8}$	"
5			29	$\overline{Cd9}$	"
6			30	$\overline{Cd10}$	"
7			31	$\overline{Cd11}$	"
8	\overline{Rfi}	(Bead)	32	$\overline{Cd12}$	"
9			33	$\overline{Cd13}$	"
10			34	$\overline{Cd14}$	"
11			35	$\overline{Cd15}$	"
12			36	$\overline{Cd16}$	"
13			37	$\overline{Cd17}$	"
14			38	$\overline{Cd18}$	"
15			39	$\overline{Cd19}$	"
16	\overline{Rf}	3.9K pull up	40	$\overline{Cd20}$	"
17		"	41	$\overline{Cd21}$	"
18		"	42	$\overline{Cd22}$	"
19		"	43	$\overline{Cd23}$	(3.9K pull up)
20	$\overline{Cd0}$	(3.9K pull up)	44	+ 0	(Short)
21	$\overline{Cd1}$		45	+ 8	"
22	$\overline{Cd2}$		46	-25	"
23	$\overline{Cd3}$		47	+25	(Short)
24	$\overline{Cd4}$	(3.9K pull up)			

910
Priority Interrupt
920

13G
13G

Pin	Logic	Conn Circuit	Pin	Logic	Conn Circuit
1	11	Short	25	H	Short
2	12	"	26	\overline{Ir}	Diode
3	13	"	27	\overline{Sio}	Short
4	14	"	28	\overline{Ssc}	
5		"	29	$\overline{N9}$	Short
6		"	30	$\overline{NT0}$	"
7		"	31	$\overline{NT1}$	"
8		"	32	$\overline{NT2}$	"
9		"	33	$\overline{NT3}$	"
10		"	34	$\overline{NT4}$	Short
11		"	35	($\overline{Ip1}$ $\overline{Ip2}$ $\overline{Ip3}$ $\overline{Ip4}$)	Bead
12		"	36	($\overline{Is1}$ $\overline{Is2}$ $\overline{Is3}$ $\overline{Is4}$)	"
13		"	37	(T22-T17)	"
14		"	38	Ib	"
15	$\overline{N5}$	"	39	(\overline{Ins} $\overline{F1}$ (T22-T17))	Bead
16	$\overline{N6}$	"	40	I1w	Short
17	$\overline{N7}$	"	41	I2w	"
18	$\overline{N8}$	"	42	I1y	"
19		"	43	I2y	"
20		"	44	+ 0	Short
21		"	45	+ 8	
22		"	46	-25	
23	\overline{Sf}	"	47	+25	
24	\overline{Ij}	Short			

233

910
920
Photo Reader

16G
16G
Wired

910
920
Auto, Start, Stop

24G
24G
Wired

Pin	Logic	Conn Circuit	Pin	Logic	Conn Circuit
1	Pa1	180 Ω	25		
2	Pa2	"	26		
3	Pa3	"	27		
4	Pa4	"	28		
5	Pa5	"	29		
6	Pa6	"	30		
7	Pa7	"	31		
8	Pa8	"	32		
9	Psp	180 Ω	33		
10	Par	Short	34		
11			35		
12			36	Reader relay common	Short
13			37	Rd drive	"
14			38	Rb1 Brake	"
15			39	Rb2 Brake	"
16			40	\overline{Kff} feed	"
17			41	Lamp	"
18			42	+18 v	"
19			43	+50 v	"
20			44	+ 0 v	"
21			45	+ 8 v	"
22			46	-25 v	22K
23			47	+25 v	Short
24					

Pin	Logic	Conn Circuit	Pin	Logic	Conn Circuit
1	Iof	Short	25		
2	Ion	"	26		
3	Me	Pull down	27		
4	Memory disable	Short	28		
5	St Jumper	"	29		
6	St	"	30		
7			31		
8			32		
9			33		
10			34		
11			35		
12			36		
13			37		
14			38		
15			39		
16			40		
17			41		
18			42		
19			43		
20			44	Gnd	Short
21			45	+ 8 v	"
22			46	-25 v	"
23			47	+25 v	"
24					

Pin	Logic	Conn Circuit	Pin	Logic	Conn Circuit
1	\overline{Tsm}	(Bead)	25		
2	Wp	"	26		
3	\overline{Wp}	"	27		
4	Wh	"	28		
5	Yh	(Bead)	29	Iwf	(Short)
6	Iw	(Short)	30	Iw10	"
7	\overline{Iw} \overline{Ew}	"	31	Iw11	"
8	Iy	"	32	Iw12	"
9	\overline{Iy} \overline{Ey}	"	33	Iw13	"
10	Iy10	(Short)	34	Iw14	"
11	Iy11	"	35	Iw15	"
12	Iy12	"	36	Iw16	"
13	Iy13	"	37	Iw17	"
14	Iy14	"	38	Iw18	"
15	Iy15	"	39	Iw19	"
16	Iy16	"	40	Iw20	"
17	Iy17	"	41	Iw21	"
18	Iy18	"	42	Iw22	"
19	Iy19	"	43	Iw23	"
20	Iy20	"	44	+ 0 v	"
21	Iy21	"	45	+ 8 v	"
22	Iy22	"	46	-25 v	"
23	Iy23	"	47	+25 v	(Short)
24	Iyf	(Short)			

Pin	Logic	Conn Circuit	Pin	Logic	Conn Circuit
1			25		
2			26	\overline{Ir}	Short
3			27		
4			28		
5			29	$\overline{N9}$	Short
6			30	$\overline{NT0}$	"
7			31	$\overline{NT1}$	"
8			32	$\overline{NT2}$	"
9			33	$\overline{NT3}$	"
10			34	$\overline{NT4}$	"
11			35	$\pi \overline{Ip36}$	"
12			36	$\pi \overline{Is36}$	"
13			37	(T22-T17)*	"
14			38	Ib*	"
15	$\overline{N5}$	Short	39	(Int F1 T22-T17)*	Short
16	$\overline{N6}$	"	40		
17	$\overline{N7}$	"	41		
18	$\overline{N8}$	"	42		
19		"	43		
20		"	44	+ 0	Short
21		"	45	+ 8	"
22		"	46	-25	"
23	\overline{Sf}	Short	47	+25	"
24	\overline{Ix}	"			

235

910
920
Interlace

25G
25G
Wired

Pin	Logic	Conn Circuit	Pin	Logic	Conn Circuit
1	\overline{Tsm}	(bead)	25		
2	Wp	"	26		
3	\overline{Wp}	"	27		
4	Wh	"	28		
5	Yh	(bead)	29	Iwf	(short)
6	Iw	(short)	30	Iw10	"
7	$\overline{Iw Ey}$	"	31	Iw11	"
8	Iy	"	32	Iw12	"
9	Iy Ey	"	33	Iw13	"
10	Iy10	(short)	34	Iw14	"
11	Iy11	"	35	Iw15	"
12	Iy12	"	36	Iw16	"
13	Iy13	"	37	Iw17	"
14	Iy14	"	38	Iw18	"
15	Iy15	"	39	Iw19	"
16	Iy16	"	40	Iw20	"
17	Iy17	"	41	Iw21	"
18	Iy18	"	42	Iw22	"
19	Iy19	"	43	Iw23	"
20	Iy20	"	44	+ 0V	"
21	Iy21	"	45	+ 8V	"
22	Iy22	"	46	- 25V	"
23	Iy23	"	47	+ 25V	(short)
24	Iyf	(short)			

Pin	Logic	Conn Circuit	Pin	Logic	Conn Circuit
1			25		
2			26		
3			27		
4			28		
5			29		
6			30		
7			31		
8			32		
9			33		
10			34		
11			35		
12			36		
13			37		
14			38		
15			39		
16			40		
17			41		
18			42		
19			43		
20			44		
21			45		
22			46		
23			47		
24					

OA or OOA	LOGIC	OA or OOA	LOGIC
1	M1	26	Memory Disable
2	M2	27	Me
3	M3	28	$\overline{W9}$
4	M4	29	$\overline{Y9}$
5	M5	30	($\overline{02}$ $\overline{03}$ \emptyset $\overline{1a}$)
6	M6	31	S1
7	M7	32	S2
8	M8	33	S3
9	M9	34	S4
10	M10	35	S5
11	M11	36	S6
12	M12	37	S7
13	M13	38	S8
14	M14	39	S9
15	M15	40	S10
16	M16	41	S11
17	M17	42	S12
18	M18	43	S13
19	M19	44	S14
20	M20	45	Ts
21	M21	46	$\overline{T_s}$
22	M22	47	Wp
23	M23	48	\overline{Wp}
24	M24	49	$\overline{T_{sm}}$
25	MO	50	Tsm
		51	T24

OB or OOB	LOGIC	OB or OOB	LOGIC
1	C1	26	Mc
2	C2	27	Tsm \overline{Wp}
3	C3	28	Tsm Wp
4	C4	29	Q1
5	C5	30	$\overline{5f}$
6	C6	31	Q2
7	C7	32	Mg
8	C8	33	$\overline{Q3}$
9	C9	34	Q4
10	C10	35	$\overline{Q5}$
11	C11	36	Q5
12	C12	37	Tp
13	C13	38	O5
14	C14	39	Po
15	C15	40	$\emptyset 4$
16	C16	41	(F1 + $\overline{F3}$ + Ts)
17	C17	42	(T5 - T0)
18	C18	43	F3°
19	C19	44	$\overline{06}^\circ$
20	C20	45	$\overline{Q4}^\circ$
21	C21	46	Margin Cur. Reg.
22	C22	47	Margin Voltage Reg.
23	C23	48	
24	C24	49	
25	CO	50	Clock
		51	Clock

237

910
920
Y Buffer

25C
1C
Wired

QC or OOC	LOGIC	QC or OOC	LOGIC
1		26	
2		27	
3		28	
4		29	
5		30	Iw10
6		31	Iw11
7		32	Iw12
8		33	Iw13
9		34	Iw14
10	Iy10	35	Iw15
11	Iy11	36	Iw16
12	Iy12	37	Iw17
13	Iy13	38	Iw18
14	Iy14	39	Iw19
15	Iy15	40	Iw20
16	Iy16	41	Iw21
17	Iy17	42	Iw22
18	Iy18	43	Iw23
19	Iy19	44	B Clock
20	Iy20	45	R Clock
21	Iy21	46	+ 18
22	Iy22	47	+ 18
23	Iy23	48	+ 18
24		49	+ 15
25		50	- 15
		51	+ 50

Pin	Logic	Conn Circuit	Pin	Logic	Conn Circuit
1	Buc	Short	25	$\overline{Y9} \overline{Y10} \overline{Y11} \overline{Y12} \overline{Y13} \overline{Y14}$	Short
2	Ioc		26	\overline{St}	
3	Yx		27	St	
4	\overline{Yx}		28	C12	
5	(T22-T17)		29	C13	
6	(T5-T0)		30	C14	
7	T0		31	C15	
8	Tp		32	C16	
9	T24		33	C17	
10	(En + \overline{En})		34	C18	
11	Q2		35	C19	
12	$\overline{(Tp T21)}^*$		36	C20	
13	Y9		37	C21	
14	C23**		38	C22	
15	Yh		39	C23	
16	Tsy		40	$\overline{C20}$	
17	$\overline{Yf} (Y0 + \overline{Y9})$		41	$\overline{C23}$	
18	\overline{Ye}		42	Clock, Black	
19	Yn		43	Clock, Red	
20	Ily		44	+ 0v	
21	I2y		45	+ 8v	
22	Iy		46	- 25	
23	$\overline{Iy} \overline{Ey}$		47	+ 25v	
24	Iyf	Short			Short

238

Key = 6 - 24

239

OC or OOC	LOGIC	OC or OOC	LOGIC
1		26	
2		27	
3		28	
4		29	
5		30	Iw 10
6		31	Iw 11
7		32	Iw 12
8		33	Iw 13
9		34	Iw 14
10	Iy 10	35	Iw 15
11	Iy 11	36	Iw 16
12	Iy 12	37	Iw 17
13	Iy 13	38	Iw 18
14	Iy 14	39	Iw 19
15	Iy 15	40	Iw 20
16	Iy 16	41	Iw 21
17	Iy 17	42	Iw 22
18	Iy 18	43	Iw 23
19	Iy 19	44	B Clock
20	Iy 20	45	R Clock
21	Iy 21	46	+ 18
22	Iy 22	47	+ 13
23	Iy 23	48	+ 18
24		49	+ 15
25		50	- 15

Pin	Logic	Conn Circuit	Pin	Logic	Conn Circuit
1	Buc	Short	25	$\overline{Y9} \overline{Y10} \overline{Y11} \overline{Y12} \overline{Y13} \overline{Y14}$	Short
2	Ioc		26	$\overline{Si0}$	
3	Yx		27	St	
4	\overline{Yx}		28	C12	
5	(T22 - T17)		29	C13	
6	(T5 - T0)		30	C14	
7	T0		31	C15	
8	Tp		32	C16	
9	T24		33	C17	
10	(En + En)		34	C18	
11	Q2		35	C19	
12	$(\overline{Tp} \overline{T21})^*$		36	C20	
13	Y9		37	C21	
14	C23**		38	C22	
15	Yh		39	C23	
16	Tsy		40	$(\overline{C12} \overline{C19} \overline{C20} \overline{C21} \overline{C22} \overline{C23} \overline{TOC} (T5-T0))$	
17	$\overline{Yf} (Y0 + \overline{Y9})$		41	$\overline{C23}$	
18	\overline{Ye}		42	Clock, Black	
19	Yn		43	Clock, Red	Short
20	Ily		44	+ 0 v	
21	I2y		45	+ 8 v	
22	Iy		46	-25	
23	$\overline{Iy} \overline{Ey}$		47	+25 v	
24	Iyf	Short			

TYPEWRITER B (BCD) Connector 44T

PRIORITY INTERRUPT

26N

Pin	Logic	Typewriter Conn. Pin	Pin	Logic	Typewriter Plug
1	Ts1 (2.7k Pulldown)	x	25		
2	Ts2 (Pulldown)	v	26		
3	Ts4 (Pulldown)	w	27		
4	Ts8 (Pulldown)	u	28		
5	Tsa (Pulldown)	t	29	Tlt short	J
6	Tsb (Pulldown)	r	30		
7	Tsc (Pulldown)	s	31	Td1 short	H
8	Tc (1.8k Pulldown)	Z	32	Td2 short	E
9	Tc	b	33	Td4 short	F
10	Ec (2.7k Pulldown)	d	34	Td10 short	D
11			35	Td20 short	C
12	+ 8 short	Y	36	Td40 short	A
13			37	Tdp short	B
14			38	Tdsp short	M
15			39	Tdbs short	N
16			40	Tdcr short	P
17			41	Tduc short	S
18			42	Tdtb short	L
19			43		
20	+50 v short	K	44	+ 0 v	
21	+50 short	J	45	+ 8 v short	X
22			46	-25 v short	
23			47	+25 v	
24					

Pin	Logic	Conn Circuit	Pin	Logic	Conn Circuit
1	11		25	125	
2	12		26	126	
3	13		27	127	
4	14		28	128	
5	15		29	129	
6	16		30	130	
7	17		31	131	
8	18		32	132	
9	19		33	133	
10	110		34	134	
11	111		35	135	
12	112		36	136	
13	113		37	H	
14	114		38		
15	115		39		
16	116		40	11w	
17	117		41	12w	
18	118		42	11y	
19	119		43	12y	
20	120		44	0 v	
21	121		45	+ 8 v	
22	122		46	-25 v	
23	123		47	+25 v	
24	124				

Y Buffer 38X
15 Kc Tape Control Unit 12

Punch-Type
Type 45T
Plug A-B

Typewriter

Typewriter

Pin	Logic	Conn Circuit	Pin	Logic	Conn Circuit
1	$\overline{Zy1}$	(short)	25	(R1y)	(bead)
2	$\overline{Zy2}$	"	26	(R2y)	"
3	$\overline{Zy3}$	"	27	(R3y)	"
4	$\overline{Zy4}$	"	28	(R4y)	"
5	$\overline{Zy5}$	"	29	(R5y)	"
6	$\overline{Zy6}$	"	30	(R6y)	"
7	\overline{Zyp}	"	31	(Rpy)	"
8	\overline{Ecy}	"	32	(C12)	"
9	\overline{Yhs}	"	33	(C13)	"
10	\overline{Sio}	"	34	(C14)	"
11	Buc	"	35	(C15)	"
12	Mtg	(short)	36	(C16)	"
13	\overline{Yes}	"	37	(C17)	"
14	(Y0)	(bead)	38	(C18)	"
15	(Y5)	"	39	(C19)	"
16	(Y6)	"	40	(C20)	"
17	Q2	"	41	(C21)	"
18	Ioc	"	42	(C22)	"
19	(Y9)	"	43	(C23)	(bead)
20	(Y10)	"	44	+ 0 v	(short)
21	(Y11)	"	45	+ 8 v	"
22	(Y12)	"	46	-25 v	"
23	(Y13)	"	47	+25 v	(short)
24	(Y14)	(bead)			

Pin	Logic	Plug	Conn Circuit	Pin	Logic	Plug	Conn Circuit
1	Ts1	B7	Diode	25			
2	Ts2	B6	Diode	26			
3	Ts4	B5	Diode	27			
4	Ts10	B4	Diode	28			
5	Ts20	B9	2K Pulldown	29			
6	Ts40	B3	Diode	30			
7	Tc	B13	1K Pulldown	31	Td1	A6	short
8	Tf	B24	2K Pulldown	32	Td2	A5	"
9				33	Td4	A1	"
10	Et	B22	2K Pulldown	34	Td10	A2	"
11	Tsp	B18	2K Pulldown	35	Td20	A4	"
12	Tbs	B17	2K Pulldown	36	Td40	A3	"
13	Ttb	B19	2K Pulldown	37	Tdp	A7	"
14	Tcr	B16	2K Pulldown	38	Tdsp	A8	"
15				39	Tdbs	A9	"
16	\overline{Lc}	B21	2K Pulldown	40	Tdcr	A10	"
17				41	Tduc	A14	"
18				42	Tdtb	A11	"
19				43	Tdlc	A13	"
20	+50	A16		44	+ 0 v		"
21	+50	A16		45	+ 8 v	B23	"
22				46	-25 v		"
23				47	+25 v		"
24							

241

Punch-Type
Punch

44T
Plug

Y Buffer 37X

Pin	Logic	Conn Circuit	Pin	Logic	Punch Plug	Conn Circuit
1			25	50	H	
2			26			
3			27	Kcp	C	Pulldown
4			28	Test	Y	
5			29	Pd	b	short
6			30	Ksp	N	Pullup
7			31	Pf	A	short
8			32	Pd8	B	"
9			33	Pd7	F	"
10			34	Pd6	L	"
11			35	Pd5	R	"
12			36	Pd4	V	"
13			37	Psp	E	"
14			38	Pd3	Z	"
15			39	Pd2	d	"
16			40	Pd1	i	"
17			41	Common 1		"
18			42	Common 2	D	"
19			43	Common 3		short
20			44	Gnd	K	"
21			45	+ 8		"
22			46	-25		"
23			47	+25	a	"
24						

Pin	Logic	Conn Circuit	Pin	Logic	Conn Circuit
1	$\overline{Zy1}$	(short)	25	(R1y)	(bead)
2	Zy2	"	26	(R2y)	"
3	Zy3	"	27	(R3y)	"
4	Zy4	"	28	(R4y)	"
5	Zy5	"	29	(R5y)	"
6	Zy6	"	30	(R6y)	"
7	Zyp	"	31	(Rpy)	"
8	Ecy	"	32	(C12)	"
9	\overline{Yhs}	"	33	(C13)	"
10	Sio	"	34	(C14)	"
11	Buc	"	35	(C15)	"
12	Np	(short)	36	(C16)	"
13	Yes		37	(C17)	"
14	(Y0)	(bead)	38	(C18)	"
15	(Y5)		39	(C19)	"
16	(Y6)		40	(C20)	"
17	(Q2)		41	(C21)	"
18	Ioc		42	(C22)	"
19	(Y9)		43	(C23)	(bead)
20	(Y10)		44	+ 0 v	(short)
21	(Y11)		45	+ 8 v	"
22	(Y12)		46	-25v	"
23	(Y13)		47	+25v	(short)
24	(Y14)	(bead)			

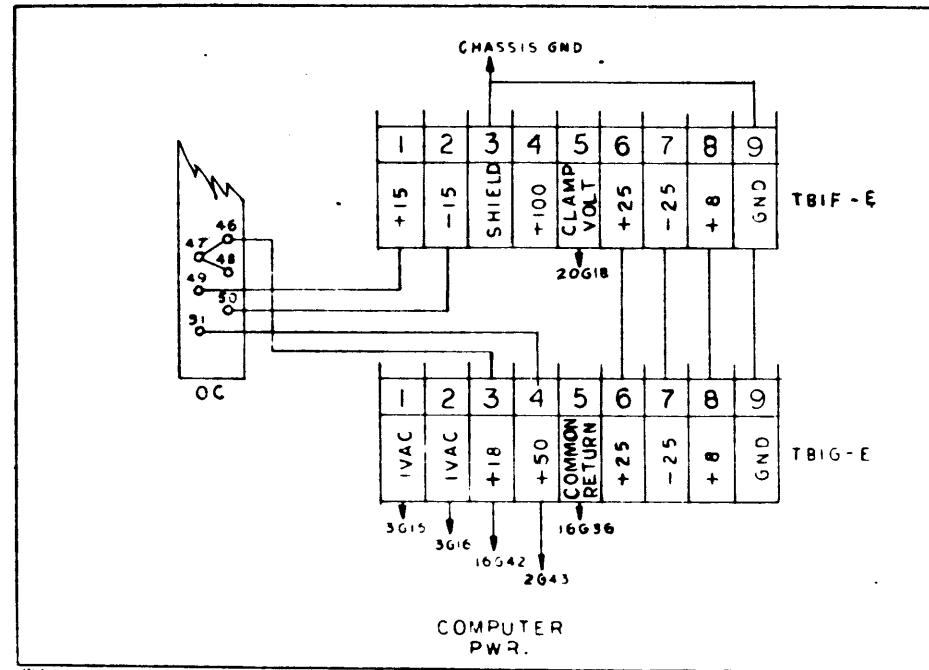
243

Pin	Logic	Conn Circuit	Pin	Logic	Conn Circuit
1	(R7y)		25	$\overline{Zy7}$	
2	(R8y)		26	$\overline{Zy8}$	
3	(R9y)		27	$\overline{Zy9}$	
4	(R10y)		28	$\overline{Zy10}$	
5	(R11y)		29	$\overline{Zy11}$	
6	(R12y)		30	$\overline{Zy12}$	
7	(R13y)		31	$\overline{Zy13}$	
8	(R14y)		32	$\overline{Zy14}$	
9	(R15y)		33	$\overline{Zy15}$	
10	(R16y)		34	$\overline{Zy16}$	
11	(R17y)		35	$\overline{Zy17}$	
12	(R18y)		36	$\overline{Zy18}$	
13	(R19y)		37	$\overline{Zy19}$	
14	(R20y)		38	$\overline{Zy20}$	
15	(R21y)		39	$\overline{Zy21}$	
16	(R22y)		40	$\overline{Zy22}$	
17	(R23y)		41	$\overline{Zy23}$	
18	(R24y)		42	$\overline{Zy24}$	
19	\overline{Rpe}		43		
20			44	+ 0 v	
21			45	+ 8 v	
22			46	-25 v	
23			47	+25 v	
24					

Pin	Logic	Conn Circuit	Pin	Logic	Conn Circuit
1	(R7y)		25	$\overline{Zy7}$	
2	(R8y)		26	$\overline{Zy8}$	
3	(R9y)		27	$\overline{Zy9}$	
4	(R10y)		28	$\overline{Zy10}$	
5	(R11y)		29	$\overline{Zy11}$	
6	(R12y)		30	$\overline{Zy12}$	
7	(R13y)		31	$\overline{Zy13}$	
8	(R14y)		32	$\overline{Zy14}$	
9	(R15y)		33	$\overline{Zy15}$	
10	(R16y)		34	$\overline{Zy16}$	
11	(R17y)		35	$\overline{Zy17}$	
12	(R18y)		36	$\overline{Zy18}$	
13	(R19y)		37	$\overline{Zy19}$	
14	(R20y)		38	$\overline{Zy20}$	
15	(R21y)		39	$\overline{Zy21}$	
16	(R22y)		40	$\overline{Zy22}$	
17	(R23y)		41	$\overline{Zy23}$	
18	(R24y)		42	$\overline{Zy24}$	
19	\overline{Rpe}		43		
20			44	+ 0 v	
21			45	+ 8 v	
22			46	-25 v	
23			47	+25 v	
24					

244

REVISIONS				
REV	DESCRIPTION	CHK	DATE	APPROVED
E	SEE REV. E.O.			



910
PAGE 155
E

NO. REQ.	DRAWING NO.	DESCRIPTION	REFERENCE DESIGNATION	ITEM NO.
MATERIAL LIST				
NOTES UNLESS SPECIFIED		DRAWN	SDS SCIENTIFIC DATA SYSTEMS 1542 FIFTEENTH STREET SANTA MONICA, CALIFORNIA	
1. TOLERANCES LE : 0.005 ANGULAR CH : 0.010 1/2°		CHECK		
2. BREAK ALL SHARP EDGES 1/8 APPROX		APPR	TITLE DIAGRAM, LOGIC COMPUTER	
3. HATCH SURFACES ✓				
4. ALL DIM IN INCHES				
MODEL NO.	910	REV	D	DWG NO.
NEXT ASSY				101702
				E
SCALE			DO NOT SCALE DRAWING	SHEET

REVISIONS			
REV.	DESCRIPTION	CHK.	DATE
F	REV. 10.		

MODULE LIST

ITEM	DESCRIPTION	MODEL	QTY
1	CLOCK GENERATOR #1	CK 53	1
2	CLOCK GENERATOR #2	CK 54	1
3	SHIFT REGISTER	DK 51	8
4	REPEATER FLIP FLOP	FK 51	24
5	DUAL FLIP FLOP	FK 52	48
6	DIODE GATE #1	GK 51	25
7	DIODE GATE #2	GK 52	13
8	DISCRIMINATOR	HK 51	2
9	"Z" DRIVER	HK 52	3
10	GATED LOGIC AMPLIFIER	IK 54	1
11	SELECTOR CONTROL	HK 55	2
12	SENSE AMPLIFIER	HK 59	5
13	INVERTER AMPLIFIER	IK 51	15
14	AND/GATE INVERTER	IK 53	1
15	ADDRESS DECODER	QK 52	4
16	"XY" SELECTOR	QK 53	4
17	RELAY DRIVER	RK 51	1
18	VOLTAGE REGULATOR	SK 53	1
19	PRIORITY INTERRUPT	SK 55	2
20	REGULATOR CLAMP	SK 56	1
21	VOLTAGE REGULATOR	SK 57	1
22	CURRENT REGULATOR	SK 58	1
23	TERMINATION (136)	ZK 52	1
24			
25	CORE MEMORY ASSY	9102A08B 9104A08B	1

REPLACEMENT PARTS LIST FOR (D) MEMORY EXT. (TYP FOR E & F)

ITEM	DESCRIPTION	DESIGNATION	QTY	SUPPLIER CODE (SEE INDEX)
1	CONNECTOR, SOLDER TAIL 47 CONTACT * 7008-47	J(26D) THRU J(28D) J(41D) THRU J(45D)	8	82
2	CONNECTOR, 140 PIN MALE * MH 8018-140-6	J(35D)	1	82

REPLACEMENT PARTS LIST

ITEM	DESCRIPTION	DESIGNATION	QTY	SUPPLIER CODE (SEE INDEX)
1	CONNECTOR, SOLDER TAIL 47 CONTACT * 7008-47	J(1A) THRU J(45A) J(1B) J(45B) J(1C) J(45C) J(1D) J(45D) J(1E) J(45E) J(1G) THRU J(45G)	198	82
2	CONNECTOR, 140 PIN MALE * MH 8018-140-6	J(35C)	1	82

MODULE LIST FOR (D) MEMORY EXT. (TYP FOR E & F)

ITEM	DESCRIPTION	MODEL	QTY
1	"Z" DRIVER	HK 52	3
2	SENSE AMPLIFIER	HK 59	5
3	CORE MEMORY ASSY	9102A08B 9104A08B	1

910
PAGE 137
F

NO. REV.	DRAWING NO.	DESCRIPTION	REFERENCE DESIGNATION	ITEM NO.
MATERIAL LIST				
NOTES UNLESS SPECIFIED		DRAWN J. IRELAND 5-8-63	SDS SCIENTIFIC DATA SYSTEMS 1545 FIFTEENTH STREET, SANTA MONICA, CALIFORNIA	
1. TOLERANCES IN 2.000 ANGULAR SEE 2.010 2.10"	CHECK <i>S. J. [Signature]</i> 7/23/63	APPR.	TITLE DIAGRAM, LOGIC COMPUTER	
2. BREAK ALL SHARP EDGES 3. HIDE SURFACES 4. ALL DIM. IN INCHES			MODEL NO. 910	REV. DWG NO. D 101702
NEXT ASSY.			SCALE	DO NOT SCALE DRAWING SHEET

MODULE LIST

ITEM	DESCRIPTION	MODEL	QTY
1	CLOCK GENERATOR # 1	CK 53	1
2	CLOCK GENERATOR # 2	CK 54	1
3	SHIFT REGISTER	DK 51	8
4	REPEATER FLIP FLOP	FK 51	24
5	DUAL FLIP FLOP	FK 52	48
6	DIODE GATE # 1	GK 51	25
7	DIODE GATE # 2	GK 52	13
8	DISCRIMINATOR	HK 51	2
9	Z" DRIVER	HK 52	3
10	GATED LOGIC AMPLIFIER	IK 54	1
11	SELECTOR CONTROL	HK 55	2
12	SENSE AMPLIFIER	HK 59	5
13	INVERTER AMPLIFIER	IK 51	15
14	AND/GATE INVERTER	IK 53	1
15	ADDRESS DECODER	QK 52	4
16	"XY" SELECTOR	QK 53	4
17	RELAY DRIVER	RK 51	1
18	VOLTAGE REGULATOR	SK 53	1
19	PRIORITY INTERRUPT	SK 55	2
20	REGULATOR & CLAMP	SK 56	1
21	VOLTAGE REGULATOR	SK 57	1
22	CURRENT REGULATOR	SK 58	1
23	TERMINATION (136)	EK 52	1
24			
25	CORE MEMORY ASSY	9102 A088 9104 A088	1

MODULE LIST FOR (D) MEMORY EXT. (TYP FOR E & F)

ITEM	DESCRIPTION	MODEL	QTY
1	Z" DRIVER	HK 52	3
2	SENSE AMPLIFIER	HK 59	5
3	CORE MEMORY ASSY	9102 A088 9104 A088	1

REPLACEMENT PARTS LIST FOR (D) MEMORY EXT. (TYP FOR E & F)

ITEM	DESCRIPTION	DESIGNATION	QTY	SUPPLIER CODE (SEE INDEX)
1	CONNECTOR, SOLDER TAIL 47 CONTACT # 7008-47	J(26D) THRU J(28D) J(41D) THRU J(45D)	8	82
2	CONNECTOR, 140 PIN MALE *MH8018-140-6	J(35D)	1	82

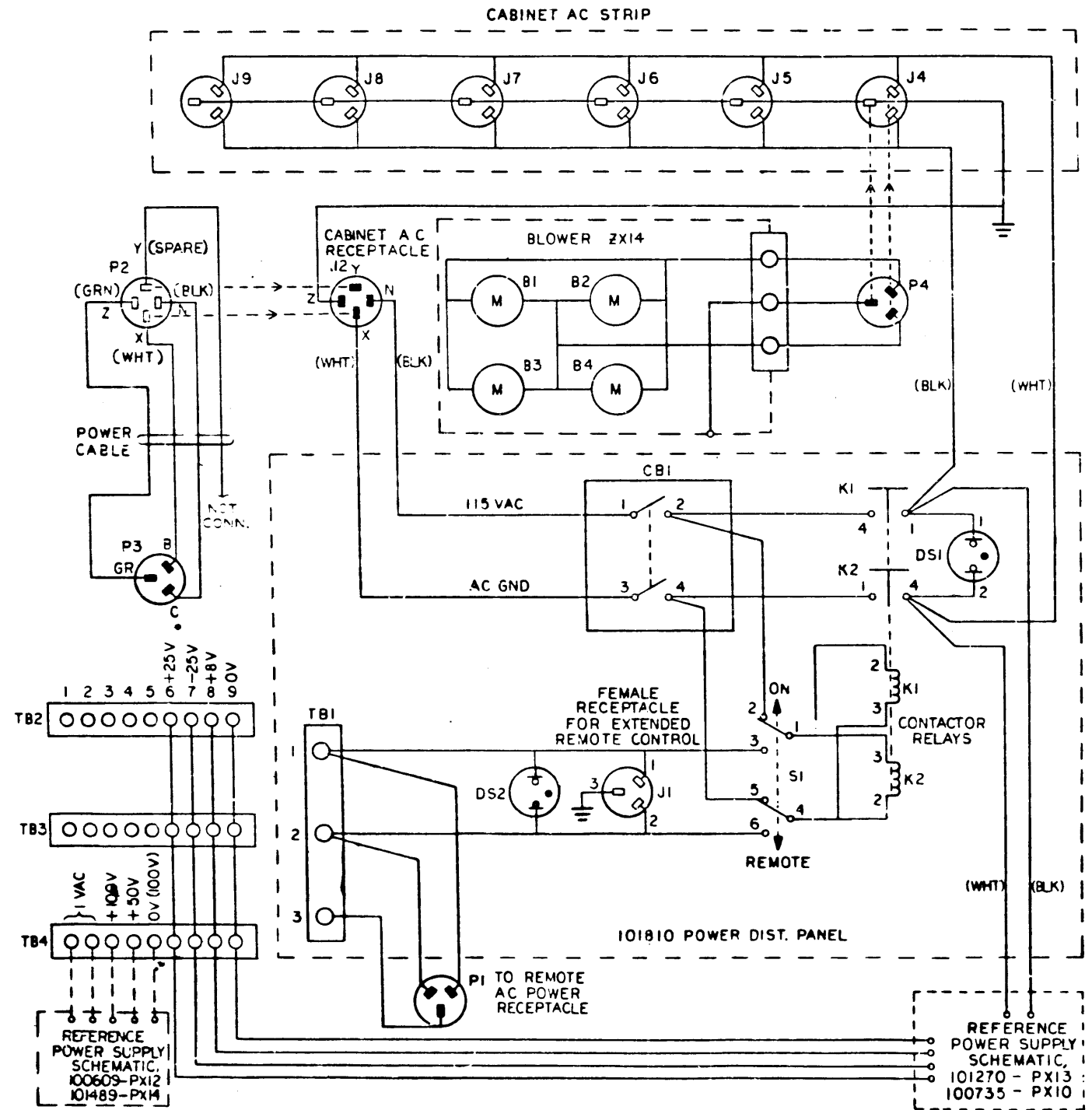
REPLACEMENT PARTS LIST

ITEM	DESCRIPTION	DESIGNATION	QTY	SUPPLIER CODE (SEE INDEX)
1	CONNECTOR, SOLDER TAIL 47 CONTACT # 7008-47	J(1A) THRU J(45A) J(1B) J(45B) J(1C) J(28C) J(41C) J(45C) J(1D) J(25D) J(1E) J(25E) J(16) THRU J(256)	198	82
2	CONNECTOR, 140 PIN MALE *MH8018-140-6	J(35C)	1	82

DIAGRAM, LOGIC,
COMPUTER DWG. NO. 101702

REVISIONS			
REV	DESCRIPTION	CHKD	DATE
3	SEE REV. E.O		

REFERENCE DESIGNATIONS ARE ABBREVIATED. PREFIX THE DESIGNATION WITH UNIT NUMBER OR ASSEMBLY DESIGNATION OR BOTH. (MIL. STD. 163)



REFERENCE POWER SUPPLY SCHEMATIC, 100609-PX12, 101489-PX14

TB4-1 THRU TB4-5 ARE CONNECTED AS SHOWN IF PX12 OR PX14 IS INCLUDED.

REFERENCE POWER SUPPLY SCHEMATIC, 101270 - PX13, 100735 - PX10

REV.	DRAWING NO.	DESCRIPTION	REFERENCE DESIGNATION	ITEM NO.
MATERIAL LIST				
NOTED UNLESS SPECIFIED		DRAWN: KEITH 4/16/63	SDS SYSTEMS DATA SYSTEMS	
CHECK: J. J. JENSEN 5/24/63		1045 FIFTEENTH STREET SANTA MONICA CALIFORNIA		
APPROVED: J. J. JENSEN 5/21/63		TITLE		
		SCHEMATIC, POWER DISTRIBUTION		
MODEL NO. 9110, 9114, 9119, 9210, 9214, 9219		D 102334		B
MIL. ARMY: 101810, 101000, 100900, 100951		SCALE: DO NOT COPY - UNLESS AUTHORIZED		

248

102334/B

REVISIONS			102334		B	
REV.	DESCRIPTION	CHK	DATE	APPROVED		
	SEE SHT ONE					

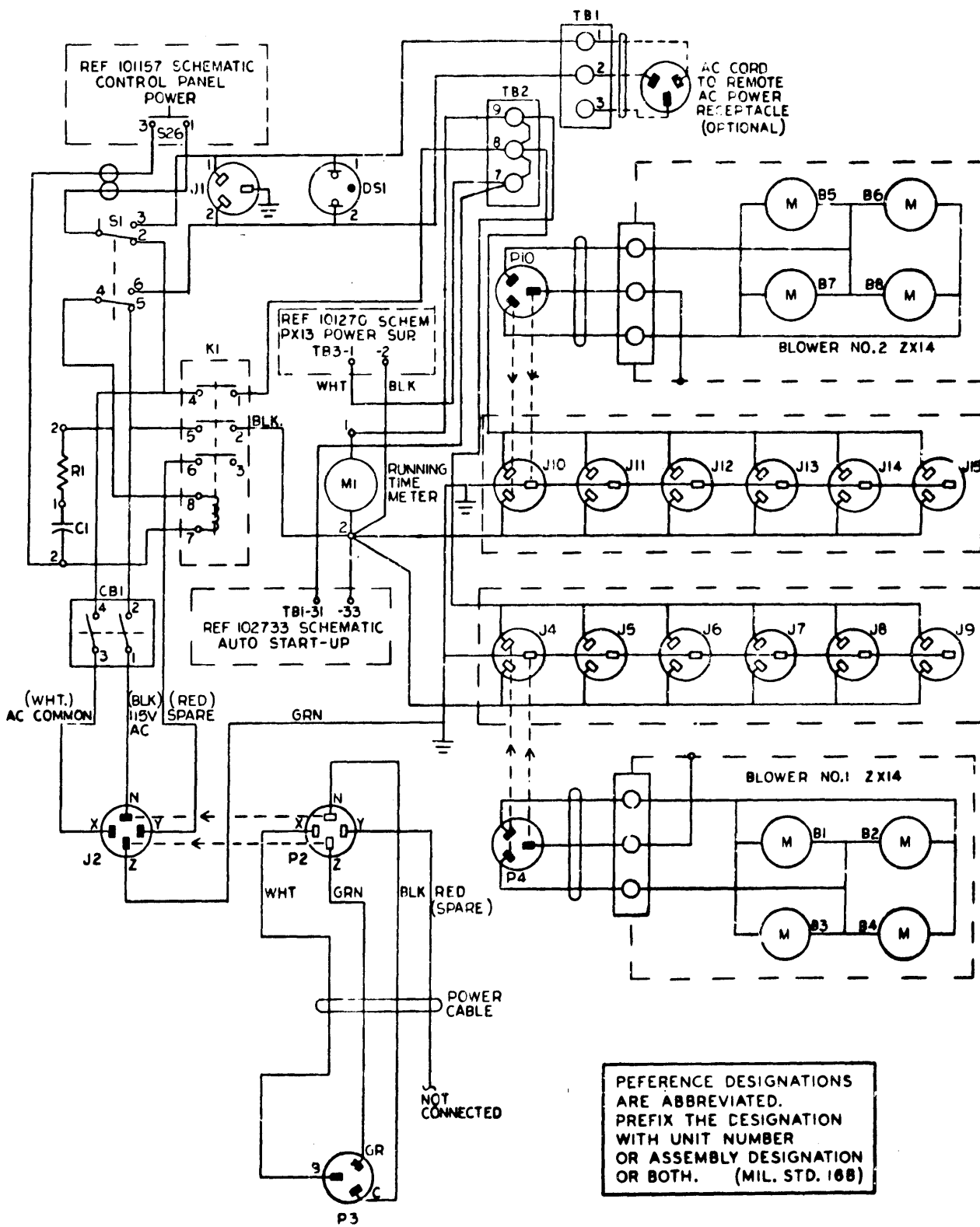
REPLACEMENT PARTS LIST

ITEM	DESCRIPTION	DESIGNATION	QTY	SUPPLIER CODE (SEE INDEX)
1	CORD, A.C. *16/3 SPT-3 CORD WITH *PA-3 PLUG	P1, P4	2	101
2	CONNECTOR, 5 WIRE FEMALE *3523	P2	1	102
3	CONNECTOR, 3 WIRE MALE *3331	P3	1	102
4	RECEPTACLE, 3 WIRE FEMALE *5256	J1	1	102
5	CONNECTOR, 5 WIRE MALE *3525	J2	1	102
6	WIREMOLD, A.C. *G-20GB306	J4 THRU J9	1	103
7	LAMP, NEON *249-784H-1437	DS1, DS2	2	104
8	RELAY, SPST *CNAS-13A/115 VAC	K1, K2	2	79
9	CIRCUIT BREAKER, DOUBLE POLE *2XAM1516-35-250 VAC 60 CYCLE CURVE 2	CB1	1	105
10	SWITCH, TOGGLE CPDT	S1	1	106

102334 B

DRAWING NO.		DESCRIPTION		REFERENCE DESIGNATION	
MATERIAL LIST					
NOTED UNLESS SPECIFIED		DRAWN	DATE	SDS	
1. DIMENSIONS IN INCHES UNLESS OTHERWISE SPECIFIED		CHKD	5/23/63	102334	
2. DIMENSIONS IN MILLIMETERS UNLESS OTHERWISE SPECIFIED		APPR	5/24/63	TITLE	
3. DIMENSIONS IN FEET UNLESS OTHERWISE SPECIFIED				SCHEMATIC POWER DISTRIBUTION	
4. DIMENSIONS IN METERS UNLESS OTHERWISE SPECIFIED				D 102334 B	
5. DIMENSIONS IN CENTIMETERS UNLESS OTHERWISE SPECIFIED				2 OF 2	
MODEL NOS. 9110, 9114, 9119, 9210, 9214, 9219 MILITARY NOS. 101810, 101088, 100686, 100951					

REV.	DESCRIPTION	DATE	APPROVED
B	SEE REV E.O.	1/1/52	
C	SEE REV E.O.	4/15/52	
D	SEE REV E.O.	1/1/53	
E	SEE REV E.O.	3/2/53	
F	SEE REV E.O.	1/1/53	
G	SEE REV E.O.		



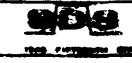
DRAWING NO.	DESCRIPTION	REFERENCE DESIGNATION
102675	SCHEMATIC, POWER DISTRIBUTION	
912, 913, 9312, 102646, 102666, 10067		
D	102675	G
1 OF 2		

REVISIONS		102675
REV	DESCRIPTION	DATE APPROVED
	SEE INT 1	

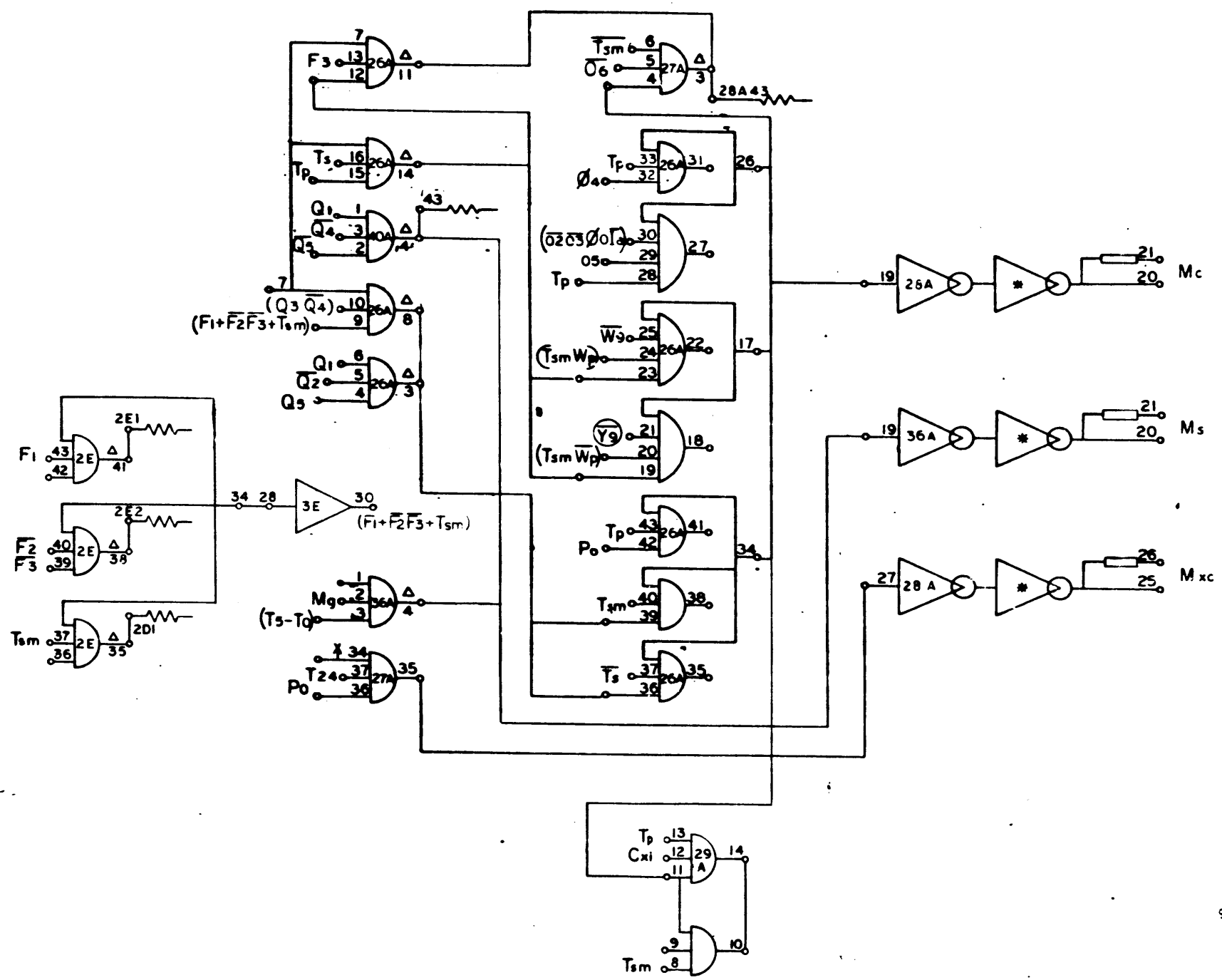
REPLACEMENT PARTS LIST

ITEM	DESCRIPTION	DESIGNATION	QTY	SUPPLIER CODE (SEE INDEX)
1	CORD, A.C. #16/3 SPT-3 CORD WITH #PA-3 PLUG	P1	1 (OR NONE)	101
2	CONNECTOR, 5 WIRE FEMALE #3523	P2	1	102
3	CONNECTOR, 3 WIRE MALE #3331	P3	1	102
4	CORD, A.C. #16/3 SPT-3 CORD WITH #PA-3 PLUG	P4 (P10)	1 (OR 2)	101
5	RECEPTACLE, 3 WIRE FEMALE #5256	J1	1	102
6	CONNECTOR, 5 WIRE MALE #3524	J2	1	102
7	WIREMOLD, A.C. #G-206B306	J4 THRU J9 (J10 THRU J15)	1 (OR 2)	103
8	LAMP, NEON #249-784IH-1437	DS1	1	104
9	CONTACTOR, 30 AMP, 600 VAC #702 BAD 92 SERIES K	K1	1	107
10	CIRCUIT BREAKER, DOUBLE POLE #2XAM1516-35-250 VAC 60 CYCLE CURVE 2	CB1	1	105
11	SWITCH, TOGGLE DPDT	S1	1	106
12	RESISTOR, W.W. 10 Ω ± 5%	R1	1	99, 100
13	CAPACITOR, OIL .25 μf ± 20%, 1000V	C1	1	80, 81
14	METER, TIME #50-236402AAAA1 120 V, 60 CYCLES	M1	1	108
15	RELAY DPDT #06X-77 120-5A/115VAC	K2	1	78 79
16	DIODE, IN3189	CR1	1	2, 6, 30, 68
17	RESISTOR, W.W. 470 Ω ± 5%, 20 W	R2	1	99, 100

102675 16

DRAWING NO.	DESCRIPTION	REFERENCE DESIGNATION
	MATERIAL LIST	
DESIGNED: [Signature] 1/2/65 DRAWN: [Signature] 5-1/65 CHECKED: [Signature] 5-11-65 APPROVED: [Signature] 5-11-65		SCHEMATIC, POWER DISTRIBUTION
9112, 9113, 9212	102675	G
102246, 102286, 104087		

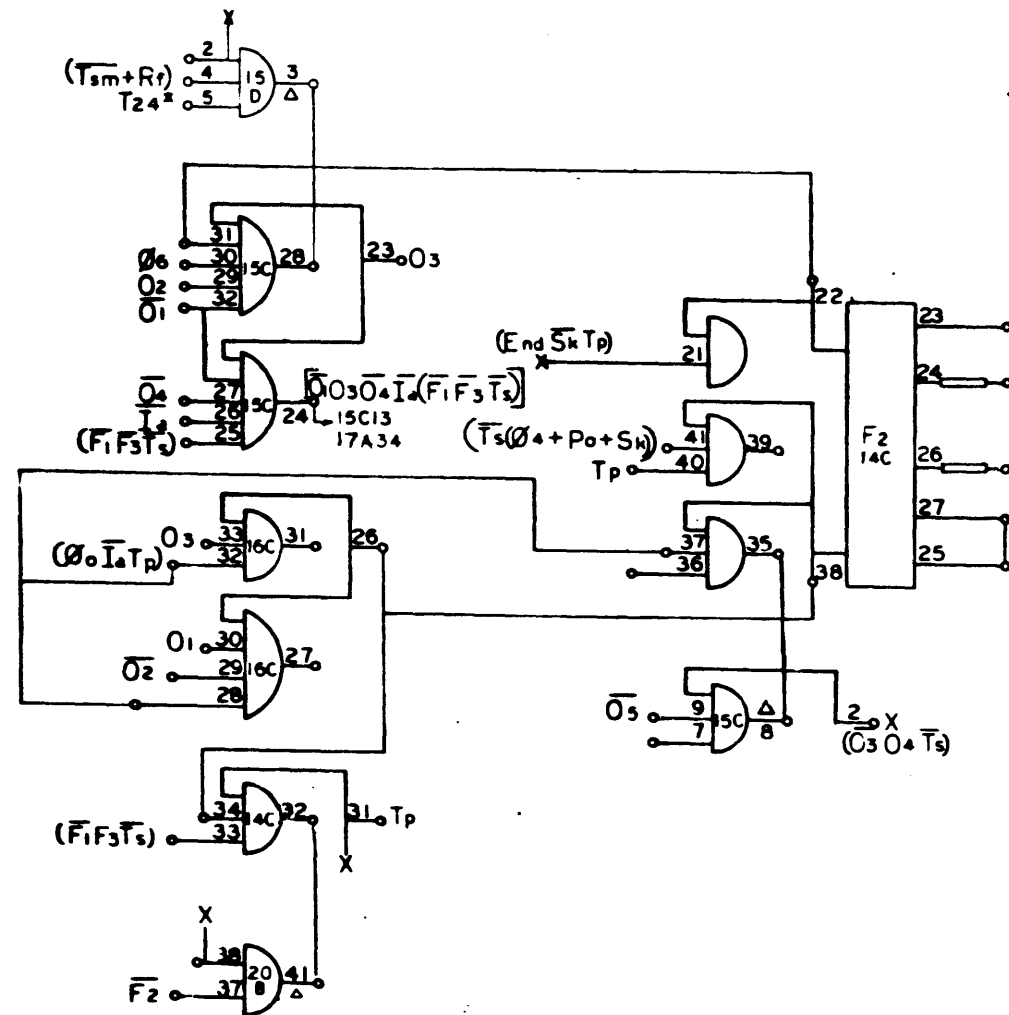
REV	DESCRIPTION	DATE	BY	APP'D
A	REL TO MFG			



910
Page 1
910 (MOD)
PAGE 2
A

REV	DATE	DESCRIPTION	REFERENCE DESIGNATION	FILE NO.
A		REL TO MFG		
NOTED UNLESS SPECIFIED		MATERIAL LIST		
1. TOLERANCES	UNLESS SPECIFIED	2. DIMENSIONS	UNLESS SPECIFIED	
2. DIMENSIONS	UNLESS SPECIFIED	3. FINISH	UNLESS SPECIFIED	
3. FINISH	UNLESS SPECIFIED	4. MARK SURFACES	UNLESS SPECIFIED	
4. MARK SURFACES	UNLESS SPECIFIED	5. ALL DIM. IN INCHES	UNLESS SPECIFIED	
MODEL NO. 910(MOD),		TITLE SDS DATA SYSTEMS DIAGRAM, LOGIC, COMPUTER MCD		REV. NO. D 107942 A
SCALE		AS SHOWN		DATE

REV	DESCRIPTION	DATE	APPROVED
A	REL TO MFG		



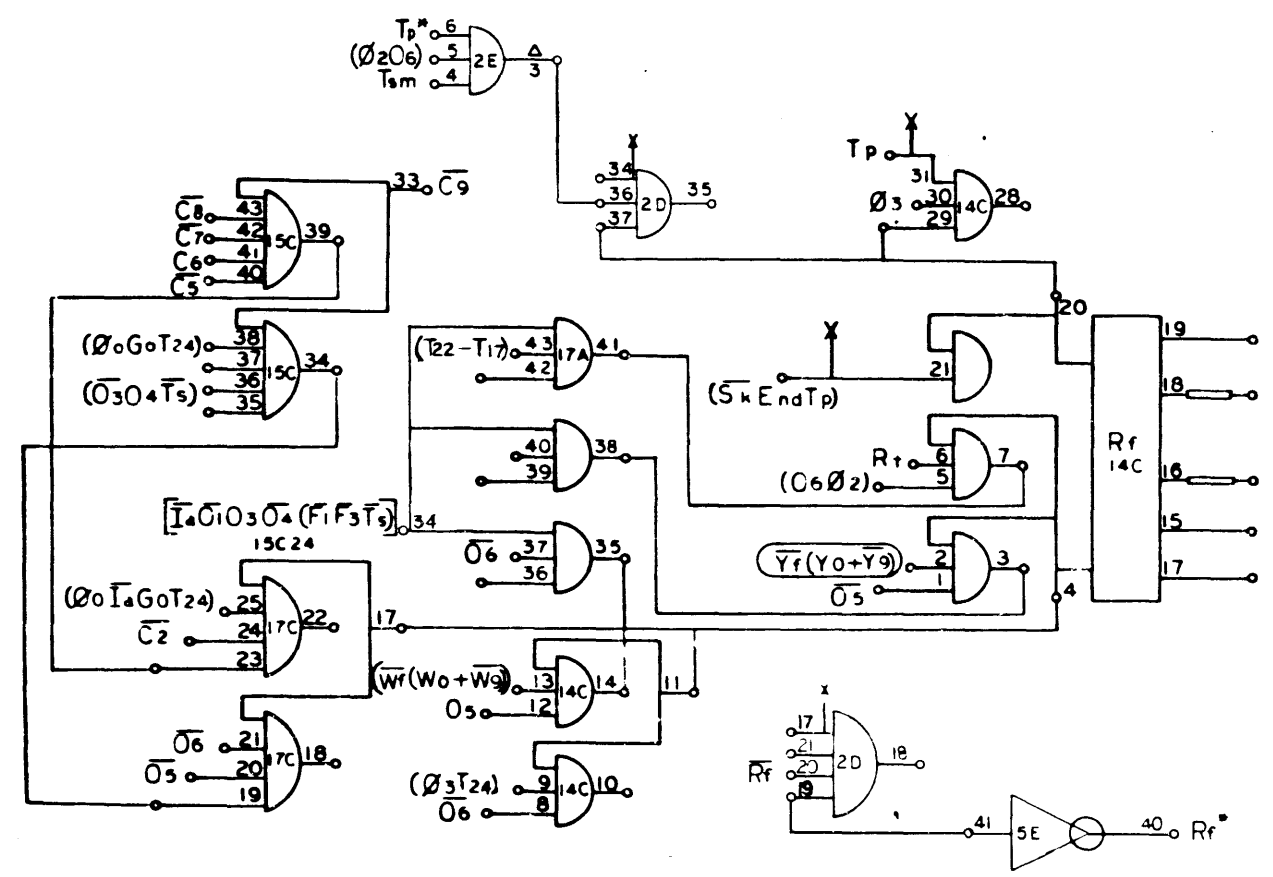
910
Page 4:
910 (MOD)
PAGE 4
A

107942/A

NO.	DESCRIPTION	QUANTITY	UNIT
MATERIAL LIST			
NOTES UNLESS SPECIFIED			
1	TELETYPE	1	UNIT
2	TELETYPE	1	UNIT
3	TELETYPE	1	UNIT
4	TELETYPE	1	UNIT
5	TELETYPE	1	UNIT
6	TELETYPE	1	UNIT
7	TELETYPE	1	UNIT
8	TELETYPE	1	UNIT
9	TELETYPE	1	UNIT
10	TELETYPE	1	UNIT
11	TELETYPE	1	UNIT
12	TELETYPE	1	UNIT
13	TELETYPE	1	UNIT
14	TELETYPE	1	UNIT
15	TELETYPE	1	UNIT
16	TELETYPE	1	UNIT
17	TELETYPE	1	UNIT
18	TELETYPE	1	UNIT
19	TELETYPE	1	UNIT
20	TELETYPE	1	UNIT
21	TELETYPE	1	UNIT
22	TELETYPE	1	UNIT
23	TELETYPE	1	UNIT
24	TELETYPE	1	UNIT
25	TELETYPE	1	UNIT
26	TELETYPE	1	UNIT
27	TELETYPE	1	UNIT
28	TELETYPE	1	UNIT
29	TELETYPE	1	UNIT
30	TELETYPE	1	UNIT
31	TELETYPE	1	UNIT
32	TELETYPE	1	UNIT
33	TELETYPE	1	UNIT
34	TELETYPE	1	UNIT
35	TELETYPE	1	UNIT
36	TELETYPE	1	UNIT
37	TELETYPE	1	UNIT
38	TELETYPE	1	UNIT
39	TELETYPE	1	UNIT
40	TELETYPE	1	UNIT
41	TELETYPE	1	UNIT
42	TELETYPE	1	UNIT
43	TELETYPE	1	UNIT
44	TELETYPE	1	UNIT
45	TELETYPE	1	UNIT
46	TELETYPE	1	UNIT
47	TELETYPE	1	UNIT
48	TELETYPE	1	UNIT
49	TELETYPE	1	UNIT
50	TELETYPE	1	UNIT
SDS SCIENTIFIC DATA SYSTEMS 1500 FIFTEENTH STREET, SANTA MONICA, CALIFORNIA			
TITLE DIAGRAM, LOGIC, COMPUTER MOD			
MODEL NO.	910(MC)	REV. NO.	D
REV. NO.		REV. NO.	107942
REV. NO.		REV. NO.	A
SCALE	DO NOT SCALE DRAWING	SHEET	

REVISIONS			
REV	DESCRIPTION	CHK	DATE
A	REL TO MFG		

256

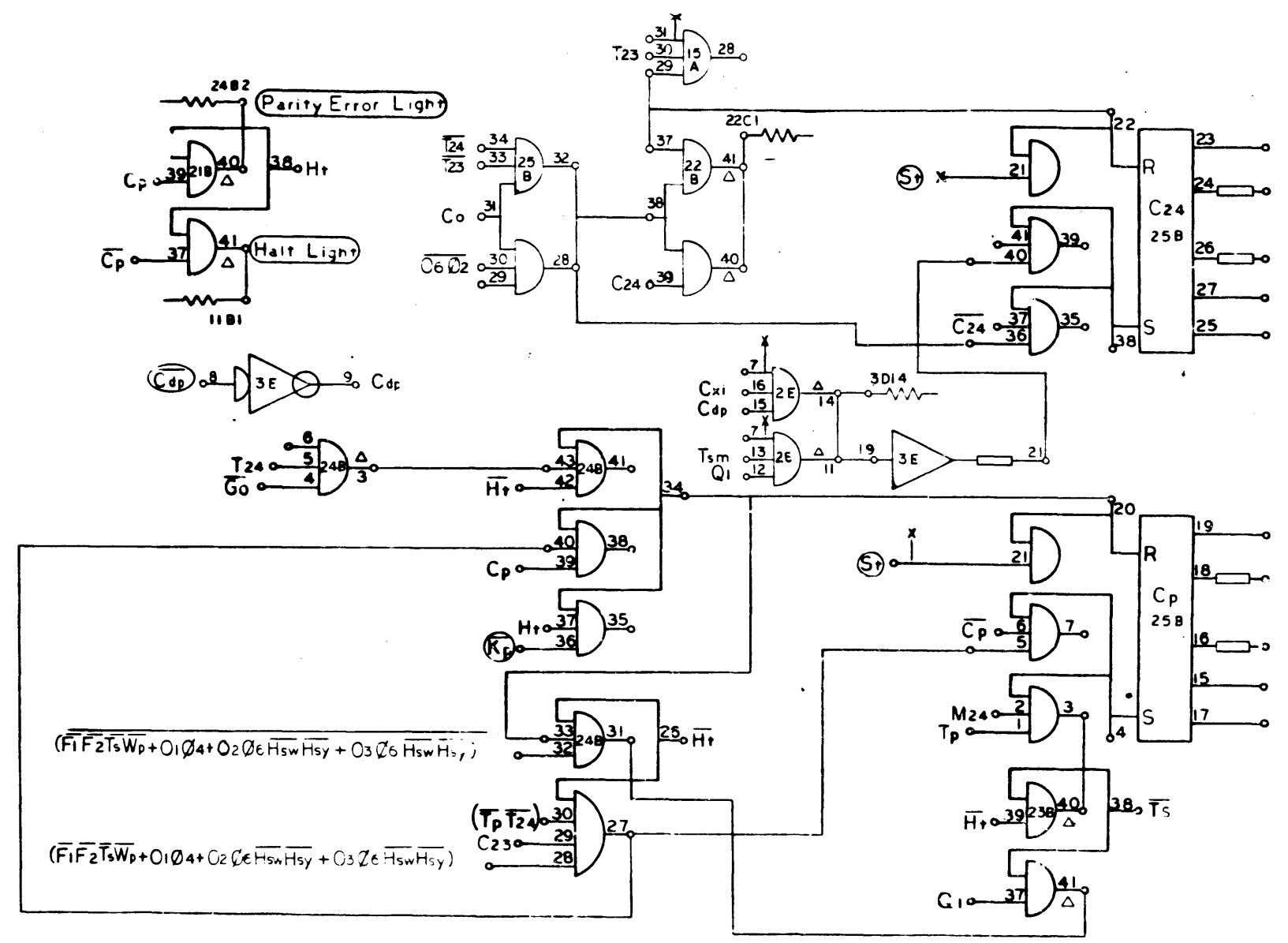


910
PAGE 51
910 (MOD)
PAGE 5
A

107542A

NO	DRAWING NO	DESCRIPTION	REFERENCE DESIGNATION	TYPE
NOTES UNLESS SPECIFIED				
1	TOLERANCES	20 - 0.00	ANGULAR	2.5°
2	BREAK ALL SHARP CORNERS	910 APPROX		
3	WASH SURFACES	✓		
4	ALL DIM. IN INCHES			
MATERIAL LIST		SDS SCIENTIFIC DATA SYSTEMS 100 114TH STREET, SAN DIEGO, CALIFORNIA		
TITLE		DIAGRAM, LOGIC. COMPUTER MOD		
MODEL NO.	910 (MOD)	REV	D	DWG NO
NEXT ASSY				107942
SCALE		DO NOT SCALE DRAWING		

REV		DESCRIPTION	CHG	DATE	APPROVED
A		REL TO MFG			



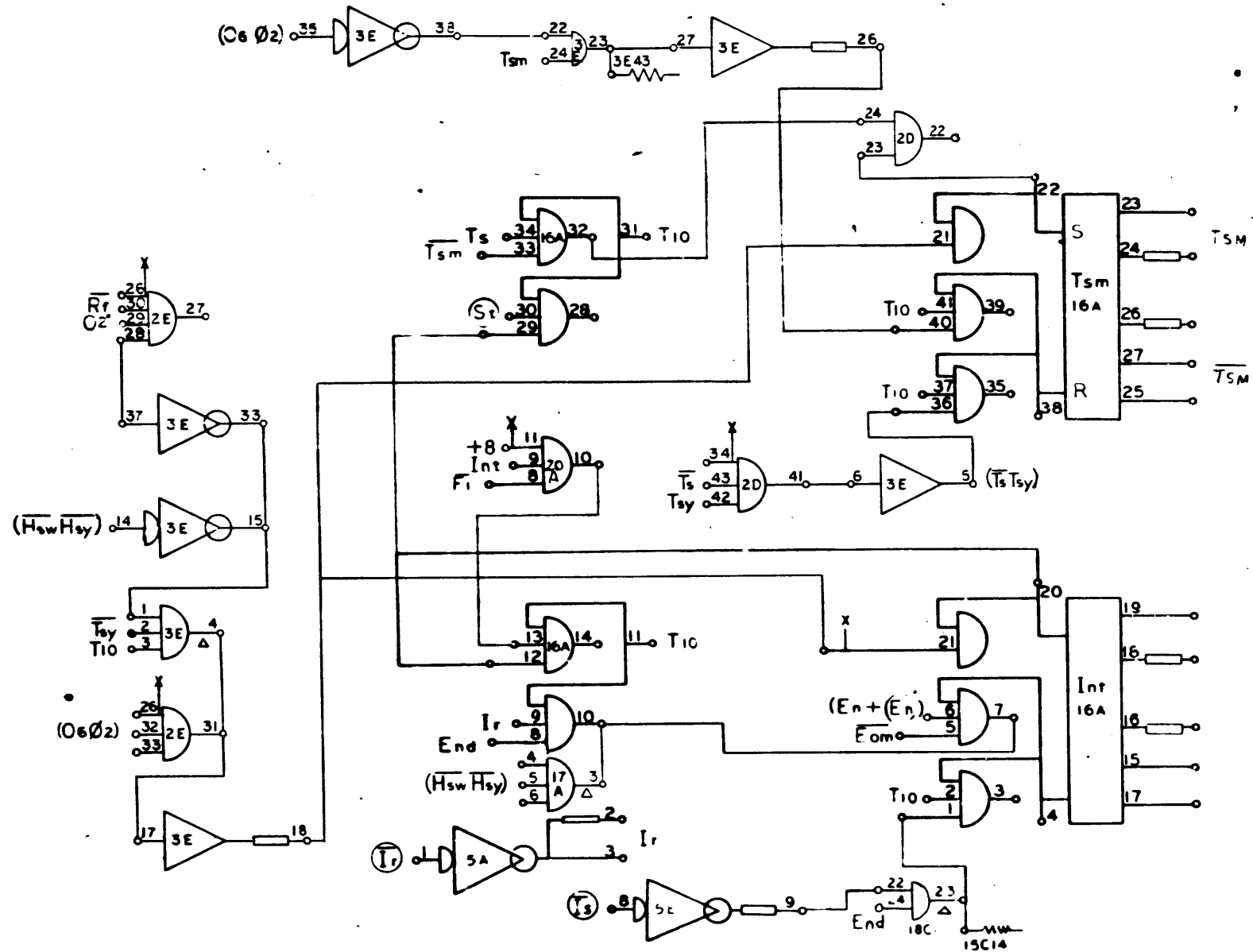
258

913
PAGE 62
910 (MOD)
PAGE 7
A

107942/A

DWG NO.	DRAWING NO.	DESCRIPTION	REFERENCE DESIGNATION	FILE NO.
MATERIAL LIST				
NOTES UNLESS SPECIFIED		DRAWN	CHECK	DATE
1. TOLERANCES AS - DIM ANGULAR DIM - DIM ± .01		APPR. <i>[Signature]</i>		
2. BREAK ALL SHARP EDGES DIM LINES		TITLE		
3. HAZY SURFACES ✓		SDS SCIENTIFIC DATA SYSTEMS 1545 FIFTEENTH STREET, SANTA MONICA, CALIFORNIA		
4. ALL DIM. IN INCHES				
MODEL NO. 910(MOD)		SIZE D	DATE 107942	REV. A
MFG. ASSY.		SCALE	DO NOT SCALE DRAWING	SHEET

REV		DESCRIPTION		CHK	DATE	APPROV'D
A		REL TO MFG				

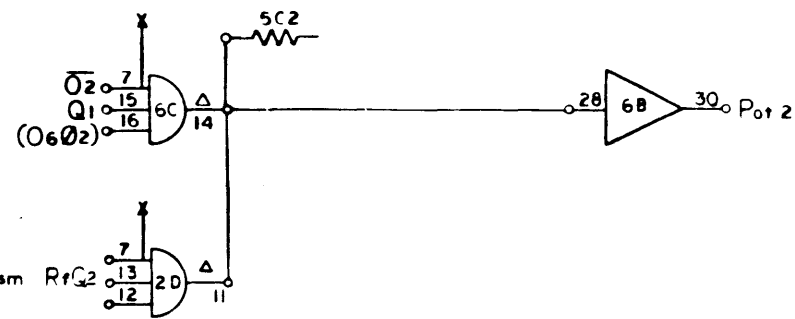
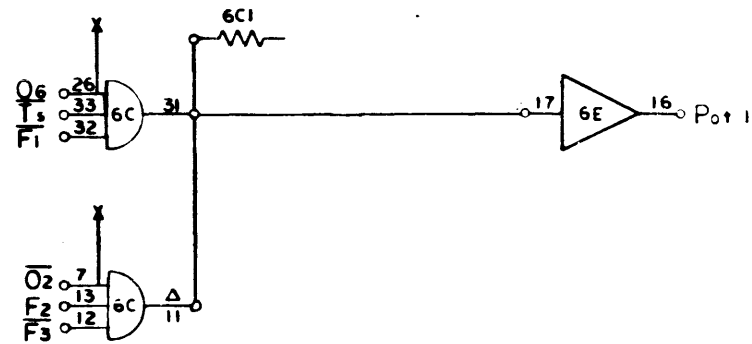
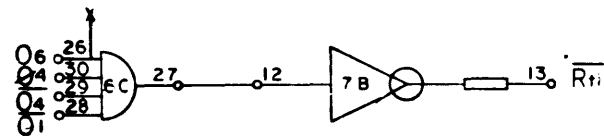
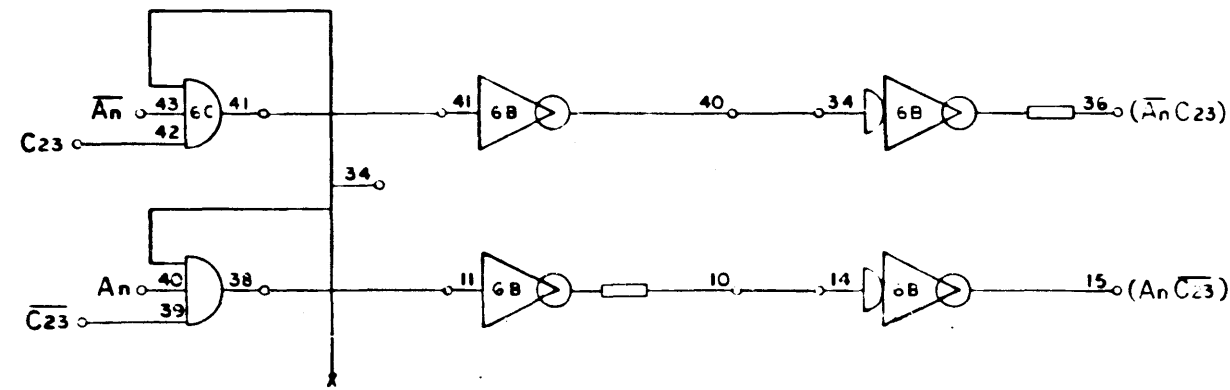


913
PAGE 67
910 (MOD)
PAGE 8
A

107942/A

NO	DRAWING NO	DESCRIPTION	REFERENCE DESIGNATION	REV
MATERIAL LIST				
SDS SEMICONDUCTOR LOGIC SYSTEMS 1085 PATENTWAY STREET, SANTA MONICA, CALIFORNIA				
NOTES UNLESS SPECIFIED: 1. TOLERANCES: DIM. 1.000 1/16" DIM. 1.000 1/32" 2. UNLESS ALL DIMENSIONS ARE SPECIFIED 3. DIMENSIONS SHOWN 4. ALL DIM. TO CENTER		CHECKED: [Signature] DATE: 11/20/66 APPROVED: [Signature] DATE: 11/20/66	TITLE DIAGRAM LOGIC, COMPUTER MCD	
MODEL NO. 90MCD	REV. D	DRAWING NO. 107942	REV. A	
SHEET NO. 1		SCALE NO NET SCALE DRAWING SHEET		

REV		DESCRIPTION		DATE	APPROVED
A		RELEASED TO MFG			



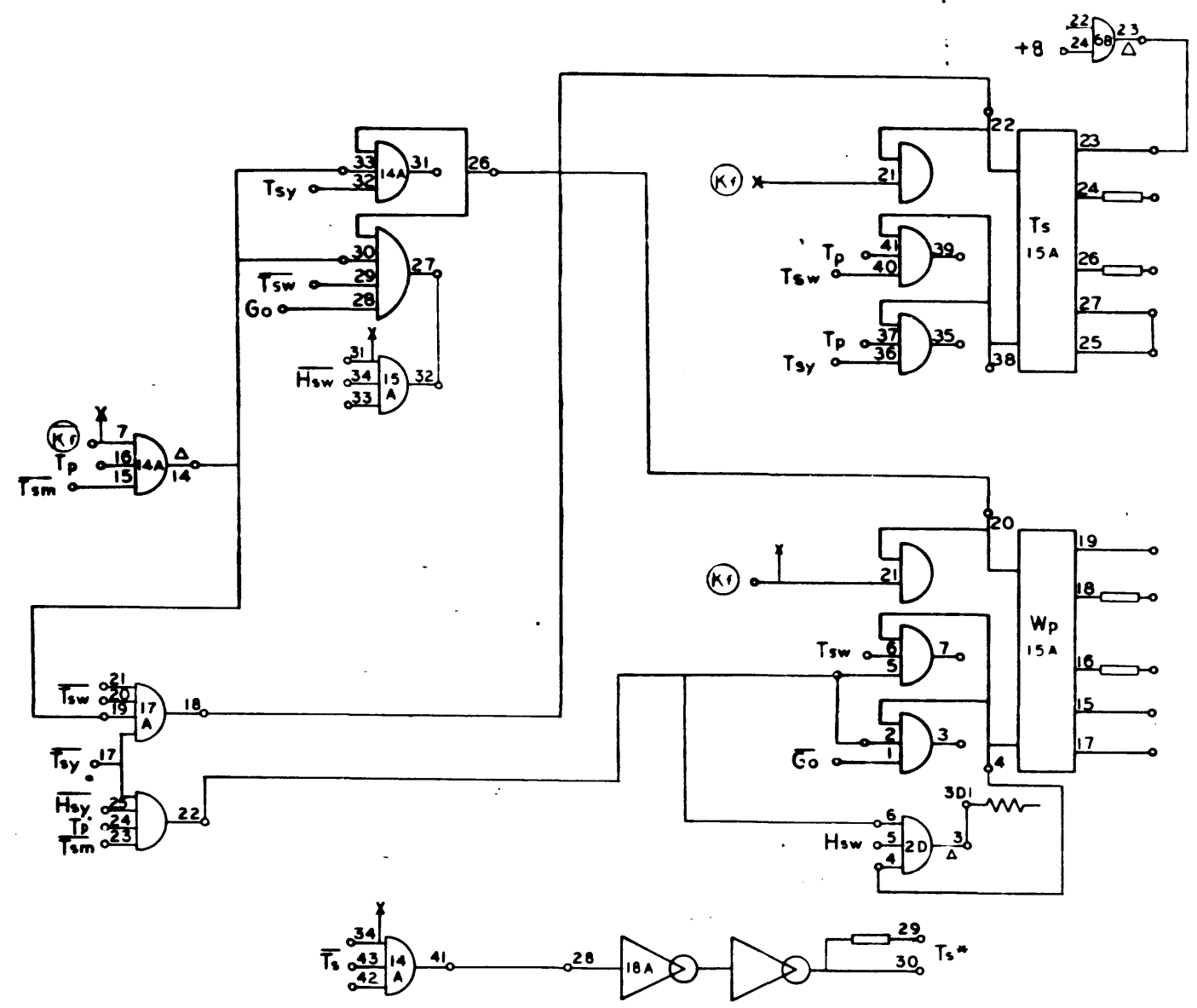
910
PAGE 68
910 (MOD)
PAGE 9
A

260

107942/A

REV	DRAWING NO.	DESCRIPTION	REFERENCE DESIGNATION	DATE
A				
MATERIAL LIST				
NOTES UNLESS SPECIFIED		SDS SCIENTIFIC DATA SYSTEMS 150 FIFTEENTH STREET, SANTA MONICA, CALIFORNIA		
1. TOLERANCES UNLESS SPECIFIED FRACTIONS DECIMALS DIMENSIONS AND ANGLES	DRAWN	CHECK	TITLE	
2. SHOW ALL DIMENSIONS AND ANGLES	APP'D		DIAGRAM, LOGIC COMPUTER MOD	
3. HATCH SURFACES			MODEL NO.	REV. NO.
4. ALL DIM. IN INCHES			D 910, MOD 1	D 107942
			SCALE	SHEET
			DO NOT SCALE DRAWING	A

REV	DESCRIPTION	DATE	APPROVAL
A	REL TO MFG		

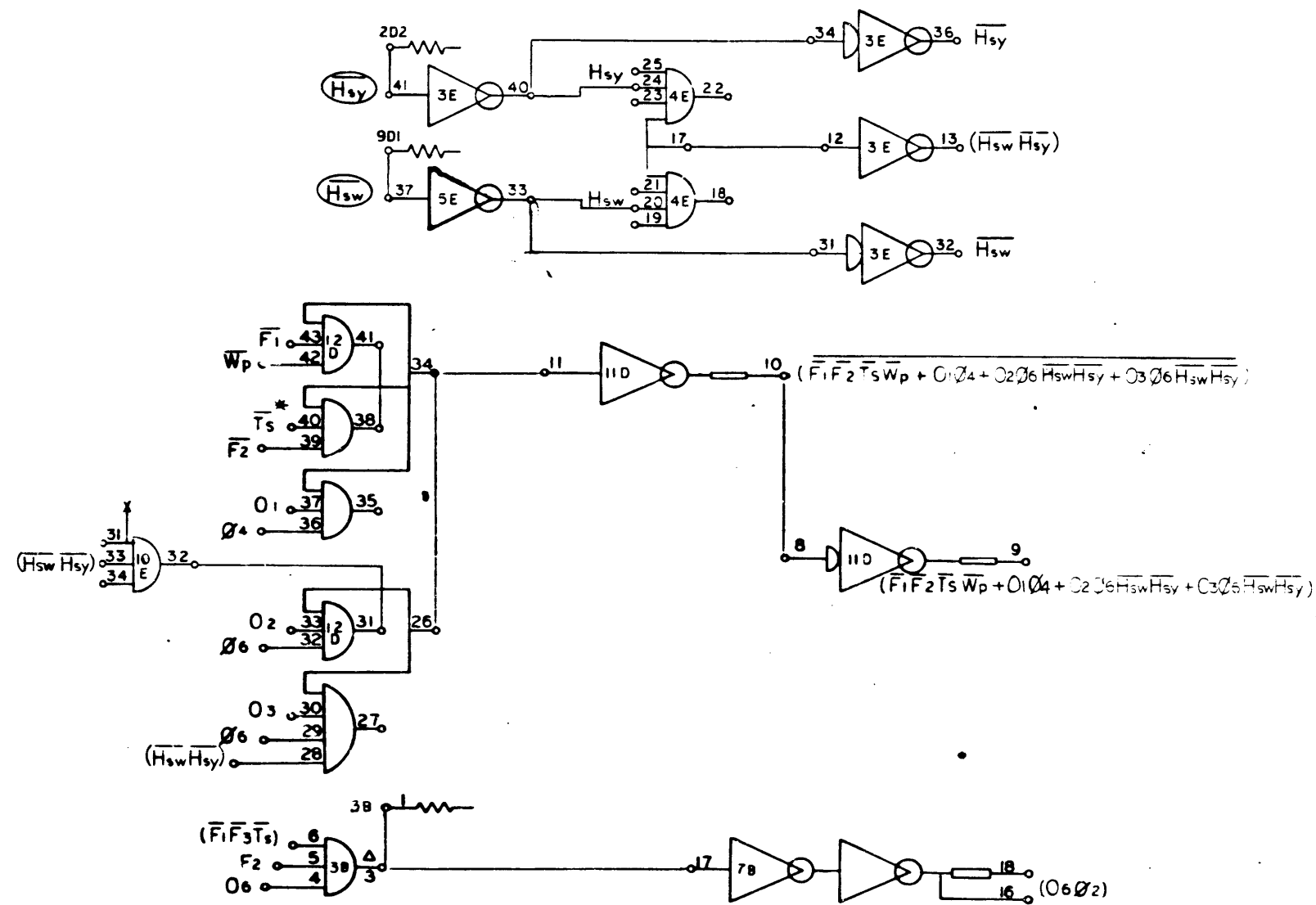


910
PAGE 70
910 (MOD)
PAGE 10
A

107942 A

REV	DRAWING NO	DESCRIPTION	REFERENCE DESIGNATION	DATE
MATERIAL LIST				
<p>NOTES UNLESS SPECIFIED</p> <p>1. TOLERANCES: ANGULAR .010"</p> <p>2. DIMENSIONS: .005"</p> <p>3. BEND ALL SHARP EDGES ON APPROX</p> <p>4. SPARK SURFACES ✓</p> <p>5. ALL DIM IN INCHES</p>				
<p>MODEL NO: 910(MOD)</p> <p>UNIT: ARMY</p>		<p>SDS SCIENTIFIC DATA SYSTEMS 1500 FIFTEENTH STREET SANTA MONICA CALIFORNIA</p> <p>TITLE: DIAGRAM, LOGIC, COMPUTER MOD</p> <p>DATE: 107942</p> <p>SCALE: DO NOT SCALE DRAWING</p>		

262



910
PAGE 71
910 (MOD)
PAGE 11
A

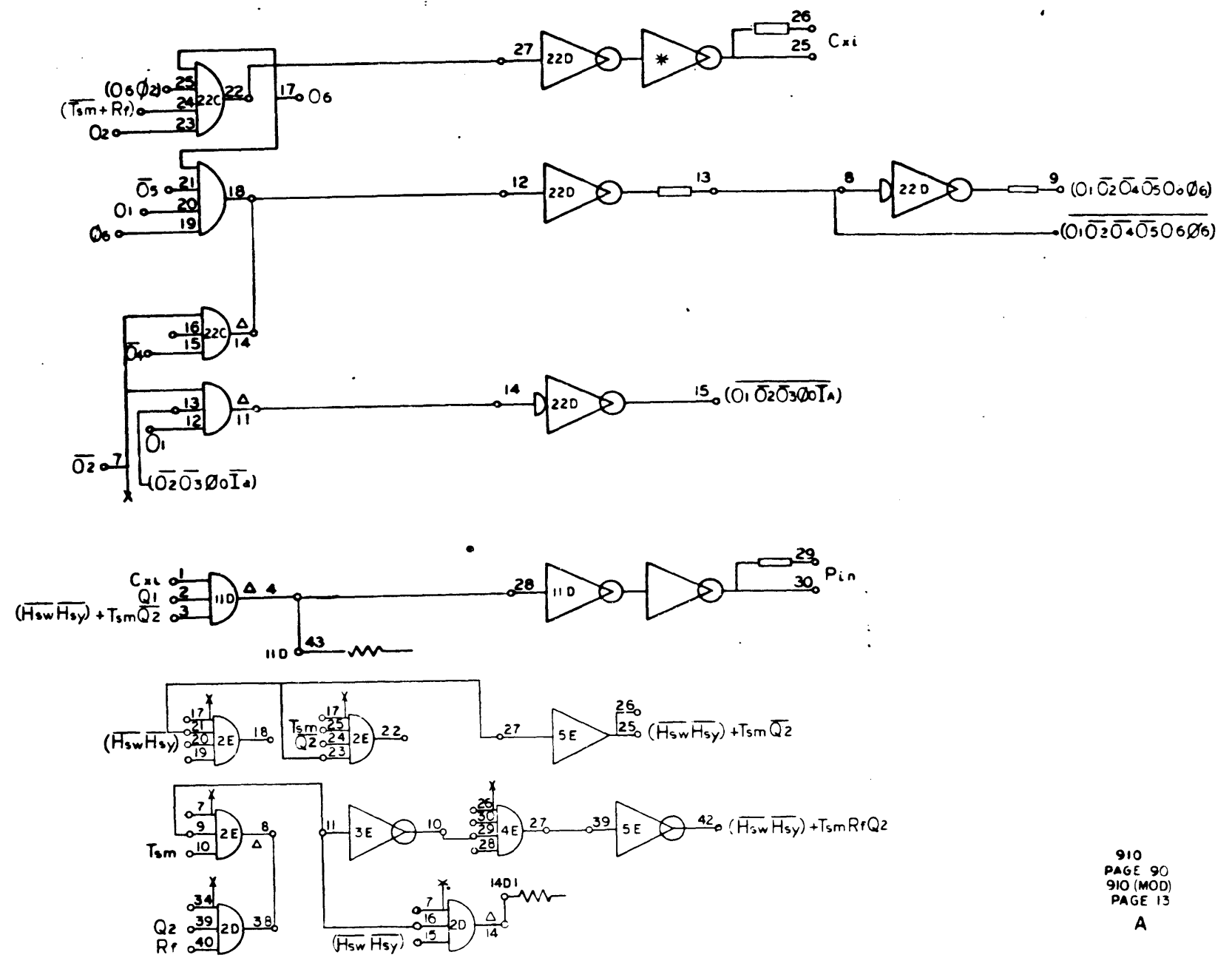
REV		DESCRIPTION		CHK		DATE		APPROVED	
A		REL TO MFG							

NO	DRAWING NO.	DESCRIPTION	REFERENCE DESIGNATION	REV			
MATERIAL LIST							
NOTES UNLESS SPECIFIED							
1. TOLERANCES	UNLESS SPECIFIED	ANGULAR	SDS				
2. DIMENSIONS	UNLESS SPECIFIED	2 1/2"	1942 PATTENSON STREET SANTA MONICA CALIFORNIA				
3. BREAK ALL SHARP CORNERS AND SPACED	APPROX.	234	TITLE				
4. HATCH SHOWN			DIAGRAM, LOGIC, COMPUTER MOD				
5. HATCH SHOWN							
6. HATCH SHOWN							
MODEL NO.	910 (MOD)	REV	D	DWG NO.	107942	SHEET	A
NEXT ASSY.		SCALE	DO NOT SCALE DIMENSIONS	CHIEF			

107942A

264

REVISIONS			
REV	DESCRIPTION	CHK	DATE
A	REL TO MFG		



910
PAGE 90
910 (MOD)
PAGE 13
A

107942A

NO	DRAWING NO	DESCRIPTION	REFERENCE DESIGNATION	REV
NOTES UNLESS SPECIFIED				
1	TOLERANCES UNLESS SPECIFIED		DRAWN	
2	BREAK ALL SHARP CORNERS		CHECK	
3	MATCH SURFACES		APPV	
MATERIAL LIST				
SDS SCIENTIFIC DATA SYSTEMS 1505 FIFTEENTH STREET SANTA MONICA CALIFORNIA				
TITLE				
DIAGRAM, LOGIC, COMPUTER				
MODEL NO			REV	DATE
910(N.00)			D	107942
NEXT ADDY				
SCALE			DO NOT SCALE DRAWING	SHEET

REVISIONS			
REV	DESCRIPTION	DATE	BY
A	REL TO MFG		

LOC 14		LOC 15		LOC 16		LOC 17		LOC 18		LOC 19		LOC 20		LOC 21		LOC 22		LOC 23		LOC 24		LOC 25			
PIN	PAGE	PIN	PAGE	PIN	PAGE	PIN	PAGE	PIN	PAGE	PIN	PAGE	PIN	PAGE	PIN	PAGE	PIN	PAGE	PIN	PAGE	PIN	PAGE	PIN	PAGE		
1	77	1	70	1	67	1		1	79	1	76	1	76	1	77	1	77	1	78	1	79	1	80	1	
2	54	2		2		2		2		2		2		2		2		2		2		2		2	
3		3		3		3	67	3		3		3		3		3		3		3		3		3	
4		4		4		4	67	4	79	4		4		4		4		4		4		4		4	
5		5		5		5	67	5	73	5		5		5		5		5		5		5		5	
6	54	6		6		6	67	6	73	6		6		6		6		6		6		6		6	
7	54,70	7	70	7		7	64	7	73	7	76	7	76	7	77	7	77	7	77	7	77	7	77	7	
8	54	8	73	8		8		8	75	8	73	8	73	8	79	8	80	8	80	8	80	8	80	8	
9		9		9		9		9	75	9		9		9	79	9	80	9	80	9	80	9	80	9	
10		10		10		10		10	77	10		10		10	79	10	80	10	80	10	80	10	80	10	
11		11		11		11		11	77	11		11		11	79,80	11	79,80	11	79,80	11	79,80	11	79,80	11	
12		12		12		12		12	97	12		12		12	80	12	79	12	79	12	79	12	79	12	
13	54	13		13		13		13	97	13		13		13	80	13	79	13	79	13	79	13	79	13	
14	70	14	73	14		14		14	75	14	73	14	73	14	80	14	79	14	79	14	79	14	79	14	
15	70	15	70	15		15		15	75	15	76	15	76	15	77	15	77	15	77	15	77	15	77	15	
16	70	16		16		16		16	73	16		16		16		16		16		16		16		16	
17	53	17		17		17	70	17		17		17		17		17		17		17		17		17	
18		18		18		18	70	18		18		18		18		18		18		18		18		18	
19		19		19		19	70	19		19		19		19		19		19		19		19		19	
20		20		20		20	70	20		20		20		20		20		20		20		20		20	
21		21		21		21	79	21	73	21		21		21		21		21		21		21		21	
22		22		22		22	70	22	77	22		22		22		22		22		22		22		22	
23		23		23		23	70	23	77	23		23		23		23		23		23		23		23	
24		24		24		24	70	24	77	24		24		24		24		24		24		24		24	
25	53	25		25		25	70	25	73	25		25		25		25		25		25		25		25	
26	70	26		26		26		26	73	26		26		26		26		26		26		26		26	
27		27	70	27		27	77	27	73	27	76	27	76	27	77	27	77	27	77	27	77	27	77	27	
28		28	62	28		28		28	70	28	73	28	79	28	79	28	80	28	80	28	80	28	80	28	
29		29	62	29		29		29	70	29		29		29	79	29	80	29	80	29	80	29	80	29	
30		30	62	30		30		30	70	30		30		30	79	30	80	30	80	30	80	30	80	30	
31		31	62,70	31		31		31	75	31		31		31	78,79	31	78,80	31	78,80	31	78,80	31	78,80	31	
32		32	70	32		32		32	75	32		32		32	78	32	75	32	75	32	75	32	75	32	
33	70	33		33		33	77	33	77	33		33		33	78	33	75	33	75	33	75	33	75	33	
34	70,53,64	34		34		34	51	34	75	34	73	34	79	34	78	34	75	34	75	34	75	34	75	34	
35	53	35		35		35		35	75	35	76	35	76	35	77	35	77	35	77	35	77	35	77	35	
36	53	36		36		36		36	75	36		36		36		36		36		36		36		36	
37	53	37		37		37		37	77	37		37		37		37		37		37		37		37	
38	54	38		38		38		38	75	38		38		38		38		38		38		38		38	
39	54	39		39		39		39	73	39		39		39		39		39		39		39		39	
40	54	40		40		40		40	75	40		40		40		40		40		40		40		40	
41	70	41	70	41	67	41		41	75	41	76	41	76	41	77	41	77	41	78	41	79	41	80	41	
42	70	42		42		42		42	73	42		42		42		42		42		42		42		42	
43	70	43		43		43		43	97	43		43		43		43		43		43		43		43	
44		44		44		44		44		44		44		44		44		44		44		44		44	
45		45		45		45		45		45		45		45		45		45		45		45		45	
46		46		46		46		46		46		46		46		46		46		46		46		46	
47		47		47		47		47		47		47		47		47		47		47		47		47	

A

107942A

30
Page 102
910 (MCD)
PAGE 14

REV. NO.	DRAWING NO.	DESCRIPTION	REFERENCE DESIGNATION
MATERIAL LIST			
REVISED UNLESS SPECIFIED	DRAWN	CHECKED	APPROVED
1. DIMENSIONS 2. TOLERANCES 3. FINISHES 4. MATERIALS 5. SPECIAL REQUIREMENTS			
			TITLE
			DIAGRAM, LOGIC COMPUTER MCD
MODEL NO.	910(MCD)	REV. NO.	D 107942
DATE		SCALE	A

REVISIONS		DATE	BY
REV	DESCRIPTION	DATE	BY
4			

Loc 26		Loc 27		Loc 28		Loc 29		Loc 30		Loc 31		Loc 32		Loc 33		Loc 34		Loc 35		Loc 36		Loc 37		Loc 38	
PIN	PAGE	PIN	PAGE	PIN	PAGE	PIN	PAGE	PIN	PAGE	PIN	PAGE	PIN	PAGE	PIN	PAGE	PIN	PAGE	PIN	PAGE	PIN	PAGE	PIN	PAGE	PIN	PAGE
1		1		1		1		1		1		1		1		1		1		1		1		1	
2	15	2	15	2	1	2	1	2	1	2	1	2	1	2	1	2	1	2	1	2	1	2	1	2	1
3	1	3	1	3	1	3	1	3	1	3	1	3	1	3	1	3	1	3	1	3	1	3	1	3	1
4	4	4	4	4	2	4	2	4	2	4	2	4	2	4	2	4	2	4	2	4	2	4	2	4	2
5	5	5	5	5	14	5	14	5	14	5	14	5	14	5	14	5	14	5	14	5	14	5	14	5	14
6	6	6	6	6	14	6	14	6	14	6	14	6	14	6	14	6	14	6	14	6	14	6	14	6	14
7	7	7	15	7	14	7	2	7	3	7	3	7	4	7	4	7	5	7	5	7	14	7	6	7	6
8	8	8	8	8	1	8	14	8	1	8	10	8	10	8	10	8	10	8	10	8	11	8	9	8	9
9	9	9	9	9	1	9	1	9	1	9	1	9	1	9	1	9	1	9	1	9	1	9	1	9	1
10	10	10	10	10	12	10	1	10	1	10	1	10	1	10	1	10	1	10	1	10	1	10	1	10	1
11	11	11	11	11	1	11	1	11	1	11	1	11	1	11	1	11	1	11	1	11	1	11	1	11	1
12	12	12	12	12	1	12	1	12	1	12	1	12	1	12	1	12	1	12	1	12	1	12	1	12	1
13	13	13	13	13	1	13	1	13	1	13	1	13	1	13	1	13	1	13	1	13	1	13	1	13	1
14	14	14	14	14	1	14	14	14	14	14	10	14	10	14	10	14	10	14	10	14	9	14	9	14	9
15	15	15	15	15	12	15	2	15	3	15	3	15	4	15	5	15	5	15	11	15	6	15	6	15	6
16	16	16	15	16	13	16	1	16	1	16	1	16	1	16	1	16	1	16	1	16	1	16	1	16	1
17	17	17	13	17	13	17	1	17	1	17	1	17	1	17	1	17	1	17	1	17	1	17	1	17	1
18	18	18	18	18	13	18	1	18	1	18	1	18	1	18	1	18	1	18	1	18	1	18	1	18	1
19	19	19	19	19	1	19	1	19	1	19	1	19	1	19	1	19	1	19	1	19	1	19	1	19	1
20	20	20	20	20	1	20	1	20	1	20	1	20	1	20	1	20	1	20	1	20	1	20	1	20	1
21	21	21	21	21	1	21	1	21	1	21	1	21	1	21	1	21	1	21	1	21	1	21	1	21	1
22	22	22	22	22	1	22	1	22	1	22	1	22	1	22	1	22	1	22	1	22	1	22	1	22	1
23	23	23	23	23	1	23	1	23	1	23	1	23	1	23	1	23	1	23	1	23	1	23	1	23	1
24	24	24	24	24	1	24	1	24	1	24	1	24	1	24	1	24	1	24	1	24	1	24	1	24	1
25	25	25	25	25	1	25	1	25	1	25	1	25	1	25	1	25	1	25	15	25	15	25	15	25	15
26	26	26	26	26	1	26	1	26	1	26	1	26	1	26	1	26	1	26	15	26	15	26	15	26	15
27	27	27	27	27	1	27	2	27	3	27	3	27	4	27	4	27	5	27	5	27	15	27	6	27	6
28	28	28	28	28	13	28	13	28	14	28	10	28	10	28	10	28	10	28	14	28	14	28	9	28	9
29	29	29	29	29	13	29	1	29	1	29	1	29	1	29	1	29	1	29	14	29	14	29	1	29	1
30	30	30	30	30	13	30	1	30	1	30	1	30	1	30	1	30	1	30	14	30	14	30	1	30	1
31	31	31	31	31	1	31	1	31	1	31	1	31	1	31	1	31	1	31	12	31	12	31	1	31	1
32	32	32	32	32	1	32	1	32	1	32	1	32	1	32	1	32	1	32	1	32	1	32	1	32	1
33	33	33	33	33	12	33	1	33	1	33	1	33	1	33	1	33	1	33	1	33	1	33	1	33	1
34	34	34	34	34	14	34	13	34	14	34	10	34	10	34	10	34	10	34	10	34	10	34	1	34	1
35	35	35	35	35	12	35	2	35	3	35	3	35	4	35	4	35	5	35	5	35	6	35	6	35	6
36	36	36	36	36	14	36	1	36	1	36	1	36	1	36	1	36	1	36	1	36	1	36	1	36	1
37	37	37	37	37	12	37	1	37	1	37	1	37	1	37	1	37	1	37	1	37	1	37	1	37	1
38	38	38	38	38	12	38	1	38	1	38	1	38	1	38	1	38	1	38	1	38	1	38	1	38	1
39	39	39	39	39	12	39	1	39	1	39	1	39	1	39	1	39	1	39	1	39	1	39	1	39	1
40	40	40	40	40	13	40	1	40	1	40	1	40	1	40	1	40	1	40	1	40	1	40	1	40	1
41	41	41	41	41	13	41	2	41	3	41	3	41	4	41	4	41	5	41	5	41	6	41	6	41	6
42	42	42	42	42	12	42	1	42	1	42	1	42	1	42	1	42	1	42	1	42	1	42	1	42	1
43	43	43	43	43	1	43	1	43	1	43	1	43	1	43	1	43	1	43	12	43	12	43	1	43	1
44	44	44	44	44	1	44	1	44	1	44	1	44	1	44	1	44	1	44	1	44	1	44	1	44	1
45	45	45	45	45	1	45	1	45	1	45	1	45	1	45	1	45	1	45	1	45	1	45	1	45	1
46	46	46	46	46	1	46	1	46	1	46	1	46	1	46	1	46	1	46	1	46	1	46	1	46	1
47	47	47	47	47	1	47	1	47	1	47	1	47	1	47	1	47	1	47	1	47	1	47	1	47	1

266

A

910
Page 103
910 (MOD)
PAGE 15
A

107942 A

NO	DRAWING NO	DESCRIPTION	REFERENCE DESIGNATION	REV
1	910(MOD)	DIAGRAM LOGIC COMPUTER MCE		A
NOTES UNLESS SPECIFIED		MATERIAL LIST		
1. TOLERANCES	AS SHOWN	SDS		
2. BREAK ALL SHARP EDGES	BY APPROX	1444 FIFTEENTH STREET SANTA MONICA CALIFORNIA		
3. HATCH SURFACES	✓	TITLE		
4. ALL DIM IN INCHES		DRAWN: [Signature]		
5. CHECK: [Signature]		DATE: 9-3-66		
6. APPR: [Signature]		SCALE		
7. MODEL NO	910(MOD)	REV	107942	A
8. NEXT APPR		SCALE	DO NOT SCALE DIMENSIONS	

REVISIONS			
REV	DESCRIPTION	CHK	DATE
A	REL TO MFG		

LOC	1	2	3	4	5	6	7	8	9	10	11	12	13
PIN	PAGE	PIN	PAGE	PIN	PAGE	PIN	PAGE	PIN	PAGE	PIN	PAGE	PIN	PAGE
1		1	69	1	52	1	66	1	68	1	45	1	46
2		2		2	61	2	68	2	68	2		2	42
3		3		3	52	3	52	3	52	3		3	
4		4		4		4		4		4		4	37
5		5		5		5		5		5		5	49
6		6		6		6	52	6		6		6	47
7		7		7		7	61	7	45	7		7	50
8		8		8		8	61	8	61	8		8	
9		9		9		9	61	9		9		9	49
10		10		10		10	61	10		10	48	10	42
11		11		11		11	68	11		11	69	11	42
12		12		12		12		12		12	69	12	50
13		13		13		13		13		13	69	13	
14		14		14		14		14	61	14		14	91
15		15		15		15		15	45	15		15	
16		16		16		16	68	16		16	45	16	
17		17		17		17	52	17		17	45	17	
18		18		18		18		18		18	49	18	50
19		19		19		19		19		19	49	19	
20		20	69	20		20		20		20	49	20	
21		21	52,69	21		21		21		21	49	21	
22		22	52	22		22		22		22	43	22	
23		23		23		23		23		23	43	23	
24		24		24		24		24		24	43	24	
25		25		25	52	25	52	25		25	49	25	50
26		26		26	66	26	68	26		26	49	26	48
27		27		27		27		27		27	49	27	
28		28		28		28		28		28	72	28	
29		29		29		29		29		29	72	29	
30		30		30		30		30		30	72	30	
31		31		31		31		31		31	49	31	
32		32		32		32		32		32	49	32	
33		33		33	66	33	68	33		33	48	33	48
34		34		34	52	34	68,59	34		34	49	34	50
35		35		35		35	69	35		35	49	35	
36		36		36		36	69	36		36	49	36	
37		37		37		37	69	37		37	48	37	
38		38		38		38	68	38		38	49	38	
39		39		39		39		39		39		39	
40		40		40		40		40		40		40	
41		41	52	41		41		41	45	41	46	41	47
42		42		42		42		42		42		42	49
43		43		43	52	43	52	43		43	49	43	50
44		44		44		44		44		44		44	
45		45		45		45		45		45		45	
46		46		46		46		46		46		46	
47		47		47		47		47		47		47	

910
Page 107
910 (MOD)
PAGE 16
A

1079421A

DRAWING NO.	DESCRIPTION	REFERENCE DESIGNATION	REV
MATERIAL LIST			
NOTED UNLESS SPECIFIED	DRAWN	CHKD	DATE
1. TOLERANCES UNLESS SPECIFIED	2. DIMENSIONS UNLESS SPECIFIED	3. SURFACE FINISH UNLESS SPECIFIED	4. ALL DIMENSIONS IN INCHES
5. HOLE ALL DIMENSIONS UNLESS SPECIFIED	6. HOLE FINISH UNLESS SPECIFIED	7. HOLE TOLERANCE UNLESS SPECIFIED	8. ALL DIMENSIONS IN INCHES
910(MOD)			
TITLE		REV	DATE
DIAGRAM, LOGIC, COMPUTER MOD		D	107942
			A

REVISIONS			
REV	DESCRIPTION	DATE	APPROVED
A	RFL TO MFG		

LOC 14		LOC 15		LOC 16		LOC 17		LOC 18		LOC 19		LOC 20		LOC 21		LOC 22		LOC 23		LOC 24		LOC 25		LOC			
PIN	PAGE	PIN	PAGE	PIN	PAGE	PIN	PAGE	PIN	PAGE	PIN	PAGE	PIN	PAGE	PIN	PAGE	PIN	PAGE	PIN	PAGE	PIN	PAGE	PIN	PAGE	PIN	PAGE	PIN	PAGE
1	51	1		1	66	1	42	1	42	1	43	1	44	1	44	1	62	1	93	1	93	1		1			
2		2	40,41	2	43	2	66	2		2		2		2		2	43	2	91	2		2		2			
3		3	40	3		3	42	3		3		3		3		3	91	3		3		3		3			
4		4	40	4		4		4	42	4		4		4		4		4		4	93	4		4			
5		5	40	5		5		5	39	5		5		5		5		5		5	22	5		5			
6	51	6		6	43	6	42	6	39	6		6		6		6	91	6	91	6	92	6		6			
7	51,70	7	41	7	84	7	40,42	7	39	7	43	7	44	7	44	7	90,91	7	93	7	92	7		7			
8	51	8	41	8		8	42	8	42	8	39	8	67	8	39	8	91	8		8	93	8		8			
9		9	41	9		9	42	9	42	9		9	67	9		9	91	9		9	93	9		9			
10		10		10		10	42	10	48	10		10	67	10		10	91	10		10	92	10		10			
11		11	40	11		11	40	11	43	11		11	43,57	11		11	90	11		11	92	11		11			
12		12	40	12		12	40	12	42	12		12	43	12		12		12		12	93	12		12			
13		13	40	13		13	40	13	42	13		13	43	13		13		13		13	33	13		13			
14		14	67	14		14	42	14	43	14	39	14	43	14	39	14		14		14	55	14		14			
15		15	40	15		15	42	15	42	15	43	15	44	15	44	15		15		15	55	15		15			
16		16		16	84	16	42	16	42	16		16		16		16	93	16	92	16		16		16			
17		17		17	40	17	51	17		17		17		17		17		17	92	17	92	17		17			
18		18		18		18		18		18		18		18		18		18		18	92	18		18			
19		19		19		19		19		19		19		19		19		19		19	93	19		19			
20	51	20		20		20		20		20		20		20		20		20		20	93	20		20			
21	41,51	21		21		21		21	42	21		21		21		21		21		21	93	21		21			
22	41	22	40	22		22		22	67	22		22		22		22		22		22	65	22		22			
23		23	41	23		23		23	67	23		23		23		23		23		23	65	23		23			
24		24		24		24		24	67	24		24		24		24		24		24	65	24		24			
25		25		25	40	25	51	25	48	25		25		25		25	90	25		25	93	25		25			
26		26		26	41	26	48	26	46	26		26		26		26	91	26		26	93	26		26			
27	41	27		27		27		27	48	27	43	27	44	27	44	27		27		27	93	27		27			
28	51	28		28		28		28	42	28	39	28		28	39	28		28		28	92	28		28			
29	51	29		29		29		29	42	29		29		29		29		29		29	92	29		29			
30	51	30		30		30		30	42	30		30		30		30		30		30	92	30		30			
31	41,51	31		31		31		31	43	31		31	42	31		31		31		31	93	31		31			
32	41	32	41	32		32		32	43	32		32		32		32		32		32	93	32		32			
33		33	51	33	41	33	48	33	48	33		33		33		33		33	92	33	92	33		33			
34		34		34	48	34	42	34	39	34	39	34	42	34	39	34		34	92,49	34	92	34		34			
35		35		35		35	50	35	43	35	44	35	44	35		35	49	35	93	35	93	35		35			
36		36		36		36	39	36		36		36		36		36	49	36	92	36	92	36		36			
37		37		37		37	55	37		37		37		37		37	49	37	92	37	92	37		37			
38		38		38		38	50	38		38		38		38		38	92	38	93	38	93	38		38			
39		39		39		39	39	39		39		39		39		39		39		39	93	39		39			
40		40		40		40		40	42	40		40		40		40		40		40	93	40		40			
41	41	41		41		41	42	41	43	41	44	41	44	41		41		41		41	93	41		41			
42		42		42		42		42	39	42		42		42		42		42		42	93	42		42			
43		43	51	43	48	43	42	43	42	43		43		43	91	43	92	43	93	43	93	43		43			
44		44		44		44		44		44		44		44		44		44		44	93	44		44			
45		45		45		45		45		45		45		45		45		45		45	93	45		45			
46		46		46		46		46		46		46		46		46		46		46	93	46		46			
47		47		47		47		47		47		47		47		47		47		47	93	47		47			

268


C

910
Page 109
910 (MOD)
PAGE 17
A

107942A

REV	DRAWING NO	DESCRIPTION	REFERENCE DESIGNATION	DATE

NOTES UNLESS SPECIFIED		MATERIAL LIST	
1. TELEGRAPHIC	ASSEMBLY	CHECK	
2. BREAK ALL SHARP CORNERS	BY DATE	APPR	
3. HATCH SURFACES			
4. ALL DIM IN INCHES			

 SDS SYSTEMS DATA SYSTEMS 345 FIFTEENTH STREET SANTA MONICA, CALIFORNIA	
TITLE DIAGRAM, LOGIC, COMPUTER MOD	
MODEL NO 910 (MOD)	DATE NO D 107942
NEXT ADVY	SHEET A

REVISIONS			
REV	DESCRIPTION	CHG DATE	APPROVED
A	REL TO MFG		

LOC 1		LOC 2		LOC 3		LOC 4		LOC 5		LOC 6		LOC 7		LOC 8		LOC 9		LOC 10		LOC 11		LOC 12		LOC 13			
PIN	PAGE	PIN	PAGE	PIN	PAGE	PIN	PAGE	PIN	PAGE	PIN	PAGE	PIN	PAGE	PIN	PAGE	PIN	PAGE	PIN	PAGE	PIN	PAGE	PIN	PAGE	PIN	PAGE		
1	1	1	70	1	40	1	95	1	33	1	33	1	96	1	71	1	87	1	90	1	72	1	85				
2	2	71	2	95	2	95	2	2	96	2	33	2	87	2	2	87	2	2	87	2	2	2	2	95			
3	3	70	3	3	3	3	3	3	3	3	94	3	3	3	3	96	3	3	3	3	3	3	3	3	85		
4	4	70	4	4	4	4	4	4	4	4	4	4	4	4	4	4	4	4	90	4	4	4	4	4	33		
5	5	70	5	95	5	5	5	5	96	5	5	5	5	5	5	5	5	5	72	5	5	5	5	5	5		
6	6	70	6	6	6	6	6	6	33	6	94	6	6	6	6	96	6	6	72	6	6	6	6	6	6		
7	7	806168	7	95	7	7	7	7	96	7	94,96	7	7	7	87	7	7	7	72	7	7	7	7	7	7		
8	8	51	8	8	8	8	8	8	96	8	94	8	8	8	8	8	8	8	71	8	8	8	8	8	8		
9	9	51	9	9	9	9	9	9	96	9	94	9	9	9	9	9	9	9	9	9	9	9	9	9	9		
10	10	51	10	10	10	10	10	10	33	10	94	10	96	10	10	10	10	10	10	10	10	10	10	10	10		
11	11	68	11	11	11	11	11	11	96	11	96	11	65,96	11	11	11	11	11	71	11	11	11	11	11	11		
12	12	63	12	12	12	12	12	12	96	12	12	65	12	12	12	12	12	12	84	12	12	12	12	12	12		
13	13	63	13	95	13	95	13	13	96	13	13	65	13	13	13	13	13	13	84	13	13	13	13	13	13		
14	14	90	14	62	14	21	14	14	60	14	14	65	14	14	14	14	14	14	87	14	14	14	14	14	14		
15	15	90	15	95	15	98	15	15	96	15	15	96	15	15	15	15	15	15	37	15	15	15	15	15	15		
16	16	90	16	98	16	16	16	16	16	16	16	16	16	16	16	16	16	16	72	16	16	16	16	16	16		
17	17	31	17	95	17	98	17	17	17	17	17	17	17	17	17	17	17	17	72	17	17	17	17	17	17		
18	18	18	18	26	18	18	18	18	18	18	18	18	18	18	18	18	18	18	72	18	18	18	18	18	18		
19	19	19	19	35	19	95	19	19	19	19	19	19	19	19	19	19	19	19	50	19	19	19	19	19	19		
20	20	20	20	20	20	95	20	20	20	20	96	20	20	20	20	20	20	20	50	20	20	20	20	20	20		
21	21	51	21	21	21	95,98	21	21	21	21	94,96	21	21	21	21	21	21	21	50	21	21	21	21	21	21		
22	22	67	22	22	95	22	98	22	96	22	22	94	22	22	22	22	22	22	39	22	22	22	22	22	22		
23	23	67	23	23	98	23	23	23	98	23	23	23	23	23	23	23	23	23	23	23	23	23	23	23	23		
24	24	67	24	24	24	24	24	24	24	24	24	24	24	24	24	24	24	24	24	24	24	24	24	24	24		
25	25	25	25	25	25	25	25	25	25	25	25	25	25	25	25	25	25	25	72	25	25	25	25	25	25		
26	26	26	26	26	26	26	26	26	26	26	26	26	26	26	26	26	26	26	72	26	26	26	26	26	26		
27	27	27	27	27	27	27	27	27	27	27	27	27	27	27	27	27	27	27	72	27	27	27	27	27	27		
28	28	28	28	28	28	28	28	28	28	28	28	28	28	28	28	28	28	28	90	28	28	28	28	28	28		
29	29	29	29	29	29	29	29	29	29	29	29	29	29	29	29	29	29	29	90	29	29	29	29	29	29		
30	30	30	30	30	30	30	30	30	30	30	30	30	30	30	30	30	30	30	90	30	30	30	30	30	30		
31	31	31	31	31	31	31	31	31	31	31	31	31	31	31	31	31	31	31	45	31	31	31	31	31	31		
32	32	32	32	32	32	32	98	32	32	32	32	32	32	32	32	32	32	32	45	32	32	32	32	32	94		
33	33	33	33	33	33	33	95,98	33	33	33	33	87	33	33	33	33	33	33	87	33	33	33	33	33	33		
34	34	51,67,90	34	34	34	34	95	34	34	34	94,96,97	34	34	34	34	34	34	34	42	34	34	34	34	34	34		
35	35	51	35	35	35	35	35	35	35	35	96	35	35	35	35	35	35	35	67	35	35	35	35	35	35		
36	36	51	36	36	36	36	36	36	36	36	36	96	36	36	36	36	36	36	42	36	36	36	36	36	50		
37	37	51	37	37	37	37	37	37	37	37	37	96	37	37	37	37	37	37	87	37	37	37	37	37	34		
38	38	90	38	38	38	38	95	38	38	38	94	38	38	38	38	38	38	38	38	38	38	38	38	38	38		
39	39	90	39	39	39	39	96	39	39	39	94	39	39	39	39	39	39	39	94	39	39	39	39	39	85		
40	40	90	40	40	40	40	40	40	40	40	94	40	40	40	40	40	40	40	94	40	40	40	40	40	85		
41	41	67	41	41	41	98	41	41	41	41	94	41	41	41	41	41	41	41	47	41	41	41	41	41	41		
42	42	67	42	42	42	42	42	42	42	42	42	42	42	42	42	42	42	42	47	42	42	42	42	42	42		
43	43	67	43	95	43	98	43	43	96	43	96	43	96	43	43	43	43	43	47	43	43	43	43	43	43		
44	44	44	44	44	44	44	44	44	44	44	44	44	44	44	44	44	44	44	44	44	44	44	44	44	44		
45	45	45	45	45	45	45	45	45	45	45	45	45	45	45	45	45	45	45	45	45	45	45	45	45	45		
46	46	46	46	46	46	46	46	46	46	46	46	46	46	46	46	46	46	46	46	46	46	46	46	46	46		
47	47	47	47	47	47	47	47	47	47	47	47	47	47	47	47	47	47	47	47	47	47	47	47	47	47		

90
Page 109
91C (MOD)
PAGE 18
A

107942 | A

DRAWING NO.		DESCRIPTION		REFERENCE DESIGNATION		REV	
						A	
NOTES UNLESS SPECIFIED							
1. UNLESS OTHERWISE SPECIFIED, ALL DIMENSIONS ARE IN INCHES.							
2. HOLE LOCATIONS ARE AS SHOWN ON THE DRAWING.							
3. HOLE DIAMETERS ARE AS SHOWN ON THE DRAWING.							
4. HOLE DEPTHS ARE AS SHOWN ON THE DRAWING.							
5. HOLE TOLERANCES ARE AS SHOWN ON THE DRAWING.							
6. HOLE FINISHES ARE AS SHOWN ON THE DRAWING.							
7. HOLE DRILLING IS TO BE DONE BY THE CUSTOMER.							
8. HOLE DRILLING IS TO BE DONE BY THE CUSTOMER.							
9. HOLE DRILLING IS TO BE DONE BY THE CUSTOMER.							
10. HOLE DRILLING IS TO BE DONE BY THE CUSTOMER.							
11. HOLE DRILLING IS TO BE DONE BY THE CUSTOMER.							
12. HOLE DRILLING IS TO BE DONE BY THE CUSTOMER.							
13. HOLE DRILLING IS TO BE DONE BY THE CUSTOMER.							
14. HOLE DRILLING IS TO BE DONE BY THE CUSTOMER.							
15. HOLE DRILLING IS TO BE DONE BY THE CUSTOMER.							
16. HOLE DRILLING IS TO BE DONE BY THE CUSTOMER.							
17. HOLE DRILLING IS TO BE DONE BY THE CUSTOMER.							
18. HOLE DRILLING IS TO BE DONE BY THE CUSTOMER.							
19. HOLE DRILLING IS TO BE DONE BY THE CUSTOMER.							
20. HOLE DRILLING IS TO BE DONE BY THE CUSTOMER.							
21. HOLE DRILLING IS TO BE DONE BY THE CUSTOMER.							
22. HOLE DRILLING IS TO BE DONE BY THE CUSTOMER.							
23. HOLE DRILLING IS TO BE DONE BY THE CUSTOMER.							
24. HOLE DRILLING IS TO BE DONE BY THE CUSTOMER.							
25. HOLE DRILLING IS TO BE DONE BY THE CUSTOMER.							
26. HOLE DRILLING IS TO BE DONE BY THE CUSTOMER.							
27. HOLE DRILLING IS TO BE DONE BY THE CUSTOMER.							
28. HOLE DRILLING IS TO BE DONE BY THE CUSTOMER.							
29. HOLE DRILLING IS TO BE DONE BY THE CUSTOMER.							
30. HOLE DRILLING IS TO BE DONE BY THE CUSTOMER.							
31. HOLE DRILLING IS TO BE DONE BY THE CUSTOMER.							
32. HOLE DRILLING IS TO BE DONE BY THE CUSTOMER.							
33. HOLE DRILLING IS TO BE DONE BY THE CUSTOMER.							
34. HOLE DRILLING IS TO BE DONE BY THE CUSTOMER.							
35. HOLE DRILLING IS TO BE DONE BY THE CUSTOMER.							
36. HOLE DRILLING IS TO BE DONE BY THE CUSTOMER.							
37. HOLE DRILLING IS TO BE DONE BY THE CUSTOMER.							
38. HOLE DRILLING IS TO BE DONE BY THE CUSTOMER.							
39. HOLE DRILLING IS TO BE DONE BY THE CUSTOMER.							
40. HOLE DRILLING IS TO BE DONE BY THE CUSTOMER.							
41. HOLE DRILLING IS TO BE DONE BY THE CUSTOMER.							
42. HOLE DRILLING IS TO BE DONE BY THE CUSTOMER.							
43. HOLE DRILLING IS TO BE DONE BY THE CUSTOMER.							
44. HOLE DRILLING IS TO BE DONE BY THE CUSTOMER.							
45. HOLE DRILLING IS TO BE DONE BY THE CUSTOMER.							
46. HOLE DRILLING IS TO BE DONE BY THE CUSTOMER.							
47. HOLE DRILLING IS TO BE DONE BY THE CUSTOMER.							
48. HOLE DRILLING IS TO BE DONE BY THE CUSTOMER.							
49. HOLE DRILLING IS TO BE DONE BY THE CUSTOMER.							
50. HOLE DRILLING IS TO BE DONE BY THE CUSTOMER.							
51. HOLE DRILLING IS TO BE DONE BY THE CUSTOMER.							
52. HOLE DRILLING IS TO BE DONE BY THE CUSTOMER.							
53. HOLE DRILLING IS TO BE DONE BY THE CUSTOMER.							
54. HOLE DRILLING IS TO BE DONE BY THE CUSTOMER.							
55. HOLE DRILLING IS TO BE DONE BY THE CUSTOMER.							
56. HOLE DRILLING IS TO BE DONE BY THE CUSTOMER.							
57. HOLE DRILLING IS TO BE DONE BY THE CUSTOMER.							
58. HOLE DRILLING IS TO BE DONE BY THE CUSTOMER.							
59. HOLE DRILLING IS TO BE DONE BY THE CUSTOMER.							
60. HOLE DRILLING IS TO BE DONE BY THE CUSTOMER.							
61. HOLE DRILLING IS TO BE DONE BY THE CUSTOMER.							
62. HOLE DRILLING IS TO BE DONE BY THE CUSTOMER.							
63. HOLE DRILLING IS TO BE DONE BY THE CUSTOMER.							
64. HOLE DRILLING IS TO BE DONE BY THE CUSTOMER.							
65. HOLE DRILLING IS TO BE DONE BY THE CUSTOMER.							
66. HOLE DRILLING IS TO BE DONE BY THE CUSTOMER.							
67. HOLE DRILLING IS TO BE DONE BY THE CUSTOMER.							
68. HOLE DRILLING IS TO BE DONE BY THE CUSTOMER.							
69. HOLE DRILLING IS TO BE DONE BY THE CUSTOMER.							
70. HOLE DRILLING IS TO BE DONE BY THE CUSTOMER.							
71. HOLE DRILLING IS TO BE DONE BY THE CUSTOMER.							
72. HOLE DRILLING IS TO BE DONE BY THE CUSTOMER.							
73. HOLE DRILLING IS TO BE DONE BY THE CUSTOMER.							
74. HOLE DRILLING IS TO BE DONE BY THE CUSTOMER.							
75. HOLE DRILLING IS TO BE DONE BY THE CUSTOMER.							
76. HOLE DRILLING IS TO BE DONE BY THE CUSTOMER.							
77. HOLE DRILLING IS TO BE DONE BY THE CUSTOMER.							
78. HOLE DRILLING IS TO BE DONE BY THE CUSTOMER.							
79. HOLE DRILLING IS TO BE DONE BY THE CUSTOMER.							
80. HOLE DRILLING IS TO BE DONE BY THE CUSTOMER.							
81. HOLE DRILLING IS TO BE DONE BY THE CUSTOMER.							

REVISIONS			
REV	DESCRIPTION	CHK	DATE
A	REL TO MFG		

LOC 14		LOC 15		LOC 16		LOC 17		LOC 18		LOC 19		LOC 20		LOC 21		LOC 22		LOC 23		LOC 24		LOC 25		LOC			
PIN	PAGE	PIN	PAGE	PIN	PAGE	PIN	PAGE	PIN	PAGE	PIN	PAGE	PIN	PAGE	PIN	PAGE	PIN	PAGE	PIN	PAGE	PIN	PAGE	PIN	PAGE	PIN	PAGE	PIN	PAGE
1	90	1		1	85	1	84	1	86	1	81	1	81	1	82	1	83	1	83	1	82	1					
2		2	41	2	85	2	84	2		2	81	2		2		2	83	2	83	2	82	2					
3	83	3	41	3	85	3	84	3		3	81	3		3		3	83	3	83	3	82	3					
4		4	41	4	84	4	91	4	86	4	59	4		4		4	82	4	82	4	82	4	93	4			
5		5	41	5		5		5		5	92	5		5		5	91	5		5		5	92	5			
6		6		6		6		6		6		6		6		6		6		6		6	92	6			
7		7	84	7		7		7	86	7	48	7		7		7		7		7		7		7			
8		8	84	8		8		8	86	8	59	8		8		8		8		8		8	93	8			
9		9	84	9		9		9	86	9	32,59	9		9		9		9		9		9		9			
10		10		10		10		10		10	92	10		10		10		10		10		10	82	10			
11		11	84	11		11		11		11	92	11		11		11	91	11		11		11		11			
12		12	84	12		12		12		12		12		12		12	90	12		12		12		12			
13		13	94	13		13		13	86	13	48	13		13		13		13		13	82	13	82	13			
14		14		14		14		14		14	48	14		14		14		14		14	55	14		14			
15		15	84	15		15	91	15		15	48,59	15		15		15	90	15		15	55	15	93	15			
16		16	84	16		16	85	16		16		16		16		16	48	16		16	82	16	83	16			
17		17	84	17		17		17		17		17		17		17	48	17		17		17		17			
18		18		18		18		18		18		18		18		18	48	18		18		18		18			
19		19	84	19		19		19		19		19		19		19	49	19		19		19		19			
20		20		20		20		20		20		20		20		20	48	20		20		20		20			
21		21		21		21		21		21		21		21		21	49	21		21		21		21			
22		22		22		22		22		22		22		22		22	91	22		22		22		22			
23		23		23		23		23		23		23		23		23	91	23		23		23		23			
24		24		24		24		24		24		24		24		24	91	24		24		24		24			
25		25		25	85	25		25		25		25		25		25	90	25		25		25	83	25			
26		26		26	84,85	26		26		26		26		26		26	90	26		26		26	82,83	26			
27		27		27	84	27		27		27		27		27		27	90	27		27		27	82	27			
28		28		28	84	28		28		28		28		28		28	91	28		28		28	82	28			
29		29		29	84,86	29		29		29		29		29		29		29		29		29	82,83	29			
30		30		30	84	30		30		30		30		30		30		30		30		30	82	30			
31		31		31		31		31		31		31		31		31		31		31		31		31			
32		32	84	32		32		32		32	81	32	81	32		32	82	32	82	32		32		32			
33	84	33		33		33		33		33		33		33	91	33		33		33		33		33			
34	43,57	34		34		34		34		34		34		34	49	34		34		34		34		34			
35	43	35		35		35		35		35		35		35	91	35		35		35		35		35			
36	43	36		36	84	36	86	36	81	36		36		36	49	36	92	36		36		36		36			
37	43	37		37	84	37	97	37	48	37	86	37	81	37	91	37	82	37	82	37		37		37			
38	57	38		38		38		38		38		38		38		38	91	38		38		38		38			
39	57	39		39	85	39		39		39		39	81	39	81	39	83	39	83	39	83	39		39			
40	57	40		40	85	40		40		40	81	40	81	40	81	40	82	40	83	40	83	40		40			
41	73	41		41		41	97	41	48	41	86	41		41		41	82	41		41		41	82	41			
42	73	42		42		42		42		42		42		42		42	91	42		42		42		42			
43	73	43	84	43		43		43		43		43		43		43		43		43		43		43			
44		44		44		44		44		44		44		44		44		44		44		44		44			
45		45		45		45		45		45		45		45		45		45		45		45		45			
46		46		46		46		46		46		46		46		46		46		46		46		46			
47		47		47		47		47		47		47		47		47		47		47		47		47			

270

D

910
Page 110
910 (MOD)
PAGE 19
A

107942 A

REV	DRAWING NO.	DESCRIPTION	REFERENCE DESIGNATION
NOTES UNLESS SPECIFIED			
1. TOLERANCES	AS SHOWN		
2. DIMENSIONS	UNLESS OTHERWISE SPECIFIED		
3. DIMENSIONS	UNLESS OTHERWISE SPECIFIED		
4. DIMENSIONS	UNLESS OTHERWISE SPECIFIED		
DRAWN		CHECK	DATE
APPD			
TITLE		SDS	
DIAGRAM, LOGIC, COMPUTER MOD		107942	
MODEL NO.		D	
910 (MOD)		107942	
NEXT ASSY		A	
SCALE		DO NOT SCALE DRAWINGS	

REVISIONS			
REV	DESCRIPTION	CHK	DATE
A	REL TO MFG		

LOC 1	LOC 2	LOC 3	LOC 4	LOC 5	LOC 6	LOC 7	LOC 8	LOC 9	LOC 10	LOC 11	LOC 12	LOC 13												
PIN	PAGE	PIN	PAGE	PIN	PAGE	PIN	PAGE	PIN	PAGE	PIN	PAGE	PIN	PAGE											
1	1	1	1	67	1	40	1	50	1	32	1	18	1	26	1	37	1	31	1	21	1	39	1	30
2	2	2	2	2	2	40	2	2	2	2	2	2	2	2	2	26	2	2	2	2	21	2	2	2
3	3	3	3	3	3	3	3	3	3	3	3	3	3	3	3	3	3	3	3	3	21	3	3	3
4	4	4	4	4	4	4	4	4	4	4	4	4	4	4	4	4	4	4	4	4	21	4	4	4
5	5	5	5	5	5	5	5	5	5	5	5	5	5	5	5	26	5	5	5	5	21	5	5	5
6	6	6	6	6	6	6	6	6	6	6	6	6	6	6	6	6	6	6	6	6	21	6	6	6
7	7	7	7	7	7	7	7	7	7	7	7	7	7	7	7	26	7	7	7	7	21	7	7	7
8	8	8	8	8	8	8	8	8	8	8	8	8	8	8	8	26	8	8	8	8	21	8	8	8
9	9	9	9	9	9	9	9	9	9	9	9	9	9	9	9	26	9	9	9	9	21	9	9	9
10	10	10	10	10	10	10	10	10	10	10	10	10	10	10	10	38	10	10	10	10	21	10	10	10
11	11	11	11	11	11	11	11	11	11	11	11	11	11	11	11	31	11	11	11	11	25,21	11	11	11
12	12	12	12	12	12	12	12	12	12	12	12	12	12	12	12	31	12	12	12	12	25	12	12	12
13	13	13	13	13	13	13	13	13	13	13	13	13	13	13	13	31	13	13	13	13	25	13	13	13
14	14	14	14	14	14	14	14	14	14	14	14	14	14	14	14	33	14	14	14	14	25	14	14	14
15	15	15	15	15	15	15	15	15	15	15	15	15	15	15	15	19	15	15	15	15	21	15	15	15
16	16	16	16	16	16	16	16	16	16	16	16	16	16	16	16	16	16	16	16	16	21	16	16	16
17	17	17	17	17	17	17	17	17	17	17	17	17	17	17	17	17	17	17	17	17	21	17	17	17
18	18	18	18	18	18	18	18	18	18	18	18	18	18	18	18	19	18	18	18	18	22	18	18	18
19	19	19	19	19	19	19	19	19	19	19	19	19	19	19	19	26	19	19	19	19	21	19	19	19
20	20	20	20	20	20	20	20	20	20	20	20	20	20	20	20	20	20	20	20	20	21	20	20	20
21	21	21	21	21	21	21	21	21	21	21	21	21	21	21	21	21	21	21	21	21	21	21	21	21
22	22	22	22	22	22	22	22	22	22	22	22	22	22	22	22	26	22	22	22	22	22	22	22	22
23	23	23	23	23	23	23	23	23	23	23	23	23	23	23	23	19	23	23	23	23	21	23	23	23
24	24	24	24	24	24	24	24	24	24	24	24	24	24	24	24	24	24	24	24	24	21	24	24	24
25	25	25	25	25	25	25	25	25	25	25	25	25	25	25	25	25	25	25	25	25	21	25	25	25
26	26	26	26	26	26	26	26	26	26	26	26	26	26	26	26	26	26	26	26	26	21	26	26	26
27	27	27	27	27	27	27	27	27	27	27	27	27	27	27	27	27	27	27	27	27	21	27	27	27
28	28	28	28	28	28	28	28	28	28	28	28	28	28	28	28	28	28	28	28	28	25	28	28	28
29	29	29	29	29	29	29	29	29	29	29	29	29	29	29	29	29	29	29	29	29	21	29	29	29
30	30	30	30	30	30	30	30	30	30	30	30	30	30	30	30	30	30	30	30	30	21	30	30	30
31	31	31	31	31	31	31	31	31	31	31	31	31	31	31	31	22,49	31	31	31	31	21	31	31	31
32	32	32	32	32	32	32	32	32	32	32	32	32	32	32	32	32	32	32	32	32	21	32	32	32
33	33	33	33	33	33	33	33	33	33	33	33	33	33	33	33	33	33	33	33	33	21	33	33	33
34	34	34	34	34	34	34	34	34	34	34	34	34	34	34	34	34	34	34	34	34	25	34	34	34
35	35	35	35	35	35	35	35	35	35	35	35	35	35	35	35	35	35	35	35	35	21	35	35	35
36	36	36	36	36	36	36	36	36	36	36	36	36	36	36	36	36	36	36	36	36	21	36	36	36
37	37	37	37	37	37	37	37	37	37	37	37	37	37	37	37	37	37	37	37	37	21	37	37	37
38	38	38	38	38	38	38	38	38	38	38	38	38	38	38	38	38	38	38	38	38	21	38	38	38
39	39	39	39	39	39	39	39	39	39	39	39	39	39	39	39	39	39	39	39	39	21	39	39	39
40	40	40	40	40	40	40	40	40	40	40	40	40	40	40	40	40	40	40	40	40	21	40	40	40
41	41	41	41	41	41	41	41	41	41	41	41	41	41	41	41	41	41	41	41	41	21	41	41	41
42	42	42	42	42	42	42	42	42	42	42	42	42	42	42	42	42	42	42	42	42	21	42	42	42
43	43	43	43	43	43	43	43	43	43	43	43	43	43	43	43	43	43	43	43	43	21	43	43	43
44	44	44	44	44	44	44	44	44	44	44	44	44	44	44	44	44	44	44	44	44	21	44	44	44
45	45	45	45	45	45	45	45	45	45	45	45	45	45	45	45	45	45	45	45	45	21	45	45	45
46	46	46	46	46	46	46	46	46	46	46	46	46	46	46	46	46	46	46	46	46	21	46	46	46
47	47	47	47	47	47	47	47	47	47	47	47	47	47	47	47	47	47	47	47	47	21	47	47	47

GK51 IK51 GK51 IK51

910
Page III
910 (MOD)
PAGE 20
A

107942A

ISS NO.	DRAWING NO.	DESCRIPTION	REFERENCE DESIGNATION	ITER NO.
MATERIAL LIST				
NOTES UNLESS SPECIFIED				
1. TOLERANCES UNLESS SPECIFIED	DRAWN	CHECKED	APPROVED	TITLE
2. DIMENSIONS UNLESS SPECIFIED				SDS SYSTEMS DATA SYSTEMS 100 FIFTH STREET, SANTA ANA, CALIFORNIA
3. DRILL ALL DRILL HOLES AND APPROX.				
4. DRILL DEPTHS UNLESS SPECIFIED				DIAGRAM, LOGIC, COMPUTER MCG
5. ALL DIM. TO CENTER				MODEL NO. 910 (MOD)
				PART NO. 107942
				SCALE DO NOT SCALE DRAWING

910 MODULE LOCATION CHART

REVISIONS			
REV	DESCRIPTION	CHK	DATE
A	REL TO MFG		

	1	2	3	4	5	6	7	8	9	10	11	12	13	14	15	16	17	18	19	20	21	22	23	24	25			
A			G0		P1	P3	P5	P7	P9	P11	P13		EX	TE	Tm				S1	S3	S5	S7	S9	S11	S13			
			FK52	GK52	FK51	FK51	FK51	FK51	FK51	FK51	FK51	FK51	IR51	FK52	GK51	FK52	FK52	GK51	IK51	FK52	FK52	FK52	FK52	FK52	FK52	FK52		
B	Sw												CO	C2	C4	C6	C8	C10	C12	C14	C16	C18	C20	C22		C24		
		FK52	GK52	GK51	GK51	GK51	IK51	IK51	GK51	GK51	GK52	GK51	FK51	FK51	FK51	FK51	FK51	FK51	FK51	FK51	FK51	FK51	FK51	FK51	GK51	FK52		
C	CK54		SK				Q1	Q3	Q5				F1	F2					O1	O3	O5					Y		
		FK52	GK51	GK51	GK51	GK51	FK52	FK52	FK52	GK52	IK51	GK51	FK52	FK52	GK52	GK51	GK51	IK51	FK52	FK52	FK52	GK51	GK51	IK51		BUFFER		
D					P0			IX										AR	BR	BR						Ym		
		GK51	GK52	GK52	FK52	GK52	GK51	FK52	GK51	GK52	IK51	GK51	DK51	GK51	GK52	DK51	FK51	FK51	FK51	DK51	DK51	IK51	DK51	DK51	FK51		Xw	
E							W13	W12		W11	W10		W9	W4	W7		WF							Wm	R1	R2	R3	
		GK51	IK51	GK51	IK51	IK51	FK52	FK52	GK52	FK52	FK52	GK52	FK52	FK52	FK52	GK52	FK52	GK51	IK51	DK51	DK51	FK51	FK52	FK52	FK52			
F							W14	W6		W0	W4		W6	W5	W8		Rp						Ww	R6	R5	R4		
G	CONTR PANEL 1 P1	CONTR PANEL 2 P2	CONTR PANEL 3 P3	POT P10	EOM P10	INTER LACE 1 P10	AUX 1 P6	AUX 2 P6	AUX 3 P6	AUX 4 P6	MAG TAP 1 P14	PIN P15	PRIORITY INTERM P8	INTERMPT LOGIC SK55 162	SK55 304	PHOTO FLASH P4	PHOTO READER AMP HK54	PHOTO 1K53	READER RK51	LOGIC LAMP RES SK56						START STOP STOP STOP STOP P12	AUTO START STOP STOP STOP P12	INTER LACE 2 P11

272

910
Page 113
910 (MOD)
PAGE 21
A

107942/A

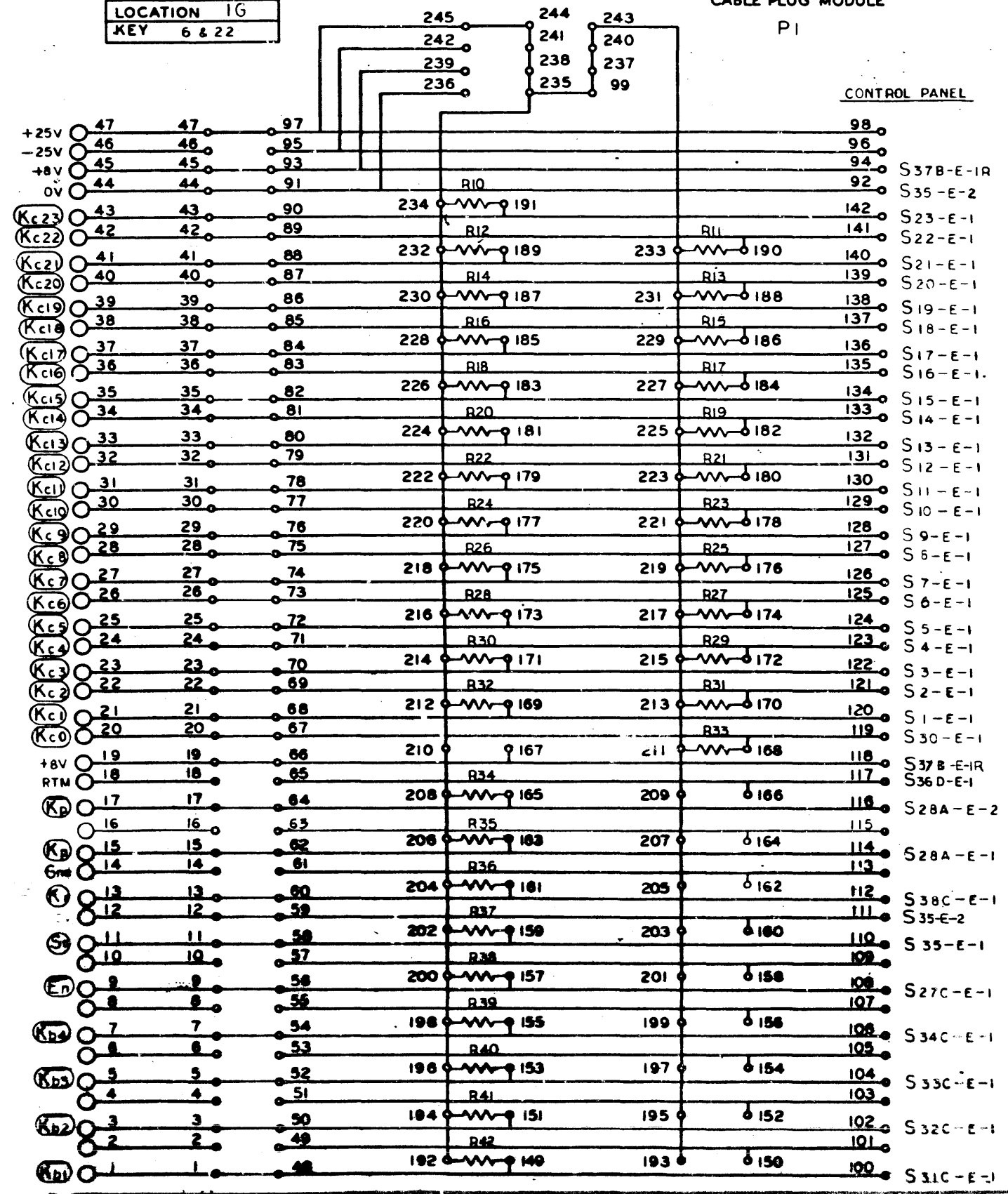
DRAWING NO.	DESCRIPTION	REFERENCE DESIGNATION	DATE
NOTES UNLESS SPECIFIED		MATERIAL LIST	
1. DIMENSIONS UNLESS SPECIFIED	2. ANGULAR DIMENSIONS	SDS	
3. HOLE ALL SHARP EDGES AND CORNERS	4. HOLE SURFACES	1502 FIFTEENTH STREET SANTA MONICA CALIFORNIA	
5. ALL DIM IN MILLIMETERS		TITLE	
		DIAGRAM, LOGIC, COMPUTER MOD	
DESIGNED BY 910 (MOD)	DRAWN BY	DATE	107942
CHECKED BY	APPROVED BY	SCALE	A

REVISIONS			
REV	DESCRIPTION	DATE	APPROVED
D	SEE REV. E.O.		
E	SEE REV. E.O.		
F	SEE REV. E.O.		
G	SEE REV. E.O.		
-	SEE REV. E.O.		

LOCATION 1G
KEY 6 & 22

CABLE PLUG MODULE
PI

REFERENCE DESIGNATIONS ARE ABBREVIATED. PREFIX THE DESIGNATION WITH UNIT NUMBER OR ASSEMBLY DESIGNATION OR BOTH. (MIL. STD. 16B)



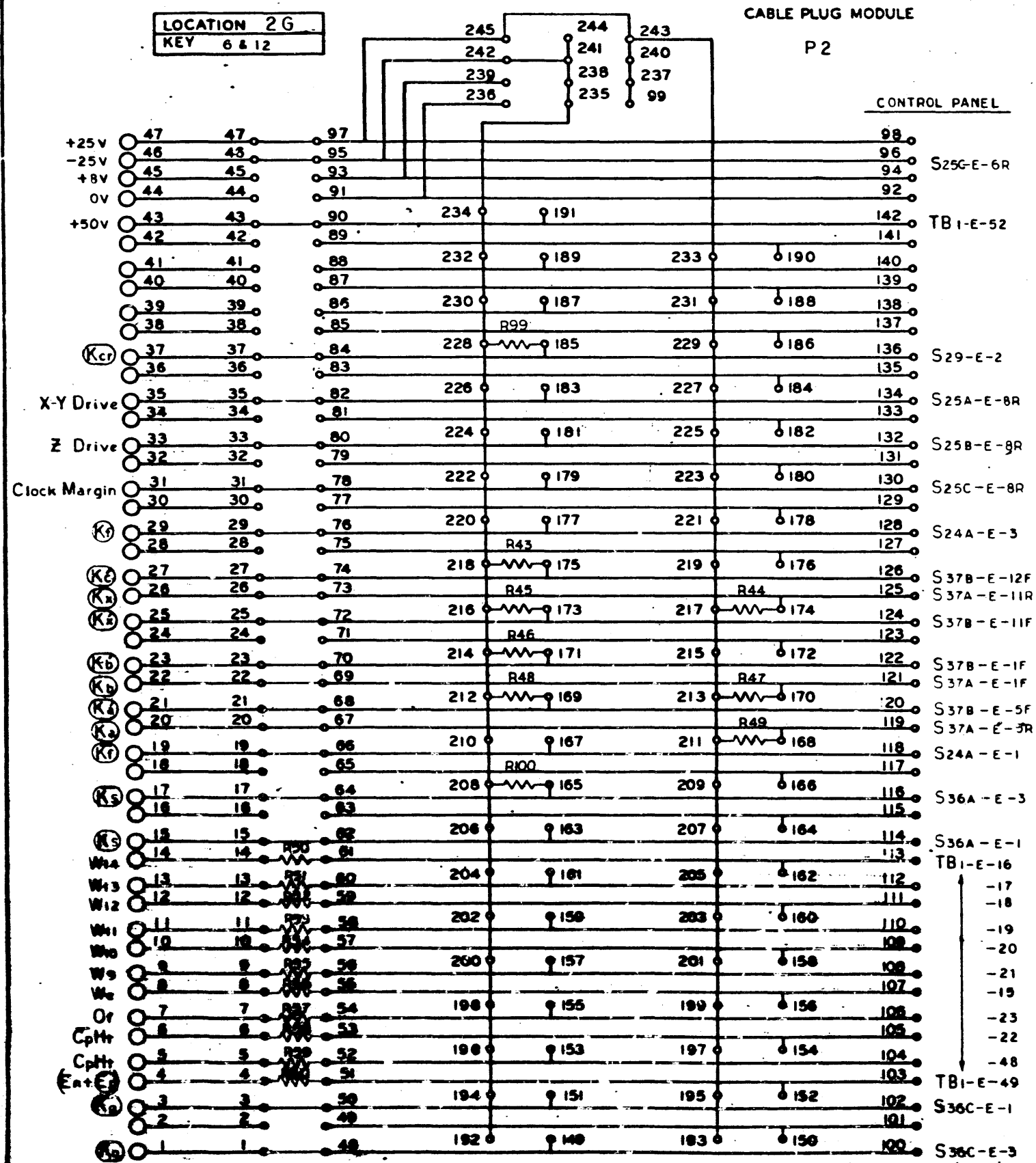
273

101157
H

113

DRAWING NO.		DESCRIPTION		REFERENCE DESIGNATION	
MATERIAL LIST					
NOTED UNLESS SPECIFIED	DATE	DWH	4-25-63	SDE	
NO. 1.00	DATE			101157	
NO. 2.00	DATE			101157	
NO. 3.00	DATE			101157	
NO. 4.00	DATE			101157	
NO. 5.00	DATE			101157	
SCHEMATIC, CONTROL PANEL					
910, 920				D	101157
100946					H

REVISIONS			
REV.	DESCRIPTION	CHK.	DATE
	SEE S-T. ONE		



ORDER NO.	DESCRIPTION	REFERENCE DESIGNATION
910,920	SCHEMATIC, CONTROL PANEL	
100946		

101157

113

101157

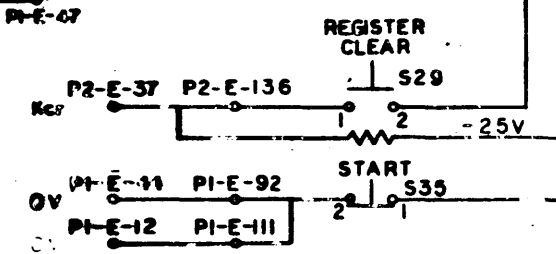
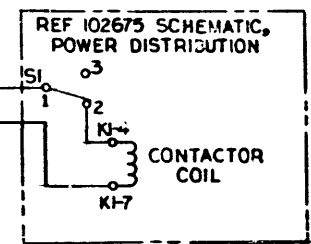
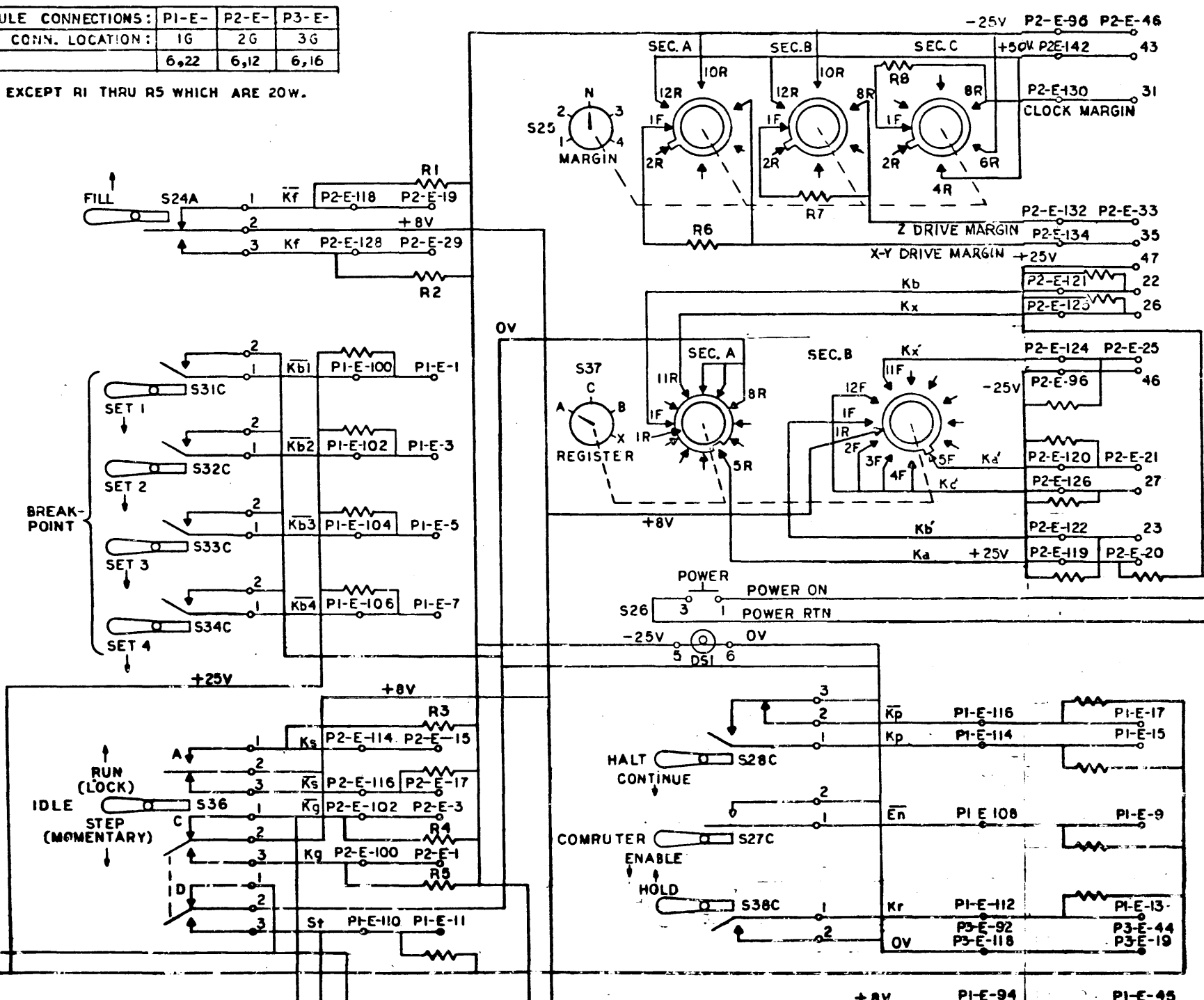
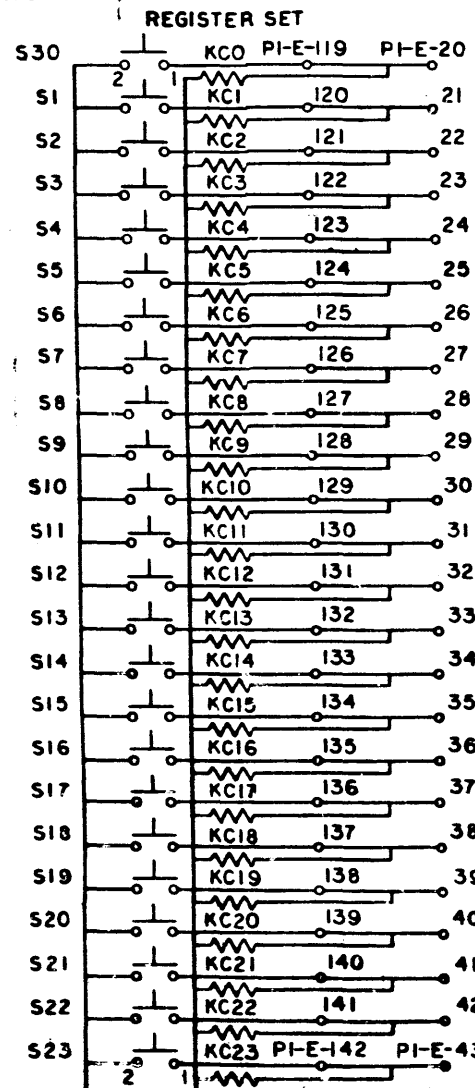
113

2 OF 6

NOTES:

1. CABLE PLUG MODULE CONNECTIONS:	PI-E-	P2-E-	P3-E-
TERMINATE AT COMPUTER CONN. LOCATION:	1G	2G	3G
KEY	6,22	6,12	6,16

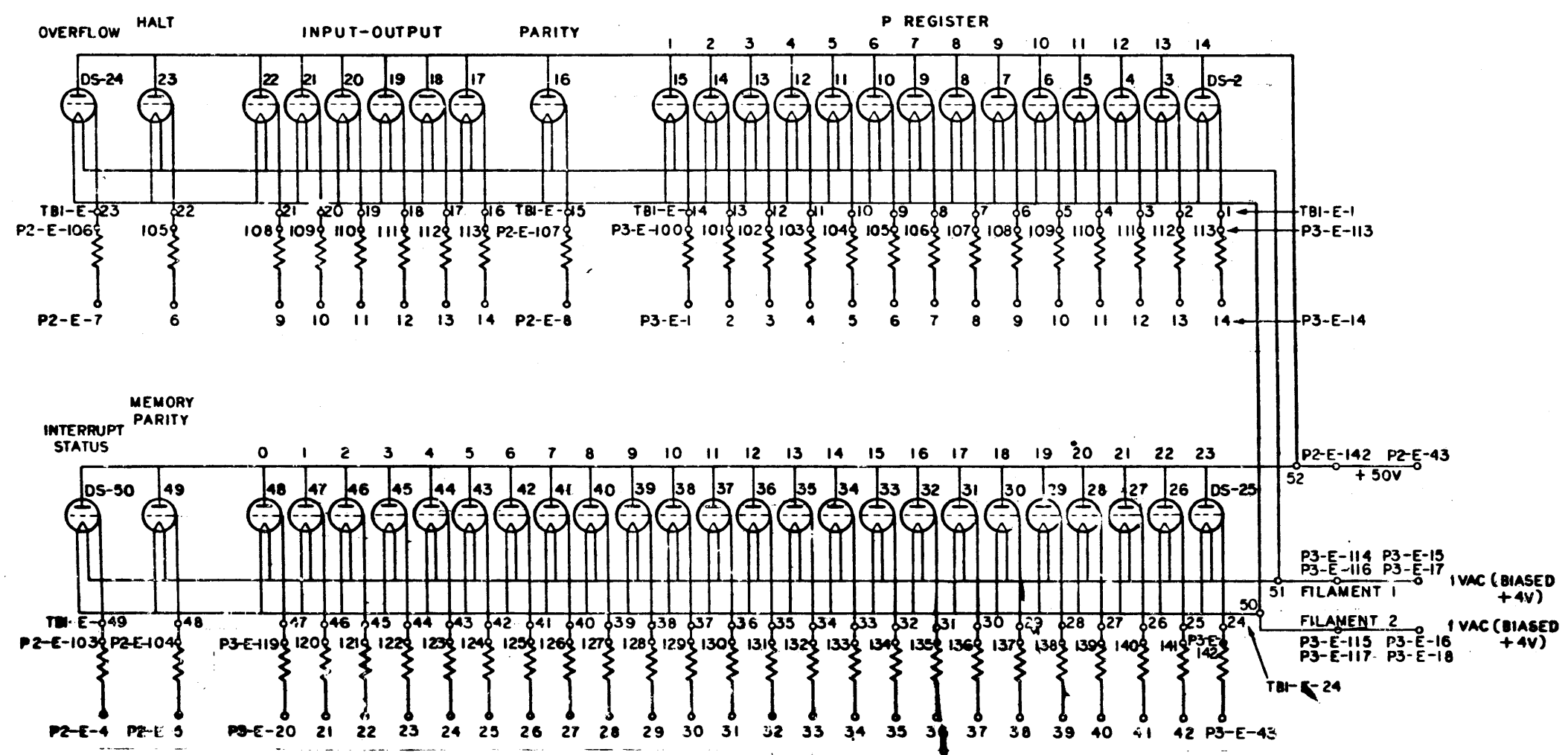
2. ALL RESISTORS ARE 1/2W ± 2% EXCEPT R1 THRU R5 WHICH ARE 20W.



DRAWING NO.	DESCRIPTION	REFERENCE DESIGNATION
910,920	SCHMATIC CONTROL PANEL	
100946		

REVISIONS	DATE
DESCRIPTION	CHK
5/23/70	

NOTES:
1. ALL RESISTORS 100K Ω 1/2 WATT \pm 2%.



277

UNCLASSIFIED	DESCRIPTION	REFERENCE DESIGNATION
79-62	79-62	
SERIAL LIST		
SDG		
TITLE		
SCHEMATIC CONTROL PANEL		
910, 920	U	101157 H
100946		

REPLACEMENT PARTS LIST

ITEM	DESCRIPTION	DESIGNATION	QTY	SUPPLIER CODE (SEE INDEX)
1	RESISTOR, W.W. 500Ω ± 5%	R1, R3	2	99, 100
2	↑ W.W. 250Ω ↓	R2	1	↑
3	W.W. 1K ↓	R4	1	↓
4	W.W. 1.5K ± 5%	R5	1	99, 100
5	27K ± 2%	R6	1	16, 17
6	1K ↑	R7, R8	2	↑
7	56K	(P1) R10 THRU R42 (P2) R44, R47, R49	36	
8	↓ 1.8K ↓	(P2) R43, R45, R46, R48	4	↓
9	RESISTOR, 100K ± 2%	(P2) R50 THRU R60 (P3) R61 THRU R98	49	16, 17
10	SWITCH, LEVER #101520	S24	1	SDS
11	↑ #101266 ↓	S27	1	↑
12	#100934	S28	1	
13	↓ #101521 ↓	S36	1	↓
14	SWITCH, LEVER #100933	S31 THRU S34, S38	5	
15	SWITCHLIGHT, RB. #100051	S26	1	↓
16	SWITCH, ROTARY, 5 POS. #101030	S25	1	↓
17	↑ ROTARY, 4 POS. #101039 ↓	S37	1	SDS
18	↓ PUSH BUTTON N.C. #30-2NC ↓	S35	1	112
19	SWITCH, PUSH BUTTON NO. #30-15	S1 THRU S23, S29, S30	25	↑
20	BUTTON, MOLDED #308102 (RED)	S29, S35	2	↓
21	BUTTON, MOLDED #308102 (BLUE)	S1 THRU S23, S30	24	112
22	INDICATOR, TRIODE #6977	DS2 THRU DS50	49	85, 96
23	RESISTOR, 3K ± 2%	(P2) R99, R100	2	16, 17
24	RESISTER, 56Ω ± 2%	(P1) R101	1	16, 17
25	CAPACITOR, .22 μF	(P1) C1	1	74, 26, 27

278

101157 H

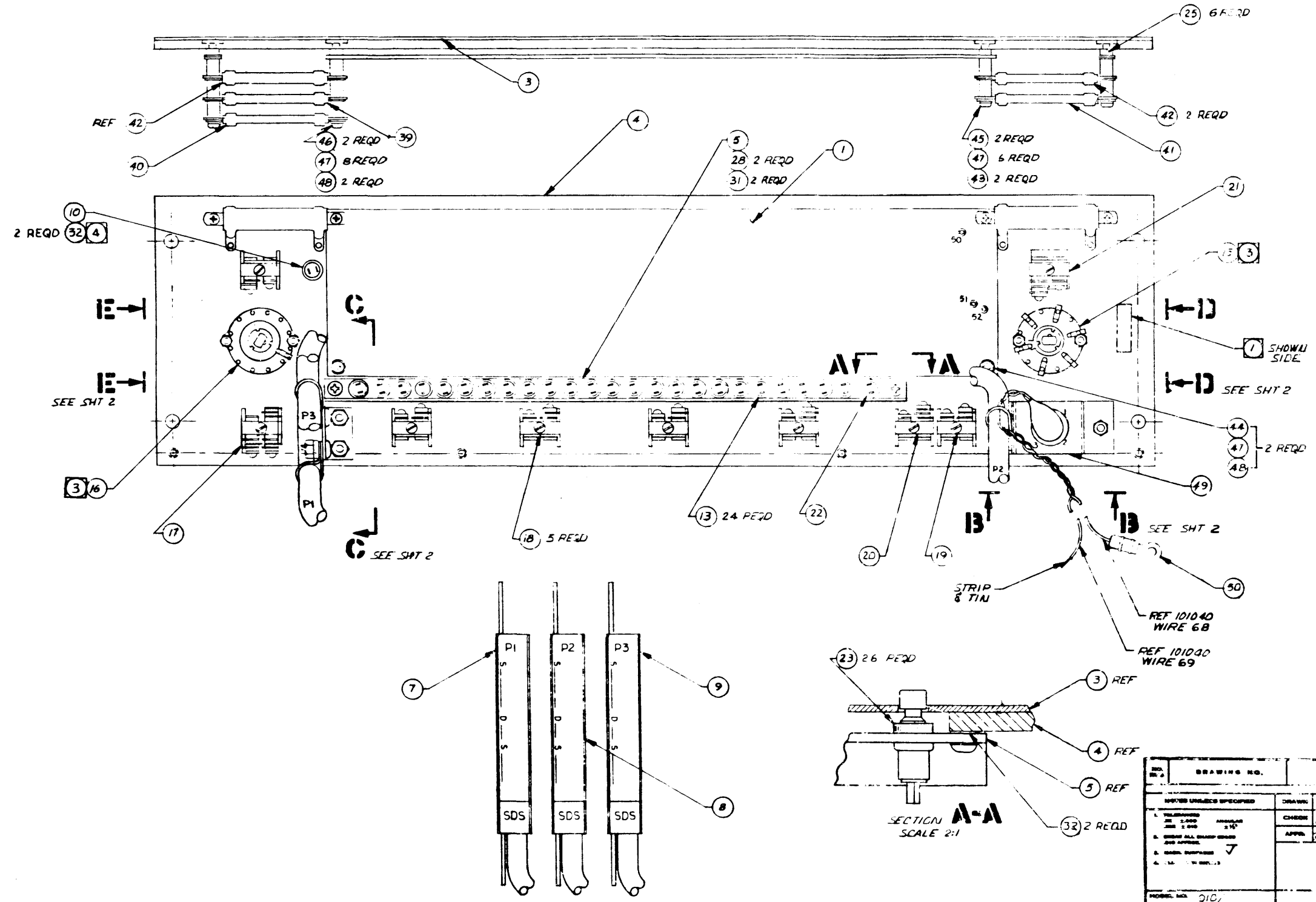
REVISIONS	DESCRIPTION	REFERENCE DESIGNATION
101157	SCHEMATIC, CONTROL PANEL	H
90, 920		
100946		

279

NOTES: UNLESS OTHERWISE SPECIFIED

- 1 IDENTIFY PART PER SDS 100198.
2. REF WIRE LISTS: 101040, 101041, 101042, 101043.
- 3 LOCK WASHERS FURNISHED WITH ITEMS 15 & 16 TO BE ON REAR SIDE OF PANEL.
- 4 MOUNT FLAT WASHERS (ITEM 52) ON REAR SIDE OF PANEL.

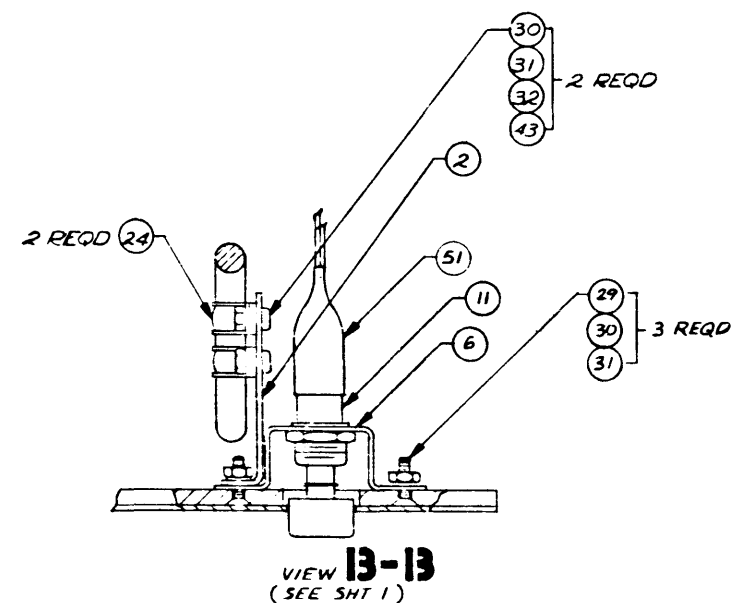
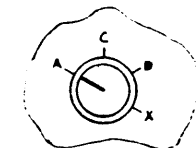
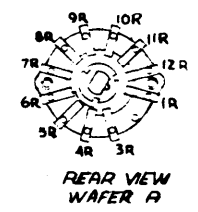
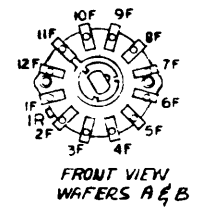
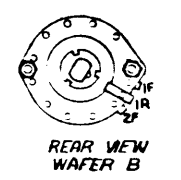
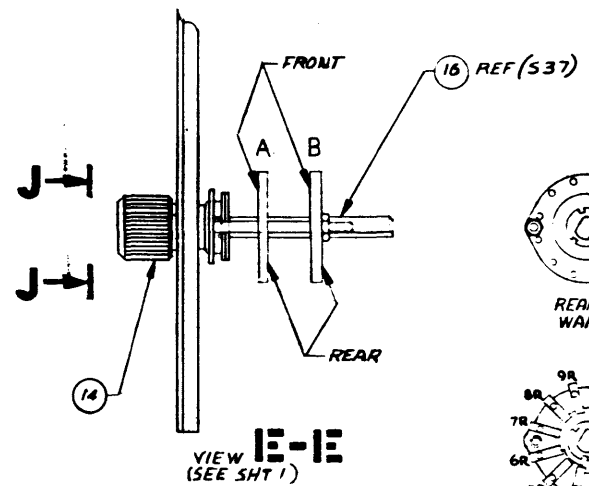
REVISIONS			
REV	DESCRIPTION	CHK	DATE
G	SEE REV. E.O.		
H	SEE REV. E.O.		
J	SEE REVISION E.O.		
K	SEE REVISION E.O.		
L	SEE REVISION E.O.		
N	SEE REVISION E.O.		
M	SEE REVISION E.O.		



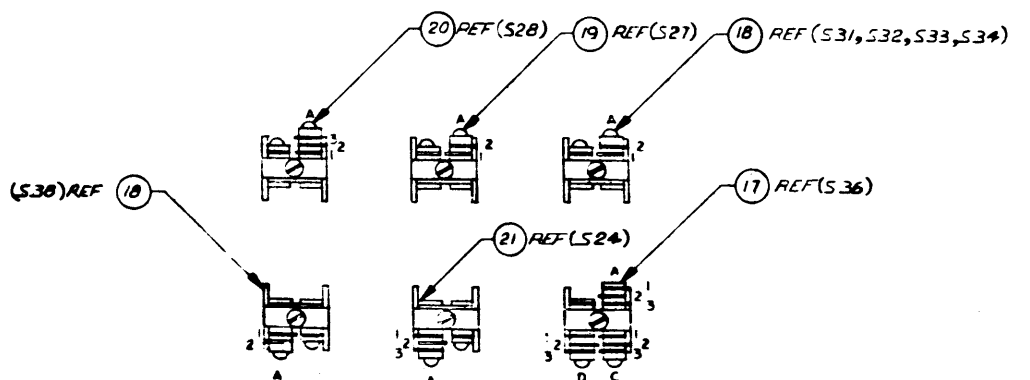
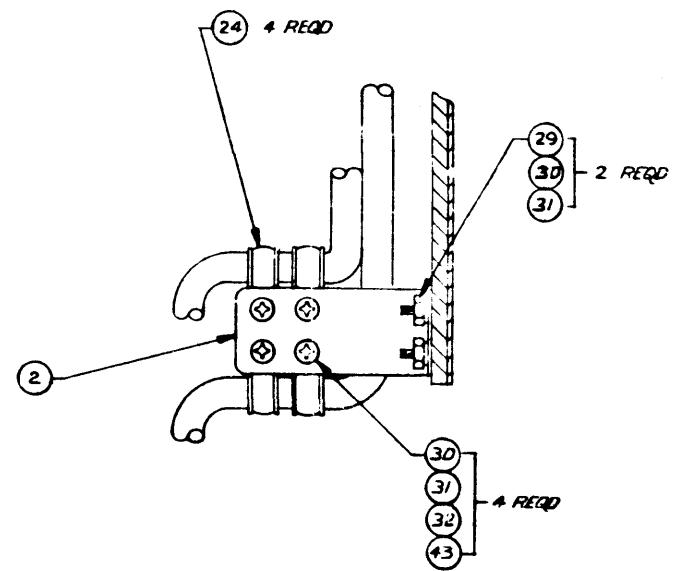
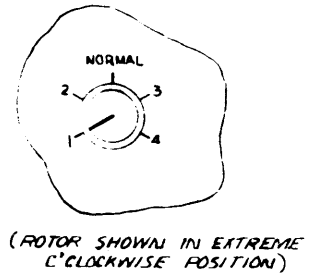
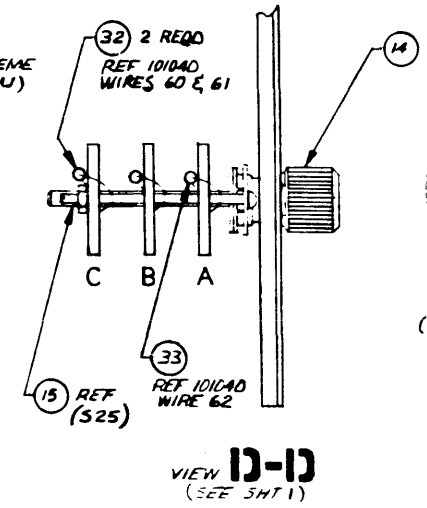
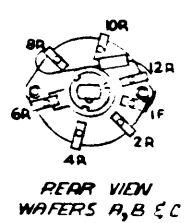
DRAWING NO.		DESCRIPTION		REFERENCE DESIGNATION	
MATERIAL LIST					
<p>UNLESS OTHERWISE SPECIFIED</p> <p>1. MATERIAL: 304 STAINLESS STEEL</p> <p>2. FINISH: POLISHED</p> <p>3. DIMENSIONS: AS SHOWN</p> <p>4. TOLERANCES: UNLESS OTHERWISE SPECIFIED</p>					
<p>MODEL NO. 010/1920</p> <p>REV. 100913</p> <p>100919</p>		<p>DATE: 10-16-62</p> <p>CHKD: [Signature]</p> <p>APPD: [Signature]</p>		<p>SDS 1 JEFFERSON AVENUE, BOSTON, MASSACHUSETTS</p> <p>TITLE: ASSY, CONTROL PANEL</p>	
<p>SCALE: 1/2" = 1"</p>		<p>DO NOT SCALE DIMENSIONS</p>		<p>100946</p>	

100946/N

REV.	DESCRIPTION	CHK.	DATE	APPROVED
	SEE SHT 1			



VIEW J-J
SCALE 1:1
(ROTOR SHOWN IN EXTREME
CLOCKWISE POSITION)



LEVER SWITCHES TO BE INSTALLED
IN SHOWN POSITIONS. WIRING POINTS
ARE INDICATED. (REF WIRE LIST 101040)

280

1009461 N

REV.	DRAWING NO.	DESCRIPTION	REFERENCE DESIGNATION	ITEM NO.
MATERIAL LIST				
NOTED UNLESS SPECIFIED				
DRAWN: J. H. S. / S. H. S.				
CHECK: C. B. ...				
APPR: G. ...				
SDS				
ASSY, CONTROL PANEL				
FORM NO. 910/920			REV. NO. 100946	N
FORM NO. 100913 100949				

DWG. NO.		MATERIAL LIST		SDS SCIENTIFIC DATA SYSTEMS		ML		DWG. NO.	
100946		ASSY. CONTROL PANEL		MOD # 910/920		DATE 7/1/72		SHEET 3 OF 4	
ITEM	DWG. TITLE	DWG. NO.	NO. REQ.	REMARKS OR CKT. DESIG.					
1	Assy, Indicator Board	100945	1						
2	Angle, Cable Clamp Mtg	100944	2						
3	Panel, Overlay Comp. Cont.	100052	1						
4	Panel, Sub Comp. Cont.	100056	1						
5	Angle, Switch Mtg	105185	1						
6	Bracket, Switch Mtg.	100058	1						
7	Assy, Cable Plug Module	100968	1	P1					
8	Assy, Cable Plug Module	100969	1	P2					
9	Assy, Cable Plug Module	100970	1	P3					
10	Switch, Pushbutton	101255-031	1	S35					
11	Switchlight P. B. Spec. Cont.	100051	1	S26					
12	Switch, Pushbutton	100074-001	2	S35, S29					
13	Switch, Pushbutton	101804-002	24	S1 thru S23, S30					
14	Knob, Knurled	100059	2	S25, S37					
15	Switch, Rotary 5 Pos.	101038	1	S25					
16	Switch, Rotary 4 Pos.	101039	1	S37					
17	Switch, Lever	101521	1	S36					
18	Switch, Lever Form A Lock	100933	5	S 31, 32, 33, 34, 33					
19	Switch, Lever, Form A Lock	101266	1	S27					
20	Switch, Lever Form D	100934	1	S28					
21	Switch, Lever, Form C Lock	101520	1	S24					
22	Switch, Pushbutton	101804-001	1	S29					
23	Nut, Ring	100114	26						
24	Clamp, Cable Nylon	100657-005	6						
25	Standoff, Threaded Rivet	101666-402	6						
26	Wire, Solid Teflon Ins	100239-024	50 Ft						
27	Tubing, Teflon	100274-032	50 Ft						
28	Screw, Pan Hd Rec. Phillip	100012-305	2						
29	Screw, Fl. Hd, Phil, (100%)	100039-308	5						
30	Nut, Hex Machine	100008-300	1						
31	Washer, Lock Int. Tooth	100024-300	13						
32	Washer, Flat	100018-300	8						
33	Resistor, 1/2 watt	100111-102	2	Ref. Wire List					
34	Resistor, 1/2 watt	100111-273	1	Ref. Wire List					
35	List, Wire, Cont. Panel	101040	x	Ref.					
36	List, Wire (Cable Plug Mod)	101041	x	Ref. P1					
37	List, Wire, Cable Plug Mod	101042	x	Ref. P2					
38	List, Wire, Cable Plug Mod	101043	x	Ref. P3					

SDS-K-106

DWG. NO.		MATERIAL LIST		SDS SCIENTIFIC DATA SYSTEMS		ML		DWG. NO.	
100946		ASSY. CONTROL PANEL		MOD # 910/920		DATE 2-2-72		SHEET 4 OF 4	
ITEM	DWG. TITLE	DWG. NO.	NO. REQ.	REMARKS OR CKT. DESIG.					
39	Resistor, Wirewound 20W	101155-102	1	R4					
40	Resistor, Wirewound 20W	101155-152	1	R5					
41	Resistor, Wirewound 20W	101155-251	1	R2					
42	Resistor, Wirewound 20W	101155-501	2	R1, R3					
43	Screw, Pan Hd	100012-306	6						
44	Screw, Pan Hd	100012-204	2						
45	Screw, Pan Hd	100012-218	2						
46	Screw, Pan Hd	100012-224	2						
47	Washer, Flat	100018-200	16						
48	Washer, Lock Int. Tooth	100024-200	6						
49	Wire, Stranded, Insul.	100238-016	10 ft						
50	Term. Insul., Ring Tongue	100988-001	1						
51	Tubing, Ins. Shrinkable	100744-313	1-1/2'						
52	Washer, Flat	100018-600	2						

SDS-E-106