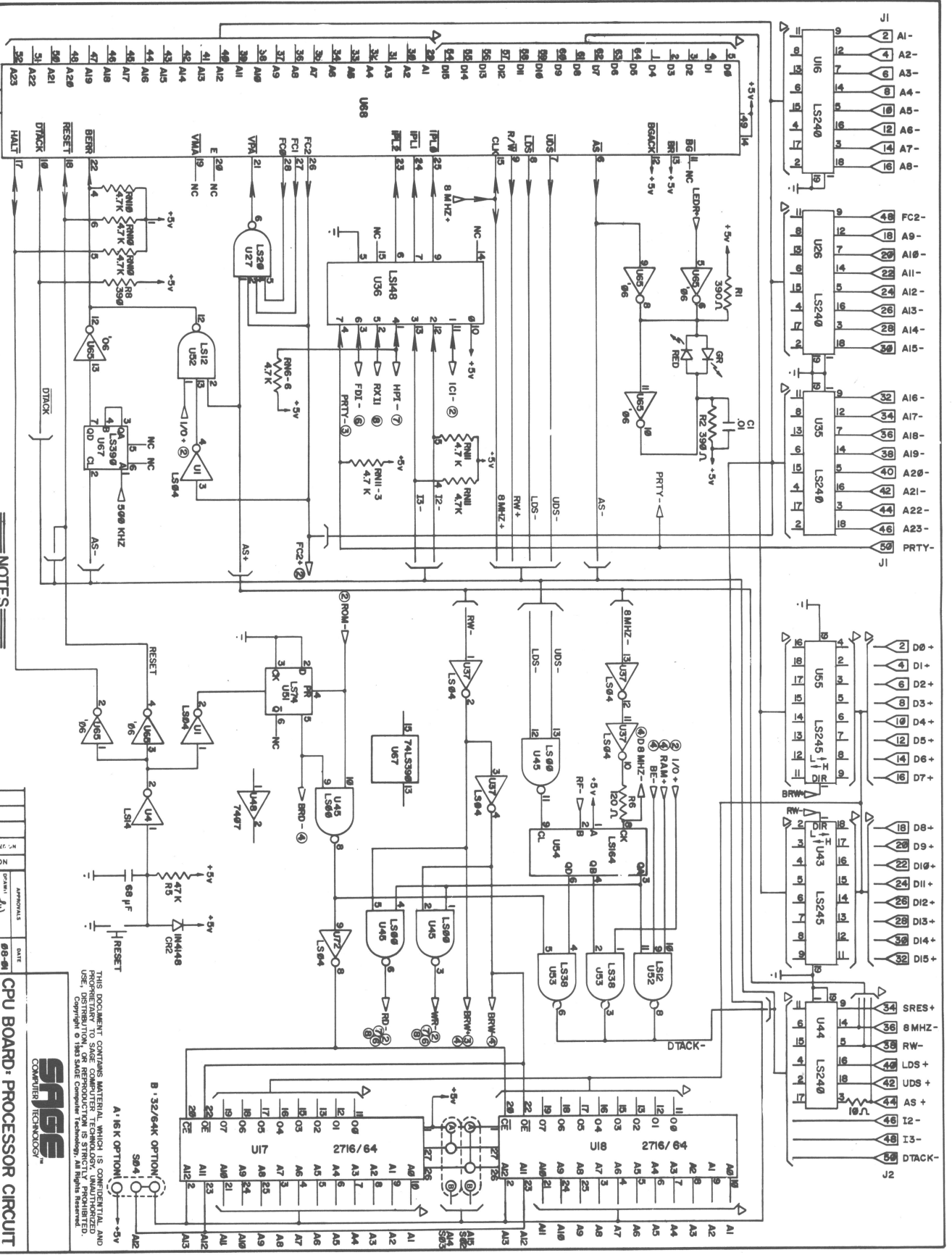


UNMARKED CAPACITOR LEGEND
 ○ 60µf - 6v - Tantalum
 ○ .33µf - 50v - Ceramic

CB0002C MADE IN USA ©1983

C2
 C3
 10µf
 25v

REV	
BT	
ECO #	
DATE	
APPN.	



NOTES

- - OFF PAGE REFERENCE
- △ - BUSS ORIENTATION
- BUSS SIGNALS

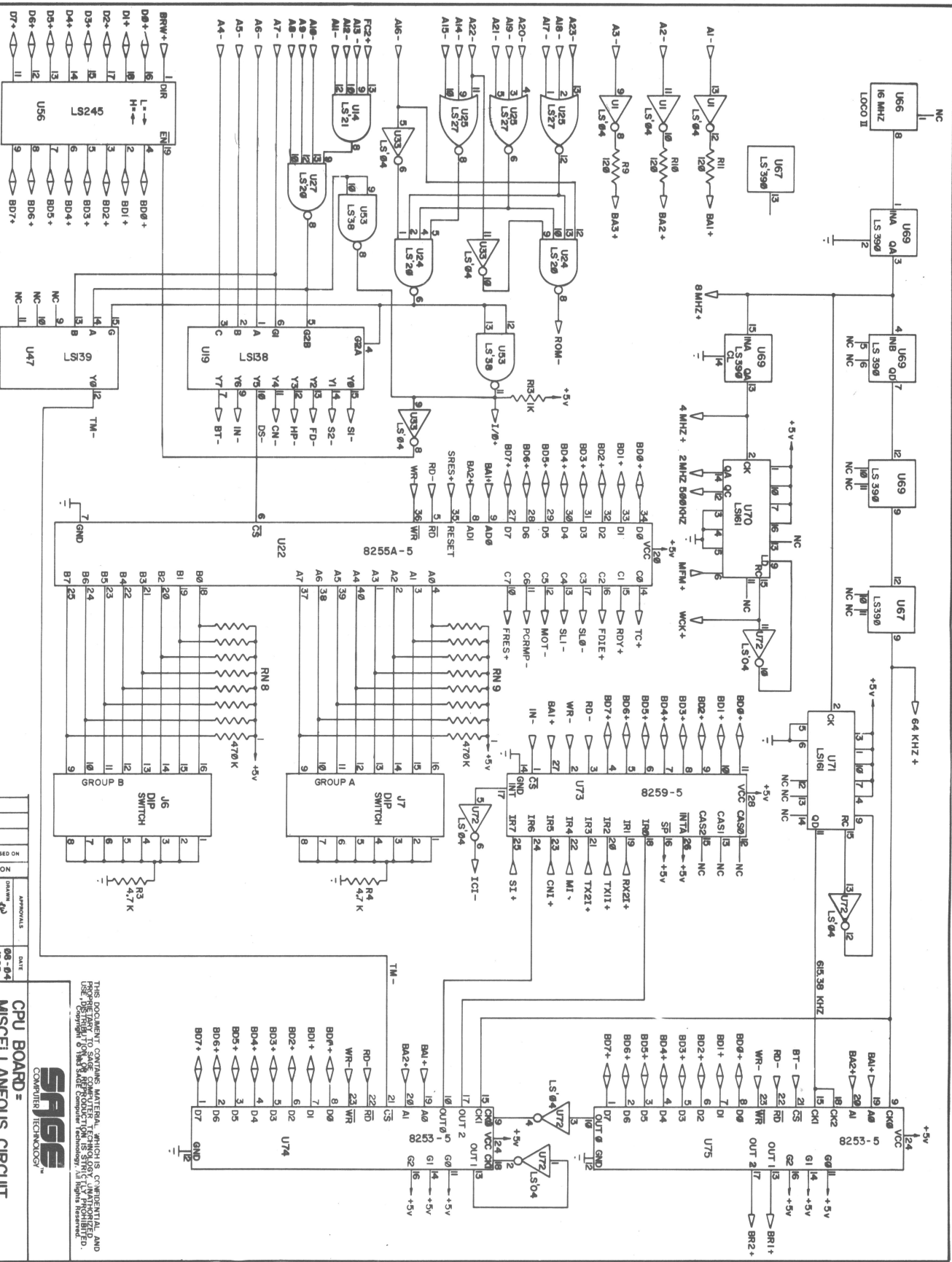
CPU BOARD - PROCESSOR CIRCUIT



THIS DOCUMENT CONTAINS MATERIAL WHICH IS CONFIDENTIAL AND NOT TO BE RELEASED OR REPRODUCED IN ANY MANNER WITHOUT THE EXPRESS WRITTEN PERMISSION OF SAGE COMPUTER TECHNOLOGY. REPRODUCTION OR DISTRIBUTION OF THIS DOCUMENT IS STRICTLY PROHIBITED. Copyright © 1983 Sage Computer Technology, All Rights Reserved.

APPROVALS	DATE
PRINTED	88-01
CHECKED	1983
DESIGNED	
APP. #	
APP. NAME	
APP. TITLE	
APP. NO.	
APP. DATE	
APP. BY	
APP. CHECKED	
APP. DATE	
APP. BY	
APP. CHECKED	
APP. DATE	
APP. BY	
APP. CHECKED	
APP. DATE	
APP. BY	

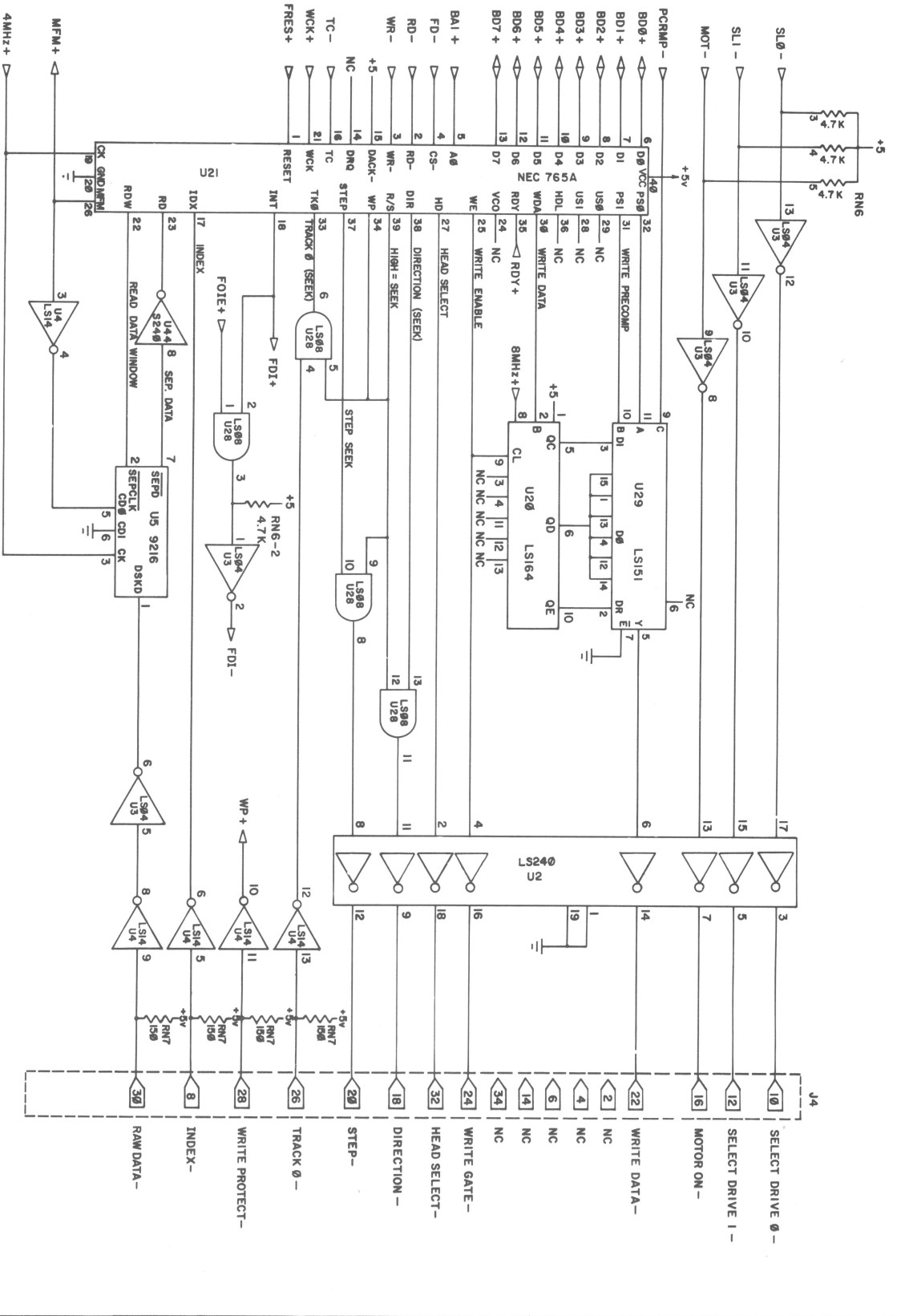
PAGE 1 OF 9



REV	BY	EQD /	DATE	APPN

APPROVALS	DATE	DESIGNED BY
	06-04	
CHECKED BY	DATE	DESIGNED BY
	1983	
UNLESS OTHERWISE SPECIFIED, THIS DOCUMENT CONTAINS MATERIAL WHICH IS CONFIDENTIAL AND PROPRIETARY TO SAGE COMPUTER TECHNOLOGY COMPANY. NO PART SHALL BE REPRODUCED OR TRANSMITTED IN ANY FORM OR BY ANY MEANS WITHOUT THE WRITTEN PERMISSION OF SAGE COMPUTER TECHNOLOGY COMPANY.		
CPU BOARD = MISCELLANEOUS CIRCUIT		
PART #	CB0002	
PAGE 2 OF 9		

THIS DOCUMENT CONTAINS MATERIAL WHICH IS CONFIDENTIAL AND PROPRIETARY TO SAGE COMPUTER TECHNOLOGY COMPANY. NO PART SHALL BE REPRODUCED OR TRANSMITTED IN ANY FORM OR BY ANY MEANS WITHOUT THE WRITTEN PERMISSION OF SAGE COMPUTER TECHNOLOGY COMPANY.



REV	BY	ECO	DATE	APP

APPROVALS	DATE
DESIGN	
CHECK	
ISSUED	

APPLICATION	USED ON	NEXT ASSY

THIS DOCUMENT CONTAINS MATERIAL WHICH IS CONFIDENTIAL AND PROPRIETARY TO SAGE COMPUTER TECHNOLOGY, INC. ANY UNAUTHORIZED REPRODUCTION OR DISTRIBUTION OF THIS DOCUMENT IS PROHIBITED. SAGE COMPUTER TECHNOLOGY, INC. Copyright © 1983 SAGE Computer Technology. All Rights Reserved.

SAGE
COMPUTER TECHNOLOGY

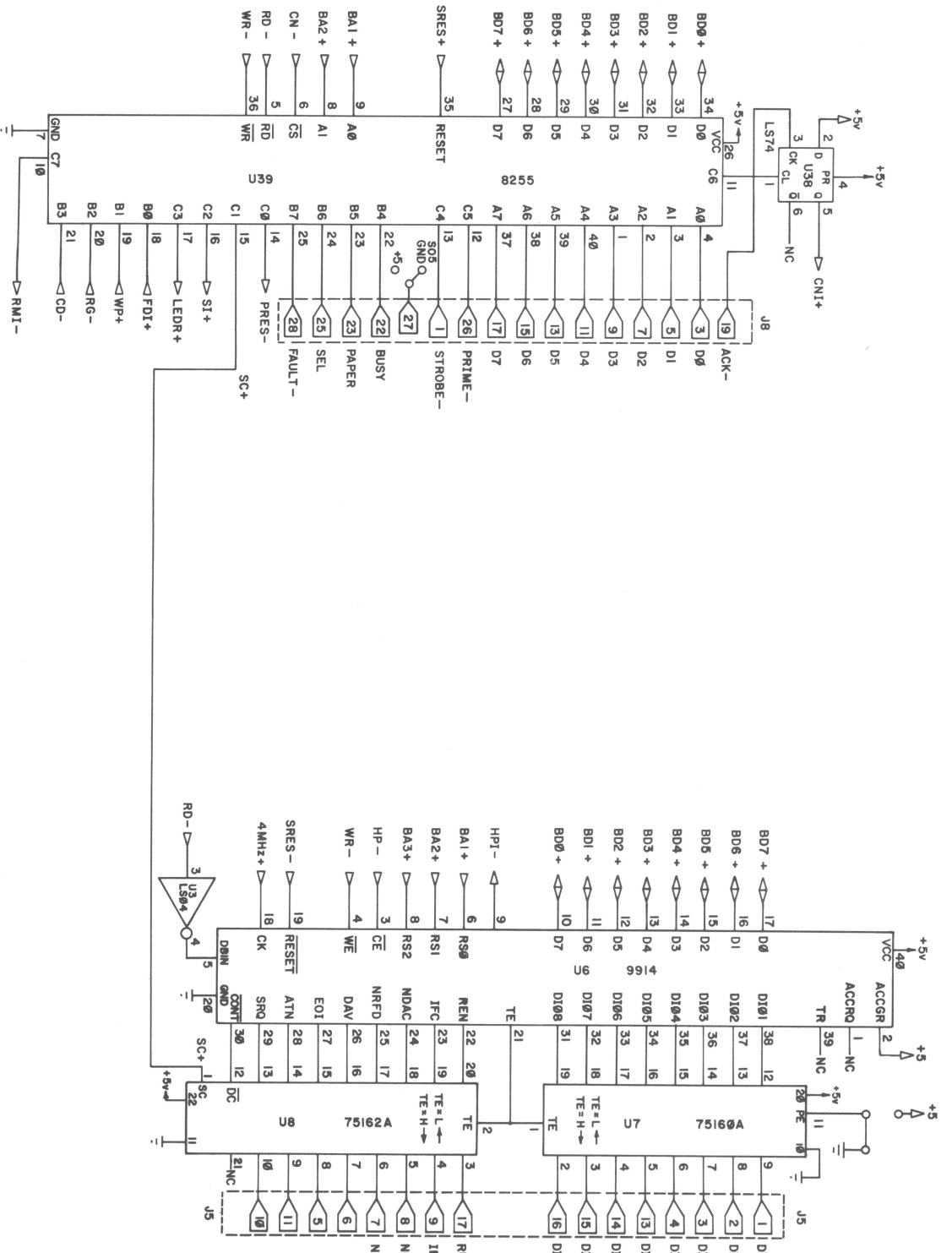
CPU BOARD: FLOPPY DISK CIRCUIT

PLEASE OBSERVE SPECIFICATIONS AND DIMENSIONS ON THIS DRAWING. DO NOT SCALE DRAWING. CHECK DIMENSIONS. SAGE COMPUTER TECHNOLOGY, INC. 1983

PART # **BD0002:IB**

REV 1.1

PAGE 6 OF 9



THIS DOCUMENT CONTAINS MATERIAL WHICH IS CONFIDENTIAL AND PROPRIETARY TO SAGE COMPUTER TECHNOLOGY UNAUTHORIZED USE, DISTRIBUTION, OR REPRODUCTION IS STRICTLY PROHIBITED. Copyright © 1988 SAGE COMPUTER TECHNOLOGY, ALL RIGHTS RESERVED.

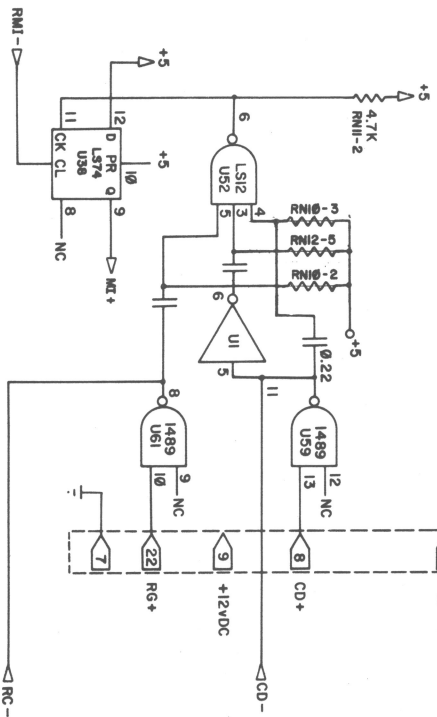
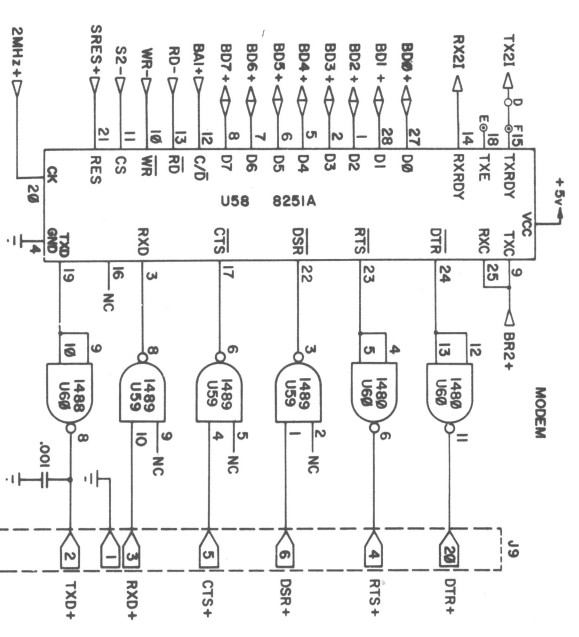
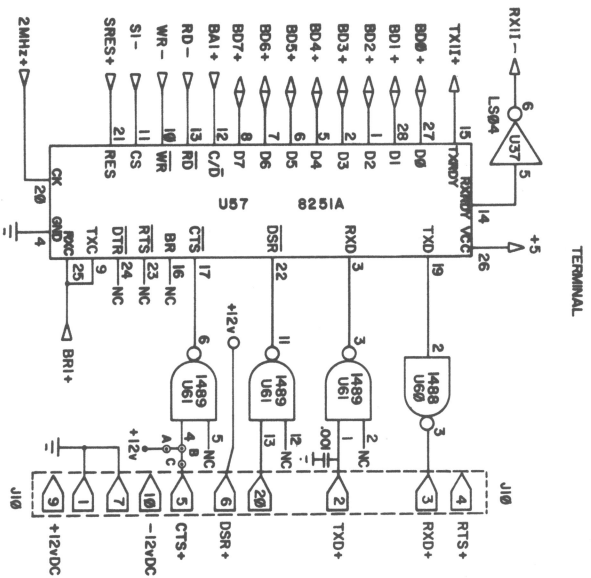


CPU BOARD - COMMUNICATIONS CIRCUIT, P1 of 2

DESIGNED BY: JACQUES MEAL OUVRIER COMENS	DATE:
CHECKED: ISSUED:	APPROVALS:
USED ON:	DATE:
APPLICATION:	DATE:
NEXT ASSY:	DATE:
PART #	REV.
BD000028	1.2

REV	BY	ECO #	DATE	APPR

REV	BY	ECO	DATE	APPR



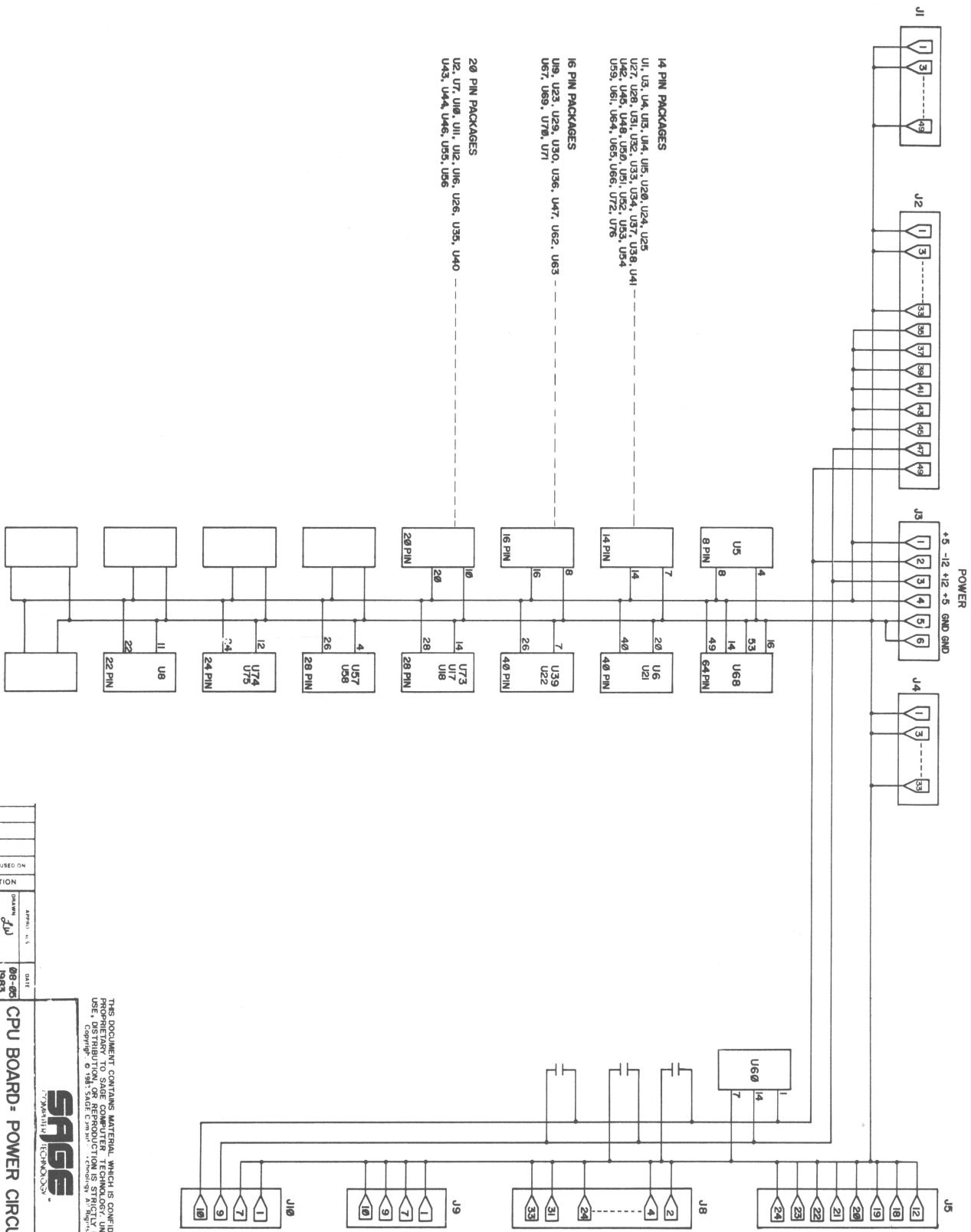
THIS DOCUMENT CONTAINS MATERIAL WHICH IS CONFIDENTIAL AND NOT BE DISTRIBUTED OR REPRODUCED IN ANY MANNER WITHOUT THE WRITTEN PERMISSION OF SAGE COMPUTER TECHNOLOGY. All Rights Reserved. Copyright © 1985 SAGE Computer Technology.

SAGE
COMPUTER TECHNOLOGY

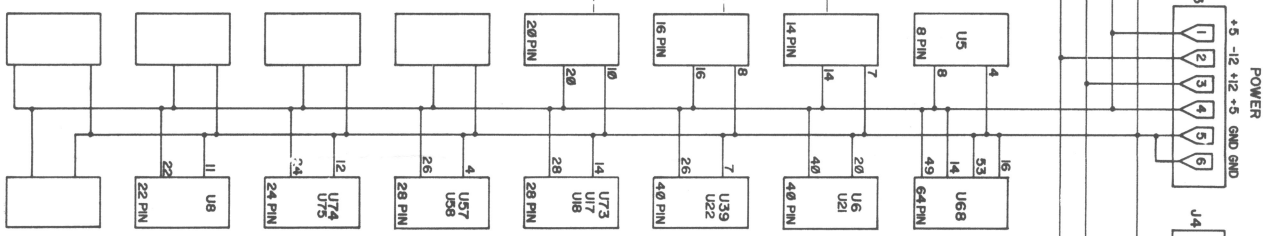
CPU BOARD COMMUNICATIONS CIRCUIT
Pg. 2 of 2

UNLESS OTHERWISE SPECIFIED: DIMENSIONS ARE IN INCHES (MILLIMETERS) TOLERANCES ARE: FRACTIONS DECIMALS ANGLES .005" .001" .010"	DATE	APPROVALS	CHECKED	DESIGNED	APPLICATION	USED ON	NEXT ASSY

PART # BD00022B
PAGE 8 OF 9



- 14 PIN PACKAGES**
 U1, U3, U4, U3, U4, U5, U20, U24, U25
 U27, U28, U31, U32, U33, U34, U37, U38, U41
 U42, U43, U44, U45, U46, U51, U52, U53, U54
 U55, U56, U57, U58, U59, U61, U62, U72, U76
- 16 PIN PACKAGES**
 U19, U23, U29, U30, U36, U47, U62, U63
 U67, U69, U70, U71
- 20 PIN PACKAGES**
 U2, U7, U10, U11, U12, U16, U26, U35, U40
 U43, U44, U46, U45, U56



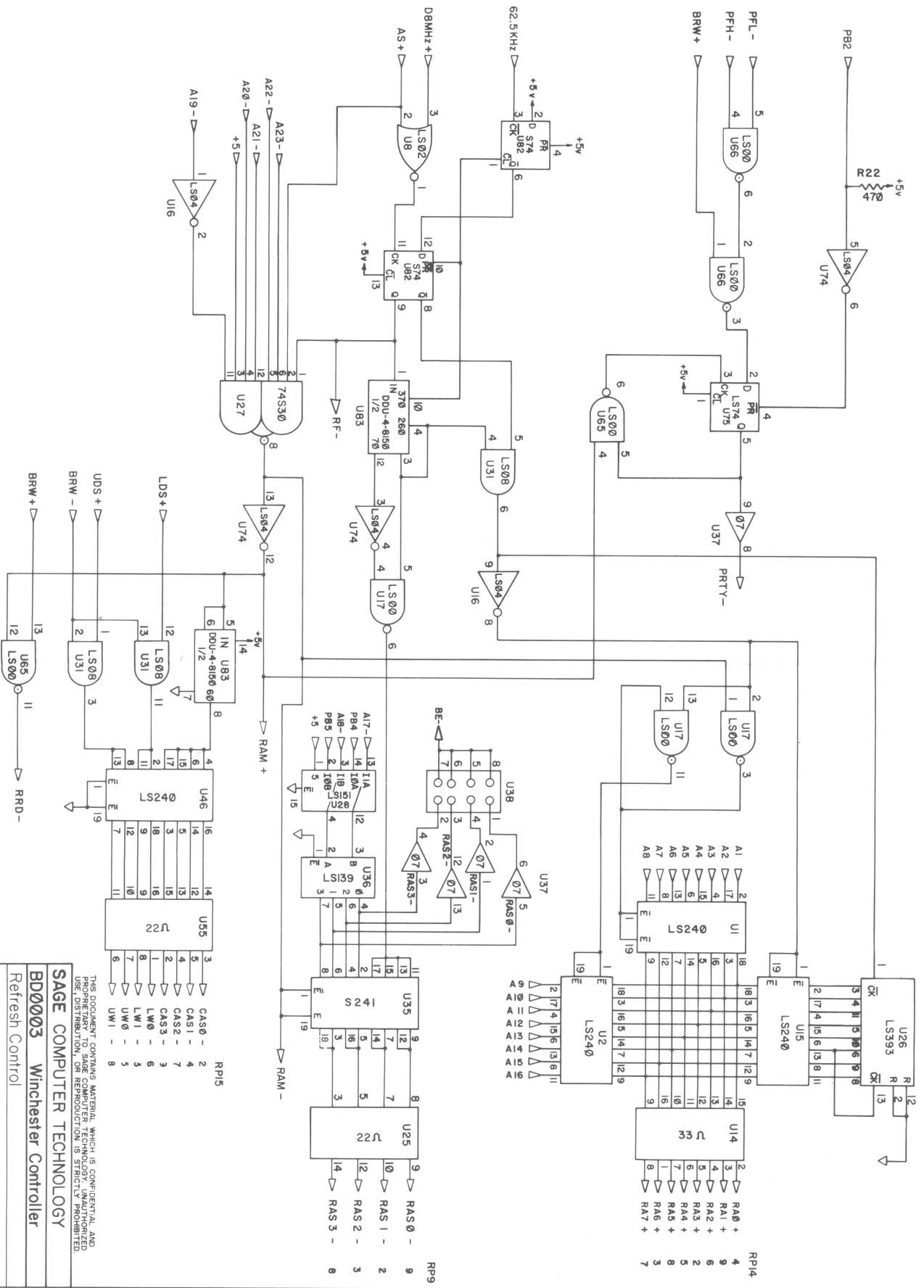
THIS DOCUMENT CONTAINS MATERIAL WHICH IS CONFIDENTIAL AND PROPRIETARY TO SAGE COMPUTER TECHNOLOGY. UNAUTHORIZED USE, DISTRIBUTION OR REPRODUCTION IS STRICTLY PROHIBITED.



CPU BOARD = POWER CIRCUIT

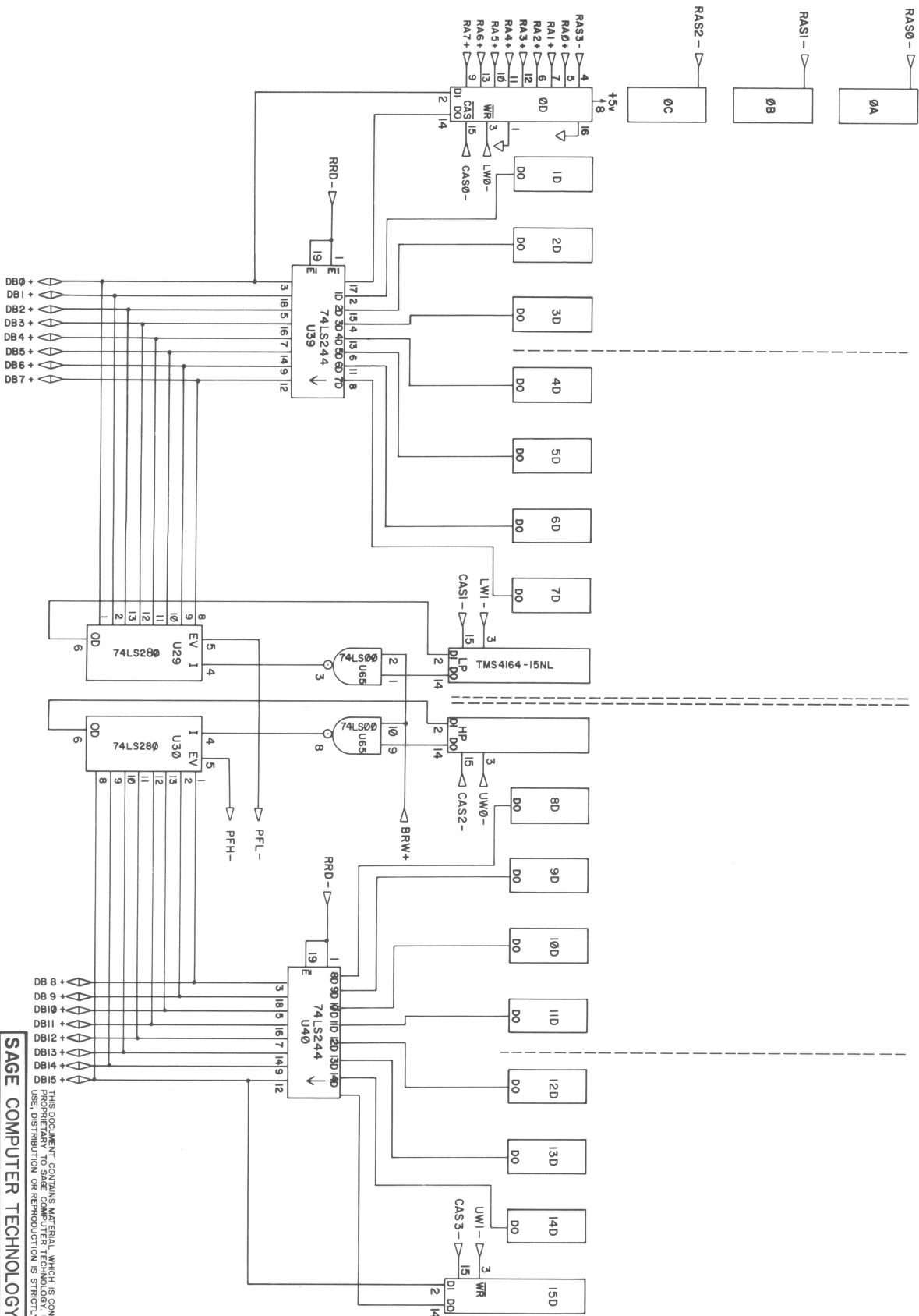
DATE	APPROVAL	DESIGNED BY	USED ON	NEXT
1983	JW			
UNLESS OTHERWISE SPECIFIED				
DIMENSIONS ARE IN INCHES BRACKETED DIMENSIONS ARE IN MILLIMETERS				
SAGE COMPUTER TECHNOLOGY				
PAGE 9 OF 9				

REV	BY	ECO #	DATE	APPN



THIS DOCUMENT CONTAINS MATERIAL WHICH IS CONFIDENTIAL AND UNCLASSIFIED EXCEPT WHERE SHOWN OTHERWISE. REPRODUCTION OR DISTRIBUTION OF THIS DOCUMENT IS STRICTLY PROHIBITED.

SAGE COMPUTER TECHNOLOGY
BD0003 Winchester Controller
 Refresh Control

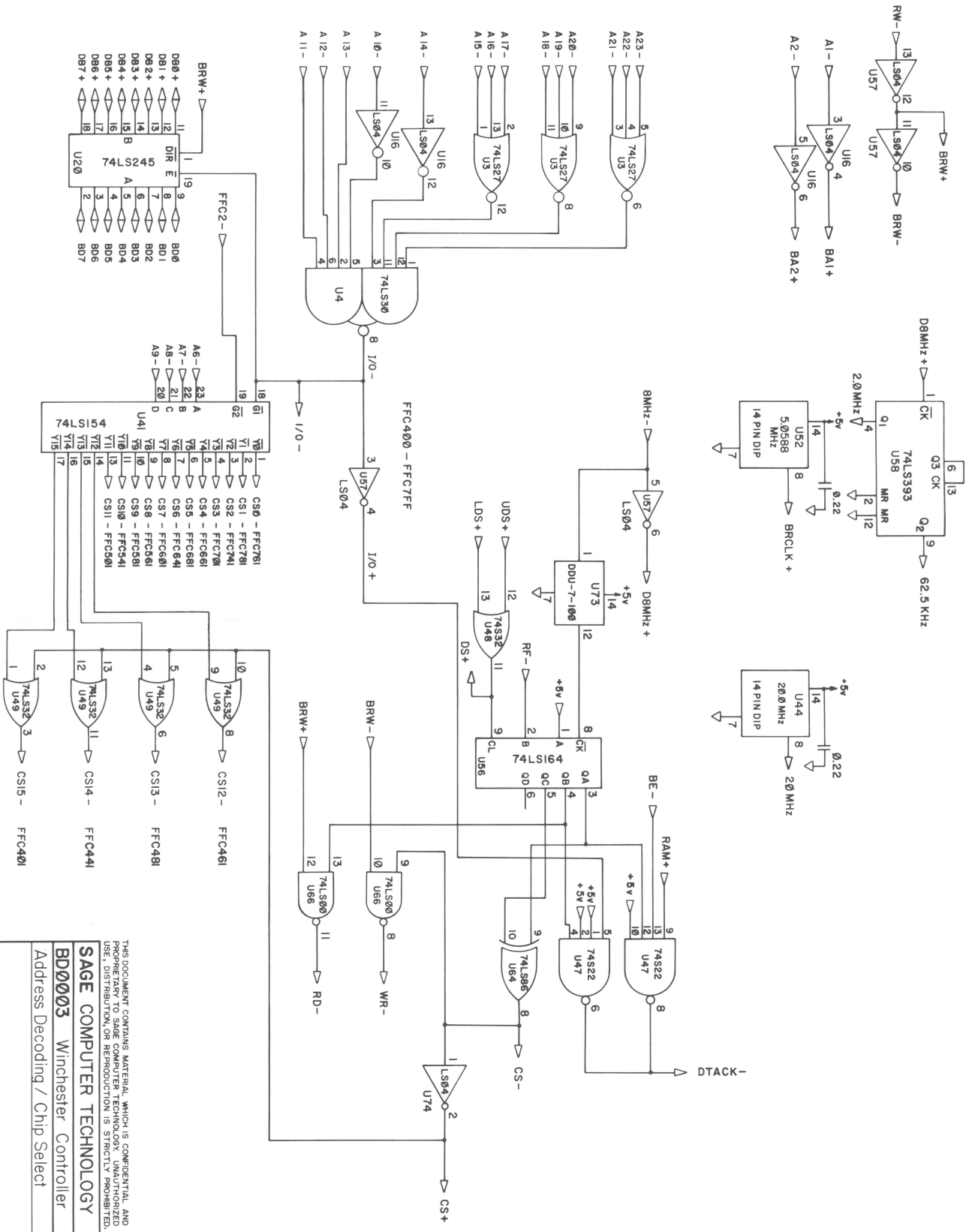


THIS DOCUMENT CONTAINS MATERIAL, WHICH IS CONFIDENTIAL AND PROPRIETARY TO SAGE COMPUTER TECHNOLOGY. UNAUTHORIZED USE, DISTRIBUTION OR REPRODUCTION IS STRICTLY PROHIBITED.

SAGE COMPUTER TECHNOLOGY

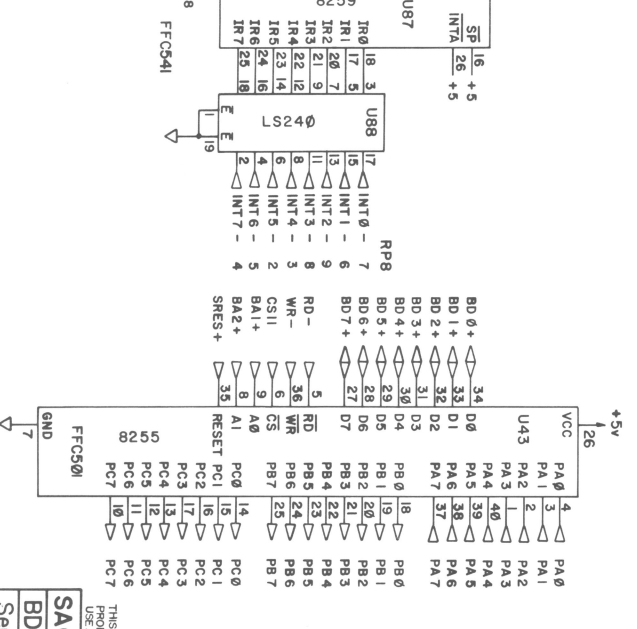
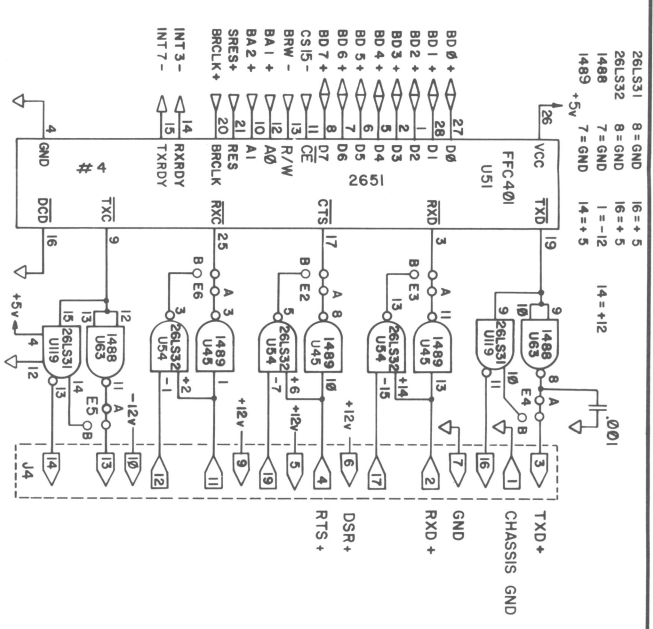
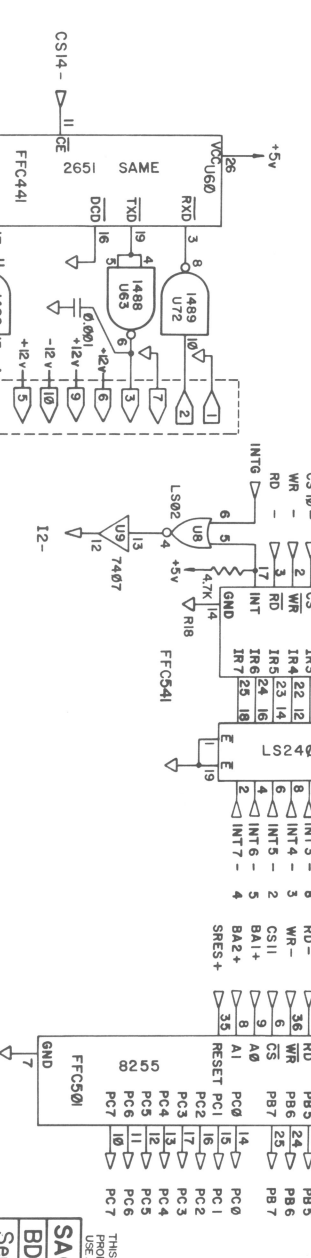
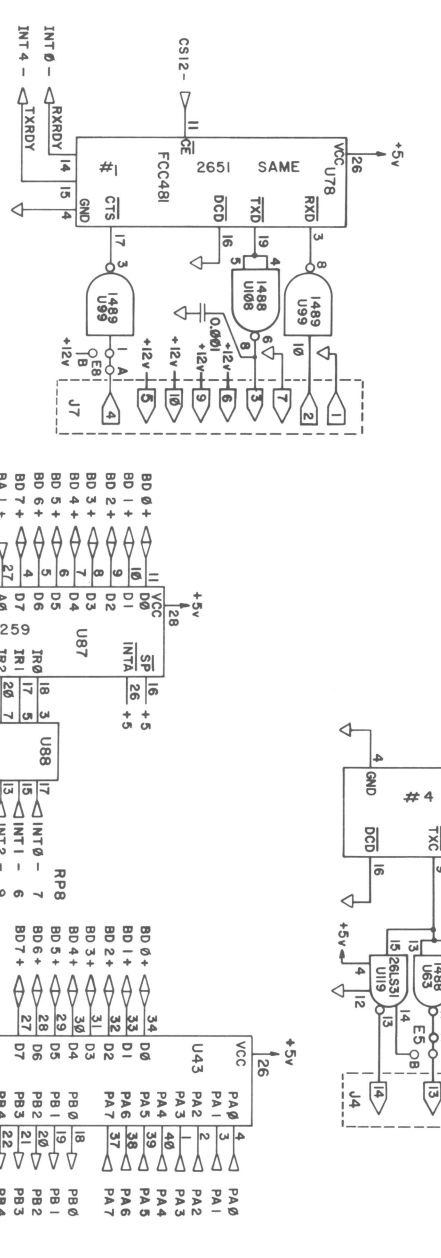
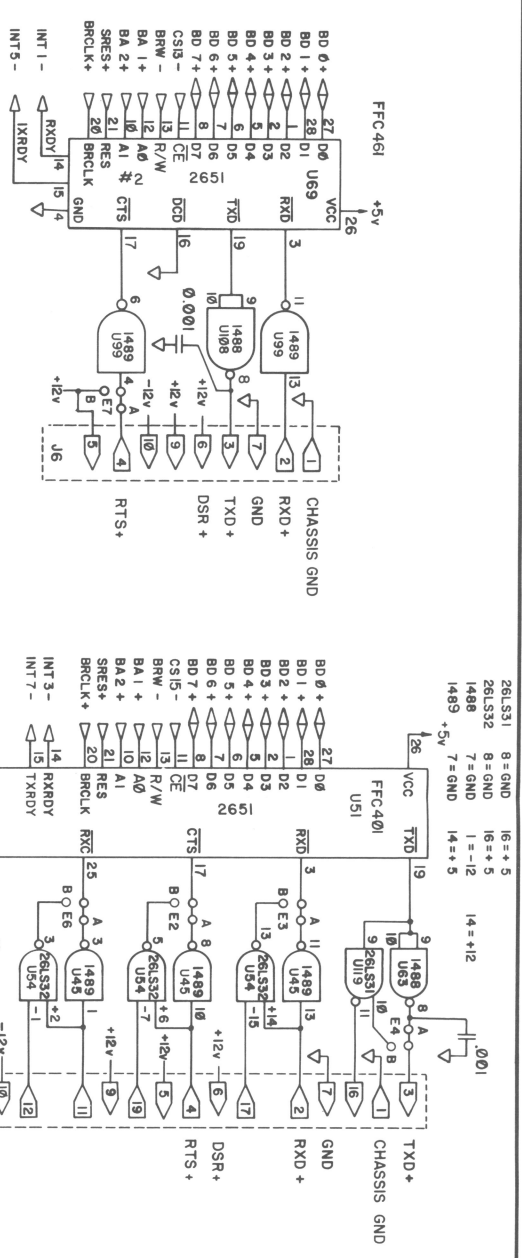
BD0003 Winchester Controller

Memory Array



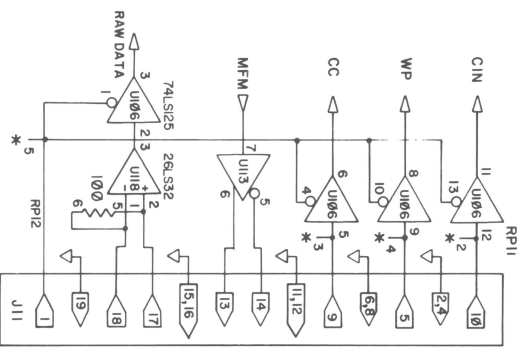
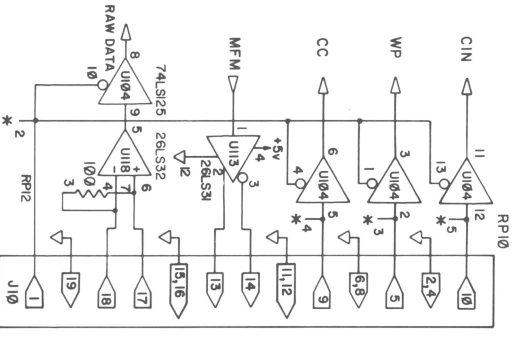
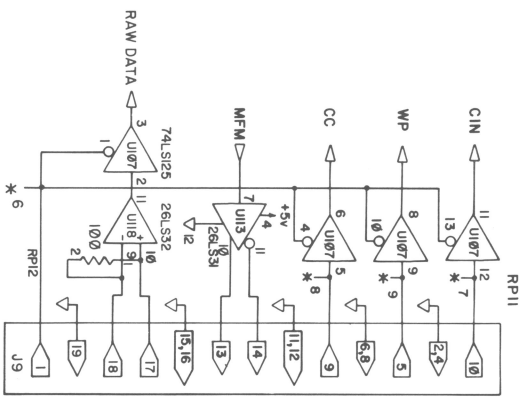
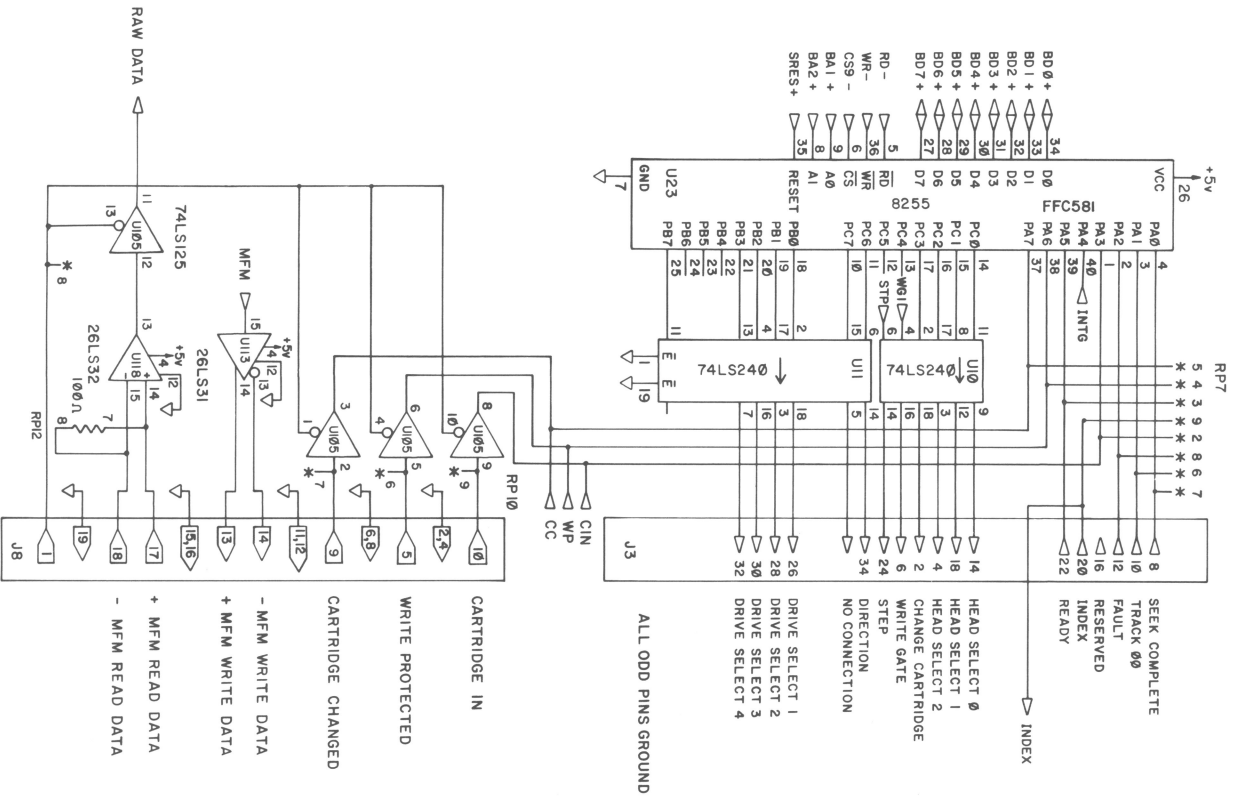
THIS DOCUMENT CONTAINS MATERIAL WHICH IS CONFIDENTIAL AND PROPRIETARY TO SAGE COMPUTER TECHNOLOGY. UNAUTHORIZED USE, DISTRIBUTION OR REPRODUCTION IS STRICTLY PROHIBITED.

SAGE COMPUTER TECHNOLOGY
BD0003 Winchester Controller
 Address Decoding / Chip Select



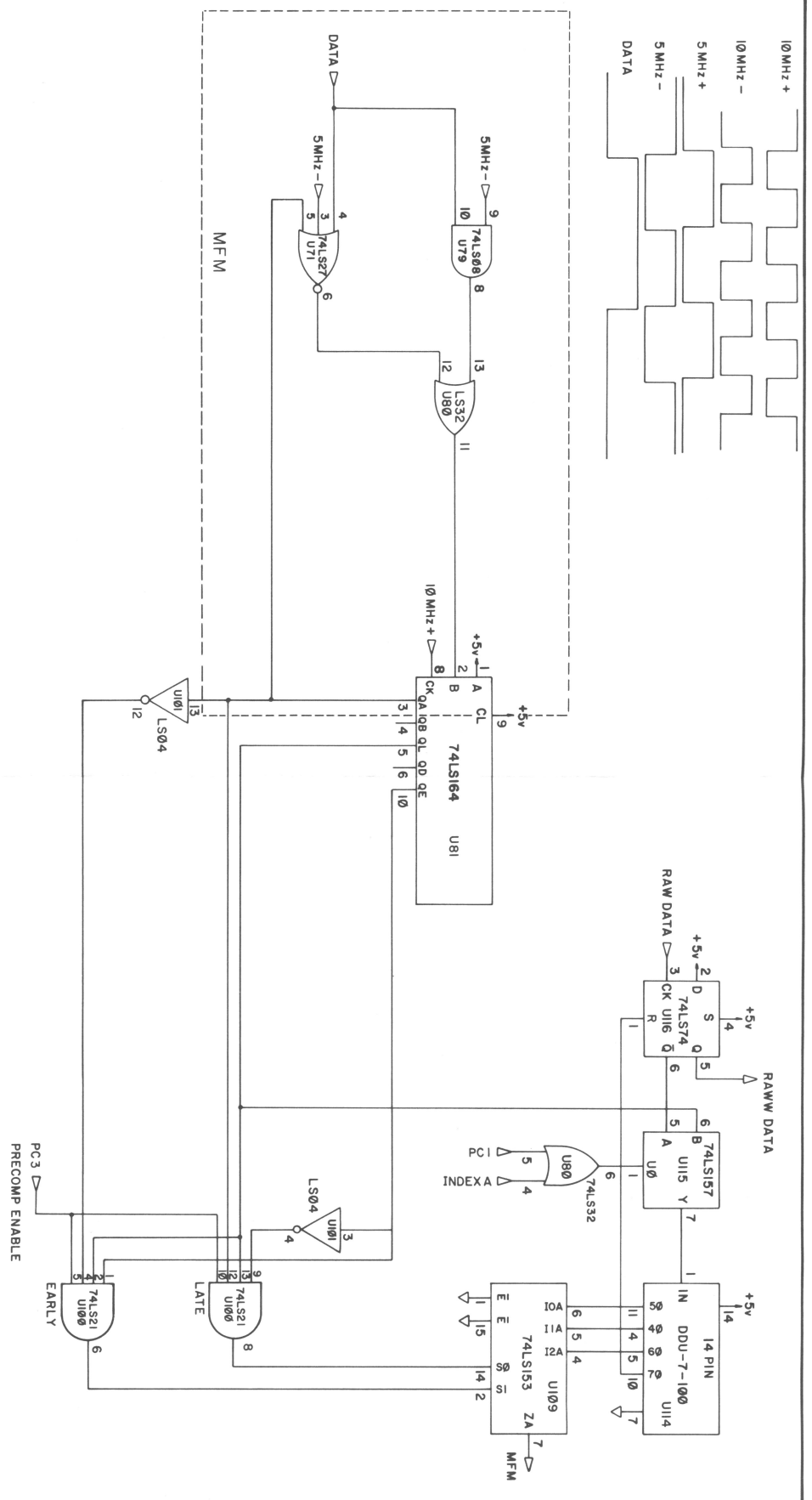
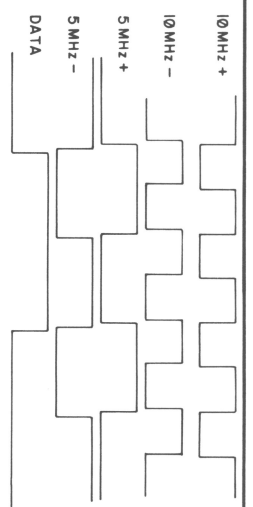
THIS DOCUMENT CONTAINS MATERIAL, WHICH IS CONFIDENTIAL AND PROPRIETARY TO SAGE COMPUTER TECHNOLOGY. UNAUTHORIZED USE, DISTRIBUTION, OR REPRODUCTION IS STRICTLY PROHIBITED.

SAGE COMPUTER TECHNOLOGY
BD0003 Winchester Controller
 Serial I/O



THIS DOCUMENT CONTAINS MATERIAL WHICH IS CONFIDENTIAL AND PROPRIETARY TO SAGE COMPUTER TECHNOLOGY. UNAUTHORIZED USE, DISTRIBUTION, OR REPRODUCTION IS STRICTLY PROHIBITED.

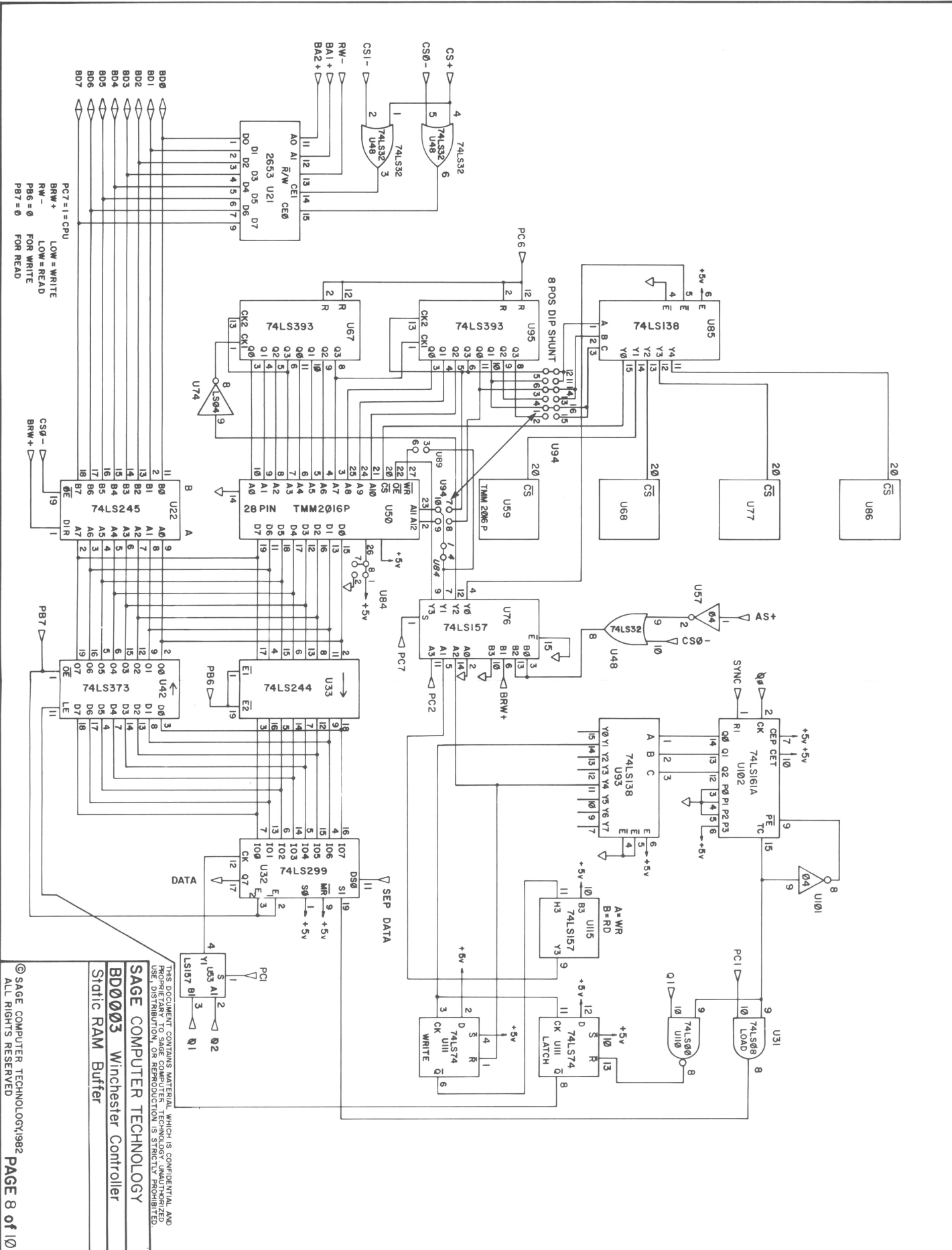
SAGE COMPUTER TECHNOLOGY
BD0003 Winchester Controller
 Winchester Connectors/ Buffers



PC1 = LOW = READ
 PC3 = LOW = PRECOMP DISABLED

THIS DOCUMENT CONTAINS MATERIAL WHICH IS CONFIDENTIAL AND PROPRIETARY TO SAGE COMPUTER TECHNOLOGY. UNAUTHORIZED USE, DISTRIBUTION, OR REPRODUCTION IS STRICTLY PROHIBITED.

SAGE COMPUTER TECHNOLOGY
BD00003 Winchester Controller
MFM / Write Precomp



CS+
 CS0-
 CS1-
 RW-
 BA1+
 BA2+
 B00
 B01
 B02
 B03
 B04
 B05
 B06
 B07

AO AI
 R/W
 CE0
 2653 U21
 D0 D1 D2 D3 D4 D5 D6 D7

PC6
 8 POS DIP SHUNT
 U85
 U77
 U86
 U88
 U84
 U59
 TMM 206P
 U94
 U95
 74LS393
 U67
 74LS393
 U74
 U76
 74LS157
 U77
 U78
 U79
 U80
 U81
 U82
 U83
 U84
 U85
 U86
 U87
 U88
 U89
 U90
 U91
 U92
 U93
 U94
 U95
 U96
 U97
 U98
 U99

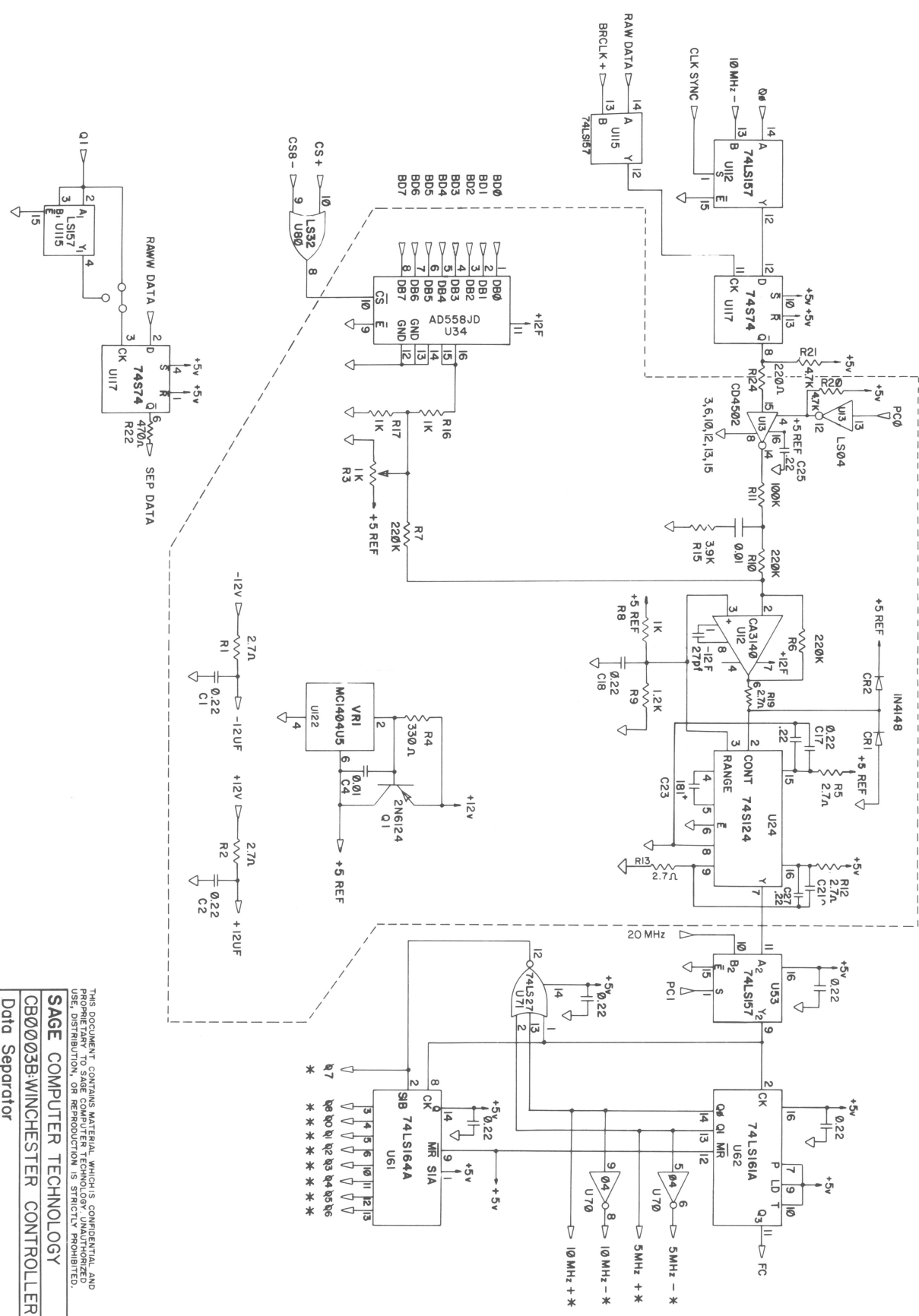
B00
 B01
 B02
 B03
 B04
 B05
 B06
 B07
 U22
 74LS244
 U33
 74LS244
 U34
 74LS244
 U35
 74LS244
 U36
 74LS244
 U37
 74LS244
 U38
 74LS244
 U39
 74LS244
 U40
 74LS244
 U41
 74LS244
 U42
 74LS244
 U43
 74LS244
 U44
 74LS244
 U45
 74LS244
 U46
 74LS244
 U47
 74LS244
 U48
 74LS244
 U49
 74LS244
 U50
 74LS244
 U51
 74LS244
 U52
 74LS244
 U53
 74LS244
 U54
 74LS244
 U55
 74LS244
 U56
 74LS244
 U57
 74LS244
 U58
 74LS244
 U59
 74LS244
 U60
 74LS244
 U61
 74LS244
 U62
 74LS244
 U63
 74LS244
 U64
 74LS244
 U65
 74LS244
 U66
 74LS244
 U67
 74LS244
 U68
 74LS244
 U69
 74LS244
 U70
 74LS244
 U71
 74LS244
 U72
 74LS244
 U73
 74LS244
 U74
 74LS244
 U75
 74LS244
 U76
 74LS244
 U77
 74LS244
 U78
 74LS244
 U79
 74LS244
 U80
 74LS244
 U81
 74LS244
 U82
 74LS244
 U83
 74LS244
 U84
 74LS244
 U85
 74LS244
 U86
 74LS244
 U87
 74LS244
 U88
 74LS244
 U89
 74LS244
 U90
 74LS244
 U91
 74LS244
 U92
 74LS244
 U93
 74LS244
 U94
 74LS244
 U95
 74LS244
 U96
 74LS244
 U97
 74LS244
 U98
 74LS244
 U99
 74LS244

PC7=1=CPU
 BRW+ LOW=WRITE
 RW- LOW=READ
 PB6=0 FOR WRITE
 PB7=0 FOR READ

THIS DOCUMENT CONTAINS MATERIAL WHICH IS CONFIDENTIAL AND PROPRIETARY TO SAGE COMPUTER TECHNOLOGY, INC. ANY UNAUTHORIZED USE, DISTRIBUTION, OR REPRODUCTION IS STRICTLY PROHIBITED.

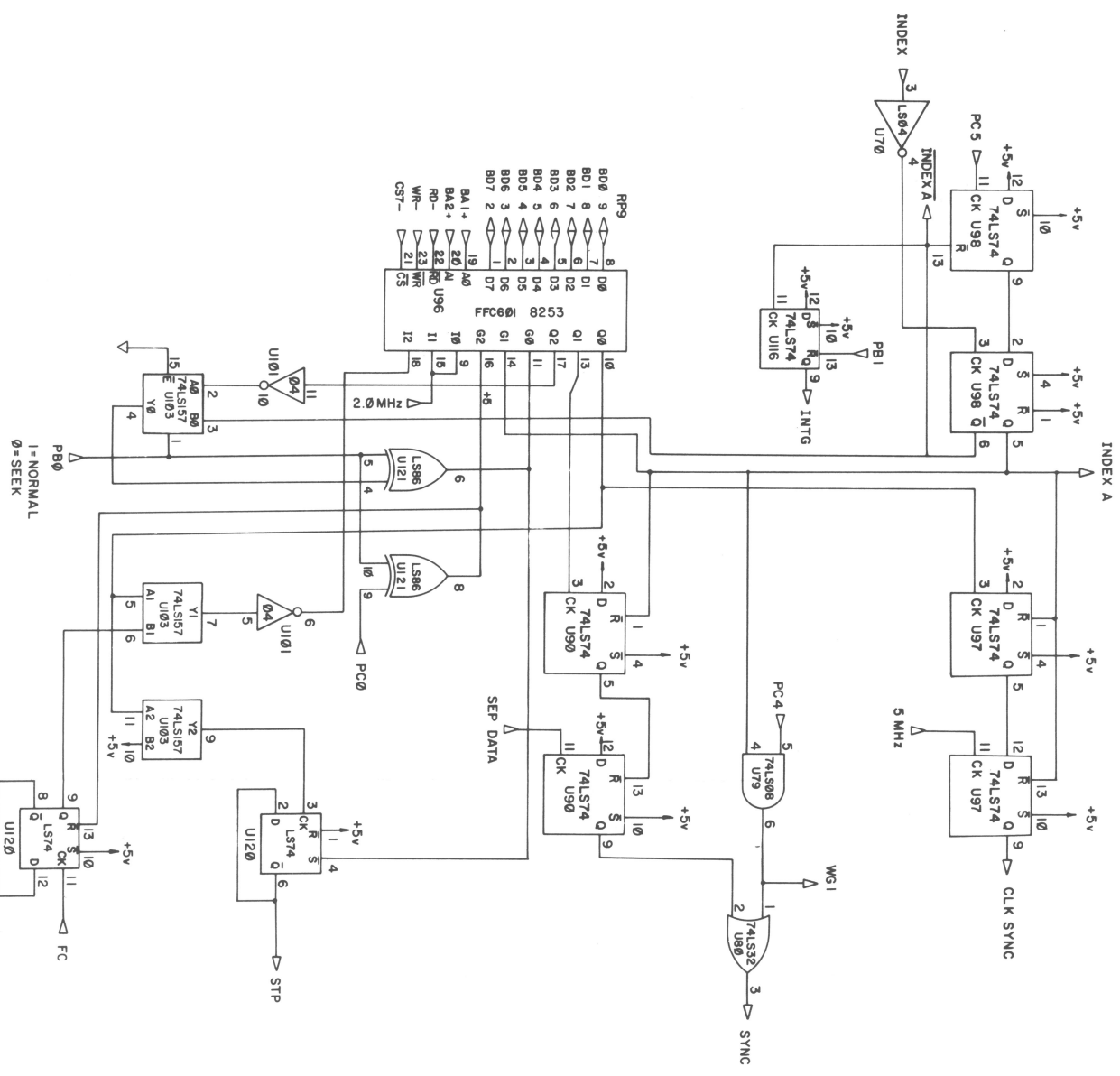
SAGE COMPUTER TECHNOLOGY
BD0003 Winchester Controller
Static RAM Buffer

© SAGE COMPUTER TECHNOLOGY, 1982
 ALL RIGHTS RESERVED
PAGE 8 of 10



THIS DOCUMENT CONTAINS MATERIAL WHICH IS CONFIDENTIAL AND PROPRIETARY TO SAGE COMPUTER TECHNOLOGY, INC. ANY REPRODUCTION, DISTRIBUTION, OR REPRODUCTION IS STRICTLY PROHIBITED.

SAGE COMPUTER TECHNOLOGY
CB0003B:WINCHESTER CONTROLLER
Data Separator



THIS DOCUMENT CONTAINS MATERIAL WHICH IS CONFIDENTIAL AND NOT BE LOANED, REPRODUCED, COPIED, REPRODUCED, OR REPRODUCED IN ANY MANNER WITHOUT THE EXPRESS WRITTEN PERMISSION OF SAGE COMPUTER TECHNOLOGY, INC. ANY USE, DISTRIBUTION, OR REPRODUCTION IS STRICTLY PROHIBITED.

SAGE COMPUTER TECHNOLOGY
CB0003 Winchester Controller
 Buffered Seek Logic