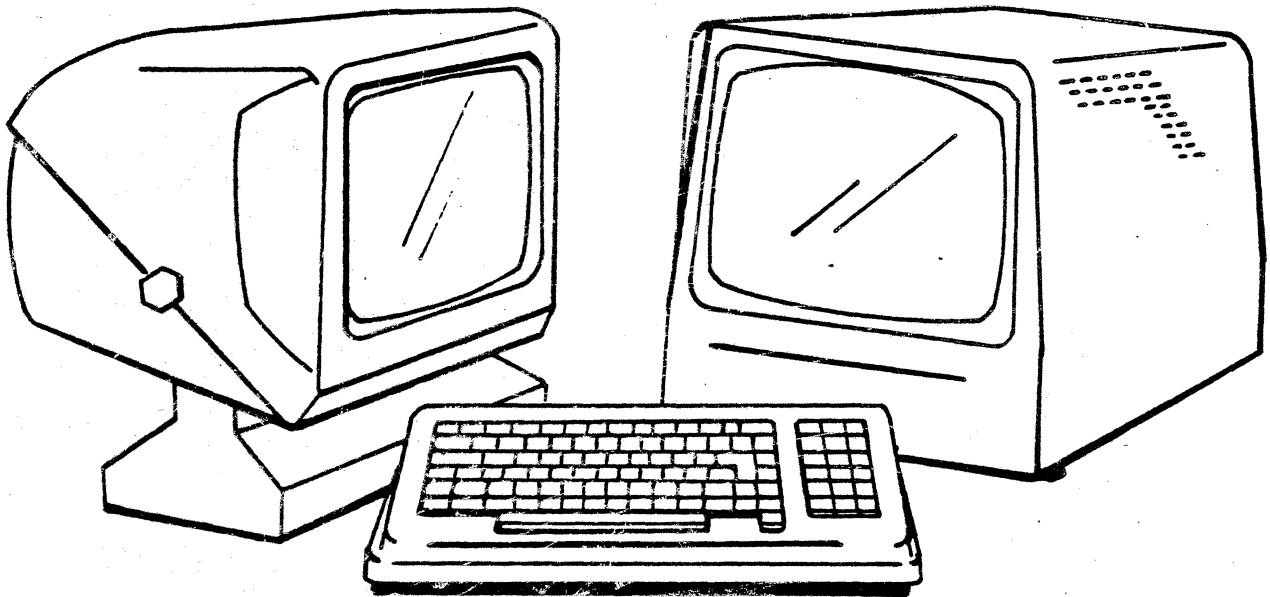


TELERAY

10 SERIES

CRT DATA TERMINAL



REFERENCE MANUAL



RESEARCH INC

BOX 24064 MINNEAPOLIS, MINNESOTA USA 55424

PHONE (612) 941-3300 • TWX 910-576-2837 • TELEX 29-0502

TELERAY

10 SERIES

REFERENCE MANUAL

August, 1980

KA055047-001



RESEARCH INC

BOX 24064 MINNEAPOLIS, MINNESOTA USA 55424

PHONE (612) 941-3300 • TWX 910-576-2837 • TELEX 29-0502

TABLE OF CONTENTS

Section 1 - Specifications

TSB 103

Section 2 - Machine Organization

Signal Flow and Cabling Diagram

Section 3 - Monitor Module

Zenith DTI

- Servicing Guidelines
- Theory of Operation
- Adjustments
- Schematics
- Parts Lists

Section 4 - Power Supply Module

- A. Theory of Operation - Series Pass Type
- B. Theory of Operation - Switching Type
- C. Parts List
- D. Boschert OL25
 - Maintenance Manual
 - Schematics

Section 5 - Keyboard Module

- A. Theory of Operation
- B. Key Encoding - Standard and European
- C. Schematics
- D. Parts Lists

Section 6 - Logic Module

- A. Architecture
- B. Theory of Operation
 - 1. Display Refresh Hardware
 - 2. Character Generator and Field Modifier Logic
 - 3. Display Memory and Program Memory
 - 4. Keyboard and Switch Interfaces
 - 5. Serial Input/Output Interfaces
- C. Timing Chart
- D. Memory Maps
- E. List of Test Points
- F. Schematics
- G. Parts Lists

Section I
SPECIFICATIONS

TELERAY MODEL 10 SPECIFICATION

GENERAL

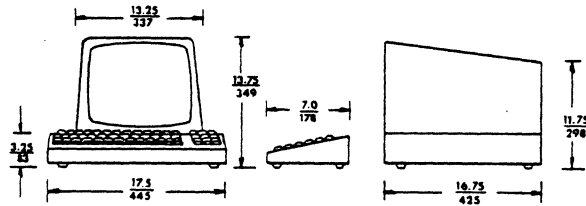
The Model 10 TELERAY is a microprocessor controlled CRT terminal with a display capacity of 1920 characters (24 lines of 80 columns). It operates either Half or Full Duplex, Scroll or Page mode, and in either Character or Block transmission mode. The terminal provides text editing and formatting capability, enhanced display and protected fields, full cursor control and addressing, and cursor position readout. It also provides many programmable features (down-loadable or keyboard-loadable), including communications speeds, wide character display (24 lines x 40 columns), and 32 functions. The modular "no tools" design enables operator replacement of malfunctioning modules.

Weight: Terminal - 31-1/2 lbs. (14.3 Kg)
Keyboard - 8 lbs. (3.6 Kg)

Power: 115 or 230 VAC $\pm 10\%$, 52 watts,
50 or 60 Hz.

Operating Temperature: 40^o to 115^oF
(4^o to 46^oC)

Storage Temperature: -40^o to 149^oF
(-40^o to 65^oC)



Dimensions in inches
mm

Relative Humidity: 10-90%, non-condensing

Modularity: Logic, power supply, keyboard and display modules accessible and replaceable without tools.

DISPLAY

Type: CRT, 12" diagonal, P4 phosphor, non-glare faceplate

Presentation: Display area - 6" High by 8½" Wide
Color - White characters on black background (inverse - internal jumper)
Format - 24 lines by 80 columns, or 24 lines by 40 columns, selectable by ESC sequence

Refresh Rate: 60 Hz (50 Hz strap selectable)

Display Character Set: Monitor mode - All 128 ASCII characters are displayed.
Normal mode - ASCII upper/lower case and numerics (95 characters) plus STX and ETX; other control characters, escape sequences and delete not displayed.
All 128 ASCII characters are generated.

Character Formation: 7 x 9 dot matrix, in 10 x 12 field

Character Size:	Normal Mode	Wide Mode
inches:	.10 wide, .20 high	.20 wide, .20 high
mm:	2.5 wide, .5 high	.5 wide, .5 high

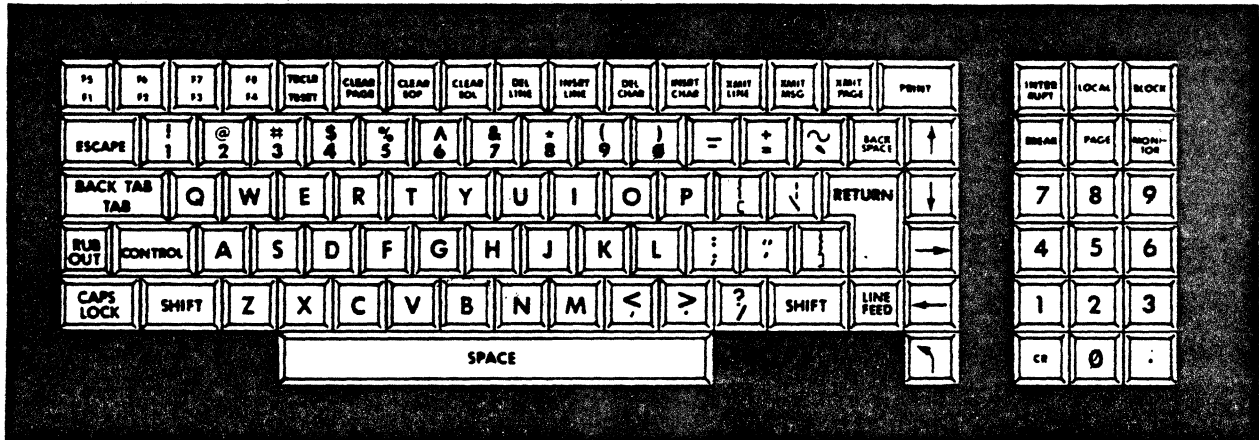
Cursor: Block character, blinking at 1 Hz rate.



T8S103

KEYBOARD

Style: 97 key, typewriter-paired (except brackets unshifted, braces shifted), including numeric pad, cursor control pad, function, edit and transmit keys. The cursor control pad, transmit, print, clear and edit keys perform local functions only (do not transmit). European versions are optionally available.



Switches: Single-action contact switches except for five keys (Local/Remote, Block/Character, Scroll/Page, Monitor and Caps Lock) which are alternate-action switches

Rollover: N-key

Repeat: Auto-repeat at 15 characters per second when any key (except Control, Shift and Caps Lock) or combination of keys is held down longer than a half second

REAR PANEL CONTROLS AND CONNECTORS

Controls:

On/Off - power on/off switch

Contrast - display contrast potentiometer

Logic Variables - two banks of eight DIP switches each, mounted on the logic board, are accessible through an elongated hole in the rear panel. Their functions are as follows:

	UP	Switch No.	DOWN	
Right Most Switch	Display Field Modifiers	1		} Right Block
	Xmit to Cursor	2	Xmit to End	
	Xmit an ETX	3		
	Full	4	Half Duplex	
	Wrap	5		
	New Line	6		
	New Line on CR	7	New Line on LF	
	I-Loop	8	RS-232	
<hr/>				
Left Most Switch	Baud 1	1		} Left Block
	Baud 2	2		
	Baud 3	3		
	Baud 4	4		
	Even	5	ODD	
	Parity Enabled	6	No Parity	
	1 Stop Bit	7	2 Stop Bits	
	7 Bits	8	8 Bits	

Connectors:

Power -Standard 3-pin (grounded) line cord connector

Serial I/O -DP255 connector, 25-pin miniature - for on-line communications interfacing in Remote mode. Pin assignments:

RS232C Standard

- 1 - Protective Ground
- 2 - Transmitted Data
- 3 - Received Data
- 4 - Request to Send
- 5 - Clear to Send (must be asserted for Transmit)
- 7 - Signal Ground
- 8 - Carrier Detect (must be asserted for Receive)
- 20 - Data Terminal Ready

Current Loop (Optional)

- 12 - Transmitted Data +
- 24 - Transmitted Data -
- 13 - Received Data +
- 25 - Received Data -

Peripheral Interface -DP255 connector, 25-pin miniature - for interfacing with RS232 printer or other peripheral device. Pin assignments:

- 1 - Protective Ground
- 3 - RS232 Serial Data Out
- 5 - Clear to Send (+12 V)
- 6 - Data Set Ready (+12 V)
- 7 - Signal Ground
- 8 - Data Carrier Detect (+12 V)

Keyboard Interface -DP25P Connector, 25-pin miniature - for keyboard/terminal interconnection.

COMMUNICATIONS MODES

Character/Block Modes

In Character mode, each character code is transmitted individually as the appropriate data key is pressed; blocks may be transmitted by pressing the transmit keys.

In Block mode, keyed data goes to the TELERAY display and is only transmitted by the transmit functions.

Half/Full Duplex Modes

Full Duplex operation is used with Full Duplex type modems (Bell 103); Half Duplex mode with Half Duplex modems (Bell 202). These modes are selected by a rear panel switch.

Full Duplex Operation

When the TELERAY is in Character mode and Full Duplex mode, keyed data are transmitted; the data will not go to the TELERAY display unless the remote computer echoes it. The Serial I/O Request to Send signal is held ON in these modes. In the Block and Full Duplex modes, keyed data goes to the TELERAY display and does not go to the Serial I/O port. Keyed data is transmitted only by the transmit functions.

Half Duplex Operation

If the TELERAY is in Character mode and Half Duplex mode, a local copy is imaged on the screen as items are keyed and transmitted. The Serial I/O Request to Send signal is asserted upon initiation of keyboard data entry and negated following transmission of Line Feed or New Line code.

In the Half Duplex and Block modes, the Request to Send signal is asserted only during a block transmission. Keyed data goes only to the TELERAY display and can be transmitted only by the transmit function.

Local/Remote Modes

In Local mode the TELERAY keyboard and programmable functions are executed within the TELERAY. No data is transmitted and the Request to Send and Data Terminal Ready signals are negated. The Print function will operate in Local mode. In Remote mode these signals are determined by Full/Half Duplex mode and keyed data is transmitted as determined by the Full/Half Duplex and Character/Block modes.

COMMUNICATIONS CHARACTER MODES

One/Two Stop Bit Modes

These rear panel switch selected modes determine if one or two stop bit(s) will be appended to each transmitted character.

Parity Enable/Disable Modes

The parity Enable/Disable switch enables and disables both the parity generation and the parity checking. If parity is disabled a parity bit will not be generated and the communications character, which is transmitted, will be one bit shorter than the character transmitted when parity is enabled.

Seven/Eight Bit Modes

The 7 bits or 8 bits switch controls the length of the communications character exclusive of the parity or stop bit positions. When set to 8 bits the TELERAY will automatically put a 1 in the 8th bit position on transmission and will ignore the 8th bit on reception.

Commonly Used Communications Character Mode Settings

Parity Odd	Set to Parity ENABLE, 7 Bits, 1 or 2 Stop Bits
Parity Even	Set to Parity ENABLE, 7 Bits, 1 or 2 Stop Bits
Parity High	Set to Parity DISABLE, 8 Bits, 1 or 2 Stop Bits
No Parity	Set to Parity DISABLE, 7 Bits, 1 or 2 Stop Bits

NOTE: The combination of Parity Enable and eight bit modes should generally be avoided.

Baud Rates

The Serial I/O baud rate can be changed from the rate selected on the rear panel baud rate switches to any other of the fifteen available rates by an ESC \square followed by the appropriate character shown in Table 2. Once changed, the baud rate remains fixed until it is changed again, until a Reset to Initial State sequence (ESC g) has been initiated, or until power is turned off. In the latter two cases, the rate reverts to the rate set by the rear panel switches. The peripheral baud rate can be changed to any of the other fifteen available rates by an ESC \backslash followed by the appropriate character shown in Table 2. Once changed, the rate remains fixed until it is changed again, or until power is turned off, in which case the rate reverts to the rate set by the rear panel switches.

OPERATING MODES

Wide/Normal Character Modes

The normal display format of the TELERAY is 24 lines of 80 characters. Receipt of an ESC m sequence will change the format to 24 lines of 40 characters (Wide mode). In Wide mode the first 40 characters of each line are expanded to twice their normal size. The display memory still contains 80 characters on each line and all wrap and cursor positioning operations will be performed accordingly. The TELERAY will remain in Wide mode until an ESC l (lower case L) or a Reset to Initial State is entered; either will return the format to 24 lines or 80 characters.

Monitor Mode

When the TELERAY is placed in this mode (via keyboard switch) all control characters including ESCAPE and Delete are treated as data, entered into the display memory, and displayed in the form shown in Table 3. This mode allows the TELERAY to be used as a line monitor and also allows entry of control characters for subsequent block transmission.

New Line Mode

This mode is selected by a rear panel switch. In New Line mode the receipt of the New Line character causes both a Carriage Return and a Line Feed to be executed by the terminal. The New Line character can be selected as either the LF character or the CR character by an additional rear panel switch. Pressing either the CR or LF key will cause the cursor to go to the first column of the next line in New Line mode. When the TELERAY is not in New Line mode, the Line Feed and Carriage Return commands are treated as separate functions.

Right Margin Wrap Mode

When this mode is selected by the rear panel switch and data is entered in the 80th column of any line, the cursor will automatically be positioned in the first column of the next line. A cursor right function from column 80 will also cause the cursor to go to the first column of the next line. This "wrap" can cause a scroll to occur or can cause the cursor to go to the top line (depending on the condition of Scroll/Page mode) if the cursor was in the 24th line.

If Right Margin Wrap mode is not selected and the cursor is in the 80th column, a cursor right function or entry of any data which moves the cursor will not advance the cursor; the cursor will remain in the 80th column and the data in that column will be rewritten.

Scroll/Page Modes

These modes are selected by the keyboard switch legended "Scroll." In Scroll mode (down position), attempts to position the cursor below the bottom line will cause all displayed data to move up one line. The top line of data is irrecoverably lost and a blank line inserted on the bottom of the displayed page. In Page mode when an attempt is made to position the cursor below the bottom line, the cursor will "wrap" to the top line. No scrolling occurs. When the TELERAY is placed in Protect mode, the TELERAY will automatically go to Page mode.

Protect Mode

The TELERAY will enter Protect mode upon receipt of an ESC W sequence and will leave Protect mode when it receives an ESC X. These sequences may come from the keyboard, a programmable function, or from the Serial I/O. The fields which are to be protected must be defined before the TELERAY is placed in Protect mode (see "Fields"). The cursor cannot be placed in protected fields nor can these fields be modified in Protect mode. All field modifier characters (within protect fields or not) are protected. The Clear functions will erase only unprotected data.

In Protect mode, scrolling, editing functions, and columnar tabs are disabled. The first nonprotected character position to the right of each protected field becomes the tab stop for tabbing operations. In Protect mode, the protected fields are not transmitted; a single FS code is substituted for them.

Keyboard Lock Mode

In the Keyboard Lock mode, all keyboard entered data are discarded. The Keyboard Lock mode is entered by an ESC b sequence from either the keyboard or the Serial I/O. The Keyboard Unlock sequence, ESC c, is accepted only from the I/O port. The Interrupt key on the keyboard may be pressed to unlock the keyboard manually. The Keyboard Lock mode is automatically entered during any extended time operation (such as Print). Upon completion of these operations the keyboard will be unlocked.

Disable/Enable Display Modes

When Disable Display mode (ESC e) is entered, subsequent data from the keyboard, or from one of the functions, or from Serial I/O port, will not go to the TELERAY display. The data will be routed to the programming area for one of the programmable functions, to the peripheral port, or to the serial port, as appropriate, but will not go to the display portion of the TELERAY. Control codes (for example: Clear Screen) will not be executed in the terminal but will be merely passed on to the appropriate point. When the Enable Display (ESC f) mode is entered, the TELERAY returns to normal. The Disable Display mode will allow the remote computer to download the functions in the TELERAY without interfering with the operator. A typical download sequence might include the following:

- A. Lock keyboard (ESC b)
- B. Disable display (ESC e)
- C. Define function (ESC U #)
- D. The message which is to be loaded into the function
- E. End definition (ESC V)
- F. Enable display (ESC f)
- G. Enable keyboard (ESC c)

The Disable Display mode is also useful within the function programming to exclude portions or all of the function programming from going to the TELERAY screen. For example: If the functions were programmed to initiate sequences for control of the Teledisk, operator may not want these sequences to go to the display area of the TELERAY but would want to transmit them to the Teledisk. These function definitions would then contain a Disable Display in the beginning of the programming and an Enable Display in the end of the programming.

OPERATOR COMMUNICATIONS

Fields

Dim, Blink, Underline, Inverse Video and Protected fields may be established on the TELERAY in any combination. These fields are started, changed, or ended by entering a special character (field modifier) in the TELERAY memory. Any combination of field modifiers occupy only one display memory location. The field modifiers are entered in the memory using the sequence ESC R followed by the modifier code (see Table 4). All data following the field modifier in the display (until the end of the 80 character line) will have the characteristics shown in Table 4. To change or terminate a field before the end of the line, another field modifier character is entered in the memory.

Field modifiers are displayed as either a space or as a "||" depending on the position of the rear panel switch. On transmission of data in unprotected mode, a space code will be substituted for the modifiers in Protect mode, an FS (File Separator code) will be substituted for the protected field.

Undesired field modifiers can be removed using the Search and Clear modifier function (ESC S). This function will search the display in the forward direction until a field delimiter is found, will remove that modifier and position the cursor in the modifier position. In Protect mode, those modifiers in protected fields will not be removed. The search will "wrap" from the end to the beginning of the display; if no modifier is found, the cursor will be repositioned on the starting location.

Bell

An audible tone, approximately 100 msec. duration, is produced on receipt of the BEL control code from either the keyboard (Control G) or the Serial I/O interface. When keyboard entry moves the cursor past the 72nd character position in any line or into the 24th line the bell tone is also produced. Serial I/O cursor manipulation will not generate the tone, nor will Tab absolute cursor position, etc.

Interrupt

The Interrupt switch may be used by the operator to abort any operation currently underway and return the terminal to a ready state. When performed the interrupt will "ring" the bell; the contents of the display memory will not be changed by this function.

Break

When pressed this switch will generate a 250 msec "break" (space) signal on the Serial I/O transmitted data line. This function does not affect internal operations of the TELERAY.

Parity Error

If parity is enabled and a parity error or a framing error (stop bits missing) occurs an ASCII SUB character will be substituted for the erroneous character. The SUB character will be displayed as ^SB.

PROGRAMMABLE FUNCTIONS

The TELERAY contains 32 programmable functions. Any ASCII sequence may be assigned to these functions; 527 characters of memory are available to be used by the functions in any combination. The functions can be used to store forms, control sequences, answerback messages. A function should not call itself or call another function. Functions can be initiated by an appropriate ESC sequence (see below); the first eight also can be initiated by keyboard keys assigned to them. Other keyboard arrangements with additional keys assigned to these functions are available, consult factory for details.

Use of the Programmable Functions

The functions will be initiated by either the appropriate keys on the keyboard (first 8) or may be initiated by 3-character sequence - ESC T followed by the function number. The function number must be a two digit number from 01 through 32, inclusive. Both digits must be used (e.g., 01, 02, etc.) If an illegal or undefined function number is given the sequence will be ignored. When a function is initiated, the ASCII sequence stored in the function memory is treated by the TELERAY as a keyboard input. Control characters and ESC sequences will be executed and/or transmitted as determined by the operating modes.

Programming the Programmable Functions

Programming of the functions will be initiated by the sequence ESC U, followed by function number. The programming of any function will be terminated by the sequence ESC then V. If the definition sequence is given for a function which has been previously defined, the old program will be discarded and a new one entered. As the functions are being programmed, the program data will also be executed. For example: if the program sequence contains a Clear Page function the screen will be cleared.

PERIPHERAL INTERFACE

The peripheral port provides an RS232 serial asynchronous interface for a printer or other peripheral device. Following a peripheral-on command (DC2) from the keyboard or the I/O interface, data are transmitted to the peripheral port as received or as entered on the keyboard. The peripheral baud rate will be set to the I/O baud rate, either as set by rear panel switches or as changed by ESC sequence (Table 2), for concurrent printing. A peripheral-off command (DC4) will turn off the peripheral interface.

Any displayed data can also be transmitted to the peripheral port in "block" fashion by pressing the Print key. All data, including protected fields (with space characters substituted for field delimiters), are transmitted at the peripheral baud rate.

TRANSMITS AND BUFFERING

- Partial Line: With the rear panel switch in the Xmit to Cursor position, the Transmit Line function transmits the data from the start of line to the cursor position.
- Line: With the rear panel switch in the Xmit to End position, the Transmit Line function transmits the line the cursor is on.
- Message: With the cursor positioned at the end of the message to be transmitted, the Transmit message function transmits the data from the first ETX preceding the cursor (or Home), to the cursor position. An ETX (displayed as "E_X" but not transmitted) is entered at the cursor position before transmission.
- Partial Page: With the rear panel switch in the Xmit to Cursor position. the Transmit Page function transmits the data from Home to the cursor position.
- Full Page: With the rear panel switch in the Transmit to End position, the Xmit Page function transmits the entire page.

These transmissions can be initiated by ESC followed by i, l, or Z for line, message or page, respectively or by the Xmit Line, Xmit Msg and Xmit Page keys. During these transmissions the keyboard is locked and the cursor scans the transmitted data. When transmission is completed, the cursor returns to its original position except after a Transmit Message the cursor is placed in the character position immediately following the ETX which was entered. Non-written spaces to the right of any data on each

line are suppressed. LF and CR, or New Line codes are appended to the end of each line as selected by the New Line and NL on LF-NL on CR switches. An ETX code will or will not be appended to each transmission as selected by the position of the rear panel ETX on Transmit switch. Any Control characters or ESC sequences entered in the display while the TELERAY was in MONITOR mode will be transmitted (but not executed).

Buffering

Block transmission from the Teleray can be suspended by a DC3 from a sending device. A DC1 code will cause transmission to resume. Block transmission is aborted if any character, number or control code precedes the resume command. A Busy/Ready mode can be selected to permit the Teleray to suspend data entry from a computer equipped to detect and decode the proper commands. The mode is enabled in the Teleray when an ESC h command is received. When this mode is enabled the Teleray sends a DC3 command (Busy) when its input buffer is 10 characters from full. When the Teleray buffer is 10 characters from empty a DC1 (Ready) command is sent to the computer to resume data transmission. Once enabled this mode can only be disabled by an ESC g (reset to initial state) command or if power to the Teleray is shut off.

CURSOR MANIPULATION

Basic Moves

The cursor can be moved one position up, down, right, left or to home (line one, column one), using either the non transmitting keyboard keys or by using the sequence: ESC and A, B, C, D or H respectively. Backspace will move the cursor one left; the space character one character to the right (destructively). Line Feed moves the cursor one down; Carriage Return places the cursor on the left margin (also, see New Line mode).

Margin Wraps

When a cursor left function is initiated with the cursor in the first column, the cursor will move to the 80th column of the preceding line (assuming the 80th column of that line is not protected). When a cursor left function is initiated with the cursor in the Home position, the cursor moves to the 80th column of the 24th line. A one up function in the top line, will position the cursor in the same column, Line 24. The actions taken on the right and bottom margins depend on the condition of the WRAP and SCROLL modes as previously described.

Cursor Address Write and Read

The cursor can be moved directly to any line-column coordinate using the sequence ESCape Y - line code - column code. The sequence ESC a will cause the TELERAY to transmit its cursor position in that order. The line code and column code for each position is given in Table 1. An illegal coordinate in an addressing sequence will be ignored; this allows the cursor to be moved to another line without changing the column or to another column without changing the line.

Tabs

The TELERAY accommodates a total of 16 columnar tab stops. A columnar tab stop can be set in any column position by moving the cursor to that position and pressing the Tab Set key, or by the sequence ESC F. Any existing tab stop can be cleared by moving the cursor to that position and pressing the Tab Clear (shifted Tab Set) key. The Clear Tabs function (ESC G) clears all Tab Stops simultaneously. Tab stops do not occupy display positions.

When the Tab/Back Tab key is pressed, the cursor moves forward or backward, respectively, to the next tab stop (which movement may include right or left margin wrap, as appropriate). In Protect mode, the columnar tabs are ignored and the character position to the right of each protected field acts as a tab stop. If no tab stops have been set the cursor will not move.

CLEAR AND EDITS

Clear Functions

The Clear EOL function clears from the cursor to the end of the line; Clear EOP function clears from the cursor to the end of the page. The Clear Page function clears the entire page. Reset to Initial State will abort any operation underway and place the TELERAY in the "power up" state: memory is clear, tab stops are removed, peripheral is disabled and cursor is at home. These functions are initiated by ESC K for Clear EOL and ESC J for Clear EOP. Clear Page is initiated by ESC j or by Form Feed; Reset to Initial State by ESC g. The Clear EOL, EOP and Page functions do not erase protected fields in Protect mode, Reset to Initial State will erase them in any mode.

Edit Functions

The Insert Character, Delete Character, Insert Line, and Delete Line functions are initiated by the sequences ESC then P, Q, L or M, respectively, or are initiated by the appropriate keyboard key. An

Insert Character function is performed by shifting all data in and to the right of the cursor on the cursor line one character to the right. Data shifted past column 80 is irrevocably lost; subsequent lines are not affected. The cursor position is not changed. The Delete Character function is performed by shifting all data in and to the right of the cursor position on the cursor line one character to the left. A space character is placed in column 80; subsequent lines are not affected. The cursor position is not changed.

The TELERAY performs an Insert Line function by shifting all data lines including and below the cursor line, one line down. A line of spaces is written in the cursor line and the cursor is positioned at the left margin on this line. Data shifted past line 24 is irrevocably lost. A Delete Line function is performed by moving all the data below the cursor line up one line. The cursor is positioned at the left margin on the current line. A line of spaces is written in line 24.

The Insert and Delete functions will not operate when the TELERAY is in Protect mode.

Table I

CURSOR COORDINATE POSITIONING

- 1) Press ESC . . . then Y . . .
- 2) then Line Code . . . 3) then Column Code

LINE CODES		COLUMN CODES					
Line No.	Char.	Col. No.	Char.	Col. No.	Char.	Col. No.	Char.
1	Space	1	Space	28	;	55	V
2	!	2	!	29	<	56	W
3	"	3	"	30	=	57	X
4	#	4	#	31	>	58	Y
5	\$	5	\$	32	?	59	Z
6	%	6	%	33	@	60	[
7	&	7	&	34	A	61	\
8	'	8	'	35	B	62]
9	(9	(36	C	63	^
10)	10)	37	D	64	_
11	*	11	*	38	E	65	`
12	+	12	+	39	F	66	a
13	,	13	,	40	G	67	b
14	-	14	-	41	H	68	c
15	.	15	.	42	I	69	d
16	/	16	/	43	J	70	e
17	0	17	0	44	K	71	f
18	1	18	1	45	L	72	g
19	2	19	2	46	M	73	h
20	3	20	3	47	N	74	i
21	4	21	4	48	O	75	j
22	5	22	5	49	P	76	k
23	6	23	6	50	Q	77	l
24	7	24	7	51	R	78	m
		25	8	52	S	79	n
		26	9	53	T	80	o
		27	:	54	U		

Note: Any undefined coordinate character will be ignored.

FUNCTIONAL SUMMARY

Communications Modes

Character/Block.....Keyboard Switch
 Half/Full Duplex.....Rear Panel Switch
 Local/Remote.....Keyboard Switch

Communications Character Modes

One/Two Stop Bit.....Rear Panel Switch
 Parity Enable/Disable.....Rear Panel Switch
 Seven/Eight Bit.....Rear Panel Switch
 Baud Rates.....Rear Panel Switch or ESC [Table I

Operating Modes

Wide/Normal Characters.....ESC m / ESC l
 Monitor.....Keyboard Switch
 New Line.....Rear Panel Switches
 Right Margin Wrap.....Rear Panel Switch
 Scroll/Page.....Keyboard Switch
 Enter/Leave Protect.....ESC W / ESC X
 Keyboard Lock/Unlock.....ESC b / ESC c
 Disable/Enable Display.....ESC e /ESC f

Operator Communications

Fields.....ESC R and Table 2
 Search & Clear Delimiter.....ESC S
 Bell.....BEL (CTRL G)
 Interrupt.....Keyboard Switch
 Break.....Keyboard Switch
 Parity Error.....Automatic ^SB display

Programmable Functions

Execute Programmed Function.....ESC T Number (2 digit, 01 through 32)
 Define Function.....ESC U Number (2 digit, 01 through 32)
 End Function Definition.....ESC V

Peripheral Interface

Print.....Keyboard Switch or ESC O (oh)
 Peripheral On.....DC2 (CTRL R)
 Peripheral Off.....DC4 (CTRL T)
 Change Peripheral Baud.....ESC \ Table I

Transmits and Buffering

Line.....Keyboard Switch or ESC i
 Message.....Keyboard Switch or ESC l
 Page.....Keyboard Switch or ESC Z
 Xmit to Cursor/End.....Rear Panel Switch
 Xmit an ETX.....Rear Panel Switch
 Time Fill.....NUL
 Suspend/Busy.....DC3 (CTRL S)
 Resume/Ready.....DC1 (CTRL Q)
 Enable Busy/Ready.....ESC h

Cursor Manipulation

One Up.....Keyboard Switch or ESC A
 One Down.....Keyboard Switch or ESC B or LF (CTRL J)
 One Right.....Keyboard Switch or ESC C or Space
 One Left.....Keyboard Switch or ESC D or BS (CTRL H)
 Home.....Keyboard Switch or ESC H
 Left Margin.....CR (see New Line)
 Absolute Position.....ESC Y Table 4
 Position Read.....ESC a
 Tab Set.....Keyboard Switch or ESC F
 Clear This Tab.....Keyboard Switch
 Clear All Tabs.....ESC G
 Tab.....Keyboard Switch or HT (CTRL I)
 Back Tab.....Keyboard Switch or ESC d

Clears and Edits

Clear EOL.....Keyboard Switch or ESC K
 Clear EOP.....Keyboard Switch or ESC J
 Clear Page.....Keyboard Switch or j or FF (CTRL L)
 Reset to Initial State.....ESC g
 Insert Character.....Keyboard Switch or ESC P
 Delete Character.....Keyboard Switch or ESC Q
 Insert Line.....Keyboard Switch or ESC L
 Delete Line.....Keyboard Switch or ESC M

Table 2 Baud Rate

Program Sequence Serial I/O: ESC [then Peripheral ESC \ then	Baud Rate	Rear Panel Switch Positions			
		4	3	2	1
0	50	U	U	U	U
1	75	D	U	U	U
2	110	U	D	U	U
3	134.5	D	D	U	U
4	150	U	U	D	U
5	300	D	U	D	U
6	600	U	D	D	U
7	1200	D	D	D	U
8	1800	U	U	U	D
9	2000	D	U	U	D
:	2400	U	D	U	D
;	3600	D	D	U	D
<	4800	U	U	D	D
=	7200	D	U	D	D
>	9600	U	D	D	D
?	Res	D	D	D	D

U = Up
D = Down

Table 4 Field Modifiers

ESC R Then	Field Characteristics
@	Normal (ends all others)
A	Blink
B	Dim
C	Dim, Blink
D	Inverse
E	Inverse, Blink
F	Inverse, Dim
G	Inverse, Dim, Blink
H	Underline
I	Underline, Blink
J	Underline, Dim
K	Underline, Dim, Blink
L	Underline, Inverse
M	Underline, Inverse, Blink
N	Underline, Inverse, Dim
O	Underline, Inverse, Dim, Blink
P	Protect Only
Q	Protect Blink
R	Protect, Dim
S	Protect, Dim, Blink
T	Protect, Inverse
U	Protect, Inverse, Blink
V	Protect, Inverse, Dim
W	Protect, Inverse, Dim, Blink
X	Protect, Underline
Y	Protect, Underline, Blink
Z	Protect, Underline, Dim
[Protect, Underline, Dim, Blink
\	Protect, Underline, Inverse
]	Protect, Underline, Inverse, Blink
^	Protect, Underline, Inverse, Dim
-	Protect, Underline, Inverse, Dim, Blink

Table 3 Control Character Generation and Monitor Mode Display

Displayed As	Control Character	Press* Control &
A _K	ACK	F
B _L	BEL	G
B _S	BS	H
C _N	CAN	X
C _R	CR	M
D ₁	DC1	Q
D ₂	DC2	R
D ₃	DC3	S
D ₄	DC4	T
D _L	DLE	P
E _M	EM	Y
E _Q	ENQ	E
E _T	EOT	D
E _C	ESC	[
E _B	ETB	W
E _X	ETX	C
F _F	FF	L
F _S	FS	:
G _S	GS]
H _T	HT	I
L _F	LF	J
N _K	NAK	U
N _U	NUL	2
R _S	RS	\
S _I	SI	O
S _O	SO	N
S _H	SOH	A
S _X	STX	B
S _B	SUB	Z
S _Y	SYN	V
U _S	US	?
V _T	VT	K

*Dedicated keys on keyboard for several of these codes. See Keyboard description.

CODING SUMMARY

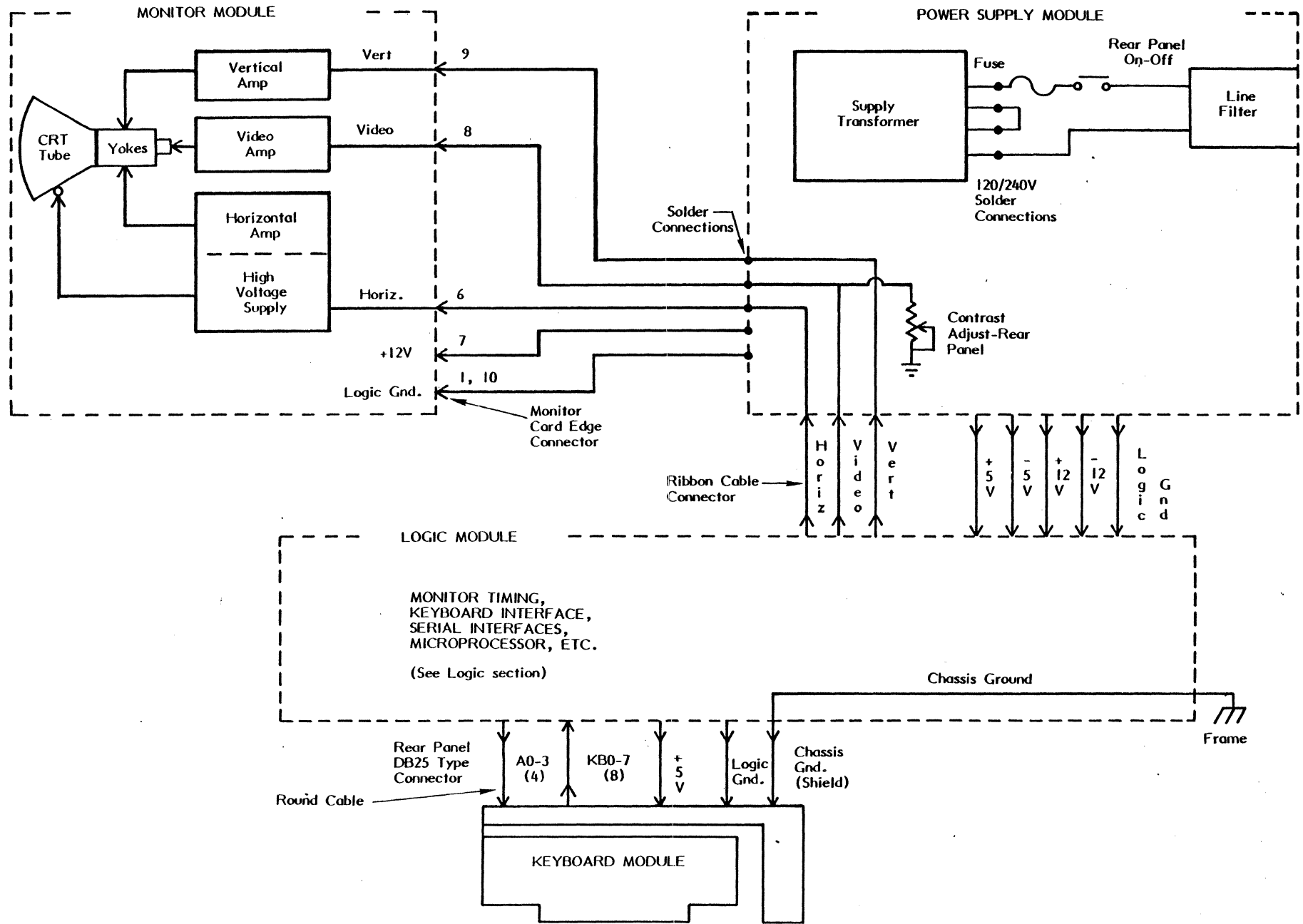
Row	Control Characters		Escape Sequences		
	0	1	4	5	6
0	NUL "Time Fill"	DLE	Ⓔ	P Insert Char	
1	SOH	DC1 Resume/ Ready	A One Up	Q Delete Character	a Table 4 Read Cursor Posn.
2	STX Limit Transmit	DC2 Peripheral On	B One Down	R Table 2 Field Modifier	b Lock Keyboard
3	ETX	DC3 Suspend/ Busy	C One Right	S Search/Clr. Modifier	c Unlock Keyboard
4	EOT	DC4 Peripheral Off	D One Left	T Execute Programmed Function	d Back Tab
5	ENQ	NAK	E Clear Tab Stop	U Define Function	e Disable Display
6	ACK	SYN	F Set Tab Stop	V End Function Definition	f Enable Display
7	BEL Bell	ETB	G Clear All Tab Stops	W Enable Protect	g Reset to Initial State
8	BS One Left	CAN	H Home	X Leave Protect	h Enable Ready/Busy
9	HI Tab	EM	I Transmit Message	Y Table 4 Load Cursor Position	i Transmit Line
10	LF Line Feed	SUB Parity Error	J Clear to EOP	Z Transmit Page	j Clear Page
11	VT	ESC Introduce Sequence	K Clear to EOL	[Table 1 Set I/O Baud	k
12	FF Clear Page	FS	L Insert Line	/ Table 1 Set Periph Baud	l Normal Character Format
13	CR Cursor Return	GS	M Delete Line]	m Wide Character Format
14	SO	RS	N	^	n
15	SI	US	O Print	-	o

Section 2

MACHINE ORGANIZATION

The Teleray consists of a display cabinet and an optional detached keyboard module. The display cabinet contains a Monitor module, Power Supply module and Logic module. These modules are accessible without using tools for exchange and/or repair. The Teleray instruction manual graphically illustrates module replacement.

The Module Signal Flow and Cabling Diagram describes the signal flow between modules. All connectors used are keyed to prevent incorrect insertion. The ribbon cable used is symmetrical, the cable may be reversed end-to-end. Pin numbers on the cables are provided in each section.



MODULE SIGNAL FLOW AND CABLING DIAGRAM

Section 3
MONITOR MODULE

Zenith DTI

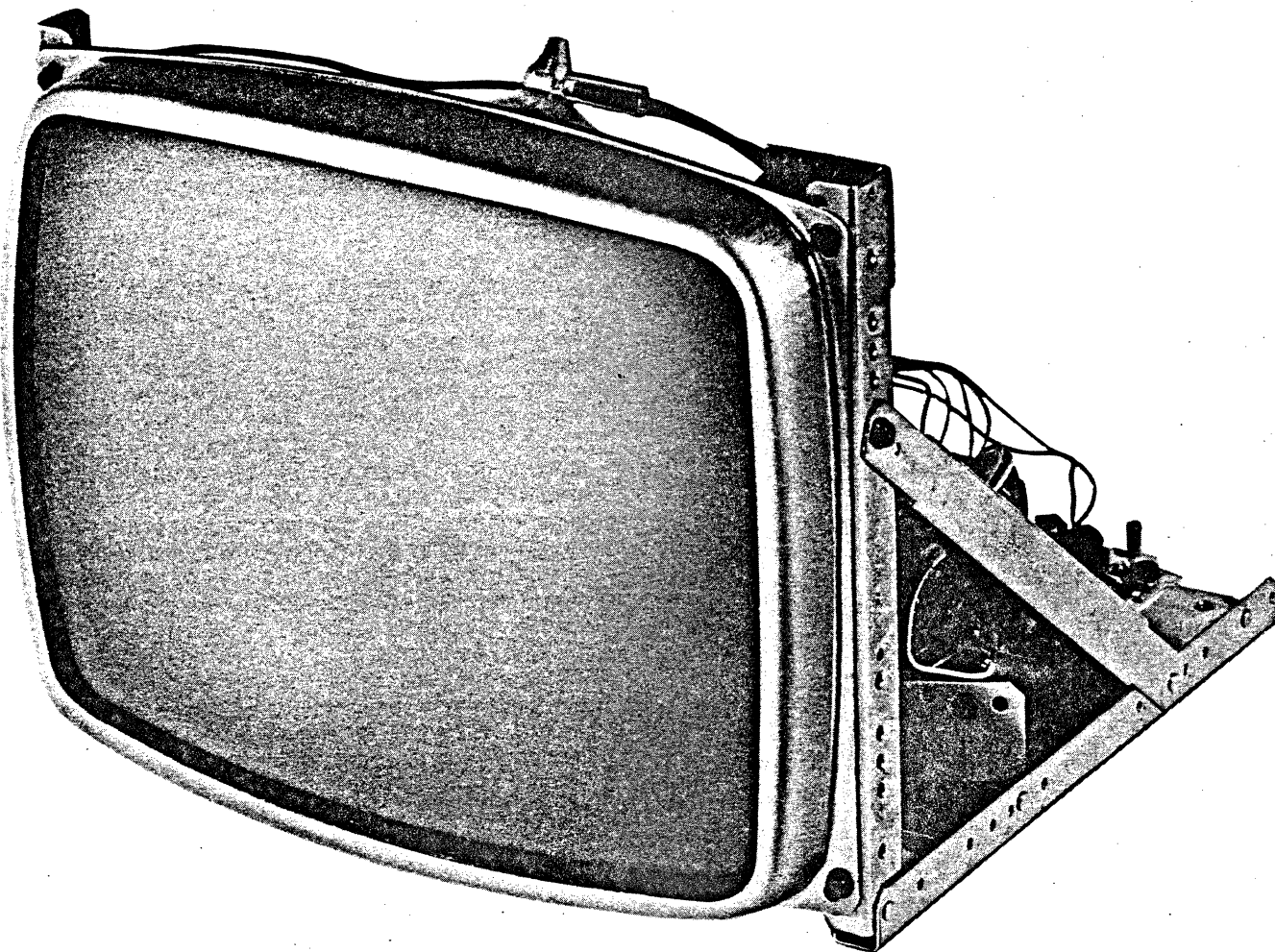
 Servicing Guidelines
 Theory of Operation
 Adjustments
 Schematics
 Parts Lists

DT1

DT1



SERVICE MANUAL



DT1

D12 SERIES DATA DISPLAY TERMINALS

ZENITH RADIO CORPORATION

1000 MILWAUKEE AVENUE, GLENVIEW, ILLINOIS 60025

PRODUCT SAFETY SERVICING GUIDELINES FOR ZENITH DATA DISPLAY TERMINALS

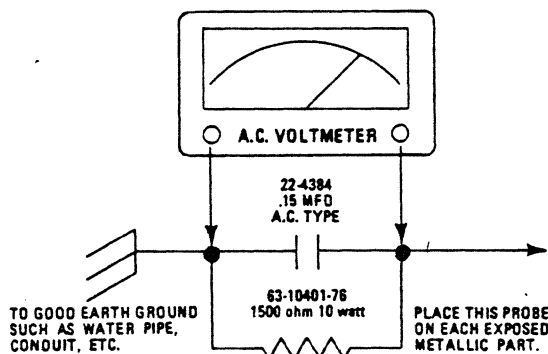
CAUTION: No modification of any circuit should be attempted. Service work should be performed only after you are thoroughly familiar with all of the following safety checks and servicing guidelines. To do otherwise increases the risk of potential hazards and injury to the user.

SAFETY CHECKS

After the original service problem has been corrected, a check should be made of the following:

SUBJECT: FIRE & SHOCK HAZARD

1. Be sure that all components are positioned in such a way to avoid possibility of adjacent component shorts. This is especially important on those chassis which are transported to and from the repair shop.
2. Never release a repair unless all protective devices such as insulators, barriers, covers, shields, strain reliefs, and other hardware have been reinstalled per original design.
3. Soldering must be inspected to uncover possible cold solder joints, frayed leads, damaged insulation, solder splashes or sharp solder points. Be certain to remove all loose foreign material.
4. Check "across-the-line" capacitor (if used) and other components for physical evidence of damage or deterioration and replace if necessary. Follow original layout, lead length and dress.
5. No lead or component should touch a resistor rated at 1 watt or more. Lead tension around protruding metal surfaces must be avoided.
6. All critical components (shaded on the schematic diagram and parts lists) such as: fuses, flameproof resistors, capacitors, etc., must be replaced with exact Zenith types. Do not use replacement components other than those specified or make unrecommended circuit modifications.
7. After re-assembly of the terminal always perform an AC leakage test on all exposed metallic parts of the cabinet and screws to be sure the terminal is safe to operate without danger of electrical shock. **DO NOT USE A LINE ISOLATION TRANSFORMER DURING THIS TEST.** Use an AC voltmeter having 5000 ohms per volt or more sensitivity in the following manner: Connect a 1500 ohm 10 watt resistor (63-10401-76), paralleled by a 0.15 mfd., 150V AC type capacitor (22-4384) between a known good earth ground (water pipe, conduit, etc.) and the exposed metallic parts, one at a time. Measure the AC voltage across the combination 1500 ohm resistor and 0.15 mfd. capacitor. Reverse the AC plug and repeat AC voltage measurements for each exposed metallic part. Voltage measured must not exceed 0.75 volts RMS. This corresponds to 0.5 milliamp AC. Any value exceeding this limit constitutes a potential shock hazard and must be corrected immediately.



SUBJECT: IMPLOSION PROTECTION

1. All Zenith picture tubes are equipped with an integral implosion protection system, but care should be taken to avoid damage during installation. Avoid scratching the tube.
2. Use only Zenith replacement tubes.

SUBJECT: X-RADIATION

1. Be sure procedures and instructions to all service personnel cover the subject of X-radiation. The only potential source of X-rays is the picture tube. However, this tube does not emit X-rays when the HV is at the factory-specified level. It is only when the HV is excessive that X-radiation can be generated. The basic precaution which must be exercised is to keep the HV at the factory-recommended level. Refer to the X-ray Precaution Label which is located inside each terminal for the correct high voltage. The proper value is also given in the schematic diagram. Operation at higher voltages may cause a failure of the picture tube or high voltage supply and, also, under certain circumstances, may produce radiation in excess of desirable levels.
2. Only Zenith-specified CRT anode connectors must be used.
3. It is essential that the serviceman has available at all times an accurate high voltage meter. The calibration of this meter should be checked periodically against a reference standard.
4. When the high voltage circuitry is operating properly there is no possibility of an X-radiation problem. Every time a chassis is serviced, the brightness should be run up and down while monitoring the high voltage with a meter to be certain that the high voltage does not exceed the specified value and that it is regulating correctly. We suggest that you and your service organization review test procedures so that voltage regulation is always checked as a standard servicing procedure, and that the reason for this prudent routine be clearly understood by everyone.
5. When trouble shooting and making test measurements in a terminal with a problem of excessive high voltage, do not operate the chassis longer than is necessary to locate the cause of excessive voltage.

IMPORTANT NOTE: DAG GROUNDING.

Each unit provides for grounding of the main P.C. Board and CRT socket board to the dag of the CRT through the dag grounding spring.

The ground wires are connected to the shell bond or T-band through a terminal lug. Upon installing the Video Display in a terminal, this grounding procedure should be followed to provide adequate high voltage filtering and arc protection. This especially pertains to mounting the video display as a kit version.

CAUTION

NO WORK SHOULD BE ATTEMPTED ON ANY EXPOSED MONITOR CHASSIS BY ANYONE NOT FAMILIAR WITH SERVICING PROCEDURES AND PRECAUTIONS.

GENERAL INFORMATION

This service manual introduces the Zenith D12 series of Video Displays. The series includes three basic forms: the D12-PF which is complete with power supply and frame, the D12-NF without power supply, the D12-NK in kit form which comes without frame or power supply.

The D12 series incorporate precision CRT's which provide uniformity of display and controlled spot size and geometry. The display may be operated from a standard 15 volt D.C. supply (or optional 12 V.D.C.) or from 120 volts A.C.

Input and output connections for the displays are made through a 10 pin edge connector on the main circuit board. Provision has been made for an optional remote brightness control. Schematic reference numbers are printed on

the circuit board to aid in the location and identification of components for servicing.

Vertical and horizontal linearity is maintained within specifications without the use of linearity controls or adjustable devices. Excellent vertical linearity is assured by the extensive use of current feedback and horizontal linearity is achieved with a fixed saturable reactor.

Vertical and horizontal deflection systems sustain scan even in the absence or interruption of synchronizing signals. Vertical and horizontal synchronization is automatic and stable throughout the entire specified operating frequency range.

SPECIFICATIONS

CATHODE RAY TUBE

12" diagonal measure, 90° deflection, 12.5 KV nominal high voltage at 50 μ A. beam current. Available with bonded anti-reflective face plate option. P4 phosphor is standard and other EIA phosphors are available.

NOMINAL DISPLAY AREA

51 sq. in. defined by a rectangle 8½"x6" centered on the CRT. (Other display dimensions optional.)

INPUT SIGNALS (TTL LEVEL)

HORIZONTAL

4 to 40 μ sec. duration (positive going standard).

VERTICAL

50 to 1400 μ sec. duration (negative going standard).

VIDEO

1.0V to 2.5V P-P (user supplies 500 ohm contrast control for higher input levels).

Positive polarity for white characters. (Other polarities are available for horizontal and vertical sync.)

POWER SUPPLY

120V \pm 10% or 240V \pm 10%
(customer strappable) 47 to 63 Hz., or
15V DC at 800 ma. max., or
12V DC at 1100 ma. max.

BRIGHTNESS CONTROL

Internal or Customer supplied 100 K Ω potentiometer (accessible at pins 2, 3 and 4 of edge connector).

INTERCONNECT TO CUSTOMER SYSTEM

Via standard 10-pin edge connector.

VIKING #25V10S/1-2
AMP #225-21031-101
CINCH #250-10-30-170

RESOLUTION

900 vertical lines minimum at center of display and 700 vertical lines at the corners. Pulse rise time less than 20 nanoseconds, for 30V rise at CRT. Bandwidth is within 3db from 10 Hz. to 18 MHz.

GEOMETRY

NOTE: Measurements made with an input of 1.0-2.5V P-P and with the display adjusted to 6" high x 8½" wide.

VERTICAL

a. Height of display at left side shall be within \pm 2.0 percent of height at right side.

b. Top and bottom pincushion or barrel shall be within 1.25% of the average height.

HORIZONTAL

a. Width of display at top shall be within \pm 2.5 percent of width at bottom.
b. Side pincushion or barrel shall be within 1.0% of the average width.

LINEARITY

No character shall vary in width or height by more than \pm 10% of the average width or height of all the characters in a row or column respectively. No specific character shall vary in width or height more than \pm 10% of an adjacent character.

SYNCHRONIZATION

HORIZONTAL

15.75 \pm 0.5KHz.
18.60 \pm 0.5KHz. (Optional)

Horizontal Blanking

10.0 μ sec. min.

Horizontal Phasing Control

10.0 μ sec. min. adjustment

VERTICAL

47 to 63 Hz.

VERTICAL RETRACE TIME

850 μ sec. max.

STORAGE

55° C. max. with bonded anti-reflective faceplate.
65° C. max. for plain faced CRT's.

ENVIRONMENT

Operating temperature

55° max. (free air temperature of display electronics).

Altitude

40,000 ft. + storage & shipment.

10,000 ft. max. operating.

WEIGHT

11.5 lbs. max. without optional power supply.

13.5 lbs. max. with optional power supply.

9.0 lbs. max. without frame.

THEORY OF OPERATION

POWER SUPPLY

Power Transformer TX201 is designed for use with 120V or 240V A.C. source. The secondary provides power to bridge rectifier (CR501, CR502, CR503 and CR504). The positive output of the bridge rectifier (junction of CR503 and CR504), forms the raw B+ supply ($\sim 20\text{VDC}$).

Voltage regulation is accomplished in the negative leg of the power supply through a feedback network consisting of transistors QX501 and QX502 and their associated circuitry. The emitter voltage of QX501 is maintained by diodes CR505, CR506 and CR507. The base voltage is provided by potentiometer RX506.

If B+ increases, diodes CR505, CR506 and CR507 will draw more current to maintain the emitter voltage of QX501. Additionally, the voltage developed across RX506 will increase, resulting in a higher positive voltage at the base of QX501 which will result in less conduction. This reduces the base current of QX502 since QX501 provides the emitter/base current path for QX502. When QX502 conducts less, the voltage drop across Q502 is increased thus lowering B+.

If B+ decreases, diodes CR505, CR506 and CR507 will reduce conduction to maintain the emitter voltage of QX501. Additionally, the base voltage provided by RX506 will decrease. Less voltage on the base of QX501 will cause it to increase conduction, resulting in a greater emitter/base current flow in QX502. With this condition the voltage drop for Q502 is less and B+ is increased.

HORIZONTAL

The low-level horizontal section, which consists of transistors Q101 and Q102 (and associated circuitry), functions as a variable time delay monostable multivibrator. The input trigger for this circuit is provided by the horizontal drive pulse. The pulse is injected into the base or emitter (for either positive or negative pulse respectively) of Q101 through injection network C101, C111, R101, R110 and CR101. By varying the recovery time of the multivibrator, potentiometer R104 adjusts video information position (with respect to raster scan). Output of the monostable multivibrator, derived at the collector of Q102, is injected through a coupling network consisting of C110 and CR103. The resulting "Lock" signal is rereceived by one side of a precision astable multivibrator at the

emitter of Q103. The astable multivibrator circuit is completed through Q104 and associated circuitry. This circuit will act as a free running oscillator until the "Lock" signal is received from the previous stage. Once locked, an output pulse is formed at the emitter of Q104 which is then D.C. coupled to the base of the horizontal driver transistor, Q105.

Remainder of the horizontal circuit is straightforward. Features to be noted are: Width and Linearity Coils LX102 and LX101 in series with the yoke (TX202). Linearity is fixed and an adjustable coil is provided for width. The linearity coil has a magnetically biased core which makes the inductance of the coil dependent upon its current. Pincushion and geometric corrections are made at the factory by the addition of rubber magnets around the plastic ring of the yoke. D.C. operation of 12 volts is accomplished by the (optional) addition of a boost circuit at the horizontal sweep transformer.

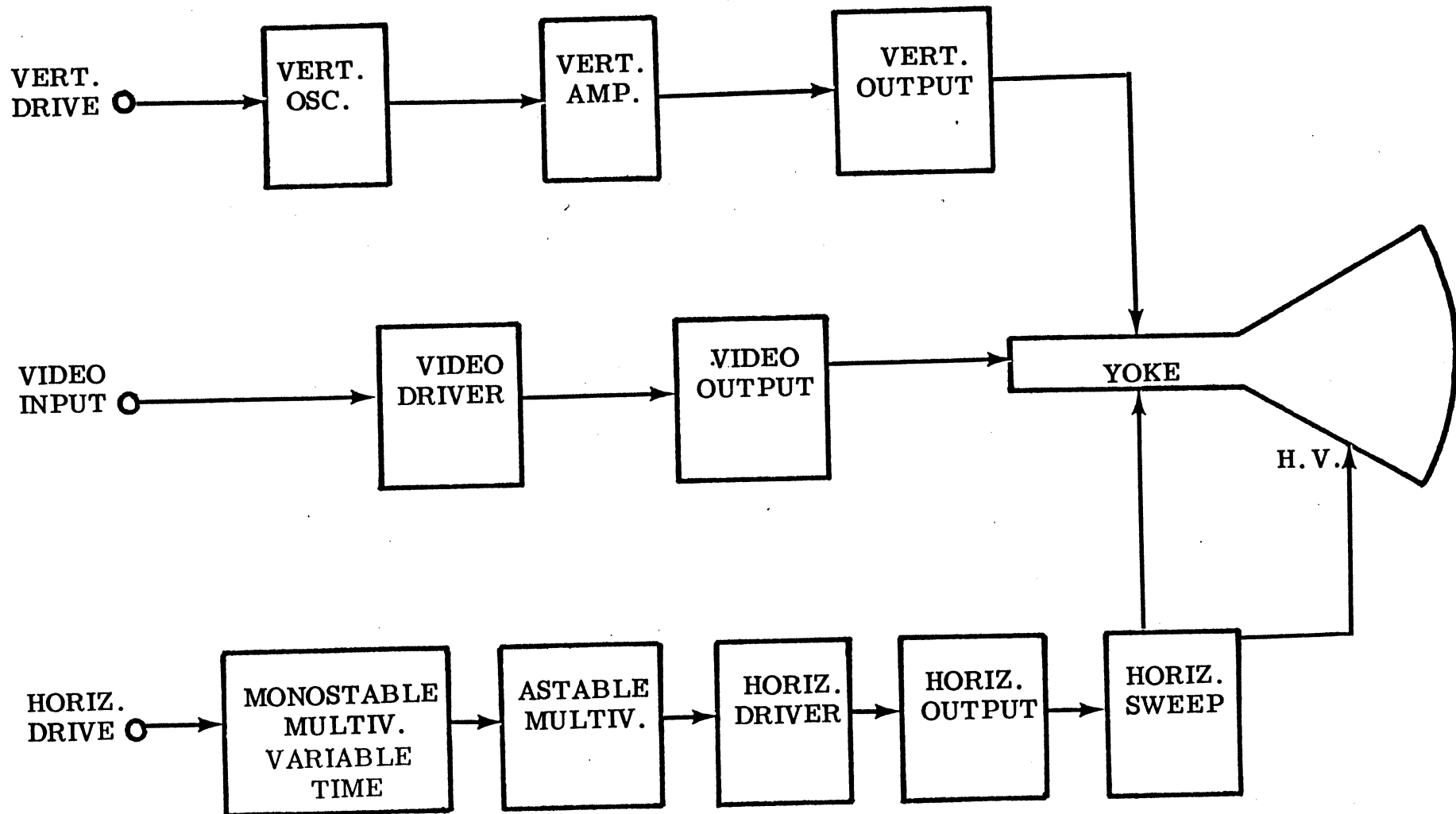
VERTICAL

The vertical circuit includes an oscillator consisting of transistors Q301 and Q302 and associated circuitry. Amplification is provided by transistors Q303 and Q304 with the emitter of Q304 feeding the base of the vertical driver Q305. The vertical output transistors, Q306 and Q307 are wired in the standard push-pull configuration. One feature of this vertical circuit is the addition of transistor Q308. This transistor doubles B+ during retrace, thus maintaining less than 800μ sec. of retrace time.

VIDEO

The video amplifier circuit consists of transistors Q401 and Q402 and associated circuitry. The circuit comprises a cascode amplifier which is triggered by a positive pulse at pin 8 of the edge connector. Upon receiving the input pulse, conduction is initiated and the collector voltage of Q402 is lowered. Amplification of low frequency voltage gain is fixed by the ratio of R407 and R408. Gain is maintained to 18 MHz by the bandwidth enhancing components R406, C403, and L401. Resistors R402 and R403 provide bias for the amplifier.

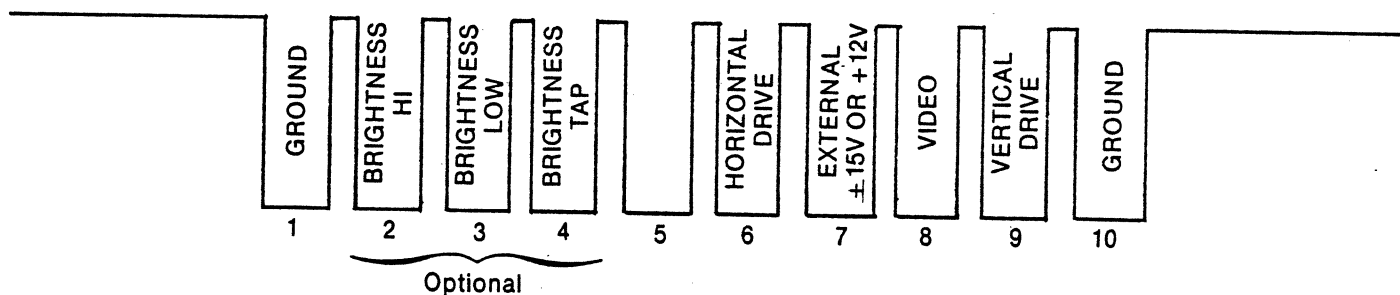
The collector output of Q401 is D.C. coupled to the cathode of the C.R.T. through resistor R201. Raster cut-off is adjusted with the brightness control R114 which is connected to G1 of the C.R.T.



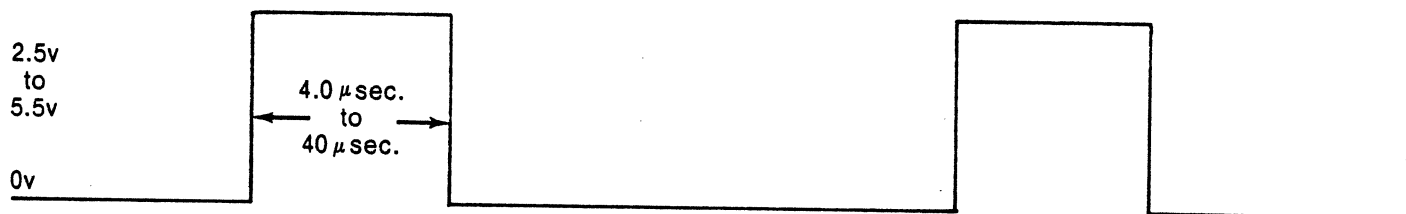
ADJUSTMENT PROCEDURES FOR D12 VIDEO DISPLAY

1. External power is applied to the monitor through an AC line cord or a 4 pin molex connector. The unit is wired for 120 VAC 50/60 Hz operation. (240 VAC 50/60 Hz optional)
2. INPUT SIGNALS: Input signals are connected to the display board through a 10 pin edge connector.

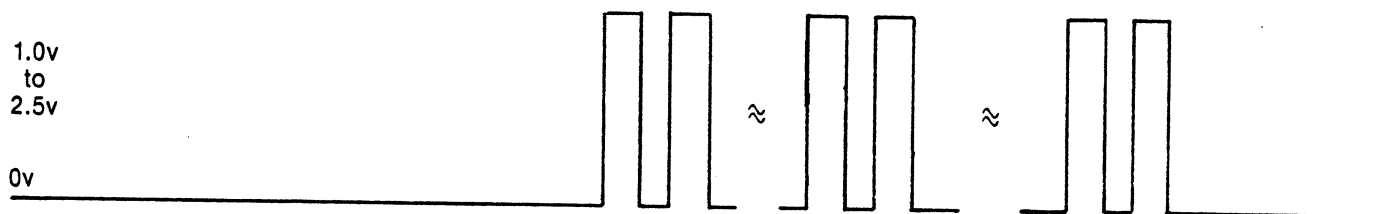
Component Side of Display Board



A. Horizontal drive signal — 15750 Hz \pm 500 Hz

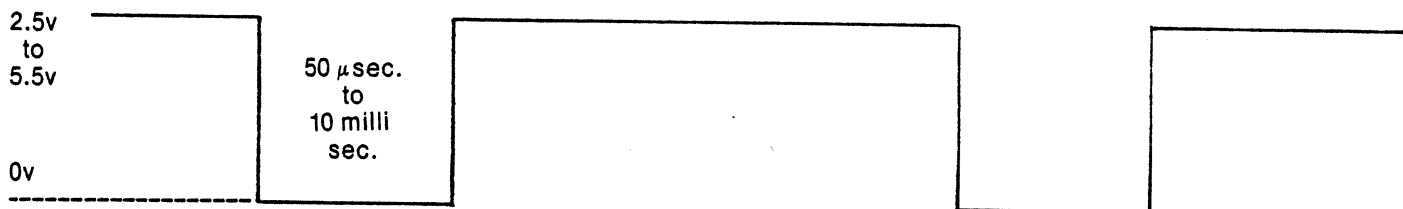


B. Video drive signal



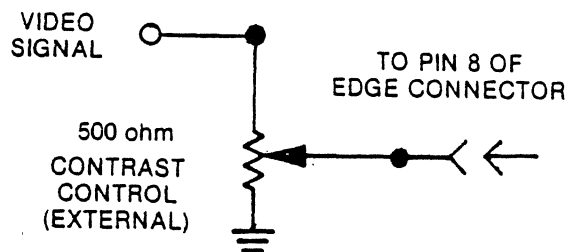
At a horizontal frequency of 15.7KHZ the video drive signal should start 11 microseconds \pm 5 μ sec. after the leading edge of horizontal sync, and 900 microseconds or greater after the leading edge of vertical sync.

C. Vertical drive signal — 47 Hz to 63 Hz



In normal operation the horizontal and vertical drive signals and signal ground are connected to the edge connector through a cable assembly. If this is not the case connect pins 1 & 10 together with a jumper wire at the edge connector.

Should the video drive level exceed the 2.5 volts specified, an external contrast control must be provided. The video drive signal is connected to the top end of the 500 Ω pot, the bottom end is grounded and the wiper arm connects to the video input of the edge connector as shown.

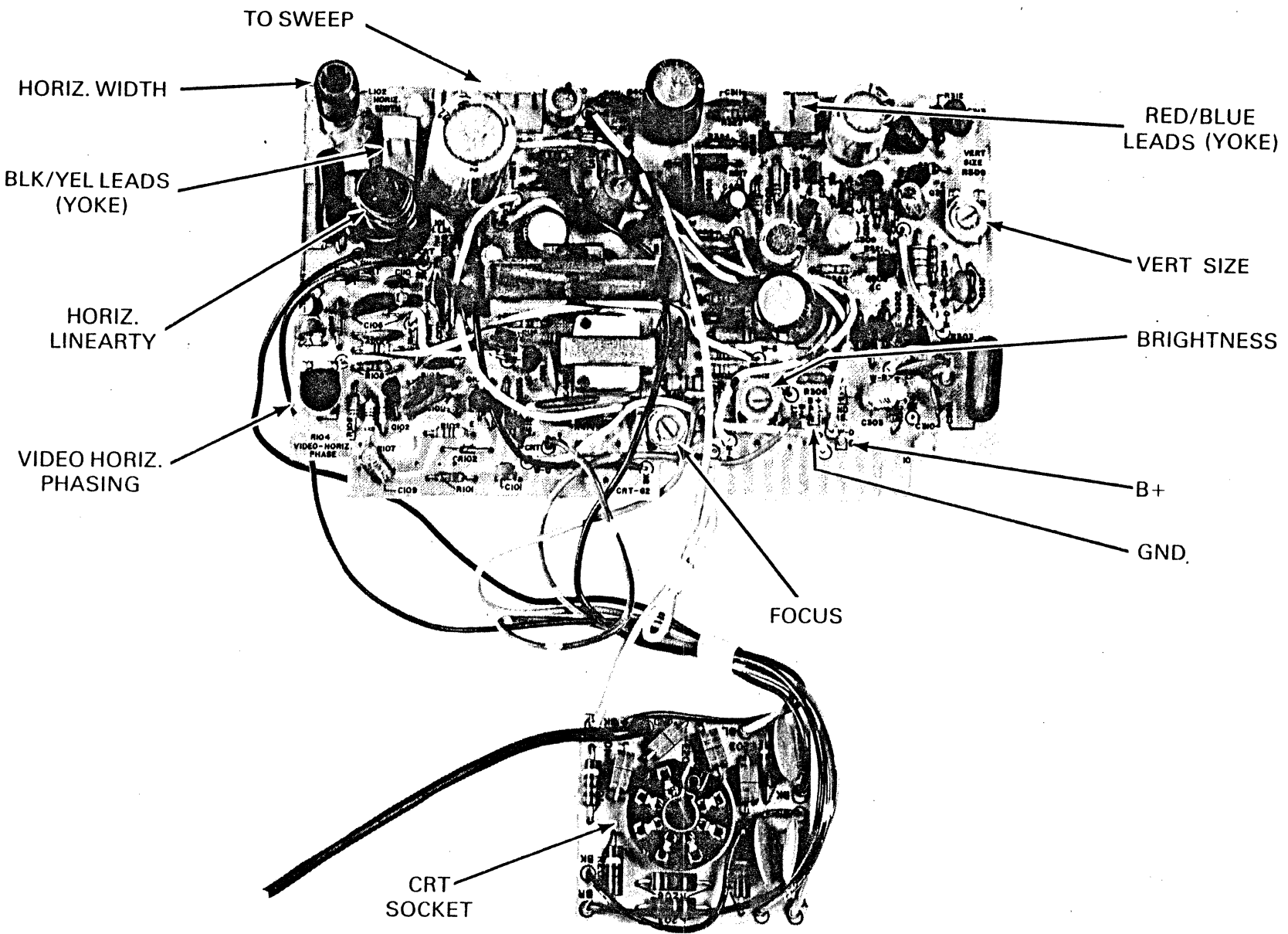


3. Once power is applied to the display and the input signals connected, adjust the brightness control until the edges of the raster are visible.
4. Depending on the requirements for height and width of the video presentation, the vertical size control and width coil should be adjusted accordingly.
5. The power supply board also has a control to adjust the regulated B+ of the monitor to +15V. Check for proper adjustment.
6. Adjust the phase control to center the video information within the raster. (The contrast control may have to be adjusted to obtain a display of the video information.)
7. Adjust brightness control for visual cutoff of the raster.
8. Adjust external contrast control for desired luminance.
9. Adjust focus control for best possible overall focus.

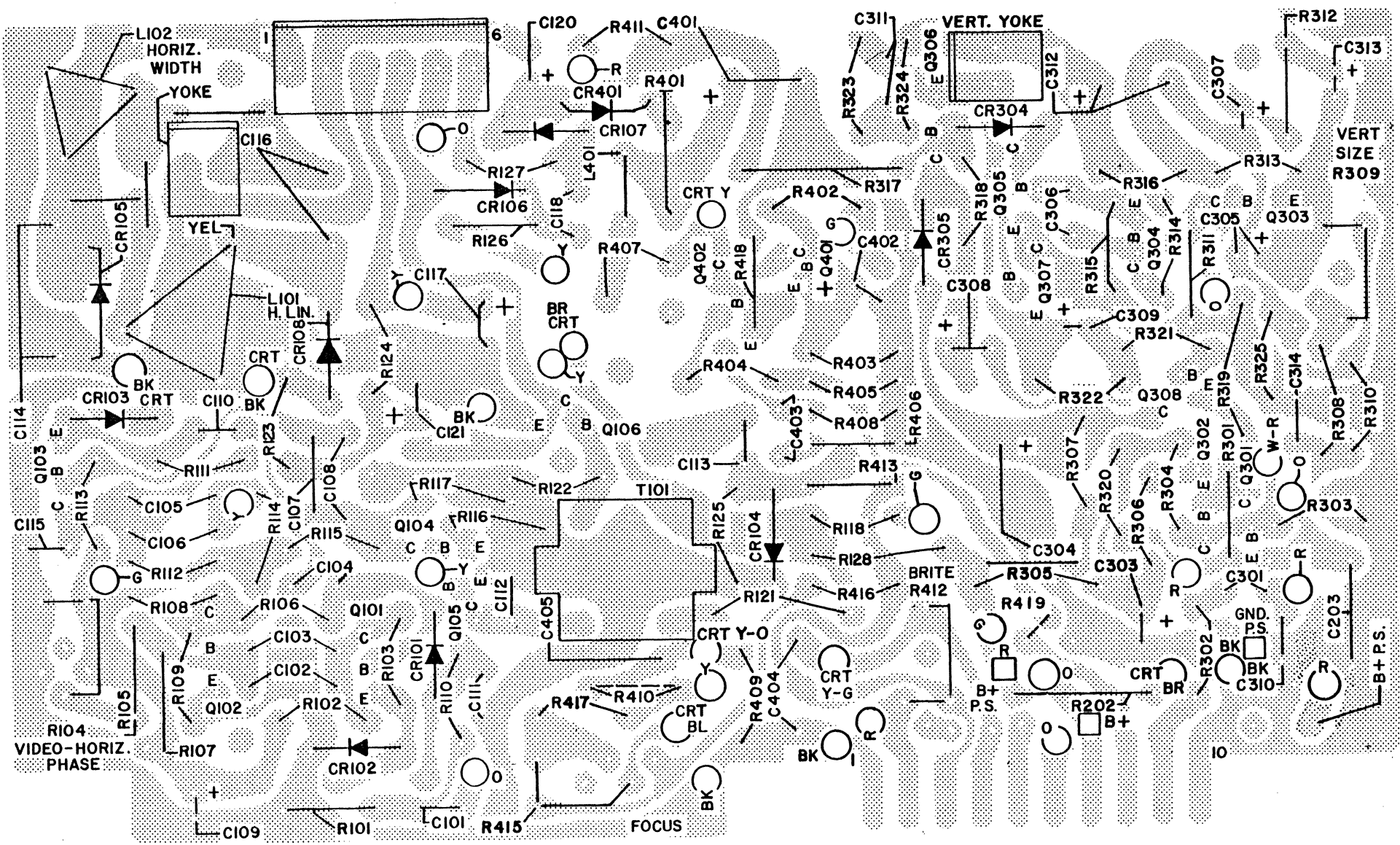
IMPORTANT NOTE: DAG GROUNDING.

Each unit provides for grounding of the main P.C. Board and CRT socket board to the dag of the CRT through the dag grounding spring.

The ground wires are connected to the shell bond or T-band through a terminal lug. Upon installing the Video Display in a terminal, this grounding procedure should be followed to provide adequate high voltage filtering and arc protection. This especially pertains to mounting the video display as a kit version.



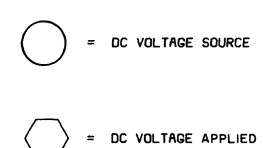
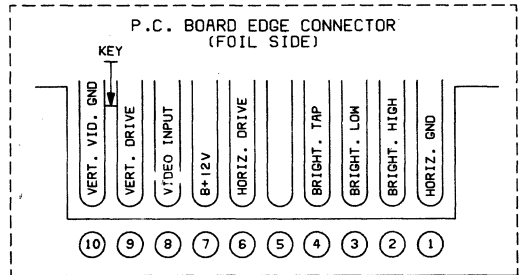
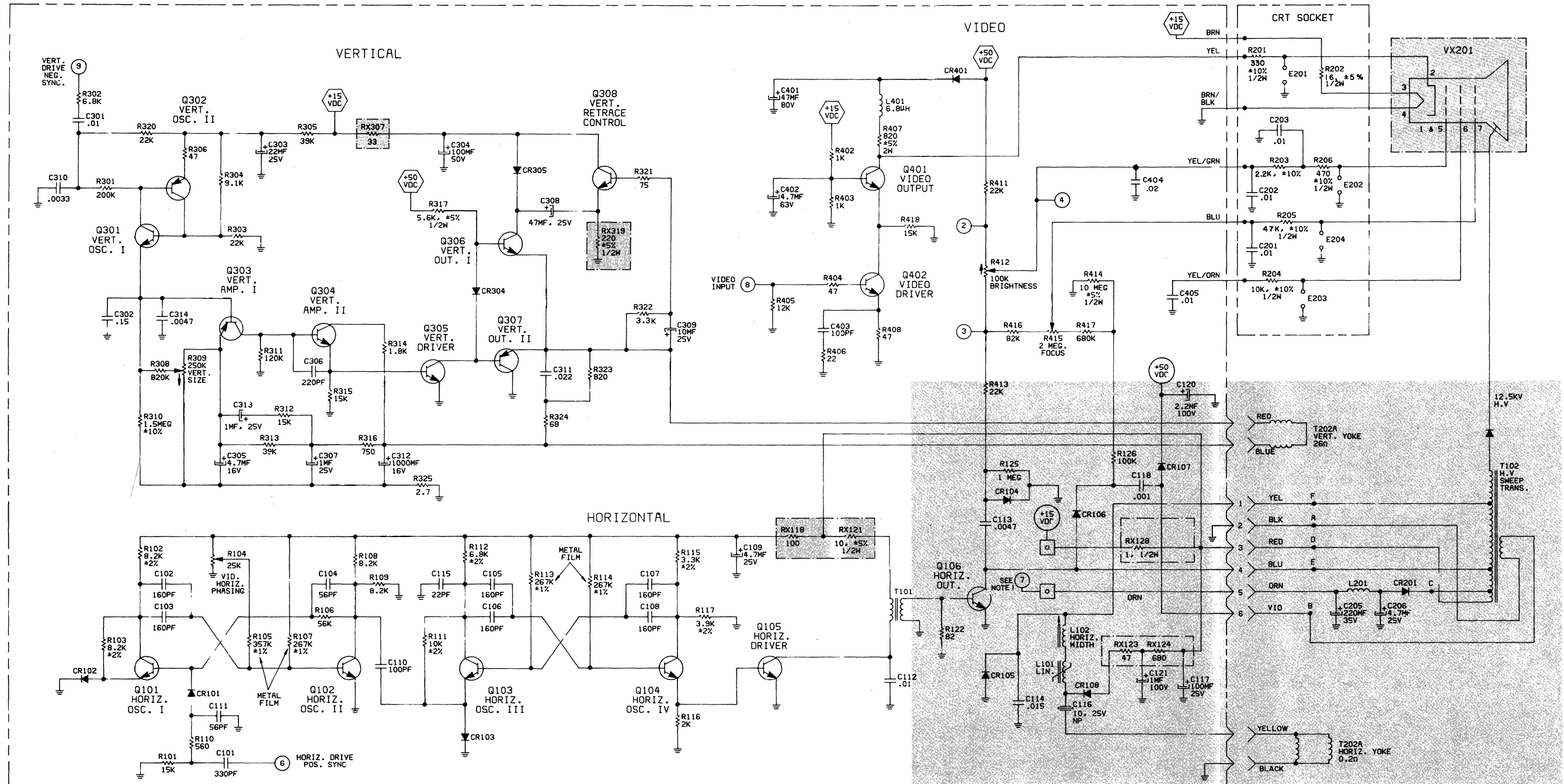
VIDEO BOARD & CRT SOCKET



LEGEND

ITEM NO.	PART NO.	DESCRIPTION	ITEM NO.	PART NO.	DESCRIPTION
C101	22-7614-06A	330 PFD CAPACITOR 20% DISC 50V	R303	63-9922-04	22K OHM RESISTOR 5% FILM 1/4W
C102	22-7619-39A	160 PFD CAPACITOR 5% DISC NPO 50V	R304	63-9921-95	9.1K OHM RESISTOR 5% FILM 1/4W
C103	22-7619-39A	160 PFD CAPACITOR 5% DISC NPO 50V	R305	63-9922-10	39K OHM RESISTOR 5% FILM 1/4W
C104	22-7622-28A	56 PFD CAPACITOR 10% DISC NPO 50V	R306	63-9921-40	47 OHM RESISTOR 5% FILM 1/4W
C105	22-7619-39A	160 PFD CAPACITOR 5% DISC NPO 50V	RX307	63-10559-36	33 OHM RESISTOR 5% FILM 1/4W
C106	22-7619-39A	160 PFD CAPACITOR 5% DISC NPO 50V	R308	63-9922-42	820K OHM RESISTOR 5% FILM 1/4W
C107	22-7619-39A	160 PFD CAPACITOR 5% DISC NPO 50V	R309	63-10651-08	CONTROL 250K OHM VERT SIZE
C108	22-7619-39A	160 PFD CAPACITOR 5% DISC NPO 50V	R310	63-9924-48	1.5 MEGOHM RESISTOR 10% FILM 1/4W
C109	22-7152-03	4.7 MFD CAPACITOR +100%—10% ELEC 25V	R311	63-9922-22	120K OHM RESISTOR 5% FILM 1/4W
C110	22-7613A	100 PFD CAPACITOR 10% DISC 50V	R312	63-9922	15K OHM RESISTOR 5% FILM 1/4W
C111	22-7622-28A	56 PFD CAPACITOR 10% DISC 50V	R313	63-9922-10	39K OHM RESISTOR 5% FILM 1/4W
C112	22-7613-24A	.01 MFD CAPACITOR 10% DISC 50V	R314	63-9921-78	1.8K OHM RESISTOR 5% FILM 1/4W
C113	22-7440	.0047 MFD CAPACITOR 10% DISC 500V	R315	63-9922	15K OHM RESISTOR 5% FILM 1/4W
CX114	22-7530-07	.015 MFD CAPACITOR 5% POLYESTER 400V	R316	63-9921-69	750 OHM RESISTOR 5% FILM 1/4W
C115	22-7656-13A	22 PFD CAPACITOR 10% DISC 50V	R317	63-7816	5.6K OHM RESISTOR 5% CARBON COMP 1/2W
C116	22-7313	10 MFD CAPACITOR 20% NP ELEC 25V	R318		
C117	22-7718-09	100 MFD CAPACITOR 20% ELEC 25V	RX319	63-10565-56	220 OHM RESISTOR 5% FILM 1/2W
CX118	22-3748	.001 MFD CAPACITOR 10% DISC 1KV	R320	63-9922-04	22K OHM RESISTOR 5% FILM 1/4W
C119			R321	63-9921-45	75 OHM RESISTOR 5% FILM 1/4W
C120	22-7722-02	2.2 MFD CAPACITOR 20% ELEC 100V	R322	63-9921-84	3.3K OHM RESISTOR 5% FILM 1/4W
C121	22-7722-01	1 MFD CAPACITOR 20% ELEC 100V	R323	63-9921-70	820 OHM RESISTOR 5% FILM 1/4W
C201	22-4905-01	.01 MFD CAPACITOR +80%—20% 500V	R324	63-9921-44	68 OHM RESISTOR 5% FILM 1/4W
C202	22-4905-01	.01 MFD CAPACITOR +80%—20% 500V	R325	63-9921-10	2.7 OHM RESISTOR 5% FILM 1/4W
C203	22-4905-01	.01 MFD CAPACITOR +80%—20% 500V	R401		
C204			R402	63-9921-72	1K OHM RESISTOR 5% FILM 1/4W
CX205	22-7144-09	220 MFD CAPACITOR +100%—10% ELEC 35V	R403	63-9921-72	1K OHM RESISTOR 5% FILM 1/4W
CX206	22-7142-03	4.7 MFD CAPACITOR +100%—10% ELEC 25V	R404	63-9921-40	47 OHM RESISTOR 5% FILM 1/4W
C301	22-7613-24A	.01 MFD CAPACITOR 10% DISC 50V	R405	63-9921-98	12K OHM RESISTOR 5% FILM 1/4W
C302	22-7548	.15 MFD CAPACITOR 10% POLYESTER 50V	R406	63-9921-32	22 OHM RESISTOR 5% FILM 1/4W
C303	22-7152-05	22 MFD CAPACITOR +100%—10% ELEC 25V	R407	63-10371-70	820 OHM RESISTOR 5% FILM 2W
C304	22-7720-09	100 MFD CAPACITOR 20% ELEC 50V	R408	63-9921-40	47 OHM RESISTOR 5% FILM 1/4W
C305	22-7579-03	4.7 MFD CAPACITOR ELEC 16V	R409		
C306	22-7614-04A	220 PFD CAPACITOR 20% DISC 50V	R410		
C307	22-7389-02	1 MFD CAPACITOR 20% ELEC 25V	R411	63-9922-04	22K OHM RESISTOR 5% FILM 1/4W
C308	22-7718-08	47 MFD CAPACITOR 20% ELEC 25V	R412	63-10651-05	CONTROL 100K OHM BRIGHTNESS
C309	22-7152-04	10 MFD CAPACITOR +100%—10% ELEC 25V	R413	63-9922-04	22K OHM RESISTOR 5% FILM 1/4W
C310	22-7614-18A	.0033 MFD CAPACITOR 20% DISC 50V	R414	63-7952	10 MEGOHM RESISTOR 5% CARBON 1/2W
C311	22-7615-08A	.022 MFD CAPACITOR +80%—20% DISC 50V	R415	63-10651-07	CONTROL 2 MEGOHM FOCUS
C312	22-7579-04	1000 MFD CAPACITOR 10% ELEC 16V	R416	63-9922-18	82K OHM RESISTOR 5% FILM 1/4W
C313	22-7389-02	1 MFD CAPACITOR 20% ELEC 25V	R417	63-9922-40	680K OHM RESISTOR 5% FILM 1/4W
C314	22-7614-20A	.0047 MFD CAPACITOR 20% DISC 50V	R418	63-9922	15K OHM RESISTOR 5% FILM 1/4W
C315			R419		
C401	22-7722-08	47 MFD CAPACITOR 20% ELEC 100V	L101	20-3906	COIL, RCF LINEARITY
C402	22-7721-04	4.7 MFD CAPACITOR 20% ELEC 63V	LX102	20-3882	COIL, RCF TUNABLE WIDTH
C403	22-7613A	100 PFD CAPACITOR 10% DISC 50V	LX201	20-3824	COIL, HORIZ FILTER
C404	22-7724	.02 MFD CAPACITOR +80%—20% DISC 500V	L401	20-3887-10C	COIL, RCF 6.8 uh
C405	22-3512	.01 MFD CAPACITOR +40%—10% DISC 1KV	T101	95-3136-03	TRANSFORMER HORIZ DRIVER
R101	63-9922	15K OHM RESISTOR 5% FILM 1/4W	TX102	95-3395-01	HV SWEEP TRANSFORMER
R102	63-9919-94	8.2K OHM RESISTOR 2% FILM 1/4W	TX202 A,B	95-3397	DEFLECTION YOKE
R103	63-9919-94	8.2K OHM RESISTOR 2% FILM 1/4W	CR101	103-142-01	DIODE
R104	63-10651-06	CONTROL 25K OHM (HORIZ PHASE)	CR102	103-142-01	DIODE
R105	63-10533-05	357K OHM RESISTOR 1% METAL FILM 1/4W	CR103	103-142-01	DIODE
R106	63-9922-14	56K OHM RESISTOR 5% FILM 1/4W	CR104	103-261-04A	DIODE
R107	63-10533-04	267K OHM RESISTOR 1% METAL FILM 1/4W	CR105	103-263A	DIODE
R108	63-9921-94	8.2K OHM RESISTOR 5% FILM 1/4W	CR106	212-76	DIODE
R109	63-9921-94	8.2K OHM RESISTOR 5% FILM 1/4W	CR107	103-298-04	DIODE
R110	63-9921-86	560 OHM RESISTOR 5% FILM 1/4W	CR108	103-261-02A	DIODE
R111	63-9919-96	10K OHM RESISTOR 2% FILM 1/4W	CR201	103-280-02	DIODE ALT: 103-263 (2) IN PARALLEL
R112	63-9919-92	6.8K OHM RESISTOR 2% FILM 1/4W	CR301		
R113	63-10533-04	267K OHM RESISTOR 1% METAL FILM 1/4W	CR302		
R114	63-10533-04	267K OHM RESISTOR 1% METAL FILM 1/4W	CR303		
R115	63-9919-84	3.3K OHM RESISTOR 2% FILM 1/4W	CR304	103-142-01	DIODE
R116	63-9921-79	2K OHM RESISTOR 5% FILM 1/4W	CR305	103-261-02A	DIODE
R117	63-9919-86	3.9K OHM RESISTOR 2% FILM 1/4W	CR401	103-295-02A	DIODE
RX118	63-10559-48	100 OHM RESISTOR 5% FILM 1/4W	Q101	121-975	TRANSISTOR #I HORIZ OSC
R119			Q102	121-975	TRANSISTOR #II HORIZ OSC
R120			Q103	121-975	TRANSISTOR #III HORIZ OSC
RX121	63-10565-24	10 OHM RESISTOR 5% FILM 1/2W	Q104	121-975	TRANSISTOR #IV HORIZ OSC
R122	63-9921-46	82 OHM RESISTOR 5% FILM 1/4W	Q105	121-819	TRANSISTOR HORIZ DRIVER
RX123	63-10559-40	47 OHM RESISTOR 5% FILM 1/4W	QX106	121-1039	TRANSISTOR HORIZ OUTPUT
RX124	63-10559-68	680 OHM RESISTOR 5% FILM 1/4W	Q301	121-975	TRANSISTOR #I VERT OSC
R125	63-9922-44	1 MEGOHM RESISTOR 5% FILM 1/4W	Q302	121-699	TRANSISTOR #II VERT OSC
R126	63-9922-20	100K OHM RESISTOR 5% FILM 1/4W	Q303	121-699	TRANSISTOR #I VERT AMP
RX127			Q304	121-975	TRANSISTOR #II VERT AMP
RX128	63-10565	1 OHM RESISTOR 5% FILM 1/2W	Q305	121-972	TRANSISTOR VERT DRIVER
R201	63-7763	330 OHM RESISTOR 5% CARBON COMP 1/2W	Q306	121-819	TRANSISTOR VERT OUTPUT I
R202	63-7710	16 OHM RESISTOR 5% CARBON COMP 1/2W	Q307	121-973	TRANSISTOR VERT OUTPUT II
R203	63-7799	2.2K OHM RESISTOR 10% CARBON COMP 1/2W	Q308	121-819	TRANSISTOR VERT RETRACE CONTROL
R204	63-7827	10K OHM RESISTOR 10% CARBON COMP 1/2W	Q401	121-1034	TRANSISTOR VIDEO OUTPUT
R205	63-7855	47K OHM RESISTOR 10% CARBON COMP 1/2W	Q402	121-895	TRANSISTOR VIDEO DRIVER
R206	63-7771	470 OHM RESISTOR 10% CARBON COMP 1/2W	E201	52-2240-01	SPARK GAP (PART OF CRT SOCKET ASSY)
R301	63-9922-27	200K OHM RESISTOR 5% FILM 1/4W	E202	52-2240-01	SPARK GAP (PART OF CRT SOCKET ASSY)
R302	63-9921-92	6.8K OHM RESISTOR 5% FILM 1/4W	E203	52-2240-01	SPARK GAP (PART OF CRT SOCKET ASSY)
			E204	52-2240-01	SPARK GAP (PART OF CRT SOCKET ASSY)
			VX201	100-684	12" CRT OR
				100-684-02	12" CRT

D12 VIDEO DISPLAY 15.7KHz



NOTE: 1. CUSTOMER SUPPLIED EXTERNAL DC SOURCE ON PIN 7 EDGE CONNECTOR

IMPORTANT SAFETY NOTICE

When servicing this chassis, under no circumstances should the original design be modified or altered without permission from the Zenith Radio Corporation. All components should be replaced only with types identical to those in the original circuit. Special components are used to prevent shock and fire hazard. These critical components are shaded on the schematic and parts list for easy identification.

This circuit diagram may occasionally differ from the actual circuit used. This way, implementation of the latest safety and performance improvement changes into the set is not delayed until the new service literature is printed.

IMPORTANT SAFETY NOTICE

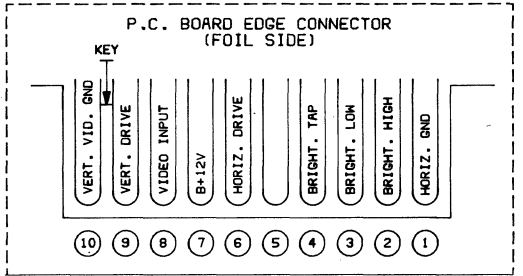
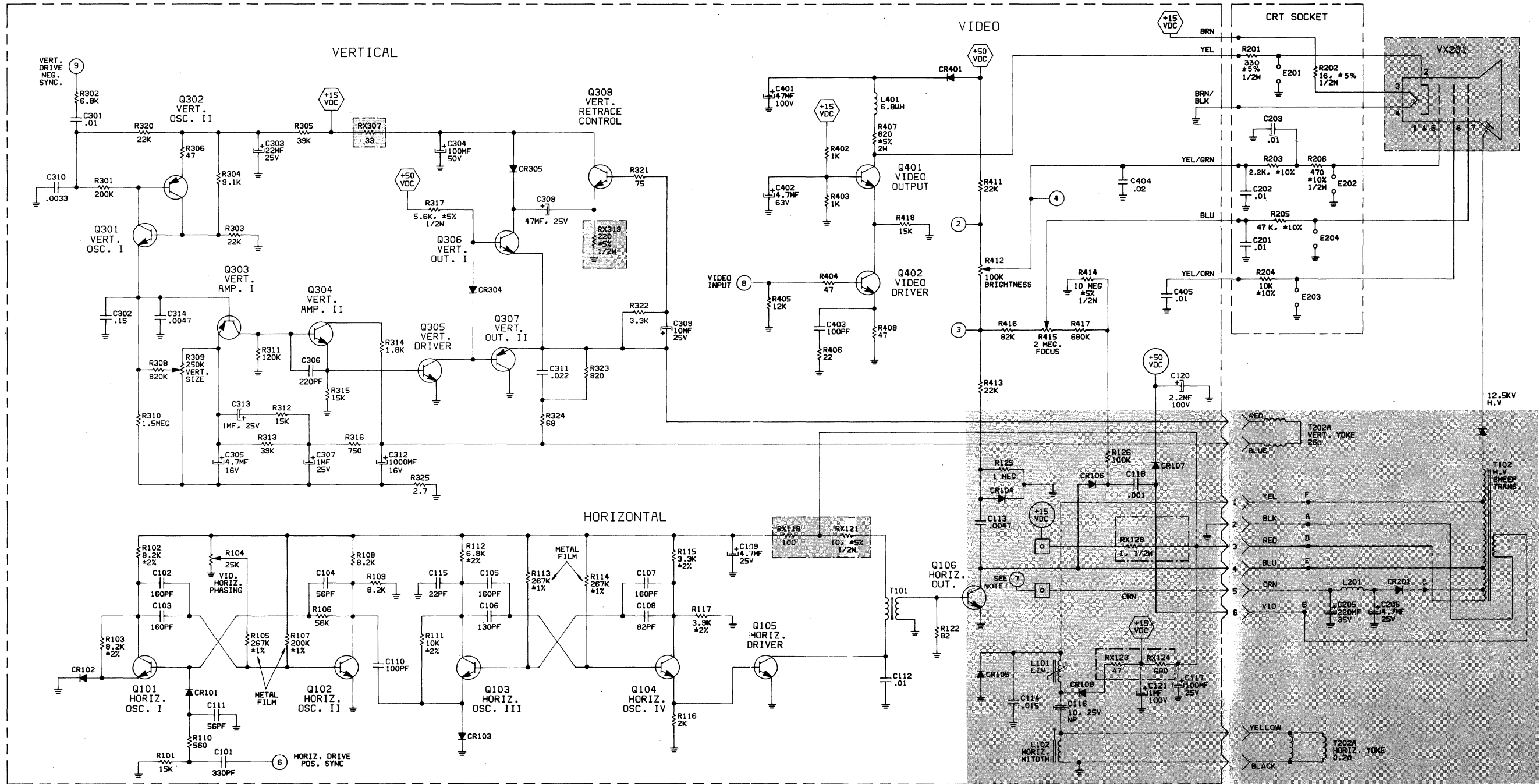
FOR X-RADIATION, FIRE OR SHOCK HAZARD PREVENTION, CERTAIN SPECIAL OR REDUNDANT PARTS ARE USED. USE ONLY EXACT REPLACEMENTS. DO NOT ALTER THE CIRCUIT OR DEFEAT THE FUSES. FAILURE TO COMPLY MAY BE UNLAWFUL.

ITEM NUMBER	PART NUMBER	DESCRIPTION	ITEM NUMBER	PART NUMBER	DESCRIPTION
C101	22-7614-06A	330 PFD CAPACITOR ±20% DISC. 50V	RX401	63-10559-32	22 OHM RESISTOR 5% FAILSAFE 1/4W
C102	22-7622-28A	56 PFD CAPACITOR ±10% DISC. 50V	R402	63-7760	270 OHM RESISTOR 5% CARBON COMP. 1/2W
C103	22-7152-03	4.7 MFD CAPACITOR +100-10% ELEC. 25V	R403	63-7760	270 OHM RESISTOR 5% CARBON COMP. 1/2W
C104	22-7614-24A	.01 PFD CAPACITOR ±20% DISC. 50V	R404	63-7760	270 OHM RESISTOR 5% CARBON COMP. 1/2W
C105			R405		
C106	22-7313	10 MFD CAPACITOR SPECIAL NPZD	R406	63-9921-72	1K OHM RESISTOR 5% FILM 1/4W
CX107	22-7530-08	.018 MFD CAPACITOR SPECIAL 5% 400V	R407	63-9921-72	1K OHM RESISTOR 5% FILM 1/4W
C108	22-7153-07	47 MFD CAPACITOR +100-10% ELEC. 50V	R408		
C109	22-7152-09	220 MFD CAPACITOR +100-10% ELEC. 25V	R409	63-9921-40	47 OHM RESISTOR 5% FILM 1/4W
C110			R410		
C111	22-4905-01	.01 MFD CAPACITOR +80-20% DISC. 500V	R411	63-9921-32	22 OHM RESISTOR 5% FILM 1/4W
C112	22-4905-01	.01 MFD CAPACITOR +80-20% DISC. 500V	R412	63-9921-40	47 OHM RESISTOR 5% FILM 1/4W
C113	22-3748	.001 MFD CAPACITOR 10% DISC. 1KV			
C115	22-7152-09	220 MFD CAPACITOR +100-10% ELEC. 25V			
C116	22-7615-09	.033 MFD CAPACITOR +80-20% DISC. 50V	CR101	103-142-01	DIODE
C301	22-7613-24A	.01 MFD CAPACITOR ±10% DISC. 50V	CR102		
C302	22-7548	.15 MFD CAPACITOR ±10% POLY 50V	CR103		
C303	22-7152-07	47 MFD CAPACITOR +100-10% ELEC. 25V	CR104	103-298-03A	DIODE
C304	22-7152-09	220 MFD CAPACITOR +100-10% ELEC. 25V	CR105		
C305	22-7153-07	47 MFD CAPACITOR +100-10% ELEC. 50V	CR106	103-254-01	DIODE
C306			CR107	103-323-03A	DIODE
C307	22-7152-04	10 MFD CAPACITOR +100-10% ELEC. 25V	CR108	103-323-03A	DIODE
C308	22-7579-07	470 MFD CAPACITOR ±10% ELEC. 16V	CR112	103-316-02A	DIODE
C309	22-7614-18A	3300 PFD CAPACITOR ±20% DISC. 50V	CR301	103-336-21A	DIODE ZENER 12V
C310	22-7389-02	1 MFD CAPACITOR ±20% ELEC. 25V			
C311					
C312	22-7389-02	1 MFD CAPACITOR ±20% ELEC. 25V			
C313	22-7389-10	10 MFD CAPACITOR ±10% ELEC. 25V	L101	20-3943-02	COIL RCF TUNABLE WIDTH
C316	22-7613-24	.01 MFD CAPACITOR ±10% DISC. 50V	L102	20-3906	COIL RCF LINEARITY
C401	22-4905-01	.01 MFD CAPACITOR +80-20% DISC. 500V			
C402	22-7613-04A	220 PFD CAPACITOR ±10% DISC. 50V	L401	20-3887-10C	COIL RCF 6.8 Mc
C403	22-7152-03	4.7 MFD CAPACITOR +100-10% ELEC. 25V			
R101	63-9922	15K OHM RESISTOR 5% FILM 1/4W	TX101	95-3136	TRANSFORMER HORIZ. DRIVER
R102	63-9921-66	560 OHM RESISTOR 5% FILM 1/4W	TX201	95-3479	TRANSFORMER H.V. SWEEP
RX103	63-10559-24	10 OHM RESISTOR 5% FAILSAFE 1/4W	TX202	95-3397-02	TRANSFORMER DEFLECTION YOKE
RX104	63-10559-24	10 OHM RESISTOR 5% FAILSAFE 1/4W			
R105			Q101	121-1070	TRANSISTOR HORIZ. OUTPUT
R106	63-9921-46	82 OHM RESISTOR 5% FILM 1/4W			
RX107	63-10559-48	100 OHM RESISTOR 5% FAILSAFE 1/4W	Q401	121-1058	TRANSISTOR VIDEO OUTPUT
R108	63-7838	18K OHM RESISTOR 10% CARBON COMP. 1/2W	Q402	121-895	TRANSISTOR VIDEO DRIVER
R109	63-10811-04	CONTROL 100K BRIGHTNESS			
R110					
R111	63-9922	15K OHM RESISTOR 5% FILM 1/4W			
R112					
R113	63-10824	RESISTOR H.V. BLEEDER 160 MEG. 1/4W			
R114	63-10182-54	2.7 MEG OHM RESISTOR 5% CARBON	S101	223-15-04	INT. CKT. THICK FILM SUBSTRATE HORIZ.
R115					
R116	63-10670-04	CONTROL 6 MEG. FOCUS	S301	223-14	INT. CKT. THICK FILM SUBSTRATE VERT.
R117					
R118					
R119	63-10811-03	CONTROL 25K PHASE (ALT. 63-10651-11)			
R120			VX201	100-708	12" CRT
R121	63-9921-68	680 OHM RESISTOR 5% CARBON COMP. 1/4W			
R301	63-9921-92	6.8K OHM RESISTOR 5% FILM 1/4W			
R302	63-10811-05	CONTROL 250K VERT SIZE. (ALT. 63-10651-13)			
R303	63-9922-06	27K OHM RESISTOR 5% FILM 1/4W			
R304	63-9922-06	27K OHM RESISTOR 5% FILM 1/4W			
R305					
R306	63-9921-72	1K OHM RESISTOR 5% FILM 1/4W			
R307	63-9921-10	2.7 OHM RESISTOR 5% FILM 1/4W			
R308	63-8803	22K OHM RESISTOR 5% FILM 1/4W			
R309					
R310					
R311					
R312					
R313					
R314					
R315	63-9921-84	3.3K OHM RESISTOR 5% FILM 1/4W			
R320	63-09921-88	4.7K OHM RESISTOR 5% FILM 1/4W			

DT12-NF-11

ITEM NUMBER	PART NUMBER	DESCRIPTION	ITEM NUMBER	PART NUMBER	DESCRIPTION	ITEM NUMBER	PART NUMBER	DESCRIPTION
C101	22-7742	150 PFD CAPACITOR 10% TUBULAR 50V	R204	REFERENCE	2.2K OHM RESISTOR ±10% CARBON COMP. 1/2W	Q101	121-975A	TRANSISTOR
C102			R206	REFERENCE	10K OHM RESISTOR ±10% CARBON COMP. 1/2W	Q102	121-1040	TRANSISTOR
C103	22-7707-07A	33 MFD CAPACITOR +50 - 10% ELEC. 16V	R207	REFERENCE	47K OHM RESISTOR ±10% CARBON COMP. 1/2W	Q103	121-1070	TRANSISTOR
C104	22-7773-10	0068 MFD CAPACITOR ±5% POLY 100V				Q104	121-975A	TRANSISTOR
C105			R301	63-10235-90	5.6K OHM RESISTOR 5% FILM 1/4W			
C106	22-7774-12	.01 MFD CAPACITOR 10% POLY. 100V	R302	63-10236-04	22K OHM RESISTOR 5% FILM 1/4W	Q301	121-975A	TRANSISTOR
C107	22-7773-10	6800 PFD CAPACITOR 5% POLY. 100V	R303	63-10236-27	200K OHM RESISTOR 5% FILM 1/4W	Q302	121-699A	TRANSISTOR
C108	22-7773-15	.018 MFD CAPACITOR 5% POLY 100V	R304	63-10183-46	47 OHM RESISTOR ±10% CARBON COMP. 1/4W	Q303	121-699A	TRANSISTOR
C109	22-7774-16	.022 MFD CAPACITOR 10% POLY. 100V	R305			Q304	121-1040A	TRANSISTOR
C110			R306	63-10235-98	12K OHM RESISTOR ±5% FILM 1/4W	Q305		
CX111	22-7798-02	.015 MFD CAPACITOR 5% POLY. SPECIAL 400V	R307	63-10235-92	6.8K OHM RESISTOR ±5% FILM 1/4W	Q306	121-1036A	TRANSISTOR
C112	22-7313A	10 MFD CAPACITOR SPECIAL NON-POLARIZED	R308	63-10236-06	27K OHM RESISTOR ±5% FILM 1/4W	Q307	121-1035A	TRANSISTOR
C113	22-7774-16	.022 MFD CAPACITOR 10% POLY. 100V	R309	63-10182-52	2.2MEG OHM RESISTOR ±5% CARBON COMP. 1/4W	Q308	121-1040A	TRANSISTOR
C114	22-7711-07A	33 MFD CAPACITOR +50 - 10% ELEC. 63V	R310					
C115			R311	63-10182-48	1.5MEG OHM RESISTOR ±5% CARBON COMP. 1/4W			
C116	22-7811A	.001 MFD CAPACITOR ± 10% DISC. 1KV	R312	63-10857-20	250K OHM CONTROL VERT. SIZE			
C117	22-7811A	.001 MFD CAPACITOR ±10% DISC 1KV	R313	63-10183-48	100 OHM RESISTOR ±10% CARBON COMP 1/4W	Q401	121-1058	TRANSISTOR
C118	22-7708-10C	220 MFD CAPACITOR +50% - 10% ELEC. 25V	R314	63-10235-98	12K OHM RESISTOR 5% FILM 1/4W	Q402	121-895A	TRANSISTOR
C119	22-7708-10C	220 MFD CAPACITOR +50% - 10% ELEC. 25V	R315					
C120			R316	63-10236-06	77K OHM RESISTOR ±5% FILM 1/4W			
C121	22-7774-12	.01 MFD CAPACITOR ± 10% POLY. 100V	R317	63-10235-60	2.2K OHM RESISTOR 5% FILM 1/4W	TX101	95-3136-01	TRANSFORMER-HORIZONTAL
C122	22-7774-12	.01 MFD CAPACITOR ± 10% POLY. 100V	R318	63-10183-48	100 OHM RESISTOR ±10% CARBON COMP 1/4W	TX102	95-3478-02	TRANSFORMER - H.V. SWEEP OFF BOARD
C123	22-7811A	.001 MFD CAPACITOR ± 10% DISC. 1KV	R319	63-10236-00	47K OHM RESISTOR ±5% FILM 1/4W			
			R320			TX202	95-3397-02	DEFLECTION Yoke 90° OFF BOARD
C301	22-7742-12	1500 PFD CAPACITOR ±10% TUBULAR 50V	R321	63-10235-80	2.2K OHM RESISTOR 5% FILM 1/4W			
C302	22-7742	150 PFD CAPACITOR ±10% TUBULAR 50V	R322	63-10235-80	2.2K OHM RESISTOR 5% FILM 1/4W			
C303	22-7773-24	1 MFD CAPACITOR ±5% POLY. 100V	RX323	63-10559-12	3.3K OHM RESISTOR ±5% FAILSAFE 1/4W			
C304	22-7707-07A	33 MFD CAPACITOR +50 - 10% ELEC. 16V	R324	63-10235-45	220 OHM RESISTOR ±5% FILM 1/2W	IC101	221-217	INTEGRATED CIRCUIT
C305			R325	63-10235-68	680 OHM RESISTOR ±5% FILM 1/4W			
C306			R326	63-10235-45	15 OHM RESISTOR ±5% FILM 1/4W			
C307	22-7389-14C	10 MFD CAPACITOR ±10% ELECTROLYTIC 25V	R327	63-10235-80	3.3K OHM RESISTOR ±5% FILM 1/4W			
C308	22-7713-02A	1 MFD CAPACITOR ± 20% ELEC. 35V	R328	63-10235-62	390 OHM RESISTOR 5% FILM 1/4W	VX201	100-724	C.R.T. (ON DS12NF51)
C309	22-7713-02A	1 MFD CAPACITOR ± 20% ELEC 35V	R329	63-10235-68	680 OHM RESISTOR 5% FILM 1/4W	VX201	100-724-09	C.R.T. (ON DS12NF56)
C310			R330					
C311	22-7708-08A	47 MFD CAPACITOR +50 - 10% ELEC. 25V	R331	63-10235-10	2.7 OHM RESISTOR 5% FILM 1/4W			
C312	22-7708-08A	47 MFD CAPACITOR +50 - 10% ELEC. 25V	R332					
C313	22-7708-05A	10 MFD CAPACITOR +50 - 10% ELEC. 25V	RX333	63-10559-12	22 OHM RESISTOR ±5% FAILSAFE 1/4W			
C314	22-7774-16	.022 MFD CAPACITOR ± 10% POLY. 100V						
C315			R401					
C316	22-7579-12B	470 MFD CAPACITOR ± 10% ELEC. 16V	R402	63-10836-10	820 OHM RESISTOR 5% METAL FILM 2W			
C317	22-7708-10C	220 MFD CAPACITOR ±50 - 10% ELEC 25V	R403	63-10235-42	1K OHM RESISTOR 5% FILM 1/4W			
C401	22-7712-03A	3.3 MFD CAPACITOR +50-10% ELEC 100V	R404	63-10235-72	1K OHM RESISTOR 5% FILM 1/4W			
C402	22-7708-05A	10 MFD CAPACITOR +50 - 10% ELEC. 25V	R405					
C403	22-7742-02	220 PFD CAPACITOR ± 10% TUBULAR 50V	R406	63-10183-40	47 OHM RESISTOR ±10% CARBON COMP. 1/4W			
R101	63-10235-90	5.6K OHM RESISTOR 5% FILM 1/4W	R407	REFERENCE	330 OHM RESISTOR 5% 1/2W			
R102	63-10235-72	1K OHM RESISTOR 5% FILM 1/4W	R408					
R103	63-10235-72	1K OHM RESISTOR 5% FILM 1/4W	R409	63-10183-46	47 OHM RESISTOR ±10% CARBON COMP 1/4W			
R104	63-10235-68	680 OHM RESISTOR ±5% FILM 1/4W	R410					
R105	63-10236-04	22K OHM RESISTOR 5% FILM 1/4W	R411					
R106	63-10236-80	680 OHM RESISTOR 5% FILM 1/4W	R412	63-10183-40	47 OHM RESISTOR ±10% CARBON COMP. 1/4W			
R107	63-10236-04	22K OHM RESISTOR 5% FILM 1/4W	R413	63-10183-32	22 OHM RESISTOR ±10% CARBON COMP. 1/4W			
R108			R414					
R109	63-10235-81	2.4K OHM RESISTOR ±5% FILM 1/4W	R415	63-10236	15K OHM RESISTOR ±5% FILM 1/4W			
R110			CR101					
R111	63-10857-09	25K OHM CONTROL PHASE	CR102	103-142-01	DIODE			
R112	63-10235-93	2.5K OHM RESISTOR 2% FILM 1/4W	CR103	103-339-04A	DIODE			
R113	63-10235-72	1K OHM RESISTOR 5% FILM 1/4W	CR104	103-323-03A	DIODE			
R114	63-10235-90	2.2K OHM RESISTOR 5% FILM 1/4W	CR105					
R115			CR106	103-323-04A	DIODE			
R116	63-10236-96	10K OHM RESISTOR ±5% FILM 1/4W	CR107	103-295-03A	DIODE			
R117	63-10235-68	680 OHM RESISTOR ±2% FILM 1/4W	CR108	103-323-03A	DIODE			
RX118	63-10559-32	22 OHM RESISTOR 5% FAILSAFE 1/4W	CR109	103-339-02A	DIODE			
RX119	63-10559-12	3.3OHM RESISTOR 5% FAILSAFE 1/4W	CR110	103-254-01	DIODE			
R120			CR111					
R121	63-10235-46	82 OHM RESISTOR 5% FILM 1/4W	CR112	103-142-01	DIODE			
RX122	63-10559-48	100 OHM RESISTOR 5% FAILSAFE 1/4W	CRX301	103-279-23A	DIODE ZENER 14V 1/2W			
R123	63-10235-68	680 OHM RESISTOR 5% FILM 1/4W	CR302	103-142-01	DIODE			
R124			CR303	103-142-01	DIODE			
R125			CR304	103-254-01	DIODE			
R126	63-10184-04	22K OHM RESISTOR ±10% CARBON COMP. 1/4W	CR305					
R127	63-10184-16	92K OHM RESISTOR ±10% CARBON COMP. 1/4W	CR306					
R128	63-10857-17	10K OHM CONTROL BRIGHTNESS						
R129			CR401	103-254-01	DIODE			
R130			LX101	20-3943-02	COIL - #10TH			
R131			LX102	20-3906	COIL - LINEARITY			
R132	63-10184-44	1 MEG OHM RESISTOR ±10% CARBON COMP 1/4W	W27	20-3824	COIL			
R133								
R134	63-10184-40	650K OHM RESISTOR ±10% CARBON COMP 1/4W	L401	20-3907-10A	COIL - 6.8 OH PEAKING-TUBULAR			
R135								
R136	63-10857-24	2 MEG OHM CONTROL FOCUS						
R137								
R138	63-10236	15 K OHM RESISTOR 5% FILM 1/4W						
R139	63-10183-54	180 OHM RESISTOR 10% CARBON COMP 1/4W						
R140								
R201								
R202								
R203	REFERENCE	330 OHM RESISTOR ±5% CARBON COMP 1/2W						

D12 VIDEO DISPLAY 18.6KHz



○ = DC VOLTAGE SOURCE
 ⬡ = DC VOLTAGE APPLIED

NOTE: 1. CUSTOMER SUPPLIED EXTERNAL DC SOURCE ON PIN 7 EDGE CONNECTOR

IMPORTANT SAFETY NOTICE

When servicing this chassis, under no circumstances should the original design be modified or altered without permission from the Zenith Radio Corporation. All components should be replaced only with types identical to those in the original circuit. Special components are used to prevent shock and fire hazard. These critical components are shaded on this schematic and parts list for easy identification.

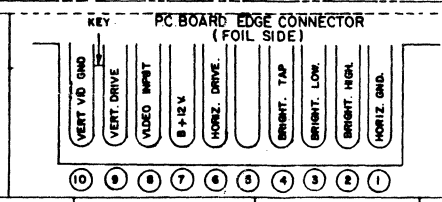
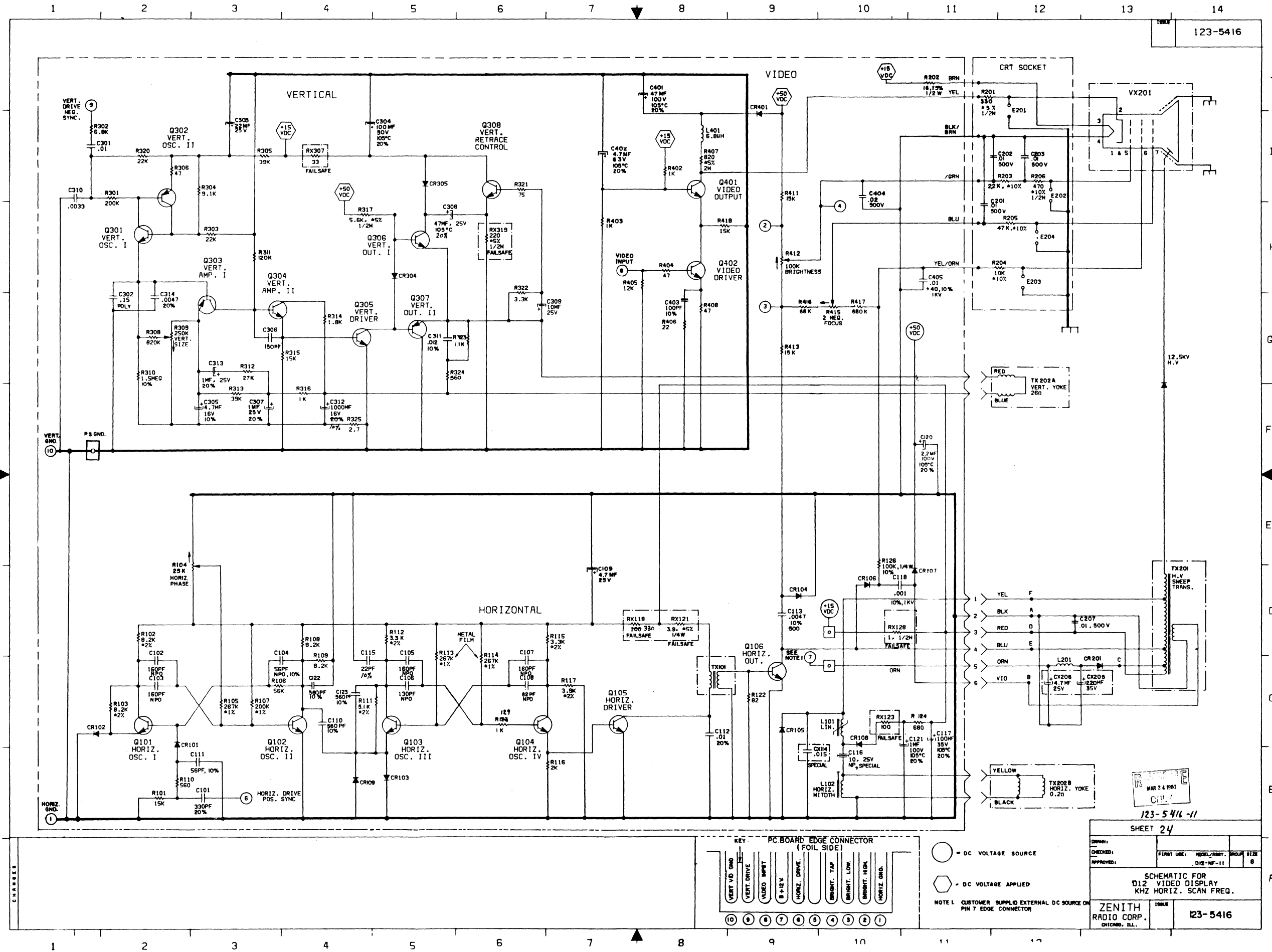
This circuit diagram may occasionally differ from the actual circuit used. This way, implementation of the latest safety and performance improvement changes into the set is not delayed until the new service literature is printed.

IMPORTANT SAFETY NOTICE

FOR X-RADIATION, FIRE OR SHOCK HAZARD PREVENTION, CERTAIN SPECIAL OR REDUNDANT PARTS ARE USED. USE ONLY EXACT REPLACEMENTS. DO NOT ALTER THE CIRCUIT OR DEFEAT THE FUSES. FAILURE TO COMPLY MAY BE UNLAWFUL.

LEGEND

ITEM NO.	PART NO.	DESCRIPTION	ITEM NO.	PART NO.	DESCRIPTION
C101	22-7614-06A	330 PFD CAPACITOR 20% DISC 50V	R304	63-9921-95	9.1K OHM RESISTOR 5% FILM 1/4W
C102	22-7619-39A	160 PFD CAPACITOR 5% DISC NPO 50V	R305	63-9922-10	39K OHM RESISTOR 5% FILM 1/4W
C103	22-7619-39A	160 PFD CAPACITOR 5% DISC NPO 50V	R306	63-9921-40	47 OHM RESISTOR 5% FILM 1/4W
C104	22-7622-28A	56 PFD CAPACITOR 10% DISC 50V	RX307	63-10559-36	33 OHM RESISTOR 5% FILM 1/4W
C105	22-7619-39A	160 PFD CAPACITOR 5% DISC NPO 50V	R308	63-9922-42	820K OHM RESISTOR 5% FILM 1/4W
C106	22-7619-37A	130 PFD CAPACITOR 5% DISC NPO 50V	R309	63-10651-08	CONTROL 250K OHM VERT SIZE 1/4W
C107	22-7619-39A	160 PFD CAPACITOR 5% DISC NPO 50V	R310	63-9924-48	1.5 MEGOHM RESISTOR 10% FILM 1/4W
C108	22-7619-32A	82 PFD CAPACITOR 5% DISC NPO 50V	R311	63-9922-22	120K OHM RESISTOR 5% FILM 1/4W
C109	22-7152-03	4.7 MFD CAPACITOR +100%—10% ELEC 25V	R312	63-9922	15K OHM RESISTOR 5% FILM 1/4W
C110	22-7613A	100 PFD CAPACITOR 10% DISC 50V	R313	63-9922-10	39K OHM RESISTOR 5% FILM 1/4W
C111	22-7622-28A	56 PFD CAPACITOR 10% DISC 50V	R314	63-9921-78	1.8K OHM RESISTOR 5% FILM 1/4W
C112	22-7613-24A	.01 MFD CAPACITOR 10% DISC 50V	R315	63-9922	15K OHM RESISTOR 5% FILM 1/4W
C113	22-7440	.0047 MFD CAPACITOR 10% DISC 500V	R316	63-9921-69	750 OHM RESISTOR 5% FILM 1/4W
CX114	22-7530-07	.015 MFD CAPACITOR 5% POLYESTER 400V	R317	63-7816	5.6K OHM RESISTOR 5% CARBON COMP 1/2W
C115	22-7656-13A	22 PFD CAPACITOR 10% DISC 50V	R318		
C116	22-7313	10 MFD CAPACITOR 20% NP ELEC 25V	RX319	63-10565-56	220 OHM RESISTOR 5% FILM 1/2W
C117	22-7718-09	100 MFD CAPACITOR 20% ELEC 25V	R320	63-9922-04	22K OHM RESISTOR 5% FILM 1/4W
CX118	22-3748	.001 MFD CAPACITOR 10% DISC 1KV	R321	63-9921-45	75 OHM RESISTOR 5% FILM 1/4W
C119			R322	63-9921-84	3.3K OHM RESISTOR 5% FILM 1/4W
C120	22-7722-02	2.2 MFD CAPACITOR 20% ELEC 100V	R323	63-9921-70	820 OHM RESISTOR 5% FILM 1/4W
C121	22-7722-01	1 MFD CAPACITOR 20% ELEC 100V	R324	63-9921-44	68 OHM RESISTOR 5% FILM 1/4W
C201	22-4905-01	.01 MFD CAPACITOR +80%—20% DISC 500V	R325	63-9921-10	2.7 OHM RESISTOR 5% FILM 1/4W
C202	22-4905-01	.01 MFD CAPACITOR +80%—20% DISC 500V	R401		
C203	22-4905-01	.01 MFD CAPACITOR +80%—20% DISC 500V	R402	63-9921-72	1K OHM RESISTOR 5% FILM 1/4W
C204			R403	63-9921-72	1K OHM RESISTOR 5% FILM 1/4W
CX205	22-7144-09	220 MFD CAPACITOR +100%—10% ELEC 35V	R404	63-9921-40	47 OHM RESISTOR 5% FILM 1/4W
CX206	22-7142-03	4.7 MFD CAPACITOR +100%—10% ELEC 25V	R405	63-9921-98	12K OHM RESISTOR 5% FILM 1/4W
C301	22-7613-24A	.01 MFD CAPACITOR 10% DISC 50V	R406	63-9921-32	22 OHM RESISTOR 5% FILM 1/4W
C302	22-7548	.15 MFD CAPACITOR 10% POLYESTER 50V	R407	63-10371-70	820 OHM RESISTOR 5% FILM 2W
C303	22-7152-05	22 MFD CAPACITOR +100%—10% ELEC 25V	R408	63-9921-40	47 OHM RESISTOR 5% FILM 1/4W
C304	22-7720-09	100 MFD CAPACITOR 20% ELEC 25V	R409		
C305	22-7579-03	4.7 MFD CAPACITOR 10% ELEC 16V	R410		
C306	22-7614-04A	220 PFD CAPACITOR 20% DISC 50V	R411	63-9922-04	22K OHM RESISTOR 5% FILM 1/4W
C307	22-7389-02	1 MFD CAPACITOR 20% ELEC 25V	R412	63-10651-05	CONTROL 100K OHM BRIGHTNESS
C308	22-7718-08	47 MFD CAPACITOR 20% ELEC 50V	R413	63-9922-04	22K OHM RESISTOR 5% FILM 1/4W
C309	22-7152-04	10 MFD CAPACITOR +100%—10% ELEC 25V	R414	63-7952	10 MEGOHM RESISTOR 5% CARBON COMP 1/2W
C310	22-7614-18A	.0033 MFD CAPACITOR 20% DISC 50V	R415	63-10651-07	CONTROL 2 MEGOHM FOCUS
C311	22-7615-08A	.022 MFD CAPACITOR +80%—20% DISC 50V	R416	63-9922-18	82K OHM RESISTOR 5% FILM 1/4W
C312	22-7579-04	1000 MFD CAPACITOR 10% ELEC 16V	R417	63-9922-40	680K OHM RESISTOR 5% FILM 1/4W
C313	22-7389-02	1 MFD CAPACITOR 20% ELEC 25V	R418	63-9922	15K OHM RESISTOR 5% FILM 1/4W
C314	22-7614-20A	.0047 MFD CAPACITOR 20% DISC 50V	L101	20-3906-02	COIL, RCF LINEARITY
C401	22-7722-08	47 MFD CAPACITOR 20% ELEC 100V	LX102	20-3905	COIL, RCF TUNABLE WIDTH
C402	22-7721-04	4.7 MFD CAPACITOR 20% ELEC 63V	LX201	20-3824	COIL, HORIZ FILTER CHOKE
C403	22-7613A	100 PFD CAPACITOR 10% DISC 50V	L401	20-3887-10C	COIL, RCF 6.8 uh
C404	22-7724	.02 MFD CAPACITOR +80%—20% DISC 500V	T101	95-3136-01	TRANSFORMER HORIZ DRIVER
C405	22-3512	.01 MFD CAPACITOR +40%—10% DISC 1KV	TX102	95-3395-01	HV SWEEP TRANSFORMER
R101	63-9922	15K OHM RESISTOR 5% FILM 1/4W	TX202 A.B	95-3397	DEFLECTION YOKE
R102	63-9919-94	8.2K OHM RESISTOR 2% FILM 1/4W	CR101	103-142-01	DIODE
R103	63-9919-94	8.2K OHM RESISTOR 2% FILM 1/4W	CR102	103-142-01	DIODE
R104	63-10651-06	CONTROL 25K OHM (HORIZ PHASE)	CR103	103-142-01	DIODE
R105	63-10533-04	267K OHM RESISTOR 1% (METAL FILM) 1/4W	CR104	103-261-04A	DIODE
R106	63-9922-14	56K OHM RESISTOR 5% FILM 1/4W	CR105	103-263A	DIODE
R107	63-10533-11	200K OHM RESISTOR 1% METAL FILM 1/4W	CR106	212-76	DIODE
R108	63-9921-94	8.2K OHM RESISTOR 5% FILM 1/4W	CR107	103-298-04	DIODE
R109	63-9921-94	8.2K OHM RESISTOR 5% FILM 1/4W	CR108	103-261-02A	DIODE
R110	63-9921-66	560 OHM RESISTOR 5% 1/4W	CR201	103-280-02	DIODE
R111	63-9919-96	10K OHM RESISTOR 2% FILM 1/4W	CR301		
R112	63-9919-92	6.8K OHM RESISTOR 2% FILM 1/4W	CR302		
R113	63-10533-04	267K OHM RESISTOR 1% METAL FILM 1/4W	CR303		
R114	63-10533-04	267K OHM RESISTOR 1% METAL FILM 1/4W	CR304	103-142-01	DIODE
R115	63-9919-84	3.3K OHM RESISTOR 2% METAL FILM 1/4W	CR305	103-261-02A	DIODE
R116	63-9921-79	2K OHM RESISTOR 2% FILM 1/4W	CR401	103-295-02A	DIODE
R117	63-9919-86	3.9K OHM RESISTOR 2% FILM 1/4W	Q101	121-975	TRANSISTOR I HORIZ OSC
RX118	63-10559-48	100 OHM RESISTOR 5% FILM 1/4W	Q102	121-975	TRANSISTOR II HORIZ OSC
R119			Q103	121-975	TRANSISTOR III HORIZ OSC
R120			Q104	121-975	TRANSISTOR IV HORIZ OSC
RX121	63-10565-24	10 OHM RESISTOR 5% FILM 1/2W	Q105	121-819	TRANSISTOR HORIZ DRIVER
R122	63-9921-46	82 OHM RESISTOR 5% FILM 1/4W	QX106	121-1039	TRANSISTOR HORIZ OUTPUT
RX123	63-10559-40	47 OHM RESISTOR 5% FILM 1/4W	Q301	121-975	TRANSISTOR VERT OSC #1
RX124	63-10559-68	680 OHM RESISTOR 5% FILM 1/4W	Q302	121-699	TRANSISTOR VERT OSC #2
R125	63-9922-44	1 MEGOHM RESISTOR 5% FILM 1/4W	Q303	121-699	TRANSISTOR VERT AMP #1
R126	63-9922-20	100K OHM RESISTOR 5% FILM 1/4W	Q304	121-975	TRANSISTOR VERT AMP #2
RX128	63-10565	1 OHM RESISTOR 5% FILM 1/2W	Q305	121-972	TRANSISTOR VERT DRIVER
R201	63-7763	330 OHM RESISTOR 5% CARBON COMP 1/2W	Q306	121-819	TRANSISTOR VERT OUTPUT 1
R202	63-7710	16 OHM RESISTOR 5% CARBON COMP 1/2W	Q307	121-973	TRANSISTOR VERT OUTPUT 2
R203	63-7799	2.2K OHM RESISTOR 10% CARBON COMP 1/2W	Q308	121-819	TRANSISTOR VERT RETRACE CONTROL
R204	63-7827	10K OHM RESISTOR 10% CARBON COMP 1/2W	Q401	121-1034	TRANSISTOR VIDEO OUTPUT
R205	63-7855	47K OHM RESISTOR 10% CARBON COMP 1/2W	Q402	121-895	TRANSISTOR VIDEO DRIVER
R206	63-7771	470 OHM RESISTOR 10% CARBON COMP 1/2W	E201	52-2240-01	SPARK GAP (PART OF CRT SOCKET ASSY)
R301	63-9922-27	200K OHM RESISTOR 5% FILM 1/4W	E202	52-2240-01	SPARK GAP (PART OF CRT SOCKET ASSY)
R302	63-9921-92	6.8K OHM RESISTOR 5% FILM 1/4W	E203	52-2240-01	SPARK GAP (PART OF CRT SOCKET ASSY)
R303	63-9922-04	22K OHM RESISTOR 5% FILM 1/4W	E204	52-2240-01	SPARK GAP (PART OF CRT SOCKET ASSY)
			VX201	100-684	12" CRT OR
				100-684-02	12" CRT



○ - DC VOLTAGE SOURCE
 ◻ - DC VOLTAGE APPLIED

NOTE 1: CUSTOMER SUPPLIED EXTERNAL DC SOURCE ON PIN 7 EDGE CONNECTOR

123-5416-11

SHEET 24

DESIGN:	FIRST USE:	MODEL/REV.	GROUP	SIZE
CHECKED:		D12-NF-11		6
APPROVED:				

SCHEMATIC FOR
 Q12 VIDEO DISPLAY
 KHZ HORIZ. SCAN FREQ.

ZENITH RADIO CORP.
 CHICAGO, ILL.

123-5416

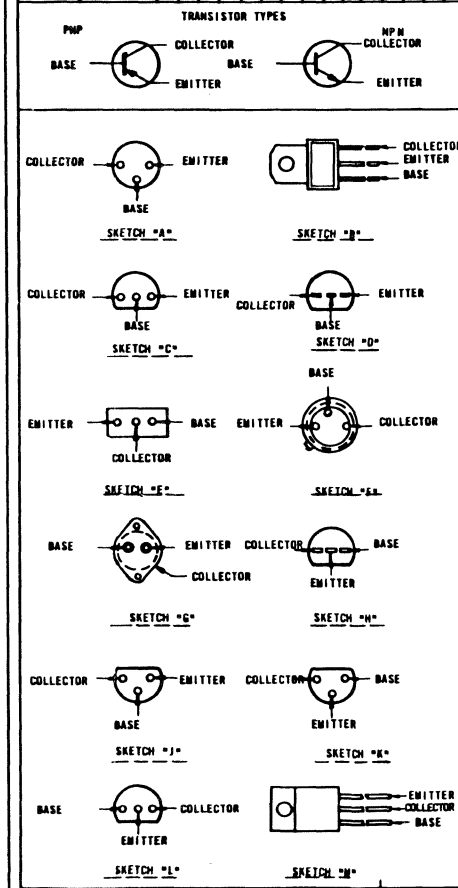
CHANGES

MAR 24 1960

SAMPLES OF NEW OR REVISED PART MUST BE APPROVED BY ZENITH RADIO CORPORATION BEFORE PROCESSING WITH PRODUCTION UNLESS OTHERWISE SPECIFIED IN CHANGE COLUMN. AFTER APPROVAL MANUFACTURER SHALL NOT CHANGE THE DESIGN, PERFORMANCE MATERIALS, OR MANUFACTURING SITE WITHOUT PRIOR NOTIFICATION AND APPROVAL BY ZENITH RADIO CORPORATION.											
ITEM NUMBER	PART NUMBER	DESCRIPTION	ITEM NUMBER	PART NUMBER	DESCRIPTION	ITEM NUMBER	PART NUMBER	DESCRIPTION	ITEM NUMBER	PART NUMBER	DESCRIPTION
C107	22-7614-00A	330 PFD. CAPACITOR ±20% DISC.	50V	R101	63-8922	15K OHM RESISTOR ± 5% FILM	1/4W	R316	63-8921-72	1000 OHM RESISTOR ± 5% FILM	1/4W
C102	22-7618-30A	100 PFD. CAPACITOR ± 5% DISC. NPO	50V	R102	63-8919-84	0.2K OHM RESISTOR ± 2% FILM	1/4W	R317	63-7818	5.6K OHM RESISTOR ± 5% CARBON COMP.	1/2W
C105	22-7618-30A	100 PFD. CAPACITOR ± 5% DISC. NPO	50V	R103	63-8919-84	0.2K OHM RESISTOR ± 2% FILM	1/4W	R318			
C104	22-7622-20A	50 PFD CAPACITOR ± 10% DISC	50V	R104	63-10651-11	CONTROL 25K OHM (HORIZ. PHASE)		R319	63-10545-58	220 OHM RESISTOR ± 5% FAILSAFE	1/2W
C105	22-7618-30A	100 PFD CAPACITOR ± 5% DISC NPO	50V	R105	63-10533-04	207K OHM RESISTOR ± 1% (METAL FILM)	1/4W	R320	63-8922-04	22K OHM RESISTOR ± 5% FILM	1/4W
C106	22-7618-37A	130 PFD CAPACITOR ± 5% DISC NPO	50V	R106	63-8922-14	58K OHM RESISTOR ± 5% FILM	1/4W	R321	63-8921-45	75 OHM RESISTOR ± 5% FILM	1/4W
C107	22-7618-30A	100 PFD CAPACITOR ± 5% DISC NPO	50V	R107	63-10593-11	200K OHM RESISTOR ± 1% METAL FILM	1/4W	R322	63-8921-84	3.3K OHM RESISTOR ± 5% FILM	1/4W
C108	22-7618-32X	92 PFD CAPACITOR ± 5% DISC NPO	50V	R108	63-8921-84	0.2K OHM RESISTOR ± 5% FILM	1/4W	R323	63-8921-73	1100 OHM RESISTOR ± 5% FILM	1/4W
C108	22-7152-03	4.7 MFD CAPACITOR ± 100% ± 10% ELEC.	25V	R108	63-8921-84	0.2K OHM RESISTOR ± 5% FILM	1/4W	R324	63-8921-66	2400 OHM RESISTOR ± 5% FILM	1/4W
C110	22-7613-09A	560 PFD CAPACITOR ± 10% DISC	50V	R110	63-8921-88	560 OHM RESISTOR ± 5%	1/4W	R325	63-8921-10	2.7 OHM RESISTOR ± 5% FILM	1/4W
C111	22-7622-20A	50 PFD CAPACITOR ± 10% DISC	50V	R111	63-10351-89	5.1K OHM RESISTOR ± 2% FILM	1/4W	R401			
C112	22-7614-24A	.01 MFD CAPACITOR ± 20% DISC	50V	R112	63-8918-84	3.3K OHM RESISTOR ± 2% FILM	1/4W	R402	63-8921-72	1K OHM RESISTOR ± 5% FILM	1/4W
C113	22-7440	.0047 MFD CAPACITOR ± 10% DISC	500V	R113	63-10533-04	207K OHM RESISTOR ± 1% METAL FILM	1/4W	R403	63-8921-72	1K OHM RESISTOR ± 5% FILM	1/4W
C114	22-7530-07	.015 MFD CAPACITOR SPECIAL	50V	R114	63-10533-04	207K OHM RESISTOR ± 1% METAL FILM	1/4W	R404	63-8921-40	47 OHM RESISTOR ± 5% FILM	1/4W
C115	22-7656-13A	22 PFD CAPACITOR ± 10% DISC	50V	R115	63-8918-84	3.3K OHM RESISTOR ± 2%	1/4W	R405	63-8921	12K OHM RESISTOR ± 5% FILM	1/4W
C116	22-7313	10 MFD CAPACITOR SPECIAL	25V	R116	63-8921-78	2K OHM RESISTOR ± 5% FILM	1/4W	R406	63-8921-37	22 OHM RESISTOR ± 5% FILM	1/4W
C117	22-7718-00	100 MFD CAPACITOR ± 20% ELEC. 105°C	35V	R117	63-8918-88	3.3K OHM RESISTOR ± 2% FILM	1/4W	R407	63-10371-70	820 OHM RESISTOR ± 5% FILM	2W
C118	22-3740	.001 MFD CAPACITOR ± 10% DISC	1KV	R118	63-10559-06	750 OHM RESISTOR ± 5% FAILSAFE	1/4W	R408	63-8921-40	47 OHM RESISTOR ± 5% FILM	1/4W
C118				R190				R409			
C120	22-7722-02	2.2 MFD CAPACITOR ± 20% ELEC. 105°C	100V	R120	63-10558-14	0.0 OHM RESISTOR ± 5% FAILSAFE	1/4W	R410			
C121	22-7722-01	1 MFD CAPACITOR ± 20% ELEC. 105°C	100V	R122	63-8921-40	82 OHM RESISTOR ± 5%	1/4W	R411	63-8922	15K OHM RESISTOR ± 5% FILM	1/4W
C122	22-7613-00	560 PFD CAPACITOR ± 10% DISC	50V	R123	63-10559-08	100 OHM RESISTOR ± 5% FAILSAFE	1/4W	R412	63-10651-12	CONTROL 100 K OHM BRIGHTNESS	
C123	22-7613-00	560 PFD CAPACITOR ± 10% DISC	50V	R124	63-8921-88	880 OHM RESISTOR ± 5% FILM	1/4W	R413	63-8922	15K OHM RESISTOR ± 5% FILM	1/4W
C201	22-4905-01	.01 MFD CAPACITOR ± 80-20% DISC.	500V	R125	63-10644-20	100K OHM RESISTOR ± 5% CARBON COMP.	1/4W	R414			
C202	22-4905-01	.01 MFD CAPACITOR ± 80-20% DISC.	500V	R126	63-10558-14	0.0 OHM RESISTOR ± 5% FAILSAFE	1/4W	R415	63-10612-01	CONTROL 2 MEG OHM FOCUS	
C203	22-4905-01	.01 MFD CAPACITOR ± 80-20% DISC.	500V	R127	63-10585	1 OHM RESISTOR ± 5% FAILSAFE	1/2W	R416	63-8922-16	68K OHM RESISTOR ± 5% FILM	1/4W
C204				R128	63-8921-88	880 OHM RESISTOR ± 5% FILM	1/4W	R417	63-8922-40	680K OHM RESISTOR ± 5% FILM	1/4W
C205	22-7144-00	220 MFD CAPACITOR ± 100% ± 10% ELEC.	35V	R129				R418	63-8922	15K OHM RESISTOR ± 5% FILM	1/4W
C206	22-7142-03	4.7 MFD CAPACITOR ± 100% ± 10% ELEC.	25V	R130				R419			
C207	22-4905-01	.01 MFD CAPACITOR ± 80-20% DISC.	500V	R131				R420			
C301	22-7613-24A	.01 MFD CAPACITOR ± 10% DISC	50V	R201	63-7763	330 OHM RESISTOR ± 5% CARBON COMP.	1/2W	CR101	103-142-01	DIODE	
C302	22-7547	.18 MFD CAPACITOR ± 10% POLYESTER	50V	R202	63-7714	18 OHM RESISTOR ± 5% CARBON COMP.	1/2W	CR102	103-142-01	DIODE	
C303	22-7152-05	22 MFD CAPACITOR ± 100-10% ELEC	25V	R203	63-7789	2.2K OHM RESISTOR ± 10% CARBON COMP.	1/2W	CR103	103-142-01	DIODE	
C304	22-7720-08	100 MFD CAPACITOR ± 20% ELEC. 105°C	50V	R204	63-7827	10K OHM RESISTOR ± 10% CARBON COMP.	1/2W	CR104	103-295-03A	DIODE	
C305	22-7578-03	4.7 MFD CAPACITOR ± 10% ELEC.	18V	R205	63-7855	47K OHM RESISTOR ± 10% CARBON COMP.	1/2W	CR105	103-284	DIODE	
C306	22-7613-02A	150 PFD CAPACITOR ± 10% DISC	50V	R206	63-7771	470 OHM RESISTOR ± 10% CARBON COMP.	1/2W	CR106	212-76-02	DIODE	
C307	22-7388-02	1 MFD CAPACITOR ± 20% ELEC.	25V	R301	63-8922-27	200 K OHM RESISTOR ± 5% FILM	1/4W	CR107	103-200-05A	DIODE	
C308	22-7718-08	47 MFD CAPACITOR ± 20% ELEC. 105°C	25V	R302	63-8921-82	0.0 K OHM RESISTOR ± 5% FILM	1/4W	CR108	212-76-02	DIODE	
C309	22-7152-04	18 MFD CAPACITOR ± 100-10% ELEC.	25V	R303	63-8922-04	22K OHM RESISTOR ± 5% FILM	1/4W	CR109	103-142-01	DIODE	
C310	22-7614-18A	.0033 MFD CAPACITOR ± 20% DISC	50V	R304	63-8921-85	0.1 K OHM RESISTOR ± 5% FILM	1/4W	CR201	103-316-04	DIODE	
C311	22-7613-30A	.012 MFD CAPACITOR ± 10% DISC.	50V	R305	63-8922-18	39K OHM RESISTOR ± 5% FILM	1/4W	CR301			
C312	22-7578-04	1000 MFD CAPACITOR ± 10% ELEC. 100°C	18V	R306	63-8921-40	47 OHM RESISTOR ± 5% FILM	1/4W	CR302			
C313	22-7388-02	1 MFD CAPACITOR ± 20% ELEC.	25V	R307	63-10559-36	33 OHM RESISTOR ± 5% FAILSAFE	1/4W	CR303			
C314	22-7614-20A	.0047 MFD CAPACITOR ± 20% DISC	50V	R308	63-8922-42	820K OHM RESISTOR ± 5% FILM	1/4W	CR304	103-142-01	DIODE	
C401	22-7722-08	47 MFD CAPACITOR ± 20% ELEC. 105°C	100V	R309	63-10651-13	CONTROL 250K OHM VERT. SIZE		CR305	212-76-02	DIODE	
C402	22-7721-84	4.7 MFD CAPACITOR ± 20% ELEC. 105°C	83V	R310	63-8924-48	1.5 MEG OHM RESISTOR ± 10% FILM	1/4W	CR401	212-76-02	DIODE	
C403	22-7613A	100 PFD CAPACITOR ± 10% DISC	50V	R311	63-8922-22	120K OHM RESISTOR ± 5% FILM	1/4W	L101	20-3806-02	COIL, RCF LINEARITY	
C404	22-7724	02 MFD CAPACITOR ± 80% ± 20% DISC.	500V	R312	63-8922-06	27K OHM RESISTOR ± 5% FILM	1/4W	L102	20-3805	COIL, RCF TUNABLE WIDTH	
C405	22-3512	.01 MFD CAPACITOR ± 40-10% DISC	1KV	R313	63-8922-10	39K OHM RESISTOR ± 5% FILM	1/4W	L201	20-3824	COIL, HORIZ. FILTER CHOK	
				R314	63-8921-78	1.8K OHM RESISTOR ± 5% FILM	1/4W	L401	20-3887-10C	COIL, RCF 6.0 μ	
				R315	63-8922	15K OHM RESISTOR ± 5% FILM	1/4W				

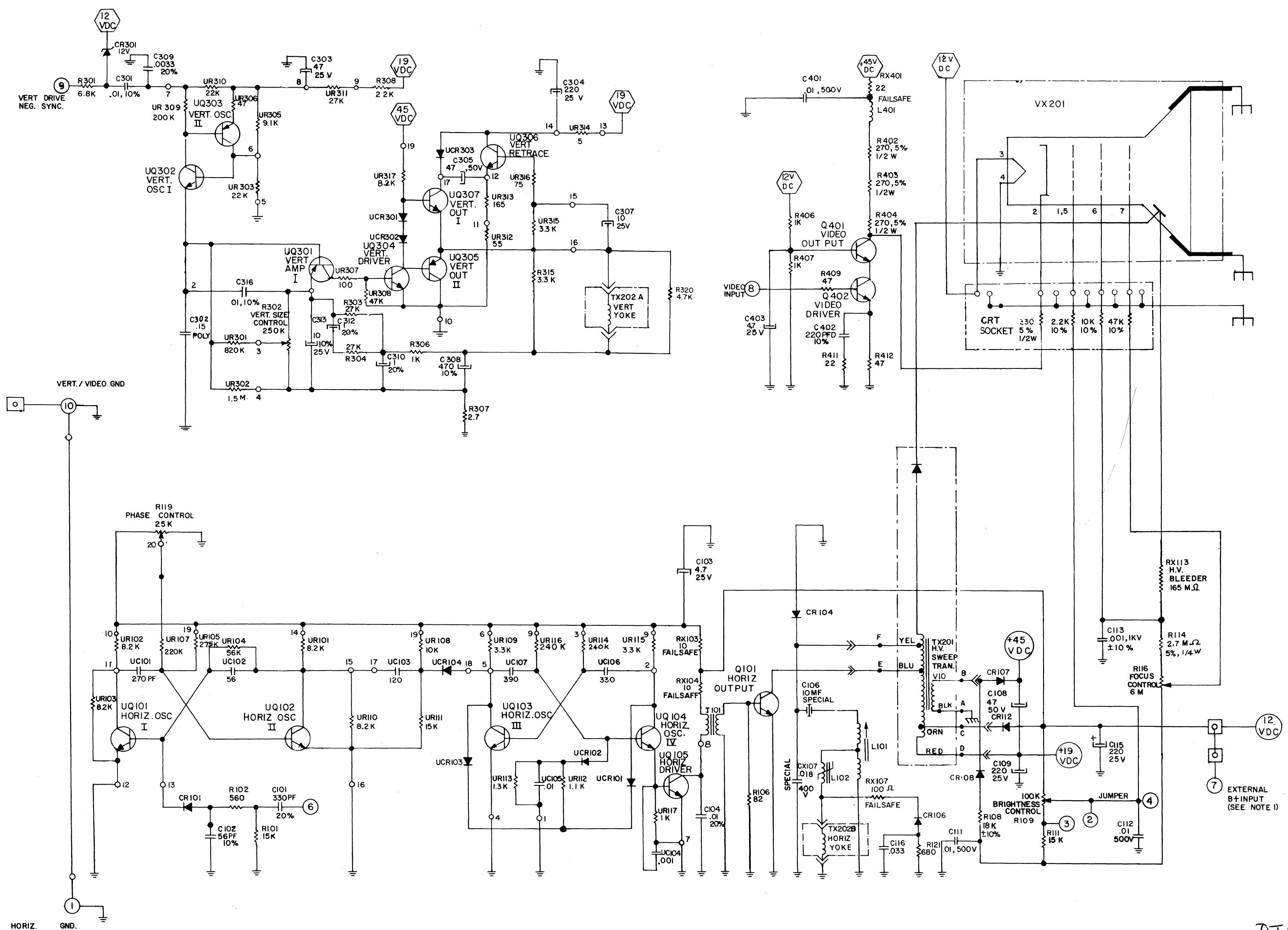
123-5416
MUST PASS THE FOLLOWING SPECIFICATIONS
OTHER: ZENITH

BOTTOM VIEWS OF TRANSISTORS												
Q NUMBER	PART NUMBER	A	B	C	D	E	F	G	H	J	K	L
Q101	121-925			X								
Q102	121-875			X								
Q103	121-875			X								
Q104	121-875			X								
Q105	121-875	X	X		X	X						
Q106	121-1039											
Q301	121-875			X								
Q302	121-889			X								
Q303	121-889			X								
Q304	121-875			X								
Q305	121-872	X	X		X	X						
Q306	121-1035					X						
Q307	121-1036					X						
Q308	121-898	X	X		X	X						
Q401	121-1058	X										
Q402	121-885			X	X							

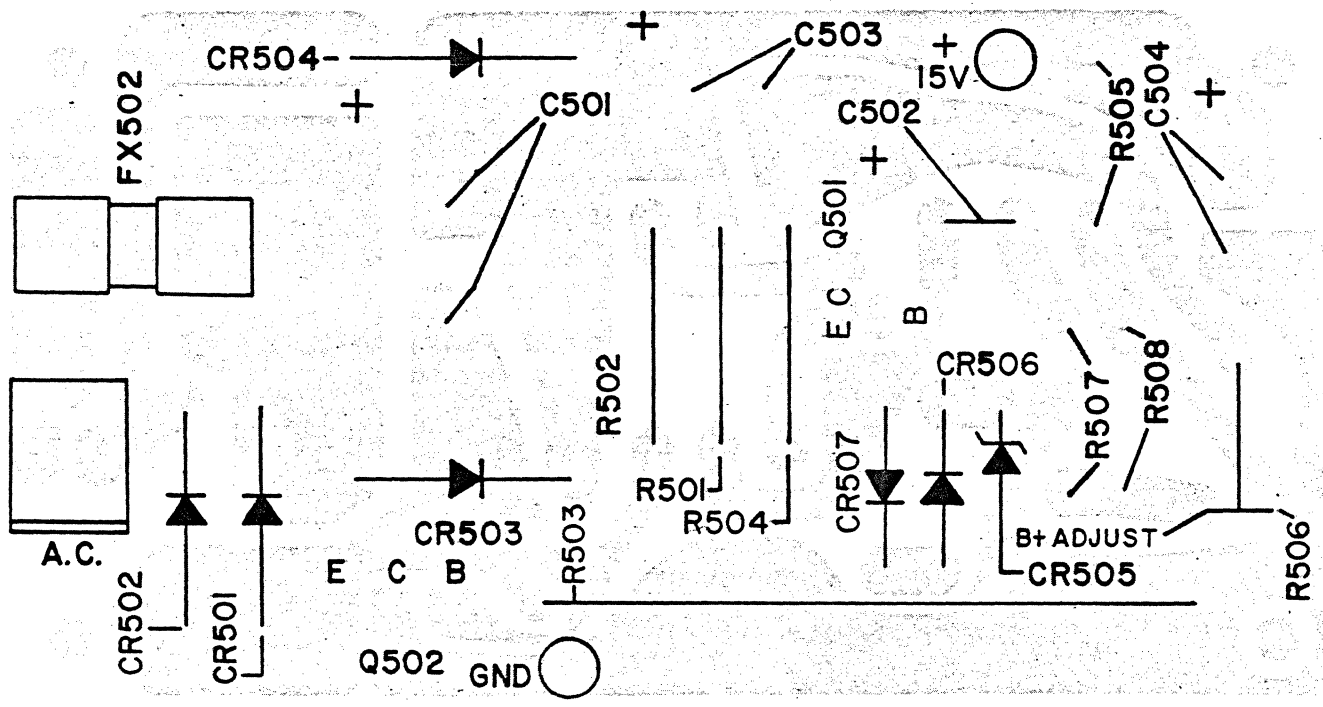
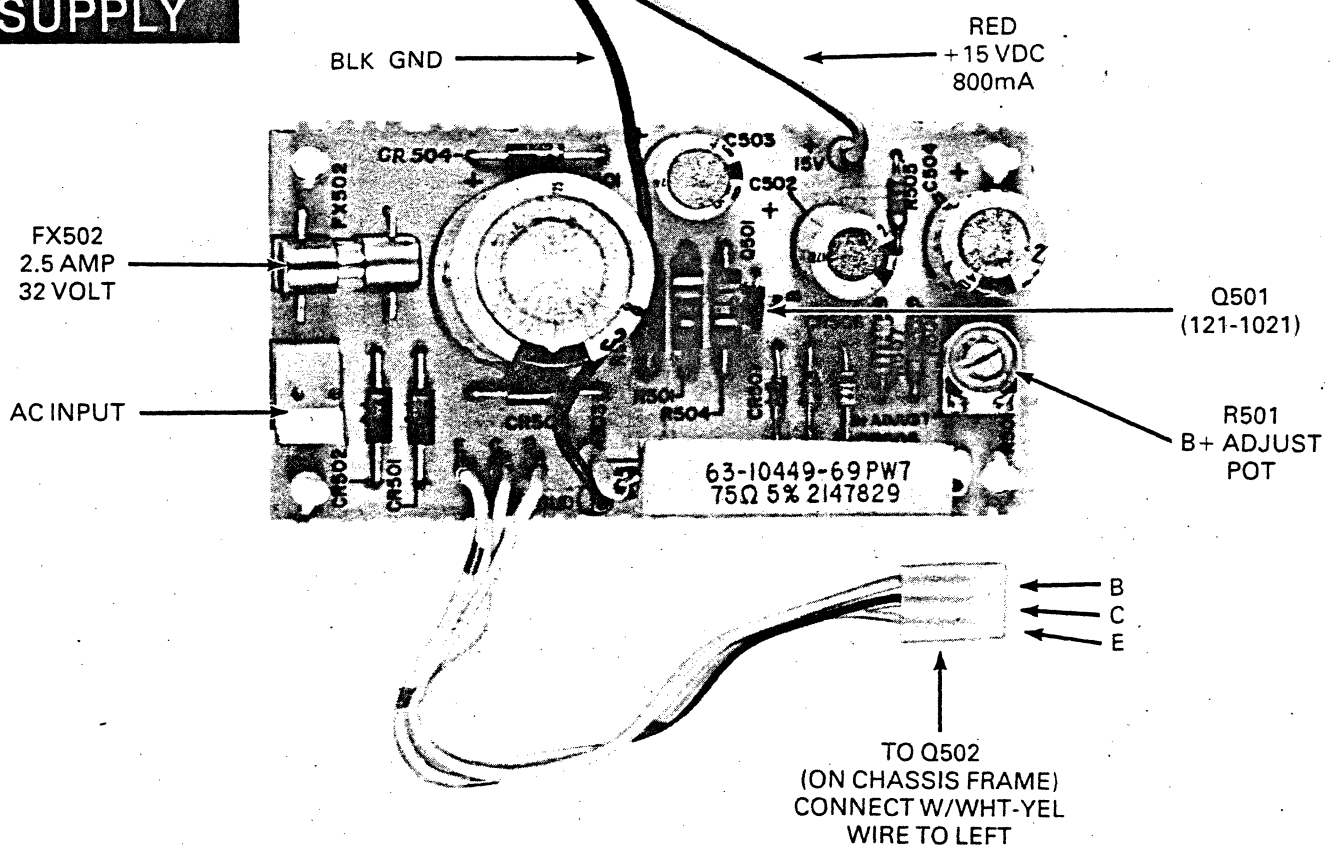


D12-NF-11 100-684
MODEL USED ON DIFFERENCE CRT #
MAR 24 1953
ONLY
123-5416-11
SHEET 25

LEGEND FOR D12 VIDEO DISPLAY 18.6KHz HORIZ. SCAN. FREQ.
ZENITH RADIO CORP CHICAGO, ILL. 123-5416

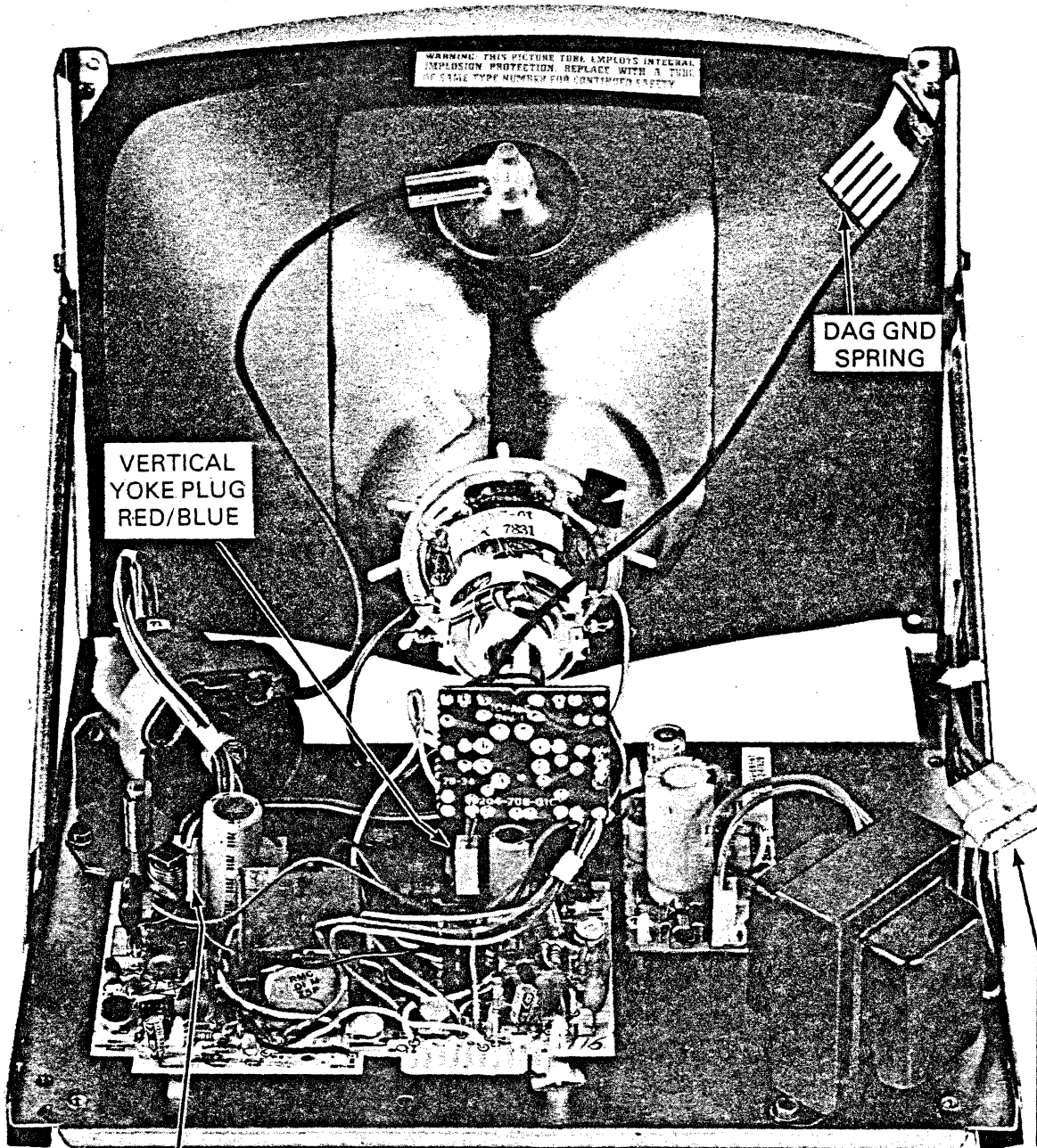


POWER SUPPLY



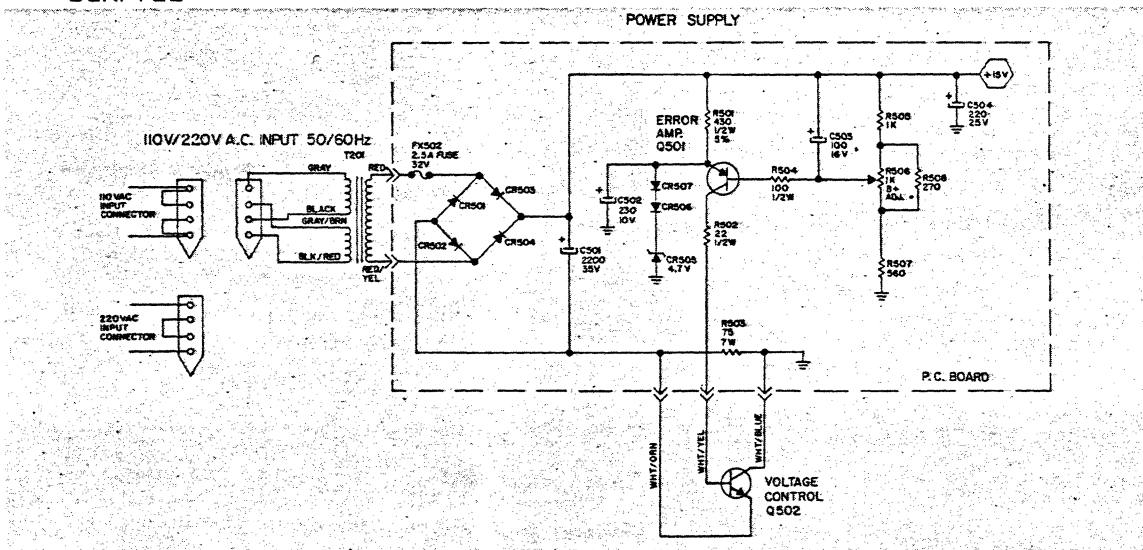
LEGEND

ITEM NO.	PART NO.	DESCRIPTION	ITEM NO.	PART NO.	DESCRIPTION
C501	22-7154-13	2200 MFD CAP ELECT +100%—10% 35V	RX508	63-9921-58	270 OHM RESISTOR 5% FILM 1/4W
C502	22-7152-08	100 MFD CAP ELECT +100%—10% 25V	T201	95-3396	TRANSFORMER, POWER 110/220V
C503	22-7717-09	100 MFD CAP ELECT 20% 16V	CR501	103-261-04A	DIODE
C504	22-7154-08	100 MFD CAP ELECT +100%—10% 35V	CR502	103-261-04A	DIODE
R501	63-7769	430 OHM RESISTOR 5% CARBON COMP 1/2W	CR503	103-261-04A	DIODE
R502	63-7715	22 OHM RESISTOR 10% CARBON COMP 1/2W	CR504	103-261-04A	DIODE
R503	63-10449-69	75 OHM RESISTOR WW 5% 7W	CR505	103-279-09A	DIODE ZENER 4.7V
R504	63-7743	100 OHM RESISTOR 10% CARBON COMP 1/2W	CR506	103-142-01	DIODE
RX505	63-9921-72	1K OHM RESISTOR 5% FILM 1/4W	CR507	103-142-01	DIODE
RX506	63-10651-01	CONTROL 1K OHM (B+ ADJ)	Q501	121-1021	TRANSISTOR ERROR AMP
RX507	63-9921-86	560 OHM RESISTOR 5% FILM 1/4W	QX502	121-992-01	TRANSISTOR VOLTAGE CONTROL
			FX502	136-120-06	FUSE 2.5 AMP 32V

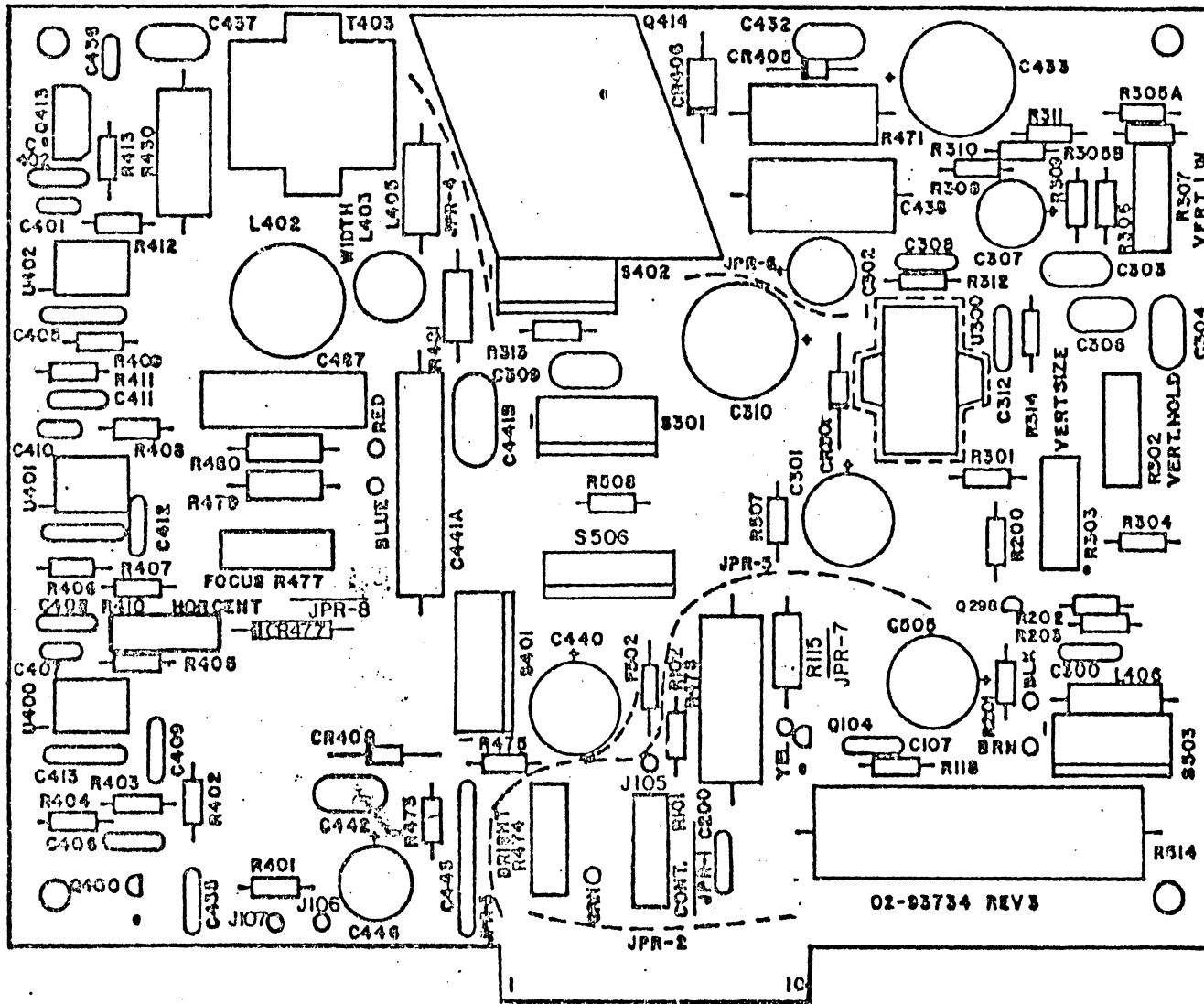


HORIZONTAL
YOKE PLUG
BLK/YEL

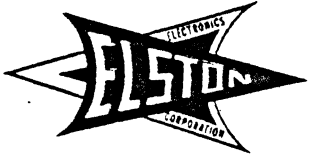
AC INPUT



DT1



TITLE			
DM40-15A0-18-A31			
RESEARCH INC.			
DRAWN	DATE	APPVD.	DATE
D. CAREY	7/22/81	RGB	8-12-81



DM40 Direct Drive Monitor

OPERATOR CONTROLS AND SET UP ADJUSTMENTS

All adjustments are located on the Printed Circuit Assembly with the exception of the Raster Centering Rings and Beam Alignment Rings. Only qualified service personnel should be making these adjustments.

Brightness - R474 - Adjusts DC Voltage level between Cathode and Control Grid. Set so that the background raster is just extinguished.

Vertical Size - R303 - Adjusts the height of the display. With a full video pattern applied adjust for desired height.

Vertical Hold - R302 - Adjusts the free running frequency of the Vertical Oscillator. May need to be adjusted when switching from 60 to 50 Hz.

Vertical Linearity - R307 - Adjusts the size relationship between characters at the top and bottom of the display.

Video Centering - R410 - Adjusts the timing relationship between the horizontal drive and video. With a full video pattern applied adjust so that the video is centered horizontally within the raster.

Width Coil L403 - Adjusts the current to the horizontal winding of the yoke. With a full video pattern applied adjust for desired width. A .104" Hex non-magnetic tuning tool must be used.

Raster Centering Rings Part of Yoke L404 - The 2 magnetic rings at the back of the yoke are used to center the raster and display vertically and horizontally.

Focus - R477 - Adjust to obtain best overall focus quality.

Power Supply - R502 - Adjust Power Supply for +55VDC output.

8-12-81



DM40 Direct Drive Monitor

THEORY OF OPERATION

This DM40 Series Video Monitor is primarily intended as an alpha numeric data display. It is completely solid state, except for the cathode ray tube. The following is a functional description of the operation by section.

VIDEO AMPLIFIER - The Video Amplifier consists of one section, the single stage voltage amplifier Q104.

Q104, operating as a class C amplifier, remains cut off until a positive going signal arrives at its base and turns on the transistor. R118 adds series feedback which stabilizes voltage gain from one transistor to another as well as variations in temperature.

The negative going signal at the collector of Q104 drives the CRT cathode to increase electron beam current and excite the screen.

The overall brightness of the CRT screen is determined by the setting of the brightness control R474.

HORIZONTAL DELAY (Video Centering) - Horizontal Sync/Drive is fed to the base of Q400 where it is inverted. C406, R403, R404 form an edge trigger network to couple the Horizontal Sync/Drive to U400. U400 provides a fixed delay from the beginning of Horizontal Drive until U400 times out. The falling edge of U400's output is coupled to U401. U401 provides a variable delay which is controlled by R410 (Video Cent). The combined delays of U400 and U401 allow the Horizontal Drive to be delayed from 0 to 1 full line time. This allows the video to be centered with respect to the raster. U402 provides a constant width drive pulse to the Horizontal Driver Q413.

HORIZONTAL DEFLECTION - The circuitry associated with Q413 and Q414 has been designed to optimize the efficiency and reliability of the horizontal deflection circuits.

A positive going pulse is coupled through R413 to the base of Q413.

The driver stage Q413 is either cut off or driven into saturation by the base signal. The output signal appears as a rectangular wave form and is transformer-coupled to the base of the horizontal output stage Q414. The polarity of the voltage at the secondary of the driver transformer is chosen such that Q414 is cut off when Q413 conducts and vice versa.

During conduction of the driver transistor, energy is stored in the coupling transformer. The voltage at the secondary is then negative and keeps Q414 cut off. As soon as the primary current of T403 is interrupted due to the base signal driving Q413 into cut off, the secondary voltage changes polarity. Q414 starts conducting, and its base current flows. This gradually decreases at a rate determined by the transformer inductance and circuit resistance.

The horizontal output stage has 3 main functions: to supply the yoke with the correct horizontal scanning currents; develop an accelerator grid voltage for use with the CRT; develop a negative supply voltage for CRT bias.

Q414 acts as a switch which is turned on or off by the rectangular waveform on the base. When Q414 is turned on, the supply voltage plus the charge on C441 causes yoke current to increase in a linear manner and moves the beam from near the center of the screen to the right side. At this time, the transistor is turned off by negative voltage on its base which causes the output circuit to oscillate. A high reactive voltage in the form of a half cycle negative voltage pulse is developed by the yoke's inductance and the primary of T402. The peak magnetic energy which was stored in the yoke during scan time is then transferred to C438 and the yoke's distributed capacity. During this cycle, the beam is returned to the center of the screen.

The distributed capacity now discharges into the yoke and induces a current in a direction opposite to the current of the previous part of the cycle. The magnetic field thus created around the yoke moves the scanning beam to the left of the screen.

After slightly more than half a cycle, the voltage across C438 biases the damper diode into conduction which prevents the flyback pulse from oscillating. The magnetic energy that was stored in the yoke from the discharge of the distributed capacity is released to provide sweep for the first half of scan and to charge C441 through the rectifying action of the damper diode. The beam is then at the center of the screen. The cycle will repeat as soon as the base voltage of Q414 becomes negative.

C441, in series with the yoke, also serves to block DC currents through the yoke and to provide "S" shaping of the current waveform. "S" shaping compensates for stretching at the left and right sides of the picture tube because the curvature of the CRT face and the deflected beam do not describe the same arc.

I403 is an adjustable width control placed in series with the horizontal deflection coils. The variable inductive reactance allows a greater or lesser amount of the deflection current to flow through the horizontal yoke and, therefore, varies the width of the horizontal scan. I402 is a saturable reactor, magnetically biased to effect a changing impedance in series with the horizontal yoke winding depending on current direction to improve horizontal scan linearity.

The same pulse is transformer-coupled to the secondary of transformer T402 where it is rectified by CR407 to produce rectified voltages of approximately 17kv for the CRT.

VERTICAL DEFLECTION - Vertical sync/drive pulses are coupled to the base of Q298, the vertical sync inverter, where they are inverted and coupled to pin 8 of the vertical deflection system IC. C300 provides high frequency bypassing.

U300, TDA1170, is a monolithic IC which incorporates all of the functions of a vertical deflection system, including output stages, in one package.

R302, the vertical hold control, and C304 form the basic timing for the vertical oscillator. R301 sets the range of R302. R303, the vertical size control, is used to adjust the size of the display on the vertical axis. R304 sets the range of R303.

R307, the vertical linearity control, provides a feedback path to allow pre-distortion of the ramp produced at pin 12 of U300. R306 sets the range of R307.

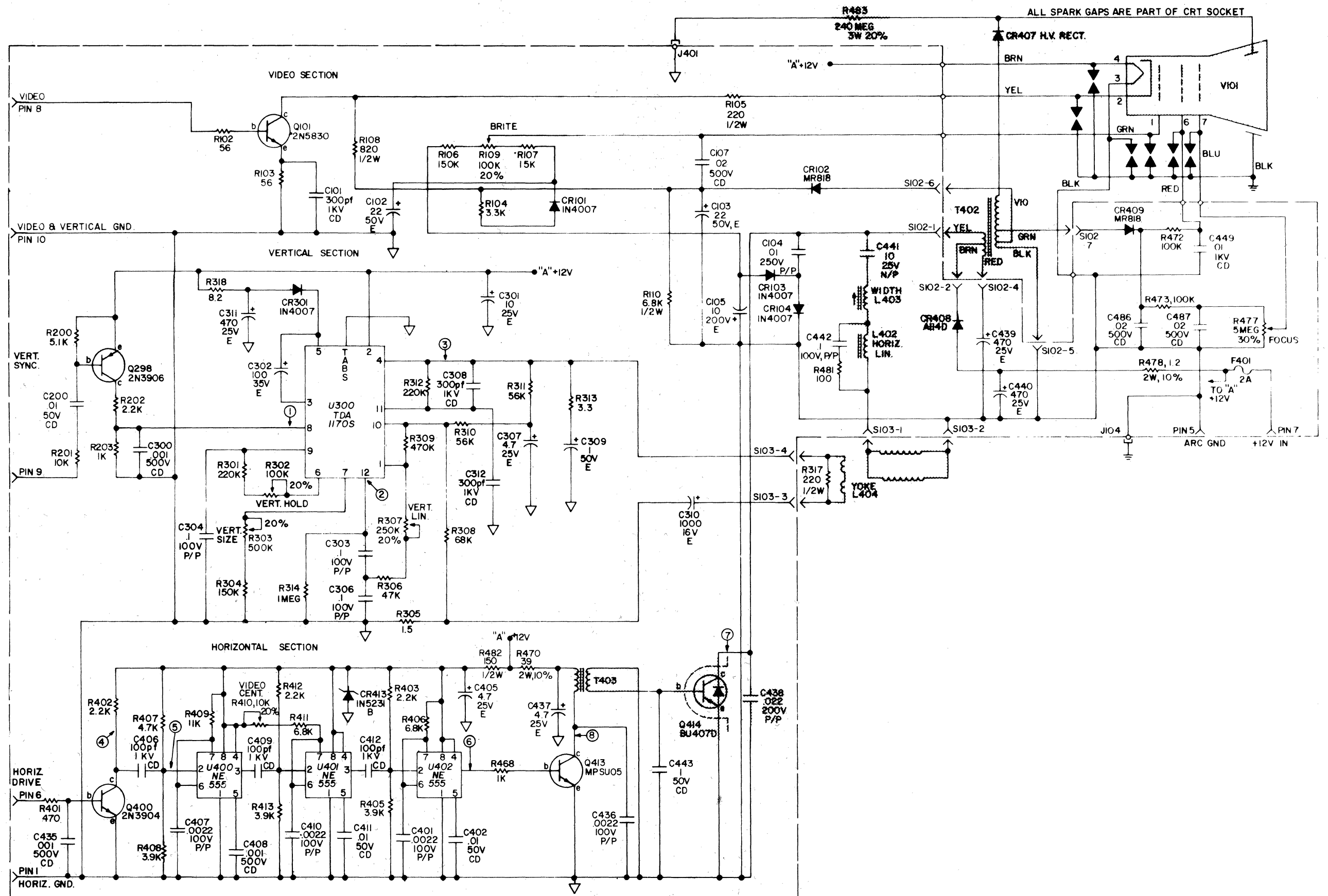
R314 is used as an "S" shaping resistor to allow correction for the curvature of some CRTs.

Due to the internal structure of U300, the vertical adjustments do not interact with each other.

C301, C307 and C308 provide high frequency bypassing and stabilization for U300 and minimizes any tendency toward high frequency oscillations in the vertical circuit.

C302 is used by U300 to generate a high voltage retrace pulse which is approximately 2 times the supply voltage.

R316 or R317 when present supplies a raster shift by introducing a DC current in the vertical deflection windings. The minimum value of R316 or R317 is 100 ohms.



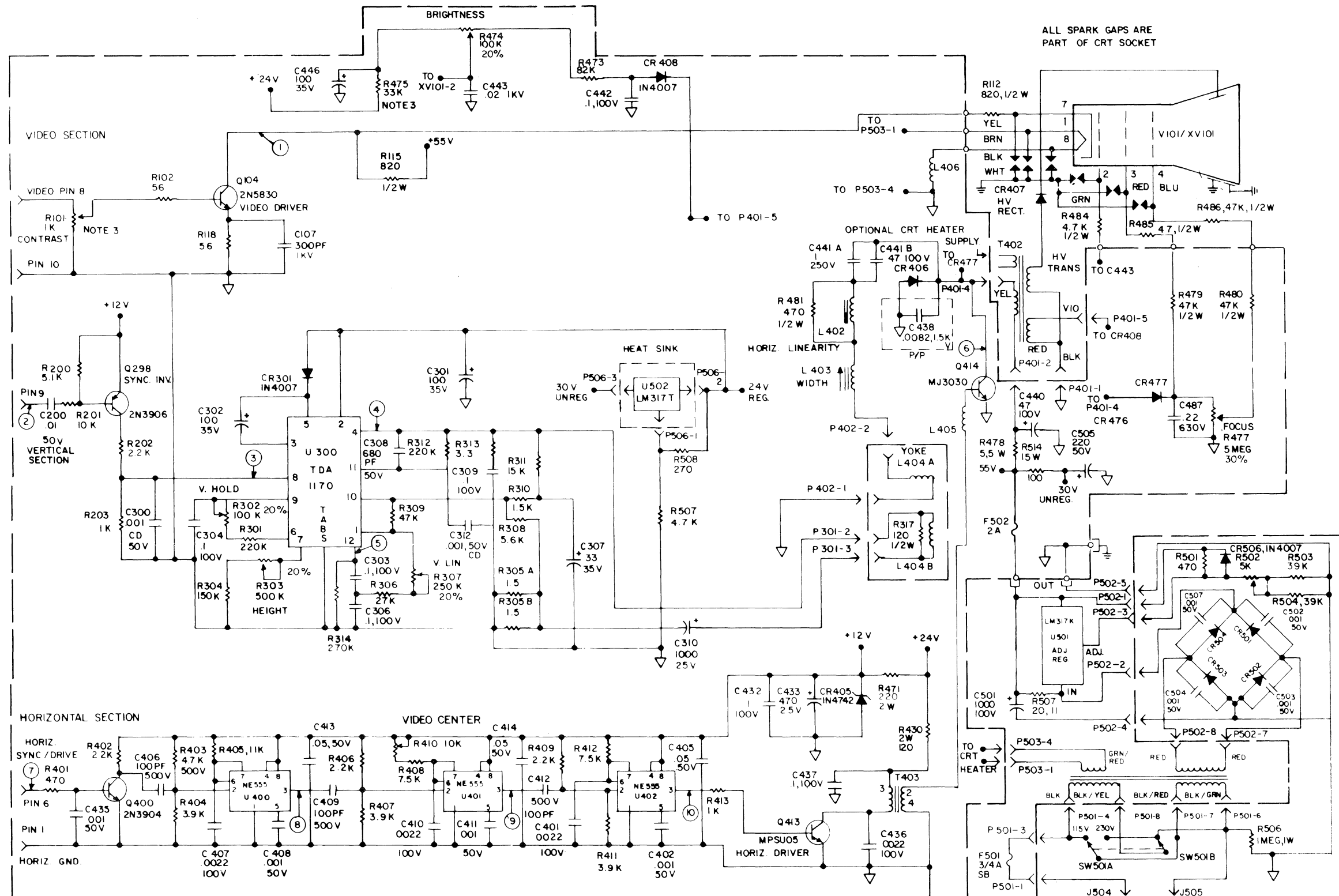
NOTE:
 1). ALL RESISTORS ARE 1/4W 5% UNLESS OTHERWISE SPECIFIED.
 2). ALL CAPACITORS ARE IN MFD UNLESS OTHERWISE SPECIFIED.
 3). CIRCUIT FOR P.C. BOARD O2-93625-99
 4). COMPONENTS IN SHADED AREAS ARE CRITICAL COMPONENTS FOR RADIATION SAFETY OR DESIGN RELIABILITY. REPLACE ONLY WITH ELSTON ELECTRONICS PARTS

CAPACITOR TYPES
 E-ELTROLYTIC
 T-TANTALUM
 CD-CERAMIC DISC
 N/P-NON POLARIZED
 P/P-PLASTIC PACKAGE

RUNING 44 231 54123

9	C406,C409,C412 WERE 500V C411 402 WAS .001 500V	TJS	12/28/82		
8	REDRAW	TJS	10/9/82		
NO	REVISION	BY	DATE	ECN	APPVD

TITLE	DM30-I2B0-99-XXX				
FOP	RESEARCH INC.				
DRAWN	T.SMITH	DATE	10/9/82	APP'D	
ELSTON ELECTRONICS CORP.					



NOTES
 1) ALL CAPACITANCE IN MFD UNLESS OTHERWISE INDICATED
 2) ALL RESISTORS ARE 1/4 WATT 5% UNLESS OTHERWISE NOTED

ALL SPARK GAPS ARE PART OF CRT SOCKET

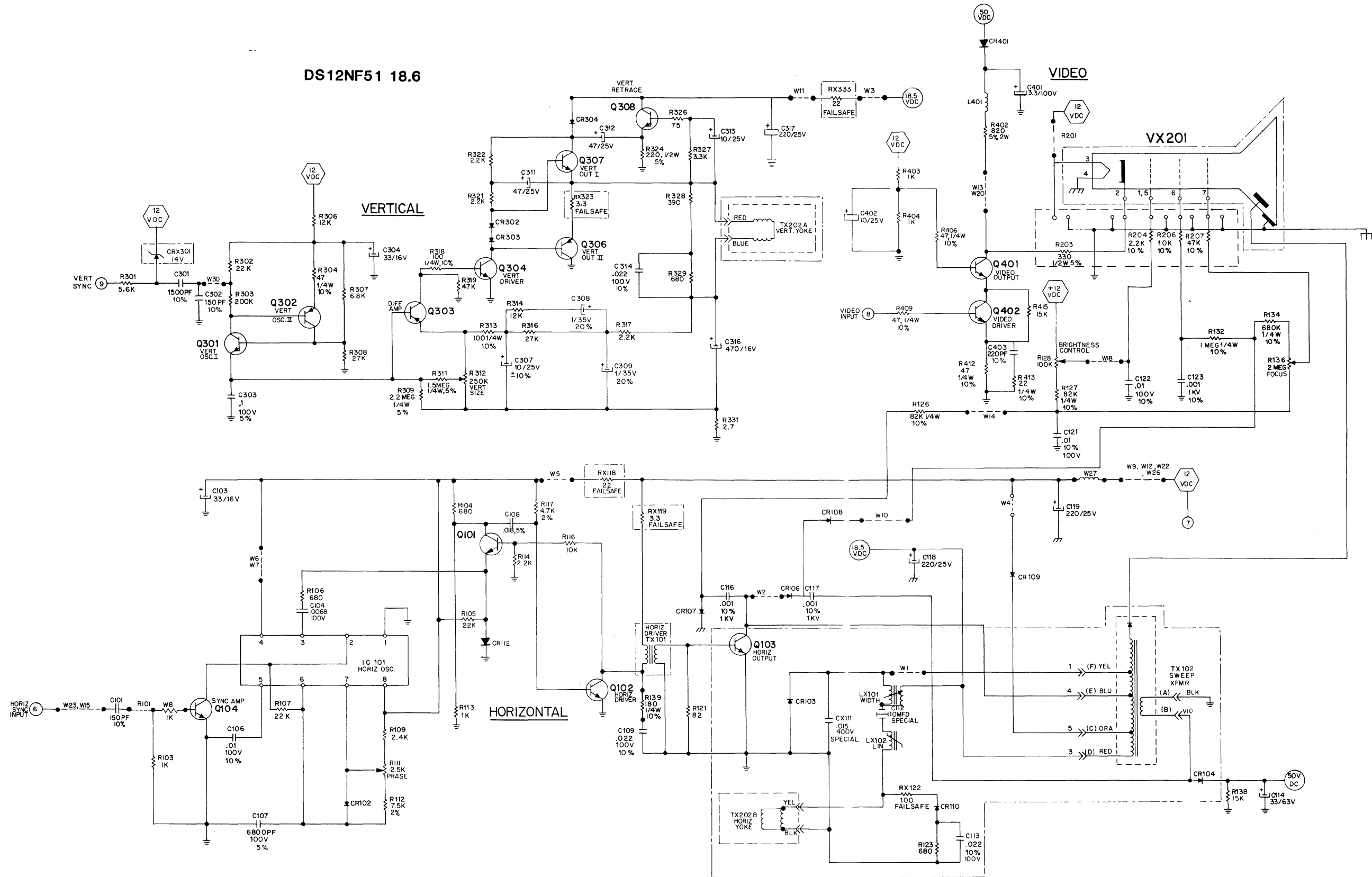
55V POWER SUPPLY
 115/230V A.C. INPUT

DRAFT/TRACE: 250

NO REVISION	BY	DATE
-------------	----	------

TITLE			
DM40-15A0-18-A31			
RESEARCH INC.			
DRAWN	DATE	APPVD	DATE
D. CAREY	7/22/81	SG	8-12-81
ELSTON ELECTRONICS CORP			

DS12NF51 18.6



Section 4

POWER SUPPLY MODULE

This module may be one of two types: (1) a series pass supply, or (2) a switching supply.

A. Theory of Operation - Series Pass Type

The power supply is designed for full wave center tapped operation with series pass regulation. One center tapped winding is used to develop the +5 volt supply. A 5-volt, 3-terminal regulator is used to develop a 3-amp regulated output capability. The regulator is virtually blowout proof and has internal current limiting, power limiting and thermal shutdown. A second center tapped winding is used to develop the ± 12 volt supplies. The -5 volt supply is derived from the -12 volt supply. These supplies are also implemented using three terminal regulators. These regulators have a 1-amp output capability with internal current limiting, power limiting and thermal shutdown.

The power supply is designed for convection cooling. The three terminal regulators are attached to the aluminum rear panel for thermal conduction; the rear panel is black-anodized to maximize radiation. Thermally conductive pads are installed between the regulators and the rear panel. If a regulator is replaced, the pads must also be replaced or a thermally conductive grease applied.

B. Theory of Operation - Switching Type

The OL25 is a 25 watt supply providing ± 12 volts and ± 5 volts. It is a flyback switcher whose feedback loop is closed with respect to a primary reference winding on the power transformer. Multiple output voltages are provided through the use of multiple secondary windings producing outputs which are related by winding count and are, therefore, not independently adjustable. However, all outputs are simultaneously adjusted when the +5 volt potentiometer is adjusted. Short circuit and overvoltage protection are provided on all outputs.

PARTS LIST

Title: ASSY-POWER SUPPLY, 1061

#D53615

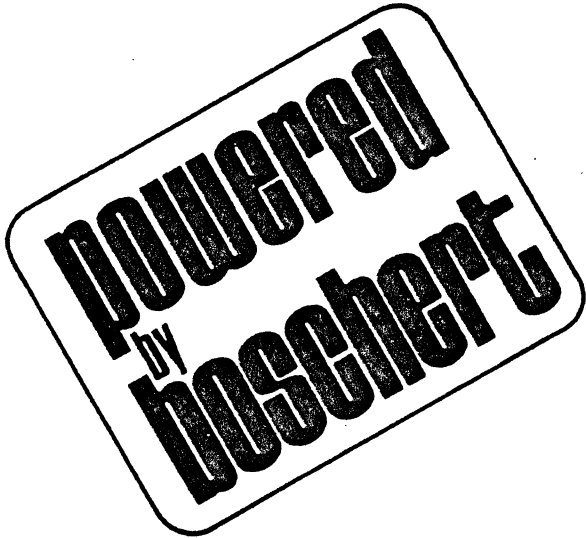
Rev: D

ITEM	DESCRIPTION	PART NO.	INVENTORY	1	2	3	4
1	Assy-Power Supply, 1061		3B2159	X			
2	Trimpot - 500 Ohm	91X	6B0311	X			
3	IC-LIN, Voltage Regulator 5V	LM323K-5	33B0363	X			
4	IC-LIN, Voltage Regulator 12V	7812CK	33B0364	X			
5	IC-LIN, Voltage Regulator -12V	7912UC	33B0365	X			
6	IC-LIN, Voltage Regulator -5V	79M05UC	33B0256	X			
7	Diode	IN5624	32B0271				X
8	Diode	IN4003	32C0133		X		
9	Capacitor-10,000 MFD/15V, Ele.	TVA1175.8	15B0306	X			
10	Capacitor-2500 MFD/25V, Ele.	TVA1213.5	15B0307		X		
11	Capacitor-10 MFD/63V, Ele.	VTT10D63	15B0196				X
12	Capacitor-.1 MFD/50V, Disc.	DG015E104Z	15B0304			X	
13	Fuse - 1 Amp, 125V, Slo-Blo	313001	17B0183	X			
14	Transformer	023-2851	7B0240	X			

ORDERING INFORMATION

- 1) For ordering information and latest prices, contact your local representative or the RESEARCH, Incorporated factory in Minneapolis, Minnesota.
- 2) When ordering spare parts, please include reference both to this parts list number and revision level, plus the Model Number and Serial Number of the instrument for which these parts are being ordered.

D. Boschert OL25
Maintenance Manual
Schematics



SINGLE STAGE

(FLYBACK-DISCONTINUOUS)

POWER SUPPLY

MAINTENANCE MANUAL

All drawings supplied for the BOSCHERT power supply are the property of BOSCHERT INCORPORATED and shall not be reproduced or copied or used in whole or in part as the basis for manufacture or sale of the items shown therein without the express written permission of an officer of BOSCHERT INCORPORATED.

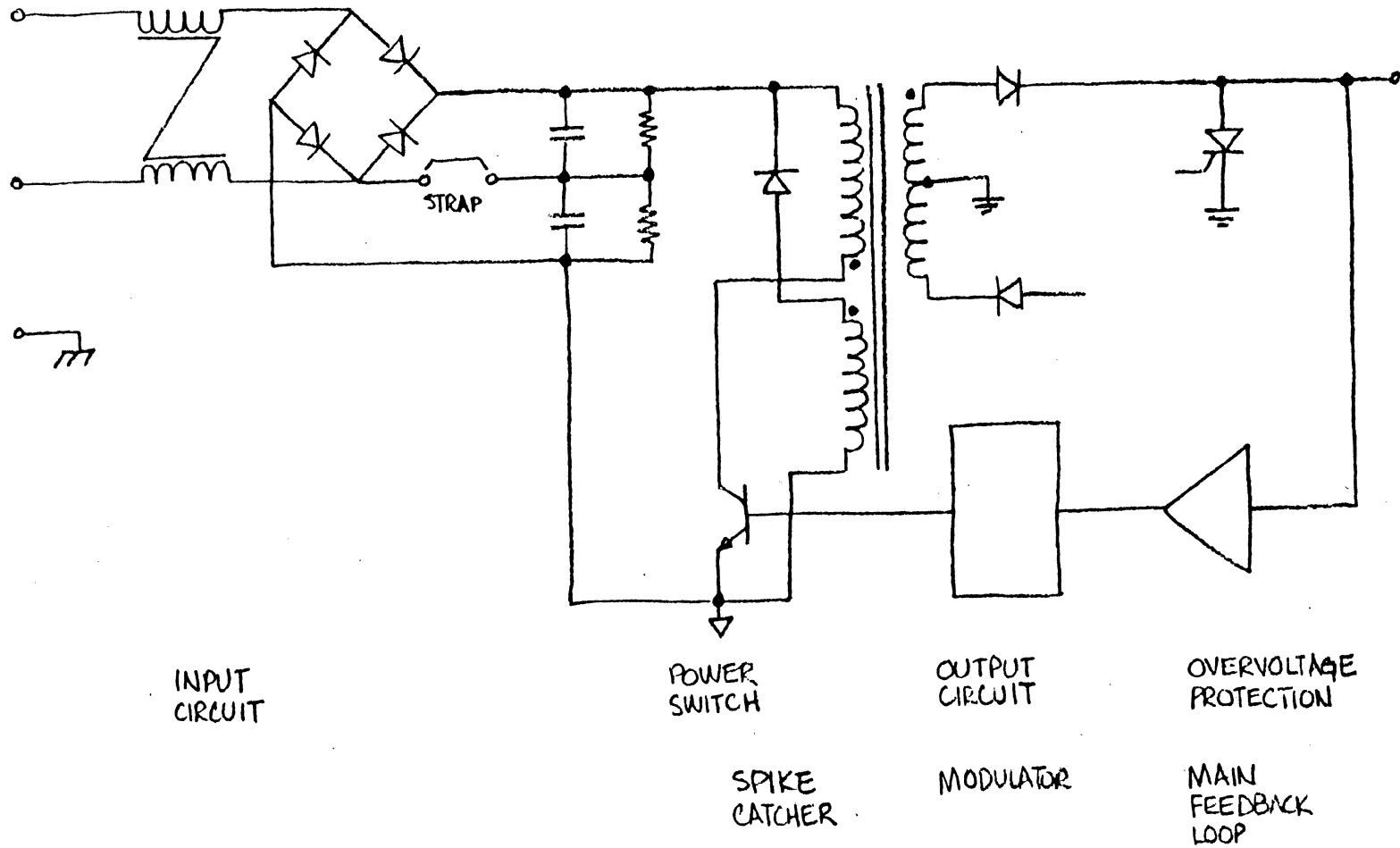
SINGLE STAGE (FLYBACK-DISCONTINUOUS) POWER SUPPLY

TABLE OF CONTENTS

<u>Description</u>	<u>Page</u>
GENERAL THEORY OF OPERATION	1
DETAILED THEORY OF OPERATION	2
Input Circuit	2
Power Switch Circuit	4
Output Circuit	6
Modulator Circuit	8
Main Feedback Loop	10
Overvoltage Protection	11
Spike Catcher Circuit	12
Troubleshooting Instructions	13

NOTE: The descriptions and component designations in this manual refer to the OL25-1001. However, all flyback-discontinuous supplies have analogous circuits which operate in a manner similar to the OL25-1001.

FIGURE 1
SINGLE STAGE (FLYBACK-DISCONTINUOUS) POWER SUPPLY
SIMPLIFIED SCHEMATIC



SINGLE STAGE (FLYBACK-DISCONTINUOUS) POWER SUPPLY

GENERAL THEORY OF OPERATION

The flyback converter-discontinuous mode derives its name from the fact that during each cycle a point is reached where current ceases to flow in either the primary or secondary windings. Thus, the flux in the transformer virtually "ceases" at some point in the cycle.

The converter design is extremely simple. This class of converter operates as a blocking oscillator under the following control law: The output is linearly proportional to the current flowing in the power switch when it turns off, i.e., the output voltage is proportional to the amount of energy loaded into the core in the form of a magnetic field. The greater the field, the higher the output voltage.

The feedback loop regulates output voltages by adjusting the turn-off point of the power switch. Switching frequency is around 25 kHz at full power, and operating frequency is inversely proportional to the output power. The duty cycle remains relatively constant for a constant line voltage.

SINGLE STAGE (FLYBACK-DISCONTINUOUS) POWER SUPPLY

DETAILED THEORY OF OPERATION

Input Circuit

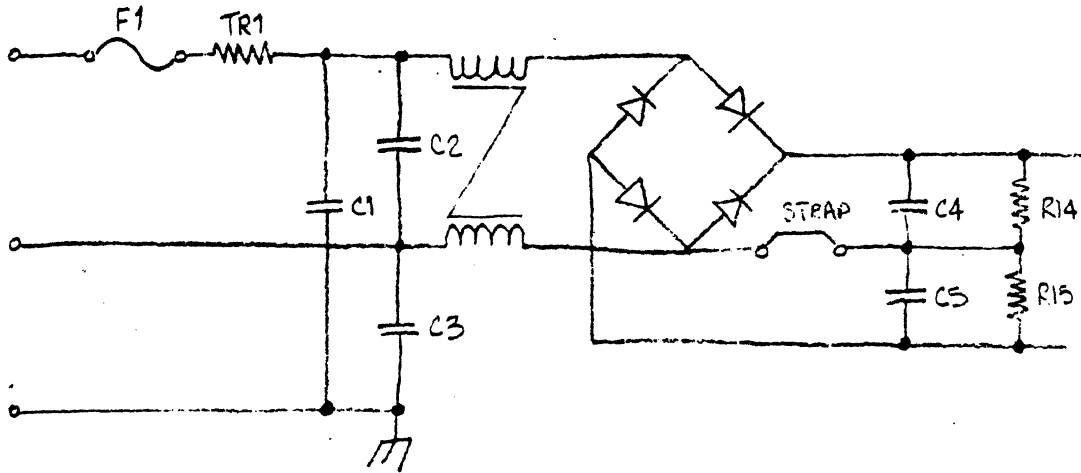


Figure 2
INPUT CIRCUIT

- a. RFI Filter. Consists of L1, C1, C2 and C3. The purpose of this circuit is, to filter out 20 kHz and above switching noise, preventing it from being transmitted back out the input line.

- b. Fuse. F1 is included to protect the PC board traces and to reduce fire and personal hazard in the event of catastrophic supply failure. Boschert strongly recommends the use of an additional external line fuse for further protection. A Littlefuse 3AG series or equivalent rated at 1-1/2 A is sufficient.

- c. Voltage Doubler Circuit is a method of allowing the supply to operate from either a 115 VAC or 220 VAC source. In the 115 VAC mode (strap in) capacitors C4 and C5 charge on alternate line half cycles. The voltage which appears across each capacitor is approximately the peak input voltage (about 150 V). The total voltage to the switching regulator is about 300 V.

In the 220 VAC mode (strap out) the input rectifiers act as a full wave bridge rectifier, charging C4 and C5 to approximately the peak input voltage (about 300 V). Resistors R14 and R15 force C4 and C5 to charge equally, and discharge the capacitors when the power is turned off.

- d. Inrush Limiting is accomplished with thermistor R1. When cool, its resistance is high. When the supply is initially turned on, it prevents a huge surge current from flowing into C4 and C5, which are initially discharged. In operation, the normal input current quickly heats R1 decreasing its resistance by a factor of about 10. Since C4 and C5 are fully charged by this time, there is no further need for surge limiting. When the supply is turned off, R1 cools and C4 and C5 discharge. The circuit is designed so that the discharge time constant and cooling time constant are roughly equal. Thus, if the supply is turned back on before R1 has fully cooled, the inrush current is limited by a combination of the charge remaining on C4 and C5, and the resistance of R1.
- e. Energy Storage in capacitors C4 and C5 insure that the supply will continue to operate within regulation limits for a minimum of 16 mS after the input line has fallen below limits or failed. This allows time for information in a volatile memory to be stored permanently before system failure following line interruption or line brownout.

Power Switch Circuit

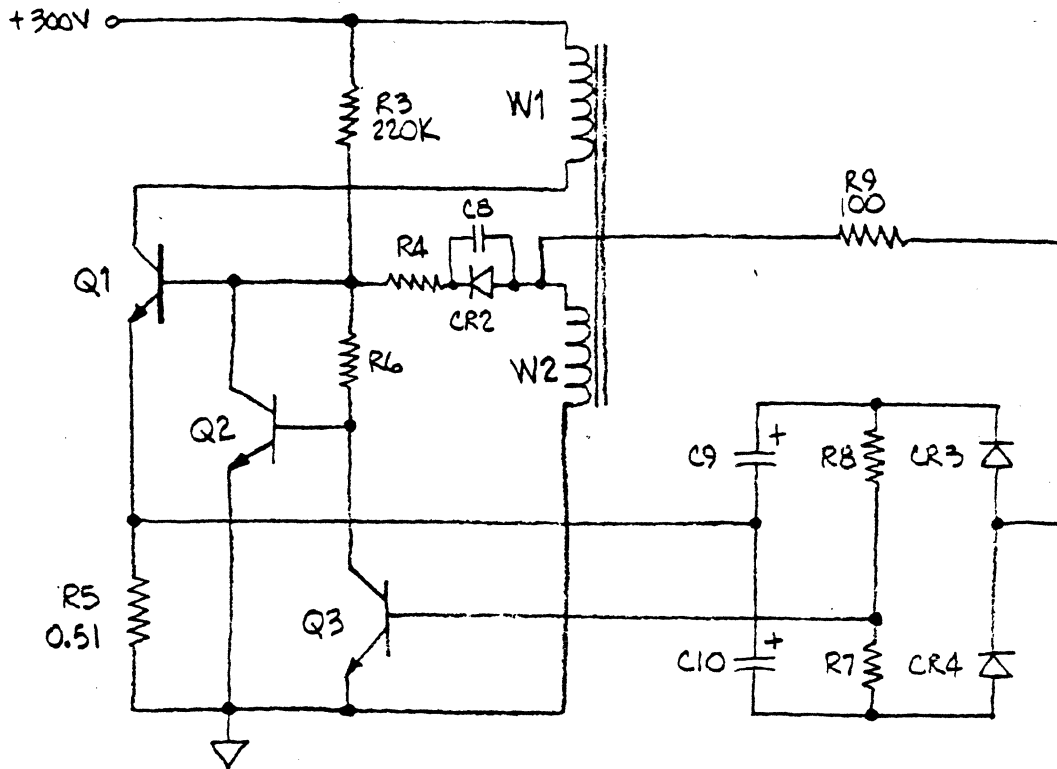


Figure 3
POWER SWITCH CIRCUIT

In the first half of the power cycle, switch Q1 will turn on and load energy into the transformer in the form of a magnetic field. Switch Q1 will then turn off.

The second half of the power cycle is described in the Output Circuit description.

When power (+300) is applied, a small trickle current through R3 begins to bias Q1 on. As the full supply voltage +Vcc begins to appear across winding one (W1), transformer action induces about 6 V across winding two (W2). CR2 is forward biased, and regenerative feedback current from W2 quickly forces Q1 into saturation.

Now the current in W1 begins to ramp up linearly. A voltage ramp also appears across R5 due to the current ramp.

Meanwhile, W2 is also charging C9 to about +6 V via R9 and CR3. When this voltage rises high enough, Q3 is biased on. This also turns on current buffer Q2. Q1 begins to turn off because Q2 and Q3 are conducting base drive away from Q1. The current ramp in W1 stops rising because Q1 is beta limited and is coming out of saturation. The rate of current change (di/dt) has become negative, therefore the voltage polarity on the windings must change. W2 has now reversed voltage (the dotted end is now positive) and it helps turn off Q1 by completely backbiasing the base emitter junction via R5, R4 and C8. When Q1 is off, and the voltage across all transformer windings has reversed, C10 is charged via CR4 and R9.

(The second half of the cycle is continued in the Output Circuit Section.)

Output Circuit

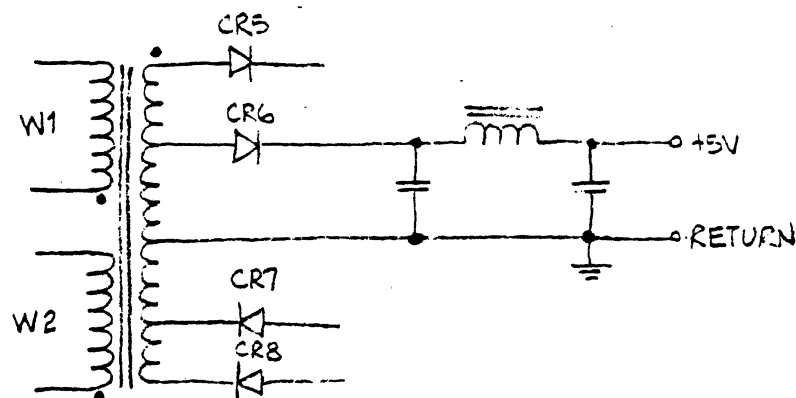


Figure 4
OUTPUT CIRCUIT

This section describes the second half of the power cycle. The first half was described in the Power Switch Circuit description.

In the first half of the power cycle, switch Q1 turned on and loaded energy into the transformer in the form of a magnetic field. Q1 then turned off, and the collapsing magnetic field is now driving positive the dotted ends of all transformer windings, looking for a discharge path.

As the voltage rises on the dotted ends of all the windings, it will eventually forward bias diodes CR5 through CR8. The magnetic field in the transformer rapidly collapses by discharging energy into the outputs. The C-L-C PI filters in the output store and filter this energy.

When the magnetic field has sufficiently collapsed, diodes CR5 through CR8 stop conducting. There is enough energy left in the core to allow it to "ring back." That is, the current in the secondary suddenly reduces its rate of discharge when the diodes stop conducting. di/dt changes, and the dotted end of all windings becomes negative. Q1 begins to conduct again. This is the start of the next cycle.

Modulator Circuit

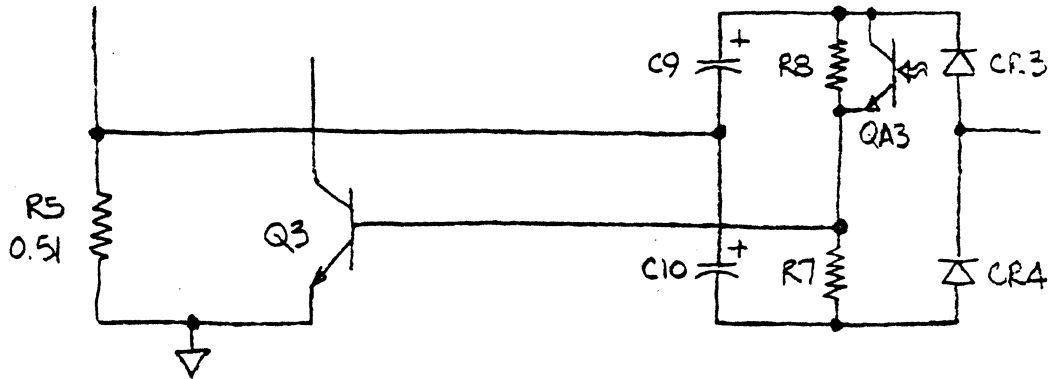


Figure 5
MODULATOR CIRCUIT

The modulator varies the point at which Q1 turns off thereby regulating the output voltages.

In the absence of any feedback loop, Q1 would continue loading energy into the core until a fixed point was reached. This fixed amount of energy would be subsequently discharged into the load. If the load changed, the output voltage would change because Q1 was still loading a fixed amount of energy into the transformer. To compensate for load changes, the feedback loop varies the point at which Q1 turns off, thereby varying the amount of energy loaded in the core. The greater the load, the more energy is loaded into the core. This accomplishes regulation.

During normal operation, C9 and C10 are each charged to about 6 V, or about 12 V total. Since the junction of C9 and C10 is referenced essentially to ground via R5, the base-emitter junction of Q3 must be back

biased due to the base voltage determined by dividers R8 and R9. When Q1 turns on, the voltage across R5 ramps up. This makes the entire modulator circuit voltage rise relative to ground. Eventually a point is reached where Q3 is biased on, which turns off Q1, terminating the first half of the cycle.

The point at which Q3 turns on can be varied by changing the ratio of R8 to R9. The opto-isolator transistor, Q A3, acts as a variable resistor to change this ratio. If the +5 V output tended to fall due to an increase in load, for example, the opto-isolator transistor would turn off, making the base voltage on Q3 more negative. It would take longer for the voltage ramp on R5 to reach a point where Q3 was biased on. More energy would be loaded into the transformer, which would be discharged into the load, raising the output voltage.

Main Feedback Loop

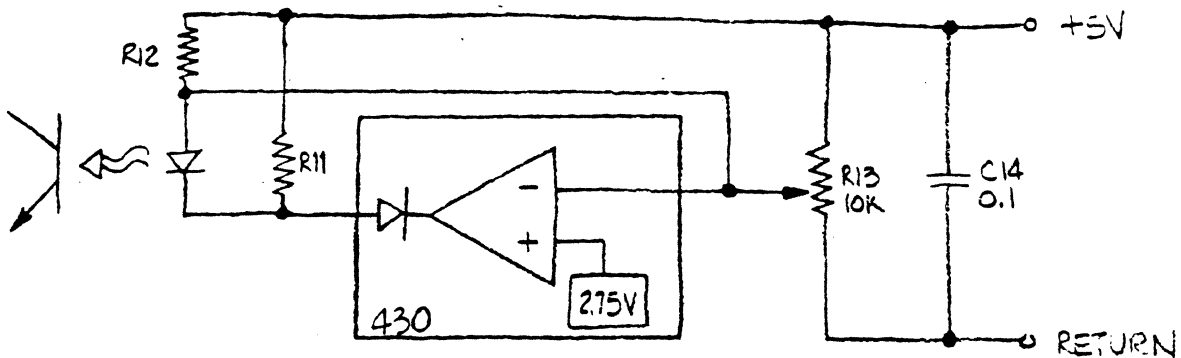


Figure 6
MAIN FEEDBACK LOOP

This circuit maintains the +5 V output at a constant voltage. The loop compares a voltage divided down from the +5 V output via R13 to a 2.75 V reference within the 430 integrated circuit. A proportional current is sunk by the 430, driving the opto-isolator diode via R12. R11 provides bias current for the 430. C13 frequency compensates the loop.

The auxiliary (other than +5V) outputs are "semi-regulated." That is, because of the tight magnetic coupling of all the outputs, an increased load on an auxiliary output lowers the volts per turn of the transformer, which is reflected in the +5V output (which begins to go down). The feedback loop works to restore the +5V output, and in so doing partially compensates for the load change on the auxiliary output. Boschert calls this "semi-regulation."

Overvoltage Protection

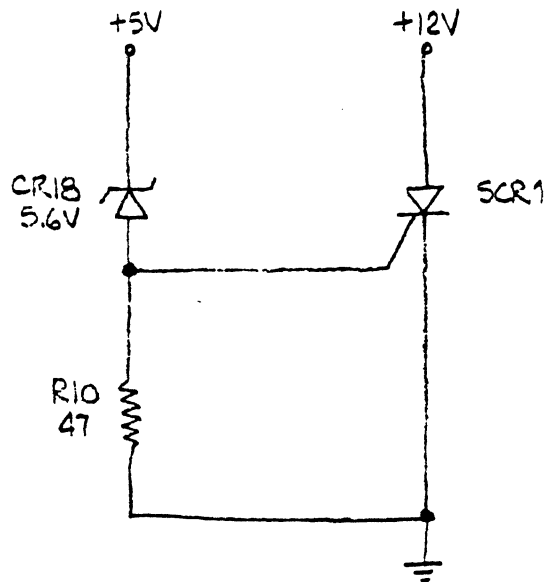


Figure 7
OVP CIRCUIT

The purpose of overvoltage protection is to protect the user's load from an overvoltage condition caused by supply failure. All standard Boschert supplies incorporate this feature. Also, Boschert supplies require OVP on only one output. If all outputs have simple passive filtering, and if one output should rise due to supply failure, they all would rise. Thus, protection is needed on only one output.

If the +5 V output exceeds $6.25 \text{ V} \pm 0.75 \text{ V}$, the SCR pulls the +12 V supply down (to about 1.5 V) and activates the short circuit protection. The +12 V supply is used to insure clean foldback. Pulling the +5 V down to 1.5 V might not exceed the foldback point, and might simply deliver a lot of power to the SCR, destroying it.

This circuit can be cleared by cycling line power.

Spike Catcher Circuit

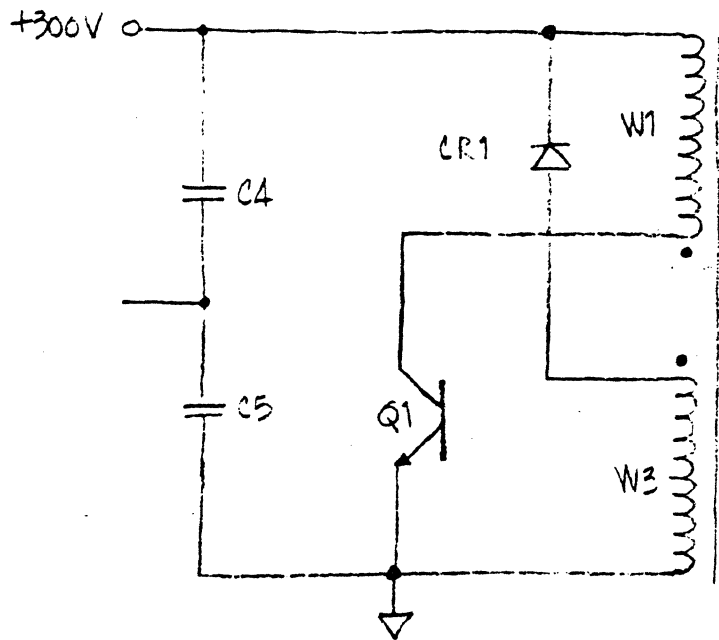


Figure 8
SPIKE CATCHER CIRCUIT

The purpose of the spike catcher circuit is to prevent high voltage turn off transients on the collector of Q1 from destroying it.

C4 and C5 are the input capacitors, charged to about 300 V. When Q1 has finished loading energy into the transformer core and turns off, W1 begins to look like a current source. Its dotted end becomes positive and the voltage rises. Although the discharge path is ultimately through the output, there is enough leakage inductance in W1 to allow the voltage to rise to a destructive value. However, as the dotted end of W1 reaches 300 V, so does the dotted end of W3. (They both have the same number of turns.) As the voltage tries to rise further, CR1 conducts and clamps the collector voltage to 600 V. This prevents the destruction of Q1.

SINGLE STAGE (FLYBACK-DISCONTINUOUS) POWER SUPPLY

TROUBLESHOOTING INSTRUCTIONS

EQUIPMENT NEEDED:

- 1 50 MHz oscilloscope with isolated ground
- 1 DVM or VTVM with isolated ground
- 1 Isolation transformer
- 1 1A Variac (0-130Vac)
- 2 Adjustable lab supplies, 0-20VDC @ 500mA, with adjustable current limit.
A good supply of resistors and clip leads.
- 1 AC voltmeter (0-130Vac)

CAUTION: Lethal voltages are present in this supply. Only authorized service technicians should perform these tests. Use AC isolated equipment in all tests.

NOTE: It is desirable to use an AC isolation transformer in performing all tests to minimize shock hazard. The kVA rating of this transformer should be three times the maximum supply power to avoid AC line waveform distortion.

NOTE: Steps 1 thru 9 are intended as passive tests to be performed with the supply completely disconnected from line power. To prevent any oscillations, connect jumper wire from the anode of CR5 to the cathode of CR8.

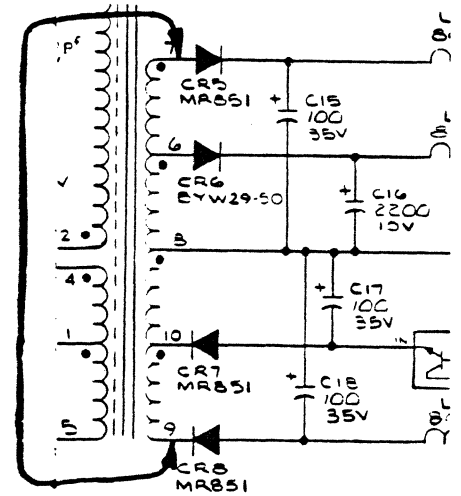


Figure 9

1. Use DVM to check the continuity of the input fuse (F1), thermistor (TR1) bridge rectifier (BR-1), diodes CR1 thru CR8 for proper continuity. Replace as necessary.
2. Connect a lab supply (15V with current limit at 500mA) across the AC input terminals. After an initial surge, no current should flow. Reverse the leads and repeat. If any current flows, check the input section for shorts.

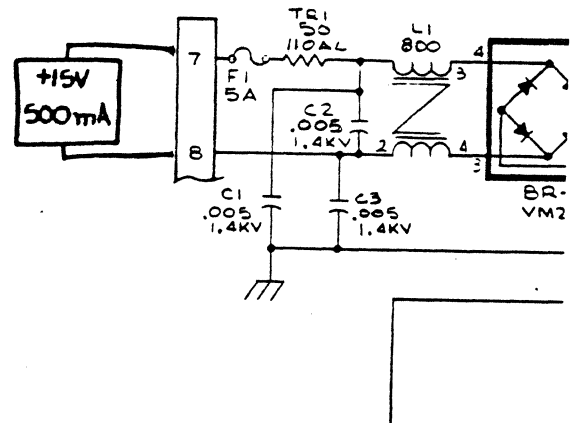


Figure 10

3. Check the operation of Q1. Set the lab supply for 15V with the current limit set for 500mA. Connect a 220 ohm resistor in series with the positive output and connect this to the 115V input terminals as shown. With the DVM across the collector-emitter terminals of Q1, momentarily parallel R3 (220K) with a 100 ohm 1/4W resistor. Is voltage drop across Q1 as follows?

	Vce (Q1)
R3 not paralleled	13.5V ±1V
R3 paralleled	1.5V ±1V

Yes - Go to Step 4

No - Replace Q1 and repeat Step 3

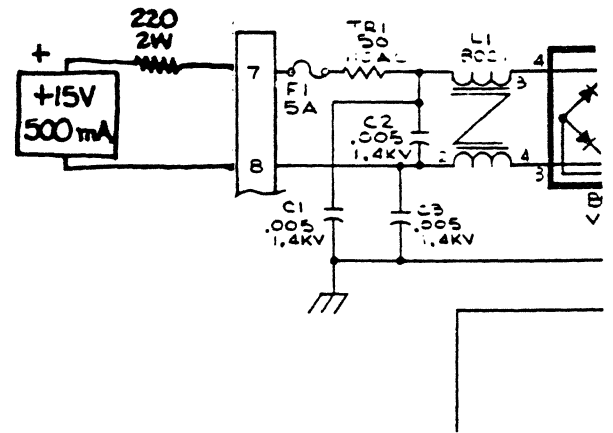


Figure 11

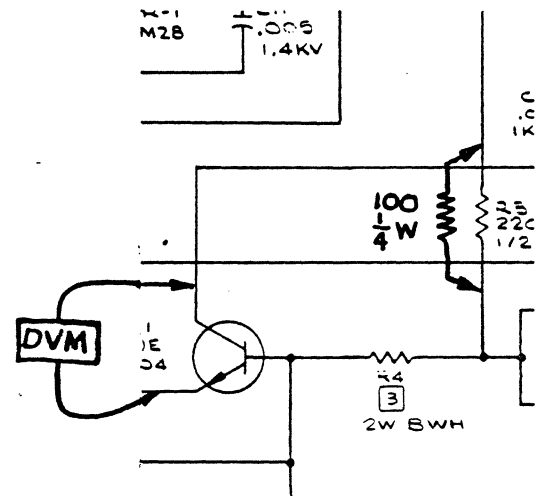


Figure 12

4. Check the operation of Q2 and Q3. Use a DVM or a lab supply with the output set at +5V, current limit at 10mA. Check the continuity of Q2 and Q3 for opens or shorts. Replace as necessary. Then go to Step 5.

5. Check overvoltage protection operation. Set both supplies to +5.0V with the current limit set to 100mA. Connect the first supply across the +5V output and return. Connect the second supply across the +12V output and return. (The +12V output should be the one which the anode of the SCR is connected to. If not, the supply should be connected to the output which is connected to the SCR anode. Now slowly ramp up the voltage on the first supply. At $6.25V \pm 0.75V$ on the first supply, does the second supply suddenly go into current limit?

Yes - Go to Step 7

No - Go to Step 6

6. Check CR9. Set lab supply current limit to 100mA and the voltage to 0. Connect the positive terminal to the +5V output and the negative terminal to the return. Put a DVM across CR9. Turn the voltage slowly up to 10V, or to the point where the supply limits. Does the DVM voltage ramp up to $5.6V \pm 0.25V$ and stop?

Yes - Replace CR4, and Repeat Step 5

No - Replace SCR-1 and Repeat Step 5

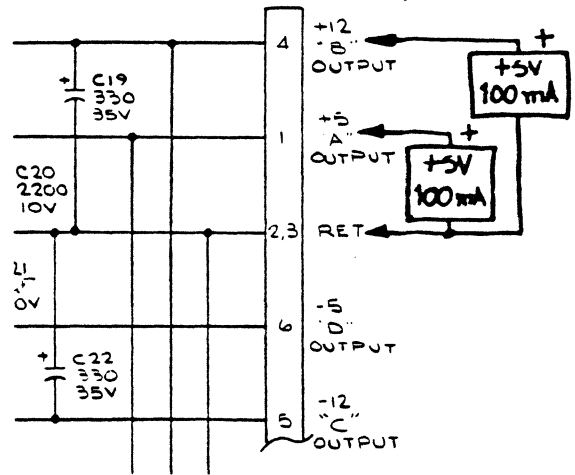


Figure 13

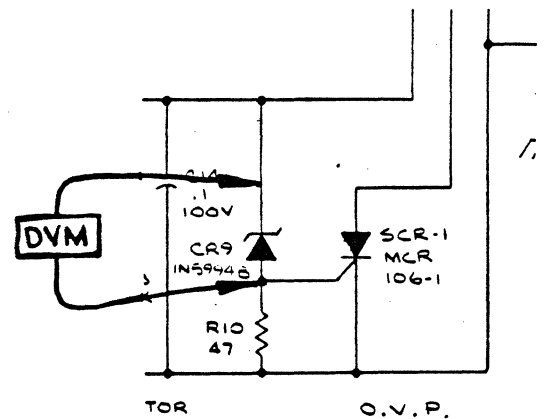


Figure 14

7. Check A2. Set lab supply to +5.0V (I_{lim} = 300 mA) across +5V output. Read voltage across R11 with DVM while adjusting pot R13. Are the voltages as follows?

R13 fully clockwise $3.0V \pm 0.5V$
 R13 fully counterclockwise $0.2V \pm 0.2V$

Yes - Go to Step 8
 No - Replace A2 and repeat Step 7

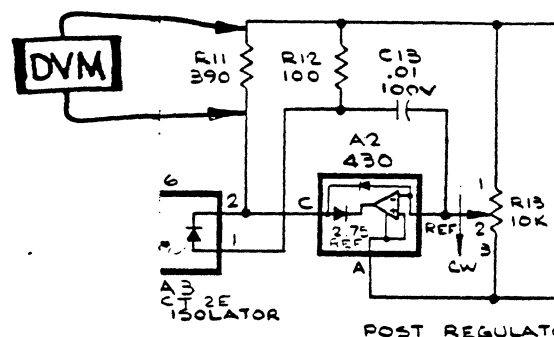


Figure 15

8. Check A3 and modulator. Hook up first supply (+5V, I_{lim} = 300mA) across the +5V output. Hook up second supply (+5V, I_{lim} = 300mA) across the modulator. Watch the voltage across R8 with the DVM while adjusting R13. Are the voltages as follows?

R13 fully clockwise $3.0V \pm 0.5V$
 R13 fully counterclockwise $0.3V \pm 0.2V$

Yes - Go to Step 9
 No - Replace A3, repeat Step 8

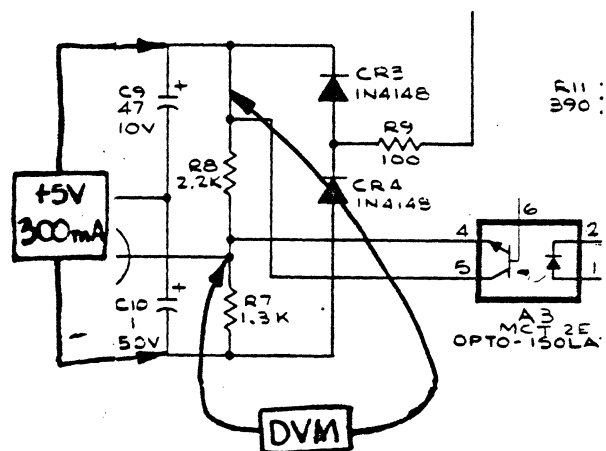


Figure 16

NOTE: This concludes all the passive tests. Disconnect all supplies, DVM, and jumper from CR5 to CR8 before proceeding.

9. Disconnect all connections made for the passive tests. Plug the supply into the Variac and turn the voltage up to 115Vac. Is the voltage across the input capacitor(s) within the following limits?

Supply designed for 115Vac only
 150V \pm 10V

Supply designed for 220Vac only
 300V \pm 20V

Supply 115/220 strappable
 300V \pm 20V

Yes - Go to Step 10

No - Look for faulty component in input circuit. Repeat Step 9.

10. Use an oscilloscope to check the voltage waveform on the collector of Q1 with respect to emitter.

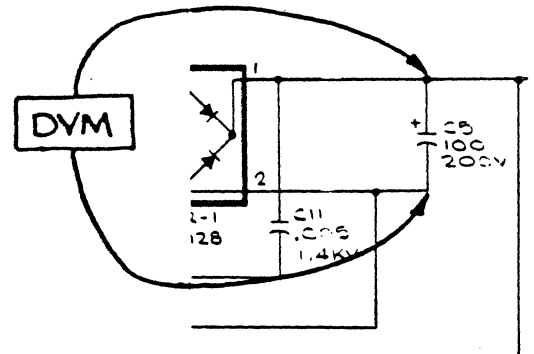


Figure 17

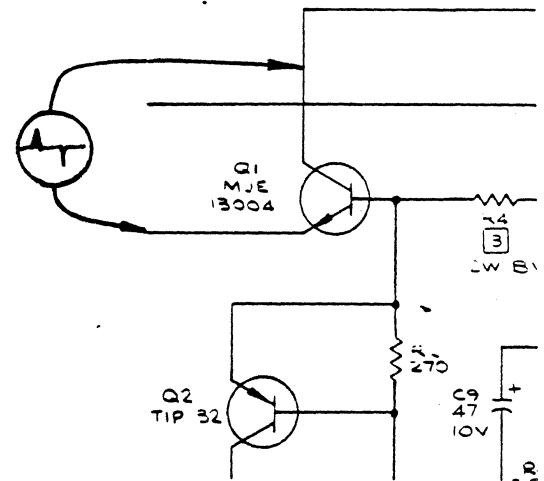


Figure 18

With proper waveform, notice that duty cycle is roughly 50%.

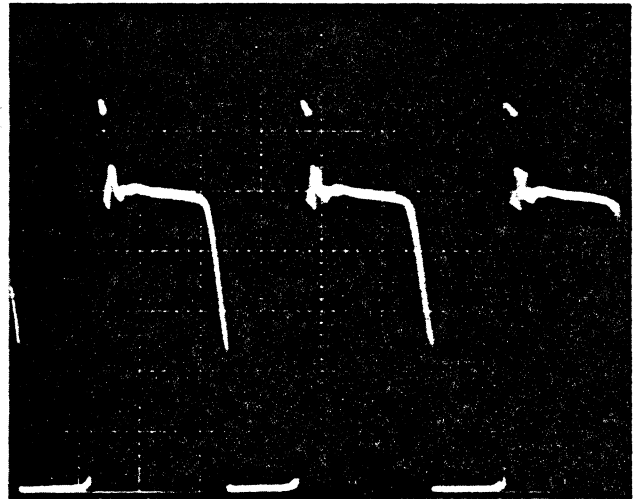


Figure 19
Proper Waveform
Horizontal - 5 μ s/Div.
Vertical - 50V/Div.

With no output load, the supply "burps" every 120 ms or so. This is known as the burp mode. (The supply waits about 120ms, tries to turn on, the SCR fires because there is no +5V load to keep it from overshooting, and it folds back and waits 120ms again.)

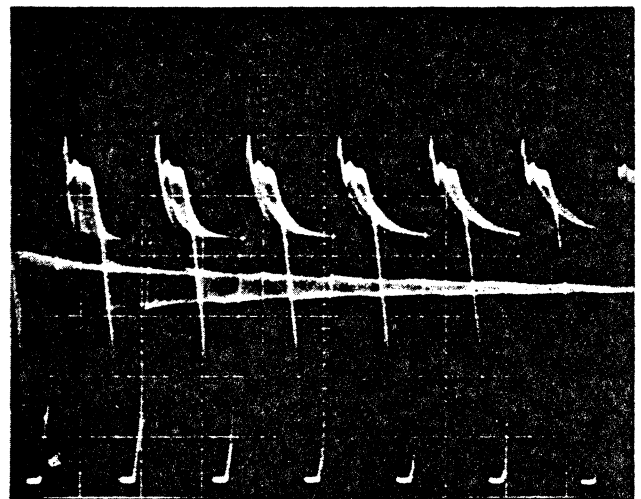


Figure 20
No load waveform
Horizontal - 5 μ s/Div.
Vertical - 50V/Div.

In an overload condition, all output voltages and currents are very low. Notice the very short duty cycle (about 12%) which typifies the overload condition. Under a heavy overload, the supply "burps" every 500ms or so.

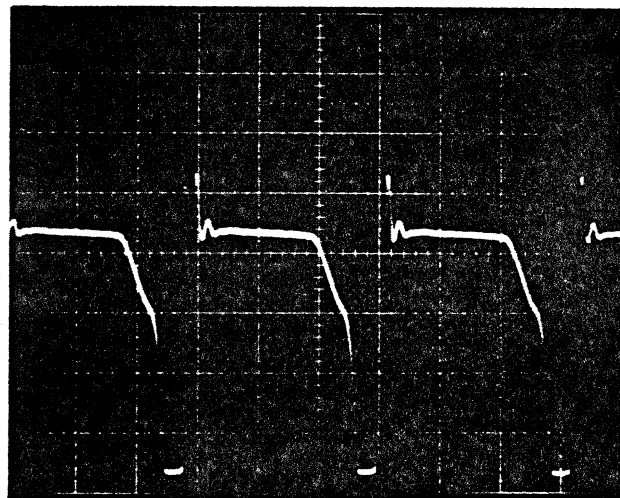


Figure 21
Overload Waveform
Horizontal 5 μ s/Div.
Vertical 50V/Div.

With an output short, the supply goes into its "burp" mode again. The period is about 160ms between "burps."

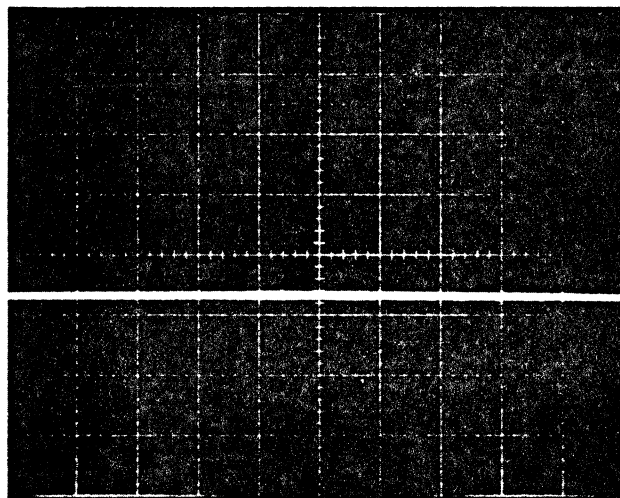


Figure 22
Output Short Waveform
Horizontal 5 μ s/Div.
Vertical 50V/Div.

11. Use the oscilloscope on each or any output to determine if any faults are occurring.

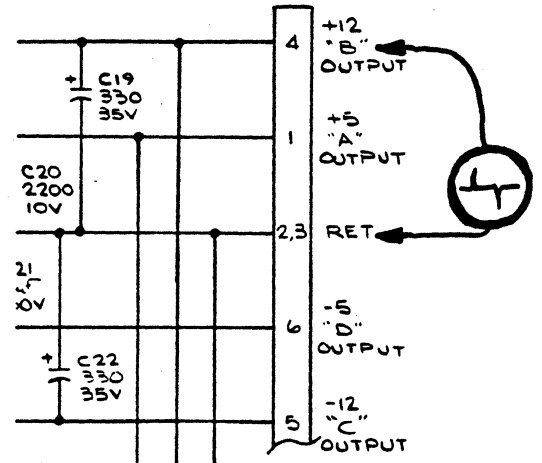


Figure 23

+12V Output Proper Waveform

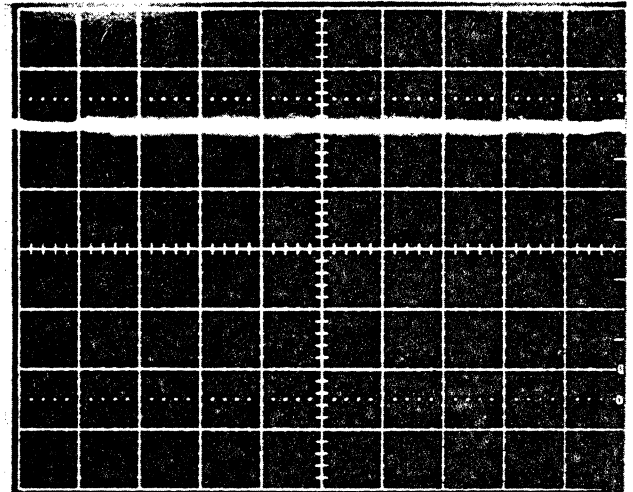


Figure 24

Proper Output Waveform
Horizontal - 50ms/Div.
Vertical - 2V/Div.

The sharp rise and fall time of an output is due to unloaded outputs. Generally only an SCR firing can cause such a rapid fall time on an output.

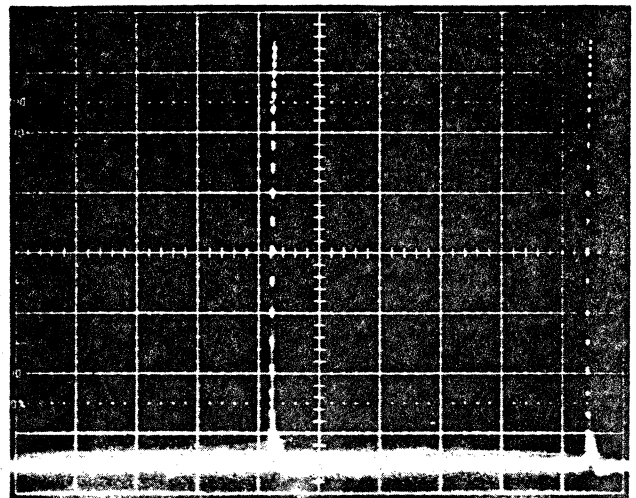


Figure 25

No Load on Outputs
Horizontal - 50ms/Div.

The much longer fall time of an output indicates a short on some other output than the one measured.

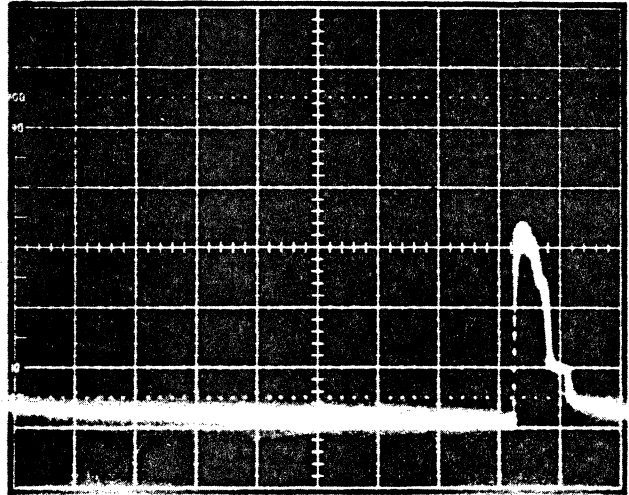


Figure 26

Short on some other output
Horizontal - 50ms/Div.
Vertical - 2V/Div.

No rise or fall indicates the short is on this output.

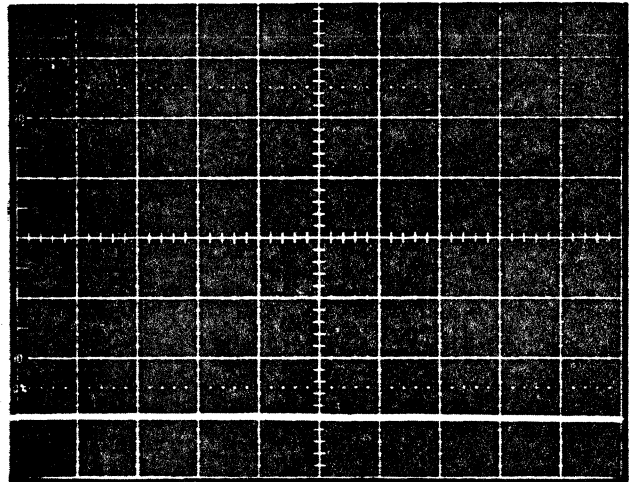


Figure 27

Short on this output
Horizontal - 50ms/Div.
Vertical - 2V/Div.

APPLICATION		REVISION				
NEXT ASSY	USED ON	REV	ECO	DESCRIPTION	DATE	APPROVED
40006		1	1984	PRE RELEASED FOR PROD		
		A	2259	RELEASED FOR PROD.	9-13-78	<i>[Signature]</i>
		B	2385	CORRECTED CURRENT CALL-OUTS ADDED PARA. 3 ON PG. 3	12-18-78	<i>WZ</i>
		C	3335	CORRECTED NOTE 3C. SHT 3 OF 3.	11-2-79	<i>RKS [Signature]</i>
		D	4072	INCORPORATED	4-23-80	<i>[Signature]</i>

All drawings supplied for the BOSCHERT power supply are the property of BOSCHERT INCORPORATED and shall not be reproduced or copied or used in whole or in part as the basis for manufacture or sale of the items shown therein without the express written permission of an officer of BOSCHERT INCORPORATED.

UNLESS OTHERWISE SPECIFIED DIMENSIONS ARE IN INCHES TOLERANCES ARE:

FRACTIONS DECIMALS ANGLES
 $\pm \frac{\quad}{\quad}$.XX \pm \pm \pm
 \pm .XXX \pm \pm

MATERIAL
 FINISH
 DO NOT SCALE DRAWING

CONTRACT NO.	
APPROVALS	DATE
DRAWN <i>FRANK KRALOVETZ</i>	7-13-78
CHECKED <i>[Signature]</i>	7-17-78
<i>W S Lee</i>	9-19-78
<i>[Signature]</i>	9-19-78
<i>A Jackson</i>	9-20-78

BOSCHERT

TEST SPECIFICATION
 MODEL: 25-1001

SIZE	CODE IDENT NO.	DRAWING NO.	REV
A		91-20269	B
SCALE	SHEET		OF
N/A	1		3

25-1001

TEST SPECIFICATION
MINIMUM MAXIMUM

VISUAL INSPECTION
 TURN ON AND TURN OFF
 SWITCH WAVEFORM
 CURRENT MAX. LIMIT RANGE SEE PAGE 3 FOR LIMITS
 CURRENT MIN. LIMIT RANGE
 INVERTER WAVE FORMS SAME
 INVERTER PERIOD RANGE
 INVERTER PEAK-PEAK VOLTAGE

OUTPUT VOLTAGE-CURRENT TEST POINTS:

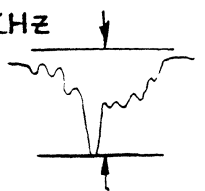
JTPUT	VOLTAGE	CURRENT	MINIMUM	MAXIMUM
1	+5 V	1.5 A	+4.98 V	+5.02 V
2	+12 V	0.25 A	+11.45 V	+12.55 V
3	-12 V	0.25 A	-11.45 V	-12.55 V
4	-5 V	0.25 A	-4.75 V	-5.25 V
5	V	A	V	V
6	V	A	V	V

[SET VOLTAGE HERE]

1	+5 V	3 A	+4.96 V	+5.04 V
2	+12 V	0.1 A	+10.40 V	+13.60 V
3	-12 V	0.1 A	-10.40 V	-13.60 V
4	-5 V	0.1 A	-4.75 V	-5.25 V
5	V	A	V	V
6	V	A	V	V

1	+5 V	0.6 A	+4.96 V	+5.04 V
2	+12 V	.5 A	+10.40 V	+13.60 V
3	-12 V	.5 A	-10.40 V	-13.60 V
4	-5 V	.5 A	-4.75 V	-5.25 V
5	V	A	V	V
6	V	A	V	V

120 Hz ± 20 KHz



MAX. RIPPLE & NOISE:

95	MVP-P	MV
228	MVP-P	MV
228	M P-P	MV
95	MVP-P	MV

	MINIMUM	MAXIMUM
OVP 5994B (IN752)	5.7	6.8
5993B (IN751)		

- 110 VAC
- 220 VAC
- STRAPABLE

SNAP-ON
 AUDIBLE NOISE
 FACTORY SELECT PROCEDURE FOR R4, SEE PAGE 3.
 BURN IN NO. 001
 TEST CABLE NO. 050

Jham 9-19-73

SIZE	CODE IDENT NO.	DRAWING NO	REV
A		91-20269	D
SCALE N/A		SHEET 2 OF 3	



FACTORY SELECT PROCEDURE FOR R4

1. a. SET LOAD AT: 3A, +5V
 .5A, +12V
 .5A, -12V
 .5A, -5V
 b. SET LINE VOLTAGE AT 90VAC
 c. SELECT R4 FOR +5V OUTPUT TO BE
 4.95V \leq +5V OUTPUT \leq 5.05V
2. a. SET LINE VOLTAGE TO 110VAC
 b. SET ALL LOADS TO 0 AMP
 c. LOAD 5V SLOWLY. 5V OUTPUT
 VOLTAGE MUST REGULATE TO
 5V \pm 0.050V AT +5V OUTPUT
 CURRENT OF \leq 0.8 AMP.

CURRENT MAX LIMIT TEST

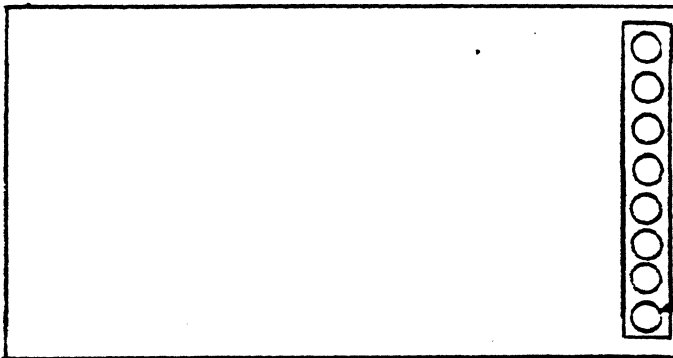
- a. SET LINE VOLTAGE TO 110 V AC
- b. SET LOAD TO : +5V 3A
 \pm 12V 0.5A
 -5V 0.5A
- c. INCREASE OUTPUT CURRENT OF +5V
 AND NOTE MAXIMUM CURRENT.
 MAXIMUM CURRENT, I_{MAX} , MUST
 BE: $6.5A \leq I_{MAX} \leq 8.0A$. IF CURRENT
 LIMIT IS NOT IN SPEC, CHANGE R14 TO ANOTHER
 VALUE BETWEEN 470 AND 10K (NOMINAL VALUE
 INSTALLED IS 1.2K). LOWER THE RESISTOR
 VALUE TO BRING THE CURRENT LIMIT DOWN
 OR RAISE THE VALUE TO INCREASE THE CURRENT
 LIMIT.

SIZE A	CODE IDENT NO.	DRAWING NO. 91-20269	REV D
SCALE N/A	SHEET 3 OF 3		



APPLICATION		REVISION				
NEXT ASSY	USED ON	LTR		DESCRIPTION	DATE	APPROVED
		1	1986	PRE-RELEASED FOR PROD		
		A	2259	RELEASED FOR PROD.	9-13-78	<i>SM</i>

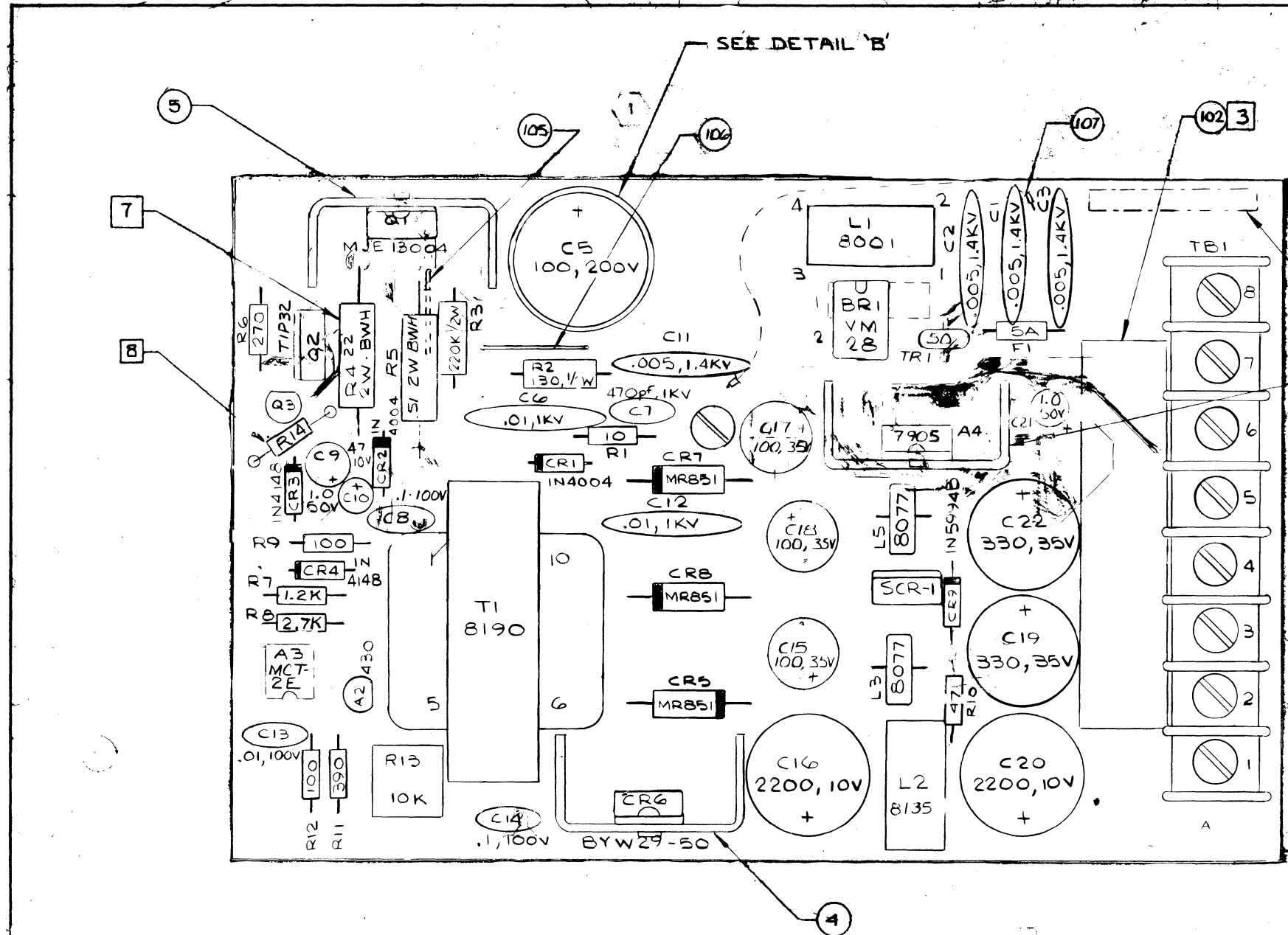
PIN #	FUNCTION
1	+5V
2	RETURN
3	RETURN
4	+12V
5	-12V
6	-5
7	AC IN
8	AC IN



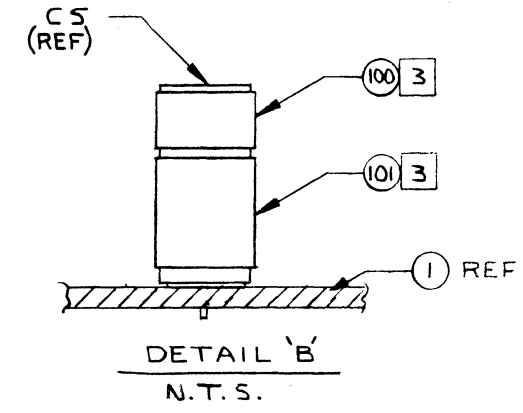
PIN 1

All drawings supplied for the BOSCHERT power supply are the property of BOSCHERT INCORPORATED and shall not be reproduced or copied or used in whole or in part as the basis for manufacture or sale of the items shown therein without the express written permission of an officer of BOSCHERT INCORPORATED.

UNLESS OTHERWISE SPECIFIED DIMENSIONS ARE IN INCHES TOLERANCES ARE: FRACTIONS DECIMALS ANGLES \pm — .XX \pm — \pm — .XXX \pm —	CONTRACT NO.		<h1>BOSCHERT</h1> <h2>PINOUT CHART</h2> <h3>25-1001</h3>				
	APPROVALS	DATE					
MATERIAL	DRAWN	FRANK KRALOVETZ	7-13-78	SIZE	CODE IDENT NO.	DRAWING NO.	REV
	CHECKED	<i>WSD</i>	7-17-78	A		20267	A
FINISH		<i>WSD</i>	9/1/78	DRAWING NO.		20267	A
		<i>A. Jackson</i>	9/2/78	SCALE N/A		SHEET 1	OF 1
DO NOT SCALE DRAWING							



REV	DESCRIPTION	ECO	DATE	APPROVED
4	PRE-RELEASED FOR PROC.	1982	5-2-78	
A	RELEASED FOR PRODUCTION	2259	7-13-78	
B	L/M CHG ONLY	2369	12-13-78	
C	ADDED DETAIL B; DELETED 3 & 100 FROM T1 AND 3 & 100 FROM C-5	2413	12-13-78	
D	ADDED NOTE 6 & CALL OUT. CHG NOT PER ECO: ADDED VALUE TO R4.	2623	3-27-79	
E	REVISED PER ECO CHG'S	2799		
F	ADDED R14, R7 WAS F.S. R8 WAS 2.2K.	3535	11-2-79	
H	INCORPORATED	3915		
J	CHANGED PER ECO	4446	7-1-80	



DWG NO 40006

- 8 FACTORY SELECTED SAT (1.2K NOM).
 - 7 FACTORY SELECTED SAT (22 NOM).
 - 6. ALL RESISTORS 2 WATT AND ABOVE MUST BE MOUNTED .15 INCHES ABOVE BOARD.
 - 5
 - 3 APPLY LABELS IN APPROX LOCATION SHOWN.
 - 2. FOR REFERENCE DWG. SEE SHEET TWO OF L/M.
 - 1 APPLY ASSY. NO. AND CURRENT REVISION LEVEL IN APPROX LOCATION SHOWN.
- NOTES:

All drawings supplied for the BOSCHERT power supply are the property of BOSCHERT INCORPORATED and shall not be reproduced or copied or used in whole or in part as the basis for manufacture or sale of the items shown therein without the express written permission of an officer of BOSCHERT INCORPORATED.

SEE SEPARATE P/L DWG NO. 40006 "A" SIZE

ITEM	QTY	PART NUMBER	DESCRIPTION	REV DESIGNATION
UNLESS OTHERWISE SPECIFIED DIMENSIONS ARE IN INCHES.				
TOLERANCES: DECIMALS (.XX) = - FRACTIONS = - DECIMALS (.XXX) = - ANGLES = -				
NEXT ASSY		MOD NO.		
FINAL		25-1001		
APPROVALS: DATE 4-6-78				
DRAWN FRANK BRANOVETZ				
CHECKED [Signature] 5-2-78				
ENG [Signature] 11-1-78				
ENG MGR [Signature]				
MFG MGR [Signature]				
QA MGR [Signature]				
RELEASED [Signature] 7-2-78				
BOSCHERT		BOSCHERT ASSOCIATES SUNNYVALE, CALIFORNIA		
POWER SUPPLY 115V, 25W				
SIZE	DWG NO.	REV		
C	45-40006	J		
SCALE	2:1	SHEET	1	OF 1

REVISIONS

ECO	LTR	DESCRIPTION	DATE	APPROVED
1986	A	PRE-RELEASED FOR PRODUCTION	5-2-78	<i>Frank</i>
2259	A	RELEASED FOR PRODUCTION	9-13-78	<i>WSL</i>
2369	B	ITEM 28 WAS P/N 2061 (NO DESCRIPTION CHG); ITEM 45 WAS P/N 1140 (NO DESCRIPTION CHG); ADDED P/N 3810 TO ITEM 86 22 Ω 2W BWH SAT R4.	12-13-78	<i>E.T.K. WSL</i>
2413	C	ASSY CHG ONLY	12-13-78	<i>E.T.K. WSL</i>
2623	D	ITEM 76 WAS 1.3K (NOT F.S) ADDED R7 REF TO NOTE 8. ADDITIONAL CHGS NOT PER ECO. AS FOLLOWS: DELETED NOTE [8] REF AT ITEM 86 & NOTE [4] REF AT ITEMS 107 & 108.	3-27-79	<i>WSL</i>
2799	E	ITEM 76 WAS 1.3K; DELETED ITEM 8 P/N 7641, 45 P/N 10-10056-01, 59 P/N 1081; 61 P/N 1142; ADDED ITEMS 4,5,6.	4-25-79	<i>F.P. WSL</i>
3335	F	CHG'D NOTE [8], ITEM 76 WAS P/N 3075, ITEM 81 TVA Pending WAS P/N 3080; ADDED ITEM 77	5-1-79 11-2-79	<i>2876 RKS CADWEL</i>
3915	H	INCORPORATED	3-5-80	<i>TRH</i>
4440	J	CHANGED PER ECO	7-1-80	<i>W.S. RKS</i>

All drawings supplied for the BOSCHERT power supply are the property of BOSCHERT INCORPORATED and shall not be reproduced or copied or used in whole or in part as the basis for manufacture or sale of the items shown therein without the express written permission of an officer of BOSCHERT INCORPORATED.

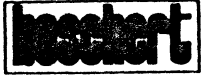
SEE SEPARATE ASSY, DWG NO. 40006 "C" SIZE

UNLESS OTHERWISE SPECIFIED DIMENSIONS ARE IN INCHES TOLERANCES ARE: FRACTIONS DECIMALS ANGLES ± — .XX ± — ± — .XXX ± —		CONTRACT NO.		boschert			
		APPROVALS				DATE	
MATERIAL		DRAWN <i>FRANK KRALOVETZ</i>		4-5-78			
		CHECKED <i>WSL</i>		5-2-78			
		FINISH		9-19-78			
FINISH		9/19/78		9/19/78			
		9/20/78		9/20/78			
FINAL	25-1001	ASSEMBLY, POWER SUPPLY 25WATT 115V		SIZE	CODE IDENT NO.	DRAWING NO.	REV
NEXT ASSY	USED ON	SCALE N/A		A		45-40006	J
APPLICATION		DO NOT SCALE DRAWING		SHEET 1 OF 6			

REVISIONS			
LTR	DESCRIPTION	DATE	APPROVED

- 8** FACTORY SELECT R4 & R14
 7. FOR QA SPEC SEE DWG NO. 20270
 6. FOR PINOUT CHART SEE DWG NO 20267
 5. FOR OUTLINE INSTALLATION SEE DWG NO. 20168
 4.
 3. FOR TEST SPEC SEE DWG NO. 20269
 2.
 1. FOR SCHEMATIC SEE 20139

NOTES:

UNLESS OTHERWISE SPECIFIED DIMENSIONS ARE IN INCHES TOLERANCES ARE: FRACTIONS DECIMALS ANGLES ± .XX ± .XXX ±		CONTRACT NO.					
		APPROVALS	DATE				
MATERIAL		DRAWN		ASSEMBLY, POWER SUPPLY 25W, 115V			
		CHECKED					
FINISH				SIZE	CODE IDENT NO.	DRAWING NO.	Rev
				A		45-400006	J
NEXT ASSY	USED ON			SCALE	SHEET 2 OF 6		
APPLICATION		DO NOT SCALE DRAWING		N/A			


EM	PART NO.	QTY	DESCRIPTION	REF DES
1	51-9148	1	BOARD, P.C.	
2				
3				
4	43-10568	1	SUB ASSY, HEATSINK, RECTIFIER, BYW 29-50	CR6 REF
5	43-10570	1	SUB ASSY, HEATSINK, TRANSISTOR, MJE-13004	Q1 REF
6	43-10575	1	SUB ASSY, HEATSINK, VOLT REG. I.C., MC7905CT	A4 REF
7				
8				
9				
10				
11	80-8001	1	INDUCTOR,	L1
12	80-8135	1	INDUCTOR,	L2
13	80-8077	2	INDUCTOR,	L3,5
14				
15				
16	80-8190	1	TRANSFORMER, 25W	T1
17				
18				
19	22-2060	1	CAP, CERM, 470 pF, $\pm 20\%$, 1000V	C7
20	22-2002	4	↑, ↑, .005 μ F, $\pm 20\%$, 1.4KV	C1,2,3,11
21	22-2005	2	↑, ↑, .01 μ F, $\pm 20\%$, 1000V	C6,12
22	22-2008	2	↑, ↑, 1 μ F, $\pm 20\%$, 100V	C8,14
23				
24				
25				
26				
27	22-2059	1	↓, ↓, CAP, CERM, .01 μ F, $\pm 20\%$, 100V	C13

TITLE
POWER SUPPLY
115V 25WATT



DRAWING NO. 45-40006		REV J
SIZE A	SCALE N/A	SHEET 3 OF 6

TEM	PART NO.	QTY	DESCRIPTION	REF DES
28	20-2089	1	CAP, ELECT, 100 μ F, +75%-10%, 200V	C5
29	20-2083	2	, , 330 μ F, +75%-10%, 35V	C19,22
30	20-2106	1	, , 47 μ F, +75%-10%, 10V	C9
31				
32	20-2119	3	100 μ F +50% -10%, 35V	C15,17,18
33	20-2047	2	, ELECT, 2200 μ F, +50%-10%, 10V	C16,20
34				
35				
36	21-2076	2	CAP, TANT, 1 μ F, \pm 10%, 50V	C10,21
37				
38				
39	10-1038	2	DIODE, GEN PUR, 1N4004	CR1,2
40				
41				
42	10-1013	2	, GEN PUR, 1N4148	CR3,4
43				
44				
45				
46				
47				
48	10-1088	3	, FAST RECV, MR851	CR5,7,8
49				
50				
51	11-1014	1	DIODE, ZENER, 1N5994 B	CR9
52				
53	1141	1	BRIDGE, VM28	BRI
54				

TITLE POWER SUPPLY 115V, 25 WATT		DRAWING NO. 45-40006	REV J.
		SIZE A	SCALE N/A

ITEM	PART NO.	QTY	DESCRIPTION	REF DES
55	16-1132	1	SCR, MCR106-1	SCR-1
56				
57	15-1001	1	I.C, OPTO-ISOLATOR, MCT-2E	A3
58	14-1071	1	I.C, VOLTAGE REG, 430	A2
59				
60				
61				
62	13-1055	1	TRANS, NPN, AMPL, MPS-2222	Q3
63	12-1146	1	TRANS, PNP, TIP32	Q2
64				
65				
66	83-7011	1	FUSE, SUB-MINI, 5A	F1
67				
68				
69	30-3024	1	RES, C.F., 10, ±5%, 1/4W	R1
70	3040	1	47	R10
71	3048	2	100	R9, 12
72				
73	3058	1	270	R6
74	3062	1	RES, C.F., 390, ±5%, 1/4W	R11
75				
76	3074	1	RES, C.F. 1.2K, ±5%, 1/4W,	R7
77	3074	1	RES. C.F. SAT, (1.2K NOM) ±5% 1/4W	R14 <input checked="" type="checkbox"/>
78				
79				
80				
81	30-3082	1	RES, C.F., 2.7K, ±5%, 1/4W	R8

TITLE
POWER SUPPLY
115V, 25 WATT



DRAWING NO. 45-40006		REV J
SIZE A	SCALE N/A	SHEET 5 OF 6

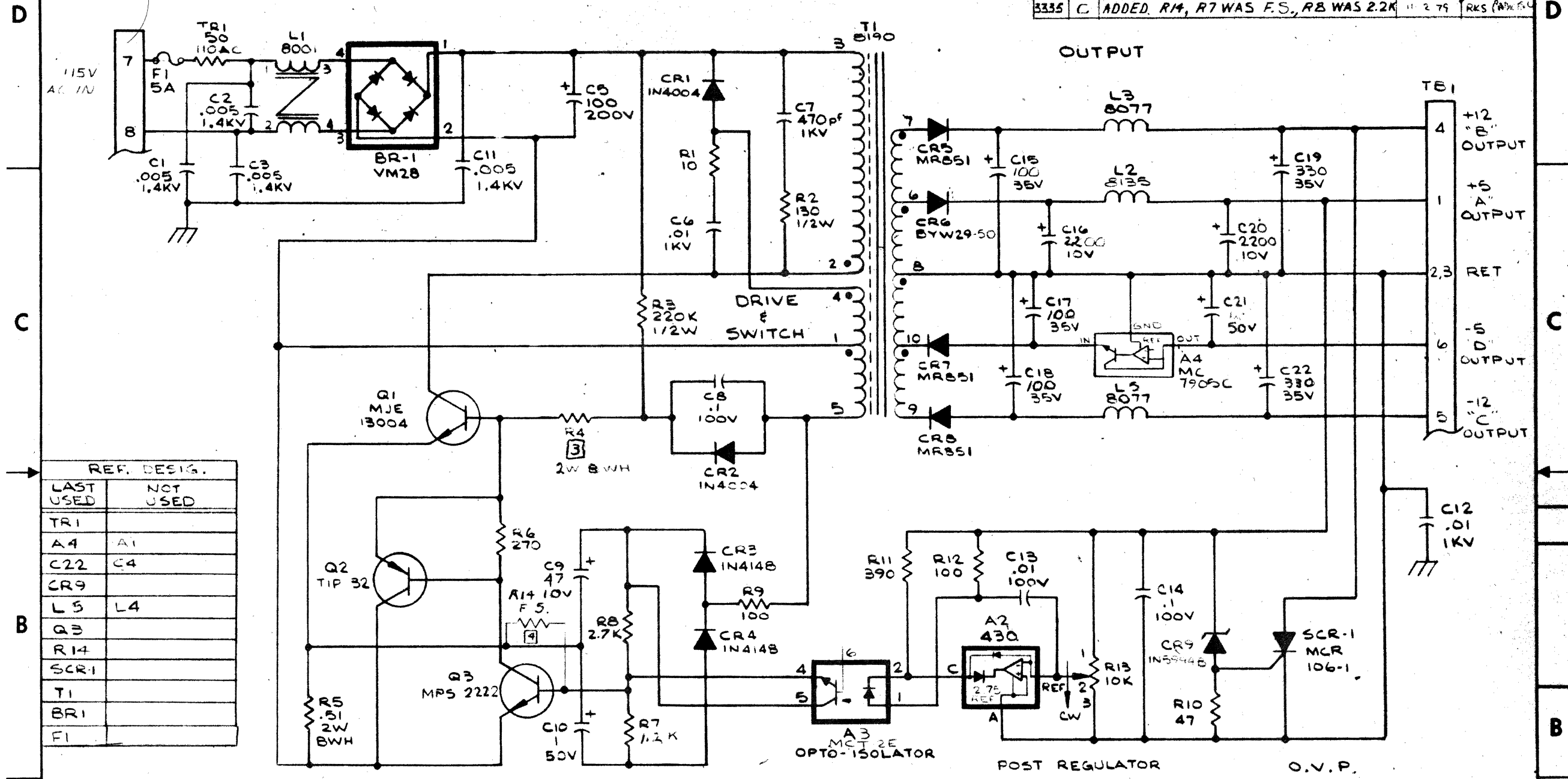
EM	PART NO.	QTY	DESCRIPTION	REF DES
32	30-3251	1	RES, C.F., 130, ±5%, 1/2 W	R2
33				
34	30-3328	1	, C.F., 220K, ±5%, 1/2 W	R3
35				
36	31-3810	1	, C.C., SAT (22 Ω NOM.) 10%, 2W BWH	R4 ⑧
37				
38	35-3802	1	, W.W., .51 Ω, ±10%, 2W BWH	R5
39				
40				
41				
42	36-3944	1	, POT, 10K	R13
43				
44	39-3900	1	RES, 50 Ω, THERMISTOR	TR1
45				
46	73-6058	1	TERMINAL STRIP	
47				
48				
49				
50	53-7742	1	LABEL, 115 VOLTS	
51	53-7740	1	LABEL, DANGER HIGH VOLTAGE	
52	53-7881	1	LABEL, MODEL & SERIAL NUMBER	
53				
54	-7884	AIR	GLYPTAL, RED	
55	87-7959	1	WIRE BARE 22 AWG, .50LG	
56	87-7960	1	WIRE, BARE, 22 AWG, .60LG	
57	87-7464	1	WIRE, GRN, 22 AWG, 3.00 × 1/4 × 1/4	
58				

TITLE
POWER SUPPLY
115V, 25 WATT



DRAWING NO. 45-40006		REV J
SIZE A	SCALE N/A	SHEET 6 OF 6

REVISIONS				
ZONE	LTR	DESCRIPTION	DATE	APPROVED
1984	4	PRE-REL. FOR PROD.	5-2-78	
2259	A	RELEASED FOR PRODUCTION	9-13-78	
2625	E	ADDED NOTE [4] AT R7 DELETED VALUE AND ADDED NOTE [4] REF	3-27-79	
3335	C	ADDED R14, R7 WAS F.S., R8 WAS 2.2K	11-2-79	RKS (PDR)



REF. DESIG.	
LAST USED	NOT USED
TR1	
A4	A1
C22	C4
CR9	
L5	L4
Q3	
R14	
SCR1	
T1	
BR1	
FI	

NOTES: UNLESS OTHERWISE SPECIFIED

[1] FACTORY SELECTED SAT (1.2K NOM)

[2] FACTORY SELECTED SAT (22 NOM)

2. CAPACITORS ARE IN μ F.

1. RESISTORS ARE IN OHMS, 1/4W.

APPLICATION: NEXT ASSY USED ON

QTY REQD	CODE IDENT	PART OR IDENTIFYING NO.	NOMENCLATURE OR DESCRIPTION
PARTS LIST			
UNLESS OTHERWISE SPECIFIED DIMENSIONS ARE IN INCHES TOLERANCES ARE:		CONTRACT NO.	
FRACTIONS	DECIMALS	ANGLES	
\pm	.XX	\pm	
	XXX		
MATERIAL		APPROVALS	
FINISH		DATE	
		DRAWN FRANK KRAJNETZ 4-1-78	
DO NOT SCALE DRAWING		CHECKED	
		DATE	
SCALE N/A		SHEET 1 OF 1	

BOSCHERT

SCHEMATIC,
115V
25 WATT

DRAWING NO.
90-20139

APPLICATION		REVISION				
NEXT ASSY	USED ON	REV	ECO	DESCRIPTION	DATE	APPROVED
45-10152-01	XL25-3001	2		PRE-REL TO PROD	11-6-79	W.S.K.
45-10152-02	XL25-4001	A		REL. FOR PROD. <i>W/D</i>	2 Jan 80	<i>W.S.K.</i>
		B	424	INCORPORATED	5-14-80	DEC <i>W.S.K.</i>
		C	6073	INCORPORATED	5/26/81	<i>W.S.K.</i>

All drawings supplied for the BOSCHERT power supply are the property of BOSCHERT INCORPORATED and shall not be reproduced or copied or used in whole or in part as the basis for manufacture or sale of the items shown therein without the express written permission of an officer of BOSCHERT INCORPORATED.

UNLESS OTHERWISE SPECIFIED DIMENSIONS ARE IN INCHES TOLERANCES ARE:

FRACTIONS DECIMALS ANGLES
 - .XX ± - ± -
 .XXX ± -

MATERIAL

FINISH

APPROVALS	DATE
DRAWN <i>W.S.K.</i>	11-6-79
CHECKED <i>W.S.K.</i>	11-6-79
ENG <i>J. Howard</i>	1-11-80
MFG MGR <i>W.S.K.</i>	2/11/80
QA MGR <i>W.S.K.</i>	2/11/80
RELEASED <i>C. Ford</i>	1-25-80
	1-28-80



BOSCHERT INCORPORATED
 SUNNYVALE, CALIFORNIA

TEST SPECIFICATION
 XL25-3001/4001

SIZE A	DRAWING NO. 91-110.63	REV C
-----------	--------------------------	----------

DO NOT SCALE DRAWING

SCALE N/A

SHEET 1 OF 3

	<u>MINIMUM</u>	<u>MAXIMUM</u>	
VISUAL INSPECTION			
TURN ON AND TURN OFF	<u>N/A</u> VAC	<u>N/A</u> VAC	
SWITCH WAVEFORM	(SEE SHEET #3)		<input type="checkbox"/> 110VAC <input type="checkbox"/> 220VAC
CURRENT MAX. LIMIT RANGE	<u>N/A</u> A	<u>N/A</u> A	
CURRENT MIN. LIMIT RANGE	<u>N/A</u> A	<u>N/A</u> A	
INVERTER WAVE FORMS SAME			
INVERTER PERIOD RANGE @ FULL LOAD ET*		<u>45</u> μ S	<input checked="" type="checkbox"/> STRAPPABLE
INVERTER PEAK-PEAK VOLTAGE	<u>N/A</u> V	<u>N/A</u> V	

OUTPUT VOLTAGE-CURRENT TEST POINTS:

OUTPUT	VOLTAGE	CURRENT	MINIMUM	MAXIMUM	
1	+5 V	1.5 A	+4.99 V	+5.01 V	(SET VOLTAGE HERE)
2	+12 V	0.25 A	+11.68 V	+12.32 V	
3	-12 V	0.25 A	-11.68 V	-12.32 V	
4	-5 V	0.25 A	-4.87 V	-5.13 V	
5	V	A	V	V	
6	V	A	V	V	

1	+5 V	3.5 A	+4.96 V	+5.04 V
2	+12 V	0.1 A	+11.68 V	+12.32 V
3	-12 V	0.1 A	+11.68 V	-12.32 V
4	-5 V	0.1 A	-4.87 V	-5.13 V
5	V	A	V	V
6	V	A	V	V

1	+5 V	0.6 A	+4.96 V	+5.04 V
2	+12 V	0.5 A	+11.68 V	+12.32 V
3	-12 V	0.5 A	-11.68 V	-12.32 V
4	-5 V	0.5 A	-4.87 V	-5.13 V

1	+5 V	3.0 A	+4.96 V	+5.04 V
2	+12 V	0.4 A	+11.68 V	+12.32 V
3	-12 V	0.4 A	-11.68 V	-12.32 V
4	-5 V	0.1 A	-4.87 V	-5.13 V
5	V	A	V	V
6	V	A	V	V

MAX. RIPPLE & NOISE

71.25	MV		MV
110	MV		MV
110	MV		MV
47.5	MV		MV
	MV		MV
	MV		MV

COMMON MODE OUTPUT RIPPLE CURRENT (WIDEBAND) 150mA_{P-P}

MINIMUM MAXIMUM

OVP † 5.80 V 6.90 V
 † TEST WITH 1A. LOAD ON +5, NO LOAD ON OTHERS

PRODUCT SPECIFICATION

SNAP-ON
 AUDIBLE NOISE
 FEEDBACK VOLTAGE

MAXIMUM CURRENT OUTPUT

TEST CABLE 5020
 BURN-IN CABLE 5531 (21.31 WATTS)

1	<u>3.5</u> A
2	<u>0.5</u> A
3	<u>0.5</u> A
4	<u>0.5</u> A
5	A
6	A

SUPPLY MUST CHIRP WITH SHORT APPLIED TO +5V O/P AND MAY ALSO CHIRP AT LESS THAN 2.5W LOAD.

MAX. OUTPUT POWER 25.0 W

* SEE NOTE 2 SHT. 3.

SIZE	CODE IDENT NO.	DRAWING NO.	R
A		91-11063	
SCALE	N/A	SHEET 2 of 3	



PROCEDURE FOR CURRENT LIMIT


1. Set line voltage to 110 VAC (when strapped for 110 operation).

2. Set load to:
 +5V 3A
 +12V .5A
 -5V .5A

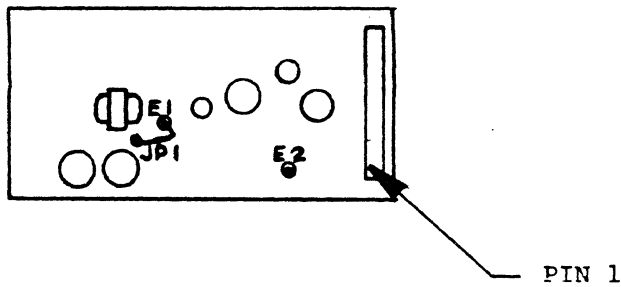
3. Increase output current of +5V and note maximum current. Maximum current must be between 4A → 9A.

SIZE A	CODE IDENT NO. —	DRAWING NO. 91-11063	REV C
SCALE N/A		SHEET 3 of 3	

APPLICATION		REVISION				
NEXT ASSY	USED ON	REV	ECO	DESCRIPTION	DATE	APPROVED
45-10157-01	XL25-1001	1	—	PRE REL FOR PROD	11-6-79	Le Sl.
45-10152-01	XL25-3001	A		REL. FOR PROD.		MP 2/6/80
45-10152-02	XL25-4001					

UNLESS OTHERWISE SPECIFIED DIMENSIONS ARE IN INCHES TOLERANCES ARE: FRACTIONS DECIMALS ANGLES .XX ± — ± — .XXX ± — — MATERIAL FINISH DO NOT SCALE DRAWING	APPROVALS	DATE	 BOSCHERT INCORPORATED SUNNYVALE, CALIFORNIA	PIN OUT CHART XL 25	SIZE A	DRAWING NO. 97-10147	REV A
	DRAWN	11-6-79					
	CHECKED	2/6/80					
	ENG	1-25-80					
	MFG MGR	2-6-80					
QA MGR	4/7/80						
RELEASED	1-23-80						
	C. Foy	1-23-80			SCALE N/A	SHEET 1 OF 2	

PIN ORIENTATION



NOTE 1 - For 110V as shown; For 220V strap JP1 to E2 (applicable to the XL25-3001/4001 only).

PIN		VOLTAGE
2	INPUT	A.C. NEUT/HOT
3	INPUT	A.C. HOT
1	CHAS GND	
4	OUTPUT	-5V
5	OUTPUT	-12V
7	OUTPUT	+5V
8	OUTPUT	+12V
	OUTPUT	
	OUTPUT	
	OUTPUT	
	OUTPUT	
6	RETURN	
	NOT USED	

MODEL NO. XL-25

MFG. ASSEMBLY NO. _____

MATING
CONNECTOR

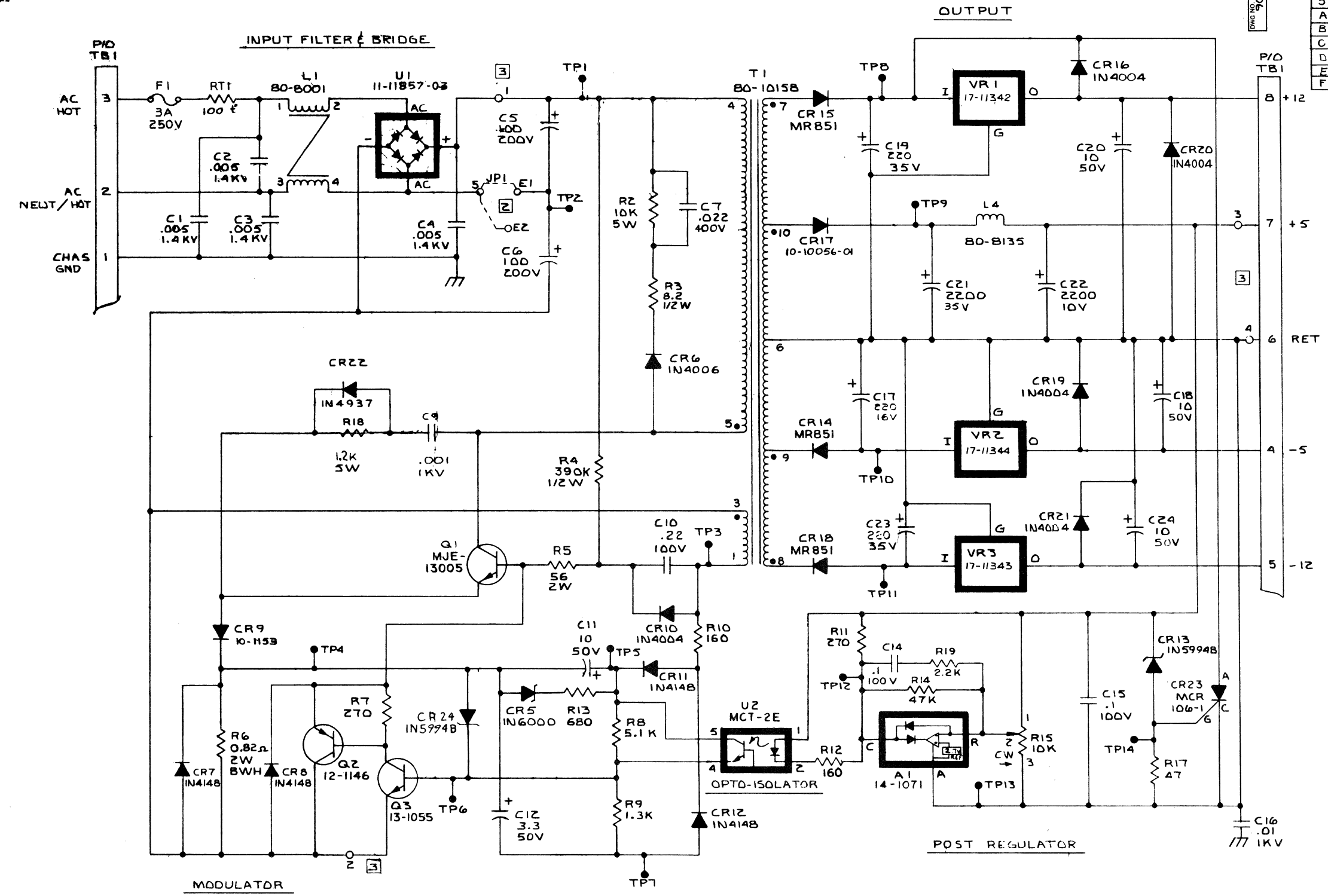
AUTOMATIC SHORT CIRCUIT RECOVERY

AUTOMATIC SHORT CIRCUIT SHUT DOWN

DWG. NO. 97-10147 REV A

REV 1
DWG NO. 90-10150

REV	DESCRIPTION	ECO	DATE	APP
2	REVISED & REDRAWN		3-30-79	
3	ENG PROTOTYPE			
4	ENG PROTOTYPE			
5	PRE REL TO PROD			
A	REL. FOR PROD.			
B	INCORPORATED	4213	3-31-80	
C	INCORPORATED	4397	5-15-80	
D	CHANGED PER ECO	4743	7-2-80	
E	CHANGED PER ECO	5703	2-19-81	
F	INCORPORATED	6014	6-18-81	



REFERENCE DESIGNATOR	LAST USED	NOT USED
TP14		
VR3		
T1		
U2		
RT1		
R19	R1,16	
Q3		
L4	L3,2	
JPI		
TB1		
F1		
E2		
CR24	CR1,2,3,4,	
C24	C8, C13	
A1		
LAST USED	NOT USED	
REFERENCE DESIGNATOR		

[3] STRAP POINTS 1 THRU 4 ARE FOR FLYING LEADS.
 [2] FOR 220V OPERATION STRAP FROM JPI TO E2
 FOR 110V OPERATION STRAP FROM JPI TO E1
 1. UNLESS OTHERWISE SPECIFIED:
 CAPACITORS ARE IN MICROFARADS
 RESISTORS ARE IN OHMS 1/4W

NOTES

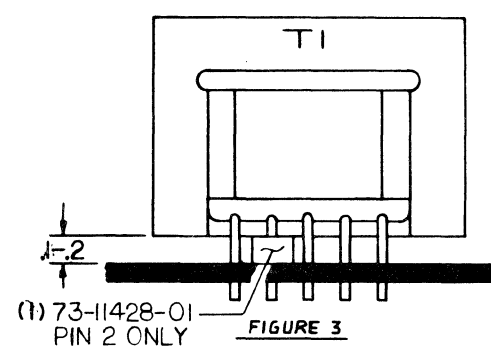
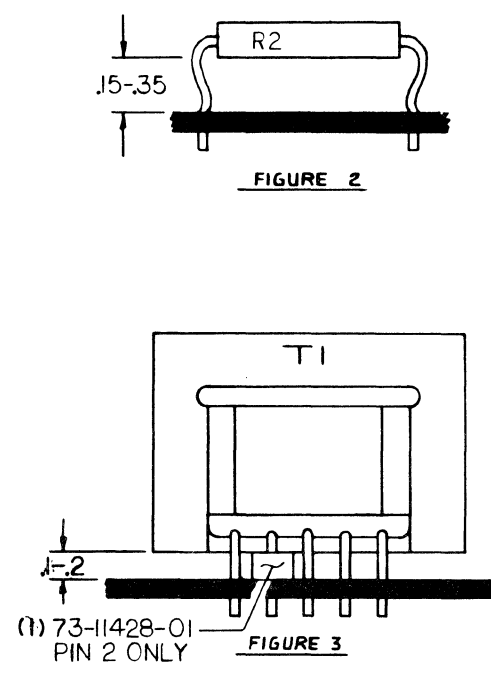
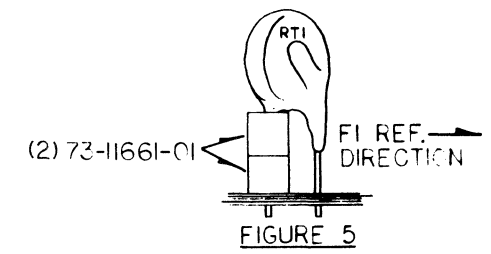
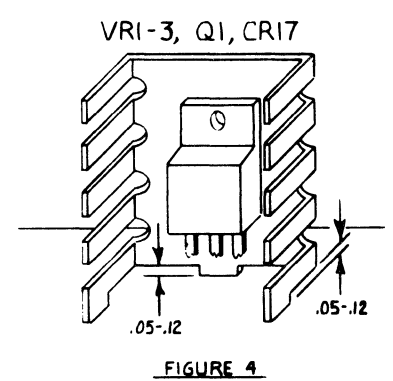
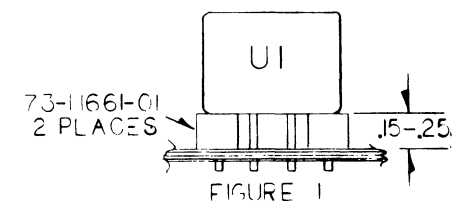
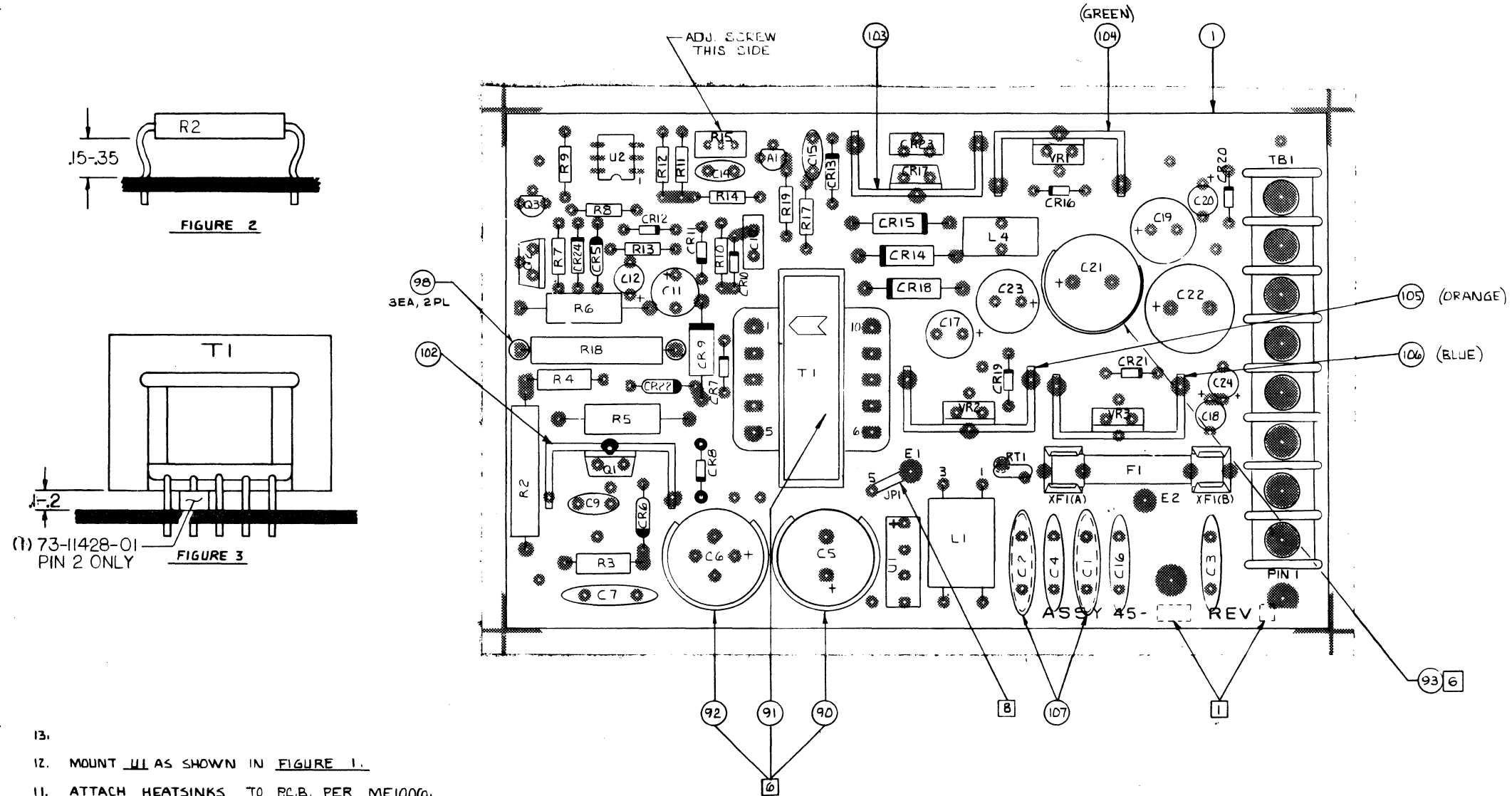
ITEM	QTY	PART NUMBER	DESCRIPTION	REF DESIGNATION
UNLESS OTHERWISE SPECIFIED DIMENSIONS ARE IN INCHES: TOLERANCES: DECIMALS (.XX) = ~ FRACTIONS = ~ DECIMALS (.XXX) = ~ ANGLES = ~				
VOLTAGE		NEXT ASSY	MOD. NO.	
110 V		45-10152-01	XL25-3001	
220 V		45-10152-02	XL25-4001	

APPROVALS:	DATE
DRAWN: <i>R.C.</i>	3-27-79
CHECKED: <i>de Sebra</i>	3-30-79
ENG. MGR: <i>C. F.</i>	
MFG MGR: <i>[Signature]</i>	
QA MGR: <i>[Signature]</i>	
RELEASED: <i>[Signature]</i>	12-2-82

boschert BOSCHERT ASSOCIATES SUNNYVALE, CALIFORNIA	
SCHEMATIC XL25-3001/4001 110/220V	
SIZE DWG NO.	REV
D 90-10150	P
SCALE NONE	SHEET 1 OF 1

DO NOT SCALE DRAWING

REV	DESCRIPTION	ECO	DATE	APPROVED
D	REDRAW PER ECO	4559	6-16-80	
E	ADDED SUFFIX "R" TO MODEL NO'S.	4635	6-17-80	
F	SEE L/M	4743	7-2-80	
H	SEE L/M, REDRAW	4855	7-18-80	
J	CIO WAS CI; ADD NOTE TO K15	5111	10-14-80	
K	INCORPORATED	5665	2-19-81	
L	INCORPORATED ECO	5703	2-14-81	
M	INCORPORATED	6014	6-18-81	



- 13.
12. MOUNT U1 AS SHOWN IN FIGURE 1.
11. ATTACH HEATSINKS TO P.C.B. PER ME1000.
10. UNLESS OTHERWISE SPECIFIED, RESISTORS ARE 1/4 WATT, DIODES ARE 1N4004 AND CAPACITANCE IS IN MICROFARADS.
- 9.
8. FOR -01 (110V) CONNECT JPI TO E1 AS SHOWN. FOR -02 (220V) CONNECT JPI TO E2.
7. MOUNT T1 AND OBSERVE CORE HEIGHT AS SHOWN IN FIGURE 3.
6. APPLY LABELS IN APPROXIMATE POSITION SHOWN WITHOUT COVERING COMPONENT IDENTIFICATION.
5. MOUNT RT1 AS SHOWN IN FIGURE 5.
4. R2 IS MOUNTED AS SHOWN IN FIGURE 2
3. ALL HEATSINKS ARE MOUNTED AS SHOWN IN FIGURE 4.
2. ALL RESISTORS TWO (2) WATTS AND ABOVE ARE MOUNTED .1-.2 ABOVE THE BOARD UNLESS OTHERWISE SPECIFIED.
1. MARK ASSY. IDENT. NO. AND CURRENT REV. LEVEL IN APPROX. LOCATION SHOWN SEE OPTION TABLE.

ASSY. P/N	MODEL NO.	VOLT. RATING
45-10152-01	XL25-300IR	110
45-10152-02	XL25-400IR	220

All drawings supplied for the BOSCHERT power supply are the property of BOSCHERT INCORPORATED and shall not be reproduced or copied or used in whole or in part as the basis for manufacture or sale of the items shown therein without the express written permission of an officer of BOSCHERT INCORPORATED.

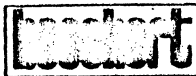
ITEM	QTY	PART NUMBER	DESCRIPTION	REF DESIGNATION
UNLESS OTHERWISE SPECIFIED DIMENSIONS ARE IN INCHES:				
TOLERANCES:				
DECIMALS (XX) ± .01 FRACTIONS ± .01				
DECIMALS (XXX) ± .005 ANGLES ± .1				
NEXT ASSY		MOD. NO.		 BOSCHERT INCORPORATED SUNNYVALE, CALIFORNIA ASSEMBLY XL25-300IR/400IR 110/220 V
FINAL		XL25-300IR		
FINAL		XL25-400IR		
APPROVALS: DATE 7-18-80				
DRAWN: [Signature]				
CHECKED: [Signature]				
ENG: [Signature]				
ENG MGR: [Signature]				
MFG MGR: [Signature]				
QA MGR: [Signature]				
RELEASED: [Signature]				
DO NOT SCALE DRAWING				
SIZE	DWG. NO.	REV		
D	45-10152-01/-02	M		
SCALE	N/A	SHEET		1 OF 1

REVISIONS

REV	ECO	DESCRIPTION	DATE	APPROVED
J	—	PRE REL	11/14/79	WJ
A	—	REL. FOR PROD.	2 Jan 80	WJ
B	4213 4070	INCORPORATED	3-27-80	WJ
C	4377	INCORPORATED	5-19-80	DEC
D	4559	REDRAW ASSY, "D" SIZE, PER ECO	6-16-80	WJ
E	4636	ADDED SUFFIX "R" TO MODEL NO'S.	6-17-80	WJ
F	4743	CHANGED PER ECO	7-2-80	WJ
H	4855	INCORPORATED	7-17-80	M. S. S.
J	5111	ITEM 55 WAS 10209 TRANS MJE 13005 DELETED.	10-14-80	FA
K	5665	INCORPORATED	2-18-81	BA COE
L	5703	INCORPORATED	2-19-81	BA COE
M	6014	INCORPORATED	6-18-81	PS NCV

All drawings supplied for the BOSCHERT power supply are the property of BOSCHERT INCORPORATED and shall not be reproduced or copied or used in whole or in part as the basis for manufacture or sale of the items shown therein without the express written permission of an officer of BOSCHERT INCORPORATED.

SEE SEPARATE ASSY. DWG NO 45-10152 -01/-02

		UNLESS OTHERWISE SPECIFIED DIMENSIONS ARE IN INCHES TOLERANCES ARE: FRACTIONS DECIMALS ANGLES ± — .XX ± — ± — .XXX ± —	CONTRACT NO.	 ASSEMBLY XL 25 - 3001R/4001 R 110 / 220 V	
		MATERIAL	APPROVALS		
		FINISH	DRAWN	P. DANG	11.20.79
			CHECKED	<i>Subro...</i>	22.12.79
NEXT ASSY	USED ON				
APPLICATION		DO NOT SCALE DRAWING	SIZE	CODE IDENT NO.	DRAWING NO.
			A		45-10152-01/-02
			SCALE		SHEET 1 OF 6

REVISIONS


REV	ECO	DESCRIPTION	DATE	APPROVED

2. ITEM 14 (P/N 22-2002) MUST BE RADIO MAT'L CO., DIV OF P.R. MALLORY P/N AU-.005UF (O.K.P.I.).

1. REFERENCE DWGS :

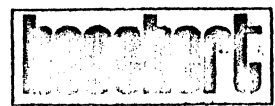
PRODUCT SPECIFICATION 97-11460
 OUTLINE INSTALLATION SEE DWG. NO. 97-11065
 PINOUT CHART SEE DWG NO. 97-10147
 TEST SPEC. SEE DWG. NO. 91-11063
 QA. SPEC. SEE DWG NO. 92-11266
 SCHEMATIC SEE DWG. NO. 90-10150

NOTE:

UNLESS OTHERWISE SPECIFIED DIMENSIONS ARE IN INCHES TOLERANCES ARE: FRACTIONS DECIMALS ANGLES $\pm .XX \pm \pm$ $.XXX \pm$		CONTRACT NO.		 ASSEMBLY XL25-3001R/4001R 110/220 V			
		APPROVALS	DATE				
		DRAWN P. DANG	11.20.78				
		CHECKED					
MATERIAL		FINISH		SIZE	CODE IDENT NO.	DRAWING NO.	REV
NEXT ASSY		USED ON		A		45-10152-01/-02	M
APPLICATION		DO NOT SCALE DRAWING		SCALE		SHEET 2 OF 6	

ITEM	PART NO.	-01 QTY.	-02 QTY.	DESCRIPTION	REF DES
1	51-10144	1	1	BOARD, PC.	
2					
3	84-6058	1	1	BLOCK, TERMINAL, 8 PIN	TBI
4					
5					
6	80-8001	1	1	INDUCTOR, 100 μ H	L1
7					
8					
9	80-8135	1	1	INDUCTOR, 1.9 μ H	L4
10					
11	80-10158	1	1	TRANSFORMER	T1
12					
13	22-10858-39	1	1	CAP, CERM .22 μ F, 100V	C10
14	22-2002	4	4	CAP, CERM .005 μ F, 1.4KV	C1,2,3,4 [2]
15	22-2008	2	2	↑ , CERM .1 μ F, 100V	C15,14
16	23-10186-03	1	1	↑ , M.F. .022 μ F, 400V	C7
17	22-2005	1	1	↑ , CERM .01 μ F, 1KV	C16,
18					
19				↓	
20	22-2032	1	1	CAP, CERM. .001 μ F, 1KV	C9
21	20-2089	2	2	CAP, ELECT. 100 μ F, 200V	C5,6
22	20-10347-13	2	2	↑ , ↑ , 220 μ F, 35V	C19,23
23	20-10346-09	1	1	↓ , ↓ , 220 μ F, 16V	C17
24					
25	20-2064	1	1	CAP, ELECT, 2200 μ F, 35V	C21
26					
27	20-2047	1	1	CAP, ELECT, 2200 μ F, 10V	C22

TITLE ASSEMBLY
XL 25-300IR/400IR
110/220V



DRAWING NO. 45-10152 -01/-02 REF M
SIZE A SCALE — SHEET 3 OF 6

ITEM	PART NO.	-01 QTY	-02 QTY	DESCRIPTION	REF DES
28					
29	20-10520-04	1	1	CAP., ELECT, 3.3 μ f, 50V, ALUM	C12
30	20-10520-06	4	4	CAP., ELECT, 10 μ f, 50V, ALUM	C11,18,20,24
31					
32					
33					
34	10-1153	1	1	DIODE, GEN PUR	CR9
35	10-1013	4	4	▲, GEN. PUR., 1N4148	CR11,12,7,8
36					
37					
38	10-12677-03	1	1	GEN PUR, 1N4006	CR6
39	10-1155	1	1	, FAST RECV., 1N4937	CR22
40	10-1088	3	3	FAST RECV., MR851	CR14,15,18
41					
42	11-1072	1	1	ZENER, 1N6000	CR5
43	11-1014	2	2	▼, ZENER, 1N5994B	CR13,24
44	10-1038	5	5	DIODE, GEN PUR. 1N4004	CR10,16,19-21
45	16-1132	1	1	SCR, MCR106-1	CR23
46					
47					
48	11-11857-03	1	1	FULL WAVE BRIDGE	U1
49	15-1160	1	1	I.C., OPTO-ISOLATOR, MCT-2E	U2
50	14-1071	1	1	I.C., VOLTAGE REG.	A1
51					
52					
53					
54					

TITLE ASSEMBLY
 XL 25 - 300IR/400IR
 110 / 220 V



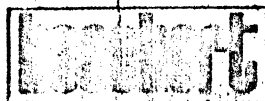
DRAWING NO.
 45-10152 - 01/02

REV
 M

SIZE A SCALE — SHEET 4 OF 6

ITEM	PART NO.	-01 QTY	-02 QTY	DESCRIPTION	REF DES
55					
56	13-1055	1	1	TRANS, NPN,	Q3
57	12-1146	1	1	TRANS., PNP,	Q2
58					
59					
60	83-7013	1	1	FUSE 3A 250V.	F1
61	83-7015	2	2	FUSE CLIP	XF1A,B
62					
63					
64	30-3040	1	1	RES, C.F., 47, $\pm 5\%$, 1/4 W	R17
65					
66	30-3053	2	2	, 160	R10,12
67	30-3058	2	2	, 270	R7,11
68	30-3068	1	1	, 680	R13
69					
70	30-3075	1	1	, 1.3K	R9
71					
72					
73	30-3080	1	1	, 2.2K	R19
74					
75	30-3089	1	1	, 5.1K, $\pm 5\%$, 1/4 W	R8
76	30-3112	1	1	, 47K, $\pm 5\%$, 1/4 W	R14
77					
78	30-10305-28	1	1	, C.F., 390K, $\pm 5\%$, 1/2 W	R4
79	30-3222	1	1	, C.F., 8.2, $\pm 5\%$, 1/2 W	R3
80	31-12329-560	1	1	RES, C.C., 56, $\pm 5\%$, 2W	R5
81	34-10048-24	1	1	RES, W.W., 0.82 Ω , $\pm 5\%$, 2W BWH	R6

TITLE ASSEMBLY
XL 25 - 3001R/4001R
110/220V



DRAWING NO.
45-10152-01/-02

REV
M

SIZE A SCALE — SHEET 5 OF 6

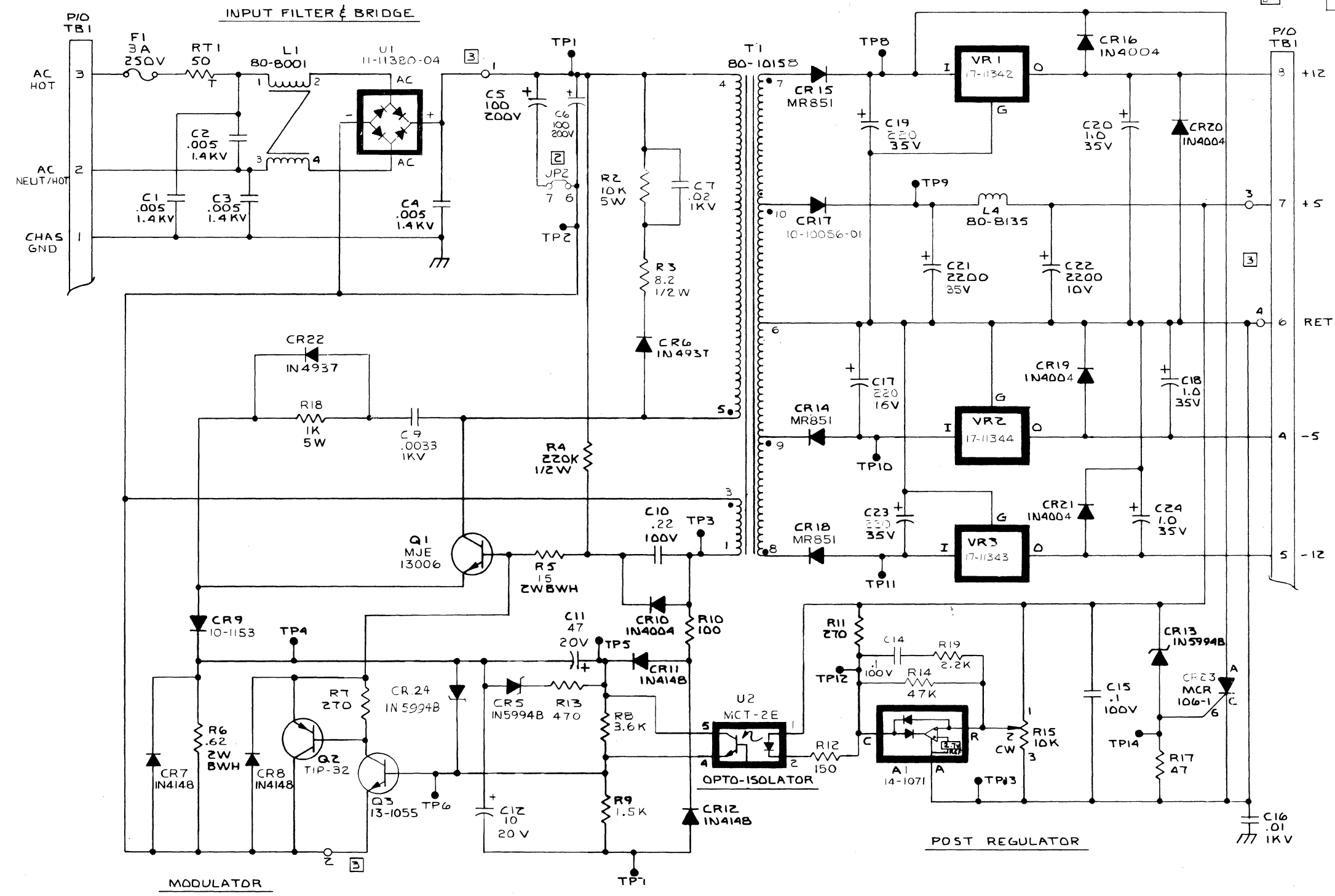
QTY.	PART NO.	-01 QTY.	-02 QTY.	DESCRIPTION	REF DES
1	34-12196-14	1	1	RES, W.W., HIGH TEMP POWER 12K ±10% 5W	R18
1	34-10522-27	1	1	RES, W.W., 10K, 5%, 5W	R2
1	38-10662-13	1	1	RES POT, 10K	R15
1	39-11850	1	1	THERMISTOR, 100 Ω	RT1
1	53-7740	1	1	LABEL, DANGER HIGH VOLTAGE	
1	53-7881	1	1	LABEL, MODEL & SERIAL NUMBER	
1	53-10449	1	1	LABEL 110/220 V SELECTABLE	
1	53-12459	1	1	LABEL, FUSE WARNING	
2	76-6009	2	2	TERM PIN MALE LG.	B1,2
1	43-7217	1	1	JUMPER, 22AWG, 4.00"	JPI
1	73-11428-01	1	1	SPACER, NYLON	(TI REF)
10	73-11661-01	10	10	SPACER, GLASS	(RT1, V1, R10 REF)
1	43-11730-12	1	1	HEATSINK/ TD-220 SUBASSEMBLY	(Q1)
1	43-11730-05	1	1		(CR17)
1	43-11730-09	1	1		(GREEN) (VR1)
1	43-11730-11	1	1		(ORANGE) (VR2)
1	43-11730-10	1	1		(BLUE) (VR3)
2	87-10517-29	2	2	TUBING HEAT SHRINKABLE .750 I.D. X 1.000	C1,2 (REF)

TITLE ASSEMBLY
 XL25-3001R/4001R
 110/220V



DRAWING NO. 45-10152-01/-02
 REV M
 SIZE A SCALE — SHEET 6 OF 6

REV	DESCRIPTION	ECO	DATE	APPROVED
2	REVISED & REDRAWN			
3	ENG PROTO TYPE			
4	ENG PROTOTYPE			
5	PRE REL FOR PROD			
A	REL FOR PROD		1-4-80	
B	INCORPORATED	4241	3-27-80	



REFERENCE DESIGNATOR	LAST USED	NOT USED
TP14		
VR3		
T1		
U2		
RT1		
R19	R1,15	
Q3		
L4	L3,2	
TBI		
F1		
JP2	JP1	
CR24	CR1,2,3,4	
C24	CF,13	
A1		
LAST USED	NOT USED	
REFERENCE DESIGNATOR		

[3] STRAP POINTS 1 THRU 4 ARE FOR FLYING LEADS.
 [2] BARE WIRE STRAP ACROSS STRAP POINTS 6-7.
 1. UNLESS OTHERWISE SPECIFIED:
 CAPACITORS ARE IN MICROFARADS
 RESISTORS ARE IN OHMS 1/4W
NOTES:

All drawings supplied for the BOSCHERT power supply are the property of BOSCHERT INCORPORATED and shall not be reproduced or copied or used in whole or in part as the basis for manufacture or sale of the items shown therein without the express written permission of an officer of BOSCHERT INCORPORATED.

ITEM	QTY	PART NUMBER	DESCRIPTION	REF DESIGNATION
UNLESS OTHERWISE SPECIFIED DIMENSIONS ARE IN INCHES: TOLERANCES: DECIMALS (XX) = ± FRACTIONS = ± DECIMALS (XXX) = ± ANGLES = ±				
NEXT ASSY		MOD NO.		
45-10157-01		XL25-1001		
APPROVALS: DATE 3-27-79				
DRAWN: [Signature]				
CHECKED: [Signature] 4-3-79				
ENG: [Signature] 1-24-80				
ENG MGR: [Signature] 1-28-80				
MFG MGR: [Signature] 2-6-80				
QA MGR: [Signature] 2/7/80				
RELEASED: [Signature] 2/7/80				
DO NOT SCALE DRAWING				

boschert BOSCHERT ASSOCIATES
 SUNNYVALE, CALIFORNIA
SCHEMATIC
XL25-1001
115V
 SIZE D DWG NO. 90-10155 REV B
 SCALE NONE SHEET 1 OF 1

DWG NO. 45-10157

REV	DESCRIPTION	ECO	DATE	APPROVED
S	PRE REL FOR PROD		10/27/79	WJ
A	REL FOR PROD		1-4-80	WJ
B	INCORPORATED	4023 4069 4241	3-27-80	WJ
C	ADDED SUFFIX "R" TO MODEL NO.	4436	6-17-80	WJ

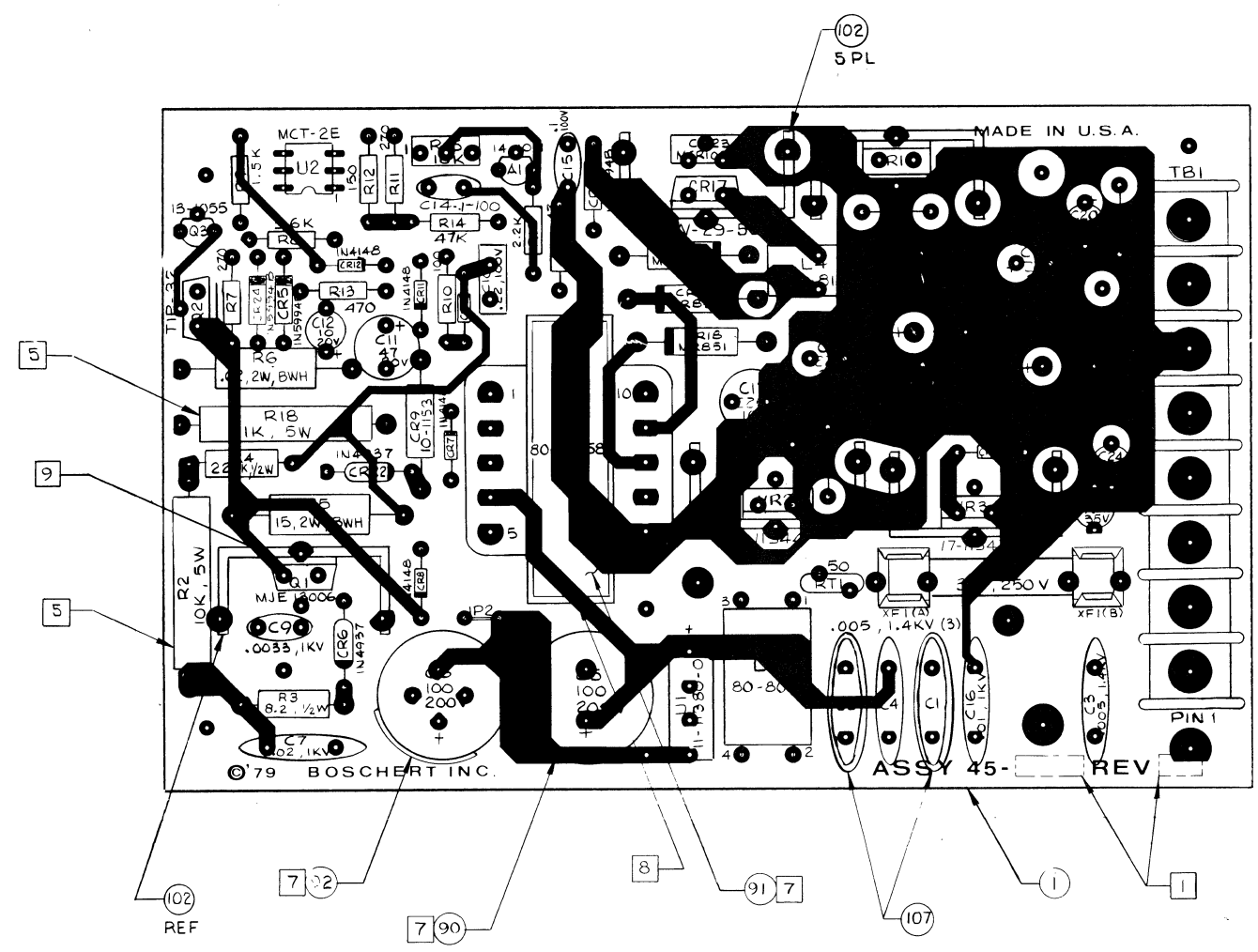


TABLE A

ASSY NO	MODEL NO	VOLT RATING
45-10157-01	XL25-1001R	115V

- 10. UNLESS OTHERWISE SPECIFIED: RESISTORS ARE 1/4 W; DIODES ARE IN4004; CAPACITANCE IS IN μ t.
- 9. APPLY A THIN COAT OF HEATSINK COMPOUND (P/N 74-7765) BEFORE ASSY.
- 8. CORE MUST BE .15 ABOVE BOARD.
- 7. APPLY LABELS IN APPROX POSITION SHOWN NOT COVERING THE COMPONENT IDENTIFICATION.
- 6.
- 5. R2 & R18 MUST BE MOUNTED .30 OFF BOARD.
- 4. ALL HEATSINKS MUST BE MOUNTED .10 IN. OFF THE BOARD.
- 3. ALL RESISTORS TWO (2) WATTS AND ABOVE MUST BE MOUNTED .15 IN. OFF THE BOARD UNLESS OTHERWISE SPECIFIED.
- 2. FOR REFERENCE DWG SEE LIST OF MATERIAL.
- 1. MARK ASSY IDENT NO & CURRENT REV LEVEL IN APPROX LOCATION SHOWN PER TABLE A

NOTES:

ITEM	QTY	PART NUMBER	DESCRIPTION	REF DESIGNATION
UNLESS OTHERWISE SPECIFIED DIMENSIONS / ARE IN INCHES:				
TOLERANCES:				
DECIMALS (XX) ±		FRACTIONS ±		
DECIMALS (XXX) ±		ANGLES ±		
NEXT ASSY		MOD NO.		
FINAL		XL25-1001R		
APPROVALS: DATE				
DRAWN: LINH VO 10/16/79				
CHECKED: [Signature] 2/20/79				
ENG MGR: [Signature] 2/6/80				
QA MGR: [Signature] 2/6/80				
RELEASED: [Signature] 1/28/80				
DO NOT SCALE DRAWING				
BOSCHERT ASSOCIATES SUNNYVALE, CALIFORNIA				ASSEMBLY XL25-1001R 115V
SIZE D DWG NO. 45-10157				REV L
SCALE 2:1				SHEET 1 OF 1

All drawings supplied for the BOSCHERT power supply are the property of BOSCHERT INCORPORATED and shall not be reproduced or copied or used in whole or in part as the basis for manufacture or sale of the items shown therein without the express written permission of an officer of BOSCHERT INCORPORATED.

Section 5

KEYBOARD MODULE

A. Theory of Operation

The keyboard consists of mechanically sealed switches connected in a matrix which is located directly in the microprocessor memory space. The microprocessor scans the addresses at which keys are located and determines when a key has been pressed. Thus, the keyboard is encoded by the microprocessor. Functions such as switch debouncing, n-key rollover and automatic repeat of "held" keys are performed by the microprocessor. A diode is connected electrically in series with each switch to isolate the switches from each other.

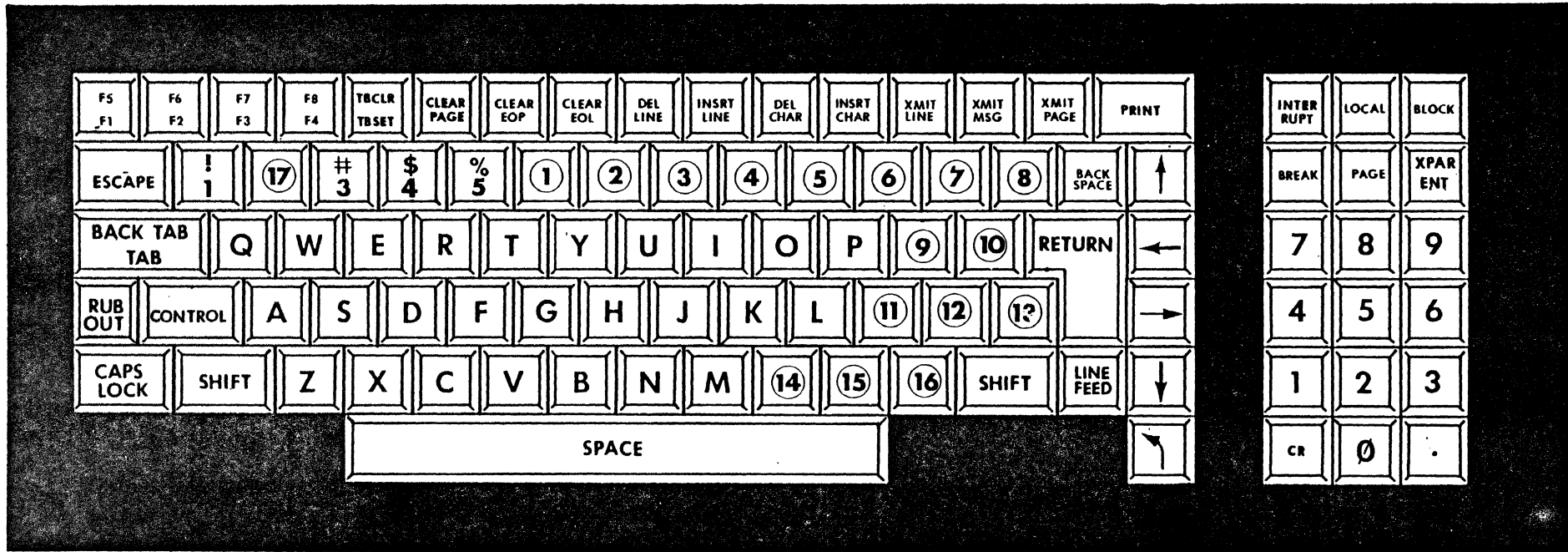
The address lines from the logic card are labeled KA0 through KA3. The data lines to the logic card are labeled KB0 through KB7. A one-of-16-decoder is used to decode the address lines and drive the data lines. The switches are connected in series between the decoder and the data lines. A pull up resistor on the logic card holds the data lines at +5 volts; when a key is pressed (and the microprocessor addresses the line that the switch is connected to) the active low output of the decoder will pull the data line to near 0 volts. The microprocessor senses a logic 0 for keys which are active and a 1 for keys which are not active.

An LED is supplied on the keyboard which illuminates whenever the keyboard is correctly plugged into the terminal and power is applied to the terminal. The keyboard cable connects to the rear of the Teleray. A round shielded cable is used. The shield is connected to chassis ground and to the metal key mounting surface to discharge operator induced static electricity.

Key Legend	No Shift	Shift	Control	Key Legend	No Shift	Shift	Control	Key Legend	No Shift	Shift	Control
Space	Space	Space	Space	W	w	W	ETB	Clear EOL	Clear EOL	Clear Line	**
↵	↵	↵	↵	E	e	E	ENQ	Del Line	-Delete Line-		
Caps Lock	-	Caps Lock	-	R	r	R	DC2	Insert Line	-Insert Line-		
Shift	-	Shift	-	T	t	T	DC4	Del Char	-Delete Character-		
Z	z	Z	SUB	Y	y	Y	EM	Insert Char	-Insert Character-		
X	x	X	CAN	U	u	U	NAK	Xmit Line	-Transmit Line-		
C	c	C	ETX	I	i	I	HT	Xmit Msg	-Transmit Message-		
V	v	V	SYN	O	o	O	SI	Xmit Page	-Transmit Page-		
B	b	B	STX	P	p	P	DLE	Print	-Print All-		
N	n	N	SO	[[{	ESC	CR	CR	CR	CR
M	m	M	CR	\	\	}	FS	∅	∅	∅	∅
,	,	<	NUL	+	+	+	+
.	.	>	NUL	ESCAPE	ESC	ESC	ESC				
/	/	?	US			!	NUL	2	2	2	2
Shift	-	Shift	-	2	2	@	NUL	3	3	3	3
Line Feed	LF	LF	LF	3	3	#	NUL	4	4	4	4
↓	↓	↓	↓	4	4	\$	NUL	5	5	5	5
DEL	DEL	DEL	DEL	5	5	%	NUL	6	6	6	6
Control	-	Control	-	6	6	^	NUL	7	7	7	7
A	a	A	SOH	7	7	&	NUL	8	8	8	8
S	s	S	DC3	8	8	*	NUL	9	9	9	9
D	d	D	EOT	9	9	(NUL	Break	270 msec Break-		
F	f	F	ACK	∅	∅)	NUL	Interrupt (to NMI)			
G	g	G	BEL	-	-	—	NUL				
H	h	H	BS	=	=	+	NUL				
J	j	J	LF	∕	∕	~	RS				
K	k	K	VT	Bk Space	BS	BS	BS		Key Up	Key Down	
L	l	L	FF	↑	↑	↑	↑		(Logic 1)	(Logic 0)	
;	;	:	NUL	F1	F1	F5	**	LOCAL	ON LINE	Local Mode	
'	'	"	NUL	F2	F2	F6	**	SCROLL	Page Mode	Scroll Mode	
]]	}	GS	F3	F3	F7	**	XPRINT	Normal	Xparent Mode	
Return	CR	CR	CR	F4	F4	F8	**	BLOCK	Character	Block Mode	
→	→	→	→	Tab Set	Tab Set	Tab Clr	**				
Tab	Tab	Back Tab	**	Clr Page	-	Clear Page	-				
Q	q	Q	DC1	Clr EOP	-	Clear EOP	-				

Notes: On these keys the control key input is ignored. Control overrides shift except for keys marked ** in Control column; on the marked keys the control input is ignored.

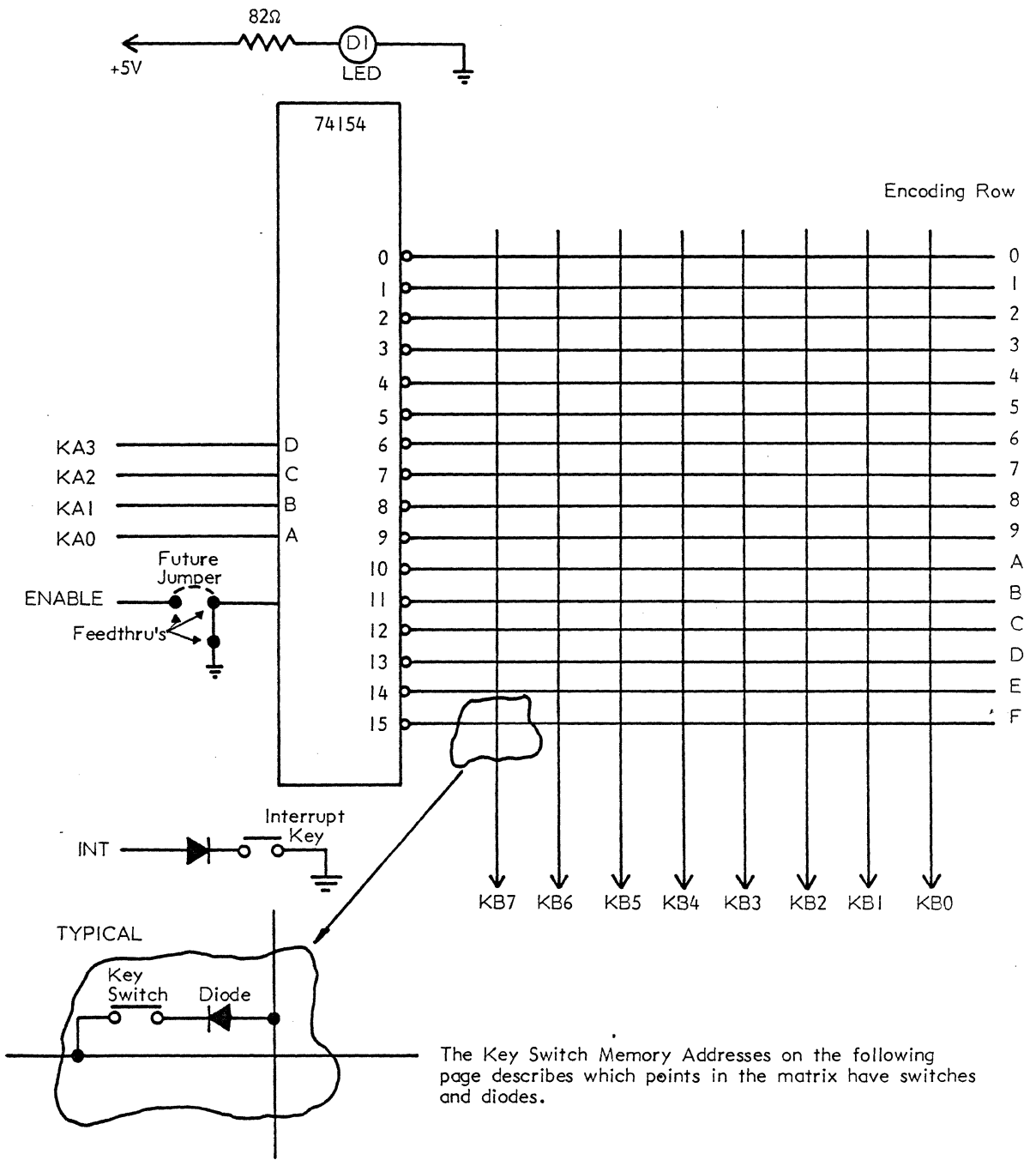
KEYBOARD CODING - STANDARD



Keyboard Coding - Numbered keys are those whose coding and/or legend changes for the European version of the keyboard. The coding and legend changes for these keys are shown on the following page.

EUROPEAN KEYBOARD LEGENDS/CODING

Keytop for Circled Number	LEGEND Swedish Keytop	LEGEND German	LEGEND Norwegian Danish	Unshift	ASCII Coding Shift	CTRL
1	&	'&	&	6	&	NUL
2	/	/	/	7	/	NUL
3	(((8	(NUL
4)))	9)	NUL
5	=	=	=	0	=	NUL
6	?	?	?	+	?	NUL
7	E'	§	*	'	@	NUL
8	e'	\	/	>	<	NUL
9	none	none	none	}]	GS
10	U	^	:	~	^	RS
11	none	none	none		\	FS
12	none	none	none	{	[NUL
13	A	A	ø	'	*	NUL
14	*	*	c	,	;	NUL
15	,	,	@	.	:	NUL
16	;	;	<	-	_	US
17	:	:	>	"	"	NUL
	.	.	.	2		
	—	—	—			
	"	"	"			
	2	2	2			



The Key Switch Memory Addresses on the following page describes which points in the matrix have switches and diodes.

KEYBOARD SCHEMATIC

KA	KB7	KB6	KB5	KB4	KB3	KB2	KB1	KB0
3210								
0000	0	7	6	5	4	3	2	1 0
0001	1						9	8
0010	2	G	F	E	D	C	B	A Space
0011	3	O	N	M	L	K	J	I H
0100	4	W	V	U	T	S	R	Q P
0101	5	=					Z	Y X
0110	6	/	.	=	,	;	'	
0111	7							
1000	8	DEL	BREAK	RETURN		ESC	LF	TAB BS
1001	9	CLEAR EOP	CLEAR PAGE	TAB SET	CLEAR EOL	F4	F3	F2 F1
1010	A	PRINT	XMT PAGE	XMT MSG	XMT LINE	INST CHAR	DEL CHAR	INST LINE DEL LINE
1011	B							
1100	C*	7	6	5	4	3	2	1 0
1101	D*	CTRL		CR			.	9 8
1110	E	SHIFT	CAPS LOCK					SHIFT
1111	F	LOCAL	TRANS- PARENT				BLOCK	SCROLL

Interrupt = dedicated line to connector

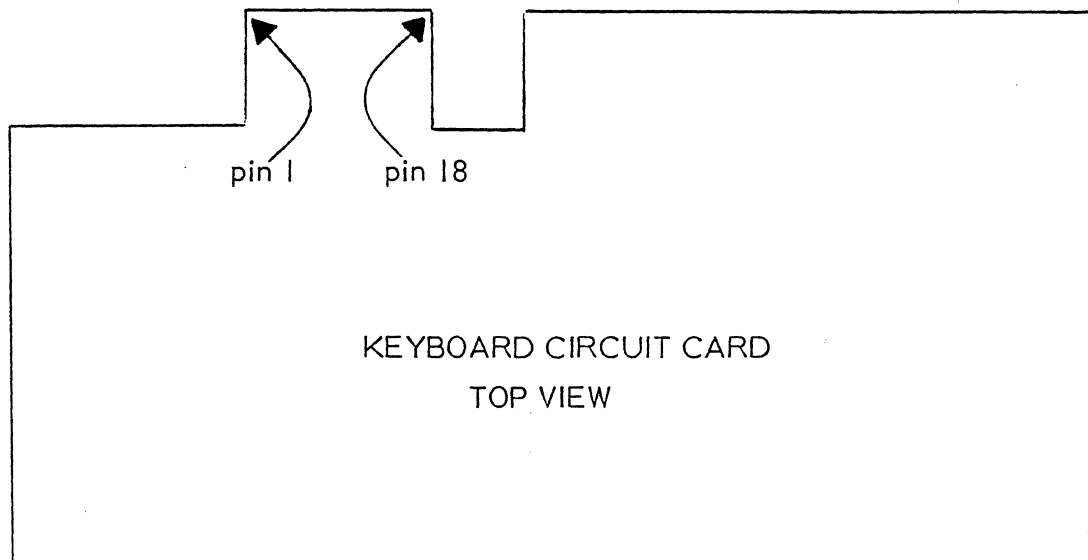
*These rows contain the numeric block

All Addresses (KA) located at $000 X_{16}$
 Keyswitch Memory Addresses

KEYBOARD SCHEMATIC - Continued

KEYBOARD CONNECTOR/CABLE PIN ASSIGNMENT

<u>Keyboard Pin No.</u>	<u>Signal Name</u>	<u>Wire Color</u>	<u>Rear Panel Connector Pin No.</u>
1	Logic Ground	White-Red	23
2	+5V	Green	6
3	KA0	Orange	4
4	KA1	Brown	2
5	KA2	Black	1
6	KA3	Red	3
7	Interrupt	Blue	7
8	KB7	White	10
9	KB4	Grey	9
10	KB6	Yellow	5
11	KB5	Violet	8
12	KB3	White-Yellow	24
13	KB2	White-Brown	12
14	KB1	White-Orange	25
15	KB0	White-Black	11
16	Unused		
17	Chassis Ground	White-Blue	13
18	Unused		



KEYBOARD PARTS LIST

<u>Title</u>	<u>Quantity Used</u>
1062 Keypress, momentary	91
1062 Keypress, locking	6
Diode, 1N914 or equivalent	97
IC, 1 of 16 decoder 74154	1
LED GE# LED 55B or equivalent	1
Resistor, 47 Ω , 1/4 watt, carbon	1

Section 6

LOGIC MODULE

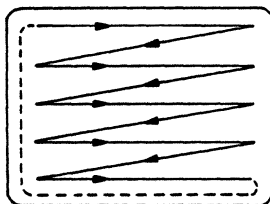
A. Architecture

The Teleray logic is a microprocessor oriented bus structured design. Specialized hardware is provided for the display of data from RAM on the CRT (display refresh hardware, character generator). Specialized hardware is also provided for enhancing the data display (Field Modifier Logic). Bus oriented interfaces are provided for the keyboard, the Serial Input/Output and for the rear panel switches. Program space for ROM and RAM is also provided. the Logic Module Architecture Diagram shows this structure; the Logic Module Block Diagram further details the organization.

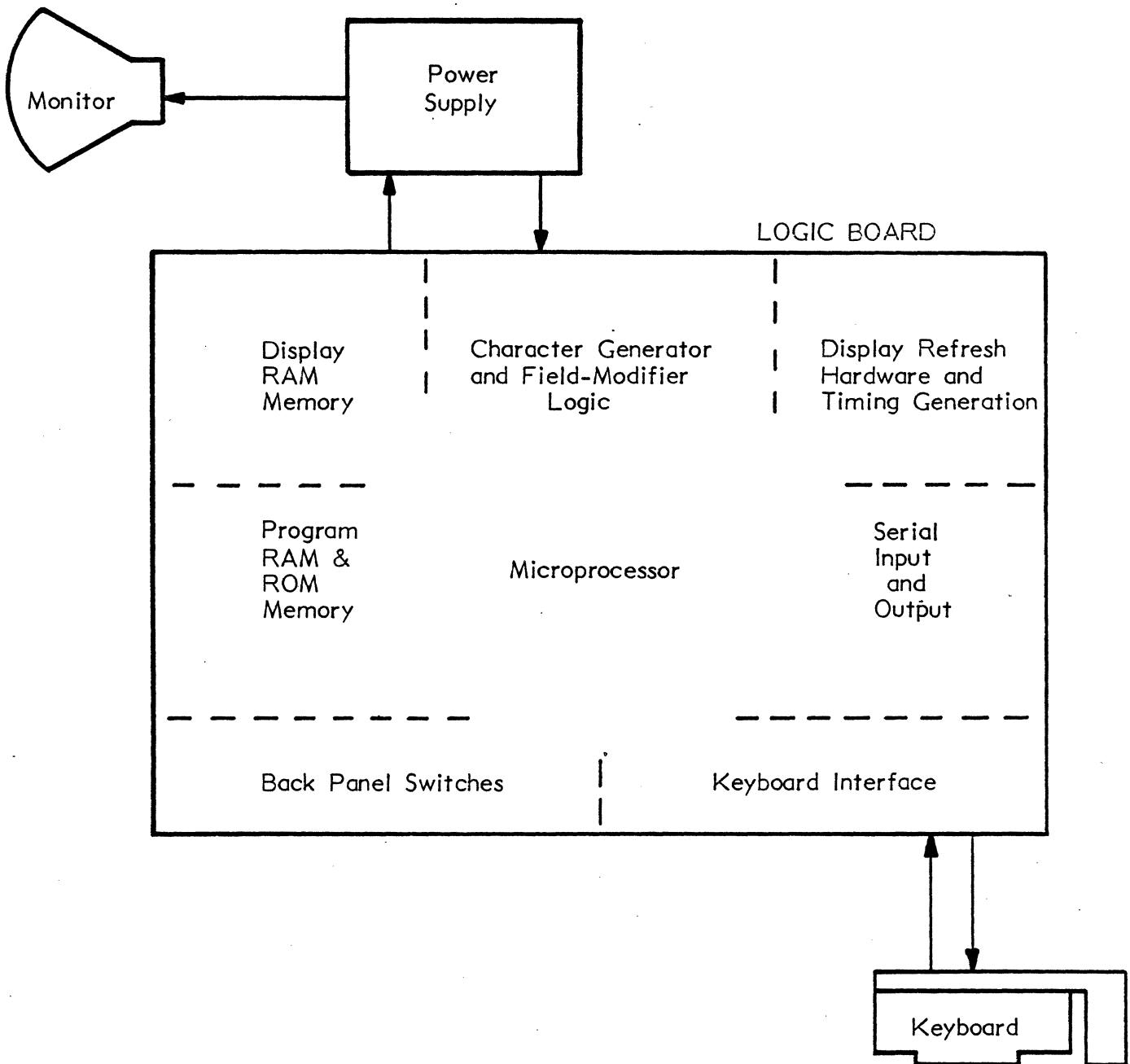
B. Theory of Operation

1. Display Refresh Hardware

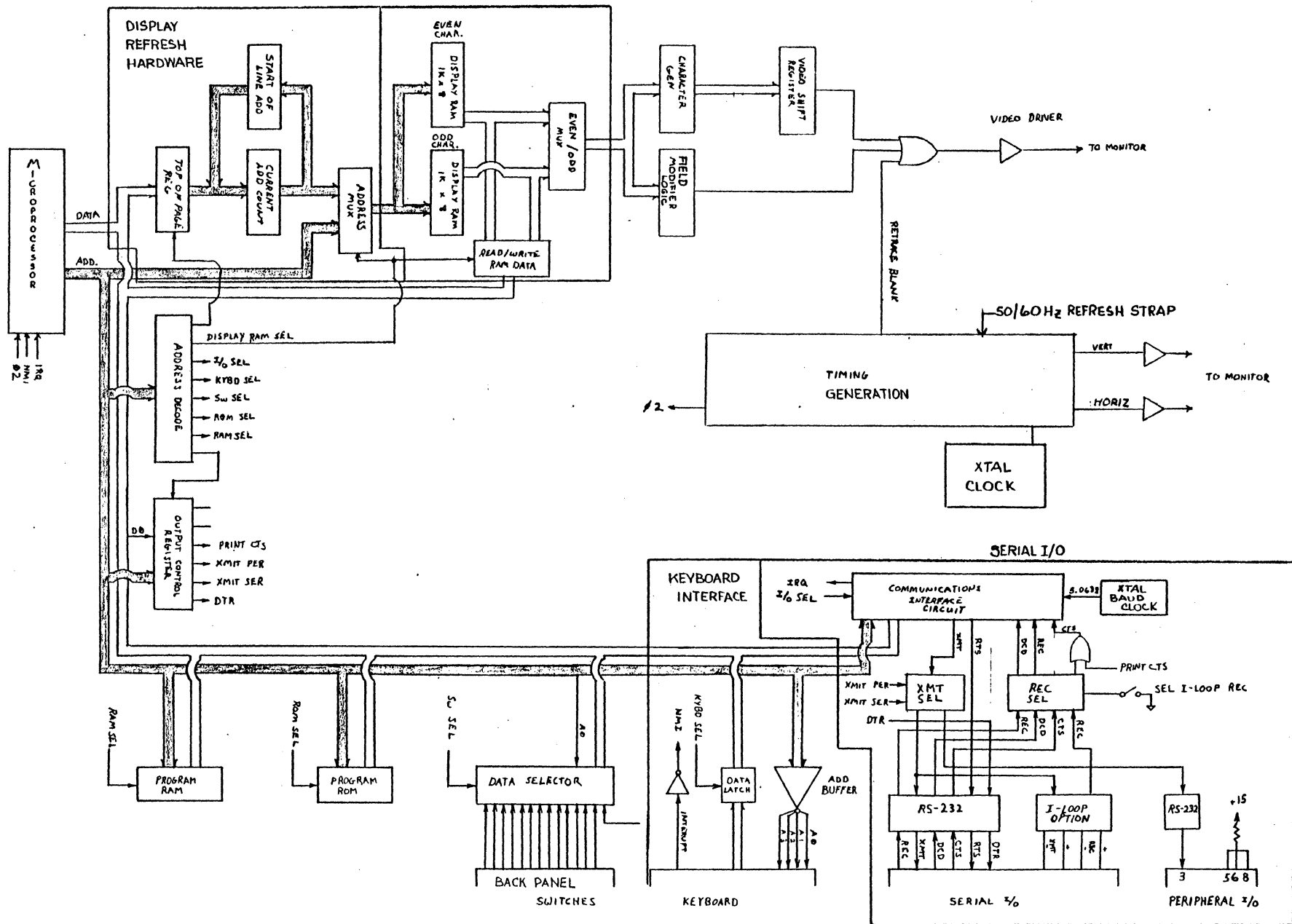
This logic controls the monitor and provides time and address references for retrieving data from memory. The display on the TELERAY monitor is a "raster" scan. The electronic beam scans the face of the CRT 60 times a second following the generalized pattern shown below. The pattern is "non-interlaced"; i.e., the beam starts at the same place every time and horizontal lines remain distinct. The "vertical sync" signal causes the beam to return to the top left corner of the screen; the "horizontal drive" signal causes the beam to start a new line. The characters are formed when the beam is moving from left to right by illuminating a given position as the beam passes. The signal which provides the "illumination" information to the monitor is the video signal. The timing section of the TELERAY logic provides the Horizontal Drive and Vertical Sync and controls the Video signal.



The characters are formed within a 7 x 9 dot matrix. There are seven dots horizontally and nine dots vertically. In addition, there are three dots (horizontally) of intercharacter separation and three lines of vertical interline separation. Each character position then occupies 12 horizontal lines of ten dots per line, and the characters themselves are formed on a 7 x 9 matrix field within this 10 x 12 position field.



LOGIC MODULE ARCHITECTURE DIAGRAM



LOGIC MODULE BLOCK DIAGRAM

Eighty characters are formed on each horizontal line (a total of $80 \times 10 = 800$ dots per scan line). Timing for an additional 20 character positions is provided on each line to allow the beam to return from the right side of the CRT to the left side and to provide a "margin" on each side of the data on the CRT screen. Each horizontal line contains a total of $80 + 20 = 100$ character positions. As mentioned earlier, 12 horizontal lines are used to write a single row of characters. The TELERAY is capable of displaying 24 character rows in a page, or frame. The timing additionally provides for more rows to give the beam time to return from the bottom of the CRT to the top, and leave a margin at top and bottom. A total of 310 scan lines are thus used as the beam scans the entire face of the CRT (one frame). When the TELERAY is set for 50 Hertz refresh, 372 scan lines are used.

Characters are formed by selectively illuminating the proper dot positions within the matrix. Ten dots are allowed horizontally for each character, 100 characters for each line, 12 lines for each character row, and 25 and 10/12 character rows per frame. At 50 Hertz refresh there are 31 character rows per frame.

A crystal oscillator provides the base for all timing. The period of the oscillator controls the width of one dot. The dot counter then counts groups of ten dots (- by 10) to indicate horizontal character positions. The dot counter is also used to clock out the video information.

The character-per-line counter counts 100 characters (÷ by 100). The horizontal drive signal is derived from this "character-per-line timing counter". Decoding is used to correctly set the relationship between the video information and the horizontal drive signal. This counter is also used to generate the microprocessor clock.

The Character Scan counter counts scan lines and divides by 12 (counts to 12) to indicate when a character line has been completed. Outputs from this counter also go to the character generator to indicate which line within the character is to be displayed.

The Character Line Counter counts the character rows. Decoding on this counter locates the Vertical Sync signal to center the video information on the CRT face vertically. If the TELERAY is set for 50 Hz refresh this counter is modified so that 31 character rows are counted.

Some frequencies associated with the above discussion follow:

Master OSC	18.6 MHZ	53.8 nsec period
Dot Counter Output	18.6 KHZ	53.8 nsec period
Horizontal Drive	18.6 KHZ	53.8 usec period
Character Row	1.55 KHZ	64.5 usec peiord
Vertical Sync	60 HZ	16.67 msec period
OR	50 HZ	20 msec period

The display hardware maintains a set of address counters called Current Address Counters. At the beginning of each frame the starting address of the frame is loaded from the microprocessor written Top of Page Register (TOPR) into these counters. Two characters are read out of the display memory during $\emptyset 1$; the UP only uses the RAM during $\emptyset 2$. This hardware address counter controls which characters are read from the display RAM. Scrolls are effected by changing the contents of TOPR. If the hardware display counters reach the end of the display memory, the Clear Current Address Counter (CLC) signal will be generated resetting the counters to the start of display memory.

Clocks for the Current Address Counters are derived from the Dot Counter, the Character Counter, the Character Scan Counter and from the Line Counter. There will be 80 clocks on the beginning of every Character Scan to advance the Current Address Counters. Since the Character Counter is used to clock both these counters and to generate the microprocessor clocks, the microprocessor and the Current Address Counters are always in synchronization with each other. During Clock $\emptyset 1$, the Address Counters are used to access the Display RAM; during Clock $\emptyset 2$ the microprocessor can access Display RAM.

Wide mode is controlled by the microprocessor. When the Output Control Register bit is set to a 1 the display refresh hardware goes to Wide mode; the video clocks run at half their normal speed - horizontal and vertical remain unchanged, of course. In Wide mode, the Address Counters count at half their normal speed except during the twelfth scan. During this scan the counters always count at their normal rate to ensure that they will be at the correct location for the start of scan 1 on the following character line.

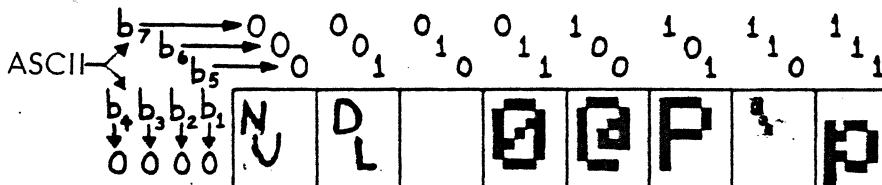
2. Character Generator and Field Modifier Logic

The Teleray uses a ROM to convert the ASCII coded information in the display memory to a dot pattern forming characters on the CRT face. All seven dots are outputted by the character generator ROM in parallel. These dots are serialized by the video shift register and are presented to the video amplifier of the monitor one at a time. The video shift register uses clocks developed from the dot counter to clock the dots to the video amplifier.

A mask programmed 2K by 8 ROM is used as the character generator. Ultraviolet erasable (UVEPROM) versions of this ROM are available. The ROM has 8 data outputs, the eighth bit is unused for all characters. The four least significant address lines are controlled by the character scan counter. These lines are used to determine which row of dots within the character will be displayed. The seven most significant address lines are the ASCII coded dots from the display memory. The Teleray display font is shown on the following page.

Characters are accessed from the Display Memory in pairs. A bus is used to route this data one character at a time to both the character generator and to the Field Modifier logic. The Display Memory bit map shows the coding used within the Display Memory. If memory bit 7 is a 1; the character is treated as a field modifier character and the character is loaded into a latch. The outputs of this latch, when set to a 1 will:

TELERA Display Font



ASCII
 DISPLAY MEMORY
 D6
 D5
 D4
 D3
 D2
 D1
 D0
 b7
 b6
 b5
 b4
 b3
 b2
 b1

0000	N U	D L	0	0	P	'	p
0001	S H	D ₁	!	1	A	Q	a
0010	S X	D ₂	"	2	B	R	b
0011	E X	D ₃	#	3	C	S	s
0100	E T	D ₄	\$	4	D	T	d
0101	E Q	N K	%	5	E	U	e
0110	A K	S Y	&	6	F	V	f
0111	B L	E B	'	7	G	W	g
1000	B S	C N	(8	H	X	h
1001	H T	E M)	9	I	Y	i
1010	L F	S B	*	:	J	Z	j
1011	U T	E C	+	:	K	[k
1100	F F	F S	,	<	L	\	l
1101	C R	G S	-	=	M]	m
1110	S O	R S	.	>	N	^	n
1111	S I	U S	/	?	O	_	o

Coding Example

Seven Most Significant Address Lines = 4 D Character = "M"

ROM Scan Address (4 LSB)	DOTS (ROM Outputs)							
	7	6	5	4	3	2	1	0
0000	0	1	0	0	0	0	0	1
0001	0	1	1	0	0	0	1	1
0010	0	1	0	1	0	1	0	1
0011	0	1	0	0	1	0	0	1
0100	0	1	0	0	1	0	0	1
0101	0	1	0	0	0	0	0	1
0110	0	1	0	0	0	0	0	1
0111	0	1	0	0	0	0	0	1
1000	0	1	0	0	0	0	0	1
1001	0	1	0	0	0	0	0	1
1010	0	1	0	0	0	0	0	1
1011	0	1	0	0	0	0	0	1
1100	0	1	0	0	0	0	0	1
1101	0	1	0	0	0	0	0	1
1110	0	1	0	0	0	0	0	1
1111	0	1	0	0	0	0	0	1

0 Normally all zero used for characters w/tails below line such as "g"

All Zero Unused

<u>BIT</u>	<u>FIELD MODIFIER CHARACTER</u>	<u>DATA CHARACTER</u>
7	I	0
6	Z	X (b7 in ASCII)
5	Y (Underscore)	X (b6 in ASCII)
4	Y (Inverse)	X (b5 in ASCII)
3	Y (Dim)	X (b4 in ASCII)
2	Y (Blink)	X (b3 in ASCII)
1	Z	X (b2 in ASCII)
0	Z	X (b1 in ASCII)

Legend

X = data bits, ASCII coded
Y = attribute bits
Z = reserved (currently unused)

DISPLAY MEMORY BIT MAP

BLINK - the Blink oscillator is ANDed with serial video
UNDERSCORE - the serial video is ORed with a 1 during scan 12
INVERSE - the serial video is INVERTED, except during retrace
and DIM - the serial video amplitude is clamped to a potentiometer preset
value which is lower than the normal value.

A special attribute character is formed using the dot counter to generate
a "||" video pattern. The character generator video is disregarded
during the attribute character time interval.

3. Display Memory and Program Memory

The Display Memory is implemented with 4 of 1K by 4 static RAMs. These RAMs are organized into an even bank of 8 bits and an odd bank of 8 bits. The refresh hardware accesses one character from each bank during microprocessor $\emptyset 1$. These characters are stored in a buffer register and fed to the character generator and attribute logic one at a time. There are 2048 bits of display memory but only 1920 are needed for the display of 24 by 80 characters. The remaining 128 bits are used by the program. See the memory maps for the description of their use. 1024 additional bits of RAM memory are provided for program use. Again, see the memory maps. 4K bits of ROM space are installed for the standard program. An additional 1K bit can be installed if necessary.

4. Keyboard and Switch Interfaces

The rear panel switches and the keyboard can be read directly by the microprocessor. The switches and the keyboard are located in the microprocessor address space and during a read operation the appropriate switches are gated onto the microprocessor data bus by tri-state integrated circuits. The switches and the keyboard are scanned by the microprocessor. No interrupts are generated by the hardware. A hardware timer does generate an interrupt every 645 microseconds to help the microprocessor "time" its scans. See the memory maps for the switch and keyboard memory locations.

The microprocessor converts the key contact inputs to ASCII characters. The microprocessor keyboard coding table lists the hexadecimal codes generated for each memory address.

MEMORY ADDRESS/ BIT	Code In No Shift	Code In Shift	Code In Control	MEMORY ADDRESS/ BIT	Code With No Shift	Code With Shift	Code With Control	MEMORY ADDRESS/ BIT	No Shift	Shift	Control
2 0 Space	20	20	20	5 3 W	77	57	17	9 4 Clear EOL	LF Clear EOL	LF Clear Line	**
B 0 ↵	Home LF	Home LF	Home LF	2 5 E	65	45	05	A 0 Del Line	LF	Delete Line	LF
E 6	KF	Caps Lock	KF	4 2 R	72	52	12	A 1 Insert Line	LF	Insert Line	
E 7	KF	Shift	KF	4 4 T	74	54	14	A 2 Del Char.	LF	Delete Char.	
5 2 z	7A	5A	1A	5 1 y	79	59	19	A 3 Insert Char.	LF	Insert Char.	
5 0 x	78	78	18	4 5 u	75	55	15	A 4 Trans. Line	LF	Trans. Line	
2 3 c	63	43	03	3 1 l	69	49	09	A 5 Trans. Msg.	LF	Trans. Message	
4 6 v	76	56	16	3 7 o	6F	4F	0F	A 6 Trans. Page	LF	Trans. Page	
2 2 B	62	42	02	4 0 p	70	50	10	A 7 Print	LF	Print All	LF
3 6 N	6E	4E	0E	5 3 [5B	7B	1B	D 5 CR	0D	0D	0D
3 5 M	6D	4D	0D	5 4 \	5C	7C	1C	C 0 Ø	30	30	30
6 4 ,	2C	3C	00	B 3 +	LF	One Left	LF	D 2 .	2E	2E	2E
6 6 .	2E	3E	00	8 3 ESC	1B	1B	1B	C 1	31	31	31
6 7 /	2F	3F	1F	0 1	31	21	00	C 2 2	32	32	32
E 0 Shift	KF	KF	KF	0 2 2	32	40	00	C 3 3	33	33	33
8 2 LF	0A	0A	0A	0 3 3	33	23	00	C 4 4	34	34	34
B 1 ↓	LF	One Down	LF	0 4 4	34	24	00	C 5 5	35	35	35
8 7 DEL	7F	7F	7F	0 5 5	35	25	00	C 6 3	36	36	36
D 7	KF	Control	KF	0 6 6	36	5E	00	C 7 7	37	37	37
2 1 A	61	41	01	0 7 7	37	26	00	C 8 8	38	38	38
4 3 S	73	53	13	0 8 8	38	2A	00	C 9 9	39	39	39
2 4 D	64	44	04	0 9 9	39	28	00	8 6 Break Int	LF	Break Interrupt(NMI)	LF
2 6 F	66	46	06	0 0 0	30	29	00				
2 7 G	67	47	07	5 7 -	2D	5F	00				
3 0 H	68	48	08	6 5 =	3D	2B	00				
3 2 J	6A	4A	0A	6 0 '	60	7E	1E				
3 3 K	6B	4B	0B	8 0 Bksp	08	08	08				
3 4 L	6C	4C	0C	B 4 ↑	LF	One Up	LF				
6 3 ;	3B	3A	00	9 0 F1	F1	F5	**				
6 2 `	27	22	00	9 1 F2	F2	F6	**		Legend	Key Up	Key Down
5 5 j	5D	7D	1D	9 2 F3	F3	F7	**	F7	Local	On Line	Local
8 5 Return	0D	0D	0D	9 3 F4	F4	F8	**	F0	Scroll	Page Mode	Scroll
B 2 →	LF	One Right	LF	9 5 Tab Set	LF Tab Set	LF Tab Clr	**	F6	Xprnt	Normal Mode	Xprnt
8 1 Tab	0.9	LF Back Tab	**	9 6 Clr Pg	LF	Clear Pg	LF	F1	Block	Char.	Block
4 1 Q	71	51	11	9 7 Clr EOP	LF	Clear/End of Page	LF				

LF = Local Function
KF = Keyboard Function

**Control input has no effect on unmarked inputs control overrides shift

MICROPROCESSOR KEYBOARD CODING

5. Serial Input/Output

The serializing and deserializing of characters and the majority of the protocol signal generation is performed by programming of the 2651 serial I/O integrated circuits. The details of this circuit are included on the following pages.

NOTE

The 2651 is being driven in the asynchronous mode.

The output control register contains bits which allow the software to steer the 2651 serial output data stream to the serial I/O and/or to the peripheral I/O interface. EIA RS232 drivers and receivers are supplied as standard, a current loop may be optionally installed and switch selected. When the current loop is selected the half duplex protocol signals are forced to the enabled condition by the interface hardware.

DESCRIPTION

The Signetics 2651 PCI is a universal synchronous/asynchronous data communications controller chip designed for micro-computer systems. It interfaces directly to the Signetics 2650 microprocessor and may be used in a polled or interrupt driven system environment. The 2651 accepts programmed instructions from the microprocessor and supports many serial data communication disciplines, synchronous and asynchronous, in the full or half-duplex mode.

The PCI serializes parallel data characters received from the microprocessor for transmission. Simultaneously, it can receive serial data and convert it into parallel data characters for input to the microcomputer.

The 2651 contains a baud rate generator which can be programmed to either accept an external clock or to generate internal transmit or receive clocks. Sixteen different baud rates can be selected under program control when operating in the internal clock mode.

The PCI is constructed using Signetics n-channel silicon gate depletion load technology and is packaged in a 28-pin DIP.

FEATURES

- **Synchronous operation**
 - 5 to 8-bit characters
 - Single or double SYN operation
 - Internal character synchronization
 - Transparent or non-transparent mode
 - Automatic SYN or DLE-SYN insertion
 - SYN or DLE stripping
 - Odd, even, or no parity
 - Local or remote maintenance loop back mode
 - Baud rate: dc to 0.8M baud (1X clock)
- **Asynchronous operation**
 - 5 to 8-bit characters
 - 1, 1 1/2 or 2 stop bits
 - Odd, even, or no parity
 - Parity, overrun and framing error detection
 - Line break detection and generation
 - False start bit detection
 - Automatic serial echo mode
 - Local or remote maintenance loop back mode
 - Baud rate: dc to 0.8M baud (1X clock)
 - dc to 50K baud (16X clock)
 - dc to 12.5K baud (64X clock)

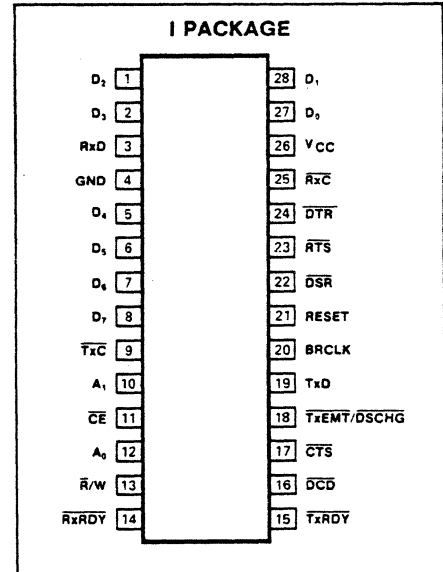
OTHER FEATURES

- Internal or external baud rate clock
- 16 internal rates-50 to 19,200 baud
- Double buffered transmitter and receiver
- Full or half duplex operation
- Fully compatible with 2650 CPU
- TTL compatible inputs and outputs
- Single 5V power supply
- No system clock required
- 28-pin dual in-line package

APPLICATIONS

- Intelligent terminals
- Network processors
- Front end processors
- Remote data concentrators
- Computer to computer links
- Serial peripherals

PIN CONFIGURATION



PIN DESIGNATION

PIN NO.	SYMBOL	NAME & FUNCTION	TYPE
27,28,1,2, 5-8	D ₀ -D ₇	8-bit data bus	I/O
21	RESET	Reset	I
12,10	A ₀ -A ₁	Internal register select lines	I
13	R/W	Read or write command	I
11	CE	Chip enable input	I
22	DSR	Data set ready	I
24	DTR	Data terminal ready	O
23	RTS	Request to send	O
17	CTS	Clear to send	I
16	DCD	Data carrier detected	I
18	TxEMT/DSCHG	Transmitter empty or data set change	O
9	TxC	Transmitter clock	I/O
25	RxC	Receiver clock	I/O
19	TxD	Transmitter data	O
3	RxD	Receiver data	I
15	TxRDY	Transmitter ready	O
14	RxRDY	Receiver ready	O
20	BRCLK	Baud rate generator clock	I
26	Vcc	+5V supply	I
4	GND	Ground	I

BLOCK DIAGRAM

The PCI consists of six major sections. These are the transmitter, receiver, timing, operation control, modem control and SYN/DLE control. These sections communicate with each other via an internal data bus and an internal control bus. The internal data bus interfaces to the microprocessor data bus via a data bus buffer.

Operation Control

This functional block stores configuration and operation commands from the CPU and generates appropriate signals to various internal sections to control the overall device operation. It contains read and write circuits to permit communications with the microprocessor via the data bus and contains Mode Registers 1 and 2, the Command Reg-

Baud Rate	Theoretical Frequency 16X Clock	Actual Frequency 16X Clock	Percent Error	Duty Cycle %	Divisor
50	0.8 KHz	0.8 KHz	--	50/50	6336
75	1.2	1.2	--	50/50	4224
110	1.76	1.76	--	50/50	2880
134.5	2.152	2.1523	0.016	50/50	2355
150	2.4	2.4	--	50/50	2112
300	4.8	4.8	--	50/50	1056
600	9.6	9.6	--	50/50	528
1200	19.2	19.2	--	50/50	264
1800	28.8	28.8	--	50/50	176
2000	32.0	32.081	0.253	50/50	158
2400	38.4	38.4	--	50/50	132
3600	57.6	57.6	--	50/50	88
4800	76.8	76.8	--	50/50	66
7200	115.2	115.2	--	50/50	44
9600	153.6	153.6	--	48/52	33
19200	307.2	316.8	3.125	50/50	16

NOTE

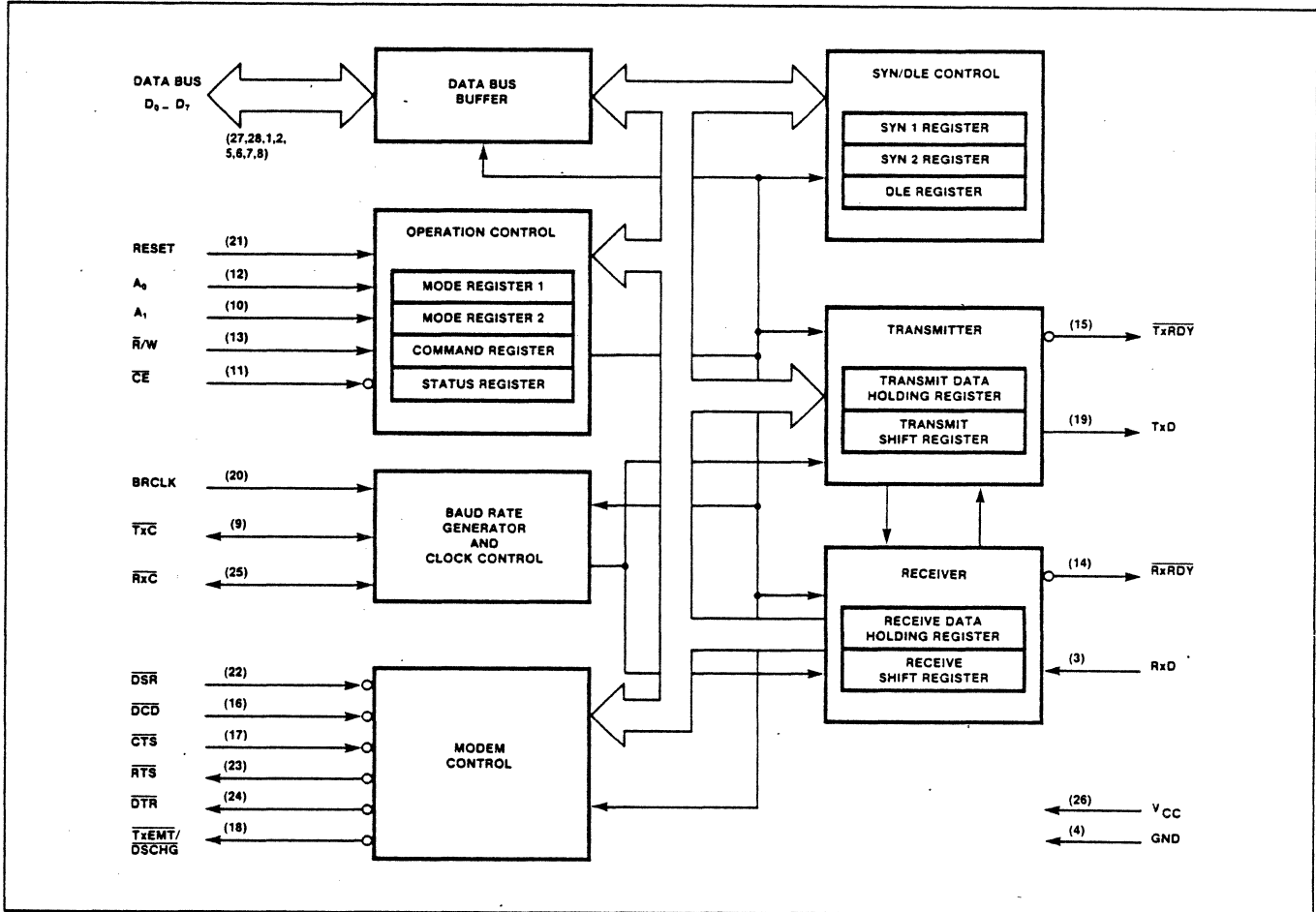
16X clock is used in asynchronous mode. In synchronous mode, clock multiplier is 1X and duty cycle is 50%/50% for any baud rate.

Table 1 BAUD RATE GENERATOR CHARACTERISTICS
Crystal Frequency = 5.0688MHz

PIN NAME	PIN NO.	INPUT/OUTPUT	FUNCTION
VCC	26	I	+5V supply input
GND	4	I	Ground
RESET	21	I	A high on this input performs a master reset on the 2651. This signal asynchronously terminates any device activity and clears the Mode, Command and Status registers. The device assumes the idle state and remains there until initialized with the appropriate control words.
A ₁ -A ₀	10,12	I	Address lines used to select internal PCI registers.
$\overline{R/W}$	13	I	Read command when low, write command when high.
CE	11	I	Chip enable command. When low, indicates that control and data lines to the PCI are valid and that the operation specified by the $\overline{R/W}$, A ₁ and A ₀ inputs should be performed. When high, places the D ₀ -D ₇ lines in the tri-state condition.
D ₇ -D ₀	8,7,6,5, 2,1,28,27	I/O	8-bit, three-state data bus used to transfer commands, data and status between PCI and the CPU. D ₀ is the least significant bit; D ₇ the most significant bit.
\overline{TxRDY}	15	O	This output is the complement of Status Register bit SR0. When low, it indicates that the Transmit Data Holding Register (THR) is ready to accept a data character from the CPU. It goes high when the data character is loaded. This output is valid only when the transmitter is enabled. It is an open drain output which can be used as an interrupt to the CPU.
\overline{RxRDY}	14	O	This output is the complement of Status Register bit SR1. When low, it indicates that the Receive Data Holding Register (RHR) has a character ready for input to the CPU. It goes high when the RHR is read by the CPU, and also when the receiver is disabled. It is an open drain output which can be used as an interrupt to the CPU.
$\overline{TxEMT/DSCHG}$	18	O	This output is the complement of Status Register bit SR2. When low, it indicates that the transmitter has completed serialization of the last character loaded by the CPU, or that a change of state of the \overline{DSR} or \overline{DCD} inputs has occurred. This output goes high when the Status Register is read by the CPU, if the TxEMT condition does not exist. Otherwise, the THR must be loaded by the CPU for this line to go high. It is an open drain output which can be used as an interrupt to the CPU.

Table 2 CPU-RELATED SIGNALS

BLOCK DIAGRAM



ister, and the Status Register. Details of register addressing and protocol are presented in the PCI PROGRAMMING section of this data sheet.

Timing

The PCI contains a Baud Rate Generator (BRG) which is programmable to accept external transmit or receive clocks or to divide an external clock to perform data communications. The unit can generate 16 commonly used baud rates, any one of which can be selected for full duplex operation. See Table 1.

Receiver

The Receiver accepts serial data on the Rx̄D pin, converts this serial input to parallel format, checks for bits or characters that are unique to the communication technique and sends an "assembled" character to the CPU.

Transmitter

The Transmitter accepts parallel data from the CPU, converts it to a serial bit stream, inserts the appropriate characters or bits

(based on the communication technique) and outputs a composite serial stream of data on the TxD output pin.

Modem Control

The modem control section provides interfacing for three input signals and three output signals used for "handshaking" and status indication between the CPU and a modem.

SYN/DLE Control

This section contains control circuitry and three 8-bit registers storing the SYN1, SYN2, and DLE characters provided by the CPU. These registers are used in the synchronous mode of operation to provide the characters required for synchronization, idle fill and data transparency.

INTERFACE SIGNALS

The PCI interface signals can be grouped into two types: the CPU-related signals (shown in Table 2), which interface the 2651 to the microprocessor system, and the device-related signals (shown in Table 3), which are used to interface to the communi-

cations device or system.

OPERATION

The functional operation of the 2651 is programmed by a set of control words supplied by the CPU. These control words specify items such as synchronous or asynchronous mode, baud rate, number of bits per character, etc. The programming procedure is described in the PCI PROGRAMMING section of this data sheet.

After programming, the PCI is ready to perform the desired communications functions. The receiver performs serial to parallel conversion of data received from a modem or equivalent device. The transmitter converts parallel data received from the CPU to a serial bit stream. These actions are accomplished within the framework specified by the control words.

Receiver

The 2651 is conditioned to receive data when the DCD input is low and the RxEN bit in the command register is true. In the asynchronous mode, the receiver looks for

PIN NAME	PIN NO.	INPUT/OUTPUT	FUNCTION
BRCLK	20	I	5.0688MHz clock input to the internal baud rate generator. Not required if external receiver and transmitter clocks are used.
$\overline{\text{RxC}}$	25	I/O	Receiver clock. If external receiver clock is programmed, this input controls the rate at which the character is to be received. Its frequency is 1X, 16X or 64X the baud rate, as programmed by Mode Register 1. Data is sampled on the rising edge of the clock. If internal receiver clock is programmed, this pin becomes an output at 1X the programmed baud rate.
$\overline{\text{TxC}}$	9	I/O	Transmitter clock. If external transmitter clock is programmed, this input controls the rate at which the character is transmitted. Its frequency is 1X, 16X or 64X the baud rate, as programmed by Mode Register 1. The transmitted data changes on the falling edge of the clock. If internal transmitter clock is programmed, this pin becomes an output at 1X the programmed baud rate.
RxD	3	I	Serial data input to the receiver. "Mark" is high, "Space" is low.
TxD	19	O	Serial data output from the transmitter. "Mark" is high, "Space" is low. Held in Mark condition when the transmitter is disabled.
$\overline{\text{DSR}}$	22	I	General purpose input which can be used for Data Set Ready or Ring Indicator condition. Its complement appears as Status Register bit SR7. Causes a low output on $\overline{\text{TxE}}/\overline{\text{DSCHG}}$ when its state changes.
$\overline{\text{DCD}}$	16	I	Data Carrier Detect input. Must be low in order for the receiver to operate. Its complement appears as Status Register bit SR6. Causes a low output on $\overline{\text{TxE}}/\overline{\text{DSCHG}}$ when its state changes.
$\overline{\text{CTS}}$	17	I	Clear to Send input. Must be low in order for the transmitter to operate.
$\overline{\text{DTR}}$	24	O	General purpose output which is the complement of Command Register bit CR1. Normally used to indicate Data Terminal Ready.
$\overline{\text{RTS}}$	23	O	General purpose output which is the complement of Command Register bit CR5. Normally used to indicate Request to Send.

Table 3 DEVICE-RELATED SIGNALS

a high to low transition of the start bit on the RxD input line. If a transition is detected, the state of the RxD line is sampled again after a delay of one-half of a bit time. If RxD is now high, the search for a valid start bit is begun again. If RxD is still low, a valid start bit is assumed and the receiver continues to sample the input line at one bit time intervals until the proper number of data bits, the parity bit, and the stop bit(s) have been assembled. The data is then transferred to the Receive Data Holding Register, the RxRDY bit in the status register is set, and the $\overline{\text{RxRDY}}$ output is asserted. If the character length is less than 8 bits, the high order unused bits in the Holding Register are set to zero. The Parity Error, Framing Error, and Overrun Error status bits are set if required. If a break condition is detected (RxD is low for the entire character as well as the stop bit [s]), only one character consisting of all zeros (with the FE status bit set) will be transferred to the Holding Register. The RxD input must return to a high condition before a search for the next start bit begins.

When the PCI is initialized into the synchronous mode, the receiver first enters the hunt mode. In this mode, as data is shifted into the Receiver Shift Register a bit at a time, the contents of the register are compared to the contents of the SYN1 register. If the two are not equal, the next bit is shifted in and the comparison is repeated. When the two re-

gisters match, the hunt mode is terminated and character assembly mode begins. If single SYN operation is programmed, the SYN DETECT status bit is set. If double SYN operation is programmed, the first character assembled after SYN1 must be SYN2 in order for the SYN DETECT bit to be set. Otherwise, the PCI returns to the hunt mode. (Note that the sequence SYN1-SYN1-SYN2 will not achieve synchronization). When synchronization has been achieved, the PCI continues to assemble characters and transfer them to the Holding Register, setting the RxRDY status bit and asserting the $\overline{\text{RxRDY}}$ output each time a character is transferred. The PE and OE status bits are set as appropriate. Further receipt of the appropriate SYN sequence sets the SYN DETECT status bit. If the SYN stripping mode is commanded, SYN characters are not transferred to the Holding Register. Note that the SYN characters used to establish initial synchronization are not transferred to the Holding Register in any case.

Transmitter

The PCI is conditioned to transmit data when the CTS input is low and the TxEN command register bit is set. The 2651 indicates to the CPU that it can accept a character for transmission by setting the TxRDY status bit and asserting the $\overline{\text{TxDY}}$ output. When the CPU writes a character into the Transmit Data Holding Register, these

conditions are negated. Data is transferred from the Holding Register to the Transmit Shift Register when it is idle or has completed transmission of the previous character. The TxRDT conditions are then asserted again. Thus, one full character time of buffering is provided.

In the asynchronous mode, the transmitter automatically sends a start bit followed by the programmed number of data bits, the least significant bit being sent first. It then appends an optional odd or even parity bit and the programmed number of stop bits. If, following transmission of the stop bits, a new character is not available in the Transmit Holding Register, the TxD output remains in the marking (high) condition and the $\overline{\text{TxE}}/\overline{\text{DSCHG}}$ output and its corresponding status bit are asserted. Transmission resumes when the CPU loads a new character into the Holding Register. The transmitter can be forced to output a continuous low (BREAK) condition by setting the Send Break command bit high.

In the synchronous mode, when the 2651 is initially conditioned to transmit, the TxD output remains high and the TxRDT condition is asserted until the first character to be transmitted (usually a SYN character) is loaded by the CPU. Subsequent to this, a continuous stream of characters is transmitted. No extra bits (other than parity, if commanded) are generated by the PCI

unless the CPU fails to send a new character to the PCI by the time the transmitter has completed sending the previous character. Since synchronous communications does not allow gaps between characters, the PCI asserts TxEMT and automatically "fills" the gap by transmitting SYN1s, SYN1-SYN2 doublets, or DLE-SYN1 doublets, depending on the command mode. Normal transmission of the message resumes when a new character is available in the Transmit Data Holding Register. If the SEND DLE bit in the command register is true, the DLE character is automatically transmitted prior to transmission of the message character.

PCI PROGRAMMING

Prior to initiating data communications, the 2651 operational mode must be programmed by performing write operations to the mode and command registers. In addition, if synchronous operation is programmed, the appropriate SYN/DLE registers must be loaded. The PCI can be reconfigured at any time during program execution. However, the receiver and transmitter should be disabled if the change has an effect on the reception or transmission of a character. A flowchart of the initialization process appears in Figure 1.

The internal registers of the PCI are accessed by applying specific signals to the CE, \bar{R}/W , A₁ and A₀ inputs. The conditions necessary to address each register are shown in Table 4.

The SYN1, SYN2, and DLE registers are accessed by performing write operations with the conditions A₁=0, A₀=1, and \bar{R}/W =1. The first operation loads the SYN1 register. The next loads the SYN2 register, and the third loads the DLE register. Reading or loading the mode registers is done in a similar manner. The first write (or read) operation addresses Mode Register 1, and a subsequent operation addresses Mode Register 2. If more than the required number of accesses are made, the internal sequencer recycles to point at the first register. The pointers are reset to SYN1 Register and Mode Register 1 by a RESET input or by performing a "Read Command Register" operation, but are unaffected by any other read or write operation.

The 2651 register formats are summarized in Tables 5, 6, 7 and 8. Mode Registers 1 and 2 define the general operational characteristics of the PCI, while the Command Register controls the operation within this basic frame-work. The PCI indicates its status in the Status Register. These registers are cleared when a RESET input is applied.

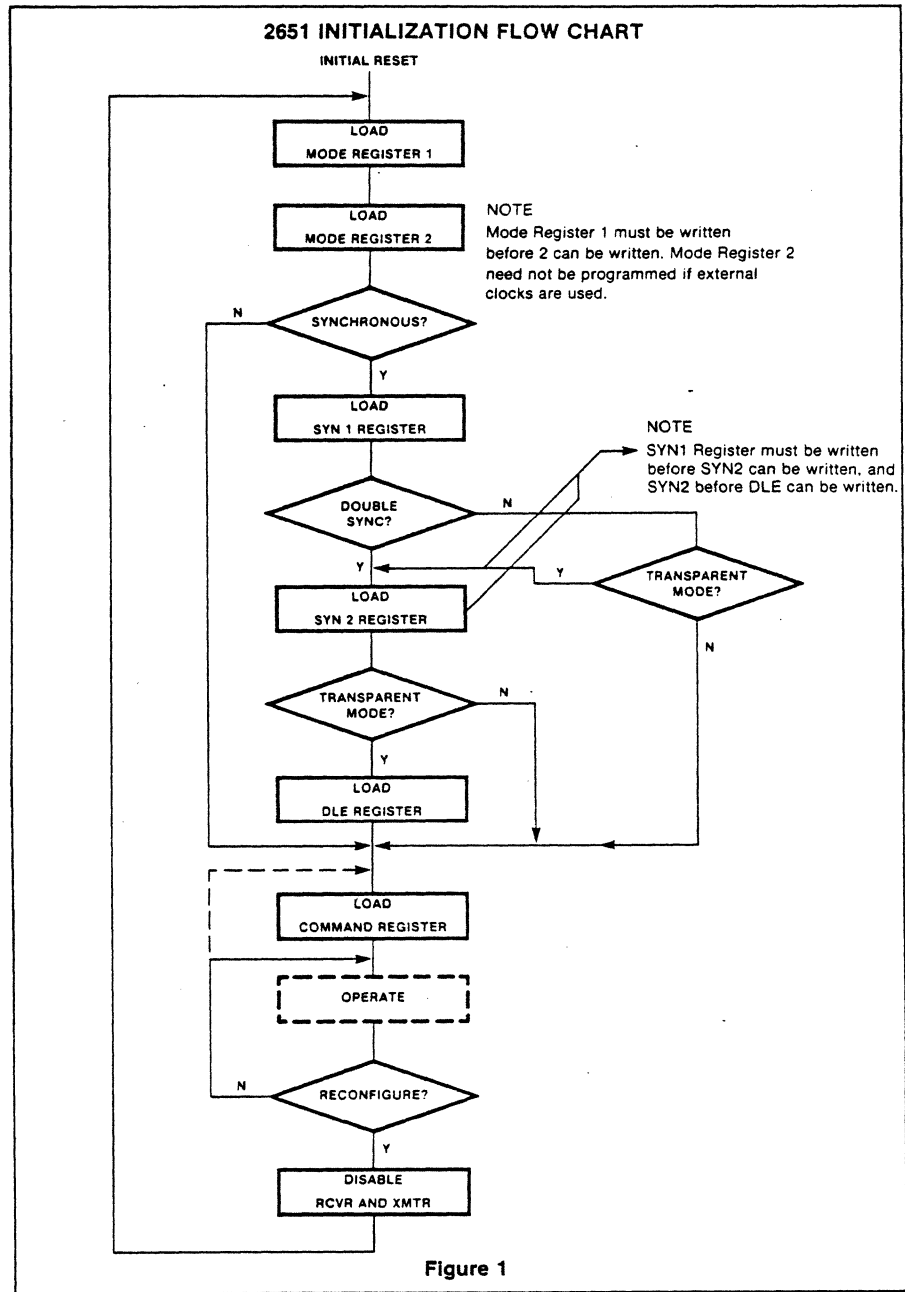


Figure 1

$\bar{C}\bar{E}$	A ₁	A ₀	\bar{R}/W	FUNCTION
1	X	X	X	Tri-state data bus
0	0	0	0	Read receive holding register
0	0	0	1	Write transmit holding register
0	0	1	0	Read status register
0	0	1	1	Write SYN1/SYN2/DLE registers
0	1	0	0	Read mode registers 1/2
0	1	0	1	Write mode registers 1/2
0	1	1	0	Read command register
0	1	1	1	Write command register

NOTE
See AC Characteristics section for timing requirements.

Table 4 2651 REGISTER ADDRESSING

MR17	MR16	MR15	MR14	MR13	MR12	MR11	MR10
		Parity Type	Parity Control	Character Length		Mode and Baud Rate Factor	
ASYNCH: STOP BIT LENGTH 00 = INVALID 01 = 1 STOP BIT 10 = 1½ STOP BITS 11 = 2 STOP BITS		0 = ODD 1 = EVEN	0 = DISABLED 1 = ENABLED	00 = 5 BITS 01 = 6 BITS 10 = 7 BITS 11 = 8 BITS		00 = SYNCHRONOUS 1X RATE 01 = ASYNCHRONOUS 1X RATE 10 = ASYNCHRONOUS 16X RATE 11 = ASYNCHRONOUS 64X RATE	
SYNCH: NUMBER OF SYN CHAR 0 = DOUBLE SYN 1 = SINGLE SYN	SYNCH: TRANSPARENCY CONTROL 0 = NORMAL 1 = TRANSPARENT						

NOTE
 Baud rate factor in asynchronous applies only if external clock is selected. Factor is 16X if internal clock is selected.

Table 5 MODE REGISTER 1 (MR1)

MR27	MR26	MR25	MR24	MR23	MR22	MR21	MR20
		Transmitter Clock	Receiver Clock	Baud Rate Selection			
NOT USED		0 = EXTERNAL 1 = INTERNAL	0 = EXTERNAL 1 = INTERNAL	0000 = 50 BAUD 0001 = 75 0010 = 110 0011 = 134.5 0100 = 150 0101 = 300 0110 = 600 0111 = 1200		1000 = 1800 BAUD 1001 = 2000 1010 = 2400 1011 = 3600 1100 = 4800 1101 = 7200 1110 = 9600 1111 = 19,200	

Table 6 MODE REGISTER 2 (MR2)

Mode Register 1 (MR1)

Table 5 illustrates Mode Register 1. Bits MR11 and MR10 select the communication format and baud rate multiplier. 00 specifies synchronous mode and 1X multiplier. 1X, 16X, and 64X multipliers are programmable for asynchronous format. However, the multiplier in asynchronous format applies only if the external clock input option is selected by MR24 or MR25.

MR13 and MR12 select a character length of 5, 6, 7, or 8 bits. The character length does not include the parity bit, if programmed, and does not include the start and stop bits in asynchronous mode.

MR14 controls parity generation. If enabled, a parity bit is added to the transmitted character and the receiver performs a parity check on incoming data. MR15 selects odd or even parity when parity is enabled by MR14.

In asynchronous mode, MR17 and MR16 select character framing of 1, 1.5, or 2 stop bits. (If 1X baud rate is programmed, 1.5 stop bits defaults to 2 stop bits on transmit). In synchronous mode, MR17 controls the number of SYN characters used to establish synchronization and for character fill when the transmitter is idle. SYN1 alone is used if

MR17 = 1, and SYN1-SYN2 is used when MR17 = 0. If the transparent mode is specified by MR16, DLE-SYN1 is used for character fill, but the normal synchronization sequence is used.

Mode Register 2 (MR2)

Table 6 illustrates Mode Register 2. MR23, MR22, MR21, and MR20 control the frequency of the internal baud rate generator (BRG). Sixteen rates are selectable. When driven by a 5.0688 MHz input at the BRCLK input (pin 20), the BRG output has zero error except at 134.5, 2000, and 19,200 baud, which have errors of +0.016%, +0.235%, and +3.125% respectively. The clock supplied to the receiver and transmitter (as selected by MR24 and MR25) has a 50%/50% duty cycle except in asynchronous mode, at 9600 baud, where the duty cycle is 48%/52%.

MR25 and MR24 select either the BRG or the external inputs TxC and RxC as the clock source for the transmitter and receiver, respectively. If the BRG clock is selected, the baud rate factor in asynchronous mode is 16X regardless of the factor selected by MR11 and MR10. In addition, the corresponding clock pin provides an output at 1X the baud rate.

Command Register (CR)

Table 7 illustrates Command Register. Bits CR0 (TxEN) and CR2 (RxEN) enable or disable the transmitter and receiver respectively. If the transmitter is disabled, it will complete the transmission of the character in the Transmit Shift Register (if any) prior to terminating operation. The TxD output will then remain in the marking state (high). If the receiver is disabled, it will terminate operation immediately. Any character being assembled will be neglected.

Bits CR1 (DTR) and CR5 (RTS) control the DTR and RTS outputs. Data at the outputs is the logical complement of the register data.

In asynchronous mode, setting CR3 will force and hold the TxD output low (spacing condition) at the end of the current transmitted character. Normal operation resumes when CR3 is cleared. The TxD line will go high for a least one bit time before beginning transmission of the next character in the Transmit Data Holding Register. In synchronous mode, setting CR3 causes the transmission of the DLE register contents prior to sending the character in the Transmit Data Holding Register. CR3 should be reset in response to the next TxRDY. Setting CR4 causes the error flags in the Status Register (SR3, SR4, and SR5) to be

CR7	CR6	CR5	CR4	CR3	CR2	CR1	CR0
Operating Mode		Request to Send	Reset Error		Receive Control (RxEN)	Data Terminal Ready	Transmit Control (TxEN)
00 = NORMAL OPERATION 01 = ASYNCH: AUTOMATIC ECHO MODE SYNCH: SYN AND/OR DLE STRIPPING MODE 10 = LOCAL LOOP BACK 11 = REMOTE LOOP BACK		0 = FORCE $\overline{\text{RTS}}$ OUTPUT HIGH 1 = FORCE $\overline{\text{RTS}}$ OUTPUT LOW	0 = NORMAL 1 = RESET ERROR FLAG IN STATUS REG (FE, OE, PE/DLE DETECT)	ASYNCH: FORCE BREAK 0 = NORMAL 1 = FORCE BREAK SYNCH: SEND DLE 0 = NORMAL 1 = SEND DLE	0 = DISABLE 1 = ENABLE	0 = FORCE $\overline{\text{DTR}}$ OUTPUT HIGH 1 = FORCE $\overline{\text{DTR}}$ OUTPUT LOW	0 = DISABLE 1 = ENABLE

Table 7 COMMAND REGISTER (CR)

SR7	SR6	SR5	SR4	SR3	SR2	SR1	SR0
Data Set Ready	Data Carrier Detect	FE/SYN Detect	Overrrun	PE/DLE Detect	TxE $\overline{\text{M}}$ /D $\overline{\text{S}}$ CHG	RxRDY	TxRDY
0 = $\overline{\text{DSR}}$ INPUT IS HIGH 1 = $\overline{\text{DSR}}$ INPUT IS LOW	0 = $\overline{\text{DCD}}$ INPUT IS HIGH 1 = $\overline{\text{DCD}}$ INPUT IS LOW	ASYNCH: 0 = NORMAL 1 = FRAMING ERROR SYNCH: 0 = NORMAL 1 = SYN CHAR DETECTED	0 = NORMAL 1 = OVERRUN ERROR	ASYNCH: 0 = NORMAL 1 = PARITY ERROR SYNCH: 0 = NORMAL 1 = PARITY ERROR OR DLE CHAR RECEIVED	0 = NORMAL 1 = CHANGE IN $\overline{\text{DSR}}$ OR $\overline{\text{DCD}}$, OR TRANSMIT SHIFT REGISTER IS EMPTY	0 = RECEIVE HOLDING REG EMPTY 1 = RECEIVE HOLDING REG HAS DATA	0 = TRANSMIT HOLDING REG BUSY 1 = TRANSMIT HOLDING REG EMPTY

Table 8 STATUS REGISTER (SR)

cleared. This bit resets automatically.

The PCI can operate in one of four sub-modes within each major mode (synchronous or asynchronous). The operational sub-mode is determined by CR7 and CR6. CR7-CR6 = 00 is the normal mode, with the transmitter and receiver operating independently in accordance with the Mode and Status Register instructions.

In asynchronous mode, CR7-CR6 = 01 places the PCI in the Automatic Echo mode. Clocked, regenerated received data is automatically directed to the Tx $\overline{\text{D}}$ line while normal receiver operation continues. The receiver must be enabled (CR2 = 1), but the transmitter need not be enabled. CPU to receiver communications continues normally, but the CPU to transmitter link is disabled. Only the first character of a break condition is echoed. The Tx $\overline{\text{D}}$ output will go high until the next valid start is detected. The following conditions are true while in Automatic Echo mode:

1. Data assembled by the receiver is automatically placed in the Transmit Holding Register and retransmitted by the transmitter on the Tx $\overline{\text{D}}$ output.
2. Transmit clock = receive clock.
3. $\overline{\text{TxRDY}}$ output = 1.
4. The TxEMT/D $\overline{\text{S}}$ CHG pin will reflect only the data set change condition.

5. The TxEN command (CR0) is ignored.

In synchronous mode, CR7-CR6 = 01 places the PCI in the Automatic SYN/DLE Stripping mode. The exact action taken depends on the setting of bits MR17 and MR16:

1. In the non-transparent, single SYN mode (MR17-MR16 = 10), characters in the data stream matching SYN1 are not transferred to the Receive Data Holding Register (RHR).
2. In the non-transparent, double SYN mode (MR17-MR16 = 00), characters in the data stream matching SYN1, or SYN2 if immediately preceded by SYN1, are not transferred to the RHR. However, only the first SYN1 of an SYN1-SYN1 pair is stripped.
3. In transparent mode (MR16 = 1), characters in the data stream matching DLE, or SYN1 if immediately preceded by DLE, are not transferred to the RHR. However, only the first DLE of a DLE-DLE pair is stripped.

Note that Automatic Stripping mode does not affect the setting of the DLE Detect and SYN Detect status bits (SR3 and SR5).

Two diagnostic sub-modes can also be configured. In Local Loop Back mode (CR7-CR6 = 10), the following loops are connected internally:

1. The transmitter output is connected to the receiver input.

2. $\overline{\text{DTR}}$ is connected to $\overline{\text{DCD}}$ and $\overline{\text{RTS}}$ is connected to CTS.
3. Receive clock = transmit clock.
4. The $\overline{\text{DTR}}$, $\overline{\text{RTS}}$ and Tx $\overline{\text{D}}$ outputs are held high.
5. The CTS, $\overline{\text{DCD}}$, $\overline{\text{DSR}}$ and Rx $\overline{\text{D}}$ inputs are ignored.

Additional requirements to operate in the Local Loop Back mode are that CR0 (TxEN), CR1 (DTR), and CR5 (RTS) must be set to 1. CR2 (RxEN) is ignored by the PCI.

The second diagnostic mode is the Remote Loop Back mode (CR7-CR6 = 11). In this mode:

1. Data assembled by the receiver is automatically placed in the Transmit Holding Register and retransmitted by the transmitter on the Tx $\overline{\text{D}}$ output.
2. Transmit clock = receive clock.
3. No data is sent to the local CPU, but the error status conditions (PE, OE, FE) are set.
4. The RxRDY, TxRDY, and TxEMT/D $\overline{\text{S}}$ CHG outputs are held high.
5. CR1 (TxEN) is ignored.
6. All other signals operate normally.

Status Register

The data contained in the Status Register (as shown in Table 8) indicate receiver and transmitter conditions and modem/data set status.

SR0 is the Transmitter Ready (TxRDY) status bit. It, and its corresponding output, are valid only when the transmitter is enabled. If equal to 0, it indicates that the Transmit Data Holding Register has been loaded by the CPU and the data has not been transferred to the Transmit Shift Register. If set equal to 1, it indicates that the Holding Register is ready to accept data from the CPU. This bit is initially set when the Transmitter is enabled by CR0, unless a character has previously been loaded into the Holding Register. It is not set when the Automatic Echo or Remote Loop Back modes are programmed. When this bit is set, the TxRDY output pin is low. In the Automatic Echo and Remote Loop Back modes, the output is held high.

SR1, the Receiver Ready (RxRDY) status bit, indicates the condition of the Receive Data Holding Register. If set, it indicates that a character has been loaded into the Holding Register from the Receive Shift Register and is ready to be read by the CPU. If equal to zero, there is no new character in the Holding Register. This bit is cleared when the CPU reads the Receive Data Holding Register or when the receiver is disabled by CR2.

When set, the $\overline{\text{RxRDY}}$ output is low.

The TxEMT/DSCHG bit, SR2, when set, indicates either a change of state of the $\overline{\text{DSR}}$ or $\overline{\text{DCD}}$ inputs or that the Transmit Shift Register has completed transmission of a character and no new character has been loaded into the Transmit Data Holding Register. Note that in synchronous mode this bit will be set even though the appropriate "fill" character is transmitted. It is cleared when the transmitter is enabled by CR0 and does not indicate transmitter condition until at least one character is transmitted. It is also cleared when the Status Register is read by the CPU. When SR2 is set, the TxEMT/DSCHG output is low.

SR3, when set, indicates a received parity error when parity is enabled by MR14. In synchronous transparent mode (MR16 = 1), with parity disabled, it indicates that a character matching the DLE Register has been received. However, only the first DLE of two successive DLEs will set SR3. This bit is cleared when the receiver is disabled and by the Reset Error command, CR4.

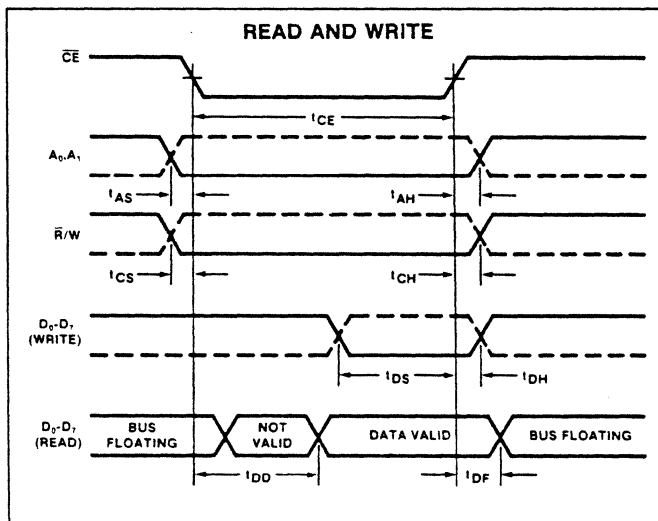
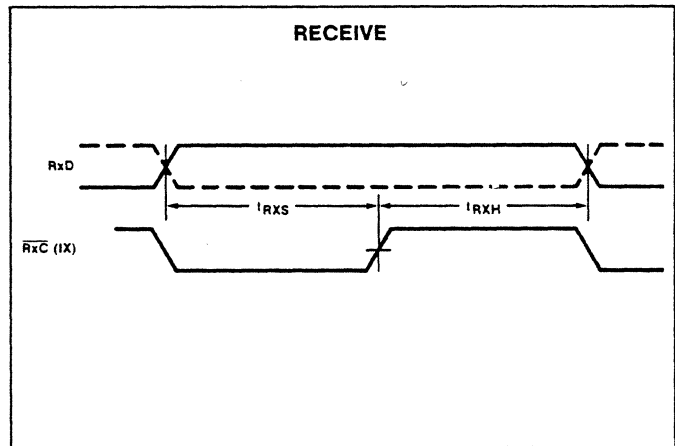
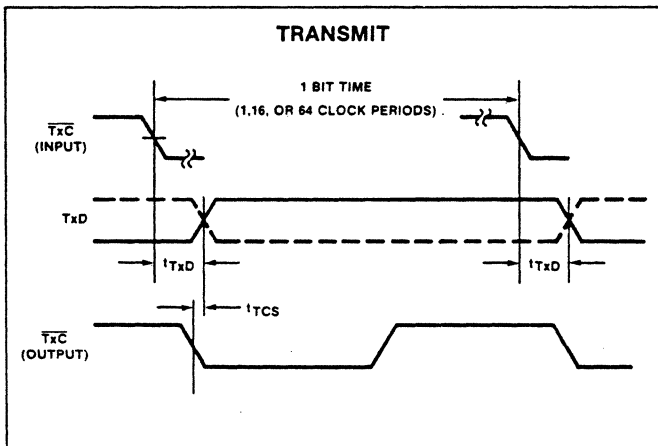
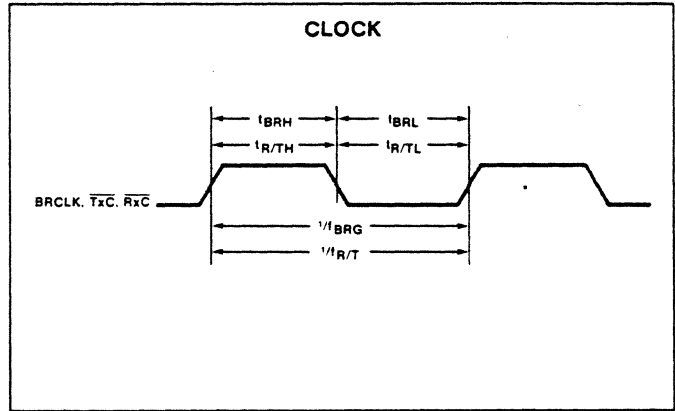
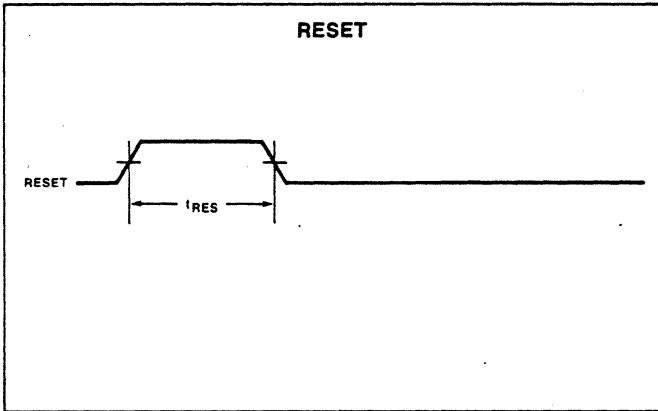
The Overrun Error status bit, SR4, indicates that the previous character loaded into the

Receive Holding Register was not read by the CPU at the time a new received character was transferred into it. This bit is cleared when the receiver is disabled and by the Reset Error command, CR4.

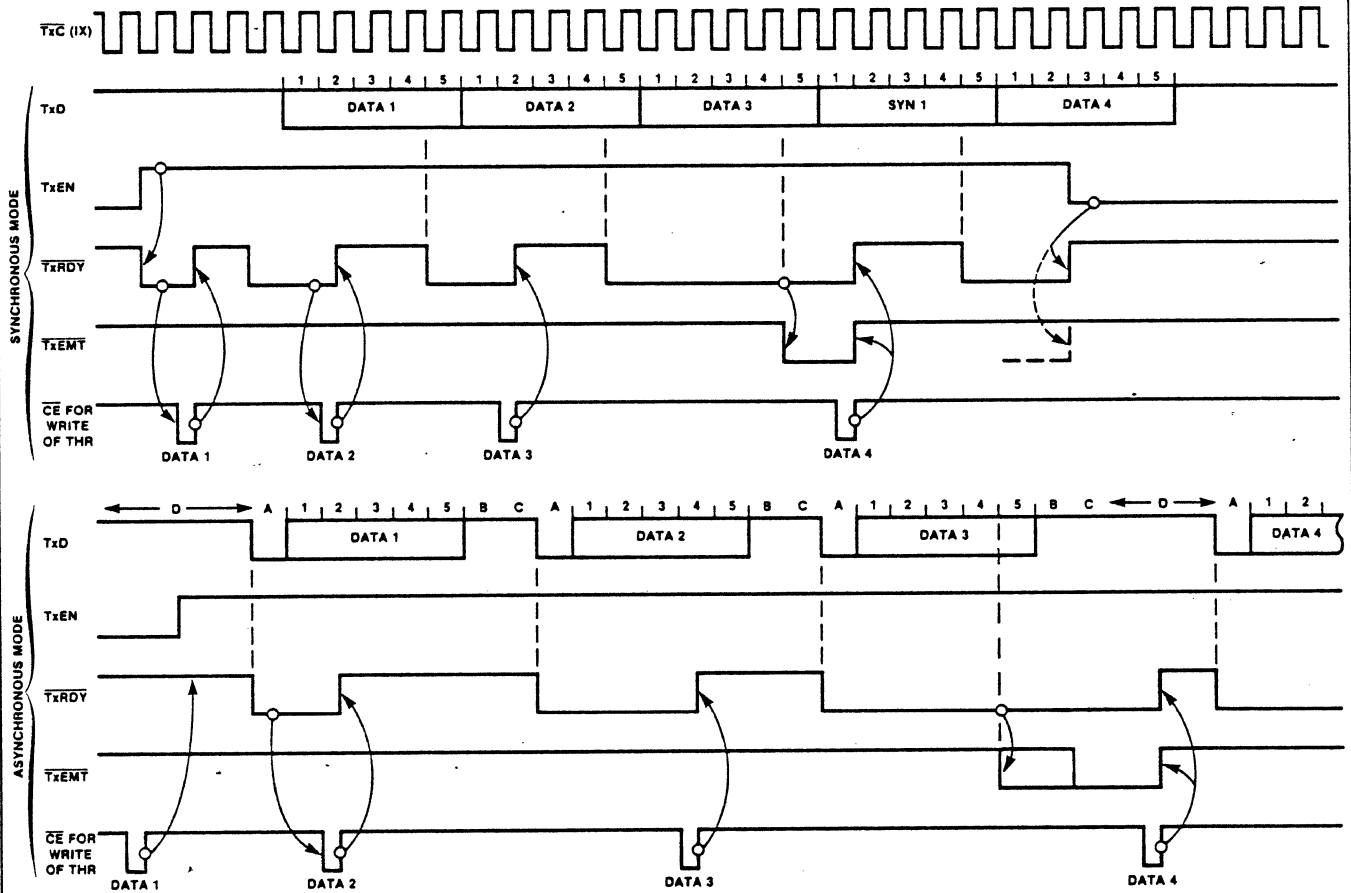
In asynchronous mode, bit SR5 signifies that the received character was not framed by the programmed number of stop bits. (If 1.5 stop bits are programmed, only the first stop bit is checked.) In synchronous non-transparent mode (MR16 = 0), it indicates receipt of the SYN1 character is single SYN mode or the SYN1-SYN2 pair in double SYN mode. In synchronous transparent mode (MR16 = 1), this bit is set upon detection of the initial synchronizing characters (SYN1 or SYN1-SYN2) and, after synchronization has been achieved, when a DLE-SYN1 pair is received. The bit is reset when the receiver is disabled, when the Reset Error command is given in asynchronous mode, and when the Status Register is read by the CPU in the synchronous mode.

$\overline{\text{SR6}}$ and $\overline{\text{SR7}}$ reflect the conditions of the $\overline{\text{DCD}}$ and $\overline{\text{DSR}}$ inputs respectively. A low input sets its corresponding status bit and a high input clears it.

TIMING DIAGRAMS



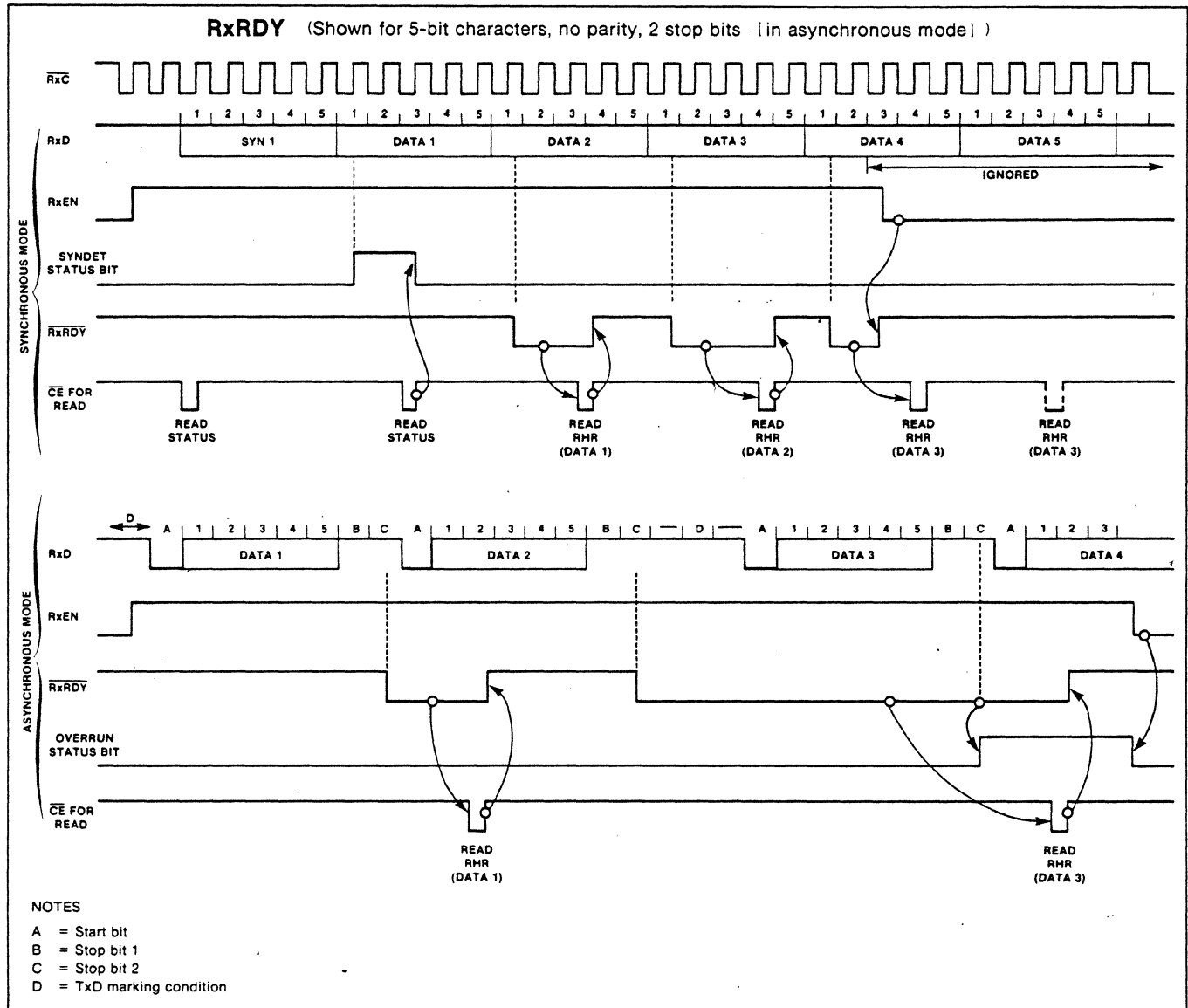
TxRDY, TxEMT (Shown for 5-bit characters, no parity, 2 stop bits [in asynchronous mode])



NOTES

- A = Start bit
 - B = Stop bit 1
 - C = Stop bit 2
 - D = Tx̄D marking condition
- TxEMT goes low at the beginning of the last data bit, or, if parity is enabled, at the beginning of the parity bit.

TIMING DIAGRAMS (Cont'd)



D. MEMORY MAPS

TABLE I
MEMORY MAP

<u>HEX</u>	<u>ADDR</u>	
FC00	thru FFFF	PROM FC00 (-1)
F800	thru FBFF	PROM F800 (-2)
F400	thru F7FF	PROM F400 (-3)
F000	thru F3FF	PROM F000 (-4)
0C00	thru 0FFF	PROM 0C00 (-5)
0B80	thru 0BFF	RAM - Software use
0400	thru 0B7F	DISPLAY RAM organized 24 lines of 80 (50_{16}) Line 1 (Top of Screen) = 0400 through 044F Line 24 (Bottom of Screen) = -B30 through 0B7F
0040	thru 03FF	Scratch Pad RAM - Software use - stack, function keys, etc.
0050	thru 005F	T.O.P.R. (Top of Page Register)
0040	thru 004F	OUTPUT CONTROL REGISTER (See Table 2)
0030	thru 003F	Serial I/O (See Table 3)
0020	thru 002F	Reserved for "Not-normally-installed" switch inputs
0010	thru 001F	Switch Inputs (See Table 4)
0000	thru 000F	Keyboard (See Keyboard Section)

TABLE 2
OUTPUT CONTROL REGISTER MEMORY MAP

A ₃ A ₂ A ₁ A ₀	Data BUS D0 = 1	Data BUS D0 = 0
X 1 1 1	ENABLE Xmit Serial I/O	DISABLE
X 1 1 0	ENABLE Xmit Periph I/O	DISABLE
X 1 0 1	RESERVED	ENABLE REV PERIPH I/O
X 1 0 0	Jam Printer Clear to Send	NORMAL CLEAR TO SEND
X 0 1 1	ENABLE DATA TERM RDY	DISABLE
X 0 1 0	ENABLE WIDE (40) MODE	ENABLE NORMAL (80) MODE
X 0 0 1	Bell OFF	Bell ON
X 0 0 0	NORMAL	RESET TIMER

TABLE 3
SERIAL I/O MEMORY MAP

A ₃ A ₂ A ₁ A ₀	OPERATION	REGISTER
X X 1 1		Receive Holding Register
X X 1 0		Status Register
X X 0 1	READ	Mode Registers 1/2
X X 0 0		Command Register
<hr/>		
X X 1 1		Transmit Holding Register
X X 1 0	WRITE	SYN1/SYN2/DLE Registers
X X 0 1		Mode Registers 1/2
X X 0 0		Command Register
<hr/>		

TABLE 4
SWITCH MEMORY MAPS

ADDRESS (HEX)	7	6	5	4	3	2	1	0
0010	New Line	LF-NL/CR-NL	Wrap	Half/Full	Baud 2 ³	Baud 2 ²	Baud 2 ¹	Baud 2 ⁰
0011	Stop Bits	Timer E _x	Even/Odd	Parity En	Reserved	7 or 8 bits	Xmit CSR	Xmit ETX
0020	NA	NA	NA	NA	Reserved - Hardware not installed			
0021	NA	NA	NA	NA	Reserved - Hardware not installed			

NA = Not Available

TABLE 5
SOFTWARE RAM USAGE

0B80	thru	0BFF	Programmable Function Pointers
0400	thru	0B7F	Display Memory
01F0	thru	03FF	Programmable Function Storage
0180	thru	01EF	Keyboard Counters/Registers
0140	thru	017F	Microprocessor Stack Registers
0100	thru	0135	Serial Input Buffer
0060	thru	00FF	Program Storage Register - Scratch Pad

E. Logic Module Test Points

The following is a list of Test Points provided within the TELERAY and a description of the signal on each. Test points are marked on the TELERAY board by a square and the Test Point number.

Test Point	Grid Location	Description
GND	3G	This test point is ground and is provided for grounding test equipment.
1	6B	This test point is the trigger portion of the Master Reset Timer Circuitry. To initiate a Master Reset without removing power from the unit, this point can be momentarily grounded. It's normal state is +5 volts.
2	7D	This is the clock to the cursor address counters. There should be 80 low going clocks on every scan line. This clock advances the counters through the display ROM address space.
3	1K	This is video to the monitor. This signal should normally be at a ground level with high going pulses for video. The height of the pulses will depend upon the setting of the contrast pot.
4	1K	This is a vertical synchronization signal to the monitor. Signal should sit at +5 volts with a signal going to ground every 16.67 milliseconds for 60 Hz (every 20 milliseconds for 50 Hz refresh). The signals low going duration is approximately 600 microseconds.
5	1J	This Test Point is located on the horizontal drive signal to the monitor. Signal should have a repetition rate of 53.8 microseconds in both 60 and 50 Hz refresh. The pulse duration will be 5 microseconds.
6	7D	This test point is located on the output control register WIDE mode signal. It can be momentarily forced high for Wide mode or low for Narrow mode for test purposes.
7	7E	This is the clear current address counter signal. It will go low for the period of the clock current address counter signal when the address counters reach the end of display memory (10 pulses low going every 538 usec., each pulse 1.06 usec. long).
8	4C	This is the serial data out of the 2651 circuit. It should sit at a high when no data is being transmitted. Signal format is per EIA standard and rear panel switch settings.
9	7B	This is serial data input to the 2651 circuit. Format is the same as for test point 8 above.

Module Logic Test Points Continued

Test Point	Grid Location	Description
10	4C	Baud oscillator. This is the 5.0688MHZ oscillator which is used by the 2651 to develop the bit rate timing. Duty cycle should be approximately 50%.
11	5D	This is a common interrupt line going to the microprocessor to indicate that one of the peripheral devices, (peripheral to the microprocessor), requires service. In normal operation this signal will have low going pulses for the timer interrupt, additional low going pulses occur when a serial data character is received by the 2651.
13 Bell 14	3B	These test points may be used to silence or to temper the volume of the bell. See instruction manual.
50 Hz GND	2J	A jumper between these test points causes the screen to be refreshed at 50 Hz - see instruction manual.
INVRS GND	4M	A jumper between these test points covers the screen to go to a black-on-white display. See instruction manual.

G. PARTS LISTS

PARTS LIST

Title: ASSY-LOGIC BD, 1061

#D53626

Rev. D

ITEM	DESCRIPTION	PART NO.	INVENTORY	1	2	3	4
1	Assembly-Logic Board, 1061		3B2156	X			
2	Trimpot - 200 Ohm	72P-200	6B0310	X			
3	Resistor Network - 2.2K, SIP	4308R-101 222	14B0676				5
4	Crystal - 18.600 MHZ	B53714	34B0185	X			
5	Crystal - 5.06880 MHZ (Sm.)	B52233	34B0182	X			
6	Alarm Device	EAF-14R06C	26B0149	X			
7	IC-TTL, LS, QD 2-In Pos Nand Gate	74LS00PC	33B0284				5
8	IC-TTL, LS, QD 2-In Nor Gate	DM74LS02	33B0283		X		
9	IC-TTL, LS Hex Inverter	DM74LS04	33B0282				5
10	IC-TTL, Hex Inverter	SN7406N	33B0200		X		
11	IC-TTL, LS 3-In Pos Nand Gate	DM74LS10	33B0328			X	
12	IC-TTL, LS 4-In Pos Nand Gate	DM74LS20	33B0329	X			
13	IC-TTL, LS 8-In Pos Nand Gate	DM74LS30	33B0331	X			
14	IC-TTL, LS, Quad 2 Pos Or Gate	DM74LS32	33B0332		X		
15	IC-TTL, LS QD 2-In EXCL or Gate	DM74LS86	33B0280	X			
16	IC-TTL, LS Dual J-K Flip-Flop	DM74LS107	33B0279				5
17	IC-TTL, LS 4/1 Data Select/Mult	DM74LS153	33B0301	X			

ORDERING INFORMATION

- 1) For ordering information and latest prices, contact your local representative or the RESEARCH, Incorporated factory in Minneapolis, Minnesota.
- 2) When ordering spare parts, please include references both to this parts list number and revision level, plus, the Model Number and Serial Number of the instrument for which these parts are being ordered.

PARTS LIST

Title: ASSY-LOGIC BD, 1061 Continued		#D53626	Rev.: D				
ITEM	DESCRIPTION	PART NO.	INVENTORY	1	2	3	4
18	IC-TTL, LS 2/4 Dec/Demulti	DM74LS155	33B0300			X	
19	IC-TTL, LS Binary Syncro Clear	74LS163	33B0351				8
20	IC-TTL, LS, Para-Load 8-Bit, S/RE	74LS165	33B0352	X			
21	IC-TTL, LS, Hex-D Flip-Flop	74LS174	33B0353	X			
22	IC-TTL, LS, Octal 3 St Dir/Xc'Ve	AM8304B	33B0354		X		
23	IC-TTL, LS, 4 Data Select/Multip	74LS257	33B0355				6
24	IC-TTL, LS, 8 D Type Flip Flop	74LS374	33B0356				5
25	IC-TTL, LS 8 Bit Address Latch	74LS259	33B0357	X			
26	IC-TTL, Quad Line Driver	HDI-1488-5	33B0127	X			
27	IC-TTL, Quad Line Receiver	HDI-1489-5	33B0145	X			
28	IC-Mos, Microcomputer	MCS6502	33B0287	X			
29	IC-Mos Prog Com/Interface	2651	33B0358	X			
30	Control Store - 1061	A53730	3B2163	X			
31	IC-Mos, Char/Gen, 7 x 9	A53895	33B0366	X			
32	IC-Mos, 1024, Word, Static Ram	40L45-45	33B0359				6
33	IC-TTL, Hex Inverter	74S04	33B0361		X		
34	IC-TTL, QD 2-In Pos Nand Gate	74S00	33B0362	X			

ORDERING INFORMATION

- 1) For ordering information and latest prices, contact your local representative or the RESEARCH, Incorporated factory in Minneapolis, Minnesota.
- 2) When ordering spare parts, please include references both to this parts list number and revision level, plus, the Model Number and Serial Number of the instrument for which these parts are being ordered.

PARTS LIST

Title: ASSY-LOGIC BD, 1061 Continued

#D53626

Rev.: D

ITEM	DESCRIPTION	PART NO.	INVENTORY	1	2	3	4
35	IC-LIN, Timer	NE555V	33B0193		X		
36	Diode	IN914	32B0131	X			

ORDERING INFORMATION

- 1) For ordering information and latest prices, contact your local representative or the RESEARCH, Incorporated factory in Minneapolis, Minnesota.
- 2) When ordering spare parts, please include references both to this parts list number and revision level, plus, the Model Number and Serial Number of the instrument for which these parts are being ordered.

F. SCHEMATICS

REVISIONS					
CHKR	ECO	BYM	DESCRIPTION	DRAFT	DATE
JMK	1494	F	ADDED C10 TO 4D PINS + REDRAWN	JFM	1-14-81

DES	TYPE	+5V	-5V	-12V	+12V	GND
00	74LS00	14				7
02	74LS02	14				7
04	74LS04	14				7
06	74LS06	14				7
10	74LS10	14				7
20	74LS20	14				7
30	74LS30	14				7
32	74LS32	14				7
86	74LS86	14				7
107	74LS107	14				7
153	74LS153	16				8
155	74LS155	16				8
163	74LS163	16				8
165	74LS165	16				8
174	74LS174	16				8
257	74LS257	16				8
259	74LS259	16				8
374	74LS374	20				10
8304	AM8304	20				10
88	HDI-1488-5			1	14	7
89	HDI-1489-5	14				7
6502	MCS6502	8				1,21
2651	2651	26				4
2708	C2708	24	21		19	12
8316	8316B	24				12
40L45	40L45-45	18				9
\$00	74\$00	14				7
\$04	74\$04	14				7
555	NE555V	8				1

SWITCHES

UP = Closed
DOWN = Open

Switch Position		Switch	Goal Loc.
UP	DOWN		
DISPLAY DELIMITER	NORMAL	1	7A
XMIT TO CURSOR-----	XMT TO END-----	2	
XMIT AN ETX	NORMAL	3	
FULL DUPLEX-----	HALF DUPLEX-----	4	
WRAP	NORMAL	5	
NEW LINE ENABLE-----	NORMAL-----	6	
NEW LINE ON CR	NEW LINE ON LF	7	
CURRENT LOOP-----	RS-232-----	8	
BAUD 1		1	6A
2		2	
3		3	
4		4	
EVEN PARITY	ODD PARITY	5	
PARITY ENABLE-----	NO PARITY-----	6	
1 STOP BIT	2 STOP BITS	7	
7 BIT CHAR-----	8 BIT CHAR-----	8	

SWITCH SETTINGS		BAUD RATE	SWITCH SETTINGS		BAUD RATE
4	3	2	1	4	3
U	U	U	U	50	1800
D	U	U	U	75	2000
U	D	U	U	110	2400
D	D	U	U	134.5	3600
U	U	D	U	150	4800
D	U	D	U	300	7200
U	D	D	U	600	9600
D	D	D	U	1200	Reserved

JUMPERS

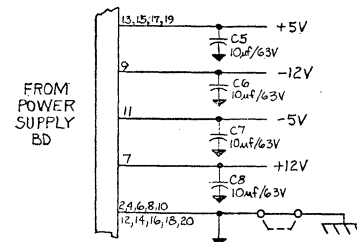
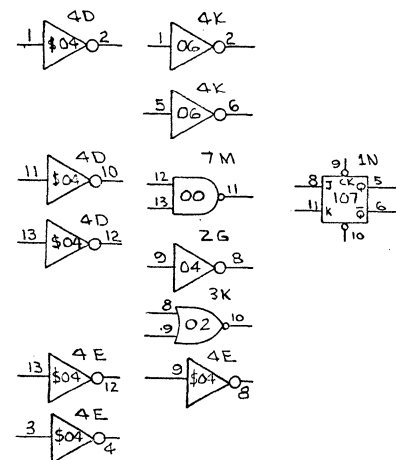
HZ - 50 Hertz Refresh Rate - Grid 2K
Add jumper from pin marked 50 Hz to GND.

IV - Inverse Video - Grid 4N
Add jumper from pins INVERSE to GND.

OPTIONS

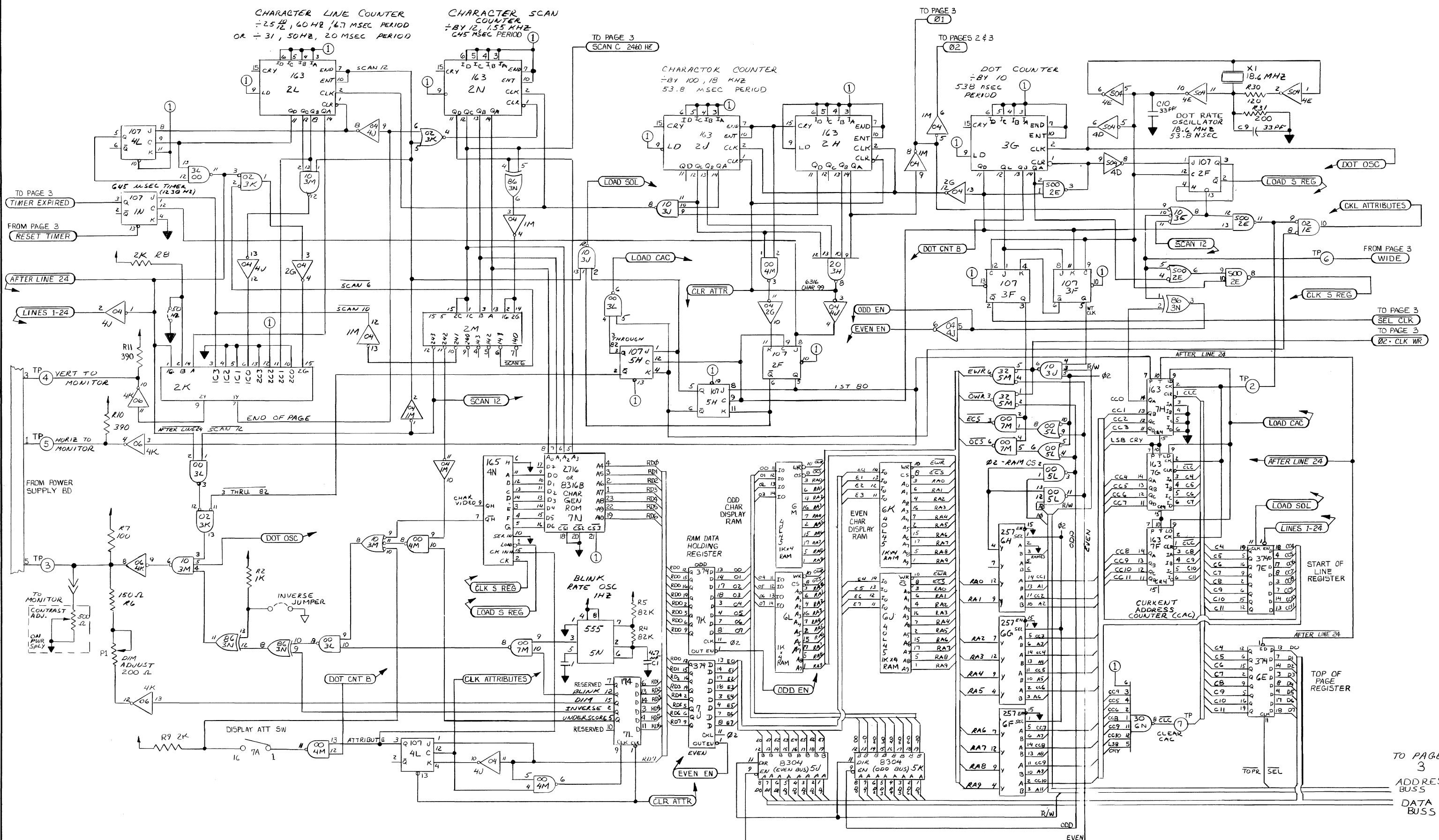
CODE	TITLE	PROCEDURE
CLP	Current Loop	Add R1 Assembly KB50939-001 into 1C and 2C on logic board with board number away from power connector.
220V	220V Line Input	Move brown wire from hole 1 to hole 2; move brown/white wire from hole 4 to hole 3 located on power supply board.

UNUSED IC PORTIONS



INVENTORY	USED ON	ASSEMBL
10 S		D53626
10 T		D53626
10 P		D53626
10 M		D53626

DRAFTSMAN JFM 11-14-81 CHECKED MDG 11-24-81 APPROVED JMK 11-26-81	K = 10 ³ M = 10 ⁶	UNLESS OTHERWISE INDICATED • RESISTANCE IN OHMS ± 10% 1/4 WATT • CAPACITANCE IN MFD ± 20% • INDUCTANCE IN HENRIES • USE 60/40 ROBIN CORE SOLDER • USE NO CORROSIVE FLUX	INVENTORY NUMBER KD053625-1 000 SHEET 1 OF 3
TITLE SCHEMATIC - P.C.B., 10 SERIES LOGIC BOARD			NUMBER 000
R-I CONTROLS <small>A DIVISION OF RESEARCH, INCORPORATED MINNEAPOLIS, MINNESOTA 55424</small>			



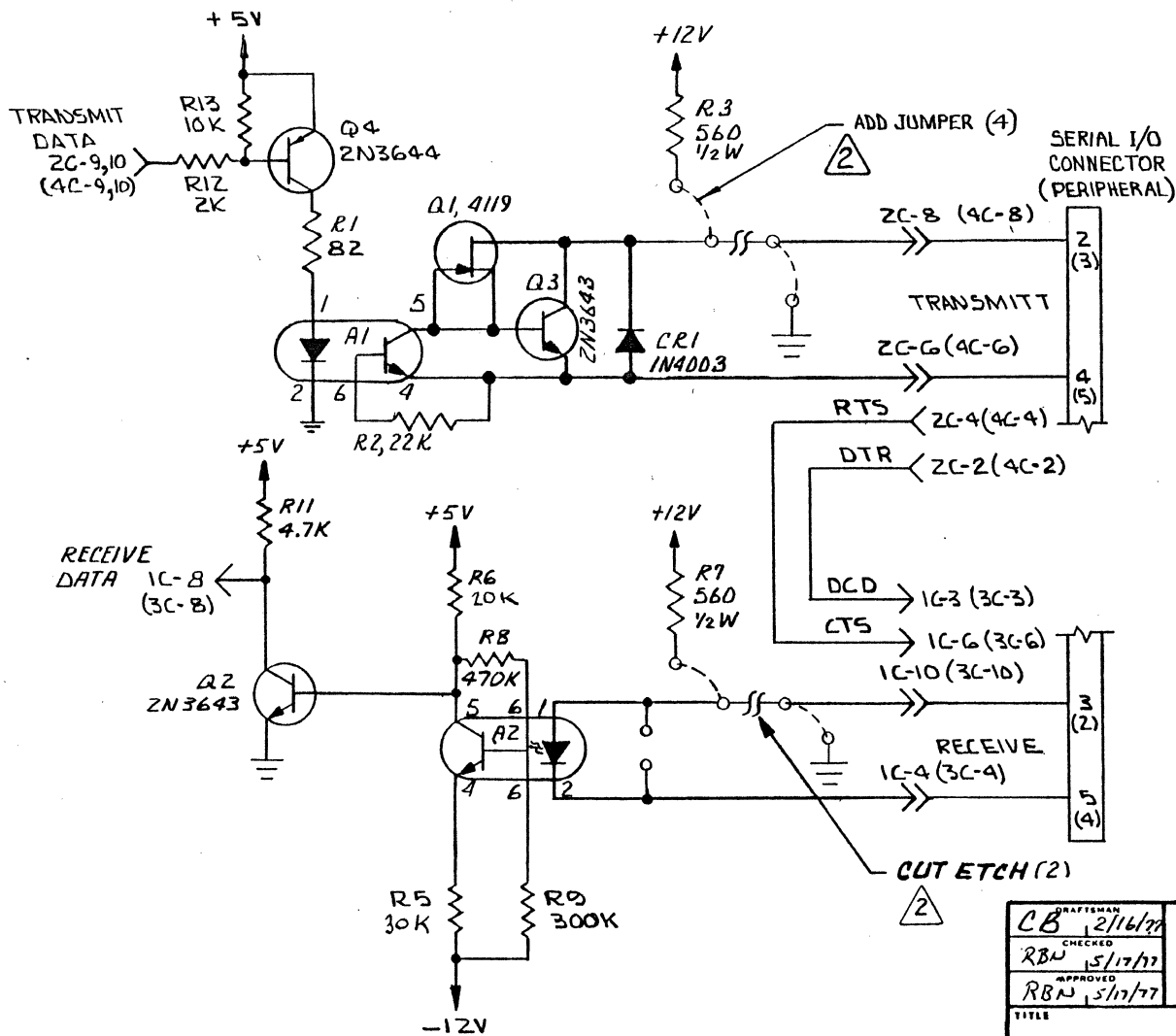
CHARACTER LINE COUNTER
 ÷ BY 25, 60 HZ, 6.7 MSEC PERIOD
 OR ÷ 31, 50 HZ, 20 MSEC PERIOD

CHARACTER SCAN COUNTER
 ÷ BY 12, 1.55 MHz
 645 MSEC PERIOD

CHARACTER COUNTER
 ÷ BY 100, 18 MHz
 53.8 MSEC PERIOD

DOT COUNTER
 ÷ BY 10
 53.8 MSEC PERIOD

DOT RATE OSCILLATOR
 18.6 MHz
 53.8 MSEC PERIOD





REVISIONS

SYM.	DESCRIPTION	DRAFT.	DATE
A		ASW	9-5-77
B	CHG R9 TO 27K, WAS 22K	ASW	5-16-77
C	ADD INV NO	SJ	10/11/77
D	ADDED Q4, R12, R13	AKB	11-23-77
E	REMOVED R10, R4, R1 WAS 100, R6 WAS 5.1K, R9 WAS 27K, R5 WAS 7.5K	AKB	12-13-77
F	R6 WAS 43K, R5 WAS 68K	SJ	3/21/78
G	ZC-9 TIED TO ZC-10, ARTWORK CHG	MDG	10/6/78
H	DTR, ZC-2 + 4C-2 WERE DTS, ZC-3, 4C-3	AKB	2-19-79
J	DOCUMENTED FOR IMS	JUT	12-18-79

NOTES:

- ① FOR MAIN I/O CURRENT LOOP, INSTALL IN POSITIONS 1C, 2C AND FOR PERIPHERAL CURRENT LOOP, INSTALL IN POSITION 3C+4C.
- ② CUT ETCH (2) AND ADD JUMPERS (4) FOR CURRENT SOURCE OPTION.

	4041	850939-2
	4041	850939-1
INVENTORY	USED ON	ASSEMBLY

DRAFTSMAN CB 2/16/77 CHECKED RBN 5/17/77 APPROVED RBN 5/17/77	K = 10 ³ M = 10 ⁶   CONNECTION NO CONNECTION	UNLESS OTHERWISE INDICATED • RESISTANCE IN OHMS ± 10% 1/4 WATT • CAPACITANCE IN MFD ± 20% • INDUCTANCE IN HENRIES • USE 60/40 ROBIN CORE SOLDER • USE NO CORROSIVE FLUX	INVENTORY NUMBER K8050940- REV J
TITLE SCH-CURRENT LOOP/SOURCE OPTION			SHEET 1 OF 1



R · I CONTROLS

A DIVISION OF RESEARCH, INCORPORATED
MINNEAPOLIS, MINNESOTA 55424

C. TIMING CHARTS

