

REVISIONS			
LTR	DESCRIPTION	DATE	APPROVED
A	REL TO PROD PER EO 5103	8-15-76	[Signature]
B	INCORP EO 2615 Z#	9-28-76	[Signature]
C	INCORP EO 2718	11-30-78	[Signature]

PRODUCTION RELEASE

REV LTR	SHEET	1	2	3	4	5	6	7	8	9	10	11	12	13	14	15	16	17	18	19	20	21

CONTRACT NO. _____

Plessey Memories Incorporated
Santa Ana, California

DRAWN R. Osborne 5-25-76
CHECK [Signature] 6-7-76
DESIGN [Signature] 5-22-76
PROJ. ENGR [Signature] 5-25-76
DATE 8-21-76

DWG TITLE: ASYNCHRONOUS MULTIPLEXER, KIT PM/DZ11 (EIA)

SIZE: A CODE IDENT NO. 52648 DWG NO. 701885
SCALE: ~ SHEET 1 of 4

NOTES

- This document defines three EIA RS232 compatible versions of the PMDZ11. They are:

Variation	Part Number
PMDZ11 A	701885-100
PMDZ11B	701885-101
PMDZ11E	701885-102

- Items 11, 16, and 17 are to be packaged in Item 18-101 version only.
- Item 9 is to be packaged in Item 18 in -100 and -102 versions.

The information herein is the property of PLESSEY MEMORIES INCORPORATED. Transmittal, receipt, or possession of the information does not convey license, or imply any rights to use, sell, or manufacture from this information and no reproduction or publication of it, in whole or in part, shall be made without written authorization from PLESSEY MEMORIES, INC.

SIZE: A CODE IDENT NO. 52648 DWG NO. 701885
SCALE: ~ REV A SHEET 2

PARTS LIST	Plessey Peripheral Systems		701885		SH 3	C			
ITEM NO. THIS LIST	NOTE	PART/ASSY NO. & QTY PER ASSY			UNIT MEAS	PART NO. OR IDENTIFYING NO.	NOMENCLATURE OR DESCRIPTION	SPEC OR SOURCE	FINO
		-102	-101	-100					
							ASYNCHRONOUS MULTIPLEXER, PM-DZ11A		
							ASYNCHRONOUS MULTIPLEXER, PM-DZ11B		
							ASYNCHRONOUS MULTIPLEXER, PM-DZ11E		
							BOARD ASSY, 8 LINE MUX PM/DZ11 EIA		1
							ASSY, DISTRIBUTION PANEL PM-H317E		2
							ASSY, PANEL, STATIC FILTER		3
							ASSY, PANEL, STATIC FILTER		4
							CABLE ASSY, INTERCONNECT PM-BC05W		5
							ASSY, TEST CONNECTOR PM-H325		6
									7
							ASSY, TEST CONNECTOR PM-H321		8

PARTS LIST	Plessey Peripheral Systems		701885		SH 4	C			
ITEM NO. THIS LIST	NOTE	PART/ASSY NO. & QTY PER ASSY			UNIT MEAS	PART NO. OR IDENTIFYING NO.	NOMENCLATURE OR DESCRIPTION	SPEC OR SOURCE	FINO
		-102	-101	-100					
							BRACKET		9
							HARDWARE PACK, RACK MOUNTING		10
							FILTER, STATIC	AMP CAPTION	11
							CABLE, JUMPER RIBBON		12
									13
							SOFTWARE PACKAGE	DEC	14
							MANUAL, PM-DZ11A (EIA)		15
							SCREW, 6-32 X 1/2		16
							WASHER / LOCK, INT TOOTH, NO. 6		17
							ZIP-LOC BAG	PACKAGE FACTORY	18
									19
									20
									21

SIZE B CODE IDENT NO. 52648 DWG NO. 701885 SHEET 1 of 1

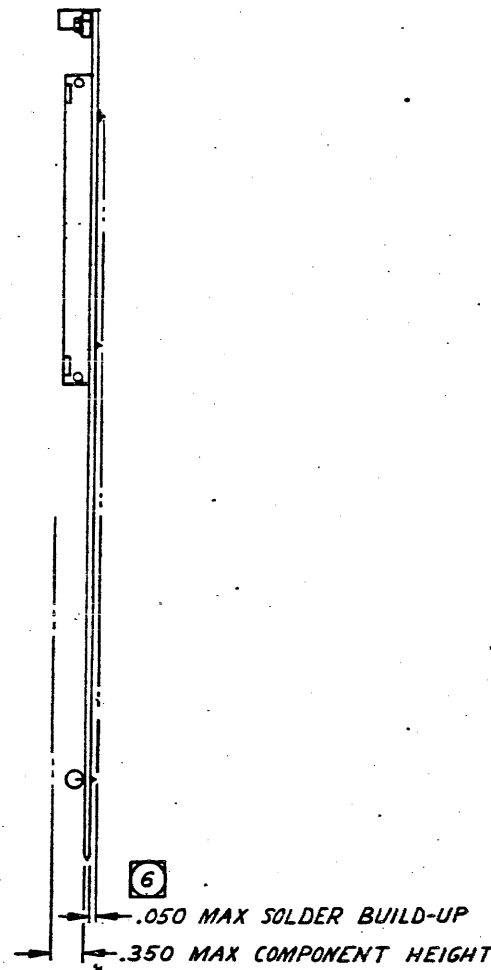
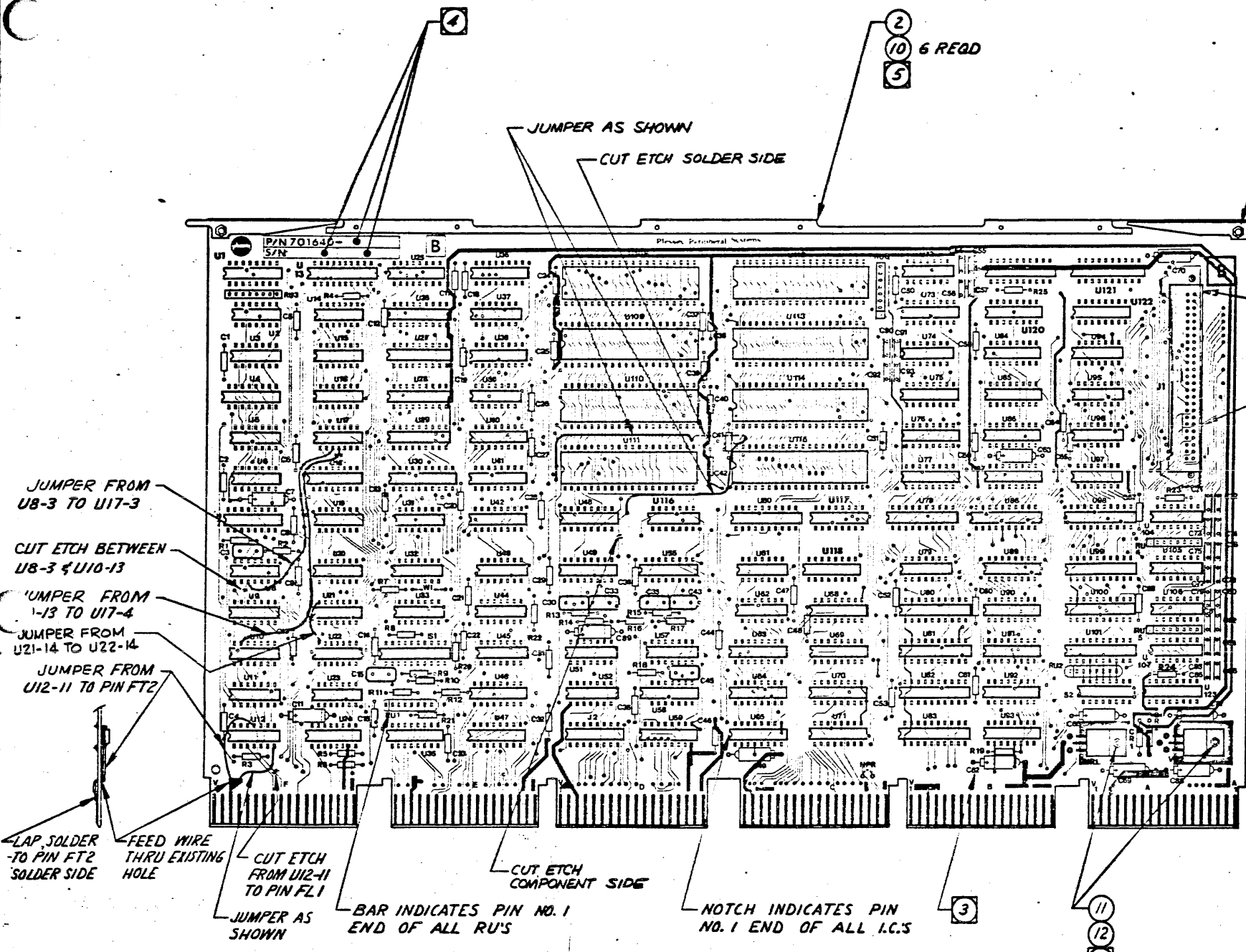
SCALE REV C

The information herein is the property of PLESSEY PERIPHERAL SYS. Transmittal receipt or possession of the information does not comply license, or imply any rights to use, sell, or manufacture from this information and no reproduction or publication of it, in whole or in part, shall be made without written authorization from PLESSEY PERIPHERAL SYS.

Form 000087

The information herein is the property of PLESSEY MEMORIES INC. and is UNCLASSIFIED. Transmittal, receipt or possession of this information does not constitute, in any way, a grant of any rights in use, sale, or manufacture of any article, device, or process, or any information, or any other right, without the express written authorization of PLESSEY MEMORIES INC.

REVISIONS			
ZONE/LTR	DESCRIPTION	DATE	APPROVED
A	REL TO PROD PER EO 2516	7-17-78	[Signature]
B	INCORP EO 2644	12-31-78	[Signature]
C	INCORP EO 2768	1-26-79	[Signature]
D	INCORP EO 2830	2-21-79	[Signature]



PRODUCTION RELEASE

- 7 INSTALL ITEM 4, STRAPPING PLUG, INTO J2.
- 6 COMPONENT LEAD TRIM AND SOLDER BUILD-UP TO BE AS NOTED.
- 5 INSTALL ITEMS NOTED AFTER FLOW SOLDER.
- 4 MARK ASSEMBLY VERSION NUMBER, LATEST REVISION LETTER AND SERIAL NUMBER WITH .12 HIGH CHARACTERS USING BLACK INK PER MIL-M-13231, GROUP III, LOCATION APPROX AS SHOWN.
- COMPONENT DESIGNATIONS ARE FOR REFERENCE ONLY AND DO NOT APPEAR ON PART.
- 2 FOR SCHEMATIC DIAGRAM AND TEST SPEC SEE ITEMS 76 & 77.
- 1 ASSEMBLE AND INSPECT PER WORKMANSHIP STANDARDS MANUAL. 8 REMOVE 1, 2, 49 AND 50 AT J1

NOTES: UNLESS OTHERWISE SPECIFIED

PART/ASSY NO. & QTY PER ASSY		PARTS LIST		SPEC/SOURCE		CODE IDENT NO.		FIND NO.	
-100		FOR PARTS LIST SEE PL701640-100		NOMENCLATURE OR DESCRIPTION / MATERIAL					
PART/ASSY REV LTR		DO NOT SCALE DRAWING		CONTRACT NO.		Plessey Memories Incorporated		Santa Ana, California	
-100 FINAL PM-DZ11A		REMOVE ALL BURRS AND BREAK SHARP EDGES EQUIVALENT TO 2MR		DRAWN <i>[Signature]</i> 5-18-78		DWG TITLE		BOARD ASSEMBLY	
NEXT ASSY USED ON		REMOVE ALL DIMS AND BREAK SHARP EDGES EQUIVALENT TO 2MR		CHECK <i>[Signature]</i> 5-22-78		8 LINE MULTIPLEXER		PM-DZ11A	
APPLICATION		REMOVE ALL DIMS AND BREAK SHARP EDGES EQUIVALENT TO 2MR		ENGR <i>[Signature]</i> 5-26-78		PROJ. ENGR		SIZE	
		REMOVE ALL DIMS AND BREAK SHARP EDGES EQUIVALENT TO 2MR		PROD. DESIGN <i>[Signature]</i> 7-26-78		OTHER		D 52648	
		REMOVE ALL DIMS AND BREAK SHARP EDGES EQUIVALENT TO 2MR		APPROVALS		SCALE: 1/1		701640	
		REMOVE ALL DIMS AND BREAK SHARP EDGES EQUIVALENT TO 2MR				SHEET 1 OF 1		1 RF	
		REMOVE ALL DIMS AND BREAK SHARP EDGES EQUIVALENT TO 2MR				DISTR NO. 1234701B			

PARTS LIST	Plessey Microsystems	PREPARED BY	L. LAMBERT	2-15-78	PL 701640-100	A	
		CHECKED BY	X. Lambert	3-2-78	CODE IDENT NO.	52648	SH 1
		DESIGNED BY	P. J. O'Neil	3-2-78	PL 701640-100	B	OF 8
		APPROVED BY			MODEL NO.	PM-DZ11A	
		DOC CONTROL					

LTR	DESCRIPTION	DATE	APPROVED	LTR	DESCRIPTION	DATE	APPROVED
A	REL TO PROD PER E02516	8-17-78	[Signature]				

PRODUCTION RELEASE

REV STATUS OF SHEETS	REV LTR	A	A	A	A	A	A	A	A	A	A	A	A	A
	SHEET	1	2	3	4	5	6	7	8	9	10			

PARTS LIST	Plessey Microsystems	CODE IDENT NO.	52648	PL 701640-100	SH 2	A
------------	----------------------	----------------	-------	---------------	------	---

REFERENCE DESIGNATION	F I N D N O.	REFERENCE DESIGNATION	F I N D N O.	REFERENCE DESIGNATION	F I N D N O.	REFERENCE DESIGNATION	F I N D N O.
U2	13	U38, 40	32	R6	53	VR1	71
U3, 51	14		33	R7, 10, 11, 20, 21	54	VR2	72
U4, 84, 85	15	U45, 52	34	R9,	55	C 3	73
U5, 11, 15, 19, 33, 37, 39, 8	16	U49, 55	35	R13, 14, 17	56		
U61	17	U58	36	R23, 24, 25	57		
U9	18	U59, 65, 90-93	37	R15	58		
U10, 14, 21, 22, 31, 6	19		38	C 54-57, 71-86, 90-93	59		
U12, 32	20	U72, 74, 104-107	39	C1, 2, 4-6, 8-10, 12-14, 16, 18-23, 27, 29, 31, 32, 34, 36, 37, 39, 41, 44, 46-48, 50-53, 58-61, 67, 68, 24, 26, 28, 38, 40, 42, 65, 17, 64	60		
U13, 60, 78, 83, 101	21	U73, 75	40				
U17, 43, 62, 116	22	U76, 77, 86, 87	41				
U18, 48, 25	23	U79	42				
U20, 44, 57, 16	24	U89	43	C7, 11, 62, 63, 89	61		
U23	25	U94-97	44	C15, 30	62		
U24, 68-71	26	U98, 99, 100	45	C33, 43	63		
	27	U108-115	46	C35	64		
	28	RU3	47	C45	65		
U26-29	28	RU4, 5, 6	48	C49, 66, 69, 70, 87, 88	66		
U30, 80-83	29	RU1, 2	49	C21, 2	67		
U35, 46, 47	30	R1, 4, 8, 12, 16, 19, 22	50	SW1	68		
U36, 63, 64, 41, 42	31	R2, 18	51	SW2	69		
		R3, 5	52	J2	70		

PARTS LIST	Plessey Microsystems	CODE IDENT NO.	52648	PL 701640-100	SH 3	A
------------	----------------------	----------------	-------	---------------	------	---

NOTE	QTY REQD	PART OR IDENTIFYING NO.	NOMENCLATURE OR DESCRIPTION	SPECIFICATION	CODE IDENT NO.	ZONE	F I N D N O.	S Y S T E M	C/I USAGE
	1	701639-001	PRINTED WIRING BOARD				1		
	1	700407-001	STIFFENER				2		
							3		
7	1	700066-196	STRAPPING PLUG				4		
							5		
	2	700330-001	HANDLE/EXTRACTOR				6		
	2	700331-001	SPACER				7		
	2	MS51957-4	SCREW/2-56 X 5/16 LG PAN HD.				8		
	2	NAS1291C02	NUT, HEX, #2 SELF-LOCKING				9		
	6	N-440-1/4	SCREW/NYLON, 4-40 X 1/4 LG BINDER HEAD, COLOR: NATURAL	WECKESSER			10		
	2	N-440-5/16	SCREW/4-40 X 5/16, FLAT HD NYLON COLOR: NATURAL	WECKESSER			11		
	2	N-440-X	NUT/4-40 NYLON COLOR: NATURAL	WECKESSER			12		
	1	MX0-40-2	CRYSTAL/5.0688 MHZ	CTS			13		

PARTS LIST	Plessey Microsystems	CODE IDENT NO.	52648	PL 701640-100	SH 4	A
------------	----------------------	----------------	-------	---------------	------	---

NOTE	QTY REQD	PART OR IDENTIFYING NO.	NOMENCLATURE OR DESCRIPTION	SPECIFICATION	CODE IDENT NO.	ZONE	F I N D N O.	S Y S T E M	C/I USAGE
	2	SN7437	I.C./QUAD 2-INPUT POSITIVE NAND BUFFER	T.I.			14		
	3	SN74LS175	I.C./HEX QUAD D-TYPE FLIP-FLOPS W/CLR	T.I.			15		
	8	SN74LS08	I.C./QUAD 2-INPUT POSITIVE AND GATE	T.I.			16		
	1	SN74H74	I.C./DUAL D-TYPE EDGE TRIG FLIP-FLOPS/PRESET & CLR	T.I.			17		
	1	SN7402	I.C./QUAD 2-INPUT POSITIVE NOR GATE	T.I.			18		
	6	SN74LS74	I.C./DUAL D-TYPE EDGE TRIG FLIP-FLOPS/PRESET & CLR	T.I.			19		
	2	136000-038	I.C./QUAD 2-INPUT POSITIVE NAND BUFFER W/OC	T.I.			20		
	5	SN74LS244	I.C./OCTAL BUFFER/LINE DRIVER, LINE RECEIVER	T.I.			21		
	4	SN74H04	I.C./HEX INVERTERS	T.I.			22		
	3	SN74LS193	I.C./SYNCHRONOUS UP/DOWN DUAL CLOCK COUNTERS	T.I.			23		
	4	SN74LS00	I.C./QUAD 2-INPUT POSITIVE NAND GATE	T.I.			24		
	1	SN74H00	I.C./QUAD 2-INPUT POSITIVE NAND GATE	T.I.			25		
	5	DM8641	I.C./OCTAL BUFFERS LINE DRIVERS/RECEIVERS	T.I.			26		

The information hereon is the property of PLESSEY PERIPHERAL SYS. Transmittal receipt or possession of the information does not imply license, or imply any rights to use, sell, or manufacture from this information, and no reproduction or publication of it, in whole or in part, shall be made without written authorization from PLESSEY PERIPHERAL SYS.

Form 000087

SIZE B
 CODE IDENT NO. 52648
 DWG NO. PL 701640-100
 SCALE REV A
 SHEET 1 OF 2

PARTS LIST		Plessey Microsystems		CODE IDENT NO.	PARTS LIST NO.	SH	REV	C/I USAGE											
				52648	PL 701640-100	5	A	QTY REQD	PART OR IDENTIFYING NO.	NOMENCLATURE OR DESCRIPTION	SPECIFICATION	CODE IDENT NO.	ZONE	F I N O D	S T W	C/I CODE	INT OR HAND	P A R	UNIT COST
														27					
		4	COM5016	I.C./BAUDRATE GENERATOR	SMC								28						
		5	SN74S241	I.C./OCTAL BUFFER/LINE DRIVER LINE RECEIVER	T.I.								29						
		3	DS 8136	I.C./6-BIT UNIFIED BUS COMP	NATIONAL								30						
		5	SN7442	I.C./4 TO 10-LINE DECODER	T.I.								31						
		2	SN74LS259	I.C./8-BIT ADDRESSABLE LATCH	T.I.								32						
													33						
		2	136021-381	I.C./QUAD NOR UNIFIED BUS RECEIVER	NATIONAL								34						
		2	SN74123	I.C./DUAL RETRIGGERABLE MONO-STABLE MULTIVIBRATORS / CLR	T.I.								35						
		1	SN7408	I.C./QUAD 2-INPUT POSITIVE AND GATE	T.I.								36						
		6	DM8542	I.C./QUAD I/O REG TRI-STATE	NATIONAL								37						
													38						
		6	DS1489	I.C./QUAD LINE RECEIVER	NATIONAL								39						

PARTS LIST		Plessey Microsystems		CODE IDENT NO.	PARTS LIST NO.	SH	REV	C/I USAGE											
				52648	PL 701640-100	6	A	QTY REQD	PART OR IDENTIFYING NO.	NOMENCLATURE OR DESCRIPTION	SPECIFICATION	CODE IDENT NO.	ZONE	F I N O D	S T W	C/I CODE	INT OR HAND	P A R	UNIT COST
														40					
		4	AM2841	I.C./6X14 FIFO	AMD								41						
		1	SN7421	I.C./DUAL 4-INPUT POSITIVE AND GATES	T.I.								42						
		1	SN74151	I.C./1-OF-8 DATA SELECTORS/MULTIPLEXERS	T.I.								43						
		4	DS1488	I.C./QUAD LINE DRIVER	NATIONAL								44						
		3	SN74LS240	I.C./OCTAL BUFFER/LINE DRIVER LINE RECEIVER	T.I.								45						
		8	COM2017	I.C./UNIVERSAL ASYNCHRONOUS RECEIVER/TRANSMITTER	SMC								46						
		1	750-81-R330	RESISTOR MODULE. 330Ω	CTS								47						
		3	750-81-R33K	RESISTOR MODULE. 33K	CTS								48						
		2	750-81-R4.7K	RESISTOR MODULE 4.7K	CTS								49						
		7	RC07GF102J	RESISTOR/1K, ±5%, 1/4W	MIL-R-11								50						
		2	RC07GF151J	RESISTOR/150Ω, ±5%, 1/4W	MIL-R-11								51						
		2	RC07GF181J	RESISTOR/180Ω, ±5%, 1/4W	MIL-R-11								52						

PARTS LIST		Plessey Microsystems		CODE IDENT NO.	PARTS LIST NO.	SH	REV	C/I USAGE											
				52648	PL 701640-100	Z	A	QTY REQD	PART OR IDENTIFYING NO.	NOMENCLATURE OR DESCRIPTION	SPECIFICATION	CODE IDENT NO.	ZONE	F I N O D	S T W	C/I CODE	INT OR HAND	P A R	UNIT COST
		1	RC07GF391J	RESISTOR/390Ω, ±5%, 1/4W	MIL-R-11								53						
		5	RC07GF472J	RESISTOR/4.7K, ±5%, 1/4W	MIL-R-11								54						
		1	RC07GF470J	RESISTOR/47Ω, ±5%, 1/4W	MIL-R-11								55						
		3	RC07GF103J	RESISTOR/10K, ±5%, 1/4W	MIL-R-11								56						
		3	RC07GF393J	RESISTOR/39K, ±5%, 1/4W	MIL-R-11								57						
		1	RC07GF473J	RESISTOR/47K, ±5%, 1/4W	MIL-R-11								58						
		24	CK05BX 331K	CAPICITOR/330pf, ±5%, 200V	MIL-C-11015								59						
		50	CGA103ZDZ	CAPACITOR/.01μf	UNITRODE								60						
		5	150D156X 0020B2	CAPACITOR/15μf, ±20%, 20V	SPRAGUE								61						
		2	CD15FD 101J03	CAPACITOR/100pf, ±5%, 500V	CORNELL DUBILIER								62						
		2	CD15ED 470J03	CAPACITOR/47pf, ±5%, 500V	CORNELL DUBILIER								63						
		1	CK05BX 102K	CAPACITOR/1000pf, ±5%, 200V	MIL-C-11015								64						
		1	CD15ED 221J03	CAPACITOR/220pf, ±5%, 500V	CORNELL DUBILIER								65						

PARTS LIST		Plessey Microsystems		CODE IDENT NO.	PARTS LIST NO.	SH	REV	C/I USAGE											
				52648	PL 701640-100	8	A	QTY REQD	PART OR IDENTIFYING NO.	NOMENCLATURE OR DESCRIPTION	SPECIFICATION	CODE IDENT NO.	ZONE	F I N O D	S T W	C/I CODE	INT OR HAND	P A R	UNIT COST
		6	150D685X 0035B2	CAPACITOR/6.8μf, ±20%, 35V	SPRAGUE								66						
		2	1N4370A	DIODE, ZENER 2.4V	FAIRCHILD								67						
		1	435668-0	DIP SWITCH, 10 POS	AMP								68						
		1	435668-8	DIP SWITCH, 8 POS	AMP								69						
		1	US-2-16-110-G-B	SOCKET, I.C.	SCANBE								70						
		1	μA7812UC	+12V REGULATOR TO 220	FAIRCHILD								71						
		1	μA7912UC	-12V REGULATOR TO 220	FAIRCHILD								72						
		1	CD15ED 331J03	CAPACITOR/330pf, ±5%, 500V	CORNELL DUBILIER								73						
		1	3433-1002	CONNECTOR 50 PIN	3M								74						
													75						
		REF	SD701640	SCHEMATIC DIAGRAM									76						
		REF	TS701640	TEST SPECIFICATION									77						
													78						

The information hereon is the property of PLESSEY PERIPHERAL SYS. Transmittal receipt or possession of the information does not constitute license, or imply any rights to use, sell, or manufacture from this information, and no reproduction or publication of it, in whole or in part, shall be made without written authorization from PLESSEY PERIPHERAL SYS.

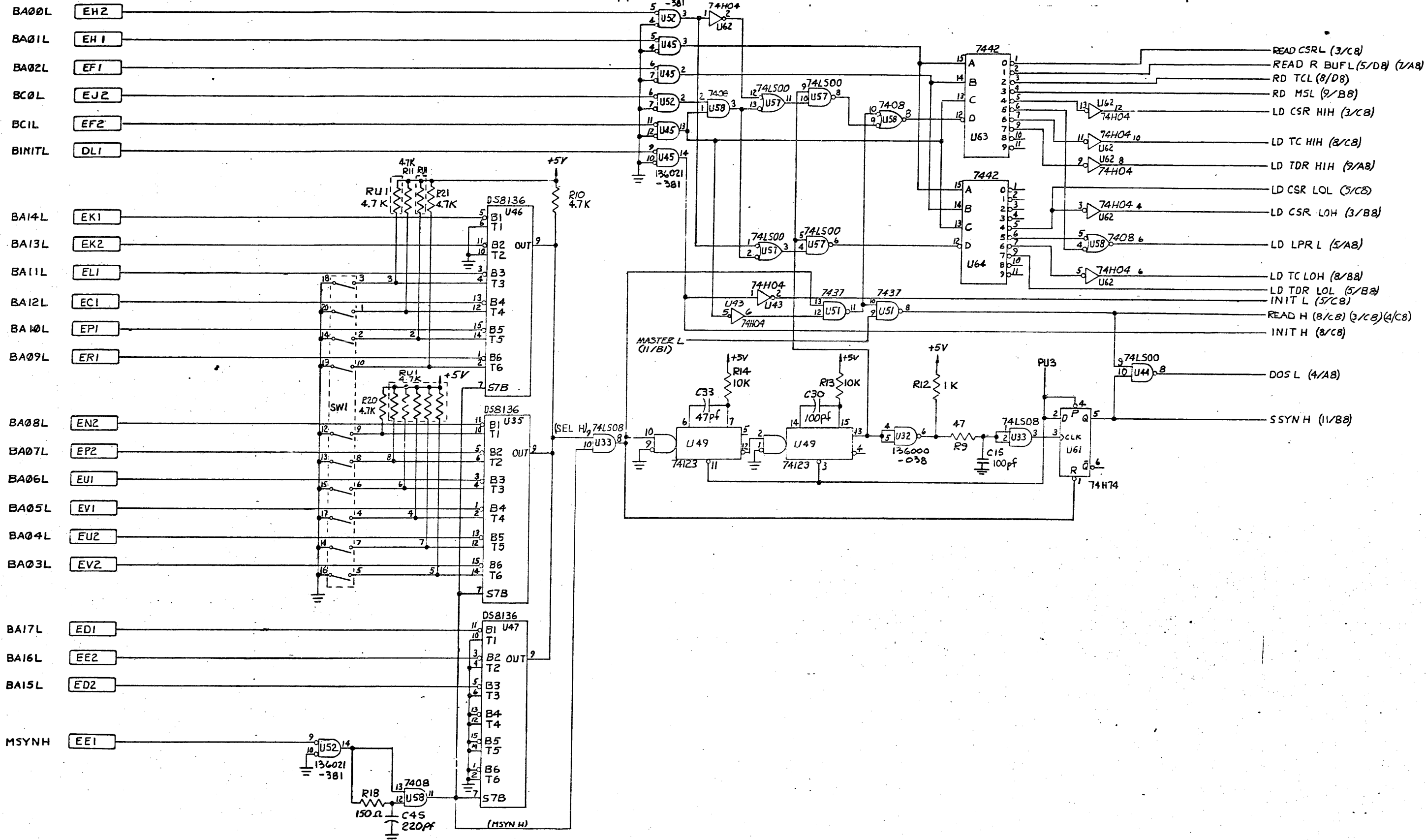
SIZE **B** CODE IDENT NO. **52648** DWG NO. **PL 701640-100** SHEET **2** OF **2**
 SCALE **REV A**

The information herein is the property of PLESSEY MICROSYSTEMS. Transmittal receipt or possession of this information does not constitute, or imply any rights to use, sell, or manufacture from the information and no reproduction or publication of it, in whole or in part, shall be made without written authorization from PLESSEY MICROSYSTEMS.

REVISIONS				
ZONE	LTR	DESCRIPTION	DATE	APPROVED
		SEE SHEET 1		

ADDRESS SELECTION LOGIC

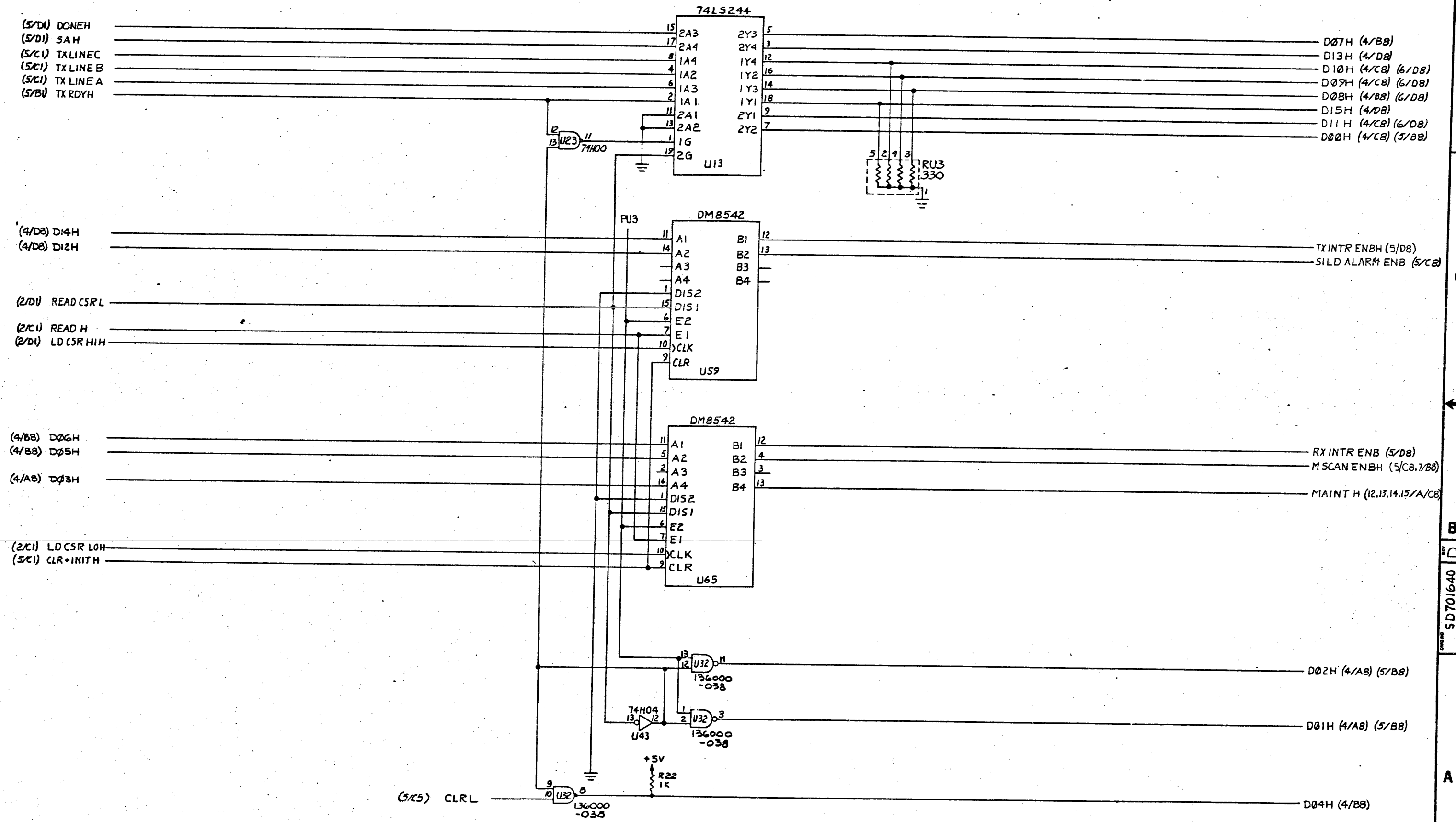
REGISTER AND MODE SELECT



The information herein is the property of PLESSEY MICROSYSTEMS. Transmission or possession of this information does not constitute, in any way, an acknowledgment or a grant of any rights in, or the manufacture of, or the use of, any product or process, or any other information, or the reproduction or publication of it, in whole or in part, shall be made without written authorization from PLESSEY MICROSYSTEMS.

REVISIONS				
ZONE	LTR	DESCRIPTION	DATE	APPROVED
		SEE SHEET 1		

CONTROL AND STATUS REGISTER



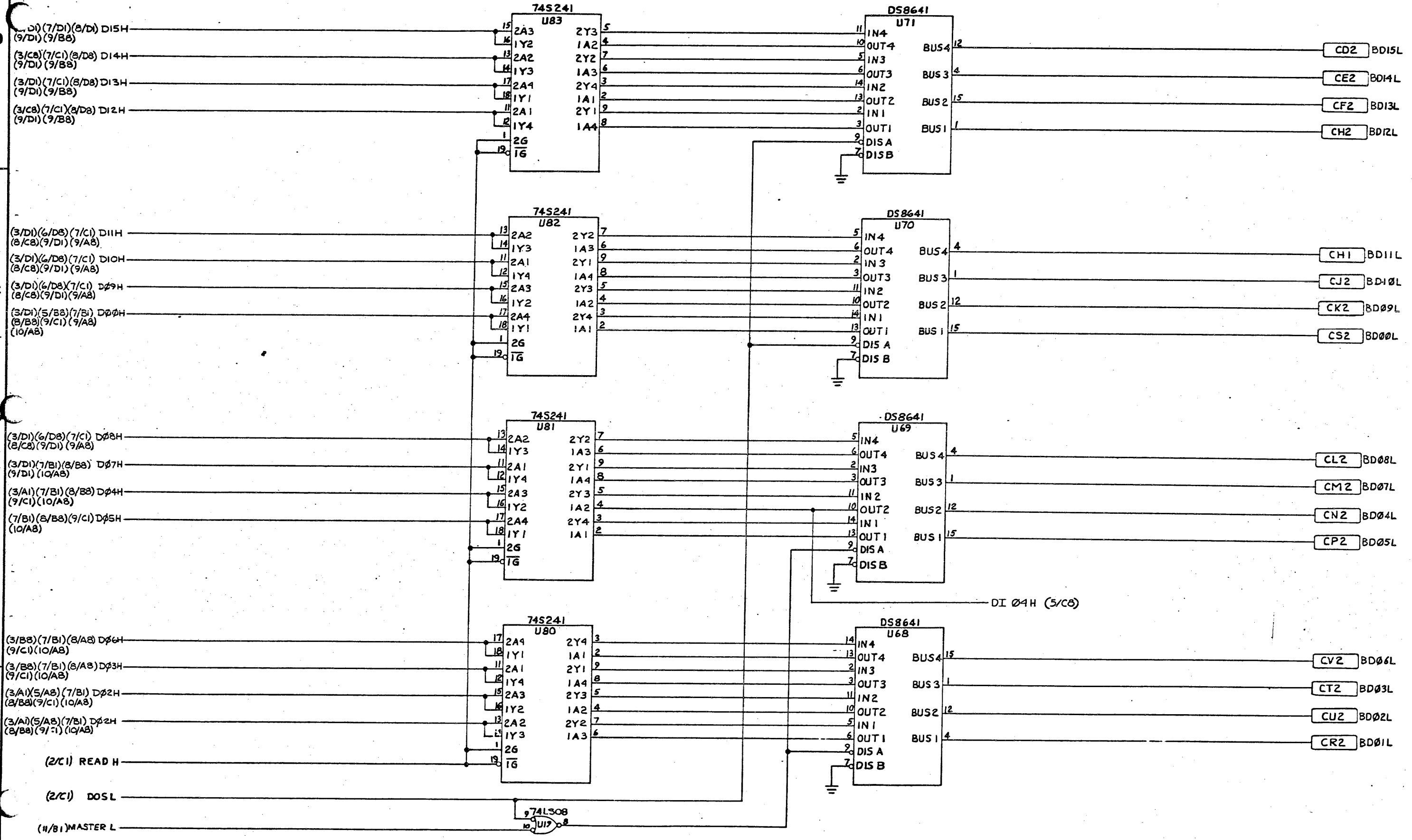
SIZE	CODE IDENT NO.	DWG NO.
D	52648	SD701640
SCALE: A, J, E	REV D	SHEET 3 OF 16

The information herein is the property of PLESSEY MICROSYSTEMS. Transmittal receipt or possession of this information does not imply, in itself, any rights to use, sell, or manufacture from this information and no reproduction or publication of it, in whole or in part, shall be made without written authorization from PLESSEY MICROSYSTEMS.

REVISIONS				
ZONE	LTR	DESCRIPTION	DATE	APPROVED
		SEE SHEET 1		

INTERNAL DATA BUS TRANSCEIVERS

UNIBUS TRANSCEIVERS



(7/D1)(7/D1)(8/D1) D15H
(9/D1)(9/B8)

(3/C8)(7/C1)(8/D8) D14H
(9/D1)(9/B8)

(3/D1)(7/C1)(8/D8) D13H
(9/D1)(9/B8)

(3/C8)(7/C1)(8/D8) D12H
(9/D1)(9/B8)

(3/D1)(6/D8)(7/C1) D11H
(8/C8)(9/D1)(9/A8)

(3/D1)(6/D8)(7/C1) D10H
(8/C8)(9/D1)(9/A8)

(3/D1)(6/D8)(7/C1) D09H
(8/C8)(9/D1)(9/A8)

(3/D1)(5/B8)(7/B1) D08H
(8/B8)(9/C1)(9/A8)
(10/A8)

(3/D1)(6/D8)(7/C1) D08H
(8/C8)(9/D1)(9/A8)

(3/D1)(7/B1)(8/B8) D07H
(9/D1)(10/A8)

(3/A1)(7/B1)(8/B8) D04H
(9/C1)(10/A8)

(7/B1)(8/B8)(9/C1) D05H
(10/A8)

(3/B8)(7/B1)(8/A8) D06H
(9/C1)(10/A8)

(3/B8)(7/B1)(8/A8) D03H
(9/C1)(10/A8)

(3/A1)(5/A8)(7/B1) D02H
(8/B8)(9/C1)(10/A8)

(3/A1)(5/A8)(7/B1) D02H
(8/B8)(9/C1)(10/A8)

(2/C1) READ H

(2/C1) DOSL

(11/B1) MASTER L

CD2 BD15L

CE2 BD14L

CF2 BD13L

CH2 BD12L

CH1 BD11L

CJ2 BD10L

CK2 BD09L

CS2 BD08L

CL2 BD08L

CM2 BD07L

CN2 BD04L

CP2 BD05L

CV2 BD06L

CT2 BD03L

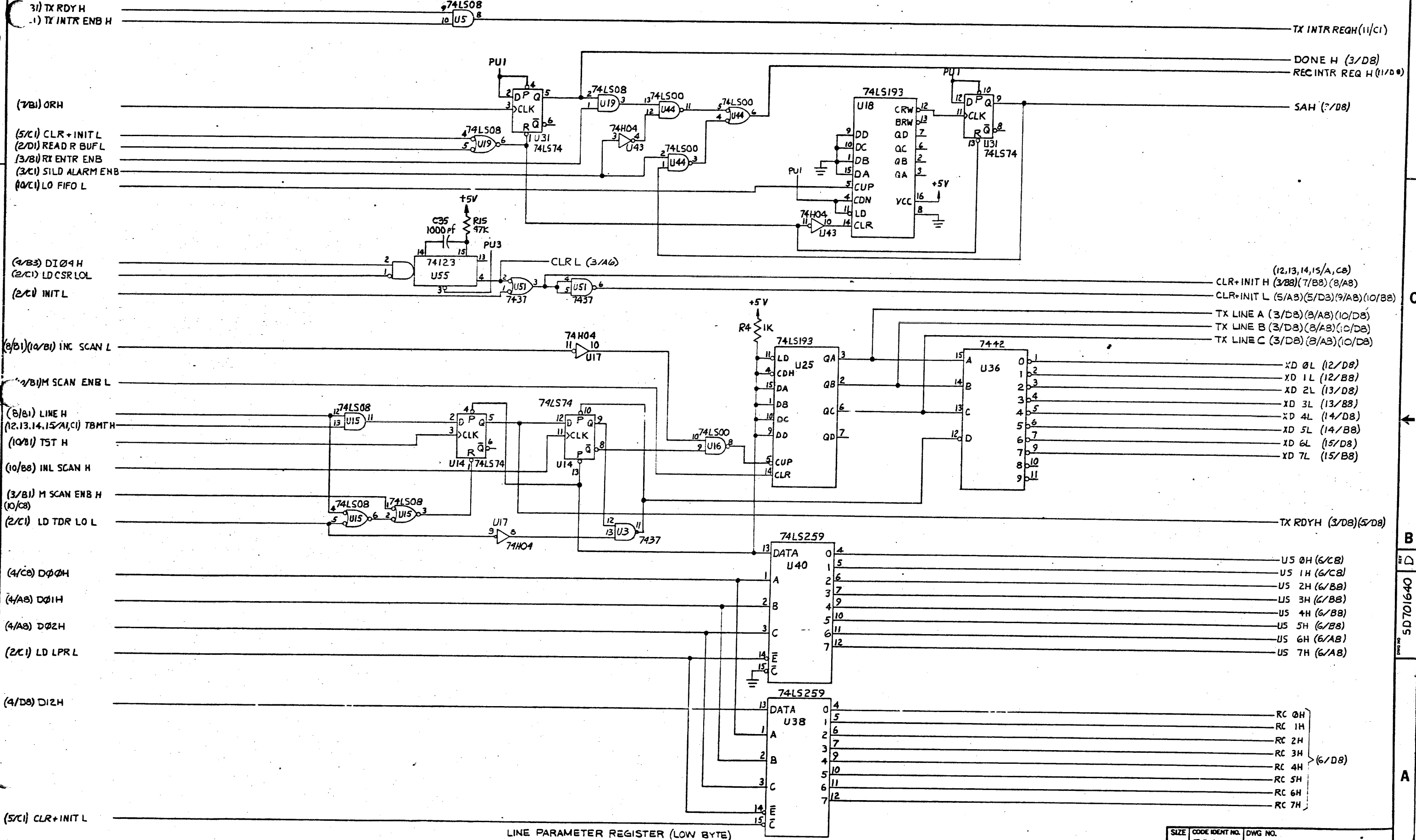
CU2 BD02L

CR2 BD01L

The information herein is the property of PLESSEY MICROSYSTEMS. Transmittal hereof or disclosure of the information hereon, in whole or in part, shall be made without written authorization from PLESSEY MICROSYSTEMS.

REVISIONS			
ZONE	LTR	DESCRIPTION	DATE
		SEE SHEET 1	

CONTROL LOGIC



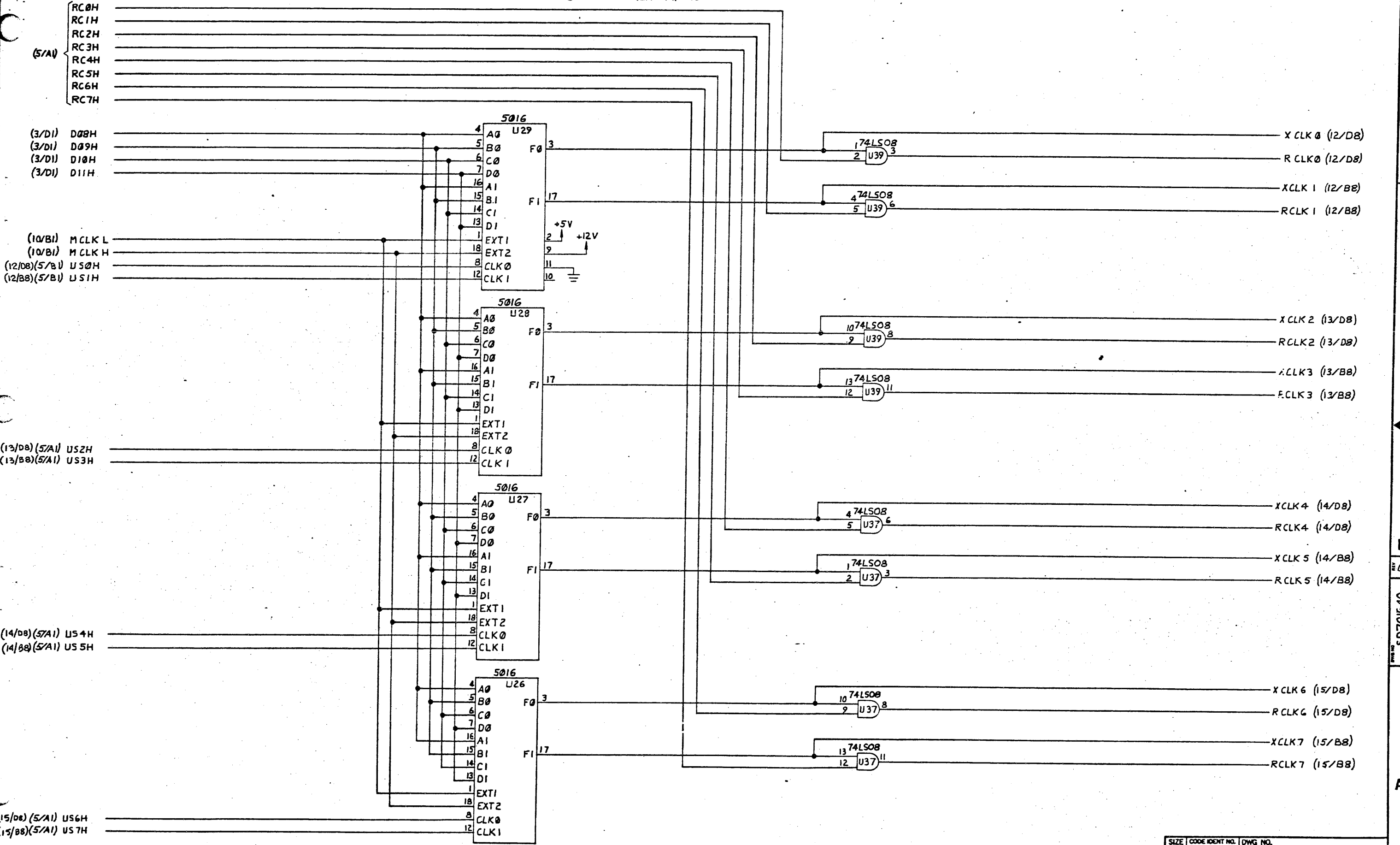
LINE PARAMETER REGISTER (LOW BYTE)

SIZE	CODE IDENT NO.	DWG NO.
D	52648	SD701640
SCALE: NONE	REV D	SHEET 5 OF 16

This information is the property of PLESSEY MICROSYSTEMS. Transmitted receipt or possession of the information does not imply, license, or imply any rights to use, sell, or manufacture from the information and its reproduction or publication of it, in whole or in part, shall be made without written authorization from PLESSEY MICROSYSTEMS.

LINE PARAMETER REGISTER (HIGH BYTE) AND BAUD RATE GENERATORS

REVISIONS				
ZONE	LTR	DESCRIPTION	DATE	APPROVED
		SEE SHEET 1		

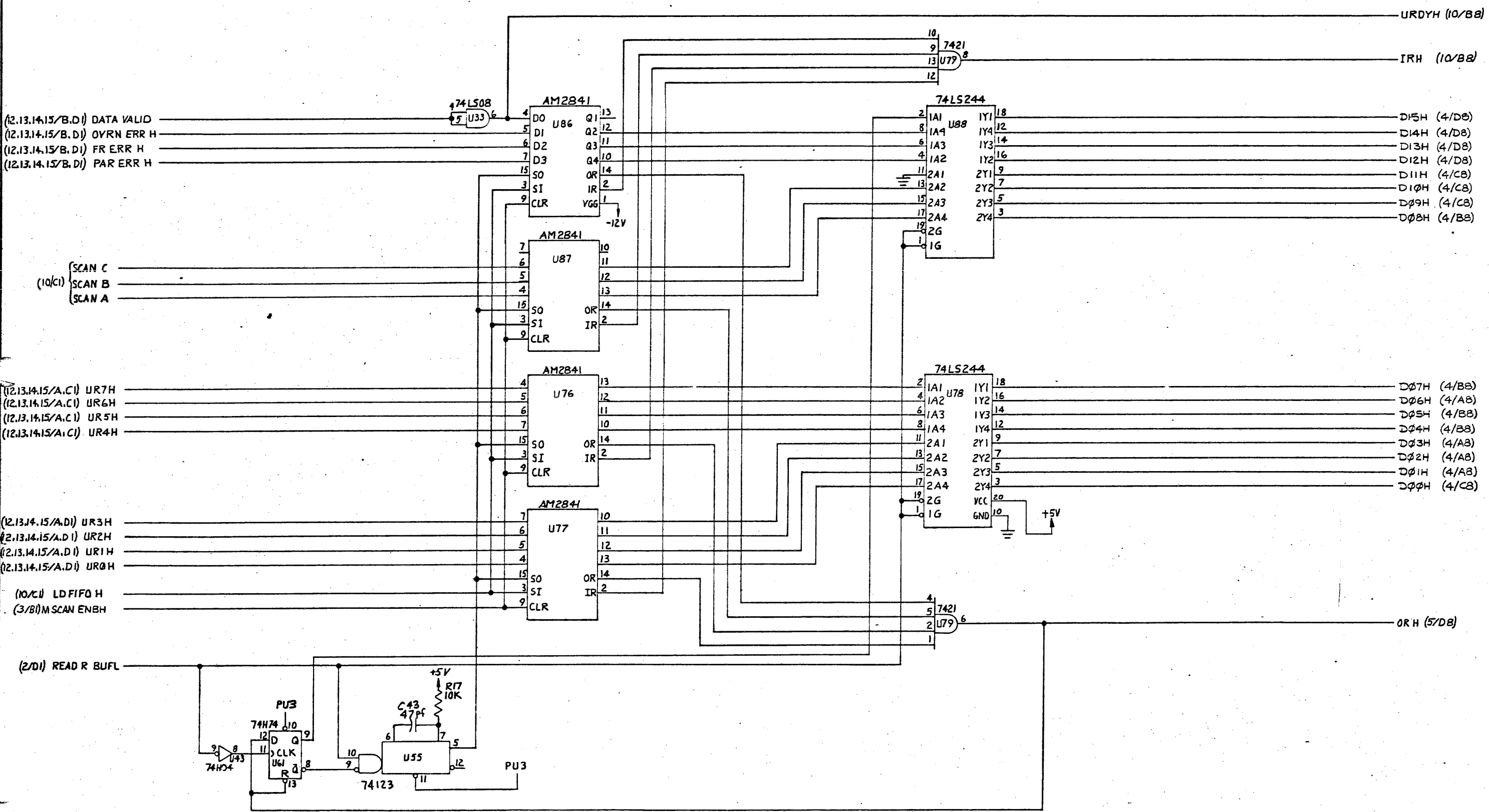


The information herein is the property of PLESSEY MICROSYSTEMS. Transmittal receipt or possession of this information does not constitute, in whole or in part, an agreement, license, or any other rights to use, sell, or manufacture from this information and no reproduction or publication of it, in whole or in part, shall be made without written authorization from PLESSEY MICROSYSTEMS.

REVISIONS				
ZONE	LTR	DESCRIPTION	DATE	APPROVED
		SEE SHEET 1		

FIFO

RECEIVER BUFFER REGISTER



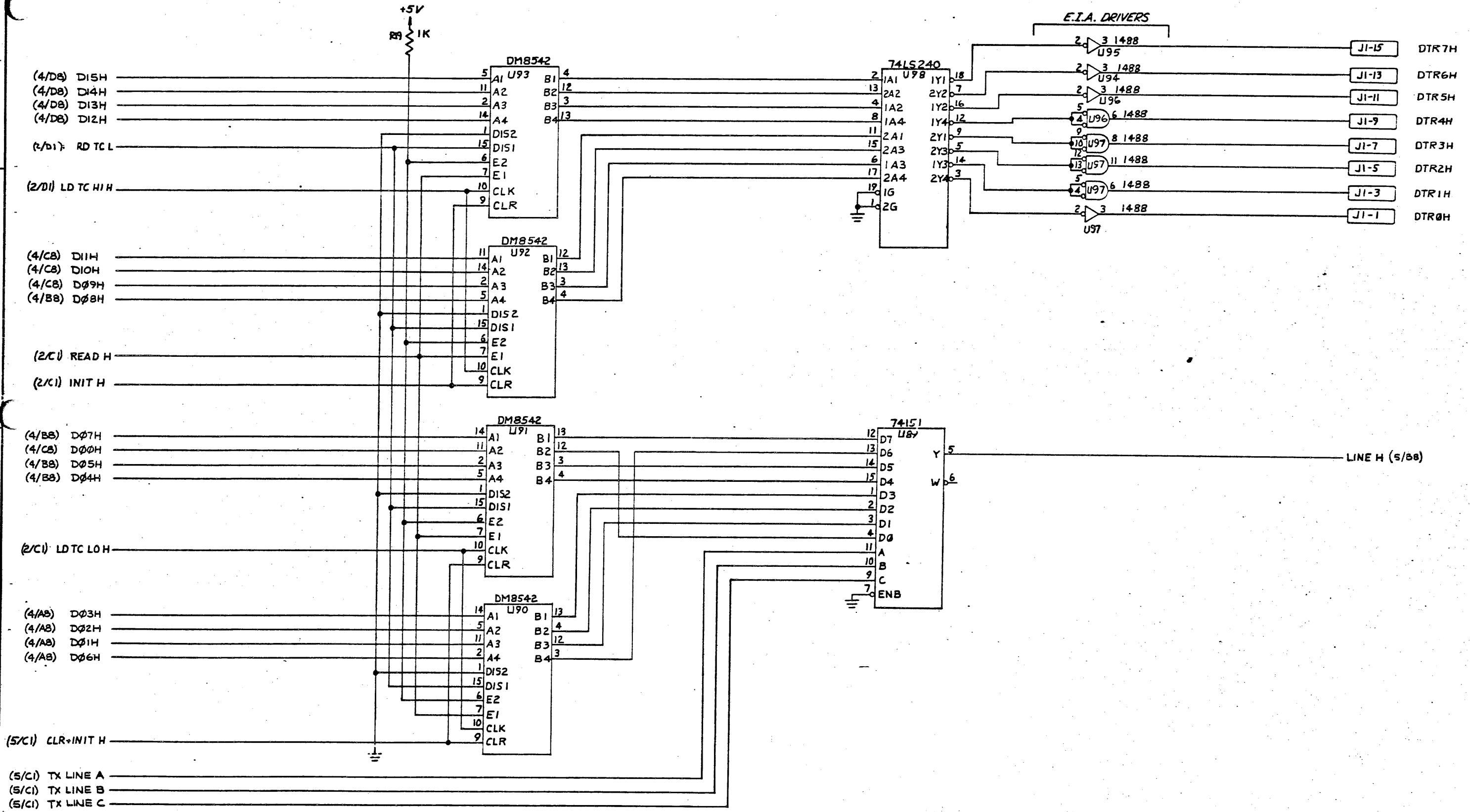
SIZE	CODE IDENT NO.	DWG NO.
D	52648	SD 701640
SCALE: NONE	REV D	SHEET 7 OF 16

D
C
B
A
SD701640 REV D

The information herein is the property of PLESSEY MICROSYSTEMS. Transmitted receipt or possession of the information does not imply, in whole or in part, that the information shall be made available to any other person without written authorization from PLESSEY MICROSYSTEMS.

REVISIONS				
ZONE	LTR	DESCRIPTION	DATE	APPROVED
		SEE SHEET 1		

TRANSMIT CONTROL REGISTER

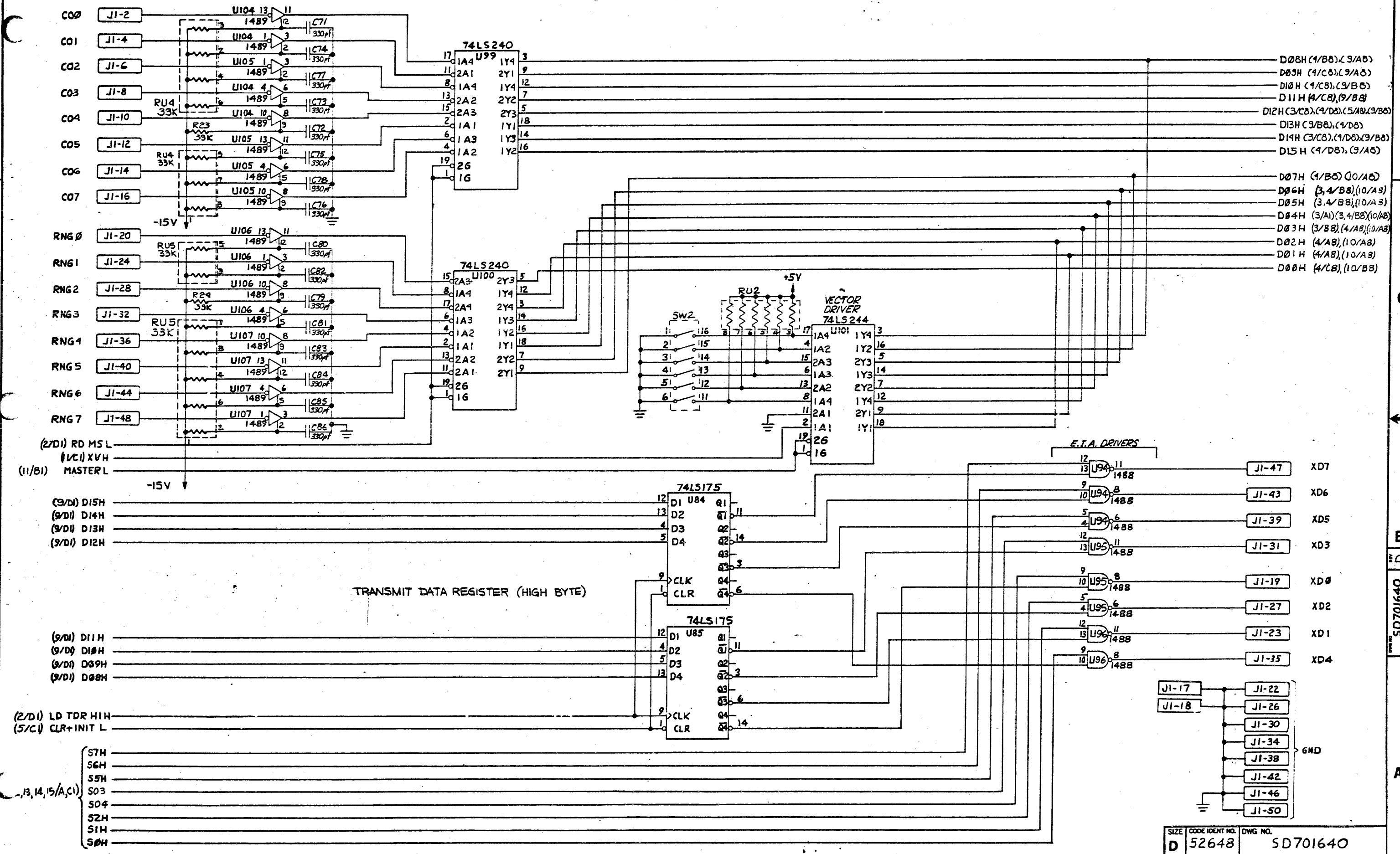


The information herein is the property of PLESSEY MICROSYSTEMS. Transmission, receipt or possession of this information does not constitute, or imply any rights to use, sell, or manufacture from this information and no reproduction or publication of it, in whole or in part, shall be made without written authorization from PLESSEY MICROSYSTEMS.

EIA RECEIVERS

MODEM STATUS REGISTER

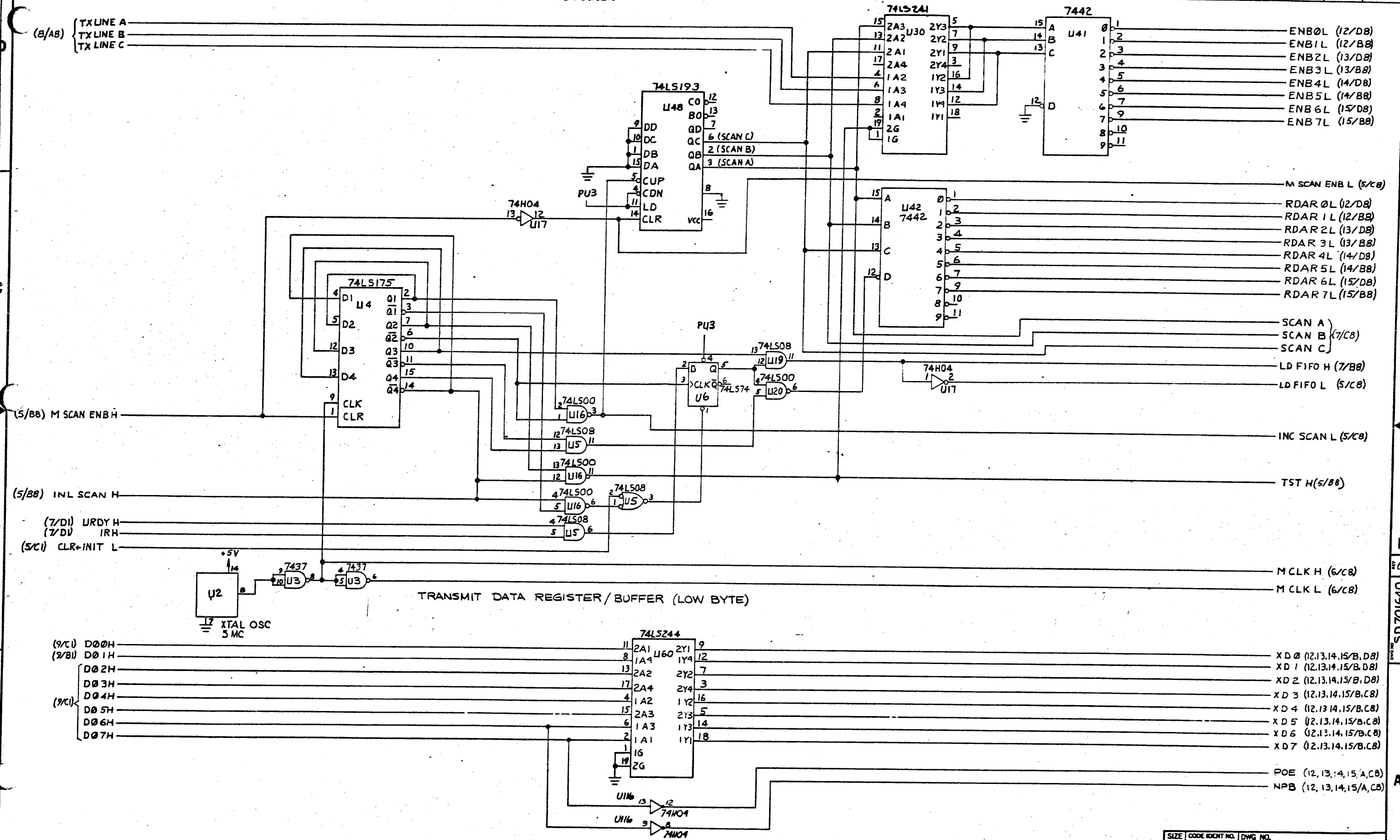
REVISIONS				
ZONE	LTR	DESCRIPTION	DATE	APPROVED
		SEE SHEET 1		



The information herein is the property of FLEISCHER MICROSYSTEMS. Its use, reproduction or dissemination of the information contained herein, in whole or in part, shall be made without written authorization from FLEISCHER MICROSYSTEMS.

REVISIONS				
ZONE	LTR	DESCRIPTION	DATE	APPROVED
		SEE SHEET 1		

SCANNER

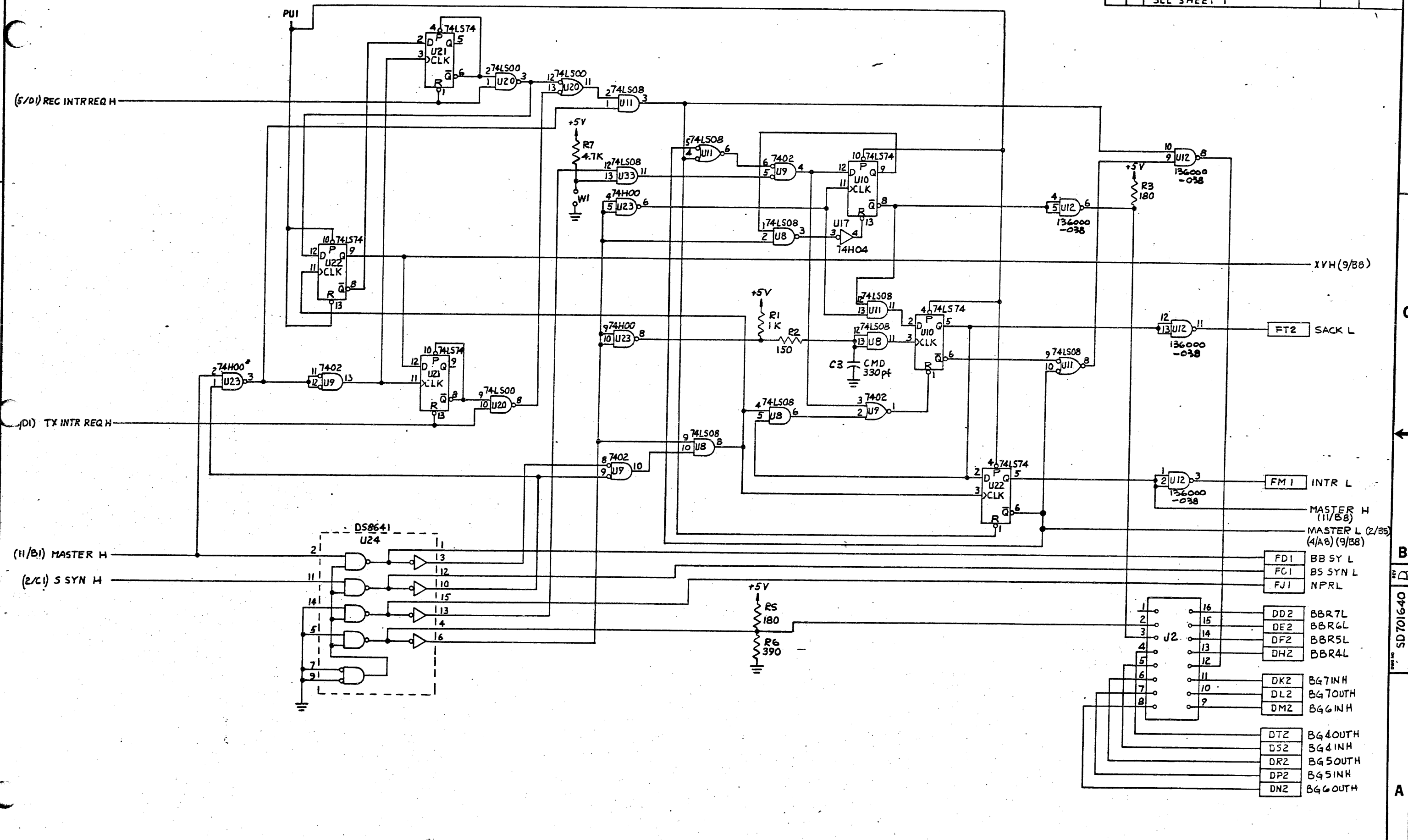


SIZE	CODE IDENT NO.	DWG NO.
D	52648	SD701640
SCALE: NONE	REV 2	SHEET 10 OF 16

INTERUPT CONTROL

REVISIONS				
ZONE	LTR	DESCRIPTION	DATE	APPROVED
		SEE SHEET 1		

The information herein is the property of PLESSEY MICROSYSTEMS. Reproduction or dissemination of this information does not constitute, in any way, an endorsement or approval of the information by PLESSEY MICROSYSTEMS. No part shall be made without written authorization from PLESSEY MICROSYSTEMS.



SIZE	CODE IDENT NO.	DWG NO.
D	52648	SD701640
SCALE: NONE	REV 0	SHEET 11 OF 16

SD701640

The information herein is the property of PLESSEY MICROSYSTEMS. Transmittal, receipt or possession of this information does not imply, license, or imply any rights to use, sell, or manufacture from this information and the reproduction or publication of it in whole or in part, shall be made without written authorization from PLESSEY MICROSYSTEMS.

U.A.R.T.

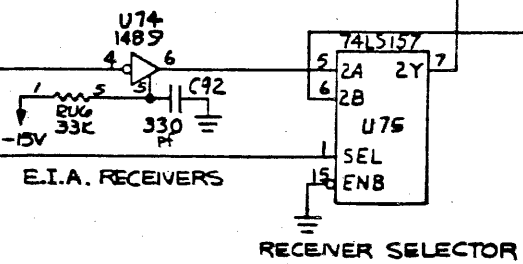
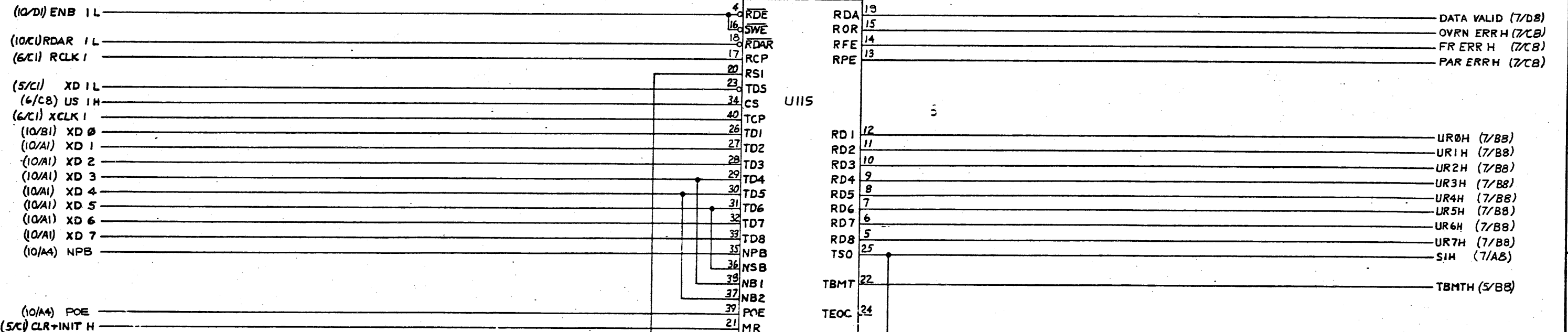
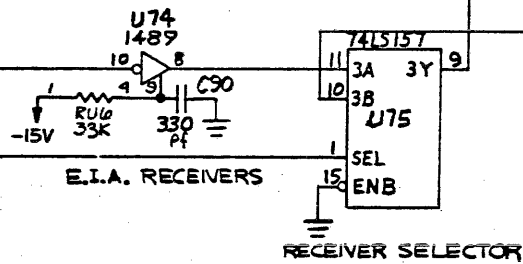
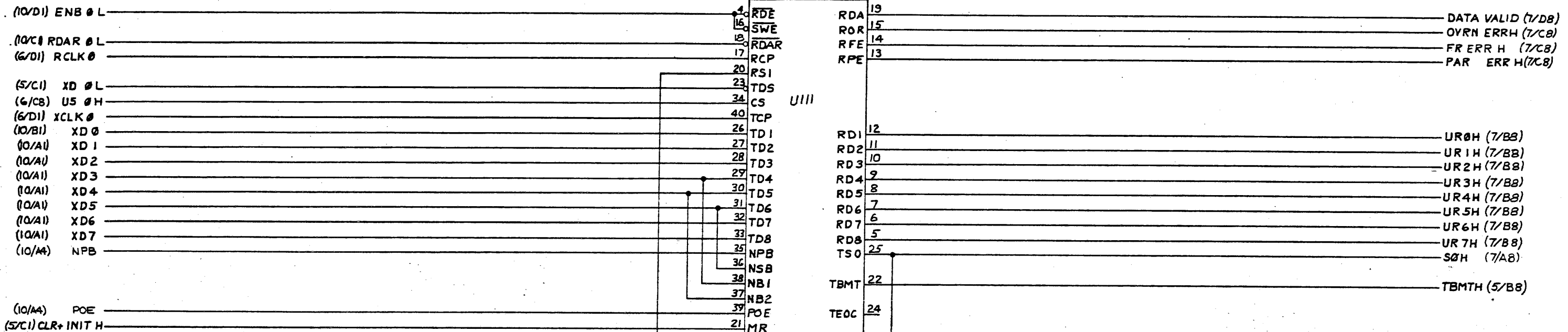
REVISIONS				
ZONE	LTR	DESCRIPTION	DATE	APPROVED
		SEE SHEET 1		

COM 2017

U111

COM 2017

U115

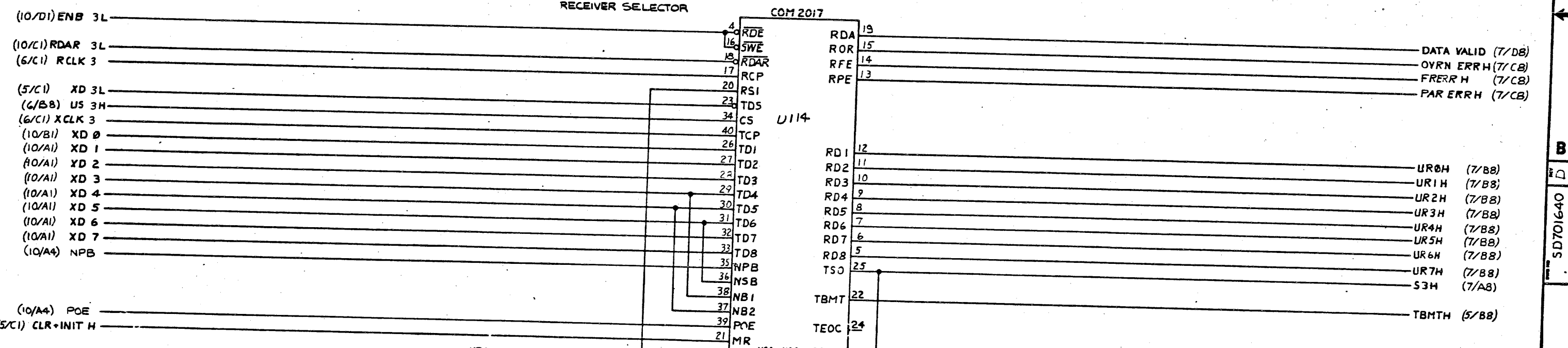
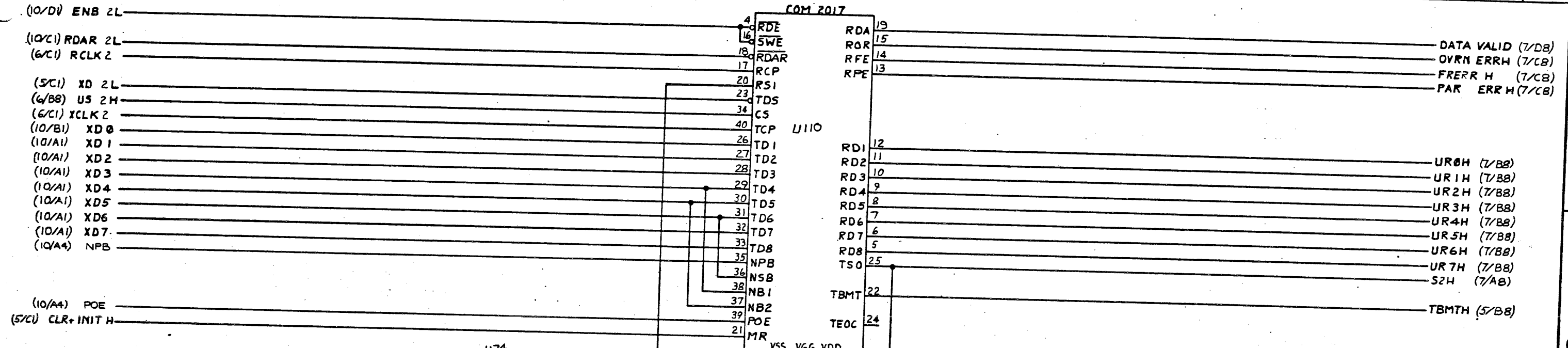


SIZE	CODE IDENT NO.	DWG NO.
D	52648	SD701640
SCALE: NONE	REV C	SHEET 12 OF 16

This information is the property of FLEET MANAGEMENT. It is to be controlled and its use restricted to authorized personnel only. It is to be controlled and its use restricted to authorized personnel only. It is to be controlled and its use restricted to authorized personnel only.

U.A.R.T.

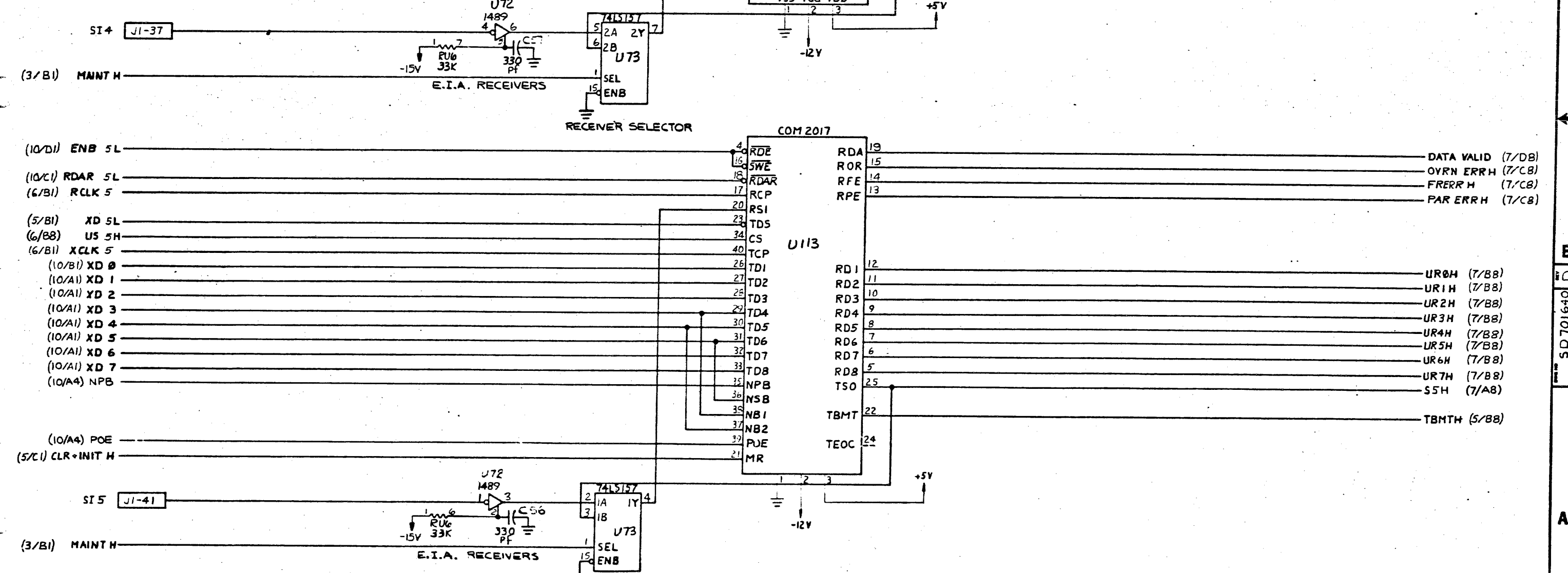
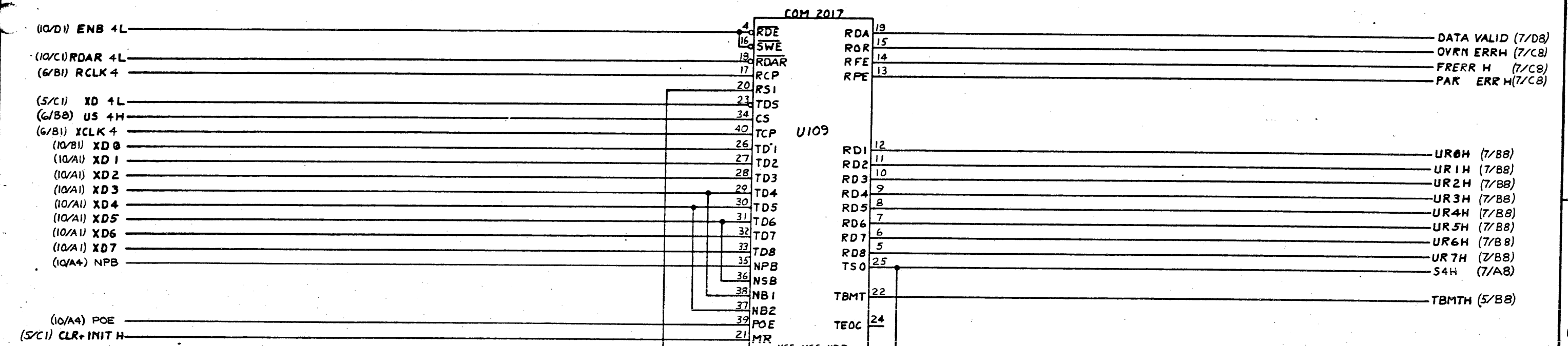
ZONE		LTR		REVISIONS		DATE	APPROVED
				SEE SHEET 1			



The information herein is the property of FLEISCHER MICROSYSTEMS, Inc. and is to be used only for the purposes for which it was prepared. No part of this document may be reproduced or transmitted in any form or by any means, electronic, mechanical, photocopying, recording, or by any information storage and retrieval system, without the prior written permission of FLEISCHER MICROSYSTEMS, Inc.

U.A.R.T.

REVISIONS				
ZONE	LTR	DESCRIPTION	DATE	APPROVED
		SEE SHEET 1		



SIZE	CODE IDENT NO.	DWG NO.
D	52648	SD701640
SCALE: NONE	REV	SHEET 14 OF 16

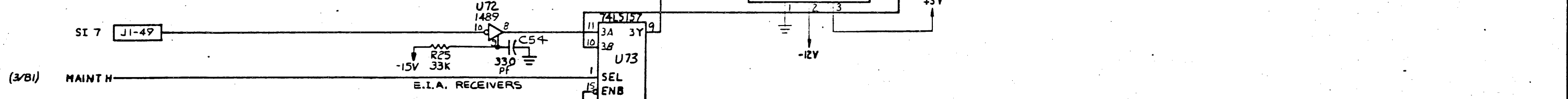
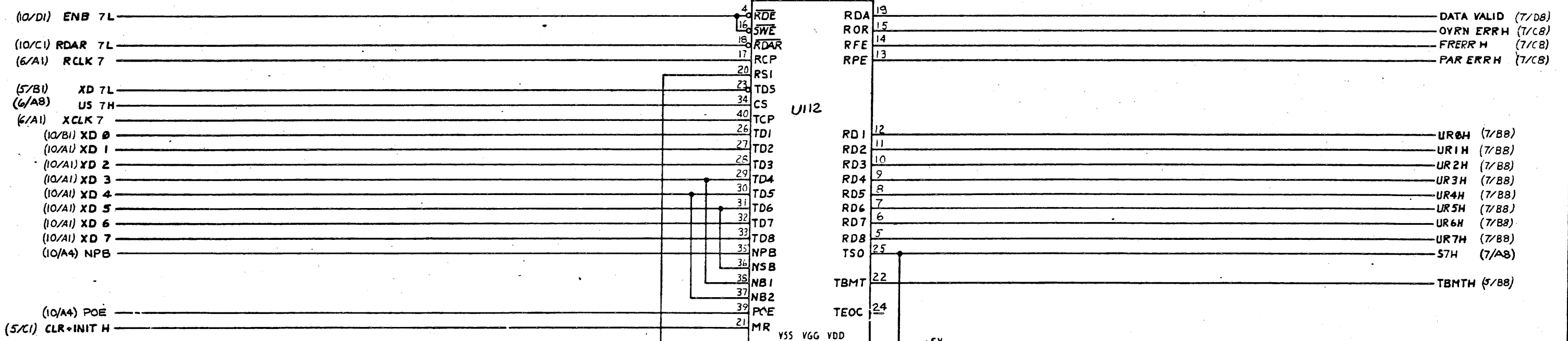
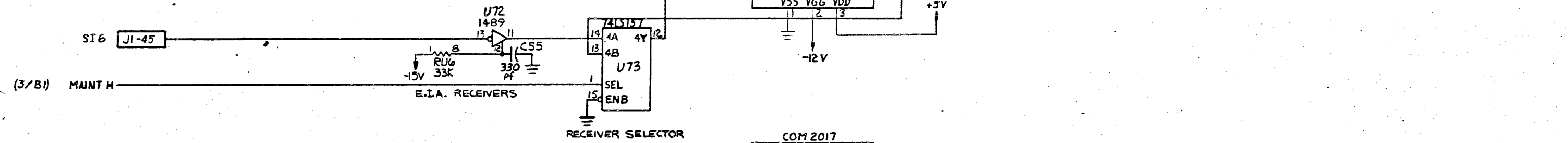
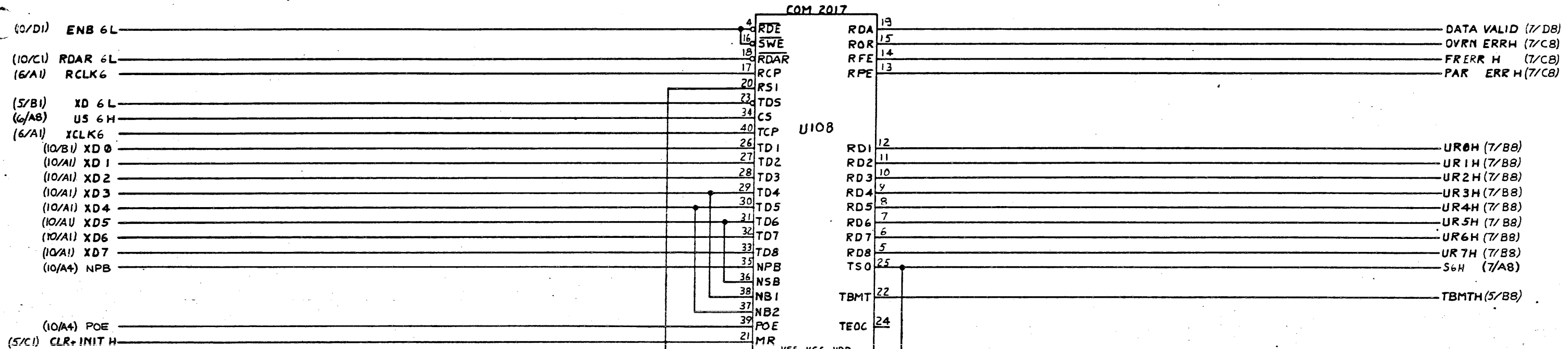
SD701640

A

This information is the property of PLESLEY MICROSYSTEMS. Transmitted in confidence or otherwise. It is to be controlled, stored, handled, and its reproduction or publication of it, in whole or in part, shall be made without written authorization from PLESLEY MICROSYSTEMS.

U.A.R.T.

REVISIONS				
ZONE	LTR	DESCRIPTION	DATE	APPROVED
		SEE SHEET 1		



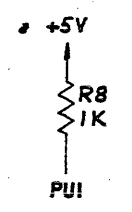
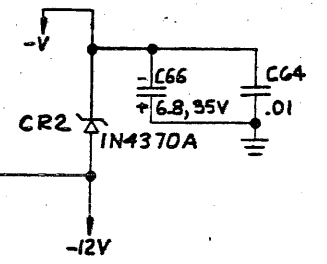
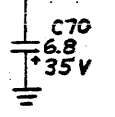
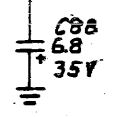
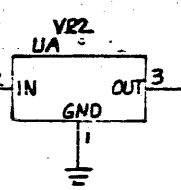
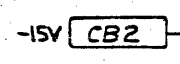
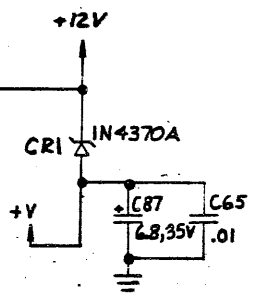
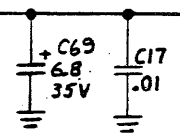
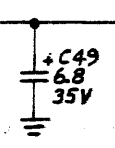
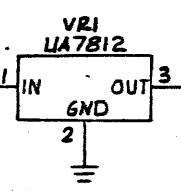
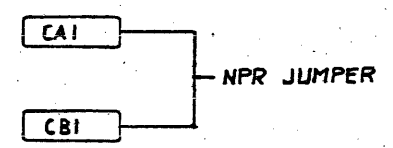
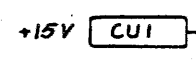
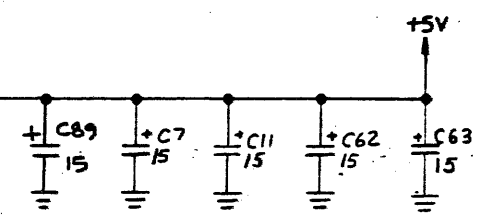
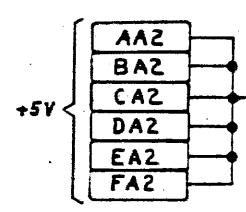
SIZE	CODE IDENT NO.	DWG NO.
D	52648	SD701640
SCALE: NONE	REV 0	SHEET 15 OF 10

SD701640

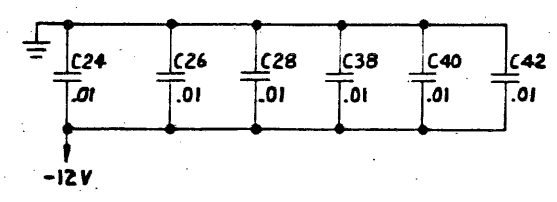
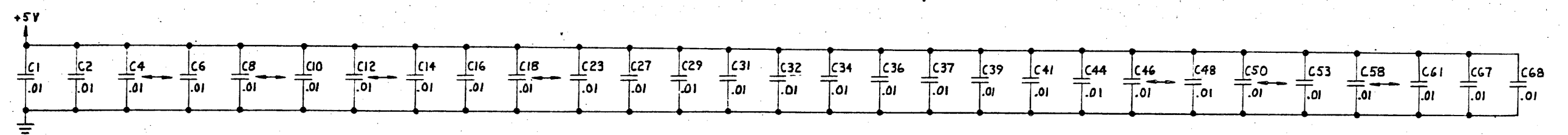
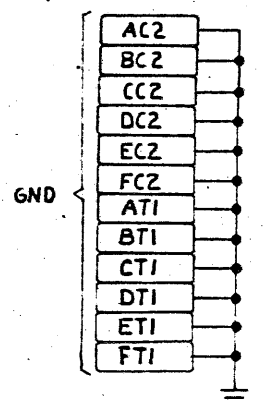
A

The information herein is the property of PLESSEY MICROSYSTEMS. Transmittal receipt or possession of this information does not constitute, license, or imply any rights to use, sell, or manufacture from this information and no reproduction or publication of it, in whole or in part, shall be made without written authorization from PLESSEY MICROSYSTEMS.

ZONE		LTR		REVISIONS		DATE	APPROVED
				SEE SHEET 1			

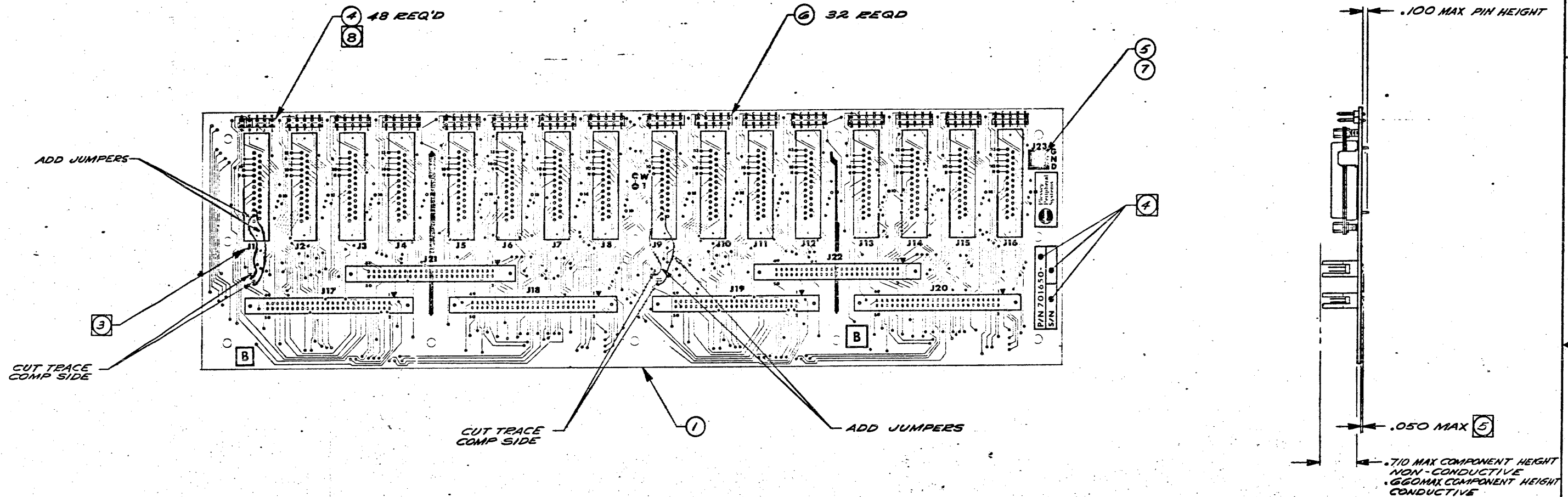


	GND	+5V	+12V	-12V	+V	-V
1+88	7				14	1
5016	11	2	9			
UART	3	1		2		
3341	8	16		1		
14 PIN	7	14				
16 PIN	8	16				
20 PIN	10	20				



The information herein is the property of PLESSEY MEMORIES INCORPORATED. Transmittal, receipt or possession of this information does not confer, license, or imply any rights to use, in whole or in part, shall be made without written authorization from PLESSEY MEMORIES INC.

REVISIONS				
ZONE	LTR	DESCRIPTION	DATE	APPROVED
A		REL TO PROD EO 2541	9-15-78	[Signature]



PRODUCTION RELEASE

- ② INSTALL SHUNT ASSEMBLIES, ITEM 4, BETWEEN A&B, C&D, H&J. 16 PLACES
- 7. J21 AND J22 NOT USED ON -100 VERSION.
- ⑥ INSTALL ITEMS NOTED AFTER FLOW SOLDER
- ⑤ COMPONENT LEAD TRIM AND SOLDER BUILD-UP TO BE AS NOTED
- ④ MARK ASSEMBLY VERSION NUMBER, LATEST REVISION LETTER AND SERIAL NUMBER WITH .12 HIGH CHARACTER'S USING BLACK INK PER MIL-M-13291, GROUP III. LOCATION APPROX AS SHOWN.
- ③ COMPONENT DESIGNATIONS ARE FOR REFERENCE ONLY AND DO NOT APPEAR ON PART.
- 2 FOR SCHEMATIC DIAGRAM SEE SD701650.
- 1. ASSEMBLE AND INSPECT PER WORKMANSHIP STANDARDS MANUAL.

NOTES: UNLESS OTHERWISE SPECIFIED

PART/ASSY NO. & QTY PER ASSY		PARTS LIST		SPEC/SOURCE		CODE IDENT NO.	FIND NO.
							5
							4
							3
							2
							1
-100 (NOTE: PART OR IDENTIFYING NO.)		FOR PARTS LIST SEE PL701650-100					
PART/ASSY REV LTR		CONTRACT NO.		Plessey Memories Incorporated		Santa Ana, California	
DO NOT SCALE DRAWING		DRAWN TOM COMEY 6-5-78		DWG TITLE		BOARD ASSEMBLY, CONNECTOR PANEL, PM-DZ11A	
SCREEN THREADS PER HANDBOOK #18		CHECK [Signature] 6-13-78		ENGR [Signature] 6-13-78		PROJ. ENGR	
COUNTERBORE AND SPOTFACE PILET RADIUS TO BE .250 MAXIMUM		PROJ. DESIGN [Signature] 2-1-78		SIZE		CODE IDENT NO. 521648 DWG NO. 701650	
REMOVE ALL BURRS AND BREAK SHARP EDGES EQUIVALENT TO .010		OTHER APPROVALS		SCALE: 1/1		SHEET 1 OF 1	
ROUNDEDNESS OF MACHINED SURFACES 1/4 PER USAS B1.5							
STANDARD HOLE TOLERANCE PER ASB 800							
TOLERANCES ON .125 & .125 DIA .005 & .005 ANGLES ± .010							
HYBRIDITY DATA VALUES AND TOLERANCES PER USAS 128A							
DIMENSIONS ARE IN INCHES AND APPLY AFTER HEAT TREAT AND FINISH							
UNLESS OTHERWISE SPECIFIED							

701650

PARTS LIST	Plessey Microsystems	PREPARED BY	R. RYTTINEN	2-21-78	PL-701650-100	A
		CHECKED BY	L. Jankis	3-8-78		
		DESIGNED BY	E. Toivola	3-9-78		
		APPROVED				
		CODE IDENT NO.	52648	123157A	SH 1 OF 3	
		MODEL NO.	PM-DZ11A			

REV LTR	DESCRIPTION	DATE	APPROVED	REV LTR	DESCRIPTION	DATE	APPROVED
A	REL TO PROD EO 2541	9-15-78	[Signature]				

PRODUCTION RELEASE

REV STATUS OF SHEETS	REV LTR	A	A	A														
----------------------	---------	---	---	---	--	--	--	--	--	--	--	--	--	--	--	--	--	--

PARTS LIST	Plessey Microsystems	CODE IDENT NO.	52648	PARTS LIST NO.	PL 701650-100	SH	2	REV LTR	A
------------	----------------------	----------------	-------	----------------	---------------	----	---	---------	---

REFERENCE DESIGNATION	F I N O D	REFERENCE DESIGNATION	F I N O D	REFERENCE DESIGNATION	F I N O D	REFERENCE DESIGNATION	F I N O D
J1 THRU 16	2						
J17 THRU 20	3						
J23	5						

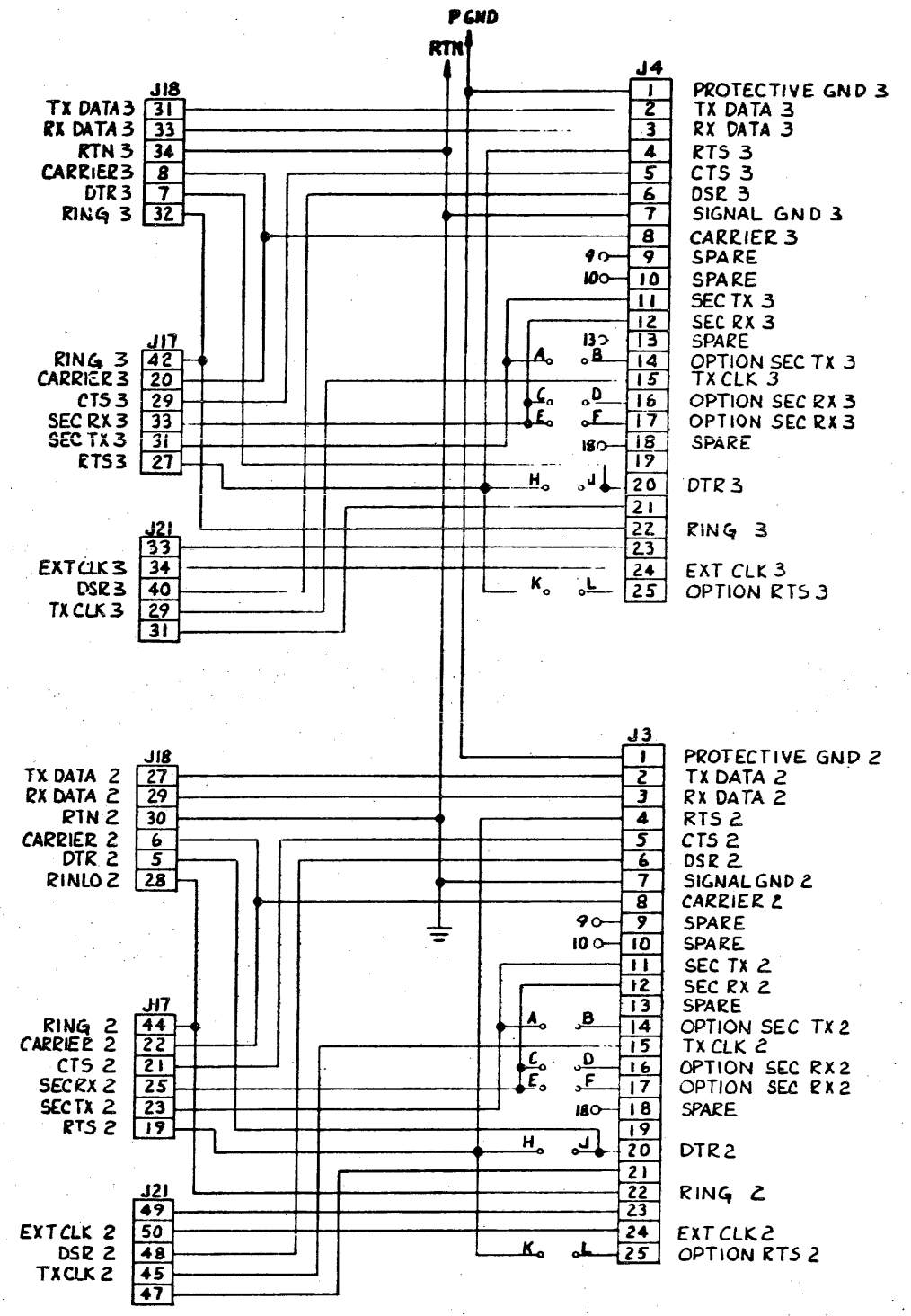
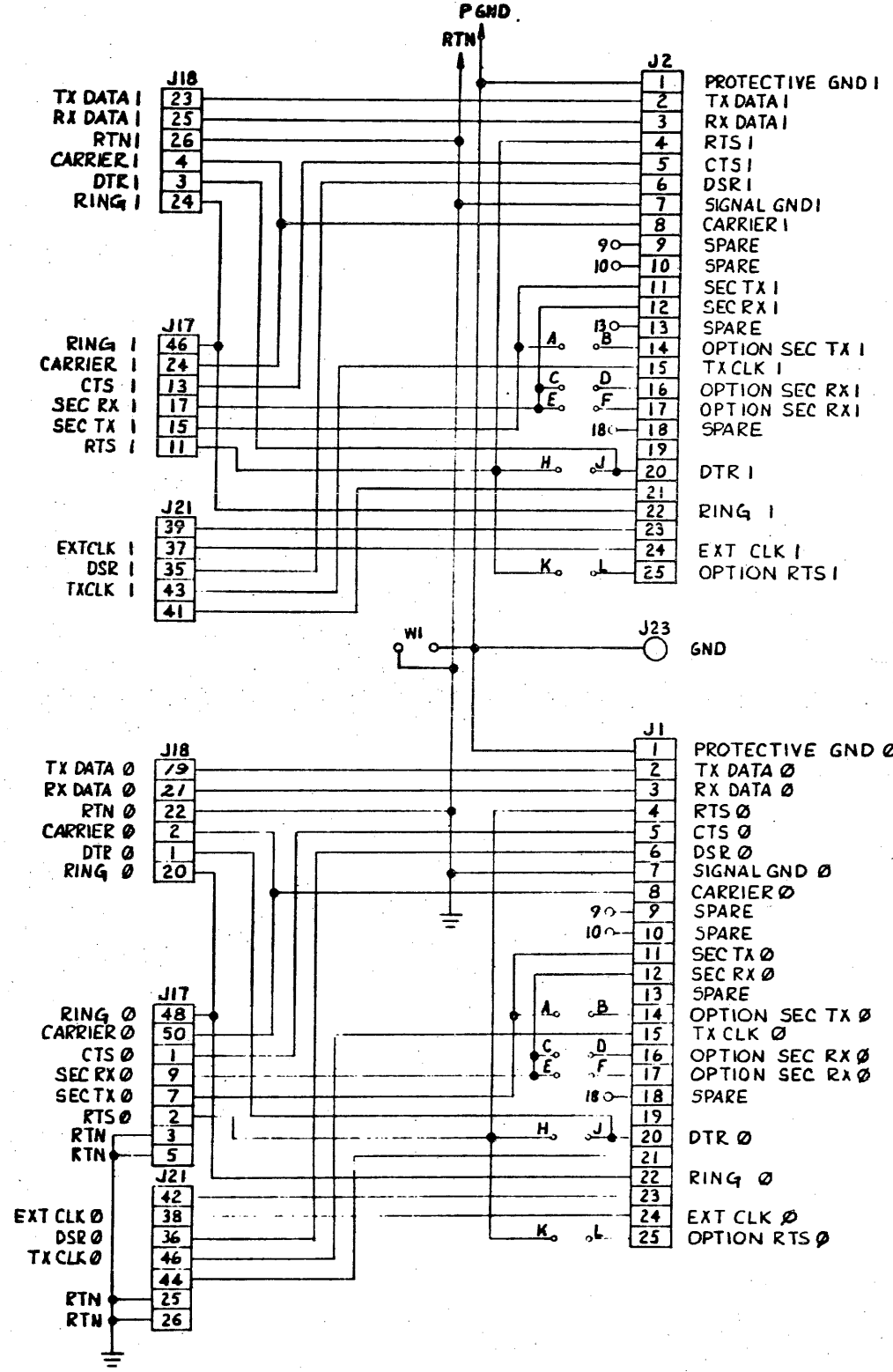
NOTE	QTY REQD	PART OR IDENTIFYING NO.	NOMENCLATURE OR DESCRIPTION	SPECIFICATION	CODE IDENT NO.	ZONE	F I N O D	S Y N	C/I USAGE				
									C/I CODE	REV OR MARK	P I N	UNIT COST	
	1	701649-001	PWB. / CONNECTOR PANEL PM-DZ11A				1						
Ⓞ	16	DB-25P-F179	CONNECTOR / 25 CONTACTS, PLUG, W W	CINCH			2						
	4	3433-2002	CONNECTOR / 50 CONTACT, PIN/SOLDER TAIL	3M			3						
	48	5301532	SHUNT ASSY	AMP			4						
	1	60080-2	RECEPTACLE / TAB	AMP			5						
Ⓞ	32	87225-4	5 POST STRIP	AMP			6						
	1	SE-37	RIVET, TUBULAR - BRASS	USM CORP			7						
							8						
	32	D-20418-2	SCREW, LOCK, FEMALE	CINCH			9						
							10						
REF		SN 63 WRAP 3	SOLDER	00-S-571			11						
							12						
							13						

The information hereon is the property of PLESSEY PERIPHERAL SYS. Transmittal, receipt or possession of the information does not comply, license, or imply any rights to use, sell, or manufacture from this information and no reproduction or publication of it, in whole or in part, shall be made without written authorization from PLESSEY PERIPHERAL SYS.

CODE IDENT NO. DWG NO. PL 701650-100
 SIZE B 52648
 SCALE REV A
 SHEET 1 of 1

REVISIONS				
ZONE	LTR	DESCRIPTION	DATE	APPROVED
		SEE SHEET 1		

6D701650

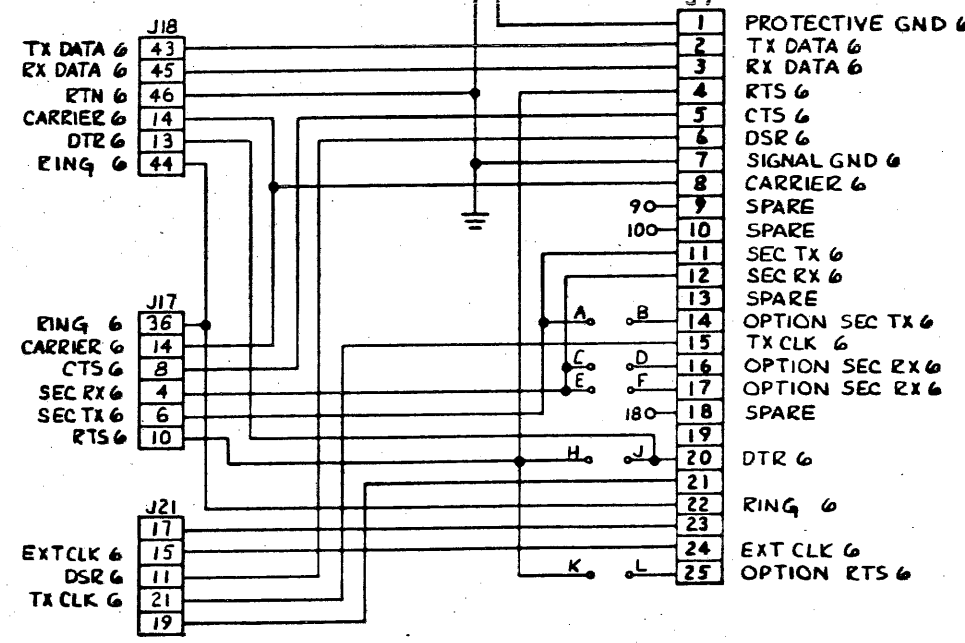
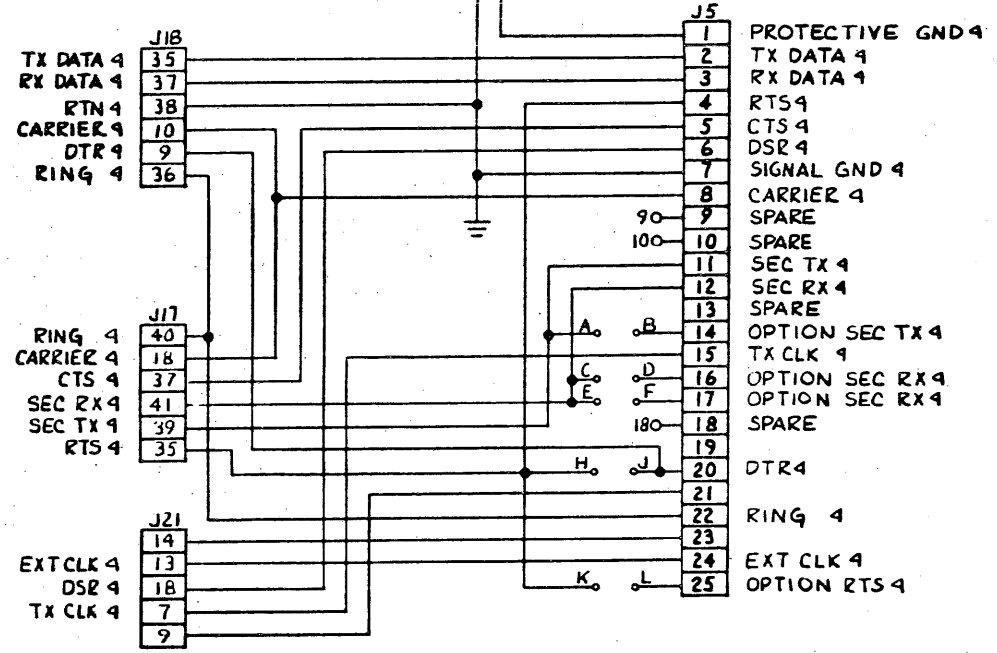
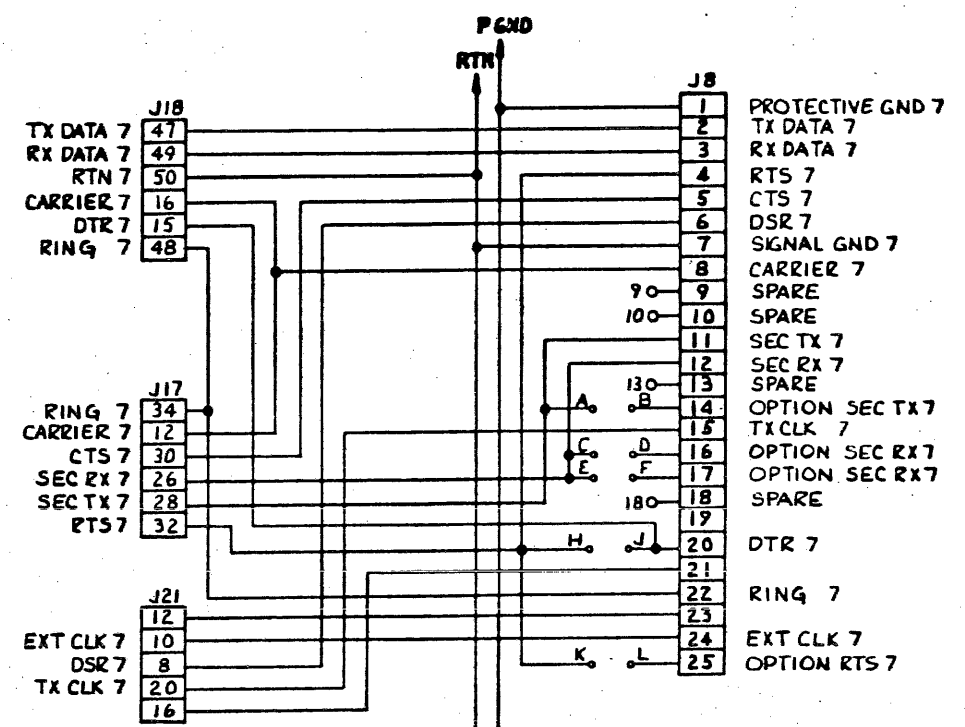
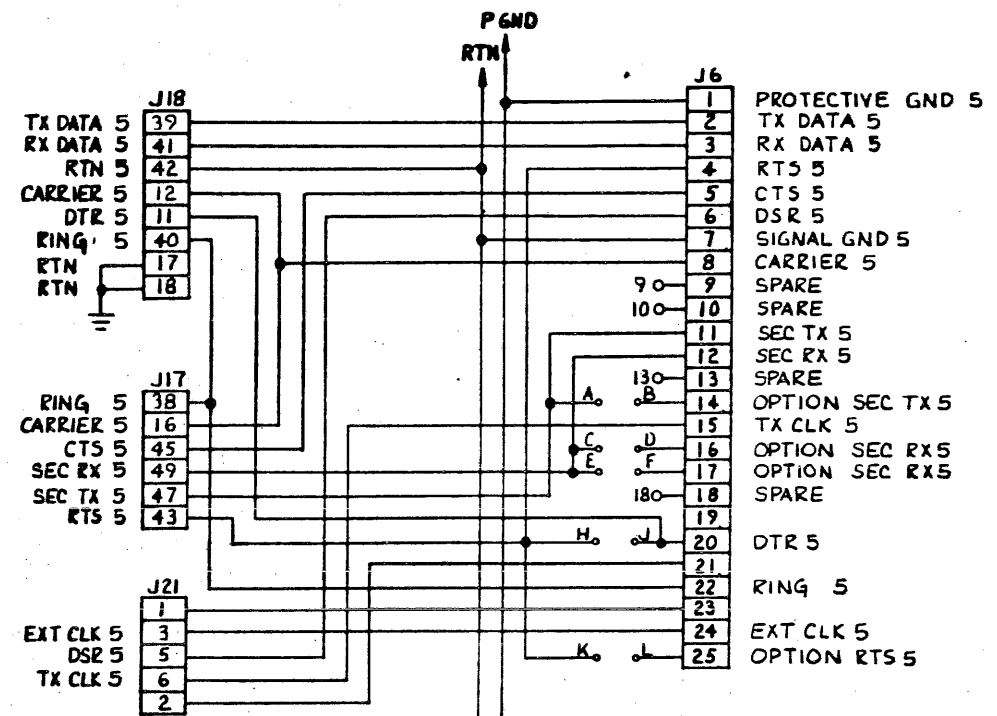


SIZE	CODE IDENT NO.	DWG NO.
D	52648	SD701650
SCALE	A	
SHEET 2 OF		DISTR NO.

The information herein is the property of PLESSEY PERFORMING, INC. and is loaned to you for your use only. It is not to be distributed, copied, or reproduced in any form, or by any means, without the prior written consent of PLESSEY PERFORMING, INC.

SD701650

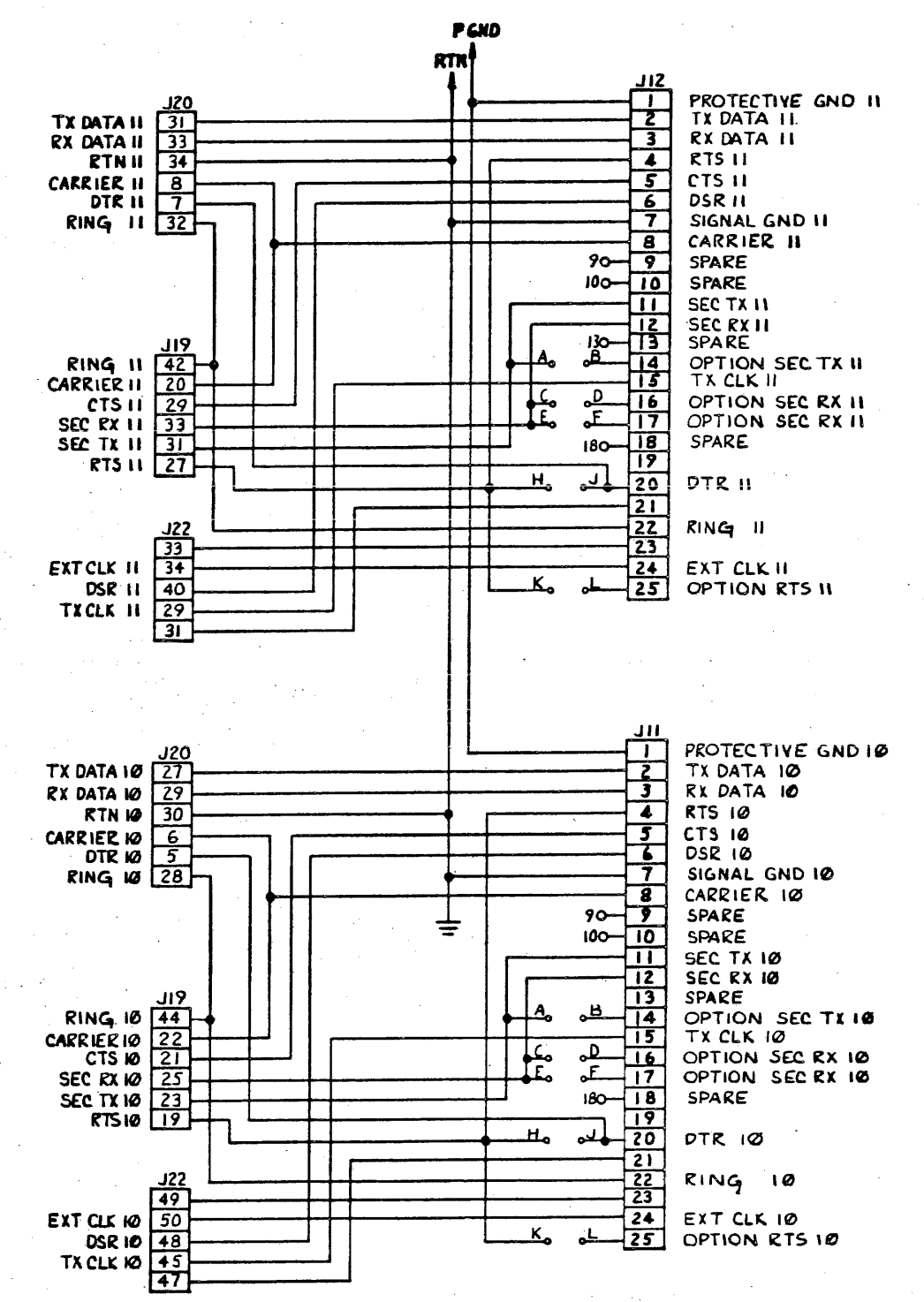
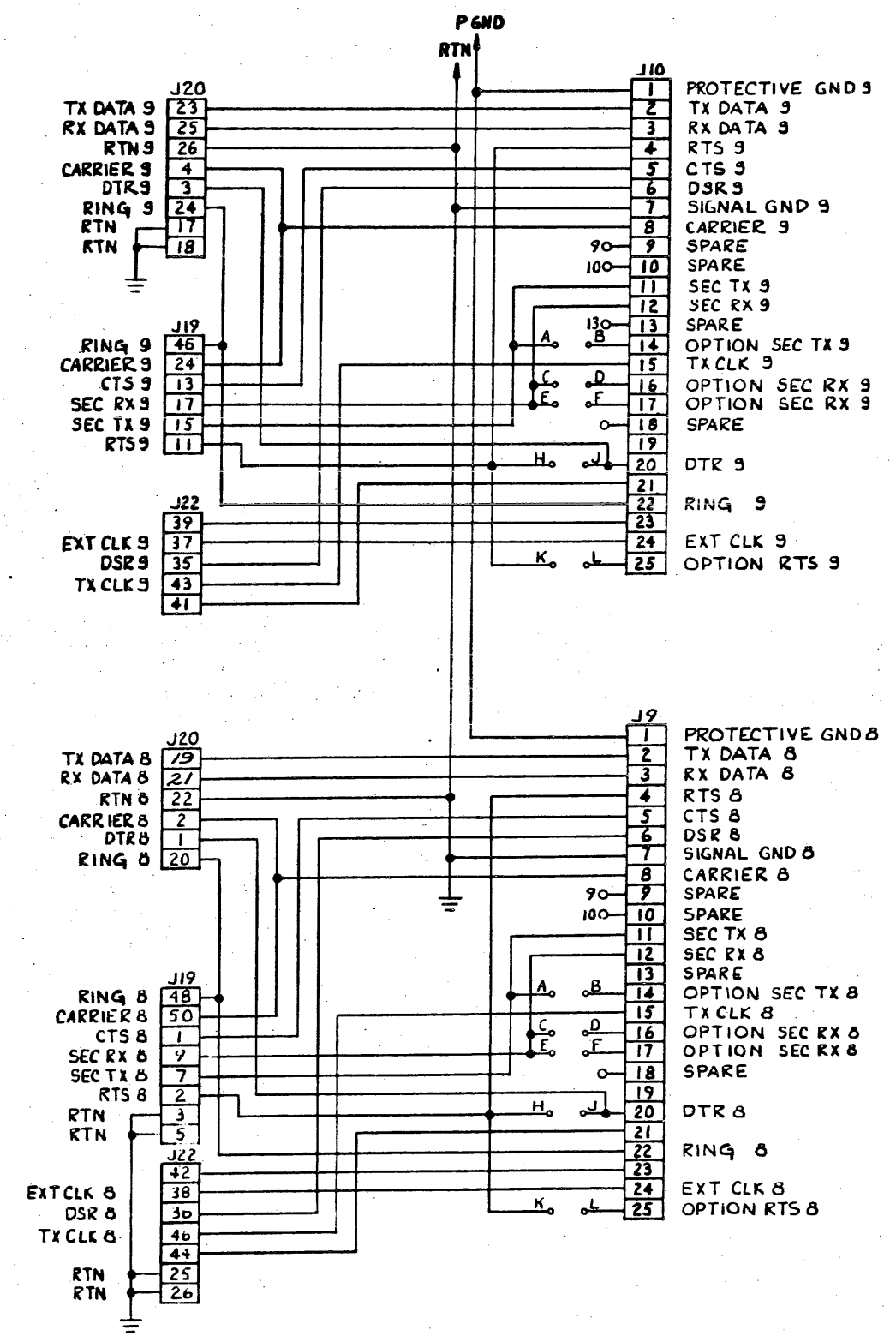
REVISIONS				
SDME	LTR	DESCRIPTION	DATE	APPROVED
		SEE SHEET 1		



SIZE	CODE IDENT NO.	DWG NO.
D	52648	SD701650
SCALE: —	1	SHEET 3 OF 5

REVISIONS				
ZONE	LTR	DESCRIPTION	DATE	APPROVED
		SEE SHEET 1		

SD701650

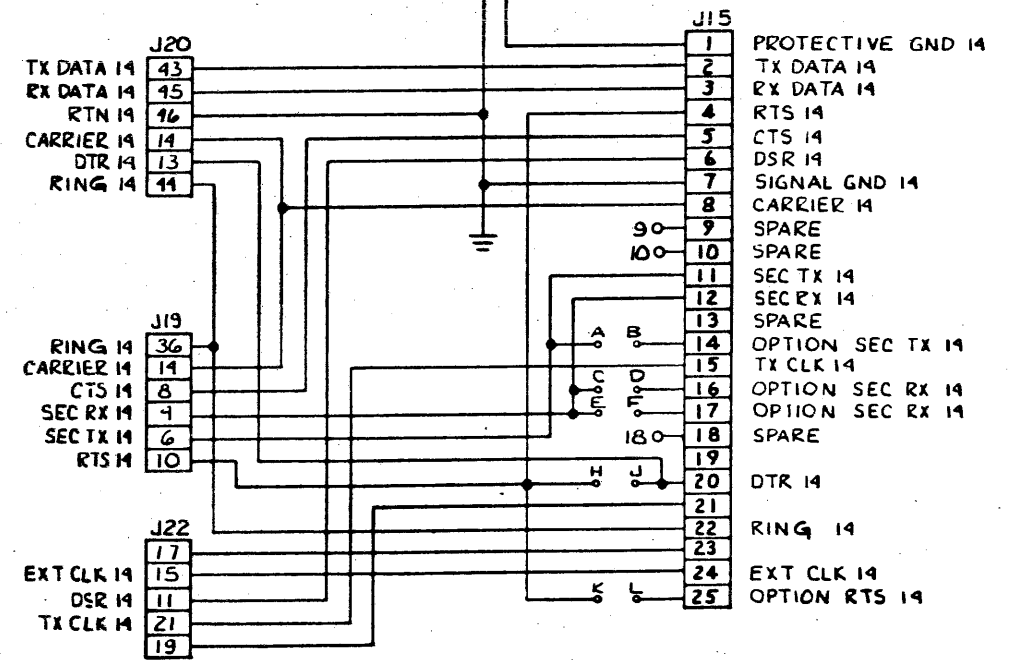
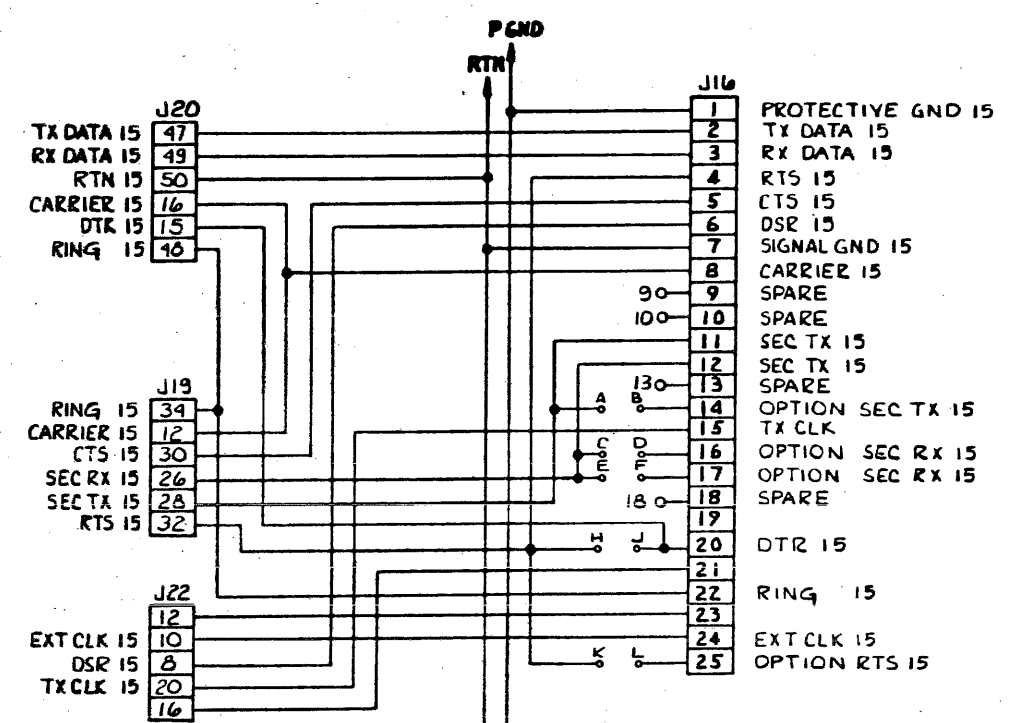
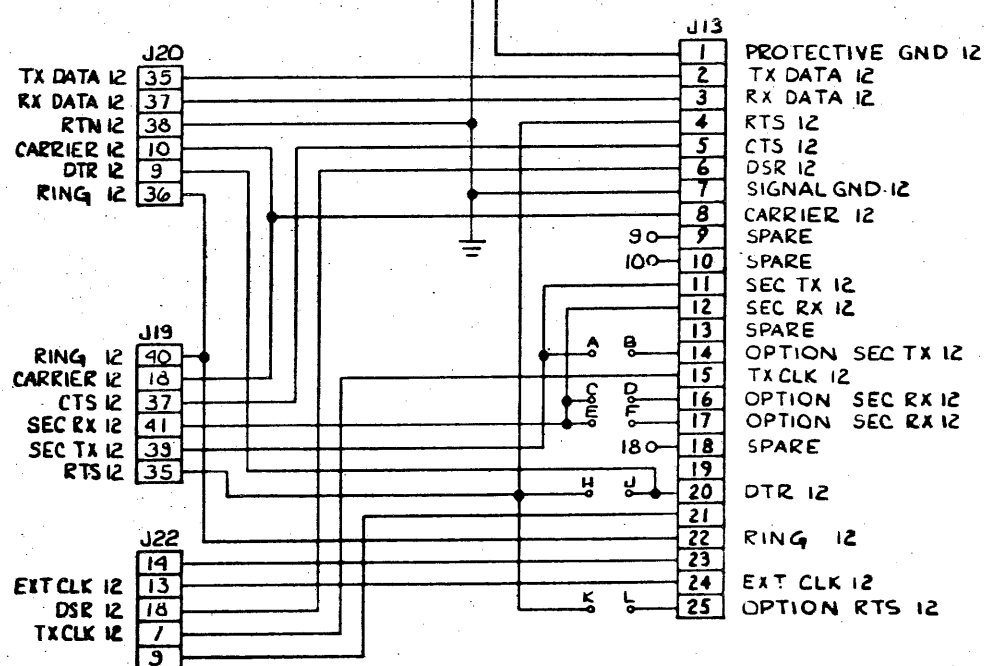
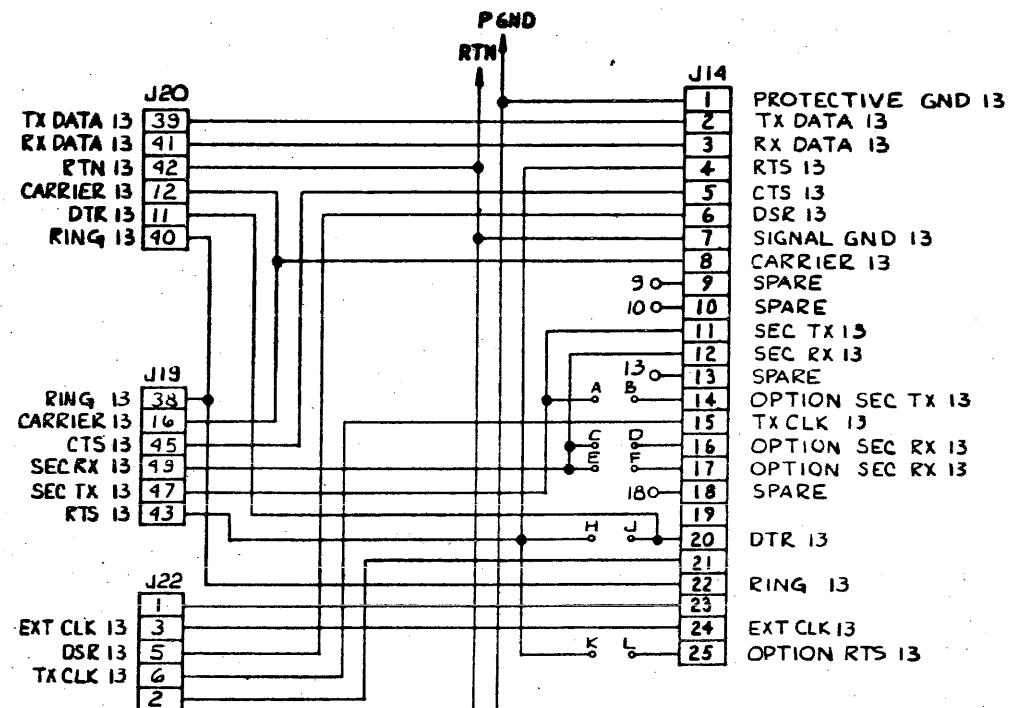


SIZE	CODE IDENT NO.	DWG NO.
D	52648	SD701650
SCALE	A	SHEET 4 OF 5
		DISTR NO.

The information herein is the property of PLEMMET PLEMMET, INC. and is loaned to you for your use only. It is not to be distributed outside your organization. If you have any questions, please contact PLEMMET PLEMMET, INC. at the address below. This information is not to be used for any other purpose without written authorization from PLEMMET PLEMMET, INC.

REVISIONS				
ZONE	LTR	DESCRIPTION	DATE	APPROVED
		SEE SHEET 1		

SD701650

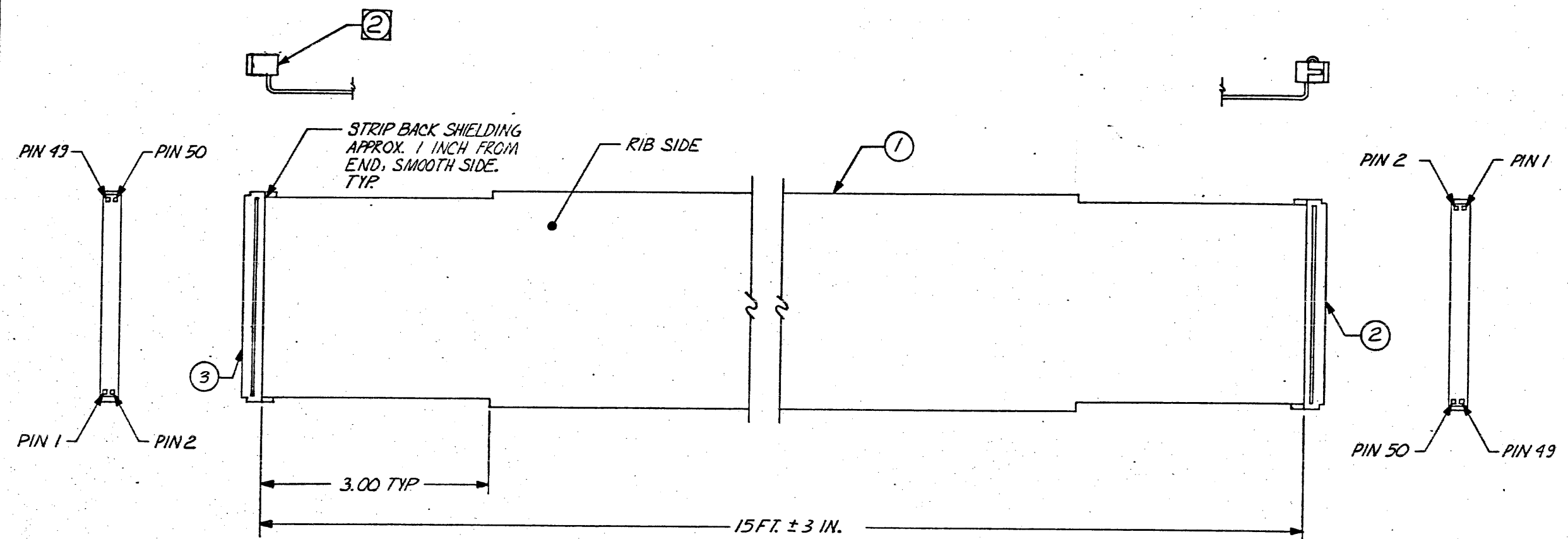


SIZE	CODE IDENT NO.	DWG NO.
D	52648	SD701650
SCALE: NONE	A	SHEET 5 OF 5

The information herein is the property of PLESSEY PERIPHERAL SYS. Transmittal receipt or possession of the information does not comply, license, or imply any rights to use, sell, or manufacture from this information and no reproduction or publication of it, in whole or in part, shall be made without written authorization from PLESSEY PERIPHERAL SYS.

REVISIONS				
ZONE	LTR	DESCRIPTION	DATE	APPROVED
/	A	REL TO PROD PER EO 2481	8-18-78	<i>[Signature]</i>
/	B	INCRP PER EO 2863	2-6-79	<i>[Signature]</i>

701608



PRODUCTION RELEASE

PART/ASSY NO. & QTY PER ASSY	PARTS LIST	NOTE	PART OR IDENTIFYING NO.	NOMENCLATURE OR DESCRIPTION / MATERIAL	SPEC/SOURCE	CODE IDENT NO.	FIND NO.
							5
							4
							3
							2
							1
		X		FOR PARTS LIST SEE PL 701608-100			

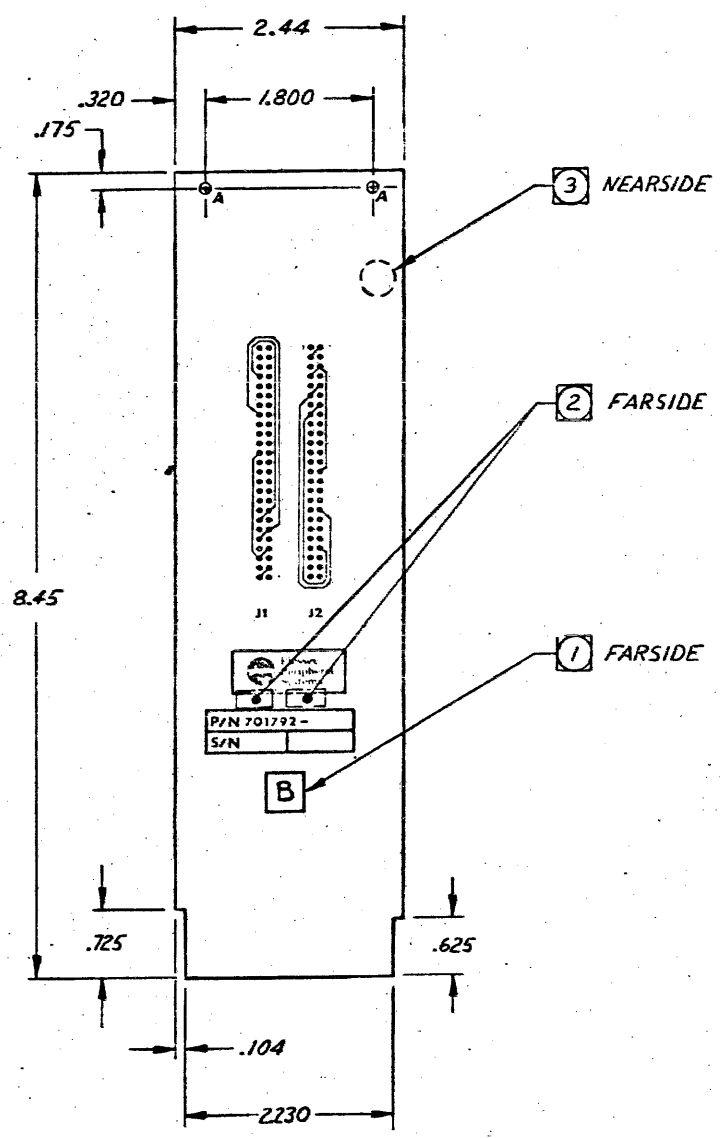
- ② MARK PART NO. & LATEST REV LETTER WITH .12 HIGH CHARACTERS USING WHITE INK PER MIL-M-13231, GROUP III. LOCATE APPROX. WHERE SHOWN.
1. ASSEMBLE AND INSPECT PER WORKMANSHIP STANDARDS MANUAL.

NOTES: UNLESS OTHERWISE SPECIFIED

DO NOT SCALE DRAWING SCREW THREADS PER HANDBOOK H-28 COUNTERBORE AND SPOTFACE FILLET RADII TO BE .010 MAXIMUM REMOVE ALL BURRS AND BREAK SHARP EDGES EQUIVALENT TO .01R ROUGHNESS OF MACHINED SURFACES 125/ PER USAS B46.1 STANDARD HOLE TOLERANCE PER AND 10387 TOLERANCES ON: .XX ± .03 .XXX ± .010 ANGLES ± 30° INTERPRET DIMENSIONS AND TOLERANCES PER USAS Y14.5 DIMENSIONS ARE IN INCHES AND APPLY AFTER HEAT TREAT AND FINISH UNLESS OTHERWISE SPECIFIED		CONTRACT NO. DRAWN <i>R.R. HYTINEN</i> 5-16-78 CHECK <i>P. Tenkio</i> 5-22-78 ENGR <i>E. Toke</i> 5-22-78 PROJ. ENGR PROD. DESIGN <i>[Signature]</i> 5-24-77 OTHER APPROVALS		Plessey Peripheral Systems DWG TITLE CABLE ASSEMBLY 50 CONDUCTOR, SHIELDED PM - B005W-15 SIZE CODE IDENT NO. DWG NO. C 52648 701608 SCALE: 1/1 SHEET 1 OF 1	
PART/ASSY REV LTR PART NO. NEXT ASSY USED ON APPLICATION		PARTS LIST		SPEC/SOURCE CODE IDENT NO. FIND NO.	

The information herein is the property of PLESSEY MEMORIES INC. and is not to be distributed, copied, or reproduced in any form without written authorization from PLESSEY MEMORIES INC.

REVISIONS				
ZONE	LTR	DESCRIPTION	DATE	APPROVED
XI		REL TO DEV E05071	5-10-78	[Signature]
XL		INCLORP E02531	8-17-78	[Signature]



SYMBOL	DESCRIPTION	QTY	PLATED
UNCODED	.035 ±.003 DIA	100	YES
A	.128 ±.003 DIA	2	NO

ENGINEERING RELEASE
 COGNIZANT ENGINEER
 NOT FOR FABRICATION UNLESS SIGNED BELOW
 DATE _____

PART/ASSY NO. & QTY PER ASSY	PARTS LIST	SPEC/SOURCE	CODE IDENT NO.	FIND NO.
X	BOARD	.062 PLASTIC SHEET, LAMINATED, COPPER CLAD COLOR: GREEN		1
-001	NOTE: PART OR IDENTIFYING NO.	NOMENCLATURE OR DESCRIPTION / MATERIAL		

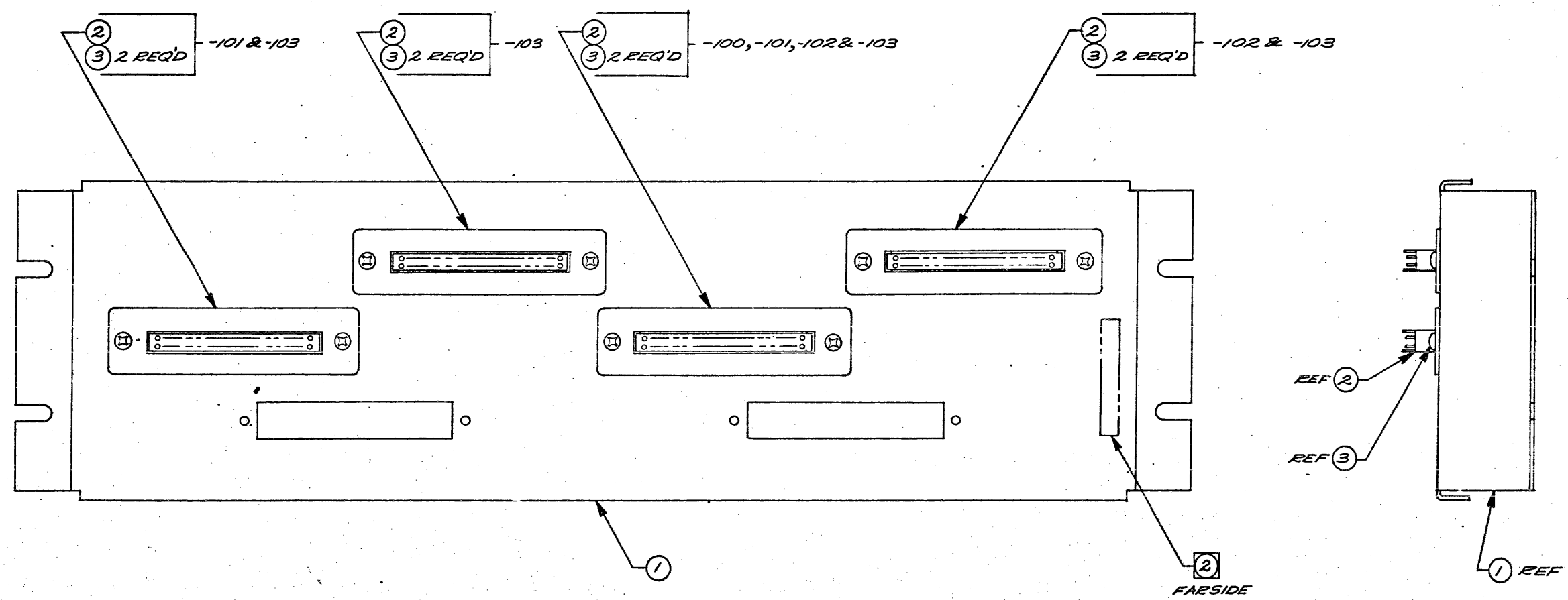
DO NOT SCALE DRAWING	CONTRACT NO.	 Plessey Memories Incorporated Santa Ana, California
SCREW THREADS PER HANDBOOK H-28 COUNTERBORE AND SPOTFACE PILEY BORN TO BE 80 MAXIMUM REMOVE ALL BURRS AND BREAK SHARP EDGES 80% RADIUS TO .50R ROUNDOFFS OF MACHINED SURFACES 10% PER USAS 7345 STANDARD HOLE TOLERANCES PER ASME B94 TOLERANCES FOR .25 & .50 DIA ± .005 & .010 UNLESS OTHERWISE SPECIFIED DIMENSIONS ARE IN INCHES AND APPLY AFTER HEAT TREAT AND FINISH UNLESS OTHERWISE SPECIFIED	DRAWN [Signature] 5-10-78 CHECK [Signature] 5-16-78 ENGR [Signature] 5-16-78 PROJ. ENGR PROD. DESIGN [Signature] 5-16-78 OTHER APPROVALS	
PART/ASSY REV LTR X NEXT ASSY USED ON APPLICATION	DWG TITLE TEST CONNECTOR STAGGERED TURNAROUND PM - H3721	SIZE CODE IDENT NO. DWG NO. D 52648 SK701791
	SCALE: 1/1	SHEET 1 OF 1

- 3 MARK SUPPLIER IDENTIFICATION CODE AND LOT IDENTIFICATION CODE PER 110000. LOCATE APPROX. WHERE SHOWN.
 - 2 MARK PART NUMBER VERSION AND LATEST PART REV. LTR PER 110000. LOCATE WHERE SHOWN.
 - 1 FABRICATE AND INSPECT BOARD PER 110000-130 USING REVISION LETTER "B" OF N1701791 MASTER PATTERN. REV LTR APPEARS IN SQUARE WHERE SHOWN.
- NOTES: UNLESS OTHERWISE SPECIFIED

The information herein is the property of PLESSEY PERIPHERAL SYS. Transmittal receipt or possession of the information does not constitute license or any right to use, sell, or manufacture from this information and no reproduction or publication of it, in whole or in part, shall be made without written authorization from PLESSEY PERIPHERAL SYS.

REVISIONS				
ZONE	LTR	DESCRIPTION	DATE	APPROVED
/	A	BEL TO PROD PER EO 5244	5-21-78	[Signature]

701663



PRODUCTION RELEASE

PART/ASSY NO. & QTY PER ASSY	NOMENCLATURE OR DESCRIPTION / MATERIAL	SPEC. SOURCE	CODE IDENT NO.	FIND NO.
X	FOR PARTS LIST SEE PL701663-103			5
X	FOR PARTS LIST SEE PL701663-102			4
X	FOR PARTS LIST SEE PL701663-101			3
X	FOR PARTS LIST SEE PL701663-100			2
-103 -102 -101 -100	NOTE: PART OR IDENTIFYING NO.			1

PART/ASSY REV LTR		DO NOT SCALE DRAWING		CONTRACT NO.	
-103	PM-DZ11A	SCREW THREADS PER HANDBOOK H-38			
-102	PM-DZ11A	COUNTERBORE AND SPOTFACE FILLET RADIUS TO BE AS MAXIMUM			
-101	701885-102 PM-DZ11A	REMOVE ALL BURRS AND BREAK SHARP EDGES EQUIVALENT TO 3R			
-100	701885-100 PM-DZ11A	ROUGHNESS OF MACHINED SURFACES LBY PER USAS 34.1			
		STANDARD HOLE TOLERANCE PER AND 34.1			
		TOLERANCES ON CS ± .0030 ON S ± .0050 ANGLES ± 1° IF NOT SPECIFIED			
		INTERPRET DIMENSIONS AND TOLERANCES PER USAS 11.1			
		DIMENSIONS ARE IN INCHES AND APPLY AFTER HEAT TREAT AND FINISH UNLESS OTHERWISE SPECIFIED			

DRAWN	TOM CONEY 8-17-78	DWG TITLE	BRACKET ASSEMBLY, CONNECTOR FILTER PM-DZ11A
CHECKED	[Signature]	PROJ. ENGR	[Signature]
ENGR	[Signature]	PROD. DESIGN	[Signature]
OTHER		APPROVALS	

SIZE	D	CODE IDENT NO.	52648	DWG NO.	701663
SCALE	1/1	SHEET 1 OF 1		DISTR NO 123470	

MARK ASSEMBLY NUMBER, VERSION NUMBER AND LATEST REVISION LETTER WITH .12 HIGH CHARACTERS USING BLACK INK PER MIL-M-13231 GROUP III. LOCATION APPROXIMATELY AS SHOWN.

1. ASSEMBLE AND INSPECT PER WORKMANSHIP STANDARDS MANUAL.

NOTES: UNLESS OTHERWISE SPECIFIED