

**MOTOROLA® CMOS
MACROCELL ARRAY LIBRARY**

June 1985

p-cad™
PERSONAL CAD SYSTEMS INC.

000-0084-00



PERSONAL CAD SYSTEMS

MOTOROLA(R) CMOS MACROCELL ARRAY LIBRARY

SCHEMATIC SYMBOLS

Preliminary

000-0084-00

June 1985

Personal CAD Systems, Inc.
981 University Avenue, Bldg. B
Los Gatos, CA 95030
(408) 354-7193

Copyright (c) 1984 by Personal CAD Systems, Inc. (P-CAD).

All rights reserved. No part of this publication may be reproduced, stored in a retrieval system, or transmitted, in any form or by any means, electronic, mechanical, photocopying, recording, or otherwise, without the prior written permission of Personal CAD Systems, Inc.

Personal CAD Systems, Inc. provides this manual "as is" without warranty of any kind, either expressed or implied, including, but not limited to the implied warranties of merchantability and fitness for a particular purpose. P-CAD may make improvements and or changes in the product(s) and/or the program(s) described in this manual at any time and without notice.

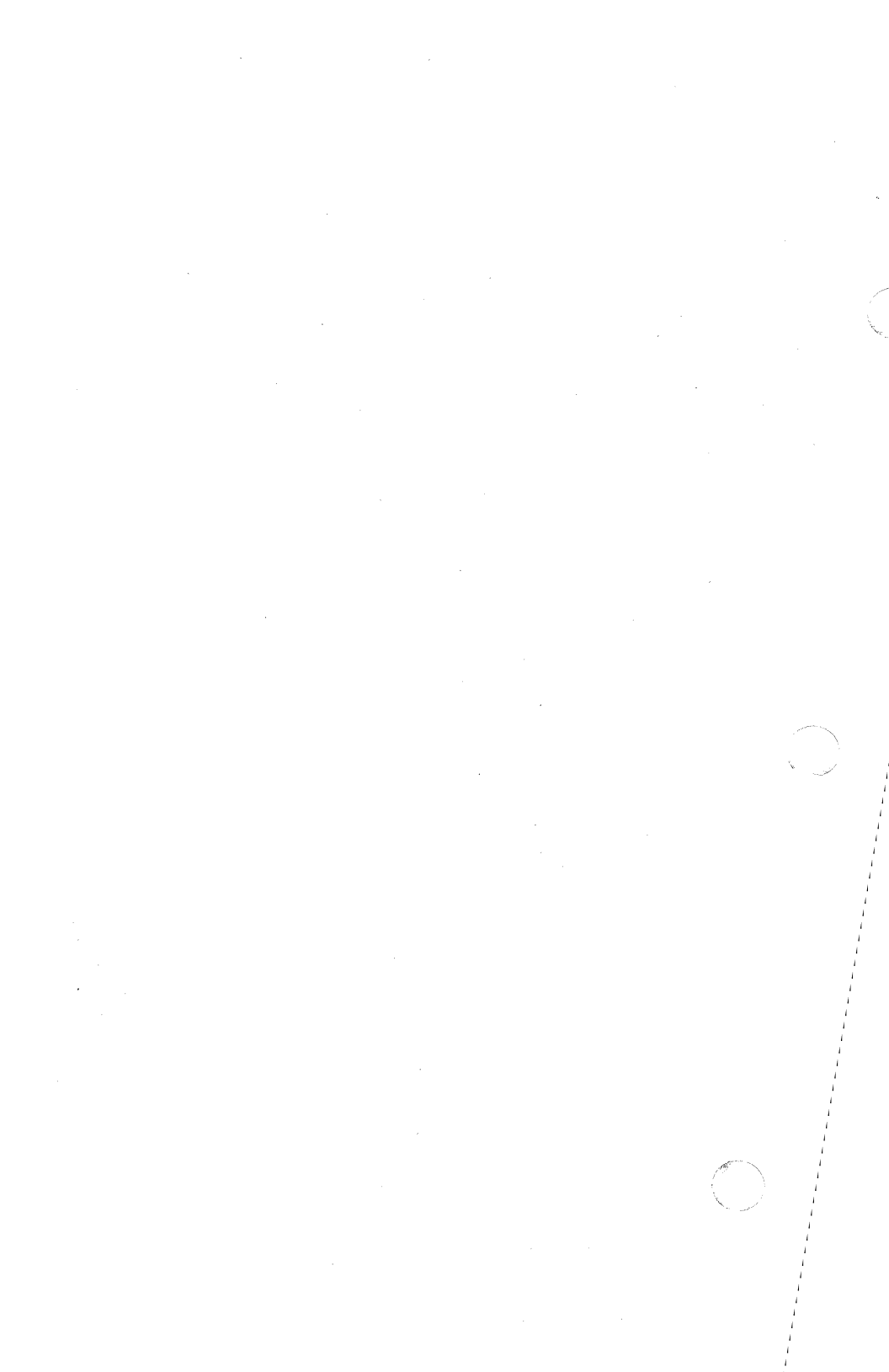
Although P-CAD has gone to great effort to verify the integrity of the information herein, this publication could contain technical inaccuracies or typographical errors. Changes are periodically made to the information herein. These changes will be incorporated in new editions of this publication.

NX-MLCP, PC-CAPS, PC-CARDS, PC-LOGS, PC-BACK, PC-FORM, PC-LINK, PC-NODES, PC-PACK, PC-PHOTO, PC-PLOTS, PC-PRINT, POSTSIM, PREPACK and PRESIM are trademarks of Personal CAD Systems, Inc. (P-CAD).

Motorola is a registered trademark of Motorola, Inc. LOGCAP is a trademark of Phoenix Data Systems, Inc.

CONTENTS

INTRODUCTION	1
DIRECTORY STRUCTURE	2
SPECIAL FILES AND SYMBOLS	3
Layer Structure File	3
Drawing Sheet Files	5
Special Symbol Files	5
CIRCUIT DESIGN	9
Input and Output Signals	9
Tribus Structures	10
Wired Functions	10
Bidirectional Symbols	10
COMPONENT LIST BY SEQUENCE	11
COMPONENT LIST BY FUNCTION	14
COMPONENT PIN SEQUENCES	20
COMPONENT PLOTS	26



INTRODUCTION

This manual and the Motorola CMOS Macrocell Array Library Symbol Diskette comprise the P-CAD Motorola CMOS Macrocell Array Library.

The library diskettes contain the following files for use with the PC-CAPS schematic capture program:

- Component files
- Special symbol files
- Layer structure file, ICLAYS.SCH
- Standard-size drawing sheet files, ASIZE.SCH through ESIZE.SCH.

The library has been developed at the request of our users, and we welcome any suggestions for improvements or additions.

The first section of the manual outlines a directory structure that is recommended for storage of the library files. The second section describes the special library files provided for translation of the user's schematic netlist into a LOGCAP(TM) output that is compatible with Motorola CAD systems. The third section provides guidelines on the design of a circuit for use with the NX-MLCP interface program.

The remainder of the manual is devoted to lists of components by sequence and function, component pin sequences, and component plots.

Motorola CMOS Library

DIRECTORY STRUCTURE

For more efficient storage and easier access to the library, P-CAD recommends that you store the library within a directory structure tailored to your particular applications and design methods. Figure 1 is an example of an efficient directory structure for storage of the library symbols and parts.

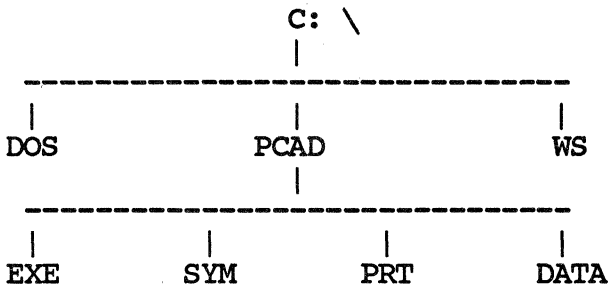


Figure 1. Directory Structure

In this example, symbols are stored in the SYM directory, and parts are stored in the PRT directory.

SPECIAL FILES AND SYMBOLS

In addition to the standard Motorola component symbols, the P-CAD Motorola CMOS Macrocell Array Library contains a special layer structure file, standard-size drawing sheet files, and special symbol files. These special files are used to translate the user's schematic netlist into a format that is compatible with Motorola CAD systems. Each of these files is discussed below.

Layer Structure File

The ICLAYS.SCH layer structure shown below is a modified version of the standard P-CAD layer structure (LAYS.SCH). ICLAYS.SCH was used to create the Motorola CMOS symbols included in this library.

<u>Layer</u>	<u>Name</u>	<u>Pen</u>	<u>Status</u>	<u>Use</u>
1	WIRES	1	OFF	Interconnecting wires
2	BUS	1	OFF	Interconnecting busses/wires
3	GATE	2	ABL	Gate geometry/symbol
4	IEEE	2	OFF	Not used
5	PINFUN	3	OFF	Not used
6	PINNUM	1	OFF	Translator grouping

Motorola CMOS Library

<u>Layer</u>	<u>Name</u>	<u>Pen</u>	<u>Status</u>	<u>Use</u>
7	PINNAM	6	ABLE	Pin names
8	PINCON	4	ABL	Pin connections (dot)
9	REFDES	2	OFF	Translator grouping
10	ATTR	6	OFF	Visable attributes
11	SDOT	1	OFF	Not used
12	DEVICE	5	ABL	Macrocell ID
13	OUTLIN	5	ABL	Macrocell outline
14	ATTR2	6	OFF	Invisible attributes
15	NOTES	6	OFF	Notes/text
16	NETNAM	4	OFF	Net names
17	CMPNAM	5	OFF	Component instance names
18	BORDER	5	OFF	Drawing border

Drawing Sheet Files

The library includes standard-size drawing sheet files, ASIZE.SCH through ESIZE.SCH, for circuit design. These files provide the ICLAYS.SCH layer structure plus a drawing sheet border. They can be used in place of the ICLAYS.SCH layer structure.

Special Symbol Files

In addition to the standard Motorola component symbols, the library includes special "non-component" symbols. These symbols are interpreted by the NX-MLCP Motorola IC Interface program, which translates the user's design information into a LOGCAP format compatible with Motorola CAD systems. Each symbol used in the circuit is described on a line of the LOGCAP output. The symbols include:

- PADIN.SYM and PADOUT.SYM to represent circuit inputs and outputs
- TRIBUS2.SYM through TRIBUS5.SYM, TRIBUS8.SYM, and TRIBUS16.SYM for tri-state bus structures with 2, 3, 4, 5, 8, and 16 inputs
- WIRED2.SYM through WIRED8.SYM for wired functions with from two to eight inputs.

Motorola CMOS Library

A test schematic containing the special symbols is shown in Figure 2, and the corresponding LOGCAP output is shown in Figure 3. Refer to the appropriate Motorola documentation or consult Motorola technical support personnel for further information on the use of special symbols in a specific circuit design.

For a complete description of the NX-MLCP interface program, see the NX-MLCP User's Manual.

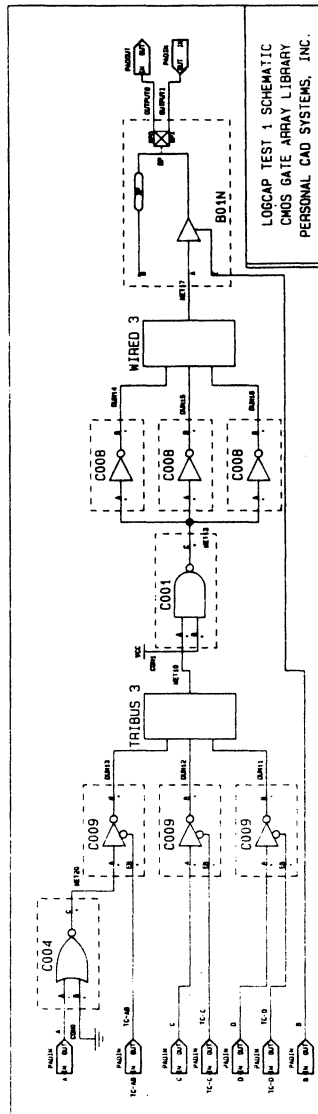


Figure 2. CMOS Gate Array Schematic

Motorola CMOS Library

```
$$*****  
$$  
$$ Copyright (C) 1985 - Personal CAD Systems, Inc. *  
$$ *  
$$ Program : NX-MLCP VERSION 1.24 *  
$$ Date : May 14 1985 *  
$$ Time : 08:38:53 AM *  
$$ File In : CLCPTST1.NLT *  
$$ File Out : CLCPTST1.LCP *  
$$ Format : LOGCAP LIST *  
$$ *  
$$*****
```

```
$NETWORK  
$INP A TC-AB C TC-C D TC-D B OUTPUTI  
$OUT OUTPUTO  
$TRIBUS 0 0  
NET10 3 DUM13 DUM12 DUM11  
$WIRED 0 0  
NET17 3 DUM14 DUM15 DUM16  
$SUBU B01N  
OUTPUTO * / &  
B NET17 OUTPUTI  
$SUBU C004  
NET20 * * / &  
A CONO * * * *  
$SUBU C009  
DUM12 DUM13 / &  
C TC-C NET20 TC-AB  
$SUBU C009  
DUM11 * / &  
D TC-D * *  
$SUBU C001  
NET13 * * / &  
NET10 CON1 * * * *  
$SUBU C008  
DUM14 DUM15 DUM16 * / &  
NET13 NET13 NET13 *
```

Figure 3. LOGCAP Output

CIRCUIT DESIGN

To design the circuit, run PC-CAPS. After the menu is displayed, select FILE/LOAD. Load the ICLAYS.SCH layer structure or one of the drawing sheets supplied with the library (ASIZE.SCH through ESIZE.SCH).

Create the design by entering the appropriate components, wires, text, instance, and net names. Step-by-step instructions are given in the tutorial section of your PC-CAPS User's Manual.

Each PC-CAPS symbol contains the electrical "intelligence" required to create schematics and extract data.

Input and Output Signals

For each input signal to the circuit there must be a PADIN.SYM with input and output pins. A net must be connected to each output pin. A net connected to the output pin of a PADIN.SYM will be listed as an input signal on the \$INP line of the LOGCAP output. This signal can be viewed as the input signal to the circuit from an external source.

For each output from the circuit there must be a PADOUT.SYM with input and output pins. A net connected to the input pin of a PADOUT.SYM will be listed as an output signal on the \$OUT line of the LOGCAP output. This signal can be viewed as the output signal to the external environment.

Motorola CMOS Library

Tribus Structures

A Tribus structure must be explicitly represented by a TRIBUS.SYM with the correct number of inputs. The library provides TRIBUS symbols for Tribus structures with 2, 3, 4, 5, 8, and 16 inputs. For each TRIBUS.SYM in the circuit there will be a \$TRIBUS statement in the LOGCAP output. See Figure 2 for an example of a TRIBUS configuration and Figure 3 for an example of the \$TRIBUS statement.

Wired Functions

A Wired function must be represented by a WIRED.SYM with the correct number of inputs. The library provides WIRED symbols for Wired functions with from 2 to 8 inputs. For each WIRED.SYM in the circuit there will be a \$WIRED statement in the LOGCAP output.

Bidirectional Symbols

The BPI pin of a bidirectional symbol must be connected to an input pad, and the BPO pin must be connected to an output pad. See Figure 2 for an example.

Motorola CMOS Library

COMPONENT LIST BY SEQUENCE

<u>Number</u>	<u>Page</u>
B01N	26
B01U	26
B01D	26
B02N	26
B02U	26
B02D	26
B03N	26
B03U	26
B03D	27
B04N	27
B04U	27
B04D	27
B05N	27
B05U	27
B05D	27
Y01N	27
Y02N	28
Y03N	28
I01N	28
I01U	28
I01D	28
I02N	28
I02U	28
I02D	28
I03N	28
I03U	28
I03D	28
I04N	28
I04U	29
I04D	29
I05N	29
I05U	29
I05D	29
I06N	

Motorola CMOS Library

Number	Page
I06U	29
I06D	29
I07N	29
I07U	29
I07D	29
I08N	29
I08U	30
I08D	30
C001	30
C002	30
C003	30
C004	30
C005	30
C006	30
C007	30
C008	30
C009	30
C010	30
C012	30
C013	30
C017	30
C019	31
C020	31
C022	31
C025	31
C026	31
C027	31
C028	31
C029	31
C030	31
C031	32
C032	32
C033	32
C034	32
C035	32
C036	32
C037	32

Motorola CMOS Library

<u>Number</u>	<u>Page</u>
C038	33
C039	33
C040	33
C041	33
C042	33
C053	34
C054	34
C055	34
C056	34
C057	34
C058	34
C059	34
C060	34
TRIBUS2	34
TRIBUS3	34
TRIBUS4	34
TRIBUS5	35
TRIBUS8	35
TRIBUS16	35
WIRED2	35
WIRED3	35
WIRED4	35
WIRED5	35
WIRED6	35
WIRED7	35
WIRED8	35
PADIN	35
PADOUT	35

Motorola CMOS Library

COMPONENT LIST BY FUNCTION

Bidirectional Buffers

B01N	3-state out - short ckt inp
B01U	3-state out - short ckt inp with pull-up
B01D	3-state out - short ckt inp with pull-down
B02N	3-state out - TTL inp (non-inv)
B02U	3-state out - TTL inp (non-inv) with pull-up
B02D	3-state out - TTL inp (non-inv) with pull-down
B03N	3-state out - CMOS inp (inv)
B03U	3-state out - CMOS inp (inv) with pull-up
B03D	3-state out - CMOS inp (inv) with pull-down
B04N	3-state out - CMOS inp (non-inv)
B04U	3-state out - CMOS inp (non-inv) with pull-up
B04D	3-state out - CMOS inp (non-inv) with pull-down
B05N	3-state out - Schmitt trig inp (non-inv)
B05U	3-state out - Schmitt trig inp (non-inv) with pull-up
B05D	3-state out - Schmitt trig inp (non-inv) with pull-down

Output Buffers

Y01N	Output only (non-inv)
Y02N	Open drain output
Y03N	Short ckt output

Input Buffers

I01N	TTL input (non-inv)
I01U	TTL input (non-inv) with pull-up
I01D	TTL input (non-inv) with pull-down
I02N	CMOS input (inv)
I02U	CMOS input (inv) with pull-up
I02D	CMOS input (inv) with pull-down
I03N	CMOS input (non-inv)
I03U	CMOS input (non-inv) with pull-up
I03D	CMOS input (non-inv) with pull-down
I04N	Short ckt input
I04U	Short ckt input with pull-up
I04D	Short ckt input with pull-down
I05N	Schmitt trigger input (non-inv)
I05U	Schmitt trigger input (non-inv) with pull-up
I05D	Schmitt trigger input (non-inv) with pull-down
I06N	Schmitt trig clk driver input (n-i)
I06U	Schmitt trig clk driver input (n-i) with pull-up
I06D	Schmitt trig clk driver input (n-i) with pull-down
I07N	Clock buffer input (inv)
I07U	Clock buffer input (inv) with pull-up
I07D	Clock buffer input (inv) with pull-down

Motorola CMOS Library

Input Buffers (Cont'd)

I08N Clock buffer input (n-i)
I08U Clock buffer input (n-i)
 with pull-up
I08D Clock buffer input (n-i)
 with pull-down

Buffers/Inverters

C007 Triple inverting buffer
C008 Quad inverter
C009 Dual 3-state inverter buffer
C010 3-state non-inverting buffer

Gates

C001 Triple 2-input nand
C002 Dual 3-input nand
C003 Dual 2-input nand/and
C004 Triple 2-input nor
C005 Dual 3-input nor
C006 Dual 2-input nor/or
C017 Triple 4-input nand
C019 Triple 3-input nand/and
C020 Triple 4-input nor
C022 Triple 3-input nor/or
C053 2-input x-or buffer
C054 2-input 2 wide or-and/invert
C055 2-input 2 wide and-or/invert
C057 5-input nand/and
C058 5-input nor/or

Schmitt Trigger

C025 Schmitt trigger

Latches

C012 Nand latch and 2-input nand
C013 Nor latch and 2-input nor
C026 D latch with reset (L) and enable (L)
C027 Triple nand latch
C031 Triple nor latch

Flip-Flops

C034 Parallel load D F/F with reset (L)
C035 Multiplexed D F/F with reset (L)
C036 Toggle enable F/F with reset (L)
C037 J-K F/F with reset and set
C059 Buffered D F/F
C060 D F/F with reset (L) and set (L)

Data Selectors/Multiplexers

C028 4-to-1 multiplexer with
3-state enable (L)
C029 4-to-1 data multiplexer
C056 2-to-1 multiplexer buffer

Decoders

C033 1-to-4 decoder with outputs
(L) and 2 inverts

Motorola CMOS Library

Shift Registers

- C039 2-bit serial in/serial
parallel out shift register
- C042 2-bit serial/parallel shift
register

Counters

- C038 1-bit presettable up/down
counter with set

Arithmetic Circuits

- C032 Full adder
- C040 1-bit ALU - 7 functions
- C041 2-bit magnitude comparator

Miscellaneous Functions

- C030 4-bit parity checker

Special Symbols

- TRIBUS2 2-input Tribus
- TRIBUS3 3-input Tribus
- TRIBUS4 4-input Tribus
- TRIBUS5 5-input Tribus
- TRIBUS8 8-input Tribus
- TRIBUS16 16-input Tribus

Special Symbols (Cont'd)

WIRED2	2-input Wired
WIRED3	3-input Wired
WIRED4	4-input Wired
WIRED5	5-input Wired
WIRED6	6-input Wired
WIRED7	7-input Wired
WIRED8	8-input Wired
PADIN	Input Pad
PADOUT	Output Pad

Motorola CMOS Library

COMPONENT PIN SEQUENCES

B01N:	BPO	B	E	A	BPI
B01U:	BPO	B	E	A	BPI
B01D:	BPO	B	E	A	BPI
B02N:	BPO	B	E	A	BPI
B02U:	BPO	B	E	A	BPI
B02D:	BPO	B	E	A	BPI
B03N:	BPO	B	E	A	BPI
B03U:	BPO	B	E	A	BPI
B03D:	BPO	B	E	A	BPI
B04N:	BPO	B	E	A	BPI
B04U:	BPO	B	E	A	BPI
B04D:	BPO	B	E	A	BPI
B05N:	BPO	B	E	A	BPI
B05U:	BPO	B	E	A	BPI
B05D:	BPO	B	E	A	BPI
Y01N:	BPO	A			
Y02N:	BPO	A			
Y03N:	BPO	A			
I01N:	A	BPI			

Motorola CMOS Library

I01U:	A	BPI
I01D:	A	BPI
I02N:	A	BPI
I02U:	A	BPI
I02D:	A	BPI
I03N:	A	BPI
I03U:	A	BPI
I03D:	A	BPI
I04N:	A	BPI
I04U:	A	BPI
I04D:	A	BPI
I05N:	A	BPI
I05U:	A	BPI
I05D:	A	BPI
I06N:	A	BPI
I06U:	A	BPI
I06D:	A	BPI
I07N:	A	BPI
I07U:	A	BPI
I07D:	A	BPI

Motorola CMOS Library

I08N:	A	BPI			
I08U:	A	BPI			
I08D:	A	BPI			
C001:	C	A	B		
C002:	D	A	B	C	
C003:	C	D	A	B	
C004:	C	A	B		
C005:	D	A	B	C	
C006:	C	D	A	B	
C007:	B	A			
C008:	B	A			
C009:	B	A	EB		
C010:	B	A	E		
C012:	C SB	Q RB	QB	A	B
C013:	C R	Q S	QB	A	B
C017:	E	A	B	C	D
C019:	D	E	A	B	C
C020:	E	A	B	C	D
C022:	D	E	A	B	C

Motorola CMOS Library

C025:	B	A			
C026:	Q	QB	D	EB	RB
C027:	Q	QB	SB	RB	
C028:	Y SL0	D0 SL1	D1 SL2	D2 SL3	D3 EB
C029:	Y D3	YB SLA	D0 SLB	D1	D2
C030:	Y EO	A	B	C	D
C031:	Q	QB	R	S	
C032:	CO	SM	A	B	CI
C033:	Y0B B	Y1B EB	Y2B	Y3B	A
C034:	Q CK	QB R	PEB	PD	D
C035:	Q CK	QB R	D0	D1	SL
C036:	Q	QB	CK	TE	RB
C037:	Q K	QB R	S	J	CK
C038:	Q CK	TOB TIB	S MD	PD	PEB
C039:	Q0 R	Q1	D0	D	CK

Motorola CMOS Library

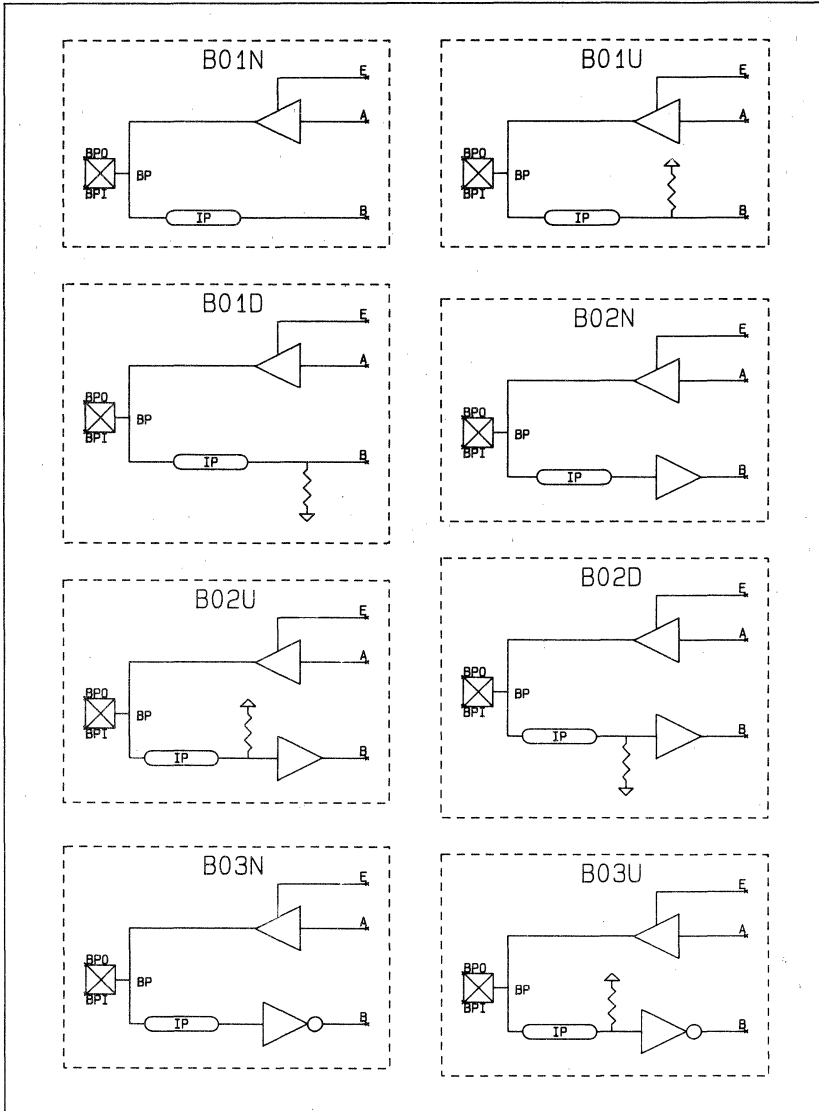
C040:	CO F1	FO F2	CF3	A	B
C041:	AGO AO	AEO BO	ALO AGI	A1 AEI	B1 ALI
C042:	Q0 PEB	Q1 PDO	DO PD1	DI	CK
C053:	C	A	B		
C054:	E D	F	A	B	C
C055:	E D	F	A	B	C
C056:	C	A	SL	B	
C057:	F D	G E	A	B	C
C058:	F D	G E	A	B	C
C059:	Q	QB	D	CK	
C060:	Q RB	QB	SB	D	CK
TRIBUS2:	OUT	IN1	IN2		
TRIBUS3:	OUT	IN1	IN2	IN3	
TRIBUS4:	OUT	IN1	IN2	IN3	IN4
TRIBUS5:	OUT IN5	IN1	IN2	IN3	IN4

Motorola CMOS Library

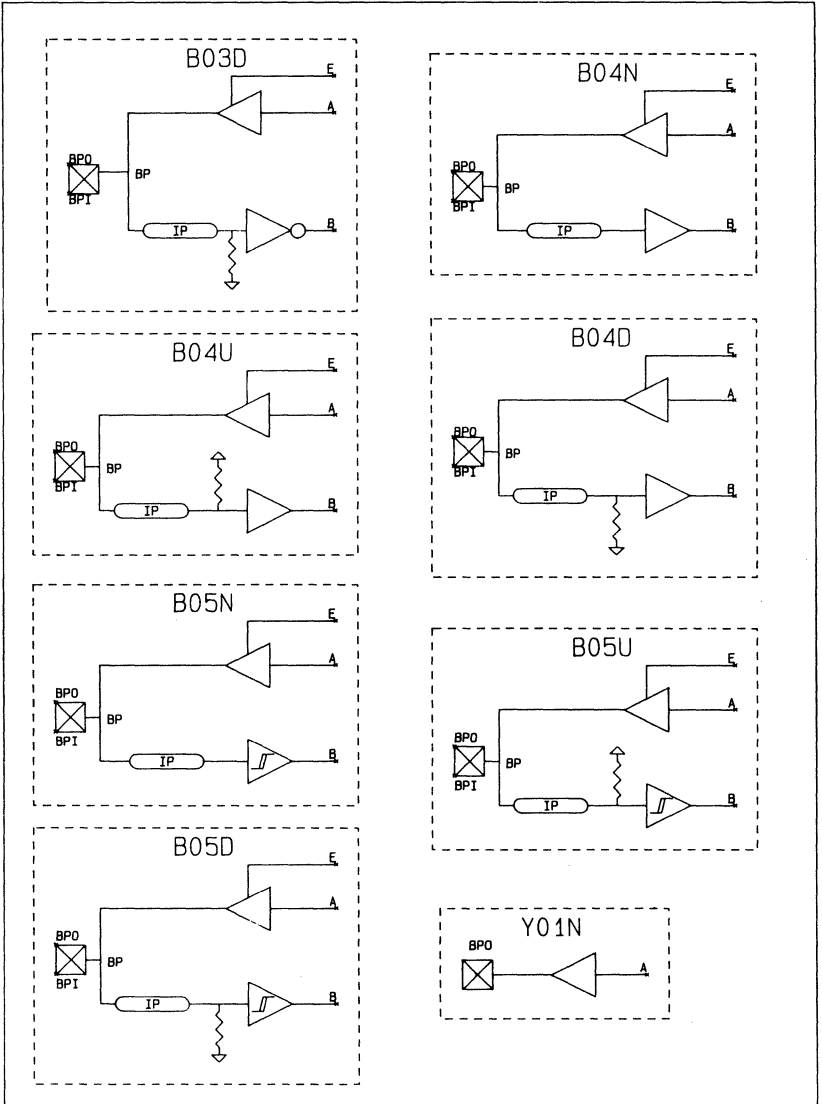
TRIBUS8:	OUT	IN1	IN2	IN3	IN4
	IN5	IN6	IN7	IN8	
TRIBUS16:	OUT	IN1	IN2	IN3	IN4
	IN5	IN6	IN7	IN8	IN9
	IN10	IN11	IN12	IN13	IN14
	IN15	IN16			
WIRED2:	OUT	IN1	IN2		
WIRED3:	OUT	IN1	IN2	IN3	
WIRED4:	OUT	IN1	IN2	IN3	IN4
WIRED5:	OUT	IN1	IN2	IN3	IN4
	IN5				
WIRED6:	OUT	IN1	IN2	IN3	IN4
	IN5	IN6			
WIRED7:	OUT	IN1	IN2	IN3	IN4
	IN5	IN6	IN7		
WIRED8:	OUT	IN1	IN2	IN3	IN4
	IN5	IN6	IN7	IN8	
PADIN:	OUT	IN			
PADOUT:	OUT	IN			

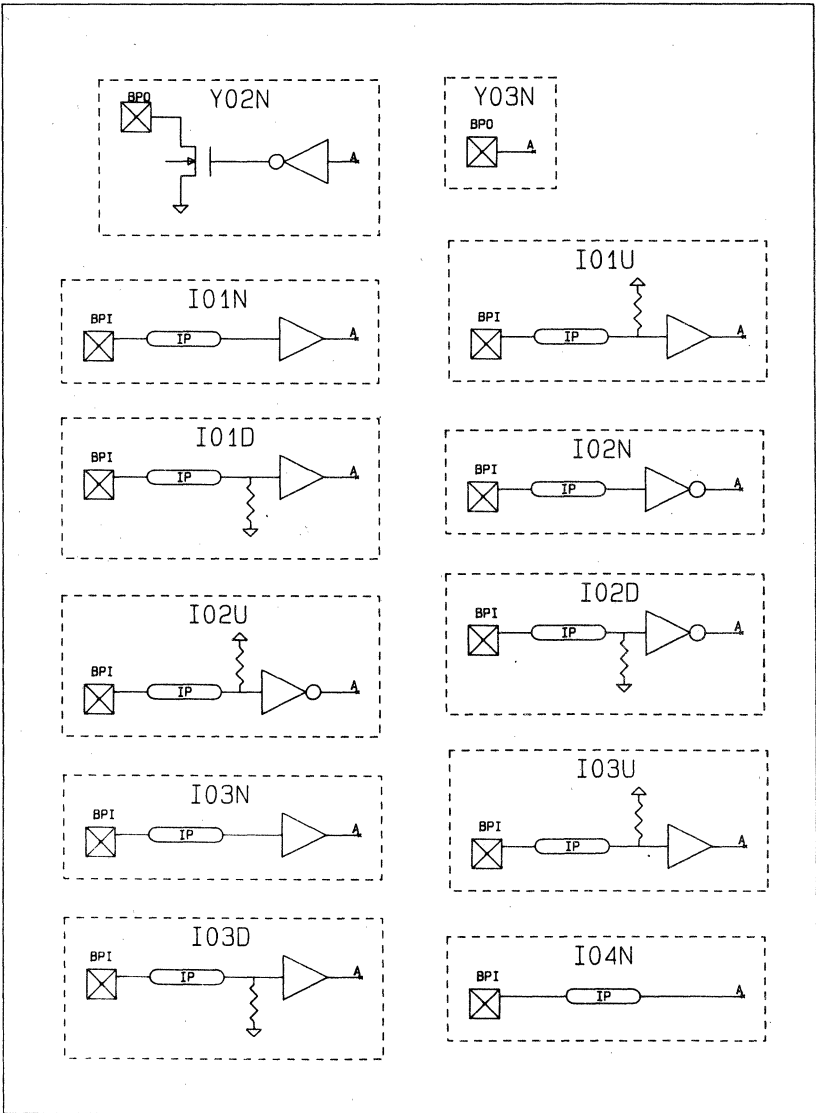
Motorola CMOS Library

COMPONENT PLOTS

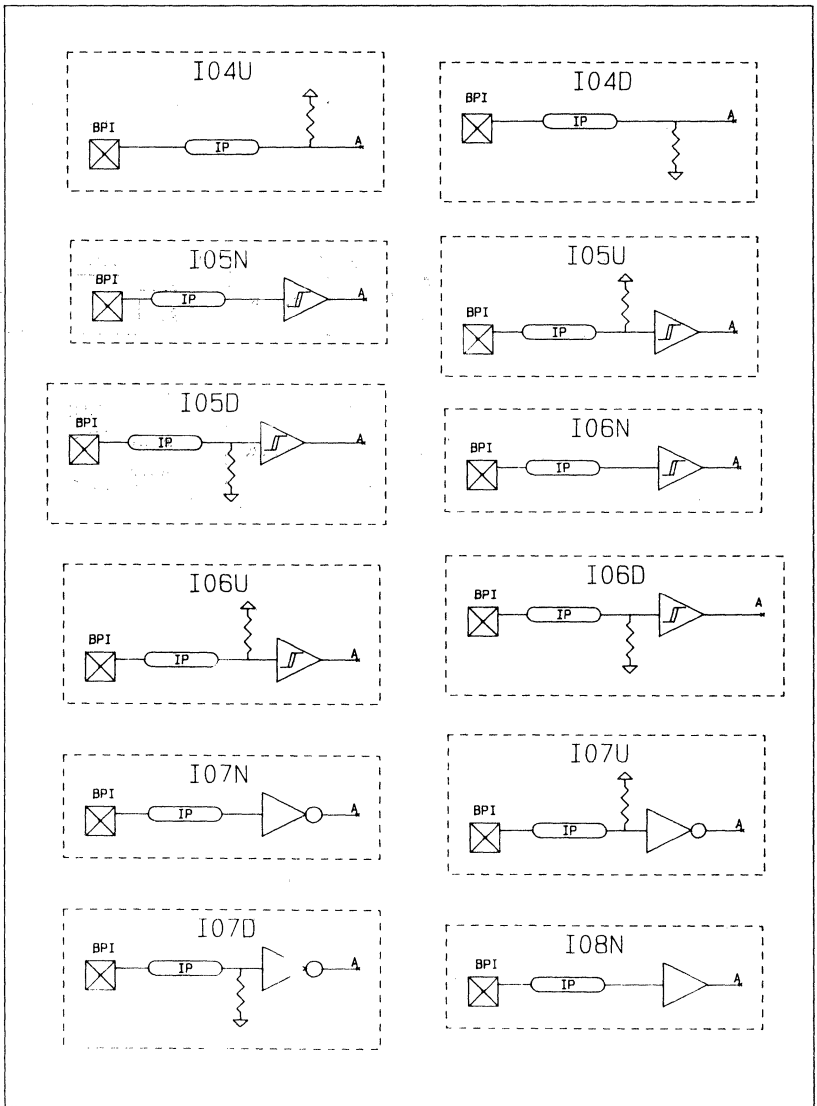


Motorola CMOS Library

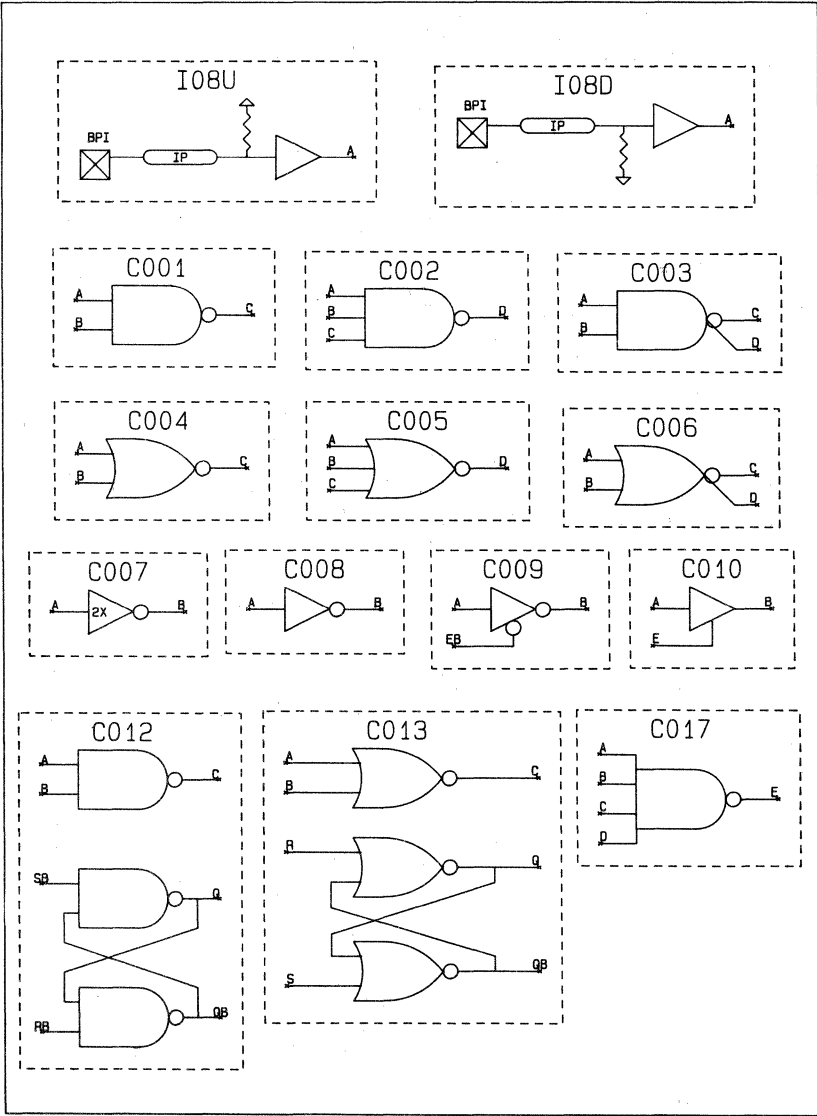


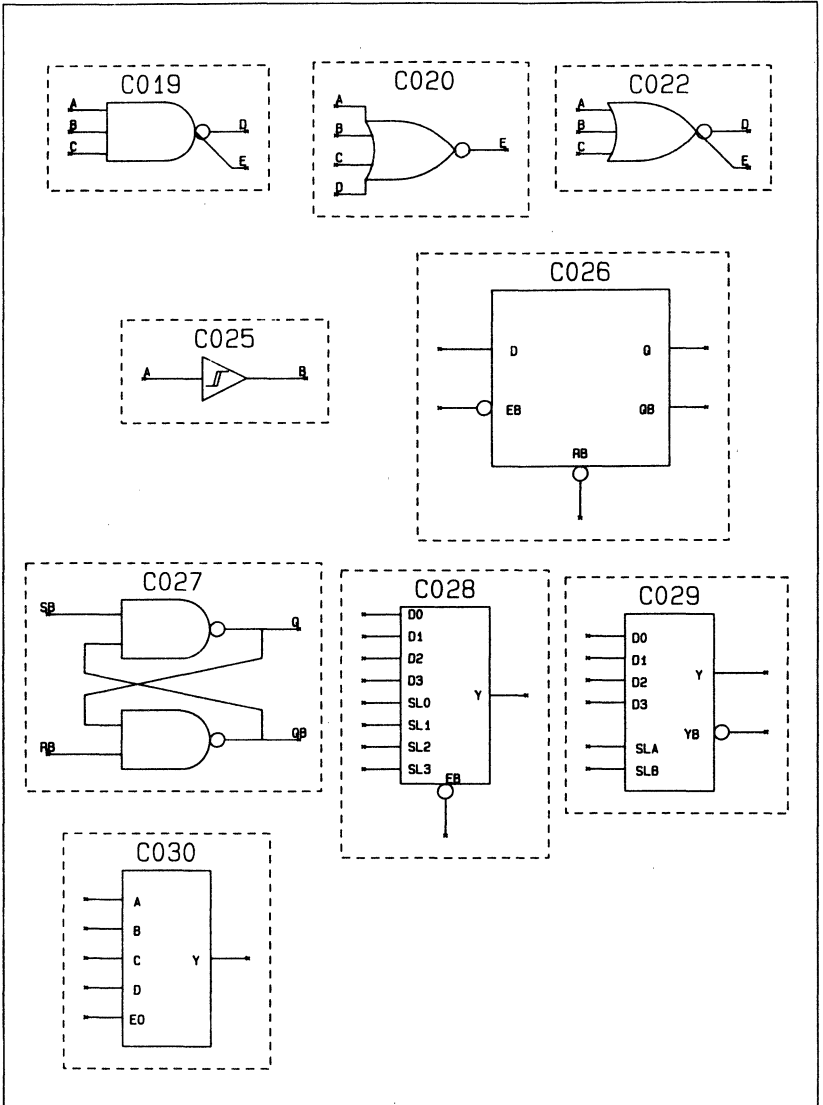


Motorola CMOS Library

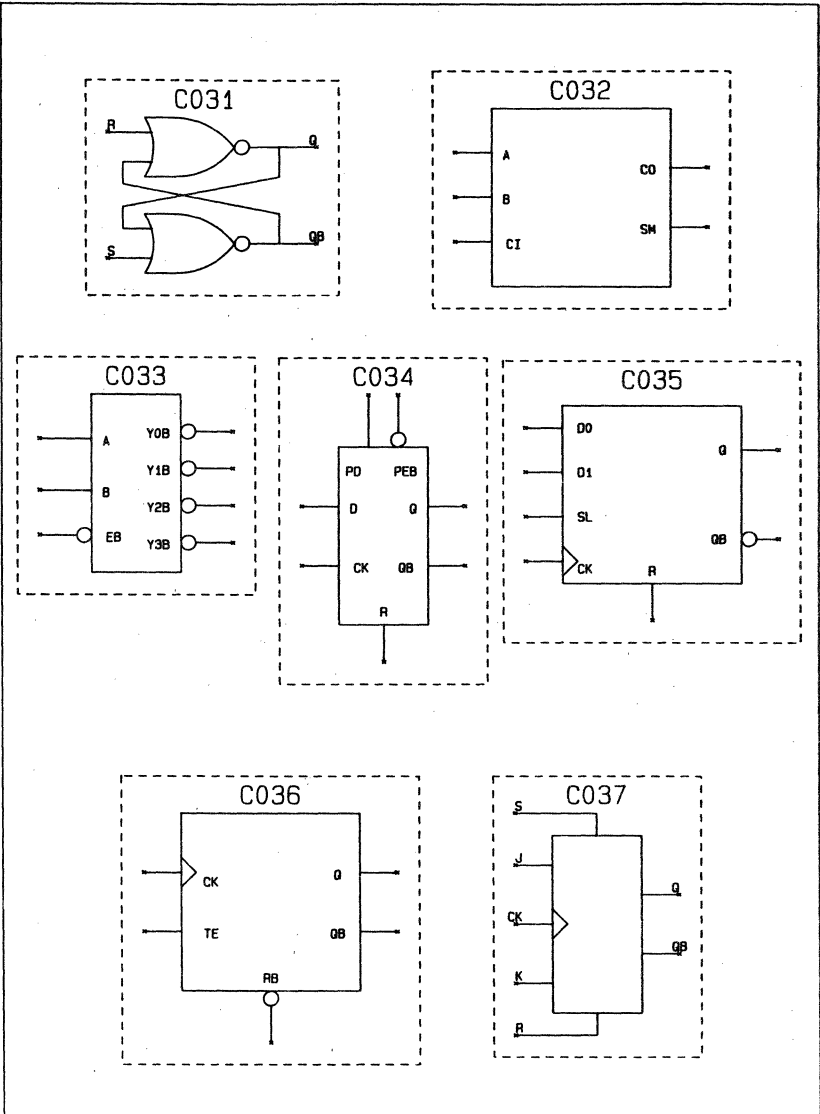


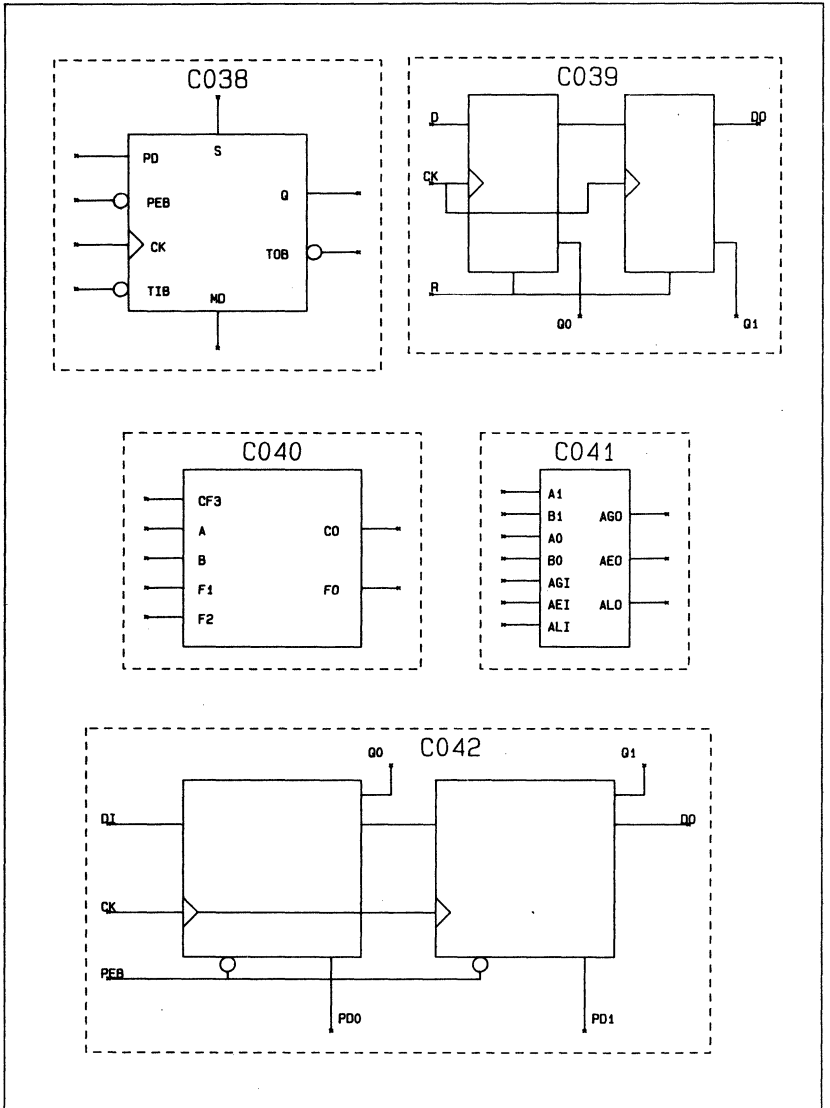
Motorola CMOS Library

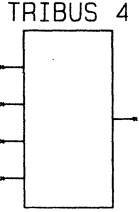
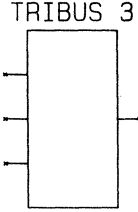
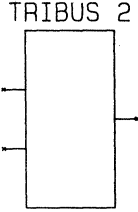
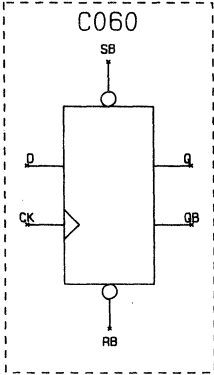
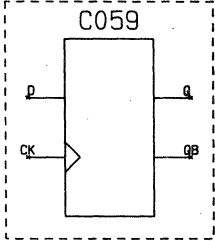
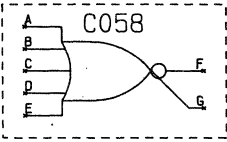
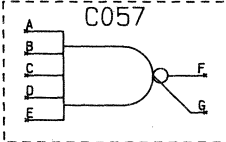
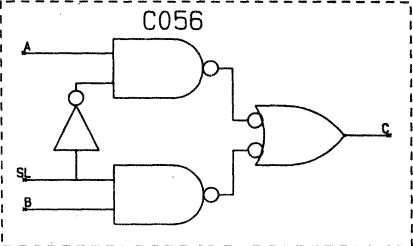
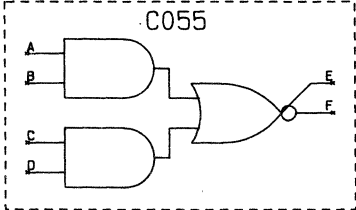
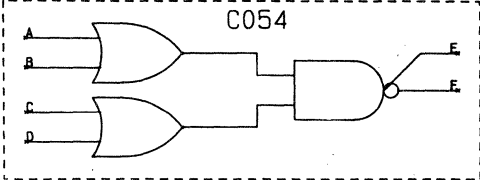
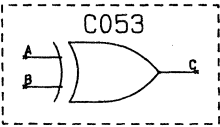




Motorola CMOS Library







Motorola CMOS Library

