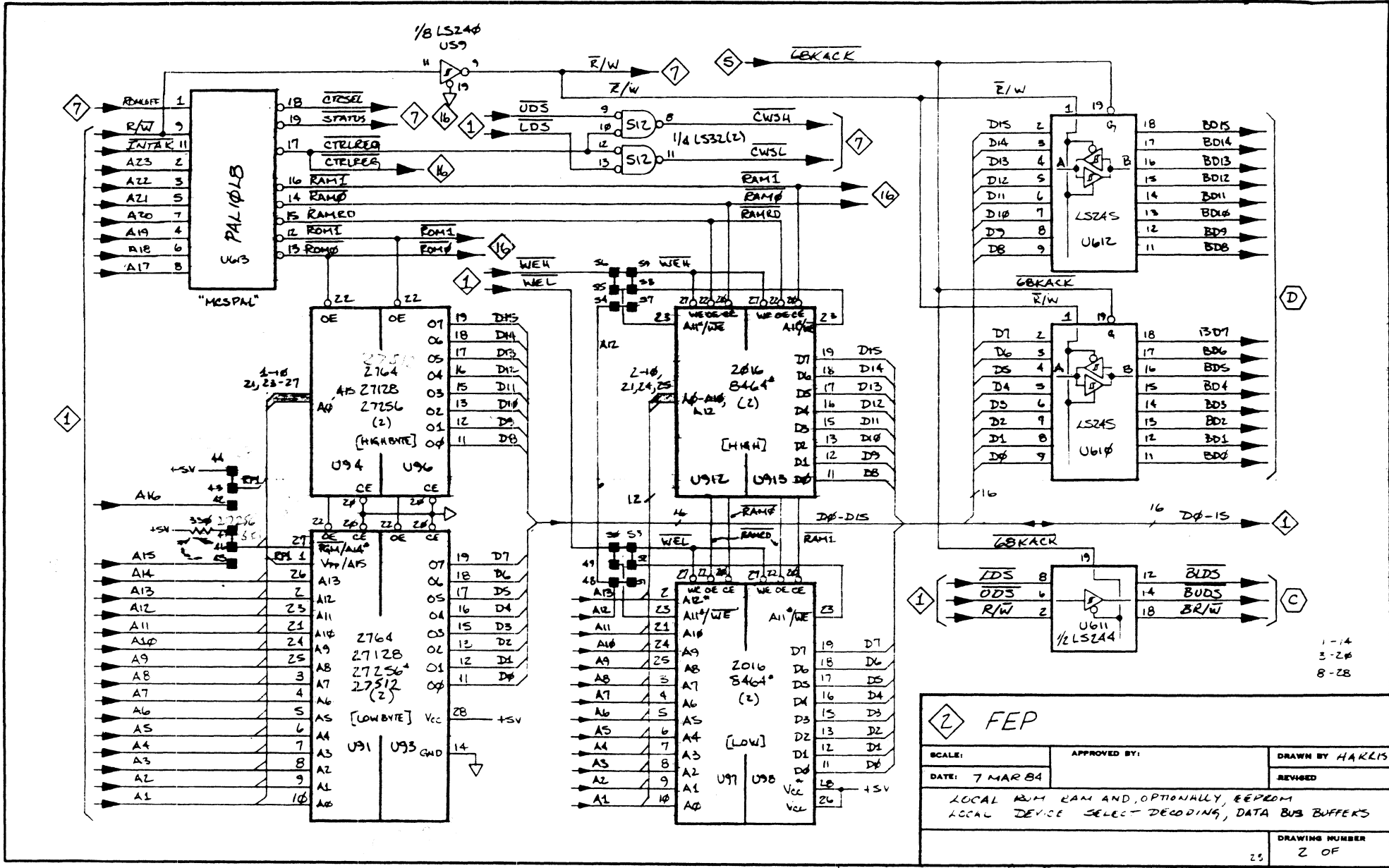


1 FEP		
SCALE:	APPROVED BY:	DRAWN BY HARRIS
DATE: 5 MAR 84		REVISED
PROCESSOR, ADDRESS BUFFERING, INTERRUPT PAL		
DRAWING NUMBER		1 OF 15



11117 PRINTED ON NO. 1000H-10 CLEARPRINT FADE-OUT

MCSPAL

24 23 22 21 20 19 18 17

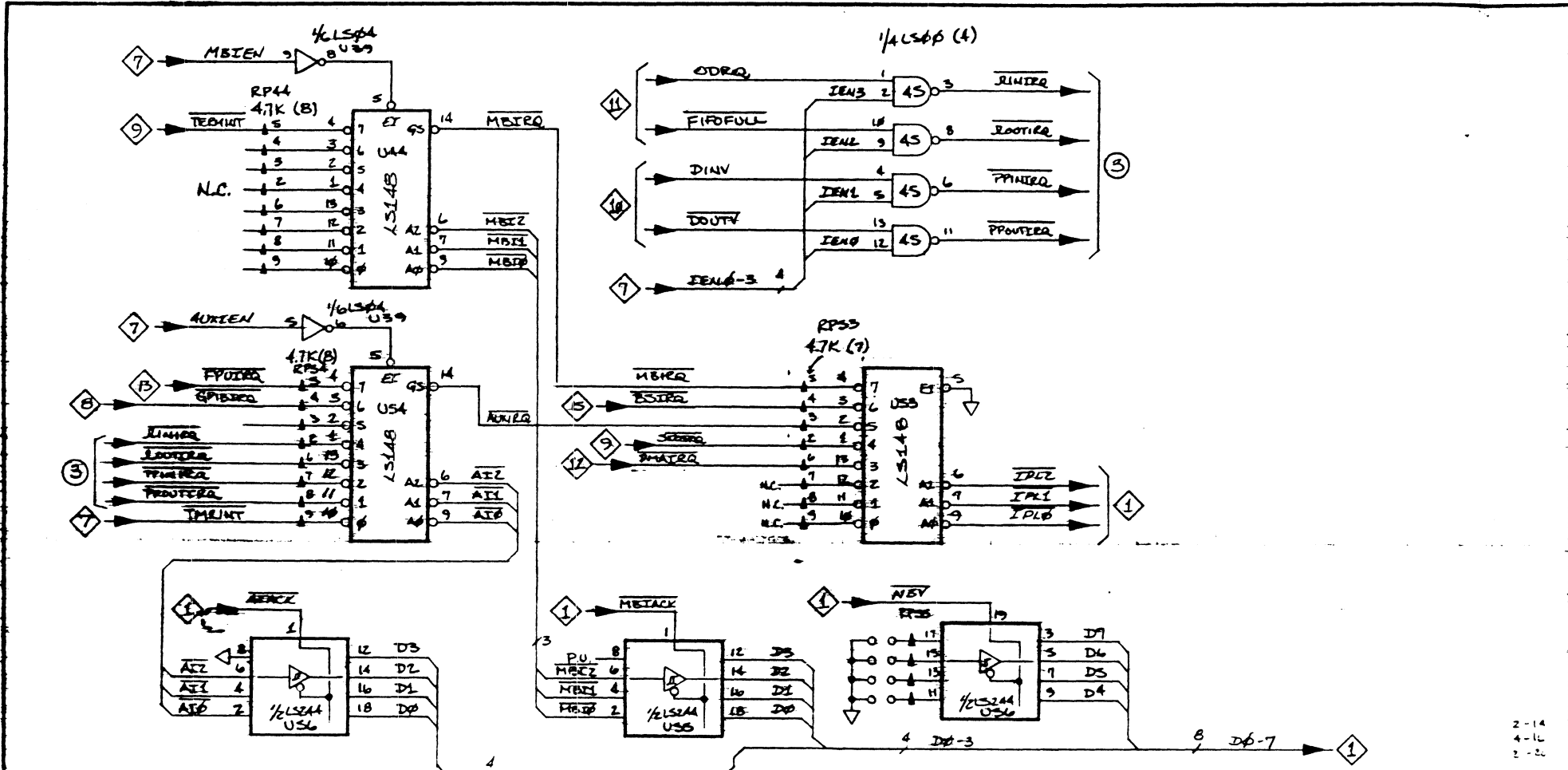
X 1 1 1 1 1 0

RAM

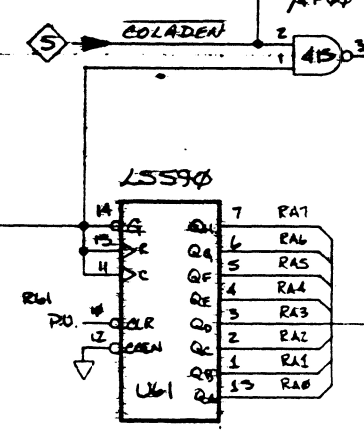
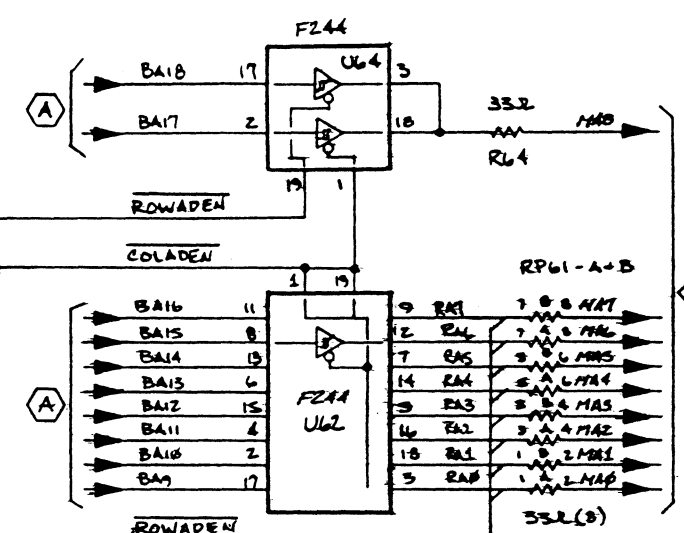
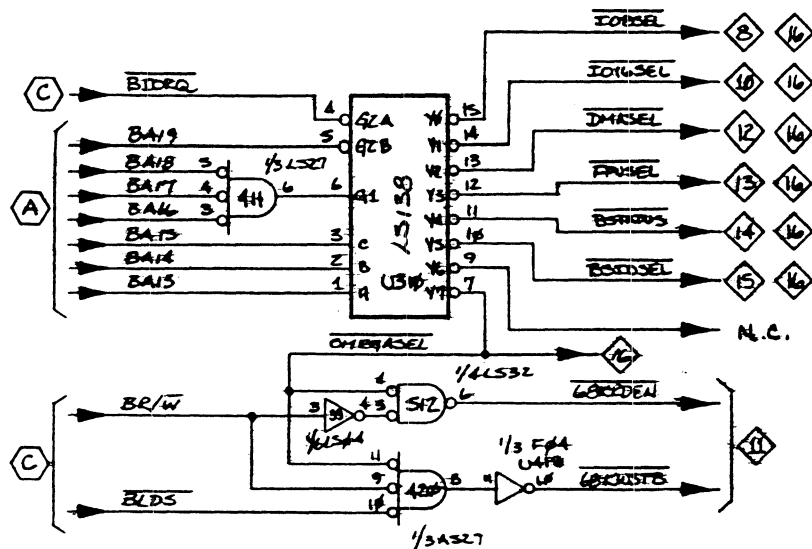
RAM (10000)

ctrl reg

ctrl sel, status

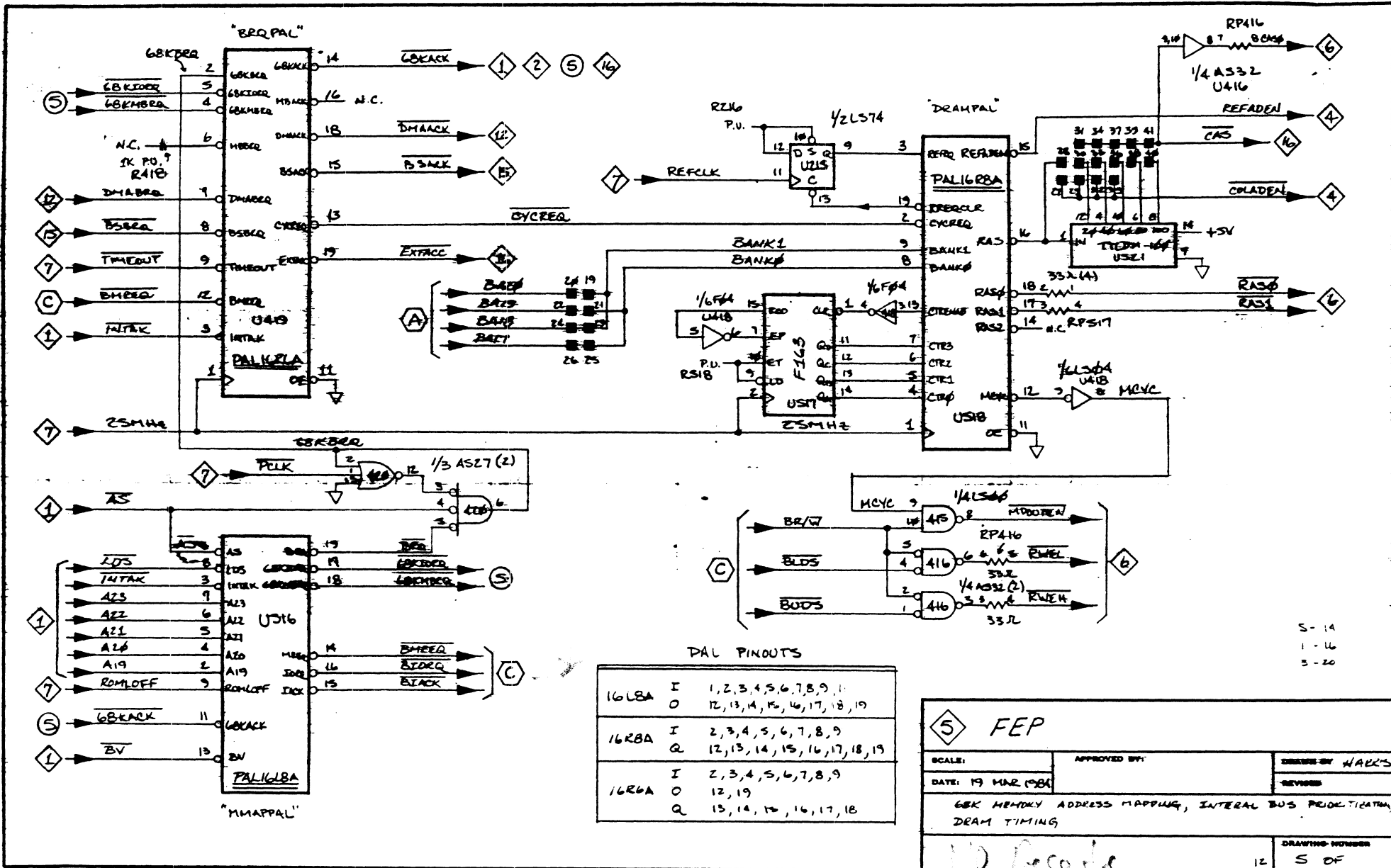


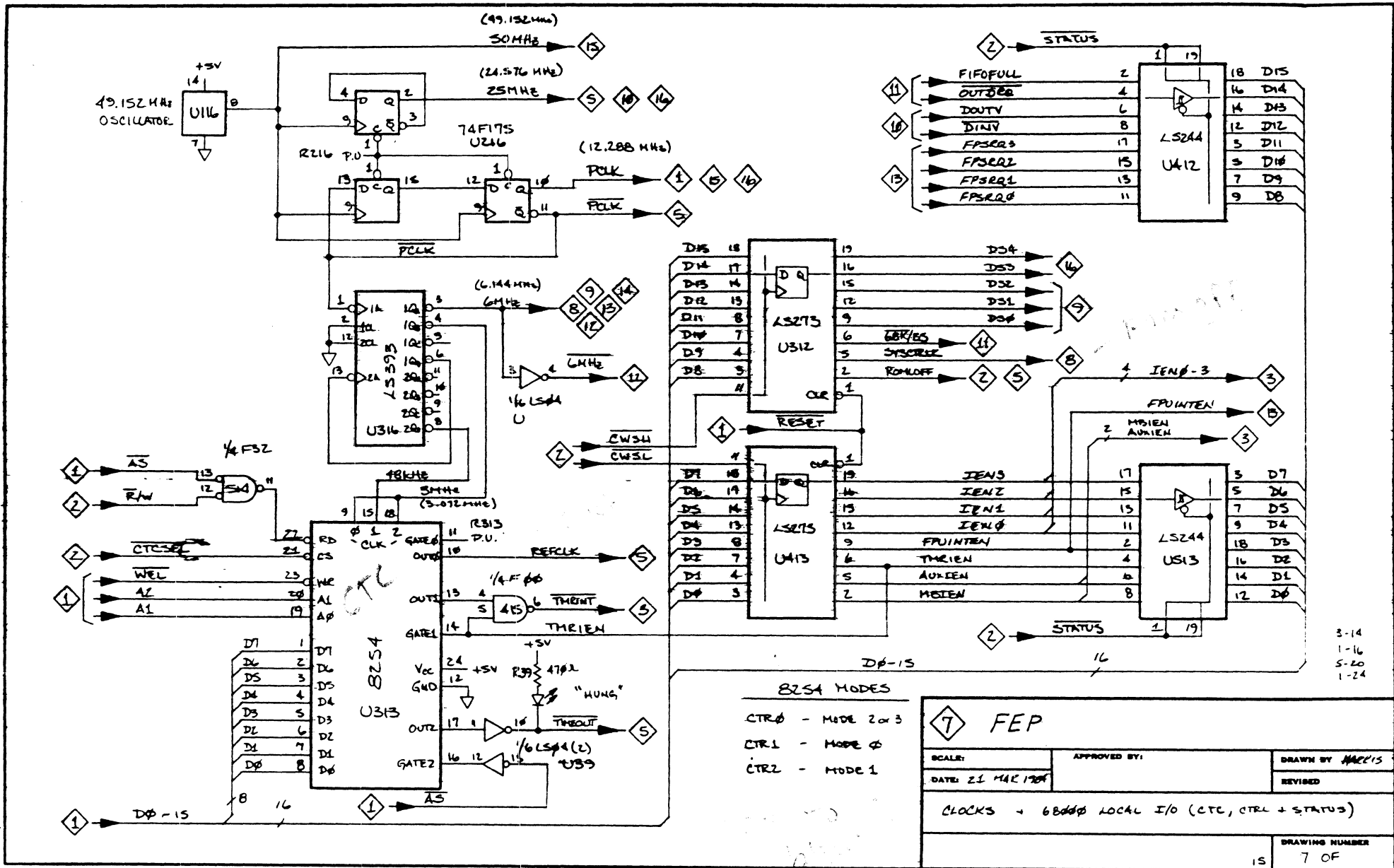
3 FEP		
SCALE:	APPROVED BY:	DRAWN BY HARRIS
DATE: 8 MAR 84		REVISED
INTERRUPT REQUEST/ACKNOWLEDGE LOGIC		
		DRAWING NUMBER 3 OF



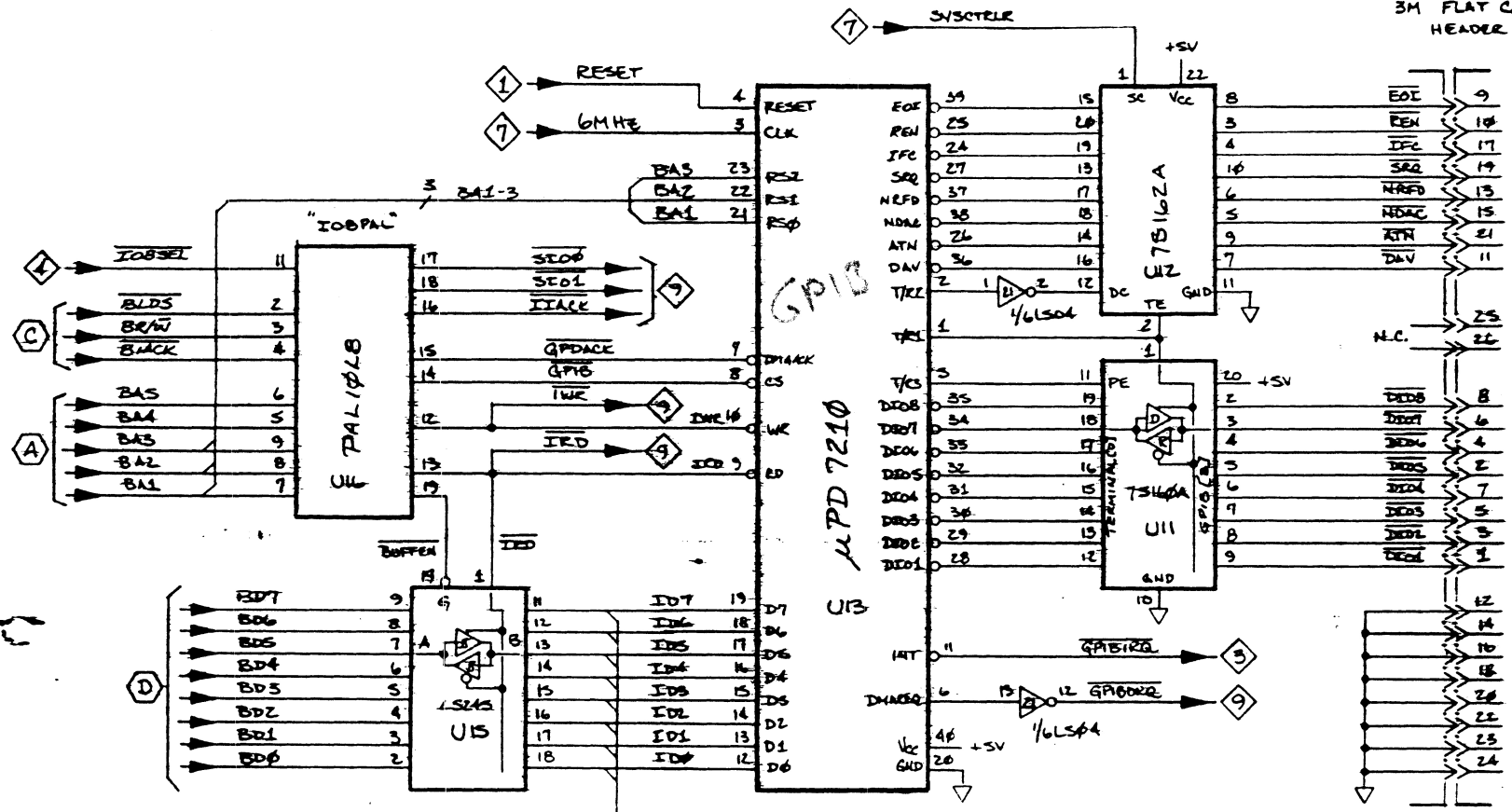
4 FEP

SCALE:	APPROVED BY:	DRAWN BY HARRIS
DATE: 29 MARCH 1984		REVIEWED:
DRAM ADDRESS MUX + RFSH COUNTER, BUS I/O DECODER,		
DRAWING NUMBER		4 OF



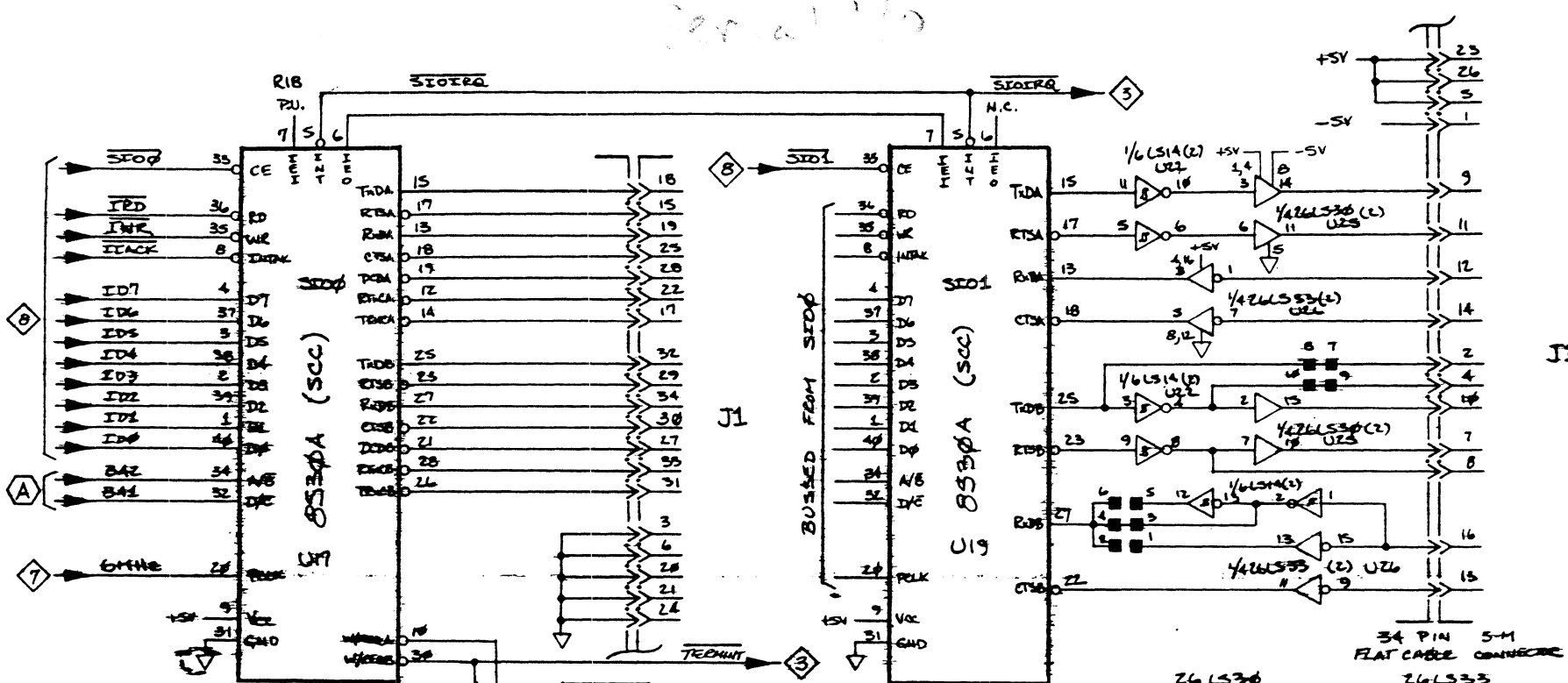


26 PIN
3M FLAT CABLE
HEADER



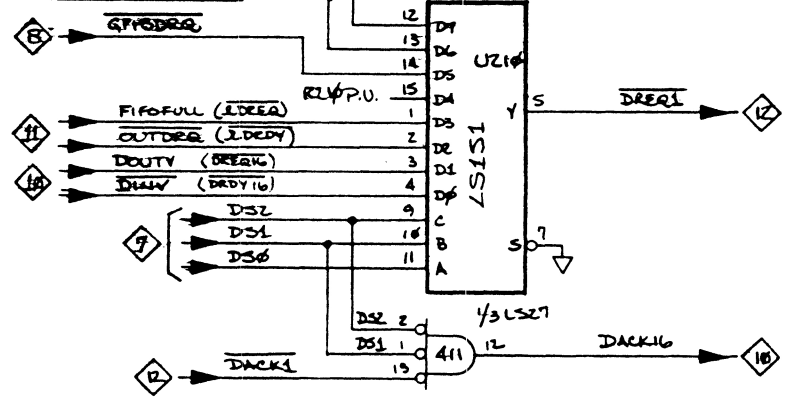
8 FEP		
SCALE:	APPROVED BY:	DRAWN BY HALLS
DATE: 23 MARCH 1971		REVISED
8 BIT I/O PERIPHERAL INTERFACE, GP18 INTERFACE		
100		DRAWING NUMBER 12 OF 24

200 2110



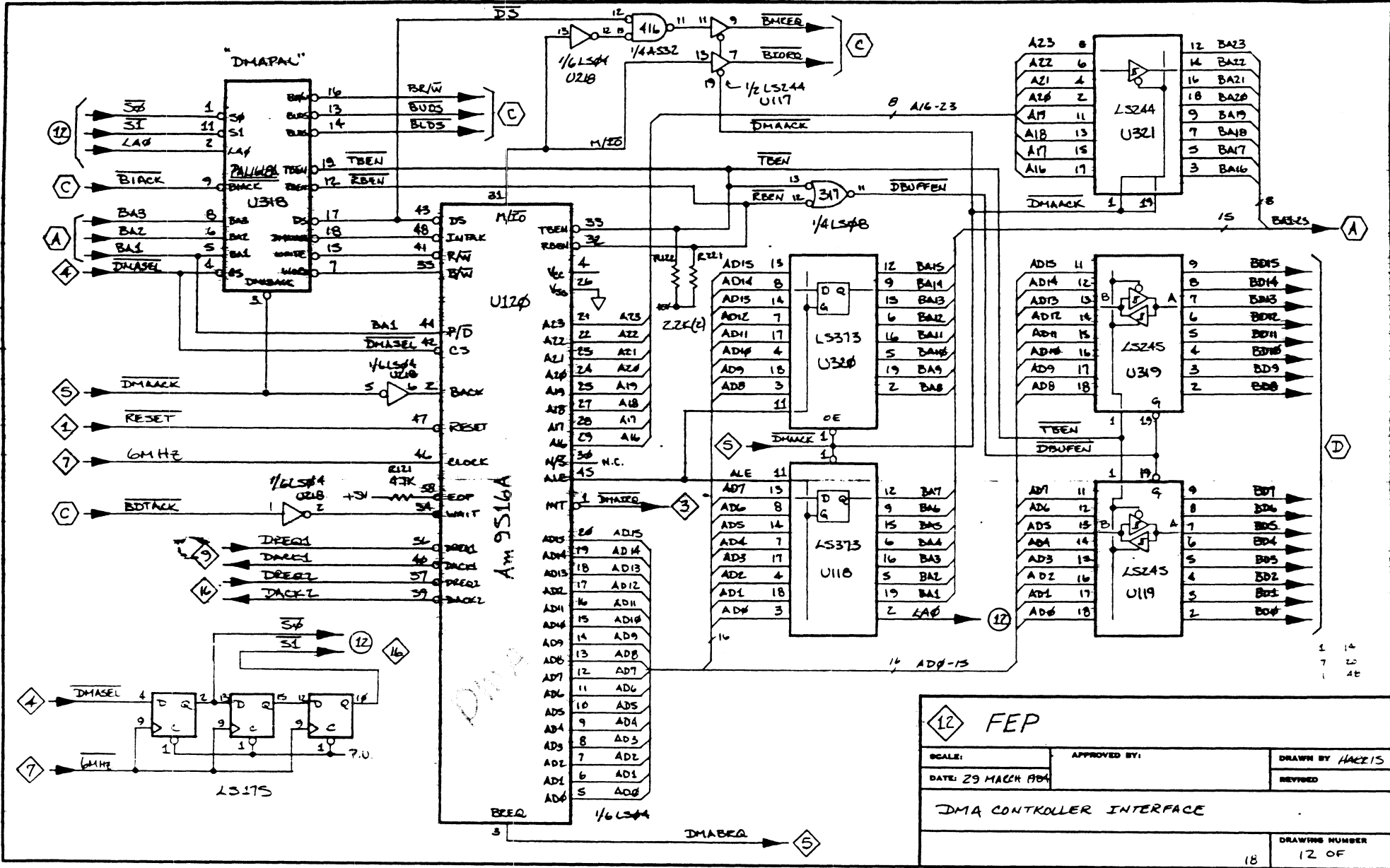
34 PIN 5-M
FLAT CABLE CONNECTOR

74LS33		74LS33	
IN	OUT	IN	OUT
2	13	1	3
3	14	7	5
6	11	9	11
7	10	15	13
GND - 5		GND - 2, 6, 8, 10, 12, 14	



9 FEP

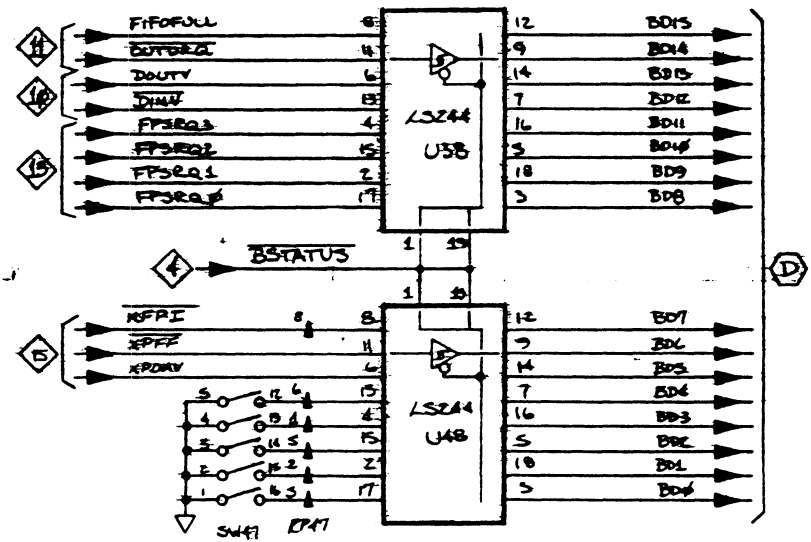
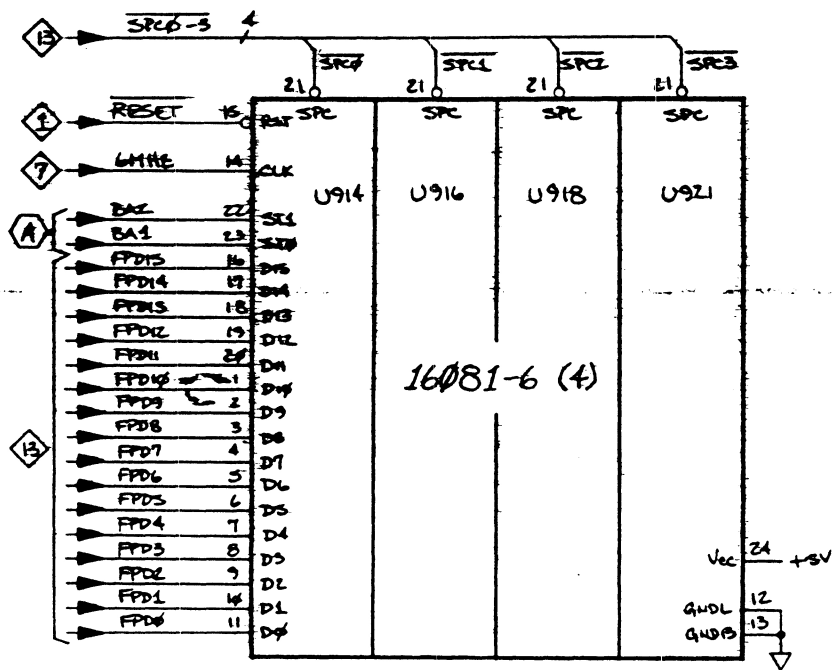
SCALE:	APPROVED BY:	DRAWN BY HARRIS
DATE: 23 MARCH 1981		REVISED:
SERIAL I/O, CHANNEL 1 DMA SELECTOR		
		DRAWING NUMBER
		12 9 OF



12 FEP

SCALE:	APPROVED BY:	DRAWN BY HACEIS
DATE: 29 MARCH 1984		REVISED
DMA CONTROLLER INTERFACE		
DRAWING NUMBER		12 OF

18



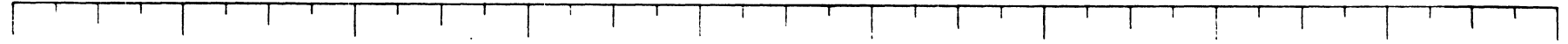
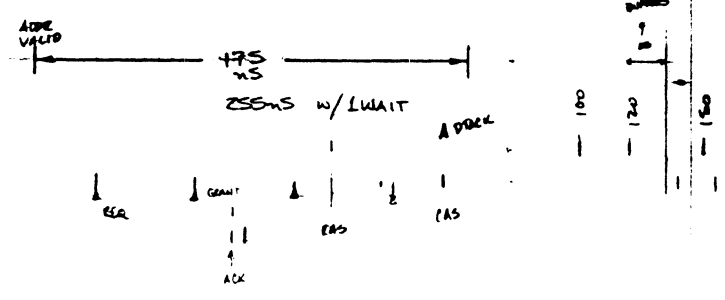
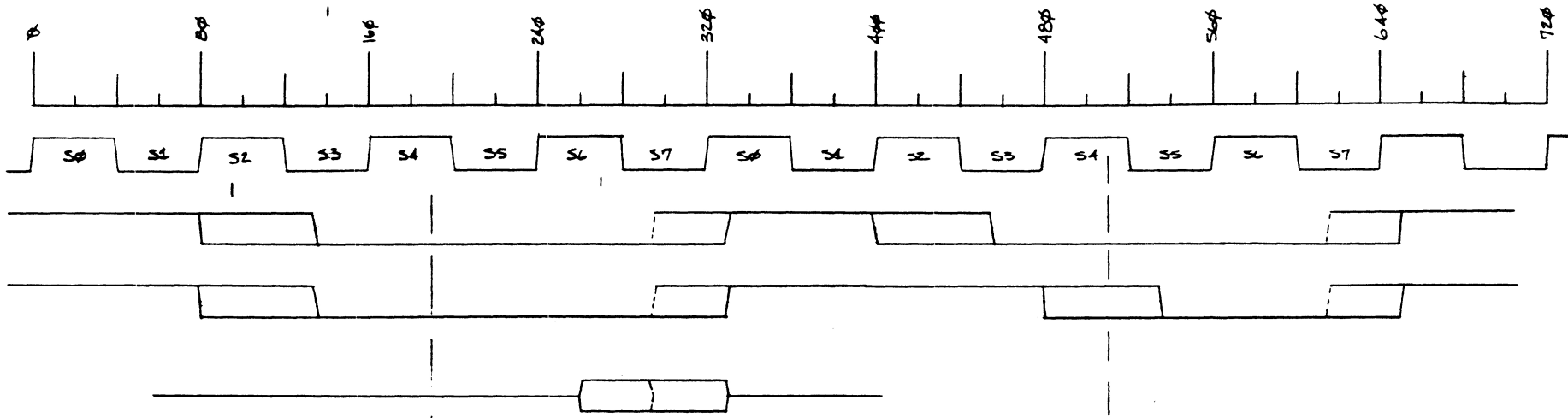
2-20
4-14

14 FEP		
SCALE:	APPROVED BY:	DRAWN BY HARRIS
DATE: 9 APRIL 1984		REVISED
16081 FPU's + STATUS REGISTER		
		DRAWING NUMBER
		14 OF

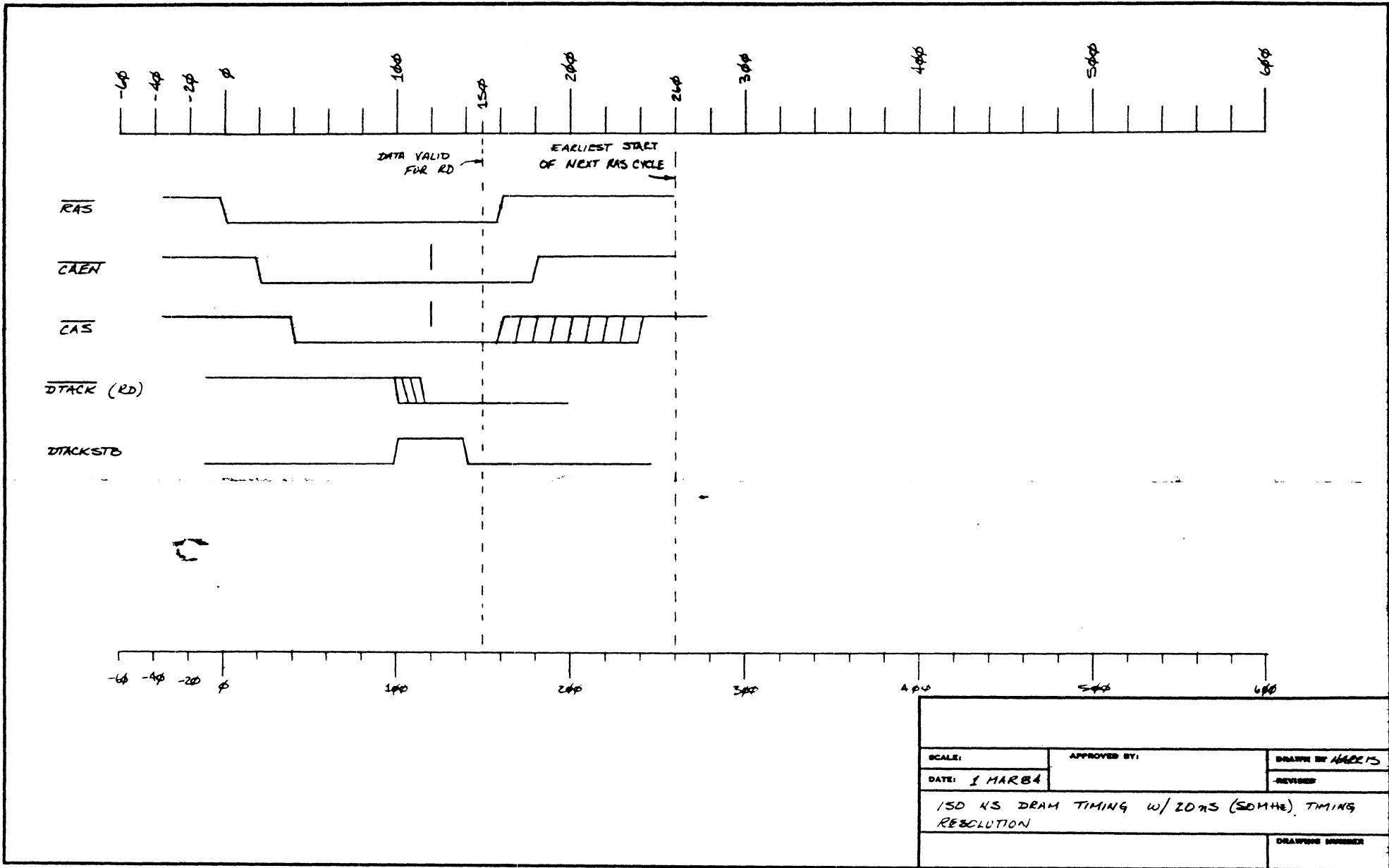
MAIN BUS - ADDRESS, CONTROL + DATA



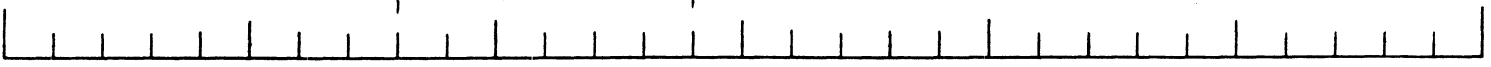
17 FEP		
SCALE:	APPROVED BY:	DRAWN BY HARRIS
DATE: 17 APR 1984		REVISED
BUS LEGENDS		
		DRAWING NUMBER 17 OF



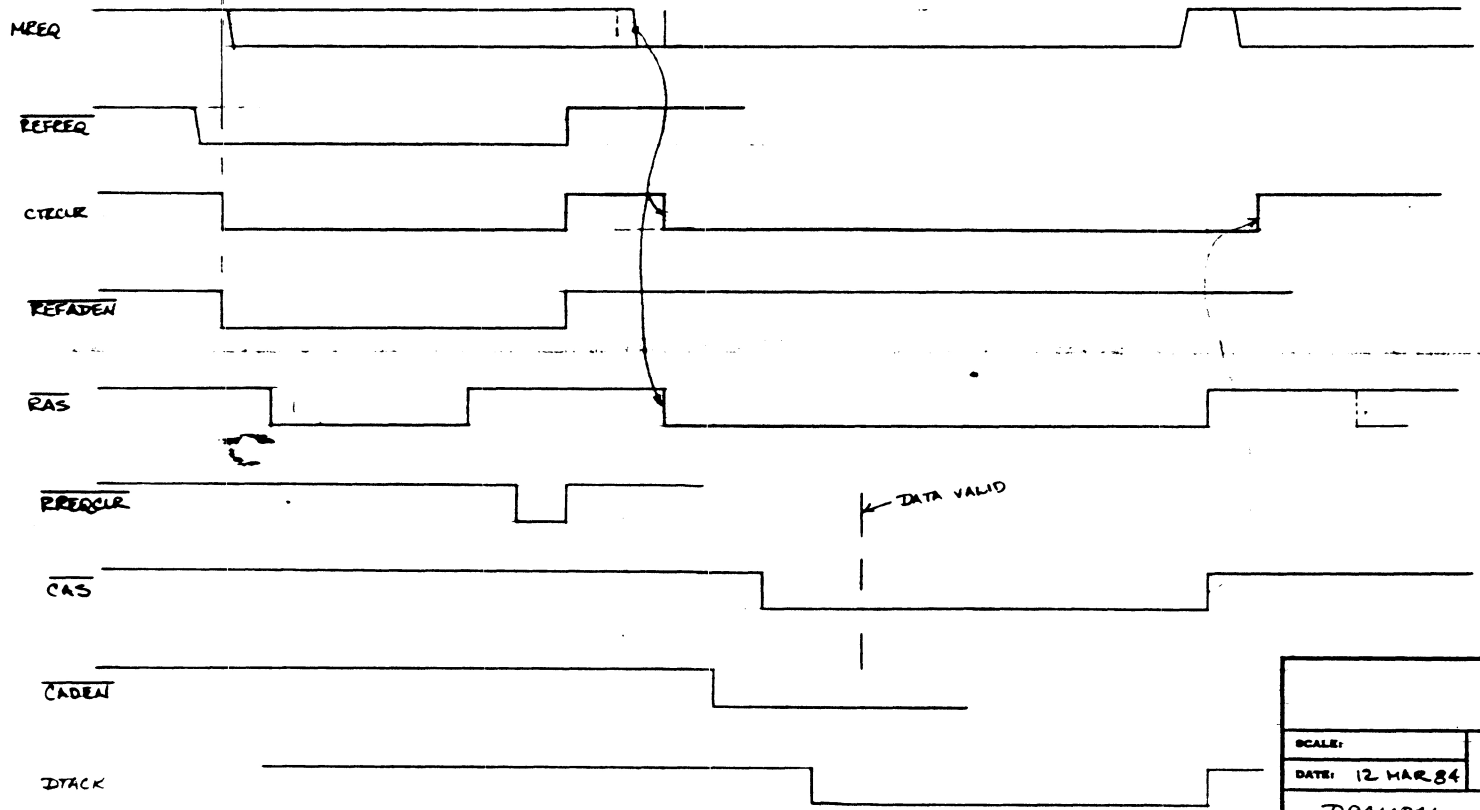
SCALE:		APPROVED BY:		DRAWN BY:	
DATE:				REVISED:	
DRAWING NUMBER					



SCALE:	APPROVED BY:	DRAWN BY MARBA
DATE: 1 MAR 84		REVISION
150 NS DRAM TIMING W/ 20 NS (50 MHz) TIMING RESOLUTION		
		DRAWING NUMBER



ϕ ϕ ϕ ϕ 1 2 3 4 5 6 7 ϕ ϕ 1 2 3 4 5 6 7 8 9 A B C ϕ ϕ



SCALE:	APPROVED BY:	DRAWN BY EDH
DATE: 12 MAR 84		REVISED
DRAMPAL REFRESH TIMING		
		DRAWING NUMBER