

A		PROD REL	5/27/88	BY DATE
REV		DESC		
DWN: CV		5-27-88		
CHK: ALI D.		5-27-88		
APPD:				
MAD INTELLIGENT SYSTEMS		SAN JOSE, CALIFORNIA		REV A
TITLE		BLOCK DIAGRAM		
		786AGC PWA		
SIZE	DRWN	NUMBER	REV	
D	LTV	800048	A	
DATE	APR 04, 1988	SHEET	1 OF 1	

REFERENCE DESIGNATION	DEVICE TYPE	+5V	GND	+12V	-12V	-5V
U6T U6M	10H116	16	8			
U8M	10H131	16	8			
U7T	10H350	16	8			
U1H	74F04	14	7			
U7K	74F08	14	7			
U1J U6L	74F32	14	7			
U4F U3H U6K	74F74	14	7			
U5T	74F163	16	8			
U5K U6R	74F174	16	8			
U4E U8E U7E U8E U1L U1M U6M U8B	74F244	20	10			
U2K U5S	74F245	20	10			
U4K U7L U7M U3N U7N	74F273	20	10			
U1N U3P U4P U6P U7P U1R-U4R U1T	74F373	20	10			
U4N U6N	74F374	20	10			
U1K U1N	74AS845	24	12			
U6H	82785	PAGE 3	PAGE 3			
U1E	[NOT USED]	28	14			
U3E	EPROM27128-15	28	14			
U2N	MEM16PAL	PAL 16L88	20	10		
U3J	DBUSPAL	PAL 16R88	20	10		
U4H	GPSPAL	PAL 16R88	20	10		
U3L	GP10PAL	PAL 20L88	24	12		
U2L	IOPAL	PAL 20L88	24	12		
U4L	MEMPAL	PAL 20L88	24	12		
U6L	MODEPAL	PAL 20R88	24	12		
U1A-U8A U1B-U8B U1C-U8C U1D-U8D	RAM, 256Kx1	9	18			
U4N	RAMDAC, BT451	PAGE 4	PAGE 4			

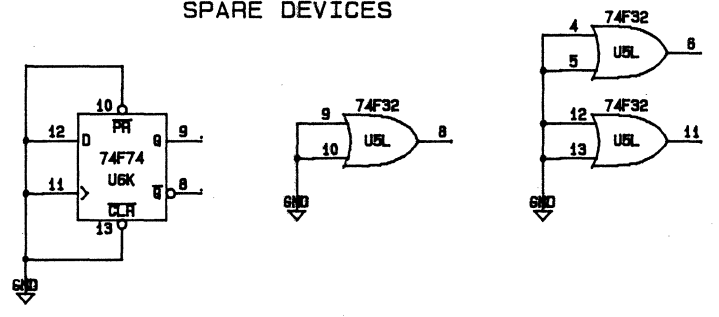
J1			
25	GND	23	GND
26	VDATA1	24	GND
27	GND	25	GND
28	VDATA3	26	GND
29	GND	27	GND
30	VDATA5	28	GND
31	GND	29	GND
32	VDATA7	30	GND
33	GND	31	GND
34	HSYNC	32	GND
35	ENVID	33	GND
36	HRESTEXT	34	GND
37	BMPRESGRAPH	35	GND
38	COLOR	36	GND
39	TEXT	37	GND
40	GND	38	GND
41	P10	39	GND
42	P20	40	GND
43	GND	41	GND
44	P1C	42	GND
45	P2C	43	GND
46	GND	44	GND
47	P1B	45	GND
48	P2B	46	GND
49	GND	47	GND
50	P1A	48	GND
51	P2A	49	GND
52	GND	50	GND
53	B25MHZ	51	GND
54	GND	52	GND
55	C25MHZ	53	GND
56	GND	54	GND

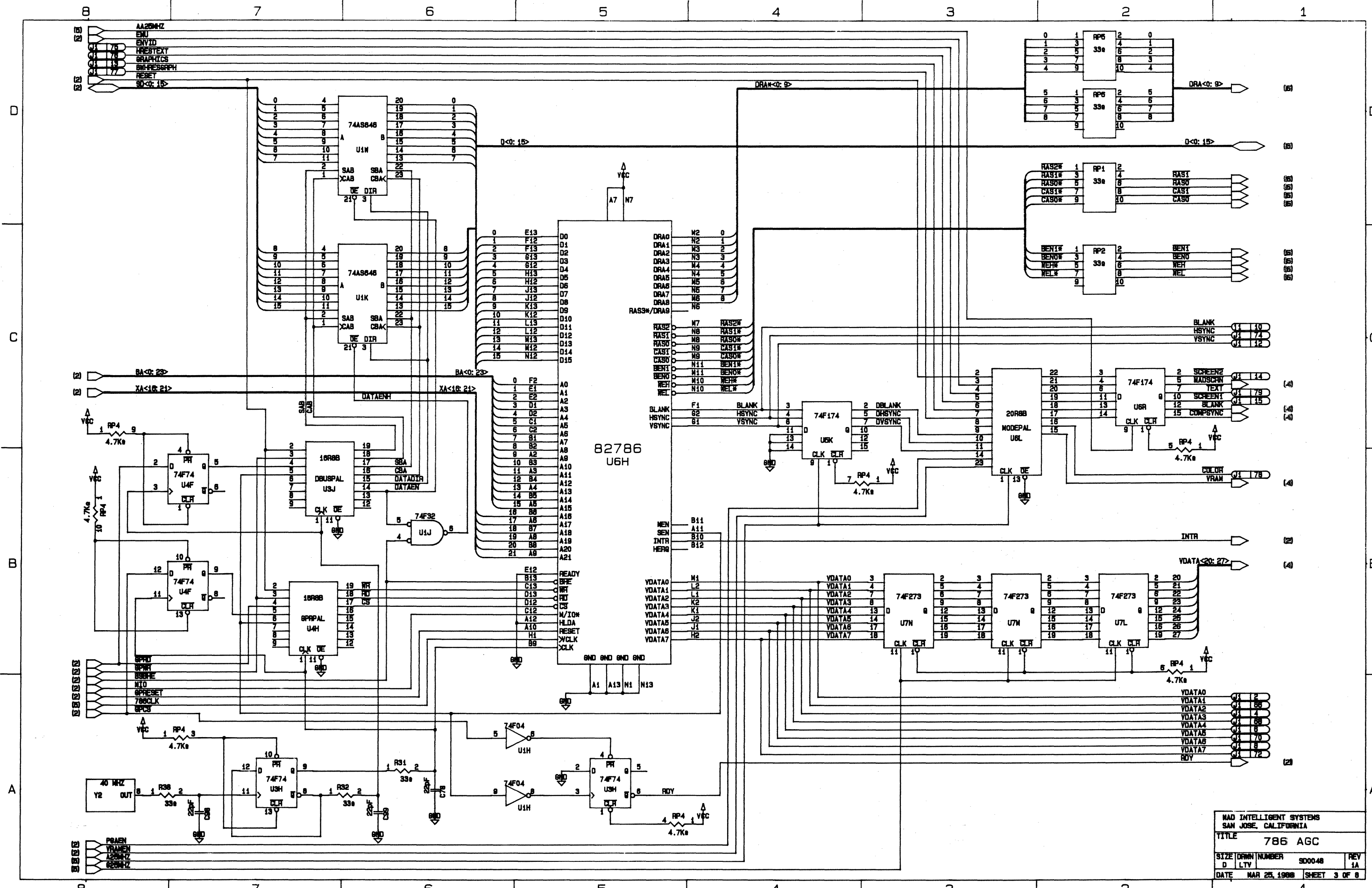
DIP SWITCH SW1		
POS	OFF	ON
1	RESERVED	* RESERVED
2	RESERVED	* RESERVED
3	MONOCHROME	* COLOR
4	PORTSELECT H300	* PORTSELECT H197
5	RESERVED	* RESERVED
6	NO INTERRUPT	* IRQ12
7	NO INTERRUPT	* IRQ14
8	NO INTERRUPT	* IRQ15

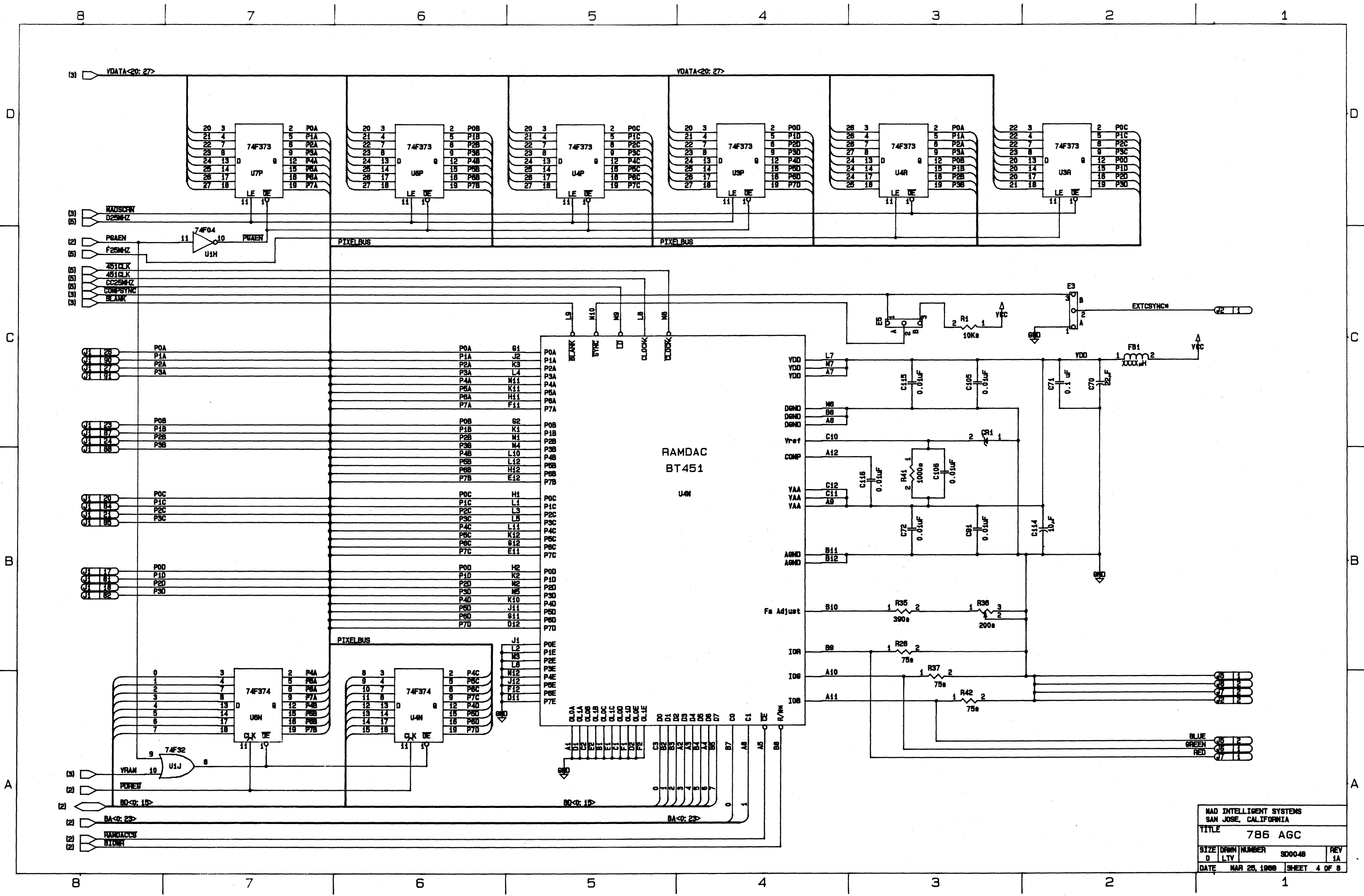
JUMPERS		
POS	A	B
E1	128K EPROM	* 512K EPROM
E2	128K EPROM	* 512K EPROM
E3	RESERVED	* RESERVED
E4	128K WINDOW	* 64K WINDOW
E5	RESERVED	* RESERVED
E6	RESERVED	* RESERVED

* FACTORY SETTING

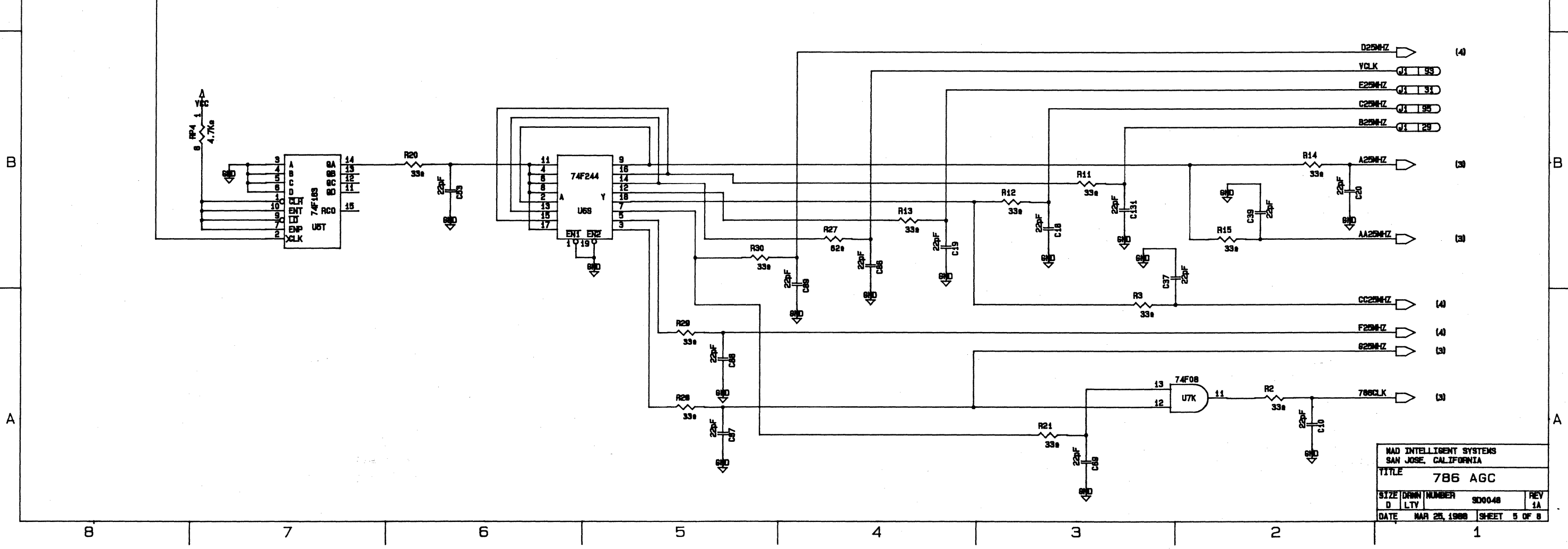
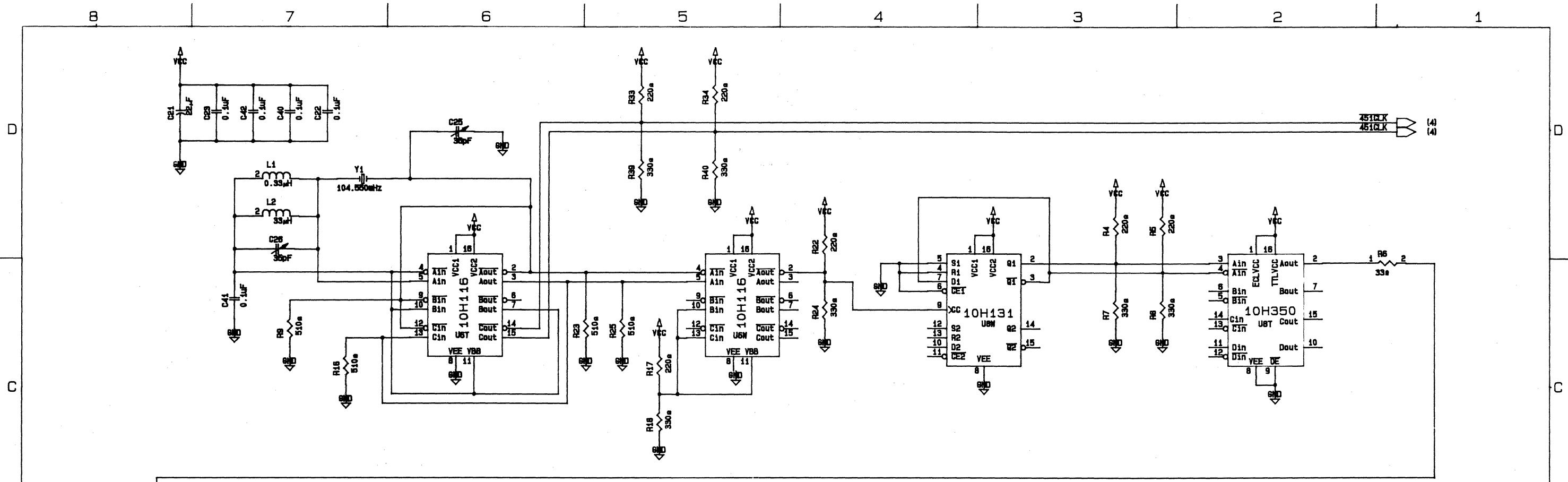
SPARE DEVICES



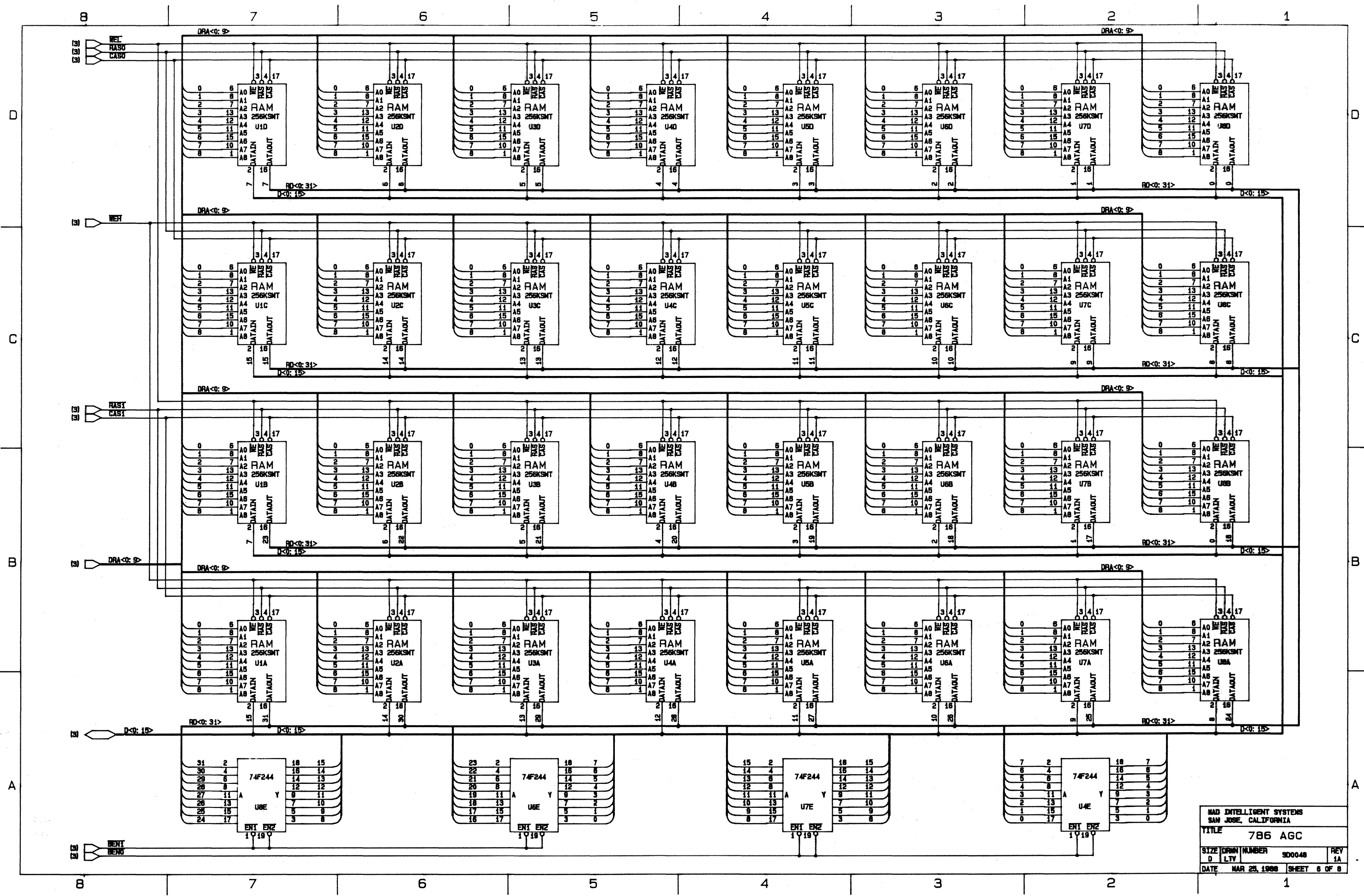




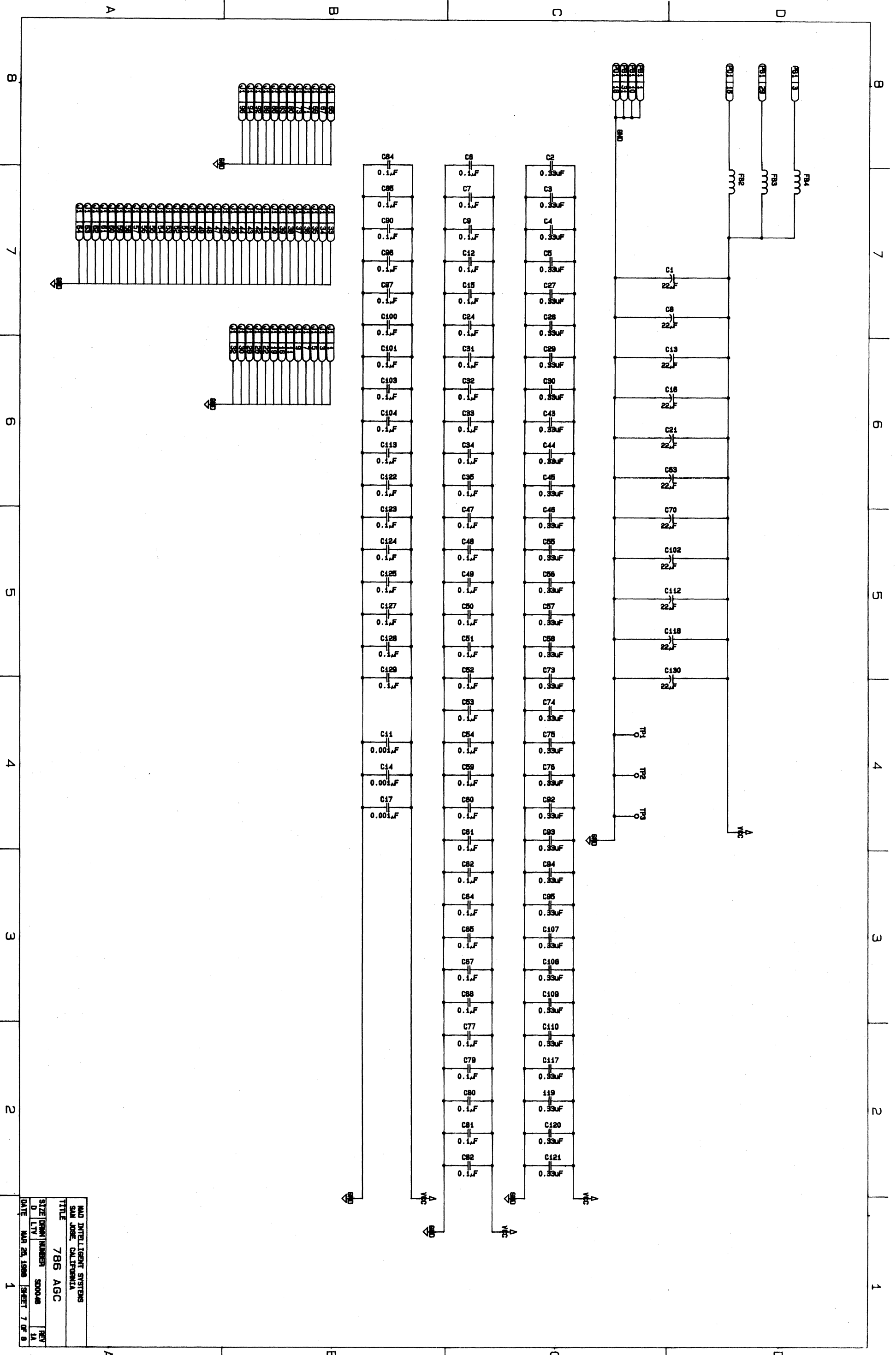
MAD INTELLIGENT SYSTEMS SAN JOSE, CALIFORNIA			
TITLE 786 AGC			
SIZE	DRWN	NUMBER	REV
D	LTV	SD0048	1A
DATE	MAR 25, 1988		SHEET 4 OF 8



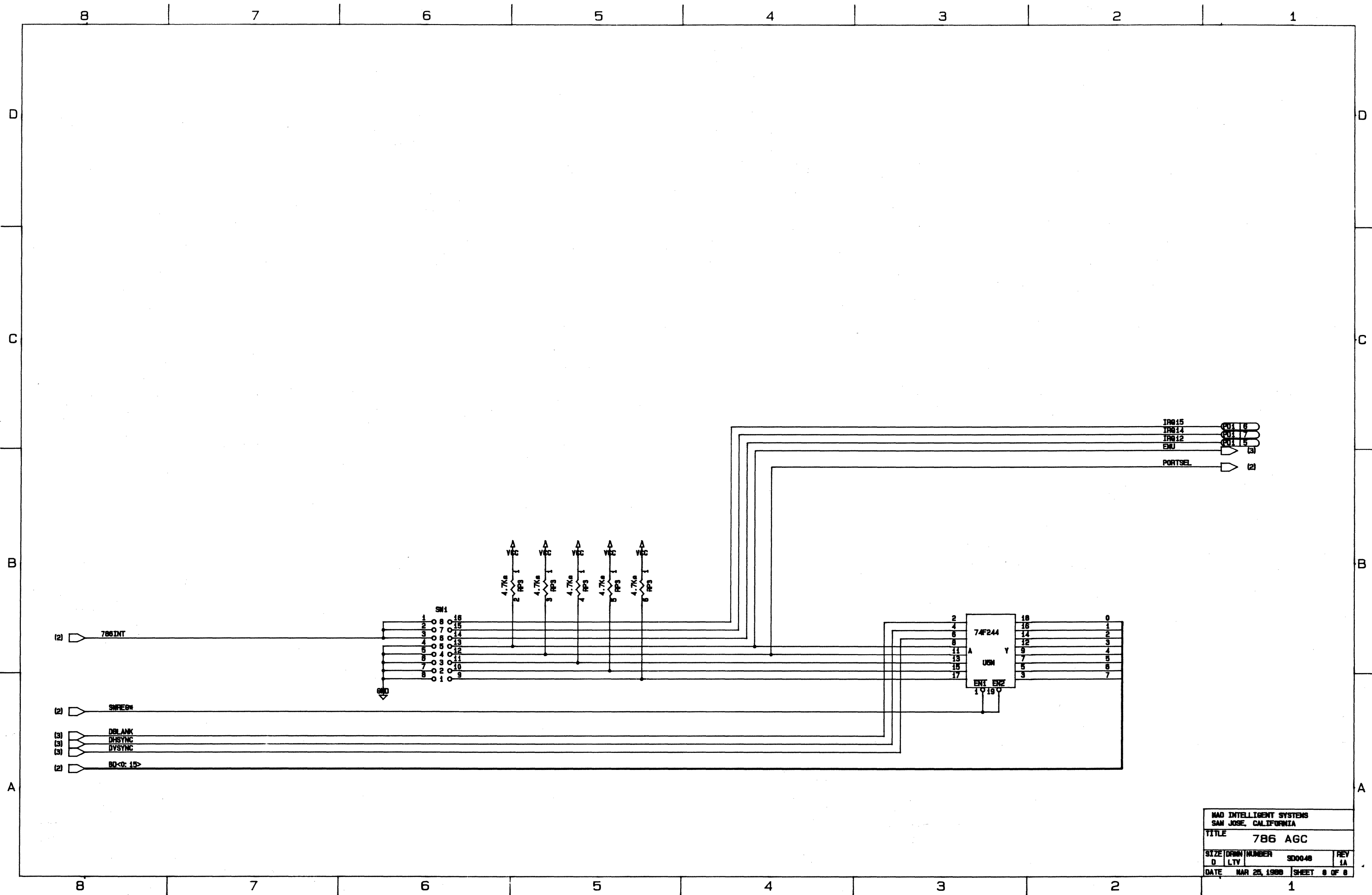
MAD INTELLIGENT SYSTEMS SAN JOSE, CALIFORNIA			
TITLE 786 AGC			
SIZE	DRWN	NUMBER	REV
D	LTY	SD0048	1A
DATE		MAR 25, 1988	
		SHEET 5 OF 8	



MAD INTELLIGENT SYSTEMS
 SAN JOSE, CALIFORNIA
 TITLE 786 AGC
 SIZE (DRWN) NUMBER 900048 REV 1A
 DATE MAR 25, 1988 SHEET 6 OF 8



MAD INTELLIGENT SYSTEMS
 SAN JOSE, CALIFORNIA
 TITLE 786 AGC
 SIZE (DRAW NUMBER) 500048
 D LTY
 DATE MAR 25, 1988 SHEET 7 OF 8



MAD INTELLIGENT SYSTEMS SAN JOSE, CALIFORNIA			
TITLE 786 AGC			
SIZE	DRWN	NUMBER	REV
D	LTV	S00048	1A
DATE MAR 25, 1988			SHEET 8 OF 8