

A6 REVISED PER CN 547 7/2/87 Fye

REFERENCE DESIGNATION	DEVICE TYPE	+5V	GND	+12V	-12V	-5V
23J	148818		12			
18H	DMSTAT PAL	16L8A	20	10		
20B	LS110 PAL	16L8A	20	10		
24B	TTLIO PAL	16L8A	20	10		
10B	MATHERR PAL	16L8B	20	10		
11F	ADDR PAL	16L8B	20	10		
13H	BUF8V5 PAL	16L8B	20	10		
14H	BUFINT PAL	16L8B	20	10		
15H	BUFV8 PAL	16L8B	20	10		
18B	MAINIO PAL	16L8B	20	10		
12F	MATH PAL	16L8B	20	10		
17C	RDY PAL	16R6B	20	10		
15E	DEN PAL	16R6B	20	10		
21B	RAMTO PAL	16R6B	20	10		
13F	SPACE PAL	20L8B	24	12		
2B	RAMDEC PAL	20L8B	24	12		
12C	PARDMA PAL	20R4B	24	12		
16E	SIZE PAL	20R4B	24	12		
23K	DMARDY PAL	20R8A	24	12		
14E	CMD PAL	20R8B	24	12		
18E	BUSRFSH PAL	20R8B	24	12		
20E	BUSRDY PAL	20R8B	24	12		
21E	BUSSWAP PAL	20R8B	24	12		
2C	RASE PAL	20R8B	24	12		
1C	RASD PAL	20R8B	24	12		
1B	RAMCMD PAL	20R8B	24	12		
11A, 8A, 7A, 9A		27128	28	14		
256		4049	7			
16K		7407	14	7		
18K		74ALS00	14	7		
18K, 21H, 22H		74ALS04	14	7		
17K, 20B		74ALS08	14	7		
20K		74ALS10	14	7		
19A, 20A		74ALS163	16	8		
24K		74ALS174	16	8		
27J		74ALS175	16	8		
12K, 18F, 26J		74ALS244	20	10		
11B, 11H, 11J, 14B, 15B, 16B, 17F		74ALS245	20	10		
22A		74ALS32	14	7		
16H, 17H, 21F, 22F		74ALS73	20	10		
11K		74AS646	24	12		
14C, 15C, 23B, 24H, 8F		74ALS74	14	7		
9B		74AS174	16	8		
20C		74AS21	14	7		
30, 40, 50, 60		74AS290	14	7		
19C, 7F		74AS74	14	7		
23H		74F00	14	7		
16C, 18B		74F04	14	7		
14F, 25H, 4C, 4A		74F08	14	7		
18A		74F11	14	7		
8B		74F151	16	8		
3B, 3C, 4B, 5B, 6B		74F153	16	8		
19F		74F174	16	8		
15F, 2E		74F244	20	10		
12B, 13B, 17B, 3E, 4E, 5E, 6E		74F245	20	10		
22B		74F257	16	8		
19E, 20F, 22E, 3A, 1A, 2A		74F32	14	7		
18C		74F573	20	10		
11C		74F574	20	10		
17E, 19B, 21A, 6F, 9F		74F74	14	7		
12H, 19H		74LS125	14	7		
5C, 6C		74LS383	14	7		
12J		74LS590	16	8		
18J		74LS612	40	20		
220		75477	8	4		
VR1		7805	7			
14B		80287	9	10, 30	2	3
12E		80386	SH 2	SH 2		
9E		80387	SH 3	SH 3		
15J, 17J		8237	5, 31	20		
9C		82384	SH4	SH4		
25J		8254	24	12		
20J, 21J		8259	28	14		
3F, 12A		8284A	18	9		
14J		8742	40	20		
7B		TL7705	8	4		

REFERENCE DESIGNATION	LAST USED	NOT USED
C18B		
DS5	C, R, A	
E4		
F2		
FB2		
J201	J8-99, 116-199	
L1		
Q3		
R53		
RP18	RP7	
SW1		
TC2		
TP10		
VR1		
Y4		

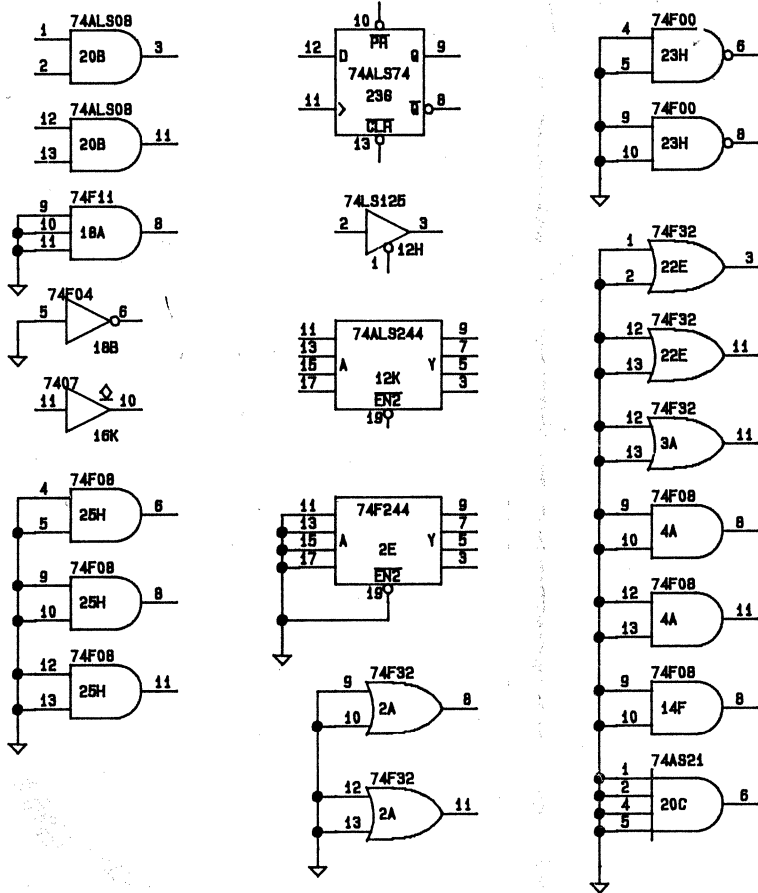
DIP SWITCH SW1	POS	OFF	ON
1	MONO	COLOR/EGA	
2	SLOW SCROLL VIDEO	FAST SCROLL VIDEO	
3	NORMAL	DIAG (NOT USED)	
4	27128 EPROM	27256 EPROM	
5	1M RAMS	256K RAMS	
6	387 SYNC CLOCK	387 ASYNC CLOCK	
7	BUS REFRESH OFF	BUS REFRESH ON	
8	1 WAIT STATE BUS	2 WAIT STATE BUS	
9	NMI DISABLED	NMI ENABLED	
10	SPKR VOLUME HIGH	SPKR VOLUME LOW	

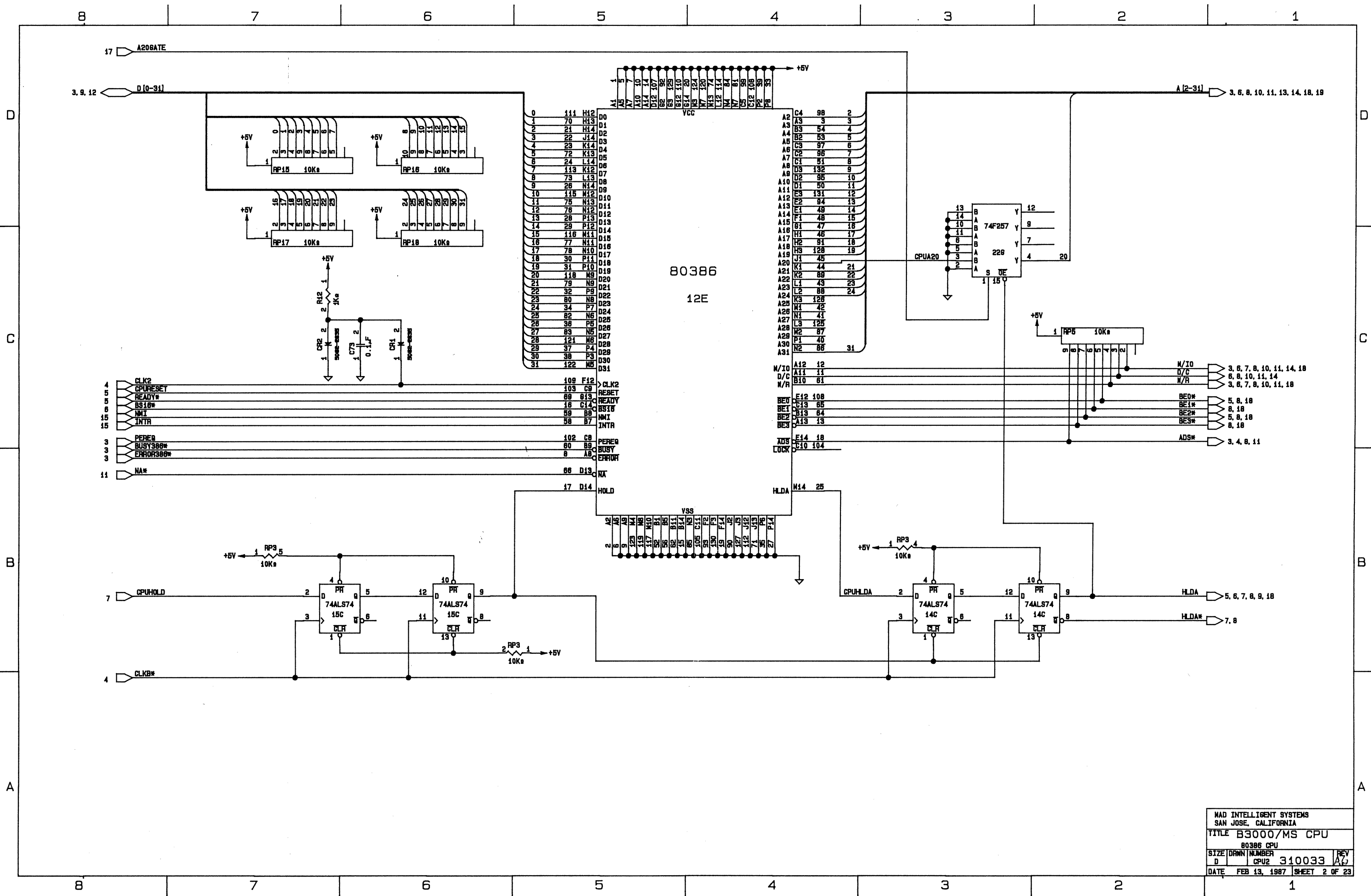
JUMPERS	E2	E1	Y/O RECOVERY DELAY (NSEC)
IN IN			2000
IN OUT			1500
OUT IN			1000
OUT OUT			500

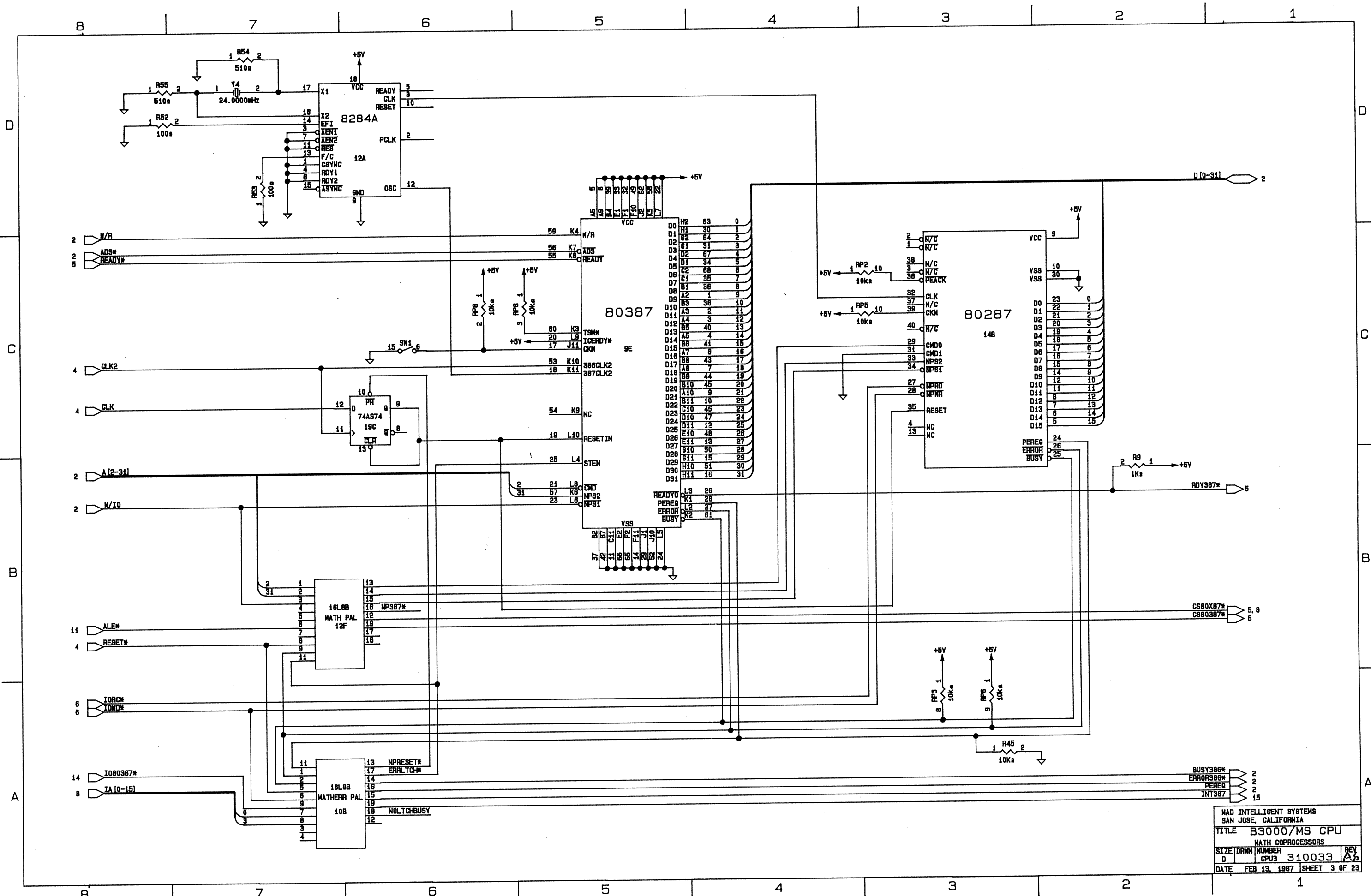
E3 IN	DELAYED IOM* FOR DMA
E3 OUT	NORMAL DMA TIMING
E4 IN	CPU PIPELINING DISABLED
E4 OUT	CPU PIPELINING ENABLED

SPARE DEVICES

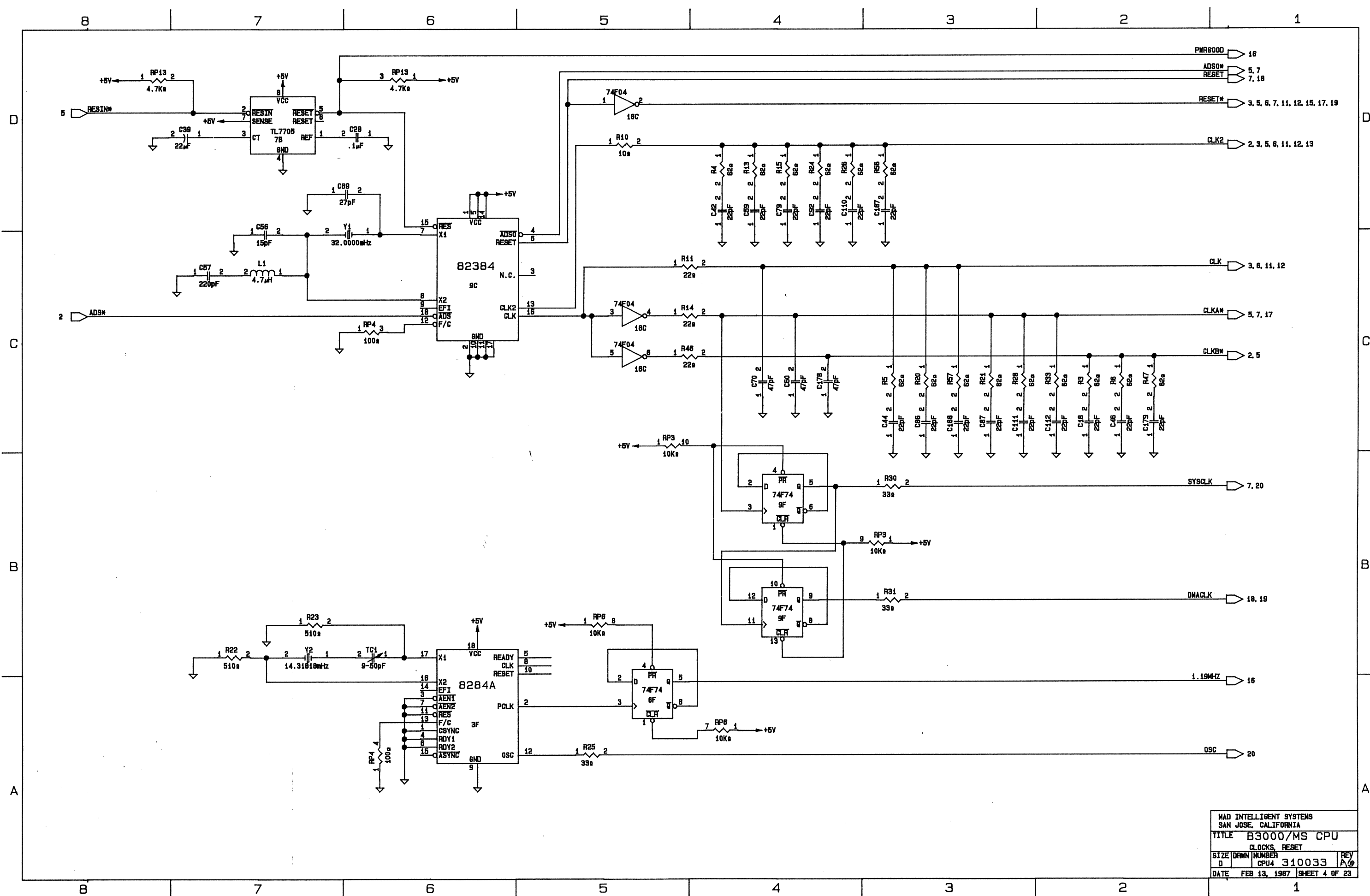




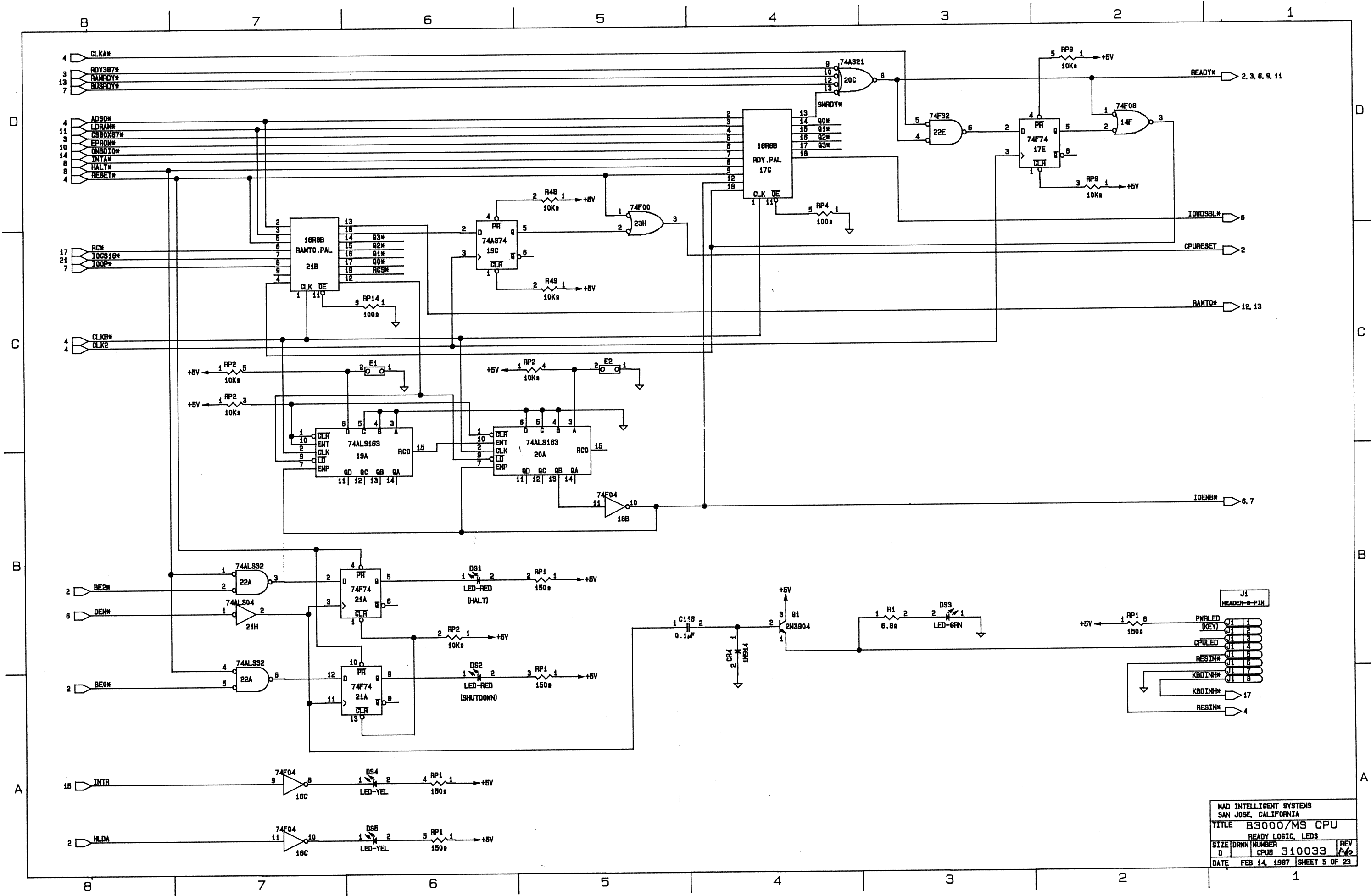
MAD INTELLIGENT SYSTEMS  
 SAN JOSE, CALIFORNIA  
 TITLE B3000/MS CPU  
 80386 CPU  
 SIZE D DRWN CPU2 NUMBER 310033 REV A6  
 DATE FEB 13, 1987 SHEET 2 OF 23



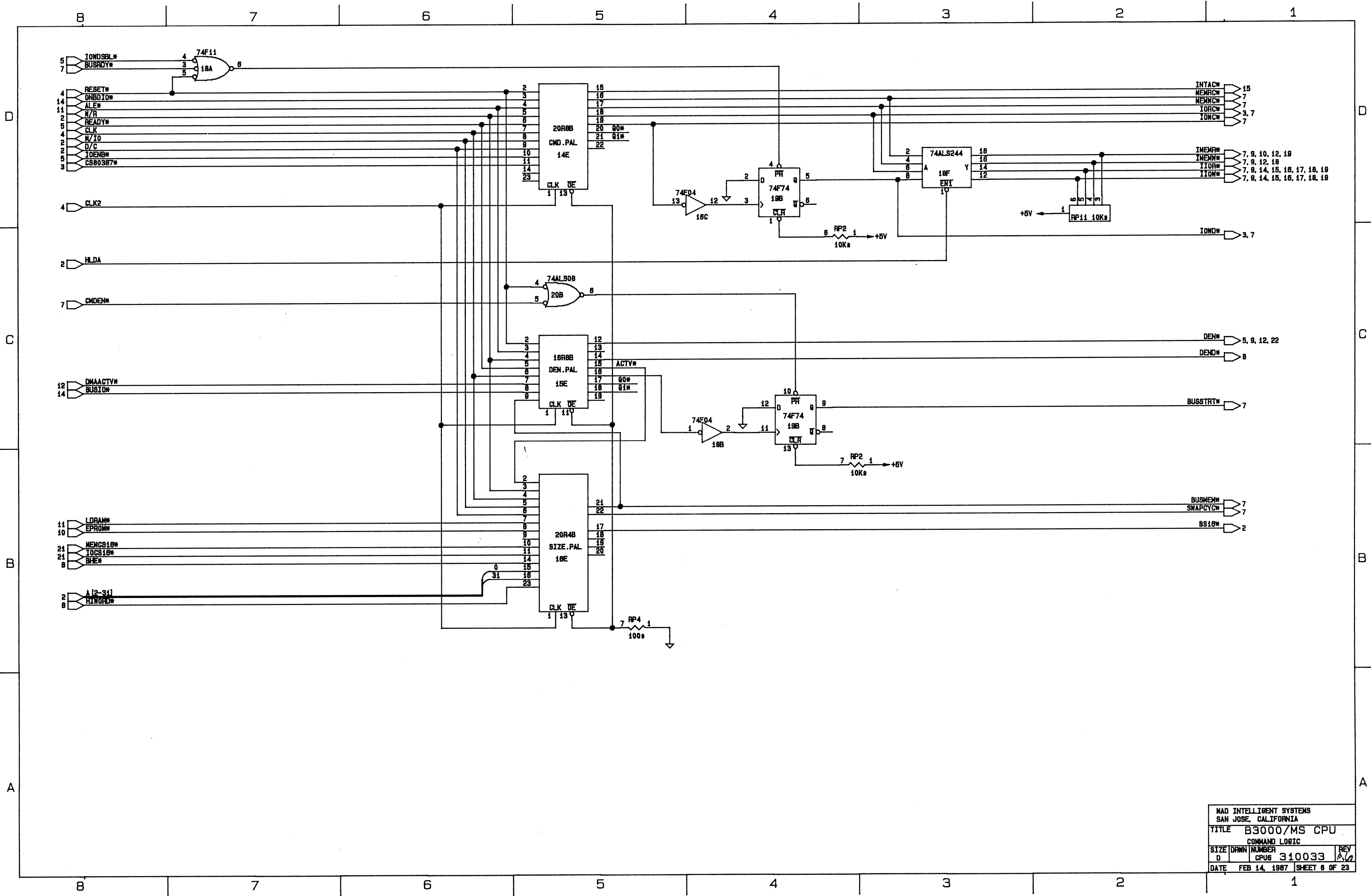
MAD INTELLIGENT SYSTEMS  
 SAN JOSE, CALIFORNIA  
 TITLE B3000/MS CPU  
 MATH COPROCESSORS  
 SIZE DRWN NUMBER REV  
 D CPU3 310033 A2  
 DATE FEB 13, 1987 SHEET 3 OF 23



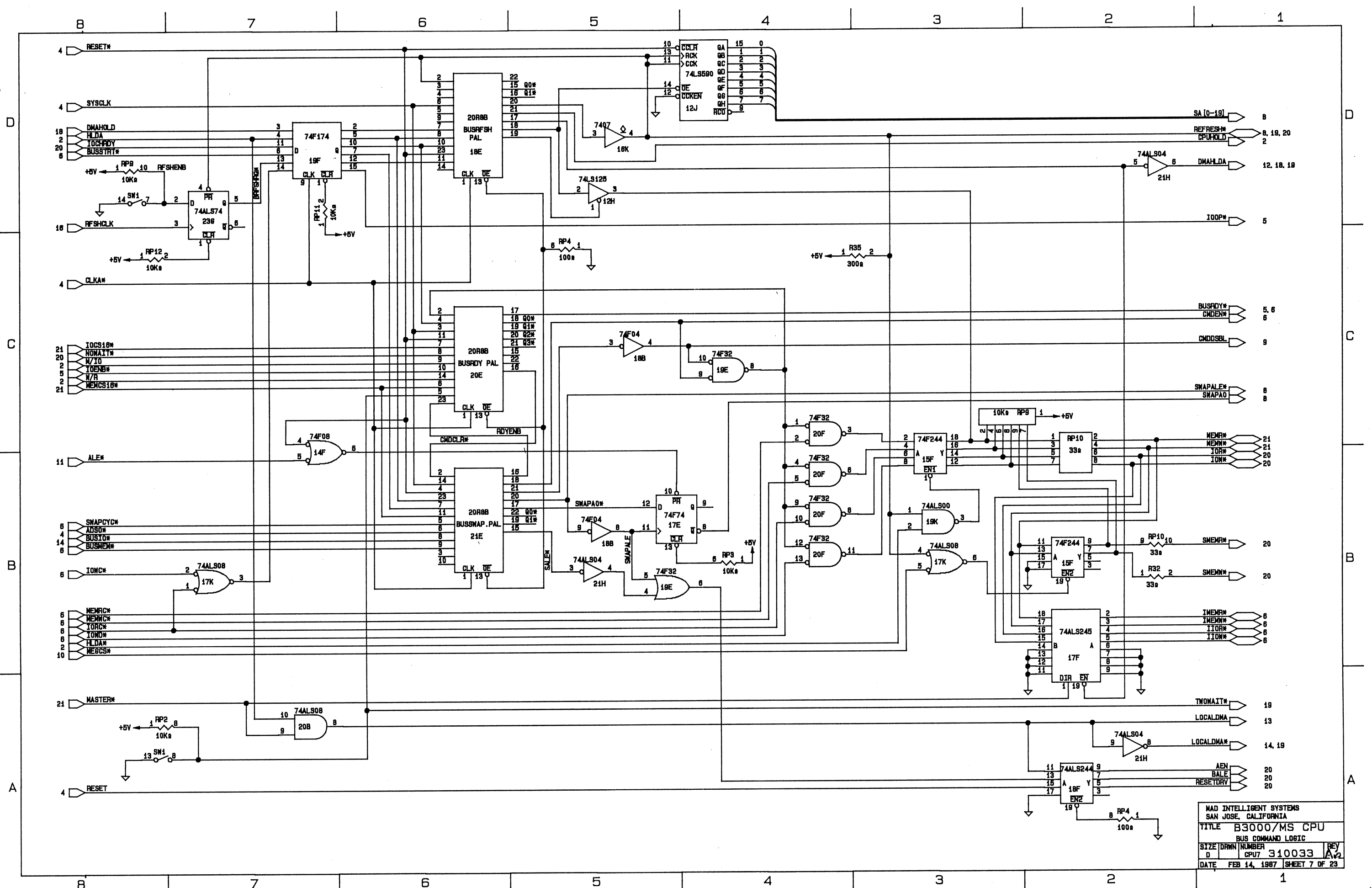
MAD INTELLIGENT SYSTEMS SAN JOSE, CALIFORNIA			
TITLE B3000/MS CPU			
CLOCKS, RESET			
SIZE	DRWN	NUMBER	REV
D	CPU4	310033	A0
DATE	FEB 13, 1987	SHEET 4 OF 23	



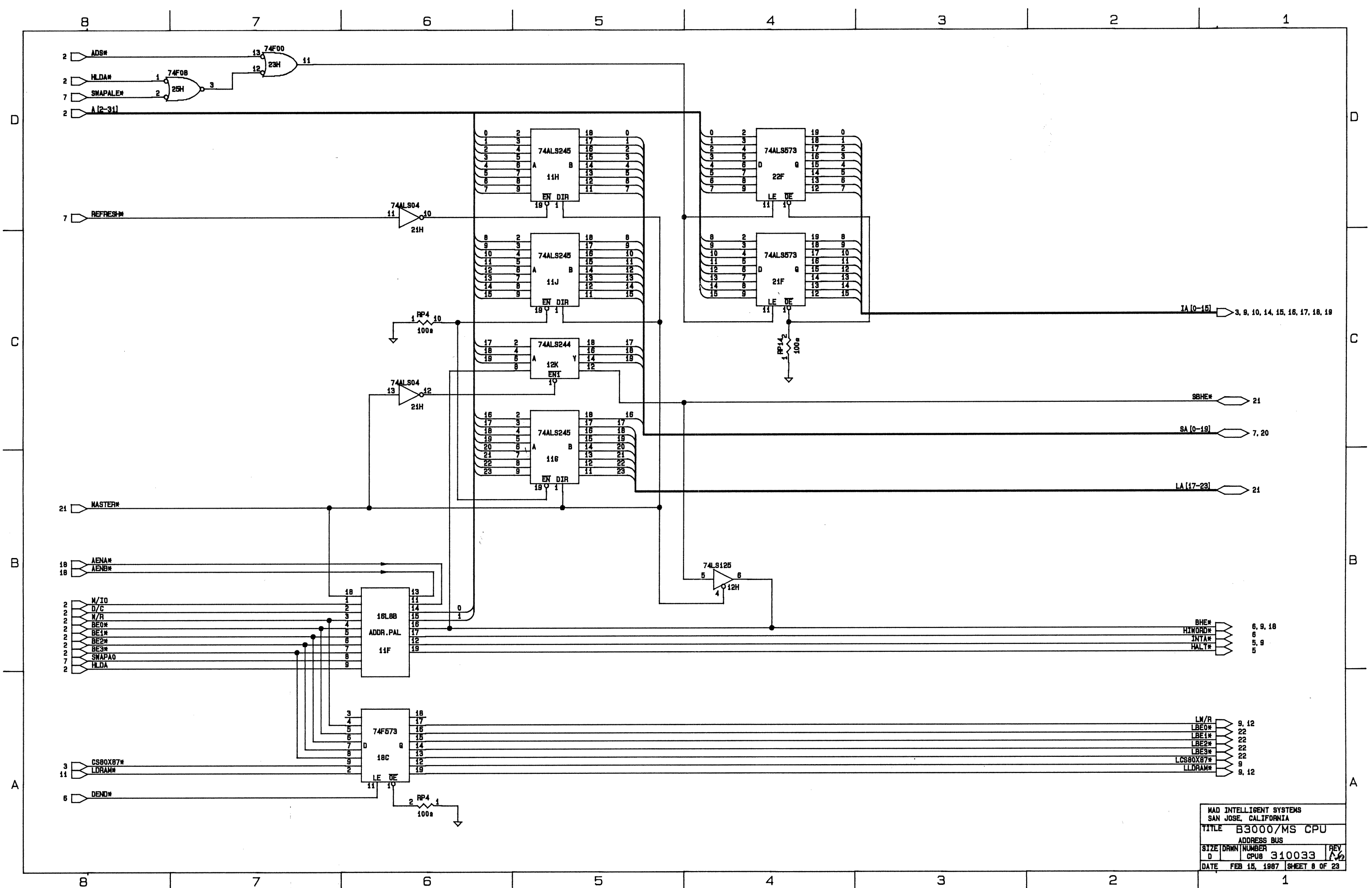
MAD INTELLIGENT SYSTEMS SAN JOSE, CALIFORNIA			
TITLE B3000/MS CPU READY LOGIC, LEDs			
SIZE	DRWN	NUMBER	REV
D		CPUS 310033	1/2
DATE	FEB 14, 1987		SHEET 5 OF 23



MAD INTELLIGENT SYSTEMS  
 SAN JOSE, CALIFORNIA  
 TITLE B3000/MS CPU  
 COMMAND LOGIC  
 SIZE DRWN NUMBER REV  
 D CPU6 310033 2  
 DATE FEB 14, 1987 SHEET 6 OF 23

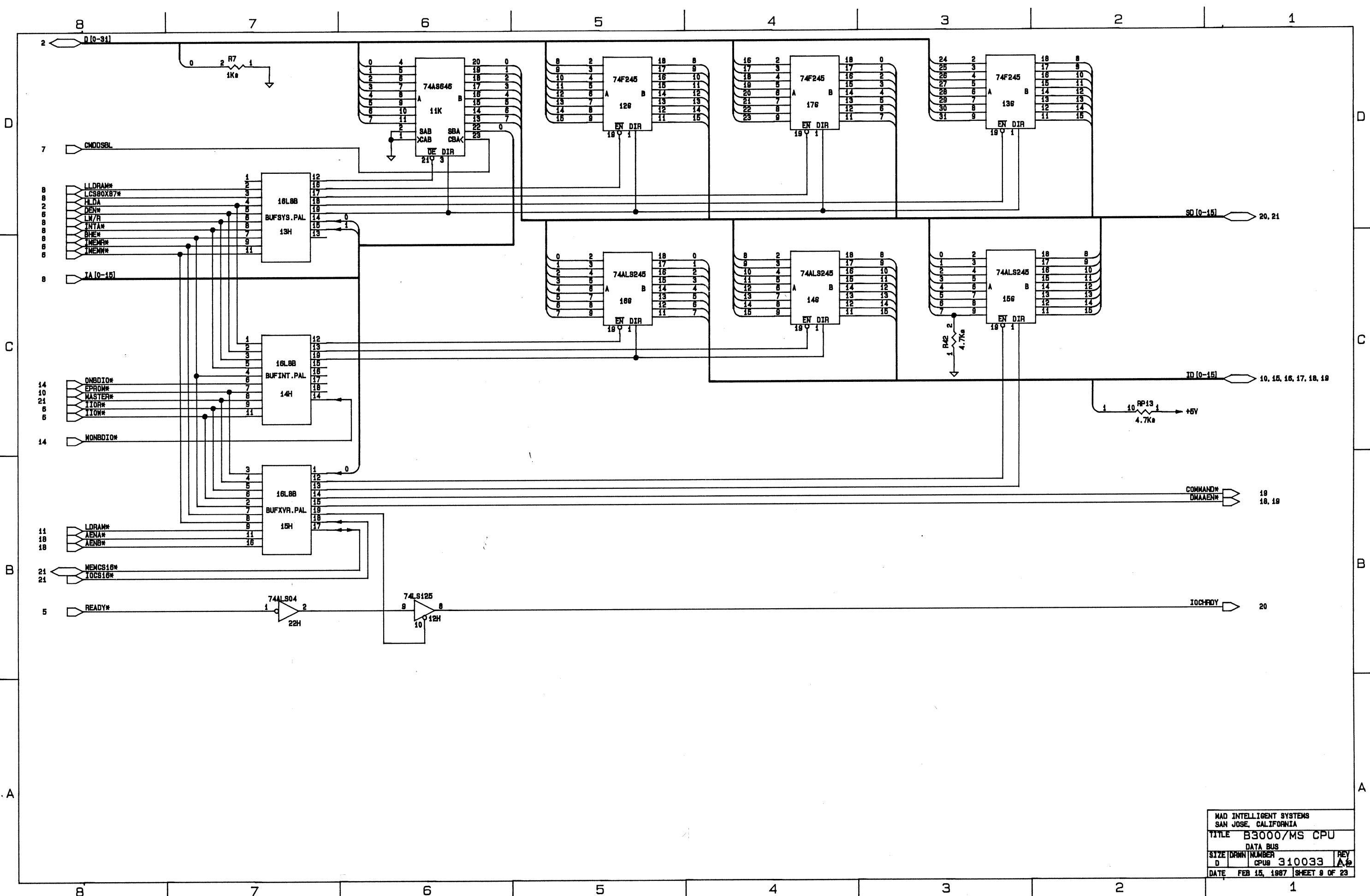


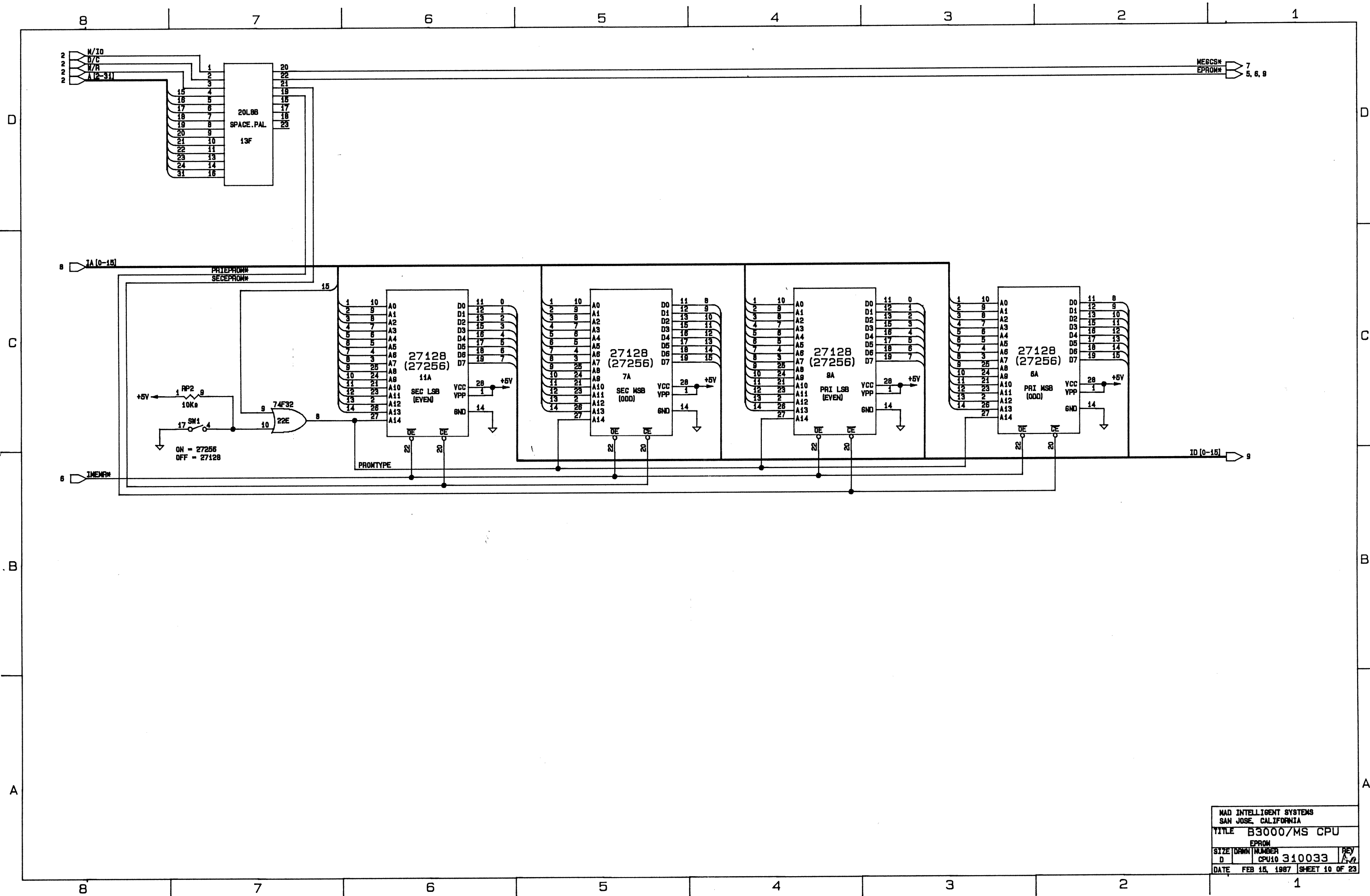
MAD INTELLIGENT SYSTEMS  
 SAN JOSE, CALIFORNIA  
 TITLE B3000/MS CPU  
 BUS COMMAND LOGIC  
 SIZE DRWN NUMBER REY  
 D CPU7 310033 A2  
 DATE FEB 14, 1987 SHEET 7 OF 23



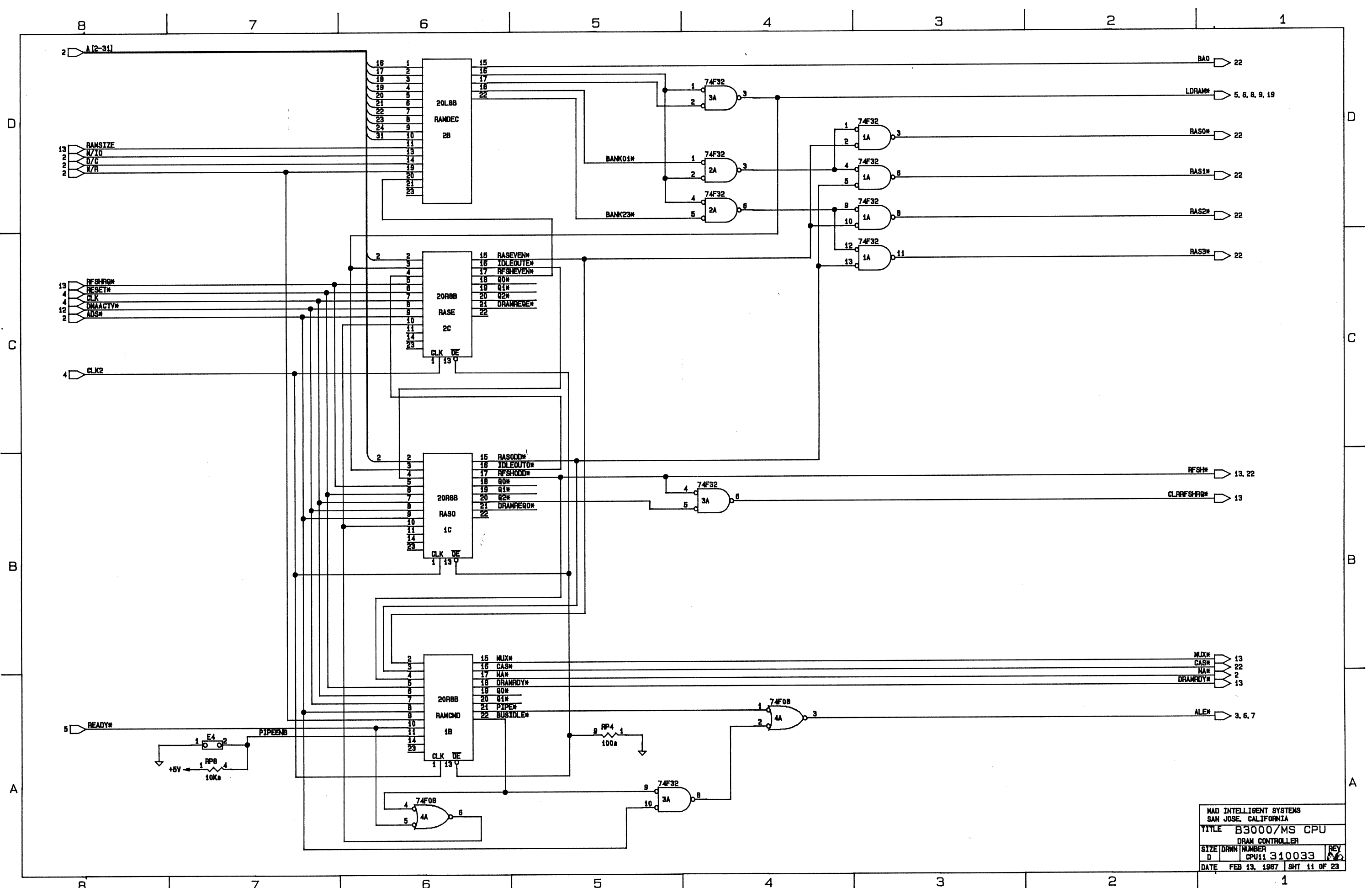
MAD INTELLIGENT SYSTEMS  
 SAN JOSE, CALIFORNIA  
 TITLE B3000/MS CPU  
 ADDRESS BUS  
 SIZE/DWNN/NUMBER REV  
 D CPU# 310033 1/2  
 DATE FEB 15, 1987 SHEET 8 OF 23



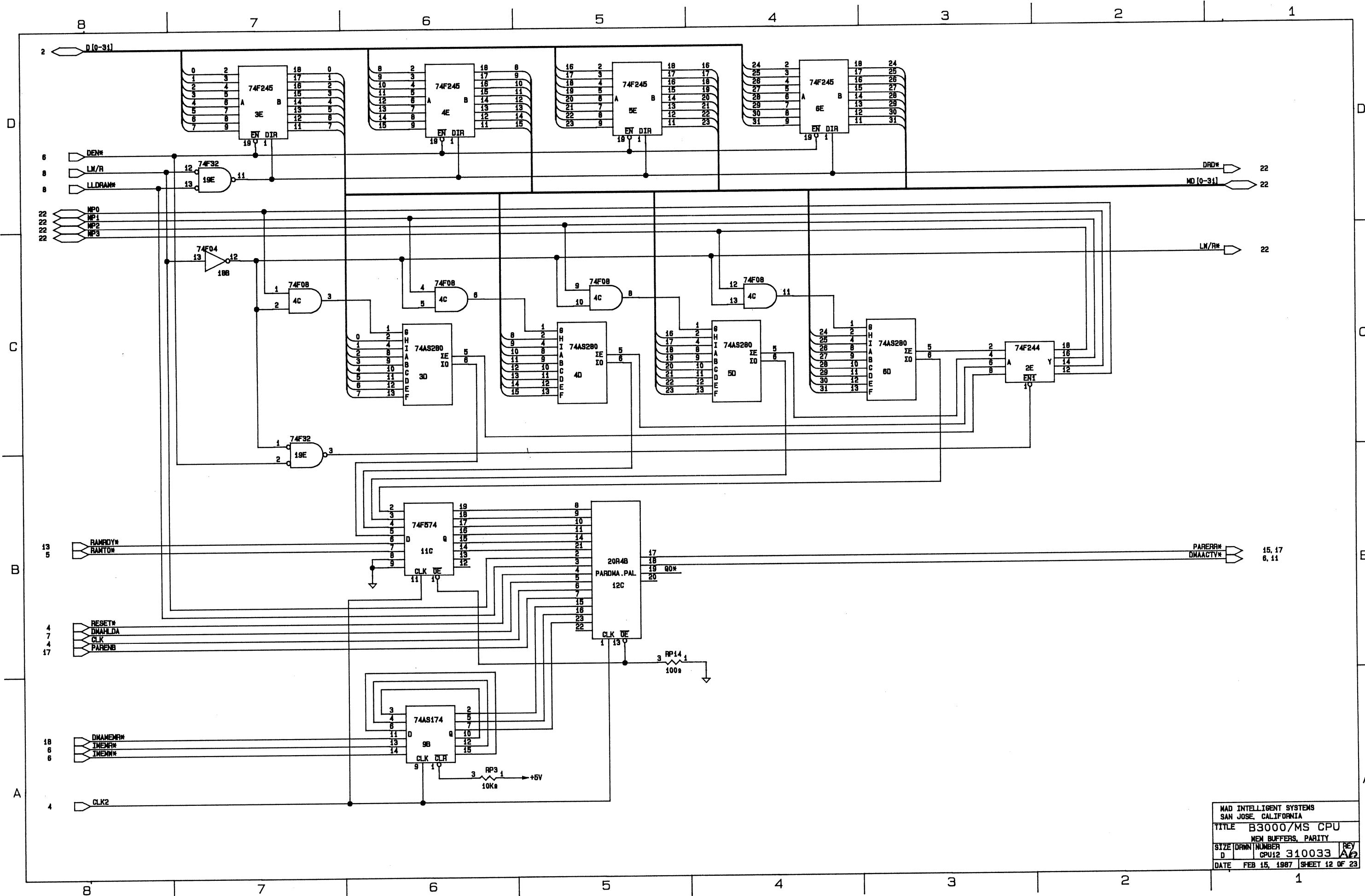




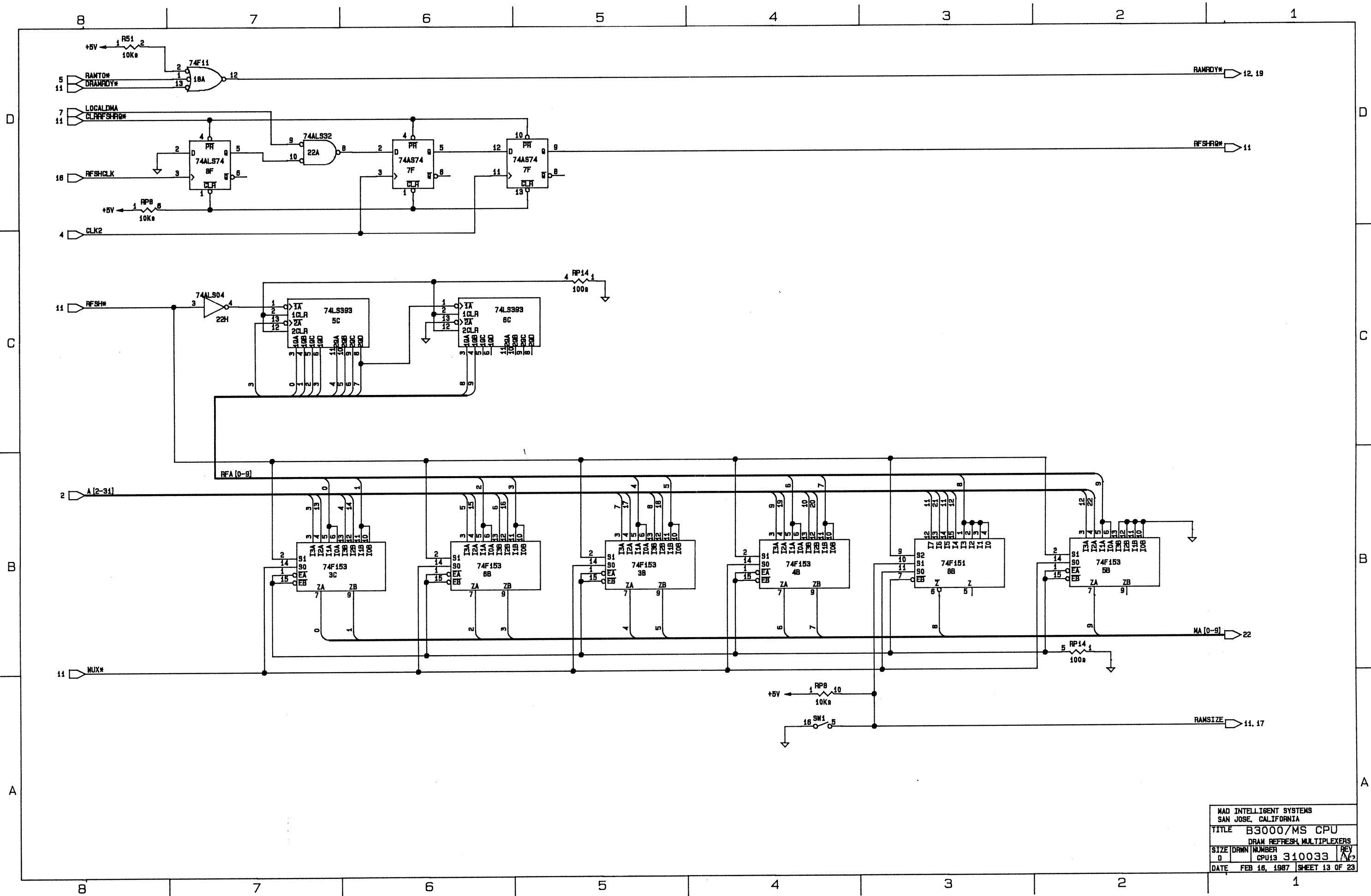
MAD INTELLIGENT SYSTEMS SAN JOSE, CALIFORNIA			
TITLE B3000/MS CPU			
EPROM			
SIZE	DRWN	NUMBER	REV
D		CPU10 310033	A-2
DATE		FEB 15, 1987 SHEET 10 OF 23	



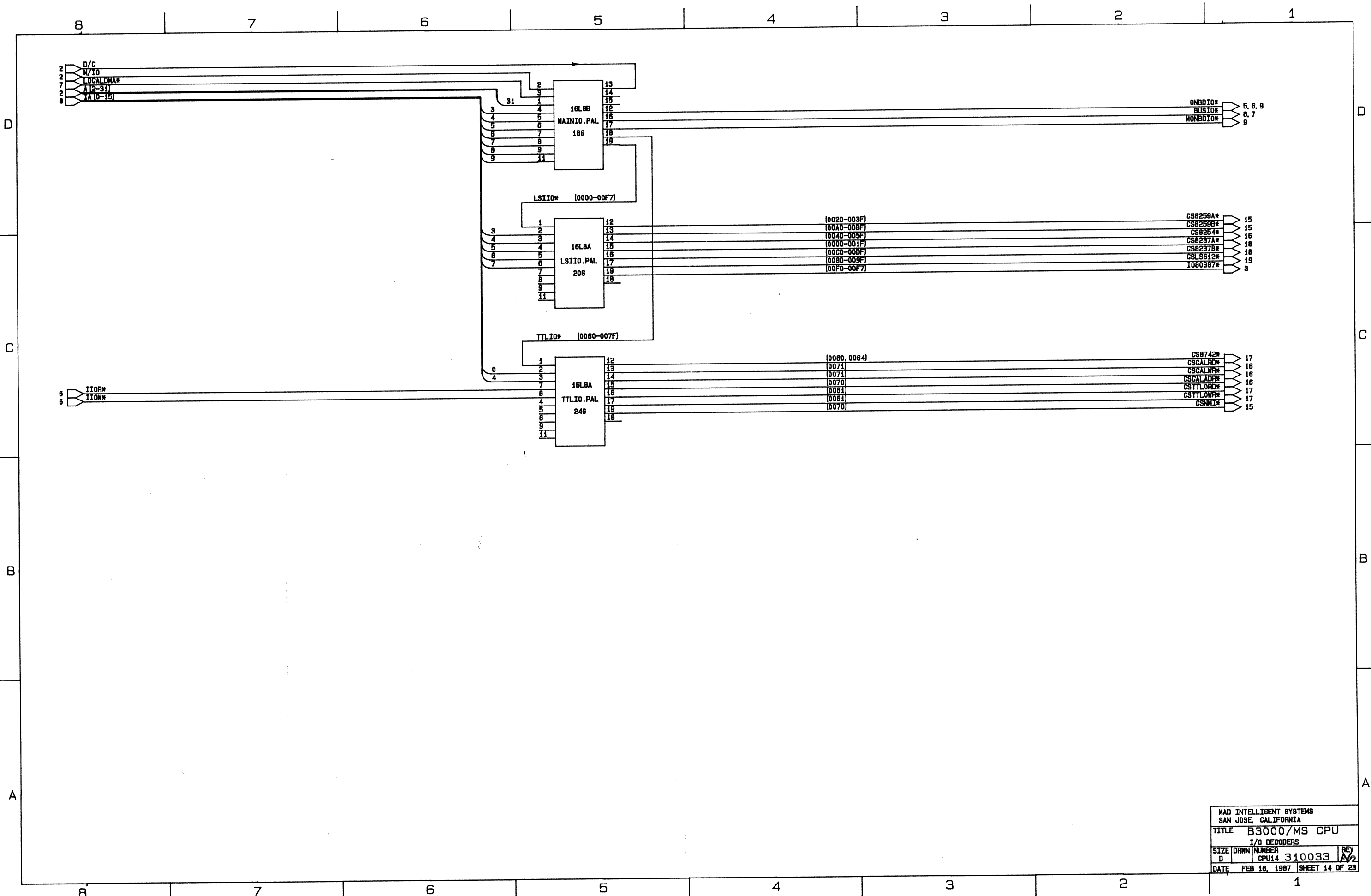
MAD INTELLIGENT SYSTEMS SAN JOSE, CALIFORNIA			
TITLE B3000/MS CPU DRAM CONTROLLER			
SIZE	DRWN	NUMBER	REV
D		CPU11 310033	1
DATE	FEB 13, 1987	SHT	11 OF 23



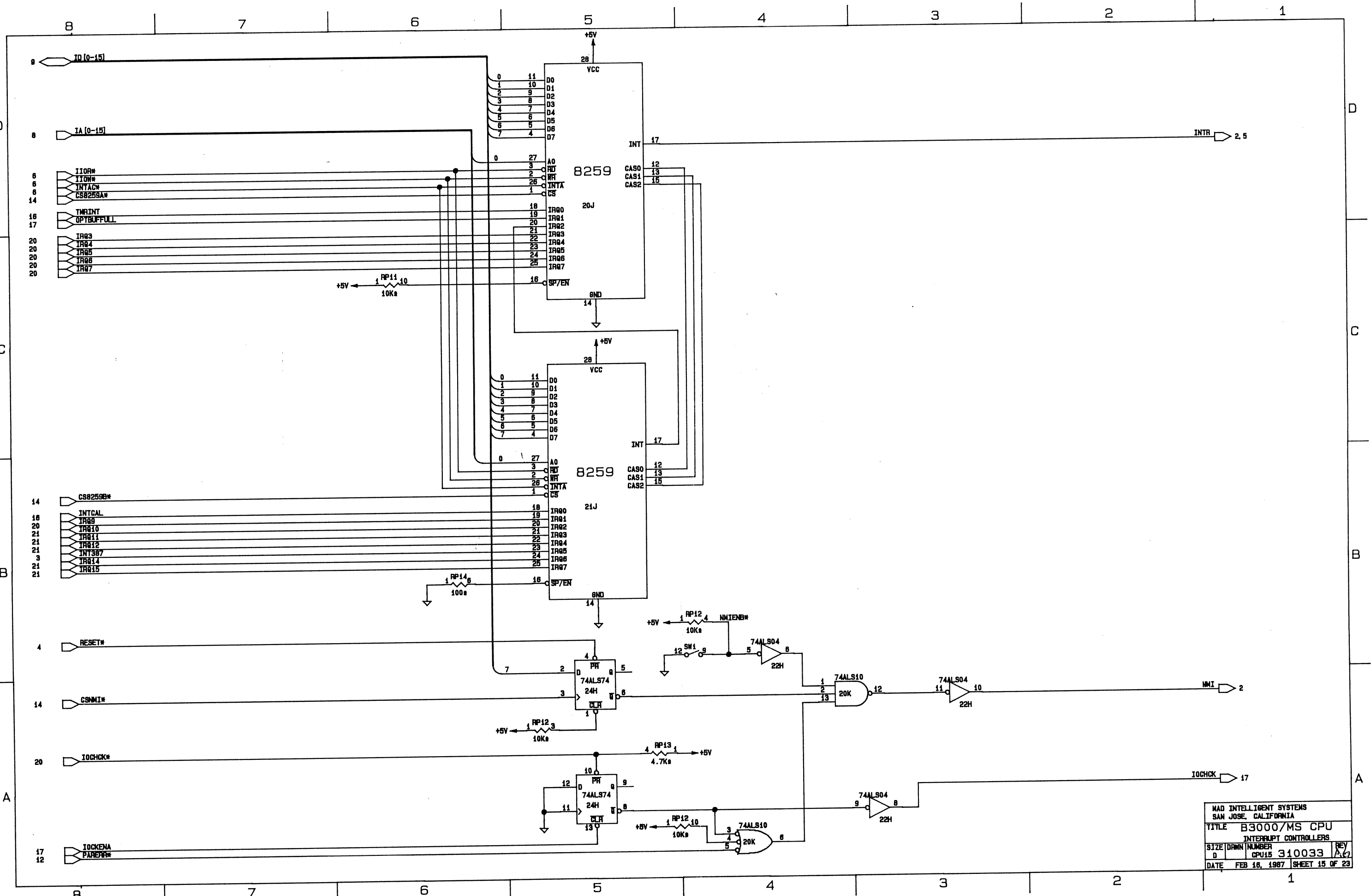
MAD INTELLIGENT SYSTEMS SAN JOSE, CALIFORNIA			
TITLE B3000/MS CPU			
MEM BUFFERS, PARITY			
SIZE	DRWN	NUMBER	REV
D		CPU12 310033	A2
DATE	FEB 15, 1987	SHEET	12 OF 23



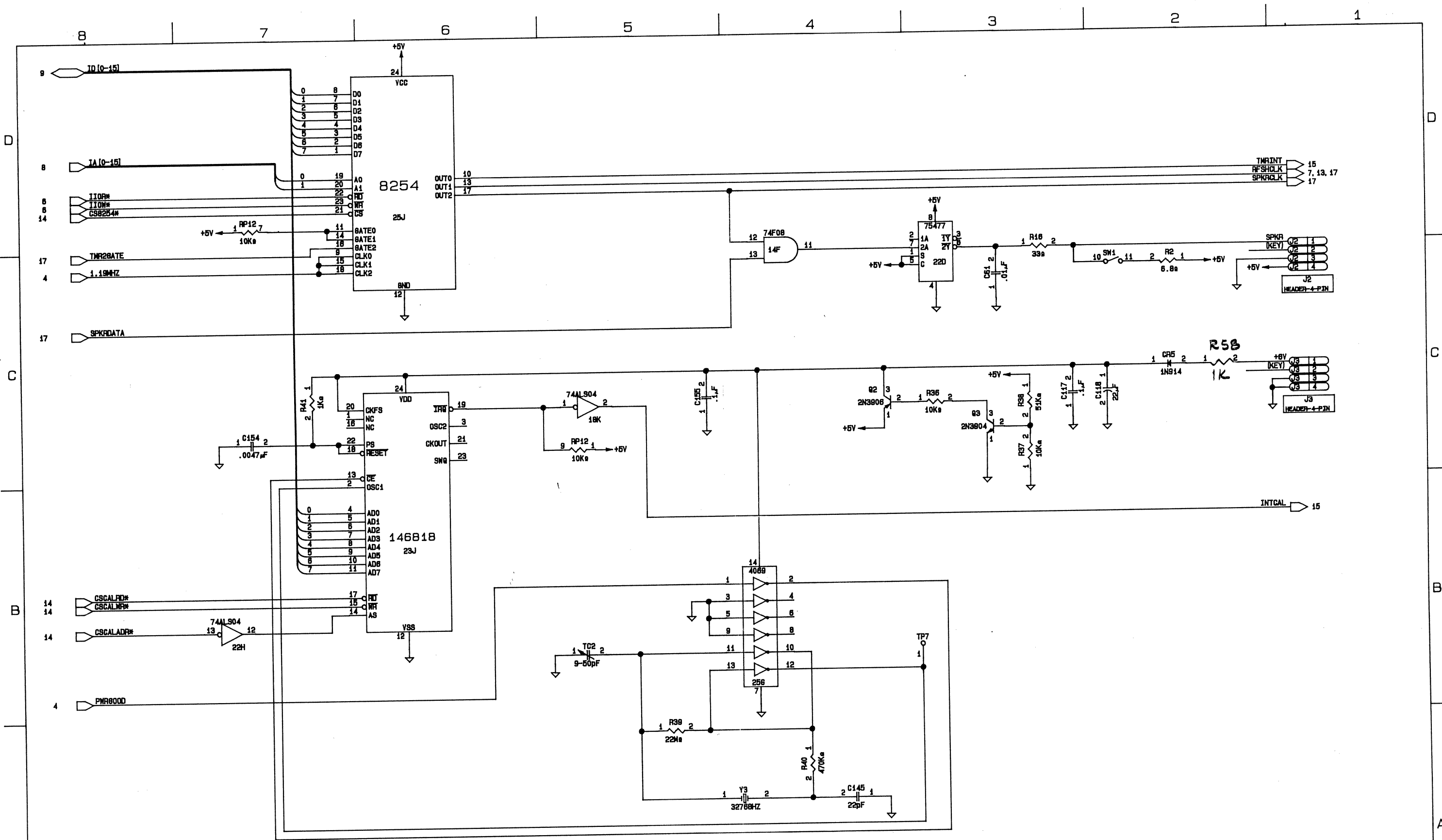
MAD INTELLIGENT SYSTEMS  
 SAN JOSE, CALIFORNIA  
 TITLE B3000/MS CPU  
 DRAM REFRESH MULTIPLEXERS  
 SIZE DRWN NUMBER REV  
 D CPU13 310033 A2  
 DATE FEB 16, 1987 SHEET 13 OF 23



MAD INTELLIGENT SYSTEMS SAN JOSE, CALIFORNIA			
TITLE B3000/MS CPU I/O DECODERS			
SIZE	DRWN	NUMBER	REV
D		CPU14 310033	A/2
DATE	FEB 16, 1987		SHEET 14 OF 23

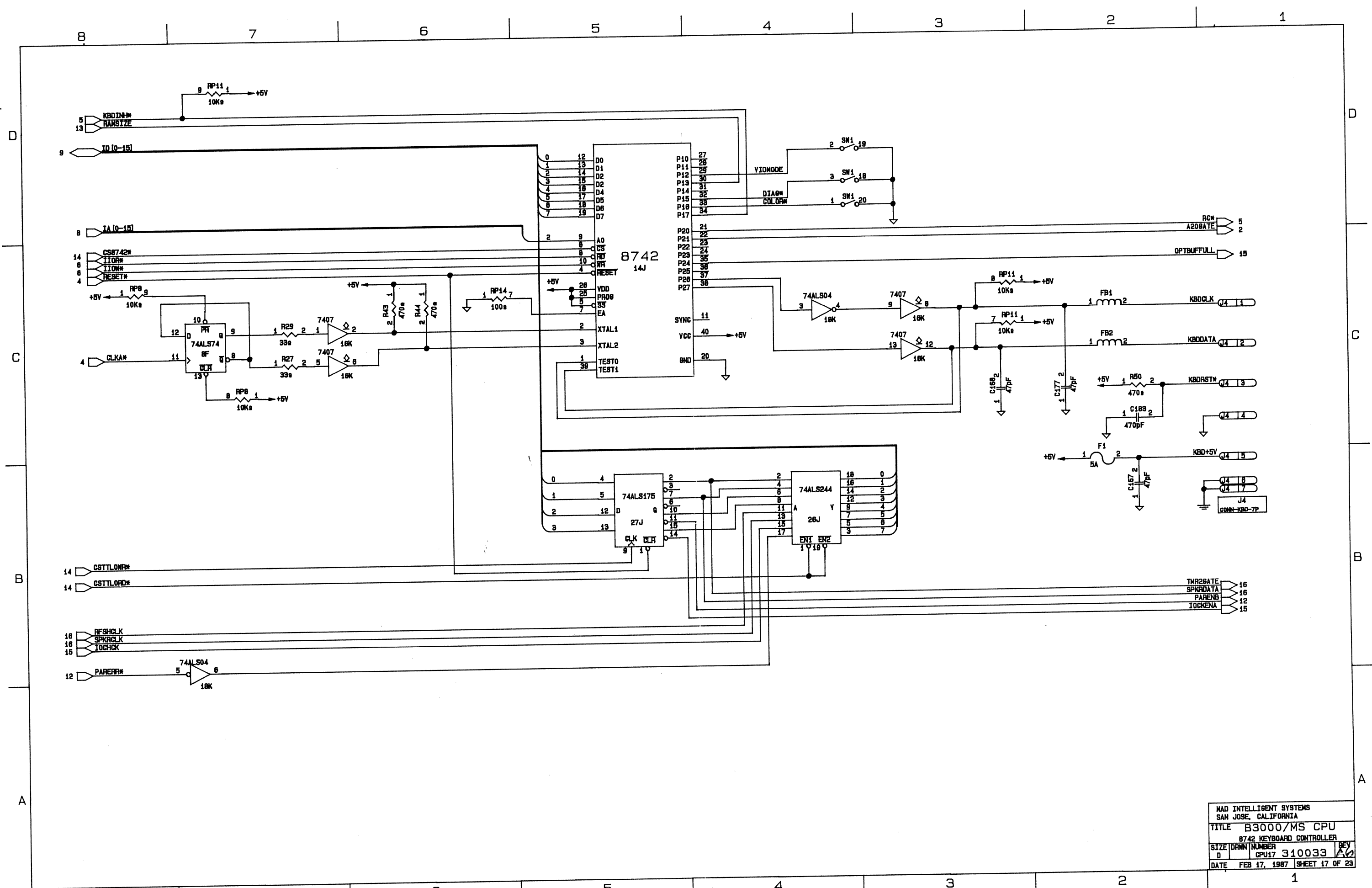


MAD INTELLIGENT SYSTEMS SAN JOSE, CALIFORNIA			
TITLE B3000/MS CPU INTERRUPT CONTROLLERS			
SIZE	DRWN	NUMBER	REV
D		CPU15 310033	A/2
DATE FEB 16, 1987		SHEET 15 OF 23	

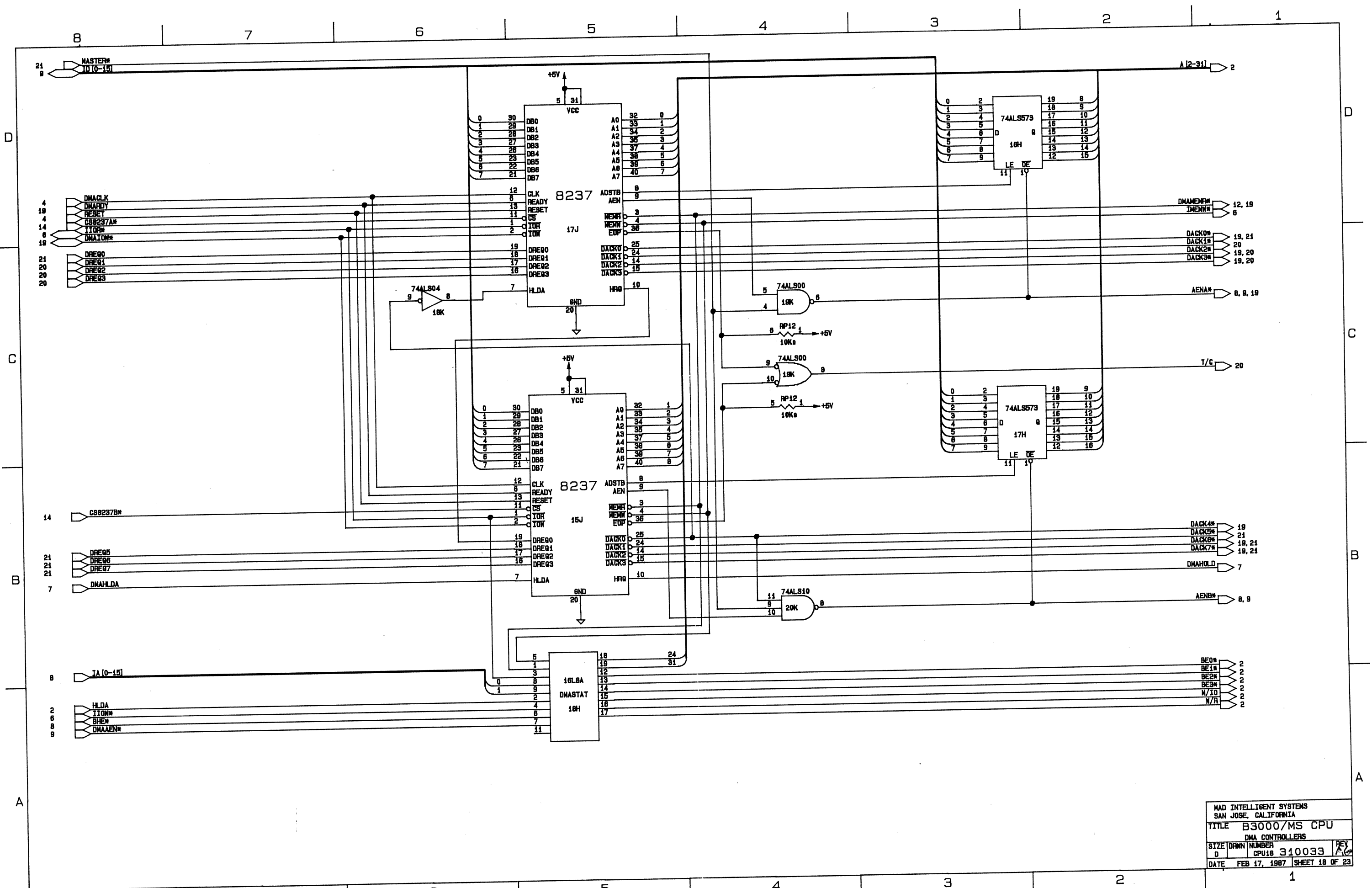


MAD INTELLIGENT SYSTEMS SAN JOSE, CALIFORNIA			
TITLE B3000/MS CPU			
8254, SPKR, CALENDAR			
SIZE	DRWN	NUMBER	REV
0	CPU16	310033	A2
DATE		FEB 16, 1987	
		SHEET 16 OF 23	

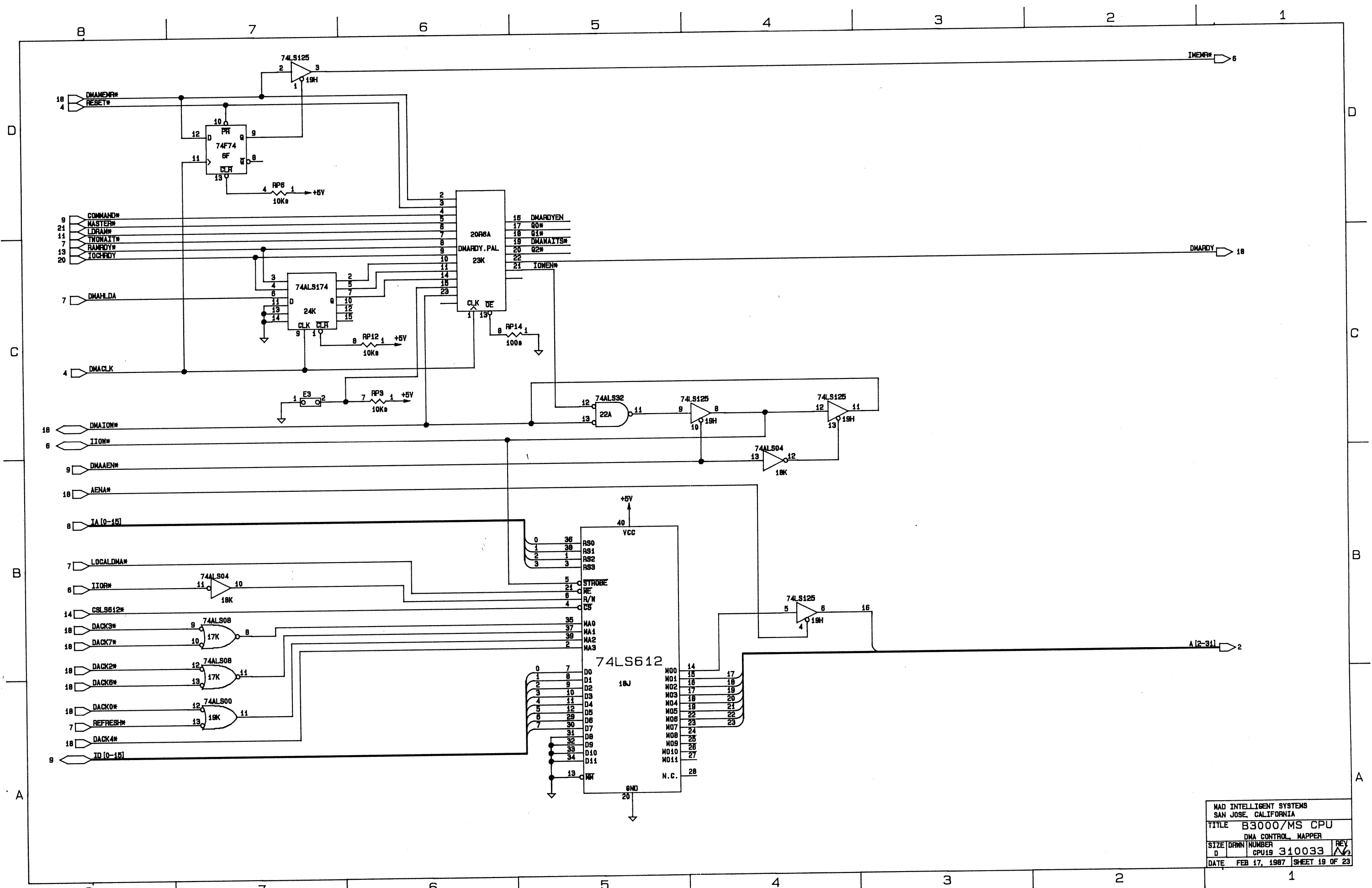




MAD INTELLIGENT SYSTEMS  
 SAN JOSE, CALIFORNIA  
 TITLE B3000/MS CPU  
 8742 KEYBOARD CONTROLLER  
 SIZE DRWN NUMBER CPU17 310033  
 DATE FEB 17, 1987 SHEET 17 OF 23



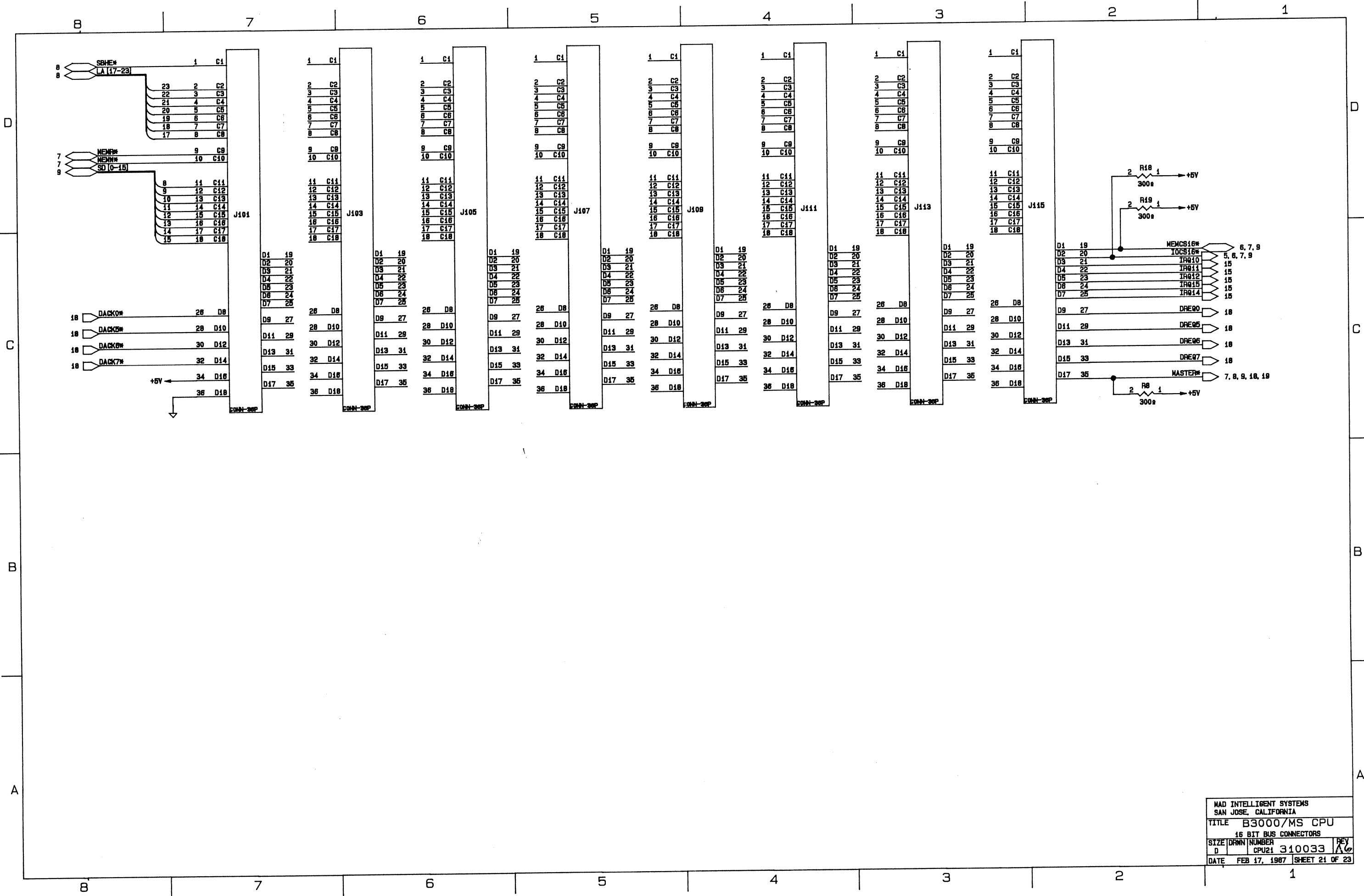
MAD INTELLIGENT SYSTEMS  
 SAN JOSE, CALIFORNIA  
 TITLE B3000/MS CPU  
 DMA CONTROLLERS  
 SIZE D DFN NUMBER CPU18 310033 REV A  
 DATE FEB 17, 1987 SHEET 18 OF 23

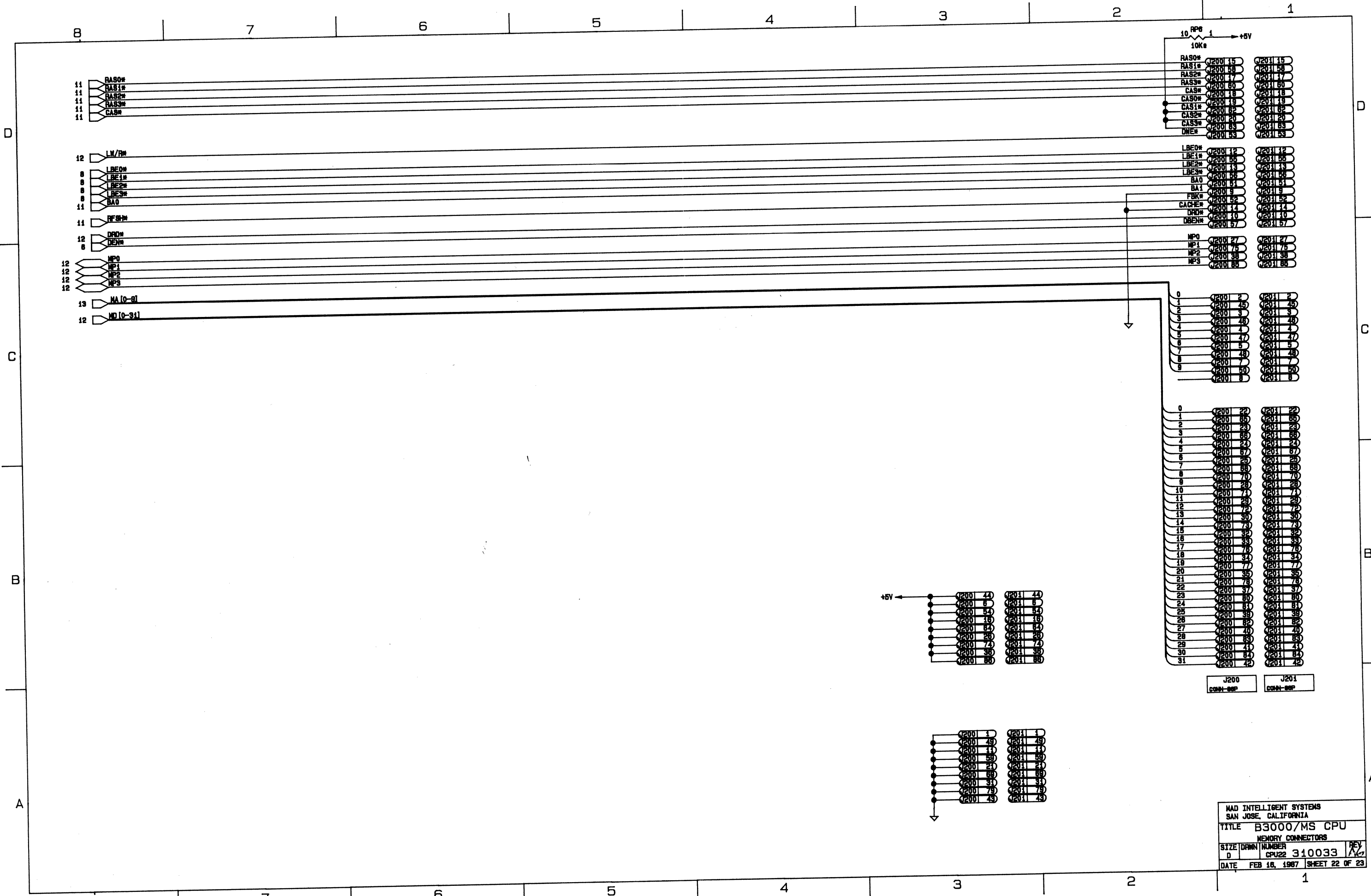


MAD INTELLIGENT SYSTEMS  
 SAN JOSE, CALIFORNIA  
 TITLE B3000/MS CPU  
 DMA CONTROL MAPPER  
 SIZE DRWN NUMBER REV  
 D CPU19 310033 A2  
 DATE FEB 17, 1987 SHEET 19 OF 23

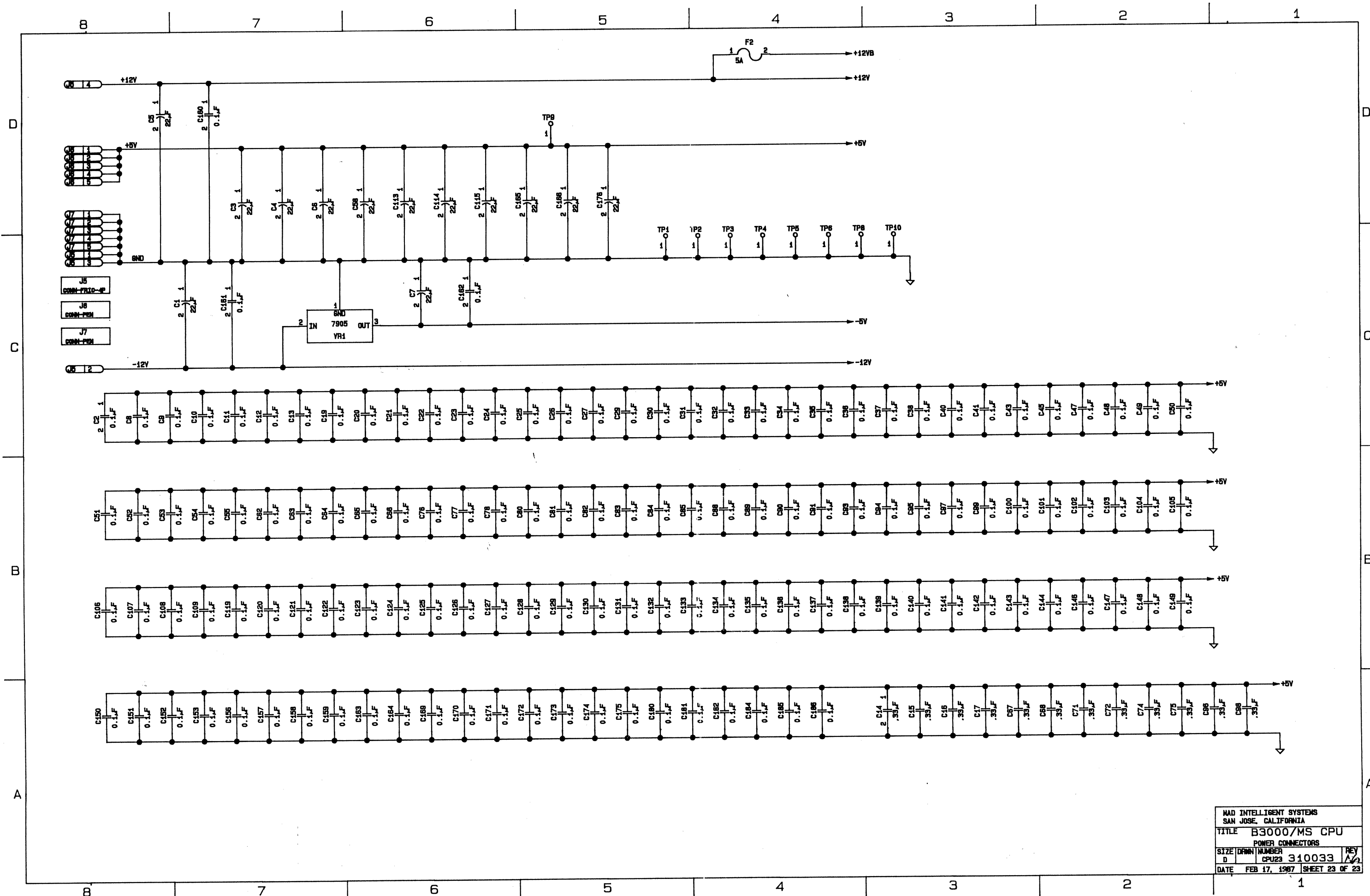


MAD INTELLIGENT SYSTEMS  
 SAN JOSE, CALIFORNIA  
 TITLE B3000/MS CPU  
 8 BIT BUS CONNECTORS  
 SIZE DWN NUMBER 310033  
 DATE FEB 17, 1987 SHEET 20 OF 23





MAD INTELLIGENT SYSTEMS  
 SAN JOSE, CALIFORNIA  
 TITLE B3000/MS CPU  
 MEMORY CONNECTORS  
 SIZE D DWN NUMBER CPU22 310033 REV 1/2  
 DATE FEB 16, 1987 SHEET 22 OF 23



MAD INTELLIGENT SYSTEMS SAN JOSE, CALIFORNIA			
TITLE B3000/MS CPU			
POWER CONNECTORS			
SIZE	DRWN	NUMBER	REV
D	CPU23	310033	A/2
DATE	FEB 17, 1987		SHEET 23 OF 23