



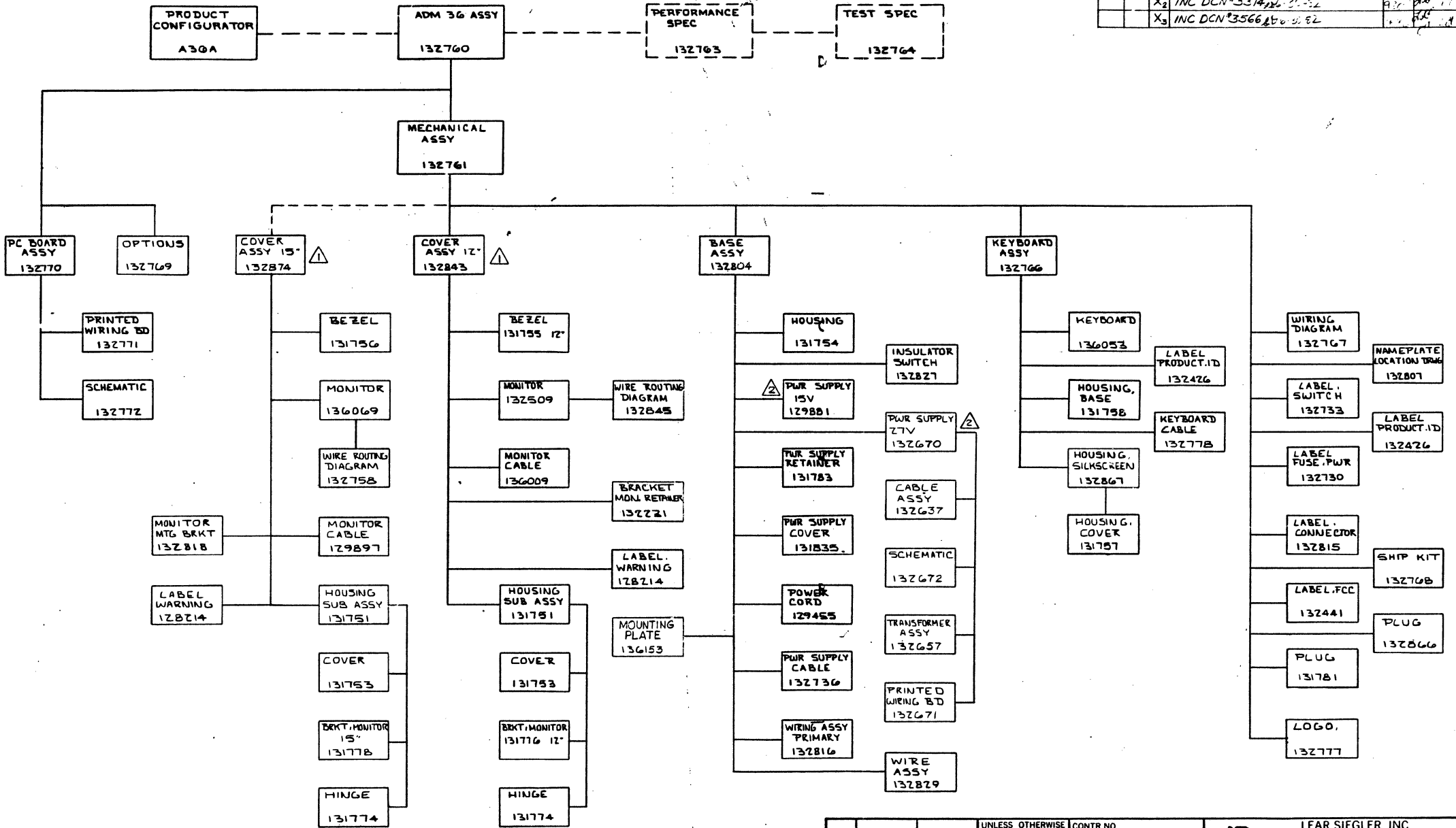
ADM 36 Video Display Terminal Maintenance Manual Drawing Package

**LEAR SIEGLER, INC.
DATA PRODUCTS DIVISION**
714 NORTH BROOKHURST STREET, ANAHEIM, CALIFORNIA 92803

Contents

Drawing Breakdown	132765
Wiring Diagram	132767
Schematic, Main Logic Board	132772
Schematic, Keyboard	132775
Schematic, ADM 36I Keyboard	136134
15 Volt Power Supply	129881
Schematic, 15 Volt Power Supply	132602
Schematic, 27 Volt Power Supply	132672
Schematic, Samsung 12" Monitor	
Schematic, Motorola 15" Monitor	
ADM 36 PC Board Assembly	132770

REVISIONS					
SHT	ZONE	LT	DESCRIPTION	DATE	APPROVED
		X1	PILDT REL PER DCN3004	11/14/81	J. [Signature]
		X2	INC DCN#3314, 26-52	9/22/81	[Signature]
		X3	INC DCN#3566, 26-52	11/14/81	[Signature]

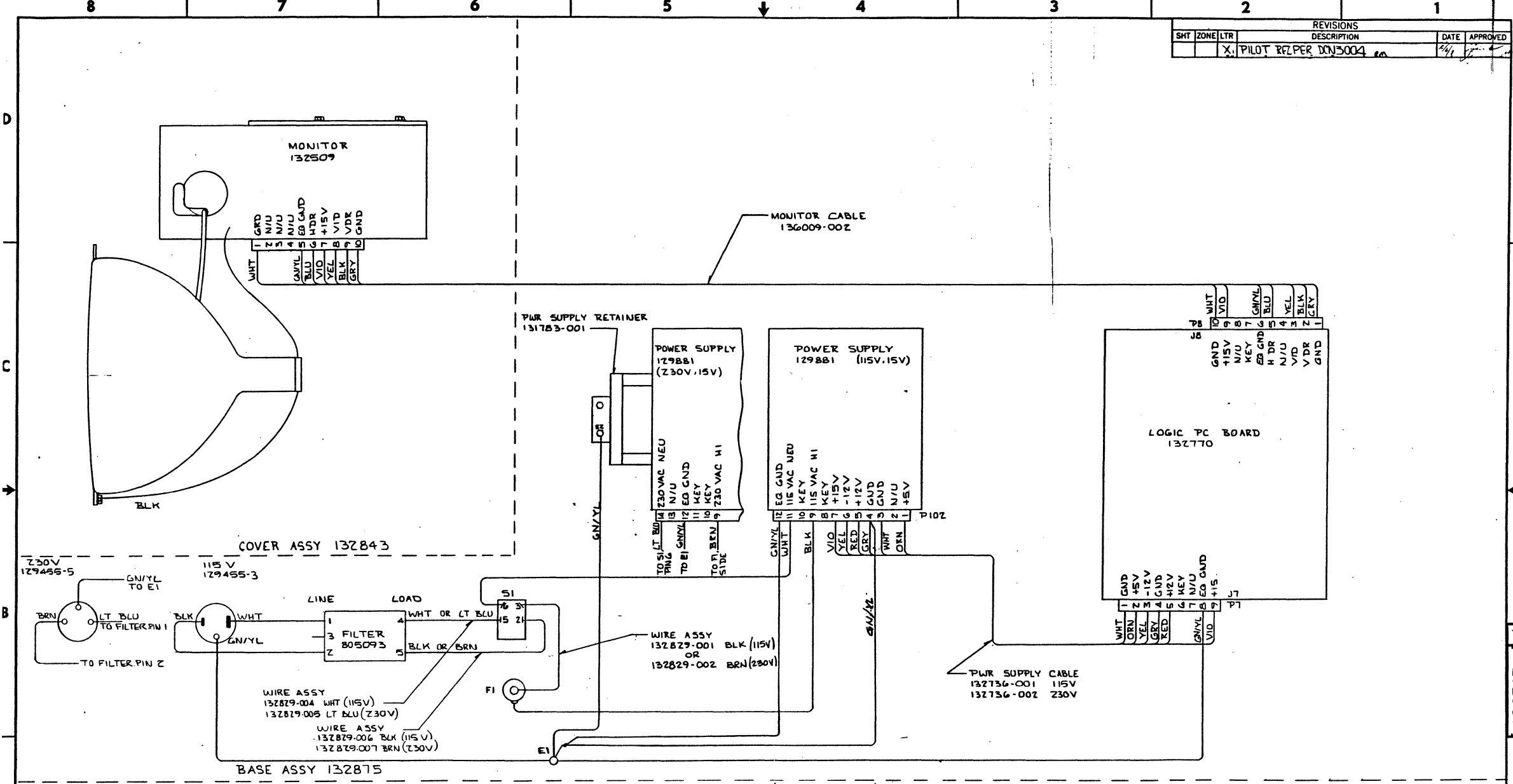


▲ USE ONLY ONE PWR SUPPLY PER ASSY
 ▲ USE ONLY ONE COVER PER ASSY.
 NOTES UNLESS OTHERWISE SPECIFIED

UNLESS OTHERWISE SPECIFIED: DIM. IN INCHES TOLERANCES: .XX±.1 .XX±.03 .XXX±.010 ANGLES ±0.5°		CONTR NO. DR <i>R. L. M...</i> 1/14/81 CHK <i>[Signature]</i> 11/14/81 DESIGN <i>[Signature]</i> 9/22/81 ENGR PROJ <i>[Signature]</i> 11/14/81 REL <i>[Signature]</i> 11/14/81	 LEAR SIEGLER, INC. DATA PRODUCTS DIVISION ANAHEIM, CALIFORNIA 92803
DASH NO. 132760 NEXT ASSY DL 132760 APPLICATION		APPD <i>[Signature]</i> 11/14/81	DRAWING BREAKDOWN ADM 36
EXCEPT AS MAY BE OTHERWISE AUTHORIZED BY CONTRACT, THESE DRAWINGS AND SPECIFICATIONS ARE THE PROPERTY OF LEAR SIEGLER, INC. ARE ISSUED IN STRICT CONFIDENCE, AND SHALL NOT BE REPRODUCED, COPIED, OR USED FOR THE MANUFACTURE OR SALE OF THE APPARATUS WITHOUT WRITTEN PERMISSION.		APPD	SIZE D FSCM NO. 98438 DWG NO. 132765 LTR X3 SCALE — SHEET 1 OF 1

D C B A 132765 X3

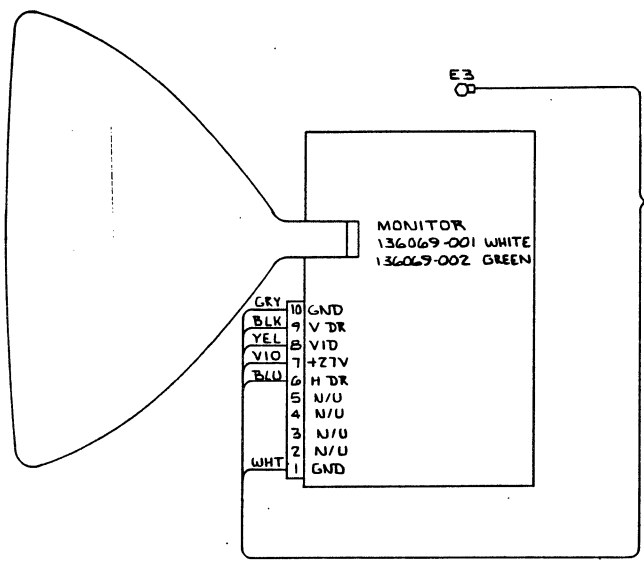
REVISIONS					
SHT	ZONE	LTR	DESCRIPTION	DATE	APPROVED
X			PILOT RELPER DKN3004	2/4/81	



ADM 36 ASSY (12" MONITOR)

UNLESS OTHERWISE SPECIFIED: DIM. IN INCHES		CONTR NO. DR. <i>R. M. ...</i>		LEAR SIEGLER, INC. DATA PRODUCTS DIVISION ANAHEIM CALIFORNIA 92803	
TOLERANCES: X±.1 XX±.03 XXX±.010 ANGLES ±0.5°		CHK. <i>R. M. ...</i>		WIRING DIAGRAM ADM 36	
ALL 132760 DL132760		DSGN. <i>R. M. ...</i>			
DASH NO.	NEXT ASSY USED ON APPLICATION	ENGR. <i>R. M. ...</i>		REL. <i>R. M. ...</i>	
PROPRIETARY LEGEND EXCEPT AS MAY BE OTHERWISE AUTHORIZED BY CONTRACT, THESE DRAWINGS AND SPECIFICATIONS ARE THE PROPERTY OF LEAR SIEGLER, INC. AND ARE ISSUED IN STRICT CONFIDENCE AND SHALL NOT BE REPRODUCED, COPIED, OR USED FOR THE MANUFACTURE OR SALE OF THE APPARATUS WITHOUT WRITTEN PERMISSION.		APP. <i>R. M. ...</i>		SIZE D	FSCM NO. 98438
		DWG NO. 132767		LTR X1	SHEET 1 OF 2

REVISIONS			
SHT	ZONE	LTR	DATE

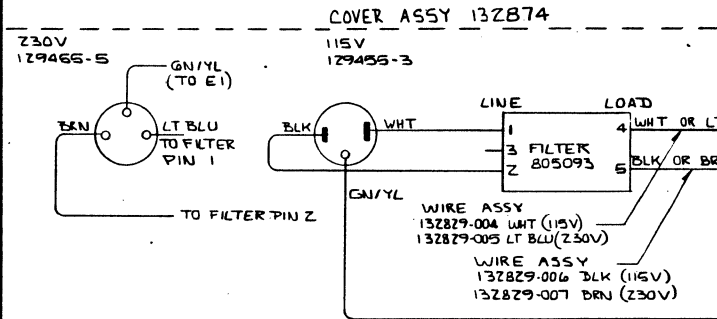


PWR SUPPLY RETAINER
1317B3-001

POWER SUPPLY
132633
230V.27V

POWER SUPPLY
132633 (115V.27V)
PA 1

LOGIC PC BOARD
132770



COVER ASSY 132874

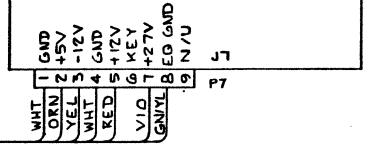
WIRE ASSY
132829-001

WIRING ASSY
132816-002

WIRING ASSY
132816-001

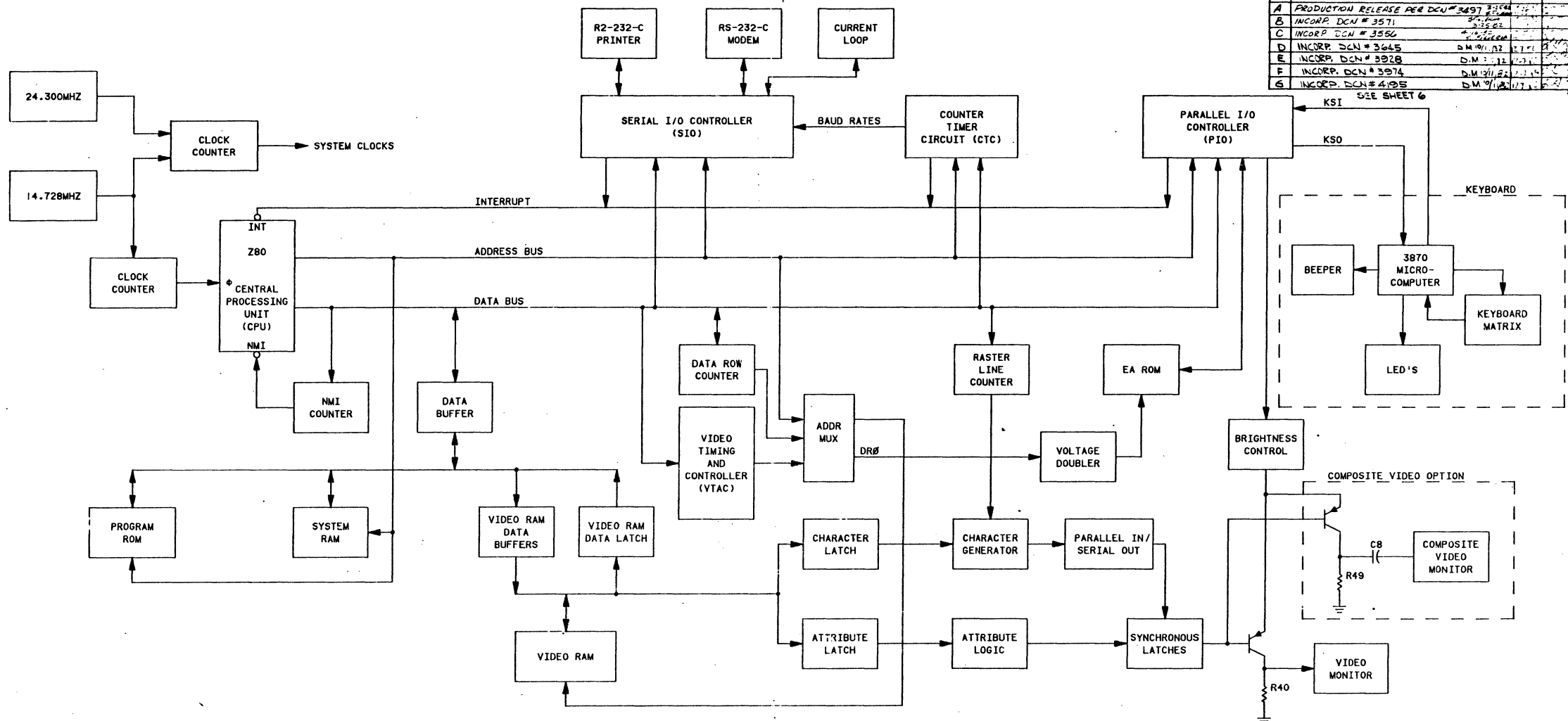
WIRE ASSY
132829-001 BLK (115V)
132829-002 BRN (230V)

ADM 36 ASSY (15" MONITOR)



PART OF
132633

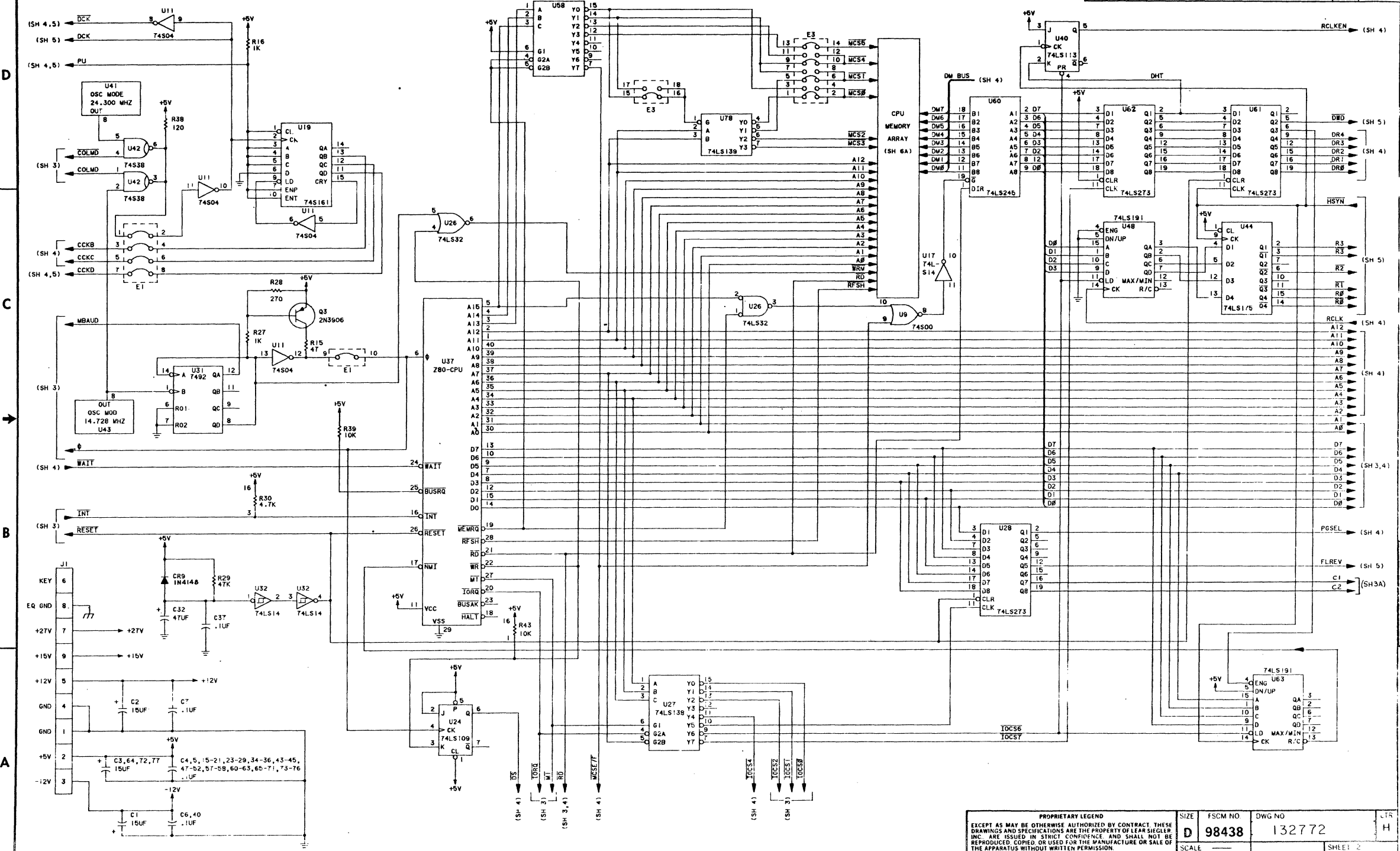
REVISIONS					
SHT	ZONE	LTR	DESCRIPTION	DATE	APPROVED
X1			PILOT RELEASE PER DCN 3202	11-18-71	
A			PRODUCTION RELEASE PER DCN # 3497	3-25-72	
B			INCORP. DCN # 3571	3-25-72	
C			INCORP. DCN # 3586	4-11-72	
D			INCORP. DCN # 3645	5-14-72	
E			INCORP. DCN # 3928	5-14-72	
F			INCORP. DCN # 3974	5-14-72	
G			INCORP. DCN # 4195	5-14-72	



- NOTES: UNLESS OTHERWISE SPECIFIED
- FOR PRINTED WIRING BOARD REFER TO 132771
 - FOR ASSEMBLY REFER TO 132770
 - CAPACITOR VALUES IN MICROFARADS
 - RESISTOR VALUES IN OHMS ±5%, 1/4W
 - DEVICE POWER PINS ARE:
 FOR 14 PIN -7(GND), 14(+5)
 FOR 16 PIN -8(GND), 16(+5)
 FOR 20 PIN -10(GND), 20(+5)
 FOR 1488 PIN 1(-12), 7(GND), 18(+5)
 - LAST REFERENCE DESIGNATION USED:
 R57, C77, CR12, E11, U87, J7, Q5

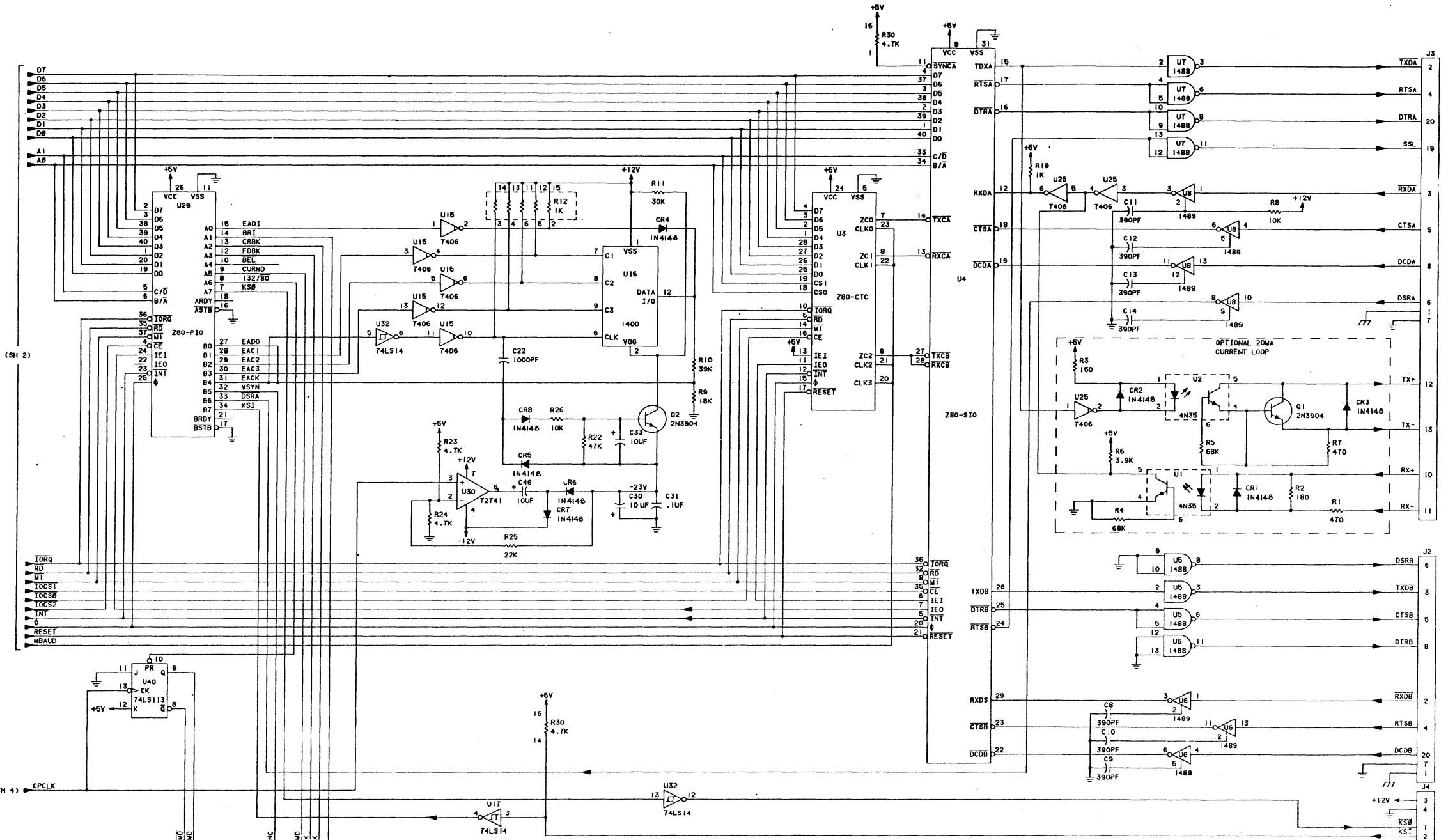
UNLESS OTHERWISE SPECIFIED DIM. IN INCHES TOLERANCES: X±1 XX±0.3 XXX±0.10 ANGLES ±0.5°		CONTR NO DR <i>W. R. ...</i>	LEAR SIEGLER, INC. DATA PRODUCTS DIVISION ANAHEIM, CALIFORNIA 92803
DASH NO.	NEXT ASSY USED ON	ENGR <i>...</i>	
APPLICATION		PROJ <i>...</i>	SCHEMATIC, ADM 36 LOGIC
PROPRIETARY LEGEND EXCEPT AS MAY BE OTHERWISE AUTHORIZED BY CONTRACT THESE DRAWINGS AND SPECIFICATIONS ARE THE PROPERTY OF LEAR SIEGLER INC. AND SHALL NOT BE REPRODUCED, COPIED, OR USED FOR THE MANUFACTURE OR SALE OF THE APPARATUS WITHOUT WRITTEN PERMISSION.		APPD	
SIZE	FSCM NO	DWG NO	LTR
D	98438	132772	H
SCALE	NONE	SHEET	1 OF 6

REVISIONS			DATE	APPROVE
SHT	ZONE	LTR	DESCRIPTION	



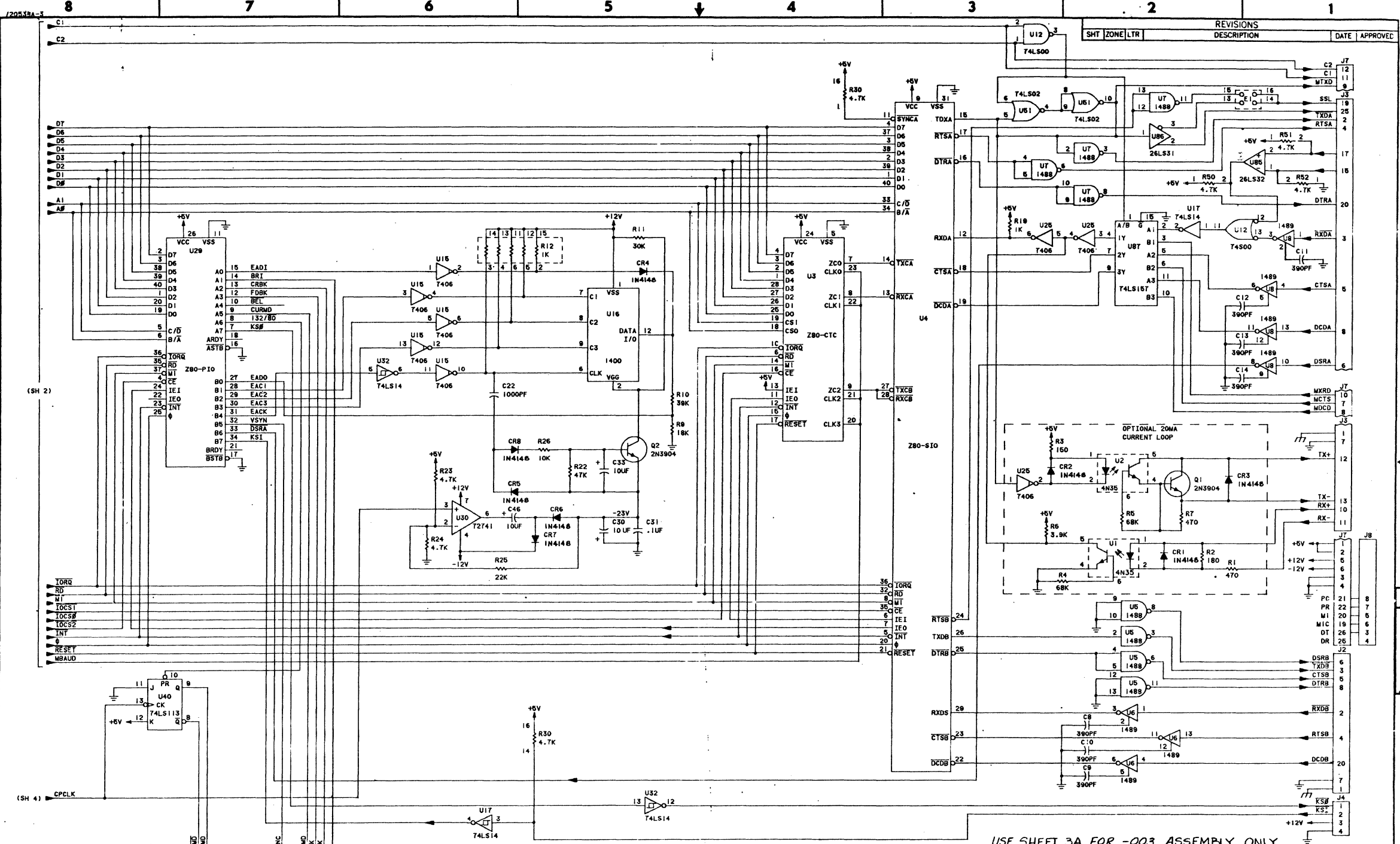
EXCEPT AS MAY BE OTHERWISE AUTHORIZED BY CONTRACT, THESE DRAWINGS AND SPECIFICATIONS ARE THE PROPERTY OF LEAR SIEGLER, INC. ARE ISSUED IN STRICT CONFIDENCE AND SHALL NOT BE REPRODUCED, COPIED, OR USED FOR THE MANUFACTURE OR SALE OF THE APPARATUS WITHOUT WRITTEN PERMISSION.			SIZE D	FSCM NO 98438	DWG NO 132772	LTR H
PROPRIETARY LEGEND			SCALE			SHEET 2

SHT ZONE LTR			REVISIONS		DATE	APPROV
			DESCRIPTION			



USE SHEET 3 FOR -001 AND -002 ASSEMBLIES ONLY

PROPRIETARY LEGEND			SIZE	FSCM NO	DWG NO	LTR
EXCEPT AS MAY BE OTHERWISE AUTHORIZED BY CONTRACT THESE DRAWINGS AND SPECIFICATIONS ARE THE PROPERTY OF LEAR SIEGLER INC. ARE ISSUED IN STRICT CONFIDENCE AND SHALL NOT BE REPRODUCED, COPIED OR USED FOR THE MANUFACTURE OR SALE OF THE APPARATUS WITHOUT WRITTEN PERMISSION.			D	98438	132772	H
			SCALE			SHEET 3

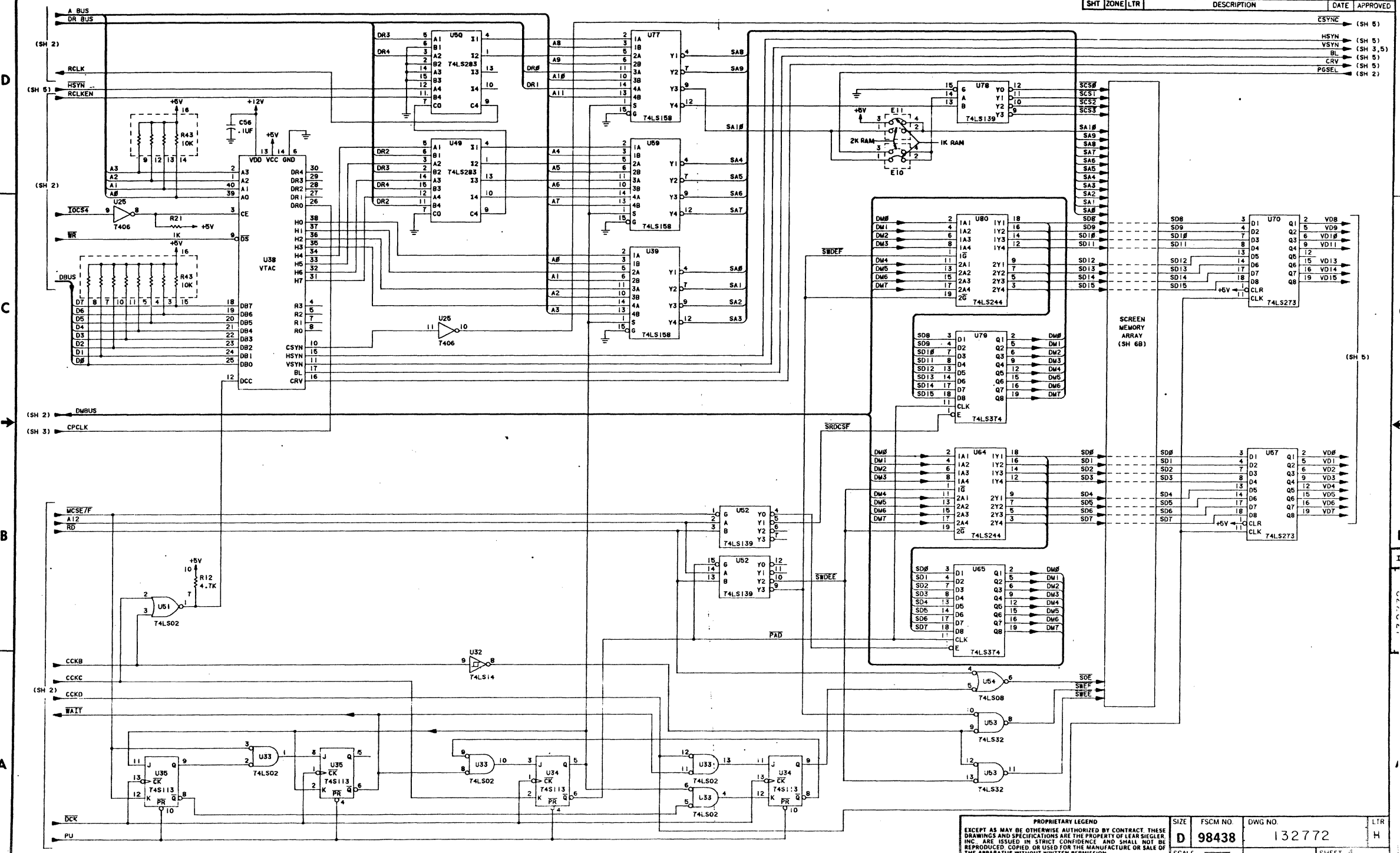


REVISIONS			
SHT	ZONE	LTR	DATE

USE SHEET 3A FOR -003 ASSEMBLY ONLY

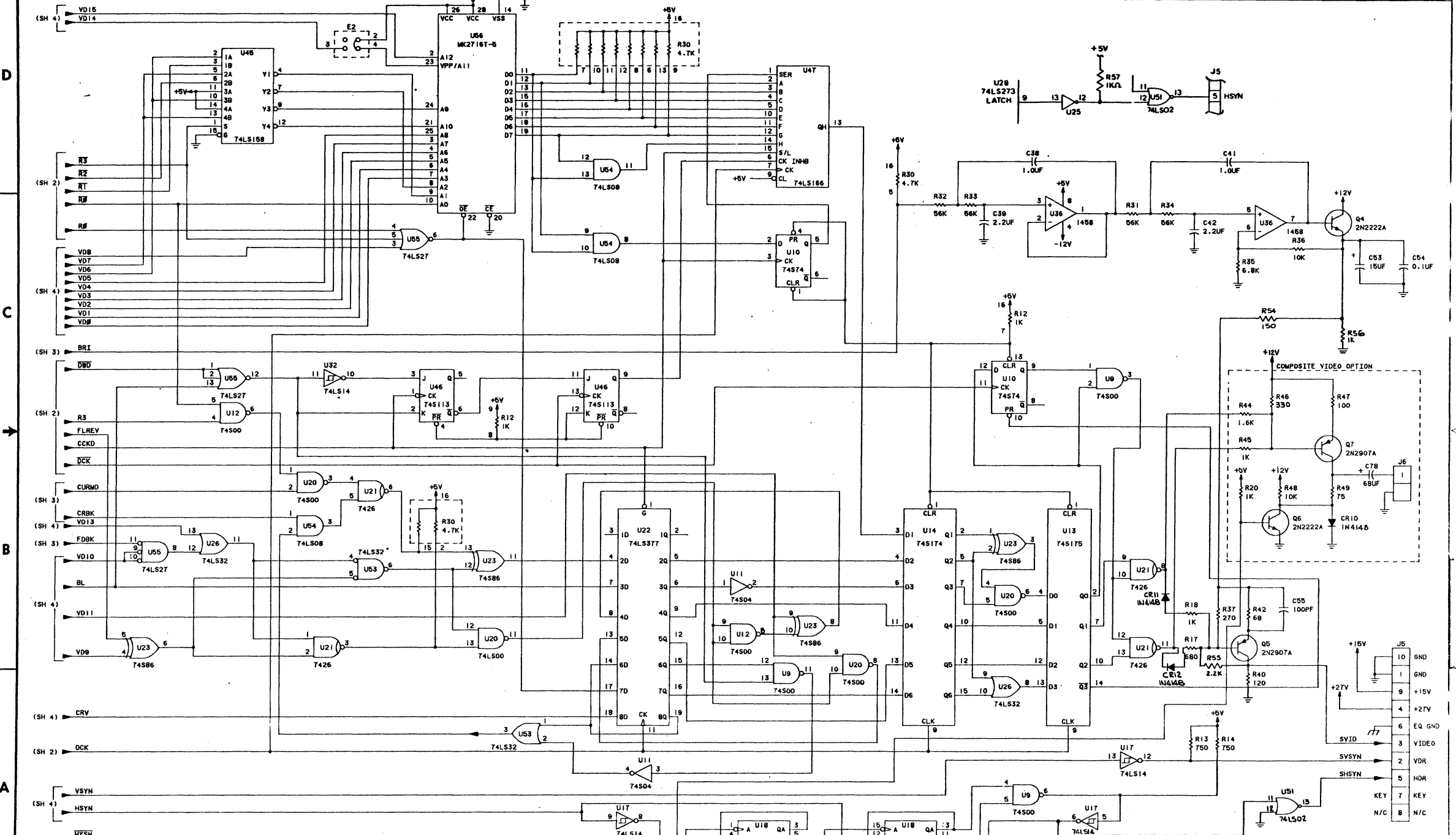
PROPRIETARY LEGEND EXCEPT AS MAY BE OTHERWISE AUTHORIZED BY CONTRACT, THESE DRAWINGS AND SPECIFICATIONS ARE THE PROPERTY OF LEAR SIEGLER, INC. ARE ISSUED IN STRICT CONFIDENCE, AND SHALL NOT BE REPRODUCED, COPIED, OR USED FOR THE MANUFACTURE OR SALE OF THE APPARATUS WITHOUT WRITTEN PERMISSION.	SIZE D	FSCM NO. 98438	DWG NO. 132772	LTR 8 7 6 5 4 3 2 1
	SCALE —	SHEET 3A	DATE —	APPROVED —

SMT		ZONE		LTR		REVISIONS	
DESCRIPTION	DATE	APPROVED					



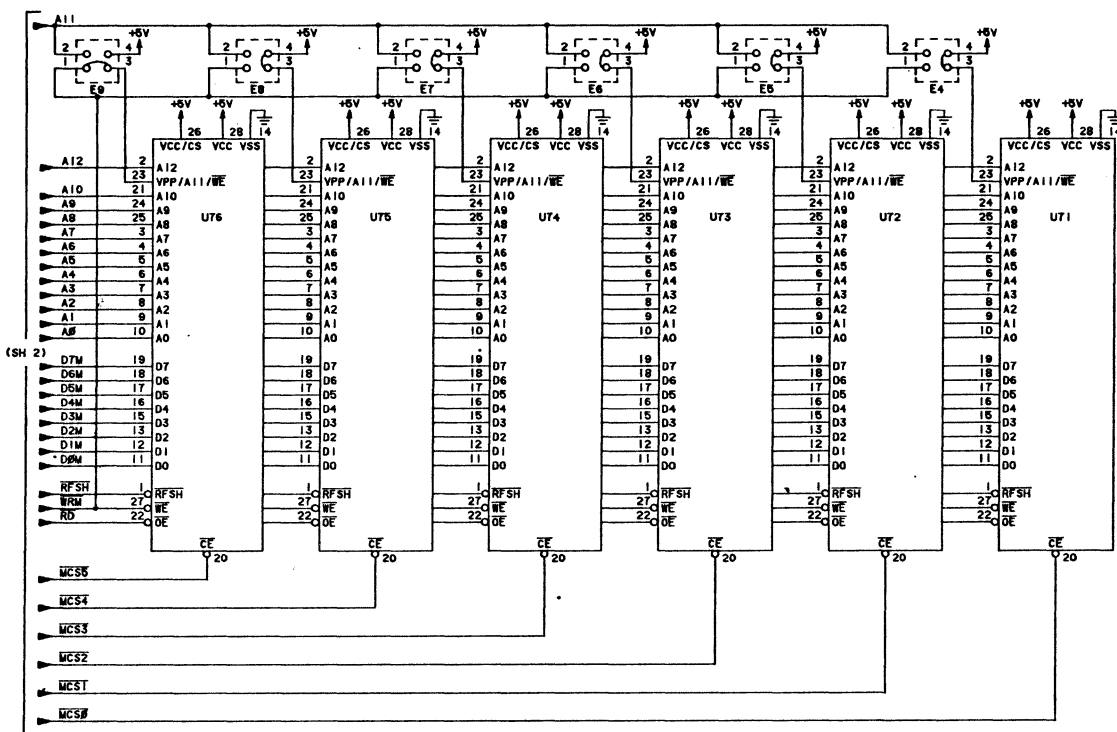
PROPRIETARY LEGEND EXCEPT AS MAY BE OTHERWISE AUTHORIZED BY CONTRACT, THESE DRAWINGS AND SPECIFICATIONS ARE THE PROPERTY OF LEAR SIEGLER INC. ARE ISSUED IN STRICT CONFIDENCE AND SHALL NOT BE REPRODUCED, COPIED OR USED FOR THE MANUFACTURE OR SALE OF THE APPARATUS WITHOUT WRITTEN PERMISSION.		SIZE D	FSCM NO. 98438	DWG NO. 132772	LTR H
SCALE				SHEET 4	

REVISIONS			
SHT	ZONE	LTR	DESCRIPTION

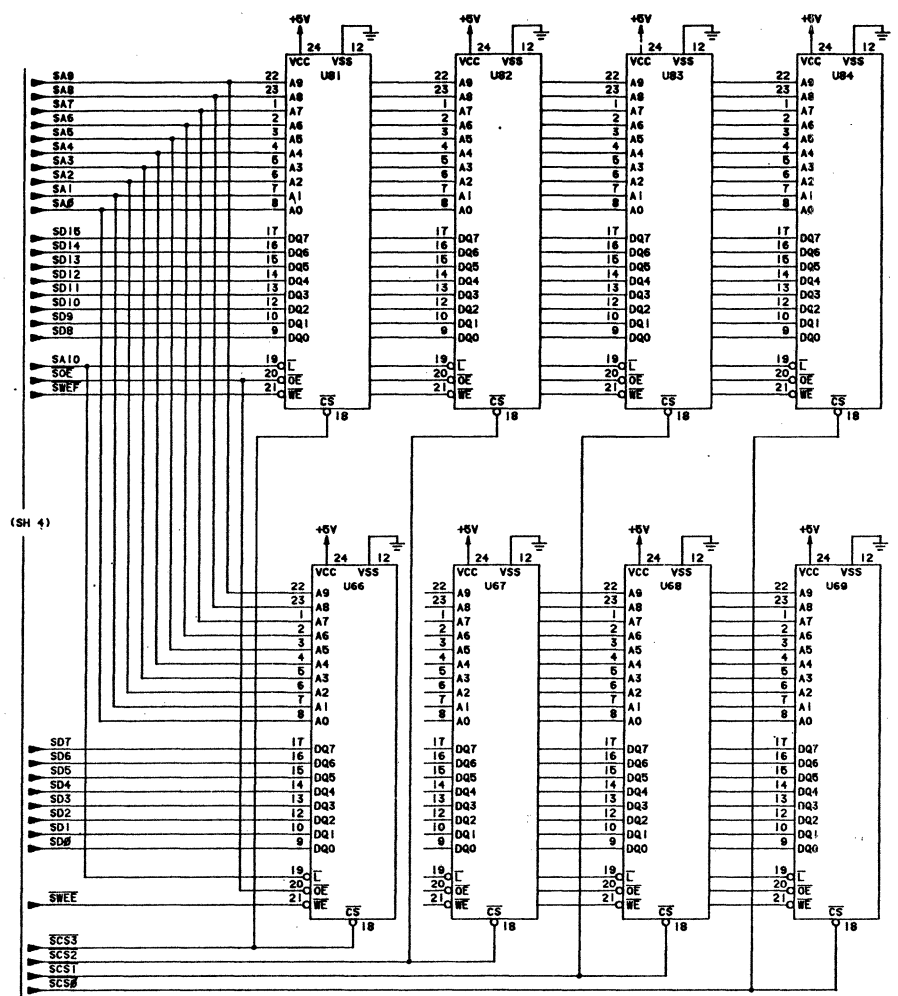


<p>PROPRIETARY LEGEND EXCEPT AS MAY BE OTHERWISE AUTHORIZED BY CONTRACT, THESE DRAWINGS AND SPECIFICATIONS ARE THE PROPERTY OF LEAR SIEGLER INC. ARE ISSUED IN STRICT CONFIDENCE AND SHALL NOT BE REPRODUCED, COPIED, OR USED FOR THE MANUFACTURE OR SALE OF THE APPARATUS WITHOUT WRITTEN PERMISSION.</p>				<p>SIZE D</p>	<p>FSCM NO 98438</p>	<p>DWG NO 132772</p>	<p>LTR H</p>
<p>SCALE</p>				<p>SHEET</p>	<p>1</p>	<p>8</p>	<p>1</p>

REVISIONS					
SHT	ZONE	LTR	DESCRIPTION	DATE	APPROVED
		H	INCOMP. DCN# 4238	D.M. 10/02	



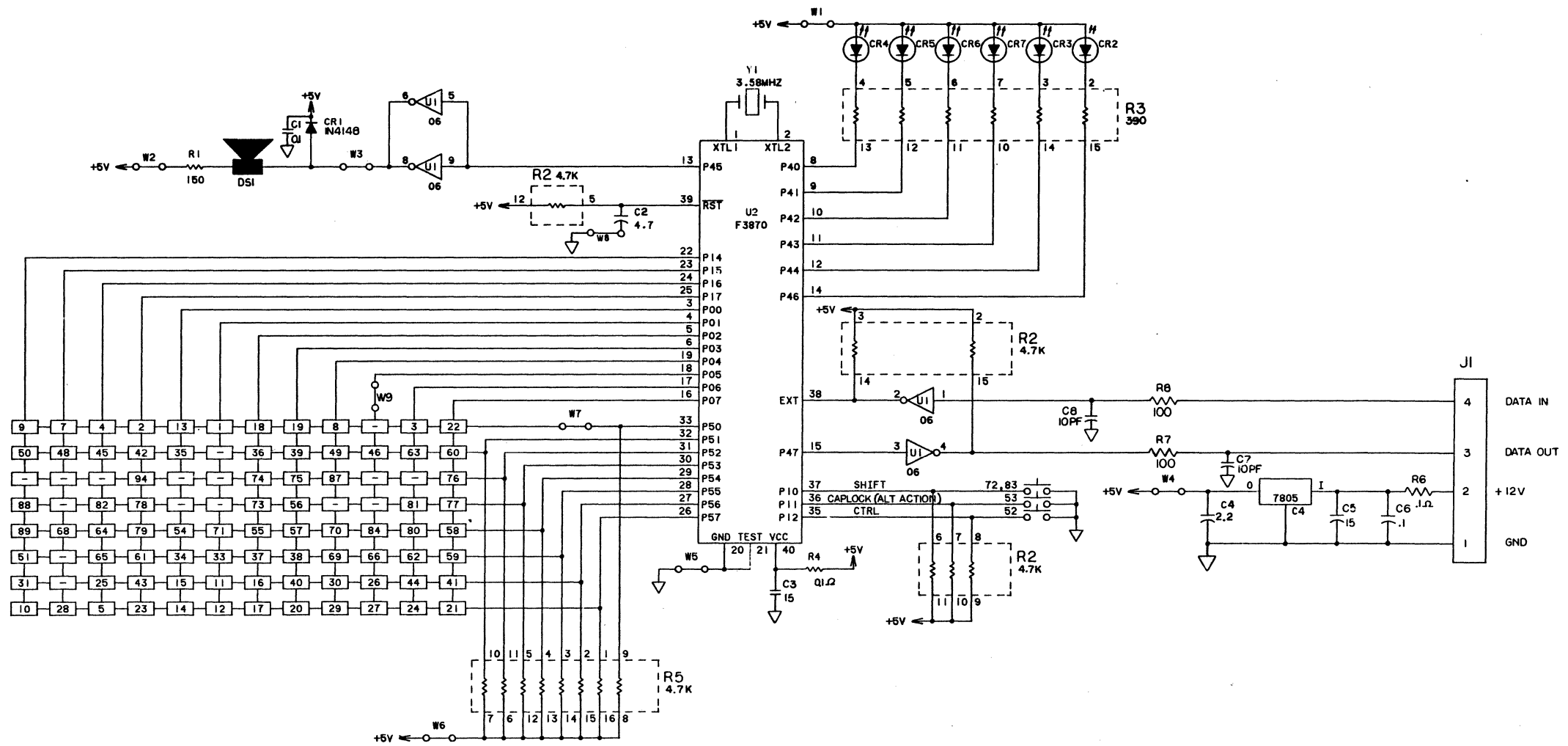
SH 6A: CPU MEMORY ARRAY
 2K PROM: MK2716-8
 2K ROM: MK34000-3
 8K ROM: MK37000-5
 1K RAM: MK4118A-4



SH 6B: SCREEN MEMORY ARRAY
 1K RAM: MK4118A-1, MK4801A-90
 2K RAM: MK4802-90

PROPRIETARY LEGEND		SIZE	FSCM NO.	DWG NO.	LTR
EXCEPT AS MAY BE OTHERWISE AUTHORIZED BY CONTRACT, THESE DRAWINGS AND SPECIFICATIONS ARE THE PROPERTY OF LEAR SIEGLER, INC. ARE ISSUED IN STRICT CONFIDENCE, AND SHALL NOT BE REPRODUCED, COPIED OR USED FOR THE MANUFACTURE OR SALE OF THE APPARATUS WITHOUT WRITTEN PERMISSION.		D	98438	132772	H
SCALE				SHEET	5

REVISIONS					
SHT	ZONE	LTR	DESCRIPTION	DATE	APPROVED
		X1	PILOT REL PER DCN 3004	12/11/51	[Signature]
		X2	REVISED PER DCN 3306	7-3-51	[Signature]
		X3	INCORPORATE DCN 3455	11/15/51	[Signature]



NOTES: UNLESS OTHERWISE SPECIFIED

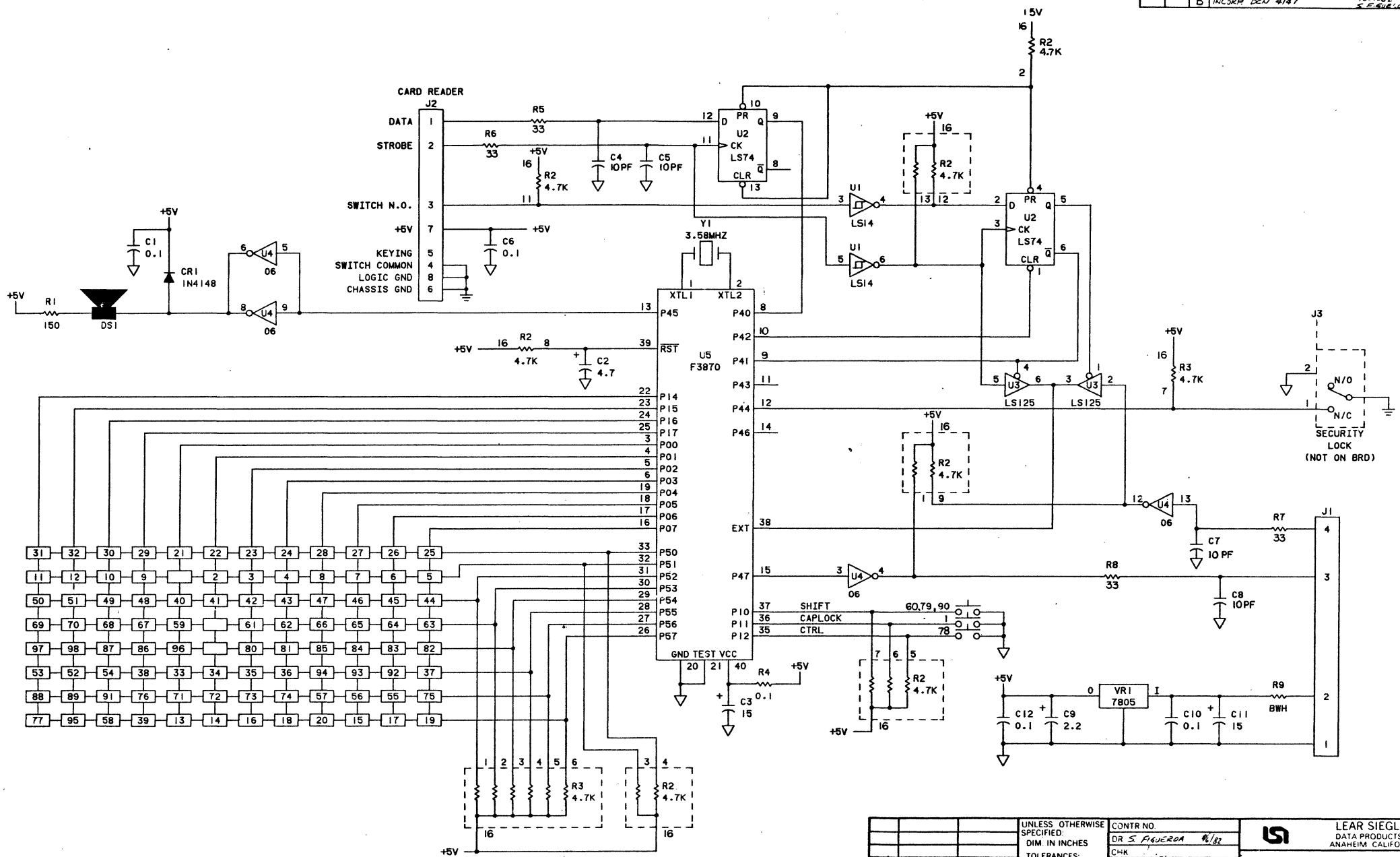
3. KEY 53(CAPLOCK) ALTERNATE ACTION ALL OTHERS N.O.
 4. FINAL ASSEMBLED KEYBOARD SHALL BE FLAT WITHIN .030

- 1. RESISTANCE VALUES ARE IN OHMS
- 2. CAPACITANCE VALUES ARE IN MICROFARADS

UNLESS OTHERWISE SPECIFIED: DIM. IN INCHES TOLERANCES: X±1 XX±03 XXX±010 ANGLES ±05°		CONTR NO DR [Signature] CHK [Signature] DSGN [Signature] ENGR [Signature] PROJ [Signature] REL [Signature]	<p>LEAR SIEGLER, INC. DATA PRODUCTS DIVISION ANAHEIM, CALIFORNIA 92803</p> <p>SCHMATIC DIAGRAM ADM 36 KEYBOARD</p>	
DASH NO NEXT ASSY USED ON APPLICATION	132773 DL132760 APPB APPD	SIZE D 98438		DWG NO 132775
PROPRIETARY LEGEND EXCEPT AS MAY BE OTHERWISE AUTHORIZED BY CONTRACT, THESE DRAWINGS AND SPECIFICATIONS ARE THE PROPERTY OF LEAR SIEGLER, INC. AND SHALL NOT BE REPRODUCED, COPIED, OR USED FOR THE MANUFACTURE OR SALE OF THE APPARATUS WITHOUT WRITTEN PERMISSION.		SCALE NONE	SHEET 1 OF 1	

3,5,6

SHT		ZONE		LTR		DESCRIPTION		DATE	APPROVED
A							PROD. REL. 2/1 3/34	7-5-62	DR S. FIGUEROA
B							INCORP DCN 4147	5-5-62	DR S. FIGUEROA

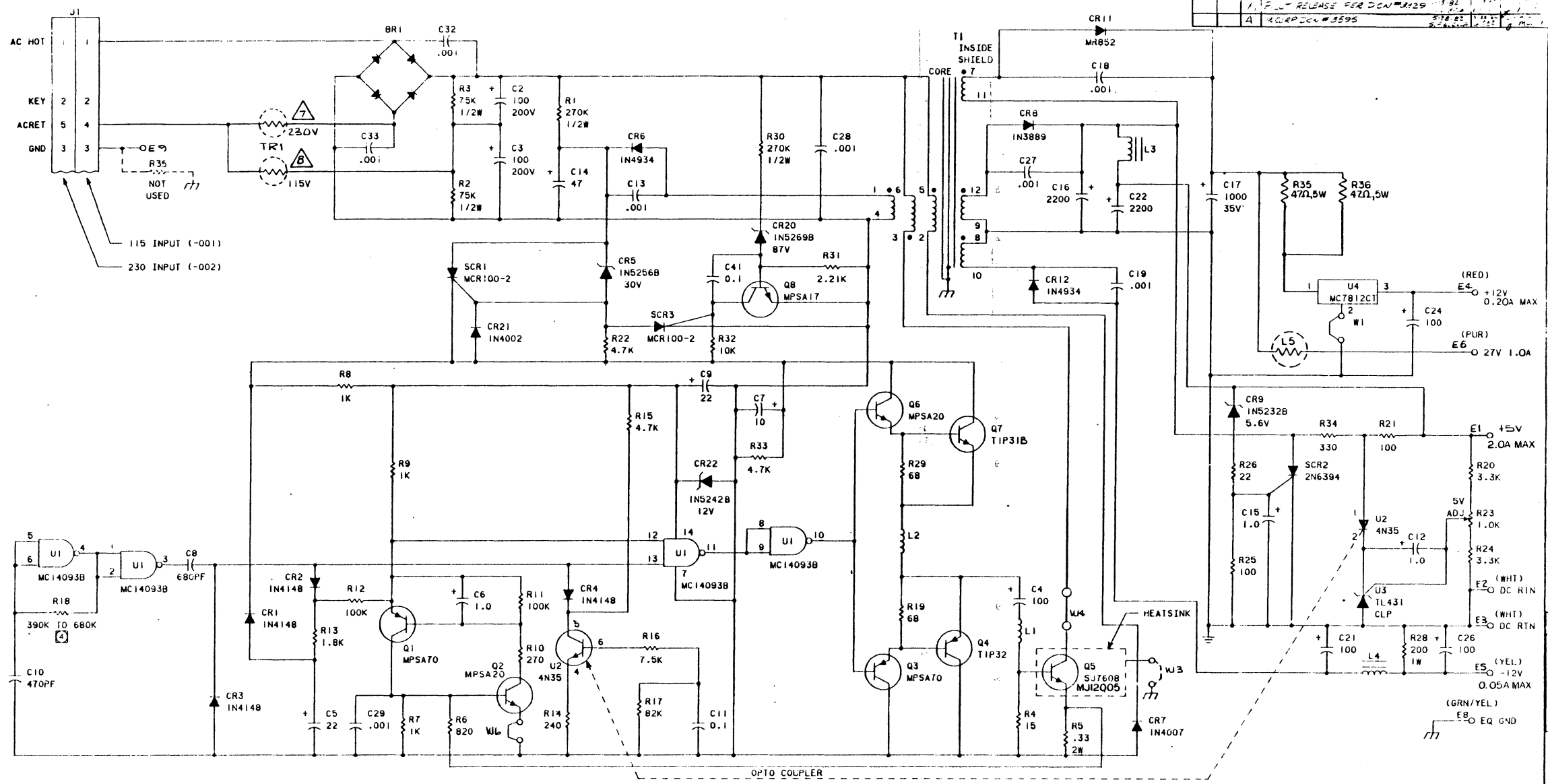


- NOTES: UNLESS OTHERWISE SPECIFIED
- PARTIAL REFERENCE DESIGNATIONS ARE SHOWN. FOR COMPLETE DESIGNATIONS, PREFIX WITH NUMBER AND SUBASSEMBLY DESIGNATION
 - RESISTANCE VALUES ARE IN OHMS
 - CAPACITANCE VALUES ARE IN MICROFARADS

UNLESS OTHERWISE SPECIFIED: DIM. IN INCHES TOLERANCES: XX±0.03 XXX±0.10 ANGLES ±0.5°		CONTR. NO. DR S. FIGUEROA 4/32	 LEAR SIEGLER, INC. DATA PRODUCTS DIVISION ANAHEIM, CALIFORNIA 92803
DASH NO. 1361320	APPL. NO. D-3760	ENGR DR S. FIGUEROA	
APPLICATION		APPD	SIZE D 98438
PROPRIETARY LEGEND EXCEPT AS MAY BE OTHERWISE AUTHORIZED BY CONTRACT, THESE DRAWINGS AND SPECIFICATIONS ARE THE PROPERTY OF LEAR SIEGLER, INC. AND ARE ISSUED IN STRICT CONFIDENCE AND SHALL NOT BE REPRODUCED, COPIED OR USED FOR THE MANUFACTURE OR SALE OF THE APPARATUS WITHOUT WRITTEN PERMISSION.		APPD	FSCM NO. 136134
			DWG NO. 136134
			LTR B
			SHEET 1 OF 1

3.5.6

REV	NO	DATE	BY
1	1	1-82	
2	1	2-82	
3	1	2-82	
4	1	2-82	

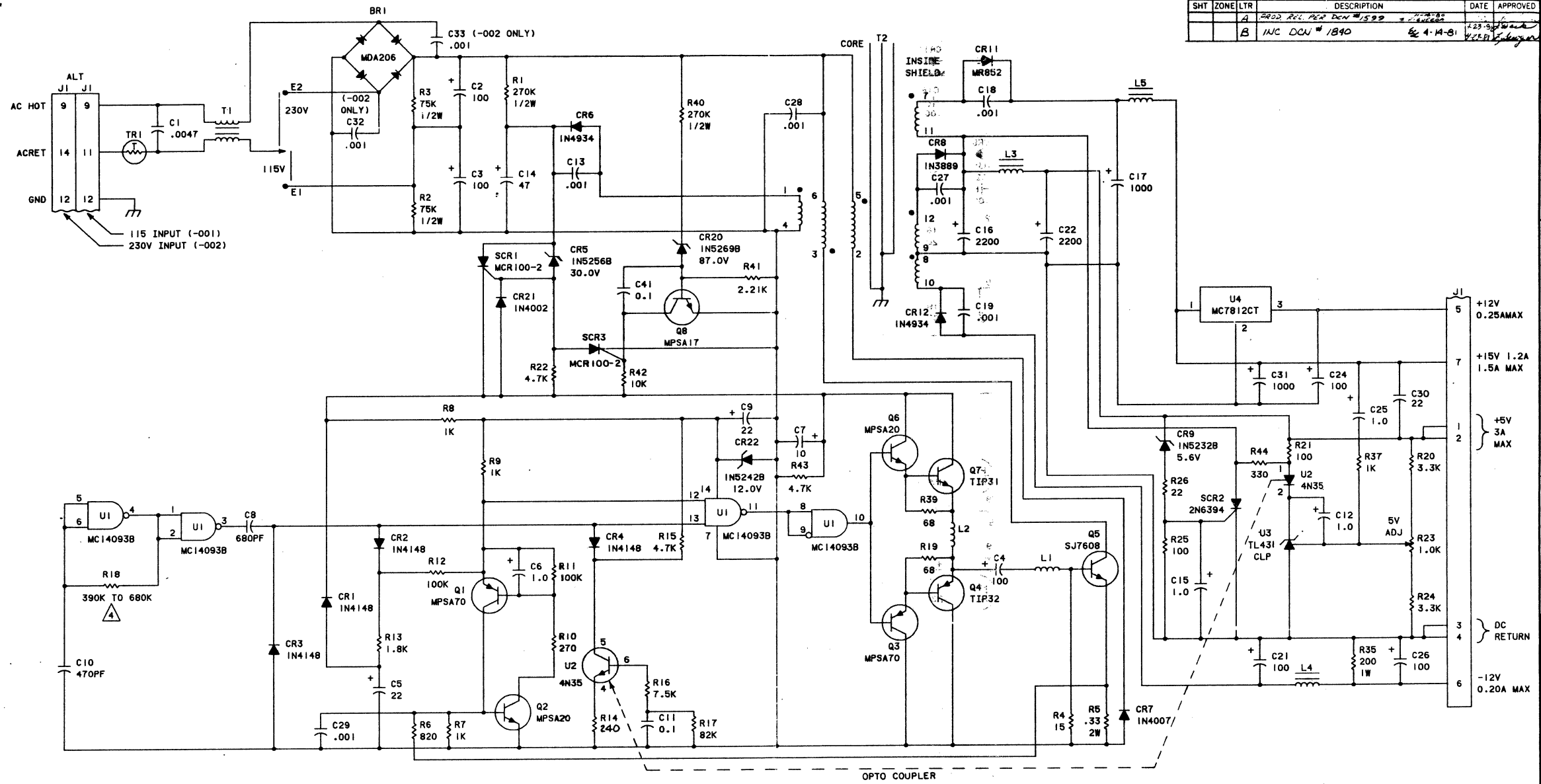


- NOTES: UNLESS OTHERWISE SPECIFIED
- PARTIAL REFERENCE DESIGNATIONS ARE SHOWN. FOR COMPLETE DESIGNATIONS, PREFIX WITH NUMBER AND SUBASSEMBLY DESIGNATION.
 - RESISTANCE VALUES ARE IN OHMS, 1/4W, 5%.
 - CAPACITANCE VALUES ARE IN MICROFARADS.
 - R18 SELECTED TO MATCH U1 FOR 2512.5 KHZ.
 - FOR PRINTED WIRING BOARD SEE DAG 132671.
 - FOR ASSEMBLY SEE DWG 132670.

- ▲ SURGE LIMITER (TR1) TO BE APPLIED AS SHOWN FOR 230V
- ▲ SURGE LIMITER (TR1) TO BE APPLIED AS SHOWN FOR 115V

DESIGNED BY DRAWN BY CHECKED BY DATE		CHECKED BY DATE		 LEAR SIEGLER INC DATA PRODUCTS DIVISION 10000 WILSON BLVD FORT WORTH, TEXAS 76150
D 98438		132672		
SCHEMATIC, POWER SUPPLY -27V				

REVISIONS					DATE	APPROVED
SHT	ZONE	LTR	DESCRIPTION			
		A	PROD REL PER DCN #1599			
		B	INC DCN #1840	4-14-81		



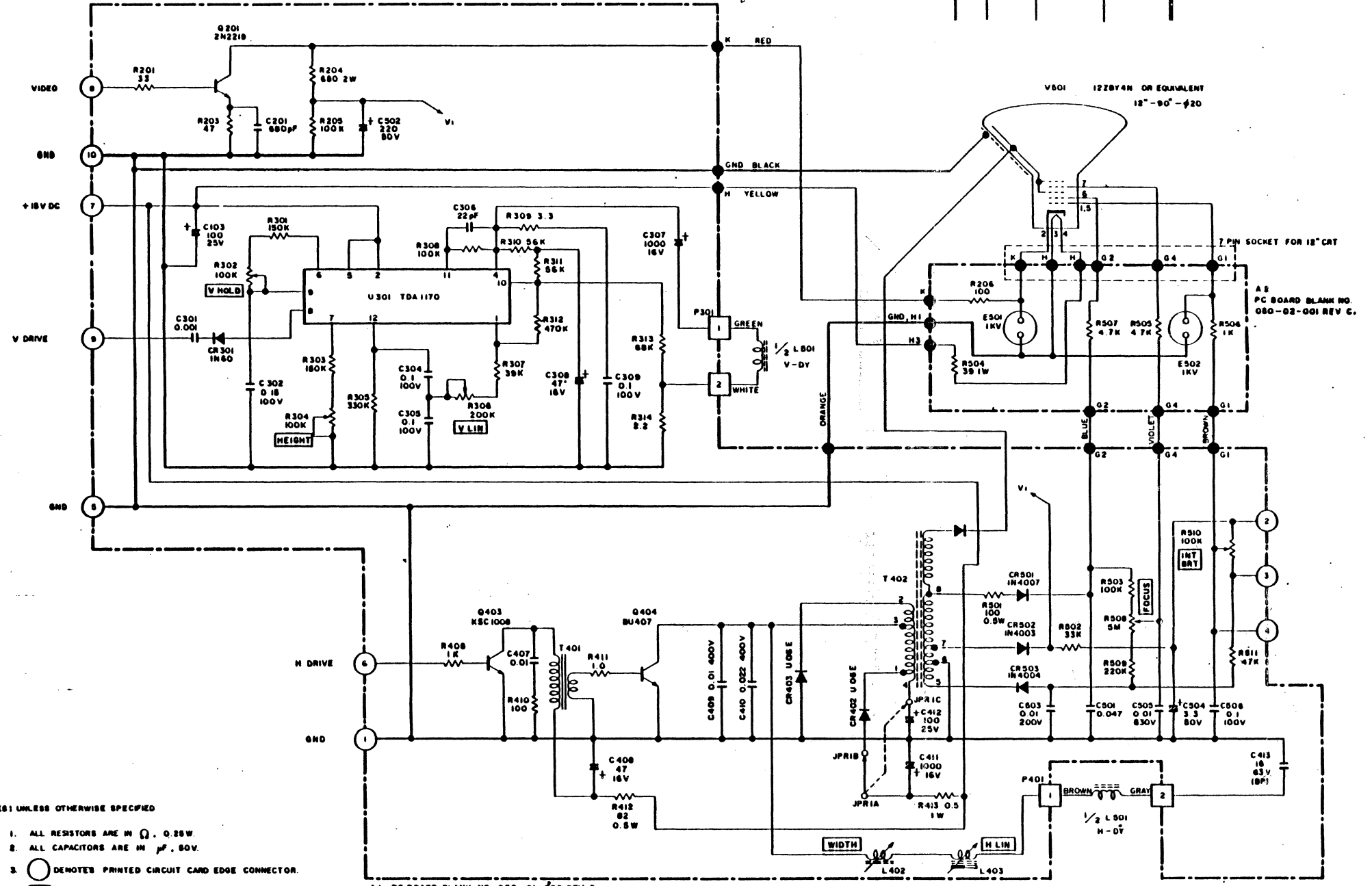
- 5. FOR PRINTED WIRING BOARD REFER TO 132601.
- 6. FOR ASSEMBLY REFER TO 132600
- 7. REFERENCE DESIGNATIONS NOT USED (C20,23,32-40), (CR10,13-19),(R27-34,36,38).
- 8. LAST REFERENCE DESIGNATION USED C4,CR22,L5,Q8, R44,SC3,T2,U4.

NOTES: UNLESS OTHERWISE SPECIFIED

- 1. PARTIAL REFERENCE DESIGNATIONS ARE SHOWN. FOR COMPLETE DESIGNATIONS, PREFIX WITH NUMBER AND SUBASSEMBLY DESIGNATION
- 2. RESISTANCE VALUES ARE IN OHMS
- 3. CAPACITANCE VALUES ARE IN MICROFARADS
- 4. R18 SELECTED TO MATCH U1 FOR 25±.5KHZ OPERATION

REF 63D5HO1043A

UNLESS OTHERWISE SPECIFIED: DIM. IN INCHES TOLERANCES: X1 XX1/3 XXX1/10 ANGLES ±0.5°		CONTR NO. DR 5 Figure 3	 LEAR SIEGLER, INC. DATA PRODUCTS DIVISION ANAHEIM, CALIFORNIA 92803
DASH NO.	APPLICATION	ENGR REL	
132600	DL132600	DSGN PROJ	SCHEMATIC SWITCHING POWER SUPPLY
APPD	APPD	SCALE	
PROPRIETARY LEGEND EXCEPT AS MAY BE OTHERWISE AUTHORIZED BY CONTRACT, THESE DRAWINGS AND SPECIFICATIONS ARE THE PROPERTY OF LEAR SIEGLER, INC. AND ARE ISSUED IN STRICT CONFIDENCE. AND SHALL NOT BE REPRODUCED, COPIED, OR USED FOR THE MANUFACTURE OR SALE OF THE APPARATUS WITHOUT WRITTEN PERMISSION.		SIZE D	FSCM NO. 98438
		DWG NO. 132602	LTR B
		SHEET	1 OF 1

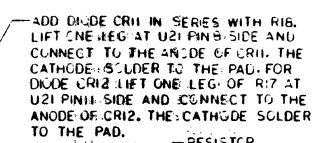
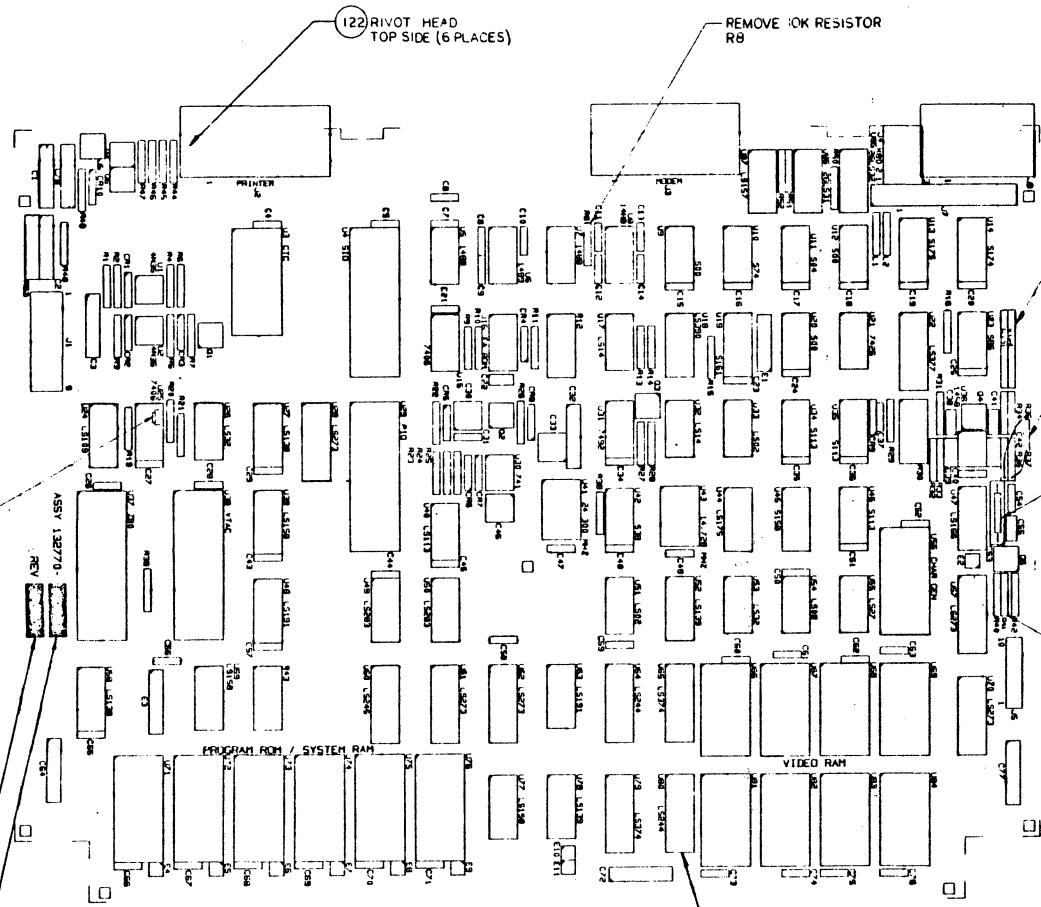


- NOTES: UNLESS OTHERWISE SPECIFIED
1. ALL RESISTORS ARE IN Ω , 0.25W.
 2. ALL CAPACITORS ARE IN μ F, 50V.
 3. DENOTES PRINTED CIRCUIT CARD EDGE CONNECTOR.
 4. DENOTES HOUSING CONNECTOR.
 5. DIRECT

A1 PC BOARD BLANK NO. 080-01-008 REV 0

DATE	APR 9, 1981	DRA	DESIGN	CHECK	APPD	SCHEMATIC 12" MONITOR SM-12DN4KA	
SIZE		SWH W. S	SWH W. S				
REV							
SAMSUNG ELECTRONIC DEVICES CO., LTD. COMPUTER DIVISION						SCALE	DRAWING NO.
						NONE	20-02-010

SHT	DATE	BY	DESCRIPTION
1	10-15-68
2	10-15-68
3	10-15-68
4	10-15-68
5	10-15-68
6	10-15-68
7	10-15-68
8	10-15-68
9	10-15-68
10	10-15-68
11	10-15-68
12	10-15-68
13	10-15-68
14	10-15-68
15	10-15-68
16	10-15-68
17	10-15-68
18	10-15-68
19	10-15-68
20	10-15-68



NOTES: UNLESS OTHERWISE SPECIFIED
 1. FOR SCHEMATIC REFER TO I32772
 2. FOR PRINTED WIRING BOARD REFER TO I32771

ADD 150-ohm RESISTOR R54 BETWEEN R36 AND R37 (REF DCN 3571)

ADD 1K RESISTOR R56 ACROSS C53 AS SHOWN

REWORK INSTRUCTIONS:
 ETCH CUTS
 U28-1 C
 R41 AND 42 C
 R41 AND C53 C
 C55 AND C53 C
 R54 AND R37 S
 R37 AND R36 S
 C55 AND R36 S
 EMITTER OF Q4 AND R46 C
 NEAR C15 C (SEE DETAIL 'A')
 R46 C (SEE DETAIL 'B')

REMOVE 470-ohm RESISTOR R41
 ADD 2.2-ohm RESISTOR R55

JUMPER LIST
 ADD JUMPERS WITH 30 AWG INSULATED WIRE UNLESS OTHERWISE STATED
 U28-1 TO U61-1
 U51-12 TO U25-12
 U51-11 TO U17-6
 U51-13 TO J5-5
 Q5 BASE AND R41
 R42 AND C55
 C55 AND R37
 C54 AND C53
 C54 AND R36
 R46 TO 54
 R46 TO +12V (SEE DETAIL 'B')
 U28 9- TO U25-13

SHORTING JACK JUMPER LISTING (REF F/N I20)

JUMPER	PINS (003)	JUMPER	PINS (004)
E1	1-2	E1	1-2
	3-4		3-4
	5-6		5-6
	7-8		7-8
	9-10		9-10
	13-14		13-14
E2	2-4	E2	2-4
E3	3-4	E3	3-4
	7-8		7-8
	11-12		11-12
	13-14		13-14
	15-16		15-16
E4-E5	3-4	E4-E5	2-3
E9	1-3	E6-E7	3-4
E10	3-4	E8-E9	1-3
E11	1-2	E10	3-4
		E11	1-2



TYPICAL ORIENTATION

ADD 1K RESISTOR R57 BETWEEN U25-12 AND U25-14

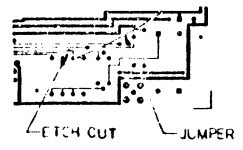
MARK DASH NO.

MARK REV. LETTER

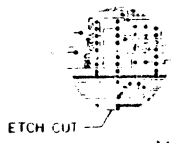
(-005 BOARD SHOWN)

-003 ASSEMBLY
 -004 ASSEMBLY

TYPICAL ORIENTATION



DETAIL 'B'
 COMPONENT SIDE

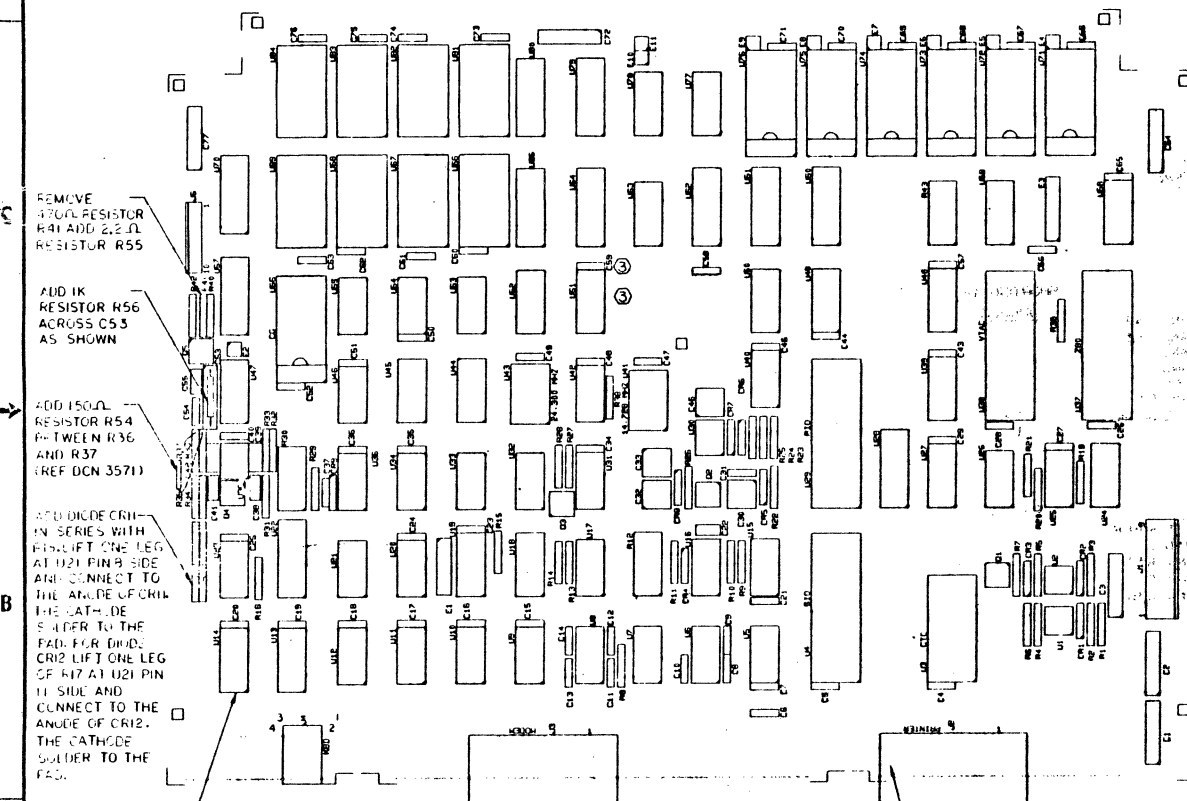


DETAIL 'A'
 COMPONENT SIDE

FOR SEPARATE PARTS LIST SEE PL I32770

-003 I32760 I32770		LEARN SIEGLER, INC. DATA CENTER	
DASH NO.		P.C. BOARD ASSEMBLY ADM 36 OEM	
D 98438		I32770	

REV	DESCRIPTION	DATE
1	REVISED	
2	REVISED	
3	REVISED	
4	REVISED	
5	REVISED	
6	REVISED	
7	REVISED	
8	REVISED	



NOTES: UNLESS OTHERWISE SPECIFIED
 1. FOR SCHEMATIC REFER TO I32772
 2. FOR PRINTED WIRING BOARD REFER TO I32771
 3. DENOTES SPARE COMPONENTS OR IC LOCATION.

- REWORK INSTRUCTIONS:
 ETCH CUTS
 U12-3 C
 U13-13 C
 U20-1 S
 U26-3 C
 U26-11 C
 U26-13 S
 U53-3 C (BETWEEN U60-19)
 U55-8 C
 U61-1 FROM+5V BUSS (2 PLCS)
 U28-1 C
- JUMPER LIST
 ADD JUMPERS WITH 30 AWG INSULATED WIRE UNLESS OTHERWISE STATED
- U9-8 TO U11-3
 - U9-9 TO U33-3
 - U9-10 TO U26-3
 - U11-4 TO U60-19
 - U11-9 TO U13-9
 - U12-6 TO U20-1
 - U13-7 TO U21-9
 - U14-5 TO U26-9
 - U14-15 TO U26-10
 - U20-6 TO U13-4
 - U22-16 TO U14-14
 - U26-8 TO U13-13
 - U26-11 TO U21-1
 - U26-12 TO U55-8
 - U44-2 TO U12-4
 - U44-14 TO U12-5
 - U55-6 TO U22-17
 - U61-1 TO U32-4
 - U61-20 TO U60-20 (24 AWG)
 - U70-15 TO U26-13
 - U28-1 TO U61-1
 - R46 TO +12V (SEE DETAIL B) SEE SHEET 1

BETWEEN

- R41 AND R42 C
- R41 AND C55 C
- C55 AND C53 C
- R54 AND R37 S
- R37 AND R36 S
- C55 AND R36 S
- R46 (SEE DETAIL B) C

BETWEEN

- Q5 BASE AND R41
- R42 AND C55
- C55 AND R37
- C54 AND C53
- C54 AND R36

SHORTING JACK JUMPER LISTING (REF F/N 120)

JUMPER	PINS (001)	PINS (002)
E1	1-2	1-2
	3-4	3-4
	5-6	5-6
	7-8	7-8
	9-10	9-10
E2	2-4	2-4
E3	1-2	1-2
	5-6	5-6
	9-10	9-10
	13-14	13-14
	15-16	15-16
E4-E8	3-4	3-4
E9	1-3	1-3
E10	1-2	3-4
E11	3-4	1-2

1 2
3 4
TYPICAL ORIENTATION

-001 ASSY
 -002 BOARD
 -002 ASSY
 -002 BOARD

122 RIVET HEAD TOP SIDE 4 PLACES

FOR SEPARATE PARTS LIST SEE PL I32770

UNLESS OTHERWISE SPECIFIED		DIM IN INCHES		TOLERANCES		LEAR SIEGLER, INC P C BOARD ASSEMBLY ADM 36 LOGIC	
001	I32763	PL 32763	X1:1	ANGLES	ANGLES 20°		
DASH NO	NEXT ASSY	PREV ASSY	APPROVAL				
PROPRIETARY LEGEND EXCEPT AS MAY BE OTHERWISE AUTHORIZED BY CONTRACT THESE DRAWINGS AND SPECIFICATIONS ARE THE PROPERTY OF LEAR SIEGLER, INC. AND SHALL REMAIN THE PROPERTY OF LEAR SIEGLER, INC. AND SHALL NOT BE REPRODUCED, COPIED, OR USED FOR THE MANUFACTURE OR SALE OF THE APPARATUS WITHOUT WRITTEN PERMISSION.				D 98438		I32770	