

DAVE

CAUTION
THIS DRAWING IS NOT THE LATEST REVISION
REFER TO EON 20690

*ECO 7447 driver / Kennedy
MAN 72 dist. log*

*7447
205
172*

REV	DESCRIPTION	DATE & APPROVAL
A	ECO 20450	3-15-81
B	ECO 20513	3-17-81
C	ECO 20577	4-7-81

REV	DESCRIPTION	DATE & APPROVAL
A	RTP ECO 19763	4-27-81
B	ECO 20127	5-27-81
C	ECO 20291	8-25-81

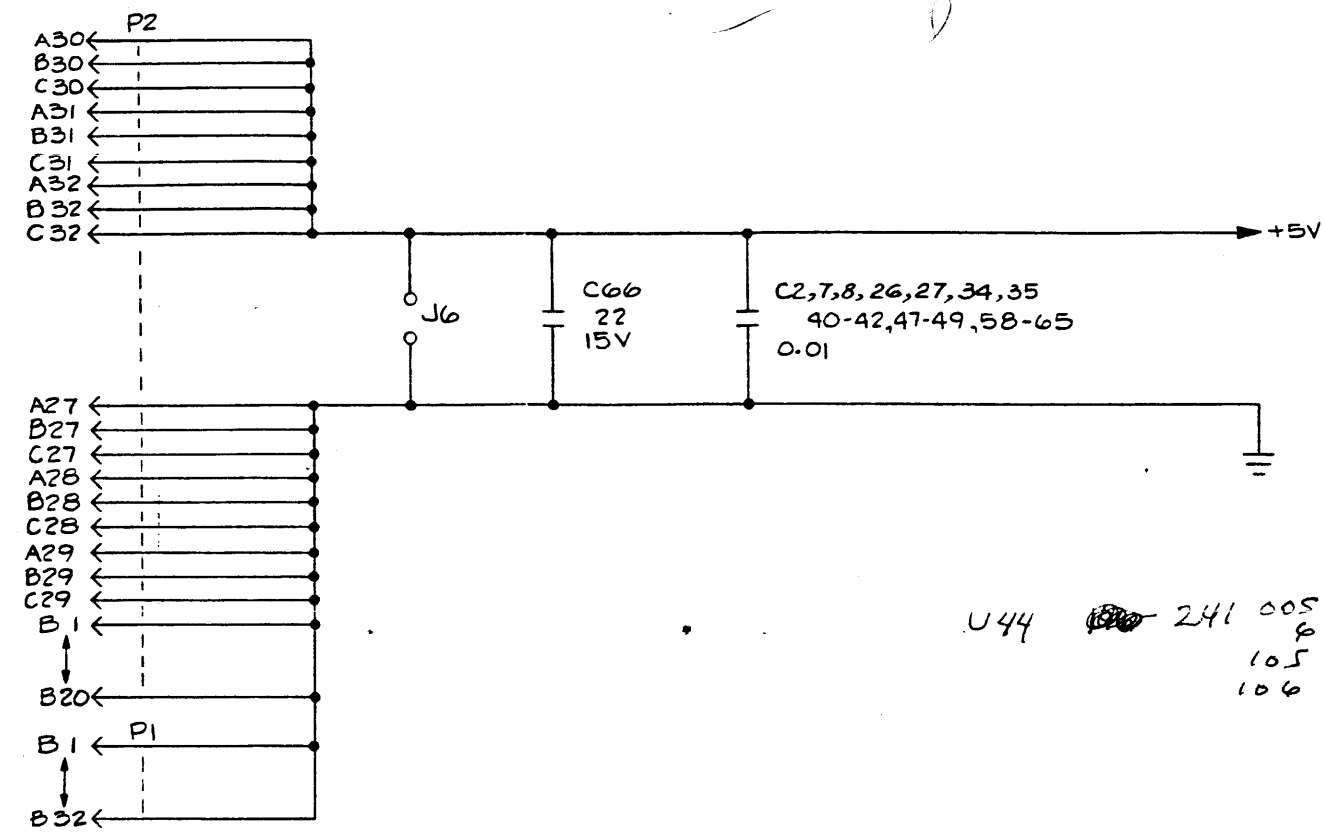
REV	DESCRIPTION	DATE & APPROVAL
A	ECO 20450	3-15-81
B	ECO 20513	3-17-81
C	ECO 20577	4-7-81

REV	DESCRIPTION	DATE & APPROVAL
A	ECO 20450	3-15-81
B	ECO 20513	3-17-81
C	ECO 20577	4-7-81

REV	DESCRIPTION	DATE & APPROVAL
A	ECO 20450	3-15-81
B	ECO 20513	3-17-81
C	ECO 20577	4-7-81

REV	DESCRIPTION	DATE & APPROVAL
A	ECO 20450	3-15-81
B	ECO 20513	3-17-81
C	ECO 20577	4-7-81

REV	DESCRIPTION	DATE & APPROVAL
A	ECO 20450	3-15-81
B	ECO 20513	3-17-81
C	ECO 20577	4-7-81



*U44 241 005
105
106*

*U1 234
U22 230 U117-237
U42 232 U8-238
54-233
43 231
119 235
103 236*

REF DES	TYPE	GND	+5
U1,8,42,43,54,72,103,117	PAL 1GL8-15NS	10	20
U119	PAL 10RA	10	20
U102,109	AM 2955	10	20
U41	NCR5385E	24	48
U9	NCR8310	13	-
U44	27128	14	28
U64	AM29827	12	24
U105	AM29842	12	24
U94,95	AM29843	12	24
U104	AM29844	12	24
U81	AM29861	12	24
U12	HD68B09	-	7
U3	74ALS04	7	14
U2	74LS14	7	14
U118	74LS74	7	14
U10,17	74F86	7	14
U112,115,116	74HCT138	8	16
U98,99	74HCT161	8	16

REF DES	TYPE	GND	+5
U120	74LS174	8	16
U89	74S175	8	16
U106,107,113,114	74LS240	10	20
U70	74HCT245	10	20
U58,71	74HCT257	8	16
U56	74LS280	7	14
U55	74LS367	8	16
U87	74HCT374	10	20
U88	74LS623	10	20
U57	74LS646	12	24
U67,68,84,85,97,100-102,110,111	74HC691	10	20
U63,66,82,83,96	74LS697	10	20
U23-29,34-39,49-53	DS3695	5	8
U69,86	MB81416	-	9
U18	20NS	7	14
U59	74F257	8	16

REF DES	LAST USED	NOT USED
C67		
D3		
FUSE 1		
J6		
LD3		
LK3		
P2		
R16		
SW2		
U120		
Y2		
RN19		
L2		

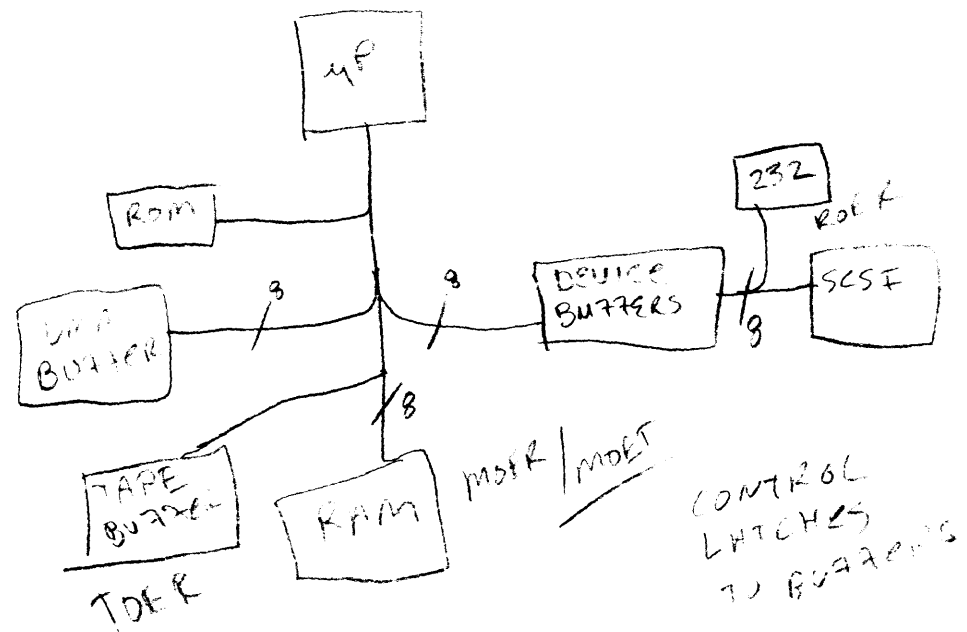
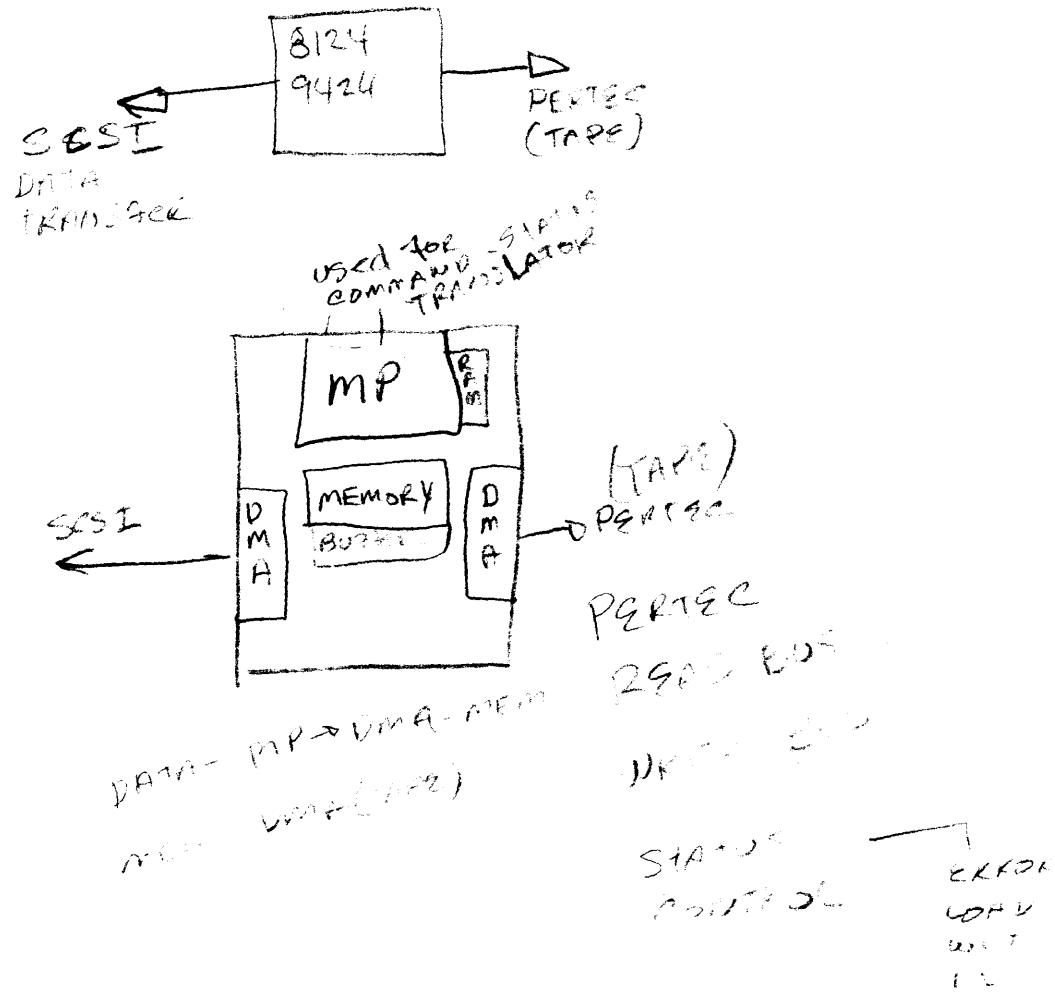
- △ REF R20215
- △ SEE TEA 20576.
- △ THIS SCHEMATIC IS FOR REFERENCE ONLY, SEE 404-08124-000, 120-00109-XXX AND 120-00110-XXX.
- △ COMPONENT LOCATIONS PROVIDED ON THE PCB BUT NOT USED.
- △ THIS SCHEMATIC DEPICTS BOTH A SINGLE ENDED OR A DIFFERENTIAL DRIVER ASSY, WITH ADDITIONAL MEMORY AS NEEDED. THE BASIC PART OF THIS SCHEMATIC IS USED FOR BOTH.
 - A) THE SINGLE ENDED CKT IS SHOWN WITH SOLID LINES.
 - B) THE DIFFERENTIAL CKT IS SHOWN WITH ZONED DASH LINES.
- 2. RESISTORS ARE IN OHMS ±5%, 1/4 W.
- 1. CAPACITORS ARE IN MICROFARADS.

NOTES: UNLESS OTHERWISE SPECIFIED.

REV STATUS	REV	G	G	G	G	A	A	A	G	A	G	A	G	G	S
OF SHEETS	SHEET	1	2	3	4	5	6	7	8	9	10	11	12	13	14

KENNEDY
SCHEM, SC51/PERT
TAPE CONT

SCSI FUNCTION



2/14

These drawings and specifications are the property of Kennedy Company and shall not be reproduced or copied or used as the basis for the manufacture or sale of apparatus without permission.

A

B

C

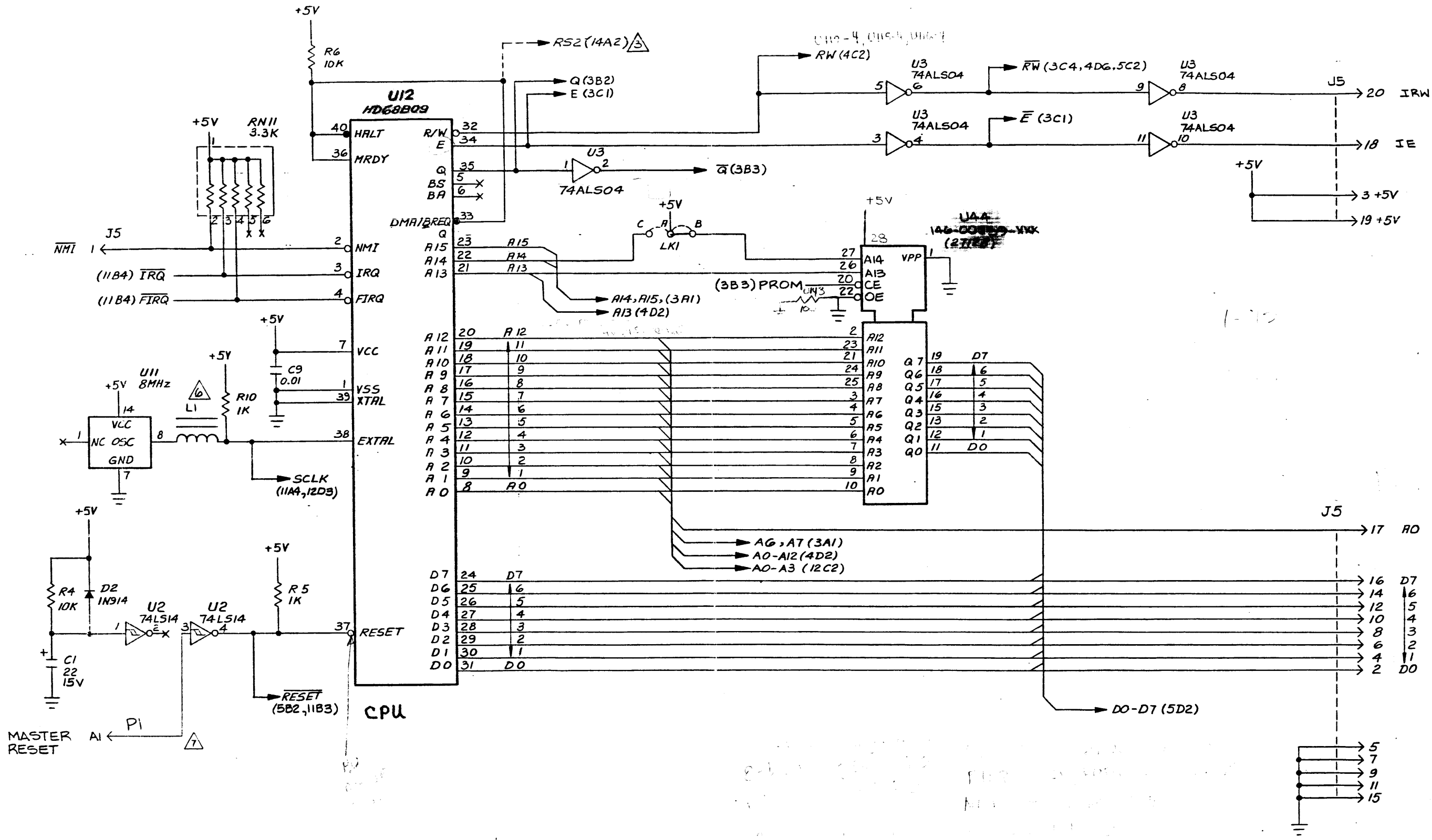
D

REV	DESCRIPTION	DATE & APPROVAL
1	UPDATED PER REVOK ECD	
2	R20Z15 BA 4.8.88 DW	

REV	DESCRIPTION	DATE & APPROVAL
1	4.15.88	

DRAWN	5/7/87
CHECK	4.22.88
DESIGN	
ENGR	
APPR	
MODEL	96XX

KENNEDY	SCHEM, SCSI/PERF
TAPE CONT	



BRAD - BUS REQUEST
 AT - ...

SCSI Tape Controller
 Type 8124
 Schematic Diagram

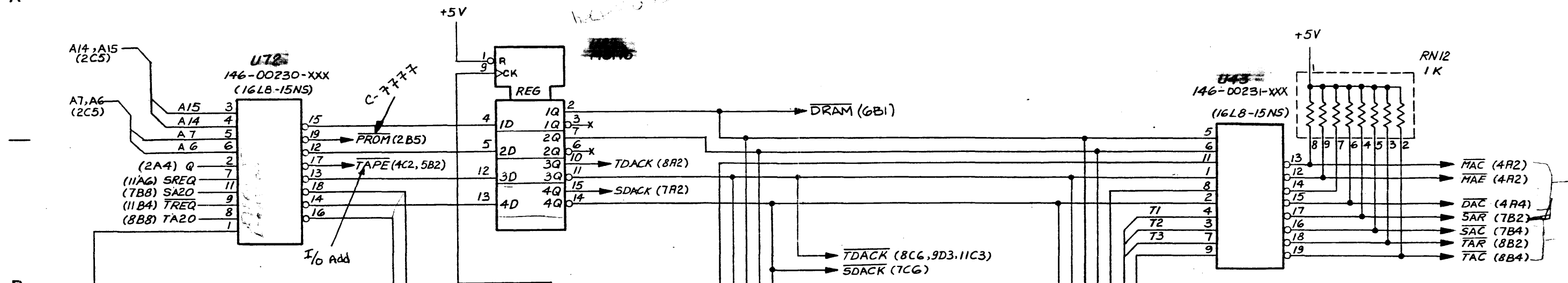
PERTEC = ALL TAPE

*-101

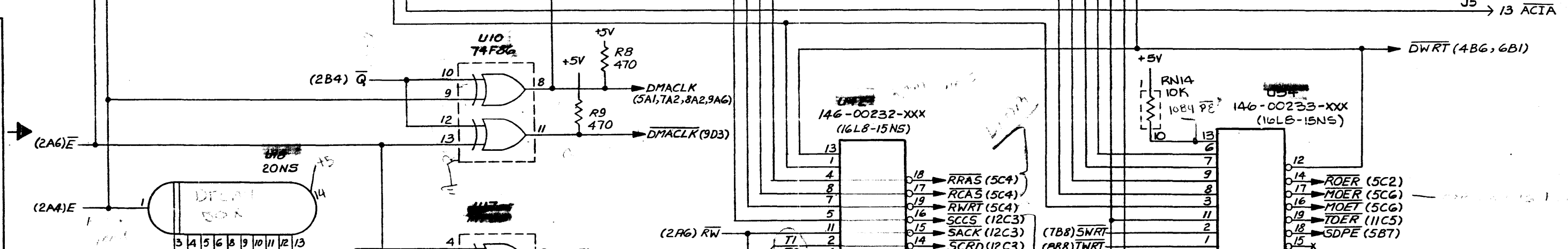
These drawings and specifications are the property of Kennedy Company and shall not be reproduced, or copied, or used as the base for the manufacture or sale of apparatus without permission

SREQ SCSI REQUEST

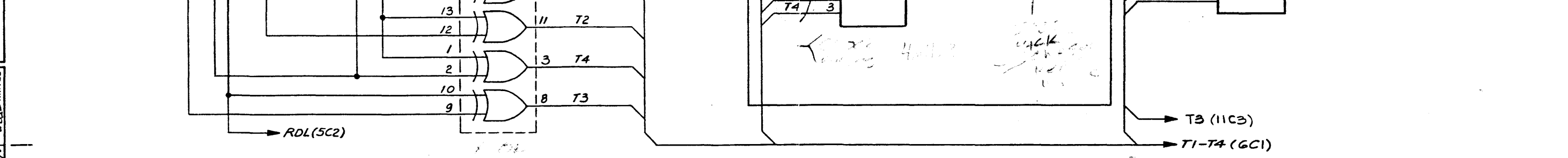
A



B



C



D

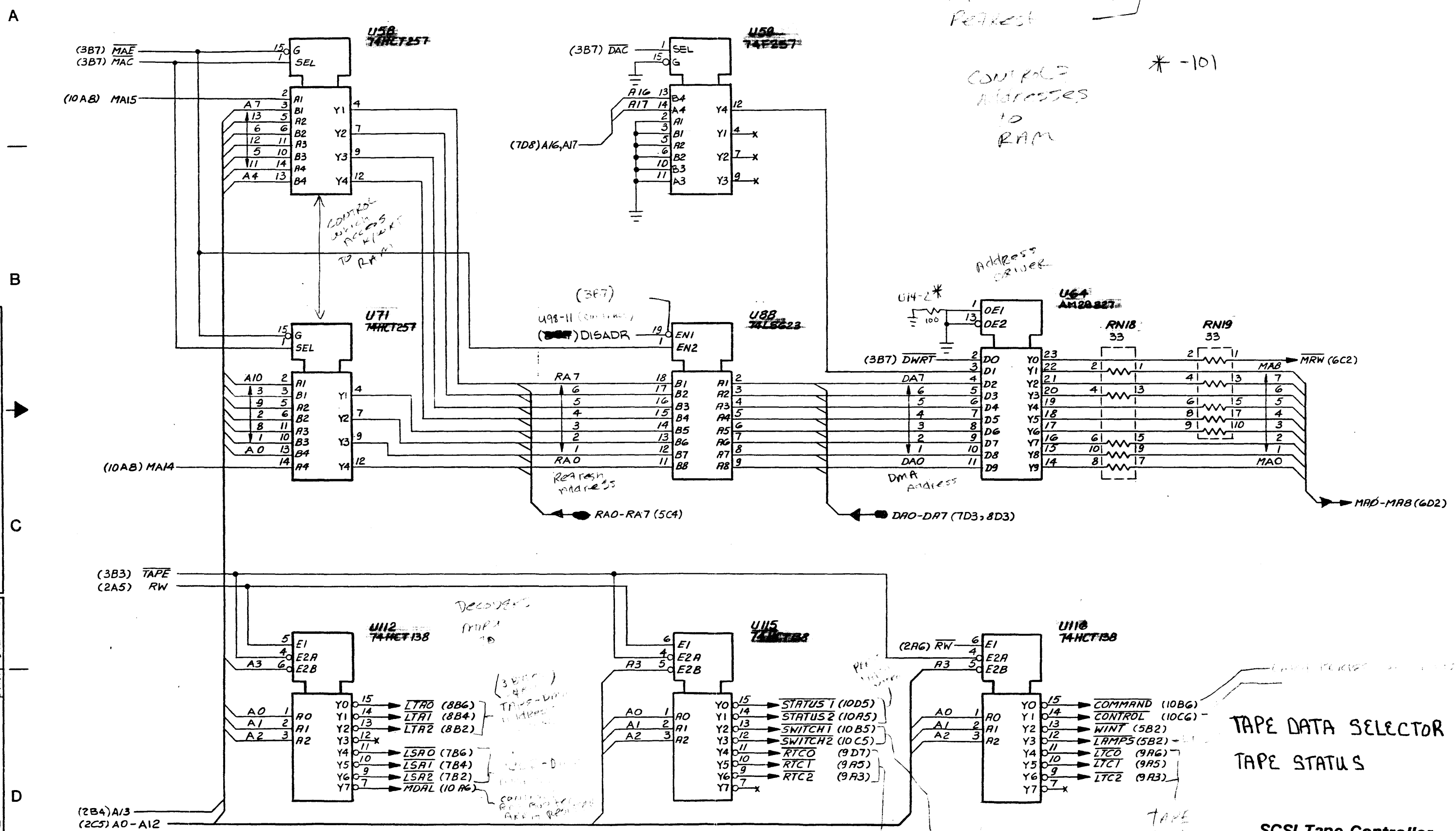
TAPE CONTROLLER
TAPE STATUS

SCSI Tape Controller
Type 8124
Schematic Diagram

REV	DESCRIPTION	REVISIONS	DATE & APPROVAL
Q1	GEE SHEET ONE		
DRAWN: STR			
CHECK: [Signature]			
DESIGN: [Signature]			
ENGR: [Signature]			
APPD: [Signature]			
MODEL: 96XX			
KENNEDY CORPORATION			
SCHEM, SCSI/PERT			
TAPE CONT			

These drawings and specifications are the property of Kennedy Company and shall not be reproduced, or copied or used as the basis for the manufacture or sale of apparatus without permission.

PERIOD DATA
SCSI DMA
MPU
Request
ACCESS
RAM



REV	DESCRIPTION	DATE & APPROVAL
51	SEE SHEET ONE	
REVISIONS		
DESIGN	DATE	APPROVAL
ENGR	DATE	APPROVAL
APPD	DATE	APPROVAL
MODEL	DATE	APPROVAL
96XX		
DRAWN: SRR		
CHECKED: SRR		
DESIGN: SRR		
ENGR: SRR		
APPD: SRR		
MODEL: SRR		
SIZE: 96XX		
SHEET: 4 OF 14		
401-08124-000		
KENNEDY		
MORNINGVIEW, CALIFORNIA 91015		
SCHEM, SCSI/PERT		
TAPE CONT		

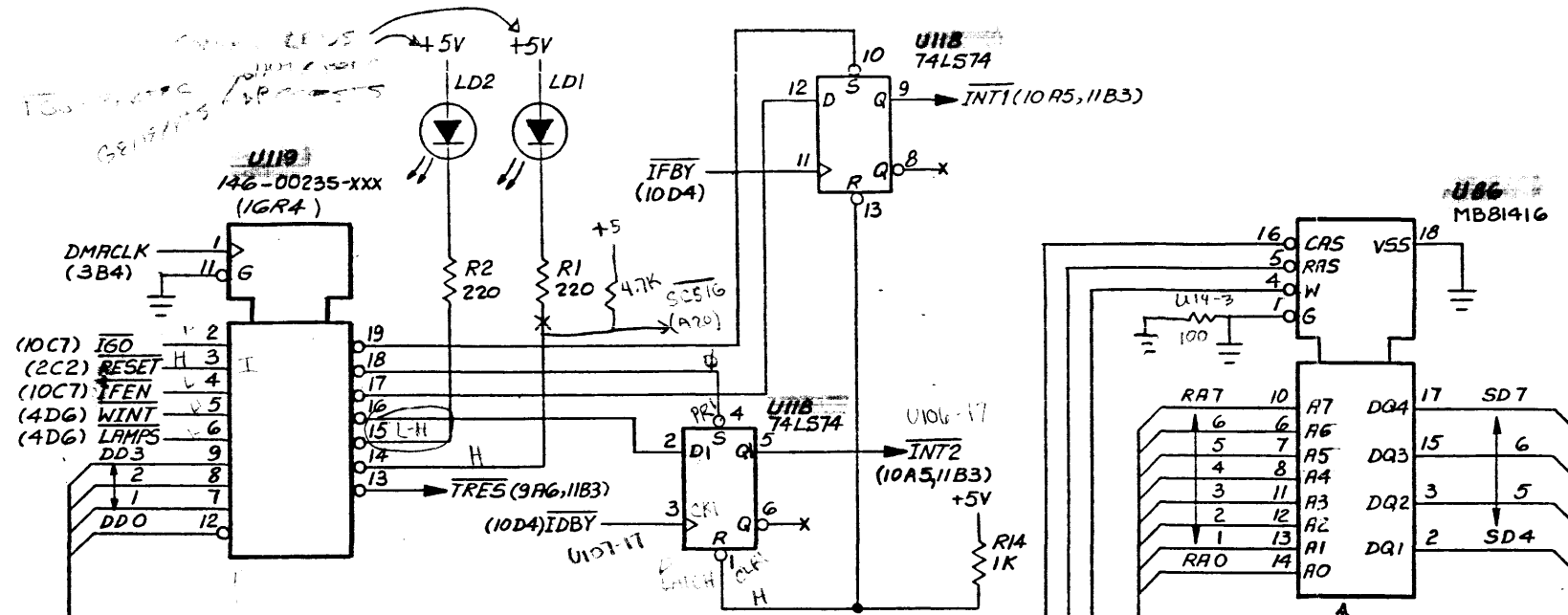
TAPE DATA SELECTOR
TAPE STATUS

SCSI Tape Controller
Type 8124
Schematic Diagram

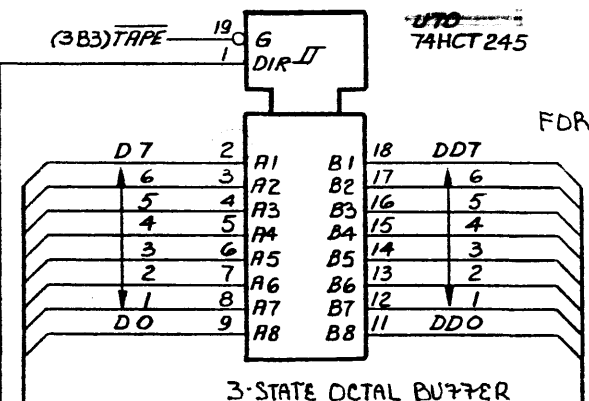
U119-12,9
no 100-3
PART

6.2 time out @ 2.048 bytes
check U100-3

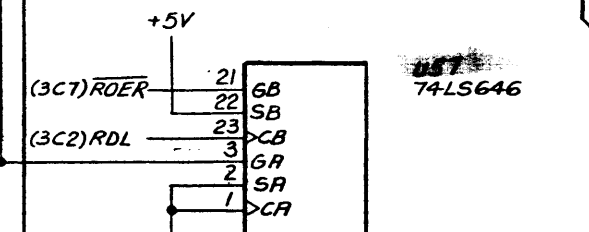
A



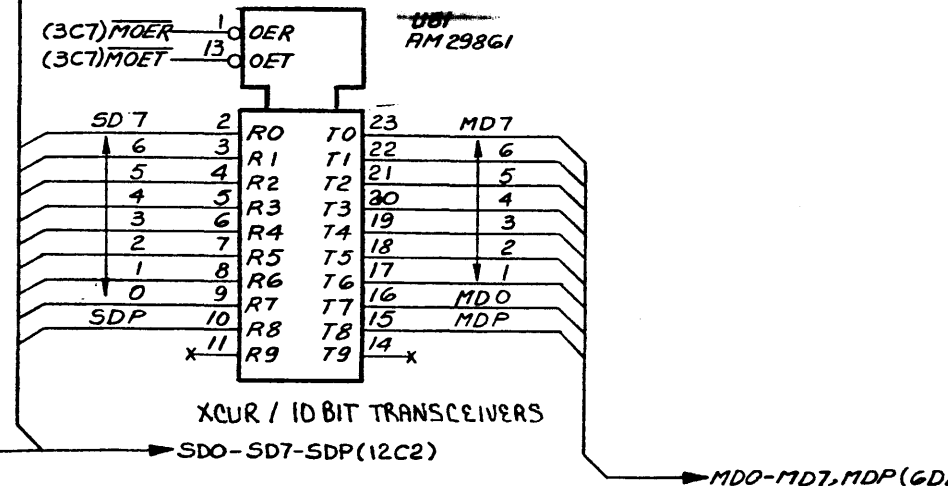
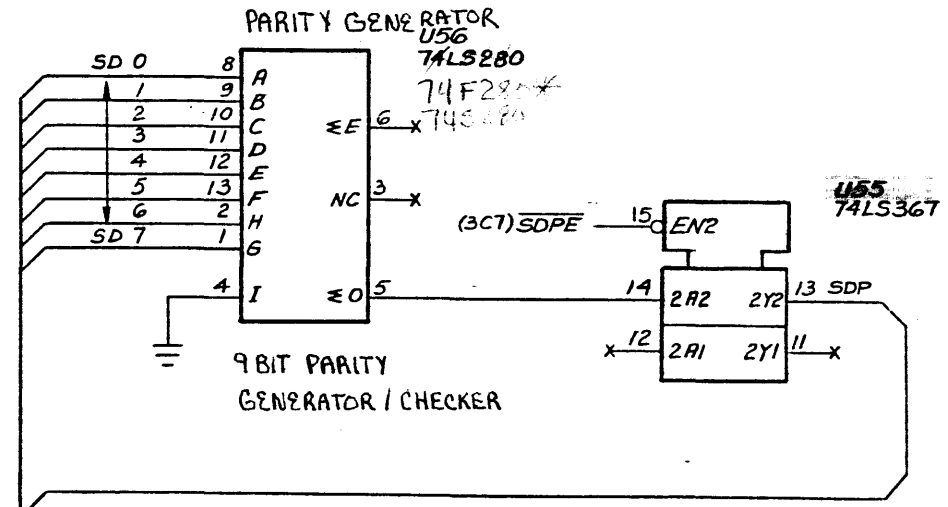
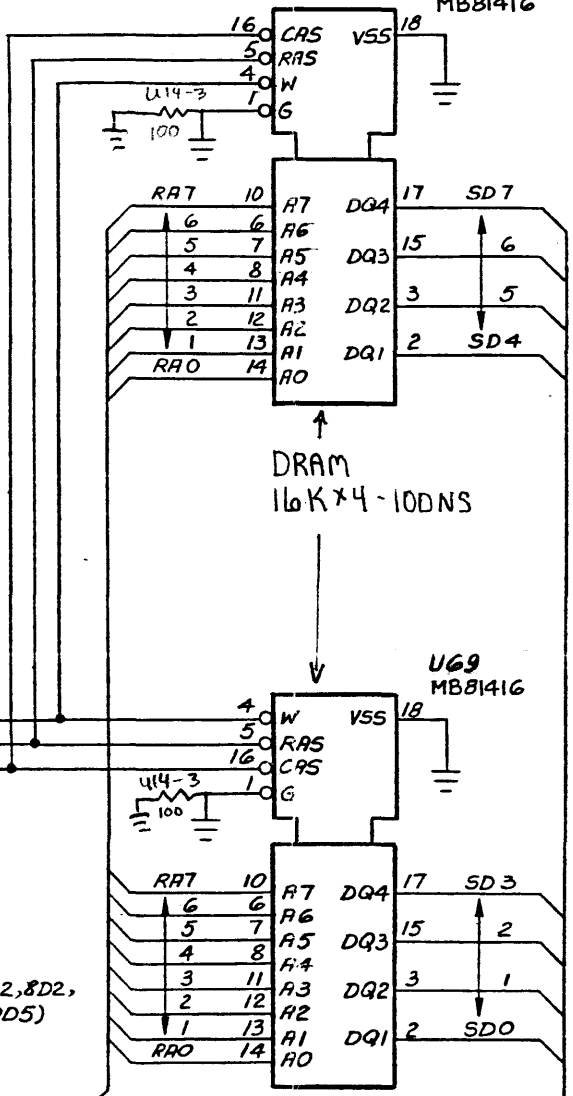
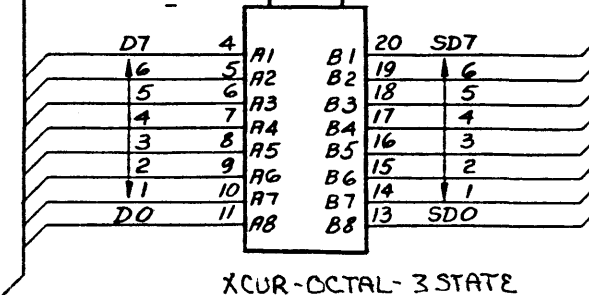
B



C



D



16 K BYTE SCRATCH PAD
MEMORY DRAM - BUFFER ADDRESS SELECTOR
SCSI Tape Controller
Type 8124
Schematic Diagram

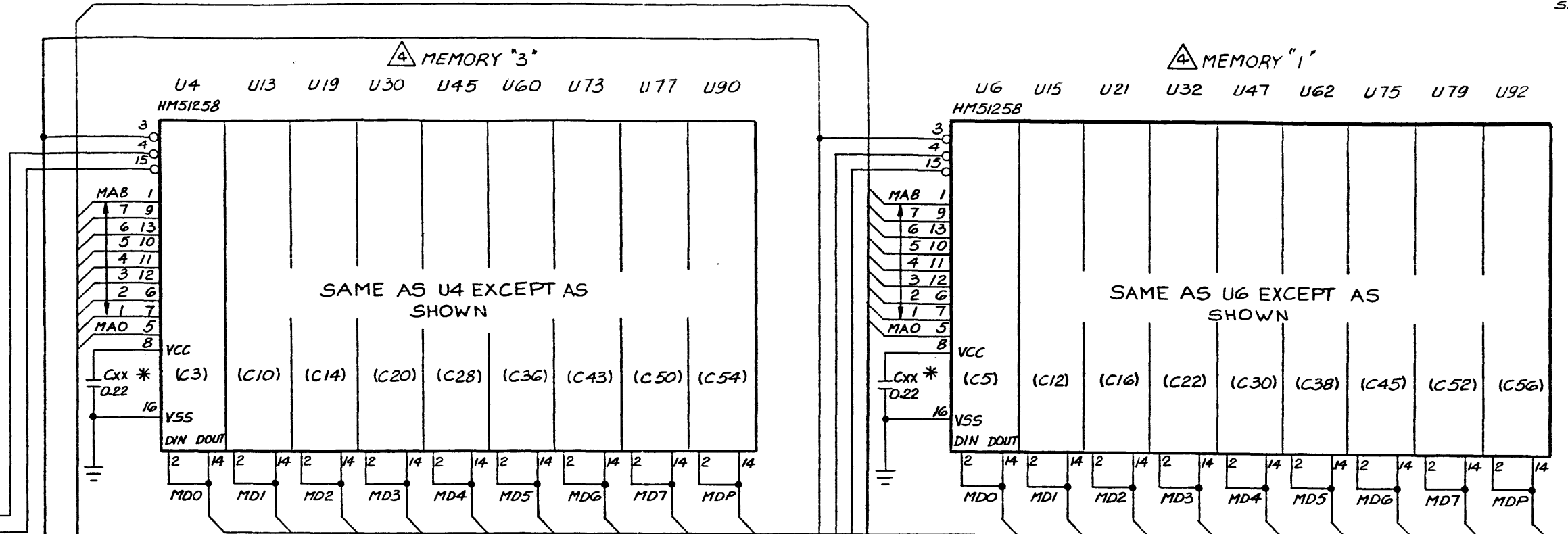
REV	DESCRIPTION	DATE & APPROVAL
A	SEE SHEET ONE	

REV	DESCRIPTION	DATE & APPROVAL
1	SCHEM, SC51/PERT	
2	TAPE CONT	

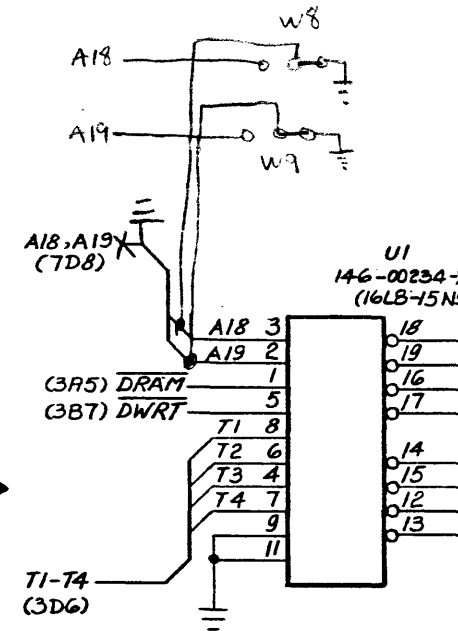
DESIGN	DATE	APPROVAL
U119	4/22/80	
U118	4/22/80	
U106	4/22/80	
U70	4/22/80	
U68	4/22/80	
U69	4/22/80	
U81	4/22/80	
U56	4/22/80	

These drawings and specifications are the property of Kennedy Company and shall not be reproduced, or copied, or used as the basis for the manufacture or sale of apparatus without permission.

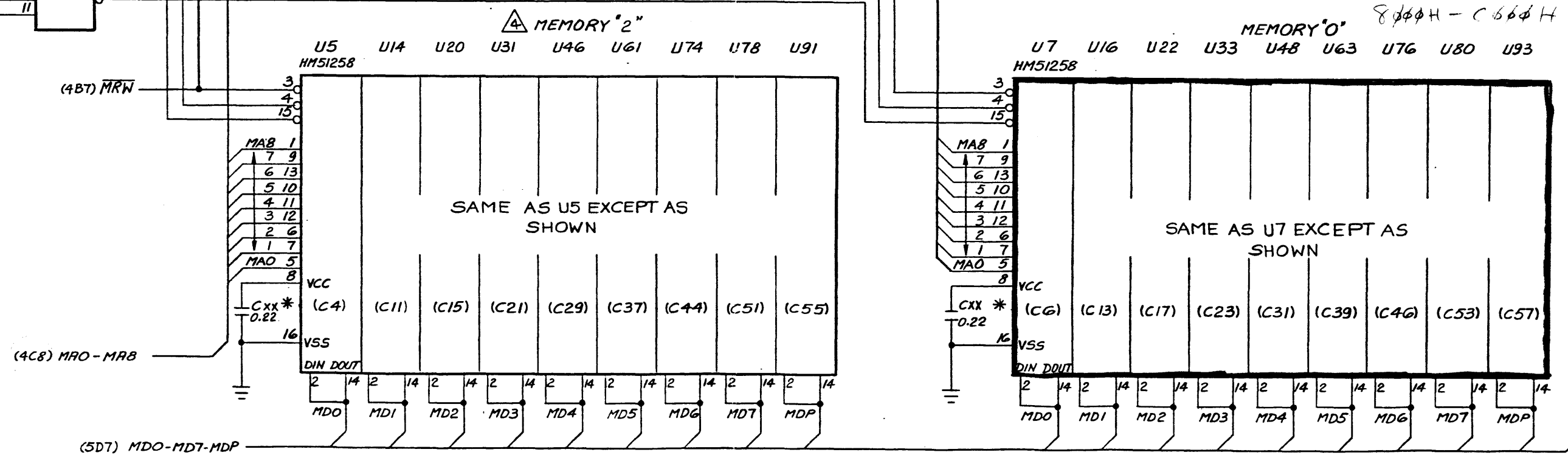
A



B



C



D

REV	DESCRIPTION	DATE & APPROVAL
A	SEE SHEET ONE	
REVISIONS		
NO.	DESCRIPTION	DATE & APPROVAL
1	DESIGN	
2	CHECK	
3	ENGR	
4	APPR	
5	MODEL	
DRAWN STAR		
KENNEDY COMPANY		
SCHEM, SCS1/PERT		
TAPE CONT		

* A FILTER CAPACITOR IS USED FOR EACH IC. REFERENCE DESIGNATOR SHOWN IN PARENTHESES FOR EACH IC.

DRAM 256K x 1 100NS
262,144 WORDS x 1 BIT SCRAM
256K x 9 BIT DATA BUFFER

USED ON
401-08124-000

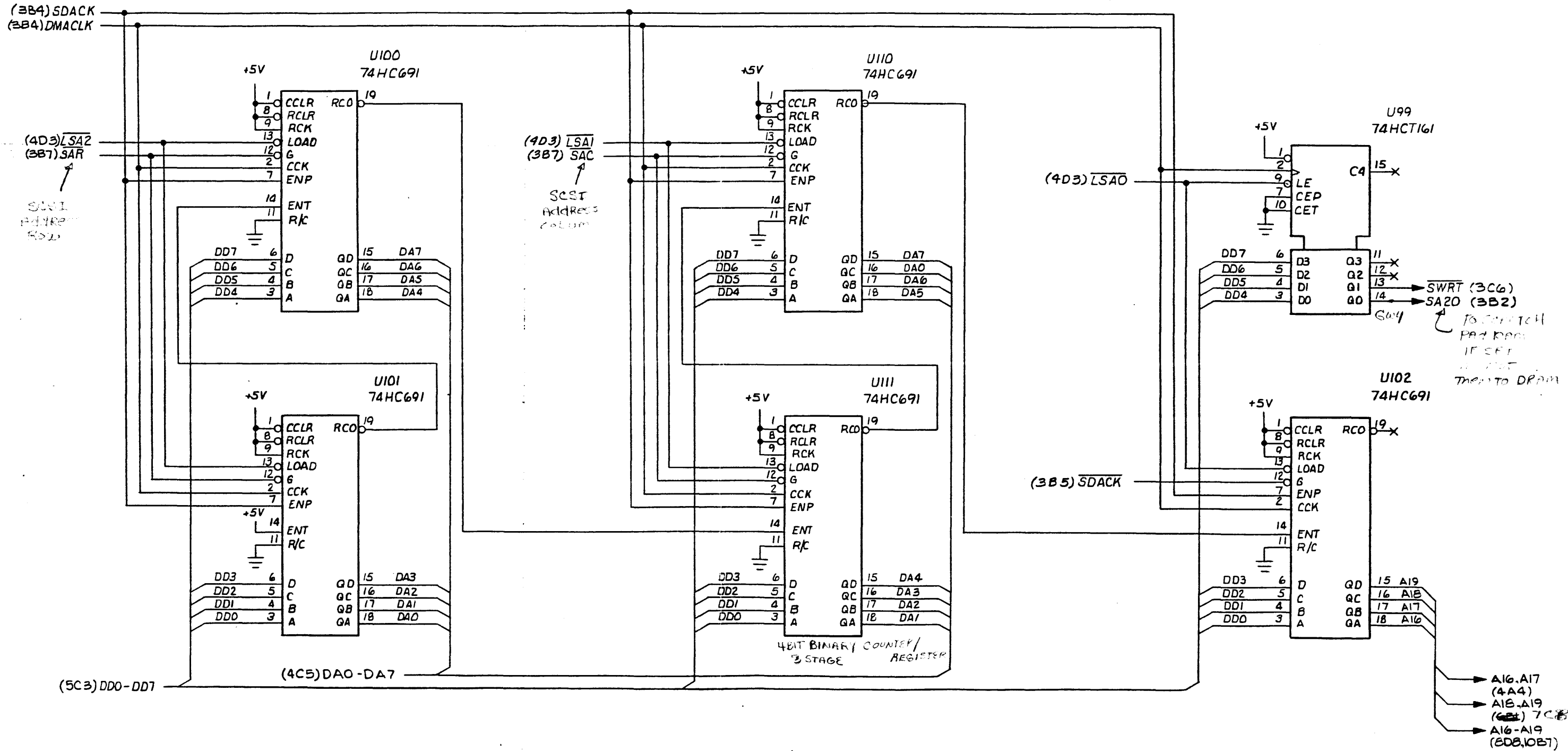
SCSI Tape Controller
Type 8124
Schematic Diagram

A

B

C

D



SCSI DMA CONTROLLER

SCSI Tape Controller
Type 8124
Schematic Diagram

REV	DESCRIPTION	DATE & APPROVAL
A	SEE SHEET ONE	

DESIGN	DATE
ENGR	1/12/87
APPD	1/12/87
MODEL	

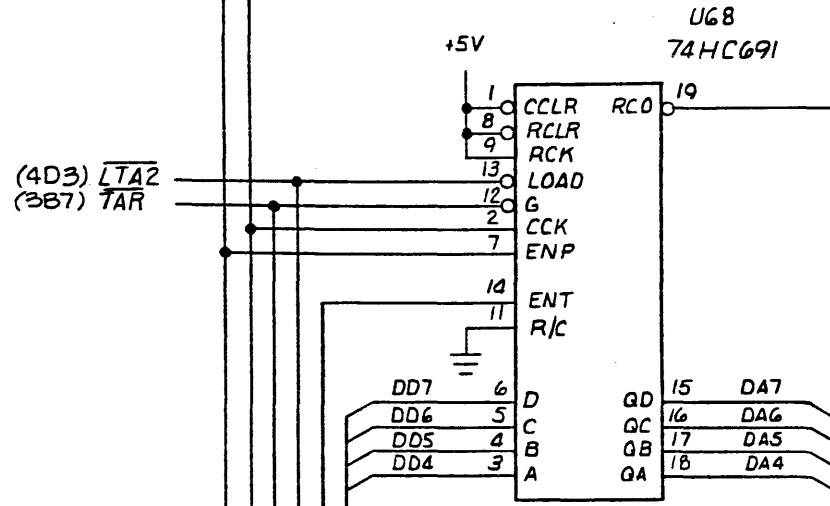
REVISIONS
DRAWN
CHECK
DESIGN
ENGR
APPD
MODEL

KENNEDY COMPANY
SCHEM, SCSI/PERT
TAPE CONT

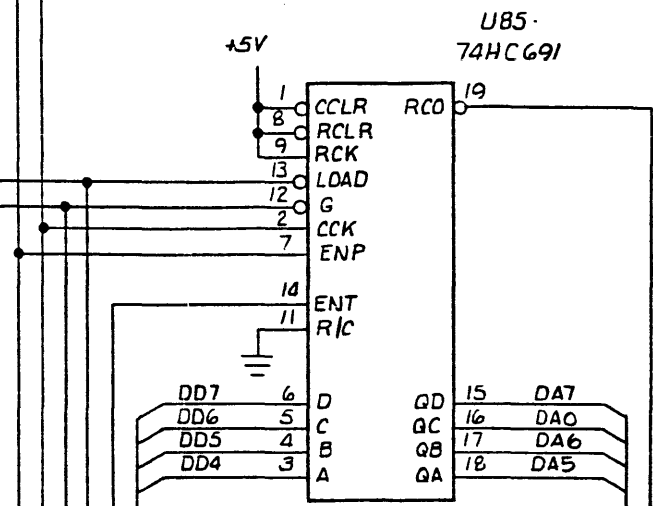
A

COUNTER TO COUNT 315

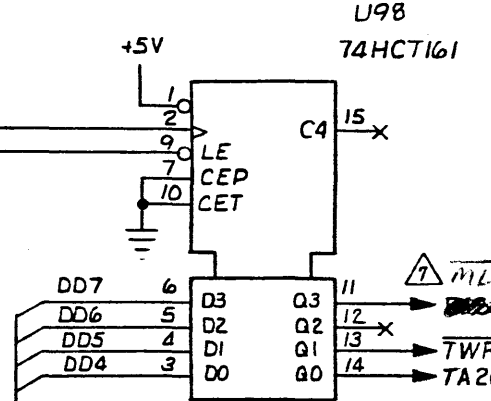
(384) TDACK
(384) DMACLK



(4D3) LTAI
(3B7) TAC



(4D3) LTAO

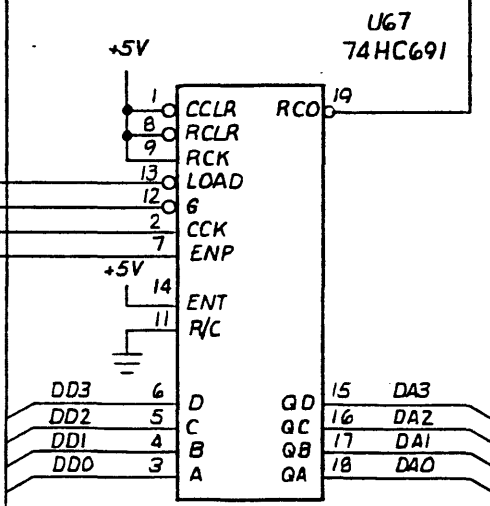


U97-1
455-19
IF TAPE UNIT IS TO BE USED TO SCANNING PAGE (SHOULD BE ACTIVE)

B

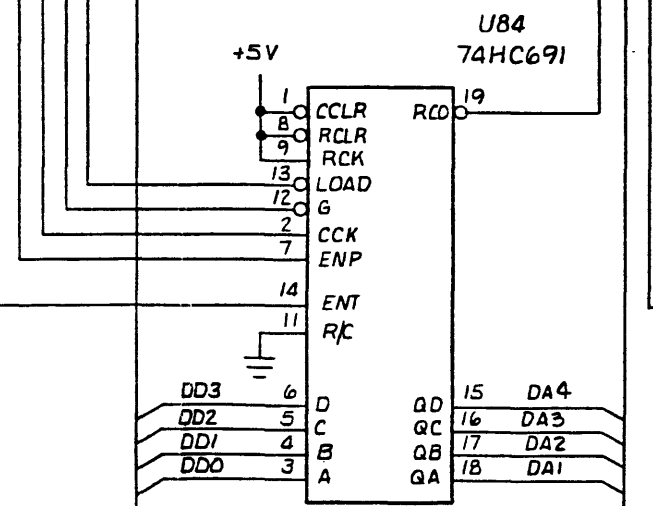
REV	DESCRIPTION	DATE & APPROVAL
01	SEE SHEET ONE	

C

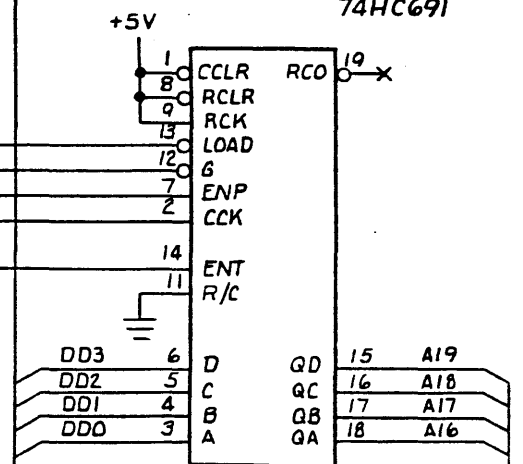


(5C3) DDO-DD7

(4C5) DAO-DA7



(3B5) TDACK



(7D8) A16-A19
(10+7)

TAPE DMA (ADD REG) CONTROLLER

D

REVISIONS

DRAWN C.E. M/8/77

CHECKED J.L. 4/1/77

DESIGNER J.L. 4/1/77

APPD J.L. 4/1/77

MODEL

KENNEDY INTERNATIONAL

SCHEMATIC/PERT

TAPE CONT

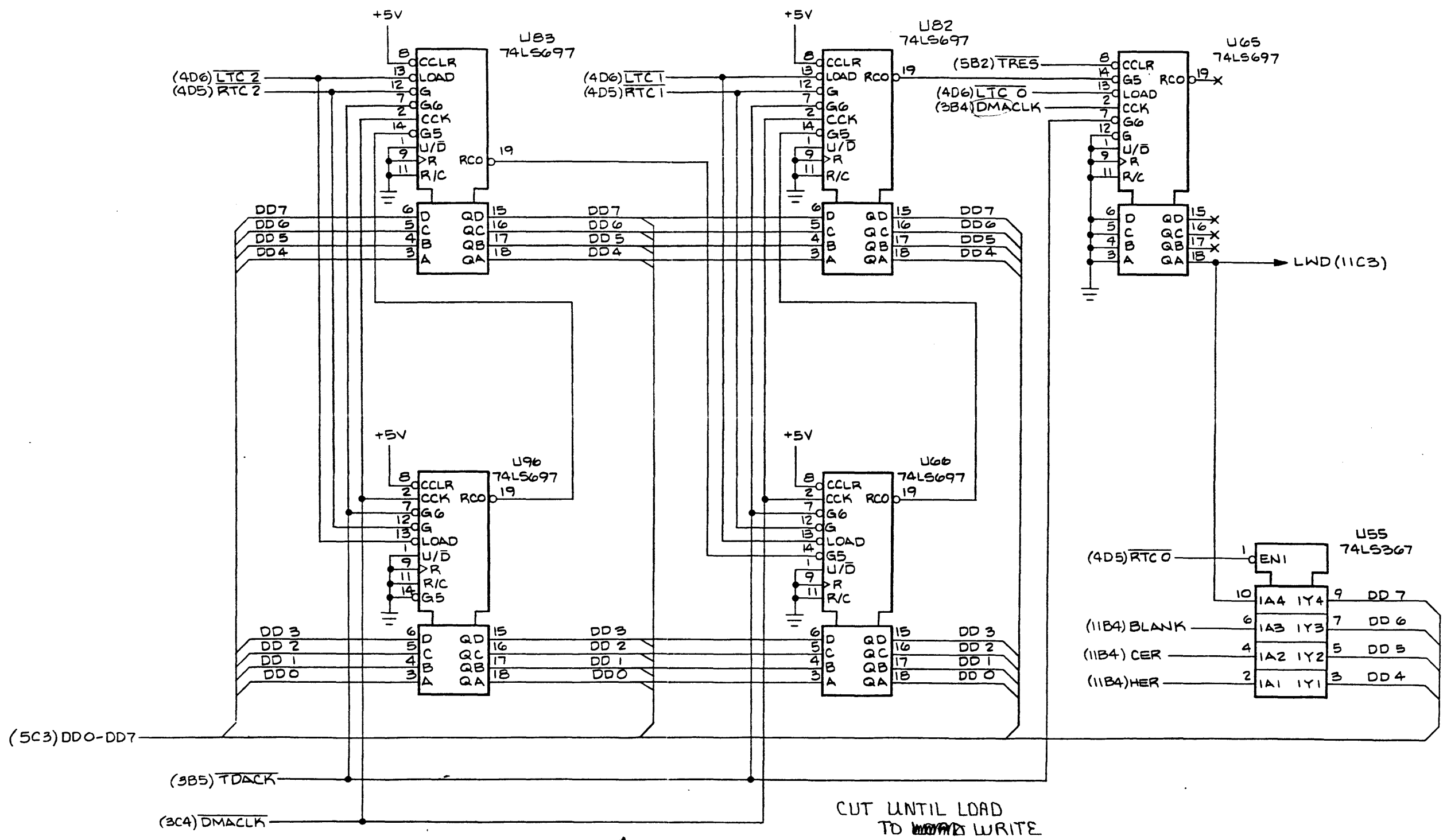
These drawings and specifications are the property of Kennedy Company and shall not be reproduced, or copied or used as the basis for the manufacture or sale of apparatus without permission.

A

B

C

D



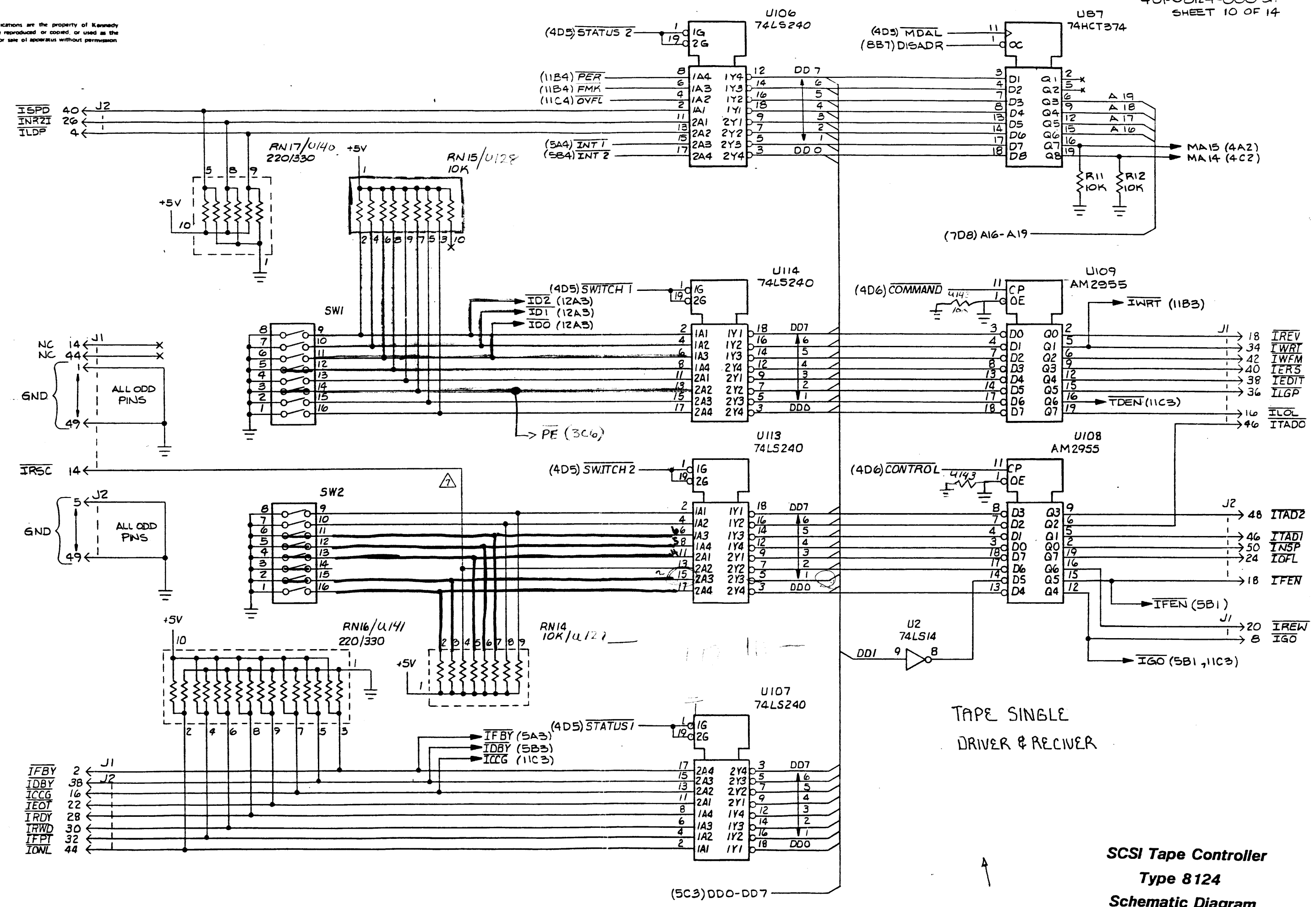
REV	DESCRIPTION	DATE & APPROVAL
A	SEE SHEET ONE	

NO.	DATE	BY	DESCRIPTION
1	11/17		SCHEMATIC
2	11/17		PERFORMED

TAPE BYTE COUNTER

TAPE STATUS CRT LOOP
 SCSI Tape Controller
 Type 8124
 Schematic Diagram

These drawings and specifications are the property of Kennedy Company and shall not be reproduced or copied, or used as the basis for the manufacture or sale of apparatus without permission.



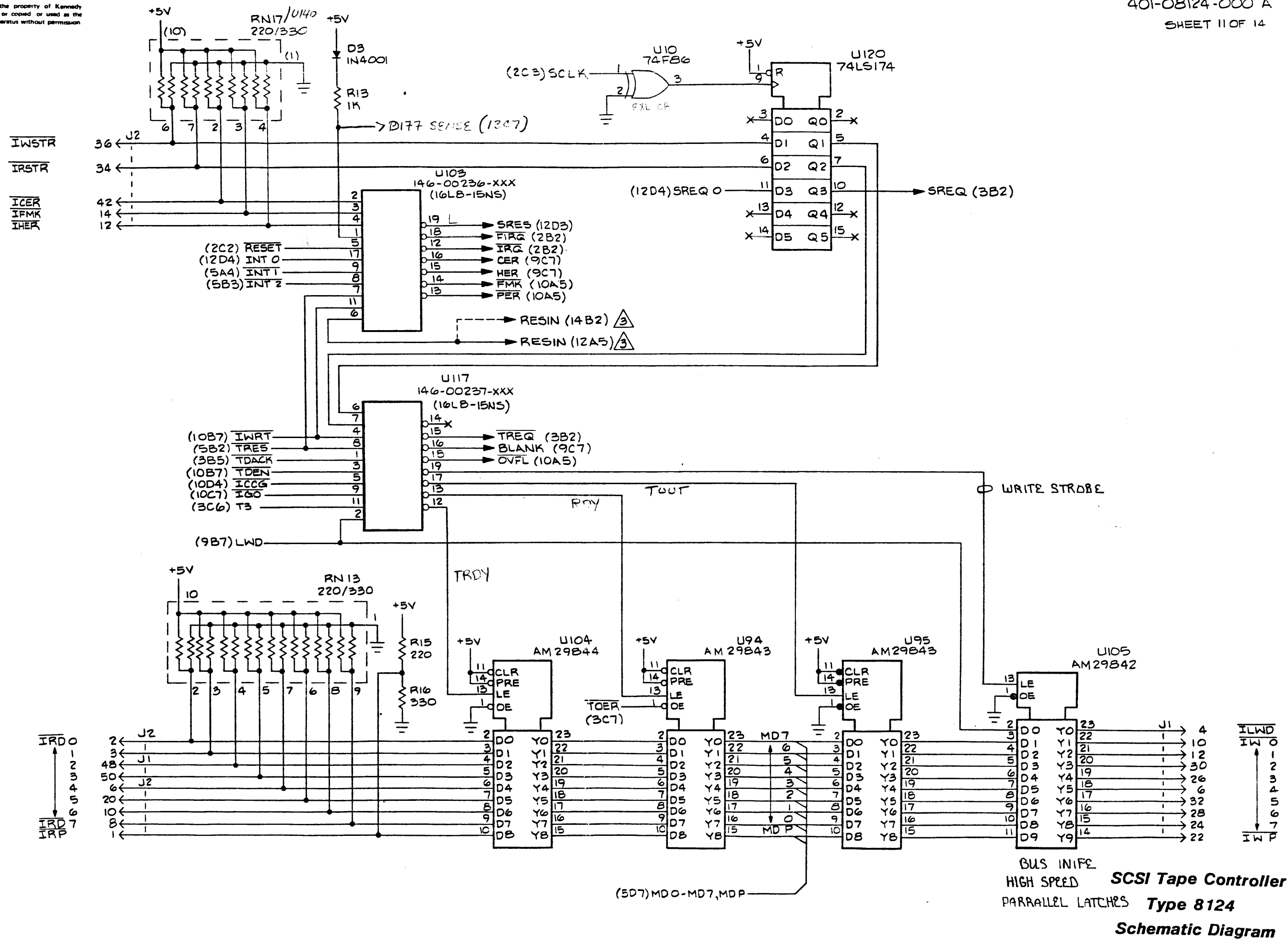
TAPE SINGLE
DRIVER & RECEIVER

SCSI Tape Controller
Type 8124
Schematic Diagram

REV	DESCRIPTION	REVISIONS
1	SEE SHEET ONE	
DATE & APPROVAL		
DRAWN	C. E.	9/67
CHECKED		
DESIGN		
ENGR		
APPR		
MODEL		
KENNEDY		
SCHEMATIC		
TAPES CONT		

These drawings and specifications are the property of Kennedy Company and shall not be reproduced, or copied or used as the basis for the manufacture or sale of apparatus without permission.

401-8124-000 11/14
401-08124-000 A
SHEET 11 OF 14



IWSTR
IRSTR
ICER
IFMK
IHER

(2C2) RESET
(12D4) INT 0
(5A4) INT 1
(5B3) INT 2

SRES (12D3)
FIRG (2B2)
IRQ (2B2)
CER (9C7)
HER (9C7)
FMK (10A5)
PER (10A5)

(10B7) IWRT
(5B2) TRES
(3B5) TDACK
(10B7) TDEN
(10D4) ICCG
(10C7) IGO
(3C6) T3

TREQ (3B2)
BLANK (9C7)
OVFL (10A5)

IRDO 1-2-3-4-5-6-7
IRP

ILWD 1-2-3-4-5-6-7
IWP

BUS INIFL
HIGH SPEED SCSI Tape Controller
PARALLEL LATCHES Type 8124
Schematic Diagram

REV	DESCRIPTION	REVISIONS
A	SEE SHEET ONE	
DATE & APPROVAL		
DRAWN	CHECKED	DESIGN
ENGR	APPR	MODEL
KENNEDY		
SCHEM, SC5I/PERT		
TAPE CONT		

These drawings and specifications are the property of Kennedy Company and shall not be reproduced, or copied, or used as the basis for the manufacture or sale of apparatus without permission.

401-8124-000 147
401-08124-000 G1
SHEET 12 OF 14

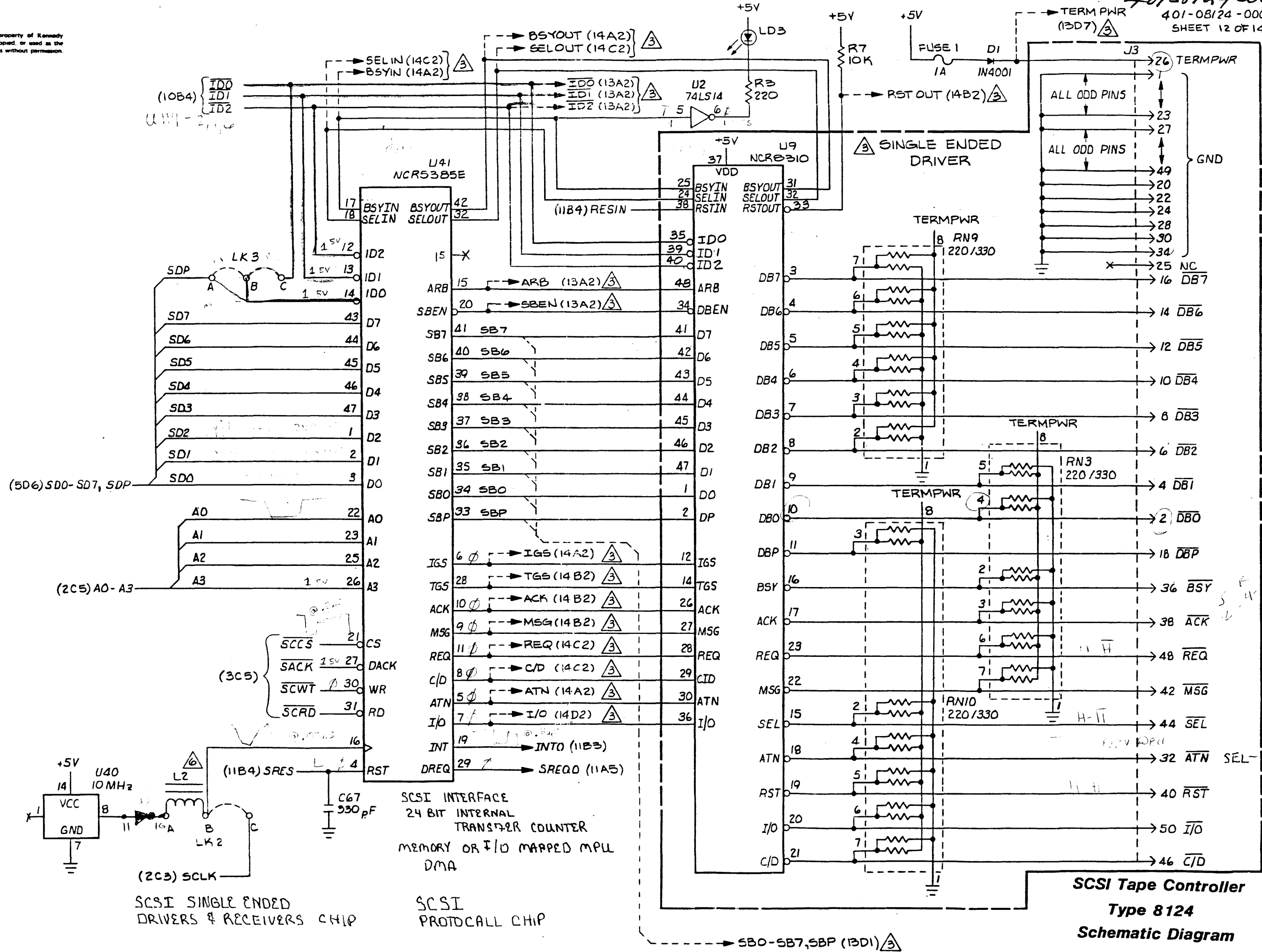
A

B

C

D

REV	DESCRIPTION	DATE & APPROVAL
1	SCHEM, SCSI/PERT	
2	SCHEM, SCSI/PERT	
3	SCHEM, SCSI/PERT	
4	SCHEM, SCSI/PERT	
5	SCHEM, SCSI/PERT	
6	SCHEM, SCSI/PERT	
7	SCHEM, SCSI/PERT	
8	SCHEM, SCSI/PERT	
9	SCHEM, SCSI/PERT	
10	SCHEM, SCSI/PERT	
11	SCHEM, SCSI/PERT	
12	SCHEM, SCSI/PERT	
13	SCHEM, SCSI/PERT	
14	SCHEM, SCSI/PERT	
15	SCHEM, SCSI/PERT	
16	SCHEM, SCSI/PERT	
17	SCHEM, SCSI/PERT	
18	SCHEM, SCSI/PERT	
19	SCHEM, SCSI/PERT	
20	SCHEM, SCSI/PERT	
21	SCHEM, SCSI/PERT	
22	SCHEM, SCSI/PERT	
23	SCHEM, SCSI/PERT	
24	SCHEM, SCSI/PERT	
25	SCHEM, SCSI/PERT	
26	SCHEM, SCSI/PERT	
27	SCHEM, SCSI/PERT	
28	SCHEM, SCSI/PERT	
29	SCHEM, SCSI/PERT	
30	SCHEM, SCSI/PERT	
31	SCHEM, SCSI/PERT	
32	SCHEM, SCSI/PERT	
33	SCHEM, SCSI/PERT	
34	SCHEM, SCSI/PERT	
35	SCHEM, SCSI/PERT	
36	SCHEM, SCSI/PERT	
37	SCHEM, SCSI/PERT	
38	SCHEM, SCSI/PERT	
39	SCHEM, SCSI/PERT	
40	SCHEM, SCSI/PERT	
41	SCHEM, SCSI/PERT	
42	SCHEM, SCSI/PERT	
43	SCHEM, SCSI/PERT	
44	SCHEM, SCSI/PERT	
45	SCHEM, SCSI/PERT	
46	SCHEM, SCSI/PERT	
47	SCHEM, SCSI/PERT	
48	SCHEM, SCSI/PERT	
49	SCHEM, SCSI/PERT	
50	SCHEM, SCSI/PERT	
51	SCHEM, SCSI/PERT	
52	SCHEM, SCSI/PERT	
53	SCHEM, SCSI/PERT	
54	SCHEM, SCSI/PERT	
55	SCHEM, SCSI/PERT	
56	SCHEM, SCSI/PERT	
57	SCHEM, SCSI/PERT	
58	SCHEM, SCSI/PERT	
59	SCHEM, SCSI/PERT	
60	SCHEM, SCSI/PERT	
61	SCHEM, SCSI/PERT	
62	SCHEM, SCSI/PERT	
63	SCHEM, SCSI/PERT	
64	SCHEM, SCSI/PERT	
65	SCHEM, SCSI/PERT	
66	SCHEM, SCSI/PERT	
67	SCHEM, SCSI/PERT	
68	SCHEM, SCSI/PERT	
69	SCHEM, SCSI/PERT	
70	SCHEM, SCSI/PERT	
71	SCHEM, SCSI/PERT	
72	SCHEM, SCSI/PERT	
73	SCHEM, SCSI/PERT	
74	SCHEM, SCSI/PERT	
75	SCHEM, SCSI/PERT	
76	SCHEM, SCSI/PERT	
77	SCHEM, SCSI/PERT	
78	SCHEM, SCSI/PERT	
79	SCHEM, SCSI/PERT	
80	SCHEM, SCSI/PERT	
81	SCHEM, SCSI/PERT	
82	SCHEM, SCSI/PERT	
83	SCHEM, SCSI/PERT	
84	SCHEM, SCSI/PERT	
85	SCHEM, SCSI/PERT	
86	SCHEM, SCSI/PERT	
87	SCHEM, SCSI/PERT	
88	SCHEM, SCSI/PERT	
89	SCHEM, SCSI/PERT	
90	SCHEM, SCSI/PERT	
91	SCHEM, SCSI/PERT	
92	SCHEM, SCSI/PERT	
93	SCHEM, SCSI/PERT	
94	SCHEM, SC	
95	SCHEM, SCSI/PERT	
96	SCHEM, SCSI/PERT	
97	SCHEM, SCSI/PERT	
98	SCHEM, SCSI/PERT	
99	SCHEM, SCSI/PERT	
100	SCHEM, SCSI/PERT	



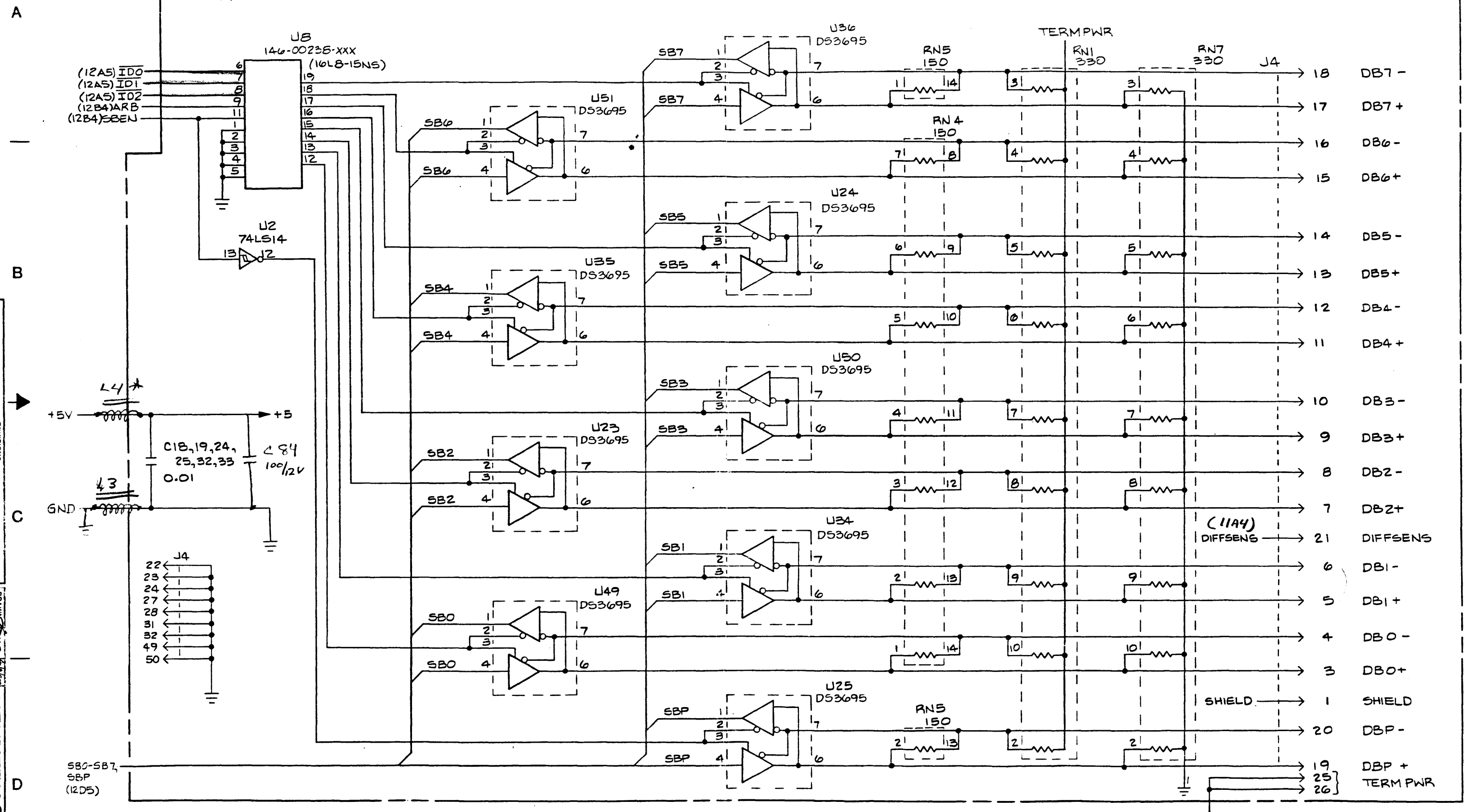
SCSI INTERFACE
24 BIT INTERNAL
TRANSFER COUNTER
MEMORY OR I/O MAPPED MPU
DMA

SCSI
PROTOCOL CHIP

SCSI SINGLE ENDED
DRIVERS & RECEIVERS CHIP

SCSI Tape Controller
Type 8124
Schematic Diagram

DIFFERENTIAL DRIVER & RECEIVERS



REV	DESCRIPTION	DATE & APPROVAL
1	SEE SHEET 13 OF 14	

REV	DESCRIPTION	DATE & APPROVAL
1	SCHEMATIC	
2	TAPE CONT	

(12A7) TERM PWR
**SCSI Tape Controller
Type 8124
Schematic Diagram**