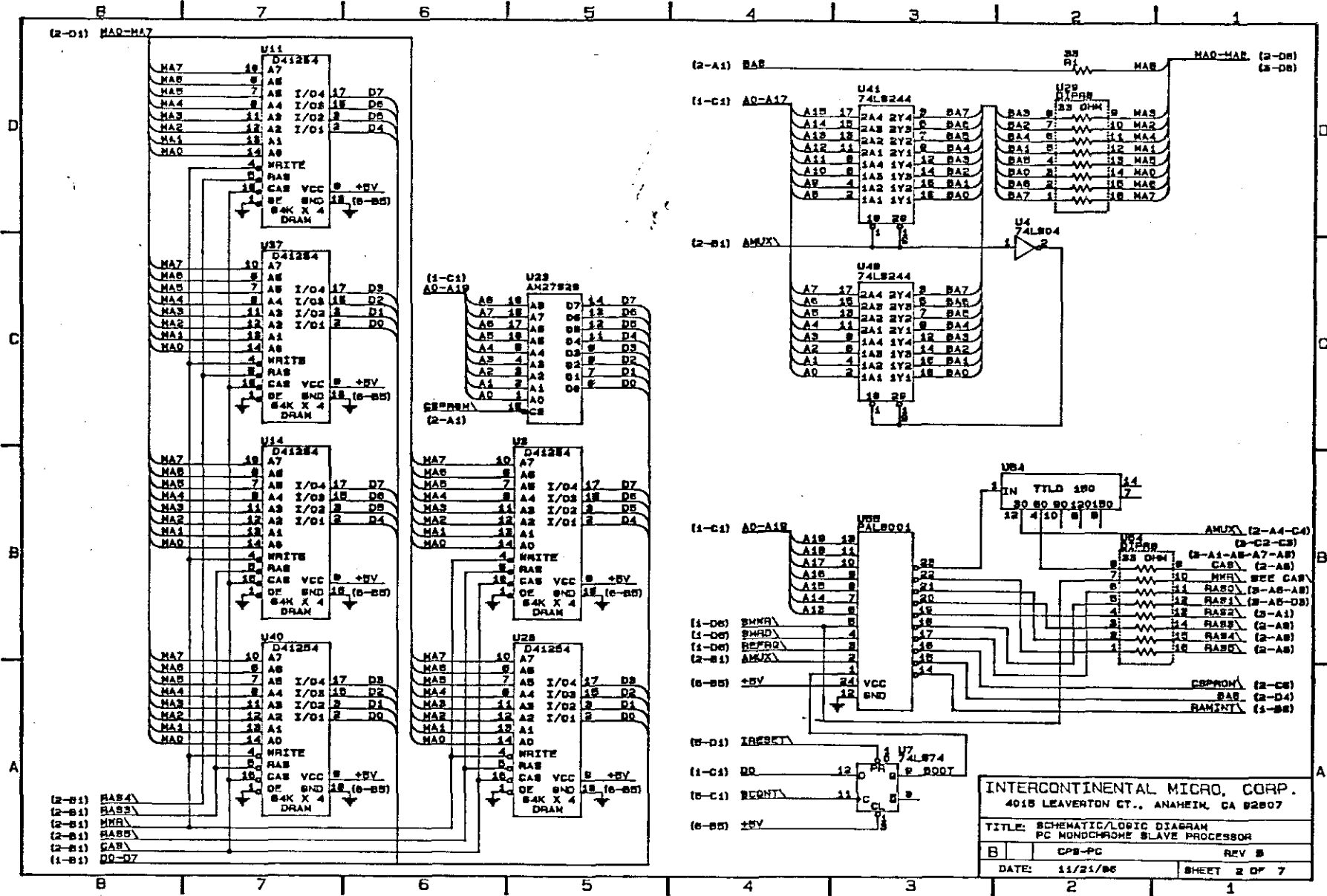


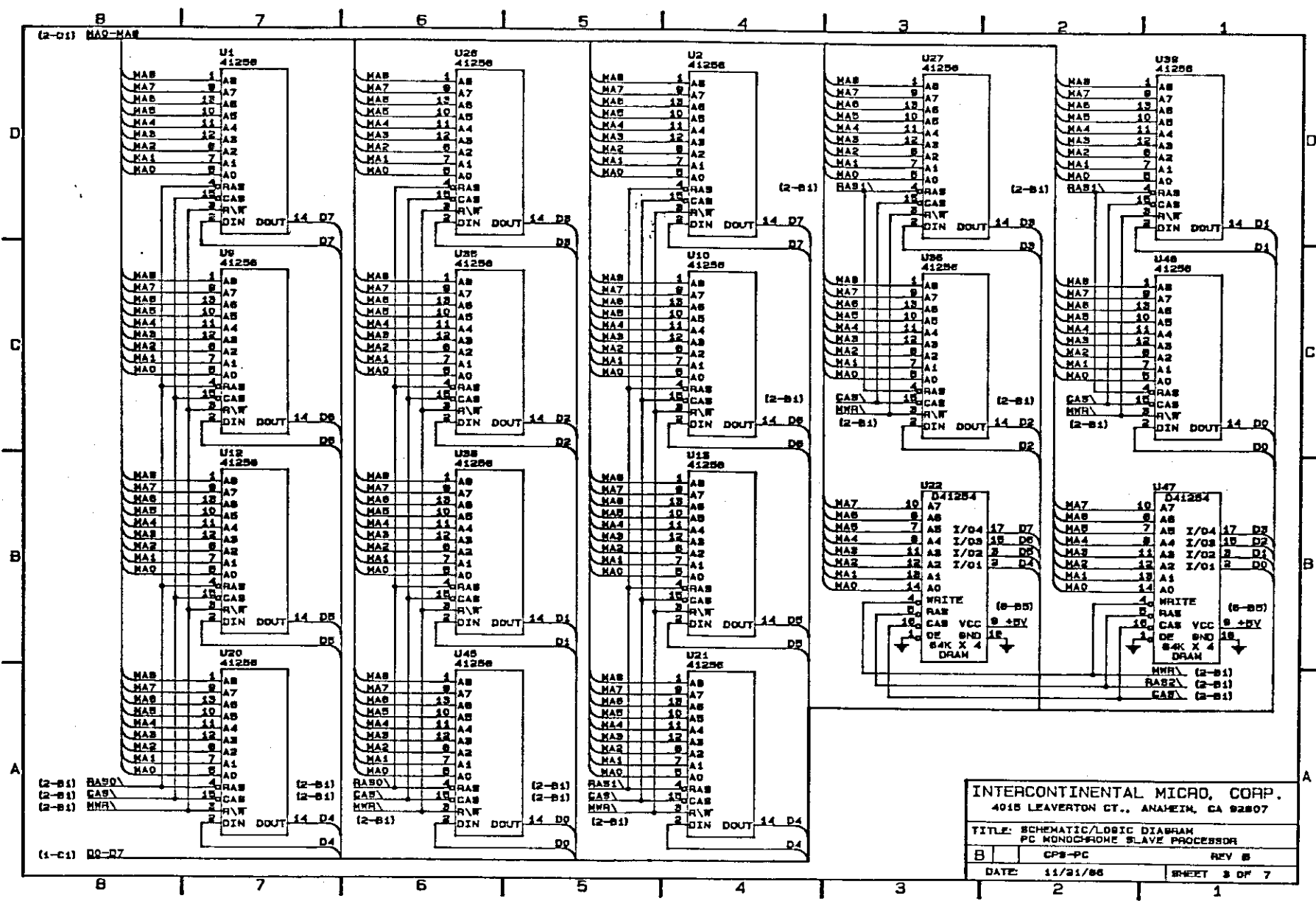
INTERCONTINENTAL MICRO, CORP.  
 4035 LEAVERTON ST., ANAHEIM, CA 92807

TITLE: SCHEMATIC/LOGIC DIAGRAM  
 PC MONOCHROME SLAVE PROCESSOR

B	CPS-PC	REV B
DATE: 11/21/86		SHEET 1 OF 7



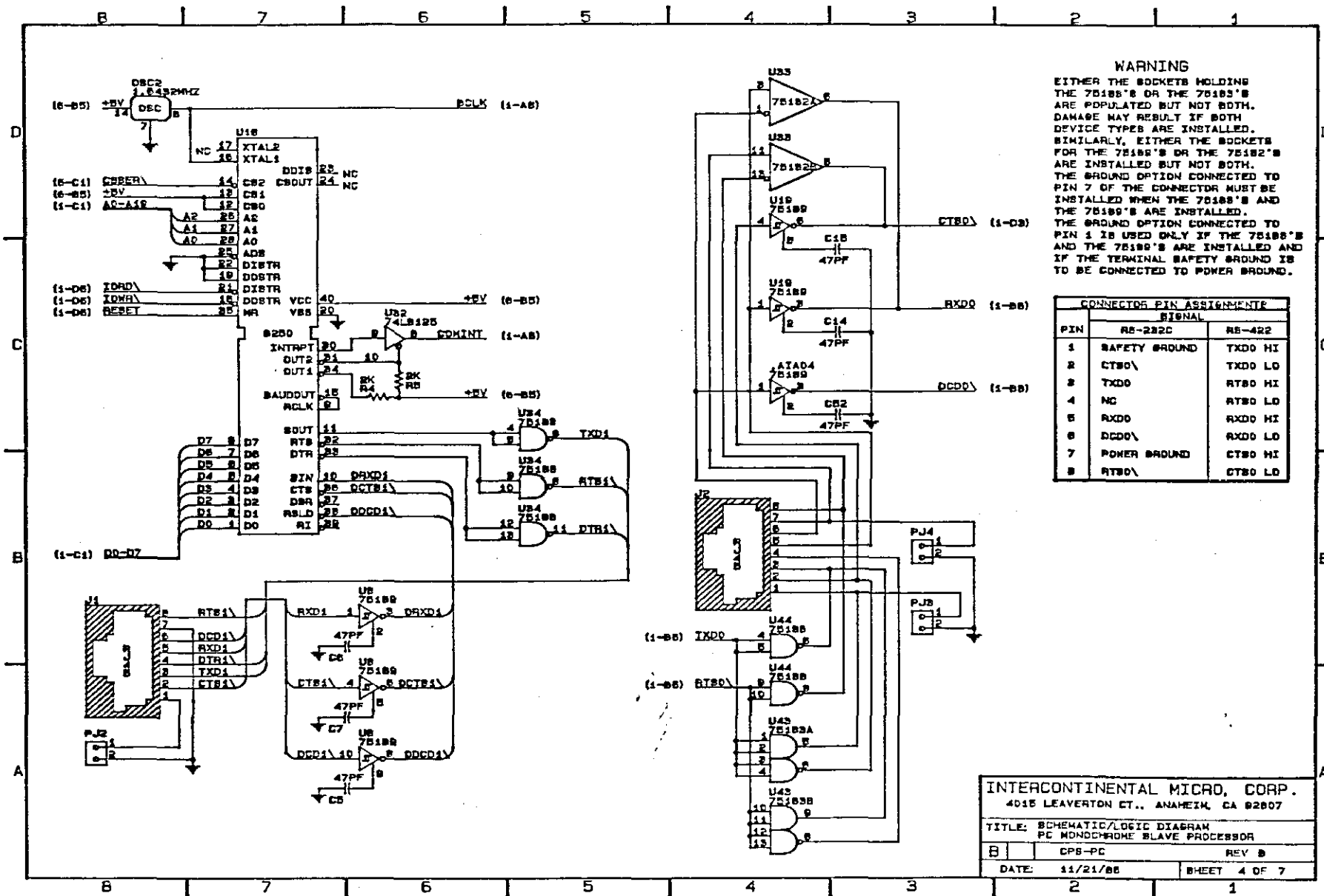
INTERCONTINENTAL MICRO, CORP.  
 4015 LEAVERTON CT., ANAHEIM, CA 92807  
 TITLE: SCHEMATIC/LOGIC DIAGRAM  
 PC MONOCHROME SLAVE PROCESSOR  
 B CPS-PC REV B  
 DATE: 11/21/86 SHEET 2 OF 7

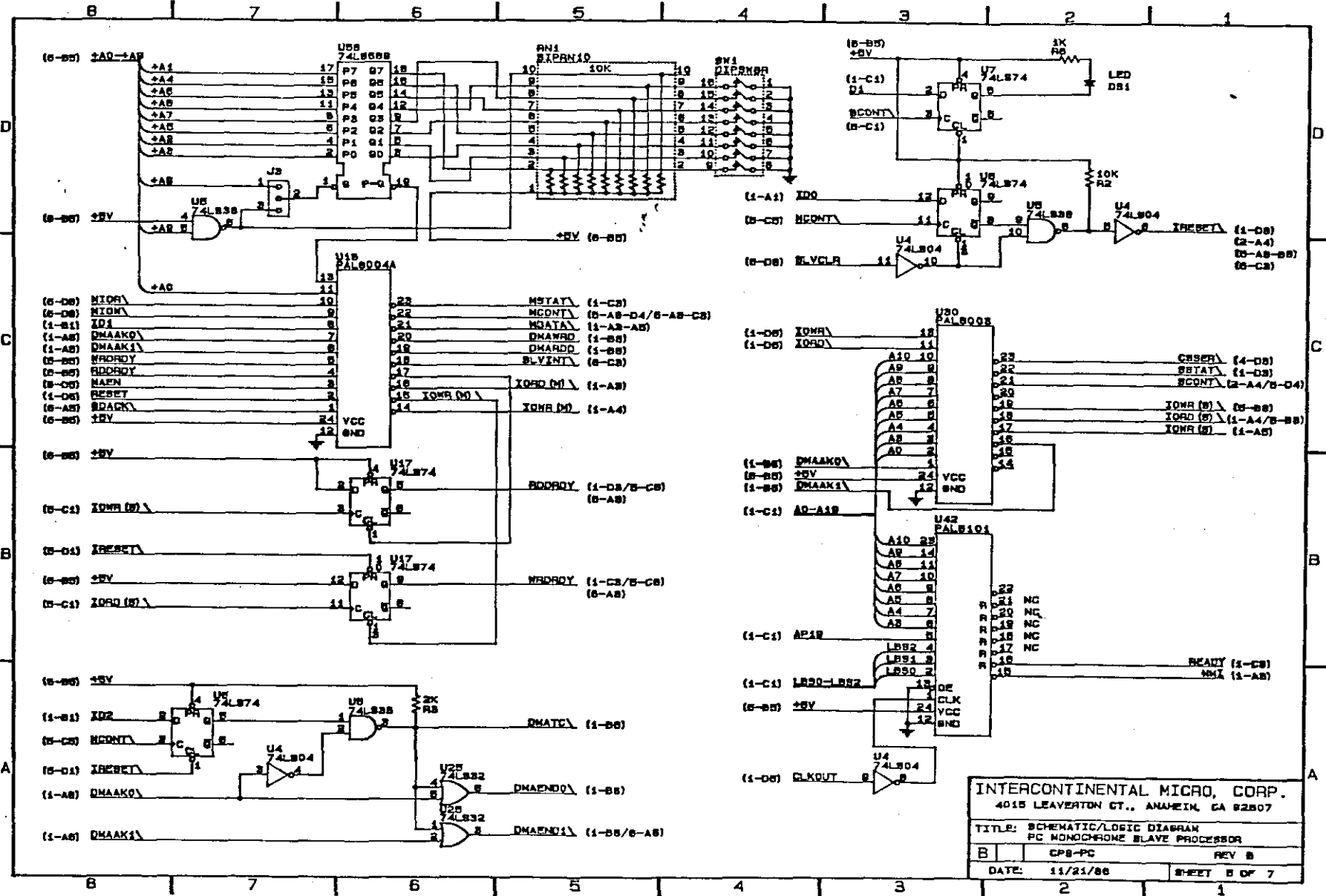


INTERCONTINENTAL MICRO, CORP.  
 4015 LEAVERTON CT., ANAHEIM, CA 92807

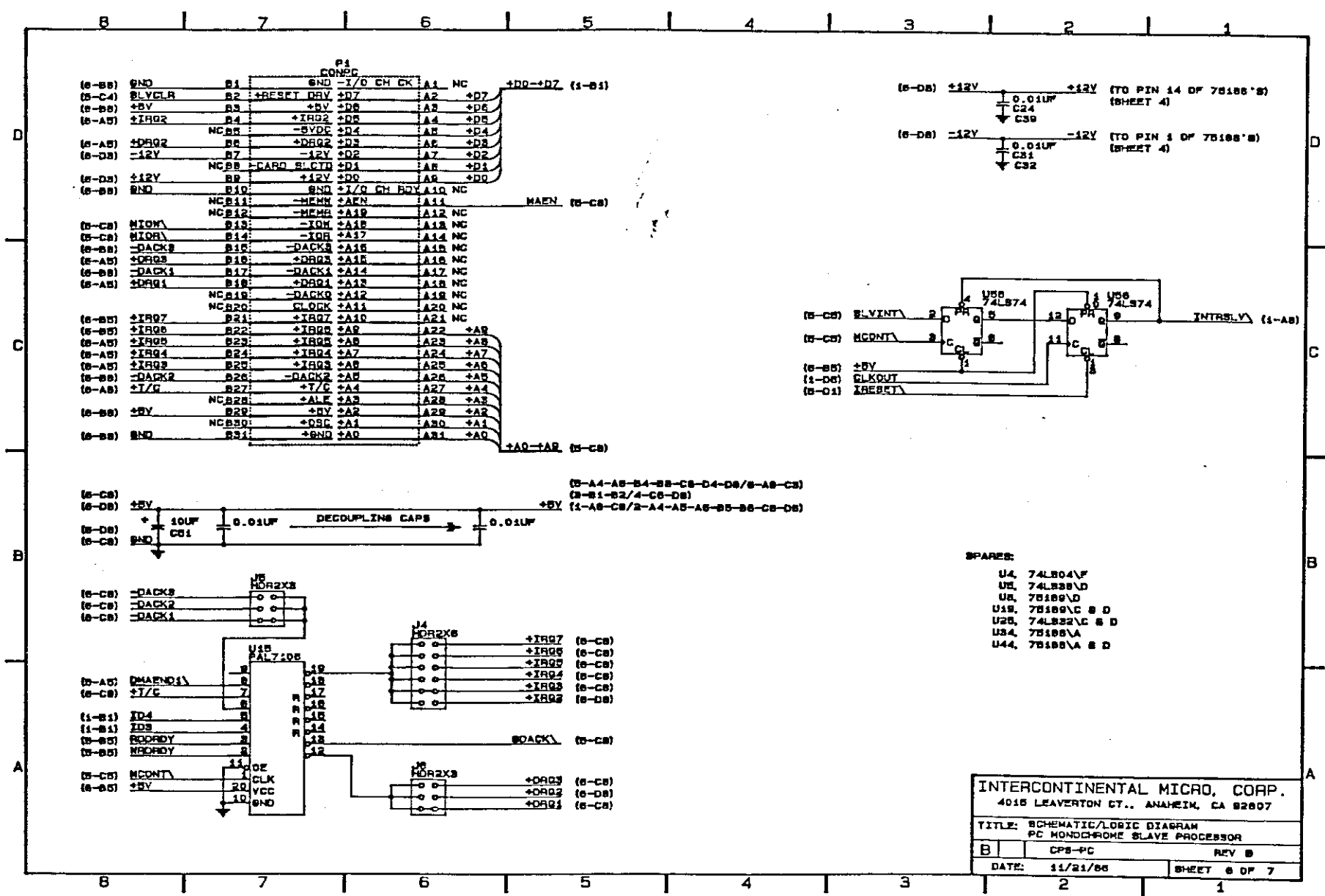
TITLE: SCHEMATIC/LOGIC DIAGRAM  
 PC MONOCHROME SLAVE PROCESSOR

B	CPS-PC	REV B
DATE:	11/21/86	SHEET 3 OF 7





INTERCONTINENTAL MICRO, CORP.  
 4015 LEAVERTON CT., ANAHEIM, CA 92807  
 TITLE: SCHEMATIC/LOGIC DIAGRAM  
 PC MONOCHROME SLAVE PROCESSOR  
 B | | CPS-PC | | REV B  
 DATE: 11/21/86 | SHEET 6 OF 7

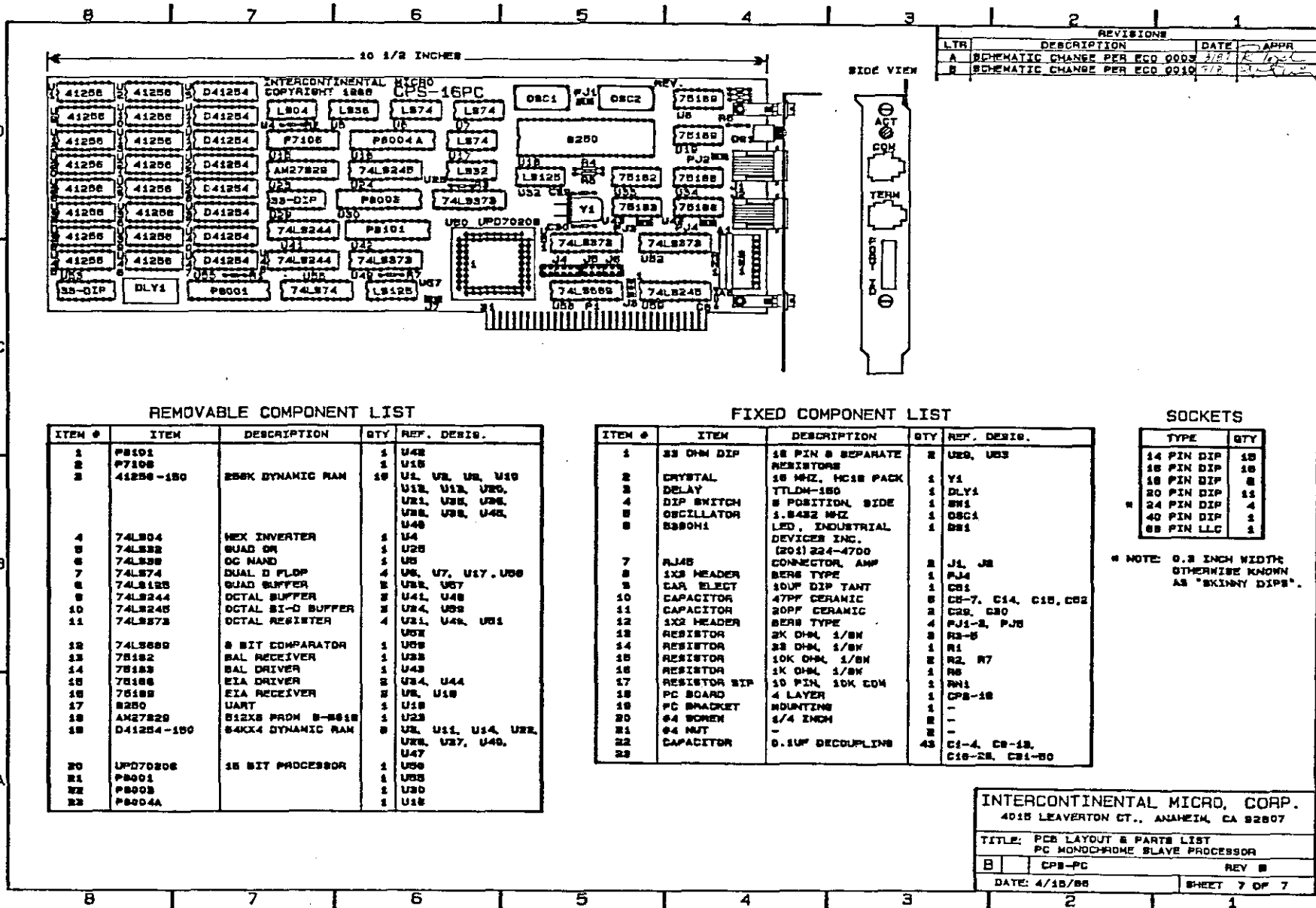


INTERCONTINENTAL MICRO, CORP.  
4015 LEAVERTON CT., ANAHEIM, CA 92807

TITLE: SCHEMATIC/LOGIC DIAGRAM  
PC MONOCHROME SLAVE PROCESSOR

B CPS-PC REV B

DATE: 11/21/86 SHEET 6 OF 7



**REMOVABLE COMPONENT LIST**

ITEM #	ITEM	DESCRIPTION	QTY	REF. DESIG.
1	P8101		1	U42
2	P7108		1	U15
3	41256-150	256K DYNAMIC RAM	10	U1, U2, U3, U10
				U12, U17, U20,
				U21, U22, U26,
				U28, U29, U40,
				U48
4	74LS04	HEX INVERTER	1	U4
5	74LS22	SQUAD OR	1	U20
6	74LS28	OC NAND	1	U5
7	74LS74	DUAL D FLOP	4	U6, U7, U17, U20
8	74LS125	SQUAD BUFFER	2	U22, U27
9	74LS244	OCTAL BUFFER	2	U41, U48
10	74LS245	OCTAL BI-D BUFFER	2	U24, U25
11	74LS273	OCTAL REGISTER	4	U21, U44, U21
				U22
12	74LS88D	8 BIT COMPARATOR	1	U29
13	78182	SAL RECEIVER	1	U23
14	78183	SAL DRIVER	1	U43
15	78186	EIA DRIVER	2	U24, U44
16	78188	EIA RECEIVER	2	U26, U19
17	8250	UART	1	U18
18	AM27829	812X8 PROM 8-8618	1	U23
19	D41254-150	84KX4 DYNAMIC RAM	8	U2, U11, U14, U22,
				U23, U27, U40,
				U47
20	UPD70208	16 BIT PROCESSOR	1	U20
21	P8001		1	U20
22	P8002		1	U20
23	P8004A		1	U18

**FIXED COMPONENT LIST**

ITEM #	ITEM	DESCRIPTION	QTY	REF. DESIG.
1	33 OHM DIP	16 PIN & SEPARATE RESISTORS	2	U20, U23
2	CRYSTAL	16 MHZ, HC18 PACK	1	Y1
3	DELAY	TTLDM-150	1	DLY1
4	DIP SWITCH	8 POSITION, SIDE	1	SW1
5	OSCILLATOR	1.8432 MHZ	1	OSC1
6	8280H1	LED, INDUSTRIAL DEVICES INC. (201) 224-4700	1	DS1
7	PJ45	CONNECTOR, AMP	2	J1, J2
8	1X2 HEADER	8ERS TYPE	1	PJ4
9	CAR ELECT	10UF DIP TANT	1	CS1
10	CAPACITOR	47PF CERAMIC	5	CS-7, C14, C15, CS2
11	CAPACITOR	20PF CERAMIC	2	C20, C20
12	1X2 HEADER	8ERS TYPE	4	PJ1-3, PJ5
13	RESISTOR	2K OHM, 1/8W	2	R2-5
14	RESISTOR	22 OHM, 1/8W	1	R1
15	RESISTOR	10K OHM, 1/8W	2	R2, R7
16	RESISTOR	1K OHM, 1/8W	1	R6
17	RESISTOR SIP	10 PIN, 10K OHM	1	RW1
18	PC BOARD	4 LAYER	1	CPE-16
19	PC BRACKET	10MOUNTING	1	-
20	64 SOREX	1/4 INCH	2	-
21	64 MNT	-	2	-
22	CAPACITOR	0.1UF DECOUPLING	43	C1-4, C2-12, C16-22, C21-20

**SOCKETS**

TYPE	QTY
14 PIN DIP	10
16 PIN DIP	10
18 PIN DIP	2
20 PIN DIP	13
24 PIN DIP	4
40 PIN DIP	1
68 PIN LLC	1

\* NOTE: 0.2 INCH WIDTH OTHERWISE KNOWN AS "SKINNY DIPS".

**INTERCONTINENTAL MICRO, CORP.**  
4015 LEAVERTON CT., ANAHEIM, CA 92807

TITLE: PCB LAYOUT & PARTS LIST  
PC MONOCHROME SLAVE PROCESSOR

**B** CPE-PC REV B

DATE: 4/15/88 SHEET 7 OF 7



# ENGINEERING CHANGE ORDER

ECO NO. 0014

SHEET 1 OF \_\_\_ SHEETS

DOCUMENT TITLE:  
*SCHEMATIC LOGIC DIAGRAM*  
~~CP-PC~~ CPS-PC

DOCUMENT NO.:

7000201

REVISION FROM: TO: SIZE  
B | C | B

## REASON FOR ENGINEERING CHANGE ORDER

DRAFTING ERROR	REDESIGN	EXPLANATION: TO COMPLY WITH MOST COMMONLY USED CONFIGURATION
DESIGN ERROR	VENDOR REQUEST	
CUSTOMER REQUEST	OTHER (EXPLAIN) <input checked="" type="checkbox"/>	

NEXT ASSEMBLY DOC. NO.

TOP ASSEMBLY DOC. NO.

OTHER DWGS

## ACTION REQUIRED BY PRODUCTION CONTROL

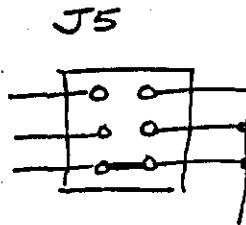
## APPROVALS

EFFECTIVITY OF CHANGE	DISPOSITION OF PARTS/SOFTWARE					
AT ONCE WITH NECESSARY PROD. DELAY <input checked="" type="checkbox"/>	PARTS IN PROCESS		PARTS IN STOCK		PARTS IN NEXT ASSY.	
AS SOON AS POSSIBLE -- NO PROD. DELAY	USE AS IS	USE AS IS	USE AS IS	USE AS IS	USE AS IS	USE AS IS
RETROFIT	REWORK <input checked="" type="checkbox"/>	REWORK <input checked="" type="checkbox"/>	REWORK <input checked="" type="checkbox"/>	REWORK <input checked="" type="checkbox"/>	REWORK <input checked="" type="checkbox"/>	REWORK <input checked="" type="checkbox"/>
NEXT PRODUCTION RUN	SCRAP	SCRAP	SCRAP	SCRAP	SCRAP	SCRAP
UPON DEPLETION OF EXISTING PARTS	SEE NOTE	SEE NOTE	SEE NOTE	SEE NOTE	SEE NOTE	SEE NOTE
NO EFFECT ON PRODUCTION	NOTES:					
SERIAL NO. EFFECTIVITY						
INSTRUCTIONAL MANUAL TO BE CHANGED? YES <input type="checkbox"/> NO <input checked="" type="checkbox"/>						

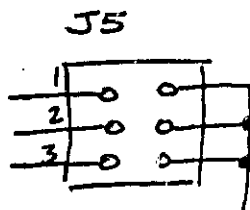
ORIGINATOR <i>R. B. A.</i>	DATE 11/18/87
DRAFTING	DATE
MFG. MGR.	DATE
MFG. ENGR.	DATE
PROJ. ENGR.	DATE
DEPT.	
QC ENGR.	DATE
ENGR. MGR.	DATE
COORDINATE WITH ECO'S	

DEPT. DISTRIBUTION: ENGINEERING  
MANUFACTURING  
OPERATIONS

## CHANGE DESCRIPTION:

~~Sheet 6~~ ZONE B7  
WAS:

IS:

Shunt Jumper  
3

INCORPORATED BY:

DATE:





**ICM**

# ENGINEERING CHANGE ORDER

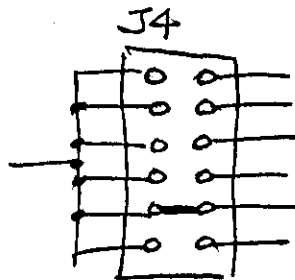
ECO NO. 0014

CURRENT  
REVISION

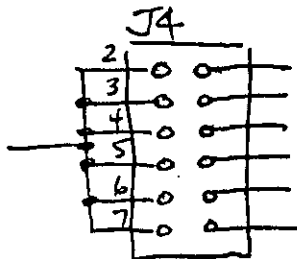
SHEET 2 OF 2

## CHANGE DESCRIPTION CONTINUED:

Sheet 6 WAS:  
Zone Ab

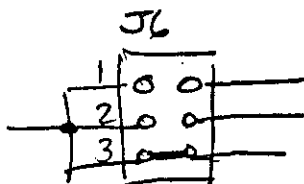


IS:

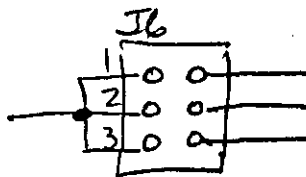


Shunt Jumper  
7

Sheet 6 WAS:  
Zone Ab



IS:



Shunt Jumper  
3