

# intellec<sup>®</sup> MDS

## Reference Schematic Drawings

© Intel Corporation 1975



SECTION 1

MODULES

4000282 - OUTLINE DRAWING

1000292 } - 16K x 8/450 RAM  
2000614 }

1000305 } - MOTHERBOARD  
2000307 }

1000340 } - CPU  
2000342 }

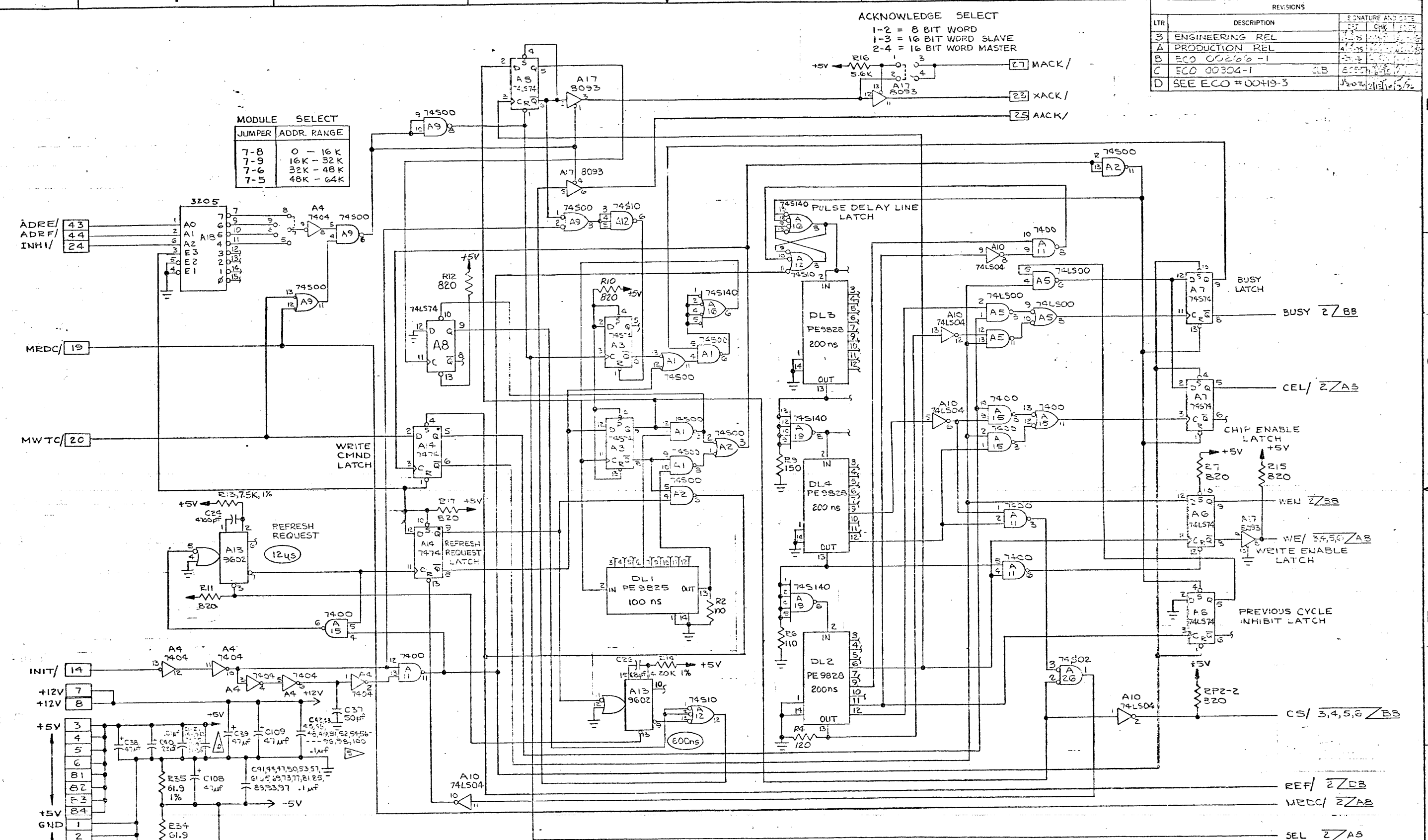
1000343 } - FRONT PANEL CONTROL  
2000345 }

1000351 } - MONITOR  
2000353 }





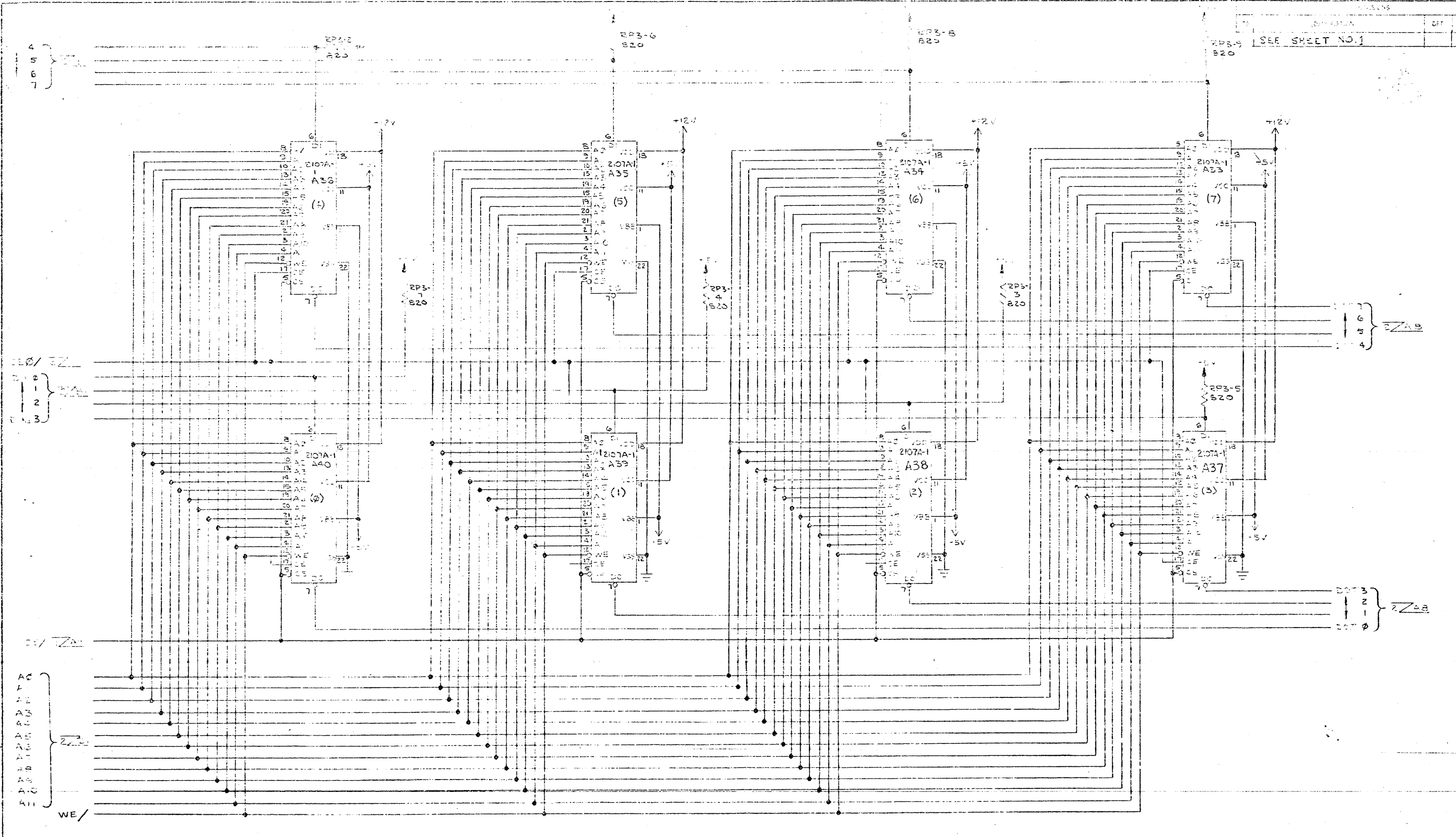
REVISIONS		SIGNATURE AND DATE	
LTR	DESCRIPTION	DES	CHK
3	ENGINEERING REL		
A	PRODUCTION REL		
B	ECO 00200-1		
C	ECO 00304-1	CLB	6-25-76
D	SEE ECO #00419-3		8-20-76



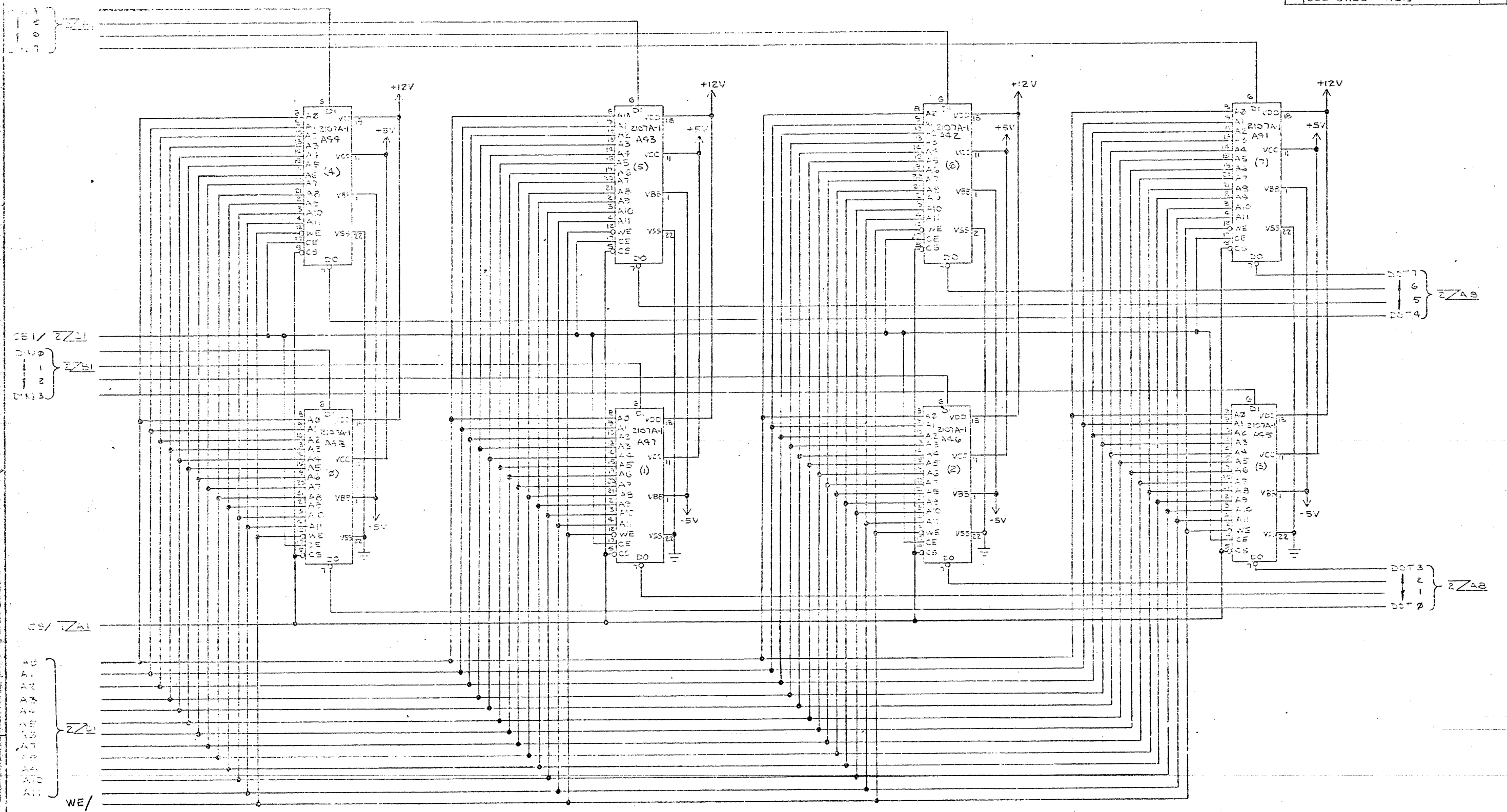
- NOTES: UNLESS OTHERWISE SPECIFIED
1. NETWORK REV LTR IS "D".
  2. RESISTANCE IS IN OHMS, 1/4W, 5%.
  3. CAPACITANCE IS IN MICRO-FARADS.
  4. TRANSISTORS ARE 2N4209
  5. CS6-96 EVEN NO ONLY COMM BETWEEN +12 & GND
  6. CS5,59,63,67,71,75,79,83,87,91,95,99, 101-107 ARE .1μf
  7. SYMBOL INDICATES UNUSED PIN
  8. SYMBOL INDICATES JUMPER

SPARES			REF	
TYPE	QTY	REF DES	LAST USED	NOT USED
3404	1	A30	A64	R1, R3, R5, R8
74LS74	1	A8	R35	
3210	2	A23	Q4	C108
			J2	

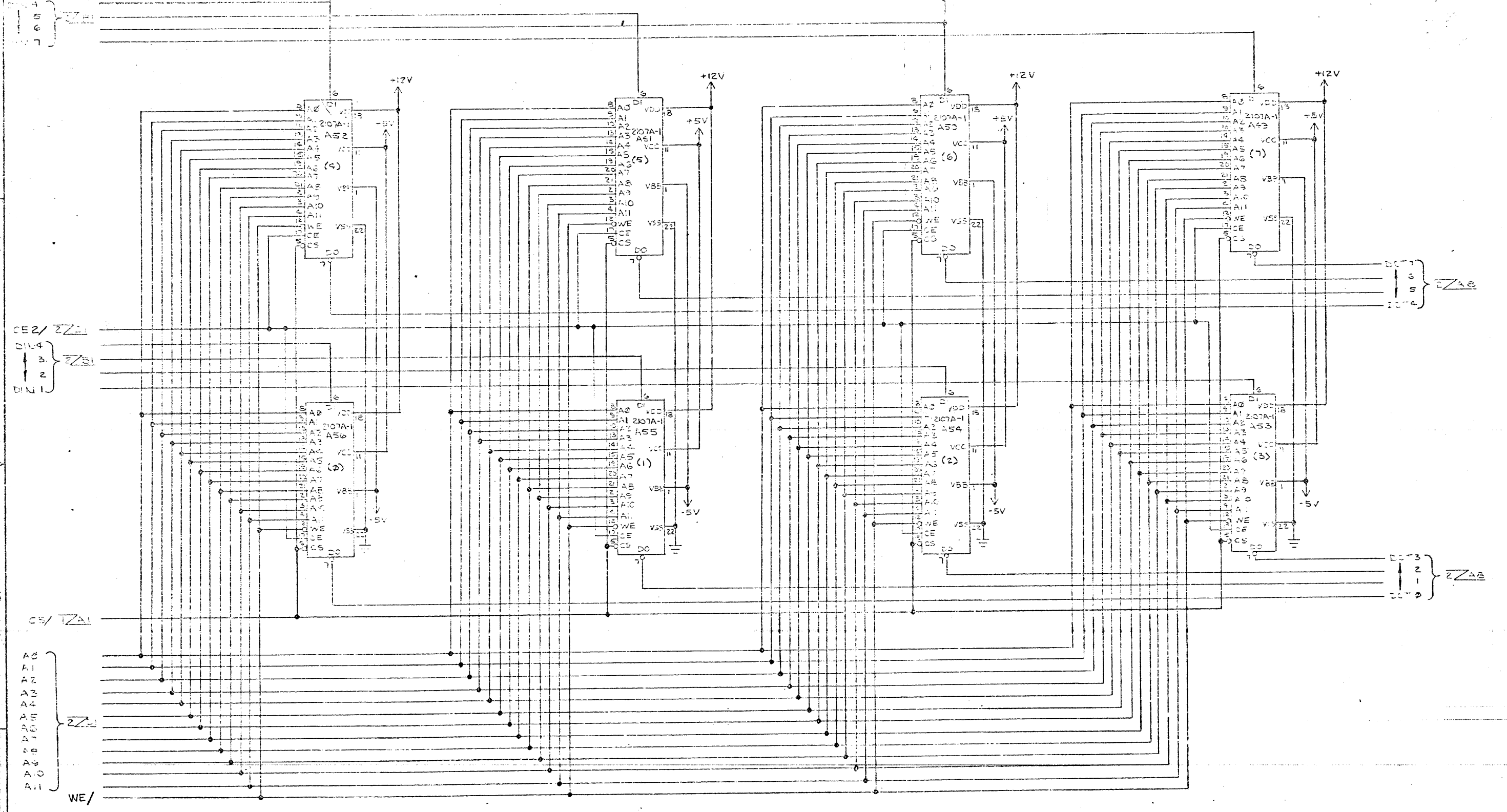
QUANTITY PER DASH NO.		ITEM NO.	PART NUMBER	DESCRIPTION
SCALE:	TOL:	SIGNATURE		DATE
2 PLC	3 PLC	DEF BY		
ANGLE		CHK BY		
		APPD		
MATERIAL:	FINISH:		AUTH BY	
			CODE	
1000292	M03 600	NEXT ASSY		USED ON
PARTS LIST		intel		
TITLE		3055 BOWERS AVE. SANTA CLARA CALIF. 95051		
SCHEMATIC		16K x 3,450 RAM		
D 410		2000294		



PANEL # 0



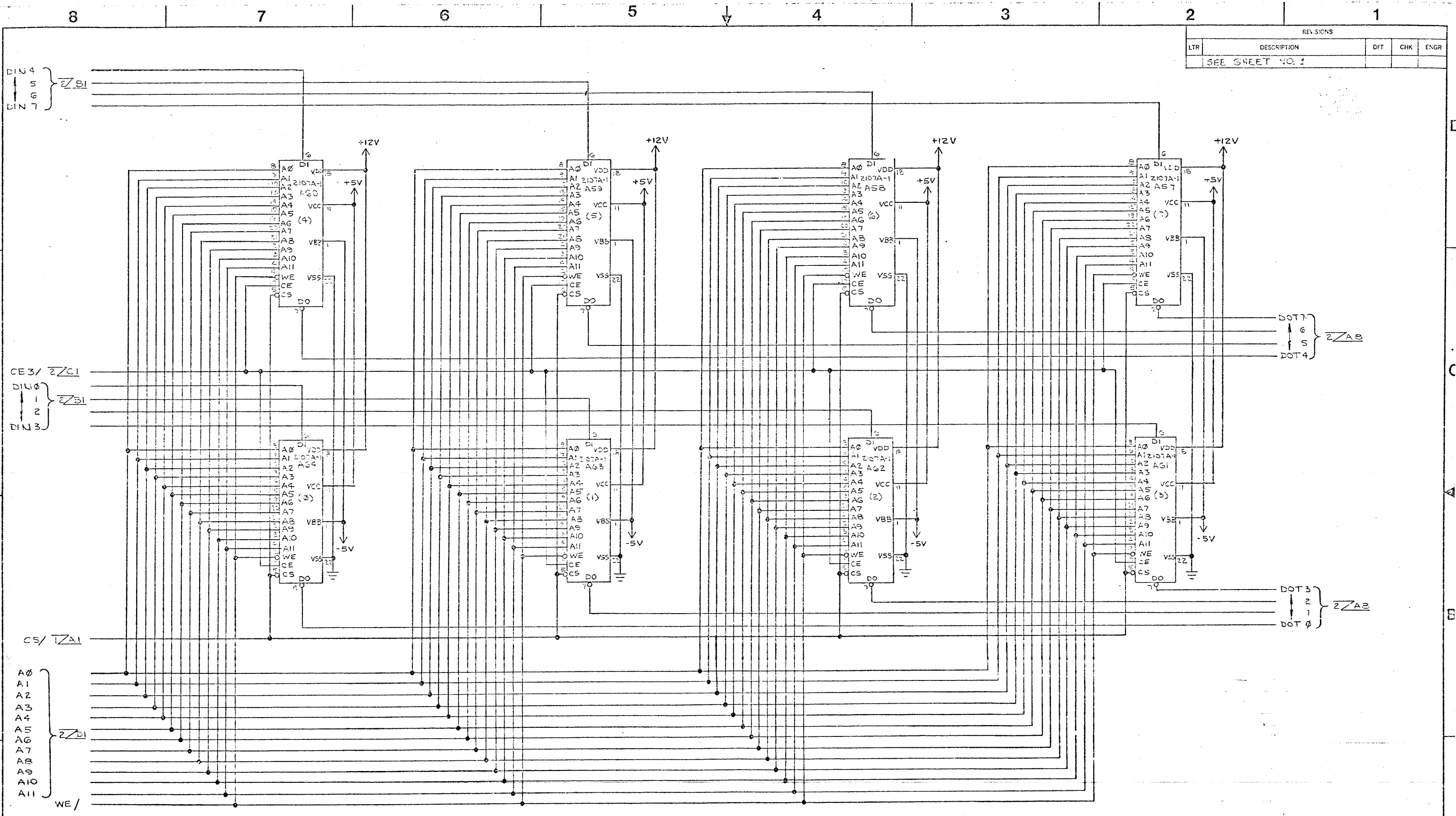
BANK # 1



BACK #2

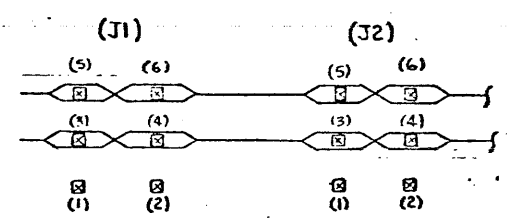
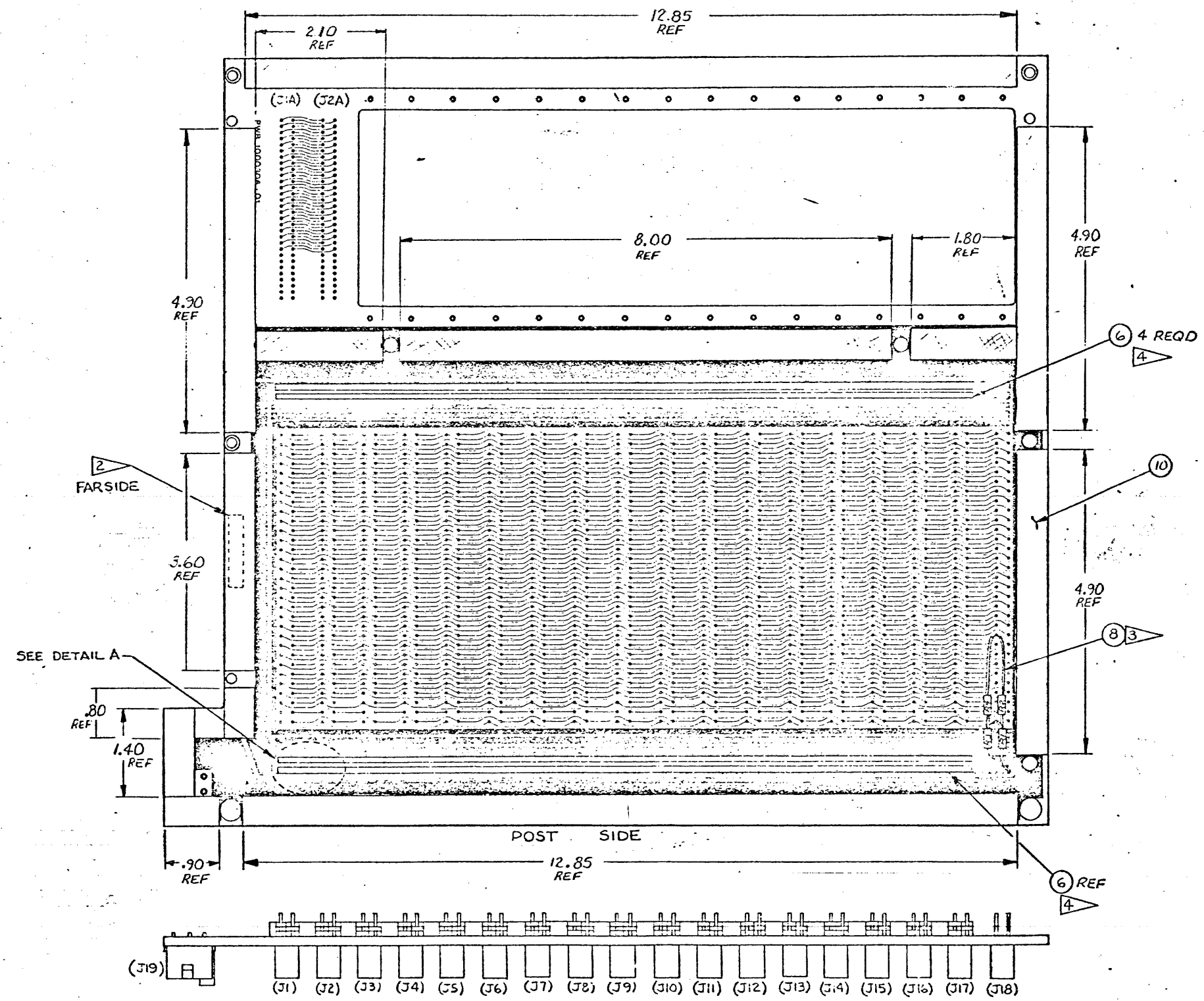


REVISIONS				
LTR	DESCRIPTION	DFT	CHK	ENGR
	SEE SHEET NO. 1			



BANK #3

REVISIONS	
NO.	DESCRIPTION
1	ENGINEERING REL
2	ENG REL ECO 255



**DETAIL A**  
SCALE 4:1  
INSTALL ON PIN 3 OF J1 THRU J17.  
INSTALL ON PIN 6 OF J1 THRU J17.  
INSTALL ON PIN 81 OF J1 THRU J17.  
INSTALL ON PIN 84 OF J1 THRU J17.

NOTE: UNLESS OTHERWISE SPECIFIED  
 1. ASSY NO. IS 1000305-01  
 2. MARK ASSY NO. IN POSITION SHOWN USING .12 HIGH WHT CHARACTERS.  
 3. SLEEVE RESISTOR LEADS.  
 4. AFTER INSTALLING BUS BARS AS SHOWN TACK SOLDER BAR IN PLACE.

	FROM	TO
R1	J18-2	J18-13
R2	J18-2	J18-31
R3	J18-5	J18-13
R4	J18-5	J18-31

QTY	ITEM NO.	PART NUMBER	DESCRIPTION
11	10	90-039	TAPE, SCOTCH #27 ELEC TAPE .50 WIDE
5	8	80-011	SLEEVING 3/32 WHT
4	6	82-023	BUS BAR
2	4	58-016	RESISTOR COMP 330Ω 1/4W 5% R1, R2
2	3	58-011	RESISTOR COMP 220Ω 1/4W 5% R3, R4
REF	2	2000307	SCHEMATIC
1	1	1000306-01	PRINTED WIRING BOARD
01			

SCALE: 1:1	SIGNATURE: L.R. FRESE	DATE: 1/4/75	3005 BOWERS AVE. SANTA CLARA CALIF. 95051
TOL: 2 PLC 3 PLC ANGLE	CHK BY:	DATE:	
MATERIAL:	DRY APPR:	DATE:	<b>PRINTED WIRING ASSEMBLY MOTHER BOARD</b>
FINISH:	ENG APPR:	DATE:	
4000320 INT MDS	CODE:	SHEET 1 OF 2	D 410 E1000305 2

8

7

6

5

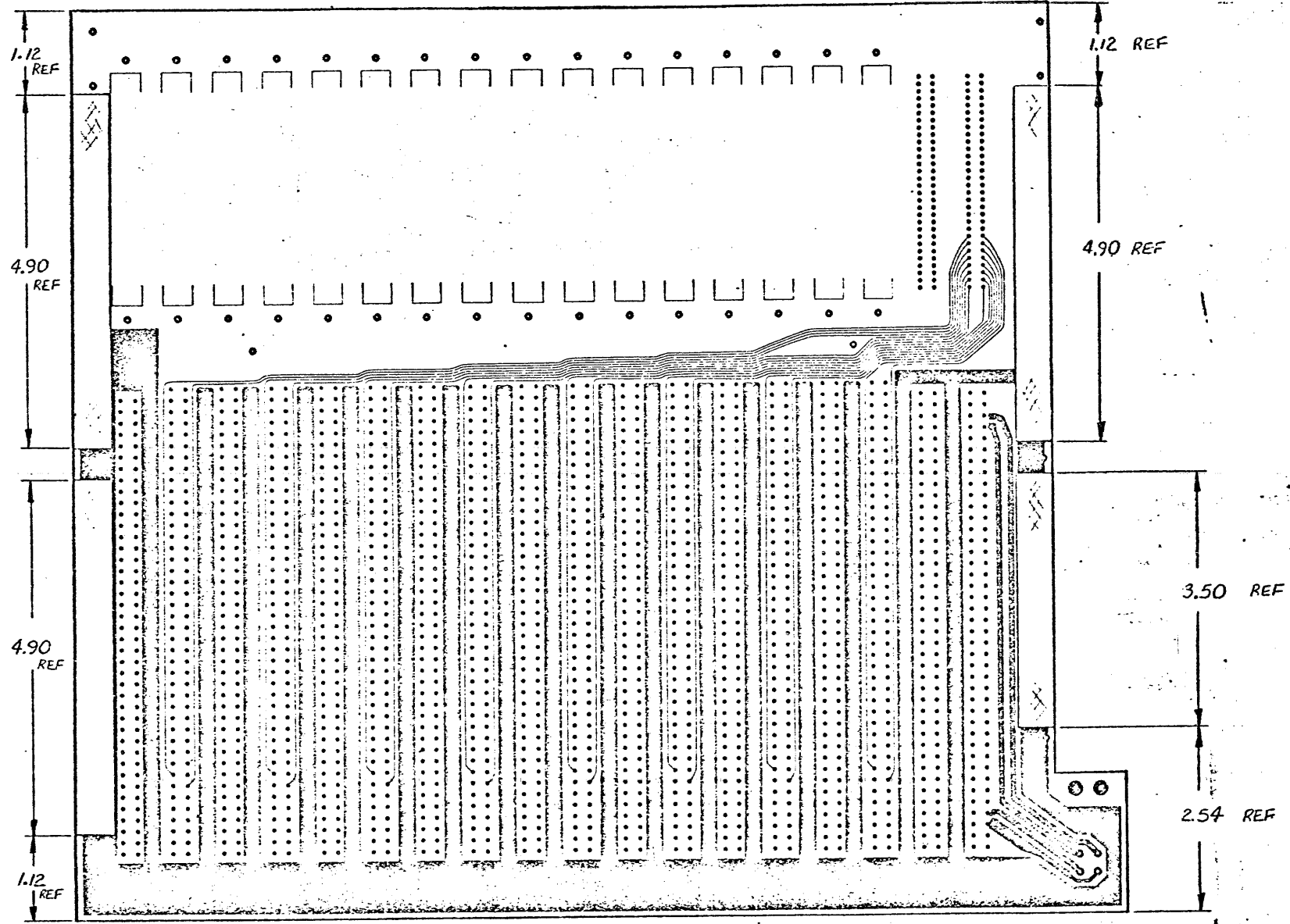
4

3

2

1

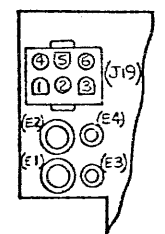
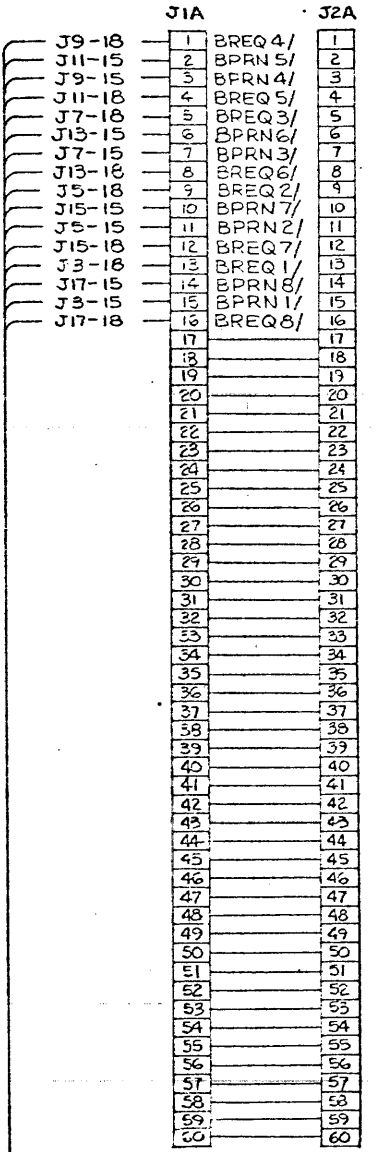
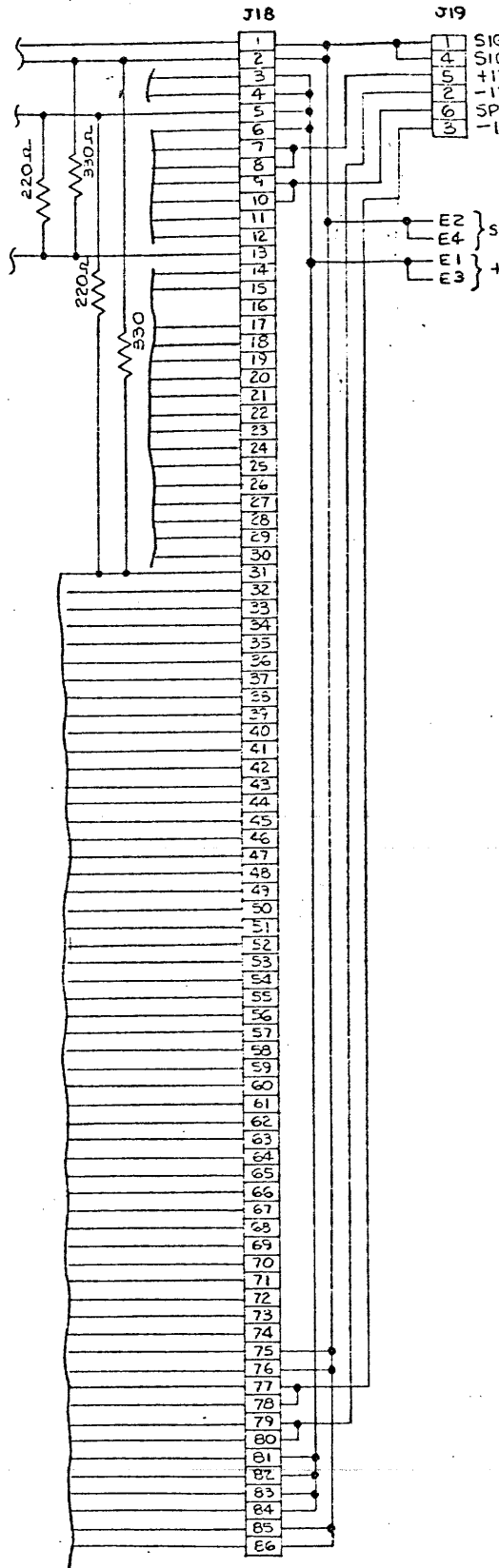
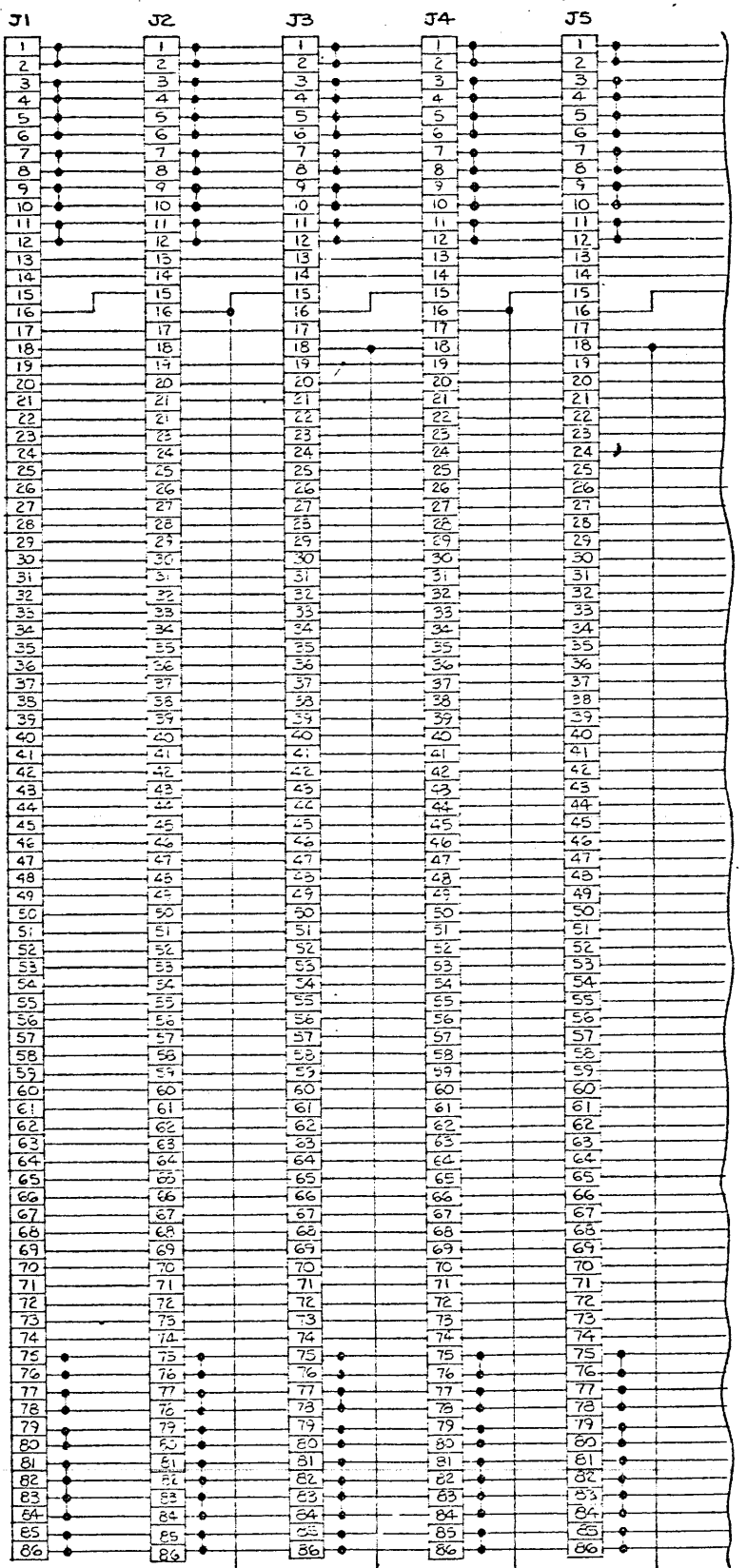
REVISIONS			
LTR	DESCRIPTION	DFT	ENGR



COMPONENT SIDE

REVISIONS			
LTR	DESCRIPTION	SIGNATURE AND DATE	
		DFT	ENGR
1	ENGINEERING REL	[Signature]	12/1/74
2	ENGINEERING REL	[Signature]	12/1/74

- SIG GND
- SIG GND
- + 5V
- + 5V
- + 5V
- + 5V
- + 12V
- + 12V
- V<sub>BI</sub>
- SIG GND
- SIG GND
- BCLK/
- INIT/
- BPRN/
- BPRC/
- BUSY/
- BREQ/
- MRDC/
- MWTC/
- IORC/
- IOWC/
- XACK/
- INH1/
- BOE0/
- INH2/
- MACK/
- SPARE
- SPARE
- SPARE
- CCLK/
- SPARE
- INTR/
- SPARE
- INT0/
- INT7/
- INT4/
- INT5/
- INT2/
- INT3/
- INT0/
- INT4/
- ADRE/
- ADRF/
- ADRC/
- ADRD/
- ADRA/
- ADRB/
- ADR0/
- ADP0/
- ADR6/
- ADR7/
- ADR4/
- ADR5/
- ADR2/
- ADR3/
- ADR0/
- ADR1/
- DATE/
- DATF/
- DATC/
- DATD/
- DATA/
- DATB/
- DAT0/
- DAT9/
- DAT6/
- DAT7/
- DAT4/
- DAT5/
- DAT2/
- DAT3/
- DAT0/
- DAT1/
- SIG GND
- SIG GND
- 10V
- 10V
- 12V
- 12V
- +5V
- +5V
- +5V
- +5V
- SIG GND
- SIG GND



PIN ORIENTATION  
CONNECTOR SIDE  
J19, E1, E2, E3, E4.

NOTE: UNLESS OTHERWISE SPECIFIED  
 1. RESISTOR VALUES ARE IN OHMS.  
 2. LATEST ARTWORK REVISION IS 3.

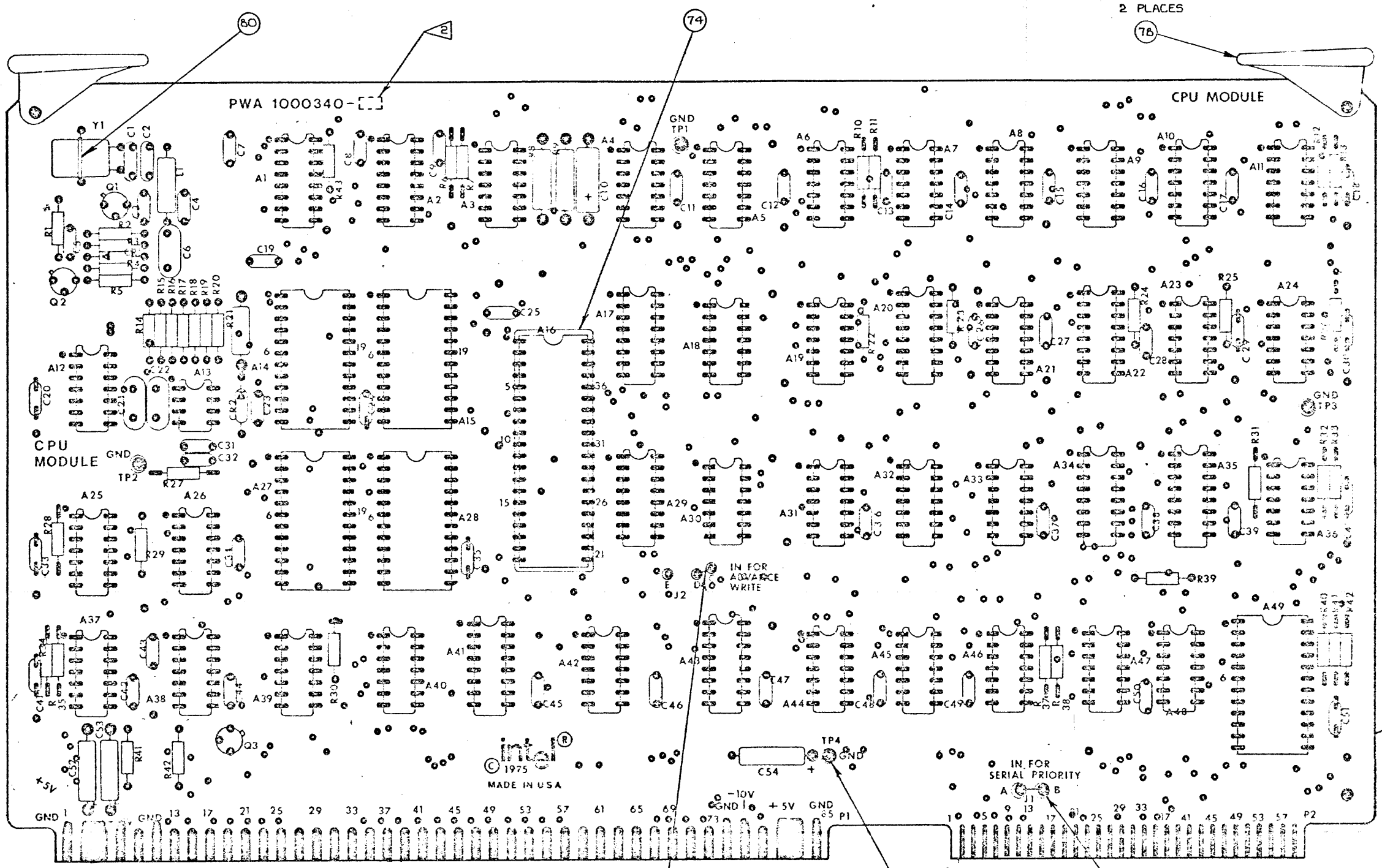
QUANTITY PER DASH NO.		ITEM NO.	PART NUMBER	DESCRIPTION
SCALE: NONE	TOL. =	SIGNATURE		DATE
2 PLC	3 PLC	DRN BY L. R. FRESE		12/1/74
MATERIAL:		CHK BY [Signature]		12/1/74
FINISH:		DFT APPD [Signature]		12/1/74
AUTH BY:		ENGR APPD [Signature]		12/1/74
CODE:		SHEET 1 OF 1		

10CC306	INT MDC	SIZE D	DEPT 410	DRAWING NO. E2000307	REV 2
---------	---------	--------	----------	----------------------	-------

8 7 6 5 4 3 2 1

1/6/76  
D SEE ECO 00380-1



intel  
© 1975  
MADE IN USA

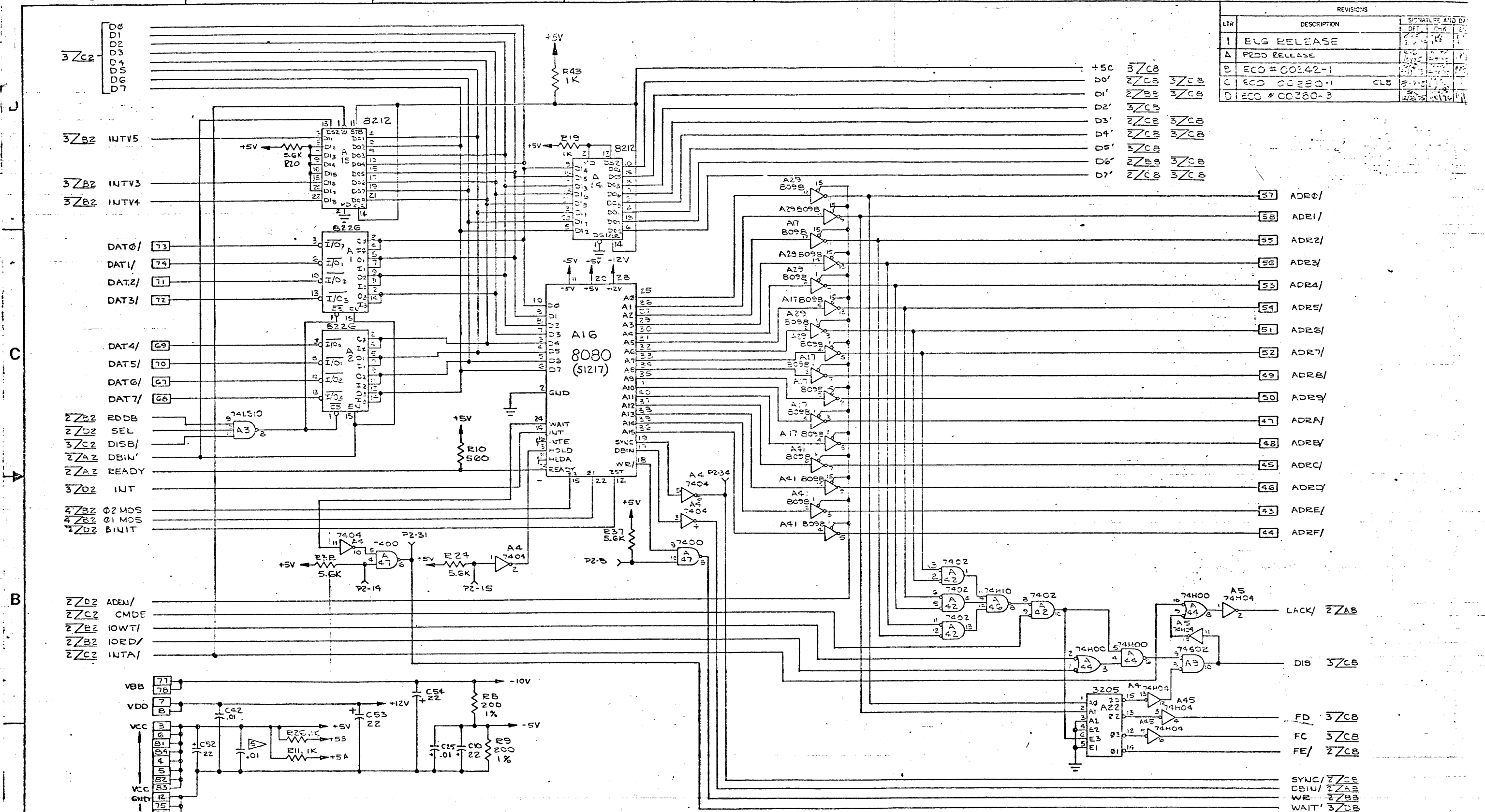
NOTE: UNLESS OTHERWISE SPECIFIED  
1. ASSEMBLY NO. IS 1000340-01.  
2. MARK DASH NO. IN POSITION SHOWN.

4 PLACES  
TP1-TP4 (REF)

PART NUMBER		DESCRIPTION	
SCALE	2:1	DATE	1/6/76
DESIGNED BY	H. DUMLAD	DATE	1/2/76
CHECKED BY	H. DUMLAD	DATE	1/2/76
DRAWN BY	T. TOCKEV	DATE	1/2/76
FILED BY	R. GARROW	DATE	1/2/76
APPROVED BY	S. HOU	DATE	1/2/76
4000320 INT MDS		PWA CPU MODULE	
D 410		1000340	

8 7 6 5 4 3 2 1

REVISIONS			
LTR	DESCRIPTION	SIGNATURE AND DATE	CHK
I	ELG RELEASE		
A	PROD RELEASE		
B	ECO # 00242-1		
C	ECO # 00280-1	CLB	
D	ECO # 00360-3		



- NOTES: UNLESS OTHERWISE SPECIFIED:
1. ARTWORK REV LTR IS 'D'.
  2. RESISTANCE IS IN OHMS.
  3. CAPACITANCE IS IN MICRO FARADS.
  4. JUMPER J1 A & B IS IN FOR SERIAL PRIORITY; AND OUT FOR PARALLEL PRIORITY.
  5. THE FOLLOWING ARE BETWEEN GND & +5; C11-16, 20, 23, 24, 26-30, 34-41 & 43-51.
  6. EDGE CONNECTOR PINS ARE, P1.

REF DESIG		SPARES		
LAST USED	NOT USED	REF DESIG	TYPE	QTY
A49				
E44	R36			
C54				
CB2				
Q3				
Y1		A43	8095	2
L1		A5	74HC4	1
		A31	74H74	1

QUANTITY PER DASH NO.		ITEM NO.	PART NUMBER	DESCRIPTION
SCALE:	TOL:			
2 PLC	3 PLC			
ANGLE				
MATERIAL:		SIGNATURE		DATE
FINISH:		CHK BY		DATE
		DRN BY		DATE
		MATERIAL		
		DEF APPD		
		ENGR		
		AP'D		
		AUTH BY		DATE
		CODE		SHEET
		CF 4		

3065 BOWERS AVE.  
SANTA CLARA  
CALIF. 95051

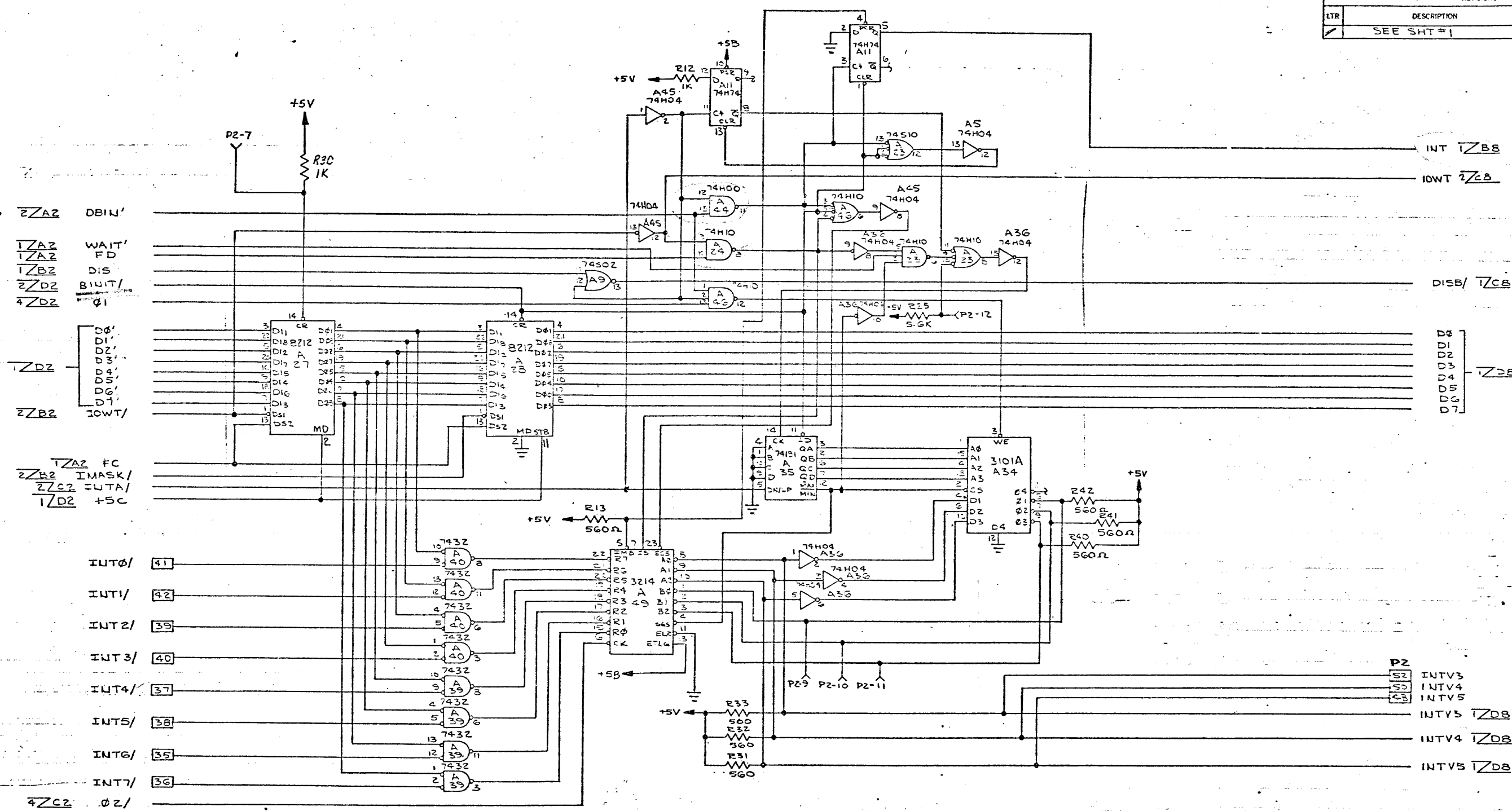
**intel**

TITLE: SCHEMATIC  
CPU MODULE

SIZE: D  
DEPT: 410  
DRAWING NO.: 2000342  
REV: 10



REVISIONS				
LTR	DESCRIPTION	DFT	CHK	ENGR
/	SEE SHT #1			



ZAZ DBIN'  
 IZA2 WAIT/  
 IZA2 FD  
 IZB2 DIS  
 ZZO2 BIUT/  
 4ZO2 Q1  
 IZD2  
 ZZB2 IOWT/  
 IZA2 FC  
 ZZB2 IMASK/  
 ZZO2 IUTA/  
 IZD2 +5C

INT ZB8  
 IOWT ZCB

DISB/ ZCB

D0  
 D1  
 D2  
 D3  
 D4  
 D5  
 D6  
 D7  
 ZDB

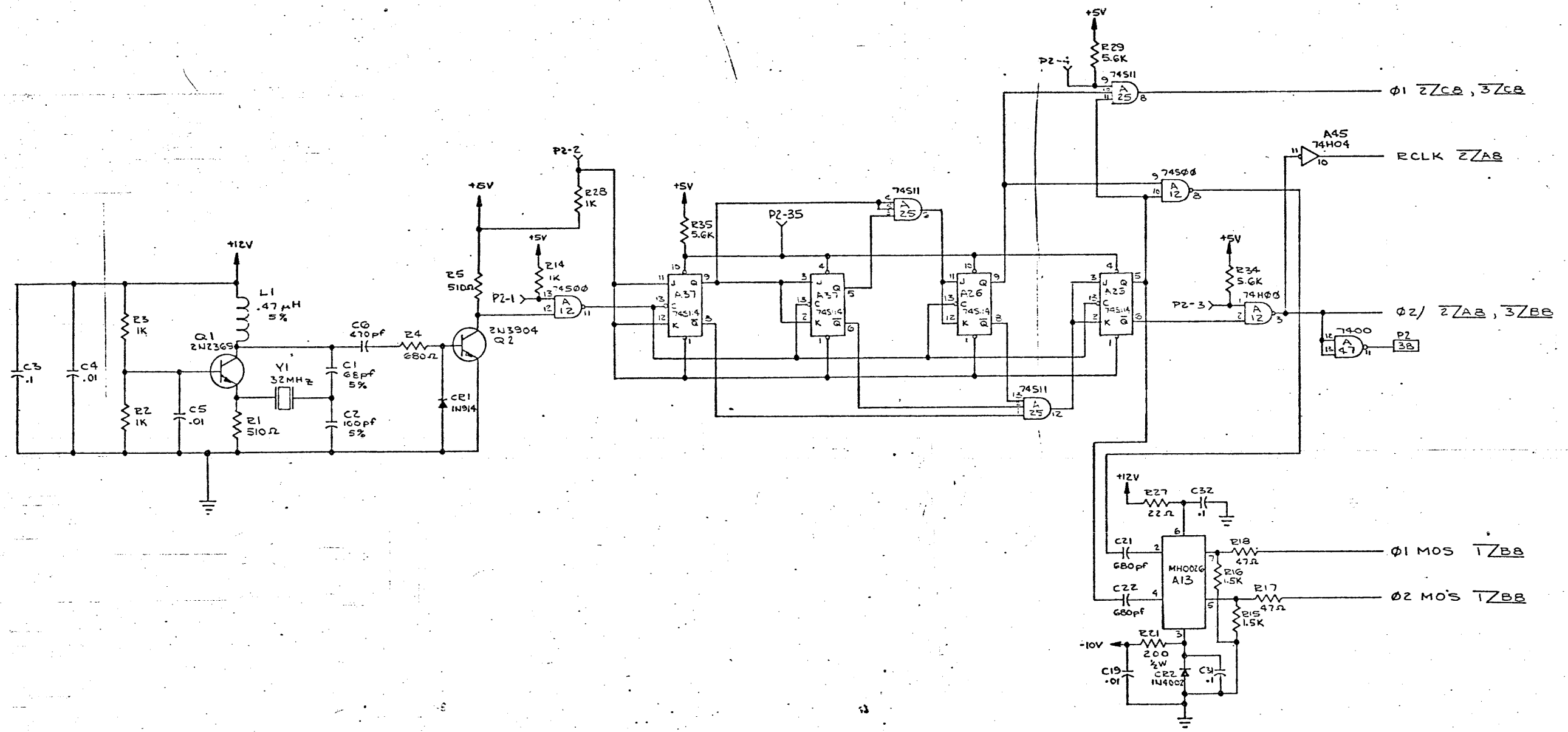
INT0/ 41  
 INT1/ 42  
 INT2/ 39  
 INT3/ 40  
 INT4/ 37  
 INT5/ 38  
 INT6/ 35  
 INT7/ 36  
 4ZC2 Q2/

P2  
 52 INTV3  
 50 INTV4  
 48 INTV5  
 INTV3 ZDB  
 INTV4 ZDB  
 INTV5 ZDB

SCALE: ~	SIZE: D	DEPT: 4-0	ISSUING NO.: 2000342	REF: D
SHEET 3 OF 2			DATE: 1975	



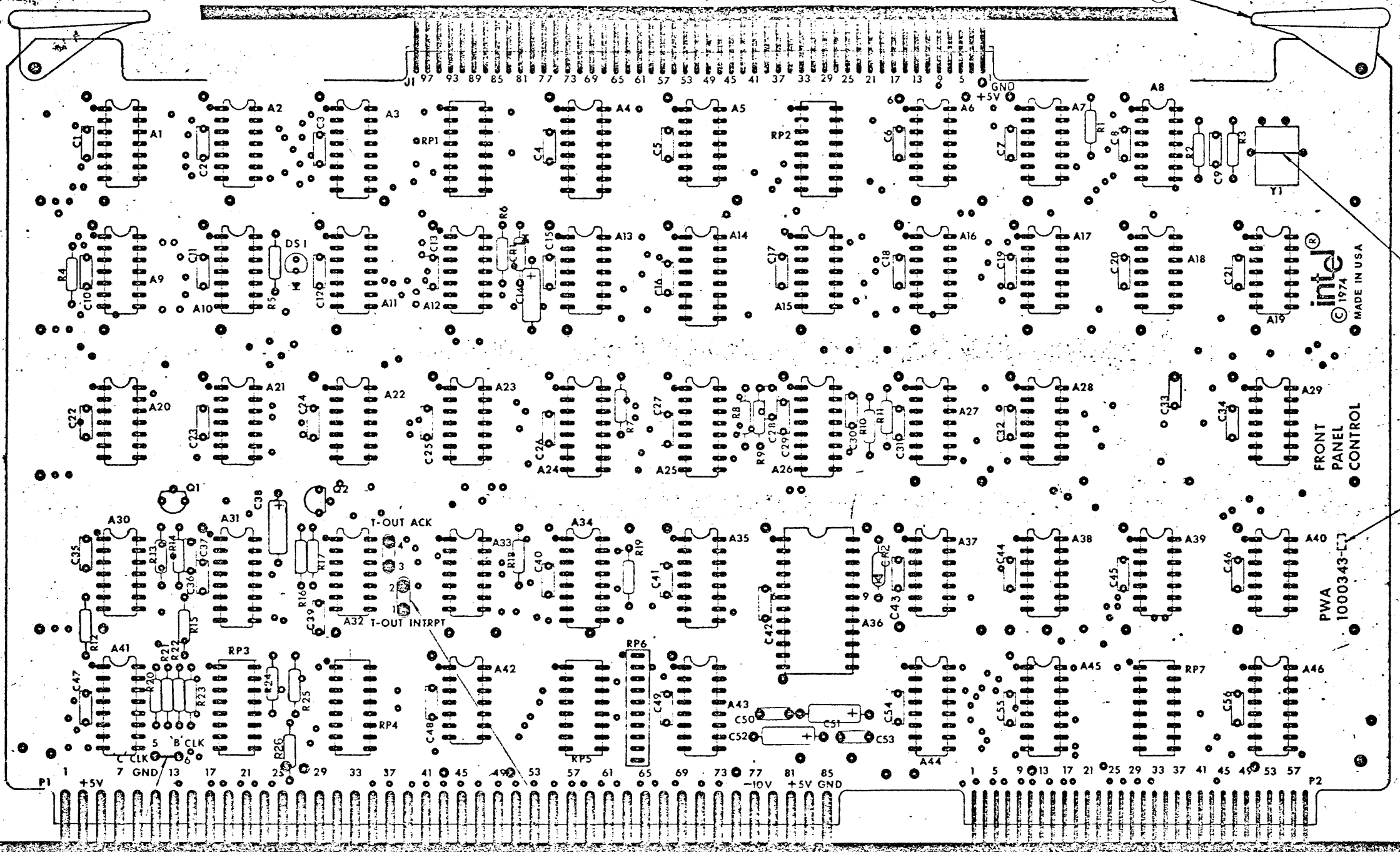
REVISIONS				
LTR	DESCRIPTION	DFT	CHK	ENGR
/	SEE SHT #1			



SCALE: ~	SIZE: D	DEPT: 40	DRAWING NO.: 20C0342	REV: 0
SHEET 4 OF 4				

0005  
0005

REVISIONS		DATE	BY
2	ECU25 RELEASE		
A	PROD RELEASE		
B	ECO #00258		
C	ECO 00315-2		
D	ECO 00371		
E	ECO #00494-2		



intel  
© 1974  
MADE IN USA

FRONT  
PANEL  
CONTROL

PWA  
1000343-L7

67 JUMPER WIRE

64 2 PLACES

65 4 PLACES

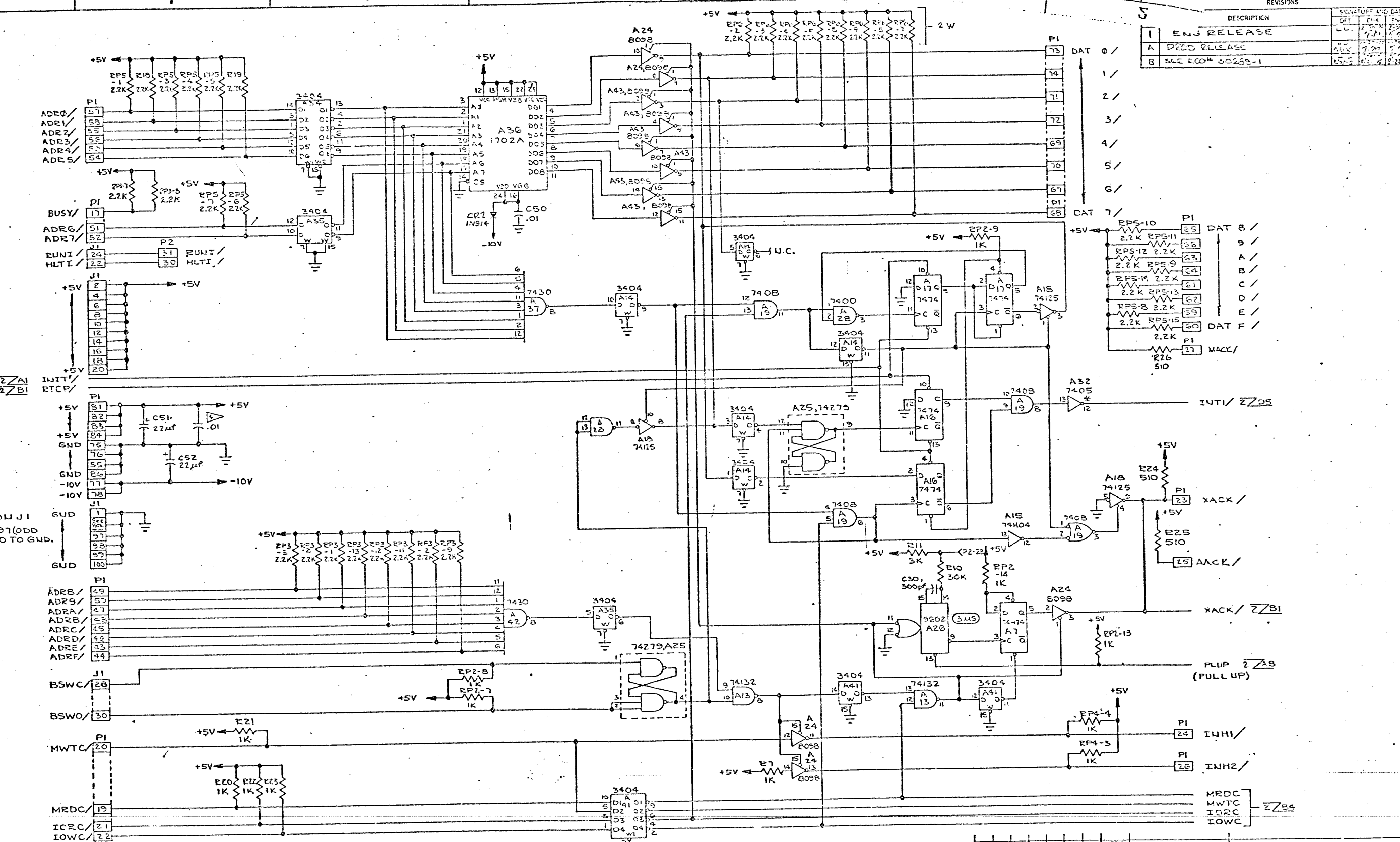
NOTE: UNLESS OTHERWISE SPECIFIED  
1. ASSEMBLY NO. IS 1000343-D1  
2. MARK DASH NO. IN POSITION SHOWN.

QTY	DESCRIPTION	DATE	BY
2	21		
4000852	MDS 800/51	11/1/74	
4000672	MDS 695	11/30/74	
4000570	MDS 800	11/30/74	
		11/30/74	
		11/30/74	
		11/30/74	

3065 BOWERS AVE SANTA CLARA CALIF 95051	intel
PRINTED WIRING ASSEMBLY FRONT PANEL CONTROL	
D 410	1000343

REVISIONS			
NO.	DESCRIPTION	SIGNATURE AND DATE	DATE
1	ENJ RELEASE	LL	7/11/70
A	DEED RELEASE	LL	7/11/70
B	SEE ECO# 00260-1	LL	7/11/70



NOTE: ON J1  
PINS 1-97 (ODD ONLY) GO TO GND.

- NOTES: UNLESS OTHERWISE SPECIFIED;
- ARTWORK REV LTR IS 'B'.
  - RESISTANCE IS IN OHMS,  $\frac{1}{4}W$ , 10%.
  - CAPACITANCE IS IN MICRO-FARADS.
  - THE FOLLING ARE CONN BETWEEN +5V & GND: C1-13, 15-27, 31-35, 37, 39, 49, 53-56.
  - 1 RPI-RP5, RP7 ARE 15W.

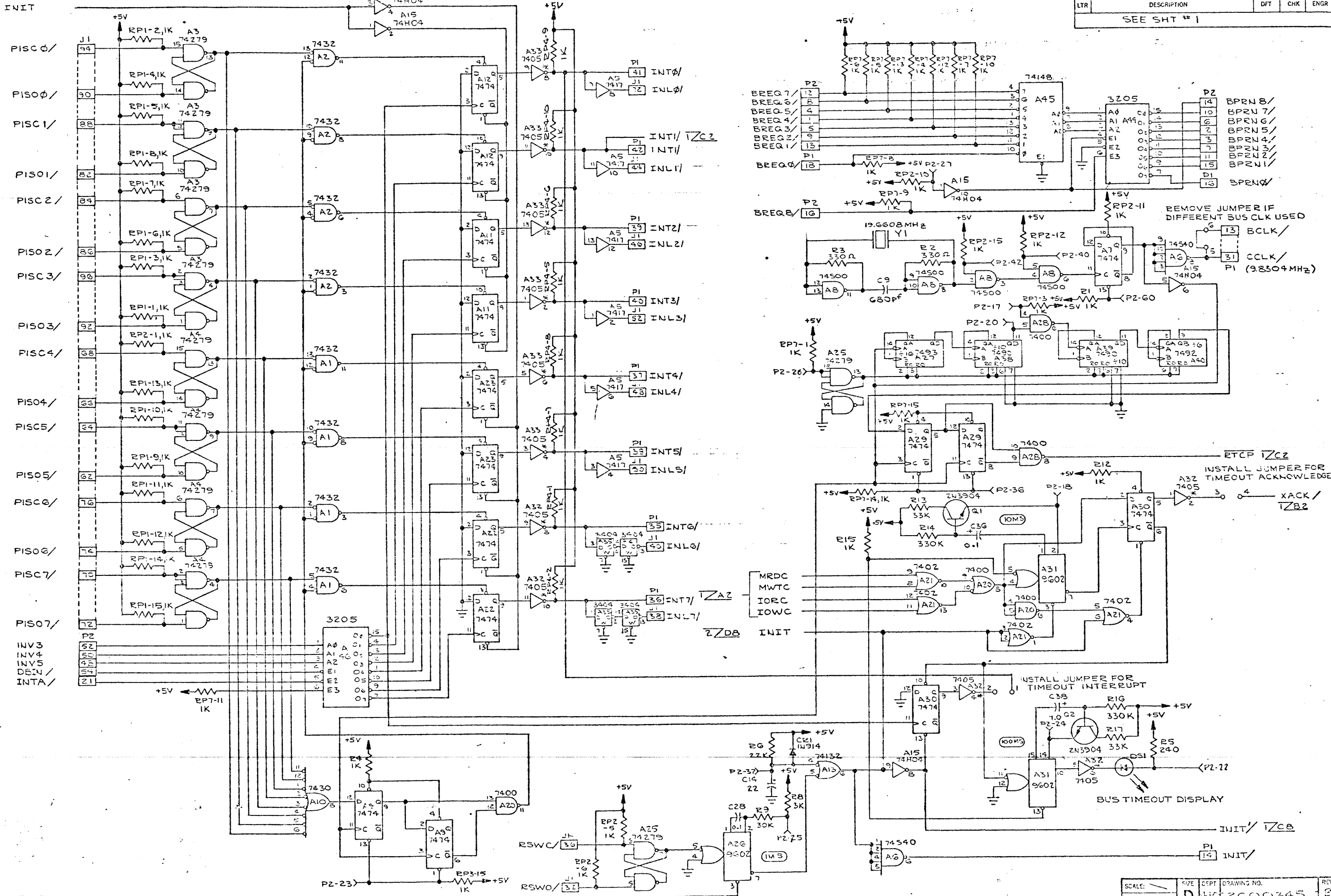
REF DESIG	
LAST USED	NOT USED
A46	
EP7	
Y1	
Q2	
DS1	
CR2	
R26	
C56	

SPARES		
REF DES	TYPE	QTY
A24	8098	1
A26	7400	1
A18	74125	1
A13	74132	1

QUANTITY PER DASH NO.		PART NUMBER		DESCRIPTION	
SCALE:	TOL:	ITEM NO.	PART NUMBER	SIGNATURE	DATE
2 PLC	3 PLC				
MATERIAL:		FINISH:		AUTH BY S. HALL	
NEXT ASSY:		USED ON:		SHEET 1 OF 2	
PARTS LIST				3055 EDWERS AVE. SANTA CLARA CALIF. 95051	
SCHEMATIC, FRONT PANEL CONTROL				D 410 2000345	

REVISIONS			
LTR	DESCRIPTION	DFT	CHK ENGR
	SEE SHT # 1		

ZZB4 INIT

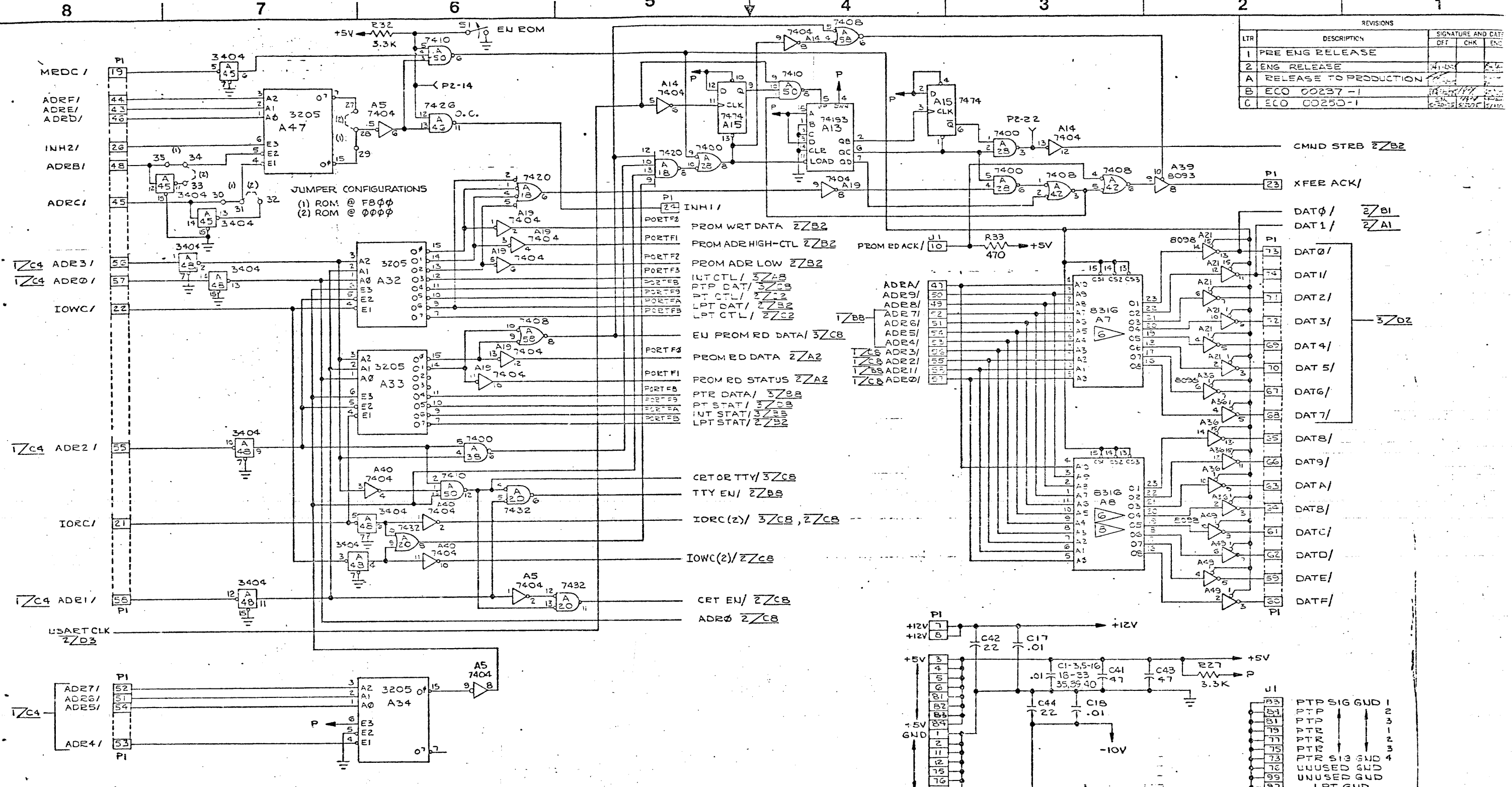


ZZB2 PLUP

SCALE: 1/8"	SIZE: D	DEPT: HIC	DRAWING NO: 2000345	REV: 2
SHEET: 1 OF 2				



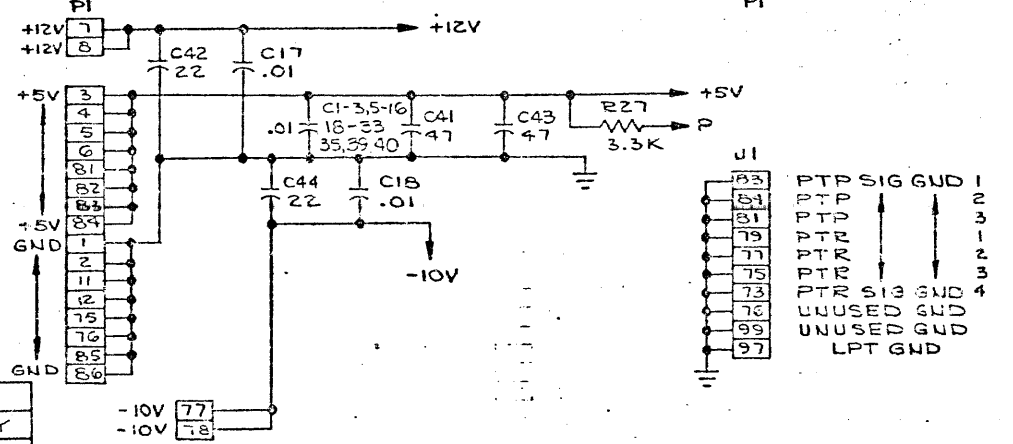
REVISIONS			SIGNATURE AND DATE		
LTR	DESCRIPTION		DESIGN	CHECK	DATE
1	PRE ENG RELEASE				
2	ENG RELEASE				
A	RELEASE TO PRODUCTION				
B	ECO 00237-1				
C	ECO 00250-1				



JUMPER CONFIGURATIONS  
 (1) ROM @ F800  
 (2) ROM @ 0000

- NOTES: UNLESS OTHERWISE SPECIFIED;
- THIS SCHEMATIC REFLECTS PWA 1000351-01 REV B.
  - RESISTANCE IS IN OHMS.
  - CAPACITANCE IS IN MICRO-FARADS.
  - ALL DIODES ARE IN914.
  - USED ONLY WITH USART EMULATOR (C34, C36, C37, C38)
  - ROMS MUST BE ORDERED WITH INVERTED ADDRESS, POSITIVE DATA. (A7, A0)
  - A16, A17 (8251's) NOT USED WITH USART EMULATOR.
  - A8 IS USED FOR 16 BIT APPLICATION ONLY.
  - THESE PINS ARE NOT USED; J1-5,7,9,11,13,15,40.

REF DESIGNATIONS		SPARE GATES		
LAST USED	NOT USED	REF DES	TYPE	QTY
A58		A6	3404	1
EP2		A28	7400	1
P41		A31	7474	1
C44		A46	7426	1
CE5		A29	7404	1
Q6		A58	7408	1
S1		A57	7404	2
		A45	3404	1



QUANTITY PER DASH NO.		ITEM NO.	PART NUMBER	DESCRIPTION
SCALE: N/A				
TOL ±	2 PLC 3 PLC ANGLE	DRN BY	DATE	
MATERIAL:		CHK BY		
FINISH:		APP'D		
1000351 INT. MOD.		AUTH BY		
NEXT ASSY	USED C4	CODE:	SHEET 1 OF 3	

PARTS LIST		DESCRIPTION	
QTY	REF	DESCRIPTION	QTY
1	A6	3404	1
1	A28	7400	1
1	A31	7474	1
1	A46	7426	1
1	A29	7404	1
1	A58	7408	1
2	A57	7404	2
1	A45	3404	1

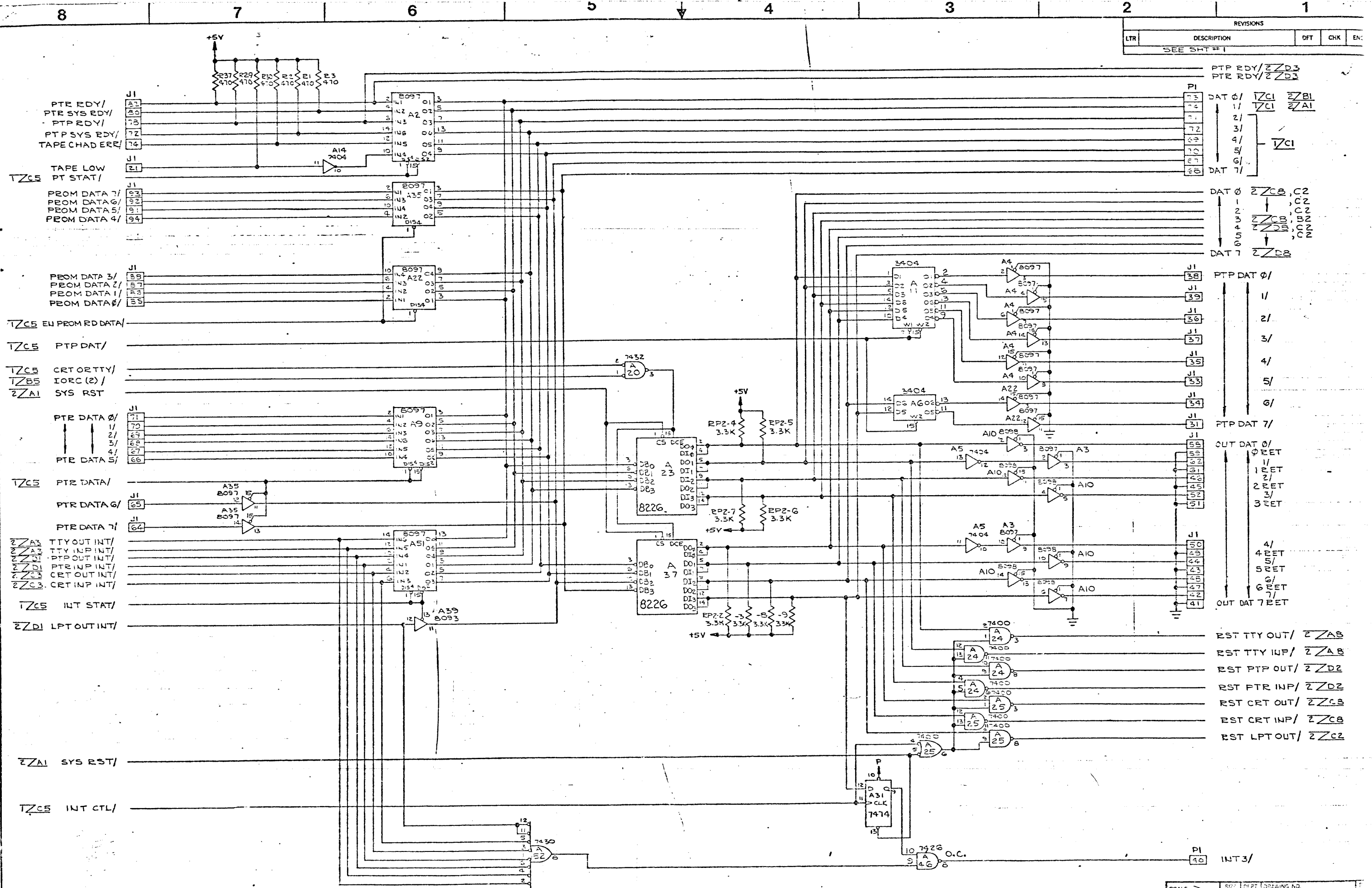
Intel  
 3065 BOWERS AVE.  
 SANTA CLARA  
 CALIF. 95051

SCHEMATIC MONITOR

DATE: 7-78  
 DRAWING NO. 1000353  
 SHEET 1 OF 3



REVISIONS			
LTR	DESCRIPTION	DFT	CHK
	SEE SHT #1		



- PTP RDY/ ZZD3
- PTR RDY/ ZZD3
- DAT 0/ ZZC1 ZZB1
- 1/ ZZC1 ZZA1
- 2/
- 3/
- 4/
- 5/
- 6/
- DAT 7/
- DAT 0 ZZC8, C2
- 1 ZZC8, C2
- 2 ZZC8, B2
- 3 ZZC8, C2
- 4 ZZC8, B2
- 5 ZZC8, C2
- 6 ZZC8, B2
- DAT 7 ZZC8
- PTP DAT 0/
- 1/
- 2/
- 3/
- 4/
- 5/
- 6/
- PTP DAT 7/
- OUT DAT 0/ RET
- 1/ RET
- 2/ RET
- 3/ RET
- 4/ RET
- 5/ RET
- 6/ RET
- 7/ RET
- OUT DAT 7/ RET
- RST TTY OUT/ ZZAS
- RST TTY INF/ ZZAB
- RST PTP OUT/ ZZD2
- RST PTR INF/ ZZD2
- RST CRT OUT/ ZZC3
- RST CRT INF/ ZZC3
- RST LPT OUT/ ZZC2
- INT 3/



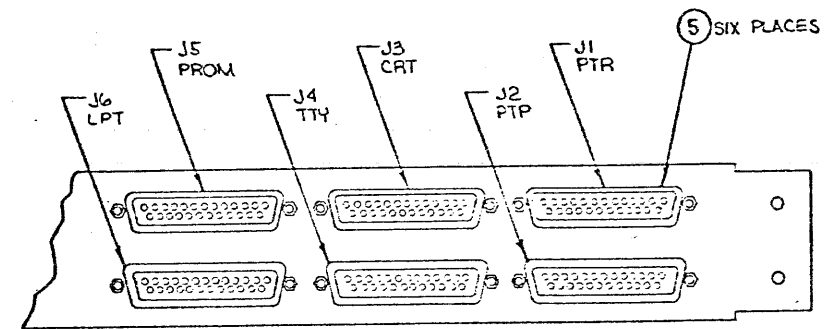
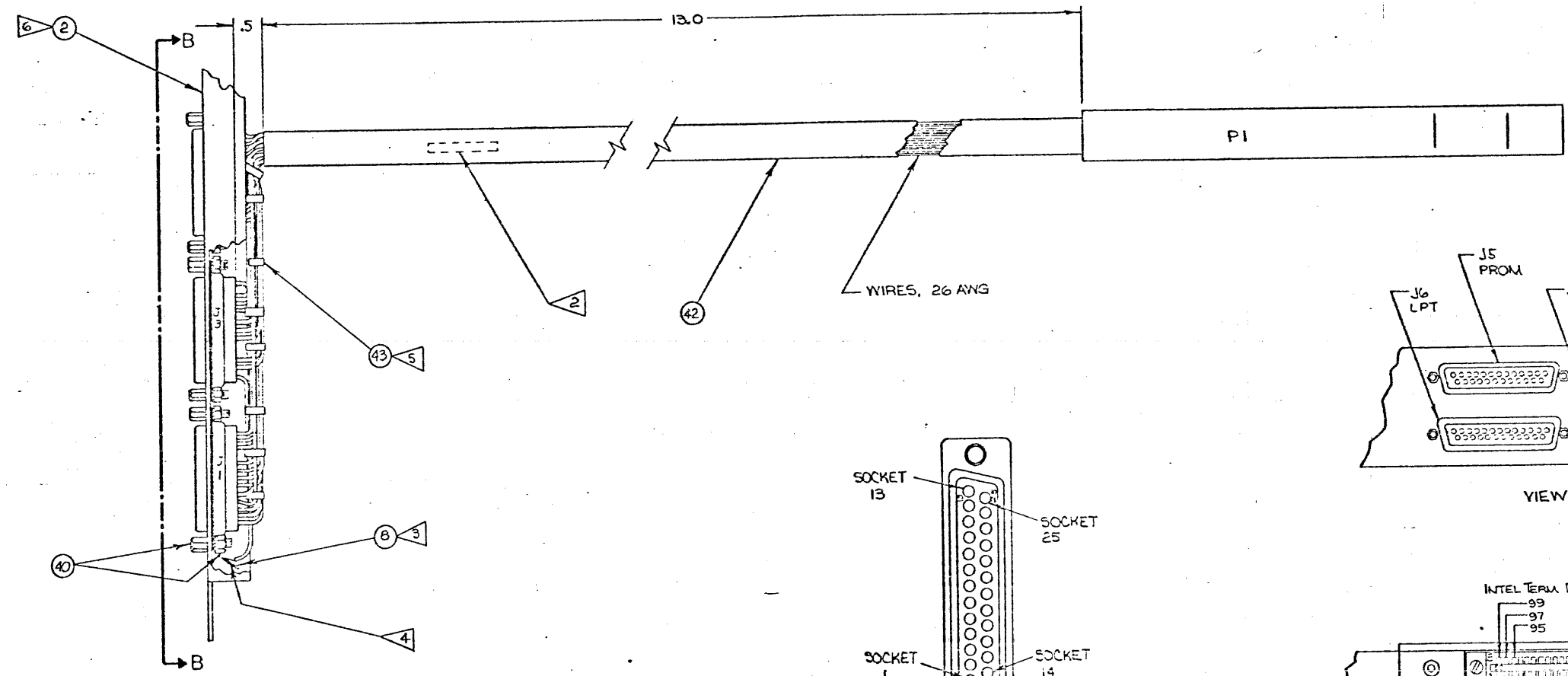
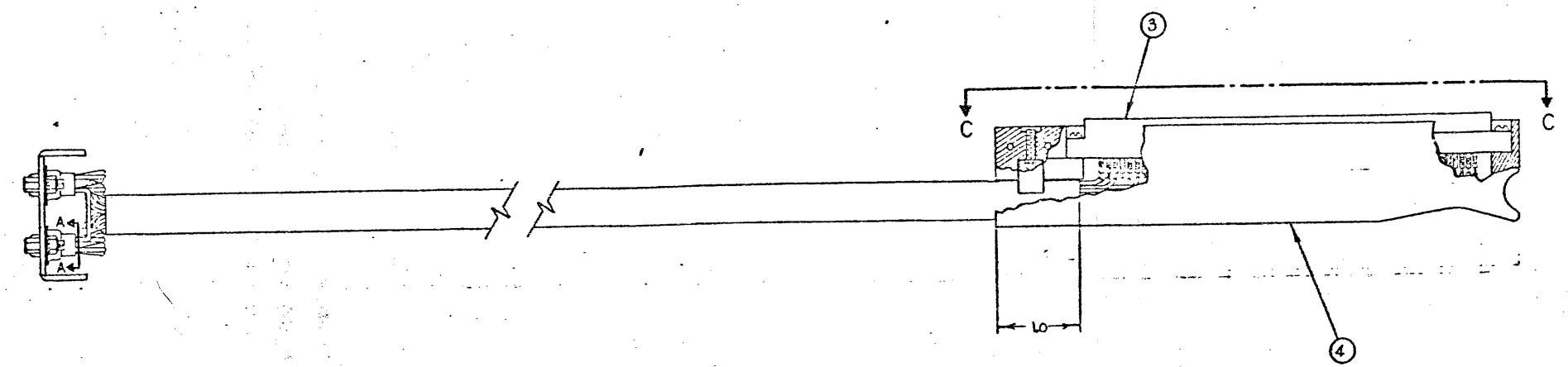
SECTION 2

HARNESS AND CABLE ASSEMBLIES

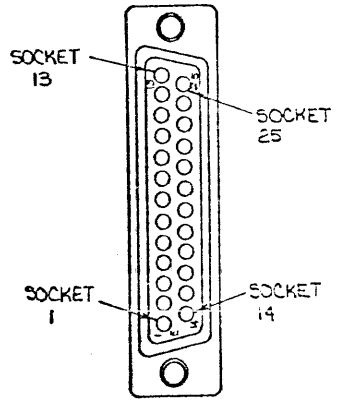
4000376 }  
2000377 } - MONITOR HARNESS

4000415 - TELETYPE CABLE ASSEMBLY

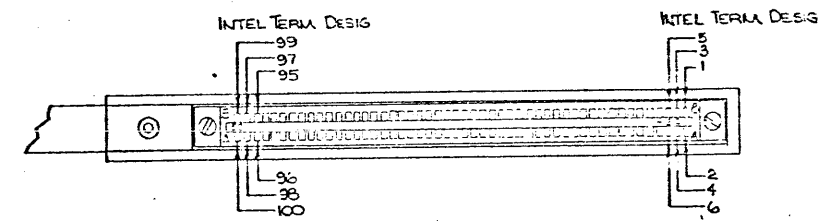
REVISIONS		
LTR	DESCRIPTION	SIGNATURE AND DATE
1	ENG. RELEASE	
A	PROD RELEASE	
B	SEE ECD 00222-2 AND DOES NOT AFFECT	
C	SEE ECD 00413-4	
C1	ADDED N/A-USED ON	



VIEW B-B (SCALE 1/1)



VIEW A-A (SCALE: 2/1) (TYP OF CONN J1-36)



VIEW C-C (SCALE: 1/1)

- NOTES:  
UNLESS OTHERWISE SPECIFIED,
1. ASSY NO IS 4000376-01.
  2. MARK ASSY NO & REV LETTER IN INK APPROXIMATELY WHERE SHOWN.
  3. INSTALL TERM LUGS BETWEEN NUT AND WASHER OF SCREW ASSY (ITEM 40) AS SHOWN.
  4. STRIP BACK ENDS OF WIRES 17, 39, 39, 52, 63, & 118 (SEE WIRE LEAD LIST), APPROX. 1/4" & SOLDER TO TERM LUGS (ITEM 8) AS SHOWN.
  5. INSTALL TIE WRAPS AS NEEDED APPROX WHERE SHOWN.
  6. ONLY PARTIAL LENGTH OF BULKHEAD SHOWN.

QUANTITY PER DASH NO.	ITEM NO.	PART NUMBER	DESCRIPTION
SCALE: FULL	SIGNATURE		DATE
TOL: 2 PLC 3 PLC ANGLE	CHK BY		
MATERIAL: SEE P.L.	OFF APPD		
FINISH:	AUTH BY		
4000853	4000442		
NEXT ASSY	USED ON	CCDE:	SHEET 1 OF 1
PARTS LIST			intel 3265 BOWERS AVE. SANTA CLARA CALIF. 95051
TITLE			MONITOR HARNESS ASSEMBLY
Dwg No			4000376



REVISIONS			
LTR	DESCRIPTION	SIGNATURE AND DATE	
		DFT	CHK
1	ENGR RELEASE		
A	PRODUCTION RELEASE		
B	SEE ECO# 00722		

MONITOR HARNESS  
ASSY 2000377

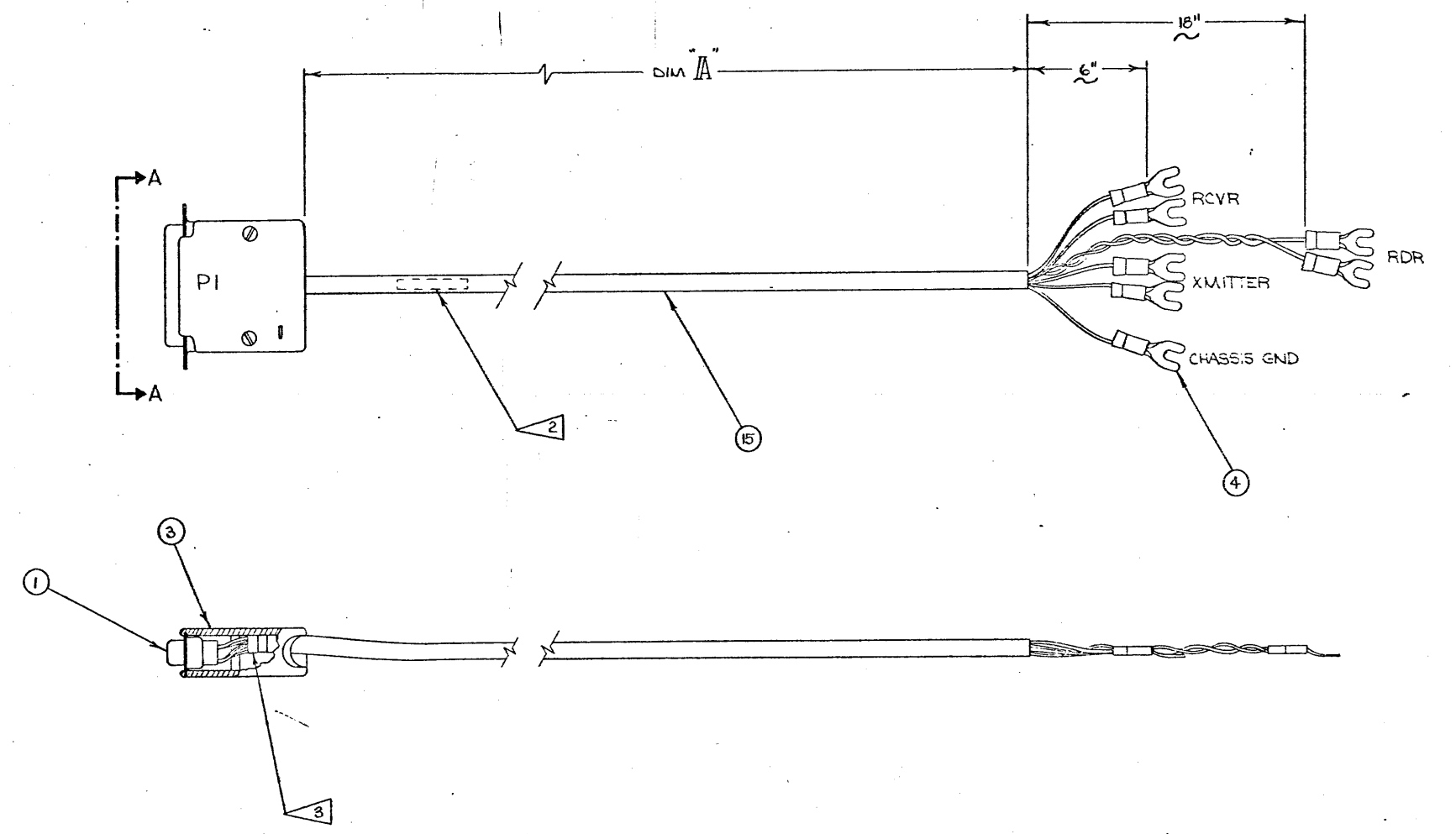
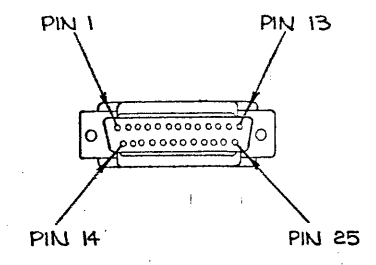
J4	
13	TTY TX DATA
25	TTY TX DATA RET
12	TTY RX DATA
24	TTY RX DATA RET
16	TTY RDR CTL
21	TTY RDR CTL RET
1	CHASSIS GND
14	TTY DSR/
7	TTY SIG GND

TELETYPE  
CABLE ASSY

PI	
13	BRN
25	RED
12	GRN
24	YEL
16	GRN
21	WHT
1	BLK
14	BLU
7	

TELETYPE

7	TTY RCVR	} PRINTER
6	TTY RCVR	
3	TTY XMITTER	} KEY BOARD
4	TTY XMITTER	
	TTY RDR	} RDR CTL
	TTY RDR	
	CHASSIS GND	



- NOTES:  
UNLESS OTHERWISE SPECIFIED,
1. ASSY NO IS 4000415-XX.
  2. MARK ASSY NO & REV LTR IN INK APPROX WHERE SHOWN.
  3. BRING INSULATION INSIDE HOOD & BEYOND TIE WRAP APPROX 1/8" AS SHOWN.

VERSION	DIM A
-01	5 FT
-02	10 FT

QUANTITY PER DASH NO.		ITEM NO.	PART NUMBER	DESCRIPTION
SCALE: 1/1		SIGNATURE		DATE
TOL. ±	2 PLC .02	3 PLC .010	ANGLE	DRN BY S. HEU
MATERIAL: SEE P.L.		CHK BY		DATE
FINISH:		DFT APPD		DATE
AUTH BY S. Heu		ENGR APPD		DATE
4000320	INT MDS.	CODE:	SHEET 1	REV B
NEXT ASSY USED ON		SIZE D		DEPT 410
		DRAWING NO. 4000415		REV B

SOCK - FILE

SECTION 3

MAJOR ASSEMBLIES

- 4000370 - FRONT PANEL
- 4000374 - FRONT PANEL CABLE & DISPLAY
- 4000389 - REAR PANEL ASSEMBLY
- 3000390 - REAR PANEL
- 4000442 - CHASSIS

8

7

6

5

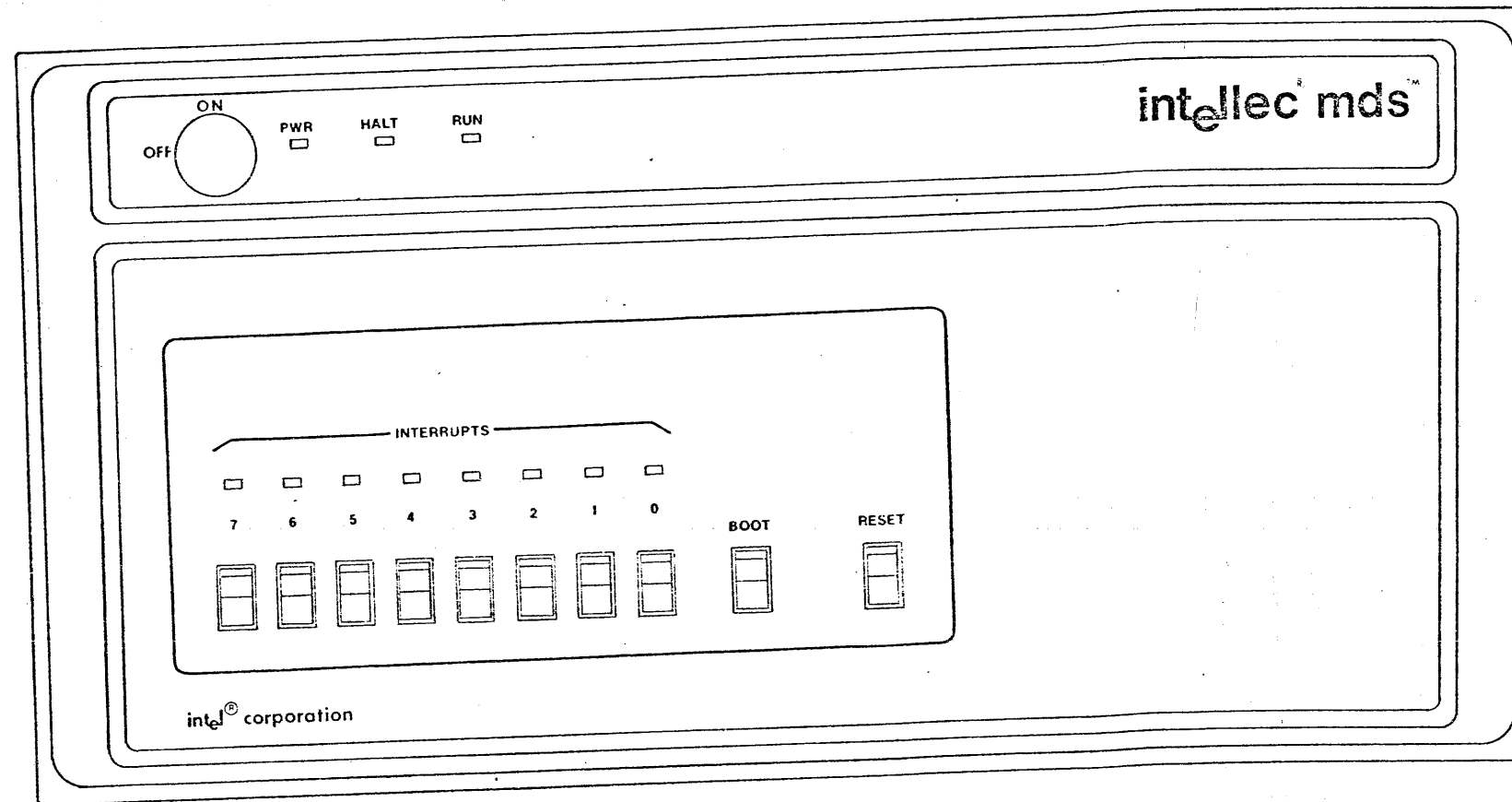
4

3

2

1

REVISIONS		SIGNATURE AND DATE	
REV	DESCRIPTION	BY	DATE
1	PZDD RELEASE	MAA	12/1/74



NOTES: UNLESS OTHERWISE SPECIFIED

1. ASSEMBLY NUMBER IS 4000370-01.
2. MARK ASSEMBLY NUMBER WITH PREFIX 'ASSY'.
3. PRIOR TO INSTALLING ITEM 14 CLEAN AND DEGREASE MOUNTING SURFACE OF ITEM 2.

QUANTITY	APP. DASH. NO.	ITEM NO.	PART NUMBER	DESCRIPTION
SCALE 1/1	SIGNATURE	DATE	3055 BOWERS AVE. SANTA CLARA CALIF. 95051	
TOL. 0.010 0.005 0.002 0.001	CHK BY: L. E. FLEISS	1984	FRONT PANEL ASSEMBLY	
MATERIAL	CHK BY: T. J. MOY	1984	DRAWING NO.	
SEE P/L	CHK BY: T. MORGAN	1984	REV. 001	D 40 4000370 1A
1000142 INT. MDS	CHK BY: S. [unclear]	1984	REV. 002	
NEW ASSY	CHK BY: [unclear]	1984	REV. 003	

5

4

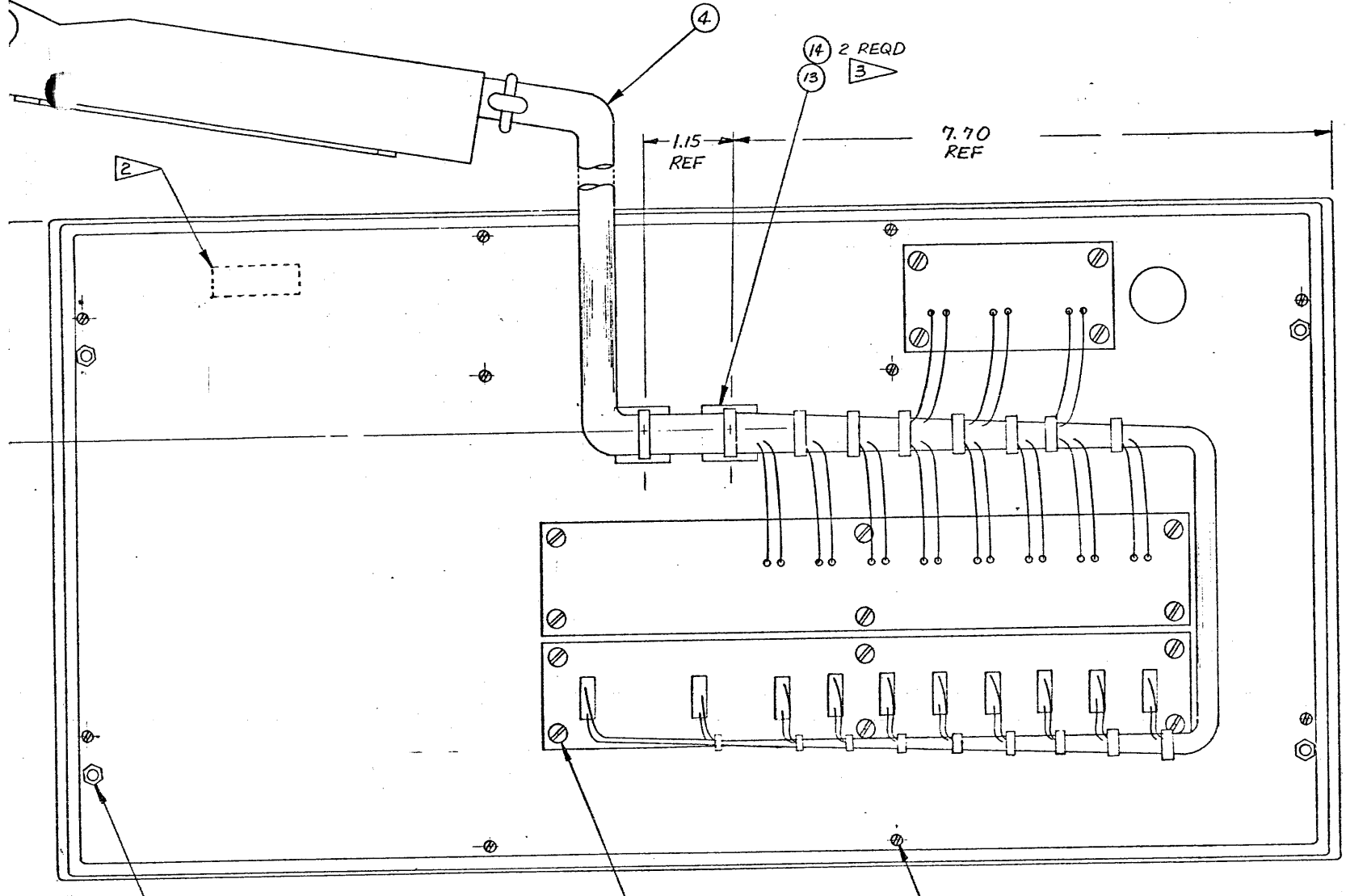
3

2

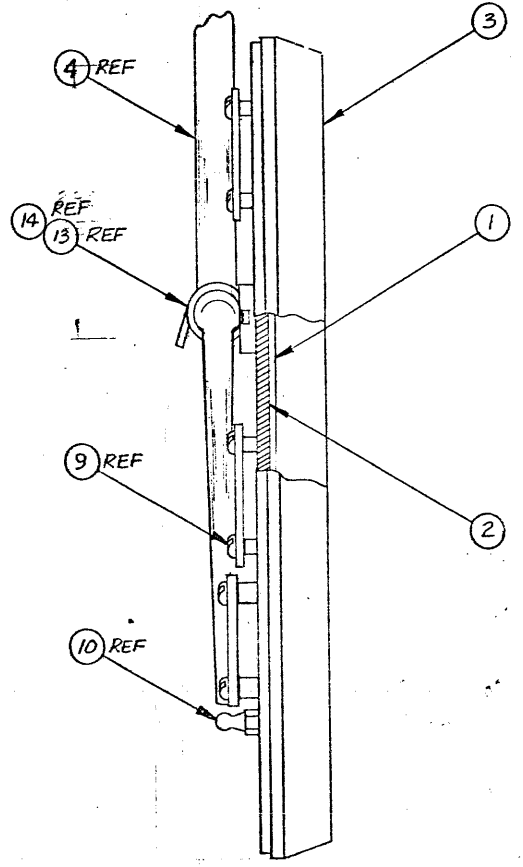
1

7 6 5 4 3 2 1

REVISIONS				
LTR	DESCRIPTION	DFT	CHK	ENGR
A	SEE SHEET 1			



D  
C  
B  
A

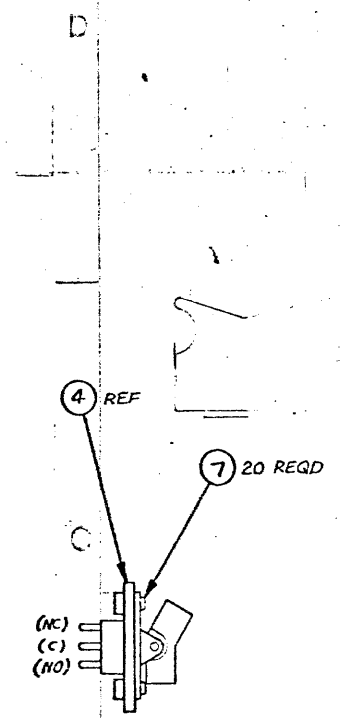
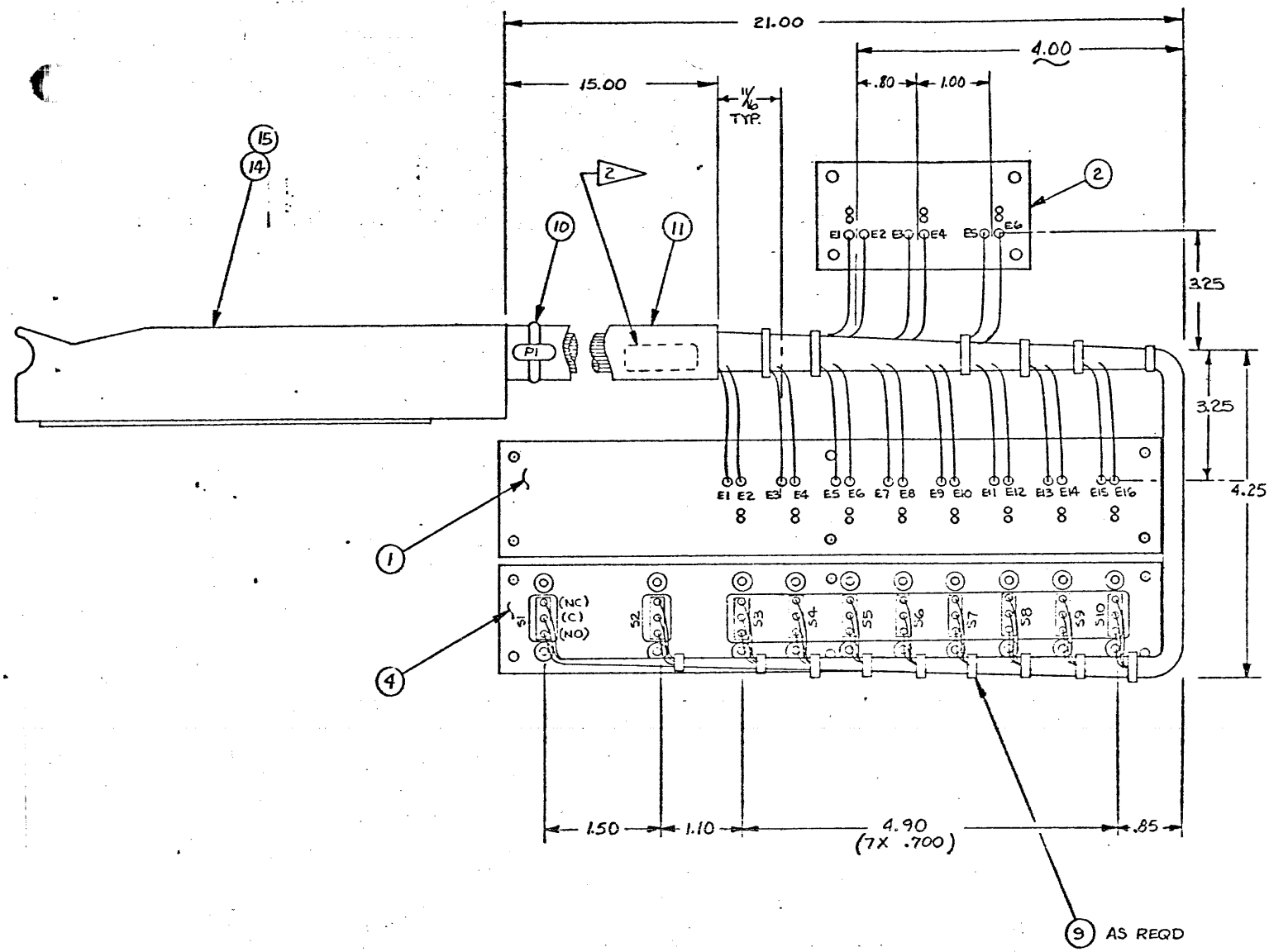


7 6 5 4 3 2 1

SCALE: 1:1	SIZE: D	DEPT: 410	DRAWING NO.: 4000370	REV: 1
SHEET 2 OF 2				

© 1977 1778 1

REVISIONS		
LTR	DESCRIPTION	SIGNATURE AND DS
1	ENGR REL	
A	PROD. RELEASE	
B	PARTS LIST CHANGE ONLY (ECO 00247)	
C	ECO 00258	
D	ECO #00472-3	
D	ADDED N/A - USED CU	

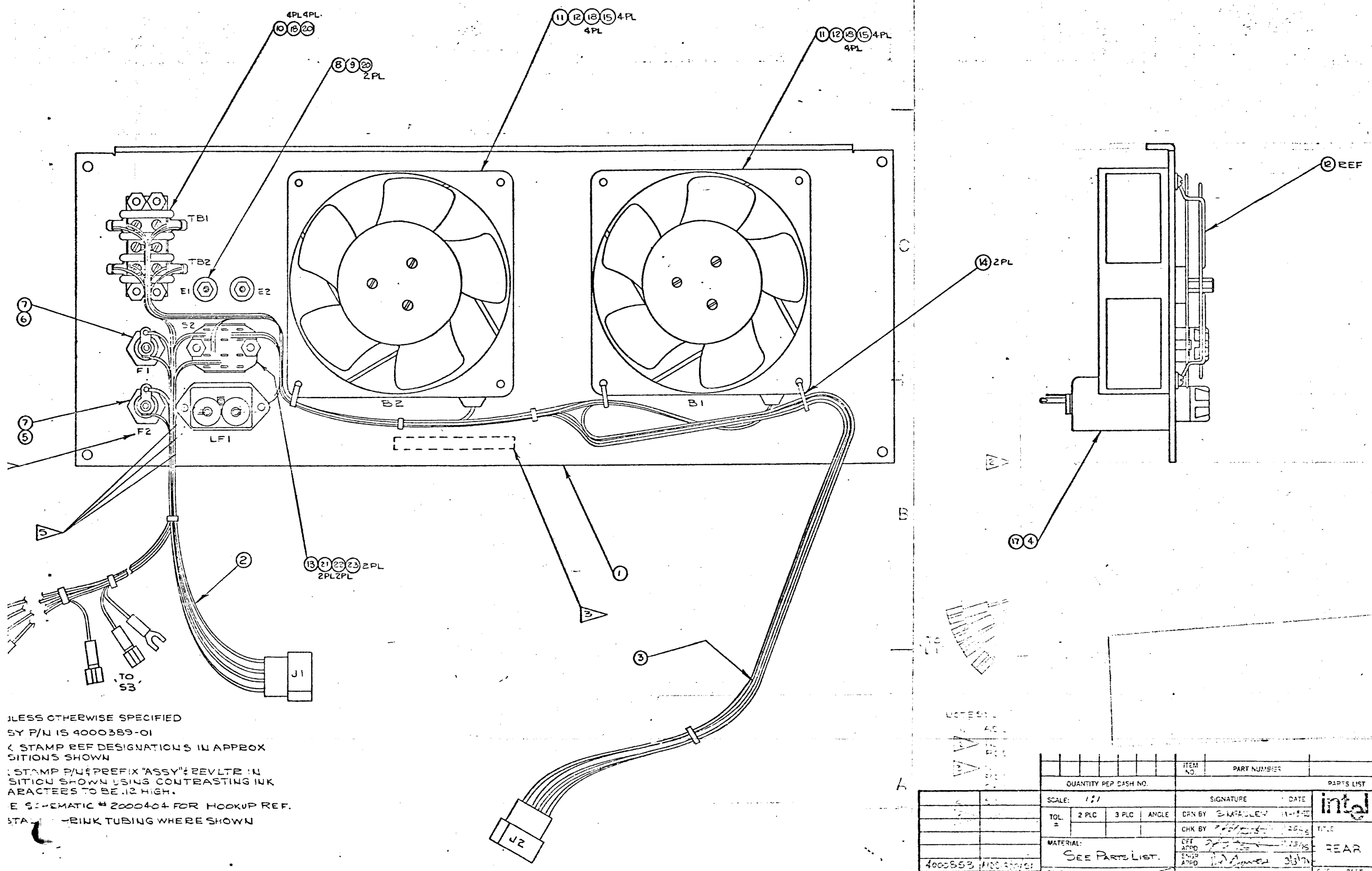


- NOTE: UNLESS OTHERWISE SPECIFIED
- PART NUMBER IS 4000374-01.
  - MARK P/N AND REV LETTER ON ITEM 11 WHERE SHOWN.
  - WORKMANSHIP TO CONFORM TO MCS STD - QAWS - 006.

QUANTITY PER DASH NO.		ITEM NO.	PART NUMBER	DESCRIPTION
SCALE: NOT TO SCALE		SIGNATURE		DATE
TOL	2 PLC	3 PLC	ANGLE	CHK BY L. FRESE
	1/2			DATE
MATERIAL:		DEF APPD		DATE
SEE PARTS LIST		ENGR APPD		DATE
FINISH:		AUTH BY S. HILL		DATE
NEXT ASSY		USED ON		CODE:
		SHEET 1 OF 1		SIZE DEPT DRAWING NO.
				D 410 4000374



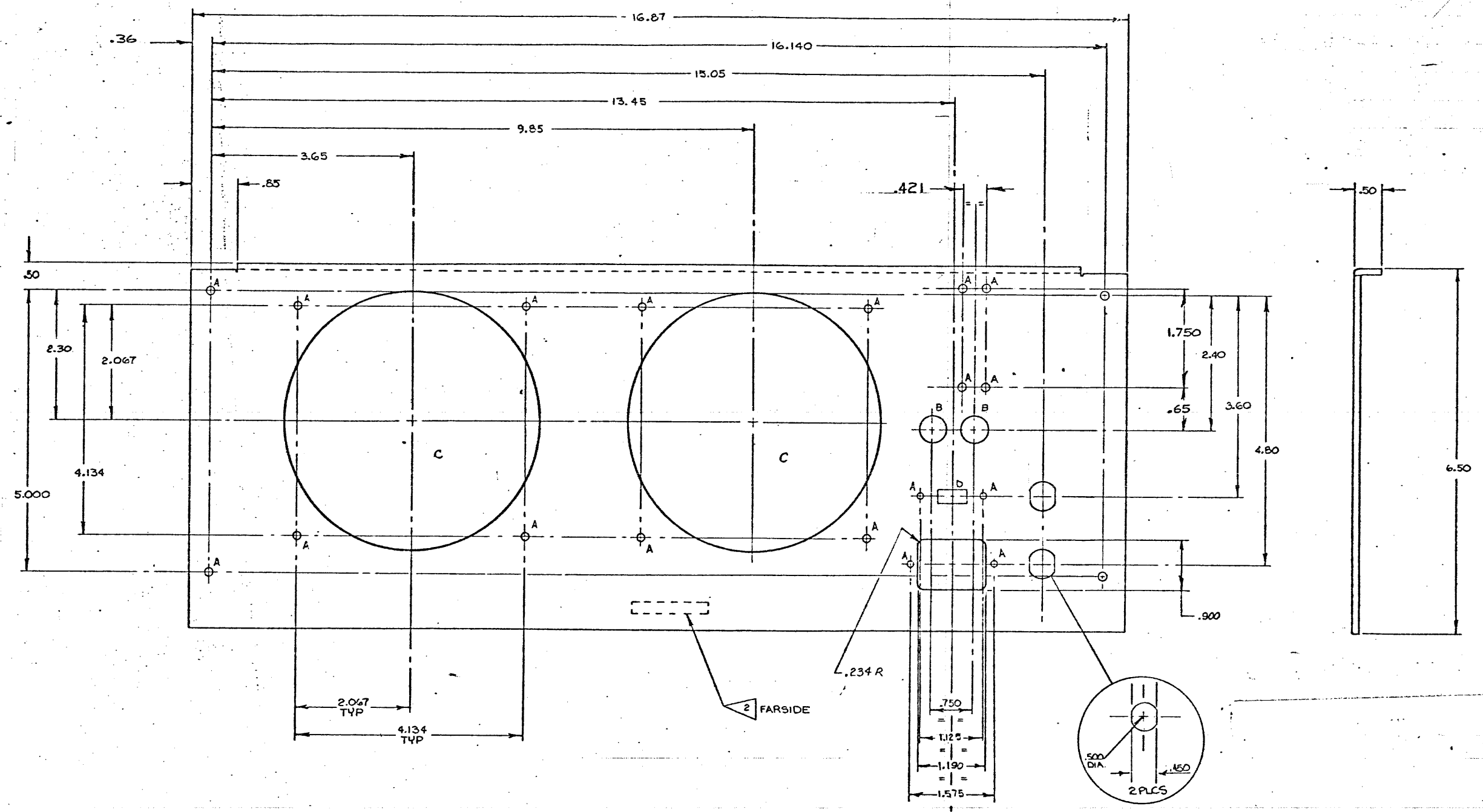
REVISIONS			
LTR	DESCRIPTION	SIGNATURE AND DATE	
I	ENG. RELEASE	DFT	CHK
A	PROD RELEASE	5-25-77	5-25-77
B	SEE ECO 00300-2	CLB	5-24-77
C	ECO 00372		
D	SEE ECO 00404		
D1	ADDED N/A-USED ON		



UNLESS OTHERWISE SPECIFIED  
 BY P/N IS 4000389-01  
 < STAMP REF DESIGNATIONS IN APPROX  
 POSITIONS SHOWN  
 1. STAMP P/N PREFIX "ASSY" REV LTR IN  
 POSITIONS SHOWN USING CONTRASTING INK  
 CHARACTERS TO BE .12 HIGH.  
 2. SEE SCHEMATIC # 2000404 FOR HOOKUP REF.  
 3. STAMP B-RINK TUBING WHERE SHOWN

QUANTITY PER DASH NO.		ITEM NO.	PART NUMBER	DESCRIPTION
SCALE: 1/1	SIGNATURE		DATE	 3065 BOWERS AVE. SANTA CLARA CALIF. 95051
TOL: 2 PLC 3 PLC ANGLE	DRN BY: S.M. FAULSTICH	DATE: 11-1-77	TITLE: REAR PANEL ASSEMBLY	
MATERIAL: SEE PARTS LIST.	CHK BY: [Signature]	DATE: 11-28-77	FILE: DEPT: DRAWING NO:	
4000389 (MDS 8500)	DFT: [Signature]	DATE: 11-28-77	FILE: DEPT: DRAWING NO:	
4000442 (MDS 8500)	ENG: [Signature]	DATE: 11-28-77	FILE: DEPT: DRAWING NO:	
NEXT ASSY: USED ON:	FINISH:	AUTH BY: S. M. FAULSTICH	DATE: 11-28-77	FILE: DEPT: DRAWING NO: D: 410 4000389
		CCODE: 1	SHEET OF 1	

REVISIONS			
LTR	DESCRIPTION	SIGNATURE AND DATE	
		DFT	CHK
1	ENG. RELEASE		
2	POSITION OF TEEN BLOCK HOLES CHANGED ZONE 3C		
A	PRODUCTION RELEASE		
B	SEE ELO 00300-1	CLB	
C	SEE EDO # 00487		



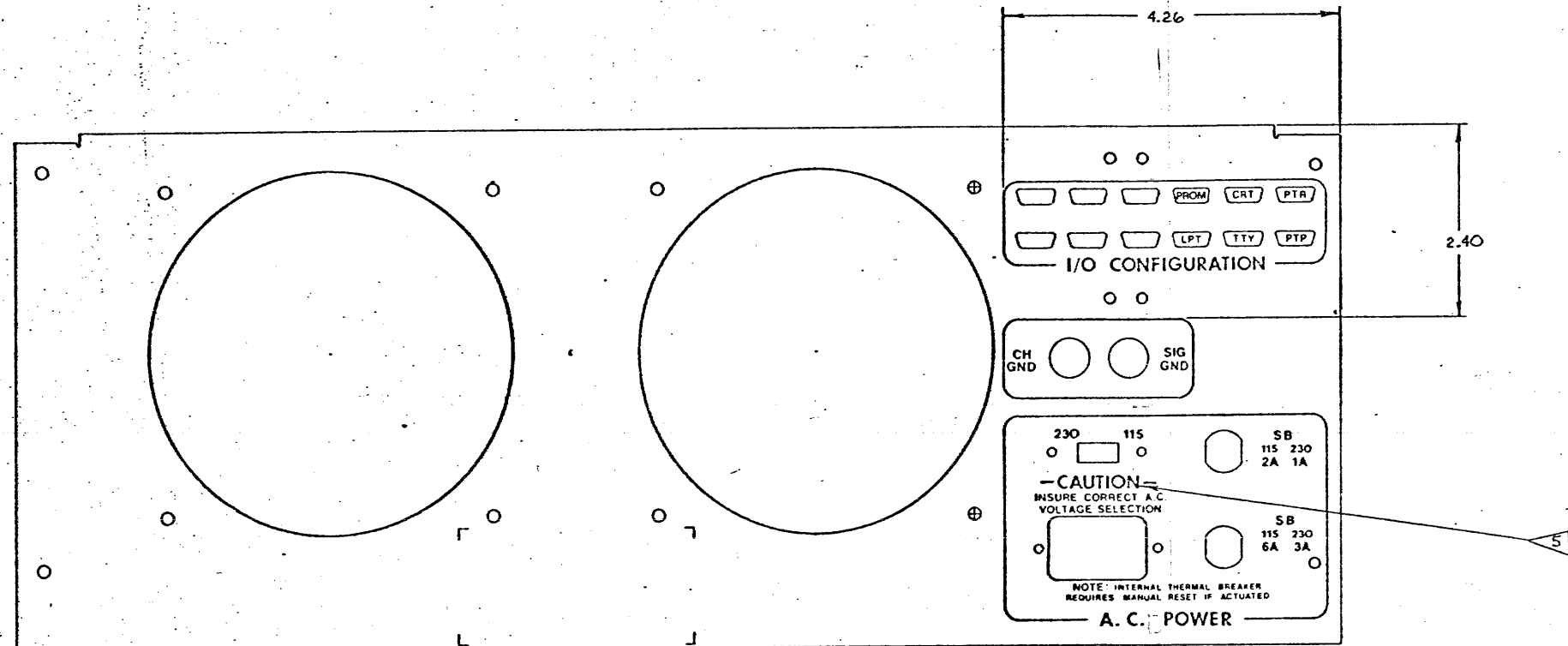
NOTES: UNLESS OTHERWISE SPECIFIED,

1. P/N IS 3000390-01.
2. INK STAMP P/N & REV LTR IN POSITION SHOWN USING CONTRASTING INK, CHARACTERS TO BE .12 HIGH.
3. BEND RADIUS TO BE MINIMUM.
4. SILKSCREEN ARTWORK REV 'B' AVAILABLE FROM MCS DRAFTING.
5. SILKSCREEN CHARACTERS TO BE NITRO BLUE WITH THE EXCEPTION OF THE WORD "CAUTION" WHICH WILL BE RED.

HOLE LEGEND.	
SYM	DESCRIPTION
A	.156 DIA
B	.500 DIA
C	4.587 DIA
D	CUT OUT .50 x .25

QUANTITY PER DASH NO		ITEM NO.	PART NUMBER	DESCRIPTION
SCALE: 1:1		SIGNATURE		DATE
TOL: 2 PLC .02, 3 PLC .010, ANGLE C° 15'		DRN BY: E. W. J. JEN		11/0/75
MATERIAL: 3052-H92 ALUM .12 THK		CHK BY: L. FRESE		11/8/75
FINISH: ALODINE, CLEAR		DFT APPD: [Signature]		11/8/75
4000339 INT. M.D.S.		ENGR APPD: [Signature]		11/8/75
NEXT ASSY: USED ON		AUTH BY: S. Hall		11/14/75
		CODE: SHEET 1 OF 2		
PARTS LIST				INTEL 3065 BOWERS AVE. SANTA CLARA CALIF. 95051
REAR PANEL				TITLE
SIZE: D	DEPT: 410	DRAWING NO. 3000390		REV: 10

REV	DESCRIPTION	DATE	BY	CHK	EN
1	SEE SHEET ONE	12-19-75			

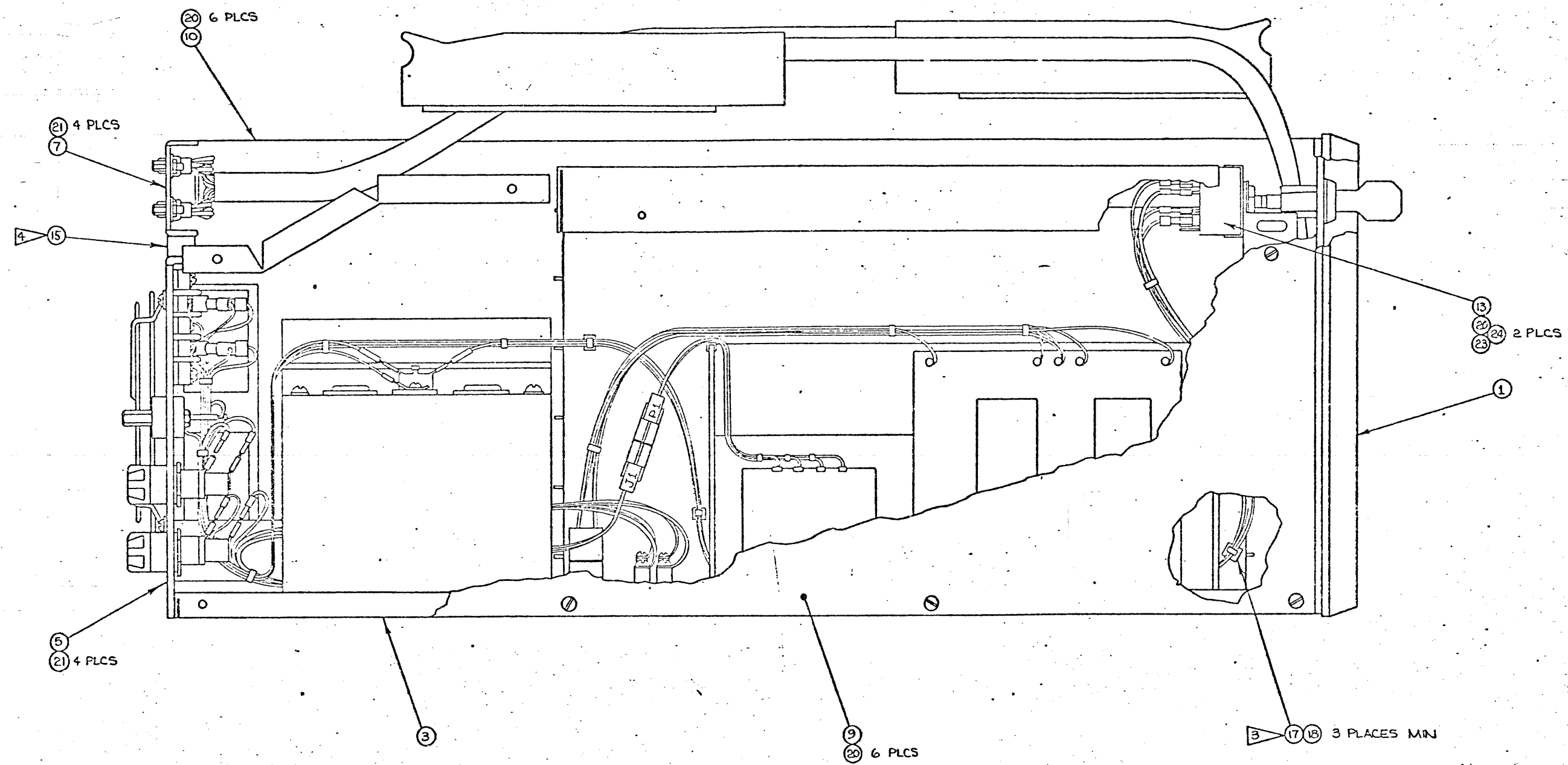


SCALE: 1/1	SIZE: D	DATE: 4.0	DRAWING NO.: 3000390
SHEET 2 OF 2		DATE: 12-19-75	

7                      6                      5                      4                      4                      3                      2                      1

8 7 6 5 4 3 2 1

REVISIONS		
LTR	DESCRIPTION	SIGNATURE AND DATE
1	ENG. RELEASE	[Signature] [Date]
A	PRODUCTION RELEASE	[Signature] [Date]



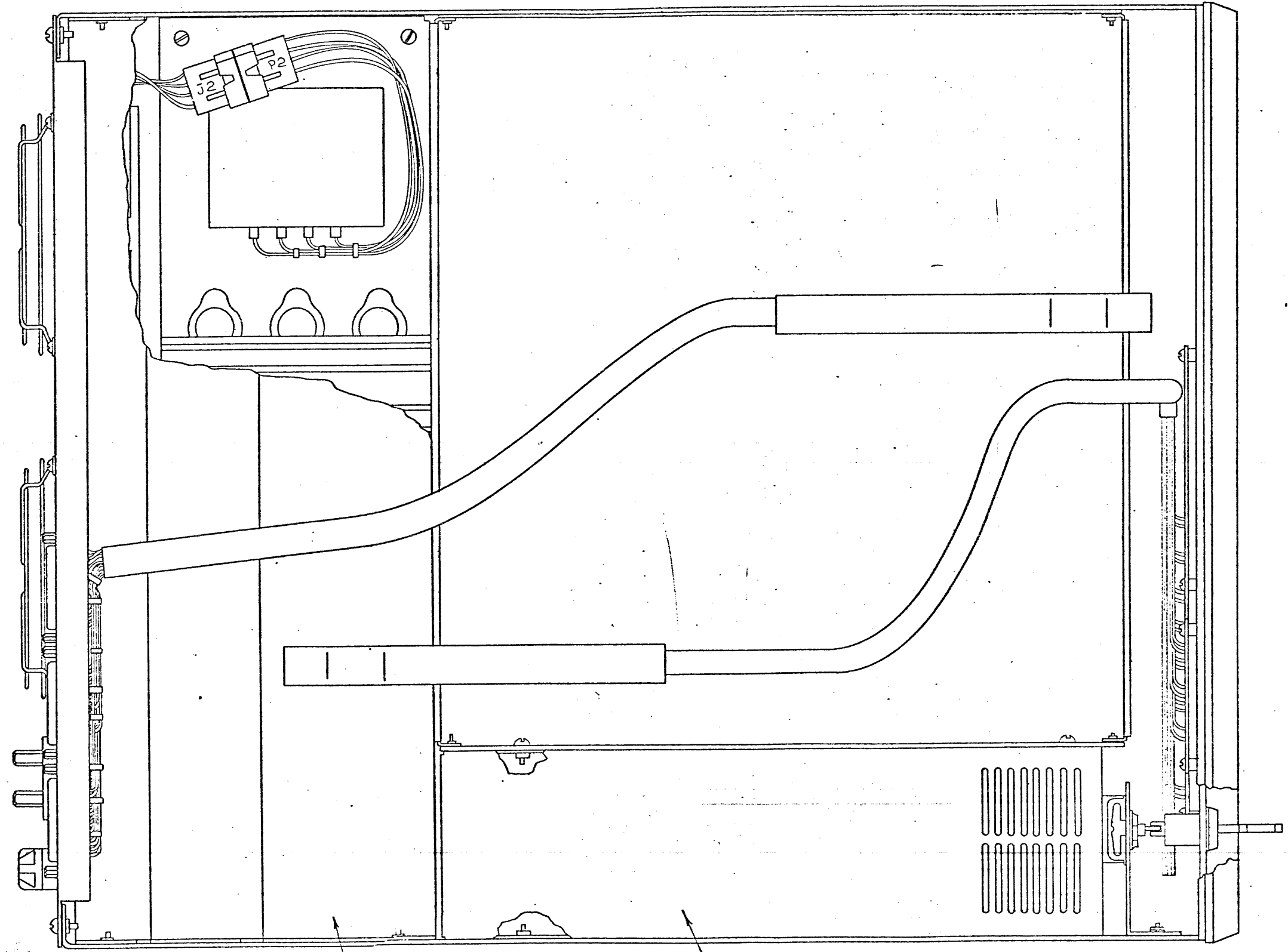
- NOTES: UNLESS OTHERWISE SPECIFIED
1. ASSY NO IS 4000442 -01.
  2. MARK ASSY NO AND REV LETTER IN INK ON ITEM 9 WHERE SHOWN USING CHARACTERS .12 HIGH.
  3. ATTACH CABLE TIE BRACKETS APPROX WHERE SHOWN.
  4. CLEAN SURFACE OF ITEM 5 BEFORE ATTACHING ITEM 15.
  5. WORKMANSHIP TO CONFORM TO MCS STD GAWS 006.

QUANTITY PER DASH NO		ITEM NO	PART NUMBER	DESCRIPTION
SCALE: 1:1	SIGNATURE		DATE	<b>Intel</b> 3055 BOWERS AVE. SANTA CLARA CALIF. 95051
TOL: 2 PLC 3 PLC ANGLE	DRN BY: S. MAULE	DATE	TITLE	
MATERIAL: SEE P.L.	CHK BY: [Signature]	DATE	TITLE	CHASSIS ASSY
FINISH:	AUTH BY: [Signature]	DATE	SIZE DEPT DRAWING NO.	REV
4000320 INT NDS	CODE	SHEET 1 OF 2	D 410 4000442	A
NEXT ASSY: USFO ON				

8 7 6 5 4 3 2 1

8 7 6 5 4 3 2 1

REVISIONS			
LTR	DESCRIPTION	DFT	CHK ENGR
-	SEE SHEET 1	SM 2-2-75	PKY



12 20 4 PLCS  
 11 19 2 PLCS  
 22 20 2 PLCS

8 7 6 5 4 3 2 1

SCALE: 1/1	SIZE: D	DEPT: 40	DRAWING NO.: 4000442	REV: A
SHEET 2 OF 2				
© INTEL 1973				1

SECTION 4

SYSTEM POWER

4000379 - POWER SUPPLY (5V)

4000380 - POWER SUPPLY (-10 ± 12V)

2000404 - AC/DC POWER DISTRIBUTION

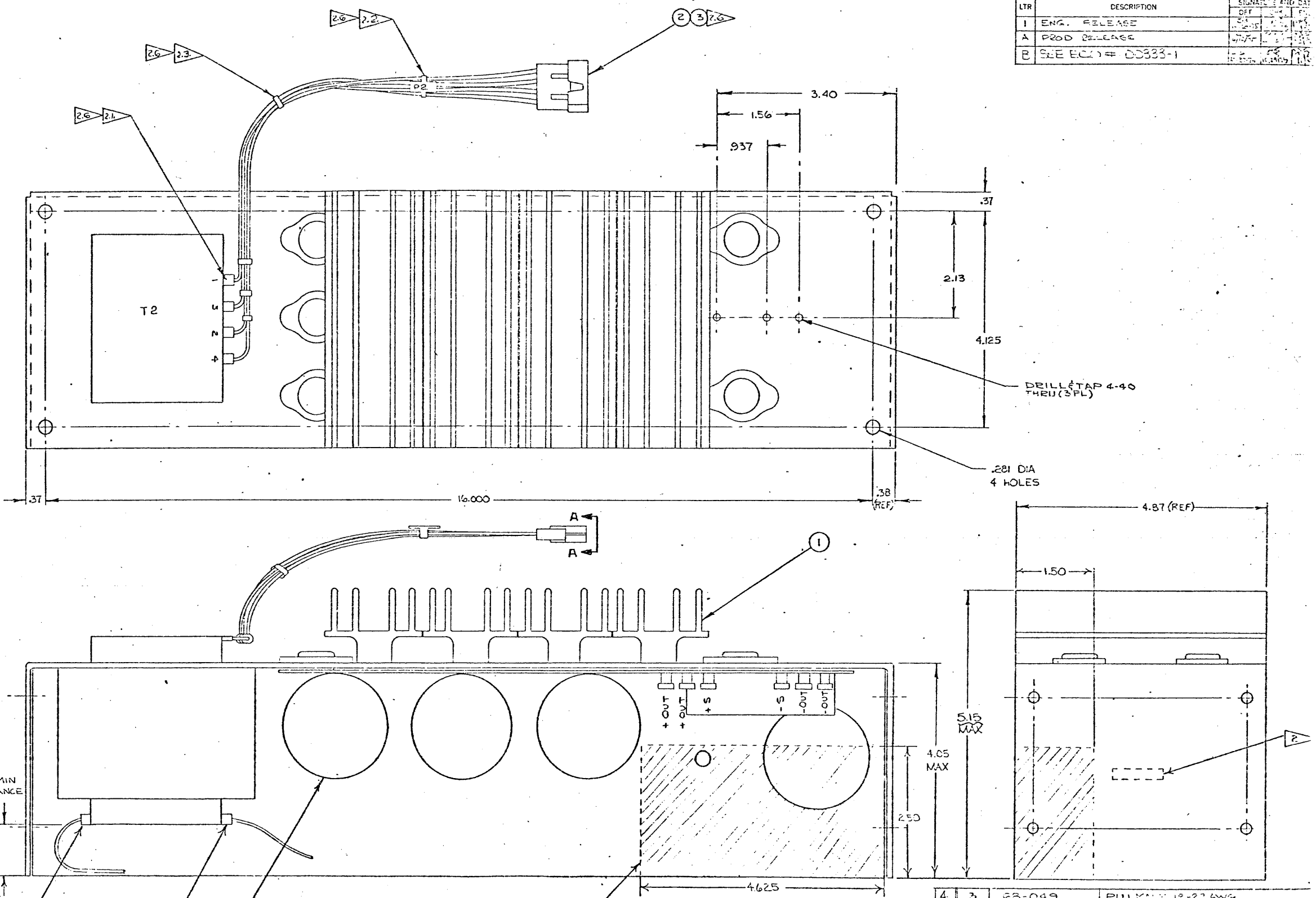
REVISIONS		
LTR	DESCRIPTION	SIGNATURE AND DATE
1	ENG. RELEASE	
A	PROD RELEASE	
B	SEE ECR# DD333-1	

1. ELECTRICAL SPECS:

- 1.1. AC INPUT:  
115-230 50-60HZ FIELD SELECTABLE.
- 1.2. DC OUTPUT:  
+5 VDC  
MAX LOAD 35A  
LINE REGULATION: ±0.01% FOR A ±10% INPUT VARIATION.  
LOAD REGULATION: ±0.02% FROM NO LOAD TO MAX LOAD.  
MAX RIPPLE: 10MV PP  
TRANSIENT RESPONSE: 50μ SEC MAX FOR A 50% LOAD CHANGE  
OVERVOLTAGE PROTECTION: 6.0 TO 6.3V  
REMOTE SENSING  
MINIMUM EFFICIENCY: 45%
- 1.3. ENVIRONMENT  
TEMPERATURE: FULL RATINGS APPLY IN MIN 75 CFM MOVING AIR AT 0-65°C.  
HUMIDITY: 90% MAX RELATIVE WITH NO CONDENSATION.  
WEIGHT: 25 LBS MAX
- 1.4. LIFE EXPECTANCY: 10 YEARS

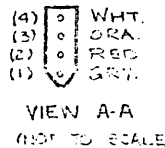
2. MECHANICAL SPECS:

- 2.1. INSTALL HEATSHRINK TUBING WHERE SHOWN.
- 2.2. IDENTIFY HARNESS "P2" AS SHOWN.
- 2.3. INSTALL TIE CLIPS WHERE SHOWN.
- 2.4. 2.20 DIA HOLES BEHIND CAPACITORS AS SHOWN (3 PLACES).
- 2.5. WIRE TO BE 20 AWG.
- 2.6. WORKMANSHIP TO CONFORM TO MCS STD Q AWS 007.



NOTES: UNLESS OTHERWISE SPECIFIED,

- 1. P/N IS 4500379-01.
- 2. INK STAMP P/N & REV LTR IN POSITION SHOWN USING CONTRASTING INK, CHARACTERS TO BE .12 HIGH.
- 3. FOR PROCUREMENT SEE L/M 4500379.



QTY	DESCRIPTION	UNIT	REVISION	DATE	BY
1	J2-1	72-1	3		GREEN
1	J2-2	72-2	1		RED
1	J2-3	72-3	1		ORANGE
1	J2-4	72-4	1		WHITE
1	FRONT	72-5	1		FRONT

QTY	DESCRIPTION	UNIT	REVISION	DATE	BY
4	33-049	PIN MALE 12-22AWG			
1	2	6A-037	CONN MALE, 4-PIN		
1	1	4500379	POWER SUPPLY -5V		

SCALE: 1/1		SIGNATURE		DATE	
TOL	2 PLG 3 PLG ANGLE	ERN BY	SUNAGLEN		
#	.02 .00 0.5	CHK BY			
MATERIAL:		APP'D BY			
FINISH:		DATE			

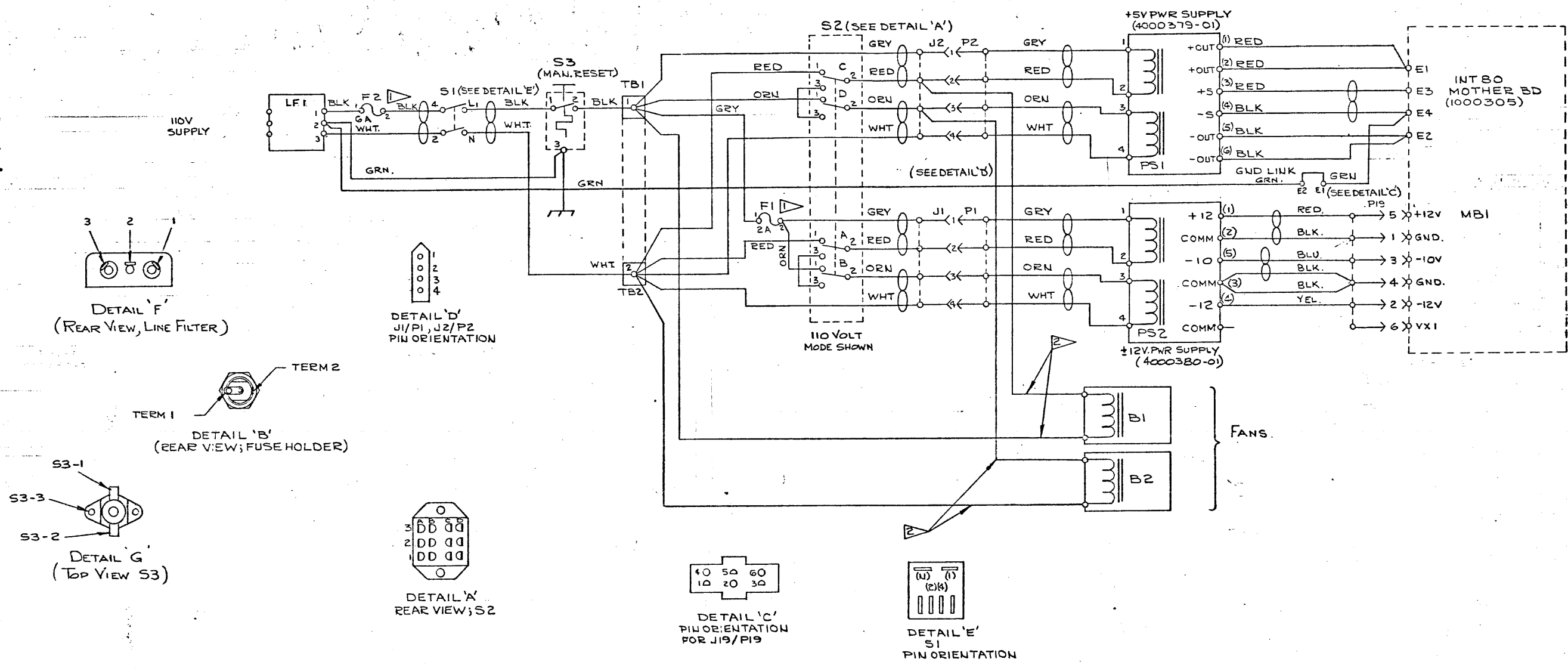
  

PARTS LIST		2225 BIVILLER AVE. SANTA CLARA CALIF. 95051	
POWER SUPPLY (5V)		TITLE	
DWG NO	4500379	DATE	





REVISIONS			
LTR	DESCRIPTION	SIGNATURE AND DATE	
		DFT	CHK ENGR
I	ENG. RELEASE		
A	PROD. RELEASE		
A <sub>1</sub>	ADDED N/A-USED ON		



NOTES; UNLESS OTHERWISE SPECIFIED:

- ▷ FOR 220V F1= 1A, F2= 3A (SEE DETAIL 'B' FOR WIRING ORIENTATION).
- 2 THESE WIRES ARE A PRE MOLDED PLUG & CABLE ASSY.

QUANTITY PER DASH NO.		ITEM NO.	PART NUMBER	DESCRIPTION
SCALE:	2 PLC 3 PLC ANGLE	SIGNATURE		DATE
TOL:		DRN BY:		1/17/75
MATERIAL:		CHK BY:		1/27/75
FINISH:		DFT APPD:		2/5/75
NEXT ASSY		ENGR APPD:		3/15/75
USED ON		AUTH BY:		
		CODE:	SHEET 1 OF 1	

TITLE		3065 BOWERS AVE. SANTA CLARA CALIF. 95051	
SCHEMATIC, AC/DC POWER DISTRIBUTION		INTEL 1975	
SIZE	DEPT	DRAWING NO.	REV.
D	410	2000404	A