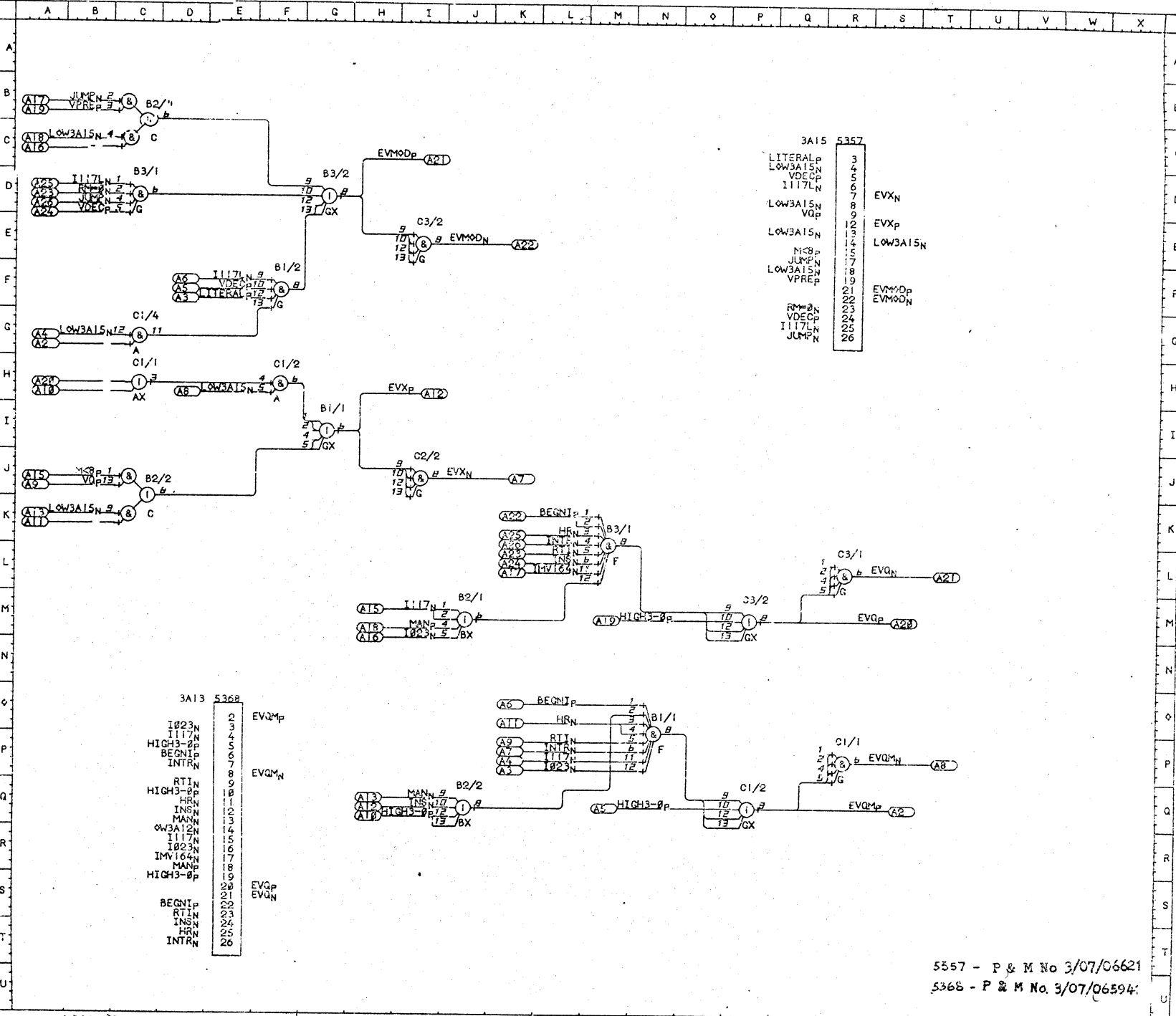


BEGNIP 163 9 21 23  
 NO 35 37 E0 MK  
 EVMODP IC 51 72 97  
 RC  
 EVMODN IE 62 98 RC  
 EVQP SM 51 64 67  
 92 93 94 E0  
 107  
 EVQN RL 74 E0  
 EVQNP SQ 42 51 67  
 74 E0 107  
 EVQMN RP E0 162  
 EVXP IH 32 RC 165  
 EVQV JH RC  
 HIGH3-0P 167 2 8 10  
 11 17 35 38 39  
 48 49 E0 JQ PM  
 PQ 135 140 150  
 159  
 HRN 103 5 12  
 13 15 20 21 24  
 27 28 35 37 46  
 48 50 E0 MK NO  
 140 223  
 I023N 131 67 82 92  
 E0 JM NO 158  
 I117N 125 22 E0 JM  
 NO 158  
 I117LN 144 2 72 OD  
 NO  
 IMV164N 7 E0 MK  
 INSN 13 17 41 61  
 73 93 E0 JQ MK  
 142  
 INTRN 62 E0 MK NO  
 JUMP 133 14 15 16  
 17 18 30 33 41  
 64 66 67 70 72  
 79 81 83 84 88  
 89 95 08 CD RC  
 109 143  
 LITERALP 137 9 FF RC  
 LOW3A12N 48 E0  
 LOW3A15N RC CB CG CJ  
 FH RC  
 MCBP 142 CJ RC  
 MANP 142 2 42 E0  
 JM  
 MANN 109 E0 JQ  
 RC  
 RM=0N 22 72 08 CD  
 RTIN 161 5 8 14  
 NO 143  
 VDECP 51 2 17 08  
 CD FF RC III  
 VPREP 51 2 79 81  
 CB RC  
 VQP 51 CJ RC

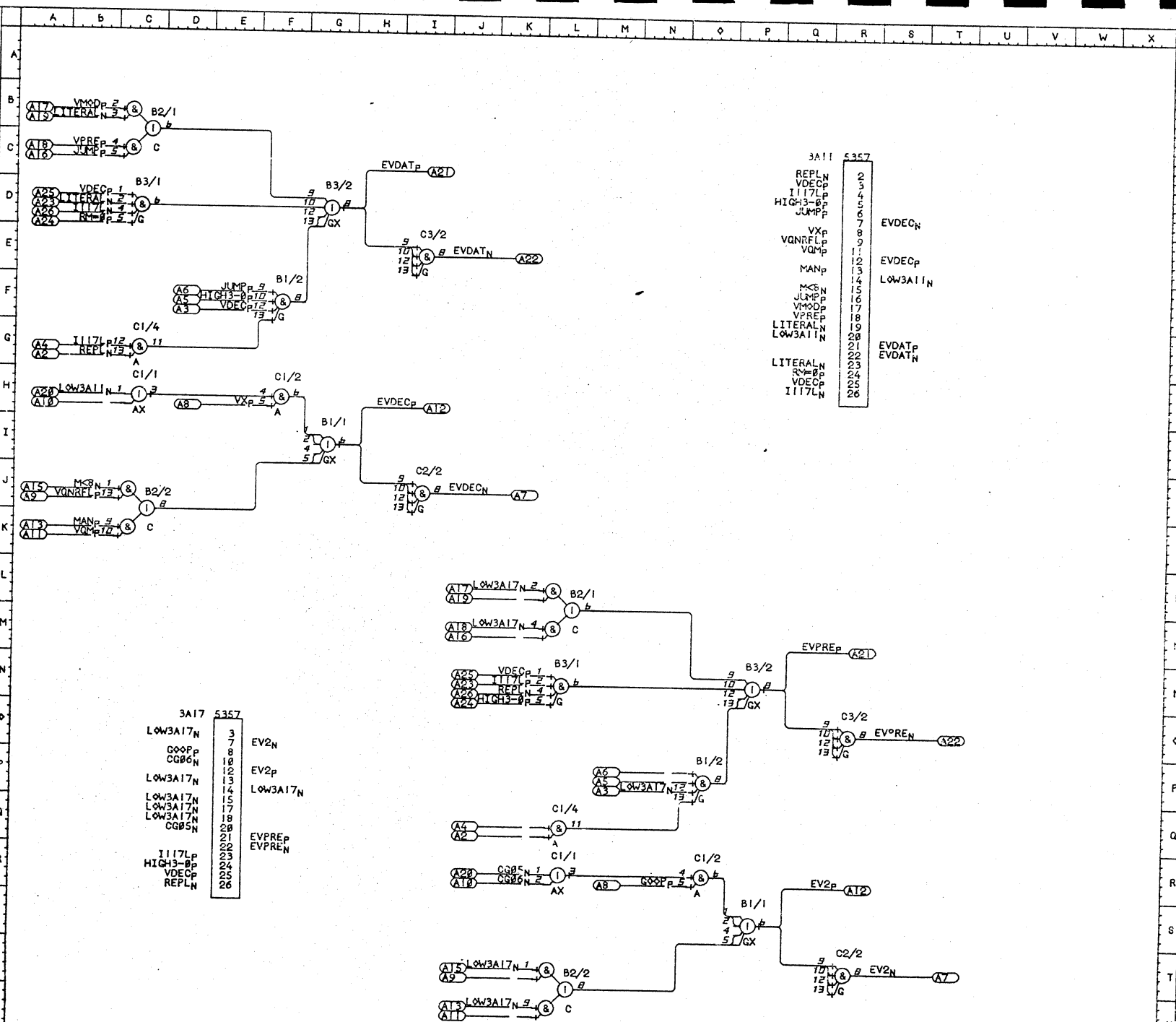


3A15	5357	
LITERALP	3	
LOW3A15N	4	
VDECP	5	
I117LN	6	
LOW3A15N	7	EVXN
VQP	8	
LOW3A15N	9	EVXP
LOW3A15N	12	
LOW3A15N	13	
LOW3A15N	14	LOW3A15N
MCBP	15	
JUMP	16	
LOW3A15N	17	
VPREP	18	
	19	
	21	EVMODP
	22	EVMODN
	23	
	24	
	25	
	26	

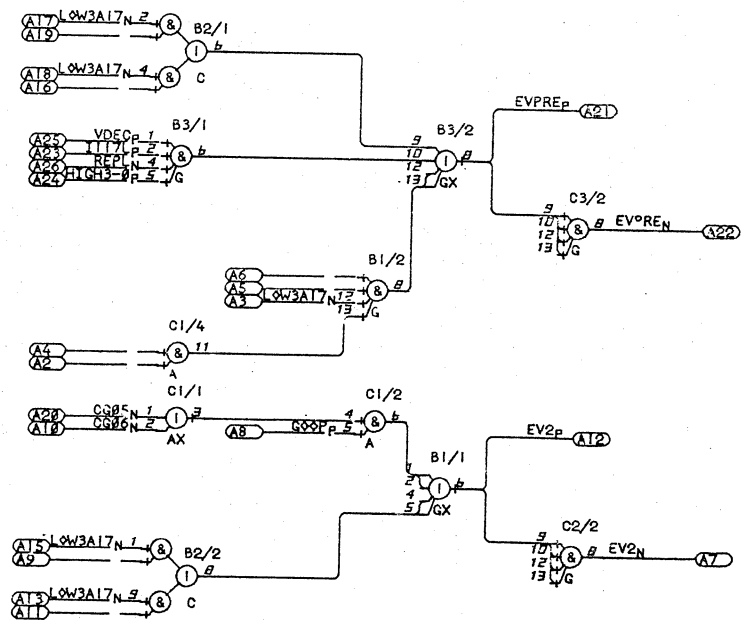
3A13	5368	
I023N	2	EVQMP
I117N	3	
I117LN	4	
HIGH3-0P	5	
BEGNIP	6	
INTRN	7	EVQMN
INTRN	8	
INTRN	9	
HIGH3-0P	10	
HRN	11	
INSN	12	
INSN	13	
LOW3A12N	14	
I117N	15	
I023N	16	
IMV164N	17	
MANP	18	
HIGH3-0P	19	
HIGH3-0P	20	EVQP
	21	EVQN
	22	
BEGNIP	23	
RTIN	24	
INSN	25	
HRN	26	
INTRN	27	

5557 - P & M No 3/07/06621  
 5368 - P & M No. 3/07/06594

CG85N 128 E0 LR  
 CG86N 128 I1 98 E0  
 EV2P RR 52 69 78  
 79 97 98 E0  
 109  
 EV2N RT E0  
 EV2N IC 51 62 74  
 75 RC  
 EVDATN IE 62 RC  
 EVDECP IH 51 RC 112  
 EVDECP IJ RC 164  
 EVPREP RM 51 62 66  
 72 E0  
 EVPREN RO E0  
 G00P 5 4 6 8 12  
 13 30 31 48 41  
 44 79 88 E0 OR  
 135 148 158  
 HIGH3-8P 167 1 8 18  
 1 17 35 38 39  
 48 49 E0 FF LN  
 RC 135 148 158  
 159  
 I117LP 144 62 66 CG  
 E0 LN RC  
 I117LN 144 1 72 CD  
 RC  
 JUMPP 133 10 11 17  
 30 48 61 62 64  
 79 82 CB FF RC  
 111 127  
 LITERALN 137 CB CD RC  
 LOW3A17N RC CH RC  
 LOW3A17N E0 E0 LL LT  
 OP  
 MCBN 142 198 CJ RC  
 MANP RC 148  
 REPLN 48 10 17 62  
 CG E0 LN RC  
 RM8P 22 72 CD RC  
 VDECp 51 1 17 88  
 CD E0 FF LN RC  
 111  
 VMODp 51 9 62 72  
 78 87 CB RC  
 VPREp CB RC  
 51 1 79 81  
 VQMP CJ RC 104 148  
 VQNRFLP 148 CJ RC 168  
 VXp

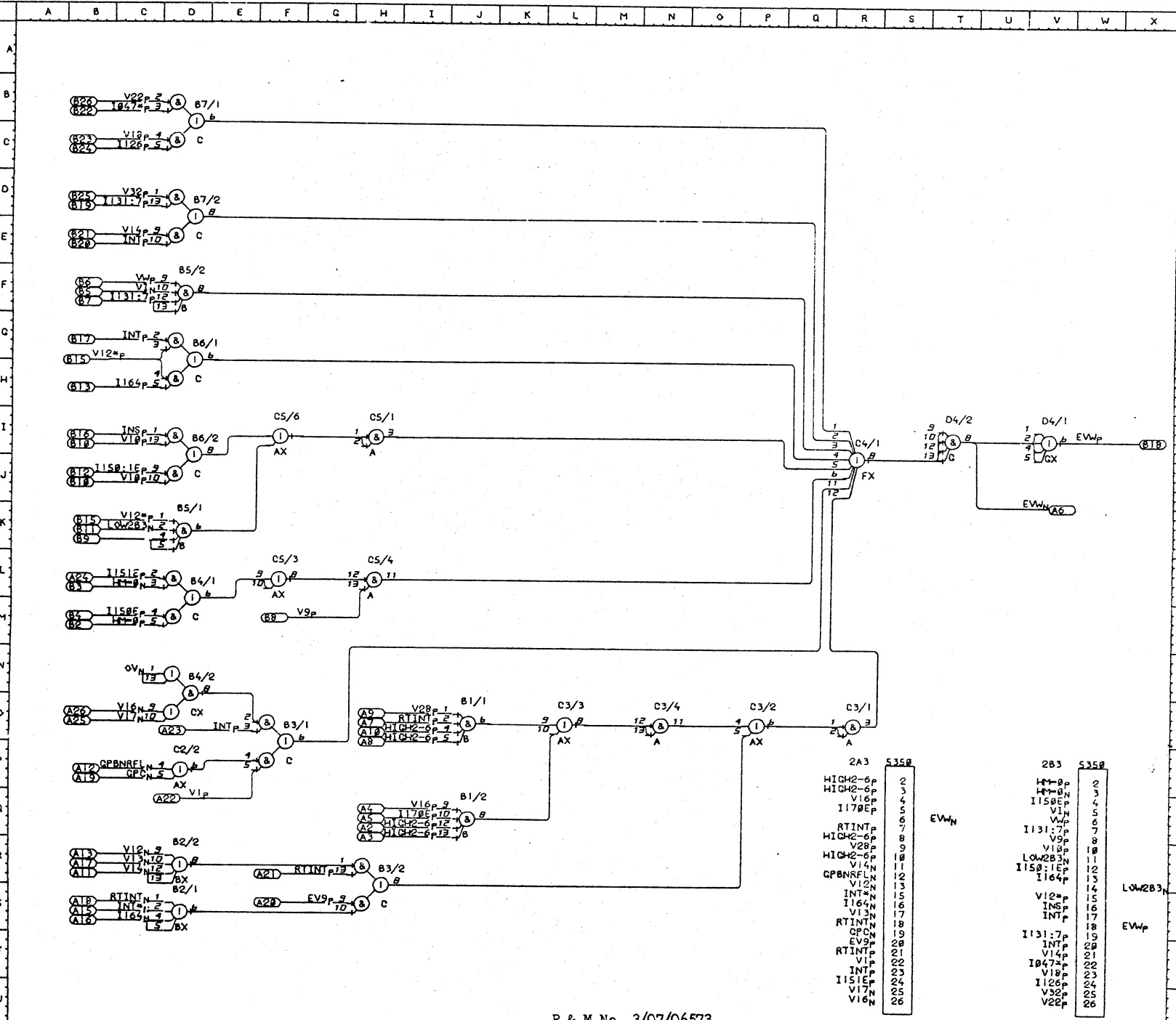


3A17 5357  
 LOW3A17N 3  
 G00P 7  
 CG86N 8  
 10  
 12  
 13  
 14  
 15  
 17  
 18  
 20  
 21  
 22  
 23  
 24  
 25  
 26  
 I117LP  
 HIGH3-8P  
 VDECp  
 REPLN



P & M No 3/07/06621

EV9P 12 HR SP  
 EVWp VI 51 64 92  
 93 WP 186 189  
 EVWp VK SP  
 GPBNRFL 17 DP SP  
 GPCN 135 DP SP  
 HIGH2-6p 167 JO JQ SP  
 HIGH2-6p 139 DL WP  
 HIGH2-6p 68 DL WP  
 I1047p 123 DB WP  
 I126p 122 DB WP  
 I1317p 129 DD OF WP  
 I158:1Ep 138 DI WP  
 I158Ep 138 DL SP  
 I151Ep 138 DL SP  
 I164p 142 DC WP  
 I164N 5391 OS SP  
 I178Ep 126 JQ SP  
 INS 142 DI WP  
 INT 147 DD DC FO  
 INT SP WP  
 INT 139 OS SP  
 LOW2B3N WP DK  
 RTINT 5993 HR JO  
 RTINT SP  
 RTINT 5398 OS SP  
 V1p 52 FO SP  
 V18p 53 DI WP  
 V12N 53 DR SP  
 V12N 139 DR DK WP  
 V13N 53 DR SP  
 V14N 53 DD WP  
 V14N 53 DR SP  
 V16p 53 JG SP  
 V16N 53 DN SP  
 V17N 53 DN SP  
 V18 53 DB WP  
 V22p 54 DB WP  
 V28p 54 JO SP  
 V32p 54 DD WP  
 V9p 5391 HL WP  
 V1N 51 DF WP  
 Wp 51 DF WP



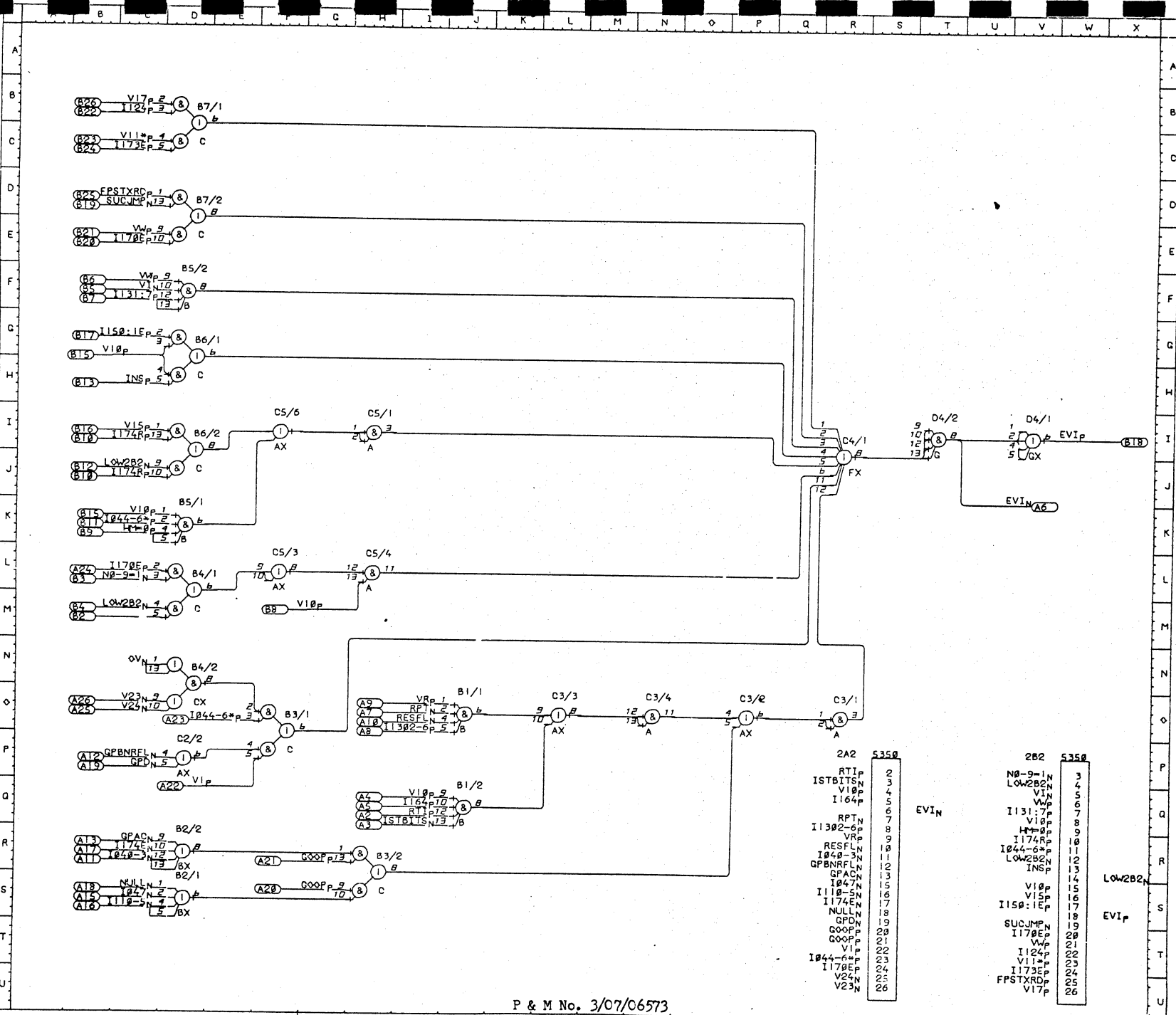
2A3 5350		2B3 5350	
HIGH2-6p	2	HIGH2-6p	2
HIGH2-6p	3	HIGH2-6p	3
V16p	4	V16p	4
I178Ep	5	I158Ep	4
RTINT	6	V1N	5
HIGH2-6p	7	Wp	6
V28p	8	I1317p	7
HIGH2-6p	9	V9p	8
V14N	10	LOW2B3N	9
GPBNRFL	11	I158:1Ep	10
V12N	12	I164p	11
INT	13		12
I164N	14		13
V13N	15		14
RTINT	16		15
GPBNRFL	17		16
EV9p	18		17
RTINT	19		18
V1p	20		19
INT	21		20
V17N	22		21
I151Ep	23		22
V32p	24		23
V16N	25		24
	26		25

P & M No. 3/07/06573

26/02/70 BEAT GEN - WV WGH01\*\*\* / 0003

ISSUE:	TYPE	MOD:	TYPE	MOD:	TYPE	MOD:	TYPE	MOD:
ADD: 2767	ADD:	1635	ADD:	1635	ADD:	1635	ADD:	1635

EVI P 93 98 WP 189  
 EVI N VK 64 SP 189  
 FPSTXRD 142 DD WP  
 GOOP P 9 HR SP  
 GPAC N 135 DS SP  
 GPBNRFL N 17 DF SP  
 CPDN N 135 DP SP  
 I104-3 N 130 DR SP  
 I104-6 P 129 DK FO SP  
 I104-7 N 123 OS SP  
 I110-5 N 132 OS SP  
 I124 P 122 DB WP  
 I1302-6 P 129 JO SP  
 I131-7 P 129 DF WP  
 I150-1 P 130 UG WP  
 I164 P 142 JO SP  
 I170E P 126 DD DL SP  
 I173E P 126 DB WP  
 I174E N 126 DR SP  
 I174R P 133 DI WP  
 INSP P 142 DG WP  
 ISTDITS N 22 JO SP  
 LOW2B2 N WP DI OL  
 NR-9 N 139 DL WP  
 NULL N 135 DS SP  
 RESFL N 32 JO SP  
 RPT N 149 JO SP  
 RTIP P 161 JO SP  
 SUCJMP N 111 DO WP  
 VIP P 52 FO SP  
 V10 P 53 DO DK HL  
 V11 P 139 OB WP  
 V15 P 53 DI WP  
 V17 P 53 DB WP  
 V23 N 54 DN SP  
 V24 N 54 DN SP  
 V1 N 51 DF WP  
 VR P 51 JO SP  
 WP P 51 DD DF WP



P & M No. 3/07/06573

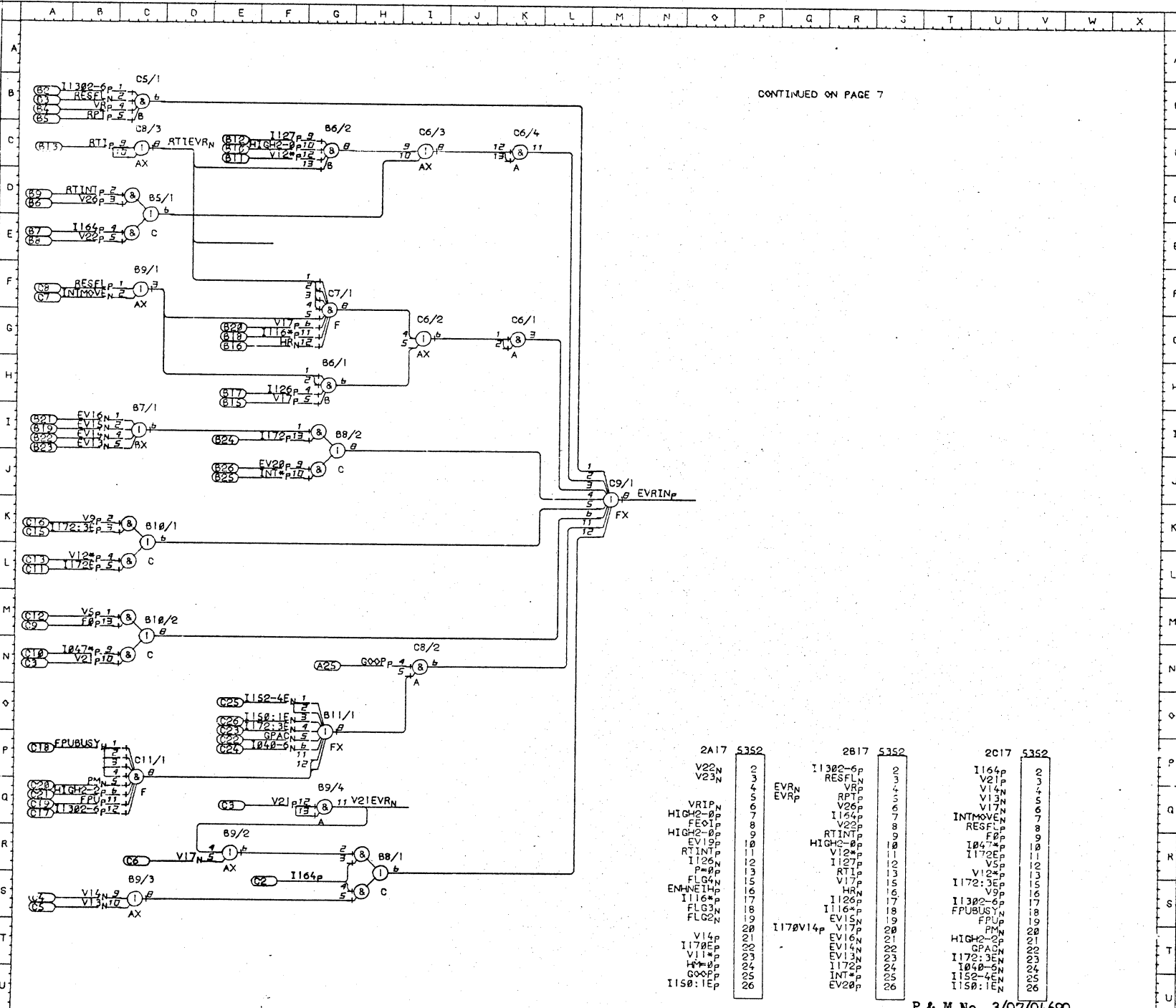
26/02/70 BEAT GEN. VI

WGH01\*\*\* / 0004

ISSUE: ]	TYPE MOD: ]	TYPE MOD:	TYPE MOD:	TYPE MOD:	TYPE MOD:	TYPE MOD:
ACC: 2767	ECC: 1629	ECC:	ECC:	ECC:	ECC:	ECC:



ENHNEI 142 PP  
 EVI3N 16 CI SP  
 EVI4N 18 CI SP  
 EVI5N 19 CI SP  
 EVI6N 20 CI SP  
 EVI9P 24 PP  
 EVI9N 24 CI SP  
 EVR 51 PP 17 48 51  
 72 76 92 93 94  
 109  
 EVRN PP 70  
 F01P 117 CM VP  
 FE01P 41 PP  
 FLG3N 152 PP  
 FLG3N 149 FF  
 FLG4N 156 PP  
 FPUP 142 CP VP  
 FPUBUSYN 142 CP VP  
 G00P 9 IN PP  
 GPAC 135 GO VP  
 HIGH2-0 167 GC PP SP  
 HIGH2-2 167 CP VP  
 I-0P 139 PP  
 HRN 103 GF SP  
 I047-0 123 GO VP  
 I047P 123 CM VP  
 I116\*P 139 GF PP SP  
 I126P 122 GH SP  
 I126N 122 GP  
 I127P 122 GC SP  
 I1302-6P 129 CB CP SP  
 VP  
 I150:1E 130 PP  
 I150:1EN 130 GO VP  
 I152-4EN 130 GO VP  
 I164P 142 CD FS SP  
 VP  
 I170E 126 PP  
 I170V14P 249  
 I172P 134 GI SP  
 I172:3E 133 CK VP  
 I172:3EN 133 GO VP  
 I172E 126 CK VP  
 INT 139 GI SP  
 INTMOVE 148 CF VP  
 P-0P 139 PP  
 PMN 145 CP VP  
 RESFLP 32 CF VP  
 RESFLN 32 CB SP  
 RPTP 149 CB SP  
 RTIP 161 CC SP  
 RTINTP 5393 CD PP  
 SP  
 V11\*P 139 PP  
 V12\*P 139 CK GC SP  
 VP  
 V13N 53 CS VP  
 V14P 53 PP  
 V14N 53 CS VP  
 V17P 53 GF CH SP  
 V17N 53 ER VP  
 V21P 53 CM QY VP  
 V22P 54 CD SP  
 V22N 54 PP  
 V23N 54 PP  
 V26P 54 CD SP  
 V5P 52 CM VP  
 V9P 5391 CK VP  
 VRP 51 CB SP  
 VRIPN 5 PP



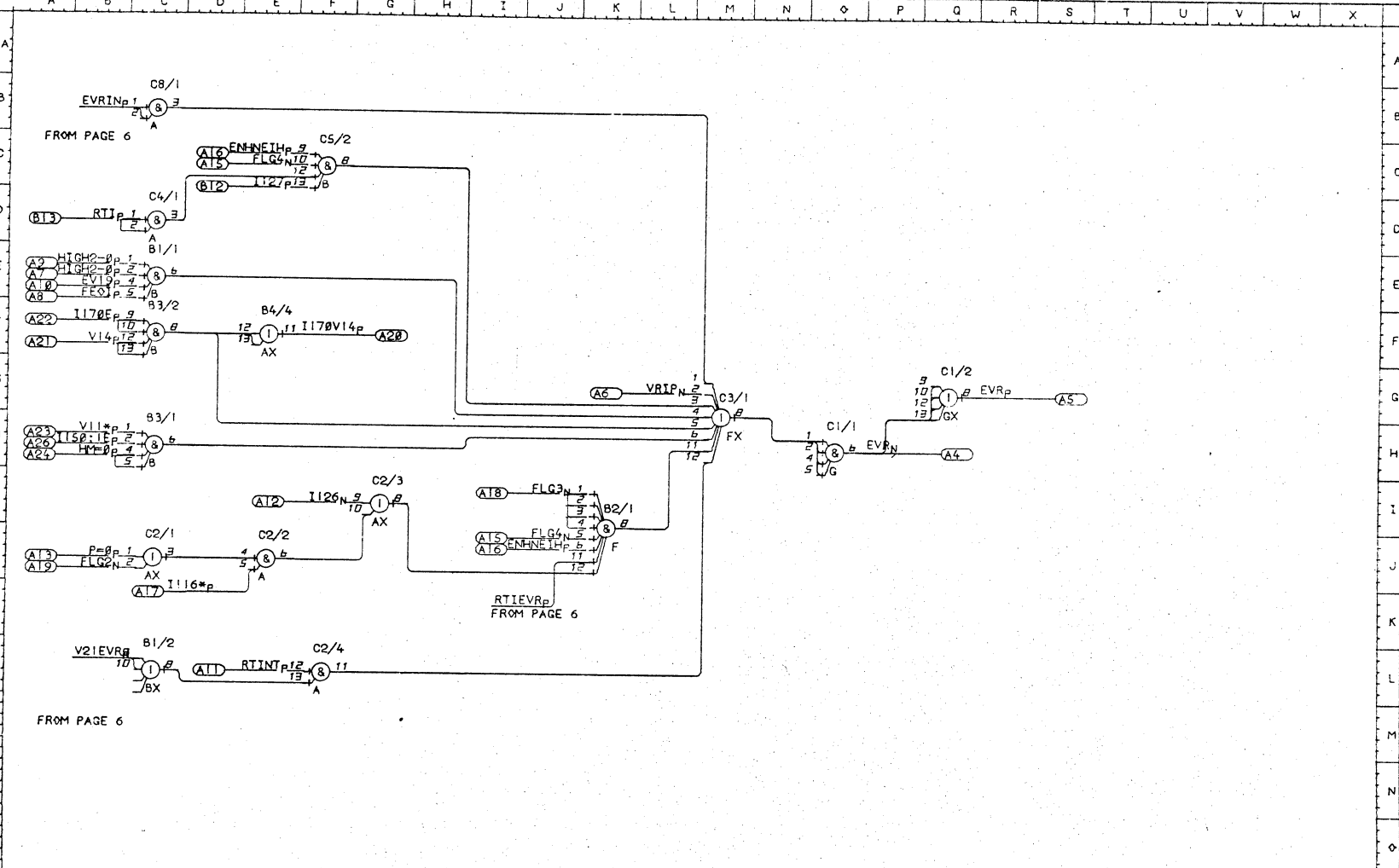
2A17	5352	2B17	5352	2C17	5352
V22N	2	I1302-6P	2	I164P	2
V23N	3	RESFLN	3	V21P	3
VRIPN	4	VRP	4	V14N	4
HIGH2-0P	5	RPTP	5	V13N	5
FE01P	6	I154P	6	V17N	6
HIGH2-0P	7	V22P	7	INTMOVE	7
EV19P	8	RTIP	8	RESFLP	8
RTINTP	9	HIGH2-0P	9	FPUP	9
I126N	10	INT 139	10	I047*P	10
PMN	11	INTMOVE	11	I172E	11
FPUP	12	INTMOVE	12	V5P	12
FLG4N	13	INTMOVE	13	I172E	13
ENHNEI	14	INTMOVE	14	V12*P	14
FLG3N	15	INTMOVE	15	V17P	15
FLG2N	16	INTMOVE	16	V9P	16
VRIPN	17	INTMOVE	17	I1302-6P	17
HIGH2-0P	18	INTMOVE	18	FPUBUSYN	18
FE01P	19	INTMOVE	19	FPUP	19
HIGH2-0P	20	INTMOVE	20	PMN	20
EV19P	21	INTMOVE	21	GPACN	21
RTINTP	22	INTMOVE	22	I172:3EN	22
I126N	23	INTMOVE	23	I040-0N	23
PMN	24	INTMOVE	24	I152-4EN	24
FLG4N	25	INTMOVE	25	I150:1EN	25
ENHNEI	26	INTMOVE	26		

P & M No. 3/07/04690

CCW:0208 05/05/70 BEAT GEN - VR(A) WGH01\*\*\*/0006 DATA CCW0213

ISSUE: 2	TYPE MOD: 2	TYPE MOD:	TYPE MOD:	TYPE MOD:	TYPE MOD:	TYPE MOD:
ACD: 3017 (ECC 4086)	ECC: 2970	ECC:	ECC:	ECC:	ECC:	ECC:

ENHNEIH<sub>p</sub> 142 FC KI  
 EV19<sub>p</sub> 24 CE  
 EVR<sub>p</sub> 61 64 66 67  
 51 61 64 66 67  
 68 72 76 92 93  
 94 109  
 EVR<sub>p</sub> OH 6 70 QG  
 FE01<sub>p</sub> 41 CE  
 FLG3N 152 CU  
 FLG4N 156 FC KI  
 HIGH2-<sub>p</sub> 167 CE  
 HM<sub>p</sub> 139 CH  
 I116\*<sub>p</sub> 139 EU  
 I126N 122 GI  
 I127<sub>p</sub> 122 FO  
 I150:1<sub>p</sub> 130 CH  
 I170E<sub>p</sub> 126 CF  
 I170V14<sub>p</sub> EF 6 249  
 P=0<sub>p</sub> 139 CU  
 RTIP<sub>p</sub> 161 CD  
 RTINT<sub>p</sub> 5393 FL  
 VII\*<sub>p</sub> 139 CH  
 V14<sub>p</sub> 53 CF  
 VRIP<sub>p</sub> S MG

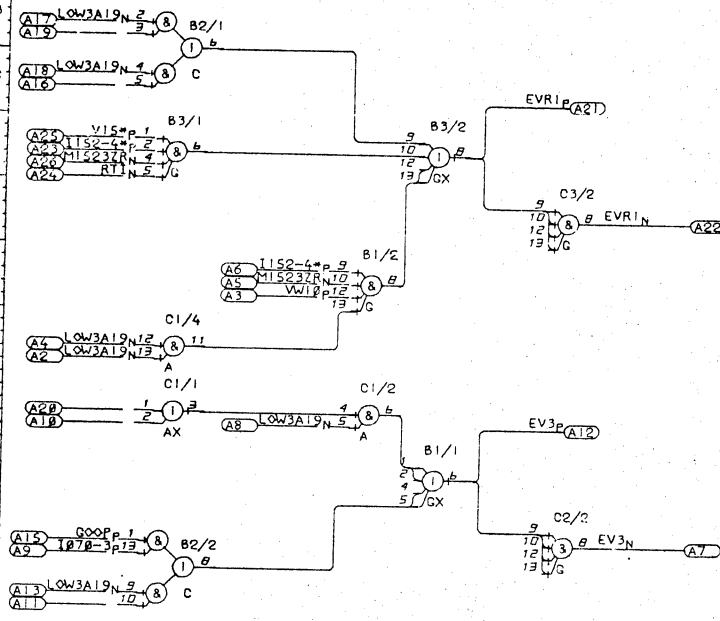


CONTINUED FROM PAGE 6

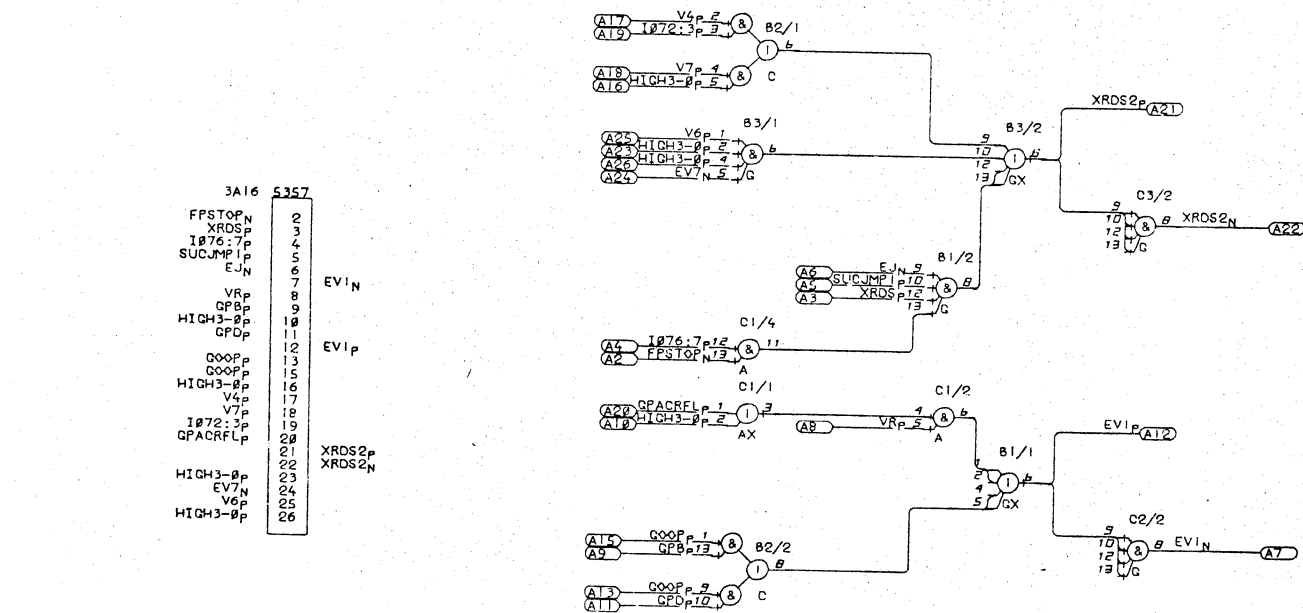
V22N	2	I1302-6P	2	I164P	2
V23N	3	RESFLNN	3	V21P	3
VRIP <sub>p</sub>	4	VRP	4	V14N	4
HIGH2- <sub>p</sub>	5	RTIP	5	V13N	5
FE01 <sub>p</sub>	6	V26P	6	V17N	5
HIGH2- <sub>p</sub>	7	I164P	7	INTMOVEN	6
EV19 <sub>p</sub>	8	V22P	8	RESFLN	7
RTINT <sub>p</sub>	9	HIGH2- <sub>p</sub>	9	F0P	8
I126N	10	RTINT <sub>p</sub>	10	I047* <sub>p</sub>	9
I127 <sub>p</sub>	11	V12* <sub>p</sub>	11	I172E <sub>p</sub>	10
P=0 <sub>p</sub>	12	I127P	12	V5P	11
FLG4N	13	RTIP	13	V12* <sub>p</sub>	12
ENHNEIH <sub>p</sub>	14	V17P	14	I172:3 <sub>p</sub>	13
I116* <sub>p</sub>	15	HRN	15	V9P	14
FLG3N	16	I126P	16	I1302-6P	15
FLG2N	17	I116* <sub>p</sub>	17		16
V14 <sub>p</sub>	18	EVISN	18		17
I170E <sub>p</sub>	19	I170V14 <sub>p</sub>	19		
I170V14 <sub>p</sub>	20	V17P	20		
V11* <sub>p</sub>	21	EV16N	21		
HM=0 <sub>p</sub>	22	EV14N	22		
GOOP <sub>p</sub>	23	EV13N	23		
I150:1E <sub>p</sub>	24	I172N	24		
	25	INT* <sub>p</sub>	25		
	26	EV20P	26		

P & M No. 3/07/04690

EUN 142 EO OP  
 EVIP RR 44 S2 61  
 62 70 71 73 93  
 94 95 96 EO  
 107 I I  
 EVIN RT 32 EO  
 EV3P IH 52 61 70  
 74 94 97 98 RC  
 EV3N IJ RC  
 EV7N II EO LN  
 EVRI P IC 51 93 94  
 RC  
 EVRI N IE RC  
 FPSTOP N 142 EO LQ  
 GOOPP 9 CJ EO LT  
 RC  
 GPACRFL P 17 EO LR  
 GPBP 135 EV LT  
 CPDP 135 EO LT  
 HIGH3-0P 167 EO LL LN  
 LR  
 I076-3P 130 CJ RC  
 I072-3P 124 EO LL  
 I076-7P 124 EO LQ  
 I152-4P 139 OD FF RC  
 LOW3A19N RC OB CG CJ  
 FH  
 MIS232R N 139 OD FF RC  
 RTIN 161 OD RC  
 SUCJMP P 111 EO OP  
 VIS P 139 OD RC  
 V4P 52 EO LL  
 V6P 52 EO LN  
 V7P 52 EO LL  
 VRP 51 EO OR  
 VWI0P 52 FF RC  
 XRDS P 30 EO OP  
 XRDS2P RM 11 13 EO  
 XRDS2N RO EO



3A19	5357
LOW3A19N	2
VWI0P	3
LOW3A19N	4
MIS232R	5
I152-4*P	6
EV3N	7
LOW3A19N	8
I070-3P	9
EV3P	12
LOW3A19N	13
LOW3A19N	14
GOOPP	15
LOW3A19N	17
LOW3A19N	18
EVRI P	21
EVRI N	22
I152-4*P	23
RTIN	24
VIS*P	25
MIS232R	26



3A16	5357
FPSTOP N	2
XRDS P	3
I076-7P	4
SUCJMP P	5
EJ N	6
EVIN	7
VRP	8
GPBP	9
HIGH3-0P	10
CPDP	11
EVIP	12
GOOPP	13
GOOPP	15
HIGH3-0P	16
V4P	17
V7P	18
I072-3P	19
GPACRFL P	20
XRDS2P	21
XRDS2N	22
HIGH3-0P	23
EV7N	24
V6P	25
HIGH3-0P	26

26/02/70

BEAT GEN VRI, V3, VI, & XRDS2

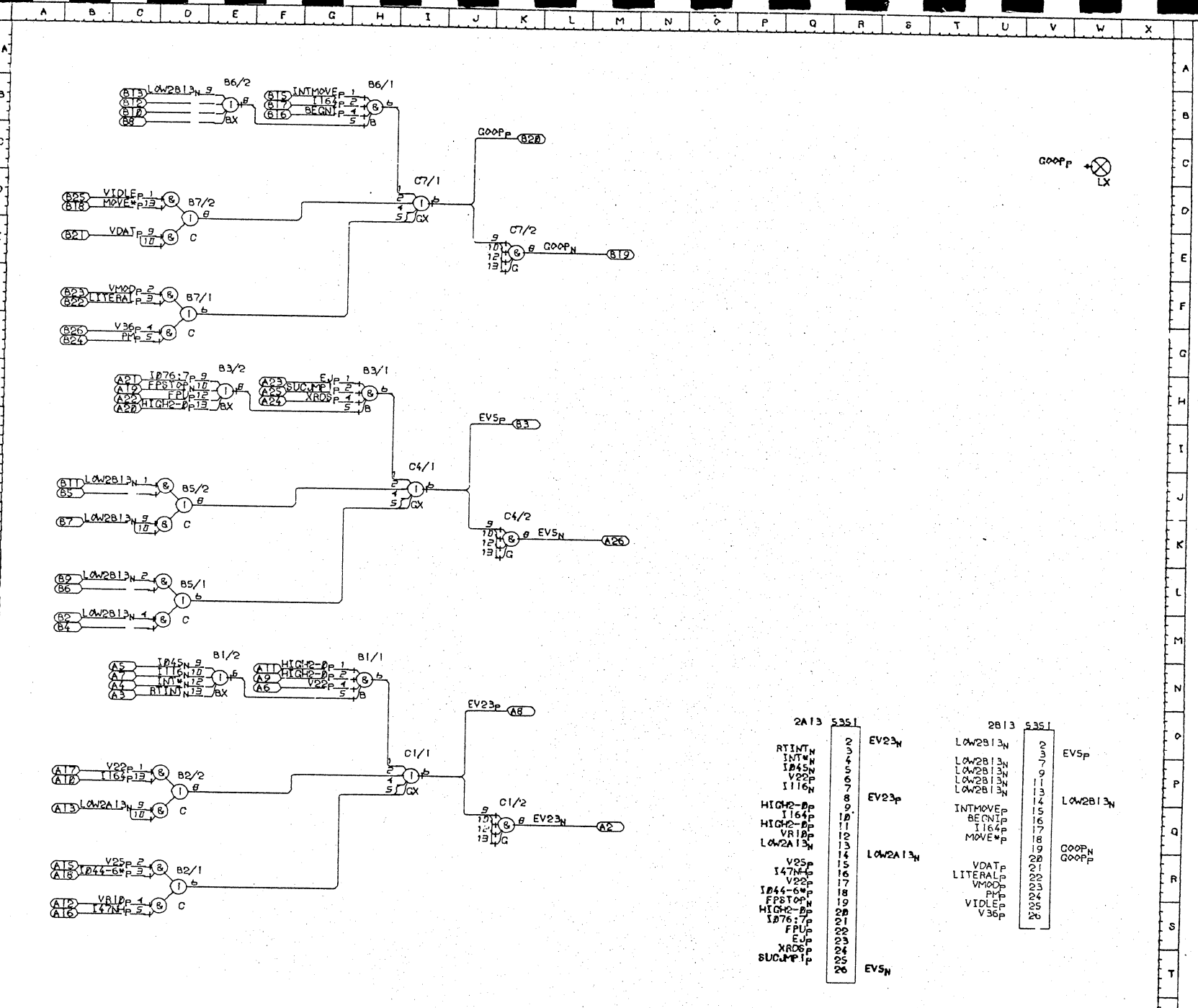
P & M No. 3/07/06621

WGH01\*\*\*/0008

TYPE MOD: 1005 00	TYPE MOD:	TYPE MOD:	TYPE MOD:	TYPE MOD:	TYPE MOD:
ECC:	ECC:	ECC:	ECC:	ECC:	ECC:



BEGINT 163 1 21 23  
 245 35 37 48 VO  
 145 147 155  
 EJP 142 48 62 97  
 H4 RO  
 EV23P KO 54 61 64  
 66 90 94 98 RO  
 106 109  
 EV23N KO 79 93 RO  
 EV5P KI 52 66 67  
 74 98 VO  
 EV5N KK RO  
 FPSTOP N 142 8 40 47  
 EH RO 142  
 FPUP 142 6 16 20  
 24 31 40 47 68  
 EH RO 142  
 GOOP P KC 2 4 6 8  
 12 13 30 31 40  
 41 44 79 88 VO  
 135 140 158  
 GOOP N KE 30 VO 162  
 HIGH2-P 167 5 6 7 13  
 14 16 18 19 24  
 30 41 EH HN RO  
 ID44-6P 129 4 14 16  
 18 20 21 29 32  
 47 78 DR RO  
 ID45N 123 17 23 EN  
 RO 135  
 ID76-7P 124 8 30 40  
 47 EH RO 111  
 142  
 I116 125 17 28 29  
 48 64 70 78 79  
 80 83 84 85 89  
 98 91 EN RO  
 107 139 140 269  
 I164P 142 3 4 6 12  
 14 17 21 22 24  
 26 27 40 48 61  
 67 68 74 76 82  
 86 91 94 98 DP  
 HB RO VO 108  
 109 114 140 142  
 145 153 154 169  
 I47N 142 14 DR RO  
 108 149  
 INTN 139 3 12 14  
 15 16 19 21 23  
 26 EN RO  
 INTMOVE 148 12 13 1  
 16 17 18 21 27  
 38 47 75 83 HB  
 VO 148  
 LITERAL P 137 1 OF VO  
 LOW2B13N RO DP RO  
 LOW2B13N VO DJ DL EB  
 VO  
 MOVE P 134 12 13 18  
 19 20 29 30 DD  
 VO  
 PM P 145 13 18 22  
 60 62 OF VO  
 139 140 145 148  
 168 169 180 181  
 RTINTN 145 3 12 14  
 15 16 22 28 29  
 41 48 64 67 78  
 80 82 83 85 91  
 -EN RO 103 142  
 SUCMP P 111 8 44 RO  
 V22P 54 3 6 80 82  
 85 DP HN RO  
 103 107  
 V25P 54 5 17 29  
 36 85 DR RO  
 V36P 55 12 82 DF  
 VO 156  
 VDAP P 51 84 00 VO  
 108  
 VIDLE P 51 5 13 21  
 30 47 48 81 00  
 VO  
 VMOP P 51 2 62 72  
 78 87 OF VO  
 VRID P 51 21 29 59  
 89 90 DR RO  
 XRDP P 30 8 47 44  
 RO



2A13	5351	EV23N	2B13	5351	EV5P
RTINTN	2		LOW2B13N	2	
INTW	4		LOW2B13N	9	
ID45N	5		LOW2B13N	9	
V22P	6		LOW2B13N	11	
I116N	7		LOW2B13N	13	
HIGH2-P	8	EV23P	INTMOVEP	14	LOW2B13N
I164P	9		BEGNP	15	
HIGH2-P	10		I164P	16	
VRIDP	11		MOVEP	17	
LOW2A13N	12			18	
V25P	13	LOW2A13N	VDATP	19	GOOPN
I47N	14		LITERALP	20	GOOPP
V22P	15		VMOPP	21	
ID44-6P	16		PP	22	
FPSTOPN	17		VIDLEP	23	
HIGH2-P	18		V36P	24	
ID76-7P	19			25	
FPUP	20			26	
EJP	21				
XRDP	22				
SUCMP P	23				
	24				
	25				
	26				

19/09/69

BEAT GEN. GOOP, V5&V23

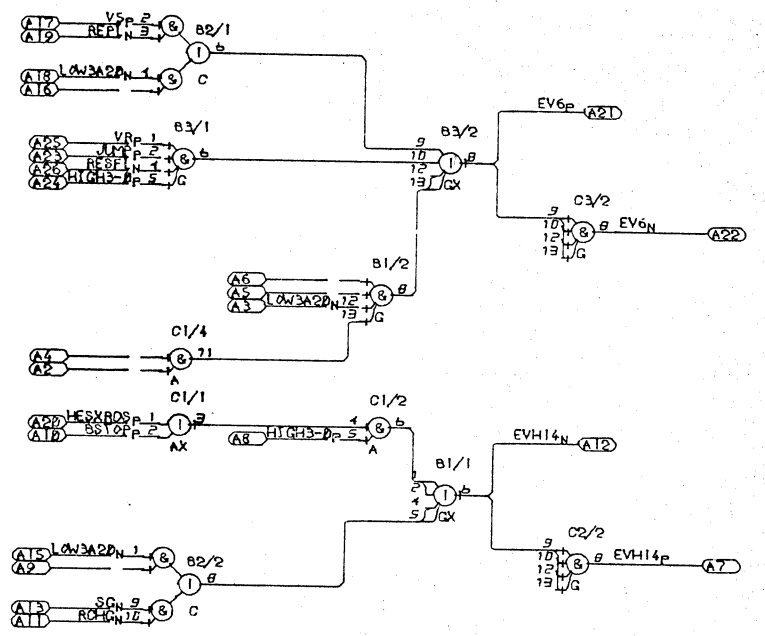
WGHD1\*\*\*/0009

ISSUE:155  
ACD: 2239

PKG MOD: 01

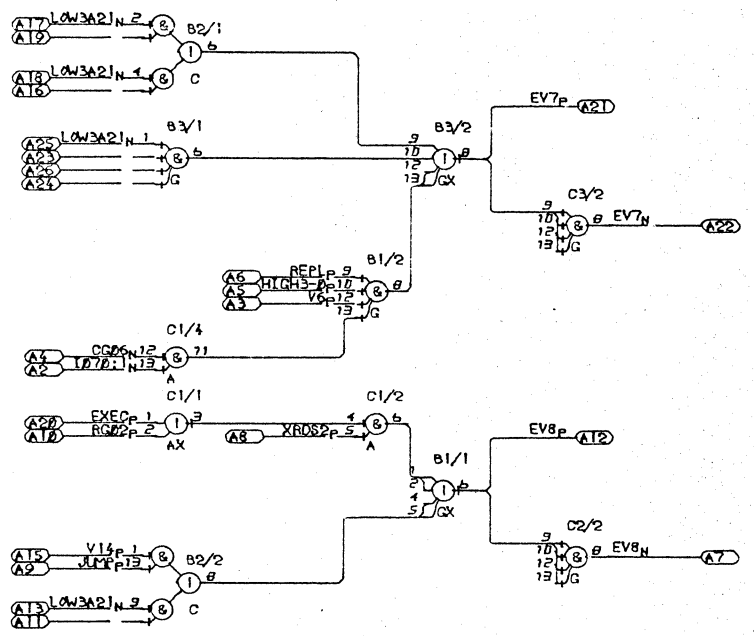
P & M No 3/07/06554

BSTOP 157 DI RC  
 106 265  
 EV6P 70 RC  
 EV6N JF RC  
 EVH14P JK 56 RC  
 EVH14N JI 94 RC 115  
 HESXRDP 42 43 DI RC  
 HIGH3-DP 167 1 2 8 1  
 17 35 38 39 48  
 49 DE GT RC  
 135 140 158 159  
 JUMP 133 2 11 17  
 30 48 61 62 64  
 79 82 DE RC  
 111 127  
 LOW3A2DN RC DC DK GG  
 RC  
 RCHGN 266 17 43 DK  
 RC 115 265  
 REPLN 48 2 17 62  
 DC RC  
 RESFLN 32 4 6 13 17  
 19 20 21 31 35  
 38 40 41 48 83  
 85 DE RC 105  
 135  
 SGH 167 43 DK RC  
 106 115  
 VSP 52 6 DC RC  
 VRP 51 4 6 8 12  
 13 16 19 22 27  
 29 32 33 83 84  
 85 87 91 99 DE  
 RC 105 150 152



3A2D	5357	
LOW3A2DN	3	
HIGH3-DP	7	EVH14P
BSTOPP	8	
RCHGN	10	
SGH	11	
LOW3A2DN	12	EVH14N
VSP	13	
LOW3A2DN	14	LOW3A2DN
REPLN	15	
HESXRDP	17	
	18	
	19	
	20	
	21	EV6P
	22	EV6N
JUMP	23	
HIGH3-DP	24	
VRP	25	
RESFLN	26	

CC06N 120 2 90 DH  
 EV7P JD 52 RC  
 EV7N JF 8 66 RC  
 EV8P JL 52 64 RC  
 EV8N JK 64 93 RC  
 EXEC 144 13 17 22  
 30 40 44 48 60  
 86 DI RC 144  
 249  
 HIGH3-P 167 1 2 8 18  
 17 35 38 39 48  
 49 GG RC 135  
 140 158 159  
 ID7D: N 124 17 90 DH  
 RC 100 111  
 JUMP 50 48 61 62 64  
 79 82 OK RC  
 111 127  
 LOW3A21N RC DC DE DK  
 RC 17 62 66 GG  
 REPL RC 227 13 DI RC  
 RC02P 140 158 227  
 V14P 53 3 7 19 22  
 30 41 60 79 80  
 81 83 84 85 88  
 89 90 99 OK RC  
 103 105 140 144  
 V6P 52 8 GG RC  
 XRDS2P 8 13 GI RC



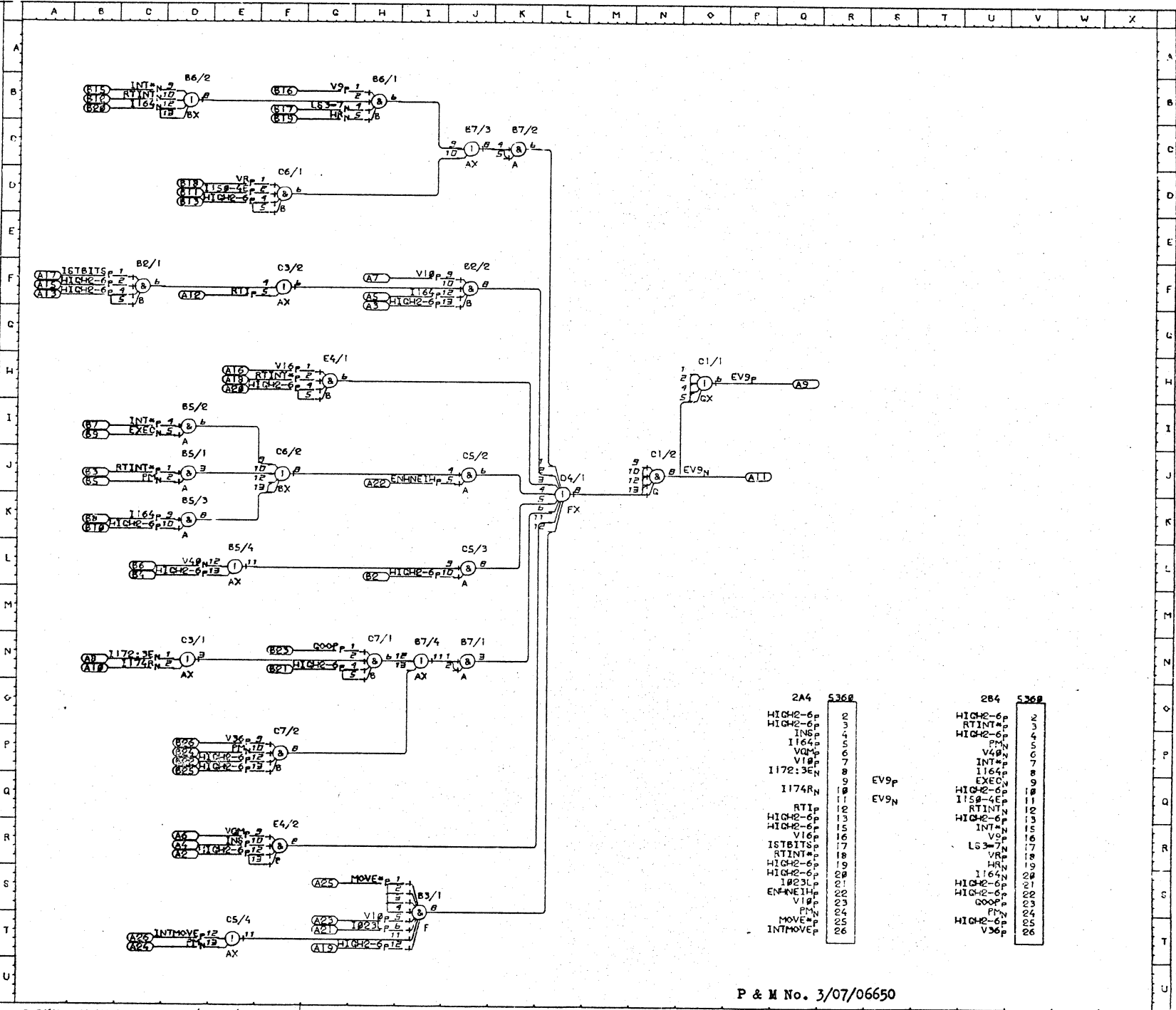
3A21	5357
LD7D: IN	2
V6P	3
CC06N	4
HIGH3-P	5
REPLP	6
XRDS2P	7
JUMP	8
RC02P	9
LOW3A21N	10
V14P	11
LOW3A21N	12
LOW3A21N	13
EXEC	14
EV7P	15
EV7N	16
EV8P	17
EV8N	18
LOW3A21N	19
LOW3A21N	20
EV7P	21
EV7N	22
LOW3A21N	23
LOW3A21N	24
LOW3A21N	25

P & M No 3/07/06621

19/09/69 BEAT GEN - V7&V8

WGH01\*\*\*/0011

ENHNEIH 142 JJ RO  
 EV9P 64 94 RO 189  
 169  
 EV9N NJ 66 OH RO  
 EXECN 144 DI VO  
 GOOPF 9 HN VO  
 HIGH2-6 107 OF OK EL  
 FD FP FR GH HN  
 16 JF JL RO VO  
 HRN 103 HB VO  
 1023L 146 IS RO  
 1150-4E 22 FD VO  
 1164P 142 DK JF RO  
 VO  
 1164N 5391 DB VO  
 1172:3E 133 ON RO  
 1174RN 133 ON RO  
 INS 142 FR RO  
 INT\*P 139 DI VO  
 INT\*P 133 DB VO  
 INTMOVE 148 ET RO  
 ISTBITS 22 OF RO  
 LS3-7N 48 HB VO  
 MOVE\*P 134 16 RO  
 PMN 145 DJ ET FP  
 RO VO  
 RTI 161 FF RO  
 RTINTN 5398 OB VO  
 RTINT\*P 145 DJ OH RO  
 VO  
 V18P 53 IS JF RO  
 V16P 53 OH RO  
 V36P 55 FP VO  
 V48P 55 EL VO  
 V9P 5391 HB VO  
 VQ2P 51 FR RO  
 VR 51 FO VO



2A4	5368	284	5368
HIGH2-6P	2	HIGH2-6P	2
HIGH2-6P	3	RTINT*P	3
INS	4	HIGH2-6P	4
1164P	5	PMN	5
VQ2P	6	V48N	6
V18P	7	INT*P	7
1172:3E	8	1164P	8
1174RN	9	EXECN	9
RTI	10	HIGH2-6P	10
HIGH2-6P	11	1150-4E	11
HIGH2-6P	12	RTINTN	12
HIGH2-6P	13	HIGH2-6P	13
HIGH2-6P	14	INT*P	14
V18P	15	V9P	15
ISTBITS	16	LS3-7N	16
RTINT*P	17	HRN	17
HIGH2-6P	18	VR	18
HIGH2-6P	19	1164N	19
HIGH2-6P	20	1023L	20
1023L	21	HIGH2-6P	21
ENHNEIH	22	HIGH2-6P	22
V18P	23	GOOPF	23
PMN	24	1164P	24
MOVE*P	25	HIGH2-6P	25
INTMOVE	26	V36P	26

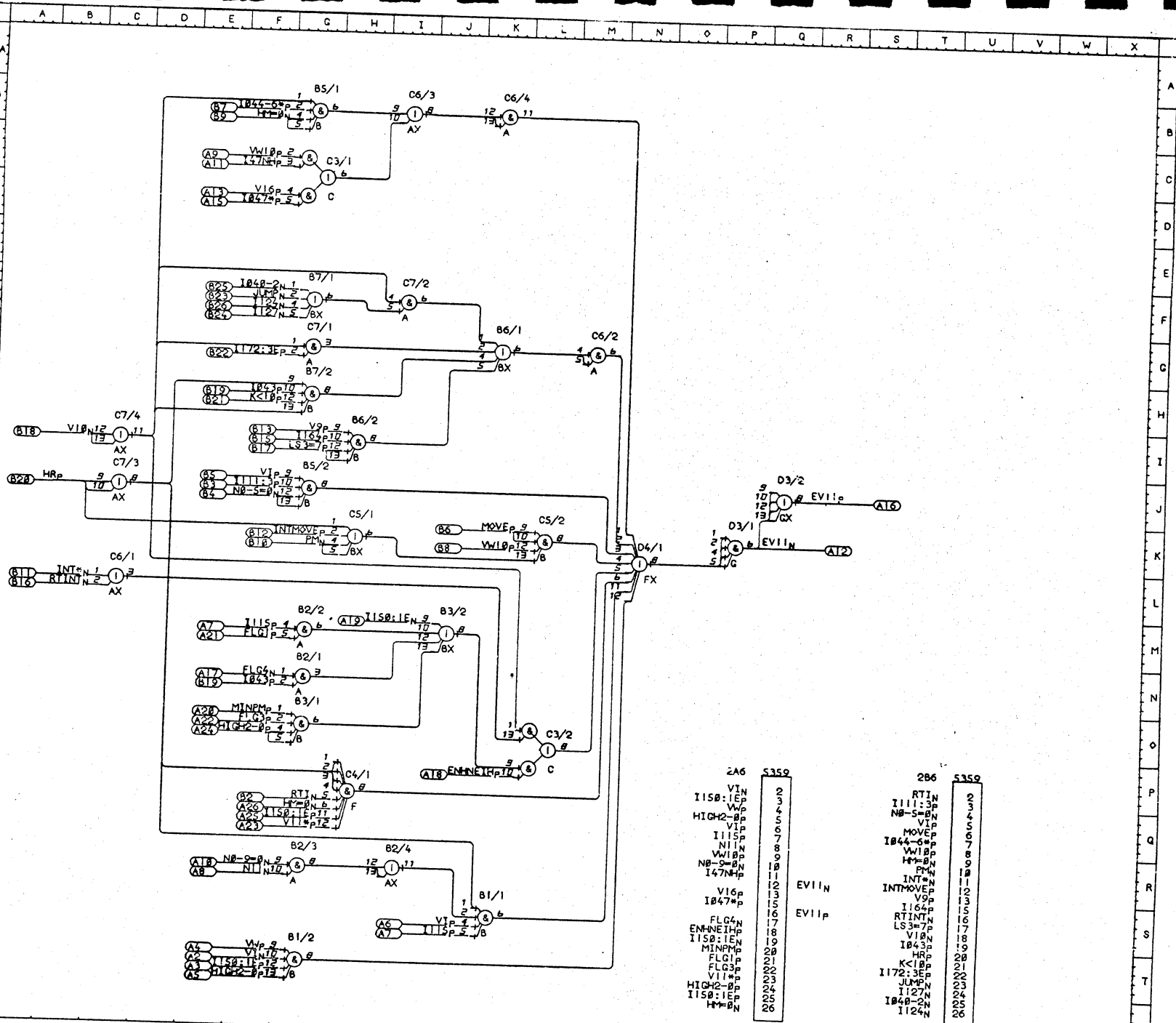
P & M No. 3/07/06650

28/02/70 BEAT GEN = V9 WGH01\*\*\*/0012

ISSUE:	TYPE	MOD:	TYPE	MOD:	TYPE	MOD:	TYPE	MOD:	TYPE	MOD:
1		00								
2767	ACC:		ECC:		ECC:		ECC:		ECC:	



ENNEIHP 142 LO QP  
 EV11p QJ 22 53 60  
 61 62 64 67 70  
 74 76 92 94 98  
 QP 109  
 EV11p PK 68 93 QJ  
 FLG1p 152 Q1 QP  
 FLG3p 149 C0 QP  
 FLG4N 158 GN QP  
 HIGH2-8 167 C0 CT QP  
 HRp 88 CB HP QP  
 HRp 103 CJ HK UP  
 1048-2N 131 CF UP  
 1043P 123 CH GN UP  
 1044-5 129 CB UP  
 1047P 123 CR QP  
 1111:3P 132 CJ US  
 1115P 125 Q1 KS QP  
 1124N 122 QF UP  
 1127N 122 QF UP  
 1150:1E 130 GT HP QP  
 1150:1E 130 JM QP  
 1164P 142 HI UP  
 1172:3E 133 CG UP  
 147NHP 142 CC QP  
 INT\*P 139 CL UP  
 INT\*MOVE 148 HK UP  
 JUMP\*P 133 CF UP  
 K<18P 179 CH UP  
 LS\*P 139 H1 UP  
 MIN\*P 75 C0 QP  
 MOVE\*P 142 LK UP  
 N0-5=0N 139 GJ UP  
 N0-9=0N 139 GR QP  
 N11N 139 GR QP  
 PNY 145 HK UP  
 RT\*IN 161 HP UP  
 RT\*INT 5398 CL UP  
 V10N 53 CI UP  
 V11P 139 HP QP  
 V16P 53 GC QP  
 V9P 5391 HI UP  
 V1P 51 CJ KS QP  
 VN 51 CT QP  
 WP 51 CT QP  
 WW\*P 52 GC LK QP



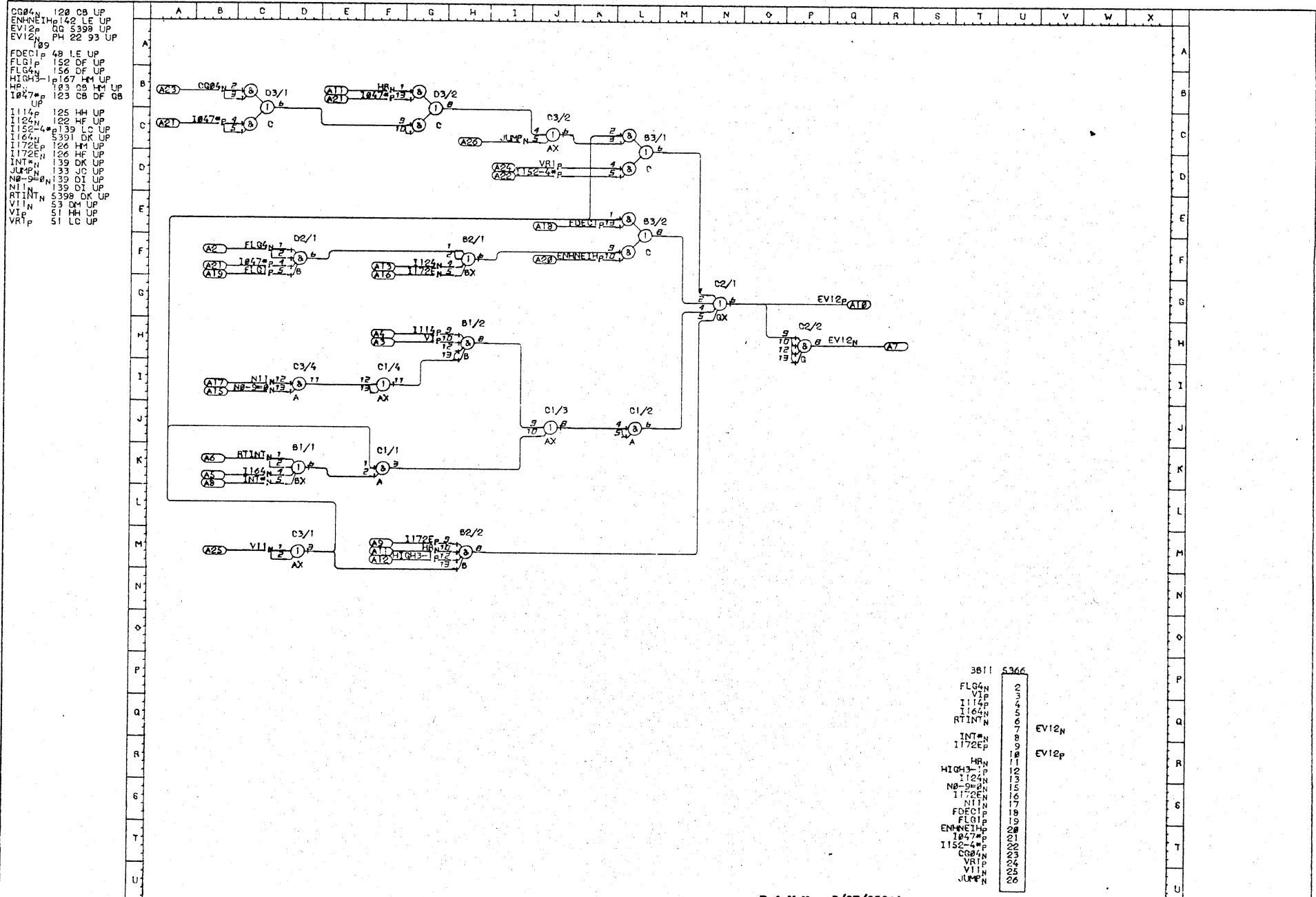
	2A6	S350	286	S350
VN	2		RTIN	2
I150:1EP	3		1111:3P	3
Wp	4		N0-S=0N	4
HIGH2-8P	6		V1P	4
V1P	6		1044-5P	6
I115P	7		MOVE*P	6
N11N	8		1044-5P	6
WV10P	8		WV10P	8
N0-9=0N	9		HRp	8
147NHP	10		PNY	9
V16P	10		INT*P	9
I047HP	11		INT*MOVE*P	10
	12		I164P	11
	13		RTINT	11
	16		LS*P	12
	17		V9P	12
	18		I172:3E	13
	19		1127N	13
	20		1048-2N	14
	21		1124N	14
	22			
	23			
	24			
	25			
	26			

26/02/70 BEAT GEN. VII

P & M No. 3/07/05508

ISSUE: 1	TYPE MOD: 1	TYPE MOD:	TYPE MOD:	TYPE MOD:	TYPE MOD:	TYPE MOD:	TYPE MOD:
ACD: 2767	ECC: 1454	ECC:	ECC:	ECC:	ECC:	ECC:	ECC:

WGH01\*\*\*/0014



CG04N	120	CB	UP
ENHNEIH	142	LE	UP
EV12P	06	S398	UP
EV12N	PH	22	93
109			
FDEC1P	49	LE	UP
FLG1P	152	DF	UP
FLG4P	156	DF	UP
HIGH3-P	167	HM	UP
HP	183	OS	HM
I047P	123	CB	DF
1114P			
I114P	125	HH	UP
I124N	122	HF	UP
I152-4P	139	LC	UP
I164N	5391	DK	UP
I172P	126	HM	UP
I172EN	126	HF	UP
INT#N	139	DK	UP
JUMP#N	133	JC	UP
NO-9#N	139	OI	UP
NIIN	139	OI	UP
RTINT#N	5399	DK	UP
VIIIN	53	DM	UP
VIP	51	HM	UP
VRI#P	51	LC	UP

3811	5366
FLG4N	2
VIP	3
I112P	3
I124N	5
RTINT#N	6
INT#N	8
I172EP	9
HRN	10
HIGH3-P	12
I124N	13
NO-9#N	15
I172EN	16
INT#N	17
FDEC1P	18
FLG1P	19
ENHNEIH	20
I047P	21
I152-4P	22
CG04N	23
VRIP	24
VIIIN	25
JUMP#N	26
EV12N	
EV12P	

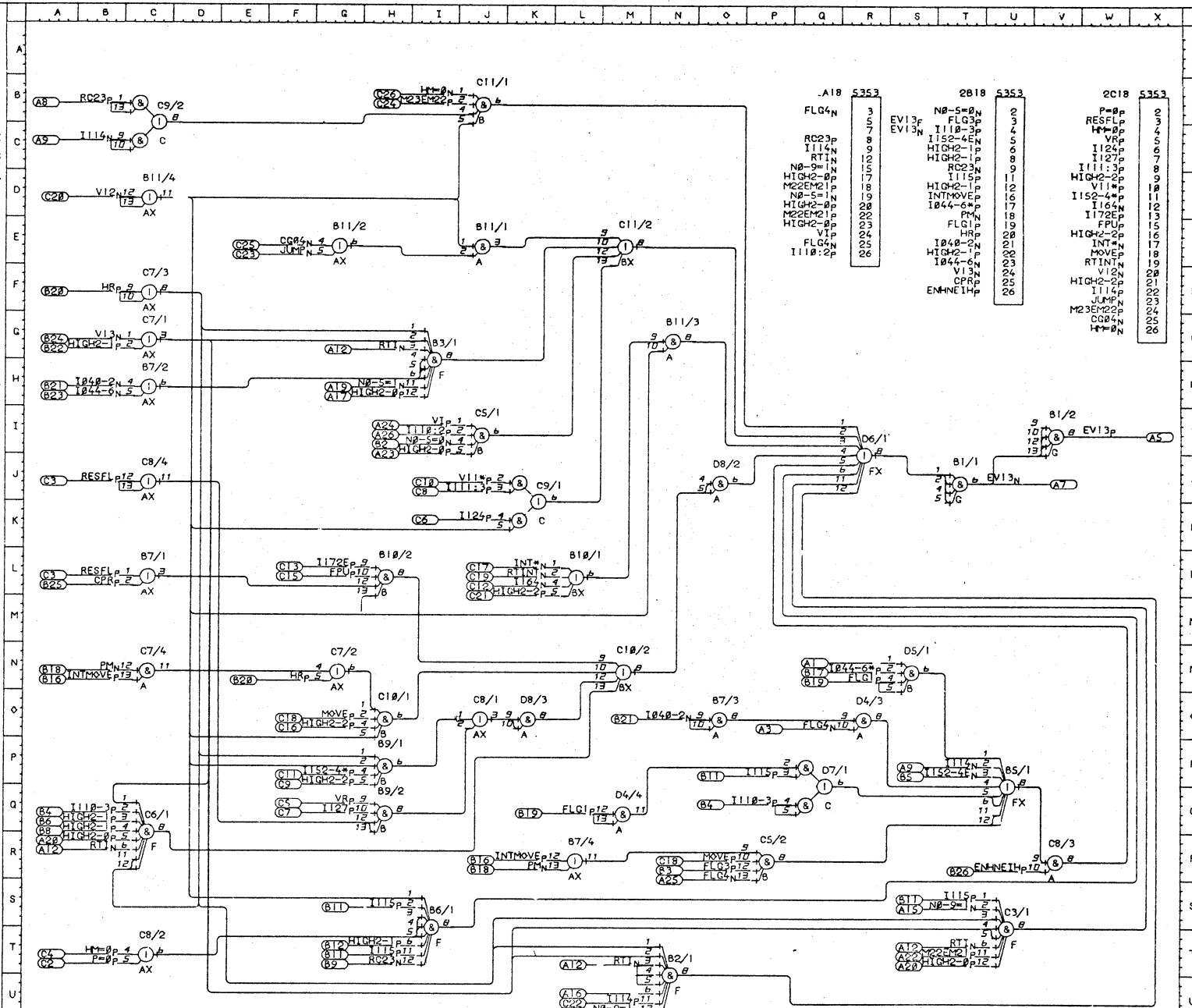
P & M No. 3/07/05011

02/03/70 BEAT GEN. V12

WGH01\*\*\* / 0015

186UE: 1	TYPE MOD: 2	TYPE MOD:	TYPE MOD:	TYPE MOD:	TYPE MOD:	TYPE MOD:
ACD: 2767	ECC: 2519	ECC:	ECC:	ECC:	ECC:	ECC:

CC04N 120 GE XB  
 CPRP 142 CL UB  
 ENHNEIHP 142 UB VR  
 EV13P 53 61 64  
 66 78 73 94 98  
 RB 107 109  
 EV13N TJ 6 22 62  
 68 71 74 93 RB  
 VI 109  
 FLG1P 152 MQ 6N UB  
 FLG3P 149 PR UB  
 FLG4N 156 PR RB RO  
 FPLP 142 HL XB  
 HIGH2-0P 167 CQ IQ JI  
 RB UB  
 HIGH2-1P 167 CQ CQ I6  
 UB  
 HIGH2-2P 167 HQ HP LL  
 XB  
 HRP 139 CT XB  
 HRP 68 UB XB  
 HRP 183 CF QN UB  
 I040-2N 131 CQ 00 UB  
 I044-6N 129 CQ UB  
 I044-6N 129 6N UB  
 I110-2N 132 JI RB  
 I110-3P 130 CQ QP UB  
 I111-3P 132 KJ XB  
 I114P 125 NT XB  
 I114N 125 CQ RB UP  
 I115P 125 IS QP UB  
 UB  
 I120P 122 KJ XB  
 I127P 122 HQ XB  
 I152-4P 139 HP XB  
 I152-4N 130 UB UP  
 I164N 5391 LL XB  
 I172P 126 HL XB  
 INTMOVEP 139 LL XB  
 INTMOVEP 148 CN LR UB  
 JUMP 133 CE XB  
 M22EM2P 139 RB US  
 M23EM2P 139 UB XB  
 MOVEP 142 HQ PR XB  
 NB-5=0N 139 JI UB  
 NB-5=N 139 IG RB  
 NB-9=N 139 NT RB US  
 P=0P 139 CT XB  
 P=0P 145 CN LR UB  
 RC23P 226 CQ RB  
 RC23N 226 JI UB  
 RESFLP 32 CQ CL XB  
 RTIN 161 CQ IC NT  
 RB US  
 RTINTN 5398 LL XB  
 VIIIN 139 KJ XB  
 VI2N 53 CQ XB  
 VI3N 53 CQ UB  
 V1P 51 JI RB  
 VRP 51 HQ XB



.A18	5353	2818	5353	2C18	5353
FLG4N	3	NB-5=0N	2	P=0P	2
RC23P	7	EV13P	3	RESFLP	3
I114N	8	EV13N	4	HRP	4
RTIN	9	I110-3P	5	VRP	5
I152-4N	10	I152-4N	6	I124P	6
HIGH2-1P	11	HIGH2-1P	7	I127P	7
HIGH2-1P	12	HIGH2-1P	8	I111-3P	8
RC23N	13	RC23N	9	HIGH2-2P	9
I115P	14	I115P	10	VIIIN	10
HIGH2-1P	15	HIGH2-1P	11	I152-4P	11
M22EM2P	16	HIGH2-1P	12	I164N	12
NB-5=N	17	INTMOVEP	13	I172P	13
HIGH2-0P	18	I044-6N	14	FPLP	14
M22EM2P	19	INTMOVEP	15	HIGH2-2P	15
HIGH2-0P	20	HRP	16	HIGH2-2P	16
VIP	21	I040-2N	17	INTN	17
FLG1P	22	HIGH2-1P	18	MOVEP	18
HRP	23	I044-6N	19	RTIN	19
I040-2N	24	VI3N	20	VI2N	20
HIGH2-1P	25	CPRP	21	HIGH2-2P	21
I110-2P	26	ENHNEIHP	22	JUMP	22
			23	M23EM2P	23
			24	CC04N	24
			25	HRP	25
			26		26

26/02/70 BEAT GEN - V13 P & M No. 3/07/05106 WGH01\*\*\*//0016

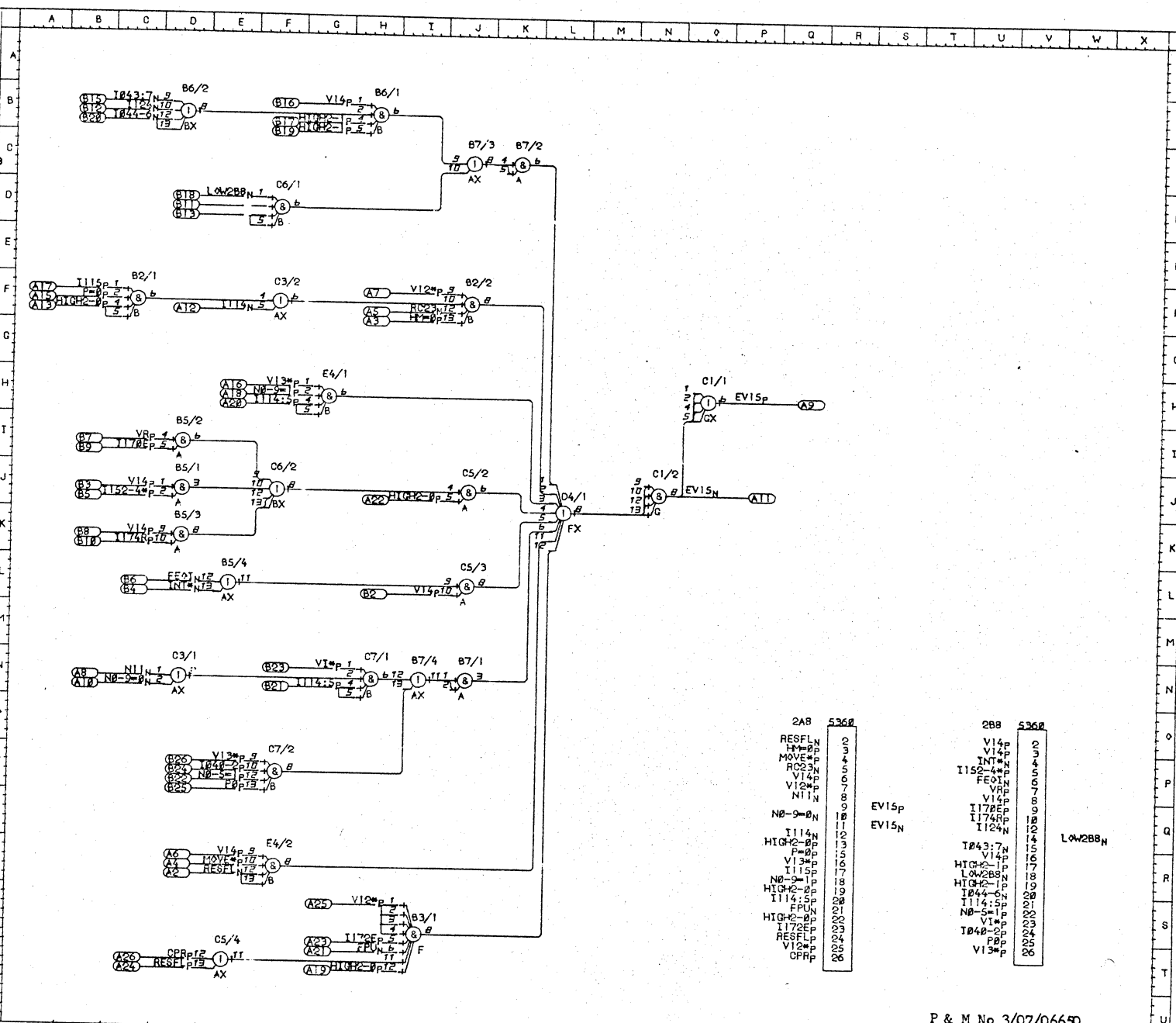
ISSUE: 1	TYPE MOD: 1	TYPE MOD:	TYPE MOD:	TYPE MOD:	TYPE MOD:	TYPE MOD:
ACC: 2767	ECC: 1791	ECC:	ECC:	ECC:	ECC:	ECC:







CPRp 142 16 27 ET  
 EV15p 04 53 61 68  
 69 78 73 76 96  
 97 98 R0 109  
 EV15N NJ 6 22 62  
 74 93 04 R0  
 FE01N 139 EL V0  
 143  
 FPUH 298 25 26 IE  
 R0 122 154 6 7 9  
 HIGH-2-1P 167 13 16 18  
 20 24 30 41 44  
 48 HB V0 135  
 148 153 157 169  
 HIGH-2-2P 131 20 21 22  
 R0 111  
 I043-3N 129 18 23 66  
 70 79 94 DB V0  
 105 113  
 I044-6N 129 16 41 47  
 61 64 70 78 79  
 88 81 83 84 87  
 88 90 95 DB V0  
 105 109  
 I114N 125 16 17 79  
 89 FF R0  
 I114-5P 132 21 41 47  
 90 GH HN R0 V0  
 100 150  
 I115P 125 14 16 20  
 22 24 29 41 42  
 47 48 79 99 CF  
 R0 101 105 109  
 114 150 152  
 I124N 122 13 15 15  
 18 41 66 70  
 79 81 84 DB V0  
 135 143  
 I152-4P 139 8 15 16  
 21 34 38 39 41  
 DJ V0  
 I170EP 126 3 4 7 18  
 68 DT V0 108  
 114 141 253  
 I172EP 126 5 15 16  
 27 46 47 68 75  
 76 18 R0 144  
 147  
 I174RP 133 4 18 79  
 87 89 90 DK V0  
 148 141 162  
 INT\* 14 15 16 21 23  
 26 EL V0  
 LOW2BBN V0 FD V0  
 MOVE\* 134 9 12 13  
 R0  
 N0-5-1P 224 18 20 23  
 41 59 FP V0  
 39  
 N0-9-0N 139 14 15 47  
 DN R0  
 N0-9-1P 224 18 GH R0  
 139  
 N11N 139 14 15 41  
 47 DN R0  
 P0P 139 21 23 28  
 47 78 73 FP V0  
 109 150  
 P=0P 139 7 16 29  
 36 39 48 CF R0  
 RC23 224 16 17 18  
 20 JF R0  
 RESFLP 32 6 16 22  
 27 32 33 36 81  
 85 ET R0 140  
 141 144 164  
 RESFLN 32 4 6 10 13  
 17 20 21 31 35  
 38 40 41 48 83  
 85 FR R0 105  
 135  
 V12\*P 139 3 6 18  
 20 27 18 JF R0  
 V13\*P 139 5 17 18  
 20 23 29 41 42  
 47 FP GH R0 V0  
 140 162  
 V14\* 32 41 60 79 88  
 81 83 84 85 88  
 89 90 99 DJ DK  
 FR HB JL R0 V0  
 103 105 140 144



VI\*P 139 32 41 HN  
 VRp V0 163  
 51 4 6 8 1B  
 12 13 16 22 27  
 29 32 33 83 84  
 85 87 91 99 DI  
 V0 105 150 152

2AB	5360
RESFLN	0
MOVE*P	3
RC23N	4
V12*P	5
N11N	8
N0-9-0N	9
I114N	10
HIGH2-0P	11
V13*P	12
I115P	13
HIGH2-2P	14
I114-5P	15
FFUN	16
HIGH2-0P	17
RESFLP	18
V12*P	19
CPRP	20

2BB	5360
V14P	2
INT*P	3
VRP	4
I152-4P	5
FE01N	6
V14P	7
V14P	8
I170EP	9
I174RP	10
I124N	11
I043:7N	12
V14P	13
HIGH2-1P	14
LOW2BBN	15
I044-6N	16
I044-6N	17
I114:5P	18
N0-5-1P	19
VI*P	20
I172EP	21
I040-2P	22
P0P	23
V13*P	24
V13*P	25
V13*P	26

P & M No 3/07/06650





	A	B	C	D	E	F	G	H	I	J	K	L	M	N	O	P	Q	R	S	T	U	V	W	X
A1023N KC KU ASTATP 153 KC CF7N 119 EC CC02N 128 KR CC04P 126 EC CC12N 121 KR CC15P 121 VA CG2:12PKR 122 CPRN 32 VB CPRDLBVB VA CSMP 5382 ES CSMNEJPER 141 CSMNEJNER ER 100 ECDLP VA 75 EUN 142 ES EM4023000 223 EOM14NKA 159 EV11P 14 KN EV12 15 ET EV12131ET 114 EV13N 16 ET EV15N 19 VR EV15N 19 VG 63 EV17N 21 VJ EV36P 35 QJ EVW12P 38 CA EXDDALN00 VA EXECP 144 VH EXECC15VH 136 F164EP 01 116 F164N QJ QI 165 212 F3 117 KH F3F4P KH 00 F4 117 KH FNT0 01 049 F2UBUV 0291 KA GDLBp 75 VB GP8P 135 EU GPRSFLEU 39 GXFMP 50 QR GXFMP 08 147 165 250 HIGH2-4P 167 EF EU HIGH3-3P 167 UD QI HIGH3-4P 167 ER VC VJ 1023P 131 KC 1040-2P 12 4C 1048-6P 0D 13 1040-6P 0C 0D 1040V13QC 0D 1112P 125 VB 1115N 125 VD 1115V13VB 103 1116P 2391 KC 1117N 125 KD 1117V7KC KI 1126N3P140 KJ 11302-6P 129 QA 1150-1EN 139 EG 1150-4EP 12 EH 1151-4EP 01 1152-4EP5394 EA KB 1152-4EN139 EC 115EV14AB 16P 115EVN EA 44 1167P 142 KN 1167N 5391 KS VD 104115PVD 03 1164V11N KN 117A023N KD 153 ILRV04N157 QC ILLPMN 108 EI INTME0148 KA ISTBITSPEI 12 EU ISTBITSNEJ 4 MCI16V4KO 102 MCV267148 KO MONE47N 159 QC MOVEP 142 QH NBSYCI3NA 39 NSUBIPAS 00 PMS 1445 GU RESFLP 32 EU RFM00N 211 EC RFM01 211 EE R020V08 KA RN00P EF 2 72 RN00N EE 1 72 00 EF RN00P 220 KT RN00+07KT 130 RN07P 220 KT RTINTN 5398 KS TIMEXPMN 16P EI V10P 139 QH V13P 53 QC V14P 53 KB V14N 53 EN EO V14+V17=0 0 V14+V19=EN 101 V17P 53 KC V17N 53 EO	3E26/5 EVW10P25 115EVWV 1152-4EP25 8 A 3E26/6 1115P22 1115V19N V15P23 8 A 2E9/1 CC04P B 1040-6N CF7N13 8 A 2E9/2 1040-6N 1040-6P HIGH2-4P12 8 A 2E9/5 RFM01N25 2R+0N RFM00N25 8 A 2E9/6 HIGH2-4P22 8 R+0N23 8 A 2E9/3 1152-4EN 5 1150-4EP 1150:1EN 5 8 AX 2E9/4 CF0N 2 1151-4EN 1150-4EP 3 8 A 2E9/7 TIMEXPMN18 18 ISTBITSP ILLPMN12 8 A 2E9/8 HIGH2-4P15 17 ISTBITSN ISTBITSPCD 8 A 3E26/1 V19N 8 10 V14+V18P V14N13 8 10 AX 3E26/2 V17N11 10 V14+V17P V14N12 8 10 AX 3E26/3 HIGH3-4P 5 10 CSMNEJP CSMNEJN 8 10 AX 3E26/4 EUN 2 8 CSMNEJN CGMP 3 8 A 3E26/7 EV12N18 10 EV12+13P EV13N19 8 10 AX 3E26/8 RESFLP15 17 GPBRFLN GP0P20 8 A	3C25/5 INTME01P25 115EVWV RC09V08P25 8 A 3C25/6 1152-4EP22 115EV14N V14P23 8 21 A 3C25/1 1116P B 111V17N V17P13 8 10 A 3C25/2 1117N11 117A023P A1023N12 8 A 3C25/3 1023P 5 10 A1023N ASTATP 6 8 A 3C25/4 F3N 2 10 F3:F4P F4N 3 10 AX 3C25/7 V18N18 10 V17V18X 111V17N19 8 10 AX 3C25/8 1126N13P15 17 VRINJ3N VRP20 8 A 3E27/1 EV11P 8 10 1164V11N 1164N13 8 10 A 3E27/2 1164V11N11 10 MCI16V+P MCV20N12 8 10 A 3E27/3 CG12N 5 10 CG2:12P CG02N 8 10 AX 3E27/4 RTINTN 2 10 NSUB1P 1164N 3 10 AX 3E27/7 RN07P18 10 RN00+07N RN00P19 8 10 A	3D17/5 FFURUSY P25 24 NBSYC13N 11302 6P25 8 A 3D17/6 HIGH3P22 10 GXFMN CXFM23 8 10 A 3D17/1 V13P 9 10 1040V13N 1040-2P13 8 10 A 3U17/2 1040V13N11 10 EM24023P HIGH3-3P12 8 10 A 3U17/3 ILRV64N 10 MXX04N 8 10 AX 3U17/4 MOVEP 5 10 FNT0N V10P 3 10 A 3D17/7 HIGH3-3P18 10 F164P F164FN19 8 10 A 3U17.8 PMP15 10 F164FN EV36P20 8 10 A 3E22/5 CPRDLB N25 10 EED-LP EXCGDALN25 8 10 A 3E22/6 GDLB P22 10 21 CPRDLBN CTRN23 8 10 A 3E22/1 VH16EVH P B 10 VH00M16N HIGH3-4P13 8 10 A 3E22/2 1164N11 10 1164115P 1115N12 8 10 AX 3E22/3 EV17N 5 10 EV15+17P EV15N 8 10 AX 3E22/4 EX GP 5 10 EXECC15N CG1EP 3 10 A 3E22/7 VH29N18 10 VH27+29P VH27N19 8 10 AX 3E22/8 HIGH3-4P5 10 VH27+25N VH27+29P20 8 10 A	V17V18XPKI 149 V18N 53 EN KI V19P 25 EB V416EVH40 VC V427N 56 VI V427+29PVI VJ V429 55 VI VH00M16VC 106 VRP SI KJ VRIN13NKJ 160																				

CCW:0223

20/05/70

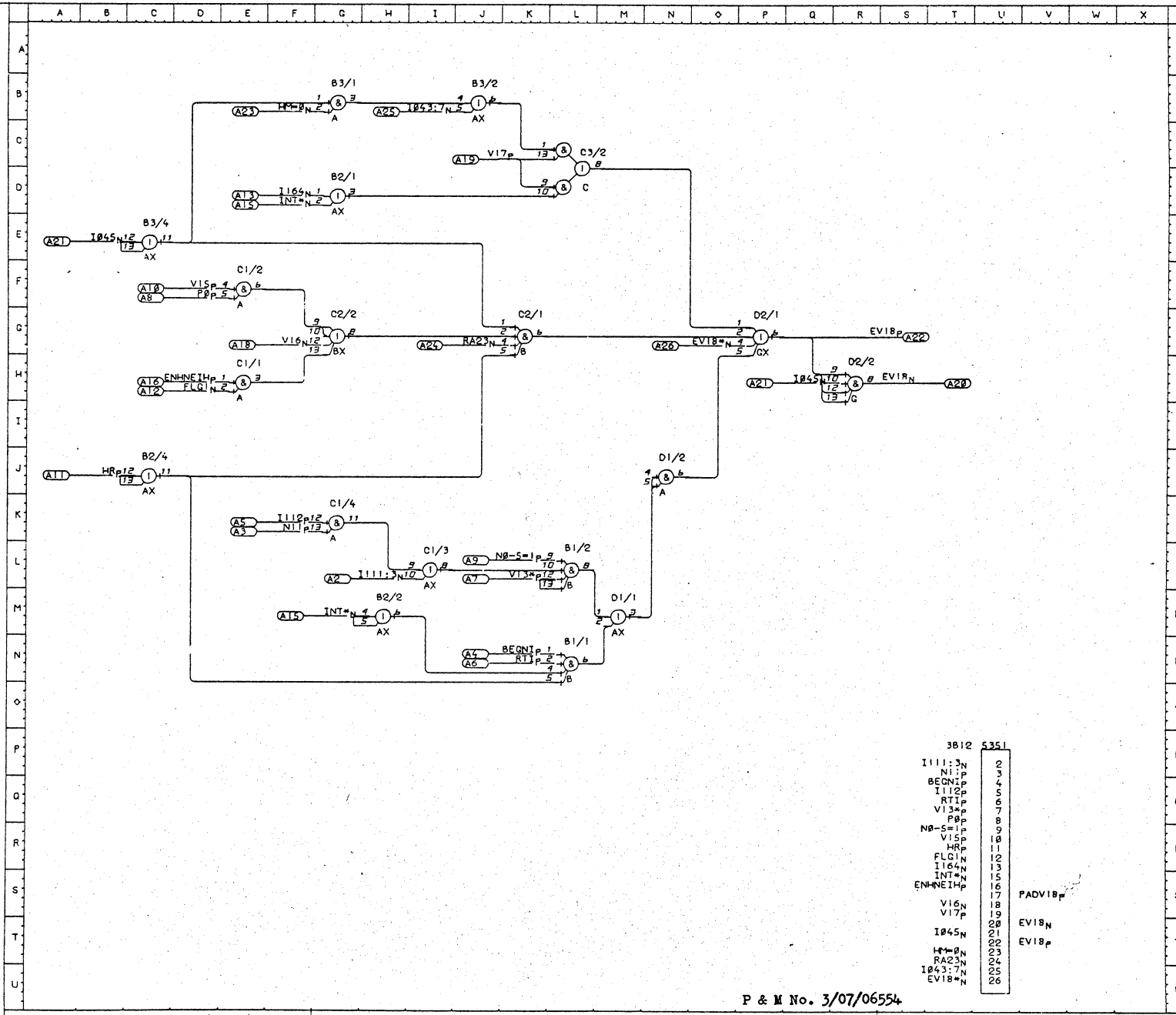
CMNIS

WGH01\*\*\*/0022

DATA CCW0225

ISSUE:	2	TYPE MOD:	TYPE MOD:	TYPE MOD:	TYPE MOD:	TYPE MOD:	TYPE MOD:
ADD:	3017(ECC4107)	ERC:	ERC:	ECC:	ECC:	ECC:	ECC:

BEQNIp 163 LN UP  
 ENHNEIHp 142 EH UP  
 EV18p 50 53 61 63  
 66 79 71 76 93  
 96 UP 145 147  
 EV18N RH UP  
 EV18N 29 PG UP  
 FLG1N 152 EH UP  
 HRP 68 GB UP  
 HRP 103 CJ UP  
 I043:7N 129 JB UP  
 I045N 123 CE RH UP  
 I111:3N 132 IL UP  
 I112p 125 OK UP  
 I164N 5391 GO UP  
 INTN 139 GD HM UP  
 NB-5N 224 LL UP  
 NI1p 139 OK UP  
 P0p 139 EF UP  
 PADV18p UP  
 RA23N 286 KG UP  
 RT1p 161 LN UP  
 V13p 139 LL UP  
 V15p 53 EF UP  
 V16p 53 GO UP  
 V17p 53 LC UP



3B12	5351
I111:3N	2
NI1p	3
BEQNIp	4
I112p	5
RT1p	6
V13p	7
P0p	8
NB-5p	9
V15p	10
HRP	11
FLG1N	12
I164N	13
INTN	15
ENHNEIHp	16
	17
	18
V16N	19
V17p	20
	21
I045N	22
	23
HRP	24
I043:7N	25
EV18N	26

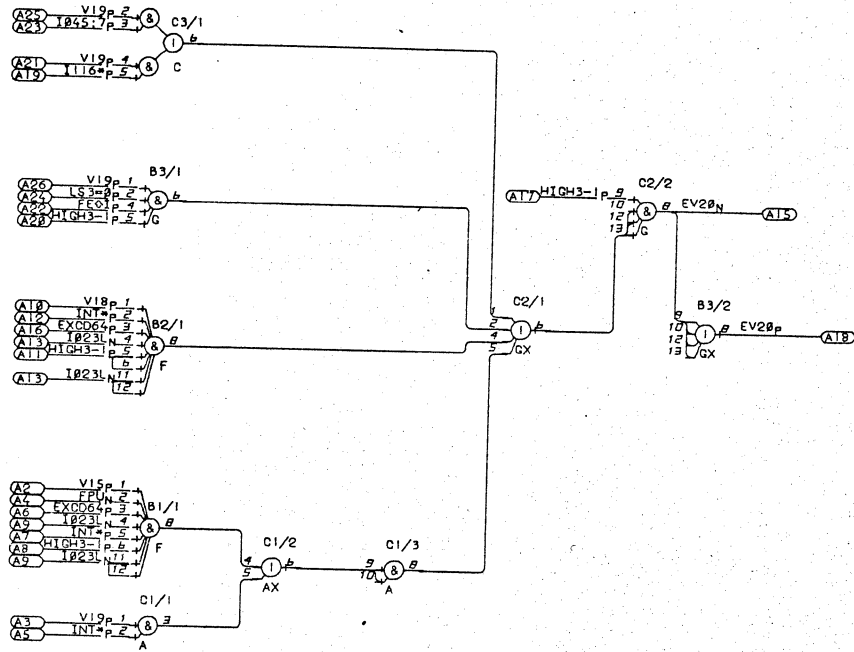
P & M No. 3/07/06554

26/02/70		BEAT GEN. V18		WGH01***/0023	
ISSUE: 1	TYPE MOD: J	TYPE MOD:	TYPE MOD:	TYPE MOD:	TYPE MOD:
ACC: 2.767	ECC: 14.25	ECC:	ECC:	ECC:	ECC:





EV20p MG 6 53 61  
 66 67 68 74 VO  
 EV20N LE MG VO  
 EX0064p 155 DG DJ VO  
 FE01p 41 DE VO  
 FPU1 298 DJ VO  
 HIGH3-1 167 DE DG DJ  
 LE VO  
 I023L 146 DG DJ VO  
 I045-p 135 DS VO  
 I116-p 139 DS VO  
 INT-p 139 DG DJ DL  
 Vo  
 LS3-0p 139 DE VO  
 V15p 53 DJ VO  
 V18p 53 DG VO  
 V19p VO 22 24 41  
 47 53 79 81 83  
 85 89 98 91 08  
 DE DL 140 152  
 159



3813	5370	
V15p	2	
V19p	3	
FPU1	4	
INT-p	5	
EX0064p	6	
INT-p	7	
HIGH3-1p	8	
I023L	9	
V18p	10	
HIGH3-1p	11	
INT-p	12	
I023L	13	
EX0064p	15	EV20N
HIGH3-1p	16	
I116-p	17	
I116-p	18	EV20p
HIGH3-1p	19	
HIGH3-1p	20	
FE01p	21	V19p
I045-7p	22	
LS3-0p	23	
V19p	24	
V19p	25	
V19p	26	

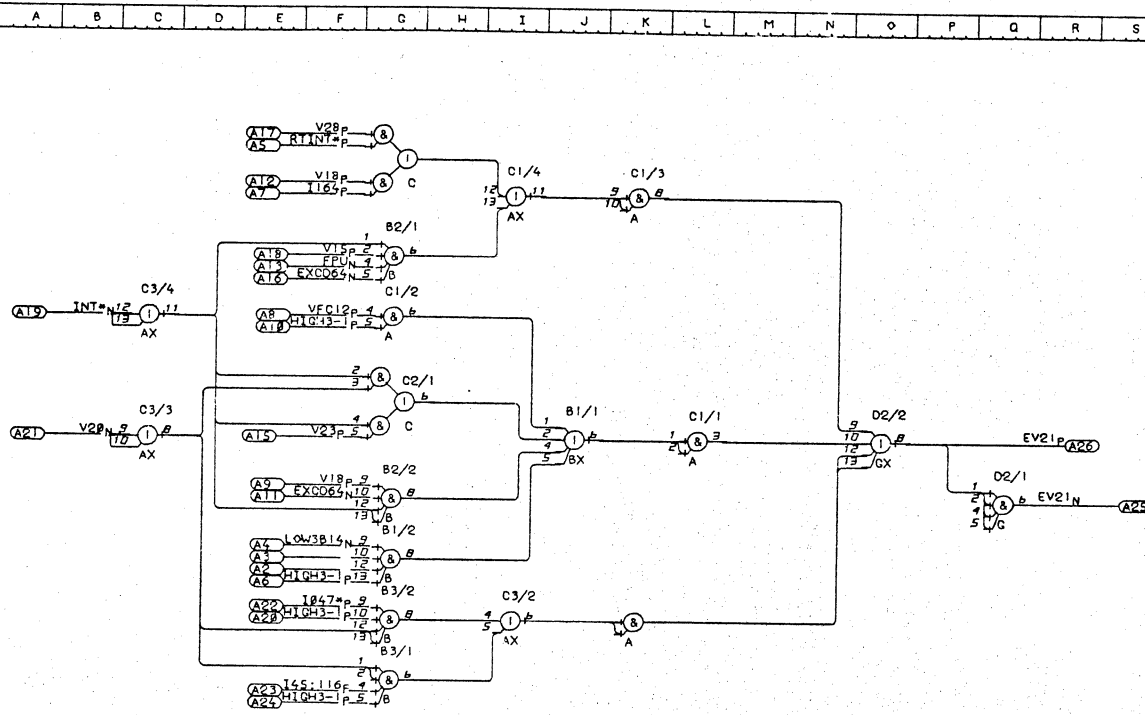
26/02/70 BEAT GEN - V20

P & M No. 3/07/06582

WG01\*\*\*/0025

ISSUE: 1	TYPE MOD: 00	TYPE MOD:	TYPE MOD:	TYPE MOD:
ACD: 2767	ECC:	ECC:	ECC:	ECC:

EV21p RC 53 61 64  
 67 69 94 UP  
 109 114  
 EV21N QH 70 93 UP  
 EXCD6N 153 GD CH UP  
 FPUH 290 GD UP  
 HIGH3-1P 167 GE GI GJ  
 GK UP  
 I047P 123 DJ UP  
 I164P 142 GB UP  
 I45:116P 17 GK UP  
 INT\* 139 CE UP  
 LOW3B14N UP CI  
 RTINT\*P 145 CB UP  
 VISP 53 GD UP  
 V18P 53 GB GH UP  
 V20N 53 CB UP  
 V23P 54 DF UP  
 V28P 54 GB UP  
 VFC12P 49 GE UP



3B14		5367	
LOW3B14N	4		
RTINT*P	5		
HIGH3-1P	6		
T165P	7		
VFC12P	8		
V18P	9		
HIGH3-1P	10		
EXCD6N	11		
V18P	12		
FPUH	13		
V23P	14	LOW3B14N	
EXCD6N	15		
V28P	16		
V18P	17		
V15P	18		
INT*N	19		
HIGH3-1P	20		
V20N	21		
I047P	22		
I45:116P	23		
HIGH3-1P	24		
	25		
	26		
	27		
	28		
	29		
	30		
	31		
	32		
	33		
	34		
	35		
	36		
	37		
	38		
	39		
	40		
	41		
	42		
	43		
	44		
	45		
	46		
	47		
	48		
	49		
	50		
	51		
	52		
	53		
	54		
	55		
	56		
	57		
	58		
	59		
	60		
	61		
	62		
	63		
	64		
	65		
	66		
	67		
	68		
	69		
	70		
	71		
	72		
	73		
	74		
	75		
	76		
	77		
	78		
	79		
	80		
	81		
	82		
	83		
	84		
	85		
	86		
	87		
	88		
	89		
	90		
	91		
	92		
	93		
	94		
	95		
	96		
	97		
	98		
	99		
	100		

P & M No. 3/07/06597

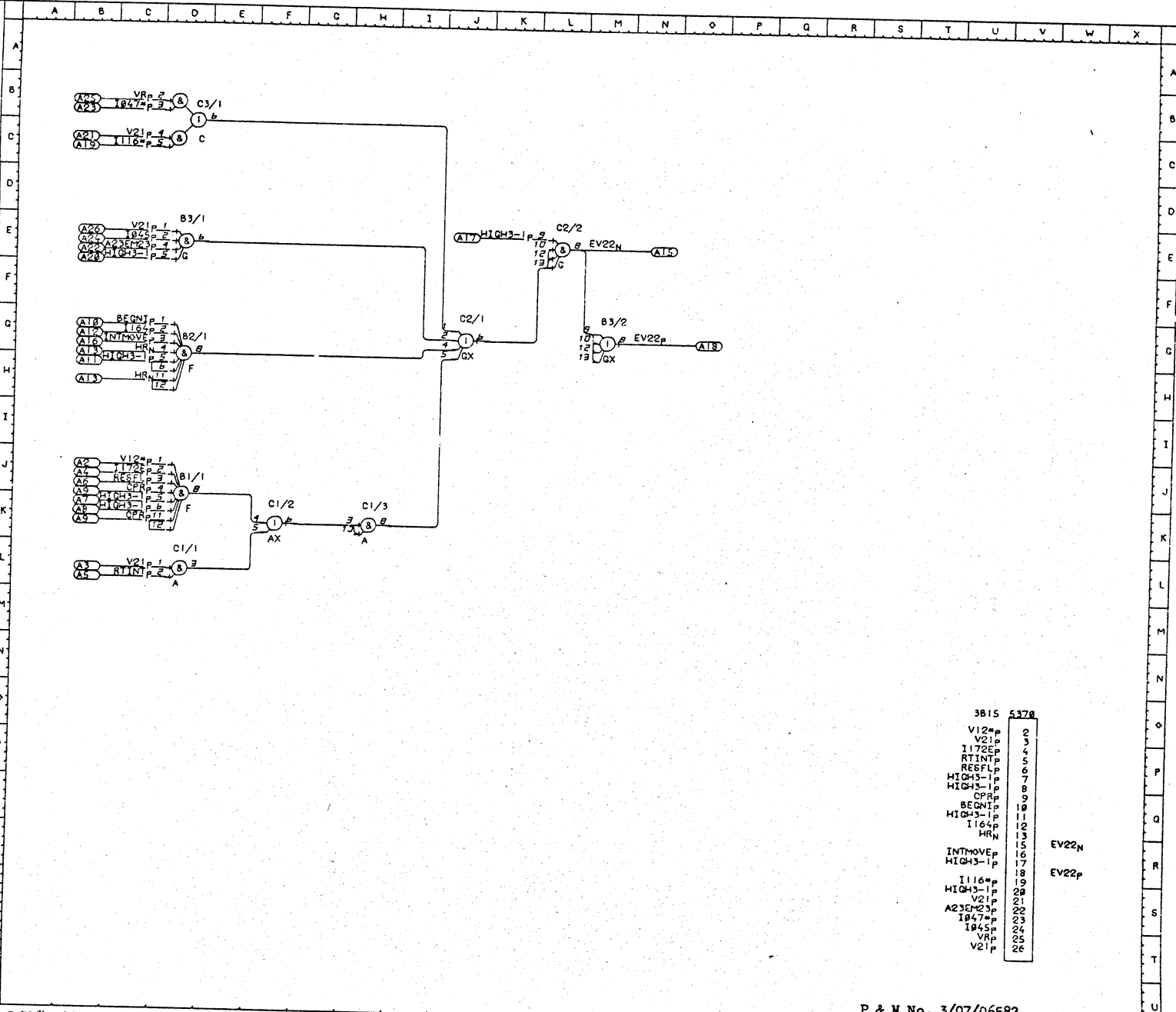
ISSUC:		TYPE MOD: 00		TYPE MOD:		TYPE MOD:		TYPE MOD:		TYPE MOD:		TYPE MOD:	
ACD: 2767		ECC:		ECC:		ECC:		ECC:		ECC:		ECC:	

26/02/70

BEAT GEN. V21

WGH01\*\*\*/0026

A23EM23p 139 DE VO  
 BEQNIp 163 DG VO  
 OPp 142 DJ VO  
 EV22p MG 54 64 69  
 EV22p 78 VO 109 147  
 EV22p LE MG VO  
 HIGH3-1p 167 DE DG DJ  
 LE VO  
 HRN 103 DG VO  
 I045p 123 DE VO  
 I047p 123 DG VO  
 I116p 139 DB VO  
 I164p 142 DG VO  
 I172p 126 DJ VO  
 INTMOVEp 148 DG VO  
 RESFLp 52 D.I. VO  
 RTINTp 5393 DL VO  
 V12p 139 DJ VO  
 V21p 53 DB DE DL  
 V21p VO  
 VRp 51 DB VO



3B15	5378
V12p	2
V21p	3
I172p	4
RTINTp	5
RESFLp	6
HIGH3-1p	7
HIGH3-1p	8
OPp	9
BEQNIp	10
HIGH3-1p	11
I164p	12
HRN	13
INTMOVEp	16
HIGH3-1p	17
I116p	18
HIGH3-1p	19
V21p	20
A23EM23p	21
I047p	22
I045p	23
VRp	24
V21p	25
V21p	26

EV22N  
 EV22P

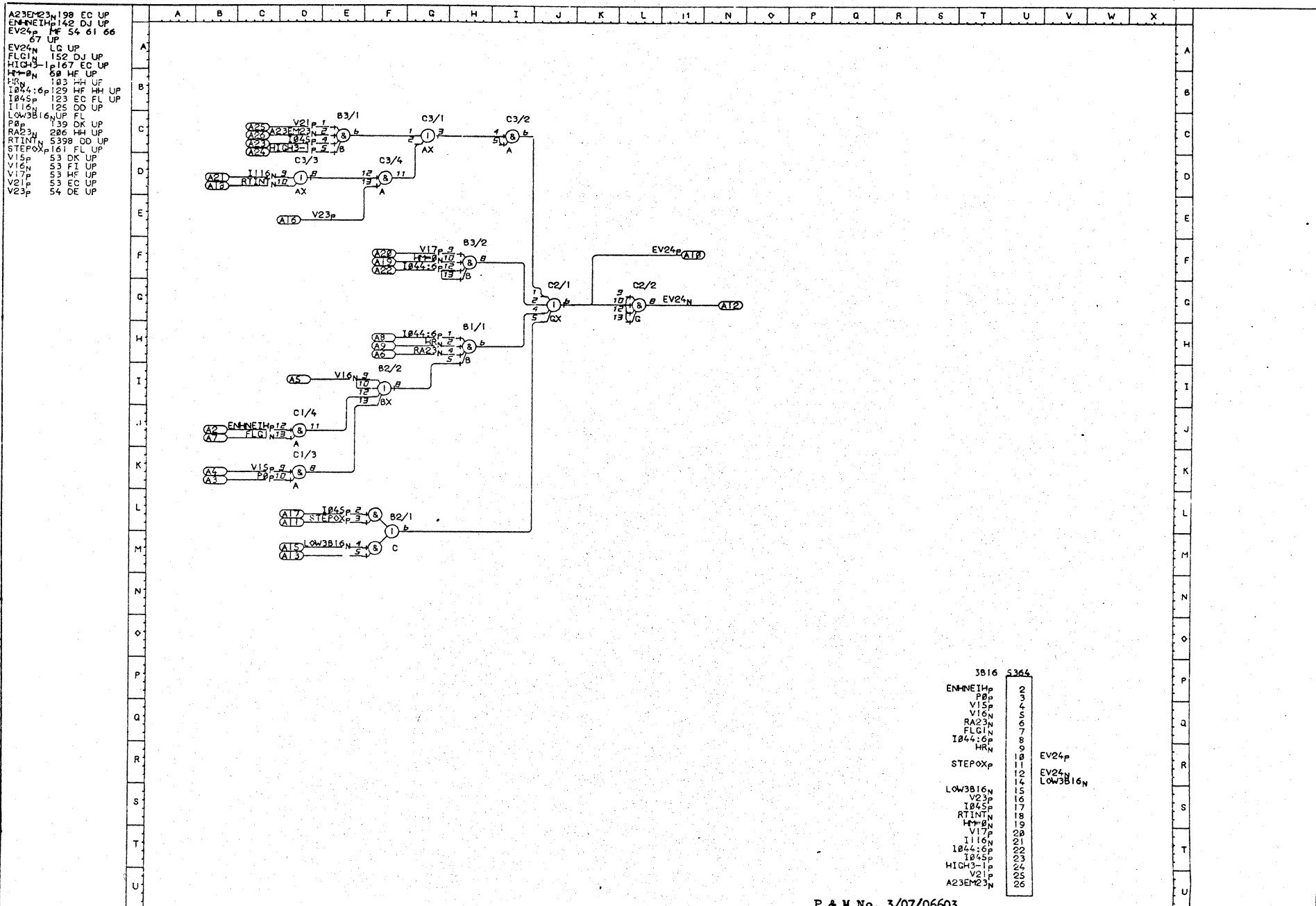
26/02/70

BEAT GEN V22

P & M No. 3/07/06582

WGH01\*\*\*/0027

ISSUE: 1	TYPE MOD: 00	TYPE MOD:	TYPE MOD:	TYPE MOD:	TYPE MOD:	TYPE MOD:
ADD: 2767	ECC:	ECC:	ECC:	ECC:	ECC:	ECC:



- A23EM23N 198 EC UP
- EMNEITHp 142 DJ UP
- EV24p 54 61 66
- 67 UP
- EV24N LG UP
- FLGIN 152 DJ UP
- HIGH3p 167 EC UP
- HRN 89 HF UP
- HRN 183 HF UP
- I044:6p 129 HF HH UP
- I045p 123 EC FL UP
- I116N 125 DD UP
- LOW3B16N UP FL
- P0p 139 DK UP
- RA23N 206 HH UP
- RTININ 5398 DD UP
- STEP0xp 161 FL UP
- V15p 53 DK UP
- V16N 53 FI UP
- V17p 53 HF UP
- V21p 53 EC UP
- V23p 54 DE UP

3816	5364
EMNEITHp	2
P0p	3
V15p	4
RA23N	5
FLGIN	6
I044:6p	7
HRN	8
STEP0xp	9
	10
	11
	12
	13
LOW3B16N	14
V23p	15
I045p	16
RTININ	17
HRN	18
V17p	19
V16N	20
I116N	21
I044:6p	22
I045p	23
HIGH3p	24
V21p	25
A23EM23N	26

BEAT GEN V24

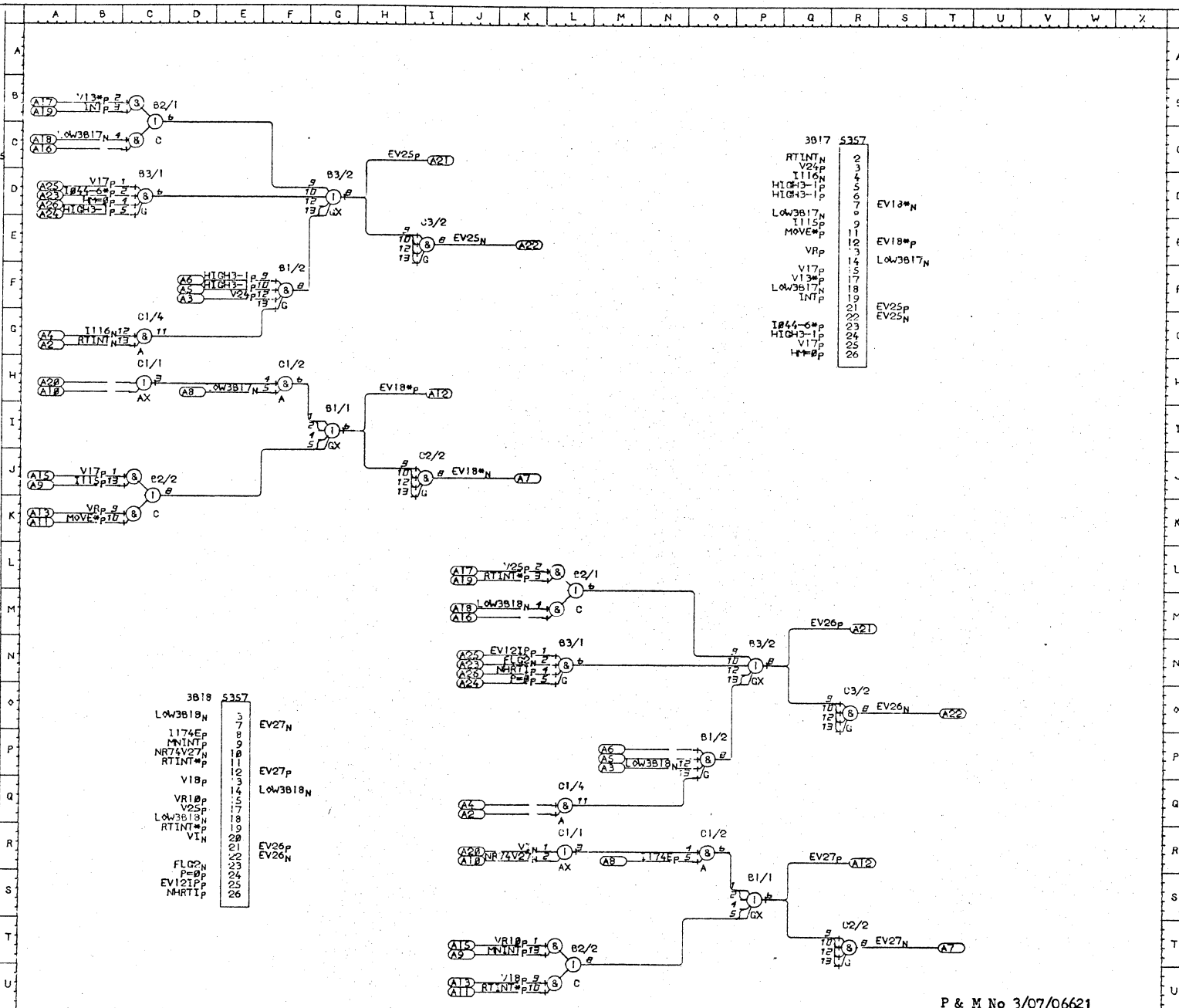
26/02/70

P & M No. 3/07/06603

WGHO1\*\*\*/0028

ISSUE: 1	TYPE MOD: 100 DO	TYPE MOD:	TYPE MOD:	TYPE MOD:	TYPE MOD:	TYPE MOD:
ACC: 2767	ECC:	ECC:	ECC:	ECC:	ECC:	ECC:

EV121P 269 E0 LN  
 EV18\*P IH RC  
 EV18\*N IC 54 61 75  
 EV25P 93 98 RC  
 EV25N IE RC  
 EV26P RM 54 68 74  
 EV26N E0 189  
 EV27P RR 54 61 68  
 EV27N E0 189  
 EV27N RT E0  
 FLG2N 152 7 36 E0  
 LN  
 HIGH3-1P 167 15 17 25  
 LD 27 28 31 36  
 FF RC 128  
 I116P 139 3 4 7 13  
 RC 111  
 I116-6\*P 129 4 9 14  
 LD 18 28 21 32  
 FF RC  
 I115P 125 14 16 19  
 LD 22 24 41 42  
 FF RC 99 99 99 99  
 RC 181 185 189  
 I114 158 152  
 I116N 125 9 17 28  
 LD 64 78 78 79  
 FF RC 88 83 84 85 89  
 RC 91 91 91 91  
 I117E 126 17 48 61  
 LD 88 98 95 E0  
 RC 187 188 141  
 INT\*P 149 162 163 265  
 LD 47 48 68 63 66  
 FF RC 68 74 88 85 86  
 RC 87 90 90 90  
 I102 103 109 139  
 LD 148 144 162  
 FF RC 100 E0 LL OP  
 LOW3B17N E0 E0  
 MINT\*P 148 E0 LT  
 MOVE\*P 34 9 12 13  
 RC 18 19 22 38 38 38  
 NR74V27N 141 E0 LN  
 NR74V27N 48 81 E0 LR  
 P=OP 36 39 48 E0 LN  
 RTINT\*P 145 3 9 12  
 LD 14 15 16 22 28  
 FF RC 41 48 64 67 78  
 RC 88 82 83 85 91  
 CC RC 103 142  
 NTINT\*P 145 12 26 38  
 LD 24 37 E0 LL LT  
 V13\*P 9 28 23 41 42  
 LD 47 48 90 148  
 V17P 62  
 LD 53 4 6 22 23  
 FF RC 24 28 32 33 36  
 RC 27 41 79 88 81  
 RC 83 84 85 91 94  
 RC 99 99 99 99  
 V18P 186 187 148 158  
 LD 53 3 24 25  
 FF RC 26 32 79 88 81  
 RC 82 84 89 98 91  
 V24P 54 P1 83 89  
 LD 98 91 91 91  
 V25P 188 54 9 17 36  
 LD 25 E0 LL  
 V1N 51 3 4 14 17  
 LD 32 83 91 99 E0  
 RC 139 148  
 VRP 51 4 6 8 10  
 LD 12 13 16 19 22  
 FF RC 27 32 33 83 84  
 RC 85 87 91 99 99  
 RC 185 158 152  
 VR18P 51 9 21 59  
 LD 89 98 E0 LT

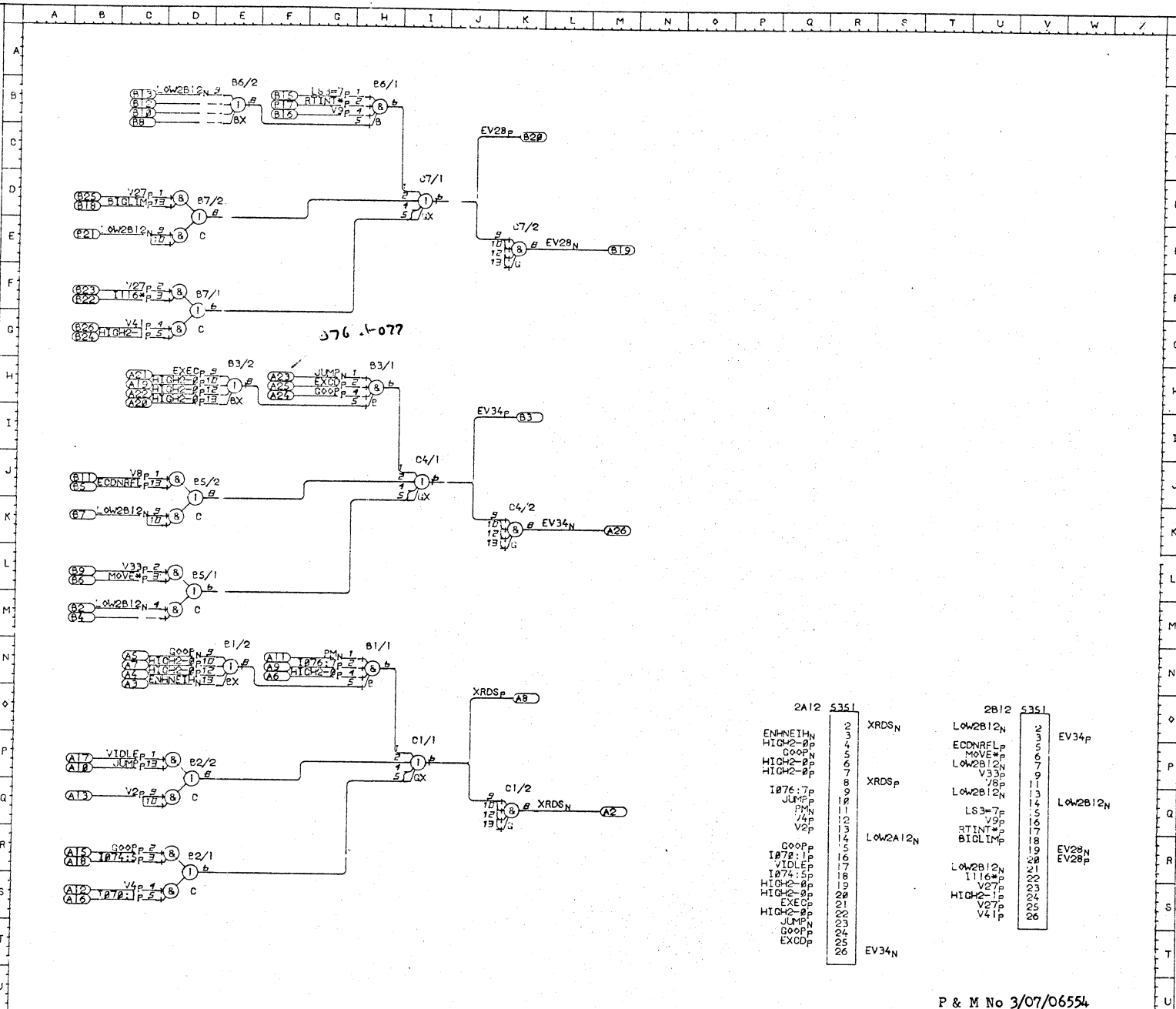


3017	5357
RTINT	2
V24P	3
I116N	4
HIGH3-1P	5
HIGH3-1P	6
LOW3B17N	7
I115P	8
MOVE*P	9
VRP	10
V17P	11
V13*P	12
LOW3B17N	13
INT*P	14
V17P	15
LOW3B17N	16
INT*P	17
EV25P	18
EV25N	19
I116-6*P	20
HIGH3-1P	21
V17P	22
H*P	23
H*P	24
H*P	25
H*P	26

3818	5357
LOW3B18N	3
EV27N	7
1174E	8
MINT*P	9
NR74V27N	10
RTINT*P	11
EV27P	12
LOW3B18N	13
V18P	14
V18*P	15
V25P	17
LOW3B18N	18
RTINT*P	19
V1N	20
FLG2N	21
EV26P	22
EV26N	23
P=OP	24
EV121P	25
NHRTIP	26

P & M No 3/07/06621

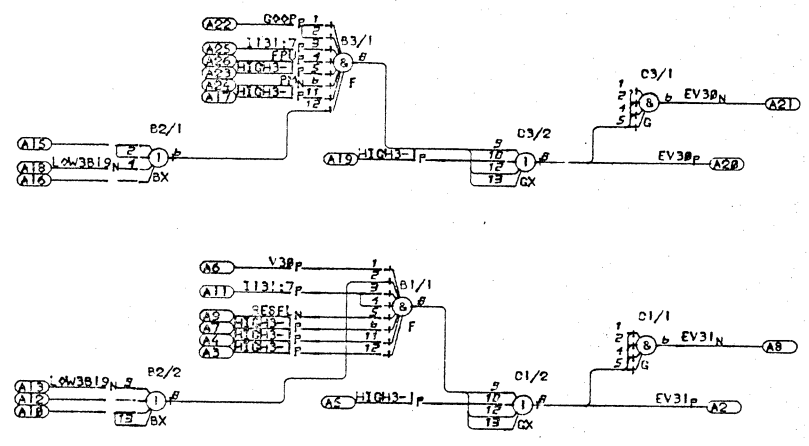
BIQLIM 142 DD V0  
 ECDNREL 135 DJ V0  
 ENHNEITH 24 EN RO  
 142 269  
 EV28P KC 54 64 67  
 70 28 V0 113  
 EV28N KE V0  
 EV34P K1 55 63 V0  
 55  
 EV34N KK 64 RO  
 EXCDP 154 44 63 81  
 99 HH RO 135  
 55  
 EXECP 144 11 13 17  
 22 40 44 48 60  
 86 EH RO 144  
 249  
 GOOPP 9 2 4 6 8 12  
 3 31 40 41 44  
 5 88 DR HH RO  
 135 148 158  
 GOOPN 9 EN RO 162  
 HIGH2P 167 5 6 7 9  
 3 14 16 18 19  
 24 41 EH EN HN  
 RO  
 HIGH2-1P 167 13 16 18  
 19 20 24 41 44  
 48 DF V0 135  
 48 153 157 169  
 I070-1P 124 67 74 79  
 1 94 DR RO  
 100 101 102 109  
 I074-5P 124 DR RO  
 100 111 269  
 I076-7P 124 8 9 40  
 47 HN RO 111  
 42  
 I116\*\* 139 5 6 7 24  
 5 27 35 39 74  
 CF V0 140  
 133 2 10 11  
 JUMP 48 61 62 64  
 79 82 DP RO  
 111 127  
 JUMP 16 17 18 33 41  
 54 66 67 70 72  
 9 81 83 84 88  
 89 95 HH RO  
 199 143  
 LOW2A12N RO  
 LOW2B12N V0 DD DJ DL  
 EB V0  
 LS3=7P 139 13 14 HB  
 150 148  
 MOVE\*P 134 9 12 13  
 18 19 20 29 DL  
 V0  
 PMN 145 6 12 14  
 C 21 31 35 38  
 10 82 91 4N RO  
 103 104 143 147  
 54  
 RTINT\*P 145 12 26 29  
 34 37 HB V0  
 12P 22 DP RO  
 127P 54 37 41 48  
 P2 85 90 99 DD  
 DF V0 107 140  
 149 158  
 V33P 7 DL 54 34 35 39  
 168  
 V4P RO 52 8 79 DR  
 V41P 125 DF V0  
 V8P 52 35 41 48  
 85 99 DJ V0  
 100 103 162  
 V9P 14 30 47 80 82  
 84 85 87 89 94  
 15 V0  
 VIDLE 51 5 9 13 21  
 47 48 81 DP RO  
 XRDS\*P K0 8 9 47 RO  
 XRDSN KQ 40 RO 142



2A12	5351		2B12	5351	
ENHNEITH	2	XRDSN	LOW2B12N	2	
HIGH2-0P	3		ECDNREL	3	EV34P
GOOP	4		MOVE*P	4	
HIGH2-0P	5		LOW2B12N	5	
HIGH2-0P	6		V33P	6	
	7		V8P	7	
I076-7P	8	XRDSP	LOW2B12N	8	LOW2B12N
JUMP	9		LS3=7P	9	
PMN	10		V9P	10	
I074-5P	11		RTINT*P	11	
HIGH2-0P	12		BIQLIM	12	
V2P	13	LOW2A12N	LOW2B12N	13	EV28N
GOOP	14		LOW2B12N	14	EV28P
I072-1P	15		I116**	15	
VIDLE	16		1116**	16	
I074-5P	17		1116**	17	
HIGH2-0P	18		1116**	18	
HIGH2-0P	19		1116**	19	
EXEC	20		1116**	20	
HIGH2-0P	21		1116**	21	
JUMP	22		1116**	22	
GOOP	23		1116**	23	
EXCDP	24		1116**	24	
	25		1116**	25	
	26	EV34N		26	

P & M No 3/07/06554

EV30P ME 54 RO 109  
 EV30N LD 64 93 RO  
 EV31P HI 54 76 RO  
 EV31N LH 64 93 RO  
 FPUP 142 6 9 16  
 20 24 40 47 68  
 GC RO 142  
 G00P 2 2 4 6 8 12  
 13 30 40 41 44  
 79 88 00 RO  
 135 140 150  
 HIGH3-1a 167 15 17 25  
 26 27 28 29 36  
 GC HQ JE JI RO  
 120  
 I131:7P 129 3 4 00  
 HG RO 100  
 LOW3B19N RO DE DI RO  
 PMN 145 6 12 14  
 16 21 30 35 38  
 40 82 91 00 RO  
 103 104 143 147  
 154  
 RESFLN 32 4 6 10 13  
 17 19 20 21 35  
 39 42 41 48 83  
 85 HG RO 105  
 155  
 V30P 54 83 HG RO



3B19	536B	
HIGH3-1P	2	EV31P
HIGH3-1P	3	
HIGH3-1P	4	
HIGH3-1P	5	
V30P	6	
HIGH3-1P	7	
HIGH3-1P	8	EV31N
RESFLN	9	
I131:7P	11	
LOW3B19N	13	
HIGH3-1P	14	LOW3B19N
LOW3B19N	17	
HIGH3-1P	18	
HIGH3-1P	19	
	20	EV30P
	21	EV30N
G00P	22	
HIGH3-1P	23	
PMN	24	
I131:7P	25	
FPUP	26	

F & M No 3/07/06594

13/10/69

BEAT GEN - V30&V31

WGH01\*\*\*/0031

ISSUE: 155  
 ACD: 2239

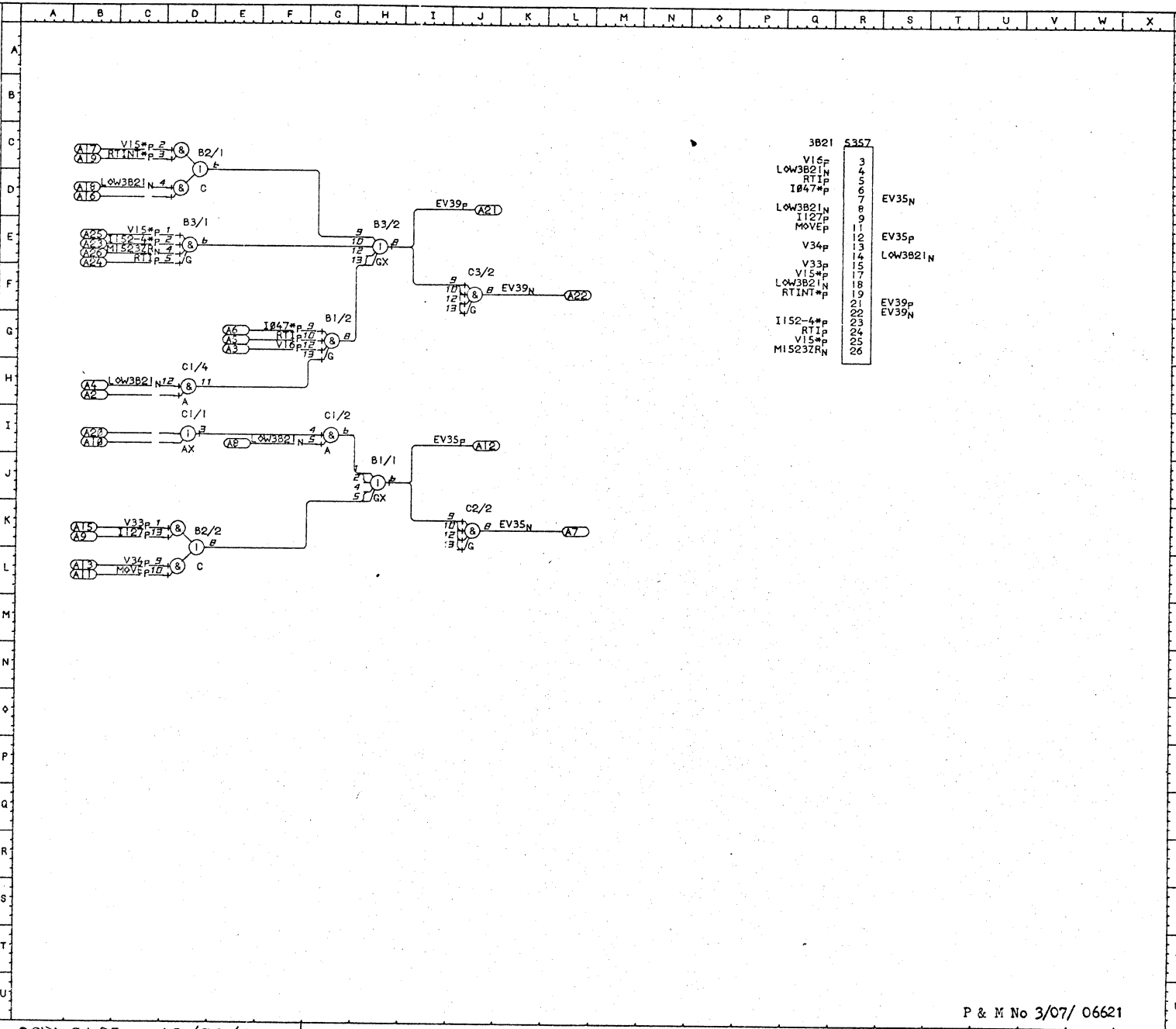
PKG MOD: 00  
 ECC: 0000







EV35P JI 55 61 66  
 E 35N JK RC  
 EV39P JD 39 55 RC  
 EV39N JF 74 RC 145  
 I127P 123 3 6 14  
 15 17 20 21 26  
 27 33 38 39 41  
 47 GG RC  
 I127P 122 5 6 16  
 18 21 47 62 66  
 74 84 85 91 94  
 98 99 DK RC  
 109  
 I152-4P 139 8 15 16  
 19 21 38 39 41  
 DE RC  
 LOW3B21N RC DC DH GI  
 MI523ZR 139 8 39 60  
 DE RC  
 MOVEP 142 14 16 21  
 22 33 38 39 45  
 47 61 62 75 81  
 83 85 89 91 92  
 93 94 98 DK RC  
 109 143 148 149  
 150  
 RTIP 161 4 6 12  
 21 23 37 39 40  
 DE GG RC 141  
 161  
 RTINTP 145 12 26 29  
 30 37 DC RC  
 V15P 39 8 20 32  
 CC DE RC  
 V16P 53 3 12 14  
 32 39 41 48 79  
 80 81 83 86 87  
 88 89 90 91 97  
 99 GG RC 105  
 107 140 145 150  
 V33P 47 DK RC 156  
 168  
 V34P 55 35 81 DK  
 RC 140



3B21	5357
V15P	3
LOW3B21N	4
RTIP	5
I127P	6
MOVEP	7
V34P	8
V33P	9
V15P	10
LOW3B21N	11
RTINTP	12
I152-4P	13
MI523ZR	14
RTIP	15
V15P	16
MI523ZR	17
RTIP	18
V15P	19
MI523ZR	20
RTIP	21
V15P	22
MI523ZR	23
RTIP	24
V15P	25
MI523ZR	26

18/09/69 BEAT GEN V35&V39

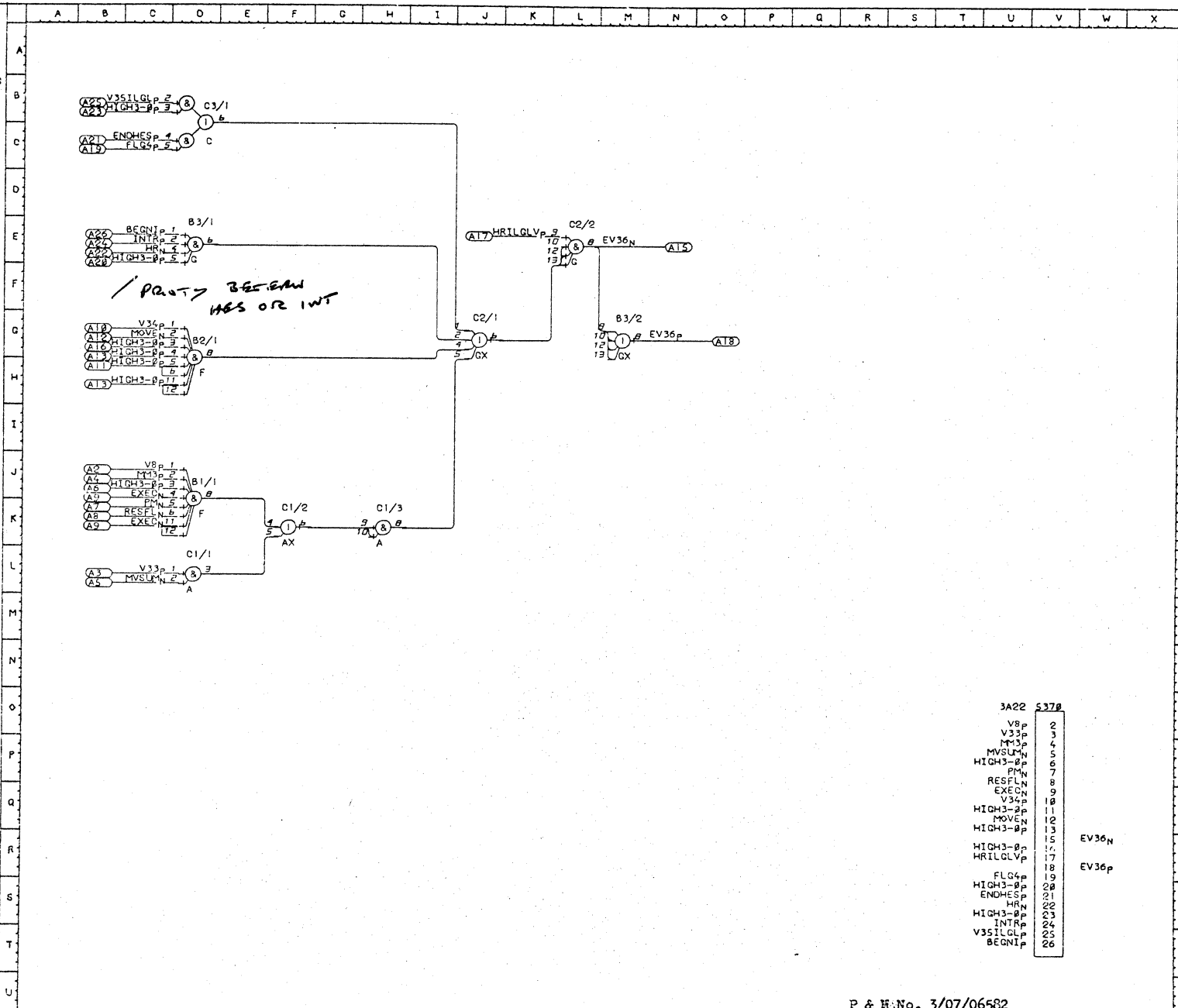
P & M No 3/07/ 06621

WGH01\*\*\*/0034

ISSUE NO : 155  
 ACD 2239

PACKAGE MOD : 00  
 ECC 2239

BEGNI<sub>p</sub> 163 DE VO  
 ENOHES<sub>p</sub> 46 DB VO  
 EV36<sub>p</sub> MC 22 55 VO  
 104 147  
 EV36<sub>N</sub> LE 74 MC VO  
 EXEC<sub>N</sub> 144 DJ VO  
 FLG4<sub>p</sub> 156 DB VO  
 HIGH3-0<sub>p</sub> 167 DB DE DG  
 DJ VO  
 HR<sub>N</sub> 183 DE VO  
 HRILGLV<sub>p</sub> 48 LE VO  
 INTR<sub>p</sub> 62 DE VO  
 MM3<sub>p</sub> 141 DJ VO  
 MOVEN<sub>N</sub> 5391 DG VO  
 MVSUN<sub>N</sub> 133 DL VO  
 PM<sub>N</sub> 145 DJ VO  
 RESFLN<sub>N</sub> 32 DJ VO  
 V33<sub>p</sub> 54 DL VO  
 V34<sub>p</sub> 55 DL VO  
 V35ILGL<sub>p</sub> 17 DB VO  
 V8<sub>p</sub> 52 DJ VO



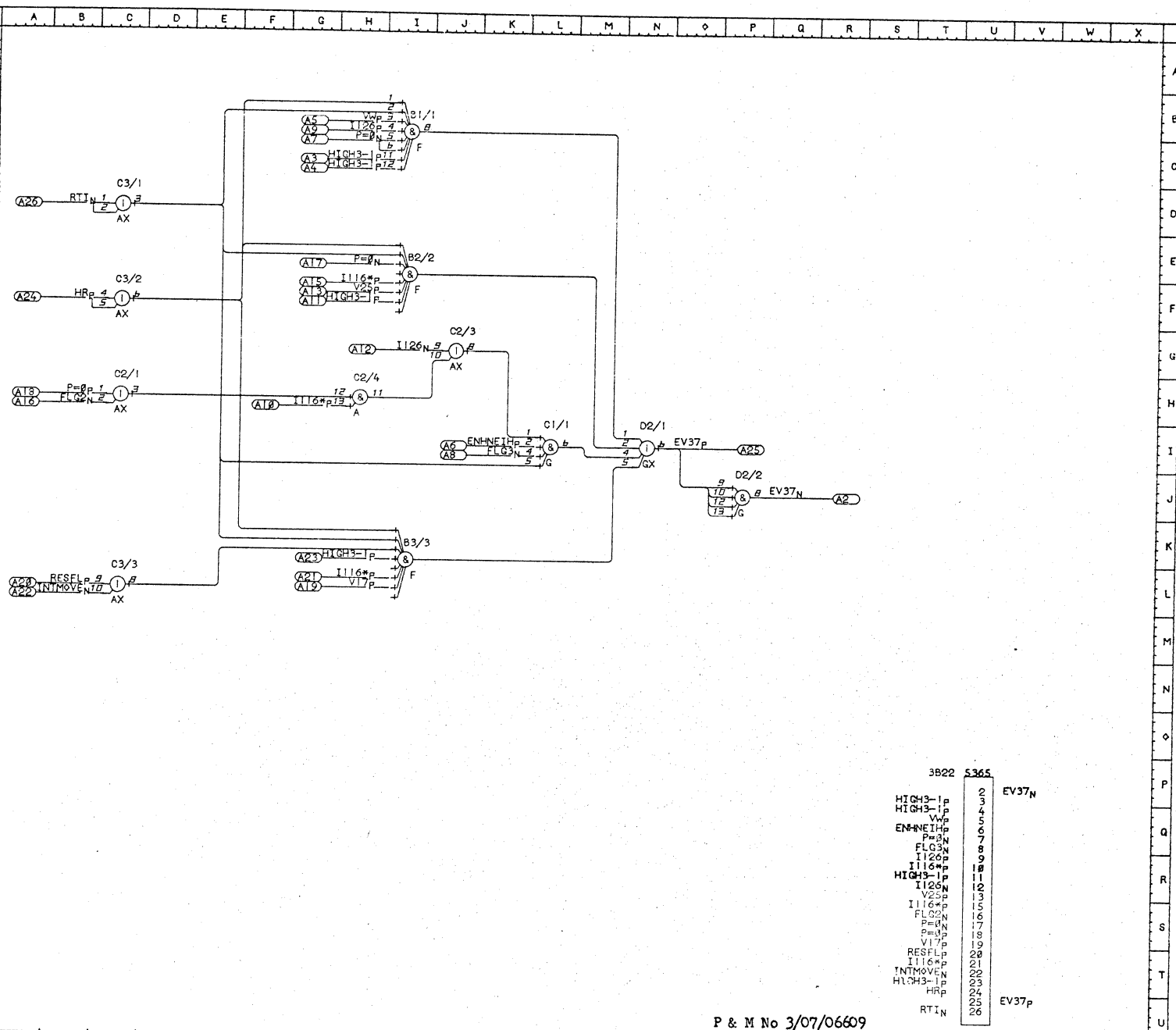
P & H: No. 3/07/06582

~~CCW0202~~ 26/02/70 BEAT GEN - V36

WGHD1\*\*\* / 0035

ISSUE: /	TYPE	MOD:	TYPE	MOD:	TYPE	MOD:	TYPE	MOD:	TYPE	MOD:
ACD: 2767	ECC:	103 00	ECC:		ECC:		ECC:		ECC:	

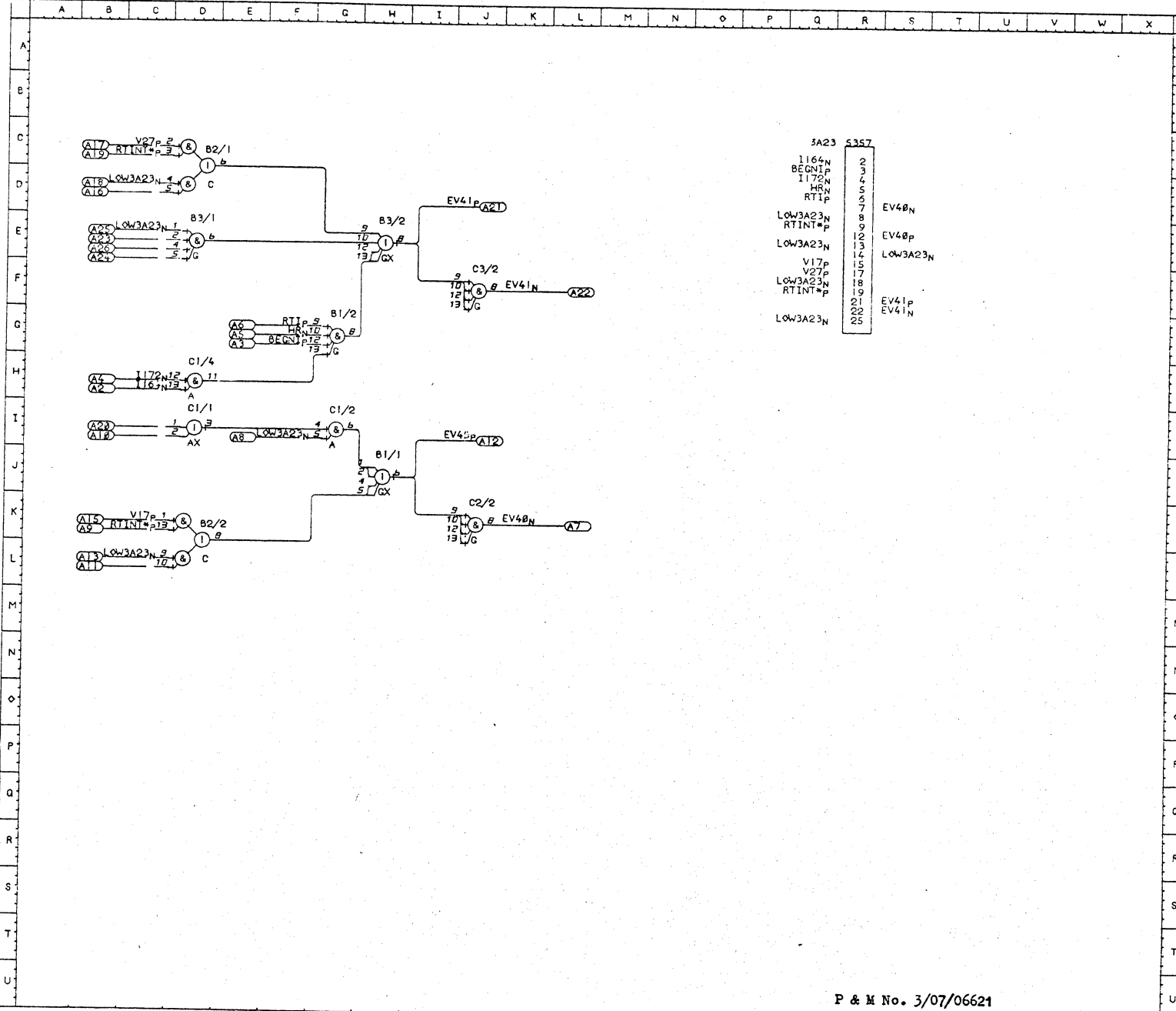
ENHNEIH	142	7	12	14
15	16	21	23	28
40	LI	UP		
EV37p	NT	55	PJ	UP
EV37p	PJ	UP		
FLG2N	152	7	29	CH
UP				
FLG3N	149	7	LI	UP
189				
HIGH3-1p	167	15	17	25
26	27	28	29	31
18	IE	IK	UP	
120				
HRp	103	14	16	23
40	42	45	48	CF
UP	141	146	147	
I116p	139	5	6	7
25	27	30	32	74
44	IE	IK	UP	
140				
I126p	122	3	5	39
41	47	66	76	81
83	91	92	10	UP
109	150	162		
I126N	122	7	17	48
64	84	98	93	97
JG	UP	100	162	
INTMOVE	148	6	33	47
49	81	91	92	94
CL	UP	113	143	
P=0p	139	7	16	19
29	39	48	CH	UP
P=0N	219	5	47	IB
E	UP	130		
RESFLp	32	6	16	19
22	27	32	33	81
85	CL	UP	140	
141	144	164		
RTIN	16	48	CD	UP
143	161	1	5	8
14				
V17p	53	4	6	22
24	28	29	32	33
37	41	79	80	81
83	84	85	91	94
99	IK	UP	106	
107	148	150		
V25p	54	5	9	17
85	IE	UP		
VWP	30	39	41	47
83	90	91	IB	UP
150				



3822	5365	
HIGH3-1p	11	EV37N
HIGH3-1p	12	
VWP	13	
ENHNEIH	14	
P=0N	15	
FLG3N	16	
I126p	17	
I116p	18	
HIGH3-1p	19	
I126N	20	
V25p	21	
I116p	22	
FLG2N	23	
P=0N	24	
P=0p	25	
V17p	26	
RESFLp	27	
I116p	28	
INTMOVE	29	
HIGH3-1p	30	
HRp	31	
RTIN	32	EV37p

P & M No 3/07/06609

BEGN1P 163 CC RC  
 EV40P JI 55 RC  
 EV41P JK 74 RC 145  
 EV41P JD 55 RC 145  
 EV41N JF RC  
 HRN 183 CC RC  
 I172N 5391 DH RC  
 I172N 134 DH RC  
 LOW3A23N RC DC DE DK  
 G1  
 RTIP 161 CC RC  
 RTINTP 145 DC DK RC  
 V17P 53 DK RC  
 V27P 54 DC RC



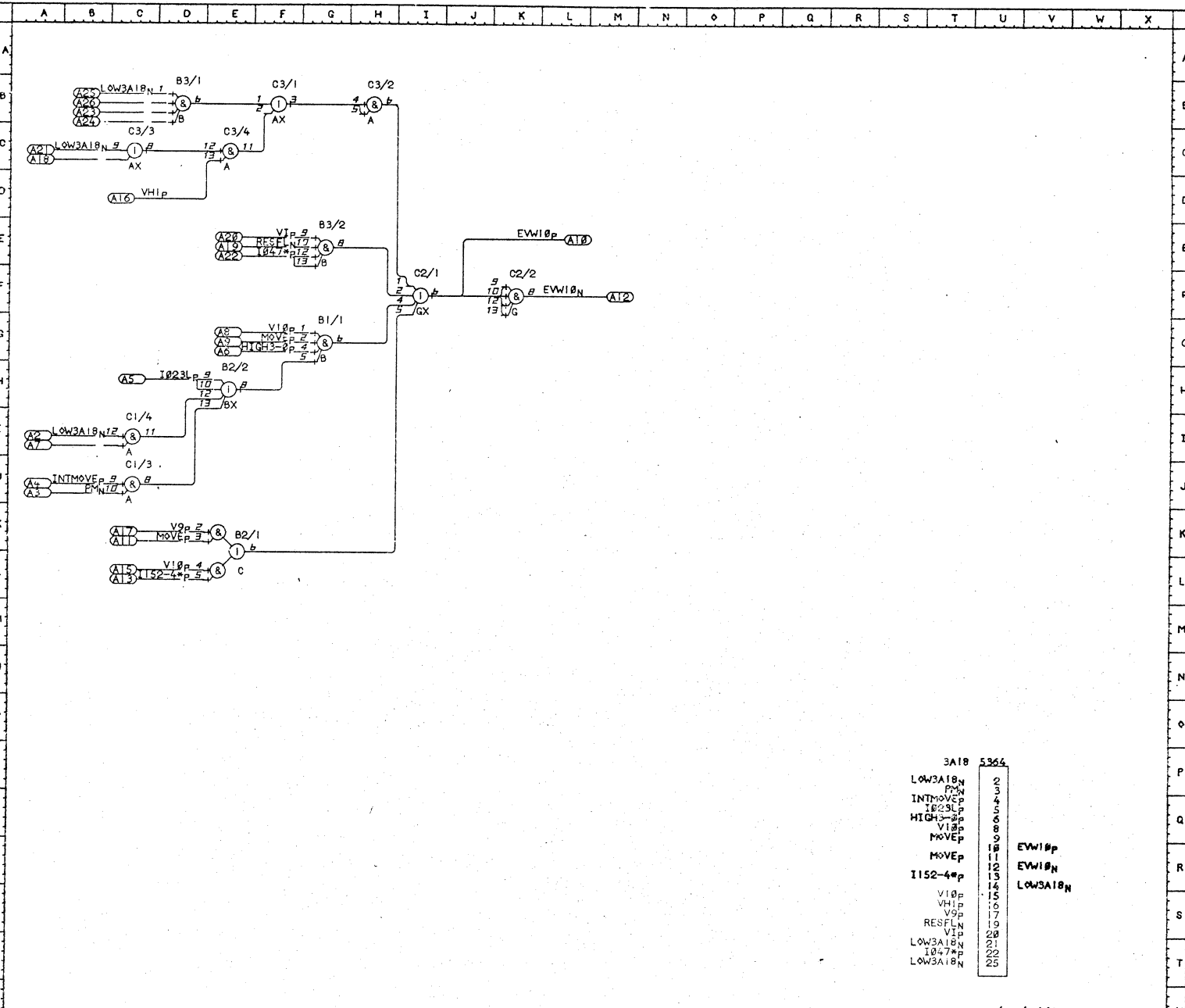
P & M No. 3/07/06621

26/02/70 BEAT GEN. V40&V41

WGH01\*\*\*/0037

ISSUE: 1	TYPE MOD: DO	TYPE MOD:	TYPE MOD:	TYPE MOD:	TYPE MOD:	TYPE MOD:
ACC: 2767	ECC:	ECC:	ECC:	ECC:	ECC:	ECC:

CWI0P LE 22 52 64  
 65 70 UP  
 EW10N KF 17 48 UP  
 HIG3-0P 167 1 2 P 10  
 11 17 35 39 48  
 40 GG UP 135  
 140 158 159  
 I023LP 146 12 24 EH  
 UP  
 I047\*P 123 3 6 14  
 15 17 20 21 26  
 27 33 34 39 41  
 47 GE UP  
 I152-4\*P 139 8 15 16  
 19 21 34 39 41  
 EK UP  
 INTMOVEP 148 9 12 13  
 14 16 18 21 31  
 17 19 20 21 31  
 35 40 41 48 83  
 LW3A18N UP CC CI DP  
 UP  
 MOVEP 142 1+ 16 21  
 22 33 34 39 45  
 47 61 62 5 8 1  
 3 85 89 91 92  
 93 94 98 EK GG  
 UP 109 143 148  
 149 150  
 PMN 145 6 12 14  
 16 21 30 31 35  
 40 82 91 CJ UP  
 103 104 143 147  
 154  
 RESFLN 32 4 6 13 13  
 17 19 20 21 31  
 35 40 41 48 83  
 85 GE UP 105  
 135  
 V10P 53 3 4 12 18  
 47 95 99 EK GG  
 UP 113  
 V9P 52 3 6 12 13  
 14 30 47 80 82  
 84 85 87 89 94  
 EK UP  
 VHI P 55 55 CD UP  
 V1P 17 33 47 60 80  
 85 87 89 90 91  
 99 GE UP 100  
 106 265



3A18	5366	
LOW3A18N	2	
PMN	3	
INTMOVEP	4	
I023LP	5	
HIG3-0P	6	
V10P	8	
MOVEP	9	
MOVEP	10	EW10P
MOVEP	11	
I152-4*P	12	EW10N
V10P	13	
VHI P	14	LOW3A18N
V9P	15	
RESFLN	16	
V1P	17	
LOW3A18N	18	
I047*P	19	
LOW3A18N	20	
LOW3A18N	21	
LOW3A18N	22	
LOW3A18N	23	
LOW3A18N	24	
LOW3A18N	25	

P & M No 3/07/06603

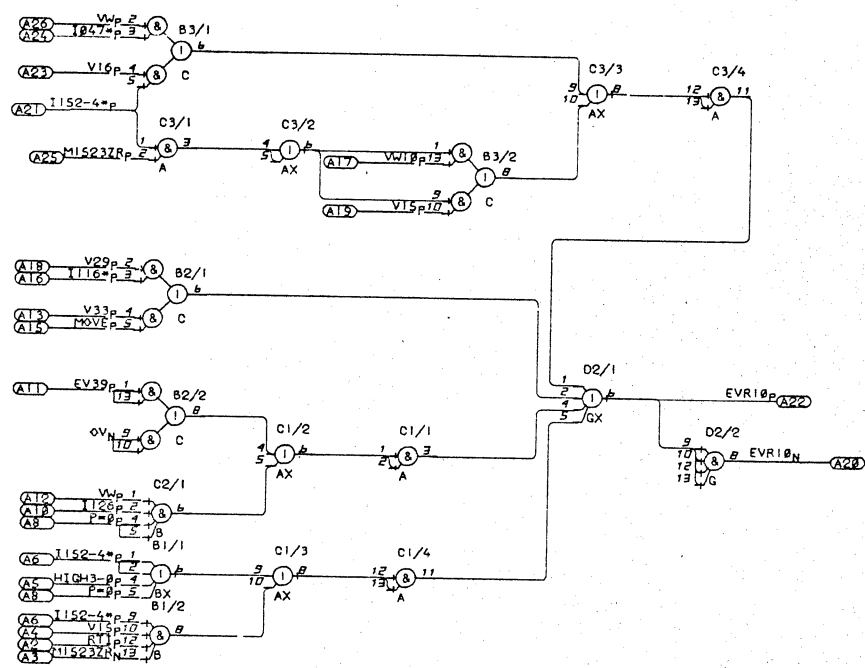
18/09/69 BEAT GEN. VWI0

WGHO1\*\*\*/0038

ISSUE NO. : ISS  
ADC 2239

PACKAGE MOD. :  
ECC

EV39p 34 DH VO  
 EVH21p 43 VO  
 EVR10p NH 51 94 VO  
 EVR10N M1 48 VO  
 HES3p 46 VO  
 HIGH3-0p 167 DK VO  
 I047p 123 DB VO  
 I116p 139 DF VO  
 I126p 122 DJ VO  
 I152-4p 139 DB DD DK  
 DL VO  
 M15231R 198 DO VO  
 M15232R 139 DL VO  
 MOVEp 142 DF VO  
 P=8p 139 DJ DK VO  
 RT1p 161 DL VO  
 V15p 53 DL ID VO  
 V16p 53 DB VO  
 V29p 57 DF VO  
 V33p 54 DF VO  
 VwP 51 DB DJ VO  
 Ww10p 52 IO VO



3A14	5355
RTIP	2
M15232RN	3
V15p	4
HIGH3-0p	5
I152-4p	6
HES3p	7
P=8p	8
EVH21p	9
I126p	10
EV39p	11
VwP	12
V33p	13
MOVEp	14
I116p	15
Ww10p	16
V29p	17
V15p	18
I152-4p	19
I152-4p	20
V16p	21
I047p	22
M15232R	23
VwP	24
	25
	26

EVR10N  
 EVR10P

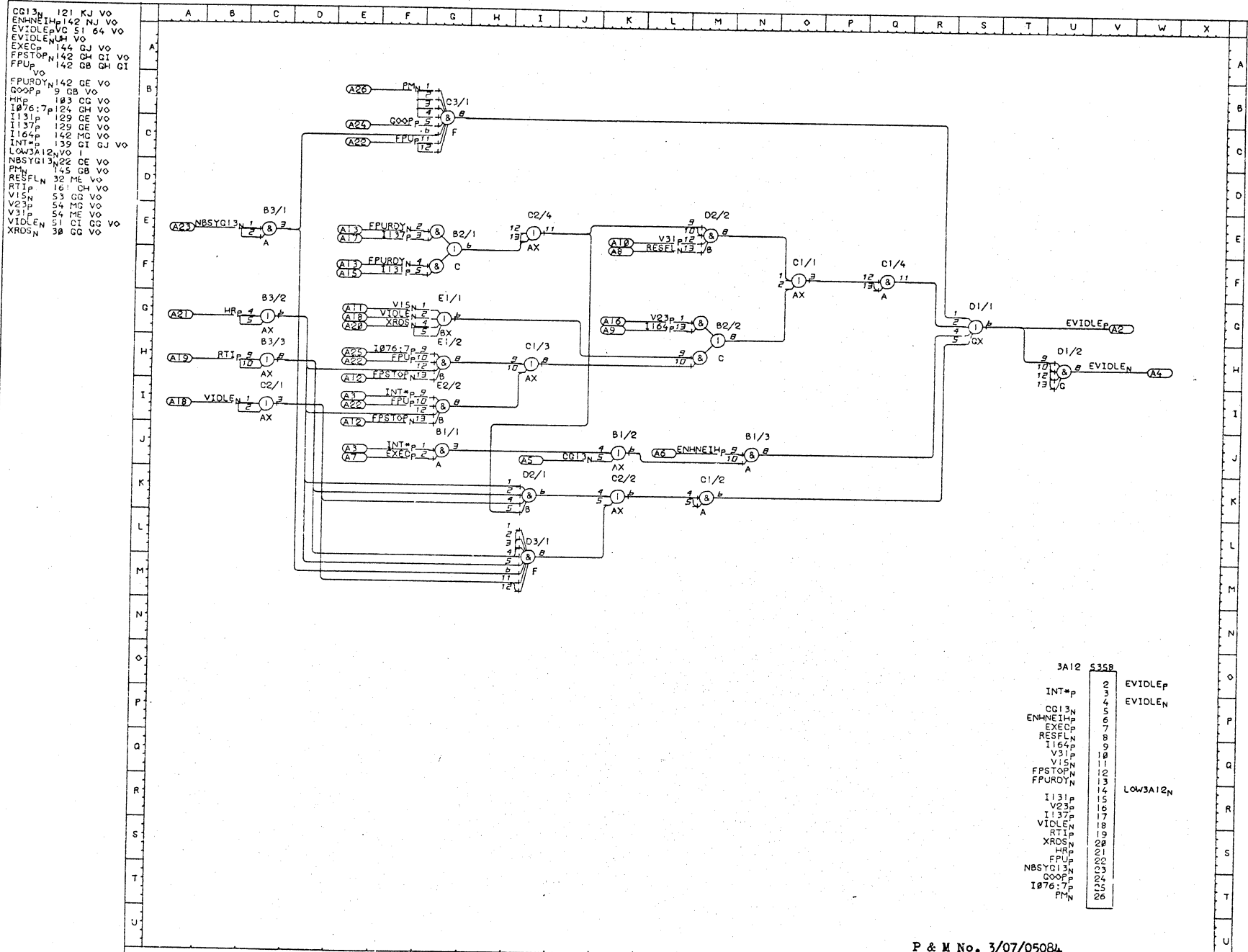
P & M No. 3/07/05038

26/02/70

BEAT GEN - VR10

WGH01\*\*\*/0039

ISSUE: 1	TYPE MOD: DO	TYPE MOD:	TYPE MOD:	TYPE MOD:	TYPE MOD:	TYPE MOD:
ACC: 2767	ECC:	ECC:	ECC:	ECC:	ECC:	ECC:



CG13N 121 KJ VO  
 ENHNE1P 142 NJ VO  
 EVIDLEVO 51 64 VO  
 EVIDLEUH VO  
 EXEC 144 GJ VO  
 FPSTOPN 142 GH CI VO  
 FPUP VO  
 FPURDYN 142 GE VO  
 GOOP 9 GB VO  
 HMP 183 CC VO  
 I076:7P 124 QH VO  
 I131P 129 GE VO  
 I137P 129 GE VO  
 I164P 142 MG VO  
 INT\* 139 GI CJ VO  
 LOW3A12N VO I  
 NBSYG13N 22 CE VO  
 PMN 145 GB VO  
 RESFLN 32 ME VO  
 RTIP 161 CH VO  
 V15N 53 CC VO  
 V23P 54 MD VO  
 V31P 54 ME VO  
 VIDLEN 51 CI CC VO  
 XRDSN 30 CC VO

3A12	5358	
INT*P	2	EVIDLEP
CG13N	3	EVIDLEN
ENHNE1P	4	
EXEC	5	
RESFLN	6	
I164P	7	
V31P	8	
V15N	9	
FPSTOPN	10	
FPURDYN	11	
I131P	12	
V23P	13	
I137P	14	LOW3A12N
VIDLEN	15	
RTIP	16	
XRDSN	17	
HRP	18	
FPUP	19	
NBSYG13N	20	
GOOP	21	
I076:7P	22	
PMN	23	
	24	
	25	
	26	

P & M No. 3/07/05084

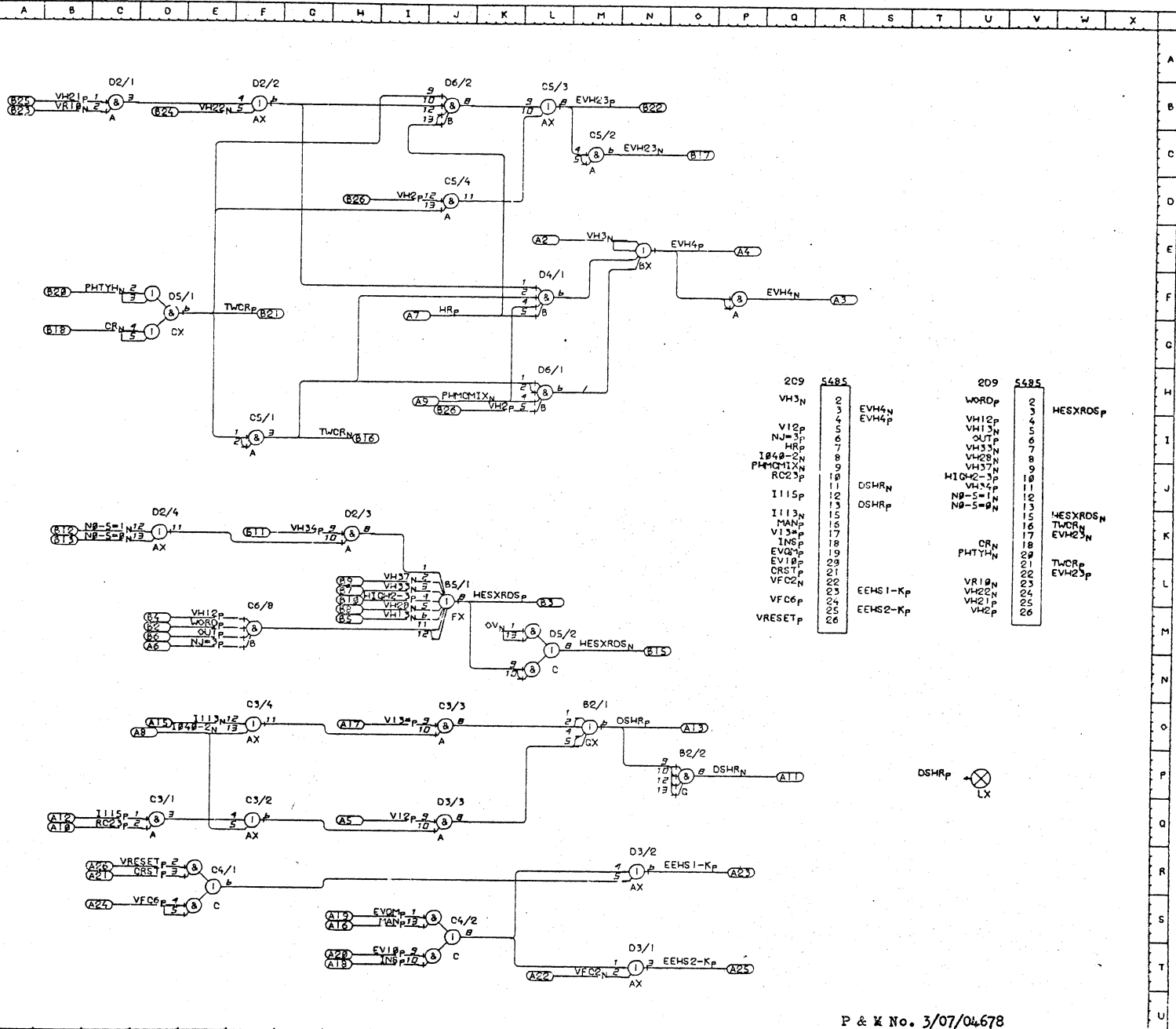
26/02/70 BEAT GEN VIDLE

ISSUE: 1	TYPE MOD: 1	TYPE MOD:	TYPE MOD:	TYPE MOD:	WGHO1*** / 0040
ACD: 2767	ECC: 1569	ECC:	ECC:	ECC:	ECC:



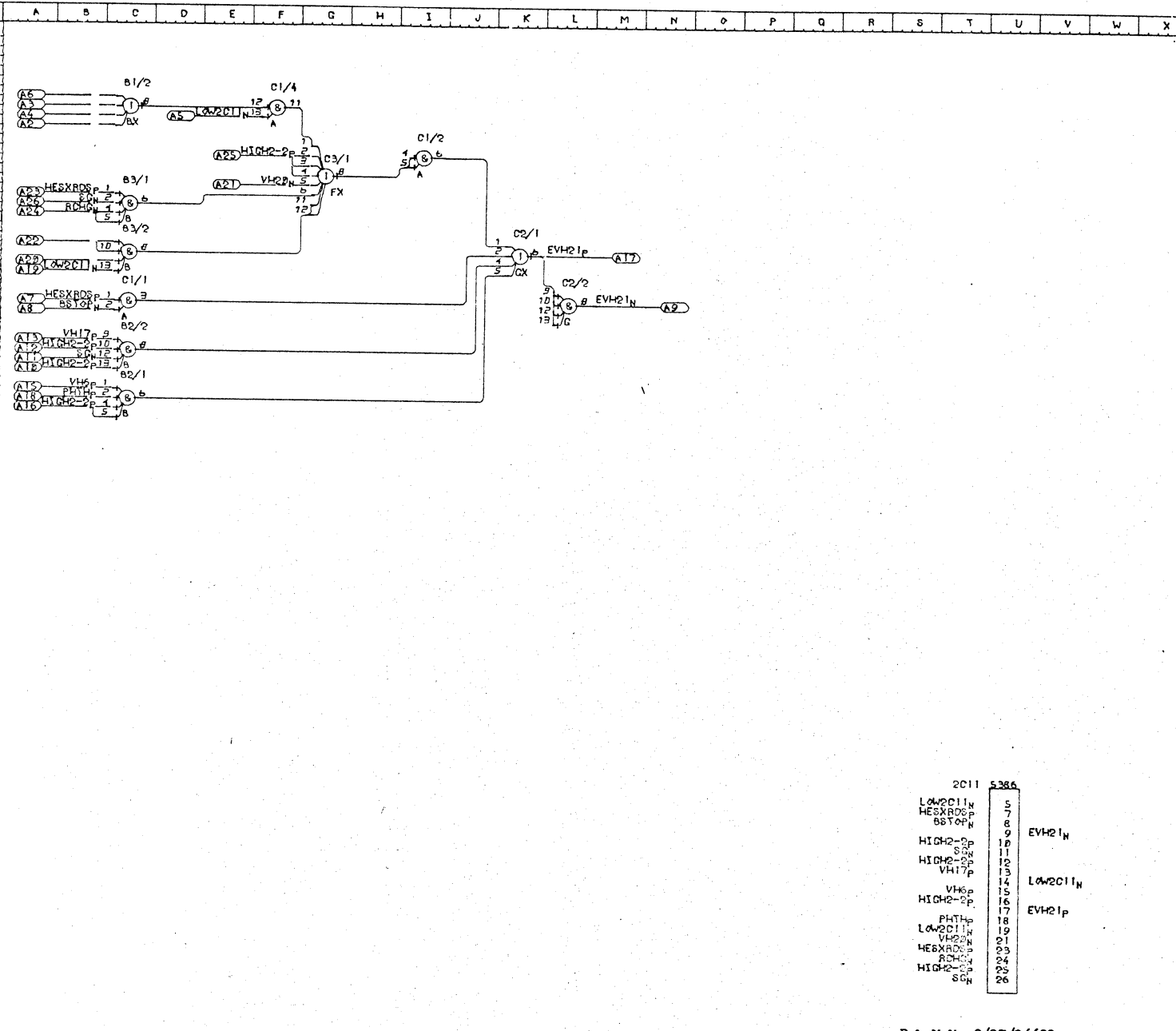


CRN 254 DF VH  
 CRSTP 143 ER RH  
 DSHRP MO OF RH UP  
 210 215 216 217  
 DSHRN OP RH 143  
 248 249  
 EEHS1-KpNR RH 141  
 EEHS2-KpNR RH 141  
 EV10N 13 JS RH  
 EVH23P LB 56 MC VH  
 EVH23N MC 94 VH 115  
 EVH4P NE 55 PF RH  
 115  
 EVH4N PF 94 RH 162  
 EVQM 1 JS RH  
 HESXRDS PJL 10 43 LM  
 VH  
 HESXRDS NLM VH  
 HIGH2-3P167 JL VH  
 HRP 103 JB LF RH  
 I040-2N 31 DO RH  
 I113N 125 FO RH  
 I115P 125 DQ RH  
 INSP 142 JS RH  
 I2N 142 JS RH  
 N0-5=N 139 OX VH  
 N0-5=N 139 OX VH  
 NJ=3N 195 FM RH  
 OUTP 266 FM VH  
 PHTYHN 260 LF LH RH  
 PHTYHN 260 DF VH  
 RC23P 226 OQ RH  
 TWCRP FG VH  
 TWCRN HI VH  
 V12P 53 JQ RH  
 V13P 139 JO RH  
 VFC2N 49 NT RH  
 VFC6P 57 ER RH  
 VH12P 56 FM VH  
 VH12N 56 FM VH  
 VH13N 58 JL VH  
 VH20P 55 JD LH  
 VH21P 56 CB VH  
 VH22N 58 FB VH  
 VH28N 49 JL VH  
 VH3N 55 NE RH  
 VH37N 58 JL VH  
 VH37P 56 HK VH  
 VH37N 56 JL VH  
 VR10N 51 CB VH  
 VRESETP 49 ER RH  
 WORDP 266 FM VH



26/02/70		VH4, VH23, HESXRDS, DSHR&EHS-K		WGH01***/0042	
ISSUE: 1	TYPE MOD: 1	TYPE MOD:	TYPE MOD:	TYPE MOD:	TYPE MOD:
ACC: 2767	ECC: 1722	ECC:	ECC:	ECC:	ECC:

BBTOP<sub>N</sub> 157 CF UP  
 EVH21<sub>P</sub> KE 39 56 66  
 70 LF UP  
 EVH21<sub>N</sub> LF UP 249  
 HESXRDS<sub>P</sub> 42 10 CD CF  
 UP  
 HIGH2-2<sub>P</sub> 167 6 16 41  
 45 46 CD CH CD  
 UP 137 136 143  
 154 155 156  
 LOW2C11<sub>N</sub> UP CE FB UP  
 PHTH<sub>P</sub> 249 139 59 04 UP  
 RCHG<sub>N</sub> 266 10 17 CD  
 UP 115 265  
 SG<sub>N</sub> UP 167 10 CD CD  
 VH17<sub>P</sub> UP 106 115 57 57 59 CD  
 UP  
 VH20<sub>N</sub> 56 CD UP  
 VH6<sub>P</sub> UP 58 58 59 CH  
 UP 249



2011	5386	
LOW2C11 <sub>N</sub>	5	
HESXRDS <sub>P</sub>	7	
BBTOP <sub>N</sub>	8	
HIGH2-2 <sub>P</sub>	9	EVH21 <sub>N</sub>
HIGH2-2 <sub>P</sub>	10	
HIGH2-2 <sub>P</sub>	11	
VH17 <sub>P</sub>	12	
VH6 <sub>P</sub>	13	LOW2C11 <sub>N</sub>
HIGH2-2 <sub>P</sub>	14	
HIGH2-2 <sub>P</sub>	15	
HIGH2-2 <sub>P</sub>	16	EVH21 <sub>P</sub>
PHTH <sub>P</sub>	17	
LOW2C11 <sub>N</sub>	18	
VH20 <sub>N</sub>	19	
HESXRDS <sub>P</sub>	20	
RCHG <sub>N</sub>	21	
HIGH2-2 <sub>P</sub>	22	
HIGH2-2 <sub>P</sub>	23	
HIGH2-2 <sub>P</sub>	24	
HIGH2-2 <sub>P</sub>	25	
HIGH2-2 <sub>P</sub>	26	

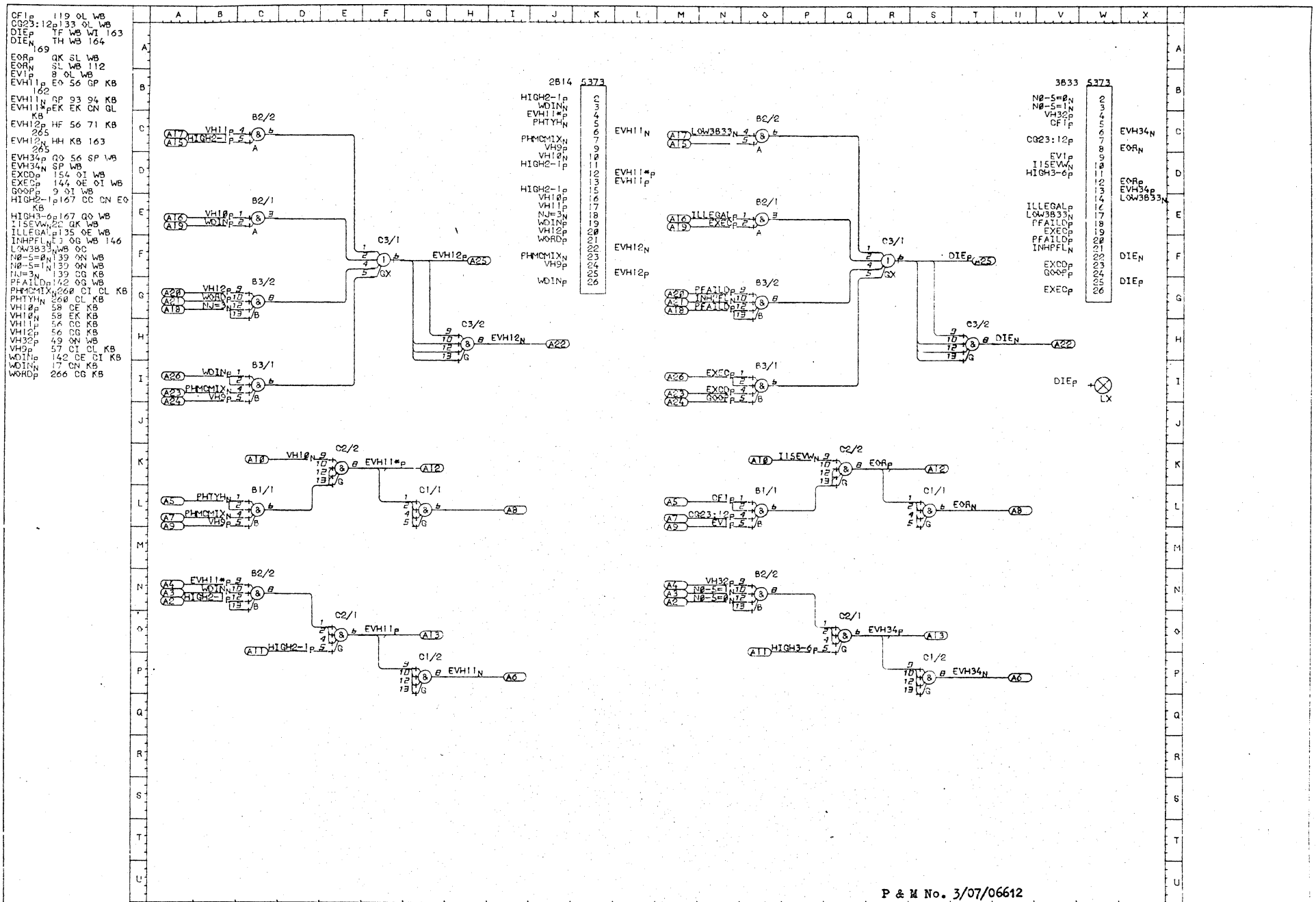
P & M No 3/07/06690

18/09/69 EVH21

WGHD1\*\*\*/0043

ISSUE: ISS  
ADD: 2239

PKG MOD: 00  
FRG: 0001

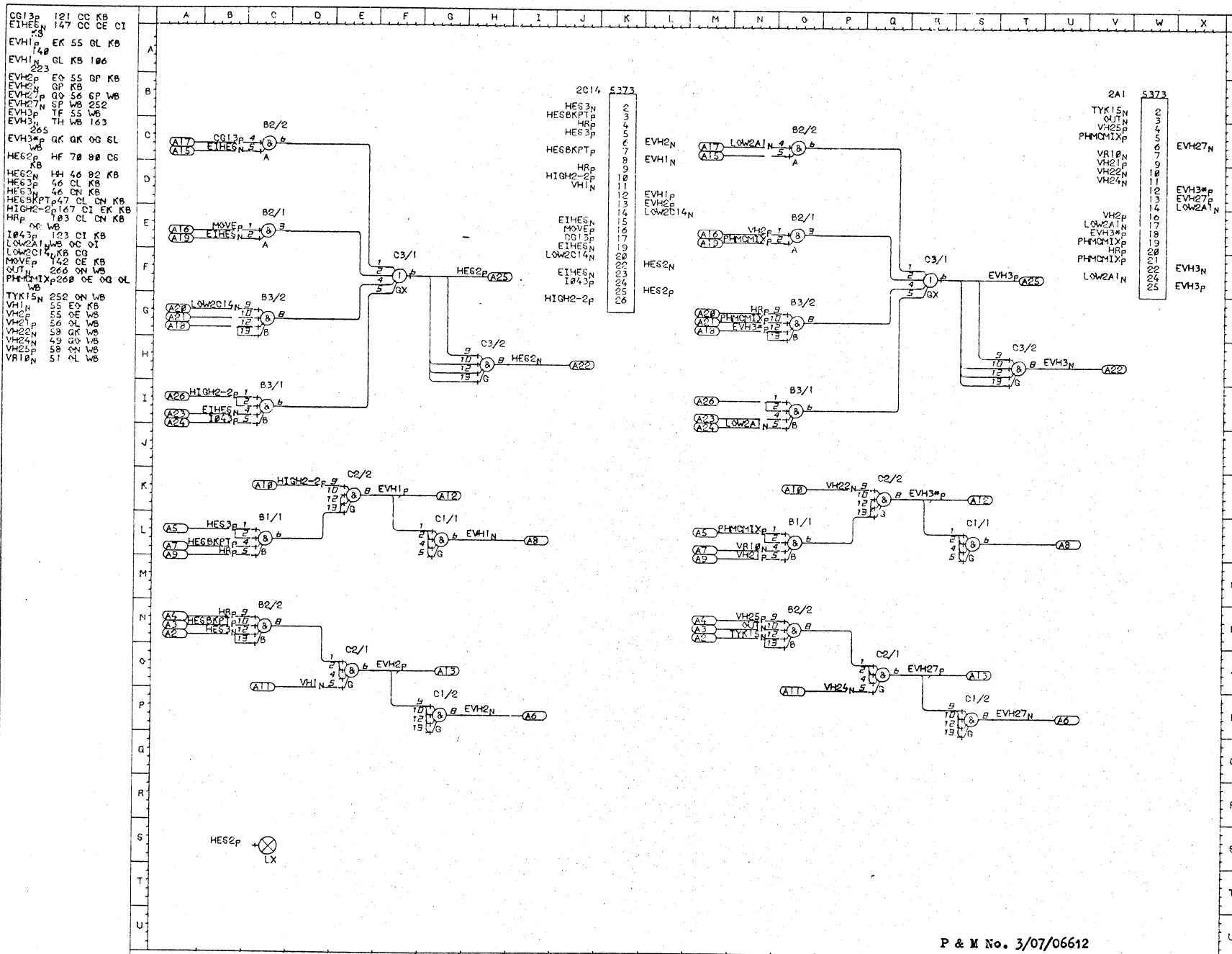


02/03/70

SLOW HES - BEAT GENERATION

WGH01\*\*\*/0044

ISSUE: 1	TYPE MOD: N0-5=0	TYPE MOD:	TYPE MOD:	TYPE MOD:	TYPE MOD:	TYPE MOD:
ACD: 2767	ECC:	ECC:	ECC:	ECC:	ECC:	ECC:



P & M No. 3/07/06612

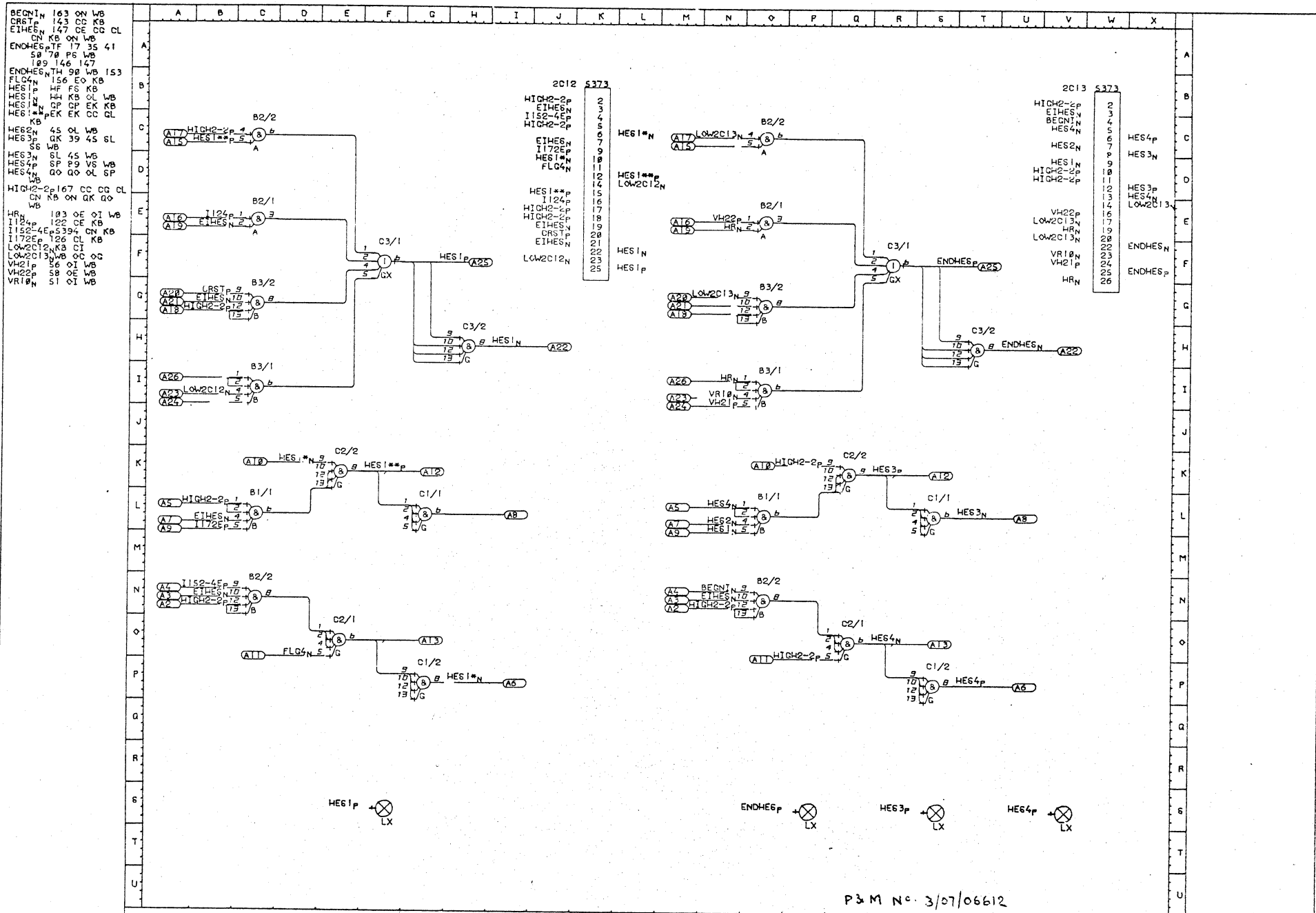
~~02/03/70~~

02/03/70

SLOW HES - BEAT GENERATION

WGH01\*\*\*/0045

ISSUE: 1	TYPE MOD: <del>00</del> 00	TYPE MOD:	TYPE MOD:	TYPE MOD:	TYPE MOD:	TYPE MOD:
ADD: 2767	ECC:	ECC:	ECC:	ECC:	ECC:	ECC:



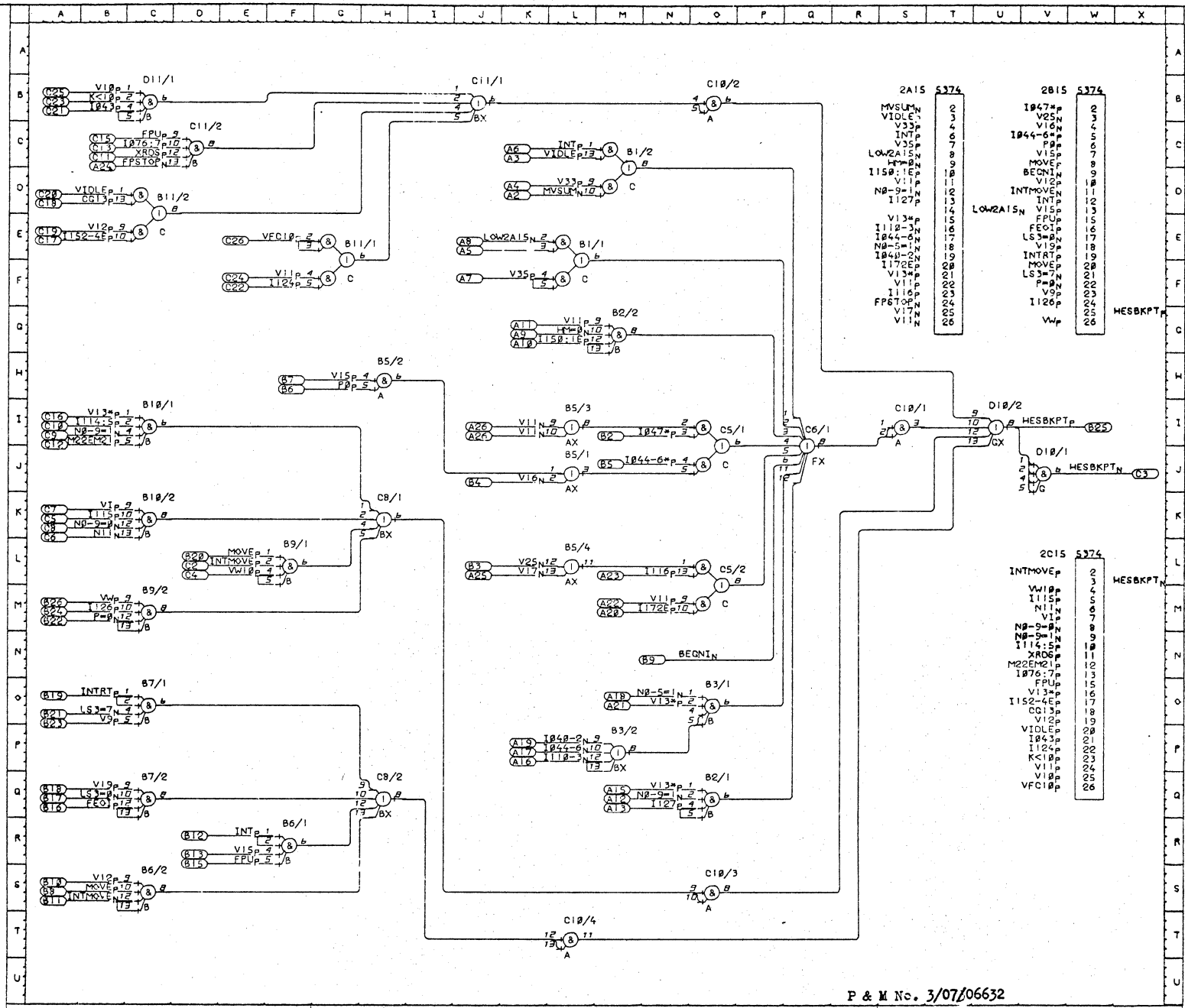
CCW:0222 20/05/70 SLOW HES - BEAT GENERATION

P3 M N° 3/07/06612

WGHO1\*\*\*/0046 DATA CCW#226

ISSUE: 2	TYPE MOD: 01	TYPE MOD:	TYPE MOD:	TYPE MOD:	TYPE MOD:	TYPE MOD:
ADD: 3017 (ECC4107)	ECC: 4086	ECC:	ECC:	ECC:	ECC:	ECC:

BEGNI 163 NN WB  
 CCI3P 121 CD WL  
 FEO1P 41 CD WB  
 FPSTOP N142 DC TB  
 FPU P 142 DC FR WB  
 WL  
 HESBKPT PUI 45 VJ WB  
 146  
 HESBKPT VJ WL 148  
 H8N 80 MC TB  
 I848-2N 131 MP TB  
 I843P 123 CB WL  
 I844-6N 129 MP TB  
 I844-6P 129 OI WB  
 I847P 123 OI WB  
 I876:7P 124 DC WL  
 I118-5N 138 MP TB  
 I114:5P 132 CI WL  
 I115P 125 CK WL  
 I116P 5391 OL TB  
 I120P 122 CE WL  
 I120P 122 CH WB  
 I127P 122 OD TB  
 I127P 122 OD TB  
 I159:1EP 130 MC TB  
 I152-4EP 5394 CD WL  
 I172EP 126 OL TB  
 I172EP 126 OL TB  
 INT P 147 FR MC TB  
 WL  
 INTMOVE P 148 FL WL  
 INTMOVE P 148 CS WB  
 INTRTP 48 CO WB  
 K<12P 179 CB WL  
 LOW2A15N TB LE  
 LS3=7N 48 CO WB  
 LS3=7N 48 CO WB  
 M22EM2P 139 CI WL  
 MOVE P 142 CS FL WB  
 MVSLUN 133 MC TB  
 NB-5=N 139 OO TB  
 NB-9=P 139 CK WL  
 NB-9=N 139 CI OQ TB  
 WL  
 N11N 139 CK WL  
 P8P 139 HI WB  
 P8N 219 CH WB  
 V18P 53 CB WL  
 V18P 53 CE MO OL  
 TB WL  
 V11N 53 LI TB  
 V12P 53 CO CS WB  
 WL  
 V13P 139 CI OO OQ  
 TB WL  
 V15P 53 FR HI WB  
 V16N 53 LL TB  
 V19P 25 CO WS  
 V25N 54 LL WB  
 V33P 54 MC TB  
 V35P 55 LE TB  
 V9P 5391 CO WB  
 VFC18P 56 CE WL  
 V18P 51 CK WL  
 V18P 51 CO MC TB  
 WL  
 W1P 51 OI WB  
 W18P 52 FL WL  
 XR06P 38 DC WL

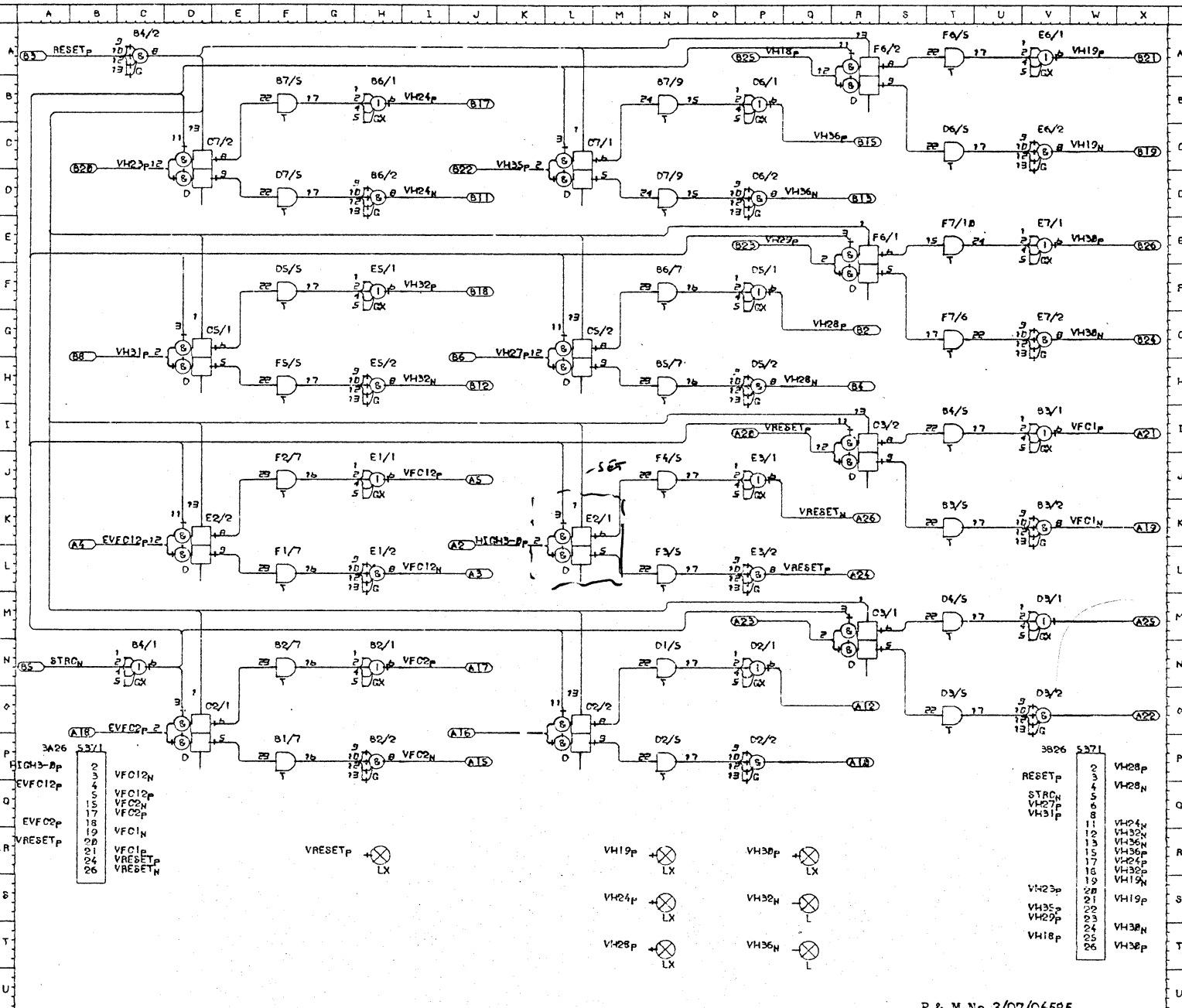


ISSUE:	TYPE	MOD:	TYPE	MOD:	TYPE	MOD:	TYPE	MOD:	TYPE	MOD:
ACC: 2767	ECC:	1393	ECC:		ECC:		ECC:		ECC:	



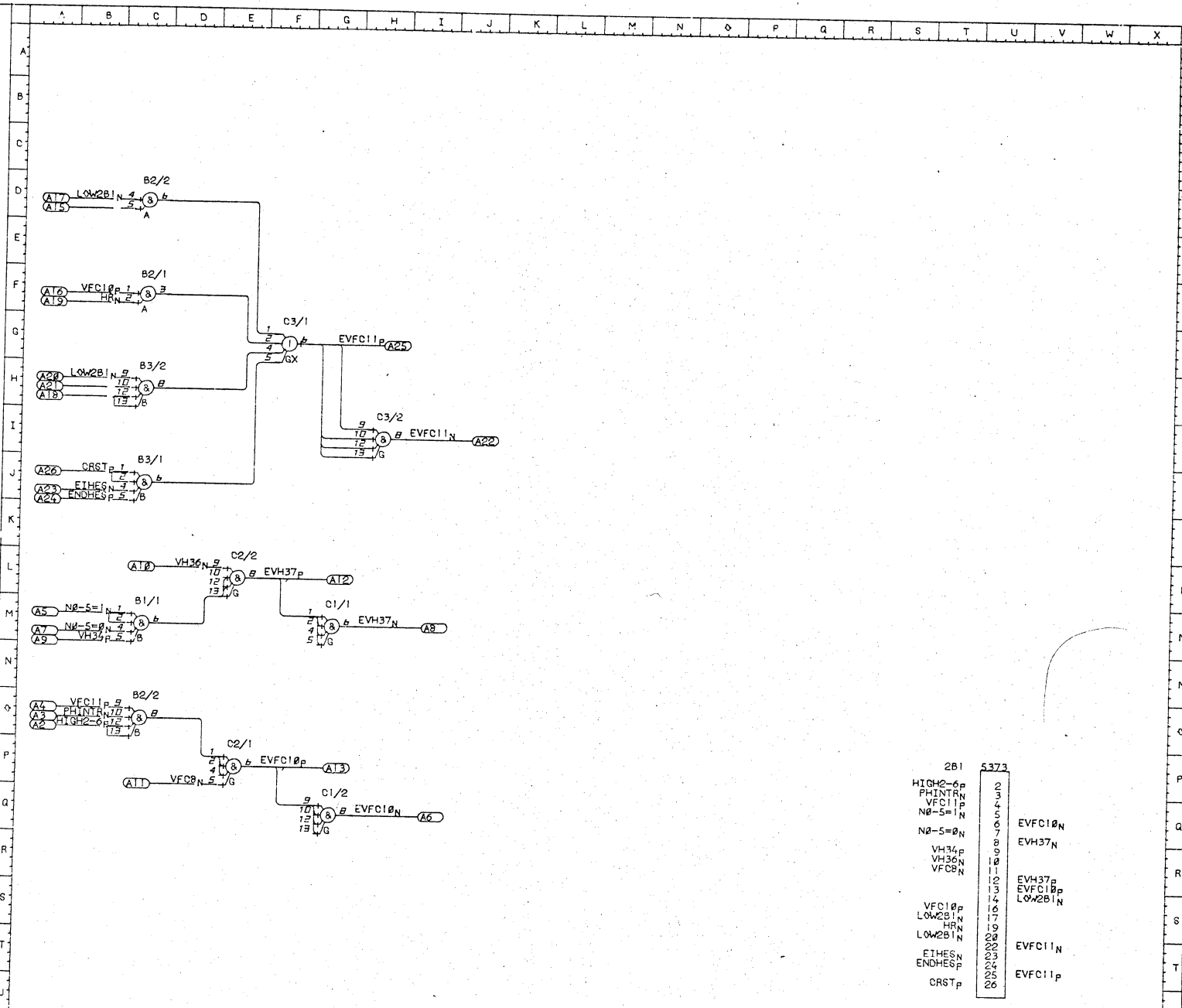


EVFC12P 17 BP DK  
 EVFC2P 17 BP DD  
 HIGH3-P 17 35 38 39  
 48 BP LK 135  
 140 158 159  
 RESETP 142 51 52 53  
 54 55 56 57 58  
 AA WP 162 254  
 276 284 285 288  
 STRCN 165 51 52 53  
 54 55 56 57 58  
 62 64 66 67 68  
 AN WP 140 155  
 159 165  
 VFC1P VI 17 41 85  
 VFC1N VK 82 BP  
 VFC12P HJ 26 BP  
 VFC12N HL BP  
 VFC2P HV 57 BP 182  
 VFC2N HP 42 82 BP  
 VH18P 58 58 PA WP  
 140  
 VH19P VA 56 NR WP  
 VH19N VC 48 78 WP  
 115  
 VH23P 56 56 DC WP  
 VH24P HD 43 82 WP  
 VH27P 56 56 LG WP  
 106 170 171 172  
 VH28P RG NT WP  
 VH28N PH 42 WP  
 VH29P 56 56 PE WP  
 VH32P VE 08 WP  
 VH32N VG 59 WP  
 VH33P 58 67 71 DG  
 WP  
 VH33N HF 44 59 WP  
 VH33P 44 60 08 WP  
 VH35P 58 LO WP  
 VH35N RC WP  
 VH36P PD 58 78 QT  
 WP 107 252  
 VRESETP FL 42 69 84  
 BP HR FT 108  
 157 164  
 VRESETN RK 48 BP 143  
 162 163 252 257  
 258 259



3826	5371
2	VH28P
3	VH28N
4	
5	
6	
7	
8	
9	
10	
11	VH24N
12	VH32N
13	VH36P
14	VH36N
15	VH33P
16	VH33N
17	VH23P
18	VH19P
19	VH19N
20	
21	VH19P
22	
23	VH38P
24	VH38N
25	
26	VH38P

CRST 143 CJ UP  
 EIHE5N 147 CJ UP  
 ENDHES 146 CJ UP  
 EVFC10P 56 GQ UP  
 EVFC10N 56 GQ UP  
 EVFC11P 56 GQ UP  
 EVFC11N 56 GQ UP  
 EVH37P 56 GQ UP  
 EVH37N 56 GQ UP  
 HIGH2-6P 167 CG UP  
 HRN 183 CF UP  
 LOW2B1N 56 GQ UP  
 N8-5=0N 139 CM UP  
 N8-5=1N 139 CM UP  
 PHINTRN 156 CG UP  
 VFC10P 56 CF UP  
 VFC10N 56 CF UP  
 VFC11P 56 CF UP  
 VFC11N 56 CF UP  
 VH34P 56 CM UP  
 VH34N 56 CM UP  
 VH36N 49 EL UP

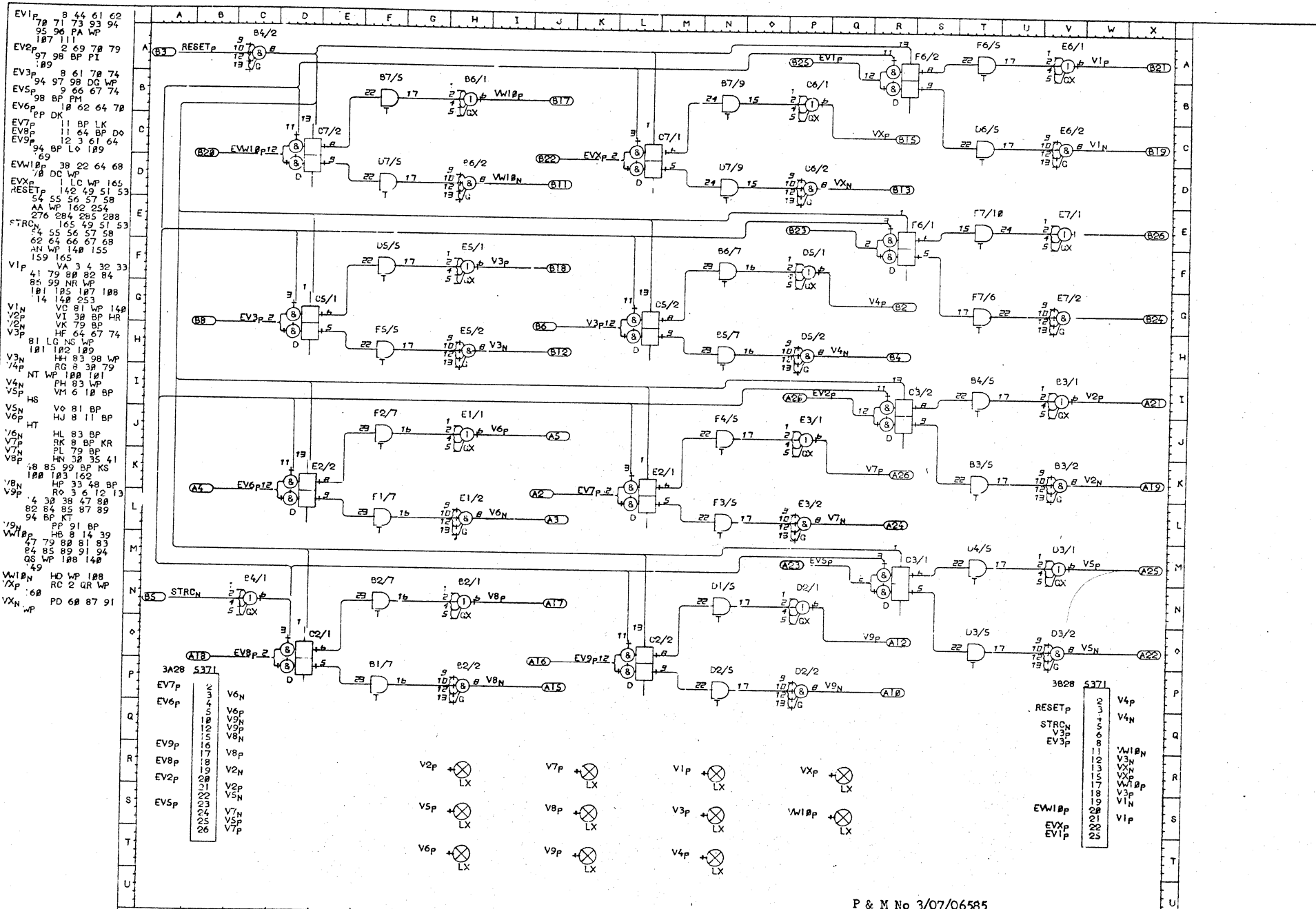


2B1	5373	
HIGH2-6P	2	
PHINTRN	3	
VFC10P	4	
N8-5=1N	5	EVFC10N
N8-5=0N	6	
VH34P	8	EVH37N
VH36N	9	
VFC8N	10	
	11	EVH37P
	12	EVFC10P
	13	LOW2B1N
VFC10P	14	
LOW2B1N	15	
HRN	16	
LOW2B1N	17	
	18	EVFC11N
	19	
	20	EVFC11P
EIHE5N	21	
ENDHES	22	
CRSTP	23	
	24	
	25	
	26	

02/03/70 SLOW HES - FRZ&CRST BEAT GENERATION P & M No. 3/07/06612 WGH01\*\*\*/0050

ISSUE: 1	TYPE MOD: 00	TYPE MOD:	TYPE MOD:	TYPE MOD:	TYPE MOD:	TYPE MOD:
ADD: 2767	ECC:	ECC:	ECC:	ECC:	ECC:	ECC:





P & M No 3/07/06585

13/10/69

BEAT GENERATOR STATICISING

WGH01\*\*\*/0052

ISSUE: 155  
ACD: 2239

PKG MOD: 3  
ECC: 2725



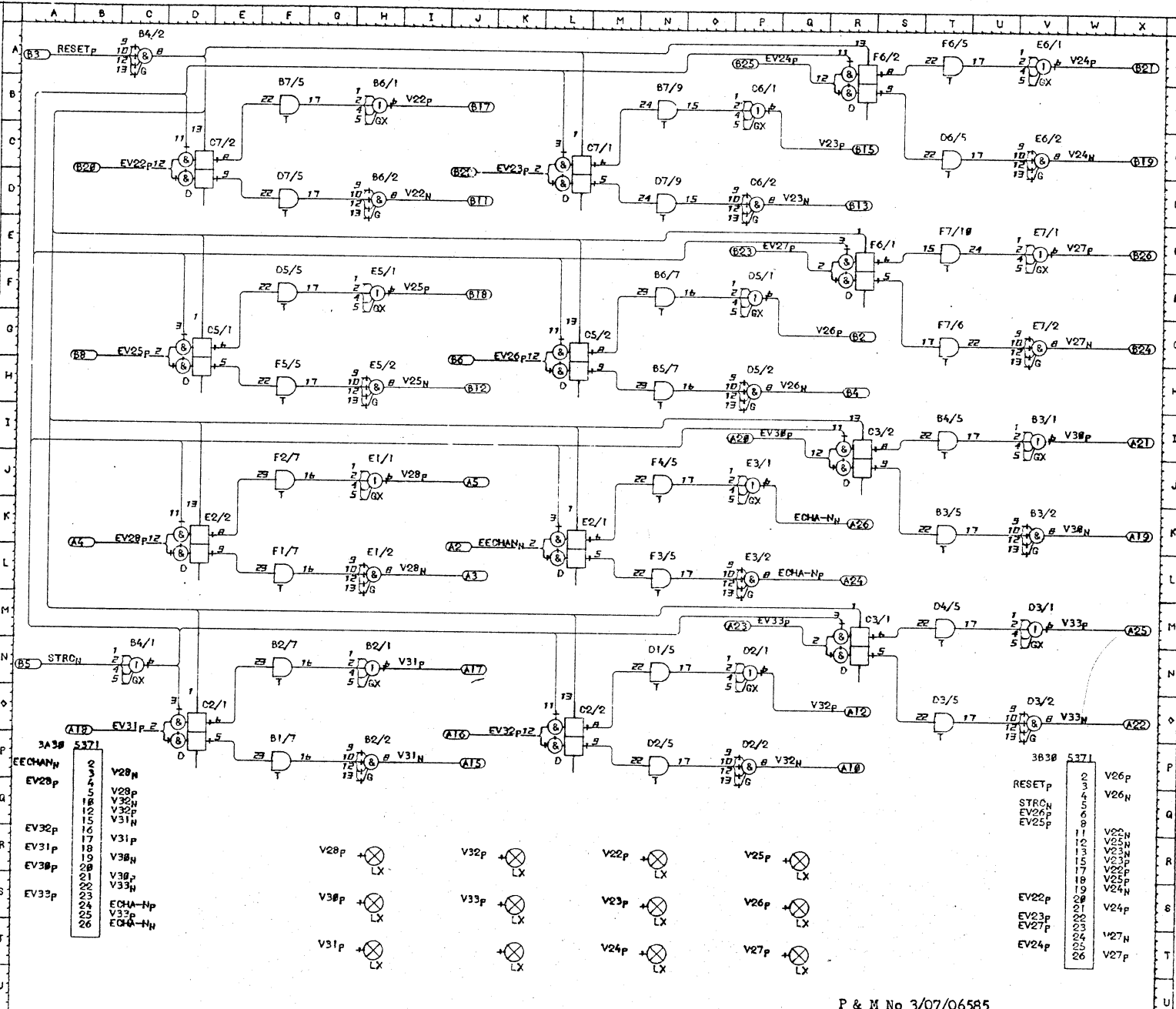
ECHA-Np PL BP 222  
247

ECHA-NN RK BP  
EEOHANN 17 BP LK  
EV22p 27 64 63 70  
EV23p 9 61 64 66  
EV24p 28 61 66 67  
EV25p 29 61 75 93  
EV26p 29 68 74 95  
EV27p 29 61 68 95  
EV28p 30 64 67 70  
EV30p 31 BP P1 109  
EV31p 31 76 BP D3  
EV32p 17 BP L2  
EV33p 33 63 67 92

RESETP 142 49 51 52  
51 55 56 57 98  
AA WP 162 254  
276 284 285 288  
STRCH 165 49 51 52  
53 55 56 57 58  
62 64 66 07 68  
AN WP 140 155  
V22p 159 165  
22 25 NR WP  
103 107

V22N HD 7 48 WP  
V23p RD 26 28 32  
40 41 60 78 85  
86 89 90 99 HS  
WP 140  
V23N FD 4 7 91 WP  
V24p VA 29 91 83  
89 90 91 NT WP  
108

V24N VC 4 48 WP  
V25p HF 5 9 17 29  
36 85 QR WP  
V25N HH 47 48 WP  
V26p 269  
RQ 6 17 24  
67 81 82 05 WP  
140 145  
V26N PH WP  
V27p VE 28 37 41  
48 82 85 90 99  
QT WP 107 142  
149 150  
V27N VG WP 141  
V28p HG 3 26 41  
78 80 BP HR  
V28N HL BP  
V30p VI 31 83 BP  
HS  
V30N VK 33 BP  
V31p HN 40 40 83  
91 BH  
V31N HT 33 BP 141  
V32p R 3 32 BP  
KR  
V32N PP BP  
V33p VM 30 34 35  
39 47 BP KG  
156 168  
V33N VO 21 BP 169



P & M No 3/07/06585

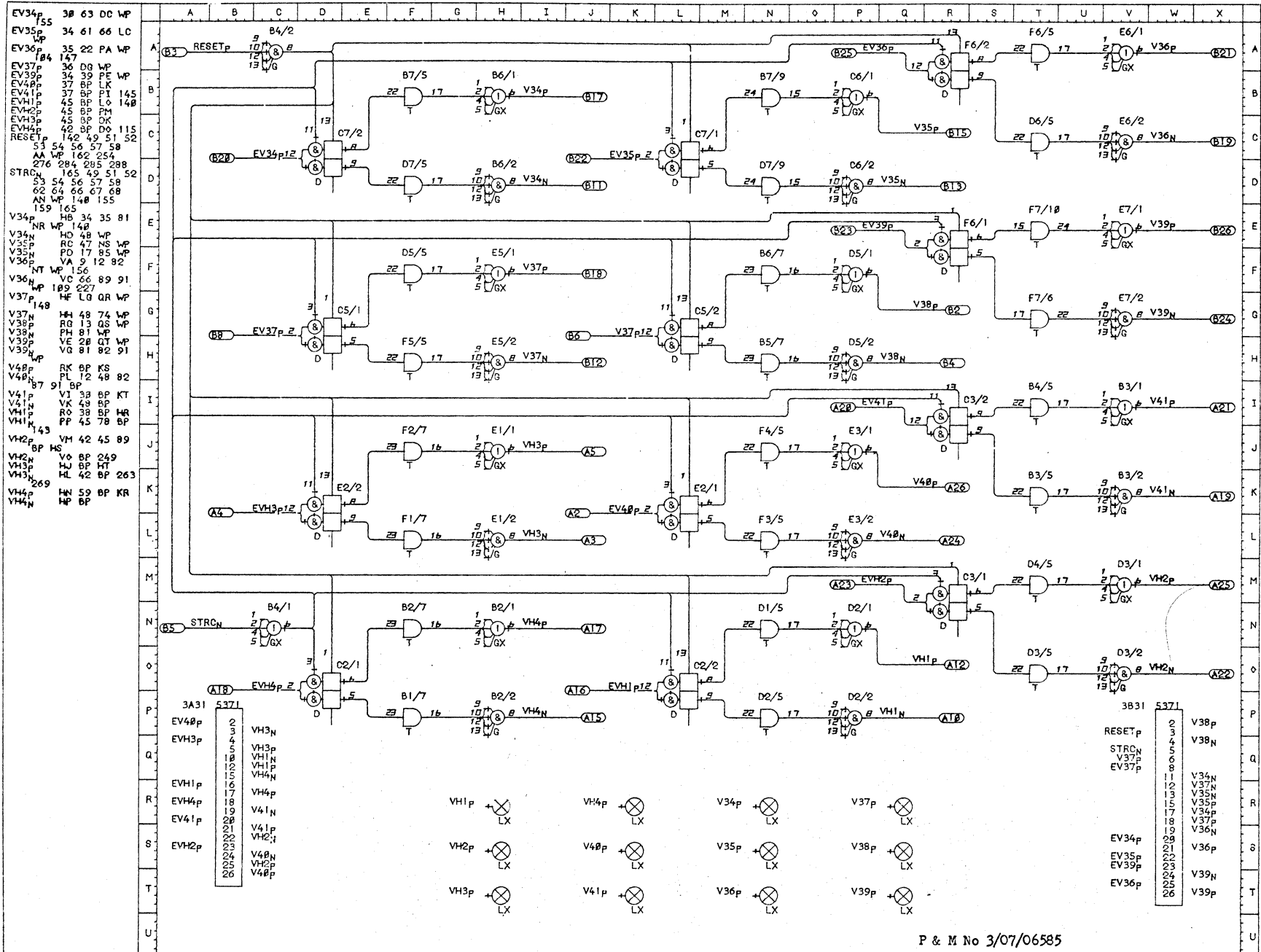
20/09/69

BEAT GENERATOR STATICISING

WGH01\*\*\*/0054

ISSUE: JSS  
ACU: 2239

PKG MOD: 02 03  
ECC: 2725



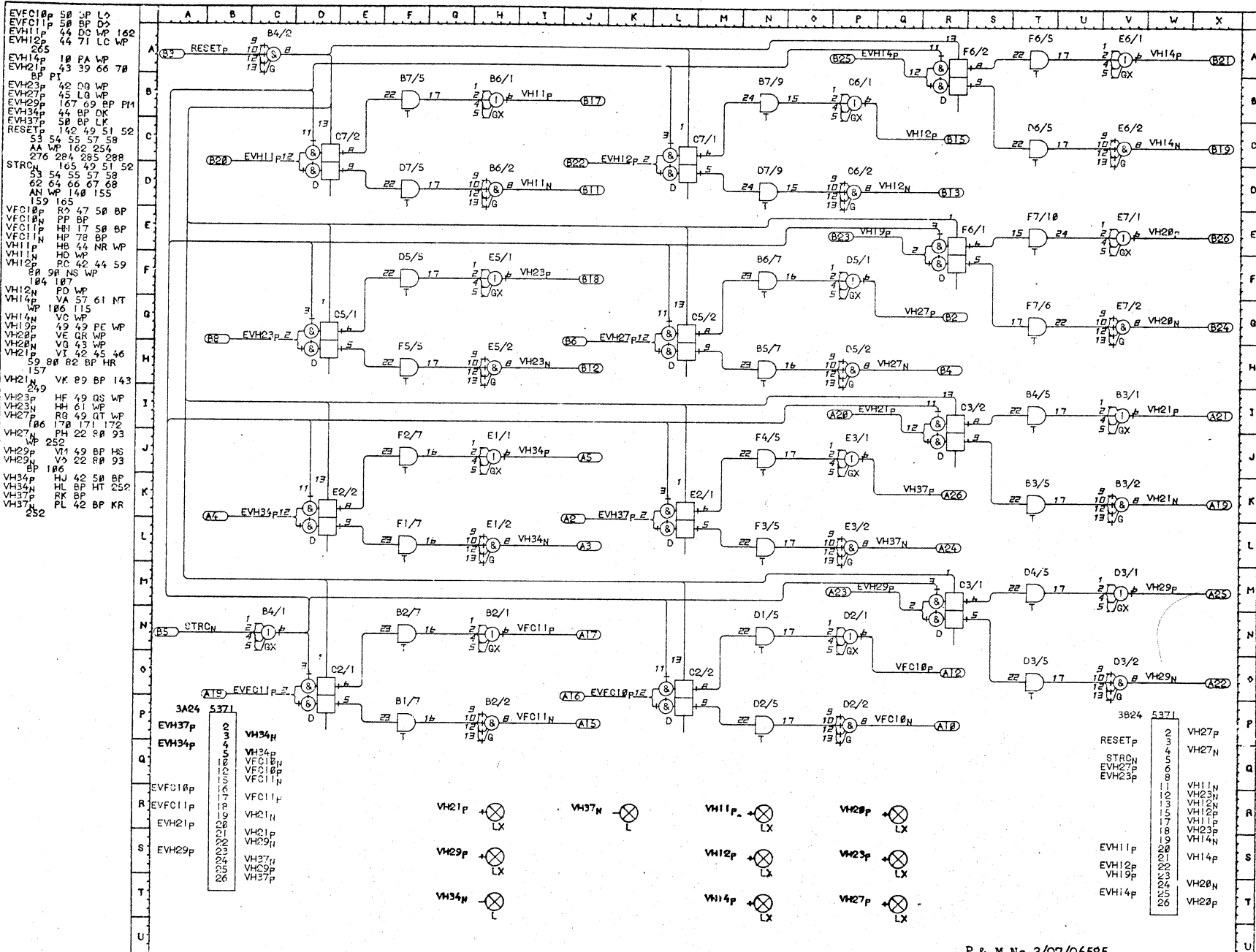
20/09/69

BEAT GENERATOR STATICISING

P & M No 3/07/06585

ISSUE:ISS  
A00: 2.239

PKG MOD: 02 03  
E00: 2.239 2.725



ISSUE: 1SS  
 ACC: 2239

20/09/69

BEAT GENERATOR

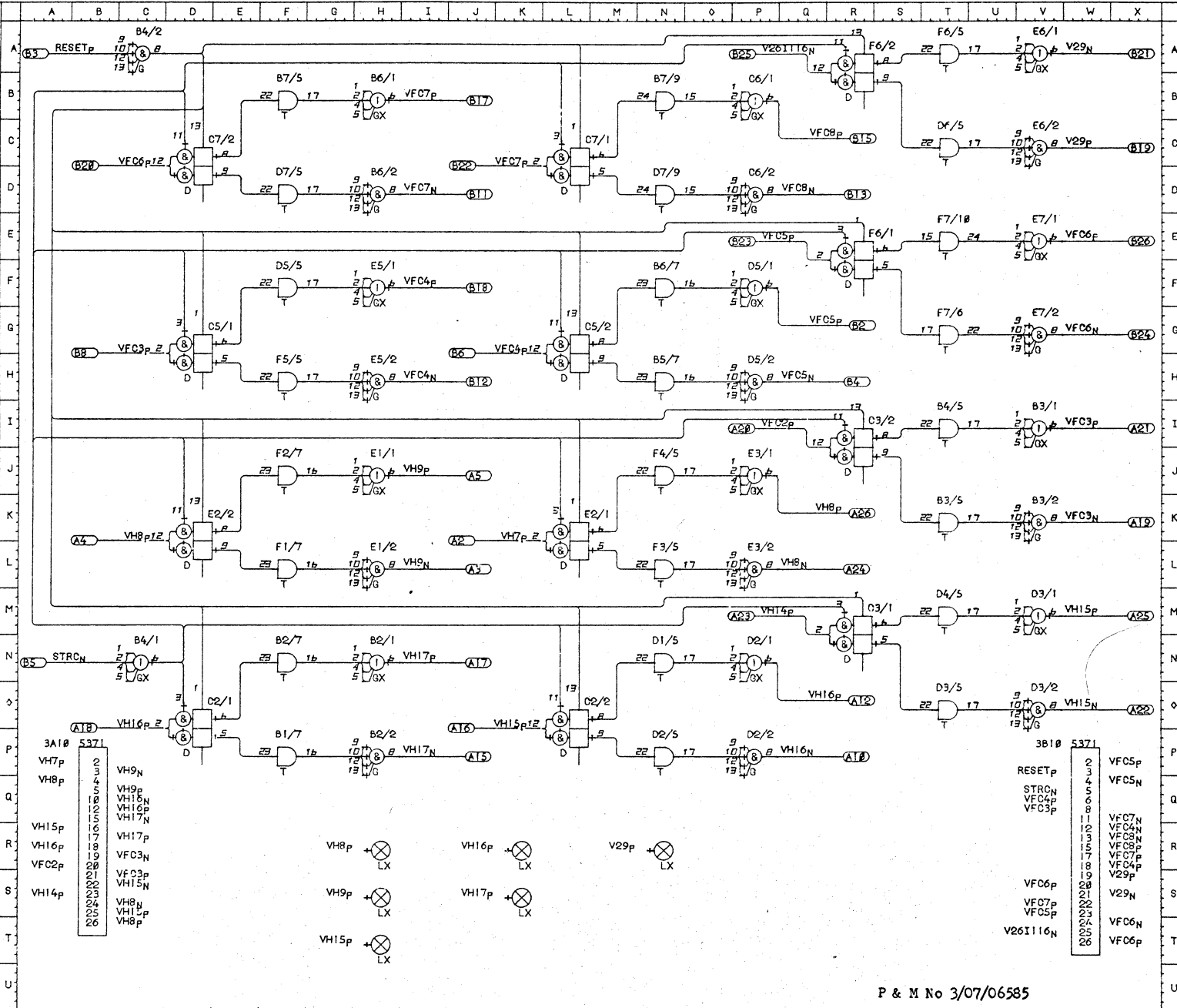
STATICISING

P & M No 3/07/06585  
 WGH01\*\*\*/0056

PKG MOD: 03  
 ECC: 2725



RESET<sub>P</sub> 142 49 51 52  
 53 54 55 56 58  
 AA WP 162 254  
 276 284 285 288  
 STRC<sub>N</sub> 165 49 51 52  
 53 54 55 56 58  
 62 64 66 67 68  
 AN WP 148 155  
 159 165  
 V26I116<sub>N</sub> 17 PA WP  
 V29<sub>P</sub> 50 78 NR  
 WP  
 V22<sub>N</sub> VA WP FT 182  
 VFC3<sub>P</sub> VI BP 00 WP  
 VFC3<sub>N</sub> VK 17 63 78  
 BP 102  
 VFC4<sub>P</sub> HF 69 LA WP  
 VFC4<sub>N</sub> HI 82 WP  
 VFC5<sub>P</sub> RO PE WP 148  
 VFC5<sub>N</sub> PH 17 69 76  
 WP  
 VFC6<sub>P</sub> VE 42 DC WP  
 VFC6<sub>N</sub> VG 78 WP  
 VFC7<sub>P</sub> HB LO WP  
 VFC7<sub>N</sub> HD 61 82 WP  
 162 163 265  
 VFC9<sub>P</sub> RO WP 108  
 VFC8<sub>N</sub> PD 58 BP 162  
 VHI4<sub>P</sub> 56 56 61 BP  
 VHI4<sub>N</sub> PH 106 115 82 93  
 VHI5<sub>P</sub> VM 63 81 99  
 BP HT LO 109  
 115  
 VHI5<sub>N</sub> VO 94 BP  
 VHI6<sub>P</sub> RR 82 BP DO  
 VHI6<sub>N</sub> PP 48 BP 115  
 VHI7<sub>P</sub> HN 43 59 BP  
 VHI7<sub>N</sub> KS  
 VHI7<sub>N</sub> HP BP  
 VHI7<sub>N</sub> 59 58 98 BP  
 VHI7<sub>N</sub> LK 109 113  
 VHI8<sub>P</sub> RK 76 BP DK  
 VHI8<sub>N</sub> PL 61 78 79  
 BP 106 115  
 VHI9<sub>P</sub> HJ 44 59 BP  
 VHI9<sub>N</sub> HS  
 VHI9<sub>N</sub> HL 82 BP



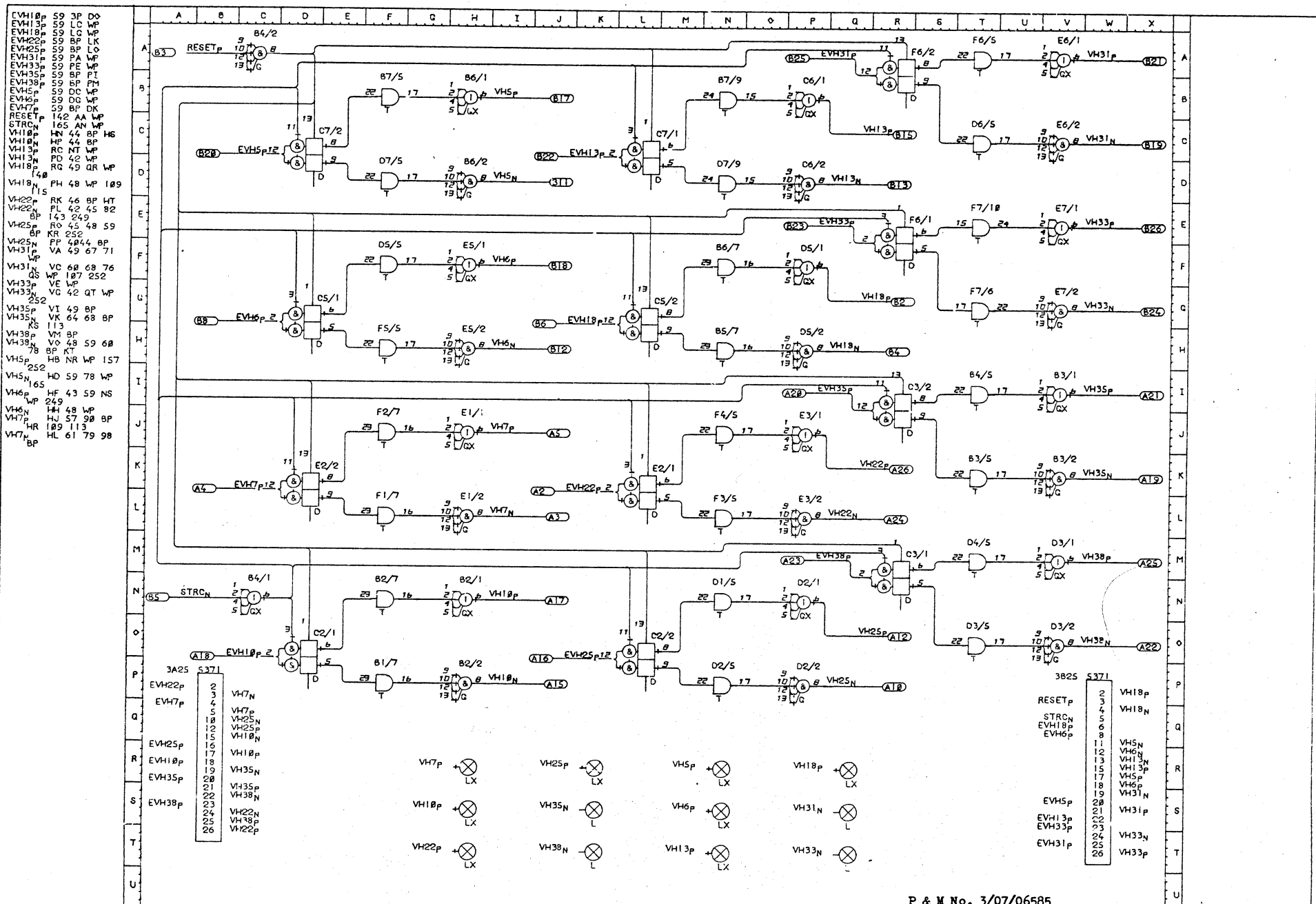
3B10	5371
2	VFC5P
3	VFC5N
4	VFC7N
5	VFC4N
6	VFC8N
7	VFC8P
8	VFC4P
9	V29P
10	V29N
11	VFC6P
12	VFC6N
13	VFC7P
14	VFC7N
15	VFC9P
16	VFC9N
17	VFC3P
18	VFC3N
19	V29P
20	V29N
21	VFC6P
22	VFC6N
23	VFC7P
24	VFC7N
25	VFC9P
26	VFC9N

P & M No 3/07/06585

20/09/69

BEAT GENERATOR STATICISING

WGHO1\*\*\*/0057



EVH10P	59	3P	D0	
EVH13P	59	LC	WP	
EVH18P	59	LO	WP	
EVH25P	59	BP	LK	
EVH31P	59	BP	LO	
EVH33P	59	PA	WP	
EVH35P	59	BP	PT	
EVH38P	59	BP	PM	
EVH45P	59	DC	WP	
EVH46P	59	OC	WP	
EVH7P	59	BP	DK	
RESETP	142	AA	WP	
STRCN	165	AN	WP	
VH10P	44	BP	H6	
VH10N	44	BP	H6	
VH13P	RC	NT	WP	
VH13N	PD	42	WP	
VH18P	RG	49	QR	WP
VH18N	PH	48	WP	109
VH22P	RK	46	BP	HT
VH22N	FL	42	45	82
VH25P	RO	45	48	59
VH25N	BP	KR	252	
VH31P	FP	48	44	BP
VH31N	VA	49	67	71
VH33P	VC	68	68	76
VH33N	OS	WP	187	252
VH35P	VE	WP		
VH35N	VC	42	QT	WP
VH38P	VI	49	BP	
VH38N	VK	64	68	BP
VH39P	VM	BP		
VH39N	VO	48	59	68
VH45P	WB	NR	WP	157
VH45N	HD	59	78	WP
VH46P	HF	43	59	NS
VH46N	HI	48	WP	
VH7P	HJ	57	98	BP
VH7N	HR	109	113	
VH7P	HL	61	79	98

3A25	5371
EVH22P	2
EVH7P	3
	4
	5
	10
	12
	15
EVH25P	16
	17
EVH10P	18
EVH35P	19
	20
	21
EVH38P	22
	23
	24
	25
	26

VH7P	⊗	LX
VH10P	⊗	LX
VH22P	⊗	LX
VH25P	⊗	LX
VH35N	⊗	L
VH38N	⊗	L
VH5P	⊗	LX
EVH6P	⊗	LX
VH18P	⊗	LX
VH13P	⊗	LX

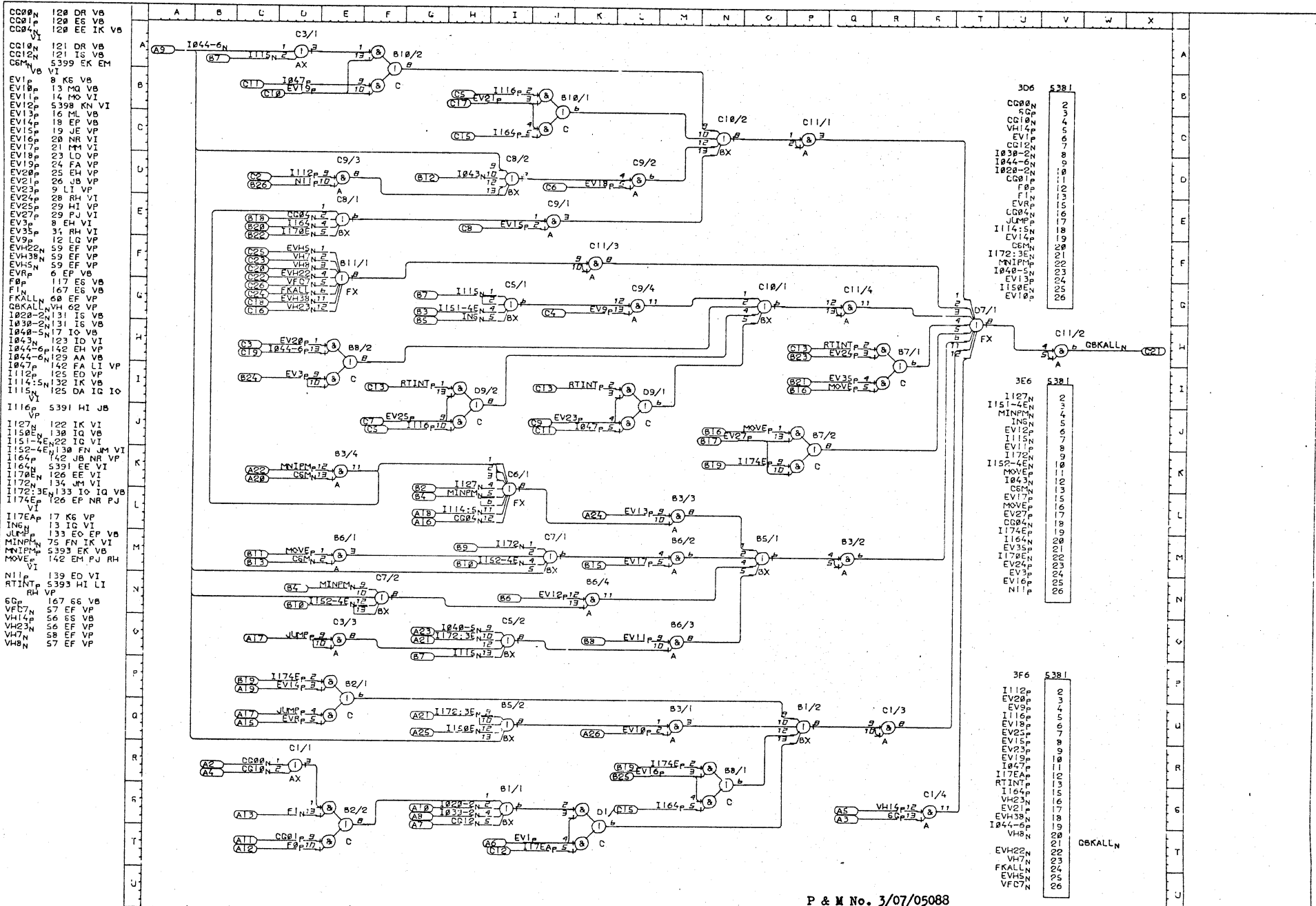
3B25	5371
RESETP	2
	3
	4
STRCN	5
EVH18P	6
EVH6P	8
	11
	12
	13
	15
	17
	18
	19
EVH5P	20
EVH13P	21
EVH33P	22
EVH31P	23
	24
	25
	26

P & M No. 3/07/06585

26/02/70		SLOW HES - BEAT STATISTICS		WGH0i***/0058	
ISSUE: 1	TYPE MOD: 3	TYPE MOD:	TYPE MOD:	TYPE MOD:	TYPE MOD:
ACC: 2767	ECC: 2725	ECC:	ECC:	ECC:	ECC:





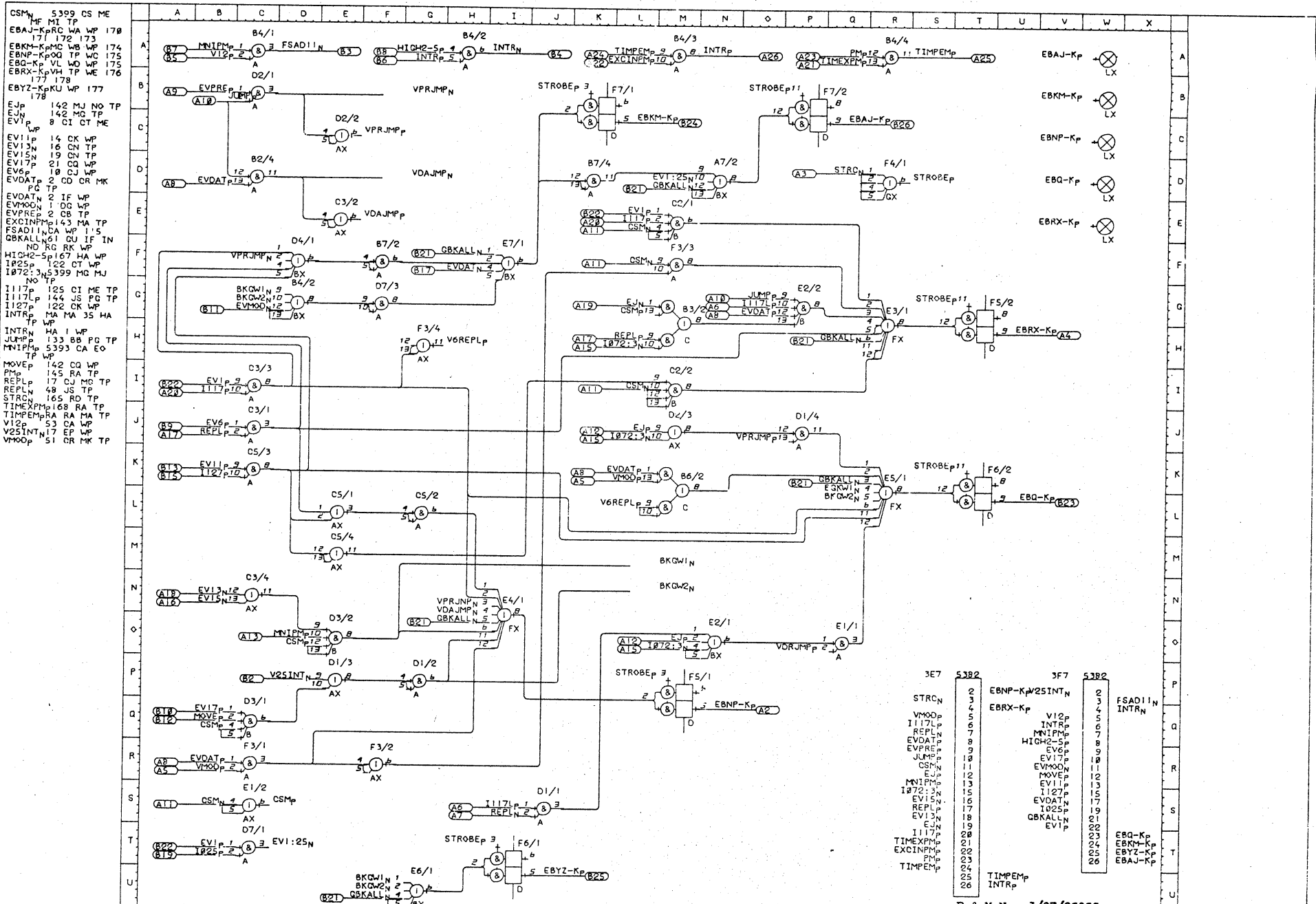


28/02/70 GATE B-K (ALL)

P & M No. 3/07/05088

WGH01\*\*\*/0061

ISSUE: i	TYPE MOD: 4	TYPE MOD: 4	TYPE MOD: 4	TYPE MOD: 4	TYPE MOD: 4	TYPE MOD: 4
ACC: 2767	ECC: 2390	ECC: 2390	ECC: 2390	ECC: 2390	ECC: 2390	ECC: 2390



- CSM<sub>N</sub> 5399 CS ME
- MF MI TP
- EBAJ-K<sub>P</sub> RC WA WP 170
- 171 172 173
- EBKM-K<sub>P</sub> KD WB WP 174
- EBNP-K<sub>P</sub> QD WC WP 175
- EBQ-K<sub>P</sub> VL WD WP 175
- EBRX-K<sub>P</sub> VH WF WE 176
- 177 178
- EBYZ-K<sub>P</sub> KU WP 177
- 178
- EJP 142 MJ NO TP
- EJN 142 MC TP
- EVIP 8 CI OT ME
- WP
- EV11P 14 CK WP
- EV13N 16 CN TP
- EV15N 19 CO TP
- EV17P 21 CQ WP
- EV6P 10 CJ WP
- EVDAT<sub>P</sub> 2 CD CR MK
- FG TP
- EVDAT<sub>N</sub> 2 IF WP
- EVMOOD 1 DG WP
- EVPRE<sub>P</sub> 2 CB TP
- EXCINP<sub>P</sub> 143 MA TP
- FSAD1<sub>N</sub> 154 WP 115
- GBKALL<sub>N</sub> 61 CU IF IN
- NO RG RK WP
- HIGH2-5p 167 HA WP
- 1025p 122 CT WP
- I072<sub>N</sub> 5399 MC MJ
- NO TP
- I117P 125 CI ME TP
- I117L 144 JS PG TP
- I127P 122 CK WP
- INTRP<sub>P</sub> MA MA 35 HA
- TP WP
- INT<sub>N</sub> HA 1 WP
- JUMP<sub>N</sub> 133 BB PG TP
- MNIP<sub>P</sub> 5393 CA EO
- TP WP
- MOVE<sub>P</sub> 142 CQ WP
- PM<sub>P</sub> 145 RA TP
- REPL<sub>P</sub> 17 CJ MC TP
- REPL<sub>N</sub> 48 JS TP
- STRCN 165 RD TP
- TIMEXPM<sub>P</sub> 168 RA TP
- TIMPEM<sub>P</sub> RA MA TP
- V12P 53 CA WP
- V25INT<sub>N</sub> 17 EP WP
- VMOOP 51 CR MK TP

- EBAJ-K<sub>P</sub> ⊗ LX
- EBKM-K<sub>P</sub> ⊗ LX
- EBNP-K<sub>P</sub> ⊗ LX
- EBQ-K<sub>P</sub> ⊗ LX
- EBRX-K<sub>P</sub> ⊗ LX

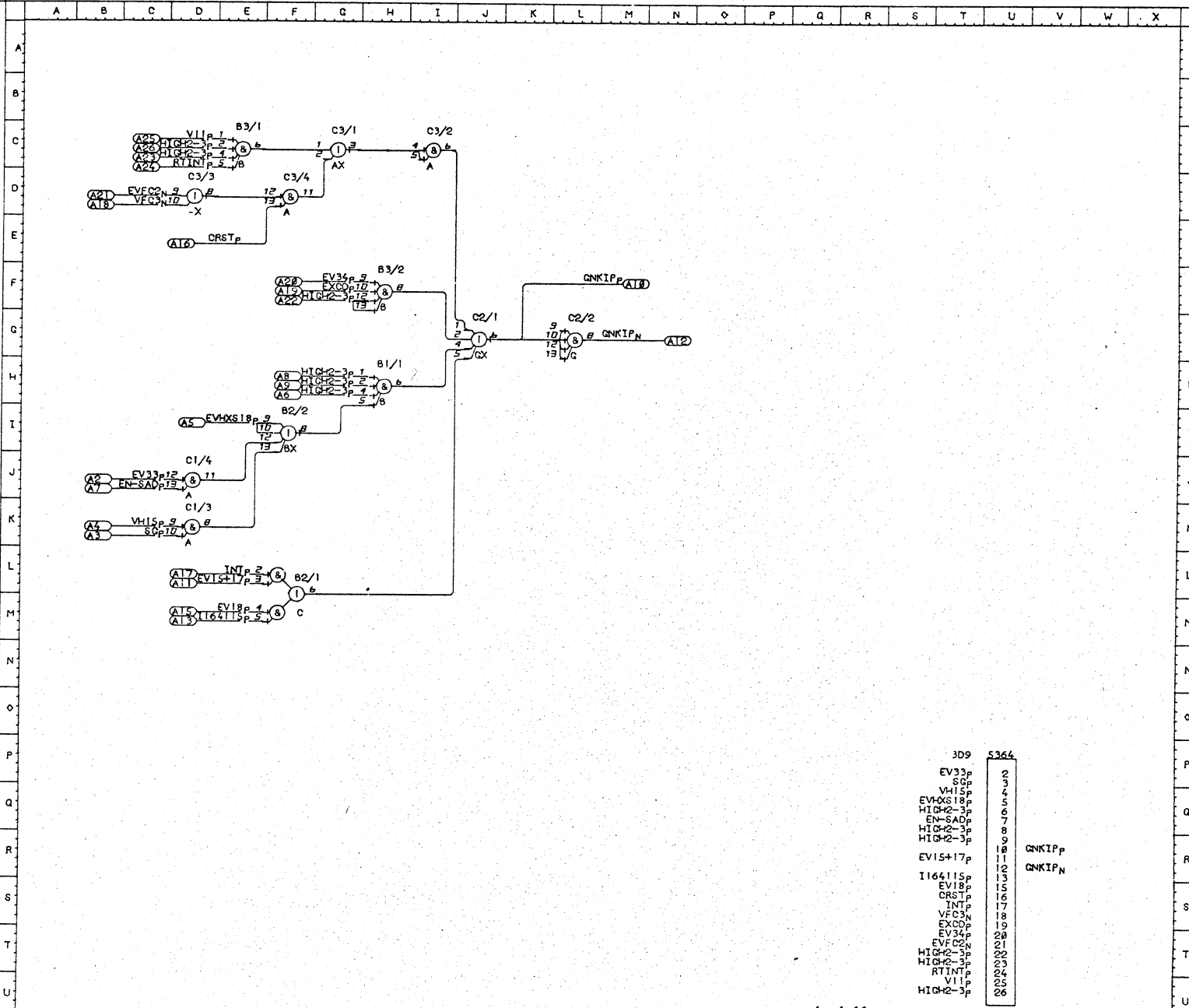
26/02/70 GATE B-K (PARTS)

P & M No. 3/07/05055 WGH01\*\*\*/0062

ISSUE: 1	TYPE MOD: 1	TYPE MOD: 1	TYPE MOD: 1	TYPE MOD: 1	TYPE MOD: 1	TYPE MOD: 1	TYPE MOD: 1
ACD: 2767	ECC: 2134	ECC: 2134	ECC: 2134	ECC: 2134	ECC: 2134	ECC: 2134	ECC: 2134

3E7	5382	3F7	5382
STRCN	2	EBNP-K <sub>P</sub> /V25INT <sub>N</sub>	2
VMOOP	3	EBRX-K <sub>P</sub>	3
I117L	4		4
REPL <sub>N</sub>	5		5
EVDAT <sub>P</sub>	6		6
EVPRE <sub>P</sub>	7		7
JUMP <sub>N</sub>	8		8
CSM <sub>N</sub>	9		9
EJP	10		10
MNIP <sub>P</sub>	11		11
I072 <sub>N</sub>	12		12
REPL <sub>P</sub>	13		13
EV13N	14		14
I117P	15		15
TIMEXPM <sub>P</sub>	16		16
EXCINP <sub>P</sub>	17		17
PM <sub>P</sub>	18		18
TIMPEM <sub>P</sub>	19		19
	20		20
	21		21
	22		22
	23		23
	24		24
	25		25
	26		26

CRST<sub>p</sub> 143 DE UP  
 EN-SAD<sub>p</sub> 93 DJ UP  
 EV15+17<sub>p</sub> 22 FL UP  
 EV18<sub>p</sub> 23 FL UP  
 EV33<sub>p</sub> 33 DJ UP  
 EV34<sub>p</sub> 30 HF UP  
 EVFC2<sub>N</sub> 17 DO UP  
 EV-XS18<sub>p</sub> 140 FI UP  
 EXCD<sub>p</sub> 154 HF UP  
 GNKIP<sub>p</sub> MF 64 UP  
 GNKIP<sub>N</sub> LG UP  
 HIGH2-3<sub>p</sub> 167 EC HF UP  
 UP  
 I164115<sub>p</sub> 22 FL UP  
 INT<sub>p</sub> 147 FL UP  
 RTINT<sub>p</sub> 5393 EC UP  
 SGP<sub>p</sub> 167 DK UP  
 V11<sub>p</sub> 53 EC UP  
 VFC3<sub>N</sub> 57 DO UP  
 VH15<sub>p</sub> 57 DK UP



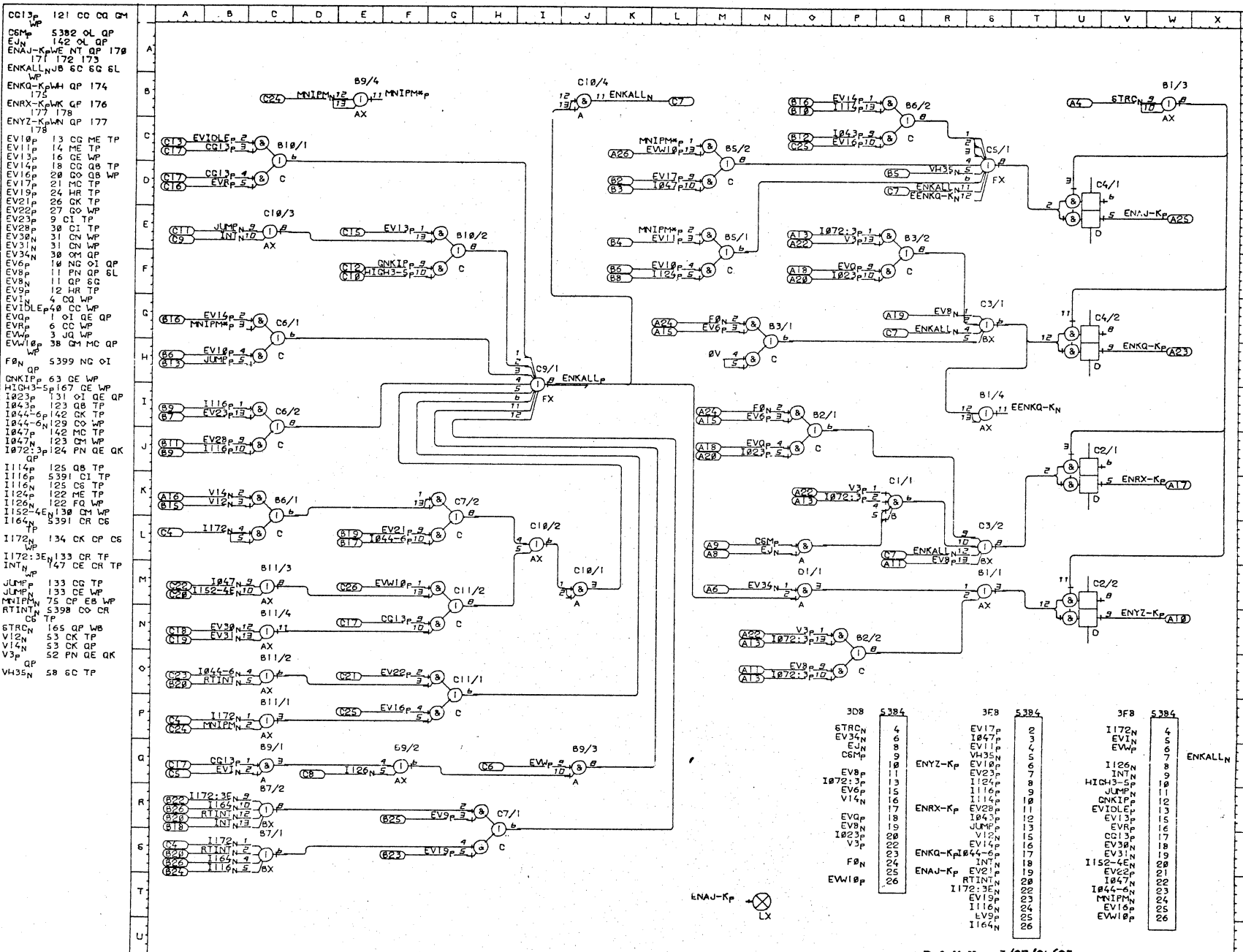
J09	5364	
EV33 <sub>p</sub>	2	
SGP <sub>p</sub>	3	
VH15 <sub>p</sub>	4	
EV-XS18 <sub>p</sub>	5	
HIGH2-3 <sub>p</sub>	6	
EN-SAD <sub>p</sub>	7	
HIGH2-3 <sub>p</sub>	8	
HIGH2-3 <sub>p</sub>	9	
EV15+17 <sub>p</sub>	10	GNKIP <sub>p</sub>
EV18 <sub>p</sub>	11	
I164115 <sub>p</sub>	12	GNKIP <sub>N</sub>
EV18 <sub>p</sub>	13	
CRST <sub>p</sub>	14	
INT <sub>p</sub>	15	
VFC3 <sub>N</sub>	16	
EXCD <sub>p</sub>	17	
EV34 <sub>p</sub>	18	
EVFC2 <sub>N</sub>	19	
HIGH2-3 <sub>p</sub>	20	
HIGH2-3 <sub>p</sub>	21	
HIGH2-3 <sub>p</sub>	22	
RTINT <sub>p</sub>	23	
V11 <sub>p</sub>	24	
HIGH2-3 <sub>p</sub>	25	
	26	

P & M No. 3/07/06603

26/02/70 GNKIP

WGH01\*\*\*/0063

ISSUE:1	TYPE MOD: DO	TYPE MOD:	TYPE MOD:	TYPE MOD:	TYPE MOD:	TYPE MOD:
ACC: 2767	ECC:	ECC:	ECC:	ECC:	ECC:	ECC:



3D8	5384	3F8	5384	
EV17p	EV17p	EV17p	I172N	4
EV34N	I047p	EV34N	EV1N	5
EJN	EV11p	EJN	EVWp	6
CSMp	VH35N	ENRZ-Kp	ENKALLN	7
EV9p	EV23p	EV9p	I126N	8
I072:3p	EV23p	EV23p	INTN	9
EV6p	I114p	EV23p	HIGH3-5p	10
V14N	ENRZ-Kp	EV23p	JUMP	11
EVQp	EV28p	EV28p	GNKIP	12
EV8p	I043p	EV28p	EVIDLEp	13
I023p	JUMP	EV28p	EV1p	14
V3p	EV21p	EV28p	EVp	15
EV14p	EV14p	ENKQ-Kp	CC13p	16
ENKQ-Kp	EV22p	ENRZ-Kp	EV35N	17
INTN	EV22p	INTN	I152-4EN	18
ENRZ-Kp	EV22p	INTN	EV3N	19
RTINTN	EV22p	RTINTN	I044-6N	20
I172:3EN	EV22p	I172:3EN	I152-4EN	21
EV19p	EV22p	EV19p	EV19p	22
I116N	EV22p	I116N	EV19p	23
EV19p	EV22p	EV19p	EV19p	24
I164N	EV22p	I164N	EV19p	25
	EV22p		EV19p	26

P & M No. 3/07/04693

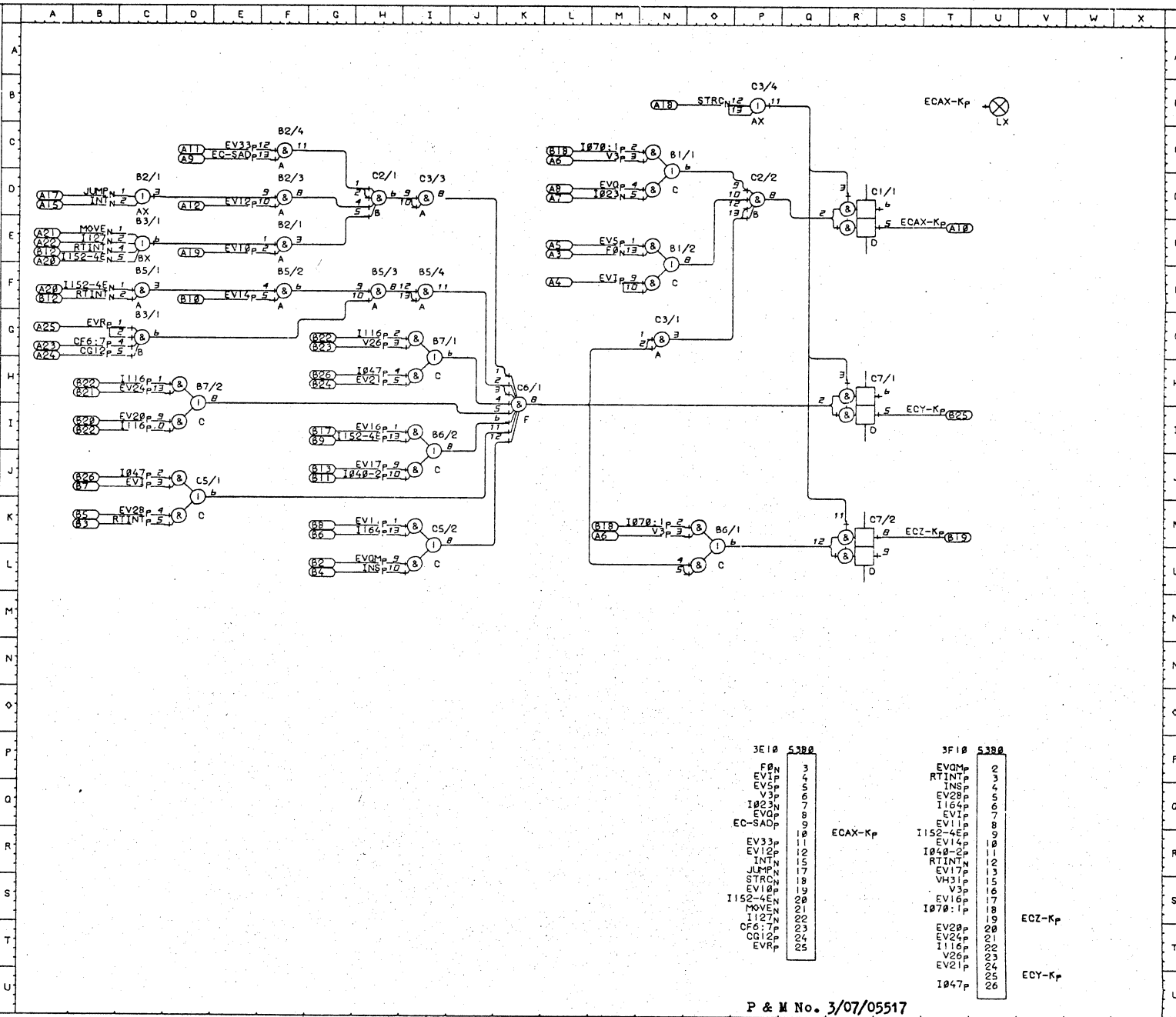
28/02/70 GATE N-K(B) WGH01\*\*\*/0064

ISSUE: 1	TYPE MOD: 00	TYPE MOD:	TYPE MOD:	TYPE MOD:	TYPE MOD:	TYPE MOD:
ACC: 2767	ECC:	ECC:	ECC:	ECC:	ECC:	ECC:





CF6:7P	124	CC	QP	
CG12P	121	CC	QP	
EC-SADP	167	FC	QP	
ECAX-Kp	TE	QP	UB 178	
	171	172	173 174	
	175	176	177 178	
ECY-Kp	TI	UP	177	
ECZ-Kp	TK	UP	178	
EV10P	13	FE	QP	
EV11P	14	IK	QP	
EV12P	5398	FD	QP	
EV14P	18	FF	UP	
EV16P	20	II	UP	
EV17P	21	II	UP	
EV20P	25	OH	UP	
EV21P	26	IC	UP	
EV24P	28	OH	UP	
EV28P	30	DJ	UP	
EV33P	33	FC	QP	
EV5P	9	NE	QP	
EV1P	4	DJ	NE	QP
UP				
EV0P	1	NC	UP	
EV0P	1	IK	UP	
EV0P	7	CC	QP	
F0	5399	NE	QP	
I023N	131	NC	UP	
I040-2P	31	II	UP	
I047P	142	DJ	IC	
I070:1P	124	NC	OK	UP
I116P	5391	OH	IC	
I127P	122	CE	QP	
I152-4E	5391	II	UP	
I152-4E	130	CE	CF	QP
I164P	142	IK	UP	
INS	142	IK	UP	
INTN	147	OD	QP	
JUMP	133	CD	QP	
MOVE	5391	CE	QP	
RTINTP	5393	DJ	UP	
RTINTP	5398	CE	CF	
UP				
STRCN	165	PB	QP	
V20P	54	IC	UP	
V3P	52	NC	OK	QP
VH31P	58	UP		



3E10	5380	3F10	5380
F0	3	EV0M	2
EV1P	3	RTINTP	3
EV5P	5	INS	4
V3P	6	EV28P	5
I023N	7	I164P	6
EV10P	8	EV1P	7
EC-SADP	9	EV11P	8
	10	I152-4EP	9
EV33P	11	EV14P	10
EV12P	12	I040-2P	11
INTN	15	RTINTP	12
JUMP	17	EV17P	13
STRCN	18	VH31P	15
EV10P	19	V3P	16
I152-4E	20	EV16P	17
MOVE	21	I070:1P	18
I127P	22		19
CF6:7P	23	EV20P	20
CG12P	24	EV24P	21
EVRP	25	I116P	22
		V26P	23
		EV21P	24
		I047P	25
			26

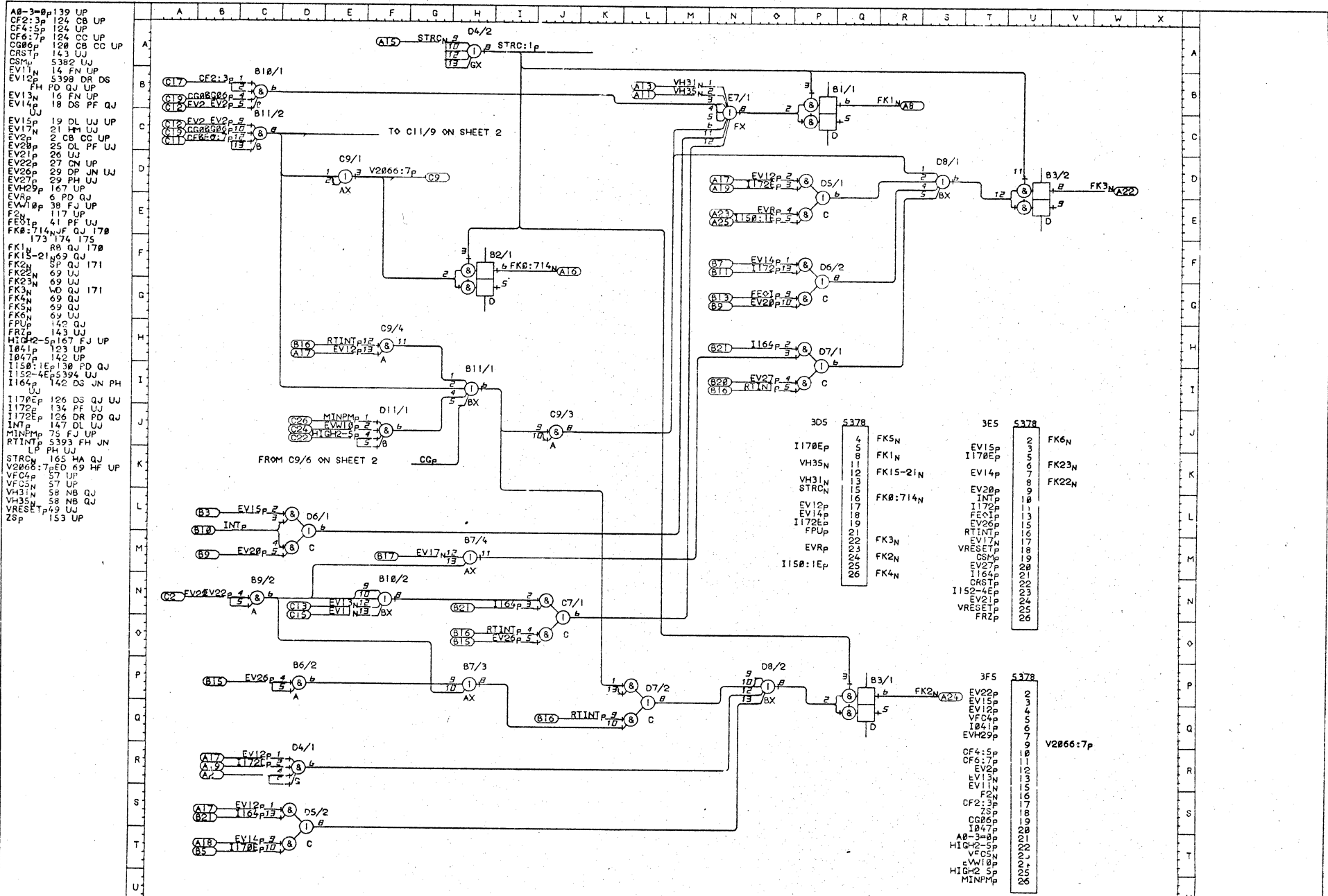
P & M No. 3/07/05517

26/02/70

GATE C-K

WGH01\*\*\*/0067

ISSUE: 1	TYPE MOD: 00	TYPE MOD: 00	TYPE MOD: 00	TYPE MOD: 00	TYPE MOD: 00	TYPE MOD: 00
ACC: 2767	ECC:	ECC:	ECC:	ECC:	ECC:	ECC:



CCW:0210 05/05/70

FORCE K-HIGHWAY (PARTS-A)

P & M No. 3/07/0500

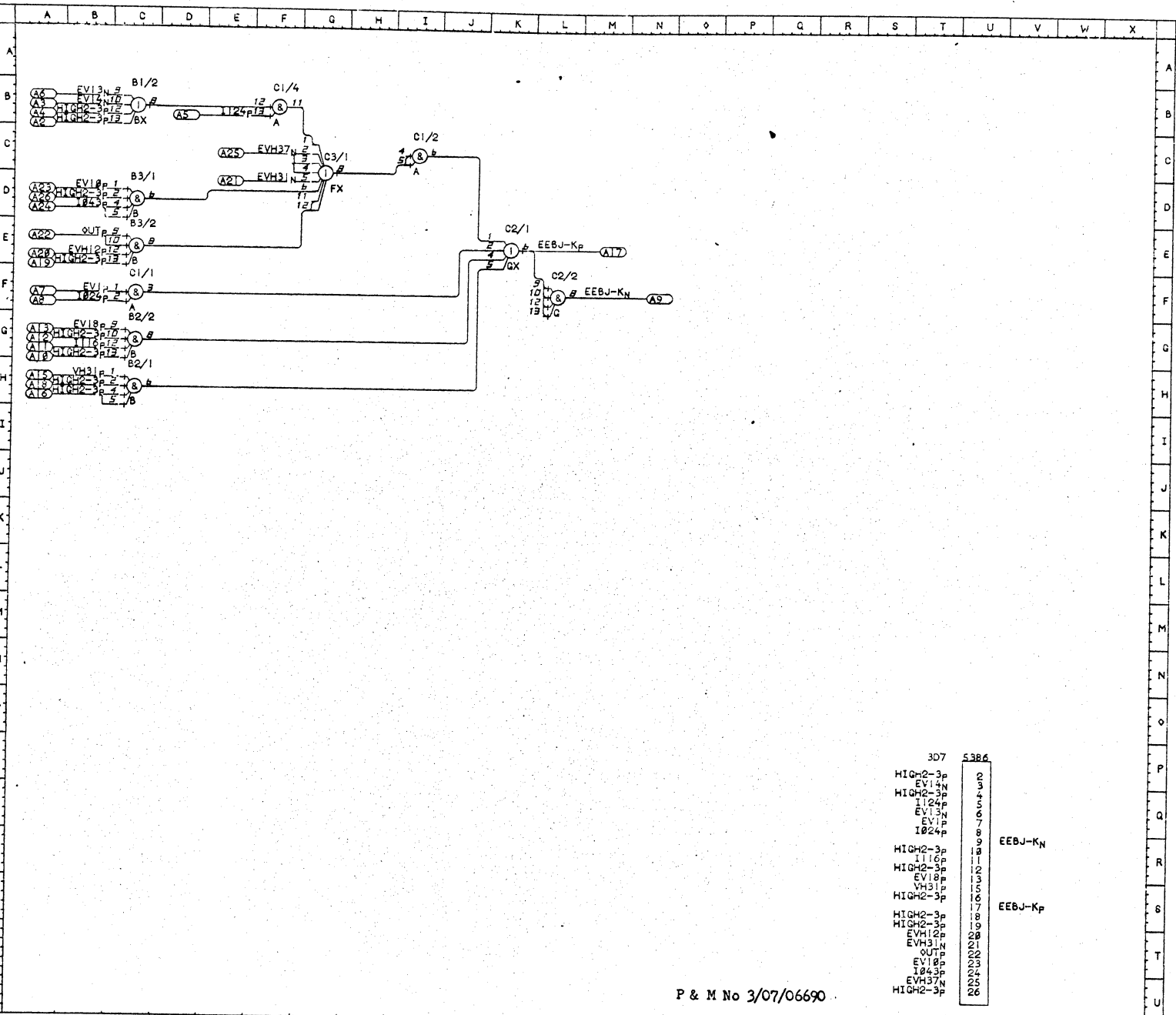
WGHD 1 \*\*\* / 0068 DATA COW0213

ISSUE:	TYPE	MOD:	TYPE	MOD:	TYPE	MOD:	TYPE	MOD:	TYPE	MOD:
2		00								
ADD: 3017 (ECC 4096)	ECC:		ECC:		ECC:		ECC:		ECC:	





EEBJ-Kp KE 75 LF UP  
 EEBJ-KN LF UP  
 EV1p 8 44 52 61  
 62 78 73 93 94  
 95 96 OF UP  
 107 111  
 EV14p 13 17 42 53  
 61 64 67 78 73  
 74 98 CD UP  
 102 107 109  
 EV13p 16 6 22 62  
 68 74 93 CD UP  
 109  
 EV14N 18 6 73 93  
 CD UP  
 EV18p 23 53 61 63  
 66 72 78 93 96  
 CD UP 145 147  
 EVH12p 44 56 DE UP  
 265  
 EVH31N 59 76 QC UP  
 107  
 EVH37N 58 QC UP 252  
 HIGH2-3p 167 17 42 48  
 68 63 95 CD  
 DE CD CH UP  
 140 143 162  
 I024p 122 OF UP  
 I043p 123 14 7 32  
 71 45 47 64 86  
 70 84 88 89 98  
 99 CD UP 101  
 105 106 108  
 I116p 125 17 22 47  
 61 64 66 67 76  
 79 81 83 87 98  
 93 94 98 CD UP  
 106 152  
 I124p 122 4 16 46  
 47 64 80 FB UP  
 102 104 107 140  
 223  
 OUTp 266 17 42 59  
 CE UP 140 266  
 VH31p 58 49 67 CH  
 UP

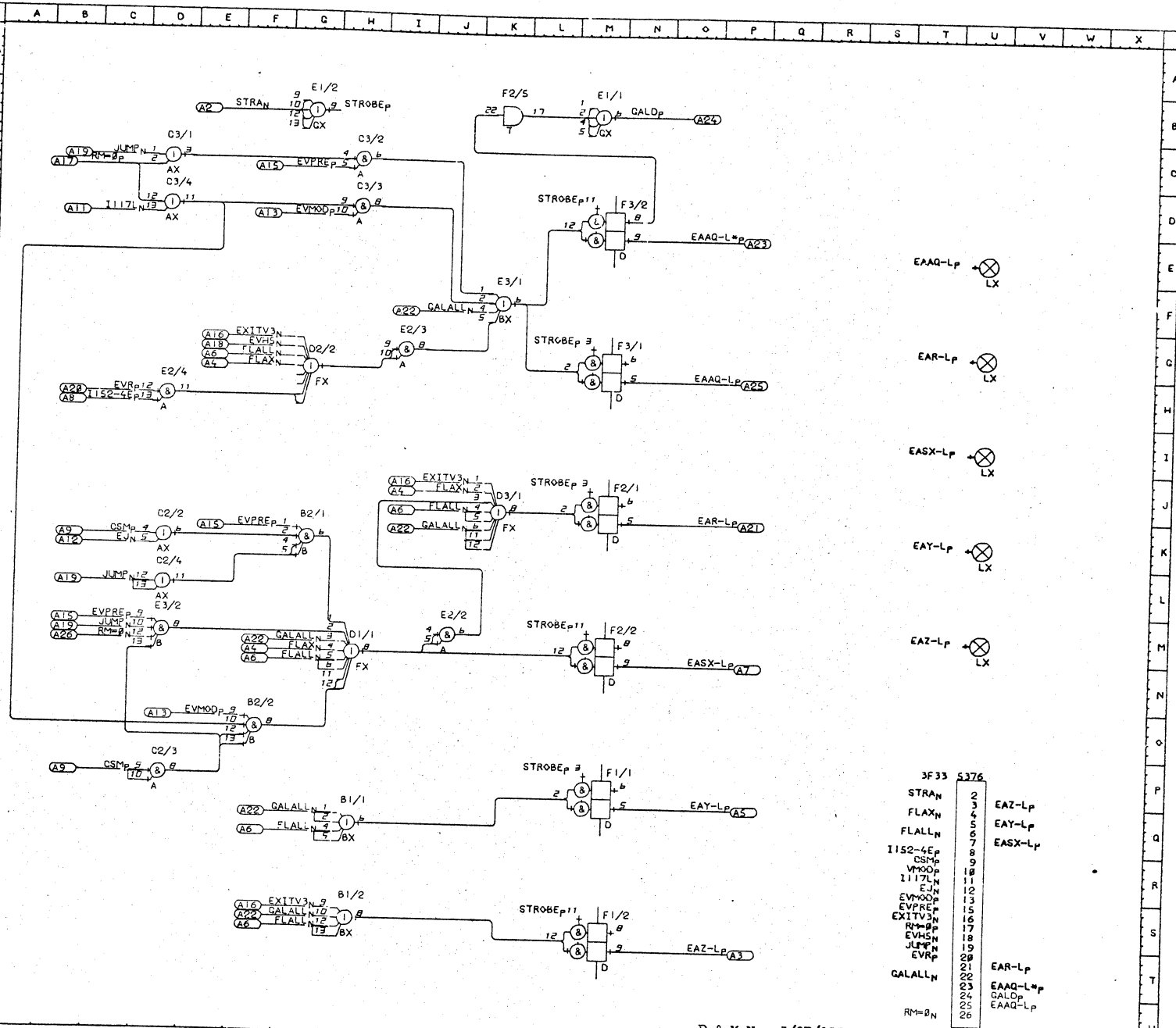


307	5386
HIGH2-3p	2
EV14N	3
HIGH2-3p	4
I124p	5
EV13p	6
EV1p	7
I024p	8
HIGH2-3p	9
I116p	10
HIGH2-3p	11
EV18p	12
VH31p	13
HIGH2-3p	14
HIGH2-3p	15
HIGH2-3p	16
HIGH2-3p	17
HIGH2-3p	18
HIGH2-3p	19
EVH12p	20
EVH31N	21
OUTp	22
EV10p	23
I043p	24
EVH37N	25
HIGH2-3p	26

EEBJ-KN  
  
 EEBJ-Kp

P & M No 3/07/06690

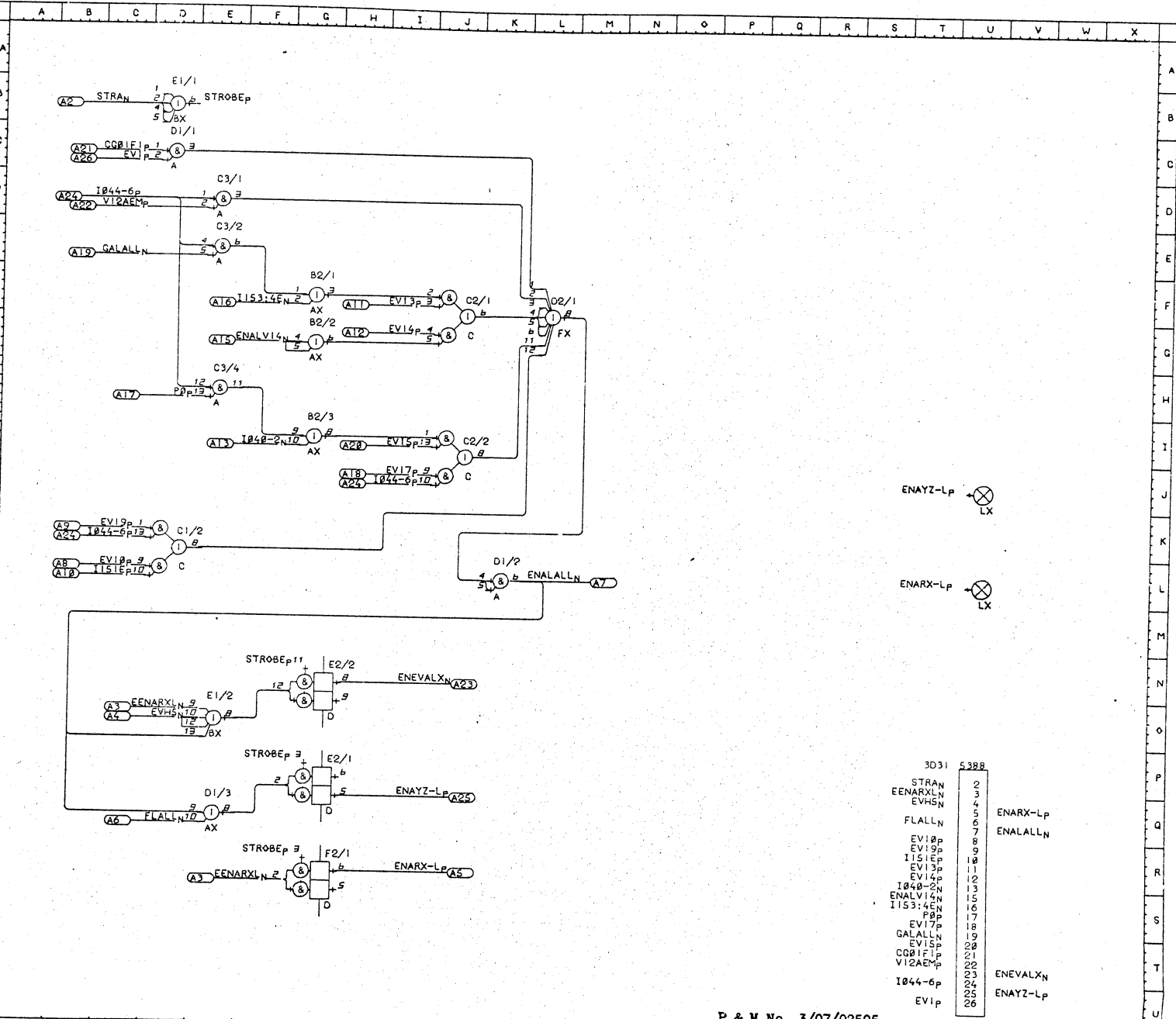
CSMP 5382 DK DP  
 EAAQ-Lp PH UE UP 182  
 183 184  
 EAAQ-Lp PE UP 180  
 181  
 EAR-Lp PK UG UP 185  
 EASX-Lp PN UI UP 185  
 186 187  
 EAY-Lp PQ UK UP 186  
 EAZ-Lp PT UM UP 187  
 EJN 142 DK UP  
 EVMSN 59 GG UP  
 EVMODP 1 FO HO UP  
 EVPREP 2 DM DK HC  
 UP  
 EVRP 7 DH UP  
 EXITV3N 70 GG HS KJ  
 UP  
 FLALLN 76 GG HM HQ  
 HS KJ UP  
 FLAXN 113 GG HM KJ  
 UP  
 GALALLN 78 HM HQ HS  
 KF KJ UP  
 GALDP MB UP 100  
 106  
 I117LN 144 DD UP  
 I152-4E 5394 DH UP  
 JUMP 133 DC DL DM  
 UP  
 RM=BN 22 BC UP  
 RM=BN 22 DM UP  
 STRAN 165 EB UP  
 VMODP 51 UP



- EAAQ-Lp ⊗ LX
- EAR-Lp ⊗ LX
- EASX-Lp ⊗ LX
- EAY-Lp ⊗ LX
- EAZ-Lp ⊗ LX

3F33	5376	
STRAN	2	
FLAXN	3	EAZ-Lp
FLALLN	4	EAY-Lp
I152-4E	5	EASX-Lp
CSMP	6	
VMODP	7	
I117LN	8	
EJN	9	
EVMSN	10	
EVPREP	11	
EXITV3N	12	
RM=BN	13	
VMODP	14	
JUMP	15	
EVMSN	16	
EVPREP	17	
EXITV3N	18	
RM=BN	19	
VMODP	20	
JUMP	21	EAR-Lp
EVMSN	22	EAR-Lp
EVPREP	23	EAAQ-Lp
EXITV3N	24	GALDP
RM=BN	25	EAAQ-Lp
VMODP	26	

CG01F141 DC UP  
 EENARXLN102 EO GR UP  
 ENALALLNKL 32 EO  
 EQ UP 182  
 ENALV14N140 GG UP  
 ENARX-LPJR UL UP 185  
 186 187  
 ENAYZ-LPJQ UJ UP 186  
 187  
 ENEVALXNJN UP 167  
 EV10P 8 DC UP  
 EV10P 13 OK UP  
 EV13P 16 JF UP  
 EV14P 18 JF UP  
 EV15P 19 JI UP  
 EV17P 21 JI UP  
 EV19P 24 OK UP  
 EVH5N 59 EO UP  
 FLALLN 76 EQ UP  
 GALALLN 78 EE UP  
 I040-2N131 GI UP  
 I044-6P142 BO OK JI  
 UP  
 I151E 138 OK UP  
 I153:4EN139 QF UP  
 P8P 139 EH UP  
 STRAN 165 BB UP  
 V12AEM 17 EO UP

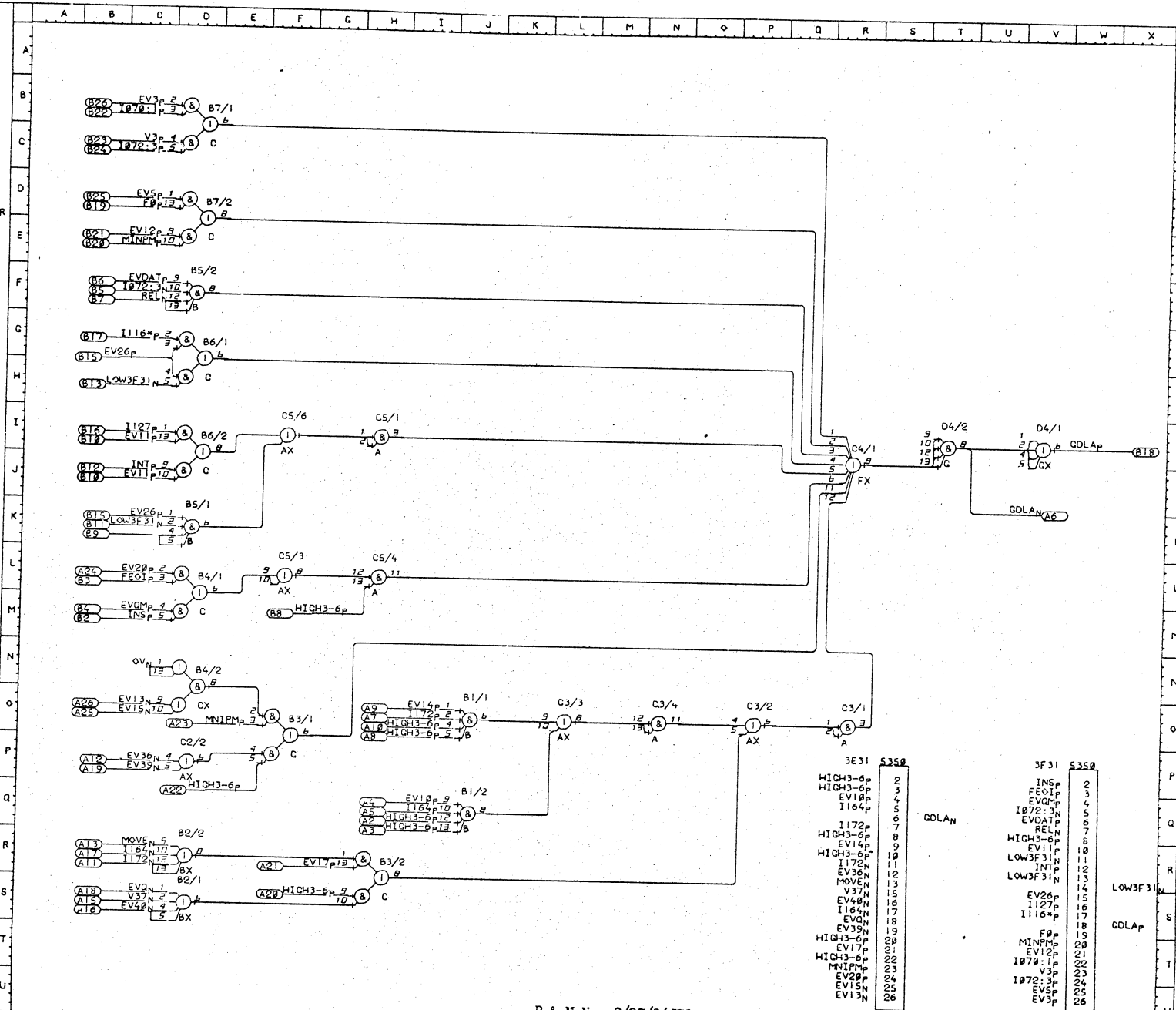


ENAYZ-Lp ⊗ LX  
 ENARX-Lp ⊗ LX

3031	5388
STRAN	2
EENARXLN	3
EVH5N	4
FLALLN	5
	6
	7
	8
	9
	10
	11
	12
	13
	14
	15
	16
	17
	18
	19
	20
	21
	22
	23
	24
	25
	26



EV10p	13	JQ	SP
EV11p	14	DI	WP
EV12p	5398	DO	WP
EV13p	16	DN	SP
EV14p	18	JO	SP
EV15N	19	DN	SP
EV17p	21	HR	SP
EV20p	25	DL	SP
EV26p	29	DO	DK
EV3p	8	DB	WP
EV36p	35	OP	SP
EV39N	34	OP	SP
EV40N	37	OS	SP
EV5p	9	DO	WP
EVDATp	2	DF	WP
EVDN	1	OS	SP
EVQp	1	DL	WP
F0p	117	DO	WP
FE01p	41	DL	WP
GDLAp	VI	68	WP
COLAN	VK	SP	
HIGH3-6p	167	FO	HL
1078	10	JQ	SP
1072:3p	124	DB	WP
1072:3p	124	DB	WP
1072:3p	5399	DF	WP
1116*	139	DC	WP
1127p	122	DI	WP
1164p	142	JO	SP
1164N	5391	DR	SP
1172p	134	JO	SP
1172N	134	DR	SP
INSp	142	DL	WP
INTp	147	DI	WP
LOW3F31N	WP	OC	DK
MINPp	75	DO	WP
MINPp	5393	FO	SP
MOVEp	5391	DR	SP
RELN	48	DF	WP
V3p	52	DB	WP
V37N	55	DS	SP



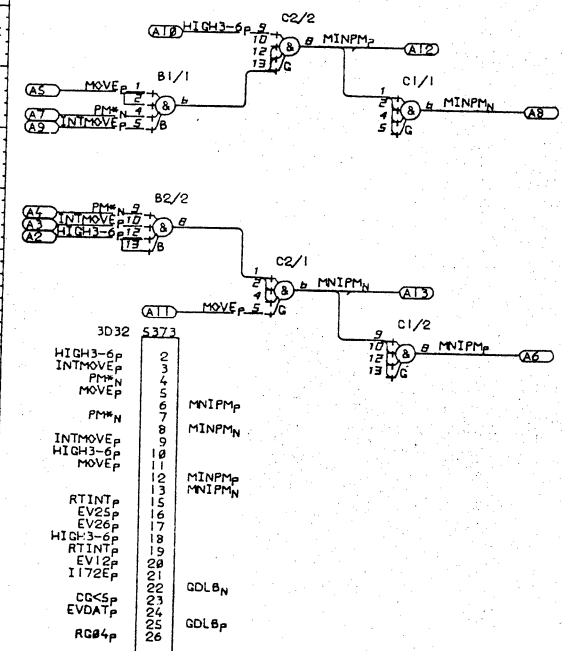
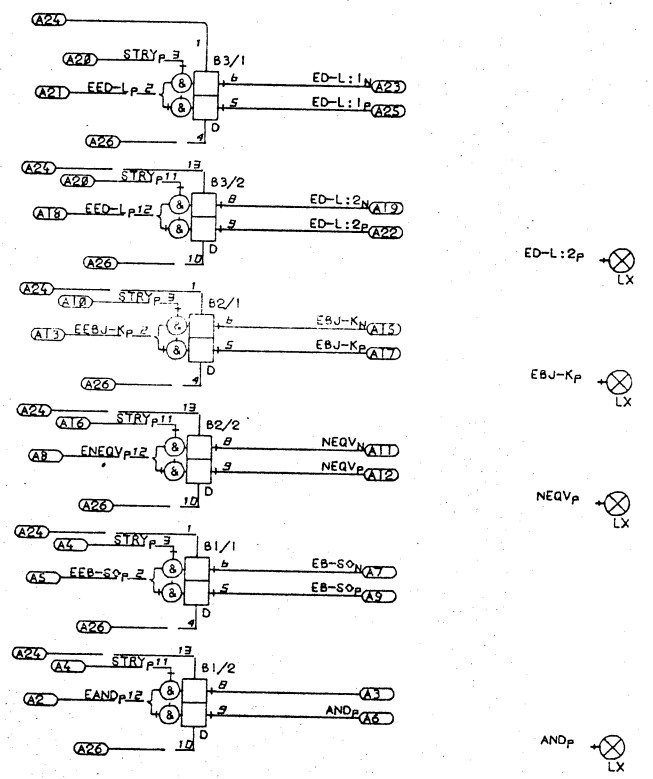
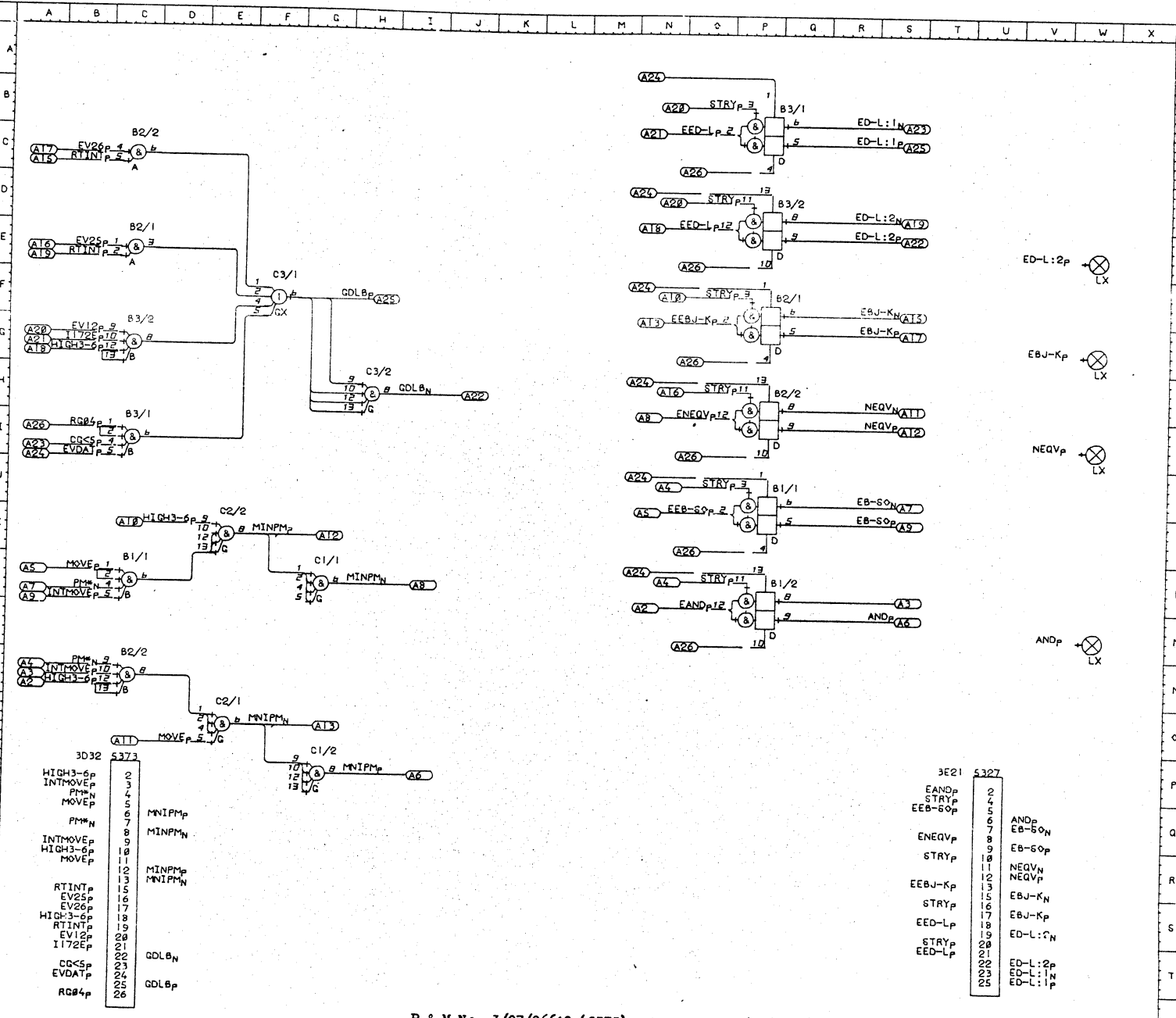
3E31	5350	3F31	5350
HIGH3-6p	2	INSp	2
HIGH3-6p	3	FE01p	3
EV10p	4	EVQp	4
EV17p	5	I072:3p	5
EV14p	6	I164p	6
HIGH3-6p	7	EVDATp	6
HIGH3-6p	8	RELN	7
EV14p	9	EV11p	8
HIGH3-6p	10	LOW3F31N	10
HIGH3-6p	11	INTp	11
EV36N	12	LOW3F31N	12
MOVEp	13	EV26p	14
V37N	15	EV16p	15
EV40N	16	I164N	16
EV39N	17	I116*p	17
HIGH3-6p	18	F0p	18
EV17p	19	MINPp	19
HIGH3-6p	20	EV12p	20
HIGH3-6p	21	I078:1p	21
MINPp	22	V3p	22
EV20p	23	EV15N	23
EV20p	24	I072:3p	24
EV15N	25	EV5p	25
EV13N	26	EV3p	26

P & M No. 3/07/06573

ISSUE: 1		TYPE MOD:		TYPE MOD: 1		TYPE MOD:		TYPE MOD:		WGHO1***/0074	
ACD: 2767		ECC:		ECC: 1629		ECC:		ECC:		ECC:	

26/02/70 GATE D-L PART A

ANDp SM UP WM 197  
 CC<Sp 135 CI CP  
 EANDp 95 PL UP  
 EB-SOp SK UP  
 EB-SOp SJ UP  
 EBJ-Kp SQ UP WG 223  
 EBJ-Kp SF UP  
 ED-L:1p SC UP 182  
 183 184  
 ED-L:1p SB UP  
 ED-L:2p SE UP WE 184  
 185 186 187  
 ED-L:2p SD UP  
 EEB-SOp 186 PJ UP  
 EEBJ-Kp 71 PF UP  
 EED-Lp 22 PB PD UP  
 ENEQVp 187 PH UP  
 EVI2p 5398 CC CP  
 EV25p 29 CE CP  
 EV26p 29 CC CP  
 EVDATp 2 CI CP  
 GDLSp HF 22 CP  
 GDLBp HH CP  
 HIGH3-6p 167 CC CN CP  
 EK  
 I172Ep 126 CC CP  
 INTMOVEp 148 CL CN CP  
 MINIPMp EK 14 68 74  
 81 83 84 85 93  
 CP CL 106 150  
 MINIPMp CP 61 80 98  
 MNIPMp CP 5393 CP  
 MNIPMp EO 64 70 80  
 8 98 CP CP  
 140  
 MOVEp 142 CL CP EO  
 NEQVp SI UP WI 197  
 NEQVp SH UP  
 PM\*N 139 CL CN CP  
 PM\*N 227 CI CP  
 RTINTp 5393 CC CE  
 CP  
 STRYP 165 PB PD PF  
 PH PJ PL UP

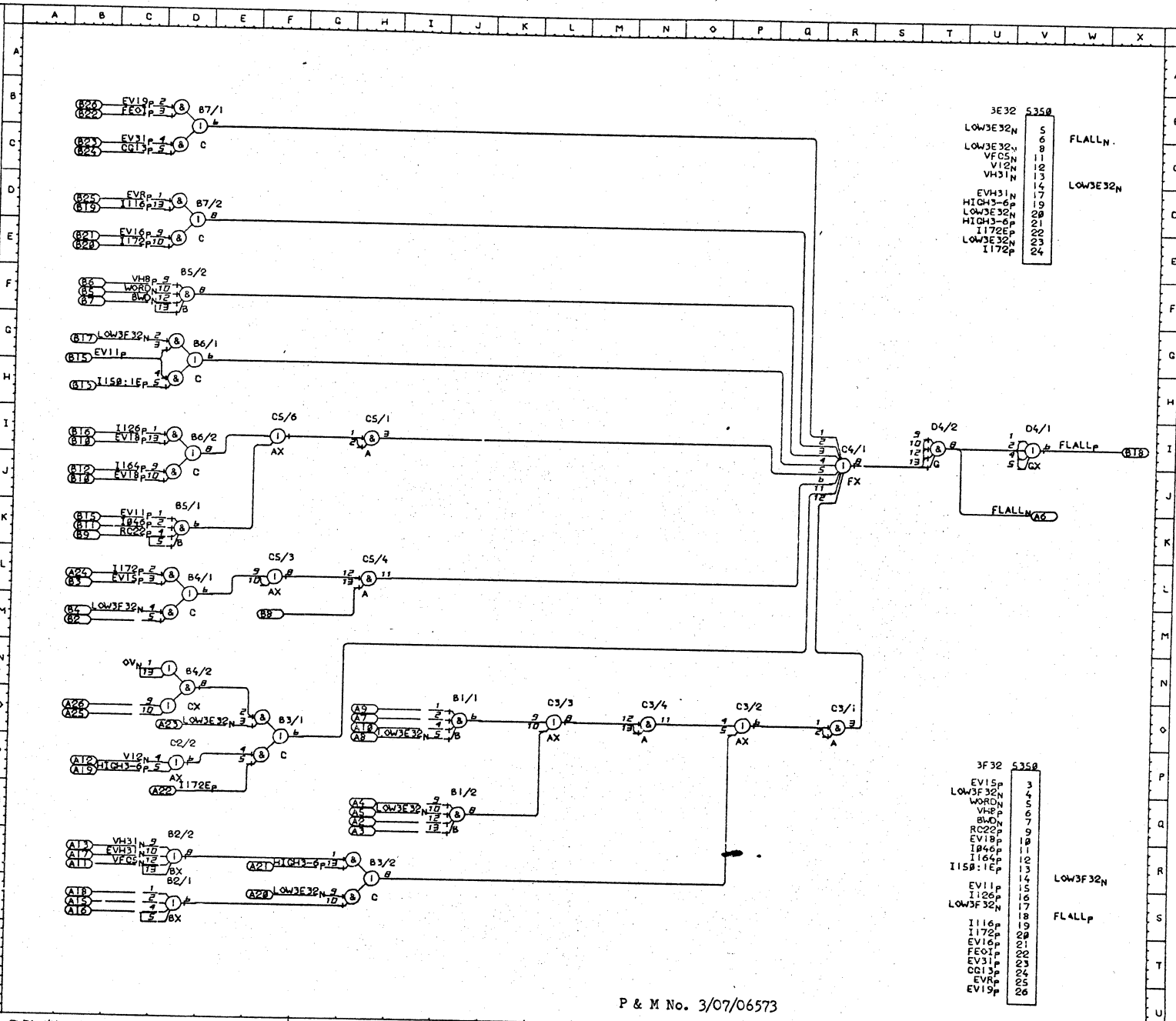


3E21	5327
EANDp	2
STRYP	4
EEB-SOp	5
	6
	7
ENEQVp	8
	9
STRYP	10
	11
	12
EEBJ-Kp	13
	14
STRYP	15
EED-Lp	16
	17
STRYP	18
	19
EED-Lp	20
	21
	22
	23
	24
	25

P & M No. 3/07/06612 (5375) P & M No. 3/07/06434 (5327)

ISSUE: 1	TYPE 5373 MOD: 00	TYPE 5327 MOD: 1	TYPE MOD:	TYPE MOD:	WGHO1***/0075
ACC: 2767	ECC:	ECC: 1157	ECC:	ECC:	TYPE MOD: TYPE MOD:

BLD <sub>N</sub>	266	DF	VP	
CG1 <sub>P</sub>	121	DB	VP	
EV11 <sub>P</sub>	14	DC	OK	VP
EV15 <sub>P</sub>	19	DL	VP	
EV16 <sub>P</sub>	29	DO	VP	
EV18 <sub>P</sub>	23	OI	VP	
EV19 <sub>P</sub>	24	DB	VP	
EV31 <sub>P</sub>	31	DB	VP	
EVR <sub>P</sub>	7	DO	VP	
FE01 <sub>P</sub>	41	DB	VP	
FLALL <sub>P</sub>	VI	VP		
FLALL <sub>N</sub>	VK	72	73	VB
HR				
HIGH3-6 <sub>P</sub>	167	DP	HR	VB
I046 <sub>P</sub>	123	OK	VP	
I116 <sub>P</sub>	5391	DO	VP	
I126 <sub>P</sub>	122	DI	VP	
I158:1E <sub>P</sub>	139	DC	VP	
I164 <sub>P</sub>	142	DI	VP	
I172 <sub>P</sub>	134	DO	DL	VB
VP				
I172E <sub>P</sub>	126	FO	VB	
LOW3E32 <sub>N</sub>	VB	FO	HR	JO
JO				
LOW3F32 <sub>N</sub>	VP	DG	DL	
RC22 <sub>P</sub>	226	OK	VP	
V12 <sub>P</sub>	53	DP	VB	
VFC5 <sub>N</sub>	57	DR	VB	
VH31 <sub>N</sub>	58	DR	VB	
VH8 <sub>P</sub>	57	DF	VP	
WORD <sub>N</sub>	266	DF	VP	



3E32	5350
LOW3E32N	5
LOW3E32N	6
VFC5N	11
V12N	12
VH31N	13
VH31N	14
EVH31N	17
HIGH3-6P	19
LOW3E32N	20
HIGH3-6P	21
I172EP	22
LOW3E32N	23
I172P	24

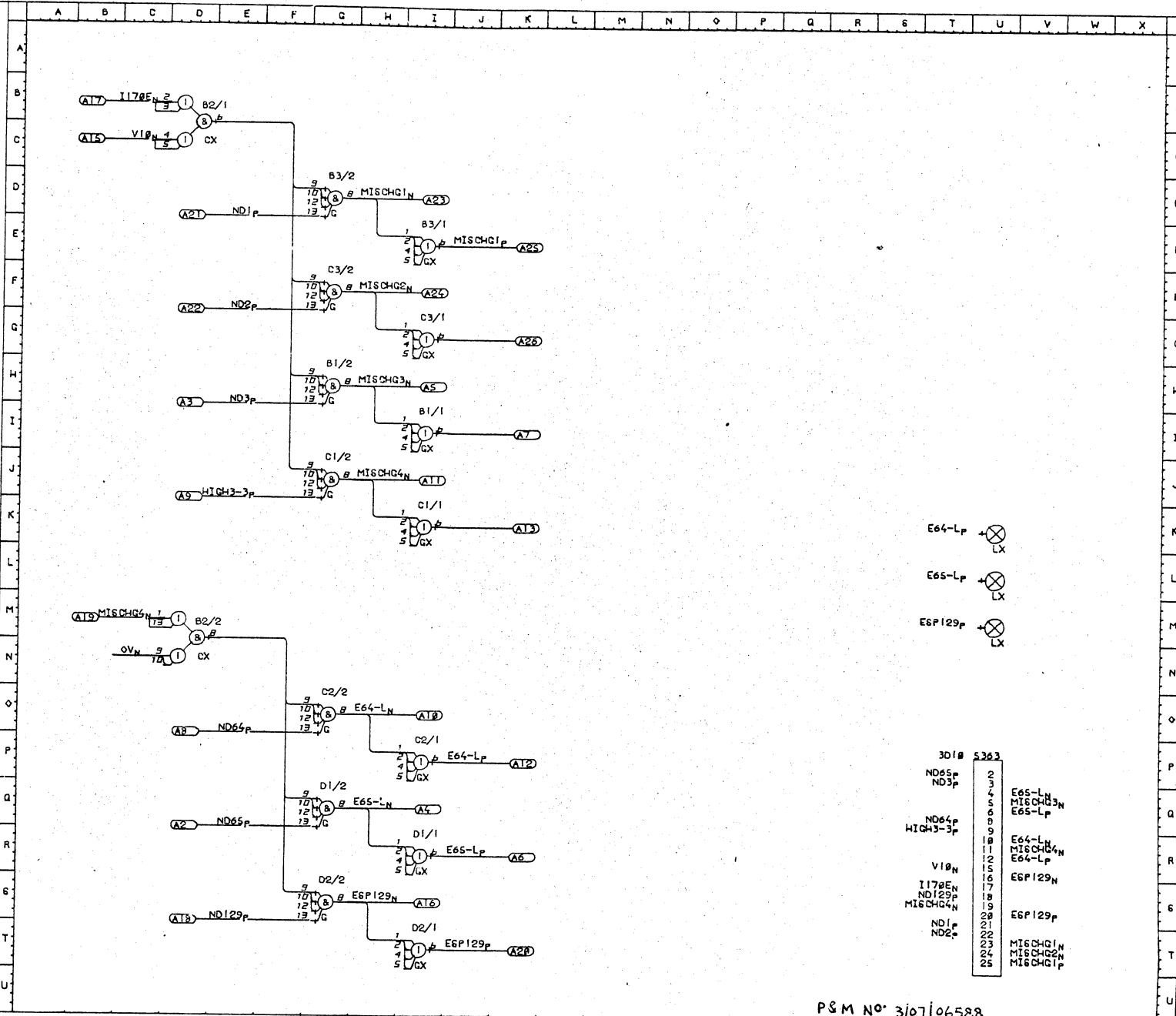
3F32	5350
EV15P	3
LOW3F32N	5
WORDN	5
VH8P	6
RC22P	7
EV18P	9
I046P	10
I164P	11
I164P	12
I158:1EP	13
I158:1EP	14
EV11P	15
I126P	16
LOW3F32N	17
LOW3F32N	18
I116P	19
I172P	20
EV16P	21
FE01P	22
EV31P	23
CG1P	24
EVRP	25
EV19P	26

P & M No. 3/07/06573

26/02/70 FORCE L-HIGHWAY WGH01\*\*\*/0076

ISSUE: 1	TYPE MOD: 1	TYPE MOD:	TYPE MOD:	TYPE MOD:	TYPE MOD:	TYPE MOD:	TYPE MOD:
ADD: 2767	ECC: 1629	ECC:	ECC:	ECC:	ECC:	ECC:	ECC:

E64-LP IP UK UP 159  
 184 185 182 183  
 E64-LN CO IP UP 155  
 157 166  
 E65-LP IR UL UP 188  
 181 182 183 184  
 185 186 187  
 E65-LN CO IR UP  
 ESP129P IT UM UP 178  
 171 172 173 174  
 175 176 177 178  
 HIGH3-3P 167 CJ UP  
 I178E 126 DB UP  
 I178E 126 DB UP  
 MISCHG1N GO 68 IE UP  
 MISCHG2N GF IG UP  
 MISCHG3N GJ II UP  
 MISCHG4N GJ CJ DM IK  
 UP  
 ND1P 138 OB UP  
 ND129P 138 OB UP  
 ND2P 138 OF UP  
 ND3P 138 OF UP  
 ND64P 138 OF UP  
 ND65P 138 OF UP  
 VI8N 53 OB UP



E64-Lp ⊗  
 E65-Lp ⊗  
 ESP129P ⊗

3018	5363
ND65P	2
ND3P	3
	4
	5
	6
	7
	8
	9
ND64P	10
HIGH3-3P	11
	12
	13
VI8N	14
	15
I178E	16
ND129P	17
MISCHG4N	18
	19
	20
ND1P	21
ND2P	22
	23
	24
	25

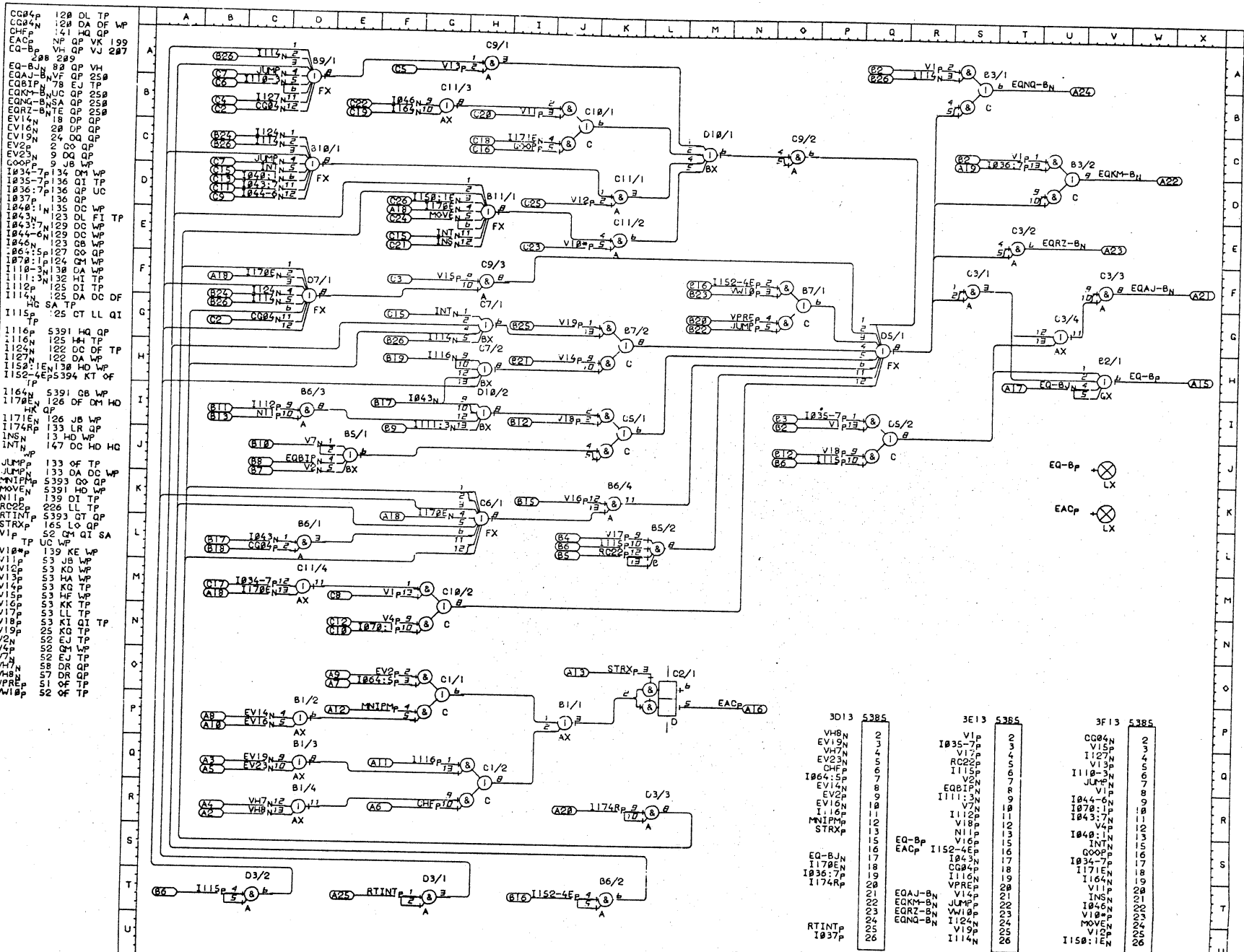
CCW:0223 20/05/70 MISC HIGHWAY GATES

P & M No 3/07/06528 WGH01\*\*\*/0077

DATA COW#226

ISSUE: 2	TYPE MOD: 00	TYPE MOD:	TYPE MOD:	TYPE MOD:	TYPE MOD:	TYPE MOD:
ACD: 3017 (ECC4107)	ECC:	ECC:	ECC:	ECC:	ECC:	ECC:





- CG84p 120 DL TP
- CG84N 120 DA OF WP
- CHFP 141 HQ QP
- EACp NP QP VK 139
- EQ-Bp VH QP VJ 287
- 288 289
- EQ-BJN 89 QP VH
- EQAJ-BN 75 QP 259
- CG81P 75 QP 259
- CG81N 75 QP 259
- EQRZ-BN 18 QP 259
- EQNG-BNSA QP 259
- EQRZ-BNTE QP 259
- EV16N 18 QP 259
- CV16N 28 QP 259
- EV19N 24 QP 259
- EV25N 9 QP 259
- GOOPN 9 UB WP
- I834-7P 134 QM WP
- I835-7P 136 QI TP
- I836-7P 136 QP UC
- I837P 136 QP
- I840N 135 DC WP
- I843N 123 DL FI TP
- I843N 123 DC WP
- I844N 129 DC WP
- I844N 129 DC WP
- I846N 123 QM WP
- I846N 123 QM WP
- I864-5P 127 QM QP
- I878P 124 QM WP
- I110N 131 QM WP
- I111N 132 HI TP
- I112P 125 QI TP
- I114N 25 DA DC DF
- I114N HD SA QI SA
- I115P 25 CT LL QI
- I116P 5391 HQ QP
- I124N 122 DA OF TP
- I124N 122 DC DF TP
- I127N 122 DA WP
- I152N 130 HD WP
- I152-4EP 5394 KT OF TP
- I164N 5391 QM WP
- I170N 126 OF DM HO
- I171N 126 UB WP
- I174R 133 LR QP
- INSN 13 HO WP
- INTN 147 DC HO HC
- JUMP 133 OF TP
- JUMP 133 DA OC WP
- MNIP 5393 GO QP
- MOVE 5391 HO WP
- N11P 139 QI TP
- RC22P 226 LL TP
- RTINTP 5393 QP QP
- STRXP 165 LO QP SA
- V1P TP UC WP
- V18P 139 KE WP
- V11P 53 JB WP
- V12P 53 KD WP
- V13P 53 HA WP
- V14P 53 KG TP
- V15P 53 HF WP
- V16P 53 KK TP
- V17P 53 KI TP
- V18P 53 KI QI TP
- V19P 25 KG TP
- V2N 50 EJ TP
- V2N 52 QM WP
- V7N 50 EJ TP
- VH7N 58 DR QP
- VH8N 57 DR QP
- VPREP 51 OF TP
- W18P 52 OF TP

3013 5385		3E13 5385		3F13 5385	
VH8N	2	V1P	2	CG84N	2
EV19N	3	I835-7P	3	V15P	3
VH7N	4	RC22P	4	I127N	4
EV23N	5	I115P	5	V13P	5
CHFP	6	I116N	6	I118N	5
I864-5P	7	V2N	7	JUMP	7
EV16N	8	EQBJN	8	V1P	8
EV25N	9	I111-3N	9	I844-6N	9
EV10N	10	I112P	10	I843N	10
I106P	11	V18P	11	V4P	10
MNIP	12	N11P	12	I840N	13
STRXP	13	V16P	13	GOOPN	15
EQ-BJN	15	EQ-Bp	15	I152-4EP	16
I178N	16	EACp	16	I843N	17
I836-7P	17	I843N	17	CG84P	18
I174R	18	I116N	18	I116N	19
20	20	VPREP	20	V11P	19
21	21	EQAJ-BN	21	V18P	20
22	22	EQRZ-BN	22	INSN	21
23	23	EQNG-BN	23	I846N	22
24	24	I124N	24	V18P	23
25	25	V19P	25	MOVE	24
26	26	I114N	26	V12N	25
RTINTP	25			V15P	26
I837P	26			I115N	26

26/02/70 GATEQ-B&EAC P & M No. 3/07/05023 WGHO1\*\*\*/0079

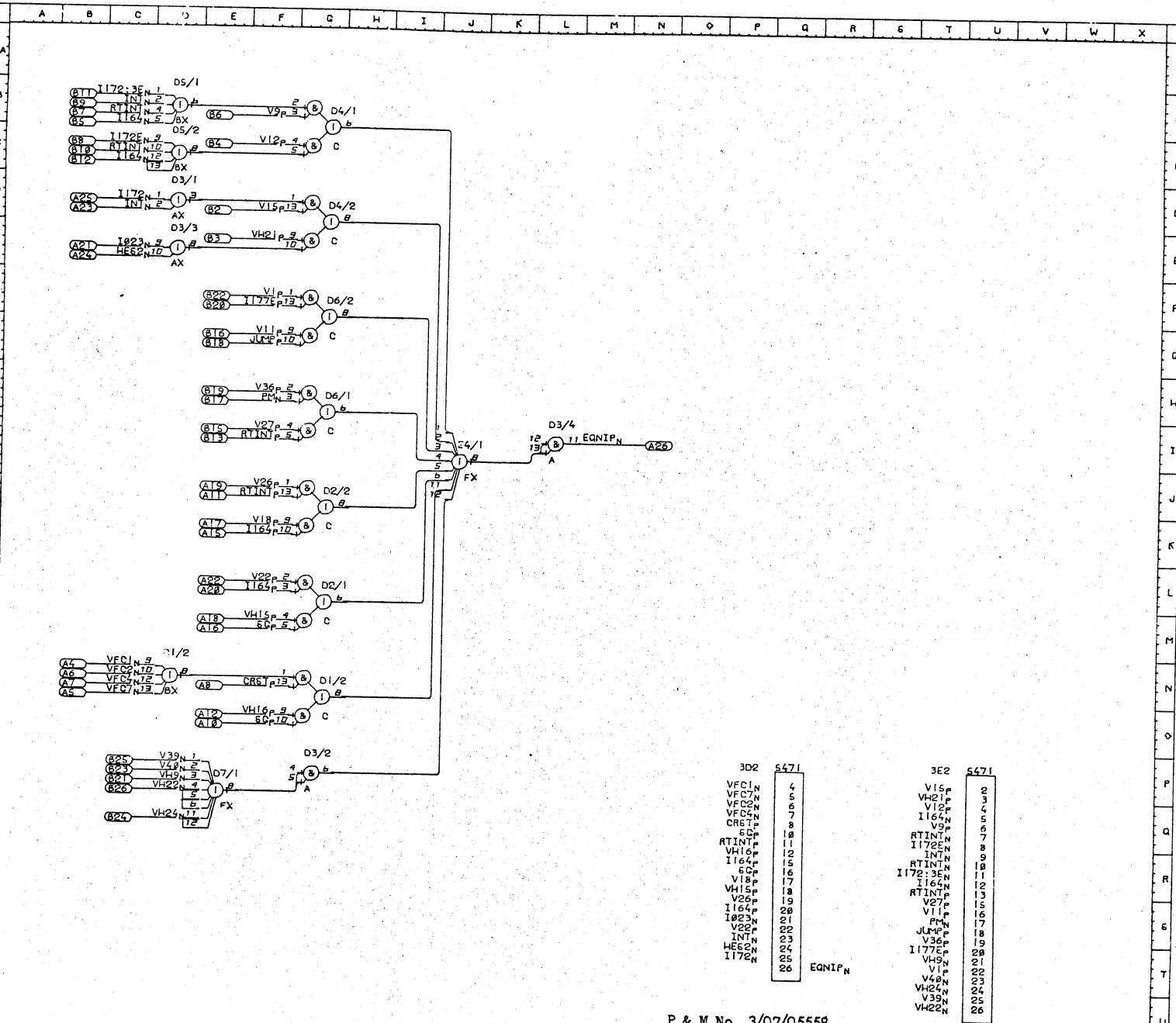
ISSUE:	TYPE	MOD:	TYPE	MOD:	TYPE	MOD:	TYPE	MOD:	TYPE	MOD:
1		00								
ACD: 2767	ECC:		ECC:		ECC:		ECC:		ECC:	







CRST 143 QN QP  
 EQNIP 11 83 QP  
 HES2 45 DE QP  
 I164 131 DE QP  
 I164 142 CJ GL QP  
 I164 5391 DB DC  
 I172 134 DO QP  
 I172 3E 133 DB UP  
 I172 126 DO UP  
 I177 126 QF UP  
 INT 147 DB DO QP  
 JUMP 133 QF QP  
 PH 145 Q4 UP  
 RTINT 5393 Q4 CJ  
 RTINT 5398 DB DC  
 V1P 167 QL QN QP  
 V11 52 QF UP  
 V12 53 QF UP  
 V12 53 QF UP  
 V12 53 QF UP  
 V18 53 QF UP  
 V22 54 QF UP  
 V26 54 QF UP  
 V27 54 QF UP  
 V36 55 Q4 UP  
 V39 55 EP UP  
 V40 55 EP UP  
 V9 5391 Q8 UP  
 VFC1 49 DN QP  
 VFC2 49 DN QP  
 VFC3 57 DN QP  
 VFC7 57 DN QP  
 VH15 57 QN QP  
 VH16 57 QN QP  
 VH21 56 QF UP  
 VH22 58 EP UP  
 VH24 49 EP UP  
 VH9 57 EP UP



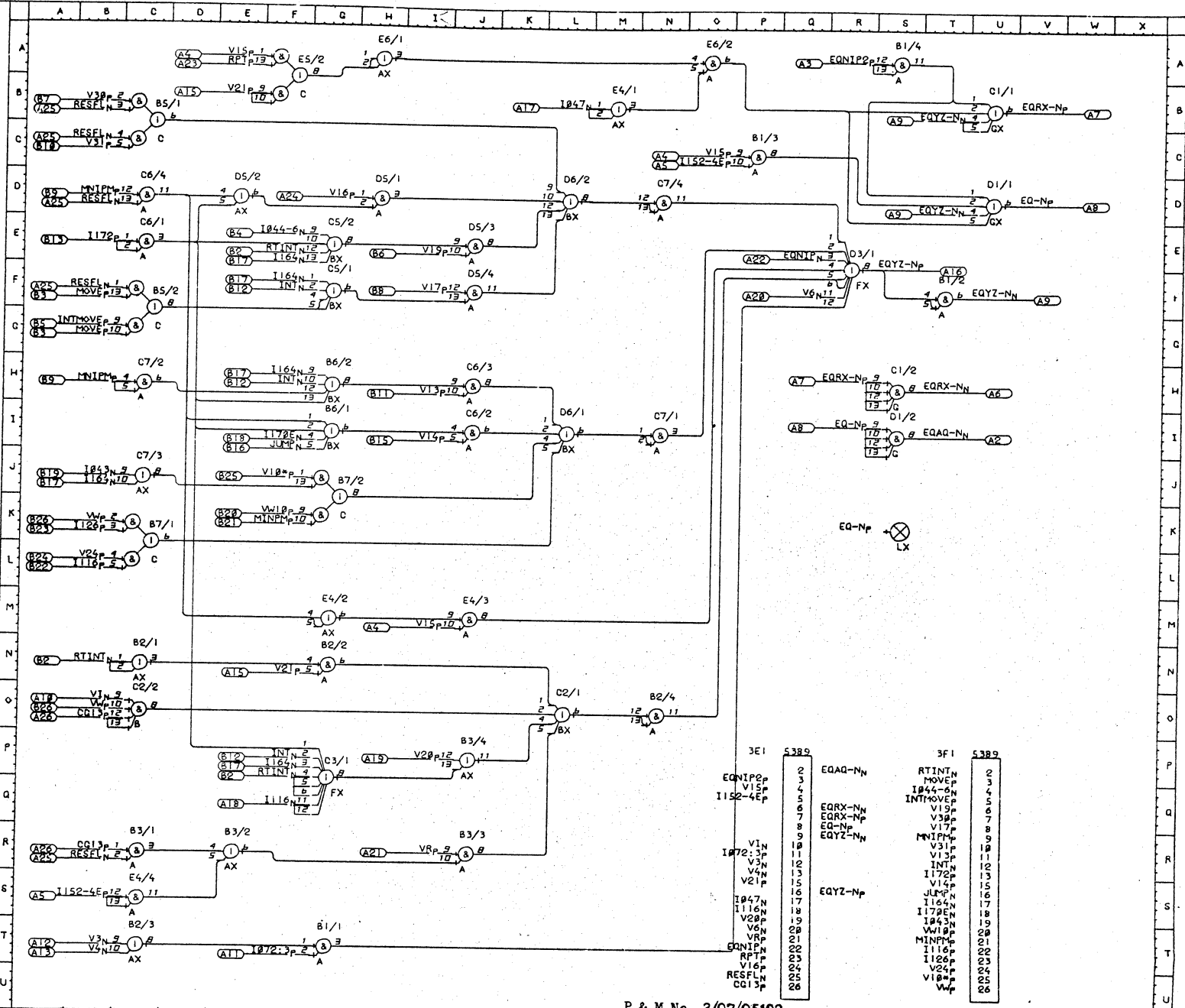
3D2	5471	3E2	5471
VFC1	4	V15	2
VFC2	5	VH21	3
VFC3	6	V12	4
VFC7	7	I164	5
CRST	8	V9	6
EQNIP	9	RTINT	7
RTINT	10	I172EN	8
VH16	11	INT	9
I164	12	RTINT	10
V36	13	I172:3E	11
V18	14	I164	12
VH15	15	RTINT	13
V26	16	V27	14
V27	17	V27	15
V11	18	V27	16
I164	19	PH	17
I164	20	JUMP	18
V22	21	V36	19
V22	22	I177	20
INT	23	HES2	21
HES2	24	V40	22
I172	25	V39	23
	26	VH22	24
			25
			26

P & M No. 3/07/05558

28/02/70 GQNI P WGH01\*\*\*0082

ISSUE: 1	TYPE MOD: 00	TYPE MOD:	TYPE MOD:	TYPE MOD:	TYPE MOD:
ACC: 2767	ECC:	ECC:	ECC:	ECC:	ECC:

CQ13P 121 CQ CR QP  
 EQ-NP UD UD QP S1  
 SK 229 222 223  
 EQAQ-NN S1 QP 247  
 249  
 EQNIP2 82 QP RE  
 EQNIP2 80 QP SA  
 EQRX-NP UB QP SH  
 EQRX-NN SH QP 258  
 EQYZ-NP RE QP TF  
 EQYZ-NP TF QP UB UD  
 1043N 123 CJ UP  
 1044N 129 GE UP  
 1047N 123 MB QP  
 1072N 3P 124 CT QP  
 1116P 5391 CK UP  
 1116N 125 QP QP  
 1126P 122 CK UP  
 1152-4E 5394 CS PC  
 QP  
 1164N 5391 CJ GE  
 CF QH QP UP  
 1170N 126 GI UP  
 1172P 134 CE UP  
 1172N 147 CF QH QP  
 INTN UP  
 INTMOVEP 148 CF UP  
 JUMP 133 GI UP  
 MINPMP 75 QJ UP  
 MNIPMP 5393 CD CH  
 UP  
 MOVEP 142 CF UP  
 RESFN 32 CB CD CF  
 QP  
 RPT 149 FA QP  
 RTINTN 5398 CN GE  
 QP UP  
 V18P 139 CJ UP  
 V13P 53 JH UP  
 V14P 53 JI UP  
 V15P 53 FA JM PC  
 QP  
 V16P 53 HD QP  
 V17P 53 JF UP  
 V19P 25 JE UP  
 V20P 53 JG QP  
 V21P 53 FA GN QP  
 V24P 54 CK QP  
 V31P 52 CT QP  
 V33P 54 CB UP  
 V31P 54 CB UP  
 V3N 52 CT QP  
 V4N 52 QP RE  
 V5N 51 CO QP  
 V6P 51 JR QP  
 V7P 51 CK QP  
 V8P 52 CK QP  
 V10P 52 CK QP



3E1	5389	EQNIP2	2	3E1	5389	RTINTN	2
		V15P	3			MOVEP	3
		1152-4EP	4			1044-6N	4
			5			INTMOVEP	5
			6			V19P	6
			7			V30P	7
			8			EQ-NP	8
			9			EQYZ-NP	9
			10			MNIPMP	10
			11			V31P	11
			12			V17P	12
			13			1172N	13
			14			V14P	14
			15			JUMP	15
			16			1164N	16
			17			1170N	17
			18			1043N	18
			19			V18P	19
			20			V10P	20
			21			MNIPMP	21
			22			1116P	22
			23			1126P	23
			24			V24P	24
			25			V18P	25
			26			W10P	26

P & M No. 3/07/05102

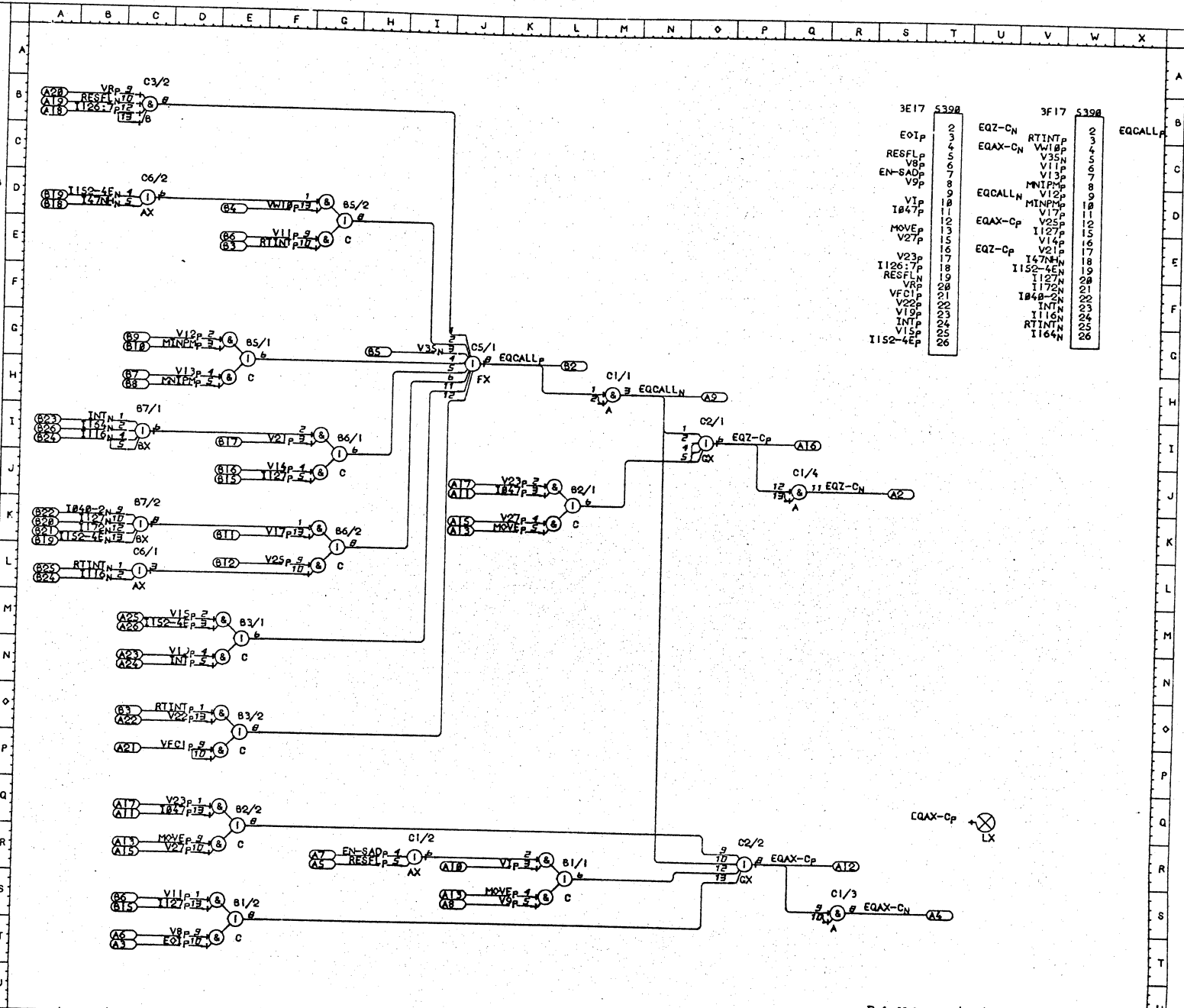
ISSUE: /		TYPE MOD: DO		TYPE MOD:		TYPE MOD:		TYPE MOD:		TYPE MOD:	
ACC-2767		ECC:		ECC:		ECC:		ECC:		ECC:	

WGHO1\*\*\*/0083

26/02/70 GATE Q-N



EN-SADp93 IR TB  
 EOIp 4 ES TB  
 EQAX-Cp PR RS TB UQ  
 EQAX-CPRs TB 249  
 EQCALLp UQ M4 WB 226  
 EQCALLM4 OI PR TB  
 226  
 EQZ-Cp OI QJ TB 158  
 159 226  
 EQZ-Cp QJ TB 158  
 159  
 I040-2N 131 CK WB  
 I047p 142 EQ LJ TB  
 I104N 125 CI CL WB  
 I126N 17 CB TB  
 I127p 122 ES CI WB  
 I127N 122 CK WB  
 I152-4E 5394 CH TB  
 I152-4E 5394 CD CK WB  
 I164N 5391 CI WB  
 I172N 134 CK WB  
 I172N 17 CD WB  
 INTp 147 CH TB  
 INTp 147 CI WB  
 INTp 147 CT WB  
 MINPp 75 EC WB  
 MINPp 5393 EC WB  
 MOVEp 142 EQ LJ LR  
 TB  
 RESFLp 32 IR TB  
 RESFLN 32 CB TB  
 RTINTp 5393 EO QD  
 WB  
 RTINTN 5398 CL WB  
 V11p 53 ES OD WB  
 V12p 53 EC WB  
 V13p 53 EC WB  
 V14p 53 CI WB  
 V15p 53 EM TB  
 V16p 53 CK WB  
 V17p 53 DI WB  
 V18p 53 DI WB  
 V19p 53 DI WB  
 V20p 54 EO TB  
 V21p 54 EQ LJ TB  
 V22p 54 EO TB  
 V23p 54 EQ LJ TB  
 V25p 54 EO WB  
 V27p 54 EO WB  
 V35N 55 JG WB  
 V8p 52 ES TB  
 V9p 5391 LR TB  
 VFClp 49 EO TB  
 V1p 51 LR TB  
 VRp 51 CB TB  
 W10p 52 OD WB



3E17	5398	3F17	5398	
EOIp	2	EQZ-CN	2	EQCALLp
RESFLp	3	EQAX-CN	3	
EN-SADp	4	RTINTp	4	
V1p	5	W10p	5	
I047p	6	V11p	6	
MOVEp	7	V12p	7	
V27p	8	V13p	8	
V23p	9	MINPp	9	
I126p	10	V14p	10	
RESFLN	11	EQZ-Cp	11	
VRp	12	V17p	12	
VFDp	13	V25p	13	
V22p	14	I127p	14	
V19p	15	I172p	15	
INTp	16	I040-2N	16	
V15p	17	INTN	17	
I152-4E	18	I164N	18	
	19		19	
	20		20	
	21		21	
	22		22	
	23		23	
	24		24	
	25		25	
	26		26	

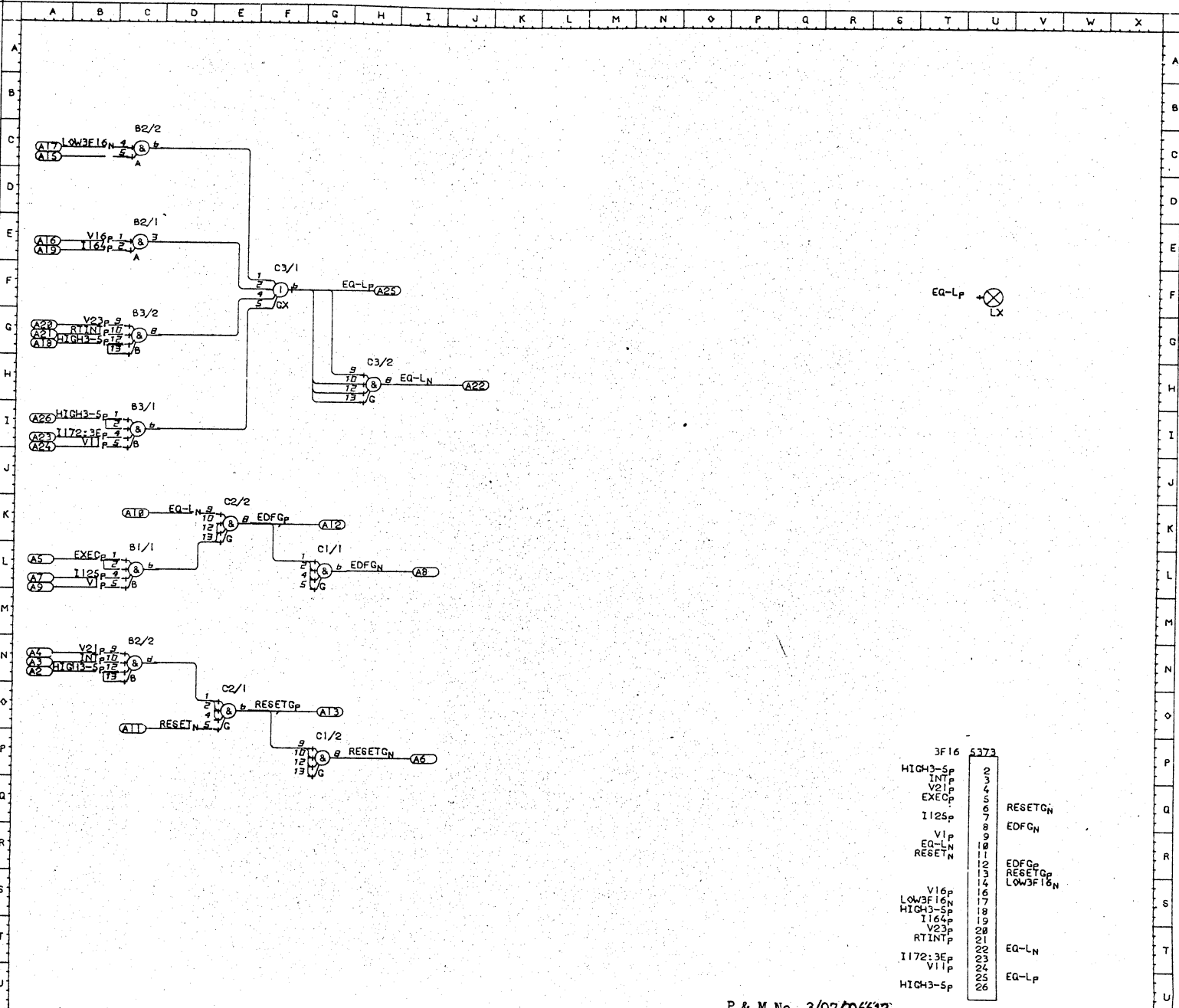
26/02/70 GATE Q-C

P & M No. 3/07/05523

WGH01\*\*\*/0085

ISSUE: I	TYPE MOD: I	TYPE MOD:	TYPE MOD:	TYPE MOD:	TYPE MOD:	TYPE MOD:
ACC: 2.767	ECC: I	ECC:	ECC:	ECC:	ECC:	ECC:

EDFG<sub>p</sub> EK QL UP  
 EDFG<sub>N</sub> QL UP 249  
 EQ-L<sub>p</sub> HF UF UP  
 EQ-L<sub>N</sub> HH HH EK UP  
 249  
 EXEC<sub>p</sub> 144 CL UP  
 HIGH3-5<sub>p</sub> 167 CG CI CN  
 UP  
 I125<sub>p</sub> 125 CL UP  
 I164<sub>p</sub> 142 CE UP  
 I172:3E<sub>p</sub> 133 CI UP  
 INT<sub>p</sub> 147 CQ UP  
 LOW3F16<sub>N</sub> UP  
 RESET<sub>p</sub> 144 EQ LP  
 RESET<sub>N</sub> EQ LP  
 RESETC<sub>N</sub> GP UP 227  
 RTINT<sub>p</sub> 5393 CG UP  
 V1<sub>p</sub> 52 CG UP  
 V16<sub>p</sub> 53 CE LP  
 V21<sub>p</sub> 53 CE LP  
 V23<sub>p</sub> 54 CG UP



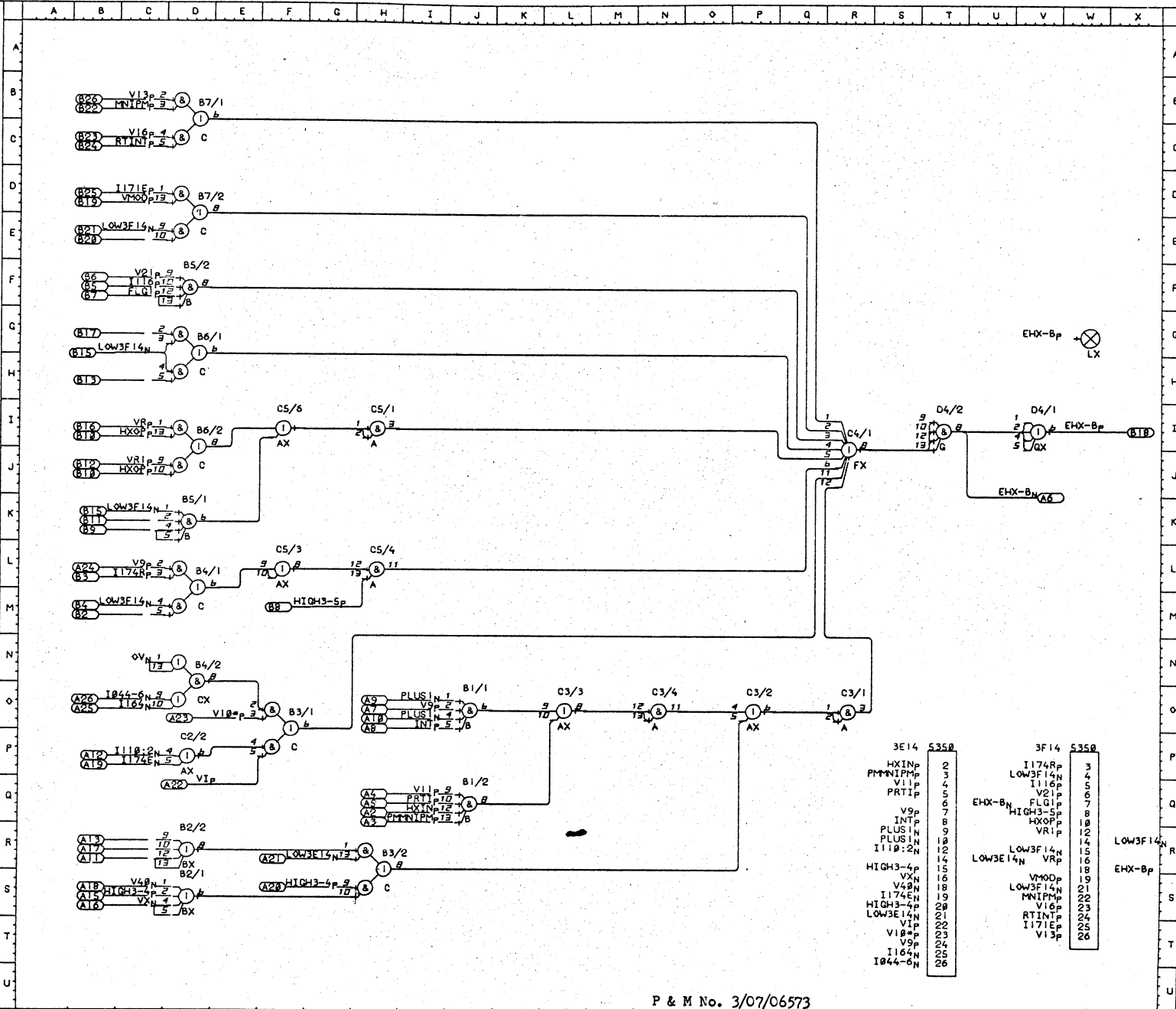
3F16	5373	
HIGH3-5p	2	
INTp	3	
V21p	4	
EXECp	5	
I125p	6	RESETC <sub>N</sub>
V1p	7	EDG <sub>N</sub>
EQ-LN	8	
RESETN	9	
	10	
	11	
	12	EDG <sub>p</sub>
	13	RESETC <sub>p</sub>
	14	LOW3F16 <sub>N</sub>
V16p	15	
LOW3F16N	16	
HIGH3-5p	17	
I164p	18	
I172:3Ep	19	
V23p	20	
RTINTp	21	
	22	EQ-L <sub>N</sub>
I172:3Ep	23	
V11p	24	
	25	EQ-L <sub>p</sub>
HIGH3-5p	26	

P & M No. 3/07/06612

WGH01\*\*\*/0086

02/03/70		EQ-L, ERG0:5&RESET G		WGH01***/0086	
ISSUE: 1	TYPE MOD: 100 00	TYPE MOD:	TYPE MOD:	TYPE MOD:	TYPE MOD:
ACD: 2767	ECC:	ECC:	ECC:	ECC:	ECC:

EHX-Bp	VI	WG	WP	
EHX-Bp	VK	TP	248	
248				
FLG1P	152	DF	WP	
HIGH3-4p	167	DS	HR	
HIGH3-5p	167	HL	WP	
HXINp	168	JQ	TP	
HXOPp	168	DI	WP	
I044-6N	129	DN	TP	
I110:2N	132	DP	TP	
I164p	5391	DF	WP	
I164p	5391	DN	TP	
I171E	126	DO	WP	
I174EN	126	DP	TP	
I174Rp	133	DL	WP	
INTp	147	JQ	TP	
LOW3E14N	TP	HR	TP	
LOW3E14N	TP	DO	DC	DK
DL				
MNIpMp	5393	DB	WP	
PLUS1p	248	JO	TP	
PMNIpMp	148	JQ	TP	
PRT1p	169	JQ	TP	
RTINTp	5393	DB	WP	
V10p	139	FO	TP	
V11p	53	JQ	TP	
V13p	53	OB	WP	
V16p	53	OB	WP	
V21p	53	DF	WP	
V40N	55	OS	TP	
V9p	5391	DL	JO	
TP				
VI	S1	FO	TP	
VMOp	S1	DO	TP	
VRp	S1	DI	TP	
VR1p	S1	DI	TP	
VXN	S2	OS	TP	



3E14	5350	3F14	5350
HXINp	2	I174Rp	3
PMNIpMp	3	LOW3F14N	4
VI1p	4	I116p	5
PRT1p	5	V21p	6
FLG1P	7	EHX-BN	7
INTp	7	HIGH3-5p	8
V9p	8	HXOPp	12
PLUS1p	9	VR1p	18
PLUS1N	10	LOW3F14N	14
I110:2N	12	LOW3E14N	15
LOW3E14N	15	VRP	16
HIGH3-4p	16	VMOp	19
VXN	16	LOW3F14N	21
V40N	18	MNIpMp	22
I174EN	19	VI6p	23
HIGH3-5p	20	RTINTp	24
LOW3E14N	20	V10p	25
V16p	22	I171E	25
V18p	23	V13p	26
V19p	24		
I164N	24		
I044-6N	26		

P & M No. 3/07/06573

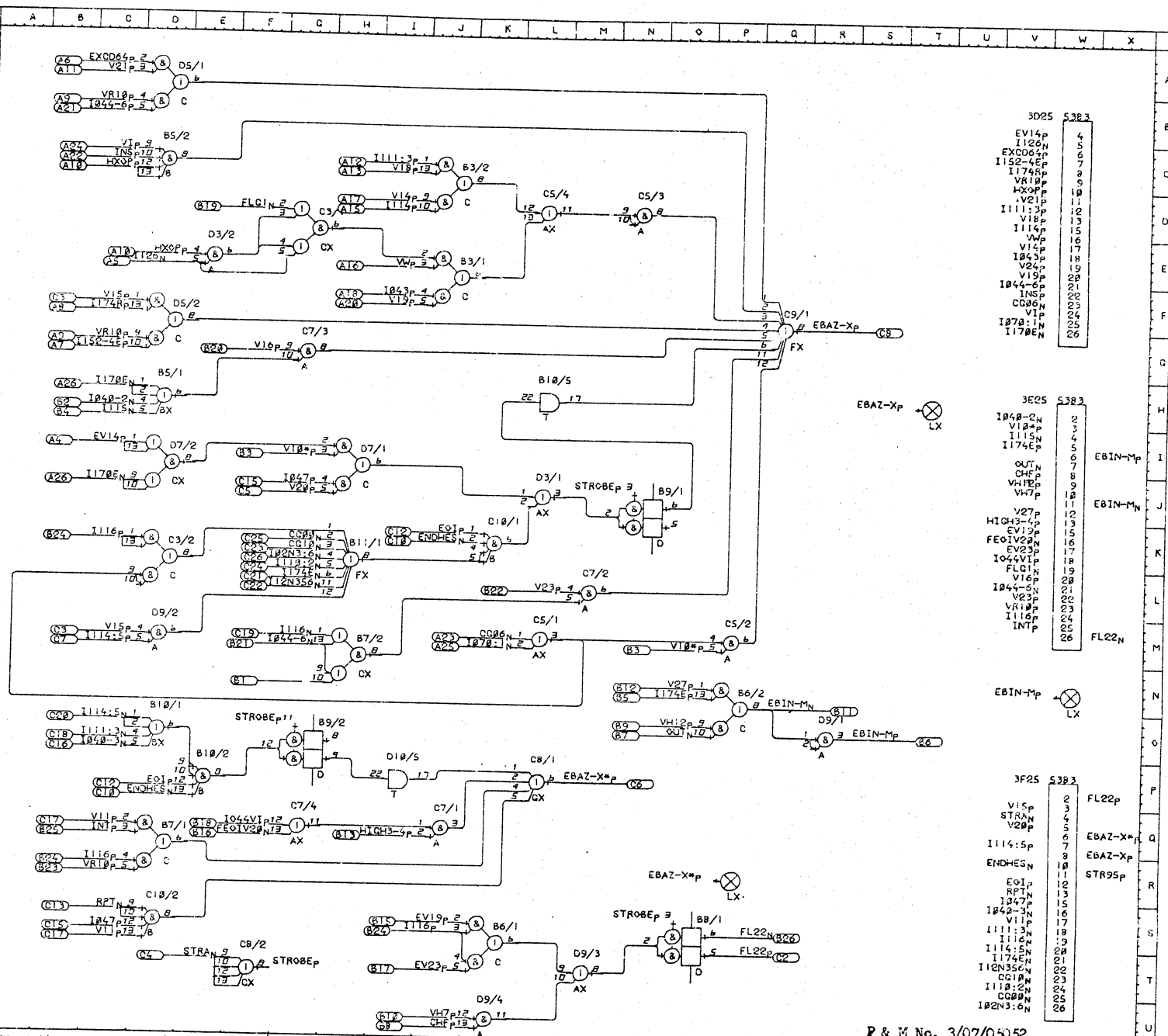
26/02/70		GATE X-B		WG01***/0087	
ISSUE:	TYPE MOD:	TYPE MOD:	TYPE MOD:	TYPE MOD:	TYPE MOD:
ACD: 2767	ECC: 1629	ECC:	ECC:	ECC:	ECC:







CC88N 120 HK WP  
 CC89N 120 LM WB  
 CC90N 121 HK WP  
 CHF 141 KU WH  
 EBAZ-XpLP PR WP 24B  
 EBIN-MpRO WH WH 194  
 EBIN-MpN RO WH  
 ENDHESN EP WH WP  
 EOLP 41 EP KK WP  
 EV14P 18 DI WB  
 EV19P 24 KS WH  
 EV23P 9 KS WH  
 EXC066p 155 DA WB  
 FE01V20 149 QD WH  
 FL22P 0T WF  
 FL22N 0S WH 18E  
 FLG1N 152 QD WH  
 HIGH3 4p167 JQ WH  
 HXOPp 168 DC EE WB  
 I102N 30N14 HK WP  
 I103N 31 DM WH  
 I104N 3N139 DO WP  
 I1043P 123 JE WB  
 I1044P 142 DA WB  
 I1044N 129 FM WH  
 I1047P 142 DS HI WP  
 I1070N 124 LM WB  
 I1110N 130 HK WP  
 I1111N 131 UC WB  
 I1114P 125 JC WB  
 I1145P 132 DM WP  
 I1145N 125 DM WP  
 I116N 5391 DK DQ  
 IS WH  
 I116N 125 WH WP  
 I120N 122 EE GD WB  
 I1203N 135 HK WP  
 I152-4Ep394 DF WB  
 I173EN 126 DM DI WB  
 I174EP 126 PN WH  
 I174EN 126 HK WP  
 I174PP 133 OF WB  
 I17EP 142 DO WB  
 INT 147 QD WH  
 I044V1P 64 QD WH  
 OUTN 266 PN WH  
 RPTN 149 DS WP  
 STR95P WP  
 STRAN 165 FT LS  
 V18N 159 HI FM WH  
 V11F 53 QD GS WP WH  
 V14P 53 QD GS WP  
 V15P 53 OF WH WP  
 V16P 53 OC WH WP  
 V18P 53 JC WB  
 V19P 26 JE WB  
 V20P 53 HI WP  
 V21P 53 JA WB  
 V23P 54 ML WH  
 V24P 54 WB  
 V27P 54 PN WH  
 V412P 56 PN WH  
 V47P 58 KU WH  
 V1P 51 DO WB  
 V18P 51 DA OF DQ  
 WWP 51 JE WB



3025	5383
EV14P	4
I110N	5
EXC066N	6
I152-4EP	7
I174P	8
V20P	9
HXOP	10
V21P	11
I111P	12
V18P	13
I114P	14
V19P	15
V15P	16
I044-6P	17
I044P	18
V19P	19
I044-6P	20
INSP	21
CC88N	22
CC89N	23
I070N	24
I170EN	25
	26

3E25	5383
I048-2N	2
V18P	3
I115P	4
I174EP	5
OUTN	6
CHF	7
VH7P	8
VH7P	9
V27P	10
HIGH3-4P	11
EV19P	12
FE01V20N	13
EV23P	14
I044V1P	15
FLG1N	16
V16P	17
I044-6P	18
V23P	19
VRI8P	20
V23P	21
INSP	22
I116P	23
FL22N	24
	25
	26

3F25	5383
V15P	2
STRAN	3
V20P	4
I114-5P	5
ENDHESN	6
EOLP	7
RPTN	8
I047P	9
I048-3N	10
V11P	11
I116N	12
I116N	13
I114:5N	14
I174EN	15
I12N3:6N	16
CC18N	17
I110:2N	18
CC88N	19
I02N3:6N	20
	21
	22
	23
	24
	25
	26

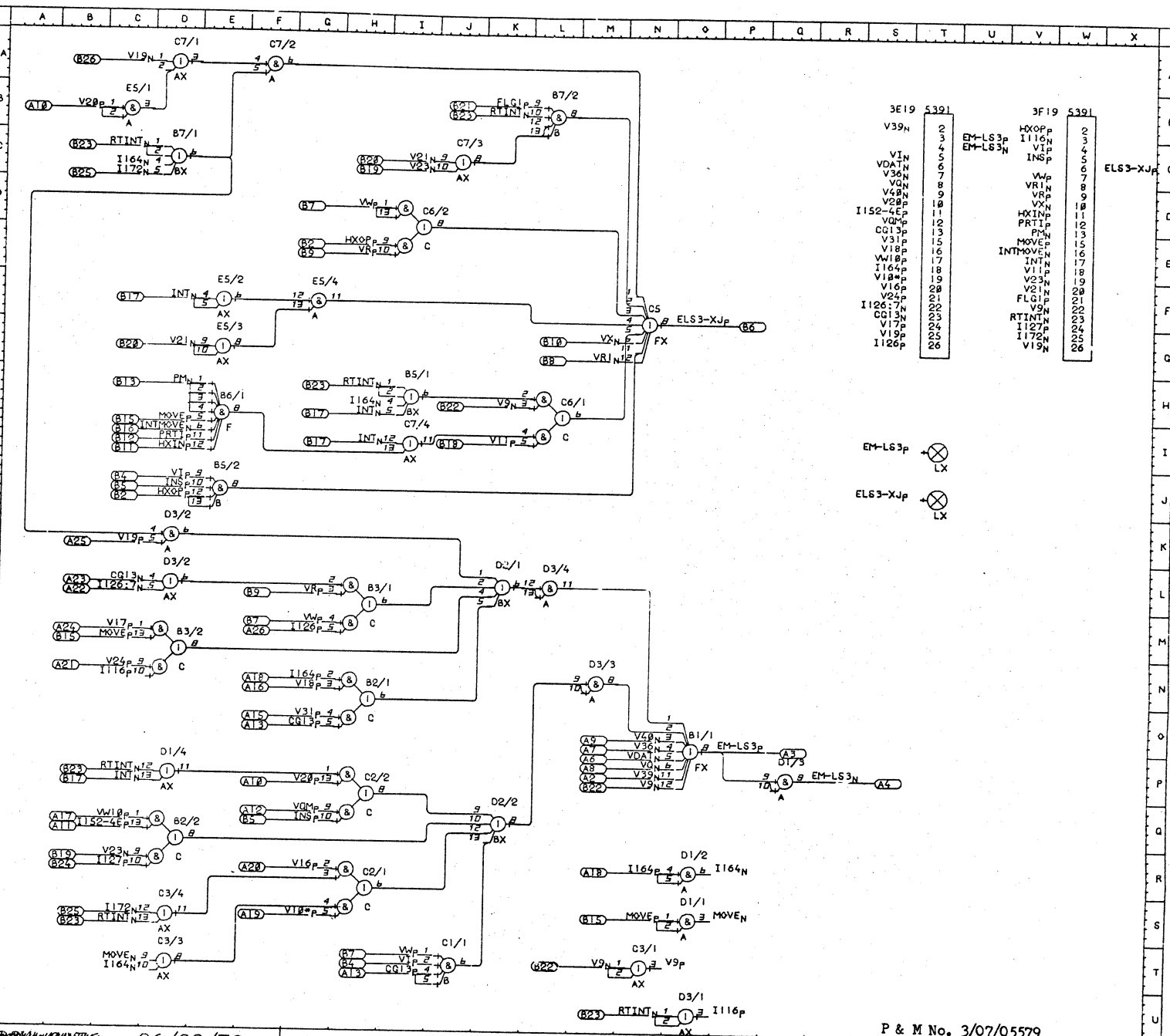
26/02/70 EBIN-M, B-X, B-X+I&FL22

P & M No. 3/07/0502

WGHO1\*\*\*/0090

ISSUE: 1	TYPE MOD: 3	TYPE MOD:	TYPE MOD:	TYPE MOD:	TYPE MOD:	TYPE MOD:	TYPE MOD:
ACC: 2767	ECC: 2725	ECC:	ECC:	ECC:	ECC:	ECC:	ECC:

CG13p	121	HN	JT	TB
CG13p	121	DL	TB	
ELS3-XJp	167	TJ	WB	248
EM-LS3p	600	OP	TB	TI
EM-LS3p	600	DP	TB	TI
EM-LS3p	600	TP	TB	TI
FLG1p	150	LB	WB	
HXOPp	160	EH	WB	
HXOPp	160	EJ	ID	WB
I116N	125	WB		
I126p	122	HL	TB	
I126-7N	167	DL	TB	
I127N	122	DD	WB	
I152-4E	5394	DD	TB	
I164p	142	HN	OR	TB
I172N	134	DC	DS	WB
INSN	142	EJ	HP	WB
INTN	147	DP	EF	IH
INTN	147	DP	EF	IH
INTMOVEN	148	EH	WB	
MOVEp	142	DM	EH	OS
MOVEp	142	DM	EH	OS
PMN	145	EH	WB	
PRTIP	169	EH	WB	
RTINTN	5398	DC	DP	
RTINTN	5398	DC	DP	
DS	14	LB	OU	WB
V10p	139	HR	TB	
V11p	53	LH	WB	
V16p	53	HR	TB	
V17p	53	OM	TB	
V18p	53	HN	TB	
V19p	53	DK	TB	
V19N	53	DA	WB	
V20p	53	CB	HP	TB
V21N	53	EC	JC	WB
V23N	54	DD	JC	WB
V24p	54	DM	TB	
V31p	54	HN	TB	
V36p	55	DD	TB	
V39N	55	DD	TB	
V40N	55	DD	TB	
V9N	52	LH	NT	∞
VDATN	51	∞	TB	
VIP	51	EJ	JT	WB
VIN	51	∞	TB	
VON	51	∞	TB	
VQM	51	HP	TB	
VRP	51	HL	ID	WB
VRIN	51	HL	ID	TB
VWP	51	HL	ID	JT
VW10p	52	DD	TB	
VXN	52	NF	WB	



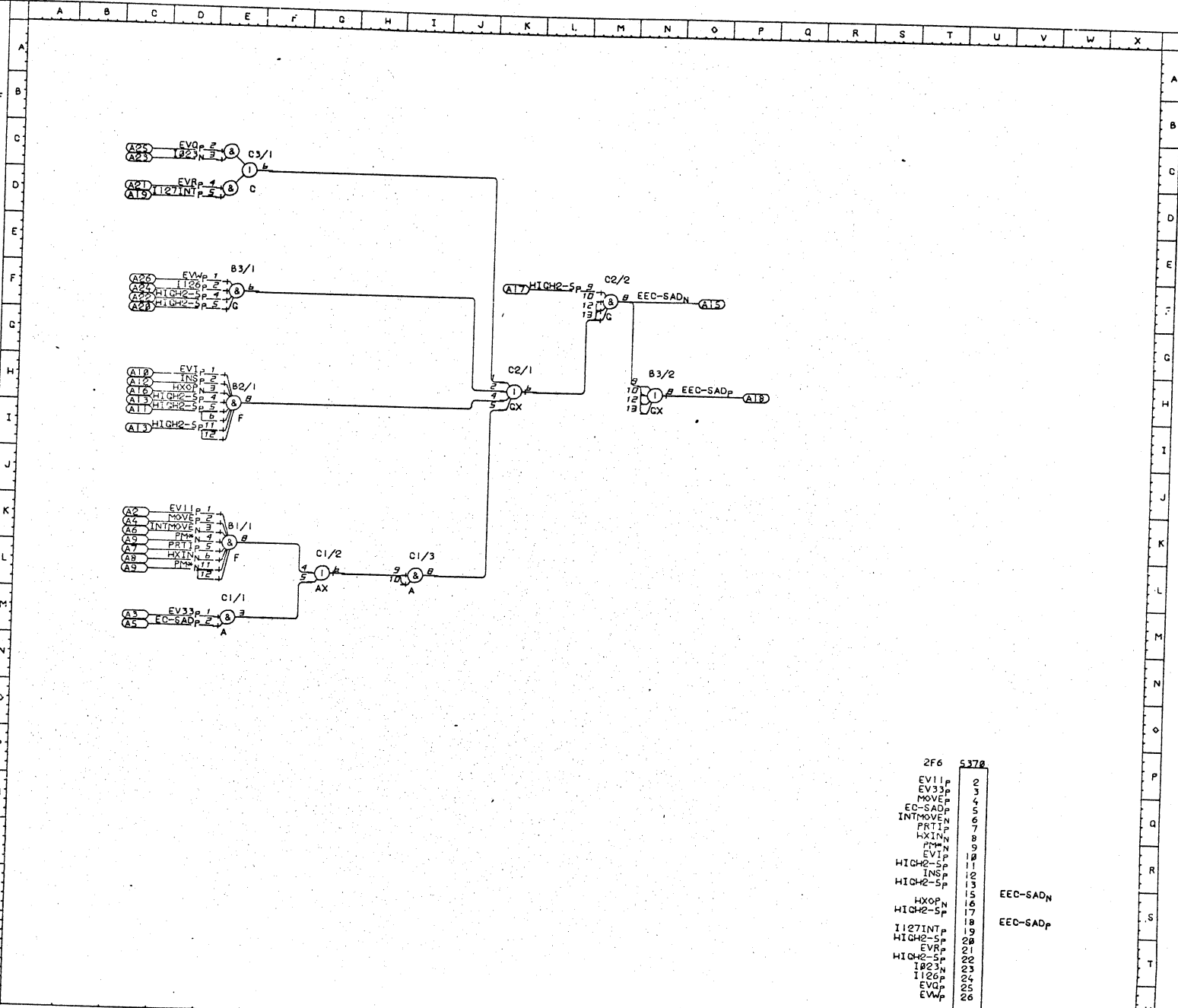
3E19	5391	3F19	5391
V39N	2	HXOPp	2
VIN	3	I116N	3
VDA1N	4	VIP	4
V36N	5	EM-LS3p	5
VON	6	EM-LS3N	6
V40N	7	INS	7
V20p	8	WVP	8
I152-4E	9	VRIN	9
VQp	10	VRP	10
CG13p	11	VXN	11
V31p	12	HXINP	12
V18p	13	PRTIP	13
W18p	14	PMN	14
I164p	15	MOVEp	15
V10p	16	INTMOVEN	16
V16p	17	INTN	17
V24p	18	V11p	18
I126-7N	19	V23N	19
CG13N	20	V21N	20
I127N	21	FLG1p	21
I172N	22	V9N	22
I177p	23	RTINTN	23
V19p	24	I127p	24
I126p	25	I172N	25
	26	V19N	26

EM-LS3p ⊗ LX  
 ELS3-XJp ⊗ LX

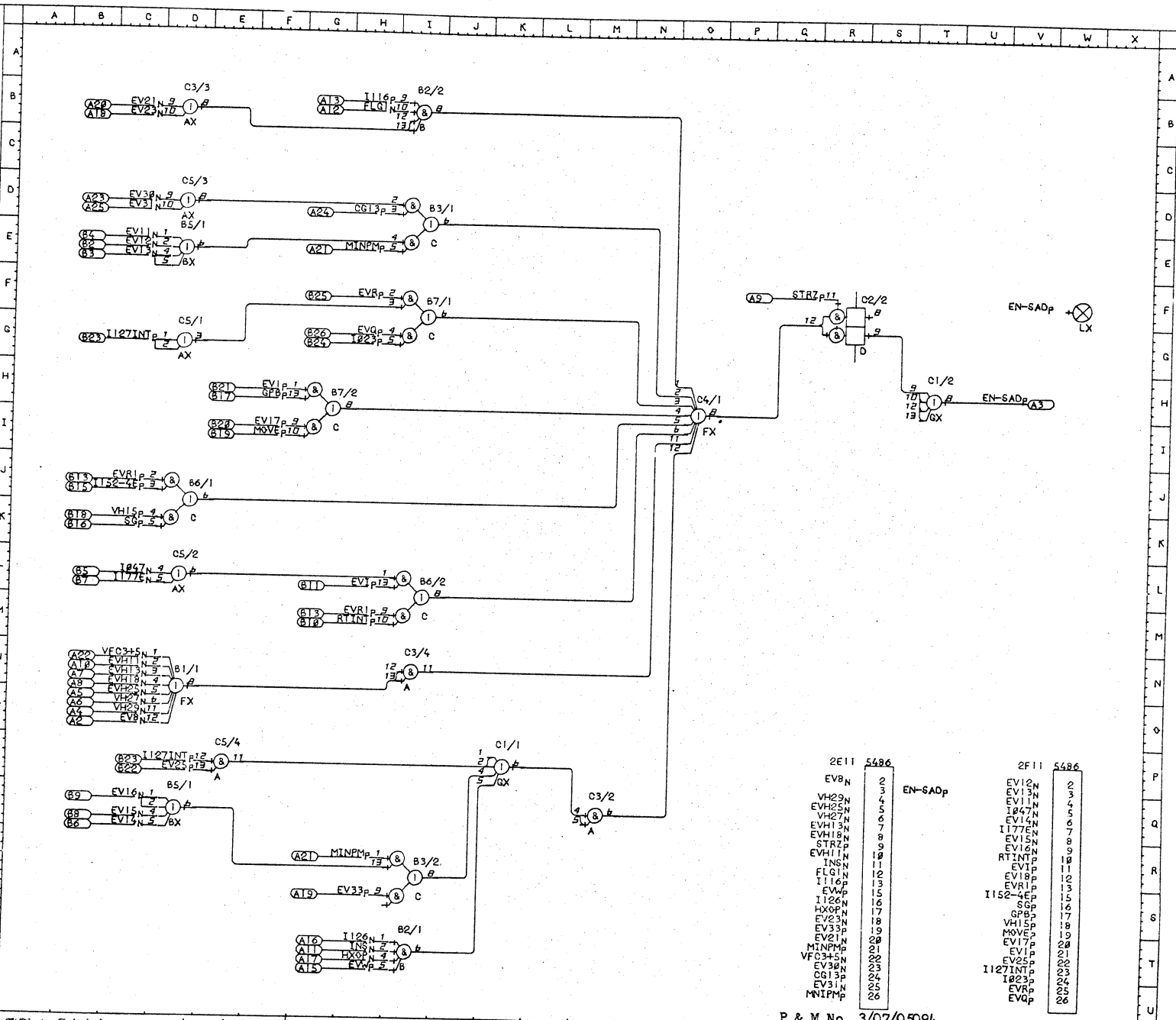
26/02/70 LS3-HX & M-LS3 P & M No. 3/07/05579 WGH01\*\*\*/0091

ISSUE: 1	TYPE MOD: 1	TYPE MOD:	TYPE MOD:	TYPE MOD:	TYPE MOD:	TYPE MOD:
ADD: 2767	ECC: 1272	ECC:	ECC:	ECC:	ECC:	ECC:

EC-SADp 167 EM UP  
 ECC-SADpNH UP 112  
 ECC-SADpMF NH UP  
 EV11p 14 EK UP  
 EV33p 33 EM UP  
 EV1p 4 EH UP  
 EVRp 1 EC UP  
 EVRp 7 EC UP  
 EVRp 3 EF UP  
 HIGH2-5p 167 EF EH MF  
 UP  
 HXINp 169 EK UP  
 HXOPp 169 EH UP  
 I023N 131 EC UP  
 I126p 122 EF UP  
 I127INTp 17 EC UP  
 INSp 142 EH UP  
 INTMOVEp 149 EK UP  
 MOVEp 142 EK UP  
 PPMp 139 EK UP  
 PRT1p 169 EK UP



CG13P	121	ID	SP
EN-SADp	VH 63	85	SP
WF	278	279	
EV1P	8	QH	WP
EV11N	14	DE	WP
EV12N	15	DE	WP
EV13N	16	DE	WP
EV14N	18	DE	WP
EV15N	19	OO	WP
EV16N	20	OO	WP
EV17P	23	WF	WP
EV21N	26	DB	SP
EV23N	9	DB	SP
EV25P	29	EP	WP
EV31N	31	OD	SP
EV33P	33	IR	SP
EV8N	11	DN	SP
EVH1N	44	DN	SP
EVH13N	53	DN	SP
EVH19N	59	DN	SP
EVH25N	59	DN	SP
EV1P	4	IL	WP
EVQ3	4	IF	WP
EVRP	6	IF	WP
EVRI P	8	OJ	IL WP
EVWp	3	IT	SP
FLG1N	152	GB	SP
GP8N	135	GB	SP
HXOFN	160	IT	SP
I023P	131	IF	WP
I047N	123	DL	WP
I116P	539	IL	WP
I126N	122	IT	SP
I127INTP	17	OG	EP WP
I152-4E	6539	DJ	WP
I177EN	126	DL	WP
INSN	13	IT	SP
MINPMP	75	ID	TR SP
MNIPMP	5393	SP	
MOVEP	142	QH	WP
RTINTP	5393	IL	WP
SGP	167	OJ	WP
STRZP	165	RF	SP
VFC345N	17	DN	SP
VH15P	57	OJ	WP
VH27N	56	DN	SP
VH29N	56	DN	SP



2E11	5486	2F11	5486
EV8N	2	EV12N	2
VH02N	3	EV13N	3
EVH25N	4	EV11N	4
VH29N	5	EV14N	5
EVH13N	6	I047N	6
EVH19N	7	I177EN	7
STRZP	8	EV15N	8
EVH1N	9	EV16N	9
INSN	10	RTINTP	10
FLG1N	11	EV1P	11
I116P	12	EVRI P	12
EVWp	13	EV1P	13
I126N	14	I152-4EP	14
HXOFN	15	SGP	15
EV23N	16	GP8N	16
EV33P	17	VH15P	17
EV21P	18	MOVEP	18
MINPMP	19	EV1P	19
VFC345N	20	EV25P	20
EV31N	21	EV1P	21
CG13P	22	EV25P	22
EV31N	23	I127INTP	23
EV33P	24	I023P	24
EV31N	25	EVRP	25
MNIPMP	26	EVQp	26

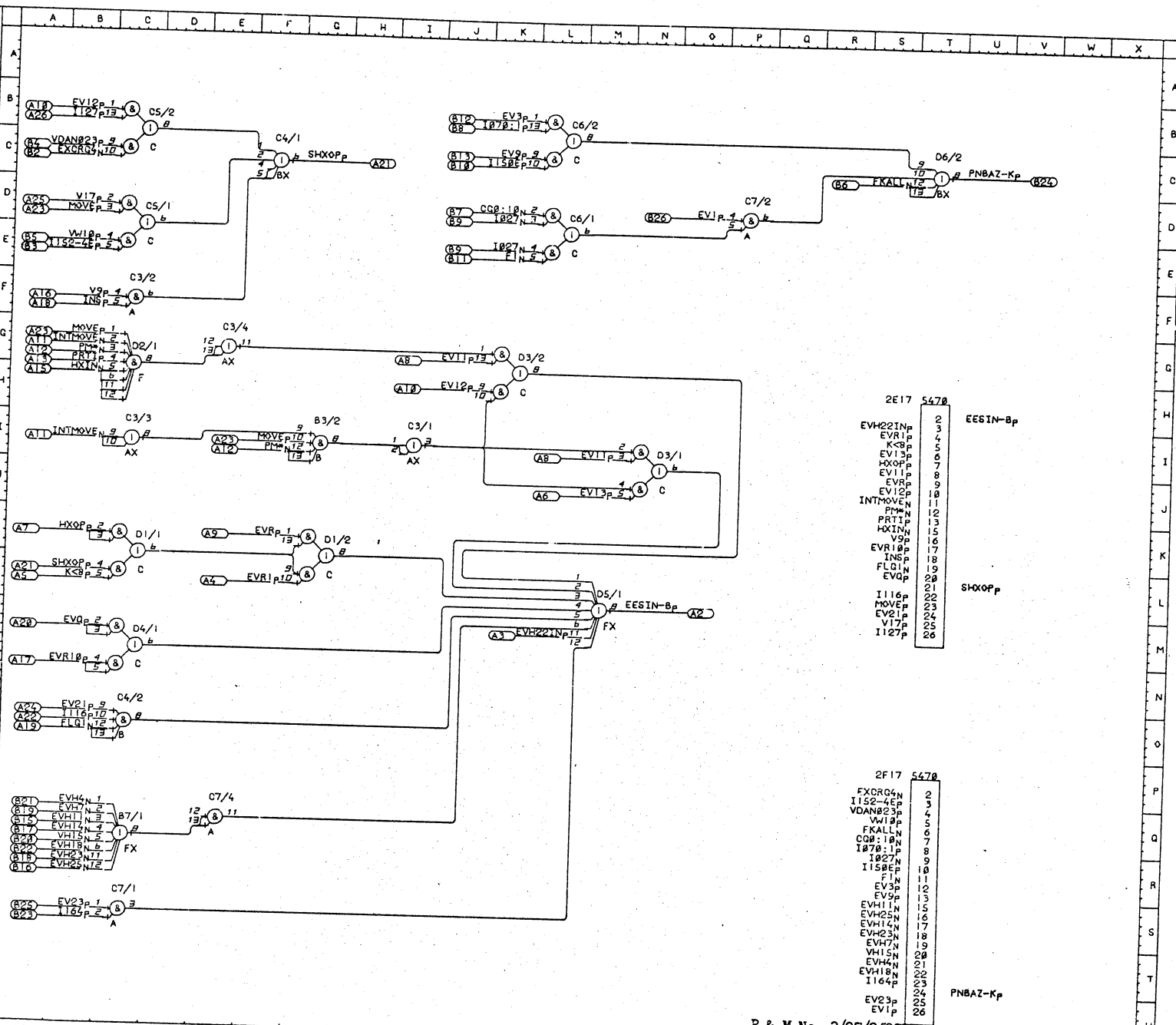
01/03/70 EN-SAD

P & M No. 3/07/05094

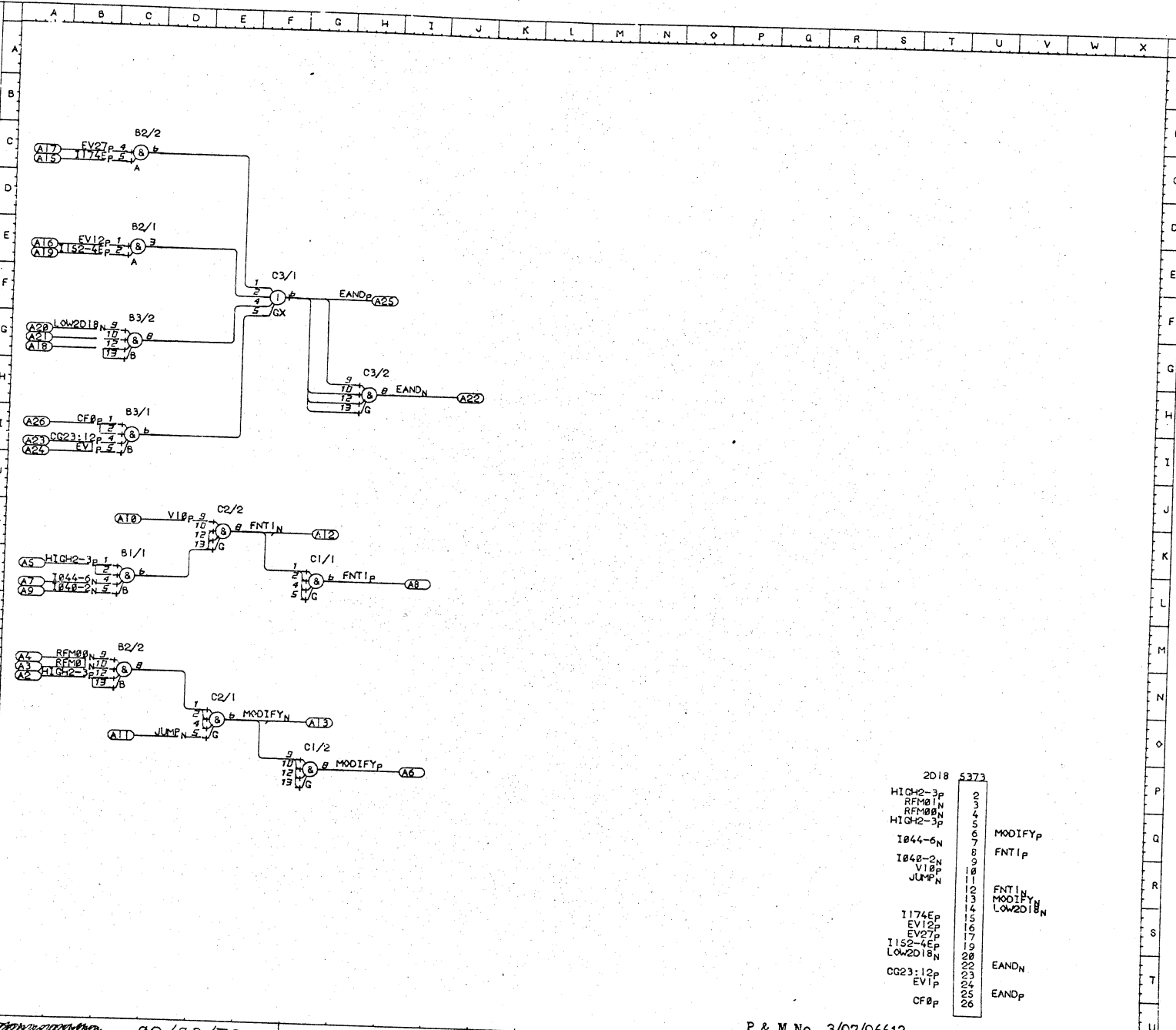
WGH01\*\*\*/0093

ISSUE: 1	TYPE MOD: 00	TYPE MOD: 00	TYPE MOD: 00	TYPE MOD: 00	TYPE MOD: 00	TYPE MOD: 00
ACC: 2767	ECC:	ECC:	ECC:	ECC:	ECC:	ECC:

C08: 10N141 LD TP  
 EESIN-Bp ML 17 TH 112  
 161  
 EV1p 8 PD TP  
 EV11p 14 KG NI TH  
 EV12p 5398 CB KG  
 TH  
 EV13p 16 NI TH  
 EV23p 26 CO TH  
 EV23p 9 CS TP  
 EV3p 8 LB TP  
 EV9p 12 LB TP  
 EVH11N 44 CO TP  
 EVH14N 18 CO TP  
 EVH18N 59 CO TP  
 EVH22IN 148 ML TH  
 EVH23N 42 CO TP  
 EVH25N 59 CO TP  
 EVH4N 42 CO TP  
 EVH7N 59 CO TP  
 EV9p 1 CO TH  
 EVR1p 8 GK TH  
 EVR18p 39 CM TH  
 EVXCRG 168 CB TP  
 F1N 167 LD TP  
 FKALLN 60 TC TP  
 FLG1N 152 CO TH  
 HXIN 168 CO TH  
 HXOP 168 CK TH  
 I027N 122 LD TP  
 I078p 124 LB TP  
 I116p 5391 CO TH  
 I127p 122 OB TH  
 I158p 30 LB TP  
 I152-4EP 5394 CO TP  
 I164p 142 CS TP  
 INTMOVE 148 CO CI TH  
 KCB 179 CK TH  
 MOVEP 142 CO CG I  
 TH  
 PMMN 139 CO CI TH  
 PNBAZ-Kp TC 17 TP 112  
 PRT1p 169 CO TH  
 SHXOPp FC FC CK TH  
 169  
 V17p 53 CO TH  
 V9p 5391 CF TH  
 VDANB23 148 CB TP  
 VH15N 57 CO TP  
 W10p 52 CO TP



CF8: 119 CI UP  
 CG23: 12P 33 CI UP  
 EANDP HF 75 UP  
 EANDN HH UP  
 EV1P 8 CI UP  
 EV12P 5398 CE UP  
 EV27P 29 CC UP  
 FNT1P QL UP 247  
 FNT1N EK QL UP  
 HIGH2-3P 167 CL CN UP  
 I040-2N 31 CL UP  
 I044-6N 129 CL UP  
 I152-4E 5394 CE UP  
 I174E 126 CC UP  
 I174E 133 EO UP  
 JUMP 18 UP CC  
 LOW2018N UP CC  
 MODIFYP 17 UP  
 MODIFYNEO DP UP  
 RFM00N 211 CN UP  
 RFM01N 211 CN UP  
 V10P 53 EK UP



2018	5373	
HIGH2-3P	10	
RFM01N	11	
RFM00N	12	
HIGH2-3P	13	
I044-6N	14	MODIFYP
I040-2N	15	FNT1P
V10P	16	
JUMP	17	
	18	FNT1N
	19	MODIFYN
	20	LOW2018N
	21	
	22	EANDN
CG23:12P	23	
EV1P	24	EANDP
	25	
CF8P	26	

02/03/70

AND, FNT1 & MODIFY

P & M No. 3/07/06612

WGH01\*\*\*/0095

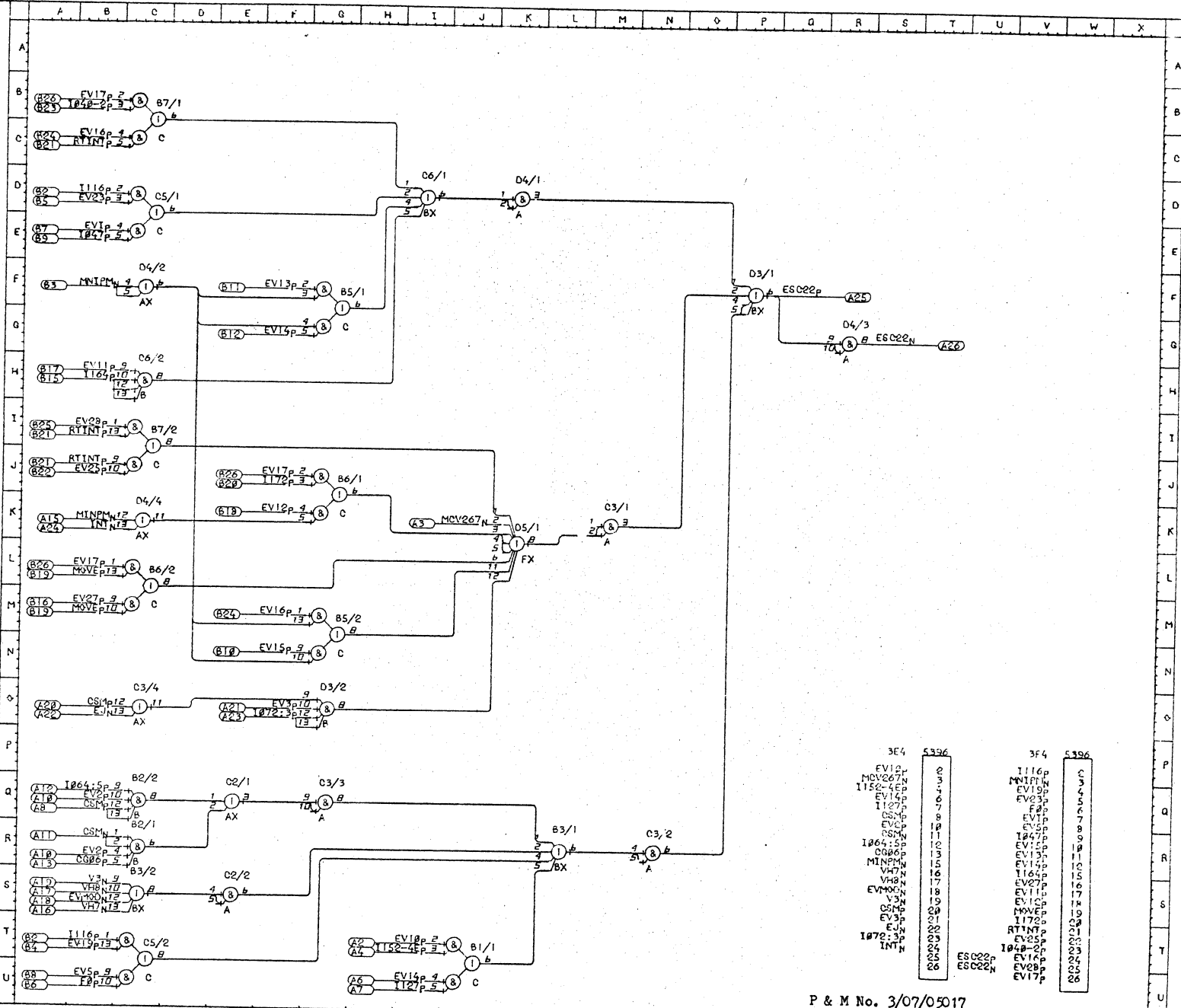
ISSUE: 1	TYPE MOD: 40 OD	TYPE MOD:	TYPE MOD:	TYPE MOD:	TYPE MOD:	TYPE MOD:
ACD: 2767	ECC:	ECC:	ECC:	ECC:	ECC:	ECC:







C0865 128 CR TP  
 CSM# 5382 C9 CQ  
 TP  
 CSM#N 5399 CR TP  
 ESN 142 CQ TP  
 ESC22P PF RQ TP 112  
 ESC22N RQ TP  
 EV10P 13 JT TP  
 EV11P 14 CH WP  
 EV12P 5399 CQ WP  
 EV13P 16 GF WP  
 EV14P 18 GF JT TP  
 EV15P 19 CQ WP  
 EV16P 20 CQ WP  
 EV17P 21 CB CL WP  
 EV18P 24 CT WP  
 EV20P 2 CO CR TP  
 EV23P 29 CQ WP  
 EV25P 29 CQ WP  
 EV28P 36 CQ WP  
 EV30P 9 CQ TP  
 EV5P 9 CQ WP  
 EV1P 4 CQ WP  
 EV#MOON 1 CS TP  
 F# 117 CQ WP  
 I104P-2 131 CQ WP  
 I144P 142 CQ WP  
 I166:5 127 CQ TP  
 I172:5 124 CQ TP  
 I116P 5391 CQ CT  
 I127P 122 JT TP  
 I132-4E 5394 JT TP  
 I144P 142 CH WP  
 I172P 134 CQ WP  
 INT 147 CQ TP  
 MOVEP 148 CQ TP  
 MINFMN 75 CQ TP  
 MINFMN 75 CQ WP  
 MOVEP 142 CQ WP  
 RTINTP 5393 CQ CI  
 V3N 52 CS TP  
 V#N 58 CS TP  
 V#N 57 CS TP

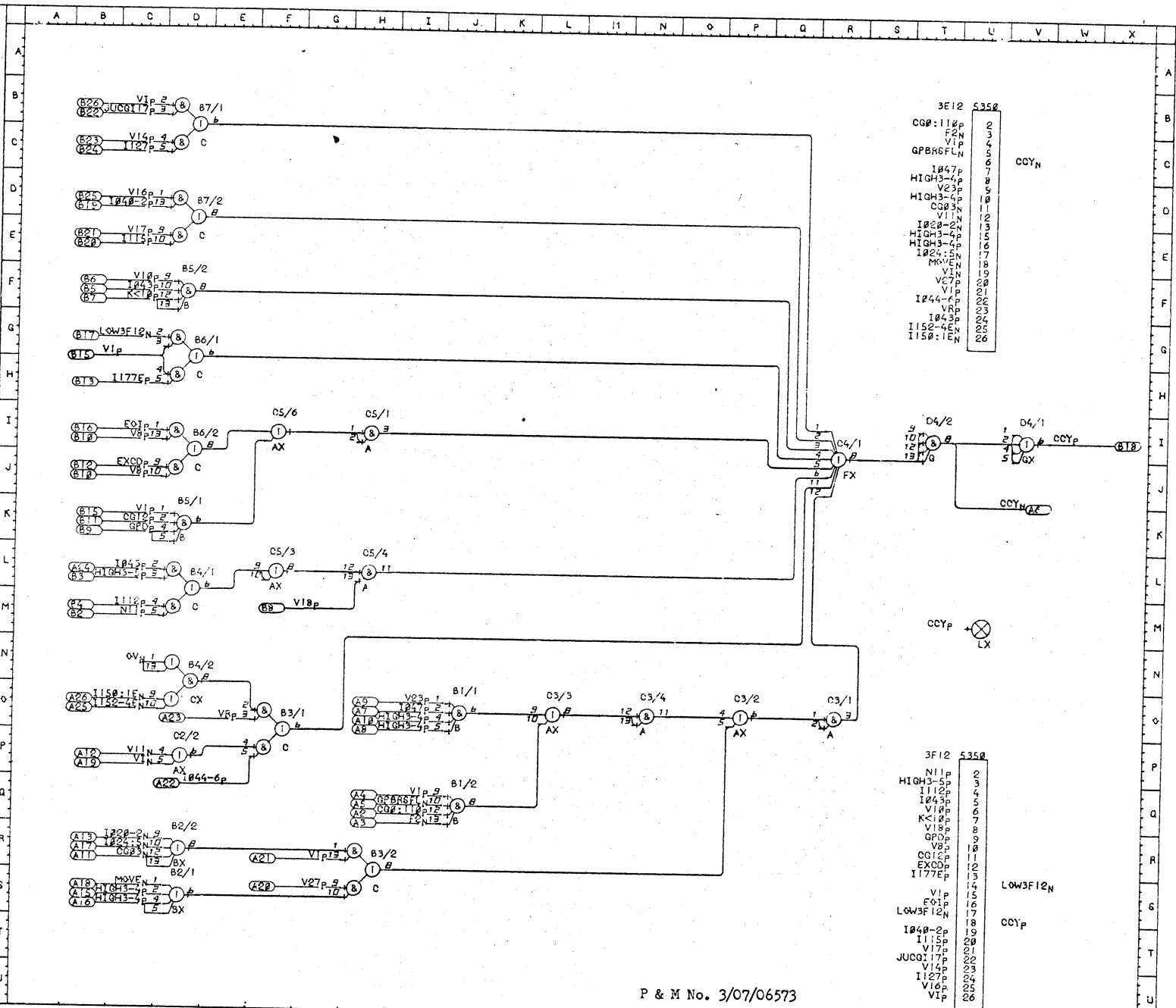


3E4	5396	3F4	5396
EV12P	2	I116P	2
MOV267N	3	MOV267N	3
I182-4EP	4	MINFMN	4
EV19P	5	EV19P	5
EV14P	6	EV23P	6
F#	7	F#	7
CSMP	8	EV1P	8
EV2P	9	EV5P	9
EV#N	10	EV#N	10
I104P	11	I104P	11
C086P	12	EV15P	12
MINFMN	13	EV14P	13
V#N	14	EV16P	14
EV#MOON	15	I166:5	15
V3N	16	I172:5	16
CSMP	17	EV20P	17
MOVEP	18	EV18P	18
EV5P	19	EV12P	19
EV#N	20	MOVEP	20
RTINTP	21	EV27P	21
I172:5P	22	I172P	22
I1072:3P	23	EV#N	23
INTN	24	EV25P	24
	25	I1040-2P	25
	26	EV16P	26
		EV28P	27
		EV17P	28

P & M No. 3/07/05017

ISSUE: 1	TYPE MOD:	TYPE MOD:	TYPE MOD:	TYPE MOD:	TYPE MOD:	TYPE MOD:
ACC: 2767	ECC: 1668	ECC:	ECC:	ECC:	ECC:	ECC:
26/02/70 SC22				WGHO1 *** / 0098		

CCYP VI UM UP 226  
 CCYN VK UB  
 CGP:117p 133 JQ UB  
 CG12p 121 DK UP  
 EXOP 41 DI UP  
 EXCDp 154 DI UP  
 F01p 117 JQ UB  
 GPBRGFL 155 DK UP  
 GPDP 155 DK UP  
 HIGH3-4p 167 D6 JO UB  
 HIGH3-4p 167 DL UP  
 I112p 125 DL UP  
 I112p 125 DD UP  
 I127p 125 DB UP  
 I150:1E 139 CY UB  
 I150:4E 139 DN UB  
 I177E 126 DQ UP  
 JUCCG117p 143 DB UP  
 K<10p 179 DF UP  
 LOW3F12p 126 DQ UP  
 MOVE N 3391 D6 UB  
 NI1p 139 DL UP  
 V1p JQ UB DQ DK HR  
 V10p 53 DF UP  
 V11N 53 DF UB  
 V14p 53 DB UP  
 V16p 53 DO UP  
 V17p 53 DO UP  
 V18p 53 HL UP  
 V23p 54 JO UB  
 V27p 54 HR UB  
 V8p 52 DI UP  
 V1p 51 DB UP  
 V1N 51 FO UB  
 VRp 51 FO UB

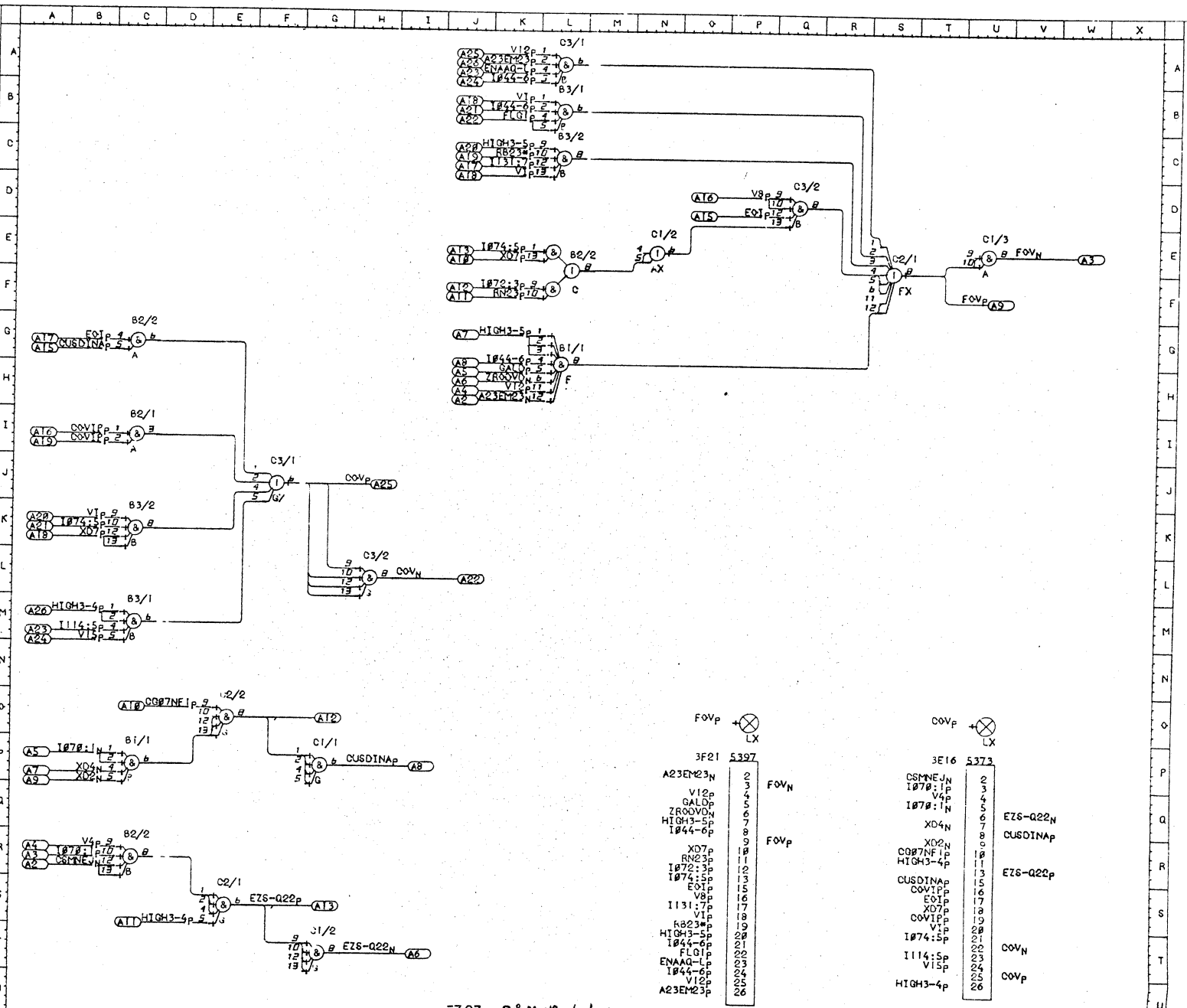


P & M No. 3/07/06573

26/02/70 CCY CONTROL WGH01\*\*\*/0099

ISSUE: 1	TYPE MOD: 1	TYPE MOD:	TYPE MOD:	TYPE MOD:	TYPE MOD:	TYPE MOD:	TYPE MOD:
ACC: 2767	ECC: 1629	ECC:	ECC:	ECC:	ECC:	ECC:	ECC:

A23EM23 139 LA PP  
 A23EM23 198 LG PP  
 CG87NF 117 EO UP  
 SWP HJ UC UP  
 UOVN HL UP 15B  
 UOVN 59 226  
 COVIP 167 C1 UP  
 CSMEJN 22 CR UP  
 CUSDINA 167 GP CO UP  
 ENAAG 167 LA PP  
 E01P 41 CO PP QD  
 UP  
 EZS-Q22P ES OT UP 223  
 EZS-Q22P OT UP  
 FLQ1P 152 LB PP  
 FOVP UF PO PP 15B  
 FOVN UE PP 159  
 226  
 GALDP 72 LG PP  
 HIGH3-4P 167 CM ES UP  
 HIGH3-5P 167 LG LG PP  
 I844-6P 142 LA LB LG  
 PP  
 I878-1P 124 CR UP  
 I878-1P 124 CR UP  
 I872-3P 124 LE PP  
 I874-5P 124 CK LE PP  
 UP  
 I114-5P 132 CM UP  
 I131-7P 129 LC PP  
 RN23P 251 LC PP  
 RN23P 220 LE PP  
 V12P 53 LA LO PP  
 V15P 53 CM UP  
 V4P 52 CR UP  
 V8P 51 PP QD  
 V1P 51 CK LB LC  
 PP UP  
 XD4N 118 CR UP  
 XD4N 118 CR UP  
 XD7P 118 CR LE PP  
 UP  
 ZROOVN 48 LG PP

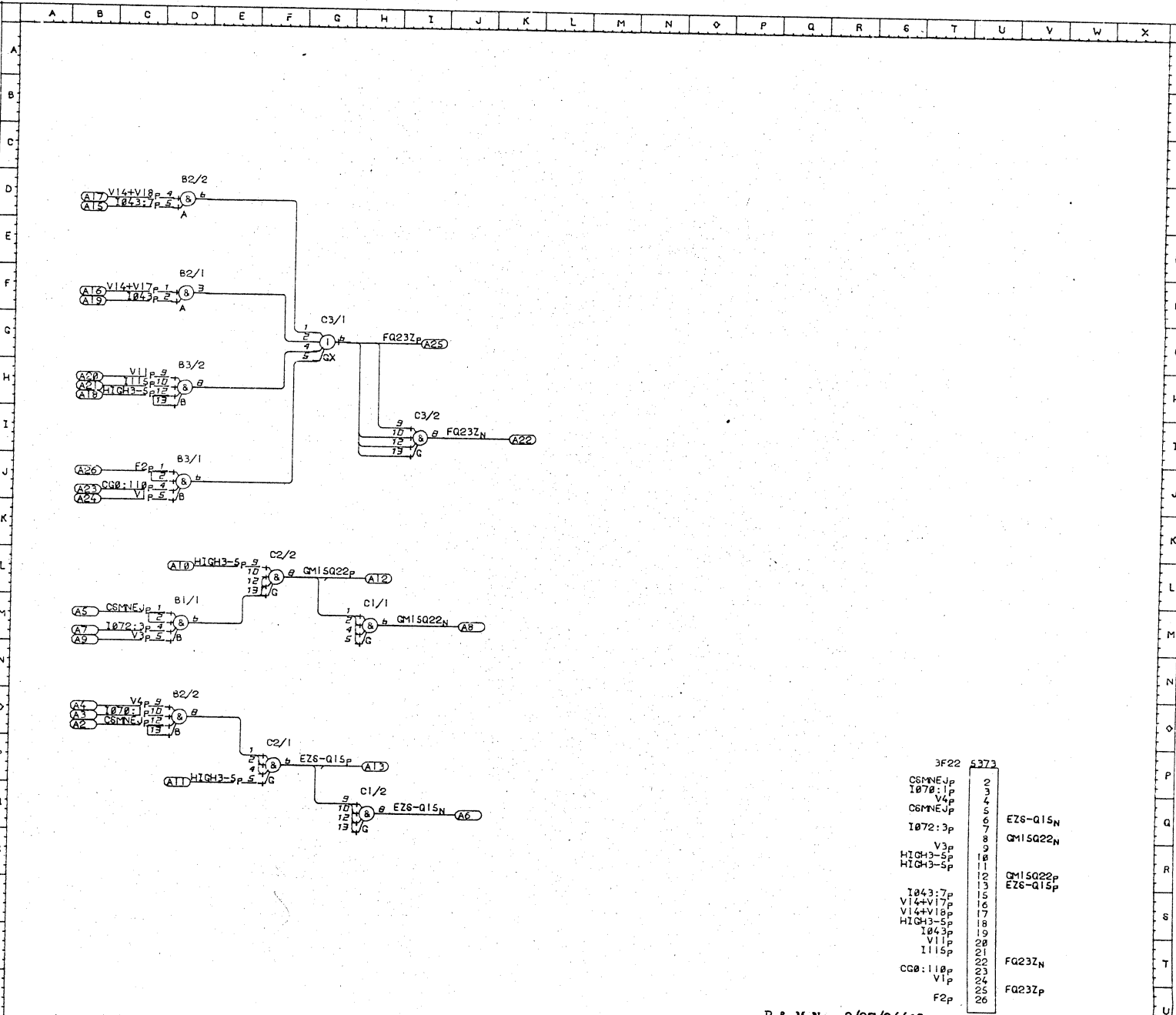


3F21	5397	3E16	5373
A23EM23N	2	CSMEJN	2
V12P	3	I878-1P	3
GALDP	4	V4P	4
ZROOVN	5	I878-1N	5
HIGH3-5P	6	XD4N	6
I844-6P	7	XD2N	7
XD7P	8	CG87NF1P	8
RN23P	9	HIGH3-4P	9
I872-3P	10	CUSDINA	10
I872-5P	11	COVIP	11
E01P	12	E01P	12
V8P	13	COVIP	13
I131-7P	14	COVIP	14
V1P	15	V1P	15
R823P	16	I874-5P	16
HIGH3-5P	17	I874-5P	17
I844-6P	18	I114-5P	18
FLQ1P	19	V15P	19
ENAAG-1P	20	V15P	20
I844-6P	21	I114-5P	21
V12P	22	V15P	22
A23EM23P	23	HIGH3-4P	23
	24		24
	25		25
	26		26

CCW: 0210 15/05/70 COV&GZSM22 5397 - P & M No. 3/07/05514 5573 - P & M No. 3/07/06612 WGH01\*\*\* / 0100 UATA COWB213

ISSUE:	2	TYPE	MOD:	5373-00	TYPE	MOD:	5397-00	TYPE	MOD:	WGHO1*** / 0100	UATA	COWB213
ACC:	3017	(ECC4086)	ECC:		ECC:		ECC:		ECC:			

CQ0:110p133 DJ UP  
 CSMNEJp22 DM DO UP  
 EZ6-Q15pFF HQ UP 223  
 EZ6-Q15pHQ UP  
 FQ23Zp17 DJ UP  
 FQ23Zp IG UP 200  
 FQ23Zp TI UP  
 GM15Q22pFL HM UP 203  
 GM15Q22pHM UP  
 HIGH3-5p167 DH FL FP  
 UP  
 I043p123 DF UP  
 I043:7p129 DO UP  
 I070:1p124 DO UP  
 I072:3p124 DM UP  
 I115p125 DH UP  
 V1p S2 DJ UP  
 V1p S3 DH UP  
 V14+V17p22 DF UP  
 V14+V18p22 DD UP  
 V3p S2 DM UP  
 V4p S2 DO UP

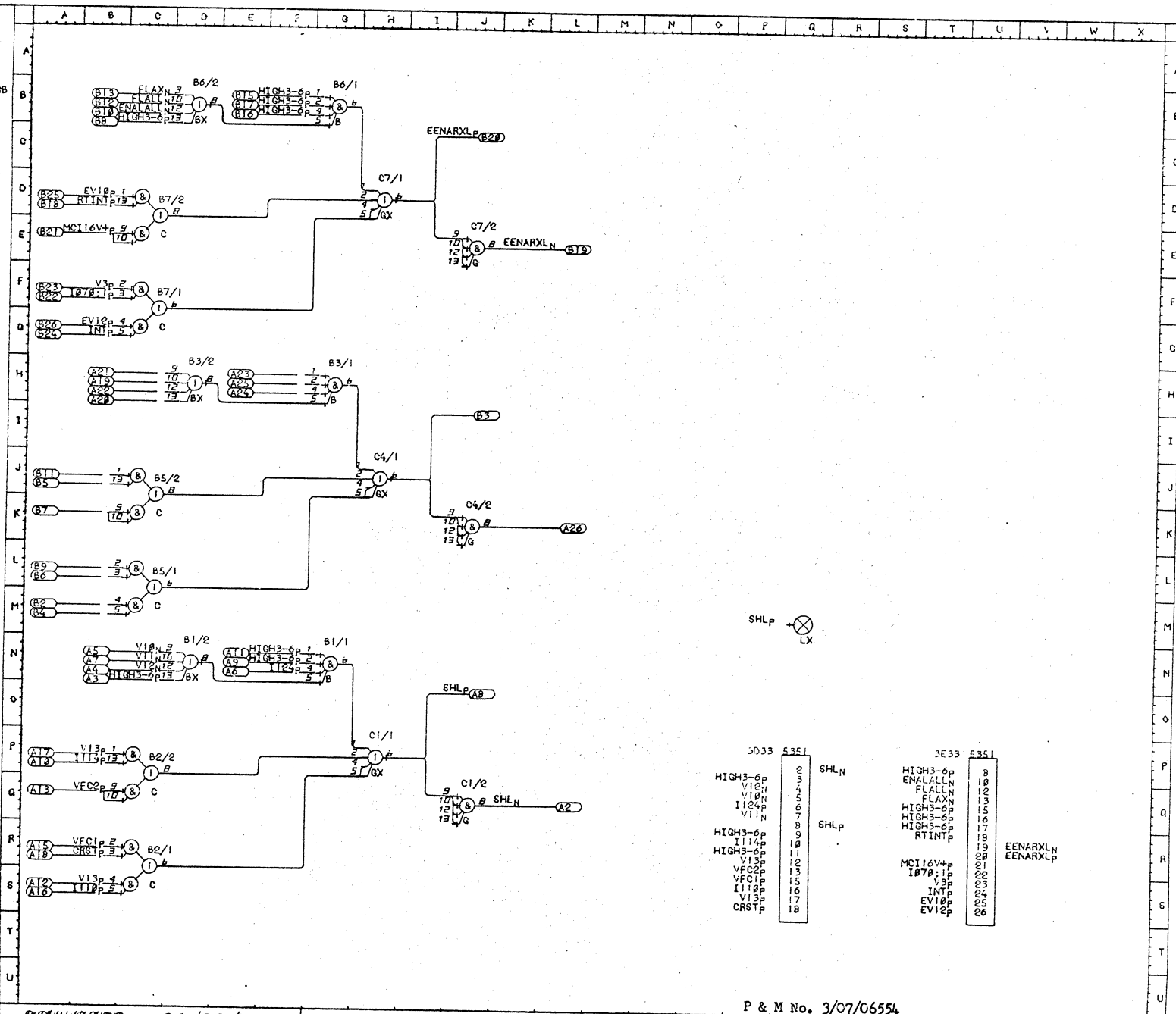


3F22	5373	
CSMNEJp	2	
I070:1p	3	
V4p	4	
CSMNEJp	5	
I072:3p	6	EZ6-Q15N
V3p	7	
HIGH3-5p	8	GM15Q22N
HIGH3-5p	9	
I043:7p	10	
V14+V17p	11	
V14+V18p	12	GM15Q22p
HIGH3-5p	13	EZ6-Q15P
I043p	14	
V1p	15	
I115p	16	
CQ0:110p	17	
V1p	18	FQ23Zn
F2p	19	
	20	FQ23Zp
	21	
	22	
	23	
	24	
	25	
	26	

P & M No. 3/07/06612

02/03/70		FQ23Z, GM15Q22&GZSM15		WGHO1***/0101	
166UE: I	TYPE MOD: 406 GO	TYPE MOD:	TYPE MOD:	TYPE MOD:	TYPE MOD:
ACD: 2767	ECC:	ECC:	ECC:	ECC:	ECC:

CRSTP 143 CR QP  
 EENARXLN 73 UP  
 ENALALLN 73 DB UP  
 EV10P 73 CO UP  
 EV12P 5398 CF UP  
 FLALLN 76 DB UP  
 FLAXN 113 DB UP  
 HIGH3-6 167 DB ON QP  
 GN DP UP  
 I070P 124 CF UP  
 I110P 125 CR QP  
 I114P 125 CR QP  
 I124P 122 GN QP  
 INT 147 CF UP  
 MCI16V4 22 CO UP  
 RTINTP 553 CO UP  
 SHLP 70 24 QP 200  
 SHLN 249  
 V10P 53 ON QP  
 V11P 53 ON QP  
 V12P 53 ON QP  
 V13P 53 ON QP  
 V3P 52 CF UP  
 VFC1P 49 CR QP  
 VFC2P 49 CR QP



SHLP ⊗ LX

5033	5351	SHLN	3E33	5351
HIGH3-6P	0		HIGH3-6P	8
V12N	3		ENALALLN	10
V12N	4		FLALLN	12
V12N	5		FLAXN	13
I124P	6		HIGH3-6P	15
V11N	7		HIGH3-6P	16
	8		HIGH3-6P	17
	9		RTINTP	18
HIGH3-6P	10	SHLP		19
I114P	11			20
HIGH3-6P	12			21
V13P	13		MCI16V4	22
VFC2P	14		I070P	23
VFC1P	15		V3P	24
I110P	16		INTP	25
V13P	17		EV10P	26
CRSTP	18		EV12P	27

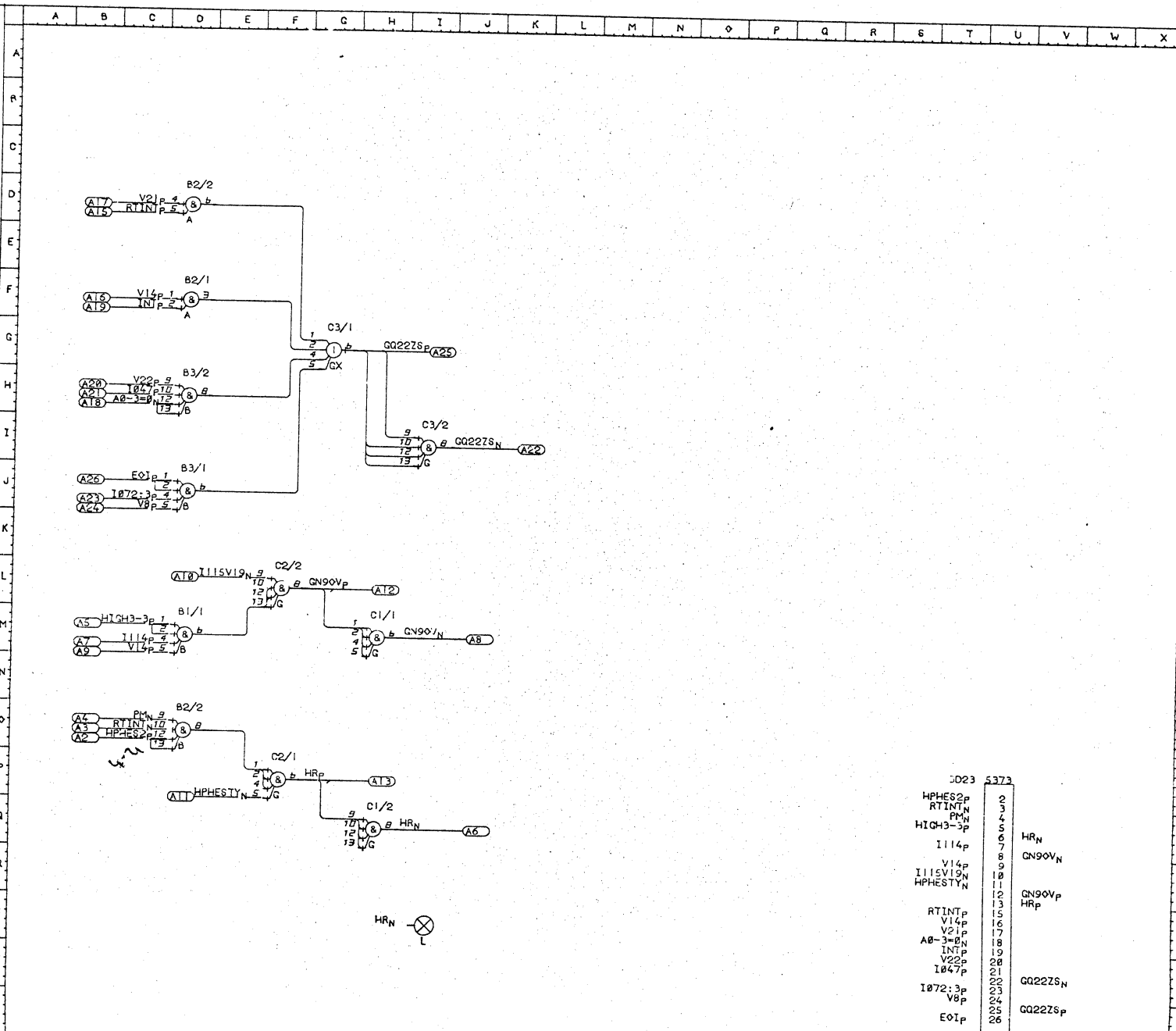
26/02/70 SHIFT LEFT

P & M No. 3/07/6654

WGHO1\*\*\*/0102

ISSUE: /	TYPE MOD: /	TYPE MOD: /	TYPE MOD: /	TYPE MOD: /	TYPE MOD: /
ACC: 2767	ECC: 1425	ECC: /	ECC: /	ECC: /	ECC: /

A0-3-BN48 DH UP  
 E01p 41 DU UP  
 GN90Vp FL HM UP 140  
 226  
 GN90Vp HM UP  
 GQ22ZSp1G UP 153  
 GQ22ZSp1I UP 153  
 HIGH3-3p167 DM UP  
 HPHE2P5S9 DO UP  
 HPHESTYN139 FP UP  
 HRp 36 48 42 45 48  
 HQ UP 141 146  
 147  
 HRN HQ 1 5 6 12  
 13 15 20 21 24  
 27 28 35 37 46  
 48 50 16 UP  
 140 223  
 I047p 142 DH UP  
 I072-3p 124 DJ UP  
 I114p 125 DM UP  
 I115V19N22 FL UP  
 INTp 147 DF UP  
 PMN 145 DO UP  
 RTINTp 5393 DO UP  
 RTINTN 5398 DO UP  
 V14p 53 DF DM UP  
 V21p 53 DO UP  
 V22p 54 DH UP  
 V0p 52 DJ UP

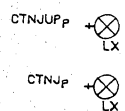
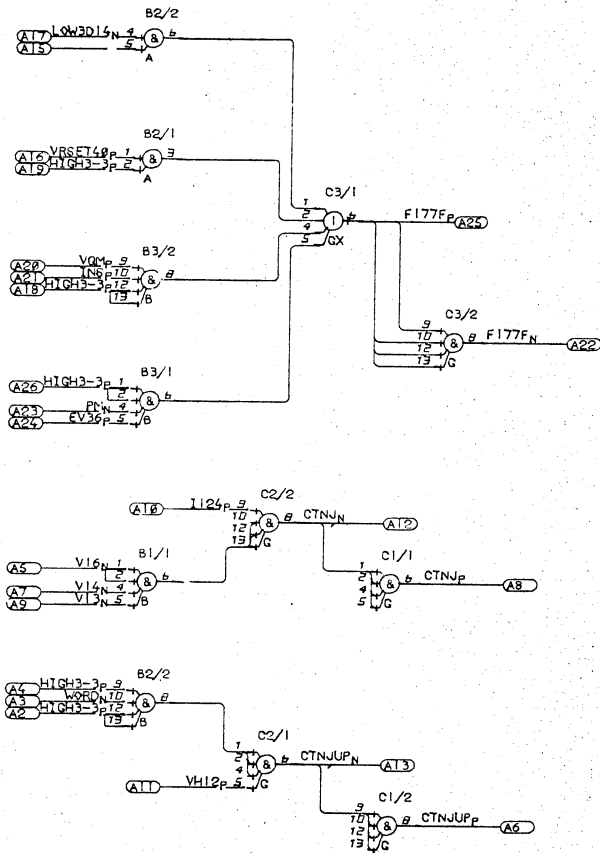


Symbol	Quantity	Notes
HPHE2P	2	
RTINTN	3	
PMN	4	
HIGH3-3p	5	
HRN	6	
I114p	7	
GN90Vp	8	
V14p	9	
I115V19N	10	
HPHESTYN	11	
GN90Vp	12	
HRp	13	
RTINTp	15	
V14p	16	
V21p	17	
A0-3-BN	18	
INTp	19	
V22p	20	
I047p	21	
GQ22ZSN	22	
I072-3p	23	
V0p	24	
GQ22ZSp	25	
E01p	26	

P & M No. 3/07/06612

02/03/70		GQ22ZS, HR-&GN90V		WGHO1*** / 0103	
ISSUE: 1	TYPE MOD: 406 Oo	TYPE MOD:	TYPE MOD:	TYPE MOD:	TYPE MOD:
ACC: 2767	ECC:	ECC:	ECC:	ECC:	ECC:

CTNJ<sub>p</sub> HM QR UP 222  
 CTNJ<sub>p</sub> FL HM UP 247  
 CTNJ<sub>p</sub> PHG QG UP 222  
 CTNJ<sub>p</sub> NFP HQ UP 247  
 EV36<sub>p</sub> 55 DJ UP  
 F177<sub>p</sub> IG UP 116  
 F177<sub>p</sub> II UP 165  
 HIGH3-3<sub>p</sub> 167 OF OH DJ  
 DO UP  
 I124<sub>p</sub> 122 FL UP  
 INS<sub>p</sub> 142 DH UP  
 LOW3D14<sub>p</sub> NUP DO  
 FMN 145 OJ UP  
 V13<sub>N</sub> 53 OM UP  
 V14<sub>N</sub> 53 OM UP  
 V16<sub>N</sub> 53 OM UP  
 VH12<sub>p</sub> 56 FP UP  
 VGM<sub>p</sub> 51 OH UP  
 VRSET40<sub>p</sub> 48 DF UP  
 WORDN 266 DO UP



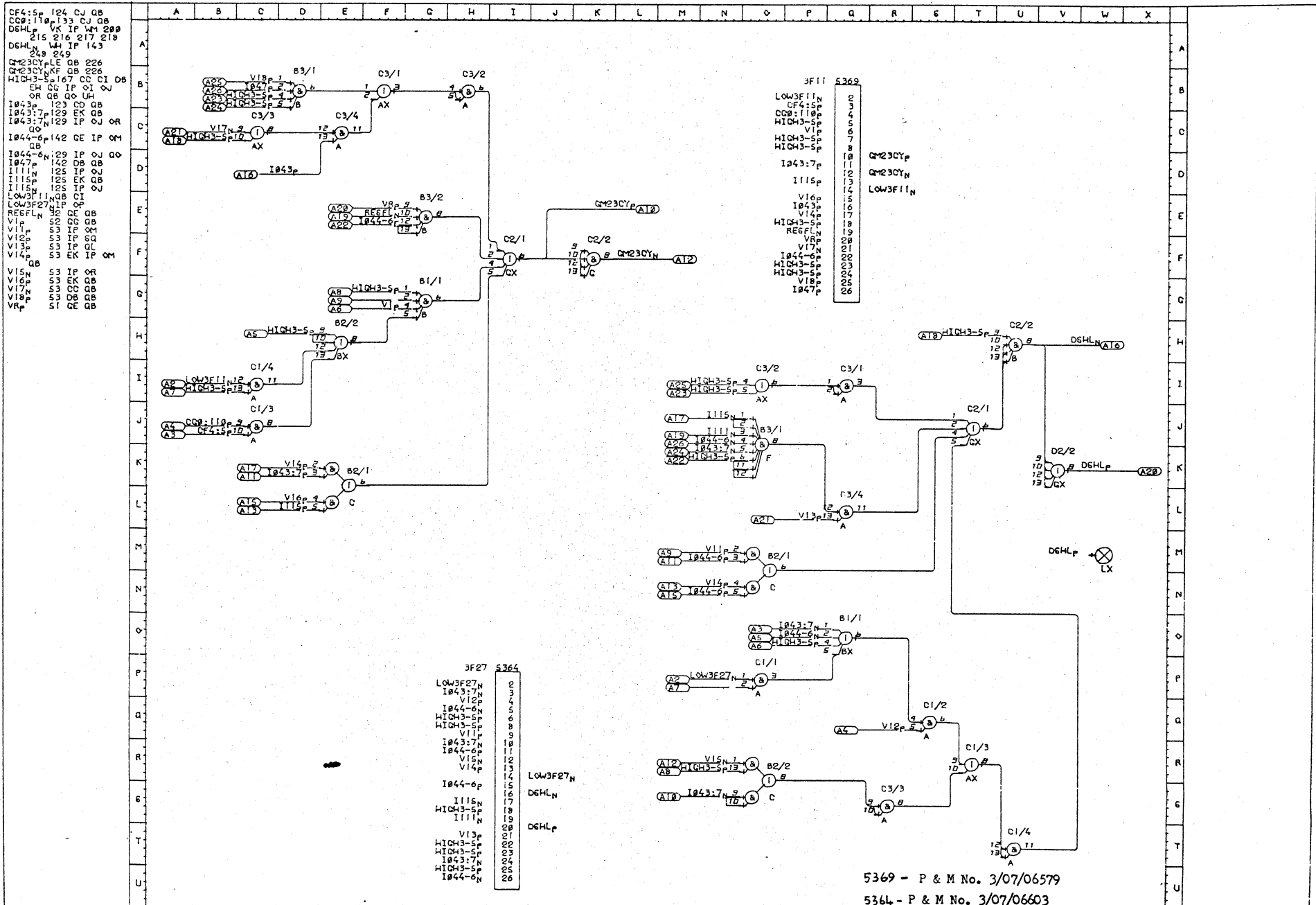
3014	5373	
HIGH3-3 <sub>p</sub>	2	
WORDN	3	
HIGH3-3 <sub>p</sub>	4	
V16 <sub>N</sub>	5	
V14 <sub>N</sub>	6	CTNJUP <sub>p</sub>
V13 <sub>N</sub>	7	CTNJ <sub>p</sub>
I124 <sub>p</sub>	8	
VH12 <sub>p</sub>	9	
	10	
	11	
	12	CTNJ <sub>N</sub>
	13	CTNJUP <sub>N</sub>
	14	LOW3D14 <sub>N</sub>
VRSET40 <sub>p</sub>	15	
LOW3D14 <sub>N</sub>	16	
HIGH3-3 <sub>p</sub>	17	
HIGH3-3 <sub>p</sub>	18	
HIGH3-3 <sub>p</sub>	19	
VGM <sub>p</sub>	20	
INS <sub>p</sub>	21	F177 <sub>N</sub>
FMN	22	
EV36 <sub>p</sub>	23	F177 <sub>p</sub>
HIGH3-3 <sub>p</sub>	24	
	25	
	26	

P & M No. 3/07/06612

02/03/70 F177F, CTNJ&CTNJUP

WGH01\*\*\*/0104

ISSUE: 1	TYPE MOD: 405 OC	TYPE MOD:	TYPE MOD:	TYPE MOD:	TYPE MOD:
ACC: 2767	ECC:	ECC:	ECC:	ECC:	ECC:
				TYPE MOD:	TYPE MOD:
				ECC:	ECC:



28/02/70

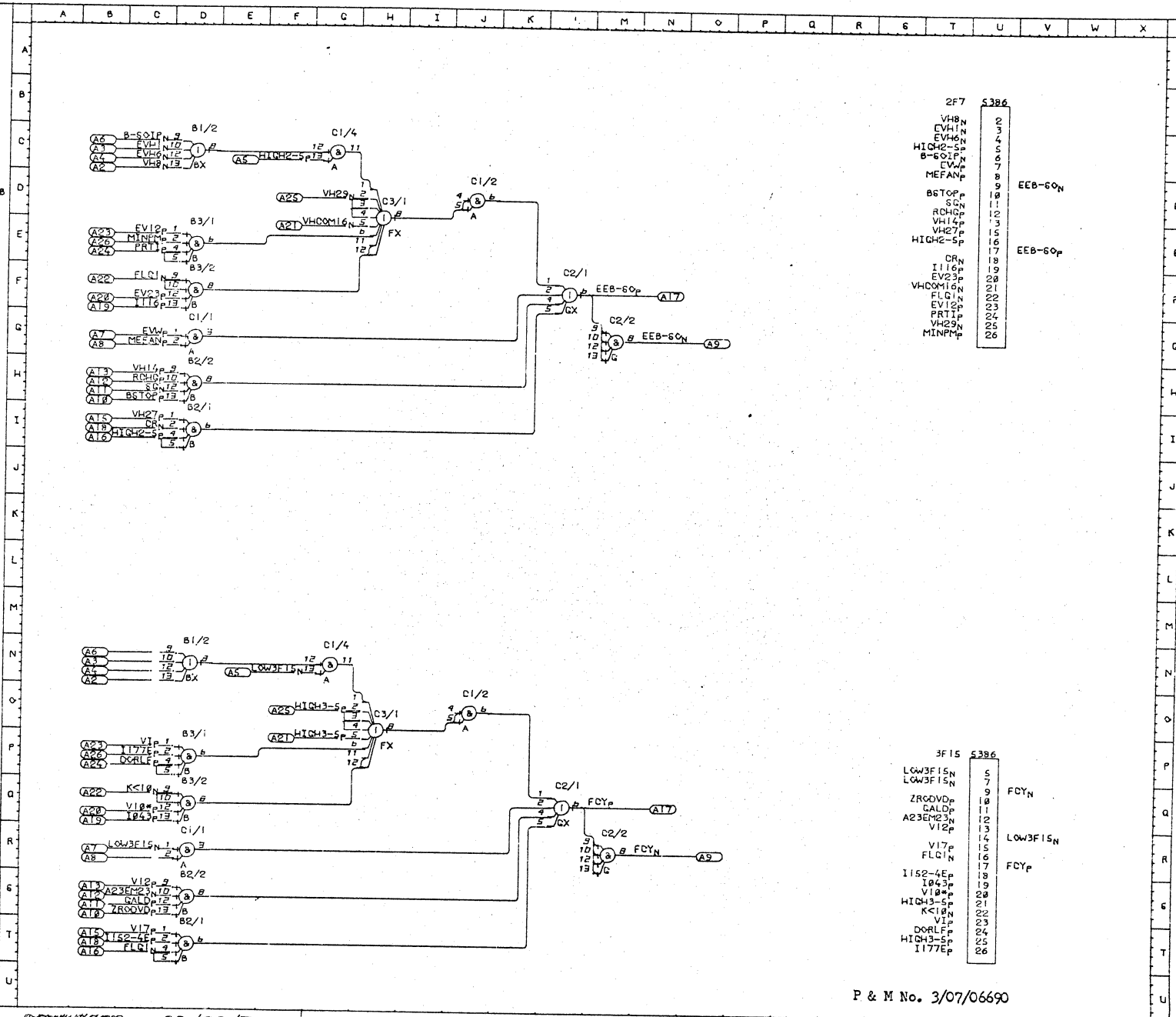
M23-CY&DSHL

WGHO1\*\*\*/0105

ISSUE: 1	TYPE MOD: 5364-400 00	TYPE MOD: 5369-400 00	TYPE MOD:	TYPE MOD:	TYPE MOD:
ACC: 2767	ECC:	ECC:	ECC:	ECC:	ECC:



A23EM23N 198 D6 UP  
 B-501P 148 DC UB  
 B5TOP 157 D4 UB  
 C4N 254 D1 UB  
 DORLP 245 DP UP  
 EEB-60N LF 75 MC UB  
 181  
 EEB-60N MQ UB  
 EV12P 5398 DE UB  
 EV23P 9 DP UB  
 EVH4N 45 DC UB  
 EVH6N 59 DC UB  
 EVWp 3 DR UB  
 FCYp LG 41 MR UP  
 FCYN 226 MR UP  
 FLQIN 152 DF DT UB  
 181  
 CALDp 72 D6 UP  
 HIGH3-5P 167 D1 CC UB  
 HIGH3-5P 167 HO UP  
 I043P 123 DQ UP  
 I116P 5391 DF UB  
 I152-4E 5394 DT UP  
 I177E 126 DP UP  
 K<18N 139 DQ UP  
 LOW3F15N DP DR GN  
 MEFAN 161 DC UB  
 MINPM 75 DE UB  
 PRT1P 169 DE UB  
 RCHOP 266 OH US  
 SC 167 OH UB  
 V18P 139 DQ UP  
 V12P 53 D6 UP  
 V17P 53 D1 UP  
 VH17P 56 OH UB  
 VH27P 56 D1 UB  
 VH29N 56 HO UB  
 VH8N 57 DC UB  
 VHCOM16N 22 HO UB  
 V1P 51 DP UP  
 ZRCOVDp 17 D6 UP



2F7	5386	
VH8N	2	
EVH4N	3	
EVH6N	4	
HIGH2-5P	5	
B-501P	6	
EVWp	7	
MEFAN	8	
B5TOP	9	EEB-60N
SCN	10	
RCHOP	11	
VH14P	12	
VH27P	13	
HIGH2-5P	14	
	15	EEB-60P
	16	
	17	
DRN	18	
I116P	19	
EV23P	20	
VHCOM16N	21	
FLQIN	22	
EV12P	23	
PRT1P	24	
VH25P	25	
MINPM	26	

3F15	5386	
LOW3F15N	5	
LOW3F15N	7	
ZRCOVDp	9	FCYN
CALDp	10	
A23EM23N	11	
V12P	12	
	13	LOW3F15N
	14	
V17P	15	
FLQIN	16	FCYP
	17	
I152-4E	18	
I043P	19	
V10P	20	
HIGH3-5P	21	
K<18N	22	
V1P	23	
DORLP	24	
HIGH3-5P	25	
I177E	26	

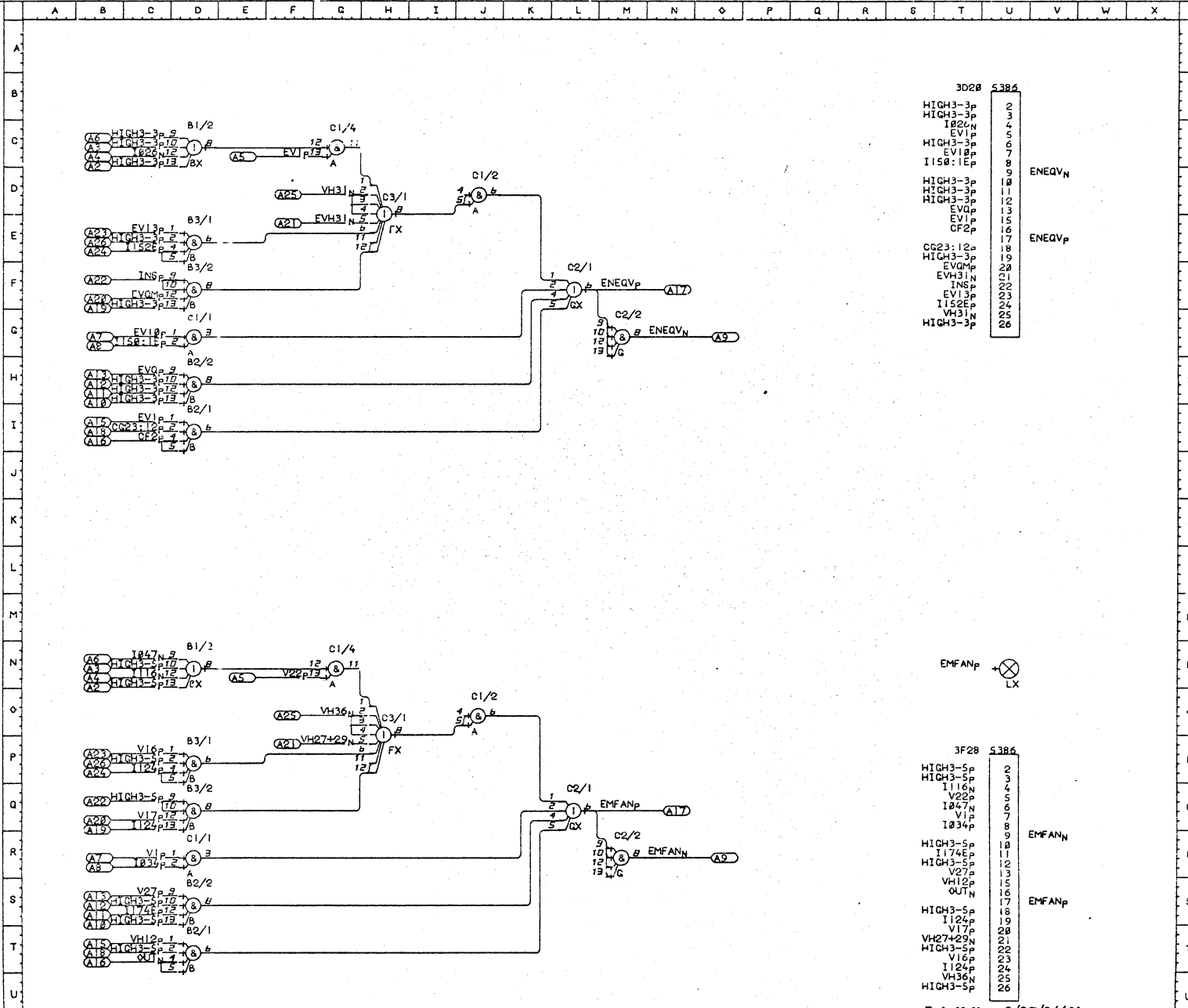
P & M No. 3/07/06690

28/02/70 FCY&GBSTO

WGH01\*\*\*/0106

ISSUE: 1	TYPE MOD: 06 OG	TYPE MOD:	TYPE MOD:	TYPE MOD:	TYPE MOD:
ACD: 2767	ECC:	ECC:	ECC:	ECC:	ECC:

CF2p 119 DI UB  
 LC23:12p133 DI UB  
 CFAN: LQ MR UN UP  
 229 281 282 283  
 223  
 EMFAN: MR UP 143  
 ENEQV: LF 7K MG UB  
 ENEQV: MG UB  
 EV1p 8 DI GC UB  
 EV18p 13 DG UB  
 EV13p 16 DE UB  
 EVH31 59 HO UB  
 EV4p 1 DH UB  
 EVCM 1 DF US  
 HIGH3-3p167 DC DE DF  
 HIGH3-5p167 DN DP DQ  
 OS DT UP  
 I026N 122 DC US  
 I034P 135 DR UP  
 I047N 123 DN UP  
 I116N 125 DN UP  
 I124P 122 DP DQ UP  
 I150: 1E139 DE UB  
 I174EP 126 DS UP  
 INS: 142 DF UB  
 SUT: 206 DR UP  
 V16P 53 DP UP  
 V17P 53 DQ UP  
 V22P 54 DN UP  
 V27P 54 DS UP  
 VH12P 56 DT UP  
 VH27+29N 22 HO UP  
 VH31N 58 HO UB  
 VH36N 49 HO UP



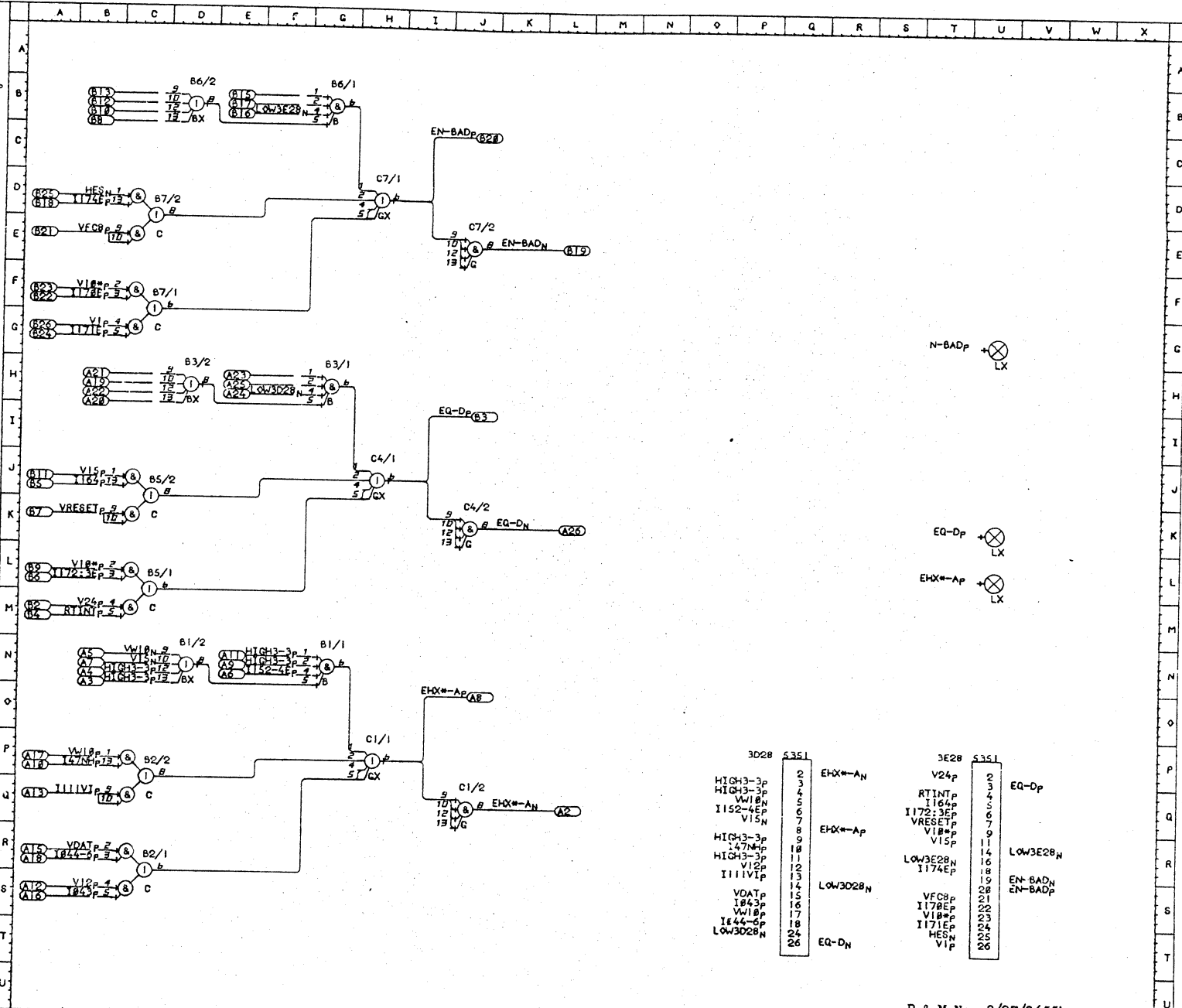
3D2#	5386
HIGH3-3p	2
HIGH3-3p	3
I026N	4
EV1P	5
HIGH3-3p	6
EV18P	7
I150:1EP	8
HIGH3-3p	9
HIGH3-3p	10
HIGH3-3p	11
EV0P	12
EV1P	13
CF2P	14
	15
	16
	17
CG23:12p	18
HIGH3-3p	19
EVQMP	20
EVH31N	21
INS: P	22
EV13P	23
I152EP	24
VH31N	25
HIGH3-3p	26

3F2B	5386
HIGH3-5p	2
HIGH3-5p	3
I116N	4
V22P	5
I047N	6
V1P	7
I034P	8
HIGH3-5p	9
HIGH3-5p	10
I174P	11
HIGH3-5p	12
V27P	13
VH12P	14
OUTN	15
	16
	17
HIGH3-5p	18
I124P	19
V17P	20
VH27+29N	21
HIGH3-5p	22
V16P	23
I124P	24
VH36N	25
HIGH3-5p	26

26/02/70 EMFAN&NEQV P & M No. 3/07/06690 WGH01\*\*\*/0107

ISSUE:	TYPE	MOD:	TYPE	MOD:	TYPE	MOD:	TYPE	MOD:	TYPE	MOD:
ACC: 2767	ECC:	00	ECC:		ECC:		ECC:		ECC:	

EHX\*-AP JQ QP UL  
 EHX\*-AN JQ QP 249  
 EN-BAD JQ UP 262  
 EN-BAD N JE UP  
 EQ-DN JI UK UP  
 EQ-DN JK QP 249  
 HES-N 146 CD UP  
 HIGH3-3P 167 DN QP  
 I164P 123 CR QP  
 I164-6P 142 CR QP  
 I111VIP 140 CR QP  
 I152-4EP 5394 QZ QP  
 I164P 142 CU UP  
 I178P 126 CF UP  
 I171EP 126 CF UP  
 I172:3EP 133 CL UP  
 I174EP 126 CD UP  
 I47NHP 142 CD QP  
 LOW3E28N QP Q8  
 LOW3E28N UP Q8  
 N-BAD P JI UG  
 RTINT P 5393 CL UP  
 RTINT P 52 CF UP  
 V15P 139 CR CF CL UP  
 V15P 53 CR CF CL UP  
 V15P 53 CR CF CL UP  
 V15P 53 DN QP  
 V24P 54 CL CL UP  
 VDAT P 51 CR CR QP  
 VFC8P 57 CR CR QP  
 VRESET P 49 CR UP  
 VW18P 52 CR QP  
 VW18N 52 CR QP

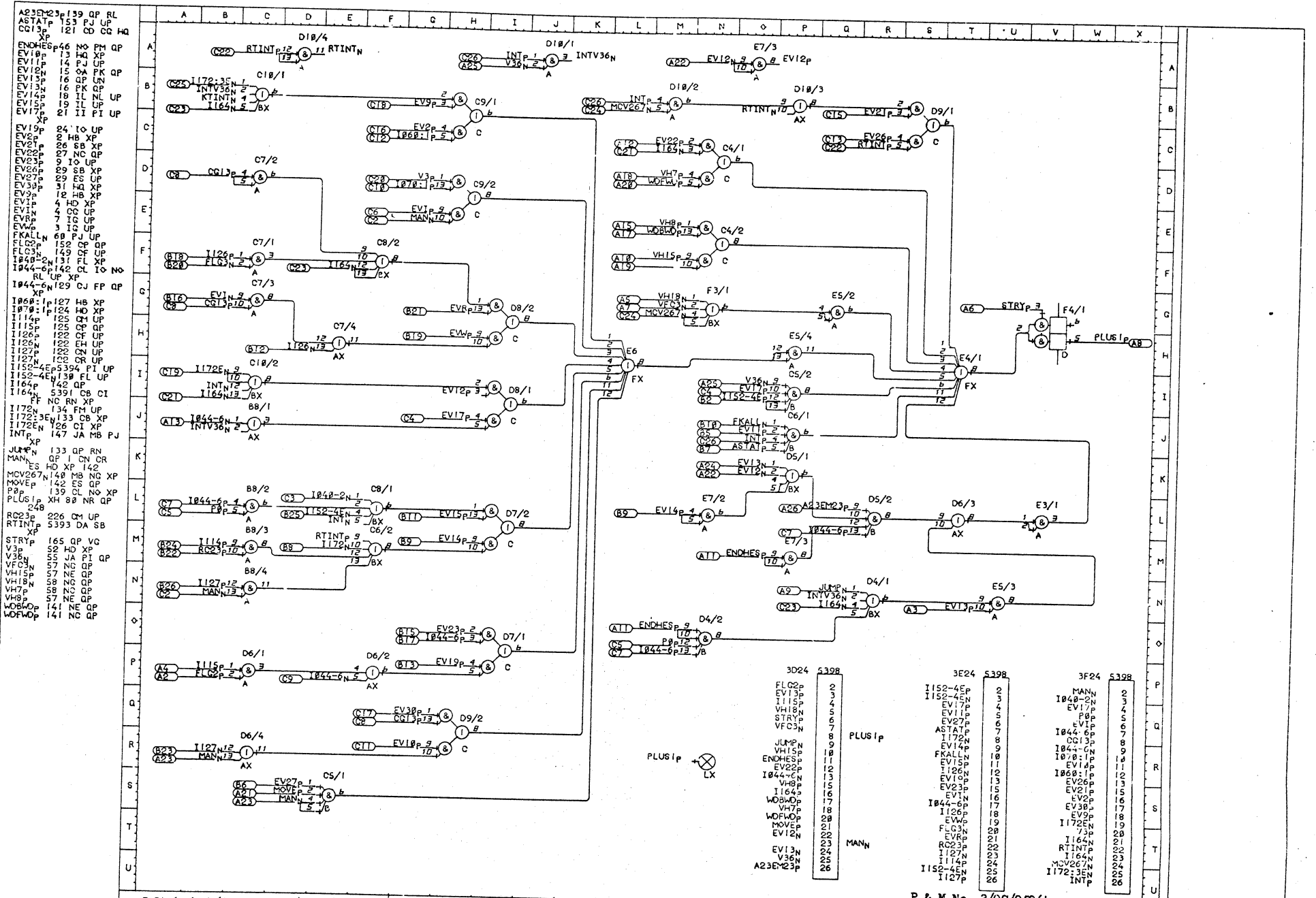


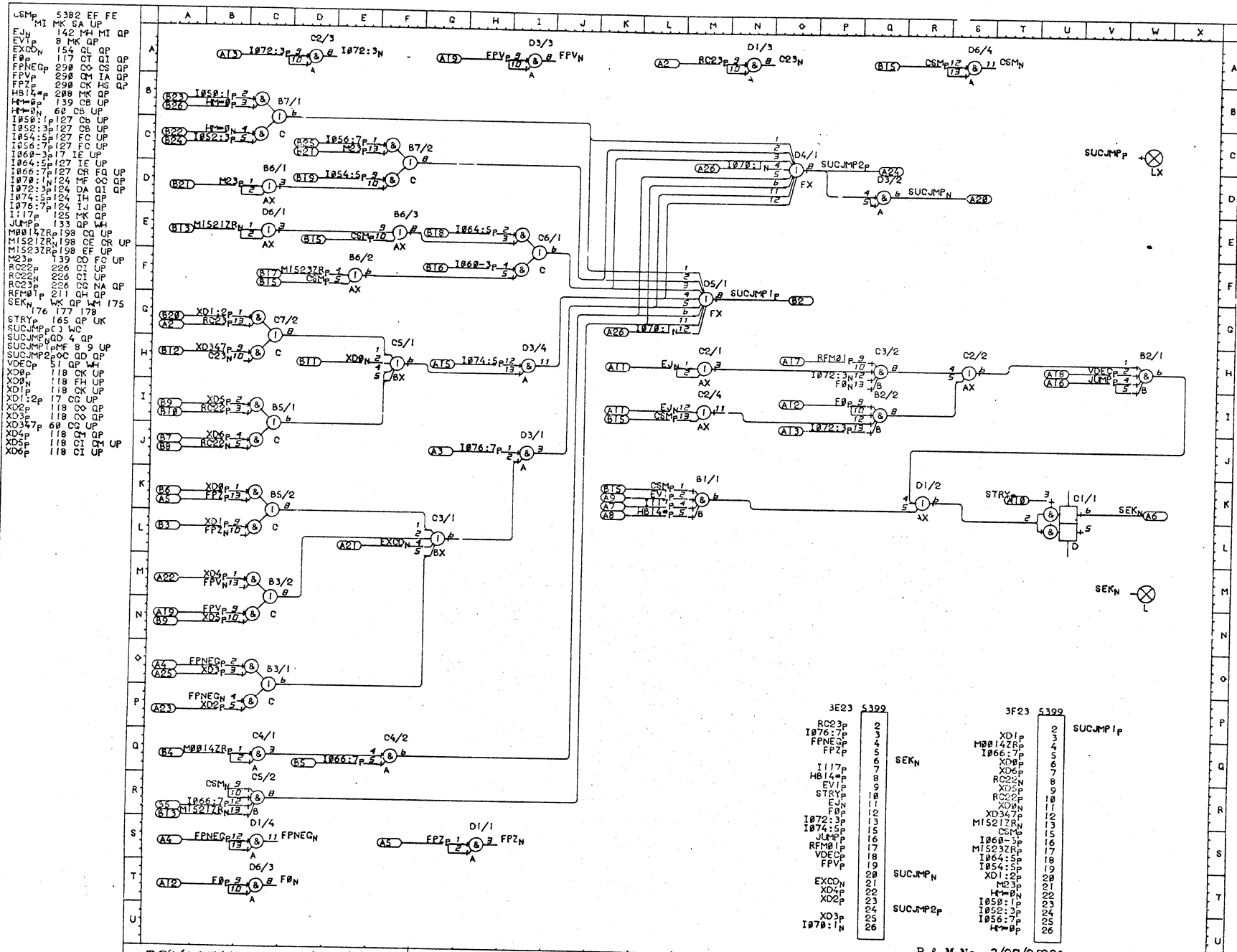
3D28	5351		3E28	5351
HIGH3-3P	2	EHX*-AN	V24P	2
HIGH3-3P	3		RTINT P	3
VW18N	4		I164P	4
I152-4EP	5		I172:3EP	5
V15N	6	EHX*-AP	VRESET P	6
	7		V18P	7
HIGH3-3P	8		V15P	8
I47NHP	9			9
HIGH3-3P	10		LOW3E28N	10
V12P	11		I174EP	11
I111VIP	12	LOW3D28N		12
	13			13
	14			14
VDAT P	15		VFC8P	15
I164P	16		I178P	16
VW18P	17		V18P	17
I164-6P	18		I171EP	18
LOW3D28N	19		HES-N	19
	20		VIP	20
	21			21
	22			22
	23			23
	24			24
	25			25
	26			26

P & M No. 3/07/06554

GNBAD, GQDPROG, GX\*-A

ISSUE: 1	TYPE MOD: 1	TYPE MOD:	TYPE MOD:	TYPE MOD:	TYPE MOD:	TYPE MOD:
ACC: 2767	ECC: 1425	ECC:	ECC:	ECC:	ECC:	ECC:





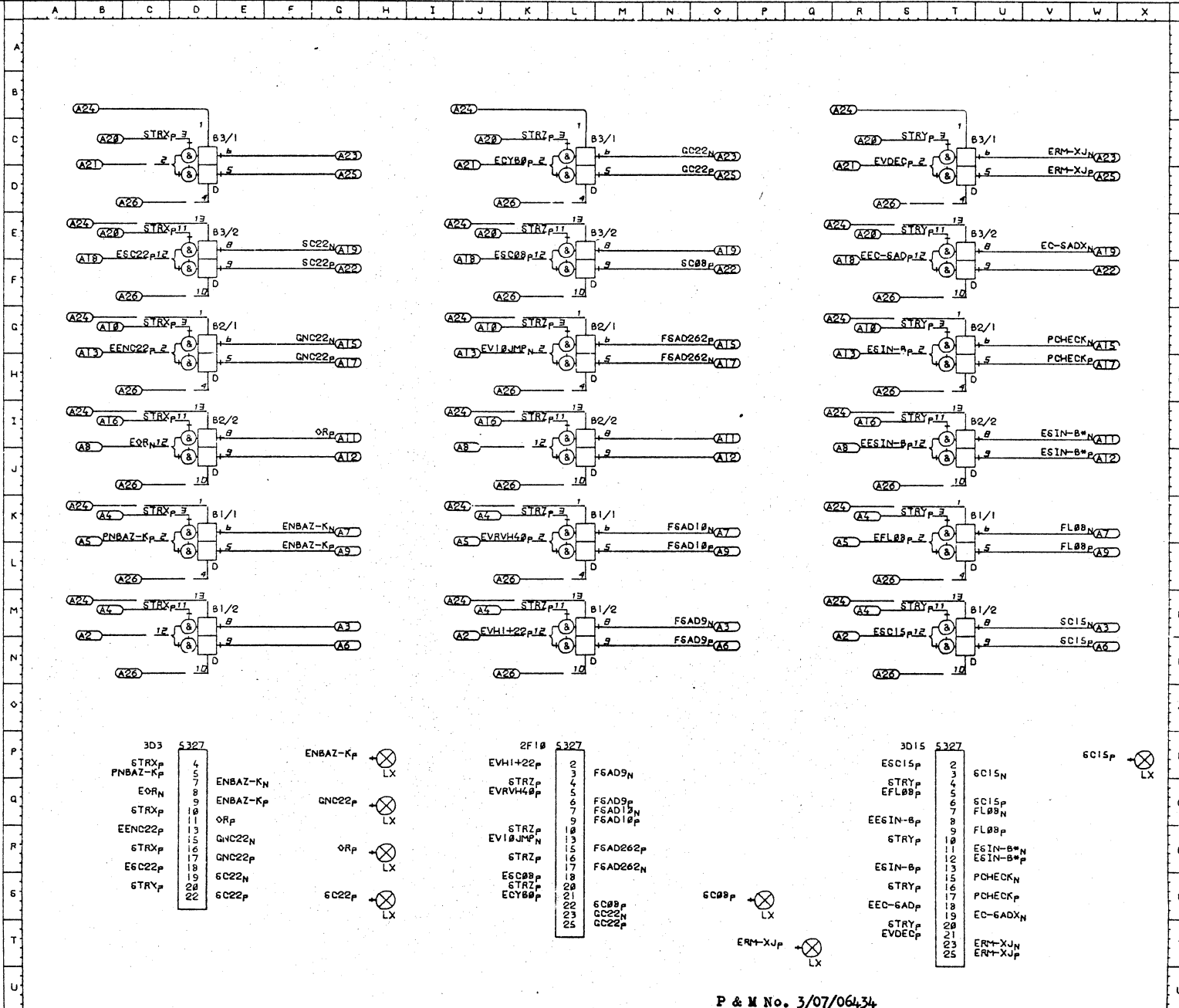
- GMF 5382 EF FE
- EVJ 142 MI MI QP
- EVJ 8 MK QP
- EXCDN 154 QL QP
- FB 117 CT QP
- FFNEGP 298 CO QP
- FFVP 298 CK IA QP
- FFZ 298 CK HG QP
- HB14 298 CK QP
- HM 139 CB UP
- HM 60 CB UP
- I158 127 CB UP
- I152 127 CB UP
- I154 127 CB UP
- I156 127 CB UP
- I157 127 CB UP
- I158 127 CB UP
- I159 127 CB UP
- I160 127 CB UP
- I161 127 CB UP
- I162 127 CB UP
- I163 127 CB UP
- I164 127 CB UP
- I165 127 CB UP
- I166 127 CB UP
- I167 127 CB UP
- I168 127 CB UP
- I169 127 CB UP
- I170 127 CB UP
- I171 127 CB UP
- I172 127 CB UP
- I173 127 CB UP
- I174 127 CB UP
- I175 127 CB UP
- I176 127 CB UP
- I177 127 CB UP
- I178 127 CB UP
- I179 127 CB UP
- I180 127 CB UP
- I181 127 CB UP
- I182 127 CB UP
- I183 127 CB UP
- I184 127 CB UP
- I185 127 CB UP
- I186 127 CB UP
- I187 127 CB UP
- I188 127 CB UP
- I189 127 CB UP
- I190 127 CB UP
- I191 127 CB UP
- I192 127 CB UP
- I193 127 CB UP
- I194 127 CB UP
- I195 127 CB UP
- I196 127 CB UP
- I197 127 CB UP
- I198 127 CB UP
- I199 127 CB UP
- I200 127 CB UP
- I201 127 CB UP
- I202 127 CB UP
- I203 127 CB UP
- I204 127 CB UP
- I205 127 CB UP
- I206 127 CB UP
- I207 127 CB UP
- I208 127 CB UP
- I209 127 CB UP
- I210 127 CB UP
- I211 127 CB UP
- I212 127 CB UP
- I213 127 CB UP
- I214 127 CB UP
- I215 127 CB UP
- I216 127 CB UP
- I217 127 CB UP
- I218 127 CB UP
- I219 127 CB UP
- I220 127 CB UP
- I221 127 CB UP
- I222 127 CB UP
- I223 127 CB UP
- I224 127 CB UP
- I225 127 CB UP
- I226 127 CB UP
- I227 127 CB UP
- I228 127 CB UP
- I229 127 CB UP
- I230 127 CB UP
- I231 127 CB UP
- I232 127 CB UP
- I233 127 CB UP
- I234 127 CB UP
- I235 127 CB UP
- I236 127 CB UP
- I237 127 CB UP
- I238 127 CB UP
- I239 127 CB UP
- I240 127 CB UP
- I241 127 CB UP
- I242 127 CB UP
- I243 127 CB UP
- I244 127 CB UP
- I245 127 CB UP
- I246 127 CB UP
- I247 127 CB UP
- I248 127 CB UP
- I249 127 CB UP
- I250 127 CB UP
- I251 127 CB UP
- I252 127 CB UP
- I253 127 CB UP
- I254 127 CB UP
- I255 127 CB UP
- I256 127 CB UP
- I257 127 CB UP
- I258 127 CB UP
- I259 127 CB UP
- I260 127 CB UP
- I261 127 CB UP
- I262 127 CB UP
- I263 127 CB UP
- I264 127 CB UP
- I265 127 CB UP
- I266 127 CB UP
- I267 127 CB UP
- I268 127 CB UP
- I269 127 CB UP
- I270 127 CB UP
- I271 127 CB UP
- I272 127 CB UP
- I273 127 CB UP
- I274 127 CB UP
- I275 127 CB UP
- I276 127 CB UP
- I277 127 CB UP
- I278 127 CB UP
- I279 127 CB UP
- I280 127 CB UP
- I281 127 CB UP
- I282 127 CB UP
- I283 127 CB UP
- I284 127 CB UP
- I285 127 CB UP
- I286 127 CB UP
- I287 127 CB UP
- I288 127 CB UP
- I289 127 CB UP
- I290 127 CB UP
- I291 127 CB UP
- I292 127 CB UP
- I293 127 CB UP
- I294 127 CB UP
- I295 127 CB UP
- I296 127 CB UP
- I297 127 CB UP
- I298 127 CB UP
- I299 127 CB UP
- I300 127 CB UP

3E23	5399		
RC23p	2		
I177p	3		
EVJp	4		
FFZp	5		
HM	6		
I117p	7		
EVJp	8		
STRYP	9		
EJN	10		
FBp	11		
I172:3p	12		
I174:5p	13		
JUMPP	14		
RFM01p	15		
VDECp	16		
FFVP	17		
EXCDN	18		
X04p	19		
X02p	20		
X03p	21		
I179:1N	22		
	23		
	24		
	25		
	26		

26/02/70 SUCJUMP&SEK P & M No. 3/07/05091 WGH01\*\*\*/0111

ISSUE: 1	TYPE MOD: 00	TYPE MOD:	TYPE MOD:	TYPE MOD:	TYPE MOD:	TYPE MOD:
ACC: 2767	ECC:	ECC:	ECC:	ECC:	ECC:	ECC:

EC-SADX WE TP 167  
 EYB8p 36 LC LP  
 EEC-SADp 92 TE TP  
 EENC22p 52 DG DP  
 EESIN-Bp 94 TI TP  
 EFL88p 114 TK TP  
 ENBAZ-Kp 94 DP HP 178  
 171 172 173 174  
 175 176 177 178  
 ENBAZ-Kp 94 DP  
 EORp 44 OI DP  
 ERM-XJp 94 QT TP 240  
 ERM-XJp 94 TP  
 ESC08p 17 LE LP  
 ESC15p 97 TM TP  
 ESC22p 98 DE DP  
 EESIN-Bp 248 TG TP  
 EESIN-Bp 94 TP 195  
 EESIN-Bp 94 TP  
 EVI8p 17 LG LP  
 EVDECp 2 TC TP  
 EVHI+22p 223 LM LP  
 EVRH48p 48 LK LP  
 FL88p 141 TP  
 FL88p WK TP 182  
 FSA018p 12 LP  
 FSA018p 12 LP 115  
 FSA022p 12 LP 277  
 278  
 FSA022p 12 LP 115  
 FSA09p 9N LP  
 FSA09p 9N LP 115  
 GC22p 00 LP 199  
 GC22p 00 LP  
 QNC22p CH DP HQ 199  
 QNC22p CH DP  
 ORp CI DP HR 197  
 PCHECKp 60 TP  
 PCHECKp 60 TP  
 PNBAZ-Kp 94 DK DP  
 SC08p 0F LP PS 197  
 247  
 SC15p WN TP XP 191  
 197  
 SC15p WN TP  
 SC22p GF DP HS 193  
 197  
 SC22p GE DP  
 STRXp 165 DC DE DG  
 STRXp 165 DC DE  
 STRYp 165 TC TE TG  
 TI TK TM TP  
 STRZp 165 LC LE LG  
 LI LK LM LP



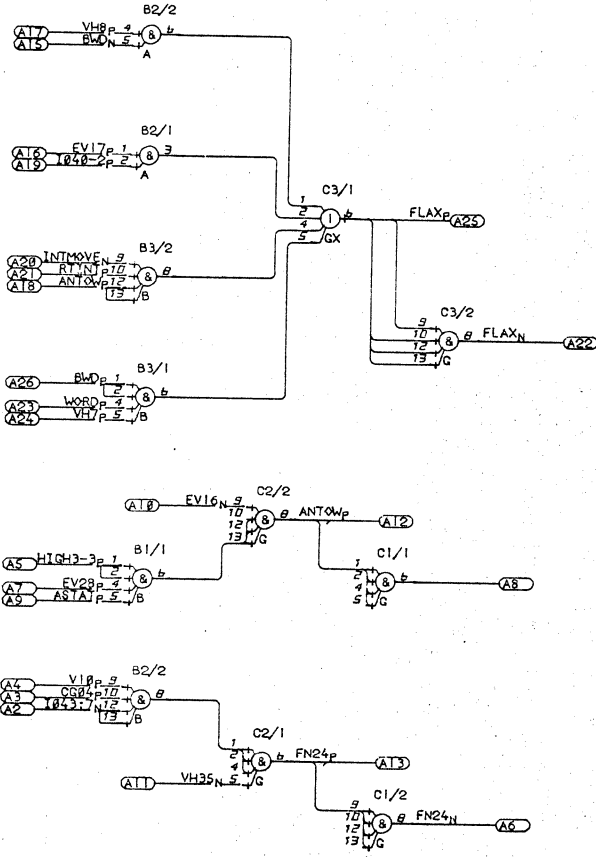
3D3	5327		
STRXp	4	ENBAZ-Kp	LX
PNBAZ-Kp	5		
EORp	8	ENBAZ-KN	
STRXp	9	ENBAZ-Kp	
STRXp	10	ORp	LX
EENC22p	11	QNC22N	
STRXp	13	QNC22p	ORp LX
ESC22p	15	6C22N	
STRXp	16	6C22p	6C22p LX
STRXp	17		
STRXp	18		
STRXp	19		
STRXp	20		
STRXp	21		
STRXp	22		

2F18	5327		
EVHI+22p	2	FSA09N	
STRZp	3		
EVRH48p	4	FSA09p	
	5	FSA018p	
	6	FSA018p	
STRZp	7	FSA022p	
EVHI+22p	8	FSA022p	
STRZp	9		
STRZp	10		
ESC08p	11		
STRZp	12		
STRZp	13		
STRZp	14		
STRZp	15		
STRZp	16		
STRZp	17		
STRZp	18		
STRZp	19		
STRZp	20		
STRZp	21		
STRZp	22		
STRZp	23		
STRZp	24		
STRZp	25		

3D15	5327		
EGC15p	2	SC15N	LX
STRYp	3		
EFL88p	4	SC15p	
	5	FL88N	
	6	FL88p	
	7	FL88p	
	8	FL88p	
EESIN-Bp	9	ESIN-B*N	
STRYp	10	ESIN-B*p	
	11	PCHECKN	
ESIN-Bp	12	PCHECKp	
STRYp	13	EC-SADp	
STRYp	14	EC-SADp	
STRYp	15		
STRYp	16		
STRYp	17		
STRYp	18		
STRYp	19		
STRYp	20		
STRYp	21		
STRYp	22		
STRYp	23		
STRYp	24		
STRYp	25		

P & M No. 3/07/06434

ANTOWp	FL	FL	DH	HM
ASTATp	153	DM	UP	
BWDp	266	DJ	UP	
BWDp	266	DO	UP	
CC04p	120	DO	UP	
EV16p	20	FL	UP	
EV17p	21	DF	UP	
EV28p	30	DM	UP	
FLAXp	11	IG	UP	
FLAXp	11	72	UP	102
FN24p	FF	HQ	UP	
FN24p	HQ	UP	22	
	249			
HIGH3-3p	167	DM	UP	
I043-2p	131	DF	UP	
I043-1p	129	DO	UP	
INTMOVEp	148	DH	UP	
RTINTp	3393	DH	UP	
VH8p	53	DO	UP	
VH35p	58	FP	UP	
VH7p	58	DJ	UP	
VH8p	57	DO	UP	
WORDp	266	DJ	UP	



3029	5373
I043-7N	2
CC04p	3
VH8p	4
HIGH3-3p	5
	6
	7
EV28p	8
ASTATp	9
EV16p	10
VH35p	11
	12
	13
	14
BWDp	15
EV17p	16
VH8p	17
ANTOWp	18
I043-2p	19
INTMOVEp	20
RTINTp	21
	22
WORDp	23
VH7p	24
	25
BWDp	26

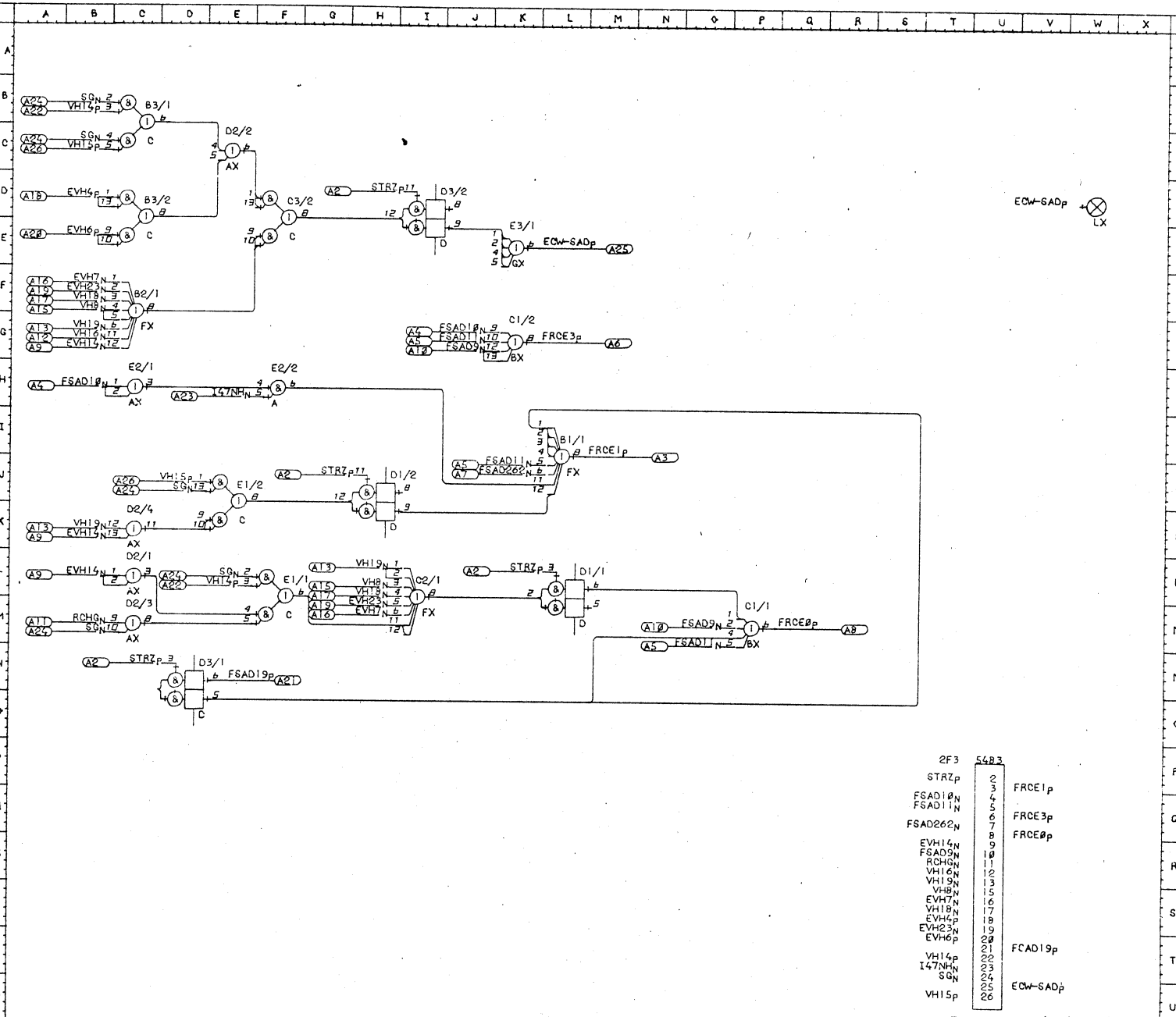
Terminal assignments for components:

- FN24N: 6, 7, 8, 9, 10, 11, 12, 13, 14
- ANTOWp: 12, 13
- FN24p: 13, 14
- FLAXN: 21, 22, 23, 24
- FLAXp: 25, 26





ECW-SADp KE UP WO 274  
 277 278  
 EVH14N 18 CF CK CL  
 EVH23N 40 OF IL UP  
 EVH4P 42 OD UP  
 EVH6P 59 OD UP  
 EVH7P 59 OF IL UP  
 FRCE0P PM UP 279  
 FRCE1P LI UP 279  
 FRCE2P KG UP 277  
 FSAD10N 12 CH KG UP  
 FSAD11N 62 KG LI PM  
 UP  
 FSAD19P FN UP  
 FSAD262N 12 LI UP  
 FSAD9N 12 KG PM UP  
 I47NH 17 FH UP  
 RCH6N 206 OM UP  
 SGN 107 CH QH EJ  
 FL UP  
 STRZP 165 DN HJ ID  
 LL UP  
 VH14P 56 CB FL UP  
 VH15P 57 CB EJ UP  
 VH16N 57 CF UP  
 VH18N 58 OF IL UP  
 VH19N 49 CF CK IL  
 UP  
 VH8N 57 CF IL UP

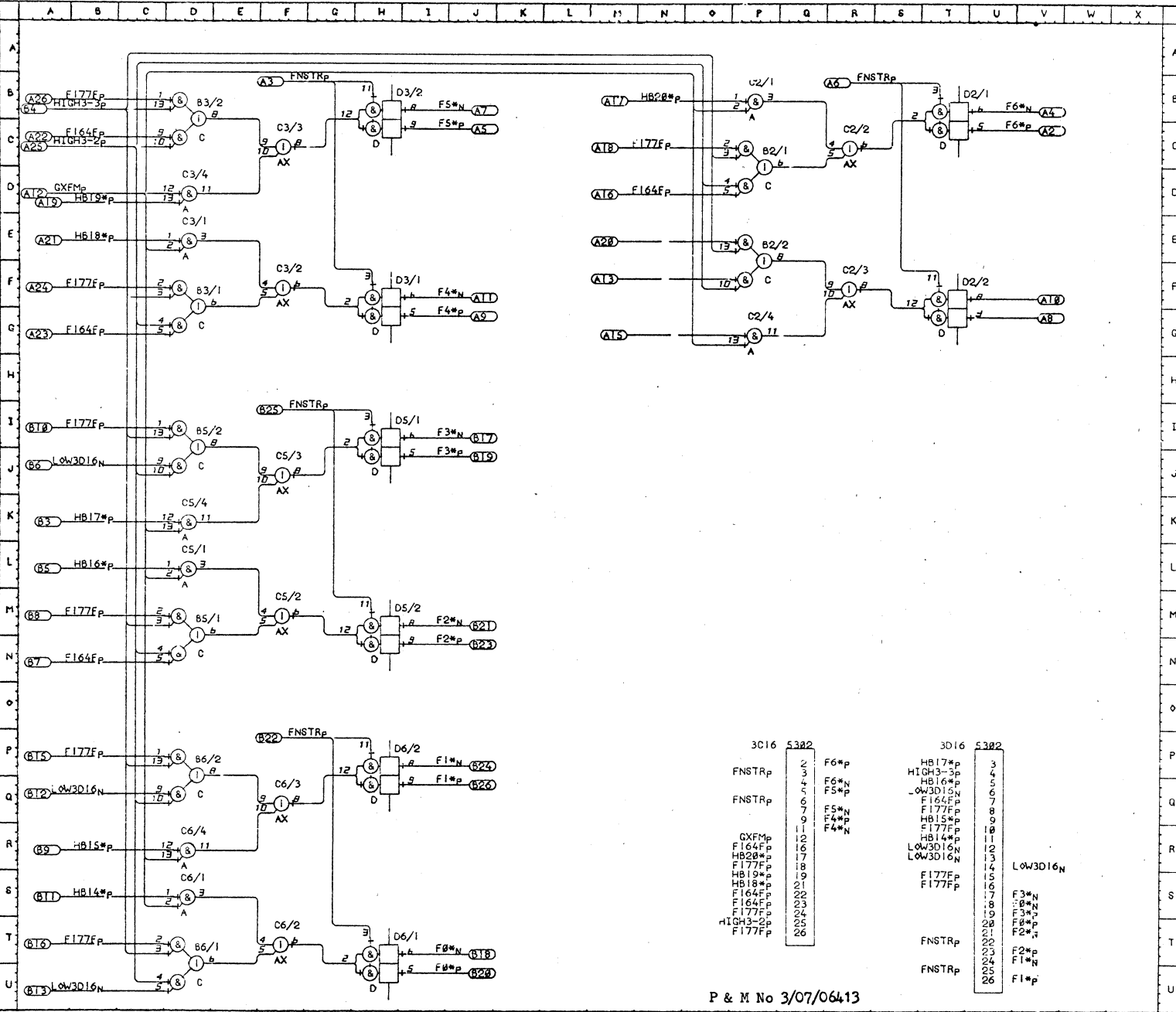


2F3	5483
STRZP	03
FRCE1P	04
FRCE3P	05
FRCE0P	06
EVH14N	07
FSAD9N	08
RCH6N	09
VH16N	10
VH19N	11
VH8N	12
VH18N	13
VH15P	14
VH18N	15
EVH4P	16
EVH23N	17
EVH6P	18
FCAD19P	19
VH14P	20
I47NH	21
SGN	22
ECW-SADp	23
VH15P	24
	25

02/03/70 FORCE SAD HIGHWAY P & M No. 3/C7/05598 WGH01\*\*\*/0115

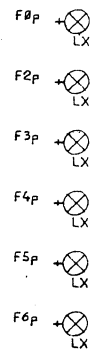
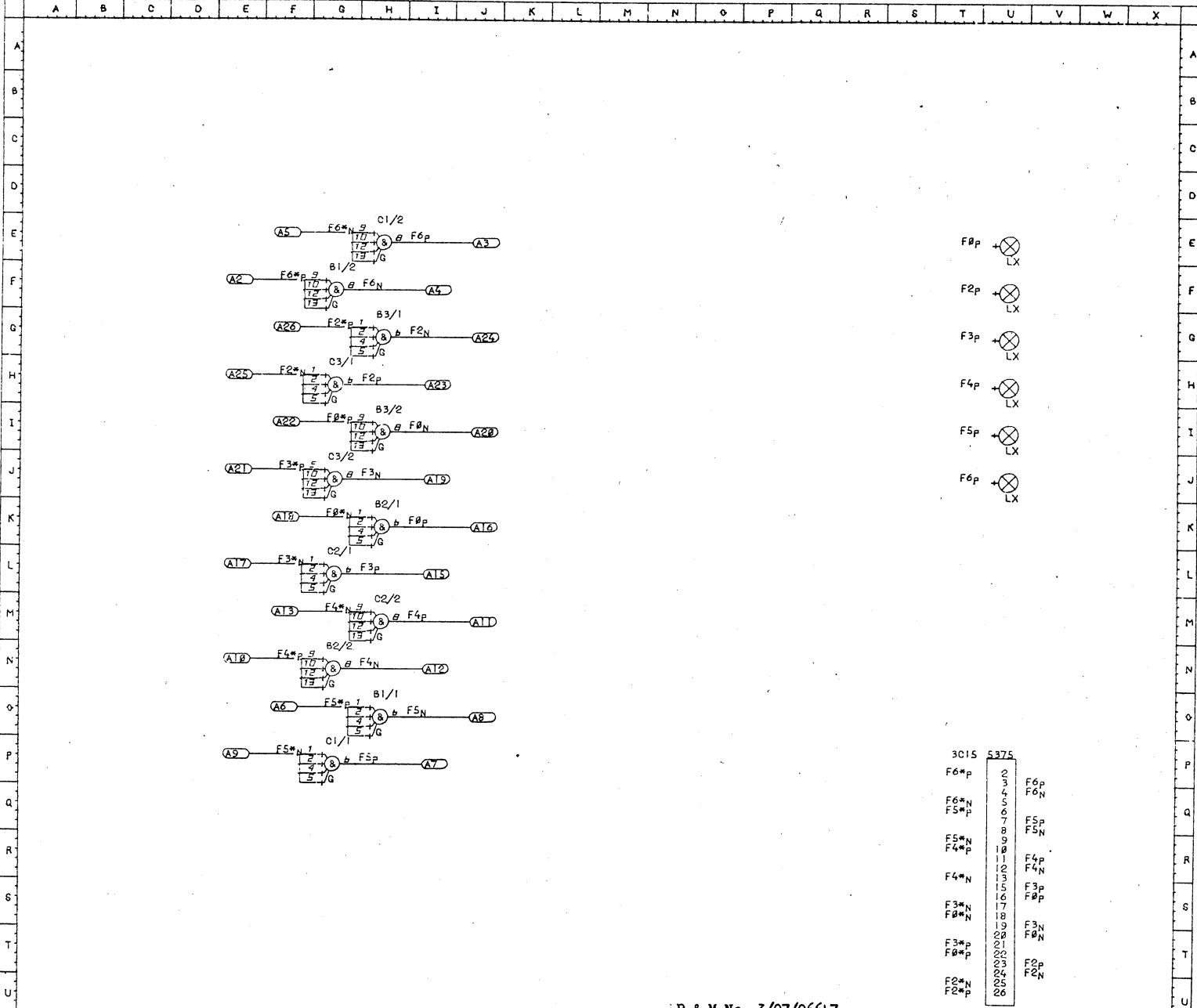
ISSUE: 1	TYPE MOD: 1	TYPE MOD:	TYPE MOD:	TYPE MOD:	TYPE MOD:	TYPE MOD:	TYPE MOD:
ACD: 2767	ECC: 1274	ECC:	ECC:	ECC:	ECC:	ECC:	ECC:

F8\*<sub>p</sub> JU UP 117  
 F8\*<sub>N</sub> JU UP 117  
 F164\*<sub>p</sub> 22 DB DF DM  
 PC QP UP  
 F177\*<sub>p</sub> 104 DB DF DI  
 QP DT PC QP  
 UP  
 F1\*<sub>p</sub> JQ 48 UP 167  
 F1\*<sub>N</sub> JP UP 137  
 F2\*<sub>p</sub> 67 JN 48 UP 117  
 F2\*<sub>N</sub> JM UP 117  
 F3\*<sub>p</sub> JU 48 UP 117  
 F3\*<sub>N</sub> JU 48 UP 117  
 F4\*<sub>p</sub> 35 JG 48 QP 117  
 F4\*<sub>N</sub> 37 JF QP 117  
 F5\*<sub>p</sub> 35 JC 48 QP 117  
 F5\*<sub>N</sub> 37 JB QP 117  
 F6\*<sub>p</sub> 35 VC QP 117  
 F6\*<sub>N</sub> 37 VA 48 QP 117  
 FNSTR<sub>p</sub> 165 FB FI FP  
 QP RB UP  
 GXF<sub>p</sub> 68 22 AD QP  
 144  
 HB14\*<sub>p</sub> 208 DS UP  
 HB15\*<sub>p</sub> 211 DR UP  
 HB16\*<sub>p</sub> 209 DL UP  
 HS17\*<sub>p</sub> 212 DK UP  
 HB18\*<sub>p</sub> 212 DE QP  
 HB19\*<sub>p</sub> 212 DD QP  
 HB20\*<sub>p</sub> 212 DF QP  
 HIGH3-2<sub>p</sub> 167 48 68 AC  
 QP 18 147 149  
 150 160 161 163  
 165  
 HIGH3-3<sub>p</sub> 167 22 68 77  
 88 48 UP 183  
 84 127 188 113  
 140 143 162 164  
 LOW3D16<sub>N</sub> UP DI DP DT  
 UP



P & M No 3/07/06413

F8p HK 6 4S 01  
 7# 74 98 UE UP  
 111 119 122 123  
 125 126 135 290  
 F8N HI 5399 UP  
 F8p 116 HI UP  
 F8N 116 HK UP  
 F2p GH 17 UF UP  
 101 119 122 123  
 124 125 126 127  
 128 138 135  
 F2N HG 32 68 69  
 99 UP 129 136  
 290  
 F2p 116 HG UP  
 F2N 116 GH UP  
 F3p 121 QL UG UP 120  
 F3N GJ 22 UP 127  
 F3p 116 GJ UP  
 F3N 116 GL UP  
 F4p 121 HM UH UP 120  
 F4N GN 22 UP  
 F4p 116 GN UP  
 F4N 116 HM UP  
 F5p 120 121 QF 68 UI UP  
 F5N HO UP  
 F5p 116 HO UP  
 F5N 116 GP UP  
 F6p 122 HE LU UP 121  
 F6N 116 HE UP  
 F6p 116 GF UP  
 F6N 116 HE UP



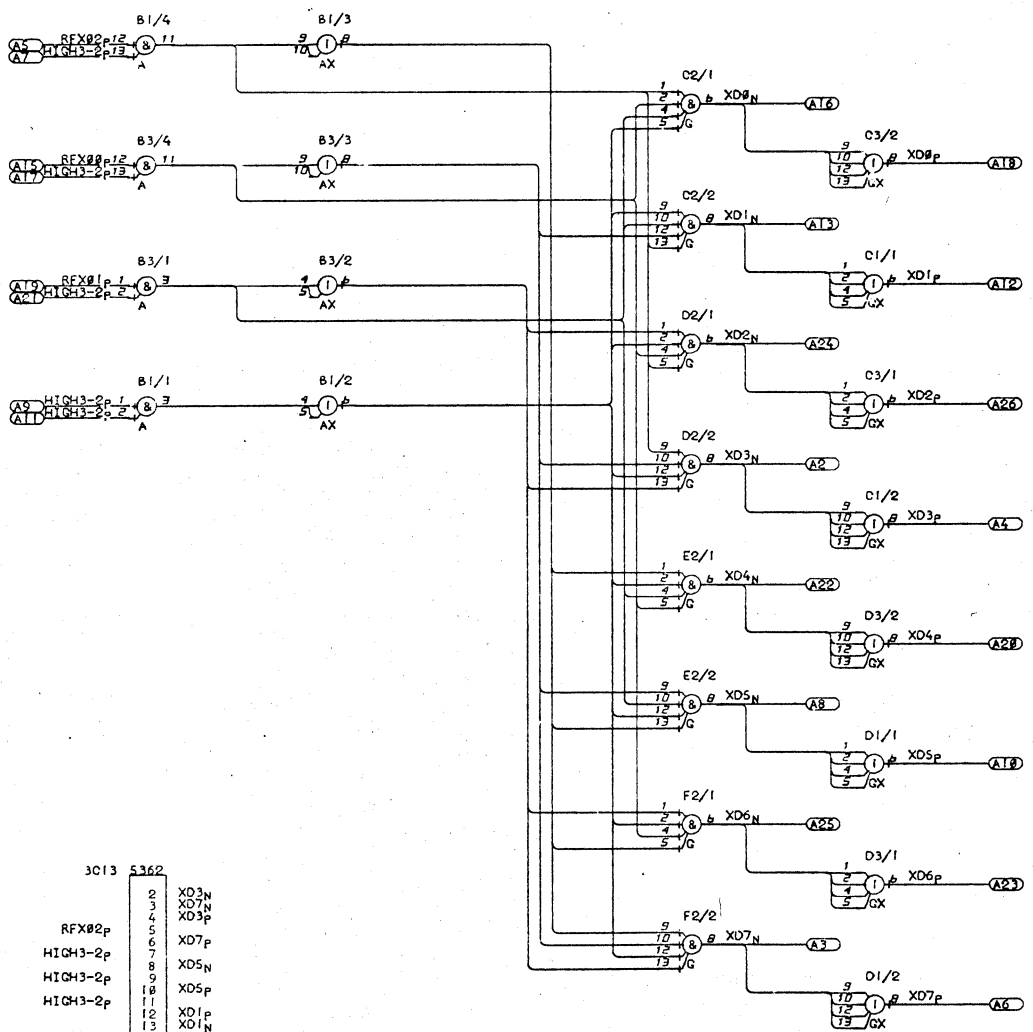
3C15	5375	
F6*P	2	F6P
F6*N	3	F6N
F5*P	6	F5P
F5*N	7	F5N
F4*P	10	F4P
F4*N	11	F4N
F3*P	12	F3P
F3*N	13	F3N
F2*P	14	F2P
F2*N	15	F2N
F1*P	16	F1P
F1*N	17	F1N
F0*P	18	F0P
F0*N	19	F0N
F3*P	20	F3P
F3*N	21	F3N
F4*P	22	F4P
F4*N	23	F4N
F5*P	24	F5P
F5*N	25	F5N
F6*P	26	F6P
F6*N	27	F6N

P & M No. 3/07/06647

02/03/70 FUNCTION REGISTER FAN OUT WGH01\*\*\*/0117

ISSUE: 1	TYPE MOD: 00	TYPE MOD: 00	TYPE MOD: 00	TYPE MOD: 00	TYPE MOD: 00	TYPE MOD: 00
ACC: 2767	ECC:	ECC:	ECC:	ECC:	ECC:	ECC:

HIGH3-2p 167 D6 DO DF  
 CH DP  
 RFX00p 212 DO DP  
 RFX01p 212 DF DP  
 RFX02p 212 D6 DP  
 XD0p PD DP III  
 XD0N MO DP PO III  
 XD1p PF DP III  
 XD1N ME 17 DP PF  
 XD2p PH DP III  
 XD2N MG 17 DP PH  
 XD3p PJ DP III  
 XD3N MI 68 DP PJ  
 XD4p PL DP III  
 XD4N 169 MK 68 DP PL  
 XD5p PN DP III  
 XD5N PM DP PN  
 XD6p PP DP III  
 XD6N MO DP PP  
 XD7p PR DP 168  
 XD7N 141 MQ 68 DP PR



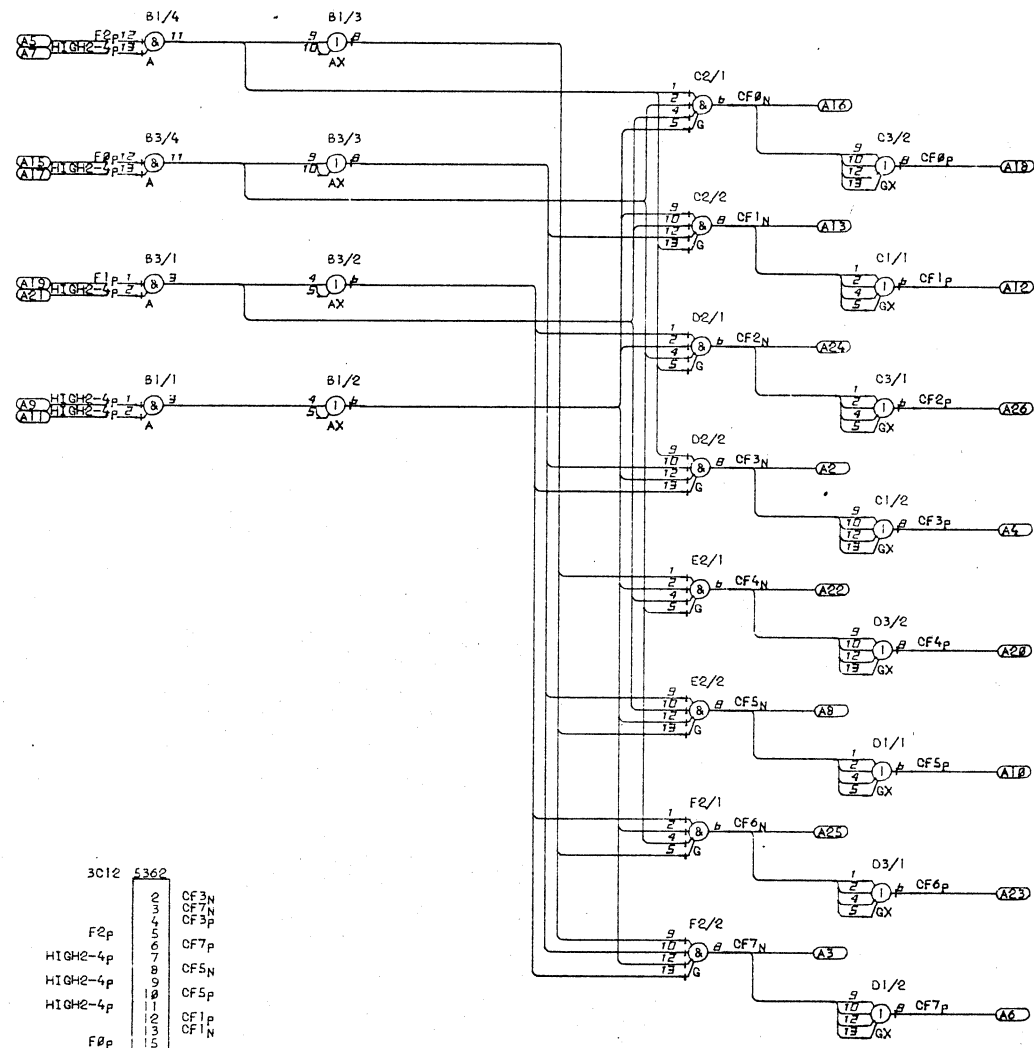
3C13	5362
2	XD3N
3	XD7N
4	XD3p
5	XD7p
6	XD5N
7	XD5p
8	XD1p
9	XD1N
10	XD0N
11	XD0p
12	XD4p
13	XD4N
14	XD6N
15	XD6p
16	XD2N
17	XD2p
18	XD4p
19	XD4N
20	XD0N
21	XD0p
22	XD6N
23	XD6p
24	XD2N
25	XD2p
26	XD2p

P & M No. 3/07/06600

26/02/70 X DECODE&FAN OUT WGH01\*\*\*/0118

ISSUE: 1	TYPE MOD: <del>300</del> 00	TYPE MOD:	TYPE MOD:	TYPE MOD:	TYPE MOD:
ACC: 2767	ECC:	ECC:	ECC:	ECC:	ECC:

CF0P	PD	95	DP	130
CF0N	MC	22	DP	128
CF1P	PF	44	DP	128
CF1N	ME	OP	PF	
CF2P	PH	17	DP	107
CF2N	MG	DP	PH	
CF3P	PJ	DP	128	
CF3N	MI	DP	PJ	128
CF4P	PL	60	DP	132
CF4N	MK	DP	PL	136
CF5P	PN	DP		
CF5N	MM	DP	PN	135
CF6P	PP	DP		
CF6N	MO	DP	PP	132
CF7P	PR	DP	128	
CF7N	MQ	22	DP	PR
F0P	117	DD	DP	
F1P	167	DF	DP	
F2P	117	DF	DP	
HIGH2-4	167	DF	DP	
DH	OP			



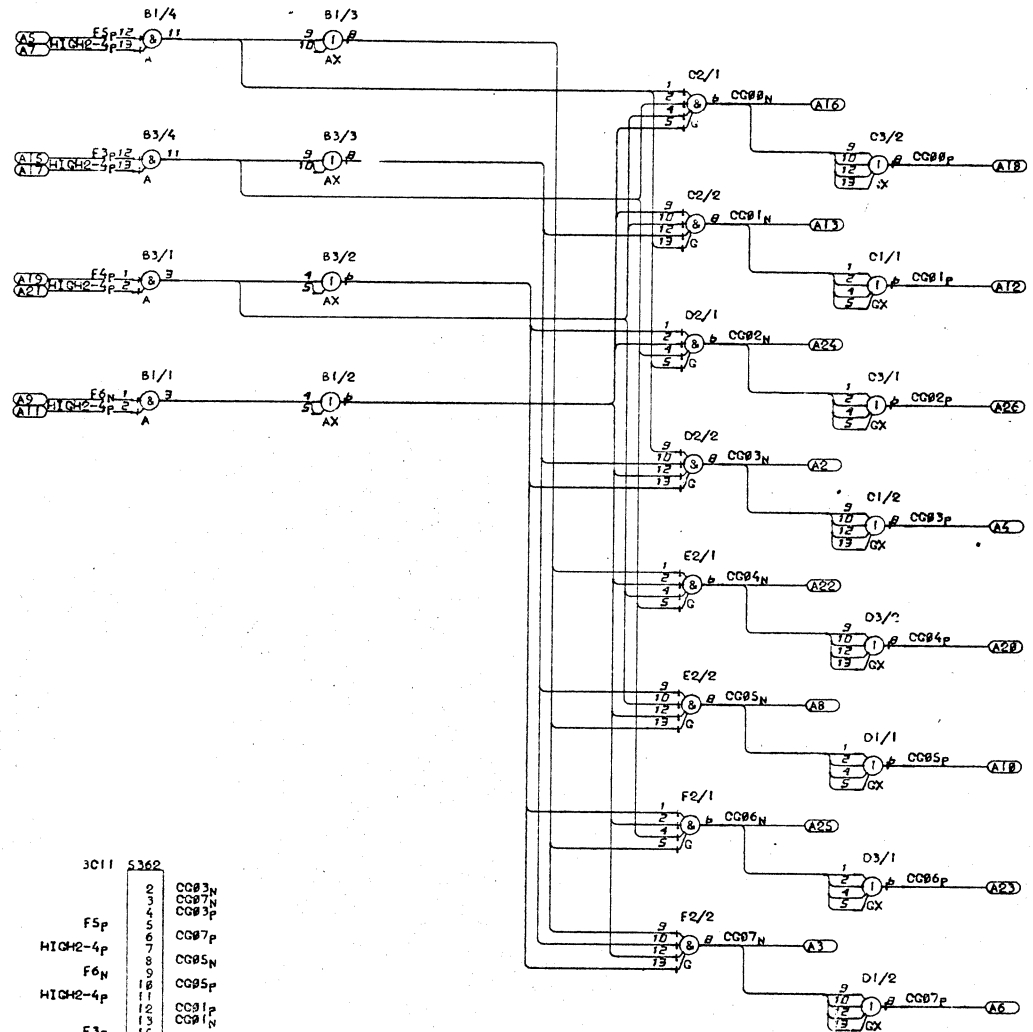
3C12	5362
1	CF3N
2	CF1N
3	CF3P
4	CF7P
5	CF5N
6	CF7P
7	CF5N
8	CF5P
9	CF1P
10	CF1N
11	CF0N
12	CF0P
13	CF0P
14	CF0N
15	CF4P
16	CF4P
17	CF4P
18	CF4P
19	CF4P
20	CF4N
21	CF0P
22	CF0N
23	CF0N
24	CF0N
25	CF0N
26	CF2P

P & M No. 3/07/06600

02/03/70 CF GENERATOR WGH01\*\*\*/0119

ISSUE: 1	TYPE MOD: 00	TYPE MOD:	TYPE MOD:	TYPE MOD:	TYPE MOD:
ACC: 2767	ECC:	ECC:	ECC:	ECC:	ECC:

CC08P PD DP 141  
 CC08N MC 68 61 78  
 CC08P DF PO 135  
 CC08P FF 61 78 DP  
 CC08N ME 68 DP PF  
 CC08P PH 17 78 DP  
 CC08P PH 22 68 DP  
 CC08P PJ 17 78 DP  
 CC08N MI 68 99 DP  
 CC08P PL 17 22 79  
 CC08P PL 13 123 138  
 CC08N MK 15 16 33  
 CC08P FN DP  
 CC08N MI 2 DP PN  
 CC08P PP 69 97 98  
 CC08P MO 2 11 98  
 CC08P FR DP 138  
 CC08N ML DP PR 127  
 F3P 117 DP DP  
 F4P 117 DP DP  
 F5P 117 DP DP  
 F6P 117 DP DP  
 HIGH2-4 167 DB DO DP  
 DH DP

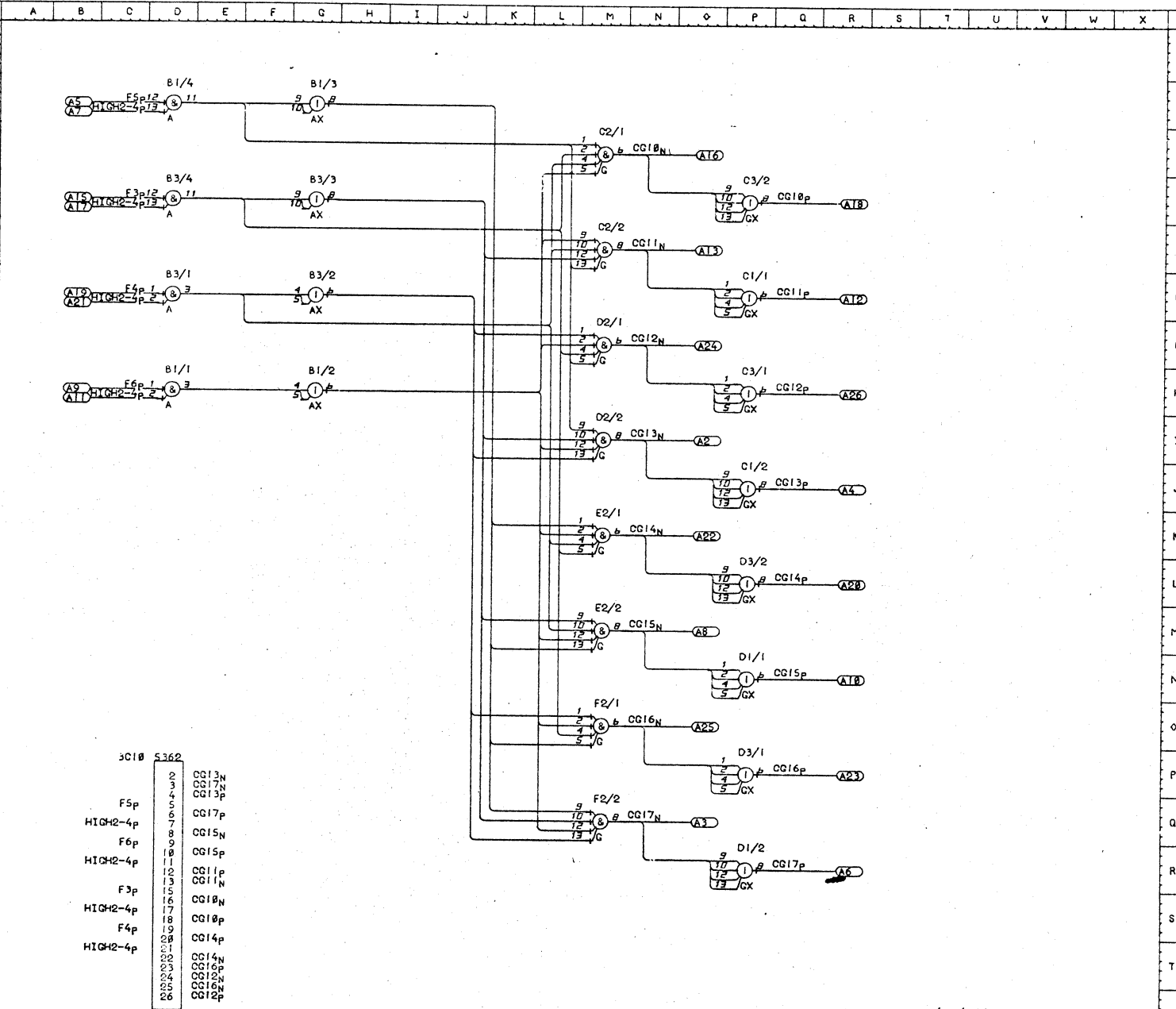


3C11	5362	
	2	CC083N
	3	CC087N
	4	CC083P
F5P	5	CC087P
HIGH2-4P	6	CC085N
F6N	7	CC085P
HIGH2-4P	8	CC081P
	9	CC081N
F3P	10	CC088N
HIGH2-4P	11	CC088P
	12	CC084P
F4P	13	CC084N
HIGH2-4P	14	CC086P
	15	CC086N
F5P	16	CC082P
HIGH2-4P	17	CC082N
	18	CC086N
F6P	19	CC082P
HIGH2-4P	20	
	21	
	22	
	23	
	24	
	25	
	26	

P & M No. 3/07/06600

26/02/70		CG00-07 GENERATOR		WGH01***/0120	
ISSUE: 1	TYPE MOD: 00	TYPE MOD: 00	TYPE MOD: 00	TYPE MOD: 00	TYPE MOD: 00
ACC: 2767	ECC:	ECC:	ECC:	ECC:	ECC:

CG12p	PD	DP	141
CG16N	MC	69	61 78
9B	DP	FD	135
CG11p	PF	DP	125
13B			
CG11N	ME	DP	PF 132
142			
CG12p	PH	67 99	DP
131	135		
CG12N	MQ	22 68	61
DP	PH	142	
CG13p	PJ	21 32 45	
47	64 76 81 93		
91	93	DP	199
CG13N	MI	33 48	41
91	DP	PJ	129
143	154	298	
CG14p	PL	DP	
CG14N	MK	UP	PL 154
CG15p	PN	22	DP 154
CG15N	MM	DP	PN 154
CG16p	PP	DP	154
CG16N	MO	DP	PP 142
CG17p	PR	17 48	60
DP			
CG17N	MQ	DP	PR
F3p	117	DD	DP
F4p	117	DP	DP
F5p	117	DD	DP
F6p	117	DP	DP
HIGH2-4p	167	DD	DP
DH	DP		



3C1B	5362	
	2	CG13N
	3	CG17N
	4	CG13P
F5p	5	
HIGH2-4p	6	CG17P
	7	
F6p	8	CG15N
HIGH2-4p	9	CG15P
	10	
	11	
	12	CG11P
	13	CG11N
F3p	14	
HIGH2-4p	15	CG18N
	16	
F4p	17	CG18P
HIGH2-4p	18	
	19	CG14P
	20	
	21	CG14N
	22	CG16P
	23	CG16N
	24	CG12N
	25	CG16N
	26	CG12P

P & M No. 3/07/06600

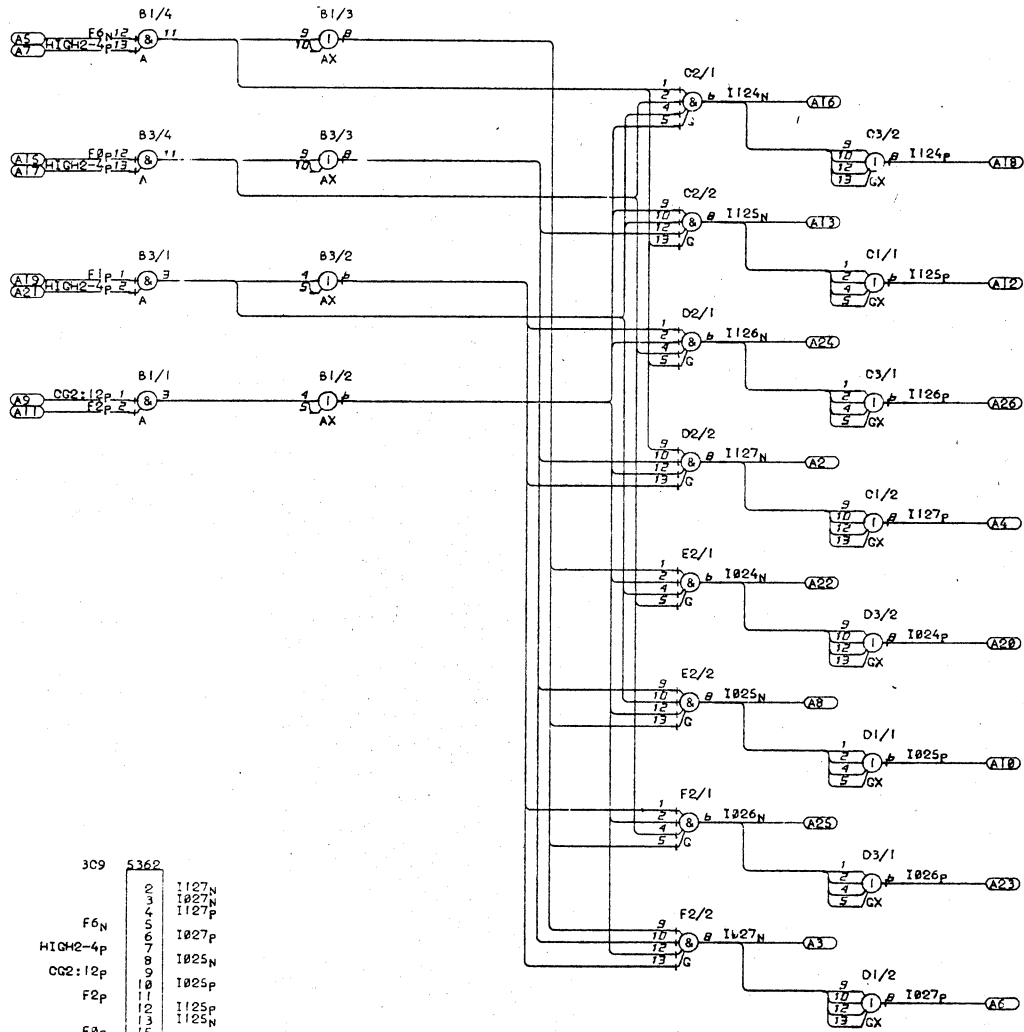
ISSUE: 1		TYPE MOD: 100		TYPE MOD:		TYPE MOD:		TYPE MOD:		TYPE MOD:	
ACD: 2767		ECC:		ECC:		ECC:		ECC:		ECC:	

26/02/70

CG10-17 GENERATOR

WGH01\*\*\*/0121

CG2:12P 22 DH DP  
 F8P 117 DO DP  
 F1P 167 DF DP  
 F2P 117 DH DP  
 F6N 117 DB DP  
 HIGH2-4P 167 DB DO DP  
 I824P PL 71 DP  
 I824N PK DP PL  
 I825P PN 62 DP  
 I825N MH DP PN  
 I826P PP DP 114  
 I826N MO 17 DP PP  
 I827P PR DP  
 I827N MI 94 DP PR  
 I124P PD 4 16 46  
 47 64 71 82 DP  
 102 184 187 140  
 223  
 I124N MC 13 14 15  
 17 18 19 41 66  
 70 79 81 84 DP  
 PD 135 143  
 I125P PF 86 DP 140  
 I125N ME DP PF 140  
 I126P PH 3 5 6 36  
 39 41 47 66 76  
 81 83 91 92 DP  
 109 158 161  
 I126N MQ 7 17 36  
 43 64 84 98 93  
 97 DP PH 189  
 161  
 I127P PJ 5 6 16 18  
 21 34 47 62 66  
 74 84 85 91 94  
 98 99 DP 189  
 I127N MI 13 14 17  
 33 48 61 66 67  
 78 79 88 81 85  
 89 DP PJ 189  
 135 224



309	5362	
	0	I127N
	1	I827N
	2	I127P
	3	
	4	I827P
	5	
F6N	6	I827P
	7	
HIGH2-4P	8	I825N
	9	
CG2:12P	10	I825P
	11	
F2P	12	I125P
	13	I125N
F8P	14	
	15	I124N
HIGH2-4P	16	
	17	I124P
F1P	18	
	19	I824P
HIGH2-4P	20	
	21	I824N
	22	I826P
	23	I826N
	24	I126P
	25	I126N
	26	I126P

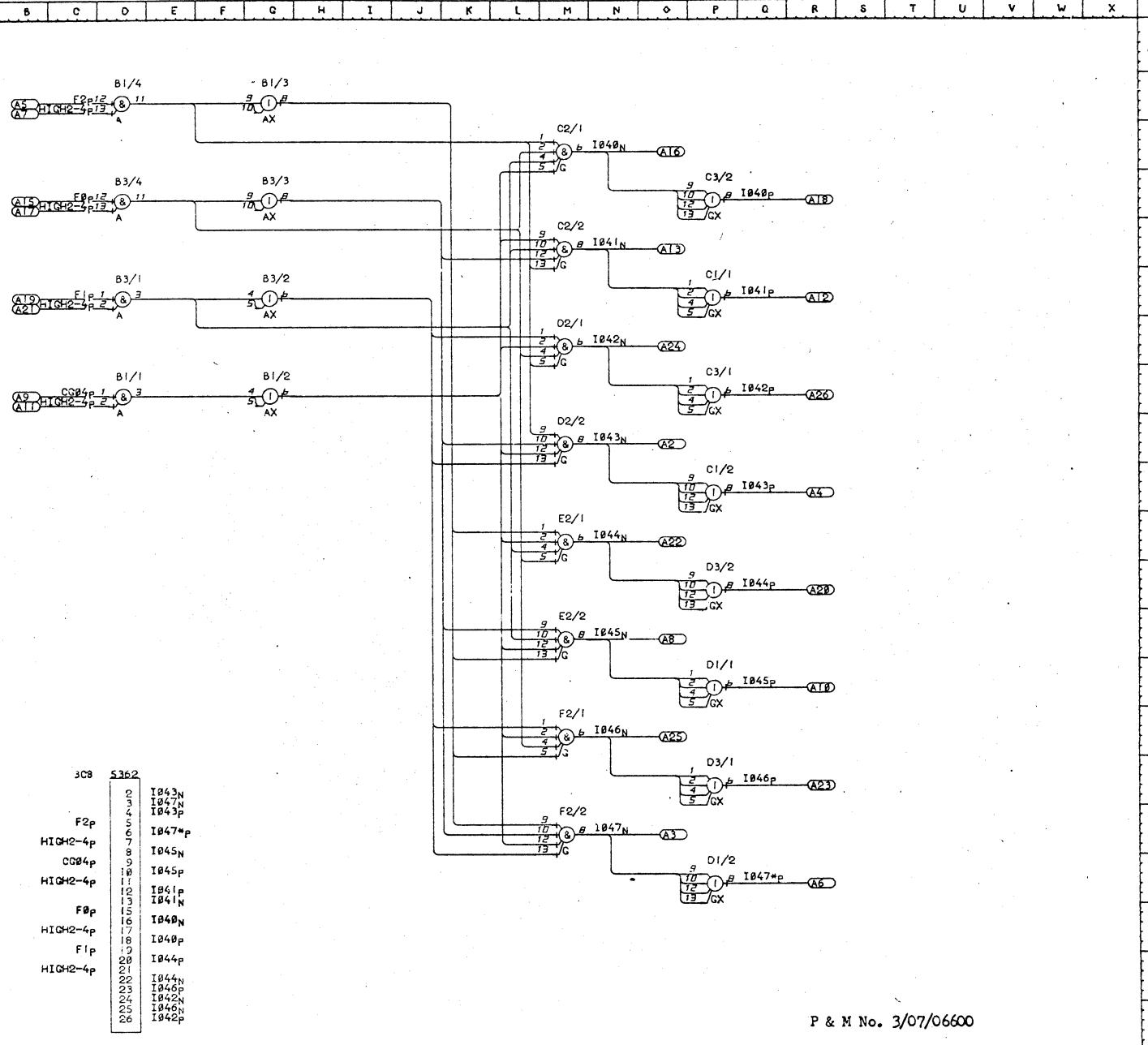
P & M No. 3/07/06600

26/02/70 INSTRUCTION DECODES, 024-7, 124-7 WGH01\*\*\*/0122

ISSUE:!	TYPE MOD: 00	TYPE MOD: 00	TYPE MOD: 00	TYPE MOD: 00	TYPE MOD: 00	TYPE MOD: 00
ACC: 2767	ECC:	ECC:	ECC:	ECC:	ECC:	ECC:



CG84p	128	DH	DP
F0p	117	DO	DP
F1p	107	DF	DP
F2p	117	DB	DP
HIGH2-4p	167	DB	DO DF
DH			
I040p	PD	DP	
I040N	MC	DP	PD
I041p	PF	69	DP
I041N	ME	DP	PF
I042p	PH	DP	PH
I042N	MG	DP	PH
I043p	PJ	14	17 32
	41	45	47 64 66
	78	71	84 88 89
	98	99	DP 181
	105	106	108
I043N	MI	21	61 65
	78	79	88 81 83
	96	DP	PJ 143
I044p	PL	DP	
I044N	MK	DP	PL
I045p	PN	17	24 27
	28	DP	
I045N	TM	9	17 23
	DP	PN	135
I046p	PP	76	DP
I046N	MO	79	DP
I047p	MQ	4	64 66
	80	83	84 93 DP
	162	PR	107 135 158
I047N	PR	3	6 14 15
	17	20	21 26 27
	33	34	38 39 41
	47	DP	



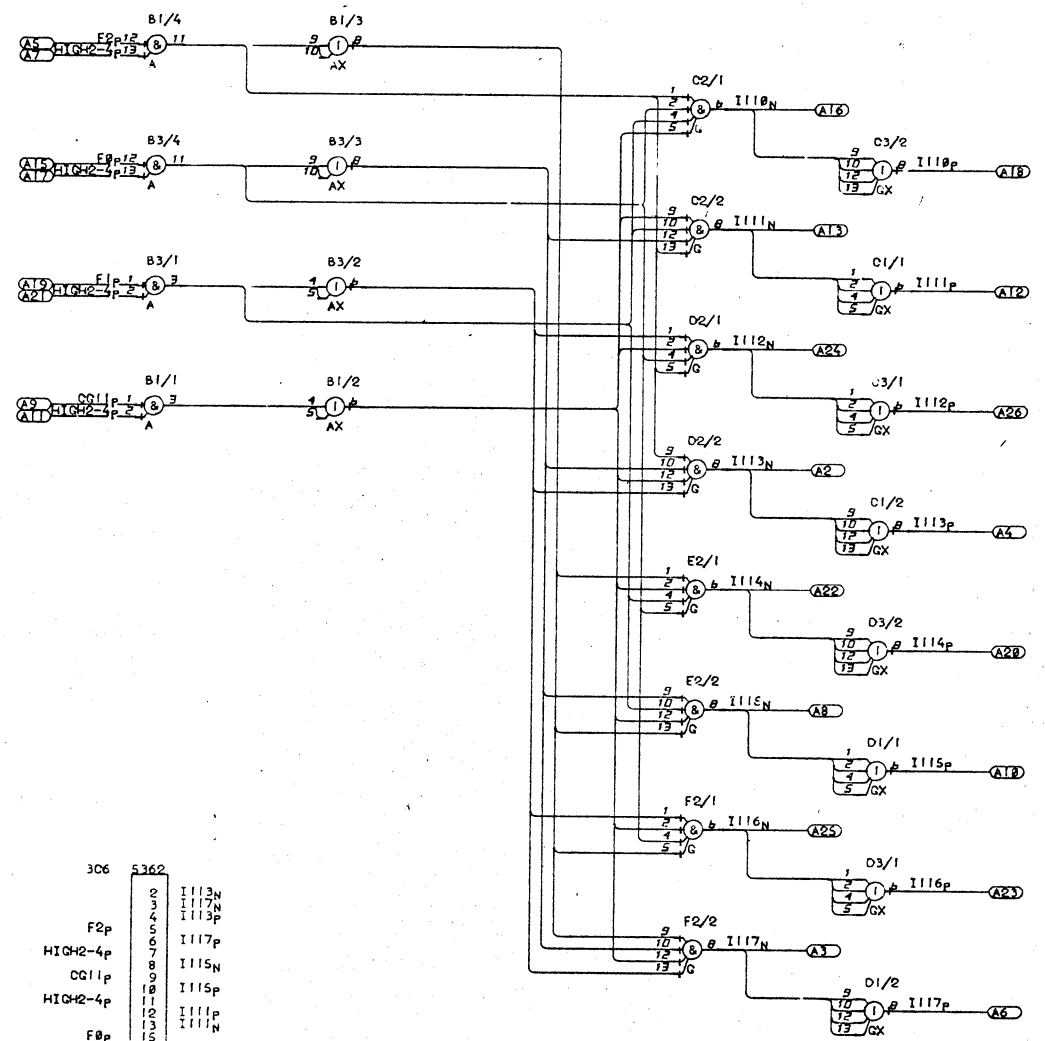
3C8	5362
2	I043N
3	I047N
4	I043p
5	I047*p
6	I045N
7	I045p
8	I041p
9	I041N
10	I040N
11	I040p
12	I044p
13	I044N
14	I046p
15	I046N
16	I046p
17	I042p
18	I042N
19	I042p
20	I044p
21	I044N
22	I044p
23	I046p
24	I046N
25	I046p
26	I042p

P & M No. 3/07/06600

26/02/70		GROUP 4 DECODES		WGH01***/0123	
ISSUE: 1	TYPE MOD: 00	TYPE MOD: 00	TYPE MOD: 00	TYPE MOD: 00	TYPE MOD: 00
ACC: 2767	ECC:	ECC:	ECC:	ECC:	ECC:



CG11P 121 DH DP  
 F8p 117 DO DP  
 F1p 167 DF DP  
 F2p 117 DB DP  
 HIGH2-4p 167 DB DO DP  
 DH DP  
 I118p PD DP 182  
 I118p MC 41 DP PD  
 I111p PF DP  
 I111p ME DP PF 185  
 I112p PH 23 41 61  
 79 96 97 99 DP  
 114  
 I112p MC DP PH  
 I113p PJ DP  
 I113p MI 42 DP PJ  
 I114p PL 15 16 18  
 64 98 97 DP  
 182 183 189  
 I114p MK 16 17 19  
 79 89 DP PL  
 I115p PN 14 16 19  
 28 22 24 29 41  
 42 47 48 79 99  
 DP 181 185 189  
 114 158 152  
 I115p MI 17 22 48  
 61 66 82 84 89  
 98 DP PN 185  
 I116p PP 5391 DP  
 I116p MO 9 17 28  
 29 48 64 78 78  
 79 88 83 84 85  
 89 98 91 DP PP  
 107 139 148 269  
 I117p PR 82 DP 111  
 75 144  
 I117p MQ 1 22 DP  
 PR 158



306	5362	2	I113N
		3	I117N
		4	I113P
F2p		5	I117P
HIGH2-4p		6	I115N
CG11p		7	I115P
HIGH2-4p		8	I111P
		9	I111N
F8p		10	I110N
HIGH2-4p		11	I110P
F1p		12	I114P
H1GH2-4p		13	I114N
		14	I116P
		15	I112N
		16	I116N
		17	I116P
		18	I112P
		19	I112P
		20	I114N
		21	I114P
		22	I114N
		23	I116P
		24	I112N
		25	I116N
		26	I112P

P & M No. 3/07/06600

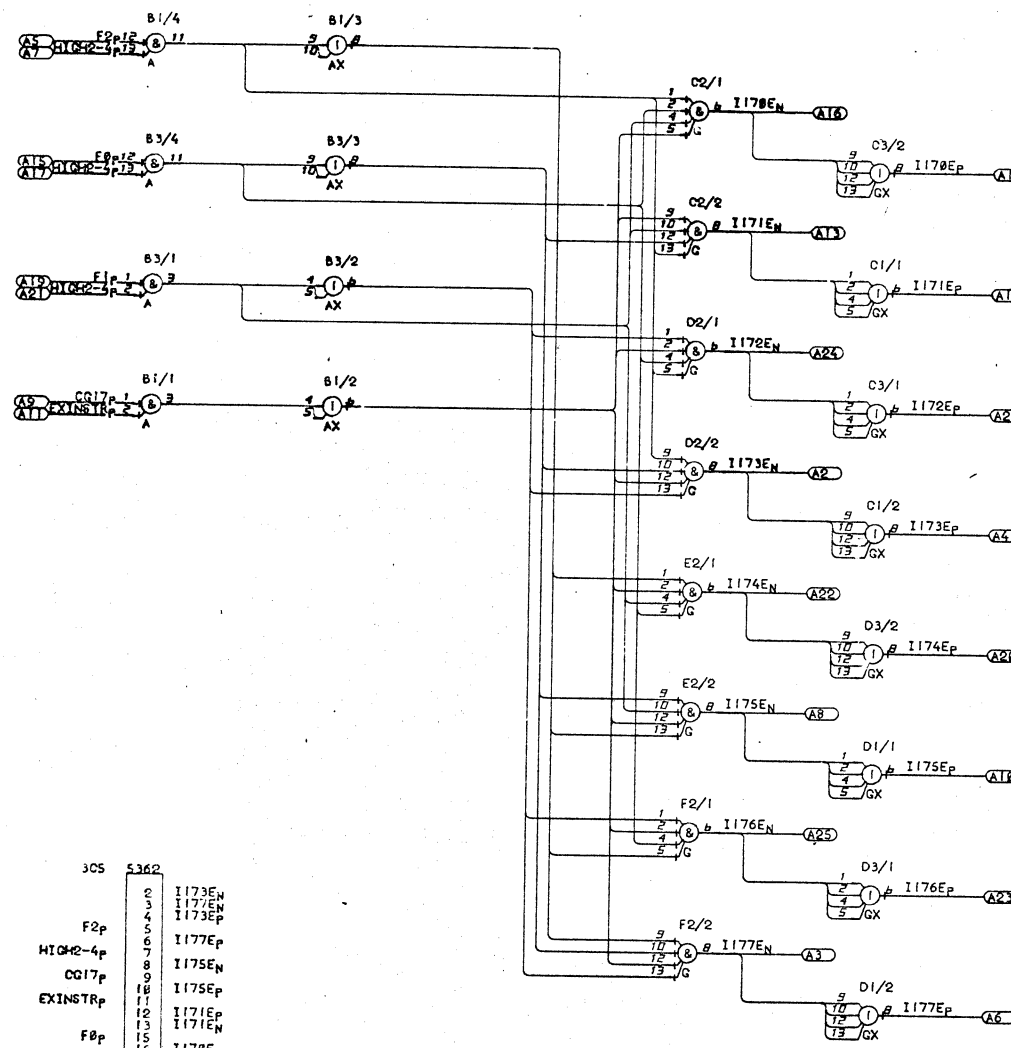
26/02/70

GROUP 11 DECODES

WGH01\*\*\*/0125

ISSUE: 1	TYPE MOD: 00	TYPE MOD:	TYPE MOD:	TYPE MOD:	TYPE MOD:	TYPE MOD:
ACC: 2767	ECC:	ECC:	ECC:	ECC:	ECC:	ECC:

CG17P 121 DH DP  
 EXINSTRP 142 DH DP  
 F2P 167 DF DP  
 F1P 167 DF DP  
 F2P 117 DB DP  
 HIGH2-4P 167 D6 DO DF  
 DP  
 I178EP PD 3 4 7 18  
 19 68 DP 188  
 114 141 252  
 I178EN MC 13 41 61  
 78 77 79 81 83  
 89 98 DP PD  
 143 162  
 I171EP PF 87 DP 188  
 252  
 I171EN ME 17 78 78  
 79 DP PF 135  
 162  
 I172EP PH 6 15 16  
 19 27 46 47 68  
 75 76 DP 144  
 147  
 I172EN MG 15 24 82  
 DP PH 189  
 I173EP PJ 4 DP  
 I173EN MI 41 DP PJ  
 143  
 I174EP PL 17 29 48  
 61 78 88 98 95  
 DP 187 188 141  
 149 162 183 265  
 I174EN MK 4 17 87  
 98 DP PL 143  
 149  
 I175EP PN DP  
 I175EN MM 48 DP PN  
 I176EP PP DP  
 I176EN MO 48 DP PP  
 I177EP PR 82 99 DP  
 186  
 I177EN MQ 78 93 DP  
 PR 135



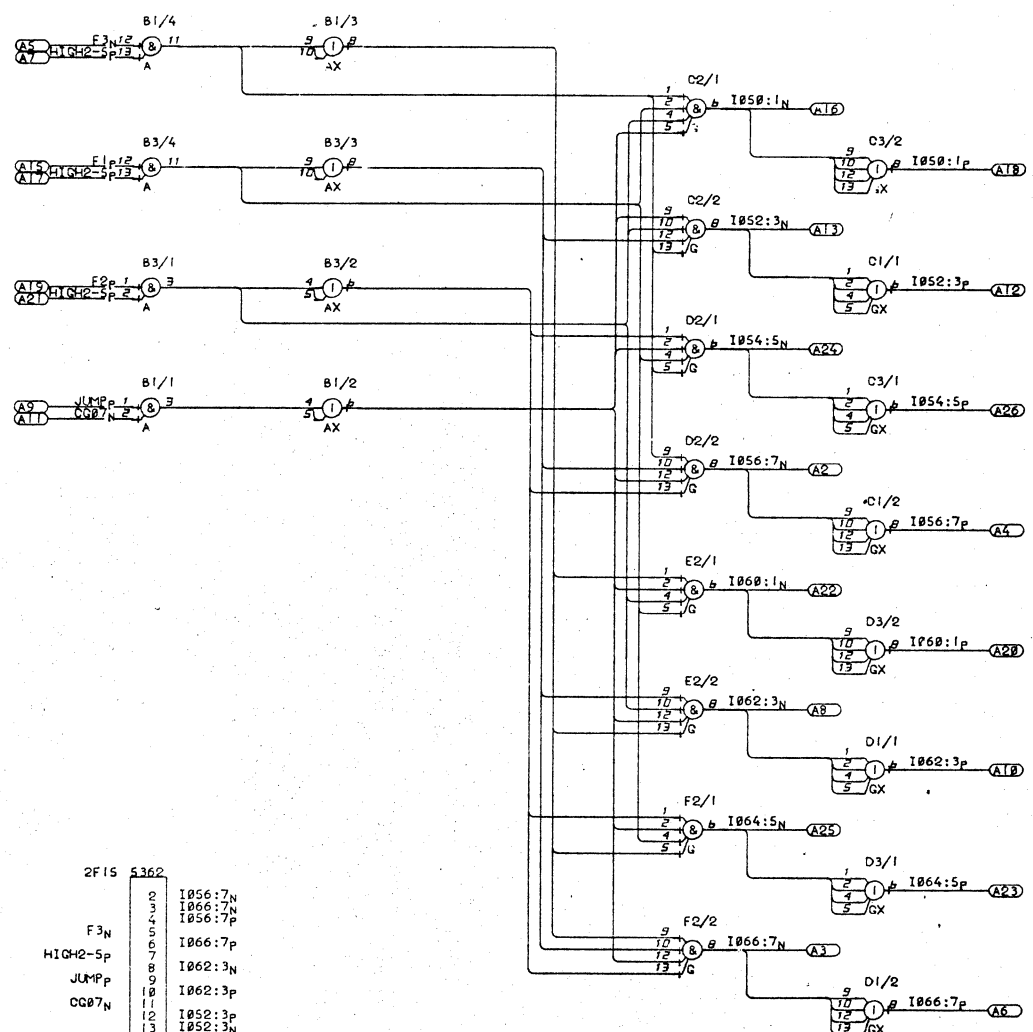
3CS	5362	
	2	I173EN
	3	I177EN
	4	I173EP
F2P	5	
	6	I177EP
HIGH2-4P	7	
	8	I175EN
CG17P	9	
	10	I175EP
EXINSTRP	11	
	12	I171EP
	13	I171EN
F8P	15	
	16	I178EN
HIGH2-4P	17	
	18	I178EP
F1P	19	
	20	I174EP
HIGH2-4P	21	
	22	I174EN
	23	I176EP
	24	I172EN
	25	I176EN
	26	I172EP

P & M No. 3/07/06600

26/02/70 GROUP 17E DECODES WGH01\*\*\*/0126

ISSUE:	TYPE MOD: 00	TYPE MOD:	TYPE MOD:	TYPE MOD:
ADD: 2767	ECC:	ECC:	ECC:	ECC:

CG07N 129 DH DP  
 F1P 167 DO DP  
 F2P 117 DF DP  
 F3N 117 DB DP  
 HIGH2-5p 167 DB DO DF  
 DP  
 1058:1 PD DP 111  
 1058:1 MC DP PD  
 1052:3 PF DP 111  
 1052:3 ME DP PF  
 1054:5 PH DP 111  
 1054:5 MC DP PH  
 1056:7 PJ DP 111  
 1056:7 MI DP PJ  
 1060:1 PL DP 189  
 1062:3 PK 17 DP PL  
 1062:3 PN DP  
 1064:5 PM 17 DP PN  
 1064:5 PP 79 98 DP  
 111  
 1064:5 MO DP PP  
 1066:7 PR DP 111  
 1066:7 MC DP PR  
 JUMP 133 DH DP



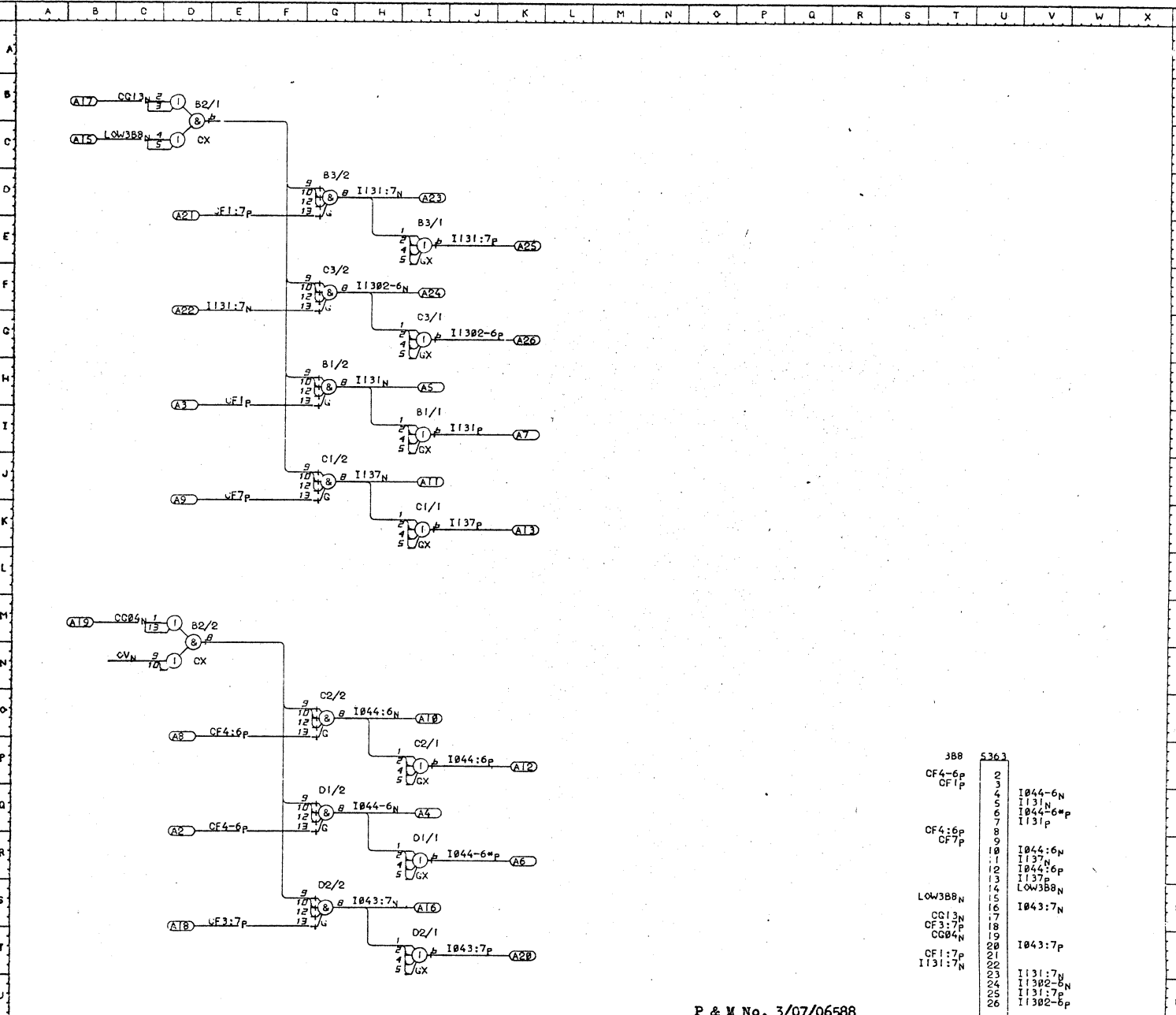
2F15	5362	
2	1056:7N	
3	1066:7N	
4	1056:7P	
5		
6	1066:7P	
7		
8	1062:3N	
9	1062:3P	
10		
11	CG07N	
12	1052:3P	
13	1052:3N	
14		
15	F1P	
16	1050:1N	
17	HIGH2-5p	
18	1050:1P	
19	F2P	
20	1060:1P	
21		
22	1060:1N	
23	1064:5P	
24	1054:5N	
25	1064:5N	
26	1054:5P	

P & M No. 3/07/06600

26/02/70 GROUP 5&6 PAIR DECODES		WGH01***/0127			
ISSUE:	TYPE MOD: 00	TYPE MOD:	TYPE MOD:	TYPE MOD:	TYPE MOD:
ACC: 2767	ECC:	ECC:	ECC:	ECC:	ECC:



CF1P 119 GH UP  
 CF1:7P 128 GO UP  
 CF3:7P 128 GS UP  
 CF4:6P 128 GG UP  
 CF4:6P 128 GG UP  
 CF7P 119 GJ UP  
 CG04N 128 GM UP  
 CG13N 121 DB UP  
 I043:7P IT 24 96 UP  
 I043:7P IS 185  
 I043:7P IS 18 19 23  
 66 78 79 84 IT  
 UP 185 113  
 I044:6P IP 28 48 UP  
 I044:6P IO 1P UP  
 I044:6P IO 16 19 41  
 47 61 64 78 78  
 79 88 81 83 84  
 87 88 98 95 IR  
 UP 185 189  
 I044:6P IR 4 9 14 16  
 18 28 21 29 32  
 17 78 UP  
 I1302:6P IG 4 5 6 22  
 48 UP  
 I1302:6P IG UP 149  
 I131P II 17 48 UP  
 I131P IO II UP  
 I131:7P IE 3 4 31 UP  
 I04  
 I131:7P IO GE IE UP  
 I137P IK 17 48 UP  
 I137P OJ IK UP  
 LOW3B8N UP DB



P & M No. 3/07/06588

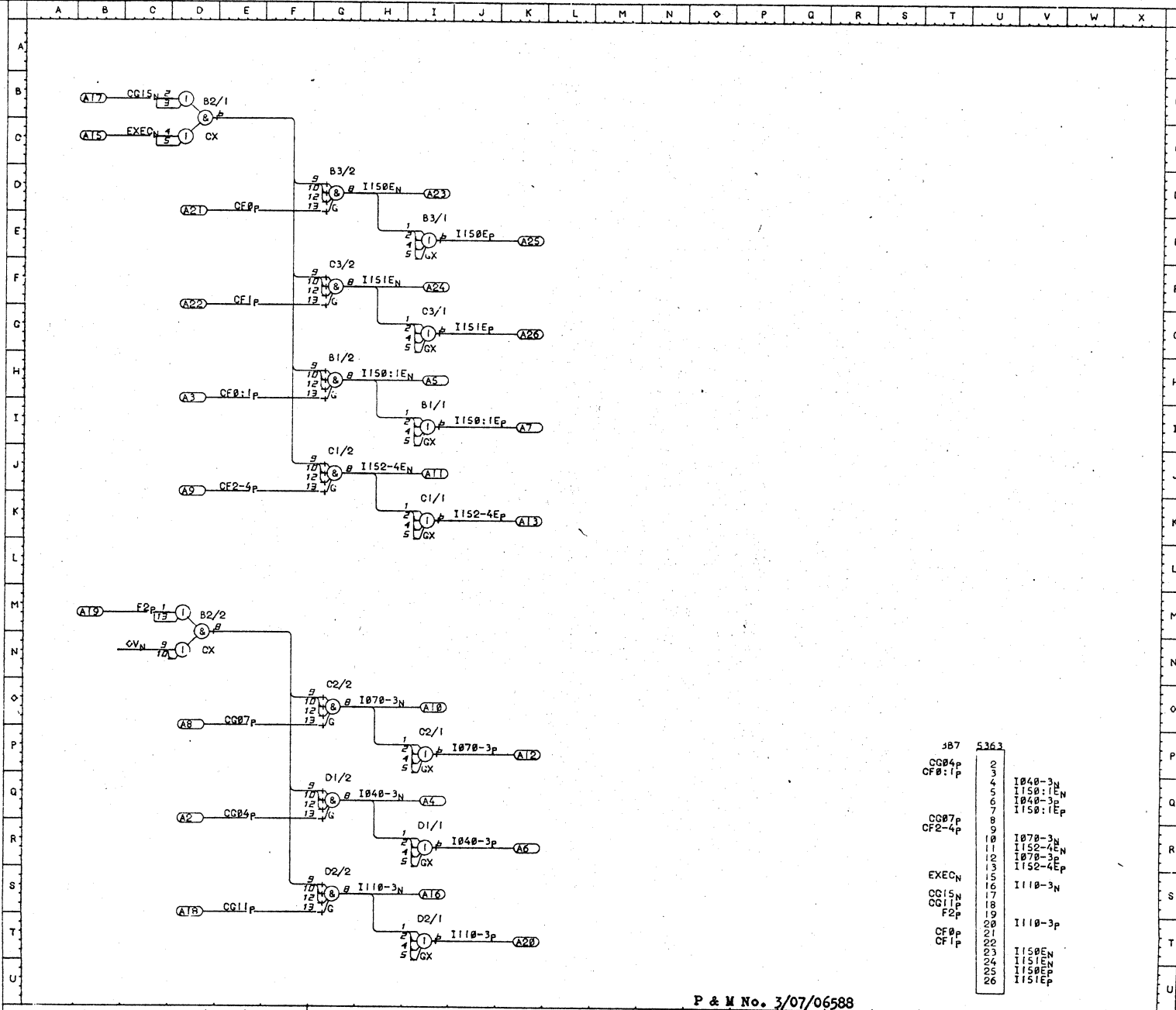
ISSUE: 1		TYPE MOD: 00		TYPE MOD:		TYPE MOD:		TYPE MOD:		TYPE MOD:	
ACC: 2767		ECC:		ECC:		ECC:		ECC:		ECC:	

26/02/70

MISC DECODES 2

WGH01\*\*\*/0129

CFBp 119 00 UP  
 CF8:1p 124 04 UP  
 CF1p 119 0F UP  
 CF2-4p 132 0J UP  
 CQ84p 128 00 UP  
 CQ87p 128 00 UP  
 CG11p 121 0S UP  
 CG15N 121 0B UP  
 EXECN 144 0B UP  
 F2p 117 0M UP  
 I040-3N 32 UP  
 I040-3N 4 89 9B  
 IR UP  
 I070-3p 8 UP  
 I070-3N 00 IP UP  
 I110-3p 17 16 21 41  
 88 UP  
 I110-3NGS 47 78 79  
 89 81 84 89 17  
 UP 143  
 I150:IEp 11 3 4 7 14  
 21 47 68 76 84  
 UP 107  
 I150:IEp 6 14 22  
 41 70 79 99 11  
 UP 148 162  
 I150Ep IE 3 13 94  
 UP  
 I150EN 00 61 IE UP  
 I151Ep IC 3 13 73  
 UP  
 I151Ep 0F IG UP  
 I152-4Ep IK 5394 UP  
 I152-4EN 0J 6 16 22  
 61 64 67 78 81  
 85 89 99 1K UP  
 109 139 148 150  
 154



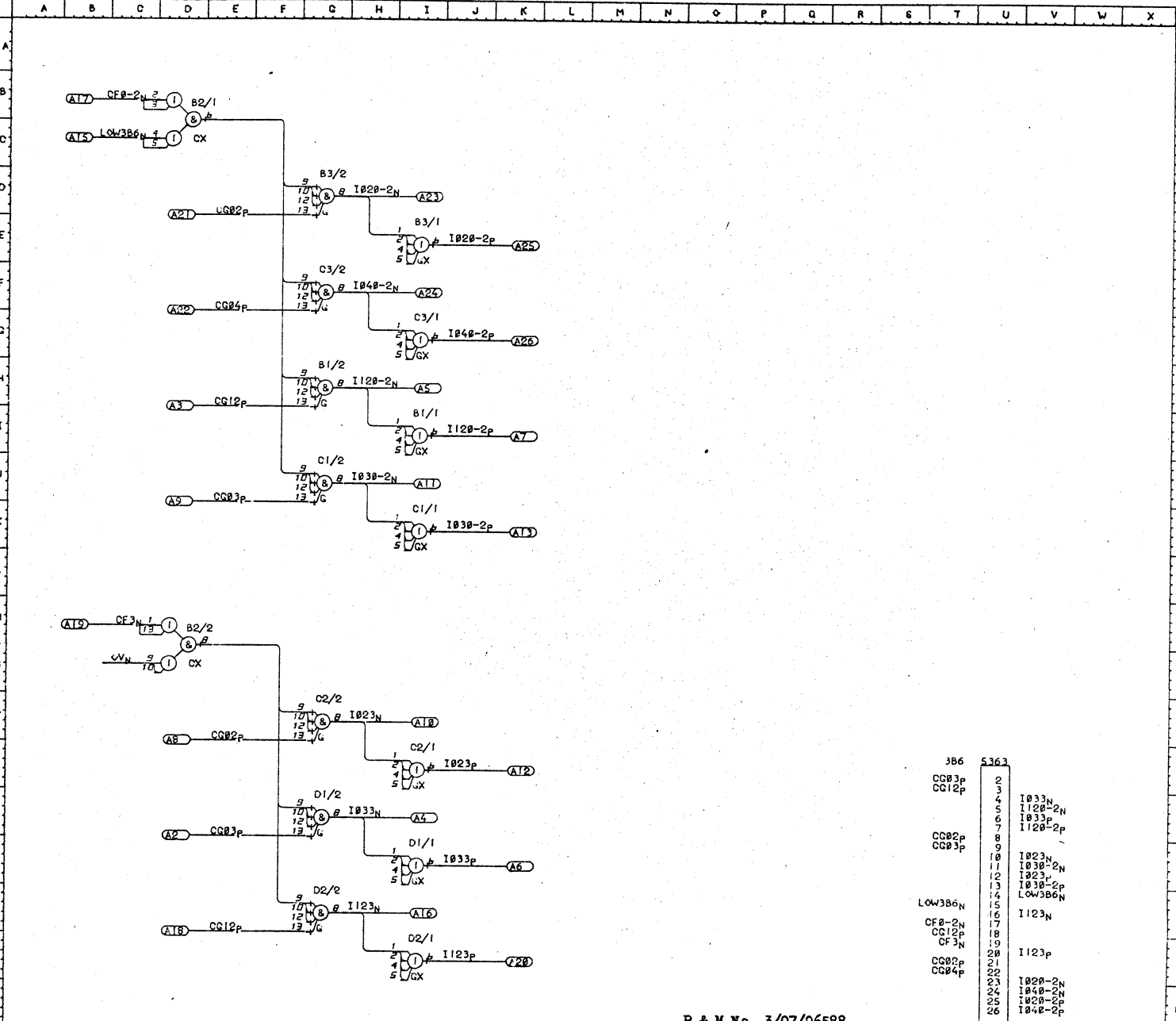
387	5363
CQ84p	2
CF8:1p	3
	4
	5
	6
	7
	8
	9
CQ87p	10
CF2-4p	11
	12
	13
	14
	15
EXECN	16
CG15N	17
CG11p	18
F2p	19
	20
CF8p	21
CF1p	22
	23
	24
	25
	26

26/02/70 MISC DECODES 3 P & M No. 3/07/06588 WGH01\*\*\*/0130

ISSUE:	TYPE MOD: <del>00</del> 00	TYPE MOD:	TYPE MOD:	TYPE MOD:	TYPE MOD:	TYPE MOD:
ACC: 2767	ECC:	ECC:	ECC:	ECC:	ECC:	ECC:



CF0-2N 128 DB UP  
 CF3 119 DM UP  
 CG02P 120 DD CC UP  
 CG03P 120 DJ CC UP  
 CG04P 120 DF UP  
 CG12P 121 CH CS UP  
 I020-2N 141 IE UP  
 I020-2N 51 70 99 IO UP  
 I023P 22 41 64 IP UP  
 86 94 93 UP  
 140 146  
 I023N 00 1 67 82 IQ UP  
 92 1P UP 158  
 I030-2N GK UP  
 I030-2N GJ 61 IK UP  
 I033P IR UP  
 I033N GG 70 IR UP  
 I040-2N IG 19 20 21 IS UP  
 22 41 67 70 80  
 84 97 98 99 UP  
 113 150  
 I040-2N IF 14 16 42 IU UP  
 47 66 70 73 80  
 81 85 89 90 95  
 IG UP 109 143  
 I120-2N II UP  
 I120-2N GH 70 II UP  
 135  
 I123P IT UP  
 I123N OS 48 IT UP  
 141  
 LOW386NUP DB



386	5363	
CG03P	2	
CG12P	3	
	4	I033N
	5	I120-2N
	6	I033P
	7	I120-2P
CG02P	8	
CG03P	9	
	10	I023N
	11	I030-2N
	12	I023P
	13	I030-2P
	14	LOW386N
LOW386N	15	
	16	I123N
CF0-2N	17	
CG12P	18	
CF3N	19	
	20	I123P
CG02P	21	
CG04P	22	
	23	I020-2N
	24	I040-2N
	25	I020-2P
	26	I040-2P

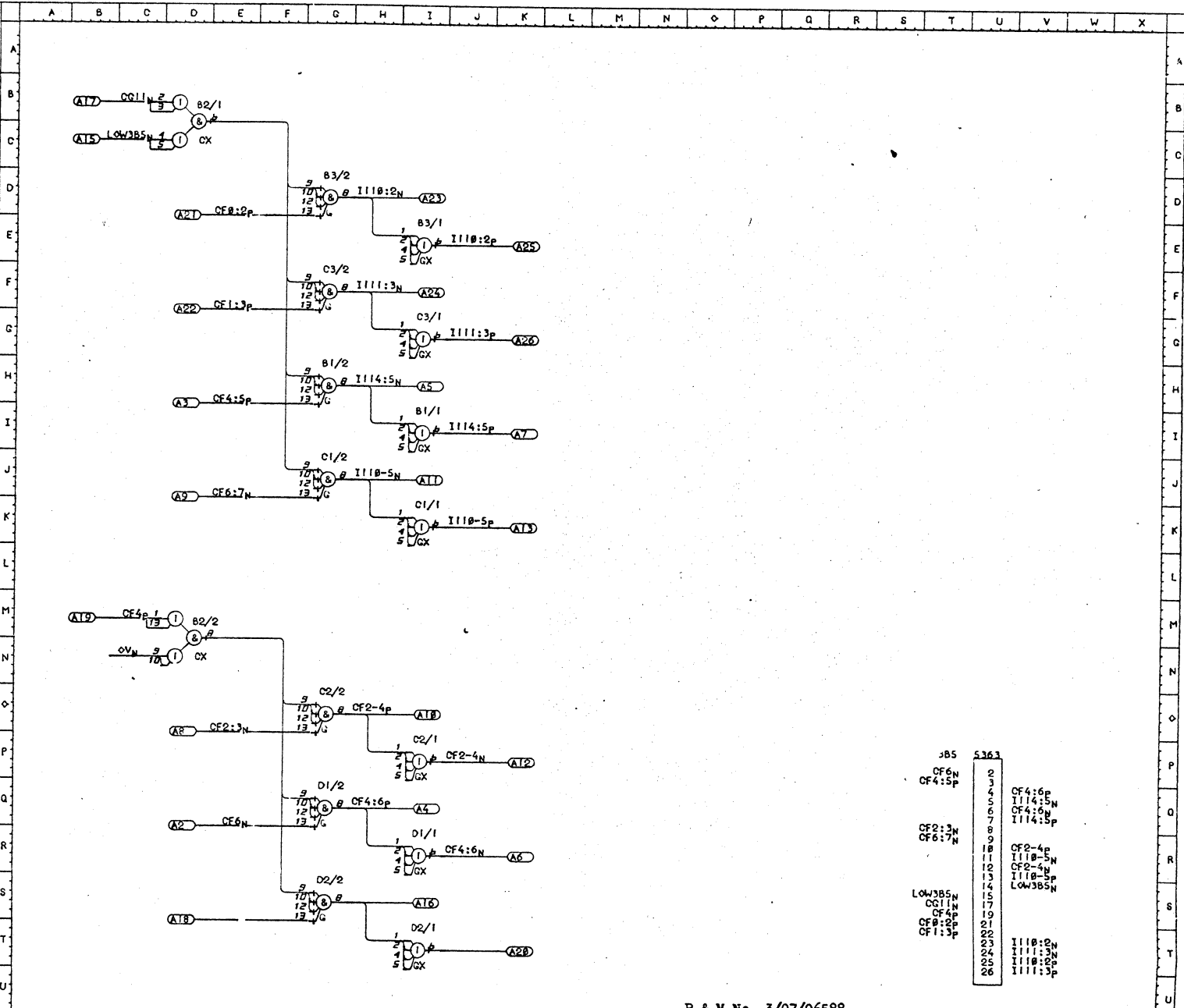
P & M No. 3/07/06588

26/02/70 MISC DECODES 4

WGH01\*\*\*/0131

ISSUE: ]	TYPE MOD: <del>MOD</del> OD	TYPE MOD:	TYPE MOD:	TYPE MOD:	TYPE MOD:
ACC: 2767	ECC:	ECC:	ECC:	ECC:	ECC:

CFB:2p 128 OD UP  
 CF1:3p 128 CF UP  
 CF2:3N 124 CO UP  
 CF2:4p 00 IP UP 130  
 CF2:4N 119 CM UP  
 CF4:5p 124 OH UP  
 CF4:6p 00 IR UP 129  
 CF4:6N 119 CO UP  
 CF6:7N 124 CJ UP  
 CG1:1N 121 OB UP  
 I118:2p 16 UP  
 I118:2N 00 87 98 IE  
 UP  
 I118:5p IK 1P  
 I118:5N CJ 4 TK UP  
 I111:3p IG 14 16 89  
 90 UP  
 I111:3p CF 23 66 79  
 80 90 IG UP  
 140  
 I114:5p II 19 21 41  
 40 90 UP 180  
 150  
 I114:5N CH 32 61 70  
 80 90 II UP  
 143  
 LOW385N UP OB



26/02/70

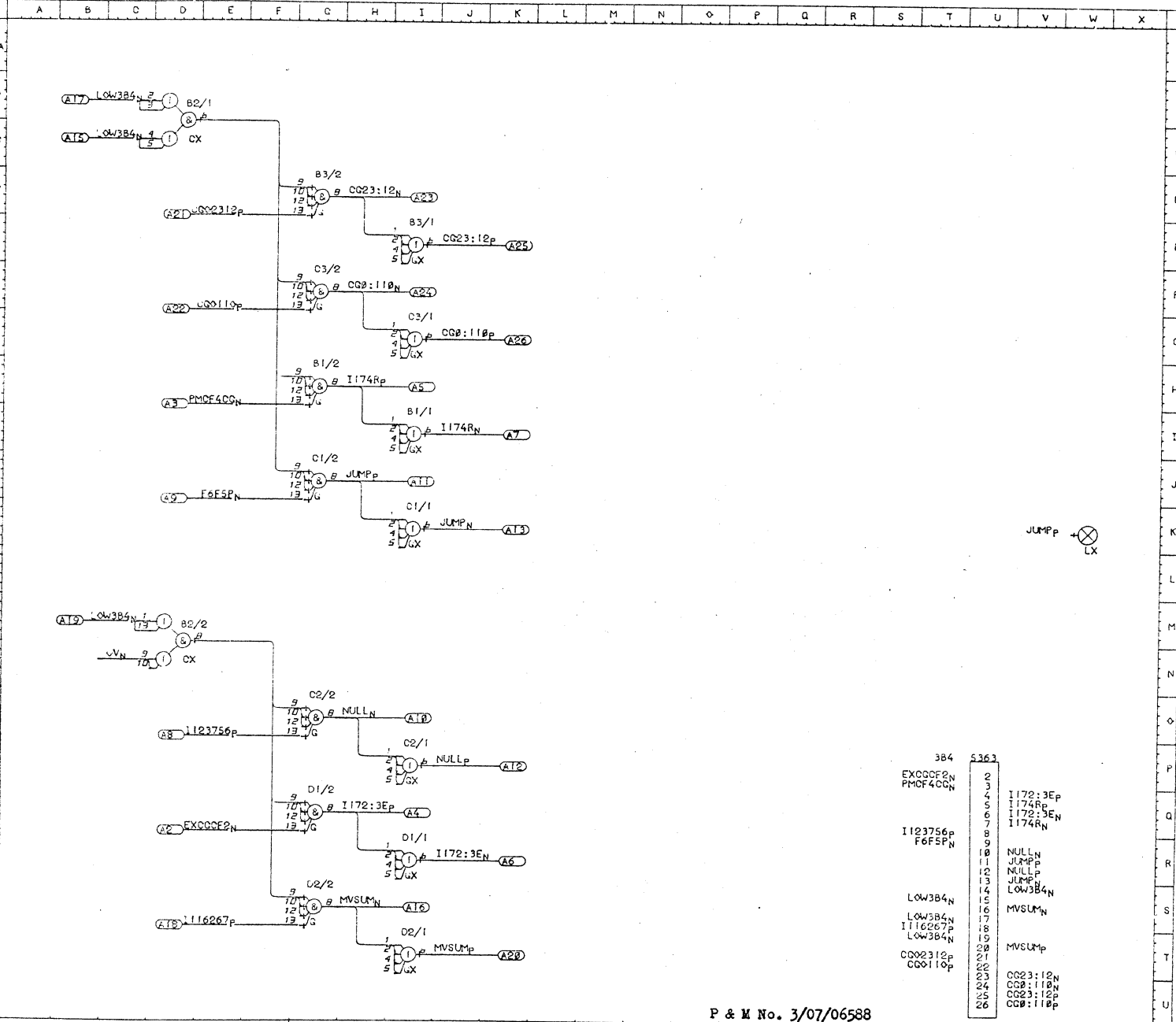
MISC DECODES 5

P & M No. 3/07/06588

WGH01\*\*\*/0132

ISSUE: 1	TYPE MOD: <del>MO</del> OO	TYPE MOD:	TYPE MOD:	TYPE MOD:	TYPE MOD:	TYPE MOD:
ACC: 2767	ECC:	ECC:	ECC:	ECC:	ECC:	ECC:

CG2:110 IG 32 96 99  
 UP 121 165  
 CG2:110 ND 10 UP 161  
 CG23:105 IE 44 95 UP  
 167  
 CG23:12 ND IE UP  
 CG2:105 88 GF UP  
 CG23:12 49 90 UP  
 EXCCDF2N 48 83 UP  
 F6F5FN 88 83 UP  
 116267P 48 83 UP  
 1172:3E 48 83 UP  
 1172:3E 6 14 86  
 1R UP 188  
 1172:3E 18 6 12 13  
 61 64 82 UP  
 89  
 1174R 84 4 18 19  
 9 87 89 98 1  
 14 141 162  
 1174R 11 12 41 UP  
 43 154  
 JUMP 2 18 11  
 7 38 48 61 62  
 64 79 82 83 UP  
 111 127  
 JUMP 1K 14 15  
 16 17 18 38 39  
 41 64 66 67 79  
 72 79 81 83 84  
 88 89 95 UP  
 189 143  
 LOW3B4N 08 08 0M  
 MVSUM 1T UP  
 MVSUM 05 35 47 IT  
 UP  
 NULL 1P UP  
 NULL 00 4 41 IP  
 UP  
 PMCF4CCN 60 04 UP



384	5363
EXCCDF2N	2
PMCF4CCN	3
	4
	5
	6
	7
	8
1123756P	9
F6F5FN	10
	11
	12
	13
	14
LOW3B4N	15
	16
MVSUMN	17
LOW5B4N	18
1116267P	19
LOW3B4N	20
	21
MVSUMp	22
	23
CG23:12N	24
CG2:118N	25
CG23:12p	26
CG2:118p	

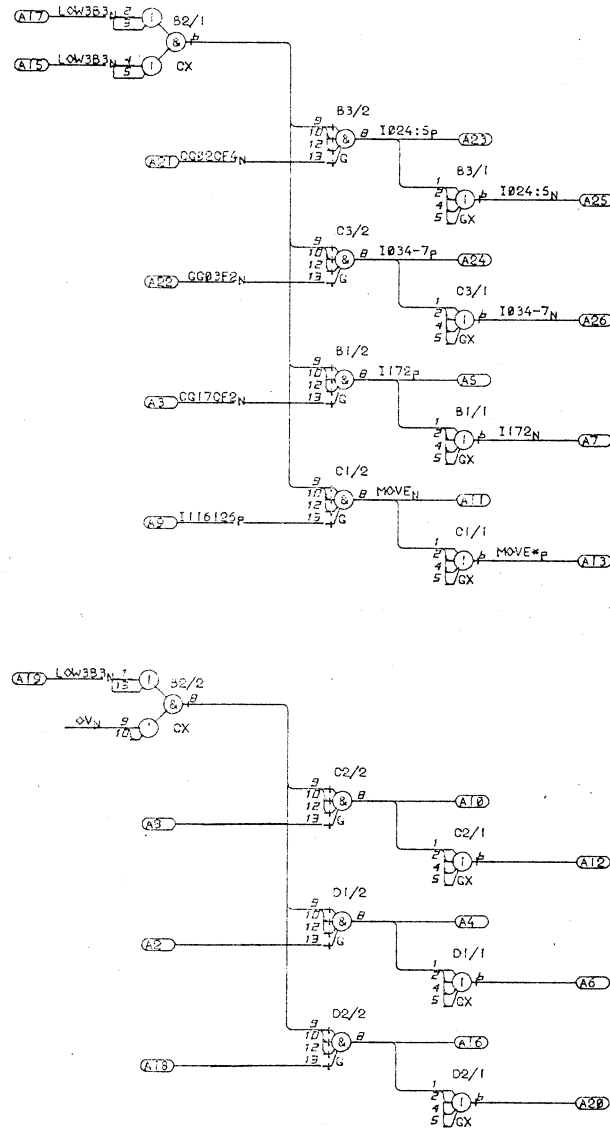
P & M No. 3/07/06588

ISSUE: 1		TYPE MOD: CO		TYPE MOD:		TYPE MOD:		TYPE MOD:		TYPE MOD:	
ADD: 2.767		ECC:		ECC:		ECC:		ECC:		ECC:	

26/02/70 MISC DECODES 6

WGH01\*\*\*/0133

CG02CF4N 17 30 UP  
 CG17CF2N 17 34 UP  
 GG03F2N 17 37 UP  
 I024:5P 00 IE UP 141  
 I024:5N 00 UP  
 I034:7P 00 79 10 UP  
 I034:7N 00 UP  
 I172P 04 5 24 32  
 68 74 76 83  
 89 11 UP 148  
 59  
 I172N 11 31 37 41  
 61 64 74 82 85  
 91 UP 189 148  
 143 158  
 LOW3B3N 06 DM  
 MOVE 0J 5391 IK  
 MOVE\* 0K 9 12 13  
 18 19 20 29 30  
 UP



383	5363	
CG17CF2N	3	I172P
	5	I172N
I116126P	7	
	9	MOVE N
	11	MOVE* P
	13	LOW3B3N
LOW3B3N	4	
LOW3B3N	15	
LOW3B3N	17	
	19	
CG02CF4N	21	
GG03F2N	22	
	23	I024:5P
	24	I034:7P
	25	I024:5N
	26	I034:7N

P & M No. 3/07/06588

26/02/70 MISC DECODES 7

WGHD1\*\*\*/0134

ISSUE: 1	TYPE MOD: 00	TYPE MOD:	TYPE MOD:	TYPE MOD:	TYPE MOD:
ADD: 2767	ECC:	ECC:	ECC:	ECC:	ECC:













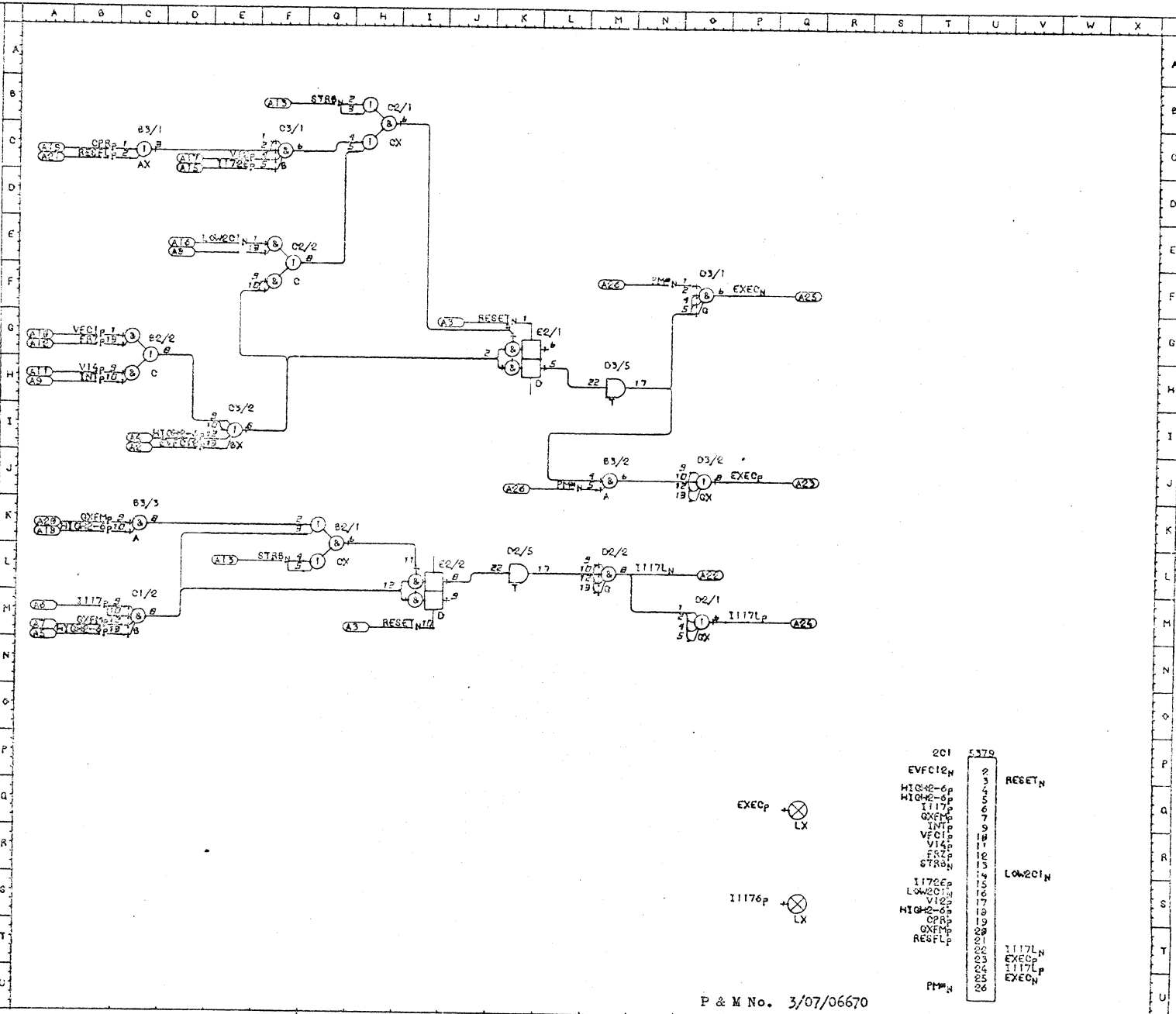








CTRs 140 CO UP  
 EVFC12N 117 CI UP  
 EXEC 01 11 15 17  
 20 22 43 44 48  
 49 50 58 68 UP  
 69  
 EXEC 01 10 18 21  
 22 25 27 28 UP  
 29 137 143 154  
 155 258  
 FAX 145 CO UP  
 CTRs 01 02 03 04 UP  
 H.L.P. 01 107 CR QM EI  
 UP  
 1117 105 QM UP  
 1117 01 06  
 1117 01 02 66  
 UP  
 1117L HL 1 2 72 QM  
 UP  
 1172E 126 FC UP  
 INT 147 FC UP  
 LOW2C 150 FC UP  
 P.M.N. 150 FC UP  
 RESET 150 IL KO  
 150 155 148 147  
 149 149 152 153  
 154 158 157 159  
 159 161 166 163  
 164 165 165 173 204  
 174 209 214  
 RESET 165 CO UP  
 CTRs 165 CO UP  
 V14 03 CO UP  
 VFC 03 CO UP  
 VFC 45 CO UP



201	5375	
EVFC12N	2	
HIGH-Op	3	RESETN
HIGH-Op	4	
I117p	5	
OXFMP	6	
INTP	7	
VFCp	8	
V14p	9	
FR2p	10	
STRON	11	
I172Ep	12	LOW2C1N
LOW2C1N	13	
V12p	14	
HIGH-Op	15	
CPRp	16	
OXFMP	17	
RESFLp	18	
	19	
	20	
	21	I117LN
	22	EXECp
	23	I117Lp
	24	EXECN
	25	
	26	
		P.M.N.

EXECp ⊗ LX  
 I1176p ⊗ LX

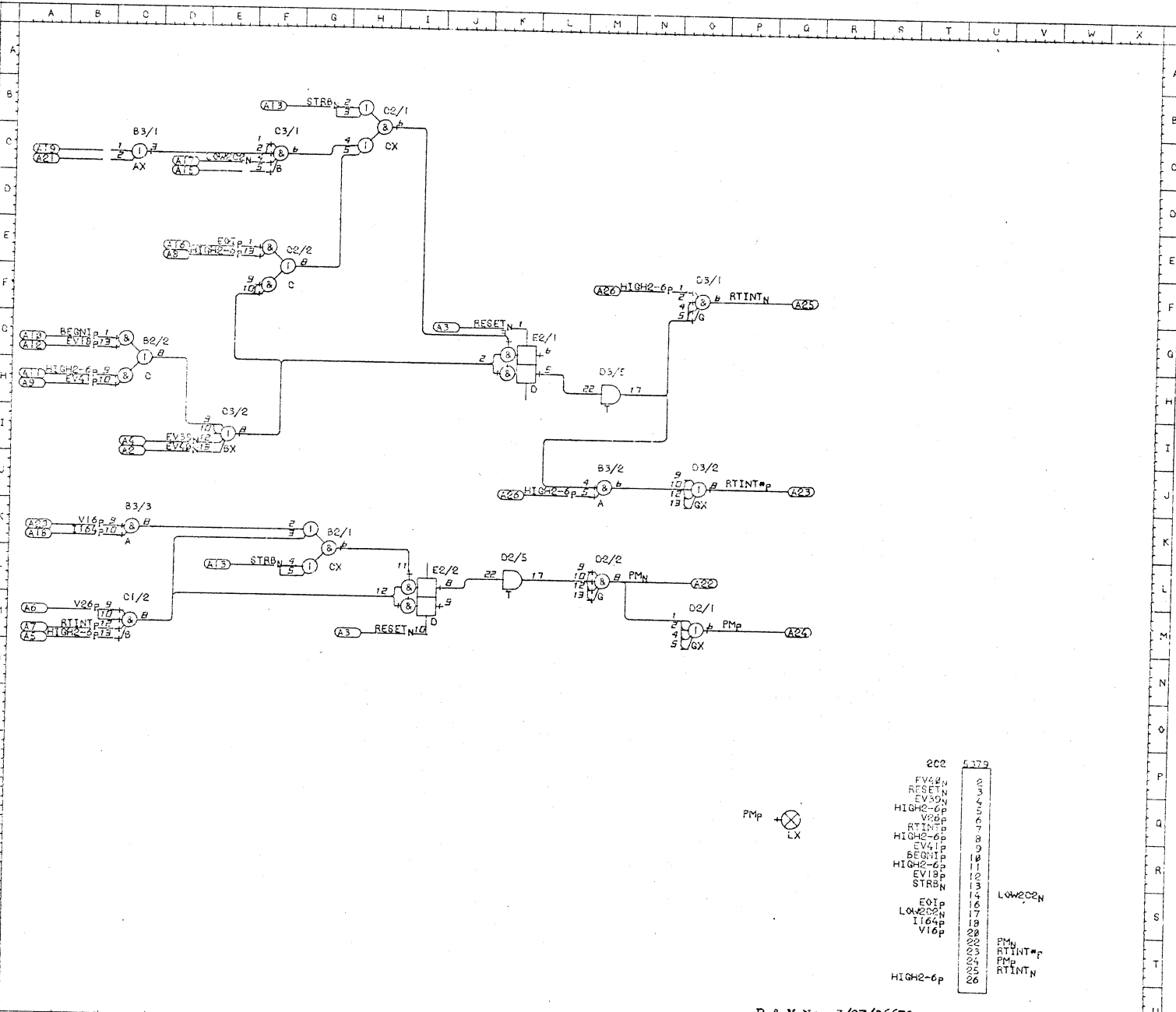
P & M No. 3/07/06670

26/02/70 EXEC & I117L

WGHO1\*\*\*/0144

ISSUE: 1	TYPE MOD: 3	TYPE MOD:	TYPE MOD:	TYPE MOD:	TYPE MOD:
ACC: 2767	ECC: 2725	ECC:	ECC:	ECC:	ECC:

BEGNIP 163 00 UP  
 E01p 41 FE UP  
 EV19p 23 00 UP  
 EV39p 34 01 UP  
 EV41p 37 01 UP  
 EV43p 37 00 UP  
 HIGH2-6p 167 00 CM FE  
 MU 0F UP  
 I16p 142 0K UP  
 LOW2CN 0F FC  
 PMp 22 40 02 00 UP  
 139 140 143 168  
 169 188 181  
 PMN ML 6 12 14  
 16 21 32 31 35  
 38 48 82 91 0M  
 UP 183 184 143  
 147 154  
 RESETN 144 1L KC UP  
 RTINTp 5393 04 UP  
 RTINTp 0F 589P UP  
 RTINTp 0J 1E 26 25  
 32 34 37 UP  
 STRBN 165 0K HB UP  
 V16p 53 0K UP  
 V26p 54 0M UP



202	5179	
EV41p	3	
RESETN	3	
EV50N	4	
HIGH2-6p	5	
V26p	5	
RTINTp	8	
HIGH2-6p	9	
EV41p	9	
BEGNIP	10	
HIGH2-6p	11	
EV19p	12	
STRBN	13	
E01p	14	
LOW2CN	16	LOW2CN
LOW2CN	17	
I16p	18	
V16p	28	
	22	PMN
	23	RTINT*P
	24	PMp
	25	RTINTN
HIGH2-6p	26	

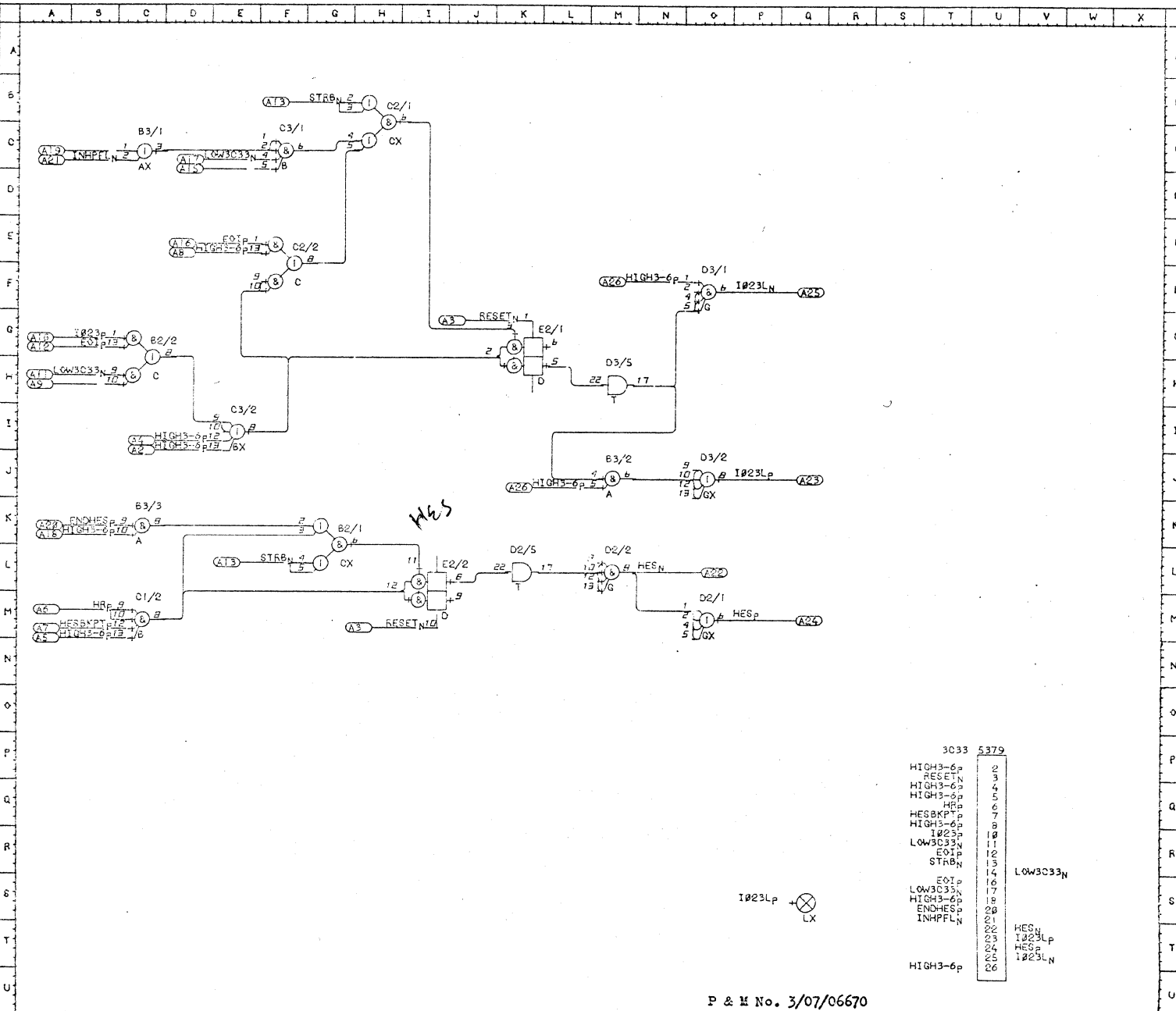
PMp ⊗ LX

P & M No. 3/07/06670

26/02/70 RTINT & PM

ISSUE: 1	TYPE MOD: 3	TYPE MOD:	TYPE MOD:	TYPE MOD:	WGHO1***/0145	TYPE MOD:	TYPE MOD:
ACC: 2767	ECC: 2725	ECC:	ECC:	ECC:	ECC:	ECC:	ECC:

ENDHES 46 OK UP  
 EOI 41 CG FE UP  
 HES 0M UP 148  
 262  
 HES 17 0M UP  
 HES 149 153 147  
 HES 147 0M UP  
 HIGH3-6 167 OK 0M EI  
 FE 0M UP  
 HES 123 0M UP  
 HES 131 CG UP  
 HES 12 24 38  
 CG UP  
 HES 25 UP  
 HES 44 CG UP  
 LOW3C33N CG FC  
 HES 144 IL KG UP  
 STRBN 165 OK HB UP



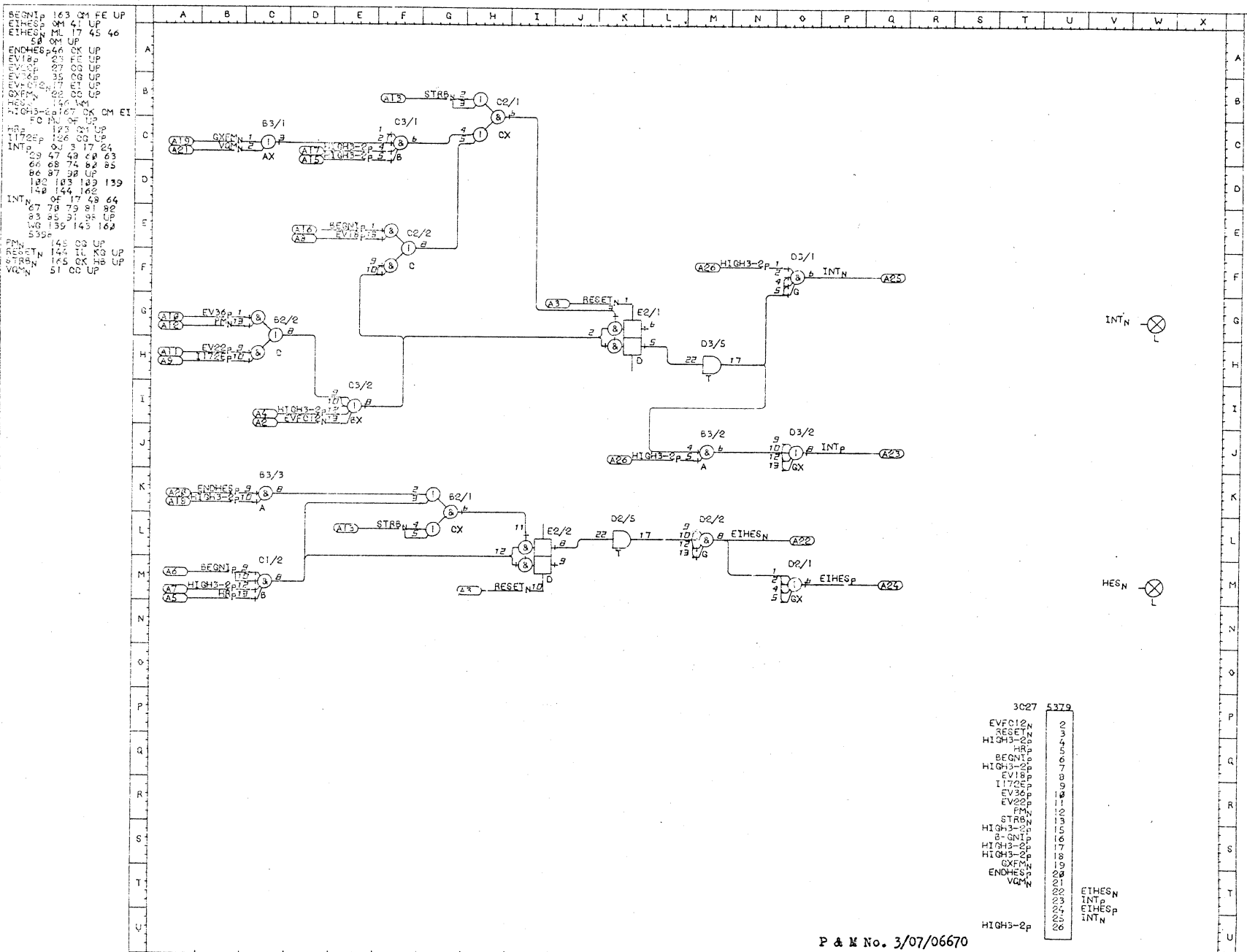
3033	5379
HIGH3-6p	2
RESETN	3
HIGH3-6p	4
HIGH3-6p	5
HESp	6
HESBKPT	7
HIGH3-6p	8
I023p	10
LOW3C33N	11
EOI	12
STRBN	13
EOI	14
LOW3C33N	15
HIGH3-6p	18
ENDHESp	20
INHAPFLN	20
HES	23
I023p	24
HESp	25
I023p	26
HIGH3-6p	26

I023Lp ⊗ LX

P & M No. 3/07/06670

26/02/70		HES & 023L		WGH01***/0146	
ISSUE: 1	TYPE MOD: 3	TYPE MOD:	TYPE MOD:	TYPE MOD:	TYPE MOD:
ADD: 2767	ECC: 2725	ECC:	ECC:	ECC:	ECC:





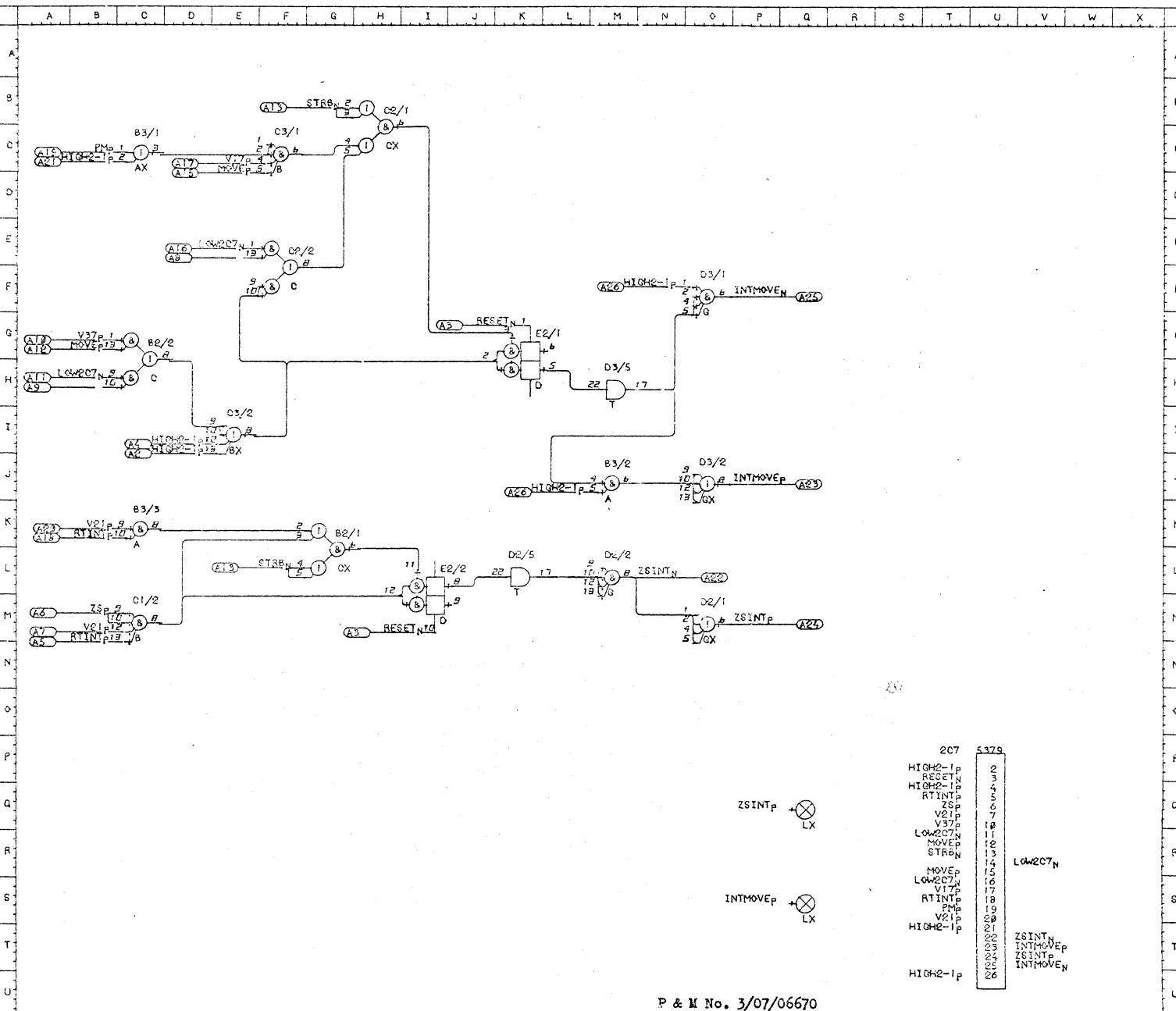
BEGNI	163	OM	FE	UP
EIHEP	OM	41	UP	
EIHEP	ML	17	45	46
68	OM	UP		
ENDHES	46	OK	UP	
EV18P	21	FE	UP	
EV18P	27	CG	UP	
EV18P	35	CG	UP	
EV18P	37	EY	UP	
GXCM	02	CG	UP	
HES	145	MM		
STRBN	145	OK	OM	EI
FC	145	NF	UP	
HR	123	OM	UP	
1172P	126	CG	UP	
INT <sub>N</sub>	03	3	17	64
69	47	43	48	63
66	68	74	82	85
86	87	98	UP	
182	103	189	139	
149	144	162		
INT <sub>N</sub>	0F	17	49	64
67	78	79	81	82
83	85	91	95	UP
140	139	145	162	
539P				
FMN	145	CG	UP	
RESETP	145	IL	K3	UP
STRBN	145	OK	HS	UP
VQM	51	CG	UP	

3027	5379
EVFC12 <sub>N</sub>	2
RESETP	3
HIGH3-2P	4
HR	5
BEGNI	6
HIGH3-2P	7
EV18P	8
1172P	9
EV36P	10
EV22P	11
FMN	12
STRBN	13
HIGH3-2P	15
B-GNIP	16
HIGH3-2P	17
HIGH3-2P	18
GXCM	19
ENDHES	24
VQM	21
EIHEP	22
INT <sub>N</sub>	23
EIHEP	24
INT <sub>N</sub>	25
HIGH3-2P	26

P & M No. 3/07/06670  
 WGH01\*\*\*/0147

ISSUE: 1	TYPE MOD: 3	TYPE MOD:	TYPE MOD:	TYPE MOD:	TYPE MOD:	TYPE MOD:
ACC: 2767	ECC: 2725	ECC:	ECC:	ECC:	ECC:	ECC:

HIGH2-10167 CC EI MU  
 INTMOVEP 9 12 13  
 14 16 17 18 21  
 27 28 47 75 83  
 QB UP  
 INTMOVE OF 6 33 36  
 47 48 81 91 92  
 94 UP 113 143  
 LOW207NUP 00 FE  
 MOVEP 160 00 FC UP  
 V21P 155 00 UP  
 V37P 155 00 UP  
 RTINTP 155 1L KG UP  
 PMA 3393 0X 0Y  
 UP  
 STABN 165 0X HB UP  
 V17P 153 00 UP  
 V19P 153 0X 0Y UP  
 V37P 155 00 UP  
 V37P 155 00 UP  
 ZSINTP 0X 48 00 UP  
 ZSINTP 0X 48 00 UP  
 ZSINTP 0X 48 00 UP



207	5379
HIGH2-1p	2
RESETn	3
HIGH2-1n	4
RTINTp	5
V21p	6
V37p	7
LOW207N	10
MOVEP	11
STRBN	12
MOVEP	13
LOW207N	14
V17p	15
V19p	16
RTINTp	17
PMA	18
V21p	19
HIGH2-1p	20
	21
	22
	23
	24
	25
	26

LOW207N

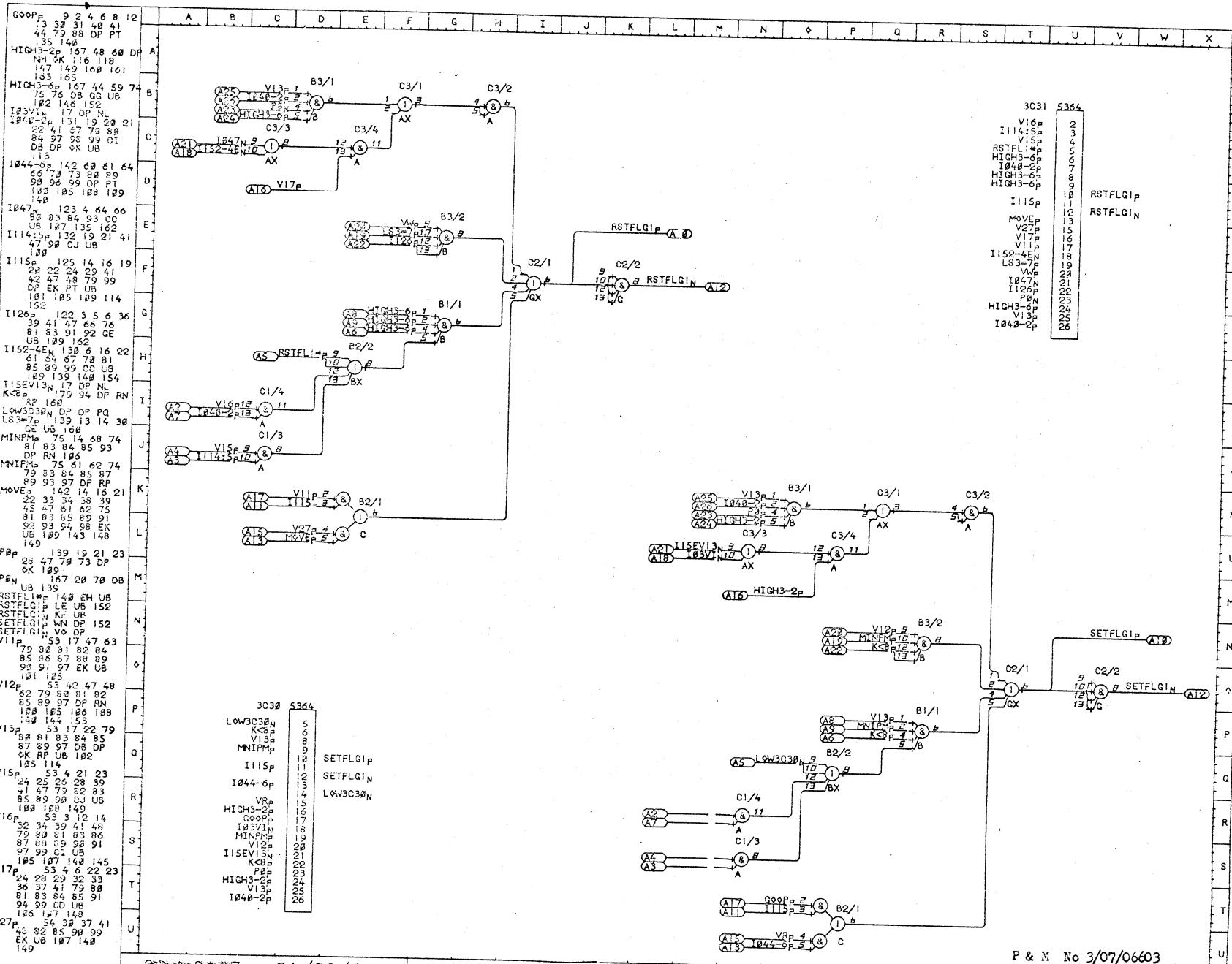
ZSINTn  
 INTMOVEp  
 ZSINTp  
 INTMOVEn

P & M No. 3/07/06670

26/02/70 INTMOVE & ZSINT WGH01\*\*\*/0148

ISSUE: 1	TYPE MOD: 3	TYPE MOD:	TYPE MOD:	TYPE MOD:	TYPE MOD:	TYPE MOD:
ADD: 2767	ECC: 2725	ECC:	ECC:	ECC:	ECC:	ECC:





VRp	51	4	6	8	10
	12	13	16	19	22
	27	29	32	33	33
	84	85	87	91	99
DP PT	118	152			
Vwp	51	3	4	5	14
	32	36	39	41	47
UB	81	83	90	91	9E

3C31	5364
V16p	2
I114-5p	3
V15p	4
RSTFLI* <sub>p</sub>	5
HIGH3-6p	6
I040-2p	7
HIGH3-6p	8
HIGH3-6p	9
I115p	10
RSTFLGI <sub>p</sub>	11
RSTFLGI <sub>N</sub>	12
MOVE <sub>p</sub>	13
V27p	14
V17p	15
V11p	16
I152-4EN	17
LS3-7p	18
VWp	19
I047N	20
I126p	21
P0N	22
HIGH3-6p	23
V13p	24
I040-2p	25
	26

3C30	5364
LOW3C30N	5
KCP	6
V13p	7
MINIP <sub>p</sub>	8
MINIP <sub>N</sub>	9
I115p	10
SETFLGI <sub>p</sub>	11
SETFLGI <sub>N</sub>	12
I044-6p	13
LOW3C30N	14
HIGH3-2p	15
G00p	16
I03VI <sub>p</sub>	17
MINIP <sub>p</sub>	18
V12p	19
I15EVI3 <sub>N</sub>	20
KCP	21
P0p	22
HIGH3-2p	23
V13p	24
I040-2p	25
	26

ISSUE: 155  
ACD: 2.239

24/09/69

SETFLGI & RSTFLGI

PKG MOD: 00  
ECC: 0000

P & M No 3/07/06603  
WGH01\*\*\*/0150