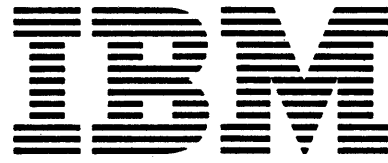




Maintenance Library

5410

Processing Unit  
Parts Catalog



**Maintenance Library**

**5410**

**Processing Unit  
Parts Catalog**

## **Preface**

**This Parts Catalog (PC) contains listings and illustrations of all replaceable assemblies, subassemblies, and detail parts released to Production Control on or before August 11, 1971 for the 5410 Processing Unit.**

### **Fourth Edition (September 1971)**

**This is a major revision of, and obsoletes, S131-0574-3**

**Changes are continually made to the specifications herein; any such change will be reported in subsequent revisions or Technical Newsletters.**

**A Readers Comment Form is at the back of this publication. If the form has been removed, comments may be addressed to IBM Corporation, Publications Department 245, Rochester, Minnesota 55901.**

**© Copyright International Business Machines Corporation 1969, 1971**

HOW TO USE THIS PARTS CATALOG . . . . . ii

VISUAL INDEXES . . . . . iv

Figure	Title	Page	Figure	Title	Page
1	Covers, Panels, and Mounting Hardware Sheet 1 of 3 . . . . .	1	14	Mechanical Asm CPU . . . . .	40
	Covers, Panels, and Mounting Hardware Sheet 2 of 3 . . . . .	2	15	A Gate Asm . . . . .	43
	Covers, Panels, and Mounting Hardware Sheet 3 of 3 . . . . .	3	16	Blower Asm . . . . .	46
2	Cover, Right Rear . . . . .	6	17	B Gate Asm . . . . .	47
3	Cover, Right Front . . . . .	7	18	Blower Asm . . . . .	49
4	Cover, Left Rear . . . . .	8	19	Power Supply, Signal Lamp . . . . .	50
5	Cover, Left Front . . . . .	9	19A	Power Supply Asm Multi-Level . . . . .	51
5A	5475 Data Entry Keyboard Cover and Final Asm . . . . .	10	20	Power Supply, -12V BSCA Medium Speed . . . . .	53
5B	5475 Panel Asm . . . . .	12	20A	Power Supply Asm, 12V . . . . .	54
5C	5475 Keyboard Chart—USA, UK, Portuguese/ Brazil, Italy and Japan. No Listing Required . . . . .	13	20B	Auto Transformer Asm . . . . .	55
5D	5475 Keybutton Chart—French, Belgium, German/Austria, Spain, Finnish/Sweden, Denmark and Norway. No Listing Required. . . . .	14	21	Primary Power Supply, Pre-Redesigned Sheet 1 of 2 . . . . .	56
5E	5475 Keylever and Interposer Chart—USA, UK, Portuguese/Brazil, Italy and Japan. No Listing Required . . . . .	15		Primary Power Supply, Pre-Redesigned Sheet 2 of 2 . . . . .	57
5F	5475 Keylever and Interposer Chart—French, Belgium, German/Austria, Spain, Finnish/ Sweden, Denmark and Norway. No Listing Required . . . . .	16	21A	Primary Power Supply, Redesigned Sheet 1 of 2 . . . . .	60
5G	5475 Keyboard Asm Sheet 1 of 2 . . . . .	17		Primary Power Supply, Redesigned Sheet 2 of 2 . . . . .	61
	5475 Keyboard Asm Sheet 2 of 2 . . . . .	18	22	Bulk Power Supply No. 1 . . . . .	65
5H	5475 Keyboard Asm . . . . .	21	22A	Bulk Power Supply No. 1 . . . . .	68
6	Table Top, For Data Entry Keyboard . . . . .	23	23	Bulk Power Supply No. 2 and 3 . . . . .	70
6A	Table Top, For Printer Keyboard . . . . .	24	23A	Bulk Power Supply No. 2 and 3 . . . . .	73
7	Console Asm . . . . .	26	24	Power Supply Asm, 4 VDC at 32 Amp . . . . .	76
8	C E Panel . . . . .	29	25	Power Supply Section, Front . . . . .	78
9	Panel Asm, BSCA Feature . . . . .	31	26	Power Supply Asm, 50 Amp . . . . .	80
10	Operators Panel . . . . .	32	27	Power Supply Asm, 4 VDC at 65 Amp . . . . .	81
11	Dual Program Panel . . . . .	34	28	Power Supply Asm, 6 VDC at 25 Amp . . . . .	83
12	Disk Control Panel, 1 and 2 Spindle . . . . .	36	29	Power Supply Asm, 30 VDC at 9.5 Amp . . . . .	85
13	Display Panel . . . . .	38	30	Fan Asm, Regulator Cooling . . . . .	87
			31	Cable and Jumper Asm Component Parts . . . . .	88
			32	Cable Part Numbers and Routing . . . . .	91
			33	Attaching Parts . . . . .	97
				NUMERICAL INDEX . . . . .	X-1

## HOW TO USE THIS PARTS CATALOG

### PART I

To find parts quickly, a general understanding of the structure of this catalog is necessary. The catalog is divided into three major sections:

- The Visual Index, containing overall views of the machine, with call-outs pointing to detailed figures.
- The Catalog Section, containing a pictorial breakdown of assemblies and subassemblies.
- The Numerical Index, which is a numerical list of all parts used in the machine, with cross-references to the figure on which the part is found.

#### VISUAL INDEX

The Visual Index, located before the Catalog Section, contains a reduced illustration of every figure in the Catalog Section. The reduced illustrations are tied together with flow arrows to form a natural progression from large assemblies to small assemblies and possibly subassemblies. In effect, a visual table of contents is formed by the Visual Index illustrations.

#### CATALOG SECTION

The Catalog Section contains the full-sized illustrations previously noted in the Visual Index. Index numbers on figures refer to corresponding entries in the Group Assembly Parts List accompanying each figure. Refer to part II for explanation of terms used in the Group Assembly Parts List.

#### ATTACHING PARTS LIST

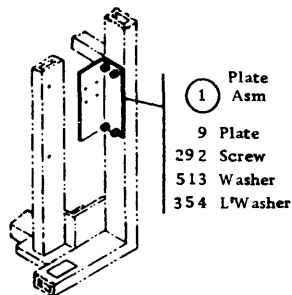
The Attaching Parts List contains common screws, nuts, washers, etc. that are used in the machine. Index numbers for attaching parts are on the illustration, and the description is in the Attaching Parts List.

#### NUMERICAL INDEX

The Numerical Index is located after the Catalog Section and contains a complete list, in numerical order, of all part numbers used on the machine. Listed with the part number is the index and figure number on which the part is illustrated. The numerical index makes it possible to locate a part when only the part number is known.

#### STACKED INDEX NUMBERS

Stacked index numbers are used when showing a part and its attaching hardware. The sequence of a typical stack is shown at the right. The circled index number indicates the assembly is broken down within the figure.



#### ILLUSTRATION NOTES

Cross-reference notes are directly on the illustration. The illustration's next higher assembly reference, normally located in the upper left corner of the page will read: "For Parts Not Shown See Figure X". If an assembly is referenced to a lower level figure, the note located next to the index number will read: " 5 See Figure X."

#### DOUBLE LINED DETAIL BOX

The double lined box differentiates between parts shown on the basic model and parts related to a level and/or feature difference. An explanation of the level or feature difference is given in the double lined box.

#### FINDING A PART

The Visual Index is the starting point for locating a part. The illustrations in the Visual Index are reduced versions of all illustrations in the Catalog Section; therefore, the illustrations can be used to find the assembly containing the desired part. Use references to the detailed figure in the Catalog Section, or to another Visual Index illustration, to determine location of part number.

Once the detailed figure in the catalog section is determined, finding the part on the figure and referring to the listing for the part number and description is all that is required in most cases. If the first catalog section figure referenced shows the assembly containing the required part, the index number for the assembly will reference a lower-level figure where the assembly is broken down to its component parts. If the figure referenced by the Visual Index contains neither the part nor an assembly containing the part, it is then necessary to go to the next higher assembly figure. This figure should then contain the part or an assembly containing the part; if not, an even higher level figure must be used. Refer back to the Visual Index for some other figure that could show the desired part.

**Note:** Many detailed parts are unavailable, because they are part of an inseparable assembly (two or more parts welded or bonded together), or because they are part of an assembly purchased as a unit. If parts are found on a welded or bonded assembly, the following note follows the description of the assembly: "Assembly components are not replaceable." If the part is found on a purchased assembly, and the detail parts of this assembly do not have IBM part numbers, the note following the assembly description will read: "Assembly components are not available." In either case, you need to obtain the part number of the assembly, rather than the detailed part.

#### EXAMPLE FOR ORDERING PARTS

4	-	5726422	FAN ASM-P/S ENCLOSURE	REF	
			FOR NEXT HIGHER ASSEMBLY SEE FIGURE 1-184		
			FOR ILLUSTRATION SEE FIGURE 4		
	-	1	334921	TERMINAL,RING- 18-22 AWG, 46 HOLE, INS	2
	-	2	187854	SHIELD,TERMINAL BLOCK- 2 POS	1
	-	3	5357050	FAN ASM-NO CONNECTOR	1
	-	4	5357066	BLADE	1
	-	5	5357067	MOTOR 208V/230V 60CY 220V 50CY	1
	-	6	5726436	HEADER-POWER SUPPLY FAN	1

If the entire fan is required, part number 5726422 should be ordered (all one dot items will be received). If only the subassembly is required, part number 5357050 should be ordered (all two dot items will be received). Each part may be ordered individually.

## HOW TO USE THIS PARTS CATALOG

### PART II

- ① **AR**  
As Required (AR) in the units per assembly column denotes that the quantity is used as required.
- ② **ATT PT**  
Attaching Parts: These parts are used to attach a sub-assembly to an assembly. The attaching parts are listed in the last list just before the numeric index. Special attaching parts are listed with the figure.
- ③ **"COMM"**  
Commercial hardware: When this indication appears in the part number column, it denotes hardware procurable from normal commercial sources and not identified by an IBM part number.
- ④ **INDENTURE**  
The relationship of a part to its next higher assembly is indicated by indentures. For example:  

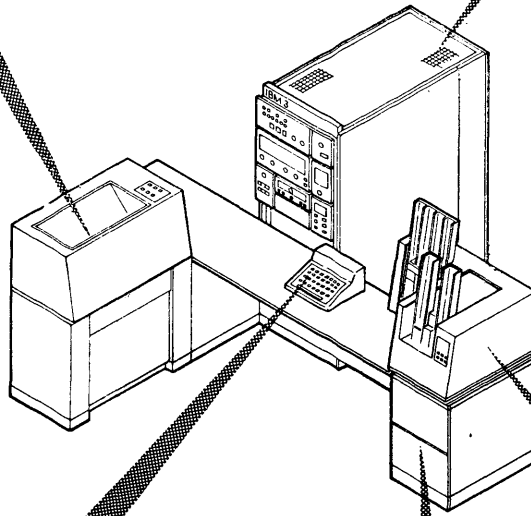
1	2	3	4
Unit			
. Assemblies and Detail Parts of Unit			
. Attaching Parts for Assemblies & Detail Parts			
. . Subassemblies			
. . Attaching Parts for Subassemblies			
. . . Detail Parts for Subassemblies, etc.			
- ⑤ **NR**  
The NR in the part number column denotes the part is procurable but not recommended for field replacement, and that the next higher assembly should be ordered.
- ⑥ **NP**  
The entry NP in the part number column denotes the assembly is non-procurable and the detail parts should be ordered separately.
- ⑦ **NO NO.**  
When this indication appears in the part number column, it denotes a group of parts for which no assembly part number has been assigned, and the detail parts should be ordered separately.
- ⑧ **REF**  
This entry in the units per assembly column denotes an assembly which is completely assembled on a preceding illustration. Quantities for such items are found in its next higher assembly.
- ⑨ **SIMILAR ASSEMBLIES**  
If two assemblies contain a majority of identical parts, they are broken down on the same list. Common parts are shown by one index number. Parts peculiar to one or the other of the assemblies are listed separately and identified by Usable On Code.
- ⑩ **USABLE ON CODE**  
Part application and interchangeability is indicated by the usable on code. If this column is blank, the parts pertain to all equipment(s) covered. Two types of codes are used. The alphabetic code denotes similar assemblies and/or features; the numeric code denotes level. Refer to the beginning of each list for the explanation of the code(s).
- ⑪ **SUFFIX CODE**  
The suffix code indicates the month (alphabetic) and the year (numeric) of the engineering change which affected interchangeability of the part.

### EXAMPLE OF PARTS LIST

LIST AND INDEX NO.	PART NO.	DESCRIPTION				UNITS PER ASM.	USABLE ON CODE
		1	2	3	4		
		DRIVE MOTOR ASSEMBLY					
2-		⑩ CODE A USED ON 60 CYCLE ONLY      ⑪ CODE B USED ON 50 CYCLE ONLY CODE I USED ON ASM PRIOR TO B6 SUFFIX					⑩
-	2199376 NP	MOTOR ASM, DRIVE-115/220 VOLTS 60 CYCLE				⑧ REF	1A
-	2199386 NP	MOTOR ASM, DRIVE-220 VOLTS 50 CYCLE FOR NEXT HIGHER ASM SEE FIGURE 1-92. FOR ILLUSTRATION SEE FIGURE 2				REF	1B
- 1	2204176	. PULLEY, 60 CYCLE				① 1	A
- 1	2199255	. PULLEY, 50 CYCLE				1	B
- 2	79842	. SETSCREW, SPLINE DR CUP PT 8-32 X 3/8 LG				② ATT PT	
- 3	2204116	. MOTOR ASM, 220V AC 60 CYCLE				① AR	A
- 4	NO NO.	. MOTOR ASM, 220V AC 50 CYCLE				1	B
- 5	5526	. SCREW, MACH BIND HD 8-32 X 0.625 LG				ATT PT	
- 6	2204082	. . FERRULE, OUTER				4	
- 7	2204033	. . FERRULE, INNER				1	
- 8	"COMM"	. . MOTOR, 1/12 HP-220V 60CPS				1	
- 8	2199258	. . MOTOR, DRIVE - 220V 50CPS				1	
- 9	2199401 NR	. PLATE, MOTOR MT-115/220 VOLTS 60 CY				1	A
- 9	2199402 NR	. PLATE, MOTOR MT-220 VOLTS 50 CY				1	B

5203  
PRINTER  
SEE FORM NO. S124-0101

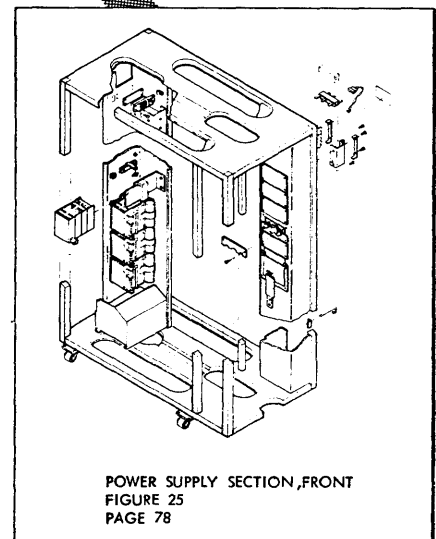
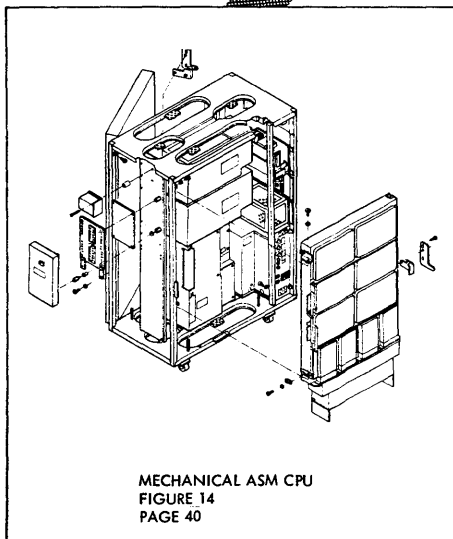
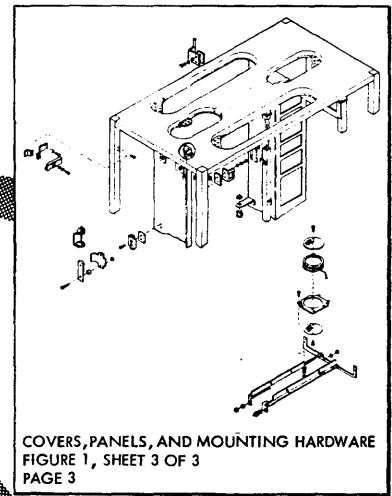
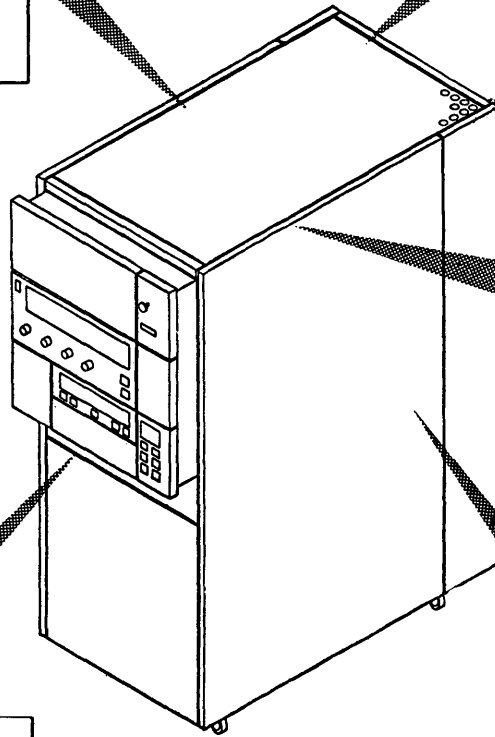
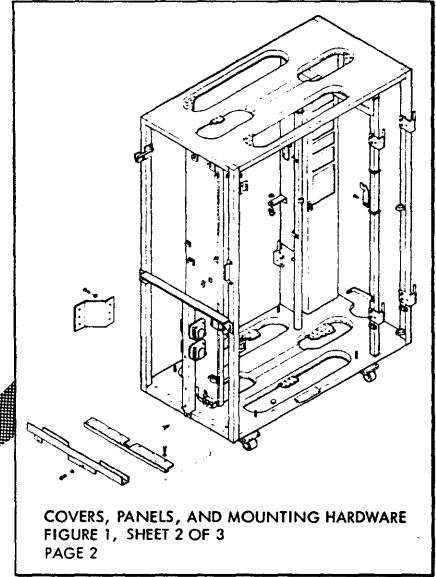
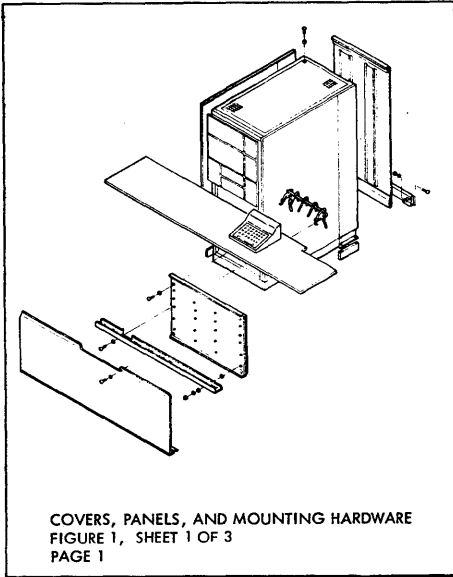
5410  
PROCESSING UNIT  
SEE FORM NO. S131-0574



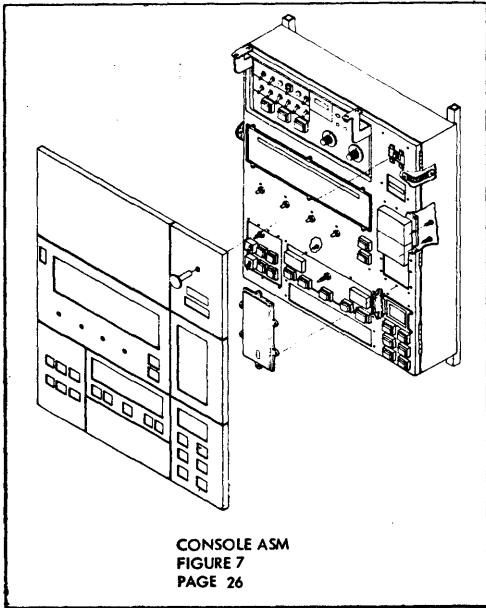
5471  
PRINTER KEYBOARD  
SEE FORM NO. S131-0024

5424  
MULTI-FUNCTION CARD UNIT  
SEE FORM NO. S131-0570

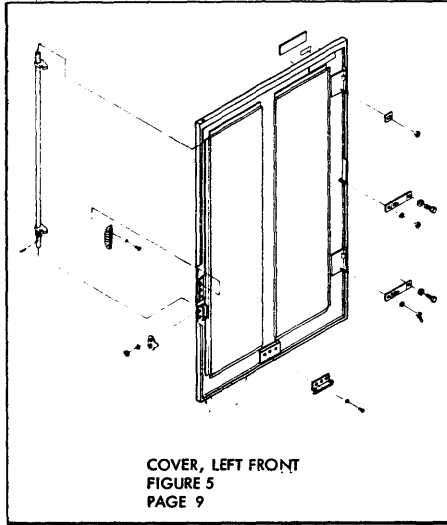
5444  
DISK FILE UNIT  
SEE FORM NO. S135-0001



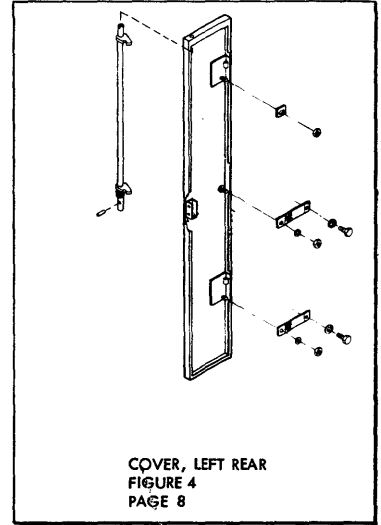




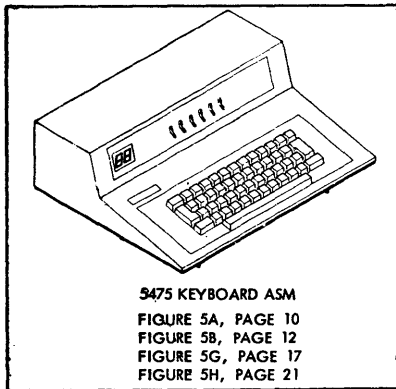
CONSOLE ASM  
FIGURE 7  
PAGE 26



COVER, LEFT FRONT  
FIGURE 5  
PAGE 9



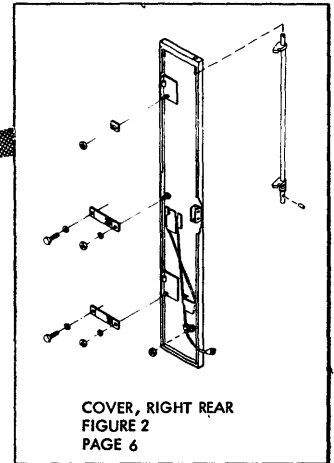
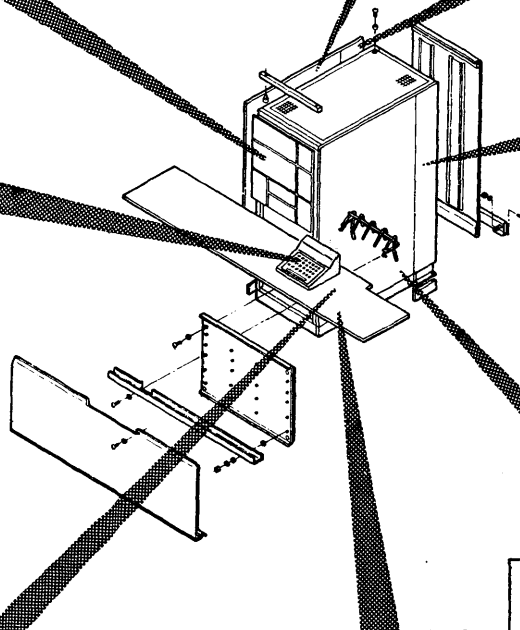
COVER, LEFT REAR  
FIGURE 4  
PAGE 8



5475 KEYBOARD ASM  
FIGURE 5A, PAGE 10  
FIGURE 5B, PAGE 12  
FIGURE 5G, PAGE 17  
FIGURE 5H, PAGE 21

**KEYBUTTON CHARTS**  
SEE FIGURE 5C, PAGE 13  
AND FIGURE 5D, PAGE 14

**KEYLEVER CHART**  
SEE FIGURE 5E, PAGE 15  
AND FIGURE 5F, PAGE 16



COVER, RIGHT REAR  
FIGURE 2  
PAGE 6

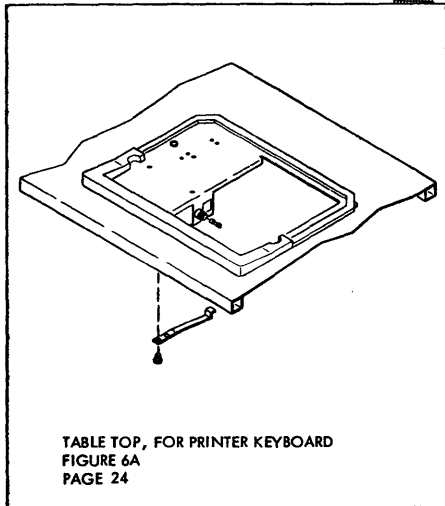


TABLE TOP, FOR PRINTER KEYBOARD  
FIGURE 6A  
PAGE 24

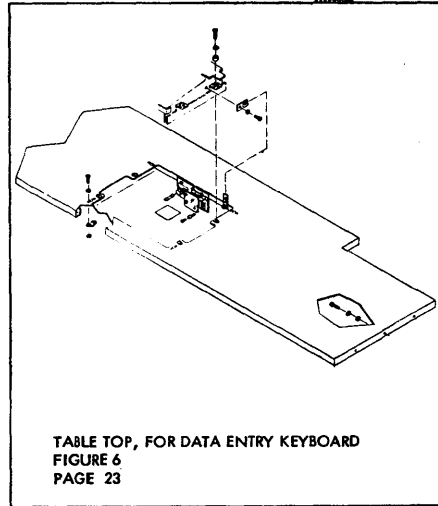
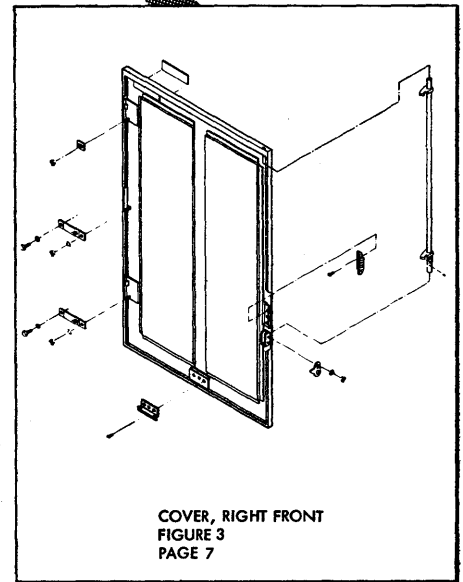
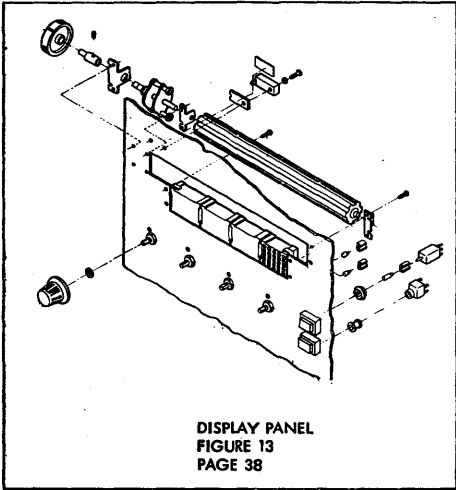


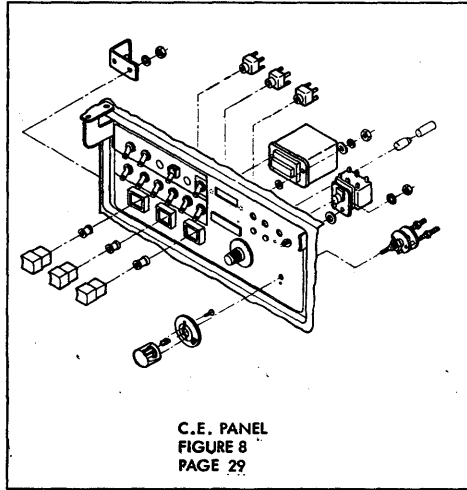
TABLE TOP, FOR DATA ENTRY KEYBOARD  
FIGURE 6  
PAGE 23



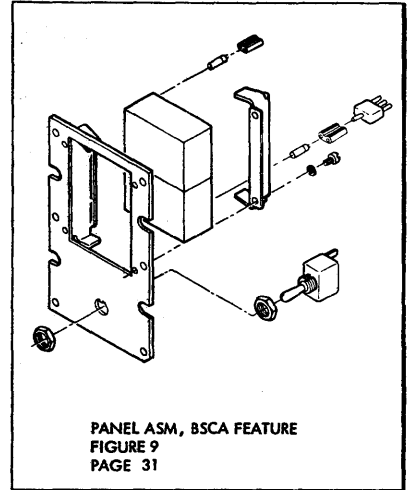
COVER, RIGHT FRONT  
FIGURE 3  
PAGE 7



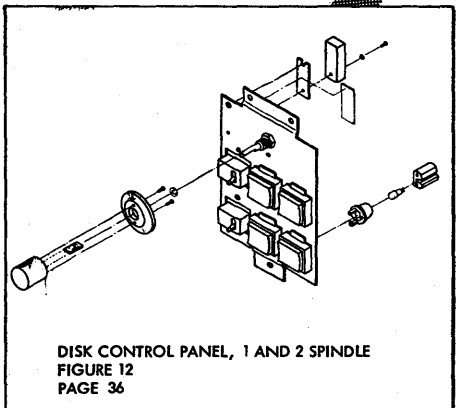
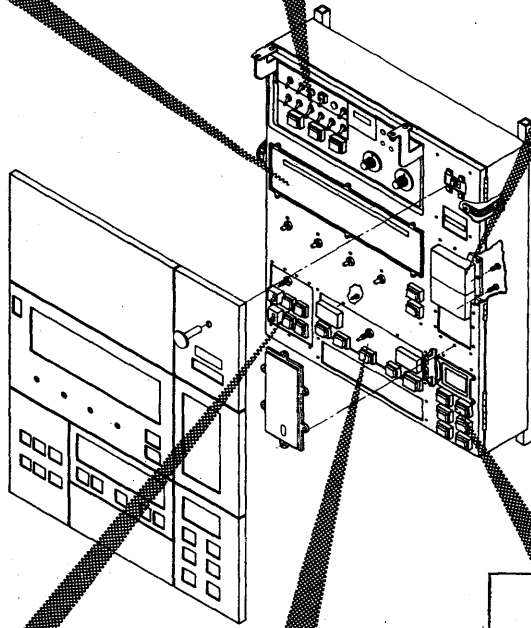
DISPLAY PANEL  
FIGURE 13  
PAGE 38



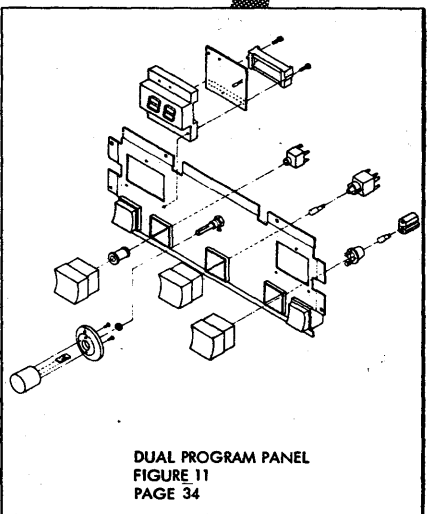
C.E. PANEL  
FIGURE 8  
PAGE 29



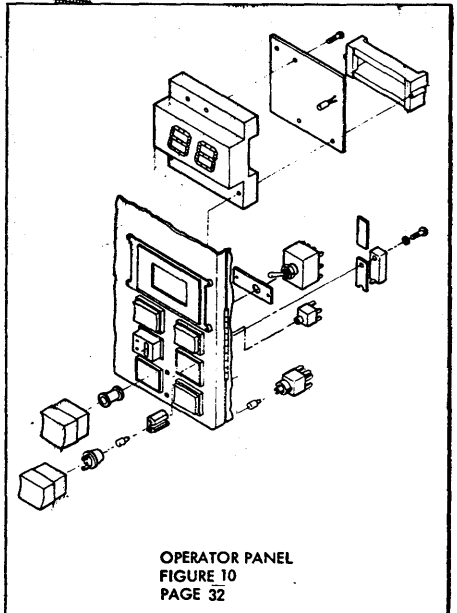
PANEL ASM, BSCA FEATURE  
FIGURE 9  
PAGE 31



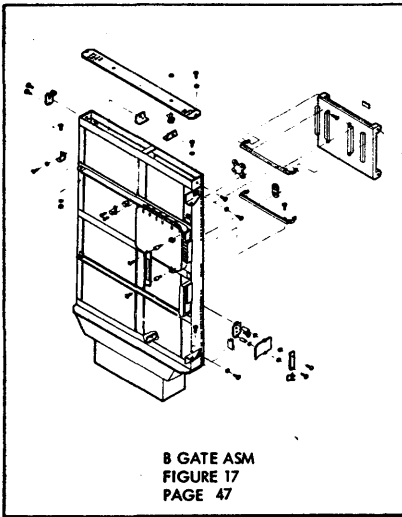
DISK CONTROL PANEL, 1 AND 2 SPINDLE  
FIGURE 12  
PAGE 36



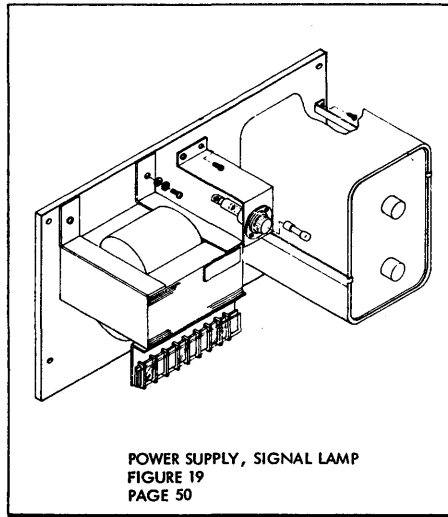
DUAL PROGRAM PANEL  
FIGURE 11  
PAGE 34



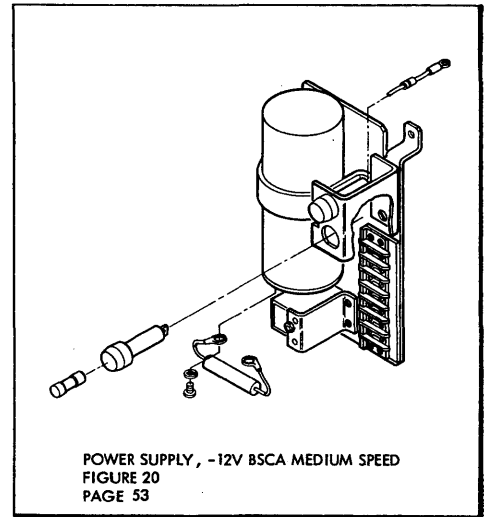
OPERATOR PANEL  
FIGURE 10  
PAGE 32



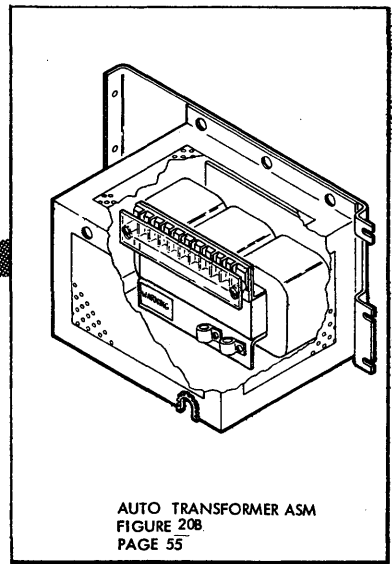
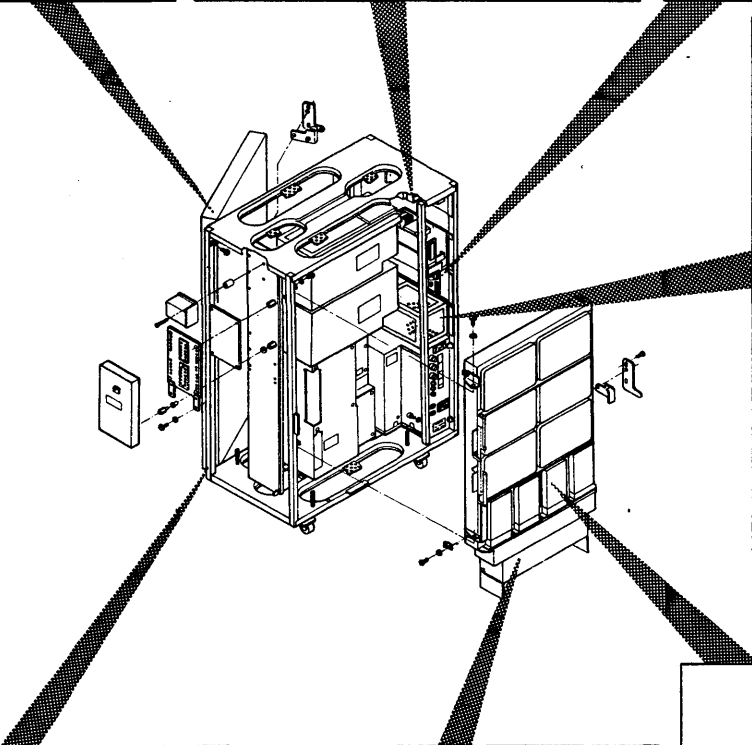
B GATE ASM  
FIGURE 17  
PAGE 47



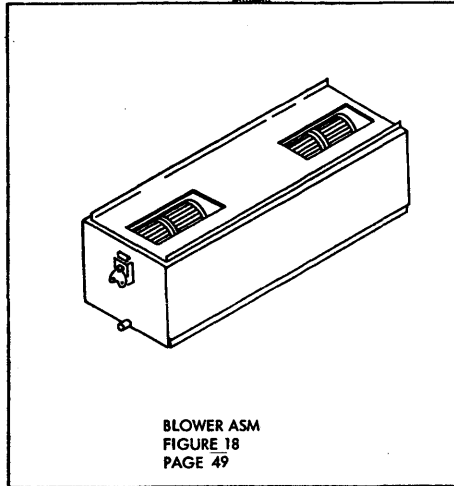
POWER SUPPLY, SIGNAL LAMP  
FIGURE 19  
PAGE 50



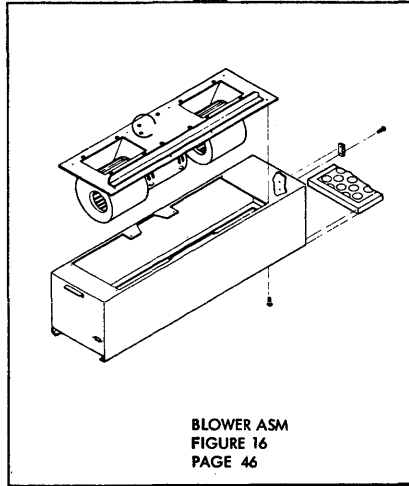
POWER SUPPLY, -12V BSCA MEDIUM SPEED  
FIGURE 20  
PAGE 53



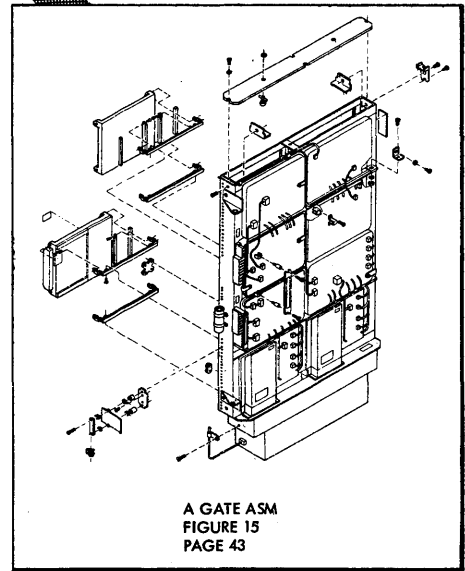
AUTO TRANSFORMER ASM  
FIGURE 20B  
PAGE 55



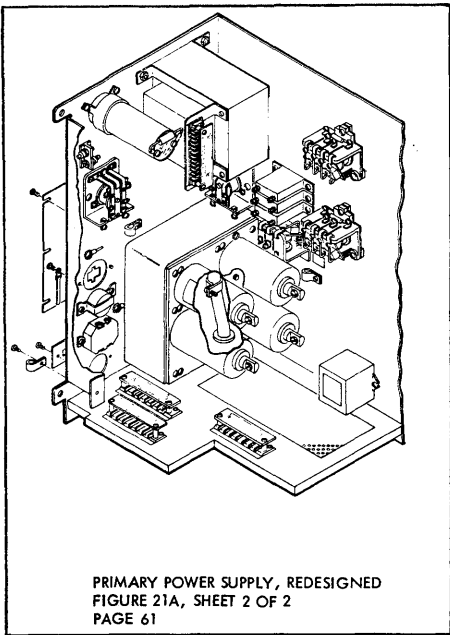
BLOWER ASM  
FIGURE 18  
PAGE 49



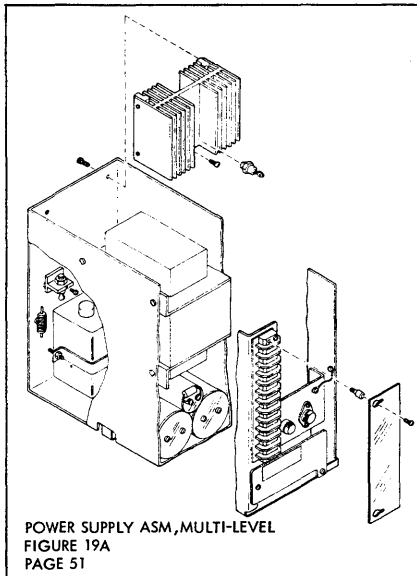
BLOWER ASM  
FIGURE 16  
PAGE 46



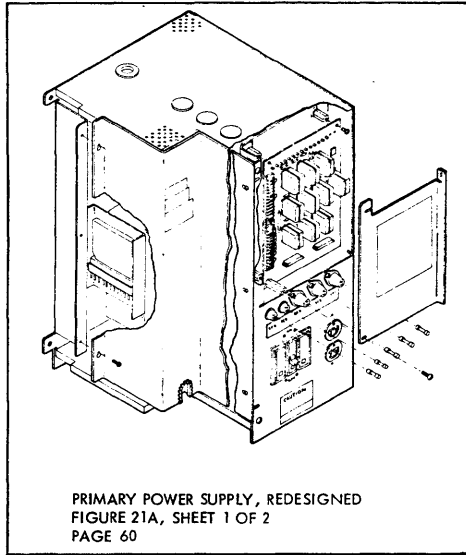
A GATE ASM  
FIGURE 15  
PAGE 43



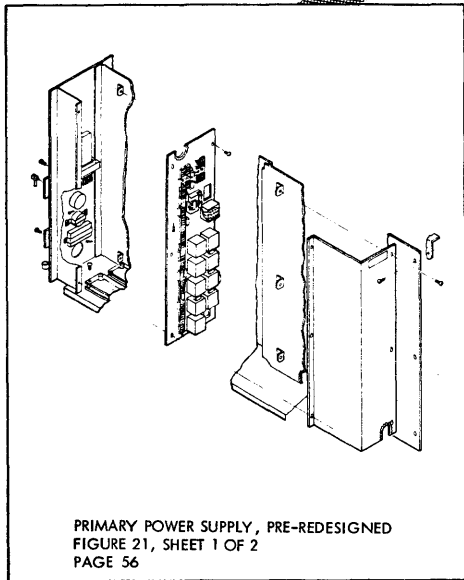
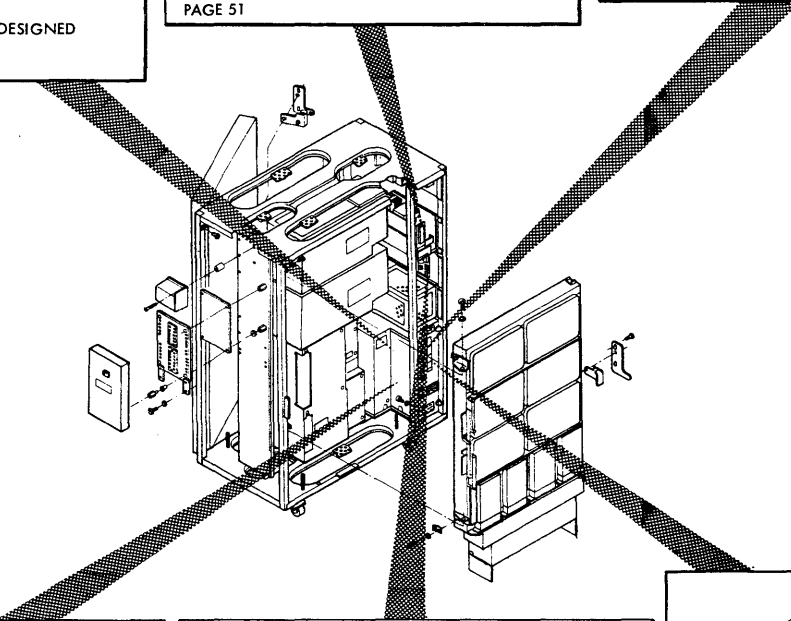
PRIMARY POWER SUPPLY, REDESIGNED  
FIGURE 21A, SHEET 2 OF 2  
PAGE 61



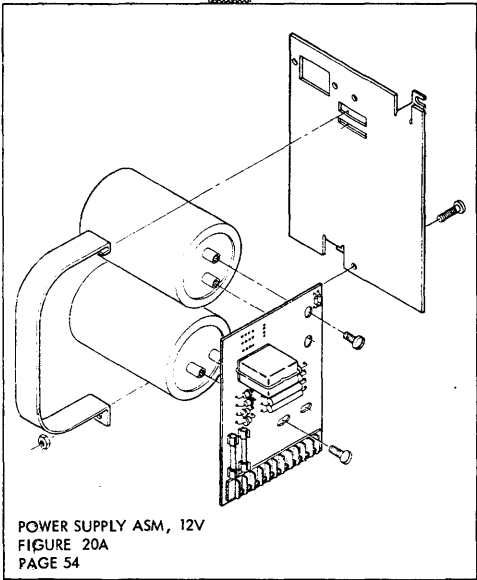
POWER SUPPLY ASM, MULTI-LEVEL  
FIGURE 19A  
PAGE 51



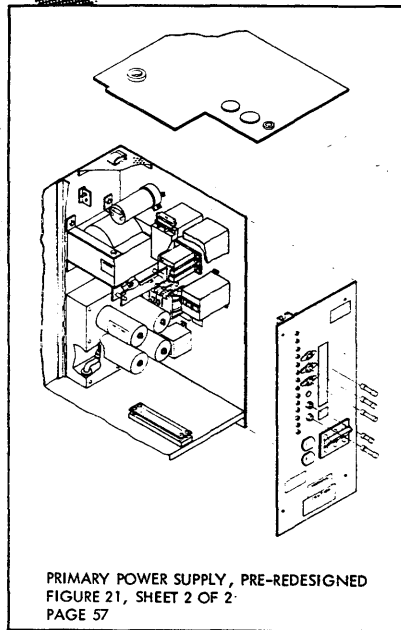
PRIMARY POWER SUPPLY, REDESIGNED  
FIGURE 21A, SHEET 1 OF 2  
PAGE 60



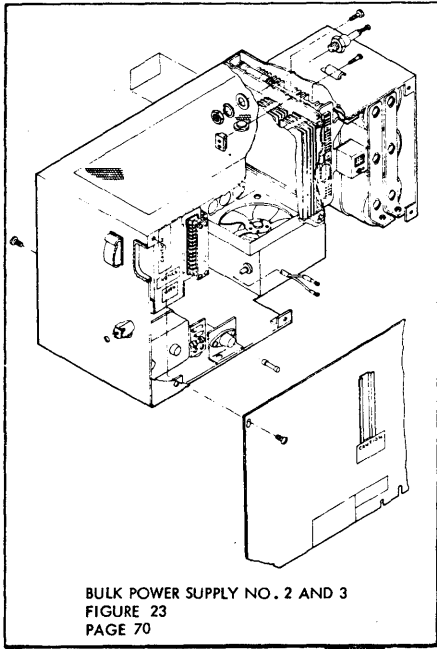
PRIMARY POWER SUPPLY, PRE-REDESIGNED  
FIGURE 21, SHEET 1 OF 2  
PAGE 56



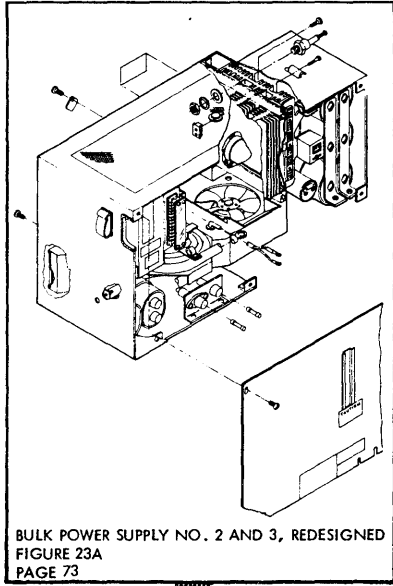
POWER SUPPLY ASM, 12V  
FIGURE 20A  
PAGE 54



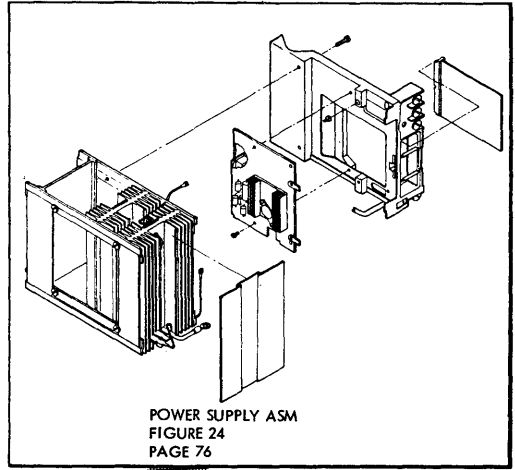
PRIMARY POWER SUPPLY, PRE-REDESIGNED  
FIGURE 21, SHEET 2 OF 2  
PAGE 57



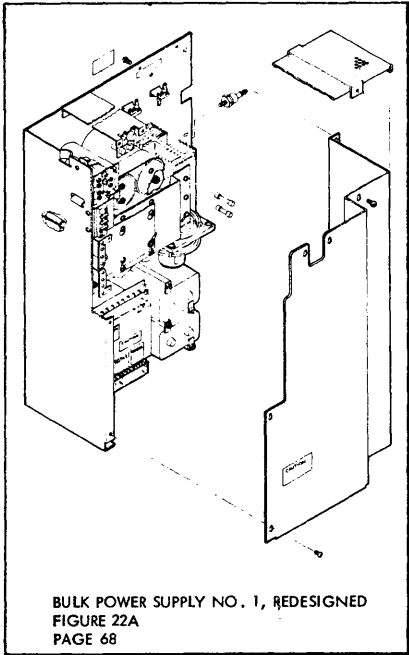
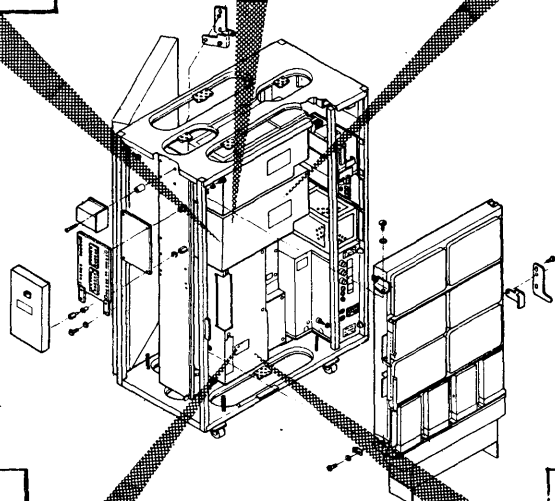
BULK POWER SUPPLY NO. 2 AND 3  
FIGURE 23  
PAGE 70



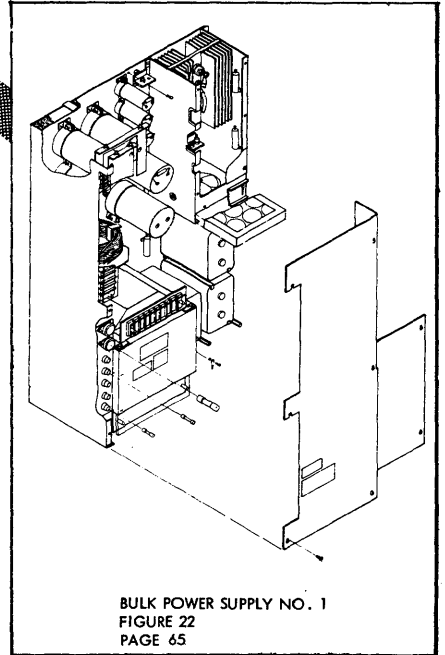
BULK POWER SUPPLY NO. 2 AND 3, REDESIGNED  
FIGURE 23A  
PAGE 73



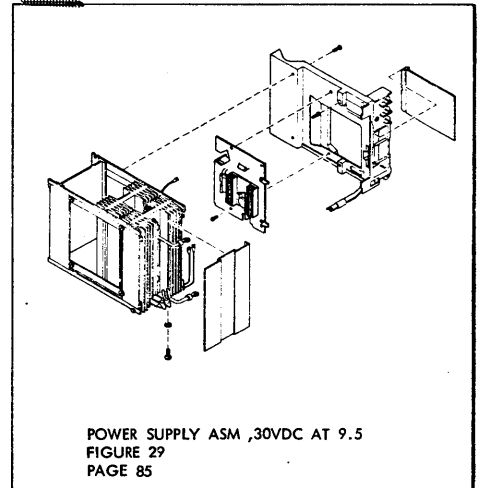
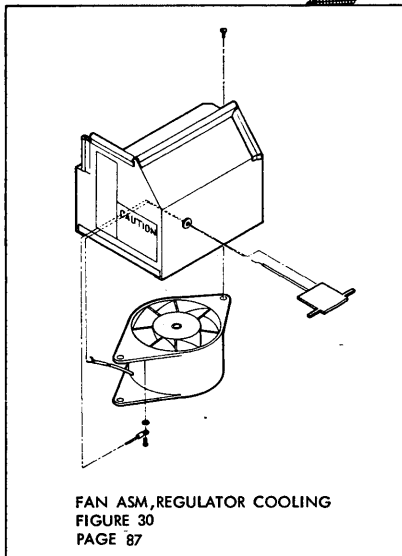
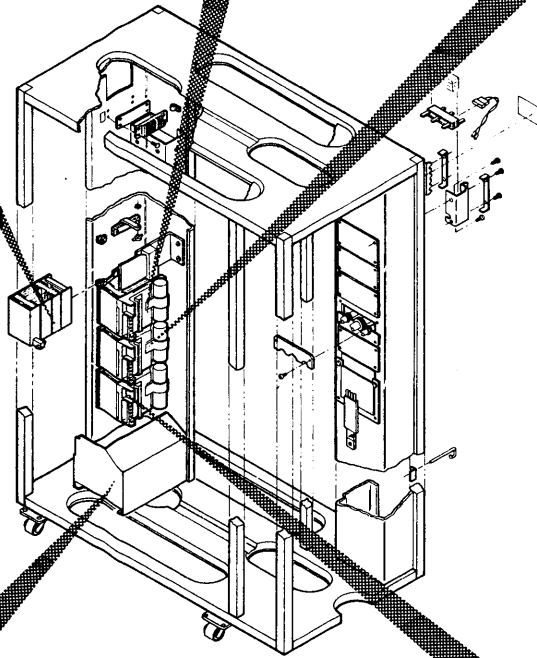
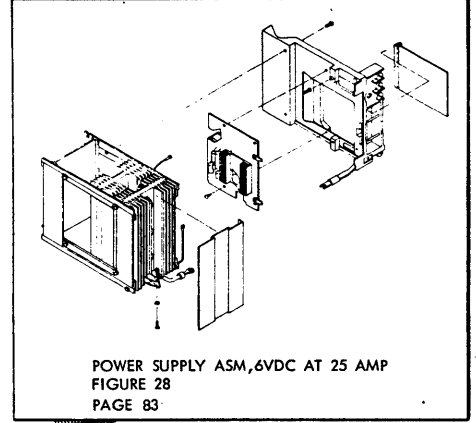
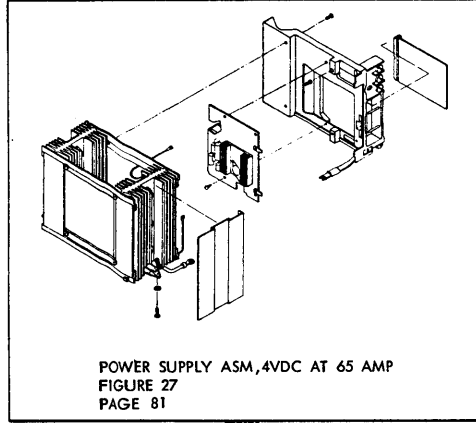
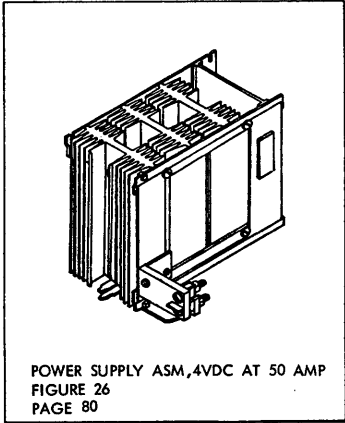
POWER SUPPLY ASM  
FIGURE 24  
PAGE 76



BULK POWER SUPPLY NO. 1, REDESIGNED  
FIGURE 22A  
PAGE 68



BULK POWER SUPPLY NO. 1  
FIGURE 22  
PAGE 65





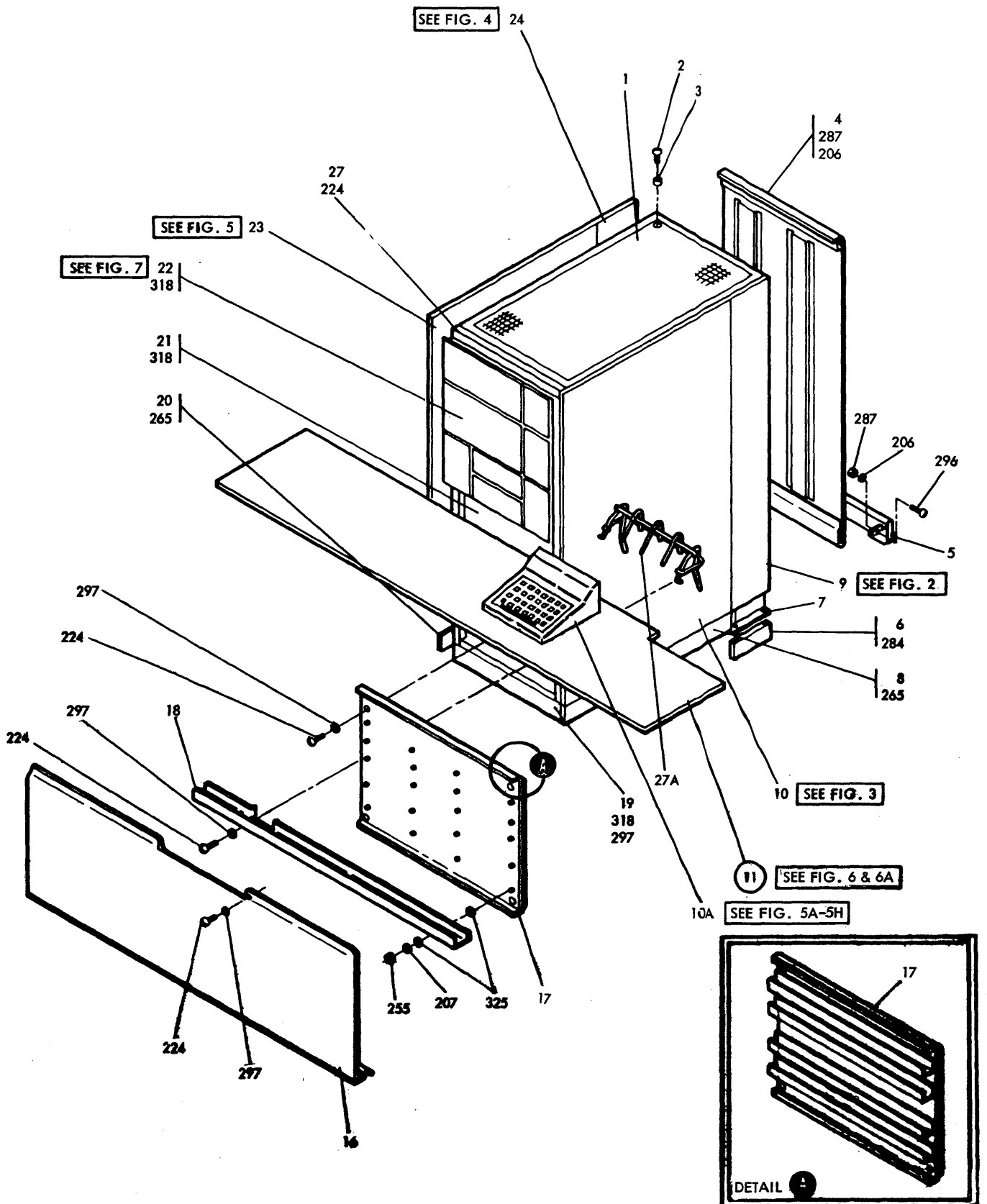


FIGURE 1. COVERS, PANELS, AND MOUNTING HARDWARE. SHEET 1 OF 3. INDEX NOS. 1 THRU 27A. SEE LIST 1.





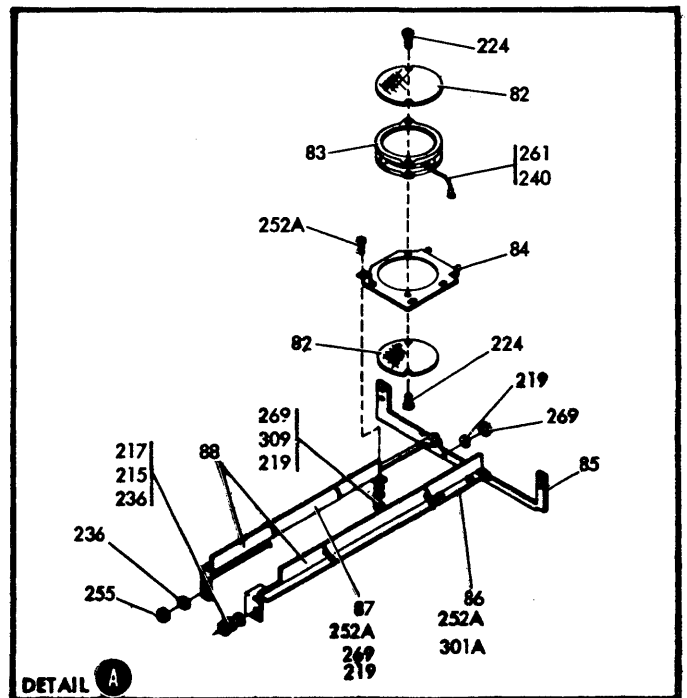
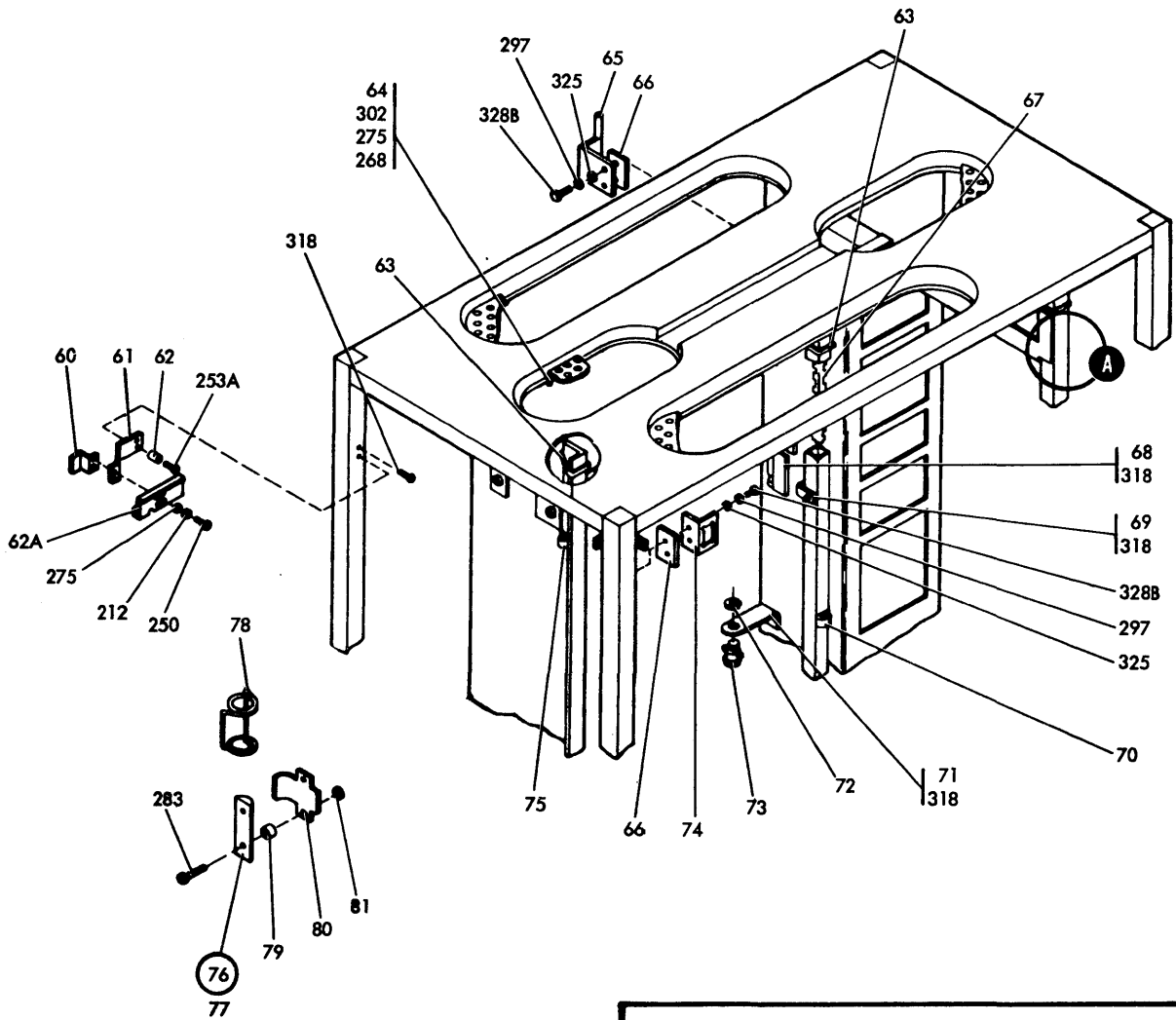


FIGURE 1. COVERS, PANELS, AND MOUNTING HARDWARE. SHEET 3 OF 3. INDEX NOS. 60 THRU 88. SEE LIST 1.

LIST AND INDEX NUMBER	PART NUMBER	DESCRIPTION	UNITS PER ASM.	USABLE ON CODE
1	NO NO.	COVERS, PANELS, AND MOUNTING HARDWARE FOR ILLUSTRATION SEE FIG. 1		
-				
- 1	2590034	. COVER, TOP	1	
- 2	5312202	. SCREW	8	
- 3	123070	. GROMMET	8	
- 4	2590029	. COVER ASM, REAR	1	
- 5	2590204	. KICKSTRIP, REAR USED ON MACHINES WITHOUT EC 818900	1	
- 5				
- 6	2590207	. KICKSTRIP USED ON MACHINES WITHOUT EC 818900	2	
- 6				
- 7	2590208	. SPACER USED ON MACHINES WITHOUT EC 818900	2	
- 7				
- 8	2590040	. KICKSTRIP, RIGHT FRONT USED ON MACHINES WITHOUT EC 818900	1	
- 8				
- 9	NO NO.	. COVER ASM, RIGHT REAR FOR DETAIL BREAKDOWN SEE FIG. 2	1	
- 9				
- 10	NO NO.	. COVER ASM, RIGHT FRONT FOR DETAIL BREAKDOWN SEE FIG. 3	1	
- 10				
- 10A	2590411	. DATA ENTRY KEYBOARD FOR DETAIL BREAKDOWN SEE FIGS. 5A-5H	1	
- 10A				
- 11	NO NO.	. TABLE TOP, FOR DATA ENTRY KEYBOARD FOR DETAIL BREAKDOWN SEE FIG. 6	1	
- 11				
- 11	NO NO.	. TABLE TOP, FOR PRINTER KEYBOARD FOR DETAIL BREAKDOWN SEE FIG. 6A	1	
- 11				
- 11	2454923	. TABLE TOP, WITHOUT KEYBOARD	1	
- 16	2590873	. MODESTY SKIRT, FRONT	1	
- 17	2590044	. MODESTY SKIRT, REAR USED ON MACHINES WITHOUT EC 818940	1	
- 17				
- 17	7369612	. MODESTY SKIRT, REAR USED ON MACHINES WITH EC 818940	1	
- 17				
- 18	2590045	. RACEWAY USED ON MACHINES WITHOUT EC 818940	4	
- 18				
- 19	2590039	. KICKSTRIP, FRONT USED ON MACHINES WITHOUT EC 818900	1	
- 19				
- 20	2590041	. KICKSTRIP, LEFT FRONT USED ON MACHINES WITHOUT EC 818900	1	
- 20				
- 21	2590031	. COVER, FRONT LOWER	1	
- 22	2590450	. CONSOLE ASM FOR DETAIL BREAKDOWN SEE FIG. 7	1	
- 22				
- 23	NO NO.	. COVER ASM, LEFT FRONT FOR DETAIL BREAKDOWN SEE FIG. 5	1	
- 23				
- 24	NO NO.	. COVER ASM, LEFT REAR FOR DETAIL BREAKDOWN SEE FIG. 4	1	
- 24				
- 27	2590030	. COVER	1	
- 27A	2590572	. GUIDE, ROLL PAPER-5471 PRINTER KEYBOARD	1	
- 28	533783	. STRAP	3	
- 29	2590047	. SHIM	6	
- 30	2590161	. HINGE, RIGHT HAND	4	
- 31	726549	. WING SCREW	1	
- 32	2590049	. STRIKER, RIGHT HAND	1	
- 33	2590247	. BRACKET	2	
- 34	2102367	. CLAMP, LOOP	2	
- 35	2590679	. BUMPER	4	
- 36	753270	. STRAP	8	
- 37	2590160	. HINGE, LEFT HAND	4	
- 38	2590118	. CATCH	7	
- 39	2588682	. CLAMP	3	
- 40	2596291	. CLAMP	3	
- 41	2588684	. LABEL	1	
- 42	2590074	. BRACKET	1	
- 43	7369613	. RACEWAY USED ON MACHINES WITH EC 818940	4	
- 43				
- 44	2590074	. BRACKET	1	
- 45	853288	. CORE	8	
- 46	2588046	. SPRING	4	
- 47	4253796	. BRACKET	1	
- 48	2590073	. BRACKET	1	
- 49	2590912	. CLAMP	2	
- 50	815215	. BACKPLATE	1	
- 51	2590824	. SPACER	2	
- 52	2588682	. CLAMP	1	
- 53	2596293	. CLAMP	2	
- 54	2596291	. CLAMP	3	



FOR PARTS  
NOT SHOWN  
SEE FIG. 1

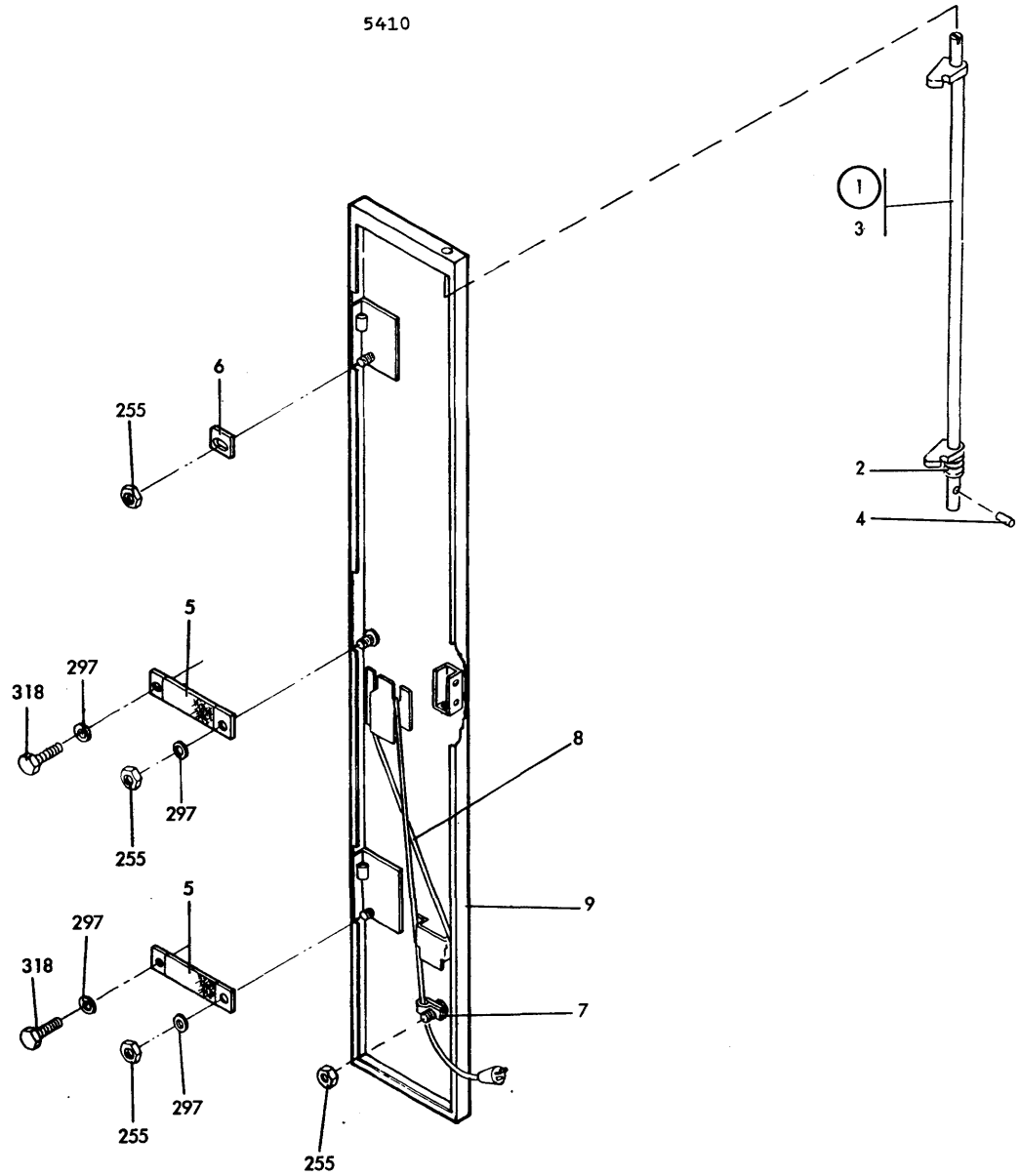


FIGURE 2. COVER,RIGHT REAR. SEE LIST 2.

LIST AND INDEX NUMBER	PART NUMBER	DESCRIPTION	1 2 3 4				UNITS PER ASM.	USABLE ON CODE
2	NO NO.	COVER,RIGHT REAR						
-		FOR NEXT HIGHER ASM SEE LIST 1-9						
-		AND FOR ILLUSTRATION FIG. 2						
- 1	2590087	• LATCH ASM				1		
- 2	2590198	• • SPRING				1		
- 3	2590108	• • ROD,LATCH				1		
- 4	458853	• PIN,CUTTER				1		
- 5	753270	• STRAP				2		
- 6	2590159	• STOP				1		
- 7	327921	• CLAMP				1		
- 8	2588356	• POWER CORD,60 CYCLE				1		
- 8	2588699	• POWER CORD,50 CYCLE				1		
- 9	2590027	• COVER				1		
-								
-								
-		FOR ATTACHING PARTS, INDEX NOS. 201						
-		AND ABOVE, SEE LIST 33						

FOR PARTS  
NOT SHOWN  
SEE FIG. 1

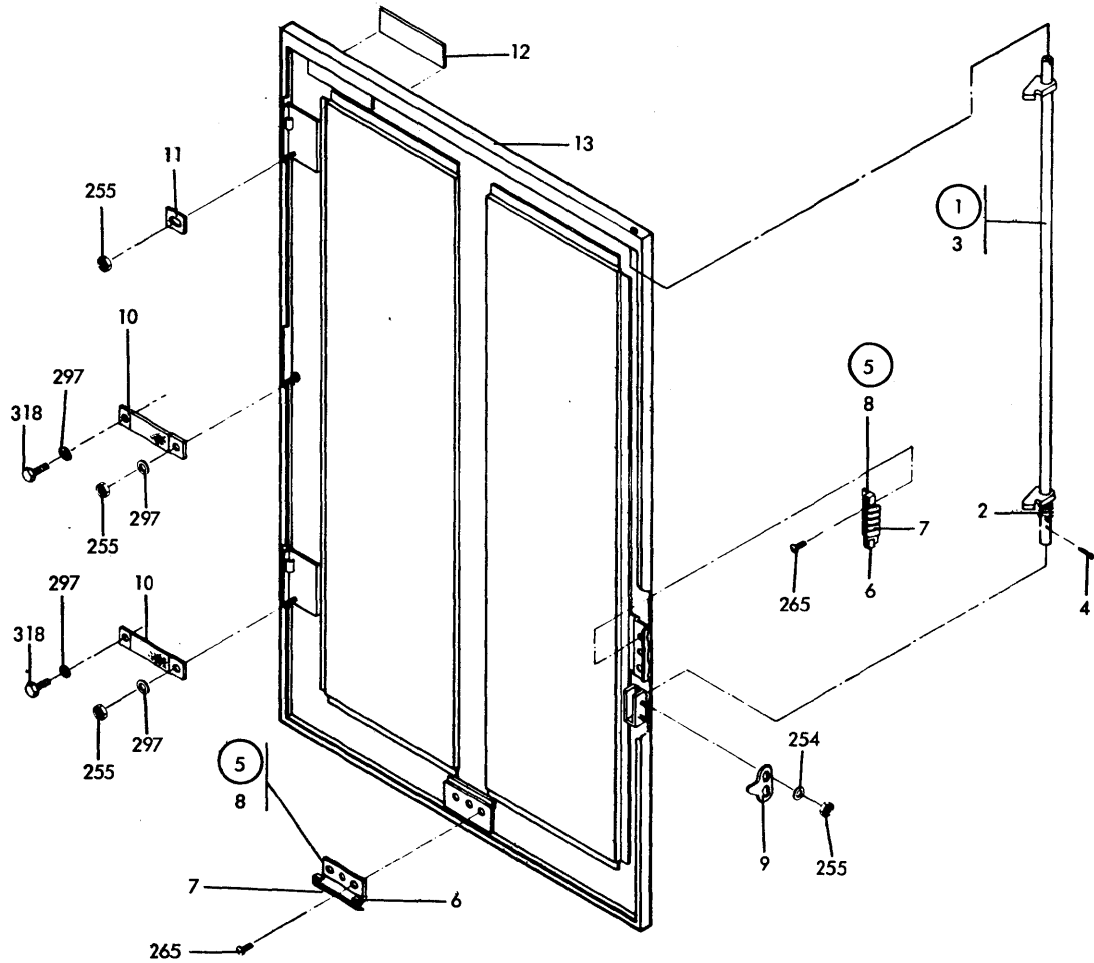


FIGURE 3. COVER,RIGHT FRONT. SEE LIST 3.

LIST AND INDEX NUMBER	PART NUMBER	DESCRIPTION	UNITS PER ASM.				USABLE ON CODE
			1	2	3	4	
3	NO NO.	COVER,RIGHT FRONT					
-		FOR NEXT HIGHER ASM SEE LIST 1-10 AND FOR ILLUSTRATION FIG. 3					
- 1	2590087	• LATCH ASM				1	
- 2	2590198	• • SPRING				1	
- 3	2590108	• • ROD,LATCH				1	
- 4	458853	• PIN,COTTER				1	
- 5	2590032	• FINGER STOCK ASM				2	
- 6	2590081	• • CLIP				2	
- 7	2596225	• • FINGER STOCK				1	
- 8	2590079	• • RETAINER				1	
- 9	2590117	• GUIDE,RAMP				1	
- 10	753270	• STRAP				2	
- 11	2590159	• STOP				1	
- 12	2590518	• NAMEPLATE,ENGLISH				1	
- 12	2590519	• NAMEPLATE,GERMAN				1	
- 12	2590520	• NAMEPLATE,FRENCH				1	
- 12	2590521	• NAMEPLATE,ITALIAN				1	
- 12	2590522	• NAMEPLATE,SPANISH				1	
- 12	2590523	• NAMEPLATE,JAPANESE				1	
- 13	2590025	• COVER				1	
-		FOR ATTACHING PARTS, INDEX NOS. 201 AND ABOVE, SEE LIST 33					

FOR PARTS NOT SHOWN SEE FIG. 1

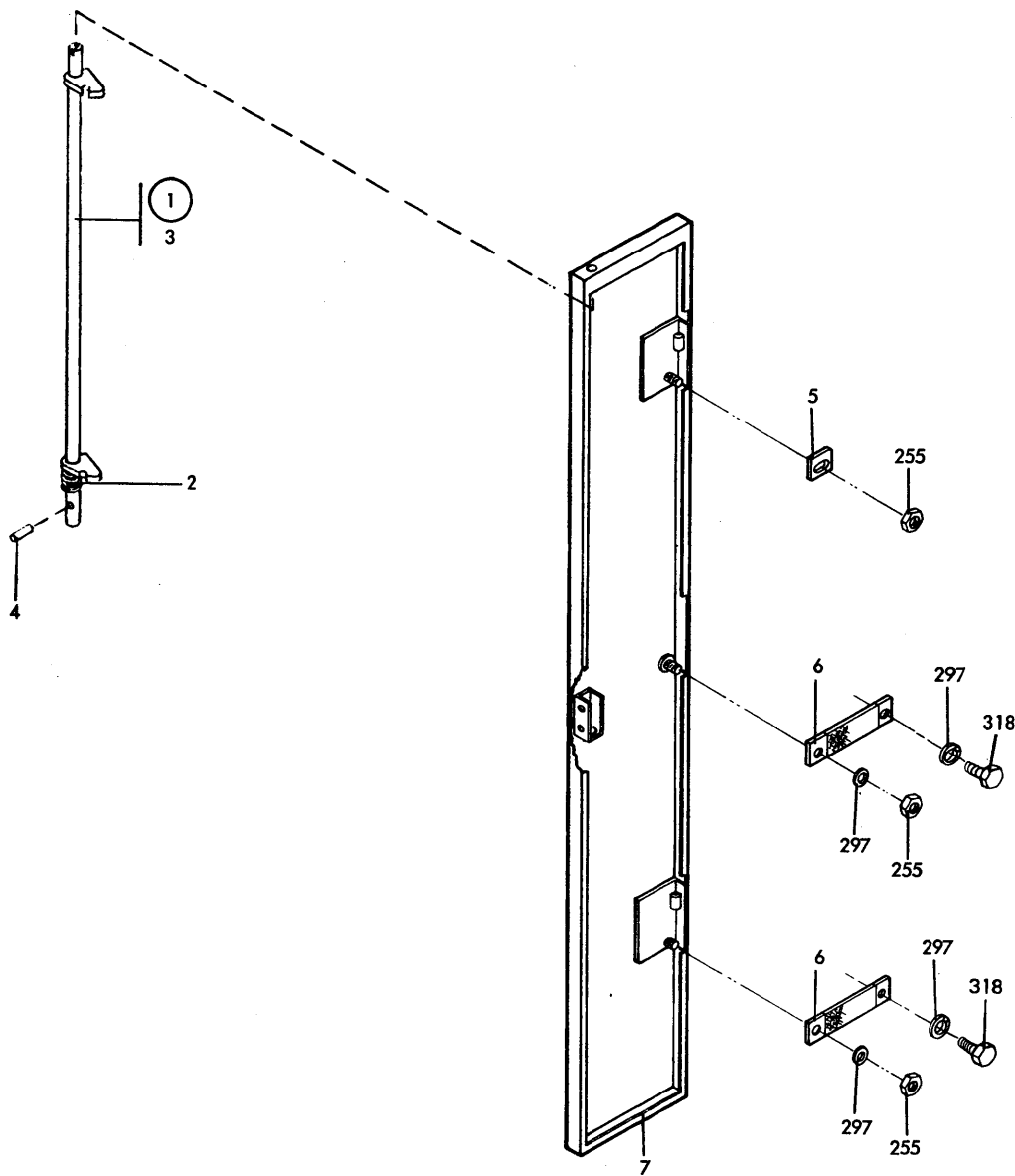


FIGURE 4. COVER, LEFT REAR. SEE LIST 4.

LIST AND INDEX NUMBER	PART NUMBER	DESCRIPTION				UNITS PER ASM.	USABLE ON CODE
		1	2	3	4		
4	NO NO.	COVER, LEFT REAR					
-		FOR NEXT HIGHER ASM SEE LIST 1-24 AND FOR ILLUSTRATION FIG. 4					
-	1 2590091	• LATCH ASM				1	
-	2 2590089	• • SPRING				1	
-	3 2590109	• • ROD, LATCH				1	
-	4 458853	• PIN, COTTER				1	
-	5 2590159	• STOP				1	
-	6 753270	• STRAP				1	
-	7 2590028	• COVER				1	
-		FOR ATTACHING PARTS, INDEX NOS. 201 AND ABOVE, SEE LIST 33					

FOR PARTS  
NOT SHOWN  
SEE FIG. 1

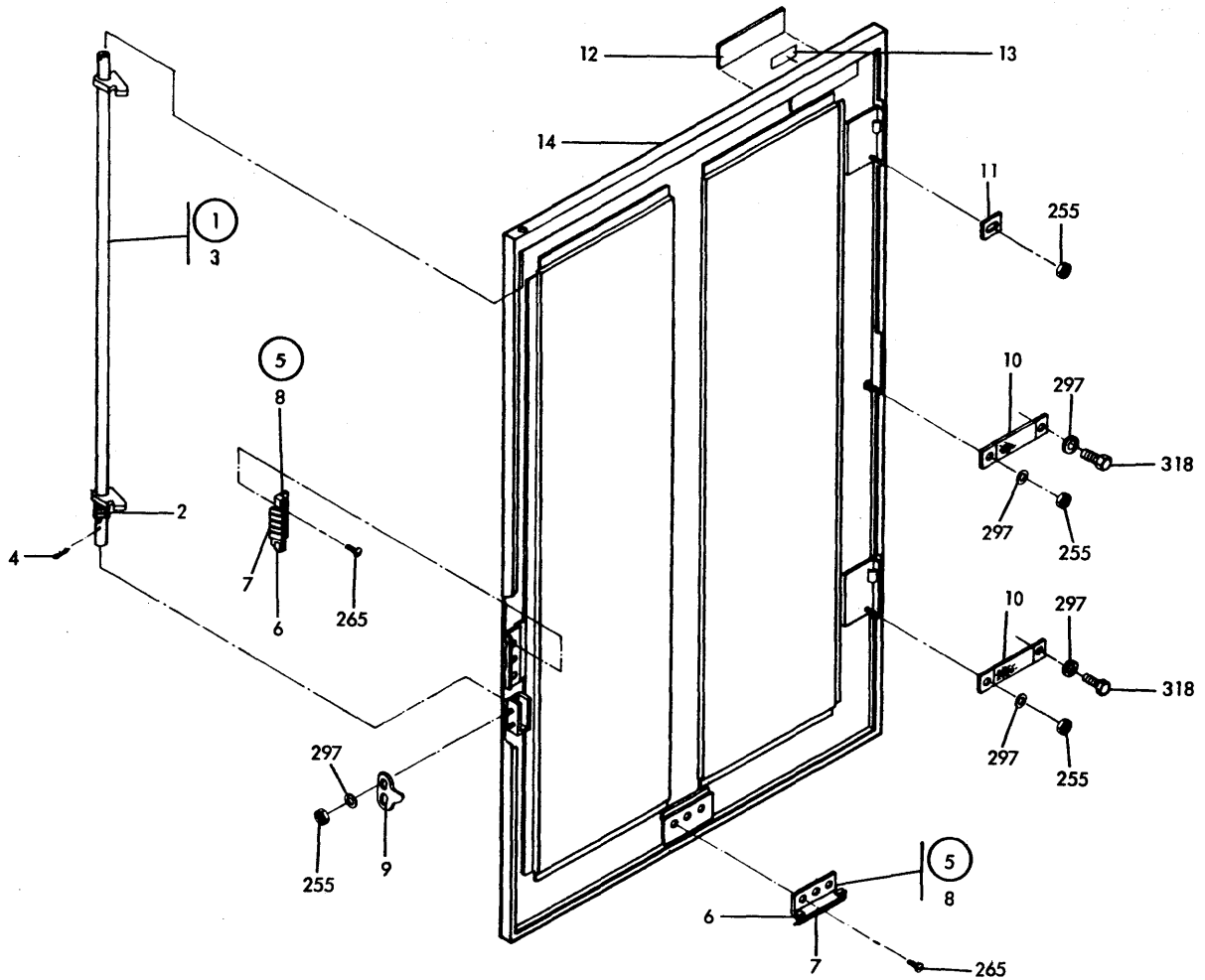
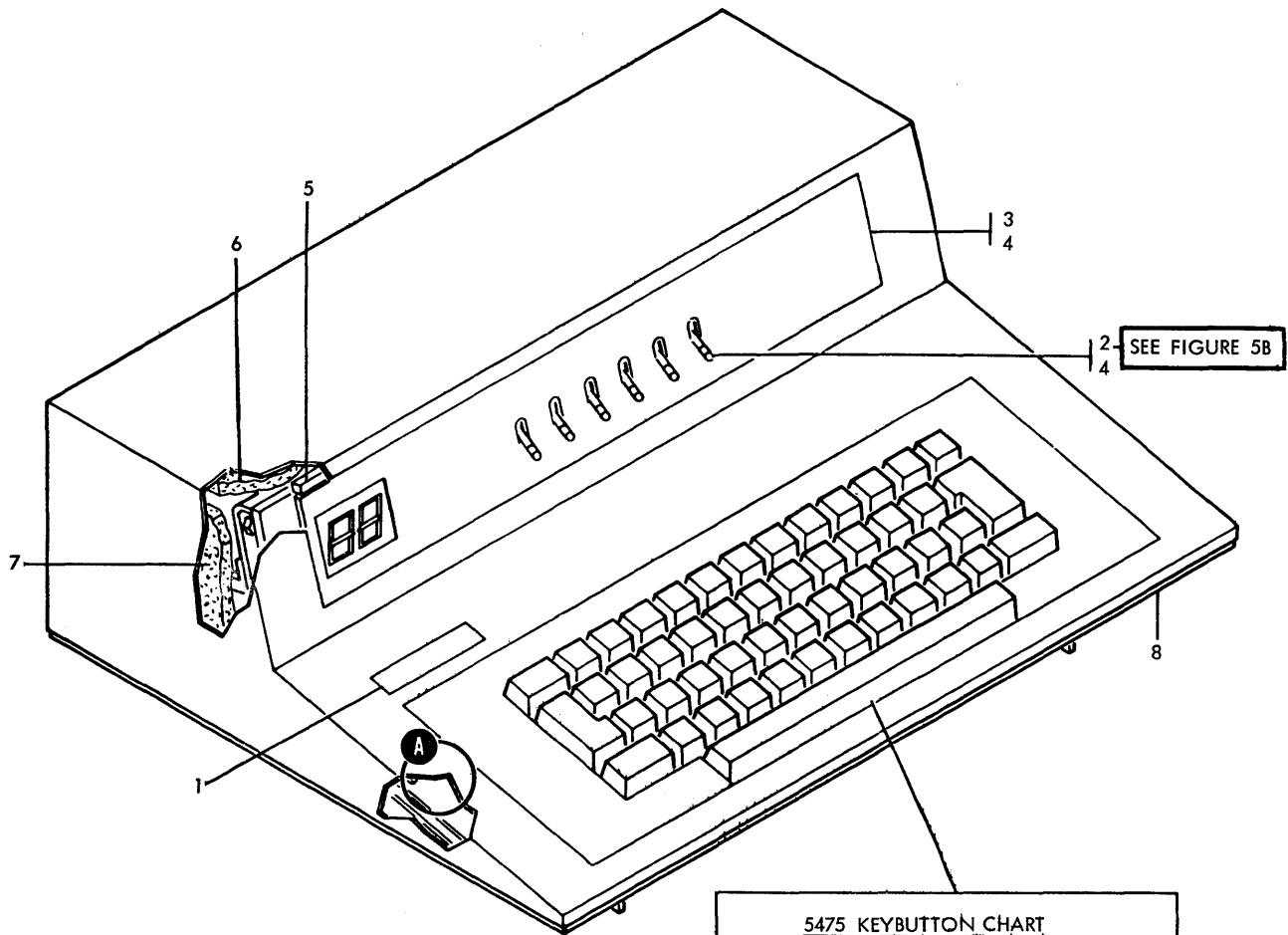


FIGURE 5. COVER, LEFT FRONT. SEE LIST 5.

LIST AND INDEX NUMBER	PART NUMBER	DESCRIPTION	1 2 3 4				UNITS PER ASM.	USABLE ON CODE
5	NO NO.	COVER, LEFT FRONT						
-		FOR NEXT HIGHER ASM SEE LIST 1-23 AND FOR ILLUSTRATION FIG. 5						
- 1	2590091	. LATCH ASM				1		
- 2	2590089	. . SPRING				1		
- 3	2590109	. . ROD, LATCH				1		
- 4	458853	. PIN, COTTER				1		
- 5	2590032	. FINGER STOCK ASM				2		
- 6	2590081	. . CLIP				2		
- 7	2596225	. . FINGER STOCK				1		
- 8	2590079	. . RETAINER				1		
- 9	2590117	. GUIDE, RAMP				1		
- 10	753270	. STRAP				2		
- 11	2590159	. STOP				1		
- 12	2590518	. NAMEPLATE, ENGLISH				1		
- 12	2590519	. NAMEPLATE, GERMAN				1		
- 12	2590520	. NAMEPLATE, FRENCH				1		
- 12	2590521	. NAMEPLATE, ITALIAN				1		
- 12	2590522	. NAMEPLATE, SPANISH				1		
- 12	2590523	. NAMEPLATE, JAPANESE				1		
- 13	855285	. NAMEPLATE, UNITED KINGDOM				1		
- 14	2590026	. COVER				1		
-		FOR ATTACHING PARTS, INDEX NOS. 201 AND ABOVE, SEE LIST 33						





5475 KEYBUTTON CHART

UNITED STATES	}	SEE FIG. 5C
UNITED KINGDOM		
PORTUGUESE/BRAZIL		
ITALY		
JAPAN		
FRENCH/BELGIUM	}	SEE FIG. 5D
GERMAN/AUSTRIA		
SPAIN		
FINNISH/SWEDEN		
DENMARK		
NORWAY		

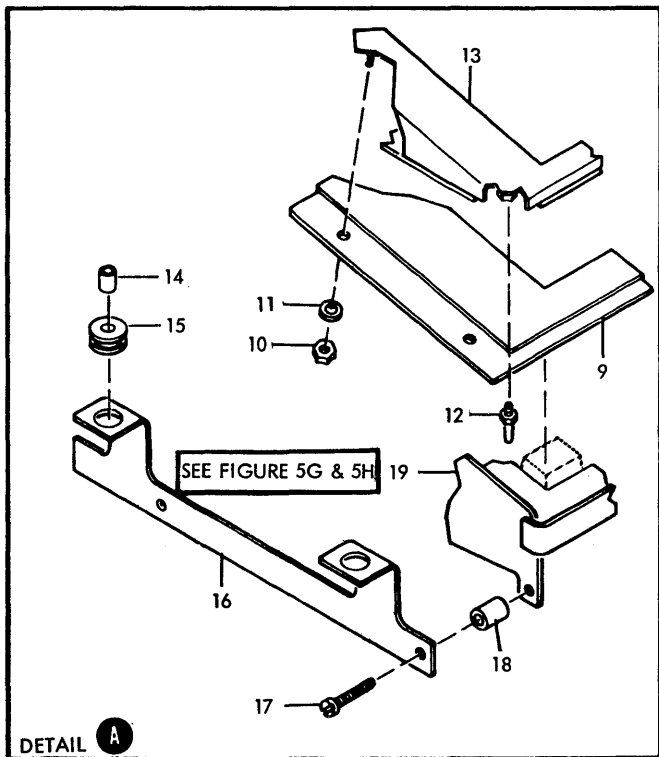


FIGURE 5A. 5475 DATA ENTRY KEYBOARD COVERS AND FINAL ASM. SEE LIST 5A.



FOR PARTS  
NOT SHOWN  
SEE FIG. 5A

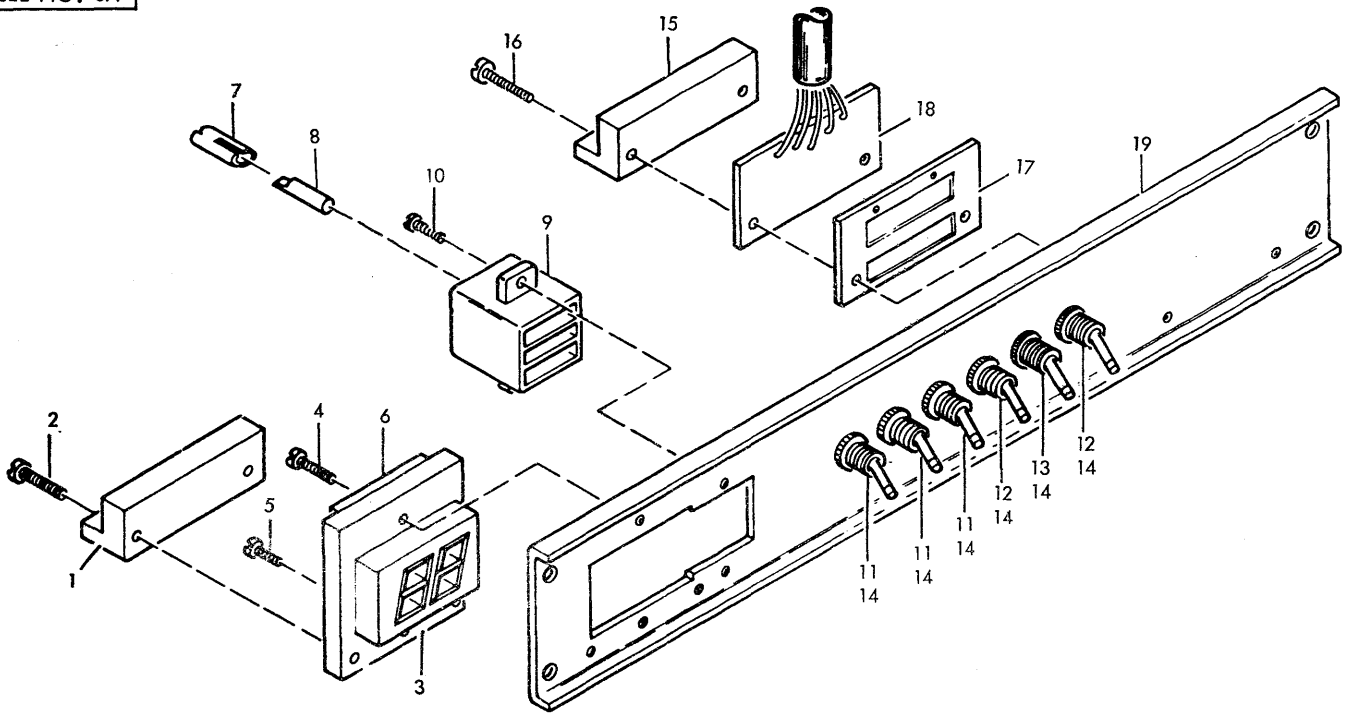
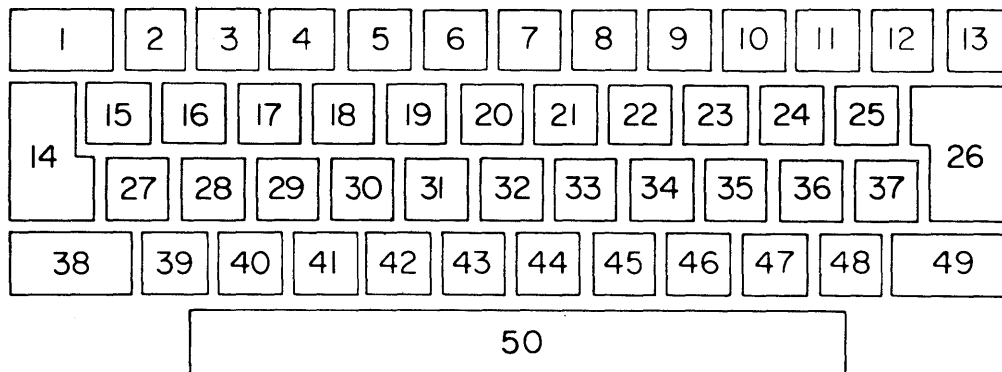


FIGURE 5B. 5475 PANEL ASM. SEE LIST 5B.

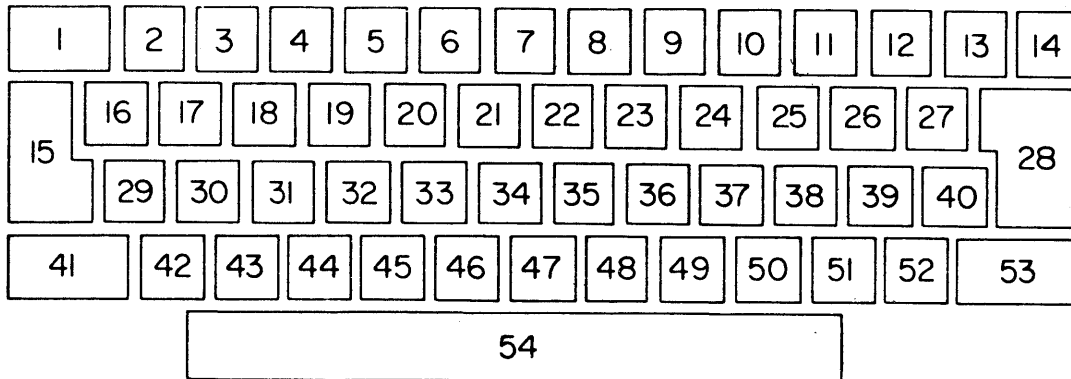
LIST AND INDEX NUMBER	PART NUMBER	DESCRIPTION				UNITS PER ASM.	USABLE ON CODE
		1	2	3	4		
5B -	5152068	PANEL ASSEMBLY					
-		FOR NEXT HIGHER ASM, SEE FIG. 5A-2					
-		AND FOR ILLUSTRATION, SEE FIG. 5B					
- 1	2596994	• HOUSING				1	
- 2	438553	• SCREW, MACH, BND HD- 4-40 UNC X 7/8				2	
- 3	2566991	• BLOCK				1	
- 4	438551	• SCREW, MACH, BND HD- 4-40 UNC X 5/8				1	
- 5	236550	• SCREW, MACH, BND HD- 4-40 UNC X 3/8				1	
- 6	812526	• BOARD ASM, COLUMN INDICATOR				1	
- 7	165010	• PLUG AND INSERT				3	
- 8	2391023	• LAMP				3	
- 9	5153592	• HOUSING				1	
- 10	55726	• SCREW, MACH, BND HD- 6-32 UNC X 3/16				2	
- 11	738827	• SWITCH, TOGGLE-DPDT				3	
- 12	738828	• SWITCH, TOGGLE-SPDT				2	
- 13	738826	• SWITCH, TOGGLE-SPDT				1	
- 14	179744	• NUT, DRESS				6	
- 15	2596994	• HOUSING				1	
- 16	438553	• SCREW, MACH, BND HD- 4-40 UNC X 7/8				2	
- 17	2595634	• SPACER, FULL CABLE HSG				1	
- 18	5153621	• CABLE ASM				1	
- 19	5152066	• PANEL, SWITCH MTG				1	



NOTE: NUMBERS INSIDE OUTLINES ARE KEYBUTTON POSITIONS

POS.	UNITED STATES	UNITED KINGDOM	PORTUGAL BRAZIL	ITALY	JAPAN	POS.	UNITED STATES	UNITED KINGDOM	PORTUGAL BRAZIL	ITALY	JAPAN
1	5152048	5152048	5152048	5153580	5152048	26	5152046	5152046	5152046	5153577	5152046
2	5181035	5181035	5153601	5181035	5181035	27	5152036	5152036	5152036	5152036	5152036
3	5181036	5181036	5153602	5181036	5181036	28	5180986	5180986	5180986	5180986	5180986
4	5152022	5152022	5153605	5152022	5152022	29	5152037	5152037	5152037	5152037	5152037
5	5152023	5153530	5153606	5152023	5173410	30	5152038	5152038	5152038	5152038	5152038
6	5152024	5152024	5152024	5153564	5152024	31	5180987	5180987	5180987	5180987	5180987
7	5180975	5180975	5180975	5180975	5180975	32	5152039	5153533	5152039	5152039	5152039
8	5180985	5180985	5180985	5180985	5180985	33	5180994	5180994	5180994	5180994	5180994
9	5180976	5180976	5180976	5180976	5180976	34	5180995	5180995	5180995	5180995	5180995
10	5152025	5152025	5152025	5152025	5152025	35	5180996	5180996	5180996	5180996	5180996
11	5152026	5152026	5152026	5152026	5152026	36	5180981	5180981	5180981	5153566	5180981
12	5180991	5180991	5180991	5180991	5180991	37	5152040	5152040	5152040	5153567	5152040
13	5180991	5180991	5180991	5180991	5180991	38	5152094	5152094	5152094	5153587	5152094
14	5152047	5152047	5152047	5153585	5152047	39	5152041	5152041	5152041	5152041	5152041
15	5180988	5180989	5180988	5180988	5180988	40	5180990	5180990	5180990	5180990	5180990
16	5180989	5180989	5180989	5180989	5180989	41	5152042	5152042	5152042	5152042	5152042
17	5152029	5152029	5152029	5152029	5152029	42	5152043	5152043	5152043	5152043	5152043
18	5152030	5152030	5152030	5152030	5152030	43	5152044	5152044	5152044	5152044	5152044
19	5152031	5152031	5152031	5152031	5152031	44	5152045	5152045	5152045	5152045	5152045
20	5152032	5152032	5152032	5152032	5152032	45	5180982	5180982	5180982	5180982	5180982
21	5180977	5180977	5180977	5180977	5180977	46	5180983	5180983	5180983	5180983	5180983
22	5180978	5180978	5180978	5180978	5180978	47	5180984	5180984	5180984	5180984	5180984
23	5180979	5180979	5180979	5180979	5180979	48	5180993	5180993	5180993	5180993	5180993
24	5180980	5180980	5180980	5180980	5180980	49	5152095	5152095	5152095	5153588	5152095
25	5152035	5152035	5152035	5153565	5152035	50	5152057	5152057	5152057	5152057	5152057

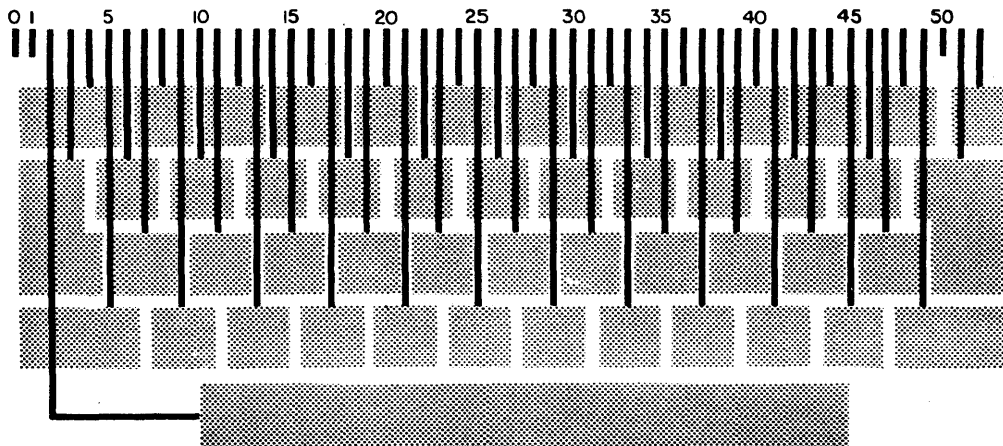
FIGURE 5C. 5475 KEYBUTTON CHART-USA, UK, PORTUGUESE/BRAZIL, ITALY AND JAPAN. NO LISTING REQUIRED.



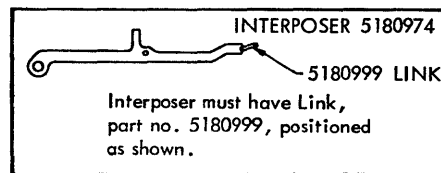
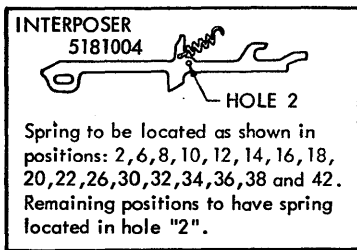
NOTE: NUMBERS INSIDE OUTLINES ARE KEYBUTTON POSITIONS

POS.	FRANCE	SPAIN	DENMARK	GERMANY AUSTRIA	FINLAND SWEDEN	NORWAY	BELGIUM	POS.	FRANCE	SPAIN	DENMARK	GERMANY AUSTRIA	FINLAND SWEDEN	NORWAY	BELGIUM
1	5153582	5153579	5152048	5153581	5152048	5152048	5152048	28	5153575	5153578	5152046	5153576	5152046	5152046	5152046
2	5153534	5181035	5180992	5180992	5180992	5180992	5153534	29	5153543	5152036	5152036	5152036	5152036	5152036	5153543
3	5181036	5180992	5180992	5180992	5180992	5180992	5181036	30	5180986	5180986	5180986	5180986	5180986	5180986	5180986
4	5152022	5152022	5152022	5152022	5152022	5152022	5152022	31	5152037	5152037	5152037	5152037	5152037	5152037	5152037
5	5153537	5153571	5153553	5153553	5153553	5153553	5153537	32	5152038	5152038	5152038	5152038	5152038	5152038	5152038
6	5153538	5153538	5152024	5153554	5152024	5152024	5152024	33	5180987	5180987	5180987	5180987	5180987	5180987	5180987
7	5153539	5180975	5180975	5180975	5180975	5180975	5180975	34	5153628	5152039	5152039	5152039	5152039	5152039	5153628
8	5180985	5180985	5180985	5180985	5180985	5180985	5180985	35	5180994	5180994	5180994	5180994	5180994	5180994	5180994
9	5180976	5180976	5180976	5180976	5180976	5180976	5180976	36	5180995	5180995	5180995	5180995	5180995	5180995	5180995
10	5152025	5152025	5152025	5152025	5152025	5152025	5152025	37	5180996	5180996	5180996	5180996	5180996	5180996	5180996
11	5152026	5152026	5152026	5152026	5152026	5152026	5152026	38	5153544	5153573	5153608	5153558	5153612	5153617	5153544
12	5180991	5180991	5180991	5180991	5180991	5180991	5180991	39	5153545	5181009	5153609	5153559	5153613	5153613	5153545
13	5180991	5180991	5180991	5180991	5180991	5180991	5180991	40	5153546	5153566	5280981	5153560	5180981	5180981	5180981
14	5180991	5180991	5180991	5180991	5180991	5180991	5180991	41	5153587	5153587	5152094	5153587	5152094	5152094	5153587
15	5153583	5153586	5152047	5153584	5152047	5152047	5152047	42	5153547	5152041	5152041	5153561	5152041	5152041	5153547
16	5153540	5180988	5180988	5180988	5180988	5180988	5153540	43	5180990	5180990	5180990	5180990	5180990	5180990	5180990
17	5153541	5180989	5180989	5180989	5180989	5180989	5153541	44	5152042	5152042	5152042	5152042	5152042	5152042	5152042
18	5152029	5152029	5152029	5152029	5152029	5152029	5152029	45	5152043	5152043	5152043	5152043	5152043	5152043	5152043
19	5152030	5152030	5152030	5152030	5152030	5152030	5152030	46	5152044	5152044	5152044	5152044	5152044	5152044	5152044
20	5152031	5152031	5152031	5152031	5152031	5152031	5152031	47	5152045	5152045	5152045	5152045	5152045	5152045	5152045
21	5152032	5152032	5152032	5153555	5152032	5152032	5152032	48	5153548	5180982	5180982	5180982	5180982	5180982	5153548
22	5180977	5180977	5180977	5180977	5180977	5180977	5180977	49	5180983	5180983	5180983	5180983	5153614	5153618	5180983
23	5180978	5180978	5180978	5180978	5180978	5180978	5180978	50	5180984	5180984	5180984	5180984	5153615	5153619	5180984
24	5180979	5180979	5180979	5180979	5180979	5180979	5180979	51	5180993	5180993	5180993	5180993	5153616	5153620	5180993
25	5180980	5180980	5180980	5180980	5180980	5180980	5180980	52	5153549	5153574	5153610	5153563	5180993	5180993	5153610
26	5181008	5181008	5153607	5153556	5153611	5153611	5181008	53	5153588	5153588	5152095	5153588	5152095	5152095	5153588
27	5153542	5153572	5152035	5153557	5152035	5152035	5152035	54	5152057	5152057	5152057	5152057	5152057	5152057	5152057

FIGURE 5D. 5475 KEYBUTTON CHART—FRENCH, BELGIUM, GERMAN/AUSTRIA, SPAIN, FINNISH/SWEDEN, DENMARK AND NORWAY. NO LISTING REQUIRED

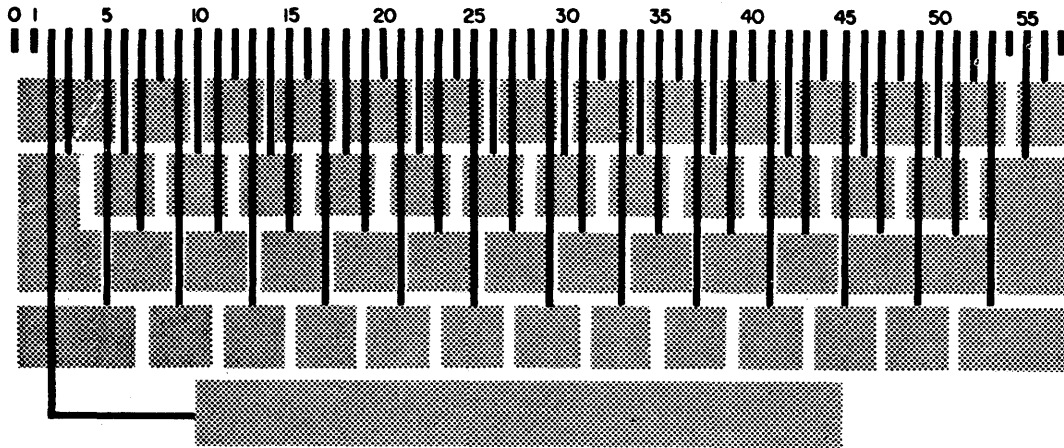


NOTE: NUMBERS ABOVE KEYBOARD LAYOUT ARE KEYLEVER POSITIONS

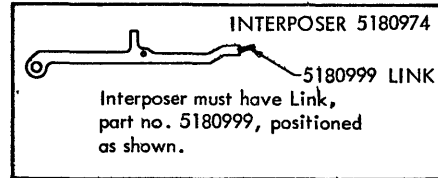
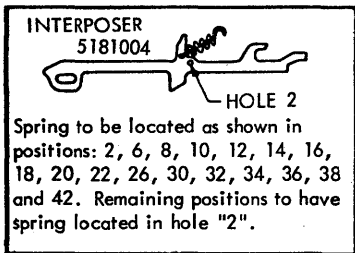


KEYLEVER POSITION	0	1	2	3	4	5	6	7	8
INTERPOSER P/N	5151890		5181004	5180974	5180974	5180974	5181004	5181004	5181004
INTERPOSER SPG P/N	130487		130487	58851	58851	58851	130487	130487	130487
KEYLEVER P/N			1187223	1123949	1123947	1123950	1123948	1123949	1123947
KEYLEVER POSITION	9	10	11	12	13	14	15	16	17
INTERPOSER P/N	5181004	5181004	5181004	5181004	5181004	5181004	5181004	5181004	5181004
INTERPOSER SPG P/N	130487	130487	130487	130487	130487	130487	130487	130487	130487
KEYLEVER P/N	1123950	1123948	1123949	1123947	1123950	1123948	1123949	1123947	1123950
KEYLEVER POSITION	18	19	20	21	22	23	24	25	26
INTERPOSER P/N	5181004	5181004	5181004	5181004	5181004	5181004	5180974	5181004	5181004
INTERPOSER SPG P/N	130487	130487	130487	130487	130487	130487	58851	130487	130487
KEYLEVER P/N	1123948	1123949	1123947	1123950	1123948	1123949	1123947	1123950	1123948
KEYLEVER POSITION	27	28	29	30	31	32	33	34	35
INTERPOSER P/N	5181004	5180974	5181004	5181004	5181004	5181004	5181004	5181004	5181004
INTERPOSER SPG P/N	130487	58851	130487	130487	130487	130487	130487	130487	130487
KEYLEVER P/N	1123949	1123947	1123950	1123948	1123949	1123947	1123950	1123948	1123949
KEYLEVER POSITION	36	37	38	39	40	41	42	43	44
INTERPOSER P/N	5181004	5181004	5181004	5181004	5180974	5181004	5181004	5180974	5180974
INTERPOSER SPG P/N	130487	130487	130487	130487	58851	130487	130487	58851	58851
KEYLEVER P/N	1123947	1123950	1123948	1123949	1123947	1123950	1123948	1123949	1123947
KEYLEVER POSITION	45	46	47	48	49	50	51	52	
INTERPOSER P/N	5280974	5180974	5180974	5180974	5180974		5180974	5180974	
INTERPOSER SPG P/N	58851	58851	58851	58851	58851		58851	58851	
KEYLEVER P/N	1123950	1123948	1123949	1123947	1123950		1123949	1123947	

FIGURE 5E. 5475 KEYLEVER AND INTERPOSER CHART-USA, UK, PORTUGUESE/BRAZIL, ITALY AND JAPAN. NO LISTING REQUIRED.



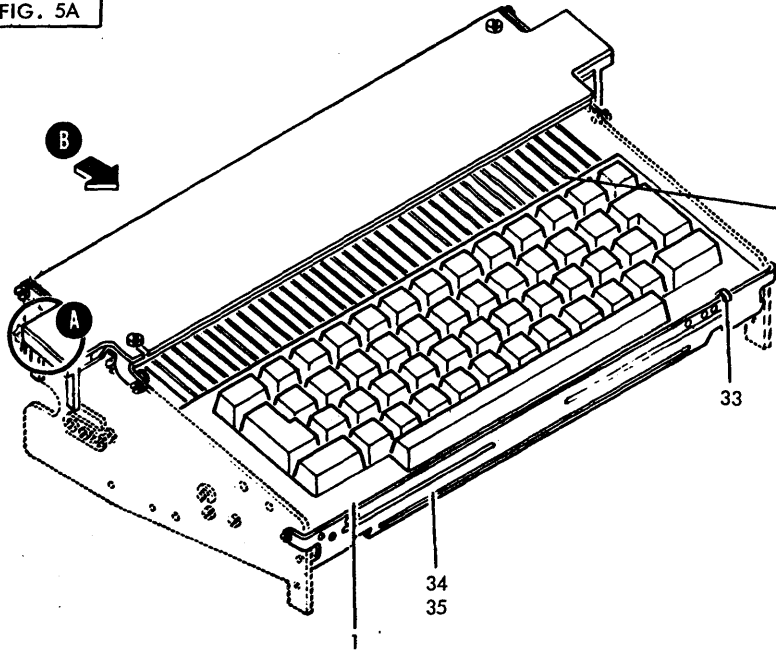
NOTE: NUMBERS ABOVE KEYBOARD LAYOUT ARE KEYLEVER POSITIONS



KEYLEVER POSITION	0	1	2	3	4	5	6	7	8
INTERPOSER P/N	5151890		5181004	5180974	5180974	5180974	5181004	5181004	5181004
INTERPOSER SPG P/N	130487		130487	58851	58851	58851	130487	130487	130487
KEYLEVER P/N			1187223	1123949	1123947	1123950	1123948	1123949	1123947
KEYLEVER POSITION	9	10	11	12	13	14	15	16	17
INTERPOSER P/N	5181004	5181004	5181004	5181004	5181004	5181004	5181004	5181004	5181004
INTERPOSER SPG P/N	130487	130487	130487	130487	130487	130487	130487	130487	130487
KEYLEVER P/N	1123950	1123948	1123949	1123947	1123950	1123948	1123949	1123947	1123950
KEYLEVER POSITION	18	19	20	21	22	23	24	25	26
INTERPOSER P/N	5181004	5181004	5181004	5181004	5181004	5181004	5180974	5181004	5181004
INTERPOSER SPG P/N	130487	130487	130487	130487	130487	130487	58851	130487	130487
KEYLEVER P/N	1123948	1123949	1123947	1123950	1123948	1123949	1123947	1123950	1123948
KEYLEVER POSITION	27	28	29	30	31	32	33	34	35
INTERPOSER P/N	5181004	5180974	5181004	5181004	5181004	5181004	5181004	5181004	5181004
INTERPOSER SPG P/N	130487	58851	130487	130487	130487	130487	130487	130487	130487
KEYLEVER P/N	1123949	1123947	1123950	1123948	1123949	1123947	1123950	1123948	1123949
KEYLEVER POSITION	36	37	38	39	40	41	42	43	44
INTERPOSER P/N	5181004	5181004	5181004	5181004	5181004	5181004	5181004	5181004	5180974
INTERPOSER SPG P/N	130487	130487	130487	130487	130487	130487	130487	130487	58851
KEYLEVER P/N	1123947	1123950	1123948	1123949	1123947	1123950	1123948	1123949	1123950
KEYLEVER POSITION	45*	46+	47	48	49	50	51	52	53
INTERPOSER P/N	5180974	5180974	5181004	5180974	5180974	5180974	5180974	5180974	5180974
INTERPOSER SPG P/N	58851	58851	130487	58851	58851	58851	58851	58851	58851
KEYLEVER P/N	1123950	1123948	1123949	1123947	1123950	1123948	1123949	1123947	1123950
KEYLEVER POSITION	54	55	56	57	* INTERPOSER AND INTERPOSER SPRING NOT USED ON BASIC NORWAY SWEDEN MACHINES + INTERPOSER AND INTERPOSER SPRING USED ONLY ON BASIC NORWAY AND SWEDEN MACHINES				
INTERPOSER P/N		5180974	5181004	5151890					
INTERPOSER SPG P/N		58851	130487	130487					
KEYLEVER P/N		1123949	1123947						

FIGURE 5F. 5475 KEYLEVER AND INTERPOSER CHART-FRENCH, BELGUIM, GERMAN/AUSTRIA, SPAIN, FINNISH/SWEDEN, DENMARK AND NORWAY. NO LISTING REQUIRED.

FOR PARTS  
NOT SHOWN  
SEE FIG. 5A



5475 KEYLEVER CHART	
UNITED STATES	} SEE FIG. 5E
UNITED KINGDOM	
PORTUGUESE/BRAZIL	
ITALY	
JAPAN	
FRENCH/BELGIUM	} SEE FIG. 5F
GERMAN/AUSTRIA	
SPAIN	
FINNISH/SWEDEN	
DENMARK	
NORWAY	

USED ON MACHINES WITHOUT EC 308953F

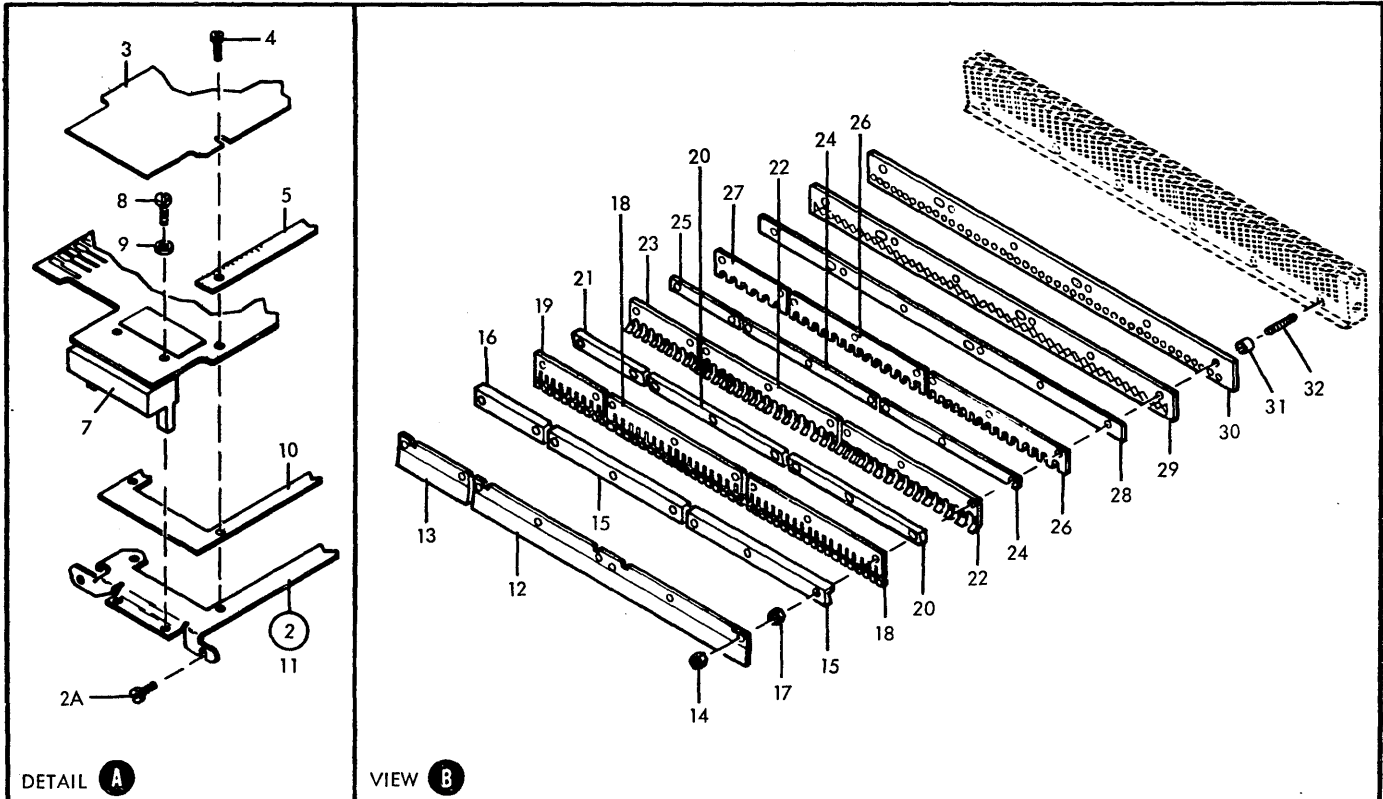


FIGURE 5G. 5475 KEYBOARD ASM. SHEET 1 OF 2. INDEX 1 THRU 35. SEE LIST 5G.



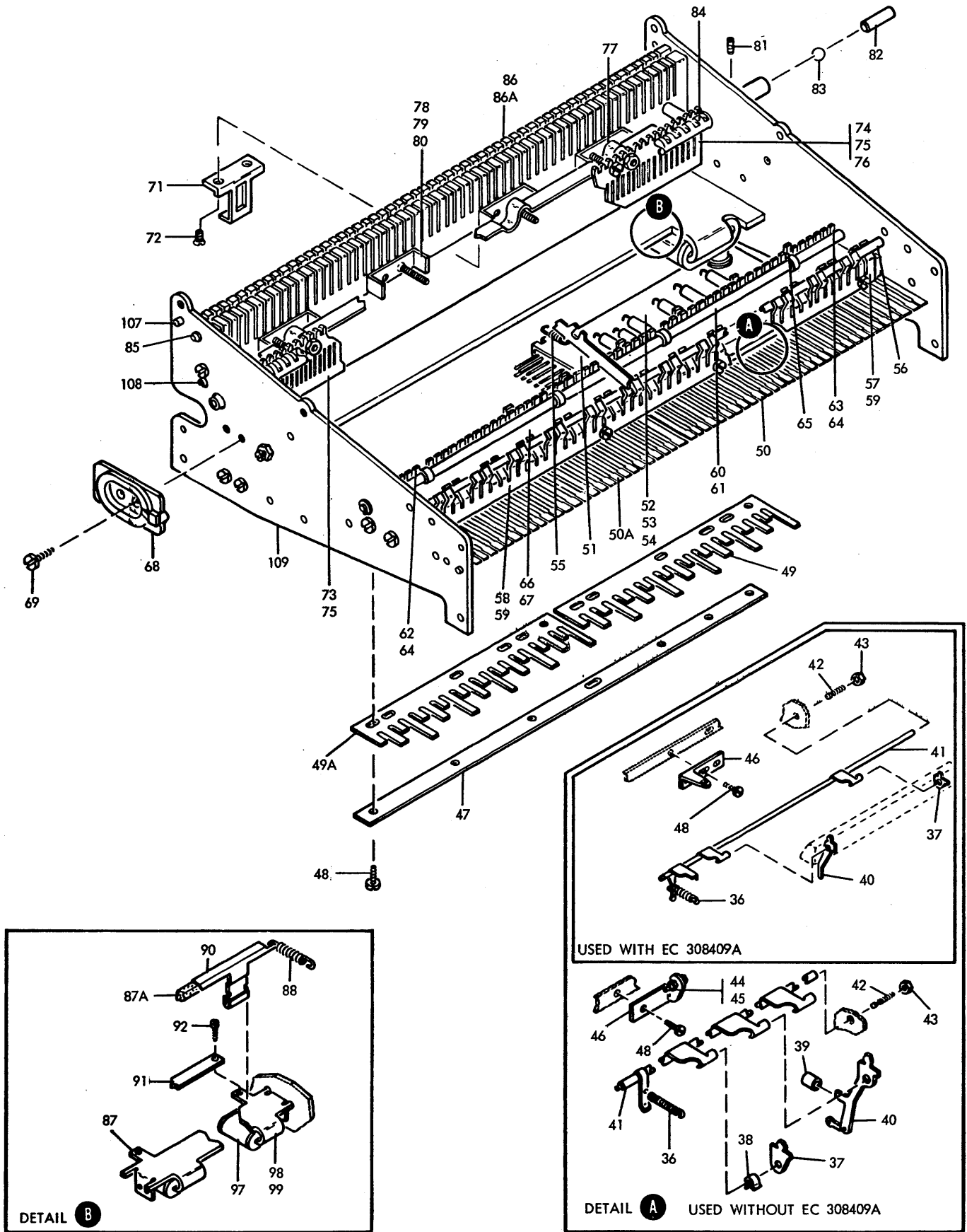


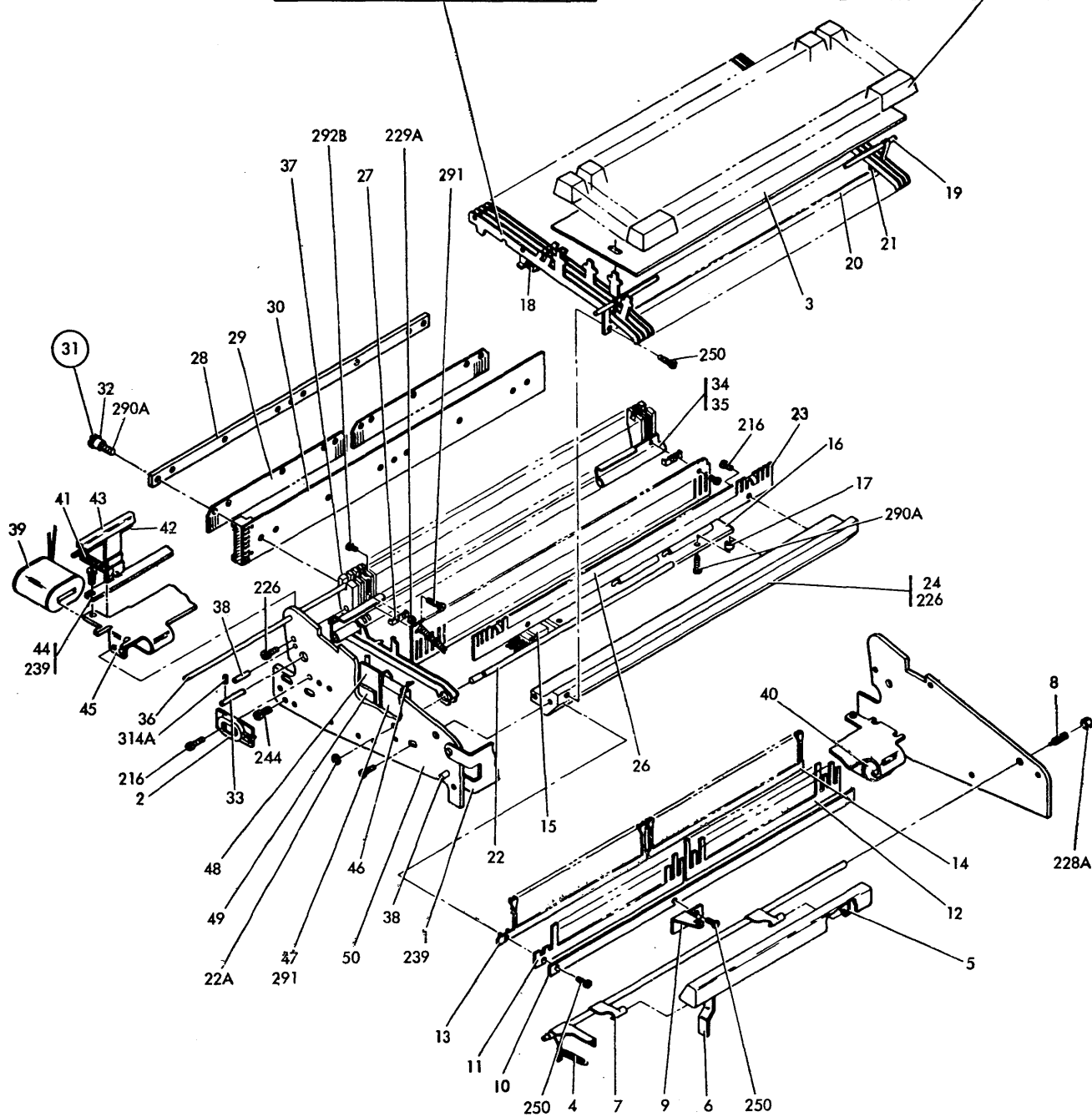
FIGURE 5G. KEYBOARD ASSEMBLY. SHEET 2 OF 2. INDEX NOS. 36 THRU 109. SEE LIST 5G.

LIST AND INDEX NUMBER	PART NUMBER	DESCRIPTION	UNITS PER ASM.	USABLE ON CODE
5G -	5153400	DATA ENTRY KEYBOARD	-	
-		FOR NEXT HIGHER ASM, SEE FIGURE 5A-19		
-		AND FOR ILLUSTRATION, SEE FIGURE 5G.		
- 1	5152004	. INSULATION, KEY	1	
- 2	5993911	. BRACKET ASM, BOARD-USA, UK, ITALY, JAPAN	1	
- 2	5993913	. BRACKET ASM, BOARD-FRANCE/BELGIUM	1	
- 2	5993912	. BRACKET ASM, BOARD-GERMANY/AUSTRIA	1	
- 2	5993914	. BRACKET ASM, BOARD-SPAIN	1	
- 2	5993916	. BRACKET ASM, BOARD-DENMARK	1	
- 2	5993915	. BRACKET ASM, BOARD-FINLAND/SWEDEN	1	
- 2	5993917	. BRACKET ASM, BOARD-NORWAY	1	
- 2	5993918	. BRACKET ASM, BOARD-PORTUGAL/BRAZIL	1	
- 2A	55726	. SCREW, MACH, BND HD- 6-32 UNC X .188 ATT PT	4	
- 3	5181005	. COVER, ENCODING BOARD	1	
- 4	438548	. SCREW, MACH, BND HD- 4-40 UNC X .1875 ATT PT	6	
- 5	5152015	. CLAMP, EDS BASE	1	
- 7	5152014 NP	. LOGIC BOARD-USA, UK, ITALY, JAPAN	1	
- 7	5153521 NP	. LOGIC BOARD-FRANCE/BELGIUM	1	
- 7	5153520 NP	. LOGIC BOARD-GERMANY/AUSTRIA	1	
+ 7	5153522 NP	. LOGIC BOARD-SPAIN	1	
- 7	5153524 NP	. LOGIC BOARD-DENMARK	1	
- 7	5153523 NP	. LOGIC BOARD-FINLAND/SWEDEN	1	
- 7	5153525 NP	. LOGIC BOARD-NORWAY	1	
- 7	5153526 NP	. LOGIC BOARD-PORTUGAL/BRAZIL	1	
- 7		WHEN ORDERING INDEX NO. 7,		
- 7		ORDER NEXT HIGHER ASSEMBLY, INDEX NO. 2		
- 8	338238	. SCREW, MACH, BND HD- 4-40 UNC X 5/16 ATT PT	4	
- 9	839413	. WASHER, FLAT- 4 ATT PT	7	
- 10	5153730	. INSULATOR, ENCODER, SHORT	1	
- 11	5152013	. BRACKET	1	
- 12	1164103	. PLATE, SPRING RETAINING	1	
- 13	5152001	. GUARD, MEMBRANE SWITCH	1	
- 14	37913	. NUT, HEX- 4-40 ATT PT	4	
- 15	5151929	. CLAMP, OUTER	2	
- 16	5152005	. CLAMP, OUTER-SPECIAL, SHORT	1	
- 17	37913	. NUT, HEX- 4-40 ATT PT	4	
- 18	5180997	. SPRING, LATCH-CENTER	2	
- 19	5180998	. SPRING, LATCH-RH	1	
- 20	5151925	. SPACER, ANGLE	2	
+ 21	5152007	. SPACER, ANGLE-SPECIAL, SHORT	1	
- 22	5151923	. SPRING, ACTUATOR	2	
- 23	5152008	. SPRING, ACTUATOR-SPECIAL, SHORT	1	
- 24	5151921	. SPACER, SPRING	2	
- 25	5152010	. SPACER, SPRING-SPECIAL, SHORT	1	
- 26	5152019	. CLAMP, SWITCH	2	
- 27	5152009	. CLAMP, SWITCH-SPECIAL, SHORT	1	
- 28	5152097	. SPACER	1	
- 29	5152012 NP	. DIAPHRAGM, SHORT-EDS	1	
- 30	5152011 NP	. SEPARATOR, SHORT-EDS	1	
- 30		WHEN ORDERING INDEX NOS. 29 OR 30,		
- 30		ORDER FIELD BM 5993930		
- 31	5151915	. SPACER, STUD- .151 ID	8	
- 32	2161341	. SETSCREW, HDLS- 4-40 UNC X 3/4	8	
- 33	5152201	. HOOK, KEYLEVER-HOLD UP	AR	
- 34	5180973	. GUARD, KEYLEVER	1	
- 35	55726	. SCREW, MACH, BND HD- 6-32 UNC X .188 ATT PT	2	
- 36	150735	. SPRING-USED ON MACHINES WITHOUT EC 308409A	1	
- 36	1090175	. SPRING-USED ON MACHINES WITH EC 308409A	1	
- 37	1134899	. INSERT, SPACE BAR	AR	
- 38	1128270	. CLIP, RETAINING	2	
- 39	1073866	. BUSHING- .133 ID X 1/4	1	
- 40	1141109	. STEM-USED ON MACHINES WITHOUT EC 308409A	1	
- 40	5993096	. STEM-USED ON MACHINES WITH EC 308409A	1	
- 41	5152017	. SHAFT-USED ON MACHINES WITHOUT EC 308409A	1	
- 41	5993925	. SHAFT-USED ON MACHINES WITH EC 308409A	1	
- 42	1123987	. SCREW, SPACE BAR SHAFT- 6-32 UNC X .50 ATT PT	1	
- 43	38051	. NUT, HEX- 6-32 UNC ATT PT	1	
- 44	1141106	. STUD, GUIDE- 4-40 UNC	1	
- 45	37913	. NUT, HEX- 4-40 UNC	1	
- 46	1141105	. SUPPORT-USED ON MACHINES WITHOUT EC 308409A	1	
- 46	5993095	. SUPPORT-USED ON MACHINES WITH EC 308409A	1	
- 47	5151990	. PLATE, KL SPRING CODE	1	
- 48	81493	. SCREW, MACH, BND HD- 6-32 UNC X .375 ATT PT	14	
- 49	1133683	. COMB, KL RETURN-RH	1	
- 49A	1133683	. COMB, KL RETURN	1	
		USED ON MACHINES WITHOUT EC 308409A		

LIST AND INDEX NUMBER	PART NUMBER	DESCRIPTION	UNITS PER ASM.	USABLE ON CODE
		KEYBOARD ASSEMBLY- CONT		
5G -				
- 49A	5994921	. COMB, KL RETURN USED ON MACHINES WITH EC 308409A	1	
- 50	1133654	. SPRING, KL RETURN-RH	1	
- 50A	1133654	. SPRING, KL RETURN USED ON MACHINES WITHOUT EC 308409A	1	
- 50A	5994914	. SPRING, KL RETURN	1	
- 50A		USED ON MACHINES WITH EC 308409A		
- 51	216075	. RECEPTACLE, CONNECTOR	1	
- 52	375359	. CARD ASM	1	
- 53	438552	. SCREW, MACH, BND HD- 4-40 UNC X 3/4	2	ATT PT
- 54	62955	. SPACER	2	ATT PT
- 55	1164080	. SPRING, EXTENSION	AR	
- 56	1133633	. ROD, UPSTOP	1	
- 57	5151986	. UPSTOP-RH	1	
- 58	5151985	. UPSTOP-LH	1	
- 59	81693	. SCREW, MACH, BND HD- 6-32 UNC X .375	4	ATT PT
- 60	1123963	. ROD, INTERPOSER FULCRUM	1	
- 61	1092125	. RING, RETAINING	2	ATT PT
- 62	5151987	. COMB, INTER FULCRUM-LH	1	
- 63	5151988	. COMB, INTER FULCRUM-RH	1	
- 64	81693	. SCREW, MACH, BND HD- 6-32 UNC X .375	4	ATT PT
- 65	5993076	. SUPPORT, COMB	1	
- 66	5151989	. SUPPORT, GUIDE COMB	1	
- 67	58207	. SCREW, MACH, BND HD- 6-32 UNC X 1/4	4	ATT PT
- 68	5993941	. STOP ASM-RESTORE BAIL	2	
- 69	10170	. SCREW, MACH, BND HD- 6-32 UNC X 1/4	4	ATT PT
- 71	5993935	. BRACKET, RESTORE BAIL SUPPORT	1	
- 72	38429	. SCREW, MACH, FH- 2-56 UNC X .1875	2	ATT PT
- 73	5151991	. PLATE, INTERPOSER GUIDE-LH	1	
- 74	5151992	. PLATE, INTERPOSER GUIDE-RH	1	
- 75	438551	. SCREW, MACH, BND HD- 4-40 UNC X .625	5	ATT PT
- 76	5180572	. SPACER- .125 ID X .343	1	ATT PT
- 77	1134981	. SPACER, COMP TUBE	1	
- 78	1134980	. CLAMP, TUBE RETAINING	7	
- 79	438558	. SCREW, MACH, BND HD- 4-40 UNC	4	ATT PT
- 80	38214	. NUT, HEX- 4-40 UNC	4	ATT PT
- 81	1175213	. SETSCREW- 4-48 UNC X 1/4	2	
- 82	5151884	. PLUNGER, COMP TUBE	2	
- 83	1124682	. BAIL, COMPENSATOR	59	
- 84	5151997	. TUBE, KEYBOARD COMPENSATOR	1	
- 85	1132166	. ROD, FULCRUM	1	
- 86	5152018	. FULCRUM, KEYLEVER	1	
- 86A	58207	. SCREW, MACH, BND HD- 6-32 UNC X 1/4	2	ATT PT
- 87	5181030	. COIL ASM-LH	1	
- 87A	5152203	. FOAM (SEE INDEX NO. 90)	1	
- 88	58852	. SPRING, EXTENSION	2	
- 90	5151998	. BAIL, INTERPOSER RESET	1	
- 90		WHEN ORDERING INDEX 90, & 87A ORDER FIELD 8M 5993077		
- 91	5172367	. RETAINER, ARMATURE	1	
- 92	55726	. SCREW, MACH, BND HD- 6-32 UNC X 5/16	AR	ATT PT
- 97	5181029	. COIL ASM-RH	1	
- 98	5993927	. YOKE, SHORT	1	
- 99	58207	. SCREW, MACH, BND HD- 8-32 UNC X 1/4	4	ATT PT
-107	437289	. ROLL PIN	2	
-108	1077739	. ROLL PIN	2	
-109	5151892	. PLATE, SIDE	2	

KEYLEVER CHART	
UNITED STATES	} SEE FIG. 5E
UNITED KINGDOM	
PORTUGAL/BRAZIL	
ITALY	
JAPAN	
FRENCH	} SEE FIG. 5F
BELGIUM	
GERMAN/AUSTRIA	
SPAIN	
FINNISH/SWEDEN	
DENMARK	
NORWAY	

KEYBUTTON CHART	
UNITED STATES	} SEE FIG. 5C
UNITED KINGDOM	
PORTUGAL/BRAZIL	
ITALY	
JAPAN	
FRENCH	} SEE FIG. 5D
BELGIUM	
GERMAN/AUSTRIA	
SPAIN	
FINNISH/SWEDEN	
DENMARK	
NORWAY	



USED ON MACHINES WITH EC 308953F

FIGURE 5H. KEYBOARD ASSEMBLY. SEE LIST 5H.

LIST AND INDEX NUMBER	PART NUMBER	DESCRIPTION	UNITS PER ASM.	USABLE ON CODE
		1 2 3 4		
5H -	5996927 NP	KEYBOARD ASSEMBLY		
-		USED ON MACHINES WITH EC 308953F		
-		FOR NEXT HIGHER ASM SEE FIG. 5-19A		
-		AND FOR ILLUSTRATION FIG. 5H		
- 1	5180973	. BRACKET	1	
- 2	5993941	. STOP	2	
- 3	5996925	. COVER	1	
- 4	1090175	. SPRING	1	
- 5	1134899	. INSERT	1	
- 6	5993096	. STEM	1	
- 7	5993925	. SHAFT	1	
- 8	1123987	. SCREW	1	
- 9	5993095	. GUIDE	1	
- 10	5151990	. PLATE	1	
- 11	5994921	. CUMB	1	
- 12	1133683	. COMB	1	
- 13	5994914	. SPRING	1	
- 14	1133654	. SPRING	1	
- 15	216075	. CONNECTOR	1	
- 16	375359	. CARD ASM	1	
- 17	2109292	. SPACER	2	
- 18	1164080	. SPRING	50	
- 19	1133633	. UPSTOP	1	
- 20	8112176	. UPSTOP	1	
- 21	5994922	. LOCKOUT	1	
- 22	1123963	. ROD	1	
- 22A	1092125	. CLIP	2	
- 23	8112178	. COMB, INTERPOSER	1	
- 24	5151989	. SUPPORT	1	
- 26	8112177	. PLATE	1	
- 27	1148453	. SPACER	5	
- 28	5996920	. BAR CLAMP	1	
- 29	5996917	. LATCH	2	
- 30	5996926	. BOARD ASM, SWITCH	1	
- 30	5993911	. BOARD ASM, SWITCH-USASC11	1	
- 31	5996961	. SCREW ASM	6	
- 32	5996960	. . SPACER, SCREW	1	
- 33	104699	. DOWEL	2	
- 34	1124682	. BALL	56	
- 35	5181007	. COMPENSATOR	1	
- 36	1132166	. ROD	1	
- 37	5996915	. FULCRUM	1	
- 38	343571	. PIN, ROLL	3	
- 39	5181030	. COIL ASM	1	
- 40	5181029	. COIL ASM	1	
- 41	58852	. SPRING	2	
- 42	5152203	. FOAM	1	
- 43	5151998	. BAIL	1	
- 44	5172367	. RETAINER	1	
- 45	5993927	. YOKE	1	
- 46	2595721	. CLIP	2	
- 47	2595635	. HOUSING	1	
- 48	5153623	. CABLE ASM	1	
- 49	2595636	. SPACER	1	
- 50	5996918	. PLATE	2	
-				
-		FOR ATTACHING PARTS, INDEX NOS. 201		
-		AND ABOVE, SEE LIST 33		

FOR PARTS  
NOT SHOWN  
SEE FIG. 1

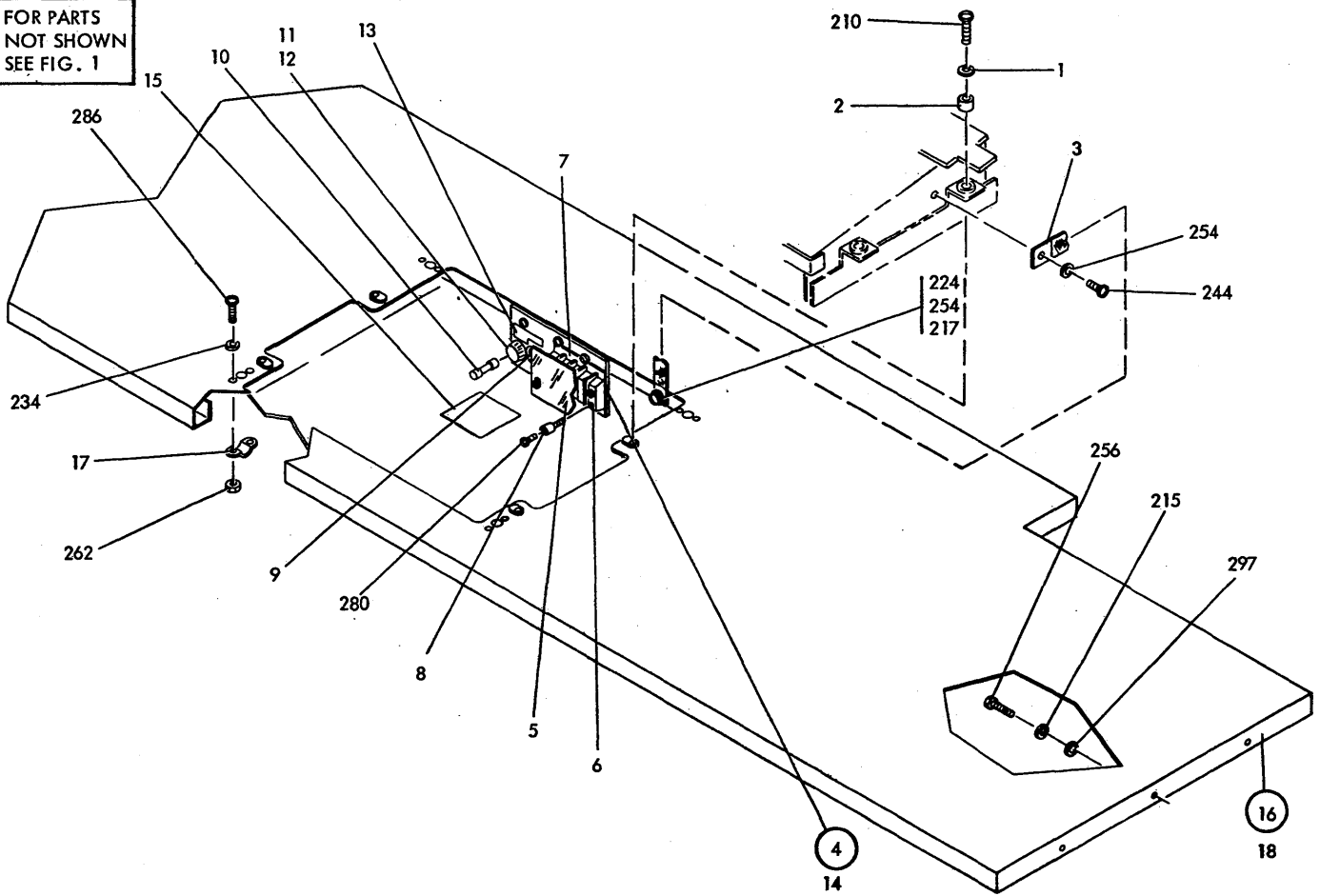


FIGURE 6. TABLE TOP, FOR DATA ENTRY KEYBOARD. SEE LIST 6.

LIST AND INDEX NUMBER	PART NUMBER	DESCRIPTION	1 2 3 4				UNITS PER ASM.	USABLE ON CODE
			1	2	3	4		
6	NO NO.	TABLE TOP, FOR DATA ENTRY KEYBOARD						
-		FOR NEXT HIGHER ASM SEE LIST 1-11						
-		AND FOR ILLUSTRATION FIG. 6						
- 1	110029	. WASHER				4		
- 2	57100	. SPACER				4		
- 3	2101376	. STRAP, GROUND				1		
- 4	2588330	. FUSE ASM, KEYBOARD				1		
- 5	352827	. . SHIELD				1		
- 6	323841	. . TERMINAL BLOCK				1		
- 7	323681	. . MARKER STRIP				1		
- 8	210883	. . STUD				2		
- 9	450821	. . GROMMET				1		
- 10	505071	. . FUSE				1		
- 11	179946	. . FUSE HOLDER				1		
- 12	642763	. . SLEEVE				1		
- 13	2589218	. . LABEL				1		
- 14	2589216	. . BRACKET				1		
- 15	2591163	. LABEL				1		
- 16	2589248	. TABLE TOP, DATA ENTRY KEYBOARD				1		
- 17	313453	. . LATCH				4		
- 18	2454922	. . TABLE TOP				1		
-								
-								
-		FOR ATTACHING PARTS, INDEX NOS. 201						
-		AND ABOVE, SEE LIST 33						

FOR PARTS  
NOT SHOWN  
SEE FIG. 1

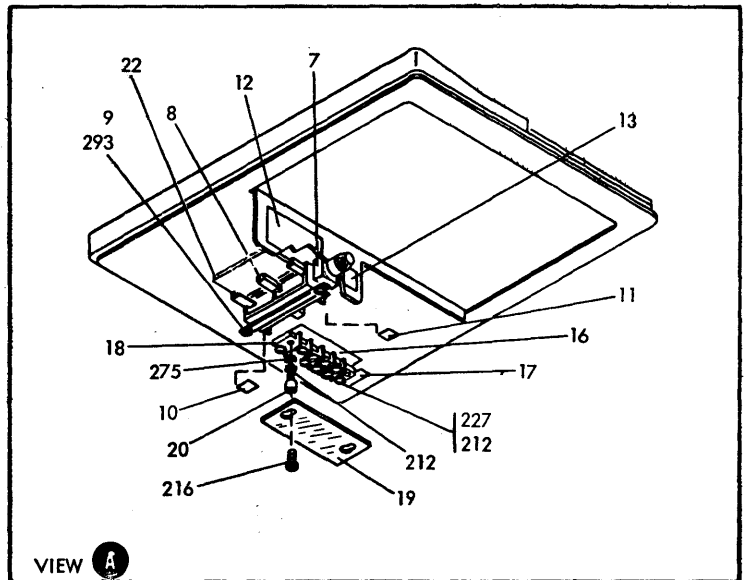
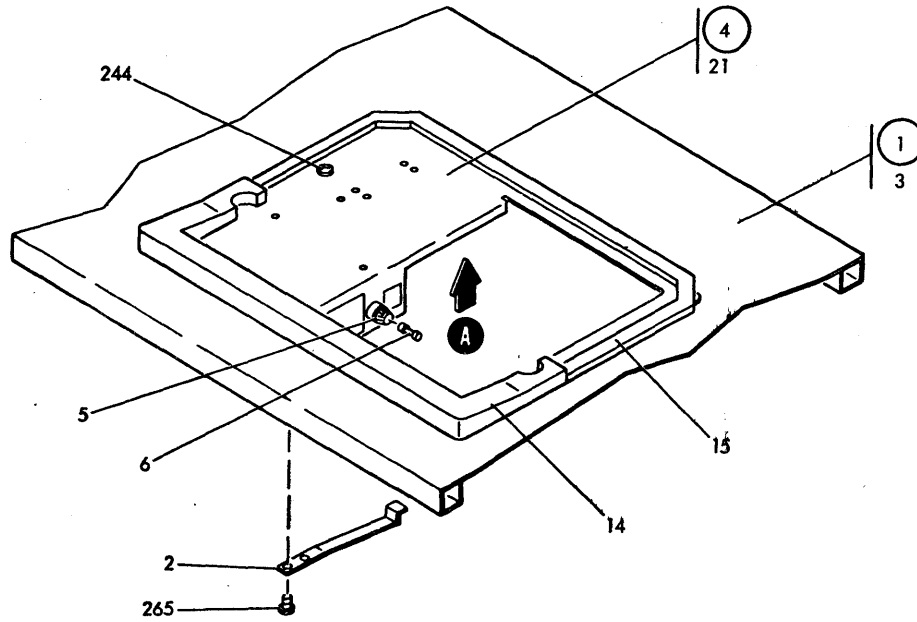


FIGURE 6A. TABLE TOP, FOR PRINTER KEYBOARD. SEE LIST 6A.





FOR PARTS  
NOT SHOWN  
SEE FIG. 1

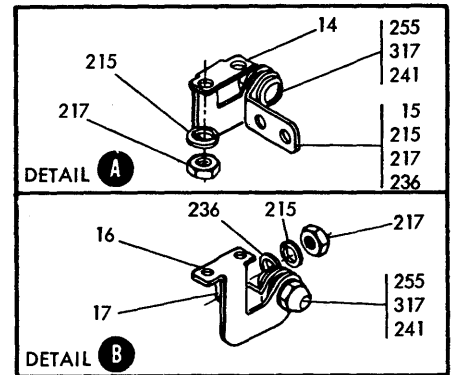
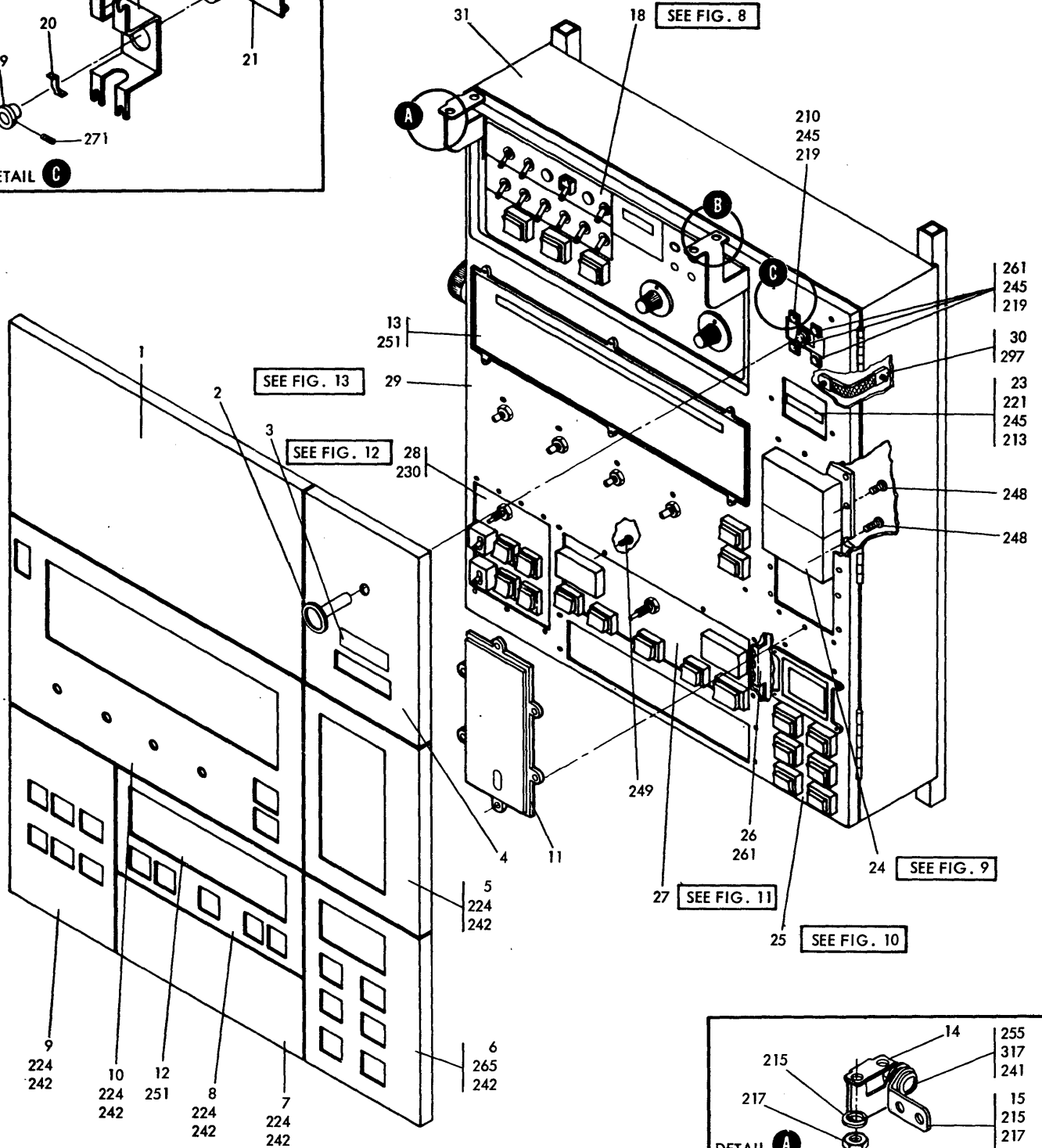
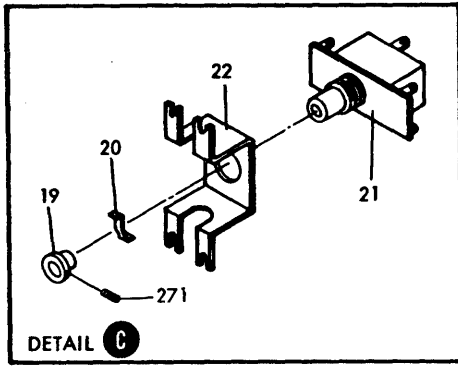


FIGURE 7. CONSOLE ASM. SEE LIST 7.

LIST AND INDEX NUMBER	PART NUMBER	DESCRIPTION	UNITS PER ASM.	USABLE ON CODE
7 -	2590450	CONSOLE ASM		
-		FOR NEXT HIGHER ASM SEE LIST 1-22		
-		AND FOR ILLUSTRATION FIG. 7		
- 1	7369658	• COVER,CE PANEL-ENGLISH AND GERMAN	1	
- 1	7369660	• COVER,CE PANEL-FRENCH	1	
- 1	7369662	• COVER,CE PANEL-ITALIAN AND SPANISH	1	
- 1	7369664	• COVER,CE PANEL-JAPANESE	1	
- 2	7369655	• KNOB ASM,EMERGENCY PULL-ENGLISH	1	
- 2	2590876	• KNOB,FRENCH	1	
- 2	2590664	• KNOB,ITALIAN	1	
- 2	2590886	• KNOB,GERMAN	1	
- 2	2590665	• KNOB,SPANISH	1	
- 3	5371671	• LABEL	1	
- 4	2590452	• PANEL,EMERGENCY POWER OFF	1	
- 5	2590456	• PANEL,BLANK	1	
- 5	2590397	• PANEL,BSCA FEATURE	1	
- 6	2590454	• PANEL,OPERATOR CONTROL	1	
- 7	2590458	• PANEL,BLANK	1	
- 8	2590455	• PANEL,BLANK	1	
- 8	2590437	• PANEL,DUAL PROGRAM	1	
- 9	2590457	• PANEL,BLANK	1	
- 9	2590441	• PANEL,DISK FEATURE-2 SPINDLE ENGLISH	1	
- 9	2590443	• PANEL,DISK FEATURE-1 SPINDLE ENGLISH	1	
- 9	2590754	• PANEL,DISK FEATURE-2 SPINDLE FRENCH	1	
- 9	2590762	• PANEL,DISK FEATURE-1 SPINDLE FRENCH	1	
- 9	2590755	• PANEL,DISK FEATURE-2 SPINDLE ITALIAN	1	
- 9	2590763	• PANEL,DISK FEATURE-1 SPINDLE ITALIAN	1	
- 9	2590756	• PANEL,DISK FEATURE-2 SPINDLE GERMAN	1	
- 9	2590764	• PANEL,DISK FEATURE-1 SPINDLE GERMAN	1	
- 9	2590757	• PANEL,DISK FEATURE-2 SPINDLE SPANISH	1	
- 9	2590765	• PANEL,DISK FEATURE-1 SPINDLE SPANISH	1	
- 10	2590453	• PANEL,PROCESSOR DISPLAY-ENGLISH	1	
- 10	2590646	• PANEL,PROCESSOR DISPLAY-FRENCH	1	
- 10	2590647	• PANEL,PROCESSOR DISPLAY-ITALIAN	1	
- 10	2590648	• PANEL,PROCESSOR DISPLAY-GERMAN	1	
- 10	2590649	• PANEL,PROCESSOR DISPLAY-SPANISH	1	
- 11	2590396	• MOLDING,BSCA FEATURE-ENGLISH	1	
- 11	2454833	• MOLDING,MLTA FEATURE-ENGLISH USED ON MACHINES WITH OR WITHOUT BSCA	1	
- 11	2590786	• MOLDING,BSCA FEATURE-FRENCH	1	
- 11	2590789	• MOLDING,BSCA FEATURE-ITALIAN	1	
- 11	2590792	• MOLDING,BSCA FEATURE-GERMAN	1	
- 11	2590795	• MOLDING,BSCA FEATURE-SPANISH USED WITH RATE SELECTION SWITCH	1	
- 11	2590796	• MOLDING,BSCA FEATURE-ENGLISH	1	
- 11	2590797	• MOLDING,BSCA FEATURE-FRENCH	1	
- 11	2590798	• MOLDING,BSCA FEATURE-ITALIAN	1	
- 11	2590799	• MOLDING,BSCA FEATURE-GERMAN	1	
- 11	2590851	• MOLDING,BSCA FEATURE-SPANISH USED WITHOUT RATE SELECTION SWITCH	1	
- 11				
- 12	2590434	• MOLDING,DUAL PROGRAM-ENGLISH	1	
- 12	2590750	• MOLDING,DUAL PROGRAM-FRENCH	1	
- 12	2590751	• MOLDING,DUAL PROGRAM-ITALIAN	1	
- 12	2590752	• MOLDING,DUAL PROGRAM-GERMAN	1	
- 12	2590753	• MOLDING,DUAL PROGRAM-SPANISH	1	
- 13	2590475	• MOLDING	1	
- 14	2590469	• HINGE,LEFT HAND	1	
- 15	2590471	• BRACKET,LEFT HAND	1	
- 16	2590468	• HINGE,RIGHT HAND	1	
- 17	2590470	• BRACKET,RIGHT HAND	1	
- 18	NO NO.	• C.E. PANEL FOR DETAIL BREAKDOWN SEE FIG. 8	1	
- 18				
- 19	482188	• COLLAR	1	
- 20	479999	• SPRING	1	
- 21	482219	• SWITCH	1	
- 22	725419	• BRACKET	1	
- 23	740503	• CLOCK,60 CYCLE	1	
- 23	740608	• CLOCK,50 CYCLE	1	
- 24	2590395	• PANEL ASM,BSCA FEATURE FOR DETAIL BREAKDOWN SEE FIG. 9	1	
- 24				
- 25	NO NO.	• OPERATORS PANEL FOR DETAIL BREAKDOWN SEE FIG. 10	1	
- 25				
- 26	2590498	• BRACKET	1	
- 27	2590780	• DUAL PROGRAM PANEL FOR DETAIL BREAKDOWN SEE FIG. 11	1	
- 27				



FOR PARTS  
NOT SHOWN  
SEE FIG. 7

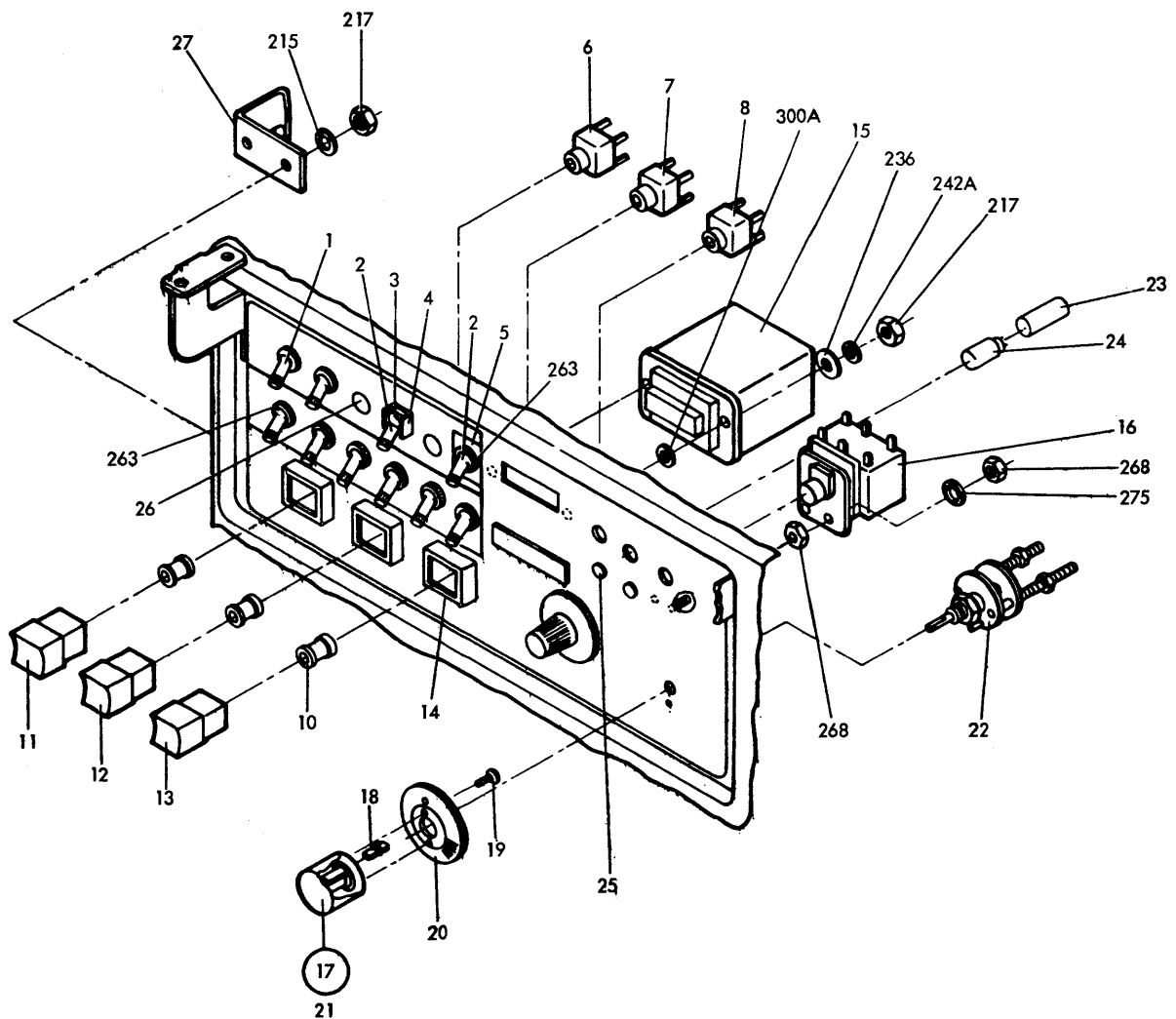


FIGURE 8. C.E. PANEL. SEE LIST 8.



FOR PARTS  
NOT SHOWN  
SEE FIG. 7

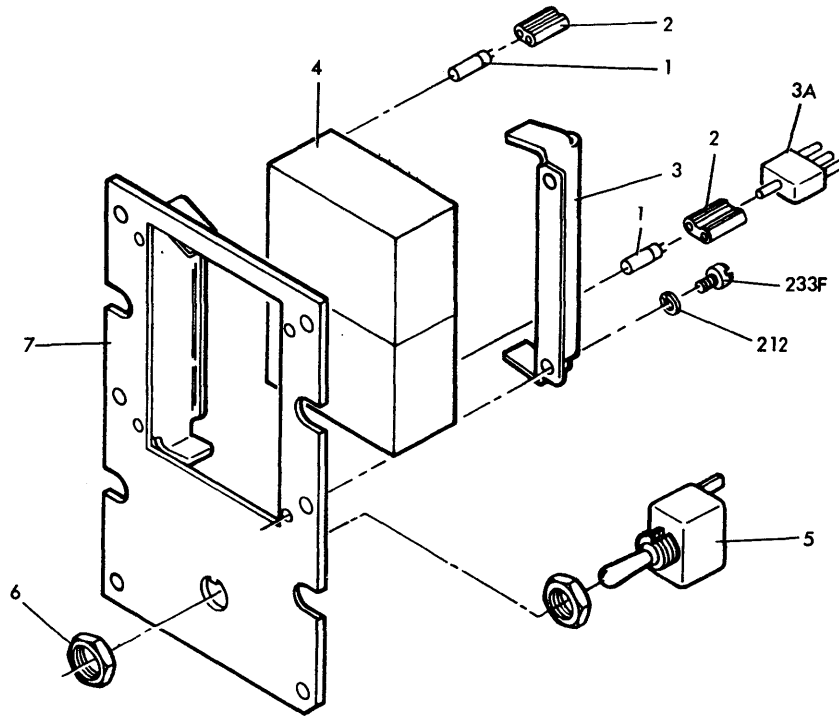


FIGURE 9. PANEL ASM, BSCA FEATURE. SEE LIST 9.

LIST AND INDEX NUMBER	PART NUMBER	DESCRIPTION				UNITS PER ASM.	USABLE ON CODE
		1	2	3	4		
9 -	2590395	PANEL ASM, BSCA FEATURE					
-		FOR NEXT HIGHER ASM SEE LIST 7-24					
-		AND FOR ILLUSTRATION FIG. 9					
- 1	2391023	• LAMP				16	
- 2	165010	• SOCKET				16	
- 3	2590399	• BRACKET				2	
- 3A	814008	• SCRID, USED ON MACHINES WITH MLTA FEATURE				3	
- 4	185196	• LIGHT BLOCK				2	
- 5	738826	• SWITCH, USED ON WORLD TRADE MACHINES ONLY				1	
- 6	220546	• NUT, USED ON WORLD TRADE MACHINES ONLY				1	
- 7	2590398	• PANEL				1	
-		FOR ATTACHING PARTS, INDEX NOS. 201					
-		AND ABOVE, SEE LIST 33					

FOR PARTS  
NOT SHOWN  
SEE FIG. 7

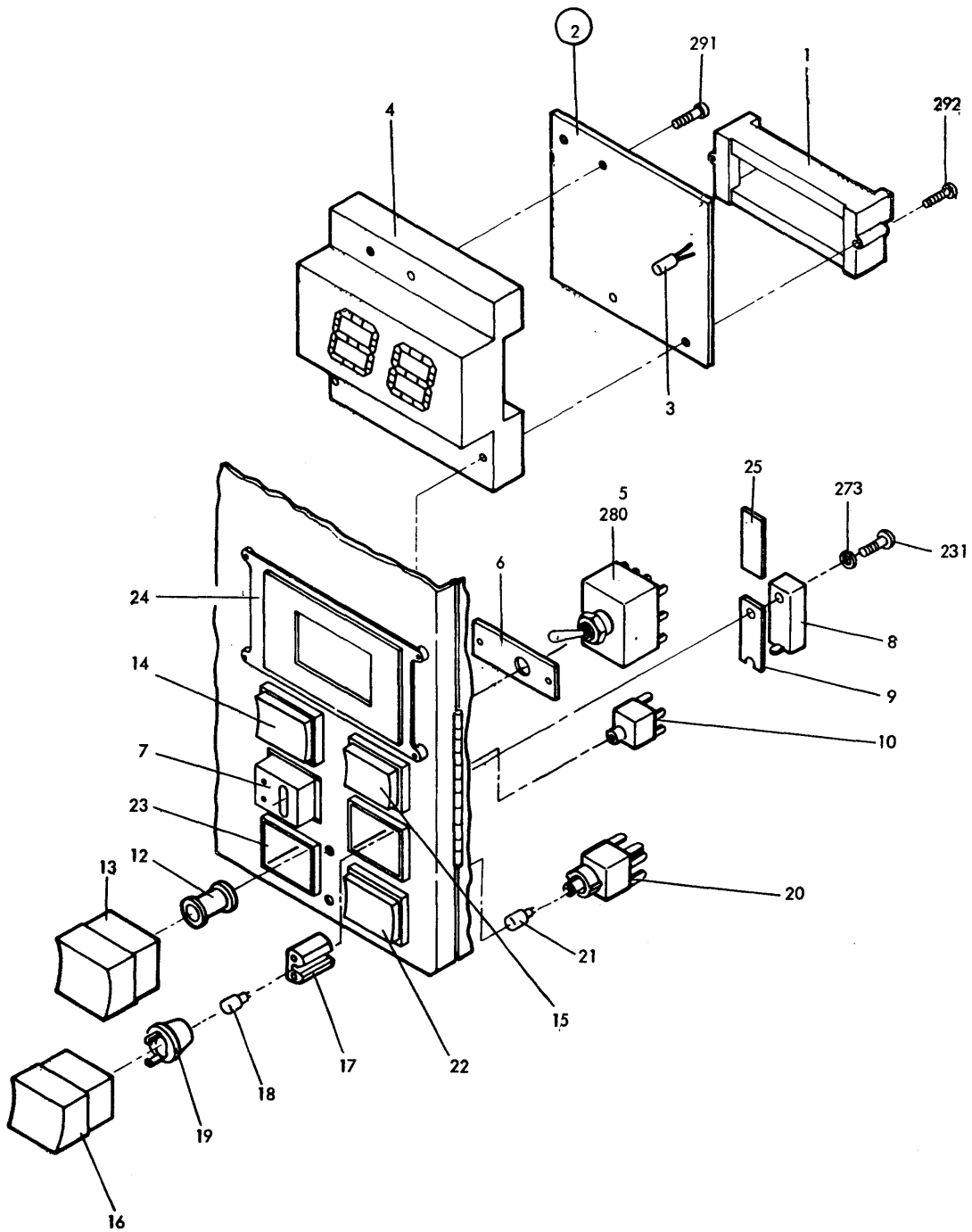


FIGURE 10. OPERATOR PANEL. SEE LIST 10.





FOR PARTS  
NOT SHOWN  
SEE FIG. 7

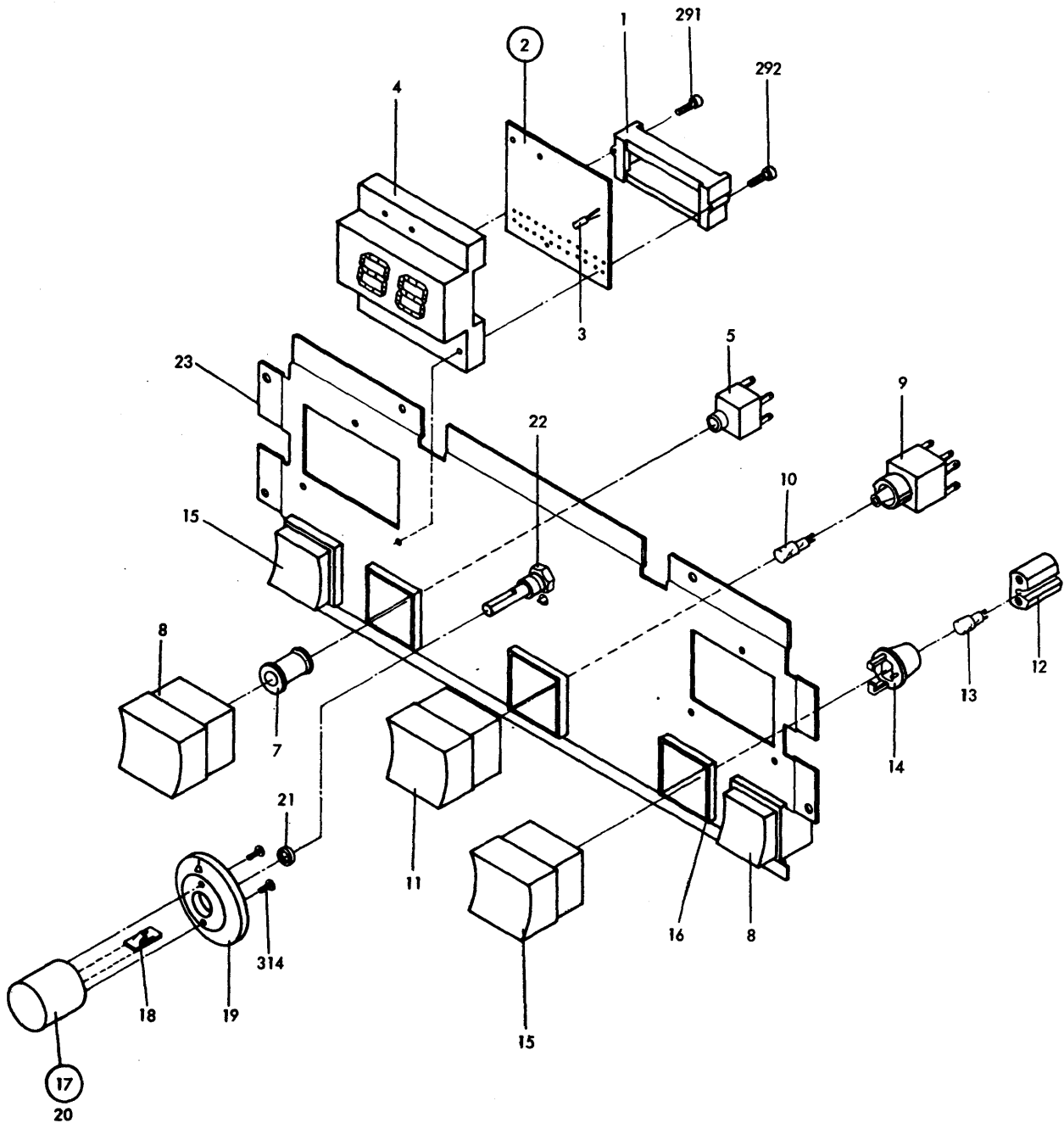


FIGURE 11. DUAL PROGRAM PANEL. SEE LIST 11.



FOR PARTS  
NOT SHOWN  
SEE FIG. 7

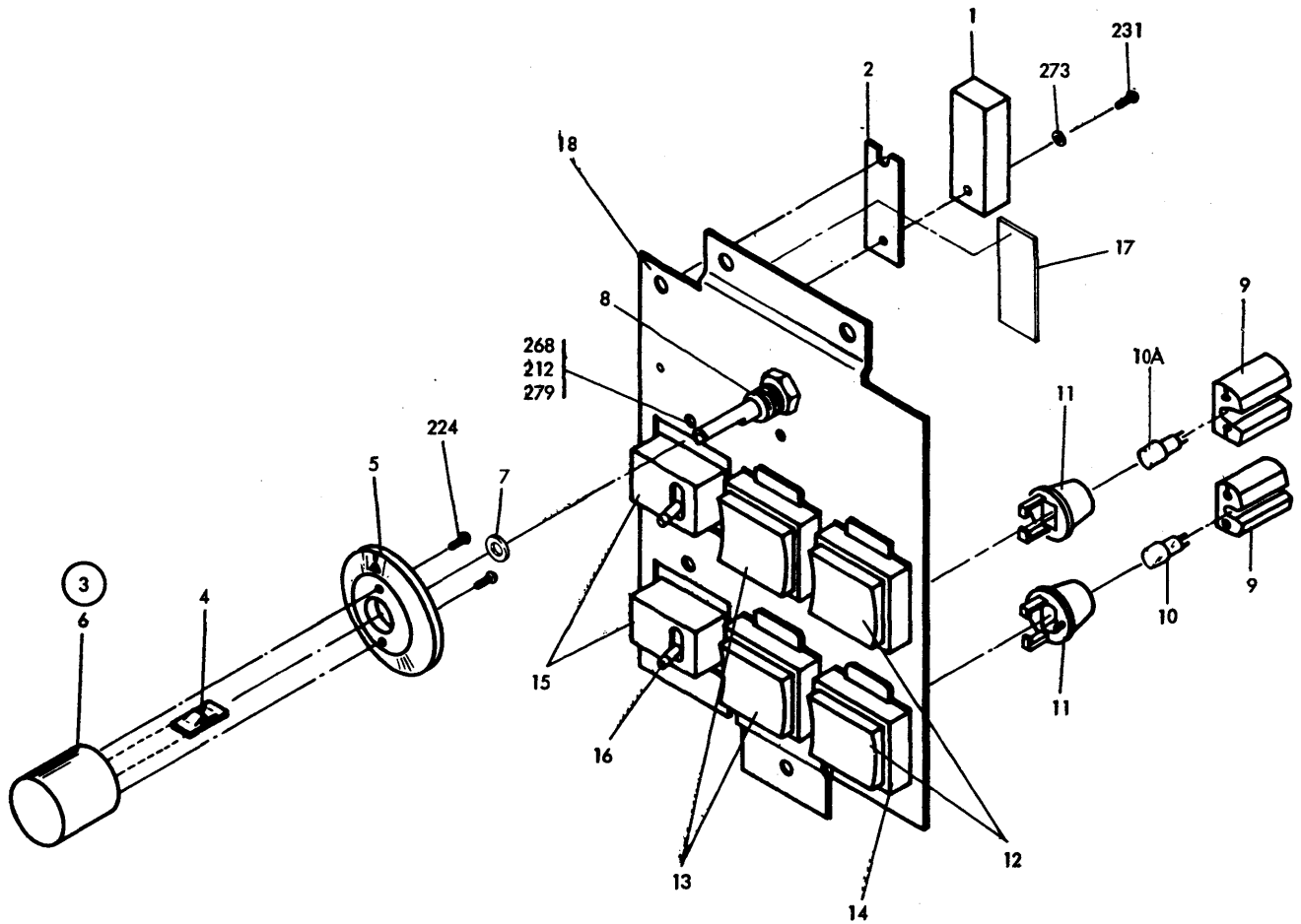


FIGURE 12. DISK CONTROL PANEL, 1 AND 2 SPINDLE. SEE LIST 12.



FOR PARTS  
NOT SHOWN  
SEE FIG. 7

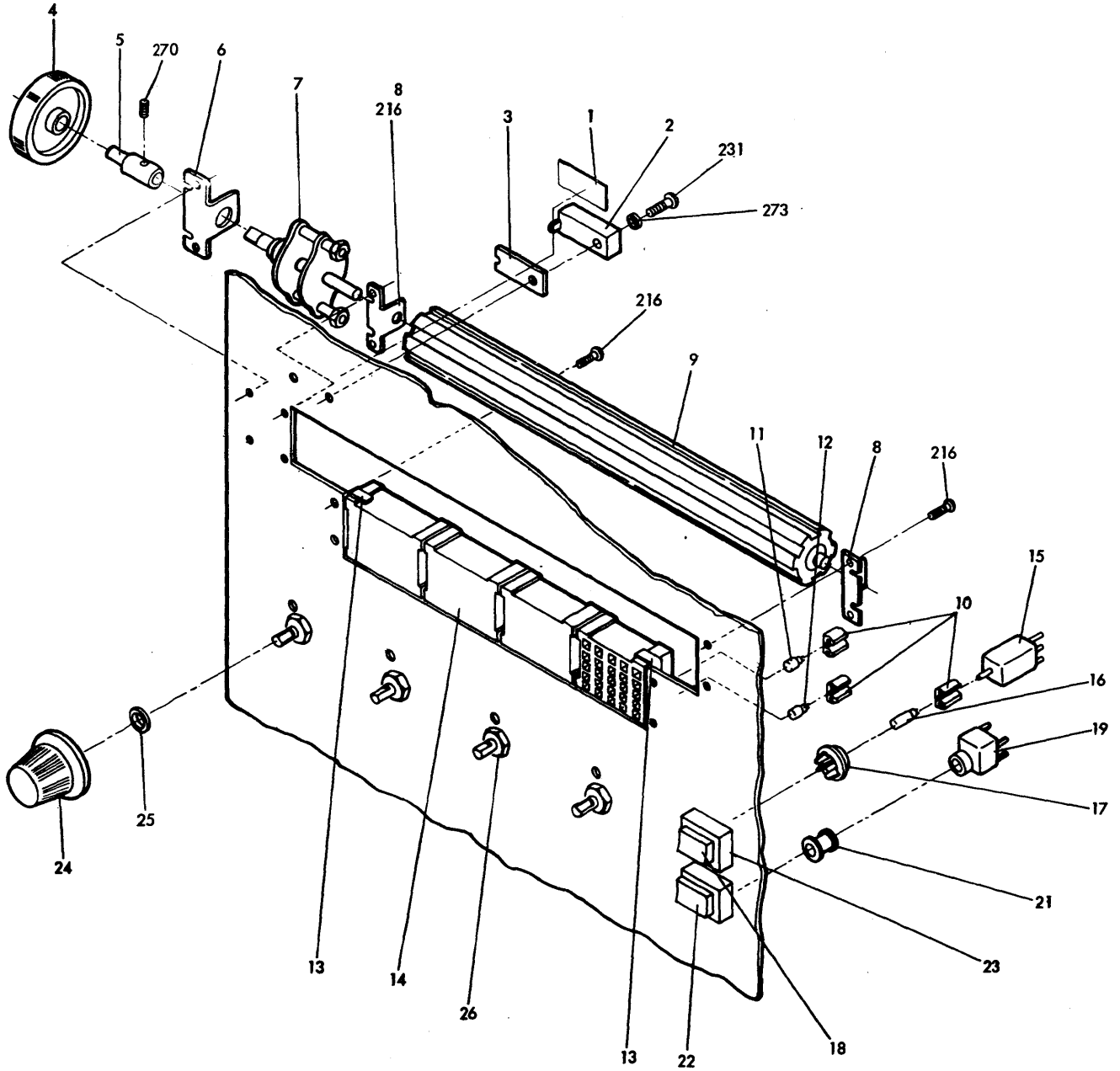


FIGURE 13. DISPLAY PANEL. SEE LIST 13.



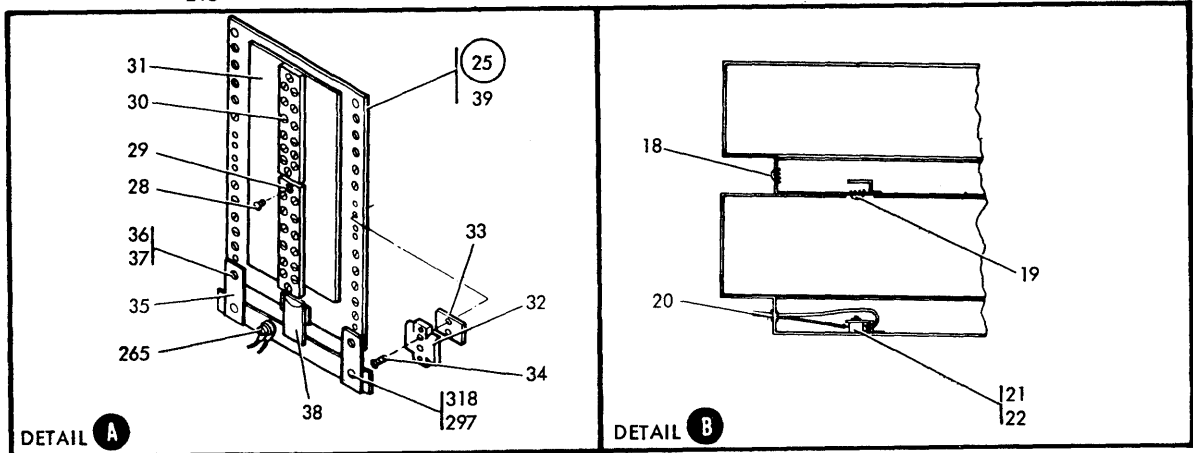
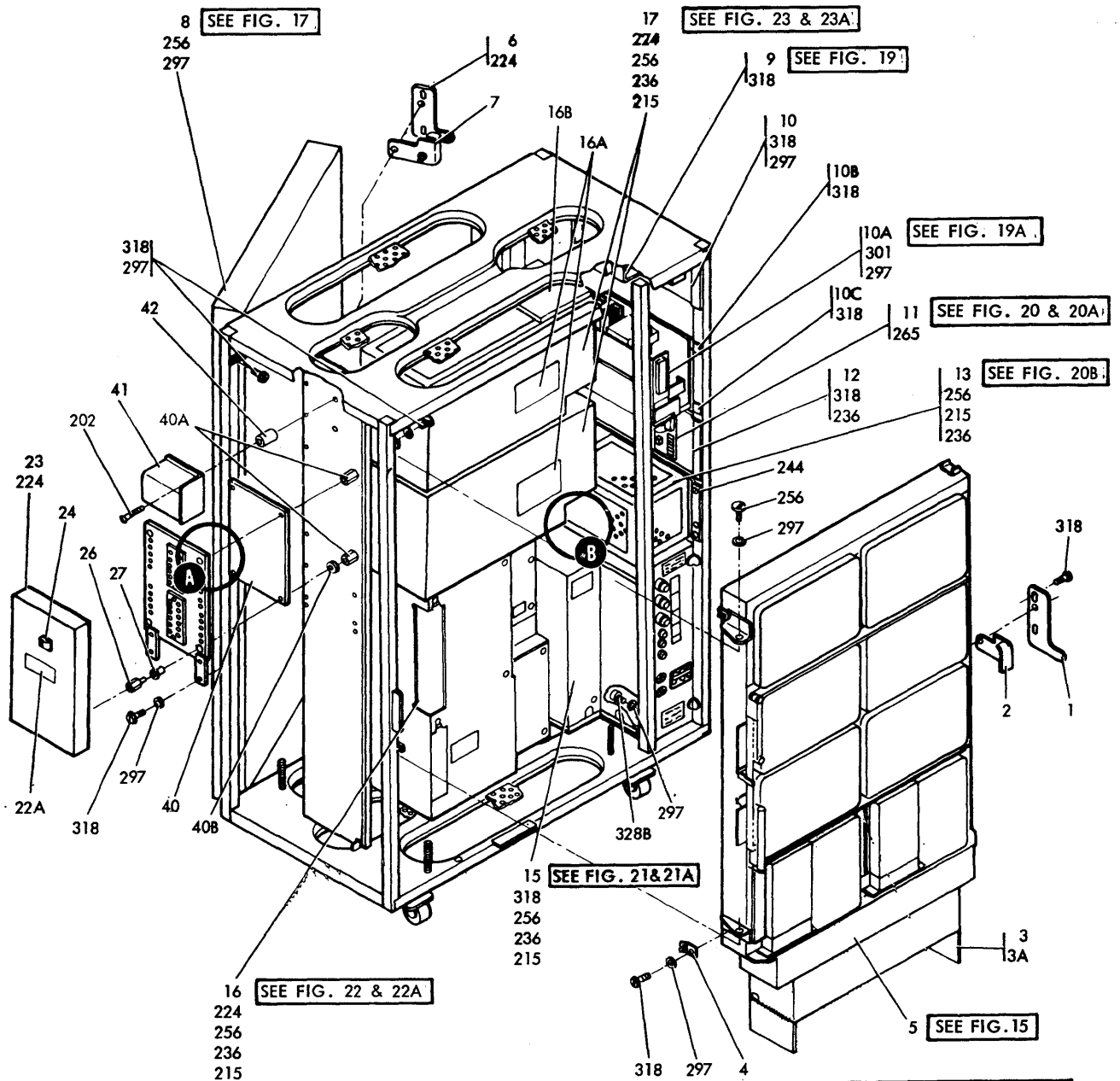


FIGURE 14. MECHANICAL ASM CPU. SEE LIST 14.

LIST AND INDEX NUMBER	PART NUMBER	DESCRIPTION	UNITS PER ASM.	USABLE ON CODE
14	NO NO.	MECHANICAL ASM CPU		
-		FOR ILLUSTRATION SEE FIG. 14		
- 1	2590083	. BRACKET ASM	1	
- 2	2590084	. LATCH ASM	1	
- 3	2598390	. SKIRT	1	
- 3A	2592619	. FASTENER	11	
- 4	2101089	. GROUND STRAP	4	
- 5	2590048	. A GATE ASM	1	
- 5		FOR DETAIL BREAKDOWN SEE FIG. 15		
- 6	2590678	. BRACKET ASM	1	
- 7	2590677	. LATCH ASM	1	
- 8	2590704	. B GATE ASM	1	
- 8		FOR DETAIL BREAKDOWN SEE FIG. 17		
- 9	5708920	. POWER SUPPLY,SIGNAL LAMP-60 CYCLE	1	
- 9	5706992	. POWER SUPPLY,SIGNAL LAMP-50 CYCLE	1	
- 9		USED ON MACHINES WITHOUT EC 816683		
- 9		FOR DETAIL BREAKDOWN SEE FIG. 19		
- 10	2590062	. PLATE,MOUNTING	1	
- 10A	2584080	. POWER SUPPLY,+6V EXPANSION BULK-60 CYCLE	1	
- 10A	2584070	. POWER SUPPLY,+6V EXPANSION BULK-50 CYCLE	1	
- 10A		FOR DETAIL BREAKDOWN SEE FIG. 19A		
- 10B	2590261	. PLATE,UPPER	1	
- 10C	2590271	. PLATE,LOWER	1	
- 11	2590900	. POWER SUPPLY ASM,-12V-BSCA MEDIUM SPEED ONLY		
- 11		FOR DETAIL BREAKDOWN SEE FIG. 20		
- 11	2454823	. POWER SUPPLY ASM,12V	1	
- 11		USED ON BSCA AND MLTA FEATURES		
- 11		FOR DETAIL BREAKDOWN SEE FIG. 20A		
- 12	2590820	. PLATE,MOUNTING	1	
- 13	NO NO. NP	. AUTO TRANSFORMER ASM	1	
- 13		FOR DETAIL BREAKDOWN SEE FIG. 20B		
- 15	2590270	. PRIMARY POWER SUPPLY,60 CYCLE	1	
- 15	2590260	. PRIMARY POWER SUPPLY,50 CYCLE	1	
- 15		USED ON MACHINES WITHOUT EC 816683		
- 15		FOR DETAIL BREAKDOWN SEE FIG. 21		
- 15	2588436	. PRIMARY POWER SUPPLY,60 CYCLE	1	
- 15	2588435	. PRIMARY POWER SUPPLY,50 CYCLE	1	
- 15		USED ON MACHINES WITH EC 816683		
- 15		FOR DETAIL BREAKDOWN SEE FIG. 21A		
- 16	5232850	. BULK POWER SUPPLY NO. 1,60 CYCLE	1	
- 16	5232840	. BULK POWER SUPPLY NO. 1,50 CYCLE	1	
- 16		USED ON MACHINES WITHOUT EC 816662		
- 16		FOR DETAIL BREAKDOWN SEE FIG. 22		
- 16	2572190	. BULK POWER SUPPLY NO. 1,60 CYCLE	1	
- 16	2572200	. BULK POWER SUPPLY NO. 1,50 CYCLE	1	
- 16		USED ON MACHINES WITH EC 816662		
- 16		FOR DETAIL BREAKDOWN SEE FIG. 22A		
- 16A	1141554	. LABEL	4	
- 16B	2454979	. PAD	1	
- 16B		USED ON MACHINES WITHOUT EC 818977		
- 17	2590929	. BULK POWER SUPPLY NO.2 AND 3,32A 60 CYCLE	1	
- 17	2590930	. BULK POWER SUPPLY NO.2 AND 3,65A 60 CYCLE		
- 17	2590931	. BULK POWER SUPPLY NO.2 AND 3,32A 50 CYCLE		
- 17	2590932	. BULK POWER SUPPLY NO.2 AND 3,65A 50 CYCLE		
- 17		FOR DETAIL BREAKDOWN SEE FIG. 23 AND 23A		
- 18	805598	. PLUG	1	
- 18		USED ON MACHINES WITHOUT EC 8189777		
- 19	602664	. PLUG	1	
- 19		USED ON MACHINES WITHOUT EC 8189777		
- 20	123070	. GROMMET	1	
- 20		USED ON MACHINES WITHOUT EC 8189777		
- 21	2590821	. THERMAL SWITCH	1	
- 21		USED ON MACHINES WITHOUT EC 8189777		
- 21	2590821	. THERMAL SWITCH	1	
- 21		USED ON MACHINES WITH EC 818977		
- 22	2588363	. CLIP	1	
- 22		USED ON MACHINES WITHOUT EC 8189777		
- 22	2588053	. CLIP	1	
- 22		USED ON MACHINES WITH EC 818977		
- 22A	2588264	. LABEL	1	
- 23	2590830	. SHIELD	1	
- 24	2588079	. CLAMP	1	
- 24		USED ON MACHINES WITHOUT EC 816662		
- 25	2590852	. PLATE ASM	1	
- 26	2588363	. STANDOFF	4	
		USED ON MACHINES WITHOUT EC 816696		





FOR PARTS  
NOT SHOWN  
SEE FIG. 14

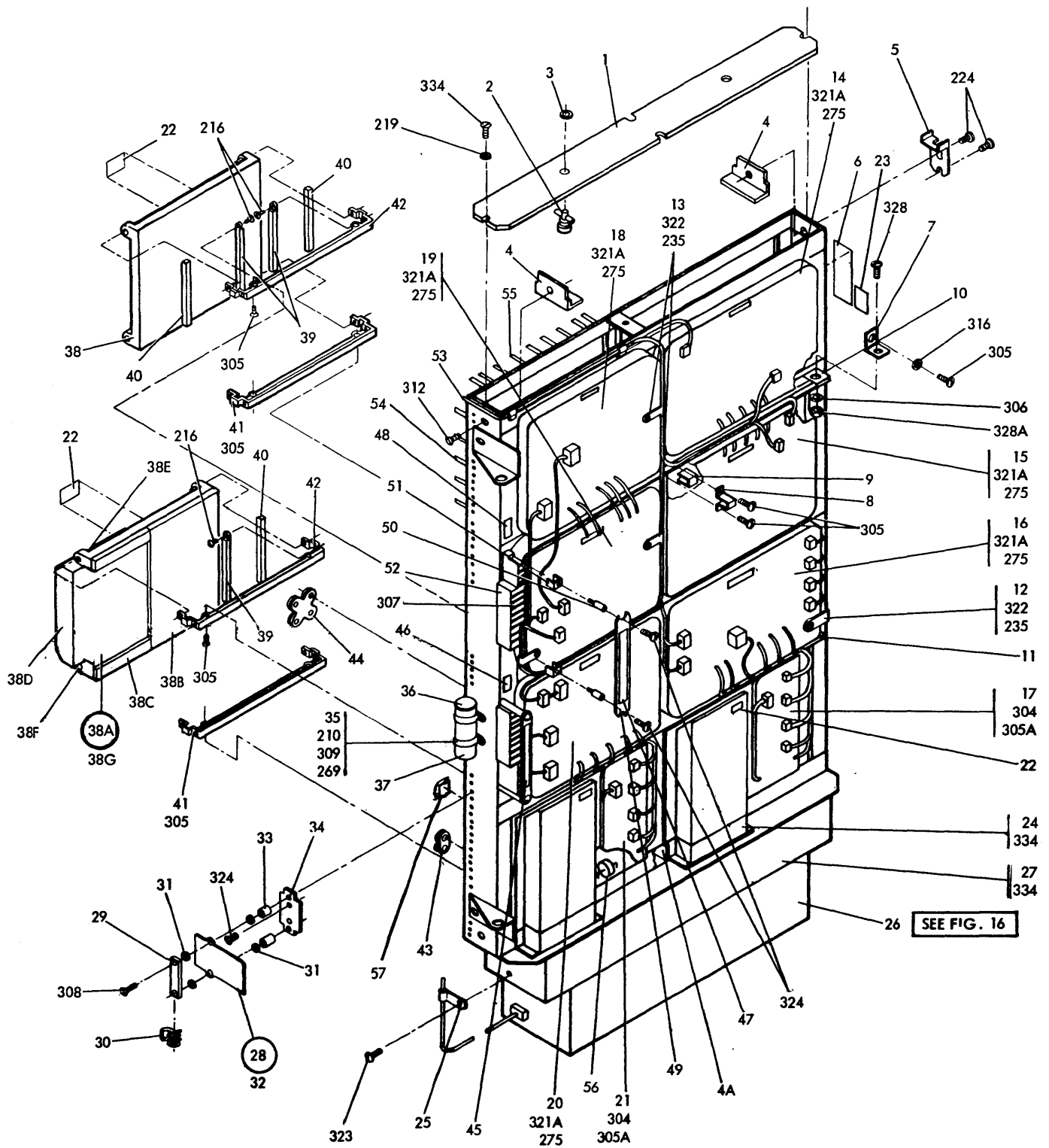


FIGURE 15. A GATE ASM. SEE LIST 15.

LIST AND INDEX NUMBER	PART NUMBER	DESCRIPTION	UNITS PER ASM.	USABLE ON CODE
		1 2 3 4		
15 -	2590048	A GATE ASM		
-		FOR NEXT HIGHER ASM SEE LIST 14-5		
-		AND FOR ILLUSTRATION FIG. 15		
- 1	2590014	. SCREEN	1	
- 2	2590821	. THERMAL SWITCH	2	
- 3	2588053	. CLIP	2	
- 4	2590100	. BAFFLE	2	
- 4A	7369593	. BAFFLE	3	
- 5	2590331	. STOP	2	
- 6	2590941	. LABEL	1	
- 7	811742	. SUPPORT	2	
- 8	816754	. BRACKET	2	
- 9	816752	. SPACER PAD	2	
- 10	2588252	. BUS ASM	1	
- 11	2588253	. BUS ASM	1	
- 11	2454535	. BUS ASM USED WITH 24K AND 32K MEMORY	1	
- 12	356742	. CLAMP	2	
- 13	515661	. CLAMP	2	
- 14	2590312	. BOARD,A1 SOIC FEATURE	1	
- 15	5129172	. BOARD,A2 FILE FEATURE	1	
- 16	2590318	. BOARD,A3-MFCU FEATURE	1	
- 17	2512360	. BOARD,A4 8K AND 24K MEMORY USED ON MACHINES WITHOUT EC 816743	1	
- 17	2512420	. BOARD,A4 16K AND 32K MEMORY USED ON MACHINES WITHOUT EC 816743	1	
- 17	2512420	. BOARD,A4 48K MEMORY USED ON MACHINES WITH EC 816743	1	
- 17	2590329	. CHIMNEY	1	
- 18	2590320	. BOARD,B1 USED ON 100/200 5203 PRINTER	1	
- 18	2589224	. BOARD,B1 USED ON 300 5203 PRINTER	1	
- 18	2454770	. BOARD,B1 USED ON 1403 PRINTER	1	
- 19	2590326	. BOARD,B2 USED ON KEYBOARD	1	
- 19	2590322	. BOARD,B2 USED ON CPU ONLY	1	
- 19	2590308	. BOARD,B2 USED ON PRINTER KEYBOARD	1	
- 20	2590324	. BOARD,B3 USED ON CPU ONLY	1	
- 21	2512420	. BOARD,B4 12K AND 16K MEMORY	1	
- 21	5212440	. BOARD,B4 24K AND 64K MEMORY	1	
- 21	2512360	. BOARD,B4 8K MEMORY	1	
- 22	2590888	. LABEL	AR	
- 23	2454797	. LABEL	1	
- 24	2454924	. DUCT	2	
- 25	357433	. CLAMP	1	
- 26	2590224	. BLOWER ASM,60 CYCLE	1	
- 26	2590703	. BLOWER ASM,50 CYCLE FOR DETAIL BREAKDOWN SEE FIG. 16	1	
- 26				
- 27	2590216	. HEADER ASM	1	
- 28	815224	. PLATE ASM	6	
- 29	815220	. . BAR	1	
- 30	813321	. . SPRING	1	
- 31	815219	. . SPACER	4	
- 32	815217	. . PLATE	1	
- 33	73430	. TUBING	2	
- 34	815215	. BACK PLATE	6	
- 35	2102369	. CLAMP	2	
- 36	5261296	. SHIELD	1	
- 37	5261287	. CAPACITOR	1	
- 38	813466	. COVER	7	
- 38A	2454996	. COVER,BOARD A4 OR B4 USED ON MACHINES WITH 64K MEMORY	1	
- 38A	813466	. COVER,BOARD A4 OR B4 USED ON MACHINES WITH 8K,12K,OR 16K MEMORY	1	
- 38A				
- 38B	2454545	. . FOAM	1	
- 38C	2454546	. . FOAM	2	
- 38D	7369616	. . FOAM	1	
- 38E	815963	. . KNOB	2	
- 38F	815964	. . PIN	2	
- 38G	2454544	. . COVER	1	
- 39	817927	. RETAINER ASM	16	
- 40	813482	. SEAL	16	
- 41	813451	. BRACKET,LOWER HINGE	8	
- 42	813452	. BRACKET,UPPER HINGE	8	
- 43	811427	. RETAINER,CABLE	AR	
- 44	813519	. RETAINER,CABLE CROSS	AR	
- 45	2588257	. LABEL	1	
- 46	2588255	. LABEL	1	
- 47	2588256	. LABEL	1	





FOR PARTS  
NOT SHOWN  
SEE FIG. 14

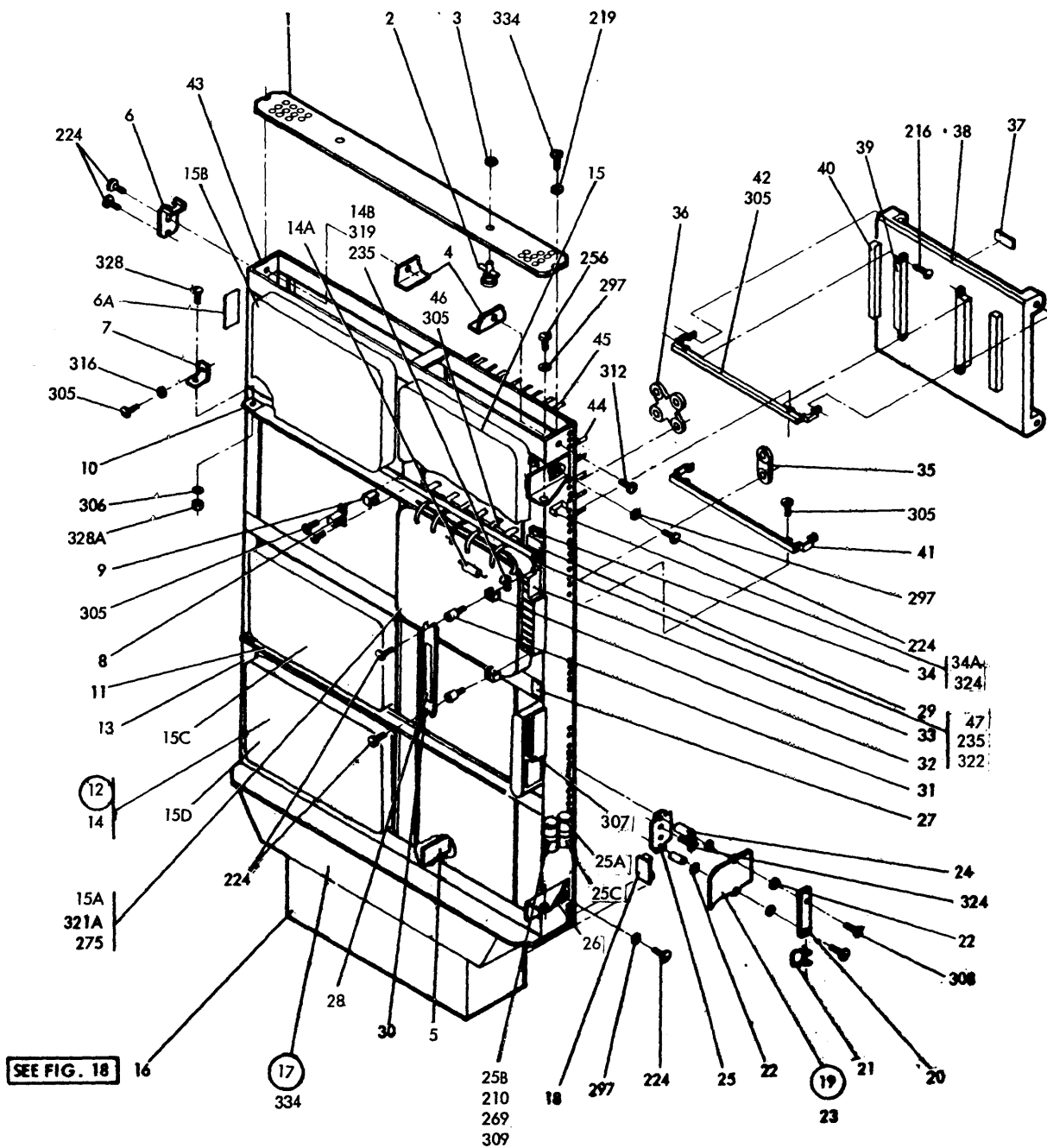


FIGURE 17. B GATE ASM. SEE LIST 17.

LIST AND INDEX NUMBER	PART NUMBER	DESCRIPTION				UNITS PER ASM.	USABLE ON CODE
		1	2	3	4		
17 -	2590704	B GATE ASM					
-		FOR NEXT HIGHER ASM SEE LIST 14-8 AND FOR ILLUSTRATION FIG. 17					
- 1	2590014	. SCREEN				1	
- 2	2590821	. THERMAL SWITCH				2	
- 3	2588053	. CLIP				2	
- 4	2590100	. BAFFLE				2	
- 5	7369593	. BAFFLE				3	
- 6	2590331	. STOP				1	
- 6A	7369617	. LABEL				1	
- 7	811742	. SUPPORT				2	
- 8	816754	. BRACKET				2	
- 9	816752	. PAD				2	
- 10	816708	. BUS ASM				1	
- 11	816709	. BUS ASM				1	
- 12	2590329	. CHIMNEY ASM				1	
- 13	2590328	. . STIFFENER				1	
- 14	2590330	. . CHIMNEY				1	
- 14A	2111232	. DIODE				1	
- 14B	356742	. CLAMP, LOUP				1	
- 15	2590316	. BOARD A1, USED WITH 1442				1	
- 15A	2590310	. BOARD A2, USED WITH BSCA FEATURE				1	
- 15B	7369024	. BOARD B1, USED WITH 5445				1	
- 15C	2454814	. BOARD B3, USED WITH MLTA FEATURE				1	
- 15D	2454810	. BOARD B4, USED WITH MLTA FEATURE				1	
- 16	5357002	. BLOWER ASM, 60 CYCLE				1	
- 16	5357003	. BLOWER ASM, 50 CYCLE				1	
- 16		FOR DETAIL BREAKDOWN SEE FIG. 18					
- 17	2590104	. HEADER ASM				1	
- 18	2596291	. . CLAMP				3	
- 19	815224	. PLATE ASM				AR	
- 20	815220	. . BAR				1	
- 21	813321	. . SPRING				1	
- 22	815219	. . SPACER				4	
- 23	815217	. . PLATE				1	
- 24	73430	. TUBING				AR	
- 25	815215	. BACKPLATE				2	
- 25A	5261296	. SHIELD, USED ON MACHINES WITH MLTA FEATURE				2	
- 25B	2102369	. CLAMP, USED ON MACHINES WITH MLTA FEATURE				2	
- 25C	5261297	. CAPACITOR, USED ON MACHINES WITH MLTA FEATURE				2	
- 26	2101089	. STRAP				2	
- 27	2588255	. LABEL				1	
- 28	2588442	. LABEL				1	
- 29	2588254	. LABEL				1	
- 30	817757	. SHIELD				2	
- 31	817753	. STANDOFF				4	
- 32	817758	. BRACKET				4	
- 33	817754	. TERMINAL BLOCK				2	
- 34	2596291	. CLAMP				2	
- 35	811427	. RETAINER, CABLE				AR	
- 36	813519	. RETAINER, CABLE CROSS				AR	
- 37	2588420	. LABEL				AR	
- 38	813466	. COVER				AR	
- 39	817927	. RETAINER ASM				AR	
- 40	813482	. SEAL				AR	
- 41	813451	. BRACKET, LOWER HINGE				AR	
- 42	813452	. BRACKET, UPPER HINGE				AR	
- 43	2590220	. GATE				1	
- 44	2590010	. RACEWAY				AR	
- 45	2590011	. RACEWAY				AR	
- 46	2455625	. RACEWAY, INTERNAL					
- 46		USED ON MACHINES WITH MLTA FEATURE					
- 47	515616	. CLAMP				3	
-							
-							
-		FOR ATTACHING PARTS, INDEX NOS. 201 AND ABOVE, SEE LIST 33					
-							
-							
-							
-							

FOR PARTS  
NOT SHOWN  
SEE FIG. 17

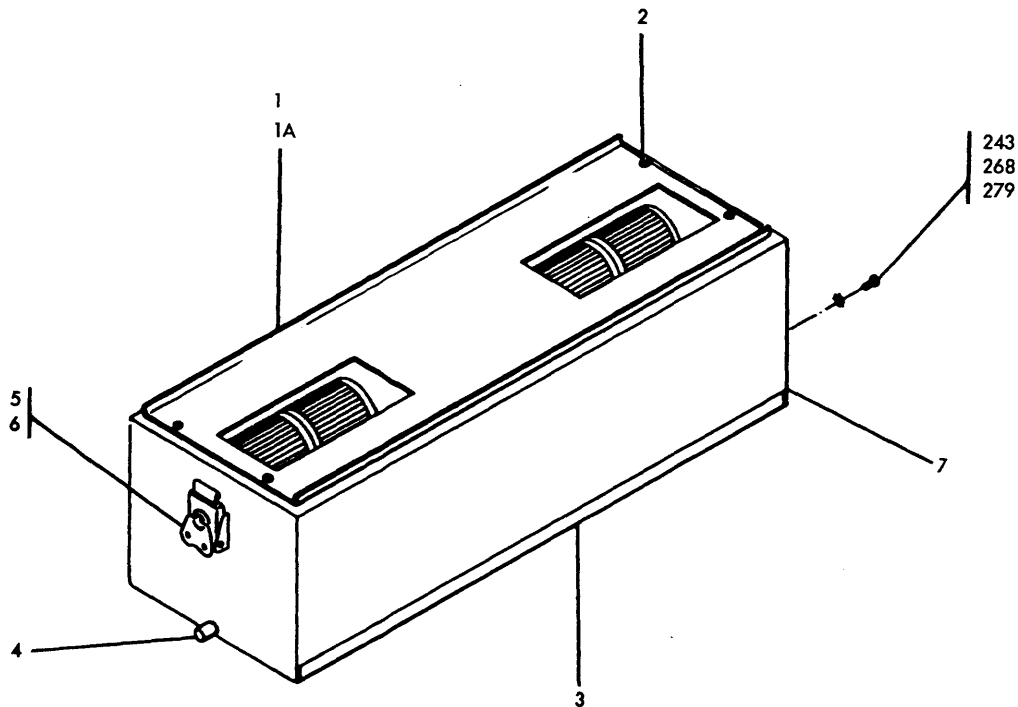


FIGURE 18. BLOWER ASM. SEE LIST 18.

LIST AND INDEX NUMBER	PART NUMBER	DESCRIPTION	1 2 3 4				UNITS PER ASM.	USABLE ON CODE
18 -	5357002	BLOWER ASM,60 CYCLE						
-	5357003	BLOWER ASM,50 CYCLE FOR NEXT HIGHER ASM SEE LIST 17-16 AND FOR ILLUSTRATION FIG. 18						
-	1 5357005	. BLOWER ASM,60 CYCLE				1		
-	1 5357006	. BLOWER ASM,50 CYCLE				1		
-	1A 5357020	. MOTOR-50/60 HZ				1		
-	2 740501	. SCREW ATT PT				4		
-	3 5357013	. FILTER				1		
-	4 5357135	. CATCH				1		
-	5 5349888	. LATCH				1		
-	6 5357136	. SCREW,PAN HD 4-40 X 3/16 LG ATT PT				2		
-	7 5357011	. HOUSING				1		
-		FOR ATTACHING PARTS, INDEX NOS. 201 AND ABOVE, SEE LIST 33						
-								
-								
-								
-								



FOR PARTS  
NOT SHOWN  
SEE FIG. 14

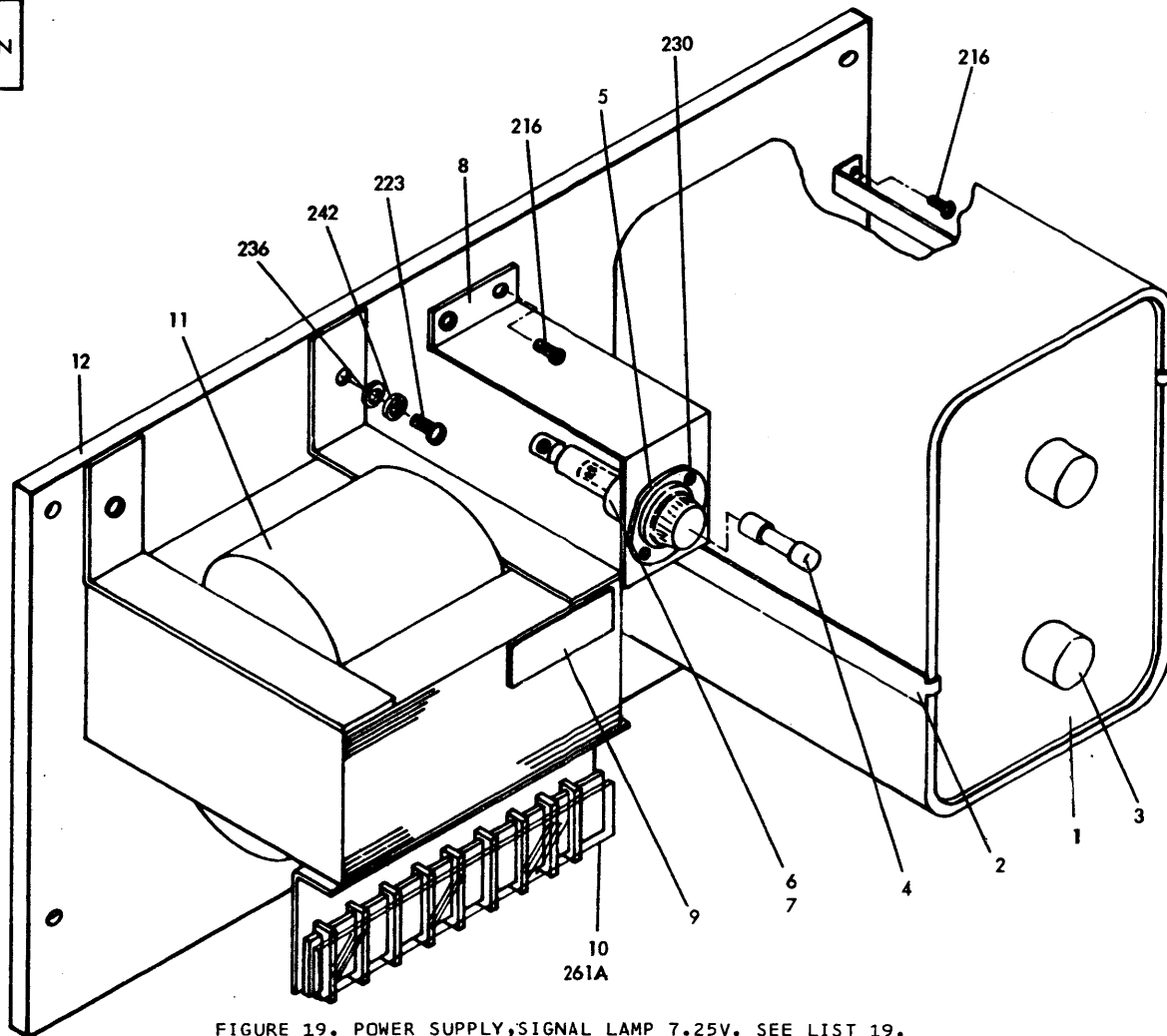


FIGURE 19. POWER SUPPLY, SIGNAL LAMP 7.25V. SEE LIST 19.

LIST AND INDEX NUMBER	PART NUMBER	DESCRIPTION				UNITS PER ASM.	USABLE ON CODE
		1	2	3	4		
19 -	5708920	POWER SUPPLY, SIGNAL LAMP 60 CYCLE					
-	5708992	POWER SUPPLY, SIGNAL LAMP 50 CYCLE					
-		USED ON MACHINES WITHOUT EC 816683					
-		FOR NEXT HIGHER ASM SEE LIST 14-9					
-		AND FOR ILLUSTRATION FIG. 19					
- 1	361536	. CAPACITOR				1	
- 2	517197	. CLAMP				2	
- 3	526378	. INSULATOR				2	
- 4	107664	. FUSE				1	
- 5	104615	. FUSEHOLDER				1	
- 6	257079	. INSULATOR, FUSE TERMINAL				1	
- 7	257080	. INSULATOR, FUSE TERMINAL				1	
- 8	5708924	. BRACKET				1	
- 9	801652	. LABEL, 60 CYCLE				1	
- 9	5240513	. LABEL, 50 CYCLE				1	
- 10	603683	. SHIELD, 60 CYCLE				1	
- 10	2572749	. SHIELD, 4 POS 50 CYCLE				1	
- 10	350977	. SHIELD, 8 POS 50 CYCLE				1	
- 11	5708922	. FERRO REGULATOR, 60 CYCLE				1	
- 11	5708921	. FERRO REGULATOR, 50 CYCLE				1	
- 12	5708923	. CHASSIS				1	
-		FOR ATTACHING PARTS, INDEX NOS. 201					
-		AND ABOVE, SEE LIST 33					

FOR PARTS  
NOT SHOWN  
SEE FIG. 14

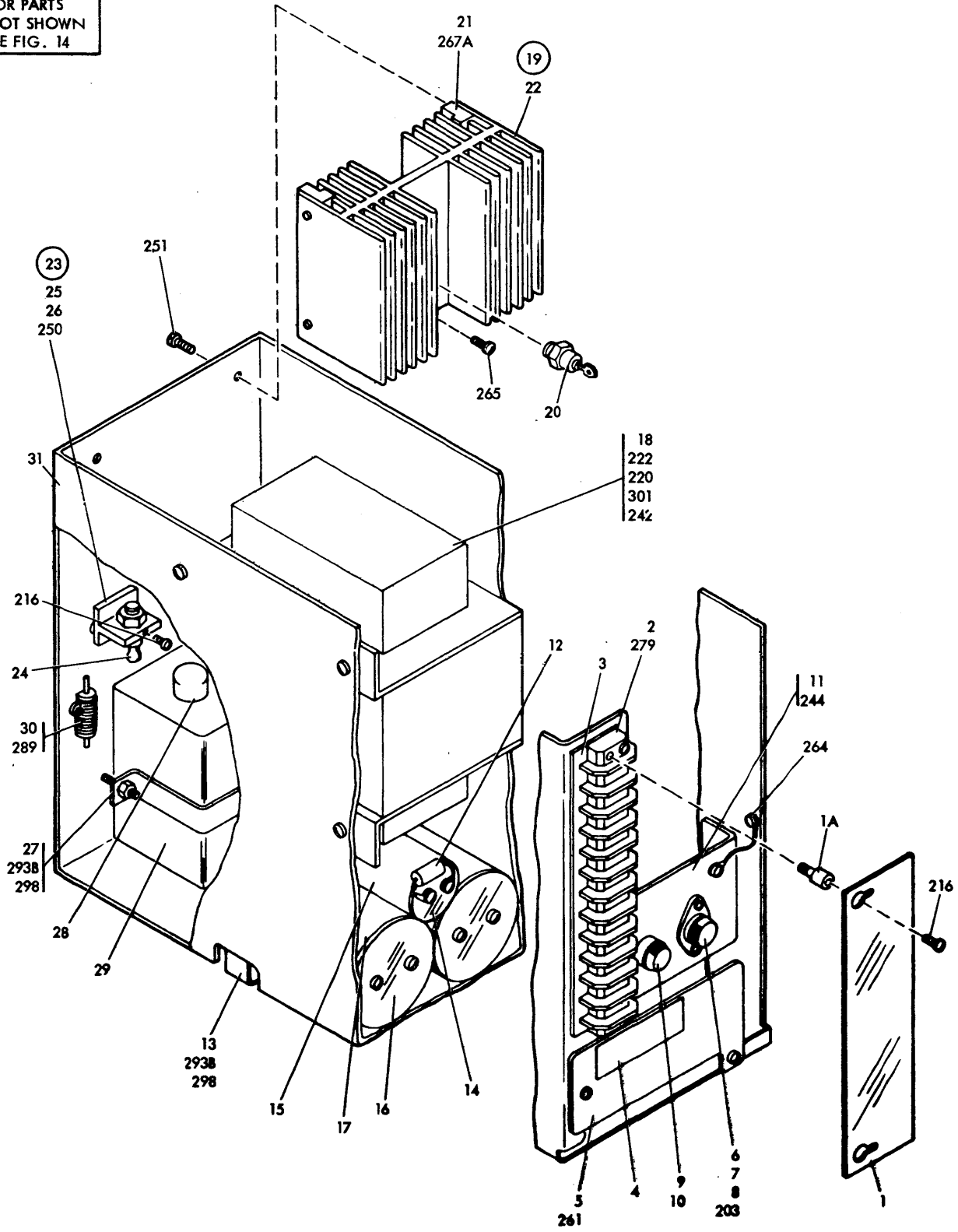


FIGURE 19A. POWER SUPPLY ASM, MULTI-LEVEL. SEE LIST 19A.



FOR PARTS  
NOT SHOWN  
SEE FIG. 14

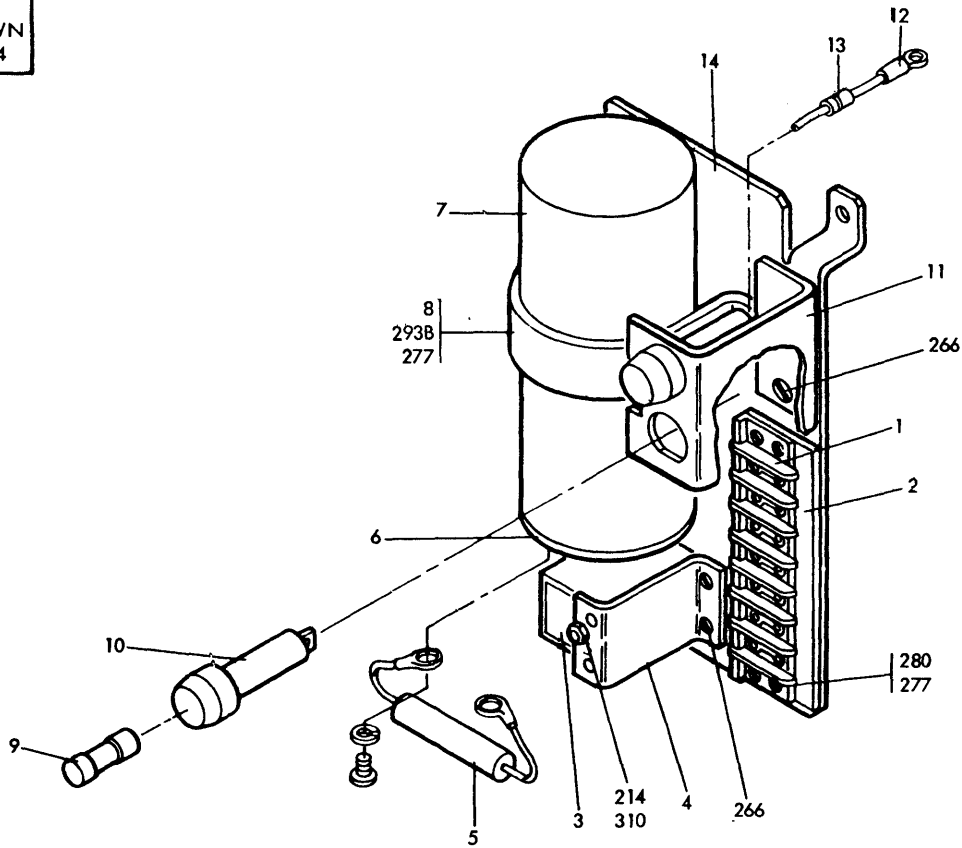


FIGURE 20. POWER SUPPLY,-12V BSCA MEDIUM SPEED. SEE LIST 20.

LIST AND INDEX NUMBER	PART NUMBER	DESCRIPTION	1 2 3 4				UNITS PER ASM.	USABLE ON CODE
20 -	2590900	POWER SUPPLY,-12V BSCA MEDIUM SPEED						
-		FOR NEXT HIGHER ASM SEE LIST 14-11						
-		AND FOR ILLUSTRATION FIG. 20						
- 1	512071	. TERMINAL BLOCK				1		
- 2	362243	. MARKER STRIP				1		
- 3	2122194	. RELAY				1		
- 4	2590906	. BRACKET				1		
- 5	644518	. RESISTOR ASM				1		
- 6	362206	. SHIELD				1		
- 7	5214180	. CAPACITOR				1		
- 8	5761786	. STRAP				1		
- 9	615683	. FUSE				2		
- 10	179946	. FUSE HOLDER				2		
- 11	2590902	. BRACKET				1		
- 12	334910	. TERMINAL				2		
- 13	5323537	. DIODE				2		
- 14	2590901	. CHASSIS				1		
-								
-		FOR ATTACHING PARTS, INDEX NOS. 201						
-		AND ABOVE, SEE LIST 33						

FOR PARTS  
NOT SHOWN  
SEE FIG. 14

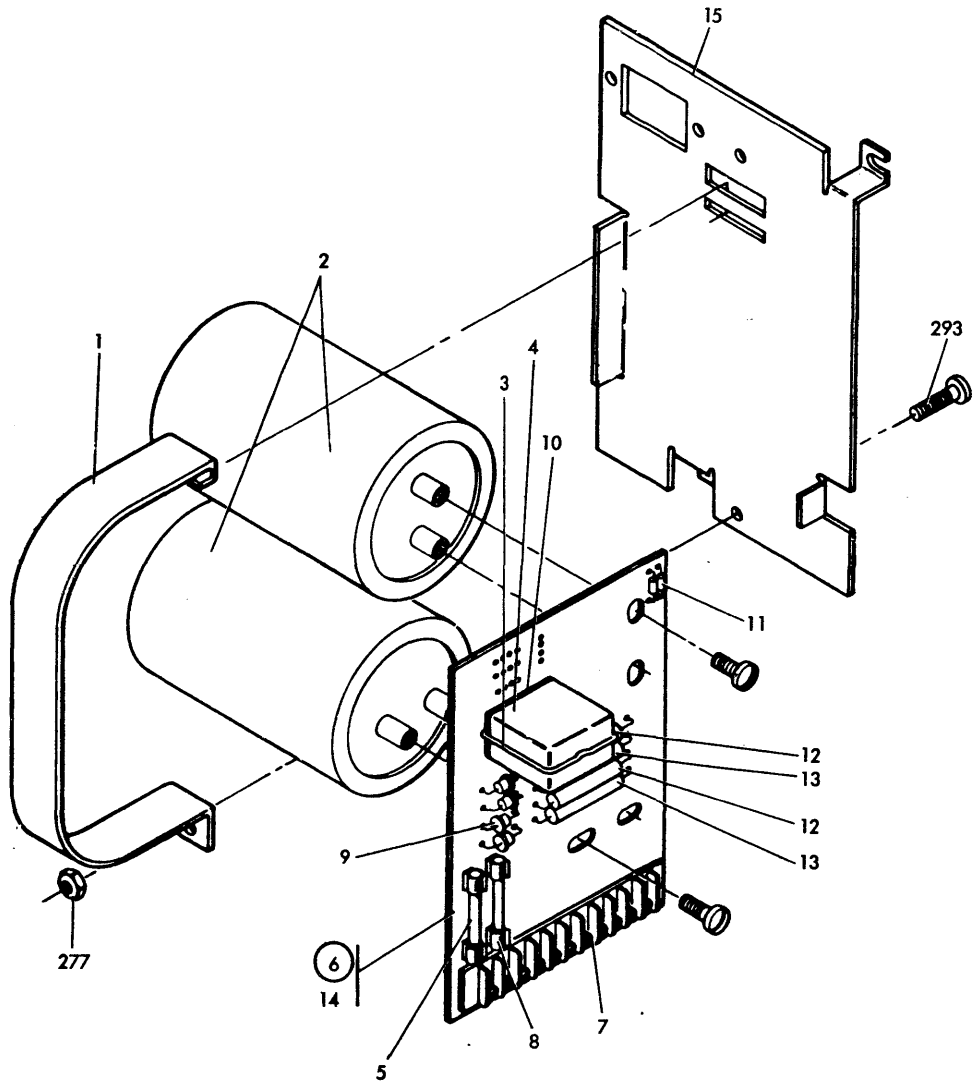


FIGURE 20A. POWER SUPPLY ASM, 12V. SEE LIST 20A.

LIST AND INDEX NUMBER	PART NUMBER	DESCRIPTION				UNITS PER ASM.	USABLE ON CODE
		1	2	3	4		
20A -	2454823	POWER SUPPLY ASM, 12V					
-		FOR NEXT HIGHER ASM SEE LIST 14-11					
-		AND FOR ILLUSTRATION FIG. 20A					
- 1	5761794	• STRAP				1	
- 2	5214367	• CAPACITOR				2	
- 3	5318966	• SPRING				1	
- 4	5214702	• RELAY				1	
- 5	5213694	• FUSE				2	
- 6	2455615	• PC BOARD ASM				1	
- 7	2588444	• • TERMINAL BLOCK				1	
- 8	2481727	• • FUSE CLIP				4	
- 9	5252534	• • DIODE				4	
- 10	5214120	• • SOCKET				1	
- 11	2414810	• • DIODE				2	
- 12	208226	• • RESISTOR				2	
- 13	208287	• • RESISTOR				2	
- 14	2454591	• • PC BOARD				1	
- 15	2454590	• CHASSIS					
-		FOR ATTACHING PARTS, INDEX NOS. 201					
-		AND ABOVE, SEE LIST 33					

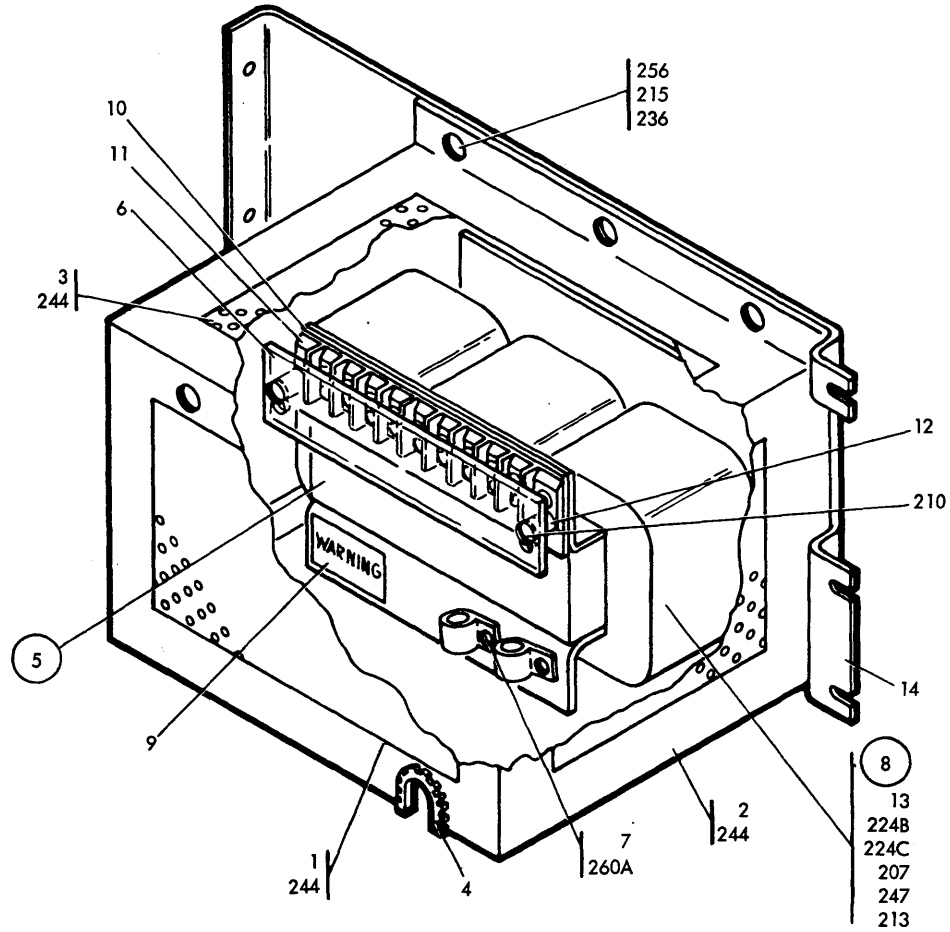


FIGURE 20B. AUTQ TRANSFORMER ASM. SEE LIST 20B.

LIST AND INDEX NUMBER	PART NUMBER	DESCRIPTION	UNITS PER ASM.	USABLE ON CODE
20B	NO NO. NP	AUTQ TRANSFORMER ASM FOR NEXT HIGHER ASM SEE LIST 14-13 AND FOR ILLUSTRATION SEE FIG. 20A		
- 1	2590256	• SHIELD,FRONT	1	
- 2	2590255	• SHIELD,SIDE	2	
- 3	2590254	• SHIELD, TOP	1	
- 4	473442	• GROMMET	1	
- 5	2590250	• TRANSFORMER ASM	1	
- 6	533342	• SHIELD	1	
- 7	101923	• CLAMP, LOOP	2	
- 8	4118369	• TRANSFORMER ASM	1	
- 9	1141554	• LABEL	1	
- 10	320451	• TERMINAL BLOCK	1	
- 11	550578	• MARKER STRIP	1	
- 12	4118821	• STUD	2	
- 13	4118370	• TRANSFORMER	1	
- 14	2590251	• PLATE	1	
		FOR ATTACTING PART, INDEX NOS. 201 AND ABOVE, SEE LIST 33		

FOR PARTS  
NOT SHOWN  
SEE FIG. 14

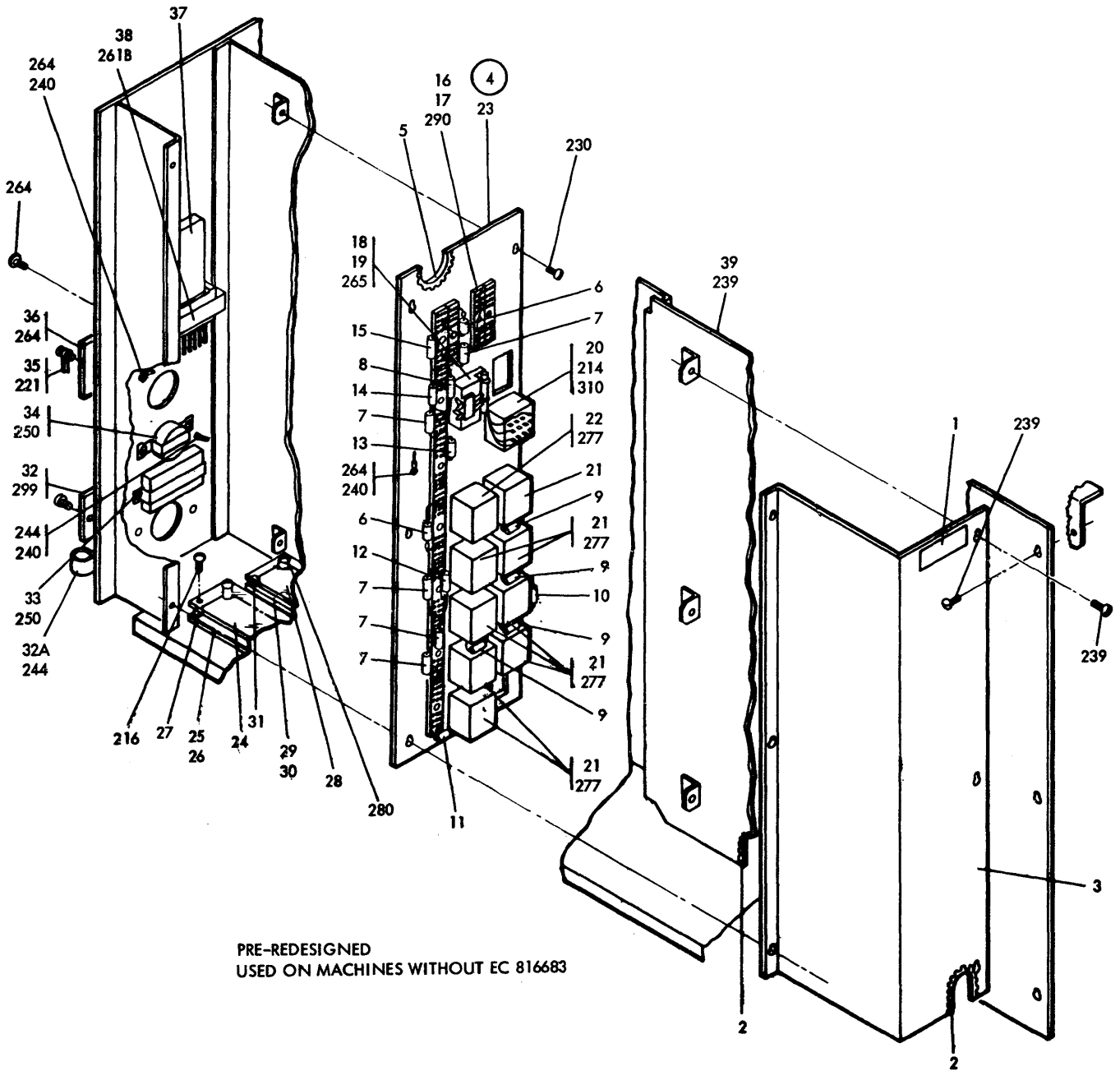
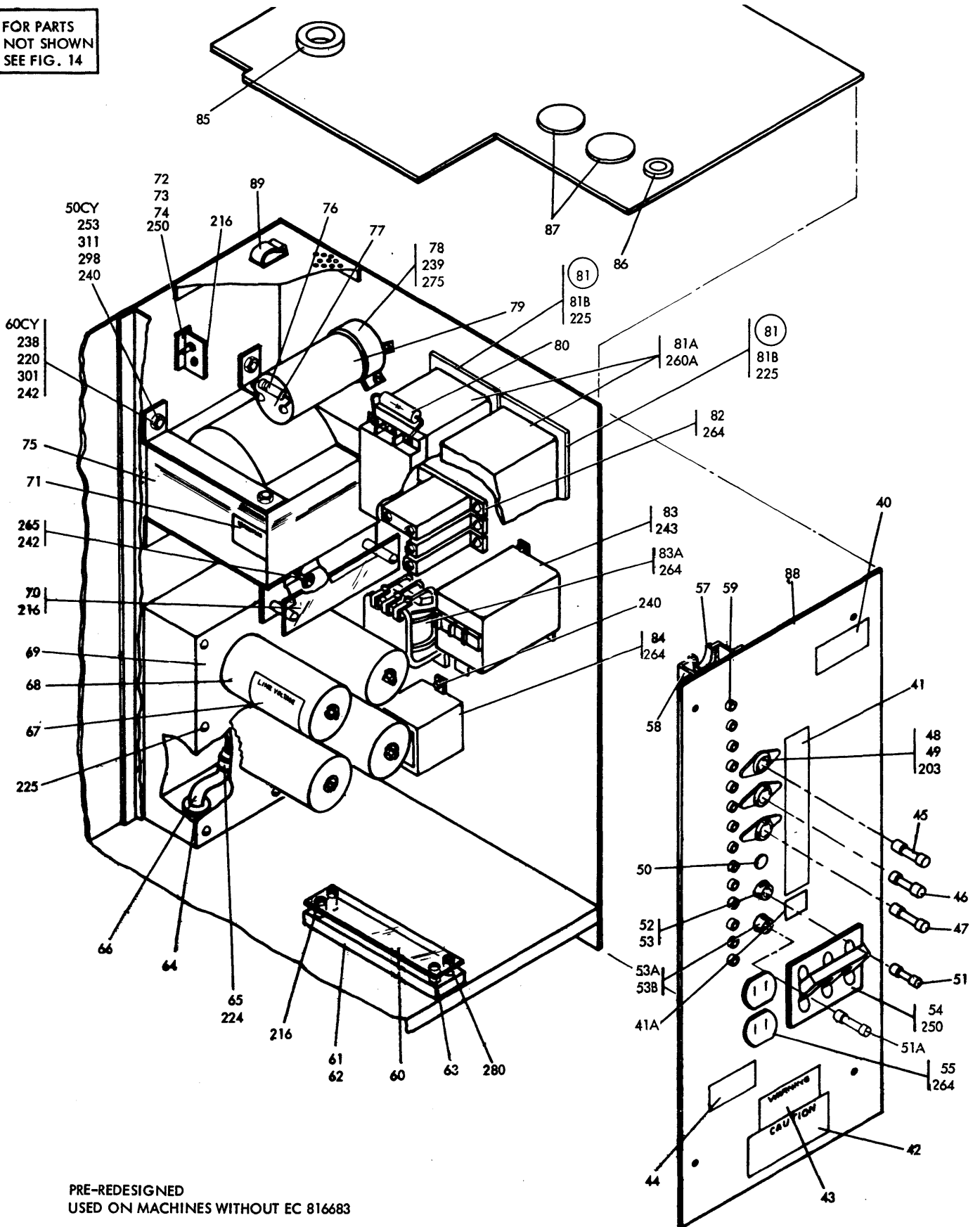


FIGURE 21. PRIMARY POWER SUPPLY. SHEET 1 OF 2. INDEX NOS. 1 THRU 39. SEE LIST 21.

FOR PARTS  
NOT SHOWN  
SEE FIG. 14



PRE-REDESIGNED  
USED ON MACHINES WITHOUT EC 816683

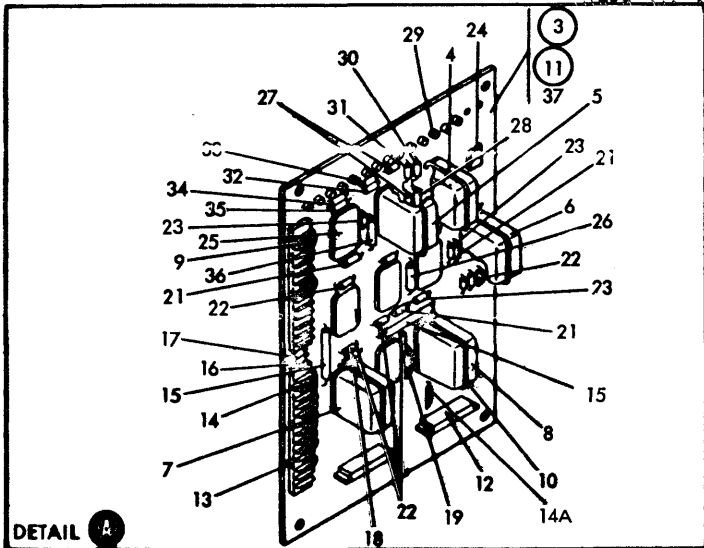
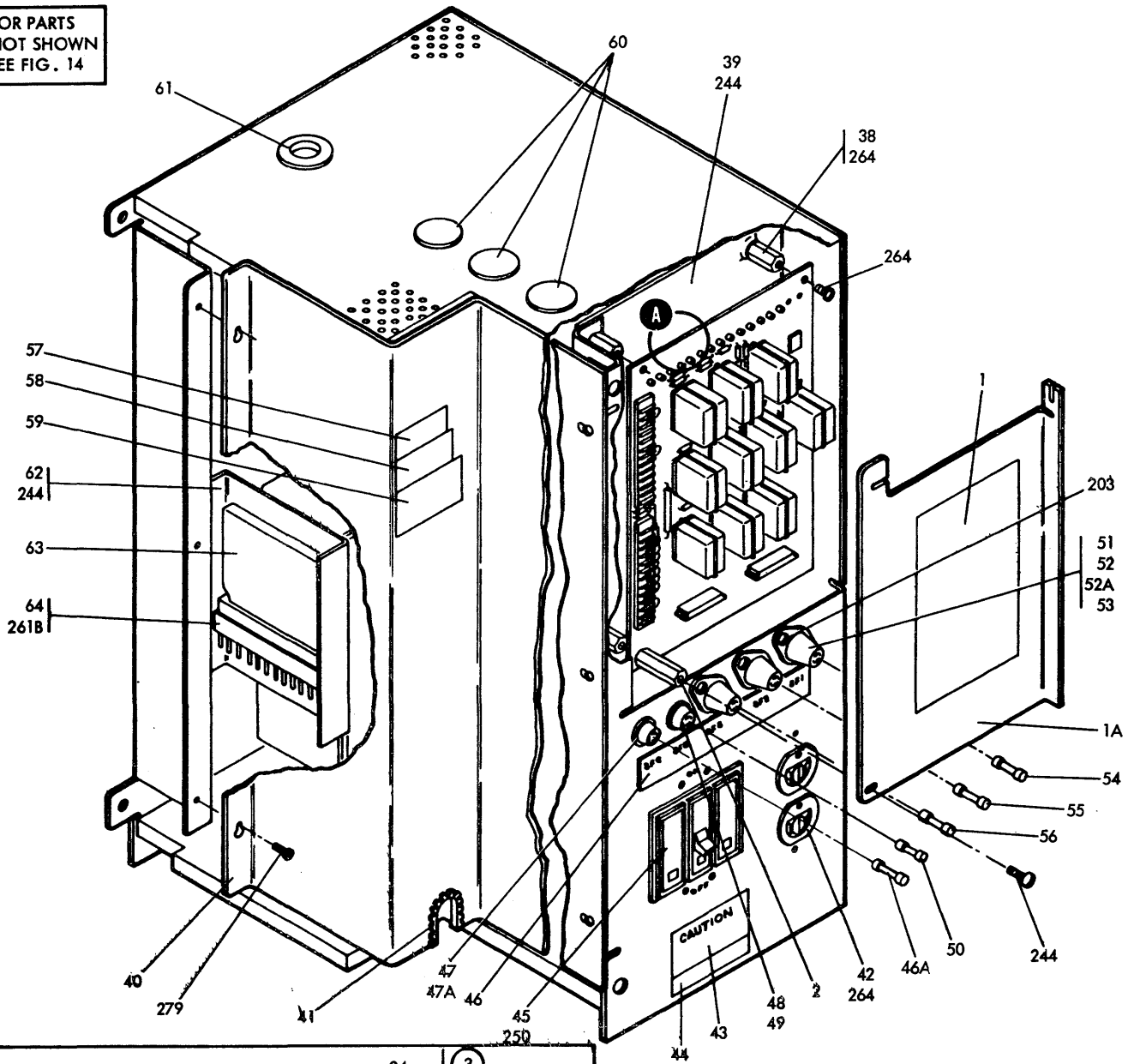
FIGURE 21. PRIMARY POWER SUPPLY. SHEET 2 OF 2. INDEX NOS. 40 THRU 89. SEE LIST 21.



LIST AND INDEX NUMBER	PART NUMBER	DESCRIPTION				UNITS PER ASM.	USABLE ON CODE
		1	2	3	4		
21 -	2590270	PRIMARY POWER SUPPLY,60 CYCLE					
-	2590260	PRIMARY POWER SUPPLY,50 CYCLE USED ON MACHINES WITHOUT EC 816683 FOR NEXT HIGHER ASM SEE LIST 14-15 AND FOR ILLUSTRATION FIG. 21					
-							
- 1	369207	. LABEL				1	
- 2	473442	. GROMMET				2	
- 3	2590279	. COVER				1	
- 4	2590282	. PANEL ASM				1	
- 5	730432	. . GROMMET				1	
- 6	2588288	. . . RESISTOR-CAPACITOR ASM				2	
- 7	615354	. . . DIODE				5	
- 8	2137305	. . . DIODE				1	
- 9	2111232	. . . DIODE				4	
- 10	2588291	. . . RESISTOR-CAPACITOR ASM				1	
- 11	2588371	. . . RESISTOR				1	
- 12	613191	. . . RESISTOR ASM				1	
- 13	2134661	. . . RESISTOR ASM				1	
- 14	613752	. . . RESISTOR ASM				1	
- 15	2588332	. . . RESISTOR ASM				1	
- 16	302090	. . . TERMINAL BLOCK				10	
- 17	302131	. . . INSULATOR				10	
- 18	2588317	. . . RELAY				1	
- 19	2590257	. . . BRACKET				1	
- 20	2195640	. . . RELAY				1	
- 21	2128689	. . . RELAY				8	
- 22	441092	. . . RELAY				1	
- 23	2590277	. . . PANEL				1	
- 24	533361	. SHIELD				1	
- 25	315956	. TERMINAL BLOCK				1	
- 26	315957	. MARKER STRIP				1	
- 27	210883	. STUD				2	
- 28	350965	. SHIELD				1	
- 29	2101337	. TERMINAL BLOCK				1	
- 30	2101357	. MARKER STRIP				1	
- 31	210883	. STUD				2	
- 32	208528	. PLUG				1	
- 32	2588426	. PLATE,USED ON MACHINES WITH PRINTER KEYBOARD				1	
- 32A	104294	. CLAMP,USED ON MACHINES WITH PRINTER KEYBOARD				1	
- 32A							
- 33	532974	. RECEPTACLE,60 CYCLE				1	
- 33	5213830	. RECEPTACLE,50 CYCLE				1	
- 34	2590281	. RECEPTACLE				1	
- 35	532393	. STRAP				1	
- 36	2590291	. BRACKET				1	
- 37	375415	. CARD ASM				1	
- 38	634613	. SOCKET				1	
- 39	2590274	. COVER				1	
- 40	845762	. LABEL				1	
- 41	2590268	. LABEL,60 CYCLE				1	
- 41	2590258	. LABEL,50 CYCLE				1	
- 41A	2590283	. LABEL				1	
- 42	5232809	. LABEL				1	
- 43	646007	. LABEL				1	
- 44	5397579	. LABEL				1	
- 45	107669	. FUSE,F1-60 CYCLE				1	
- 45	107666	. FUSE F1-50 CYCLE				1	
- 46	2588338	. FUSE,F2				1	
- 47	107668	. FUSE,F3-60 CYCLE				1	
- 47	252590	. FUSE,F3-50 CYCLE				1	
- 48	92752	. FUSEHOLDER				3	
- 49	2133112	. INSULATOR,60 CYCLE				3	
- 49	257080	. INSULATOR,60 CYCLE				3	
- 49	4061290	. INSULATOR,50 CYCLE				3	
- 50	2588355	. PLUG				2	
- 51	361755	. FUSE,F5				1	
- 51A	615683	. FUSE,PF6-USED ON MACHINES WITH PRINTER KEYBOARD				1	
- 51A							
- 52	179946	. FUSEHOLDER				1	
- 53	642763	. INSULATOR				1	
- 53A	433566	. FUSEHOLDER				1	
- 53B	642763	. INSULATOR				1	
- 54	5252506	. CIRCUIT BREAKER,60 CYCLE				1	
- 54	5214259	. CIRCUIT BREAKER,50 CYCLE				1	



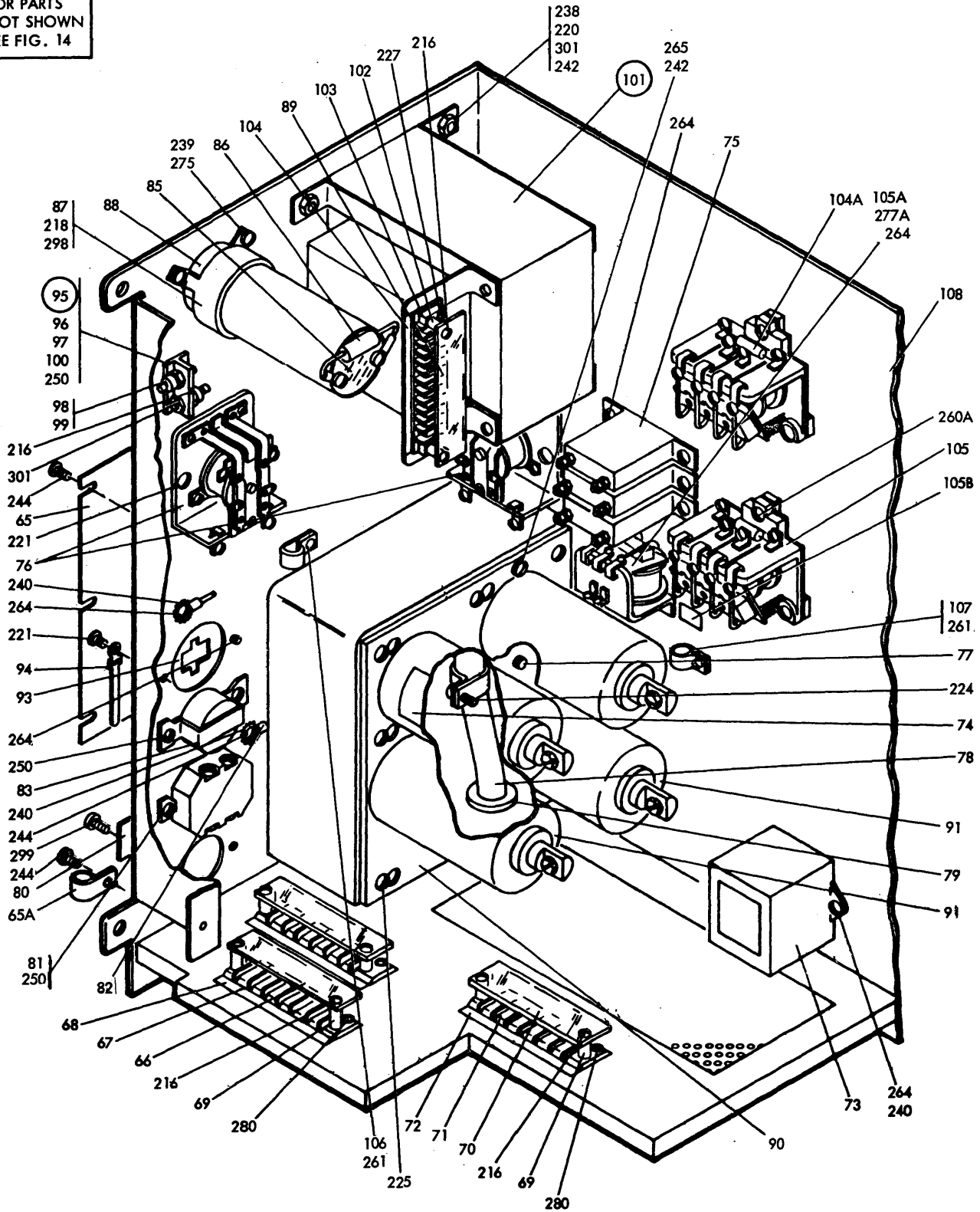
FOR PARTS  
NOT SHOWN  
SEE FIG. 14



REDESIGN  
USED ON MACHINES WITH EC 816683

FIGURE 21A. PRIMARY POWER SUPPLY. SHEET 1 OF 2. INDEX NOS. 1 THRU 64. SEE LIST 21A.

FOR PARTS  
NOT SHOWN  
SEE FIG. 14



REDESIGN  
USED ON MACHINES WITH EC 816683

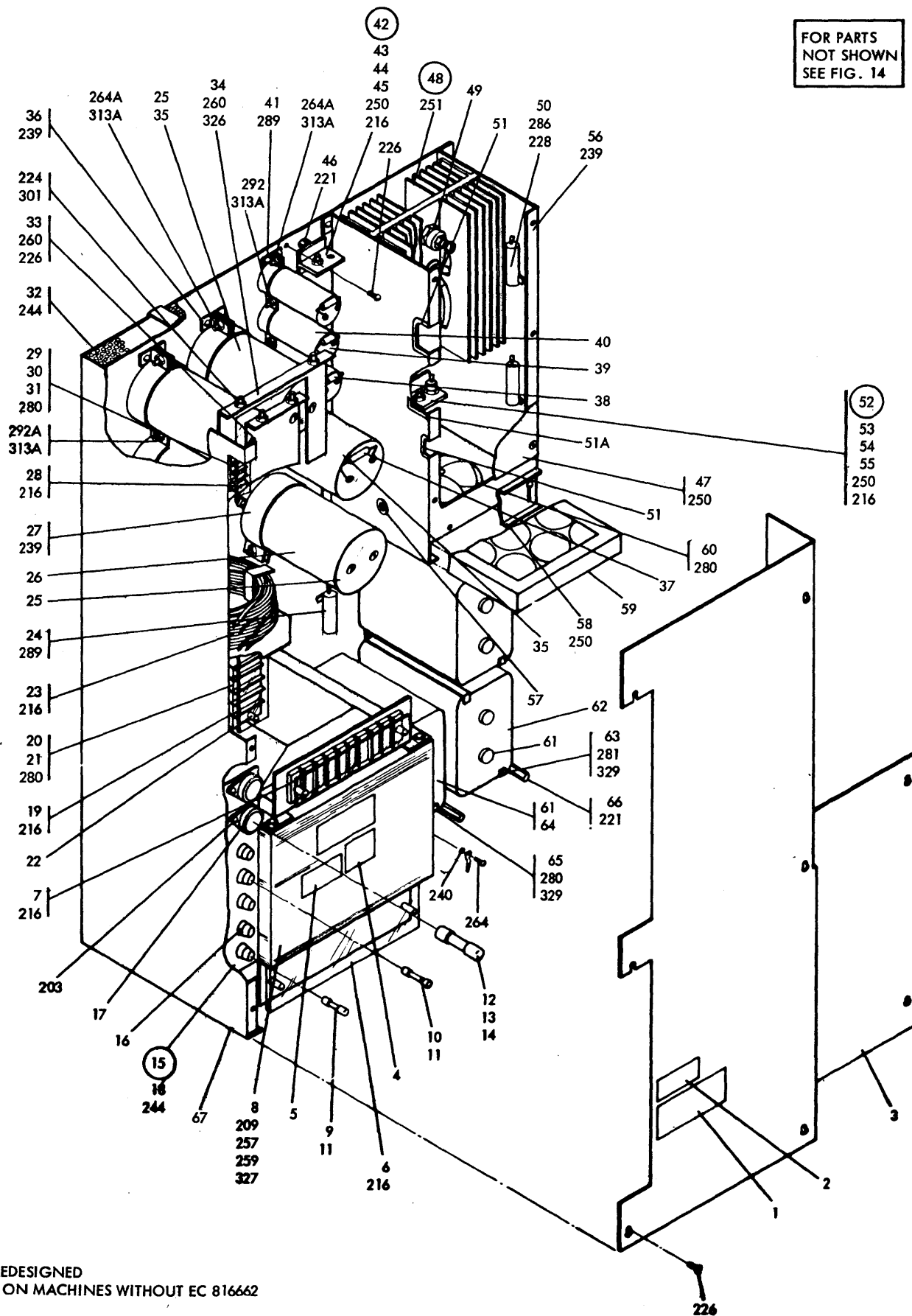
FIGURE 21A. PRIMARY POWER SUPPLY. SHEET 2 OF 2. INDEX NOS. 65 THRU 105. SEE LIST 21A.

LIST AND INDEX NUMBER	PART NUMBER	DESCRIPTION	UNITS PER ASM.	USABLE ON CODE
21A -	2588436	PRIMARY POWER SUPPLY,60 CYCLE		
-	2588435	PRIMARY POWER SUPPLY,50 CYCLE USED ON MACHINES WITH EC 816683 FOR NEXT HIGHER ASM SEE LIST 14-15 AND FOR ILLUSTRATION FIG. 21A		
-				
-				
- 1	2588448	. LABEL	1	
- 1A	2454946	. SHIELD	1	
- 2	2454944	. STUD	2	
- 3	2588434	. PANEL ASM,SEQUENCE RELAY	1	
- 4	765548	. . RELAY-K6	1	
- 5	767004	. . RELAY-K5	1	
- 6	767031	. . RELAY-K2,K12,K14	3	
- 7	767037	. . RELAY-K8,K10,K11,K13	4	
- 8	5214702	. . RELAY-K15	1	
- 9	740550	. . JUMPER	10	
- 10	5318966	. . RELAY RETAINER	10	
- 11	2588433	. . PANEL ASM,SEQUENCE RELAY	1	
- 12	818554	. . . CARD SOCKET	2	
- 13	2588444	. . . TERMINAL BOARD	2	
- 14	396127	. . . DIODE	1	
- 14A	369633	. . . DIODE	1	
- 14A		USED ON MACHINES WITH EC 816749		
- 15	482175	. . . CAPACITOR	2	
- 16	213693	. . . RESISTOR,FXD COMP,1.0K 5P/C 1/2W	1	
- 17	595397	. . . RESISTOR,FXD COMP,3.0K 5P/C 1/4W	1	
- 18	317428	. . . RESISTOR,FIX COMP,330 OHMS 5P/C 1/2W	1	
- 19	320610	. . . RESISTOR,FXD COMP,180 OHMS 5P/C 2W	1	
- 21	222063	. . . CAPACITOR	3	
- 22	2111232	. . . DIODE	10	
- 23	550051	. . . RESISTOR,FXD COMP,51 OHMS 5P/C 1/4W	3	
- 24	361497	. . . FTX MODULE	1	
- 25	5214120	. . . SOCKET	10	
- 26	317082	. . . RESISTOR,FXD COMP,1.0K 5P/C 2W	1	
- 26		USED ON MACHINES WITHOUT EC 816749		
- 26	317013	. . . RESISTOR	1	
- 26		USED ON MACHINES WITH EC 816749		
- 27	216465	. . . RESISTOR,FXD COMP,7.5K 5P/C 1/4W	2	
- 28	216463	. . . RESISTOR,FXD COMP,6.2K 5P/C 1/4W	1	
- 29	600250	. . . TERMINAL	14	
- 30	216475	. . . RESISTOR,FXD COMP,20K 5P/C 1/4W	1	
- 31	216443	. . . RESISTOR,FXD COMP,750 OHMS 5P/C 1/4W	1	
- 32	550049	. . . RESISTOR,FXD COMP,82 OHMS 5P/C 1/4W	1	
- 33	369388	. . . DIODE	1	
- 34	216479	. . . RESISTOR,FXD COMP,30K 5P/C 1/4W	1	
- 35	216452	. . . RESISTOR,FXD COMP,2.0K 5P/C 1/4W	1	
- 36	360044	. . . RESISTOR	1	
- 37	2588432	. . . BOARD	1	
- 38	2454943	. STANDOFF	4	
- 39	2454947	. SHIELD	1	
- 40	2454949	. COVER	1	
- 41	473442	. GROMMET	1	
- 42	357995	. RECEPTACLE 60 CYCLE	1	
- 42	418835	. RECEPTACLE 50 CYCLE	1	
- 43	5232809	. LABEL	1	
- 44	5397579	. LABEL	1	
- 45	2454900	. CIRCUIT BREAKER 60 CYCLE	1	
- 45	5214259	. CIRCUIT BREAKER 50 CYCLE	1	
- 46	2454890	. LABEL 60 CYCLE	1	
- 46	2454891	. LABEL 50 CYCLE	1	
- 46A	615683	. FUSES,SF6-USED ON MACHINES WITH PRINTER KEYBOARD	1	
- 46A				
- 47	433566	. FUSEHOLDER,USED ON MACHINES WITH PRINTER KEYBOARD	1	
- 47				
- 47	2588335	. PUG,USED ON MACHINES WITHOUT PRINTER KEYBOARD	1	
- 47				
- 47A	642763	. INSULATOR,USED ON MACHINES WITH PRINTER KEYBOARD	1	
- 47A				
- 48	179946	. FUSEHOLDER	1	
- 49	642763	. INSULATOR	1	
- 50	361755	. FUSE SF5	1	
- 51	92752	. FUSEHOLDER	3	
- 52	2133112	. INSULATOR 60 CYCLE	3	
- 52A	257080	. INSULATOR 60 CYCLE	3	
- 53	4061290	. INSULATOR CAP 50 CYCLE	3	
- 54	107669	. FUSE SF1 160 CYCLE	1	

LIST AND INDEX NUMBER	PART NUMBER	DESCRIPTION				UNITS PER ASM.	USABLE ON CODE
		1	2	3	4		
		PRIMARY POWER SUPPLY- CONT					
21A - 54	107666	. FUSE SF1 (50 CYCLE				1	
- 55	2588338	. FUSE SF2 (60/50 CYCLE				1	
- 56	107669	. FUSE SF3 (60 CYCLE				1	
- 56	107664	. FUSE SF3 50 CYCLE				1	
- 57	369207	. LABEL				1	
- 58	845762	. LABEL				1	
- 59	646007	. LABEL				1	
- 60	246463	. PLUG				3	
- 60	338227	. GROMMET,USED ON MACHINES WITH AUTO TRANSFORMER				2	
- 61	198981	. GROMMET				1	
- 62	2454945	. BRACKET				1	
- 63	375429	. CARD				1	
- 64	634613	. SOCKET				1	
- 65	2454948	. COVER				1	
- 65A	104294	. CLAMP,USED ON MACHINES WITH				1	
- 65A		PRINTER KEYBOARD					
- 66	533361	. SHIELD				2	
- 67	315956	. TERMINAL BLOCK				2	
- 68	315957	. MARKER STRIP				2	
- 69	210883	. STUD				6	
- 70	350965	. SHIELD				1	
- 71	2101337	. TERMINAL BLOCK				1	
- 72	2101357	. MARKER STRIP				1	
- 73	630143	. FILTER 60 CYCLE ONLY				1	
- 74	138755	. LABEL				1	
- 75	173706	. RES-CAP COMB				3	
- 76	827960	. RELAY,K1 AND K9B				2	
- 77	2102367	. CLAMP				1	
- 78	2590290	. CABLE ASM 60 CYCLE				1	
- 78	4007035	. CABLE ASM 50 CYCLE				1	
- 79	220764	. GROMMET				1	
- 80	208528	. PLUG				1	
- 80	2588426	. PLATE,USED ON MACHINES WITH				1	
- 80		PRINTER KEYBOARD					
- 81	532974	. RECEPTACLE 60 CYCLE				1	
- 81	5213830	. RECEPTACLE 50 CYCLE				1	
- 82	5423864	. JUMPER				1	
- 83	2590281	. RECEPTACLE				1	
- 85	362206	. COVER				1	
- 86	1160395	. RESISTOR ASM				1	
- 87	320456	. BRACKET				1	
- 88	5213837	. CAPACITOR				1	
- 89	351781	. SHIELD 11 POS 60 CYCLE				1	
- 89	350977	. SHIELD 8 POS 50 CYCLE				1	
- 90	2454950	. PLATE 60 CYCLE				1	
- 90	2590263	. PLATE 50 CYCLE				3	
- 91	5261446	. EMC FILTER,60 CYCLE				3	
- 91		USED ON MACHINES WITHOUT EC 818964					
- 91	7369695	. EMC FILTER,60 CYCLE				3	
- 91		USED ON MACHINES WITH EC 818964					
- 91	5261446	. EMC FILTER,50 CYCLE				4	
- 91		USED ON MACHINES WITHOUT EC 816767					
- 91	5214272	. EMC FILTER,50 CYCLE				4	
- 91		USED ON MACHINES WITH EC 816767					
- 91		AND WITHOUT EC 818964					
- 91	7369695	. EMC FILTER,50 CYCLE				4	
- 91		USED ON MACHINES WITH EC 818964					
- 93	2590291	. BRACKET				1	
- 94	532393	. STRAP				1	
- 95	5232889	. HEATSINK ASM				1	
- 96	5761979	. INSULATOR				1	
- 97	5232824	. BUSHING				1	
- 98	598479	. RECTIFIER				2	
- 99	419131	. SPACER				2	
-100	5762383	. HEATSINK				1	
-101	2588428	. TRANSFORMER ASM 60 CYCLE				1	
-101	4119245	. TRANSFORMER ASM 50 CYCLE				1	
-102	5762407	. STUD				2	
-103	65317	. TERMINAL BLOCK 60 CYCLE				1	
-103	317145	. TERMINAL BLOCK 50 CYCLE				1	
-104	5214560	. MARKER STRIP 60 CYCLE				1	
-104	4120241	. MARKER STRIP 50 CYCLE				1	
-104A	2588449	. DIODE ASM				2	
-104A		USED ON MACHINES WITH EC 816683					
-105	2588425	. RELAY,K3 AND K9				2	



FOR PARTS  
NOT SHOWN  
SEE FIG. 14



PRE-REDESIGNED  
USED ON MACHINES WITHOUT EC 816662

FIGURE 22. BULK POWER SUPPLY NO. 1. SEE LIST 22.



LIST AND INDEX NUMBER	PART NUMBER	DESCRIPTION	UNITS PER ASM.	USABLE ON CODE
22 -	5232850	BULK POWER SUPPLY NO. 1,60 CYCLE		
-	5232840	BULK POWER SUPPLY NO. 1,50 CYCLE USED ON MACHINES WITHOUT EC816662 FOR NEXT HIGHER ASM SEE LIST 14-16 AND FOR ILLUSTRATION FIG. 23		
-				
-				
- 1	5232809	. LABEL	1	
- 2	369207	. LABEL	1	
- 3	5232733	. COVER	1	
- 3		USED ON MACHINES WITHOUT EC 818969		
- 3	7369565	. COVER	1	
- 3		USED ON MACHINES WITH EC 818969		
- 4	1141554	. LABEL	1	
- 5	801652	. LABEL,60 CYCLE	1	
- 5	5240513	. LABEL,50 CYCLE	1	
- 6	352088	. SHIELD	1	
- 7	533361	. SHIELD	1	
- 8	5252551	. TRANSFORMER ASM,60 CYCLE	1	
- 8	4118437	. TRANSFORMER ASM,50 CYCLE	1	
- 9	1143492	. FUSE	3	
- 10	596676	. FUSE	2	
- 11	642763	. INSULATOR	5	
- 12	5232814	. FUSE	2	
- 13	2133112	. INSULATOR	2	
- 14	257080	. INSULATOR	2	
- 15	5232799	. HOLDER ASM	1	
- 16	179946	. . FUSEHOLDER	5	
- 17	92752	. . FUSEHOLDER	2	
- 18	5232726	. . BRACKET	1	
- 19	535506	. SHIELD	1	
- 20	317315	. TERMINAL BLOCK	1	
- 21	2101342	. MARKER STRIP	1	
- 22	2125898	. STUD	1	
- 23	5232781	. COIL ASM	1	
- 24	5261946	. RESISTOR ASM	1	
- 25	631769	. SHIELD	2	
- 26	5214233	. CAPACITOR	1	
- 27	5261284	. BRACKET	2	
- 28	582444	. SHIELD	1	
- 29	322767	. TERMINAL BLOCK	1	
- 30	363434	. MARKER STRIP	1	
- 31	210883	. STUD	2	
- 32	5232825	. SHIELD	1	
- 32		USED ON MACHINES WITHOUT EC 818969		
- 32	7369564	. SHIELD USED ON MACHINES WITH EC 818969	1	
- 33	5232846	. PLATE	1	
- 34	5232845	. PLATE	1	
- 35	5796393	. CAPACITOR	7	
- 36	5232844	. BRACKET	4	
- 37	5232884	. RESISTOR ASM	1	
- 38	1160395	. RESISTOR ASM	3	
- 39	5261296	. SHIELD	3	
- 40	5796426	. CAPACITOR	3	
- 41	5232843	. BRACKET	2	
- 42	5232888	. HEATSINK ASM	3	
- 43	598479	. . RECTIFIER	1	
- 44	5761979	. INSULATOR	3	
- 45	5232824	. BUSHING	3	
- 46	5232774	. STANDOFF	2	
- 47	5232848	. COVER	1	
- 48	5232886	. HEATSINK ASM	1	
- 49	5214179	. . RECTIFIER	2	
- 50	2194889	. RESISTOR	2	
- 51	473442	. CHANNEL	AR	
- 51A	5213226	. CHANNEL	AR	
- 52	5232887	. HEATSINK ASM	2	
- 53	127324	. . RECTIFIER	2	
- 54	5761979	. INSULATOR	2	
- 55	5232824	. BUSHING	2	
- 56	5232739	. SHROUD	1	
- 57	123070	. GROMMET	1	
- 58	5232827	. BRACKET	1	
- 59	5232826	. FILTER	1	
- 60	5232828	. FAN ASM,60 CYCLE	1	
- 60	412179	. FAN ASM,50 CYCLE	1	
- 61	526378	. INSULATOR	4	



FOR PARTS  
NOT SHOWN  
SEE FIG. 14

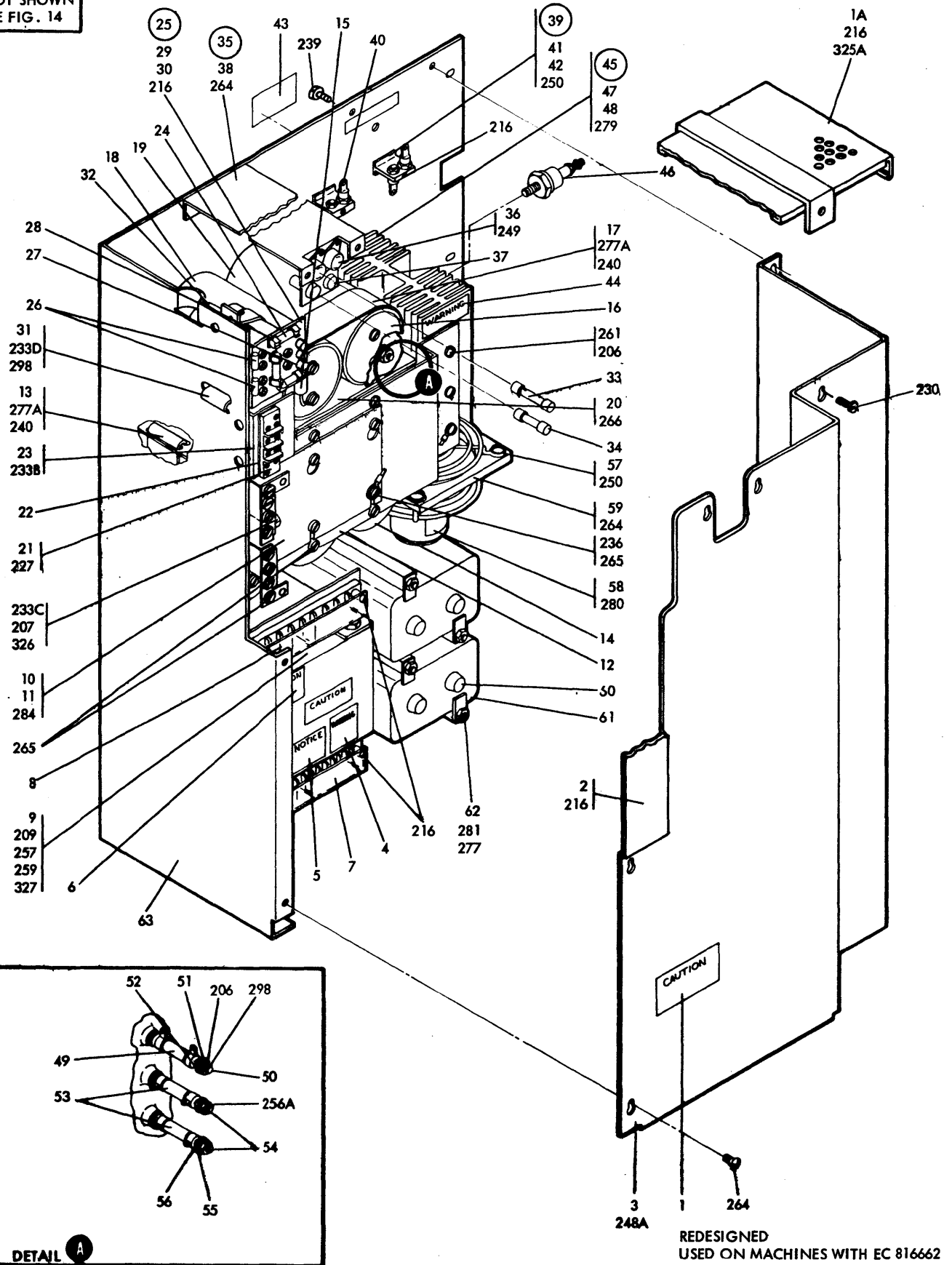
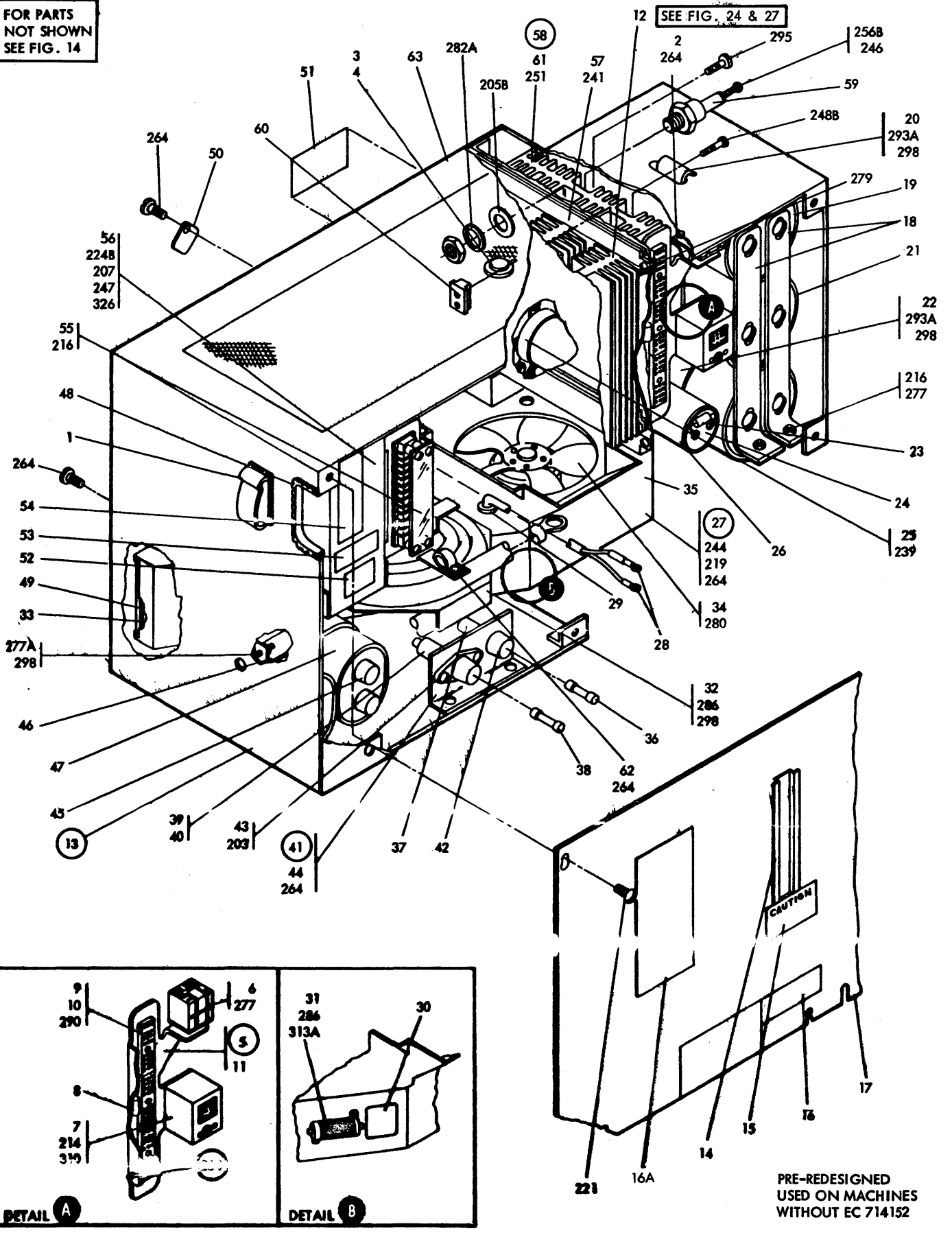


FIGURE 22A. BULK POWER SUPPLY NO. 1. SEE LIST 22A.

LIST AND INDEX NUMBER	PART NUMBER	DESCRIPTION	UNITS PER ASM.	USABLE ON CODE
22A -	2572190	BULK POWER SUPPLY NO. 1,60 CYCLE		
-	2572200	BULK POWER SUPPLY NO. 1,50 CYCLE FOR NEXT HIGHER ASM SEE LIST 14-16 AND FOR ILLUSTRATION FIG. 22A		
-				
- 1	5232809	. LABEL	1	
- 1A	2588391	. SHIELD	1	
- 2	2609066	. COVER	1	
- 3	2572194	. COVER	1	
- 3		USED ON MACHINES WITHOUT EC 818969		
- 3	7369563	. COVER	1	
- 3		USED ON MACHINES WITH EC 818969		
- 4	1141554	. LABEL	1	
- 5	801652	. LABEL	1	
- 6	5232877	. LABEL	1	
- 7	352088	. SHIELD	1	
- 8	533361	. SHIELD	1	
- 9	5252551	. TRANSFORMER ASM,60 CYCLE	1	
- 9	4118437	. TRANSFORMER,50 CYCLE	1	
- 10	2572204	. BUS PLATE	1	
- 11	316170	. SPACER	6	
- 12	2572203	. BUS PLATE	1	
- 13	2572187	. STRAP	1	
- 14	5796393	. CAPACITOR	6	
- 15	5232884	. RESISTOR ASM	1	
- 16	631769	. SHIELD	2	
- 17	5232806	. STRAP	1	
- 18	5796393	. CAPACITOR	1	
- 19	5214233	. CAPACITOR	1	
- 20	2572186	. BRACKET	1	
- 21	317485	. TERMINAL BLOCK	1	
- 22	510188	. INSULATOR	1	
- 23	2572199	. BRACKET	1	
- 24	1143492	. FUSE	3	
- 25	2572207	. COMPONENT ASM	1	
- 26	317049	. RESISTOR,R5,R6,R7	3	
- 27	1149212	. DIODE-CR3,CR4,CR5	3	
- 28	2481727	. FUSE CLIP	6	
- 29	2572206	. CARD	1	
- 30	2572189	. STANDOFF	6	
- 31	2572188	. STRAP	1	
- 32	5214420	. CAPACITOR	3	
- 33	5232814	. FUSE	2	
- 34	596676	. FUSE	2	
- 35	2572208	. FUSE BRACKET ASM	1	
- 36	92752	. FUSE HOLDER	2	
- 37	179946	. FUSE HOLDER	2	
- 38	2572193	. BRACKET	1	
- 39	5232887	. HEATSINK ASM	2	
- 40	127324	. RECTIFIER	2	
- 41	5761979	. INSULATOR	2	
- 42	5232824	. BUSHING	4	
- 43	5232809	. LABEL	1	
- 44	2182919	. LABEL	1	
- 45	5232886	. HEATSINK ASM	1	
- 46	5214179	. RECTIFIER	2	
- 47	5232818	. SPACER	4	
- 48	2609067	. BUSHING	4	
- 49	2102582	. RESISTOR	1	
- 50	438593	. SCREW	1	
- 51	5761935	. WASHER, INSULATOR	1	
- 52	510468	. WASHER,CENTERING	1	
- 53	591465	. RESISTOR	2	
- 54	5232816	. SCREW	2	
- 55	521695	. WASHER, INSULATOR	2	
- 56	528007	. WASHER,CENTERING	2	
- 57	2172166	. GUARD	1	
- 58	5232828	. FAN	1	
- 59	2572195	. BRACKET	1	
- 60	526378	. INSULATOR	4	
- 61	5319839	. CAPACITOR	2	
- 62	361968	. BRACKET	2	
- 63	2572198	. CHASSIS	1	
-				
-				
-				
		FOR ATTACHING PARTS, INDEX 201 AND ABOVE, SEE LIST 33		

FOR PARTS  
NOT SHOWN  
SEE FIG. 14

SEE FIG. 24 & 27



PRE-REDESIGNED  
USED ON MACHINES  
WITHOUT EC 714152

FIGURE 23. BULK POWER SUPPLY NO. 2 AND 3. SEE LIST 23.

LIST AND INDEX NUMBER	PART NUMBER	DESCRIPTION	UNITS PER ASM.	USABLE ON CODE
23 -	2590929	BULK POWER SUPPLY NO. 2 AND 3,32A 60 CYCLE		
-	2590930	BULK POWER SUPPLY NO. 2 AND 3,65A 60 CYCLE		
-	2590931	BULK POWER SUPPLY NO. 2 AND 3,32A 50 CYCLE		
-	2590932	BULK POWER SUPPLY NO. 2 AND 3,65A 50 CYCLE		
-		FOR NEXT HIGHER ASM SEE LIST 14-17 AND FOR ILLUSTRATION FIG. 23		
- 1	2588079	. CLAMP	1	
- 2	356742	. CLAMP	1	
- 3	2590821	. THERMAL SWITCH	1	
- 4	2588053	. CLIP	1	
- 5	2590922	. PANEL ASM	1	
- 6	2128689	. . RELAY	1	
- 7	2195640	. . RELAY	1	
- 8	613752	. . RESISTOR ASM	1	
- 9	302090	. . TERMINAL BLOCK	3	
- 10	302131	. . INSULATOR	3	
- 11	2590942	. . BRACKET	1	
- 12	2557500	. POWER SUPPLY ASM,4VAC AT 32 AMP	1	
- 12		FOR DETAIL BREAKDOWN SEE FIG. 24		
- 12	5797480	. POWER SUPPLY ASM,4VAC AT 65 AMP	1	
- 12		FOR DETAIL BREAKDOWN SEE FIG. 27		
- 13	2583960	. BULK POWER SUPPLY,60 CYCLE	1	
- 13	2583950	. BULK POWER SUPPLY,50 CYCLE	1	
- 13		USED ON MACHINES WITHOUT EC714152		
- 14	471672	. . CHANNEL	1	
- 15	5232809	. . LABEL	1	
- 16	369207	. . LABEL	1	
- 16A	7369697	. . LABEL,USED ON BULK NO. 2 ONLY	1	
- 17	2583956	. . COVER	1	
- 18	5232725	. . BUS BAR	2	
- 19	631769	. . SHIELD	3	
- 20	5761793	. . STRAP	1	
- 21	5766393	. . CAPACITOR	3	
- 22	5761785	. . STRAP	1	
- 23	1160395	. . RESISTOR	1	
- 24	5261296	. . SHIELD	1	
- 25	301750	. . BRACKET	1	
- 26	5796426	. . CAPACITOR	1	
- 27	2583958	. . BLOWER ASM,60 CYCLE	1	
- 27	2583957	. . BLOWER ASM,50 CYCLE	1	
- 28	334921	. . . TERMINAL	2	
- 29	123070	. . . GROMMET	1	
- 30	1141554	. . . LABEL	1	
- 31	2194889	. . . RESISTOR	1	
- 32	2583969	. . . COIL ASM	1	
- 33	307653	. . . FOAM	AR	
- 34	5353877	. . . FAN,60 CYCLE	1	
- 34	4120171	. . . FAN,50 CYCLE	1	
- 35	2583959	. . . HOUSING	1	
- 36	1143492	. . FUSE	1	
- 37	642763	. . INSULATOR	1	
- 38	107669	. . FUSE	1	
- 39	2133112	. . INSULATOR	1	
- 40	257080	. . INSULATOR	1	
- 41	5232864	. . FUSE PANEL ASM	1	
- 42	179946	. . . FUSEHOLDER	1	
- 43	92752	. . . FUSEHOLDER	1	
- 44	2583953	. . . BRACKET	1	
- 45	526378	. . INSULATOR	4	
- 46	5761795	. . STRAP	1	
- 47	524854	. . CAPACITOR,20 MFD 330 VAC	2	
- 48	730432	. . GROMMET	1	
- 49	2583954	. . FILTER	1	
- 50	638085	. . BRACKET	1	
- 51	5232809	. . LABEL	1	
- 52	1141554	. . LABEL	1	
- 53	801652	. . LABEL,60 CYCLE	1	
- 53	5240513	. . LABEL,50 CYCLE	1	
- 54	5232877	. . LABEL	1	
- 55	533271	. . SHIELD	1	
- 56	2583963	. . TRANSFORMER,60 CYCLE	1	
- 56	4119210	. . TRANSFORMER,50 CYCLE	1	
- 57	5785314	. . RAIL	2	
- 58	2583966	. . HEATSINK ASM	1	
- 59	5214179	. . . RECTIFIER	2	
- 60	473531	. . . INSULATOR	4	



FOR PARTS  
NOT SHOWN  
SEE FIG. 14

SEE FIG. 24 AND 27

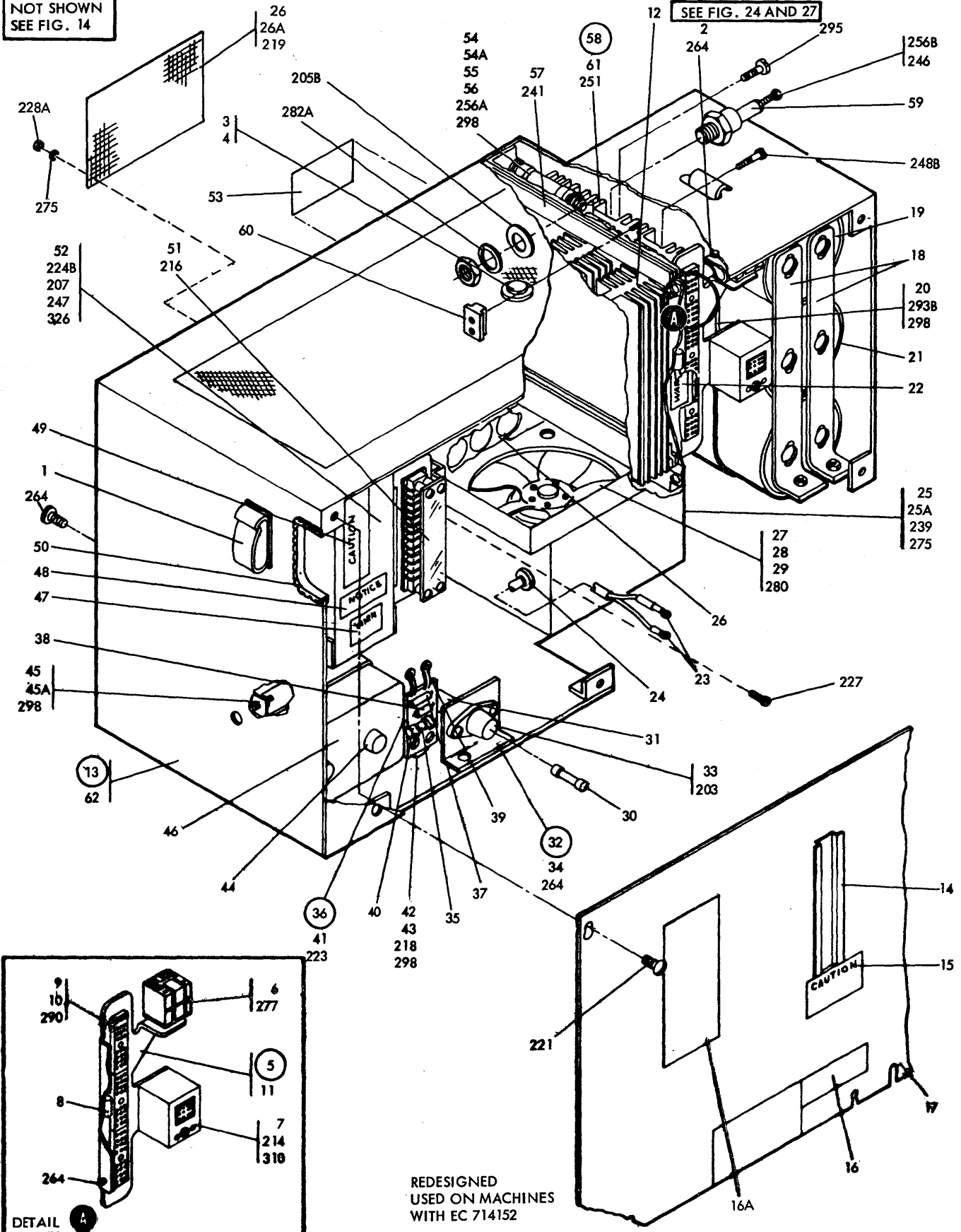


FIGURE 23A. BULK POWER SUPPLY NO. 2 AND 3. SEE LIST 23A.



LIST AND INDEX NUMBER	PART NUMBER	DESCRIPTION				UNITS PER ASM.	USABLE ON CODE
		1	2	3	4		
23A -	2590929	BULK POWER SUPPLY NO. 2 AND 3,32A 60 CYCLE					
-	2590930	BULK POWER SUPPLY NO. 2 AND 3,65A 60 CYCLE					
-	2590931	BULK POWER SUPPLY NO. 2 AND 3,32A 50 CYCLE					
-	2590932	BULK POWER SUPPLY NO. 2 AND 3,65A 50 CYCLE					
-		FOR NEXT HIGHER ASM SEE LIST 14-17 AND FOR ILLUSTRATION FIG. 23A					
- 1	2588079	. CLAMP				1	
- 2	356742	. CLAMP				1	
- 3	7369696	. THERMAL SWITCH				1	
- 4	2588053	. CLIP				1	
- 5	2590922	. PANEL				1	
- 6	2128689	. . RELAY				1	
- 7	2195640	. . RELAY				1	
- 8	613752	. . RESISTOR				1	
- 9	302090	. . TERMINAL BLOCK				1	
- 10	302131	. . INSULATOR				1	
- 11	2590942	. . BRACKET				1	
- 12	2557500	. POWER SUPPLY ASM,4VAC AT 32 AMP				1	
- 12		FOR DETAIL BREAKDOWN SEE FIG. 24					
- 12	5797480	. POWER SUPPLY ASM,4VAC AT 65 AMP				1	
- 12		FOR DETAIL BREAKDOWN SEE FIG. 27					
- 13	2583960	. BULK POWER SUPPLY,60 CYCLE				1	
- 13	2583950	. BULK POWER SUPPLY,50 CYCLE				1	
- 13		USED ON MACHINES WITH EC 714152				1	
- 14	471672	. . CHANNEL,5.88 LG				2	
- 15	5232809	. . LABEL				1	
- 16	369207	. . LABEL				1	
- 16A	7369697	. . LABEL				1	
- 17	2583956	. . COVER				1	
- 18	5232725	. . BUS BAR				2	
- 19	631769	. . SHIELD				3	
- 20	2572224	. . STRAP				1	
- 21	5796393	. . CAPACITOR				3	
- 22	2182919	. . LABEL				1	
- 23	334921	. . TERMINAL				2	
- 24	123070	. . GROMMET				1	
- 25	2572214	. . HOUSING				1	
- 25		USED ON MACHINES WITHOUT EC 716114					
- 25	2624909	. . HOUSING				1	
- 25A		USED ON MACHINES WITH EC 716114					
- 25A	2624908	. . PLENUM				1	
- 25A		USED ON MACHINES WITH EC 716114					
- 26	5232826	. . FILTER				1	
- 26		USED ON MACHINES WITHOUT EC 716114					
- 26	2624907	. . SCREEN				1	
- 26		USED ON MACHINES WITH EC 716114					
- 26A	5319854	. . SCREW				2	
- 27	5357090	. . FAN,60 CYCLE				1	
- 27	4120171	. . FAN,50 CYCLE				1	
- 27		USED ON MACHINES WITHOUT EC 716114					
- 27	4120174	. . FAN,50 AND 60 CYCLE				1	
- 27		USED ON MACHINES WITH EC 716114					
- 28	4103890	. . GUARD,50 CYCLE ONLY				1	
- 28		USED ON MACHINES WITHOUT EC 716114					
- 29	2145165	. . SPACER,50 CYCLE ONLY				4	
- 29		USED ON MACHINES WITHOUT EC 716114					
- 30	107669	. . FUSE				1	
- 31	2501330	. . INSULATOR				1	
- 32	5232864	. . FUSE PANEL ASM				1	
- 33	92752	. . . FUSEHOLDER				1	
- 34	2583953	. . . BRACKET				1	
- 35	1143492	. . FUSE				1	
- 36	2572216	. . CARD ASM,BIAS				1	
- 37	472579	. . . RESISTOR				1	
- 38	1149212	. . . RECTIFIER				1	
- 39	5760008	. . . JUMPER				2	
- 40	2481727	. . . CLIP				2	
- 41	2572217	. . . P.C. BOARD				1	
- 42	5214420	. . CAPACITOR				1	
- 43	2572213	. . STRAP				1	
- 44	526378	. . INSULATOR				2	
- 45	5761783	. . STRAP				1	
- 45A	438587	. . SCREW,MACH-BIND HD 8-32 X 1-1/8 LG				1	
- 46	5319839	. . CAPACITOR				1	
- 47	1141554	. . LABEL				1	



FOR PARTS  
NOT SHOWN  
SEE FIG. 23

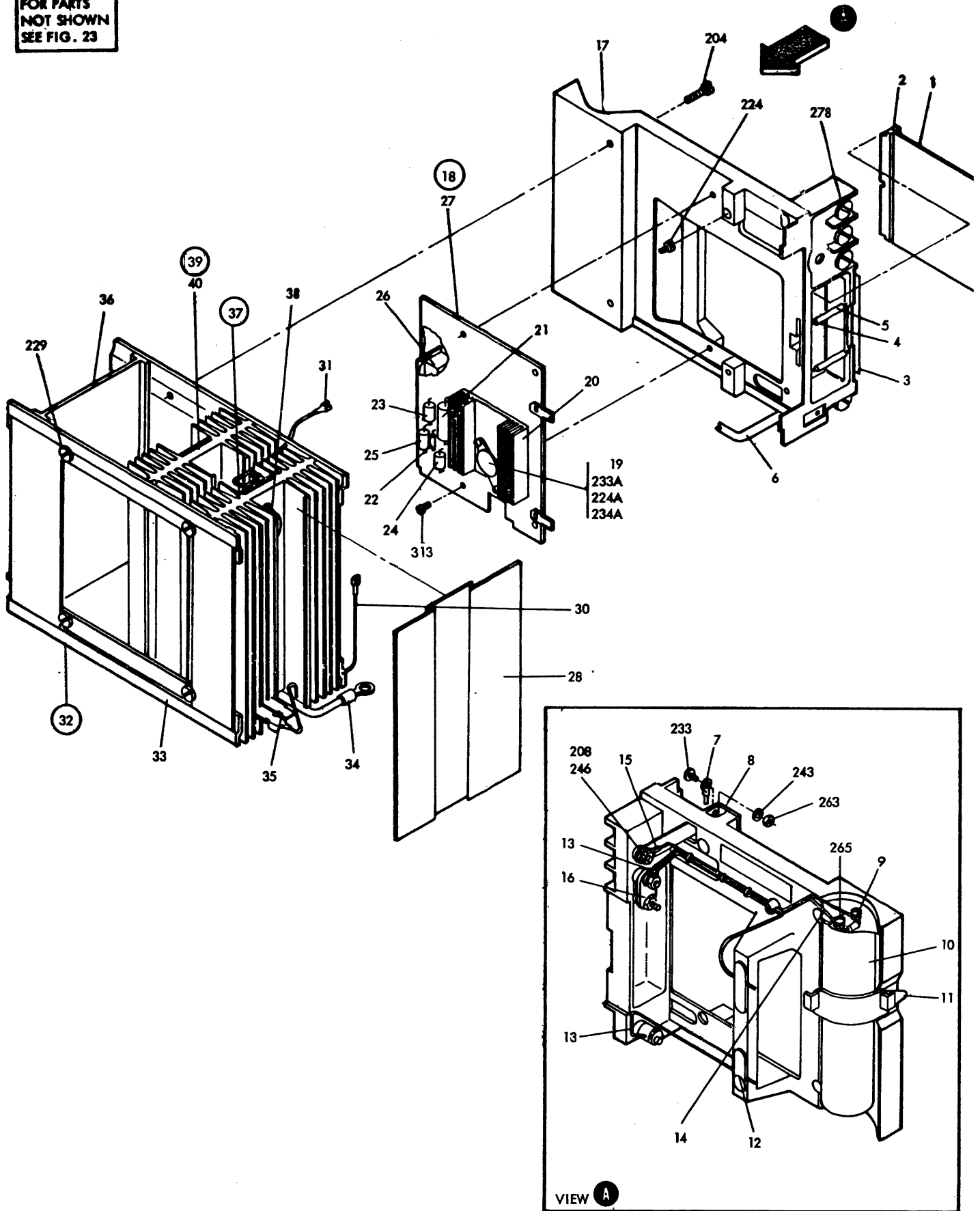


FIGURE 24. POWER SUPPLY ASM, 4VDC AT 32 AMP. SEE LIST 24.



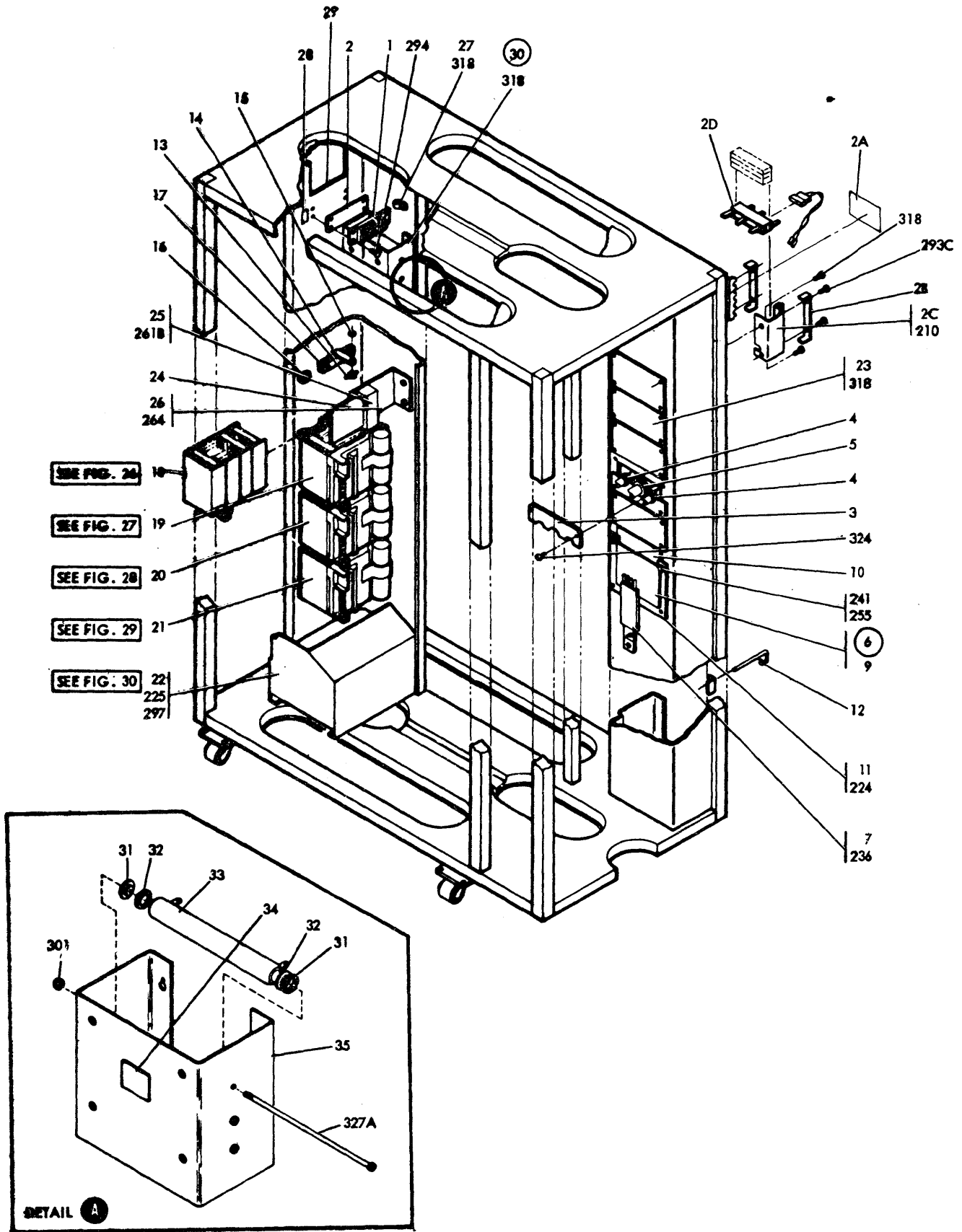


FIGURE 25. POWER SUPPLY SECTION, FRONT. SEE LIST 25.

LIST AND INDEX NUMBER	PART NUMBER	DESCRIPTION	UNITS PER ASM.	USABLE ON CODE
25	NO NO.	POWER SUPPLY SECTION,FRONT FOR ILLUSTRATION SEE FIG. 25		
-				
-				
- 1	315956	. TERMINAL BLOCK	1	
- 2	315957	. MARKER STRIP	1	
- 2A	2455626	. LABEL,USED ON MACHINES WITH MLTA FEATURE	1	
- 2B	2454578	. BAR,USED ON MACHINES WITH MLTA FEATURE	2	
- 2C	2454576	. FRAME,USED ON MACHINES WITH MLTA FEATURE	2	
- 2D	2454577	. CONNECTOR,USED ON MACHINES WITH MLTA FEATURE	4	
- 3	2590841	. PLATE,CABLE ENTRY	2	
- 4	5313905	. GROMMET	2	
- 5	338239	. GROMMET	1	
- 6	2590810	. CONNECTOR ASM	1	
- 7	2588309	. . SHIELD,QUICK DISCONNECT BRAID	1	
- 9	5446011	. . BLOCK	1	
- 10	2588282	. BRACKET	1	
- 11	2590811	. BRACKET	1	
- 12	2590864	. PIN	1	
- 13	2590821	. SWITCH	1	
- 13	7369696	USED ON MACHINES WITHOUT EC 818973 . SWITCH	1	
- 13	7369696	USED ON MACHINES WITH EC 818973		
- 14	2590853	. BRACKET	1	
- 15	2588053	. CLIP	1	
- 16	2590133	. CLAMP	4	
- 17	2590134	. RAIL	4	
- 18	2557510	. POWER SUPPLY ASM,50 AMP	1	
- 18		USED ON MACHINES WITH ADD ON FEATURE		
- 18		FOR DETAIL BREAKDOWN SEE FIG. 26		
- 19	5797480	. POWER SUPPLY ASM,-4VDC AT 65 AMP	1	
- 19		FOR DETAIL BREAKDOWN SEE FIG. 27		
- 20	5797460	. POWER SUPPLY ASM,-6VDC AT 25 AMP	1	
- 20	2480680	. POWER SUPPLY ASM,6VDC AT 40 AMP	1	
- 20		FOR DETAIL BREAKDOWN SEE FIG. 28		
- 21	5797450	. POWER SUPPLY ASM,-30VDC AT 9.5 AMP	1	
- 21		FOR DETAIL BREAKDOWN SEE FIG. 29		
- 22	2590285	. FAN ASM, REGULATOR COOLING	1	
- 22		FOR DETAIL BREAKDOWN SEE FIG. 30		
- 23	2590072	. PLATE	4	
- 24	375415	. SMS CARD	1	
- 24		USED ON MACHINES WITH EC 816683		
- 25	634613	. SOCKET	1	
- 26	2588427	. BRACKET	1	
- 27	303514	. CLAMP	1	
- 28	7369594	. LABEL	1	
- 29	237455	. SEAL	AR	
- 30	7369597	. RESISTOR ASM,PRE LOAD	1	
- 31	628948	. . WASHER,CUP	6	
- 32	521695	. . WASHER	6	
- 33	322465	. . RESISTOR	3	
- 34	1141554	. . LABEL	1	
- 35	7369596	. . SHIELD	1	
-				
-				
-		FOR ATTACHING PARTS, INDEX NOS. 201 AND ABOVE, SEE LIST 33		

FOR PARTS  
NOT SHOWN  
SEE FIG. 25

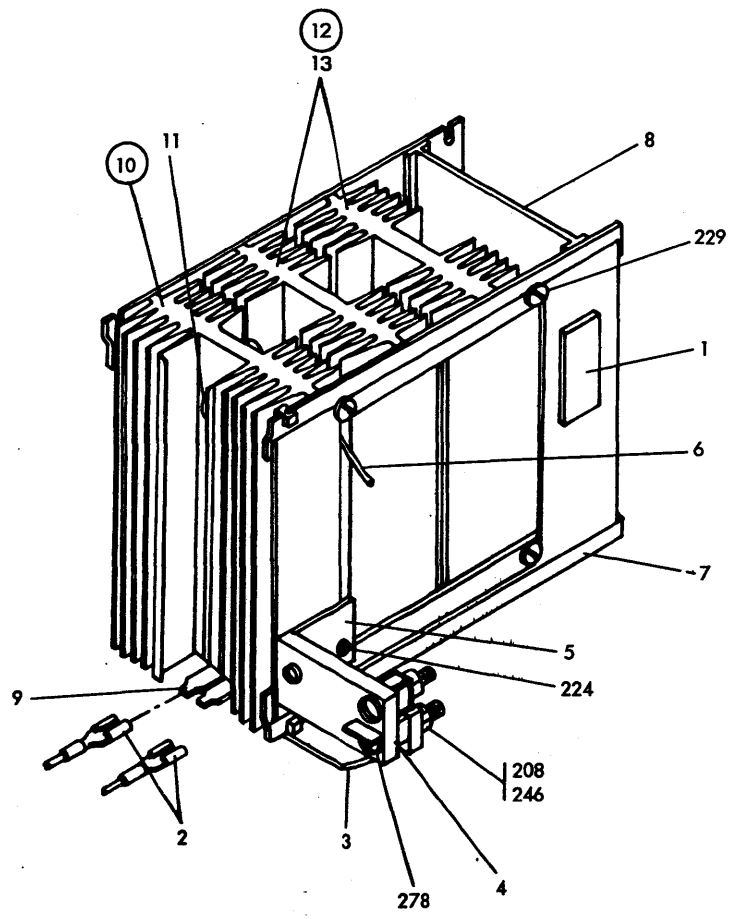


FIGURE 26. POWER SUPPLY ASM, 4VDC AT 50 AMP. SEE LIST 26.

LIST AND INDEX NUMBER	PART NUMBER	DESCRIPTION	1 2 3 4				UNITS PER ASM.	USABLE ON CODE
26 -	2557510	POWER SUPPLY ASM, 4 VDC AT 50 AMP FOR NEXT HIGHER ASM SEE LIST 25-18 AND FOR ILLUSTRATION FIG. 26						
- 1	5785130	• LABEL					1	
- 2	2557497	• JUMPER ASM					2	
- 3	5797498	• JUMPER ASM					1	
- 4	5797488	• TERMINAL BLOCK					1	
- 5	5797499	• STRAP					1	
- 6	2557499	• JUMPER ASM					1	
- 7	5797495	• RAIL					4	
- 8	2557527	• FILLER					1	
- 9	2572142	• BUS BAR					2	
- 10	2557517	• HEAT SINK ASM					1	
- 11	2391346	• . TRANSISTOR, TYPE 358					3	
- 12	2557516	• HEAT SINK ASM					2	
- 13	2391346	• . TRANSISTOR, TYPE 358					3	
-		FOR ATTACHING PARTS, INDEX NOS. 201 AND ABOVE, SEE LIST 33						

FOR PARTS  
NOT SHOWN  
SEE FIG. 23 & 25

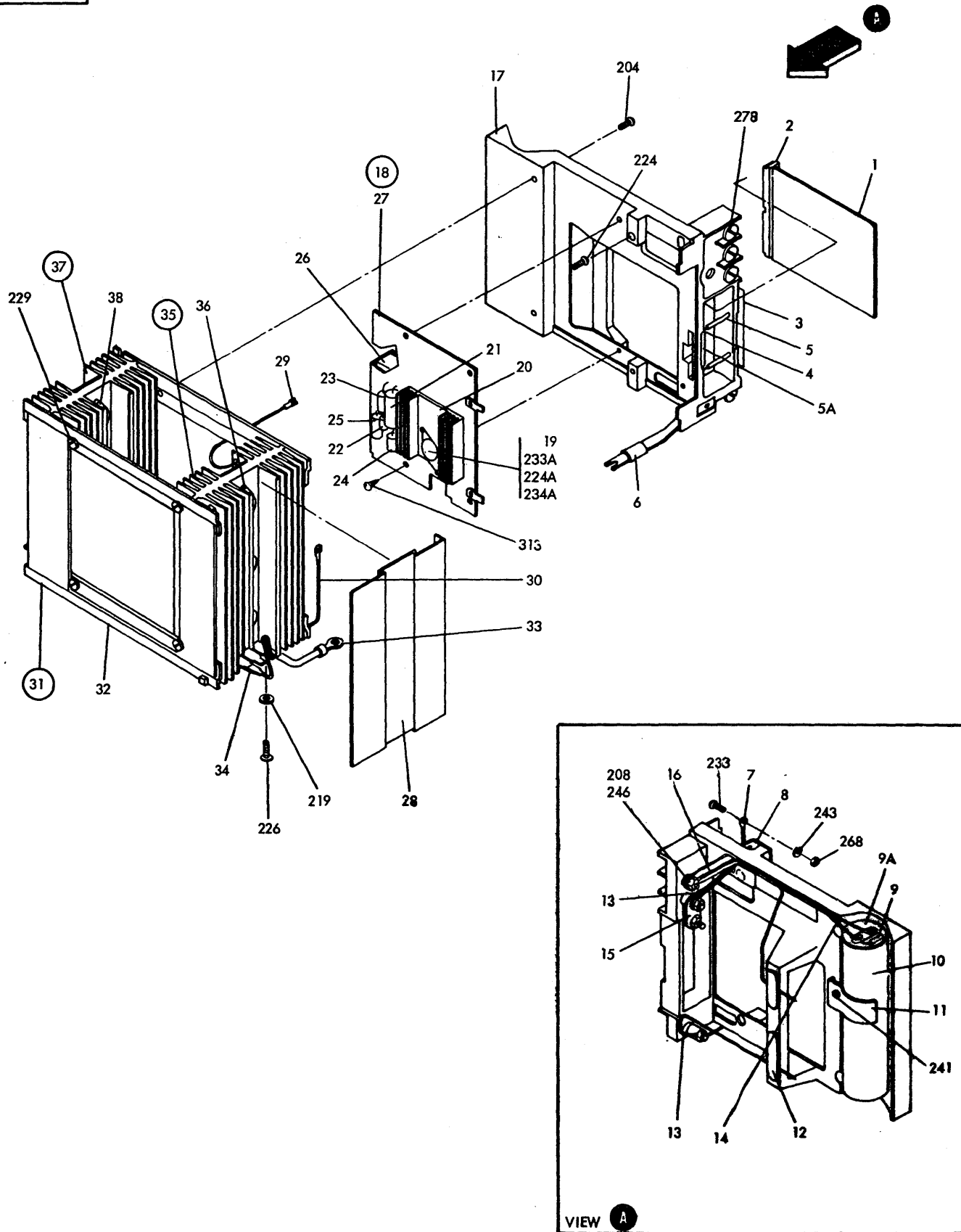


FIGURE 27. POWER SUPPLY ASM, 4VDC AT 65 AMP. SEE LIST 27.





FOR PARTS  
NOT SHOWN  
SEE FIG. 25

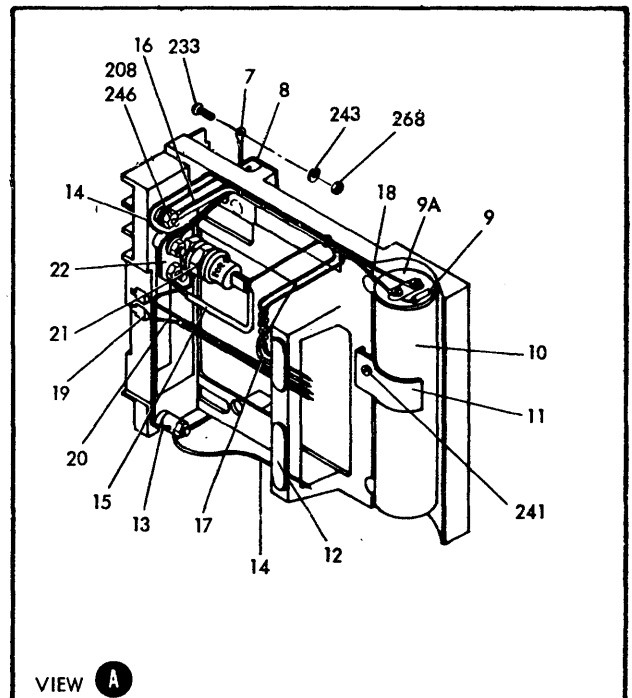
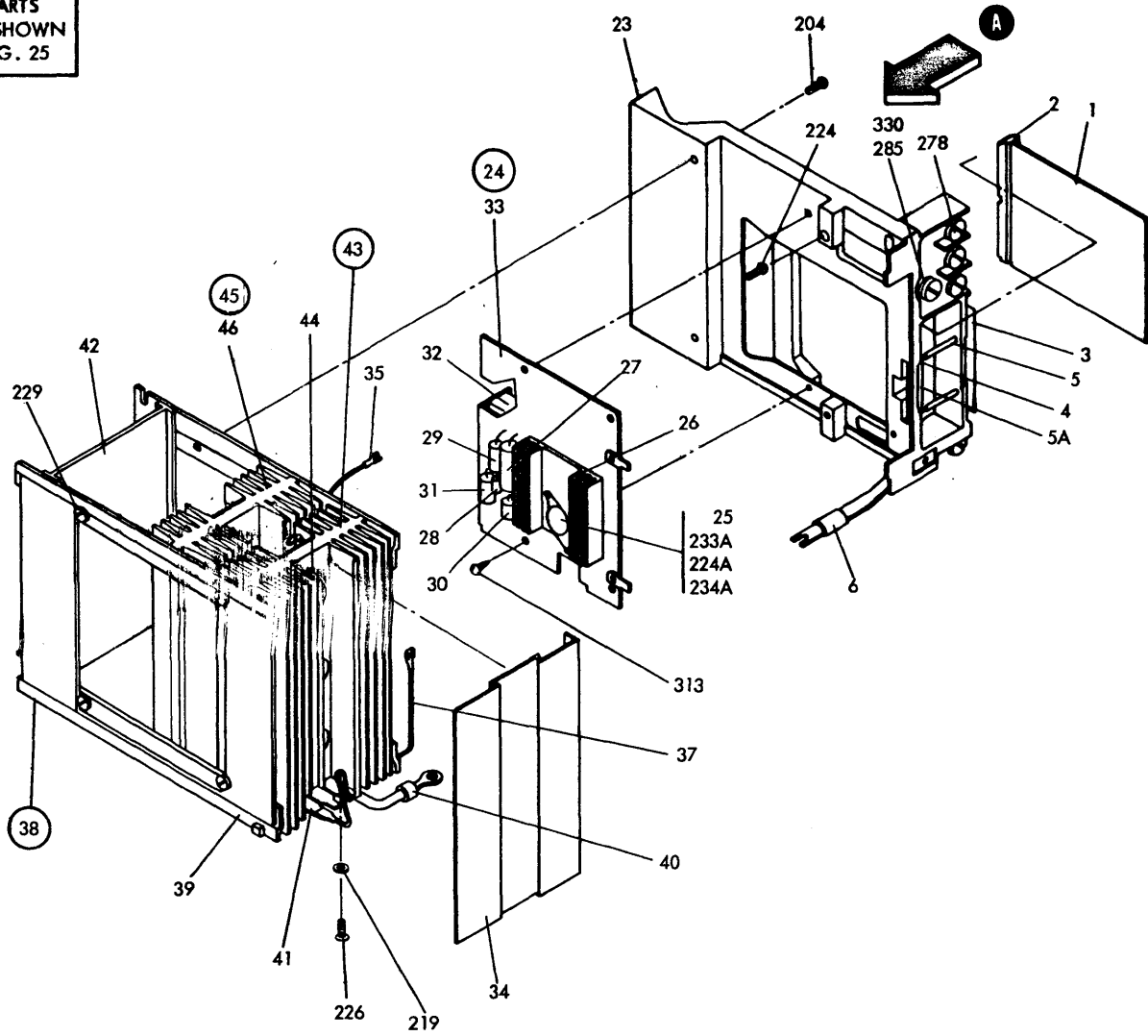


FIGURE 28. POWER SUPPLY ASM, 6VDC AT 25 AMP, 6VDC AT 40 AMP. SEE LIST 28.

LIST AND INDEX NUMBER	PART NUMBER	DESCRIPTION				UNITS PER ASM.	USABLE ON CODE
		1	2	3	4		
28 -	2480680	POWER SUPPLY ASM,6VDC AT 40 AMP					
-	5797460	POWER SUPPLY ASM,6VDC AT 25 AMP					
-		FOR NEXT HIGHER ASM SEE LIST 25-20					
-		AND FOR ILLUSTRATION FIG. 28					
- 1	5860524	• CARD,SLT				1	
- 2	811804	• GUIDE				1	
- 3	5785130	• LABEL				1	
- 4	5797497	• RETAINER				1	
- 5	5785286	• SLEEVING				2	
- 5A	5797508	• CLAMP				1	
- 5A		USED PRIOR TO EC 714157					
- 6	5797498	• STRAP				1	
- 6		USED PRIOR TO EC 714157					
- 6	2572156	• JUMPER				1	
- 6		USED AFTER EC 714157					
- 7	2557506	• JUMPER ASM				1	
- 8	2797504	• STRAP				1	
- 9	5785135	• RESISTOR ASM				1	
- 9A	5261296	• SHIELD				1	
- 9A		USED PRIOR TO EC 714157					
- 10	5213591	• CAPACITOR				1	
- 11	5797507	• CLAMP				1	
- 11		USED PRIOR TO EC 714157					
- 11	2572146	• CLAMP				1	
- 11		USED AFTER EC 714157					
- 12	5797506	• CLAMP				2	
- 13	5785297	• JUMPER ASM				1	
- 14	2557507	• JUMPER ASM				2	
- 15	5785304	• JUMPER ASM				1	
- 16	2557508	• JUMPER ASM				1	
- 17	5785274	• JUMPER ASM				1	
- 18	5797519	• JUMPER ASM				1	
- 19	2557525	• TERMINAL				2	
- 20	5785309	• JUMPER				2	
- 21	5785299	• SEMICONDUCTOR DEVICE				1	
- 22	5797532	• LINK				1	
- 23	5797484	• CHASSIS				1	
- 24	2557477	• CARD ASM				1	
- 25	2391347	• . TRANSISTOR				1	
- 26	5797505	• . HEAT SINK				1	
- 27	5796397	• . RESISTOR,R1				1	
- 28	550051	• . RESISTOR,R2				1	
- 29	132771	• . RESISTOR,R3				1	
- 30	222077	• . CAPACITOR,C1				1	
- 31	222092	• . CAPACITOR,C4				1	
- 32	813329	• . CONNECTOR				1	
- 33	2557476	• . CIRCUIT CARD				1	
- 34	5785277	• AIR SEAL				1	
- 35	2557504	• JUMPER				1	
- 37	2557498	• JUMPER				1	
- 38	2557546	• HEAT SINK ASM,25 AMP				1	
- 38	2624917	• HEAT SINK ASM,40 AMP				1	
- 39	5797495	• . RAIL				4	
- 40	2572156	• . JUMPER,25 AMP				1	
- 40	2572157	• . JUMPER,40 AMP				1	
- 41	2572152	• . BUS BAR				2	
- 42	2572145	• . FILLER,25 AMP				2	
- 42	2572145	• . FILLER,40 AMP				1	
- 43	2572236	• . HEAT SINK,25 AMP				1	
- 44	2391346	• . . TRANSISTOR,TYPE 358				3	
- 45	2572235	• . HEAT SINK,25 AMP				1	
- 45	2572235	• . HEAT SINK,40 AMP				2	
- 46	2391346	• . . TRANSISTOR,TYPE 358				3	
		FOR ATTACHING PARTS, INDEX NOS. 201					
		AND ABOVE, SEE LIST 33					



LIST AND INDEX NUMBER	PART NUMBER	DESCRIPTION				UNITS PER ASM.	USABLE ON CODE
		1	2	3	4		
29	5797450	POWER SUPPLY ASM, 30VDC AT 9.5 AMP FOR NEXT HIGHER ASM SEE LIST 25-21 AND FOR ILLUSTRATION FIG. 29					
- 1	5860517	• CARD, SLT				1	
- 2	811804	• GUIDE				1	
- 3	5785130	• LABEL				1	
- 4	5797497	• RETAINER				1	
- 5	5785286	• SLEEVING				2	
- 5A	5797508	• CLAMP				1	
- 5A		USED PRIOR TO EC 714157					
- 6	5797498	• STRAP				1	
- 6		USED PRIOR TO EC 714157					
- 6	2572156	• JUMPER				1	
- 6		USED AFTER EC 714157					
- 7	2557506	• JUMPER ASM				1	
- 8	5797504	• STRAP				1	
- 9	5785135	• RESISTOR ASM				1	
- 9A	5261296	• SHIELD				1	
- 9A		USED PRIOR TO EC 714157					
- 10	5261287	• CAPACITOR				1	
- 11	5797507	• CLAMP				1	
- 11		USED PRIOR TO EC 714157					
- 11	2572146	• CLAMP				1	
- 11		USED AFTER EC 714157					
- 12	5797506	• CLAMP				2	
- 13	2557507	• JUMPER ASM				1	
- 14	5797519	• JUMPER ASM				2	
- 15	2557525	• TERMINAL				2	
- 16	5785309	• JUMPER ASM				2	
- 17	5797523	• LINK				1	
- 18	2557508	• JUMPER				1	
- 19	5797484	• CHASSIS				1	
- 20	5785296	• CARD ASM				1	
- 21	2391347	• • TRANSISTOR				1	
- 22	5797459	• • INSULATOR				2	
- 23	5797505	• • HEAT SINK				1	
- 24	5796397	• • RESISTOR, R1				1	
- 25	216422	• • RESISTOR, R2				1	
- 26	725746	• • RESISTOR, R3				1	
- 27	5213937	• • CAPACITOR, C1				1	
- 28	813329	• • CONNECTOR				1	
- 29	2557476	• • CIRCUIT CARD				1	
- 30	5785277	• AIR SEAL				1	
- 32	2557498	• JUMPER				1	
- 32A	2557497	• JUMPER				1	
- 33	2557568	• HEAT SINK ASM				1	
- 34	5797495	• • RAIL				4	
- 35	2557505	• • JUMPER				2	
- 36	801615	• • RESISTOR, R14				1	
- 37	2572156	• • JUMPER				1	
- 38	2572142	• • BUS BAR				2	
- 39	2572145	• • FILLER				2	
- 40	2572238	• • HEAT SINK				1	
- 41	2391667	• • • TRANSISTOR, TYPE 364				2	
- 42	2572237	• • HEAT SINK				1	
- 43	2391667	• • • TRANSISTOR, TYPE 364				3	
-		FOR ATTACHING PARTS, INDEX NOS. 201 AND ABOVE, SEE LIST 33					
-							
-							
-							
-							
-							
-							
-							
-							
-							
-							

FOR PARTS  
NOT SHOWN  
SEE FIG. 25

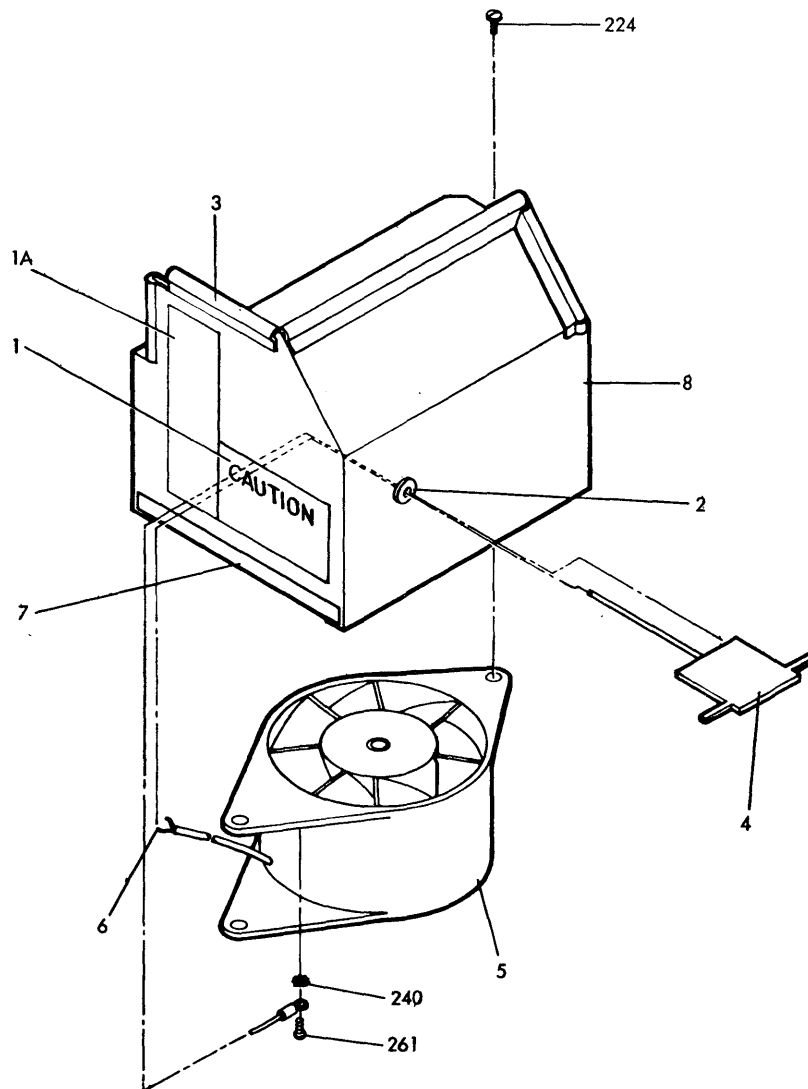


FIGURE 30. FAN ASM,REGULATOR COOLING. SEE LIST 30.

LIST AND INDEX NUMBER	PART NUMBER	DESCRIPTION				UNITS PER ASM.	USABLE ON CODE
		1	2	3	4		
30 -	2590285	FAN ASM,REGULATOR COOLING					
-		FOR NEXT HIGHER ASM SEE LIST 25-22					
-		AND FOR ILLUSTRATION FIG. 30					
- 1	2588302	• LABEL				1	
- 1A	2454558	• LABEL				1	
- 2	450821	• GROMMET				1	
- 3	739494	• SEAL				AR	
- 4	2590286	• CABLE				1	
- 5	4120174	• FAN				1	
- 6	5353854	• TERMINAL				2	
- 7	2590287	• FILTER				1	
- 8	2590289	• HOUSING				1	
-		FOR ATTACHING PARTS, INDEX NOS. 201					
-		AND ABOVE, SEE LIST 33					

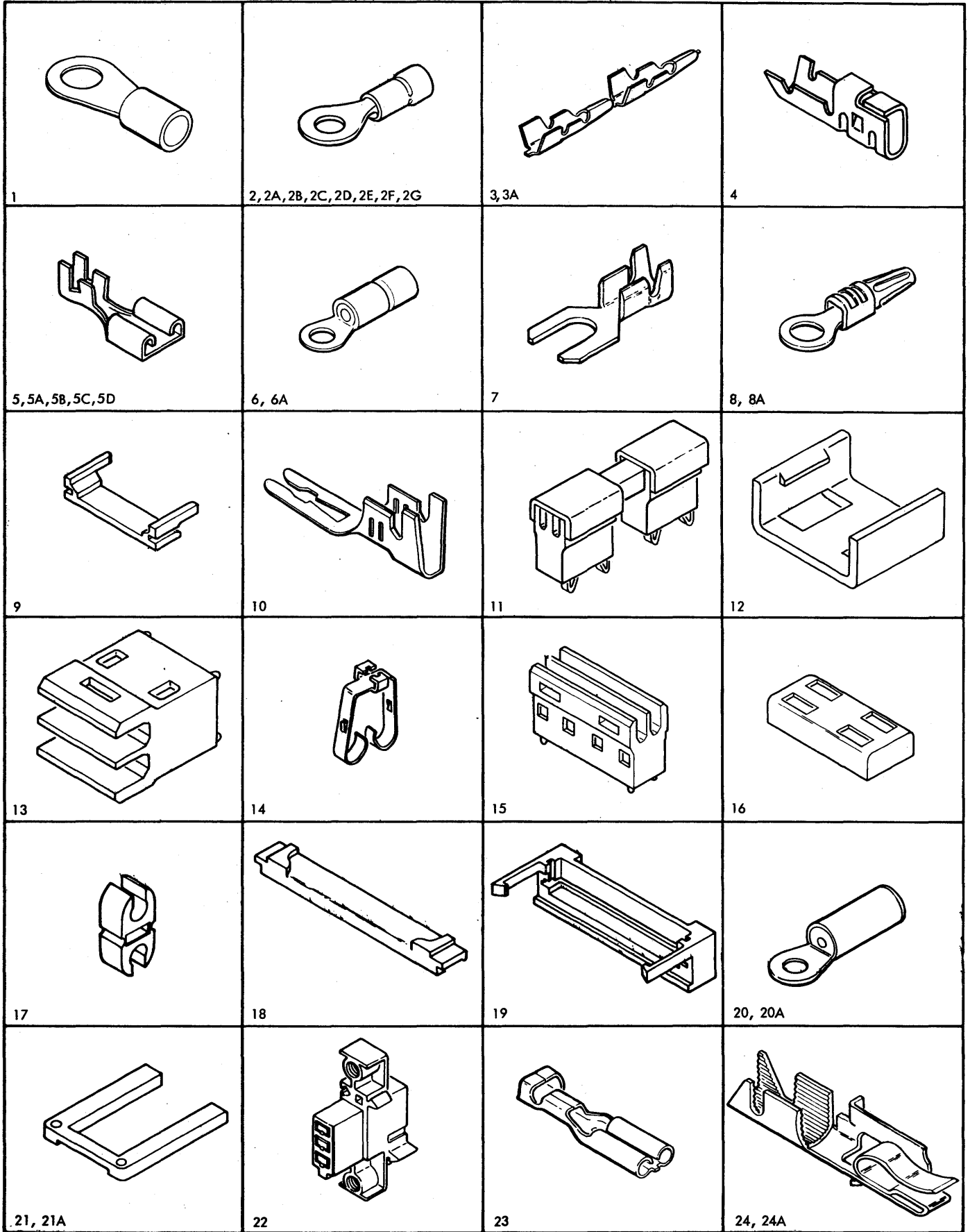


FIGURE 31. CABLE AND JUMPER ASM COMPONENT PARTS. SHEET 1 OF 3. INDEX NOS. 1 THRU 24A. SEE LIST 31.

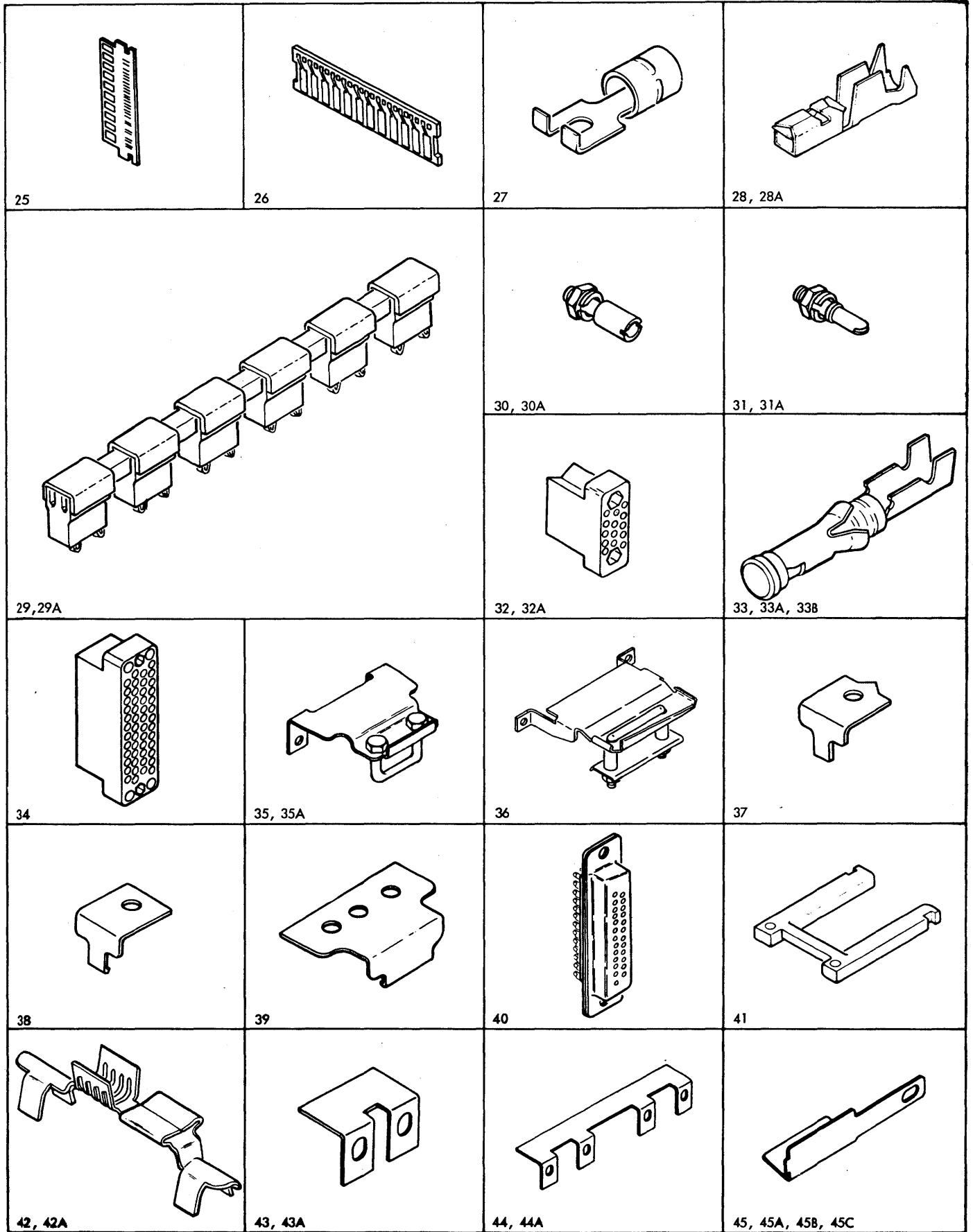


FIGURE 31. CABLE AND JUMPER ASM COMPONENT PARTS. SHEET 2 OF 3. INDEX NOS. 25 THRU 45C. SEE LIST 31.



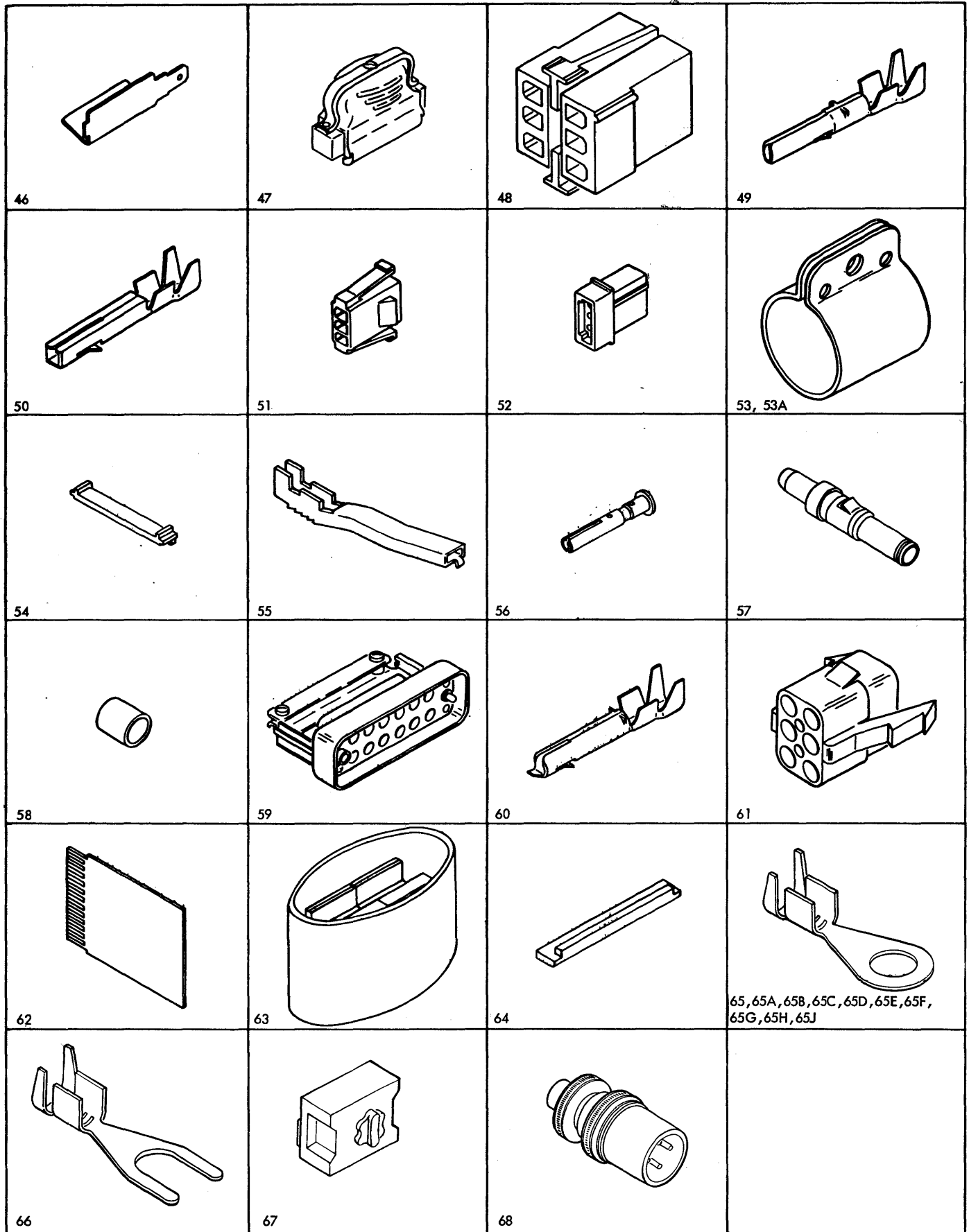


FIGURE 31. CABLE AND JUMPER ASM COMPONENT PARTS. SHEET 3 OF 3. INDEX NOS. 46 THRU 62. SEE LIST 31.

LIST AND INDEX NUMBER	PART NUMBER	DESCRIPTION				UNITS PER ASM.	USABLE ON CODE
		1	2	3	4		
31	NO NO.	CABLE AND JUMPER COMPONENT PARTS					
-							
- 1	92784	. TERMINAL,RING 22-18 AWG NO. 8 HOLE INS					
- 2	186968	. TERMINAL,RING 12-10 AWG NO. 8 HOLE INS					
- 2A	322025	. TERMINAL,RING 16-14 AWG NO. 12 HOLE INS					
- 2B	334768	. TERMINAL,RING 22-18 AWG NO. 12 HOLE INS					
- 2C	334910	. TERMINAL,RING 16-14 AWG NO. 6 HOLE INS					
- 2D	334921	. TERMINAL,RING 22-18 AWG NO. 6 HOLE INS					
- 2E	334932	. TERMINAL,RING 22-18 AWG NO. 10 HOLE INS					
- 2F	360370	. TERMINAL,RING 16-14 AWG NO. 8 HOLE INS					
- 2G	806715	. TERMINAL,RING 30-22 AWG NO. 8 HOLE INS					
- 3	187243	. TERMINAL,TAPER PIN 26-17 AWG 0.060 TAPER					
- 3A	360433	. TERMINAL,TAPER PIN 22-16 AWG					
- 4	216265	. TERMINAL,SLIP ON 24-20 AWG					
- 5	236915	. TERMINAL,SLIP ON 20-18 AWG					
- 5A	236916	. TERMINAL,SLIP ON 24-22 AWG					
- 5B	430798	. TERMINAL,RECEPTACLE WIRE 20-18 AWG					
- 5C	430799	. TERMINAL,SLIP ON 24-18 AWG					
- 5D	1127037	. TERMINAL,SLIP ON 18-14 AWG					
- 6	253740	. TERMINAL,RING 12-10 AWG NO. 6 HOLE INS					
- 6A	356705	. TERMINAL,RING 16-14 AWG NO. 8 HOLE INS					
- 7	313361	. TERMINAL,SPADE 24-20 AWG NO. 4 STUD					
- 8	359695	. TERMINAL,RING 16-14 AWG NO. 10 HOLE INS					
- 8A	186596	. TERMINAL,RING 14-16 AWG NO. 10 HOLE INS					
- 9	811802	. CARD GUIDE,6 PAC					
- 10	813194	. TERMINAL,SPADE 20-18 AWG					
- 11	813263	. BUS ASM,MINIATURE 2 POS					
- 12	813549	. CAP,MINIATURE BUS					
- 13	813550	. HOUSING,2 PIN GRN USES CAP PN 813549					
- 14	813681	. CONTACT					
- 15	813801	. HOUSING,VOLTAGE CROSSOVER					
- 16	813802	. CARD GUIDE,6 PAC					
- 17	817425	. BUS CONNECTOR					
- 18	818555	. CABLE SUPPORT,STRAIN RELIEF					
- 19	818556	. STRAIN RELIEF					
- 20	2101326	. TERMINAL,CLIP BARREL 12-10 AWG INS					
- 20A	2101327	. TERMINAL,LUG 12-10 AWG NO. 12 HOLE INS					
- 21	5352958	. STRAIN RELIEF					
- 21A	5352960	. STRAIN RELIEF COAX FOR 2-HI APPLICATION					
- 22	5353851	. HOUSING,CONNECTOR RECEPTICLE 3 POS					
- 23	5353852	. TERMINAL,SLIP ON 20-16 AWG					
- 24	5362301	. TERMINAL,26-22 AWG					
- 24A	5404480	. TERMINAL,20-18 AWG					
- 25	5800634	. CARD ASM					
- 26	5800700	. CARD ASM					
- 27	368222	. TERMINAL,SPADE 16-14 AWG NO. 8 STUD					
- 28	815934	. TERMINAL,SLIP ON 26-22 AWG					
- 28A	815933	. TERMINAL,SLIP ON 20-18 AWG					
- 29	813267	. BUS ASM,MINIATURE 6 POS					
- 29A	813271	. BUS ASM,MINIATURE 10 POS					
- 30	2122202	. SOCKET,GUIDE CENTER					
- 30A	2122735	. SOCKET,GUIDE CORNER 30 AND 50 POS CONN					
- 31	2122203	. PIN,GUIDE CENTER					
- 31A	2122734	. PIN,GUIDE CORNER 34 AND 50 POS CONN					
- 32	2122254	. CONNECTOR,MINIATURE 20 POS FEMALE					
- 32A	2122837	. CONNECTOR,MINIATURE 26 POS FEMALE					
- 33	2122259	. TERMINAL,RECEPTACLE 22-20 AWG					
- 33A	2122261	. TERMINAL,RECEPTACLE 18-16 AWG					
- 33B	2127890	. TERMINAL,SLIP ON 26-24 AWG					
- 34	2122472	. CONNECTOR,MINIATURE 50 POS FEMALE					
- 35	2122839	. CLAMP,STRAIN RELIEF 26 POS					
- 35A	2123032	. CLAMP,STRAIN RELIEF 20 POS					
- 36	2123034	. CLAMP,STRAIN RELIEF 50 POS					
- 37	2127985	. CATCH,LOCKING SPRING 14 AND 20 POS CONN					
- 38	2127987	. CATCH,SPRING LOCKING 20 POS CONN					
- 39	2127989	. CATCH,SPRING LOCKING 34 AND 50 POS CONN					
- 40	5302662	. CONNECTOR,MINIATURE 25 POS MALE					
- 41	5352967	. STRAIN RELIEF					
- 42	596255	. TERMINAL,SLIP ON 24-20					
- 42A	591047	. TERMINAL,SLIP-ON 18-16					
- 43	2590848	. JUMPER ASM 2 POS					
- 43A	2590856	. JUMPER ASM 2 POS					
- 44	2590850	. JUMPER ASM 4 POS					
- 44A	2590858	. JUMPER ASM 4 POS					
- 45	5805875	. TERMINAL,FLAT WIRE NO. 6 STUD					
- 45A	5805876	. TERMINAL,FLAT WIRE NO. 8 STUD					
- 45B	5805877	. TERMINAL,FLAT WIRE NO. 10 STUD					



PART NO.	DESCRIPTION	ROUTING
2454633	CABLE ASM, PEC DC LOGIC -4V	PEC TB3, BRP2 01 & 02
2454634	CABLE ASM, PEC-MFCU DC PWR 24V & 60V	PEC TB3, MFCU TB4
2454575	CABLE ASM, LLB TO 01B-B3 USED ON MACHINES WITH MLTA FEATURE	LLB, 01B-B3
2454581	CABLE ASM, LINE ADAPTER-EXTERNAL USED ON MACHINES WITH MLTA FEATURE	01C-A1, LINE A, LINE B
2454582	CABLE ASM, ACU TO ADAPTER USED ON MACHINES WITH MLTA FEATURE	ACU TO ADAPTER
2454586	CABLE ASM, MLTA INDICATOR USED ON MACHINES WITH MLTA FEATURE	GATE B BOARD B4, 7.25V DISTRIBUTION, INDICATOR PANEL
2454588	CABLE ASM, DATA SET TWO USED ON MACHINES WITH MLTA FEATURE	DATA SETS, 01C-A1
2454840	CABLE ASM -+6, +12, -12 TO 01B-B4 USED ON MACHINES WITH MLTA FEATURE	+6, +12, -12, 01B-B4
2454849	CABLE ASM, 12V POWER SUPPLY OUTPUT USED ON MACHINES WITH MLTA FEATURE	12V P/S TB1, B-GATE LOWER LAMINAR BUS
2454892	CABLE ASM, -12V POWER SUPPLY (BSCA)	-12V SUPPLY-TB1, RPTB1&2, TB2 BULK SUPPLY #1
2454893	CABLE ASM, BULK-B GATE #3 PS	PRIMARY CONTROL BOX RPTB1, #2 PS, LOWER LAMINAR BUS, -4V REG, #3 PS
2454894	CABLE ASM, AC DIST #2 PS TO #3 PS	#2 PS TB1, #3 PS TB1
2454991	CABLE ASM, 32K BSM D.C. DIST	32K BSM D.C. DIST
2545629	CABLE ASM, FILTER CAPACITOR USED ON MACHINES WITH MLTA FEATURE	FILTER CAPACITORS, B-GATE LOWER LAMINAR BUS
2588012	CABLE ASM, HALT INDICATOR P1-FLAT	INDICATOR SOCKET P-1, SOCKET A-B2V4
2588013	CABLE ASM, DRUM INDICATORS	ROTARY DRUM INDICATORS, SOCKET A-B2V5
2588014	CABLE ASM, MACHINE CYCLE INDICATORS	MACHINE CYCLE INDICATORS, SOCKET A-B3U2
2588015	CABLE ASM, CLOCK INDICATORS-FLAT	CLOCK INDICATORS, I/O CHECK, ADDR COMP, SOCKET A-B3V2
2588016	CABLE ASM, CONSOLE BIT SWITCHES-FLAT	CONSOLE BIT SWITCHES, SOCKET A-B2V3
2588017	CABLE ASM, CE MODE AND TOGGLE SWITCHES-FLAT	CE MODE SELECTOR, SOCKET A-B3V3
2588018	CABLE ASM, DRUM SWITCH-FLAT	DRUM SWITCH, I-P, I-O, SOCKET A-B2U5
2588019	CABLE ASM, OPERATOR CONTROL AND LSR SELECT-FLAT	LSR SELECTOR SWITCH, CE KEY SWITCH POST NO.2, CE KEY SWITCH NO.1, PROC NO.2 CHECK, I/O ATTN NO.1, STOP NO.2 LAMP, OPERATOR CONTROLS, SOCKET A-B3V4
2588020	CABLE ASM, MFCU INDICATORS 1-FLAT	SOCKET M-B1B2, SOCKET A-A3V4
2588021	CABLE ASM, MFCU INDICATORS 2-FLAT	SOCKET M-B1B3, SOCKET A-A3V5
2588022	CABLE ASM, MFCU SWITCHES-FLAT	SOCKET M-B1C, SOCKET A-A3V3
2588023	CABLE ASM, PRINTER OPERATOR CTRLS	SOCKET P-A1A2, SOCKET A-B1V5
2588026	CABLE ASM, AC LAMP DISTRIBUTION USED ON MACHINES WITHOUT EC 816683	CPU GATE A, METER POWER PACK, 7.25 VAC DISTRIBUTION TB
2588028	CABLE ASM, FEATURE PUNCH AND PRINT	SOCKET M-B1A3, SOCKET A-A3A2
2588029	CABLE ASM, HALF AMP CONTROL MAGNETS	SOCKET M-B1F5, SOCKET A-A3A3
2588030	CABLE ASM, 3 AMP CONTROL AND 8 PRINT	SOCKET M-B1A2, SOCKET A-A3A4
2588031	CABLE ASM, 18 PUNCH MAG CONTROL	SOCKET M-B1D5, SOCKET A-A3A5

FIGURE 32. CABLE PART NUMBERS AND ROUTING

PART NO.	DESCRIPTION	ROUTING
2588032	CABLE ASM, HALF INDICATOR P2	INDICATOR SOCKET P-2, SOCKET A-B2V4
2588033	CABLE ASM, DUAL PROGRAM CONTROL	SOCKET A-B3V5, HALT RESET SW P2, PROCESS LAMP P2, DUAL PROGRAM CONTROLS, INTERRUPT SW & LAMP, HALT RESET SW P1, PROCESS LAMP P1
2588035	CABLE ASM, PRIMARY GATE, BR PLATE TO UPPER LAM BUS	BRPL 01 & 02, UPPER LAMINAR BUS
2588041	CABLE ASM, CPU AND PRINTER BOARDS	+6, CPU, PRINTER BOARDS
2588042	CABLE ASM, +6 TO MFCU BOARD	GATE A-BOARD A3, +6
2588045	CABLE ASM, MEMORY D.C. DISTRIBUTION	MEMORY BOARD, VOLTAGE BUS
2588047	CABLE ASM, SEQUENCE-LOW VOLTAGE USED ON MACHINES WITHOUT EC 816683	POWER ON RESET, POWER ON SW, LAMP TEST SW, THERMAL LAMP, POWER CHECK LAMP, CUSTOMER USE METER, CE SW, CHECK RESET, CE USE METER, EPO SW, GATE THERMAL COL B, GATE THERMAL COL A, USE METER POWER PAC, 7.25 VAC DIST TB, REGULATOR THERMAL, REMOTE SENSE BRASS PLATE, REMOTE SENSE -30V CAP, MEMORY THERMISTOR, -4V, BULK SUPPLY NO. 1, BULK THERMAL, -4V UNDERVOLT CNTL CARD ASM SOCKET, TPB1, TPB2, TPB3, TPB4, TPB5, TPB6, TPB7
2588048	CABLE ASM, CPU SEC PWR 60 HZ USED ON MACHINES WITHOUT EC 816683	USE METER POWER PAC, GATE A BLOWER, REGULATOR BLOWER, BULK TRANSFORMER, SEQUENCE BOS TB3, 7.25 VOLT PS TB
2588061	CABLE ASM, BSCA INDICATORS	BSCA INDICATORS, SOCKET 01B-A2A2
2588062	CABLE ASM, BSCA	BSCA INDICATORS, SOCKET 01B-A2B2
2588066	CABLE ASM, +6 JUMPER	+6 JUMPER
2588067	CABLE ASM, AC LAMP DIST C I/O AND KEYBOARD	7.25 VAC DIST TB, GATE A-BOARD B2
2588068	CABLE ASM, +6, -12 TO BSCA	GATE B-BOARD A2, BUS ASM +6, BUS ASM -12
2588069	CABLE ASM, AC LAMP DIST BSCA	GATE B-BOARD A2, 7.25 VAC DIST TB
2588077	CABLE ASM, #2 PWR SPLY TO B GATE USED ON MACHINES WITHOUT EC 816683	B GATE, -4V REGULATOR #2 PWR SPLY, #2 PWR SPLY, PRIMARY CONTROL BOX
2588078	CABLE ASM, #2 PWR SPLY AC POWER	SEQUENCE TB3, COMMON SYSTEM GROUND, B GATE-BLOWER, PWR SPLY
2588080	CABLE ASM, FILE CONTROL	WRITE INHIBIT SW, TPB10, IPL SEL SW, TPB11, DISK DRIVE 1 START/STOP SW, DISK DRIVE 1 READY LIGHT, DISK DRIVE 1 READY LIGHT, DISK DRIVE 1 OPEN LIGHT, DISK DRIVE 2 OPEN LIGHT, DISK DRIVE 2 OPEN LIGHT, DISK DRIVE 2 READY LIGHT, DISK DRIVE 2 START/STOP SW, SOCKET A-A2B3
2588081	CABLE ASM, AC LAMP (FILE)	7.25 VAC DIST TB, A2B2
2588082	CABLE ASM, +6 JUMPER FILE	01A-A2D2, 01A-A2
2588085	CABLE ASM, CPU SEC PWR 50 HZ USED ON MACHINES WITHOUT EC 816683	USE METER PWR PAC, GND PLATE, GATE A BLOWER, REGULATOR BLOWER, TB1 BULK TRANSFORMER, SEQUENCE BOX TB3, 7.25 VOLT PS TB
2588212	CABLE ASM, PRINTER DC LOGIC VOLTAGE	PEB-TB2, BRPL 03, BRPL 02, BRPL 03
2588213	CABLE ASM, REG TO BULK POWER SUPPLY	-4V, +6V & -30V REGULATORS, BULK PS NO. 1
2588214	CABLE ASM, REGULATORS TO BRPL	-4V, +6V & -30V REGULATORS, LOWER LAMINAR BUS A-GATE, BRPL 01, 02 & 03
2588215	CABLE ASM, A-GATE BRPL TO UPPER LAM BUS 1	UPPER LAMINAR BUS A-GATE, BRPL 01, 02 & 03
2588216	CABLE ASM, BRPL TO LOWER LAM BUS-A-GATE	LOWER LAMINAR BUS A-GATE, BRPL 01 & 02
2588217	CABLE ASM, LAMINAR BUS JUMPER	A-GATE LOWER LAMINAR BUS, A-GATE UPPER LAMINAR BUS
2588218	CABLE ASM, BRPL TO BULK AND ADD ON REG	-4V ADD-ON REGULATOR, BULK SUPPLY PS NO. 1, BRPL 01 & 02

FIGURE 32. CABLE PART NUMBERS AND ROUTING

PART NO.	DESCRIPTION	ROUTING
2588219	CABLE ASM,A-GATE BRPL TO UPPER LAM BUS II	UPPER LAMINAR BUS A-GATE,BRPL 01 & 02
2588220	CABLE ASM,#2 P/S TO B-GATE,UPPER LAM BUS	#2 P/S,BRPL 03,UPPER LAM BUS B-GATE
2588221	CABLE ASM,A-GATE ULB TO G-GATE ULB	UPPER LAM BUS A-GATE,UPPER LAM BUS B-GATE
2588222	CABLE ASM,MFCU-DC POWER 24V & 60V	MFCU TB4,BRPL 01,PRINTER PCBTB4
2588223	CABLE ASM,MFCU DC LOGIC VOLTAGE	MFCU TB3,BRPL 01,02 & 03
2588226	CABLE ASM,(FLAT WIRE) MFCU-DC POWER	PSTB4,PCBTB4
2588227	CABLE ASM,(FLAT WIRE) MFCU DC LOGIC	TB3 @ MFCU,BRPL 01,02 & 03
2588241	CABLE ASM,BULK-B GATE #3 PS FIELD USE	PRIMARY CONTROL BOX,TPB19 #2 PS,LOWER LAMINAR BUS,-4V REG,#3 PS
2588295	CABLE ASM,5444 ATTACH-CONSOLE TO DISK USED ON MACHINES WITHOUT EC 818980	START/STOP SW-DISK DRIVE 1 & 2,TPB11,LOWER LAMINAR BUS GATE A,CONN CF-1
2588571	CABLE ASM,5444 ATTACH-CONSOLE TO DISK USED ON MACHINES WITH EC 818980	CONN CF-1,USE METER CARD,LOWER LAMINAR BUS GATE A,TPB11,START/STOP SW DISK DRIVE 1,START/STOP SW DISK DRIVE 2
2588316	CABLE ASM,+24V FUSING	TB1 IN PAN,FUSE
2588342	CABLE ASM,AC OUTLET	TERM GND 4,K9A-1 & 2
2588370	CABLE ASM,PRIMARY CONTROL BOX	TEST POINTS,CONTACTOR K1,TPB19,TPB1,TPB7
2588383	CABLE ASM,BULK SUPPLY TO RELAY K9A-1-OP USED ON MACHINES WITHOUT EC 816750	BULK TRANSFORMER TB1,SF6
2454981	CABLE ASM,BULK SUPPLY TO RELAY K9A-1-OP-50 CYCLE USED ON MACHINES WITH EC 816750	BULK TRANSFORMER TB1,SF6
2588675	CABLE ASM,POWER SERVICE-50 HZ-UK	RF FILTER LINE SIDE
2588676	CABLE ASM,POWER SERVICE-50 HZ-UK	RF FILTER LINE SIDE
2588677	CABLE ASM,POWER SERVICE-50 HZ-UK	RF FILTER LINE SIDE
2588688	CABLE ASM,AC LAMP DISTRIBUTION	7.25 VAC DIST TB,USE METER CARD,A3V4,A3V5,BUS ASM,B2S4,CPU GATE A
2588689	CABLE ASM,METER CARD TO MFCU	MFCU TB6,MFCU TB4,USAGE METER CARD
2588690	CABLE ASM,SEQ. LOW VOLTAGE	30V REG,6V REG,BULK SUPPLY NO.1,4V REG,-4V UNDERVOLTAGE CONTROL CARD,REG THERMAL,RBTB1,SF5 (SEQ. BOX),C1 (SEQ. BOX),USE METER CARD,BULK THERMAL,7.25 VAC DIST TB,-30V CAPACITOR,MEMORY THERMISTOR,REMOTE SENSE BRASS PLATE,METER CASE GND,POWER ON SW,LAMP TEST SW,LAMPS,THERMAL POWER CHK,CUSTOMER USE METER,CE USE METER,CE SWITCH,EPO SWITCH,GATE THERMAL
2588691	CABLE ASM,AC TO A-GATE & REG BLOWER	PRIMARY PWR CONTROL BOX TB3,#1 BULK TRANSFORMER TB1,REG BLOWER,SYSTEM GND,GATE A-BLOWER
2588692	CABLE ASM,#2 PWR SPLY TO B GATE	#2 PWR SPLY,TPB12,13 & 14,-4V REG #2 PWR SPLY,RPTB1 & 2,GATE B THERMALS,B GATE UPPER LAM BUS
2588693	CABLE ASM,PRIMARY PWR BOX TO JB1	J1,COIL B,K3,K9,K1,SF5,RBTB1,JB1
2588694	CABLE ASM,AC TO A GATE AND REG BLOWER-50 CYCLE USED ON MACHINES WITH EC 816683	PRIMARY PWR BOX TB3,BULK PWR SUPPLY TRANSFORMER,REG BLOWER,SYS GRD,GATE A BLOWER
2588695	CABLE ASM,PRIMARY PWR CONT BOX-50 CYCLE USED ON MACHINES WITH EC 816683	CONVENIENCE OUTLET,SYS FUSES SF1,SF2,SF3 & SF5,CB1,TB2,TB3,LINE FILTERS,K9,K3,TB1,C1,K1,HS1,K98,USAGE METER CARD,I/O PWR,TB4
2588696	CABLE ASM,7.25V PWR SPLY TO CONTROL BOX	7.25 PWR SPLY TB,K9B,CPU TB1

FIGURE 32. CABLE PART NUMBERS AND ROUTING

PART NO.	DESCRIPTION	ROUTING
2588697	CABLE ASM, RELAY PANEL REG-CONSOLE	POWER ON RESET (TPB-9), PWR ON SW, LAMP TEST SW, LAMPS, THERMAL PWR CHK, CHK RESET SW, EPO SW, GATE THERMAL COL A, 30V REG, 6V REG, 4V REG, -4V UV DETECTION CARD, SOCKET JB1
2588698	CABLE ASM, PRIMARY POWER BOX HARNESS-60 HZ	CONVENIENCE OUTLET, SF1&2, SF3&5, CB1, TB2&3, LINE FILTERS, K3, K9, TB1, C1, K1, USAGE METER CARD, TB4, I/O PWR CONN, K9B, HS1, C1
2590252	CABLE ASM, MAIN LINE C.B. TO AUTO TFMR	PRIMARY CONTROL BOX CB1, AUTO TRANSFORMER TB1
2590253	CABLE ASM, AUTO TFMR TO PCBTB2	PRIMARY CONTROL BOX TB2, AUTO TRANSFORMER TB1
2590284	CABLE ASM, PRIMARY CONTROL BOX USED ON MACHINES WITHOUT EC 816683	C1, K3, K9, TP1-TP14, TPB19, TPB8, TPB1-TPB7, J1 CONNECTOR
2590382	CABLE ASM, SIOC INDICATOR	7.25V DIST, GATE A-BOARD A1
2590290	CABLE ASM, CIO AC POWER	LOWER OUTLET J4, CPU GND PLATE, TB1 IN PAN
2590387	CABLE ASM, CIO KEYBOARD & PRINTER	20 PIN CONN, 50 PIN CONN, SOCKET A-B2V2
2590388	CABLE ASM, CIO +24V	TB1 IN PAN, TERM TB4 +24V & GND
2590391	CABLE ASM, SWITCH AND LIGHT	26 PIN CONN, SOCKET A-B2U3
2590392	CABLE ASM, KBD +24 VOLTS	KBD TB15MS CONN
2590405	CABLE ASM, CIO-TXPD TO DRIVER	CONSOLE I/O B SOCKET IN PAN, SOCKET A-B2U2
2590414	CABLE ASM, SW AND LIGHT PANEL-KBD	KEYBOARD SW AND LIGHT SOCKET, SOCKET A-B2U3
2590415	CABLE ASM, COLUMN INDICATOR-KBD	KBD COLUMN INDICATOR SOCKET, SOCKET A-B2T3
2590509	CABLE ASM, EPO SWITCH-SIOC	EPO SWITCH, 192 PIN I/O CONN
2590514	CABLE ASM, SIOC-I/O #1	SIOC-I/O CONNECTOR, A-A1B4
2590515	CABLE ASM, SIOC-I/O #3	SIOC-I/O CONNECTOR, A-A1B5
2590516	CABLE ASM, SIOC-I/O #2	SIOC-I/O CONNECTOR, A-A1A4
2590517	CABLE ASM, SIOC-I/O #4	SIOC-I/O CONNECTOR, A-A1A5
2590800	CABLE ASM, DATA SET TO ADAPTER (MED SPEED)	01B, A2A3, SYS GRD, DATA SET
2590802	CABLE ASM, ACU TO ADAPTER	01B, A2A5, SYS GRD, ACU
2590803	CABLE ASM, -12V P/S INPUT USED ON MACHINES WITHOUT EC 816683	-12V SUPPLY, PRIMARY CONTROL BOX, BULK P/S ASM
2590804	CABLE ASM, -12 P/S OUTPUT	-12V SUPPLY, LAMINATED VOLTAGE BUS
2590805	CABLE ASM, LOCAL TEST (BSCA)	LOCAL TEST, B-A2L4
2590806	CABLE ASM, RATE SELECT (BSCA)	BPS SWITCH, B-A2L5
2590807	CABLE ASM, DATA SET (HIGH SPEED) TO ADAPTER	DATA SET, ADAPTER
7369321	CABLE ASM, #3 PS TO B GATE LOWER LAMINAR BUS	-4V REG #3 PS, B-GATE LOWER LAMINAR BUS
7369580	CABLE ASM, #1 BULK PS TO PRELOAD	BULK PS #1 TB3, PRELOAD RESISTORS
7369581	CABLE ASM, AC TO AUXILIARY 6V PS	PRIMARY POWER BOX TB3, AUXILIARY 6V PS
7369582	CABLE ASM, BIAS AUX 6V PS TO 6V REG	AUXILIARY 6V PS TB1, 6V REG E9 & E10
7369586	CABLE ASM, 6V REG TO AUX 6V PS	AUXILIARY 6V PS TB1, 6V REG E1 & E2
7369643	CABLE ASM, LAMINAR BUS JUMPER B-GATE	B-GATE LOWER LAMINAR BUS, B-GATE UPPER LAMINAR BUS

FIGURE 32. CABLE PART NUMBERS AND ROUTING

LIST AND INDEX NUMBER	PART NUMBER	DESCRIPTION				UNITS PER ASM.	USABLE ON CODE
		1	2	3	4		
33 -		ATTACHING PARTS					
-201	99	. SCREW,MACH-FL CSK HD 10-32 X 3/8 LG					
-202	266	. SCREW,MACH FIL HD 10-32 X 1 LG					
-203	337	. SCREW,MACH-FIL H 8-32 X 3/8 LG					
-204	358	. SCREW,MACH-FIL H 10-32 X 3/4 LG					
-205	360	. SCREW,MACH-BIND HD 10-32 X 9/16 LG					
-205A	2179	. SCREW,MACH FL HD 8-32 X 5/8 LG					
-205B	453	. WASHER,FLAT 3/8 X 13/16 OD X 1/16 THK					
-206	2903	. WASHER,FL-NO. 6 X 1/2 OD X 1/32 THK					
-207	3550	. WASHER,FLAT 1/4 X 9/16 OD X 0.050 THK					
-208	3960	. NUT,PLAIN,HEX-1/4-20 X 7/16 FL W					
-209	5471	. SCREW,HEX HD SLOTTED 5/16-18 X 3/4 LG					
-210	5528	. SCREW,MACH BIND HD 8-32 X 0.625 LG					
-211	5677	. SCREW,MACH-BIND HD 10-32 X 3/4 LG					
-212	6364	. WASHER,LOCK-SPLIT NO. 6 X 1/4 OD					
-213	6444	. WASHER FLAT 0.166 ID X 3/8 OD X 3/32 THK					
-213A	6935	. WACHER,LOCK-SPLIT 1/4 ID X .493 OD					
-214	8506	. NUT,HEX 3-48					
-215	9092	. WASHER-LOCK,SPLIT RING, 0.194 ID 0.337OD					
-216	10170	. SCREW,MACH-BIND HD NO. 6-32 X 0.250 LG					
-217	11598	. NUT,PLAIN HEX 10-32					
-218	19944	. SCREW,MACH-BIND HD 8-32 X 3/4 LG					
-219	22478	. WASHER,FL- 0.170 ID 0.375 OD 0.032 THK					
-220	23141	. WASHER, FL-NO. 10 X 9/16 OD X 1/16 THK					
-221	25627	. SCREW,MACH-BIND HD 8-32 X 1/2 LG					
-222	25891	. SCREW,MACH-FL CSK HD 10-32 X 1/2 LG					
-223	28413	. SCREW,MACH-BIND HD 10-32 X 5/16 LG					
-224	32042	. SCREW,MACH-BIND HD 10-32 X 3/8 LG					
-224A	36776	. NUT					
-224B	36844	. SCREW,CAP SLOT HD 1/4-20 X 1/2 LG					
-224C	36109	. NUT,HEX-1/4-20 X 7/16 FL W					
-225	32617	. SCREW,MACH-BIND HD 10-32 NF X 0.4375 LG					
-226	34512	. SCREW,BIND-HD 8-32 X 0.375 LG					
-227	35739	. SCREW,MACH-BIND HD 6-32 X 7/16 LG					
-228	37913	. NUT,HEX 4-40 NC					
-228A	38051	. NUT,JAM 6-32 X 0.098 THK					
-229	38094	. SCREW					
-229A	38214	. NUT					
-230	38235	. SCREW,MACH 6-32 X 0.310 LG					
-231	38266	. SCREW,MACH-FIL HD 4-40 X 1/2 LG					
-232	38269	. SCREW,MACH-FIL HD 4-40 X 1 LG					
-233	38352	. SCREW,MACH-FIL HD 6-32 X 3/8 LG					
-233A	38353	. SCREW,MACH FIL HD 6-32 X 7/16 LG					
-233B	38442	. SCREW,MACH FL CSK HD 6-32 X 1/4 LG					
-233C	38686	. SCREW,MACH HEX HD 1/4-20 X 1/2 LG					
-233D	38457	. SCREW					
-233E	38354	. SCREW					
-233F	38350	. SCREW					
-234	45642	. WASHER,FL NO. 6 X 11/32 OD X 0.040 THK					
-234A	45652	. WASHER					
-235	45677	. WASHER,FLAT 5/32 ID					
-236	45690	. WASHER,FL - NO. 10 X 7/16 OD X 1/32 THK					
-236A	47987	. NUT,PLAIN HEX 2-56 X 3/16 FL W					
-237	52580	. SCREW,MACH-FLAT CTSK HD 10-32 X 3/4 LG					
-238	55711	. SCREW,MACH-HEX HD 10-32 X 9/16 LG					
-238B	5372858	. SCREW					
-239	55726	. SCREW,MACH-BIND HD 6-32 X 0.1875 LG					
-240	55901	. WASHER,LOCK-EXT TEETH 0.168 ID 0.381 OD					
-241	55918	. SCREW,MACH-BIND HD 10-32 X 5/8 LG					
-242	56079	. WASHER,LOCK-EXT T 0.195 ID 0.410 OD					
-242A	56121	. WASHER,LOCK-INT T NO. 10 X 0.381 OD					
-243	56722	. WASHER,LOCK-EXT T 0.141 ID					
-244	58207	. SCREW,MACH-BIND HD 8-32 X 1/4 LG					
-245	60646	. WASHER,LOCK INT T NO. 8 X 0.340 OD					
-246	65756	. WASHER,LOCK-INT TEETH 1/4 ID X .478 OD					
-247	76574	. LOCKWASHER,EXT TOOTH 1/4 ID					
-248	79778	. SCREW,SELF TAP 6-32 X 5/16 LG					
-248A	80650	. SCREW,THD CTG-BIND HD NO. 6 X 3/16 LG					
-248B	79779	. SCREW					
-249	80651	. SCREW,THD CTG-BIND HD 6-32 X 3/8 LG					
-250	81693	. SCREW,MACH-BIND HD 6-32 X 3/8 LG					
-251	91610	. SCREW,THD CTG-BD HD NO. 6 X 1/2 LG					
-252	92050	. SCREW,SELF TAP BIND HD NO. 10 X 3/4 LG					
-252A	110775	. SCREW					
-253	113305	. SCREW,MACH-HEX HD 8-32 X 9/16 LG					



LIST AND INDEX NUMBER	PART NUMBER	DESCRIPTION				UNITS PER ASM.	USABLE ON CODE
		1	2	3	4		
		ATTACHING PARTS- CONT					
33 -254	120789	. WASHER,FLAT NO. 10 X 3/4 OD X 0.046 THK					
-255	125930	. NUT,PLAIN-HEX 10-32					
-256	130434	. SCREW,MACH-SLOT HEX HD 10-32 X 0.37 LG					
-256A	131713	. WASHER					
-256B	160017	. NUT,PLAIN HEX 1/4-28 X 7/16 FW					
-257	161351	. WASHER,PLAIN 0.330 ID 0.625 OD 0.050 THK					
-258	171049	. SCREW,MACH-HEX HD 5/16-18 X 5/8 LG					
-259	179966	. WASHER,EXT TOOTH LOCK 5/16					
-260	180894	. SCREW,HEX HD 1/4-20 X 3/8 LG					
-260A	186758	. SCREW,MACH-BIND HD 8-32 X 7/16 LG					
-261	186759	. SCREW,MACH-BIND HD 8-32 X 5/16 LG					
-261A	210984	. SCREW,MACH RD HD 6-32 X 1/4 LG					
-261B	196299	. SCREW,MACH BIND HD 5-40 X 1/2 LG					
-262	216128	. NUT HEX ELASTIC STOP 4-40					
-263	216323	. NUT DRESS					
-264	221790	. SCREW,MACH-BIND HD 8-32 X 3/16 LG					
-264A	236550	. SCREW,MACH BIND HD 4-40 X 3/8 LG					
-265	236849	. SCREW,MACH-BIND HD 10-32 X 1/4 LG					
-266	250525	. SCREW,MACH-BIND HD 10-32 X 3/16 LG					
-267	251970	. SCREW,MACH-BIND HD 4-40 X 1/4 LG					
-267A	255629	. SCREW,THD CTG-CSK HD NO. 6 X 1/2 LG					
-268	257187	. NUT,HEX NO. 6-32 NC					
-269	257189	. NUT,HEX 8-32 UNC THD					
-270	257956	. SETSCREW,SPLINE DP FP 4-40 X 1/8 LG					
-271	257965	. SETSCREW,CUP POINT 4-40 X 3/8 LG					
-272	257968	. SCREW,SET HDLS FLAT PT 6-32 X 1/8 LG					
-273	257984	. WASHER,LOCK-SPLIT 0.115 ID X 0.212 OD					
-274	257985	. WASHER,PLAIN 0.125 ID 0.250 OD					
-275	257986	. WASHER,FLAT 0.156 ID 0.312 OD X 0.035 TH					
-276	285620	. WASHER					
-277	311699	. NUT AND LOCKWASHER 6-32					
-277A	321483	. SCREW,MACH BIND HD 8-32 X 1 LG					
-278	322029	. SCREW,MACH-BIND HD 1/4-20 X 1/2 LG					
-279	322065	. SCREW,MACH-BIND HD 6-32 X 5/8 LG					
-280	322550	. SCREW,MACH-BIND HD 6-32 X 1/2 LG					
-281	322551	. SCREW,MACH-BIND HD 6-32 X 3/4 LG					
-282	322566	. SCREW,MACH-BIND HD 10-32 X 1/2 LG BRASS					
-282A	322572	. WASHER,LOCK					
-283	332560	. SCREW,MACH-SOC HD CAP 8-32 X 1-1/4 LG					
-284	332620	. SCREW,MACH-BIND HD 10-32 X 1/2 LG					
-285	333769	. WASHER					
-286	338238	. SCREW,MACH-BIND HD 4-40 NC X 0.312 LG					
-286A	365775	. SCREW					
-287	344015	. NUT,SELF LOCK-HEX 6-32 X 5/16 FL WASH					
-288	438542	. SCREW,MACH-BIND HD 2-56 X 1/2 LG					
-289	438548	. SCREW,MACH BIND HD 4-40 X 3/16 LG					
-290	438549	. SCREW,MACH-BIND HD 4-40 X 7/16 LG					
-290A	438550	. SCREW,MACH UNDRCT BIND HD 4-40 XX 1 1/4 LG					
-291	438551	. SCREW,MACH-BIND HD 4-40 X 5/8 LG					
-292	438554	. SCREW,MACH-BIND HD 4-40 X 1 LG					
-292A	438556	. SCREW,MACH UNDRCT BIND HD 4-40 X 1 1/2 LG					
-292B	438558	. SCREW					
-293	438567	. SCREW,MACH BIND HD UNDRCT 6-32 X 1.0 LG					
-293A	438588	. SCREW,MACH BIND HD 8-32 X 1-1/4 LG					
-293B	438589	. SCREW,MACH-BIND HD 8-32 X 1-1/2 LG					
-293C	438586	. SCREW,MACH-UNDRCT BIND HD 8-32 X 7/8 LG					
-294	438601	. SCREW,MACH-UNDRCT BIND HD 10-32 X 7/8 LG					
-294A	438606	. SCREW,MACH-FL CSK HD 10-32 X 1-1/8 LG					
-295	438622	. SCREW,MACH-BIND HD 1/4-20 X 3/8 LG					
-296	512508	. SCREW,MACH-FL HD 6-32 X 0.417 LG					
-297	600395	. WASHER,FL 13164 ID 3/4 OD 3/32 THK					
-298	600960	. NUT,LOCK-NO. 8-32					
-299	601093	. SCREW,THD FORMING 8-32 X 3/8 LG					
-300	601185	. SCREW,THD FORMING 10-16 X 1/2 LG					
-300A	602291	. SPACER					
-301	602721	. NUT,LOCK-NO. 10-32					
-301A	651684	. NUT					
-302	731627	. SCREW,SELF TAP PAN HD 6-32 X 3/4 LG					
-303	734483	. SCREW					
-304	811417	. SCREW					
-305	811426	. SCREW,THD FORMING 6-32 X 3/8 LG					
-305A	813179	. SPACER					
-306	815039	. WASHER,PLAIN 1/8 ID					
-307	815151	. SCREW,MACH-BIND HD 8-32 X 3/8 LG					
-308	815173	. SCREW,SOC HD 8-32 X 1 1/4 LG					
-309	1090873	. WASHER,LOCK-SPLIT 3/16 ID X 5/16 OD					





## NUMERICAL INDEX

PART NO.	LIST AND INDEX NO.	PART NO.	LIST AND INDEX NO.	PART NO.	LIST AND INDEX NO.	PART NO.	LIST AND INDEX NO.
99	33 -201	56079	33 -242	132771	28 - 29	222092	27 - 25
266	33 -202	56121	33 -242A	138755	21 - 67	222092	28 - 31
337	33 -203	56722	33 -243	138755	21A- 74	227379	5A- 15
358	33 -204	57100	5A- 14	150735	5G- 36	236550	5B- 5
360	33 -205	57100	6 - 2	160017	33 -256B	236550	33 -264A
453	33 -205B	58207	5G- 67	161351	33 -257	236849	14 - 36
2179	33 -205A	58207	5G- 86A	165010	5B- 7	236849	33 -265
2903	33 -206	58207	5G- 99	165010	9 - 2	236915	31 - 5
3550	33 -207	58207	33 -244	165010	10 - 17	236916	31 - 5A
3960	33 -208	58852	5G- 88	165010	11 - 12	237455	25 - 29
5471	33 -209	58852	5H- 41	165010	12 - 9	246463	21 - 87
5526	33 -210	60646	33 -245	165010	13 - 10	246463	21A- 60
5677	33 -211	62955	5A- 18	171049	33 -258	250525	33 -266
6364	33 -212	62955	5G- 54	173706	21 - 82	251970	33 -267
6444	33 -213	65317	21A-103	173706	21A- 75	252590	21 - 47
6935	33 -213A	65756	33 -246	179744	5B- 14	253740	31 - 6
6935	33 -332	73430	15 - 33	179946	6 - 11	255629	33 -267A
8506	33 -214	73430	17 - 24	179946	6A- 5	257079	19 - 6
9092	33 -215	76574	33 -247	179946	19A- 10	257080	19 - 7
10170	5G- 69	79778	33 -248	179946	20 - 10	257080	21 - 49
10170	33 -216	79779	33 -248B	179946	21 - 52	257080	21A- 52A
11598	33 -217	80650	33 -248A	179946	21A- 48	257080	22 - 14
19944	5A- 17	80651	33 -249	179946	22 - 16	257080	23 - 40
19944	33 -218	81693	5G- 48	179946	22A- 37	257187	5A- 4
22478	5A- 11	81693	5G- 59	179946	23 - 42	257187	5A- 10
22478	33 -219	81693	5G- 64	179966	33 -259	257187	33 -268
23141	33 -220	81693	33 -250	180894	33 -260	257189	33 -269
25627	33 -221	81898	19A- 2	185196	9 - 4	257956	33 -270
25891	14 - 34	91410	33 -251	185198	13 - 14	257965	33 -271
25891	33 -222		33 -252	186596	31 - 8A	257968	33 -272
28413	33 -223	92752	19A- 7	186758	33 -260A	257984	33 -273
32042	33 -224	92752	21 - 48	186759	33 -261	257985	33 -274
32617	33 -225	92752	21A- 51	186968	31 - 2	257986	33 -275
34512	33 -226	92752	22 - 17	187243	31 - 3	285620	33 -276
35739	33 -227	92752	22A- 36	196299	33 -261B	301750	23 - 25
36109	33 -224C	92752	23 - 43	198981	21 - 85	302090	21 - 16
36109	33 -333	92752	23A- 33	198981	21A- 61	302090	23 - 9
36776	33 -224A	92784	31 - 1	207385	19A- 30	302090	23A- 9
36844	33 -224B	101922	23 - 62	208226	20A- 12	302131	21 - 17
37913	5G- 14	101923	20B- 7	208287	20A- 13	302131	23 - 10
37913	5G- 17	104294	21 - 32A	208528	21 - 32	302131	23A- 10
37913	5G- 45	104294	21A- 65A	208528	21A- 80	303514	25 - 27
37913	33 -228	104615	19 - 5	210883	6 - 8	307653	23 - 33
38051	5G- 43	104699	5H- 33	210883	6A- 20	311699	33 -277
38051	33 -228A	107664	19 - 4	210883	19A- 1A	313361	31 - 7
38094	33 -229	107664	21A- 56	210883	21 - 27	313453	6 - 17
38214	5G- 80	107665	19A- 6	210883	21 - 31	315956	21 - 25
38214	33 -229A	107666	21 - 45	210883	21 - 63	315956	21 - 61
38235	33 -230	107666	21A- 54	210883	21A- 69	315956	21A- 67
38266	33 -231	107668	21 - 47	210883	22 - 31	315956	25 - 1
38269	33 -232	107669	21 - 45	210984	33 -261A	315957	21 - 26
38350	33 -233F	107669	21A- 54	213693	21A- 16	315957	21 - 62
38352	33 -233	107669	21A- 56	216075	5G- 51	315957	21A- 68
38353	33 -233A	107669	23 - 38	216075	5H- 15	315957	25 - 2
38354	33 -233E	107669	23A- 30	216128	33 -262	316170	22A- 11
38429	5G- 72	110029	6 - 1	216265	31 - 4	317013	21A- 26
38442	33 -233B	110775	33 -252A	216323	33 -263	317049	22A- 26
38457	33 -233D	113305	33 -253	216422	29 - 25	317082	21A- 26
38686	33 -233C	120789	33 -254	216443	21A- 31	317145	21A-103
45642	33 -234	123070	1 - 3	216452	21A- 35	317315	22 - 20
45652	33 -234A	123070	14 - 20	216463	21A- 28	317428	21A- 18
45677	33 -235	123070	22 - 57	216465	21A- 27	317485	6A- 18
45690	33 -236	123070	23 - 29	216475	21A- 30	317485	22A- 21
47987	33 -236A	123070	23A- 24	216479	21A- 34	317766	10 - 9
52580	33 -237	123074	21 - 86	220546	9 - 6	317766	12 - 2
55711	33 -238	125930	33 -255	220764	21 - 64	317766	13 - 3
55726	5B- 10	127324	19A- 20	220764	21A- 79	317767	10 - 8
55726	5G- 2A	127324	22 - 53	221790	33 -264	317767	12 - 1
55726	5G- 35	127324	22A- 40	222063	21A- 21	317767	13 - 2
55726	5G- 92	130434	33 -256	222077	24 - 24	320451	20B- 10
55726	33 -239	131713	33 -256A	222077	27 - 24	320456	21 - 78
55901	33 -240	132771	24 - 23	222077	28 - 30	320456	21A- 87
55918	33 -241	132771	27 - 23	222092	24 - 25	320610	21A- 19

PART NO.	LIST AND INDEX NO.	PART NO.	LIST AND INDEX NO.	PART NO.	LIST AND INDEX NO.	PART NO.	LIST AND INDEX NO.
321483	33 -277A	369207	19A- 4	479999	7 - 20	526378	23 - 45
322025	31 - 2A	369207	21 - 1	482175	21A- 15	526378	23A- 44
322029	33 -278	369207	21A- 57	482188	7 - 19	527916	6A- 16
322065	33 -279	369207	22 - 2	482195	8 - 18	528007	22A- 56
322465	25 - 33	369207	23 - 16	482195	11 - 18	528007	23A- 55
322550	33 -280	369207	23A- 16	482195	12 - 4	532393	21 - 35
322551	33 -281	369388	21A- 33	482219	7 - 21	532393	21A- 94
322566	33 -282	369633	21A- 14A	483550	11 - 9	532974	21 - 33
322572	33 -282A	375359	5G- 52	483554	10 - 20	532974	21A- 81
322767	22 - 29	375359	5H- 16	483568	8 - 7	533271	23 - 55
323681	6 - 7	375415	21 - 37	483568	13 - 19	533271	23A- 51
323841	6 - 6	375415	25 - 24	483581	8 - 8	533342	20B- 6
327921	2 - 7	375429	21A- 63	483677	31 - 65	533361	21 - 24
327921	21A-106	396127	21A- 14	483678	31 - 65A	533361	21 - 60
332560	33 -283	412179	22 - 60	483679	31 - 65B	533361	21A- 66
332620	14 - 28	418835	21 - 55	483680	31 - 65C	533361	22 - 7
332620	33 -284	418835	21A- 42	483681	31 - 65D	533361	22A- 8
333586	14 - 27	419131	21A- 99	483682	31 - 65E	533783	1 - 28
333586	14 - 29	430798	31 - 5B	483683	31 - 65F	533783	1 - 63
333769	33 -285	430799	31 - 5C	483686	31 - 65G	535506	22 - 19
334768	31 - 2B	433566	21 - 53A	483687	31 - 65H	550049	21A- 32
334910	20 - 12	433566	21A- 47	483690	31 - 65J	550051	21A- 23
334910	31 - 2C	437289	5G-107	483693	31 - 66	550051	24 - 22
334921	23 - 28	438542	33 -288	483828	10 - 15	550051	27 - 22
334921	23A- 23	438548	5G- 4	483829	11 - 11	550051	28 - 28
334921	31 - 2D	438548	33 -289	483830	11 - 15	550578	20B- 11
334932	31 - 2E	438549	33 -290	483831	11 - 8	582444	22 - 28
337193	21 - 70	438550	33 -290A	483832	12 - 12	591047	31 - 42A
338165	6A- 6	438551	5B- 4	483835	10 - 15	591465	22A- 53
338227	21A- 60	438551	5G- 75	483836	10 - 22	591465	23A- 54
338238	5G- 8	438551	33 -291	483837	11 - 11	595397	21A- 17
338238	33 -286	438552	5G- 53	483838	11 - 15	596255	31 - 42
338239	25 - 5	438553	5B- 2	483839	11 - 8	596676	22 - 10
343571	5H- 38	438553	5B- 16	483840	12 - 12	596676	22A- 34
344015	33 -287	438554	33 -292	483842	13 - 22	598479	19A- 24
350965	21 - 28	438556	33 -292A	483843	12 - 13	598479	21A- 98
350965	21A- 70	438558	5G- 79	483844	10 - 14	598479	22 - 43
350966	6A- 19	438558	33 -292B	483846	10 - 16	600250	21A- 29
350966	21 - 70	438567	33 -293	483847	10 - 15	600395	14 - 37
350977	19 - 10	438586	33 -293C	483848	10 - 22	600395	33 -297
350977	21A- 89	438587	23A- 45A	483849	11 - 11	600960	33 -298
351781	21A- 89	438588	33 -293A	483850	11 - 15	601093	33 -299
352088	22 - 6	438589	33 -293B	483851	11 - 8	601185	33 -300
352088	22A- 7	438593	22A- 50	483852	12 - 12	602291	33 -300A
352827	6 - 5	438601	33 -294	483854	13 - 22	602664	14 - 19
356705	31 - 6A	438606	33 -294A	483855	12 - 13	602721	33 -301
356742	15 - 12	438622	33 -295	483856	10 - 14	603683	19 - 10
356742	17 - 14B	438827	10 - 16	483857	10 - 16	611996	1 - 57
356742	23 - 2	438834	10 - 16	483858	10 - 15	612790	14 - 42
356742	23A- 2	441092	21 - 22	483859	11 - 11	613191	21 - 12
357433	15 - 25	441355	6A- 11	483860	12 - 12	613752	21 - 14
357995	21 - 55	441356	6A- 10	483861	13 - 22	613752	23 - 8
357995	21A- 42	450821	6 - 9	483867	8 - 13	613752	23A- 8
359695	31 - 8	450821	30 - 2	483867	13 - 18	615354	21 - 7
360044	21A- 36	454612	10 - 3	505071	6 - 10	615683	20 - 9
360370	31 - 2F	454612	11 - 3	510188	22A- 22	615683	21 - 51A
360433	31 - 3A	458853	2 - 4	510468	22A- 52	615683	21A- 46A
361497	21A- 24	458853	3 - 4	512071	20 - 1	628948	25 - 31
361536	19 - 1	458853	4 - 4	512508	33 -296	630143	21 - 84
361536	19A- 29	458853	5 - 4	515616	17 - 47	630143	21A- 73
361536	22 - 64	471672	23 - 14	515661	15 - 13	631769	19A- 16
361755	21 - 51	471672	23A- 14	517197	19 - 2	631769	22 - 25
361755	21A- 50	472579	23A- 37	517197	22 - 65	631769	22A- 16
361968	22 - 63	473442	20B- 4	521695	22A- 55	631769	23 - 19
361968	22A- 62	473442	21 - 2	521695	23A- 56	631769	23A- 19
362206	20 - 6	473442	21 - 57	521695	25 - 32	634613	21 - 38
362206	21 - 77	473442	21A- 41	524519	1 - 88	634613	21A- 64
362206	21A- 85	473442	22 - 51	524854	23 - 47	634613	25 - 25
362243	20 - 2	473531	23 - 60	526378	16 - 8	638085	23 - 50
363434	22 - 30	473531	23A- 60	526378	19 - 3	642763	6 - 12
364471	31 - 55	479986	11 - 21	526378	19A- 28	642763	6A- 7
365775	33 -286A	479986	12 - 7	526378	22 - 61	642763	21 - 53
368222	31 - 27	479986	13 - 25	526378	22A- 60	642763	21 - 53B

PART NO.	LIST AND INDEX NO.	PART NO.	LIST AND INDEX NO.	PART NO.	LIST AND INDEX NO.	PART NO.	LIST AND INDEX NO.
642763	21A- 47A	812526	10 - 2	818466	1 - 76	1143492	22 - 9
642763	21A- 49	812526	11 - 2	818554	21A- 12	1143492	22A- 24
642763	22 - 11	813179	33 -305A	818555	31 - 18	1143492	23 - 36
642763	23 - 37	813194	31 - 10	818556	31 - 19	1143492	23A- 35
644518	20 - 5	813263	31 - 11	824469	8 - 11	1148453	5H- 27
646007	21 - 43	813267	31 - 29	824471	8 - 12	1149212	22A- 27
646007	21A- 59	813271	31 - 29A	824473	13 - 22	1149212	23A- 38
648511	10 - 19	813321	1 - 78	824560	10 - 14	1160395	19A- 12
648511	11 - 14	813321	15 - 30	824586	13 - 22	1160395	21 - 76
648511	12 - 11	813321	17 - 21	827842	10 - 23	1160395	21A- 86
648511	13 - 17	813329	24 - 26	827842	11 - 16	1160395	22 - 38
651684	33 -301A	813329	27 - 26	827842	12 - 14	1160395	23 - 23
725419	7 - 22	813329	28 - 32	827842	13 - 23	1160977	31 - 48
725746	29 - 26	813329	29 - 28	827960	21A- 76	1164080	5G- 55
726549	1 - 31	813392	6A- 8	835232	12 - 13	1164080	5H- 18
730432	21 - 5	813451	15 - 41	835242	12 - 13	1164103	5G- 12
730432	23 - 48	813451	17 - 41	838480	5A- 8	1166114	31 - 49
730432	23A- 50	813452	15 - 42	839413	5G- 9	1166115	31 - 50
731627	33 -302	813452	17 - 42	839722	11 - 20	1166116	31 - 51
734483	33 -303	813466	15 - 38	845762	21 - 40	1166117	31 - 52
738506	11 - 8	813466	15 - 38A	845762	21A- 58	1166150	8 - 19
738513	10 - 13	813466	17 - 38	847110	13 - 24	1166150	33 -314
738825	8 - 1	813482	15 - 40	853288	1 - 45	1175213	5G- 81
738826	5B- 13	813482	17 - 40	855241	10 - 13	1175213	33 -314A
738826	8 - 2	813519	15 - 44	855285	5 - 13	2101089	7 - 30
738826	9 - 5	813519	17 - 36	855288	10 - 13	2101089	14 - 4
738827	5B- 11	813549	31 - 12	1073866	5G- 39	2101089	17 - 26
738827	12 - 16	813550	31 - 13	1077739	5G-108	2101326	31 - 20
738828	5B- 12	813681	31 - 14	1090175	5G- 36	2101327	31 - 20A
739494	30 - 3	813801	31 - 15	1090175	5H- 4	2101337	21 - 29
740501	18 - 2	813802	31 - 16	1090873	33 -309	2101337	21A- 71
740507	7 - 23	814008	9 - 3A	1091111	33 -310	2101342	22 - 21
740507	8 - 15	814008	13 - 15	1091159	33 -311	2101357	21 - 30
740513	8 - 16	815039	33 -306	1091173	33 -312	2101357	21A- 72
740540	14 - 41	815151	33 -307	1091655	33 -313	2101376	6 - 3
740550	21A- 9	815173	33 -308	1092125	5G- 61	2102367	1 - 34
740608	7 - 23	815215	1 - 50	1092125	5H- 22A	2102367	1 - 69
740608	8 - 15	815215	14 - 32	1123963	5G- 60	2102367	21 - 65
740609	14 - 41	815215	15 - 34	1123963	5H- 22	2102367	21A- 77
753270	1 - 36	815215	17 - 25	1123987	5G- 42	2102368	21A-107
753270	2 - 5	815217	15 - 32	1123987	5H- 8	2102369	15 - 35
753270	3 - 10	815217	17 - 23	1124682	5G- 83	2102369	17 - 25B
753270	4 - 6	815218	1 - 80	1124682	5H- 34	2102582	22A- 49
753270	5 - 10	815219	1 - 79	1127037	31 - 50	2109292	5H- 17
753270	14 - 35	815219	15 - 31	1128270	5G- 38	2111232	17 - 14A
765295	31 - 47	815219	17 - 22	1132166	5G- 85	2111232	21 - 9
765548	21A- 4	815220	1 - 77	1132166	5H- 36	2111232	21A- 22
767004	21A- 5	815220	15 - 29	1133633	5G- 56	2121160	33 -315
767031	21A- 6	815220	17 - 20	1133633	5H- 19	2122194	20 - 3
767037	21A- 7	815224	15 - 28	1133654	5G- 50	2122202	31 - 30
801615	29 - 36	815224	17 - 19	1133654	5G- 50A	2122203	31 - 31
801652	19 - 9	815933	31 - 28A	1133654	5H- 14	2122254	31 - 32
801652	22 - 5	815934	31 - 28	1133683	5G- 49	2122259	31 - 33
801652	22A- 5	815963	15 - 38E	1133683	5G- 49A	2122261	31 - 33A
801652	23 - 53	815964	15 - 38F	1133683	5H- 12	2122472	31 - 34
801652	23A- 48	816649	1 - 81	1134899	5G- 37	2122734	31 - 31A
804109	16 - 2	816708	17 - 10	1134899	5H- 5	2122735	31 - 30A
805598	1 - 59	816709	17 - 11	1134980	5G- 78	2122837	31 - 32A
805598	8 - 24	816752	15 - 9	1134981	5G- 77	2122839	31 - 35
805598	14 - 18	816752	17 - 9	1141105	5G- 46	2123032	31 - 35A
806715	31 - 26	816754	15 - 8	1141106	5G- 44	2123034	31 - 36
811417	33 -304	816754	17 - 8	1141109	5G- 40	2125898	22 - 22
811426	33 -305	817425	31 - 17	1141209	33 -313A	2127890	31 - 33B
811427	15 - 43	817753	15 - 50	1141554	14 - 16A	2127985	31 - 37
811427	17 - 35	817753	17 - 31	1141554	20B- 9	2127987	31 - 38
811742	15 - 7	817754	15 - 52	1141554	21 - 71	2127989	31 - 39
811742	17 - 7	817754	17 - 33	1141554	22 - 4	2128689	21 - 21
811802	31 - 9	817757	15 - 49	1141554	22A- 4	2128689	23 - 6
811804	24 - 2	817757	17 - 30	1141554	23 - 30	2128689	23A- 6
811804	27 - 2	817758	15 - 51	1141554	23 - 52	2129550	33 -316
811804	28 - 2	817758	17 - 32	1141554	23A- 47	2133112	21 - 49
811804	29 - 2	817927	15 - 39	1141554	25 - 34	2133112	21A- 52
812526	5B- 6	817927	17 - 39	1143492	19A- 9	2133112	22 - 13

PART NO.	LIST AND INDEX NO.	PART NO.	LIST AND INDEX NO.	PART NO.	LIST AND INDEX NO.	PART NO.	LIST AND INDEX NO.
2133112	23 - 39	2454916	14 - 40	2557517	26 - 10	2583955	23A- 62
2134661	21 - 13	2454922	6 - 18	2557519	27 - 31	2583956	23 - 17
2137305	21 - 8	2454922	6A- 1	2557525	28 - 19	2583956	23A- 17
2145165	23A- 29	2454923	1 - 11	2557525	29 - 15	2583957	23 - 27
2161341	5G- 32	2454924	15 - 24	2557527	26 - 8	2583958	23 - 27
2162972	33 -317	2454925	21A-108	2557546	24 - 32	2583959	23 - 35
2172166	22A- 57	2454943	21A- 38	2557546	28 - 38	2583960	23 - 13
2176094	11 - 15	2454944	21A- 2	2557568	29 - 33	2583960	23A- 13
2180938	12 - 15	2454945	21A- 62	2561584	16 - 3	2583963	23 - 56
2180939	12 - 15	2454946	21A- 1A	2561585	16 - 4	2583963	23A- 52
2181004	33 -318	2454947	21A- 39	2566991	5B- 3	2583965	23 - 61
2181006	33 -319	2454948	21A- 65	2572142	24 - 35	2583965	23A- 61
2181008	33 -320	2454949	21A- 40	2572142	26 - 9	2583966	23 - 58
2181088	33 -321	2454950	21A- 90	2572142	27 - 34	2583966	23A- 58
2182919	22A- 44	2454956	15 - 56	2572142	28 - 41	2583969	23 - 32
2182919	23A- 22	2454958	31 - 63	2572142	29 - 38	2584070	14 - 10A
2190986	10 - 14	2454975	31 - 64	2572145	24 - 36	2584070	19A-
2194727	10 - 14	2454976	21A-105A	2572145	28 - 42	2584080	14 - 10A
2194889	22 - 50	2454979	14 - 16B	2572145	28 - 42	2584080	19A-
2194889	23 - 31	2454982	21A-105A	2572145	29 - 39	2584083	19A- 18
2195640	21 - 20	2454996	15 - 38A	2572146	24 - 11	2584084	19A- 5
2195640	23 - 7	2454996	15 - 38A	2572146	27 - 11	2584085	19A- 31
2195640	23A- 7	2455615	20A- 6	2572146	28 - 11	2584086	19A- 11
2391023	5B- 8	2455625	17 - 46	2572146	29 - 11	2588000	13 - 7
2391023	9 - 1	2455626	25 - 2A	2572156	24 - 6	2588001	13 - 26
2391023	10 - 18	2480680	25 - 20	2572156	24 - 34	2588002	10 - 16
2391023	11 - 13	2480680	28 -	2572156	28 - 6	2588003	10 - 15
2391023	12 - 10	2481727	20A- 8	2572156	28 - 40	2588004	10 - 22
2391023	13 - 11	2481727	22A- 28	2572156	29 - 6	2588008	11 - 11
2391023	13 - 16	2481727	23A- 40	2572156	29 - 37	2588009	8 - 10
2391062	13 - 12	2501330	19A- 8	2572157	28 - 40	2588009	10 - 12
2391121	10 - 21	2501330	23A- 31	2572158	27 - 6	2588009	11 - 7
2391121	11 - 10	2512360	15 - 17	2572158	27 - 33	2588009	13 - 21
2391204	12 - 10A	2512360	15 - 21	2572186	22A- 20	2588010	8 - 22
2391346	24 - 38	2512420	15 - 17	2572187	22A- 13	2588011	11 - 22
2391346	24 - 40	2512420	15 - 17	2572188	22A- 31	2588034	11 - 15
2391346	26 - 11	2512420	15 - 21	2572189	22A- 30	2588035	11 - 8
2391346	26 - 13	2557476	24 - 27	2572190	14 - 16	2588046	1 - 46
2391346	27 - 36	2557476	27 - 27	2572190	22A-	2588053	1 - 72
2391346	27 - 38	2557476	28 - 33	2572193	22A- 38	2588053	14 - 22
2391346	28 - 44	2557476	29 - 29	2572194	22A- 3	2588053	15 - 3
2391346	28 - 46	2557477	24 - 18	2572195	22A- 59	2588053	17 - 3
2391347	24 - 19	2557477	27 - 13	2572198	22A- 63	2588053	23 - 4
2391347	27 - 19	2557477	28 - 24	2572199	22A- 23	2588053	23A- 4
2391347	28 - 25	2557497	26 - 2	2572200	14 - 16	2588053	25 - 15
2391347	29 - 21	2557497	29 - 32A	2572200	22A-	2588060	13 - 18
2391667	29 - 41	2557498	24 - 30	2572203	22A- 12	2588064	12 - 12
2391667	29 - 43	2557498	27 - 30	2572204	22A- 10	2588065	12 - 8
2414810	20A- 11	2557498	28 - 37	2572206	22A- 29	2588070	10 - 5
2426171	31 - 61	2557498	29 - 32	2572207	22A- 25	2588071	8 - 13
2454535	15 - 11	2557499	26 - 6	2572208	22A- 35	2588079	14 - 24
2454544	15 - 38G	2557500	23 - 12	2572213	23A- 43	2588079	23 - 1
2454545	15 - 38B	2557500	23A- 12	2572214	23A- 25	2588079	23A- 1
2454546	15 - 38C	2557500	24 -	2572216	23A- 36	2588252	15 - 10
2454558	30 - 1A	2557504	24 - 31	2572217	23A- 41	2588253	15 - 11
2454576	25 - 2C	2557504	27 - 29	2572217	19A- 22	2588254	15 - 48
2454577	25 - 2D	2557504	28 - 35	2572223	23A- 20	2588254	17 - 29
2454578	25 - 2B	2557505	29 - 35	2572224	23A- 20	2588255	15 - 46
2454590	20A- 15	2557506	24 - 7	2572235	24 - 39	2588255	17 - 27
2454591	20A- 14	2557506	24 - 7	2572235	27 - 37	2588255	15 - 47
2454770	15 - 18	2557506	27 - 7	2572235	28 - 45	2588257	15 - 45
2454797	15 - 23	2557506	28 - 7	2572235	28 - 45	2588258	1 - 64
2454810	17 - 15D	2557506	29 - 7	2572236	24 - 37	2588264	14 - 22A
2454814	17 - 15C	2557507	24 - 13	2572236	27 - 35	2588282	25 - 10
2454823	14 - 11	2557507	27 - 13	2572236	28 - 43	2588288	21 - 6
2454823	20A-	2557507	28 - 14	2572237	29 - 42	2588291	21 - 10
2454833	7 - 11	2557507	29 - 13	2572238	29 - 40	2588302	30 - 1
2454890	21A- 46	2557508	24 - 15	2572749	19 - 10	2588309	25 - 7
2454891	21A- 46	2557508	27 - 16	2583950	23 - 13	2588317	21 - 18
2454900	21A- 45	2557508	28 - 16	2583950	23A- 13	2588325	33 -321A
2454913	14 - 26	2557508	29 - 18	2583953	23 - 44	2588330	6 - 4
2454914	14 - 40A	2557510	25 - 18	2583953	23A- 34	2588332	21 - 15
2454915	14 - 40B	2557510	26 -	2583954	23 - 49	2588334	6A- 14
		2557516	26 - 12	2583955	23 - 63		

PART NO.	LIST AND INDEX NO.	PART NO.	LIST AND INDEX NO.	PART NO.	LIST AND INDEX NO.	PART NO.	LIST AND INDEX NO.
2580335	6A- 15	2590047	1 - 66	2590273	21 - 88	2590454	7 - 6
2588335	21A- 47	2590048	14 - 5	2590274	21 - 39	2590455	7 - 8
2588337	6A- 21	2590048	15 -	2590275	21 - 75	2590456	7 - 5
2588338	21 - 46	2590049	1 - 32	2590276	21 - 83A	2590457	7 - 9
2588338	21A- 55	2590062	14 - 10	2590276	21A-105A	2590458	7 - 7
2588354	1 - 71	2590072	25 - 23	2590277	21 - 23	2590459	13 - 8
2588355	21 - 50	2590073	1 - 48	2590279	21 - 3	2590460	13 - 6
2588356	2 - 3	2590074	1 - 42	2590280	21 - 69	2590461	13 - 5
2588363	14 - 22	2590074	1 - 44	2590281	21 - 34	2590462	13 - 13
2588363	14 - 26	2590079	3 - 8	2590281	21A- 83	2590463	7 - 31
2588371	21 - 11	2590079	5 - 8	2590282	21 - 4	2590467	10 - 7
2588382	1 - 62	2590081	3 - 6	2590283	6A- 13	2590468	7 - 16
2588386	21 - 83A	2590081	5 - 6	2590283	6A- 17	2590469	7 - 14
2588386	21A-105A	2590083	14 - 1	2590283	21 - 41A	2590470	7 - 17
2588391	22A- 1A	2590084	14 - 2	2590283	21A-105B	2590471	7 - 15
2588420	17 - 37	2590087	2 - 1	2590285	25 - 22	2590473	8 - 27
2588425	21 - 81A	2590087	3 - 1	2590285	30 -	2590475	7 - 13
2588425	21A-105	2590089	4 - 2	2590286	30 - 4	2590476	10 - 24
2588426	21 - 32	2590089	5 - 2	2590287	30 - 7	2590477	13 - 4
2588426	21A- 80	2590091	4 - 1	2590289	30 - 8	2590496	10 - 6
2588427	25 - 26	2590091	5 - 1	2590290	21 - 66	2590498	7 - 26
2588428	21A-101	2590092	6A- 2	2590290	21A- 78	2590518	3 - 12
2588432	21A- 37	2590100	15 - 4	2590291	21 - 36	2590518	5 - 12
2588433	21A- 11	2590100	17 - 4	2590291	21A- 93	2590519	3 - 12
2588434	21A- 3	2590104	17 - 17	2590308	15 - 19	2590519	5 - 12
2588435	14 - 15	2590108	2 - 3	2590310	17 - 15A	2590520	3 - 12
2588435	21A-	2590108	3 - 3	2590312	15 - 14	2590520	5 - 12
2588436	14 - 15	2590109	4 - 3	2590318	15 - 16	2590521	3 - 12
2588436	21A-	2590109	5 - 3	2590320	15 - 18	2590521	5 - 12
2588442	17 - 28	2590117	3 - 9	2590322	15 - 19	2590522	3 - 12
2588444	20A- 7	2590117	5 - 9	2590324	15 - 20	2590522	5 - 12
2588444	21A- 13	2590118	1 - 38	2590326	15 - 19	2590523	3 - 12
2588448	21A- 1	2590118	1 - 74	2590328	17 - 13	2590523	5 - 12
2588449	21 - 80	2590133	25 - 16	2590329	15 - 17	2590545	14 - 38
2588449	21A-104A	2590134	25 - 17	2590330	17 - 12	2590572	1 - 27A
2588682	1 - 39	2590159	2 - 6	2590339	17 - 14	2590646	7 - 10
2588682	1 - 52	2590159	3 - 11	2590331	15 - 5	2590647	7 - 10
2588684	1 - 41	2590159	4 - 5	2590331	17 - 6	2590648	7 - 10
2588699	2 - 8	2590159	5 - 11	2590366	1 - 58	2590649	7 - 10
2588872	33 -322	2590160	1 - 37	2590378	31 - 67	2590660	7 - 28
2588873	33 -323	2590160	1 - 65	2590393	11 - 17	2590660	12 -
2588874	33 -324	2590161	1 - 30	2590393	12 - 3	2590661	8 - 5
2589216	6 - 14	2590198	2 - 2	2590394	8 - 20	2590664	7 - 2
2589218	6 - 13	2590198	3 - 2	2590394	11 - 19	2590665	7 - 2
2589224	15 - 18	2590204	1 - 5	2590394	12 - 5	2590668	12 - 15
2589248	6 - 16	2590207	1 - 6	2590395	7 - 24	2590669	12 - 15
2590010	1 - 67	2590208	1 - 7	2590395	9 -	2590676	1 - 68
2590010	15 - 54	2590216	15 - 27	2590396	7 - 11	2590677	14 - 7
2590010	17 - 44	2590218	16 - 1	2590397	7 - 5	2590678	14 - 6
2590011	15 - 55	2590219	16 - 7	2590398	9 - 7	2590679	1 - 35
2590011	17 - 45	2590220	17 - 43	2590399	9 - 3	2590702	16 - 1
2590014	15 - 1	2590221	16 - 9	2590411	1 - 10A	2590703	15 - 26
2590014	17 - 1	2590223	16 - 12	2590417	10 - 7	2590703	16 -
2590018	33 -325	2590224	15 - 26	2590418	10 - 7	2590704	14 - 8
2590020	15 - 53	2590224	16 -	2590419	10 - 7	2590704	17 -
2590025	3 - 13	2590247	1 - 33	2590420	10 - 7	2590750	7 - 12
2590026	5 - 14	2590250	20B- 5	2590422	1 - 61	2590751	7 - 12
2590027	2 - 9	2590251	20B- 14	2590423	1 - 62A	2590752	7 - 12
2590028	4 - 7	2590254	20B- 3	2590424	1 - 60	2590753	7 - 12
2590029	1 - 4	2590255	20B- 2	2590434	7 - 12	2590754	7 - 9
2590030	1 - 27	2590256	20B- 1	2590436	11 - 23	2590755	7 - 9
2590031	1 - 21	2590257	21 - 19	2590437	7 - 8	2590756	7 - 9
2590032	3 - 5	2590258	21 - 41	2590440	12 - 18	2590757	7 - 9
2590032	5 - 5	2590259	21 - 58	2590441	7 - 9	2590762	7 - 9
2590034	1 - 1	2590260	14 - 15	2590443	7 - 9	2590763	7 - 9
2590035	1 - 85	2590260	21 -	2590447	13 - 9	2590764	7 - 9
2590039	1 - 19	2590261	14 - 10B	2590448	8 - 21	2590765	7 - 9
2590040	1 - 8	2590263	21 - 69	2590448	12 - 6	2590775	10 - 25
2590041	1 - 20	2590263	21A- 90	2590449	8 - 17	2590775	12 - 17
2590042	6A- 3	2590268	21 - 41	2590450	1 - 22	2590775	13 - 1
2590044	1 - 17	2590270	14 - 15	2590450	7 -	2590780	7 - 27
2590045	1 - 18	2590270	21 -	2590452	7 - 4	2590780	11 -
2590047	1 - 29	2590271	14 - 10C	2590453	7 - 10	2590782	7 - 28



PART NO.	LIST AND INDEX NO.
2590782	12 -
2590786	7 - 11
2590789	7 - 11
2590792	7 - 11
2590795	7 - 11
2590796	7 - 11
2590797	7 - 11
2590798	7 - 11
2590799	7 - 11
2590810	25 - 6
2590811	25 - 11
2590820	14 - 12
2590821	1 - 73
2590821	14 - 21
2590821	14 - 21
2590821	15 - 2
2590821	17 - 2
2590821	23 - 3
2590821	25 - 13
2590824	1 - 51
2590825	14 - 33
2590826	14 - 30
2590827	14 - 31
2590828	14 - 40
2590829	14 - 39
2590830	14 - 23
2590841	25 - 3
2590848	31 - 43
2590850	31 - 44
2590851	7 - 11
2590852	14 - 25
2590853	25 - 14
2590856	31 - 43A
2590858	31 - 44A
2590864	25 - 12
2590867	1 - 56
2590873	1 - 16
2590876	7 - 2
2590886	7 - 2
2590888	15 - 22
2590890	6A - 4
2590891	8 - 6
2590891	10 - 10
2590891	11 - 5
2590893	6A - 9
2590900	14 - 11
2590900	20 -
2590901	20 - 14
2590902	20 - 11
2590906	20 - 4
2590908	8 - 3
2590909	8 - 4
2590911	8 - 25
2590912	1 - 49
2590922	23 - 5
2590922	23A - 5
2590929	14 - 17
2590929	23 -
2590929	23A -
2590930	14 - 17
2590930	23 -
2590930	23A -
2590931	14 - 17
2590931	23 -
2590931	23A -
2590932	14 - 17
2590932	23 -
2590932	23A -
2590941	15 - 6
2590942	23 - 11
2590942	23A - 11
2591163	6 - 15
2591163	6A - 12

PART NO.	LIST AND INDEX NO.
2592619	14 - 3A
2595634	5B- 17
2595635	5H- 47
2595636	5H- 49
2595721	5H- 46
2596225	3 - 7
2596225	5 - 7
2596291	1 - 40
2596291	1 - 54
2596291	1 - 70
2596291	17 - 18
2596291	17 - 34
2596293	1 - 53
2596293	1 - 75
2596293	15 - 57
2596293	21 - 89
2596991	10 - 4
2596991	11 - 4
2596994	5B- 1
2596994	5B- 15
2596994	10 - 1
2596994	11 - 1
2598390	14 - 3
2609066	22A- 2
2609067	22A- 4B
2624907	23A- 26
2624908	23A- 25A
2624909	23A- 25
2624917	28 - 38
2797504	28 - 8
4007035	21 - 66
4007035	21A- 78
4037302	31 - 53
4037307	31 - 53A
4061290	21 - 49
4061290	21A- 53
4103890	23A- 28
4118369	20B- 8
4118370	20B- 13
4118437	22 - 8
4118437	22A- 9
4118440	21 - 75
4118821	20B- 12
4119210	23 - 56
4119210	23A- 52
4119245	21A-101
4119308	19A- 18
4120171	23 - 34
4120171	23A- 27
4120174	23A- 27
4120174	30 - 5
4120241	21A-104
4253796	1 - 47
4685093	31 - 54
5129172	15 - 15
5151884	5G- 82
5151892	5G-109
5151915	5G- 31
5151921	5G- 24
5151923	5G- 22
5151925	5G- 20
5151929	5G- 15
5151985	5G- 58
5151986	5G- 57
5151987	5G- 62
5151988	5G- 63
5151989	5G- 66
5151989	5H- 24
5151990	5G- 47
5151990	5H- 10
5151991	5G- 73
5151992	5G- 74
5151997	5G- 84

PART NO.	LIST AND INDEX NO.
5151998	5G- 90
5151998	5H- 43
5152001	5G- 13
5152004	5G- 1
5152005	5G- 16
5152007	5G- 21
5152008	5G- 23
5152009	5G- 27
5152010	5G- 25
5152011	5G- 30
5152012	5G- 29
5152013	5G- 11
5152014	5G- 7
5152015	5G- 5
5152017	5G- 41
5152018	5G- 86
5152019	5G- 26
5152059	5A- 12
5152061	5A- 13
5152062	5A- 9
5152063	5A- 16
5152066	5B- 19
5152068	5A- 2
5152068	5B-
5152072	5A- 3
5152097	5G- 28
5152201	5G- 33
5152203	5G- 87A
5152203	5H- 42
5153400	5A- 19
5153400	5G-
5153520	5G- 7
5153521	5G- 7
5153522	5G- 7
5153523	5G- 7
5153524	5G- 7
5153525	5G- 7
5153526	5G- 7
5153589	5A- 9
5153592	5B- 9
5153621	5B- 18
5153623	5H- 48
5153635	5A- 3
5153637	5A- 3
5153638	5A- 3
5153639	5A- 3
5153730	5G- 10
5153928	5A- 5
5172352	5A- 7
5172367	5G- 91
5172367	5H- 44
5172371	5A- 1
5180041	31 - 56
5180042	31 - 57
5180572	5G- 76
5180973	5G- 34
5180973	5H- 1
5180997	5G- 18
5180998	5G- 19
5181005	5G- 3
5181007	5H- 35
5181029	5G- 97
5181029	5H- 40
5181030	5G- 87
5181030	5H- 39
5181046	5A- 6
5212440	15 - 21
5213226	22 - 51A
5213591	24 - 10
5213591	27 - 10
5213591	28 - 10
5213694	20A- 5
5213758	31 - 68

PART NO.	LIST AND INDEX NO.
5213830	21 - 33
5213830	21A- 81
5213837	21 - 79
5213837	21A- 88
5213937	29 - 27
5214120	20A- 10
5214120	21A- 25
5214179	22 - 49
5214179	22A- 46
5214179	23 - 59
5214179	23A- 59
5214180	20 - 7
5214233	22 - 26
5214233	22A- 19
5214259	21 - 54
5214259	21A- 45
5214272	21 - 68
5214272	21 - 68
5214272	21A- 91
5214367	20A- 2
5214420	19A- 15
5214420	22A- 32
5214420	23A- 42
5214560	21A-104
5214702	20A- 4
5214702	21A- 8
5232725	23 - 18
5232725	23A- 18
5232726	22 - 18
5232733	22 - 3
5232739	22 - 56
5232774	22 - 46
5232781	22 - 23
5232782	19A- 19
5232793	33 -326
5232794	33 -327
5232799	22 - 15
5232806	22A- 17
5232809	21 - 42
5232809	21A- 43
5232809	22 - 1
5232809	22A- 1
5232809	22A- 43
5232809	23 - 15
5232809	23 - 51
5232809	23A- 15
5232809	23A- 53
5232814	22 - 12
5232814	22A- 33
5232816	22A- 54
5232816	23A- 54A
5232817	33 -327A
5232818	22A- 47
5232824	19A- 26
5232824	21 - 74
5232824	21A- 97
5232824	22 - 45
5232824	22 - 55
5232824	22A- 42
5232825	22 - 32
5232826	22 - 59
5232826	23A- 26
5232827	22 - 58
5232828	22 - 60
5232828	22A- 58
5232840	14 - 16
5232840	22 -
5232843	22 - 41
5232844	22 - 36
5232845	22 - 34
5232846	22 - 33
5232848	22 - 47
5232850	14 - 16

PART NO.	LIST AND INDEX NO.	PART NO.	LIST AND INDEX NO.	PART NO.	LIST AND INDEX NO.	PART NO.	LIST AND INDEX NO.
5232850	22 -	5357003	18 -	5785286	28 - 5	5797532	27 - 15
5232855	22 - 67	5357005	18 - 1	5785286	29 - 5	5797532	28 - 22
5232858	22 - 66	5357006	18 - 1	5785296	29 - 20	5800610	31 - 62
5232864	23 - 41	5357011	18 - 7	5785297	28 - 13	5800634	31 - 25
5232864	23A- 32	5357013	18 - 3	5785298	33 - 330	5800700	31 - 26
5232877	22A- 6	5357020	18 - 1A	5785299	28 - 21	5805875	31 - 45
5232877	23 - 54	5357090	23A- 27	5785304	28 - 15	5805876	31 - 45A
5232877	23A- 49	5357135	18 - 4	5785307	33 - 331	5805877	31 - 45B
5232884	22 - 37	5357136	16 - 10	5785309	28 - 20	5805878	31 - 45C
5232884	22A- 15	5357136	18 - 6	5785309	29 - 16	5805879	31 - 46
5232886	22 - 48	5362301	31 - 24	5785314	23 - 57	5806228	6A- 22
5232886	22A- 45	5371671	7 - 3	5785314	23A- 57	5860519	24 - 1
5232887	22 - 52	5372183	8 - 24	5796393	19A- 17	5860519	27 - 1
5232887	22A- 39	5372858	33 - 2388	5796393	22 - 35	5860524	28 - 1
5232888	19A- 23	5373223	33 - 328A	5796393	22A- 14	5865525	29 - 1
5232888	22 - 42	5373656	12 - 13	5796393	22A- 18	5993050	5A- 1
5232889	21 - 72	5373660	8 - 14	5796393	23A- 21	5993051	5A- 1
5232889	21A- 95	5397579	21 - 44	5796397	24 - 21	5993052	5A- 1
5240422	19A- 3	5397579	21A- 44	5796397	27 - 21	5993053	5A- 1
5240513	19 - 9	5404480	31 - 24A	5796397	28 - 27	5993076	5G- 65
5240513	22 - 5	5405152	16 - 6	5796397	29 - 24	5993084	5A- 1
5240513	23 - 53	5405155	16 - 5	5796426	22 - 40	5993095	5G- 46
5240513	23A- 48	5412643	31 - 60	5796426	23 - 26	5993095	5H- 9
5248818	21 - 59	5423864	21A- 82	5797450	25 - 21	5993096	5G- 40
5252506	21 - 54	5446011	25 - 9	5797450	29 -	5993096	5H- 6
5252534	20A- 9	5468387	16 - 4	5797459	29 - 22	5993911	5G- 2
5252551	22 - 8	5468388	16 - 3	5797460	25 - 20	5993911	5H- 30
5252551	22A- 9	5708920	14 - 9	5797460	28 -	5993912	5G- 2
5261284	22 - 27	5708920	19 -	5797480	23 - 12	5993913	5G- 2
5261287	15 - 37	5708921	19 - 11	5797480	23A- 12	5993914	5G- 2
5261287	29 - 10	5708922	19 - 11	5797480	25 - 19	5993915	5G- 2
5261296	15 - 36	5708923	19 - 12	5797480	27 -	5993916	5G- 2
5261296	17 - 25A	5708924	19 - 8	5797484	24 - 17	5993917	5G- 2
5261296	19A- 14	5708992	14 - 9	5797484	27 - 17	5993918	5G- 2
5261296	22 - 39	5708992	19 -	5797484	28 - 23	5993925	5G- 41
5261296	23 - 24	5760008	23A- 39	5797484	29 - 19	5993925	5H- 7
5261296	27 - 9A	5761783	23A- 45	5797488	26 - 4	5993927	5G- 98
5261296	28 - 9A	5761785	23 - 22	5797495	24 - 33	5993927	5H- 45
5261296	29 - 9A	5761786	20 - 8	5797495	26 - 7	5993935	5G- 71
5261297	17 - 25C	5761793	19A- 13	5797495	27 - 32	5993941	5G- 68
5261446	21 - 68	5761793	23 - 20	5797495	29 - 34	5993941	5H- 2
5261446	21 - 68	5761794	20A- 1	5797497	24 - 4	5994914	5G- 50A
5261446	21A- 91	5761795	19A- 27	5797497	27 - 4	5994914	5H- 13
5261446	21A- 91	5761795	23 - 46	5797497	28 - 4	5994921	5G- 49A
5261946	22 - 24	5761935	22A- 51	5797497	29 - 4	5994921	5H- 11
5276701	21 - 83	5761943	33 - 329	5797498	26 - 3	5994922	5H- 21
5302662	31 - 40	5761979	19A- 25	5797498	27 - 6	5996915	5H- 37
5312202	1 - 2	5761979	21 - 73	5797498	28 - 6	5996917	5H- 29
5313905	25 - 4	5761979	21A- 96	5797498	29 - 6	5996918	5H- 50
5318966	20A- 3	5761979	22 - 44	5797499	26 - 5	5996920	5H- 28
5318966	21A- 10	5761979	22 - 54	5797504	24 - 8	5996925	5H- 3
5319839	22 - 62	5761979	22A- 41	5797504	27 - 8	5996926	5H- 30
5319839	22A- 61	5762034	19A- 21	5797504	29 - 8	5996927	5H- 32
5319839	23A- 46	5762383	21A- 100	5797505	24 - 20	5996960	5H- 31
5319854	23A- 26A	5762407	21A- 102	5797505	27 - 20	5996961	5H- 31
5323537	20 - 13	5762428	19A- 1	5797505	28 - 26	7369024	17 - 15B
5337089	31 - 58	5766393	23 - 21	5797505	29 - 23	7369563	22A- 3
5337092	31 - 59	5785130	24 - 3	5797506	24 - 12	7369564	22 - 32
5349888	16 - 11	5785130	26 - 1	5797506	27 - 12	7369565	22 - 3
5349888	18 - 5	5785130	27 - 3	5797506	28 - 12	7369566	1 - 84
5350020	10 - 13	5785130	28 - 3	5797506	29 - 12	7369567	1 - 82
5352958	31 - 21	5785130	29 - 3	5797507	27 - 11	7369568	1 - 86
5352960	31 - 21A	5785135	27 - 9	5797507	28 - 11	7369588	1 - 87
5352967	31 - 41	5785135	28 - 9	5797507	29 - 11	7369593	15 - 4A
5353851	31 - 22	5785135	29 - 9	5797508	27 - 5A	7369593	17 - 5
5353852	31 - 23	5785149	24 - 9	5797508	28 - 5A	7369594	25 - 28
5353854	30 - 6	5785274	28 - 17	5797508	29 - 5A	7369596	25 - 35
5353877	23 - 34	5785277	24 - 28	5797519	24 - 14	7369597	25 - 30
5353887	8 - 23	5785277	27 - 28	5797519	27 - 14	7369599	21 - 81
5356580	33 - 328	5785277	28 - 34	5797519	28 - 18	7369612	1 - 17
5357002	17 - 16	5785277	29 - 30	5797519	29 - 14	7369613	1 - 43
5357002	18 -	5785286	24 - 5	5797523	29 - 17	7369616	15 - 38D
5357003	17 - 16	5785286	27 - 5	5797532	24 - 16	7369617	17 - 6A

PART NO.	LIST AND INDEX NO.
7369622	21 - 81B
7369654	33 -334
7369655	7 - 2
7369658	7 - 1
7369660	7 - 1
7369662	7 - 1
7369664	7 - 1
7369689	1 - 85
7369695	21 - 68
7369695	21 - 68
7369695	21 - 68
7369695	21A- 91
7369695	21A- 91
7369696	23A- 3
7369696	25 - 13
7369697	23 - 16A
7369697	23A- 16A
7369720	1 - 83
8112176	5H- 20
8112177	5H- 26
8112178	5H- 23
	-

## READER'S COMMENT FORM

5410 Processing Unit

S131-0574-4

- Your comments, accompanied by answers to the following questions, help us produce better publications for your use. If your answer to a question is "No" or requires qualification, please explain in the space provided below. Comments and suggestions become the property of IBM.

- |  | Yes   | No                       |
|--|---|--------------------------|
| ● Does this publication meet your needs?                             | <input type="checkbox"/>                              | <input type="checkbox"/> |
| ● Did you find the material:   |   |                          |
| Easy to read and understand?   | <input type="checkbox"/>                              | <input type="checkbox"/> |
| Organized for convenient use?  | <input type="checkbox"/>                              | <input type="checkbox"/> |
| Complete?  | <input type="checkbox"/>                              | <input type="checkbox"/> |
| Well illustrated?  | <input type="checkbox"/>                              | <input type="checkbox"/> |
| Written for your technical level?                                    | <input type="checkbox"/>                              | <input type="checkbox"/> |
| ● What is your occupation? _____                                     |   |                          |
| ● How do you use this publication?                                   |   |                          |
| As an introduction to the subject? <input type="checkbox"/>          | As an instructor in a class? <input type="checkbox"/> |                          |
| For advanced knowledge of the subject? <input type="checkbox"/>      | As a student in a class? <input type="checkbox"/>     |                          |
| For information about operating procedures? <input type="checkbox"/> | As a reference manual? <input type="checkbox"/>       |                          |

Other \_\_\_\_\_

- Please give specific page and line references with your comments when appropriate. If you wish a reply, be sure to include your name and address.

### COMMENTS:

- Thank you for your cooperation. No postage necessary if mailed in the U.S.A.

**YOUR COMMENTS, PLEASE . . .**

Your answers to the questions on the back of this form, together with your comments, will help us produce better publications for your use. Each reply will be carefully reviewed by the persons responsible for writing and publishing this material. All comments and suggestions become the property of IBM.

*Note:* Please direct any requests for copies of publications, or for assistance in using your IBM system, to your IBM representative or to the IBM branch office serving your locality.

Fold

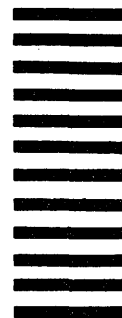
Fold

FIRST CLASS  
PERMIT NO. 387  
ROCHESTER, MINN.

**BUSINESS REPLY MAIL**  
NO POSTAGE NECESSARY IF MAILED IN THE UNITED STATES

POSTAGE WILL BE PAID BY . . .

IBM Corporation  
General Systems Division  
Development Laboratory  
Rochester, Minnesota 5590 .



Attention: Product Publications, Dept. 245

Fold

Fold

**IBM**

International Business Machines Corporation  
Data Processing Division  
1133 Westchester Avenue, White Plains, New York 10604  
(U.S.A. only)

IBM World Trade Corporation  
821 United Nations Plaza, New York, New York 10017  
(International)

Cut Along Line

IBM 5410 PC Printed in USA S131-0574-4

5410

5410

Fold

Use clear acetate tab  
obtained locally

S131-0574-4

IBM 5410 PO Printed in Italy S131-0574-4

**IBM**

International Business Machines Corporation  
Data Processing Division  
1133 Westchester Avenue, White Plains, New York 10604  
(U.S.A. only)

IBM World Trade Corporation  
821 United Nations Plaza, New York, New York 10017  
(International)