

Maintenance Library

5424

**Multi-Function Card Unit
Parts Catalog**

PREFACE

This Illustrated Parts Catalog (IPC) contains listings and illustrations of all replaceable assemblies, subassemblies and detail parts released to Production Control on or before April 15, 1971 for the 5424 Multi-Function Card Unit.

Third Edition

This is a major revision of, and obsoletes, S131-0570-1.

Changes are continually made to the specifications herein; any such change will be reported in subsequent revisions or FE Supplements.

A form for reader's comments is provided at the back of this publication. If the form has been removed, comments may be addressed to IBM Corporation, Product Publications, Department 245, Rochester, Minnesota 55901.

© Copyright International Business Machines Corporation 1969, 1971

CONTENTS

Figure	Title	Page	Figure	Title	Page
	HOW TO USE A PARTS CATALOG	ii			
	VISUAL INDEXES	iv	26	Pressure Roll Arm, Eject	50
			27	Punch Frame Asm	51
			28	Magnet Unit Asm, Punch	53
1	Lower Covers and Kickstrips - Without Disk Storage Drive	1	29	Punch and Die Block Asm	54
1A	Lower Covers and Kickstrips - With Disk Storage Drive	3	30	Punch Check Asm	55
1B	Cover Asm, Disk Storage Drive	5	31	Cornering Station Asm	56
1C	Cover Asm, Stationary - Disk Storage Drive	6	32	Cornering Station Asm	58
1D	Cover Asm, Blower - Disk Storage Drive	7	33	Printer Asm, Model 1	60
1E	Cover Asm, Blower - Disk Storage Drive	9	34	Printer Asm, Model 2	62
2	Upper Covers and Mounting Hardware	11	35	Ribbon Drive Asm	64
3	Storage Rack Asm	13	36	Carriage Clutch Asm	65
4	Transport Cover and Mounting Hardware	14	37	Side Motion Asm	66
5	Latch Asm, Transport Cover	16	38	Carriage Asm	68
6	Control Panel, Fan and Mounting Hardware	17	39	Typewheel Asm	69
7	Control Panel Asm	19	40	Housing Asm, Inject Roll	71
8	Fan Asm, 60 Cycle	21	40A	Housing Asm, Inject Roll	72
9	Fan Asm, 50 Cycle	22	41	Cover Asm, Corner Station	73
10	Belt Diagram	23	42	Kicker Asm	75
11	Hopper and Drive Motor Area	24	43	Read Lamp Asm	77
12	Punch Unit and Corner Station Area	26	44	Stacker Asm	78
13	Stacker, Switches and Mounting Hardware	28	45	Divider Asm, Stacker Pocket	80
14	Hopper Asm, Front	30	46	Below Base, Front	81
15	Housing Asm, CB Disk	32	46A	Below Base, Disk Storage Drive	83
16	Hopper Asm, Front	33	46B	Disk Storage Drive Mounting Hardware	85
17	Hopper and Read Station Asm	35	47	Power Supply Asm	87
18	Hopper Asm, Rear	37	48	Below Base, Rear	89
19	Read Inject Area	39	49	Meter Power Pac Asm	92
20	Cover Asm, Hopper Card	41	50	Motor Start Switch Asm	93
21	Backbone Asm	42	50A	Motor Start Switch Asm, TRIAC	94
22	Wait Station Asm	44	51	Resistor Panel Asm	95
23	Punch Unit Asm	46	52	Cable Chart	97
24	Pressure Roll Asm, Punch	48	53	Cable and Jumper Asm Component Parts	99
25	Punch Incrementer Asm	49	54	Attaching Parts	102
				NUMERICAL INDEX	X-1

HOW TO USE THIS ILLUSTRATED PARTS CATALOG (IPC)

PART I

To find parts quickly, a general understanding of the structure of this catalog is necessary. The catalog is divided into three major sections:

- The Visual Index, containing overall views of the machine, with call-outs pointing to detailed figures.
- The Catalog Section, containing a pictorial breakdown of assemblies and subassemblies.
- The Numerical Index, which is a numerical list of all parts used in the machine, with cross-references to the figure on which the part is found.

VISUAL INDEX

The Visual Index, located before the Catalog Section, contains a reduced illustration of every figure in the Catalog Section. The reduced illustrations are tied together with flow arrows to form a natural progression from large assemblies to small assemblies and possibly subassemblies. In effect, a visual table of contents is formed by the Visual Index illustrations.

CATALOG SECTION

The Catalog Section contains the full-sized illustrations previously noted in the Visual Index. Index numbers on figures refer to corresponding entries in the Group Assembly Parts List accompanying each figure. Refer to part II for explanation of terms used in the Group Assembly Parts List.

ATTACHING PARTS LIST

The Attaching Parts List contains common screws, nuts, washers, etc. that are used in the machine. Index numbers for attaching parts are on the illustration, and the description is in the Attaching Parts List.

NUMERICAL INDEX

The Numerical Index is located after the Catalog Section and contains a complete list, in numerical order, of all part numbers used on the machine. Listed with the part number is the index and figure number on which the part is illustrated. The numerical index makes it possible to locate a part when only the part number is known.

STACKED INDEX NUMBERS

Stacked index numbers are used when showing a part and its attaching hardware. The sequence of a typical stack is shown at the right. The circled index number indicates the assembly is broken down within the figure.

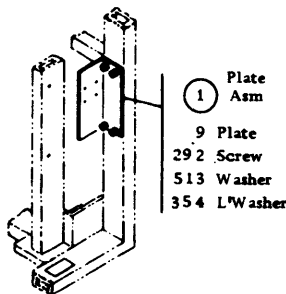


ILLUSTRATION NOTES

Cross-reference notes are directly on the illustration. The illustration's next higher assembly reference, normally located in the upper left corner of the page will read: "For Parts Not Shown See Figure X". If an assembly is referenced to a lower level figure, the note located next to the index number will read: "5 See Figure X."

DOUBLE LINED DETAIL BOX

The double lined box differentiates between parts shown on the basic model and parts related to a level and/or feature difference. An explanation of the level or feature difference is given in the double lined box.

FINDING A PART

The Visual Index is the starting point for locating a part. The illustrations in the Visual Index are reduced versions of all illustrations in the Catalog Section; therefore, the illustrations can be used to find the assembly containing the desired part. Use references to the detailed figure in the Catalog Section, or to another Visual Index illustration, to determine location of part number.

Once the detailed figure in the catalog section is determined, finding the part on the figure and referring to the listing for the part number and description is all that is required in most cases. If the first catalog section figure referenced shows the assembly containing the required part, the index number for the assembly will reference a lower-level figure where the assembly is broken down to its component parts. If the figure referenced by the Visual Index contains neither the part nor an assembly containing the part, it is then necessary to go to the next higher assembly figure. This figure should then contain the part or an assembly containing the part; if not, an even higher level figure must be used. Refer back to the Visual Index for some other figure that could show the desired part.

Note: Many detailed parts are unavailable, because they are part of an inseparable assembly (two or more parts welded or bonded together), or because they are part of an assembly purchased as a unit. If parts are found on a welded or bonded assembly, the following note follows the description of the assembly: "Assembly components are not replaceable." If the part is found on a purchased assembly, and the detail parts of this assembly do not have IBM part numbers, the note following the assembly description will read: "Assembly components are not available." In either case, you need to obtain the part number of the assembly, rather than the detailed part.

EXAMPLE FOR ORDERING PARTS

	PART NUMBER	DESCRIPTION	REF
	5726422	FAN ASM-P/S ENCLOSURE FOR NEXT HIGHER ASSEMBLY SEE FIGURE 1-184 FOR ILLUSTRATION SEE FIGURE 4	
- 1	354921	TERMINAL RING- 18-22 AWG, 86 HOLE, 1NS	2
- 2	187854	SHIELD TERMINAL BLOCK- 2 POS	1
- 3	5357050	FAN ASM-NO CONNECTOR	1
- 4	5357056	BLADE	1
- 5	5357067	MOTOR 208V/230V 60CY 220V 50CY	1
- 6	5726436	HEADER-POWER SUPPLY FAN	1

If the entire fan is required, part number 5726422 should be ordered (all one dot items will be received). If only the subassembly is required, part number 5357050 should be ordered (all two dot items will be received). Each part may be ordered individually.

HOW TO USE THIS ILLUSTRATED PARTS CATALOG (IPC)

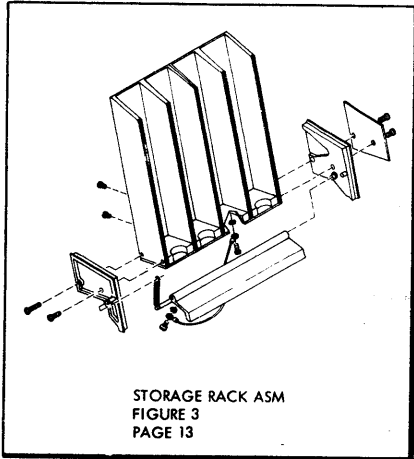
PART II

- ① **AR**
As Required (AR) in the units per assembly column denotes that the quantity is used as required.
- ② **ATT PT**
Attaching Parts: These parts are used to attach a sub-assembly to an assembly. The attaching parts are listed in the last list just before the numeric index. Special attaching parts are listed with the figure.
- ③ **"COMM"**
Commercial hardware: When this indication appears in the part number column, it denotes hardware procurable from normal commercial sources and not identified by an IBM part number.
- ④ **INDENTURE**
The relationship of a part to its next higher assembly is indicated by indentures. For example:

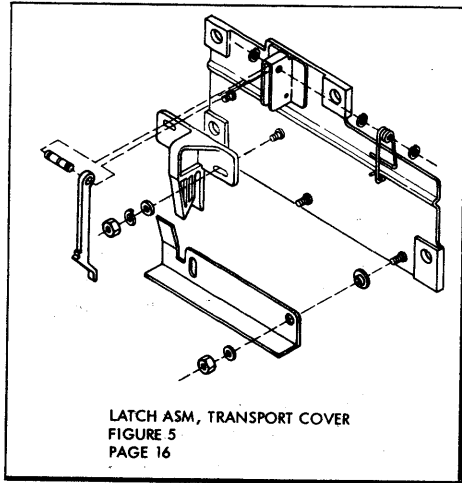
1	2	3	4
Unit			
·	Assemblies and Detail Parts of Unit		
·	Attaching Parts for Assemblies & Detail Parts		
·	·	Subassemblies	
·	·	Attaching Parts for Subassemblies	
·	·	·	Detail Parts for Subassemblies, etc.
- ⑤ **NR**
The NR in the part number column denotes the part is procurable but not recommended for field replacement, and that the next higher assembly should be ordered.
- ⑥ **NP**
The entry NP in the part number column denotes the assembly is non-procurable and the detail parts should be ordered separately.
- ⑦ **NO NO**
When this indication appears in the part number column, it denotes a group of parts for which no assembly part number has been assigned, and the detail parts should be ordered separately.
- ⑧ **REF**
This entry in the units per assembly column denotes an assembly which is completely assembled on a preceding illustration. Quantities for such items are found in its next higher assembly.
- ⑨ **SIMILAR ASSEMBLIES**
If two assemblies contain a majority of identical parts, they are broken down on the same list. Common parts are shown by one index number. Parts peculiar to one or the other of the assemblies are listed separately and identified by U sable On Code.
- ⑩ **USABLE ON CODE**
Part application and interchangeability is indicated by the usable on code. If this column is blank, the parts pertain to all equipment(s) covered. Two types of codes are used. The alphabetic code denotes similar assemblies and/or features; the numeric code denotes level. Refer to the beginning of each list for the explanation of the code(s).
- ⑪ **SUFFIX CODE**
The suffix code indicates the month (alphabetic) and the year (numeric) of the engineering change which affected interchangeability of the part.

EXAMPLE OF PARTS LIST

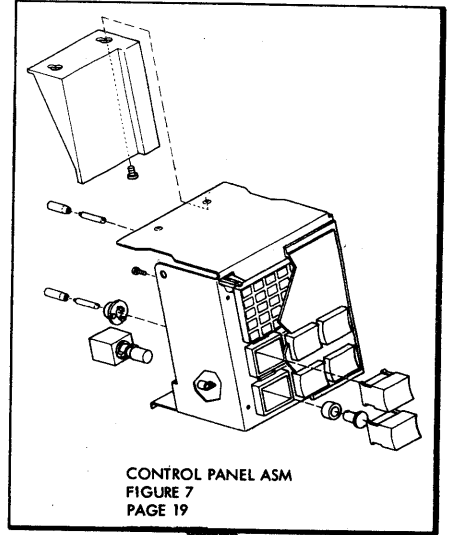
LIST AND INDEX NO.	PART NO.	DESCRIPTION				UNITS PER ASM.	USABLE ON CODE
		1	2	3	4		
		DRIVE MOTOR ASSEMBLY					
2-							
-	2199376 NP			⑩	CODE A USED ON 60 CYCLE ONLY	⑧	⑩
-	2199386 NP				CODE B USED ON 50 CYCLE ONLY	REF	1A
					CODE 1 USED ON ASM PRIOR TO B6 SUFFIX	REF	1B
- 1	2204176			④	· PULLEY, 60 CYCLE	①	A
- 1	2199255				· PULLEY, 50 CYCLE	1	B
- 2	79842				· SETSCREW, SPLINE DR CUP PT 8-32 X 3/8 LG	AR	A
- 3	2204116				· MOTOR ASM, 220V AC 60 CYCLE	1	B
- 4	NO NO.				· MOTOR ASM, 220V AC 50 CYCLE	1	
- 5	5526				· SCREW, MACH BIND HD 8-32 X 0.625 LG	4	
- 6	2204082				· FERRULE, OUTER	1	
- 7	2204033				· FERRULE, INNER	1	
- 8	"COMM"				· MOTOR, 1/12 HP-220V 60CPS	1	
- 8	2199258				· MOTOR, DRIVE - 220V 50CPS	1	
- 9	2199401 NR				· PLATE, MOTOR MT-115/220 VOLTS 60 CY	1	A
- 9	2199402 NR				· PLATE, MOTOR MT-220 VOLTS 50 CY	1	B



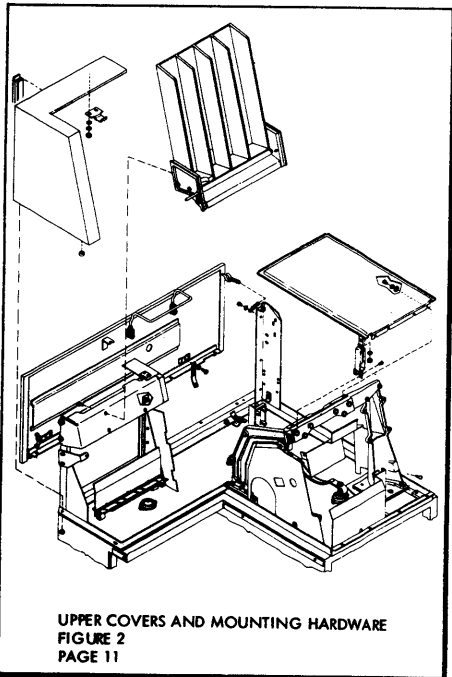
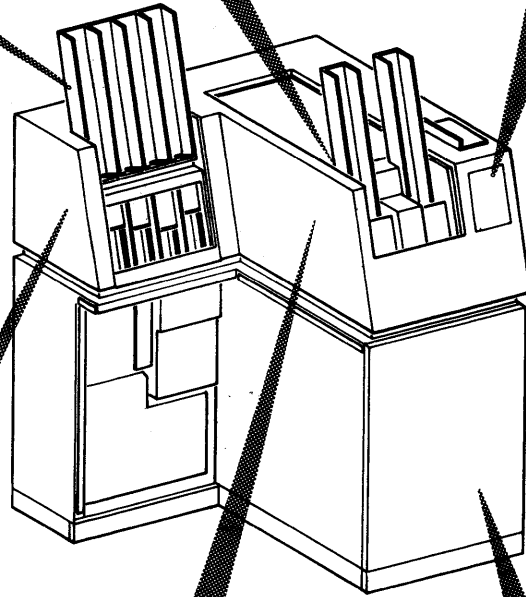
STORAGE RACK ASM
FIGURE 3
PAGE 13



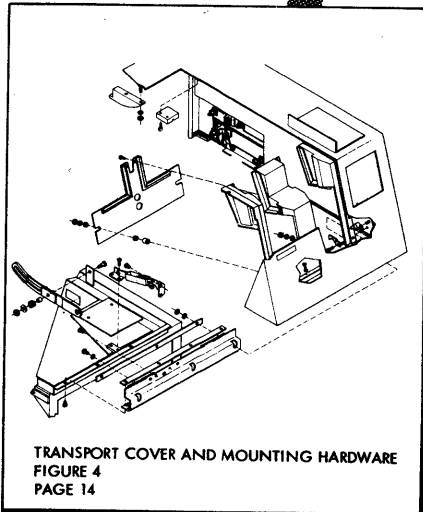
LATCH ASM, TRANSPORT COVER
FIGURE 5
PAGE 16



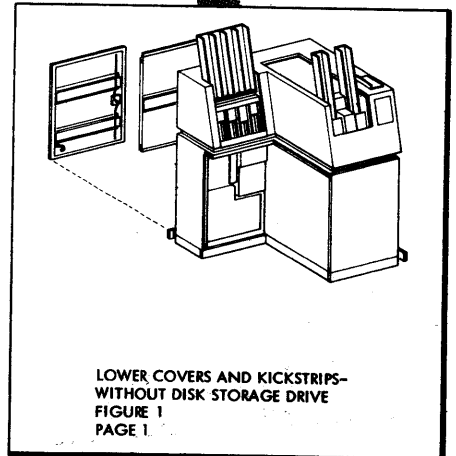
CONTROL PANEL ASM
FIGURE 7
PAGE 19



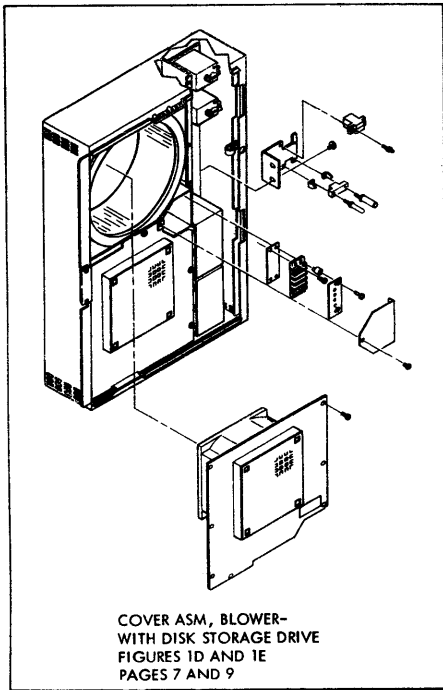
UPPER COVERS AND MOUNTING HARDWARE
FIGURE 2
PAGE 11



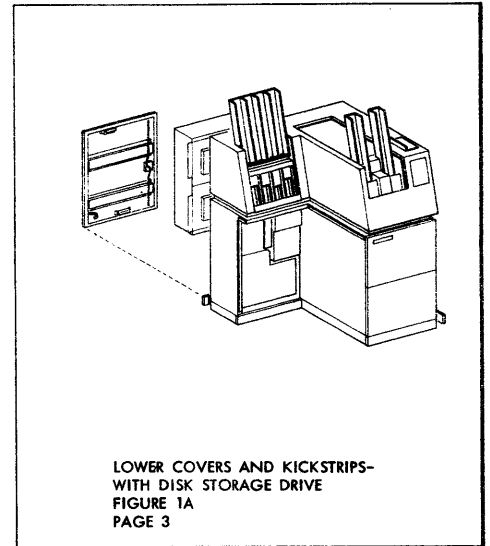
TRANSPORT COVER AND MOUNTING HARDWARE
FIGURE 4
PAGE 14



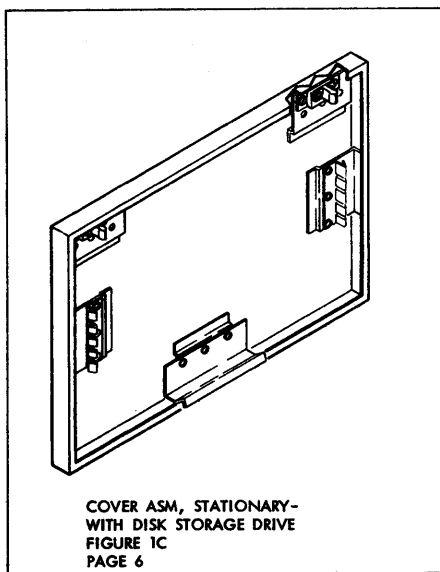
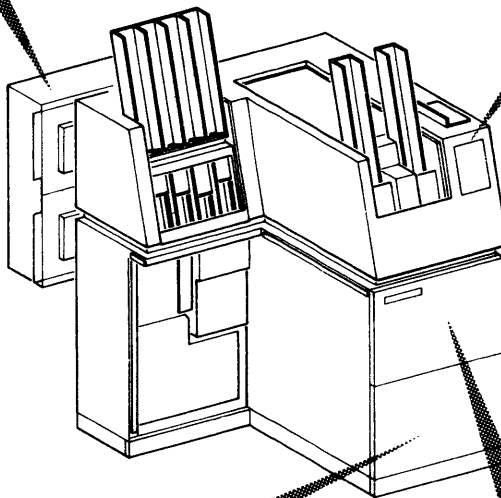
LOWER COVERS AND KICKSTRIPS-
WITHOUT DISK STORAGE DRIVE
FIGURE 1
PAGE 1



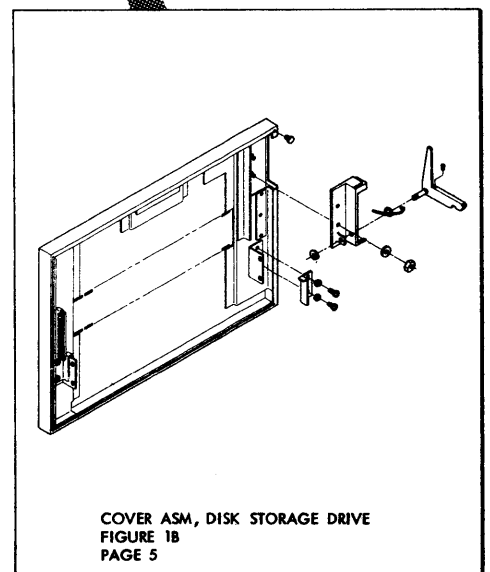
COVER ASM, BLOWER-
WITH DISK STORAGE DRIVE
FIGURES 1D AND 1E
PAGES 7 AND 9



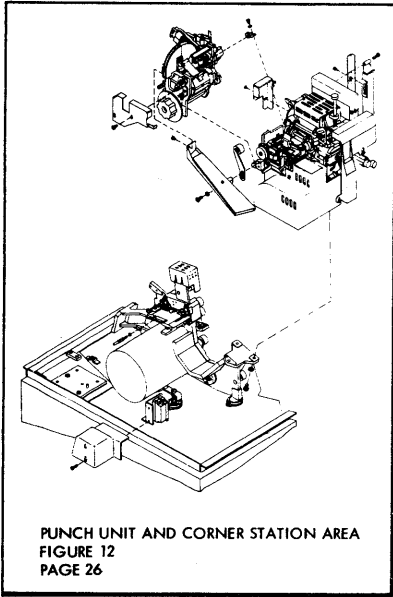
LOWER COVERS AND KICKSTRIPS-
WITH DISK STORAGE DRIVE
FIGURE 1A
PAGE 3



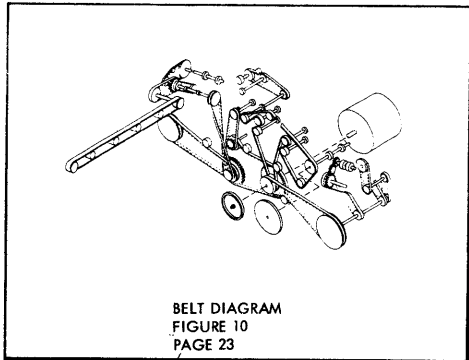
COVER ASM, STATIONARY-
WITH DISK STORAGE DRIVE
FIGURE 1C
PAGE 6



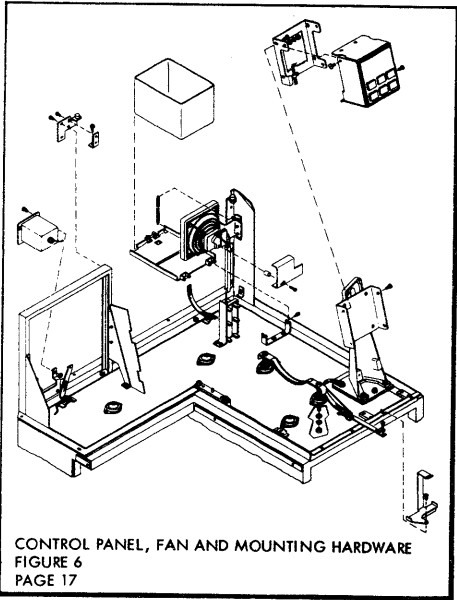
COVER ASM, DISK STORAGE DRIVE
FIGURE 1B
PAGE 5



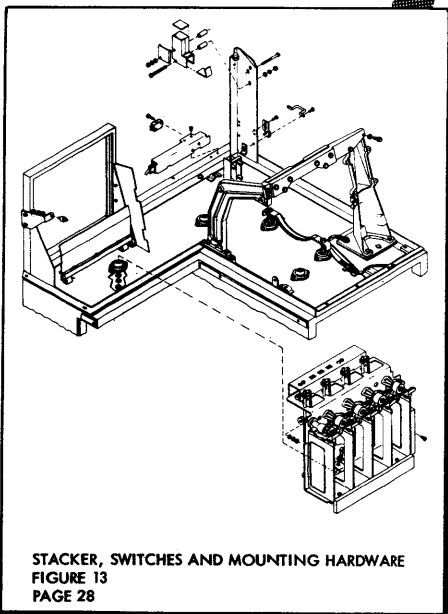
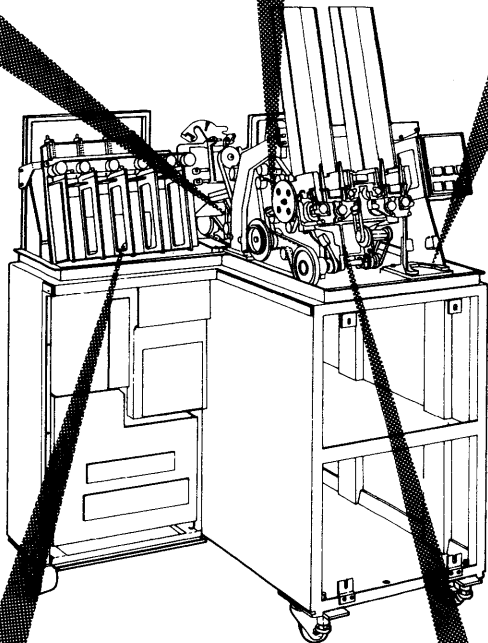
PUNCH UNIT AND CORNER STATION AREA
FIGURE 12
PAGE 26



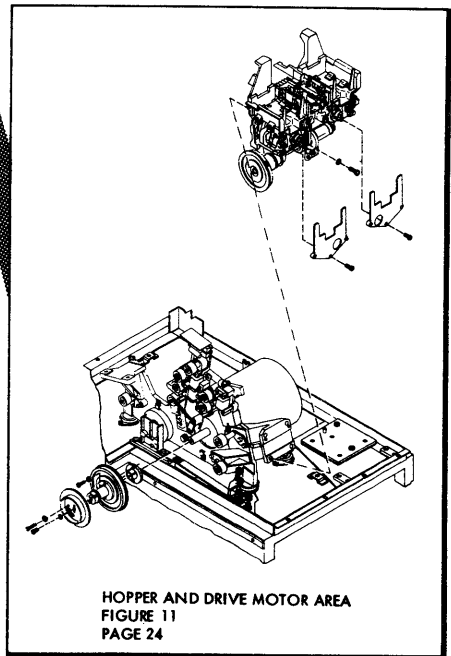
BELT DIAGRAM
FIGURE 10
PAGE 23



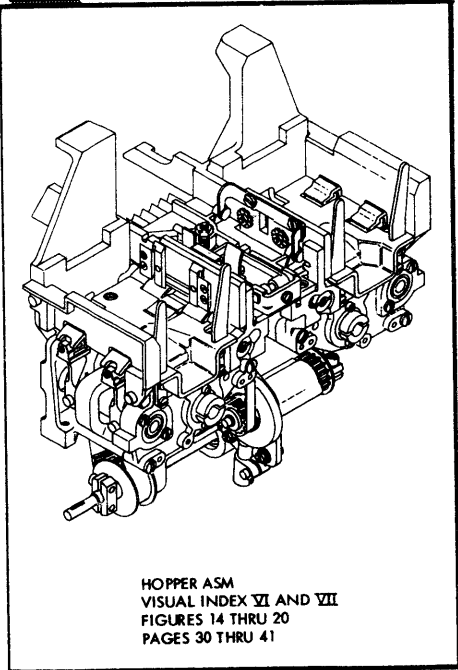
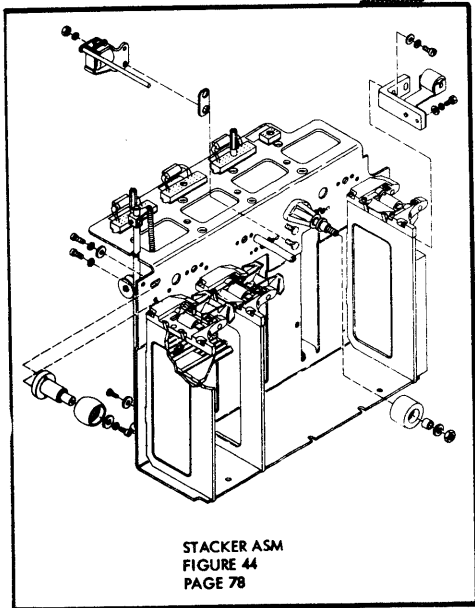
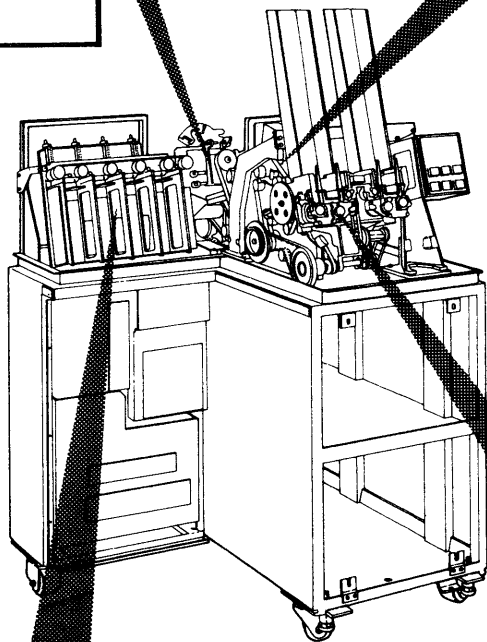
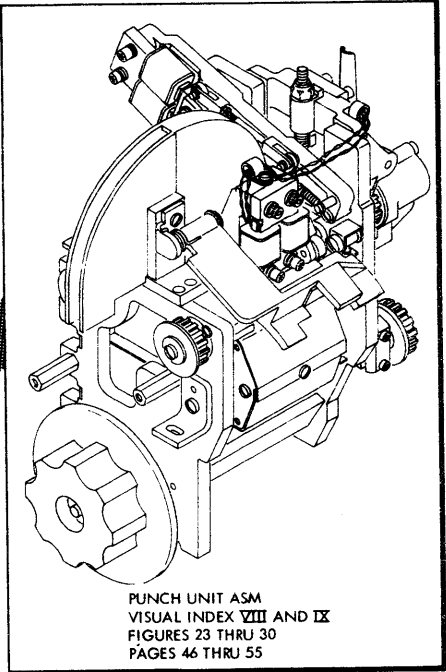
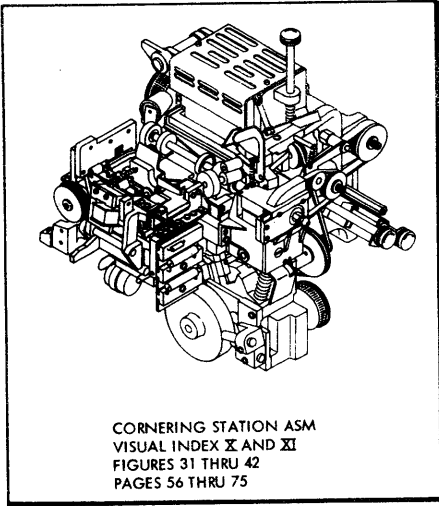
CONTROL PANEL, FAN AND MOUNTING HARDWARE
FIGURE 6
PAGE 17

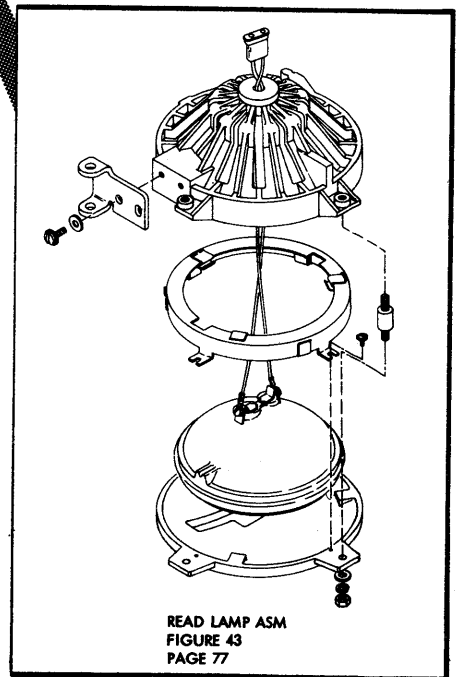
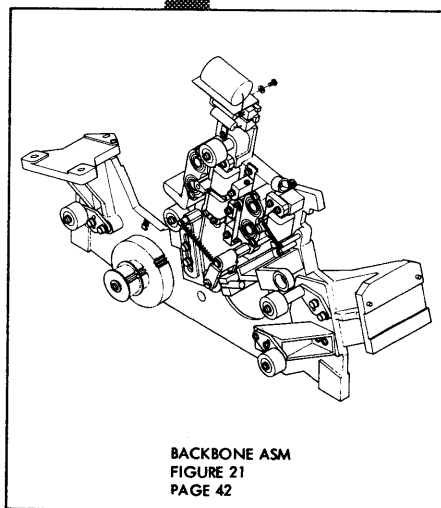
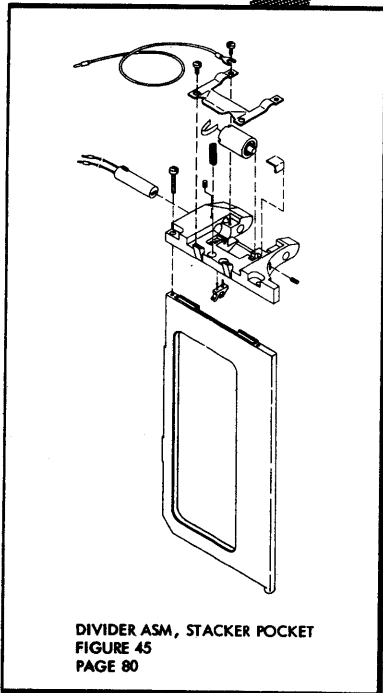
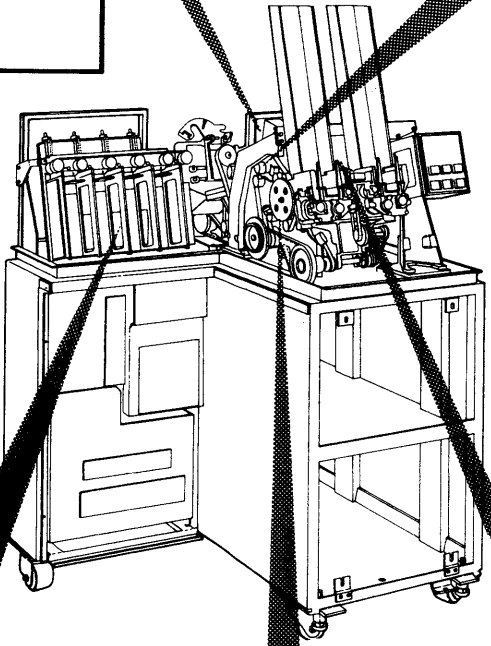
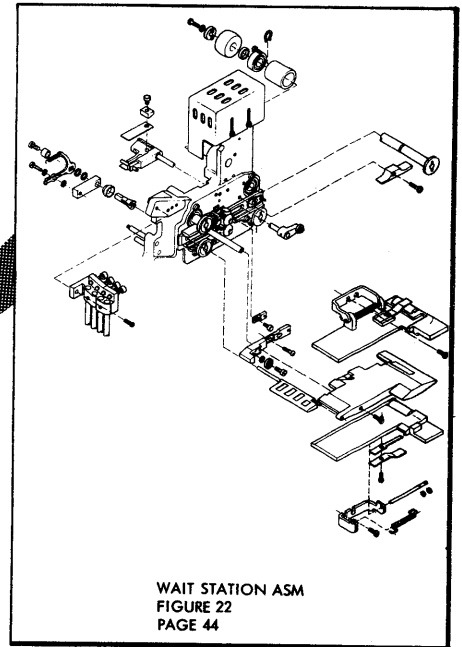
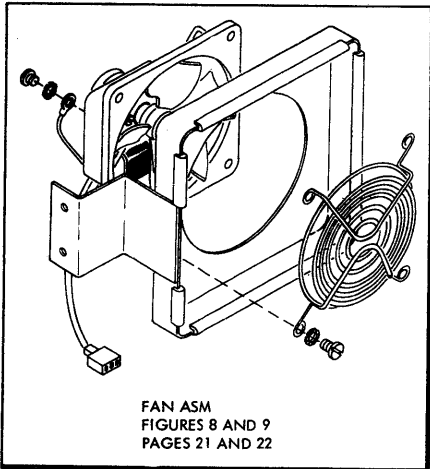


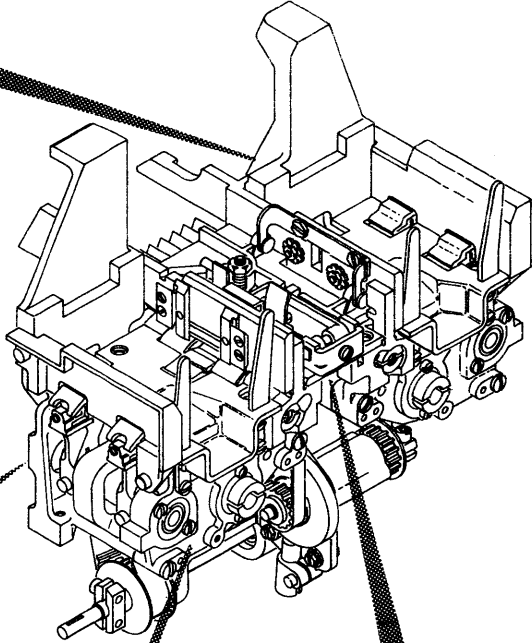
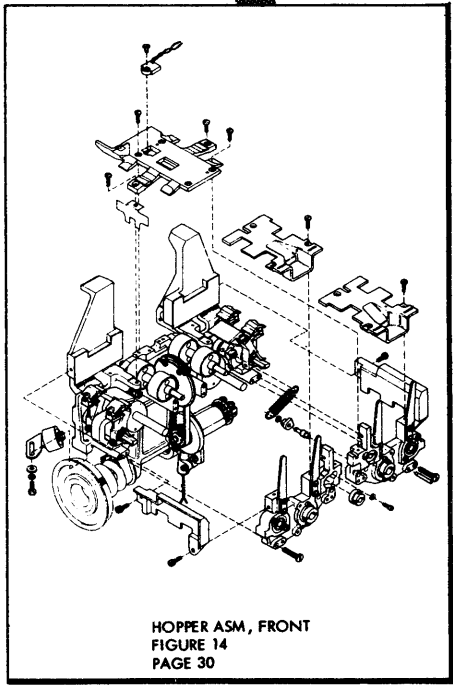
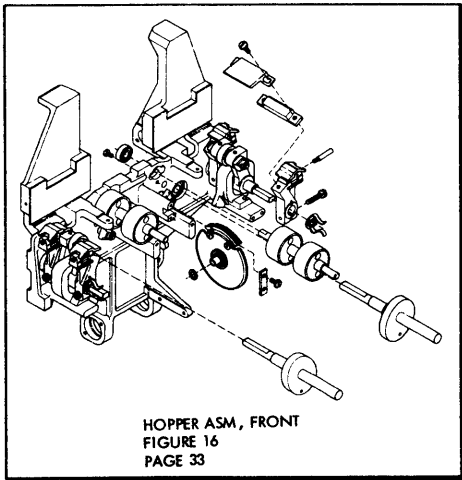
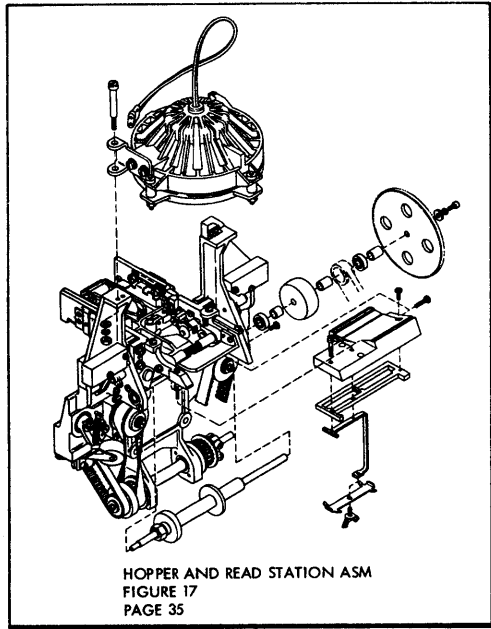
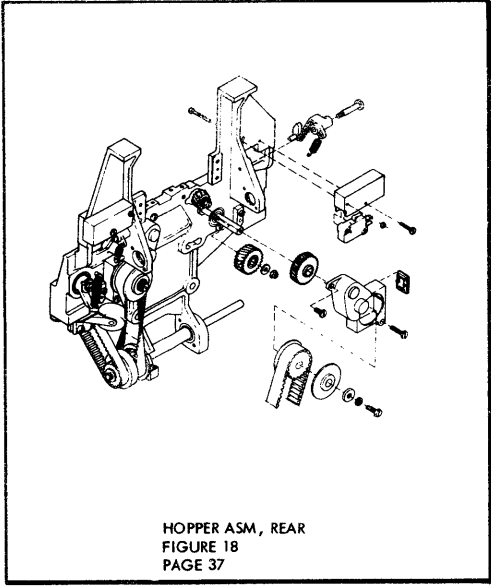
STACKER, SWITCHES AND MOUNTING HARDWARE
FIGURE 13
PAGE 28

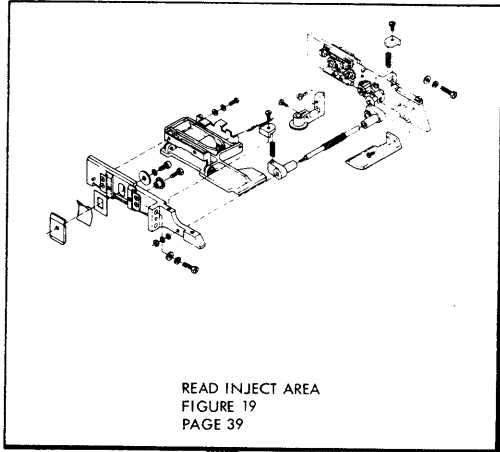


HOPPER AND DRIVE MOTOR AREA
FIGURE 11
PAGE 24

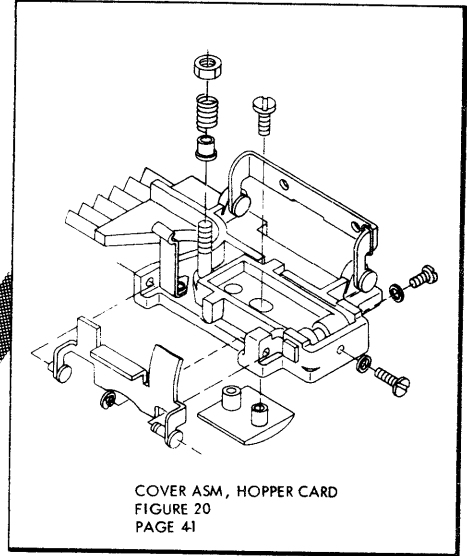




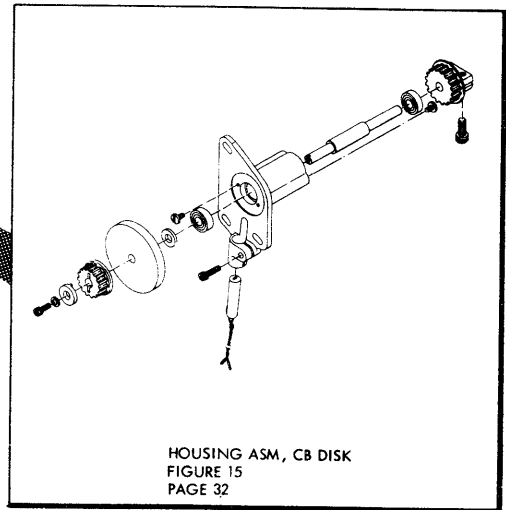
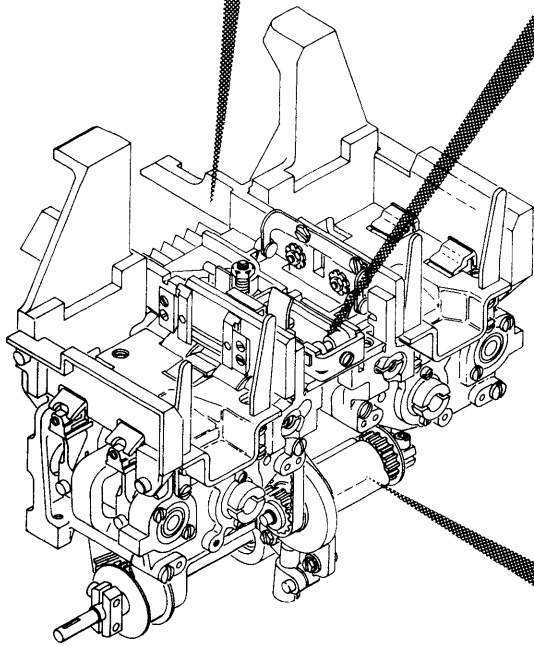




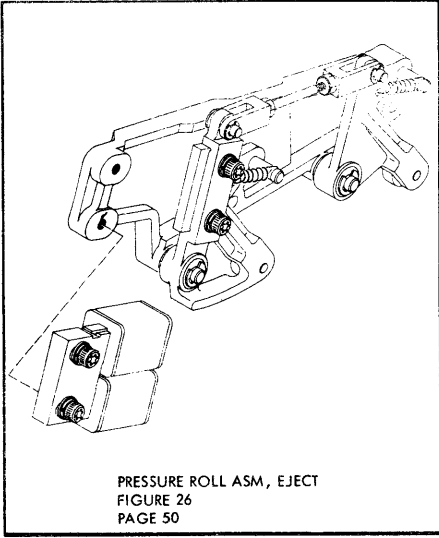
READ INJECT AREA
FIGURE 19
PAGE 39



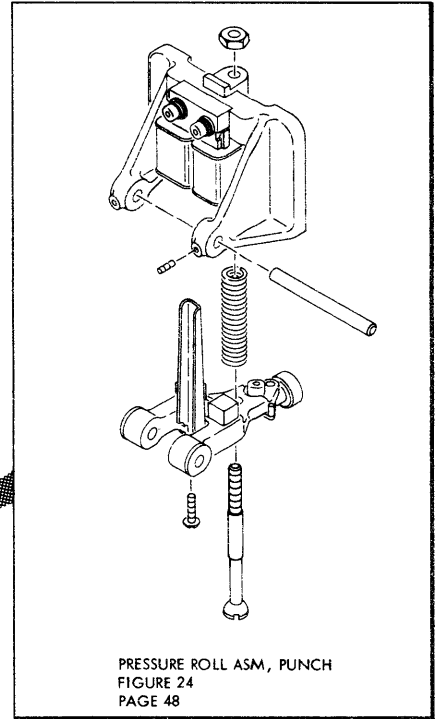
COVER ASM, HOPPER CARD
FIGURE 20
PAGE 41



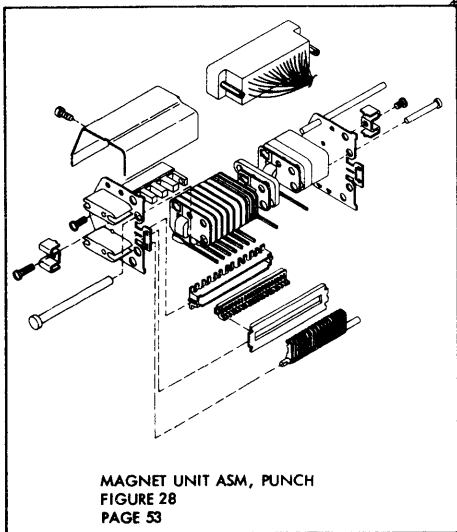
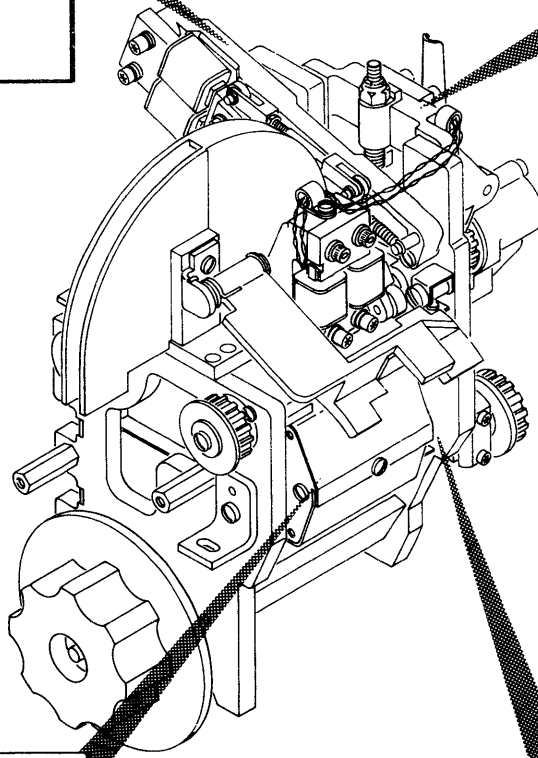
HOUSING ASM, CB DISK
FIGURE 15
PAGE 32



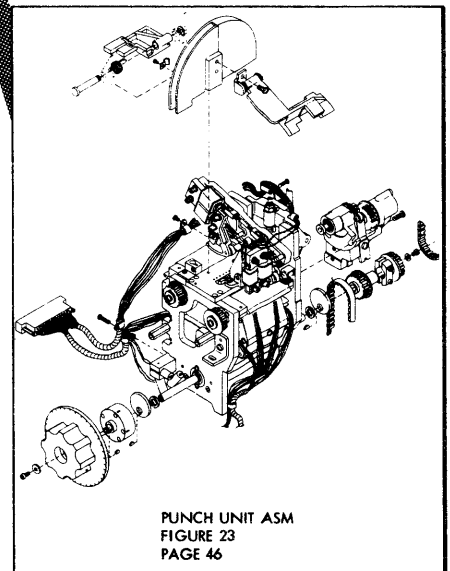
PRESSURE ROLL ASM, EJECT
FIGURE 26
PAGE 50



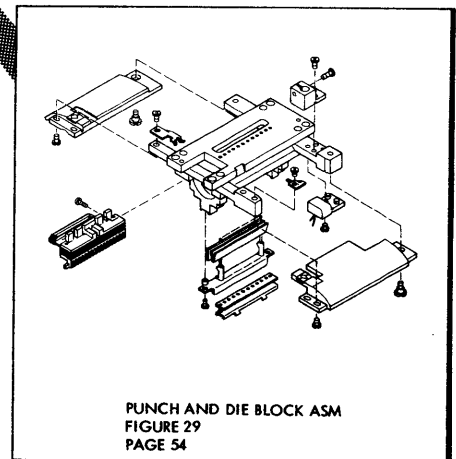
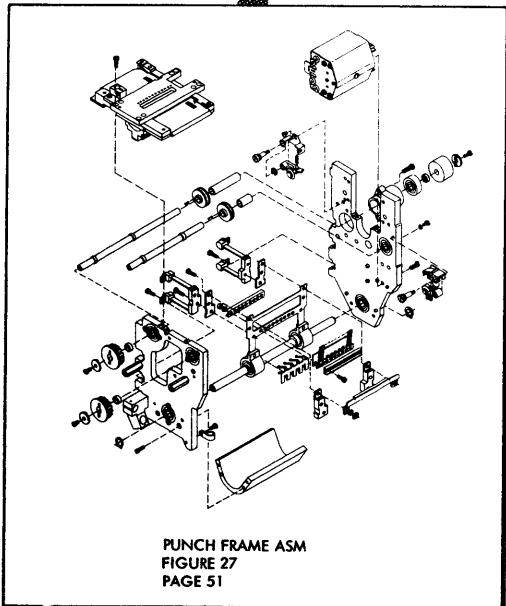
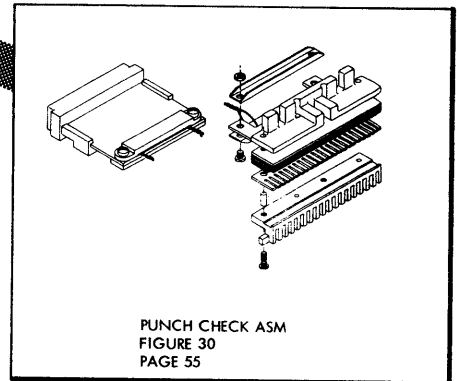
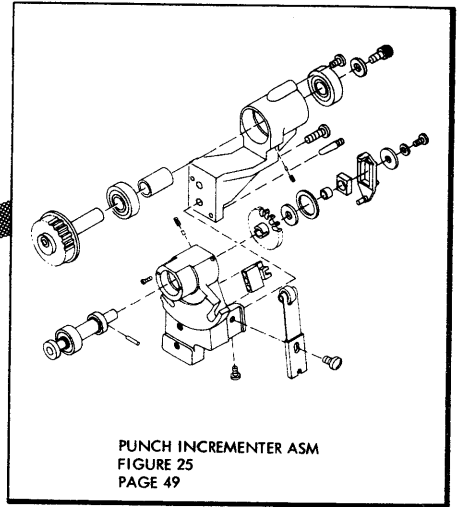
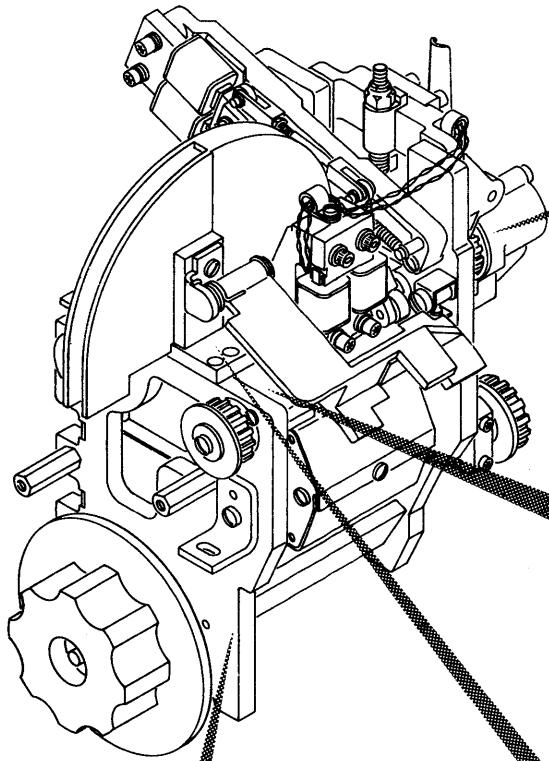
PRESSURE ROLL ASM, PUNCH
FIGURE 24
PAGE 48

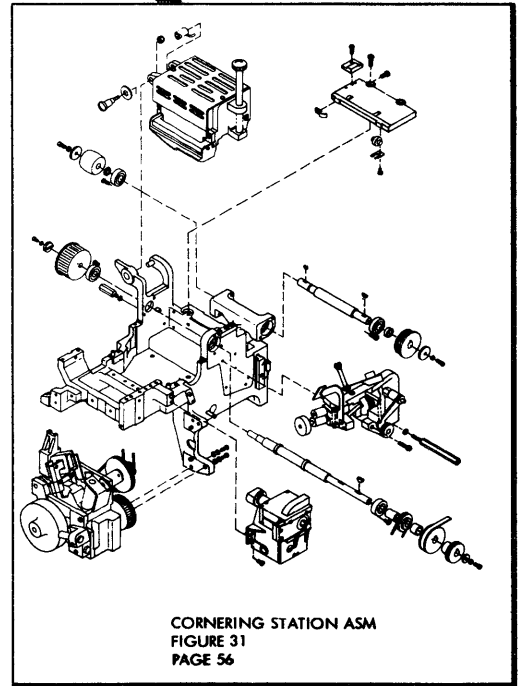
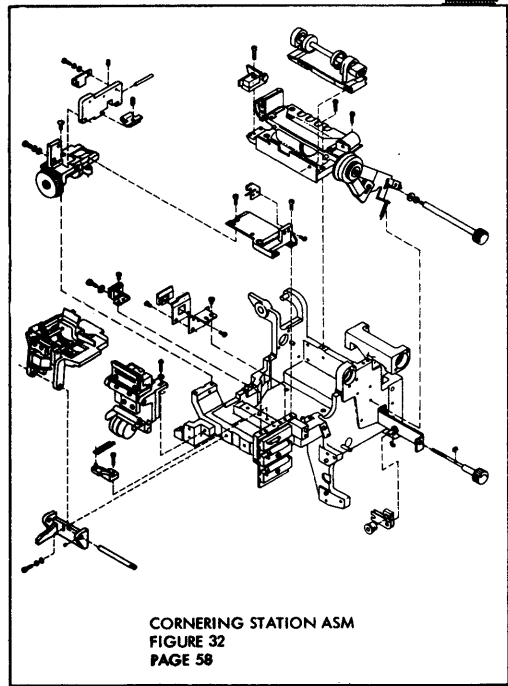
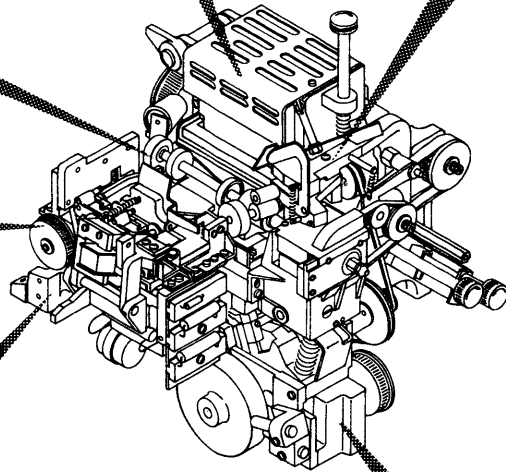
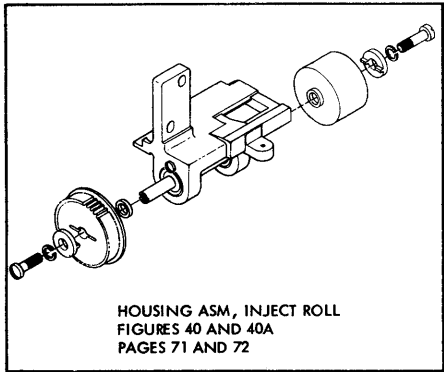
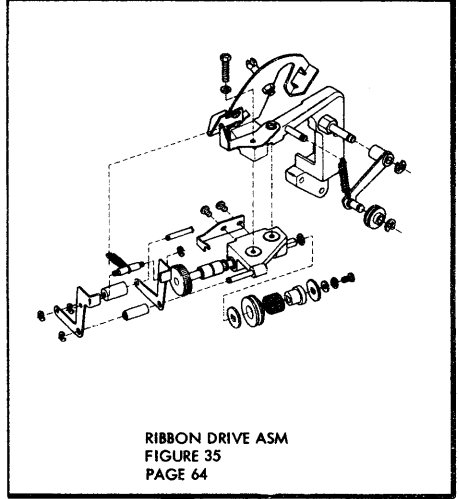
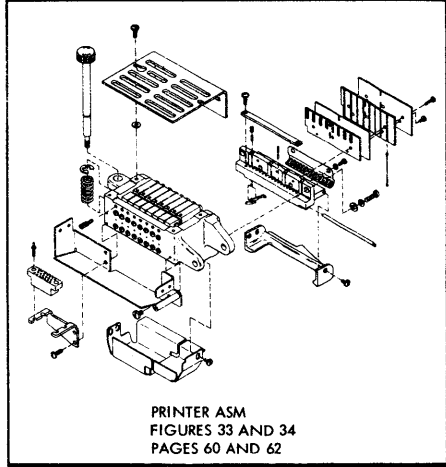
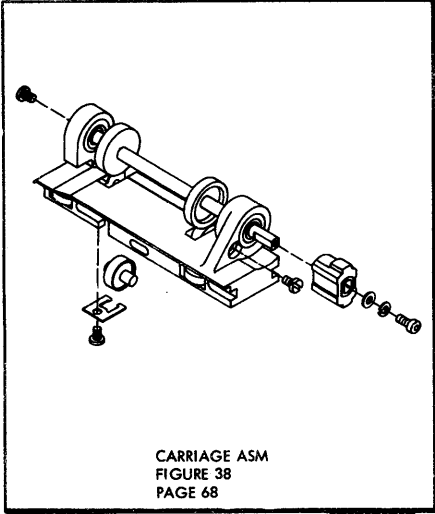


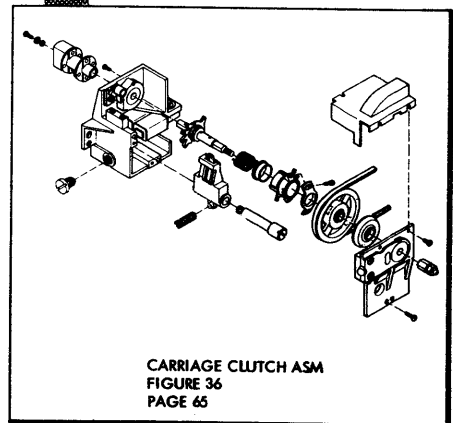
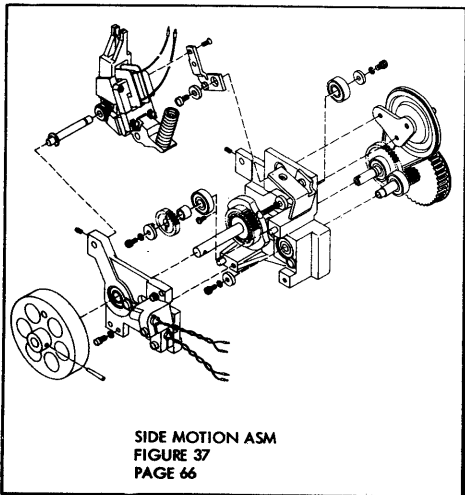
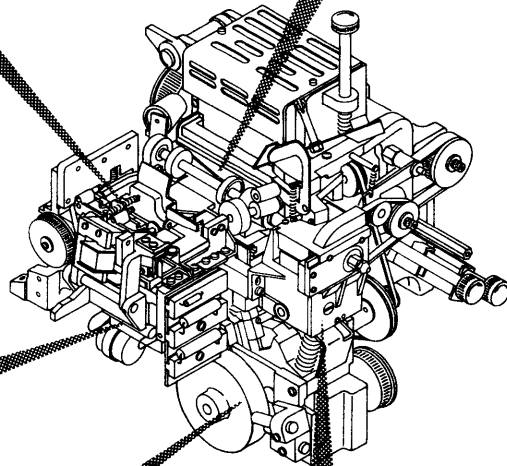
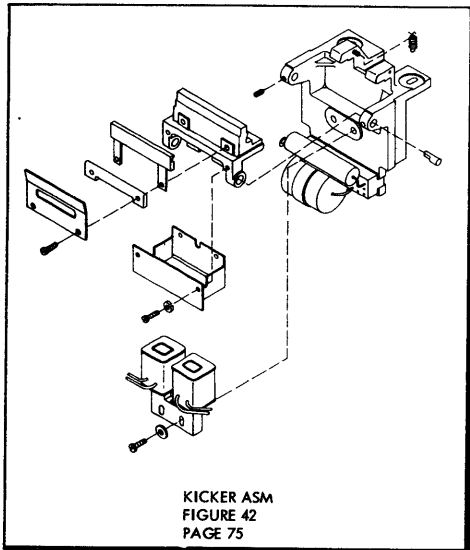
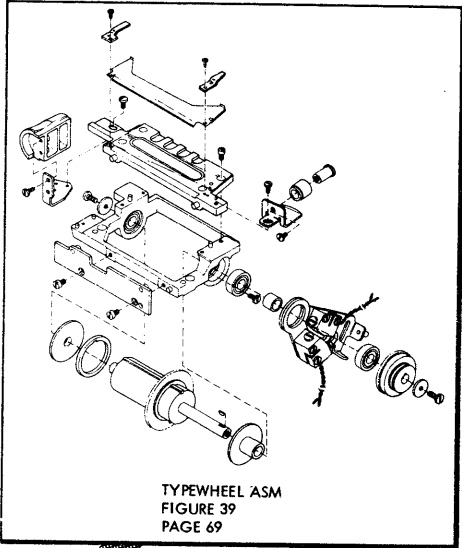
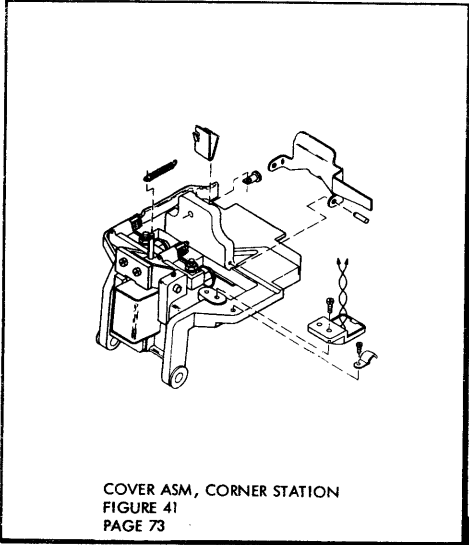
MAGNET UNIT ASM, PUNCH
FIGURE 28
PAGE 53

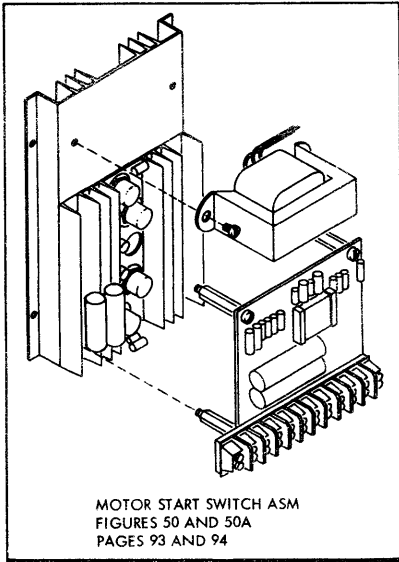


PUNCH UNIT ASM
FIGURE 23
PAGE 46

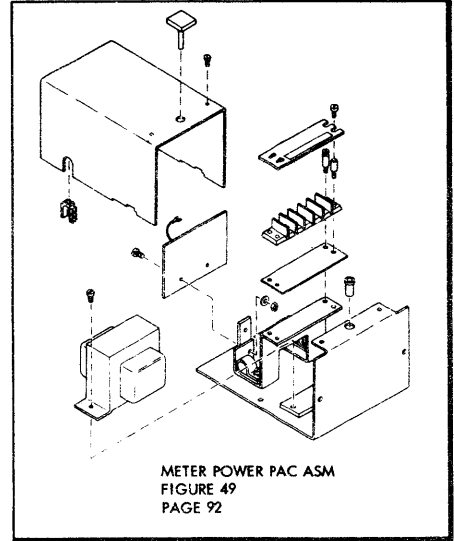




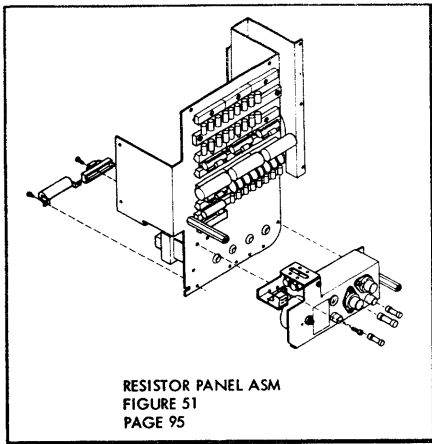




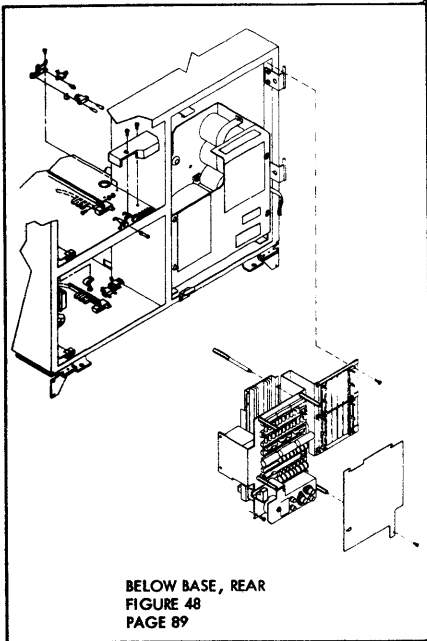
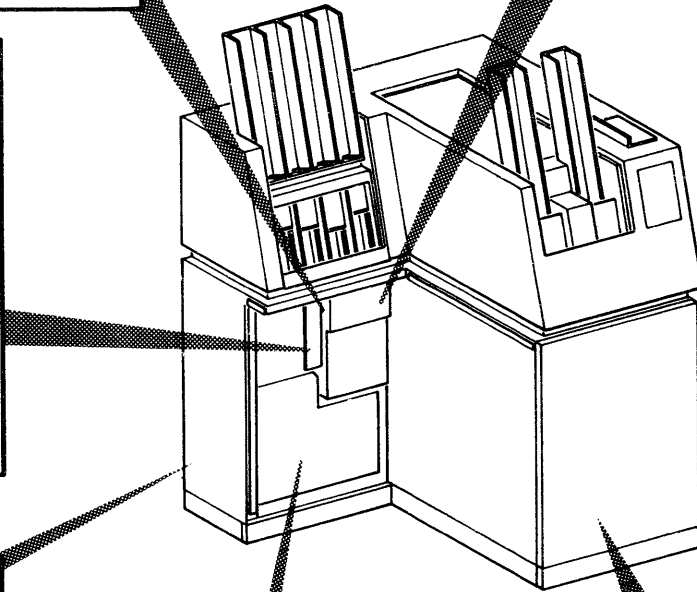
MOTOR START SWITCH ASM
FIGURES 50 AND 50A
PAGES 93 AND 94



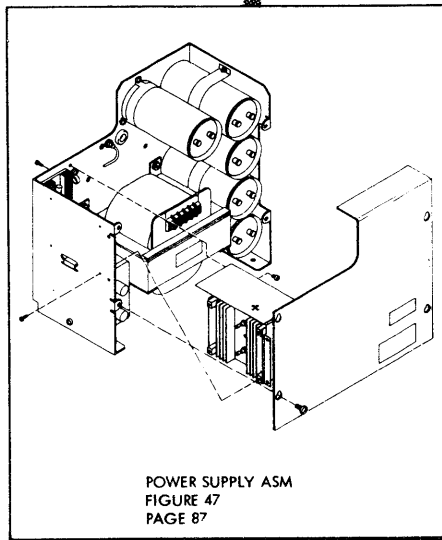
METER POWER PAC ASM
FIGURE 49
PAGE 92



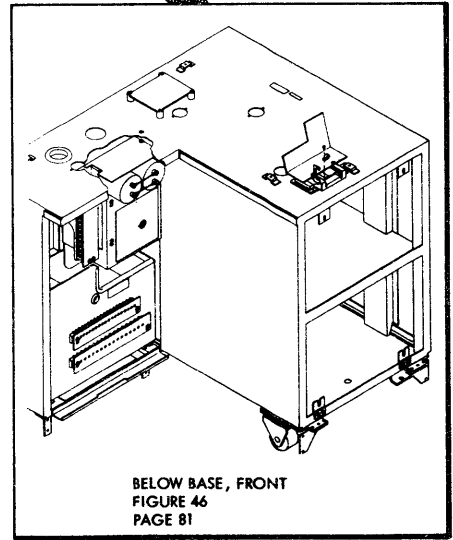
RESISTOR PANEL ASM
FIGURE 51
PAGE 95



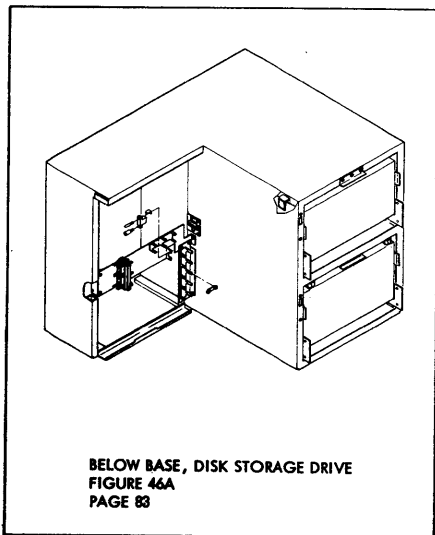
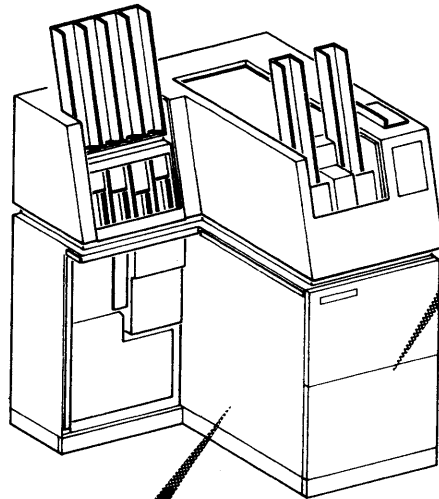
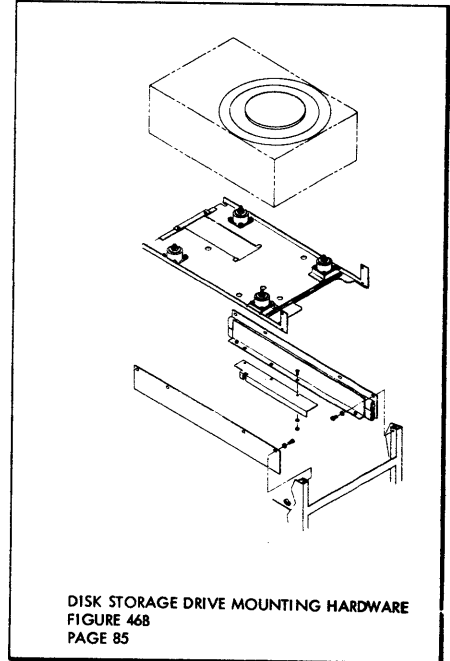
BELOW BASE, REAR
FIGURE 48
PAGE 89

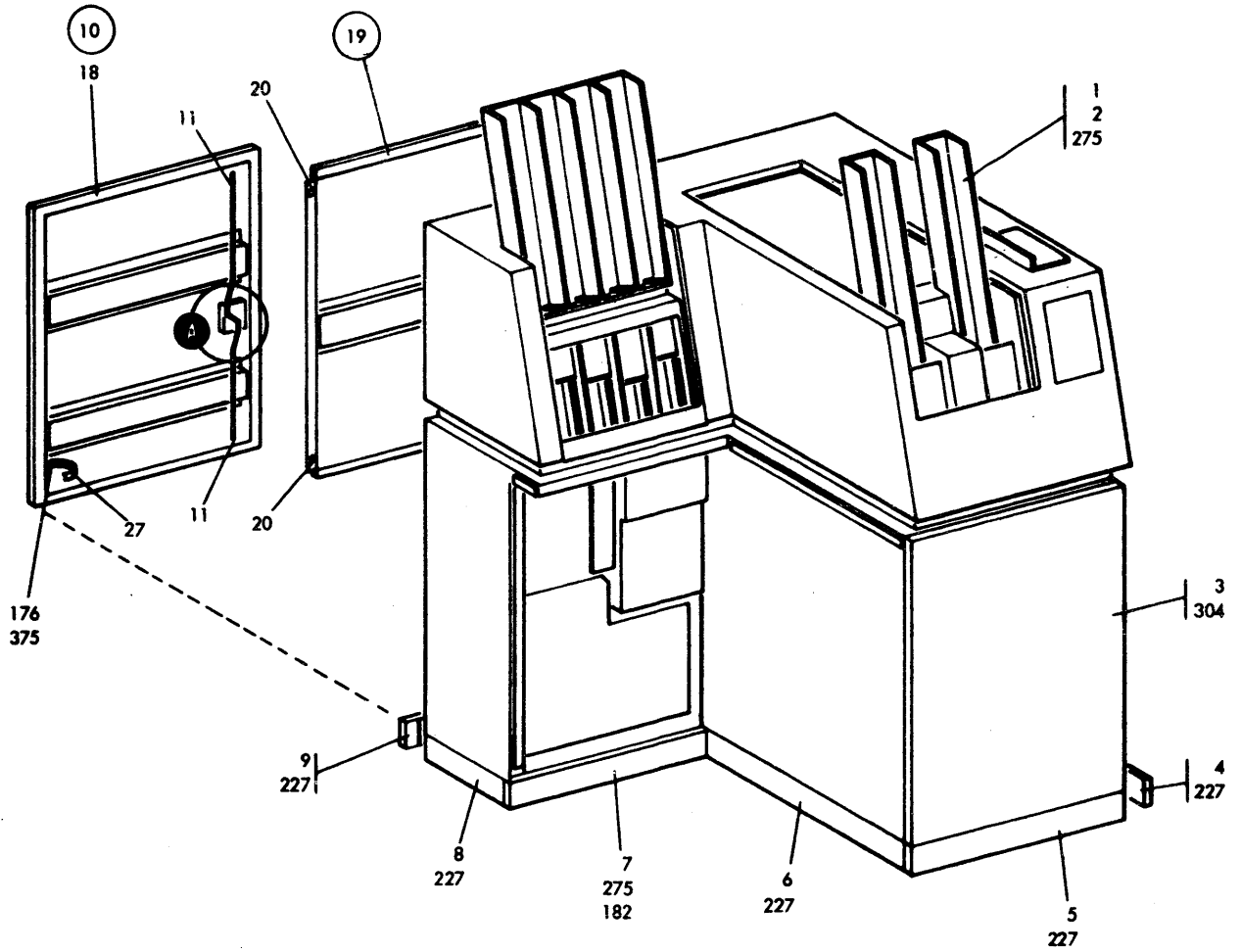


POWER SUPPLY ASM
FIGURE 47
PAGE 87



BELOW BASE, FRONT
FIGURE 46
PAGE 81





WITHOUT DISK STORAGE DRIVE

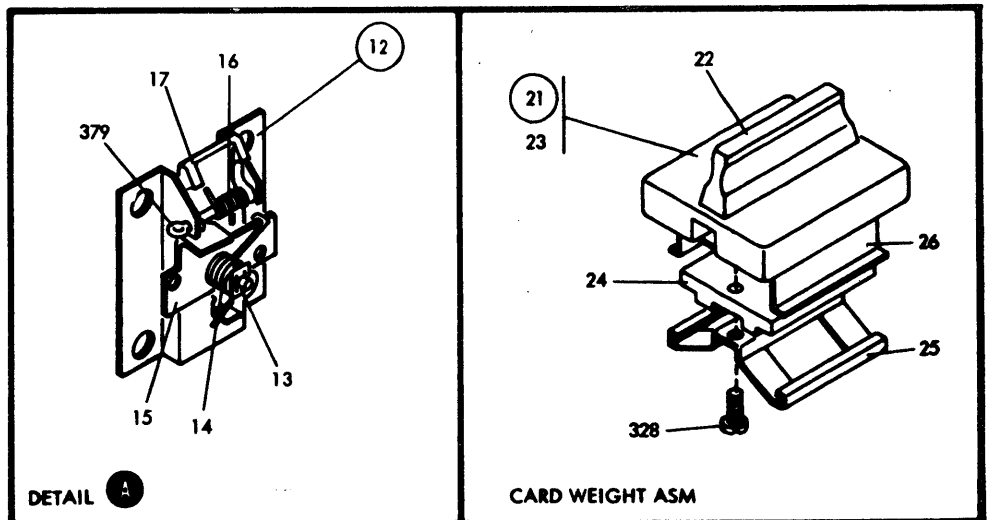


FIGURE 1. LOWER COVERS AND KICKSTRIPS WITHOUT DISK STORAGE DRIVE. SEE LIST 1.

LIST AND INDEX NUMBER	PART NUMBER	DESCRIPTION				UNITS PER ASM.	USABLE ON CODE
		1	2	3	4		
1	NO NO.	LOWER COVERS AND KICKSTRIPS-					
-		WITHOUT DISK STORAGE DRIVE					
-		FOR ILLUSTRATION SEE FIG. 1					
- 1	2592486	• RACK, CARD				2	
- 2	2591469	• NUT PLATE		ATT PT		2	
- 3	2590355	• DOOR, FRONT				1	
- 4	2590363	• KICKSTRIP, RIGHT SIDE				1	
- 5	2590367	• KICKSTRIP, FRONT				1	
- 6	2590365	• KICKSTRIP, LEFT SIDE				1	
- 7	2590359	• KICKSTRIP, LEFT FRONT				1	
- 8	2590364	• KICKSTRIP, LEFT SIDE				1	
- 9	2590361	• KICKSTRIP, REAR				1	
- 9		FOR KICKSTRIP MOUNTING BRACKETS					
- 9		SEE FIGS. 46 AND 48					
- 10	2590356	• DOOR ASM, LEFT REAR				1	
- 11	2590338	• • PUSHROD				2	
- 12	2590339	• • LATCH ASM				1	
- 13	2590341	• • • NUT				1	
- 14	2590333	• • • SPRING				1	
- 15	2590334	• • • LATCH				1	
- 16	2590332	• • • SPRING				1	
- 17	2590337	• • • HANDLE				1	
* - 18	2590369	• • DOOR				1	
- 19	2590348	• DOOR ASM, RIGHT REAR				1	
- 20	119845	• • BUMPER				2	
- 21	2593370	• CARD WEIGHT ASM				2	
- 22	2593496	• • HANDLE				1	
- 23	2593882	• • WEIGHT				1	
- 24	2593883	• • INSERT				1	
- 25	2593884	• • SPRING				1	
- 26	2593997	• • STOP				1	
- 27	2101089	• STRAP, REAR COVER GROUND				2	
-		FOR ATTACHING PARTS, INDEX NOS. 151					
-		AND ABOVE, SEE LIST 54					
* - 18	2418486	• • DOOR		FOR WTC ONLY		1	

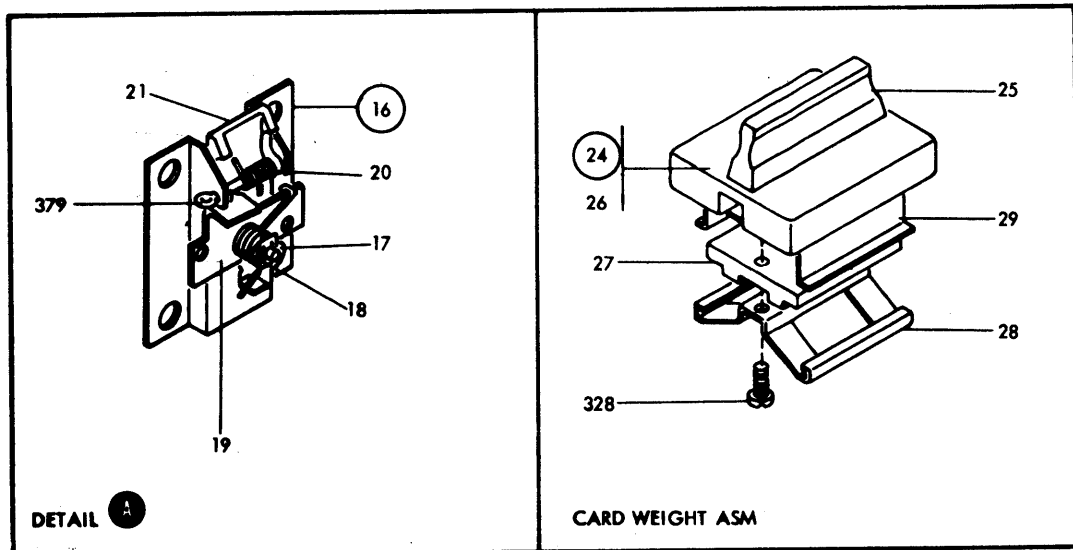
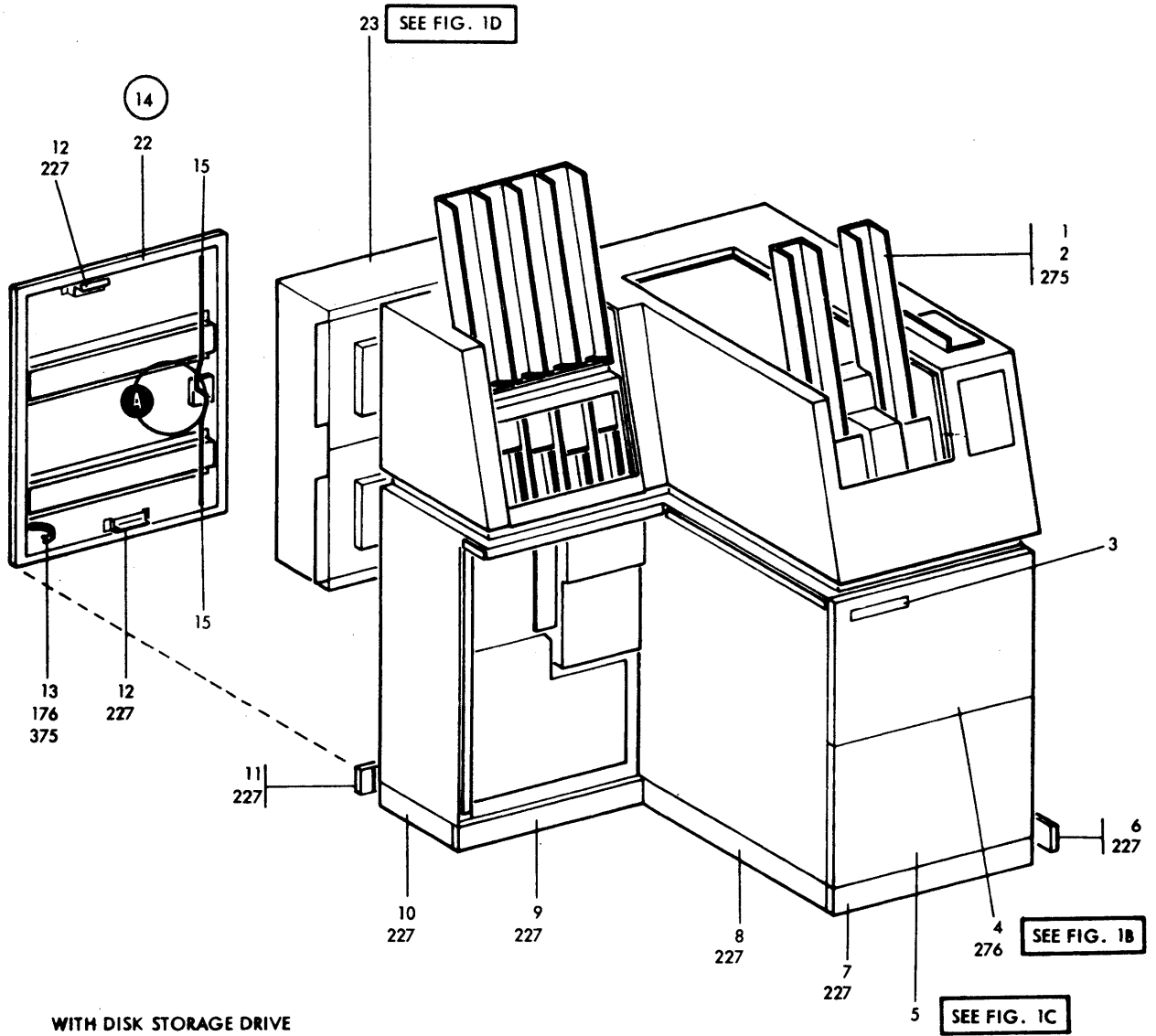


FIGURE 1A. LOWER COVERS AND KICKSTRIPS WITH DISK STORAGE DRIVE. SEE LIST 1A.

LIST AND INDEX NUMBER	PART NUMBER	DESCRIPTION				UNITS PER ASM.	USABLE ON CODE
		1	2	3	4		
1A	NO NO.	LOWER COVERS AND KICKSTRIPS-					
-		WITH DISK STORAGE DRIVE					
-		FOR ILLUSTRATION SEE FIG. 1A					
- 1	2592486	. RACK,CARD				2	
- 2	2591469	. NUT PLATE				2	
- 3	2591903	. NAMEPLATE,ENGLISH				1	
- 3	2591905	. NAMEPLATE,ITALIAN				1	
- 3	2591906	. NAMEPLATE,FRENCH				1	
- 3	2591908	. NAMEPLATE,GERMAN				1	
- 3	2591917	. NAMEPLATE,SPANISH				1	
- 3	2592056	. NAMEPLATE,JAPANESE				1	
- 4	2591217	. COVER ASM,DISK STORAGE DRIVE				1	
- 4		FOR DETAIL BREAKDOWN SEE LIST 1B					
- 5	2591885	. COVER ASM,STATIONARY				1	
- 5		FOR DETAIL BREAKDOWN SEE LIST 1C					
- 6	2590368	. KICKSTRIP,RIGHT SIDE				1	
- 7	2590367	. KICKSTRIP,FRONT				1	
- 8	2590365	. KICKSTRIP,LEFT SIDE				1	
- 9	2590359	. KICKSTRIP,LEFT FRONT				1	
- 10	2590364	. KICKSTRIP,LEFT SIDE				1	
- 11	2590361	. KICKSTRIP,REAR				1	
- 11		FOR KICKSTRIP MOUNTING BRACKETS					
- 11		SEE FIGS 46 AND 48					
- 12	2590968	. RETAINER FINGER STOCK ASM				2	
- 13	2591089	. STRAP,REAR COVER GROUND				1	
- 14	2590356	. DOOR ASM,LEFT REAR				1	
- 15	2590338	. . . PUSHROD				2	
- 16	2590339	. . . LATCH ASM				1	
- 17	2590341	. . . NUT				1	
- 18	2590333	. . . SPRING				1	
- 19	2590334	. . . LATCH				1	
- 20	2590332	. . . SPRING				1	
- 21	2590337	. . . HANDLE				1	
* - 22	2590369	. . . DOOR				1	
- 23	NO NO.	. COVER ASM,BLOWER				1	
- 23		USED ON MACHINES WITHOUT EC 818308					
- 23	NO NO.	FOR DETAIL BREAKDOWN SEE LIST 1D					
- 23		COVER ASM,BLOWER					
- 23		USED ON MACHINES WITH EC 818308					
- 23		FOR DETAIL BREAKDOWN SEE LIST 1E					
- 24	2593370	. CARD WEIGHT ASM				2	
- 25	2593496	. . . HANDLE				1	
- 26	2593882	. . . WEIGHT				1	
- 27	2593883	. . . INSERT				1	
- 28	2593884	. . . SPRING				1	
- 29	2593997	. . . STUP				1	
-							
-		FOR ATTACHING PARTS, INDEX NOS. 151					
-		AND ABOVE, SEE LIST 54					
* - 22	2418486	. . . DOOR				1	
		FOR WTC ONLY					

FOR PARTS
NOT SHOWN
SEE FIG. 1A

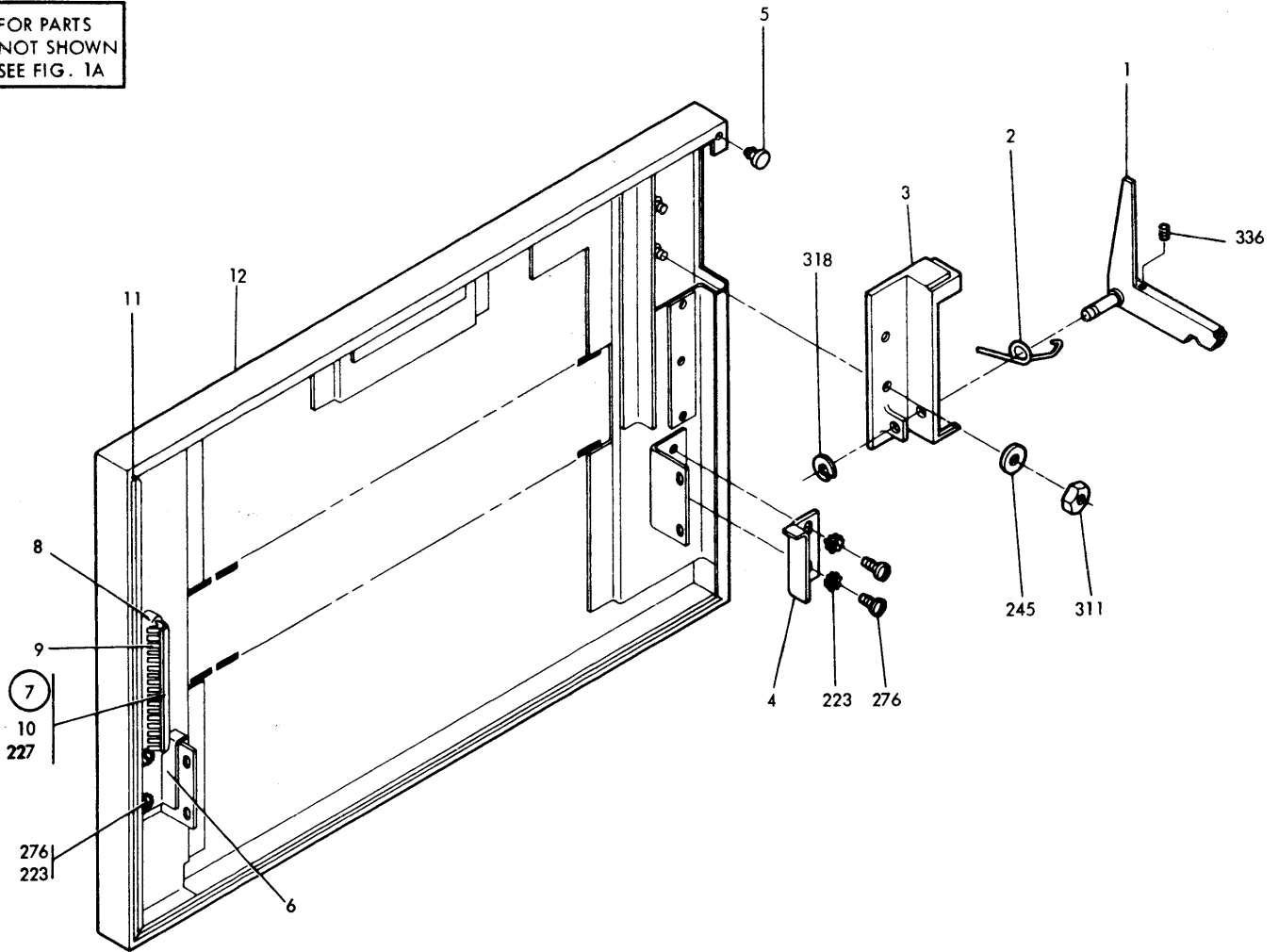


FIGURE 1B. COVER ASM,DISK STORAGE DRIVE. SEE LIST 1B.

LIST AND INDEX NUMBER	PART NUMBER	DESCRIPTION	UNITS	USABLE
			PER ASM.	ON CODE
1B -	2591217	COVER ASM,DISK STORAGE DRIVE	1	
-		FOR NEXT HIGHER ASM SEE LIST 1A-4		
-		AND FOR ILLUSTRATION SEE FIG. 1B		
- 1	2590972	. LATCH	1	
- 2	2590974	. SPRING	1	
- 3	2590568	. PCKET	1	
- 4	2592973	. BRACKET	1	
- 5	119845	. BUMPER	1	
- 6	2592974	. BRACKET	1	
- 7	2592970	. RETAINER ASM	3	
- 8	2590081	. . CLIP	2	
- 9	2590986	. . FINGERS	1	
- 10	2592966	. . RETAINER	1	
- 11	2590966	. GASKET	AR	
- 12	2591220	. COVER	1	
-		FOR ATTACHING PARTS, INDEX NOS. 151		
-		AND ABOVE, SEE LIST 54		

FOR PARTS
NOT SHOWN
SEE FIG. 1A

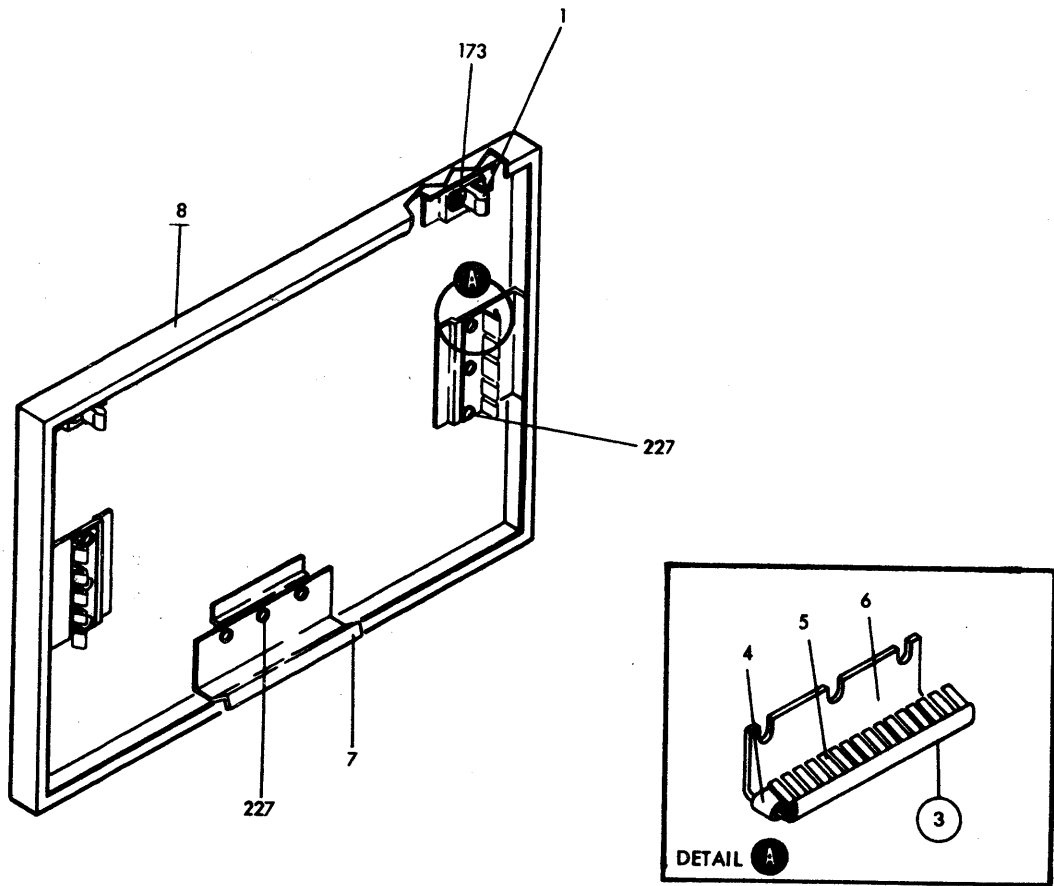


FIGURE 1C. COVER ASSEMBLY, STATIONARY. SEE LIST 1C.

LIST AND INDEX NUMBER	PART NUMBER	DESCRIPTION				UNITS PER ASM.	USABLE ON CODE
		1	2	3	4		
1C -	2591885	COVER ASM, STATIONARY					
-		FOR NEXT HIGHER ASM SEE LIST 1A-5					
-		AND FOR ILLUSTRATION SEE FIG. 1C					
- 1	323914	2	
- 3	2590968	2	
- 4	2590081	2	
- 5	2590986	1	
- 6	2590970	1	
- 7	2590983	1	
- 8	2590985	1	
-		FOR ATTACHING PARTS, INDEX NOS. 151 AND ABOVE, SEE LIST 54					

FOR PARTS
NOT SHOWN
SEE FIG. 1A

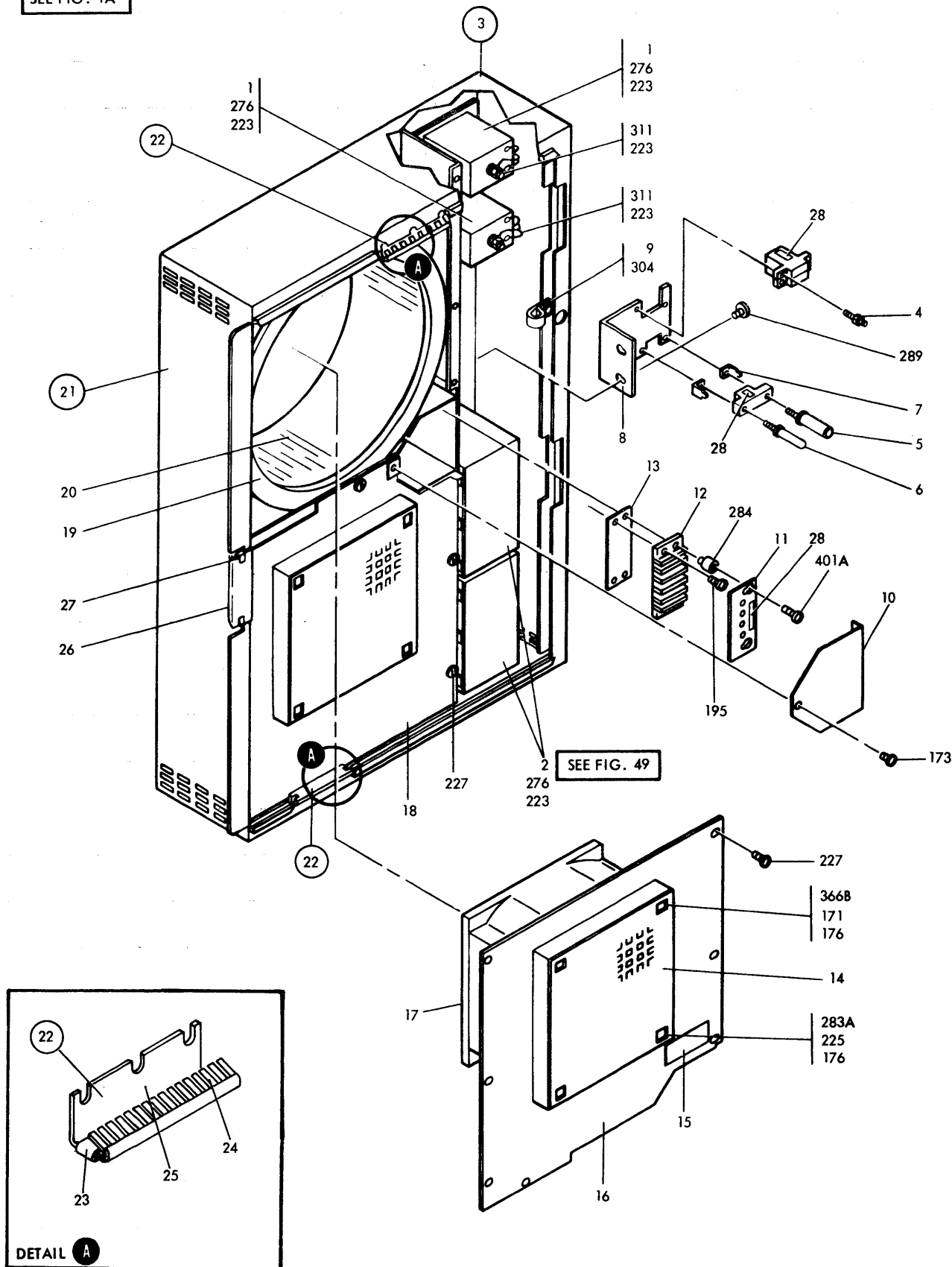


FIGURE 1D. COVER ASSEMBLY, BLOWER. SEE LIST 1D.

LIST AND INDEX NUMBER	PART NUMBER	DESCRIPTION	UNITS PER ASM.	USABLE ON CODE
		1 2 3 4		
ID	NO. NO.	COVER ASM, BLOWER		
-		USED ON MACHINES WITHOUT EC 818308		
-		FOR NEXT HIGHER ASM SEE LIST 1A-23		
-		AND FOR ILLUSTRATION SEE FIG. 1D		
- 1	740503	• USE METER 60 CYCLE	2	
- 1	740608	• USE METER 50 CYCLE	2	
- 2	740540	• METER POWER PAC ASM 60 CYCLE	2	
- 2		FOR DETAIL BREAKDOWN SEE LIST 49		
- 2	740609	• METER POWER PAC ASM 50 CYCLE	2	
- 2		FOR DETAIL BREAKDOWN SEE LIST 49		
- 3	2591898	• COVER ASM, BLOWER	1	
- 3		WITH ONE DISK STORAGE DRIVE		
- 3	2591899	• COVER ASM, BLOWER	1	
- 3		WITH TWO DISK STORAGE DRIVE		
- 4	2590955	• . . STUD	2	
- 5	2122202	• . . SOCKET	1	
- 6	2122203	• . . PIN	1	
- 7	2127985	• . . CATCH	2	
- 8	2592739	• . . BRACKET, CONNECTOR	1	
- 9	2114108	• . . CLAMP	1	
- 10	2590990	• . . PANEL, ACCESS	1	
- 11	350966	• . . SHIELD	1	
- 12	317485	• . . TERMINAL BLOCK	1	
- 13	527916	• . . MARKER STRIP	1	
- 14	2591876	• . . DEFLECTOR	2	
- 15	369207	• . . LABEL	1	
- 16	2590953	• . . PLATE, UPPER FAN MOUNTING	1	
- 17	5150035	• . . FAN	2	
- 18	2590562	• . . PLATE, LOWER FAN MOUNTING	1	
- 19	2591880	• . . SEAL, FILTER	2	
- 20	2590994	• . . FILTER	2	
- 21	2590952	• . . COVER ASM, BLOWER	1	
- 22	2591897	• . . . RETAINER ASM, LOWER	1	
- 22	2590989	• . . . RETAINER ASM, UPPER	1	
- 23	2590081	• CLIP	2	
- 24	2590986	• FINGER STOCK	1	
- 25	2590988	• RETAINER, LOWER	1	
- 25	2591895	• RETAINER, UPPER	1	
- 26	2590081	• CLIP	2	
- 27	2590986	• . . . FINGER STOCK	1	
- 28	2592888	• LABEL, COMPONENT IDENTIFICATION	AR	
-				
-		FOR ATTACHING PARTS, INDEX NOS. 151		
-		AND ABOVE, SEE LIST 54		

FOR PARTS
NOT SHOWN
SEE FIG. 1A

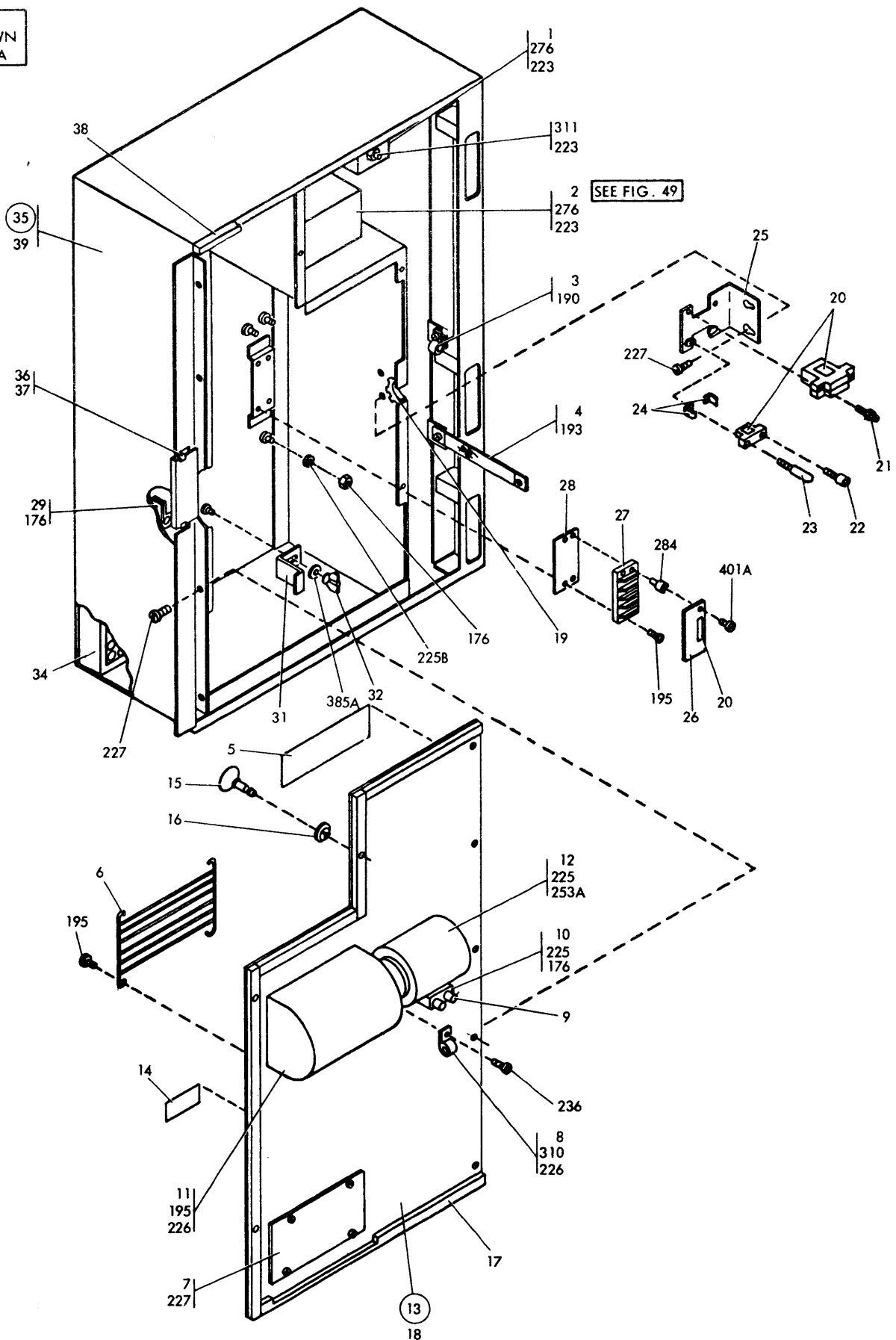


FIGURE 1E. COVER ASSEMBLY, BLOWER. SEE LIST 1E.

LIST AND INDEX NUMBER	PART NUMBER	DESCRIPTION	UNITS	USABLE
			PER ASM.	ON CODE
1E	NO. NO.	COVER ASM, BLOWER		
-		USED ON MACHINES WITH FC 818308		
-		FOR NEXT HIGHER ASM SEE LIST 1A-23		
-		AND FOR ILLUSTRATION SEE FIG. 1E		
- 1	740503	. USE METER 60 CYCLE	2	
- 1	740608	. USE METER 50 CYCLE	2	
- 2	740540	. METER POWER PAC ASM 60 CYCLE	1	
- 2		FOR DETAIL BREAKDOWN SEE LIST 49		
- 2	740609	. METER POWER PAC ASM 50 CYCLE	1	
- 2		FOR DETAIL BREAKDOWN SEE LIST 49		
- 3	2114108	. CLAMP, LOOP	1	
- 4	2591387	. STRAP	1	
- 5	2591221	. LABEL	1	
- 6	2591367	. GUARD	2	
- 7	2591369	. PLATE, USED ON MACHINES WITH ONE DISK	1	
- 7		SOTRAGE DRIVE		
- 8	804109	. CLAMP	1	
- 9	526378	. COVER	4	
- 10	5405155	. CAPACITOR	2	
- 11	5468387	. SCROLL ASM, 60 CYCLE	2	
- 11	2561585	. SCROLL ASM, 50 CYCLE	2	
- 12	2591380	. MOTOR ASM	2	
- 13	2591363	. PLATE ASM	1	
- 14	369207	. . LABEL	1	
- 15	2591360	. . PLUNGER	3	
- 16	2591361	. . GROMMET	3	
- 17	2591386	. . SEAL	AR	
- 18	2591362	. . PLATE	1	
- 19	2591216	. GROMMET	1	
- 20	2592888	. LABEL	1	
- 21	2590955	. STUD	2	
- 22	2122202	. SOCKET	1	
- 23	2122203	. PIN	1	
- 24	2127985	. CATCH	2	
- 25	2591385	. BRACKET	1	
- 26	350966	. SHIELD	1	
- 27	317485	. TERMINAL BLOCK	1	
- 28	527916	. MARKER STRIP	1	
- 29	2114108	. CLAMP	1	
- 31	2591359	. RETAINER	2	
- 32	2596652	. NUT, WING	2	
- 34	2591358	. FILTER	1	
- 35	2591370	. COVER ASM	1	
- 36	2590081	. . CLIP	2	
- 37	2590986	. . FINGER STOCK	1	
- 38	649726	. . SEAL	AR	
- 39	2591370	. . COVER	1	
-				
-		FOR ATTACHING PARTS, INDEX NOS. 151		
-		AND ABOVE, SEE LIST 54		

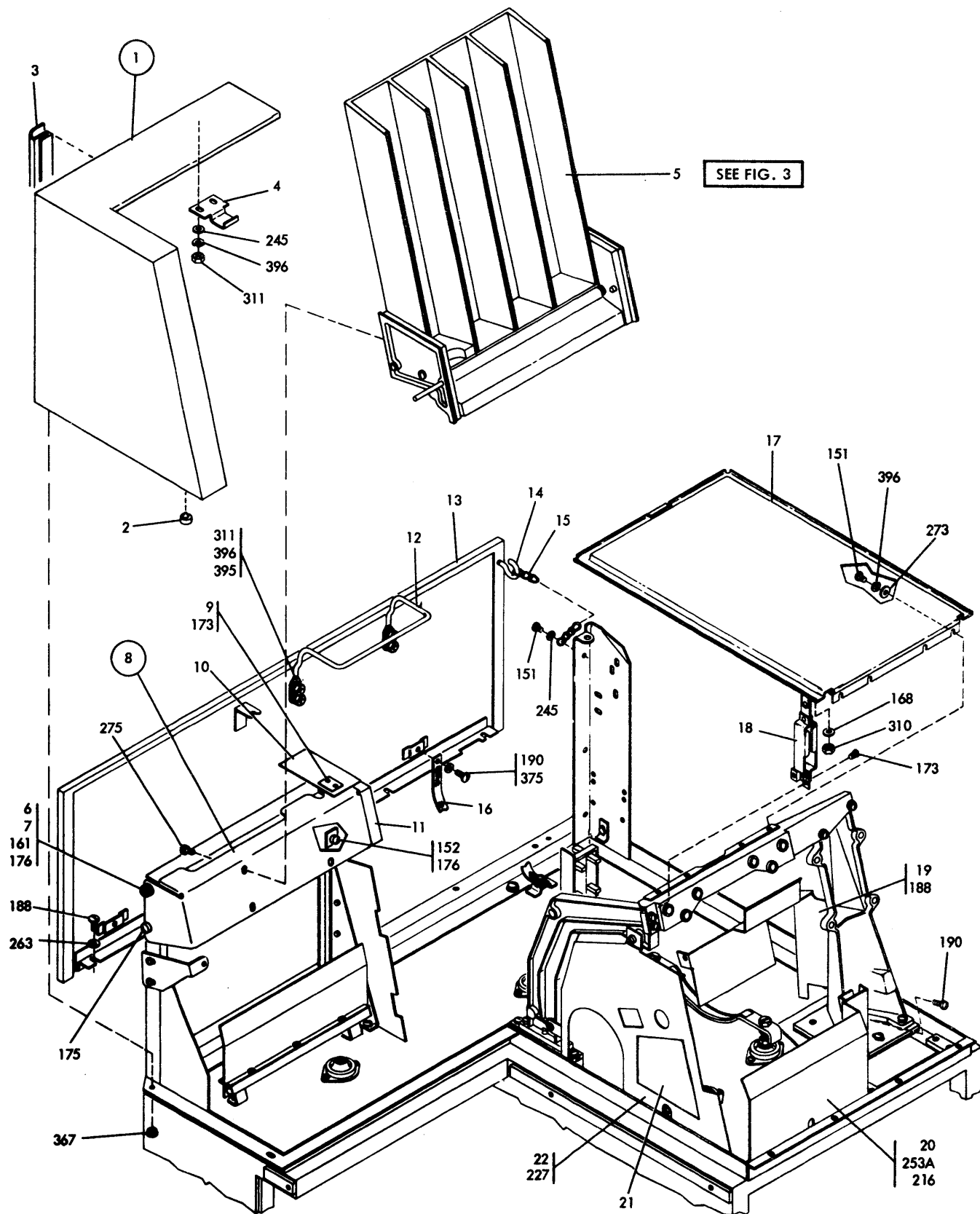


FIGURE 2. UPPER COVERS AND MOUNTING HARDWARE. SEE LIST 2.

LIST AND INDEX NUMBER	PART NUMBER	DESCRIPTION	UNITS PER ASM.	USABLE ON CODE
2	NO. NO.	UPPER COVERS AND MOUNTING HARDWARE FOR ILLUSTRATION SEE FIG. 2		
-				
- 1	2592663	• COVER ASM, STACKER	1	
- 2	1133627	• • GRUMMET	2	
- 3	2592679	• • GASKET	1	
- 4	2592698	• BRACKET, COVER LOCATING	1	
- 5	2592859	• RACK ASM, STORAGE	1	
- 5		FOR DETAIL BREAKDOWN SEE LIST 3		
- 6	2591473	• WASHER, SPRING	2	
- 7	2591470	• SPACER, PIVOT FRICTION	2	
- 8	2592878	• BRACKET ASM, RACK SUPPORT	1	
- 9	2184095	• • NUTPLATE	1	
- 10	2591480	• • GASKET	1	
- 11	2591479	• • FOAM	1	
- 12	2592880	• SUPPORT, TOP COVER	1	
- 13	2592656	• COVER ASM, UPPER REAR	1	
- 14	2591491	• EYE BOLT	1	
- 15	644576	• CHAIN	1	
- 16	2101089	• JUMPER, REAR COVER GROUND	2	
- 17	2592668	• COVER ASM, TOP	1	
- 18	2592615	• COUNTERBALANCE	1	
- 19	2591771	• SHIELD, RD STA CARD	1	
- 20	2591823	• SHIELD, HOPPER WIRE	1	
- 21	2593133	• LABEL	1	
- 22	2592379	• COVER, DRIVE BELT	1	
-				
-				
-		FOR ATTACHING PARTS, INDEX NOS. 151 AND ABOVE, SEE LIST 54		

FOR PARTS
NOT SHOWN
SEE FIG. 2

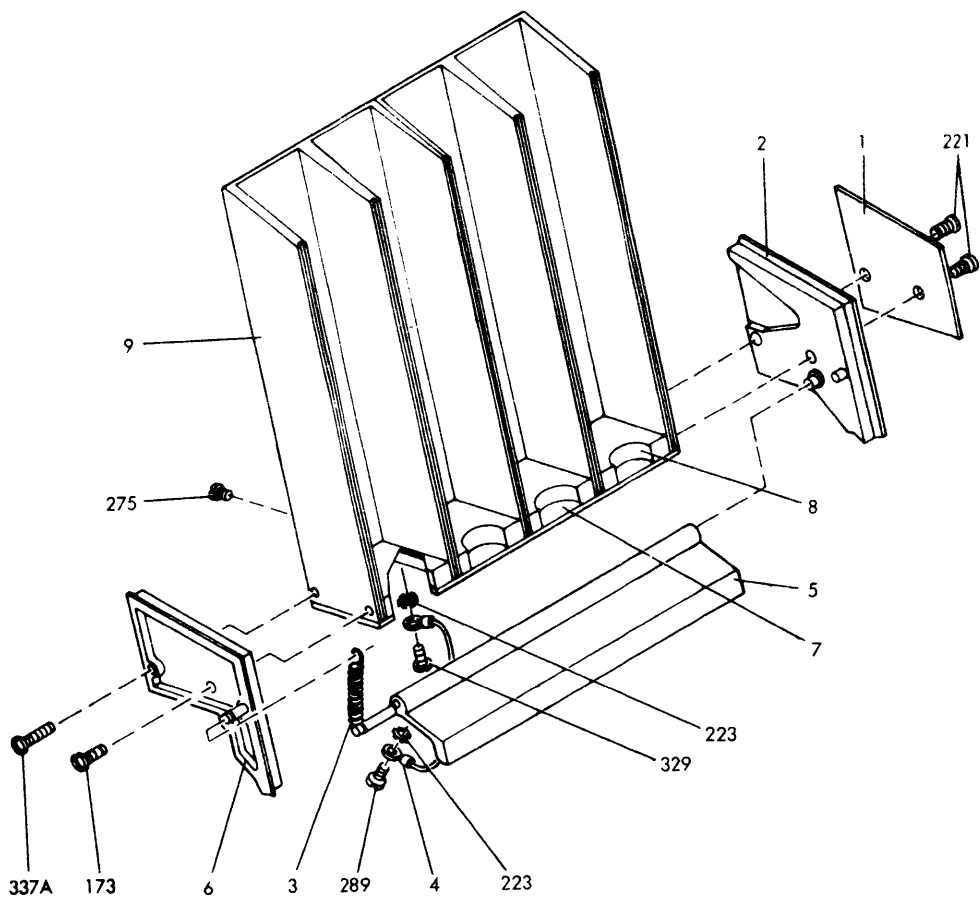


FIGURE 3. STORAGE RACK ASM. SEE LIST 3.

LIST AND INDEX NUMBER	PART NUMBER	DESCRIPTION				UNITS PER ASM.	USABLE ON CODE
		1	2	3	4		
3 -	2592859	STORAGE RACK ASM					
-		FOR NEXT HIGHER ASM SEE LIST 2-5					
-		AND FOR ILLUSTRATION SEE FIG. 3					
- 1	2591474	• PLATE, BAFFLE-RIGHT				1	
- 2	2591478	• BAFFLE ASM, RIGHT				1	
- 3	141332	• SPRING				1	
- 4	3803	• JUMPER				1	
- 5	2592628	• COVER ASM, STACKER				1	
- 6	2592637	• BAFFLE-LEFT				1	
- 7	2592676	• PLATE				1	
- 8	2593318	• INSERT				4	
- 9	2592675	• RACK				1	
-		FOR ATTACHING PARTS, INDEX NOS. 151					
-		AND ABOVE, SEE LIST 54					

SEE FIG. 5

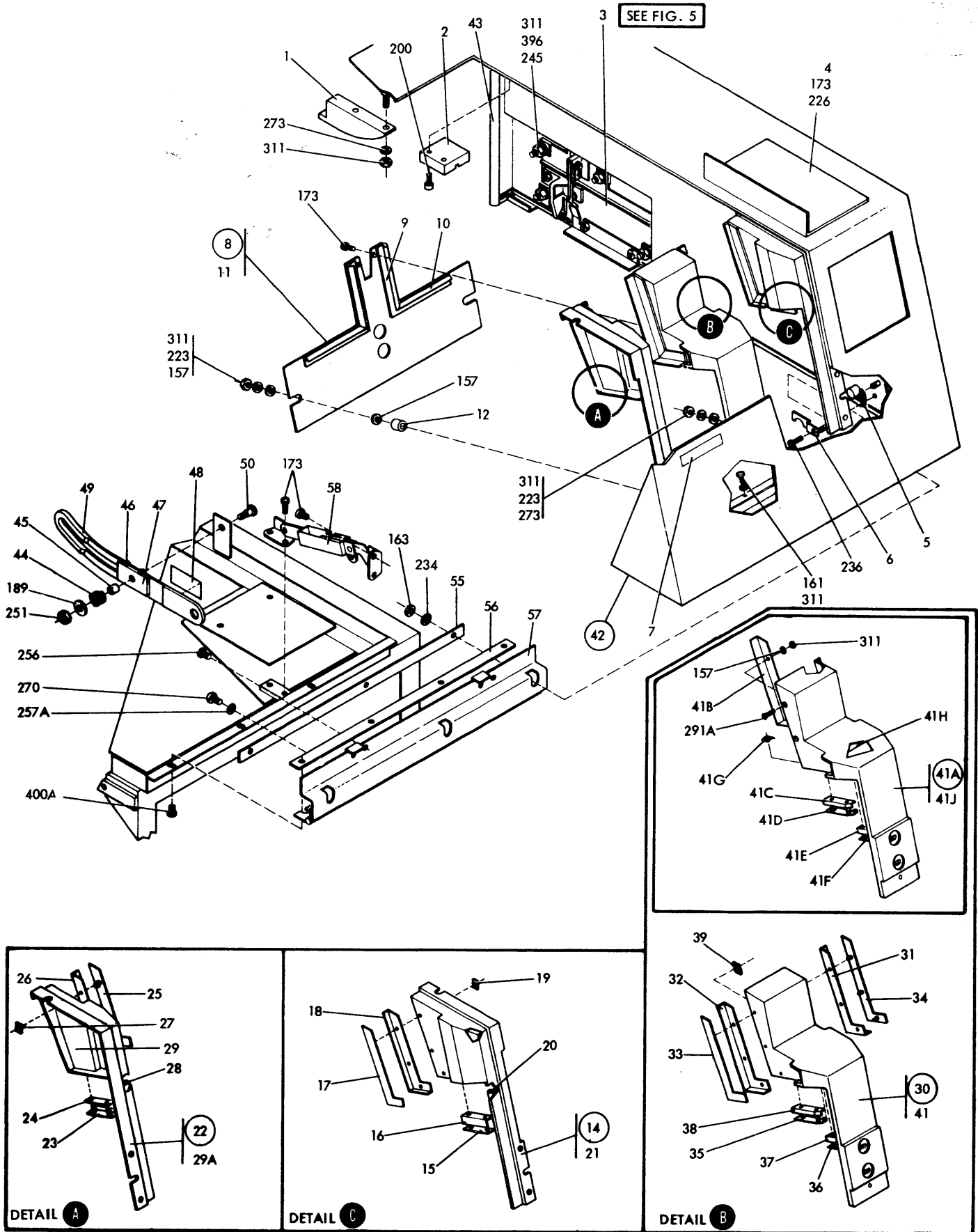


FIGURE 4. TRANSPORT COVER AND MOUNTING HARDWARE. SEE LIST 4.

LIST AND INDEX NUMBER	PART NUMBER	DESCRIPTION	UNITS PER ASM.	USABLE ON CODE
4	NO. NO.	TRANSPORT COVER AND MOUNTING HARDWARE FOR ILLUSTRATION SEE FIG. 4		
- 1	2592633	. GUIDE, COVER	1	
- 2	2591453	. ACTIVATOR, SWITCH	1	
- 3	2591439	. LATCH ASM, TRANSPORT COVER FOR DETAIL BREAKDOWN SEE LIST 5	1	
- 4	2592625	. JUGGLER PLATE	1	
- 5	24858	. SPRING	1	
- 6	2591429	. LATCH, ARM RETAINING	1	
- 7	2592763	. NAMEPLATE, ENGLISH	1	
- 7	2592764	. NAMEPLATE, ITALIAN	1	
- 7	2592765	. NAMEPLATE, FRENCH	1	
- 7	2592766	. NAMEPLATE, GERMAN	1	
- 7	2592767	. NAMEPLATE, SPANISH	1	
- 7	2592769	. NAMEPLATE, JAPANESE	1	
- 8	2592730	. SUPPORT ASM	1	
- 9	2591492	. . SEAL	AR	
- 10	2592731	. . SEAL	AR	
- 11	2592700	. . SUPPORT	1	
- 12	57100	. SPACER	2	
- 14	2592726	. TRIM ASM, HOPPER-RH	1	
- 15	2592590	. . RETAINER	1	
- 16	2592602	. . SEAL	1	
- 17	2592598	. . RETAINER	1	
- 18	2592603	. . SEAL	1	
- 19	2592594	. . FASTENER	5	
- 20	2591492	. . SEAL	1	
- 21	2592733	. . TRIM	1	
- 22	2592727	. TRIM ASM, HOPPER-LH	1	
- 23	2592590	. . RETAINER	1	
- 24	2592602	. . SEAL	1	
- 25	2592597	. . RETAINER	1	
- 26	2592660	. . SEAL	1	
- 27	2592594	. . FASTENER	5	
- 28	2591492	. . SEAL	1	
- 29	2592788	. . FOAM	1	
- 29A	2592741	. . TRIM	1	
- 30	2591482	. TRIM ASM, HOPPER CENTER USED ON MACHINES WITHOUT EC B18247	1	
- 30				
- 31	2592603	. . SEAL	1	
- 32	2592660	. . SEAL	1	
- 33	2592597	. . RETAINER, SEAL	1	
- 34	2592598	. . RETAINER, SEAL	1	
- 35	2592593	. . RETAINER, SEAL	1	
- 36	2592592	. . RETAINER, SEAL	1	
- 37	2592666	. . SEAL	1	
- 38	2592667	. . SEAL	1	
- 39	2592594	. . FASTENER	10	
- 41	2592684	. . TRIM	1	
- 41A	2592725	. TRIM ASM, HOPPER CENTER USED ON MACHINES WITH EC B18247	1	
- 41A				
- 41B	2592723	. . SEAL	2	
- 41C	2592666	. . SEAL	1	
- 41D	2592592	. . RETAINER	1	
- 41E	2592667	. . SEAL	1	
- 41F	2592593	. . RETAINER	1	
- 41G	2592594	. . FASTENER	4	
- 41H	2592789	. . FOAM	1	
- 41J	2592734	. . TRIM	1	
- 42	2592644	. COVER ASM, MAIN	1	
- 43	607905	. . GASKET- 32 INCHES LONG	AR	
- 44	112615	. SPRING	1	
- 45	2591432	. SPACER, 1/2 OD X 0.20 ID X 1/4 THK	1	
- 46	207588	. ROLLER	2	
- 47	207623	. GUIDE, ROLLER	1	
- 48	2591433	. DECAL, STOP ARM CAUTION	1	
- 49	2591428	. ARM, COVER STOP	1	
- 50	2591430	. SCREW, HEX HD SHOULDER 10-32 X 1-7/16 LG	1	
- 55	2592688	. STRAP, COVER CLAMPING	1	
- 56	2592626	. STRAP, HINGE CLAMPING	1	
- 57	2592680	. HINGE	1	
- 58	2592613	. STAYBRACE	2	
-				
-				
-				
		FOR ATTACHING PARTS, INDEX NOS. 151 AND ABOVE, SEE LIST 54		

FOR PARTS
NOT SHOWN
SEE FIG. 4

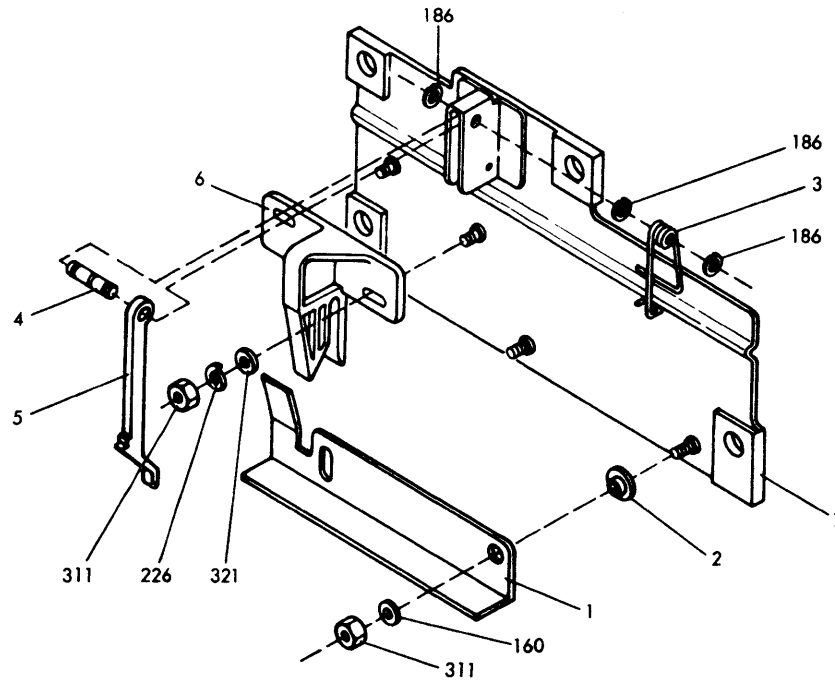


FIGURE 5. LATCH ASM, TRANSPORT COVER. SEE LIST 5.

LIST AND INDEX NUMBER	PART NUMBER	DESCRIPTION				UNITS PER ASM.	USABLE ON CODE
		1	2	3	4		
5 -	2591439	LATCH ASM, TRANSPORT COVER					
-		FOR NEXT HIGHER ASM SEE LIST 4-3					
-		AND FOR ILLUSTRATION SEE FIG. 5					
- 1	2591490	• LEVER				1	
- 2	2591486	• SPACER				2	
- 3	2591434	• SPRING				1	
- 4	2591487	• STUD				1	
- 5	2591413	• ARM				1	
- 6	2591485	• GUIDE				1	
- 7	2591438	• PLATE				1	
-		FOR ATTACHING PARTS, INDEX NOS. 151					
-		AND ABOVE, SEE LIST 54					

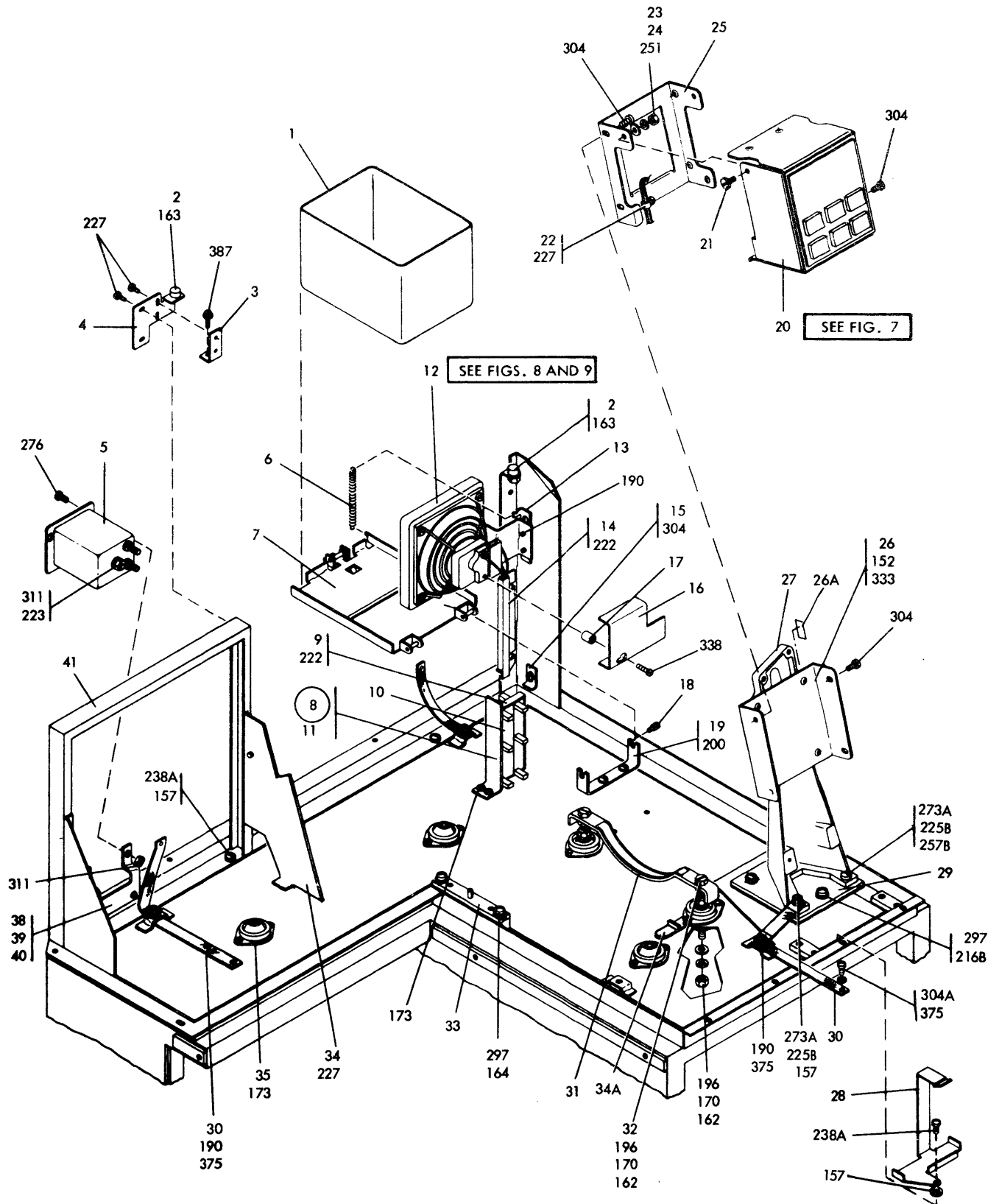


FIGURE 6. CONTROL PANEL, FAN AND MOUNTING HARDWARE. SEE LIST 6.

LIST AND INDEX NUMBER	PART NUMBER	DESCRIPTION	UNITS PER ASM.	USABLE ON CODE
6	NO. NO.	CONTROL PANEL, FAN AND MOUNTING HARDWARE FOR ILLUSTRATION SEE FIG. 6		
-				
-				
- 1	2591777	. CHIP BOX	1	
- 2	223781	. DOWNSTOP	2	
- 3	2592833	. BRACKET, REAR COVER LATCH	1	
- 4	2592627	. BRACKET	1	
- 5	740503	. METER, USAGE-60 CYCLE	1	
- 5	740608	. METER, USAGE-50 CYCLE	1	
- 6	2593617	. SPRING	1	
- 7	2591796	. TRAY ASM	1	
- 8	2591799	. ADAPTOR ASM	1	
- 9	828458	. CLAMP	1	
- 10	813392	. CONNECTOR	2	
- 11	2591776	. BRACKET	1	
- 12	2592881	. FAN ASM, 60 CYCLE	1	
- 12		FOR DETAIL BREAKDOWN SEE LIST 8		
- 12	2591417	. FAN ASM, 50 CYCLE	1	
- 12		FOR DETAIL BREAKDOWN SEE LIST 9		
- 13	2591790	. BRACKET, SPRING	1	
- 14	2591087	. SHIELD, INTERLOCK LEAD	1	
- 15	2591797	. STOP, CHIP BOX	1	
- 16	2591078	. SHIELD, FAN LEAD-60 CYCLE ONLY	1	
- 17	130448	. COLLAR, USED ON 60 CYCLE	1	
- 17	130509	. SPACER, USED ON 50 CYCLE	1	
- 18	2592797	. SCREW, TRAY RETAINER	1	
- 19	2591727	. BRACKET, CHIP BOX PIVOT	1	
- 20	2592609	. CONTROL PANEL ASM, ENGLISH AND JAPANESE	1	
- 20		FOR DETAIL BREAKDOWN SEE LIST 7		
- 20	2592863	. CONTROL PANEL ASM, GERMAN	1	
- 20		FOR DETAIL BREAKDOWN SEE LIST 7		
- 20	2592865	. CONTROL PANEL ASM, ITALIAN	1	
- 20		FOR DETAIL BREAKDOWN SEE LIST 7		
- 20	2592861	. CONTROL PANEL ASM, FRENCH	1	
- 20		FOR DETAIL BREAKDOWN SEE LIST 7		
- 20	2592867	. CONTROL PANEL ASM, SPANISH	1	
- 20		FOR DETAIL BREAKDOWN SEE LIST 7		
- 21	2592882	. STUD, CONTROL PANEL PIVOT	2	ATT PT
- 22	327921	. CLAMP	1	
- 23	2591473	. WASHER, SPRING	2	ATT PT
- 24	2591470	. SPACER, PIVOT FRICTION	2	ATT PT
- 25	2592610	. BRACKET, CONTROL PANEL-CENTER	1	
- 26	2592611	. BRACKET, CONTROL PANEL-REAR	1	
- 26A	2591152	. LABEL	1	
- 27	2592682	. SUPPORT, HOPPER-RIGHT	1	
- 27		USED ON MACHINES WITHOUT EC 817581		
- 27	2592732	. SUPPORT, HOPPER-RIGHT		
- 27		USED ON MACHINES WITH EC 817581		
- 28	2592816	. BRACKET, TOOL BOX	1	
- 29	2592635	. PLATE ASM, RIGHT SUPPORT		
- 29		USED ON MACHINES WITHOUT EC 817581		
- 30	2101089	. JUMPER, GROUND	5	
- 31	2592852	. CRADLE ASM, MOTOR	1	
- 32	2592858	. SCREW, MACH-HEX HD 1/4-20 X 2-3/4 LG	2	ATT PT
- 33	2592634	. PLATE ASM, LEFT SUPPORT	1	
- 34	356742	. CLAMP	1	
- 34A	532393	. CLAMP	1	
- 35	2592325	. SHOCKMOUNT	5	
- 38	2591406	. BRACKET, METER	1	
- 39	2592152	. SCREW, MACH-UNDOCT BD HD 8-32 X 5/16 LG	2	ATT PT
- 40	2592155	. WASHER, FLAT 5/8 OD X 11/64 ID X 1/16 THK ATT PT	2	
- 41	2592632	. FRAME	1	
-				
-				
-		FOR ATTACHING PARTS, INDEX NOS. 151 AND ABOVE, SEE LIST 54		

FOR PARTS
NOT SHOWN
SEE FIG. 6

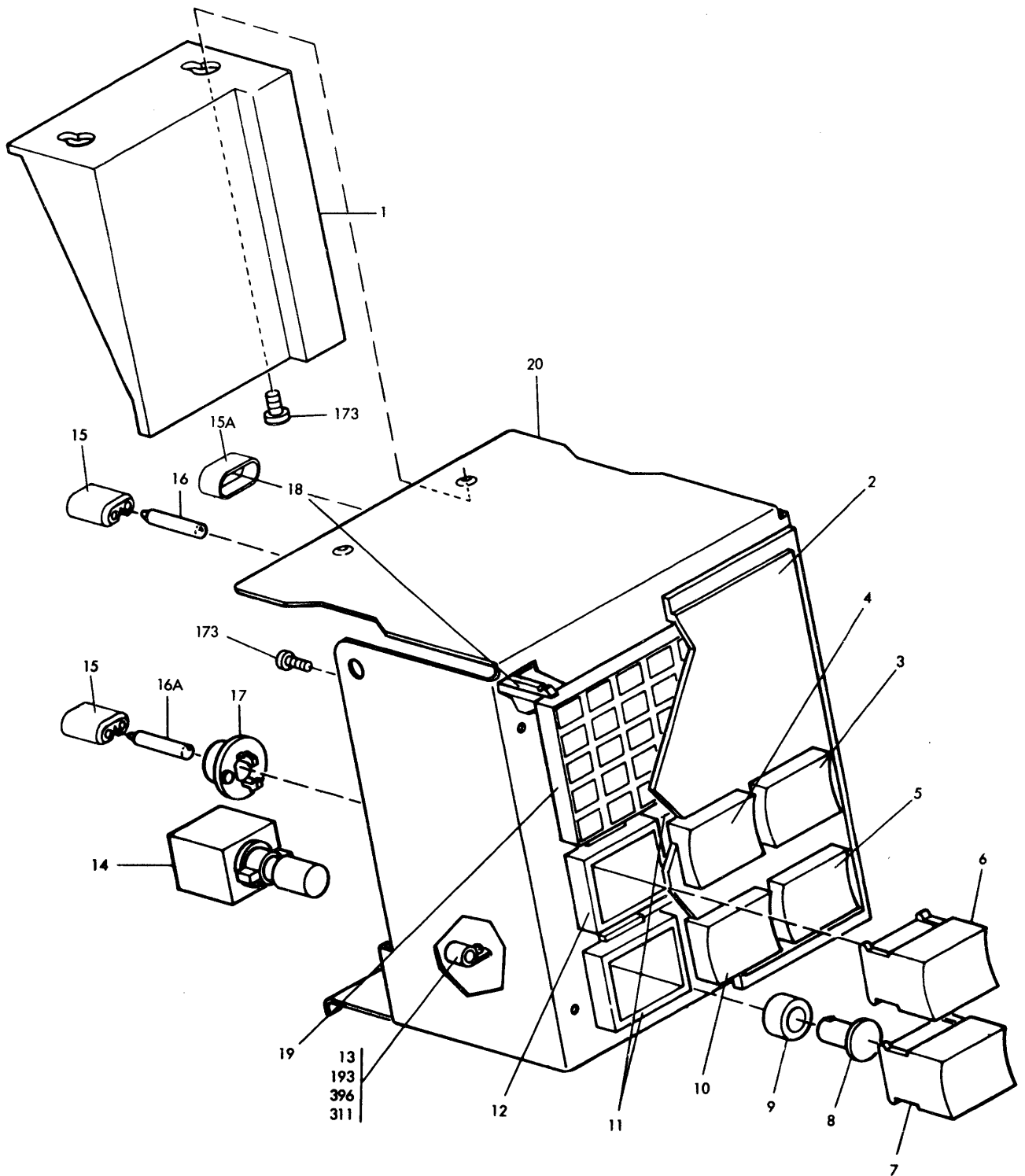


FIGURE 7. CONTROL PANEL ASM. SEE LIST 7.

LIST AND INDEX NUMBER	PART NUMBER	DESCRIPTION	UNITS PER ASM.	USABLE ON CODE
7 -	2592609	CONTROL PANEL ASM, ENGLISH AND JAPANESE		
-	2592861	CONTROL PANEL ASM, FRENCH		
-	2592863	CONTROL PANEL ASM, GERMAN		
-	2592865	CONTROL PANEL ASM, ITALIAN		
-	2592867	CONTROL PANEL ASM, SPANISH FOR NEXT HIGHER ASM SEE LIST 6-20 AND FOR ILLUSTRATION SEE FIG. 7		
-				
- 1	2592554	• RETAINER	1	
- 2	2592612	• PANEL, ENGLISH AND JAPANESE	1	
- 2	2592860	• PANEL, FRENCH	1	
- 2	2592862	• PANEL, GERMAN	1	
- 2	2592864	• PANEL, ITALIAN	1	
- 2	2592866	• PANEL, SPANISH	1	
- 3	638604	• LENS, PRI READY-ENGLISH AND JAPANESE	1	
- 3	483793	• LENS, PRI PRONTO-ITALIAN	1	
- 3	483794	• LENS, PRI LISTO-SPANISH	1	
- 3	3009682	• LENS, PRI PRET-FRENCH	1	
- 3	3009688	• LENS, ERSTKARTEN EK LESERBERBIT-GERMAN	1	
- 4	483867	• BUTTON, BLANK	1	
- 5	749033	• PUSHBUTTON, STOP-ENG, FR, GER, JAPAN	1	
- 5	483799	• PUSHBUTTON, PARADA-SPANISH	1	
- 5	483800	• PUSHBUTTON, ARRESTO-ITALIAN	1	
- 6	638605	• LENS, SEC READY-ENGLISH AND JAPANESE	1	
- 6	483791	• LENS, SEC PRONTO-ITALIAN	1	
- 6	483792	• LENS, SEC LISTO-SPANISH	1	
- 6	3009681	• LENS, SEC PRET-FRENCH	1	
- 6	3009687	• LENS, ZWEITKARTEN ZK LESERBERBIT-GERMAN	1	
- 7	634349	• PUSHBUTTON, NPRO-ENGLISH AND JAPANESE	1	
- 7	483795	• PUSHBUTTON, SCARCIO S/PROC-ITALIAN	1	
- 7	679656	• PUSHBUTTON, DESC-SPANISH	1	
- 7	3009639	• PUSHBUTTON, LIBERATION-FRENCH	1	
- 7	3009653	• PUSHBUTTON, KARTE AVSL-GERMAN	1	
- 8	2588009	• PLUNGER	3	
- 9	2572878	• COLLAR	1	
- 10	741148	• PUSHBUTTON, START-ENGLISH, JAPANESE, GERMAN	1	
- 10	483797	• PUSHBUTTON, AVVIO-ITALIAN	1	
- 10	483798	• PUSHBUTTON, ARRANQUE-SPANISH	1	
- 10	3009638	• PUSHBUTTON, DEPART-FRENCH	1	
- 11	5311415	• HOUSING	4	
- 12	827841	• HOUSING	2	
- 13	327921	• CLAMP, CABLE	1	
- 14	2590891	• SWITCH, SPDT MOMENTARY 20VDC 125VAC	1	
- 15	165010	• PLUG	32	
- 15A	336672	• SLEEVE	5	
- 16	2391023	• BULB	30	
- 16A	2392072	• BULB	2	
- 17	648511	• INSERT	2	
- 18	679224	• CLIP	2	
- 19	2592622	• LIGHT BLOCK	1	
- 20	2592642	• PLATE	1	
-				
-				
-		FOR ATTACHING PARTS, INDEX NOS. 151 AND ABOVE, SEE LIST 54		

FOR PARTS
NOT SHOWN
SEE FIG. 6

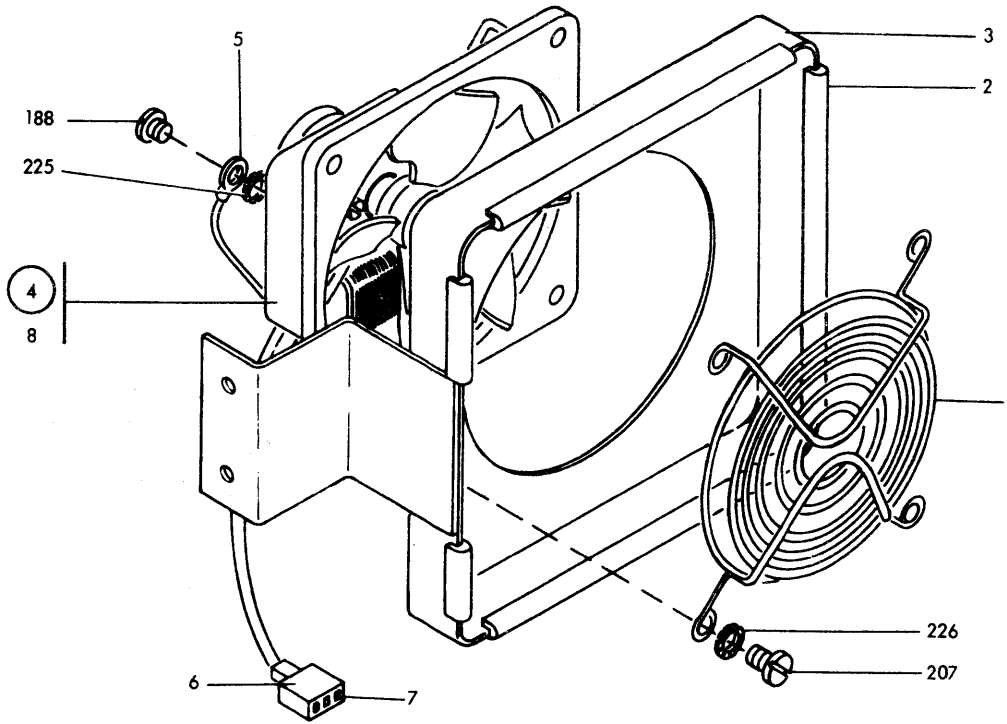


FIGURE 8. FAN ASSEMBLY, 60 CYCLE. SEE LIST 8.

LIST AND INDEX NUMBER	PART NUMBER	DESCRIPTION				UNITS PER ASM.	USABLE ON CODE
		1	2	3	4		
8 -	2592881	FAN ASM-60 CYCLE					
-		FOR NEXT HIGHER ASM SEE LIST 6-12					
-		AND FOR ILLUSTRATION SEE FIG. 8					
- 1	2172166	• GUARD				1	
- 2	2591483	• SEAL				AR	
- 3	2592692	• BRACKET				1	
- 4	2591431	• FAN ASM				1	
- 5	334932	• • RING, TERMINAL				1	
- 6	1166117	• • CONNECTOR				1	
- 7	1166114	• • TERMINAL				3	
- 8	2591402	• • FAN				1	
-		FOR ATTACHING PARTS, INDEX NOS. 151					
-		AND ABOVE, SEE LIST 54					

FOR PARTS
NOT SHOWN
SEE FIG. 6

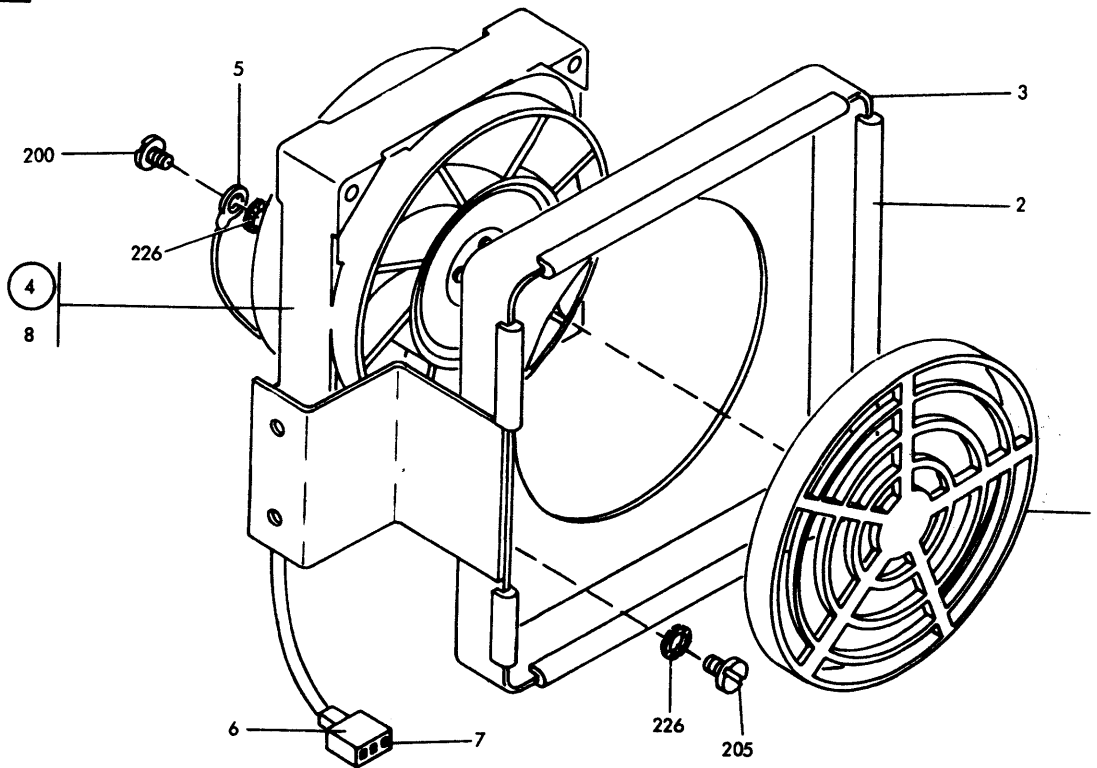


FIGURE 9. FAN ASSEMBLY, 50 CYCLE. SEE LIST 9.

LIST AND INDEX NUMBER	PART NUMBER	1 2 3 4	DESCRIPTION	UNITS PER ASM.	USABLE ON CODE
9 -	2591417		FAN ASM-50 CYCLE		
-			FOR NEXT HIGHER ASM SEE LIST 6-12 AND FOR ILLUSTRATION SEE FIG. 9		
- 1	4103890		• GUARD	2	
- 2	2591483		• SEAL	AR	
- 3	2592692		• BRACKET	1	
- 4	2591418		• FAN ASM	1	
- 5	334921		• RING, TERMINAL	1	
- 6	1166117		• CONNECTOR	1	
- 7	1166114		• TERMINAL	3	
- 8	4120171		• FAN	1	
-					
-					
-			FOR ATTACHING PARTS, INDEX NOS. 151 AND ABOVE, SEE LIST 54		

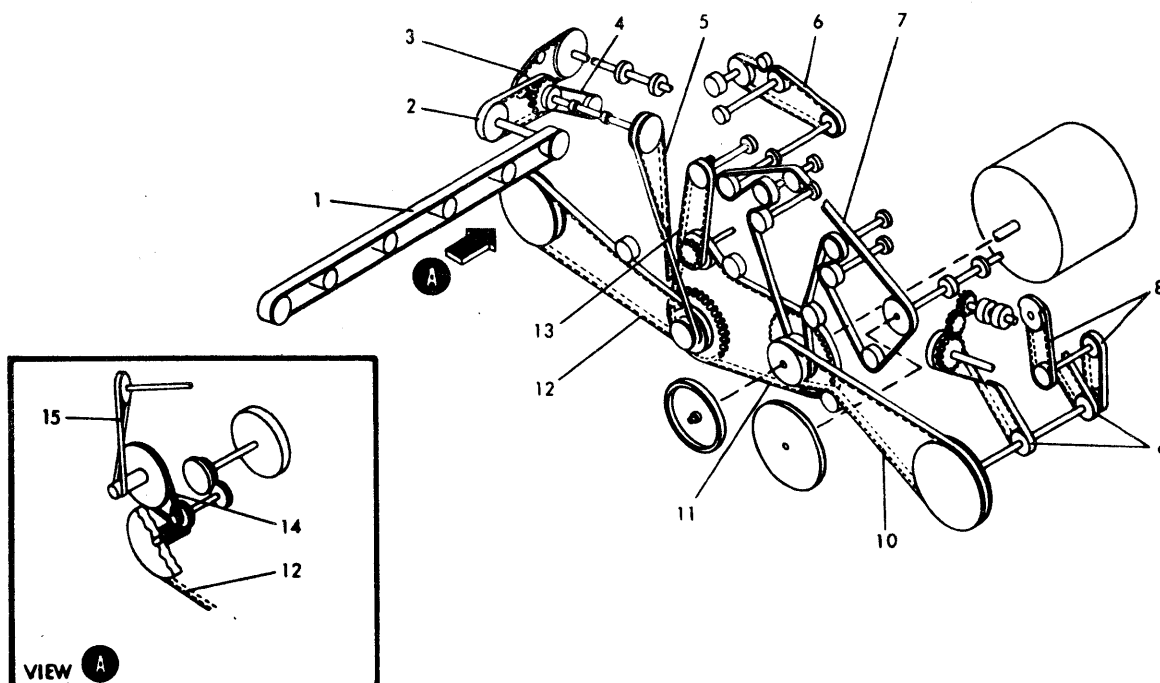


FIGURE 10. BELT DIAGRAM. SEE LIST 10.

LIST AND INDEX NUMBER	PART NUMBER	DESCRIPTION	UNITS	USABLE
			PER ASM.	ON CODE
10	NO NO.	BELT DIAGRAM		
-		FOR ILLUSTRATION SEE FIG. 10		
- 1	2592209	. BELT, STACKER TRANSPORT	1	
- 2	749700	. BELT, STACKER DRIVE	1	
- 3	2592318	. BELT, PRINT CLUTCH	1	
- 4	2592099	. BELT, PRINT FIRE CB EMITTER	1	
- 5	638855	. BELT, PRINT EJECT	1	
- 6	2591065	. BELT, PUNCH EJECT	1	
- 6		USED ON MACHINES WITHOUT EC 818229		
- 6	2591394	. BELT, PUNCH EJECT	1	
- 6		USED ON MACHINES WITH EC 818229		
- 7	2591724	. FLAT BELT, MAIN TRANSPORT-MODEL 1	1	
- 7	2591064	. FLAT BELT, MAIN TRANSPORT-MODEL 2	1	
- 8	433466	. BELT, HOPPER INJECT ROLL AND CB	2	
- 9	2591394	. BELT, PRIMARY AND SECONDARY HOPPER DRIVE	2	FOR WTC ONLY
- 10	2591096	. BELT, HOPPER INPUT-MODEL 1 60 CYCLE	1	
- 10	2592599	. BELT, HOPPER INPUT-MODEL 1 50 CYCLE	1	
- 10	2591097	. BELT, HOPPER INPUT-MODEL 2, 50/60 CYCLE	1	
- 11	2591097	. BELT, PUNCH INPUT-MODEL 1, 50/60 CYCLE-	1	
- 11		USED ON MACHINES WITHOUT EC817584		
- 11	612839	. BELT, PUNCH INPUT-MODEL 1, 60 CYCLE-	1	
- 11		USED ON MACHINES WITH EC817584		
- 11	365579	. BELT, PUNCH INPUT-MODEL 1, 50 CYCLE-	1	
- 11		USED ON MACHINES WITH EC817584		
- 11	365579	. BELT, PUNCH INPUT-MODEL 2, 60 CYCLE-USED	1	
- 11		ON MACHINES WITH OR WITHOUT EC817584		
- 11	2591424	. BELT, PUNCH INPUT-MODEL 2, 50 CYCLE-	1	
- 11		USED ON MACHINES WITHOUT EC817584		
- 11	2591628	. BELT, PUNCH INPUT-MODEL 2, 50 CYCLE-	1	
- 11		USED ON MACHINES WITH EC817584		
- 12	2592036	. BELT, SIDE MOTION CAM DRIVE	1	
- 13	2591717	. BELT, INCREMENTAL DRIVE	1	
- 14	2596575	. BELT, RIBBON IDLER	1	
- 15	2591643	. BELT, RIBBON DRIVE	1	

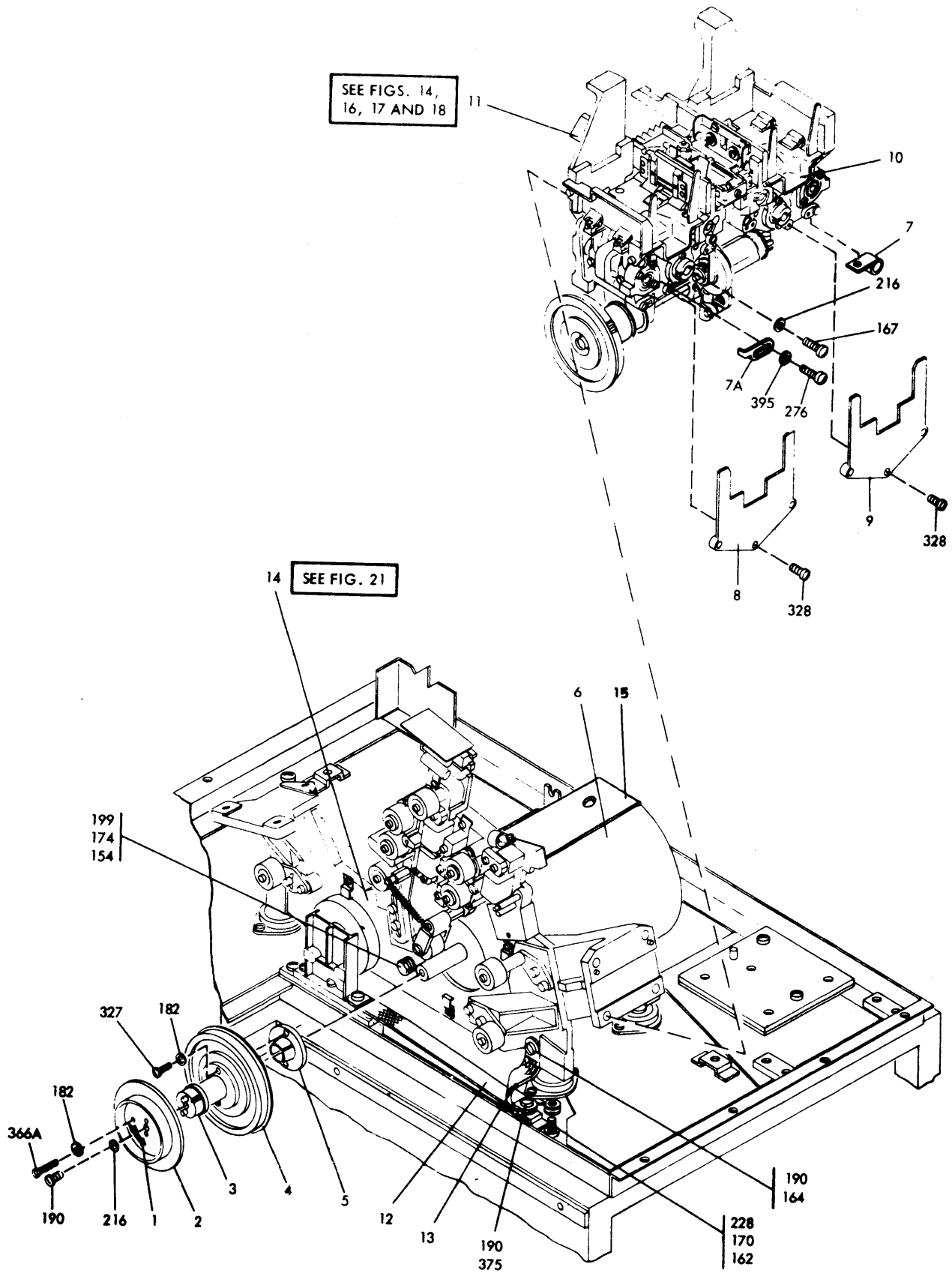


FIGURE 11. HOPPER AND DRIVE MOTOR AREA. SEE LIST 11.

LIST AND INDEX NUMBER	PART NUMBER	DESCRIPTION	UNITS PER ASM.	USABLE ON CODE
11 -	NO NO.	HOPPER AND DRIVE MOTOR AREA		
-		FOR ILLUSTRATION SEE FIG. 11		
- 1	256443	• DECAL, ROTATION	1	
- 2	2591063	• HANDWHEEL, MOTOR SHAFT	1	
- 3	2591083	• PULLEY, MOTOR-MODEL 1 60 CYCLE	1	
- 3	2591090	• PULLEY, MOTOR-MODEL 1 50 CYCLE	1	
- 3	2591093	• PULLEY, MOTOR-MODEL 2 60 CYCLE	1	
- 3	2591098	• PULLEY, MOTOR-MODEL 2 50 CYCLE	1	
- 4	2591082	• PULLEY, MOTOR-60 CYCLE	1	
- 4	2591089	• PULLEY, MOTOR-50 CYCLE	1	
* - 5	2591047	• BUSHING, PULLEY	1	
- 6	2591141	• MOTOR ASM-60 CYCLE	1	
* - 6	2591142	• MOTOR ASM-50 CYCLE	1	
- 7	216362	• CLAMP	1	
- 7A	2592745	• STOP	1	
- 7A		USED ON MACHINES WITH EC 817503		
- 8	2592588	• TRIM, SECONDARY HOPPER	1	
- 9	2592488	• TRIM, PRIMARY HOPPER	1	
- 10	2592868	• DECAL, CARD PLACEMENT-ENGLISH	1	
- 10	2592869	• DECAL, CARD PLACEMENT-ITALIAN	1	
- 10	2592870	• DECAL, CARD PLACEMENT-FRENCH	1	
- 10	2592871	• DECAL, CARD PLACEMENT-GERMAN	1	
- 10	2592872	• DECAL, CARD PLACEMENT-SPANISH	1	
- 10	2592873	• DECAL, CARD PLACEMENT-JAPANESE	1	
- 11	2592500	• HOPPER ASM	1	
- 11		FOR DETAIL BREAKDOWN SEE LISTS		
- 11		14, 16, 17 AND 18		
- 12	518611	• JUMPER, GROUND	1	
- 13	2101089	• JUMPER, BACKBONE GROUND	1	
- 14	NO NO. NP	• BACKBONE ASM	1	
- 14		FOR DETAIL BREAKDOWN SEE LIST 21		
* - 6	2418568	• MOTOR ASM- 50 CYCLE	1	FOR WTC ONLY
* - 5	2418474	• BUSHING, PULLEY	1	FOR WTC ONLY
-		FOR ATTACHING PARTS, INDEX NOS. 151		
-		AND ABOVE, SEE LIST 54		
- 15	2418465	• SHIELD-HEAT FOR MOTOR 50 CYCLE ONLY	1	

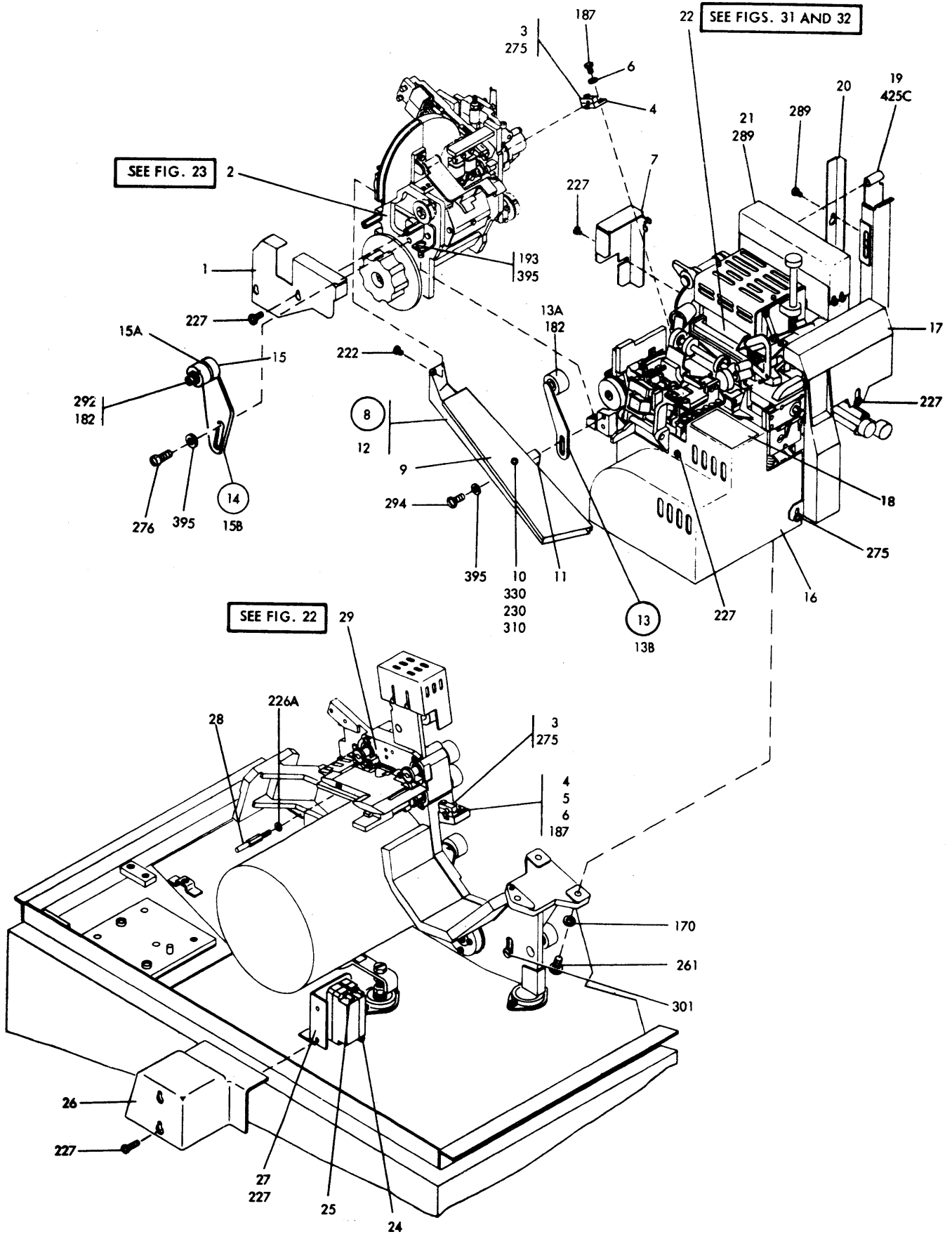


FIGURE 12. PUNCH UNIT AND CORNER STATION AREA. SEE LIST 12.

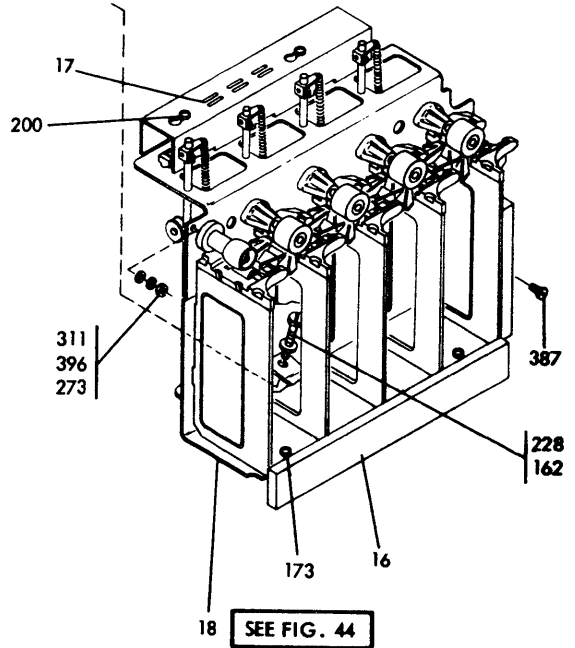
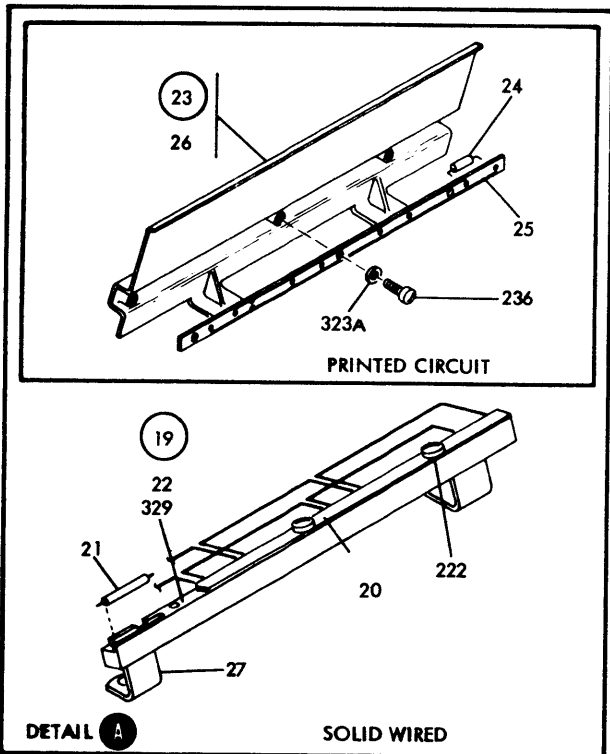
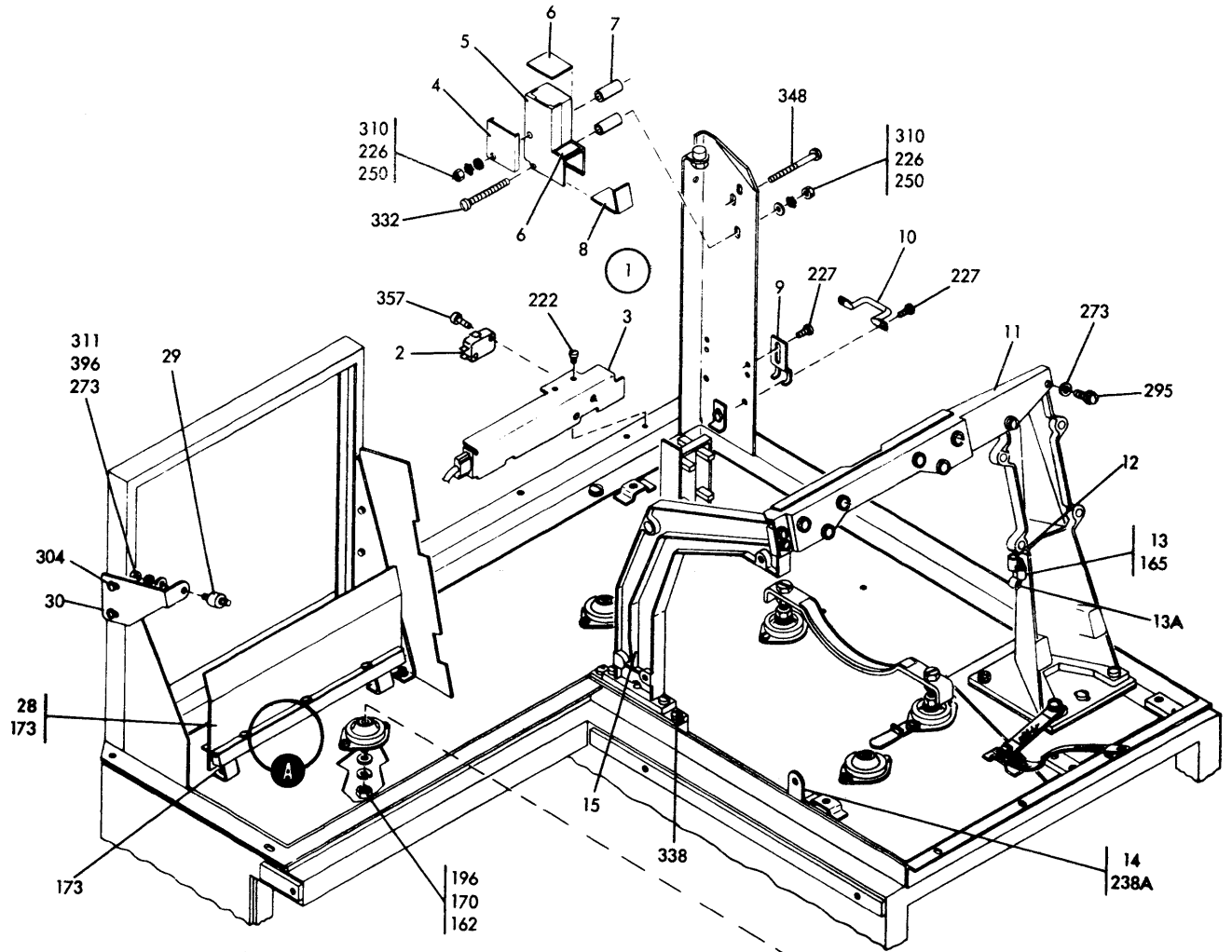


FIGURE 13. STACKER, SWITCHES AND MOUNTING HARDWARE. SEE LIST 13.

LIST AND INDEX NUMBER	PART NUMBER	DESCRIPTION	UNITS PER ASM.	USABLE ON CODE
13	NO NO.	STACKER, SWITCHES AND MOUNTING HARDWARE FOR ILLUSTRATION SEE FIG. 13		
-	-			
- 1	2591779	. SWITCH ASM, CHIP BOX	1	
- 2	2592485	. . SWITCH, SPDT 2R VDC	1	
- 3	2591780	. . BRACKET	1	
- 4	2591076	. SHIELD	1	
- 5	2591452	. SWITCH ASM	1	
- 6	2591463	. LABEL, OPERATOR WARNING-ENGLISH	1	
- 6	2592875	. LABEL, OPERATOR WARNING-JAPANESE	1	
- 7	607984	. SPACER	2	
- 8	2591863	. SHIELD	1	
- 9	2591488	. CATCH, COVER LATCH	1	
- 10	2591435	. DOWNSTOP	1	
- 11	2592621	. RAIL	1	
- 12	2102365	. CLAMP, MOTOR CABLE	1	
- 13	169698	. CLAMP, LAMP CURD	1	
- 13A	327921	. CLAMP, CABLE	1	
- 14	2592386	. BRACKET, COVER	1	
- 15	2592681	. SUPPORT, HOPPER-LEFT	1	
- 16	2592607	. TRIM, STACKER BOTTOM	1	
- 17	2592378	. COVER, STACKER TERMINAL BLOCK	1	
- 18	2592200	. STACKER ASM	1	
- 18	-	FOR DETAIL BREAKDOWN SEE LIST 44		
- 19	2591423	. SWITCH ASM, STACKER FULL-SOLID WIRED	1	
- 20	2591421	. . COVER	1	
- 21	765972	. . SWITCH	4	
- 22	2591422	. . BLOCK	1	
- 23	2592275	. SWITCH ASM, STACKER FULL-PRINTED CIRCUIT	1	
- 24	765972	. . SWITCH	4	
- 25	2592270	. . CIRCUIT BOARD ASM	1	
- 26	2592273	. . BRACKET, STACKER SWITCH	1	
- 27	2591420	. BRACKET, REED SWITCH	1	
- 28	2592342	. COVER, STACKER	1	
- 29	283608	. SHOCKMOUNT	1	
- 30	2592220	. BRACKET, STACKER SHOCKMOUNT	1	
-	-			
-	-			
-	-	FOR ATTACHING PARTS, INDEX NOS. 151 AND ABOVE, SEE LIST 54		

FOR PARTS
NOT SHOWN
SEE FIG. 11

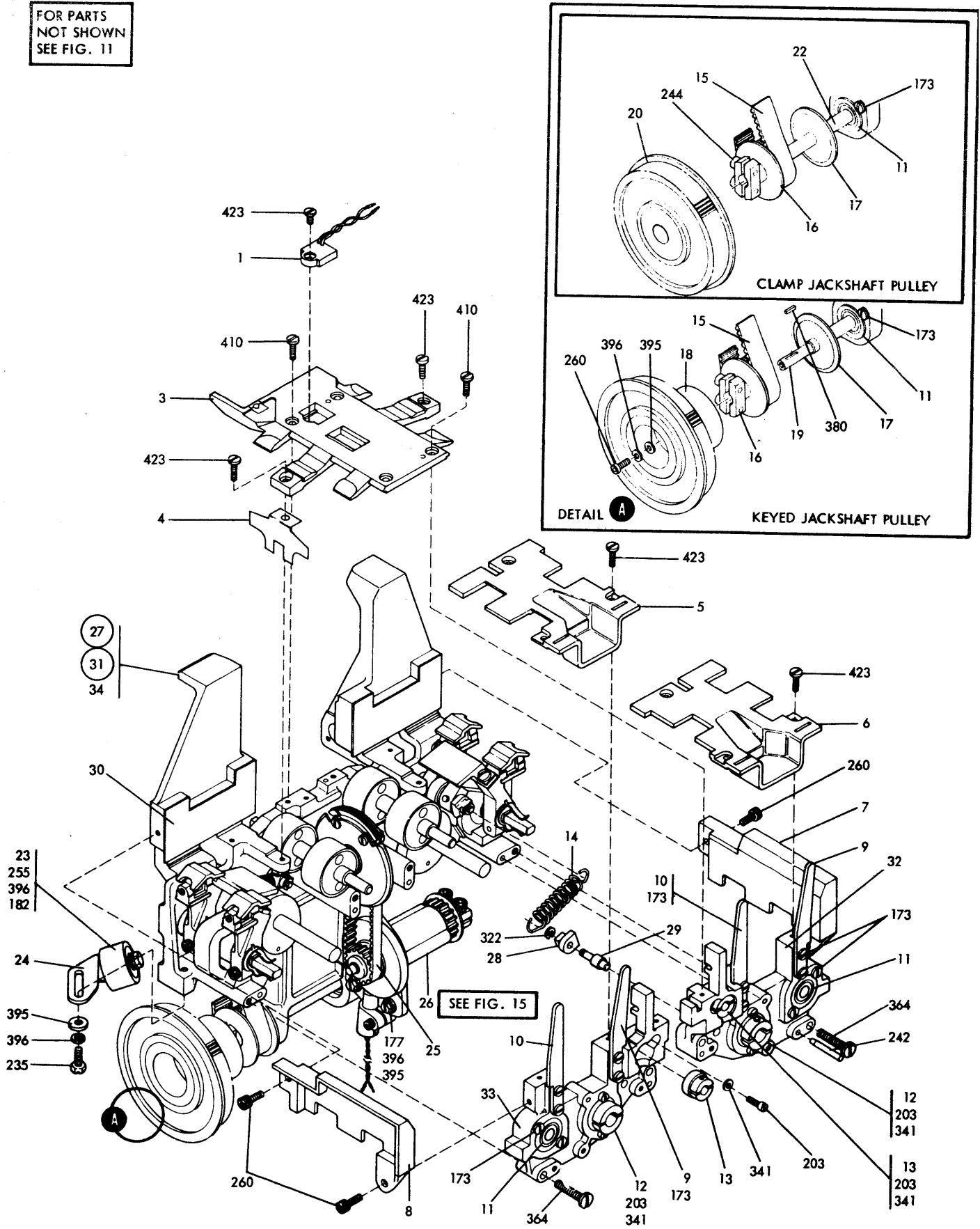


FIGURE 14. HOPPER ASSEMBLY, FRONT. SEE LIST 14.

LIST AND INDEX NUMBER	PART NUMBER	DESCRIPTION				UNITS PER ASM.	USABLE ON CODE
		1	2	3	4		
14 -	2592500	HOPPER ASM, FRONT					
-		FOR NEXT HIGHER ASM SEE LIST 11-11					
-		AND FOR ILLUSTRATION SEE FIG. 14					
- 1	2592520	. CARD SENSGR ASM				1	
- 3	2592585	. BED, CORNER				1	
- 4	2592587	. DEFLECTOR, DUST				2	
- 5	2592426	. BED, SECONDARY				1	
- 6	2592415	. BED, PRIMARY				1	
- 7	2592405	. TIE BAR, PRIMARY				1	
- 8	2592404	. TIE BAR, SECONDARY				1	
- 9	2592482	. POST, GUIDE-RIGHT				2	
- 10	2592483	. POST, GUIDE-LEFT				2	
- 11	610131	. BEARING				3	
- 12	2592582	. BEARING				2	
- 13	2592580	. BEARING				2	
- 14	2592518	. SPRING, CAM FOLLOWER				4	
- 15	364196	. BELT, HOPPER DRIVE				1	
- 16	2592494	. PULLEY				1	
- 17	2592475	. FLANGE				1	
- 18	NO NO.	. PULLEY, KEYED-MACHINES EQUIPPED WITH KEYED PULLEY REQUIRE REPLACEMENT OF THE PULLEY AND SHAFT. ORDER ITEMS 20, 21 AND 22.				1	
- 18							
- 19	NO NO.	. SHAFT, KEYED-MACHINES EQUIPPED WITH KEYED SHAFT REQUIRE REPLACEMENT OF THE SHAFT AND PULLEY. ORDER ITEMS 20, 21 AND 22.				1	
- 19							
- 19							
- 20	2592496	. PULLEY, CLAMPED-60 CYCLE				1	
- 20	2592527	. PULLEY, CLAMPED-50 CYCLE				1	
- 22	2592531	. JACKSHAFT				1	
- 23	2591056	. IDLER ROLL				1	
- 24	2592533	. BRACKET				1	
- 25	433466	. BELT, CB				1	
- 26	2592444	. HOUSING ASM, CB DISK				1	
- 26		FOR DETAIL BREAKDOWN SEE LIST 15					
- 27	2592550	. SUPPORT ASM				1	
- 28	2592423	. . BUSHING, SPRING RETAINING				4	
- 29	2592456	. . . STUD, CLUTCH SPRING				4	
- 30	2592427	. . . STRIP, REGISTRATION				2	
- 31	2592408	NR	. . . SUPPORT CASTING ASM			1	
* - 32	2592382	NR SUPPORT, PRIMARY			1	
* - 33	2592383	NR SUPPORT, SECONDARY			1	
* - 34	2592385	NR CASTING, HOPPER			1	
-		FOR ATTACHING PARTS, INDEX NOS. 151 AND ABOVE, SEE LIST 54					
-							
-							
-							
* - 32	2418389	SUPPORT, PRIMARY			} FOR WTC ONLY	1	
* - 33	2418388	SUPPORT, SECONDARY				1	
* - 34	2418387	CASTING HOPPER				1	

FOR PARTS
NOT SHOWN
SEE FIG. 14

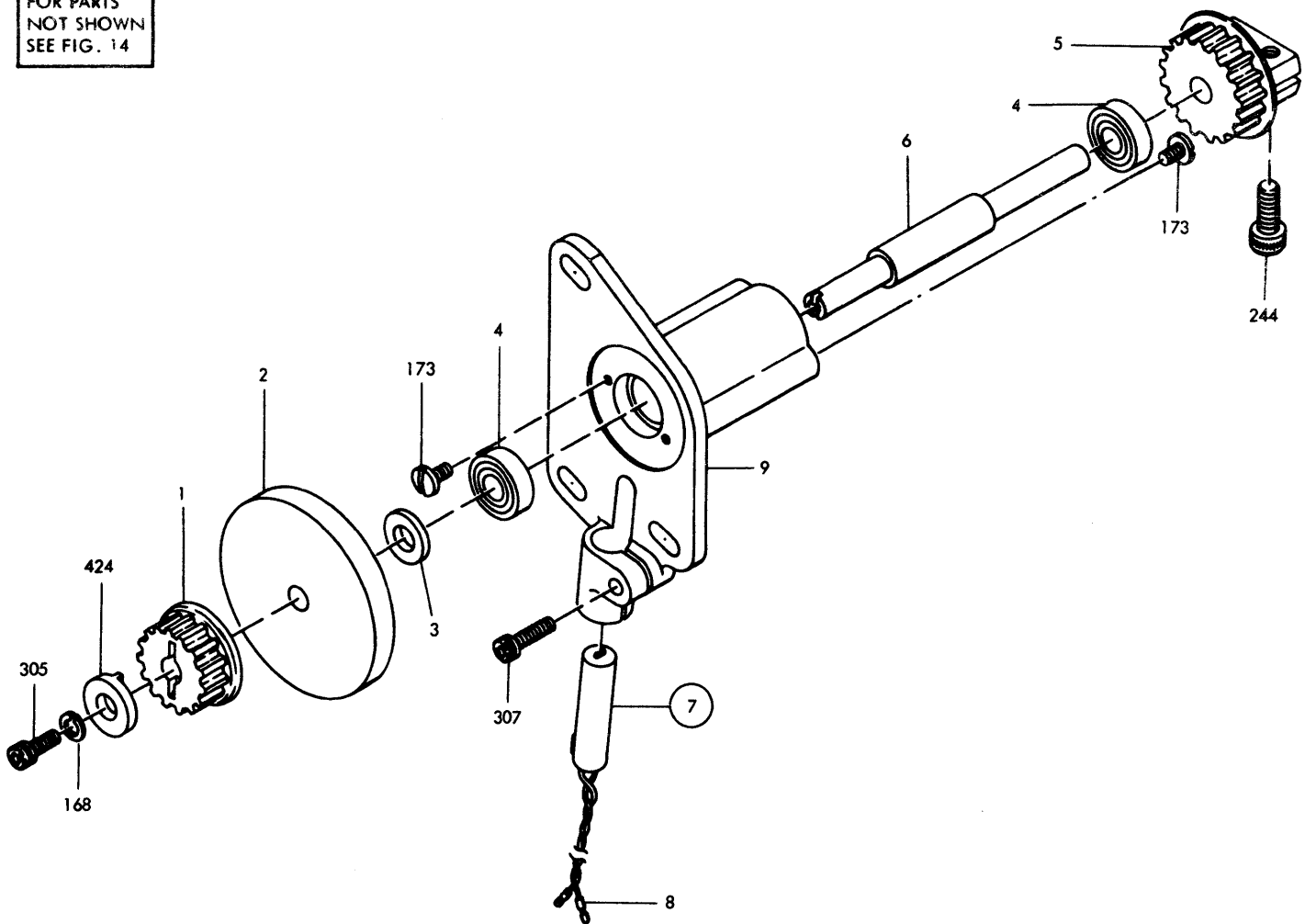


FIGURE 15. HOUSING ASM, CB DISK. SEE LIST 15.

LIST AND INDEX NUMBER	PART NUMBER	DESCRIPTION				UNITS PER ASM.	USABLE ON CODE
		1	2	3	4		
15 -	2592444	HOUSING ASM, CB DISK					
-		FOR NEXT HIGHER ASM SEE LIST 14-26					
-		AND FOR ILLUSTRATION SEE FIG. 15					
- 1	2592449	• PULLEY, ALIGNMENT WHEEL DRIVE				1	
- 2	2592448	• DISK, EMITTER				1	
- 3	612171	• SPACER				1	
- 4	613725	• BEARING				2	
- 5	2592492	• PULLEY, ALIGNMENT WHEEL ADJUST				1	
- 6	2592446	• SHAFT, INTERMEDIATE				1	
- 7	2593899	• COIL ASM				1	
- 8	187243	• TERMINAL				4	
- 9	2592403	• HOUSING				1	
-		FOR ATTACHING PARTS, INDEX NOS. 151					
-		AND ABOVE, SEE LIST 54					

FOR PARTS
NOT SHOWN
SEE FIG. 11

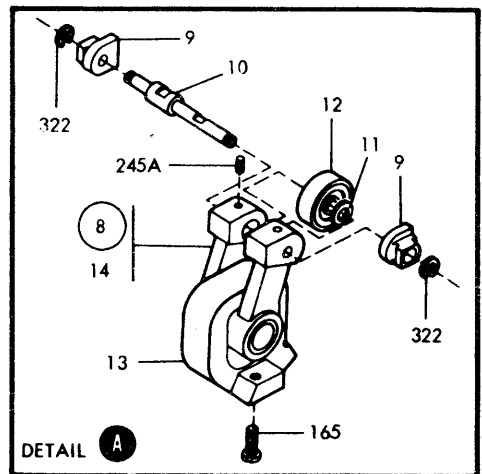
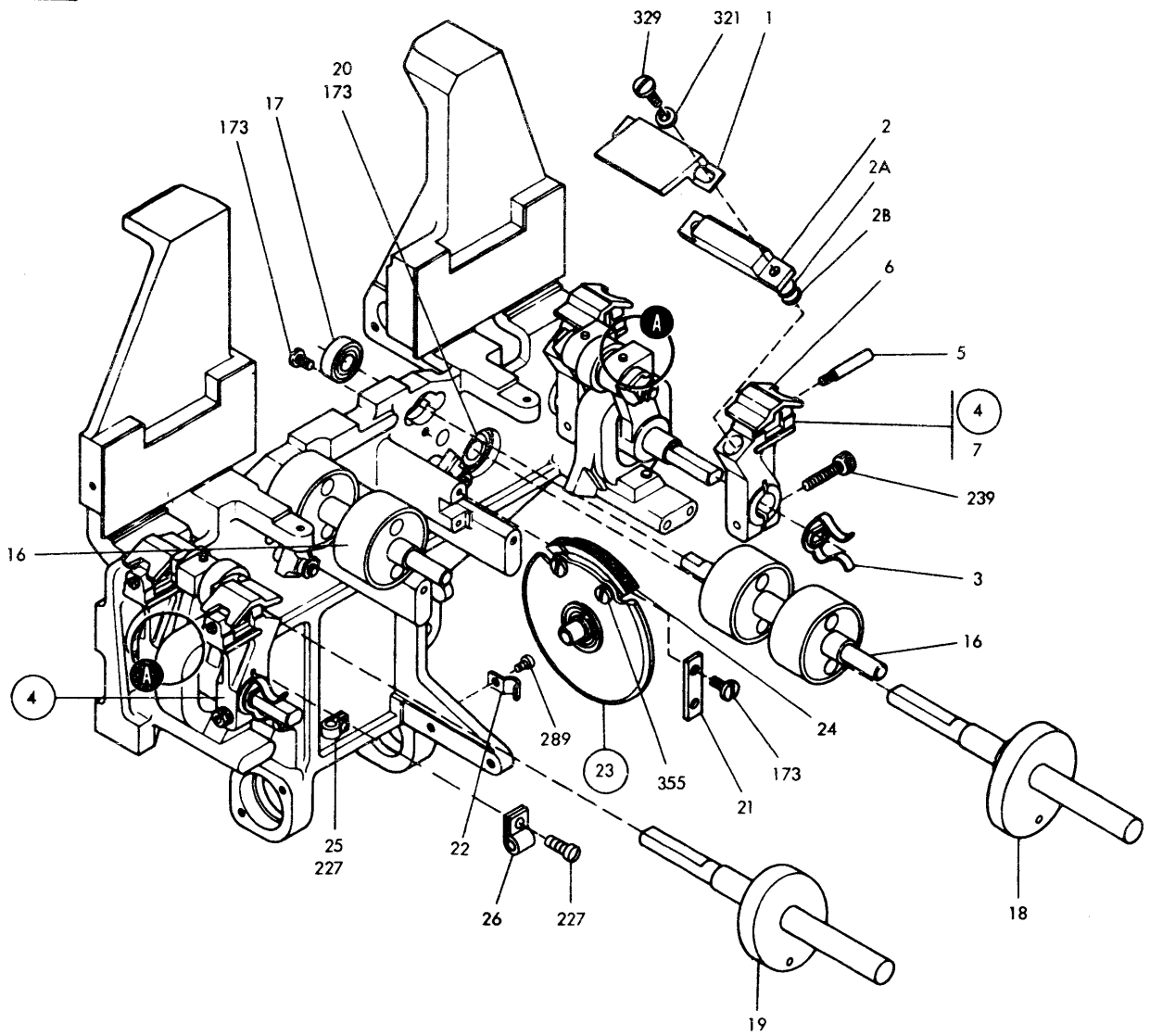


FIGURE 16. HOPPER ASM, FRONT. SEE LIST 16.

LIST AND INDEX NUMBER	PART NUMBER	DESCRIPTION				UNITS PER ASM.	USABLE ON CODE
		1	2	3	4		
16 -	2592500	HOPPER ASM, FRONT					
-		FOR NEXT HIGHER ASM SEE LIST 11-11					
-		AND FOR ILLUSTRATION SEE FIG. 16					
- 1	2592556	• SHIELD, CLUTCH				2	
- 2	2592517	• ARMATURE, CLUTCH				2	
- 2A	2594481	• WASHER				4	
- 2B	2594480	• WASHER				4	
- 3	2592569	• SPRING, BEARING CLUTCH				2	
- 4	2592479	• KNIFE ASM, PICKER				4	
- 5	2593878	• . SHAFT				4	
- 6	2593866	• . HEAD				4	
- 7	2592559	• . ARM				4	
- 8	2592420	• CLUTCH ASM				2	
- 9	2592423	• . BUSHING				2	
- 10	2592421	• . SHAFT				1	
- 11	2592422	• . SPACER				1	
- 12	2592555	• . FOLLOWER				1	
- 13	2592414	• . COIL ASM				1	
- 14	2592495	• . CLUTCH				1	
- 16	2592440	• SHAFT, FEED ROLL				2	
- 17	613725	• BEARING				2	
- 18	2592477	• CAM SHAFT ASM, RIGHT				1	
- 19	2592466	• CAM SHAFT ASM, LEFT				1	
- 20	610131	• BEARING				4	
- 21	2592439	• RETAINER				2	
- 22	190351	• CLAMP, CABLE				1	
- 23	2592529	• WHEEL ASM, ALIGNMENT				1	
- 24	2591405	• . SECTOR				1	
- 25	533289	• CLAMP, HOPPER CABLES				1	
- 26	356742	• CLAMP, HOPPER CABLES				1	
-							
-							
-							
-							
-		FOR ATTACHING PARTS, INDEX NOS. 151					
-		AND ABOVE, SEE LIST 54					

FOR PARTS
NOT SHOWN
SEE FIG. 11

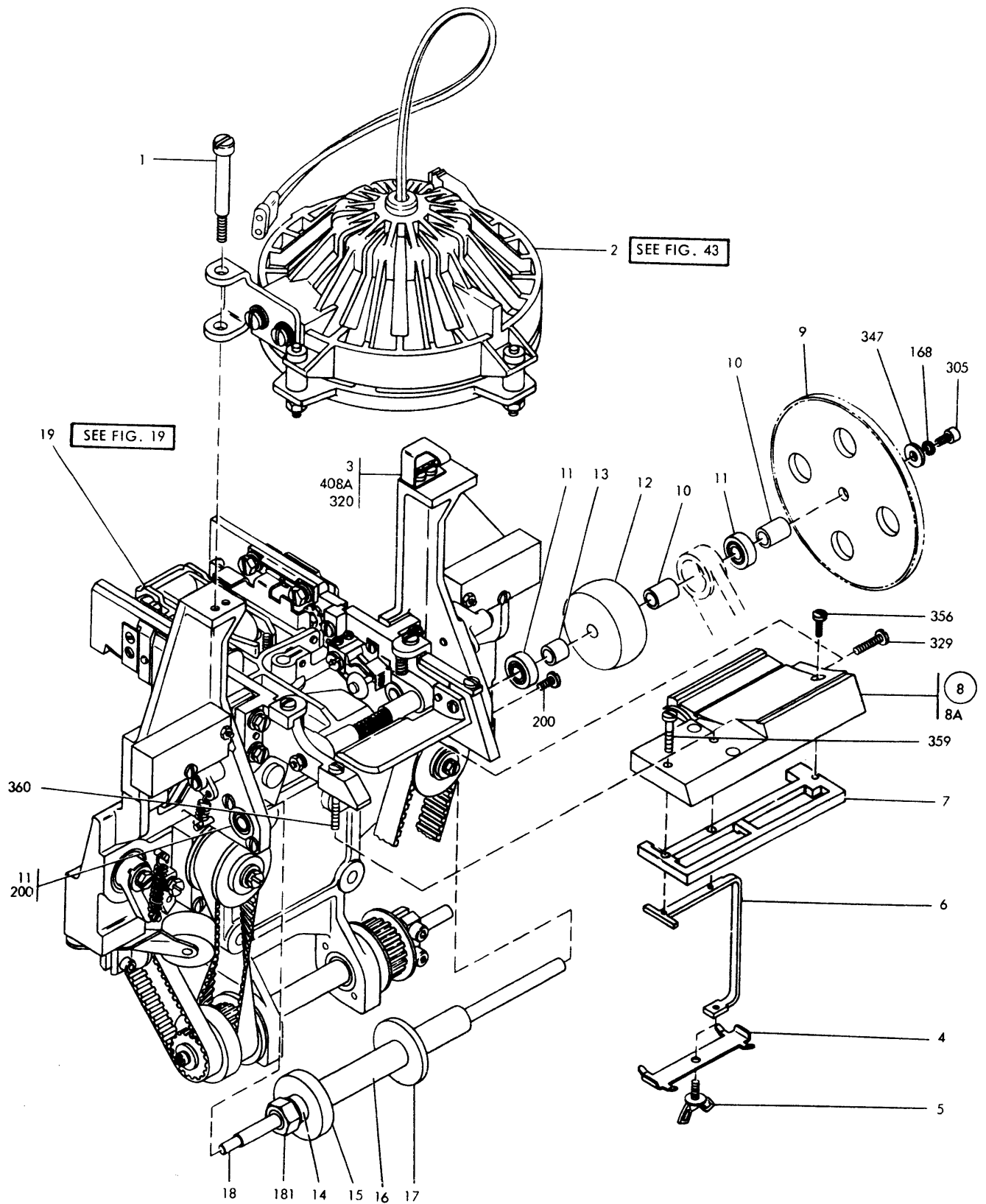


FIGURE 17. HOPPER AND READ STATION ASM. SEE LIST 17.

LIST AND INDEX NUMBER	PART NUMBER	DESCRIPTION				UNITS PER ASM.	USABLE ON CODE
		1	2	3	4		
17 -	2592500	HOPPER AND READ STATION ASM					
-		FOR NEXT HIGHER ASM SEE LIST 11-11					
-		AND FOR ILLUSTRATION SEE FIG. 17					
- 1	2592757	• STUD, READ LAMP PIVOT				1	
- 2	2592758	• READ LAMP ASM				1	
-		FOR DETAIL BREAKDOWN SEE LIST 43					
- 3	2592753	• CATCH, READ LAMP				1	
- 4	2592832	• SPRING, RETAINING				1	
- 5	2592842	• WINGSCREW, 6-32 X 1/4 LG				1	
- 6	2592831	• BRACKET, CARD RETAINER				1	ATT PT
- 7	2592830	• INSULATOR				1	
- 8	2592825	• READ STATION ASM, 6 BIT				1	
- 8A	2592802	• BOARD				1	
- 9	2592823	• GEAR, EMITTER				1	
- 10	2592821	• SPACER, BEARING 3/8 OD 1/4 ID 1/2 LG				2	
- 11	613725	• BEARING				3	
- 12	2592822	• PULLEY, READ SHAFT				1	
- 13	2592820	• SPACER, PULLEY 3/8 OD 1/4 ID 11/32 LG				1	
- 14	2592818	• SPACER, FDWHEEL NUT 1/2 OD 3/8 ID 3/16 LG				1	
- 15	2592805	• WHEEL, READ FEED-OUTBOARD				1	
- 16	2592813	• SPACER, RD FD WHEEL 1/2 OD 3/8 ID 2.23 LG				1	
- 17	2592804	• WHEEL, READ FEED-REG SIDE				1	
* - 18	2592819	• SHAFT, READ FEED				1	
- 19	NO NO. NP	• READ INJECT AREA				1	
-		FOR DETAIL BREAKDOWN SEE LIST 19					
-		FOR ATTACHING PARTS, INDEX NOS. 151 AND ABOVE, SEE LIST 54					
* - 18	2418454	• SHAFT, READ FEED				1	FOR WTC ONLY

FOR PARTS
NOT SHOWN
SEE FIG. 11

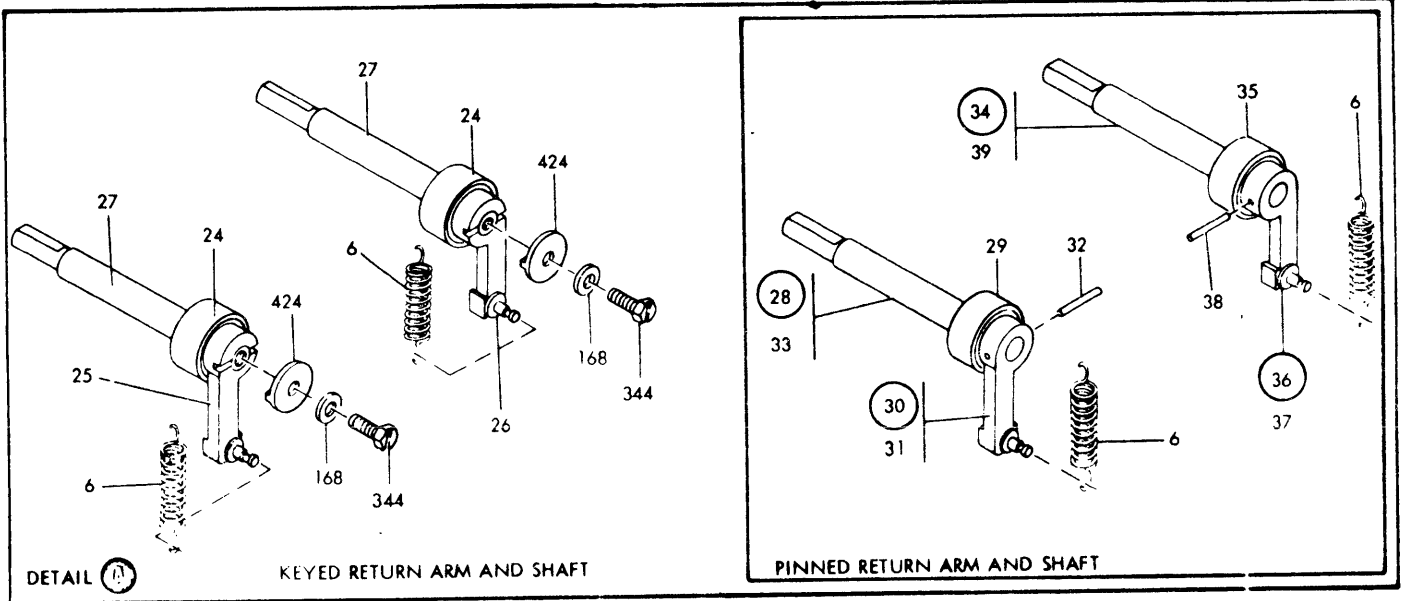
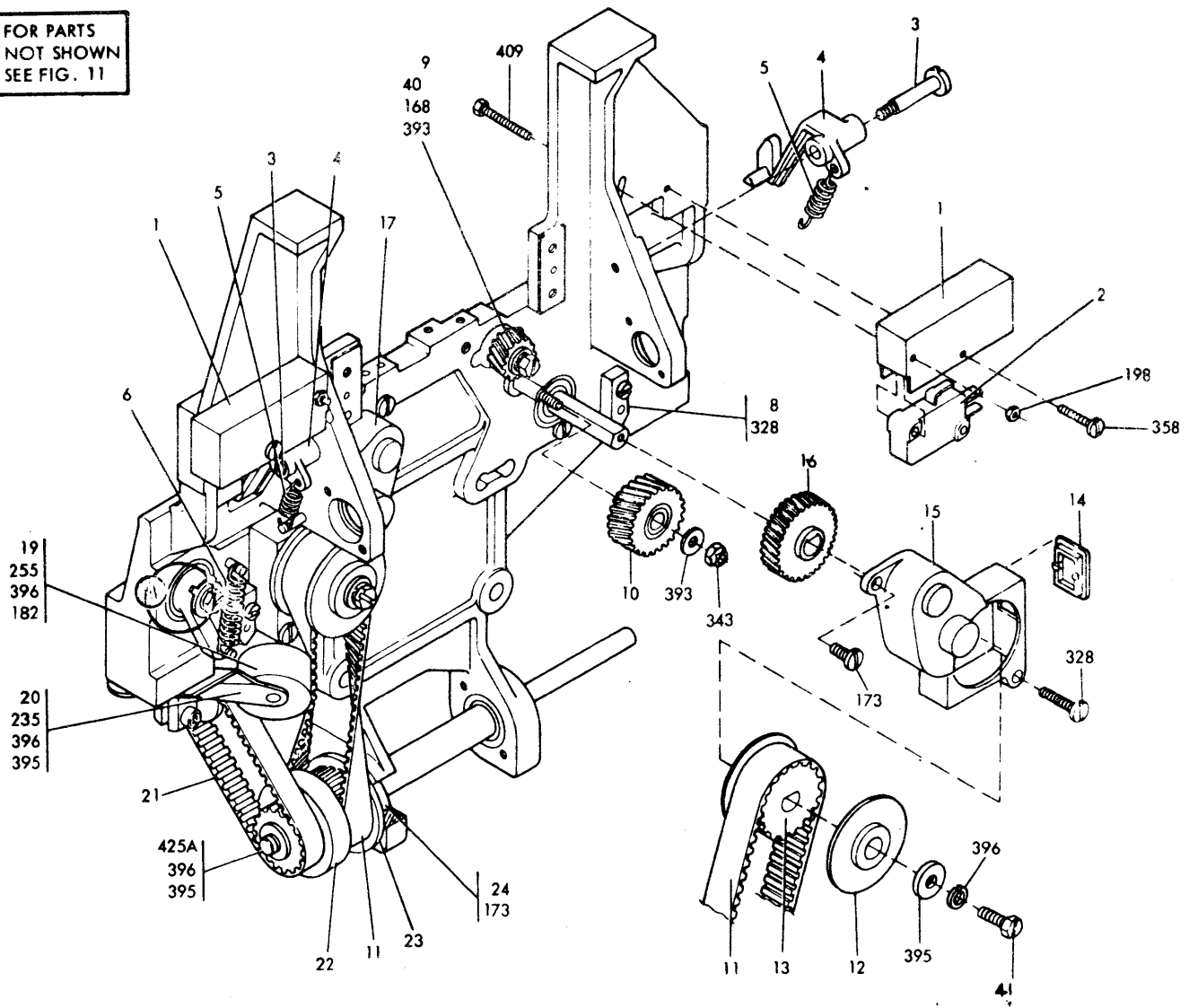


FIGURE 18. HOPPER ASSEMBLY, REAR. SEE LIST 18.

LIST AND INDEX NUMBER	PART NUMBER	DESCRIPTION				UNITS PER ASM.	USABLE ON CODE
		1	2	3	4		
18 -	2592500	HOPPER ASM, REAM					
-		FOR NEXT HIGHER ASM SEE LIST 11-11					
-		AND FOR ILLUSTRATION SEE FIG. 18					
- 1	2592576	• SHIELD, SWITCH				2	
- 2	2592485	• SWITCH, 28VDC 28A SPDT				2	
- 3	2592504	• SCREW, SWITCH LEVER PIVOT				2	
- 4	2593139	• ARM, EMPTY SWITCH				2	
- 4		ON MACHINES WITHOUT EC 818589					
- 4		ORDER BOTH ITEMS 4 AND 5					
- 5	2593247	• SPRING, SWITCH ARM				1	
- 5		ON MACHINES WITHOUT EC 818589					
- 5		ORDER BOTH ITEMS 4 AND 5					
- 6	2592575	• SPRING, PICKER KNIFE RESTORE				2	
- 8	2592481	• STOP, RETURN ARM				2	
- 9	2592855	• GEAR, FEED ROLL				2	
- 10	2592467	• GEAR ASM				2	
- 11	2591394	• BELT, HOPPER DRIVE				2	
- 12	2592475	• FLANGE				2	
- 13	2592497	• PULLEY				2	
- 14	2592506	• PLATE, GEAR COVER				2	
- 15	2592799	• COVER, GEAR-RIGHT				1	
- 16	2592853	• GEAR, CAM SHAFT				2	
- 17	2592798	• COVER, GEAR-LEFT				1	
- 19	2591056	• IDLER ROLL				1	
- 20	2592532	• BRACKET				1	
- 21	433466	• BELT, INJECT ROLL				1	
- 22	2592474	• PULLEY, JACKSHAFT				1	
- 23	2592579	• FLANGE, JACKSHAFT PULLEY				1	
- 24	610131	• BEARING				3	
- 25	NO NO.	• ARM, KEYED-PRIMARY PICKER KNIFE RETURN				1	
- 25		MACHINES EQUIPPED WITH KEYED RETURN					
- 25		ARM REQUIRE REPLACEMENT OF THE ARM,					
- 25		SHAFT AND BEARING. ORDER ITEM 28.					
- 26	NO NO.	• ARM, KEYED-SECONDARY PICKER KNIFE RETURN				1	
- 26		MACHINES EQUIPPED WITH KEYED RETURN					
- 26		ARM REQUIRE REPLACEMENT OF THE ARM,					
- 26		SHAFT AND BEARING. ORDER ITEM 34.					
- 27	NO NO.	• SHAFT, KEYED-PICKER KNIFE				2	
- 27		MACHINES EQUIPPED WITH KEYED SHAFT					
- 27		REQUIRE REPLACEMENT OF THE SHAFT,					
- 27		ARM AND BEARING. ORDER ITEM 28 FOR					
- 27		PRIMARY PICKER AND ORDER ITEM 34					
- 27		FOR SECONDARY PICKER.					
- 28	2592143	• SHAFT AND BEARING ASM, PRIMARY-PINNED				1	
- 29	5311888 NR	• • BEARING				1	
- 30	2592509 NR	• • ARM AND SHAFT ASM				1	
- 31	2592478 NR	• • • ARM				1	
- 32	14464 NR	• • • PIN				1	
- 33	2592476 NR	• • • SHAFT				1	
- 34	2592163	• SHAFT AND BEARING ASM, SECONDARY-PINNED				1	
- 35	5311888 NR	• • BEARING				1	
- 36	2592513 NR	• • ARM AND SHAFT ASM				1	
- 37	2592463 NR	• • • ARM				1	
- 38	14464 NR	• • • PIN				1	
- 39	2592476 NR	• • • SHAFT				1	
- 40	2591685	SCREW					
- 41	2593254	SCREW					
-		FOR ATTACHING PARTS, INDEX NOS. 151					
-		AND ABOVE, SEE LIST 54					

FOR PARTS
NOT SHOWN
SEE FIG. 17

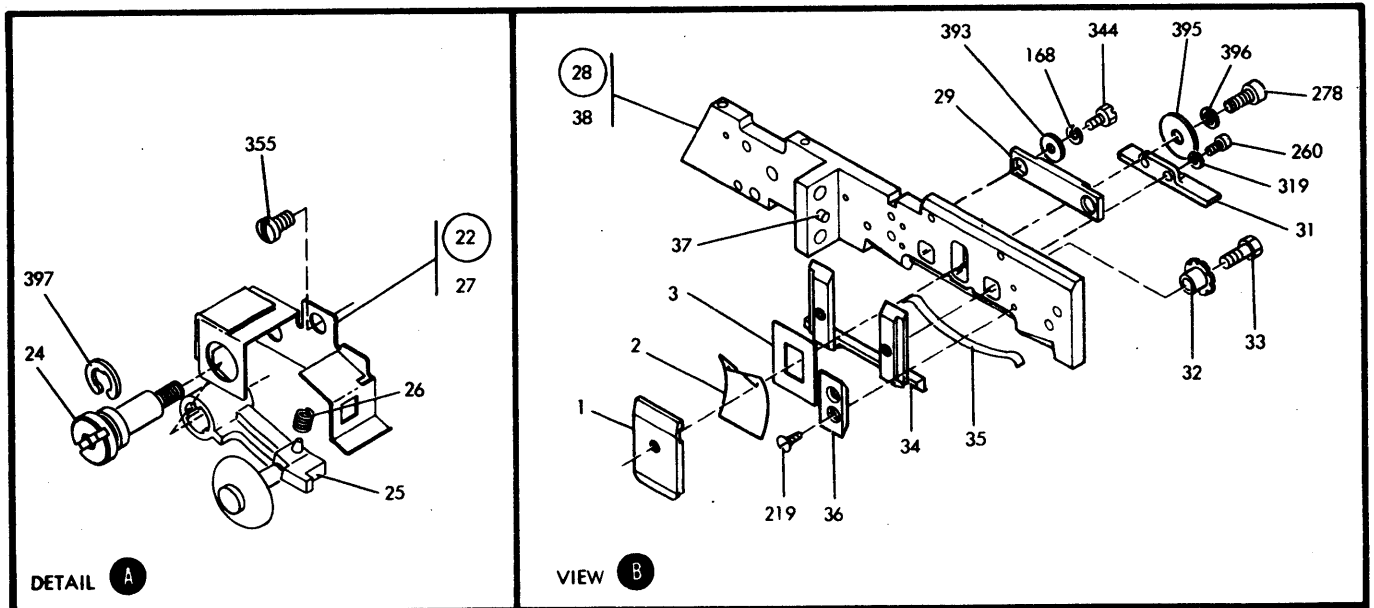
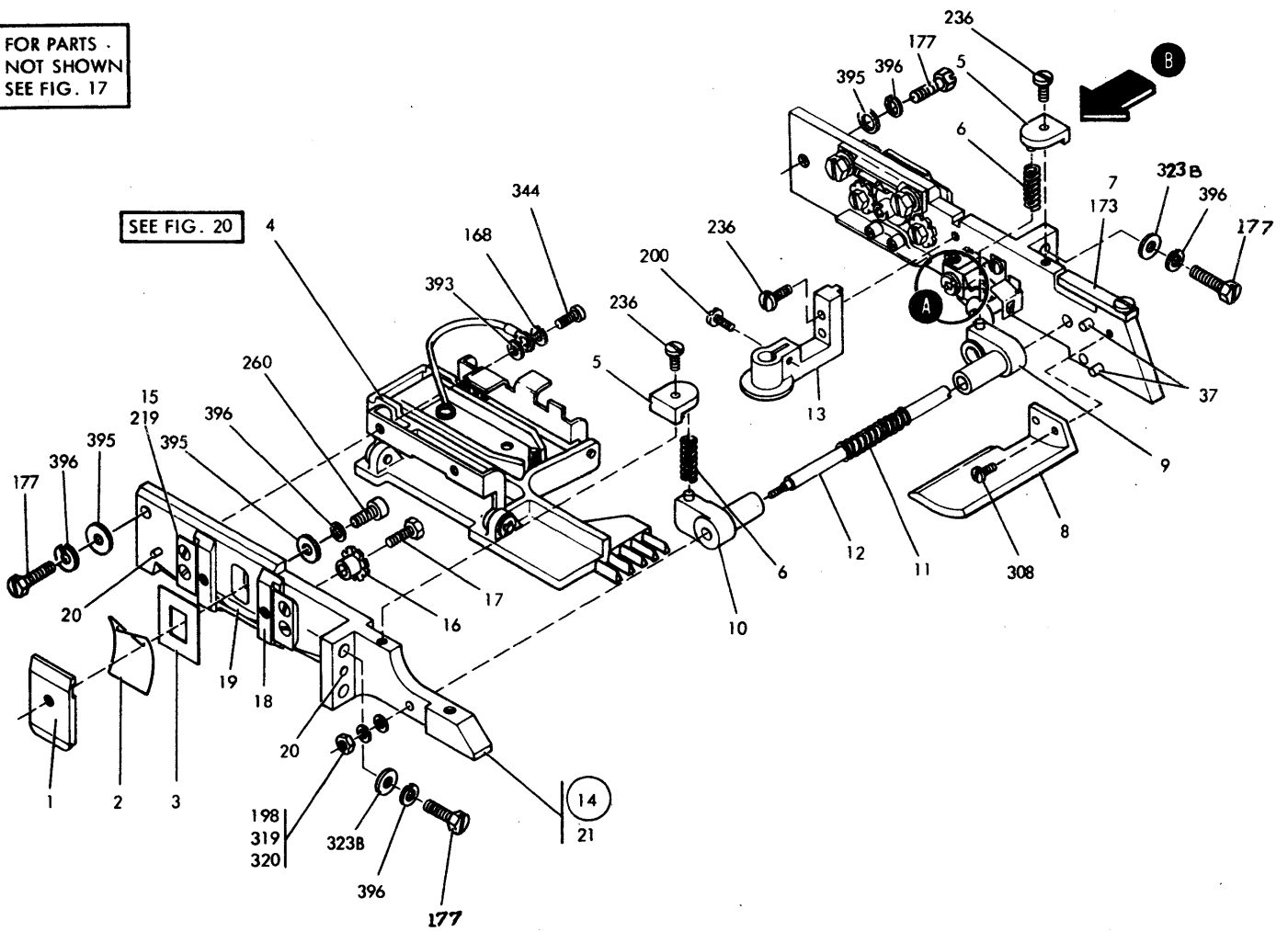


FIGURE 19. READ INJECT AREA. SEE LIST 19.

LIST AND INDEX NUMBER	PART NUMBER	DESCRIPTION				UNITS PER ASM.	USABLE ON CODE	
		1	2	3	4			
19	NO NO.	READ INJECT AREA						
-		FOR NEXT HIGHER ASM SEE LIST 17-19						
-		AND FOR ILLUSTRATION SEE FIG. 19						
- 1	2592460	. KNIFE				2		
- 2	2592503	. SPRING				2		
- 3	2592521	. SHIM,0.007 THK				2		
- 3	2592522	. SHIM,0.005 THK				2		
- 3	2592523	. SHIM,0.003 THK				2		
- 4	2592410	. COVER ASM,HOPPER CARD				1		
- 4		FOR DETAIL BREAKDOWN SEE LIST 20						
- 5	2592834	. RETAINER,SPRING				2		
- 6	2592811	. SPRING,PRESSURE ROLL				2		
- 7	2592525	. CLAMP				1		
- 8	2592829	. COVER,CARD-PRE WAIT STATION				1		
- 9	2592806	. ROLL ASM,READ PRESSURE-REG SIDE				1		
- 10	2592807	. ROLL ASM,READ PRESSURE-OUTBOARD				1		
- 11	2592836	. SPRING,PRESSURE ROLL				1		
- 12	2592835	. SHAFT,PRESSURE ROLL				1		
- 13	2592524	. BRACKET,FIBER HUNDLE-PRE READ				1		
- 14	2592480	. RAIL ASM,GUIDE				1		
- 15	2592566	. . RETAINER,SHOE				2		
- 16	2592453	. . BUSHING,PRESSURE SHOE				2		
- 17	2592454	. . SCREW,HEX HD 8-32 X 0.398 LG ATT PT				2		
- 18	2592450	. . SHOE ASM,PRESSURE				1		
- 18	2591177	. . SHOE ASM,PRESSURE USED ON MACHINES WITHOUT EC 818309				1		
- 18		. . SHOE ASM,PRESSURE USED ON MACHINES WITH EC 818309				1		
- 19	2592455	. . SPRING,PRESSURE SHOE				1		
- 20	2591525	. . PIN,DOWEL 1/8 DIA X 3/8 LG				2		
- 21	2591375	. . RAIL				1		
- 22	2593165	. . MODULE ASM,PRE READ				1		
- 24	2591071	NR	. . SCREW			1		
- 25	2593162	NR	. . ARM ASM			1		
- 26	2593156	NR	. . SPRING			1		
- 27	2591292		. DEFLECTOR ASM			1		
- 28	2592470		. RAIL ASM,REGISTRATION			1		
- 29	2591494		. . CATCH			1		
- 31	2592567		. . GUIDE			1		
- 32	2592453		. . BUSHING			2		
- 33	2592454		. . SCREW,SHOULDER-8-32 X 0.398 LG ATT PT			2		
- 34	2592450		. . SHOE ASM,PRESSURE			1		
- 34			USED ON MACHINES WITHOUT EC 818309					
- 34	2591177		. . SHOE ASM,PRESSURE			1		
- 34			USED ON MACHINES WITH EC 818309					
- 35	2592455		. . SPRING			1		
- 36	2592566		. . RETAINER			2		
- 37	2591525		. . PIN,DOWEL 1/8 DIA X 3/8 LG			5		
- 38	2591373		. . RAIL			1		
-			FOR ATTACHING PARTS, INDEX NOS. 151					
-			AND ABOVE, SEE LIST 54					

FOR PARTS
NOT SHOWN
SEE FIG. 19

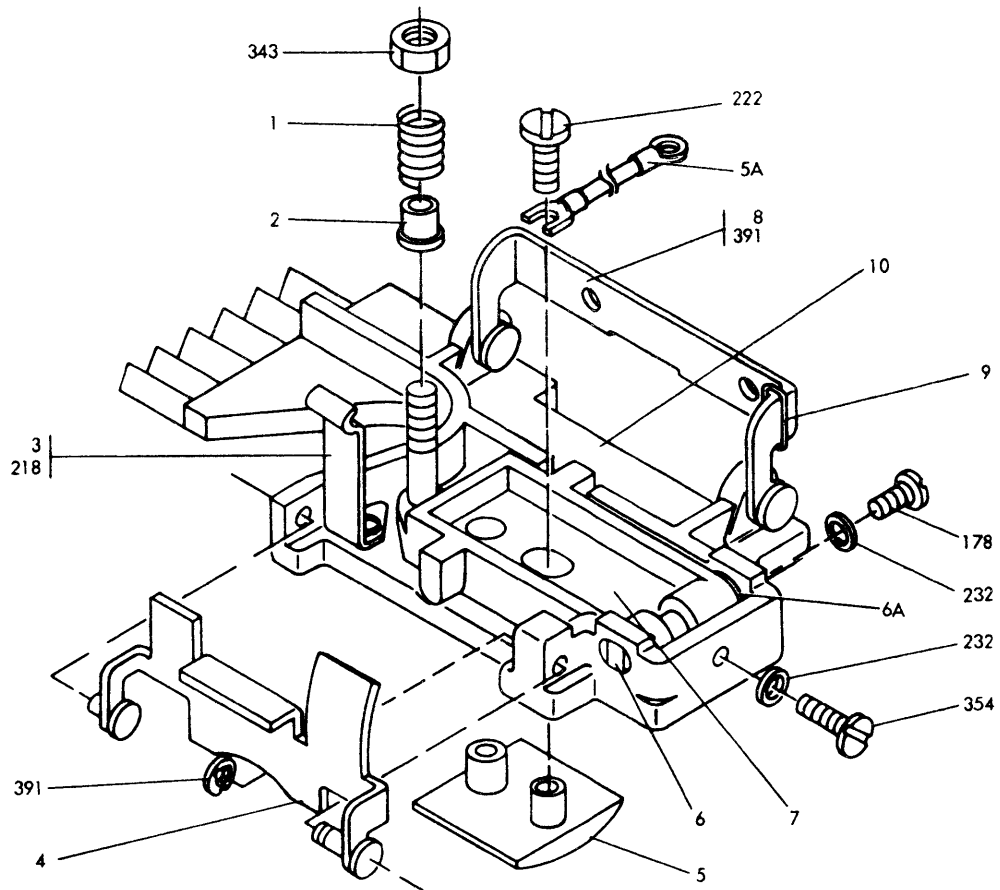


FIGURE 20. COVER ASM, HOPPER CARD. SEE LIST 20.

LIST AND INDEX NUMBER	PART NUMBER	DESCRIPTION				UNITS PER ASM.	USABLE ON CODE
		1	2	3	4		
20	2592410	COVER ASM, HOPPER CARD					
-		FOR NEXT HIGHER ASM SEE LIST 19-4					
-		AND FOR ILLUSTRATION SEE FIG. 20					
-	1 2592561	• SPRING, PRESSURE SHOE				1	
-	2 2592565	• GUIDE, SPRING				1	
-	3 2592557	• SPRING				1	
-	4 2592546	• HINGE, LATCH				1	
-	5 2591403	• SHOE, READ INJECT				1	
-	5A 2592435	• JUMPER				1	
-	6 2592551	• SHAFT, PIVOT				1	
-	6A 2592447	• SPRING WASHER				1	
-	6A	USED ON MACHINES WITH EC 817683					
-	7 2592499	• ARM, PRESSURE ROLL				1	
-	8 2592540	• HINGE, CARD COVER				1	
-	9 2592581	• SPRING, HOPPER COVER RETURN				1	
-	10 2592411	• COVER, HOPPER CARD				1	
-		FOR ATTACHING PARTS, INDEX NOS. 151					
-		AND ABOVE, SEE LIST 54					

FOR PARTS
NOT SHOWN
SEE FIG. 11

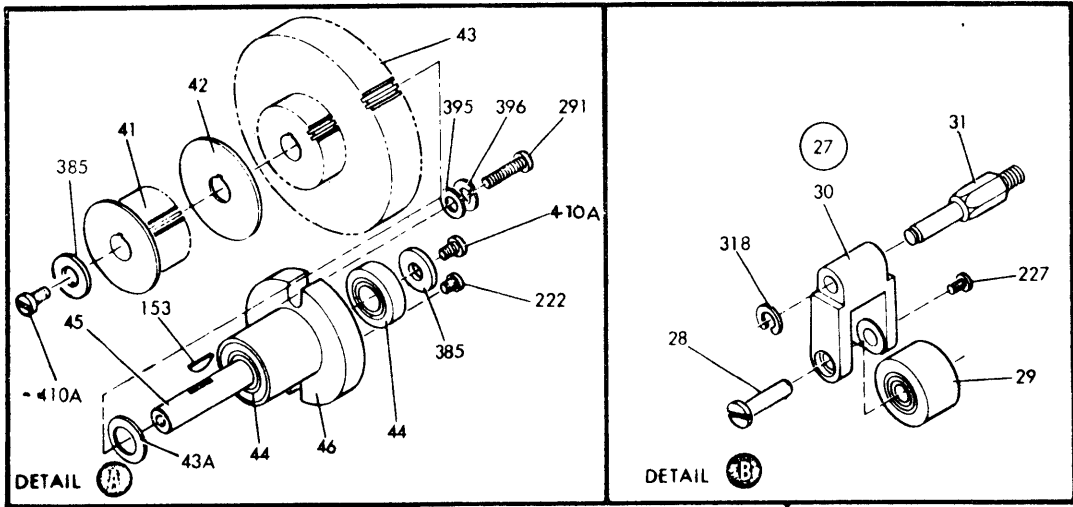
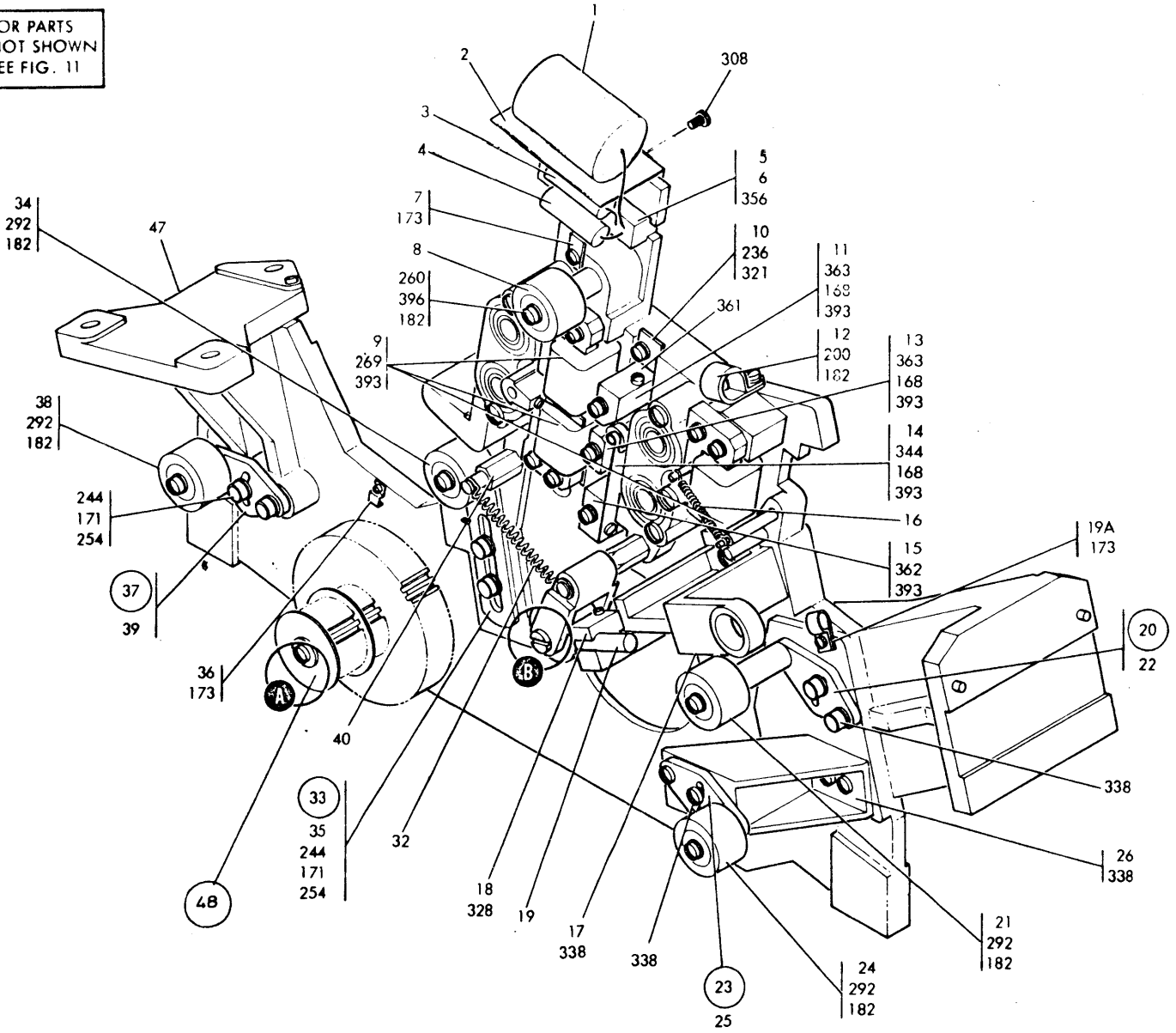


FIGURE 21. BACKBONE ASM. SEE LIST 21.

LIST AND INDEX NUMBER	PART NUMBER	DESCRIPTION	UNITS PER ASM.	USABLE ON CODE
21	NO NO.	BACKBONE ASM		
-		FOR NEXT HIGHER ASM SEE LIST 11-14 AND FOR ILLUSTRATION SEE FIG. 21		
- 1	1177266	. CAPACITOR	1	
- 2	2591871	. HEAT SHIELD	1	
- 3	2133486	. RESISTOR, 50 OHM P/M 5 PER CENT 10 WATT	1	
- 4	2591155	. RESISTOR, 30 OHM 10W	1	
- 5	302090	. TERMINAL BLOCK	2	
- 6	302131	. INSULATOR	2	
- 7	2592899	. RETAINER, FIBER OPTICS	1	
- 8	2591056	. ROLL, IDLER	1	
- 9	2592901	. MAGNET ASM, REG PRESSURE ROLL 24V	3	
- 10	2592903	. BLOCK, ARMATURE LOCATOR	1	
- 11	2592904	. STOP, ARMATURE	1	
- 12	515661	. CLAMP, FIBER OPTICS	1	
- 13	2592905	. STOP, ARMATURE	1	
- 14	2592932	. DETENT	1	
- 15	2592902	. BLOCK, DETENT SPRING	1	
- 16	2592906	. SPRING, PATH SELECTOR	1	
- 17	2592824	. HOUSING, EMITTER AND BEARING	1	
- 18	2592828	. CLAMP, EMITTER	1	
- 19	2592773	. COIL ASM	1	
- 19A	356742	. CLAMP, CABLE	1	
- 20	2591057	. IDLER ASM, FLAT BELT	1	
- 20		USED ON MACHINES WITHOUT EC 817604		
- 20	2592762	. IDLER ASM, FLAT BELT	1	
- 20		USED ON MACHINES WITH EC 817604		
- 21	2591056	. . ROLL	1	
- 22	2591070	. . BRACKET-USED ON MACHINES WITHOUT EC 817604	1	
- 22	2591088	. . BRACKET-USED ON MACHINES WITH EC 817604	1	
- 23	2592762	. IDLER ASM, HOPPER INPUT	1	
- 24	2591056	. . ROLL	1	
- 25	2591088	. . BRACKET	1	
- 26	2591061	. BRACKET	1	
- 27	2591050	. IDLER ASM	1	
- 28	2591067	. . STUD	1	
- 29	2591056	. . ROLL	1	
- 30	2591066	. . BRACKET	1	
- 31	2591051	. STUD, IDLER PIVOT	1	
- 32	2591086	. SPRING, IDLER-MODEL 1	1	
- 32	2591095	. SPRING, IDLER-MODEL 2	1	
- 33	2591058	. IDLER ASM, PUNCH INPUT	1	
- 34	2591056	. . ROLL	1	
- 35	2591073	. . PLATE	1	
- 36	2592722	. CLAMP, FIBER OPTICS	3	
- 37	2592306	. IDLER ASM-USED ON MACHINES WITHOUT EC 817604	1	
- 37	2592762	. IDLER ASM-USED ON MACHINES WITH EC 817604	1	
- 38	2591056	. . ROLL	1	
- 39	2592305	. . BRACKET-USED ON MACHINES WITHOUT EC 817604	1	
- 39	2591088	. . BRACKET-USED ON MACHINES WITH EC 817604	1	
- 40	2591052	. STUD, SPRING	1	
NR- 41	2591085	. PULLEY, JACKSHAFT OUTPUT	1	
- 42	2591055	. FLANGE, JACKSHAFT	1	
NR- 43	2591084	. PULLEY, JACKSHAFT INPUT-60 CYCLE	1	
- 43	2591091	. PULLEY, JACKSHAFT INPUT-50 CYCLE	1	
- 43A	139629	. SPACER	1	
NR- 44	613875	. BEARING	2	
NR- 45	2591054	. JACKSHAFT	1	
NR- 46	2591053	. HOUSING, JACKSHAFT BEARING	1	
- 47	2592950	. BACKBONE	1	
-				
-				
-		FOR ATTACHING PARTS, INDEX NOS. 151 AND ABOVE, SEE LIST 54		
-				
- 48	2418418	. JACKSHAFT ASM	1	
		FOR WTC ONLY		

FOR PARTS
NOT SHOWN
SEE FIG. 12

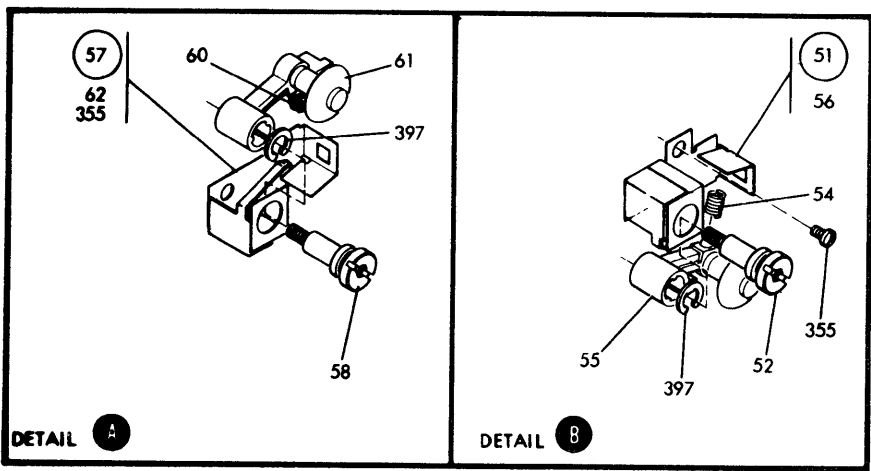
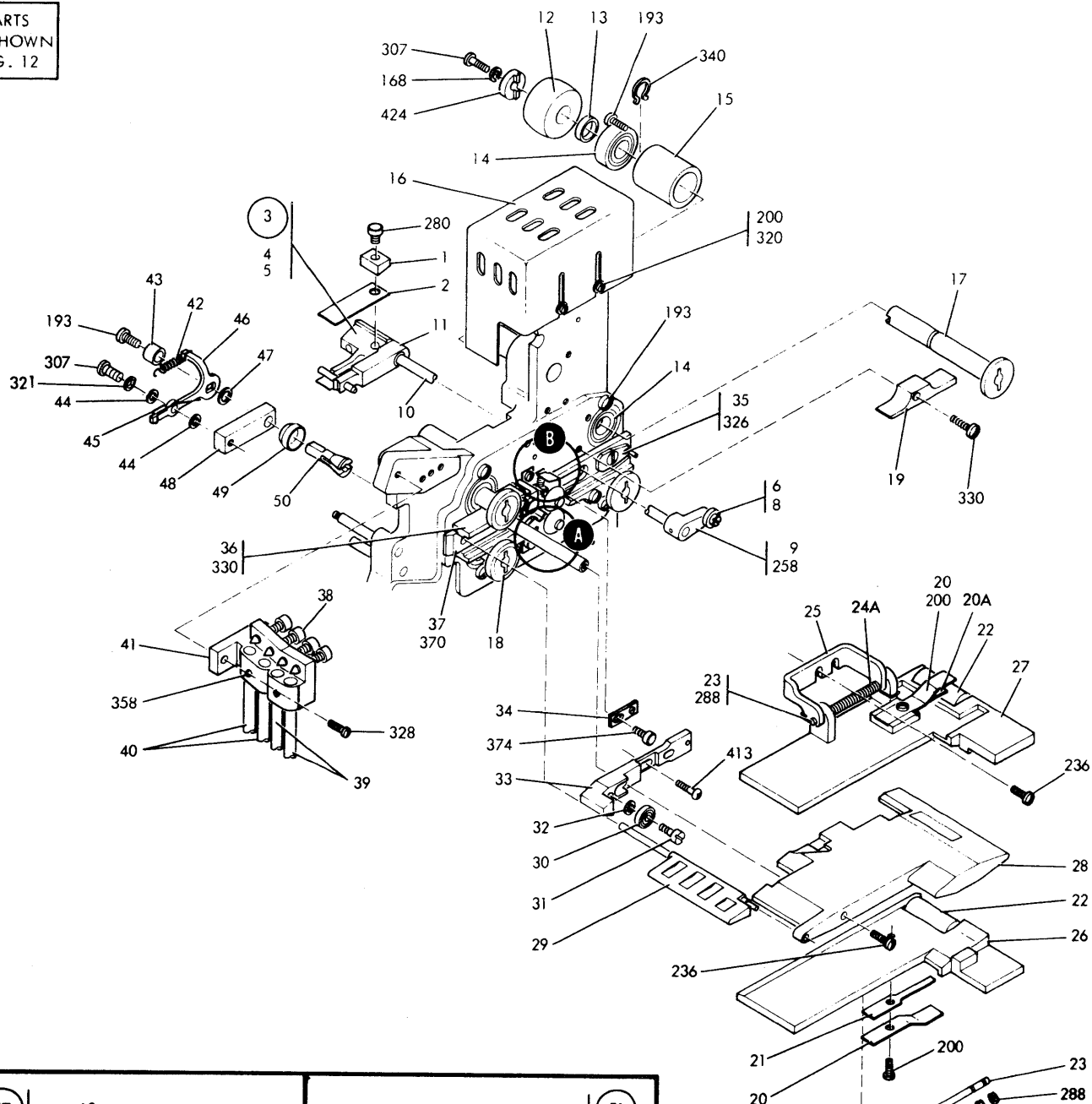


FIGURE 22. WAIT STATION ASM. SEE LIST 22.

LIST AND INDEX NUMBER	PART NUMBER	DESCRIPTION				UNITS PER ASM.	USABLE ON CODE
		1	2	3	4		
22	NO NO.	WAIT STATION ASM					
-		FOR NEXT HIGHER ASM SEE LIST 12-29					
-		AND FOR ILLUSTRATION SEE FIG. 22					
- 1	2592920					2	
- 2	2592919					2	
- 3	2592922					1	
- 4	2592921	NR				1	
- 5	2592983				ATT PT	1	
- 6	640435					1	
- 8	2592978				ATT PT	1	
- 9	2592936	NR				1	
- 10	2592923	NR				1	
- 11	2592917					1	
- 12	2592928					4	
- 13	638408					4	
- 14	613875					8	
- 15	2592924					4	
- 16	2591723					1	
- 17	2592927					2	
- 18	2592925					2	
- 19	2592939					2	
- 20	2592940					2	
- 20A	2592436					1	
- 20A		USED ON MACHINES WITH EC 818256					
- 21	2592975					1	
- 22	2592947					2	
- 23	2592949					2	
- 24	2592946					1	
- 24		USED ON MACHINES WITHOUT EC 818256					
- 24	2592965					1	
- 24		USED ON MACHINES WITH EC 818256					
- 24A	2592946					1	
- 24A		USED ON MACHINES WITHOUT EC 818256					
- 24A	2592964					1	
- 24A		USED ON MACHINES WITH EC 818256					
- 25	2592945					2	
- 26	2592941					1	
- 27	2592942					1	
- 28	2592963					1	
- 29	2592980					1	
- 30	640435					1	
- 31	2592978				ATT PT	1	
- 32	2592976					1	
- 33	2592931					1	
- 34	2592981					1	
- 35	2592937					1	
- 36	2592938					2	
- 37	2592944					1	
- 38	2592721					4	
- 39	2592715					2	
- 40	2592716					2	
- 41	2592713					1	
- 42	2592906					1	
- 43	2592914					1	
- 44	2592913					2	
- 45	2592907					1	
- 46	2592908					1	
- 47	2592840					1	
- 48	2592912					1	
- 49	2592911					1	
- 50	2592909					1	
- 51	2593167					1	
- 52	2591071	NR				1	
- 54	2593156	NR				1	
- 55	2593162	NR				1	
- 56	2591290					1	
- 57	2593166					1	
- 58	2591071	NR				1	
- 60	2593156	NR				1	
- 61	2593163	NR				1	
- 62	2591291					1	
-		FOR ATTACHING PARTS, INDEX NOS. 151					
-		AND ABOVE, SEE LIST 54					

FOR PARTS
NOT SHOWN
SEE FIG. 12

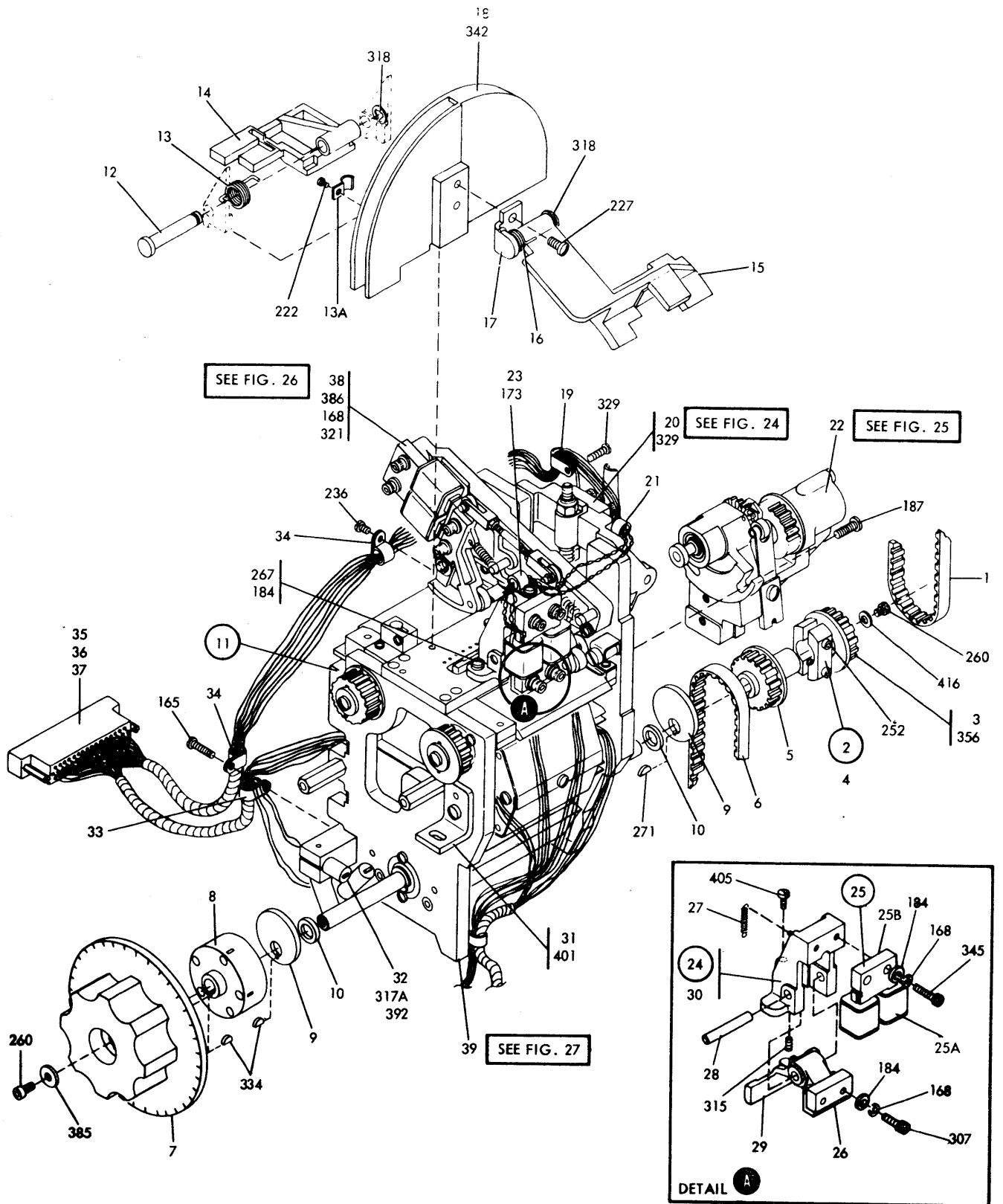


FIGURE 23. PUNCH UNIT ASSEMBLY. SEE LIST 23.

LIST AND INDEX NUMBER	PART NUMBER		DESCRIPTION	UNITS PER ASM.	USABLE ON CODE
	1	2 3 4			
23	NO NO.	NP	PUNCH UNIT ASM		
-			FOR NEXT HIGHER ASM SEE LIST 12-2 AND FOR ILLUSTRATION SEE FIG. 23		
- 1	2591717		. BELT, INCREMENTER DRIVE	1	
- 2	2591716		. PULLEY ASM, INCREMENTER DRIVE	1	
- 3	2591713		. . PULLEY	1	
- 4	2591714		. . HUB	1	
- 5	2591589		. PULLEY, PUNCH DRIVE MODEL 1 60 CYCLE	1	
- 5	2591591		. PULLEY, PUNCH DRIVE MODEL 1 50 CYCLE	1	
- 5	2591554		. PULLEY, PUNCH DRIVE MODEL 2 60 CYCLE	1	
- 5	2591592		. PULLEY, PUNCH DRIVE MODEL 2 50 CYCLE	1	
- 6	2591097		. BELT, PUNCH INPUT-MODEL 1, 50/60 CYCLE-	1	
- 6			USED ON MACHINES WITHOUT EC817584		
- 6	612839		. BELT, PUNCH INPUT-MODEL 1, 60 CYCLE-	1	
- 6			USED ON MACHINES WITH EC817584		
- 6	365579		. BELT, PUNCH INPUT-MODEL 1, 50 CYCLE-	1	
- 6			USED ON MACHINES WITH EC817584		
- 6	365579		. BELT, PUNCH INPUT-MODEL 2, 60 CYCLE-USED	1	
- 6			ON MACHINES WITH OR WITHOUT EC817584		
- 6	2591424		. BELT, PUNCH INPUT-MODEL 2, 50 CYCLE-	1	
- 6			USED ON MACHINES WITHOUT EC817584		
- 6	2591628		. BELT, PUNCH INPUT-MODEL 2, 50 CYCLE-	1	
- 6			USED ON MACHINES WITH EC817584		
- 7	2591556		. HANDWHEEL	1	
- 8	2591567		. EMITTER DISK, MODEL 1	1	
- 8	2591566		. EMITTER DISK, MODEL 2	1	
- 9	2591552		. COUNTER BALANCE, CAM SHAFT	2	
- 10	2591553		. SPACER, BEARING 1/2 OD 5/16 ID 0.907 THK	1	
- 11	2591584		. PUNCH UNIT-FIELD REPLACEMENT UNIT 6 BIT	1	
- 12	2591788		. . STUD	1	
- 13	2591789		. . SPRING	1	
- 13A	26320		. . CABLE CLAMP	1	
- 14	2591782		. . COVER, PRE PUNCH	1	
- 15	2591783		. . COVER, POST PUNCH	1	
- 16	2591786		. . SPRING	1	
- 17	2591793		. . BRACKET	1	
- 18	2591781		. . HOUSING, CHIP	1	
- 19	472707		. . CLAMP	1	
- 20	2591665		. . PRESSURE ROLL ASM, PUNCH	1	
- 20			FOR DETAIL BREAKDOWN SEE LIST 24		
- 21	472707		. . CLAMP	1	
- 22	2591690		. . INCREMENTER ASM, PUNCH	1	
- 22			FOR DETAIL BREAKDOWN SEE LIST 25		
- 23	5213276		. . CLAMP	1	
- 24	2591755		. . GATE ASM, PUNCH REGISTRATION	1	
- 25	2591761		. . . MAGNET ASM	1	
- 25A	2591766	 COIL	2	
- 25B	2591767	 CORE	1	
- 26	2591760		. . . PLATE	1	
- 27	2591757		. . . SPRING	1	
- 28	2591759		. . . SHAFT	1	
- 29	2591758		. . . ARM	1	
- 30	2591756		. . . SUPPORT ASM	1	
- 31	2591565		. . BRACKET	1	
- 32	2592774		. . COIL ASM	2	
- 33	169698		. . CLAMP	1	
- 34	356742		. . CLAMP	2	
- 35	2591577		. . CONNECTOR, 41 POS	1	
- 36	2123030		. . JACKSCREW, TURNABLE-FEMALE	1	
- 37	2123031		. . JACKSCREW, TURNABLE-MALE	1	
- 38	2591730		. . PRESSURE ROLL ASM, EJECT	1	
- 38			FOR DETAIL BREAKDOWN SEE LIST 26		
- 39	2591500		. . PUNCH FRAME ASM-6 BIT	1	
- 39			FOR DETAIL BREAKDOWN SEE LIST 27		
-					
-					
-			FOR ATTACHING PARTS, INDEX NOS. 151 AND ABOVE, SEE LIST 54		

FOR PARTS
NOT SHOWN
SEE FIG. 23

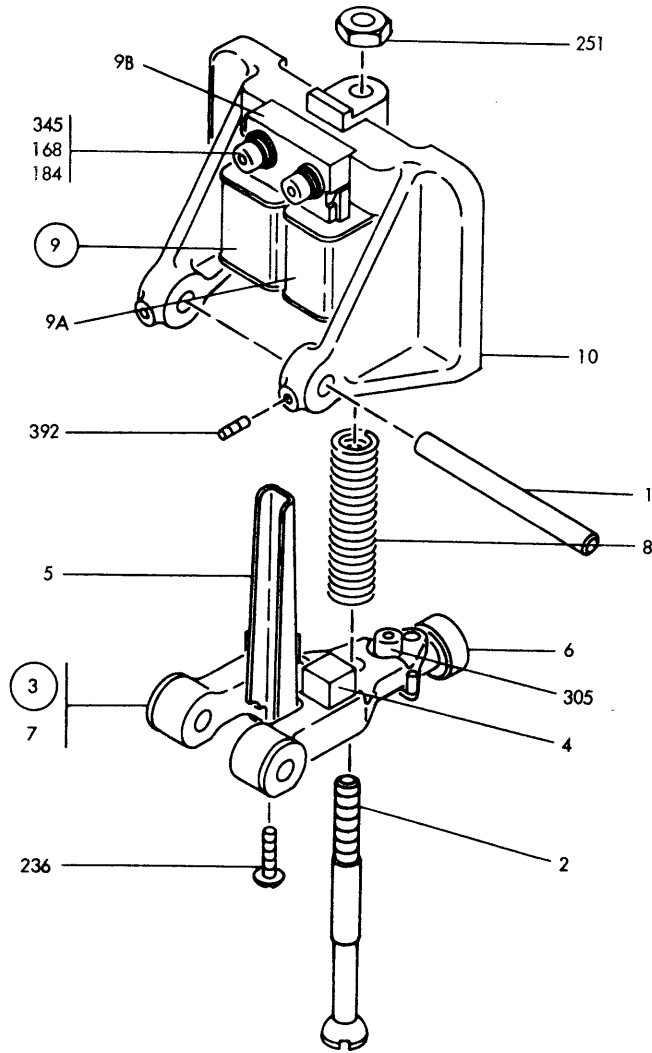


FIGURE 24. PRESSURE ROLL ASM, PUNCH. SEE LIST 24.

LIST AND INDEX NUMBER	PART NUMBER	DESCRIPTION				UNITS PER ASM.	USABLE ON CODE
		1	2	3	4		
24 -	2591665	PRESSURE ROLL ASM, PUNCH					
-		FOR NEXT HIGHER ASM SEE LIST 23-20					
-		AND FOR ILLUSTRATION SEE FIG. 24					
- 1	2591669	• SHAFT, PUNCH PRESSURE ROLL				1	
- 2	2591666	• BOLT				1	
- 3	2591668	• ARM ASM				1	
- 4	2591676	• • PLATE				1	
- 5	2591677	• • LEVER				1	
- 6	2591675	• • BEARING ASM				1	
- 7	2591674	• • ARM				1	
- 8	626544	• SPRING				1	
- 9	2591667	• MAGNET ASM				1	
- 9A	2591680	• • COIL				1	
- 9B	2591679	• • CORE				2	
- 10	2591670	• SUPPORT				1	
-							
-							
-							
-		FOR ATTACHING PARTS, INDEX NOS. 151					
-		AND ABOVE, SEE LIST 54					

FOR PARTS
NOT SHOWN
SEE FIG. 23

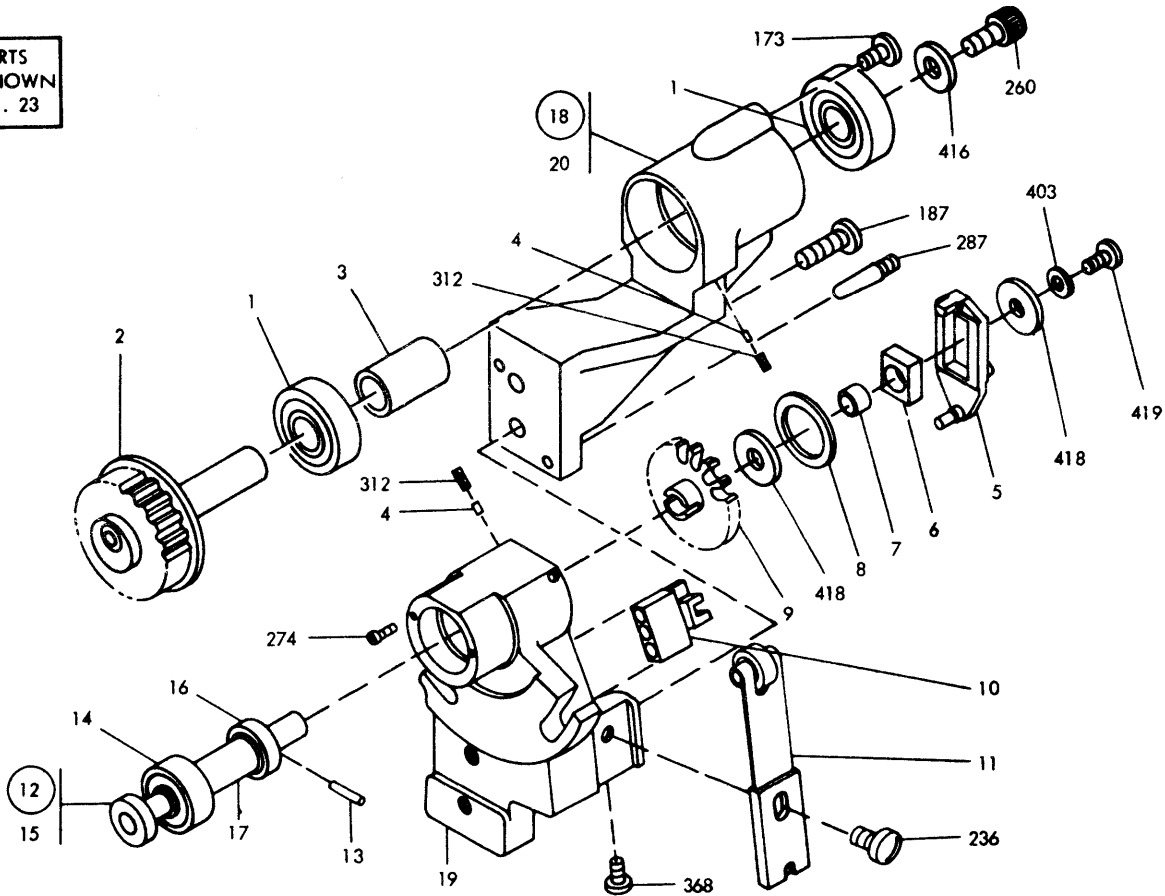


FIGURE 25. PUNCH INCREMENTER ASM. SEE LIST 25.

LIST AND INDEX NUMBER	PART NUMBER	1 2 3 4				DESCRIPTION	UNITS PER ASM.	USABLE ON CODE
25 -	2591690					PUNCH INCREMENTER ASM		
-						FOR NEXT HIGHER ASM SEE LIST 23-22		
-						AND FOR ILLUSTRATION SEE FIG. 25		
- 1	610131	NR				• BEARING	2	
- 2	2591708	NR				• SHAFT AND BEARING ASM, INPUT	1	
- 3	2591706	NR				• SPACER, INPUT	1	
- 4	2591719	NR				• PELLET, BEARING LOCKING	4	
- 5	2591696	NR				• DRIVE ARM	1	
- 6	2591703	NR				• SLIDER, PIVOT	1	
- 7	2591704	NR				• SLEEVE, PIVOT	1	
- 8	2591720	NR				• WICK, GREASE	1	
- 9	2591694	NR				• STAR WHEEL	1	
- 10	2591709	NR				• SLIDER, LOCKING	1	
- 11	2591710	NR				• DETENT ASM	1	
- 12	2591697	NR				• SHAFT ASM, OUTPUT	1	
- 13	642456	NR				• • PIN	1	
- 14	613725	NR				• • BEARING	1	
- 15	2591699	NR				• • SHAFT	1	
- 16	838819	NR				• • BEARING	1	
- 17	2591698	NR				• • SPACER	1	
- 18	2591691	NR				• HOUSING ASM, INCREMENTER	1	
- 19	2591692	NR				• • HOUSING, OUTPUT SIDE	1	
- 20	2591693	NR				• • HOUSING, INPUT SIDE	1	
-								
-						FOR ATTACHING PARTS, INDEX NOS. 151		
-						AND ABOVE, SEE LIST 54		

FOR PARTS
NOT SHOWN
SEE FIG. 23

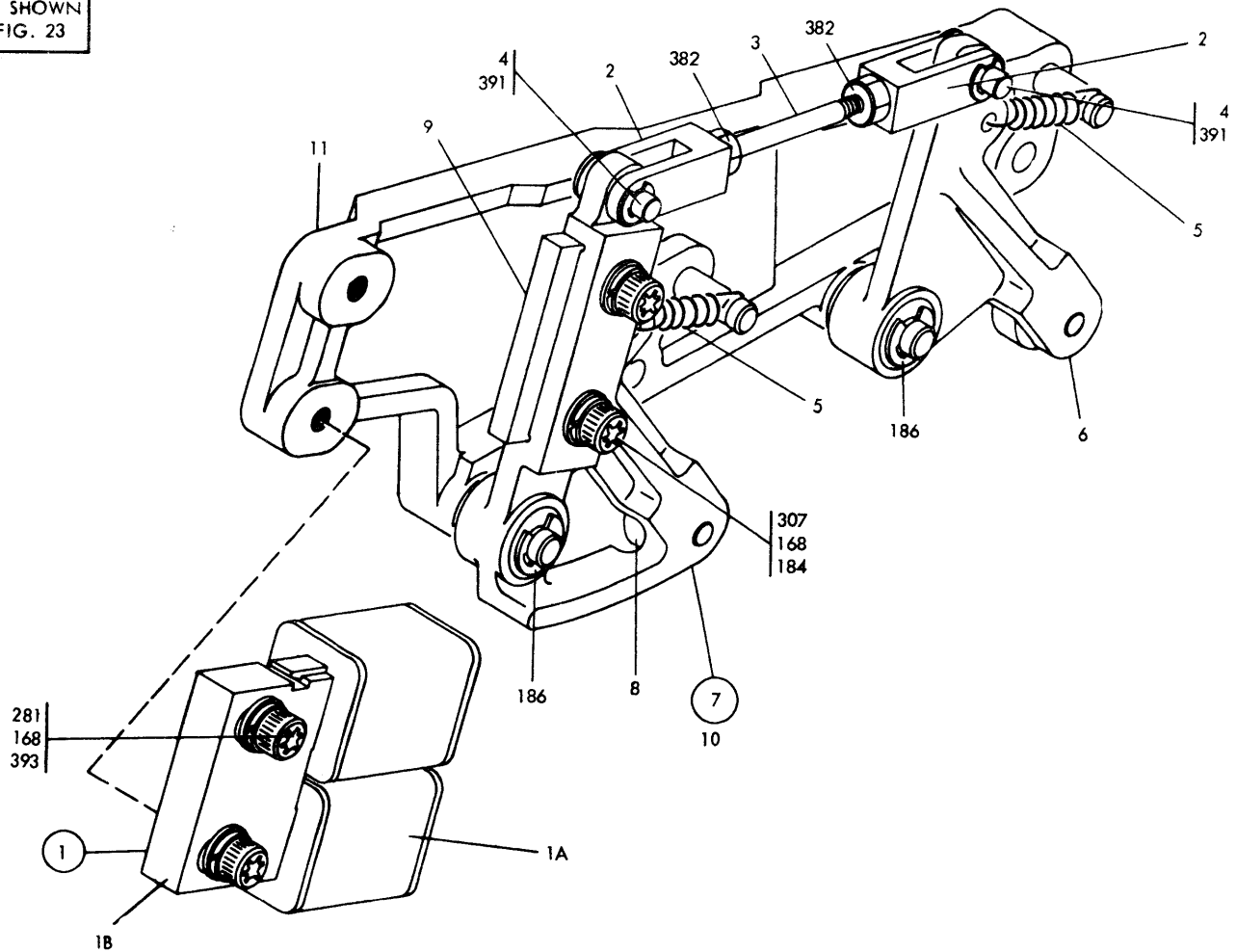


FIGURE 26. PRESSURE ROLL ASM, EJECT. SEE LIST 26.

LIST AND INDEX NUMBER	PART NUMBER	DESCRIPTION				UNITS PER ASM.	USABLE ON CODE
		1	2	3	4		
26 -	2591730	PRESSURE ROLL ASM, EJECT					
-		FOR NEXT HIGHER ASM SEE LIST 23-38					
-		AND FOR ILLUSTRATION SEE FIG. 26					
- 1	2591734	• MAGNET ASM				1	
- 1A	2591746	• • COIL				2	
- 1B	2591747	• • CORE				1	
- 2	2591735	• CLEVIS				2	
- 3	2591736	• ROD				1	
- 4	2591738	• SHAFT				2	
- 5	2591737	• SPRING, MAGNET				2	
- 6	2591731	• ARM ASM				1	
- 7	2591733	• ARM ASM				1	
- 8	2591752 NR	• • ROLL, PRESSURE				1	
- 9	2591745	• • PLATE				1	
- 10	2591750 NR	• • ARM				1	
- 11	2591732	• SUPPORT ASM				1	
-							
-		FOR ATTACHING PARTS, INDEX NOS. 151					
-		AND ABOVE, SEE LIST 54					

FOR PARTS
NOT SHOWN
SEE FIG. 23

SEE FIG. 28

SEE FIG. 29

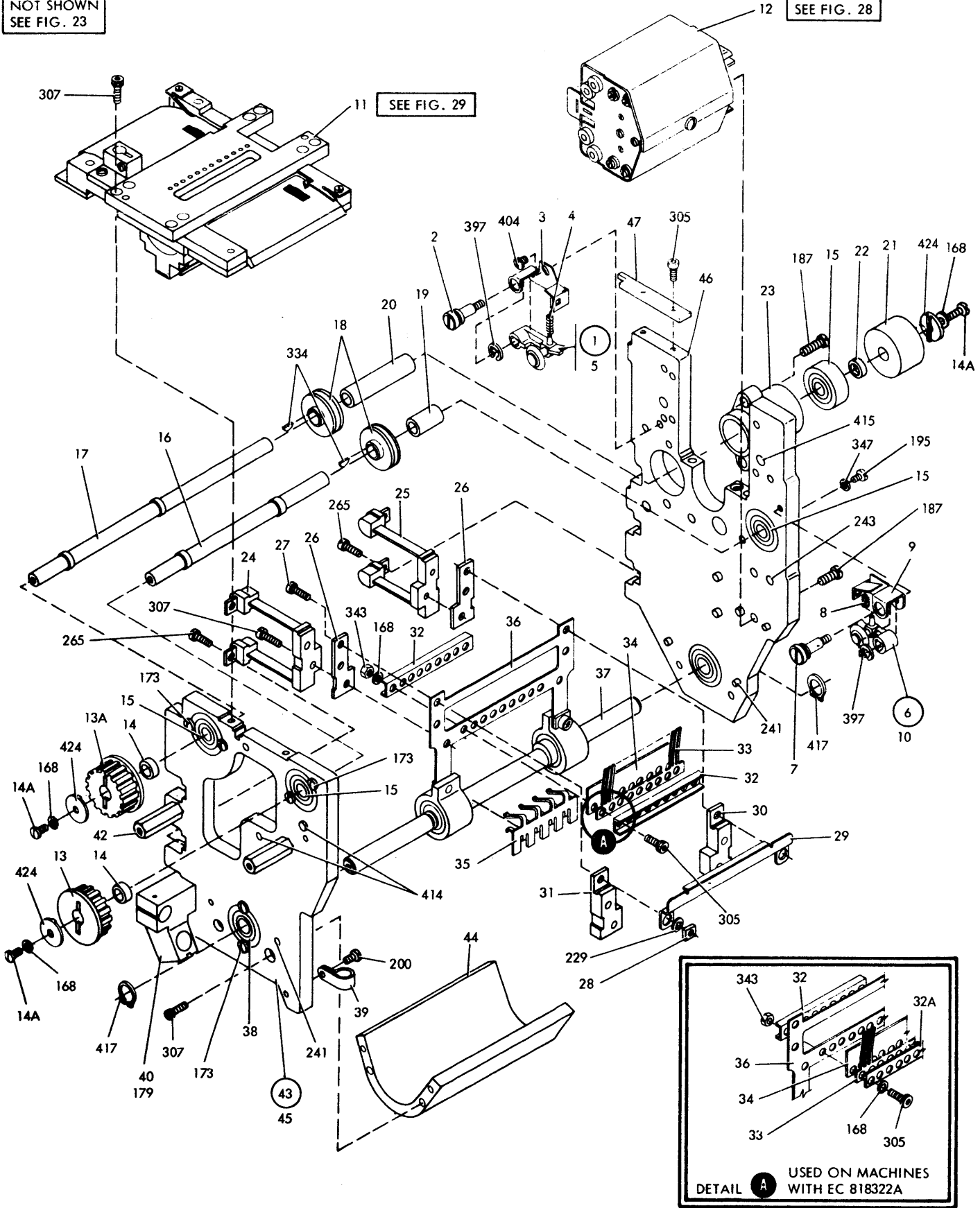


FIGURE 27. PUNCH FRAME ASM. SEE LIST 27.

LIST AND INDEX NUMBER	PART NUMBER	DESCRIPTION	UNITS PER ASM.	USABLE ON CODE
27 -	2591500	PUNCH FRAME ASM-6 BIT		
-		FOR NEXT HIGHER ASM SEE LIST 23-39		
-		AND FOR ILLUSTRATION SEE FIG. 27		
- 1	2593176	. ALIGNING ROLL ASM, PRE PUNCH	1	
- 2	2591071	. SCREW	1	
- 3	2593175	. COVER, ALIGNING ROLL	1	
- 4	2593156	. SPRING	1	
- 5	2593162	. ARM AND ROLL ASM	1	
- 6	2593154	. ALIGNING ROLL ASM, POST PUNCH	1	
- 7	2591071	. SCREW	1	
- 8	2593156	. SPRING	1	
- 9	2593155	. COVER, ALIGNING ROLL	1	
- 10	2593164	. ARM AND ROLL ASM	1	
- 11	2591507	. PUNCH AND DIE BLOCK ASM-6 BIT	1	
- 11		FOR DETAIL BREAKDOWN SEE LIST 29		
- 12	2591600	. MAGNET UNIT ASM-6 BIT	1	
- 12		FOR DETAIL BREAKDOWN SEE LIST 28		
- 13	2591636	. PULLEY, PUNCH EJECT TIMING BELT	1	
- 13		USED ON MACHINES WITHOUT EC 818229		
- 13	2591673	. PULLEY, PUNCH EJECT TIMING BELT	1	
- 13		USED ON MACHINES WITH EC 818229		
- 13A	2591636	. PULLEY, PUNCH EJECT TIMING BELT	1	
- 13A		USED ON MACHINES WITHOUT EC 818229		
- 13A	2591672	. PULLEY, PUNCH EJECT TIMING BELT	1	
- 13A		USED ON MACHINES WITH EC 818229		
- 14	2591631	. SPACER, PUNCH EJECT	2	
- 14		USED ON MACHINES WITHOUT EC 818229		
- 14	2591671	. SPACER, PUNCH EJECT	2	
- 14		USED ON MACHINES WITH EC 818229		
- 14A	2591685	. SCREW, FIL HD-LOCK	2	
- 15	2591639	. BEARING, PUNCH EJECT SHAFTS	4	
- 16	2591630	. SHAFT, 2ND PUNCH EJECT	1	
- 17	2591629	. SHAFT, 1ST PUNCH EJECT	1	
- 18	2591637	. FEED WHEEL, PUNCH EJECT	2	
- 19	2591634	. SPACER, 2ND PUNCH EJECT	1	
- 20	2591632	. SPACER, 1ST PUNCH EJECT 1.67 LG	1	
- 21	2591635	. PULLEY, PUNCH EJECT FLAT BELT	1	
- 22	2591633	. SPACER, 1ST PUNCH EJECT 0.125 THK	1	
- 23	2591638	. HOUSING, BEARING 1ST PUNCH EJECT	1	
- 24	2591537	. SPRING, LEFT	1	
- 25	2591538	. SPRING, RIGHT	1	
- 26	2591563	. SPACER, BAIL	2	
- 27	2591545	. SCREW, RESTORE 8-32 X 3/8 LG	2	
- 28	2591574	. NUT, RESTORE BAIL 8-32	2	
- 29	2591533	. BAIL, RESTORE	1	
- 30	2591582	. CLAMP, SPRING RIGHT	1	
- 31	2591583	. CLAMP, SPRING LEFT	1	
- 32	2591532	. CLAMP, INTERPOSER SPRING	2	
- 32		USED ON MACHINES WITHOUT EC 818322A		
- 32	2591532	. CLAMP, INTERPOSER SPRING	1	
- 32		USED ON MACHINES WITH EC 818322A		
- 32A	2593137	. CLAMP, INTERPOSERS SPRING	1	
- 32A		USED ON MACHINES WITH EC 818322A		
- 33	2591535	. SPRING, INTERPOSER	1	
- 33		USED ON MACHINES WITHOUT EC 818322A		
- 33	2592844	. SPRING, INTERPOSER	1	
- 33		USED ON MACHINES WITH EC 818322A		
- 34	2591536	. SPACER, SPRING	1	
- 35	2591559	. STRIP, COOLING	2	
- 36	2591501	. SPRING ASM, DRIVE	1	
- 37	2591534	. SHAFT, PUNCH DRIVE	1	
- 38	610131	. BEARING	2	
- 39	534768	. CLAMP, LOOP	1	
- 40	2591570	. HOLDER, EMITTER PICKUP	1	
- 42	2592381	. STANDOFF, EJECT COVER	2	
- 43	2591547	. FRAME ASM	1	
- 44	2591551	. TIE BAR	1	
- 45	2591550	. FRAME, EMITTER SIDE	1	
- 46	2591549	. FRAME, INCREMENTER SIDE	1	
- 47	2593140	. CLAMP, PUNCH REGISTRATION	1	
- 47		USED ON MACHINES WITH EC 818526		
-		FOR ATTACHING PARTS, INDEX NOS. 151		
-		AND ABOVE, SEE LIST 54		

FOR PARTS
NOT SHOWN
SEE FIG. 27

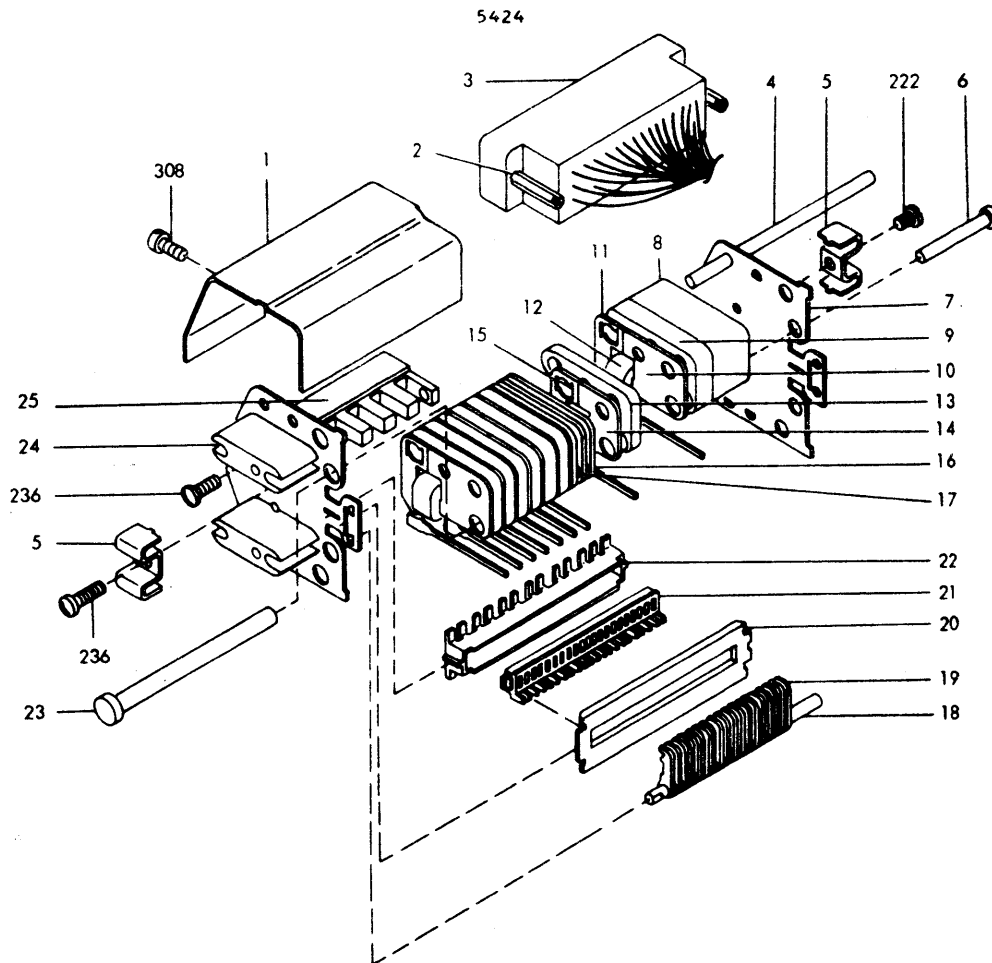


FIGURE 28. MAGNET UNIT ASM, PUNCH. SEE LIST 28.

LIST AND INDEX NUMBER	PART NUMBER	DESCRIPTION				UNITS PER ASM.	USABLE ON CODE
		1	2	3	4		
28 -	2591600	MAGNET UNIT ASM-6 BIT					
-		FOR NEXT HIGHER ASM SEE LIST 27-12					
-		AND FOR ILLUSTRATION SEE FIG. 28					
- 1	2591624	• COVER, DUST				2	
- 2	2123031	• JACKSCREW				2	
- 3	2591575 NR	• CONNECTOR				1	
- 4	2591603 NR	• SHAFT, ARMATURE PIVOT				4	
- 5	2591623 NR	• GUIDE, MAGNET WIRE				2	
- 6	2591602 NR	• CAP, MAGNET BOLT				4	
- 7	2591622 NR	• PLATE				1	
- 8	2591614 NR	• SPACER, MAGNET-6 BIT ONLY				2	
- 9	2591613 NR	• SPACER, MAGNET 7/32 THK				2	
* - 10	2591610 NR	• CORE, LONG				10	
- 11	2591606 NR	• ARMATURE, LONG				10	
- 12	2591604 NR	• COIL, MAGNET				18	
- 13	2591612 NR	• SPACER, MAGNET 1/8 THK				16	
* - 14	2591611 NR	• CORE, SHORT				8	
- 15	2591607 NR	• ARMATURE, SHORT				8	
- 16	2591625 NR	• SPACER, INSIDE PIVOT SHAFT SUPPORT				2	
- 17	2591626 NR	• SPACER, OUTSIDE PIVOT SHAFT SUPPORT				2	
- 18	2591618 NR	• SHAFT, LINK PIVOT				1	
- 19	2591619 NR	• LINK, PUNCH INTERPOSER				18	
- 20	2591616 NR	• STOP, INTERPOSER LINK				1	
- 21	2591617 NR	• COMB, PUSHROD				1	
- 22	2591615 NR	• COMB, LEAD OUT WIRE				1	
- 23	2591601 NR	• BOLT, MAGNET CORE				4	
- 24	2591621 NR	• PLATE				1	
- 25	2591620 NR	• BAR, ARMATURE STOP				1	
* - 10	2418501 NR	• CORE, LONG				10	FOR WTC ONLY
* - 14	2418500 NR	• CORE, SHORT				8	FOR WTC ONLY
-		FOR ATTACHING PARTS, INDEX NOS. 151 AND ABOVE, SEE LIST 54					

FOR PARTS
NOT SHOWN
SEE FIG. 27

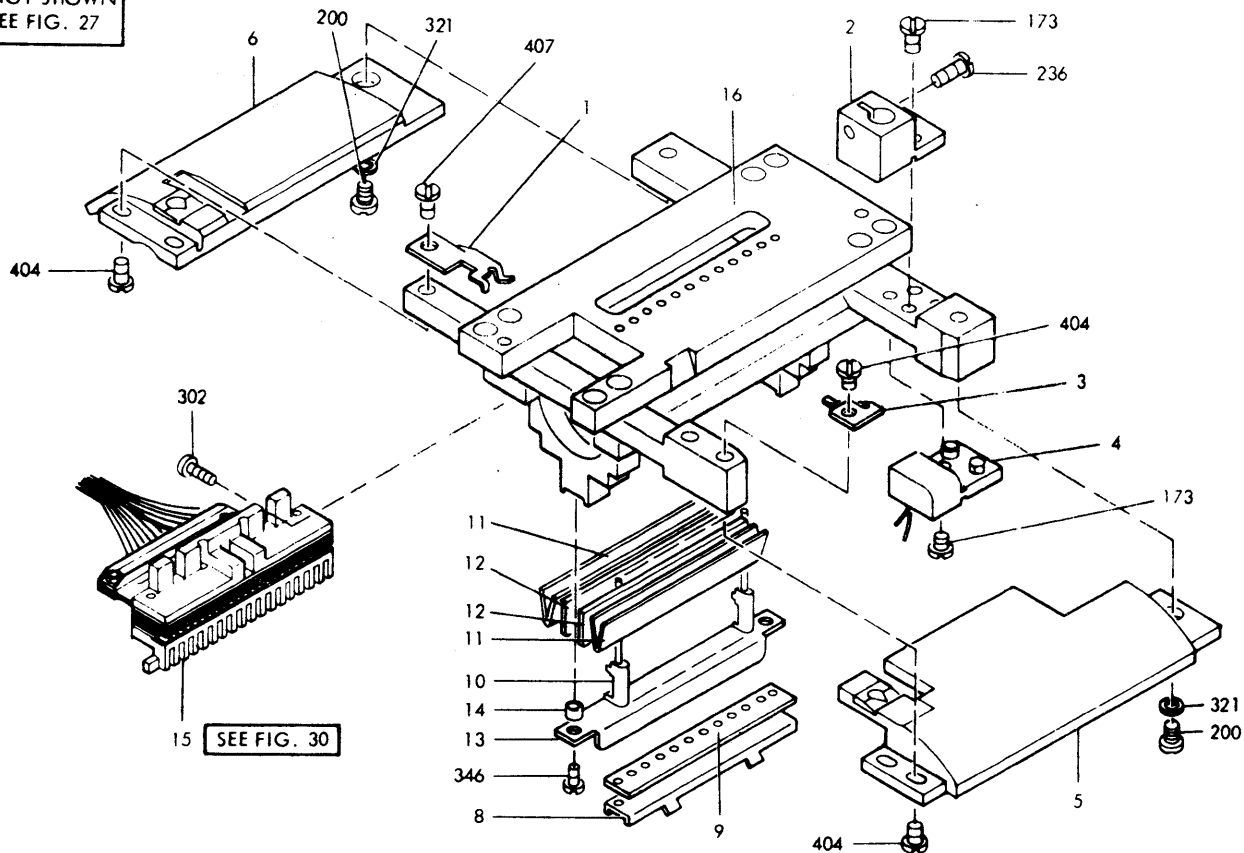


FIGURE 29. PUNCH AND DIE BLOCK ASM. SEE LIST 29.

LIST AND INDEX NUMBER	PART NUMBER	DESCRIPTION				UNITS PER ASM.	USABLE ON CODE
		1	2	3	4		
29 -	2591507	PUNCH AND DIE BLOCK ASM-6 BIT					
-		FOR NEXT HIGHER ASM SEE LIST 27-11					
-		AND FOR ILLUSTRATION SEE FIG. 29					
- 1	2591489	• DEFLECTOR, POST PUNCH CARD				1	
- 2	2592714	• HOLDER, FIBER OPTICS				1	
- 3	2593177	• DEFLECTOR, PRE PUNCH CARD				1	
- 4	2592718	• CELL ASM, CHECK				1	
- 5	2591508	• CARD BED, PRE PUNCH				1	
- 6	2591509	• CARD BED, POST PUNCH				1	
- 8	2591527	• HOLDER, WICK				1	
- 9	2591526	• WICK, PUNCH UNIT				1	
- 10	2591528	• PUNCH				1	
- 11	2591531	• SPRING, DRAG LOADING				18	
- 12	2591530	• DRAG, PUNCH				2	
- 13	2591524	• GUIDE-6 BIT				2	
- 14	2591523	• DOWEL				1	
- 15	2591640	• PUNCH CHECK ASM-6 BIT				1	
- 15		FOR DETAIL BREAKDOWN SEE LIST 30					
- 16	2591514	NR	• DIE AND STRIPPER ASM			1	
-		FOR ATTACHING PARTS, INDEX NOS. 151					
-		AND ABOVE, SEE LIST 54					

FOR PARTS
NOT SHOWN
SEE FIG. 29

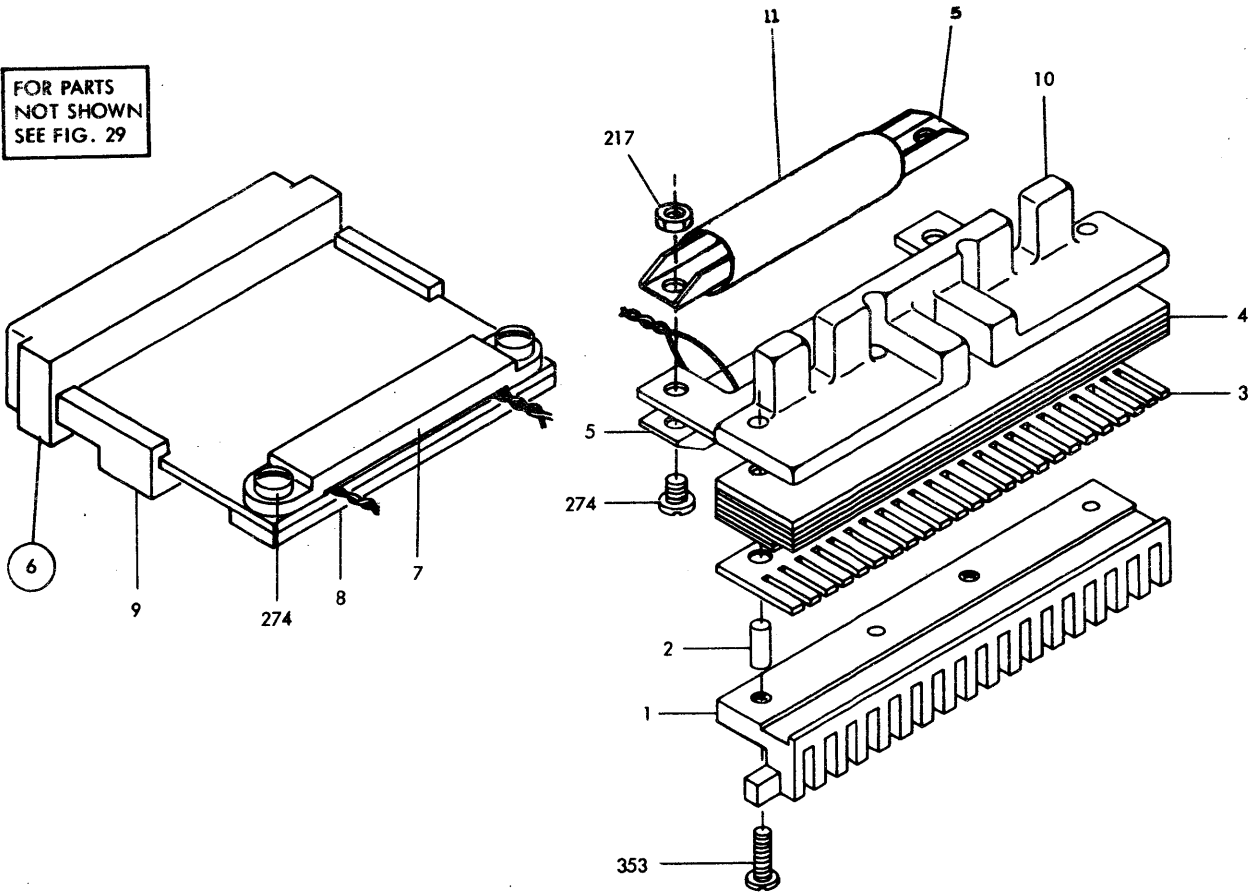


FIGURE 30. PUNCH CHECK ASM. SEE LIST 30.

LIST AND INDEX NUMBER	PART NUMBER	DESCRIPTION				UNITS PER ASM.	USABLE ON CODE
		1	2	3	4		
30 -	2591640	PUNCH CHECK ASM-6 BIT					
-		FOR NEXT HIGHER ASM SEE LIST 29-15					
-		AND FOR ILLUSTRATION SEE FIG. 30					
- 1	2591653	NR	•	COMB	1		
- 2	2591654	NR	•	SLEEVE	2		
- 3	2591652	NR	•	SPRING	1		
- 4	2591644	NR	•	TRANSDUCER ASM-6 BIT	1		
- 5	2591660	NR	•	STRAIN RELIEF ASM	2		
- 6	2591656	NR	•	CABLE ASM-6 BIT	1		
- 7	2591659		•	STRAIN RELIEF	2		
- 8	2591662		•	NUT PLATE	2		
- 9	811802		•	GUIDE	2		
- 10	2591655	NR	•	BRACKET	1		
- 11	2418502	NR	•	TUBE	2	FOR WTC ONLY	
-		FOR ATTACHING PARTS, INDEX NOS. 151					
-		AND ABOVE, SEE LIST 54					

FOR PARTS
NOT SHOWN
SEE FIG. 12

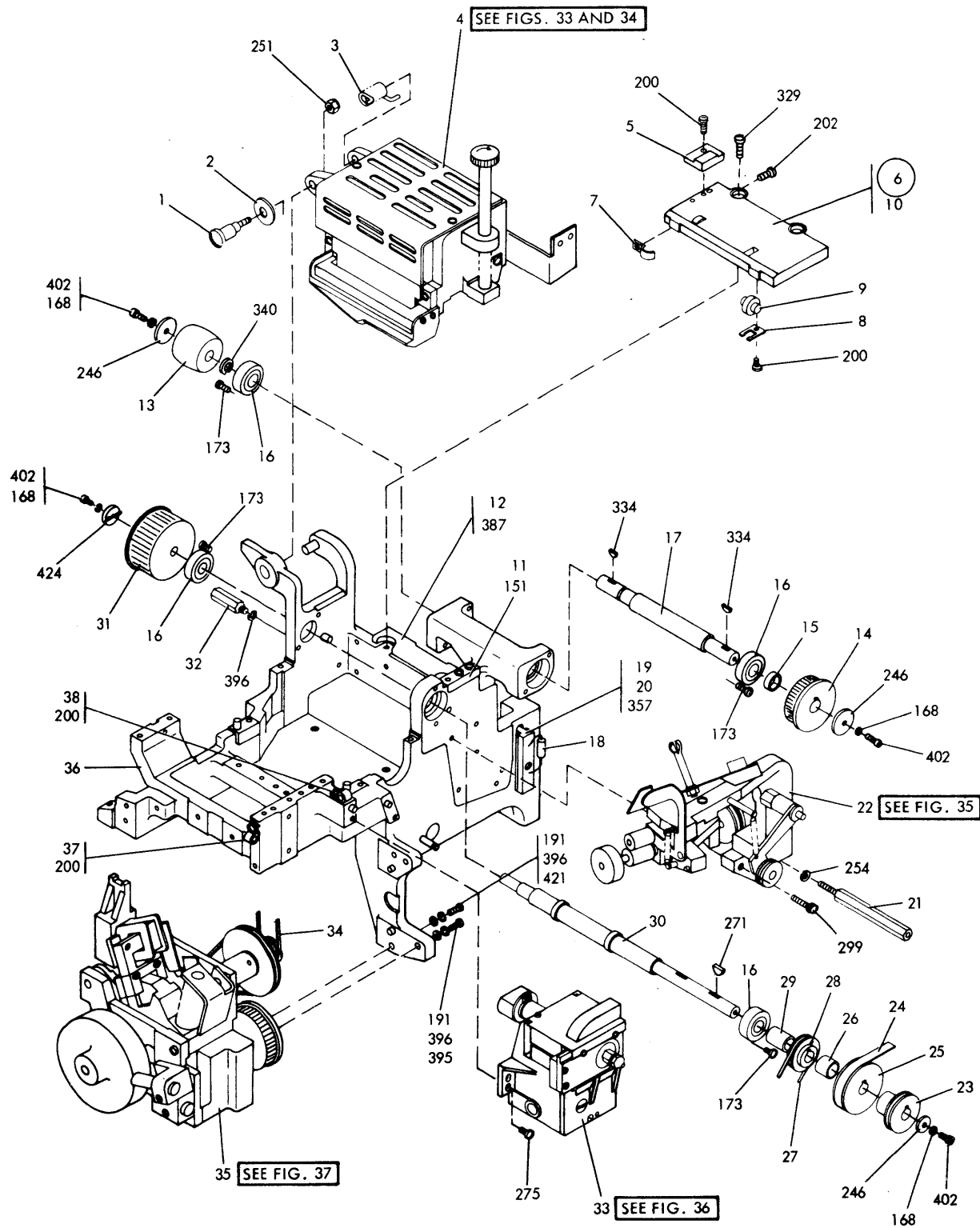


FIGURE 31. CORNERING STATION ASM. SEE LIST 31.

LIST AND INDEX NUMBER	PART NUMBER	DESCRIPTION				UNITS PER ASM.	USABLE ON CODE
		1	2	3	4		
31 -	2591800	CORNER STATION ASM-MODEL 1					
-	2592000	CORNER STATION ASM-MODEL 2 FOR NEXT HIGHER ASM SEE LIST 12-22 AND FOR ILLUSTRATION SEE FIG. 31					
- 1	2592093	. STUD, PRINTER LOCATING				1	
- 2	2592045	. WASHER				1	
- 3	2592331	. SPRING, COUNTERBALANCE				1	
- 4	2591846	. PRINTER ASM, MODEL 1 FOR DETAIL BREAKDOWN SEE LIST 33				1	
- 4	2591824	. PRINTER ASM, MODEL 2 FOR DETAIL BREAKDOWN SEE LIST 34				1	
- 4	2592086	. SENSOR ASM, POST PRINT CARD				1	
- 6	2592087	. BED ASM, POST PRINT				1	
- 7	2591820	. . CLAMP, FIBER BUNDLE				1	
- 8	2592184	. . SPRING				2	
- 9	2592173	. . ROLL, PRESSURE				2	
- 10	2592088	. . BED				1	
- 11	2592319	. PLATE, HAMMER UNIT LATCH				1	
- 12	2592224	. BED, STACKER ENTRY				1	
- 13	2593945	. PULLEY				1	
- 14	2592205	. PULLEY, STACKER INPUT				1	
- 15	2592206	. SPACER, STACKER INPUT SHAFT				1	
- 16	613875	. BEARING				5	
- 17	2592204	. SHAFT, STACKER INPUT				1	
- 18	2591173	. CAPACITOR, 0.047MFD P/M 5 PERCENT 100VDCW				1	
- 19	302090	. TERMINAL BLOCK				1	
- 20	302131	. INSULATOR				1	
- 21	2592380	. STUD				1	
- 22	2591896	. DRIVE ASM, RIBBON FOR DETAIL BREAKDOWN SEE LIST 35				1	
- 23	2592090	. PULLEY, CLUTCH DRIVE				1	
- 24	749700	. BELT				1	
- 25	2592092	. PULLEY, PRINT EJECT				1	
- 26	2592316	. SPACER, PRINTER EJECT SHAFT				1	
- 27	2592099	. BELT, TYPEWHEEL DRIVE				1	
* - 28	2592098	. PULLEY, EJECT SHAFT PRINTWHEEL DRIVE				1	
- 29	2592315	. SPACER, PRINTER EJECT SHAFT				1	
- 30	2592089	. SHAFT, PRINTER EJECT				1	
- 31	2592091	. PULLEY, PRINT EJECT INPUT				1	
- 32	2592397	. STUD				1	
- 33	2592100	. CLUTCH ASM, CARRIAGE FOR DETAIL BREAKDOWN SEE LIST 36				1	
- 34	2591643	. V BELT				1	
- 35	2592025	. SIDE MOTION ASM, 8 POS-MODEL 1 FOR DETAIL BREAKDOWN SEE LIST 37				1	
- 35	2591975	. SIDE MOTION ASM, 16 POS-MODEL 2 FOR DETAIL BREAKDOWN SEE LIST 37				1	
- 36	2592075 NR	. FRAME ASM				1	
- 37	169698	. CLAMP				1	
- 38	2102364	. CLAMP				1	
-		FOR ATTACHING PARTS, INDEX NOS. 151 AND ABOVE, SEE LIST 54					
* - 28	2418656	. PULLEY, EJECT SHAFT PRINTWHEEL DRIVE FOR WTC ONLY				1	

FOR PARTS
NOT SHOWN
SEE FIG. 12

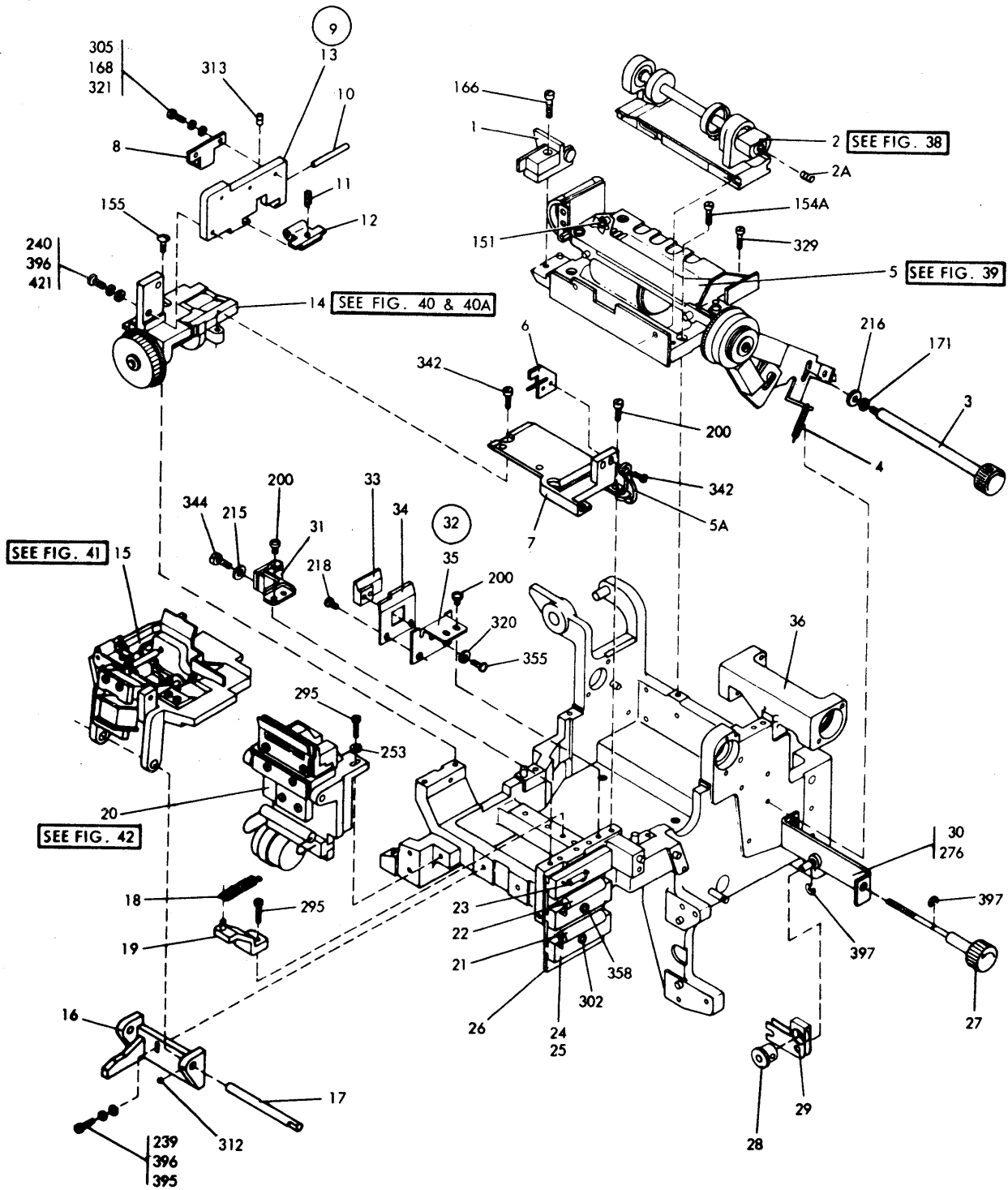


FIGURE 32. CORNERING STATION ASM. SEE LIST 32.

LIST AND INDEX NUMBER	PART NUMBER	1 2 3 4	DESCRIPTION	UNITS PER ASM.	USABLE ON CODE
32 -	2591800 NR		CORNER STATION ASM-MODEL 1	1	
-	2592000 NR		CORNER STATION ASM-MODEL 2 FOR NEXT HIGHER ASM SEE LIST 12-22 AND FOR ILLUSTRATION SEE FIG. 32	1	
-					
- 1	2592165		• RAIL ASM,REGISTRATION USED PRIOR TO EC 817668	1	
- 1	2592180		• RAIL ASM,REGISTRATION USED AFTER EC 817668	1	
- 2	2592175		• CARRIAGE ASM	1	
- 2			FOR DETAIL BREAKDOWN SEE LIST 38		
- 2A	2180465		• SPRING	1	
- 3	2592013		• LOCKSCREW,CB ADJUSTMENT	1	
- 4	141162		• SPRING	1	
- 5	2592046		• TYPEWHEEL ASM-MODEL 1 U.S. ENGLISH	1	
- 5	2592057		• TYPEWHEEL ASM-MODEL 1 FRENCH,BELGIAN	1	
- 5	2592058		• TYPEWHEEL ASM-MODEL 1 GERMAN,AUSTRIAN	1	
- 5	2592059		• TYPEWHEEL ASM-MODEL 1 SPANISH	1	
- 5	2592060		• TYPEWHEEL ASM-MODEL 1 U.K. ENGLISH	1	
- 5	2592047		• TYPEWHEEL ASM-MODEL 1 NORWEGIAN,DANISH	1	
- 5	2592048		• TYPEWHEEL ASM,MODEL 1 SWEDISH,FINNISH	1	
- 5	2592049		• TYPEWHEEL ASM-MODEL 1 PORTUGUESE	1	
- 5	2591825		• TYPEWHEEL ASM-MODEL 2 U.S. ENGLISH	1	
- 5	2592062		• TYPEWHEEL ASM-MODEL 2 FRENCH,BELGIAN	1	
- 5	2592063		• TYPEWHEEL ASM-MODEL 2 GERMAN,AUSTRIAN	1	
- 5	2592064		• TYPEWHEEL ASM-MODEL 2 SPANISH	1	
- 5	2592065		• TYPEWHEEL ASM-MODEL 2 U.K. ENGLISH	1	
- 5	2592388		• TYPEWHEEL ASM-MODEL 2 NORWEGIAN,DANISH	1	
- 5	2592390		• TYPEWHEEL ASM-MODEL 2 SWEDISH,FINNISH	1	
- 5	2592392		• TYPEWHEEL ASM-MODEL 2 PORTUGUESE FOR DETAIL BREAKDOWN SEE LIST 39		
- 5A	2592435		• GROUND STRAP	1	
- 6	2592874		• CATCH,COVER	1	
- 7	2591947		• BEDPLATE	1	
- 8	2591787		• STOP,CARD COVER	1	
- 9	2591932		• BASE ASM,PRESSURE SHOE	1	
- 10	2591935		• . SHAFT	1	
- 11	2591938		• . SPRING	1	
- 12	2591933		• . SHOE,PRESSURE	1	
- 13	2591934		• . BASE	1	
- 14	2591925		• HOUSING ASM,INJECT ROLL FOR DETAIL BREAKDOWN SEE LIST 40 AND 40A	1	
- 14					
- 15	2591900		• COVER ASM,CORNER STATION FOR DETAIL BREAKDOWN SEE LIST 41	1	
- 15					
- 16	2592360		• BRACKET,COVER PIVOT	1	
- 17	2592358		• SHAFT,COVER PIVOT	1	
- 18	251222		• SPRING	1	
- 19	2592362		• BRACKET,SPRING	1	
- 20	2591950		• KICKER ASM	1	
- 20			FOR DETAIL BREAKDOWN SEE LIST 42		
- 21	2133486		• RESISTOR,50 OHM P/M 5 PER CENT 10 WATT	1	
- 22	2591129		• RESISTOR,20 OHM 5 PCT 10 WATT	1	
- 23	2591172		• CAPACITOR, 1MFD 35VDCW	1	
- 24	302090		• TERMINAL BLOCK	3	
- 25	302131		• INSULATOR	3	
- 26	2592314		• PLATE	1	
- 27	2592011		• SCREW,CB ADJUSTMENT	1	
- 28	2592005		• NUT,CB ADJUSTMENT	1	
- 29	2592006		• BELLCRANK,CB ADJUSTMENT	1	
- 30	2592009		• BRACKET,CB ADJUSTMENT	1	
- 31	2591922		• HOLDER,LIGHT PIPE	1	
- 32	2591944		• SPRING ASM,REGISTRATION BRACKET	1	
- 33	2591942 NR		• . STOP	1	
- 34	2591949 NR		• . SPRING	1	
- 35	2591943 NR		• . BRACKET	1	
- 36	2592075 NR		• FRAME ASM	1	
-					
-			FOR ATTACHING PARTS, INDEX NOS. 151 AND ABOVE, SEE LIST 54		
-					
-					
-					

FOR PARTS
NOT SHOWN
SEE FIG. 31

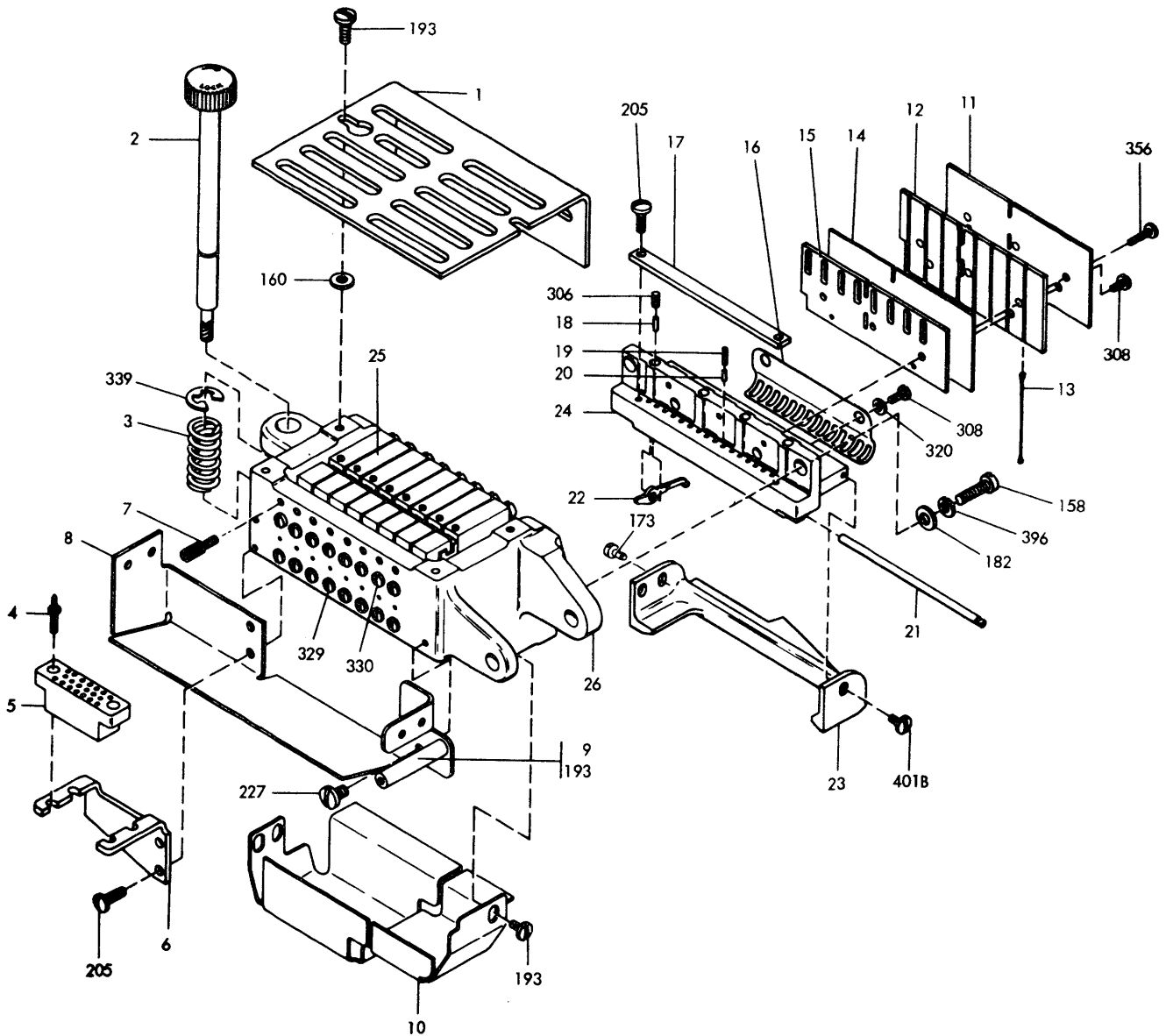


FIGURE 33. PRINTER ASM, MODEL 1. SEE LIST 33.

LIST AND INDEX NUMBER	PART NUMBER	DESCRIPTION				UNITS PER ASM.	USABLE ON CODE
		1	2	3	4		
34 -	2591824	PRINTER ASM-MODEL 2					
-		FOR NEXT HIGHER ASM SEE LIST 31-4					
-		AND FOR ILLUSTRATION SEE FIG. 34					
- 1	2592313	• COVER				1	
- 2	2592346	• SCREW				1	
- 3	124305	• SPRING				1	
- 5	2122255	• CONNECTOR				2	
- 6	2592320	• BRACKET				1	
- 7	2592022	• SCREW				16	
- 8	2591754	• SHIELD				1	
- 9	2591770	• SHAFT				1	
- 10	2591765	• GUIDE				1	
- 11	2592002	• PLATE, FRONT				1	
- 12	2592004	• GUIDE, PUSHROD				1	
- 13	856060	• PUSHROD, LONG				8	
- 14	856061	• PUSHROD, SHORT				3	
- 15	2592003	• PLATE, WEAR				1	
- 16	2592001	• PLATE, BACK				1	
- 17	2591845	• DEFLECTOR				1	
- 18	78605	• PIN				4	
- 19	2591821	• PLATE				1	
- 20	2592311	• SPRING				16	
- 21	2591819	• PLUNGER				16	
- 22	2591822	• PIN				1	
- 23	2591813	• HAMMER				16	
- 24	2592364	• COVER, CARD				1	
- 25	2591848	• BLOCK				1	
- 26	2591806	• MAGNET ASM				16	
- 27	2591842	• FRAME, TOP				1	
- 28	2591841	• FRAME, BOTTOM				1	
-							
-		FOR ATTACHING PARTS, INDEX NOS. 151					
-		AND ABOVE, SEE LIST 54					

FOR PARTS
NOT SHOWN
SEE FIG. 31

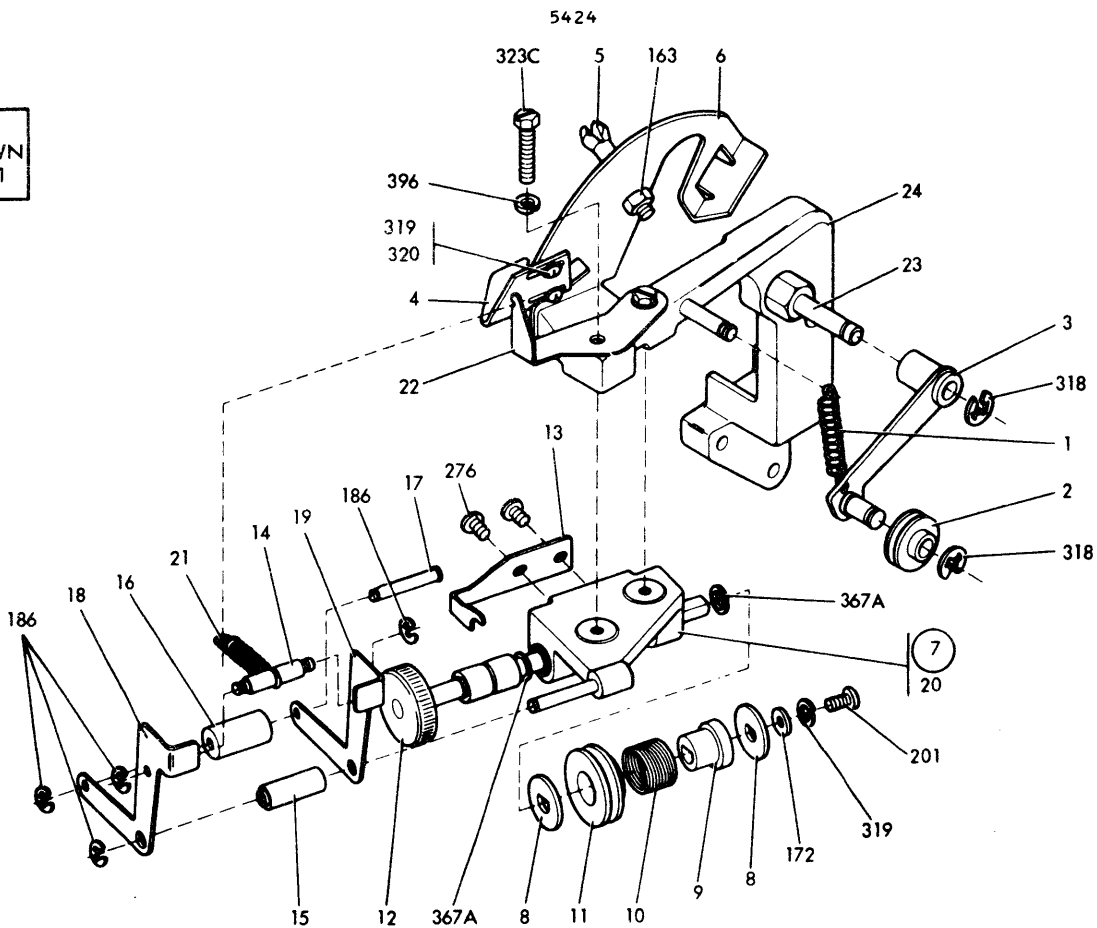


FIGURE 35. RIBBON DRIVE ASM. SEE LIST 35.

LIST AND INDEX NUMBER	PART NUMBER	DESCRIPTION	UNITS PER ASM.				USABLE ON CODE
			1	2	3	4	
35 -	2591896	RIBBON DRIVE ASM					
-		FOR NEXT HIGHER ASM SEE LIST 31-22					
-		AND FOR ILLUSTRATION SEE FIG. 35					
- 1	644237	. SPRING					1
- 2	2592161	. PULLEY, IDLER					1
- 3	2592094	. ARM, BELT TIGHTENER					1
- 4	2592198	. GUIDE, RIBBON					1
- 5	2591866	. LATCH					1
- 6	2591855	. HOLDER					1
- 7	2592281	. DRIVE ASM					1
- 8	2591446	. . WASHER					2
- 9	2591448	. . HUB					1
- 10	2591447	. . SPRING					1
- 11	2591449	. . PULLEY					1
- 12	2592677	. . SHAFT					1
- 13	2592749	. . STRIPPER					1
- 14	2591687	. . RETAINER					1
- 15	2592409	. . BUSHING					1
- 16	2591894	. . ROLL					1
- 17	2591725	. . SHAFT					1
- 18	2592748	. . ARM					1
- 19	2592349	. . ARM					1
- 20	2592489	. . CASTING					1
- 21	2593217	. SPRING					1
- 22	2592781	. ANCHOR					1
- 23	2592162	. STUD					
- 24	2591445	. CASTING					
-							
-							
-		FOR ATTACHING PARTS, INDEX NOS. 151					
-		AND ABOVE, SEE LIST 54					

FOR PARTS
NOT SHOWN
SEE FIG. 31

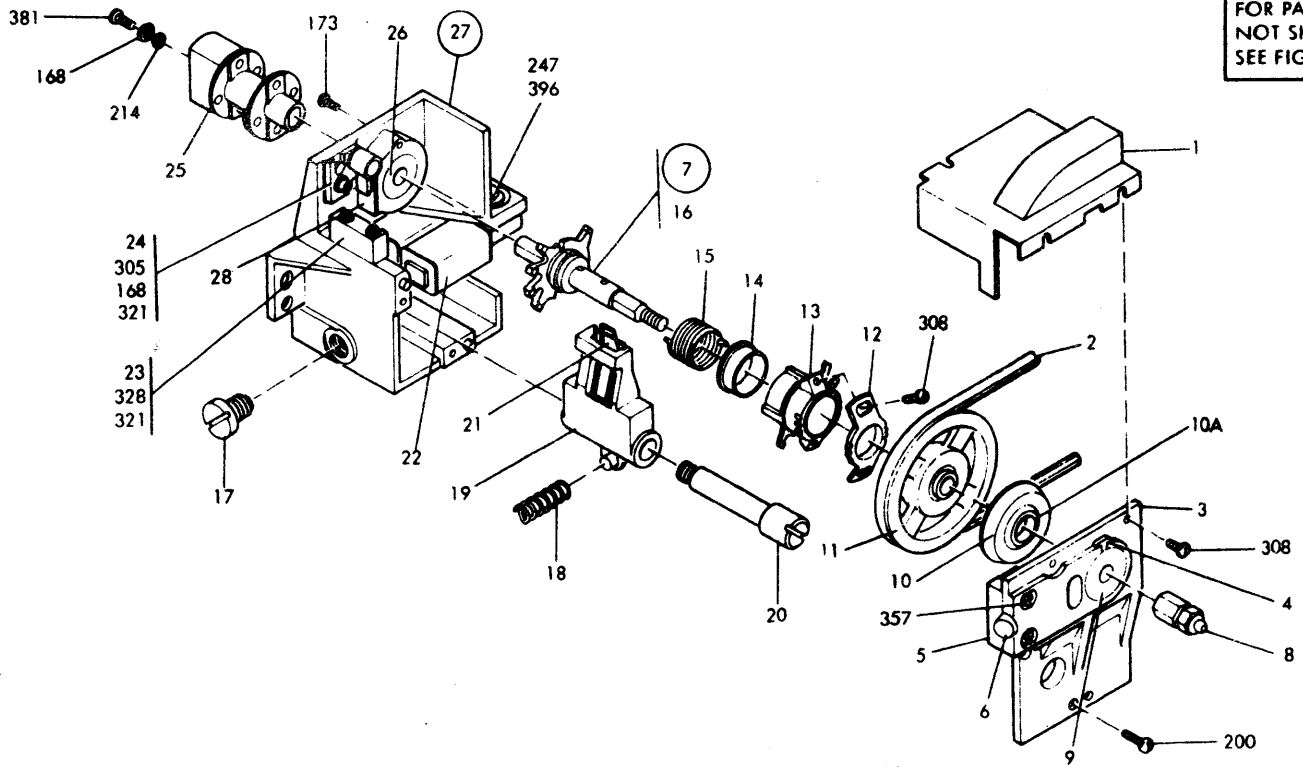


FIGURE 36. CARRIAGE CLUTCH ASM. SEE LIST 36.

LIST AND INDEX NUMBER	PART NUMBER	DESCRIPTION	UNITS PER ASM.				USABLE ON CODE
			1	2	3	4	
36 -	2592100	CARRIAGE CLUTCH ASM FOR NEXT HIGHER ASM SEE LIST 31-33 AND FOR ILLUSTRATION SEE FIG. 36					
- 1	2592104	• COVER					1
- 2	2592318	• V BELT, 10.43 LG					1
- 3	2592103	• PLATE, FRONT					1
- 4	2592189	• KEY, BEARING RETAINER					1
- 5	2592105	• CLAMP, EMITTER PICKUP					1
- 6	2593899	• COIL ASM					1
- 7	2592109	• SHAFT ASM					1
- 8	2592144	• NUT					1
- 9	2593744	• BEARING					1
- 10	2591498	• INSERT					1
- 10A	2591499	• SPACER					1
- 11	2592115	• PULLEY					1
- 12	2592120	• COLLAR, ADJUSTING					1
- 13	2592119	• SLEEVE, RELEASE					1
- 14	2592114	• SLEEVE					1
- 15	2592113	• SPRING					1
* - 16	2592110	• SHAFT					1
- 17	2592128	• SCREW, SPRING RETAINER					1
- 18	2592127	• SPRING, ARMATURE					1
- 19	2592130	• ARMATURE					1
- 20	2592135	• SHAFT, ARMATURE PIVOT					1
- 21	2592187	• SPRING, PAWL LATCH					1
- 22	2592150	• MAGNET ASM					1
- 23	2592124	• STOP, CARRIAGE					1
- 24	2592140	• BACKSTOP					1
- 25	2592199	• COUPLING ASM					1
- 26	2593744	• BEARING					1
- 27	2592154	• HOUSING ASM					1
- 28	2592106	• PAD					1
-		FOR ATTACHING PARTS, INDEX NOS. 151 AND ABOVE, SEE LIST 54					
* - 16	24-18613	• SHAFT FOR WTC ONLY					1

FOR PARTS
NOT SHOWN
SEE FIG. 31

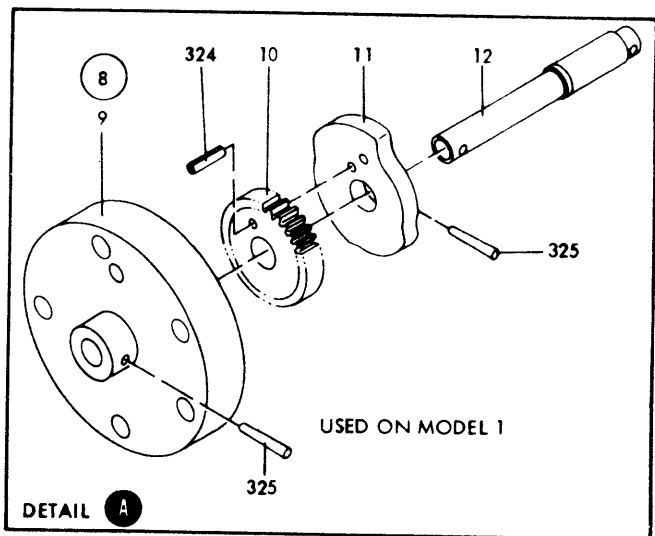
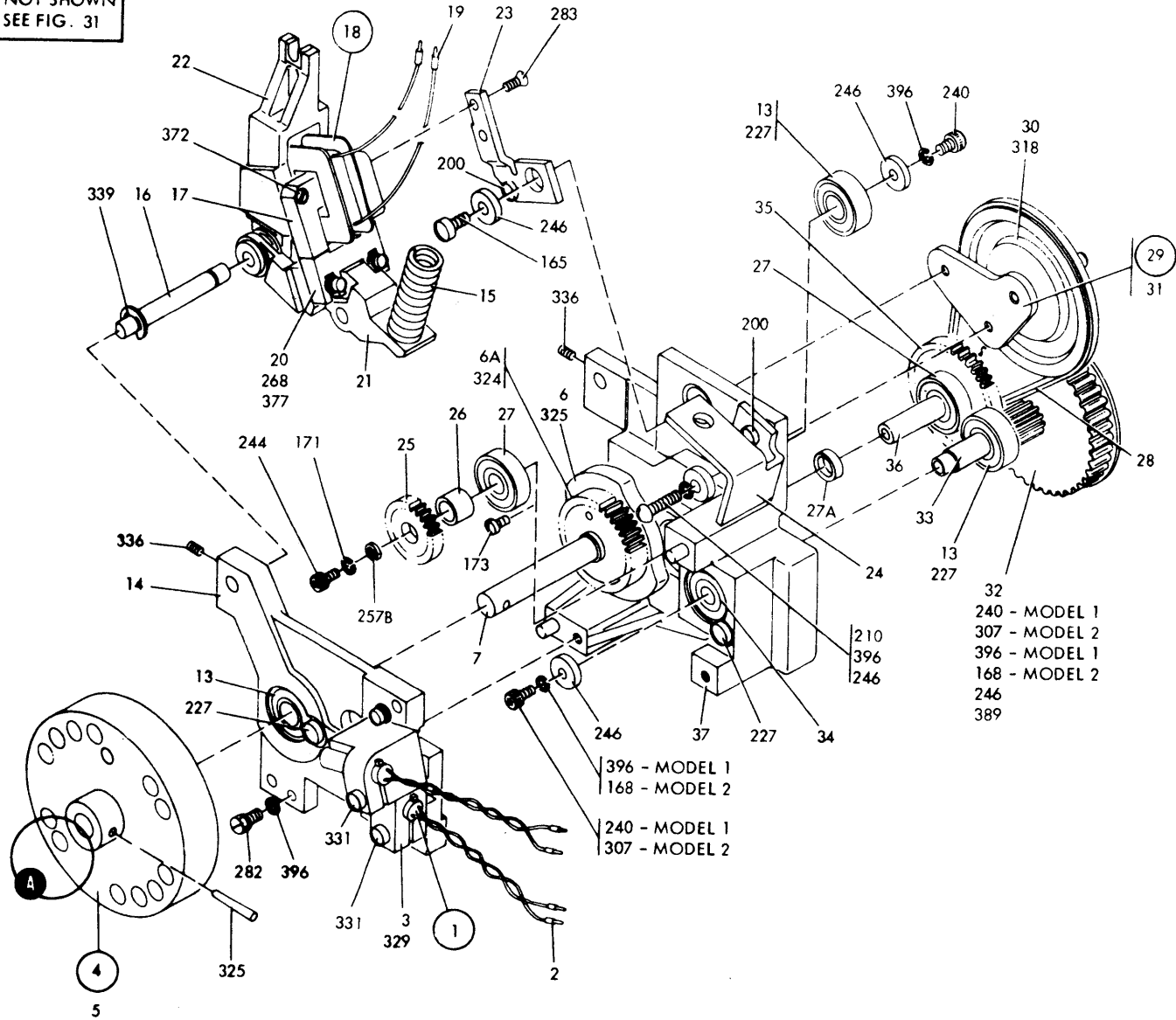


FIGURE 37. SIDE MOTION ASM. SEE LIST 37.

FOR PARTS
NOT SHOWN
SEE FIG. 32

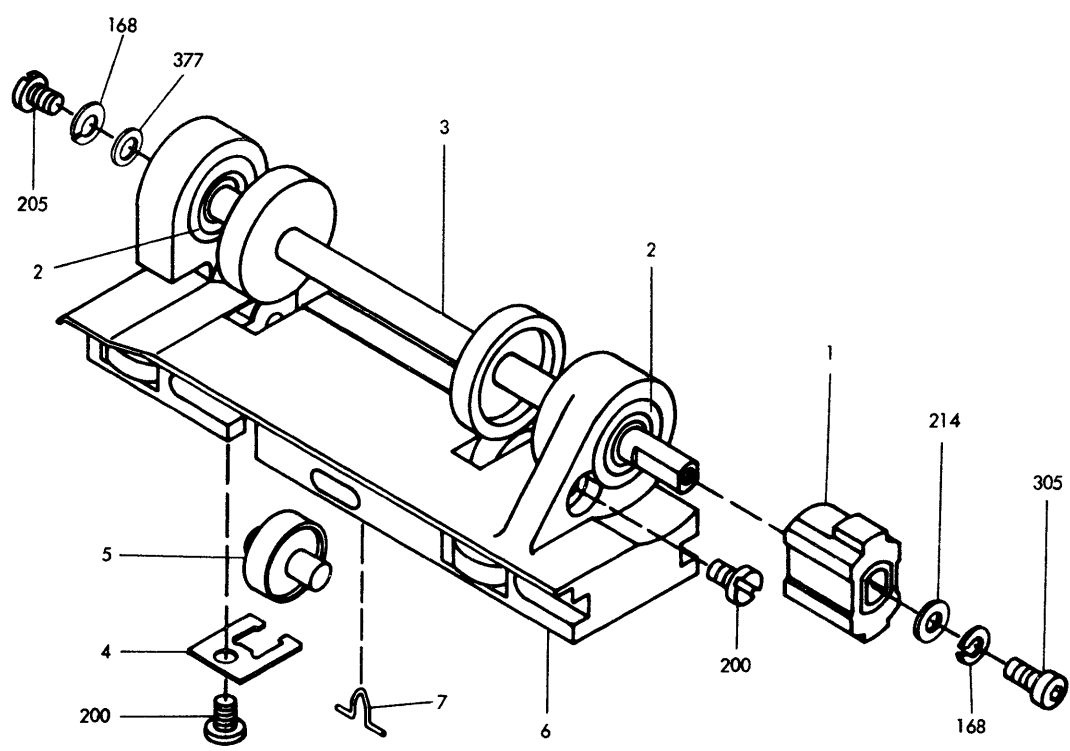


FIGURE 38. CARRIAGE ASM. SEE LIST 38.

LIST AND INDEX NUMBER	PART NUMBER	1 2 3 4				DESCRIPTION	UNITS PER ASM.	USABLE ON CODE
38 -	2592175					CARRIAGE ASM		
-						FOR NEXT HIGHER ASM SEE LIST 32-2 AND FOR ILLUSTRATION SEE FIG. 38		
- 1	2592190					• SPLINE	1	
- 2	613725					• BEARING	2	
- 3	2592185					• SHAFT	1	
- 4	2592184					• SPRING	2	
- 5	2592181					• ROLL, PRESSURE	2	
- 6	2592176					• CARRIAGE	1	
- 7	2592203					• SPRING ANCHOR	1	
-						FOR ATTACHING PARTS, INDEX NOS. 151 AND ABOVE, SEE LIST 54		

FOR PARTS
NOT SHOWN
SEE FIG. 32

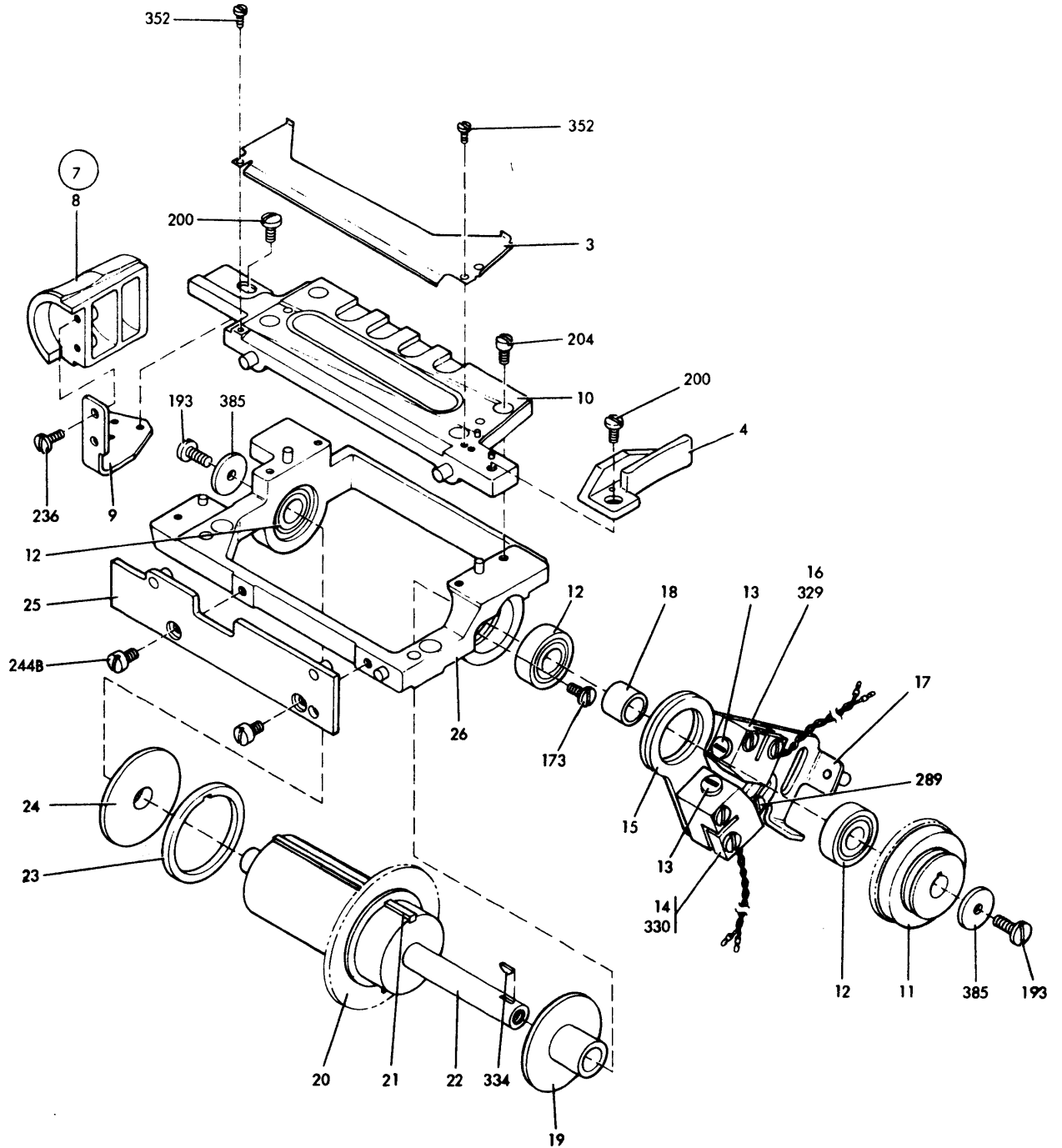
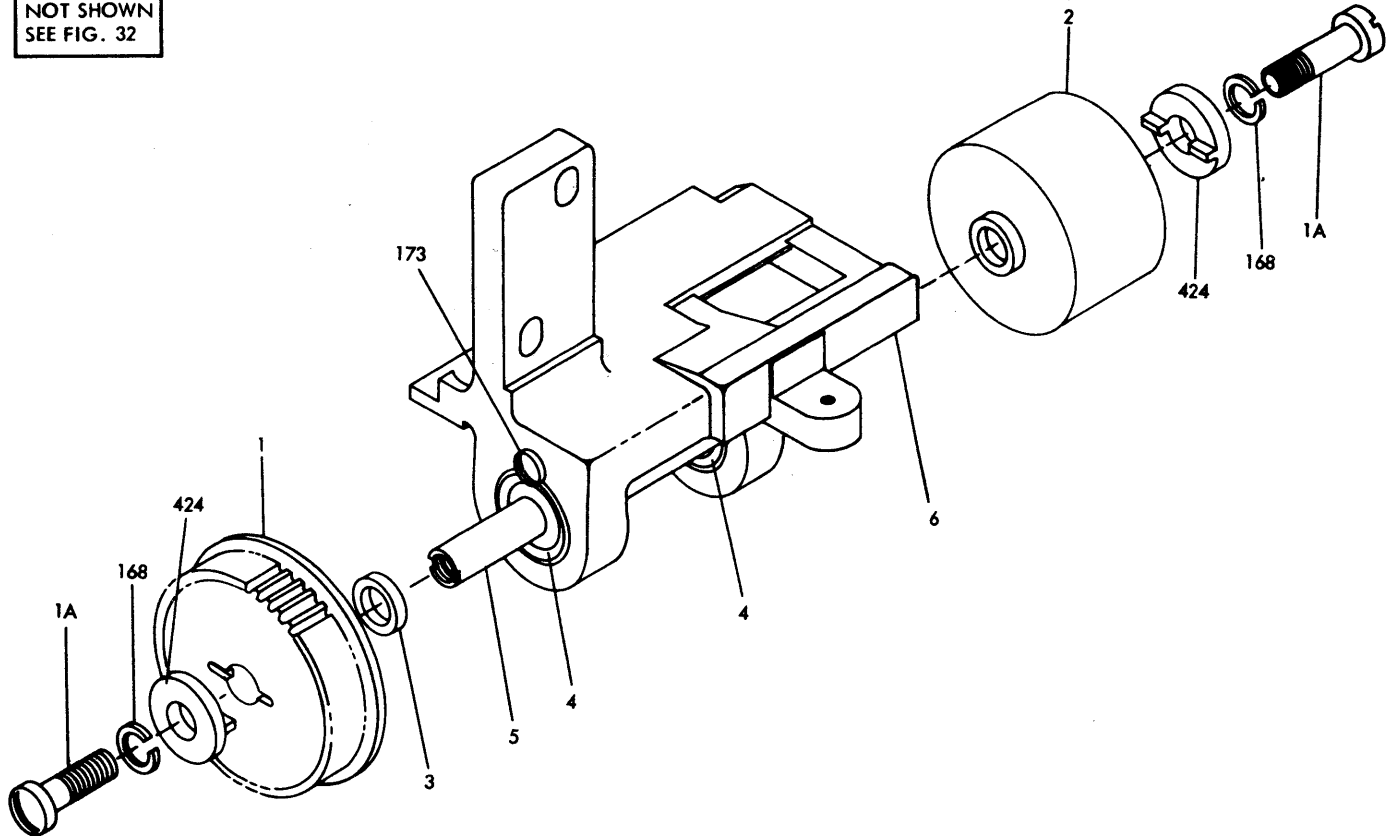


FIGURE 39. TYPEWHEEL ASM. SEE LIST 39.

LIST AND INDEX NUMBER	PART NUMBER	DESCRIPTION				UNITS PER ASM.	USABLE ON CODE
		1	2	3	4		
39 -	2592046	TYPEWHEEL ASM-MODEL 1 U.S. ENGLISH					
-	2592057	TYPEWHEEL ASM-MODEL 1 FRENCH,BELGIAN					
-	2592058	TYPEWHEEL ASM-MODEL 1 GERMAN,AUSTRIAN					
-	2592059	TYPEWHEEL ASM-MODEL 1 SPANISH					
-	2592060	TYPEWHEEL ASM-MODEL 1 U.K. ENGLISH					
-	2592047	TYPEWHEEL ASM-MODEL 1 NORWEGIAN,DANISH					
-	2592048	TYPEWHEEL ASM-MODEL 1 SWEDISH,FINNISH					
-	2592049	TYPEWHEEL ASM-MODEL 1 PORTUGUESE					
-	2592815	TYPEWHEEL ASM-MODEL 1 PUERTO RICAN				1	
-	2591825	TYPEWHEEL ASM-MODEL 2 U.S. ENGLISH					
-	2592062	TYPEWHEEL ASM-MODEL 2 FRENCH,BELGIAN					
-	2592063	TYPEWHEEL ASM-MODEL 2 GERMAN,AUSTRIAN					
-	2592064	TYPEWHEEL ASM-MODEL 2 SPANISH					
-	2592065	TYPEWHEEL ASM-MODEL 2 U.K. ENGLISH					
-	2592388	TYPEWHEEL ASM-MODEL 2 NORWEGIAN,DANISH					
-	2592390	TYPEWHEEL ASM-MODEL 2 SWEDISH,FINNISH					
-	2592392	TYPEWHEEL ASM-MODEL 2 PORTUGUESE					
-	2592817	TYPEWHEEL ASM-MODEL 2				1	
-		FOR NEXT HIGHER ASM SEE LIST 32-5					
-		AND FOR ILLUSTRATION SEE FIG. 39					
- 3	2592366	. GUIDE,RIBBON				1	
- 4	2592307	. GUIDE,PRINT RIBBON				1	
- 7	2592350	. GUIDE ASM				1	
- 8	2592330	. . GUIDE				1	
- 9	2592343	. . BRACKET				1	
- 10	2592153	. BED,PRINT				1	
- 11	2591828	. EMITTER				1	
- 12	613875	. BEARING				3	
- 13	2593899	. CUIIL ASM				2	
- 14	2591840	. BLOCK,COMPARE CB				1	
- 15	2591838	. BRACKET,COMPARE				1	
- 16	2591839	. BLOCK,FIRE CB				1	
- 17	2592024	. BRACKET,CB ADJUSTMENT				1	
- 18	2591827	. SPACER,EMITTER				1	
- 19	2591834	. RETAINER,RIGHT				1	
- 20	2591814	. PRINT WHEEL,U.S. ENGLISH				16	
- 20	2592052	. PRINT WHEEL,FRENCH,BELGIAN				16	
- 20	2592053	. PRINT WHEEL,GERMAN,AUSTRIAN				16	
- 20	2592054	. PRINT WHEEL,SPANISH				16	
- 20	2592055	. PRINT WHEEL,U.K. ENGLISH				16	
- 20	2592387	. PRINT WHEEL,NORWEGIAN,DANISH				16	
- 20	2592389	. PRINT WHEEL,SWEDISH,FINNISH				16	
- 20	2592391	. PRINT WHEEL,PORTUGUESE				16	
- 20	2592374	. PRINT WHEEL,PUERTO RICAN				16	
- 21	2591832	. KEY,1/8 SQ X 2.73 LG				1	
- 22	2591826	. SHAFT				1	
- 23	2591831	. SPACER,USED ON MODEL 1 ONLY				8	
- 24	2591833	. RETAINER,LEFT				1	
- 25	2592077	. GUIDE,CARRIAGE				1	
- 26	2591836	. CASTING ASM				1	
-		FOR ATTACHING PARTS, INDEX NOS. 151					
-		AND ABOVE, SEE LIST 54					

FOR PARTS
NOT SHOWN
SEE FIG. 32

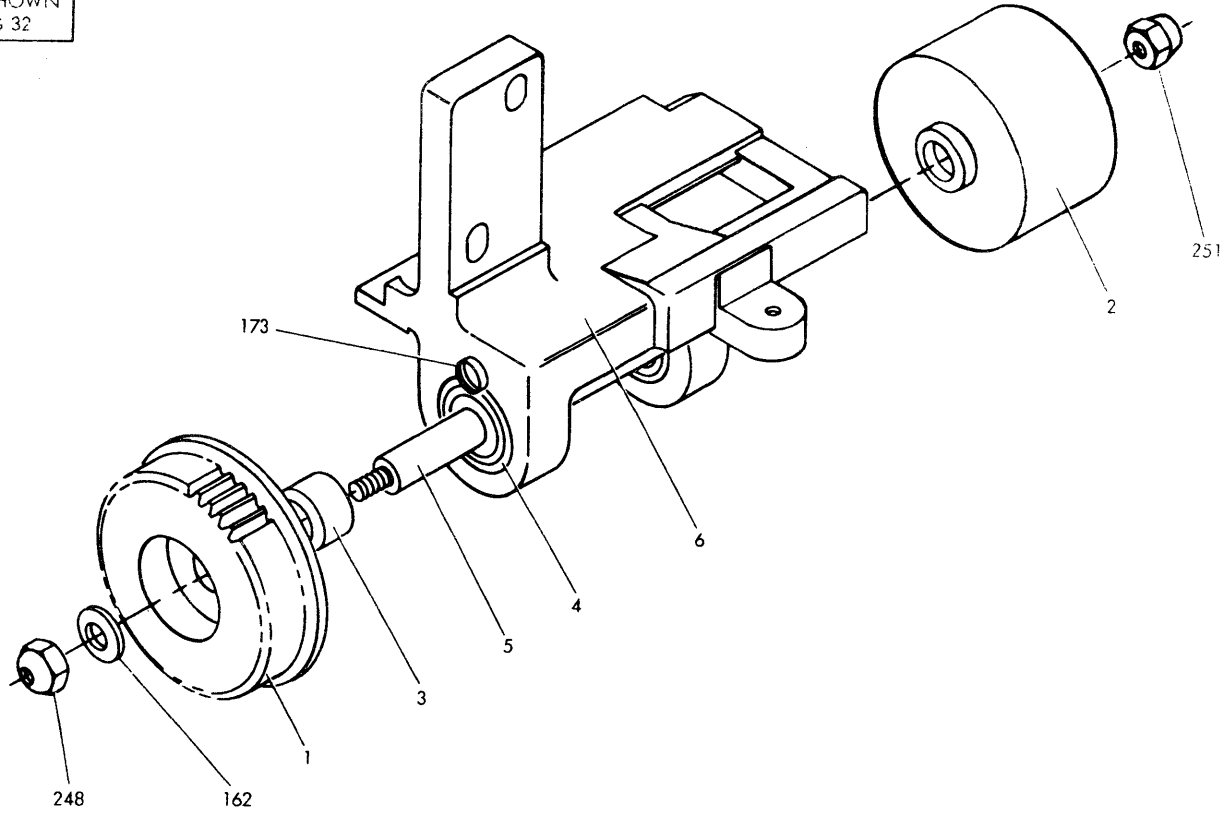


USED ON MACHINES WITHOUT EC 818323

FIGURE 40. HOUSING ASM, INJECT ROLL. SEE LIST 40.

LIST AND INDEX NUMBER	PART NUMBER	DESCRIPTION				UNITS PER ASM.	USABLE ON CODE
		1	2	3	4		
40	NO NO. NP	HOUSING ASM, INJECT ROLL					
-		USED ON MACHINES WITHOUT EC 818323					
-		FOR NEXT HIGHER ASM SEE LIST 32-14					
-		AND FOR ILLUSTRATION SEE FIG. 40					
- 1	2591940	• PULLEY				1	
- 1A	2591685	• SCREW, FIL HD-LOCK				2	
- 2	2591930	• ROLL				1	
- 3	2591928	• SPACER				1	
- 4	613725	• BEARING				2	
- 5	2591927	• SHAFT				1	
- 6	2591926	• HOUSING				1	
-		FOR ATTACHING PARTS, INDEX NOS. 151					
-		AND ABOVE, SEE LIST 54					

FOR PARTS
NOT SHOWN
SEE FIG 32



USED ON MACHINES WITH EC 818323

FIGURE 40A. HOUSING ASM, INJECT ROLL. SEE LIST 40A.

LIST AND INDEX NUMBER	PART NUMBER	DESCRIPTION				UNITS PER ASM.	USABLE ON CODE
		1	2	3	4		
40A -	2591925	HOUSING ASM, INJECT ROLL				1	
-		USED ON MACHINES WITH EC 818323					
-		FOR NEXT HIGHER ASM SEE LIST 32-14					
-		AND FOR ILLUSTRATION SEE FIG. 40A					
- 1	2593171	• PULLEY				1	
- 2	2593170	• ROLL				1	
- 3	2591663	• SPACER				1	
- 4	613725	• BEARING				1	
- 5	2593173	• SHAFT				2	
- 6	2591926	• HOUSING				1	
-						1	
-		FOR ATTACHING PARTS, INDEX NOS. 151					
-		AND ABOVE, SEE LIST 54					

FOR PARTS
NOT SHOWN
SEE FIG. 32

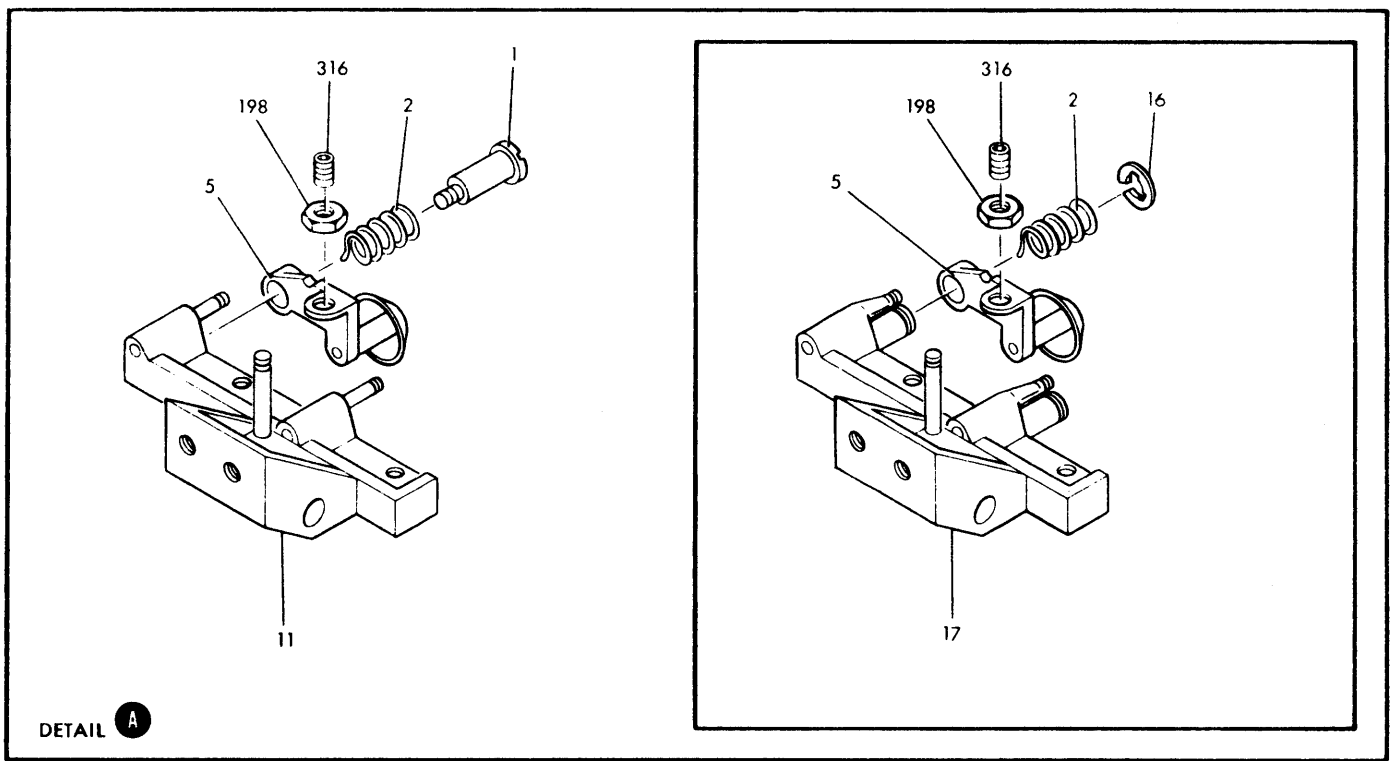
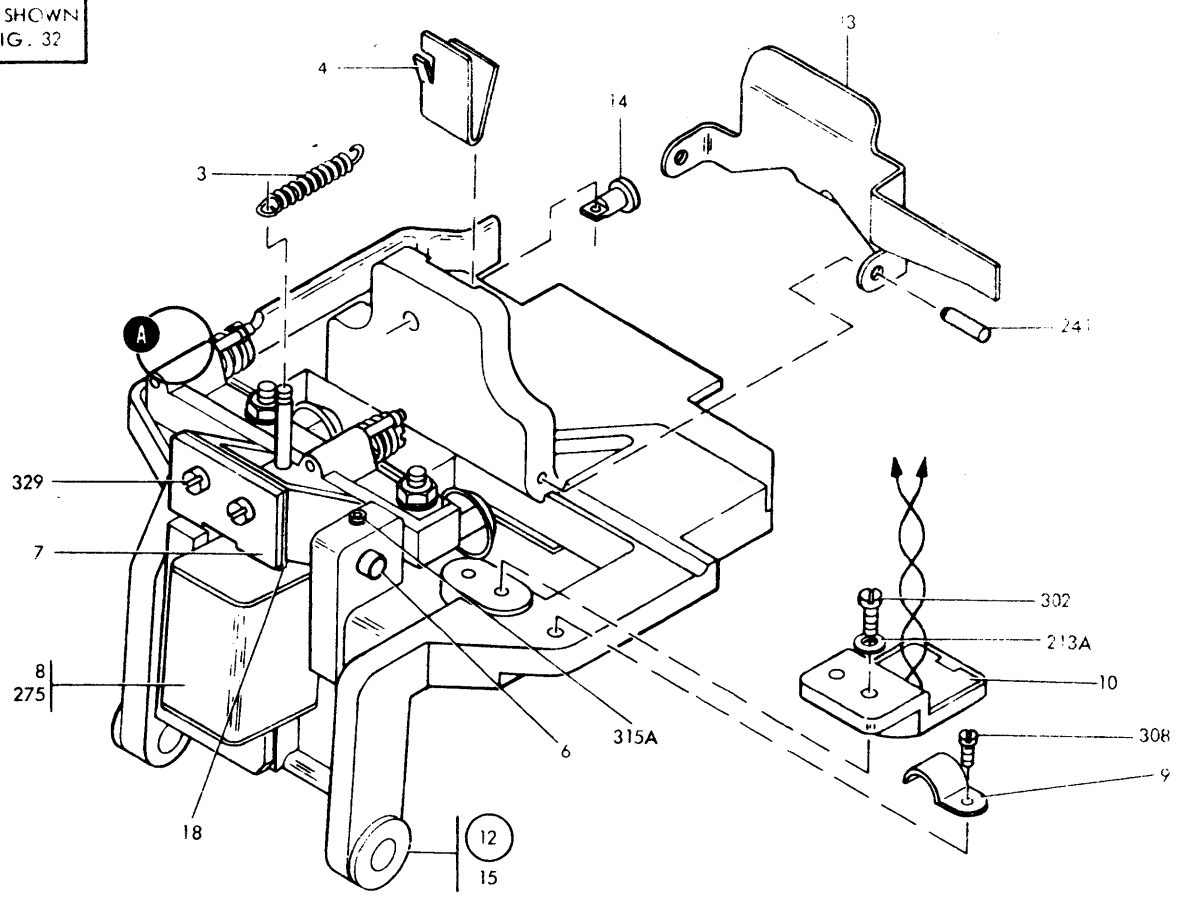


FIGURE 41. COVER ASSEMBLY, CORNER STATION. SEE LIST 41.

LIST AND INDEX NUMBER	PART NUMBER	DESCRIPTION				UNITS PER ASM.	USABLE ON CODE
		1	2	3	4		
41 -	2591900	COVER ASM, CORNER STATION					
-		FOR NEXT HIGHER ASM SEE LIST 32-15					
-		AND FOR ILLUSTRATION SEE FIG. 41					
- 1	NO NO.	• SHOULDER SCREW, ROLL PIVOT				2	
- 1		MACHINES WITH SHOULDER SCREW AND					
- 1		CARRIER COMBINATION REQUIRE					
- 1		REPLACEMENT WITH CARRIER AND					
- 1		RETAINING CLIPS. ORDER ITEMS					
- 1		16 AND 17.					
- 2	2592357	• SPRING, ALIGNING ROLL				2	
- 3	139700	• SPRING				1	
- 4	2591923	• SPRING, LATCH BRACKET				1	
- 5	2592354	• ARM ASM, CARD ALIGNER				2	
- 6	2591916	• SHAFT, CARRIER PIVOT				1	
- 7	2591909	• ARMATURE, ALIGNER				1	
- 8	638765	• MAGNET ASM				1	
- 9	104793	• CLAMP				1	
- 10	2591907	• SENSOR ASM				1	
- 11	NO NO.	• CARRIER, ALIGNING ROLL				1	
- 11		MACHINES WITH CARRIER AND SHOULDER					
- 11		SCREW COMBINATION REQUIRE					
- 11		REPLACEMENT WITH CARRIER AND					
- 11		RETAINING CLIPS. ORDER ITEMS					
- 11		16 AND 17.					
- 12	2591939	• COVER AND LATCH ASM				1	
- 13	2591904	• BRACKET				1	
- 14	2592186	• STUD, SPRING				1	
- 15	2592351	• COVER				1	
- 16	25282	• CLIP, RETAINING				2	
- 17	2592353	• CARRIER, ALIGNING ROLL				1	
- 18	2593111	• RESIDUAL				1	
-		FOR ATTACHING PARTS, INDEX NOS. 151					
-		AND ABOVE, SEE LIST 54					

FOR PARTS
NOT SHOWN
SEE FIG. 32

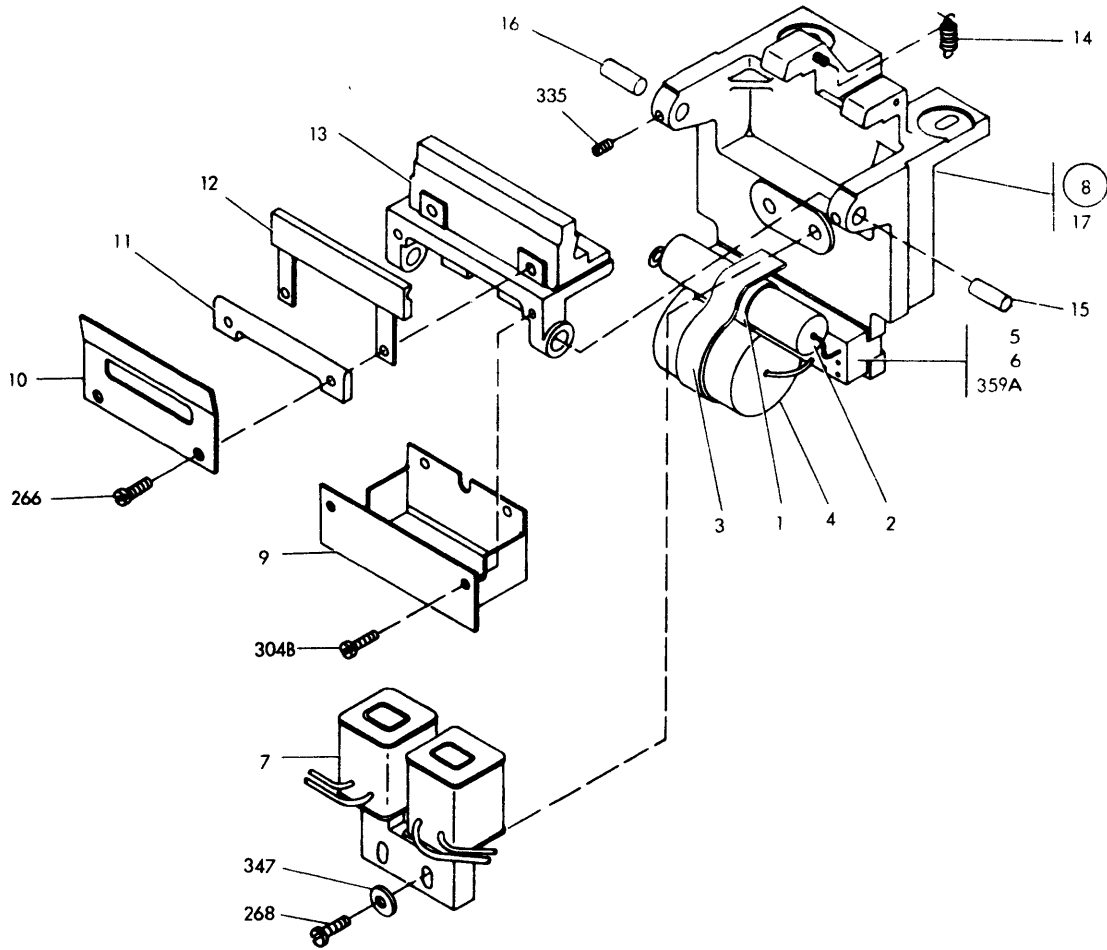


FIGURE 42. KICKER ASM. SEE LIST 42.

LIST AND INDEX NUMBER	PART NUMBER	DESCRIPTION 1 2 3 4	UNITS PER ASM.	USABLE ON CODE
42 -	2591950	KICKER ASM		
-		FOR NEXT HIGHER ASM SEE LIST 32-20 AND FOR ILLUSTRATION SEE FIG. 42		
- 1	2102365	. CLAMP	1	
- 2	2591155	. RESISTOR, 30 AMP P/M 1 10w	1	
- 3	523393	. CLAMP	1	
- 4	2103010	. CAPACITOR, 250 MFD 0.5V	1	
- 5	302090	. TERMINAL BLOCK	1	
- 6	302131	. INSULATOR	1	
- 7	2591956	. MAGNET ASM	1	
- 8	2591278	. KICKER ASM	1	
- 9	2591968	. . COVER, DUST	1	
- 10	2591966	. . BACKSTOP	1	
- 11	2591967	. . CLAMP	1	
- 12	2591960	. . RAIL, CARD	1	
- 13	2593178	. . ARM	1	
- 13		ON MACHINES WITHOUT EC 818502 ORDER ITEM 8		
- 14	2591963	. . SPRING	1	
- 15	104701	. . PIN	1	
- 15		ON MACHINES WITHOUT EC 818502 ORDER ITEM 8		
- 16	104699	. . PIN	1	
- 16		ON MACHINES WITHOUT EC 818502 ORDER ITEM 8		
- 17	2593174	. . FRAME	1	
- 17		ON MACHINES WITHOUT EC 818502 ORDER ITEM 8		
-				
-				
-		FOR ATTACHING PARTS, INDEX NOS. 151 AND ABOVE, SEE LIST 54		

FOR PARTS
NOT SHOWN
SEE FIG. 17

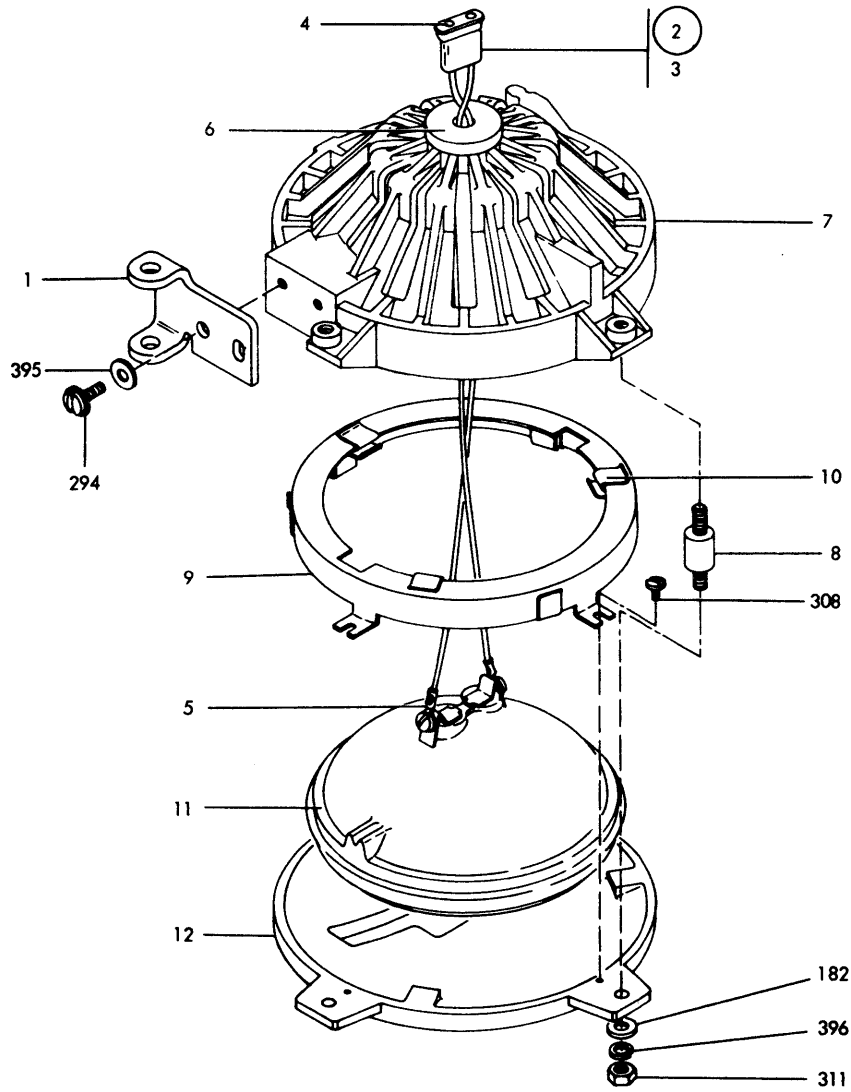
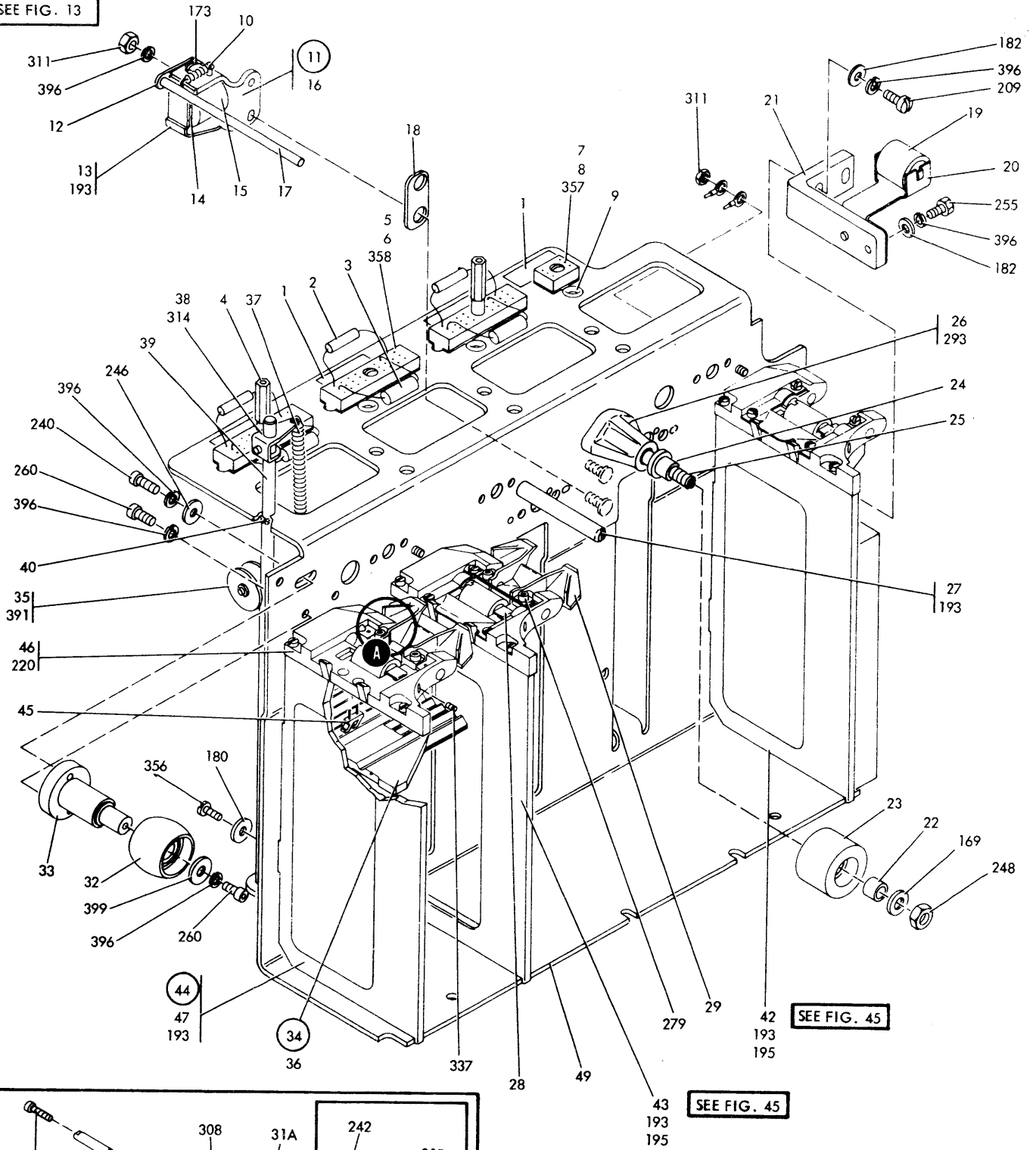


FIGURE 43. READ LAMP ASM. SEE LIST 43.

LIST AND INDEX NUMBER	PART NUMBER	DESCRIPTION	1 2 3 4				UNITS PER ASM.	USABLE ON CODE
43 -	2592758	READ LAMP ASM FOR NEXT HIGHER ASM SEE LIST 17-2 AND FOR ILLUSTRATION SEE FIG. 43						
- 1	2592752	. HINGE				1		
- 2	2591867	. CABLE ASM, READ LAMP				1		
- 3	1166117	. . CONNECTOR				1		
- 4	1166114	. . TERMINAL				2		
- 5	92784	. . TERMINAL, RING				2		
- 6	92632	. GROMMET				1		
- 7	2592750	. HOUSING, READ LAMP				1		
- 8	2591416	. STANDOFF				3		
- 9	2592754	. RETAINER				1		
- 10	2592755	. SPRING CLIP, RETAINING RING				6		
- 11	2391653	. LAMP				1		
- 12	2592751	. SHIELD				1		
-		FOR ATTACHING PARTS, INDEX NOS. 151 AND ABOVE, SEE LIST 54						

FOR PARTS
NOT SHOWN
SEE FIG. 13



SEE FIG. 45

SEE FIG. 45

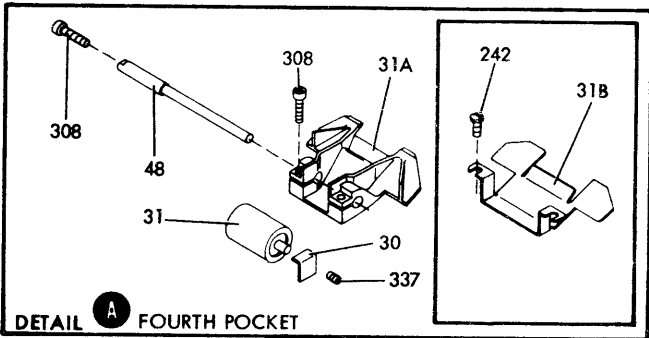


FIGURE 44. STACKER ASM. SEE LIST 44.

LIST AND INDEX NUMBER	PART NUMBER	DESCRIPTION	UNITS	USABLE
			PER ASM.	ON CODE
44 -	2592200	STACKER ASM		
-		FOR NEXT HIGHER ASM SEE LIST 13-10		
-		AND FOR ILLUSTRATION SEE FIG. 44		
- 1	2591152	• LABEL	1	
- 2	2133486	• RESISTOR,	3	
- 3	603090	• CAPACITOR, 50 MFD 50V	3	
- 4	2592384	• STANDOFF	2	
- 5	302090	• TERMINAL BLOCK	3	
- 6	302131	• INSULATOR	3	
- 7	600996	• TERMINAL BLOCK	1	
- 8	600997	• INSULATOR	1	
- 9	92631	• GROMMET	3	
- 10	2593618	• SPRING	3	
- 11	2592399	• COIL ASM	3	
- 12	2593639	• • SUPPORT	1	
- 13	2592398	• • STOP, ARMATURE	1	
- 14	2593645	• • CORE	1	
- 15	2593646	• • COIL	1	
- 16	2593598	• • YOKE	3	
- 17	2593590	• ARMATURE	3	
- 18	2593615	• SPACER	1	
- 19	2592210	• ROLL, INPUT IDLER	1	
- 20	2592213	• BRACKET, INPUT IDLER	1	
- 21	2592216	• BLOCK, PRESSURE ROLL	1	
- 22	2593930	• SPACER, DRIVE ROLL	4	
- 23	2593944	• ROLL, UPPER PRESSURE	4	
- 24	2593735	• SPACER, IDLER	4	
- 25	2593632	• SHAFT, UPPER ROLL	4	
- 26	2593631	• STANDOFF, DRIVE ROLL	4	
- 27	2593482	• STUD	5	
- 28	2592217	• CLIP, SELECTOR GROUND	3	
- 29	2593579	• SELECTOR, POCKETS 1, 2 AND 3	3	
- 30	NO NU.	• CLIP, ROLL-4TH POCKET- REPLACE ITEMS 30, 31, 31A	1	
- 30		AND 48 WITH ITEM 31B		
- 31	NO NU.	• ROLL, PRESSURE-4TH POCKET- REPLACE ITEMS 30, 31,	1	
- 31		31A AND 48 WITH ITEM 31B		
- 31A	NO NU.	• SELECTOR, 4TH POCKET- REPLACE ITEMS 30, 31, 31A	1	
- 31A		AND 48 WITH ITEM 31B		
- 31B	2592266	• CARD GUIDE- REPLACES ITEMS 30, 31, 31A AND 48	1	
- 32	2592223	• PULLEY, BELT TIGHTENER	1	
- 33	2593640	• TIGHTENER, BELT	1	
- 34	2592328	• TRAY ASM	4	
- 35	2593611	• • ROLLER	3	
* - 36	2592219	• • TRAY	4	
- 37	2593617	• SPRING	4	
- 38	2593577	• ANCHOR, SPRING	4	
- 39	2593612	• SHAFT	4	
- 40	2593613	• CLIP, RETAINING	4	
- 42	2592214	• DIVIDER ASM, 1ST POCKET-SOLID	1	
- 42		FOR DETAIL BREAKDOWN SEE LIST 45		
- 43	2592215	• DIVIDER ASM, 2ND, 3RD AND 4TH-CUTOUT	3	
- 43		FOR DETAIL BREAKDOWN SEE LIST 45		
- 44	2593610	• DIVIDER ASM, LAST POCKET	1	
- 45	2593481	• • SNUBBER	2	
- 46	2593604	• • BLOCK	1	
- 47	2593498	• • DIVIDER	1	
- 48	NO NU.	• SHAFT-4TH POCKET- REPLACE ITEMS 30, 31, 31A	1	
- 48		AND 48 WITH ITEM 31B		
- 49	2592201	• FRAME	1	
-				
-		FOR ATTACHING PARTS, INEX NOS. 151		
-		AND ABOVE, SEE LIST 54		
* - 36	2418421	• • TRAY	4	
		FOR WTC ONLY		

FOR PARTS
NOT SHOWN
SEE FIG. 44

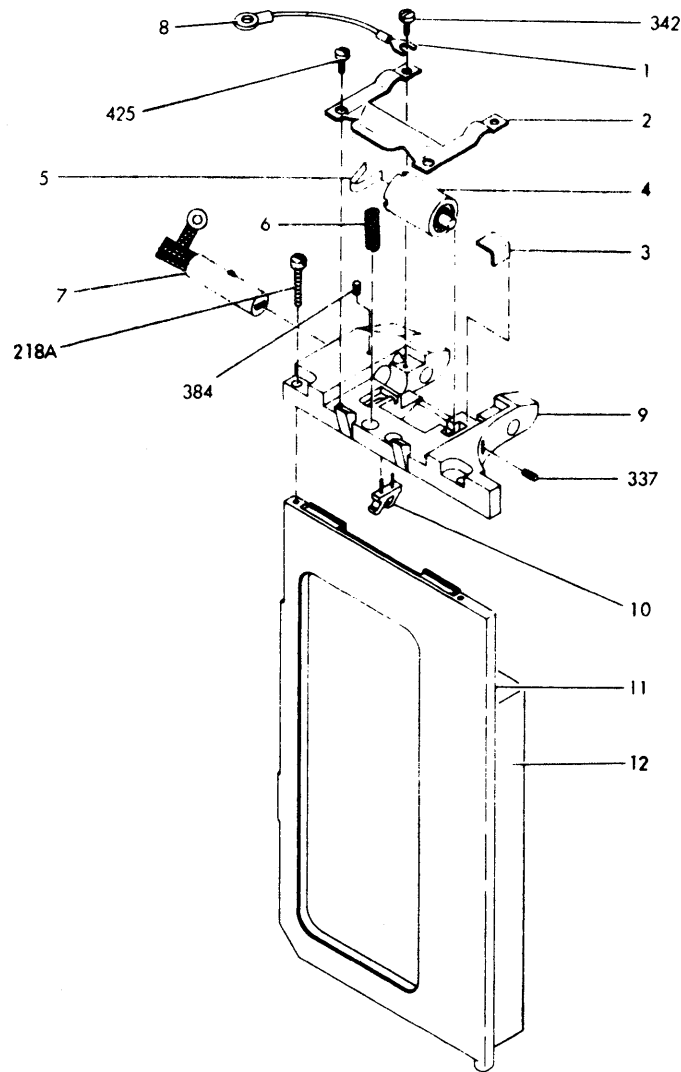


FIGURE 45. DIVIDER ASM, STACKER POCKET. SEE LIST 45.

LIST AND INDEX NUMBER	PART NUMBER	DESCRIPTION				UNITS PER ASM.	USABLE ON CODE
		1	2	3	4		
45 -	2592214	DIVIDER ASM, 1ST POCKET-SOLID					
-		FOR NEXT HIGHER ASM SEE LIST 44-42 AND FOR ILLUSTRATION SEE FIG. 45					
-	2592215	DIVIDER ASM, 2ND, 3RD AND 4TH POCKET-CUTOUT					
-		FOR NEXT HIGHER ASM SEE LIST 44-43 AND FOR ILLUSTRATION SEE FIG. 45					
- 1	2592202	• JUMPER, STACKER GROUND				1	
- 2	2593601	• SHOE, PRESSURE				1	
- 3	2593491	• CLIP, ROLL				1	
- 4	2592233	• ROLL ASM, PRESSURE				1	
- 5	2593648	• SPRING, PRESSURE ROLL				1	
- 6	2593605	• SPRING, PRESSURE SHOE				2	
- 7	2592237	• COIL ASM				1	
- 8	92784	• TERMINAL				1	
- 9	2593604	• GUIDE, RLUCK				1	
- 10	2593481	• SNUBBER				2	
- 11	2593497	• DIVIDER, 1ST POCKET-SOLID				1	
- 11	2593609	• DIVIDER, 2ND, 3RD AND 4TH POCKET-CUTOUT				1	
- 12	2591475	• FOAM, USED ON 1ST POCKET-SOLID				1	
-		FOR ATTACHING PARTS, INDEX NOS. 151 AND ABOVE, SEE LIST 54					

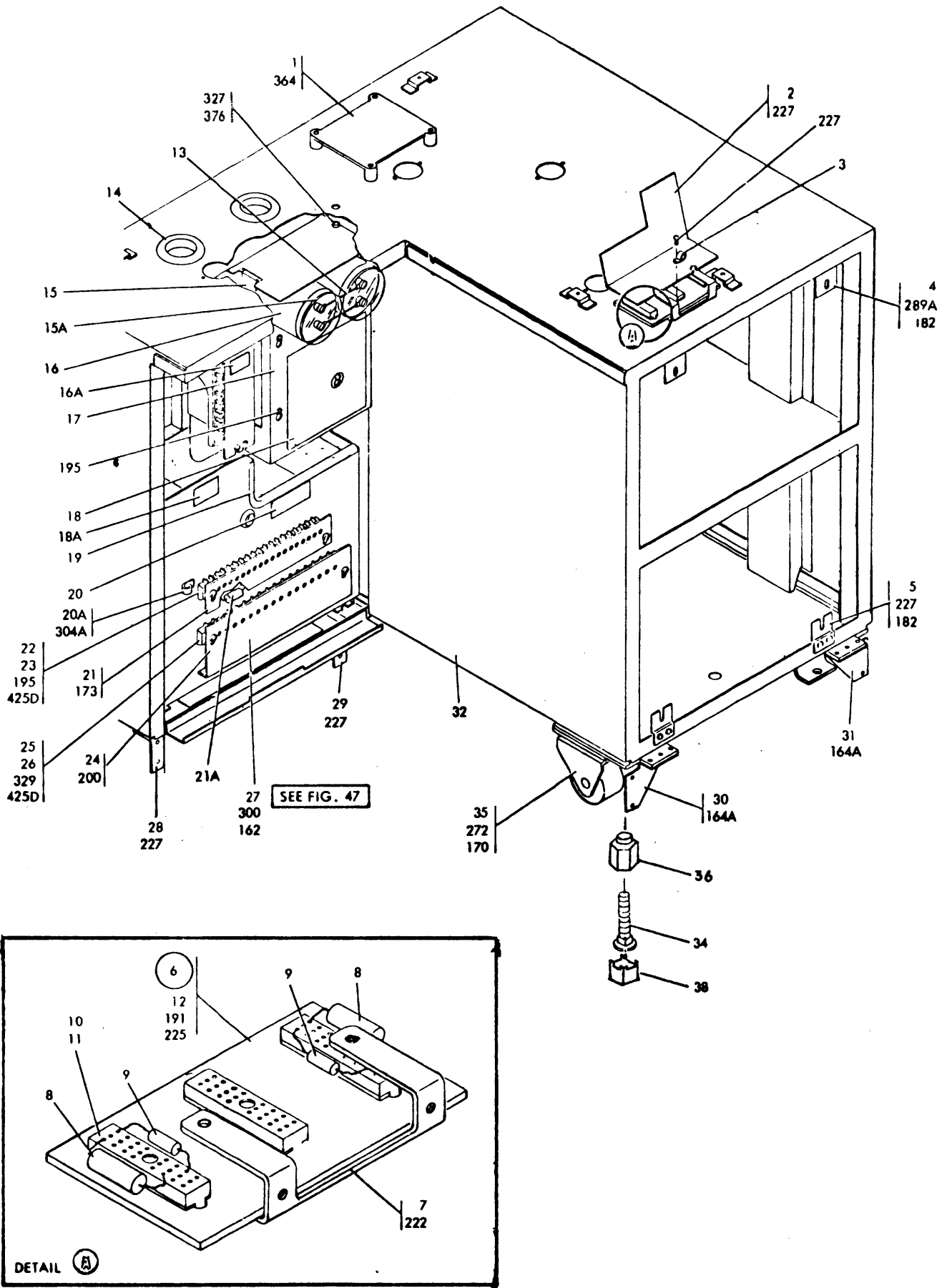
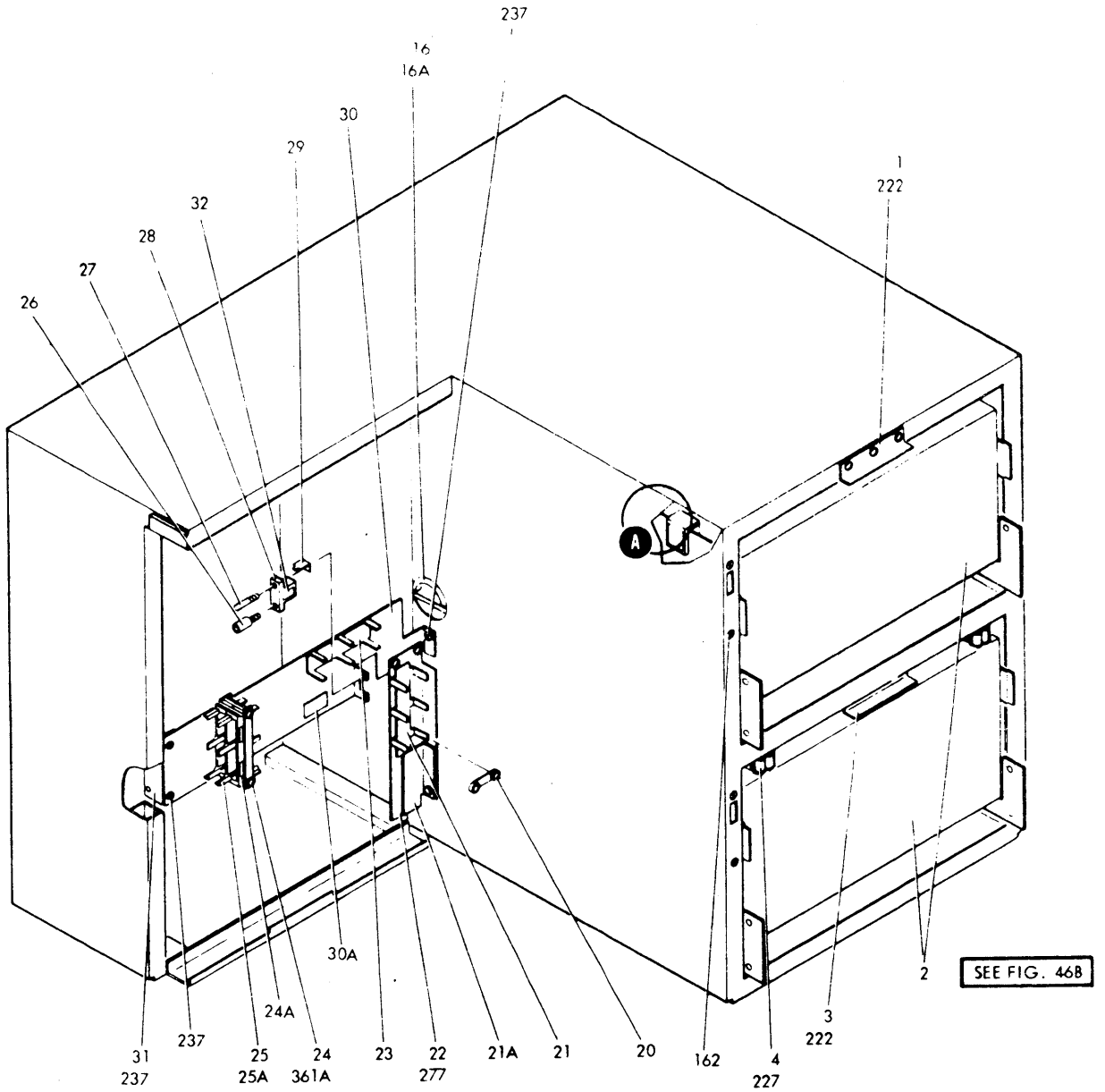


FIGURE 46. BELOW BASE, FRONT. SEE LIST 46.

LIST AND INDEX NUMBER	PART NUMBER	DESCRIPTION				UNITS PER ASM.	USABLE ON CODE
		1	2	3	4		
46	NO NO.	BELOW BASE, FRONT					
-		FOR ILLUSTRATION SEE FIG. 46					
- 1	259234A	• COVER, CABLE				1	
- 2	2591852	• SHIELD, HOPPER WIRE				1	
- 3	2102364	• CLAMP, MAGNET WIRES				1	
- 4	2590550	• BRACKET, COVER-UPPER				2	
- 4		USED ON MACHINES WITHOUT DISK STORAGE DRIVE					
- 5	2590551	• BRACKET, COVER-LOWER				2	
- 5		USED ON MACHINES WITHOUT DISK STORAGE DRIVE					
- 6	2592505	• TERMINAL BOARD ASM, HOPPER-MODEL 1				1	
- 6	2592536	• TERMINAL BOARD ASM, HOPPER-MODEL 2				1	
- 7	2591847	• BRACKET, HOPPER SHIELD				1	
- 8	223075	• CAPACITOR, FXD PAPER 100UF 50V-MODEL 1				2	
- 8	2154915	• CAPACITOR, 250UF +150 -10 PER CENT 50V				2	
- 9	2133486	• RESISTOR, 50 OHM P/M 5 PER CENT 10 WATT				2	
- 10	302090	• TERMINAL BLOCK				3	
- 11	302131	• INSULATOR				3	
- 12	2592537	• PLATE				1	
- 13	5759179	• JUMPER				2	
- 14	2590964	• GROMMET				1	
- 15	5232806	• STRAP, CAPACITOR				1	
- 15A	631769	• SHIELD, CAPACITOR				2	
- 16	5214233	• CAPACITOR, 2000 UF P/100 M/10 75 VDCW				2	
- 16A	138754	• LABEL, CAUTION				1	
- 17	2591169	• COVER, SAFETY				1	
- 18	2593102	• LABEL, FEED THRU CONNECTOR-MODEL 1 6 BIT				1	
- 18	2593104	• LABEL, FEED THRU CONNECTOR-MODEL 2 6 BIT				1	
- 18A	845762	• LABEL				1	
- 19	5213226	• GASKET				1	
- 20	369207	• LABEL, HAZARDOUS AREA				1	
- 20A	532393	• CLAMP				2	
- 21	5824061	• SHIELD				1	
- 21A	2593097	• RESISTOR, 1 OHM P/M 5 5W				1	
- 22	513654	• TERMINAL BOARD NO. 3 18 POS				1	
- 23	454505	• MARKER STRIP				1	
* - 24	2591175	• SHIELD				1	
- 25	91892	• TERMINAL BOARD NO. 4 16 POS				1	
- 26	5213178	• MARKER STRIP				1	
- 27	5232830	• POWER SUPPLY ASM, 24VDC AT 25A-60 CYCLE FOR DETAIL BREAKDOWN SEE LIST 47				1	
- 27	5232820	• POWER SUPPLY ASM, 24VDC AT 25A-50 CYCLE FOR DETAIL BREAKDOWN SEE LIST 47				1	
- 28	2590555	• BRACKET, KICKSTRIP-LEFT				1	
- 29	2590554	• BRACKET, KICKSTRIP-RIGHT				1	
- 30	2590552	• BRACKET, KICKSTRIP-END				1	
- 31	2590553	• BRACKET, KICKSTRIP-END				1	
- 32	2590360	• BASE ASM				1	
- 34	2590368	• BOLT, LEVELER				4	
- 35	2590366	• CASTER				4	
- 36	2418404	• SPACER (PRESENT ON MACHINES AFTER S/N 1719)					
- 38	2592430	• PAD					
-		FOR ATTACHING PARTS, INDEX NOS. 151 AND ABOVE, SEE LIST 54					
* - 24	2418563	• SHIELD				1	FOR WTC ONLY



SEE FIG. 46B

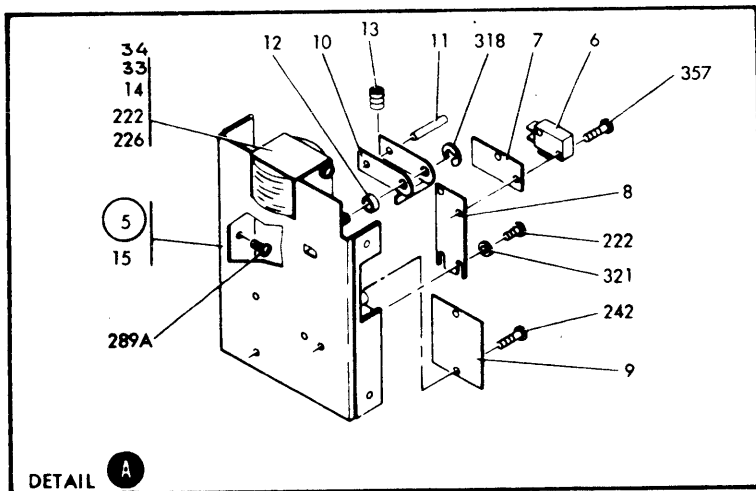


FIGURE 46A. BELOW BASE, DISK STORAGE DRIVE. SEE LIST 46A.

LIST AND INDEX NUMBER	PART NUMBER	DESCRIPTION				UNITS PER ASM.	USABLE ON CODE
		1	2	3	4		
46A	NO NU.	BELOW BASE, DISK STORAGE DRIVE					
-		FOR ILLUSTRATION SEE FIG. 46A					
- 1	2590979				. BLADE, UPPER	1	
- 2	NO NU.	NP			. DISK STORAGE DRIVE	2	
- 3	2592074				. BLADE, LOWER	1	
- 4	323917				. LATCH	2	
- 5	2590950				. LATCH ASM	2	
- 6	829728				. SWITCH	1	
- 7	2590567				. INSULATOR	1	
- 8	2590372				. BRACKET	1	
- 9	2588142				. PRINTED CIRCUIT BOARD ASM	1	
- 10	2590566				. LOCK, LATCH	1	
- 11	221542				. PIN, ROLL 0.084 DIA X 11/16 LG	1	
- 12	6667				. SPACER	1	
- 13	2593249				. SPRING	1	
- 14	2593253				. RELAY	1	
- 15	2590951				. PLATE ASM	1	
- 16	2590966				. GASKET, 2 INCHES LONG	AR	
- 16A	2590569				. GROMMET	1	
- 20	811427				. STRAP	8	
- 21	2588303				. TROUGH	1	
- 21A	2592738				. BRACKET	1	
- 22	2590571				. PLATE, RACEWAY-TWO DISK	1	
- 23	2588303				. TROUGH	1	
- 24	2590987				. STRAP, CONNECTOR	2	
- 24A	2592888				. LABEL	4	
- 25	2592846				. CONNECTOR	2	
- 25A	2595721				. CLIP	6	
- 26	2122202				. SOCKET	1	
- 27	2122203				. PIN	1	
- 28	2588141				. CABLE ASM, TWO DISK	1	
- 28	2588136				. CABLE ASM, ONE DISK	1	
- 29	2127985				. CATCH	2	
- 30	2590570				. PANEL, SIGNAL CABLE	1	
- 30A	369207				. LABEL	1	
- 31	2590981				. BRACKET, MOUNTING PANEL	1	
- 32	2592888				. LABEL, COMPONENT IDENTIFICATION	AR	
- 33	2593251				. PIN	1	
- 34	2593250				. LINK	1	
-					FOR ATTACHING PARTS, INDEX NOS. 151		
-					AND ABOVE, SEE LIST 54		

FOR PARTS
NOT SHOWN
SEE FIG. 46A

SEE CATALOG
FORM NO.
S135-0001

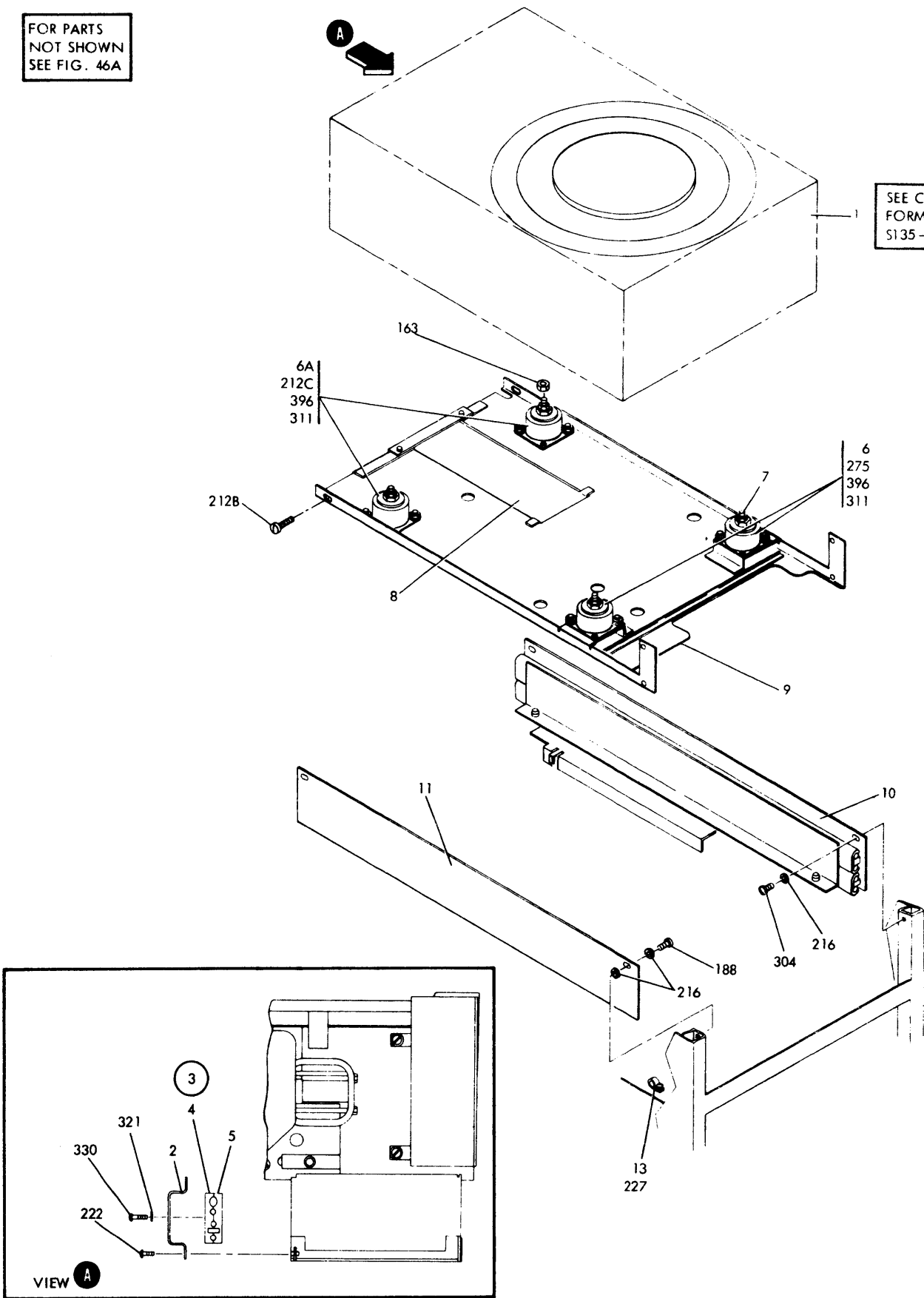


FIGURE 46B. DISK STORAGE DRIVE MOUNTING HARDWARE. SEE LIST 46B.

FOR PARTS
NOT SHOWN
SEE FIG. 46

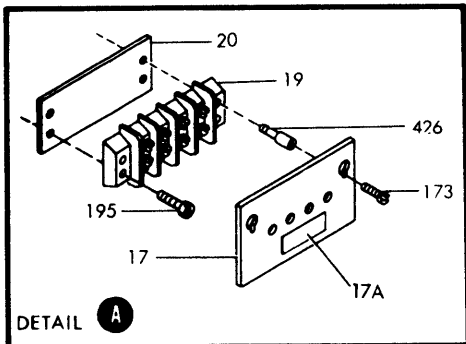
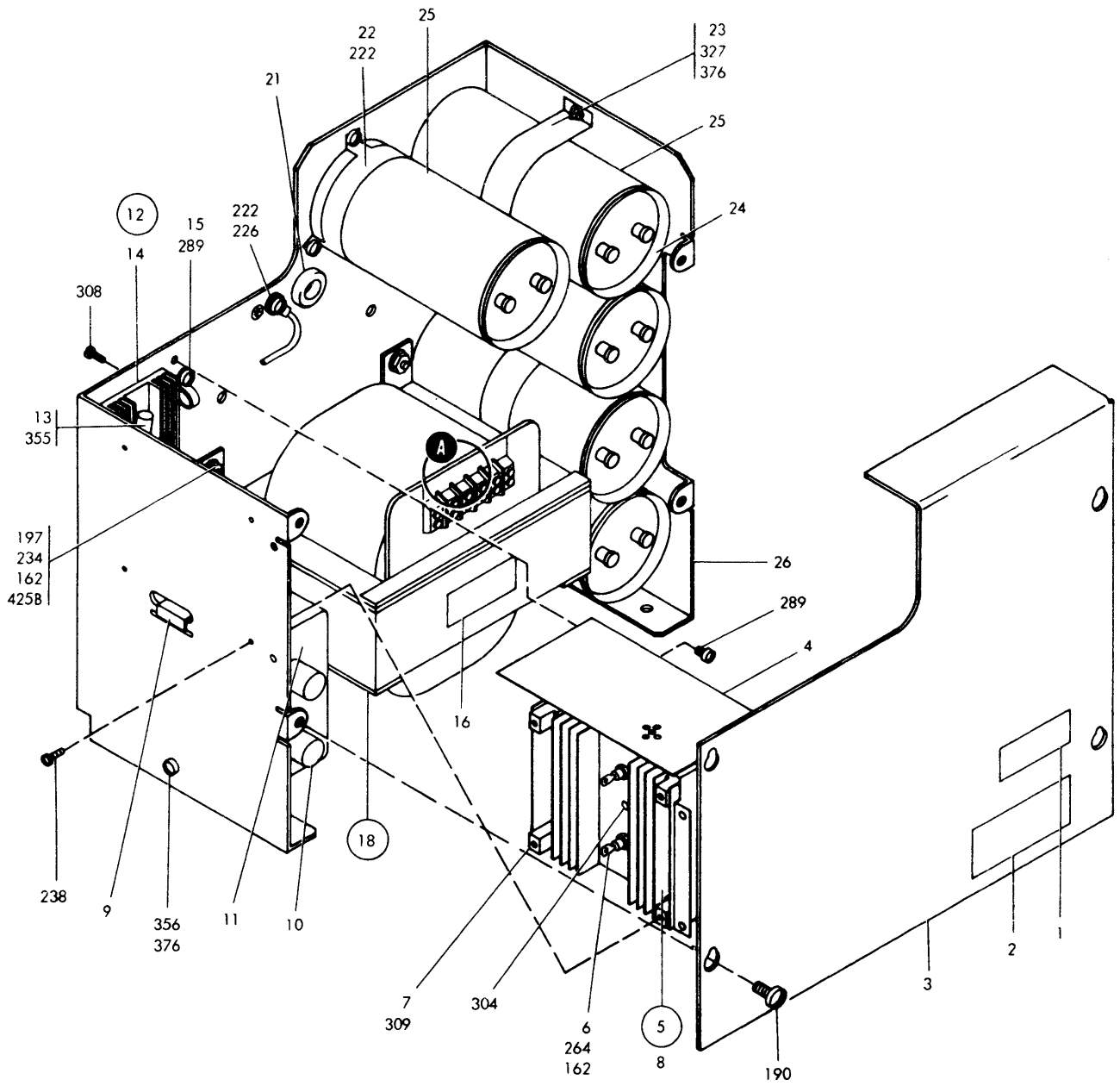


FIGURE 47. POWER SUPPLY ASSEMBLY. SEE LIST 47.

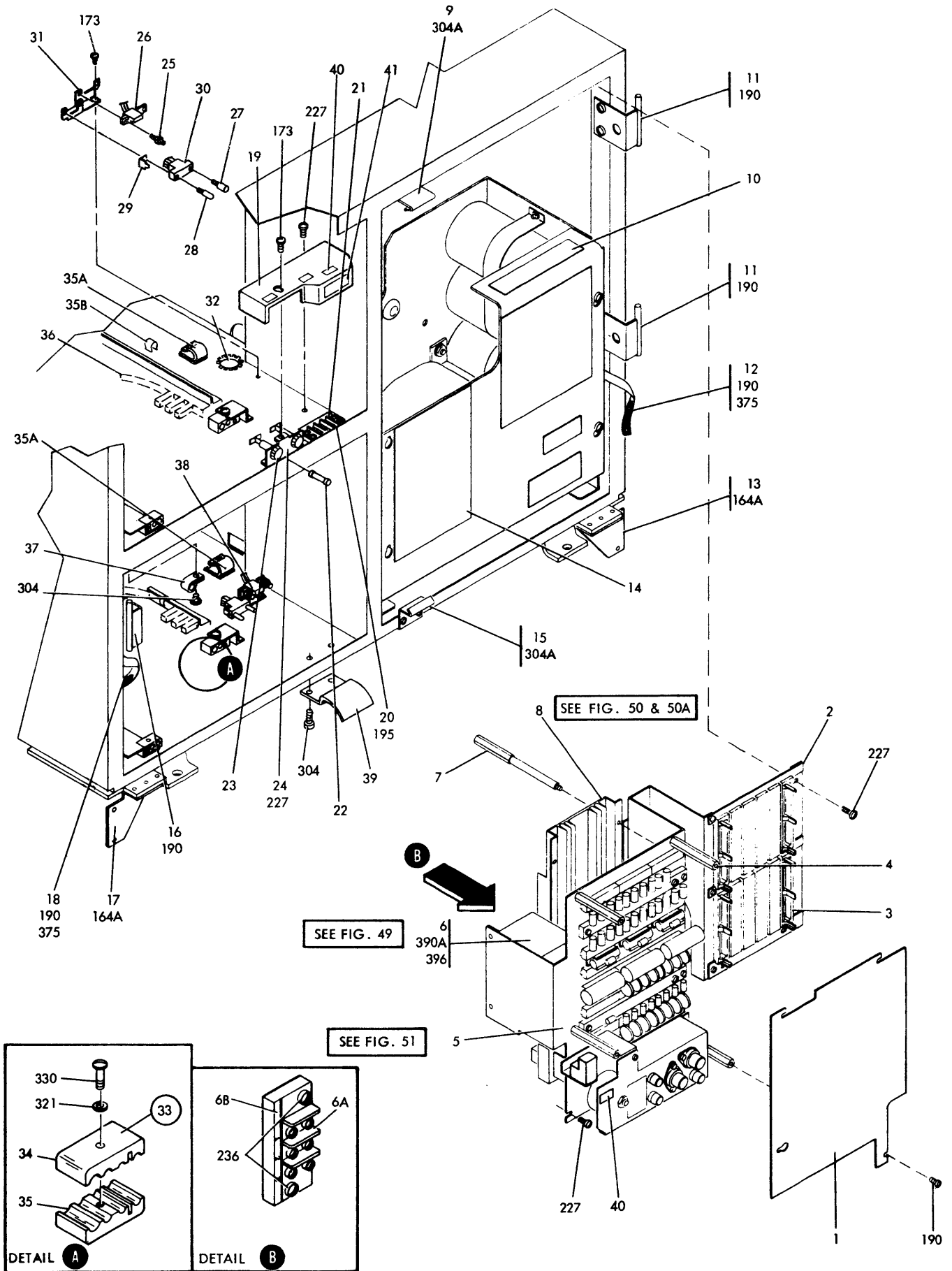


FIGURE 48. BELOW BASE, REAR. SEE LIST 48.

LIST AND INDEX NUMBER	PART NUMBER	DESCRIPTION				UNITS PER ASM.	USABLE ON CODE
		1	2	3	4		
46	NO. NO.	BELOW BASE, REAR					
-		FOR ILLUSTRATION SEE FIG. 46					
- 1	2591868	• SHIELD, RESISTOR PANEL				1	
- 2	2590560	• HOLDER, CONNECTOR				1	
- 3	813392	• CONNECTOR				1	
- 4	609380	• STANDOFF				2	
- 5	2591118	• RESISTOR PANEL ASM, MODEL 1 6 BIT				1	
- 5		FOR DETAIL BREAKDOWN SEE LIST 51					
- 5	2591119	• RESISTOR PANEL ASM, MODEL 2 6 BIT				1	
- 5		FOR DETAIL BREAKDOWN SEE LIST 51					
- 6	740540	• METER POWER PAC ASM-60 HZ				1	
- 6		USED ON MACHINES WITHOUT EC 817503					
- 6		FOR DETAIL BREAKDOWN SEE LIST 49					
- 6	740609	• METER POWER PAC ASM- 50 CYCLE				1	
- 6		USED ON MACHINES WITHOUT EC 817503					
- 6		FOR DETAIL BREAKDOWN SEE LIST 49					
- 6A	323837	• TERMINAL BLOCK				1	
- 6A		USED ON MACHINES WITH EC 817503					
- 6B	3364151	• MARKER STRIP				1	
- 6B		USED ON MACHINES WITH EC 817503					
- 7	2591168	• STANDOFF				4	
- 8	2591117	• SWITCH ASM, MOTOR START- 60 CYCLE				1	
- 8	2591116	• SWITCH ASM, MOTOR START- 50 CYCLE				1	
- 8		USED ON MACHINES WITHOUT EC 818516					
- 8		FOR DETAIL BREAKDOWN SEE LIST 50					
- 8	2593073	• MOTOR START SWITCH ASM-TRIAC 60 CYCLE				1	
- 8	2593074	• MOTOR START SWITCH ASM-TRIAC 50 CYCLE				1	
- 8		USED ON MACHINES WITH EC 818516					
- 8		FOR DETAIL BREAKDOWN SEE LIST 50A					
- 9	2590556	• CATCH, PUSH ROD-UPPER				1	
- 9		USED ON MACHINES WITHOUT EC 818233					
- 10	2591174	• LABEL, FUSE BOX				1	
- 11	2590161	• HINGE, REAR COVER				2	
- 12	2101089	• JUMPER, REAR COVER GROUND				1	
- 13	2590553	• BRACKET, KICKSTRIP-END				1	
- 14	2593106	• LABEL, COMPONENT BOARD				1	
- 15	2590563	• LATCH, REAR COVER				1	
- 15		USED ON MACHINES WITHOUT EC 818233					
- 15	2591179	• BRACKET				2	
- 15		USED ON MACHINES WITH EC 81823R					
- 16	2590160	• HINGE, REAR COVER-USED ON MACHINES WITHOUT				2	
- 16		DISK STORAGE DRIVE					
- 16	2592066	• HINGE, REAR COVER-USED ON MACHINES WITH DISK				2	
- 16		STORAGE DRIVE WITHOUT EC 818285 AND					
- 16		WITHOUT EC 818308					
- 16	2592887	• HINGE, REAR COVER-USED ON MACHINES WITH DISK				2	
- 16		STORAGE DRIVE WITH EC 818308 WITHOUT					
- 16		EC 818285					
- 16	2592845	• HINGE, REAR COVER-USED ON MACHINES WITH DISK				2	
- 16		STORAGE DRIVE WITH EC 818308 AND WITH					
- 16		EC 818285					
- 17	2590552	• BRACKET, KICKSTRIP-END				1	
- 18	2101089	• JUMPER, REAR COVER GROUND-USED ON				1	
- 18		MACHINES WITHOUT DISK STORAGE DRIVE					
- 18	2592737	• JUMPER, REAR COVER GROUND-USED ON				1	
- 18		MACHINES WITH DISK STORAGE DRIVE					
- 19	2592158	• SHIELD-DISK STORAGE				1	
- 20	323841	• TERMINAL BLOCK-DISK STORAGE				1	
- 21	2592160	• MARKER STRIP-DISK STORAGE				1	
- 22	511063	• FUSE, CARTRIDGE 10 AMP-DISK STORAGE				2	
- 23	1104137	• FUSEHOLDER-DISK STORAGE				2	
- 24	2592157	• BRACKET-DISK STORAGE				1	
- 25	2590955	• STUD-DISK STORAGE				4	
- 26	2588130	• CABLE ASM, VAC DISTRIBUTION-DRIVE 1				1	
- 27	2122202	• SOCKET-DISK STORAGE				2	
- 28	2122203	• PIN-DISK STORAGE				2	
- 29	2127985	• CATCH-DISK STORAGE				4	
- 30	2588133	• CABLE ASM, DC POWER-DISK STORAGE				1	
- 31	2592156	• BRACKET-DISK STORAGE				2	
- 32	2590569	• GROMMET-DISK STORAGE				1	
- 33	2590960	• CLAMP ASM, MULTIPLE CABLE-DISK STORAGE				4	
- 34	2590573	• CLAMP				1	
- 35	2590959	• CLAMP				1	
- 35A	2596293	• CLIP, CABLE				2	
- 35B	2591223	• CLIP				2	
- 36	2590967	• RETAINER-DISK STORAGE				2	

FOR PARTS
NOT SHOWN
SEE FIG. 48

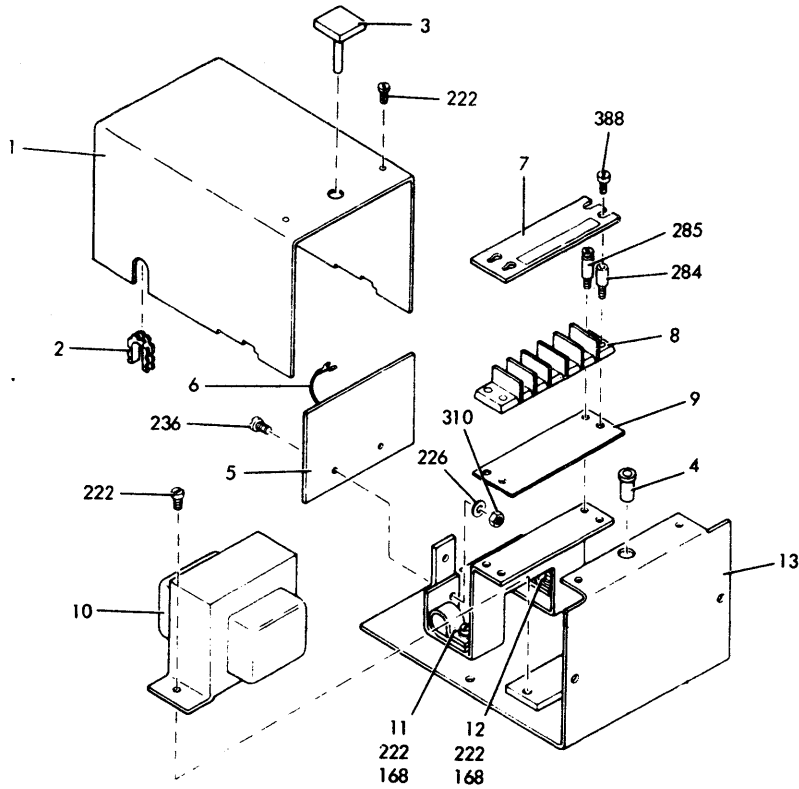
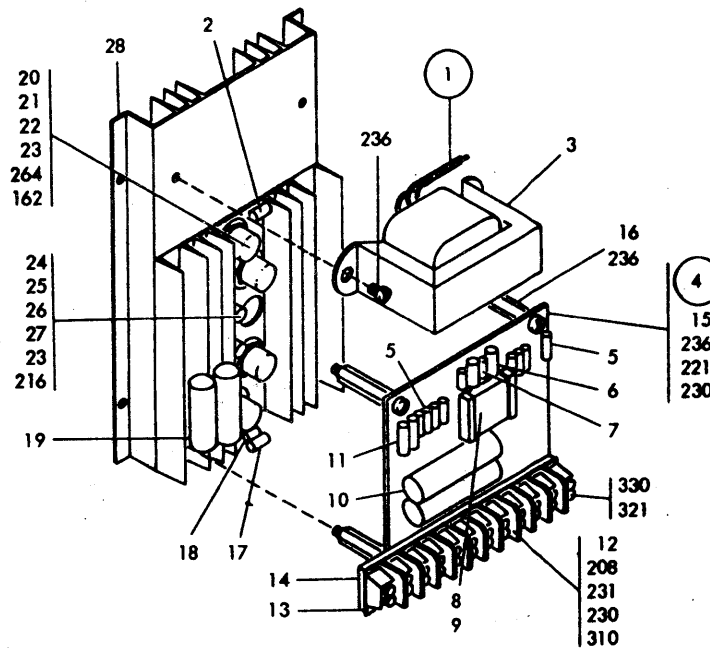


FIGURE 49. METER POWER PAC ASM. SEE LIST 49.

LIST AND INDEX NUMBER	PART NUMBER	DESCRIPTION	1 2 3 4				UNITS PER ASM.	USABLE ON CODE
49 -	740540	METER POWER PAC ASM-60 CYCLE						
-	740609	METER POWER PAC ASM-50 CYCLE USED ON MACHINES WITHOUT EC 817503 FOR NEXT HIGHER ASM SEE LIST 10-2 AND 48-6 AND FOR ILLUSTRATION SEE FIG. 49						
- 1	740564	• COVER				1		
- 2	740571	• GRUMMET				1		
- 3	740489	• RETAINER, COVER				1		
- 4	740491	• CLIP				1		
- 5	372688	• CARD ASM, TSTR METER				1		
- 6	740550	• JUMPER				1		
- 7	474644	• SHIELD				1		
- 8	317310	• TERMINAL BOARD				1		
- 9	740554	• MARKER STRIP				1		
- 10	740560	• TRANSFORMER-60 CYCLE				1		
- 10	740562	• TRANSFORMER-50 CYCLE				1		
- 11	104294	• CLAMP, CABLE				1		
- 12	216362	• CLAMP, CABLE				1		
- 13	740563	• CHASSIS				1		
-		FOR ATTACHING PARTS, INDEX NOS. 151 AND ABOVE, SEE LIST 54						

FOR PARTS
NOT SHOWN
SEE FIG. 48



USED ON MACHINES WITHOUT EC 818516

FIGURE 50. MOTOR START SWITCH ASM. SEE LIST 50.

LIST AND INDEX NUMBER	PART NUMBER	DESCRIPTION	UNITS	USABLE ON CODE
			PER ASM.	
50 -	2591117	MOTOR START SWITCH ASM-60 CYCLE		
-	2591116	MOTOR START SWITCH ASM-50 CYCLE USED ON MACHINES WITHOUT EC 818516 FOR NEXT HIGHER ASM SEE LIST 48-8 AND FOR ILLUSTRATION SEE FIG. 50		
-				
- 1	2591110	. CABLE ASM, MOTOR START SWITCH	1	
- 2	492376	. . RESISTOR, 300 OHM 1W- R1	1	
- 3	2591108	. TRANSFORMER, 60 CYCLE, T1	1	
- 3	2591107	. TRANSFORMER, 50 CYCLE- T1	1	
- 4	2591115	. CARD ASM, CONTROL CIRCUIT	1	
- 5	2111232	. . DIODE, CR1, 2, 3, 4, 5, 6, 7, 8	3	
- 6	814126	. . RECTIFIER, CONTROLLED- SCR1, 2	2	
- 7	595357	. . RESISTOR, 3K 1/4W- R5, 6	2	
- 8	766069	. . RELAY, REED 24V 2N/O 2N/C- RY1	1	
- 9	493316	. . CONTACT, REED RELAY	12	
- 10	501551	. . RESISTOR, 50 OHM 1W- R1, 2	2	
- 11	310296	. . RESISTOR, 160 OHM 1W- R3, 4	2	
- 12	522850	. . TERMINAL BLOCK NO. 4	1	
- 13	522849	. . NUMBER STRIP	1	
- 14	2593101	. . BLOCK	1	
- 15	2591114	. . BOARD, CIRCUIT	1	
- 16	2593100	. . STUD	4	
- 17	2111232	. . DIODE, CR1, 2	2	
- 18	216421	. . RESISTOR, 47 OHM 1/4W- R2, 3	2	
- 19	2102625	. . RESISTOR, 150 OHM 10W- R4, 5	2	
* - 20	5213349	. . RECTIFIER, CONTROLLED- SCR 3, 4	4	
- 21	2593095	. . BUSHING	4	
- 22	603252	. . TERMINAL	4	
- 23	2593099	. . WASHER, INSULATOR 13/16 OD 1/4 ID 0.002 T	16	
- 24	5312673	. . RECTIFIER, SILICON 400 PRV 10A- CR3, 4	2	
- 25	217174	. . TERMINAL	2	
- 26	2593096	. . BUSHING	2	
- 27	2593098	. . WASHER, INSULATOR 9/16 OD 13/64 ID 0.002T	9	
- 28	2591109	. . HEAT SINK	1	
-				
-		FOR ATTACHING PARTS, INDEX NOS. 151 AND ABOVE, SEE LIST 54		
* - 20	2418349	. . RECTIFIER, CONTROLLED - SCR1, 2,	4	FOR WTC ONLY

FOR PARTS
NOT SHOWN
SEE FIG 48

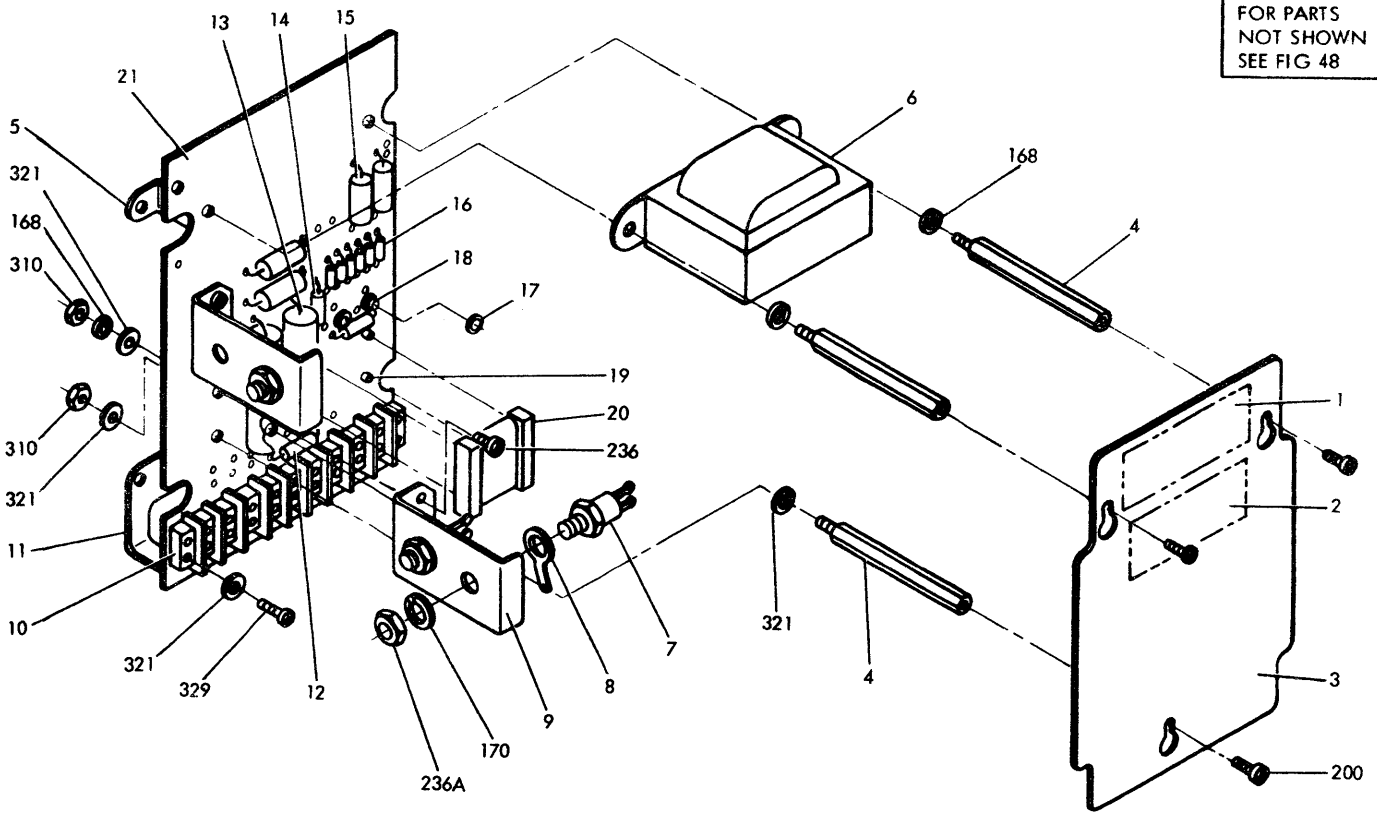


FIGURE 50A. MOTOR START SWITCH ASM,TRIAC. SEE LIST 50A.

LIST AND INDEX NUMBER	PART NUMBER	DESCRIPTION				UNITS PER ASM.	USABLE ON CODE
		1	2	3	4		
50A -	2593073	MOTOR START SWITCH ASM,TRIAC-60 CYCLE					
-	2593074	MOTOR START SWITCH ASM,TRIAC-50 CYCLE USED ON MACHINES WITH EC 818516 FOR NEXT HIGHER ASM SEE LIST 48-8 AND FOR ILLUSTRATION SEE FIG. 50A					
-							
-							
- 1	138755	• LABEL				1	
- 2	369207	• LABEL				1	
- 3	2593148	• COVER				1	
- 4	5755219	• STANDOFF				3	
- 5	2593145	• BRACKET				1	
- 6	5232773	• TRANSFORMER,60 CYCLE-T1				1	
- 6	4118372	• TRANSFORMER,50 CYCLE-T1				1	
- 7	2391765	• TRIAC-1,2 AND 3				3	
- 8	603752	• TERMINAL				2	
- 9	2593147	• BRACKET				2	
- 10	2596009	• TERMINAL BLOCK				1	
- 11	2593146	• BRACKET				1	
- 12	550050 NR	• RESISTOR,FXD COMP-240 OHMS 5 PCT 1/4 W-R7				1	
- 13	2102743 NR	• RESISTOR,10 OHMS 10 WATT-R8 AND R9				2	
- 14	216430 NR	• RESISTOR,FXD COMP-160 OHMS 5 PCT 1/4 W-R6				2	
- 15	216794 NR	• RESISTOR,FXD COMP-16 OHMS 5 PCT 2 W-R1-R4				4	
- 16	2111232 NR	• DIODE-CR1-CR6				6	
- 17	811839 NR	• HEAT SINK				2	
- 18	813228 NR	• RECTIFIER,SCR1 AND SCR2				2	
- 19	483520 NR	• TERMINAL				12	
- 20	766069 NR	• RELAY				1	
- 21	2593071 NR	• CIRCUIT BOARD				1	
-							
-							
-		FOR ATTACHING PARTS, INDEX NOS. 151 AND ABOVE, SEE LIST 54					

FOR PARTS
NOT SHOWN
SEE FIG. 48

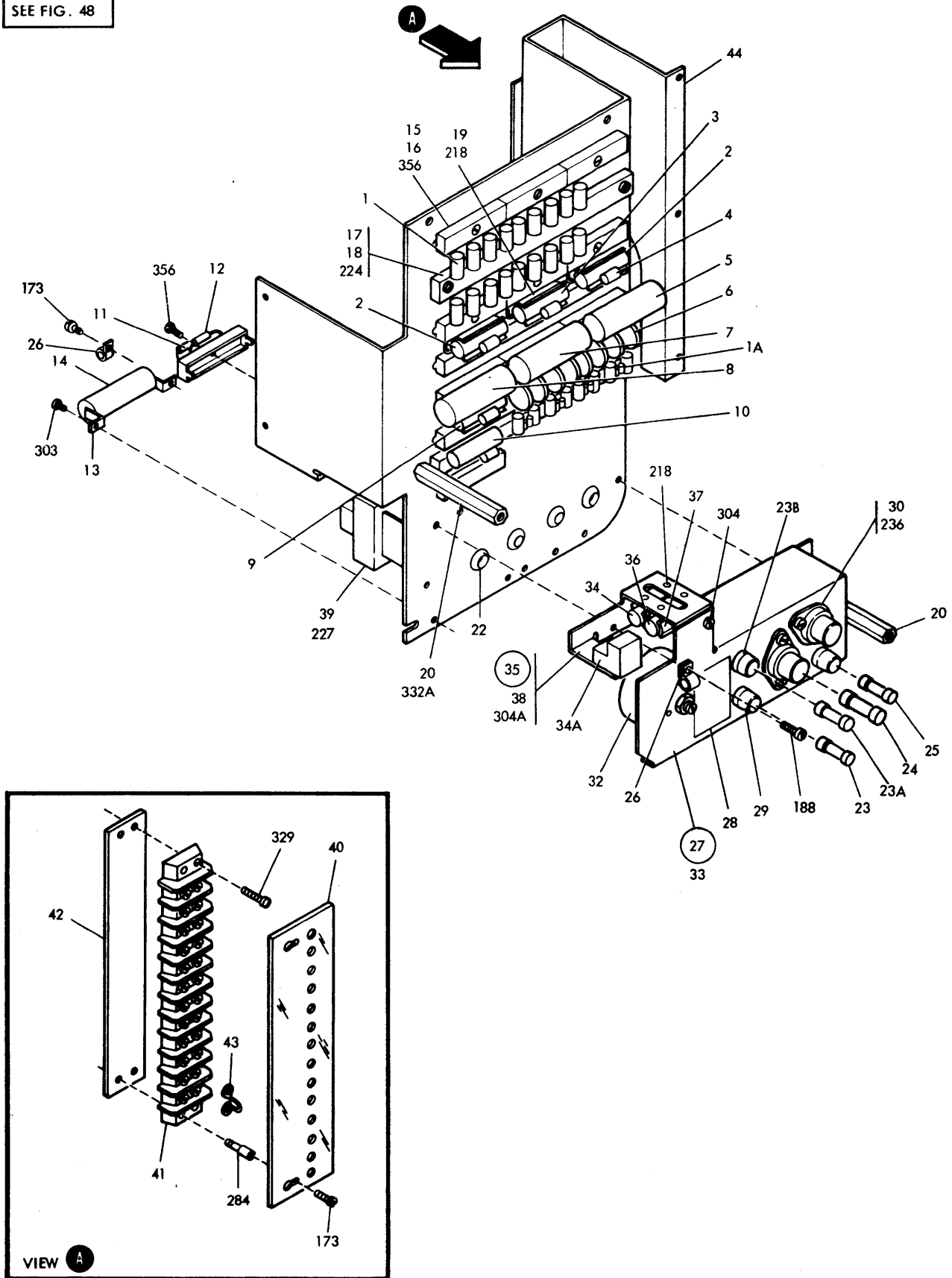


FIGURE 51. RESISTOR PANEL ASM. SEE LIST 51.

LIST AND INDEX NUMBER	PART NUMBER	DESCRIPTION	UNITS PER ASM.	USABLE ON CODE
51 -	2591118	RESISTOR PANEL ASM, MODEL 1 6 BIT		
-	2591119	RESISTOR PANEL ASM, MODEL 2 6 BIT		
-		FOR NEXT HIGHER ASM SEE LIST 48-5		
-		AND FOR ILLUSTRATION SEE FIG. 51		
- 1	2591143	. RESISTOR, 25 OHM P/M 5 2W	18	
- 1		USED ON MACHINES WITHOUT EC 818272		
- 1	2592373	. RESISTOR	18	
- 1		USED ON MACHINES WITH EC 818272		
- 1A	2592787	. FUSE ASM, 1.5 AMP	6	
- 1A		USED ON MACHINES WITH EC 818272		
- 2	2133486	. RESISTOR, 50 OHM P/M 5 PER CENT 10 WATTS	2	
- 3	2591127	. RESISTOR, 37 OHM P/M 10 10W	1	
- 4	615354	. DIODE, AM	22	
- 5	2103010	. CAPACITOR	1	
- 6	2591128	. THERMISTOR ASM	16	
- 7	2591133	. CAPACITOR, 1000 MFD P/100 M/10 25 VDC	1	
- 8	2177266	. CAPACITOR	2	
- 9	2591126	. RESISTOR, 5 OHM P/M 10 10W	1	
- 10	639303	. RESISTOR, 40 OHM P/M 5 10W	1	
- 11	2591156	. RESISTOR, 330 OHM P/M 5 1W	1	
- 12	647556	. RESISTOR, 560 OHM P/M 5 1W	1	
- 13	510316	. BRACKET	2	
- 14	337213	. RESISTOR	1	
- 15	302090	. TERMINAL BLOCK	21	
- 16	302131	. INSULATOR	2	
- 17	642571	. BUS BAR	2	
- 18	2593179	. INSULATOR	8	
- 19	2591170	. CLAMP, RESISTOR	3	
- 20	609380	. STANDOFF	2	
- 22	53193	. GRUMMET	4	
- 23	1146953	. FUSE, 8 AMP	1	
- 23A	512137	. FUSE-5A 125V LONG TIME LAG	1	
- 23B	179946	. FUSEHOLDER-DISK STORAGE	1	
- 24	107666	. FUSE, 5 AMP	2	
- 24		USED ON MACHINES WITHOUT EC 818324		
- 25	78999	. FUSE, 0.5 AMP 250 VOLT	1	
- 26	556785	. CLAMP	2	
- 27	2591184	. FUSE HOLDER ASM	1	
- 28	2591163	. LABEL, CAUTION	1	
- 29	179946	. FUSE HOLDER	1	
- 30	92752	. HOLDER, FUSE	2	
- 30		USED ON MACHINES WITHOUT EC 818324		
- 31	723455	. SNAP PLUG	1	
- 32	528481	. POTENTIOMETER	1	
- 33	2591183	. BOX, FUSE	1	
- 34	2123394	. RESISTOR, 15 OHM P/M 10 10W -6 BIT	1	
- 34A	842428	. RELAY, 3POT 24VDC COIL-DISK STORAGE		
- 35	2591182	. BRACKET ASM, RESISTOR	1	
- 36	2591144	. RESISTOR, 8 OHM P/M 1 PERCENT 10W	1	
- 37	2591170	. CLAMP, RESISTOR	2	
- 38	2591181	. BRACKET	1	
* - 39	76725	. CONTACTOR - 2 CONTACTS	1	
- 40	5762428	. SHIELD	1	
- 41	81898	. TERMINAL BLOCK, TB2	1	
- 42	510638	. MARKER STRIP	1	
- 43	596458	. JUMPER, BRASS	7	
- 44	2590561	. PANEL	1	
* - 39	825971	. CONTACTOR - 4 CONTACTS	1	
-		FOR ATTACHING PARTS, INDEX NOS. 151		
-		AND ABOVE, SEE LIST 54		

PART NO.	DESCRIPTION	ROUTING
2588112	CABLE ASM, AC POWER	AC POWER, TB2
2591110	CABLE ASM, MOTOR START SWITCH	TB4, P/C BOARD, HEAT SINK
2591157	CABLE ASM, READ STATION POWER	TPB4, READ STATION
2591656	CABLE ASM, PUNCH CHECK 6 BIT	INTERFACE A2, INTERFACE B2, PCH CHK CARD
2591867	CABLE ASM, READ LAMP	LAMP TERMINAL, CONNECTOR
2593060	CABLE ASM, PRINT DRIVER	TPB33, TPB34, TB3, TB4, BOARD B4
2593061	CABLE ASM, PRINT AND CONTROL SIGNAL	BOARD B5, BOARD E5, BOARD A2
2593062	CABLE ASM, PUNCH AND PRINT SIGNAL FEATURE USED ON MOD I AND ON MOD II WITHOUT EC817617	BOARD C5, BOARD A5, BOARD A3
2593149	CABLE ASM, PRINT SIGNAL FEATURE USED ON MOD II WITH EC 817617	B-A5, B-A3
2593063	CABLE ASM, 6 BIT PUNCH	TPB29, TB4, TPB23, TPB24, TPB25, TPB20, TPB21, TPB22, BOARD D4, PUNCH CONNECTOR 1
2593065	CABLE ASM, CONTROL USED ON MACHINES WITHOUT EC 818294	TPB1, TPB3, TPB5, TPB6, TPB9, TPB10, TPB11, PUNCH CONNECTOR 2, COVER INTLK SWITCH, TPB14, TPB15, TPB16, 24V COM BUS, BOARD F4, BOARD E4, TPB26, TPB27, TPB28, TPB29, TPB32, TPB35, AC PWR PACK, TB5-MOTOR START SWITCH, TB3, TB4
2593057	CABLE ASM, CONTROL USED ON MACHINES WITH EC 818294	TPB1, TPB3, TPB5, TPB11, TPB10, TPB9, COVER INTLK SW A, PUNCH CONNECTOR 2, 24V COM BUS, B-E4, B-F4, TPB28, TPB27, TPB26, TPB29, TPB32, TPB35, TB5, TB6, TB3, TB4
2593066	CABLE ASM, INDICATOR	BOARD B3, BOARD B2, SEC READY, PRI READY, BACK LIGHT PANEL
2593067	CABLE ASM, AC POWER USED ON MACHINES WITHOUT EC 818294	MOTOR CONNECTOR, FAN CONNECTOR, STACKER FRAME, USAGE METER, TB2, TB1, TB5, FUSE PANEL, HEAT SINK, AC PWR PACK
2593055	CABLE ASM, AC POWER USED ON MACHINES WITH EC 818294	CONTROL PANEL, MOTOR CONNECTOR, FAN CONNECTOR, USAGE METER, TB2, TB1, TB5, TB6
2593056	CABLE ASM, AC POWER PAC USED ON MACHINES WITH METER POWER PAC FEATURE AND WITHOUT EC 818324	AC POWER PACK, TB2
2593134	CABLE ASM, AC POWER USED ON MACHINES WITH EC818324	CONTROL PANEL, MOTOR CONNECTOR, FAN CONNECTOR, TB2, TB1, TB5, TB6
2593068	CABLE ASM, DC VOLTAGE	60V CAP, CONTACTOR K1, TPB40, 24V CAP, 60V BUS, 24V BUS, LAMP, TB3, TB4
2593077	CABLE ASM, SWITCH	PRI AND SEC HOPPER SWITCH, CONTROL PANEL, CHIP BOX SWITCH, CVR INTLK SWITCH, TPB12, BOARD C3
2593078	CABLE ASM, PRINT CONNECTOR	PRINT CONN 1, TPB30, 60V BUS
2593079	CABLE ASM, PRINT DRIVER FEATURE	TPB33, TPB34, TPB36, TPB37, TB3, TB4, BOARD A4, BOARD B4
2593080	CABLE ASM, PRINT CONN FEATURE	PRINT CONNECTOR 2, TPB38, TPB39, 60V BUS
2593081	CABLE ASM, CB SIGNAL	TPB2, PUNCH CONN 2, TPB-8, TPB12, TPB13, TPB14, TPB15, TPB16, BOARD C2, TB3

FIGURE 52. CABLE CHART. SHEET 1 OF 2.

PART NO.	DESCRIPTION	ROUTING
2593082	CABLE ASM,PUNCH CHECK	TPB2,PUNCH CONN 2,BOARD A3,BOARD B2, TPB8,TPB 12,TB3,BOARD E2
2593083	CABLE ASM,6 BIT READ	TB3,BOARD F2,READ CABLE
2588130	CABLE ASM,5444 ATTACHMENT VAC DISTRIBUTION - DRV-1	TB2,CONN CF2,TBF1,F202,F201,CONN CF8
2588132	CABLE ASM,5444 ATTACHMENT VAC DISTRIBUTION - DRV-2	TBF1 (LOCATED IN 5424 FILE COMP-UPPER), CONN CF4 (LOCATED IN 5424 FILE COMP-LOWER)
2588131	CABLE ASM,5444 ATTACHMENT AC POWER	VAC CONN,TB1 AND GROUND STUD (BOTH LOCATED IN 5444 AC BOX)
2588133	CABLE ASM,5444 ATTACHMENT DC POWER 1	TB3 AND TB4 (LOCATED IN 5424 LOWER BASE), DC POWER CONN (CF3 DISK DRIVE-1,CF5 DISK DRIVE-2)
2588134	CABLE ASM,5444 ATTACHMENT DC POWER 2	TB3 (LOCATED IN 5444 FILE),DC POWER CONN (CF3 DISK DRIVE-1,CF5 DISK DRIVE-2)
2588136	CABLE ASM,5444 ATTACHMENT DISK-1 DRAWER RELEASE,USE METER	TB3,TB4,CONN CF1 AND CF9 (LOCATED IN 5444),PC BOARD AND DRWR INTLK SW (LOCATED IN 5424 FILE COMP-LOWER)
2588141	CABLE ASM,5444 ATTACHMENT DISK-2 DRAWER RELEASE,USE METER	TB3,TB4,CONN CF1 AND CONN CF9 (LOCATED IN 5444),PC BOARD AND DRWR INTLK SW (LOCATED IN 5424 FILE COMP-LOWER)
2588138	CABLE ASM,5444 ATTACHMENT POWER PANEL	TB4,TB3,F105,RELAY K6
2588148	CABLE ASM,5444 ATTACHMENT TB TO SWITCH	CVR INTL SW,FAN MOTOR CONN,GROUND STUD,REAR COVER TB
2588149	CABLE ASM,5444 ATTACHMENT FAN CONN	FAN MOTOR,FAN MOTOR CONN
2592971	CABLE ASM,5444 ATTACHMENT DISK DRIVE-1 USE METER USED ON MACHINES WITHOUT EC 818308	PWR PACK TB's,TBF2,CONN CF9,CONN CF8, GND STUD,USE METER
2591364	CABLE ASM,5444 ATTACHMENT DISK DRIVE-1 USE METER USED ON MACHINES WITH EC 818308	PWR PACK TB's,USE METER 1 DISK,GND STUD 3, CONN CF-8,TBF-2,CONN CF-9
2592972	CABLE ASM,5444 ATTACHMENT DISK DRIVE-2 USE METER USED ON MACHINES WITHOUT EC 818308	PWR PACK TB's,TBF2,CONN CF9,GND STUD, USE METER
2591365	CABLE ASM,5444 ATTACHMENT DISK DRIVE-2 USE METER USED ON MACHINES WITH EC 818308	PWR PAC TB's,USE METER,TBF-2,CONN CF-9, GRD STUD-2

FIGURE 52. CABLE CHART. SHEET 2 OF 2.

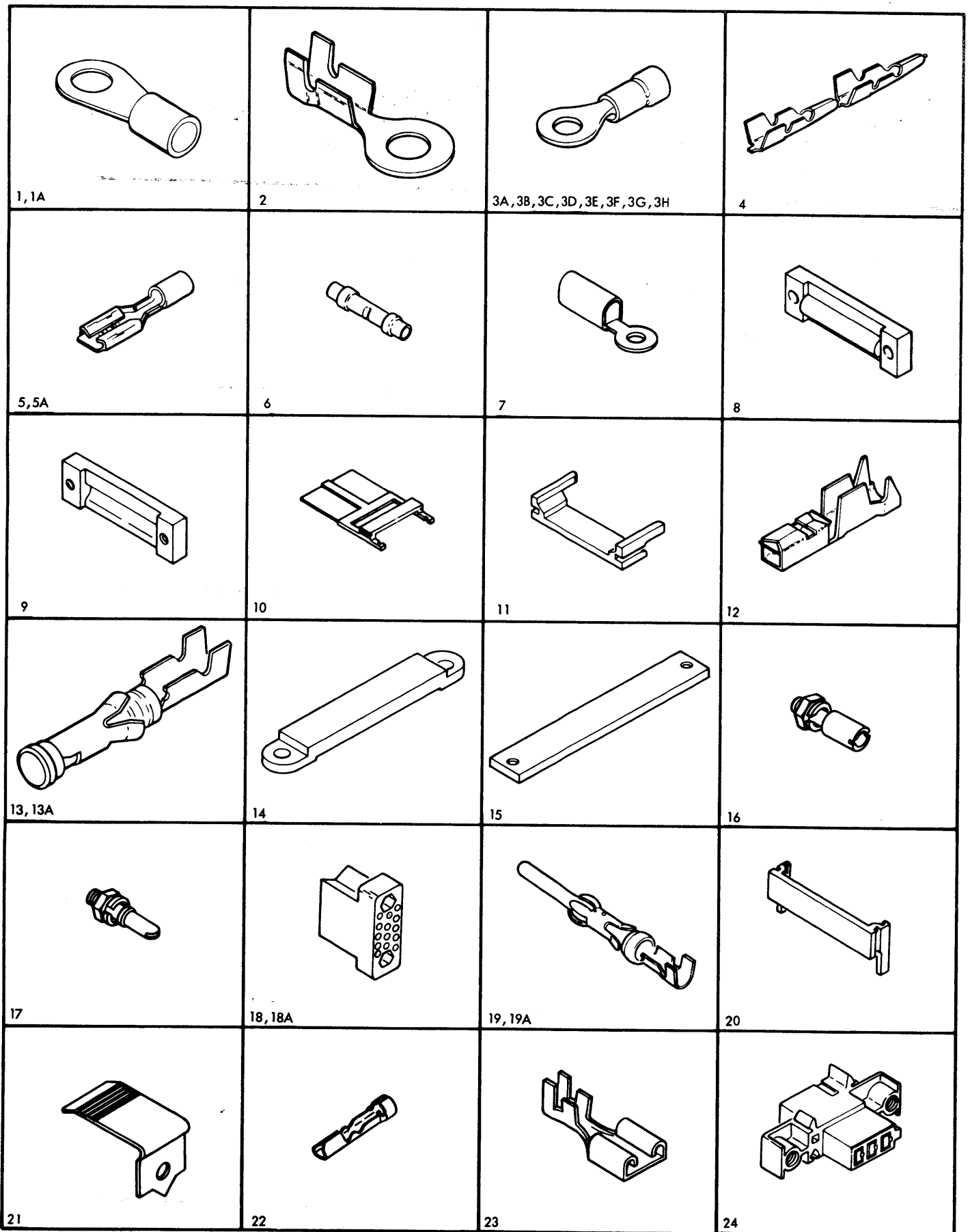


FIGURE 53. CABLE AND JUMPER ASM COMPONENT PARTS. SHEET 1 OF 2. SEE LIST 53.

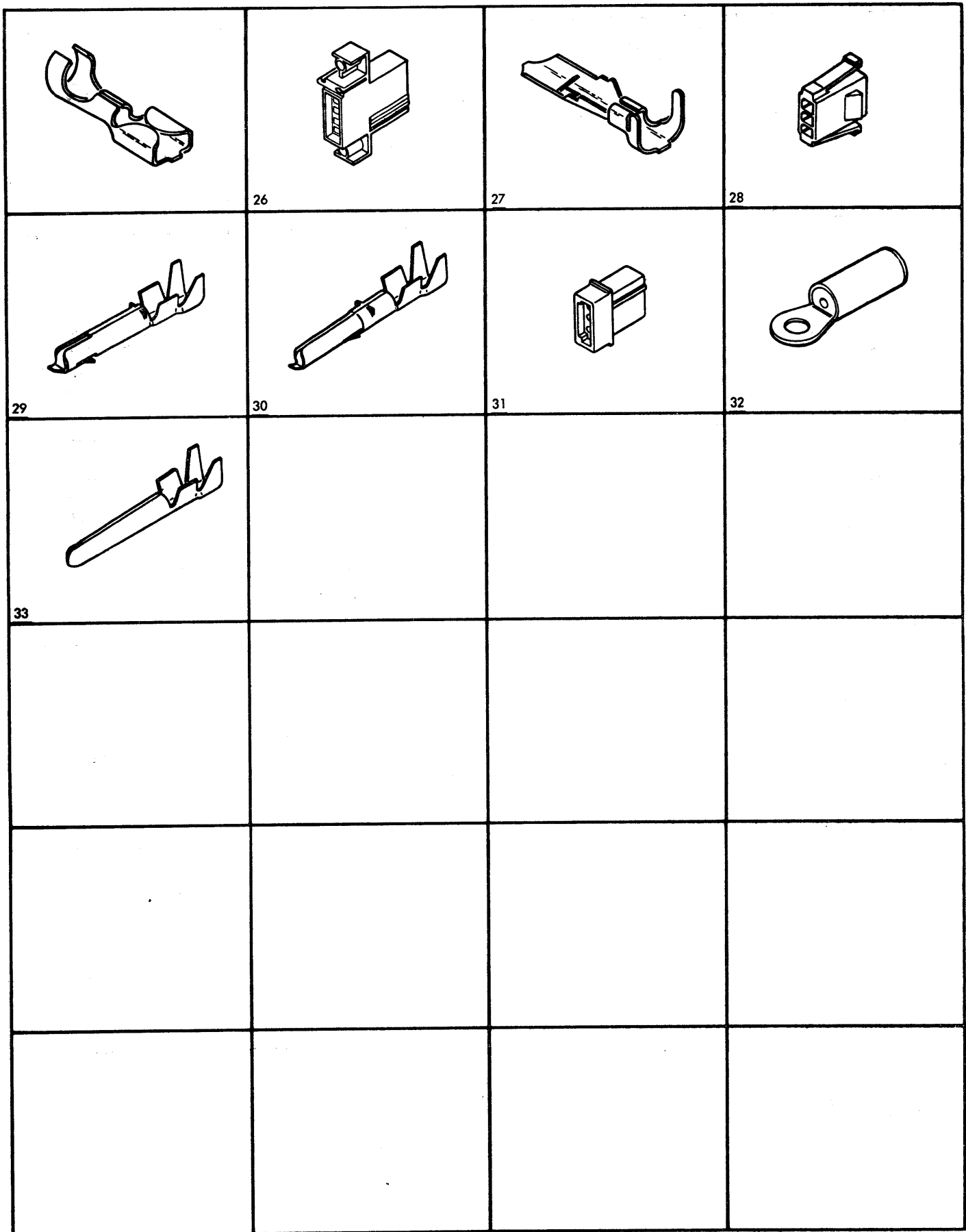


FIGURE 53. CABLE AND JUMPER ASM COMPONENT PARTS. SHEET 2 OF 2. SEE LIST 53.

LIST AND INDEX NUMBER	PART NUMBER	DESCRIPTION 1 2 3 4	UNITS PER ASM.	USABLE ON CODE
53	NO NO.	CABLE AND JUMPER ASM COMPONENT PARTS FOR ILLUSTRATION SEE FIG. 53		
-				
-				
- 1	92784	. TERMINAL,RING 22-18 AWG NU. 8 HOLE INS		
- 1A	2114849	. TERMINAL,RING 16-14 AWG NO. 6 HOLE INS		
- 2	186962	. TERMINAL,RING 24-20 AWG NO. 6 HOLE		
- 3	186968	. TERMINAL,RING 12-10 AWG NO. 8 HOLE INS		
- 3A	253453	. TERMINAL,RING 30-22 AWG NO. 6 HOLE INS		
- 3B	253740	. TERMINAL,RING 12-10 AWG NO. 6 HOLE INS		
- 3C	336910	. TERMINAL,RING 16-14 AWG NO. 8 HOLE		
- 3D	334921	. TERMINAL,RING 22-18 AWG NO. 8 HOLE INS		
- 3E	334932	. TERMINAL,RING 22-18 AWG NO. 10 HOLE INS		
- 3F	356705	. TERMINAL,RING 16-14 AWG NO. 8 HOLE INS		
- 3G	360370	. TERMINAL,RING 16-14 AWG NO. 8 HOLE INS		
- 3H	535273	. TERMINAL,RING 22-16 AWG		
- 4	187243	. TERMINAL,TAPER PIN 26-17 AWG 0.06 TAPER		
- 4A	360433	. TERMINAL,TAPER PIN 18-16 AWG 0.061 TAPER		
- 5	236916	. TERMINAL,SLIP ON 24-22 AWG		
- 5A	236915	. TERMINAL,SLIP ON 20-18 AWG		
- 6	321051	. CONNECTOR,TWO WAY 22-18 AWG INS		
- 7	603034	. TERMINAL,RING 22-16 AWG NO. 6 HOLE		
- 8	652650	. STRAIN RELIEF		
- 9	652651	. STRAIN RELIEF BLOCK		
- 10	811363	. CARD EXTENDER		
- 11	811802	. CARD GUIDE		
- 12	815934	. CONNECTOR,DISCRETE WIRE 26-22 AWG		
- 13	2122259	. SOCKET,CONTACT 22-20 AWG		
- 13A	2122261	. SOCKET,CONTACT 18-16 AWG		
- 13B	1202679	. SOCKET,CONTACT 22-20 AWG		
- 14	2591659	. STRAIN RELIEF		
- 15	2591662	. NUTPLATE		
- 16	2122202	. SOCKET-MATES WITH 2122203		
- 17	2122203	. PIN-MATES WITH 2122202		
- 18	2122214	. CONNECTOR,14 POSITION FEMALE		
- 18A	2122215	. CONNECTOR,14 POSITION MALE		
- 19	2122260	. TERMINAL,STRAIGHT PIN 18-16 AWG		
- 19A	2122258	. TERMINAL,STRAIGHT PIN 22-20 AWG		
- 19B	1450271	. TERMINAL,STRAIGHT PIN 26-24 AWG		
- 20	811804	. CARD GUIDE,12 PAC		
- 21	2127984	. CATCH,SPRING LOCKING 14 AND 20 POS CONN		
- 22	196810	. CONNECTOR,22-20 AWG		
- 23	430798	. TERMINAL,RECEPTACLE 20-18 AWG		
- 24	5353851	. CONNECTOR,RECEPTACLE		
- 25	5353852	. TERMINAL,SLIP ON 20-16 AWG		
- 26	5357138	. HOUSING,TAB CONNECTOR		
- 27	5353854	. TERMINAL,SLIP ON 20-16 AWG		
- 28	1166116	. HOUSING,SOCKET TERMINAL		
- 29	5412643	. TERMINAL,SOCKET 16-14 AWG		
- 30	5412642	. TERMINAL,PIN 16-14 AWG		
- 31	1166117	. HOUSING,PIN TERMINAL		
- 32	2101326	. TERMINAL,CLIP BARREL 12-10 AWG INS		
- 33	483657	. TERMINAL,TAPER PIN 26-22 AWG		

LIST AND INDEX NUMBER	PART NUMBER	DESCRIPTION				UNITS PER ASM.	USABLE ON CODE
		1	2	3	4		
54 -	NO NO.	ATTACHING PARTS					
-							
-151	337	. SCREW, MACH-FIL H 8-32 X 3/8 LG					
-152	358	. SCREW, MACH-FIL H 10-32 X 3/4 LG					
-153	440	. KEY, WOODRUFF-1/2 DIA X 1/16 THK					
-154	453	. WASHER, FL-3/8 X 13/16 OD X 1/16 THK					
-154A	845	. SCREW, MACH-FIL HD 8-32 X 1/2 LG					
-155	1431	. SCREW, MACH-RD HD 8-32 X 7/16 LG					
-156	1866	. WASHER, FL NO. 4 1/4 OD X 0.025 THK					
-157	1940	. WASHER, FL-NO. 10 X 9/16 OD X 3/64 THK					
-158	2031	. SCREW, MACH-FIL HD 8-32 X 5/8 LG					
-159	2300	. SCREW, MACH-FIL HD 8-32 X 1/4 LG					
-160	2903	. WASHER, FL-NO. 6 X 1/2 OD X 1/32 THK					
-161	2994	. SCREW, MACH-FIL H NO. 10-32 X .0625 LG					
-162	3550	. WASHER, FL-1/4 X 9/16 OD X 0.050 THK					
-162A	3587	. SCREW, MACH-FLAT HD 8-32 X 1-1/2 LG					
-163	3960	. NUT, PLAIN, HEX-1/4-20 X 7/16 FL W					
-164	4569	. WASHER, FL NO. 8 1/2 OD X 0.060 THK					
-164A	4636	. SCREW, MACH-FLAT HD 18-32 X 3/8 LG					
-165	5528	. SCREW, MACH-BIND HD 8-32 X 5/8 LG					
-166	5644	. SCREW, MACH-FIL HD 6-32 X 5/8 LG					
-167	5677	. SCREW, MACH-BIND HD 10-32 X 3/4 LG					
-168	6364	. WASHER, LOCK-SPLIT NO. 6 X 1/4 OD					
-169	6650	. WASHER, FL 1/4 X 7/16 OD X 1/16 THK					
-169A	6667	. WASHER, FLAT 27/64 OD X 1/4 ID X 1/8 THK					
-170	6935	. WASHER, LOCK-SPLIT 1/4 X 0.493 OD					
-171	9092	. WASHER-LOCK, SPLIT RING, 0.194 ID 0.337 OD					
-172	9895	. WASHER, FLAT-.128 ID X 7/16 OD X .031 THK					
-173	10170	. SCREW, MACH-BIND HD 6-32 X 1/4 LG					
-174	10309	. WASHER, LOCK-SPLIT 3/8 ID X 5/8 OD					
-175	10598	. SCREW, MACH-HEX HD 10-32 X 1/4 LG					
-176	11598	. NUT, PLAIN HEX 10-32					
-177	12954	. SCREW, MACH-HEX HD 8-32 X 1/2 LG					
-178	15887	. SCREW, MACH-BIND HD 2-56 X 1/8 LG					
-179	19944	. SCREW, MACH-BIND HD 8-32 X 3/4 LG					
-180	20038	. WASHER, FLAT-5/16 OD X 1/8 ID X 1/32 THK					
* -181	22349	. NUT, PLAIN HEX- 3/8-16 X 9/16 FL W					
-182	22478	. WASHER, FLAT-3/8 OD X 11/64 ID X 1/32 THK					
-183	24091	. WASHER, FLAT-.313 ID X 3/4 OD X 1/16 THK					
-184	24327	. WASHER, FL 0.156 ID X 0.0625 THK					
-185	24752	. SCREW, MACH-FIL HD 8-32 X 5/16 LG					
-186	25282	. RING, RETAINING, EXT 0.125 ID X 0.015 THK					
-187	25627	. SCREW, MACH-BIND HD 8-32 X 1/2 LG					
-188	28413	. SCREW, MACH-BIND HD 10-32 X 5/16 LG					
-189	28692	. WASHER, FLAT-.196 ID X 1.0 OD X 1/16 THK					
-190	32042	. SCREW, MACH-BIND HD 10-32 X 3/8 LG					
-191	32617	. SCREW, MACH-BIND HD 10-32 NF X 0.4375 LG					
-192	33345	. PIN, COTTER 0.060 DIA X 5/16 LG					
-193	34512	. SCREW, MACH-BIND HD 8-32 X 3/8 LG					
-194	35229	. WASHER, 11/64 ID X 7/16 OD					
-195	35739	. SCREW, MACH-BIND HD 6-32 X 7/16 LG					
-196	36109	. NUT, PLAIN HEX-1/4-20 X 7/16 FL W					
-197	36844	. SCREW, CAP-SLOT HD 1/4-20 X 1/2 LG					
-198	37913	. NUT, HEX 4-40 NC					
-199	37935	. SCREW, MACH-HEX HD 3/8-16 X 1 LG					
-200	38235	. SCREW, MACH 6-32 X 0.310 LG					
-201	38262	. SCREW, MACH-FIL HD 4-40 X 1/4 LG					
-202	38264	. SCREW, MACH-FIL HD 4-40 X 3/8 LG					
-203	38350	. SCREW, MACH-FIL HD 6-32 X 1/4 LG					
-204	38351	. SCREW, MACH-FIL HD 6-32 X 0.312 LG					
-205	38352	. SCREW, MACH-FIL HD 6-32 X 3/8 LG					
-206	38353	. SCREW, MACH-FIL HD 6-32 X 7/16 LG					
-207	38354	. SCREW, MACH-FIL HD 6-32 X 1/2 LG					
-208	38359	. SCREW, MACH-FIL HD 6-32 X 7/8 LG					
-209	38368	. SCREW, MACH-FIL HD 8-32 X 7/16 LG					
-210	38372	. SCREW, MACH-RD HD 8-32 X 11/16 LG					
-211	38381	. SCREW, MACH-FIL HD 10-32 X 5/16 LG					
-212	44240	. SCREW, SHOULDER 6-32 X 11/64 LG					
-212A	38442	. SCREW, MACH FL HD 6-32 X 1/4 LG					
-212B	38452	. SCREW, MACH-FL CSK HD 8-32 X 5/16 LG					
-212C	38454	. SCREW, MACH-FL CSK HD 8-32 X 7/16 LG					
-213	45624	. WASHER, FL NO. 2 7/32 OD X 0.020 THK					
-213A	45639	. WASHER, FL-NO. 4 X 5/16 OD X .020 THK					
-214	45642	. WASHER, FLAT NO. 6 X 11/32 OD X 0.040 THK					
-215	45677	. WASHER, FLAT-7/16 OD X 5/32 ID X 0.04 THK					
-216	45690	. WASHER, FL - NO. 10 X 7/16 OD X 1/32 THK					
* -181	2418453	. NUT, PLAIN HEX - 3/8-16 X 9/16 FL W					FOR WTC ONLY

LIST AND INDEX NUMBER	PART NUMBER	DESCRIPTION				UNITS PER ASM.	USABLE ON CODE
		1	2	3	4		
54 -216A	45698	.	WASHER				
-216B	45709	.	WASHER				
-217	47987	.	NUT,PLAIN,HEX-2-56 X3/16 FL W				
-218	48594	.	SCREW,MACH-BIND HD 4-40 X 0.175 LG				
-218A	52359	.	SCREW,MACH-FIL HD 4-40 X 3/4 LG				
-219	52522	.	SCREW,MACH-FL HD 4-40 X 5/16 LG				
-220	52523	.	SCREW,MACH-FIL HD 4-40 X 5/8 LG				
-221	52578	.	SCREW,MACH-FL HD 6-32 X 0.667 LG				
-222	55726	.	SCREW,MACH-BIND HD 6-32 X 0.1875 LG				
-223	55901	.	WASHER,LOCK-EXT TEETH 0.38 OD X 0.17 ID				
-224	55918	.	SCREW,MACH-BIND HD 10-32 X 5/8 LG				
-225	56079	.	WASHER,LOCK-EXT T 0.195 ID 0.410 OD				
-225A	56080	.	WASHER,FLAT 7/16 OD X 3/16 ID 0.02 THK				
-225B	56121	.	WASHER,LOCK-INT T NO. 10 X .381 OD				
-226	56722	.	WASHER,LOCK-EXT T 0.141 ID				
-226A	58195	.	WASHER				
-227	58207	.	SCREW,MACH-BIND HD 8-32 X 1/4 LG				
-228	59649	.	SCREW,MACH-HEX HD 1/4-20 X 2 LG				
-229	60646	.	WASHER,LOCK INT T NO. 8 X 0.340 OD				
-230	62031	.	WASHER,LOCK INT T NO. 6 X 0.295 OD				
-231	64029	.	SPACER,0.140 ID X 5/16 OD X 0.046 THK				
-231A	70078	.	SCREW,THD FORMING BIND HD				
-232	72318	.	WASHER,FL NO. 3 X 1/4 OD X 0.020 THK				
-233	72828	.	NUT,SELF LKG HEX 8-32 X 0.334 FL W				
-233A	75449	.	SCREW,MACH-SOC HD CAP 10-32 X 3/8 LG				
-234	76574	.	WASHER,LOCK EXT T 0.256 ID 0.278 OD				
-235	77063	.	SCREW,MACH-HEX HD 8-32 X 7/16 LG				
-236	81693	.	SCREW,MACH-BIND HD 6-32 X 3/8 LG				
-236A	83462	.	NUT,LOCK-1/4-28				
-237	83606	.	SCREW,THD CTG-BIND HD 10-32 X 5/16 LG				
-238	91610	.	SCREW,THD CTG-BD HD NO. 6 X 1/2 LG				
-238A	91611	.	SCREW,THD CTG-BD HD NO. 10 X 1/2 LG				
-239	101807	.	SCREW,CAP-SOC HD 8-32 X 5/8 LG				
-240	104613	.	SCREW,ALLEN CAP 8-32 X 1/2 LG				
-241	104696	.	PIN,DOWEL 0.125 DIA 0.50 LG				
-242	104698	.	PIN,DOWEL 1/8 OD X 1 LG				
-243	104701	.	PIN,DOWEL 3/16 DIA X 3/4 LG				
-244	104763	.	SCREW,CAP-SOC HD 10-32 X 1/2 LG				
-244A	104922	.	WASHER				
-244B	109002	.	SCREW				
-245	110029	.	WASHER,FL NO. 8 X 5/8 OD X 1/16 THK				
-245A	110523	.	SETSCREW				
-246	110965	.	WASHER,FL 0.50 DIA X 0.169 THK				
-247	113305	.	SCREW,MACH-HEX HD 8-32 X 9/16 LG				
-248	117281	.	NUT,LOCK 1/4-20				
-249	120571	.	WASHER,FLAT 1/4 ID X 5/8 OD X 1/16 THK				
-250	125145	.	WASHER,FL NO. 6 1/2 OD X 0.031 THK				
-251	125930	.	NUT,PLAIN-HEX 10-32				
-252	129654	.	SCREW,CAP-SOC HD 10-32 X 3/4 LG				
-253	130374	.	WASHER,FLAT-.173 ID X 5/16 OD X .055 THK				
-253A	130434	.	SCREW,MACH-HEX HD 10-32 X 3/8 LG				
-254	130435	.	WASHER,FL-1/4 ID 7/16 OD X 1/16 THK				
-255	130562	.	SCREW,MACH-HEX HD 8-32 X 1/4 LG				
-256	130587	.	SCREW,SHOULDER 5/8 DIA HD 10-32 X 1/4 LG				
-257	131509	.	WASHER,FLAT-1/4 ID X 1/2 OD X .166 THK				
-257A	131649	.	WASHER,FLAT 7/8 OD X 5/16 ID X 3/32 THK				
-257B	140778	.	WASHER				
-258	141431	.	PIN,TAPERED-PLAIN 3/8 LG X NO. 7				
-259	147297	.	RING,RETAINING-EXT 0.094 X 0.020 THK				
-260	149897	.	SCREW,CAP-SOC HD 8-32 X 0.375 LG				
-261	149908	.	SCREW,CAP-SOC HD 1/4-20 X 1 LG				
-262	150209	.	WASHER,STAR 0.115 ID 0.270 OD				
-263	150390	.	WASHER,FLAT 1/4 ID X 5/8 OD X 1/16 THK				
-264	160017	.	NUT,PLAIN HEX 1/4-28 X 7/16 FL W				
-264A	170140	.	SCREW,MACH-RD HD 4-40 X 3/16 LG				
-264B	170104	.	SCREW AND LWHR,4-40 X 3/16 LG				
-264C	170158	.	SCREW ASMD LOCKWASHER 4-40 X 3/4 LG				
-265	170215	.	SCREW AND WASHER ASM 6-32 X 3/8 LG				
-266	170225	.	SCREW AND LOCKWASHER ASM 6-32 X 0.438 LG				
-267	170226	.	SCREW AND WASHER ASM 6-32 X 1/2 LG				
-268	170228	.	SCREW AND WASHER ASM 6-32 X 5/8 LG				
-269	170241	.	SCREW AND LOCKWASHER ASM 6-32 X 0.750 LG				
-270	171049	.	SCREW,MACH-HEX HD 5/16-18 X 5/8 LG				
-271	180383	.	KEY,WOODRUFF 3/8 DIA X 1/16 THK				
-272	180894	.	SCREW,MACH-HEX HD 1/4-20 X 3/8 LG				
-273	183841	.	WASHER,SPRING				

LIST AND INDEX NUMBER	PART NUMBER	DESCRIPTION	UNITS PER ASM.	USABLE ON CODE
54	-273A 184792	. SCREW		
	-274 186399	. SCREW,MACH-BIND HD 2-56 X 3/16 LG		
	-275 186758	. SCREW,MACH-BIND HD 8-32 X 7/16 LG		
	-276 186759	. SCREW,MACH-BIND HD 8-32 X 5/16 LG		
	-277 186890	. SCREW,MACH-HEX HD 1/4-20X3 LG		
	-278 186923	. SCREW,MACH-SOC HD CAP 4-40 X 1/4 LG		
	-279 186924	. SCREW CAP FLUT SUC HD 4-40 X 0.375 LG		
	-280 186927	. SCREW,CAP-SOC HD 8-32 X 1/4 LG		
	-281 186928	. SCREW,CAP-SOC HU 6/32 X 5/8 LG		
	-282 206109	. SCREW,MACH-HEX HD 8-32 X 3/4 LG		
	-283 209184	. SCREW,SELF TAPPING FL HD NO. 6 X 5/16 LG		
	-283A 209950	. SCREW,MACH-FIL HD 10-32 X 3-1/2 LG		
	-284 210883	. STUD,SHIELD-MTG TAP 6/32		
	-285 210884	. STUD,SHIELD-MTG 6-32		
	-286 210984	. SCREW,MACH-RD HD 6-32 X 0.250 LG		
	-287 216837	. PIN,TAPERED-THREADED 1/2 LG X NO. 2		
	-288 219633	. RING,RETAINING 0.074 GROOVE DIA		
	-289 221790	. SCREW,MACH-BIND HD 8-32 X 3/16 LG		
	-289A 223779	. SCREW,THD FORM-BIND HD NO. 8 X 1/2 LG		
	-290 223781	. SCREW-ADJUSTING 1/4-20 X 1.0 LG		
	-291 226162	. SCREW,CAP-SOC HD 8-32 X 3/4 LG		
	-291A 228307	. SCREW,MACH		
	-292 234316	. SCREW AND WASH ASM FIL HD 8-32 X 1/4 LG		
	-293 234319	. SCREW AND WASH ASM FIL HD 8-32 X 7/16 LG		
	-294 234320	. SCREW AND WASH ASM 8-32 X 1/2 LG		
	-295 234321	. SCREW AND WASH ASM FIL HD 8-32 X 5/8 LG		
	-296 234331	. SCREW,ASMD WASHER-FIL HD 10-32 X 1/2 LG		
	-297 234332	. SCREW AND WASH ASM FIL HD 10-32 X 5/8 LG		
	-298 234333	. SCREW AND WASH ASM FIL HD 10-32 X 3/4 LG		
	-299 234334	. SCREW AND WASH ASM,FIL HD 10-32 X 7/8 LG		
	-299A 234340	. SCREW,HEX HD 1/4-20 X 1/2 LG		
	-300 234341	. SCREW AND WASH ASM FIL HD 1/4-20 X 5/8 L		
	-301 234344	. SCREW AND WASH ASM FIL HD 1/4-20 X 1 LG		
	-302 236550	. SCREW,MACH-BIND HD 4-40 X 3/8 LG		
	-303 236848	. SCREW,MACH-BD HD 6-32 X 5/32 LG		
	-304 236849	. SCREW,MACH-BIND HD 10-32 X 1/4 LG		
	-304A 250525	. SCREW,MACH-BIND HD 10-32 X 3/16 LG		
	-304B 244049	. SCREW,SELF TAP PAN HD 4-40 X 5/16 LG		
	-305 250627	. SCREW,ALLEN-CAP 6-32 X 3/8 LG		
	-306 251446	. SETSCREW,6-32 X 5/16 LG		
	-307 251820	. SCREW,CAP-SOC HD 6-32 X 1/2 LG		
	-308 251970	. SCREW,MACH-BIND HD 4-40 X 1/4 LG		
	-309 255629	. SCREW,THD CTG-FL CSK HD NO. 6 X 1/2 LG		
	-310 257187	. NUT,HEX NO. 6-32 NC		
	-311 257189	. NUT,HEX 8-32 UNC THD		
	-312 257956	. SETSCREW,SPLINE DP FP 4-40 X 1/8 LG		
	-313 257958	. SETSCREW,SPLINE DR FP 4-40 X 3/16 LG		
	-314 257959	. SETSCREW,SPLINE DR CUP PT 4-40 X 3/16 LG		
	-315 257960	. SETSCREW,HDLS FP 4-40 X 1/4 LG		
	-315A 257961	. SETSCREW,SPLINE DR CUP PT 4-40 X 1/4 LG		
	-316 257962	. SETSCREW,SPLINE DR FP 4-40 X 0.312 LG		
	-317 257970	. SETSCREW,SPLINE DR-FL PT 6-32 X 1/4 LG		
	-317A 257978	. SETSCREW,6 FLUT 6-32 X 5/8 LG FL PT		
	-318 257982	. RING,RETAINING-E TYPE 0.188 D/A GROOVE		
	-319 257984	. WASHER,LOCK-SPLIT 0.115 ID X 0.212 OD		
	-320 257985	. WASHER,PLAIN 0.125 ID 0.250 OD		
	-321 257986	. WASHER,FLAT 0.156 ID 0.312 OD X 0.035 TH		
	-322 264641	. RING,RETAINING-0.116 GROOVE DIA 0.025 TH		
	-323 265195	. SCREW,MACH-HEX HD 6-32 X 7/16 LG		
	-323A 300606	. WASHER,INSULATING 7/16 OD X 5/32 ID		
	-323B 307286	. WASHER,FLAT 3/8 OD X 3/16 ID X 1/16 THK		
	-323C 308785	. SCREW,MACH HEX HD 8-32 X 7/8 LG		
	-324 309830	. PIN,ROLL .130 DIA X 5/8 LG		
	-325 310113	. PIN,TAPERED-PLAIN 3/4 LG NO. 3		
	-326 316807	. SCREW,MACH-FL HD 6-32 X 3/8 LG		
	-327 321483	. SCREW,MACH-BD HD 8-32 X 1 LG		
	-328 322065	. SCREW,MACH-BIND HD 6-32 X 5/8 LG		
	-329 322550	. SCREW,MACH-BIND HD 6-32 X 1/2 LG		
	-330 322551	. SCREW,MACH-BIND HD 6-32 X 3/4 LG		
	-331 322552	. SCREW,MACH-BIND HD 6-32 X 7/8 LG		
	-332 322555	. SCREW,MACH-RD HD 6-32 X 2-1/4 LG		
	-332A 325242	. WASHER,FLAT 5/16 OD 3/16 ID X 1/16 THK		
	-333 325985	. WASHER,FLAT-3/16 ID X 11/16 OD X 1/16 TK		
	-334 328037	. KEY,WOODRUFF-1/4 DIA X 1/16 THK		
	-335 328815	. SETSCREW-6-32 X 1/8 LG		
	-336 328816	. SETSCREW,SPLINE DR CUP PT 6-32 X 3/16 LG		

LIST AND INDEX NUMBER	PART NUMBER	DESCRIPTION				UNITS PER ASM.	USABLE ON CODE
		1	2	3	4		
54	-337	328817	.	SETScrew,NYLOK-FLUTE HD 6-32 X 5/16 LG			
	-337A	332551	.	SCREW			
	-338	332620	.	SCREW,MACH-BIND HD 10-32 X 1/2 LG			
	-339	332747	.	RING,RETAINING-EXT 0.207 ID X 0.025 THK			
	-340	332921	.	RING,RETAINING-.338 GROOVE DIA X .025 TH			
	-341	336282	.	WASHER,FLAT-.166 ID X .281 OD X 1/32 THK			
	-342	338238	.	SCREW,MACH-BIND HD 4-40 NC X 0.312 LG			
	-342A	340191	.	SCREW			
	-343	344015	.	NUT,SELF LOCK-HEX 6-32 X 5/16 FL W			
	-344	344299	.	SCREW,MACH-SLOTTED HEX HD 6-32 X 3/8 LG			
	-345	355369	.	SCREW,MACH-SOC HD 6-32 X 3/4 LG			
	-346	357820	.	SCREW,CAP-SOC HD 4-40 X 1/2 LG			
	-347	366602	.	WASHER,FLAT 0.150 ID X 0.439 OD X 1/16 T			
	-348	381002	.	SCREW,MACH-BIND HD UCUT 6-32 X 2-1/2 LG			
	-350	419130	.	WASHER,MICA-0.195 ID X 5/8 OD X 0.0027 T			
	-351	419131	.	SPACER,0.195 ID 0.275 X 0.050 THK			
	-352	438538	.	SCREW,MACH-UNDRCT BIND HD 2-56 X 1/4 LG			
	-353	438539	.	SCREW,MACH-BD HD 2-56 X 5/16 LG			
	-354	438543	.	SCREW,MACH-BIND HD 2-56 X 5/8 LG			
	-355	438548	.	SCREW,MACH BIND HD 4-40 X 3/16 LG			
	-356	438549	.	SCREW,MACH-BIND HD 4-40 X 7/16 LG			
	-357	438550	.	SCREW,MACH-UNDRCT BIND HD 4-40 X 1-1/4			
	-358	438551	.	SCREW,MACH-BIND HD 4-40 X 5/8 LG			
	-359	438552	.	SCREW,MACH-BIND HD 4-40 X 3/4 LG			
	-359A	438554	.	SCREW,MACH-BIND HD 4-40 X 1.0 LG			
	-360	438555	.	SCREW,MACH-UNDRCT BIND HD 4-40 X 1 1/4			
	-361	438564	.	SCREW,MACH-FIL HD 6-32 X 1 5/16LG			
	-361A	438567	.	SCREW,MACH-BD HD 6-32 X 1 LG			
	-362	438568	.	SCREW,MACH-UNDRCT BIND HD 6-32 X 1 1/8 L			
	-363	438569	.	SCREW,MACH-UNDRCT BD HD 6-32 X 1-1/4 LG			
	-363A	438572	.	SCREW,MACH-UNDRCT BIND HD 6-32 X 2.0 LG			
	-364	438586	.	SCREW,MACH-UNDRCT BIND HD 8-32 X 7/8 LG			
	-365	438589	.	SCREW,MACH-BD HD 8-32 X 1-1/2 LG			
	-366	438593	.	SCREW,MACH-BIND HD 8-32 X 2 1/2 LG			
	-366A	438595	.	SCREW,MACH-UNDRCT BD HD 8-32 X 3 LG			
	-366B	438601	.	SCREW,MACH-UNDRCT BIND HD 10-32 X 7/8 LG			
	-367	473104	.	NUT, ROUND-KNURLED 8-32 0.578 OD 0.375 H			
	-367A	473936	.	WASHER,FLAT 0.48 OD X 0.32 ID X 1/32 THK			
	-368	474697	.	SCREW,MACH-5/16 DIA HD 4-40 X 7/32 LG			
	-369	475106	.	SPACER, 0.220 OD X 0.073 THK			
	-370	483452	.	SCREW			
	-371	510809	.	WASHER,FL NO. 6 X 3/8 OD X 1/32 THK			
	-372	512508	.	SCREW,MACH-FLAT HD 6-32 X 13/32 LG			
	-373	529691	.	WASHER,MICA			
	-374	556689	.	SCREW,MACH-BUTTON HD 6-32 X 3/8 LG			
	-375	600395	.	WASHER,FLAT 3/4 OD X 13/64 ID X 3/32 THK			
	-376	600960	.	NUT,LOCK-NO. 8-32			
	-377	603916	.	WASHER,FLAT-.156 ID X 5/16 OD X .078 THK			
	-378	607984	.	SPACER .55 ID X 3/8 OD X .906 LG			
	-379	609685	.	PIN,COTTER 0.088 DIA X 1-1/2 LG			
	-380	612901	.	KEY			
	-381	616116	.	SCREW,MACH-6 FLUTE SOC HD 6-32 X 3/8 LG			
	-382	627414	.	NUT,PLAIN HEX 4-48 X 1/4 FL W			
	-382A	627868	.	SCREW,MACH-1/4 DIA HD 6-32 X 0.17 LG			
	-383	630491	.	SCREW,MACH-FLUTED BIND HD 6-32 X 3/8 LG			
	-384	637000	.	SETScrew,6 FL HD CUP PT 6-32 X .094 LG			
	-385	638132	.	WASHER,FLAT-.169 ID X 5/8 OD X 3/32 THK			
	-385A	638537	.	WASHER,FL-.144 ID X .594 OD X 1/32 THK			
	-386	639186	.	SCREW,MACH-HEX HD 6-32 X 3/4 LG			
	-387	736712	.	SCREW,ASMD WSHR SL HEX HD 8-32 X 7/16 LG			
	-388	740606	.	SCREW,MACH-BD HD 6-32 X 1/4 LG			
	-389	744994	.	KEY,WOODRUFF-.250 DIA X .0635 THK			
	-389A	806811	.	SCREW,SET-6 FLUTE SOC HD 4-40 X 0.16 LG			
	-390	813111	.	SCREW,MACH-BD HD 6-32 X 1-3/16 LG			
	-390A	1072433	.	SCREW,MACH-SOC HD 8-32 X 1/4 LG			
	-391	1073418	.	RING,RETAINING 0.188 DIA GROOVE			
	-392	1073462	.	SET SCREW,FLAT PT 6-32 X 3/16 LG			
	-393	1074145	.	WASHER,FLAT-.145 ID X 3/8 OD X 1/16 THK			
	-393A	1077712	.	WASHER,FLAT 0.36 OD X 0.20 ID X 0.03 THK			
	-395	1090448	.	WASHER,NO. 8			
	-396	1090873	.	WASHER,LOCK-SPLIT 3/16 ID X 5/16 OD			
	-397	1092125	.	CLIP,RETAINING 0.147 GROOVE DIA			
	-398	1092125	.	CLIP,RETAINING 0.147 GROOVE DIA			
	-399	1092180	.	WASHER,FLAT-.171 ID X 7/16 OD X .068 THK			
	-400	1100523	.	SETScrew,SPLINE DR CUP PT 6-32 X 3/16			
	-400A	1105690	.	SCREW			

NUMERICAL INDEX

PART NO.	LIST AND INDEX NO.	PART NO.	LIST AND INDEX NO.	PART NO.	LIST AND INDEX NO.	PART NO.	LIST AND INDEX NO.
337	54 -151	38452	54 -212B	119845	1 - 20	209164	54 -283
358	54 -152	38454	54 -212C	119645	1b- 5	209950	54 -283A
440	54 -153	44240	54 -212	120571	54 -249	210333	54 -284
453	54 -154	45624	54 -213	124305	33 - 3	210684	54 -285
445	54 -154A	45639	54 -213A	124305	34 - 3	210964	54 -286
1431	54 -155	45642	54 -214	125145	54 -250	216362	11 - 7
1866	54 -156	45677	54 -215	125930	54 -251	216362	49 - 12
1940	54 -157	45690	54 -216	129654	54 -252	216421	50 - 18
2031	54 -158	45698	54 -216A	130374	54 -253	216430	50A- 14
2300	54 -159	45709	54 -216B	130434	54 -253A	216794	50A- 15
2903	54 -160	47987	54 -217	130435	54 -254	216837	54 -287
2994	54 -161	48594	54 -218	130448	6 - 17	217174	50 - 25
3550	54 -162	52359	54 -218A	130509	6 - 17	219633	54 -288
3587	54 -162A	52522	54 -219	130562	54 -255	221542	46A- 11
3803	3 - 4	52523	54 -220	130587	54 -256	221790	54 -289
3960	54 -163	52578	54 -221	131509	54 -257	223075	46 - 8
4569	54 -164	53193	51 - 22	131649	54 -257A	223779	54 -289A
4636	54 -164A	55726	54 -222	136754	46 - 16A	223781	6 - 2
5528	54 -165	55901	54 -223	138754	47 - 17A	223781	54 -290
5644	54 -166	55918	54 -224	138755	50A- 1	226162	54 -291
5677	54 -167	56079	54 -225	139629	21 - 43A	228307	54 -291A
6364	54 -168	56080	54 -225A	139700	41 - 3	234316	54 -292
6650	54 -169	56121	54 -225B	140778	54 -257B	234319	54 -293
6667	46A- 12	56722	54 -226	141162	32 - 4	234320	54 -294
6667	54 -169A	57100	4 - 12	141332	3 - 3	234321	54 -295
6935	54 -170	58195	54 -226A	141431	54 -258	234331	54 -296
9092	54 -171	58207	54 -227	147297	54 -259	234332	54 -297
9895	54 -172	59649	54 -228	149897	54 -260	234333	54 -298
10170	54 -173	60646	54 -229	149908	54 -261	234334	54 -299
10309	54 -174	62031	54 -230	150209	54 -262	234340	54 -299A
10598	54 -175	64029	54 -231	150390	54 -263	234341	54 -300
11598	54 -176	70078	54 -231A	160017	54 -264	234344	54 -301
12954	54 -177	72318	54 -232	165016	7 - 15	236550	54 -302
14464	18 - 32	72828	54 -233	169698	13 - 13	236348	54 -303
14464	18 - 38	75449	54 -233A	169698	23 - 33	236649	54 -304
15887	54 -178	76574	54 -234	169698	31 - 37	236915	53 - 5A
19944	54 -179	76725	51 - 39	169698	47 - 15	236916	53 - 5
20038	54 -180	77063	54 -235	170104	54 -264B	244049	54 -304B
22349	54 -181	78605	33 - 18	170140	54 -264A	250525	54 -304A
22478	54 -182	78605	34 - 18	170158	54 -264C	250627	54 -305
24091	54 -183	78999	51 - 25	170215	54 -265	251222	32 - 18
24327	54 -184	81693	54 -236	170225	54 -266	251446	54 -306
24752	54 -185	81898	51 - 41	170226	54 -267	251820	54 -307
24858	4 - 5	83462	54 -236A	170228	54 -268	251970	54 -308
25282	41 - 16	83606	54 -237	170741	54 -269	253453	53 - 3A
25282	54 -186	91610	54 -238	171049	54 -270	253740	53 - 3B
25627	54 -187	91611	54 -238A	179293	12 - 15	255629	54 -309
26320	23 - 13A	91892	46 - 25	179946	51 - 23B	256443	11 - 1
28413	54 -188	92631	44 - 9	179946	51 - 29	257187	54 -310
28692	54 -189	92632	43 - 6	180383	54 -271	257189	54 -311
32042	54 -190	92752	51 - 30	180894	54 -272	257956	54 -312
32617	54 -191	92784	43 - 5	183841	54 -273	257958	54 -313
33345	54 -192	92784	45 - 8	184792	54 -273A	257959	54 -314
34512	54 -193	92784	53 - 1	186399	54 -274	257960	54 -315
35229	54 -194	101807	54 -239	186758	54 -275	257961	54 -315A
35739	54 -195	104294	49 - 11	186759	54 -276	257962	54 -316
36109	54 -196	104613	54 -240	186890	54 -277	257970	54 -317
36844	54 -197	104696	54 -241	186923	54 -278	257978	54 -317A
37913	54 -198	104698	54 -242	186924	54 -279	257982	54 -318
37935	54 -199	104699	42 - 16	186927	54 -280	257984	54 -319
38235	54 -200	104701	42 - 15	186928	54 -281	257985	54 -320
38262	54 -201	104701	54 -243	186962	53 - 2	257986	54 -321
38264	54 -202	104763	54 -244	186966	53 - 3	264641	54 -322
38350	54 -203	104793	41 - 9	187243	15 - 8	265195	54 -323
38351	54 -204	104922	54 -244A	187243	37 - 2	283608	13 - 29
38352	54 -205	107666	51 - 24	187243	37 - 19	300606	54 -323A
38353	54 -206	109002	54 -244B	187243	53 - 4	302090	21 - 5
38354	54 -207	110029	54 -245	190351	16 - 22	302090	31 - 19
38359	54 -208	110523	54 -245A	196810	53 - 22	302090	32 - 24
38368	54 -209	110965	54 -246	206109	54 -282	302090	42 - 5
38372	54 -210	112615	4 - 44	207344	47 - 6	302090	44 - 5
38381	54 -211	113305	54 -247	207588	4 - 46	302090	46 - 10
38442	54 -212A	117281	54 -248	207623	4 - 47	302090	51 - 15

PART NO.	LIST AND INDEX NO.	PART NO.	LIST AND INDEX NO.	PART NO.	LIST AND INDEX NO.	PART NO.	LIST AND INDEX NO.
302131	21 - 6	365579	23 - 6	523393	42 - 3	633303	51 - 10
302131	31 - 20	366602	54 - 347	526376	1E- 9	640435	22 - 6
302131	32 - 25	369207	10- 15	526378	47 - 10	640435	22 - 30
302131	42 - 6	369207	1E- 14	527916	10- 13	642456	25 - 13
302131	44 - 6	369207	46 - 20	527916	1E- 28	642571	51 - 17
302131	46 - 11	369207	46A- 30A	527916	47 - 20	644237	35 - 1
302131	51 - 16	369207	47 - 1	526481	51 - 32	644576	2 - 15
307286	54 - 323B	369207	43 - 41	529691	54 - 373	647556	51 - 12
308785	54 - 323C	369207	50A- 2	532393	6 - 34A	648511	7 - 17
309830	54 - 324	372688	49 - 5	532393	46 - 20A	649726	1E- 38
310113	54 - 325	381002	54 - 348	533289	16 - 25	652650	53 - 8
310298	50 - 11	419130	54 - 350	534768	27 - 39	652651	53 - 9
316807	54 - 326	419131	54 - 351	535273	53 - 3H	679224	7 - 18
317310	49 - 8	430798	53 - 23	550050	50A- 12	679656	7 - 7
317485	10- 12	433466	10 - 8	556689	54 - 374	723455	51 - 31
317485	1E- 27	433466	14 - 25	556785	51 - 26	736712	54 - 387
317485	47 - 19	433466	18 - 21	595357	50 - 7	740489	49 - 3
321051	53 - 6	438538	54 - 352	596458	51 - 43	740491	49 - 4
321483	54 - 327	438539	54 - 353	600395	54 - 375	740503	10- 1
322065	54 - 328	438543	54 - 354	600960	54 - 376	740503	1E- 1
322550	54 - 329	438548	54 - 355	600996	44 - 7	740503	6 - 5
322551	54 - 330	438549	54 - 356	600997	44 - 8	740540	10- 2
322552	54 - 331	438550	54 - 357	603034	53 - 7	740540	1E- 2
322555	54 - 332	438551	54 - 358	603090	44 - 3	740540	48 - 6
323837	48 - 6A	438552	54 - 359	603252	50 - 22	740540	49 -
323841	48 - 20	438554	54 - 359A	603752	50A- 8	740550	49 - 6
323914	10- 1	438555	54 - 360	603916	54 - 377	740554	49 - 9
323917	46A- 4	438564	54 - 361	607905	4 - 43	740560	49 - 10
325242	54 - 332A	438567	54 - 361A	607984	13 - 7	740562	49 - 10
325985	54 - 333	438568	54 - 362	607984	54 - 378	740563	49 - 13
327921	6 - 22	438569	54 - 363	609380	48 - 4	740564	49 - 1
327921	7 - 13	438572	54 - 363A	609380	51 - 20	740571	49 - 2
327921	13 - 13A	438586	54 - 364	609685	54 - 379	740606	54 - 388
328037	54 - 334	438589	54 - 365	610131	14 - 11	740608	10- 1
328815	54 - 335	438593	54 - 366	610131	16 - 20	740608	1E- 1
328816	54 - 336	438595	54 - 366A	610131	18 - 24	740608	6 - 5
328817	54 - 337	438601	54 - 366B	610131	25 - 1	740609	10- 2
332551	54 - 337A	454505	46 - 23	610131	27 - 38	740609	1E- 2
332620	54 - 338	472707	23 - 19	610131	37 - 27	740609	48 - 6
332747	54 - 339	472707	23 - 21	612171	15 - 3	740609	49 -
332921	54 - 340	473104	54 - 367	612839	10 - 11	741148	7 - 10
334910	53 - 3C	473936	54 - 367A	612839	23 - 6	744994	54 - 389
334921	9 - 5	474644	49 - 7	612901	54 - 380	749033	7 - 5
334921	53 - 3D	474697	54 - 368	613725	15 - 4	749700	10 - 2
334932	8 - 5	475106	54 - 369	613725	16 - 17	749700	31 - 24
334932	53 - 3E	483316	50 - 9	613725	17 - 11	765972	13 - 21
336282	54 - 341	483452	54 - 370	613725	25 - 14	765972	13 - 24
336672	7 - 15A	483520	50A- 19	613725	38 - 2	766069	50 - 8
337213	51 - 14	483657	53 - 30	613725	40 - 4	766069	50A- 20
338238	54 - 342	483791	7 - 6	613725	40A- 4	804109	1E- 8
340191	54 - 342A	483792	7 - 6	613875	21 - 44	806811	54 - 389A
344015	54 - 343	483793	7 - 3	613875	22 - 14	811363	53 - 10
344299	54 - 344	483794	7 - 3	613875	31 - 16	811427	46A- 20
350966	10- 11	483795	7 - 7	613875	37 - 13	811802	30 - 9
350966	1E- 26	483797	7 - 10	613875	39 - 12	811802	53 - 11
350966	47 - 17	483798	7 - 10	615354	51 - 4	811804	53 - 20
355369	54 - 345	483799	7 - 5	616116	54 - 381	811839	50A- 17
356705	53 - 3F	483800	7 - 5	626544	24 - 8	813111	54 - 390
356742	6 - 34	483867	7 - 4	627414	54 - 382	813228	50A- 18
356742	16 - 26	492376	50 - 2	627868	54 - 382A	813392	6 - 10
356742	21 - 19A	501551	50 - 10	630491	54 - 383	813392	48 - 3
356742	23 - 34	510316	51 - 13	631769	46 - 15A	814126	50 - 6
357433	46B- 13	510638	51 - 42	631769	47 - 24	815934	53 - 12
357820	54 - 346	510809	54 - 371	634349	7 - 7	* 827841	7 - 12
360370	53 - 3G	511063	48 - 22	637000	54 - 384	828458	6 - 9
360433	53 - 4A	512137	51 - 23A	638132	54 - 385	829728	46A- 6
363445	47 - 13	512508	54 - 372	638406	22 - 13	838819	25 - 16
364156	10 - 9	512663	47 - 21	638537	54 - 385A	842428	51 - 34A
364156	14 - 15	513654	46 - 22	638604	7 - 3	845762	46 - 18A
364156	18 - 11	515661	21 - 12	638605	7 - 6	856060	34 - 13
365579	10 - 11	518611	11 - 12	638765	41 - 8	856061	33 - 13
365579	10 - 11	522849	50 - 13	638855	10 - 5	856061	34 - 14
365579	23 - 6	522850	50 - 12	639186	54 - 386	1072433	54 - 390A
						* 825971	51 - 39

PART NO.	LIST AND INDEX NO.	PART NO.	LIST AND INDEX NO.	PART NO.	LIST AND INDEX NO.	PART NO.	LIST AND INDEX NO.
1073418	54 -391	2122203	1E- 23	2590356	1 - 10	2590986	1B- 9
1073462	54 -392	2122203	46A- 27	2590356	1A- 14	2590986	1C- 5
1074145	54 -393	2122203	48 - 28	2590359	1 - 7	2590986	1D- 24
1077712	54 -393A	2122203	53 - 17	2590359	1A- 9	2590986	10- 27
1090448	54 -395	2122214	53 - 18	2590360	46 - 32	2590986	1E- 37
1090873	54 -396	2122215	53 - 13A	2590361	1 - 9	2590987	46A- 24
1092125	54 -397	2122255	33 - 5	2590361	1A- 11	2590988	10- 25
1092125	54 -396	2122255	34 - 5	2590363	1 - 4	2590989	10- 22
1092180	54 -399	2122258	53 - 19A	2590364	1 - 8	2590990	10- 10
1100523	54 -400	2122259	53 - 13	2590364	1A- 10	2590994	10- 20
1104137	48 - 23	2122260	53 - 19	2590365	1 - 6	2591047	11 - 5
1105690	54 -400A	2122261	53 - 13A	2590365	1A- 8	2591050	21 - 27
1115733	54 -401	2123028	12 - 25	2590366	46 - 35	2591051	21 - 31
1124157	54 -401B	2123029	12 - 24	2590367	1 - 5	2591052	21 - 40
1127733	54 -401A	2123029	33 - 4	2590367	1A- 7	2591053	21 - 46
1128280	54 -402	2123029	54 -412	2590368	1A- 6	2591054	21 - 45
1132211	54 -403	2123030	23 - 36	2590368	46 - 34	2591055	21 - 42
1133627	2 - 2	2123031	23 - 37	2590369	1 - 18	2591056	12 - 13A
1141554	47 - 16	2123031	28 - 2	2590369	1A- 22	2591056	14 - 23
1142214	54 -404	2123394	51 - 34	2590371	46B- 8	2591056	18 - 19
1146953	51 - 23	2127984	53 - 21	2590372	46A- 8	2591056	21 - 8
1160415	54 -404A	2127985	10- 7	2590550	46 - 4	2591056	21 - 21
1161194	54 -405	2127985	1E- 24	2590551	46 - 5	2591056	21 - 24
1164027	54 -406	2127985	46A- 29	2590552	46 - 30	2591056	21 - 29
1164291	54 -407	2127985	48 - 29	2590552	48 - 17	2591056	21 - 34
1164434	54 -408	2133486	21 - 3	2590553	46 - 31	2591056	21 - 38
1166114	8 - 7	2133486	32 - 21	2590553	48 - 13	2591057	21 - 20
1166114	9 - 7	2133486	44 - 2	2590554	46 - 29	2591058	21 - 33
1166114	43 - 4	2133486	46 - 9	2590555	46 - 28	2591060	12 - 13
1166116	53 - 28	2133486	51 - 2	2590556	48 - 9	2591061	21 - 26
1166117	8 - 6	2154915	46 - 8	2590560	48 - 2	2591063	11 - 2
1166117	9 - 6	2172166	8 - 1	2590561	51 - 44	2591064	10 - 7
1166117	43 - 3	2180465	32 - 2A	2590562	10- 18	2591065	10 - 6
1166117	53 - 31	2181004	54 -412A	2590563	48 - 15	2591066	21 - 30
1166343	54 -408A	2184095	2 - 9	2590565	46B- 9	2591067	21 - 28
1171544	54 -409	2391023	7 - 16	2590566	46A- 10	2591070	21 - 22
1177266	21 - 1	2391653	43 - 11	2590567	46A- 7	2591071	19 - 24
1177266	51 - 8	2391765	50A- 7	2590568	1B- 3	2591071	22 - 52
1187121	54 -409A	2392072	7 - 16A	2590569	46A- 16A	2591071	22 - 58
1187188	54 -410	*2561585	1E- 11	2590569	48 - 32	2591071	27 - 2
1202679	53 - 13B	2572878	7 - 9	2590570	46A- 30	2591071	27 - 7
1450271	53 - 19B	2588009	7 - 8	2590571	46A- 22	2591073	21 - 35
2101089	1 - 27	2588130	48 - 26	2590573	46B- 4	2591076	13 - 4
2101089	2 - 16	2588132	48 - 38	2590573	48 - 34	2591077	12 - 13B
2101089	6 - 30	2588133	48 - 30	2590891	7 - 14	2591078	6 - 16
2101089	11 - 13	2588136	46A- 28	2590950	46A- 5	2591082	11 - 4
2101089	48 - 12	2588141	46A- 28	2590951	46A- 15	2591083	11 - 3
2101089	48 - 18	2588142	46A- 9	2590952	10- 21	2591084	21 - 43
2101326	53 - 32	2588303	46A- 21	2590953	10- 16	2591085	21 - 41
2102364	31 - 38	2588303	46A- 23	2590955	10- 4	2591086	21 - 32
2102364	46 - 3	2590081	1B- 8	2590955	1E- 21	2591087	6 - 14
2102365	13 - 12	2590081	1C- 4	2590955	48 - 25	2591088	21 - 22
2102365	42 - 1	2590081	10- 23	2590957	46B- 6	2591088	21 - 25
2102625	50 - 19	2590081	10- 26	2590958	46B- 7	2591088	21 - 39
2102743	50A- 13	2590081	1E- 36	2590959	46B- 5	2591089	1A- 13
2103010	42 - 4	2590160	48 - 16	2590959	48 - 35	2591089	11 - 4
2103010	51 - 5	2590161	48 - 11	2590960	46B- 3	2591090	11 - 3
2111232	50 - 5	2590332	1 - 16	2590960	48 - 33	2591091	21 - 43
2111232	50 - 17	2590332	1A- 20	2590962	46B- 10	2591093	11 - 3
2111232	50A- 16	2590333	1 - 14	2590963	46B- 11	2591095	21 - 32
2114108	10- 9	2590333	1A- 18	2590964	46 - 14	2591096	10 - 10
2114108	1E- 3	2590334	1 - 15	2590966	1B- 11	2591097	10 - 10
2114108	1E- 29	2590334	1A- 19	2590966	46A- 16	2591097	10 - 11
2114108	48 - 37	2590337	1 - 17	2590967	48 - 36	2591097	23 - 6
2114520	54 -410A	2590337	1A- 21	2590968	1A- 12	2591098	11 - 3
2114849	53 - 1A	2590338	1 - 11	2590968	1C- 3	2591098	11 - 3
2121082	54 -411	2590338	1A- 15	2590970	1C- 6	2591107	50 - 3
2122202	10- 5	2590339	1 - 12	2590972	1B- 1	2591108	50 - 3
2122202	1E- 22	2590339	1A- 16	2590974	1B- 2	2591109	50 - 28
2122202	46A- 26	2590341	1 - 13	2590979	46A- 1	2591110	50 - 1
2122202	48 - 27	2590341	1A- 17	2590981	46A- 31	2591114	50 - 15
2122202	53 - 16	2590348	1 - 19	2590983	1C- 7	2591115	50 - 4
2122203	10- 6	2590355	1 - 3	2590985	1C- 8	2591116	48 - 8
						2591116	50 -

*SEE AT THE END OF THE INDEX

PART NO.	LIST AND INDEX NO.
2591117	48 - 8
2591117	50 -
2591118	48 - 5
2591118	51 -
2591119	48 - 5
2591119	51 -
2591126	51 - 9
2591127	51 - 3
2591128	51 - 6
2591129	32 - 22
2591133	51 - 7
2591141	11 - 6
2591142	11 - 6
2591143	51 - 1
2591144	51 - 36
2591152	6 - 26A
2591152	44 - 1
2591155	21 - 4
2591155	42 - 2
2591156	51 - 11
2591163	51 - 28
2591168	48 - 7
2591169	46 - 17
2591170	51 - 19
2591170	51 - 37
2591172	32 - 23
2591173	31 - 18
2591174	48 - 10
2591175	46 - 24
2591177	19 - 18
2591177	19 - 34
2591179	48 - 15
2591181	51 - 38
2591182	51 - 35
2591183	51 - 33
2591184	51 - 27
2591216	1E- 19
2591217	1A- 4
2591217	18-
2591220	18- 12
2591221	1E- 5
2591223	48 - 35B
2591278	42 - 8
2591290	22 - 56
2591291	22 - 62
2591292	19 - 27
2591300	37 - 27A
2591358	1E- 34
2591359	1E- 31
2591360	1E- 15
2591361	1E- 16
2591362	1E- 18
2591363	1E- 13
2591367	1E- 6
2591369	1E- 7
2591370	1E- 35
2591370	1E- 39
2591373	19 - 38
2591375	19 - 21
2591380	1E- 12
2591385	1E- 25
2591386	1E- 17
2591387	1E- 4
2591390	37 - 36
2591391	37 - 26
2591392	37 - 35
2591393	37 - 33
* 2591394	10 - 6
2591395	12 - 15A
2591398	12 - 15B
2591399	12 - 14
2591402	8 - 8
2591403	20 - 5
* 2591394	18 - 11
* 2591394	10 - 9

PART NO.	LIST AND INDEX NO.
2591405	16 - 24
2591406	6 - 38
2591408	37 - 25
2591409	54 - 413
2591413	5 - 5
2591414	37 - 6A
2591414	37 - 10
2591416	43 - 8
2591417	6 - 12
2591417	9 -
2591418	9 - 4
2591420	13 - 27
2591421	13 - 20
2591422	13 - 22
2591423	13 - 19
2591424	10 - 11
2591424	23 - 6
2591428	4 - 49
2591429	4 - 6
2591430	4 - 50
2591431	8 - 4
2591432	4 - 45
2591433	4 - 48
2591434	5 - 3
2591435	13 - 10
2591438	5 - 7
2591439	4 - 3
2591439	5 -
2591445	35 - 24
2591446	35 - 8
2591447	35 - 10
2591448	35 - 9
2591449	35 - 11
2591452	13 - 5
2591453	4 - 2
2591463	13 - 6
2591469	1 - 2
2591469	1A- 2
2591470	2 - 7
2591470	6 - 24
2591473	2 - 6
2591473	6 - 23
2591474	3 - 1
2591475	45 - 12
2591478	3 - 2
2591479	2 - 11
2591480	2 - 10
2591482	4 - 30
2591483	8 - 2
2591483	9 - 2
2591485	5 - 6
2591486	5 - 2
2591487	5 - 4
2591488	13 - 9
2591489	29 - 1
2591490	5 - 1
2591491	2 - 14
2591492	4 - 9
2591492	4 - 20
2591492	4 - 28
2591494	19 - 29
2591498	36 - 10
2591499	36 - 10A
2591500	23 - 39
2591500	27 -
2591501	27 - 36
2591507	27 - 11
2591507	29 -
2591508	29 - 5
2591509	29 - 6
2591514	29 - 16
2591523	29 - 14
2591524	29 - 13

PART NO.	LIST AND INDEX NO.
2591525	19 - 20
2591525	19 - 37
2591525	54 - 414
2591526	29 - 9
2591527	29 - 8
2591526	29 - 10
2591530	29 - 12
2591531	29 - 11
2591532	27 - 32
2591532	27 - 32
2591533	27 - 29
2591534	27 - 37
2591535	27 - 33
2591536	27 - 34
2591537	27 - 24
2591538	27 - 25
2591545	27 - 27
2591547	27 - 43
2591548	54 - 415
2591549	27 - 46
2591550	27 - 45
2591551	27 - 44
2591552	23 - 9
2591553	23 - 10
2591554	23 - 5
2591556	23 - 7
2591556	54 - 416
2591559	27 - 35
2591560	12 - 4
2591561	12 - 3
2591562	12 - 6
2591563	27 - 26
2591564	12 - 5
2591565	23 - 31
2591566	23 - 8
2591567	23 - 8
2591570	27 - 40
2591574	27 - 26
2591575	28 - 3
2591577	23 - 35
2591576	54 - 417
2591582	27 - 30
2591583	27 - 31
2591584	23 - 11
2591589	23 - 5
2591591	23 - 5
2591592	23 - 5
2591600	27 - 12
2591600	28 -
2591601	28 - 23
2591602	28 - 6
2591603	28 - 4
2591604	28 - 12
2591606	28 - 11
2591607	28 - 15
2591610	28 - 10
2591611	28 - 14
2591612	28 - 13
2591613	28 - 9
2591614	28 - 8
2591615	28 - 22
2591616	28 - 20
2591617	28 - 21
2591618	28 - 18
2591619	28 - 19
2591620	28 - 25
2591621	28 - 24
2591622	28 - 7
2591623	28 - 5
2591624	28 - 1
2591625	28 - 16
2591626	28 - 17
2591628	10 - 11

PART NO.	LIST AND INDEX NO.
2591628	23 - 6
2591629	27 - 17
2591630	27 - 16
2591631	27 - 14
2591632	27 - 20
2591633	27 - 22
2591634	27 - 19
2591635	27 - 21
2591636	27 - 13
2591636	27 - 13A
2591637	27 - 18
2591638	27 - 23
2591639	27 - 15
2591639	37 - 34
2591640	29 - 15
2591640	30 -
2591643	10 - 15
2591643	31 - 34
2591644	30 - 4
2591652	30 - 3
2591653	30 - 1
2591654	30 - 2
2591655	30 - 10
2591656	30 - 6
2591659	30 - 7
2591659	53 - 14
2591660	30 - 5
2591662	30 - 8
2591662	53 - 15
2591663	40A- 3
2591665	23 - 20
2591665	24 -
2591666	24 - 2
2591667	24 - 9
2591668	24 - 3
2591669	24 - 1
2591670	24 - 10
2591671	27 - 14
2591672	27 - 13A
2591673	27 - 13
2591674	24 - 7
2591675	24 - 6
2591676	24 - 4
2591677	24 - 5
2591679	24 - 9H
2591680	24 - 9A
* 2591685	27 - 14A
2591685	40 - 1A
2591687	35 - 14
2591688	37 - 5
2591689	37 - 9
2591690	23 - 22
2591690	25 -
2591691	25 - 18
2591692	25 - 19
2591693	25 - 20
2591694	25 - 9
2591696	25 - 5
2591697	25 - 12
2591698	25 - 17
2591699	25 - 15
2591702	54 - 418
2591703	25 - 6
2591704	25 - 7
2591706	25 - 3
2591708	25 - 2
2591709	25 - 10
2591710	25 - 11
2591713	23 - 3
2591714	23 - 4
2591715	54 - 419
2591716	23 - 2
2591717	10 - 13
* 2591685	18 - 40

PART NO.	LIST AND INDEX NO.
2591717	23 - 1
2591719	25 - 4
2591720	25 - 8
2591721	12 - 19
2591723	22 - 16
2591724	10 - 7
2591725	35 - 17
2591727	6 - 19
2591729	12 - 8
2591730	23 - 38
2591730	26 -
2591731	26 - 6
2591732	26 - 11
2591733	26 - 7
2591734	26 - 1
2591735	26 - 2
2591736	26 - 3
2591737	26 - 5
2591738	26 - 4
2591743	12 - 20
2591745	26 - 9
2591746	26 - 1A
2591747	26 - 18
2591750	26 - 10
2591752	26 - 8
2591754	33 - 8
2591754	34 - 8
2591755	23 - 24
2591756	23 - 30
2591757	23 - 27
2591758	23 - 29
2591759	23 - 28
2591760	23 - 26
2591761	23 - 25
2591765	33 - 10
2591765	34 - 10
2591766	23 - 25A
2591767	23 - 25B
2591769	12 - 21
2591770	33 - 9
2591770	34 - 9
2591771	2 - 19
2591772	12 - 28
2591773	12 - 27
2591774	12 - 26
2591776	6 - 11
2591777	6 - 1
2591779	13 - 1
2591780	13 - 3
2591781	23 - 18
2591782	23 - 14
2591783	23 - 15
2591786	23 - 16
2591787	32 - 8
2591788	23 - 12
2591789	23 - 13
2591790	6 - 13
2591791	12 - 12
2591792	12 - 11
2591793	23 - 17
2591794	12 - 9
2591795	12 - 10
2591796	6 - 7
2591797	6 - 15
2591799	6 - 8
2591800	12 - 22
2591800	31 -
2591800	32 -
2591806	33 - 25
2591806	34 - 26
2591813	33 - 22
2591813	34 - 23
2591814	39 - 20

PART NO.	LIST AND INDEX NO.
2591815	12 - 18
2591819	33 - 20
2591819	34 - 21
*2591821	33 - 17
2591821	34 - 19
2591822	33 - 21
2591822	34 - 22
2591823	2 - 20
2591824	31 - 4
2591820	31 - 7
2591824	34 -
2591825	32 - 5
2591825	39 -
2591826	39 - 22
2591827	39 - 18
2591828	39 - 11
2591831	39 - 23
2591832	39 - 21
2591833	39 - 24
2591834	39 - 19
2591836	39 - 26
2591838	39 - 15
2591839	39 - 16
2591840	39 - 14
2591841	33 - 26
2591841	34 - 28
2591842	34 - 27
2591845	33 - 16
2591845	34 - 17
2591846	31 - 4
2591846	33 -
2591847	46 - 7
2591848	33 - 24
2591848	34 - 25
2591852	46 - 2
2591855	35 - 6
2591863	13 - 8
2591866	35 - 5
2591867	43 - 2
2591868	48 - 1
2591871	21 - 2
2591875	48 - 39
2591876	10 - 14
2591880	10 - 19
2591885	1A - 5
2591885	1C -
2591889	46B - 2
2591894	35 - 16
2591895	10 - 25
2591896	31 - 22
2591896	35 -
2591897	10 - 22
2591898	10 - 3
2591899	10 - 3
2591900	32 - 15
2591900	41 -
2591903	1A - 3
2591904	41 - 13
2591905	1A - 3
2591906	1A - 3
2591907	41 - 10
2591908	1A - 3
2591909	41 - 7
2591916	41 - 6
2591917	1A - 3
2591922	32 - 31
2591923	41 - 4
2591925	32 - 14
2591925	40 -
2591925	40A -
2591926	40 - 6
2591926	40A - 6
2591927	40 - 5
2591820	31 - 7

PART NO.	LIST AND INDEX NO.
2591928	40 - 3
2591930	40 - 2
2591932	32 - 9
2591933	32 - 12
2591934	32 - 13
2591935	32 - 10
2591938	32 - 11
2591939	41 - 12
2591940	40 - 1
2591942	32 - 33
2591943	32 - 35
2591944	32 - 32
2591947	32 - 7
2591949	32 - 34
2591950	32 - 20
2591950	42 -
2591956	42 - 7
2591960	42 - 12
2591963	42 - 14
2591966	42 - 10
2591967	42 - 11
2591968	42 - 9
2591970	37 - 21
2591971	37 - 4
2591975	31 - 35
2591975	37 -
2591976	37 - 37
2591977	37 - 14
2591981	37 - 6
2591988	37 - 32
2591991	37 - 15
2591993	37 - 22
2591994	37 - 20
2591995	37 - 17
2591996	37 - 16
2591998	37 - 18
2592000	12 - 22
2592000	31 -
2592000	32 -
2592001	34 - 16
2592002	34 - 11
2592003	34 - 15
2592004	34 - 12
2592005	32 - 28
2592006	32 - 29
2592009	32 - 30
2592011	32 - 27
2592013	32 - 3
2592022	33 - 7
2592022	34 - 7
2592024	39 - 17
2592025	31 - 35
2592025	37 -
2592029	37 - 11
2592031	37 - 8
2592035	37 - 23
2592036	10 - 12
2592039	33 - 11
2592040	33 - 15
2592041	33 - 14
2592042	33 - 12
2592045	31 - 2
2592046	32 - 5
2592046	39 -
2592047	32 - 5
2592047	39 -
2592048	32 - 5
2592048	39 -
2592049	32 - 5
2592049	39 -
2592052	39 - 20
2592053	39 - 20
2592054	39 - 20

PART NO.	LIST AND INDEX NO.
2592055	39 - 20
2592056	1A - 3
2592057	32 - 5
2592057	39 -
2592058	32 - 5
2592058	39 -
2592059	32 - 5
2592059	39 -
2592060	32 - 5
2592060	39 -
2592062	32 - 5
2592062	39 -
2592063	32 - 5
2592063	39 -
2592064	32 - 5
2592064	39 -
2592065	32 - 5
2592065	39 -
2592066	48 - 16
2592072	37 - 24
2592074	46A - 3
2592075	31 - 36
2592075	32 - 36
2592077	39 - 25
2592086	31 - 5
2592087	31 - 6
2592088	31 - 10
2592089	31 - 30
2592090	31 - 23
2592091	31 - 31
2592092	31 - 25
2592093	31 - 1
2592094	35 - 3
2592098	31 - 28
2592099	10 - 4
2592099	31 - 27
2592100	31 - 33
2592100	36 -
2592103	36 - 3
2592104	36 - 1
2592105	36 - 5
2592106	36 - 28
2592109	36 - 7
2592110	36 - 16
2592113	36 - 15
2592114	36 - 14
2592115	36 - 11
2592119	36 - 13
2592120	36 - 12
2592124	36 - 23
2592127	36 - 18
2592128	36 - 17
2592130	36 - 19
2592135	36 - 20
2592140	36 - 24
2592143	18 - 28
2592144	36 - 8
2592150	36 - 22
2592152	6 - 39
2592153	39 - 10
2592154	36 - 27
2592155	6 - 40
2592156	48 - 31
2592157	48 - 24
2592158	48 - 19
2592160	48 - 21
2592161	35 - 2
2592162	35 - 23
2592163	18 - 34
2592165	32 - 1
2592166	37 - 3
2592169	54 - 420
2592172	54 - 421

PART NO.	LIST AND INDEX NO.	PART NO.	LIST AND INDEX NO.	PART NO.	LIST AND INDEX NO.	PART NO.	LIST AND INDEX NO.
2592173	31 - 9	2592353	41 - 17	2592456	14 - 29	2592576	18 - 1
2592175	32 - 2	2592354	41 - 5	2592460	19 - 1	2592579	18 - 23
2592175	38 -	2592357	41 - 2	2592463	18 - 37	2592580	14 - 13
2592176	38 - 6	2592358	32 - 17	2592466	16 - 19	2592581	20 - 9
2592180	32 - 1	2592360	32 - 16	2592467	18 - 10	2592582	14 - 12
2592181	38 - 5	2592362	32 - 19	2592470	19 - 23	2592585	14 - 3
2592184	31 - 6	2592364	33 - 23	2592474	18 - 22	2592587	14 - 4
2592184	38 - 4	2592364	34 - 24	2592475	14 - 17	2592588	11 - 8
2592185	36 - 3	2592366	39 - 3	2592475	18 - 12	2592590	4 - 15
2592186	41 - 14	2592373	51 - 1	2592476	18 - 33	2592590	4 - 23
2592187	36 - 21	2592374	39 - 20	2592476	18 - 39	2592592	4 - 36
2592189	36 - 4	2592375	12 - 16	2592477	16 - 18	2592592	4 - 41D
2592190	38 - 1	2592735	46B - 6A	2592478	18 - 31	2592593	4 - 35
2592198	35 - 4	2592376	12 - 17	2592479	16 - 4	2592593	4 - 41F
2592199	36 - 25	2592377	12 - 1	2592480	19 - 14	2592594	4 - 19
2592200	13 - 18	2592378	13 - 17	2592481	18 - 8	2592594	4 - 27
2592200	44 -	2592379	2 - 22	2592482	14 - 9	2592594	4 - 39
2592201	44 - 49	2592380	31 - 21	2592483	14 - 10	2592594	4 - 41G
2592202	45 - 1	2592381	27 - 42	2592485	13 - 2	2592597	4 - 25
2592203	38 - 7	2592382	14 - 32	2592485	18 - 2	2592597	4 - 33
2592204	31 - 17	2592383	14 - 33	2592486	1 - 1	2592598	4 - 17
2592205	31 - 14	2592384	44 - 4	2592486	1A - 1	2592598	4 - 34
2592206	31 - 15	2592385	14 - 34	2592487	54 - 423	2592599	10 - 10
2592209	10 - 1	2592386	13 - 14	2592488	11 - 9	2592602	4 - 16
2592210	44 - 19	2592387	39 - 20	2592489	35 - 20	2592602	4 - 24
2592213	44 - 20	2592388	32 - 5	2592492	15 - 5	2592603	4 - 18
2592214	44 - 42	2592388	39 -	2592494	14 - 16	2592603	4 - 31
2592214	45 -	2592389	39 - 20	2592495	16 - 14	2592607	13 - 16
2592215	44 - 43	2592390	32 - 5	2592496	14 - 20	2592609	6 - 20
2592215	45 -	2592390	39 -	2592497	18 - 13	2592609	7 -
2592216	44 - 21	2592391	39 - 20	2592499	20 - 7	2592610	6 - 25
2592217	44 - 28	2592392	32 - 5	2592500	11 - 11	2592611	6 - 26
2592219	44 - 36	2592392	39 -	2592500	14 -	2592612	7 - 2
2592220	13 - 30	2592396	12 - 7	2592500	16 -	2592613	4 - 58
2592223	44 - 32	2592397	31 - 32	2592500	17 -	2592615	2 - 18
2592224	31 - 12	2592398	44 - 13	2592500	18 -	2592621	13 - 11
2592233	45 - 4	2592399	44 - 11	2592503	19 - 2	2592622	7 - 19
2592237	45 - 7	2592403	15 - 9	2592504	18 - 3	2592625	4 - 4
2592266	44 - 31B	2592404	14 - 8	2592505	46 - 6	2592626	4 - 56
2592270	13 - 25	2592405	14 - 7	2592506	18 - 14	2592627	6 - 4
2592273	13 - 26	2592408	14 - 31	2592509	18 - 30	2592628	3 - 5
2592275	13 - 23	2592409	35 - 15	2592513	18 - 36	2592632	6 - 41
2592281	35 - 7	2592410	19 - 4	2592517	16 - 2	2592633	4 - 1
2592305	21 - 39	2592410	20 -	2592518	14 - 14	2592634	6 - 33
2592306	21 - 37	2592411	20 - 10	2592520	14 - 1	2592635	6 - 29
2592307	39 - 4	2592414	16 - 13	2592521	19 - 3	2592637	3 - 6
2592311	33 - 19	2592415	14 - 6	2592522	19 - 3	2592642	7 - 20
2592311	34 - 20	2592420	16 - 8	2592523	19 - 3	2592644	4 - 42
2592312	33 - 1	2592421	16 - 10	2592524	19 - 13	2592656	2 - 13
2592313	34 - 1	2592422	16 - 11	2592525	19 - 7	2592660	4 - 26
2592314	32 - 26	2592423	14 - 28	2592527	14 - 20	2592660	4 - 32
2592315	31 - 29	2592423	16 - 9	2592529	6 - 23	2592663	2 - 1
2592316	31 - 26	2592426	14 - 5	2592531	4 - 22	2592666	4 - 37
2592318	10 - 3	2592427	14 - 30	2592532	8 - 20	2592666	4 - 41C
2592318	36 - 2	* 2592435	20 - 5A	2592533	14 - 24	2592667	4 - 38
2592319	31 - 11	2592435	32 - 5A	2592536	46 - 6	2592667	4 - 41E
2592320	33 - 6	2592436	22 - 20A	2592537	46 - 12	2592668	2 - 17
2592320	34 - 6	2592439	16 - 21	2592540	20 - 8	2592675	3 - 9
2592325	6 - 35	2592440	16 - 16	2592546	20 - 4	2592676	3 - 7
2592328	44 - 34	2592444	14 - 26	2592550	14 - 27	2592677	35 - 12
2592330	39 - 8	2592444	15 -	2592551	20 - 6	2592679	2 - 3
2592331	31 - 3	2592446	15 - 6	2592554	7 - 1	2592680	4 - 57
2592334	37 - 31	2592447	20 - 6A	2592555	16 - 12	2592681	13 - 15
2592336	37 - 30	2592448	15 - 2	2592556	16 - 1	2592682	6 - 27
2592337	37 - 29	2592449	15 - 1	2592557	20 - 3	2592684	4 - 41
2592342	13 - 28	2592450	19 - 18	2592559	16 - 7	2592688	4 - 55
2592343	39 - 9	2592450	19 - 34	2592561	20 - 1	2592692	8 - 3
2592346	33 - 2	2592453	19 - 16	2592565	20 - 2	2592692	9 - 3
2592346	34 - 2	2592453	19 - 32	2592566	19 - 15	2592698	2 - 4
2592348	46 - 1	2592454	19 - 17	2592566	19 - 36	2592700	4 - 11
2592349	35 - 19	2592454	19 - 33	2592567	19 - 31	2592713	22 - 41
2592350	39 - 7	2592455	19 - 19	2592569	16 - 3	2592714	29 - 2
2592351	41 - 15	2592455	19 - 35	2592575	18 - 6	2592715	22 - 39
		* 2592430	46 - 38				

PART NO.	LIST AND INDEX NO.
2592716	22 - 40
2592718	29 - 4
2592721	22 - 38
2592722	21 - 36
2592723	4 - 41B
2592725	4 - 41A
2592726	4 - 14
2592727	4 - 22
2592730	4 - 8
2592731	4 - 10
2592732	6 - 27
2592733	4 - 21
2592734	4 - 41J
* 2592737	48 - 18
2592738	46A- 21A
2592739	1D- 8
2592741	4 - 29A
2592745	11 - 7A
2592748	35 - 18
2592749	35 - 13
2592750	43 - 7
2592751	43 - 12
2592752	43 - 1
2592753	17 - 3
2592754	43 - 9
2592755	43 - 10
2592757	17 - 1
2592758	17 - 2
2592758	43 -
2592762	21 - 20
2592762	21 - 23
2592762	21 - 37
2592763	4 - 7
2592764	4 - 7
2592765	4 - 7
2592766	4 - 7
2592767	4 - 7
2592768	35 - 21
2592769	4 - 7
2592773	21 - 19
2592774	23 - 32
2592781	35 - 22
2592787	51 - 1A
2592788	4 - 29
2592789	4 - 41H
2592790	37 - 7
2592790	37 - 12
2592797	6 - 18
2592798	18 - 17
2592799	18 - 15
2592802	17 - 8A
2592804	17 - 17
2592805	17 - 15
2592806	19 - 9
2592807	19 - 10
2592811	19 - 6
2592813	17 - 16
2592815	39 -
2592816	6 - 28
2592817	39 -
2592818	17 - 14
2592819	17 - 18
2592820	17 - 13
2592821	17 - 10
2592822	17 - 12
2592823	17 - 9
2592824	21 - 17
2592825	17 - 8
2592828	21 - 18
2592829	19 - 8
2592830	17 - 7
2592831	17 - 6
2592832	17 - 4
* 2592735	46B- 6A

PART NO.	LIST AND INDEX NO.
2592833	6 - 3
2592834	19 - 5
2592835	19 - 12
2592836	19 - 11
2592840	22 - 47
2592842	17 - 5
2592844	27 - 33
2592845	48 - 16
2592846	46A- 25
2592852	6 - 31
2592853	18 - 16
2592855	18 - 9
2592858	6 - 32
2592859	2 - 5
2592859	3 -
2592860	7 - 2
2592861	6 - 20
2592861	7 -
2592862	7 - 2
2592863	6 - 20
2592863	7 -
2592864	7 - 2
2592865	6 - 20
2592865	7 -
2592866	7 - 2
2592867	6 - 20
2592867	7 -
2592868	11 - 10
2592869	11 - 10
2592870	11 - 10
2592871	11 - 10
2592872	11 - 10
2592873	11 - 10
2592874	32 - 6
2592875	13 - 6
2592878	2 - 8
2592880	2 - 12
2592881	6 - 12
2592881	8 -
2592882	6 - 21
2592887	48 - 16
2592888	1D- 28
2592888	1E- 20
2592888	46A- 24A
2592888	46A- 32
2592888	48 - 40
2592899	21 - 7
2592901	21 - 9
2592902	21 - 15
2592903	21 - 10
2592904	21 - 11
2592905	21 - 13
2592906	21 - 16
2592906	22 - 42
2592907	22 - 45
2592908	22 - 46
2592909	22 - 50
2592911	22 - 49
2592912	22 - 48
2592913	22 - 44
2592914	22 - 43
2592917	22 - 11
2592919	22 - 2
2592920	22 - 1
2592921	22 - 4
2592922	22 - 3
2592923	22 - 10
2592924	22 - 15
2592925	22 - 18
2592927	22 - 17
2592928	22 - 12
2592931	22 - 33
2592932	21 - 14

PART NO.	LIST AND INDEX NO.
2592935	54 - 424
2592936	22 - 9
2592937	22 - 35
2592938	22 - 36
2592939	22 - 19
2592940	22 - 20
2592941	22 - 26
2592942	22 - 27
2592944	22 - 37
2592945	22 - 25
2592946	22 - 24
2592946	22 - 24A
2592947	22 - 22
2592949	22 - 23
2592950	21 - 47
2592963	22 - 28
2592964	22 - 24A
2592965	22 - 24
2592966	18- 10
2592970	18- 7
2592973	18- 4
2592974	18- 6
2592975	22 - 21
2592976	22 - 32
2592978	22 - 8
2592978	22 - 31
2592980	22 - 29
2592981	22 - 34
2592983	22 - 5
2593071	50A- 21
2593073	48 - 8
2593073	50A-
2593074	48 - 8
2593074	50A-
2593095	50 - 21
2593096	50 - 26
2593097	46 - 21A
2593098	50 - 27
2593099	50 - 23
2593100	50 - 16
2593101	50 - 14
2593102	46 - 18
2593104	46 - 18
2593106	48 - 14
2593111	41 - 18
2593133	2 - 21
2593137	27 - 32A
2593138	18 - 5
2593139	18 - 4
2593140	27 - 47
2593145	50A- 5
2593146	50A- 11
2593147	50A- 9
2593148	50A- 3
2593154	27 - 6
2593155	27 - 9
2593156	19 - 26
2593156	22 - 54
2593156	22 - 60
2593156	27 - 4
2593156	27 - 8
2593162	19 - 25
2593162	22 - 55
2593162	27 - 5
2593163	22 - 61
2593164	27 - 10
2593165	19 - 22
2593166	22 - 57
2593167	22 - 51
2593170	40A- 2
2593171	40A- 1
2593173	40A- 5
2593174	42 - 17

PART NO.	LIST AND INDEX NO.
2593175	27 - 3
2593176	27 - 1
2593177	29 - 3
2593178	42 - 13
2593179	51 - 18
* 2593318	3 - 8
2593370	1 - 21
2593370	1A- 24
2593481	44 - 45
2593481	45 - 10
2593482	44 - 27
2593491	45 - 3
2593496	1 - 22
2593496	1A- 25
2593497	45 - 11
2593498	44 - 47
2593577	44 - 38
2593579	44 - 29
2593590	44 - 17
2593598	44 - 16
2593601	45 - 2
2593604	44 - 46
2593604	45 - 9
2593605	45 - 6
2593609	45 - 11
2593610	44 - 44
2593611	44 - 35
2593612	44 - 39
2593613	44 - 40
2593615	44 - 18
2593617	6 - 6
2593617	44 - 37
2593618	44 - 10
2593631	44 - 26
2593632	44 - 25
2593639	44 - 12
2593640	44 - 33
2593641	54 - 425
2593645	44 - 14
2593646	44 - 15
2593648	45 - 5
2593735	44 - 24
2593744	36 - 9
2593744	36 - 26
2593866	16 - 6
2593878	16 - 5
2593882	1 - 23
2593882	1A- 26
2593883	1 - 24
2593883	1A- 27
2593884	1 - 25
2593884	1A- 28
2593899	15 - 7
2593899	36 - 6
2593899	37 - 1
2593899	39 - 13
2593930	44 - 22
2593944	44 - 23
2593945	31 - 13
2593997	1 - 26
2593997	1A- 29
2594480	16 - 28
2594481	16 - 2A
2595721	46A- 25A
2596009	50A- 10
2596293	48 - 35A
2596575	10 - 14
2596575	37 - 28
2596652	1E- 32
3009638	7 - 10
3009639	7 - 7
3009653	7 - 7
3009681	7 - 6
* 2593249	46A- 13
* 2593250	46A- 34
* 2593251	46A- 33
* 2593253	46A- 14
* 2593254	18 - 41
* 2593247	18 - 6

PART NO.	LIST AND INDEX NO.	PART NO.	LIST AND INDEX NO.	PART NO.	LIST AND INDEX NO.	PART NO.	LIST AND INDEX NO.
3009682	7 - 3						
3009687	7 - 6						
3009688	7 - 3						
4103890	9 - 1						
4118372	50A- 0						
4118438	47 - 18						
4120171	9 - 0						
5129042	46A- 14						
5129318	40A- 13						
5150035	10- 17						
5213178	46 - 26						
5213226	46 - 19						
5213276	23 - 23						
5213349	50 - 20						
5214233	46 - 10						
5232773	50A- 0						
5232793	54 -4250						
5232806	46 - 15						
5232806	47 - 23						
5232809	47 - 2						
5232820	46 - 27						
5232820	47 -						
5232823	47 - 26						
5232830	46 - 27						
5232830	47 -						
5232833	47 - 3						
5232834	47 - 14						
5232835	47 - 4						
5232836	47 - 8						
5232837	47 - 5						
5232838	47 - 12						
5232893	47 - 18						
5261284	47 - 22						
5311102	54 -425A						
5311415	7 - 11						
5311888	18 - 29						
5311888	18 - 35						
5312673	50 - 24						
5319839	47 - 11						
5353851	53 - 24						
5353852	53 - 25						
5353854	53 - 27						
5357138	53 - 26						
5364151	48 - 6B						
5391450	54 -4250						
5405155	1E- 10						
5407422	54 -425C						
5412642	53 - 30						
5412643	53 - 29						
5468387	1E- 11						
5738734	47 - 11						
5755219	50A- 4						
5759179	46 - 13						
5761794	47 - 9						
5762034	47 - 7						
5762407	54 -420						
5762428	51 - 40						
5796427	47 - 25						
* 5824061	46 - 21						
2418349	50 - 20						
2418387	14 - 34						
2418388	14 - 33						
2418389	14 - 32						
2418404	46 - 36						
2418418	21 - 48						
2418421	44 - 36						
2418453	54 -181						
* 2418454	17 - 18						
2418474	11 - 5						
2418486	1A - 22						
2418500	28 - 14						
2418501	28 - 10						
2418502	30 - 11						
2418563	46 - 24						
2418568	11 - 6						
2418615	36 - 16						
2418656	31 - 28						
* 2418465	11 - 15						

READER'S COMMENT FORM

5424 Multi-Function Card Unit
Models 1 and 2

Form S131-0570-2

- Your comments, accompanied by answers to the following questions, help us produce better publications for your use. If your answer to a question is "No" or requires qualification, please explain in the space provided below. Comments and suggestions become the property of IBM.

- | | Yes | No |
|--|--------------------------|--------------------------|
| ● Does this publication meet your needs? | <input type="checkbox"/> | <input type="checkbox"/> |
| ● Did you find the material: | | |
| Easy to read and understand? | <input type="checkbox"/> | <input type="checkbox"/> |
| Organized for convenient use? | <input type="checkbox"/> | <input type="checkbox"/> |
| Complete? | <input type="checkbox"/> | <input type="checkbox"/> |
| Well illustrated? | <input type="checkbox"/> | <input type="checkbox"/> |
| Written for your technical level? | <input type="checkbox"/> | <input type="checkbox"/> |
- What is your occupation? _____
 - How do you use this publication?

As an introduction to the subject?	<input type="checkbox"/>	As an instructor in a class?	<input type="checkbox"/>
For advanced knowledge of the subject?	<input type="checkbox"/>	As a student in a class?	<input type="checkbox"/>
For information about operating procedures?	<input type="checkbox"/>	As a reference manual?	<input type="checkbox"/>

- Other _____
- Please give specific page and line references with your comments when appropriate. If you wish a reply, be sure to include your name and address.

COMMENTS:

- Thank you for your cooperation. No postage necessary if mailed in the U.S.A.

YOUR COMMENTS, PLEASE. . .

Your answers to the questions on the back of this form, together with your comments, will help us produce better publications for your use. Each reply will be carefully reviewed by the persons responsible for writing and publishing this material. All comments and suggestions become the property of IBM.

Note: Please direct any requests for copies of publications, or for assistance in using your IBM system, to your IBM representative or to the IBM branch office serving your locality.

Cut Along Line

Fold

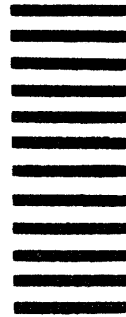
Fold

FIRST CLASS
PERMIT NO. 387
ROCHESTER, MINN.

BUSINESS REPLY MAIL
NO POSTAGE NECESSARY IF MAILED IN THE UNITED STATES

POSTAGE WILL BE PAID BY . . .

IBM Corporation
General Systems Division
Development Laboratory
Rochester, Minnesota 55901



Attention: Product Publications, Dept. 245

Fold

Fold



International Business Machines Corporation
Field Engineering Division
112 East Post Road, White Plains, N. Y. 10601

5424

5424

Fold

Use clear acetate tab
obtained locally

S131-0570-2

Printed in ITALY S131-0570-2

IBM

International Business Machines Corporation

Field Engineering Division

112 East Post Road White Plains N.Y. 10601