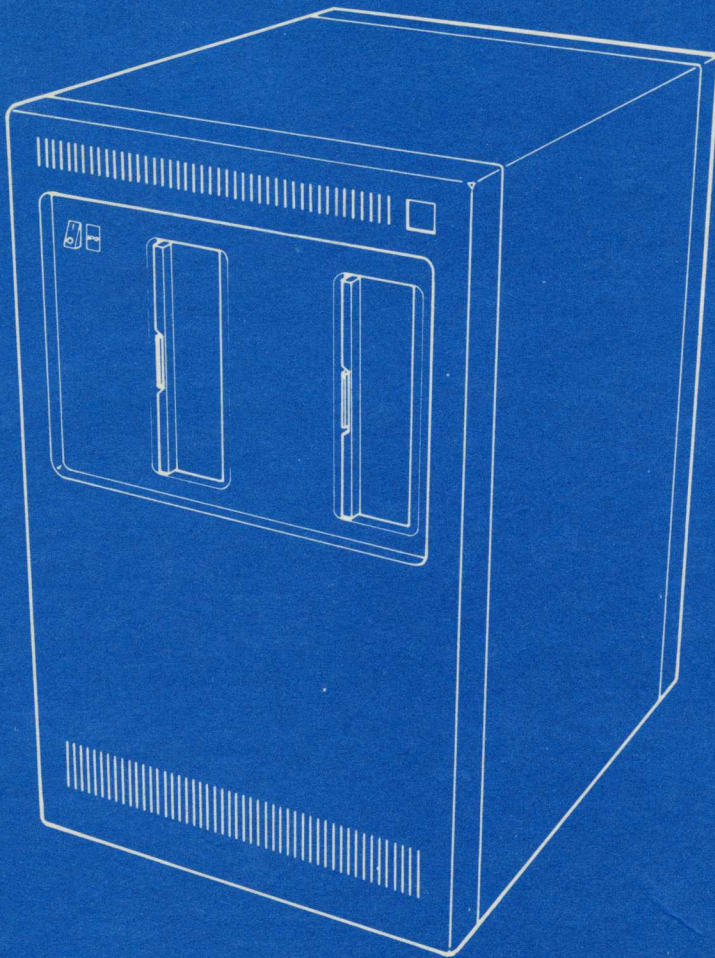




**IBM 5114  
Diskette Unit  
Parts Catalog**



**IBM 5114  
Diskette Unit  
Parts Catalog**

0

0

0

0

0

0

0

**IBM 5114  
Diskette Unit  
Parts Catalog**

## Preface

The purpose of this publication is to list and to show illustrations of all replaceable assemblies, subassemblies, and detail parts release to Production Control on or before 30 September 1978 of the IBM 5114 Diskette Unit. This publication is for the use of an IBM customer engineer or a service representative.

### Second Edition (September 1978)

This is a major revision of, and obsoletes S131-0626-0. Because the changes and additions are extensive, this publication should be reviewed in its entirety.

Changes are periodically made to the information herein; before using this publication in connection with the operation of IBM systems, be sure you have the latest edition.

Use this publication only for the purposes stated in the *Preface*.

This publication could contain technical inaccuracies or typographical errors. Use the Reader's Comment Form at the back of this publication. If the form has been removed, address your comments to IBM Corporation, Publications, Department 245, Rochester, Minnesota 55901. IBM may use and distribute any of the information you supply in any way it believes appropriate without incurring any obligation whatever. You may, of course, continue to use the information you supply.

HOW TO USE A PARTS CATALOG . . . . .	ii
VISUAL INDEXES . . . . .	iv
CATALOG SECTION . . . . .	1
Figure 1. Frame Assembly . . . . .	2
Figure 1A. Frame Assembly . . . . .	4
Figure 2. Front Door Assembly . . . . .	6
Figure 2A. Front Door Assembly . . . . .	8
Figure 3. Rear Door Assembly . . . . .	10
Figure 3A. Rear Door Assembly . . . . .	12
Figure 4. Final Assembly . . . . .	14
Figure 4A. Final Assembly . . . . .	15
Figure 5. Final Assembly . . . . .	16
Figure 6. Latch Assembly . . . . .	17
Figure 7. Push Bracket Assembly . . . . .	18
Figure 8. Latch Assembly . . . . .	20
Figure 9. Fan Assembly . . . . .	22
Figure 10. Circuit Board Assembly . . . . .	23
Figure 11. AC Box Assembly . . . . .	24
Figure 12. Disk Drive Assembly . . . . .	26
Figure 13. Power Supply Assembly . . . . .	28
Figure 14. Cable Routing . . . . .	30
Figure 15. Disk Drive Assembly . . . . .	32
Figure 16. Base Plate Assembly . . . . .	34
Figure 17. Base Plate Assembly . . . . .	36
Figure 18. Base Plate Assembly . . . . .	38
Figure 19. Cover Assembly . . . . .	40
Figure 20. Label Group Locations . . . . .	42
NUMERICAL INDEX . . . . .	X-1

**HOW TO USE THIS PARTS CATALOG**

**PART I**

To find parts quickly, a general understanding of the structure of this catalog is necessary. The catalog is divided into three major sections:

- The Visual Index, containing overall views of the machine, with call-outs pointing to detailed figures.
- The Catalog Section, containing a pictorial breakdown of assemblies and subassemblies.
- The Numerical Index, which is a numerical list of all parts used in the machine, with cross-references to the figure on which the part is found.

**VISUAL INDEX**

The Visual Index, located before the Catalog Section, contains a reduced illustration of every figure in the Catalog Section. The reduced illustrations are tied together with flow arrows to form a natural progression from large assemblies to small assemblies and possibly subassemblies. In effect, a visual table of contents is formed by the Visual Index illustrations.

**CATALOG SECTION**

The Catalog Section contains the full-sized illustrations previously noted in the Visual Index. Index numbers on figures refer to corresponding entries in the Group Assembly Parts List accompanying each figure. Refer to part II for explanation of terms used in the Group Assembly Parts List.

**ATTACHING PARTS LIST**

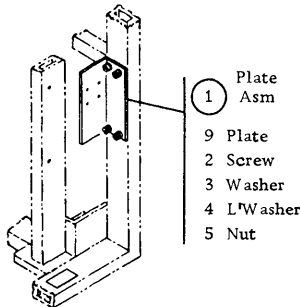
The Attaching Parts List contains common screws, nuts, washers, etc. that are used in the machine. Index numbers for attaching parts are on the illustration, and the description is in the Attaching Parts List.

**NUMERICAL INDEX**

The Numerical Index is located after the Catalog Section and contains a complete list, in numerical order, of all part numbers used on the machine. Listed with the part number is the index and figure number on which the part is illustrated. The numerical index makes it possible to locate a part when only the part number is known.

**STACKED INDEX NUMBERS**

Stacked Index numbers are used when showing a part and its attaching hardware. The sequence of a typical stack is shown at the right. The circled index number indicates the assembly is broken down within the figure.



**ILLUSTRATION NOTES**

Cross-reference notes are directly on the illustration. The illustration's next higher assembly reference, normally located in the upper left corner of the page will read: "For Parts Not Shown See Figure X". If an assembly is referenced to a lower level figure, the note located next to the index number will read: " 5 See Figure X."

**DOUBLE LINED DETAIL BOX**

The double lined box differentiates between parts shown on the basic model and parts related to a level and/or feature difference. An explanation of the level or feature difference is given in the double lined box.

**FINDING A PART**

The Visual Index is the starting point for locating a part. The illustrations in the Visual Index are reduced versions of all illustrations in the Catalog Section; therefore, the illustrations can be used to find the assembly containing the desired part. Use references to the detailed figure in the Catalog Section, or to another Visual Index illustration, to determine location of part number.

Once the detailed figure in the catalog section is determined, finding the part on the figure and referring to the listing for the part number and description is all that is required in most cases. If the first catalog section figure referenced shows the assembly containing the required part, the index number for the assembly will reference a lower-level figure where the assembly is broken down to its component parts. If the figure referenced by the Visual Index contains neither the part nor an assembly containing the part, it is then necessary to go to the next higher assembly figure. This figure should then contain the part or an assembly containing the part; if not, an even higher level figure must be used. Refer back to the Visual Index for some other figure that could show the desired part.

*Note:* Many detailed parts are unavailable, because they are part of an inseparable assembly (two or more parts welded or bonded together), or because they are part of an assembly purchased as a unit. If parts are found on a welded or bonded assembly, the following note follows the description of the assembly: "Assembly components are not replaceable." If the part is found on a purchased assembly, and the detail parts of this assembly do not have IBM part numbers, the note following the assembly description will read: "Assembly components are not available." In either case, you need to obtain the part number of the assembly, rather than the detailed part.

**EXAMPLE FOR ORDERING PARTS**

FIGURE- INDEX NUMBER	PART NUMBER	UNITS PER ASM.	1 2 3 4	DESCRIPTION
50	5726422			FAN ASSEMBLY—PS ENCLOSURE FOR NEXT HIGHER ASM SEE LIST 3-13 AND FOR ILLUSTRATION FIG. 50
-1	334021	2		* TERMINAL RING 18-22 AWG, NO. 6TNS
-2	197854	1		* SHIELD, TERMINAL BLOCK—2 POS
-3	5357050	1		* FAN ASM—NO CONNECTOR
-4	5287066	1		* * BLADE
-5	5257057	1		* * MOTOR
-6	5726436	1		* * HEADER—POWER SUPPLY FAN

If the entire fan is required, part number 5726422 should be ordered (all one dot items will be received). If only the sub-assembly is required, part number 5357050 should be ordered (all two dot items will be received). Each part may be ordered individually.

HOW TO USE THIS PARTS CATALOG

PART II

- A** *AR*  
As Required (AR) in the units per assembly column denotes that the quantity is used as required.
- B** *ATT PT*  
Attaching Parts: These parts are used to attach a subassembly to an assembly. The attaching parts are listed in the last list just before the numeric index. Special attaching parts are listed with the figure.
- C** *INDENTURE*  
The relationship of a part to its next higher assembly is indicated by indentures. For example:

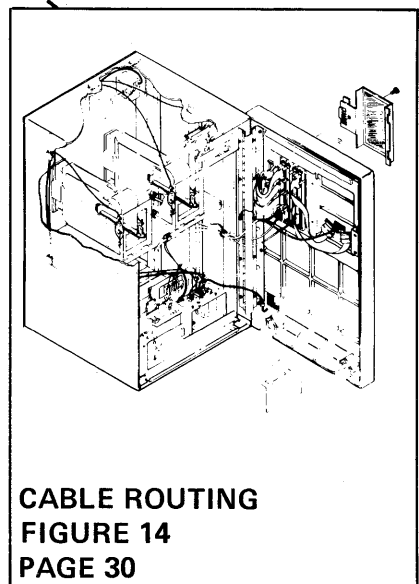
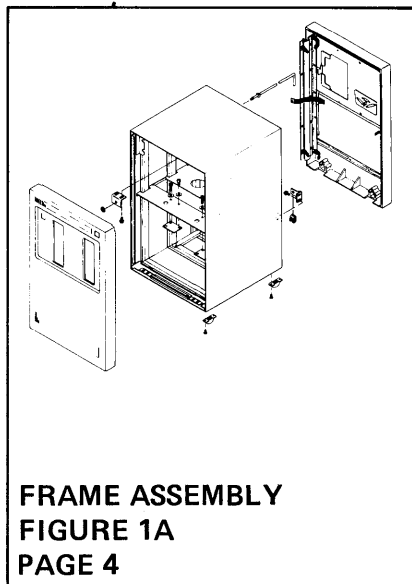
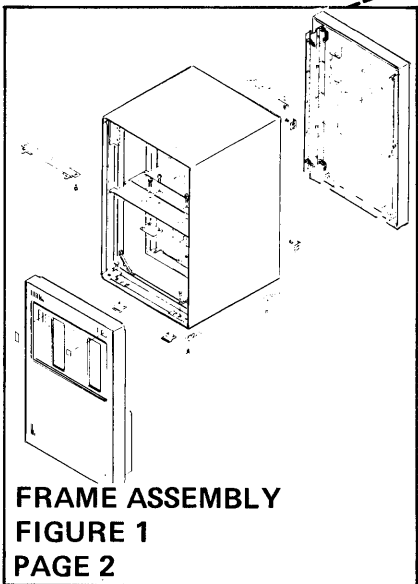
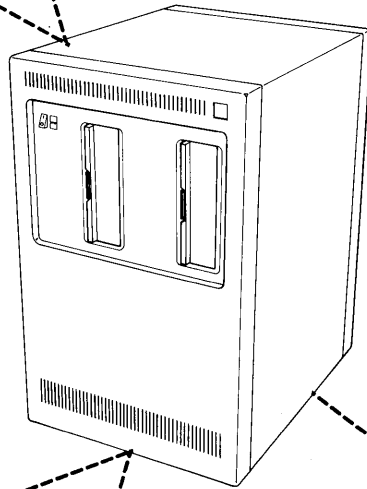
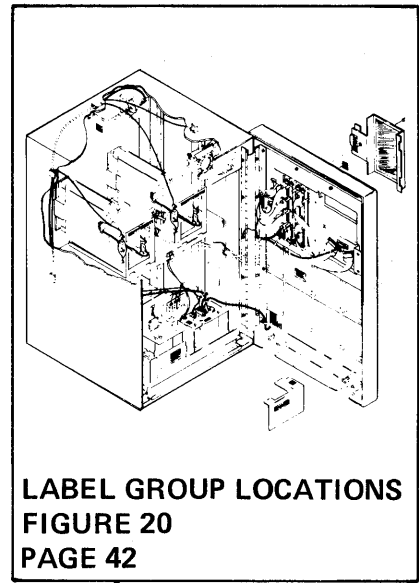
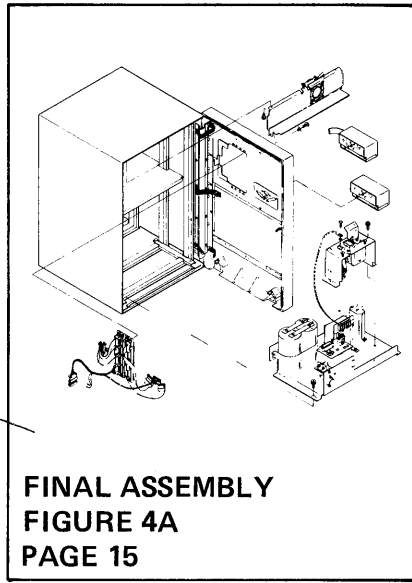
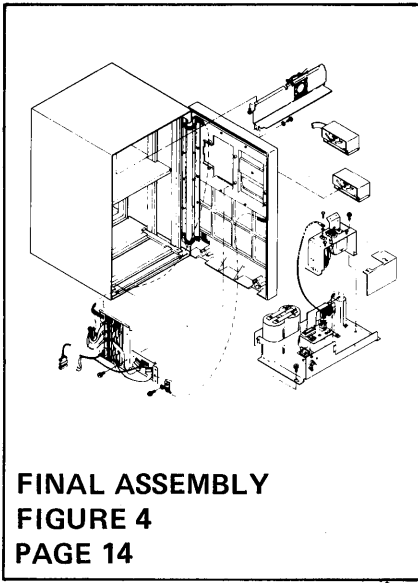
- ```

1 2 3 4
Unit
. Assemblies and Detail Parts of Unit
. Attaching Parts for Assemblies & Detail Parts
. . Subassemblies
. . Attaching Parts for Subassemblies
. . . Detail Parts for Subassemblies, etc.
    
```

- D** *NR*  
The NR in the part number column denotes the part is procurable but not recommended for field replacement, and that the next higher assembly should be ordered.
- E** *NP*  
The entry NP in the part number column denotes the assembly is non-procurable and the detail parts should be ordered separately.
- F** *NO NO.*  
When this indication appears in the part number column, it denotes a group of parts for which no assembly part number has been assigned, and the detail parts should be ordered separately.

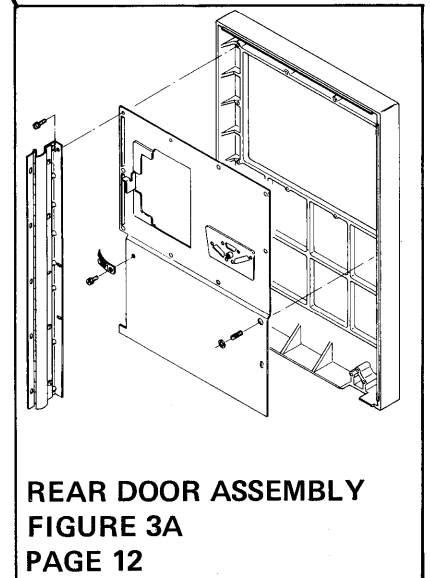
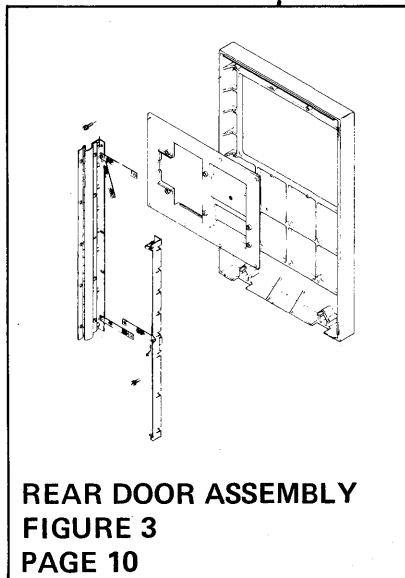
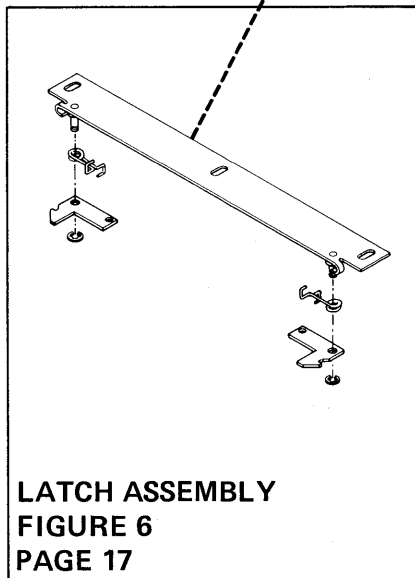
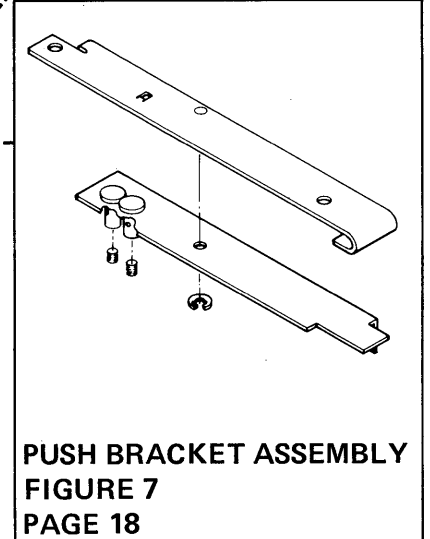
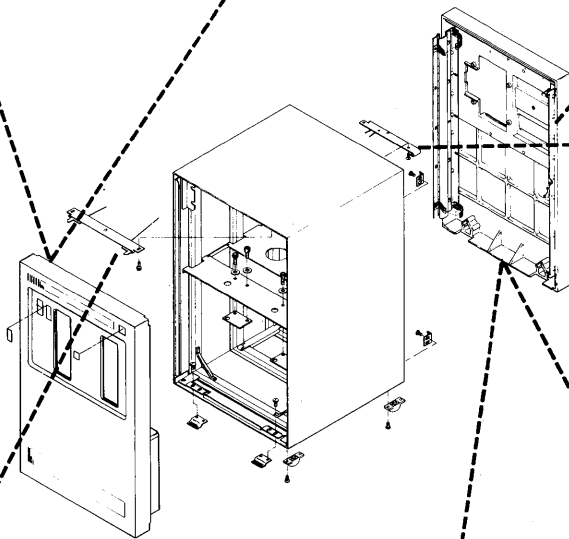
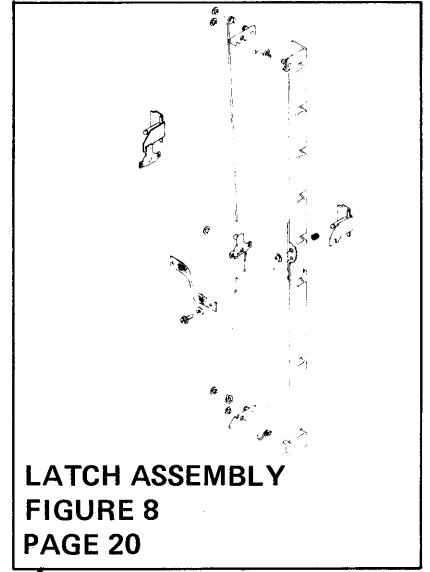
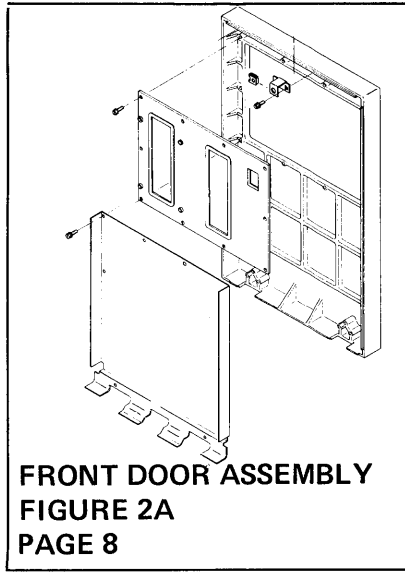
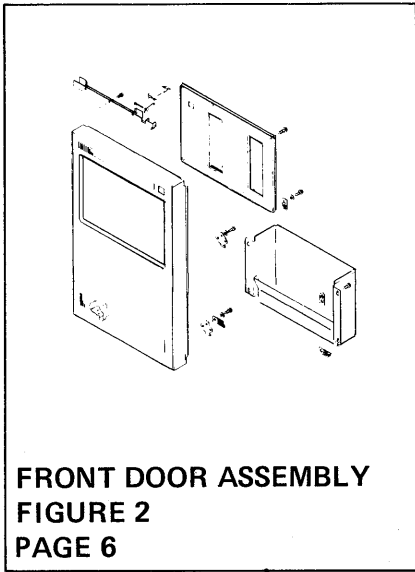
EXAMPLE OF PARTS LIST

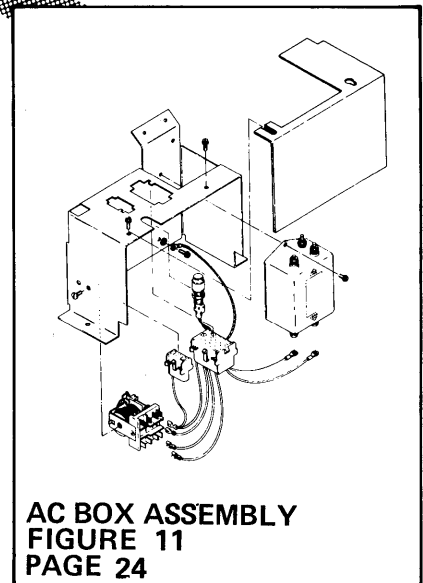
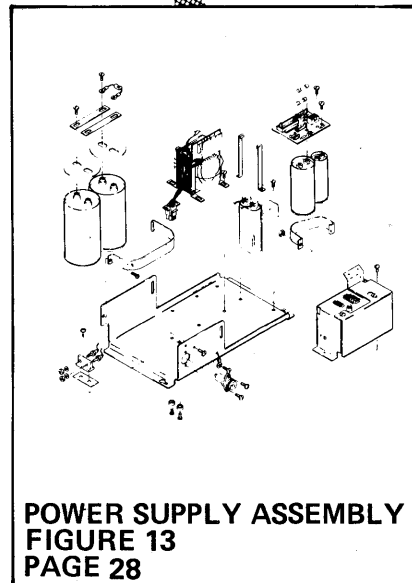
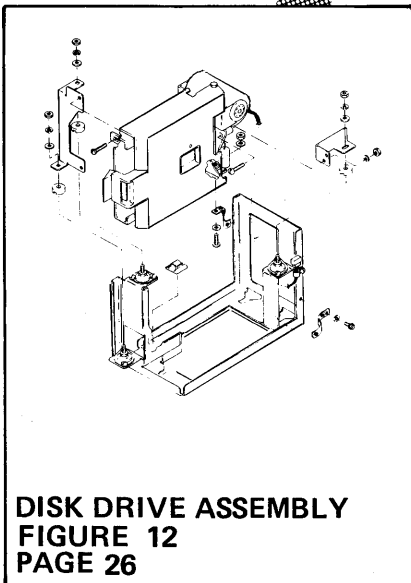
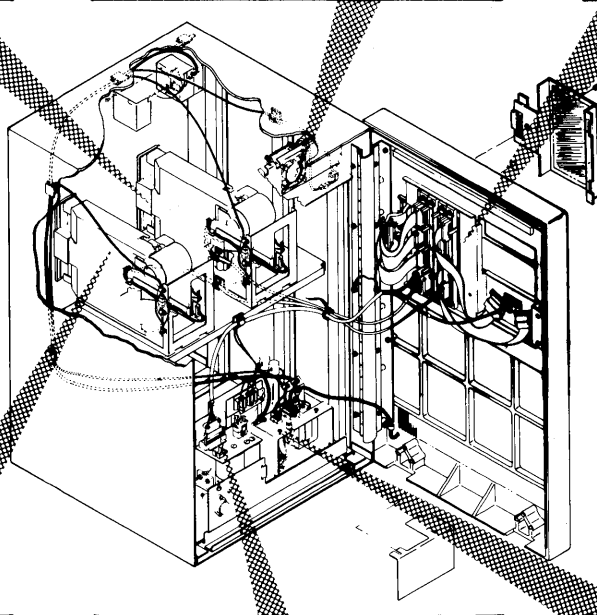
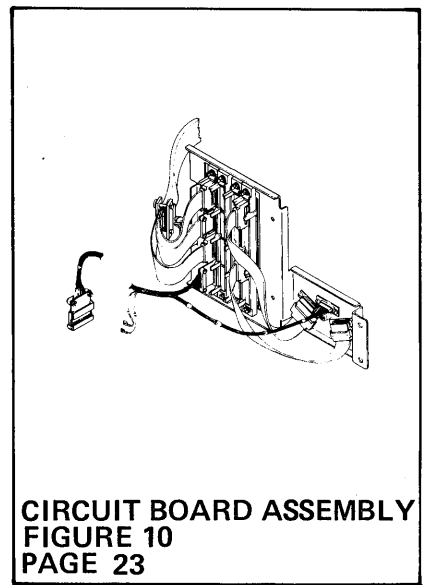
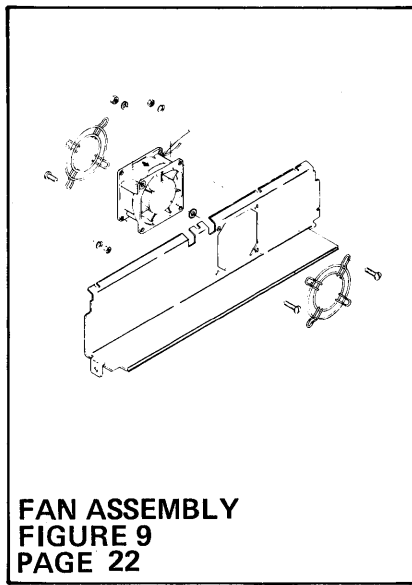
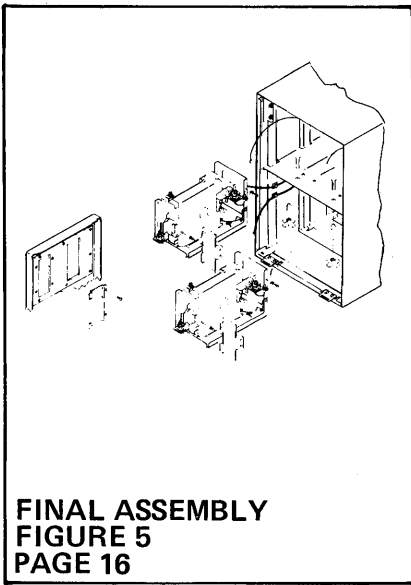
| FIGURE-<br>INDEX<br>NUMBER | PART<br>NUMBER | UNITS<br>PER<br>ASM. | DESCRIPTION |   |   |                                                                                        |
|----------------------------|----------------|----------------------|-------------|---|---|----------------------------------------------------------------------------------------|
|                            |                |                      | 1           | 2 | 3 | 4                                                                                      |
| 37 --                      | 2448605        |                      |             |   |   | MOTOR ASM, DRIVE<br>FOR NEXT HIGHER ASM SEE LIST 27-44<br>AND FOR ILLUSTRATION FIG. 37 |
| -1                         | 2204176        | 1                    |             |   |   | • PULLEY                                                                               |
| -2                         | 79842          | AR                   |             |   |   | • SETSCREW, SPLINE DR CUP PT 8-32 X 3/8 LG                                             |
| -3                         | 2204116        | NR                   |             |   |   | • MOTOR ASM, 220V AC 60 HZ                                                             |
| -4                         | NO NO.         | 1                    |             |   |   | • MOTOR ASM, 220V AC 50 HZ                                                             |
| -5                         | 2204082        | 1                    |             |   |   | • FERRULE, OUTER                                                                       |
| -6                         | 2204033        | 1                    |             |   |   | • FERRULE, INNER                                                                       |
| -7                         | 2199258        | 1                    |             |   |   | • MOTOR, DRIVE-220V 60/50 HZ                                                           |
| -8                         | 2199401        | 1                    |             |   |   | • PLATE, MOTOR MT                                                                      |



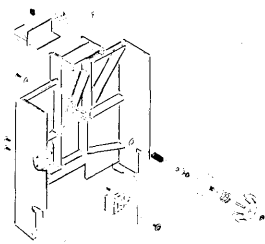
**VISUAL INDEX I**



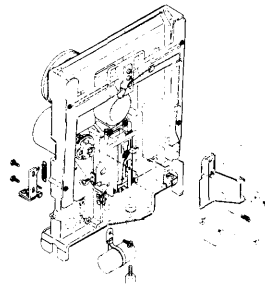




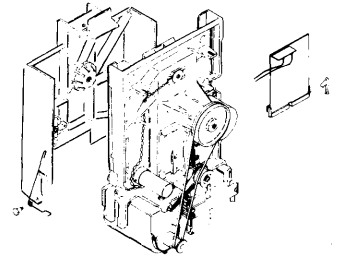
**VISUAL INDEX III**



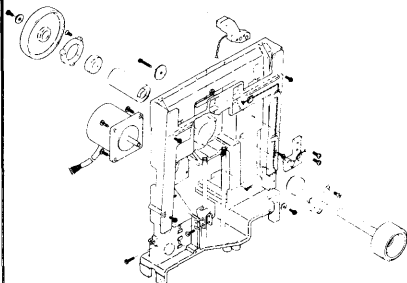
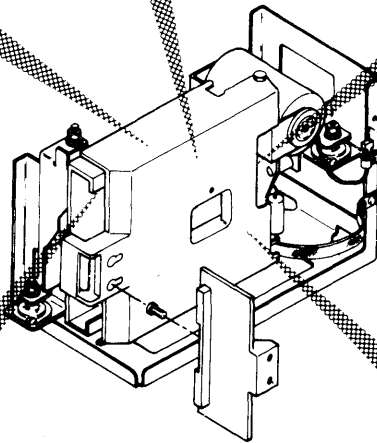
**COVER ASSEMBLY  
FIGURE 19  
PAGE 40**



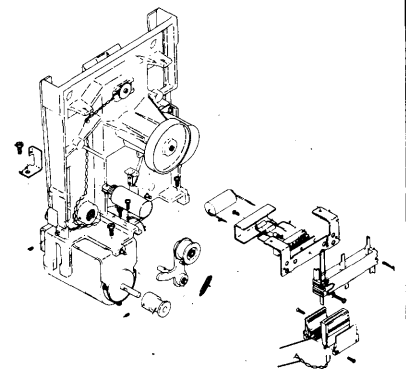
**BASE PLATE ASSEMBLY  
FIGURE 17  
PAGE 36**



**DISK DRIVE ASSEMBLY  
FIGURE 15  
PAGE 32**



**BASE PLATE ASSEMBLY  
FIGURE 16  
PAGE 34**



**BASE PLATE ASSEMBLY  
FIGURE 18  
PAGE 38**

This page is intentionally left blank.



**CATALOG SECTION**

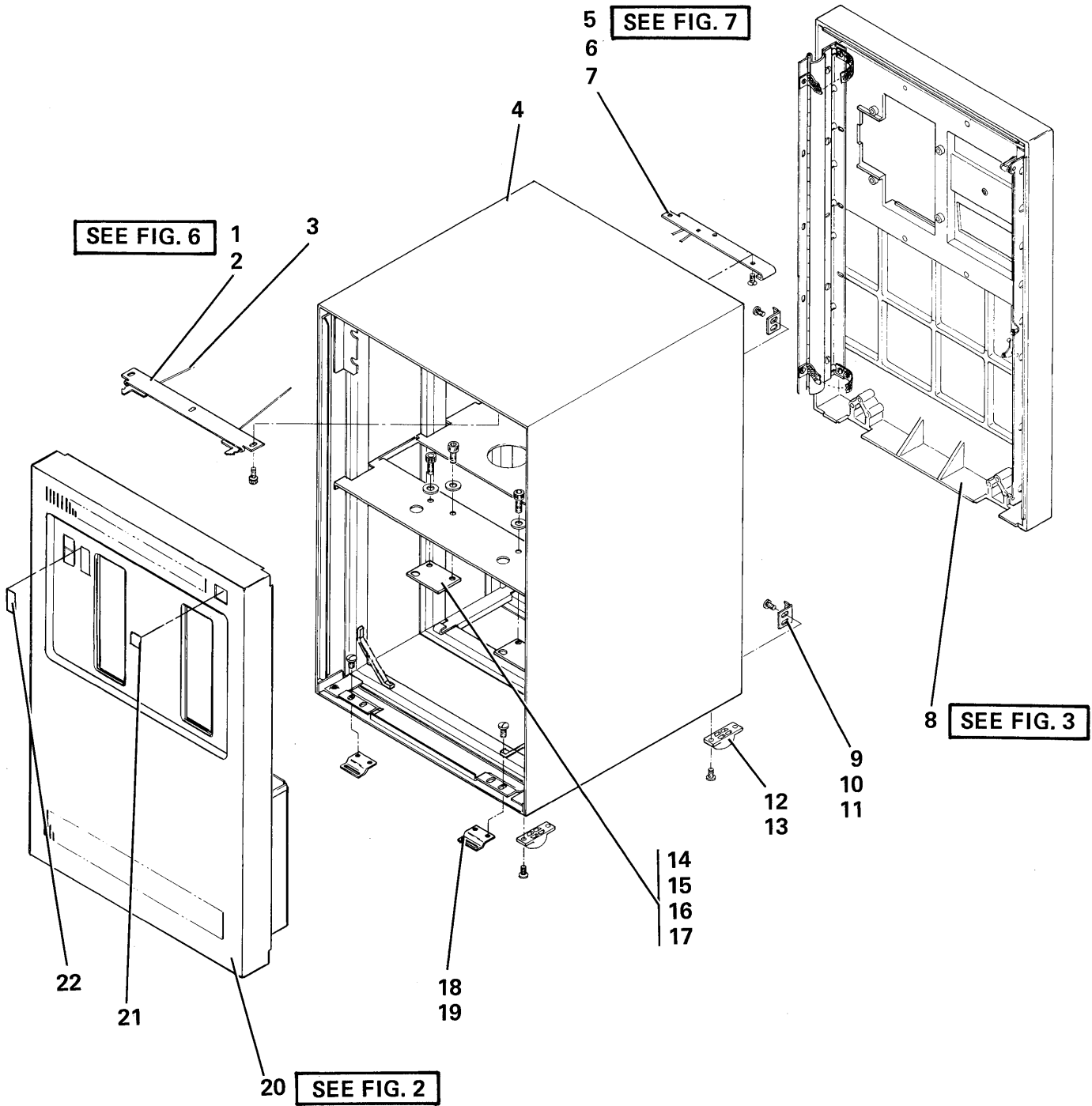


FIGURE 1. FRAME ASSEMBLY. SEE LIST 1.  
(BEFORE EC 835505)



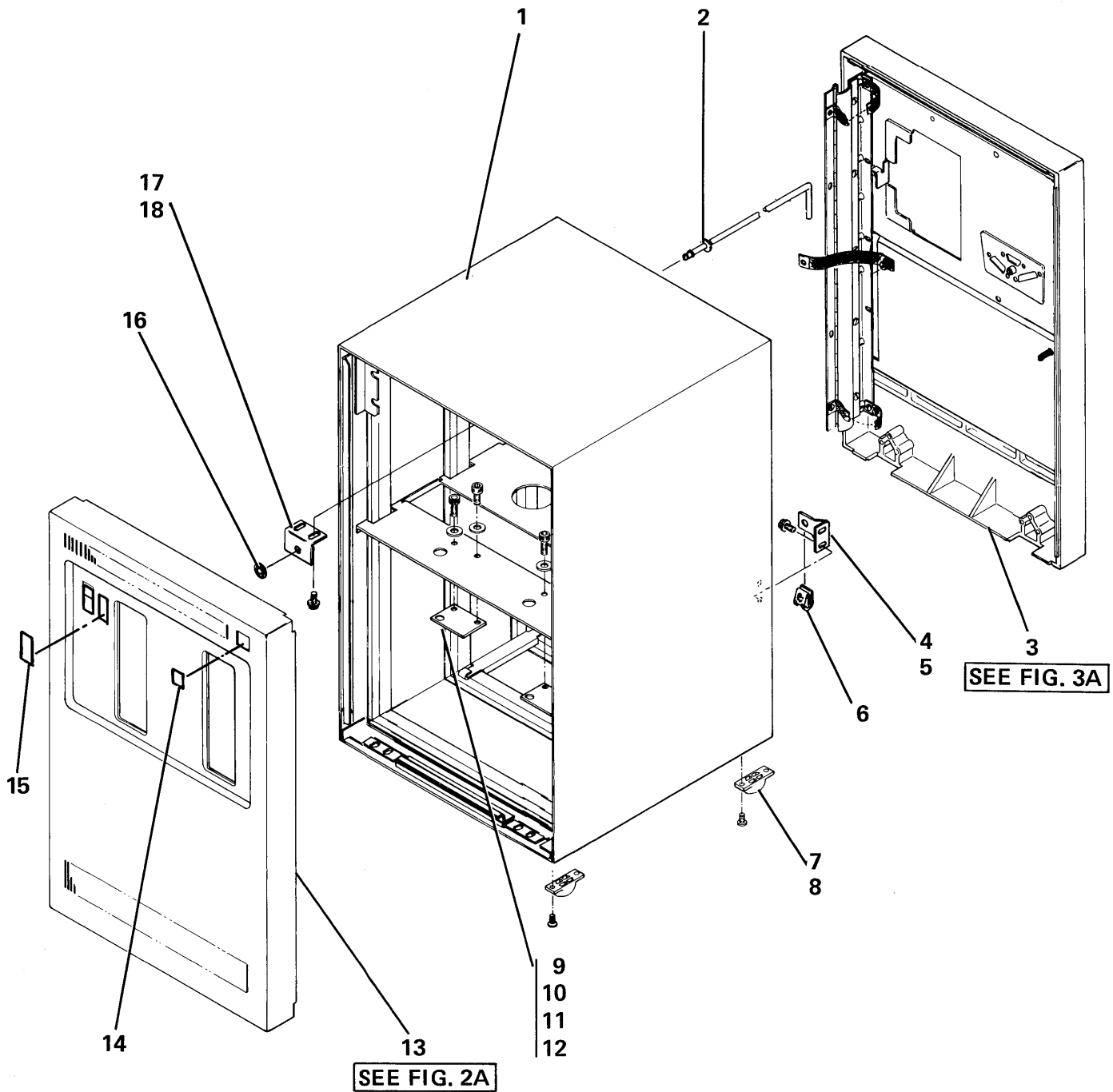


FIGURE 1A. FRAME ASSEMBLY. SEE LIST 1A.  
(AFTER EC 835505)





FOR PARTS  
NOT SHOWN  
SEE FIG. 1

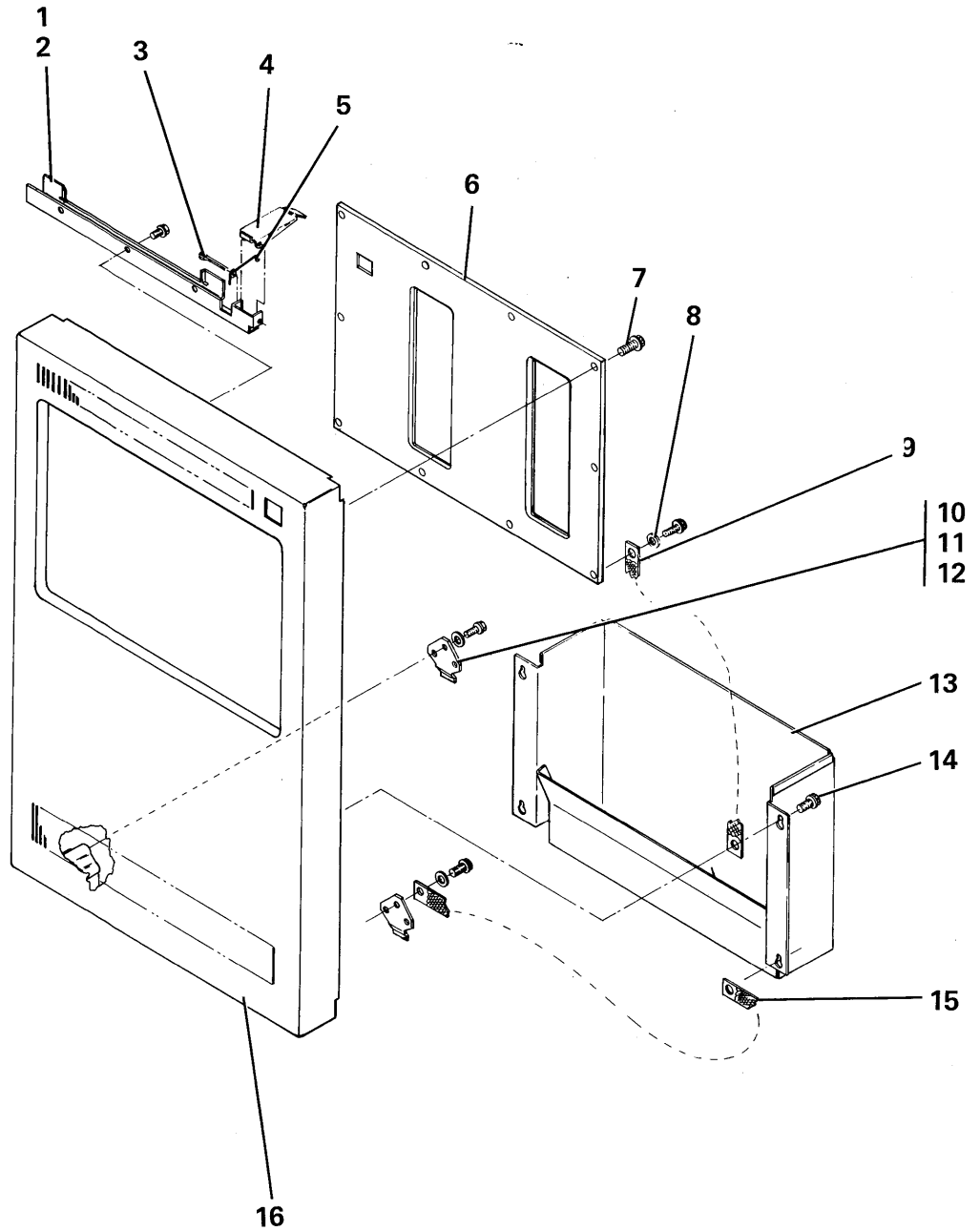


FIGURE 2. FRONT DOOR ASSEMBLY. SEE LIST 2.  
(BEFORE EC 835505)



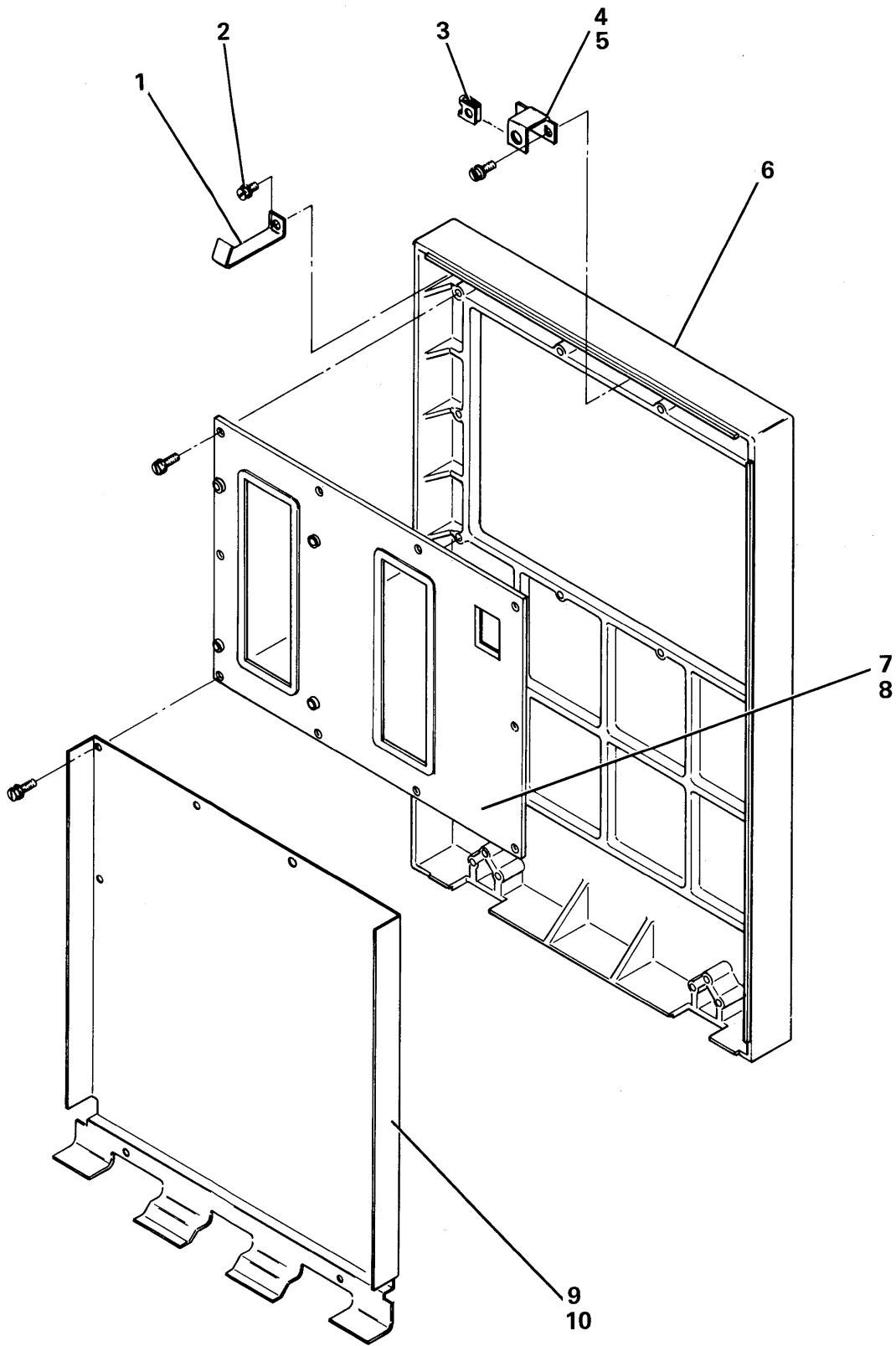


FIGURE 2A. FRONT DOOR ASSEMBLY. SEE LIST 2A.  
(AFTER EC 835505)



FOR PARTS  
NOT SHOWN  
SEE FIG. 1

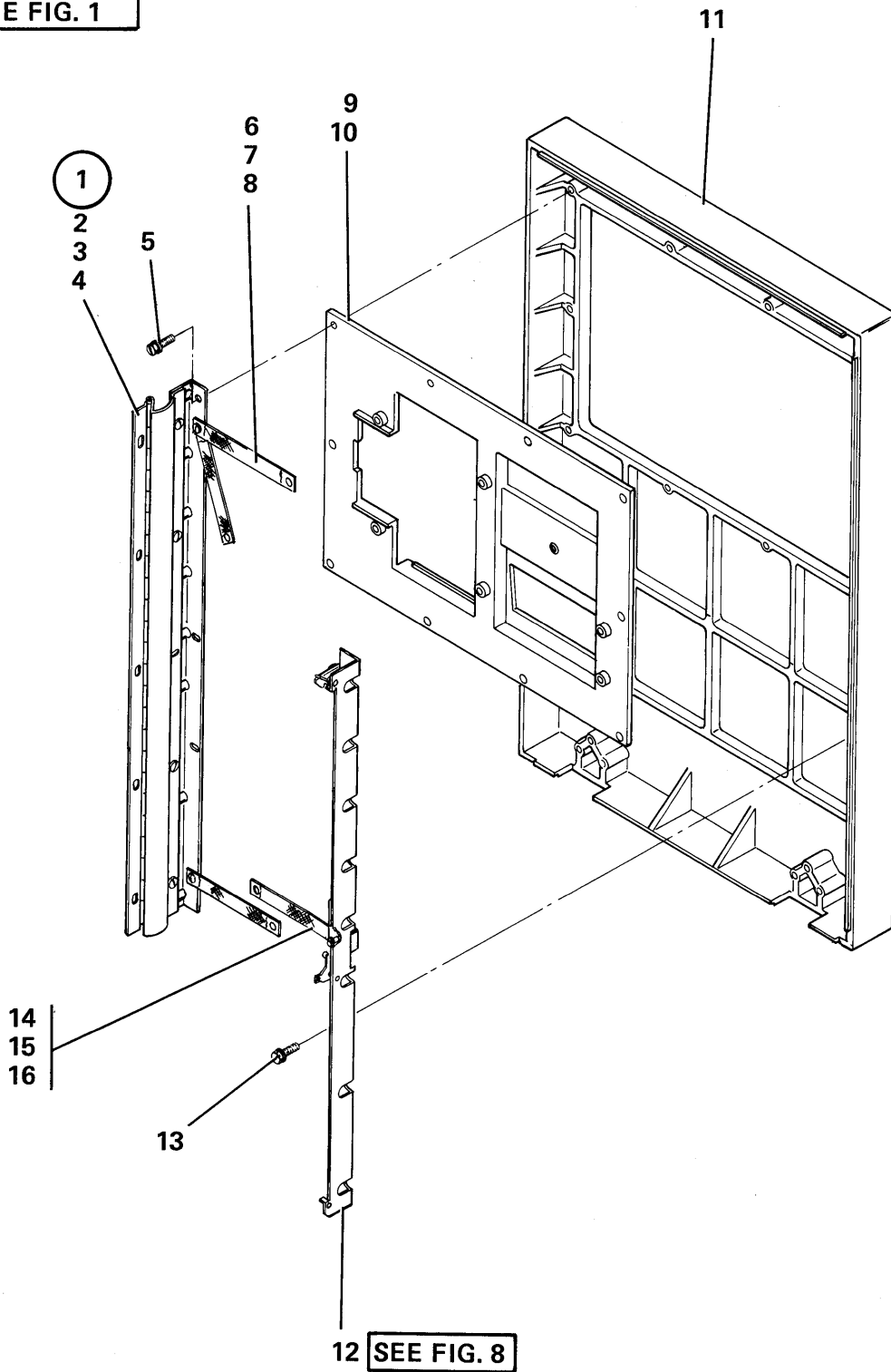


FIGURE 3. REAR DOOR ASSEMBLY. SEE LIST 3.  
(BEFORE EC 835505)



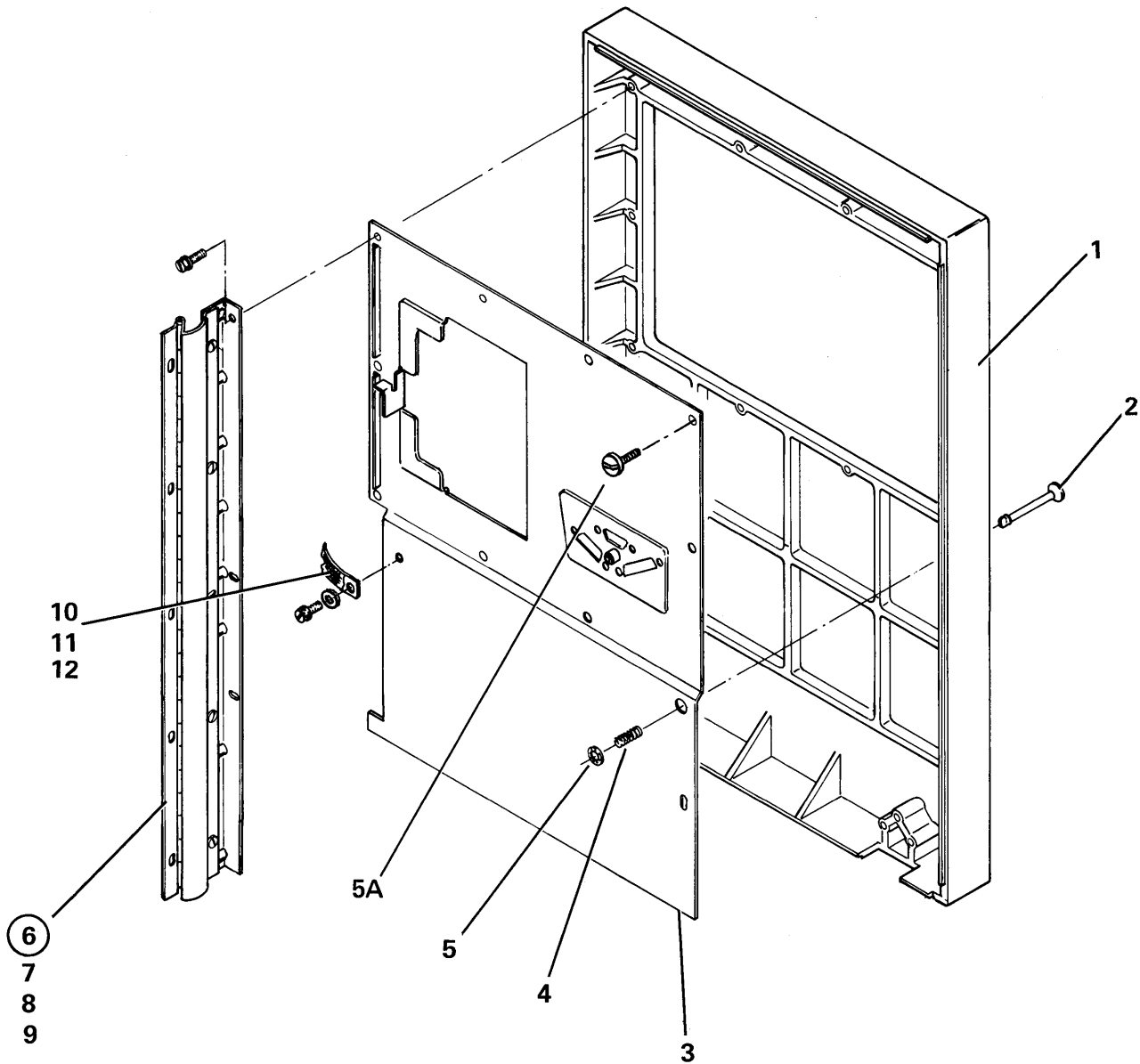


FIGURE 3A. REAR DOOR ASSEMBLY. SEE LIST 3A.  
(AFTER EC 835505)





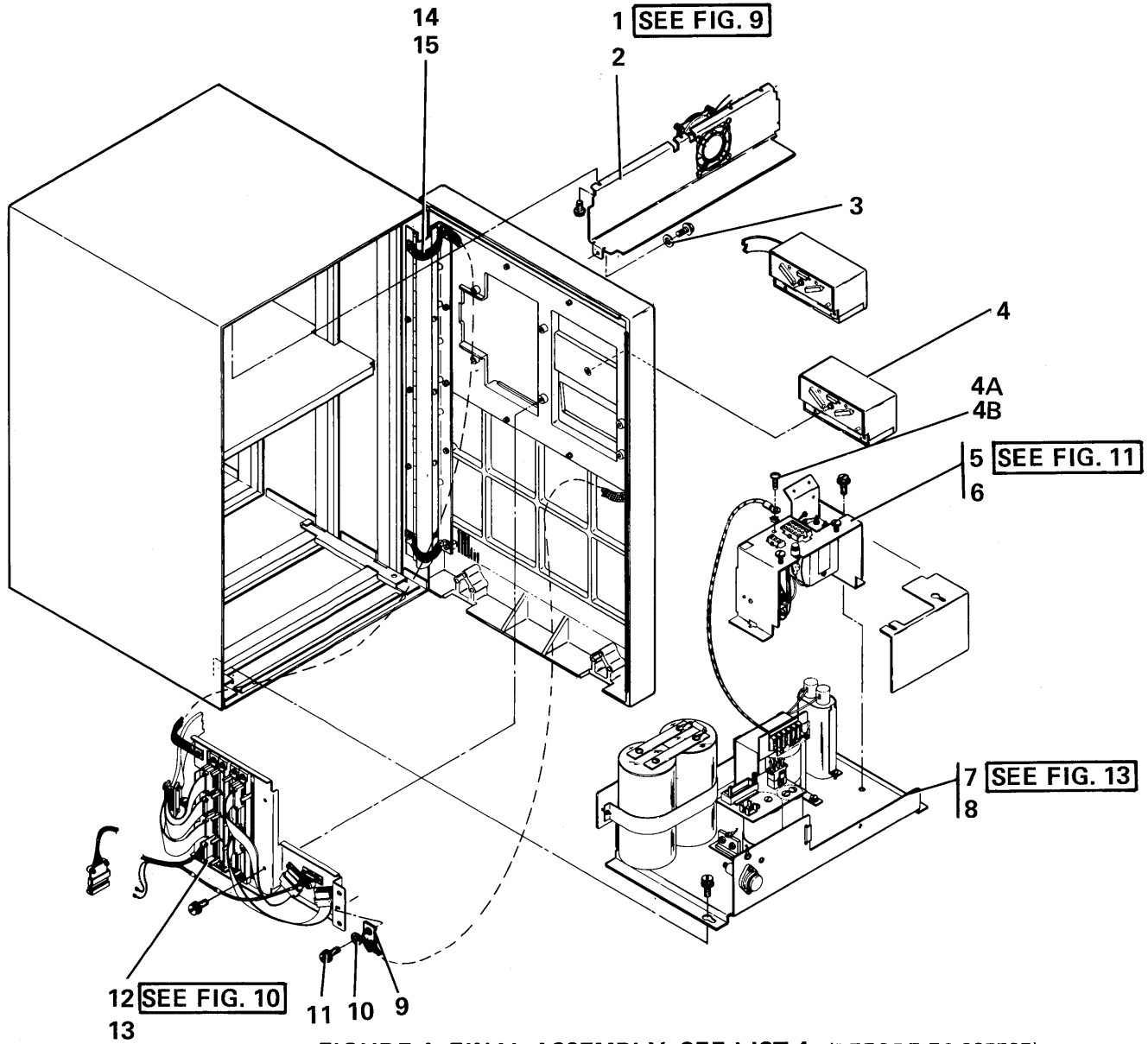


FIGURE 4. FINAL ASSEMBLY. SEE LIST 4. (BEFORE EC 835505)

| FIGURE-INDEX NUMBER | PART NUMBER | UNITS PER ASM. | DESCRIPTION FOR FIGURE 4                                                     |   |   |   |
|---------------------|-------------|----------------|------------------------------------------------------------------------------|---|---|---|
|                     |             |                | 1                                                                            | 2 | 3 | 4 |
| 4                   | 4360000 NP  |                | FINAL ASM (BEFORE EC 835505)<br>FOR ILLUSTRATION SEE FIGURE 4                |   |   |   |
| - 1                 | 4360145     | 1              | • FAN ASM 100-115V 50-60HZ                                                   |   |   |   |
| - 1                 | 4360146     | 1              | • FAN ASM 220-235V 50HZ<br>FOR DETAIL BREAKDOWN SEE FIGURE 9                 |   |   |   |
| - 2                 | 2181004     | 5              | • SCREW,THD FORM-HEX WSHR HD 10-32 X 3/8 LG                                  |   |   |   |
| - 3                 | 23141       | 1              | • WASHER,FLAT NO 10 X 9/16 OD X 1/16 THK                                     |   |   |   |
| - 4                 | 4836375     | 1              | • TERMINATOR                                                                 |   |   |   |
| - 4A                | 5319854     | 1              | • SCREW                                                                      |   |   |   |
| - 4B                | 55901       | 1              | • STAR WSHR                                                                  |   |   |   |
| - 5                 | 4360050     | 1              | • AC BOX ASM<br>FOR DETAIL BREAKDOWN SEE FIGURE 11                           |   |   |   |
| - 6                 | 2181004     | 2              | • SCREW,THD FORM-HEX WSHR HD 10-32 X 3/8 LG                                  |   |   |   |
| - 7                 | 4176540     | 1              | • POWER SUPPLY 100-115V 60 HZ                                                |   |   |   |
| - 7                 | 4176555     | 1              | • POWER SUPPLY 100-115V,220-235V 50 HZ<br>FOR DETAIL BREAKDOWN SEE FIGURE 13 |   |   |   |
| - 8                 | 2181004     | 2              | • SCREW,THD FORM-HEX WSHR HD 10-32 X 3/8 LG                                  |   |   |   |
| - 9                 | 2101089     | 2              | • GROUND STRAP                                                               |   |   |   |
| - 10                | 23141       | 2              | • WASHER,FLAT .190 ID X .625 OD                                              |   |   |   |
| - 11                | 2181004     | 2              | • SCREW                                                                      |   |   |   |
| - 12                | 4360118 NP  | 1              | • CIRCUIT BOARD ASM<br>FOR DETAIL BREAKDOWN SEE FIGURE 10                    |   |   |   |
| - 13                | 1608277     | 6              | • SCREW,THD FORM-HEX WSHR HD 6-19 X 3/8 LG                                   |   |   |   |
| - 14                | 2181004     | 5              | • SCREW,THD FORM-HEX WSHR HD 10-32 X 3/8 LG                                  |   |   |   |
| - 15                | 23141       | 2              | • WASHER,FLAT .190 ID X .625 OD                                              |   |   |   |

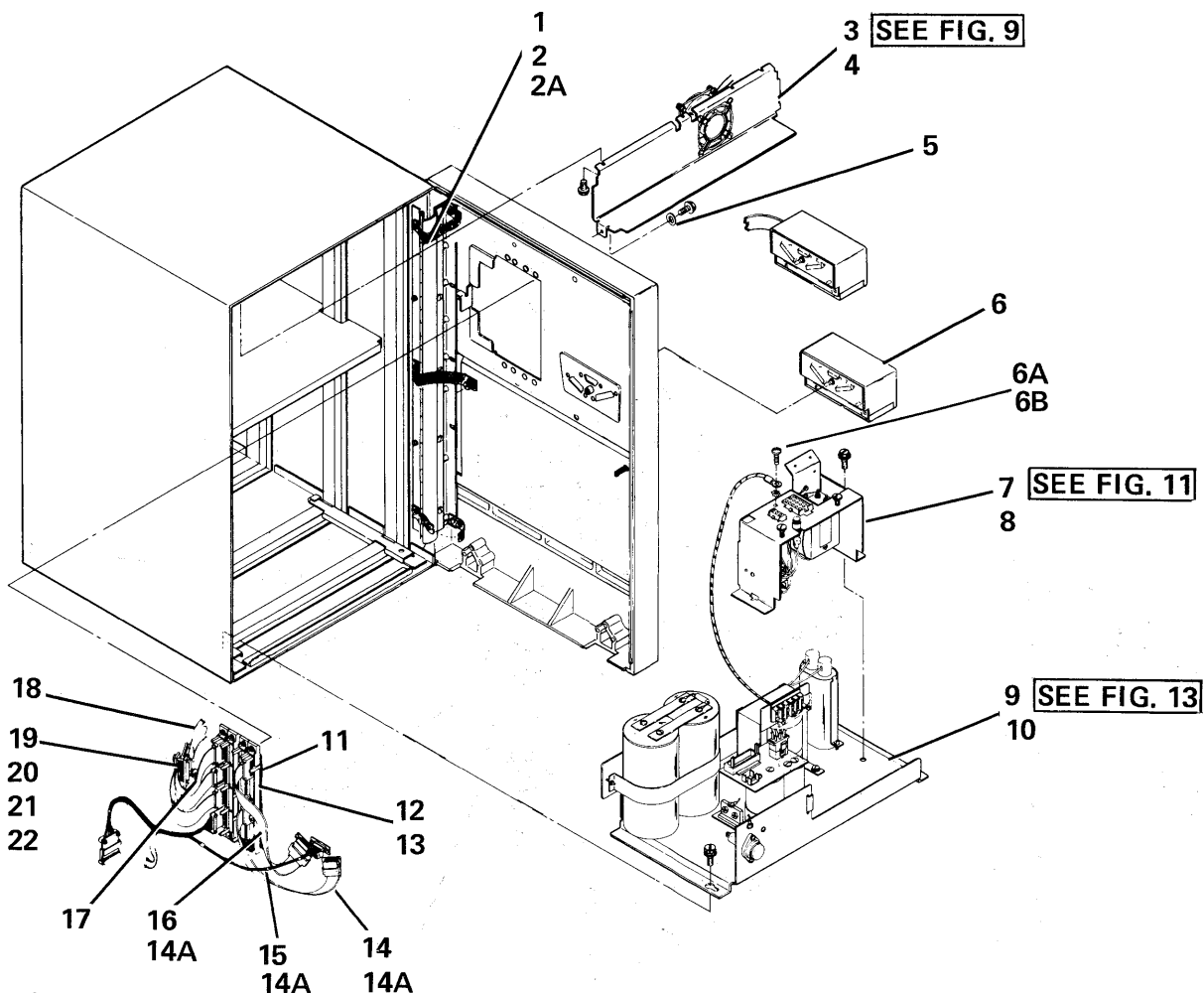


FIGURE 4A. FINAL ASSEMBLY. SEE LIST 4A. (AFTER EC 835505)

| FIGURE-INDEX NUMBER | PART NUMBER | UNITS PER ASM. | DESCRIPTION FOR FIGURE 4A                                                          |   |   |   |
|---------------------|-------------|----------------|------------------------------------------------------------------------------------|---|---|---|
|                     |             |                | 1                                                                                  | 2 | 3 | 4 |
| 4A                  | 4360000 NP  |                | FINAL ASM (BEFORE EC 835505)<br>FOR ILLUSTRATION SEE FIGURE 4A                     |   |   |   |
| - 1                 | 2101089     | 2              | • GROUND STRAP                                                                     |   |   |   |
| - 2                 | 2181004     | 3              | • SCREW, THD FORM-HEX WSHR HD 10-32 X 3/8 LG                                       |   |   |   |
| - 2A                | 23141       | 3              | • WSHR                                                                             |   |   |   |
| - 3                 | 4360145     | 1              | • FAN ASM 100-115V 50-60HZ                                                         |   |   |   |
| - 3                 | 4360146     | 1              | • FAN ASM 220-235V 50HZ<br>FOR DETAIL BREAKDOWN SEE FIGURE 9                       |   |   |   |
| - 4                 | 2181004     | 5              | • SCREW, THD FORM-HEX WSHR HD 10-32 X 3/8 LG                                       |   |   |   |
| - 5                 | 23141       | 1              | • WASHER, FLAT NO 10 X 9/16 OD X 1/16 THK                                          |   |   |   |
| - 6                 | 4836375     | 1              | • TERMINATOR                                                                       |   |   |   |
| - 6A                | 5319854     | 1              | • SCREW                                                                            |   |   |   |
| - 6B                | 55901       | 1              | • STAR WASHER                                                                      |   |   |   |
| - 7                 | 4360050     | 1              | • AC BOX ASM                                                                       |   |   |   |
| - 8                 | 2181004     | 2              | FOR DETAIL BREAKDOWN SEE FIGURE 11<br>• SCREW, THD FORM-HEX WSHR HD 10-32 X 3/8 LG |   |   |   |
| - 9                 | 4176540     | 1              | • POWER SUPPLY 100-115V 60 HZ                                                      |   |   |   |
| - 9                 | 4176555     | 1              | • POWER SUPPLY 100-115V, 220-235V 50 HZ<br>FOR DETAIL BREAKDOWN SEE FIGURE 13      |   |   |   |
| - 10                | 2181004     | 2              | • SCREW, THD FORM-HEX WSHR HD 10-32 X 3/8 LG                                       |   |   |   |
| - 11                | 1608329     | 6              | • CLIP                                                                             |   |   |   |
| - 12                | 4360110     | 1              | • P/C BOARD                                                                        |   |   |   |
| - 13                | 4360109     | 8              | • SCREW, THD FORM-HEX WSHR HD 6-32 X 5/8 LG                                        |   |   |   |
| - 14                | 4360088     | 1              | • CABLE                                                                            |   |   |   |
| - 14A               | 438548      | 2              | • SCREWS                                                                           |   |   |   |
| - 15                | 4360081     | 1              | • CABLE                                                                            |   |   |   |
| - 16                | 4360088     | 1              | • CABLE                                                                            |   |   |   |
| - 17                | 236849      | 1              | • SCREW, BIND HD 10-32 X 1/4 LG                                                    |   |   |   |
| - 18                | 4360086     | 1              | • CABLE ASM                                                                        |   |   |   |
| - 19                | 322552      | 2              | • SCREW, MACH HD 6-32 X 7/8 LG                                                     |   |   |   |
| - 20                | 1608698     | 1              | • PLATE                                                                            |   |   |   |
| - 21                | 1608699     | 1              | • BRACKET                                                                          |   |   |   |
| - 22                | 1608408     | 1              | • BAR NUT                                                                          |   |   |   |

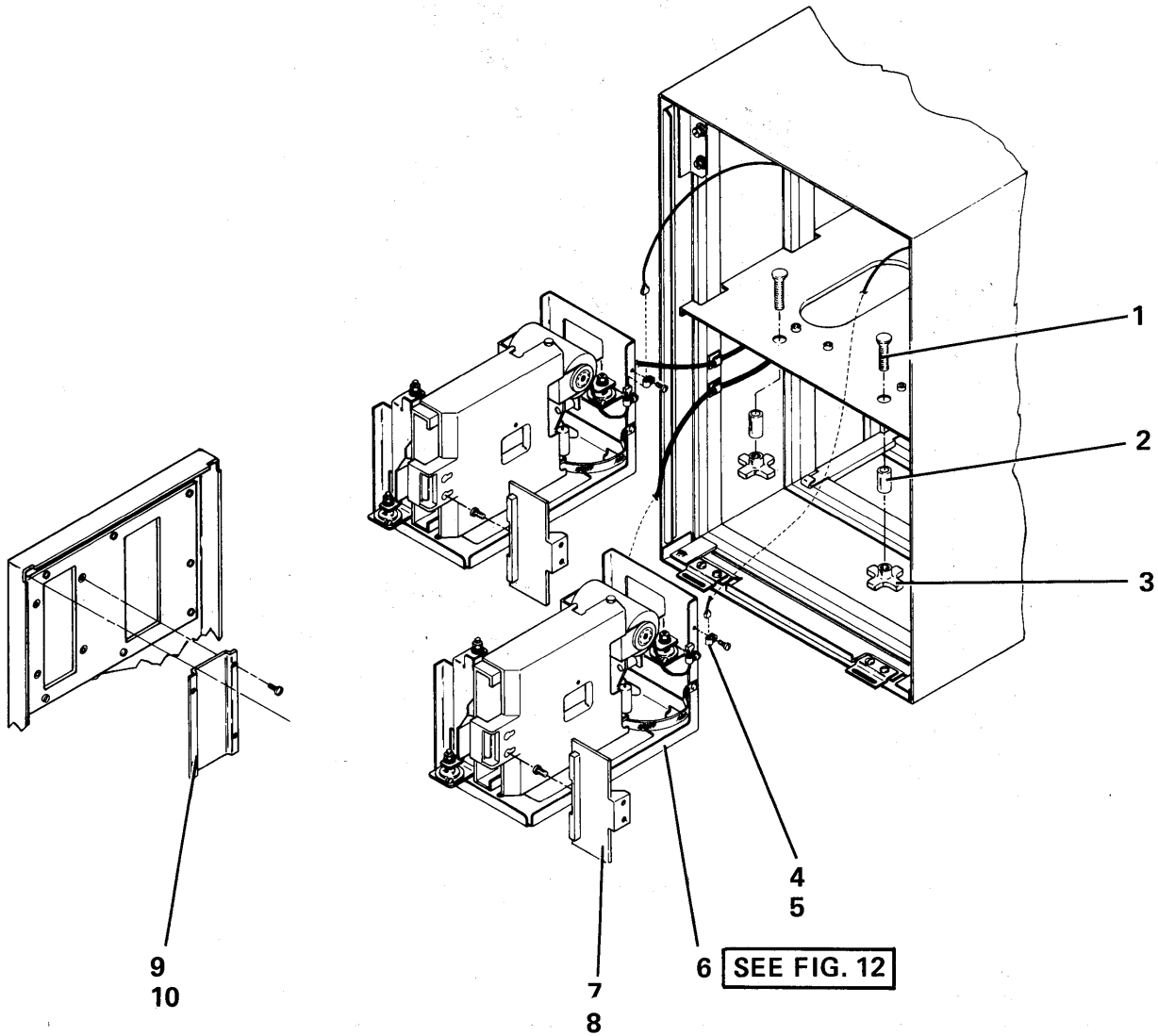


FIGURE 5. FINAL ASSEMBLY. SEE LIST 5.

| FIGURE-INDEX NUMBER | PART NUMBER | UNITS PER ASM. | DESCRIPTION FOR FIGURE 5                                         |   |   |   |
|---------------------|-------------|----------------|------------------------------------------------------------------|---|---|---|
|                     |             |                | 1                                                                | 2 | 3 | 4 |
| 5                   | 4360000 NP  |                | FINAL ASM<br>FOR ILLUSTRATION SEE FIGURE 5                       |   |   |   |
| - 1                 | 4360019     | 2              | • D SCREW                                                        |   |   |   |
| - 2                 | 491796      | 2              | • SPACER                                                         |   |   |   |
| - 3                 | 4360129     | 2              | • KNOB                                                           |   |   |   |
| - 4                 | 2102364     | 2              | • CLAMP                                                          |   |   |   |
| - 5                 | 5319854     | 2              | • SCREW, THD FORM-HEX WSHR HD 8-32 X 3/8 LG                      |   |   |   |
| - 6                 | 4360070     | 2              | • DISK DRIVE 60HZ 100-115V                                       |   |   |   |
| - 6                 | 4360071     | 2              | • DISK DRIVE 50HZ 100V                                           |   |   |   |
| - 6                 | 4360072     | 2              | • DISK DRIVE 50HZ 220-235V<br>FOR DETAIL BREAKDOWN SEE FIGURE 12 |   |   |   |
| - 7                 | 4360075     | 2              | • DOOR                                                           |   |   |   |
| - 8                 | 81693       | 4              | • SCREW, MACH-BIND HD 6-32 X 7/16 LG                             |   |   |   |
| - 9                 | 4360033     | 1              | • DOOR BLANK USED WHEN ORDERING 1 DISK DRIVE                     |   |   |   |
| - 10                | 1608427     | 4              | • SCREW, THD FORM-HEX WSHR HD 6-19 X 3/8 LG                      |   |   |   |

FOR PARTS  
NOT SHOWN  
SEE FIG. 1

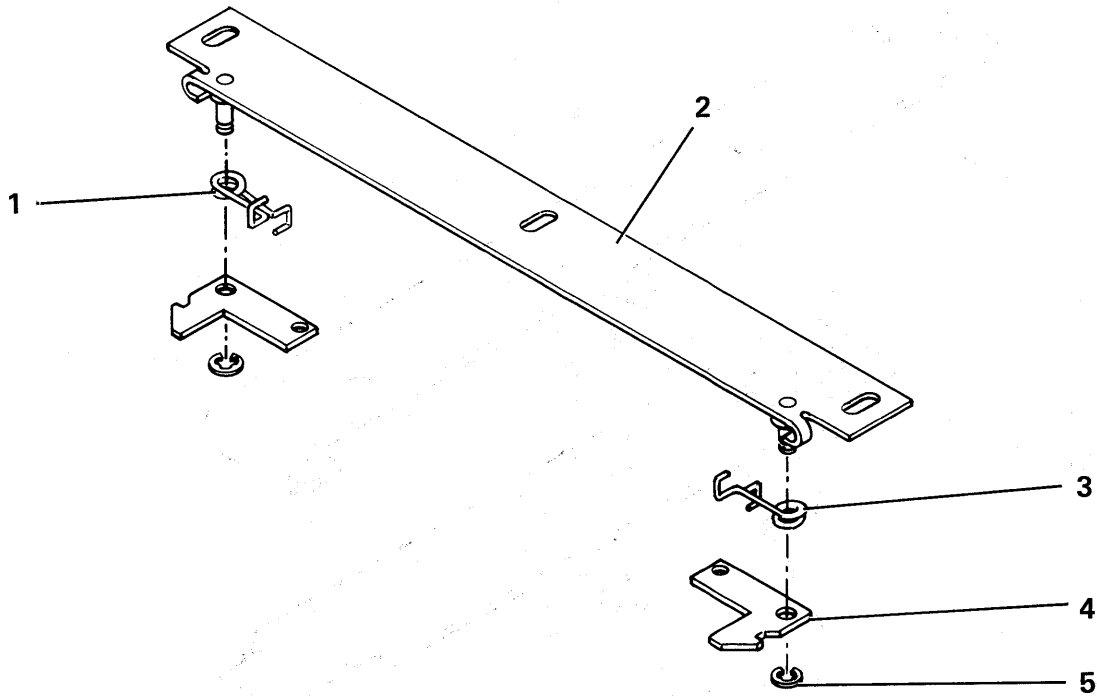


FIGURE 6. LATCH ASSEMBLY. SEE LIST 6.  
(BEFORE EC 835505)

| FIGURE-<br>INDEX<br>NUMBER | PART<br>NUMBER | UNITS<br>PER<br>ASM. | DESCRIPTION FOR FIGURE 6                                                                            |   |   |   |
|----------------------------|----------------|----------------------|-----------------------------------------------------------------------------------------------------|---|---|---|
|                            |                |                      | 1                                                                                                   | 2 | 3 | 4 |
| 6                          | 4360042 NP     |                      | LATCH ASM (BEFORE EC 835505)<br>FOR NEXT HIGHER ASM SEE FIGURE 1-1<br>AND FOR ILLUSTRATION FIGURE 6 |   |   |   |
| -                          | 1 4360036      | 1                    | • L H SPRING                                                                                        |   |   |   |
| -                          | 2 4360037      | 1                    | • BRACKET ASM                                                                                       |   |   |   |
| -                          | 3 4360041      | 1                    | • R H SPRING                                                                                        |   |   |   |
| -                          | 4 4360039      | 2                    | • CATCH                                                                                             |   |   |   |
| -                          | 5 1092125      | 2                    | • CLIP,RETAINING 0.147 GROOVE DIA                                                                   |   |   |   |
|                            |                |                      |                                                                                                     |   |   |   |
|                            |                |                      |                                                                                                     |   |   |   |

FOR PARTS  
NOT SHOWN  
SEE FIG. 1

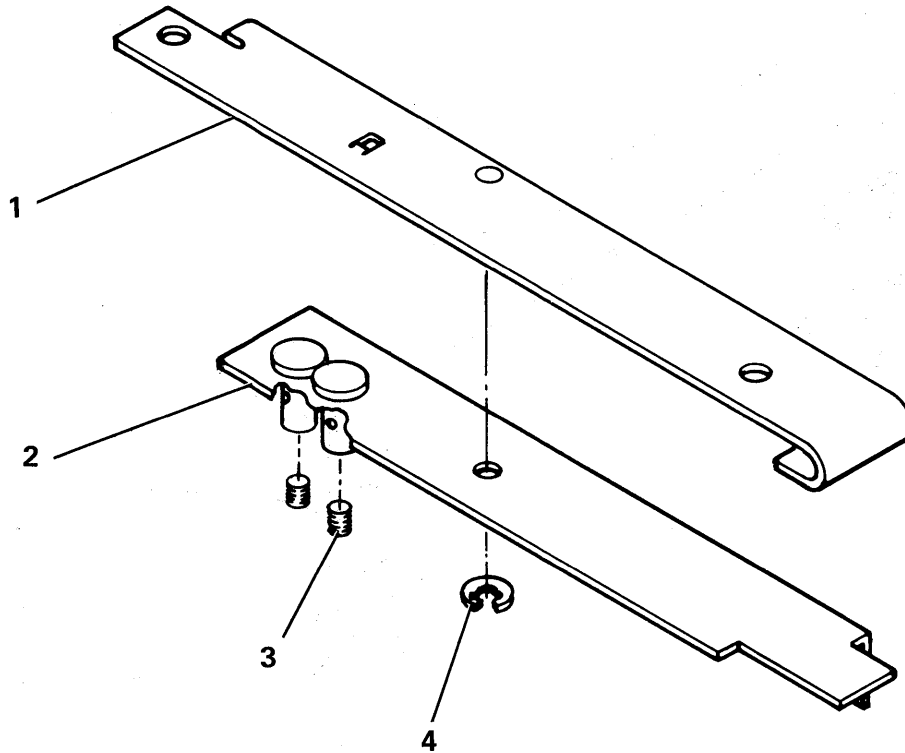


FIGURE 7. PUSH BRACKET ASSEMBLY. SEE LIST 7.  
(BEFORE EC 835505)

| FIGURE-<br>INDEX<br>NUMBER | PART<br>NUMBER | UNITS<br>PER<br>ASM. | DESCRIPTION FOR FIGURE 7                                                                                   |   |   |   |
|----------------------------|----------------|----------------------|------------------------------------------------------------------------------------------------------------|---|---|---|
|                            |                |                      | 1                                                                                                          | 2 | 3 | 4 |
| 7                          | 4360055 NP     |                      | PUSH BRACKET ASM (BEFORE EC 835505)<br>FOR NEXT HIGHER ASM SEE FIGURE 1-5<br>AND FOR ILLUSTRATION FIGURE 7 |   |   |   |
| - 1                        | 4360044        | 1                    | • BRACKET ASM                                                                                              |   |   |   |
| - 2                        | 4360049        | 1                    | • PUSH ASM                                                                                                 |   |   |   |
| - 3                        | 81404          | 2                    | • SET SCREW                                                                                                |   |   |   |
| - 4                        | 1092125        | 1                    | • CLIP,RETAINING 0.147 GROOVE DIA                                                                          |   |   |   |
|                            |                |                      |                                                                                                            |   |   |   |
|                            |                |                      |                                                                                                            |   |   |   |
|                            |                |                      |                                                                                                            |   |   |   |
|                            |                |                      |                                                                                                            |   |   |   |

This page is intentionally left blank.

FOR PARTS  
NOT SHOWN  
SEE FIG. 3

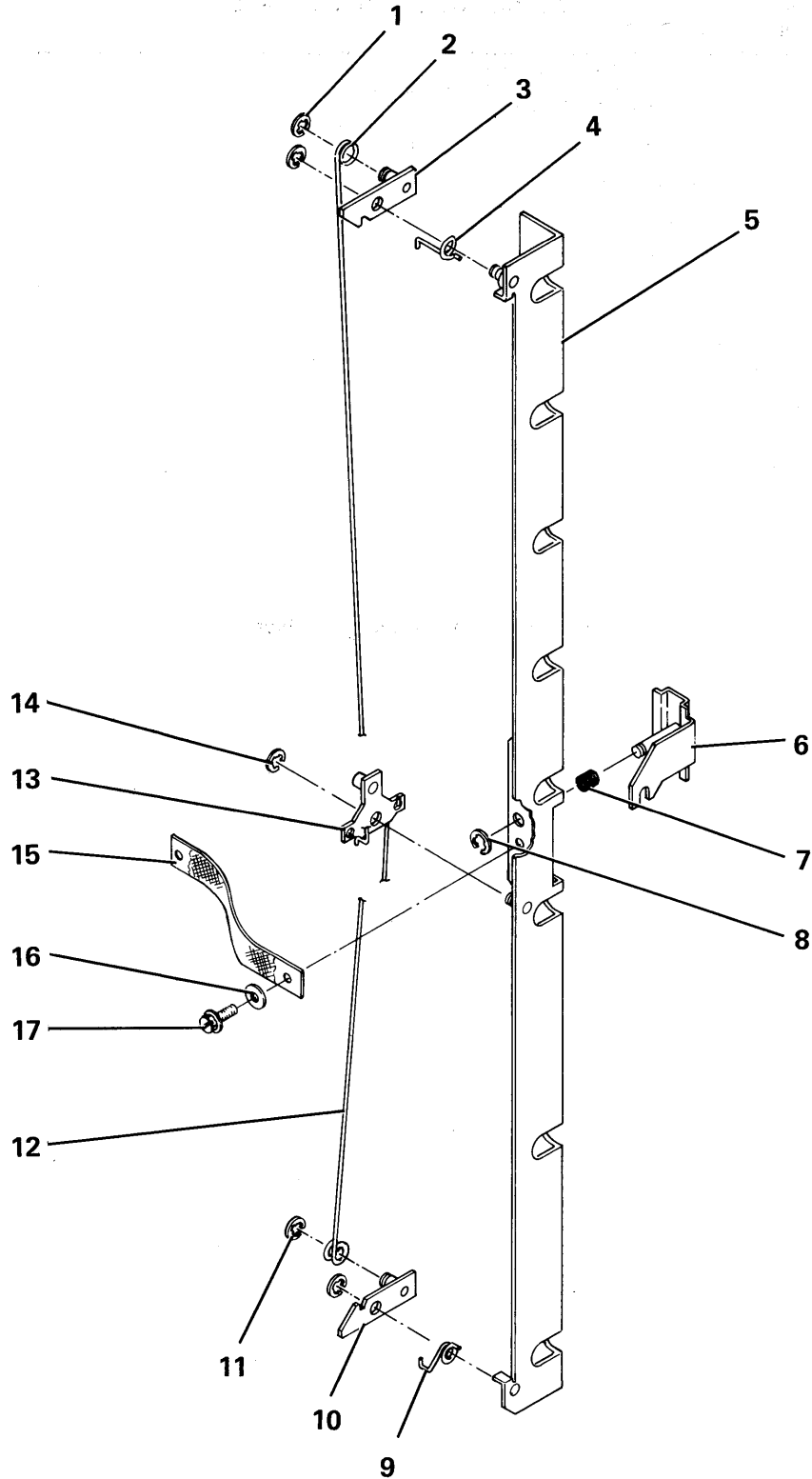


FIGURE 8. LATCH ASSEMBLY. SEE LIST 8.  
(BEFORE EC 835505)





FOR PARTS  
NOT SHOWN  
SEE FIG. 4

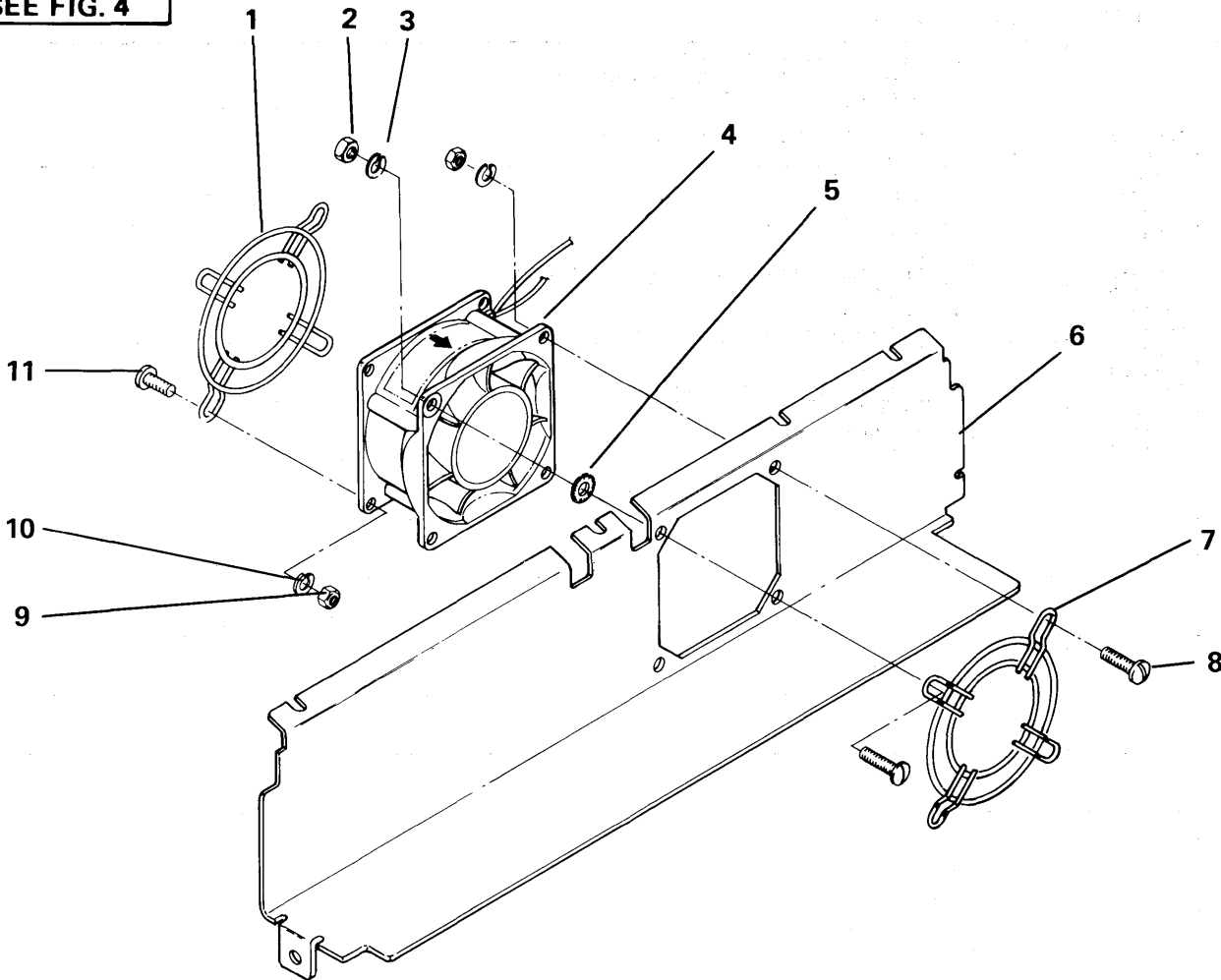


FIGURE 9. FAN ASSEMBLY. SEE LIST 9.

| FIGURE-<br>INDEX<br>NUMBER | PART<br>NUMBER     | UNITS<br>PER<br>ASM. | DESCRIPTION FOR FIGURE 9                                                                                                 |   |   |   |
|----------------------------|--------------------|----------------------|--------------------------------------------------------------------------------------------------------------------------|---|---|---|
|                            |                    |                      | 1                                                                                                                        | 2 | 3 | 4 |
| 9                          | 4360145<br>4360146 |                      | FAN ASM 110-115V 50-60HZ<br>FAN ASM 220-235V 50HZ<br>FOR NEXT HIGHER ASM SEE FIGURE 4-1<br>AND FOR ILLUSTRATION FIGURE 9 |   |   |   |
| - 1                        | 5130688            | 1                    | • GUARD                                                                                                                  |   |   |   |
| - 2                        | 257187             | 4                    | • NUT                                                                                                                    |   |   |   |
| - 3                        | 6364               | 4                    | • LOCK WASHER,SPLIT NO.6 X 1/4 OD                                                                                        |   |   |   |
| - 4                        | 4360147            | 1                    | • FAN ASM 100-115V                                                                                                       |   |   |   |
| - 4                        | 4360148            | 1                    | • FAN ASM 220-235V                                                                                                       |   |   |   |
| - 5                        | 56722              | 1                    | • STAR WASHER                                                                                                            |   |   |   |
| - 6                        | 4360144            | 1                    | • FAN BRACKET                                                                                                            |   |   |   |
| - 7                        | 5130688            | 1                    | • GUARD                                                                                                                  |   |   |   |
| - 8                        | 322550             | 4                    | • SCREW,MACH-BIND HD 6-32 X 1/2 LG                                                                                       |   |   |   |
| - 9                        | 257187             | 4                    | • NUT,HEX 6-32                                                                                                           |   |   |   |
| - 10                       | 6364               | 4                    | • LOCK WASHER,SPLIT NO.6 X 1/4 OD                                                                                        |   |   |   |
| - 11                       | 322550             | 4                    | • SCREW,MACH-BIND HD 6-32 X 1/2 LG                                                                                       |   |   |   |

FOR PARTS  
NOT SHOWN  
SEE FIG. 4

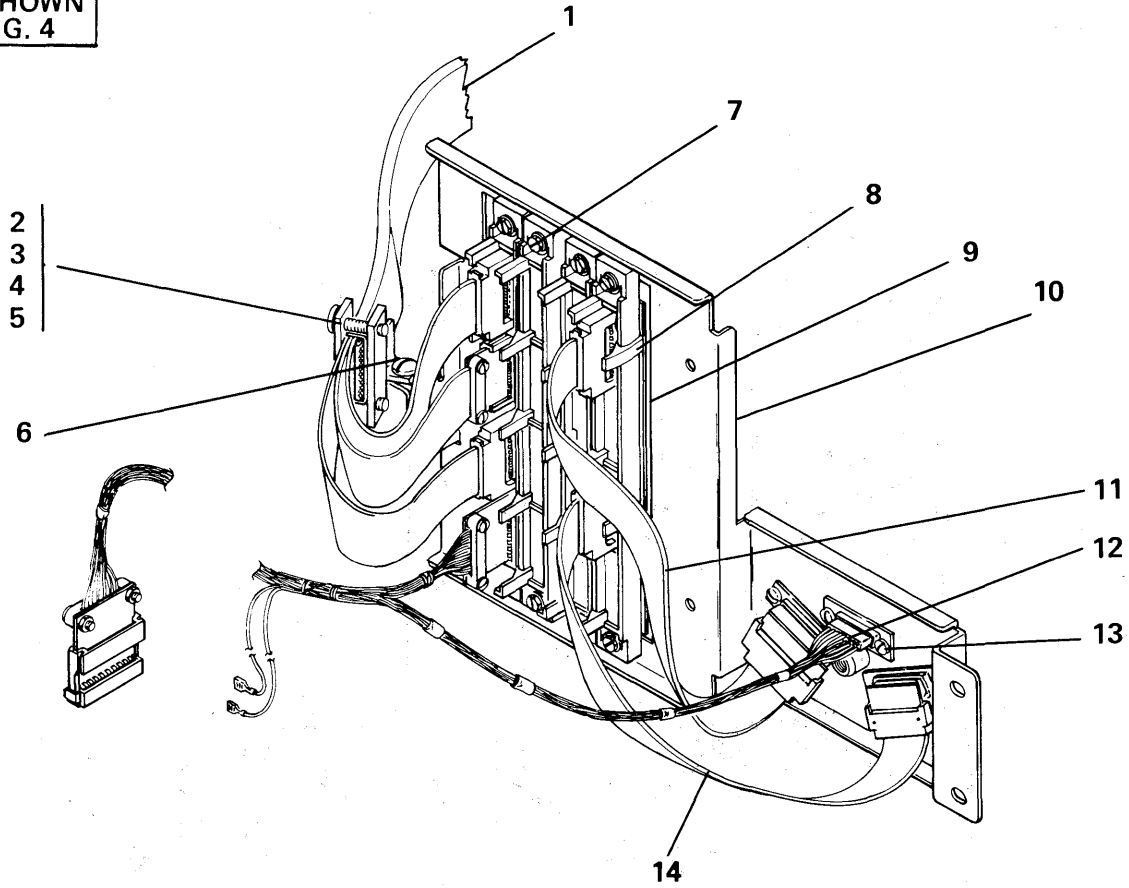


FIGURE 10. CIRCUIT BOARD ASSEMBLY. SEE LIST 10.  
(BEFORE EC 835505)

| FIGURE-<br>INDEX<br>NUMBER | PART<br>NUMBER | UNITS<br>PER<br>ASM. | DESCRIPTION FOR FIGURE 10                                                                                     |   |   |   |                                           |
|----------------------------|----------------|----------------------|---------------------------------------------------------------------------------------------------------------|---|---|---|-------------------------------------------|
|                            |                |                      | 1                                                                                                             | 2 | 3 | 4 |                                           |
| 10                         | 4360118 NP     |                      | CIRCUIT BOARD ASM (BEFORE EC 335505)<br>FOR NEXT HIGHER ASM SEE FIGURE 4-12<br>AND FOR ILLUSTRATION FIGURE 10 |   |   |   |                                           |
| - 1                        | 4360086        | 1                    | •                                                                                                             | • | • | • | CABLE ASM                                 |
| - 2                        | 322552         | 2                    | •                                                                                                             | • | • | • | SCREW, MACH-BIND HD 6-32 X 7/8 LG         |
| - 3                        | 1608698        | 1                    | •                                                                                                             | • | • | • | PLATE                                     |
| - 4                        | 1608699        | 1                    | •                                                                                                             | • | • | • | BRACKET                                   |
| - 5                        | 1608408        | 1                    | •                                                                                                             | • | • | • | BAR NUT                                   |
| - 6                        | 236849         | 1                    | •                                                                                                             | • | • | • | SCREW, BIND HD 10-32 X 1/4 LG             |
| - 7                        | 4360109        | 8                    | •                                                                                                             | • | • | • | SCREW, THD FORM-HEX WSHR HD 6-32 X 5/8 LG |
| - 8                        | 1608329        | 6                    | •                                                                                                             | • | • | • | CLIP                                      |
| - 9                        | 4360110        | 1                    | •                                                                                                             | • | • | • | P/C BOARD ASM                             |
| - 10                       | 4360116        | 1                    | •                                                                                                             | • | • | • | BRACKET                                   |
| - 11                       | 4360088        | 1                    | •                                                                                                             | • | • | • | CABLE                                     |
| - 12                       | 4360081        | 1                    | •                                                                                                             | • | • | • | CABLE                                     |
| - 13                       | 438548         | 6                    | •                                                                                                             | • | • | • | SCREW, BIND HD 4-40 X 3/16 LG             |
| - 14                       | 4360088        | 1                    | •                                                                                                             | • | • | • | CABLE                                     |
|                            |                |                      |                                                                                                               |   |   |   |                                           |
|                            |                |                      |                                                                                                               |   |   |   |                                           |
|                            |                |                      |                                                                                                               |   |   |   |                                           |

FOR PARTS  
NOT SHOWN  
SEE FIG. 4 & 13

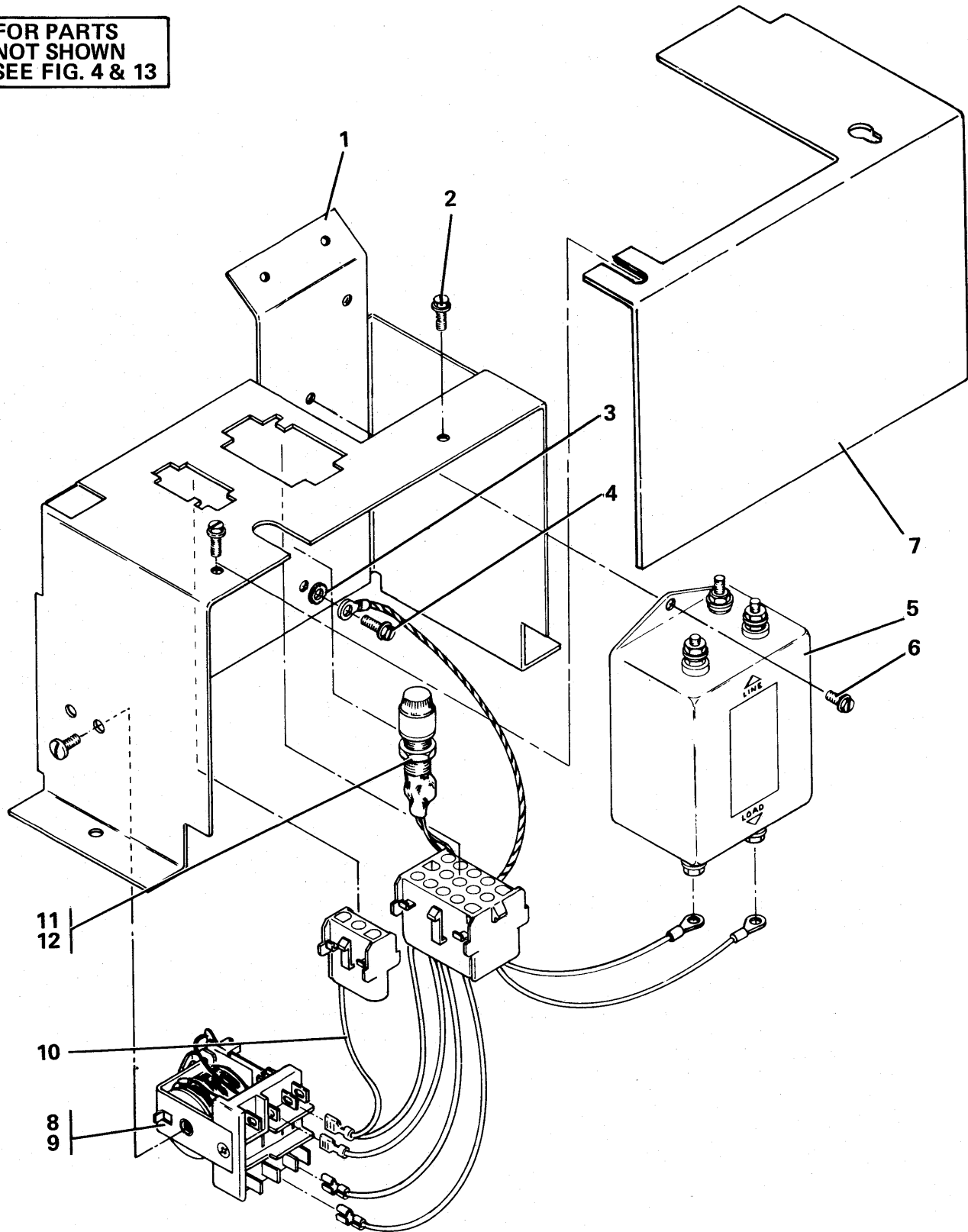


FIGURE 11. AC BOX ASSEMBLY. SEE LIST 11.



FOR PARTS  
NOT SHOWN  
SEE FIG. 5

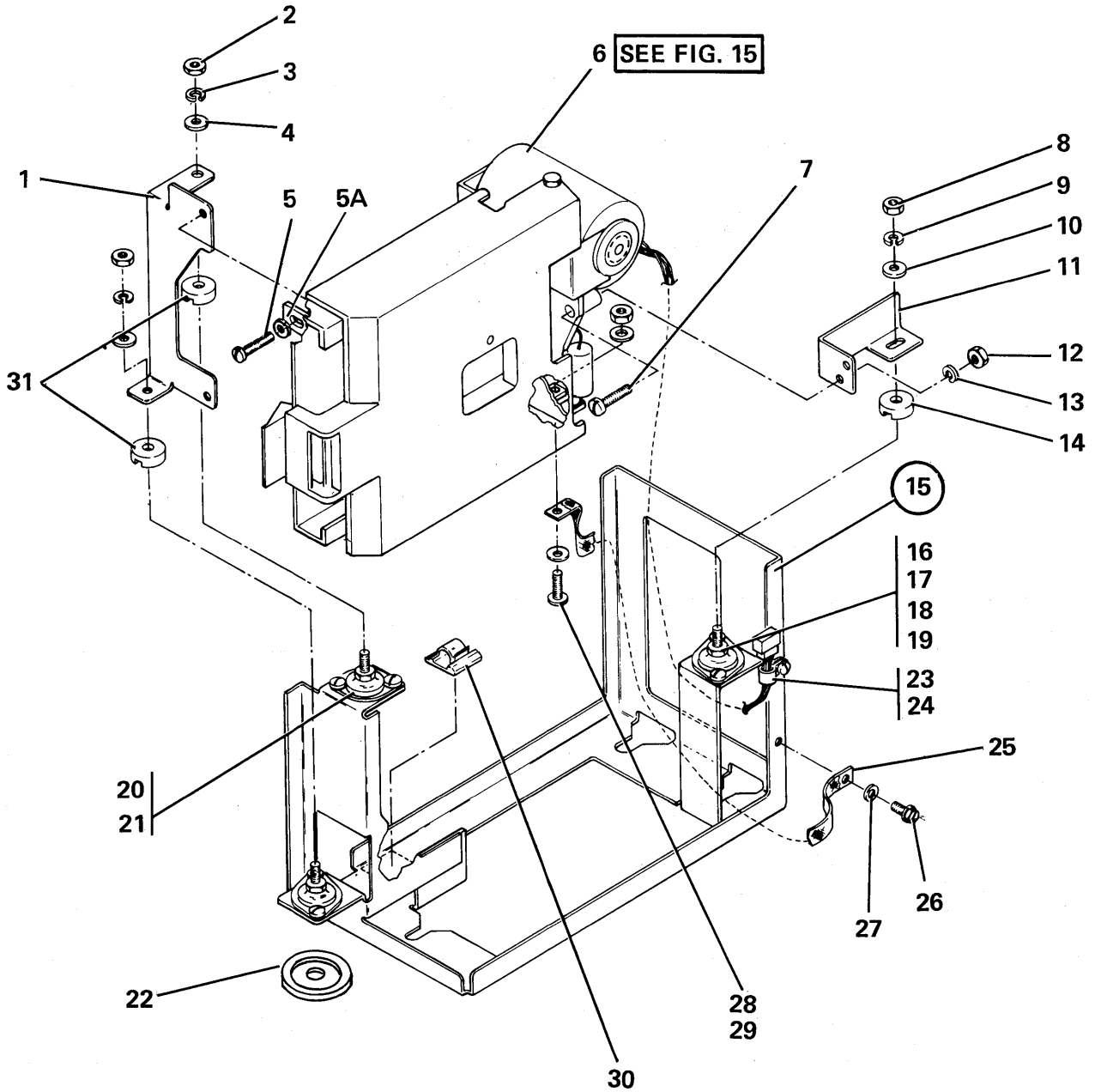


FIGURE 12. DISK DRIVE ASSEMBLY. SEE LIST 12.

| FIGURE-<br>INDEX<br>NUMBER | PART<br>NUMBER                | UNITS<br>PER<br>ASM. | DESCRIPTION FOR FIGURE 12                                              |   |   |   |
|----------------------------|-------------------------------|----------------------|------------------------------------------------------------------------|---|---|---|
|                            |                               |                      | 1                                                                      | 2 | 3 | 4 |
| 12                         | 4360070<br>4360071<br>4360072 |                      | DISK ASM 110/115V 60HZ<br>DISK ASM 100V 50HZ<br>DISK ASM 220/235V 50HZ |   |   |   |
|                            |                               |                      | FOR NEXT HIGHER ASM SEE FIGURE 5-6<br>AND FOR ILLUSTRATION FIGURE 12   |   |   |   |
| - 1                        | 4360126                       | 1                    | • FRONT BRACKET                                                        |   |   |   |
| - 2                        | 257189                        | 2                    | • NUT,HEX 8-32 UNC THD                                                 |   |   |   |
| - 3                        | 1090873                       | 2                    | • LOCK WASHER,SPLIT 3/16 ID X 5/16 OD                                  |   |   |   |
| - 4                        | 110029                        | 2                    | • WASHER,FL NO. 8 X 5/8 OD X 1/16 THK                                  |   |   |   |
| - 5                        | 2181011                       | 2                    | • SCREW,MACH-BIND HD 6-32 X 3/8 LG                                     |   |   |   |
| - 5A                       | 56722                         | 2                    | • LCK WASHER                                                           |   |   |   |
| - 6                        | 4178005                       | 1                    | • DISK DRIVE ASM 100-115V 60HZ                                         |   |   |   |
| - 6                        | 4178007                       | 1                    | • DISK DRIVE ASM 100V 50HZ                                             |   |   |   |
| - 6                        | 4178006                       | 1                    | • DISK DRIVE ASM 220-235V 50HZ                                         |   |   |   |
| - 7                        | 5677                          | 2                    | FOR DETAIL BREAKDOWN SEE FIGURE 15                                     |   |   |   |
| - 8                        | 257189                        | 1                    | • SCREW,BIND HD MACH 10-32 X 3/4 LG                                    |   |   |   |
| - 9                        | 1090873                       | 1                    | • NUT,HEX 8-32 UNC THD                                                 |   |   |   |
| - 10                       | 110029                        | 1                    | • LOCK WASHER,SPLIT 3/16 ID X 5/16 OD                                  |   |   |   |
| - 11                       | 4360128                       | 1                    | • WASHER,FL NO. 8 X 5/8 OD X 1/16 THK                                  |   |   |   |
| - 12                       | 11598                         | 2                    | • BRACKET                                                              |   |   |   |
| - 13                       | 9092                          | 2                    | • NUT,PLAIN HEX 10-32                                                  |   |   |   |
| - 14                       | 4834377                       | 1                    | • LOCK WASHER,SPLIT RING,0.194 ID 0.337 OD                             |   |   |   |
| - 15                       | 4360130                       | 1                    | • SPACER                                                               |   |   |   |
| - 16                       | 2455576                       | 1                    | • FRAME ASM                                                            |   |   |   |
| - 17                       | 5350006                       | 2                    | • SHOCK MOUNT                                                          |   |   |   |
| - 18                       | 4360131                       | 3                    | • SCREW,THD FORM-HEX WSHR HD 6-32 X 1/4 LG                             |   |   |   |
| - 19                       | 257189                        | 3                    | • SCREW HEX HD 8-32 X 1-3/16 LG                                        |   |   |   |
| - 20                       | 2455575                       | 2                    | • NUT,HEX 8-32                                                         |   |   |   |
| - 21                       | 5350006                       | 4                    | • SHOCKMOUNT                                                           |   |   |   |
| - 22                       | 4834378                       | 3                    | • SCREW,THD FORM-HEX WSHR DH 6-32 X 1/4 LG                             |   |   |   |
| - 23                       | 533289                        | 1                    | • LOCKOUT                                                              |   |   |   |
| - 24                       | 5319854                       | 1                    | • CLAMP                                                                |   |   |   |
| - 25                       | 2101089                       | 1                    | • SCREW,THD FORM HEX WSHR HD 8-32 X 3/8 LG                             |   |   |   |
| - 26                       | 5319854                       | 1                    | • GROUND STRAP                                                         |   |   |   |
| - 27                       | 110029                        | 1                    | • SCREW,THD FORM HEX WSHR HD 8-32 X 3/8 LG                             |   |   |   |
| - 28                       | 2181004                       | 1                    | • WASHER,FL NO. 8 X 5/8 OD X 1/16 THK                                  |   |   |   |
| - 29                       | 23141                         | 1                    | • SCREW BIND HD 8-32 X 3/4 LG                                          |   |   |   |
| - 30                       | 4360167                       | 1                    | • WASHER                                                               |   |   |   |
| - 31                       | 4834376                       | 2                    | • CLAMP                                                                |   |   |   |
|                            |                               |                      | • SPACER                                                               |   |   |   |

FOR PARTS  
NOT SHOWN  
SEE FIG. 4

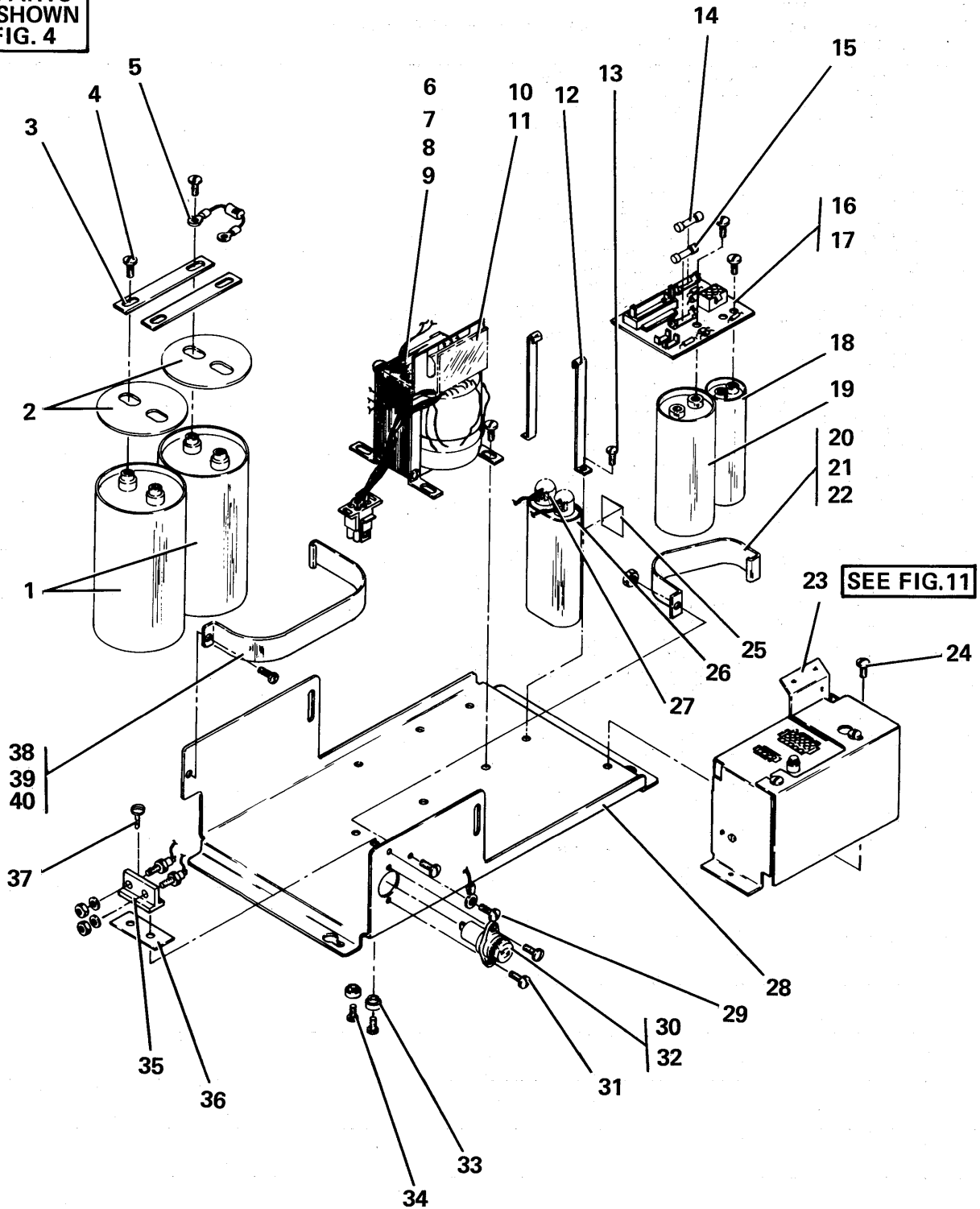
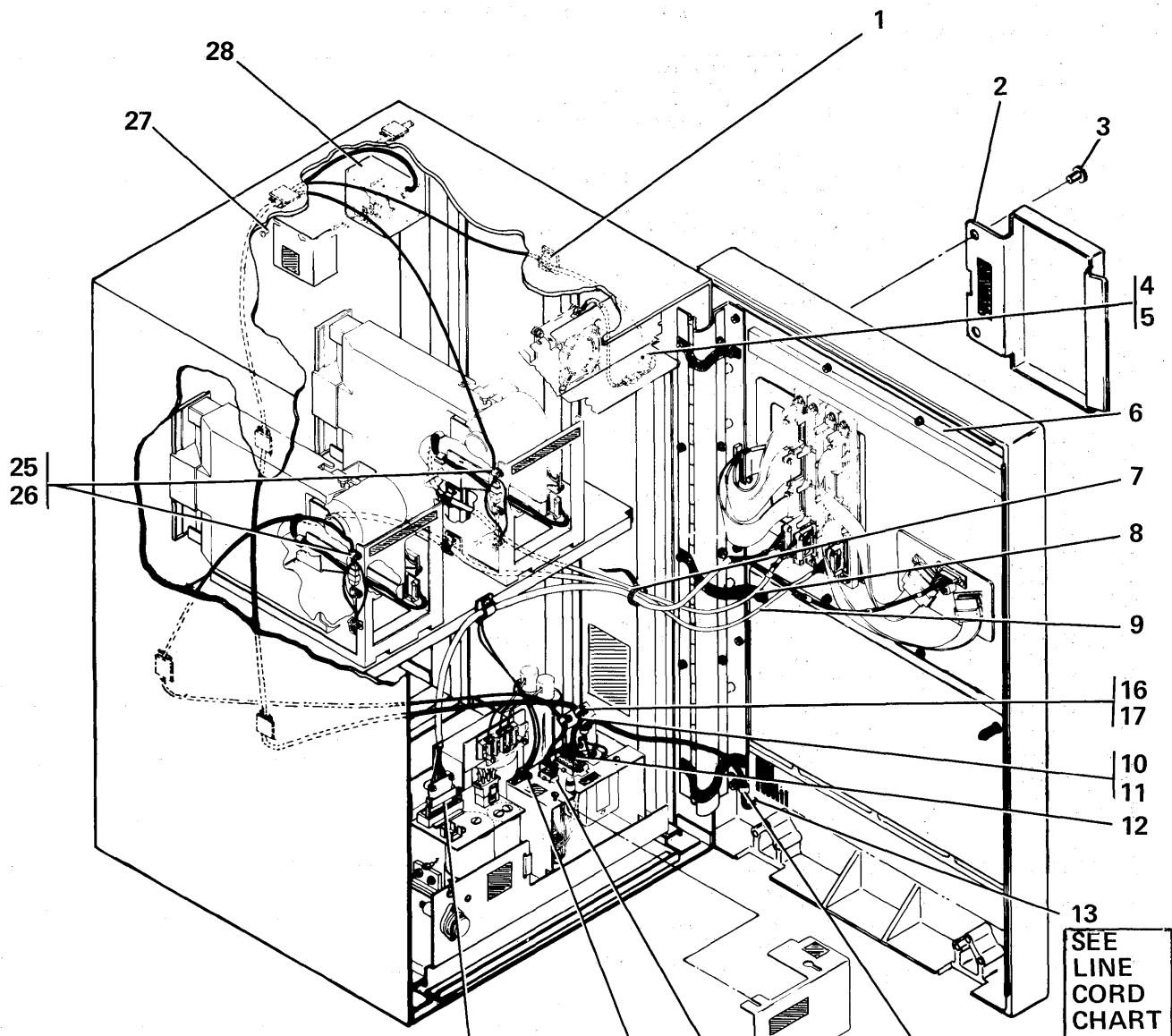


FIGURE 13. POWER SUPPLY ASSEMBLY. SEE LIST 13.







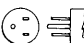
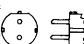


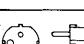
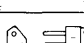
| Line Cord Chart                                                                     |                                                                                      | Clamp   |
|-------------------------------------------------------------------------------------|--------------------------------------------------------------------------------------|---------|
|  | 4360137 U.S.A., Brazil, Canada<br>Mexico, Venezuela, Japan                           | 533289  |
|  | 2451110 Austria, Denmark, Germany,<br>Netherlands, Spain, Sweden,<br>Norway, Finland | 2102364 |
|  | 2451104 Australia                                                                    | 533289  |
|  | 2451107 United Kingdom                                                               | 2102364 |
|  | 2451116 Belgium, France, Italy                                                       | 2102364 |
|  | 2451114 Switzerland                                                                  | 2102364 |

FIGURE 14. CABLE ROUTING. SEE LIST 14.



FOR PARTS  
NOT SHOWN  
SEE FIG. 12

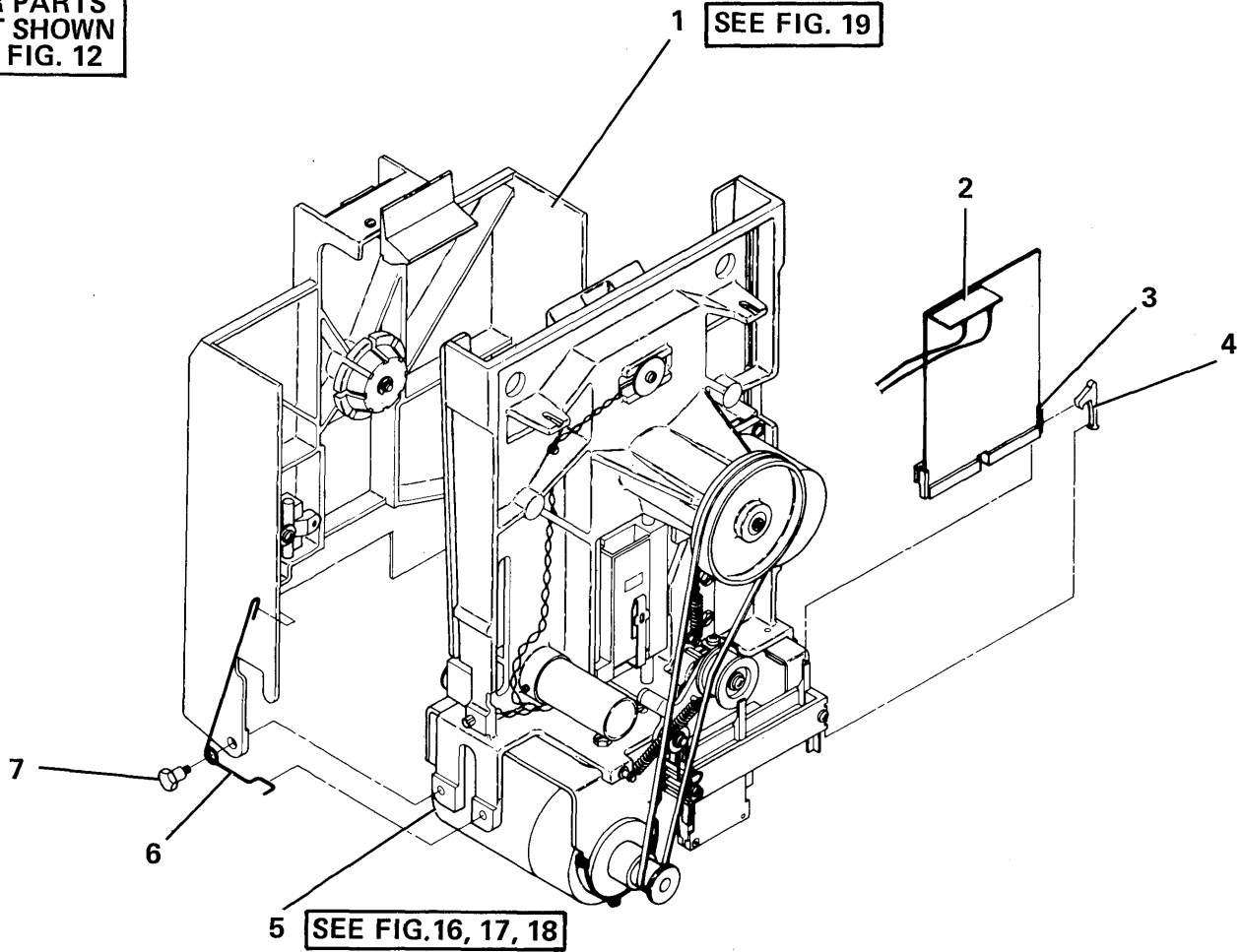


FIGURE 15. DISK DRIVE ASSEMBLY. SEE LIST 15.

| FIGURE-<br>INDEX<br>NUMBER | PART<br>NUMBER                | UNITS<br>PER<br>ASM. | DESCRIPTION FOR FIGURE 15                                                                   |   |   |   |
|----------------------------|-------------------------------|----------------------|---------------------------------------------------------------------------------------------|---|---|---|
|                            |                               |                      | 1                                                                                           | 2 | 3 | 4 |
| 15                         | 4178005<br>4178007<br>4178006 |                      | DISK DRIVE ASM 100-115V 60 HZ<br>DISK DRIVE ASM 100V 50 HZ<br>DISK DRIVE ASM 220-235V 50 HZ |   |   |   |
|                            |                               |                      | FOR NEXT HIGHER ASM SEE FIGURE 12-6<br>AND FOR ILLUSTRATION FIGURE 15                       |   |   |   |
| - 1                        | 4178027                       | 1                    | • COVER ASM<br>FOR DETAIL BREAKDOWN SEE FIGURE 19                                           |   |   |   |
| - 2                        | 4178065                       | 1                    | • CARD ASM                                                                                  |   |   |   |
| - 3                        | 811804                        | 1                    | • CARD GUIDE                                                                                |   |   |   |
| - 4                        | 5562116                       | 2                    | • RETAINER                                                                                  |   |   |   |
| - 5                        | 4178025 NR                    | 1                    | • BASE PLATE ASM<br>FOR DETAIL BREAKDOWN SEE FIGS 16,17,18                                  |   |   |   |
| - 6                        | 5562313                       | 1                    | • SPRING                                                                                    |   |   |   |
| - 7                        | 2305553                       | 2                    | • PIVOT SCREW                                                                               |   |   |   |
|                            |                               |                      |                                                                                             |   |   |   |
|                            |                               |                      |                                                                                             |   |   |   |
|                            |                               |                      |                                                                                             |   |   |   |
|                            |                               |                      |                                                                                             |   |   |   |

This page is intentionally left blank.

FOR PARTS  
NOT SHOWN  
SEE FIG. 15

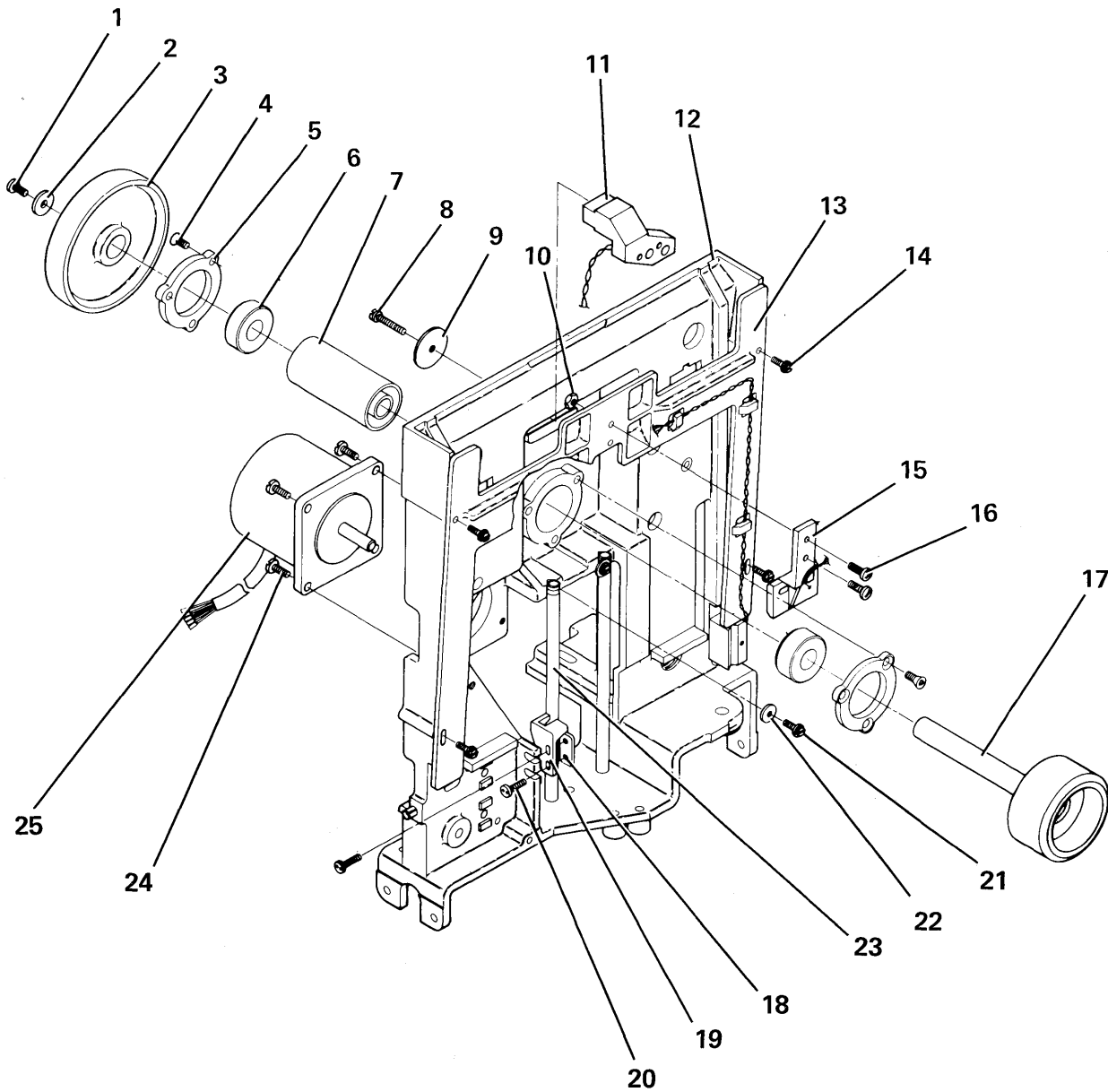


FIGURE 16. BASE PLATE ASSEMBLY. SEE LIST 16.



FOR PARTS  
NOT SHOWN  
SEE FIG. 15

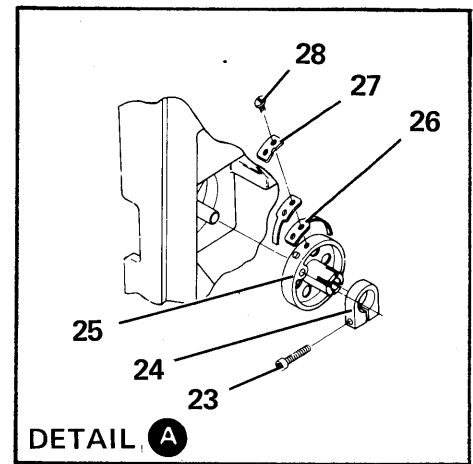
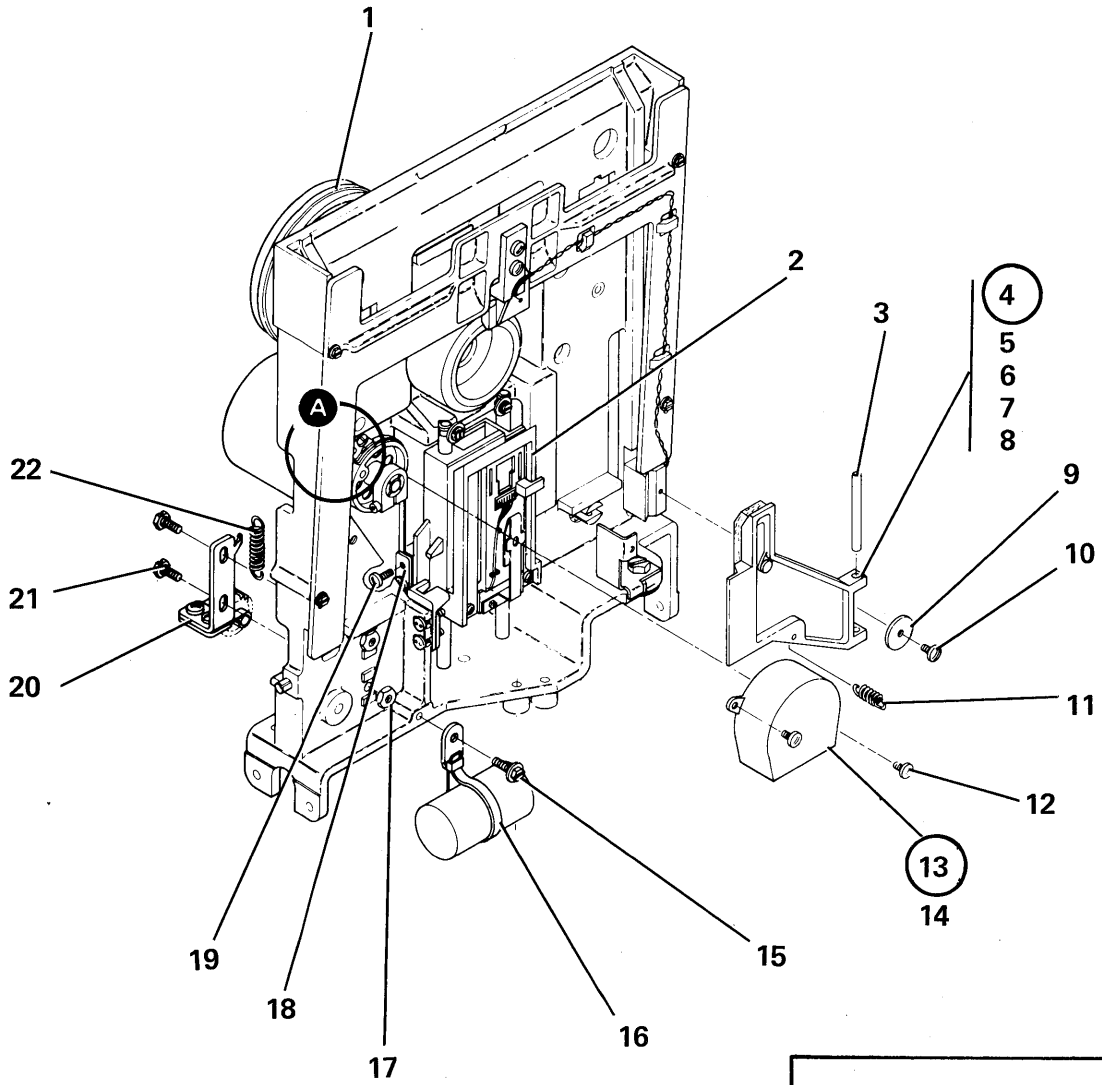


FIGURE 17. BASE PLATE ASSEMBLY. SEE LIST 17.





FOR PARTS  
NOT SHOWN  
SEE FIG. 15

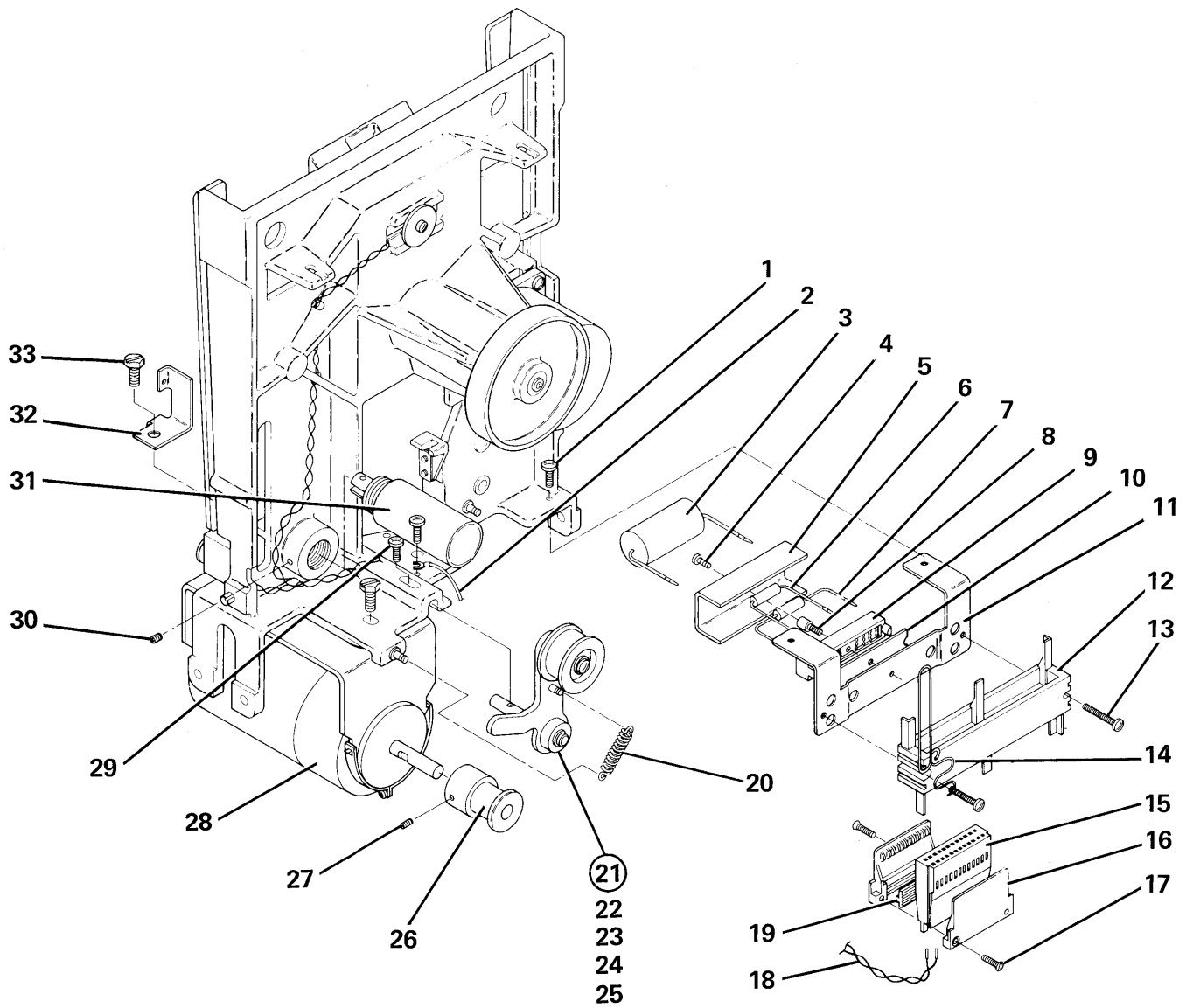


FIGURE 18. BASE PLATE ASSEMBLY. SEE LIST 18.



FOR PARTS  
NOT SHOWN  
SEE FIG. 15

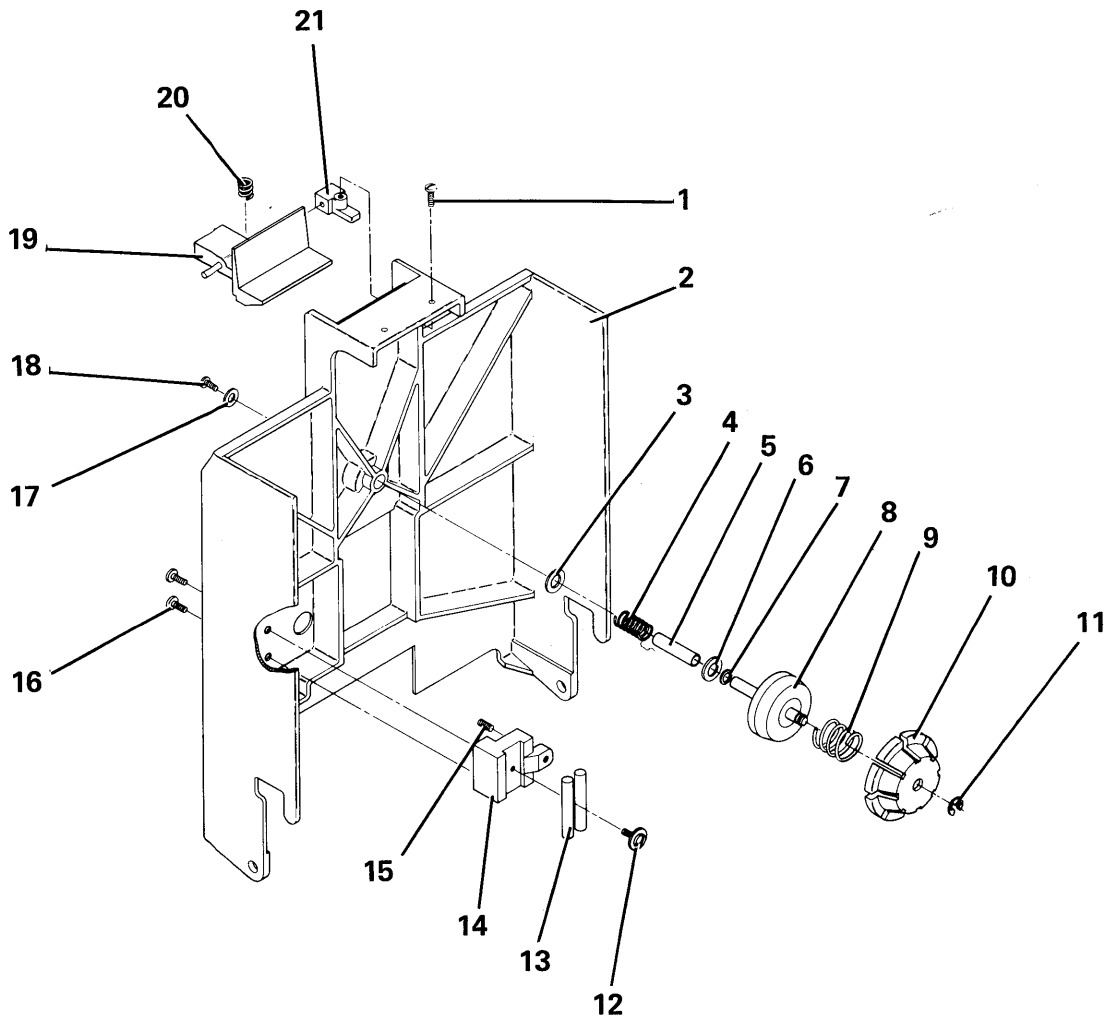


FIGURE 19. COVER ASSEMBLY. SEE LIST 19.



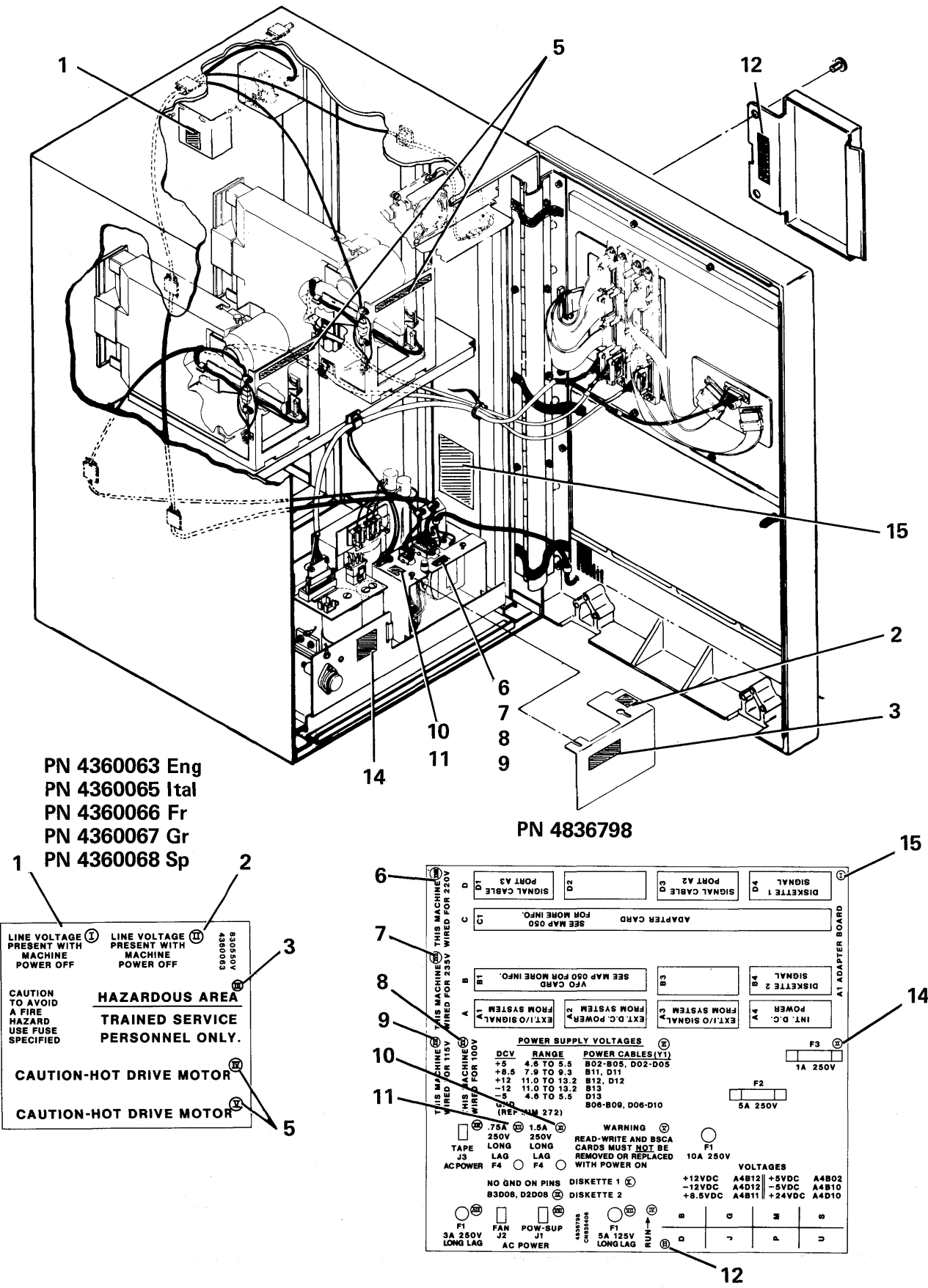


FIGURE 20. LABEL GROUP LOCATIONS

## NUMERICAL INDEX

| PART NUMBER | LIST AND INDEX NO. |
|-------------|--------------------|
| 99          | 1 - 7              |
| 2903        | 19 - 17            |
| 5677        | 12 - 7             |
| 6364        | 9 - 3              |
| 6364        | 9 - 10             |
| 9092        | 1 - 16             |
| 9092        | 1A - 11            |
| 9092        | 12 - 13            |
| 9092        | 13 - 8             |
| 10170       | 13 - 11            |
| 10170       | 13 - 29            |
| 10170       | 13 - 37            |
| 11598       | 12 - 12            |
| 22478       | 18 - 23            |
| 23141       | 1 - 10             |
| 23141       | 2 - 8              |
| 23141       | 3 - 7              |
| 23141       | 3 - 15             |
| 23141       | 4 - 3              |
| 23141       | 4 - 10             |
| 23141       | 4 - 15             |
| 23141       | 8 - 16             |
| 23141       | 12 - 29            |
| 23141       | 3A - 12            |
| 23141       | 4A - 2A            |
| 23141       | 4A - 5             |
| 25018       | 19 - 6             |
| 28413       | 13 - 7             |
| 28413       | 13 - 17            |
| 32042       | 13 - 4             |
| 34512       | 19 - 18            |
| 35739       | 13 - 13            |
| 35739       | 13 - 34            |
| 38235       | 13 - 31            |
| 38235       | 18 - 4             |
| 45690       | 13 - 9             |
| 55726       | 17 - 12            |
| 55901       | 4 - 4B             |
| 55901       | 11 - 3             |
| 55901       | 4A - 6B            |
| 56722       | 9 - 5              |
| 56722       | 12 - 5A            |
| 58207       | 18 - 24            |
| 81404       | 7 - 3              |
| 81693       | 5 - 8              |
| 81693       | 11 - 9             |
| 81693       | 16 - 16            |
| 81693       | 16 - 24            |
| 81693       | 17 - 10            |
| 81693       | 18 - 1             |
| 81693       | 18 - 29            |
| 81693       | 19 - 16            |
| 92752       | 13 - 30            |
| 104763      | 1 - 17             |
| 104763      | 1A - 12            |
| 109918      | 18 - 17            |
| 110029      | 12 - 4             |
| 110029      | 12 - 10            |
| 110029      | 12 - 27            |
| 110029      | 17 - 9             |
| 111264      | 11 - 12            |
| 120571      | 19 - 3             |
| 122641      | 13 - 32            |
| 150676      | 17 - 11            |
| 170241      | 16 - 8             |
| 179946      | 11 - 11            |
| 186925      | 17 - 23            |
| 218794      | 13 - 32            |
| 234341      | 18 - 33            |
| 236550      | 17 - 19            |
| 236849      | 10 - 6             |
| 236849      | 4A - 17            |
| 257187      | 9 - 2              |
| 257187      | 9 - 9              |
| 257187      | 16 - 10            |
| 257189      | 12 - 2             |
| 257189      | 12 - 8             |
| 257189      | 12 - 19            |
| 257189      | 17 - 17            |

| PART NUMBER | LIST AND INDEX NO. |
|-------------|--------------------|
| 257970      | 18 - 27            |
| 257982      | 8 - 8              |
| 302090      | 18 - 9             |
| 302131      | 18 - 10            |
| 311167      | 19 - 15            |
| 322550      | 9 - 8              |
| 322550      | 9 - 11             |
| 322550      | 19 - 1             |
| 322551      | 13 - 21            |
| 322552      | 10 - 2             |
| 322552      | 13 - 39            |
| 322552      | 4A - 19            |
| 327921      | 14 - 16            |
| 332747      | 19 - 11            |
| 357433      | 14 - 22            |
| 362177      | 1A - 6             |
| 362177      | 2A - 3             |
| 438548      | 10 - 13            |
| 438548      | 17 - 28            |
| 438548      | 4A - 14A           |
| 438567      | 18 - 13            |
| 491796      | 5 - 2              |
| 526378      | 13 - 27            |
| 532393      | 17 - 16            |
| 533289      | 12 - 23            |
| 533362      | 13 - 10            |
| 555427      | 19 - 7             |
| 589764      | 13 - 5             |
| 591469      | 16 - 22            |
| 600395      | 1 - 15             |
| 600395      | 2 - 11             |
| 600395      | 1A - 10            |
| 609685      | 2 - 3              |
| 631769      | 13 - 2             |
| 651858      | 17 - 5             |
| 730273      | 13 - 12            |
| 736822      | 19 - 20            |
| 811804      | 15 - 3             |
| 855251      | 13 - 15            |
| 855253      | 13 - 14            |
| 1090873     | 12 - 3             |
| 1090873     | 12 - 9             |
| 1092125     | 6 - 5              |
| 1092125     | 7 - 4              |
| 1092125     | 8 - 1              |
| 1092125     | 8 - 11             |
| 1092125     | 8 - 14             |
| 1164265     | 19 - 12            |
| 1176668     | 11 - 12            |
| 1608277     | 4 - 13             |
| 1608329     | 10 - 8             |
| 1608329     | 14 - 24A           |
| 1608329     | 4A - 11            |
| 1608408     | 10 - 5             |
| 1608408     | 4A - 22            |
| 1608427     | 5 - 10             |
| 1608698     | 10 - 3             |
| 1608698     | 4A - 20            |
| 1608699     | 10 - 4             |
| 1608699     | 4A - 21            |
| 1611308     | 1A - 16            |
| 1611308     | 3A - 5             |
| 1646000     | 14 - 28            |
| 1860276     | 11 - 5             |
| 2101089     | 2 - 9              |
| 2101089     | 2 - 15             |
| 2101089     | 3 - 6              |
| 2101089     | 3 - 14             |
| 2101089     | 4 - 9              |
| 2101089     | 8 - 15             |
| 2101089     | 12 - 25            |
| 2101089     | 3A - 10            |
| 2101089     | 4A - 1             |
| 2102364     | 5 - 4              |
| 2102364     | 14 - 4             |
| 2102364     | 14 - 10            |
| 2102364     | 14 - 25            |
| 2102366     | 14 - 14            |
| 2103010     | 18 - 3             |

| PART NUMBER | LIST AND INDEX NO. |
|-------------|--------------------|
| 2127635     | 18 - 7             |
| 2130285     | 16 - 9             |
| 2181004     | 1 - 2              |
| 2181004     | 1 - 6              |
| 2181004     | 1 - 11             |
| 2181004     | 3 - 8              |
| 2181004     | 3 - 16             |
| 2181004     | 4 - 2              |
| 2181004     | 4 - 6              |
| 2181004     | 4 - 8              |
| 2181004     | 4 - 11             |
| 2181004     | 4 - 14             |
| 2181004     | 8 - 17             |
| 2181004     | 1A - 5             |
| 2181004     | 1A - 18            |
| 2181004     | 12 - 28            |
| 2181004     | 13 - 24            |
| 2181004     | 14 - 5             |
| 2181004     | 14 - 11            |
| 2181004     | 14 - 17            |
| 2181004     | 14 - 23            |
| 2181004     | 4A - 2             |
| 2181004     | 4A - 4             |
| 2181004     | 4A - 8             |
| 2181004     | 4A - 10            |
| 2181011     | 12 - 5             |
| 2181011     | 16 - 21            |
| 2274372     | 11 - 8             |
| 2274833     | 18 - 12            |
| 2305462     | 19 - 5             |
| 2305523     | 19 - 21            |
| 2305526     | 19 - 8             |
| 2305553     | 15 - 7             |
| 2305598     | 18 - 2             |
| 2305616     | 17 - 1             |
| 2305631     | 18 - 26            |
| 2305644     | 19 - 10            |
| 2305646     | 19 - 4             |
| 2305647     | 19 - 9             |
| 2305708     | 18 - 26            |
| 2305720     | 18 - 22            |
| 2305726     | 18 - 20            |
| 2455575     | 12 - 20            |
| 2455576     | 12 - 16            |
| 2455585     | 1 - 12             |
| 2455585     | 1A - 7             |
| 2462606     | 16 - 25            |
| 2572196     | 13 - 3             |
| 2582954     | 13 - 25            |
| 2592384     | 18 - 8             |
| 4176540     | 4 - 7              |
| 4176540     | 13                 |
| 4176540     | 4A - 9             |
| 4176543     | 13 - 28            |
| 4176544     | 13 - 6             |
| 4176545     | 13 - 16            |
| 4176548     | 13 - 20            |
| 4176555     | 4 - 7              |
| 4176555     | 13                 |
| 4176555     | 4A - 9             |
| 4176557     | 13 - 6             |
| 4178005     | 12 - 6             |
| 4178005     | 15                 |
| 4178005     | 12 - 6             |
| 4178006     | 12 - 6             |
| 4178006     | 15                 |
| 4178007     | 12 - 6             |
| 4178007     | 15                 |
| 4178025     | 15 - 5             |
| 4178027     | 15 - 1             |
| 4178027     | 19                 |
| 4178035     | 17 - 2             |
| 4178047     | 18 - 31            |
| 4178051     | 18 - 28            |
| 4178055     | 18 - 28            |
| 4178057     | 18 - 28            |
| 4178058     | 18 - 5             |
| 4178060     | 17 - 4             |
| 4178061     | 17 - 6             |
| 4178062     | 17 - 8             |

| PART NUMBER | LIST AND INDEX NO. |
|-------------|--------------------|
| 4178063     | 17 - 7             |
| 4178065     | 15 - 2             |
| 4178067     | 17 - 11            |
| 4236352     | 19 - 19            |
| 4360000     | 4                  |
| 4360000     | 5                  |
| 4360000     | 4A                 |
| 4360001     | 1                  |
| 4360001     | 1 - 8              |
| 4360001     | 1 - 20             |
| 4360001     | 2                  |
| 4360001     | 3                  |
| 4360001     | 1A                 |
| 4360001     | 1A - 3             |
| 4360001     | 1A - 13            |
| 4360001     | 2A                 |
| 4360001     | 3A                 |
| 4360004     | 2 - 6              |
| 4360004     | 2A - 7             |
| 4360009     | 3 - 9              |
| 4360010     | 3 - 2              |
| 4360010     | 3A - 7             |
| 4360011     | 3 - 3              |
| 4360011     | 3A - 8             |
| 4360012     | 3 - 12             |
| 4360012     | 8                  |
| 4360013     | 8 - 5              |
| 4360015     | 8 - 10             |
| 4360016     | 8 - 2              |
| 4360018     | 3 - 1              |
| 4360018     | 3A - 6             |
| 4360019     | 5 - 1              |
| 4360020     | 1 - 4              |
| 4360020     | 1A - 1             |
| 4360022     | 1 - 9              |
| 4360023     | 1 - 19             |
| 4360023     | 3 - 4              |
| 4360023     | 3A - 11            |
| 4360024     | 1 - 18             |
| 4360025     | 2 - 10             |
| 4360029     | 1 - 14             |
| 4360029     | 1A - 9             |
| 4360031     | 2 - 4              |
| 4360032     | 2 - 5              |
| 4360033     | 5 - 9              |
| 4360034     | 8 - 3              |
| 4360035     | 8 - 4              |
| 4360036     | 6 - 1              |
| 4360037     | 6 - 2              |
| 4360038     | 2 - 1              |
| 4360039     | 6 - 4              |
| 4360041     | 6 - 3              |
| 4360042     | 1 - 1              |
| 4360042     | 6                  |
| 4360043     | 1 - 3              |
| 4360044     | 7 - 1              |
| 4360049     | 7 - 2              |
| 4360050     | 4 - 5              |
| 4360050     | 11                 |
| 4360050     | 13 - 23            |
| 4360050     | 4A - 7             |
| 4360051     | 11 - 1             |
| 4360052     | 11 - 7             |
| 4360052     | 14 - 18            |
| 4360055     | 1 - 5              |
| 4360055     | 7                  |
| 4360056     | 2 - 13             |
| 4360070     | 5 - 6              |
| 4360070     | 12                 |
| 4360071     | 5 - 6              |
| 4360071     | 12                 |
| 4360072     | 5 - 6              |
| 4360072     | 12                 |
| 4360075     | 5 - 7              |
| 4360080     | 14 - 12            |
| 4360081     | 10 - 12            |
| 4360081     | 14 - 24            |
| 4360081     | 4A - 15            |
| 4360086     | 10 - 1             |

## NUMERICAL INDEX

| PART NUMBER | LIST AND INDEX NO. |
|-------------|--------------------|
| 4360086     | 4A - 18            |
| 4360088     | 10 - 11            |
| 4360088     | 10 - 14            |
| 4360088     | 4A - 14            |
| 4360088     | 4A - 16            |
| 4360091     | 14 - 19            |
| 4360095     | 11 - 10            |
| 4360096     | 14 - 12            |
| 4360097     | 14 - 19            |
| 4360099     | 14 - 7             |
| 4360101     | 1 - 21             |
| 4360101     | 1A - 14            |
| 4360103     | 1 - 22             |
| 4360103     | 1A - 15            |
| 4360104     | 1 - 22             |
| 4360104     | 1A - 15            |
| 4360105     | 1 - 22             |
| 4360105     | 1A - 15            |
| 4360106     | 1 - 22             |
| 4360106     | 1A - 15            |
| 4360107     | 1 - 22             |
| 4360107     | 1A - 15            |
| 4360109     | 10 - 7             |
| 4360109     | 4A - 13            |
| 4360110     | 10 - 9             |
| 4360110     | 4A - 12            |
| 4360116     | 10 - 10            |
| 4360117     | 14 - 2             |
| 4360118     | 4 - 12             |
| 4360118     | 10                 |
| 4360121     | 14 - 27            |
| 4360126     | 12 - 1             |
| 4360128     | 12 - 11            |
| 4360129     | 5 - 3              |
| 4360130     | 12 - 15            |
| 4360131     | 12 - 18            |
| 4360143     | 14 - 6             |
| 4360144     | 9 - 6              |

| PART NUMBER | LIST AND INDEX NO. |
|-------------|--------------------|
| 4360145     | 4 - 1              |
| 4360145     | 9                  |
| 4360145     | 4A - 3             |
| 4360146     | 4 - 1              |
| 4360146     | 9                  |
| 4360146     | 4A - 3             |
| 4360147     | 9 - 4              |
| 4360148     | 9 - 4              |
| 4360157     | 8 - 12             |
| 4360158     | 8 - 9              |
| 4360159     | 8 - 13             |
| 4360163     | 8 - 6              |
| 4360164     | 8 - 7              |
| 4360167     | 12 - 30            |
| 4360167     | 14 - 1             |
| 4834376     | 12 - 31            |
| 4834377     | 12 - 14            |
| 4834378     | 12 - 22            |
| 4836375     | 4 - 4              |
| 4836375     | 4A - 6             |
| 4836803     | 1A - 2             |
| 4836804     | 1A - 17            |
| 4836805     | 2A - 4             |
| 4836806     | 1A - 4             |
| 4836807     | 3A - 2             |
| 4836808     | 3A - 4             |
| 4836809     | 2A - 1             |
| 4836810     | 3A - 3             |
| 4836811     | 14 - 2             |
| 4836812     | 2A - 9             |
| 4836814     | 14 - 6             |
| 4836815     | 14 - 8             |
| 4836815     | 14 - 9             |
| 4836818     | 2 - 16             |
| 4836818     | 2A - 6             |
| 4836819     | 3 - 11             |
| 4836831     | 3A - 1             |
| 5130688     | 9 - 1              |

| PART NUMBER | LIST AND INDEX NO. |
|-------------|--------------------|
| 5130688     | 9 - 7              |
| 5213837     | 13 - 19            |
| 5232806     | 13 - 38            |
| 5232824     | 13 - 33            |
| 5252526     | 13 - 1             |
| 5252868     | 13 - 26            |
| 5261370     | 13 - 18            |
| 5312202     | 14 - 3             |
| 5319854     | 4 - 4A             |
| 5319854     | 5 - 5              |
| 5319854     | 11 - 2             |
| 5319854     | 11 - 4             |
| 5319854     | 11 - 6             |
| 5319854     | 12 - 24            |
| 5319854     | 12 - 26            |
| 5319854     | 14 - 26            |
| 5319854     | 17 - 15            |
| 5319854     | 4A - 6A            |
| 5350006     | 12 - 17            |
| 5350006     | 12 - 21            |
| 5353301     | 1 - 13             |
| 5353301     | 1A - 8             |
| 5447741     | 18 - 15            |
| 5466393     | 18 - 19            |
| 5466397     | 18 - 16            |
| 5552875     | 2 - 2              |
| 5552875     | 2 - 7              |
| 5552875     | 2 - 12             |
| 5552875     | 2 - 14             |
| 5552875     | 3 - 5              |
| 5552875     | 3 - 10             |
| 5552875     | 3 - 13             |
| 5552875     | 14 - 15            |
| 5552875     | 2A - 2             |
| 5552875     | 2A - 5             |
| 5552875     | 2A - 8             |
| 5552875     | 2A - 10            |
| 5552875     | 3A - 5A            |

| PART NUMBER | LIST AND INDEX NO. |
|-------------|--------------------|
| 5552875     | 3A - 9             |
| 5562019     | 19 - 13            |
| 5562020     | 18 - 21            |
| 5562022     | 18 - 25            |
| 5562035     | 17 - 14            |
| 5562037     | 17 - 27            |
| 5562038     | 16 - 23            |
| 5562041     | 17 - 18            |
| 5562044     | 17 - 26            |
| 5562046     | 18 - 32            |
| 5562051     | 17 - 22            |
| 5562061     | 16 - 13            |
| 5562062     | 19 - 2             |
| 5562064     | 18 - 31            |
| 5562066     | 18 - 11            |
| 5562077     | 18 - 18            |
| 5562081     | 16 - 15            |
| 5562083     | 16 - 11            |
| 5562084     | 19 - 14            |
| 5562085     | 17 - 20            |
| 5562086     | 17 - 25            |
| 5562088     | 17 - 13            |
| 5562096     | 18 - 6             |
| 5562098     | 17 - 3             |
| 5562099     | 17 - 24            |
| 5562102     | 18 - 14            |
| 5562103     | 17 - 21            |
| 5562115     | 18 - 30            |
| 5562116     | 15 - 4             |
| 5562313     | 15 - 6             |
| 5565062     | 13 - 35            |
| 5616823     | 13 - 1             |
| 5700484     | 16 - 14            |
| 5761785     | 13 - 38            |
| 5761943     | 13 - 22            |
| 5761943     | 13 - 40            |
| 5761979     | 13 - 36            |
| 5790504     | 13 - 10            |



READER'S COMMENT FORM

Please use this form only to identify publication errors or request changes to publications. Technical questions about IBM systems, changes in IBM programming support, requests for additional publications, etc, should be directed to your IBM representative or to the IBM branch office nearest your location.

**Error in publication** (typographical, illustration, and so on). **No reply.**

*Page Number    Error*

**Inaccurate or misleading information in this publication.** Please tell us about it by using this postage-paid form. We will correct or clarify the publication, or tell you why a change is not being made, provided you include your name and address.

*Page Number    Comment*

*Note:* All comments and suggestions become the property of IBM.

Name \_\_\_\_\_

Address \_\_\_\_\_

\_\_\_\_\_

● No postage necessary if mailed in the U.S.A.

IBM 5114  
Diskette Unit  
Parts Catalog

S131-0626-1

Cut Along Line

Fold

Fold

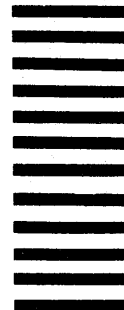
FIRST CLASS  
PERMIT NO. 40  
ARMONK, N. Y.

**BUSINESS REPLY MAIL**

NO POSTAGE STAMP NECESSARY IF MAILED IN THE UNITED STATES

POSTAGE WILL BE PAID BY . . .

IBM Corporation  
General Systems Division  
Development Laboratory  
Publications, Dept. 245  
Rochester, Minnesota 55901



IBM 5114 Diskette Unit Parts Catalog Printed in U.S.A. S131-0626-1

Fold

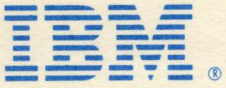
Fold



**International Business Machines Corporation**

**General Systems Division  
4111 Northside Parkway N.W.  
P.O. Box 2150  
Atlanta, Georgia 30301  
(U.S.A. only)**

**General Business Group/International  
44 South Broadway  
White Plains, New York 10601  
U.S.A.  
(International)**



**International Business Machines Corporation**

**General Systems Division  
4111 Northside Parkway N.W.  
P.O. Box 2150  
Atlanta, Georgia 30301  
(U.S.A. only)**

**General Business Group/International  
44 South Broadway  
White Plains, New York 10601  
U.S.A.  
(International)**

IBM 5114 Diskette Unit Parts Catalog Printed in U.S.A. S131-0626-1