

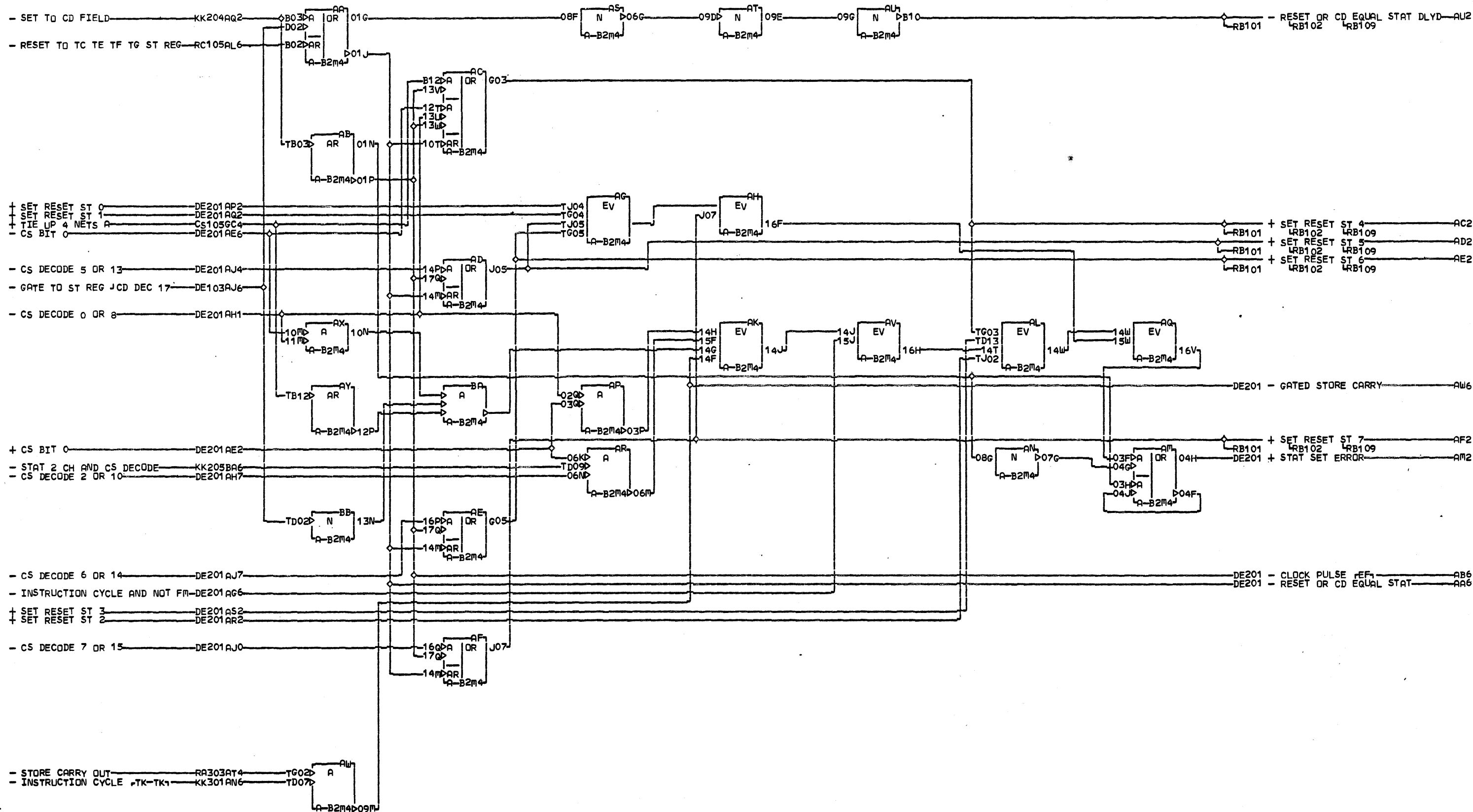
AL2 A-B2U1A13  
A 01A-B1U6A02

LOC. TYPE  
A-B2M4 0709

CS DECODE PAGE 1	
E.C. HISTORY	MACH. 3830-2
437301	FRAME 01
DATE	IBM CORP. SDD
06-15-73	437310
LAST EC	Pa. No. 2345678

D  
E  
N  
O  
1  
0  
0

D  
E  
N  
O  
1  
0  
0



LDC TYPE  
A-B2M4 0709

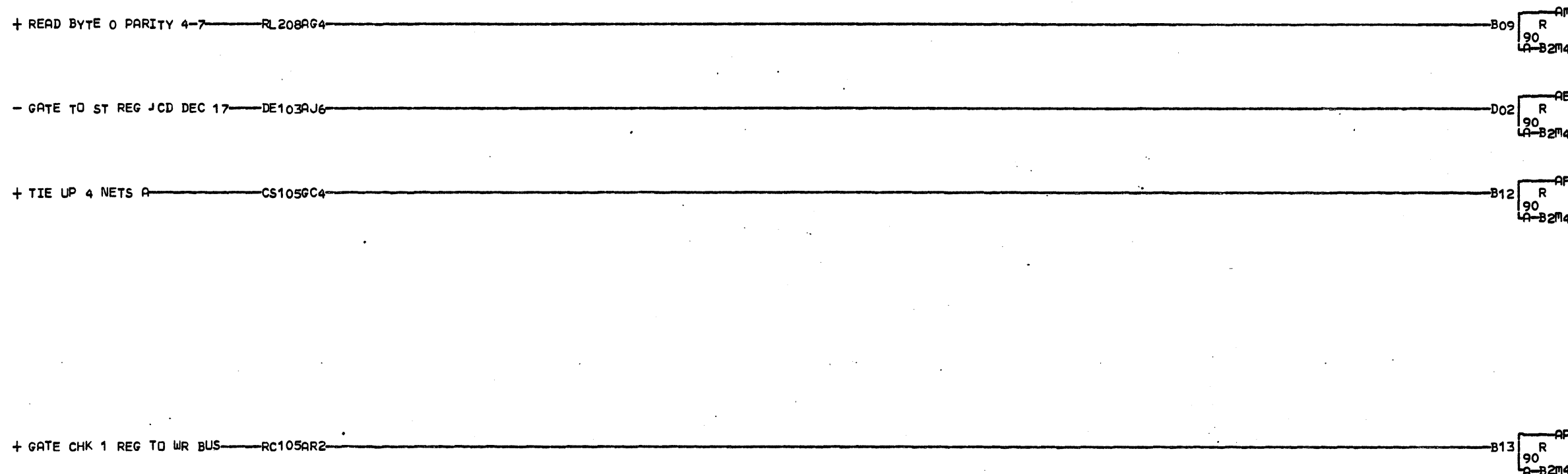
CS DECODE PAGE 2	
E.C. HISTORY	MACH. 3830-2
437301	
FRAME	01
IBM CORP. SDD	
DATE	LAST EC
06-15-73	437310
P.N.	2345679

D  
E  
N  
O  
N

000

D  
E  
N  
O  
N

000



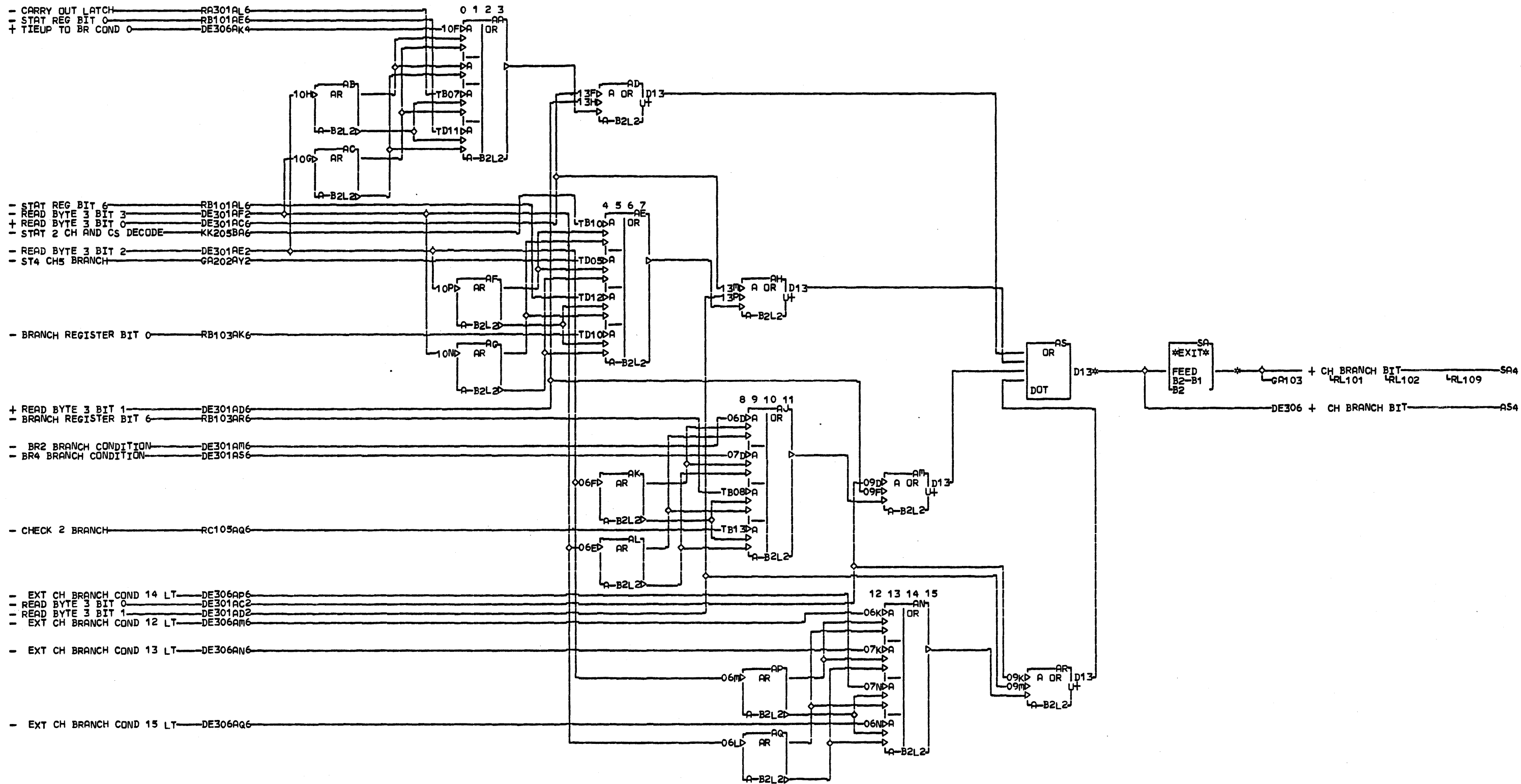
000  
D  
90NMD

LOC. TYPE  
A-B2M4 0709

CS DECODER TERM	
E.C. HISTORY 437301	MACH. 3830-2
	FRAME 01
	IBM CORP. SDD
DATE LAST EC 06-15-73 437310	P.N. 2345680

000  
D  
90NMD





AS4 RESISTOR  
 A-B2L2D13  
 A 01A-B2L5B12  
 SA4 A-B1V3B12  
 B 01A-B1V3B13  
 B 01A-B2L5B13

LOC. TYPE  
 A-B2L2 4634

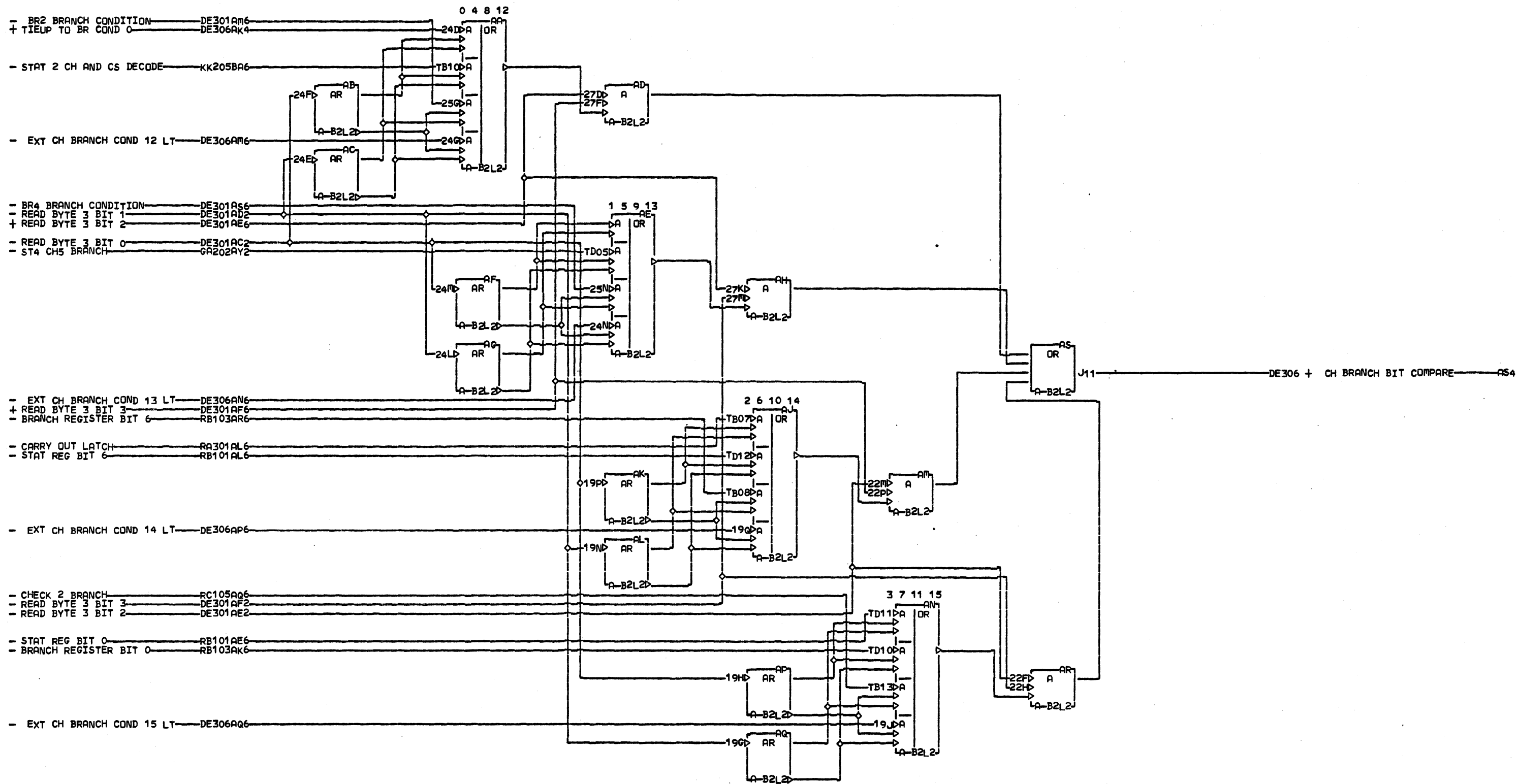
CH DECODE	
E.C. HISTORY	MACH. 3830-2
437301	FRAME 01
437302	IBM CORP. SDD
437303	P.N. 2345682
437308	
DATE	LAST EC
06-15-73	437310

NOV 67

000

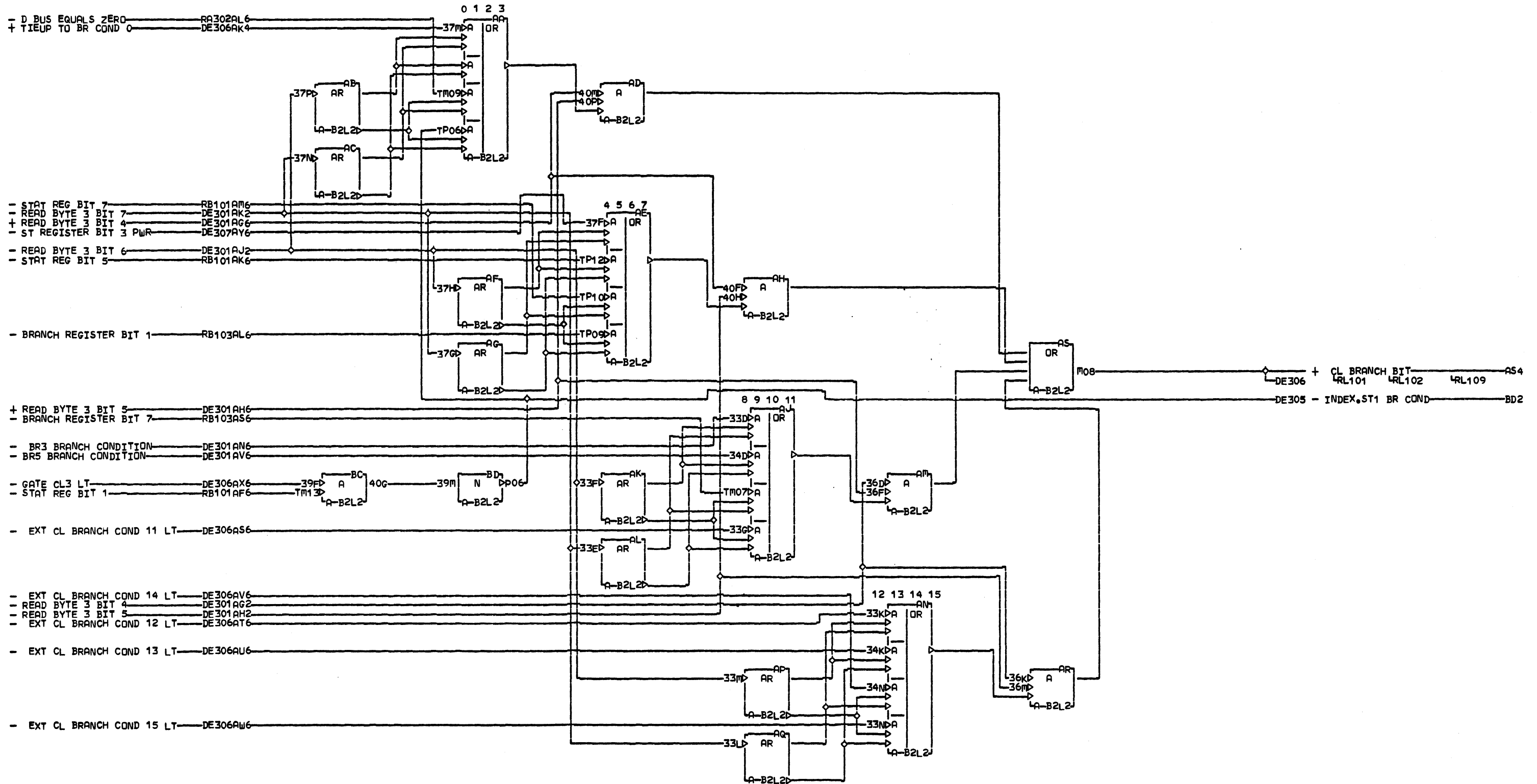
NOV 67

000



LDC. TYPE  
A-B2L2 4634

CH DECODE COMPARE	
E.C. HISTORY	MACH. 3830-2
437301	FRAME 01
437302	IBM CORP. SDD
437303	
DATE	LAST EC
06-15-73	437310
	P.N. 2345683



LDC. TYPE  
A-B2L2 4634

CL DECODE	
E.C. HISTORY	B MACH. 3830-2
437301	FRAME 01
437303	IBM CORP. SDD
DATE	LAST EC
06-15-73	437310
P.N.	2345684





IBM

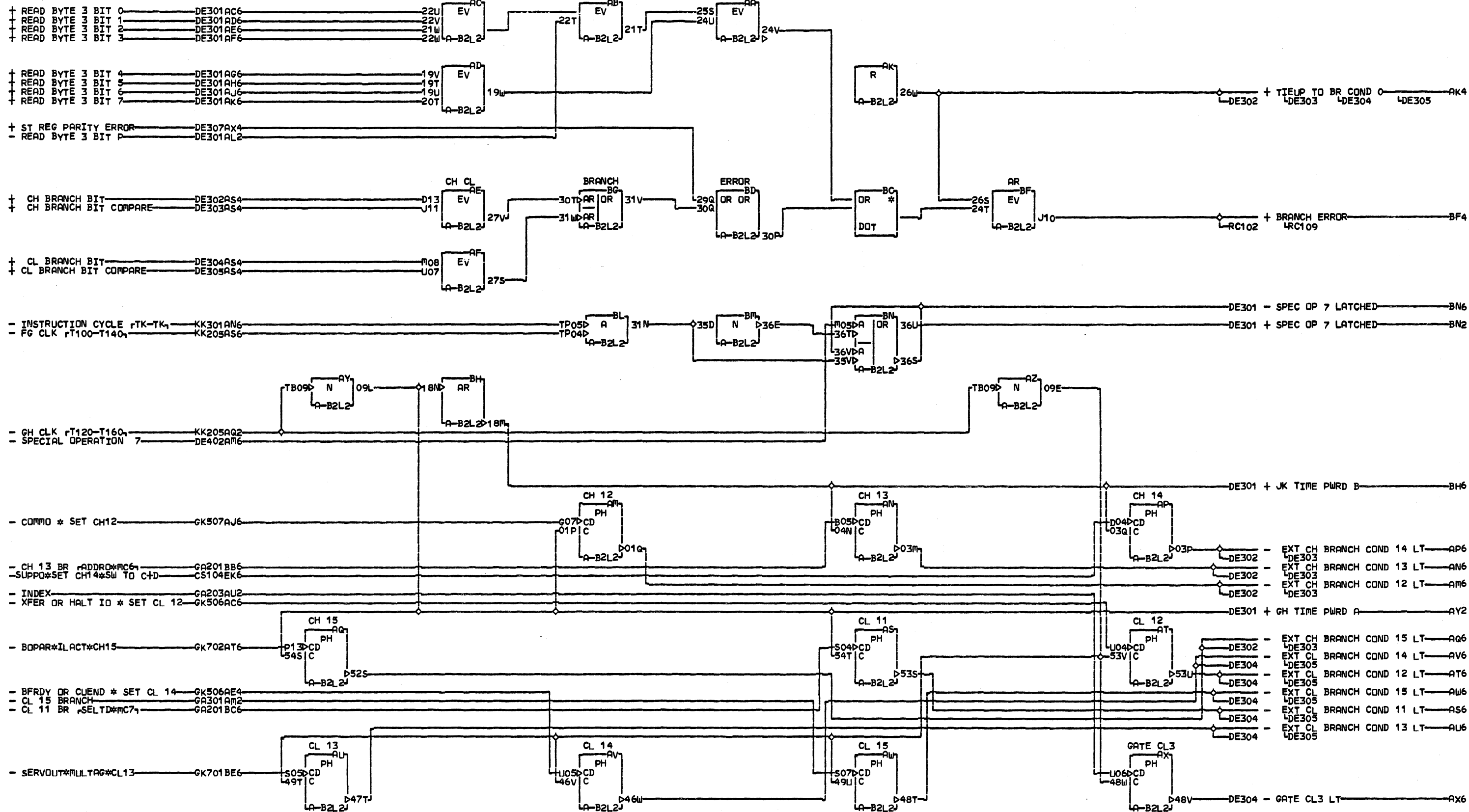
CONFIDENTIAL

UNTIL 03-30-76

UNCLASSIFIED

THEREAFTER

005 DE306

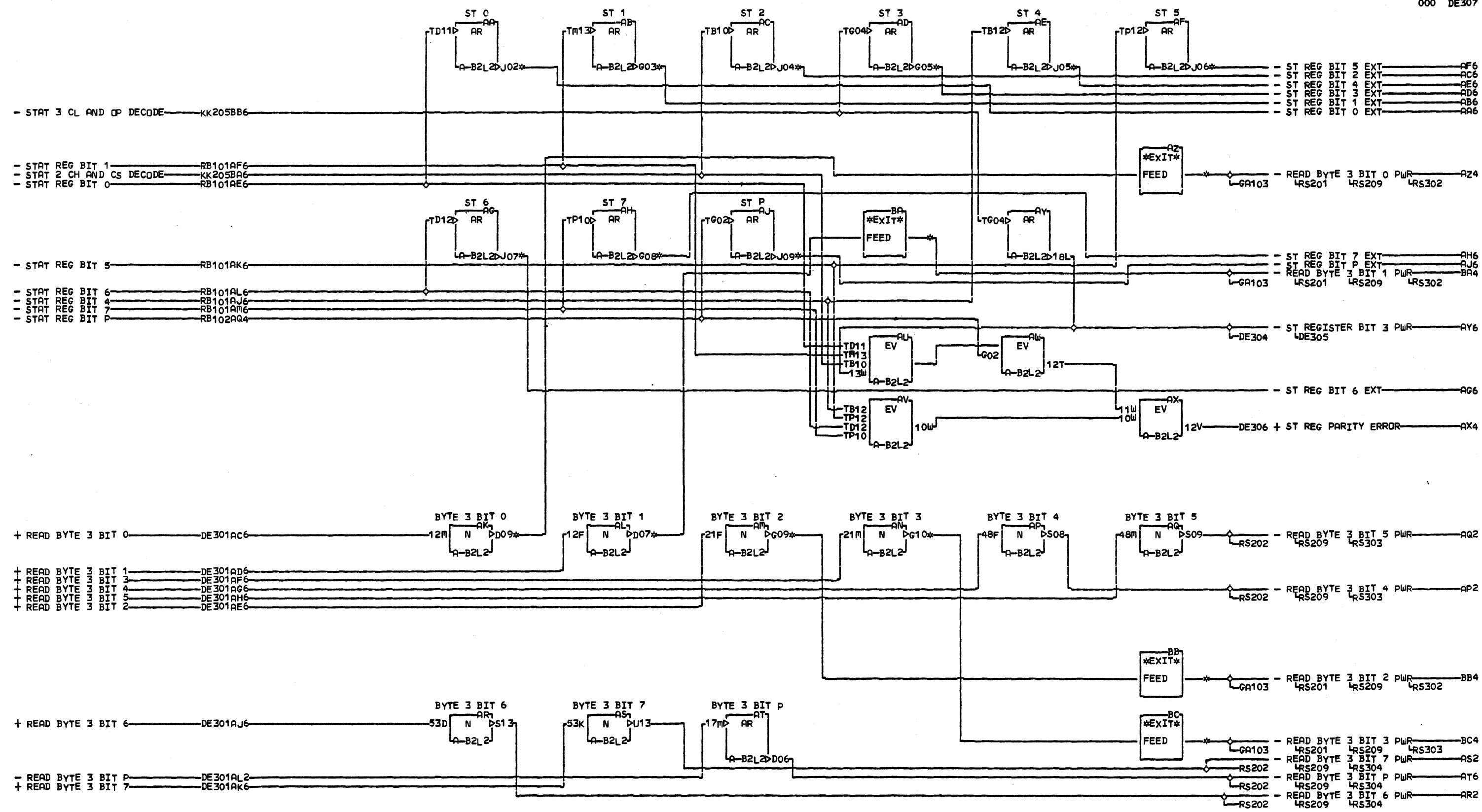


LOC. TYPE A-B2L2 4634

EXTERNAL BRANCH CONDITIONS	
E.C. HISTORY 437380	MACH. 3830-2
DATE 11-28-75	LAST EC 437381
FRAME 01	IBM CORP. SDD
P.No. 2290339	

DE306

DE306



AA6 A-B2ASD02 AK2 A-B2U5B08 B 01A-B2U2B06  
 AB6 A-B2ASD03 AL2 A-B2U5B09 BB4 A-B1V3B10  
 AC6 A-B2ASD04 AM2 A-B2U5B10 2 01A-B1V2B02  
 AD6 A-B2ASD05 AN2 A-B2U5B11 2 01A-B2U4D02  
 AE6 A-B2ASD06 AZ4 A-B1V3B08 BC4 A-B1V3B11  
 AF6 A-B2ASD07 B 01A-B1U2B06 B 01A-B1V4D09  
 AG6 A-B2ASD09 B 01A-B2U4B06 B 01A-B2U2D09  
 AH6 A-B2ASD10 BA4 A-B1V3B09  
 AJ6 A-B2ASD11 B 01A-B1V4B06

LOC. TYPE  
 A-B2L2 4634

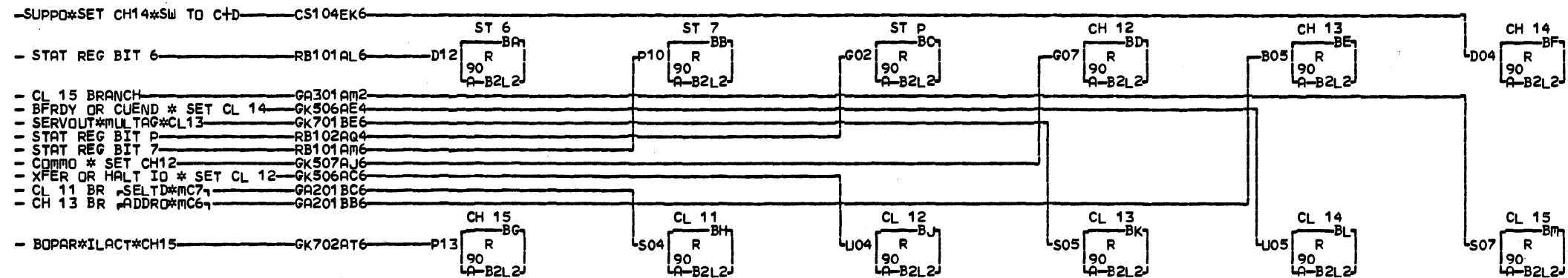
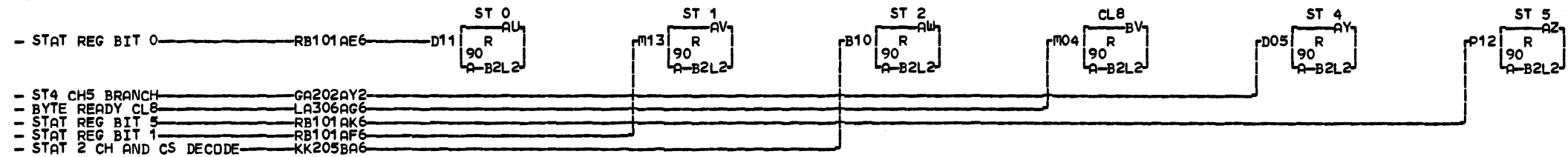
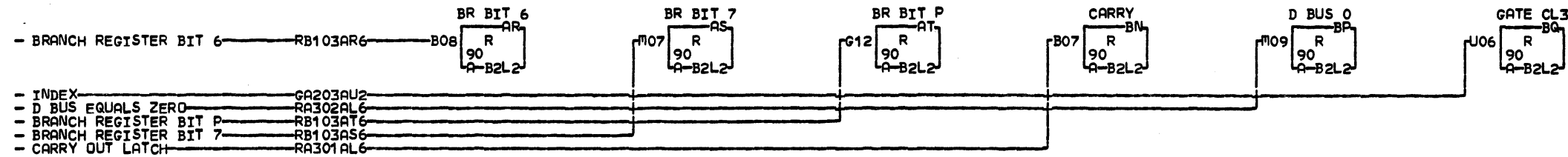
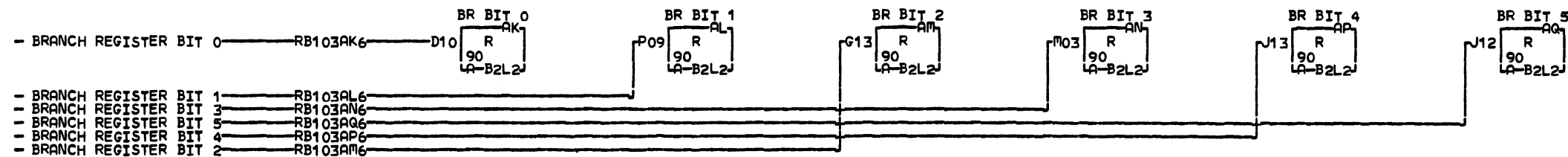
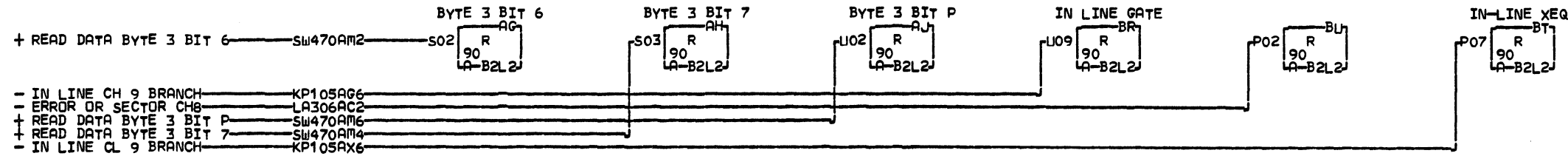
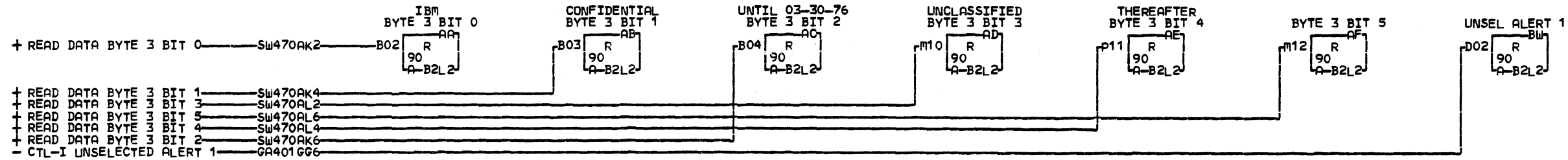
READ BYTE 3 PWR		ST REG EXT OUTPUTS	
-E.C.-HISTORY-		-MACH.3830-2	
437301		FRAME	01
437302			
437303		IBM CORP. SDD	
437308			
DATE	LAST EC		
06-15-73	437310	P.No.	2345986

DE307

000

DE307

000



LOC. TYPE  
A-B2L2 4634

CH CL TERMINATORS	
E.C. HISTORY 437380	MACH. 3830-2 FRAME 01
DATE LAST EC 11-28-75 437381	IBM CORP. SDD P.N. 2290340

DEM  
9

DE  
309

IBM

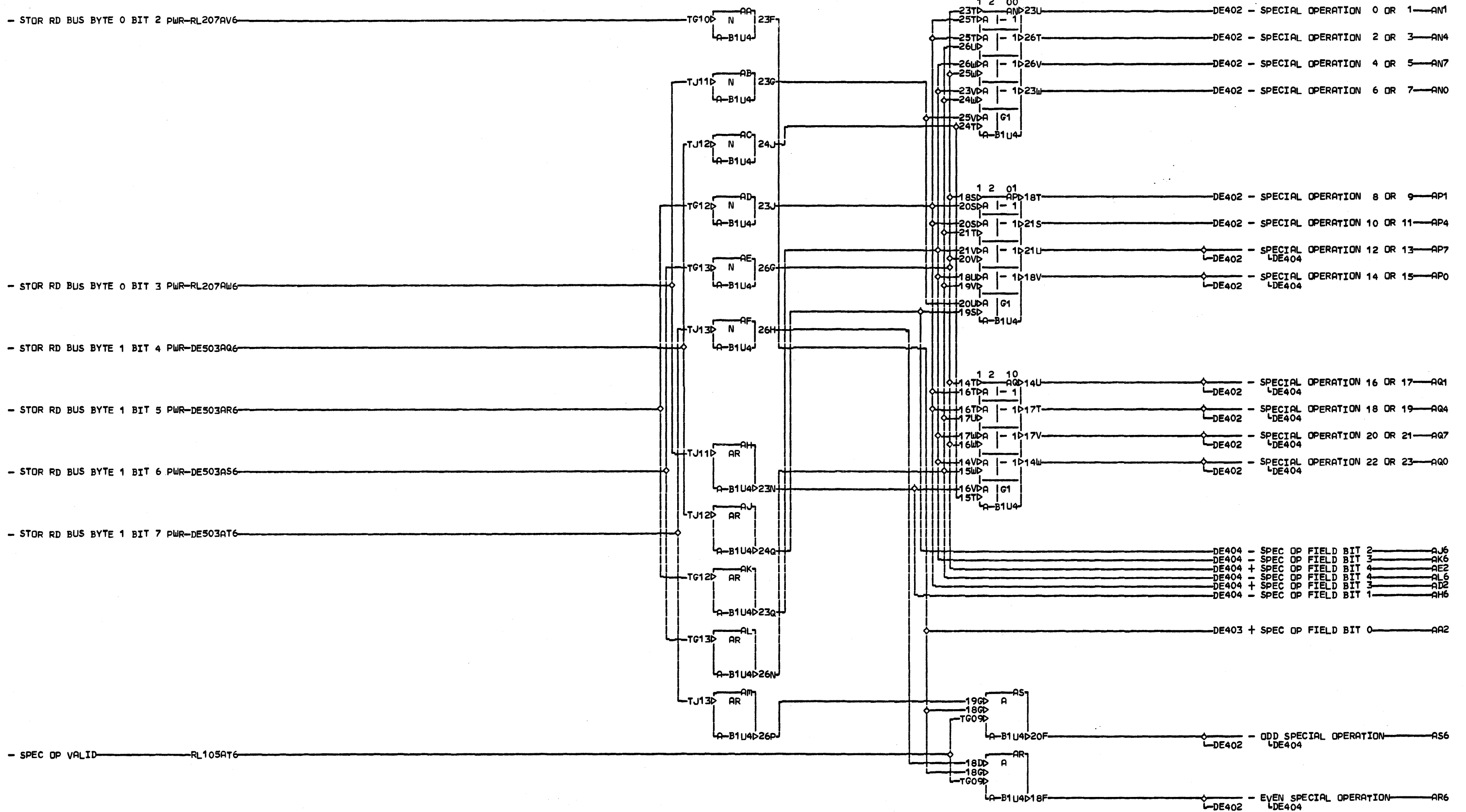
CONFIDENTIAL

UNTIL 03-30-76

UNCLASSIFIED

THEREAFTER

005 DE401

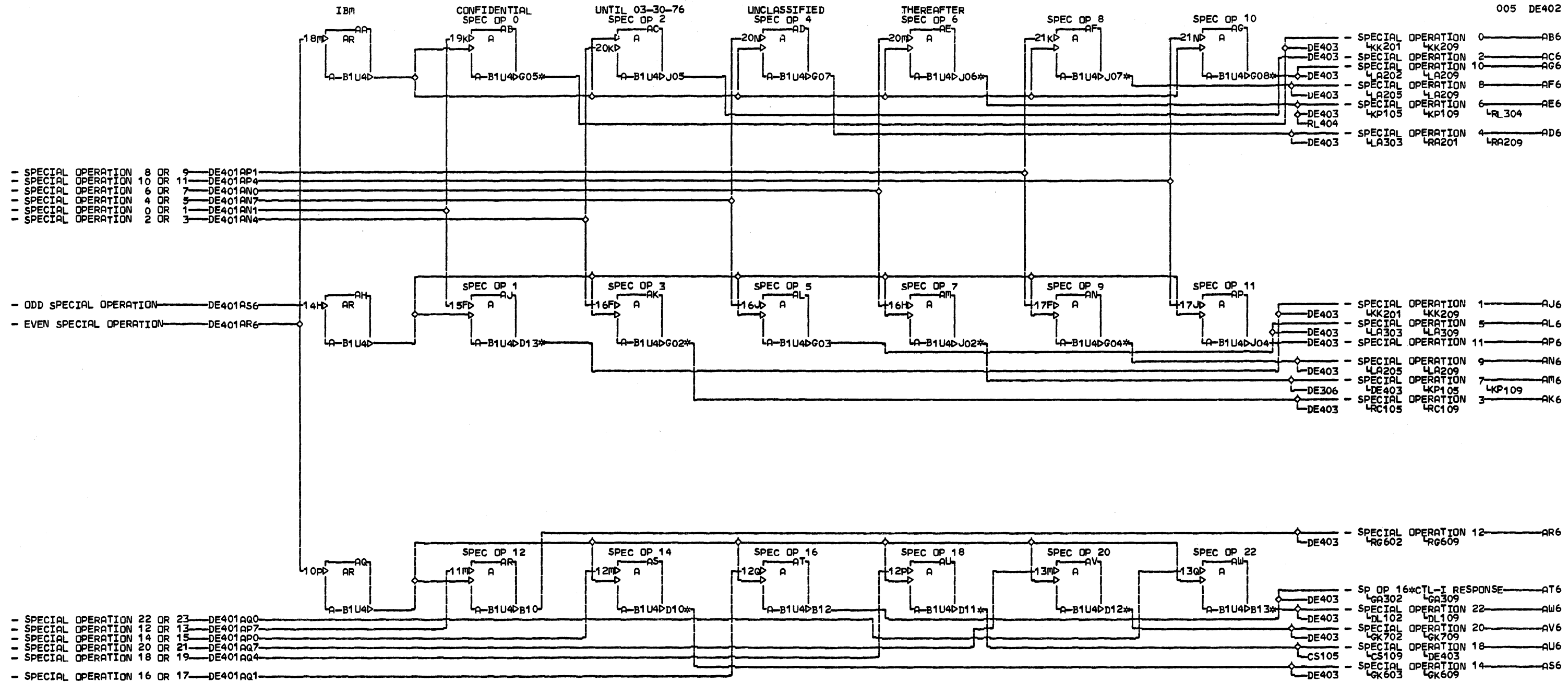


DE  
401

LOC. TYPE  
A-B1U4 0707

SPECIAL OPERATIONS DECODER	
E.C. HISTORY	MACH. 3830-2
437380	
FRAME	01
IBM CORP. SDD	
DATE LAST EC	
11-28-75 437381	P.N. 2290341

DE  
401  
005



- SPECIAL OPERATION 8 OR 9 DE401AP1  
 - SPECIAL OPERATION 10 OR 11 DE401AP4  
 - SPECIAL OPERATION 6 OR 7 DE401AN0  
 - SPECIAL OPERATION 4 OR 5 DE401AN7  
 - SPECIAL OPERATION 0 OR 1 DE401AN1  
 - SPECIAL OPERATION 2 OR 3 DE401AN4

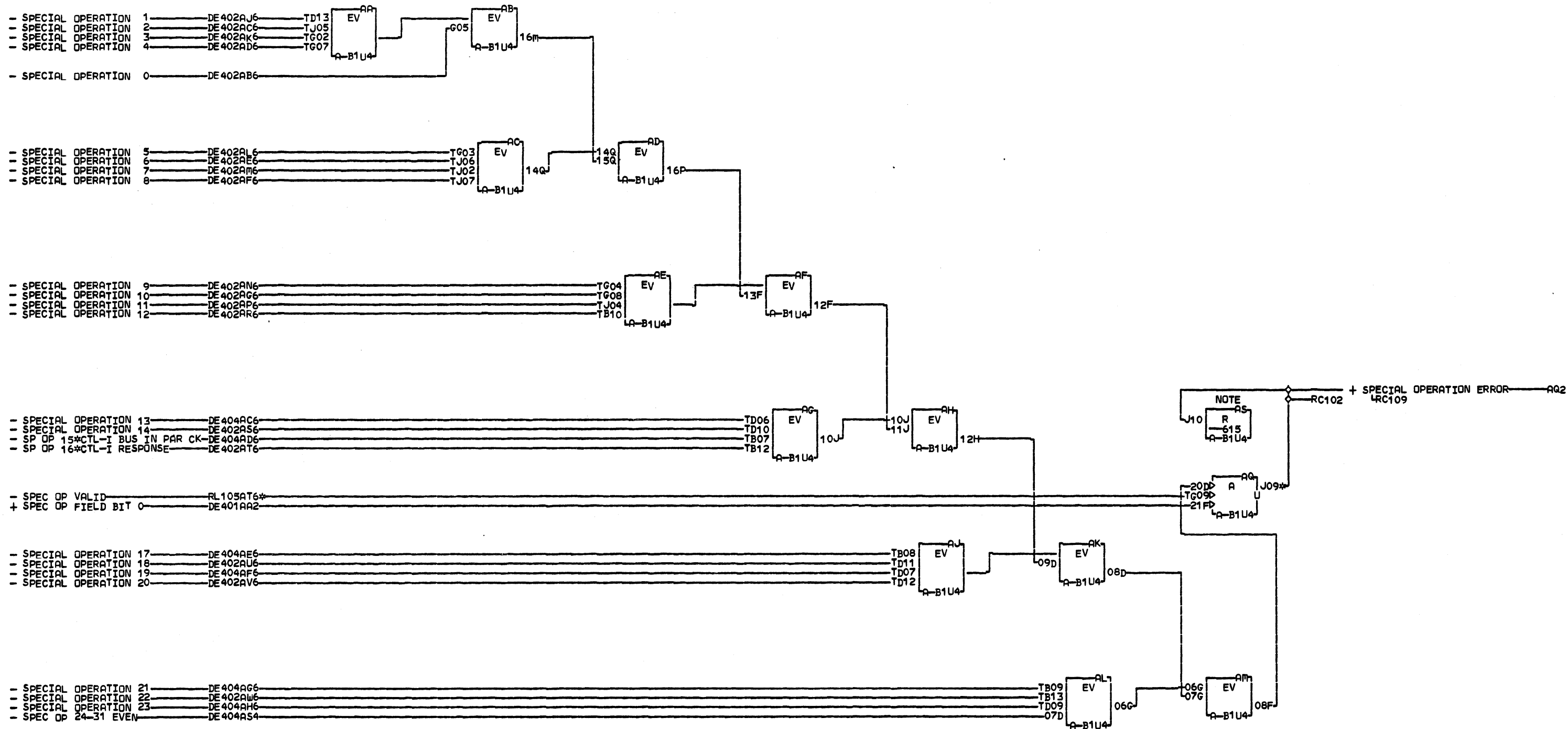
- ODD SPECIAL OPERATION DE401AS6  
 - EVEN SPECIAL OPERATION DE401AR6

- SPECIAL OPERATION 22 OR 23 DE401AQ0  
 - SPECIAL OPERATION 12 OR 13 DE401AP7  
 - SPECIAL OPERATION 14 OR 15 DE401AP0  
 - SPECIAL OPERATION 20 OR 21 DE401AQ7  
 - SPECIAL OPERATION 18 OR 19 DE401AQ4  
 - SPECIAL OPERATION 16 OR 17 DE401AQ1

AB6 A-B1V4B02 A 01A-B2U2B03 AU6 A-B1V2D05  
 A 01A-B2U2B02 AK6 A-B1V4B05 A 01A-A1N1C13  
 AE6 A-B1V4B07 A 01A-B2U2B05 AV6 A-B1V2B09  
 A 01A-B2U2B07 AM6 A-B1V4D02 A 01A-A1L1E11  
 AF6 A-B1V4D05 A 01A-B2U2D02 AW6 A-B1V2B11  
 A 01A-B2U2D05 AN6 A-B1V4D04 A 01A-A1M1B11  
 AG6 A-B1V4D03 A 01A-B2U2D04  
 A 01A-B2U2D03 AS6 A-B1V2D03  
 AJ6 A-B1V4B03 A 01A-A1N1A13

LOC. TYPE  
 A-B1U4 0707

SPECIAL OPERATIONS DECODER		D E 4 0 2
E.C. HISTORY MACH. 3830-2		
437380	FRAME 01	IBM CORP. SDD
DATE LAST EC	P.No. 2290342	
11-28-75 437381		005

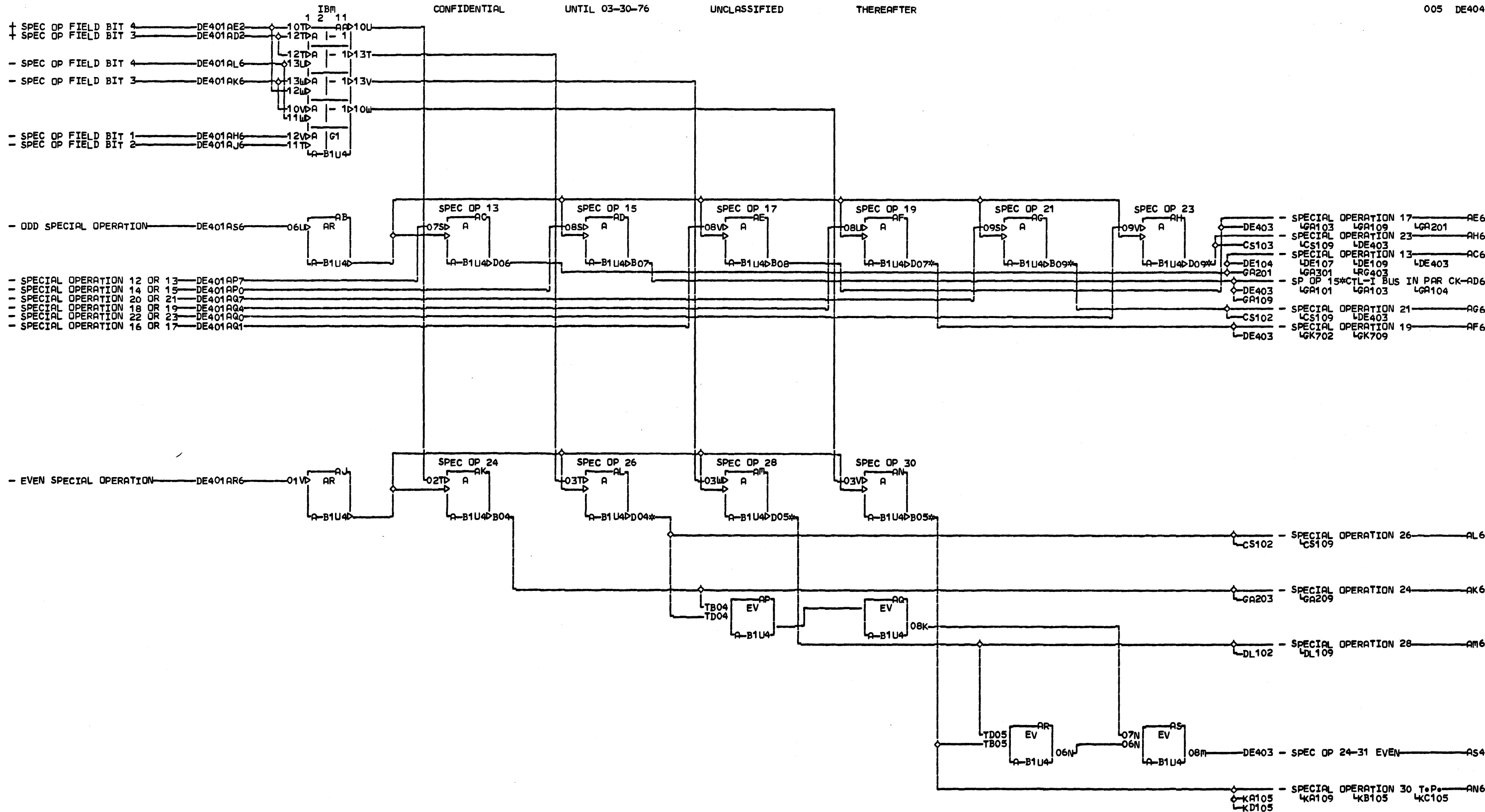


\*NOTE THIS RESISTOR IS  
\*CONNECTED TO AQ2 VIA BOARD

RL105AT6  
RESISTOR  
A-B1U4G09  
AQ2 A-B1V4D06  
A 01A-B2L2D06

LOC. TYPE  
A-B1U4 0707

SPECIAL OPERATIONS DECODE CHK		D E 4 0 3
E.C. HISTORY	B MACH. 3830-2	
437301	FRAME 01	000
DATE	IBM CORP. SDD	
06-15-73 437310	P.N. 2345692	



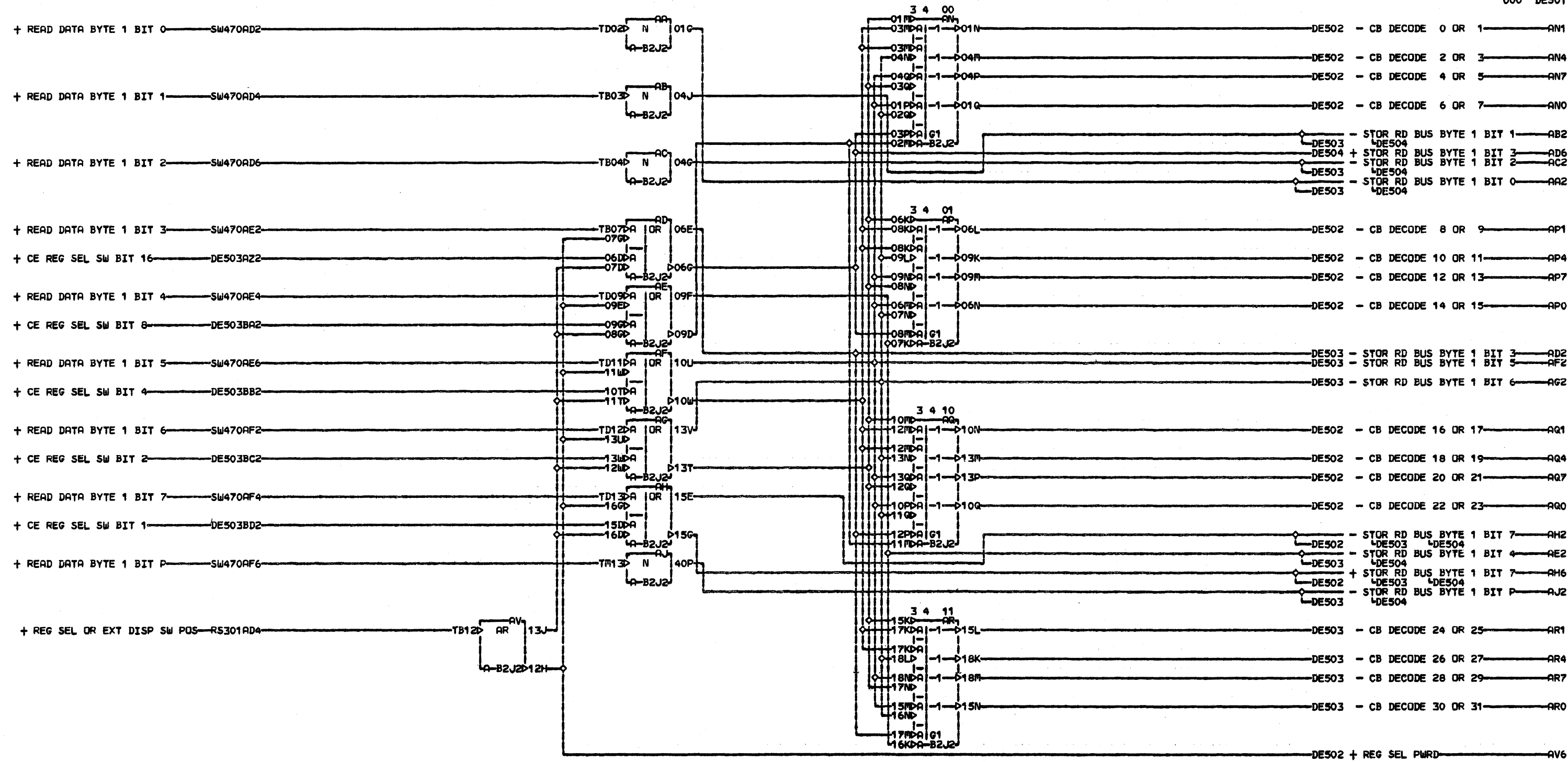
DE404

005COPYRIGHT IBM CORP 1976  
SIM TO PN 2345693 EC 437310

AF6 A-B1V2B08 A 01A-A1M1D11  
A 01A-A1L1D11 AN6 A-B1U4B05  
AG6 A-B1V2B10 1 01A-A1J1A13  
A 01A-A1M1A11  
AH6 A-B1V2B12  
A 01A-A1M1C11  
AL6 A-B1V2D02  
A 01A-A1M1E13  
AM6 A-B1V2B13

LDC. TYPE  
A-B1U4 0707

SPECIAL OPERATIONS DECODER		D E 4 0 4
E.C. HISTORY 437380	MACH. 3830-2	
DATE 11-28-75	LAST EC 437381	005
FRAME 01	IBM CORP. SDD P.N. 2290343	



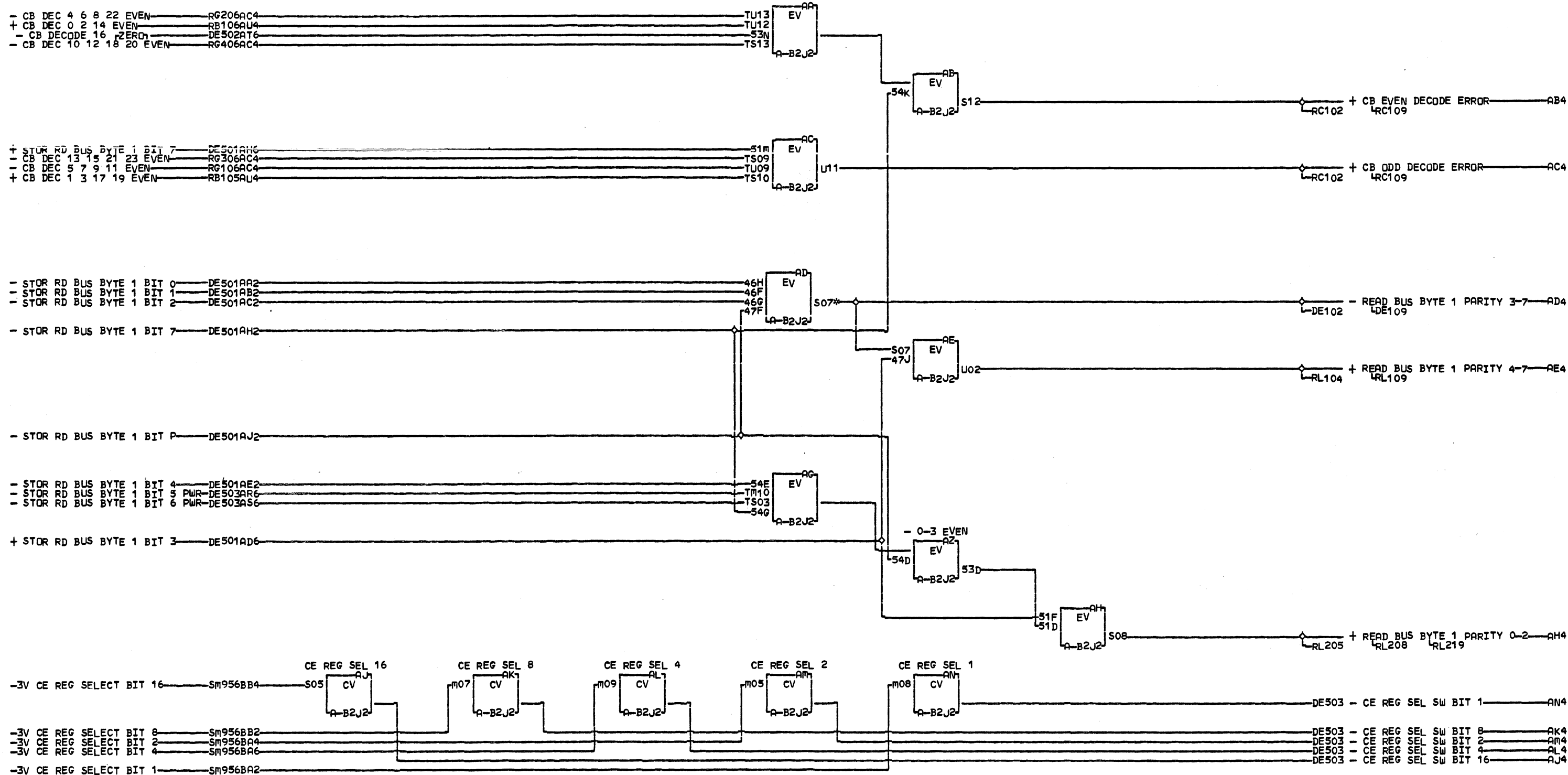
LOC. TYPE  
A-B2J2 0697

CB DECODE	
E.C. HISTORY	B MACH. 3830-2
437301	FRAME 01
437302	IBM CORP. SDD
DATE LAST EC	PaN. 2345695
06-15-73 437310	









AD4 A-B2M1B11  
A 01A-B1M6B04

LOC. TYPE  
A-B2J2 0697

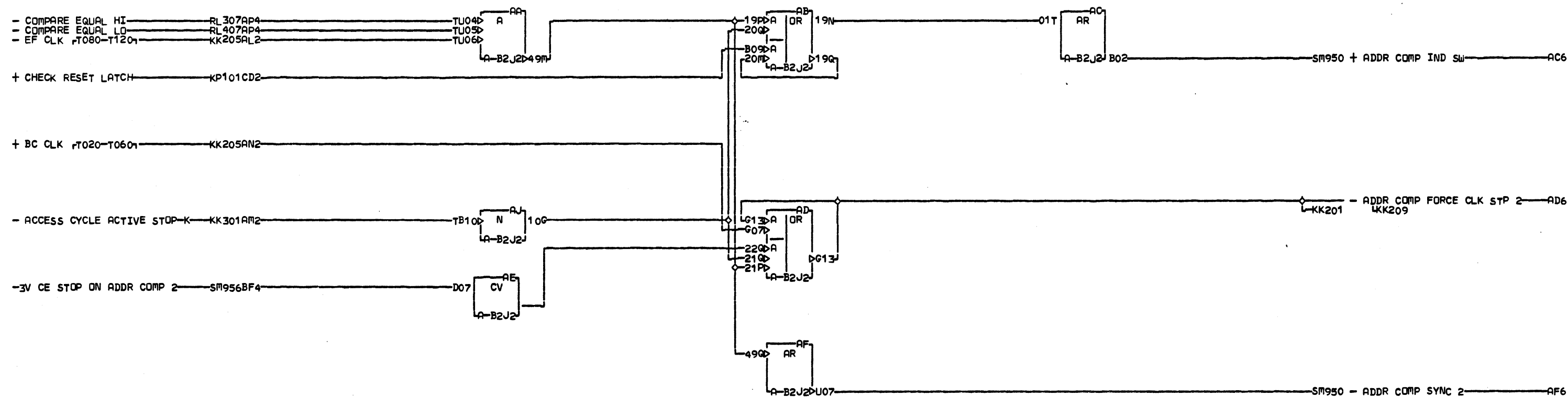
CB DECODE CHECK	
E.C.-HISTORY-B MACH. 3830-2	
437301	FRAME 01
DATE LAST EC	IBM CORP. SDD
06-15-73 437310	P.N. 2345698

DE504

000

DE504

000

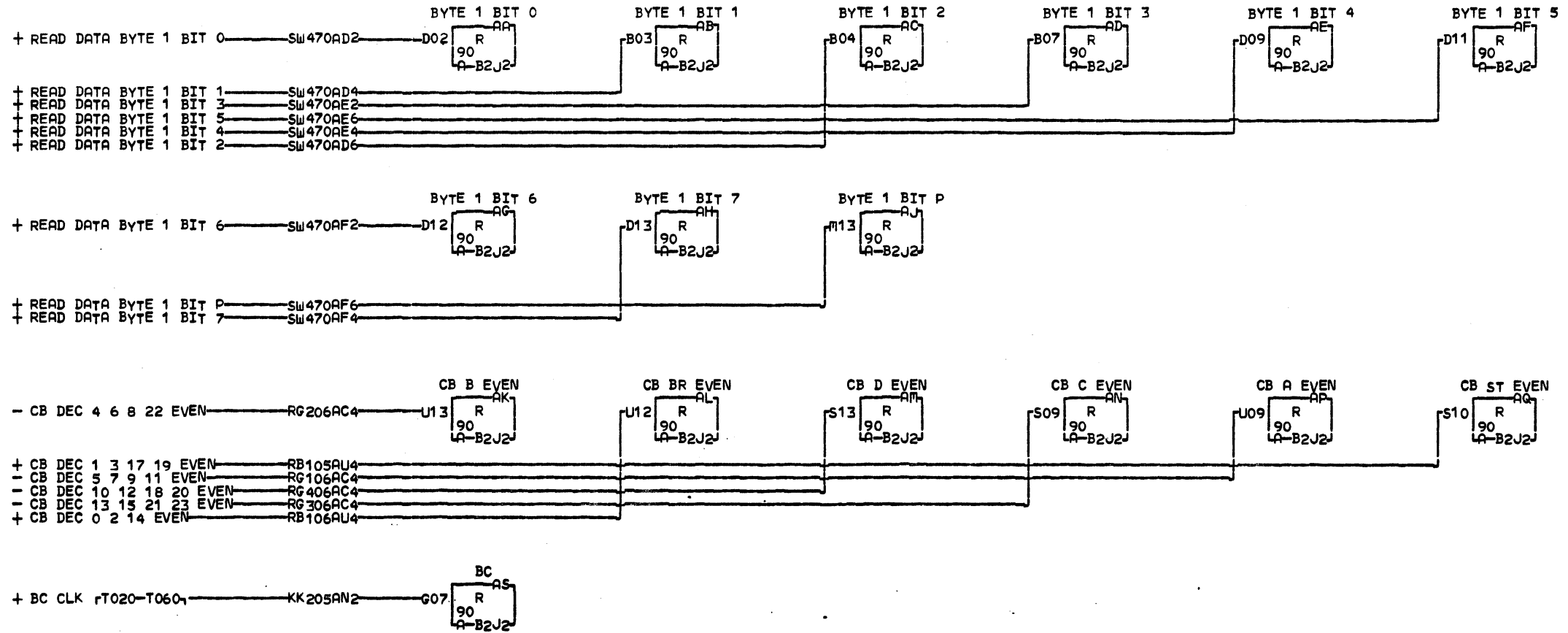


000  
500000

LOC. TYPE  
A-B2J2 0697

ADDRESS COMPARE 2	
E.C. HISTORY	B-MACH-3830-2
437301	FRAME 01
437305	IBM CORP. SDD
DATE	LAST EC
06-15-73	437310
P.N.	2345699

DE505  
000

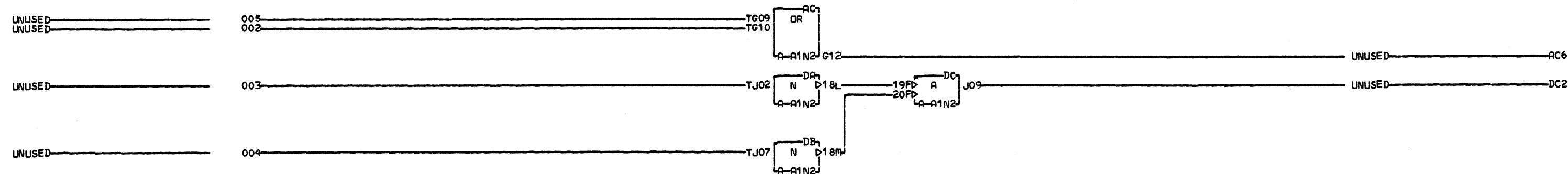
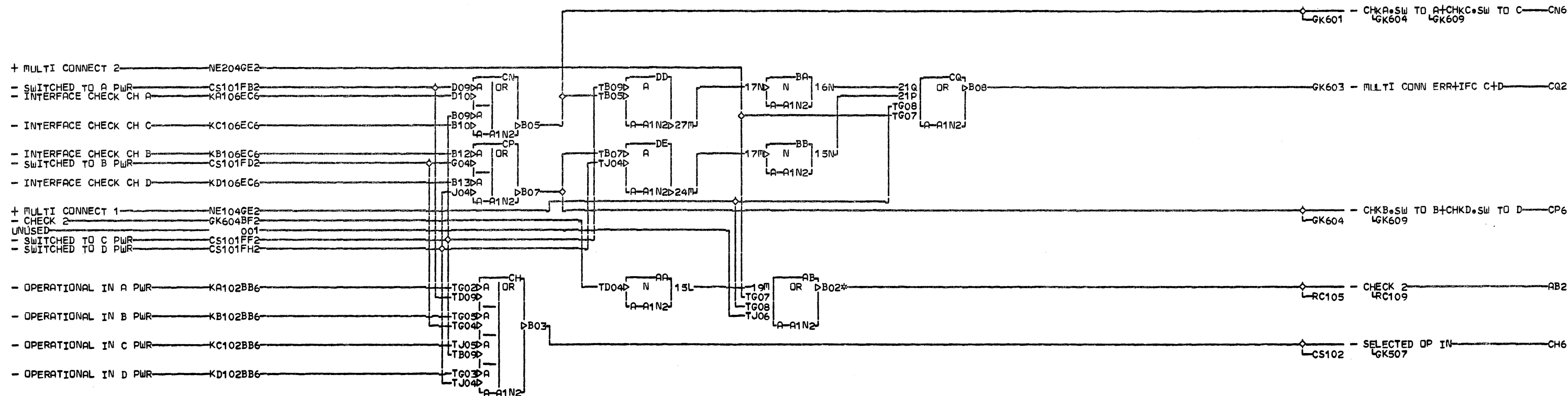


905000  
000

LDC. TYPE  
A-B2J2 0697

CB DECODE TERMINATORS	
E.C. HISTORY	B MACH. 3830-2
437301	FRAME 01
437302	IBM CORP. SDD
437303	P.N. 2345700
DATE	LAST EC
06-15-73	437310

DE509  
000



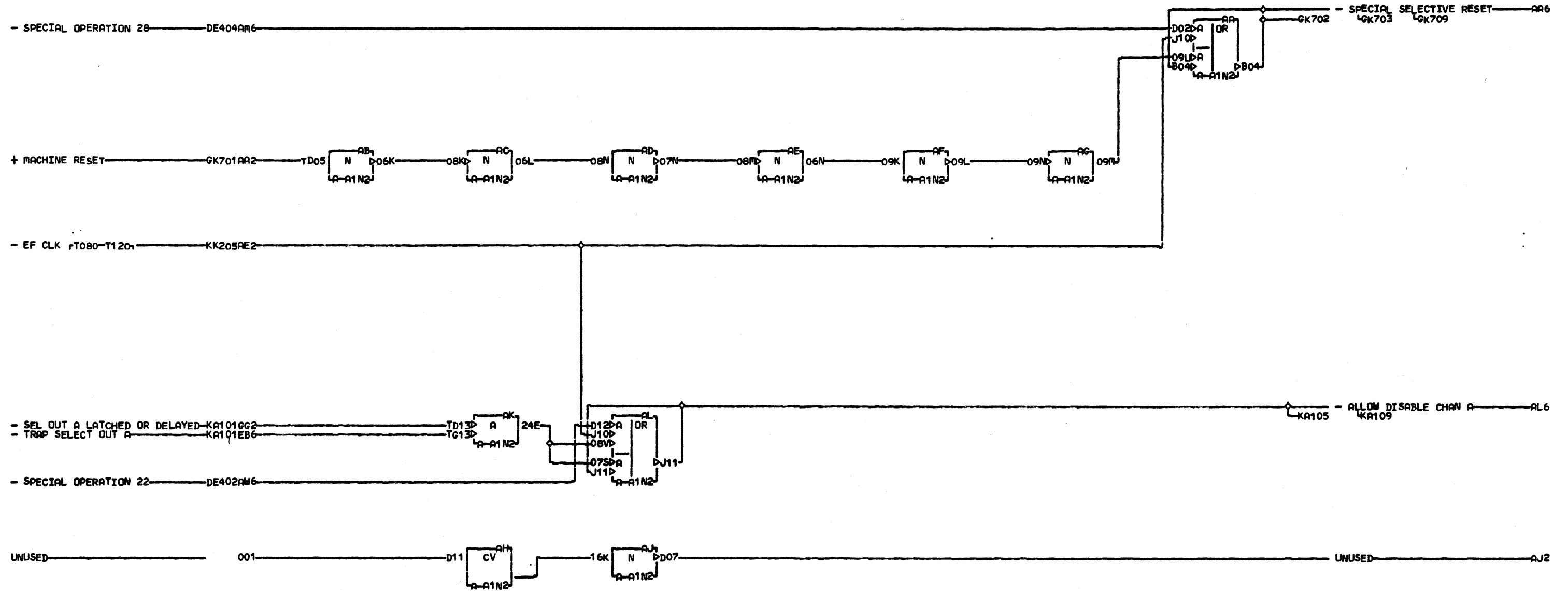
AB2 A-B2S6A04  
A 01A-A1S1A13

LOC. TYPE  
A-A1N2 9967

ERROR ASSEMBLY AND SELECTION	
SELECTED OP IN	
E.C. HISTORY	B. MACH. 3830-2
437380	FRAME 01
DATE LAST EC	IBM CORP. SDD
11-28-75 437381	P.N. 2290345

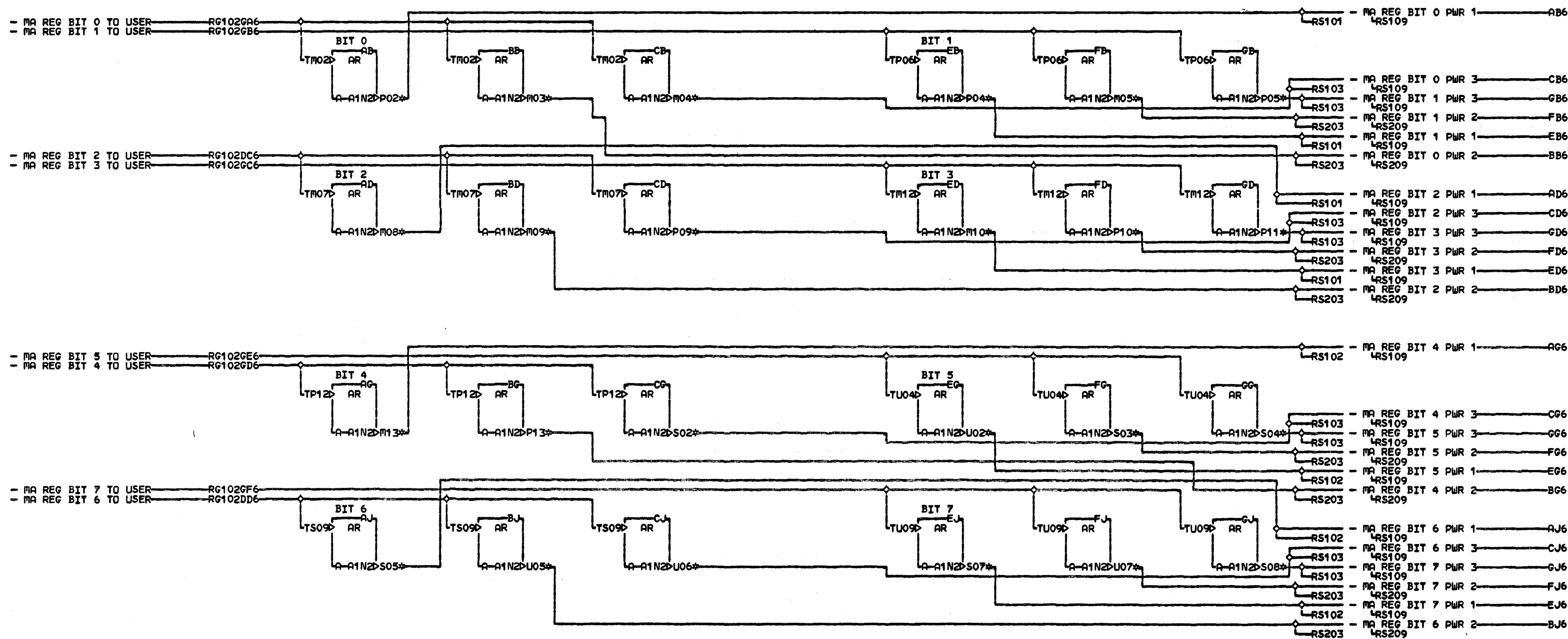
DL101

DL101



LOC. TYPE  
A-A1N2 9967

PGM CTRLD 437380	SEL -E.C.-HISTORY	RST B-MACH-3830-2	ALLOW DISABLE CHAN A
DATE 11-28-75	LAST EC 437381	IBM CORP. SDD P.No. 2290346	FRAME 01



DL103

000

AB6 A-B2A3B06 1 01A-A1C1B11 CD6 A-A1E1E11 A 01A-A1A1E13 FG6 A-B2A3D10 A 01A-A1F1C13  
 1 01A-A1B1C11 BD6 A-B2A3D06 1 01A-B2A4B07 EG6 A-B2A3B11 A 01A-A1C1B13 GJ6 A-B2A4B12  
 AD6 A-B2A3B08 1 01A-A1C1D11 CG6 A-B2A4B09 A 01A-A1B1B13 FJ6 A-B2A3D12 A 01A-A1F1E13  
 A 01A-A1A1D13 BG6 A-B2A3D09 A 01A-A1F1B13 EJ6 A-B2A3B13 A 01A-A1C1D13  
 AG6 A-B2A3B10 A 01A-A1C1A13 CJ6 A-B2A4B11 A 01A-A1B1D13 GB6 A-A1E1D13  
 A 01A-A1B1A13 BJ6 A-B2A3D11 A 01A-A1F1D13 FB6 A-B2A3D05 1 01A-B2A4B06  
 AJ6 A-B2A3B12 A 01A-A1C1C13 EB6 A-B2A3B07 1 01A-A1C1C11 GD6 A-B2A4B08  
 A 01A-A1B1C13 CB6 A-A1E1D11 1 01A-A1B1D11 FD6 A-B2A3D07 A 01A-A1F1A13  
 BB6 A-B2A3D04 1 01A-B2A4B05 ED6 A-B2A3B09 1 01A-A1C1E11 GG6 A-B2A4B10

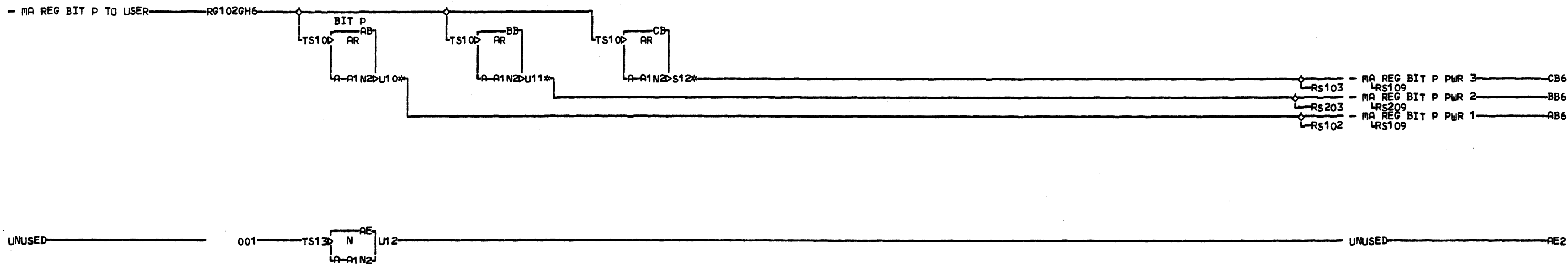
LOC. TYPE  
A-A1N2 9967

POWERING FOR S REG EXT ENTRY		
E.C. HISTORY	MACH. 3830-2	
437301	FRAME	01
437303	IBM CORP. SDD	
437304		
437305		
DATE	LAST EC	
06-15-73	437310	P.No. 2345989

DL103

000





DL104

000

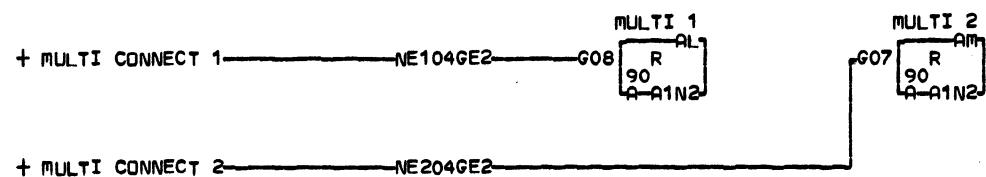
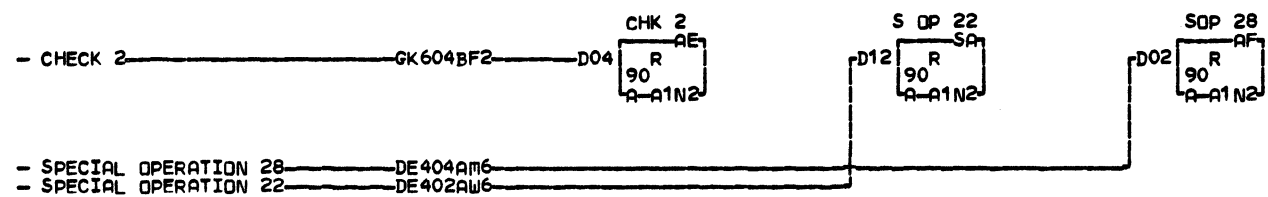
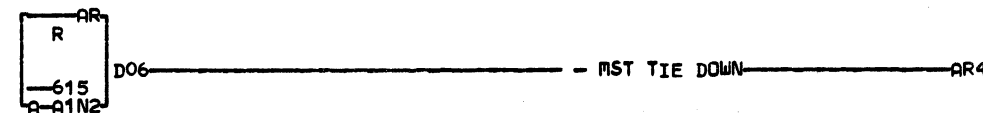
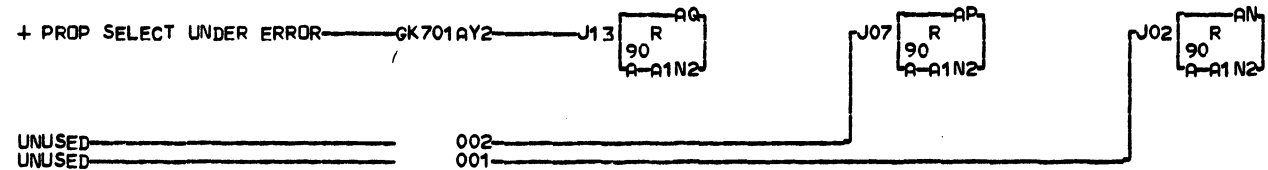
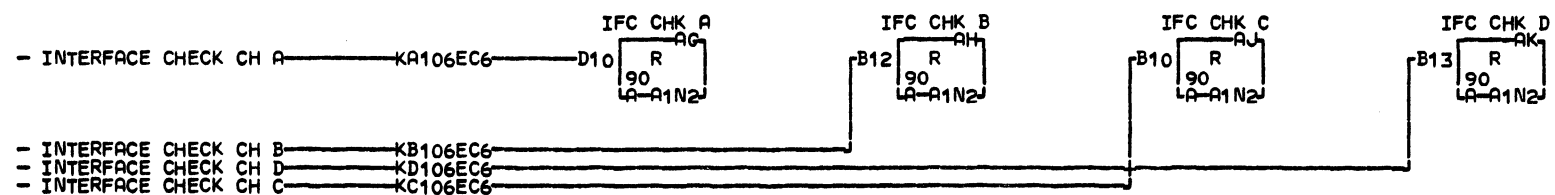
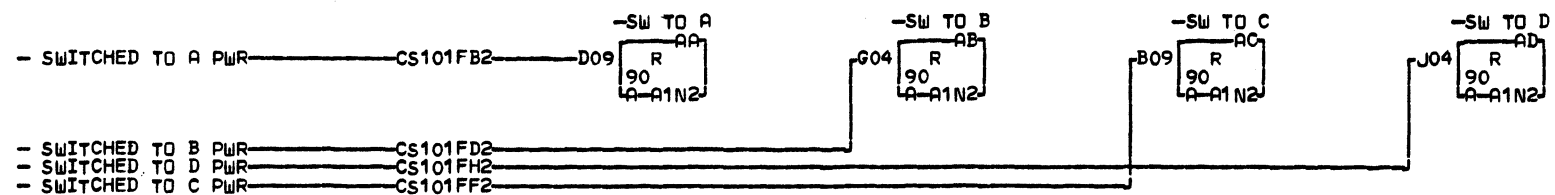
AB6 A-A1F1C11  
 1 01A-B2A4B02  
 BB6 A-B2A3D13  
 A 01A-A1C1E13  
 CB6 A-B2A4B13  
 A 01A-A1G1A13

LOC. TYPE  
 A-A1N2 9967

MA REG BIT P PWR		
-E.C.-HISTORY-		B MACH. 3830-2
437301	437305	
437302		FRAME 01
437303		
437304		IBM CORP. SDD
DATE	LAST EC	
06-15-73	437310	P.N. 2345978

DL104

000

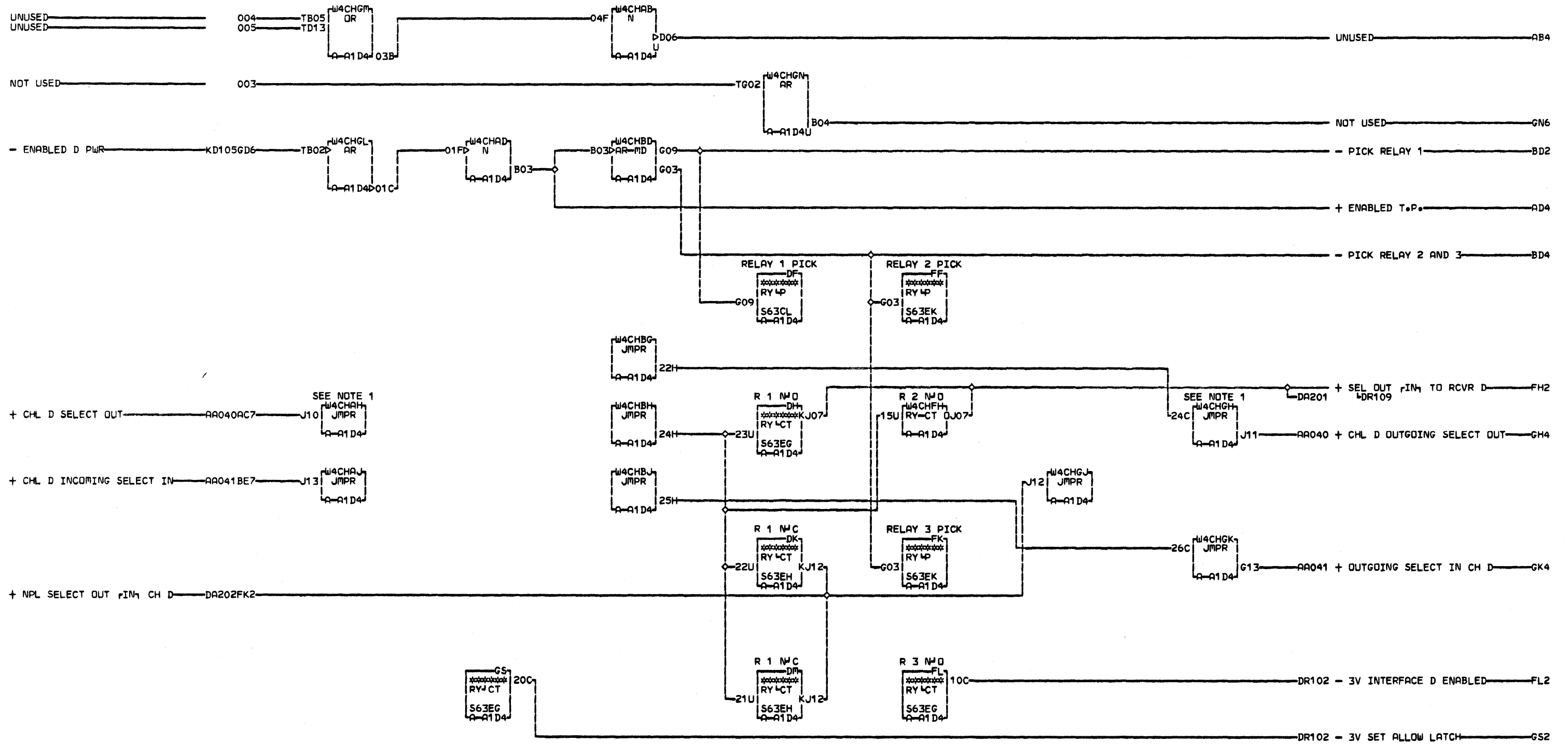


DL109

LQC. TYPE  
A-A1N2 9967

TERMINATING RESISTORS	
E.C.—HISTORY— 437380	B MACH. 3830-2
DATE 11-28-75	LAST EC 437381
FRAME IBM CORP. SDD	01
P.N. 2290347	

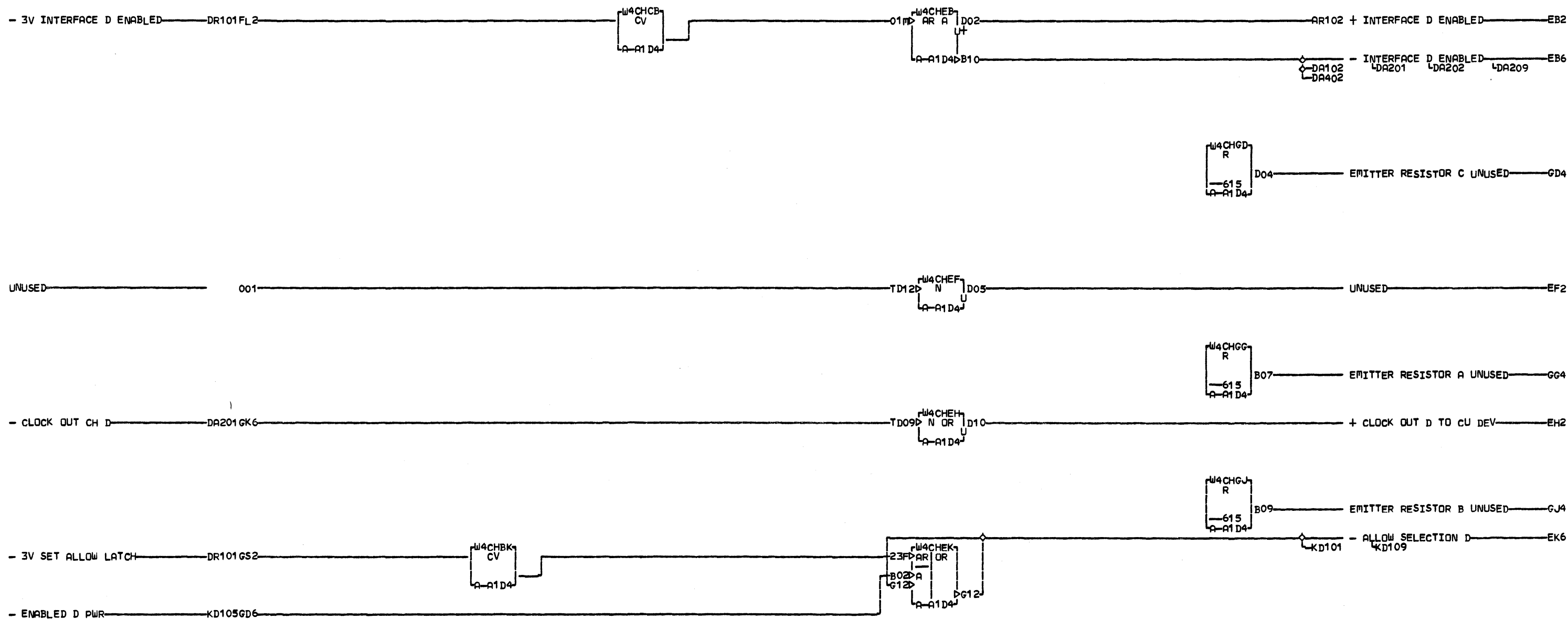
DL109



#FOR SEL OUT TRAP CONNECT  
 #AH-BH AJ-BJ GJ-GH  
 #FOR SEL IN TRAP CONNECT  
 #AH-BG AJ-BH GJ-GK

LOC. TYPE  
 A-1D4 7552

SELECT OUT BYPASS AND PRIORITY CHANNEL D		D
E.C. HISTORY	B. MACH. 3830-2	R
437357		1
437308	FRAME	01
	IBM CORP. SDD	0
DATE	LAST EC	002
04-16-73	437311	
	P.N. 2346221	



DR102

LOC. TYPE  
A-A1D4 7552

TERMINATORS AND INTEGRATORS	
CLOCK OUT	
E.C.-HISTORY 437380	MACH. 3830-2
DATE LAST EC 11-28-75 437381	FRAME 01
	IBM CORP. SDD
	P.No. 2290348

DR102

IBM

CONFIDENTIAL

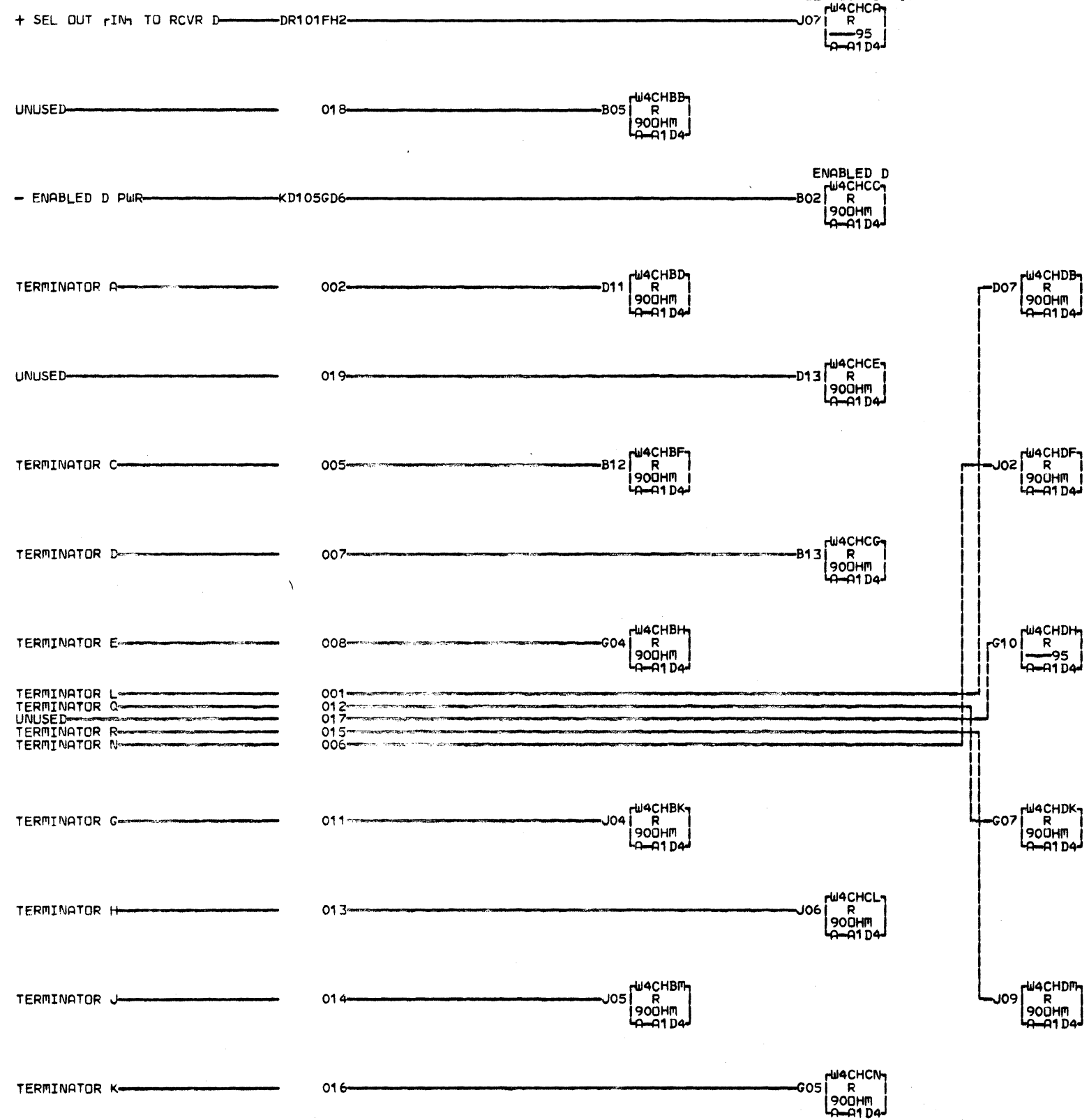
UNTIL 08-01-73  
SEL OUT TO RCV

UNCLASSIFIED

THEREAFTER

THEREAFTER \*\*

002 DR109



DR109

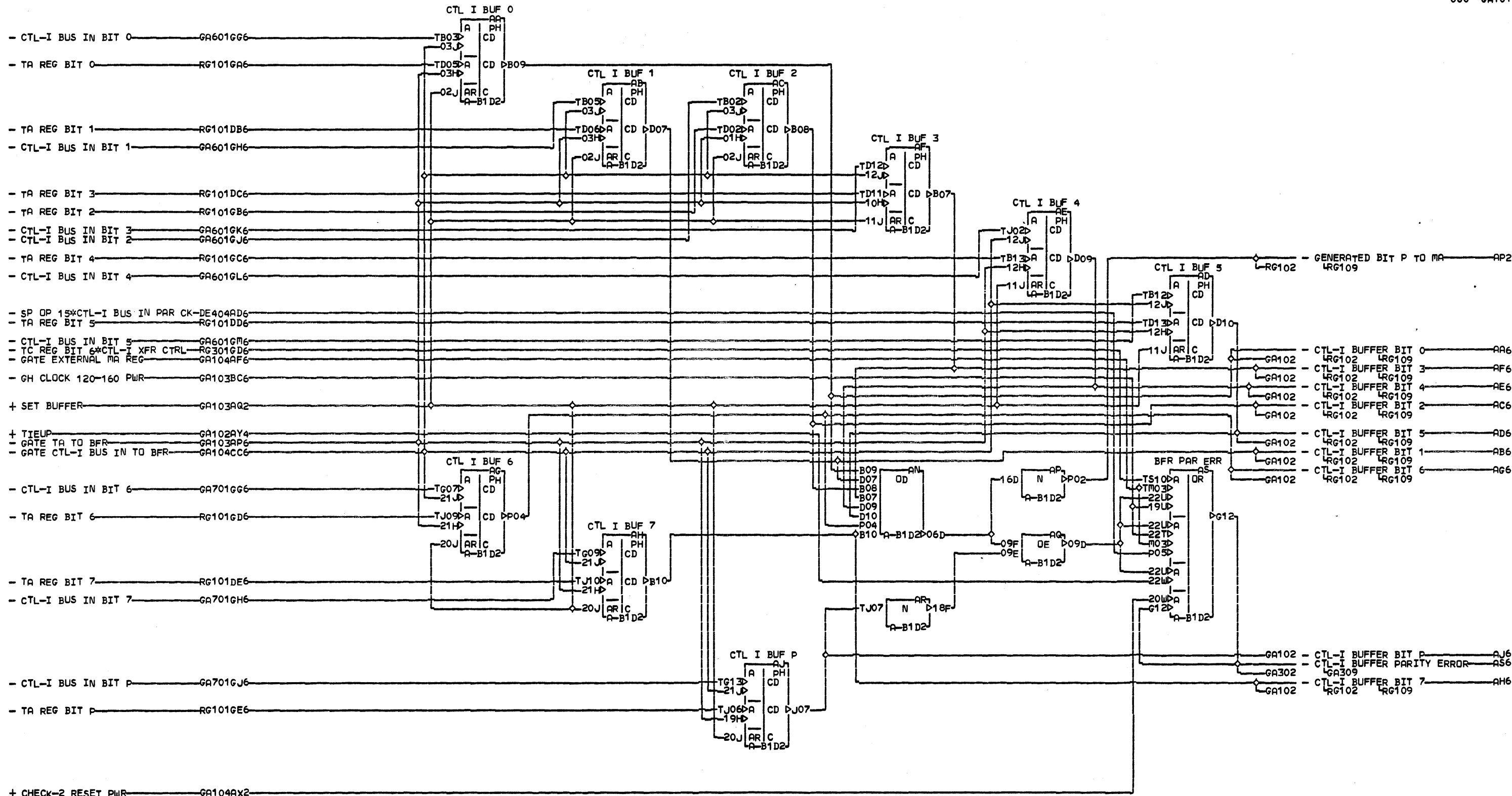
002 SIM TO PN EC 437310

LOC. TYPE  
A-A1D4 7552

TERMINATOR PAGE	
E.C. HISTORY	B. MACH. 3830-2
437357	FRAME 01
437310	IBM CORP. SDD
DATE	LAST EC
04-16-73	437311
P.N.	2346223

DR109

002



GA101

000

LOC. TYPE  
A-B1D2 X850

CTL-I BUFFER AND CONTROL CARD	
DCI BUFFER	
E.C. HISTORY - B MACH. 3830-2	
437308	FRAME 01
437309	IBM CORP. SDD
DATE	LAST EC
06-15-73	437310
P.N.	2345706

GA101

000



IBM

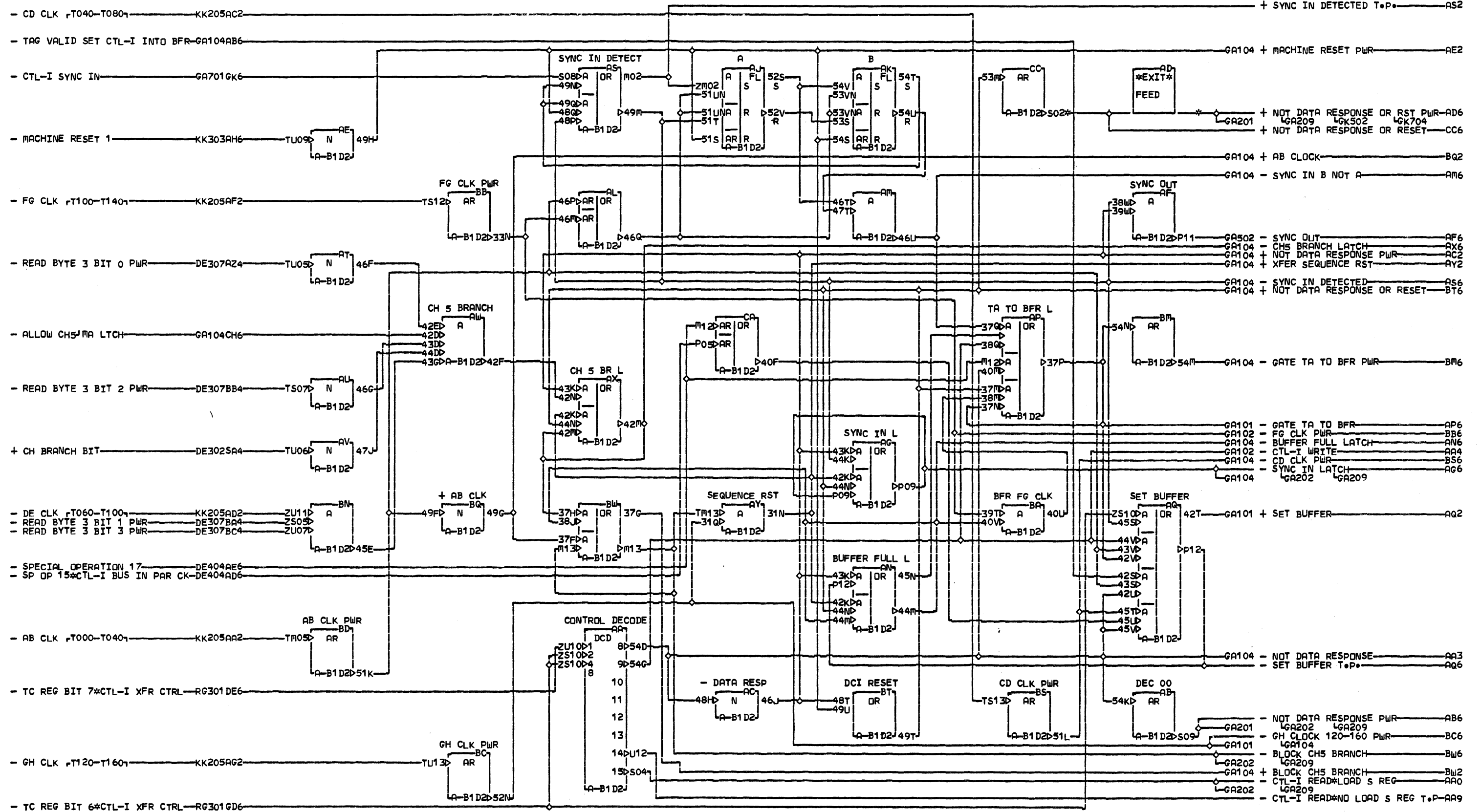
CONFIDENTIAL

UNTIL 03-30-76

UNCLASSIFIED

THEREAFTER

005 GA103



GA103

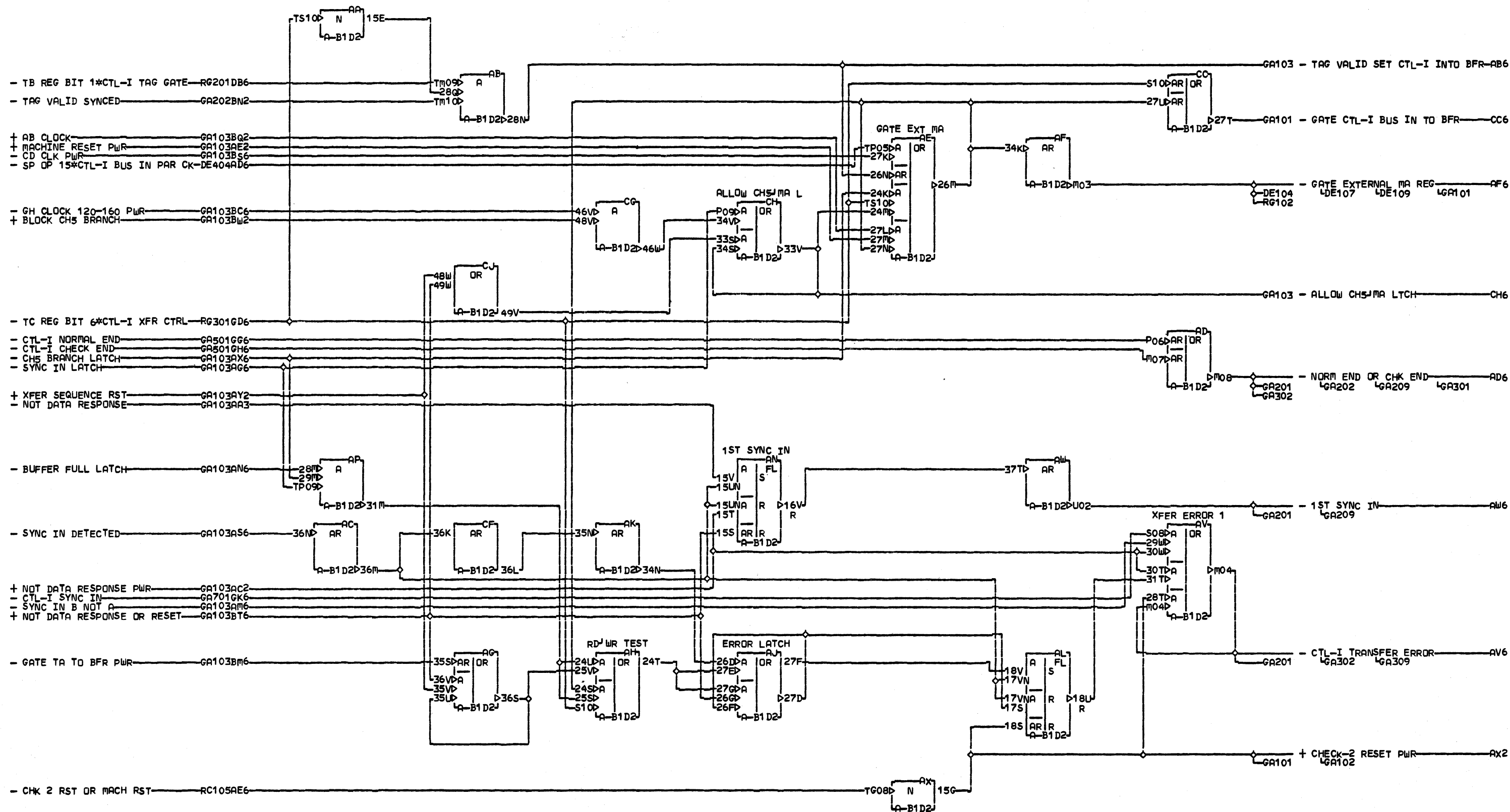
AD6 A-A1V2D03  
 B 01A-A1V2D04  
 B 01A-B1J1D13  
 CC6 A-B1J1C13

005COPYRIGHT IBM CORP 1976  
 SIM TO PN 2345708 EC 437310

LOC. TYPE  
 A-B1D2 X850

CTL-I CONTROLS		G
E.C. HISTORY	B-MACH-3830-2	A
	FRAME	01
	IBM CORP. SDD	03
DATE LAST EC		005
11-28-75 437381	P.No. 2290494	



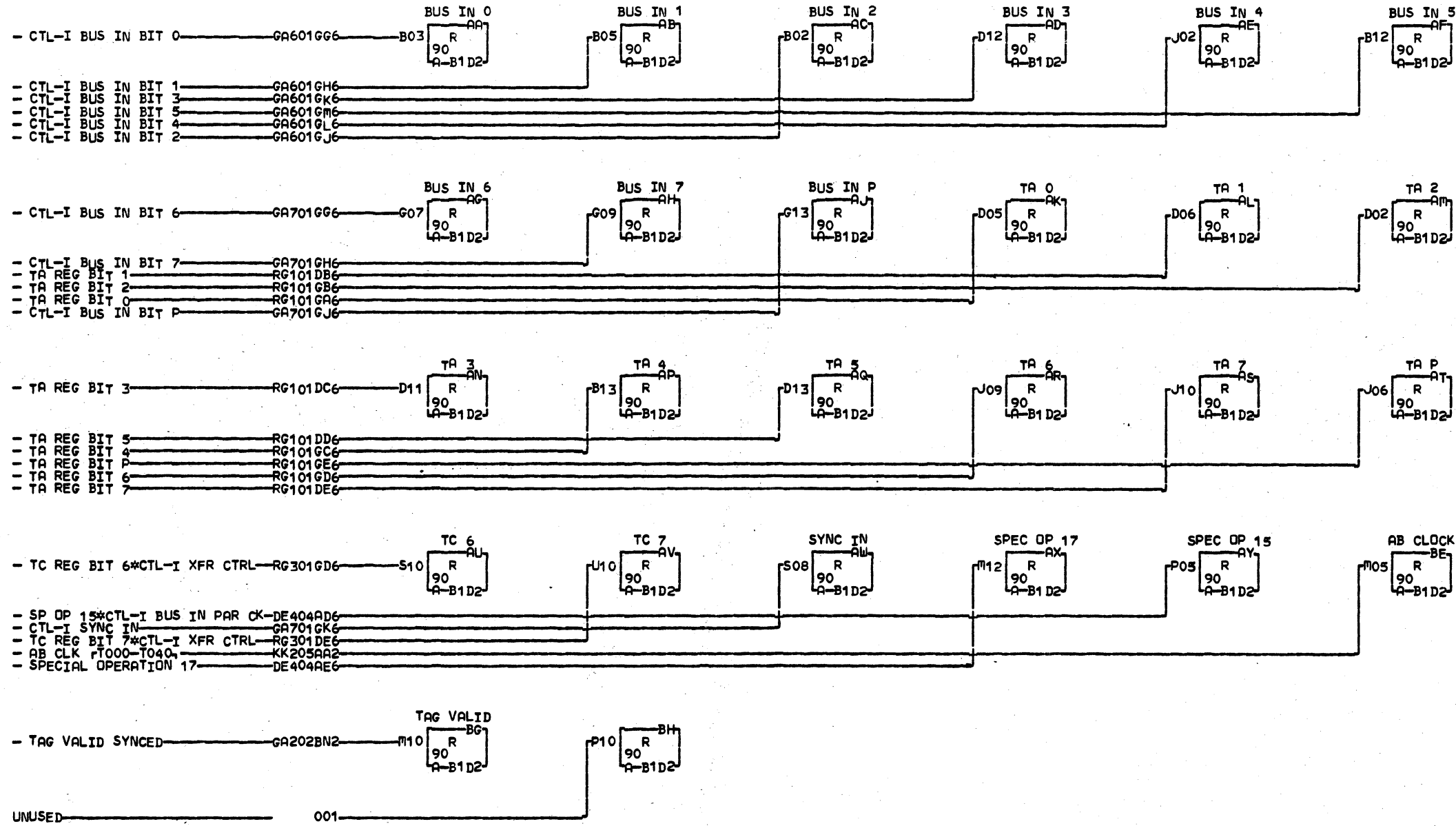


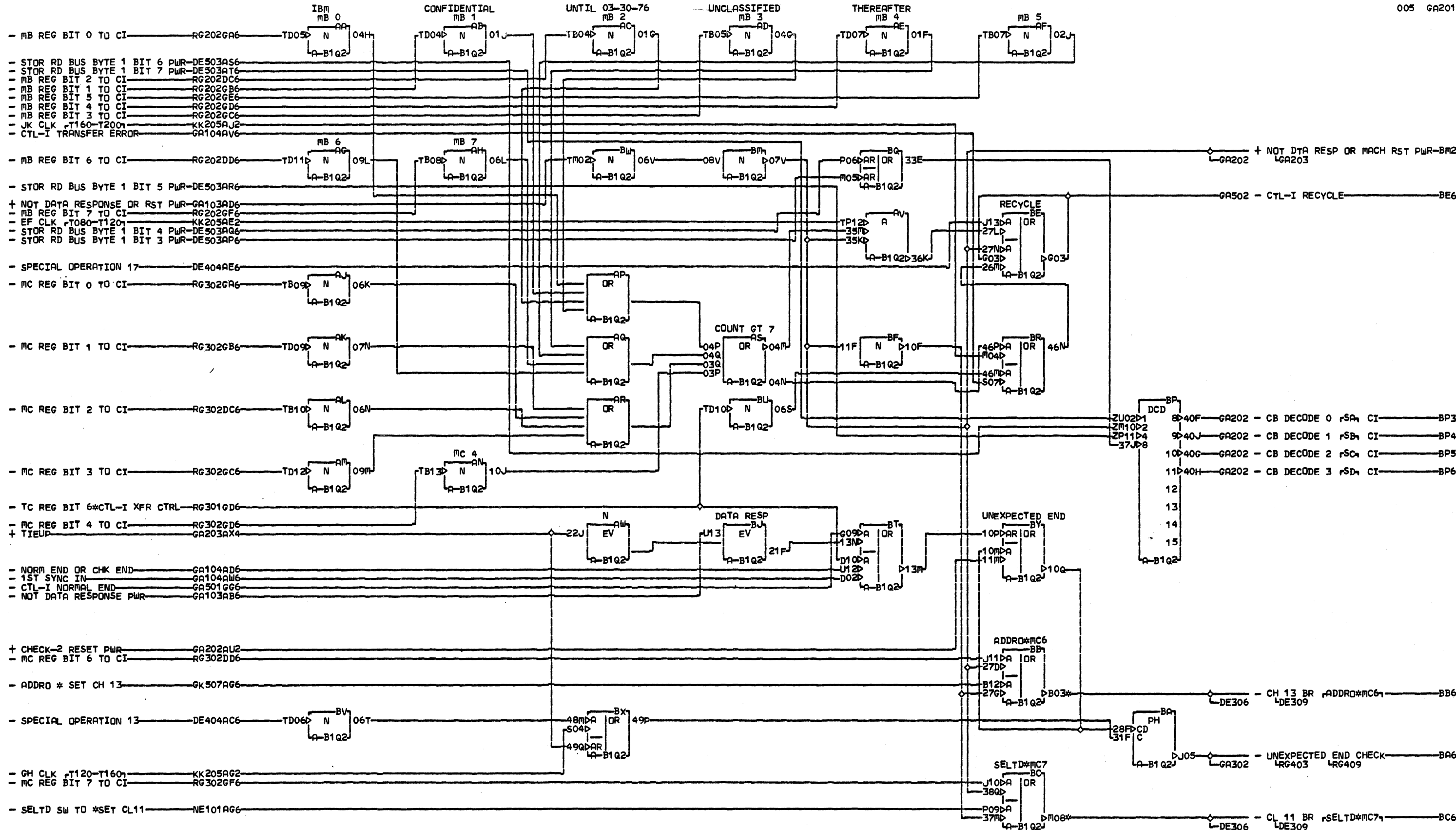
LDC TYPE  
A-B1D2 X850

CTL-I INTERFACE CONTROLS	
E.C. HISTORY	MACH. 3830-2
437308	FRAME 01
437309	IBM CORP. SDD
DATE LAST EC	PoN. 2345709
06-15-73 437310	

GA104  
000

GA104  
000



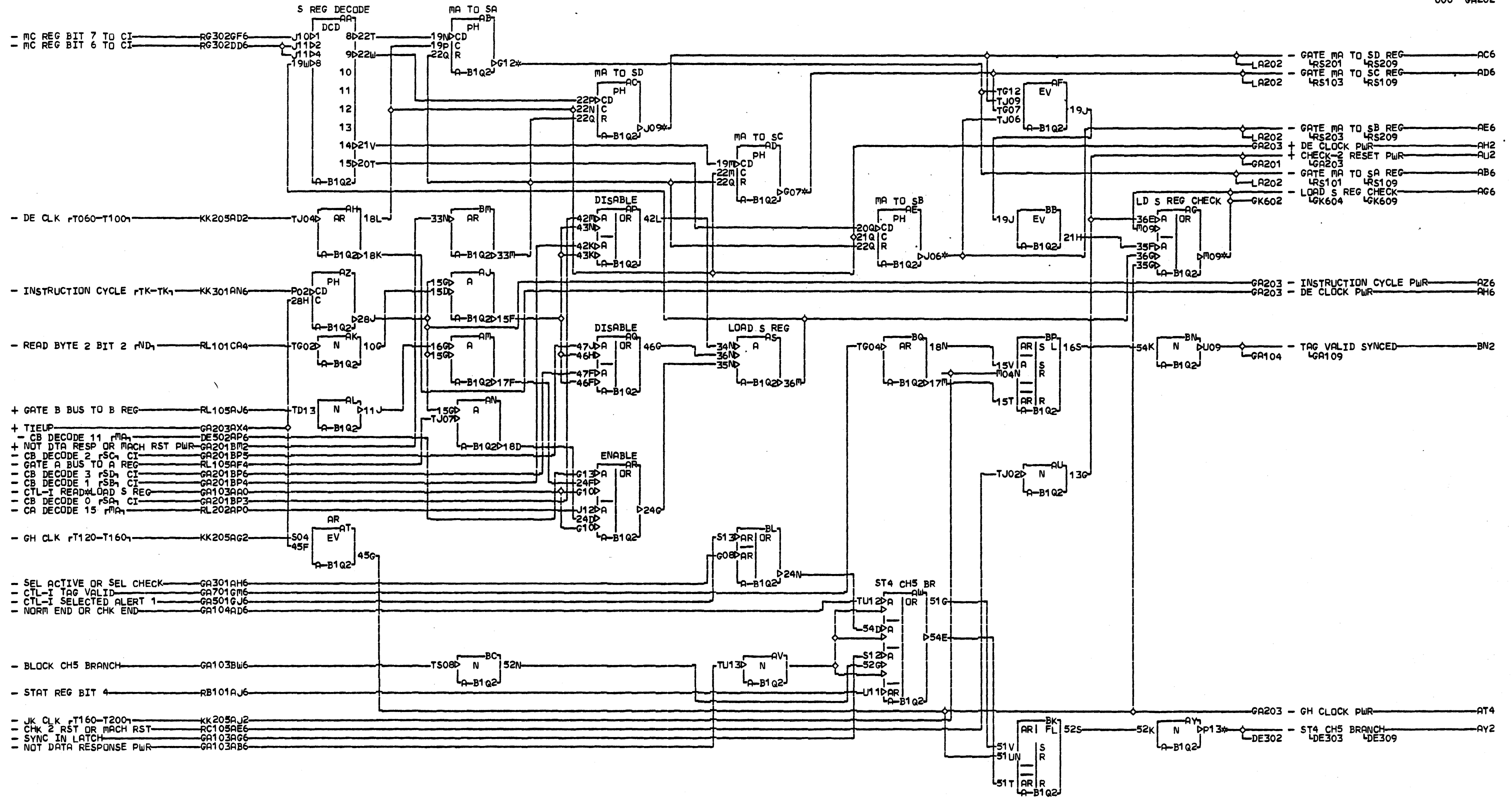


GA201

BB6 A-B1A5B07  
 1 01A-B2A2D03  
 BC6 A-B1A5B06  
 1 01A-B2A2D06

LOC. TYPE  
 A-B1Q2 2727

CTL-I CONTROL CARD 2		G A 2 0 1
RECYCLE		
E.C. HISTORY	MACH. 3830-2	005
437380	FRAME 01	
DATE LAST EC	IBM CORP. SDD	
11-28-75 437381	P.N. 2290349	



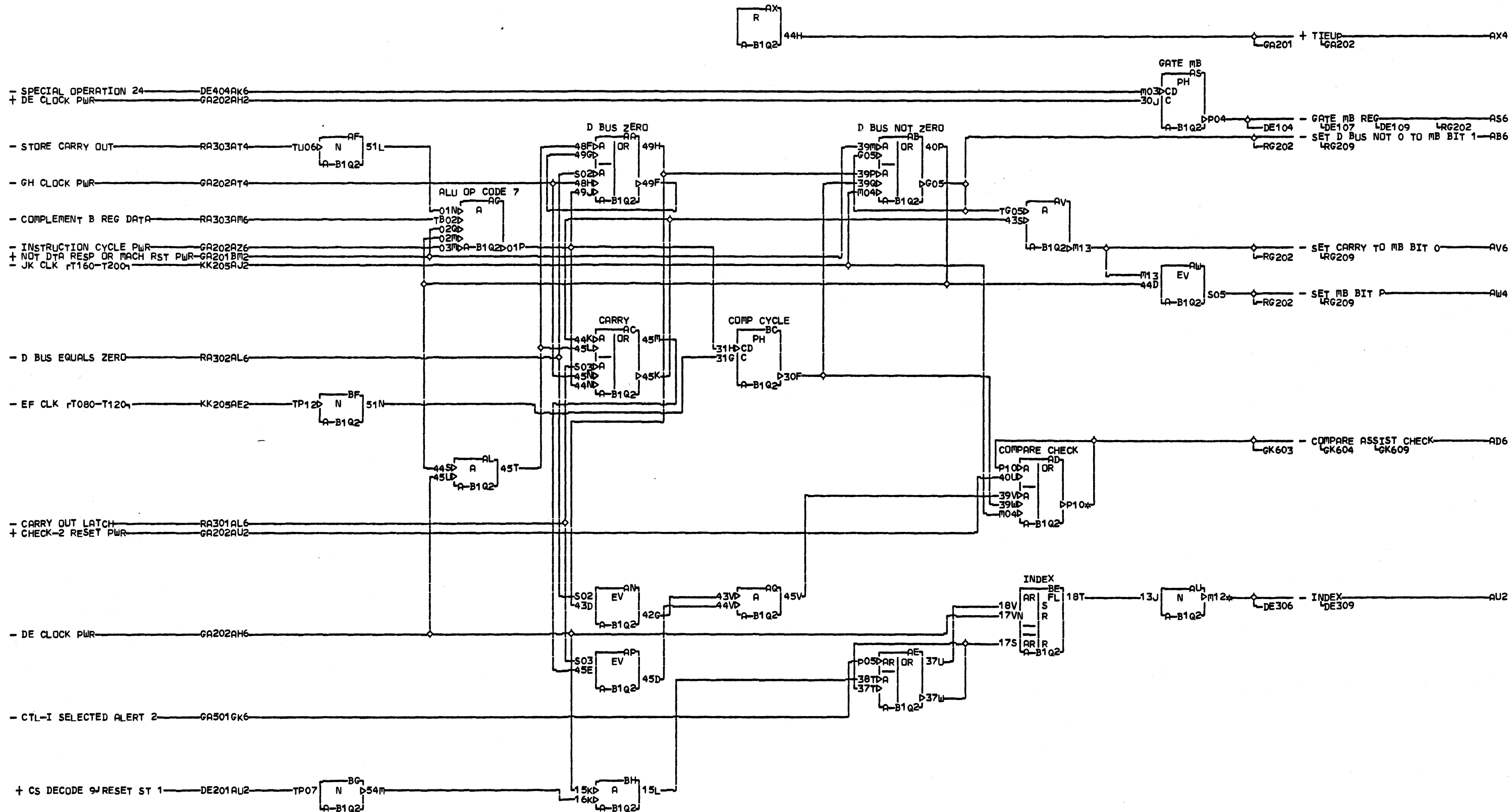
000

AB6 A-B1A5B03 A 01A-A1M1C13  
 1 01A-B2A4B03 AY2 A-B1L1A11  
 AC6 A-B1A5B05 1 01A-B2L2D05  
 1 01A-B2A4D03  
 AD6 A-B1A5B04  
 1 01A-B2A4B04  
 AE6 A-B1A5B02  
 1 01A-B2A4D02  
 AG6 A-B1L1D13

LOC. TYPE  
A-B1Q2 2727

CTL-I CONTROL CARD AUTOMATIC LOAD S REGS			
E.C. HISTORY		MACH. 3830-2	
437301	437305	FRAME	01
437302	437306		
437303	437307	IBM CORP. SDD	
437304	437308		
DATE	LAST EC		
06-15-73	437310	P.N. 2345713	

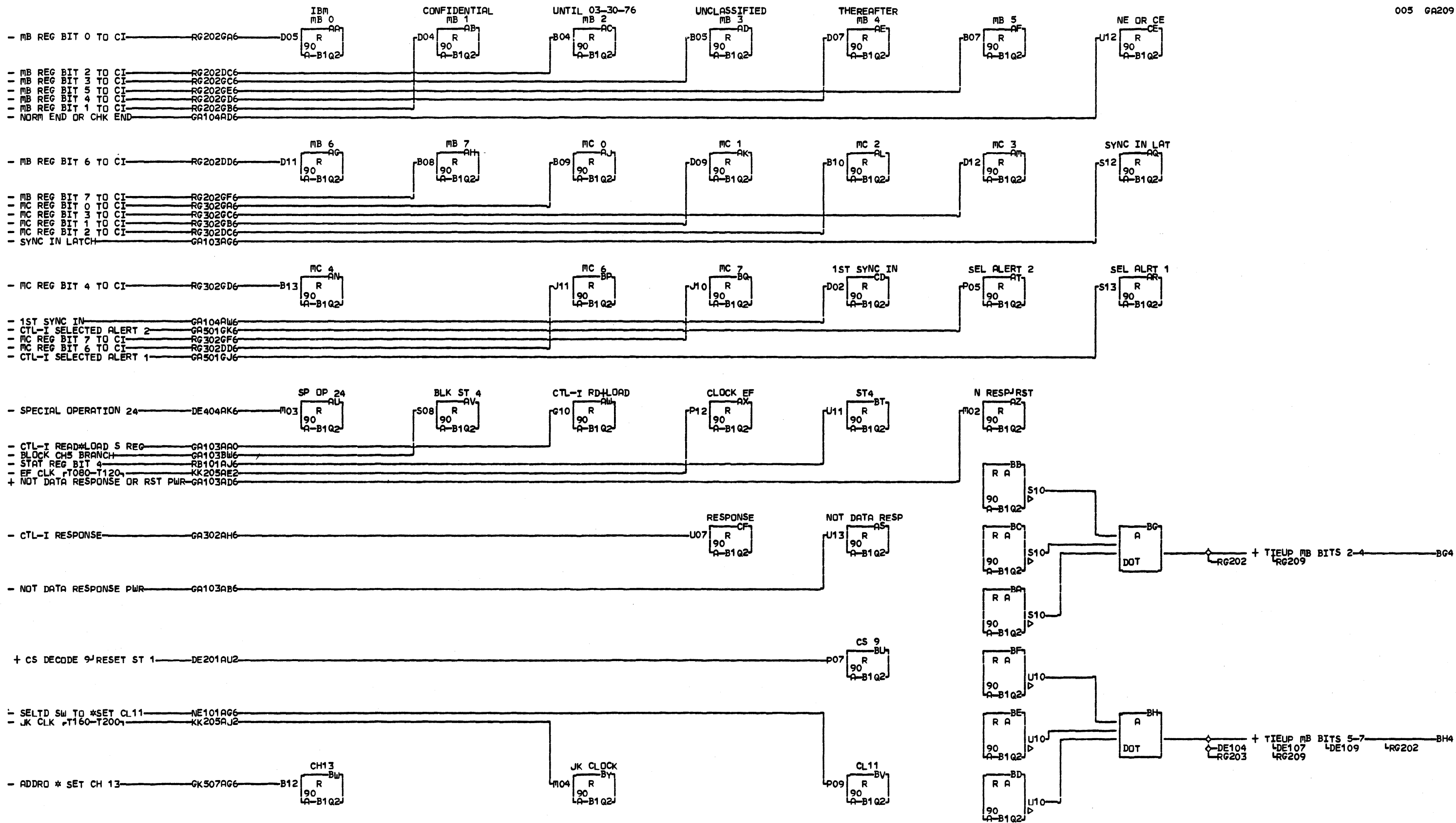
GA  
2  
0  
2  
000



AD6 A-B1U1E13  
 A 01A-A1H1D13  
 AL2 A-B1V4D13  
 A 01A-B2U2D13

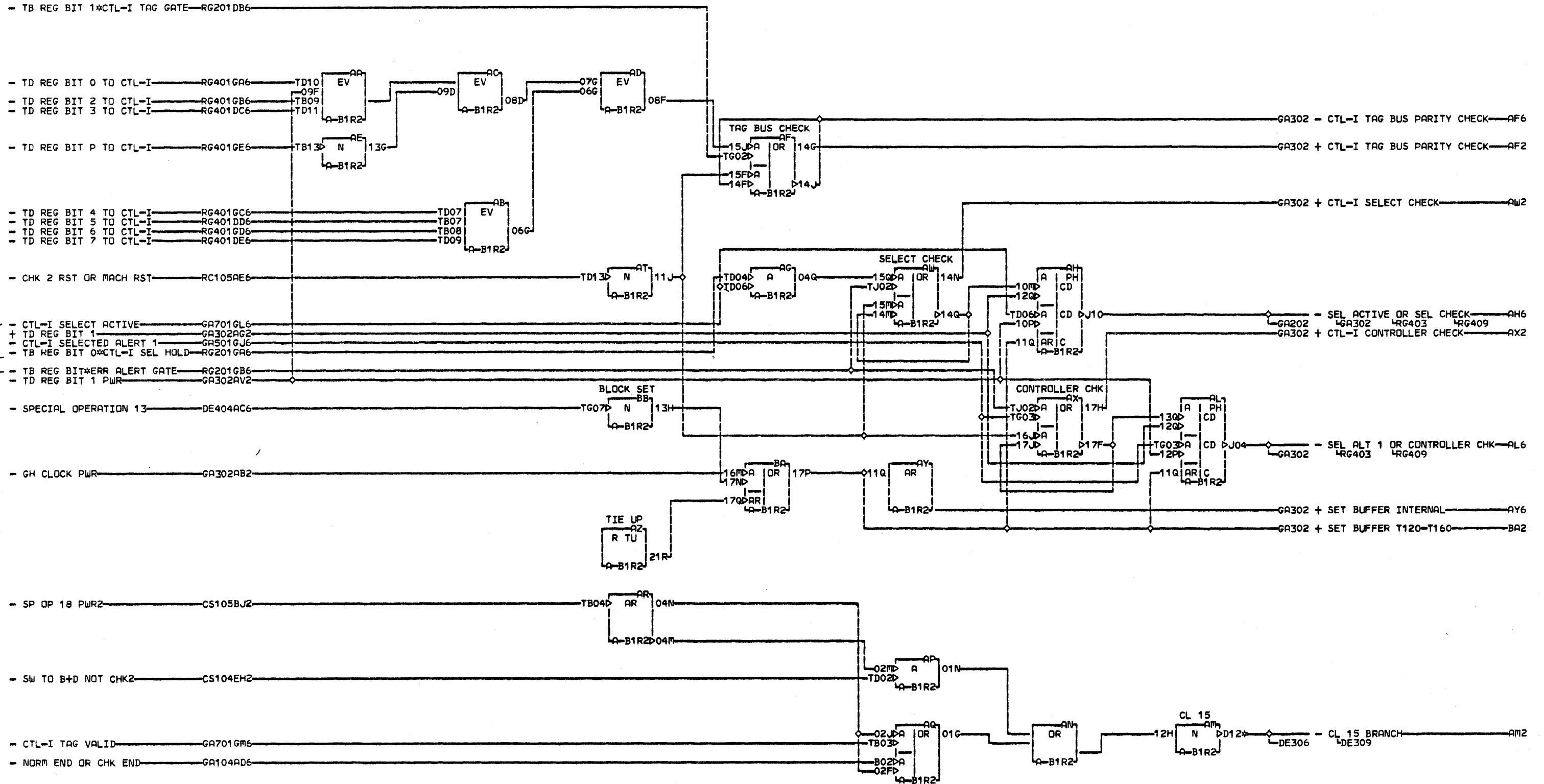
LOC. TYPE  
 A-B1Q2 2727

CTL-I CONTROL CARD 2			
COMPARE ASSIST			
E.C. HISTORY	MACH. 3830-2		
437301	437305	FRAME	01
437302	437306		
437303	437307		
437304		IBM CORP. SDD	
DATE	LAST EC		
06-15-73	437310	PoN.	2345714



LOC. TYPE  
A-B1Q2 2727

CTL-I CONTROL CARD 2	
RESISTOR PAGE	
E.C. HISTORY 437380	MACH. 3830-2
DATE LAST EC 11-28-75 437381	FRAME 01 IBM CORP. SDD P.No. 2290350



AM2 A-B1U2D13  
1 01A-B2A2D10

LOC. TYPE  
A-B1R2 2728

CI CONTROL CARD 1		DCI CHECKS	
E.C. HISTORY	MACH. 3830-2	FRAME	01
437357		IBM CORP. SDD	
437308			
437310			
DATE	LAST EC	P.N.	2346224
04-16-73	437311		

GROUND

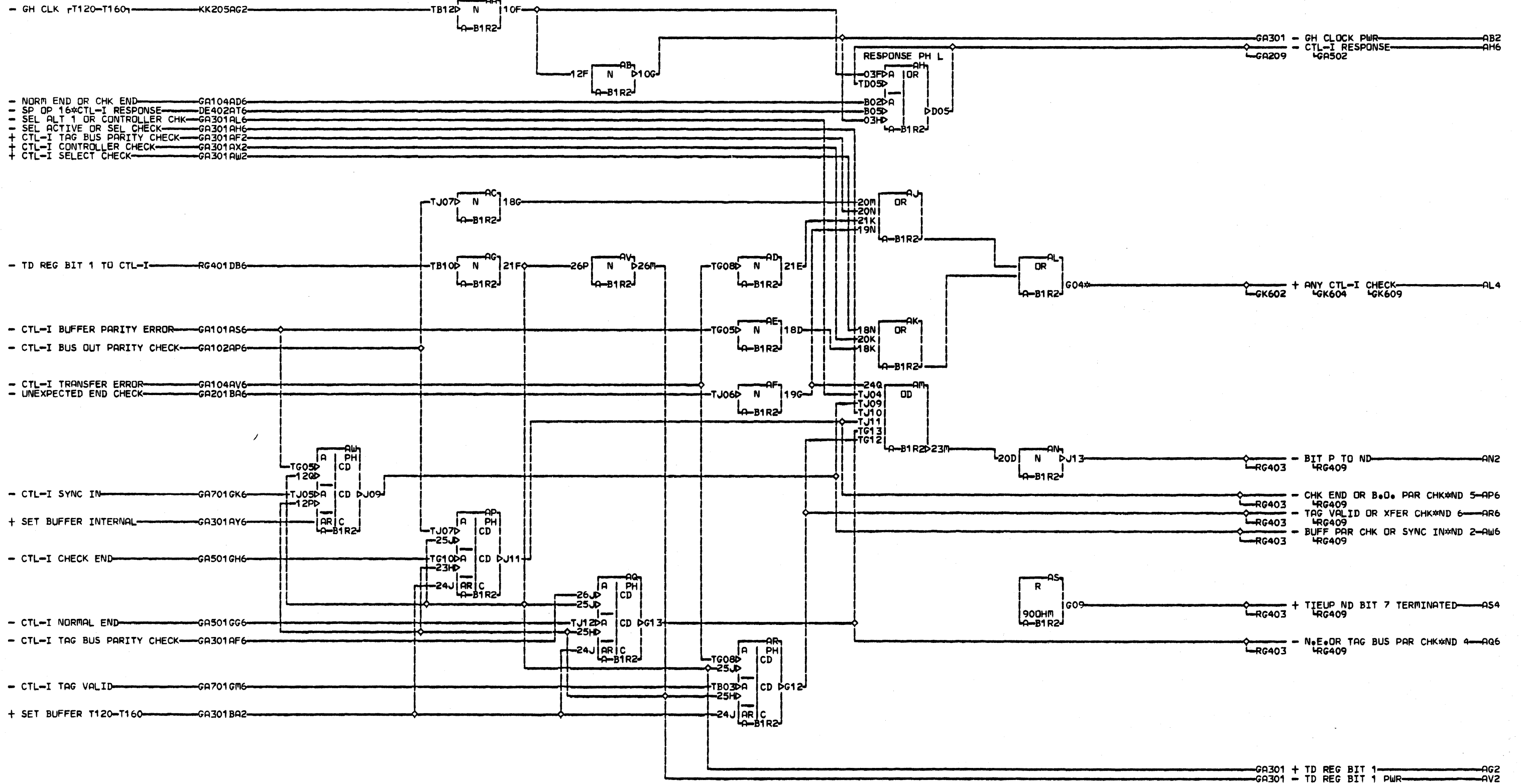
002

SIM TO PN

EC 437310

GA301

002



AL4 A-B1U1C13  
A 01A-A1H1B13

LOC. TYPE  
A-B1R2 2728

CI CONTROL CARD 3	
DCI CHECKS	
E.C. HISTORY - B MACH. 3830-2	
437357	FRAME 01
437308	IBM CORP. SDD
437310	P.N. 2346225
DATE	LAST EC
04-16-73	437311

G  
A  
3  
0  
2

002

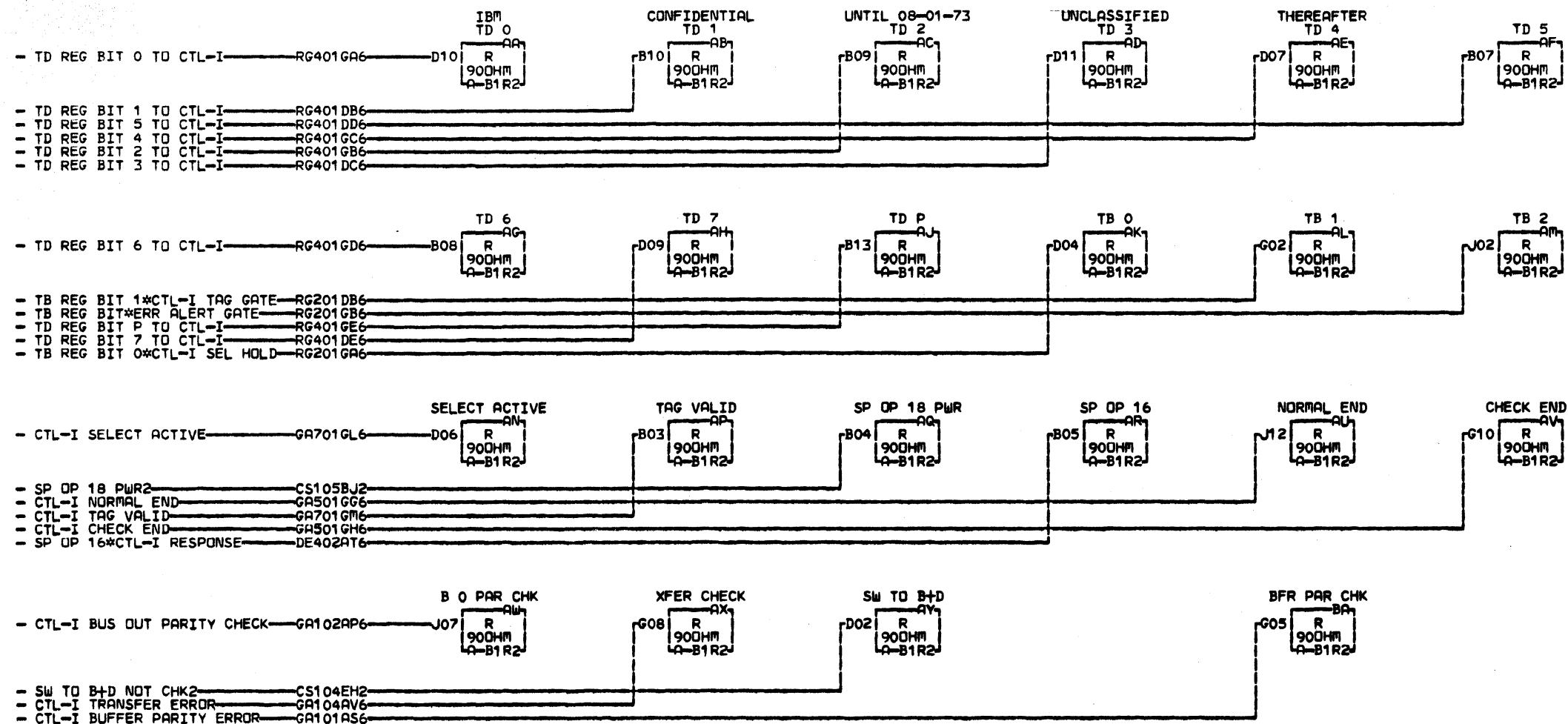
NOUJG

002

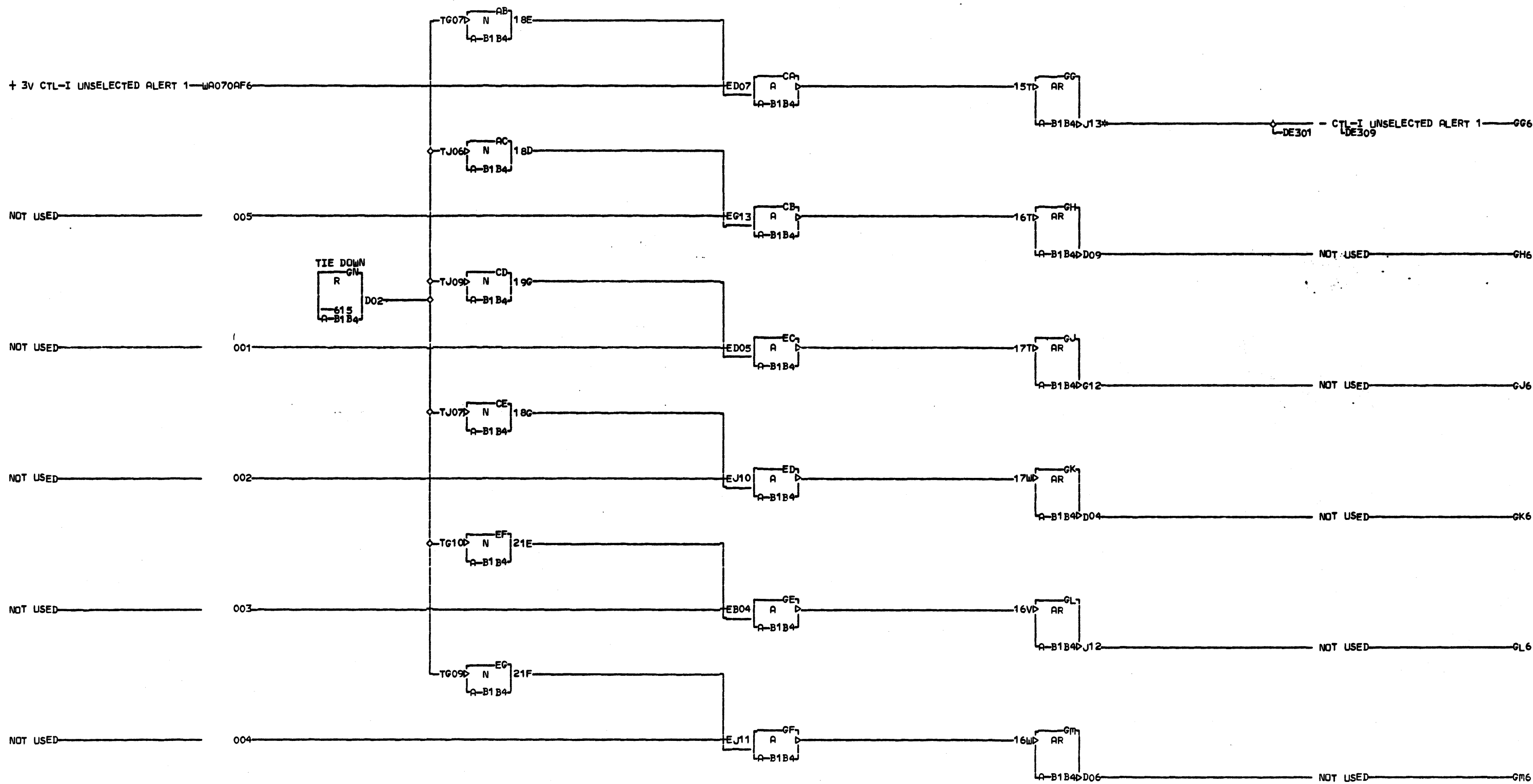
SIM TO PN

EC 437310





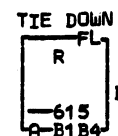
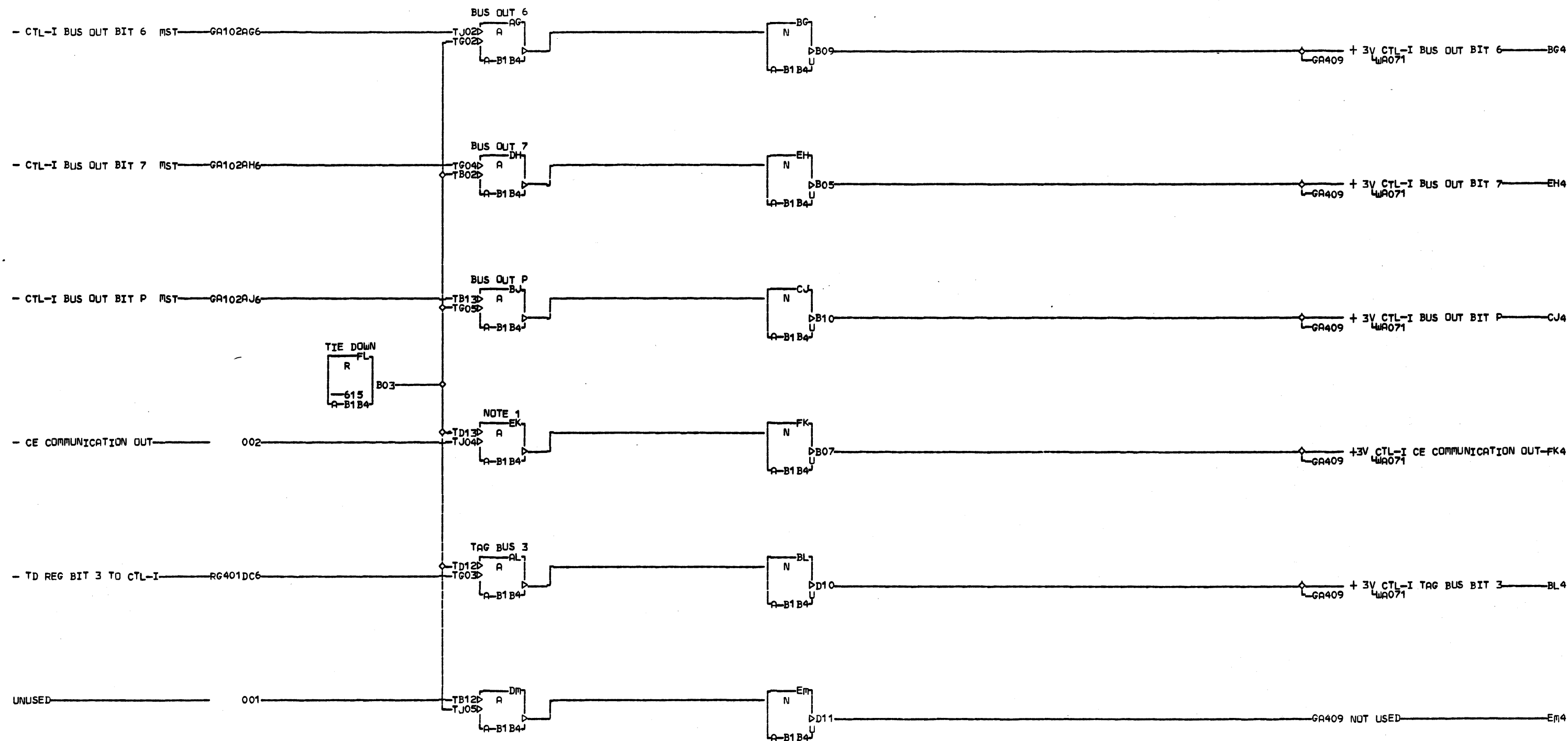
CI CONTROL CARD 3	
RESISTOR PAGE	
E.C. HISTORY	
437357	FRAME 01
437308	IBM CORP. SDD
437310	
DATE	LAST EC
04-16-73	437311
P.N.	2346226



GG6 A-B1B4 J13  
1 01A-B2L2D02

LOC. TYPE  
A-B1B4 31B4

CTL-I RECEIVERS			
E.C. HISTORY	B	MACH. 3830-2	
437301	437306		
437303	437307	FRAME	01
437304			
437305		IBM CORP. SDD	
DATE	LAST EC		
06-15-73	437310	P.N. 2345721	



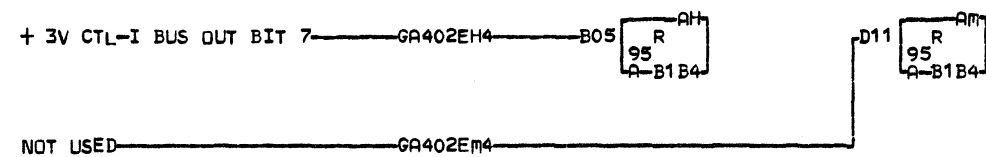
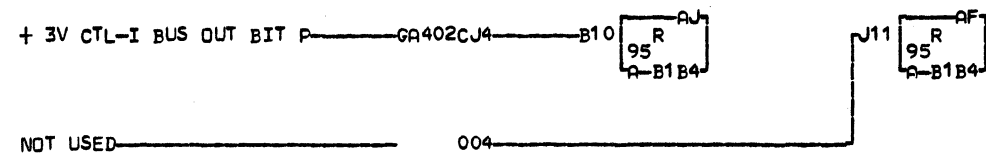
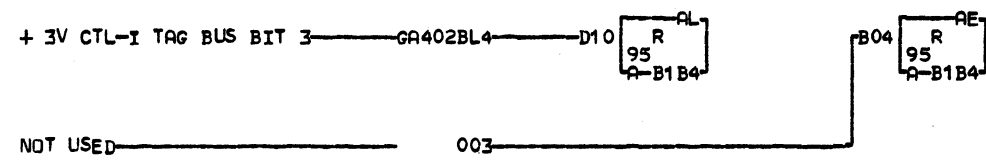
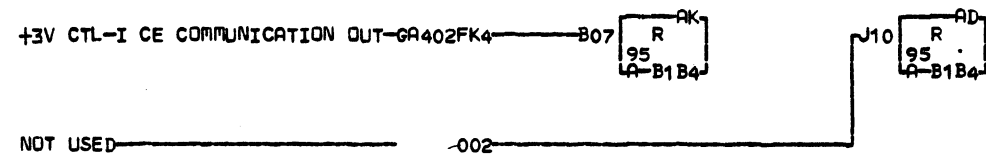
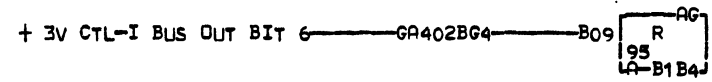
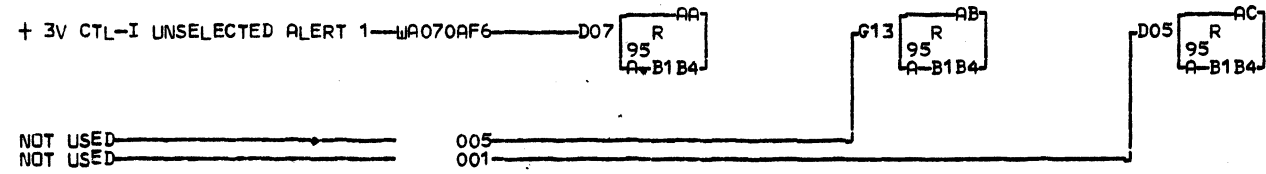
NOTE 1  
 TD13  
 TJ04

NOTE 1  
 J04 IS USED FOR  
 CE SCOPING

LOC. TYPE  
 A-B1B4 3184

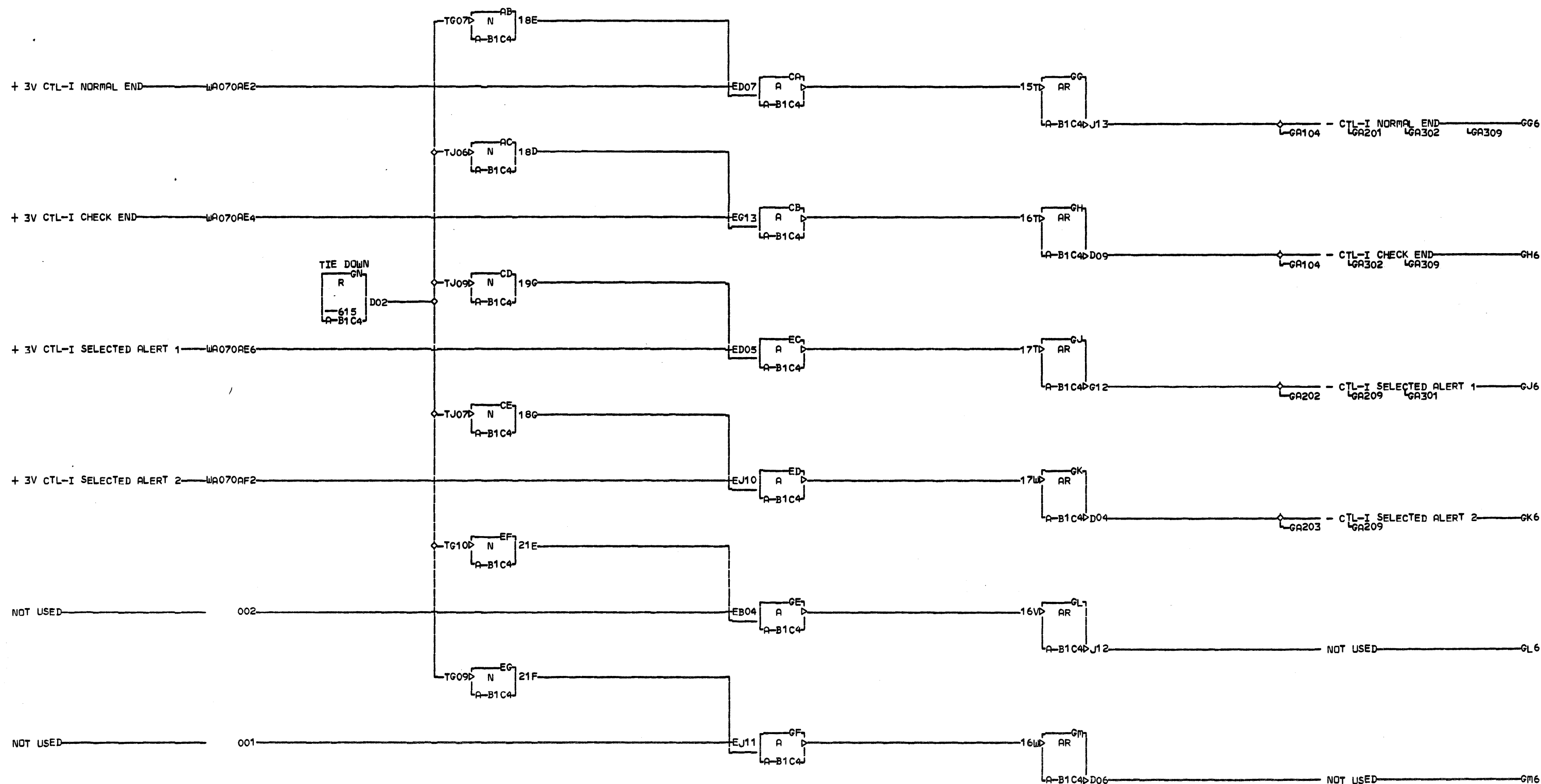
CTL-I LINE DRIVERS			
E.C.	HISTORY	B	MACH. 3830-2
437301	437306		
437303	437307	FRAME	01
437304	437308		
437305		IBM CORP. SDD	
DATE	LAST EC		
06-15-73	437310	P.N.	2345722

NO  
 000



LOC. TYPE  
A-B1B4 3184

NPL TERMINATORS	
—E.C.—HISTORY—	B MACH. 3830-2
437301	437307
437303	FRAME 01
437305	IBM CORP. SDD
437306	DATE LAST EC
06-15-73 437310	P.No. 2345723

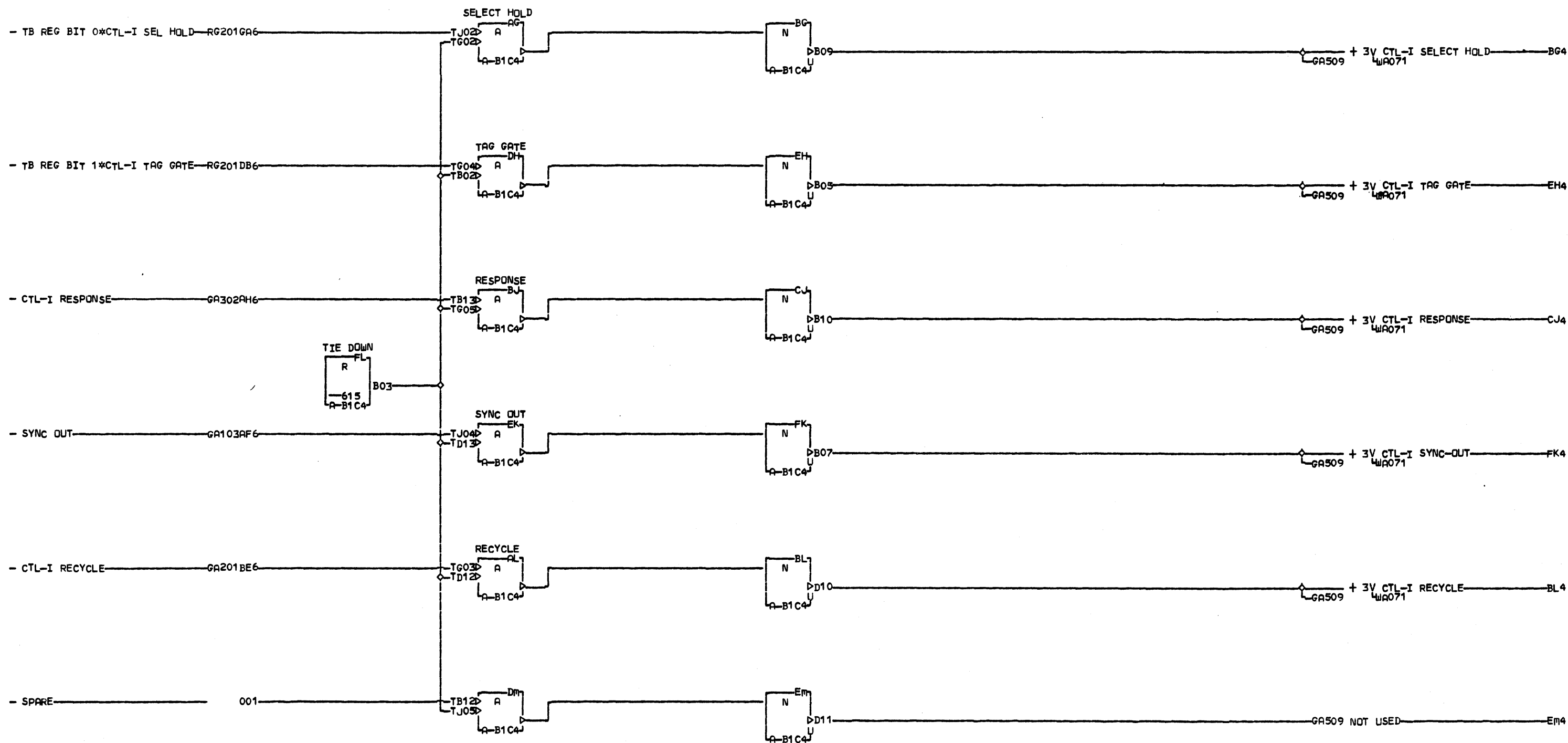


LOC. TYPE  
A-B1C4 3184

CTL-I RECEIVERS			
E.C. HISTORY		MACH. 3830-2	
437301	437306	FRAME	01
437302	437307	IBN CORP.	SDD
437304	437308		
437305			
DATE	LAST EC	P.N. 2345724	
06-15-73	437310		

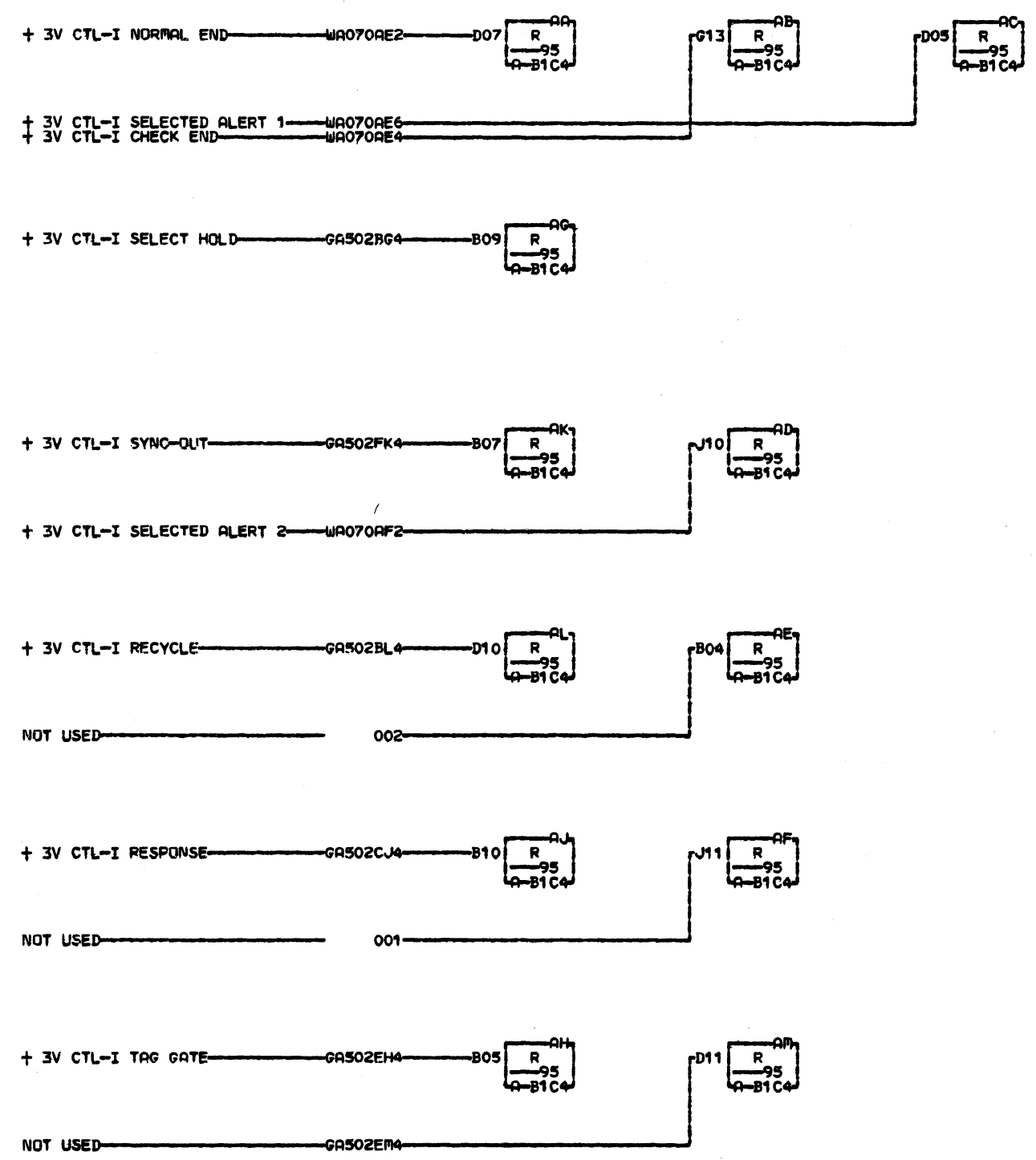
GA501  
000

GA501  
000



LOC. TYPE  
A-B1C4 3184

CTL-I LINE DRIVERS			
E.C. HISTORY		MACH. 3830-2	
437301	437307	FRAME	01
437303	437308	IBM CORP. SDD	
437305			
437306			
DATE	LAST EC	P.N.	2345725
06-15-73	437310		

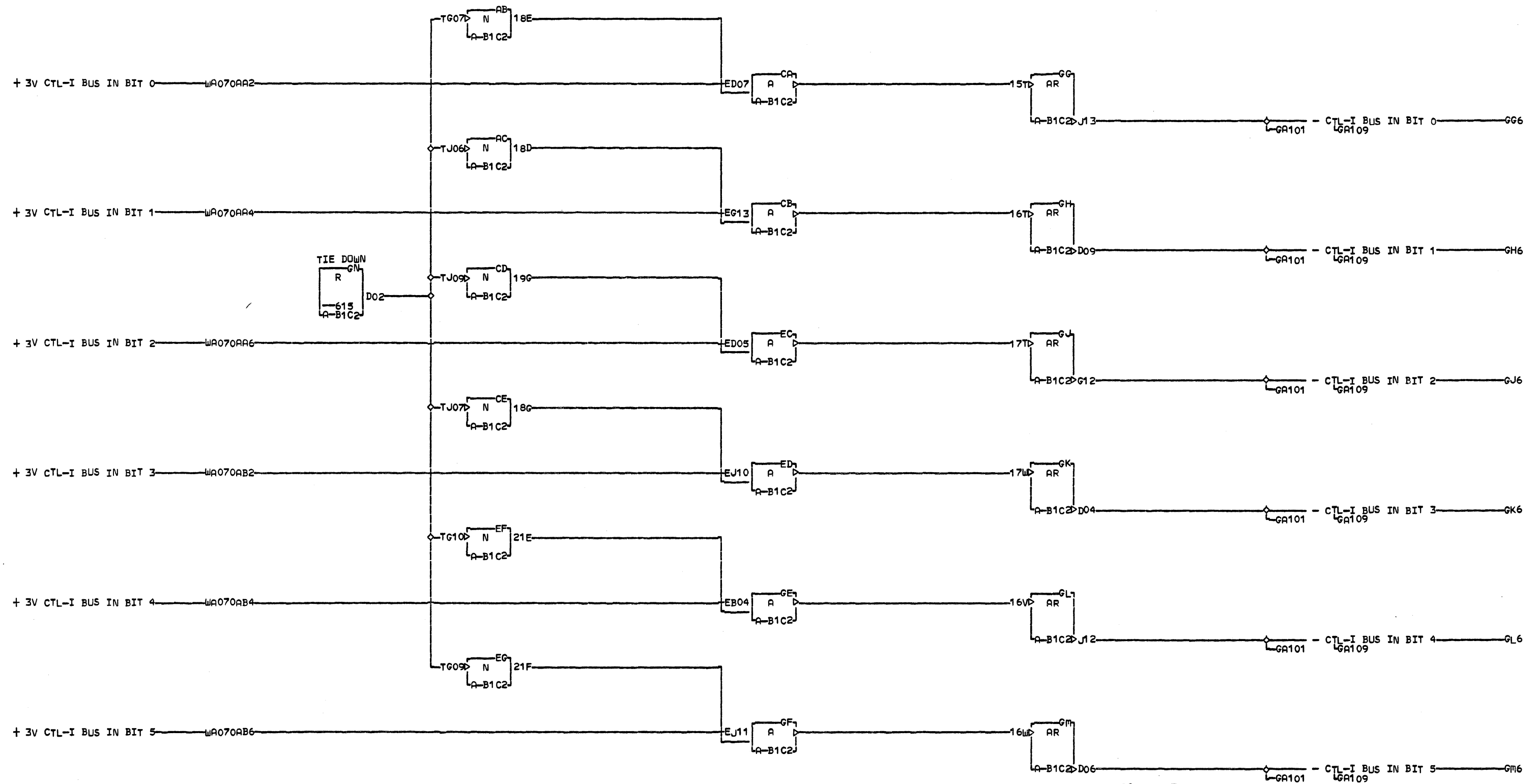


6  
5  
0  
9  
000

LOC. TYPE  
A-B1C4 3184

NPL TERMINATORS	
E.C. HISTORY	MACH. 3830-2
437301	
437305	FRAME 01
437306	
437307	IBM CORP. SDD
DATE	LAST EC
06-15-73	437310
	P.No. 2345726

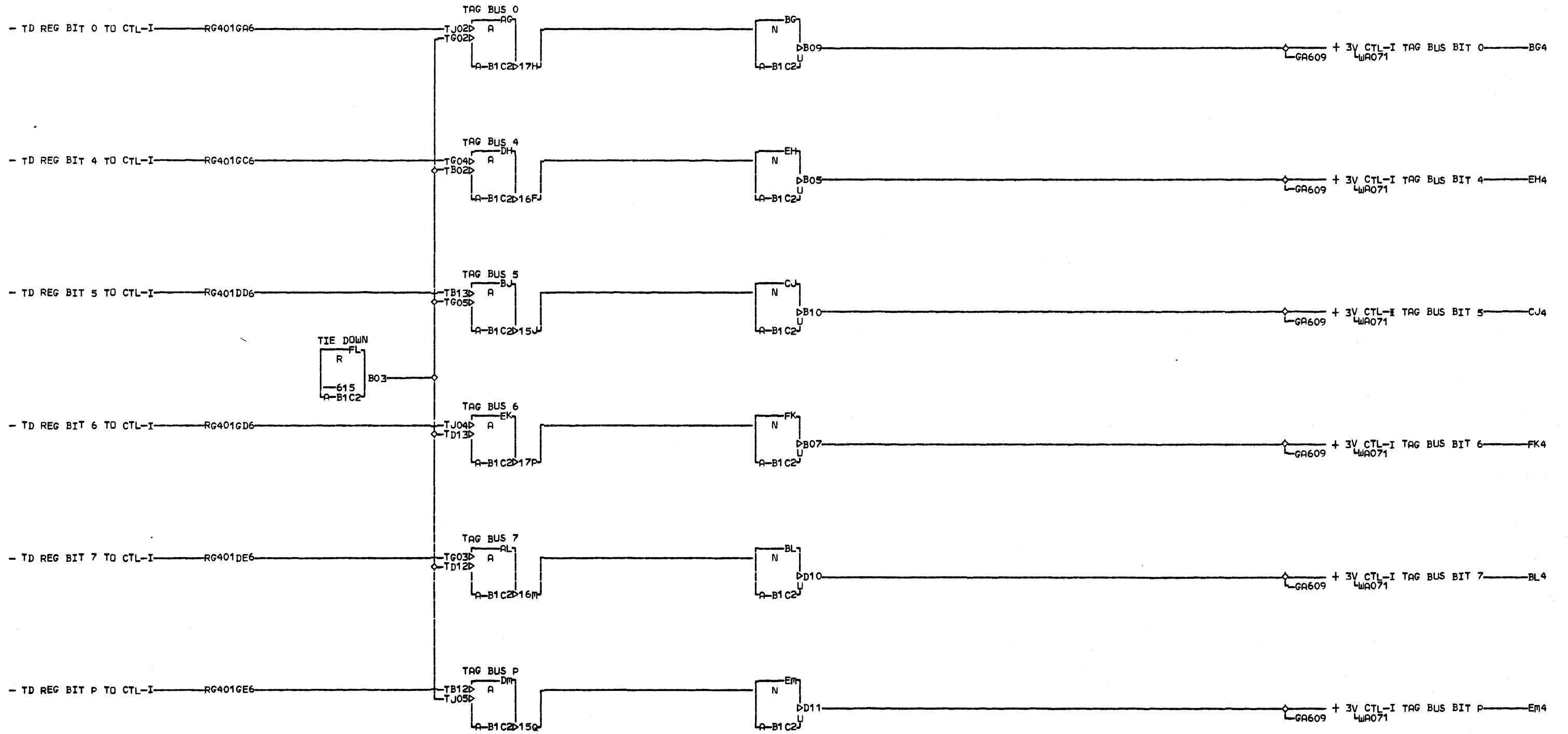
9  
0  
0  
000



LOC. TYPE  
A-B1C2 3184

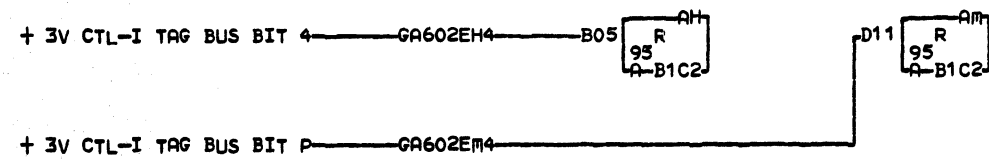
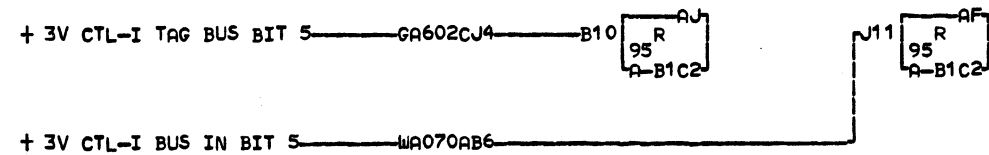
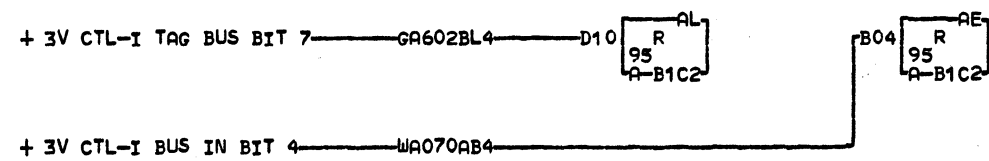
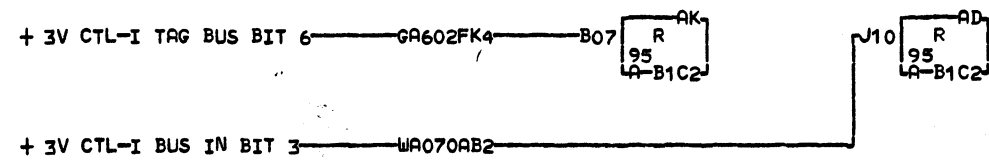
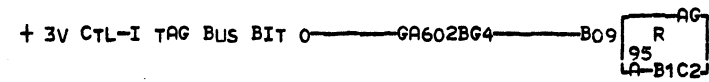
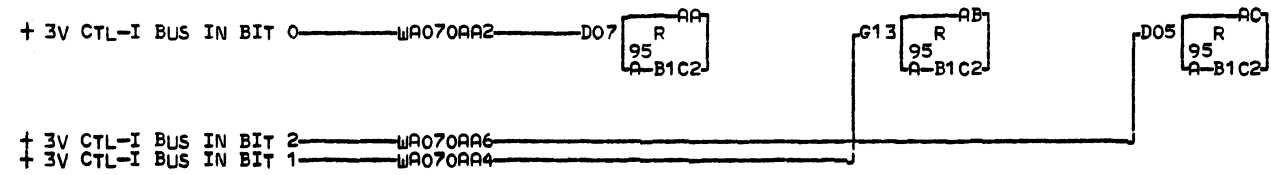
CTL-I BUS IN RECEIVERS	
E.C. HISTORY	B. MACH. 3830-2
437301	437308
437305	FRAME 01
437306	IBM CORP. SDD
437307	DATE LAST EC
06-15-73	437310
	P.N. 2345727





LDC. TYPE  
A-B1C2 3184

CTL-I TAG BUS LINE DRIVERS	
E.C. HISTORY	B MACH. 3830-2
437301	
437305	FRAME 01
437307	IBM CORP. SDD
DATE	LAST EC
06-15-73	437310
	IP.No. 2345728

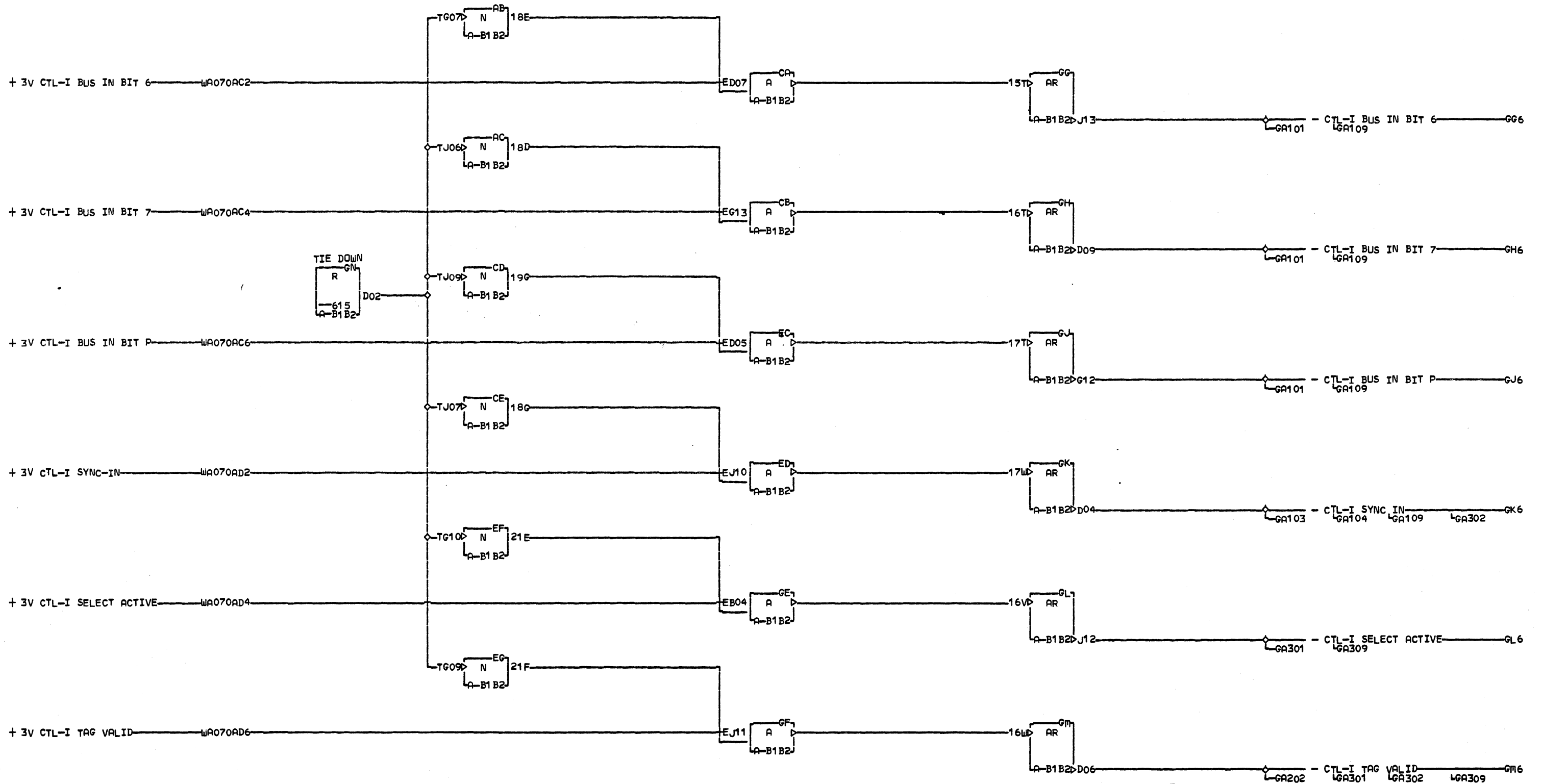


GA609  
000

LOC. TYPE  
A-B1C2 3184

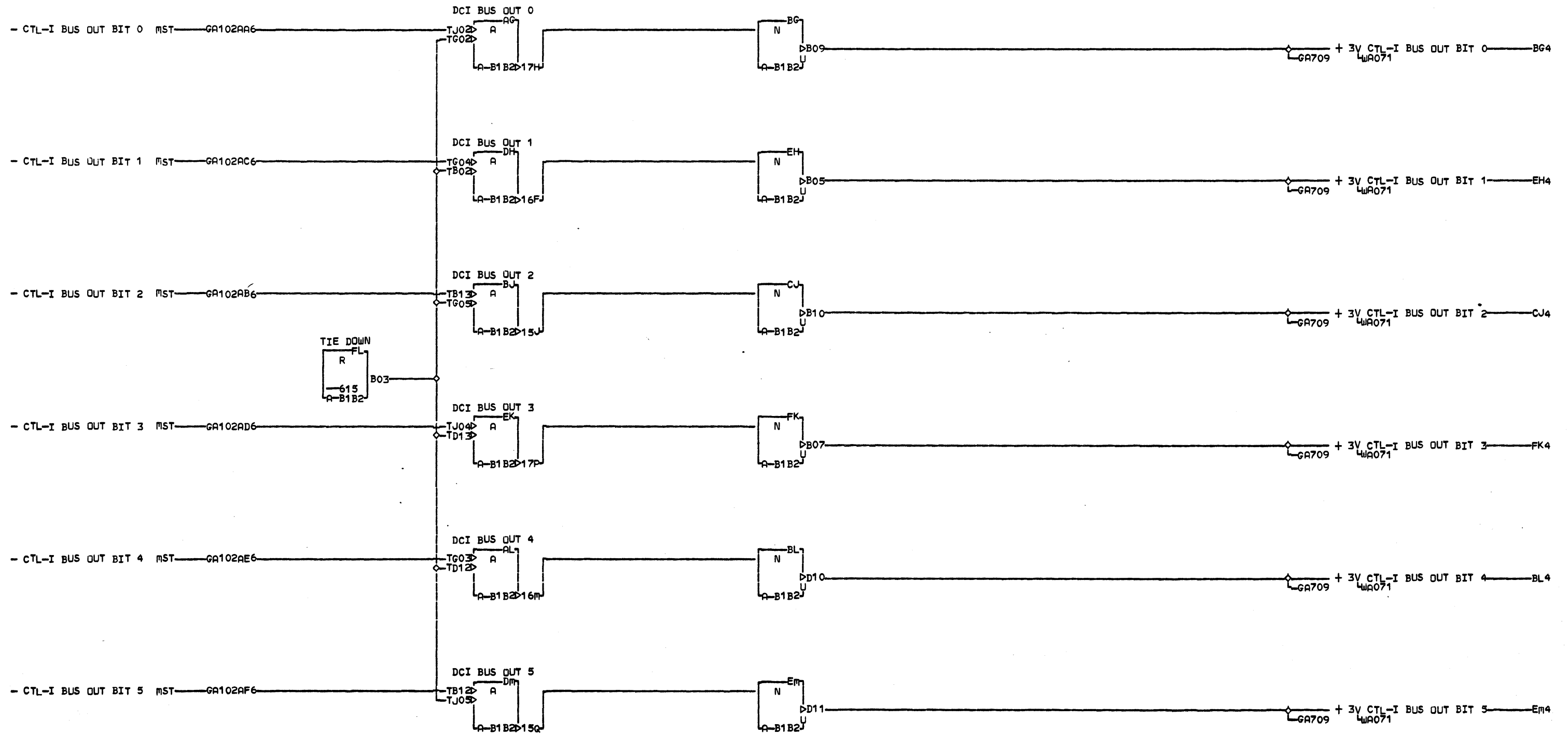
NPL TERMINATORS	
E.C. HISTORY	MACH. 3830-2
437301	
437305	FRAME 01
437307	
DATE	LAST EC
06-15-73	437310
	IBM CORP. SDD
	P.N. 2345729

GA609  
000



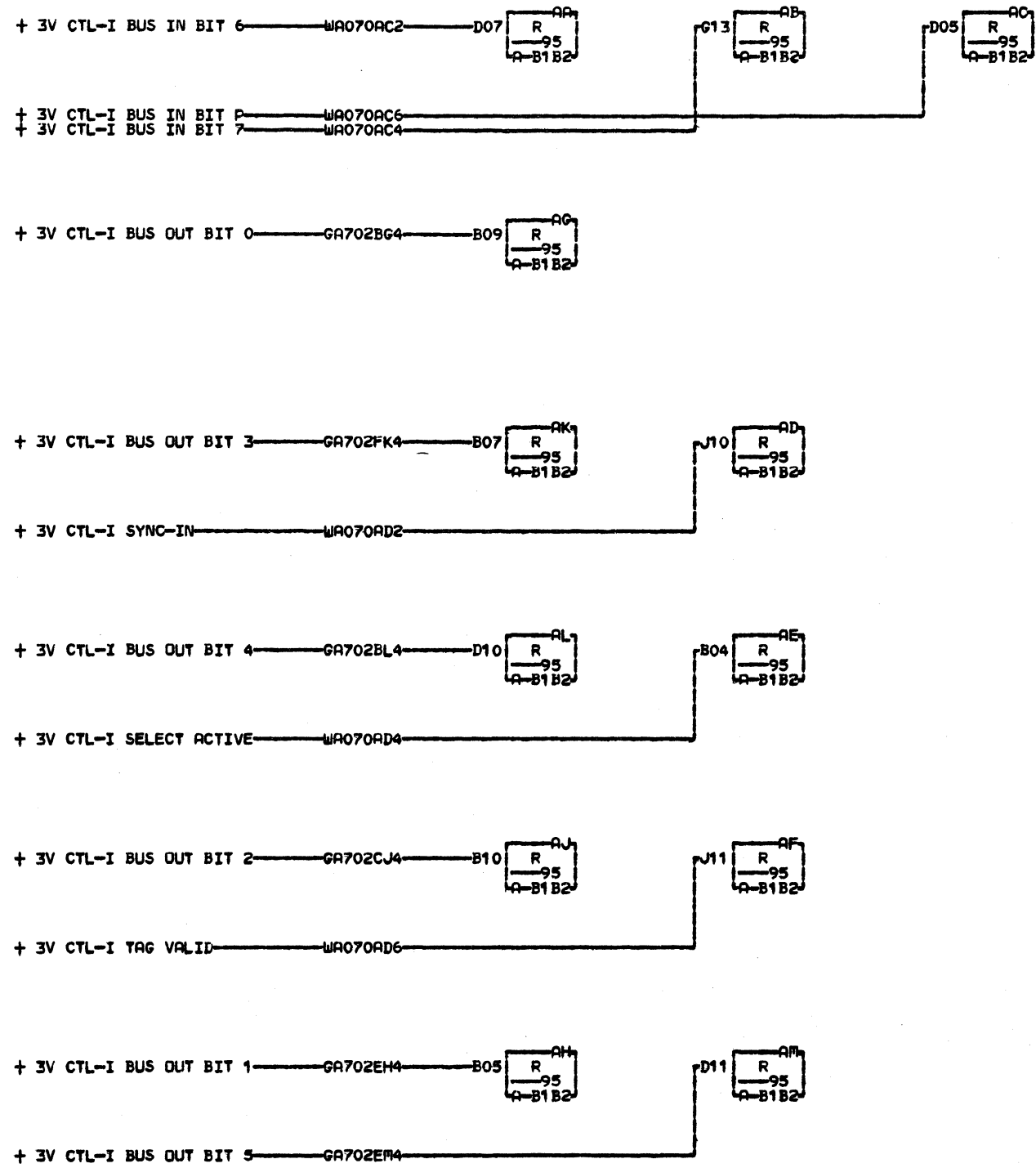
LOC. TYPE  
A-B1B2 3184

CTL-I RECEIVERS			
E.C. HISTORY		B MACH. 3830-2	
437301	437307	FRAME	01
437303	437308	IBM CORP. SDD	
437305			
437306			
DATE	LAST EC	P.N.	2345730
06-15-73	437310		



LDC. TYPE  
A-B1B2 3184

CTL-I BUS OUT LINE DRIVERS			
E.C. HISTORY	B	MACH. 3830-2	
437301	437308		
437305		FRAME	01
437306		IBM CORP. SDD	
437307			
DATE	LAST EC	P.N.	2345731
06-15-73	437310		



GA709  
000

LDC. TYPE  
A-B1B2 3184

NPL TERMINATORS	
E.C. HISTORY	B1 MACH. 3830-2
437301	
437305	FRAME 01
437307	IBM CORP. SDD
DATE LAST EC	P.O. No. 2345732
06-15-73 437310	

GA709  
000

IBM

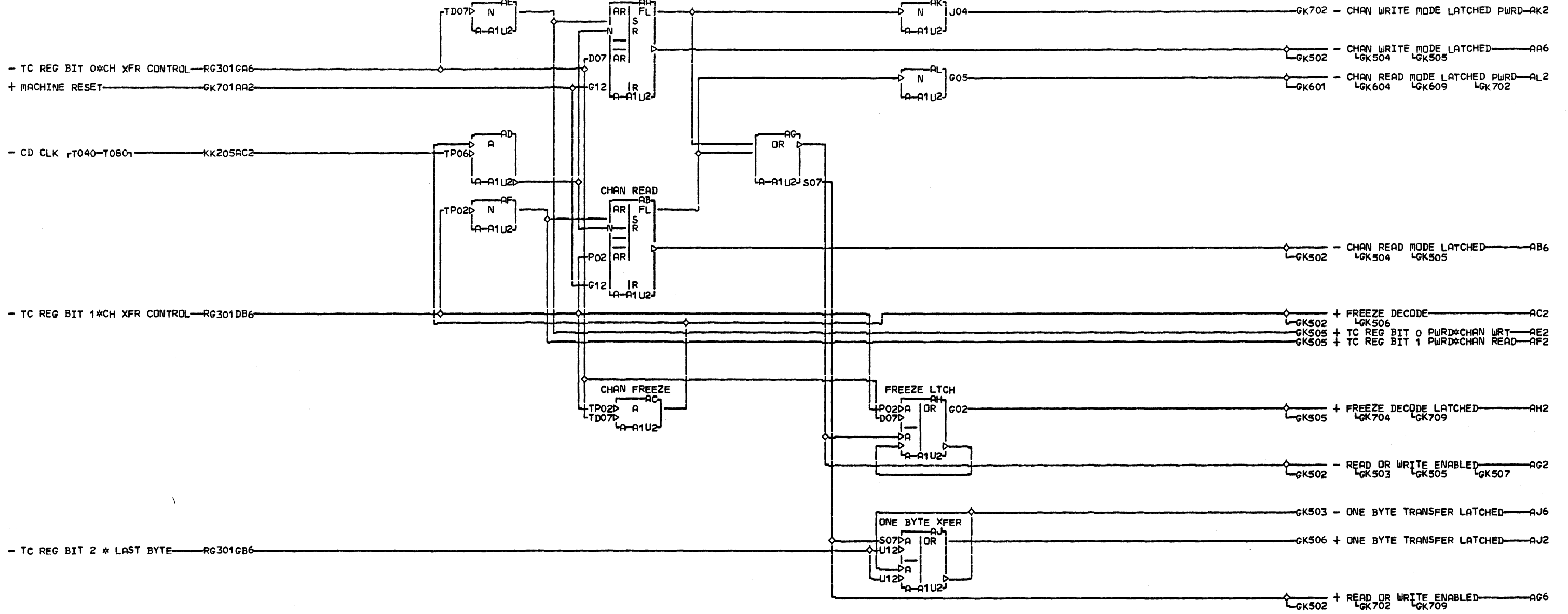
CONFIDENTIAL

UNTIL 03-30-76  
CHAN WRITE

UNCLASSIFIED

THEREAFTER

005 GK501



LOC. TYPE  
A-A1U2 BA82

CHANNEL TRANSFER CONTROL CARD READ AND WRITE DECODES		G K 5 0 1
E.C. HISTORY 437380	B. MACH. 3830-2	
DATE 11-28-75	LAST EC 437381	FRAME 01
		IBM CORP. SDD
		P.N. 2290351
		005

IBM

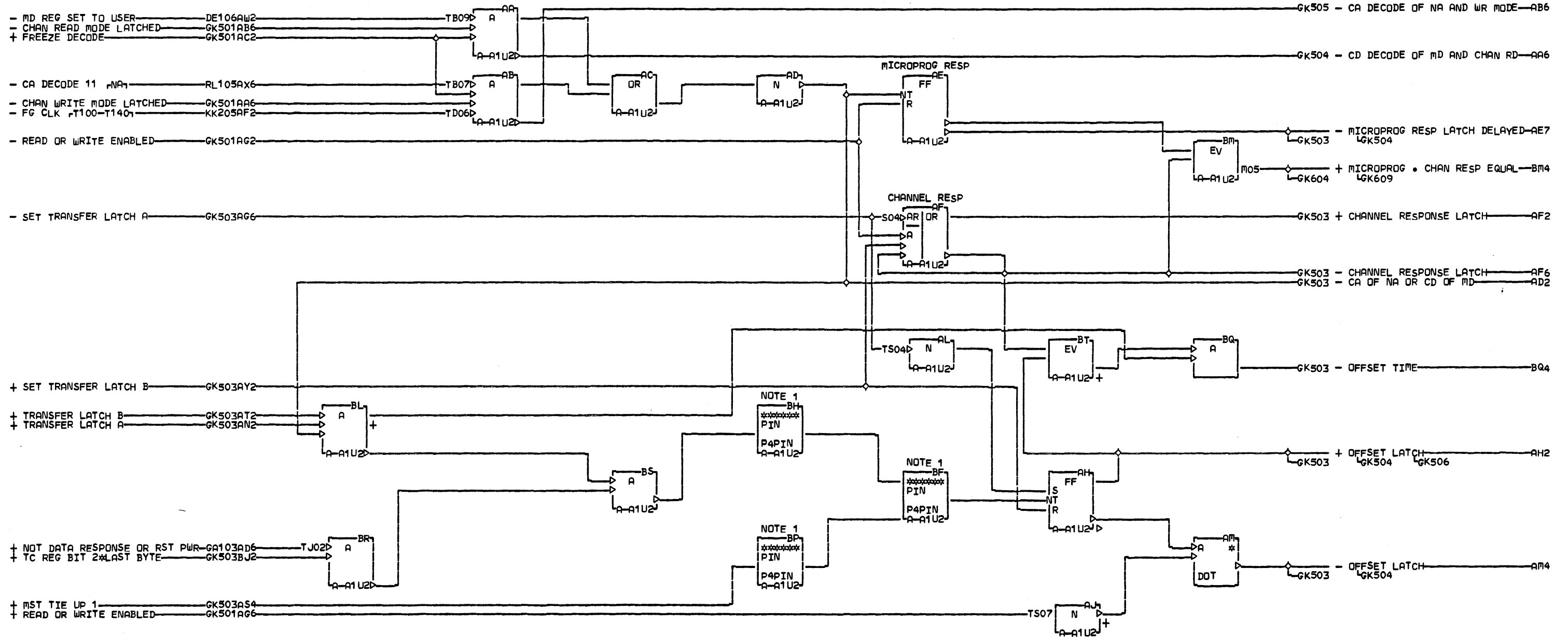
CONFIDENTIAL

UNTIL 03-30-76

UNCLASSIFIED

THEREAFTER

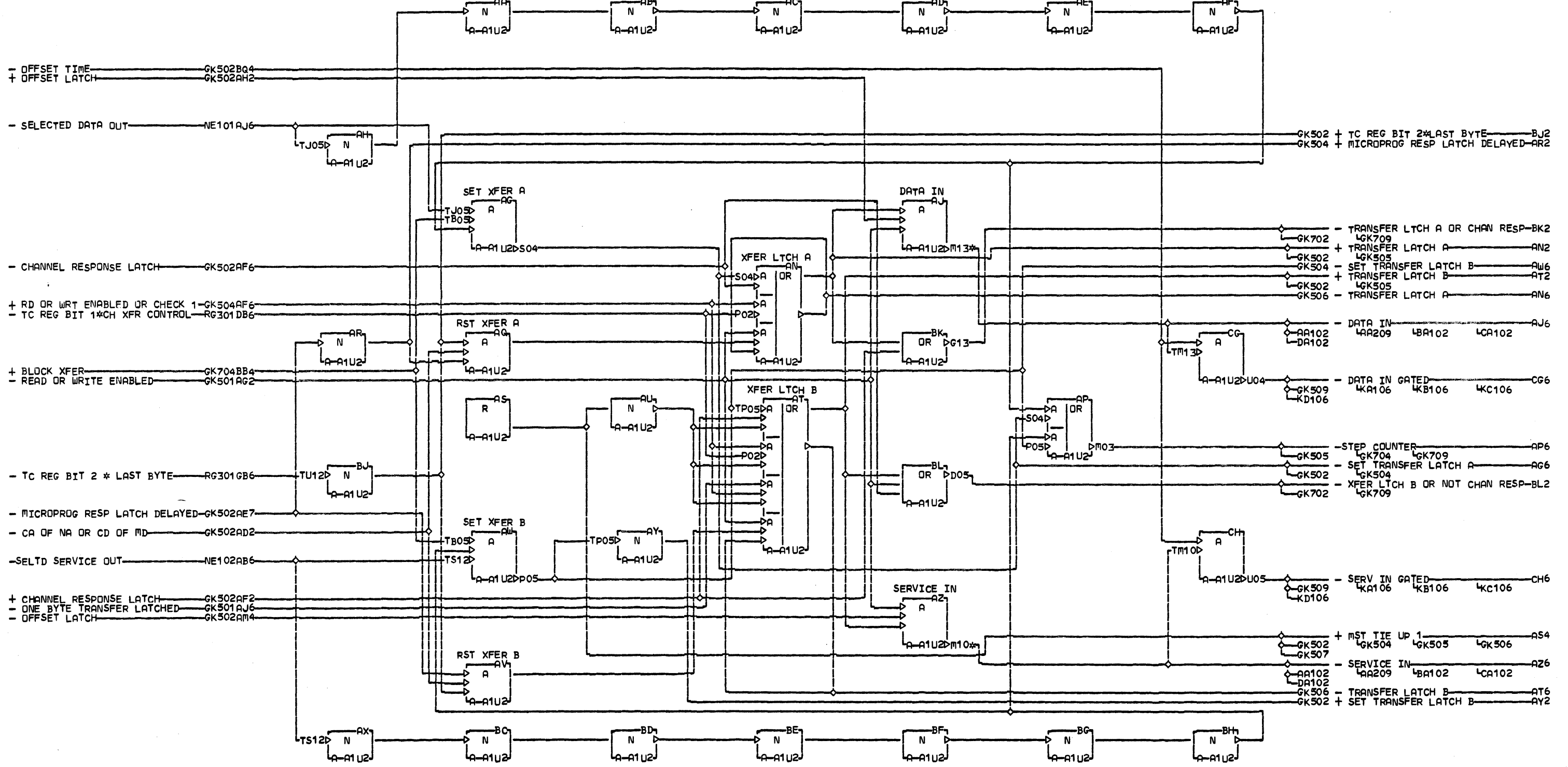
005 GK502



NOTE 1  
 JUMPER PIN 1 TO 3  
 TO ENABLE OFFSET.  
 K JUMPER PIN 2 TO 3  
 TO DISABLE OFFSET  
 0 PIN 1 P17.  
 2 PIN 2 Q18.  
 PIN 3 P18.  
 005COPYRIGHT IBM CORP 1976  
 SIM TO PN 2345734 EC 437310

LOC. TYPE  
 A-A1U2 BA82

CHANNEL TRANSFER CONTROL CARD		G K 5 0 2
CHAN AND PROG RESPONSE LTCHS		
E.C. HISTORY	B MACH. 3830-2	005
437380		
DATE	LAST EC	P.N. 2290352
11-28-75	437381	



AJ6 A-A1T6C02  
 A 01B-A1C1A09  
 A26 A-A1T6B02  
 A 01B-A1B1E09

LOC. TYPE  
 A-A1U2 B8B2

CHANNEL TRANSFER CONTROL CARD	
TRANSFER LATCHES AND CONTROLS	
E.C. HISTORY	MACH. 3830-2
437380	
DATE	LAST EC
11-28-73	437381
FRAME	01
IBM CORP. SDD	
P. N.	2290353

G  
K  
5  
0  
3

G  
K  
5  
0  
3



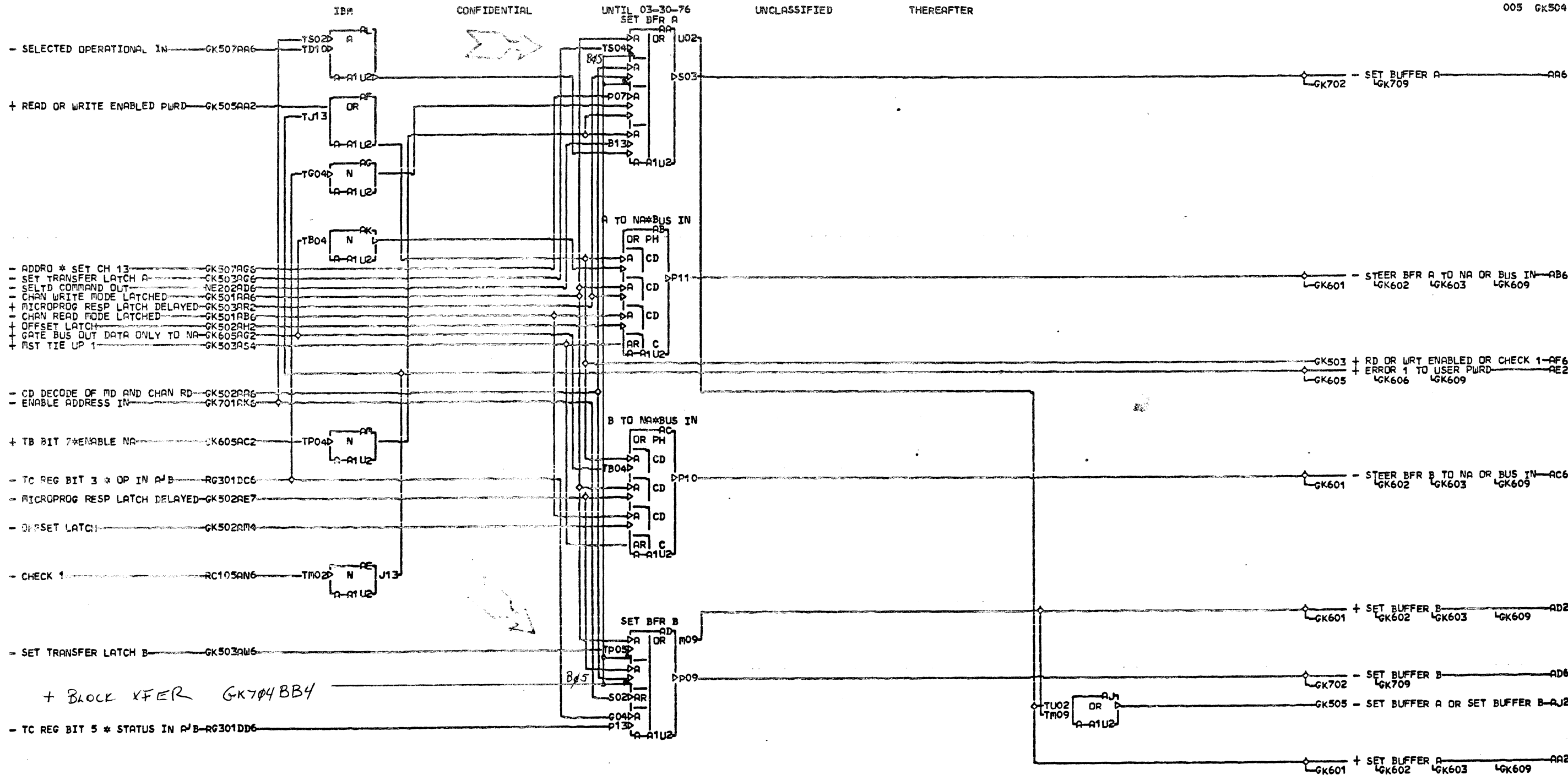
CONFIDENTIAL

UNTIL 03-30-76  
SET BFR A

UNCLASSIFIED

THEREAFTER

005 GK504



PRINT MADE FOR  
 REA # 30521  
 E/C # 437382  
 DATE 7 JAN 1976

LOC. TYPE  
 A-A1U2 B&B2

CHANNEL TRANSFER CONTROL CARD  
 BUFFER CONTROL DECODES  
 E.C. HISTORY B MACH. 3830-2  
 437380 FRAME 01  
 IBM CORP. SDD  
 DATE LAST EC 11-28-75 437381 P.No. 2290354

GK504

GK504

13-30521 7

IBM

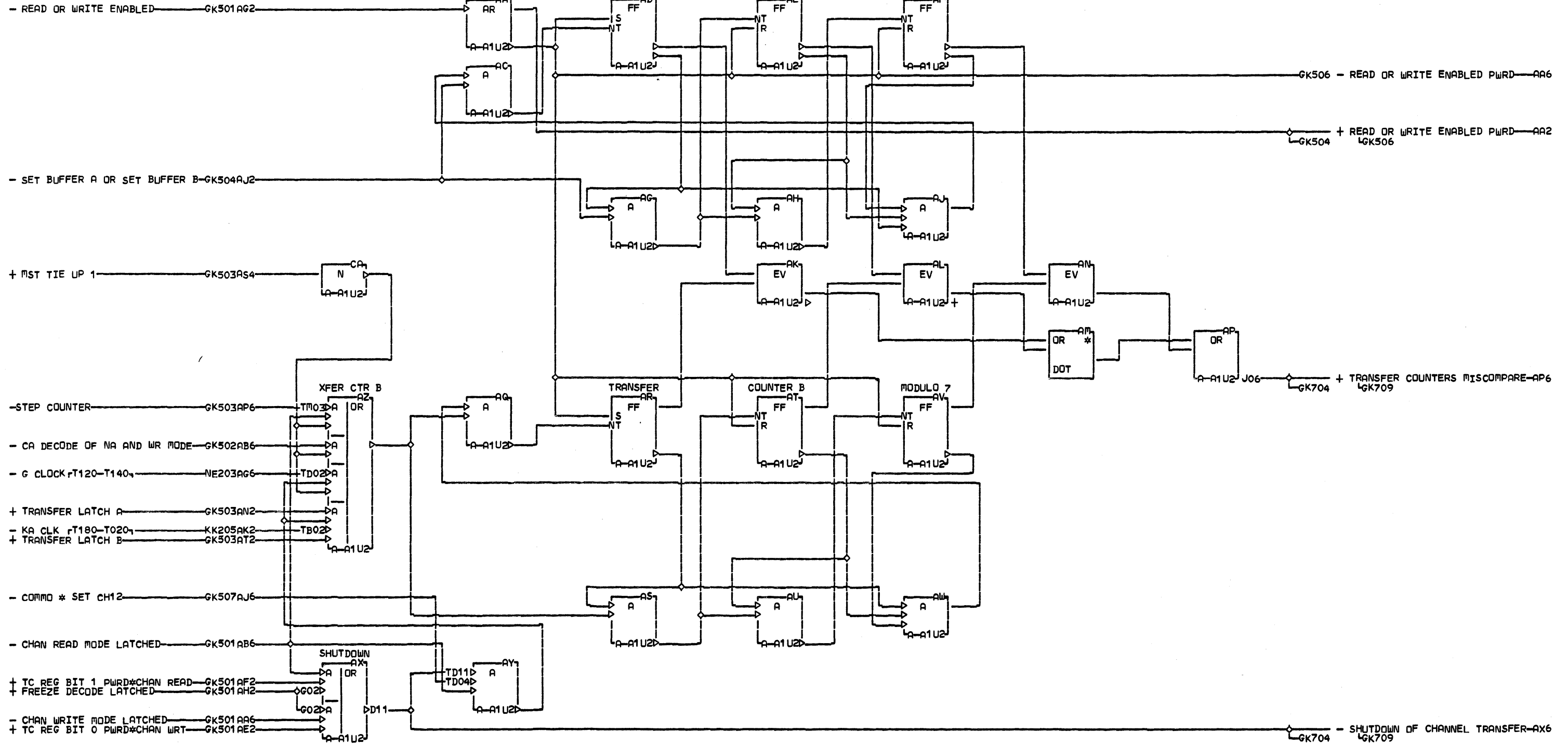
CONFIDENTIAL

UNTIL 03-30-76  
TRANSFER

UNCLASSIFIED  
COUNTER A

THEREAFTER  
MODULO 7

005 GK505

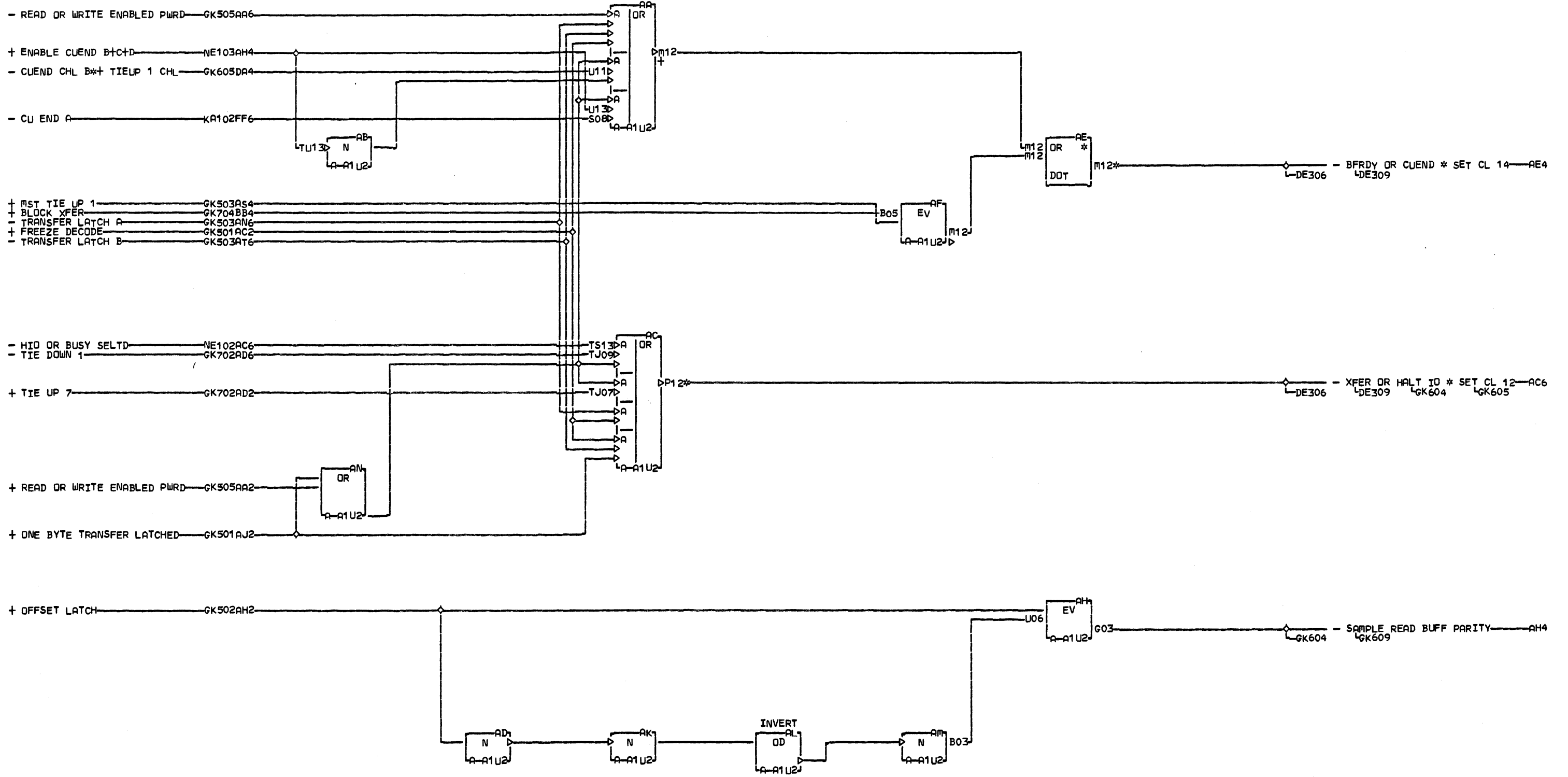


LOC. TYPE  
A-A1U2 BA82

CHANNEL TRANSFER CONTROL CARD	
TRANSFER CHECKING COUNTERS	
E.C. HISTORY	B MACH. 3830-2
437380	
DATE	LAST EC
11-28-75	437381
FRAME	01
IBN CORP. SDD	
P.O. No.	2290355

G  
K  
5  
0  
5

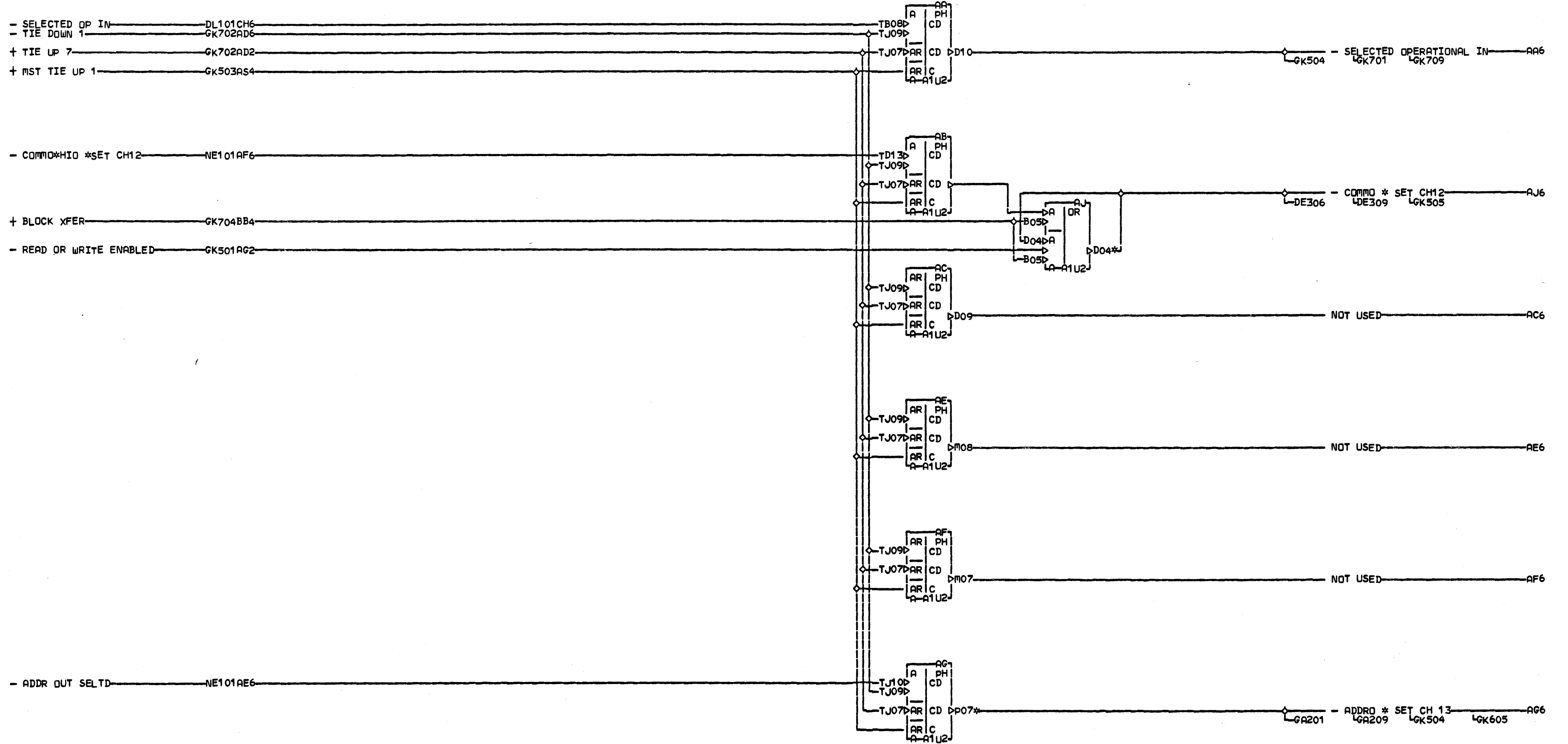
G  
K  
5  
0  
5



AC6 A-A1V3B07  
 1 01A-B2A2D07  
 AE4 A-A1V3B09  
 1 01A-B2A2D09

LOC. TYPE  
 A-A1U2 BA82

CHANNL TRANSFER CONTROL CARD	
XFER#HLTID AND BFRDY#CUEND BR	
-E.C.-HISTORY-437380	B MACH. 3830-2
DATE 11-28-75	LAST EC 437381
FRAME 01	IBM CORP. SDD
P.N. 2290356	



G  
K  
5  
0  
7

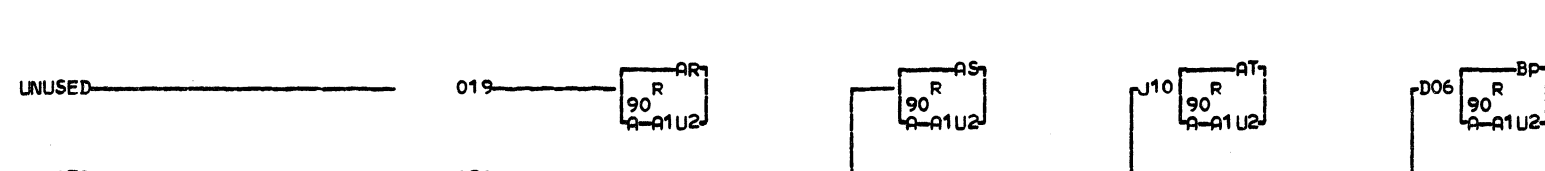
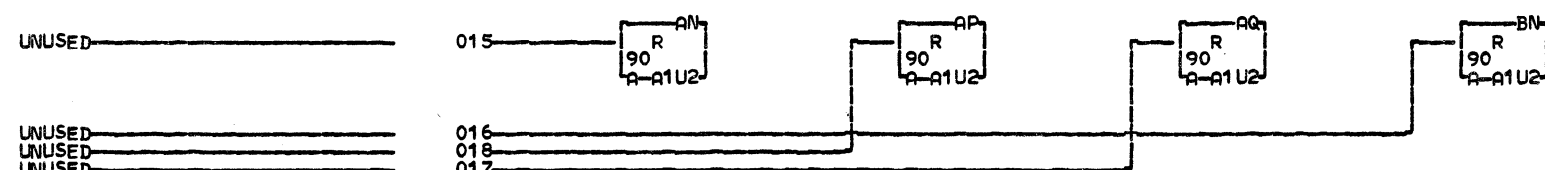
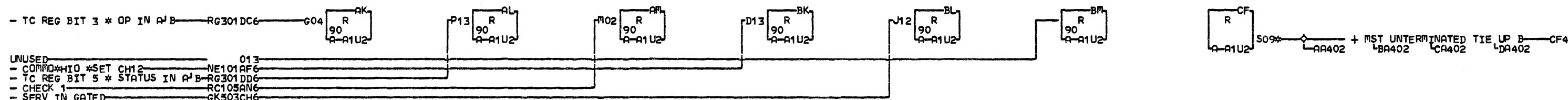
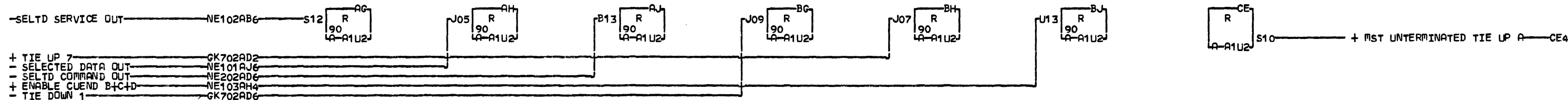
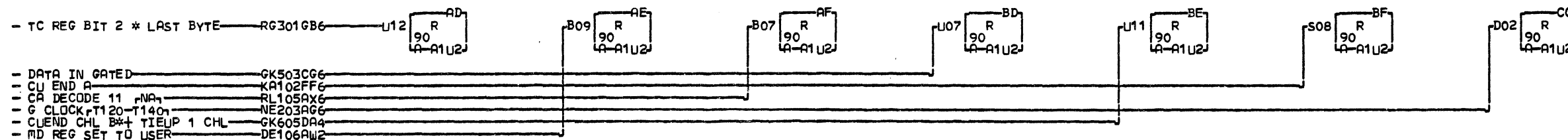
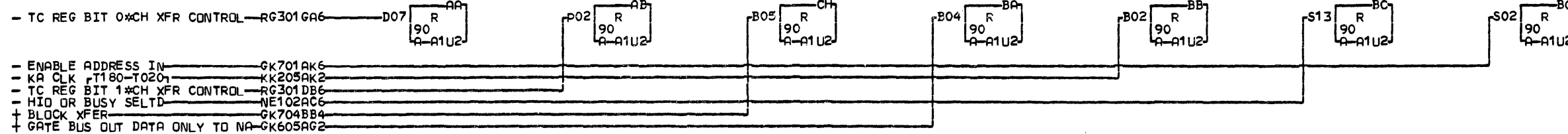
AG6 A-B1S1A11  
 A 01A-A1V4D13  
 AJ6 A-A1V3B02  
 1 01A-B2A2D02

LOC. TYPE  
 A-A1U2 BA82

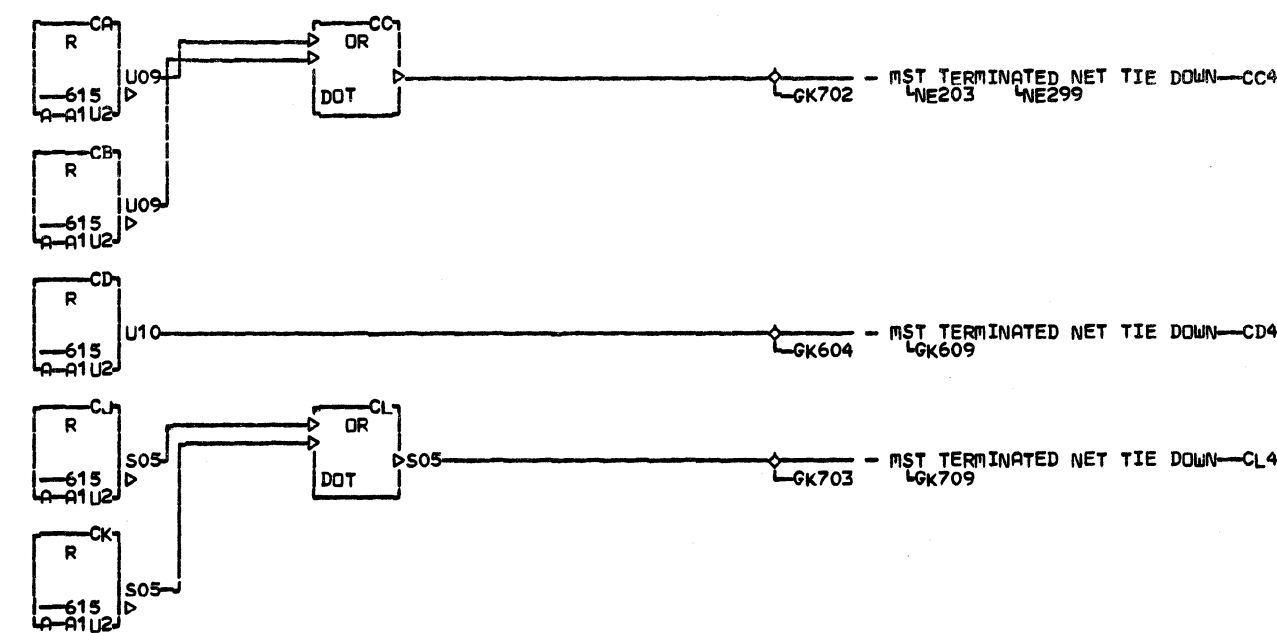
CHANNEL TRANSFER CONTROL CARD	
SWITCH TAGS FROM CHANNEL	
E.C. HISTORY 437380	MACH. 3830-2
FRAME 01	IBM CORP. SDD
DATE 11-28-75	LAST EC 437381
P.N. 2290357	

G  
K  
5  
0  
7  
005

IBM CONFIDENTIAL UNTIL 03-30-76 UNCLASSIFIED THEREAFTER



CF4 A-A1M6B02  
A 01B-A1D1E09

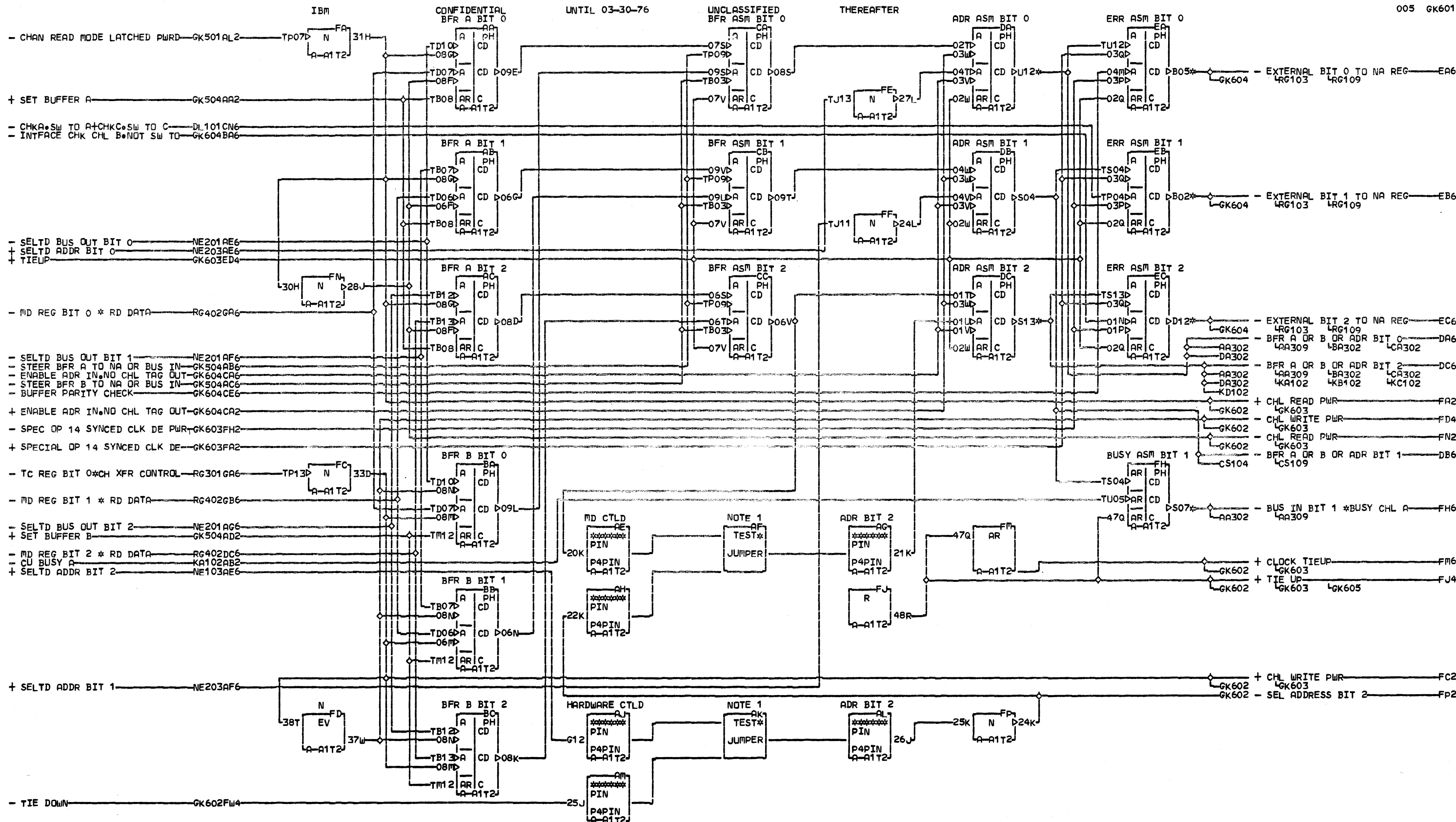


LOC. TYPE  
A-A1U2 BAB2

CHANNEL TRANSFER CONTROL CARD	
RESISTOR PAGE	
E.C.—HISTORY—437380	B—MACH.—3830-2
DATE—11-28-75	LAST EC—437381
FRAME—01	IBM CORP. SDD
P.O.N.—2290358	

G  
K  
5  
0  
9

G  
K  
5  
0  
9  
005



NOTE 1  
 FOR MD CONTROL OF ADDRESSING  
 BIT 2 JUMPER K<sub>20</sub> TO P<sub>K21</sub>,  
 K AND N<sub>25</sub> TO Q<sub>26</sub>,  
 6 FOR HARDWARE CONTROL OF  
 ADDRESSING BIT 2 JUMPER  
 1 L<sub>K22</sub> TO P<sub>K21</sub> AND  
 M<sub>27</sub> TO Q<sub>26</sub>  
 005 COPYRIGHT IBM CORP 1976  
 SIM TO PN 2345741 EC 437310

DA6 A-A1V6B04	A 01A-B1A2B04
1 01B-A1E1B11	FH6 A-A1L6E02
DC6 A-A1V6A04	A 01B-A1D1C09
1 01B-A1E1A11	
EA6 A-A1V3D02	
A 01A-B1A2B02	
EB6 A-A1V3D03	
A 01A-B1A2B03	
EC6 A-A1V3D04	

LOC. TYPE  
A-A1T2 2001

CHANNEL TRANSFER BUFFER		G
E.C.-HISTORY	B MACH. 3830-2	K
437380	FRAME	0
	IBM CORP. SDD	1
DATE	LAST EC	005
11-28-75	437381	
	P.N. 2290359	

IBM

CONFIDENTIAL  
BFR A BIT 3

UNTIL 03-30-76

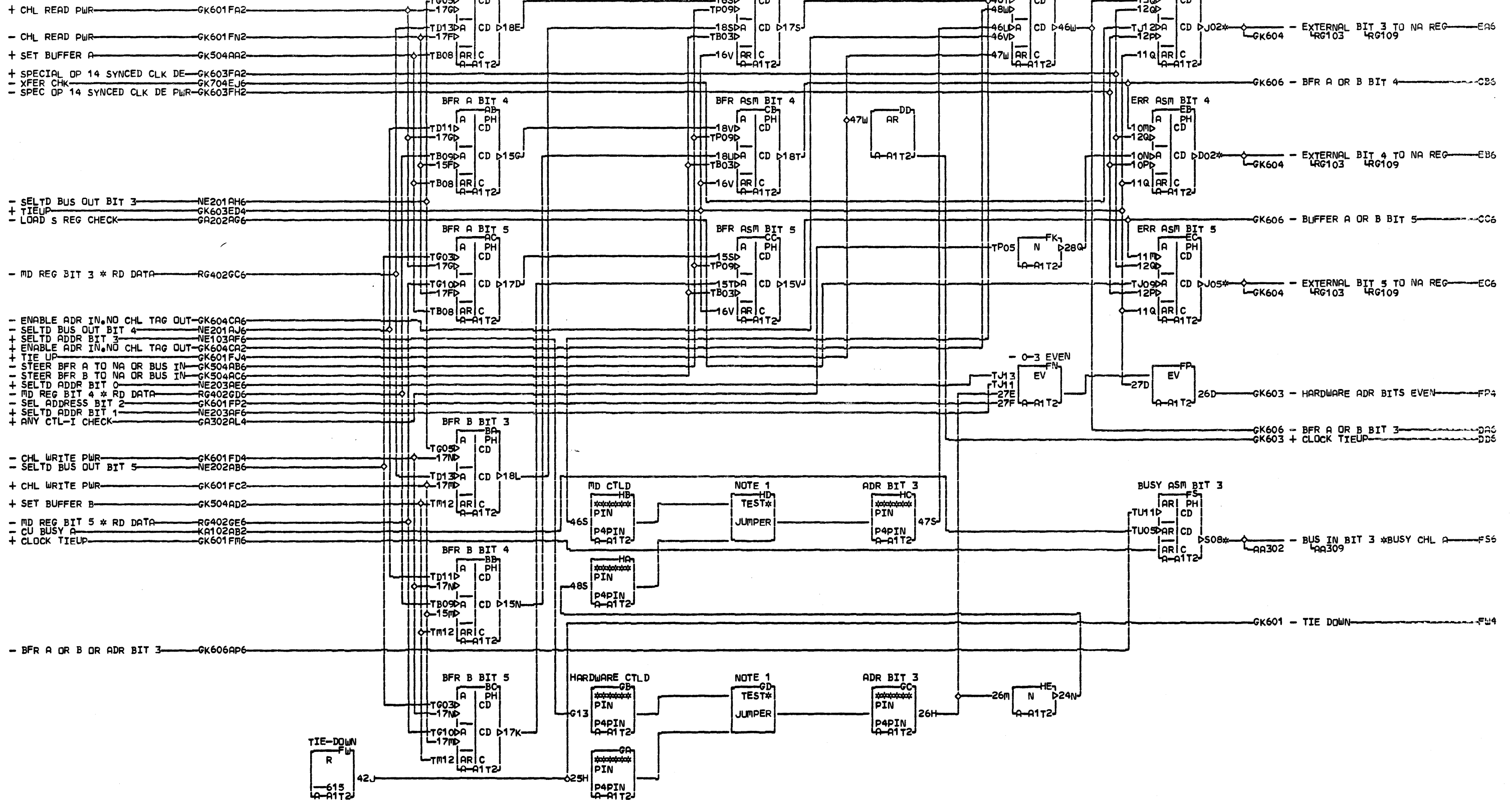
UNCLASSIFIED  
BFR ASM BIT 3

THEREAFTER

ADR ASM BIT 3

ERR ASM BIT 3

005 GK602



NOTE 1  
 FOR MD CONTROL OF ADDRESSING EA6 A-A1V3D05  
 G BIT 30 JUMPER D-H257 TO F-H267 A 01A-B1A2B05  
 K AND A-5467 TO E-5477 FOR EB6 A-A1V3D06  
 6 HARDWARE CONTROL OF ADDRESSING A 01A-B1A2B06  
 0 BIT 30 JUMPER C-H277 TO F-H267 EC6 A-A1V3D07  
 2 AND B-5487 TO E-5477 A 01A-B1A2B07  
 FS6 A-A1L6D02  
 A 01B-A1D1B09

005COPYRIGHT IBM CORP 1976  
 SIM TO PN 2345742 EC 437310

LOC. TYPE  
A-A1T2 2001

CHANNEL TRANSFER BUFFER	
E.C.-HISTORY 437380	B-MACH.3830-2 FRAME 01
DATE LAST EC 11-28-75 437381	IBM CORP. SDD P.N. 2290360

G  
K  
6  
0  
2  
005

IBM

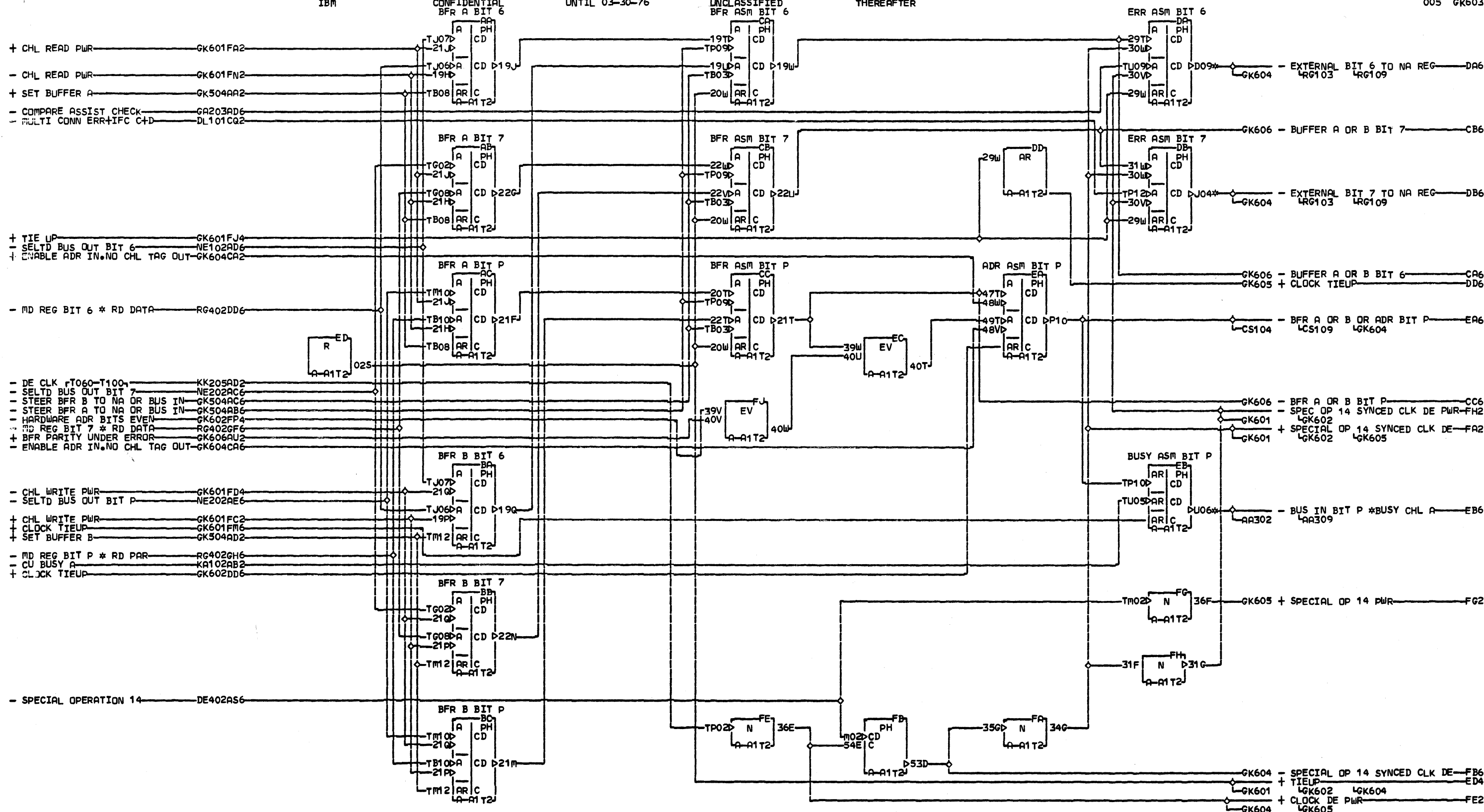
CONFIDENTIAL  
BFR A BIT 6

UNTIL 03-30-76

UNCLASSIFIED  
BFR ASM BIT 6

THEREAFTER

005 GK603



DA6 A-A1V3D08  
 A 01A-B1A2B08  
 DB6 A-A1V3D09  
 A 01A-B1A2B09  
 EB6 A-A1M6A02  
 A 01B-A1D1D09

LOC. TYPE  
 A-A1T2 Z001

CHANNEL TRANSFER BUFFER	
E.C. HISTORY	MACH. 3830-2
437380	
FRAME	01
IBM CORP. SDD	
DATE LAST EC	P.No. 2290361
11-28-75 437381	



IBM

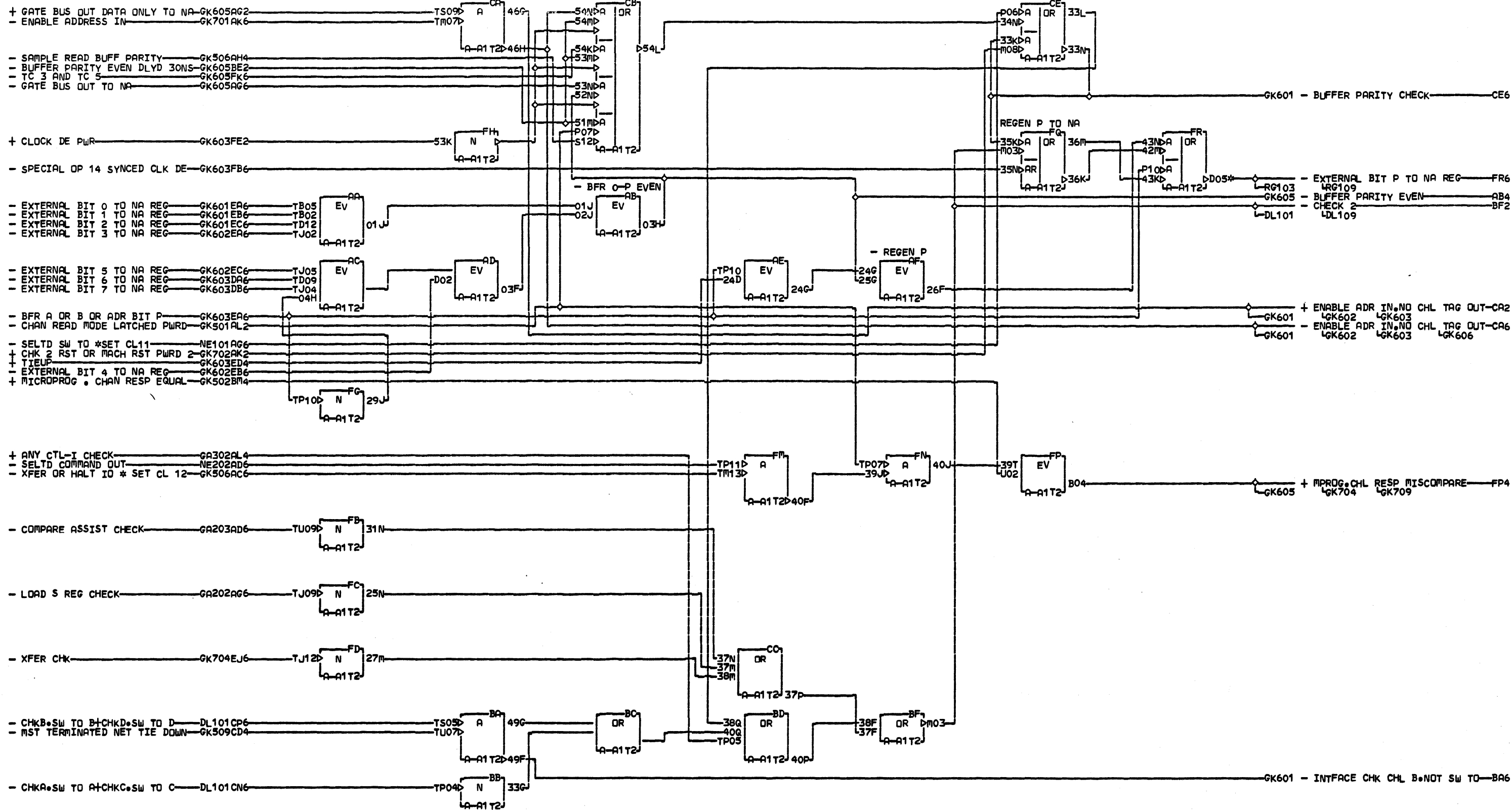
CONFIDENTIAL  
ADDR TO CHAN

UNTIL 03-30-76  
SET BFR CHECK

UNCLASSIFIED

THEREAFTER

005 GK604



G  
K  
6  
0  
4

FR6 A-A1V3D10  
A 01A-B1A2B10

LOC. TYPE  
A-A1T2 2001

CHANNEL TRANSFER BUFFER	
-E.C.-HISTORY-437380	B-MACH-3830-2
	FRAME 01
	IBM CORP. SDD
DATE 11-28-75	LAST EC 437381
	P.No. 2290362

G  
K  
6  
0  
4  
005

IBM

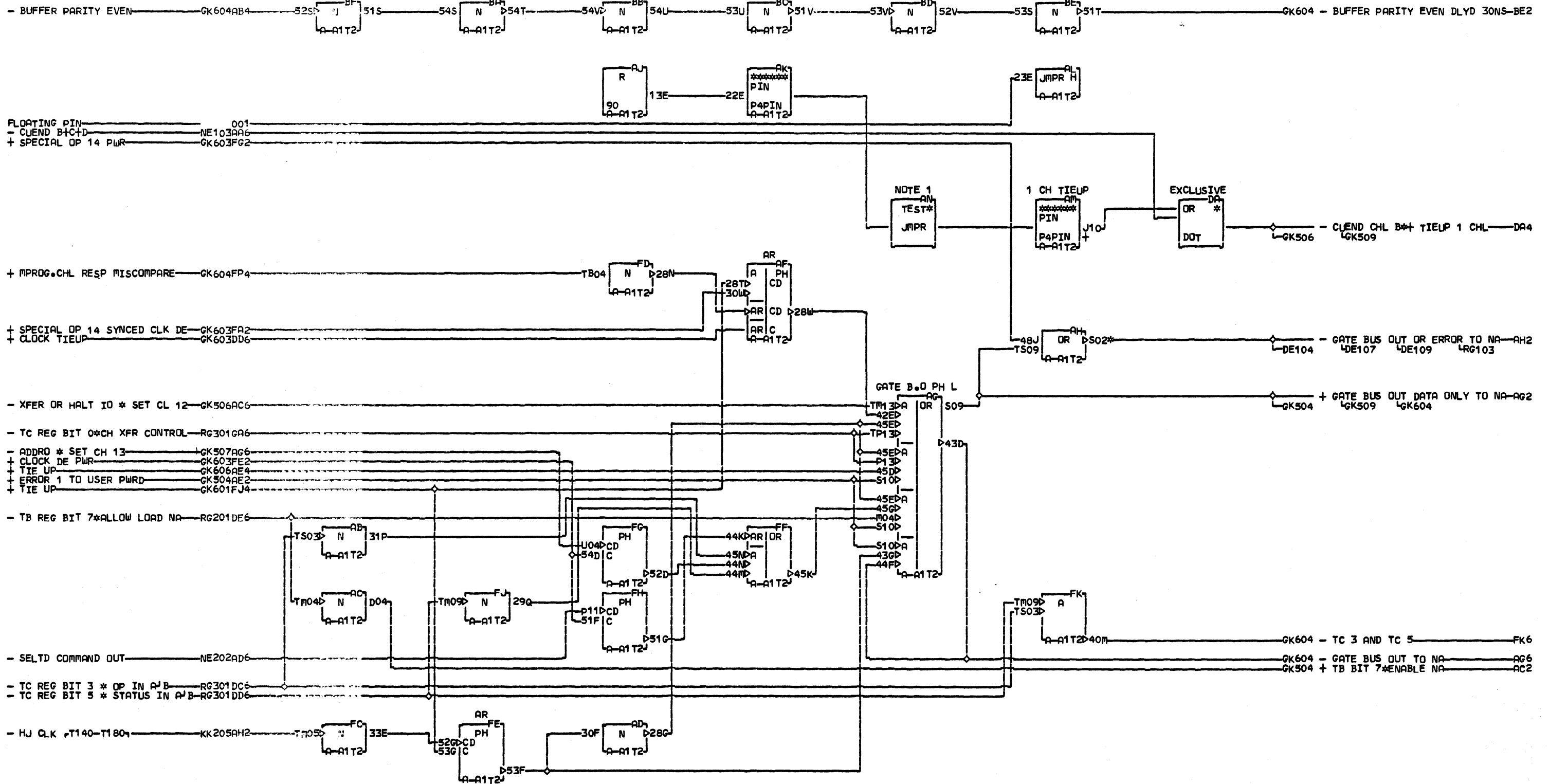
CONFIDENTIAL

UNTIL 03-30-76

UNCLASSIFIED

THEREAFTER

005 GK605

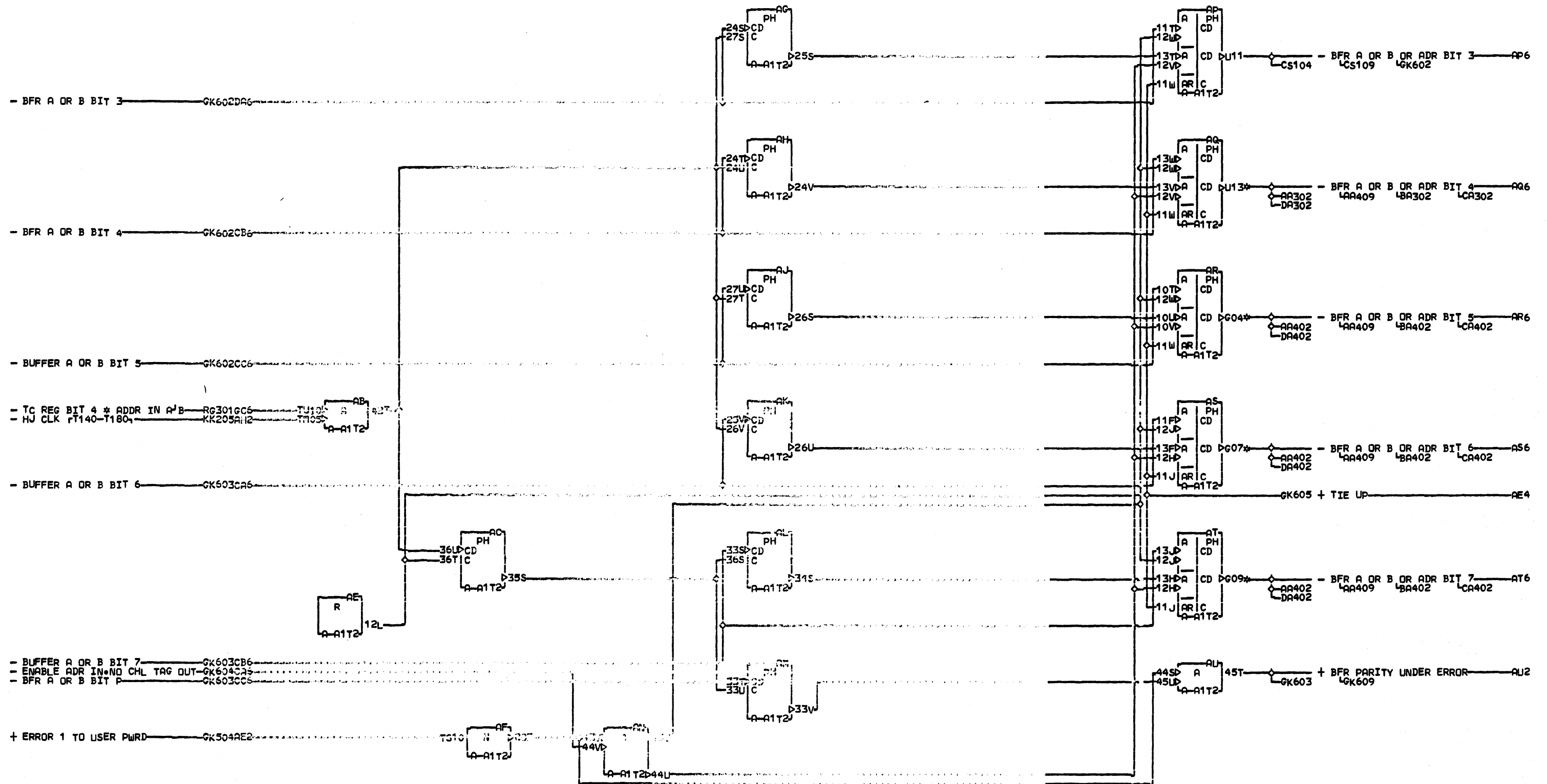


NOTE 1.  
 SINGLE CHANNEL WIRING  
 G E221-J D221 TWO CHANNEL  
 K WIRING G E221-H E231  
 6  
 0  
 5

AH2 A-A1V3D11  
 A 01A-B1A2B11

LOC. TYPE  
 A-A1T2 Z001

EXTERNAL GATING TO NA REGISTER	
E.C. HISTORY	B MACH. 3830-2
437380	
FRAME	01
IBM CORP. SDD	
DATE LAST EC	P.N. 2290363
11-28-75 437381	



G  
K  
6  
0  
6

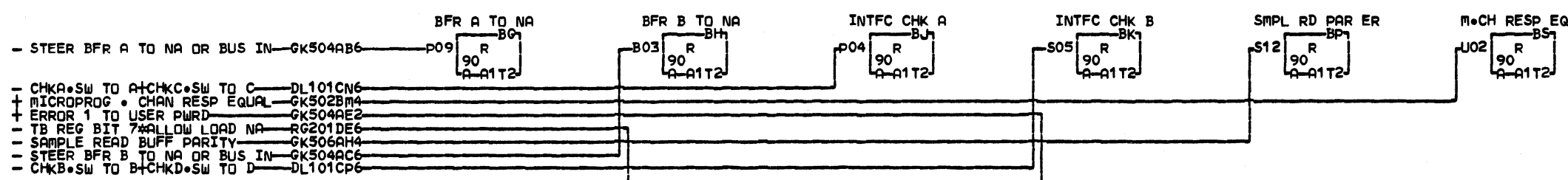
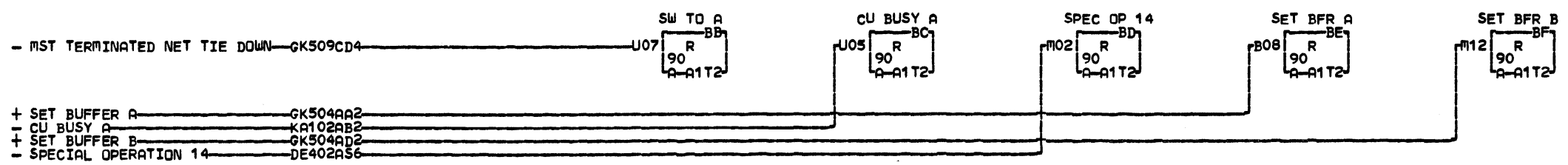
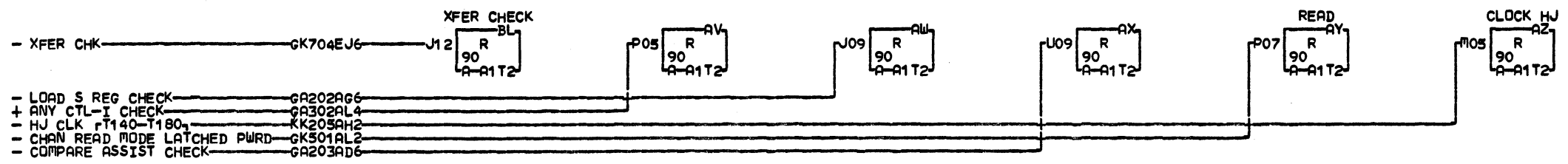
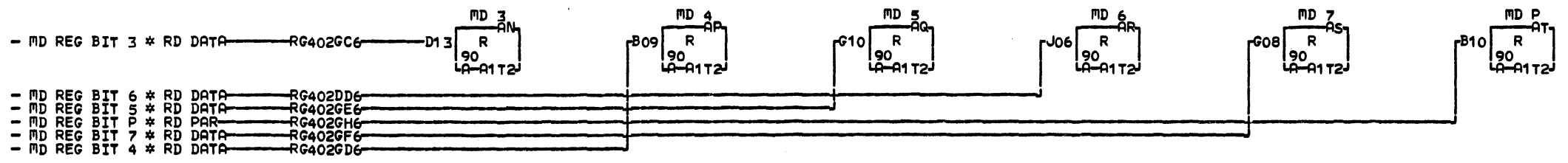
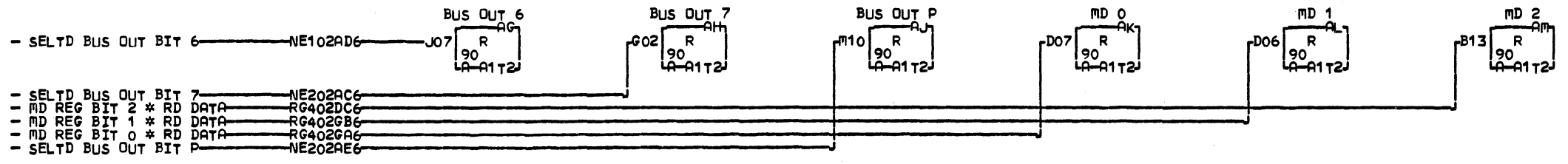
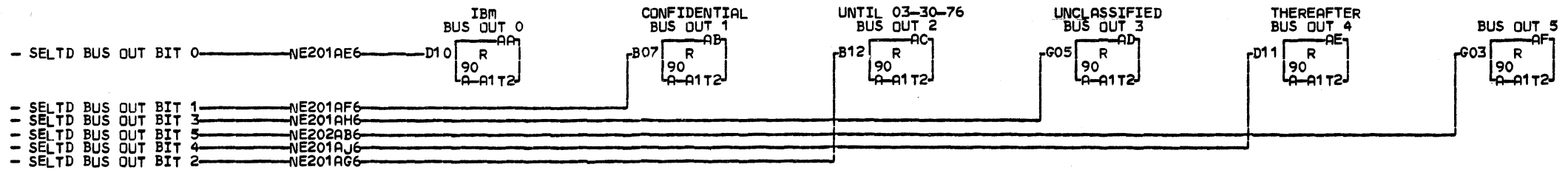
005COPYRIGHT IBM CORP 1976  
SIM TO PN 2345987 EC 437310

AQ6 A-A1U6E04  
1 01B-A1D1E11  
AR6 A-A1U6D04  
1 01B-A1D1D11  
AS6 A-A1U6C04  
1 01B-A1D1C11  
AT6 A-A1U6B04  
1 01B-A1D1B11

LOC. TYPE  
A-A1T2 2001

CHANNEL ADDRESS IN BUFFER	
E.C. HISTORY	B MACH. 3830-2
437380	FRAME 01
DATE	IBM CORP. SDD
11-28-75	P.N. 2290364
LAST EC	437381

G  
K  
6  
0  
6  
005

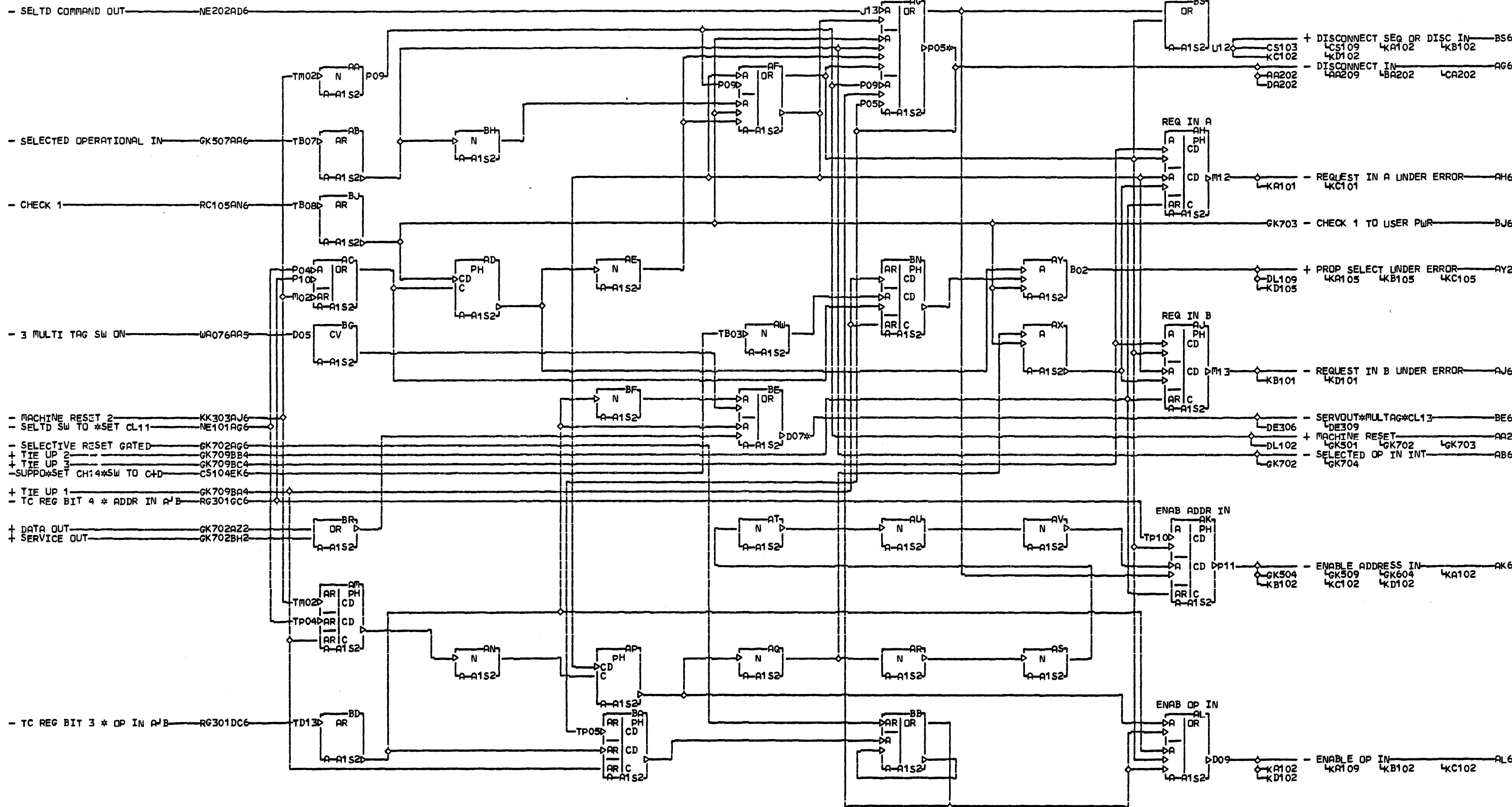


G  
K  
6  
0  
9

LOC. TYPE  
A-A1T2 2001

CHANNEL TRANSFER BUFFER	
E.C. HISTORY 437380	MACH. 3830-2
DATE 11-28-75	FRAME 01
LAST EC 437381	IBM CORP. SDD
	P.No. 2290365

G  
K  
6  
0  
9



G  
K  
7  
0  
1

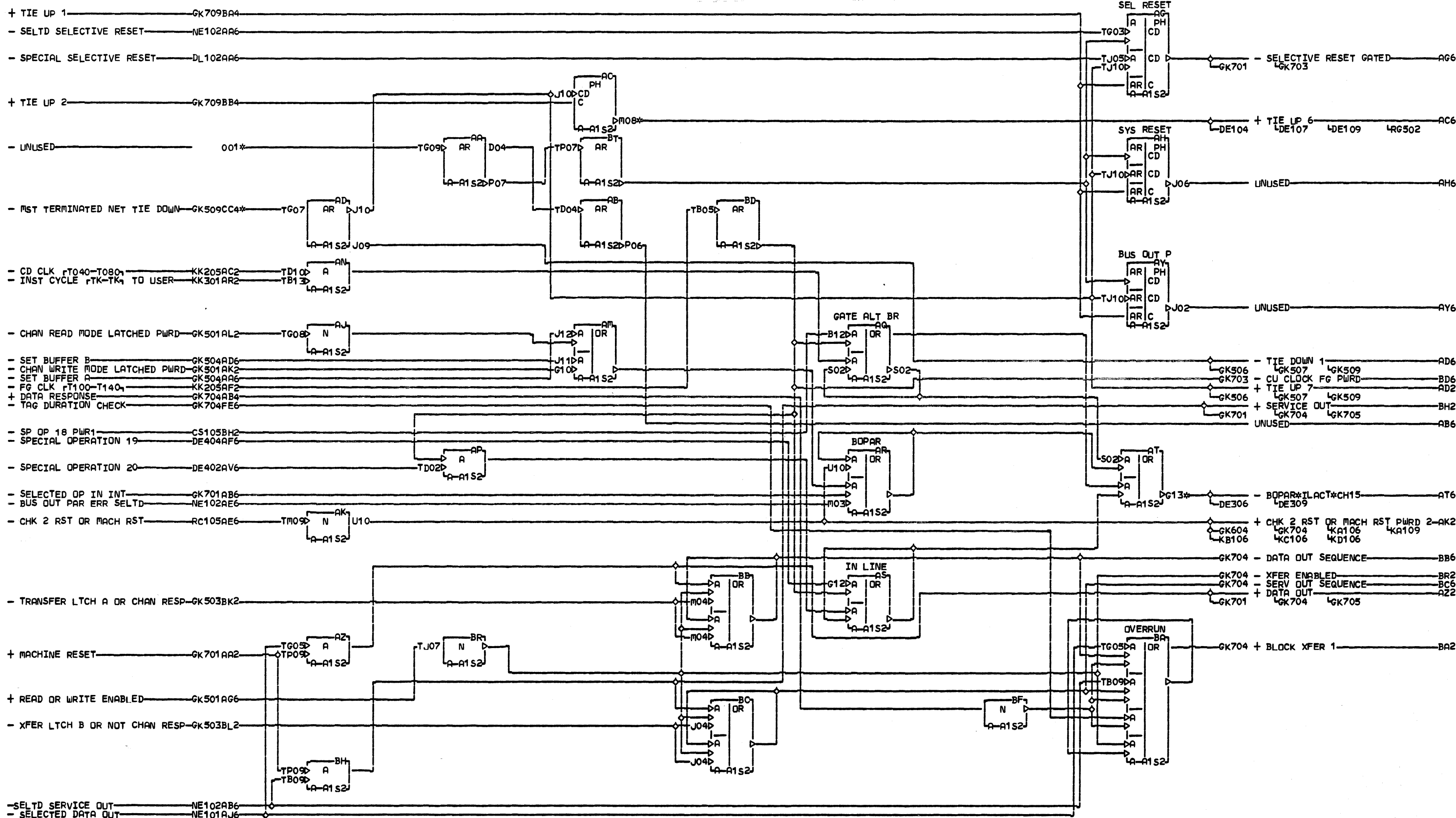
005COPYRIGHT IBM CORP 1976  
SIM TO PN 2345747 EC 437310

AG6 A-A1T6D02  
A 01B-A1C1B09  
BE6 A-A1V3B08  
1 01A-B2A2D08

LDC. TYPE  
A-A1S2 BA89

DISCONNECT IN	
E.C.-HISTORY	B MACH.3830-2
	FRAME 01
	IBM CORP. SDD
DATE LAST EC	P.No. 2290487
11-28-75 437381	

G  
K  
7  
0  
1



G  
K  
7  
0  
2  
005COPYRIGHT IBM CORP 1976  
SIM TO PN 2345748 EC 437310

001 1 01A-B2A2D05  
RESISTOR  
A-A1S2G09  
GK509CC4  
RESISTOR  
A-A1S2G07  
AC6 A-B1T1E13  
A 01A-A1V1A13  
AT6 A-A1V3B05

LOC. TYPE  
A-A1S2 B8B9

DISCONNECT IN	
E.C. HISTORY	B MACH 3830-2
FRAME	01
DATE	11-28-75
LAST EC	437381
IBM CORP. SDD	P.N. 2290488

G  
K  
7  
0  
2  
005

IBM

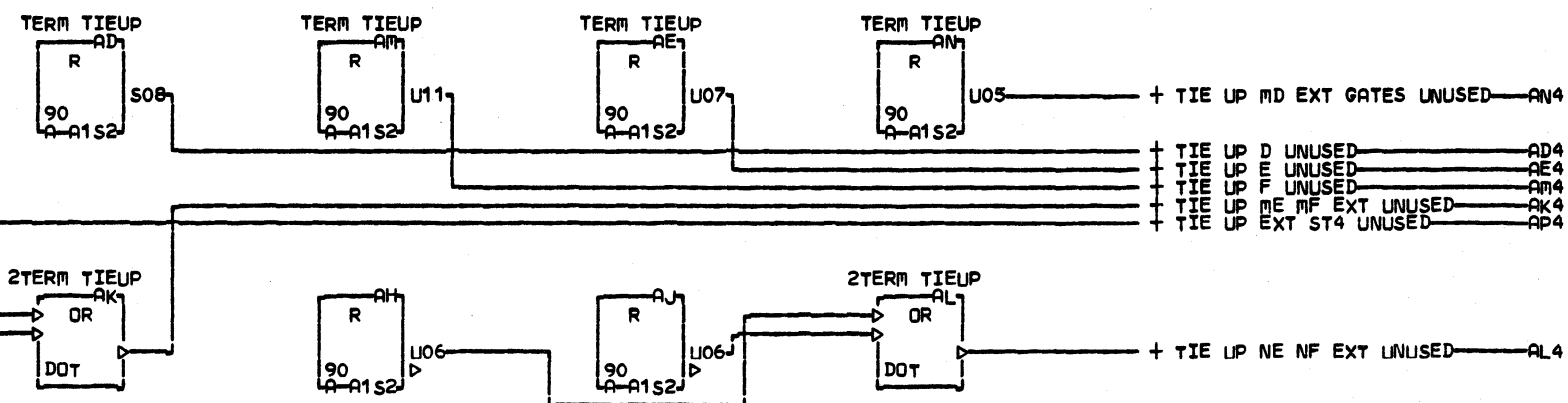
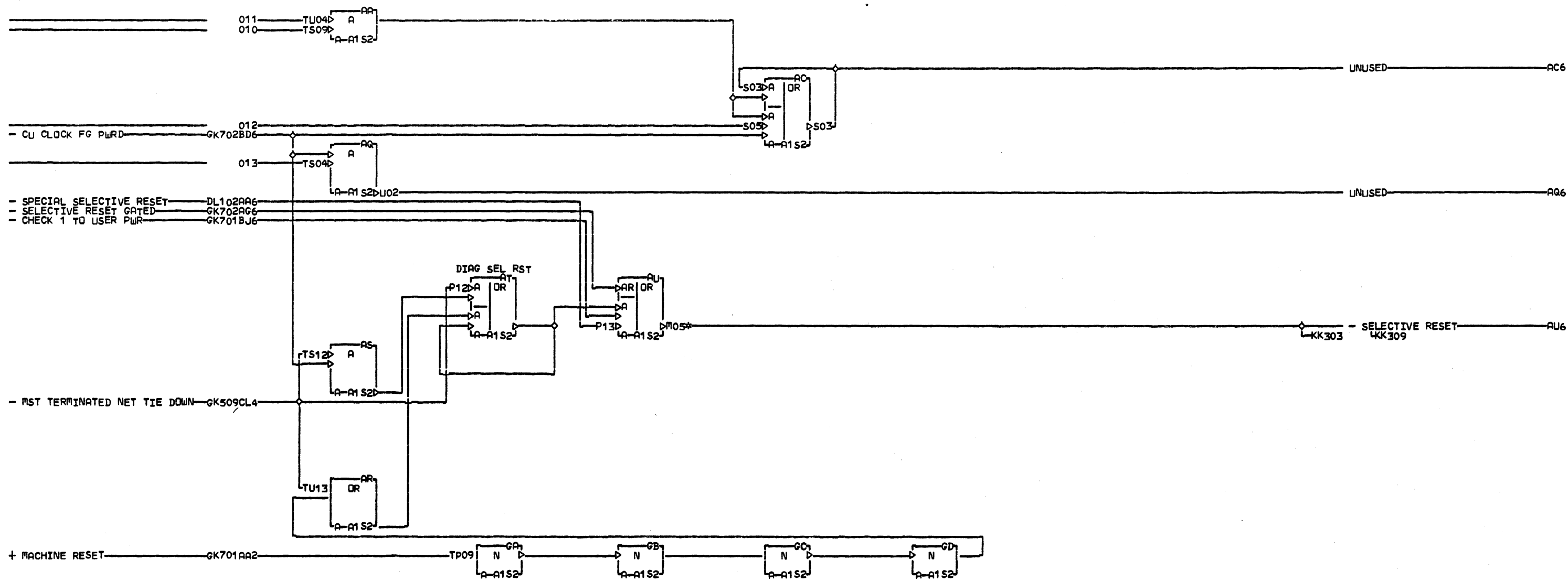
CONFIDENTIAL

UNTIL 03-30-76

UNCLASSIFIED

THEREAFTER

005 GK703

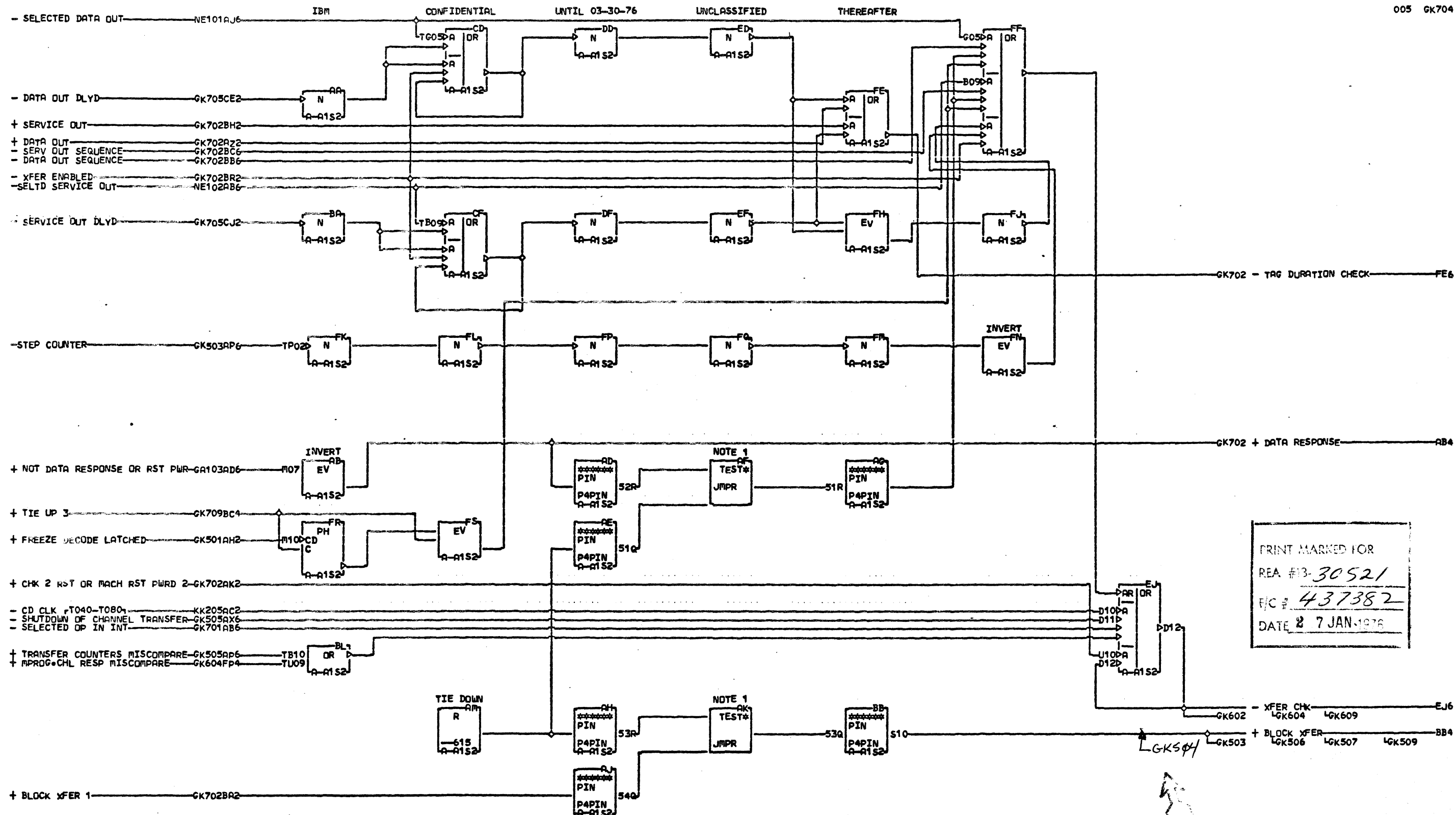


AU6 A-A1R1D13  
A 01A-B2R6D04

LOC. TYPE  
A-A1S2 BA89

DISCONNECT IN	
E.C. HISTORY	B MACH. 3830-2
DATE	FRAME 01
LAST EC	IBM CORP. SDD
11-28-75 437381	P.N. 2290489

MONK6



NOTE 1  
 JUMPER PIN 1 TO 3 AND  
 5 TO 6 TO ENABLE  
 K OFFSET  
 7  
 0  
 4  
 005COPYRIGHT IBM CORP 1976

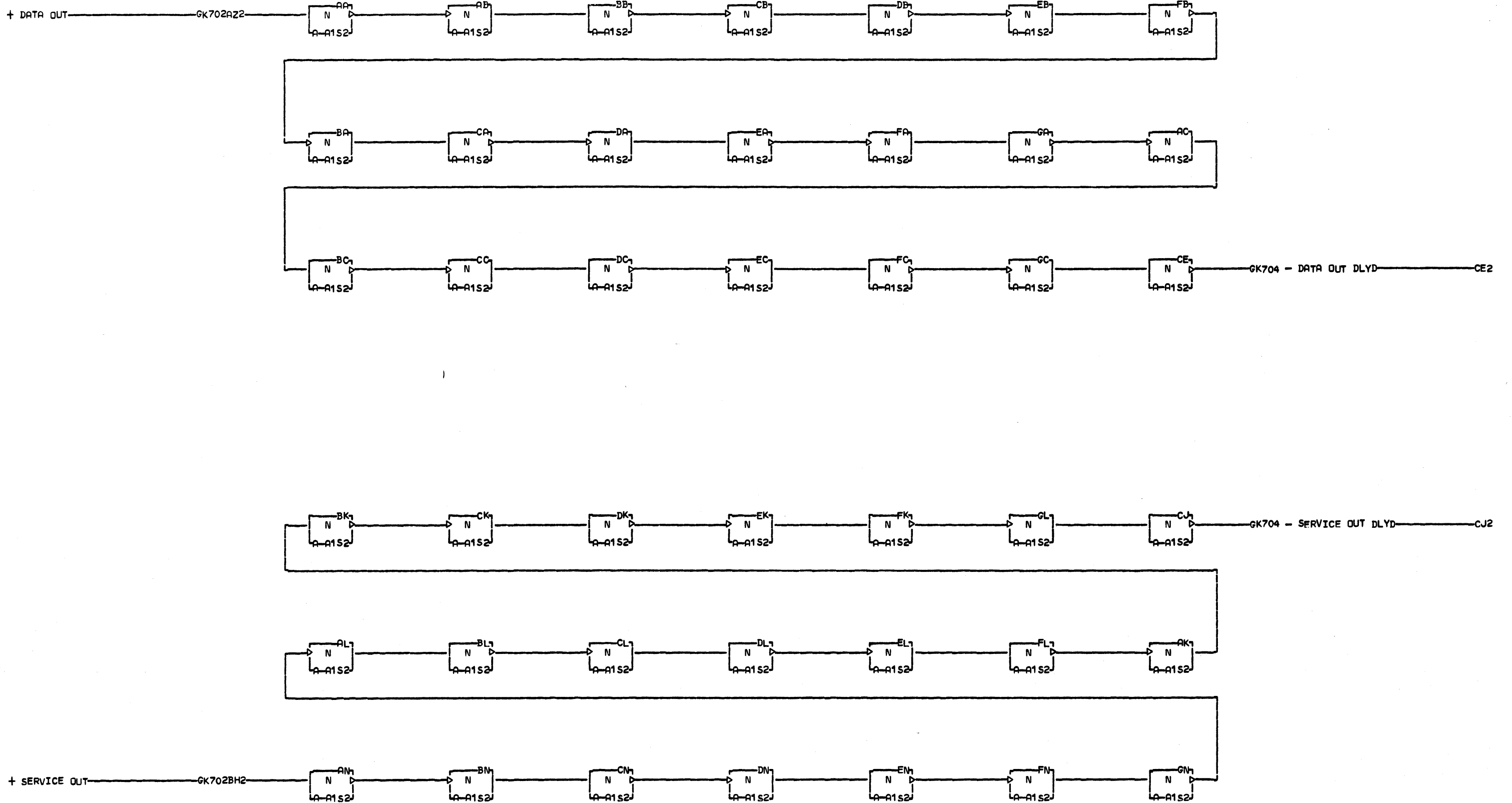
LOC. TYPE  
 A-A1S2 BA89

TAG DURATION CHECK		C K 7 0 4
- E.C. HISTORY	- MACH. 3830-2	
DATE	LAST EC	005
11-28-75	437381	
	P.O.N. 2290490	

13-30521 2

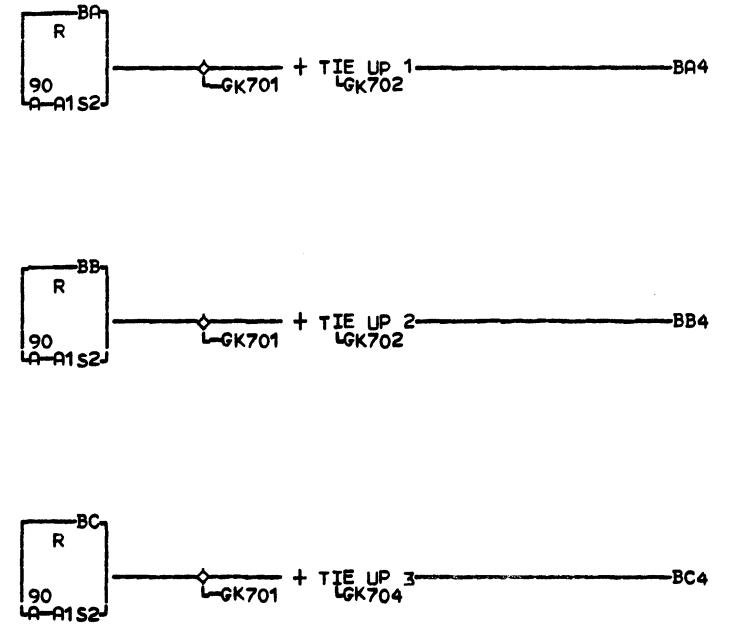
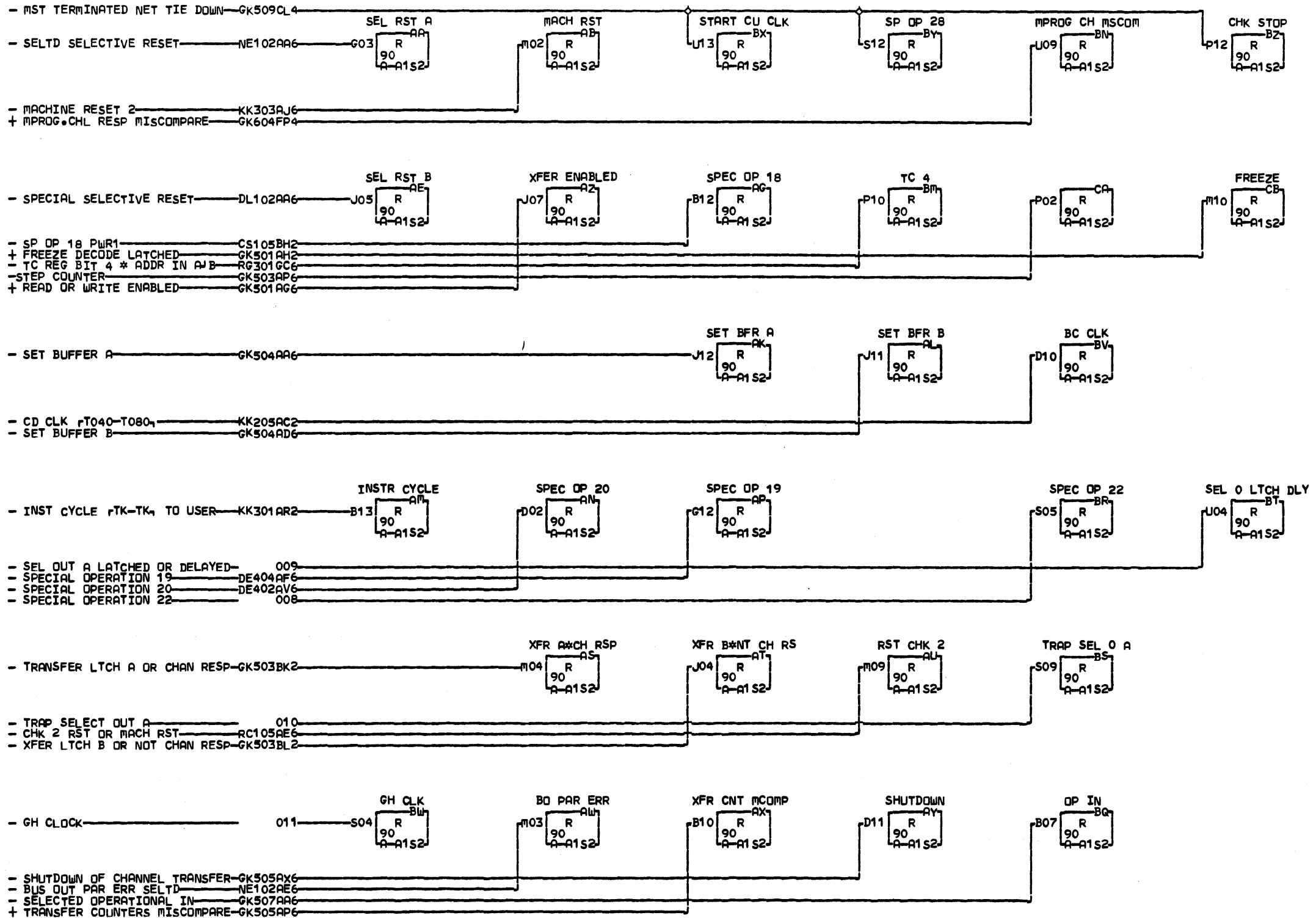


IBM CONFIDENTIAL UNTIL 03-30-76 UNCLASSIFIED THEREAFTER



LOC. TYPE  
A-A1S2 BA89

TAG DELAY	
E.C. HISTORY	B MACH. 3830-2
DATE	FRAME 01
LAST EC	IBM CORP. GPD
11-28-75 437381	P.No. 2290491



LOC. TYPE  
A-A1S2 BAB9

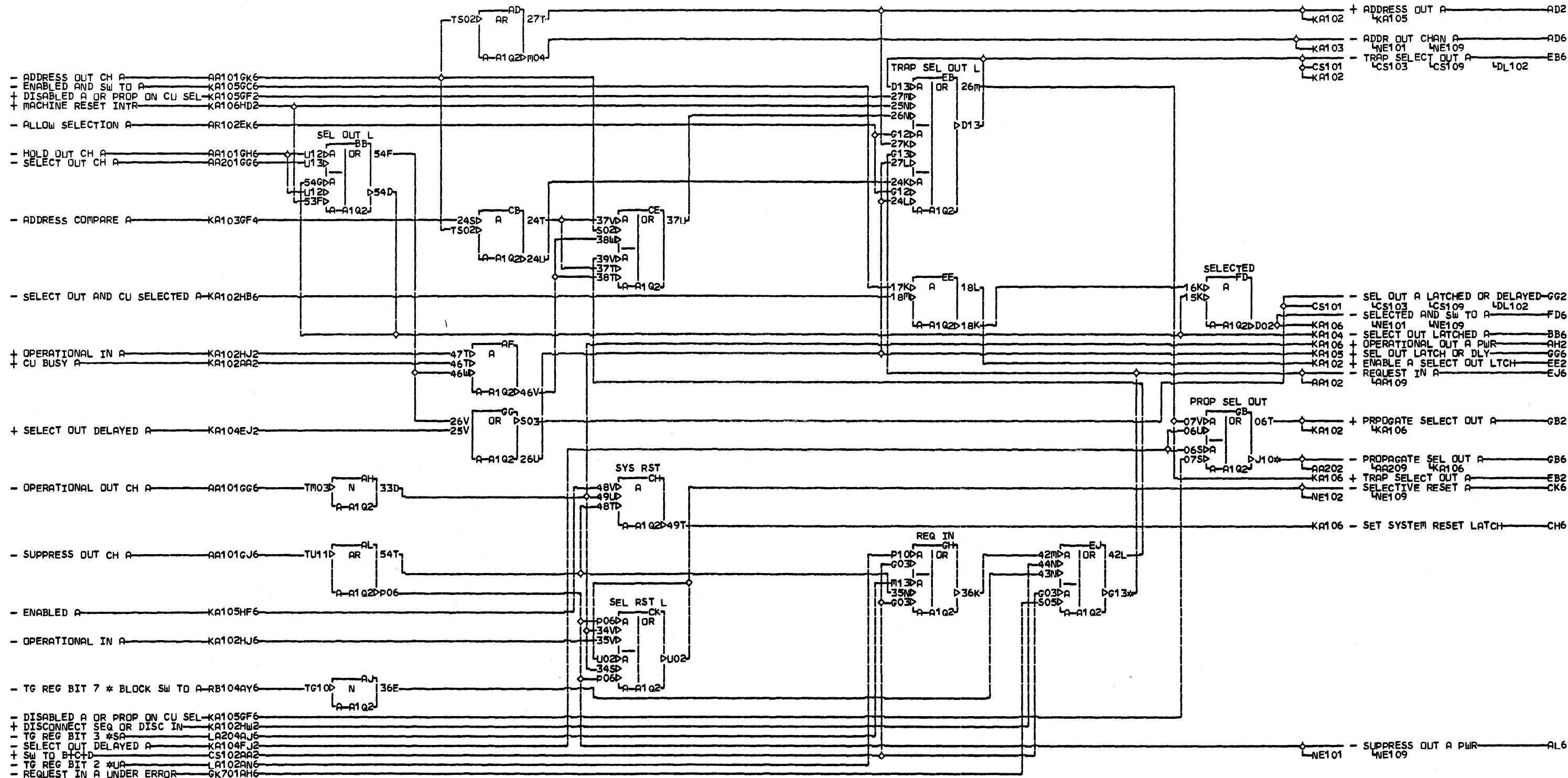
DISCONNECT IN	
E.C. HISTORY	MACH. 3830-2
FRAME	01
DATE LAST EC	IBM CORP. SDD
11-28-75 437381	PoN. 2290492

G  
K  
7  
0  
9

G  
K  
7  
0  
9

IBM CONFIDENTIAL UNTIL 03-30-76 UNCLASSIFIED THEREAFTER

005 KA101



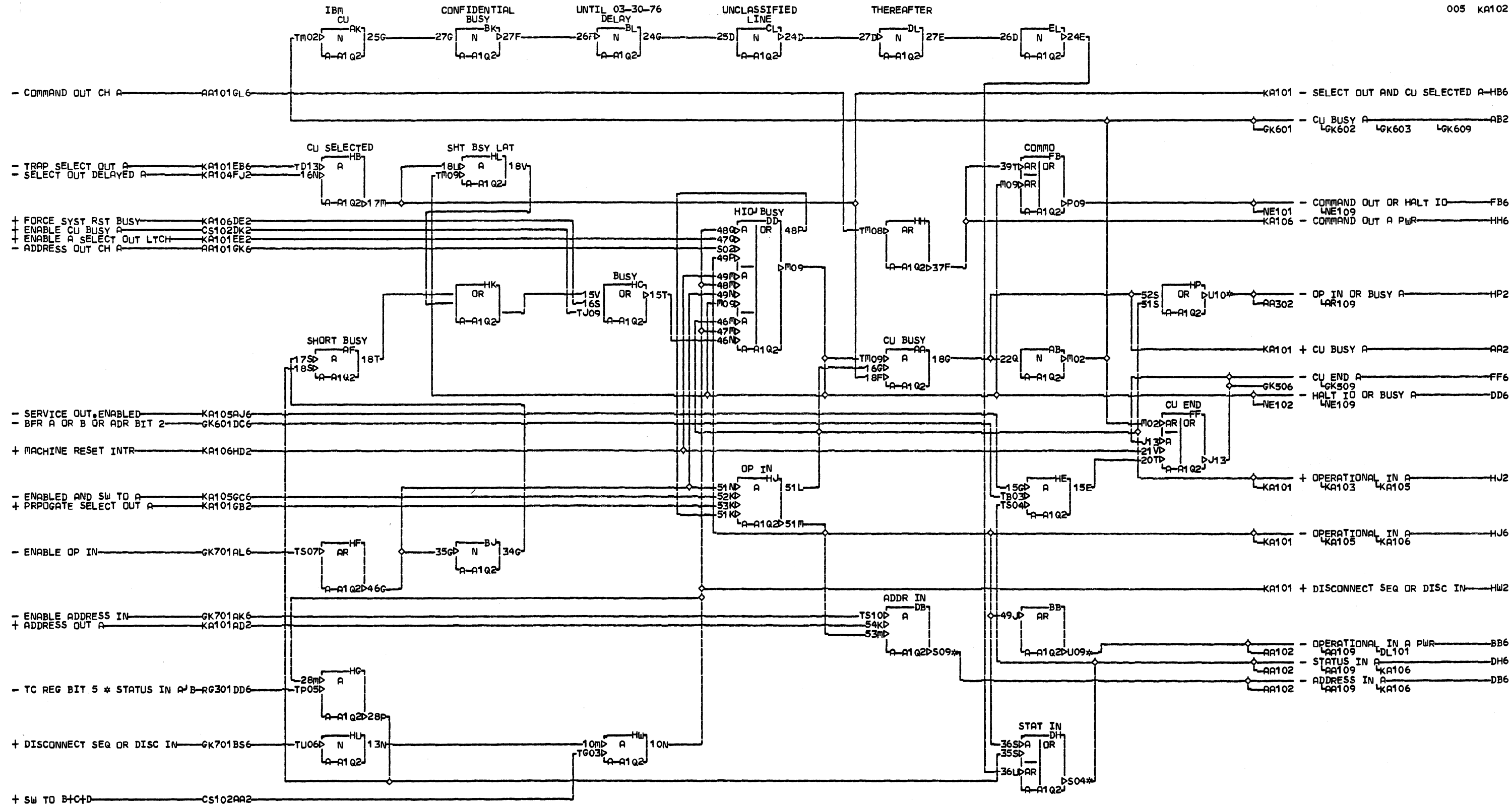
- ADDRESS OUT CH A - AA101GK6
- ENABLED AND SW TO A - KA105GC6
- + DISABLED A OR PROP ON CU SEL - KA105GF2
- + MACHINE RESET INTR - KA106HD2
- ALLOW SELECTION A - AR102EK6
- HOLD OUT CH A - AA101GH6
- SELECT OUT CH A - AA201GG6
- ADDRESS COMPARE A - KA103GF4
- SELECT OUT AND CU SELECTED A - KA102HB6
- + OPERATIONAL IN A - KA102HJ2
- + CU BUSY A - KA102AA2
- + SELECT OUT DELAYED A - KA104EJ2
- OPERATIONAL OUT CH A - AA101GG6
- SUPPRESS OUT CH A - AA101GJ6
- ENABLED A - KA105HF6
- OPERATIONAL IN A - KA102HJ6
- TG REG BIT 7 \* BLOCK SW TO A - RB104AY6
- DISABLED A OR PROP ON CU SEL - KA105GF6
- + DISCONNECT SEQ OR DISC IN - KA102HW2
- TG REG BIT 3 \* SA - LA209AJ6
- SELECT OUT DELAYED A - KA104FJ2
- + SW TO BIT 1 - CS102AA2
- TG REG BIT 2 \* UA - LA102AN6
- REQUEST IN A UNDER ERROR - GK701AH6

- + ADDRESS OUT A - AD2
- ADDR OUT CHAN A - AD6
- TRAP SELECT OUT A - EB6
- SEL OUT A LATCHED OR DELAYED - G62
- SELECTED AND SW TO A - FD6
- SELECT OUT LATCHED A - BB6
- + OPERATIONAL OUT A PWR - AH2
- SEL OUT LATCH OR DLY - G66
- + ENABLE A SELECT OUT LTCH - EE2
- REQUEST IN A - EJ6
- + PROPAGATE SELECT OUT A - GB2
- PROPAGATE SEL OUT A - GB6
- + TRAP SELECT OUT A - EB2
- SELECTIVE RESET A - CK6
- SET SYSTEM RESET LATCH - CH6
- SUPPRESS OUT A PWR - AL6

EJ6 A-A1M6C04  
 1 01B-A1B1B11  
 GB6 A-A1M6A04  
 1 01B-A1A1E11

LOC. TYPE  
 A-A1Q2 2732

CHAN A SELECTION		K A 1 0 1
REQUEST IN AND RESETS		
- E.C. HISTORY - 437380	B MACH. 3830-2	005
DATE LAST EC	FRAME 01	
11-28-75 437381	IBM CORP. SDD	
	P.N. 2290369	



K  
A  
1  
0  
2

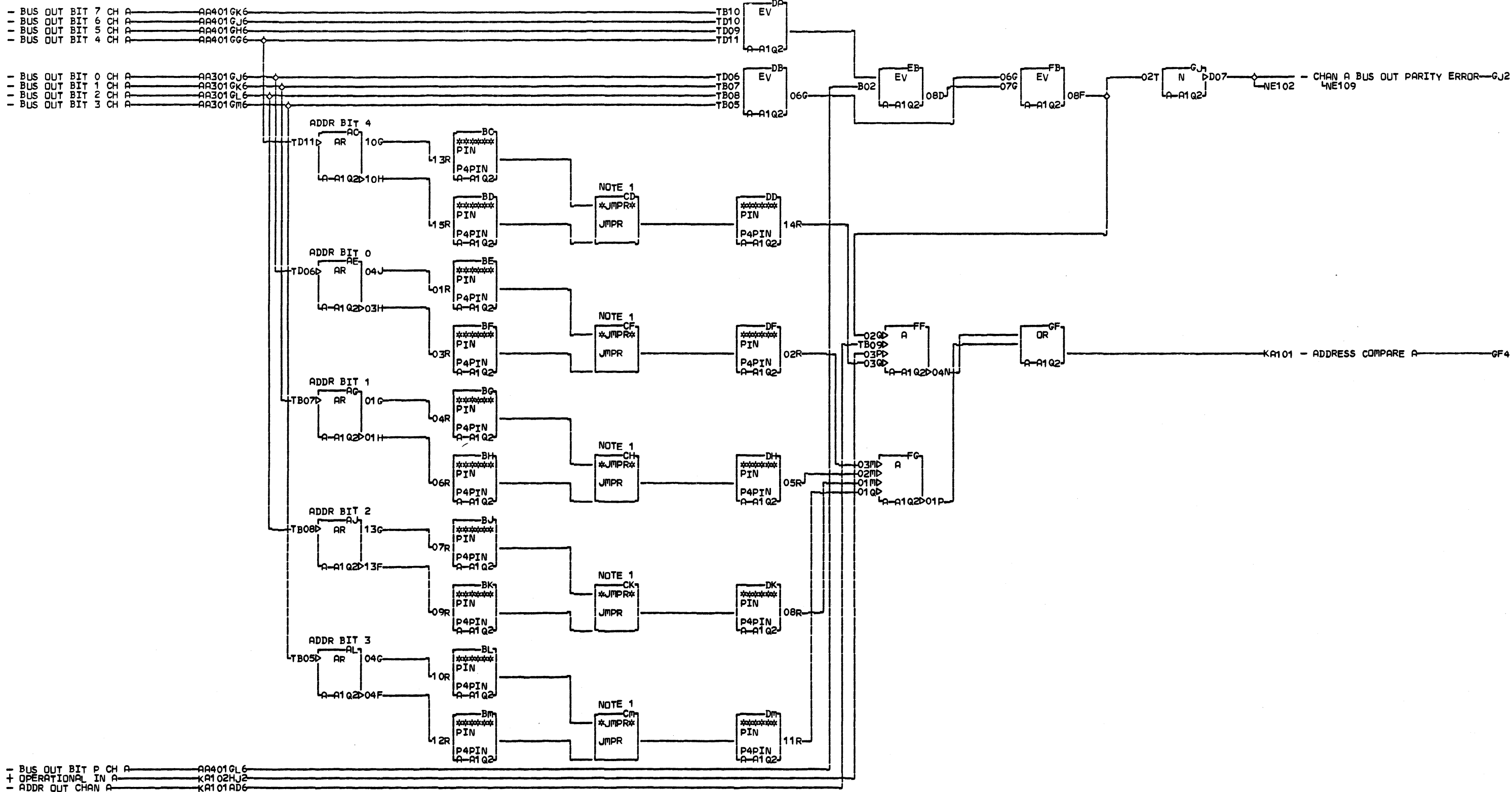
BB6 A-A1M6D04  
 1 01B-A1B1C11  
 DB6 A-A1L6E04  
 1 01B-A1A1D11  
 DH6 A-A1L6D04  
 1 01B-A1A1C11  
 HP2 A-A1N6E04  
 1 01B-A1C1D11

005COPYRIGHT IBM CORP 1976  
 SIM TO PN 2345752 EC 437310

LOC. TYPE  
 A-A1Q2 2732

CHANNEL A OP IN HID COMMO	
CU BUSY STAT IN SLIPPO ADR IN	
E.C. HISTORY	MACH. 3830-2
437380	
DATE LAST EC	11-28-75 437381
FRAME	01
IBM CORP. SDD	
P.No.	2290370

K  
A  
1  
0  
2

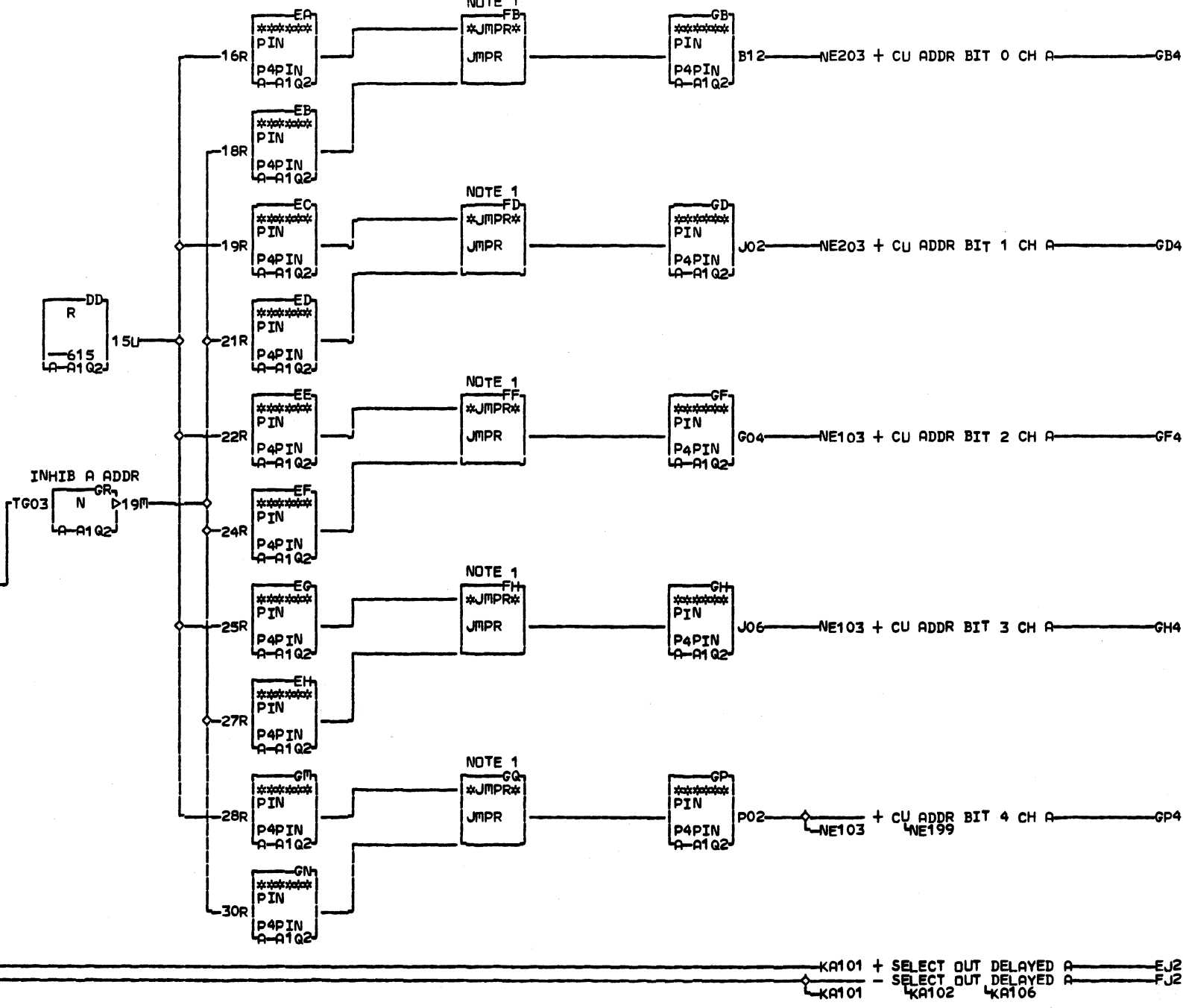
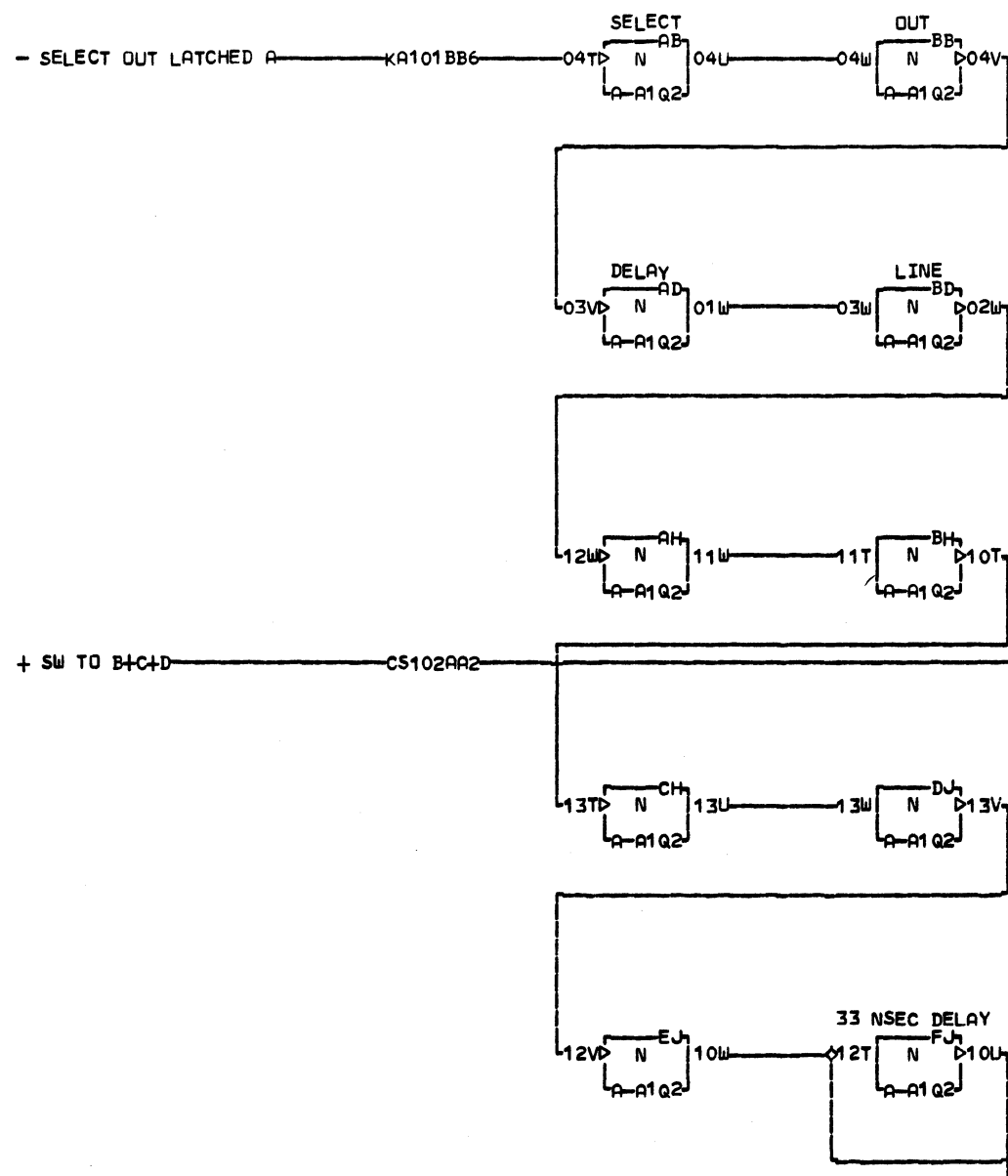


- BUS OUT BIT P CH A AA401GL6  
 + OPERATIONAL IN A KA102HJ2  
 - ADDR OUT CHAN A KA101AD6

NOTE 1.  
 WIRE PER DEFINED ADDRESS.

LOC. TYPE  
 A-A1 Q2 2732

CHAN A BUS OUT PAR ADDRESS COMPARE	
E.C. HISTORY 437380	B. MACH. 3830-2
DATE 11-28-75	LAST EC 437381
FRAME 01	IBM CORP. SDD
P.No. 2290371	



NOTE 1. WIRE PER DEFINED CCL ADDRESS

LOC. TYPE A-A1Q2 2732

CHAN A ADDR ENCODE	
E.C. HISTORY	MACH. 3830-2
437380	FRAME 01
DATE LAST EC	IBM CORP. SDD
11-28-75 437381	P.N. 2290372

IBM

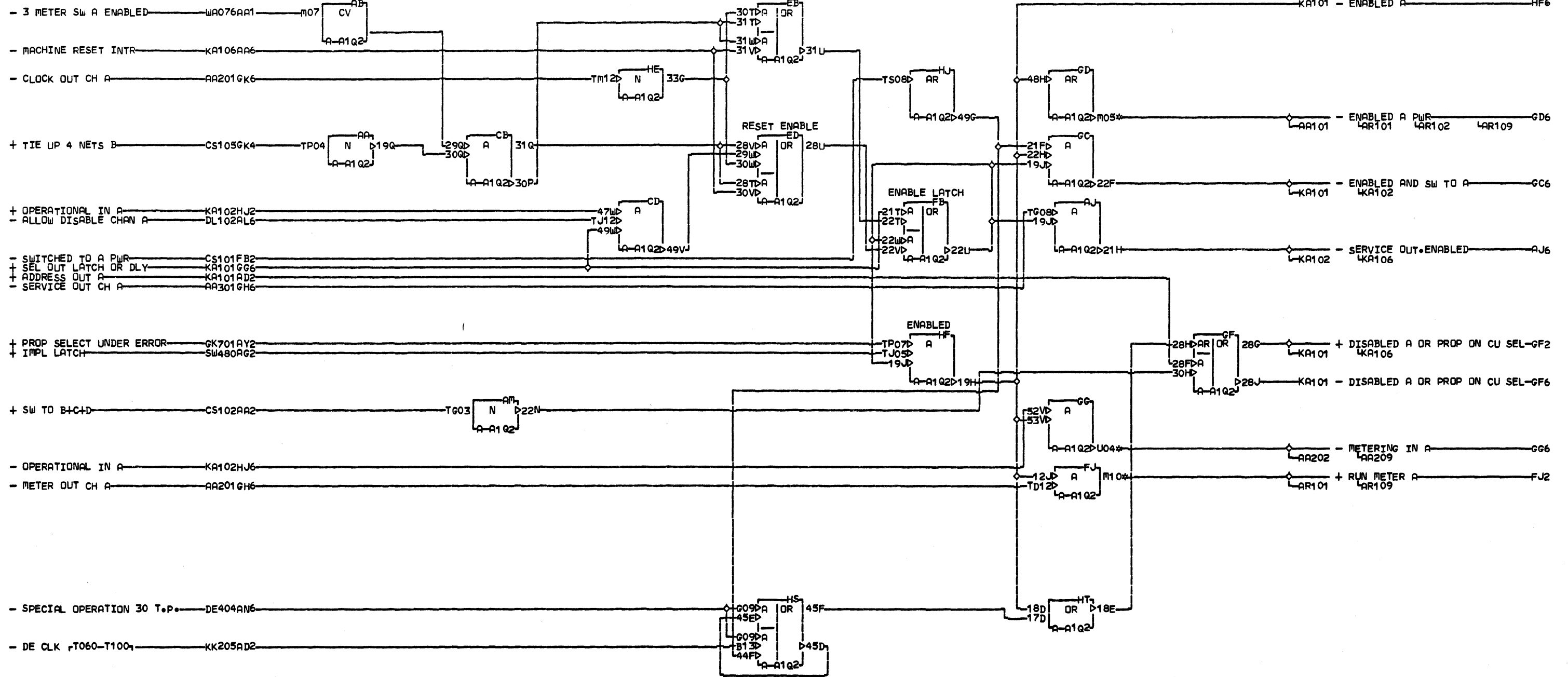
CONFIDENTIAL

UNTIL 03-30-76

UNCLASSIFIED  
SET ENABLE

THEREAFTER

005 KA105



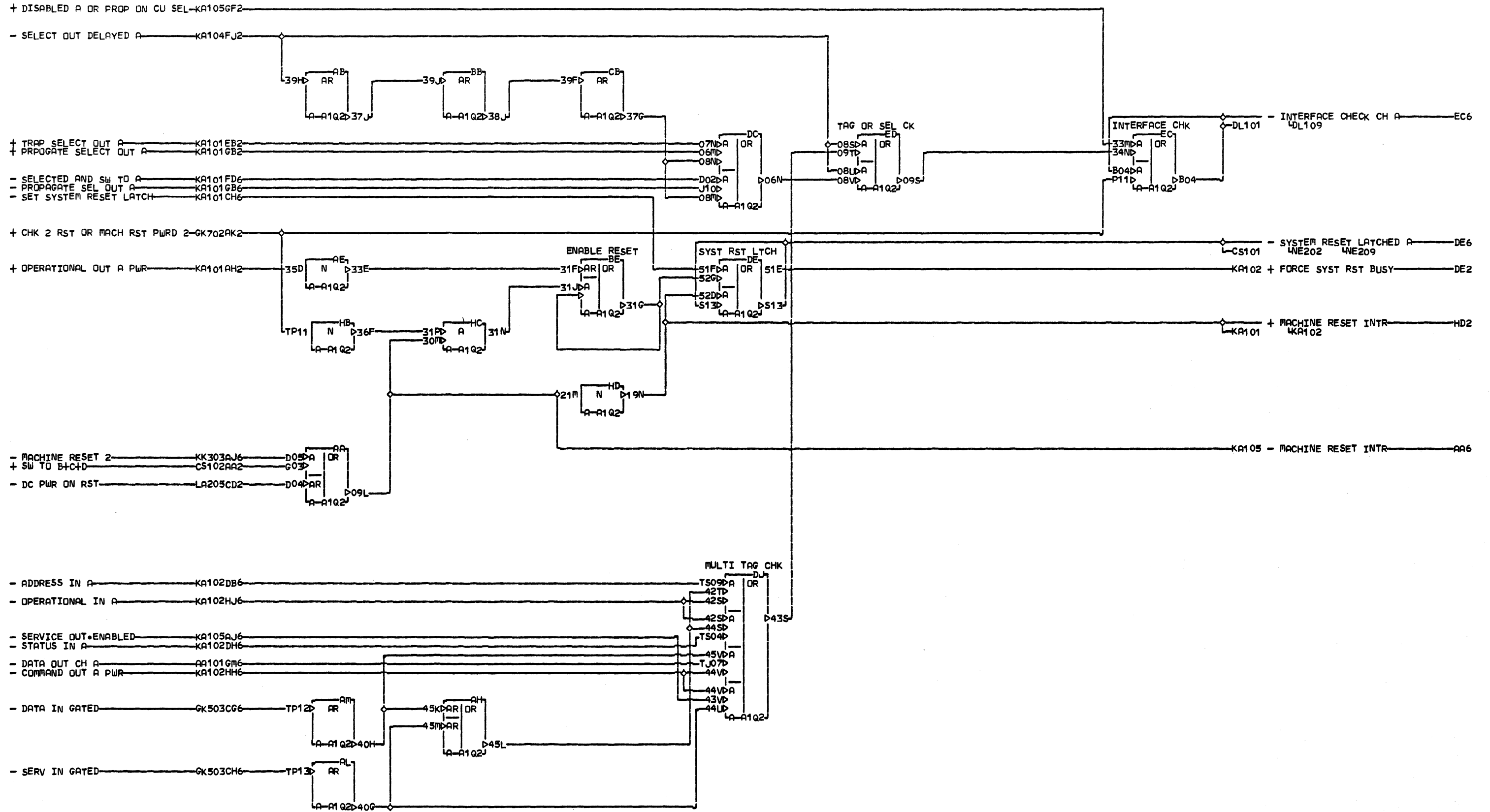
K  
1  
D  
5

FJ2 A-A1T6E02  
 A 01B-A1C1C09  
 GD6 A-A1N6D04  
 1 01B-A1C1C11  
 GG6 A-A1M6B04  
 1 01B-A1B1A11

005COPYRIGHT IBM CORP 1976  
 SIM TO PN 2345755 EC 437310

LOC. TYPE  
 A-A1Q2 2732

METER ENABLE-DISABLE LOGIC FOR CHANNEL A		K A 1 0 5
-E.C.-HISTORY- 437380	B-MACH-3830-2	
DATE 11-28-75	LAST EC 437381	005
FRAME IBM CORP. SDD	P.N. 2290373	



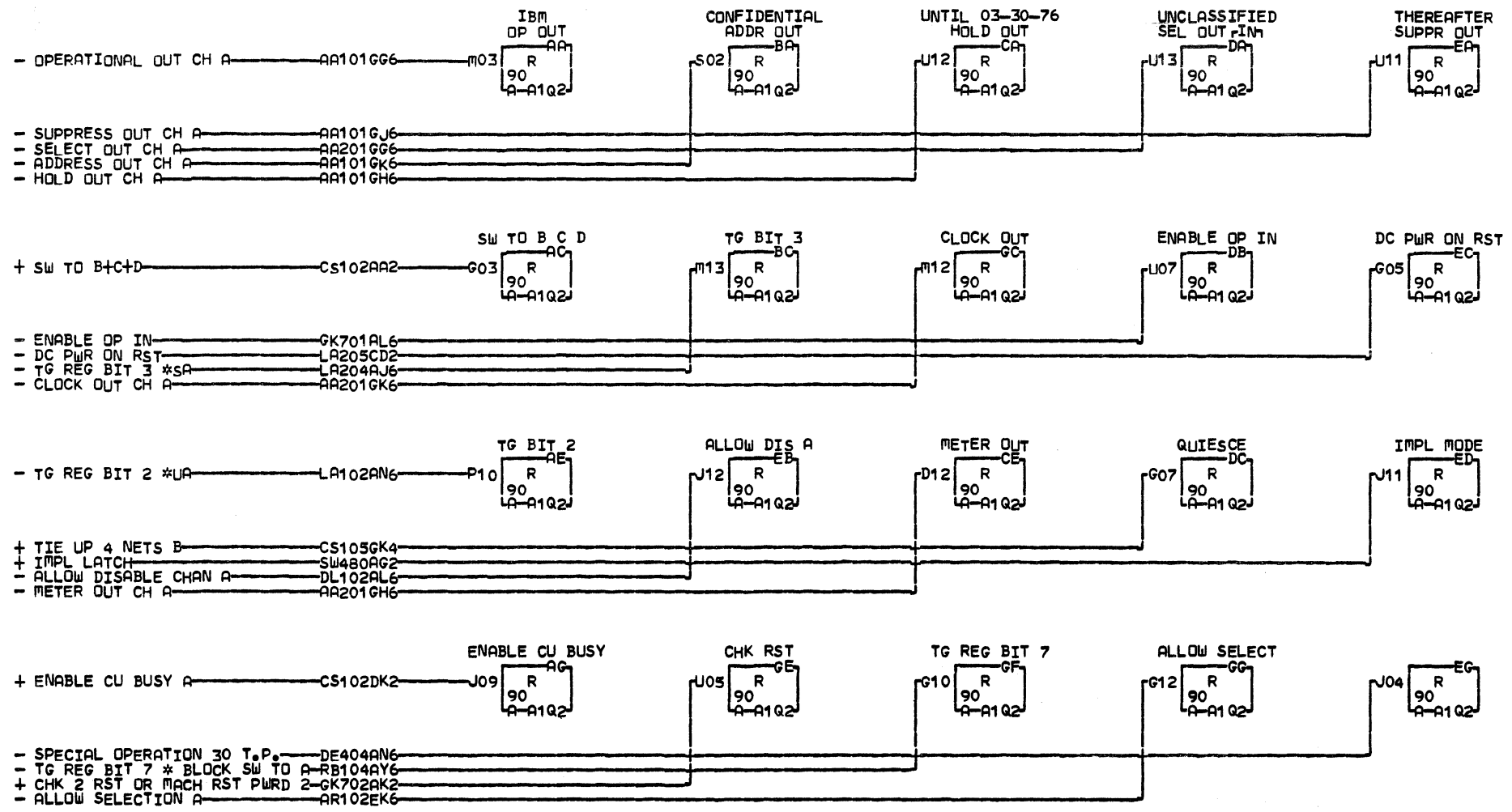
LOC. TYPE  
A-A1Q2 2732

- INTERFACE CHECK	
E.C. HISTORY	MACH. 3830-2
437380	FRAME 01
DATE LAST EC	IBM CORP. SDD
11-28-75 437381	P.No. 2290374

KA106

KA106



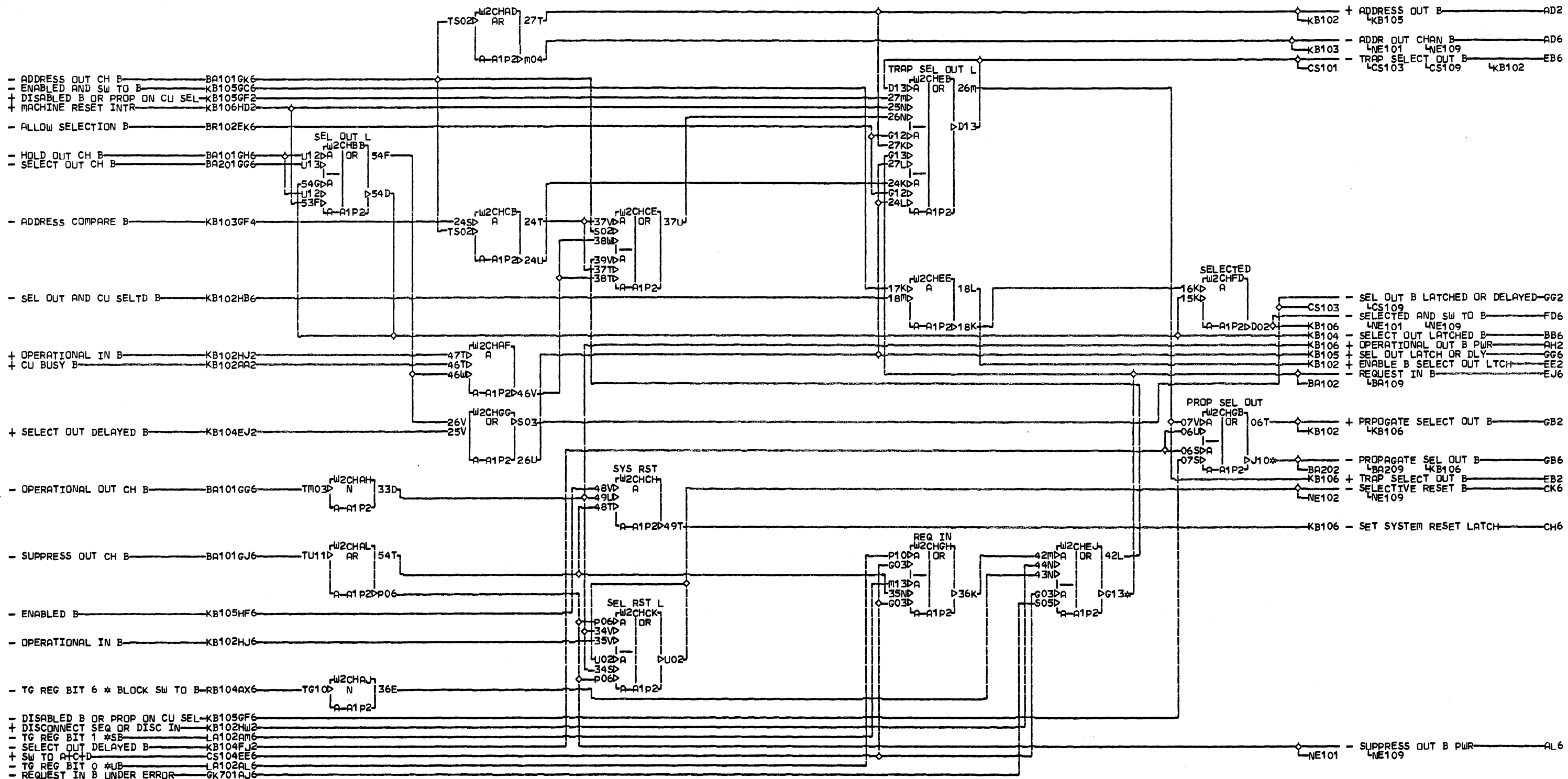


K  
D  
1  
0  
9

LOC. TYPE  
A-A1Q2 2732

CHANNEL A TERMINATORS	
E.C. HISTORY 437380	MACH. 3830-2
DATE 11-28-75	LAST EC 437381
FRAME 01	IBM CORP. SDD
P.N. 2290375	

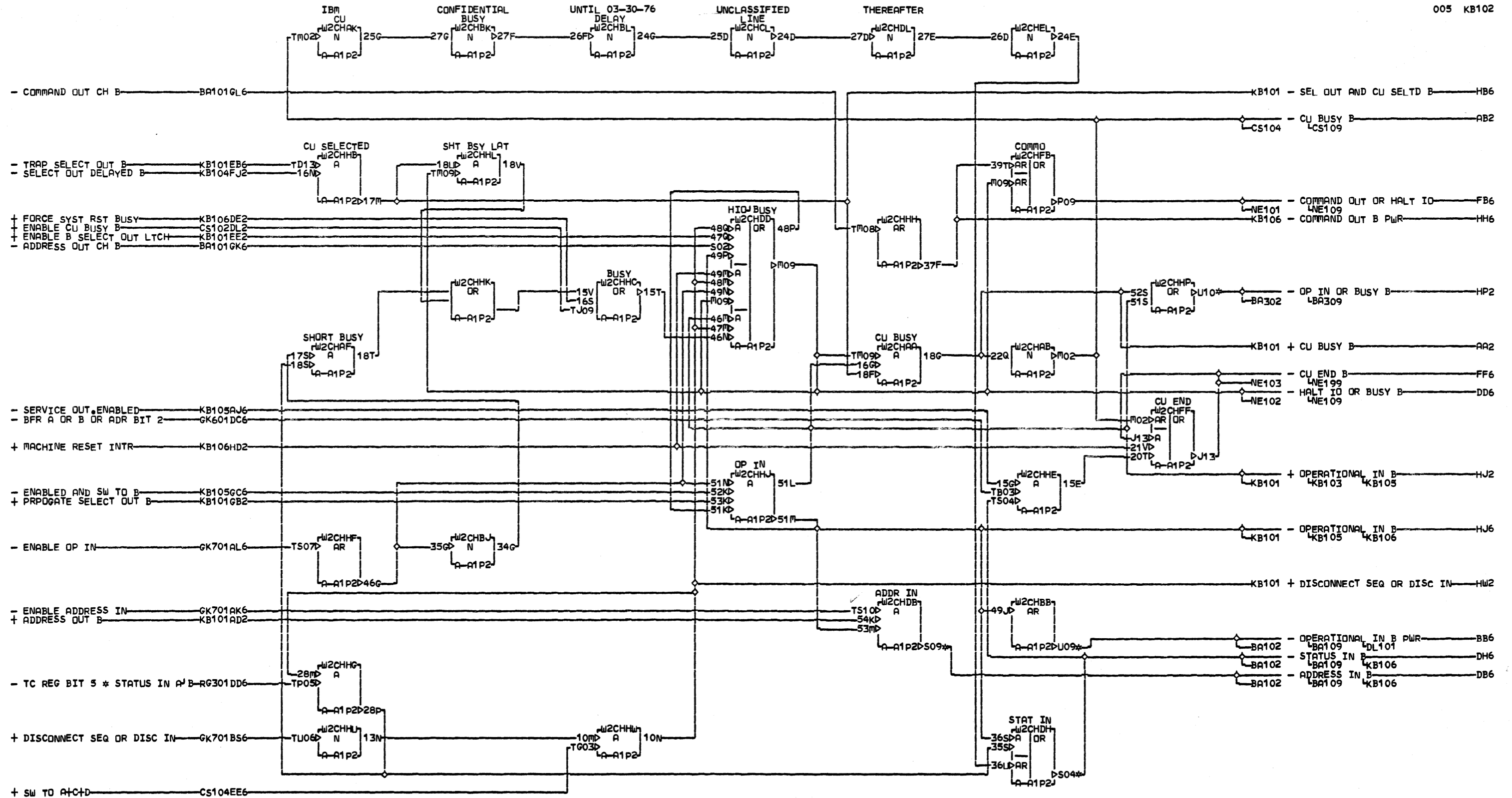
K  
A  
1  
0  
9  
005



- K
  - B
  - 1
  - 0
  - 1
- EJ6 W2CH
  - A 01A-A1E6D04
  - A 01B-A1B8B06
  - GB6 W2CH
  - A 01A-A1E6B04
  - A 01B-A1A8E06

LOC. TYPE  
A-A1P2 2732

CHAN B SELECTION	
REQUEST IN AND RESETS	
E.C. HISTORY	B. MACH. 3830-2
437380	
DATE	LAST EC
11-28-75	437381
FRAME	01
IBM CORP. SDD	
P.N.	2290376

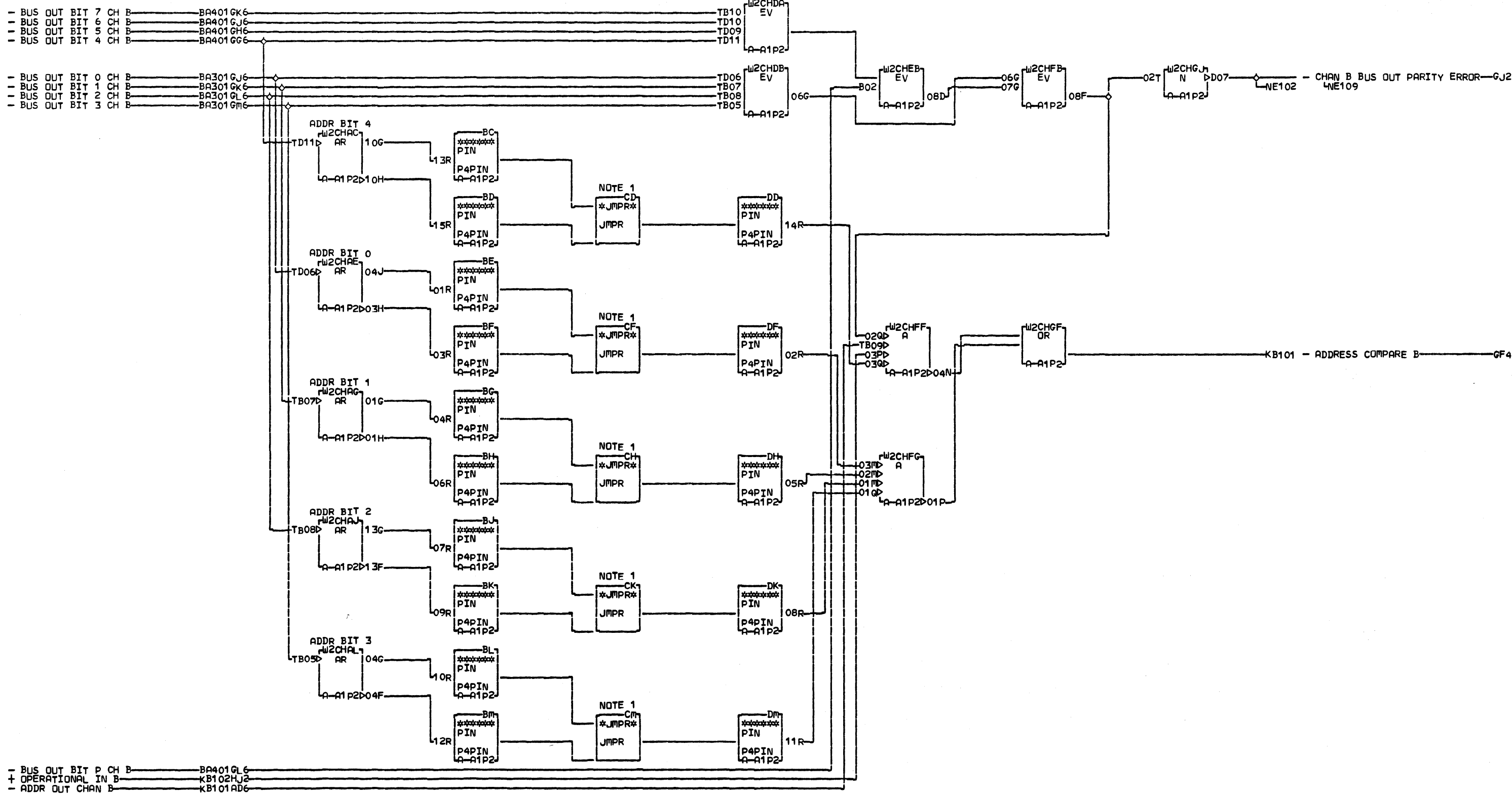


K B 1 0 2  
 BB6 W2CH HP2 W2CH  
 A 01A-A1E6E04 A 01A-A1C6C04  
 A 01B-A1B8C06 A 01B-A1C8B06  
 DB6 W2CH  
 A 01A-A1E6A04  
 A 01B-A1A8D06  
 DH6 W2CH  
 A 01A-A1D6E04  
 A 01B-A1A8C06  
 005COPYRIGHT IBM CORP 1976  
 SIM TO PN 2345759 EC 437310

LOC. TYPE  
A-A1P2 2732

CHANNEL B OP IN HIO COMMO	
CU BUSY STAT IN SUPPO ADR IN	
E.C. HISTORY	MACH. 3830-2
437380	
FRAME	01
IBM CORP. SDD	
DATE LAST EC	P.N. 2290377
11-28-75 437381	

K  
B  
1  
0  
2  
005



- BUS OUT BIT 0 CH B BA401GL6  
 + OPERATIONAL IN B KB102HJ2  
 - ADDR OUT CHAN B KB101AD6

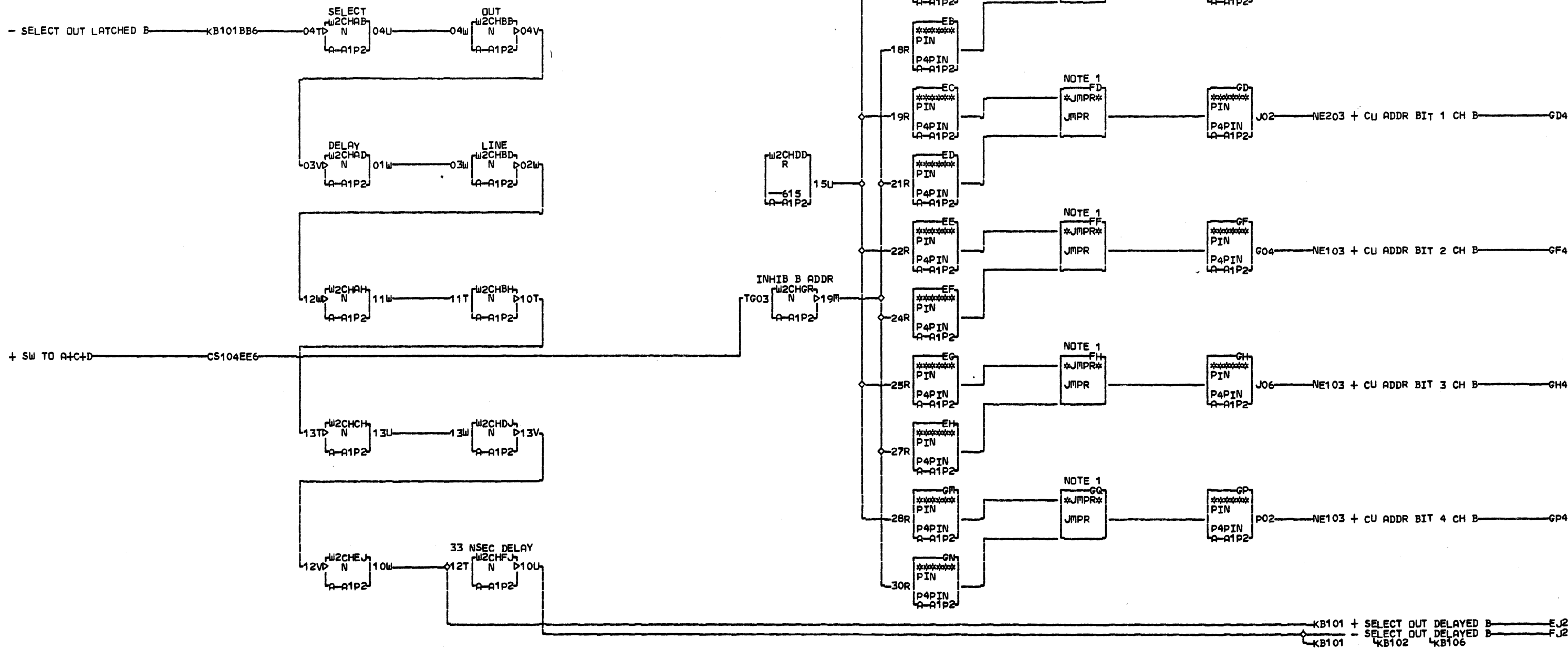
NOTE 1.  
 WIRE PER DEFINED ADDRESS

K  
 B  
 1  
 0  
 3

LOC. TYPE  
 A-A1P2 2732

CHAN B BUS OUT PAR ADDRESS COMPARE	
E.C.-HISTORY 437380	MACH. 3830-2 FRAME 01
DATE LAST EC 11-28-75 437381	IBM CORP. SDD P.N. 2290378

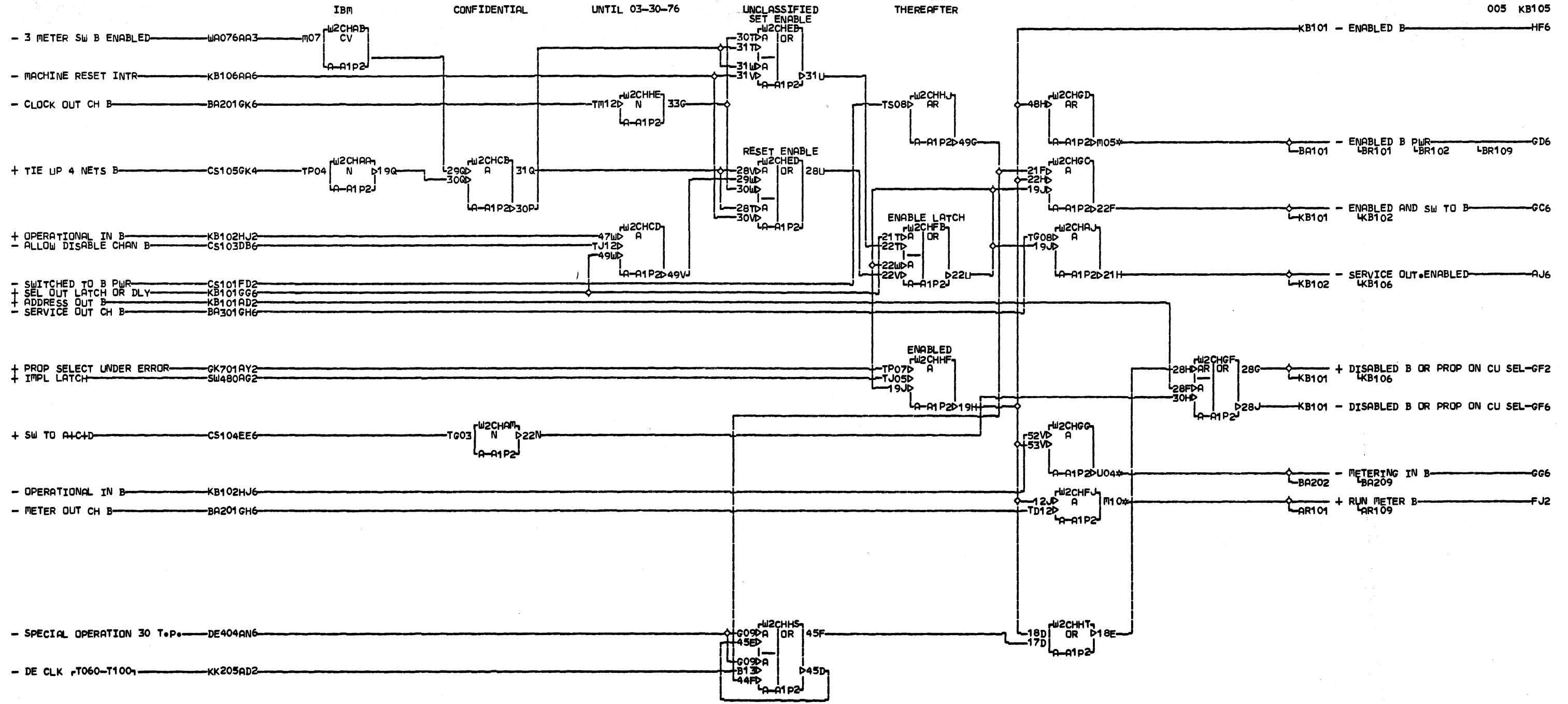
K  
 B  
 1  
 0  
 3



NOTE 1. WIRE PER DEFINED CCU ADDRESS

LOC. TYPE A-A1P2 2732

CHAN B ADDR ENCODE		K B 1 0 4
SELECTED DELAYED DRIVER GATING	FRAME 01	
E-C-HISTORY	IBM CORP. SDD	005
437380	P.No. 2290379	
DATE	LAST EC	
11-28-75	437381	



K  
B  
1  
0  
5

005COPYRIGHT IBM CORP 1976  
SIM TO PN 2345762 EC 437310

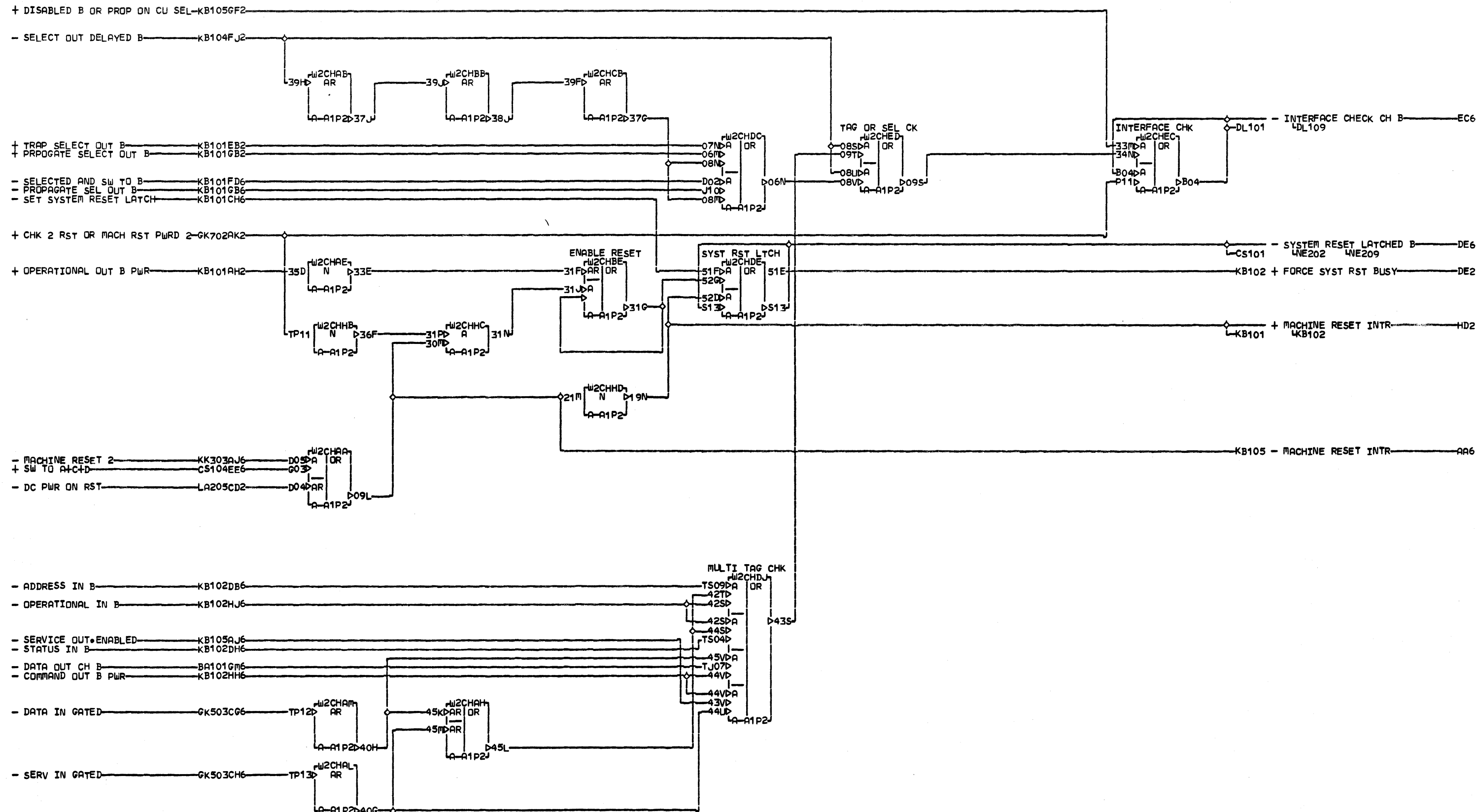
FJ2 W2CH  
 A 01A-A1M6C02  
 A 01B-A1E1A09  
 GD6 W2CH  
 A 01A-A1C6D04  
 A 01B-A1C8C06  
 GG6 W2CH  
 A 01A-A1E6C04  
 A 01B-A1B8A06

LOC. TYPE  
A-A1P2 2732

METER ENABLE-DISABLE LOGIC FOR CHANNEL B	
E.C. HISTORY	B MACH. 3830-2
437380	
FRAME	01
IBM CORP. SDD	
DATE LAST EC	P.N. 2290380
11-28-75 437381	

K  
B  
1  
0  
5

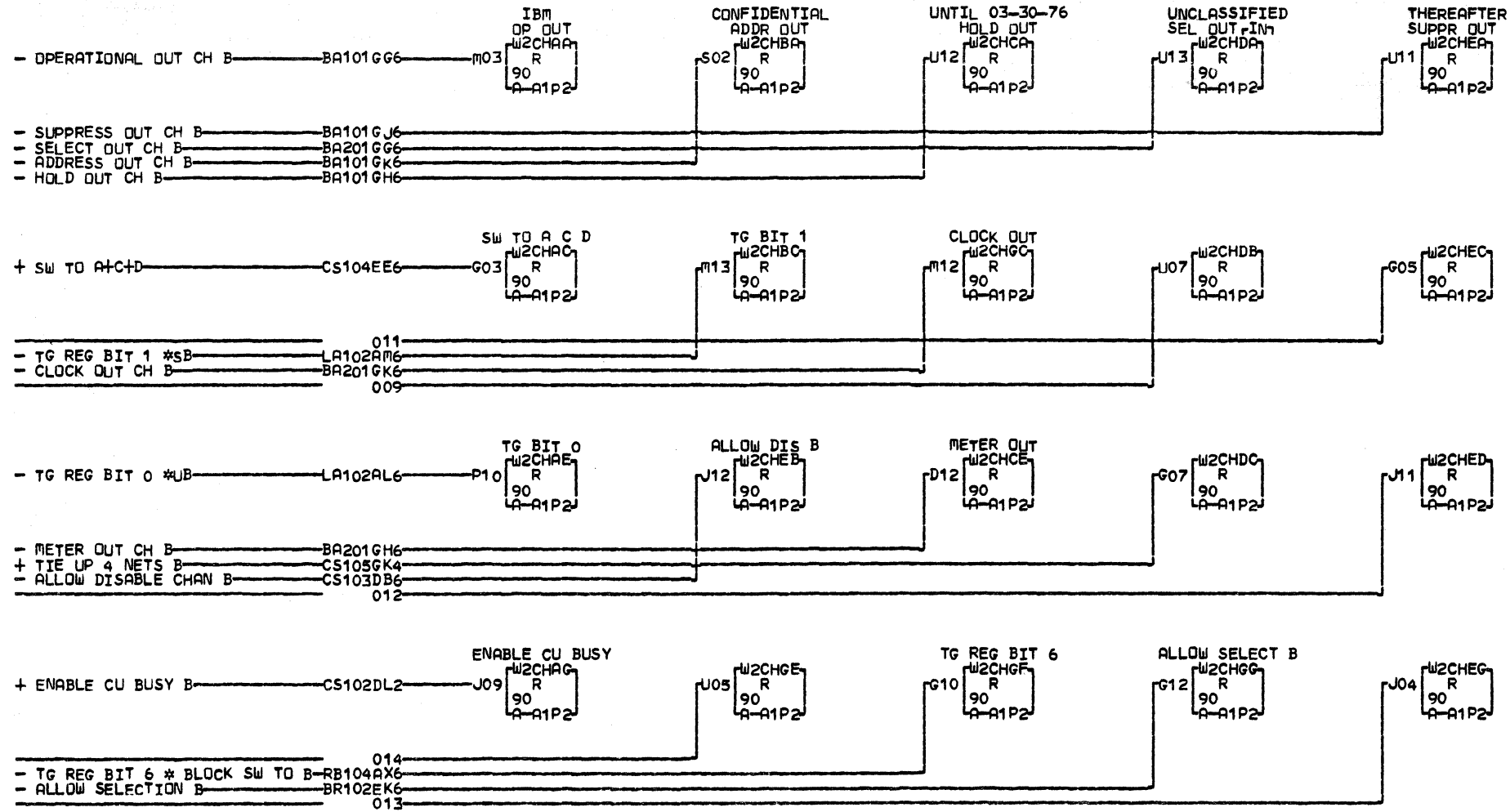
005



LOC. TYPE  
A-A1P2 2732

- INTERFACE CHECK	
E.C. HISTORY	MACH. 3830-2
437380	FRAME 01
	IBM CORP. SDD
DATE LAST EC	P.N. 2290381
11-28-75 437381	

K  
B  
1  
0  
6  
005



K  
B  
1  
0  
9

LOC. TYPE  
A-A1P2 2732

CHANNEL B TERMINATORS	
E.C. HISTORY 437380	MACH. 3830-2
DATE 11-28-75	LAST EC 437381
FRAME 01	IBM CORP. SDD
P.No. 2290382	

K  
B  
1  
0  
9  
005