

Schid 5/7/76

T66263

5/7/6

REQUESTED BY 2D T66263

MACHINE HISTORY

DATE 76-04-05

PAGE 1

MACH TYPE	SERIAL NUMBER	SYST TYPE	SYSTEM NUMBER	F/E B/O	W/T CTY	CUST NUMBER	MD CD	MICRO TPC-CD	SCHEDULE SHIP	SHIP DATE	PLT MFG	PLT CTL	MACHINE STATUS
3830	0022027	3855	0000969	0227		6553332				73-08-03	S.J.	S.J.	SWM W/EC

BASIC MACHINE EC LEVEL / ECA=080 EC=427574 FACTORY EC LEVEL= SALES MODEL=002 MFG MD=002

STANDARD FEATURE SECTION

ECA	FIELD	FACTORY	FEATURE	BM	DEVICE	FTR-ASN	FEATURE NAME	STATUS	MES-NO	STAT	DATE
079	437529	437552	2199880				PWR SEQ MOD 002 CONV	TO BE REM	T66263	WRIT	76-03-29
079	437529	437552	2199880				PWR SEQ MOD 002 CONV	FACT INST			
000	437545	437535	2199930	9903			FIN ASM MOD 2+3 60HZ	FACT INST			
000	111111P		2199933				COVER GRP BASIC MOD2	FACT INST			
000	429857		2269100				CE PANEL	FACT INST			
000	431607		2280760				23FD RDR 60CY W/C	FACT INST			
051	427167		2281027				I/O PAN MOD 1&2 60CY	FACT INST			
000	427246	427311	2281671				P2I MEM MOD 001&002	TO BE REM	T66263	WRIT	76-03-29
000	427246	427311	2281671				P2I MEM MOD 001&002	FACT INST			
000	111111P		2281861				INFO PLATE GP	FACT INST			
000	111111P		2281864				ENGLISH LANGUAGE GRP	FACT INST			
093	437310		2282603				CE PANEL FEAT	FACT INST			
000	4272000		2290129				23FD MOD II	FACT INST			
000	437399		2345487				COMPAT CHART MD2	TO BE REM	T66263	WRIT	76-03-29
000	437399		2345487				COMPAT CHART MD2	FACT INST			
097	437314		2346100				FEAT GP BASIC MD2	TO BE REM	T66263	WRIT	76-03-29
097	437314		2346100				FEAT GP BASIC MD2	FACT INST			
097	437314	437356	2346140	8171			2 CH SW ADD MOD 002	FACT INST			
000	437470		2346147	9315			3330/3340 MIX MD2	TO BE REM	T66263	WRIT	76-03-29
000	437470		2346147	9315			3330/3340 MIX MD2	FACT INST			
099	437417		2346602				23FD DIAG DSK MOD 2	TO BE REM	T66263	WRIT	76-03-29
099	437417		2346602				23FD DIAG DSK MOD 2	FACT INST			
000	437418	437418	2346607				PERS DISK	TO BE INST	T66263	WRIT	76-03-29
000	447460	437410	2346630				MLM MAIN MOD 002	TO BE REM	T66263	WRIT	76-03-29
000	447460	437410	2346630				MLM MAIN MOD 002	FACT INST			
077	437455		2348776				CAS LOG-OBS 437457	REMOVED	800000	INST	74-01-01
077	437455		2348776				CAS LOG-OBS 437457	FACT INST			
103	437461		2348779				ADD BIT LIST MOD 002	TO BE REM	T66263	WRIT	76-03-29
103	437461		2348779				ADD BIT LIST MOD 002	FACT INST			
103	437461		2348805				PERSLZD DSK MOD 002	TO BE REM	T66263	WRIT	76-03-29
103	437461		2348805				PERSLZD DSK MOD 002	TO BE REM	T66263	WRIT	76-03-29
103	437461		2348805				PERSLZD DSK MOD 002	FACT INST			
103	437461		2348805				PERSLZD DSK MOD 002	FACT INST			
000	437381		2348903				BASIC SNIPE LOGIC	TO BE INST	T66263	WRIT	76-03-29
000	437381		2348904	8904			4K SNIPE	TO BE INST	T66263	WRIT	76-03-29
000	437381		2348906	2150			CONTROL STOR EXT	TO BE INST	T66263	WRIT	76-03-29
000	437381		2348908	2151			EXP CONT STOR EXT	TO BE INST	T66263	WRIT	76-03-29
000	437380		2348914				SNIP POWER 2XXXX	TO BE INST	T66263	WRIT	76-03-29
000	437380		2348925				SNIP COMP 60HZ PCB	TO BE INST	T66263	WRIT	76-03-29
000	437381	437392	2348952	6111			SNIP REG EXP	TO BE INST	T66263	WRIT	76-03-29
000	444444		2746611				PCB COMP MOD 002 60C	TO BE REM	T66263	WRIT	76-03-29
000	444444		2746611				PCB COMP MOD 002 60C	FACT INST			
000	437388	437388	4168800	9318			3350 DASD ATTCH	TO BE INST	T66263	WRIT	76-03-29
000	442495	442497	4168811				FUNCTIONAL DISK	TO BE INST	T66263	WRIT	76-03-29
000	442495	442497	4168811				FUNCTIONAL DISK	TO BE INST	T66263	WRIT	76-03-29
000	442495	442497	4168821				MICROFICHE	TO BE INST	T66263	WRIT	76-03-29
000	447460		4291000	8904			D8904 MLM	TO BE INST	T66263	WRIT	76-03-29
042	759144	759143	5298173				P2I MEM STD	TO BE REM	T66263	WRIT	76-03-29
042	759144	759143	5298173				P2I MEM STD	FACT INST			

CABLE AND SHIP GROUP SECTION

ECA	FIELD	FACTORY	B/M #	DC-RPQ	LENGTH	DESCRIPTION	STATUS	MES-NO	STAT	DATE
000	111111P		2333864			PWR CBL 14FT 60HZ M2	FACT INST			
000	111111P		2345490			SHIP GROUP MOD2	FACT INST			
000	437404		2346631			TEST CBL MD2	FACT INST			

ECA HISTORY SECTION

N/A = ECA NOT ASSIGNED EC PROD PRAC LEVEL = 0149 (MRS)

ECA	EC NO	ECA STATUS	FLD	B/M	EIT	QTY	FCSI	DATE
SRQ	437343	NOT REQUIRED						
081	427168	TO BE ADDED						
082	427551	NOT REQUIRED						
085	437408	INSTALLED						
086	437456	INSTALLED	111	EC	437419	Inst	4-13-8	h.k.
087	427558	NOT REQUIRED						
089	437458	NOT REQUIRED	112		447462	Inst	4-14-8	D.R.
090	437414	NOT REQUIRED						
092	437312	INSTALLED	116		447463	Inst	4-14-8	D.R.
093	437310	INSTALLED						
093	437413	NOT REQUIRED	117		447464	Inst	5-24-8	h.k.
093	437459	NOT REQUIRED						
095	437415	NOT REQUIRED	118		437465	Inst	5-29-8	h.k.
096	437416	NOT REQUIRED						
097	437314	INSTALLED						
098	437494	NOT REQUIRED						
099	437417	NOT REQUIRED						
100	437460	NOT REQUIRED						
101	437495	NOT REQUIRED						
102	437364	NOT REQUIRED						
103	437461	NOT REQUIRED						
104	437474	NOT REQUIRED						

MACH TYPE	SERIAL NUMBER	SYST TYPE	SYSTEM NUMBER	F/E B/D	W/T CTY	CUST NUMBER	MD CD	MICRO TPC-CD	SCHEDULE SHIP	SHIP DATE	PLT MFG	PLT CTL	MACHINE STATUS
3830	0022027	3855	0000969	0227		6553332				73-08-03	S.J.	S.J.	SWM W/EC

ECA HISTORY SECTION

N/A = ECA NOT ASSIGNED EC PROD PRAC LEVEL = 0149 (MRS)

ECA	EC NO	ECA STATUS	FLD B/M	EIT	QTY	FCSI	DATE
106	437420	NOT REQUIRED					
889	437361	OPTIONAL CHG NOT INST					
N/A	429657	INSTALLED					
N/A	437308	NOT REQUIRED					
N/A	437309	NOT REQUIRED					
N/A	437344	NOT REQUIRED					
N/A	437345	NOT REQUIRED					
N/A	437380	INSTALLED					
N/A	437380E	INSTALLED					
N/A	437381	INSTALLED					
N/A	437421	NOT REQUIRED					
N/A	437457	NOT REQUIRED					
N/A	437462	NOT REQUIRED					
N/A	437493	NOT REQUIRED					
N/A	437545	INSTALLED					
N/A	438804	NOT REQUIRED					
N/A	438805	NOT REQUIRED					
N/A	438806	NOT REQUIRED					
N/A	438807	NOT REQUIRED					
N/A	438808	NOT REQUIRED					
N/A	441251	NOT REQUIRED					
N/A	447460	INSTALLED					
N/A	735933	NOT REQUIRED					
N/A	735934	NOT REQUIRED					
N/A	737048	NOT REQUIRED					
N/A	737049	NOT REQUIRED					
N/A	737934	NOT REQUIRED					
N/A	845285	NOT REQUIRED					

INSTALLED REA'S

ECA	EC NO	REA#	AFFECTS BASIC	AFFECTS BM NO
N/A	437471	1344010	NO	2346147
N/A	437471	1344011	NO	2346147
N/A	437471	1344014	NO	2346147
N/A	437471	1344015	NO	2346147
N/A	437471	1344012	NO	2346147
N/A	437471	1344013	NO	2346147
N/A	437471	1344016	NO	2346147
N/A	437471	1344017	NO	2346147
N/A	437471	1344018	NO	2346147
N/A	437471	1344019	NO	2346147
N/A	437471	1344020	NO	2346147
		1357831	NO	4168811
		1357832	NO	4168811
		1357833	NO	4168811
		1357834	NO	4168811
		1357835	NO	4168811
		1330521	NO	2348908
		1346808	NO	4291000

VOLUME #10 MACHINE 3830-2-0022027 MODEL 002 SYSTEM 0000969 MODE SCHED SHIP 73/08/03

LOGIC TYPE -6- BOARDS

PAGE NUM	SH	TITLE	PART NUM	EC NUM	FEATURE	B/M OR B/MS	
01A-A1		CUSTOMZD BOARD	0002348868	437381	.W.	0002348908	.W. 0002348952
01A-B1		CUSTOMZD BOARD	0002348870	437381	.W.	0002348908	
01A-B2		CUSTOMZD BOARD	0002348872	437380	.W.	0002348903	
01A-B3		CUSTOMZD BOARD	0002348866	437381	.W.	0002348903	.W. 0002348904
01B-A1		CUST BD I/O PANEL	0002281920	427167	.W.	0002281027	

TOTAL PART NUMBERS THIS VOLUME 5

VOLUME R01 MACHINE 3830-2-0022027 MODEL 002 SYSTEM 0000969 MODE

SCHED SHIP 73/08/03

LOGIC TYPE -7- DIAGNOSTIC MANUAL

PAGE NUM	SH	TITLE	PART NUM	EC NUM	FEATURE B/M OR B/MS
AA0000		RCF TAB	0002354807	437414	.W. 0004291000
AA0010		RCF MAILER	0002354808	437414	.W. 0004291000
AA0200		PLAN TITLE/PREFACE	0002346970	437414	.W. 0004291000
AA0300		PLAN 5/10	0002346971	437414	.W. 0004291000
AB0100		LGND TAB	0002354651	437405	.W. 0004291000
AB0200		LGND 2	0002354652	437417	.W. 0004291000
AB0300		LGND 3	0002354653	437414	.W. 0004291000
AB0400		LGND 10	0002354654	447460	.W. 0004291000
AB0500		LGND 14/15	0002354655	437414	.W. 0004291000
AB0600		LGND 16/18	0002354656	437417	.W. 0004291000
AB0700		LGND 20	0002354672	437417	.W. 0004291000
AD0100		TAB	0002346950	437405	.W. 0004291000
AD0200		MLX 1/2	0002346974	447460	.W. 0004291000
AG0100		START TAB	0002346951	437405	.W. 0004291000
AG0200		START 1/5	0002346975	447460	.W. 0004291000
AG0300		START 10/15	0002346976	447460	.W. 0004291000
AG0400		START 25/27	0004290880	447460	.W. 0004291000
AG0500		START 30/35	0002346978	447460	.W. 0004291000
AG0700		START 40	0002346980	447460	.W. 0004291000
AG0800		START 50/55	0004290883	447460	.W. 0004291000
AG0900		START 60/65	0004290884	447460	.W. 0004291000
AG1000		START 70/75	0004290885	447460	.W. 0004291000
AG1100		START 80/85	0002346984	447460	.W. 0004291000
AG1200		START 90/95	0002346985	437415	.W. 0004291000
AG1300		START 96/97	0002347338	437414	.W. 0004291000
AG1400		START 100	0004290887	447460	.W. 0004291000
AG1500		START 102/900	0004290888	447460	.W. 0004291000
AG1600		START 901/905	0002347341	437414	.W. 0004291000
AG1700		START 906/907	0004290889	447460	.W. 0004291000
AG1800		START 908/909	0002347367	437413	.W. 0004291000
AG1820		START 910/911	0004290890	447460	.W. 0004291000
AG1900		START 950	0002347368	437414	.W. 0004291000
AN0100		TAB	0002346953	437405	.W. 0004291000
AN0200		MSG 1/10	0002346990	437414	.W. 0004291000
AN0300		MSG 20/30	0002346991	437415	.W. 0004291000
AN0400		MSG 40	0002346992	437414	.W. 0004291000
AR0100		PANEL TAB	0002346954	437405	.W. 0004291000
AR0200		PANEL 1/10	0002346995	437415	.W. 0004291000
AR0300		PANEL 11/15	0002346996	437414	.W. 0004291000
AR0400		PANEL 16	0002346997	437415	.W. 0004291000
AR0500		PANEL 30/40	0004290891	447460	.W. 0004291000
AR0600		PANEL 41/50	0004290892	447460	.W. 0004291000
AR0700		PANEL 51/100	0002347346	437414	.W. 0004291000
AR0800		PANEL 105/110	0002347347	437414	.W. 0004291000
AR0900		PANEL 115/120	0002347369	437415	.W. 0004291000
AU0100		MICRO TAB	0002346955	437405	.W. 0004291000
AU0200		MICRO 1	0004290893	447460	.W. 0004291000
AU0300		MICRO 10/15	0004290894	447460	.W. 0004291000
AU0350		MICRO 16	0004290895	447460	.W. 0004291000
AU0400		MICRO 17/20	0004290896	447460	.W. 0004291000
AU0450		MICRO 22/23	0004290601	447460	.W. 0004291000
AU0500		MICRO 25/30	0002347003	437414	.W. 0004291000
AU0600		MICRO	0002347004	437414	.W. 0004291000
AU0700		MICRO 60	0002347005	447460	.W. 0004291000
AU0730		MICRO 62A/62B	0002354737	437414	.W. 0004291000
AU0740		MICRO 62C/62D	0002354738	437414	.W. 0004291000
AU0750		MICRO 62E/62F	0002354739	437414	.W. 0004291000
AU0800		MICRO 65/70	0002347006	447460	.W. 0004291000
AU0900		MICRO 72/74	0002347007	447460	.W. 0004291000
AU1000		MICRO 76/78	0002347008	437414	.W. 0004291000
AU1100		MICRO 80/82	0002347009	437414	.W. 0004291000
AU1200		MICRO 84/86	0002347010	447460	.W. 0004291000
AU1400		MICRO 92/94	0002347012	447460	.W. 0004291000
AU1500		MICRO 96	0002347013	447460	.W. 0004291000
AU1600		MICRO 100/104	0002347014	447460	.W. 0004291000
AU1800		MICRO 106/108	0002347016	447460	.W. 0004291000
AU2500		MICRO 150/152	0004290899	447460	.W. 0004291000
AU2600		MICRO 154/156	0004290901	447460	.W. 0004291000
AU2800		MICRO 158/160	0004290902	447460	.W. 0004291000
AU2900		MICRO 162/166	0004290903	447460	.W. 0004291000
AU3000		MICRO 168/170	0004290904	447460	.W. 0004291000
AU3100		MICRO 172/174	0004290905	447460	.W. 0004291000
AU3200		MICRO 200/205	0002347030	447460	.W. 0004291000
AU3300		MICRO 210/212	0002347031	447460	.W. 0004291000
AU3400		MICRO 215/220	0002347032	447460	.W. 0004291000
AU3500		MICRO 225/230	0002347033	447460	.W. 0004291000
AU3600		MICRO 235/240	0002347034	447460	.W. 0004291000
AU3700		MICRO 245/250	0002347035	447460	.W. 0004291000
AU3800		MICRO 255/260	0002347036	447460	.W. 0004291000
AU3900		MICRO 262	0002347037	447460	.W. 0004291000
AU4000		MICRO 270/275	0002347038	447460	.W. 0004291000
AU4100		MICRO 280/285	0002347039	447460	.W. 0004291000
AU4200		MICRO 290/295	0002347040	447460	.W. 0004291000
AU4300		MICRO 300/305	0002347041	447460	.W. 0004291000
AU4400		MICRO 310	0002347042	437414	.W. 0004291000
AU4500		MICRO 315/320	0002347043	447460	.W. 0004291000

VOLUME R01 MACHINE 3830-2-0022027 MODEL 002 SYSTEM 0000969 MODE

SCHED SHIP 73/08/03

LOGIC TYPE -7- DIAGNOSTIC MANUAL

PAGE NUM	SH	TITLE	PART NUM	EC NUM	FEATURE B/M OR B/MS
AU4600		MICRO 325	0002347044	447460	.W. 0004291000
AU4700		MICRO 330/335	0002347045	447460	.W. 0004291000
AU4800		MICRO 340/345	0002347046	447460	.W. 0004291000
AU4900		MICRO 400/402	0002347047	447460	.W. 0004291000
AU4910		MICRO 403	0004290929	447460	.W. 0004291000
AU4950		MICRO 405/406	0004290908	447460	.W. 0004291000
AU4955		MICRO 407/408	0002354755	447460	.W. 0004291000
AU5000		MICRO 410/415	0004290909	447460	.W. 0004291000
AU5100		MICRO 420	0002347049	447460	.W. 0004291000
AU5150		MICRO 425/427	0002347371	447460	.W. 0004291000
AU5200		MICRO 428/430	0004290912	447460	.W. 0004291000
AU5210		MICRO 440/	0004290913	447460	.W. 0004291000
AU5300		MICRO 500/505	0004290914	447460	.W. 0004291000
AU5350		MICRO 506	0002347372	437415	.W. 0004291000
AU5400		MICRO 510/515	0002347052	437414	.W. 0004291000
AU5500		MICRO 520/525	0002347053	437414	.W. 0004291000
AU5600		MICRO 530/535	0002347054	437414	.W. 0004291000
AU5700		MICRO 540/545	0002354682	437414	.W. 0004291000
AU5800		MICRO 550/555	0002354683	437414	.W. 0004291000
AU5900		MICRO 560/565	0002354684	437414	.W. 0004291000
AU6000		MICRO 570/575	0002354685	447460	.W. 0004291000
AU6100		MICRO 580/585	0002354687	437414	.W. 0004291000
AU6200		MICRO 590/595	0002347060	437414	.W. 0004291000
AU6300		MICRO 600/605	0002347061	437414	.W. 0004291000
AU6400		MICRO 610/615	0002347062	437414	.W. 0004291000
AU6500		MICRO 620/625	0002354740	437414	.W. 0004291000
AU6600		MICRO 630/635	0002354741	437414	.W. 0004291000
AU6700		MICRO 640/645	0002354742	437414	.W. 0004291000
AU6800		MICRO 650/655	0002354747	437414	.W. 0004291000
AU6900		MICRO 660/665	0002354748	437414	.W. 0004291000
AU7000		MICRO 670/675	0002354749	447460	.W. 0004291000
AU7100		MICRO 680/685	0002354750	437414	.W. 0004291000
AU7200		MICRO 690/695	0002354751	437414	.W. 0004291000
AU7300		MICRO 700/705	0002354752	437414	.W. 0004291000
AU7400		MICRO 710/715	0002354753	437414	.W. 0004291000
AU7500		MICRO 720	0002354754	437414	.W. 0004291000
AU8000		MICRO 800/805	0002347352	437414	.W. 0004291000
AU8100		MICRO 810	0002354686	447460	.W. 0004291000

TOTAL PART NUMBERS THIS VOLUME

124

VOLUME R02 MACHINE 3830-2-0022027 MODEL 002 SYSTEM 0000969 MODE

SCH ED SHIP 73/08/03

LOGIC TYPE -7- DIAGNOSTIC MANUAL

PAGE NUM	SH	TITLE	PART NUM	EC NUM	FEATURE B/M OR B/MS
AX0050		TITLE SAFETY	0002347443	437414	.W. 0004291000
AX0100		OLT TAB	0002346956	437405	.W. 0004291000
AX0200		OLT 1/10	0002347064	437414	.W. 0004291000
AX0300		OLT 15/20	0002347065	447460	.W. 0004291000
AX0400		OLT 25/30	0002347066	447460	.W. 0004291000
AX0500		OLT 50/80	0002347067	437414	.W. 0004291000
AX0600		OLT 100/105	0002347373	437416	.W. 0004291000
AX0700		OLT 110/115	0002347374	437414	.W. 0004291000
AX0800		OLT 120/125	0002347375	437414	.W. 0004291000
AX0900		OLT 130/135	0002354673	437414	.W. 0004291000
AX1000		OLT 140/145	0002354674	437414	.W. 0004291000
AX1100		OLT 150/155	0002354677	437414	.W. 0004291000
AX1200		OLT 160/165	0002354678	437414	.W. 0004291000
AX1300		OLT 200/300	0002354679	437414	.W. 0004291000
AX1400		OLT 310	0002354680	437414	.W. 0004291000
AY0100		SENCE TAB	0002347354	437405	.W. 0004291000
AY0200		SENCE 1/10	0002347355	437414	.W. 0004291000
AY0300		SENCE 15/20	0004290935	447460	.W. 0004291000
AY0400		SENCE 25/30	0002347357	437414	.W. 0004291000
AY0500		SENCE 35/40	0002347358	437414	.W. 0004291000
AY0600		SENCE 45	0004290936	447460	.W. 0004291000
BA0100		FSI TAB	0002346957	437405	.W. 0004291000
BA0200		FSI 1	0004290915	447460	.W. 0004291000
BA0300		FSI 5/10	0002347069	447460	.W. 0004291000
BA0400		FSI 15/20	0002347070	437415	.W. 0004291000
BA0500		FSI 25	0004290916	447460	.W. 0004291000
BA0600		FSI 30/32	0004290917	447460	.W. 0004291000
BA0650		FSI 32A/33	0004290918	447460	.W. 0004291000
BA0700		FSI 34/35	0004290919	447460	.W. 0004291000
BA0800		FSI 40/45	0004290920	447460	.W. 0004291000
BA0900		FSI 50/52	0004290921	447460	.W. 0004291000
BA1000		FSI 53/55	0004290922	447460	.W. 0004291000
BD0100		CTRL TAB	0002346958	437405	.W. 0004291000
BD0200		CTRL 1/10	0004290923	447460	.W. 0004291000
BD0250		CTRL 20	0002354756	437414	.W. 0004291000
BD0300		CTRL 25/30	0002347080	437416	.W. 0004291000
BD0400		CTRL 35/40	0002347081	437416	.W. 0004291000
BD0500		CTRL 45/50	0002347082	437416	.W. 0004291000
BD0600		CTRL 60/118	0002347083	447460	.W. 0004291000
BD0700		CTRL 200/220	0004290925	447460	.W. 0004291000
BD0800		CTRL 225/230	0002347085	447460	.W. 0004291000
BD0900		CTRL 235/240	0004290927	447460	.W. 0004291000
BD1000		CTRL 250/300	0004290928	447460	.W. 0004291000
BD1200		CTRL 320/325	0002347089	437417	.W. 0004291000
BD1300		CTRL 400/410	0002347090	437416	.W. 0004291000
BD1900		CTRL 500/600	0004290930	447460	.W. 0004291000
BD2000		CTRL 605/610	0004290931	447460	.W. 0004291000
BD2100		CTRL 620	0004290932	447460	.W. 0004291000
BD2200		CTRL 650/652	0004290933	447460	.W. 0004291000
BG0100		MPL TAB	0002346959	437405	.W. 0004291000
BG0200		MPL 1/2	0002347100	437414	.W. 0004291000
BG0300		MPL 5A/5B	0002347101	437414	.W. 0004291000
BG0400		MPL 10A/10B	0002347102	437414	.W. 0004291000
BG0500		MPL 15A/15B	0002347103	437414	.W. 0004291000
BG0600		MPL 20A/20B	0002347104	437414	.W. 0004291000
BG0700		MPL 25A/25B	0002347105	437414	.W. 0004291000
BG0800		MPL 30A/30B	0002347106	437414	.W. 0004291000
BG0900		MPL 35A/35B	0002347107	437414	.W. 0004291000
BG1000		MPL 40	0002347108	437414	.W. 0004291000
BG1100		MPL 45A/45B	0002347109	437414	.W. 0004291000
BG1200		MPL 50A/50B	0002347110	437414	.W. 0004291000
BG1300		MPL 55A/55B	0002347111	437414	.W. 0004291000
BH0100		MPL TAB	0002346960	437405	.W. 0004291000
BH0200		MPL 100	0002347112	437414	.W. 0004291000
BH0500		MPL 200/220	0004290934	447460	.W. 0004291000
BH0600		MPL 230/240	0002347116	437414	.W. 0004291000
BH0700		MPL 245/260	0002347117	437414	.W. 0004291000
BH0800		MPL 270/280	0002347118	437417	.W. 0004291000
BH0900		MPL 290/295	0002347119	437414	.W. 0004291000
BK0100		CHL-I TAB	0002346961	437405	.W. 0004291000
BK0200		CHL-I 1	0004290984	447460	.W. 0004291000
BK0300		CHL-I 20/25	0002347121	437416	.W. 0004291000
BK0400		CHL-I 30	0002347122	437414	.W. 0004291000
BK1300		CHL-I 35/125	0004290968	447460	.W. 0004291000
BK1400		CHL-I 130/135	0002347132	437416	.W. 0004291000
BK1500		CHL-I 140/145	0002347133	437416	.W. 0004291000
BK1600		CHL-I 150/155	0002347134	437416	.W. 0004291000
BK1700		CHL-I 160/165	0002347135	437416	.W. 0004291000
BK1900		CHL-I 180/185	0002347137	437416	.W. 0004291000
BK1920		CHL-I 190/194	0002354772	437416	.W. 0004291000
BK2000		CHL-I 200/220	0004290969	447460	.W. 0004291000
BK2100		CHL-I 225/230	0004290970	447460	.W. 0004291000
BK2200		CHL-I 235/240	0004290971	447460	.W. 0004291000
BK2300		CHL-I 245/250	0004290972	447460	.W. 0004291000
BK2350		CHL-I 255	0002354657	437416	.W. 0004291000
BK2400		CHL-I 260/265	0004290973	447460	.W. 0004291000

VOLUME R02 MACHINE 3830-2-0022027 MODEL 002 SYSTEM 0000969 MODE

SCHED SHIP 73/08/03

LOGIC TYPE -7- DIAGNOSTIC MANUAL

PAGE NUM	SH	TITLE	PART NUM	EC NUM	FEATURE B/M OR B/MS
BK2500		CHL-I 270/300	0004290974	447460	.W. 0004291000
BK2600		CHL-I 305	0002347144	437416	.W. 0004291000
BK2700		CHL-I 350/360	0004290975	447460	.W. 0004291000
BK2800		CHL-I 365/370	0004290976	447460	.W. 0004291000
BK2805		CHL-I 375/380	0004290977	447460	.W. 0004291000
BK2810		CHL-I 385/390	0004290978	447460	.W. 0004291000
BK2870		CHL-I 395	0004290979	447460	.W. 0004291000
BK2900		CHL-I 400/420	0002347147	437416	.W. 0004291000
BK3100		CHL-I 425/470	0002347149	437415	.W. 0004291000
BK3200		C L-I 475/500	0002347150	437414	.W. 0004291000
BN0100		CTL-I TAB	0002346962	437405	.W. 0004291000
BN0200		C L-I 1/5	0002347151	437414	.W. 0004291000
BN0300		CTL-I 10/15	0002347152	437414	.W. 0004291000
BN0600		CTL-I 20/25	0002347155	437414	.W. 0004291000
BN0700		CTL-I 30/35	0002354743	437414	.W. 0004291000
BN0800		CTL-I 45/50	0002354744	437414	.W. 0004291000
BN0900		CTL-I 110/115	0002354745	437414	.W. 0004291000
BN1000		CTL-I 120/190	0002354746	437414	.W. 0004291000

TOTAL PART NUMBERS THIS VOLUME 104

VOLUME R03 MACHINE 3830-2-0022027 MODEL 002 SYSTEM 0000969 MODE

SCHED SHIP 73/08/03

LOGIC TYPE -7- DIAGNOSTIC MANUAL

PAGE NUM	SH	TITLE	PART NUM	EC NUM	FEATURE	B/M OR B/MS
BR0050		TITLE SAFETY	0002347445	437414	.W.	0004291000
BR0100		PWR TAB	0002346963	437405	.W.	0004291000
BR0200		PWR 1/2	0004290945	447460	.W.	0004291000
BR0300		PWR 10	0002347157	437414	.W.	0004291000
BR0400		PWR 20/30	0002347158	437414	.W.	0004291000
BR0500		PWR 31/40	0002347159	437414	.W.	0004291000
BR0600		PWR 45	0002347160	437414	.W.	0004291000
BR0700		PWR 50/60	0004290946	447460	.W.	0004291000
BR0800		PWR 61/62	0002347162	437414	.W.	0004291000
BR0900		PWR 63/65	0002347163	437414	.W.	0004291000
BR1000		PWR 65/70	0002347164	437414	.W.	0004291000
BR1100		PWR 71/72	0002347165	437414	.W.	0004291000
BR1200		PWR 73	0002347166	437414	.W.	0004291000
BR1300		PWR 74/80	0004290947	447460	.W.	0004291000
BR1400		PWR 85/90	0004290948	447460	.W.	0004291000
BR1500		PWR 91/92	0004290949	447460	.W.	0004291000
BR1600		PWR 93/100	0004290950	447460	.W.	0004291000
BR1700		PWR 105/110	0004290951	447460	.W.	0004291000
BR1800		PWR 120	0004290952	447460	.W.	0004291000
BR1900		PWR 130/131	0004290953	447460	.W.	0004291000
BR2000		PWR 132/135	0002347174	437415	.W.	0004291000
BR2100		PWR 140/141	0004290954	447460	.W.	0004291000
BR2200		PWR 142/150	0004290955	447460	.W.	0004291000
BR2300		PWR 155/160	0002347177	437414	.W.	0004291000
BR2400		PWR 165/170	0002347178	437414	.W.	0004291000
BR2500		PWR 180/185	0004290982	447460	.W.	0004291000
BR2600		PWR 190/200	0004290956	447460	.W.	0004291000
BR2700		PWR 205/210	0002347181	437414	.W.	0004291000
BR2800		PWR 2 0/225	0004290957	447460	.W.	0004291000
BR2900		PWR 230/240	0004290958	447460	.W.	0004291000
BR3000		PWR 245/250	0004290959	447460	.W.	0004291000
BR3100		PWR 260/270	0002347185	437414	.W.	0004291000
BR3200		PWR 280	0004290960	447460	.W.	0004291000
BR3300		PWR 300/305	0004290961	447460	.W.	0004291000
BR3400		PWR 306/310	0004290962	447460	.W.	0004291000
BR3500		PWR 311/	0004290963	447460	.W.	0004291000
BU0100		INTR TAB	0002346964	437405	.W.	0004291000
BU0200		INTR 1	0002347189	437414	.W.	0004291000
BU0250			0004290985	447460	.W.	0004291000
BU0300		INTR 10/20	0004290937	447460	.W.	0004291000
BU0400		INTR 50/90	0002347191	447460	.W.	0004291000
BU0500		INTR 100/105	0004290939	447460	.W.	0004291000
BU0600		INTR 110/115	0002347193	447460	.W.	0004291000
BU0700		INTR 120/140	0002347194	437414	.W.	0004291000
BX0100		CMD TAB	0002346965	437405	.W.	0004291000
BX0200		CMD 1/2	0002347195	447460	.W.	0004291000
BX0300		CMD 5/10	0002347196	447460	.W.	0004291000
BX0350		CMD 15/16	0002354810	447460	.W.	0004291000
BX0400		CMD 20/25	0002347197	447460	.W.	0004291000
BX0500		CMD 30	0002347198	447460	.W.	0004291000
BX0600		CMD 35/50	0002347199	437415	.W.	0004291000
BX0700		CMD 55/70	0002347200	447460	.W.	0004291000
BX0800		CMD 75/77	0002347201	447460	.W.	0004291000
BX0900		CMD 80/85	0002347202	447460	.W.	0004291000
BX1000		CMD 90/100	0002347203	447460	.W.	0004291000
BX1050		CMD 105/107	0002354811	447460	.W.	0004291000
BX1100		CMD 110/120	0002347204	447460	.W.	0004291000
BX1200		CMD 125	0002347205	447460	.W.	0004291000
BX1300		CMD 130/140	0002347206	447460	.W.	0004291000
BX1400		CMD 142/145	0002347207	447460	.W.	0004291000
BX1500		CMD 150/160	0002347208	447460	.W.	0004291000
BX1550		CMD 165/170	0002354812	447460	.W.	0004291000
BX1600		CMD 173/175	0002347209	447460	.W.	0004291000
BX1650		CMD 176	0002354814	447460	.W.	0004291000
BX1700		CMD 181/183	0002347210	447460	.W.	0004291000
BX1750		CMD 190	0002347376	447460	.W.	0004291000
BX1800		CMD 200/210	0002347211	447460	.W.	0004291000
BX1900		CMD 215/220	0002347212	447460	.W.	0004291000
BX1950		CMD 230	0002354813	447460	.W.	0004291000
BX2000		CMD 250/255	0002347213	447460	.W.	0004291000
BX2050		CMD 300	0002354815	447460	.W.	0004291000
BX2100		CMD 305/400	0002347214	447460	.W.	0004291000
BX2200		CMD 430	0002347215	437417	.W.	0004291000
CA0100		MIC TAB	0002346966	437405	.W.	0004291000
CA0200		MIC 1/2	0002347216	437417	.W.	0004291000
CA0300		MIC 3/5	0002347217	447460	.W.	0004291000
CA0400		MIC 6	0002347218	437408	.W.	0004291000
CA0500		MIC 10/11	0002347219	437408	.W.	0004291000
CA0600		MIC 12/13	0002347220	437408	.W.	0004291000
CA0700		MIC 14/15	0002347221	437414	.W.	0004291000
CA0800		MIC 16/17	0002347222	437408	.W.	0004291000
CA0900		MIC 18/30	0002347223	437408	.W.	0004291000
CA1000		MIC 31/35	0002347224	437414	.W.	0004291000
CB0100		MICFL TAB	0002354670	437408	.W.	0004291000
CB0200		MICFL 1/5	0002354775	437408	.W.	0004291000
CB0300		MICFL 10/15	0002354776	437408	.W.	0004291000

VOLUME R03 MACHINE 3830-2-0022027 MODEL 002 SYSTEM 0000969 MODE

SCHED SHIP 73/08/03

LOGIC TYPE -7- DIAGNOSTIC MANUAL

PAGE NUM	SH	TITLE	PART NUM	EC NUM	FEATURE B/M OR B/MS	
CB0400		MICFL 20/25	0002354777	437408	.W. 0004291000	
CB0500		MICFL 30/35	0002354778	437408	.W. 0004291000	
CB0600		MICFL 40/45	0002354779	447460	.W. 0004291000	
CB0700		MICFL 50/55	0002354780	447460	.W. 0004291000	
CB0800		MICFL 60/65	0002354781	437408	.W. 0004291000	
CB0900		MICFL 70/75	0002354782	437408	.W. 0004291000	
CB1000		MICFL 80/85	0002354783	447460	.W. 0004291000	
CB1100		MICFL 90/95	0002354784	437408	.W. 0004291000	
CB1200		MICFL 100/105	0002354785	437408	.W. 0004291000	
CB1300		MICFL 110/115	0002354800	447460	.W. 0004291000	
CB1400		MICFL 120/125	0002354786	447460	.W. 0004291000	
CB1500		MICFL 150/160	0004290981	447460	.W. 0004291000	
CD0100		LDC TAB	0002346967	437405	.W. 0004291000	
CD0200		LDC 1/2	0002347225	447460	.W. 0004291000	
CD0300		LDC 4/6	0002347226	447460	.W. 0004291000	
CD0400		LDC 8/10	0002347359	447460	.W. 0004291000	
CD0500		LDC 12/14	0002347360	447460	.W. 0004291000	
CD0600		LDC 16	0002347361	437415	.W. 0004291000	
CG0100		INST TAB	0002346968	437405	.W. 0004291000	
CG0200		INST 1	0002347227	437414	.W. 0004291000	
CG0300		INST 5/10	0004290941	447460	.W. 0004291000	
REAS						1346808
CG0400		INST 15/16	0004290942	447460	.W. 0004291000	
REAS						1346808
CG0425		INST 17	0004290986	447460	.W. 0004291000	
REAS						1346808
CG0500		INST 20/25	0002347230	447460	.W. 0004291000	
REAS						1346808
CK0100		INDEX TAB	0002346969	437405	.W. 0004291000	
CK0200		INDEX 1/2	0004290987	447460	.W. 0004291000	
CK0300		INDEX 3/4	0004290988	447460	.W. 0004291000	
CK0400		INDEX 5/6	0004290989	447460	.W. 0004291000	

TOTAL PART NUMBERS THIS VOLUME 114

VOLUME 001 MACHINE 3830-2-0022027 MODEL 002 SYSTEM 0000969 MODE

SCHD SHIP 73/08/03

LOGIC TYPE -0- SYSTEMS DIAGRAMS

PAGE NUM	SH	TITLE	PART NUM	EC NUM	FEATURE B/M OR B/MS
AA002		FUNC MICRO SEL TABLE	0002348821	442496	.W. 0002348903
AA010		CHL-I A ENTRY	0002290300	437381	.W. 0002348903
AA011		CH A EXIT MERLIN ATT	0002345601	437310	.W. 0002348903
AA020		CHL-I B ENTRY	0002290301	437381	.W. 0002348903
AA021		CH B EXIT MERLIN ATT	0002345603	437310	.W. 0002348903
AA030		CHL-I C ENTRY	0002290302	437381	.W. 0002348903
AA031		FOUR CH SW CH C EXIT	0002345605	437310	.W. 0002348903
AA040		CHL-I D ENTRY	0002290303	437381	.W. 0002348903
AA041		FOUR CH SW D EXIT ME	0002345607	437310	.W. 0002348903
AA101		CHL-I RECEIVERS	0002290304	437381	.W. 0002348903
AA102		CHL-I DRIVERS	0002290305	437381	.W. 0002348908
AA109		NPL TERMINATORS	0002290306	437381	.W. 0002348903
AA201		CHL-I RECEIVERS	0002290307	437381	.W. 0002348903
AA202		CHL-I DR	0002346174	437311	.W. 0002348903
AA209		NPL TERMINATORS	0002290308	437381	.W. 0002348908
AA301		I-O INTERFACE RECEIV	0002345614	437310	.W. 0002348903
AA302		CHL-I DRIVERS	0002290309	437381	.W. 0002348903
AA309		NPL TERMINATORS	0002290310	437381	.W. 0002348903
AA401		I-O INTERFACE RECEIV	0002345617	437310	.W. 0002348903
AA402		CHL-I DRIVERS	0002290311	437381	.W. 0002348903
AA409		NPL TERMINATORS	0002345619	437310	.W. 0002348903
AR101		SEL OUT BYPASS & PRI	0002346178	437311	.W. 0002348903
AR102		TERM AND INTEG CLOCK	0002290312	437381	.W. 0002348903
AR109		TERM PG	0002346180	437311	.W. 0002348903
BA101		CHL-I RECEIVERS	0002290313	437381	.W. 0002348903
BA102		CHL-I DRIVERS	0002290314	437381	.W. 0002348908
BA109		NPL TERMINATORS	0002290315	437381	.W. 0002348903
BA201		CHL-I RECEIVERS	0002290316	437381	.W. 0002348903
BA202		CHL I DR	0002346184	437311	.W. 0002348903
BA209		NPL TERM	0002346185	437311	.W. 0002348903
BA301		I-O INTERFACE RECEIV	0002345629	437310	.W. 0002348903
BA302		CHL I DR	0002346186	437311	.W. 0002348903
BA309		NPL TERM	0002346187	437311	.W. 0002348903
BA401		I-O INTERFACE RECEIV	0002345632	437310	.W. 0002348903
BA402		CHL-I DRIVERS	0002290317	437381	.W. 0002348903
BA409		NPL TERMINATORS	0002345634	437310	.W. 0002348903
BR101		SEL OUT BYPASS & PRI	0002346188	437311	.W. 0002348903
BR102		TERM AND INTEG CLOCK	0002290318	437381	.W. 0002348903
BR109		TERM PG	0002346190	437311	.W. 0002348903
CA101		CHL-I RECEIVERS	0002290319	437381	.W. 0002348903
CA102		CHL-I DRIVERS	0002290320	437381	.W. 0002348908
CA109		NPL TERMINATORS	0002290321	437381	.W. 0002348903
CA201		I-O INTERFACE RECEIV	0002345641	437310	.W. 0002348903
CA202		CHL I DR	0002346194	437311	.W. 0002348903
CA209		NPL TERM	0002346195	437311	.W. 0002348903
CA301		I-O INTERFACE RECEIV	0002345644	437310	.W. 0002348903
CA302			0002346196	437311	.W. 0002348903
CA309		NPL TERM	0002346197	437311	.W. 0002348903
CA401		I-O INTERFACE RECEIV	0002345647	437310	.W. 0002348903
CA402		CHL-I DRIVERS	0002290322	437381	.W. 0002348903
CA409		NPL TERMINATORS	0002345649	437310	.W. 0002348903
CR101		SELOUT BYPASS & PRI	0002346198	437311	.W. 0002348903
CR102		TERM & INTEGRATORS C	0002346199	437311	.W. 0002348903
CR109		TERM PG	0002346200	437311	.W. 0002348903
CS101		CHANNEL SELECTOR	0002290323	437381	.W. 0002348903
CS102		ENABLE BUSY & SEL OU	0002290324	437381	.W. 0002348903
CS103		SERVICE & DATA OUT S	0002290325	437381	.W. 0002348903
CS104		CH BCD BUSY SW TO-MI	0002290326	437381	.W. 0002348903
CS105		TIE UPS AND ERROR 1	0002290327	437381	.W. 0002348908
CS109		LINE TERM CS CARD SY	0002290328	437381	.W. 0002348903
DA101		CHL-I RECEIVERS	0002290329	437381	.W. 0002348903
DA102		CHL-I DRIVERS	0002290330	437381	.W. 0002348908
DA109		NPL TERMINATORS	0002290331	437381	.W. 0002348903
DA201			0002290332	437381	.W. 0002348903
DA202		CHL I DR	0002346211	437311	.W. 0002348903
DA209		NPL TERM	0002346212	437311	.W. 0002348903
DA301		I-O INTERFACE RECEIV	0002345664	437310	.W. 0002348903
DA302		CHL I DR	0002346213	437311	.W. 0002348903
DA309		NPL TERM	0002346214	437311	.W. 0002348903
DA401		I-O INTERFACE RECEIV	0002345667	437310	.W. 0002348903
DA402		CHL-I DRIVERS	0002290333	437381	.W. 0002348903
DA409		NPL TERMINATORS	0002345669	437310	.W. 0002348903
DE101		CD DECODE-GD SET CTR	0002345670	437310	.W. 0002348903
DE102		CD PARTIAL DECODE &	0002345671	437310	.W. 0002348903
DE103		SA SB SC SD REG SETS	0002345672	437310	.W. 0002348903
DE104		M AND N TYPE REGISTE	0002290334	437381	.W. 0002348908
DE105		BRD AND T TYPE REGIS	0002290335	437381	.W. 0002348908
DE106		GP REGISTER SET ERRO	0002290336	437381	.W. 0002348903
DE107		GP REG SETS ERROR DE	0002290337	437381	.W. 0002348908
DE109		CD DECODE LINE TERMI	0002290338	437381	.W. 0002348908

VOLUME 001 MACHINE 3830-2-0022027 MODEL 002 SYSTEM 0000969 MODE SCHED SHIP 73/08/03

LOGIC TYPE -5- REFERENCE DATA

PAGE NUM	SH	TITLE	PART NUM	EC NUM	FEATURE	B/M OR B/MS	
01A-A1		CBL LOC LIST	0002348936	437381	.W.	0002348952	.W. 0002348908
01A-B1		CBL LOC LIST	0002348937	437381	.W.	0002348908	
01A-B2		CBL LOC LIST	0002348938	437380	.W.	0002348903	
01A-B3		CBL LOC LIST	0002348939	437380	.W.	0002348904	
A01A A1		NET PIN LIST	0002348868	437381	.W.	0002348908	.W. 0002348952
REAS							1330521
A01A-B1		NET PIN LIST	0002348870	437381	.W.	0002348908	
A01A-B2		NET PIN LIST	0002348872	437380	.W.	0002348903	
A01A-B3		NET PIN LIST	0002348866	437381	.W.	0002348904	
2281920		MICROFICHE A01B-B1	0002281920	427167	.W.	0002281027	
4168831			0004168831	442497	.W.	0004168821	

TOTAL PART NUMBERS THIS VOLUME 90

VOLUME 002 MACHINE 3830-2-0022027 MODEL 002 SYSTEM 0000969 MODE

SCHED SHIP 73/08/03

LOGIC TYPE -0- SYSTEMS DIAGRAMS

PAGE NUM	SH	TITLE	PART NUM	EC NUM	FEATURE B/M OR B/MS
DE201		CS DECODE PAGE 1	0002345678	437310	.W. 0002348903
DE202		CS DECODE PAGE 2	0002345679	437310	.W. 0002348903
DE209		CS DECODE TERM	0002345680	437310	.W. 0002348903
DE301		READ BYTE 3	0002345681	437310	.W. 0002348903
DE302		CH DECODE	0002345682	437310	.W. 0002348903
DE303		CH DECODE COMPARE	0002345683	437310	.W. 0002348903
DE304		CL DECODE	0002345684	437310	.W. 0002348903
DE305		CL DECODE COMPARE	0002345685	437310	.W. 0002348903
DE306		EXTERNAL BRANCH COND	0002290339	437381	.W. 0002348908
DE307		RD BYTE 3 PWR ST REG	0002345986	437310	.W. 0002348903
DE309		CH CL TERMINATORS	0002290340	437381	.W. 0002348908
DE401		SPECIAL OPERATIONS D	0002290341	437381	.W. 0002348903
DE402		SPECIAL OPERATIONS D	0002290342	437381	.W. 0002348908
DE403		SPECIAL OPERATIONS D	0002345692	437310	.W. 0002348903
DE404		SPECIAL OPERATIONS D	0002290343	437381	.W. 0002348903
DE501		CB DECODE	0002345695	437310	.W. 0002348903
DE502		CB DECODE	0002345696	437310	.W. 0002348903
DE503		CB DECODE	0002290344	437381	.W. 0002348908
DE504		CB DECODE CHK BYTE 1	0002345698	437310	.W. 0002348903
DE505		ADDRESS COMPARE 2	0002345699	437310	.W. 0002348903
DE509		CB DECODE TERMINATOR	0002345700	437310	.W. 0002348903
DL101			0002290345	437381	.W. 0002348903
DL102		PGM CTRLD SEL RST AL	0002290346	437381	.W. 0002348908
DL103		PWR FOR S REG EXIT E	0002345989	437310	.W. 0002348903
DL104		NEED TITLE	0002345978	437310	.W. 0002348903
DL109		TERMINATING RESISTOR	0002290347	437381	.W. 0002348903
DR101		SEL OUT BYPASS & PRI	0002346221	437311	.W. 0002348903
DR102		TERMINATORS & INTEGR	0002290348	437381	.W. 0002348903
DR109		TERM PG	0002346223	437311	.W. 0002348903
GA101		DCI BUFFER & CTRL CD	0002345706	437310	.W. 0002348903
GA102		DCI INTERFACE BUS OU	0002345707	437310	.W. 0002348903
GA103		CTL-I CONTROLS	0002290494	437381	.W. 0002348908
GA104		DCI INTERFACE CTRLS	0002345709	437310	.W. 0002348903
GA109		DCI CONTROLS	0002345711	437310	.W. 0002348903
GA201		CTL-I CONTROL CARD 2	0002290349	437381	.W. 0002348903
GA202		DCI CTRLS CD AUTO LO	0002345713	437310	.W. 0002348903
GA203		DCI CTRLS CD 2 COMPA	0002345714	437310	.W. 0002348903
GA209		CTL-I CONTROL CARD 2	0002290350	437381	.W. 0002348908
GA301		CI CTRL CD 1 DCI CK	0002346224	437311	.W. 0002348903
GA302		CI CTRL CD 3 DCI CK	0002346225	437311	.W. 0002348903
GA309		CI CTRL CD 3 RESISTO	0002346226	437311	.W. 0002348903
GA401		CU-DEV INTF RECEIVER	0002345721	437310	.W. 0002348903
GA402		CU-DEV INTF LINE DRI	0002345722	437310	.W. 0002348903
GA409		NPL TERMINATORS	0002345723	437310	.W. 0002348903
GA501		CU-DEV INTF RECEIVER	0002345724	437310	.W. 0002348903
GA502		CU-DEV INTF LINE DRI	0002345725	437310	.W. 0002348903
GA509		NPL TERMINATORS	0002345726	437310	.W. 0002348903
GA601		CU-DEV BUS IN RECEIV	0002345727	437310	.W. 0002348903
GA602		CU-DEV TAG BUS LINE	0002345728	437310	.W. 0002348903
GA609		NPL TERMINATORS	0002345729	437310	.W. 0002348903
GA701		CU-DEV INTF REC	0002345730	437310	.W. 0002348903
GA702		CU-DEV BUS OUT LINE	0002345731	437310	.W. 0002348903
GA709		NPL TERMINATORS	0002345732	437310	.W. 0002348903
GK501		CHANNEL TRANSFER CON	0002290351	437381	.W. 0002348908
GK502		CHANNEL TRANSFER CON	0002290352	437381	.W. 0002348908
GK503		CHANNEL TRANSFER CON	0002290353	437381	.W. 0002348908 .W. 0002348952
GK504		CHANNEL TRANSFER CON	0002290354	437381	.W. 0002348908
REAS					1330521 1330521
GK505		CHANNEL TRANSFER CON	0002290355	437381	.W. 0002348908
GK506		CHANNEL TRANSFER CON	0002290356	437381	.W. 0002348908 .W. 0002348952
GK507		CHANNEL TRANSFER CON	0002290357	437381	.W. 0002348908
GK509		CHANNEL TRANSFER CON	0002290358	437381	.W. 0002348908
GK601		CHANNEL TRANSFER BUF	0002290359	437381	.W. 0002348908 .W. 0002348952
GK602		CHANNEL TRANSFER BUF	0002290360	437381	.W. 0002348908 .W. 0002348952
GK603		CHANNEL TRANSFER BUF	0002290361	437381	.W. 0002348908 .W. 0002348952
GK604		CHANNEL TRANSFER BUF	0002290362	437381	.W. 0002348908 .W. 0002348952
GK605		EXTERNAL GATING TO N	0002290363	437381	.W. 0002348908 .W. 0002348952
GK606		CHANNEL ADDRESS IN B	0002290364	437381	.W. 0002348908 .W. 0002348952
GK609		CHANNEL TRANSFER BUF	0002290365	437381	.W. 0002348908 .W. 0002348952
GK701		DISCONNECT IN	0002290487	437381	.W. 0002348908
GK702		DISCONNECT IN	0002290488	437381	.W. 0002348908 .W. 0002348952
GK703		DISCONNECT IN	0002290489	437381	.W. 0002348908
GK704		TAG DURATION CHECK	0002290490	437381	.W. 0002348908 .W. 0002348952
REAS					1330521
GK705		TAG DELAY	0002290491	437381	.W. 0002348908
GK709		DISCONNECT IN	0002290492	437381	.W. 0002348908
KA101		CHAN A SELECTION REQ	0002290369	437381	.W. 0002348903
KA102		CHAN A OP IN HIO COM	0002290370	437381	.W. 0002348903
KA103		CHAN A BUS OUT PAR A	0002290371	437381	.W. 0002348903
KA104		CHAN A ADDR ENCODE S	0002290372	437381	.W. 0002348903
KA105		MTR ENABLE-DISABLE L	0002290373	437381	.W. 0002348903
KA106		INTERFACE CHECK	0002290374	437381	.W. 0002348908
KA109		CHANNEL A TERMINATOR	0002290375	437381	.W. 0002348903
KB101		CHAN B SEL REQ IN &	0002290376	437381	.W. 0002348903
KB102		CHAN B OP IN HIO COM	0002290377	437381	.W. 0002348903
KB103		CHAN B BUS OUT PAR A	0002290378	437381	.W. 0002348903

VOLUME 002 MACHINE 3830-2-0022027 MODEL 002 SYSTEM 0000969 MODE

SCHED SHIP 73/08/03

LOGIC TYPE -0- SYSTEMS DIAGRAMS

PAGE NUM	SH	TITLE	PART NUM	EC NUM	FEATURE B/M OR B/MS
KB104		CHAN B ADDRS ENCODE	0002290379	437381	.W. 0002348903
KB105		METER ENABLE-DISABLE	0002290380	437381	.W. 0002348903
KB106		INTERFACE CHECK	0002290381	437381	.W. 0002348908
KB109		CHANNEL B TERMINATOR	0002290382	437381	.W. 0002348903

TOTAL PART NUMBERS THIS VOLUME 88

VOLUME 003 MACHINE 3830-2-0022027 MODEL 002 SYSTEM 0000969 MODE

SCHED SHIP 73/08/03

LOGIC TYPE -0- SYSTEMS DIAGRAMS

PAGE NUM	SH	TITLE	PART NUM	EC NUM	FEATURE B/M OR B/MS
KC101		CHAN C SEL REQST IN	0002290383	437381	.W. 0002348903
KC102		CHAN C OP IN HIO COM	0002290384	437381	.W. 0002348903
KC103		CHAN A BUS OUT PAR A	0002290385	437381	.W. 0002348903
KC104		CHAN C ADDRS ENCODE	0002290386	437381	.W. 0002348903
KC105		METER ENABLE-DISABLE	0002290387	437381	.W. 0002348903
KC106		INTERFACE CHECK	0002290388	437381	.W. 0002348908
KC109		CHAN C TERMINATORS	0002290389	437381	.W. 0002348903
KD101		CHAN C SEL REQST IN	0002290390	437381	.W. 0002348903
KD102		CHAN A OP IN HIO COM	0002290391	437381	.W. 0002348903
KD103		CHAN D BUS OUT PAR A	0002290392	437381	.W. 0002348903
KD104		CHAN D ADDR ENCODE S	0002290393	437381	.W. 0002348903
KD105		METER ENABLE-DISABLE	0002290394	437381	.W. 0002348903
KD106		INTERFACE CHECK	0002290395	437381	.W. 0002348908
KD109		CHANNEL D TERMINATOR	0002290396	437381	.W. 0002348903
KK101		25 MHZ OSCILLATOR	0002345779	437310	.W. 0002348903
KK102		25 MHZ OSCILLATOR CL	0002345780	437310	.W. 0002348903
KK103		EXECUTE SW PULSE GEN	0002345781	437310	.W. 0002348903
KK201		CU CLK START STOP ER	0002345782	437310	.W. 0002348903
KK202		CU CLK RING	0002345783	437310	.W. 0002348903
KK203		60 NANOSECOND PULSE	0002345784	437310	.W. 0002348903
KK204		CU CLK LINES	0002345785	437310	.W. 0002348903
KK205		CONTROL UNIT CLOCK O	0002290397	437381	.W. 0002348908 .W. 0002348952
KK209		CU CLK TERMINATORS	0002345787	437310	.W. 0002348903
KK301		CU CYCLE CONTROL LOG	0002290398	437381	.W. 0002348908
KK302		DATA CYCLE CONTROL L	0002345789	437310	.W. 0002348903
KK303		RESET CONTROL LOGIC	0002290399	437381	.W. 0002348908
KK304		CE ADD COMPARE LOGIC	0002345791	437310	.W. 0002348903
KK309		OP CONTROL LINE TERM	0002348482	437381	.W. 0002348903
KP101		CE ADD GATING & IN L	0002345793	437310	.W. 0002348903
KP102		CE ADD GATING & IN L	0002345794	437310	.W. 0002348903
KP103		CE ADD GATING & IN L	0002345795	437310	.W. 0002348903
KP104		CE ADD GATING & IN L	0002345796	437310	.W. 0002348903
KP105		CE ADD GATING & IN L	0002345797	437310	.W. 0002348903
KP109		CE ADD GATING & IN L	0002345798	437310	.W. 0002348903
LA101		IMPL CONTROL TIE UPS	0002290400	437381	.W. 0002348908
LA102		IMPL CONTROL LINE DR	0002290401	437381	.W. 0002348903
LA109		IMPL CONTROL LINE TE	0002345801	437310	.W. 0002348903
LA201		IMPL CONTROL CD BYTE	0002345802	437310	.W. 0002348903
LA202		IMPL CONTROL CARD EX	0002290402	437381	.W. 0002348908
LA203		IMPL CTRL CD ERR OR	0002345804	437310	.W. 0002348903
LA204		IMPL CONTROL CARD RE	0002290403	437381	.W. 0002348903
LA205		IMPL CONTROL CARD IM	0002290404	437381	.W. 0002348903
LA209		IMPL CTRL CD RESISTO	0002345807	437310	.W. 0002348903
LA301		MPL FILE DESERIALIZE	0002345808	437310	.W. 0002348903
LA302		MPL FILE DESERIALIZE	0002345809	437310	.W. 0002348903
LA303		MPL FILE DESRLZR DAT	0002290405	437381	.W. 0002348903
LA304		MPL FILE DESERIALIZE	0002345811	437310	.W. 0002348903
LA305		MPL FILE DESERIALIZE	0002345812	437310	.W. 0002348903
LA306		MPL FILE DESERIALIZE	0002345813	437310	.W. 0002348903
LA309		MPL FILE DESERIALIZE	0002345814	437310	.W. 0002348903
NE101		SELTD TAGS	0002290406	437381	.W. 0002348908
NE102		SELTD TAGS SELTD SEL	0002290407	437381	.W. 0002348908
NE103		CUEND ADDR BITS 2-4	0002290408	437381	.W. 0002348903
NE104		ONE & ONLY ONE CHK	0002345818	437310	.W. 0002348903
NE109		LINE TERMINATORS NE1	0002290409	437381	.W. 0002348903
NE199		LINE TERM NE 1	0002346277	437311	.W. 0002348903
NE201		SELTD BUS OUT BIT 0-	0002345821	437310	.W. 0002348903
NE202		SELTD BUS OUT 5-P SE	0002290410	437381	.W. 0002348908
NE203		SELTD ADDRS BIT 0-1	0002290411	437381	.W. 0002348903
NE204		ONE & ONLY ONE CHK	0002345824	437310	.W. 0002348903
NE209		LINE TERM NE 2	0002346280	437311	.W. 0002348903
NE299		LINE TERMINATORS NE2	0002290412	437381	.W. 0002348903
RA101		A AND B BUS AND REGI	0002290413	437381	.W. 0002348908
RA102		A AND B BUS AND REGI	0002290414	437381	.W. 0002348908
RA103		ALU SUM BITS 6&7	0002345829	437310	.W. 0002348903
RA104		ALU SUM BITS 4&5	0002345830	437310	.W. 0002348903
RA109		ALU BITS 0-3 OR 4-7	0002290415	437381	.W. 0002348908
RA119		ALU BITS 0-3 OR 4-7	0002290416	437381	.W. 0002348908
RA201		A AND B BUS AND REGS	0002290417	437381	.W. 0002348908
RA202		A AND B BUS AND REGS	0002290418	437381	.W. 0002348908
RA203		ALU SUM BITS 2&3	0002345835	437310	.W. 0002348903
RA204		ALU SUM BITS 0&1	0002345836	437310	.W. 0002348903
RA209		ALU BITS 0-3 OR 4-7	0002290419	437381	.W. 0002348908
RA219		ALU BITS 0-3 OR 4-7	0002290420	437381	.W. 0002348908
RA301		ALU PARITY PREDICTOR	0002290421	437381	.W. 0002348908
RA302		D EQUAL ZERO TESTER	0002290422	437381	.W. 0002348908
RA303		OP DECODER & ALU CHK	0002345841	437310	.W. 0002348903
RA304		D BUS SW INTERGRATER	0002345842	437310	.W. 0002348903
RA305		D BUS	0002290423	437381	.W. 0002348908
RA309		D BUS CARD RESISTORS	0002290424	437381	.W. 0002348908
RA319		D BUS RESISTER PG 20	0002345845	437310	.W. 0002348903

VOLUME 004 MACHINE 3830-2-0022027 MODEL 002 SYSTEM 0000969 MODE

SCHED SHIP 73/08/03

LOGIC TYPE -0- SYSTEMS DIAGRAMS

PAGE NUM	SH	TITLE	PART NUM	EC NUM	FEATURE E/M OR B/MS
RB101		STAT REG	0002345846	437310	.W. 0002348903
RB102		STAT REG PARITY	0002345847	437310	.W. 0002348903
RB103		BR REG	0002345848	437310	.W. 0002348903
RB104		TG REGISTER	0002290425	437381	.W. 0002348903
RB105		STAT TG REG B ASSM &	0002345850	437310	.W. 0002348903
RB106		BR REG B ASSM	0002345851	437310	.W. 0002348903
RB109			0002345852	437310	.W. 0002348903
RC101		CHK 1 REG GATING	0002345853	437310	.W. 0002348903
RC102		CHK 1 REG BITS 2-7	0002345854	437310	.W. 0002348903
RC103			0002290426	437381	.W. 0002348903
RC104		CHK 1 REG BITS 0-1	0002345856	437310	.W. 0002348903
RC105		CHECK 1 REG CONTROLS	0002290427	437381	.W. 0002348903
RC109		EKR CTRL TERM PG	0002290486	437381	.W. 0002348903
RG101		STD GP REG TA REG	0002345859	437310	.W. 0002348903
RG102		CHK 1 REG BITS 2-7	0002345860	437310	.W. 0002348903
RG103		STD GP REG NA REG	0002346281	437311	.W. 0002348903
RG104		CHK 1 REG BITS 0-1	0002345862	437310	.W. 0002348903
RG105		CHK 1 REG CTRLS	0002345863	437310	.W. 0002348903
RG106		STD GP REG A PART B	0002345864	437310	.W. 0002348903
RG109		STD GP REG A RESISTO	0002346282	437311	.W. 0002348903
RG201		STANDARD GP REG TP R	0002290428	437381	.W. 0002348903
RG202		STD GP REG MB REG	0002345867	437310	.W. 0002348903
RG203		STANDARD GP REG NB R	0002290429	437381	.W. 0002348908
RG204		STD GP REG GB REG	0002345869	437310	.W. 0002348903
RG205		STD GP REG PART A BU	0002345870	437310	.W. 0002348903
RG206		STD GP REG B PART B	0002345871	437310	.W. 0002348903
RG209		STD GP REG B RESISTO	0002345872	437310	.W. 0002348903
RG301		STANDARD GP REG TC R	0002290430	437381	.W. 0002348908
RG302		STD GP REG MC REG	0002345874	437310	.W. 0002348903
RG303		STD GP REG NC REG	0002345875	437310	.W. 0002348903
RG304		STD GP REG GC REG	0002345876	437310	.W. 0002348903
RG305		STD GP REG C PART A	0002345877	437310	.W. 0002348903
RG306		STD GP REG C PART B	0002345878	437310	.W. 0002348903
RG309		STD GP REG C RESISTO	0002345879	437310	.W. 0002348903
RG401		STD GP REG TD REG	0002345880	437310	.W. 0002348903
RG402		STD GP REG MD REG	0002345881	437310	.W. 0002348903
RG403		STD GP REG ND REG	0002345882	437310	.W. 0002348903
RG404		STD GP REG GD REG	0002345883	437310	.W. 0002348903
RG405		STD GP REG D PART A	0002345884	437310	.W. 0002348903
RG406		STANDARD GP REG D PA	0002290431	437381	.W. 0002348908
RG409		STANDARD GP REG D RE	0002290432	437381	.W. 0002348908
RG501		W4CH GP REGISTER TE	0002290433	437381	.W. 0002348903
RG502		W4CH GP REG ME REG	0002345888	437310	.W. 0002348903
RG503		W4CH GP REG NE REG	0002345889	437310	.W. 0002348903
RG504		W4CH GP REG GE REG	0002345890	437310	.W. 0002348903
RG505		W4CH GP REG E PARTIA	0002345891	437310	.W. 0002348903
RG509		W4CH GP REG RESISTOR	0002345892	437310	.W. 0002348903
RG601		F REGS PARITY TREE A	0002290434	437381	.W. 0002348903
RG602		D BUS POWERING & MAC	0002290435	437381	.W. 0002348903
RG603		F REG LOCAL STORE AD	0002290436	437381	.W. 0002348903
RG604		TF REGISTER GF REGIS	0002290437	437381	.W. 0002348903
RG605		MF REGISTER PARTIAL	0002290438	437381	.W. 0002348903
RG606		NF REGISTER	0002290439	437381	.W. 0002348903
RG607		GF REGISTER	0002290440	437381	.W. 0002348903
RG608		B BUS ASSEMBLER	0002290441	437381	.W. 0002348903
RG609		INCREMENTAL REGISTER	0002290442	437381	.W. 0002348903
RL101		READ BYTE 2 ASM & IA	0002345899	437310	.W. 0002348903
RL102		IAR REG-LOW ORDER BI	0002345900	437310	.W. 0002348903
RL103		DAR REG-LOW ORDER BI	0002345901	437310	.W. 0002348903
RL104		DAR REG-LOW ORDER BI	0002345902	437310	.W. 0002348903
RL105		FORMAT DECODES	0002290443	437381	.W. 0002348903
RL109		ENTER PG	0002345904	437310	.W. 0002348903
RL201		STOR READ BUS BYTE 0	0002345905	437310	.W. 0002348903
RL202		CA FIELD DECODE	0002345906	437310	.W. 0002348903
RL203		IAR & TAR REGS BITS	0002345907	437310	.W. 0002348903
RL204		IAR & TAR REGS BITS	0002345908	437310	.W. 0002348903
RL205			0002290444	437381	.W. 0002348903
RL206		DAR REG BITS 3-7	0002345910	437310	.W. 0002348903
RL207		INSTR FORMAT DECODE	0002345911	437310	.W. 0002348903
RL208		CA DECODE CHKS AND S	0002345912	437310	.W. 0002348903
RL211		IAR PAR PREDICTOR &	0002345913	437310	.W. 0002348903
RL219		CCU-B HI ORDER IAR D	0002345914	437310	.W. 0002348903
RL301		DISPLAY DECODE & WR	0002345915	437310	.W. 0002348903
RL302		BACK UP ADDR REG	0002345916	437310	.W. 0002348903
RL303		STOR WR BUS BYTE 0	0002345917	437310	.W. 0002348903
RL304		ADD COMPARE REG	0002345918	437310	.W. 0002348903
RL305		ADD CHK PROG DISPLAY	0002345919	437310	.W. 0002348903
RL306		STOR WR BUS BYTE 2	0002345920	437310	.W. 0002348903
RL307		ACR & ADDR BIT COMP	0002345921	437310	.W. 0002348903
RL309		TERMINATORS	0002345922	437310	.W. 0002348903

VOLUME 005 MACHINE 3830-2-0022027 MODEL 002 SYSTEM 0000969 MODE

SCHED SHIP 73/08/03

LOGIC TYPE -0- SYSTEMS DIAGRAMS

PAGE NUM	SH	TITLE	PART NUM	EC NUM	FEATURE	B/M OR B/MS
RL401		DISPLAY DECODES & WR	0002345923	437310	.W.	0002348903
RL402		BACK UP ADD REG	0002345924	437310	.W.	0002348903
RL403		STOR WR BUS BYTE 1	0002345925	437310	.W.	0002348903
RL404		ADD COMPARE REG	0002345926	437310	.W.	0002348903
RL405		ADDR CHK PROG DISPLA	0002345927	437310	.W.	0002348903
RL406		STOR W BUS BYTE 3	0002345928	437310	.W.	0002348903
RL407		ACR & ADDR BIT COMP	0002345929	437310	.W.	0002348903
RL409		TERMINATORS	0002345930	437310	.W.	0002348903
RS101		STG REG SA BITS 0-3	0002345931	437310	.W.	0002348903
RS102		STG REG SA 4-P	0002345932	437310	.W.	0002348903
RS103		STG REG SC	0002345933	437310	.W.	0002348903
RS109		SA SC REGS TERMINATO	0002345934	437310	.W.	0002348903
RS201		STG REG SD BITS 0-3	0002345935	437310	.W.	0002348903
RS202		STG REG SD BITS 4-P	0002345936	437310	.W.	0002348903
RS203		STG REG SB	0002345937	437310	.W.	0002348903
RS209		SB SD REGS TERMINATO	0002345938	437310	.W.	0002348903
RS301		SA & DISPLAY ASSM CT	0002345939	437310	.W.	0002348903
RS302		SA & DISPLAY ASSM BI	0002345940	437310	.W.	0002348903
RS303		SA & DISPLAY ASSM BI	0002345941	437310	.W.	0002348903
RS304		SA & DISPLAY ASSM BI	0002345942	437310	.W.	0002348903
RS309		SA & DISPLAY ASSM TE	0002345943	437310	.W.	0002348903
SM950		EXIT TO CE PANEL	0002345950	437310	.W.	0002348903
SM951		SCRID & CABLE CONN	0002269150	429657	W/O	0002356860 .W. 0002282603
SM952		CE PANEL SW ADDR/DAT	0002269151	429657	W/O	0002356860 .W. 0002282603
SM953		CE PANEL SW	0002269152	429657	W/O	0002356860 .W. 0002282603
SM954		CE PANEL	0002269153	429657	W/O	0002356860 .W. 0002282603
SM955		CE PANEL ENTRY	0002345951	437310	.W.	0002348903
SM956		CE PANEL ENTRY	0002345952	437310	.W.	0002348903
SM957		CE PANEL CABLE CONN	0002269154	429657	W/O	0002356860 .W. 0002282603
SM958		CE PANEL SW CONV CHA	0002269156	429653	W/O	0002356860 .W. 0002282603
SS010		CTRL CIRCUITS	0002280703	431640	.W.	0002348903
SS011		MPL FILE INTERFACE	0002345953	437310	.W.	0002348903
SW400		WRITE DATA BITS	0002290500	437381	.W.	0002348903
SW410		WRITE DATA+ADDRESS B	0002290501	437381	.W.	0002348903
SW420		CONTROLS	0002290447	437381	.W.	0002348903
SW470		READ DATA EXIT	0002290448	437381	.W.	0002348903
SW480		ERROR + PATTERN EXIT	0002290449	437381	.W.	0002348903
SW490			0002290450	437381	.W.	0002348903
SW501		BSM CONTROL CARD	0002290502	437381	.W.	0002348903
SW502		SNIPE CONTROL CARD	0002290452	437381	.W.	0002348903
SW503		ADDR BUS POWERING	0002290503	437381	.W.	0002348903
SW509		LINE TERMINATORS	0002290504	437381	.W.	0002348903
SW511		READ DATA BYTE 0	0002290505	437381	.W.	0002348903
SW512		READ DATA BYTE 1	0002290506	437381	.W.	0002348903
SW513		READ DATA BYTE 2	0002290507	437381	.W.	0002348903
SW514		READ DATA BYTS 3	0002290508	437381	.W.	0002348903
SW521		WRITE BUS PARITY CHK	0002290509	437381	.W.	0002348903
SW522		WRITE BUS PARITY CHK	0002290510	437381	.W.	0002348903
SW531		BYTE 0 READ LATCHES	0002290460	437381	.W.	0002348903
SW532		BYTE 1 READ LATCHES	0002290461	437381	.W.	0002348903
SW533		BYTE 2 READ LATCHES	0002290462	437381	.W.	0002348903
SW534		BYTE 3 READ LATCHES	0002290463	437381	.W.	0002348903
SW535		READ P ERROR READ LA	0002290464	437381	.W.	0002348903
SW551			0002290511	437381	.W.	0002348903
SW552			0002290512	437381	.W.	0002348903
SW553			0002290513	437381	.W.	0002348903
SW558		TERMINATOR PAGE	0002290514	437381	.W.	0002348903
SW559		BSM ADDRESS CHECK	0002290515	437381	.W.	0002348903
SW561		0-4K ARRY CD BYT 0J3	0002290469	437381	.W.	0002348903
SW562		0-4K ARRY CD BYT 1J2	0002290470	437381	.W.	0002348903
SW563		4-6K ARRY CD BYT 0J3	0002290471	437381	.W.	0002348903
SW564		4-6K ARRY CD BYT 1J2	0002290472	437381	.W.	0002348903
SW565			0002290480	437381	.W.	0002348903
SW566			0002290481	437381	.W.	0002348903
SW569		TERMINATORS 90 OHM	0002290473	437381	.W.	0002348903
WA046		USER INTFCE TO NC&ND	0002345963	437310	.W.	0002348903
WA070		DCI ENTER LINES	0002345965	437310	.W.	0002348903
WA071		DCI EXIT LINES	0002345966	437310	.W.	0002348903
WA076		PWR SEQ ENTER & EXIT	0002346284	437311	.W.	0002348903
YB010		COMPONENT LOCATION	0002199850	437529	.W.	0002348914
YB011		COMPONENT LOCATION	0002199851	437529	.W.	0002348914
YB012		BASIC POWER DISTRIBN	0002348926	437380	.W.	0002348914
YB013		LOCATON CHART	0002199853	437552	.W.	0002348914
YB026		AC INPUT CHART	0002199854	437529	.W.	0002348914
YB100		AC DISTRIBUTION	0002199855	437529	.W.	0002348914
YB101		24V DC CONTROL TX	0002199856	437552	.W.	0002348914
YB110		FANS	0002199857	437529	.W.	0002348914
YB115		AC GND	0002199858	437529	.W.	0002348914
YB120		SEQ BD & CONTACTORS	0002199859	437552	.W.	0002348914
YB121		SEQ BD & METER	0002199860	437552	.W.	0002348914
YB131		CE PANEL	0002199861	437552	.W.	0002348914
YB135		SEQUENTIAL STARTER	0002199873	437552	.W.	0002348914
YB138		SOCKET LISTING	0002348933	437380	.W.	0002348914
YB139		SNDA CHART	0002348934	437380	.W.	0002348914
YB140		LOGIC CARD	0002289959	427442	.W.	0002348914
YB141		LOGIC CARD	0002289960	427443	.W.	0002348914

VOLUME 005 MACHINE 3830-2-0022027 MODEL 002 SYSTEM 0000969 MODE

SCHED SHIP 73/08/03

LOGIC TYPE -0- SYSTEMS DIAGRAMS

PAGE NUM	SH	TITLE	PART NUM	EC NUM	FEATURE	E/M OR B/MS
YB142		INDICATOR CARD	0002289961	427443	.W.	0002348914
YB143		12V REGULATOR	0002289962	427443	.W.	0002348914
YB144		SNIPE MEMORY SEQUENC	0002348927	437380	.W.	0002348914
YB145		PLD SENSOR III	0002289964	427443	.W.	0002348914
YB146		TIMER DR & 6V SENSOR	0002289965	427443	.W.	0002348914
YB148		ENTR EXIT	0002348928	437380	.W.	0002348914
YB149		ENTR EXIT	0002348929	437380	.W.	0002348914
YB160		BULKSUPPLIES	0002199862	437552	.W.	0002348914
YB163		PS3	0002199863	437529	.W.	0002348914
YB165		BIAS SUPPLY&PS3	0002199864	437529	.W.	0002348914
YB170		PS5 PS8	0002348930	437380	.W.	0002348914
YB180			0002199866	437529	.W.	0002348914
YB185		GATE DC DISTRIBUTION	0002348931	437381	.W.	0002348914
YB186		DC DISTRIBUTION ON I	0002199874	437552	.W.	0002348914
YB200		DC DIST	0002199868	437529	.W.	0002348914
YB201			0002199869	437552	.W.	0002348914
YB202		BULK 2	0002199870	437529	.W.	0002348914
YB210		FILE PWR SEQ CONN	0002199871	437529	.W.	0002348914
YB220		GATE LAMINAR BUS	0002348932	437380	.W.	0002348914
ZA001		TAILGATE BD SVS VOLT	0002345969	437310	.W.	0002348903
ZA002		CABLES W2CH TAILGATE	0002345970	437310	.W.	0002348903
ZA003		SERVICE PAGE A1 BOAR	0002290493	437381	.W.	0002348903
ZA004		SERVICE PAGE B1JB2-B	0002290476	437381	.W.	0002348903
ZA005		CABLES	0002290477	437381	.W.	0002348903
ZA006		6-PAK CABLES	0002345974	437310	.W.	0002348903
ZA007		CABLES TO MEMORY BOA	0002290478	437381	.W.	0002348903
ZA011		PLUG ON TERM PLOT	0002348504	437381	.W.	0002348908
ZA012		6PAK CABLES TAILGATE	0002345977	437310	.W.	0002348903
ZR001			0002345985	437310	.W.	0002348903

TOTAL PART NUMBERS THIS MACHINE

801

TOTAL PART NUMBERS THIS VOLUME

115

MST CARD LOCATION LIST

2348870
PAGE 1

PRESENT BOARD P/N 2348870 RELEASED FOR MACH TYPE 3830 PRESENT EC 437381
 RUN DATE 12/12/75 PREVIOUS EC 000437310
 PRIME BOARD LOCATION 01A-B1 VERSION 005

SOCKET	CARD PT NO	TYPE	ACC	-----ALD REFERENCES-----
B2	5858537	3184		GA701 GA702 GA709 ZA004
B4	5858537	3184		GA401 GA402 GA409 ZA004
C2	5858537	3184		GA601 GA602 GA609 ZA004
C4	5858537	3184		GA501 GA502 GA509 ZA004
D2	8235845	X850		GA101 GA102 GA103 GA104 GA109
E2	5850691	0691		RG101 RG102 RG103 RG104 RG105 RG106 RG109
F2	5850691	0691		RG401 RG402 RG403 RG404 RG405 RG406 RG409
G2	8251054	Z512	OPF	RG601 RG602 RG603 RG604 RG608 RG609
H2	8213398	07C8		RA101 RA102 RA103 RA104 RA109 RA119
J2	8213398	07C8		RA201 RA202 RA203 RA204 RA209 RA219
K2	5850692	0692	W4CH	RG501 RG502 RG503 RG504 RG505 RG509
L2	5850691	0691		RG301 RG302 RG303 RG304 RG305 RG306 RG309
M2	5850691	0691		RG201 RG202 RG203 RG204 RG205 RG206 RG209
N2	8212590	0688		RA301 RA302 RA303 RA304 RA305 RA309 RA319
P2	8213396	07CC		DE101 DE106 DE107 DE109
Q2	8232880	2727		GA201 GA202 GA203 GA209
R2	8231031	2728		GA301 GA302 GA309
S2	8213397	07C4		LA301 LA302 LA303 LA304 LA305 LA306 LA309
T4	8213932	07C2		LA101 LA102 LA109 ZA004
U4	5850707	07C7		DE401 DE403 DE404 ZA004

****END OF LIST****

IBM CONFIDENTIAL UNTIL

MAR 30 1976

UNCLASSIFIED THEREAFTER

MST CARD LOCATION LIST

2348872
PAGE 1

PRESENT BOARD P/N	2348872	3830	PRESENT EC	437380
RUN DATE	05/06/75		PREVIOUS EC	0000437306
PRIME BOARD LOCATION	01A-B2		VERSION	005

SOCKET	CARD PT NO	TYPE	ACC	-----ALD REFERENCES-----
B2	8212591	0690		RL301 RL302 RL303 RL304 RL305 RL306 RL307 RL309 ZA004
C2	8212591	0690		RL401 RL402 RL403 RL404 RL405 RL406 RL407 RL409
D2	5850689	0689		RS101 RS102 RS103 RS109
E2	5850689	0689		RS201 RS202 RS203 RS209
F2	5850687	0687		RB102 RB104 RB105 RB106 RB109
G2	8213395	0695		RS301 RS302 RS303 RS304 RS309
H2	8212596	0699		RL101 RL103 RL104 RL105 RL109
J2	8214994	0697		DE501 DE502 DE503 DE504 DE505 DE509
K2	8211417	0698		RL201 RL202 RL203 RL205 RL206 RL207 RL208 RL211 RL219
L2	8232865	4634		DE301 DE303 DE305 DE306 DE307 DE309
M2	8217518	0693		KK101 KK102 KK103
M4	8214978	0709		DE201 DE202 DE209
N2	8217519	0694		KK201 KK203 KK204 KK205 KK209
P2	8213931	0701		KK301 KK302 KK303 KK304 KK309
Q2	8214979	0710		RC101 RC103 RC104 RC105 RC109
S2	8214977	0703		LA201 LA202 LA204 LA205 LA209
T2	8211411	0696		KP101 KP102 KP103 KP104 KP105 KP109

****END OF LIST****

IBM CONFIDENTIAL UNTIL

FEB 16 1976

UNCLASSIFIED THEREAFTER

MST CARD LOCATION LIST

2348866
PAGE 1

PRESENT BOARD P/N 2348866
 RUN DATE 11/17/75
 PRIME BOARD LOCATION 01A-B3

RELEASED FOR MACH TYPE 3830
 PRESENT EC 437381
 PREVIOUS EC 000437380
 VERSION 005

SOCKET	CARD PT NO	TYPE	ACC	-----ALD REFERENCES-----
C2	8250205	Z504		SW501 SW502 SW503 SW509
D2	8239238	Z503		SW521 SW522
F2	8232978	X493		SW562 SW569
G2	8232978	X493		SW561 SW569
H2	8232979	X494	ICS6	SW564
J2	8232979	X494	ICS6	SW563
K2	8232979	X494	ICS8	SW566
L2	8232979	X494	ICS8	SW565
M2	8232979	X494	ICS0	SW572
N2	8232979	X494	ICS0	SW571
P2	8232979	X494	ICS2	SW574
Q2	8232979	X494	ICS2	SW573
T2	8250993	Z502		SW531 SW532 SW533 SW534 SW535
U2	8251056	Z505		SW552 SW553 SW558 SW559

****END OF LIST****

IBM CONFIDENTIAL
 MAR 30 1975
 UNCLASSIFIED THEREAFTER

B

2348821

AA002

3830-002 AND ISC MICROPROGRAM SELECTION TABLE

FEATURES SUPPORTED AND OR REQUIRED											
1 OR 2 CONTROLLERS	X	X	X	X	X	X	X	X	X	X	X
3 OR 4 CONTROLLERS							X	X	X	X	X
3330'S	X	X	X				X	X			X
3340'S				X	X	X	X	X	X	X	X
3350'S W OR W/O FIXED HEADS										X	X
3344'S W OR W/O FIXED HEADS								X	X		
3340'S WITH FIXED HEADS				X	X			X	X	X	X
STRING SWITCH FEATURE ON ANY CONTROLLER	X		X	X		X	X	X	X	X	X
TWO CHANNEL SWITCH ADDITIONAL FEATURE REQUIRED		X	X				X		X		X
CONTROL STORE EXTENSION FEATURE REQUIRED			X			X	X	X	X	X	X
EXPANDED CONTROL STORE FEATURE REQUIRED										X	X
REGISTER EXPANSION FEATURE REQUIRED								X	X	X	X
DISK P/N	2	2	2	2	2	2	2	4	4		
	3	3	3	3	3	3	3	1	1		
	4	4	4	4	4	4	4	6	6		
	8	8	8	8	8	8	8	8	8		
	7	8	7	7	9	9	8	8	8		
	8	0	8	5	9	9	0	1	1		
	6	5	7	7	6	7	2	6	1		
ADDRESSING REQUIREMENT *	A	A	A	A	A	B	B	C	D		
FICHE P/N	2	2	2	2	2	2	2	4	4		
	3	3	3	3	3	3	3	1	1		
	4	4	4	4	4	4	4	6	6		
	8	8	8	8	8	8	8	8	8		
	8	8	8	7	9	9	8	8	8		
	0	0	0	5	8	8	3	3	3		
	8	7	9	8	8	9	5	6	1		

DRIVE DIAGNOSTIC CODE	
DISK	CONFIGURATION
2349800	3333/3330
2747980	3340
2747985	3340 FHF
2747989	3344
2747988	3350

* A REQUIRES 16 CONTIGUOUS DRIVE ADDRESSES
 B REQUIRES 32 CONTIGUOUS DRIVE ADDRESSES
 C REQUIRES 64 CONTIGUOUS DRIVE ADDRESSES
 D SUPPORTS 8,16,32 OR 64 DRIVE ADDRESSES

3830-002/ISC DIAGNOSTIC CODE						
DISK	CONFIGURATION SUPPORTED					
	3830-002	ISC	CHANNELS			REGISTER EXPANSION FEATURE
			1	2	4	
2314600		X	X			
2314601		X		X		
2346600	X		X			
2346601	X			X		
2346602	X				X	
2346605	X	X	X			X
2346606	X	X		X		X
2346607	X				X	X

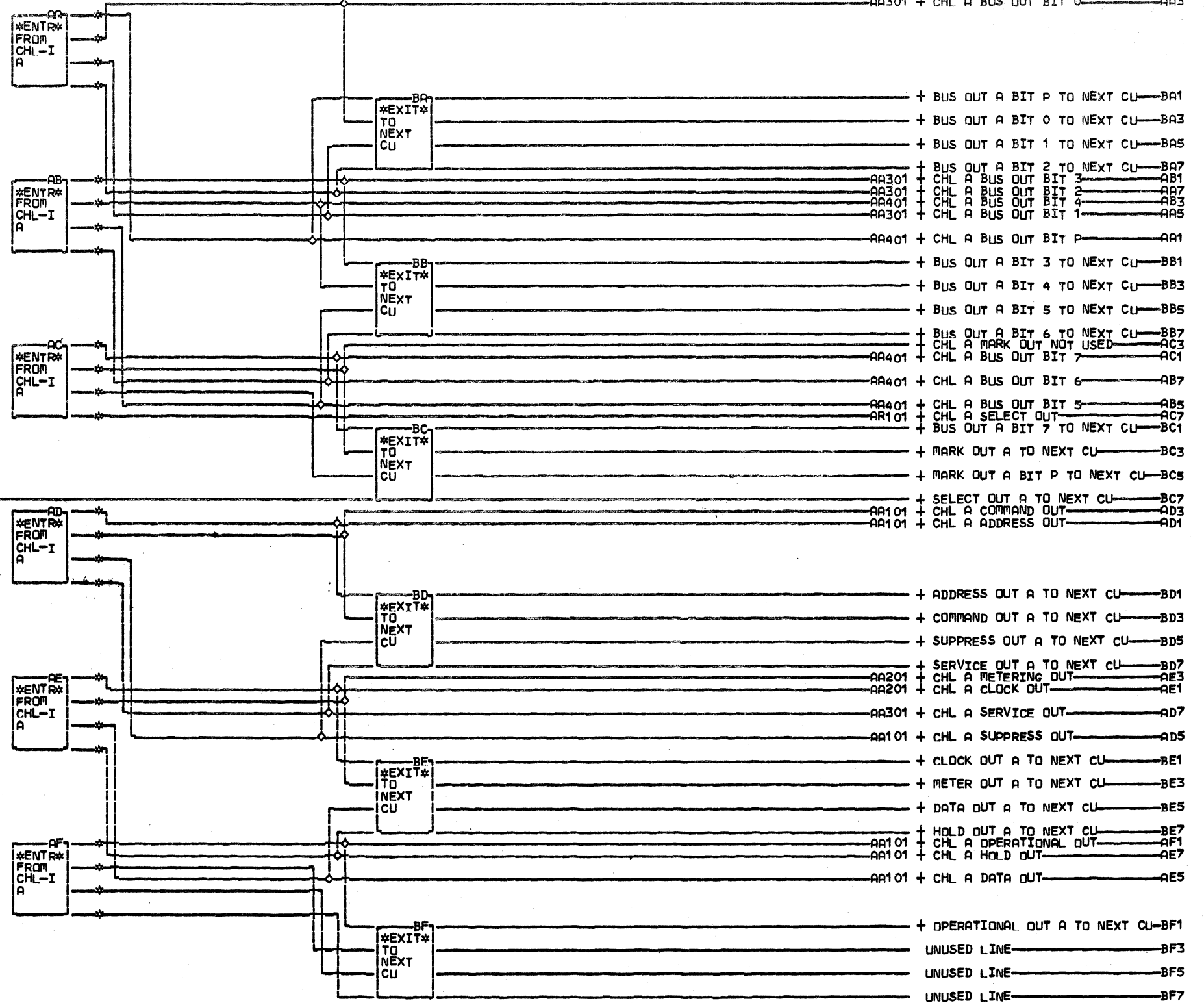
"THIS DOCUMENT IS THE PROPERTY OF IBM. ITS USE IS AUTHORIZED ONLY FOR RESPONDING TO A REQUEST FOR QUOTATION OR FOR THE PERFORMANCE OF WORK FOR IBM. ALL QUESTIONS MUST BE REFERRED TO THE IBM PURCHASING DEPARTMENT."

IBM		DATE	CHANGE NO	DATE	CHANGE NO
NAME	SELECTION TABLE	1 JUL 73	437458		
		RED	12 NOV 73	437459	
DESIGN	RMW 26 JUN 73	SHT 1 OF 1	PH	1 FEB 75	437461
DETAIL	TTI 4 NOV 75		PBC	1 NOV 75	442496
CHECK		CLASSIFICATION	MUST CONFORM TO ENG SPEC	DEVELOPMENT NO	LOGIC PG NO
APPRO		HJ	7 FEB 75		AA002

2348821

VERTICAL ELECTRICAL FORMAT
 MRO# 780522203
 620-0133-1

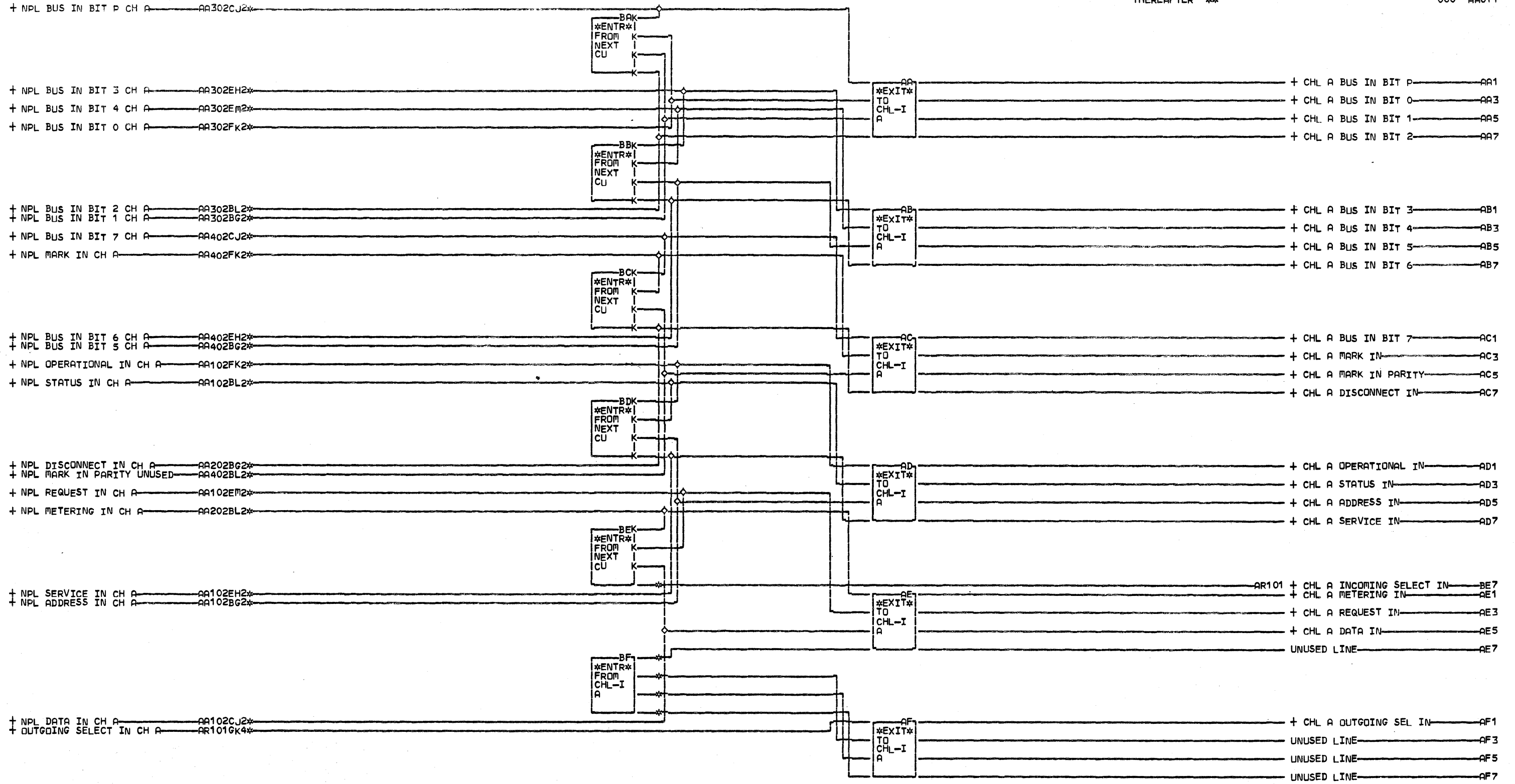
+ CHL A OUTGOING SELECT OUT—AR101GH4*



AR101GH4	2 01T202B-B05	2 01B-A1B4D09	AC3 T102D-D13	2 01B-A1B2B10	AE1 T101G-G03	1 01B-A1A3B12	2 01T202G-G06
1 01T201D-D09	2 01B-A1B4B05	AB5 T102B-B10	1 01B-A1A4D13	AD3 T101D-D11	1 01B-A1A3B03	2 01T201G-G12	2 01B-A1B5B07
1 01B-A1B2D09	AA7 T102D-D06	1 01B-A1A4B10	2 01T202D-D13	1 01B-A1A2D11	2 01T201G-G03	2 01B-A1B3B12	AF7 T101J-J09
AA1 T102B-B03	1 01B-A1A4D06	2 01T202B-B10	2 01B-A1B4D13	2 01T201D-D11	2 01B-A1B3B03	AF1 T101J-J13	1 01B-A1A3D09
1 01B-A1A4B03	2 01T202D-D06	2 01B-A1B4B10	AC5 T102D-D02	2 01B-A1B2D11	AE3 T101J-J04	1 01B-A1A3D13	2 01T201J-J09
2 01T202B-B03	2 01B-A1B4D06	AB7 T102D-D11	1 01B-A1A4D02	AD5 T101B-B12	1 01B-A1A3D04	2 01T201J-J13	2 01B-A1B3D09
2 01B-A1B4B03	AB1 T102B-B08	1 01B-A1A4D11	2 01T202D-D02	1 01B-A1A2B12	2 01T201J-J04	2 01B-A1B3D13	
AA3 T102D-D04	1 01B-A1A4B08	2 01T202B-D11	2 01B-A1B4D02	2 01T201B-B12	2 01B-A1B3D04	AF3 T102B-B06	
1 01B-A1A4D04	2 01T202B-B08	2 01B-A1B4D11	AC7 T101D-D09	2 01B-A1B2B12	AE5 T101G-G10	1 01B-A1A4B07	
2 01T202D-D04	2 01B-A1B4B08	AC1 T102B-B12	1 01B-A1A2D09	AD7 T101D-D13	1 01B-A1A3B10	2 01T202B-B06	
2 01B-A1B4D04	AB3 T102D-D09	1 01B-A1A4B12	AD1 T101B-B10	1 01B-A1A2D13	2 01T201G-G10	2 01B-A1B4B07	
AA5 T102B-B05	1 01B-A1A4D09	2 01T202B-B12	1 01B-A1A2B10	2 01T201D-D13	2 01B-A1B3B10	AF5 T102G-G06	
1 01B-A1A4B05	2 01T202D-D09	2 01B-A1B4B12	2 01T201B-B10	2 01B-A1B2D13	AE7 T101G-G12	1 01B-A1A5B07	

LOC. TYPE

CHL-I A ENTRY		
E.C.—HISTORY	MACH. 3830-2	A
437380	FRAME 01	0
	IBM CORP. SDD	1
DATE LAST EC	P.N. 2290300	005
11-28-75 437381		



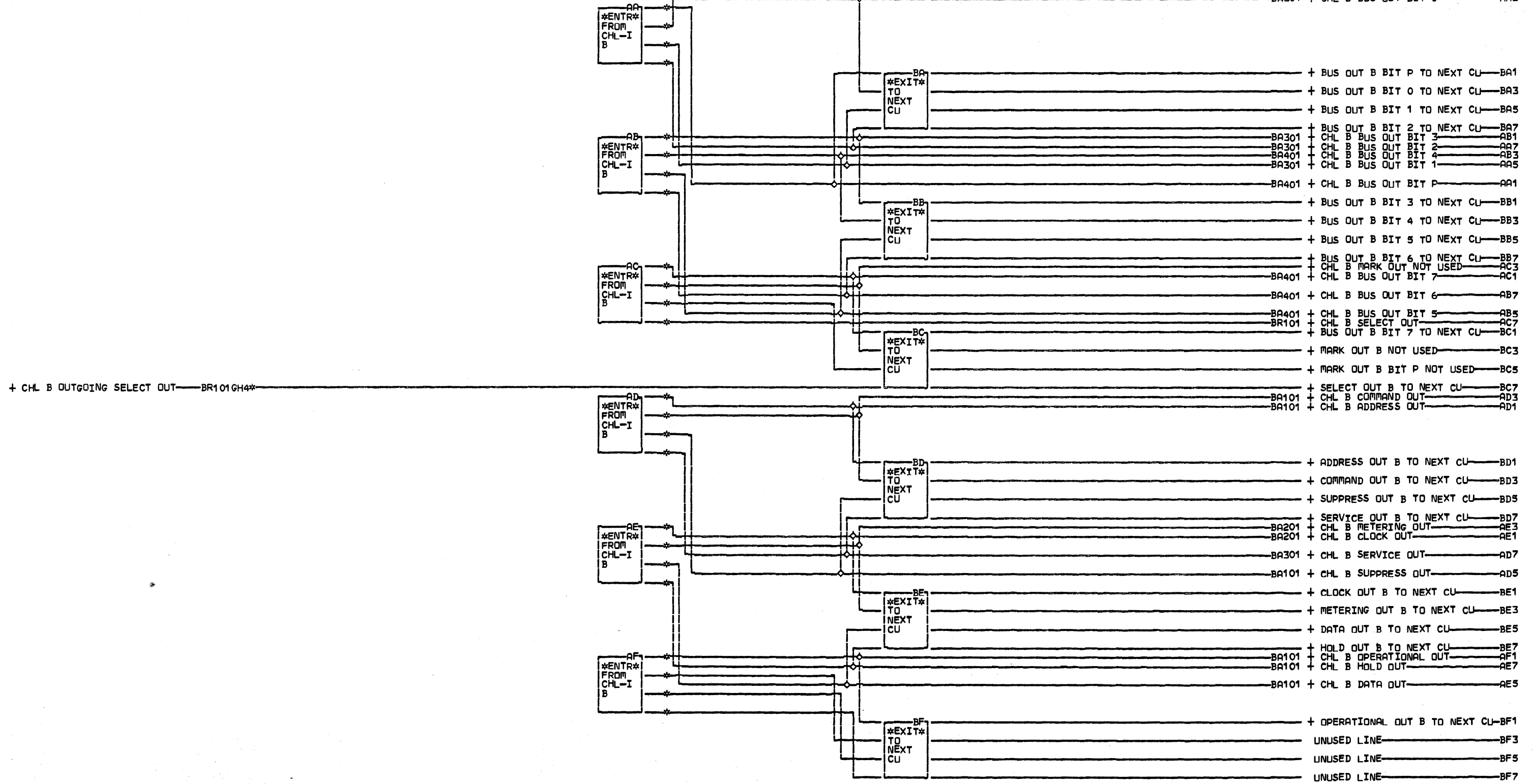
AA102BG2	AA102EH2	AA202BG2	AA302BL2	AA302EM2	AA402BL2	AA402FK2	1 01B-A1A2B07
1 01T101B-B05	1 01T101D-D06	1 01T101J-J11	1 01T102J-J06	1 01T102J-J09	1 01T102J-J02	1 01T102J-J13	2 01T201B-B06
1 01B-A1A2B05	1 01B-A1A2D06	1 01B-A1A3D11	1 01B-A1A5D06	1 01B-A1A5D09	1 01B-A1A5D02	1 01B-A1A5D13	2 01B-A1B2B07
2 01T201B-B05	2 01T201D-D06	2 01T201J-J11	2 01T202J-J06	2 01T202J-J09	2 01T202J-J02	2 01T202J-J13	BF5 T101J-J02
2 01B-A1B2B05	2 01B-A1B2D06	2 01B-A1B3D11	2 01B-A1B5D06	2 01B-A1B5D09	2 01B-A1B5D02	2 01B-A1B5D13	1 01B-A1A3D02
AA102BL2	AA102EM2	AA202BL2	AA302CJ2	AA302FK2	AA402CJ2	AA101GK4	2 01T201J-J02
1 01T101D-D04	1 01T101J-J06	1 01T101G-G05	1 01T102G-G03	1 01T102J-J04	1 01T102G-G12	1 01T101B-B08	2 01B-A1B3D02
1 01B-A1A2D04	1 01B-A1A3D06	1 01B-A1A3B05	1 01B-A1A5B03	1 01B-A1A5D04	1 01B-A1A5B12	1 01B-A1A2B08	BF7 T101G-G06
2 01T201D-D04	2 01T201J-J06	2 01T201G-G05	2 01T202G-G03	2 01T202J-J04	2 01T202G-G12	BE7 T201B-B08	1 01B-A1A3B07
2 01B-A1B2D04	2 01B-A1B3D06	2 01B-A1B3B05	2 01B-A1B5B03	2 01B-A1B5D04	2 01B-A1B5B12	1 01B-A1B2B08	2 01T201G-G06
AA102CJ2	AA102FK2	AA202BG2	AA302EH2	AA302BG2	AA402EH2	BF1 T101D-D02	2 01B-A1B3B07
1 01T101G-G08	1 01T101B-B03	1 01T102G-G05	1 01T102G-G08	1 01T102G-G10	1 01T102J-J11	1 01B-A1A2D02	
1 01B-A1A3B08	1 01B-A1A2B03	1 01B-A1A5B05	1 01B-A1A5B08	1 01B-A1A5B10	1 01B-A1A5D11	2 01T201D-D02	
2 01T201G-G08	2 01T201B-B03	2 01T202G-G05	2 01T202G-G08	2 01T202G-G10	2 01T202J-J11	2 01B-A1B2D02	
2 01B-A1B3B08	2 01B-A1B2B03	2 01B-A1B5B05	2 01B-A1B5B08	2 01B-A1B5B10	2 01B-A1B5D11	BF3 T101B-B06	

LOC. TYPE

CHL-I A EXIT	
E.C. HISTORY	MACH. 3830-2
437301	FRAME 01
437305	IBM CORP. SDD
DATE LAST EC	P.N. 2345601
06-15-73 437310	

A
A
O
1
1
000

A
A
O
1
1
000

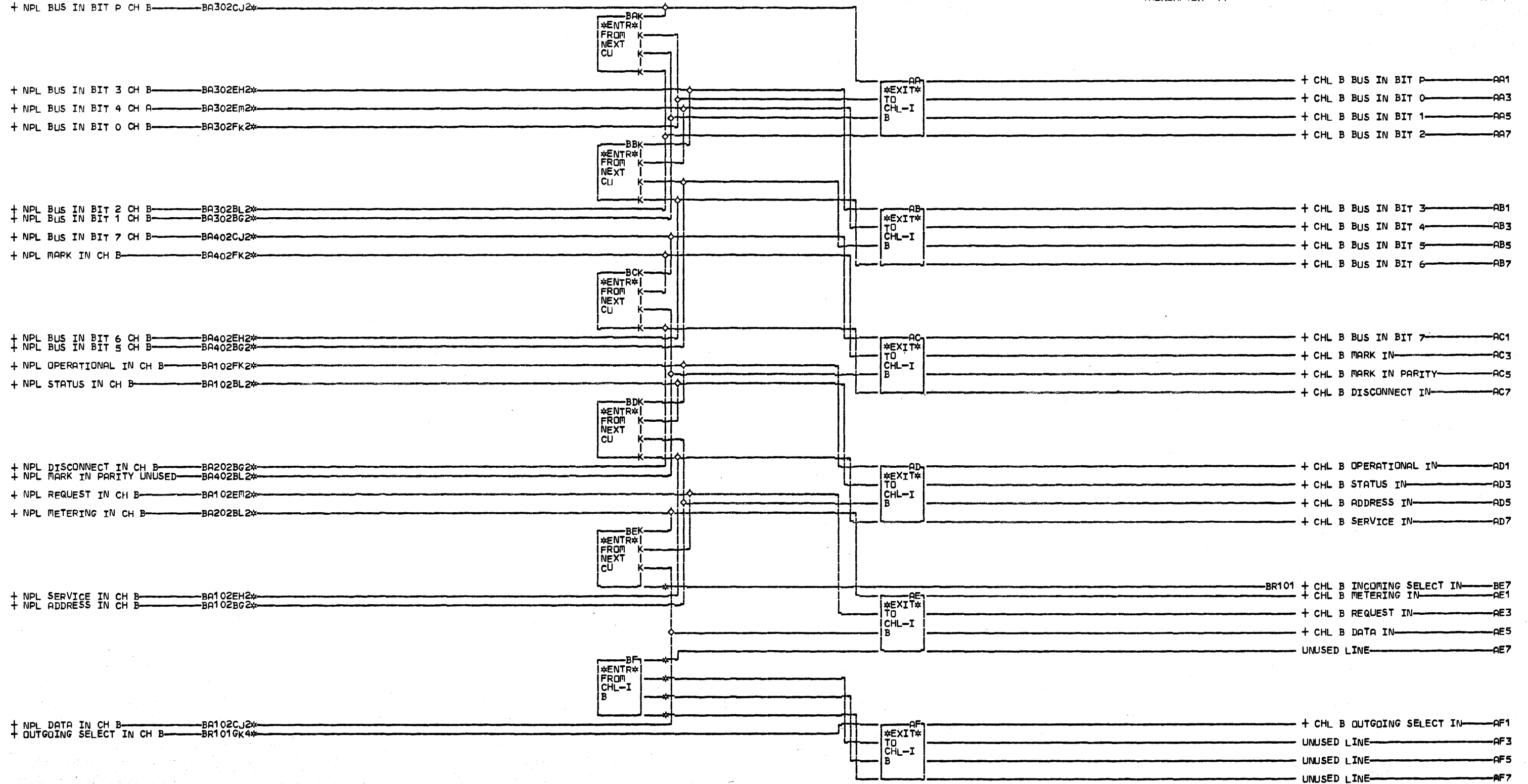


BR101GH4	2 01T205B-B05	2 01B-A1D6D09	AC3 T105D-D13	2 01B-A1B6B10	AE1 T104G-G03	1 01B-A1A7B12	2 01T205G-G06
1 01T204D-D09	2 01B-A1D6B05	AB5 T105B-B10	1 01B-A1C6D13	AD3 T104D-D11	1 01B-A1A7B03	2 01T204G-G12	2 01B-A1D7B07
1 01B-A1B6D09	AA7 T105D-D06	1 01B-A1C6B10	2 01T205D-D13	1 01B-A1A6D11	2 01T204G-G03	2 01B-A1B7B12	AF7 T104J-J09
AA1 T105B-B03	1 01B-A1C6D06	2 01T205B-B10	2 01B-A1D6D13	2 01T204D-D11	2 01B-A1B7B03	AF1 T104J-J13	1 01B-A1A7D09
1 01B-A1C6B03	2 01T205D-D06	2 01B-A1D6B10	AC5 T105D-D02	2 01B-A1B6D11	AE3 T104J-J04	1 01B-A1A7D13	2 01T204J-J09
2 01T205B-B03	2 01B-A1D6D06	AB7 T105D-D11	1 01B-A1C6D02	AD5 T104B-B12	1 01B-A1A7D04	2 01T204J-J13	2 01B-A1B7D09
2 01B-A1D6B03	AB1 T105B-B08	1 01B-A1C6D11	2 01T205D-D02	1 01B-A1A6B12	2 01T204J-J04	2 01B-A1B7D13	
AA3 T105D-D04	1 01B-A1C6B08	2 01T205B-D11	2 01B-A1D6D02	2 01T204B-B12	2 01B-A1B7D04	AF3 T105B-B06	
1 01B-A1C6D04	2 01T205B-B08	2 01B-A1D6D11	AC7 T104D-D09	2 01B-A1B6B12	AE5 T104G-G10	1 01B-A1C6B07	
2 01T205D-D04	2 01B-A1D6B08	AC1 T105B-B12	1 01B-A1A6D09	AD7 T104D-D13	1 01B-A1A7B10	2 01T205B-B06	
2 01B-A1D6D04	AB3 T105D-D09	1 01B-A1C6B12	AD1 T104B-B10	1 01B-A1A6D13	2 01T204G-G10	2 01B-A1D6B07	
AA5 T105B-B05	1 01B-A1C6D09	2 01T205B-B12	1 01B-A1A6B10	2 01T204D-D13	2 01B-A1B7B10	AF5 T105G-G06	
1 01B-A1C6B05	2 01T205D-D09	2 01B-A1D6B12	2 01T204B-B10	2 01B-A1B6D13	AE7 T104G-G12	1 01B-A1C7B07	

LOC. TYPE

E.C. HISTORY		MACH. 3830-2		A
437380		FRAME 01		A
		IBM CORP. SDD		0
DATE LAST EC		P. No. 2290301		0
11-28-75 437381				005

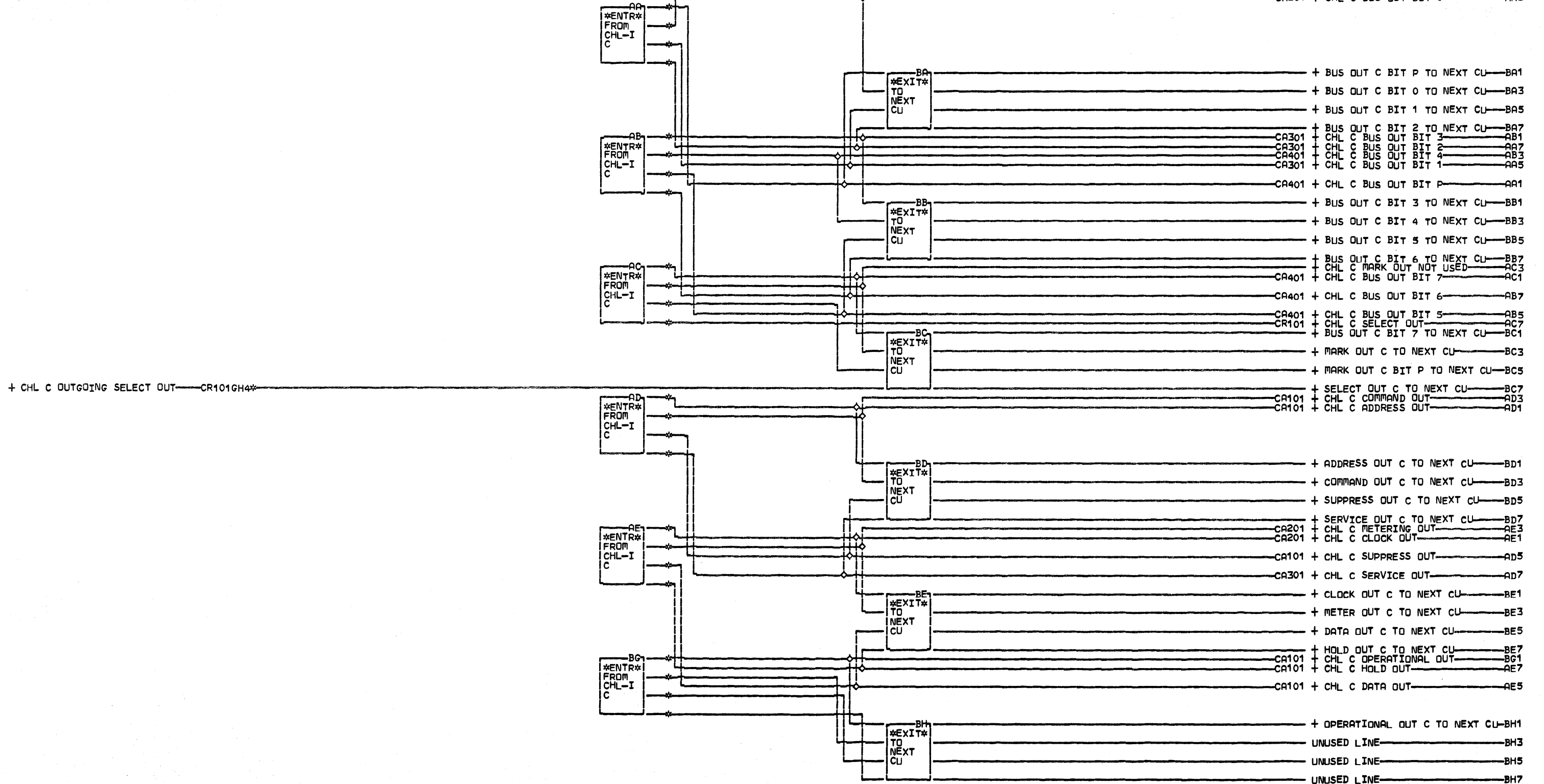
AR
NO
O



BA102BG2	BA102EH2	BA202BG2	BA302BL2	BA302EM2	BA402BL2	BA402FK2	1 01B-A1A6B07
1 01T104B-B05	1 01T104D-D06	1 01T104J-J11	1 01T105J-J06	1 01T105J-J09	1 01T105J-J02	1 01T105J-J13	2 01T204B-B06
1 01B-A1A6B05	1 01B-A1A6D06	1 01B-A1A7D11	1 01B-A1C7D06	1 01B-A1C7D09	1 01B-A1C7D02	1 01B-A1C7D13	2 01B-A1B6B07
2 01T204B-B05	2 01T204D-D06	2 01T204J-J11	2 01T205J-J06	2 01T205J-J02	2 01T205J-J02	2 01T205J-J13	BF5 T104J-J02
2 01B-A1B6B05	2 01B-A1B6D06	2 01B-A1B7D11	2 01B-A1D7D06	2 01B-A1D7D09	2 01B-A1D7D02	2 01B-A1D7D13	1 01B-A1A7D02
BA102BL2	BA102EM2	BA202BL2	BA302CJ2	BA302FK2	BA402CJ2	BR101GK4	2 01T204J-J02
1 01T104D-D04	1 01T104J-J06	1 01T104G-G05	1 01T105G-G03	1 01T105J-J04	1 01T105G-G12	1 01T104B-B08	2 01B-A1B7D02
1 01B-A1A6D04	1 01B-A1A7D06	1 01B-A1A7B05	1 01B-A1C7B03	1 01B-A1C7D04	1 01B-A1C7B12	1 01B-A1A6B08	BF7 T104G-G06
2 01T204D-D04	2 01T204J-J06	2 01T204G-G05	2 01T205G-G03	2 01T205J-J04	2 01T205G-G12	BE7 T204B-B08	1 01B-A1A7B07
2 01B-A1B6D04	2 01B-A1B7D06	2 01B-A1B7B05	2 01B-A1D7B03	2 01B-A1D7D04	2 01B-A1D7B12	1 01B-A1B6B08	2 01T204G-G07
BA102CJ2	BA102FK2	BA302BG2	BA302EH2	BA402BG2	BA402EH2	BF1 T104D-D02	2 01B-A1B7B07
1 01T104G-G08	1 01T104B-B03	1 01T105G-G05	1 01T105G-G08	1 01T105G-G10	1 01T105J-J11	1 01B-A1A6D02	
1 01B-A1A7B08	1 01B-A1A6B03	1 01B-A1C7B05	1 01B-A1C7B08	1 01B-A1C7B10	1 01B-A1C7D11	2 01T204D-D02	
2 01T204G-G08	2 01T204B-B03	2 01T205G-G05	2 01T205G-G08	2 01T205G-G10	2 01T205J-J11	2 01B-A1B6D02	
2 01B-A1B7B08	2 01B-A1B6B03	2 01B-A1D7B05	2 01B-A1D7B08	2 01B-A1D7B10	2 01B-A1D7D11	BF3 T104B-B06	

LOC. TYPE

CHL-I B EXIT	
E.C. HISTORY	MACH. 3830-2
437301	FRAME 01
437305	IBM CORP. SDD
DATE	LAST EC
06-15-73	437310
	P.No. 2345603



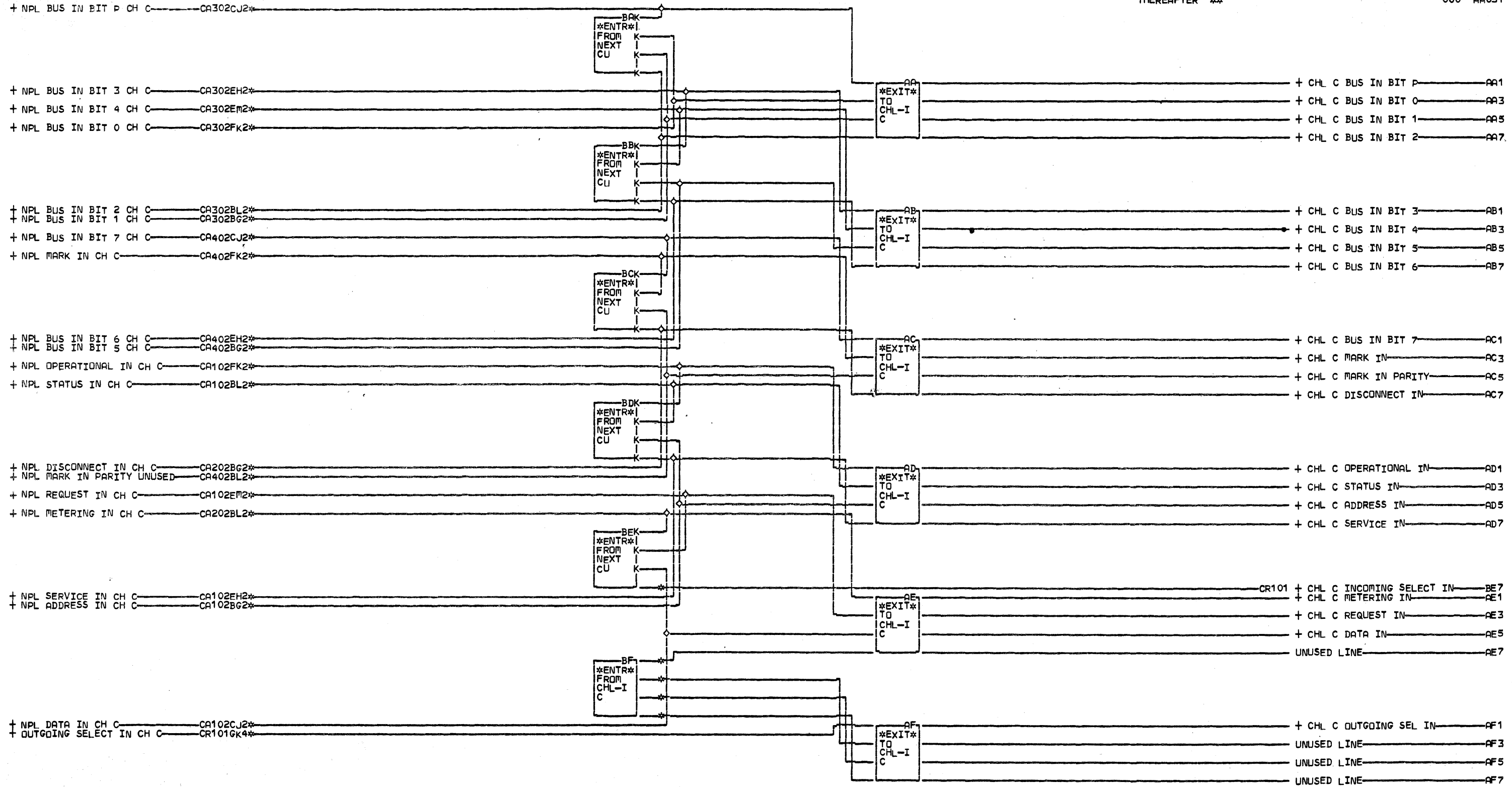
+ CHL C OUTGOING SELECT OUT—CR101GH4*

CR101GH4	2 01A-A1A2B03	2 01T402D-D09	AC3 A-A1A2D13	2 01T401B-B10	AE1 A-A1B2D10	1 01T301G-G12	2 01A-A1C4B09
1 01T401D-D09	2 01T402B-B05	AB5 A-A1A2D07	1 01T302D-D13	AD3 A-A1B2D06	1 01T301G-G03	2 01A-A1B2B03	2 01T402G-G06
1 01A-A1B3D11	AA7 A-A1A2D04	1 01T302B-B10	2 01A-A1A2B13	1 01T301D-D11	2 01A-A1B2B10	2 01T401G-G12	BG7 A-A1C4D05
AA1 T302B-B03	1 01T302D-D06	2 01A-A1A2B07	2 01T402D-D13	2 01A-A1B2B06	2 01T401G-G03	BG1 A-A1B2D02	1 01T301J-J09
1 01A-A1A2D11	2 01A-A1A2B04	2 01T402B-B10	AC5 A-A1A2D12	2 01T401D-D11	AE3 A-A1B2D09	1 01T301J-J13	2 01A-A1C4B05
2 01T402B-B03	2 01T402D-D06	AB7 A-A1A2D09	1 01T302D-D02	AD5 A-A1B2D04	1 01T301J-J04	2 01A-A1B2B02	2 01T401J-J09
2 01A-A1A2B11	AB1 A-A1A2D05	1 01T302D-D11	2 01A-A1A2B12	1 01T301B-B12	2 01A-A1B2B09	2 01T401J-J13	
AA3 A-A1A2D02	1 01T302B-B08	2 01A-A1A2B09	2 01T402D-D02	2 01A-A1B2B04	2 01T401J-J04	BG3 A-A1C4D04	
1 01T302D-D04	2 01A-A1A2B05	2 01T402D-D11	AC7 A-A1B2D12	2 01T401B-B12	AE5 A-A1B2D07	1 01T301D-D02	
2 01A-A1A2B02	2 01T402B-B08	AC1 A-A1A2D10	1 01T301D-D09	AD7 A-A1B2D11	1 01T301G-G10	2 01A-A1C4B04	
2 01T402D-D04	AB3 A-A1A2D06	1 01T302B-B12	AD1 A-A1B2D05	1 01T301D-D13	2 01A-A1B2B07	2 01T401D-J02	
AA5 A-A1A2D03	1 01T302D-D09	2 01A-A1A2B10	1 01T301B-B10	2 01A-A1B2B11	2 01T401G-G10	BG5 A-A1C4D09	
1 01T302B-B05	2 01A-A1A2B06	2 01T402B-B12	2 01A-A1B2B05	2 01T401D-D13	AE7 A-A1B2D03	1 01T302G-G06	

*NOTE EARLY MACHINES
MAY HAVE YELLOW WIRES
AND PRINTED LANDS IN
A PARALLEL ON MANY C
AND D INTERFACE LINES.

LOC. TYPE

CHL-I C ENTRY		A
E.C.—HISTORY—	B MACH. 3830-2	0
437380	FRAME 01	3
DATE LAST EC	IBM CORP. SDD	0
11-28-75 437381	P.No. 2290302	005

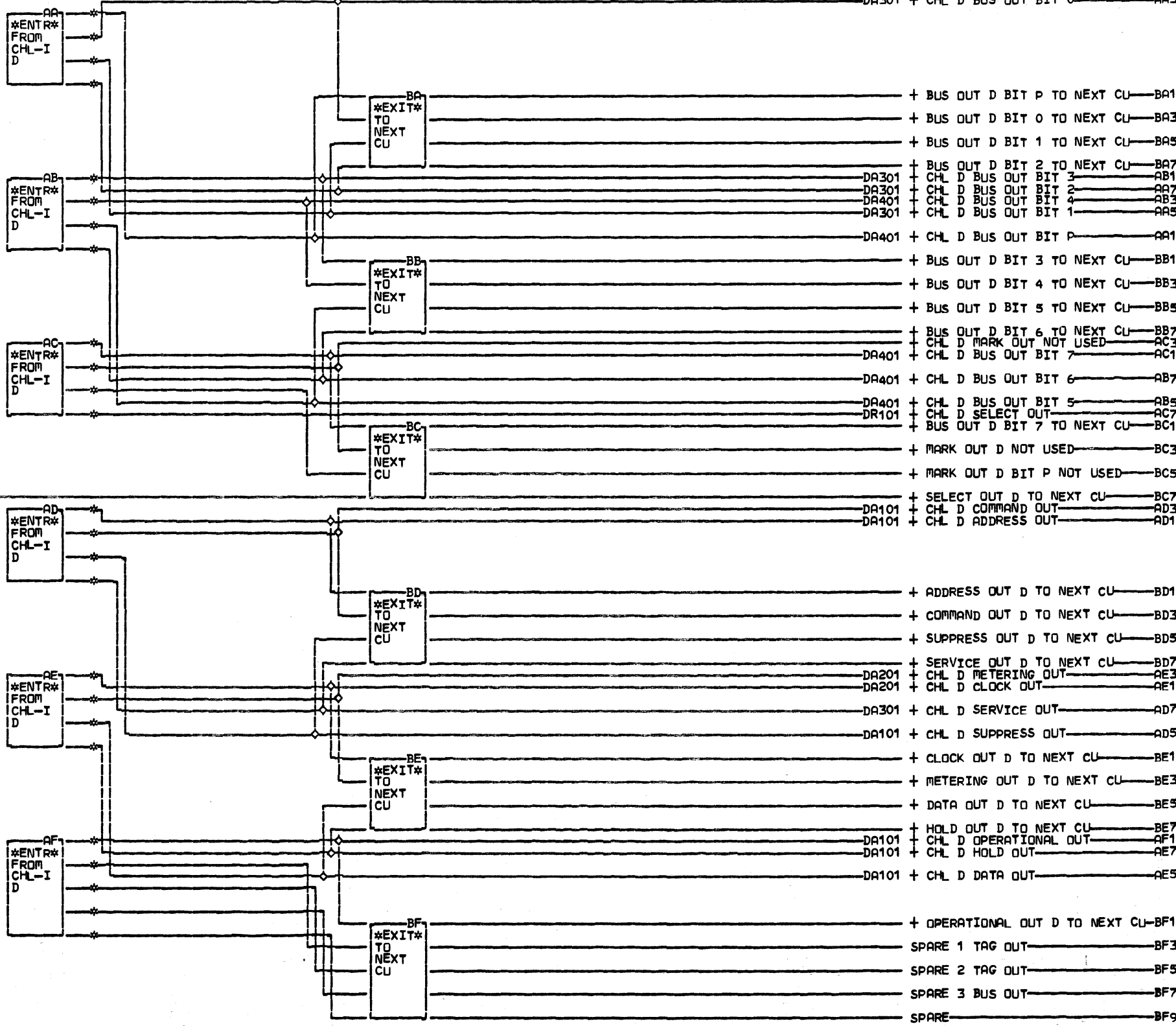


*NOTE EARLY MACHINES
MAY HAVE YELLOW WIRES
AND PRINTED LANDS IN
A PARALLEL ON MANY C
AND D INTERFACE
LINES.

CA102BG2	CA102EH2	CA202BG2	CA302BL2	CA302EM2	CA402BL2	CA402FK2	1 01T401B-B06
1 01A-A1B3D02	1 01A-A1B3D03	1 01A-A1B3D09	1 01A-A1A3D06	1 01A-A1A3D07	1 01A-A1A3D13	1 01A-A1A3D12	2 01A-A1C4D02
1 01T401B-B05	1 01T401D-D06	1 01T401J-J11	1 01T402J-J06	1 01T402J-J06	1 01T402J-J02	1 01T402J-J13	2 01T301B-B06
2 01A-A1B3B02	2 01A-A1B3B03	2 01A-A1B3B09	2 01A-A1A3B06	2 01A-A1A3B07	2 01A-A1A3B13	2 01A-A1A3B12	BF5 A-A1B3D12
2 01T301B-B05	2 01T301D-D06	2 01T301J-J11	2 01T302J-J06	2 01T302J-J09	2 01T302J-J02	2 01T302J-J13	1 01T401G-G06
CA102BL2	CA102EM2	CA202BL2	CA302FK2	CA302CJ2	CA402CJ2	CR101GK4	2 01A-A1B3B12
1 01A-A1B3D06	1 01A-A1B3D07	1 01A-A1B3D10	1 01A-A1A3D04	1 01A-A1A3D05	1 01A-A1A3D11	1 01T301B-B08	2 01T301G-G06
1 01T401D-D04	1 01T401J-J06	1 01T401G-G05	1 01T402G-G03	1 01T402J-J04	1 01T402G-G12	1 01A-A1B3B11	BF7 A-A1C4B10
2 01A-A1B3B06	2 01A-A1B3B07	2 01A-A1B3B10	2 01A-A1A3B04	2 01A-A1A3B05	2 01A-A1A3B11	BE7 A-A1B2B12	1 01T402B-B06
2 01T301D-D04	2 01T301J-J06	2 01T301G-G05	2 01T302G-G03	2 01T302J-J04	2 01T302G-G12	1 01T401B-B08	2 01A-A1C4D10
CA102CJ2	CA102FK2	CA302BG2	CA302EH2	CA402BG2	CA402EH2	BF1 A-A1B3D13	2 01T302B-B06
1 01A-A1B3D04	1 01A-A1B3D05	1 01A-A1A3D02	1 01A-A1A3D03	1 01A-A1A3D09	1 01A-A1A3D10	1 01T401D-D02	
1 01T401G-G08	1 01T401B-B03	1 01T402G-G05	1 01T402G-G08	1 01T402G-G10	1 01T402J-J11	2 01A-A1B3B13	
2 01A-A1B3B04	2 01A-A1B3B05	2 01A-A1A3B02	2 01A-A1A3B03	2 01A-A1A3B09	2 01A-A1A3B10	2 01T301D-D02	
2 01T301G-G08	2 01T301B-B03	2 01T302G-G05	2 01T302G-G08	2 01T302G-G10	2 01T302J-J11	BF3 A-A1C4B02	

LOC. TYPE

CHL-I C EXIT		
E.C. HISTORY	B	MACH. 3830-2
437301		
437305		FRAME 01
437308		IBM CORP. SDD
DATE	LAST EC	
06-15-73	437310	P.N. 2345605



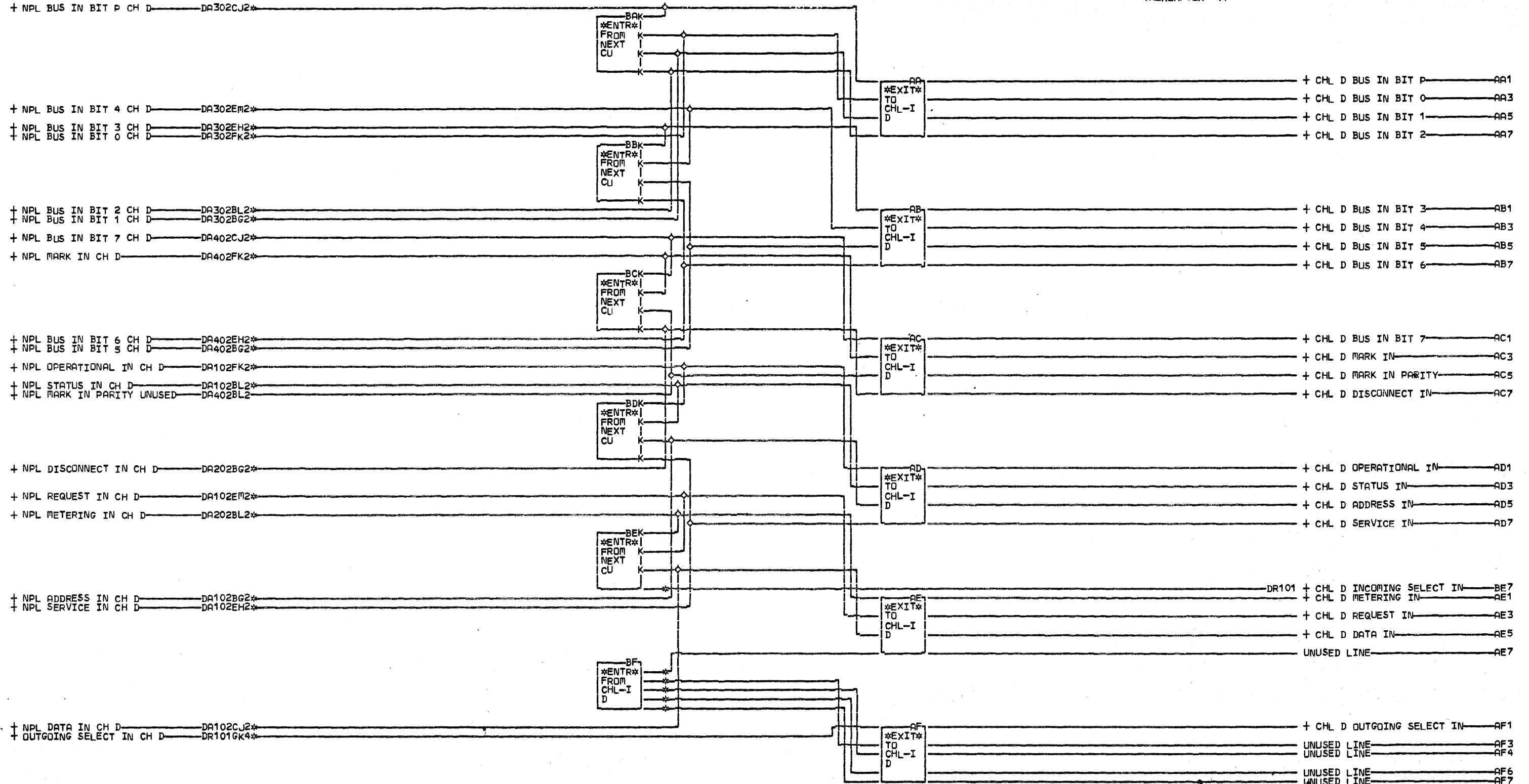
+ CHL D OUTGOING SELECT OUT—DR101GH4*

DR101GH4	2 01A-A1A4B03	2 01T405D-D09	AC3 A-A1A4D13	2 01T404B-B10	AE1 A-A1B4D10	1 01T304G-G12	2 01A-A1C5B05
1 01A-A1B5D11	2 01T405B-B05	AB5 A-A1A4D07	1 01T305D-D13	AD3 A-A1B4D06	1 01T304G-G03	2 01A-A1B4B03	2 01T404J-J09
1 01T404D-D09	AA7 A-A1A4D04	1 01T305B-B10	2 01A-A1A4B13	1 01T304D-D11	2 01A-A1B4B10	2 01T404G-G12	AF7 A-A1C5D09
AA1 A-A1A4D11	1 01T305D-D06	2 01A-A1A4B07	2 01T405D-D13	2 01A-A1B4B06	2 01T404G-G03	AF1 A-A1B4D02	1 01T305G-G06
1 01T305B-B03	2 01A-A1A4B04	2 01T405B-B10	AC5 A-A1A4D12	2 01T404D-D11	AE3 A-A1B4D09	1 01T304J-J13	2 01A-A1C5B09
2 01A-A1A4B11	2 01T405D-D06	AB7 A-A1A4D09	1 01T305D-D02	AD5 A-A1B4D04	1 01T304J-J04	2 01A-A1B4B02	2 01T405G-G06
2 01T405B-B03	AB1 A-A1A4D05	1 01T305D-D11	2 01A-A1A4B12	1 01T304B-B12	2 01A-A1B4B09	2 01T404J-J13	AF9 A-A1C5B12
AA3 A-A1A4D02	1 01T305B-B08	2 01A-A1A4B09	2 01T405D-D02	2 01A-A1B4B04	2 01T404J-J04	AF3 A-A1C5D04	1 01T304G-G06
1 01T305D-D04	2 01A-A1A4B05	2 01T405D-D11	AC7 A-A1B4D12	2 01T404B-B12	AE5 A-A1B4D07	1 01T304J-J02	2 01A-A1C5D12
2 01A-A1A4B02	2 01T405B-B08	AC1 A-A1A4D10	1 01T304D-D09	AD7 A-A1B4D11	1 01T304G-G10	2 01A-A1C5B04	2 01T404G-G06
2 01T405D-D04	AB3 A-A1A4D06	1 01T305B-B12	AD1 A-A1B4D05	1 01T304D-D13	2 01A-A1B4B07	2 01T404J-J02	
AA5 A-A1A4D03	1 01T305D-D09	2 01A-A1A4B10	1 01T304B-B10	2 01A-A1B4B11	2 01T404G-G10	AF5 A-A1C5D05	
1 01T305B-B05	2 01A-A1A4B06	2 01T405B-B12	2 01A-A1B4B05	2 01T404D-D13	AE7 A-A1B4D03	1 01T304J-J09	

*NOTE EARLY MACHINES
MAY HAVE YELLOW WIRES
AND PRINTED LANDS IN
A PARALLEL ON MANY
O C AND D INTERFACE
4 LINES.
O

LOC. TYPE

CHL-I D ENTRY		A
E.C.—HISTORY—	B. MACH. 3830-2	0
437380	FRAME 01	4
	IBM CORP. SDD	0
DATE LAST EC	P.N. 2290303	005
11-28-75 437381		

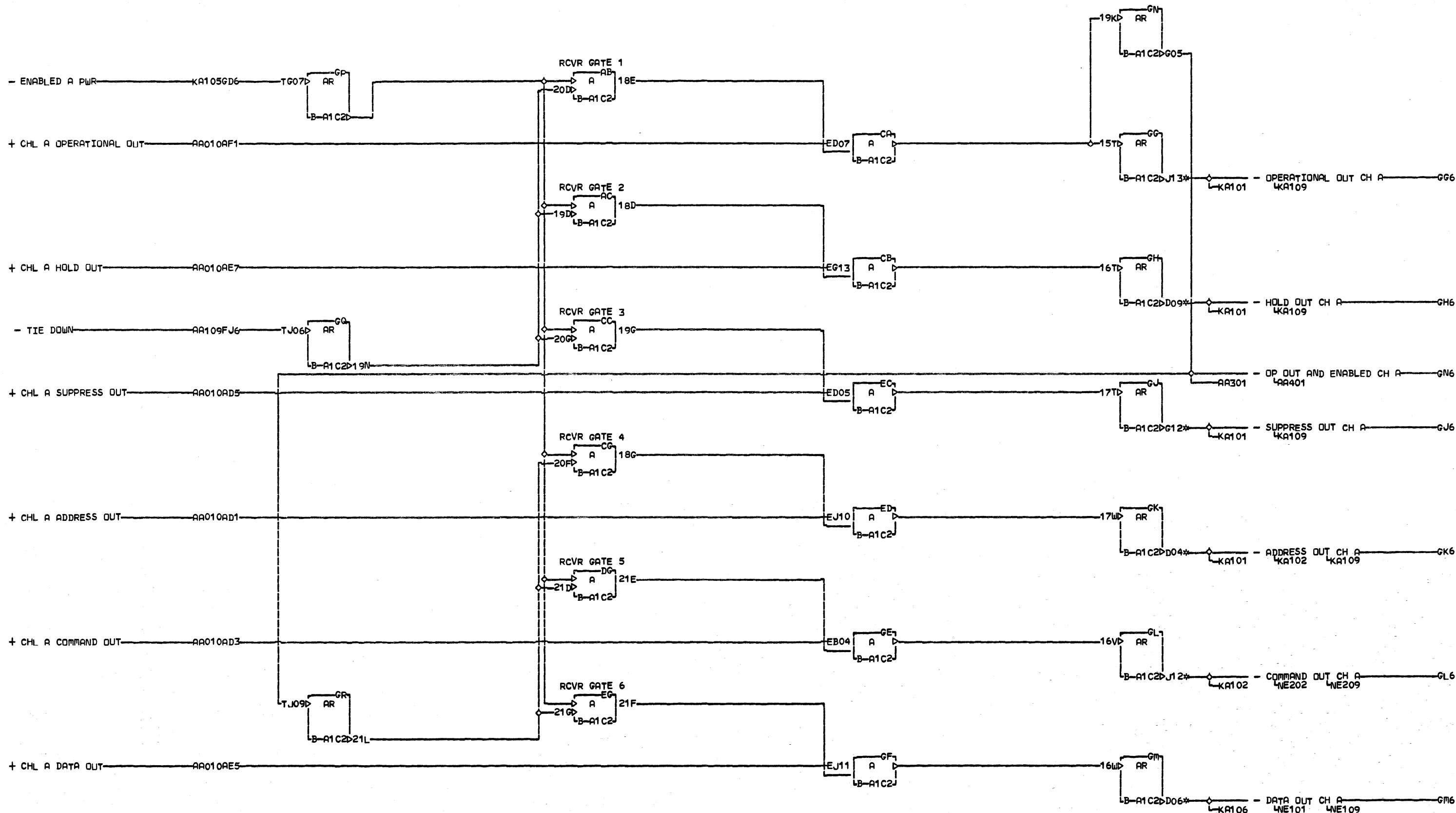


*NOTE EARLY MACHINES MAY HAVE YELLOW WIRES AND PRINTED LANDS IN PARALLEL ON MANY C AND D INTERFACE LINES.

000	DA102BG2	2	01T304G-G08	2	01A-A1B5B05	1	01T405G-G05	1	01A-A1A5D03	DA402BG2	2	01T305J-J11	2	01T304G-G06	1	01T404B-B06	
	1	01A-A1B5D02	DA102EH2	2	01T304B-B03	2	01A-A1A5B02	1	01T405G-G08	1	01A-A1A5D09	DA402FK2	BF3	A-A1A5D13	2	01A-A1C5D02	
	1	01T404B-B05	1	01A-A1B5D03	DA202BG2	2	01T305G-G05	2	01A-A1A5B03	1	01T405G-G10	1	01A-A1A5D12	1	01T405J-J02	2	01T304B-B06
	2	01A-A1B5B02	1	01T404D-D06	1	01A-A1B5D09	DA302BL2	2	01T305G-G08	2	01A-A1A5B09	1	01T405J-J13	2	01A-A1A5B13		
	2	01T304B-B05	2	01A-A1B5B03	1	01T404J-J11	1	01A-A1A5D06	DA302EM2	2	01T305G-G10	2	01A-A1A5B12	2	01T305J-J02		
	DA102BL2	2	01T304D-D06	2	01A-A1B5B09	1	01T405J-J06	1	01A-A1A5D07	DA402CJ2	2	01T305J-J13	BF4	A-A1C5B10			
	1	01A-A1B5D06	DA102EM2	2	01T304J-J11	2	01A-A1A5B06	1	01T405J-J09	1	01A-A1A5D11	DR101GK4	1	01T405B-B06			
	1	01T404D-D04	1	01A-A1B5D07	DA202BL2	2	01T305J-J06	2	01A-A1A5B07	1	01T405G-G12	1	01A-A1B5B11	2	01A-A1C5D10		
	2	01A-A1B5B06	1	01T404J-J06	1	01A-A1B5D10	DA302CJ2	2	01T305J-J09	2	01A-A1A5B11	1	01T304B-B08	2	01T305B-B06		
	2	01T304D-D04	2	01A-A1B5B07	1	01T404G-G05	1	01A-A1A5D04	DA302FK2	2	01T305G-G12	BE7	A-A1B4B12	BF5	A-A1B5D13		
	DA102CJ2	2	01T304J-J06	2	01A-A1B5B10	1	01T405G-G03	1	01A-A1A5D05	DA402EH2	1	01T404B-B08	1	01T404D-D02			
	1	01T104G-G08	DA102FK2	2	01T304G-G05	2	01A-A1A5B04	1	01T405J-J04	1	01A-A1A5D10	BF2	A-A1B5D12	2	01A-A1B5B13		
	1	01A-A1B5D04	1	01A-A1B5D05	DA302BG2	2	01T305G-G03	2	01A-A1A5B05	1	01T405J-J11	1	01T404G-G06	2	01T304D-D02		
	2	01A-A1B5B04	1	01T404B-B03	1	01A-A1A5D02	DA302EH2	2	01T305J-J04	2	01A-A1A5B10	2	01A-A1B5B12	BF6	A-A1C5B02		

LOC. TYPE

CHL-I D EXIT		A
-E.C.-HISTORY-	MACH#3830-2	A
437301		0
437305	FRAME	01
437308	IBM CORP. SDD	1
DATE	LAST EC	000
06-15-73	437310	
	P.No. 2345607	



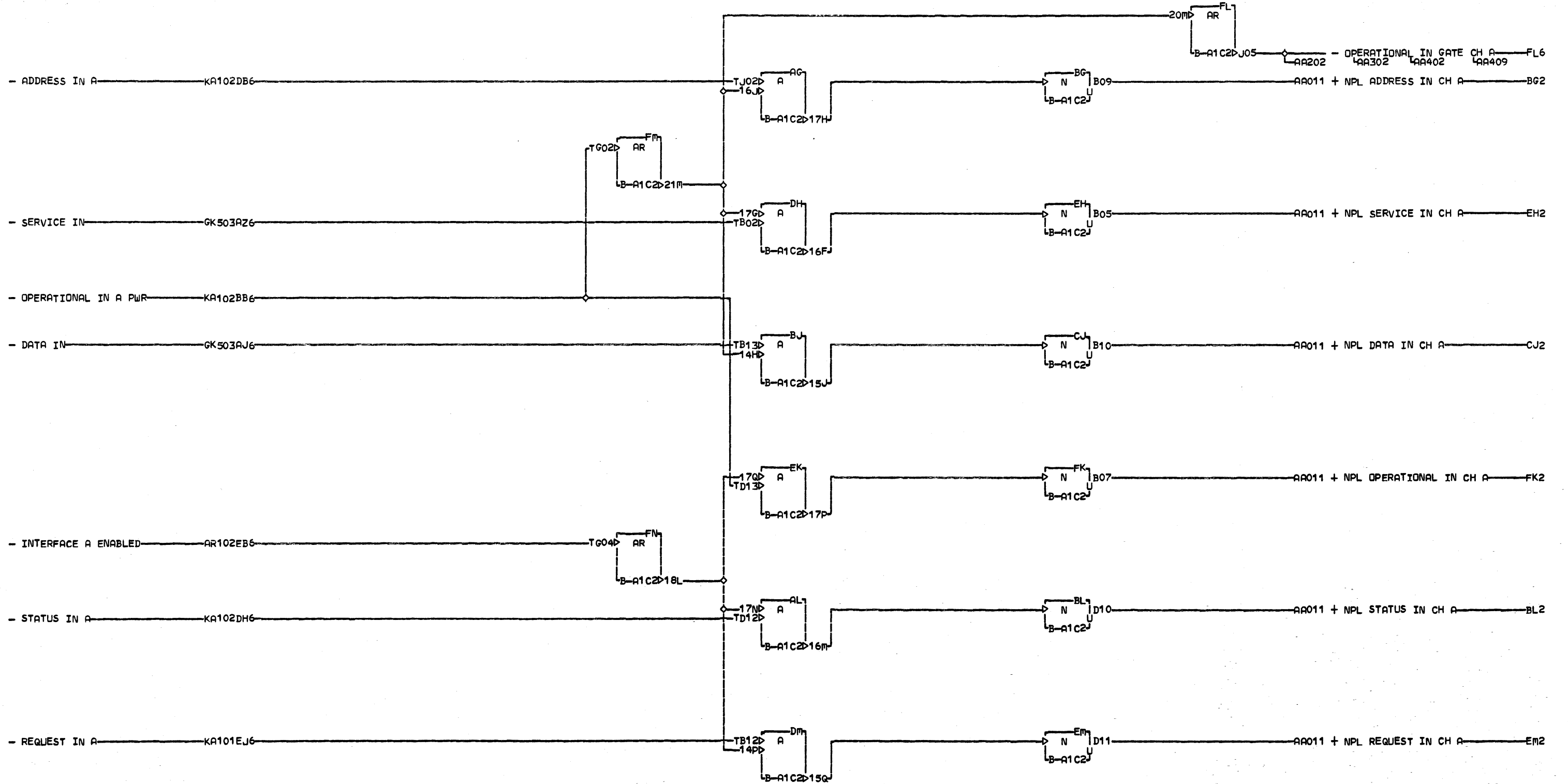
A
1
0
1

GG6 B-A1B1C09 1 01A-A1H6C04
 A 01A-A1N6E02 GM6 B-A1E1C11
 GH6 B-A1B1D11 1 01A-A1H6A04
 1 01A-A1M6E04
 GJ6 B-A1A1E09
 A 01A-A1N6B02
 GK6 B-A1A1D09
 A 01A-A1N6A02
 1 01A-A1N6A02

LOC. TYPE
 B-A1C2 7548

CHL-I RECEIVERS	
E.C. HISTORY	B-MACH.3830-2
437380	FRAME 01
DATE LAST EC	IBM CORP. SDD
11-28-75 437381	P.N. 2290304

A
1
0
1
005

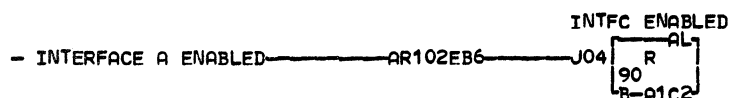
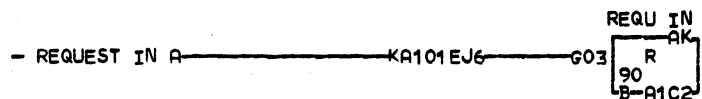
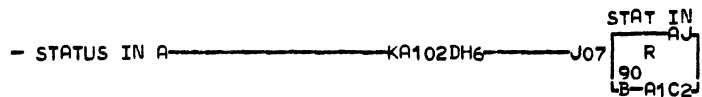
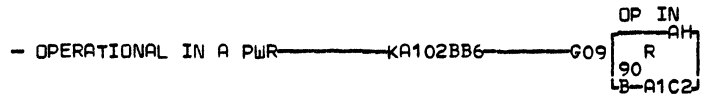
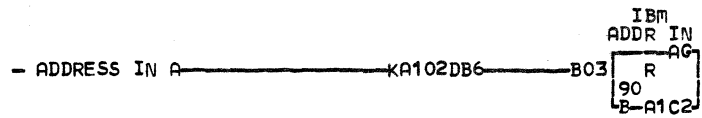


LOC. TYPE
B-A1C2 7548

CHL-I DRIVERS	
E.C. HISTORY 437380	MACH. 3830-2
DATE 11-28-75	FRAME 01
LAST EC 437381	IBM CORP. SDD
	P.N. 2290305

D
1
1
0
2

A
1
0
2

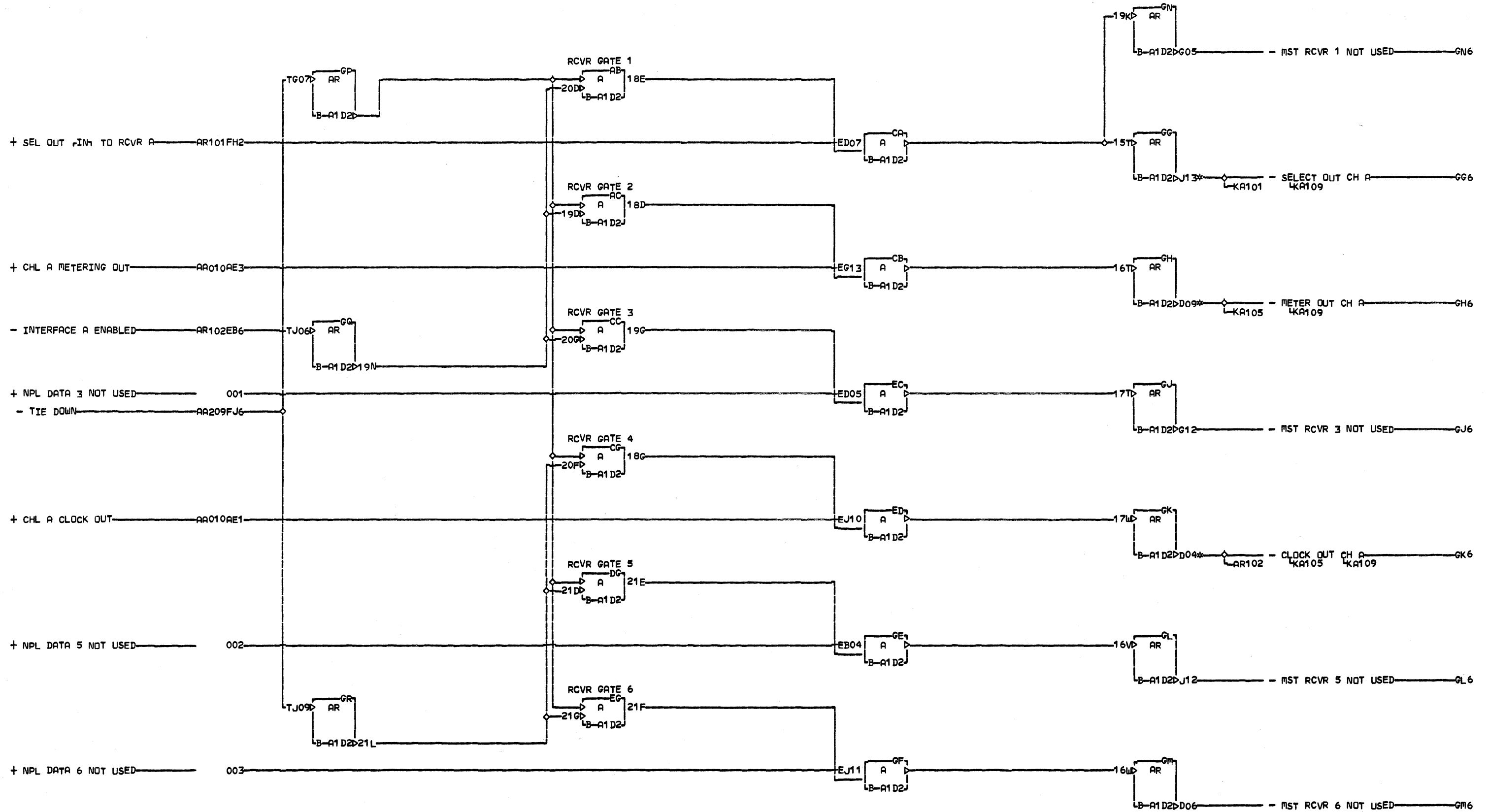


005

LOC. TYPE
B-A1C2 7548

NPL TERMINATORS	
E.C. HISTORY 437380	MACH. 3830-2 FRAME 01 IBM CORP. SDD P.N. 2290306
DATE LAST EC 11-28-75 437381	

AA109



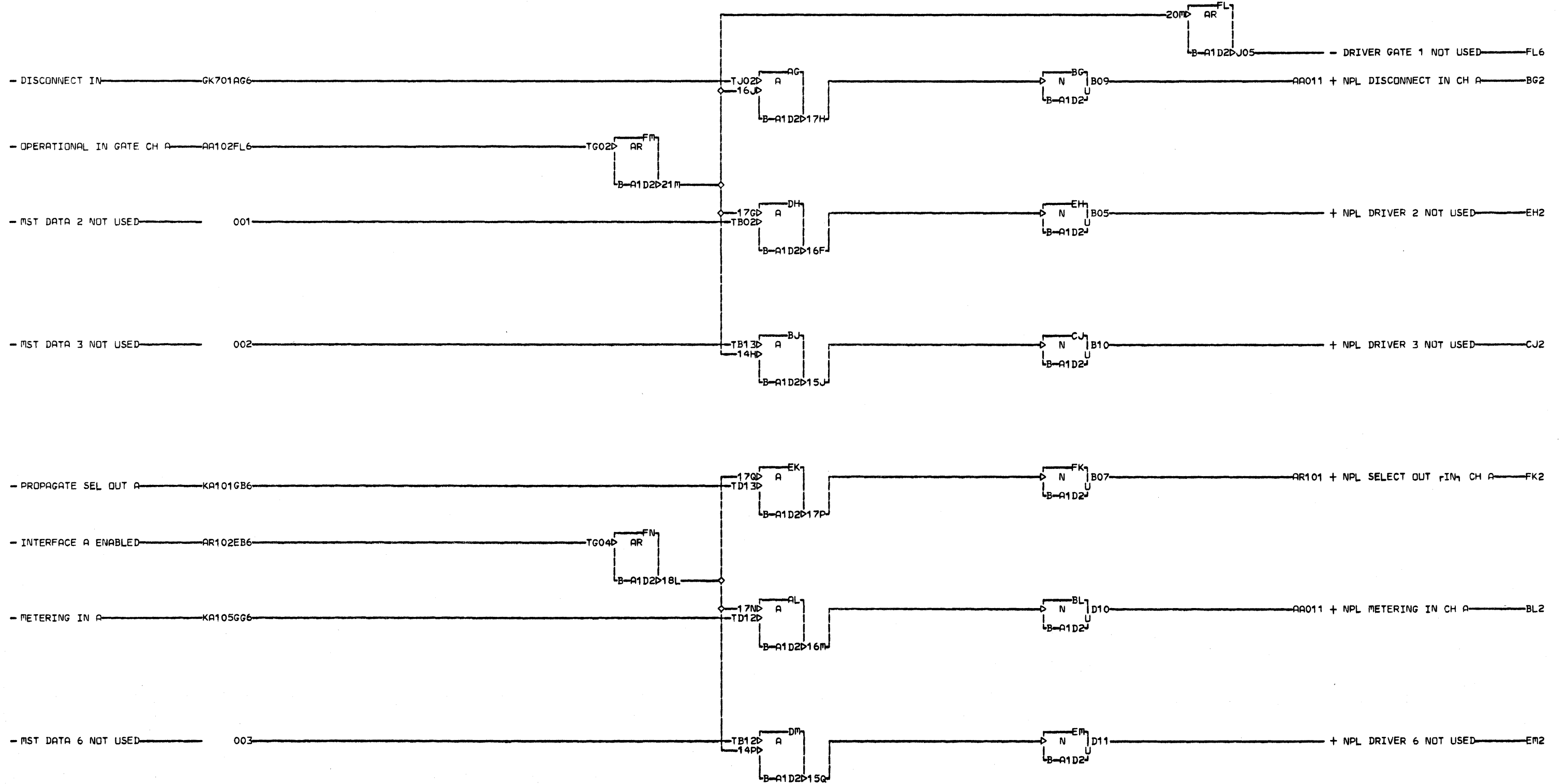
GG6 B-A1A1C09
 A 01A-A1M6E02
 GH6 B-A1B1B09
 A 01A-A1N6D02
 GK6 B-A1B1A09
 A 01A-A1N6C02

LOC. TYPE
 B-A1D2 7548

CHL-I RECEIVERS	
E.C. HISTORY 437380	B MACH. 3830-2
DATE 11-28-75	FRAME 01
LAST EC 437381	IBM CORP. SDD
	P.N. 2290307

AA201

AA201



LOC. TYPE
B-A1D2 7548

CHL-I DRIVERS	
E.C. HISTORY 437357	MACH. 3830-2
DATE 04-16-73	FRAME 01
LAST EC 437311	IBM CORP. SDD
	P.N. 2346174

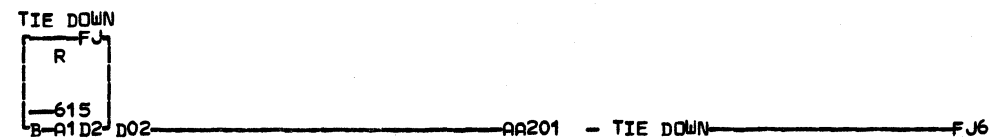
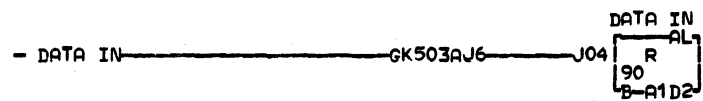
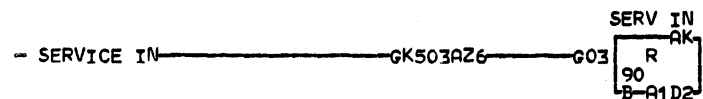
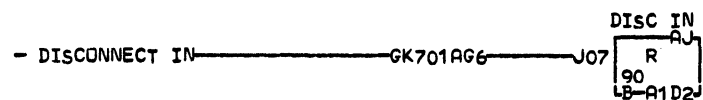
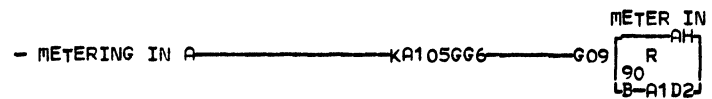
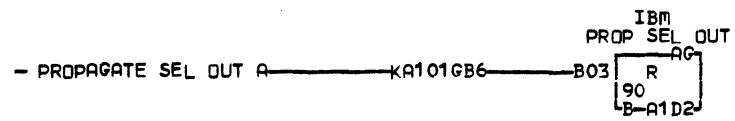
NONDA

002 SIM TO PN

EC 437305

RAZON

002

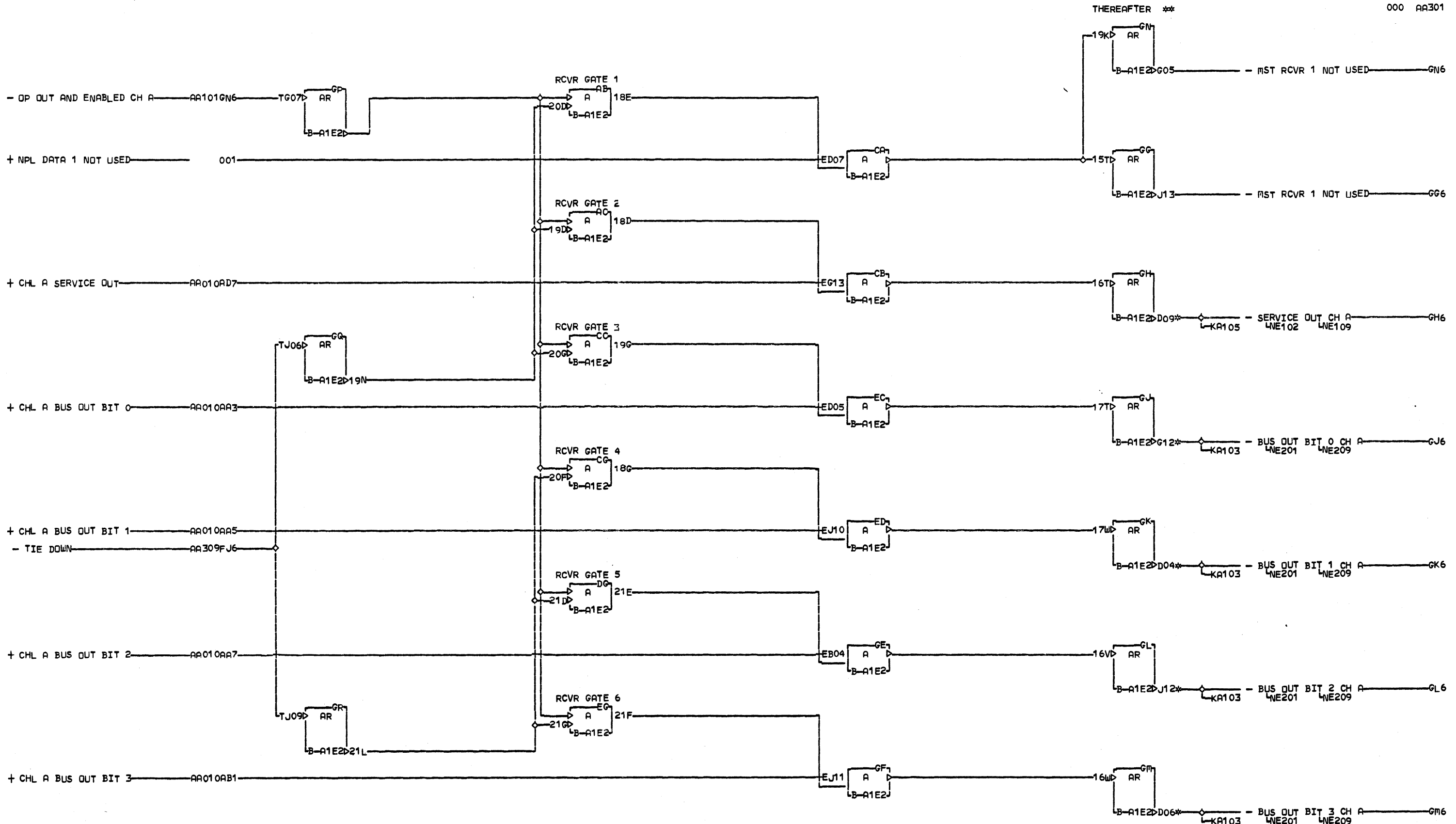


00000009

LOC. TYPE
B-A1D2 7548

NPL TERMINATORS	
E.C. HISTORY 437380	B. MACH. 3830-2
DATE LAST EC 11-28-75 437381	FRAME 01 IBM CORP. SDD P.N. 2290308

00000009



THEREAFTER **

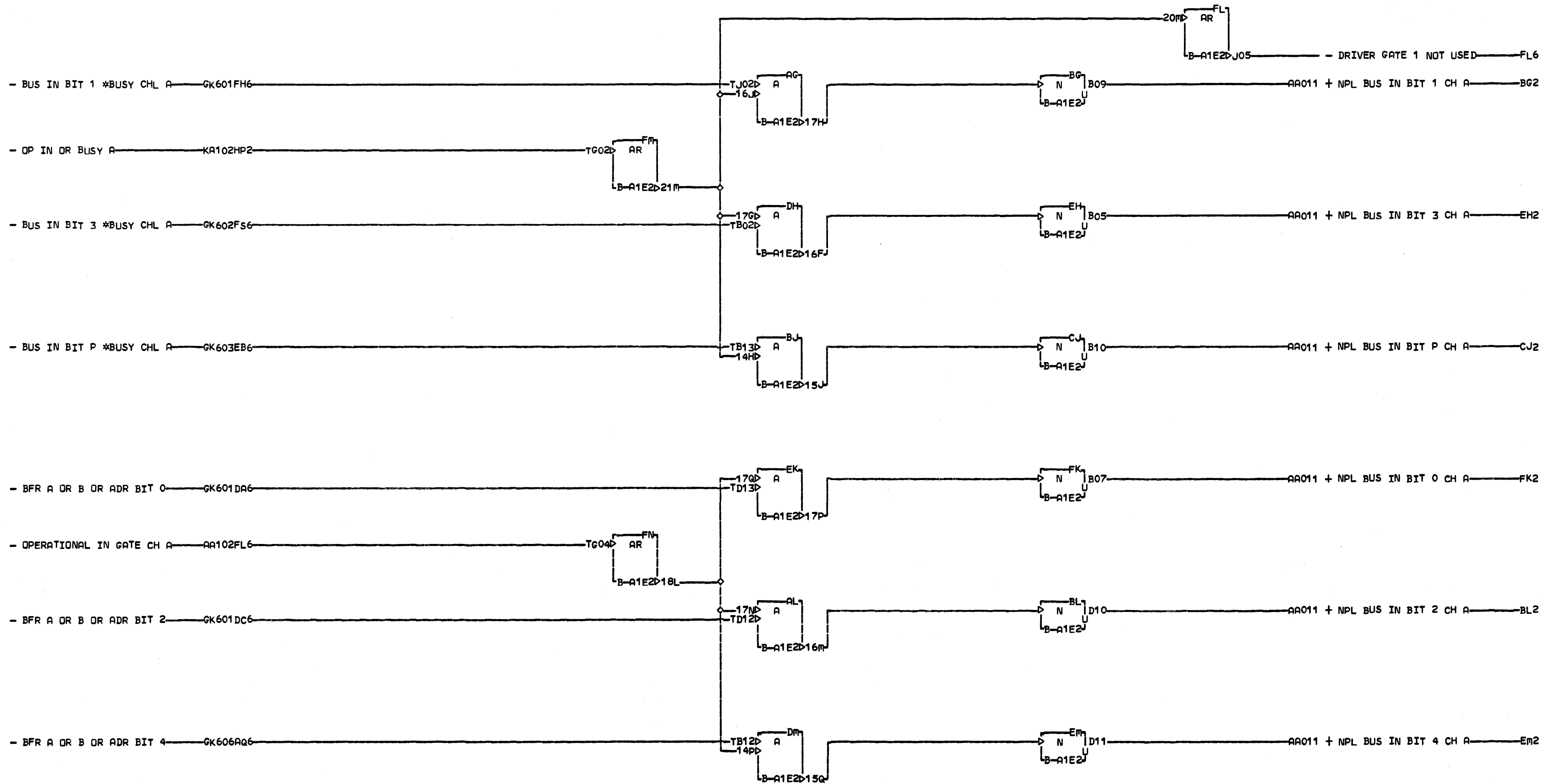
- GH6 B-A1E1D11 A 01A-A1H6B02
- 1 01A-A1H6B04
- GJ6 B-A1F1B09
- A 01A-A1H6E02
- GK6 B-A1F1A09
- A 01A-A1H6D02
- GL6 B-A1E1E09
- A 01A-A1H6C02
- GM6 B-A1E1D09

LOC. TYPE
B-A1E2 7548

CHL-I RECEIVERS	
E.C. HISTORY	B MACH. 3830-2
437301	FRAME 01
437305	IBM CORP. SDD
DATE	LAST EC
06-15-73	437310
P.N.	2345614

000

000



LOC. TYPE
B-A1E2 7548

CHL-I DRIVERS	
E.C. HISTORY 437380	MACH. 3830-2 FRAME 01
DATE 11-28-75	IBN CORP. SDD P.N. 2290309
LAST EC 437381	

AA302

005

ROUND

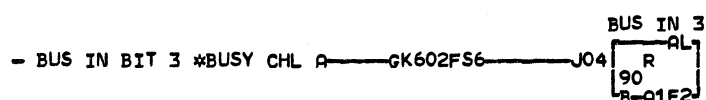
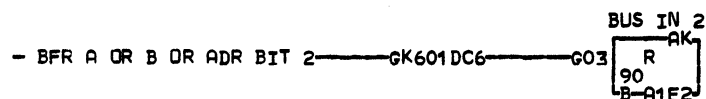
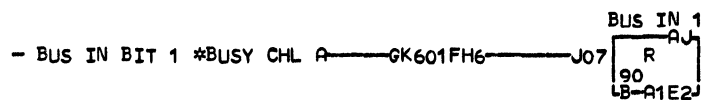
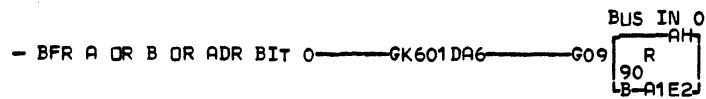
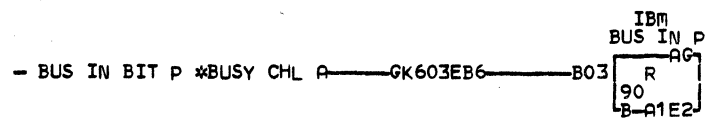
CONFIDENTIAL

UNTIL 03-30-76

UNCLASSIFIED

THEREAFTER

005 AA309



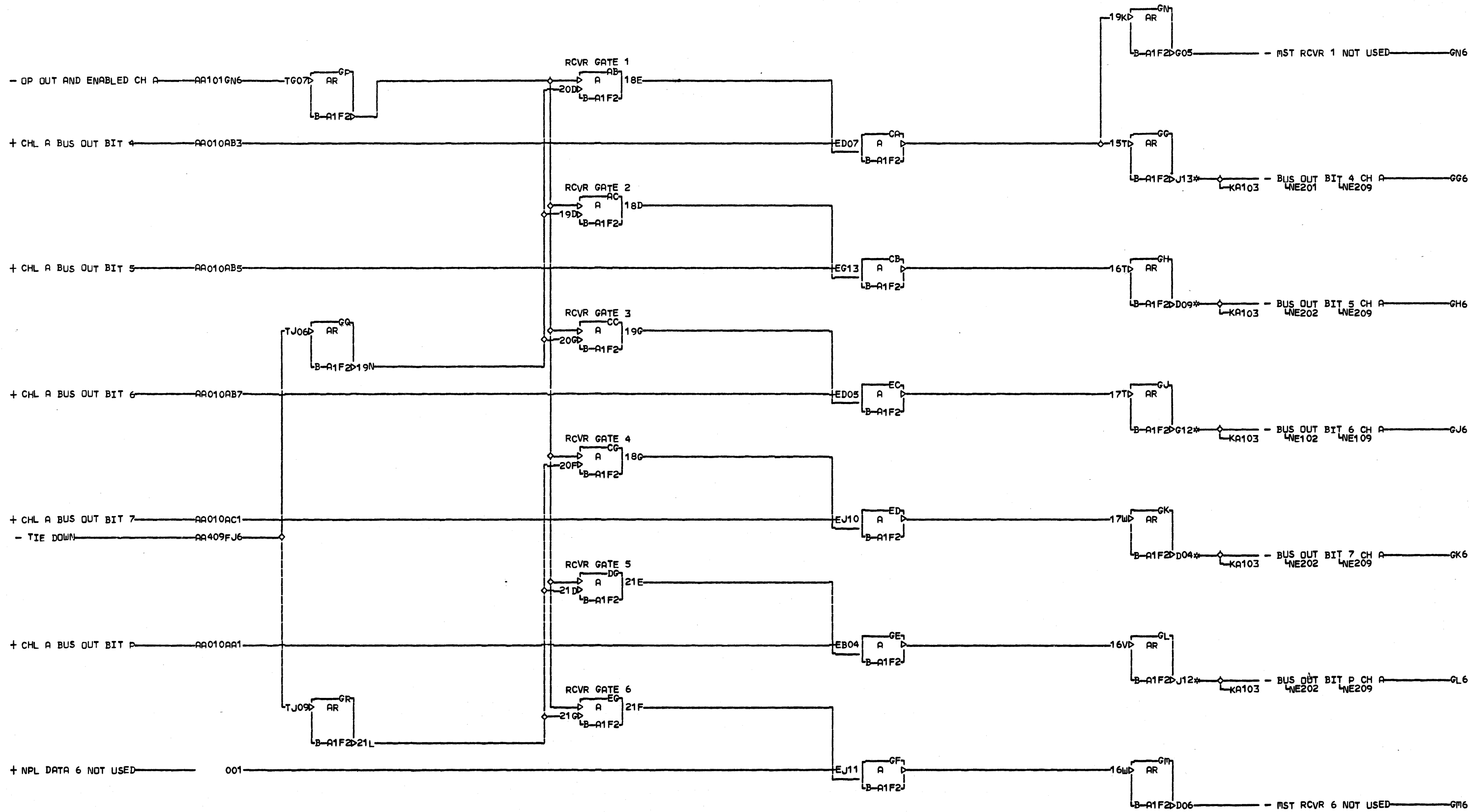
LOC. TYPE
B-A1E2 7548

NPL TERMINATORS	
E.C. HISTORY 437380	MACH. 3830-2 FRAME 01
DATE LAST EC 11-28-75 437381	IBM CORP. SDD P.O. No. 2290310

AA309

005

9
3
0
3
A



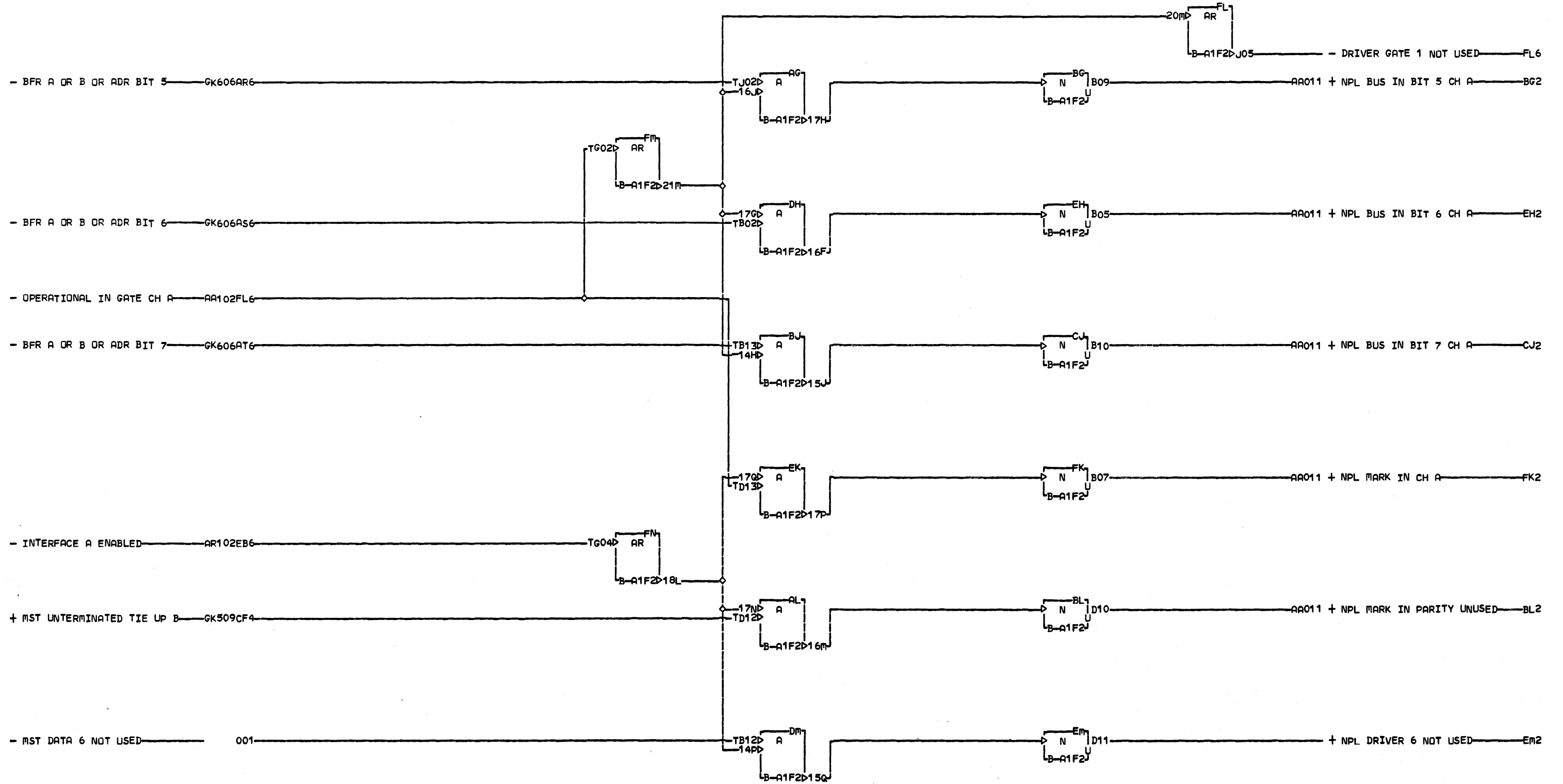
AA401

GG6 B-A1E1C09 A 01A-A1J6A02
 A 01A-A1H6A02
 GH6 B-A1F1C11
 1 01A-A1J6A04
 GJ6 B-A1F1B11
 1 01A-A1H6E04
 GK6 B-A1F1A11
 1 01A-A1H6D04
 GL6 B-A1F1C09

LOC. TYPE
 B-A1F2 7548

CHL-I RECEIVERS	
—E.C.—HISTORY—	B MACH.3830-2
437301	FRAME 01
437303	IBM CORP. SDD
437305	P.N. 2345617
DATE LAST EC	
06-15-73 437310	

AA401

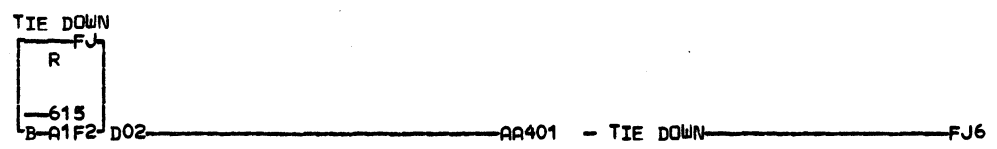
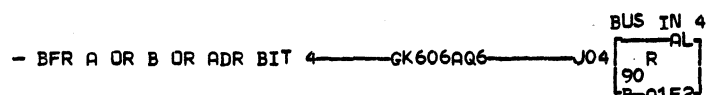
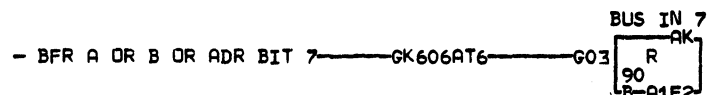
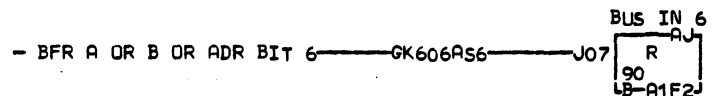
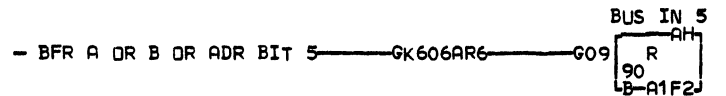
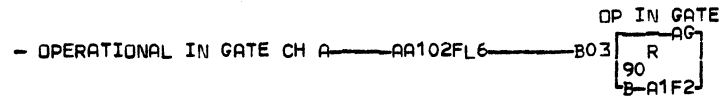


LOC. TYPE
B-A1F2 7548

CHL-I DRIVERS	
E.C. HISTORY	MACH. 3830-2
437380	FRAME 01
DATE LAST EC	IBM CORP. SDD
11-28-75 437381	P.No. 2290311

NO. 402

AA402
005

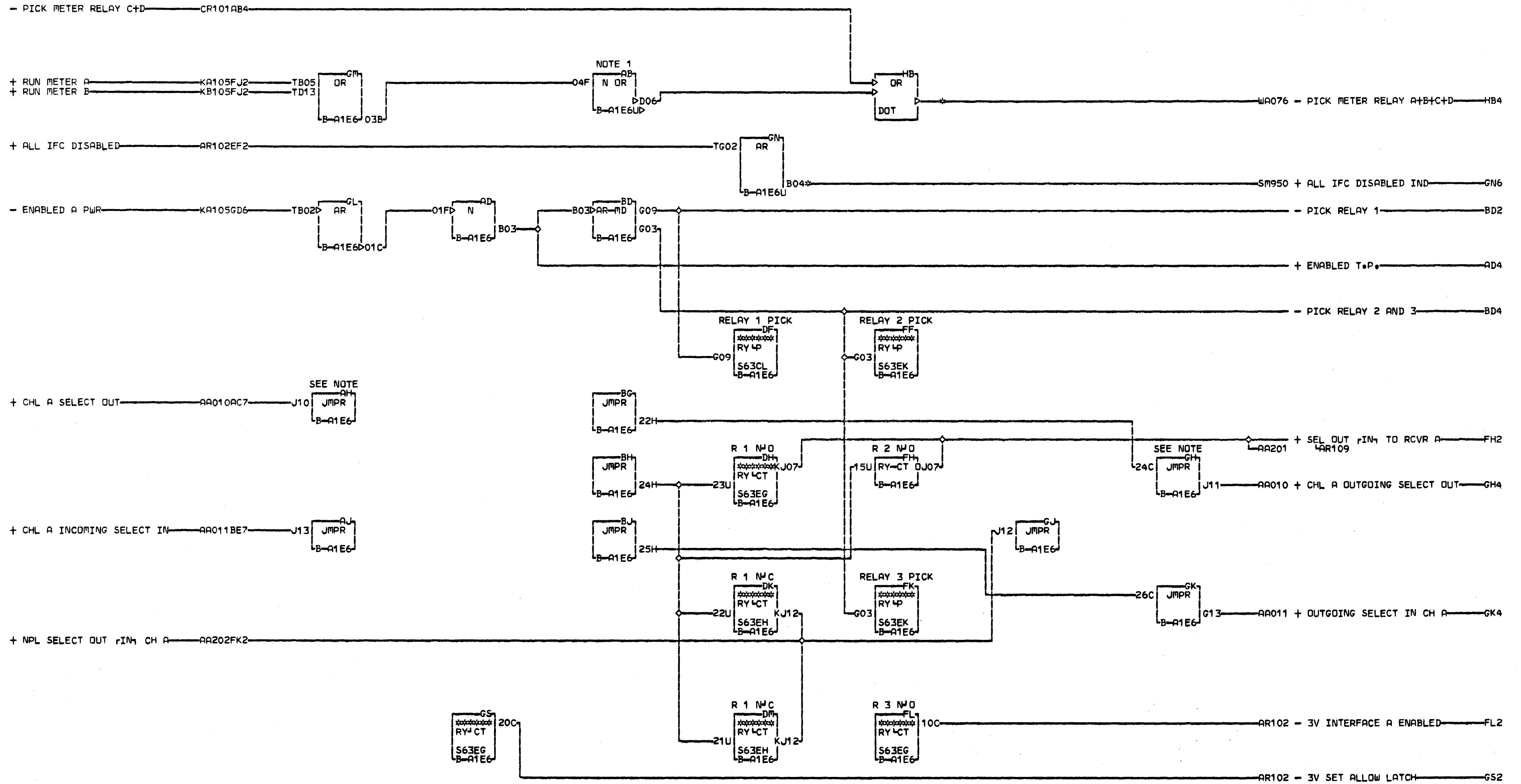


000
9
0
4
0
0

LOC. TYPE
B-A1F2 7548

NPL TERMINATORS	
—E.C.— HISTORY	B. MACH. 3830-2
437301	
437302	FRAME 01
437305	
437307	IBM CORP. SDD
DATE	LAST EC
06-15-73	437310
	P.N. 2345619

A
A
4
0
9
000

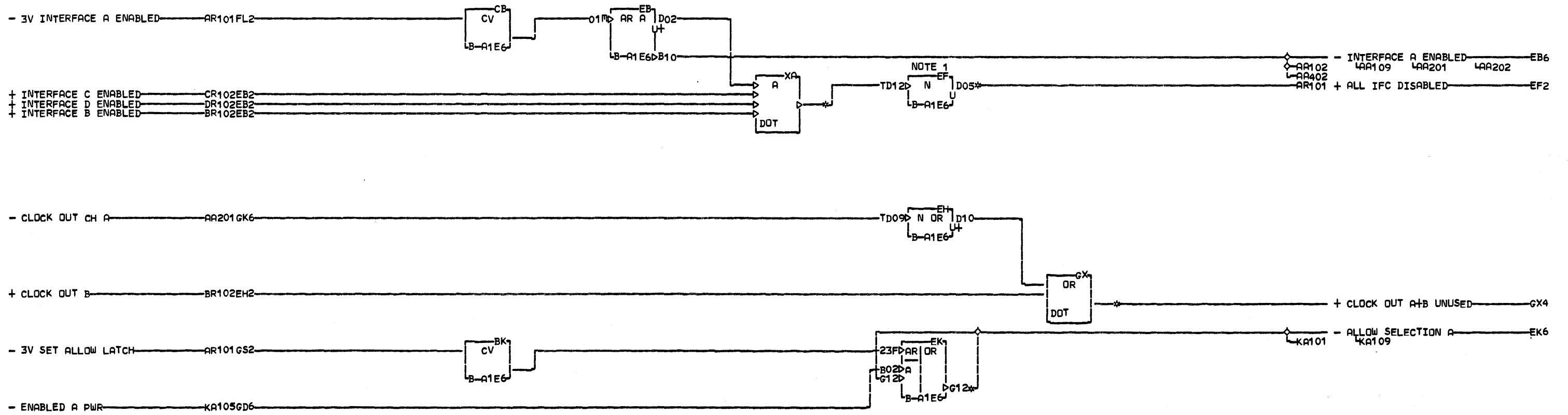


#FOR SEL OUT TRAP CONNECT
 #AH-BH AJ-BJ GJ-CH
 A #FOR SEL IN TRAP CONNECT
 R #AH-BG AJ-BH GJ-CK
 1 *NOTE 1
 0 *JUMPER FROM E6D06
 1 *TO EBB04 FOR W4CH

GN6 B-A1B1E11
 1 01A-A1R6A02
 B 01A-A1R1C13
 B 01A-B2R6C04
 HB4 B-A1E8B04
 1 01A-A1U6D02

LOC. TYPE
 B-A1E6 7552

SELECT OUT BYPASS AND PRIORITY CHANNEL A		A
E.C. HISTORY	B MACH. 3830-2	R
437357		1
437310	FRAME	01
	IBM CORP. SDD	1
DATE	LAST EC	002
04-16-73	437311	
	PaN. 2346178	

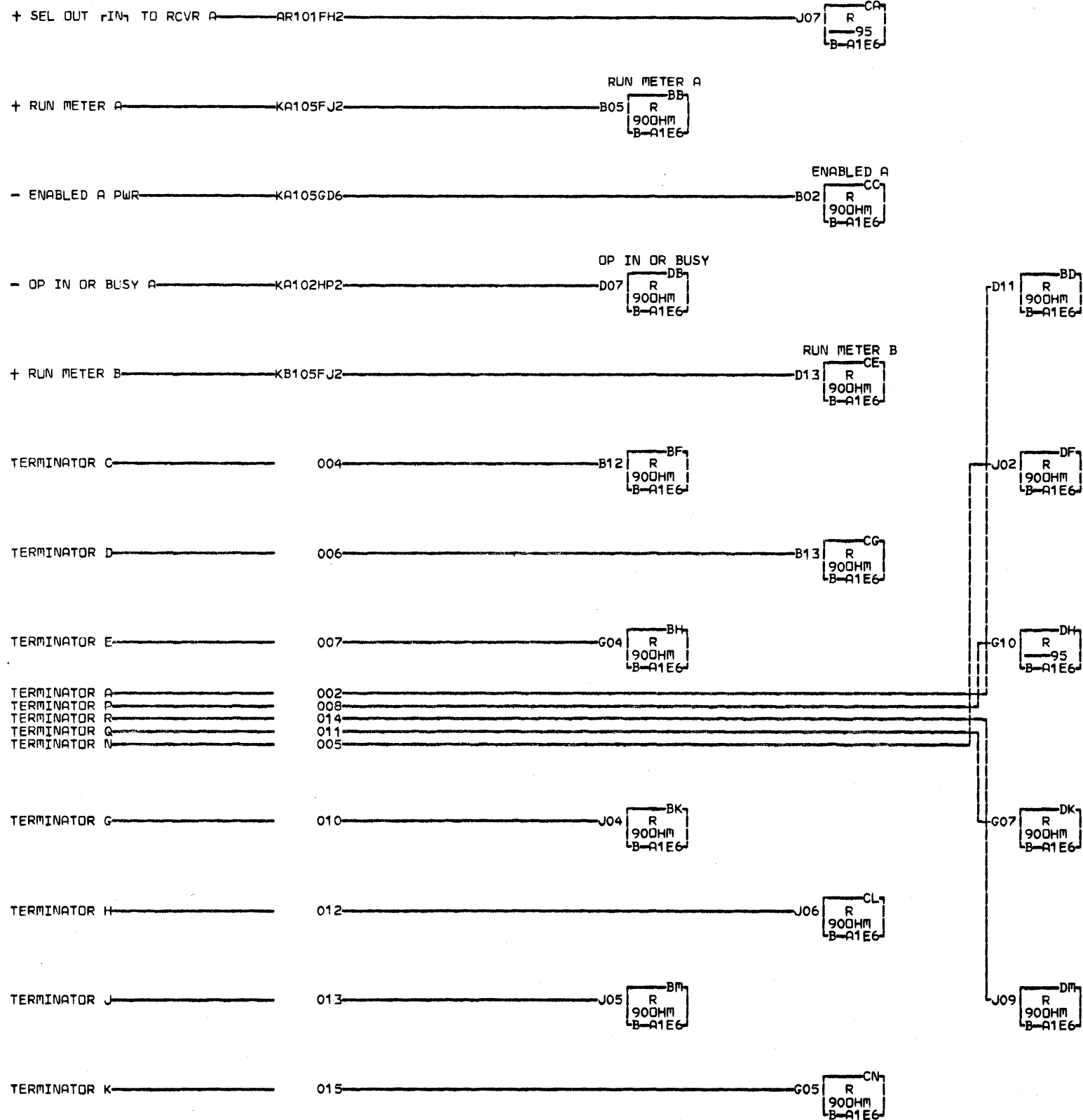


NOTE 1.
 JUMPER E6D12
 A TO B1D09 FOR WATCH
 R REFER TO MLM INST 20.
 1
 0
 2
 005COPYRIGHT IBM CORP 1976
 SIM TO PN 2345621 EC 437310

EF2 RESISTOR B-A1E6D04
 B-A1E6B09 A 01B-A1B1D09
 EK6 B-A1E1B09 A 01A-A1T6A02
 A 01A-A1M6D02
 GX4 RESISTOR B-A1E6B07
 A 01B-A1C1D09
 A 01A-A1U6A02
 XA4 RESISTOR

LOC. TYPE
 B-A1E6 7552

TERMINATORS AND INTEGRATORS		AR 1 0 2
E.C.-HISTORY MACH. 3830-2		
437380	FRAME 01	005
DATE LAST EC	IBM CORP. SDD	
11-28-75 437381	P.N. 2290312	



LOC. TYPE
B-A1E6 7552

TERMINATOR PAGE	
E.C. HISTORY	MACH. 3630-2
437357	FRAME 01
437310	IBM CORP. SDD
DATE	LAST EC
04-16-73	437311
P.N. 2346180	

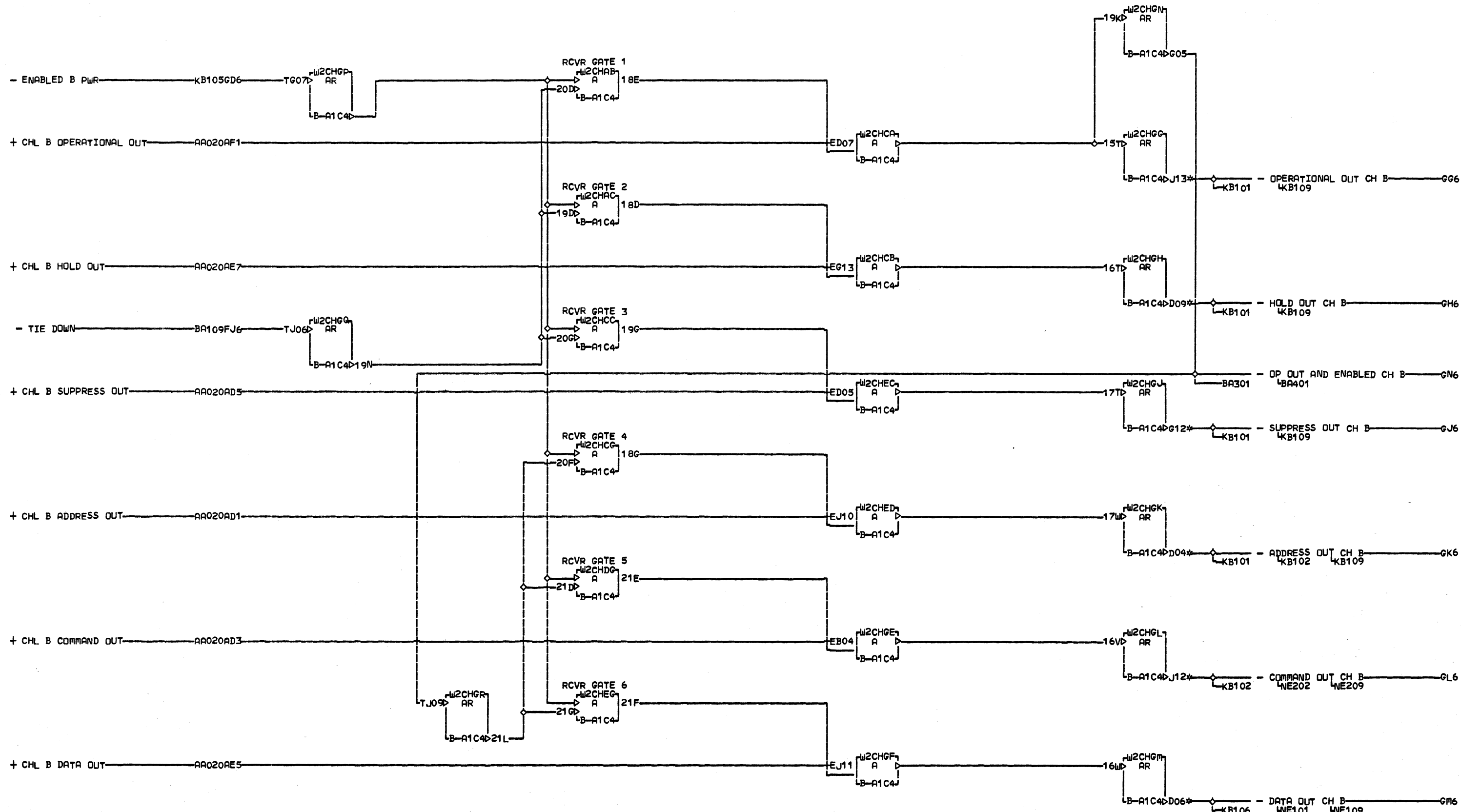
AR109

002 SIM TO PV

EC 437310

AR109

002



G66 W2CH	GK6 W2CH
A 01B-A1C8D04	A 01B-A1B8E04
A 01A-A1C6E02	A 01A-A1C6A02
GH6 W2CH	GL6 W2CH
A 01B-A1B8D06	A 01B-A1B8A04
A 01A-A1B6E04	A 01A-A1B6B02
GJ6 W2CH	GM6 W2CH
A 01B-A1C8A04	A 01B-A1B8C04
A 01A-A1C6B02	A 01A-A1B6D02

LOC. TYPE
B-A1C4 754B

CHL-I RECEIVERS	
E.C. HISTORY	B-MACH-3830-2
437380	FRAME 01
DATE LAST EC	IBM CORP. SDD
11-28-75 437381	P.No. 2290313

B
A
1
0
1

B
A
1
0
1

- ADDRESS IN B ————— KB102DB6 — B03

IBM
ADDR IN
W2CHAG
R
90
B-A1C4

- OPERATIONAL IN B PWR ————— KB102BB6 — G09

OP IN
W2CHAH
R
90
B-A1C4

- STATUS IN B ————— KB102DH6 — J07

STAT IN
W2CHAJ
R
90
B-A1C4

- REQUEST IN B ————— KB101EJ6 — G03

REQU IN
W2CHAK
R
90
B-A1C4

UNUSED ————— 001 — J04

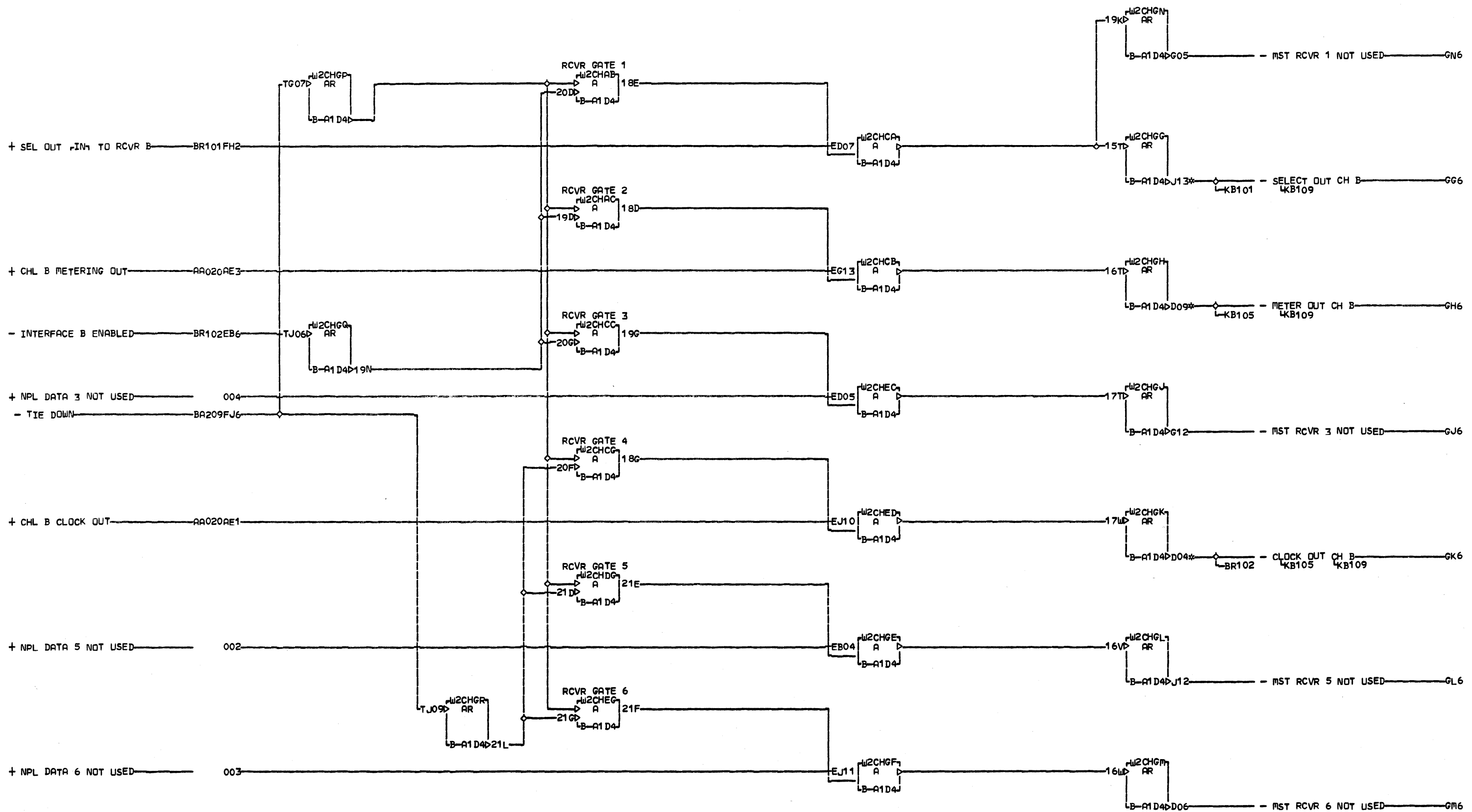
W2CHAL
R
90
B-A1C4

TIE DOWN

W2CHFJ
R
615
B-A1C4

 D02 ————— BA101 — TIE DOWN ————— FJ6

NPL TERMINATORS	
E.C. HISTORY 437380	MACH.3830-2
DATE 11-28-75	LAST EC 437381
FRAME 01	IBM CORP. SDD
P.N. 2290315	



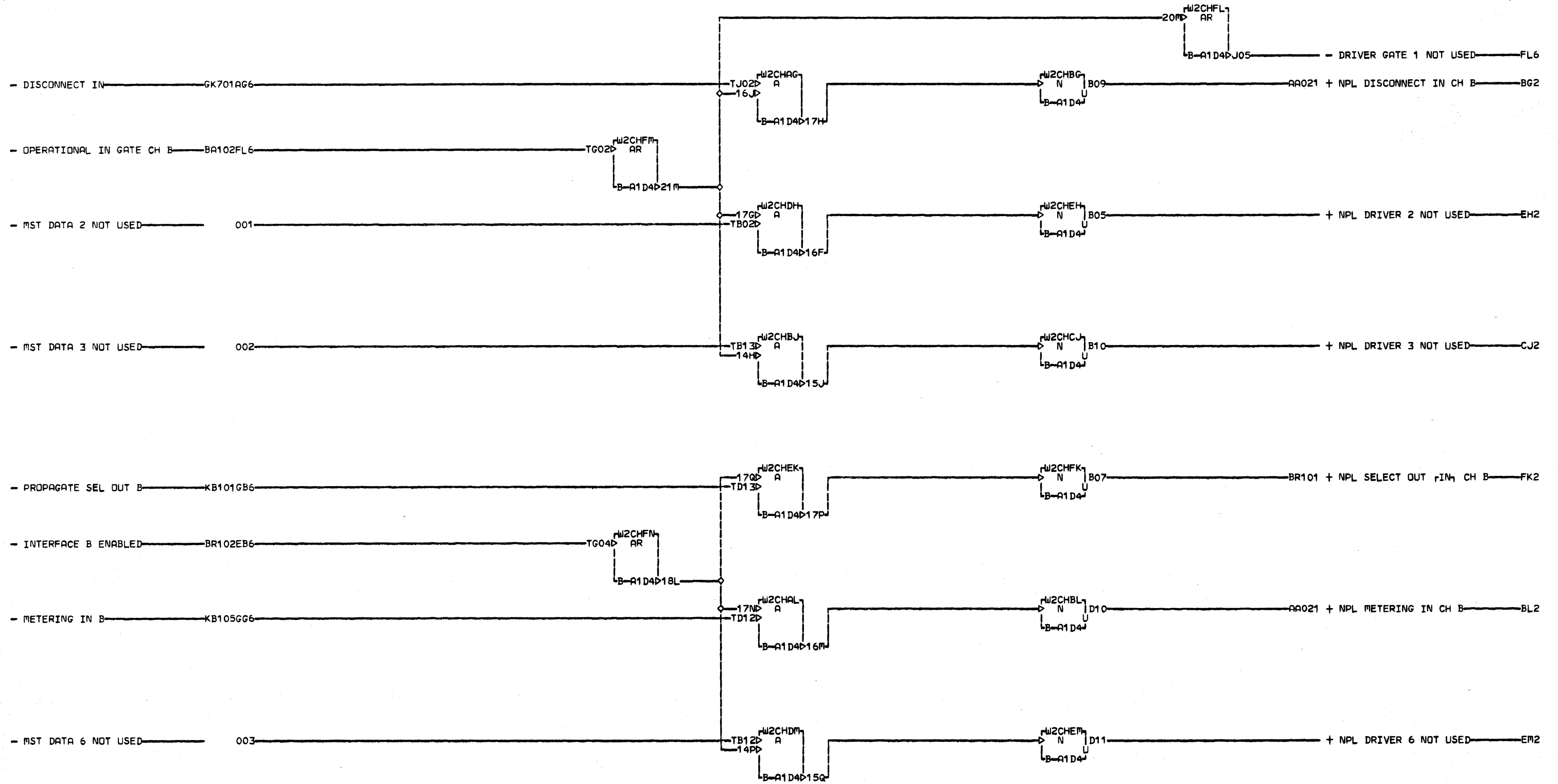
GG6 W2CH
 A 01B-A1C8D06
 A 01A-A1C6E04
 GH6 W2CH
 A 01B-A1C8C04
 A 01A-A1C6D02
 GK6 W2CH
 A 01B-A1C8B04
 A 01A-A1C6C02

LOC. TYPE
 B-A1D4 7548

CHL-I RECEIVERS	
E.C. HISTORY	B MACH. 3830-2
437380	FRAME 01
DATE LAST EC	IBM CORP. SDD
11-28-75 437381	P.N. 2290316

B
A
2
0
1

B
A
2
0
1
005



LOC. TYPE
B-A1D4 7548

CHL-I DRIVERS	
E.C. HISTORY 437357	MACH. 3830-2
DATE 04-16-73	FRAME 01
LAST EC 437311	IBM CORP. SDD
	P.N. 2346184

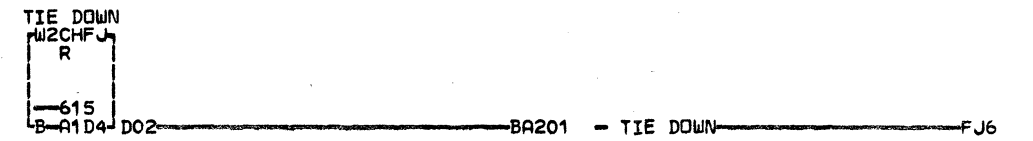
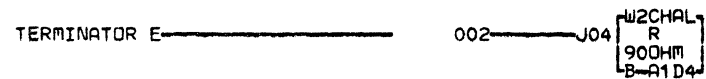
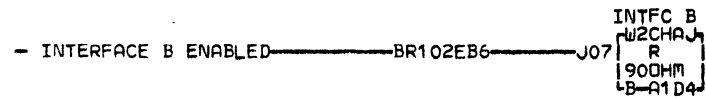
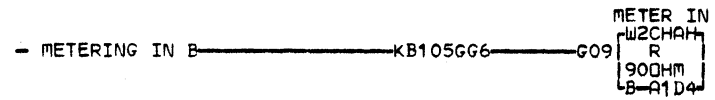
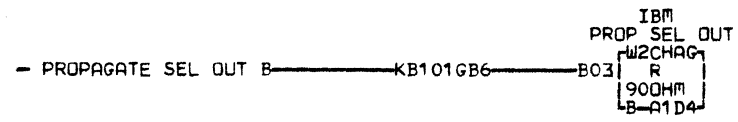
B
A
2
0
2

002
SIM TO PM

EC 437305

B
A
2
0
2

002

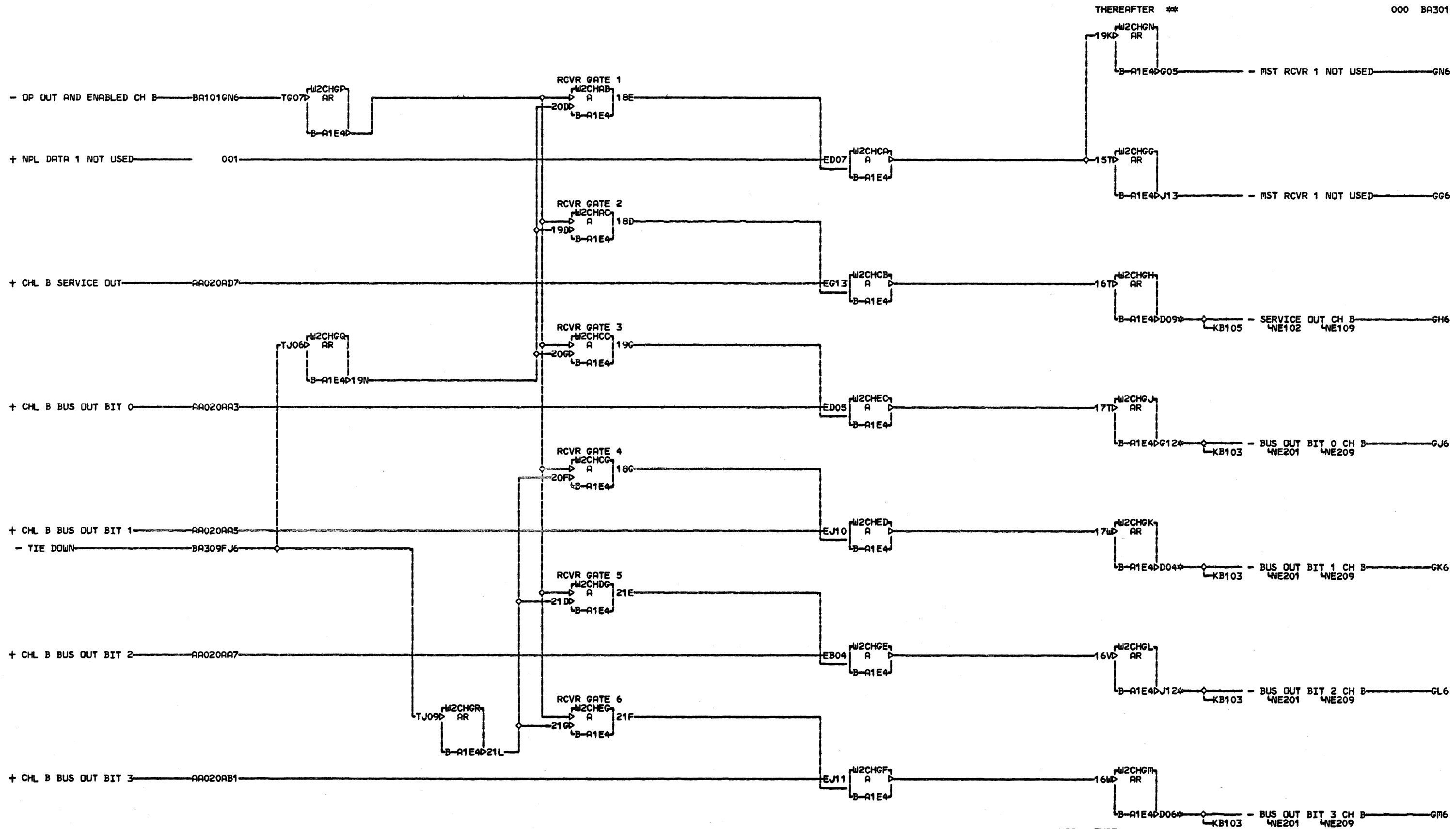


B
02
9

LOC. TYPE
B-A1D4 7548

NPL TERMINATORS	
E.C. HISTORY	B MACH. 3830-2
437357	
437310	FRAME 01
	IBM CORP. SDD
DATE LAST EC	P.No. 2346185
104-16-73 437311	

B
2
0
9

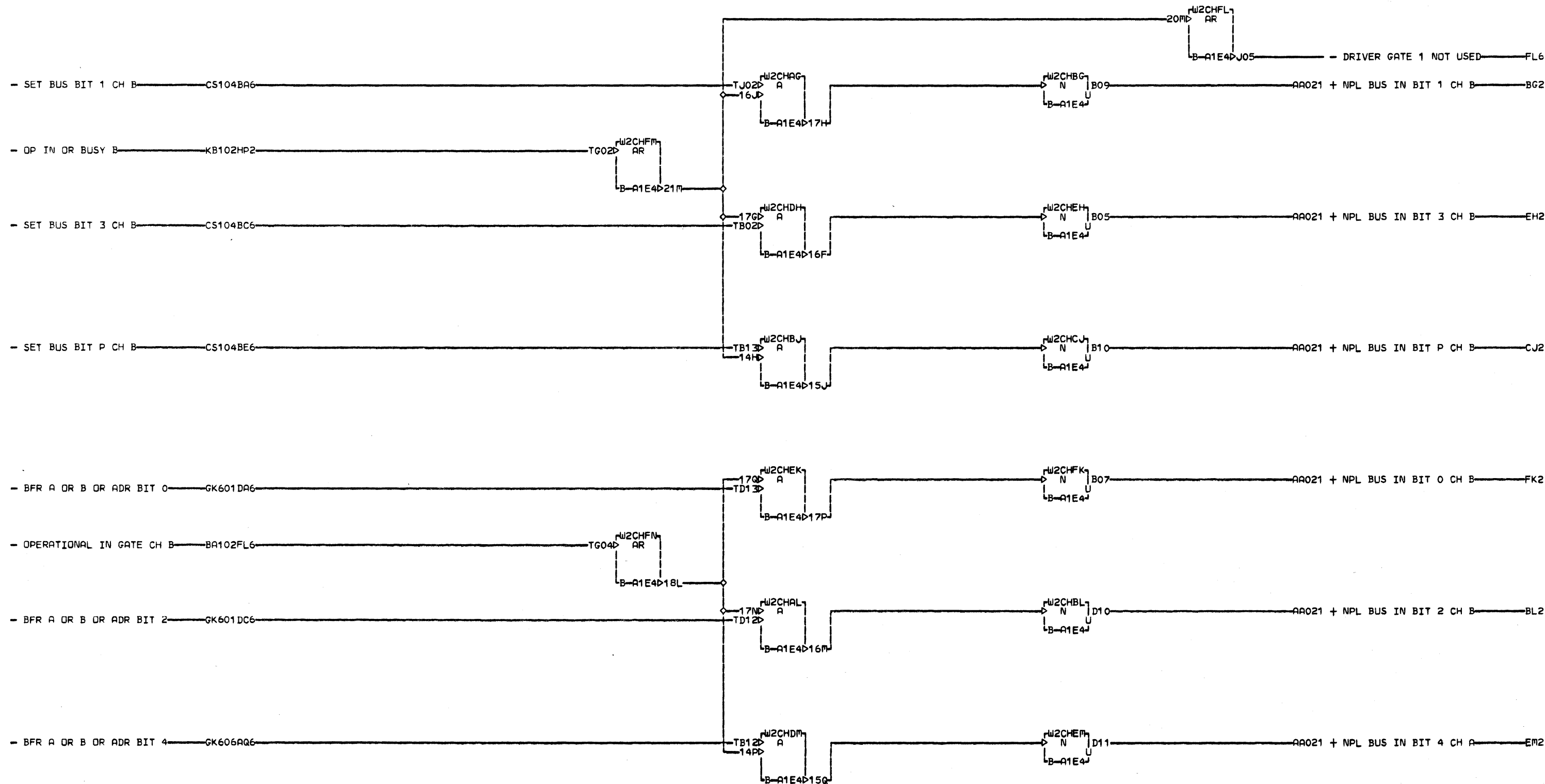


THEREAFTER **

- B A 3 0 1
- 000
- GH6 W2CH A 01B-A1B8B04
- A 01B-A1B8B04 A 01B-A1D8E06
- A 01A-A1B6C02 A 01A-A1B6B04
- GJ6 W2CH GM6 W2CH
- A 01B-A1D8C06 A 01B-A1E8A06
- A 01A-A1A6E04 A 01A-A1B6C04
- GK6 W2CH
- A 01B-A1D8D06
- A 01A-A1B6A04
- GL6 W2CH
- A 01B-A1D8E06
- A 01A-A1B6B04

LOC. TYPE
B-A1E4 7548

CHL-I RECEIVERS		B
E.C. HISTORY		3
437301	MACH. 3830-2	0
437304	FRAME 01	1
437305	IBM CORP. SDD	000
DATE 06-15-73	LAST EC 437310	
	PaNo 2345629	



LOC. TYPE
B-A1E4 7548

CHL-I DRIVERS	
E.C. HISTORY 437357	MACH. 3830-2
DATE 04-16-73	FRAME 01
LAST EC 437311	IBM CORP. SDD
	P.N. 2346186

CONFIDENTIAL

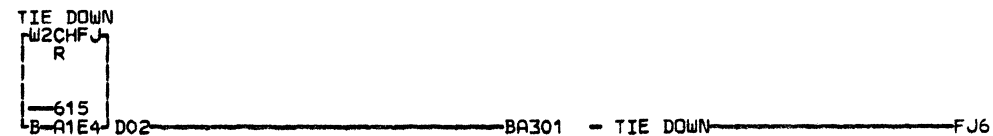
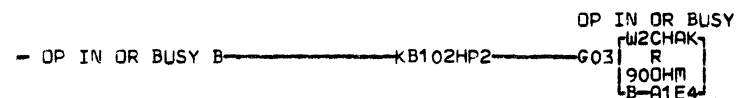
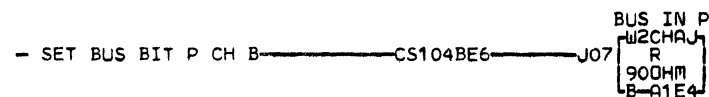
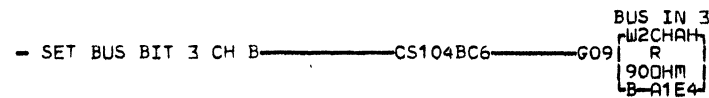
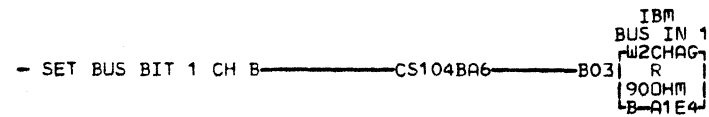
UNTIL 08-01-73

UNCLASSIFIED

THEREAFTER

THEREAFTER **

002 BA309



B
A
3
0
9

002 SIM TO PN

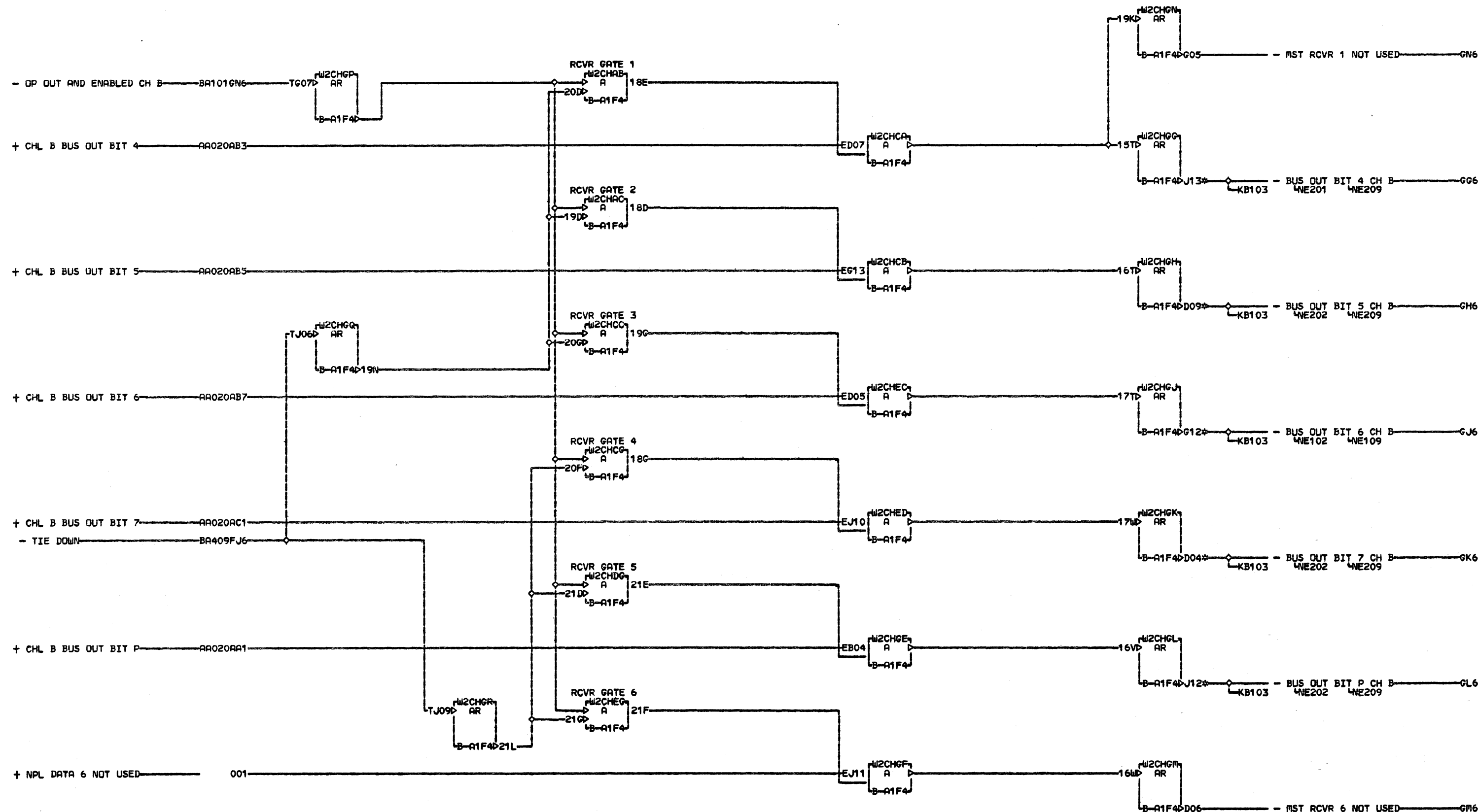
EC 437310

LQC. TYPE
B-A1E4 7548

NPL TERMINATORS	
—E.C.—HISTORY—	B-MACH.3830-2
437357	FRAME 01
437310	IBM CORP. SDD
DATE LAST EC	Part. 2346187
04-16-73 437311	

B
A
3
0
9

002



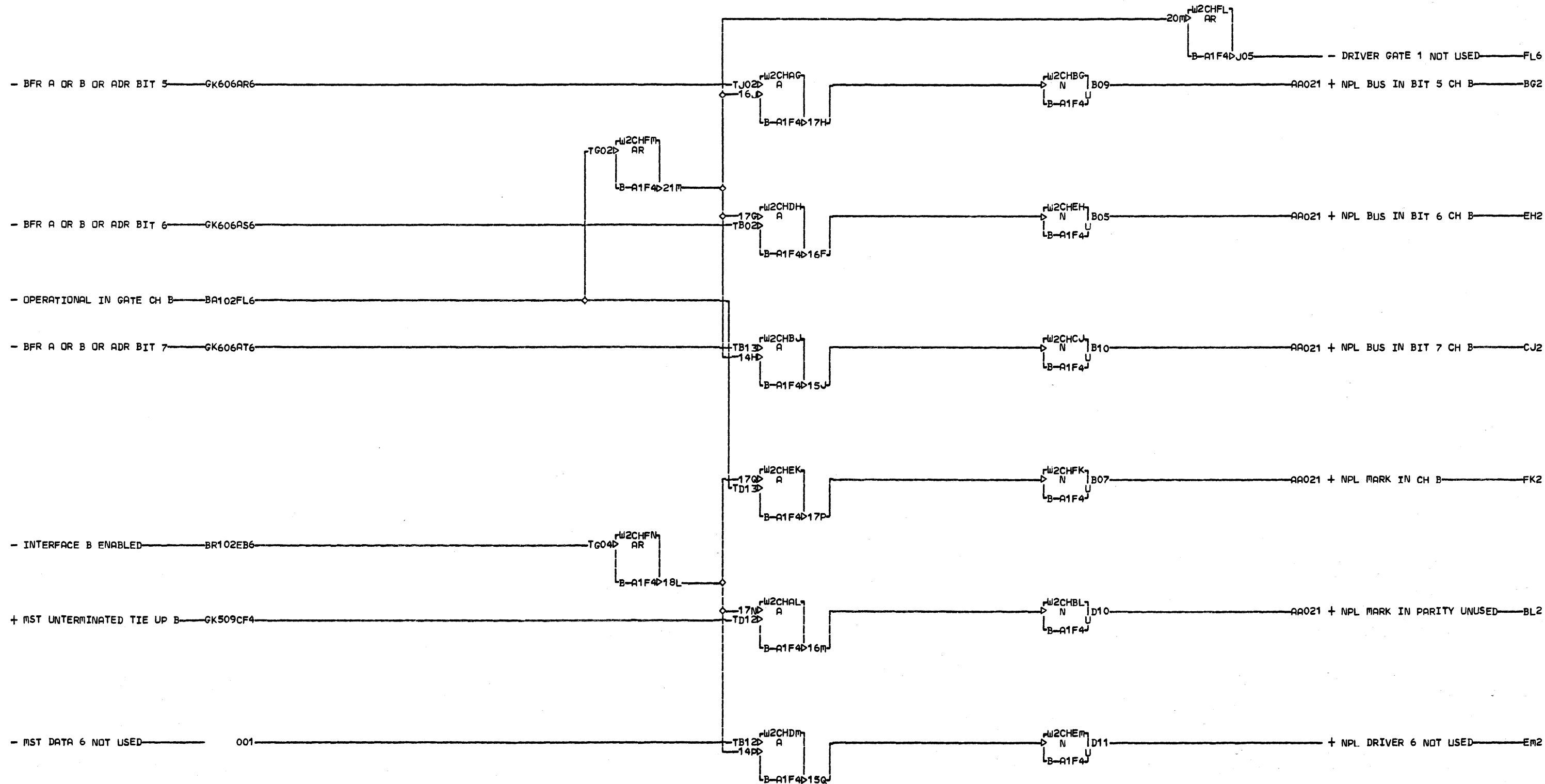
B
4
0
1
000

GG6 W2CH A 01B-A1E8B06 A 01B-A1A8E04
 A 01A-A1B6D04 A 01A-A1B6A02
 GH6 W2CH GL6 W2CH
 A 01B-A1A8C04 A 01B-A1D8B06
 A 01A-A1A6D02 A 01A-A1A6D04
 GJ6 W2CH
 A 01B-A1A8D04
 A 01A-A1A6E02

LOC. TYPE
B-A1F4 7548

CHL-I RECEIVERS	
E.C. HISTORY	B MACH. 3830-2
437301	
437303	FRAME 01
437304	
437305	IBM CORP. SDD
DATE	LAST EC
06-15-73	437310
	PN. 2345632

B
4
0
1
000



LOC. TYPE
B-A1F4 7548

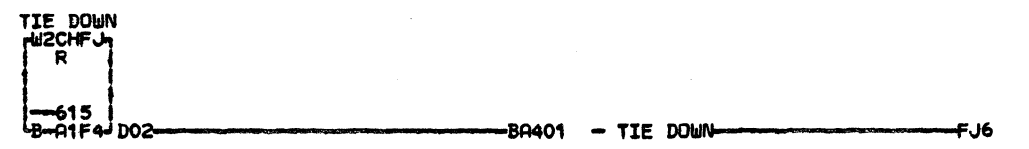
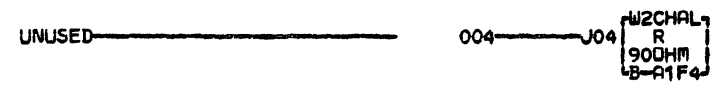
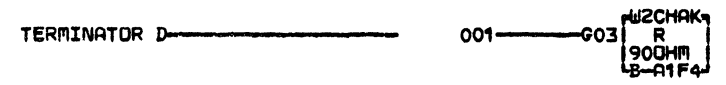
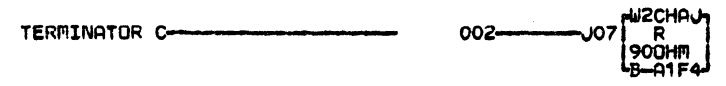
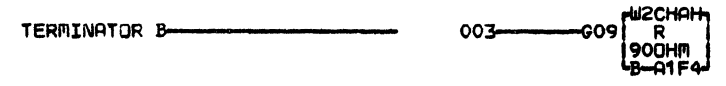
CHL-I DRIVERS	
E.C. HISTORY 437380	B. MACH. 3830-2 FRAME 01
DATE LAST EC 11-28-75 437381	IBM CORP. SDD P.N. 2290317

B
A
4
0
2
005

B
A
4
0
2

THEREAFTER **

000 BA409

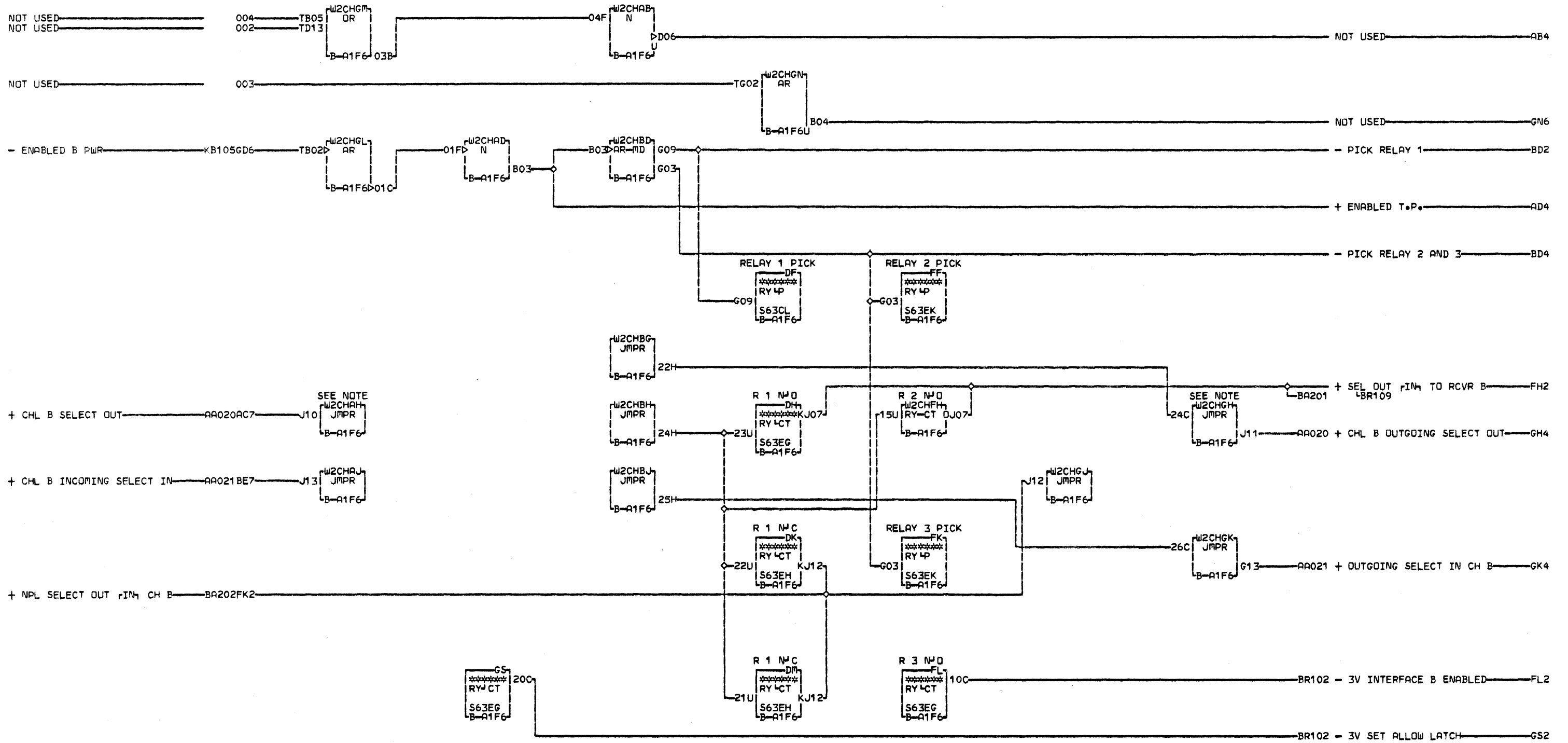


BA409
000

LOC. TYPE
B-A1F4 7548

NPL TERMINATORS	
E.C. HISTORY	B MACH. 3830-2
437301	
FRAME	01
IBM CORP. SDD	
DATE	LAST EC
06-15-73	437310
P.N.	2345634

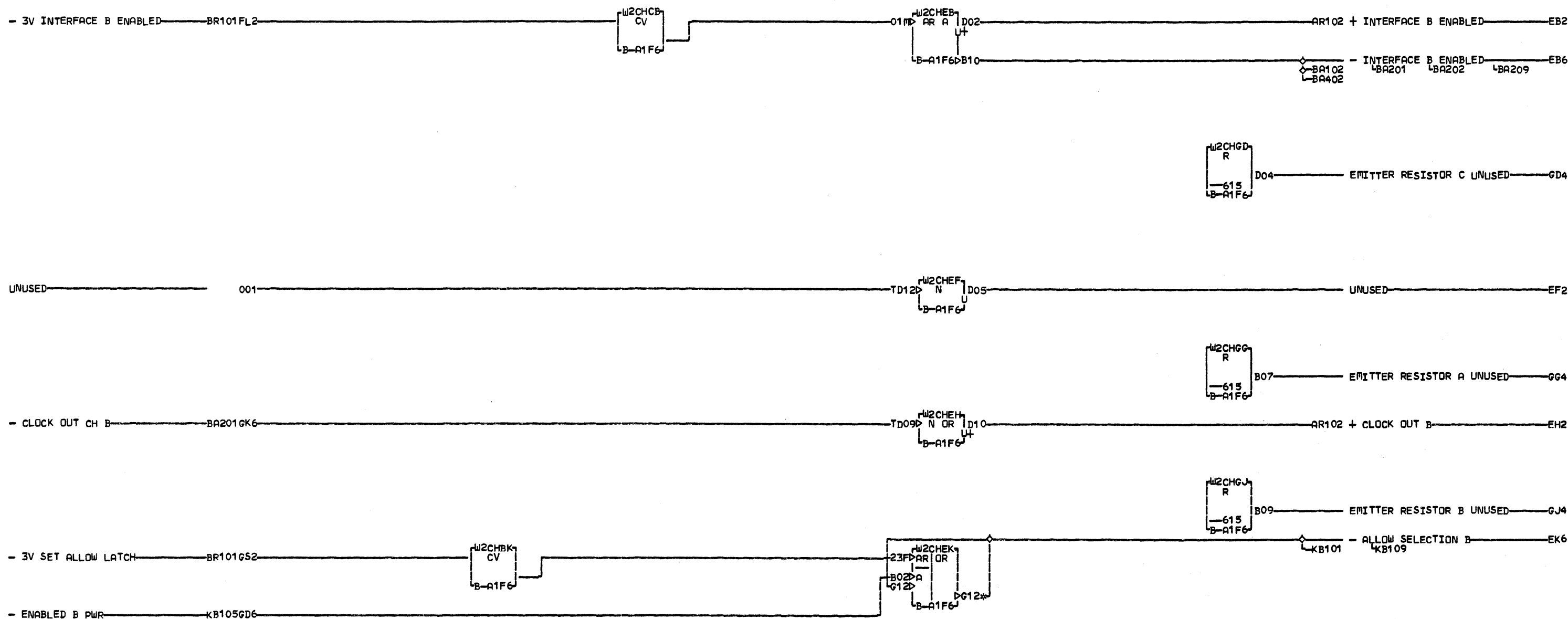
BA409
000



*FOR SEL OUT TRAP CONNECT
 *AH-BH AJ-BJ GJ-GH
 B *FOR SEL IN TRAP CONNECT
 R *AH-BG AJ-BH GJ-CK
 1
 0
 1
 002
 SIM TO PN EC 437308

LDC TYPE
 B-A1F6 7552

SELECT OUT BYPASS AND PRIORITY CHANNEL B		B
E.C. HISTORY	B-MACH. 3830-2	R
437357		1
	FRAME	01
	IBM CORP. SDD	1
DATE LAST EC	P.N. 2346186	002
04-16-73 437311		



EK6 B-A1D8D04
1 01A-A1F6A04

LOC. TYPE
B-A1F6 7552

TERMINATORS AND INTEGRATORS	
CLOCK OUT	
E.C. HISTORY 437380	MACH. 3830-2
DATE 11-28-75	LAST EC 437381
FRAME 01	IBM CORP. SDD
P.N. 2290318	

BR
102
005

CONFIDENTIAL

UNTIL 08-01-73

UNCLASSIFIED

THEREAFTER

THEREAFTER **

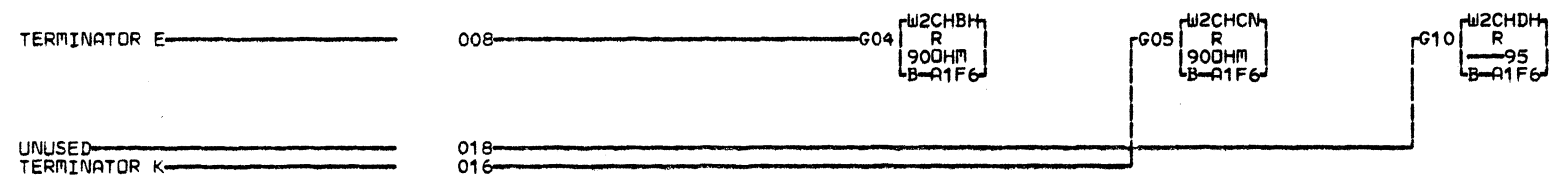
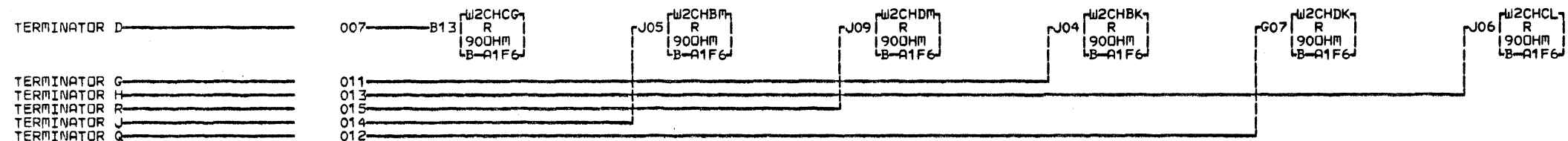
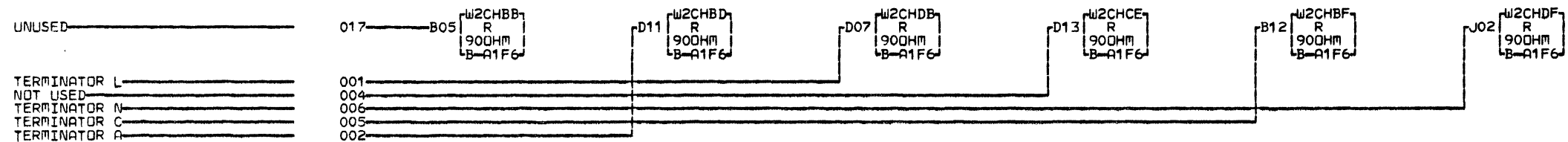
002 BR109

IBM
ENABLED B
W2CHCC
R
900HM
B-A1F6

- ENABLED B PWR ——— KB105GD6 ——— B02

SEL OUT TO RCV

+ SEL OUT PWR TO RCVR B ——— BR101FH2 ——— J07
W2CHCA
R
95
B-A1F6

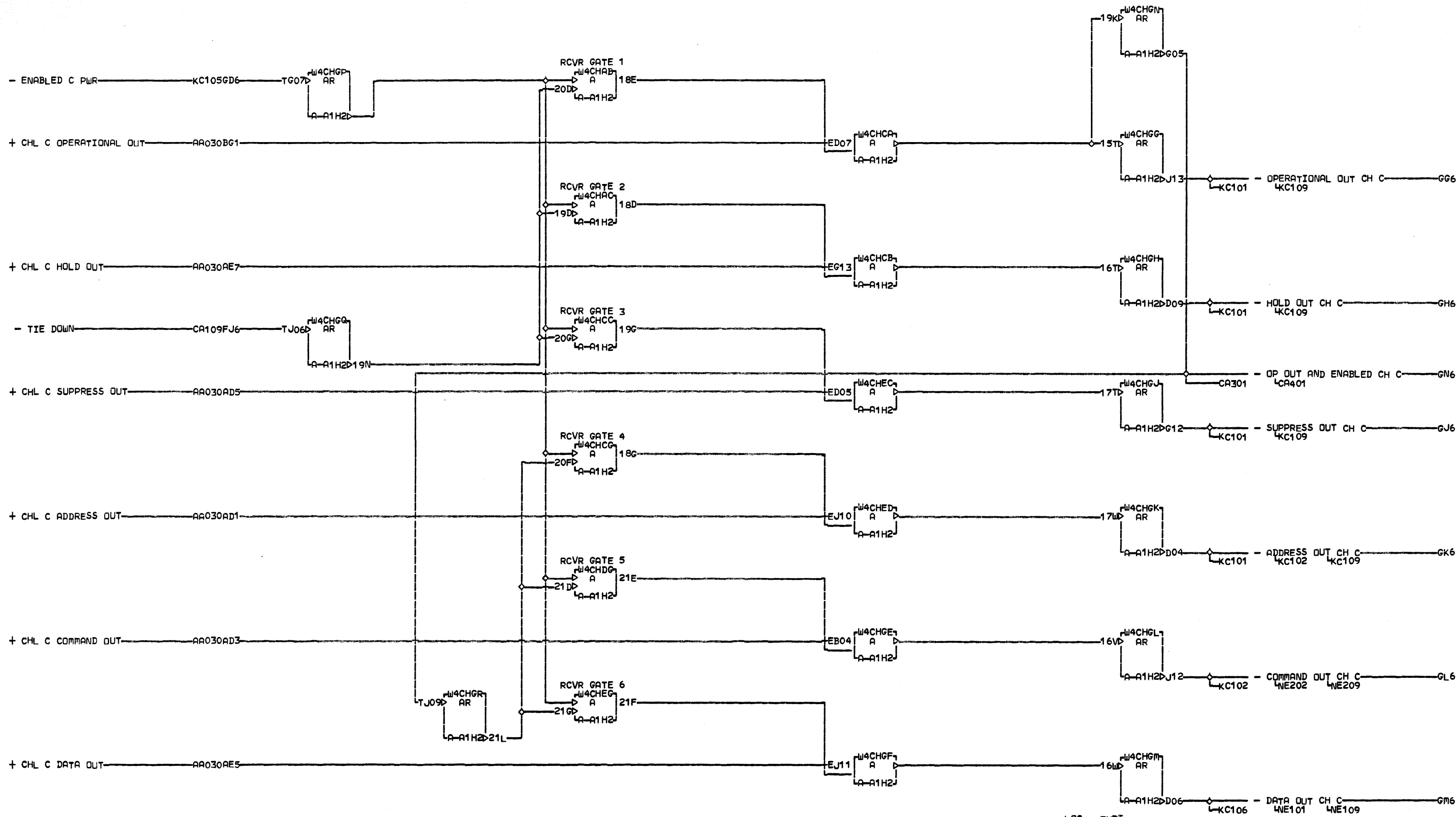


LOC. TYPE
B-A1F6 7552

TERMINATOR PAGE	
E.C. HISTORY	B MACH. 3830-2
437357	
437310	FRAME 01
	IBM CORP. SDD
DATE	LAST EC
04-16-73	437311
	P.N. 2346190

BR109

BR109

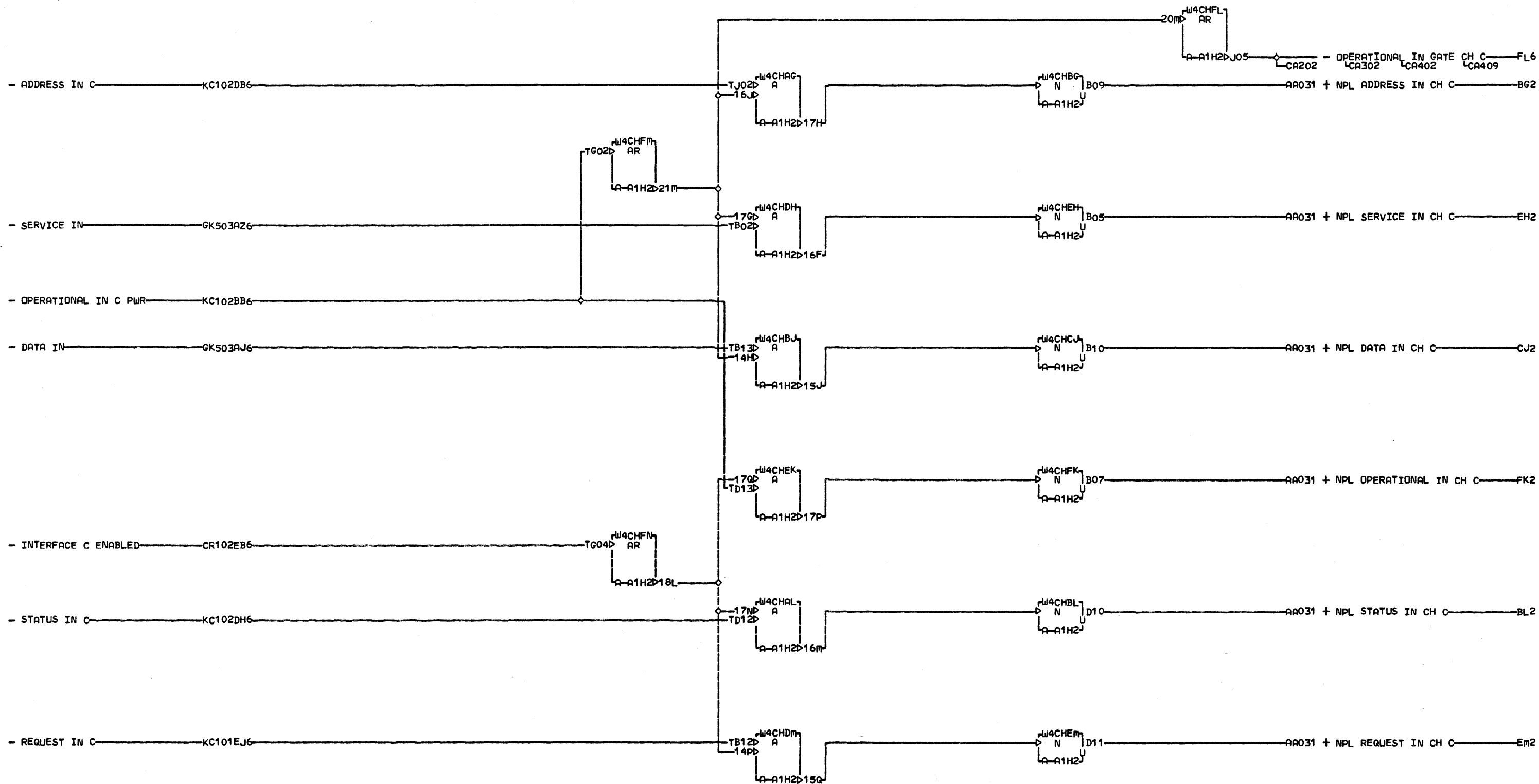


LOC. TYPE
A-A1H2 7548

CHL-I RECEIVERS	
E.C.-HISTORY 437380	B-MACH-3830-2 FRAME 01
DATE LAST EC 11-28-75 437381	IBM CORP. SDD P.N. 2290319

CA101

CA101



*NOTE EARLY MACHINES MAY HAVE
YELLOW WIRES AND PRINTED
LANDS IN PARALLEL ON MANY
C AND C INTERFACE LINES.

005COPYRIGHT IBM CORP 1976
SIM TO PN 2345639 EC 437310

LOC. TYPE
A-A1H2 7548

CHL-I DRIVERS	
E.C. HISTORY 437380	MACH. 3830-2
DATE 11-28-75	FRAME 01
LAST EC 437381	IBM CORP. SDD
	P.O. No. 2290320

CA102
005

CONFIDENTIAL

UNTIL 03-30-76

UNCLASSIFIED

THEREAFTER

THEREAFTER **

005 CA109

- ADDRESS IN C ————— KC102DB6 ————— B03

IBM
ADDR IN
W4CHAC
R
90
A-A1H2

- OPERATIONAL IN C PWR ————— KC102BB6 ————— G09

OP IN
W4CHAK
R
90
A-A1H2

- STATUS IN C ————— KC102DH6 ————— J07

STAT IN
W4CHAJ
R
90
A-A1H2

- REQUEST IN C ————— KC101EJ6 ————— G03

REQU IN
W4CHAK
R
90
A-A1H2

- INTERFACE C ENABLED ————— CR102EB6 ————— J04

INTFC ENABLED
W4CHAL
R
90
A-A1H2

TIE DOWN
W4CHFJ
R
615
A-A1H2

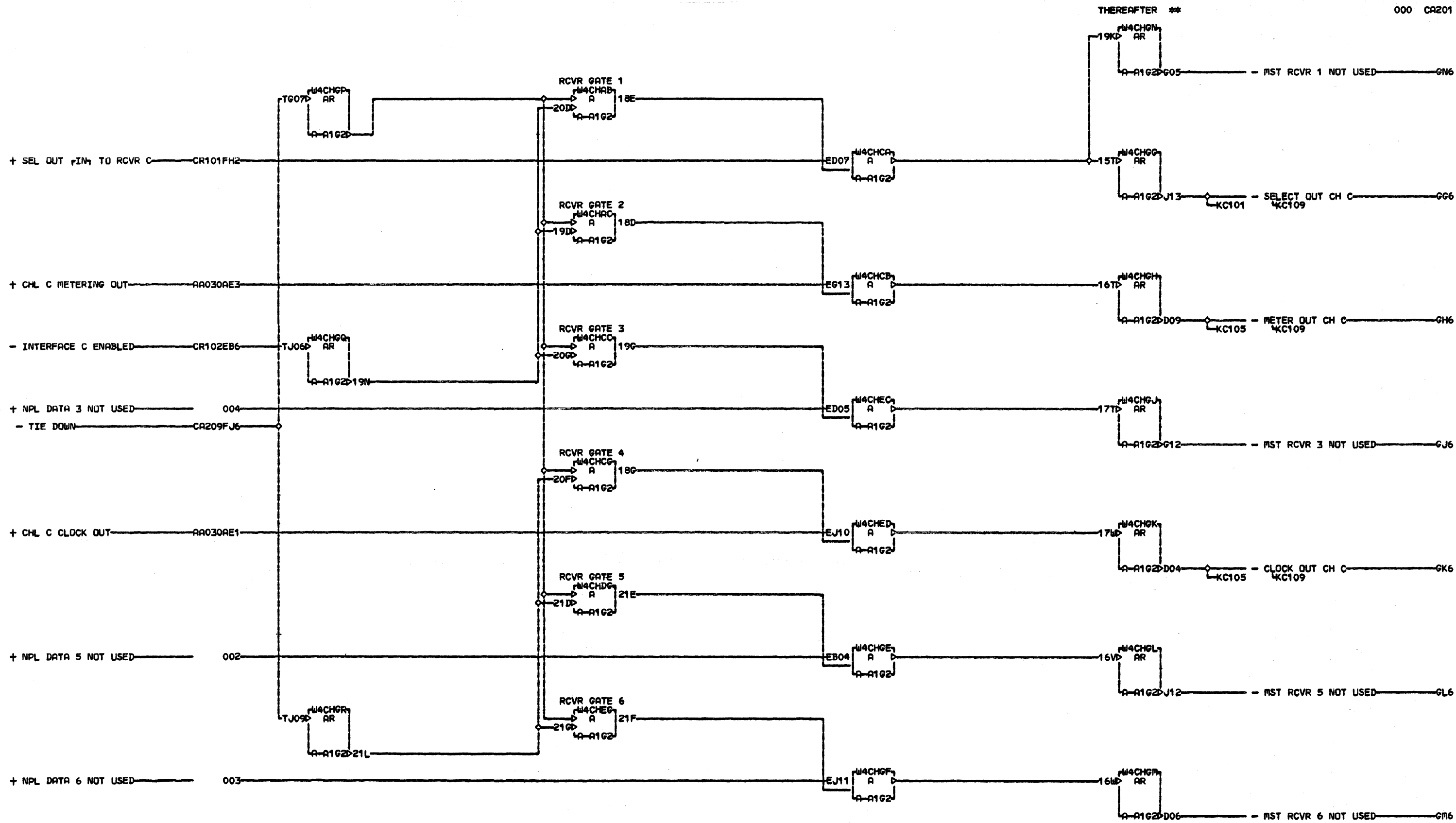
D02 ————— CA101 — TIE DOWN ————— FJ6

COPY 9

LOC. TYPE
A-A1H2 7548

NPL TERMINATORS	
E.C. HISTORY	B. MACH. 3830-2
437380	FRAME 01
DATE LAST EC	IBM CORP. SDD
11-28-75 437381	P.N. 2290321

CA109



THEREAFTER **

*NOTE EARLY MACHINES MAY
HAVE YELLOW WIRES AND
PRINTED LANDS IN PARALLEL
ON MANY C AND D
INTERFACE LINES.

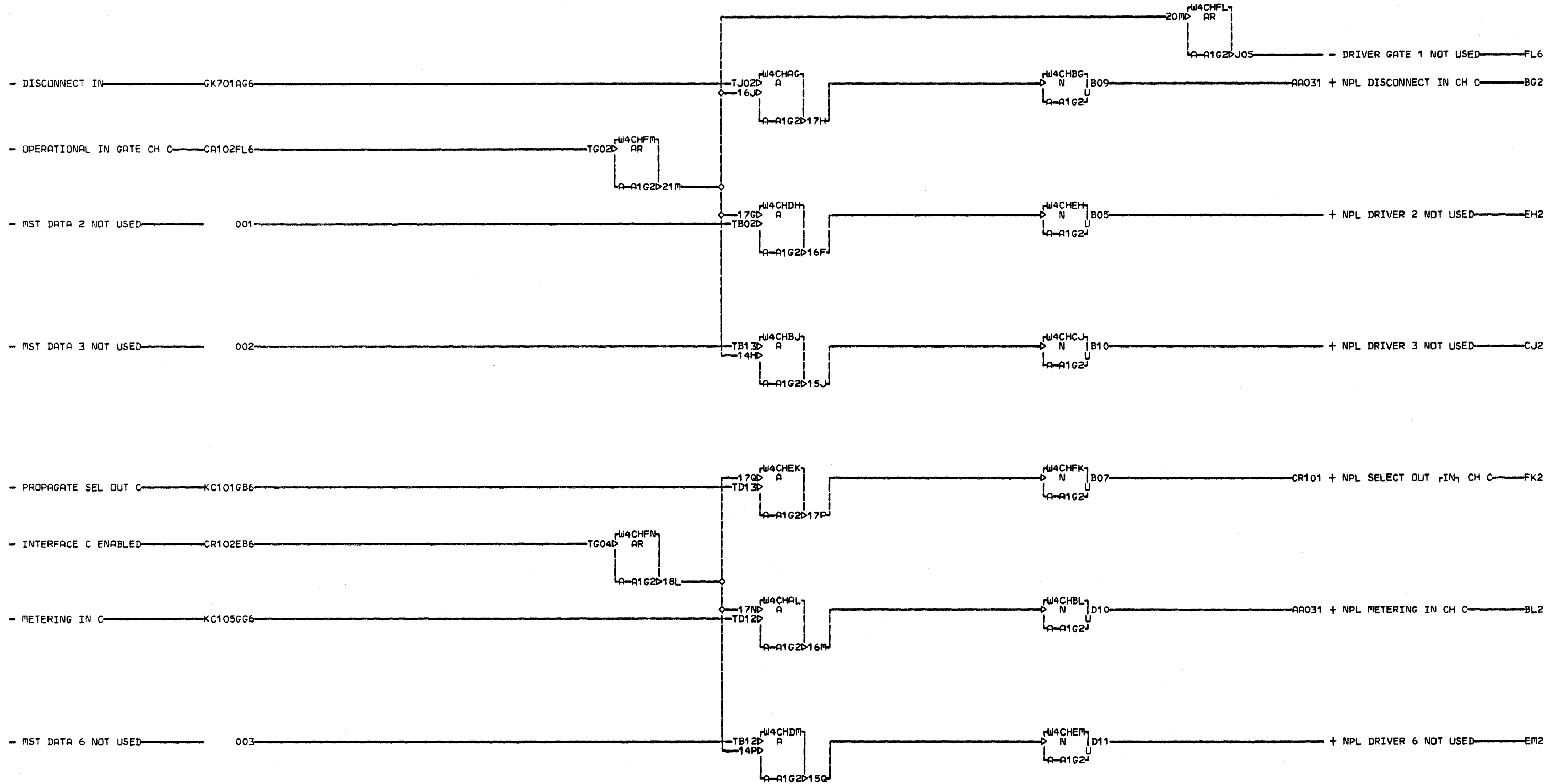
C
A
2
0
1

000

LDC. TYPE
A-A1G2 7548

CHL-I RECEIVERS			
E	C	HISTORY	B
437301	437308	MACH. 3830-2	
437303		FRAME	01
437305		IBM CORP. SDD	
437307		DATE	LAST EC
06-15-73	437310	PaNo	2345641

C
A
2
0
1



LOC. TYPE
A-A1G2 7548

CHL-I DRIVERS	
E.C. HISTORY	B. MACH. 3830-2
437357	
DATE	LAST EC
04-16-73	437311
FRAME	01
IBM CORP. SDD	
P.N.	2346194

NONDC

002 SIM TO PN

EC 437308

CA202

002

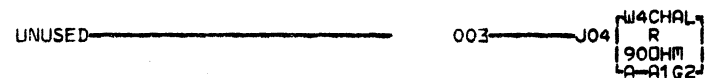
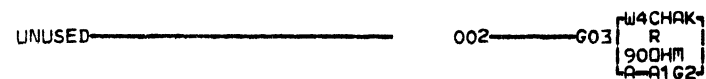
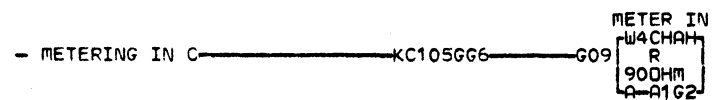
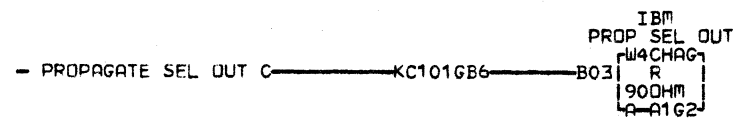
CONFIDENTIAL

UNTIL 08-01-73

UNCLASSIFIED

THEREAFTER

002 CA209

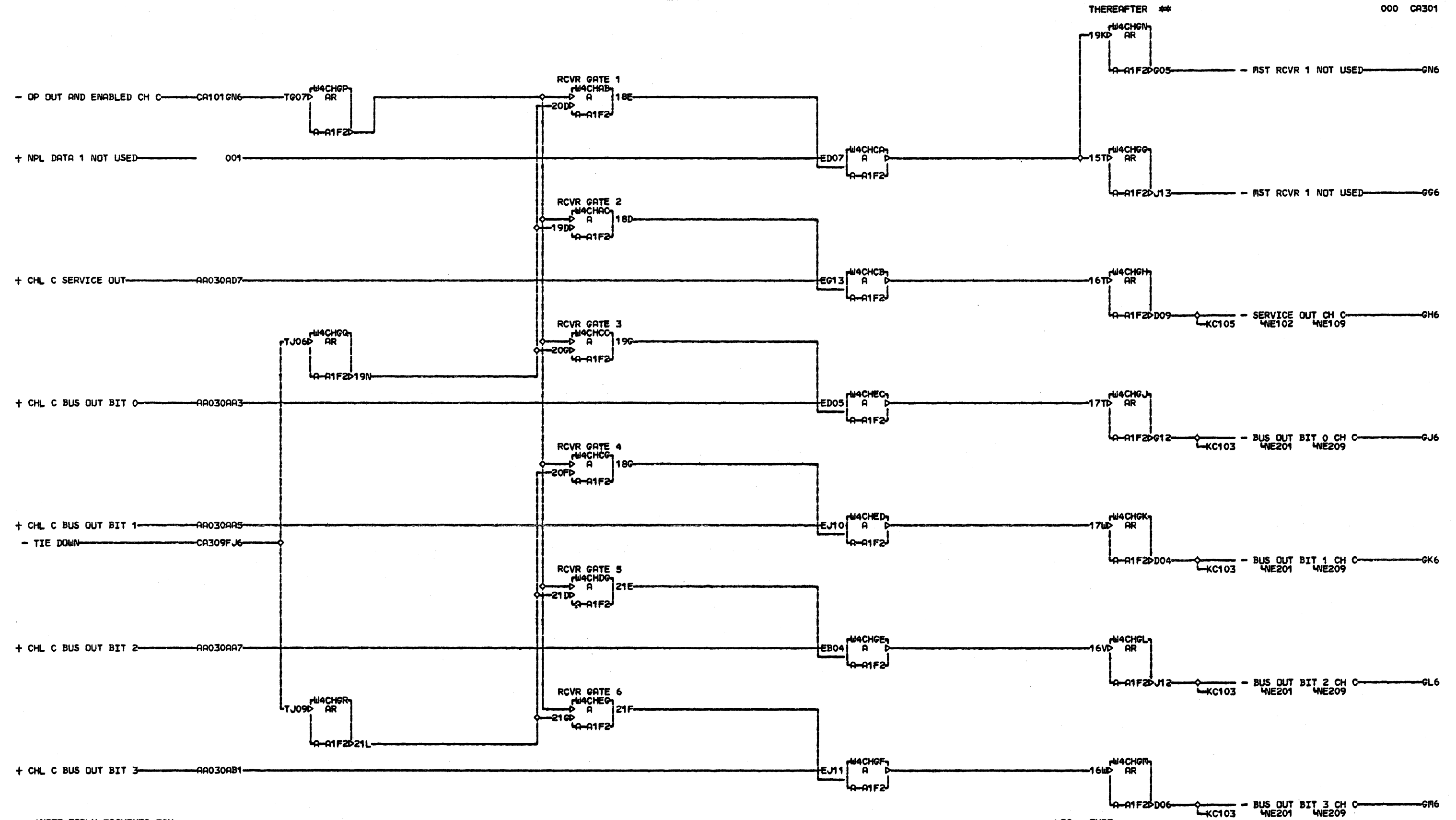


002
SIM TO PN
EC 437310

LOC. TYPE
A-A1G2 7548

NPL TERMINATORS			
E.C. HISTORY	B	MACH. 3830-2	
437357			
437310		FRAME	01
		IBM CORP. SDD	
DATE	LAST EC	P.N.	2346195
04-16-73	437311		

CA209
002



NOTE EARLY MACHINES MAY
HAVE YELLOW WIRES AND
PRINTED LANDS IN PARALLEL
ON MANY C AND D
INTERFACE LINES.

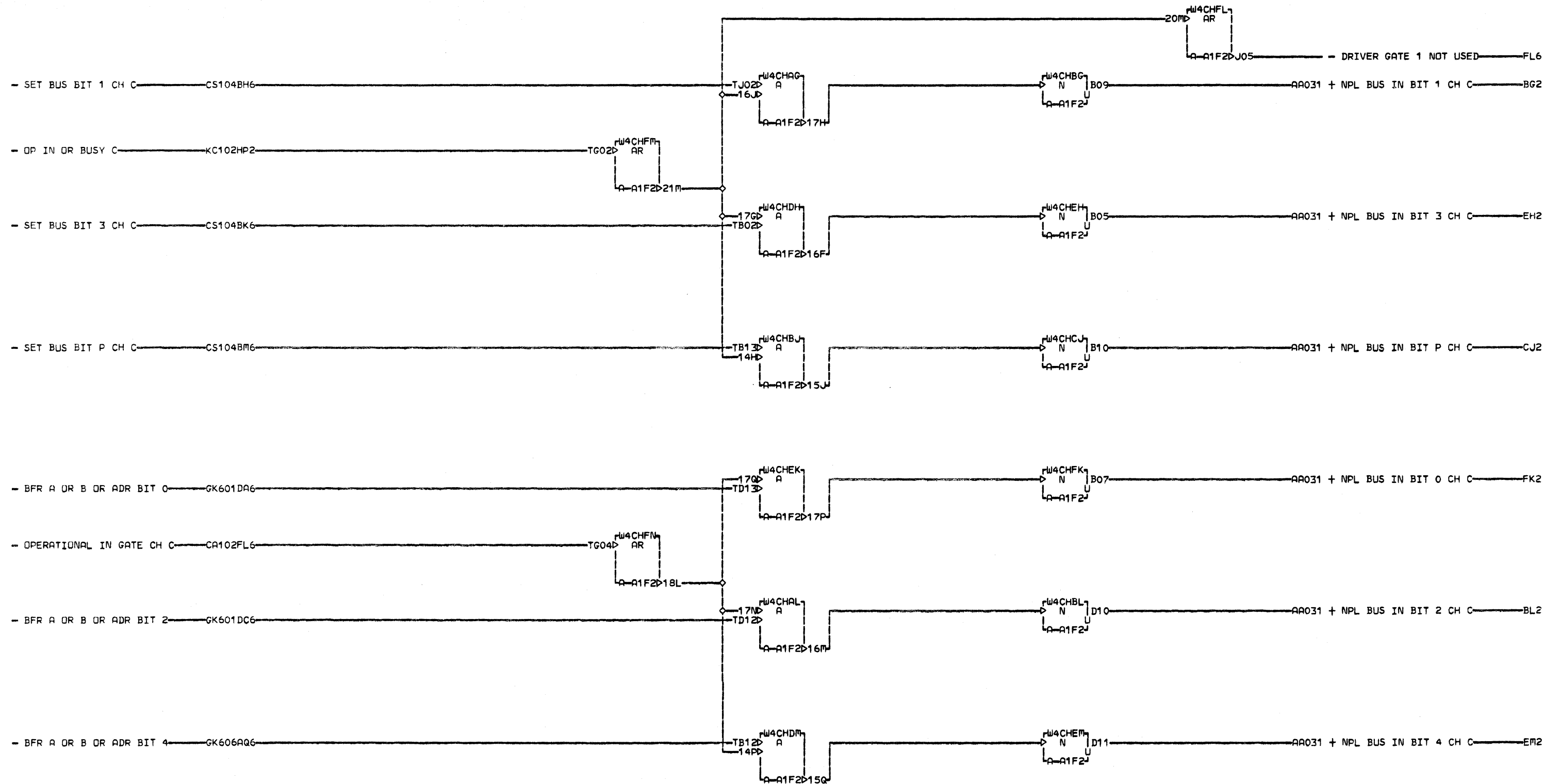
000

LOC. TYPE
A-A1F2 7548

CHL-I RECEIVERS	
E.C. HISTORY	B. MACH. 3830-2
437301	FRAME 01
437305	IBM CORP. SDD
437308	
DATE	LAST EC
06-15-73	437310
	PN. 2345644

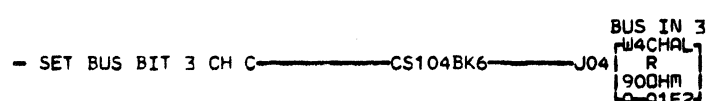
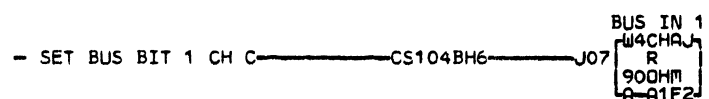
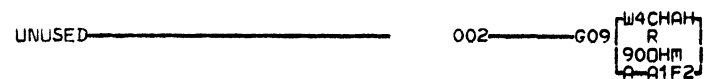
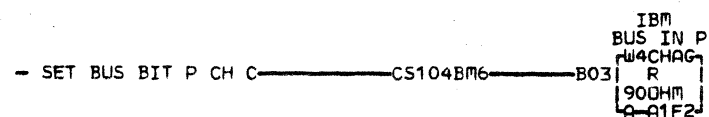
C
A
3
0
1

000



LOC. TYPE
A-A1F2 7548

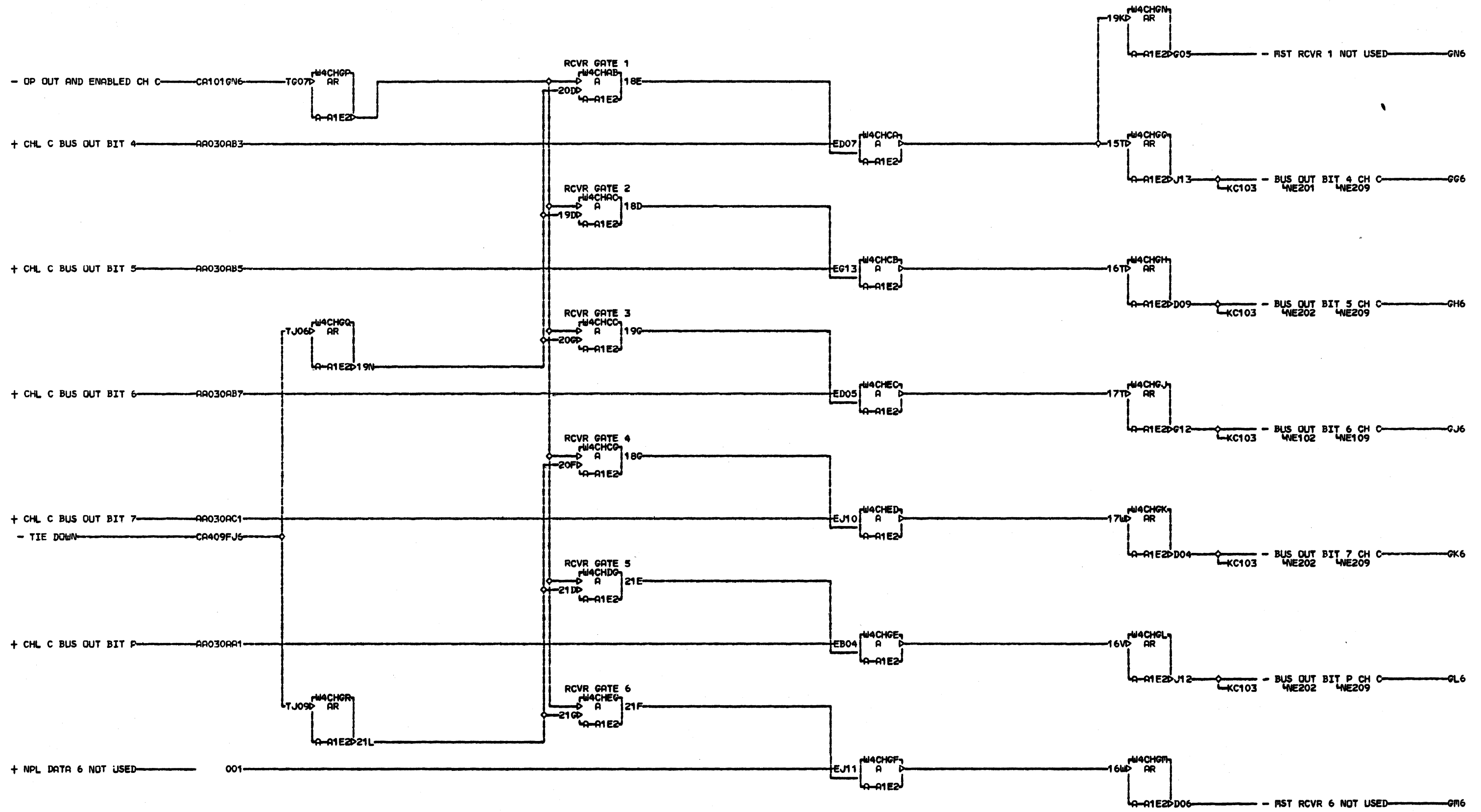
CHL-I DRIVERS	
E.C. HISTORY 437357	B. MACH. 3830-2
DATE LAST EC 04-16-73 437311	FRAME 01 IBM CORP. SDD P.No. 2346196



CA309
002
SIM TO PN EC 437310

LOC. TYPE
A-A1F2 7548

NPL TERMINATORS	
E.C. HISTORY	B. MACH. 3830-2
437357	FRAME 01
437310	IBM CORP. SDD
DATE LAST EC	P.N. 2346197
04-16-73 437311	



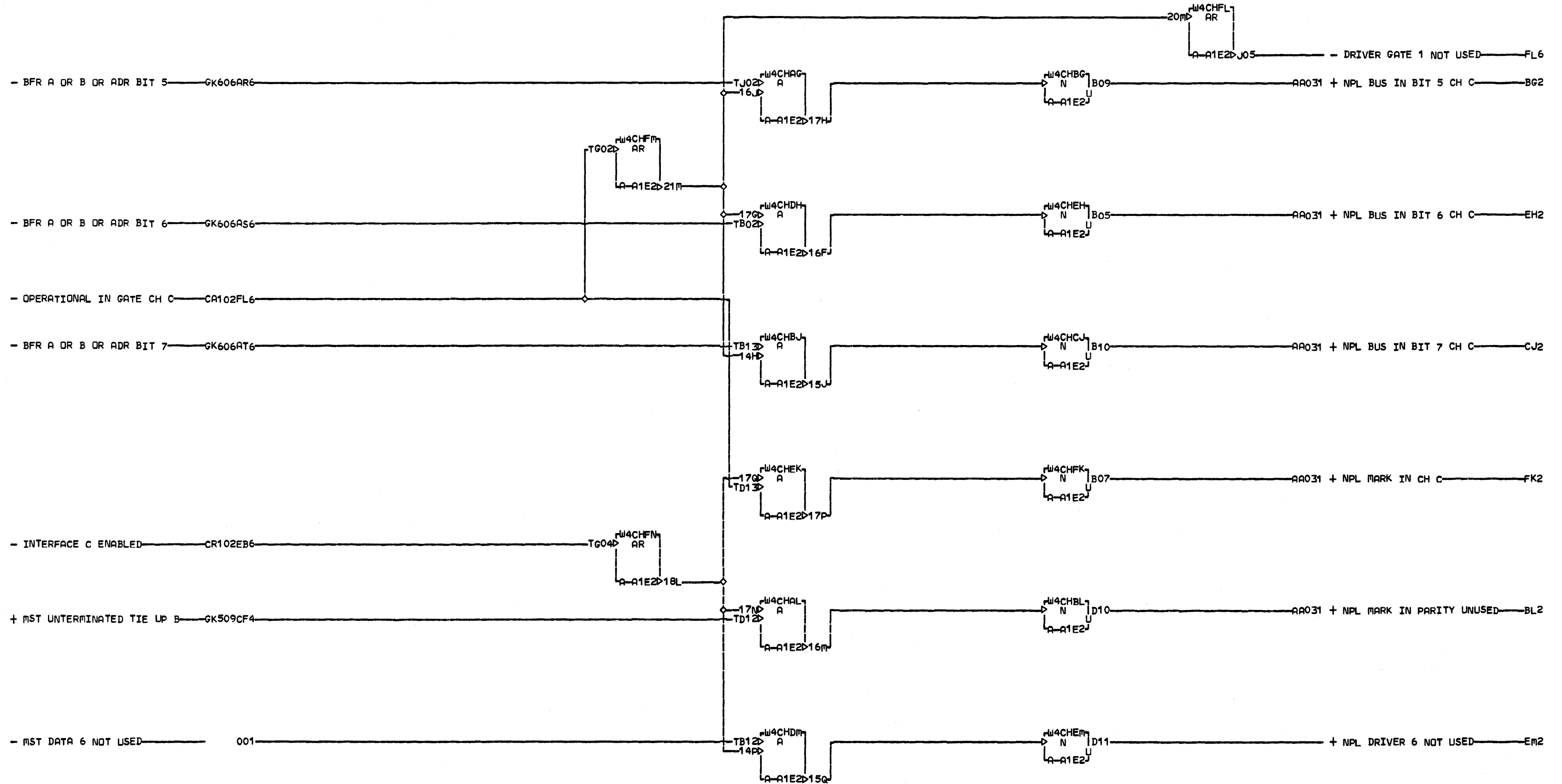
*NOTE EARLY MACHINES MAY HAVE YELLOW WIRES AND PRINTED LANDS IN PARALLEL ON MANY C AND D INTERFACE LINES.

C
A
4
0
1

LOC. TYPE
A-A1E2 7548

CHL-I RECEIVERS	
E.C. HISTORY	MACH. 3830-2
437301	FRAME 01
437303	IBM CORP. SDD
437305	
437308	
DATE	LAST EC
06-15-73	437310
	P.No. 2345647

C
A
4
0
1



*NOTE EARLY MACHINES MAY
HAVE YELLOW WIRES AND
PRINTED LANDS IN PARALELL
ON MANY C AND D
INTERFACE LINES

005COPYRIGHT IBM CORP 1976
SIM TO PN 2345648 EC 437310

LOC. TYPE
A-A1E2 7548

CHL-I DRIVERS	
E.C. HISTORY 437380	B. MACH. 3830-2 FRAME 01
DATE LAST EC 11-28-75 437381	IBM CORP. SDD P.N. 2290322

C
A
4
0
2
005

OP IN GATE
- OPERATIONAL IN GATE CH C — CA102FL6 — B03 — W4CHAG
R
900HM
A-A1E2

UNUSED ————— 001 — G09 — W4CHAH
R
900HM
A-A1E2

UNUSED ————— 003 — J07 — W4CHAJ
R
900HM
A-A1E2

UNUSED ————— 004 — G03 — W4CHAK
R
900HM
A-A1E2

UNUSED ————— 002 — J04 — W4CHAL
R
900HM
A-A1E2

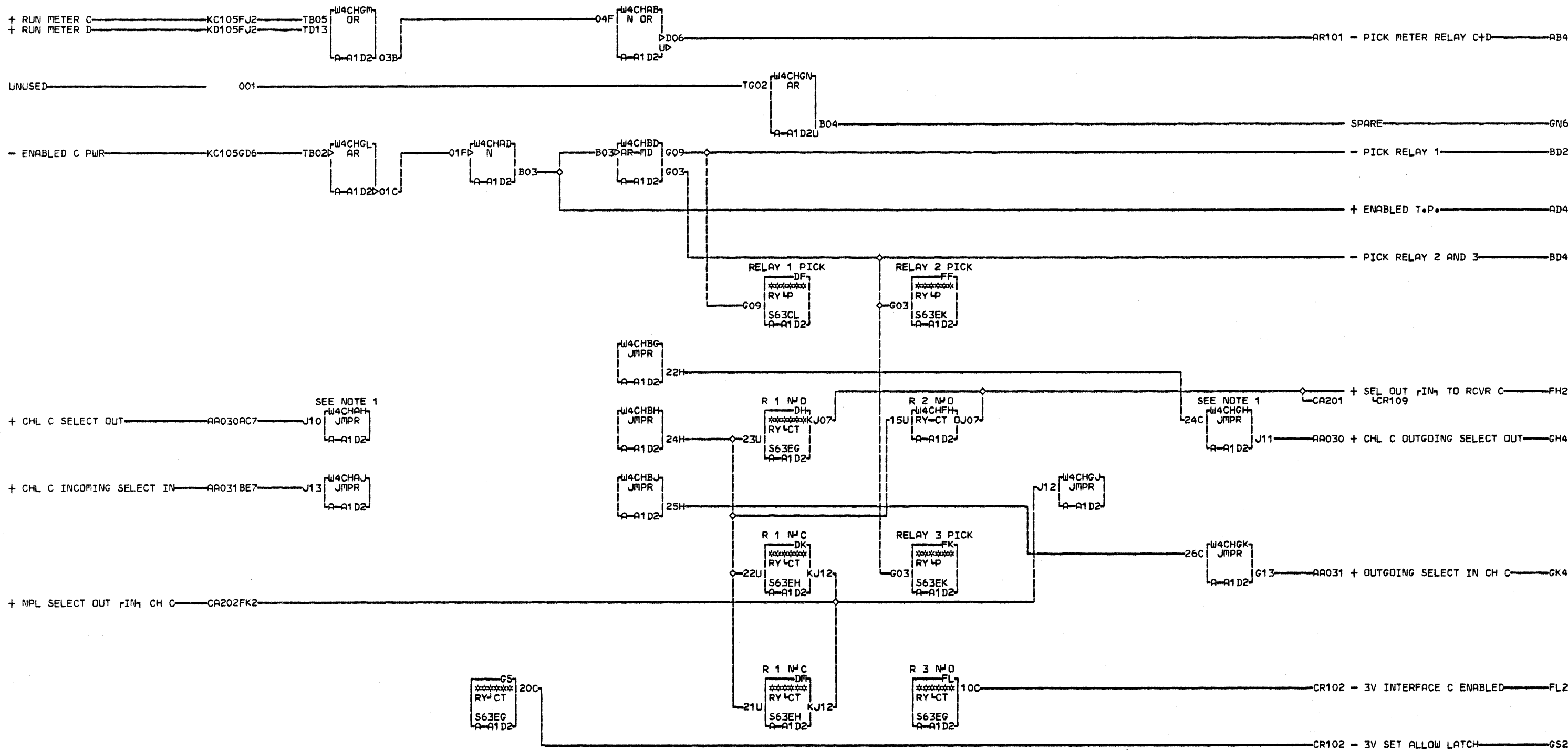
TIE DOWN
W4CHFJ
R
—615
A-A1E2 D02 ————— CA401 — TIE DOWN ————— FJ6

9043C
000

LOC. TYPE
A-A1E2 7548

NPL TERMINATORS	
—E.C.—HISTORY—	B MACH. 3830-2
437301	FRAME 01
437302	IBM CORP. SDD
437305	PoNo 2345649
DATE	LAST EC
06-15-73	437310

CA
4
0
9
000

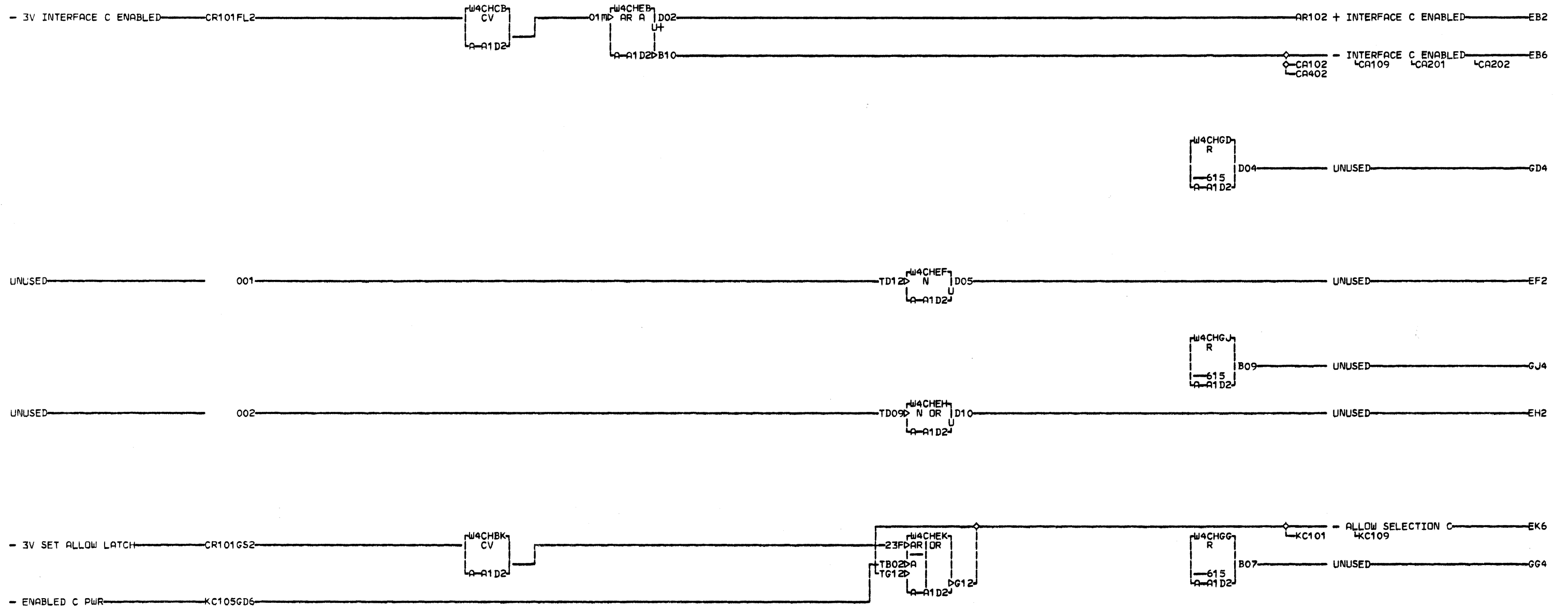


#FOR SEL OUT TRAP CONNECT
 #AH-BH AJ-BJ GJ-CH
 #FOR SEL IN TRAP CONNECT
 #AH-BG AJ-BH GJ-GK

002
 SIM TO PN EC 437310

LOC. TYPE
 A-1D2 7552

SELECT OUT BYPASS AND PRIORITY CHANNEL C		C R 1 0 1
E.C. HISTORY	B. MACH. 3830-2	
437357	FRAME 01	
437308	IBM CORP. SDD	
437310	P.N. 2346198	
DATE LAST EC		002
04-16-73 437311		



LOC. TYPE
A-A1D2 7552

TERMINATORS AND INTEGRATORS	
CLOCK OUT	
E.C. HISTORY	B. MACH. 3830-2
437357	FRAME 01
437310	IBM CORP. SDD
DATE LAST EC	P.N. 2346199
04-16-73 437311	

IBM

CONFIDENTIAL

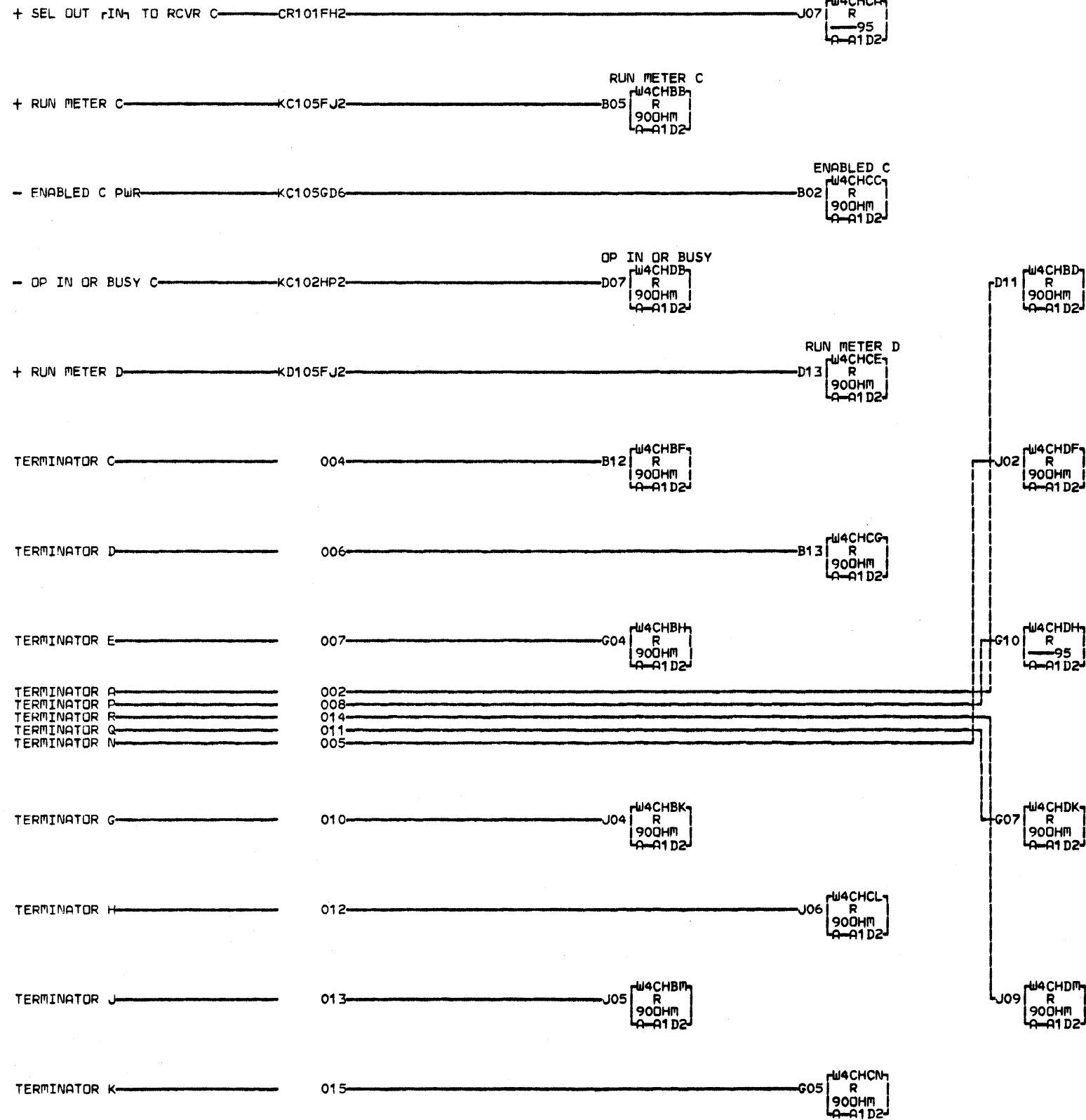
UNTIL 08-01-73
SEL OUT TO RCV

UNCLASSIFIED

THEREAFTER

THEREAFTER **

002 CR109



CR109

002 SIM TO PN EC 437310

LDC. TYPE
A-A1D2 7552

TERMINATOR PAGE	
E.C. HISTORY	B-MACH. 3830-2
437357	FRAME 01
437310	IBM CORP. SDD
DATE LAST EC	P.N. 2346200
04-16-73 437311	

CR109

002

IBM

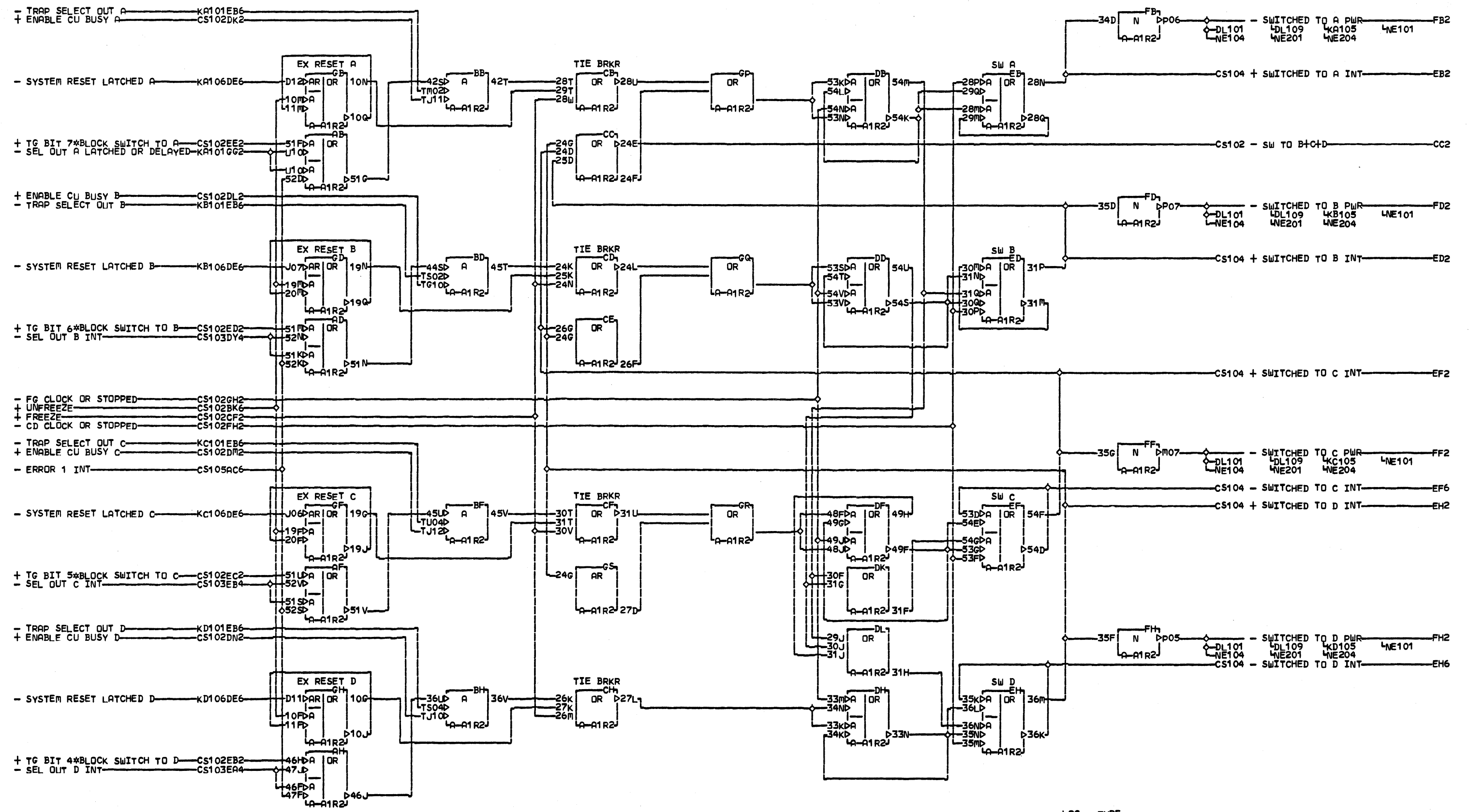
CONFIDENTIAL

UNTIL 03-30-76

UNCLASSIFIED

THEREAFTER

005 CS101

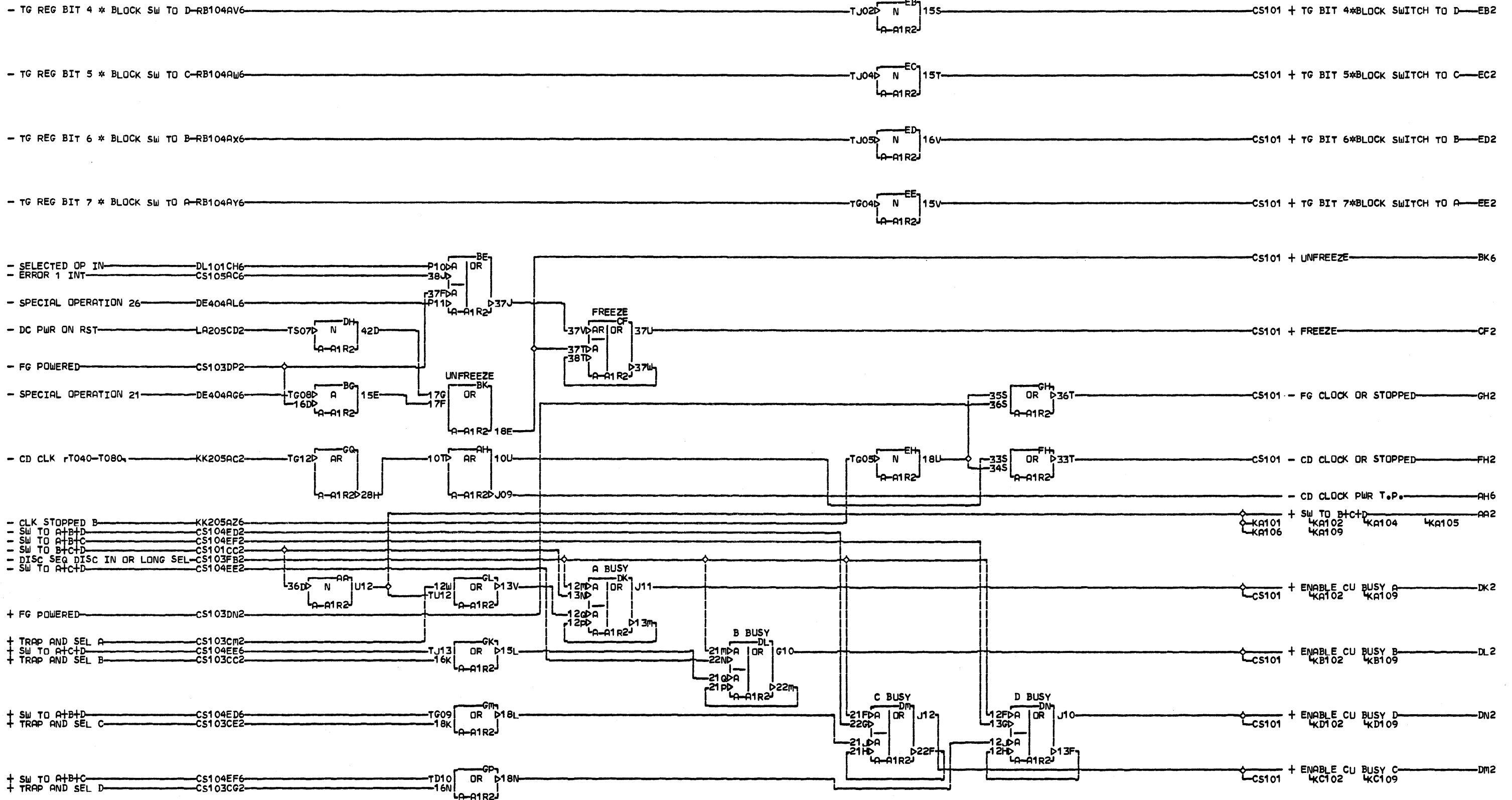


LOC. TYPE
A-A1R2 X999

CHANNEL SELECTOR	
E.C.-HISTORY 437380	B. MACH. 3830-2
	FRAME 01
	IBM CORP. SDD
DATE LAST EC 11-28-75 437381	P.No. 2290323

CS101

CS101

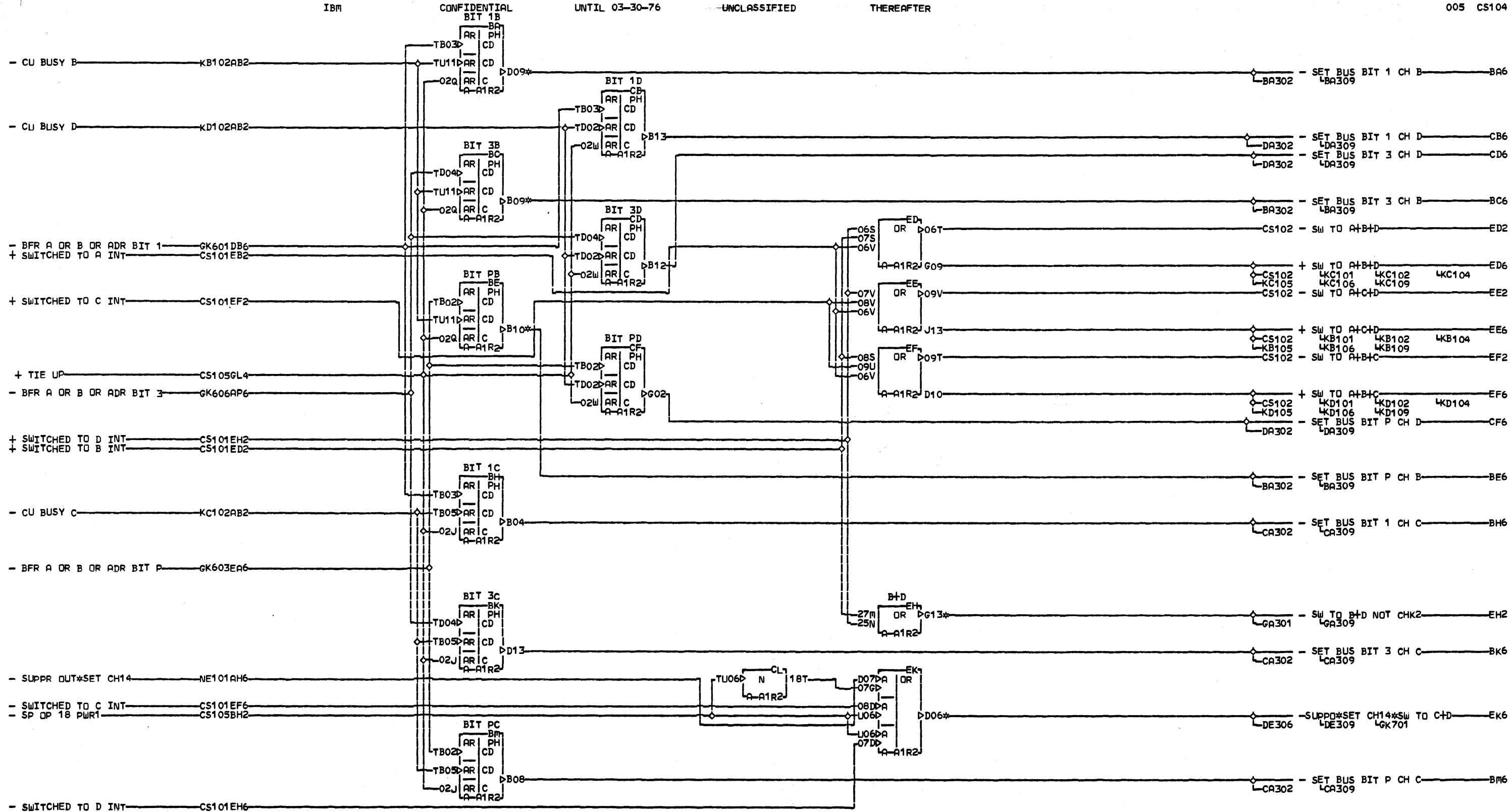


LOC. TYPE
A-A1R2 X999

ENABLE BUSY AND SEL OUT LATCHED OR DELAYED OR E.C. HISTORY		MACH. 3830-2	
437380	FRAME	01	
DATE LAST EC	IBM CORP. SDD		
11-28-75 437381	P.No. 2290324		

C
S
1
0
2

C
S
1
0
2



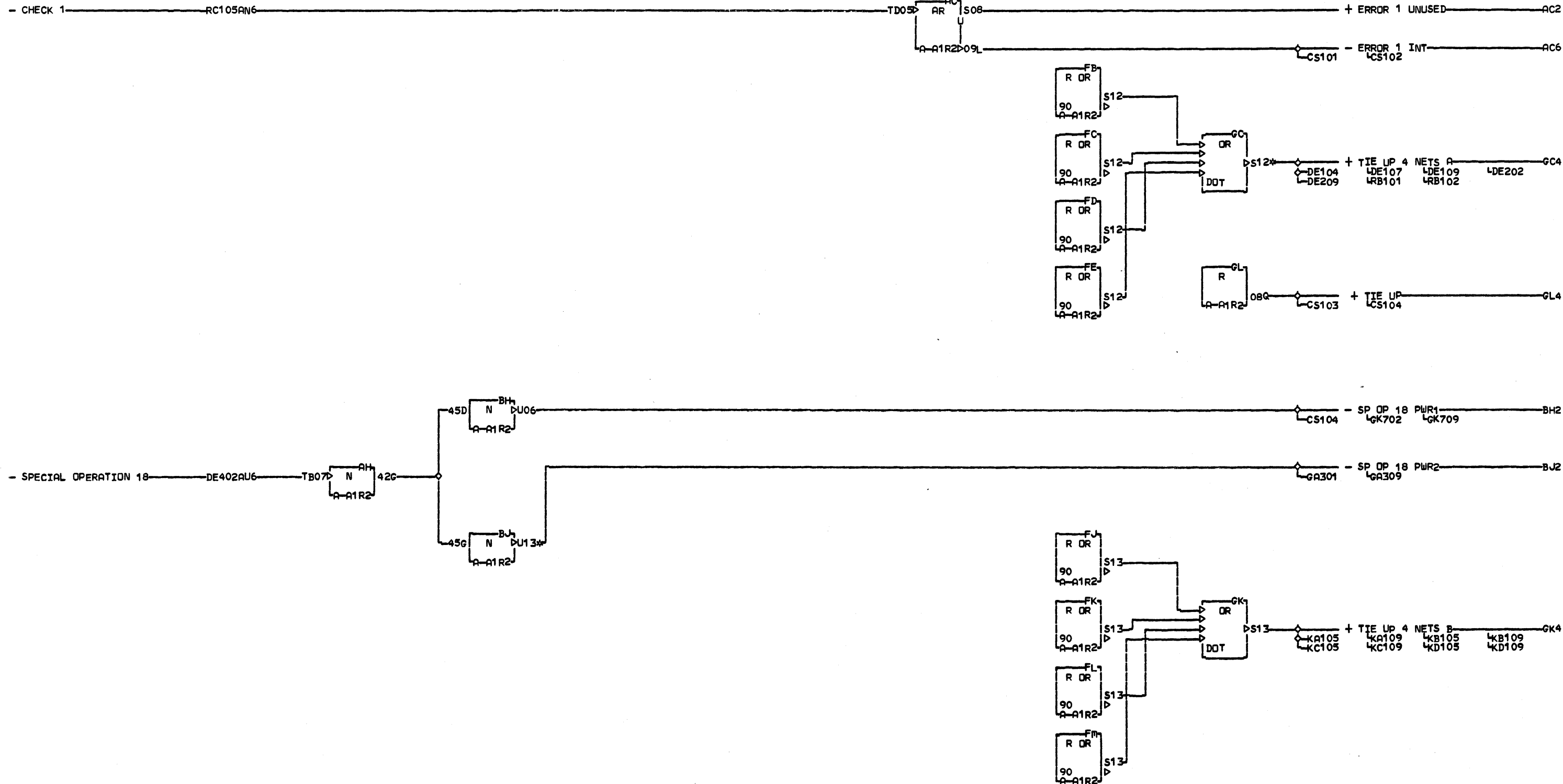
C
S
1
0
4

005COPYRIGHT IBM CORP 1976
SIM TO PN 2345656 EC 437310

BA6 W2CH EHZ A-B1R1D11
A 01A-A1C6A04 A 01A-A1V4D11
A 01B-A1B8E06 EK6 A-A1V3B04
BC6 W2CH 1 01A-B2A2D04
A 01A-A1C6B04
A 01B-A1C8A06
BE6 W2CH
A 01A-A1B6E02
A 01B-A1B8D04

LOC. TYPE
A-A1R2 X999

CH BCD BUSY SW TO OR AND		C S 1 0 4
MICRO BRANCH		
E.C. HISTORY B-MACH. 3830-2		005
437380	FRAME 01	
DATE LAST EC		IBM CORP. SDD
11-28-75 437381	P.N. 2290326	



C
S
1
0
5

BJ2 A-B1R1E11
 A 01A-A1V4D12
 GC4 A-B1Q1A11
 A 01A-A1V4D03
 B 01A-B1V4B04
 B 01A-B2U2B04

LOC. TYPE
A-A1R2 X999

TIE UPS AND ERROR 1 TO SELECTIVE RESET	
E.C. HISTORY 437380	MACH. 3830-2 FRAME 01
DATE LAST EC 11-28-75 437381	IBM CORP. SDD P.No. 2290327

C
S
1
0
5

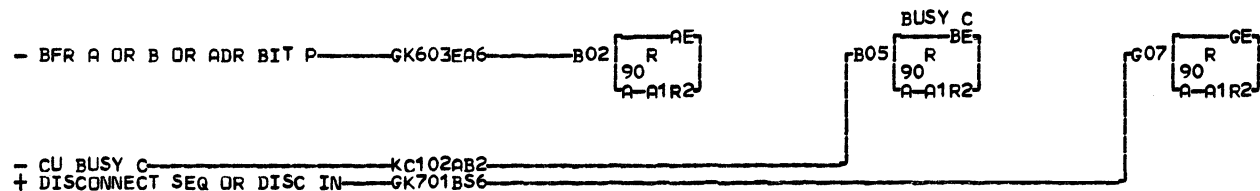
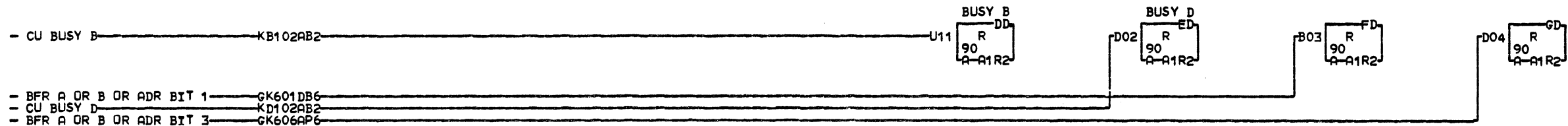
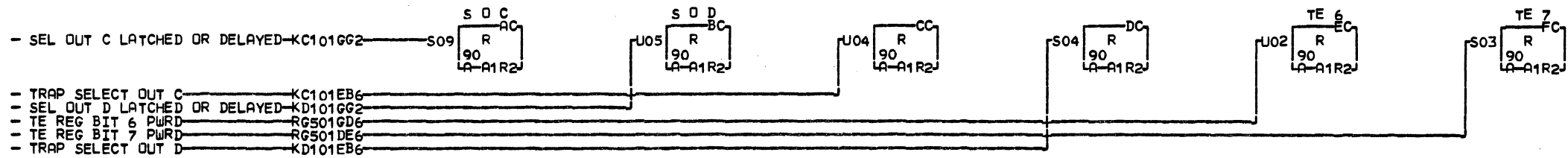
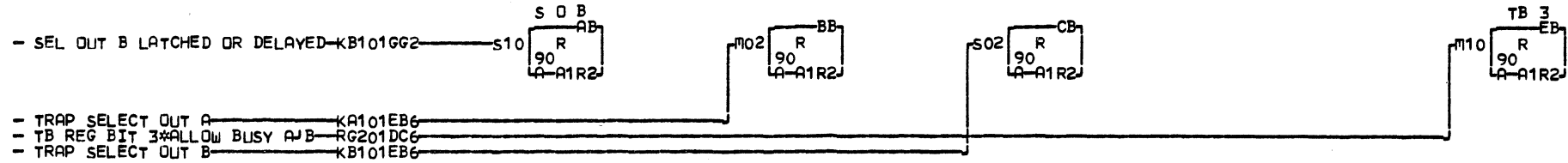
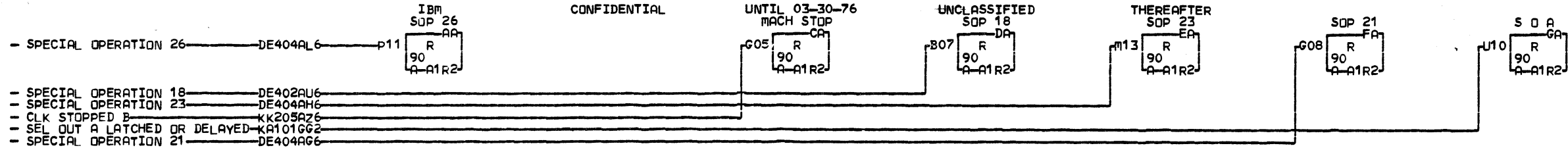
005

CONFIDENTIAL

UNTIL 03-30-76
MACH STOP

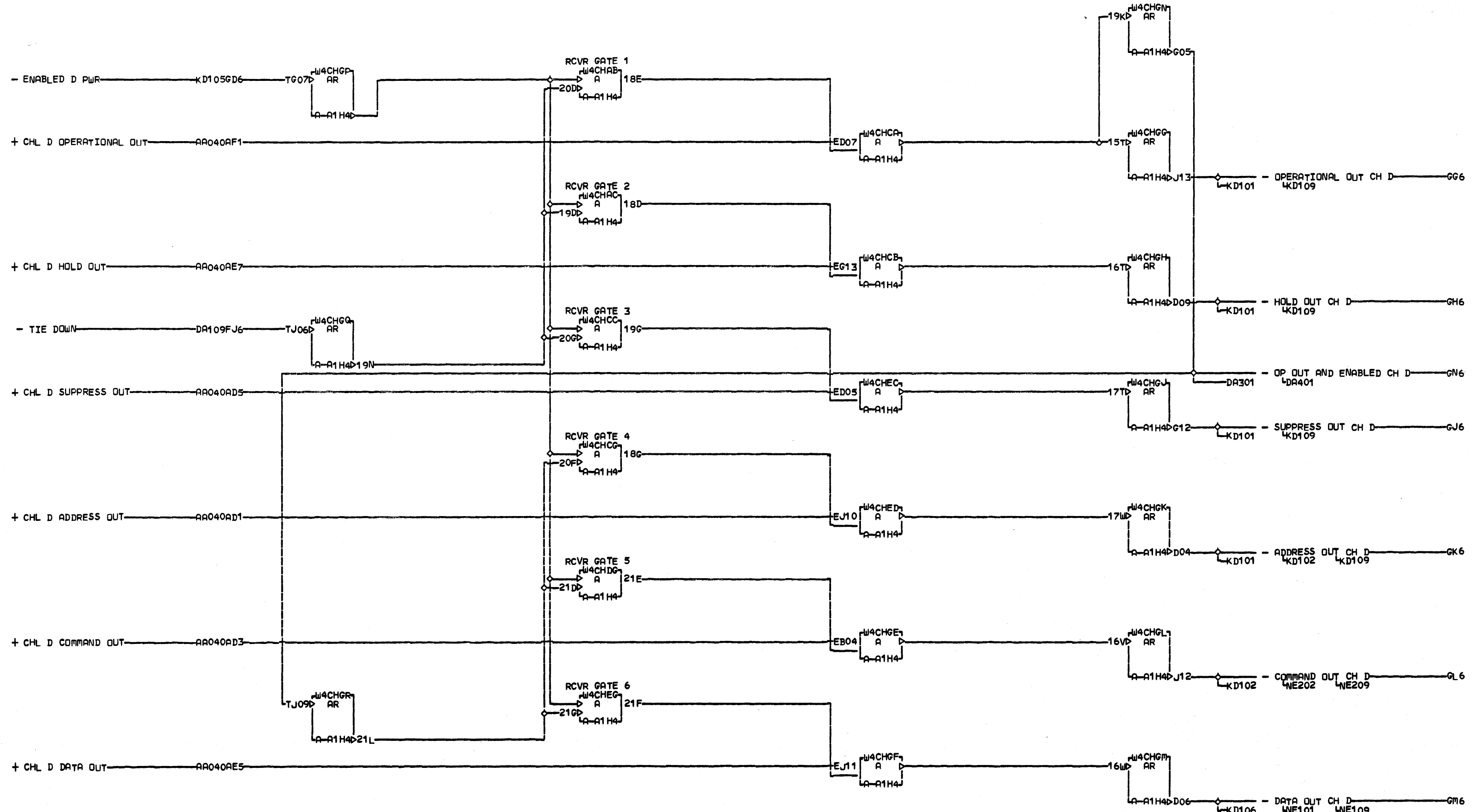
UNCLASSIFIED

THEREAFTER
SOP 23



LOC. TYPE
A-A1R2 X999

LINE TERMINATORS CS CARD SYSTEM	
E.C. HISTORY 437380	MACH. 3830-2
DATE LAST EC 11-28-75 437381	FRAME 01
	IBM CORP. SDD
	P.N. 2290328

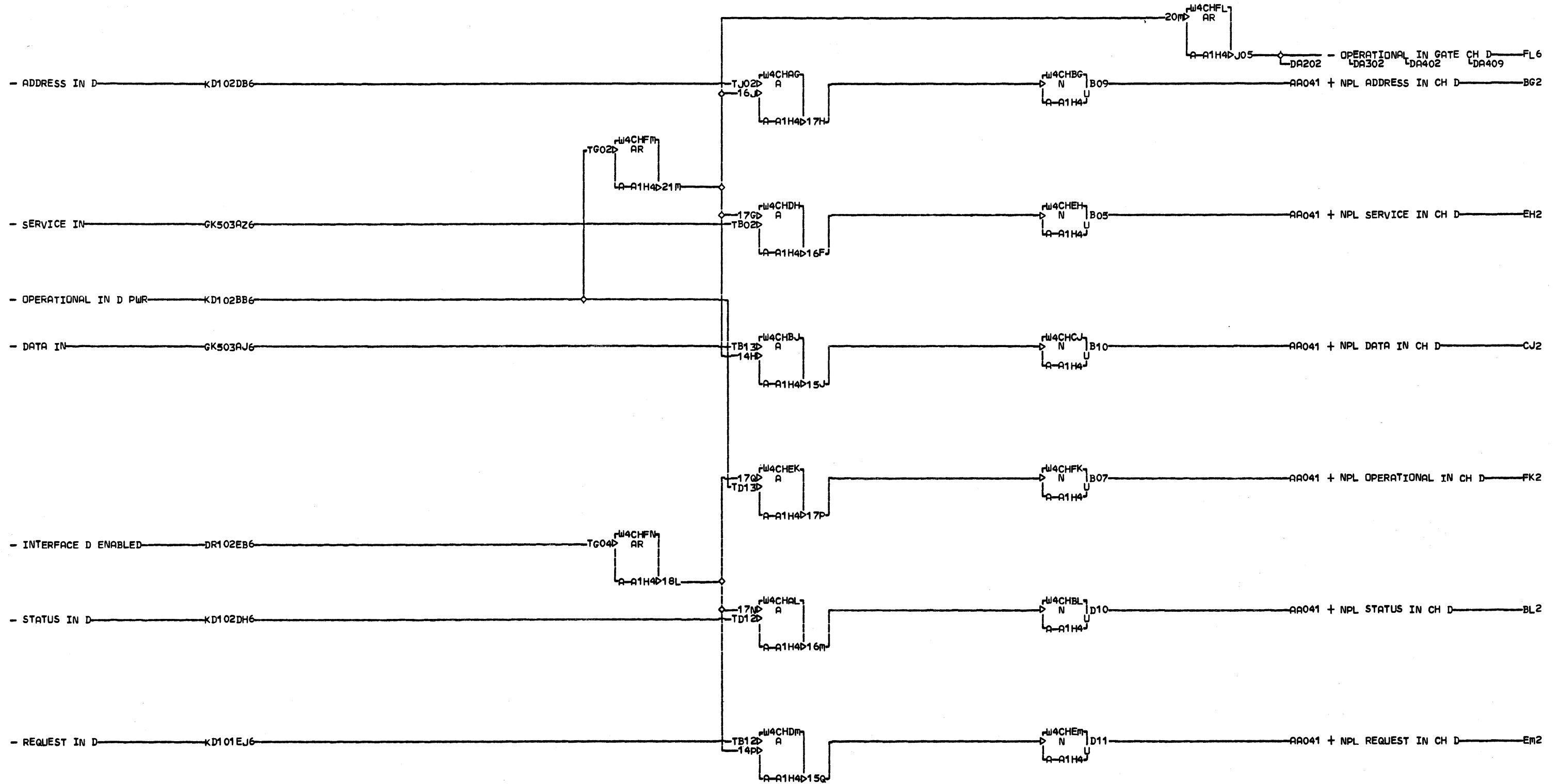


LOC. TYPE
A-A1H4 7548

CHL-I RECEIVERS	
E.C.-HISTORY 437380	B-MACH-3830-2 FRAME 01
DATE 11-28-75	IBM CORP. SDD P.N. 2290329
LAST EC 437381	

DA
101

DA
101
005



*NOTE EARLY MACHINES MAY
 HAVE YELLOW WIRES AND
 PRINTED LANDS IN PARALLEL
 ON MANY C AND D
 1 INTERFACE LINES.
 2

005COPYRIGHT IBM CORP 1976
 SIM TO PN 2745430 FC 277310

LOC. TYPE
 A-A1H4 7548

CHL-I DRIVERS	
E.C. HISTORY 437380	B. MACH. 3830-2
DATE LAST EC 11-26-75 437381	FRAME 01 IBM CORP. SDD P.N. 2290330

DA
1
0
2
005

- ADDRESS IN D ————— KD102DB6 ————— B03

IBM
ADDR IN
W4CHAG
R
90
A-A1H4

- OPERATIONAL IN D PWR ————— KD102BB6 ————— G09

OP IN
W4CHAH
R
90
A-A1H4

- STATUS IN D ————— KD102DH6 ————— J07

STAT IN
W4CHAJ
R
90
A-A1H4

- REQUEST IN D ————— KD101EJ6 ————— G03

REQU IN
W4CHAK
R
90
A-A1H4

UNUSED ————— 001 ————— J04

W4CHAL
R
90
A-A1H4

TIE DOWN

W4CHFJ
R
615
A-A1H4

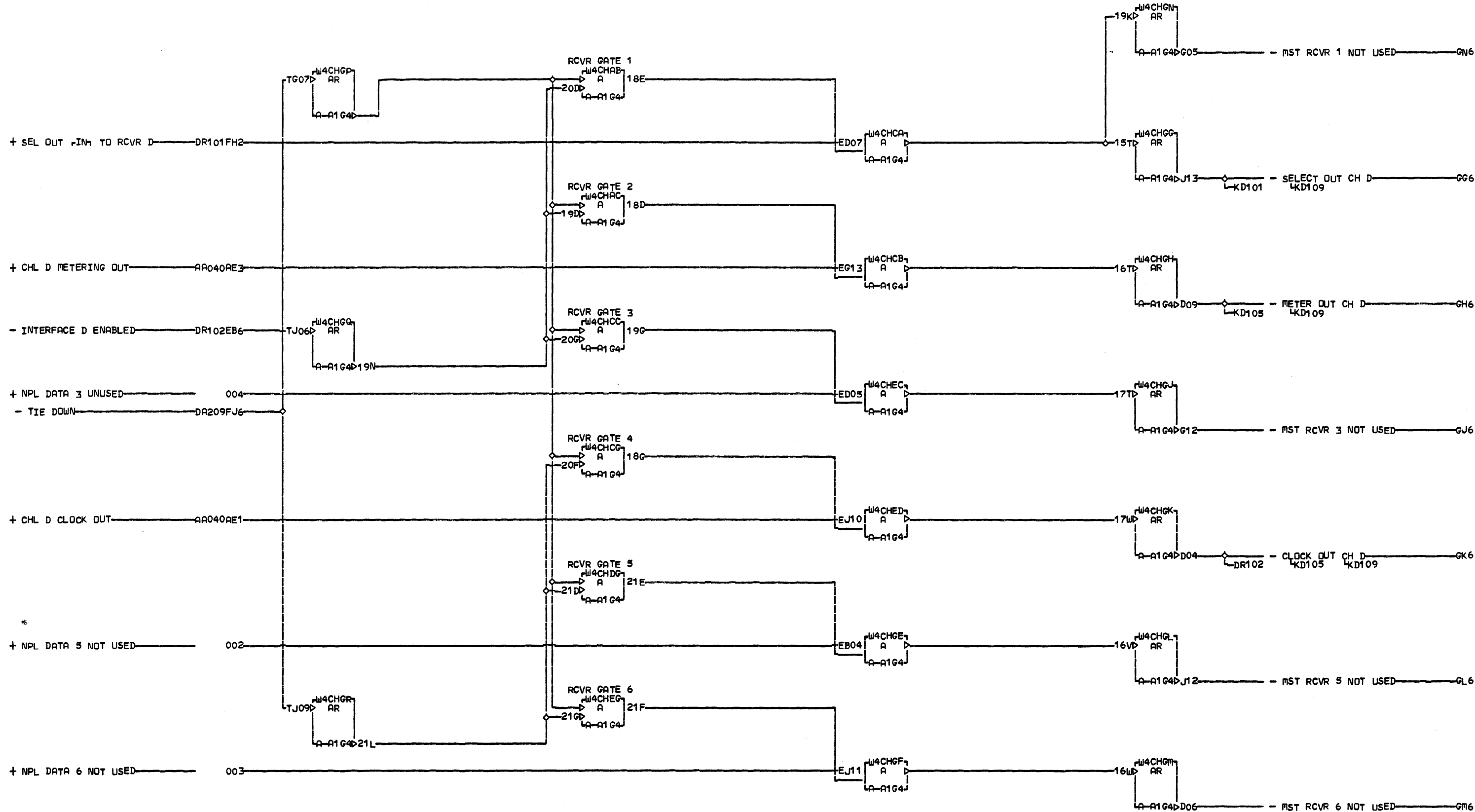
 D02 ————— DA101 — TIE DOWN ————— FJ6

DA109

LOC. TYPE
A-A1H4 7548

NPL TERMINATORS	
—E.C.—HISTORY—	B MACH. 3830-2
437380	FRAME 01
	IBM CORP. SDD
DATE LAST EC	P.No. 2290331
11-28-75 437381	

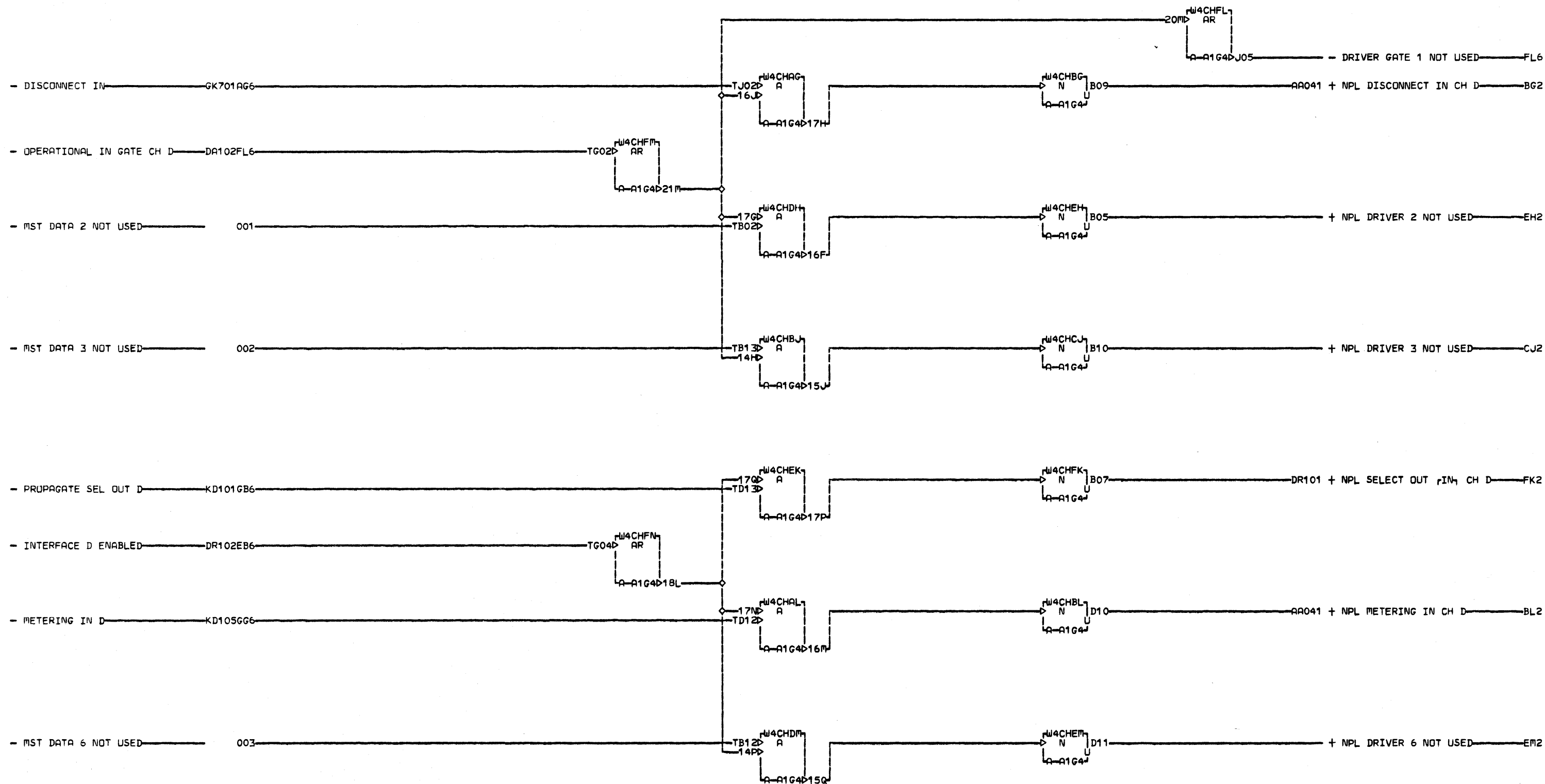
DA109



*NOTE EARLY MACHINES MAY
HAVE YELLOW WIRES AND
PRINTED LANDS IN PARALLEL
ON MANY C AND D
INTERFACE LINES.

LOC. TYPE
A-1G4 7548

CHL-I RECEIVERS	
E.C.-HISTORY 437380	MACH.3830-2
DATE LAST EC 11-28-75 437381	FRAME 01 IBM CORP. SDD P.No. 2290332



NONDD
 002
 SIM TO PN
 EC 437308

LOC. TYPE
 A-A1G4 7548

CHL-I DRIVERS	
E.C. HISTORY 437357	B MACH. 3830-2
DATE 04-16-73	FRAME 01
LAST EC 437311	IBM CORP. SDD
	P.N. 2346211

DA202
 002

CONFIDENTIAL

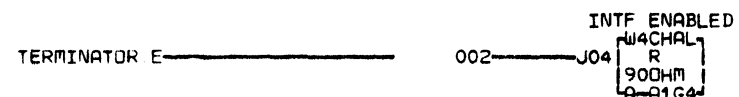
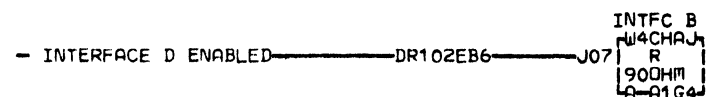
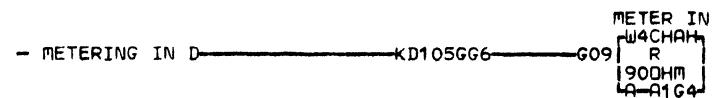
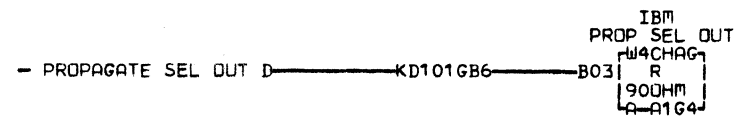
UNTIL 08-01-73

UNCLASSIFIED

THEREAFTER

THEREAFTER **

002 DA209

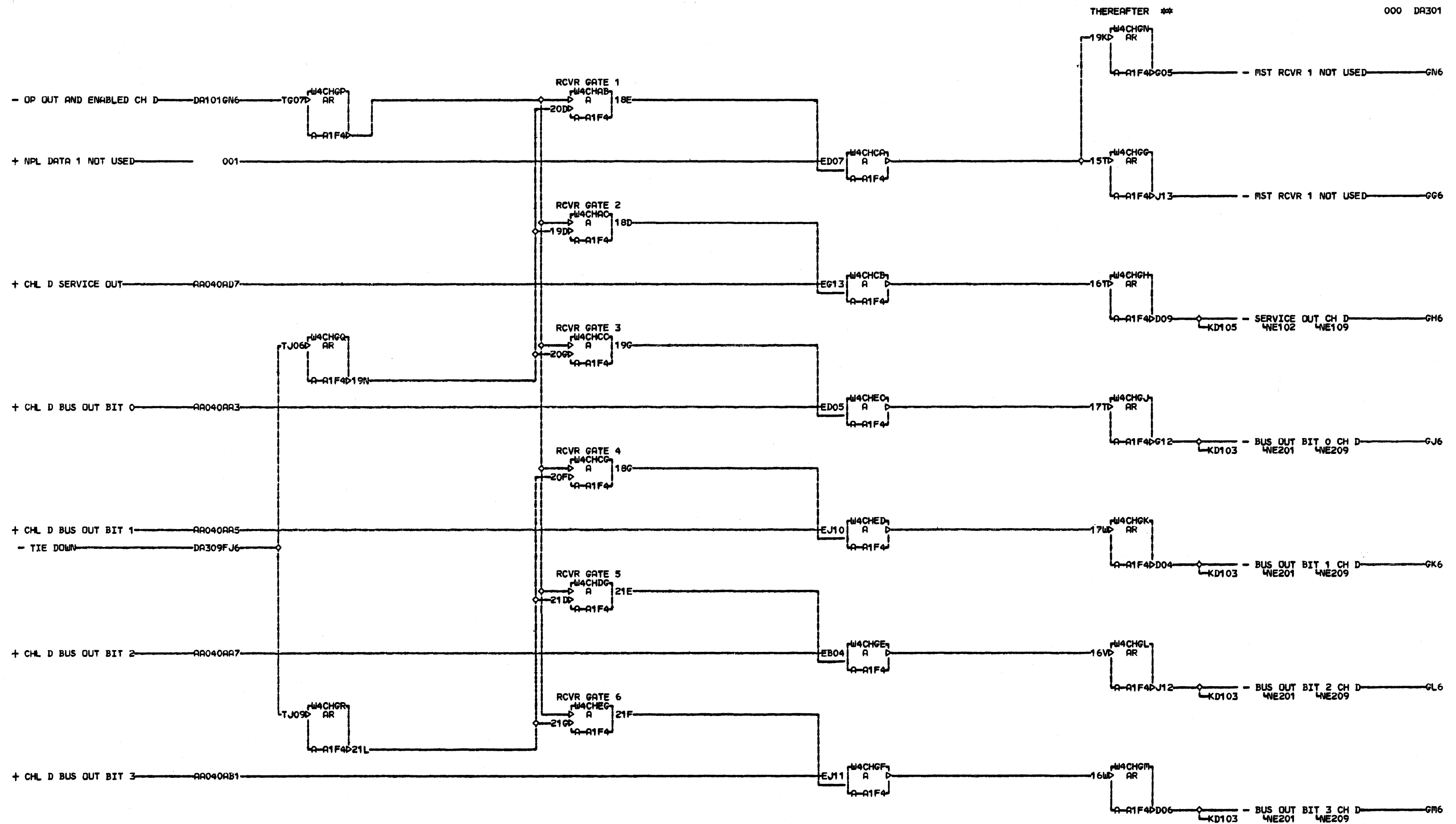


D
900ND

LOC. TYPE
A-A1G4 7548

NPL TERMINATORS			
E.C. HISTORY		MACH. 3830-2	
437357		FRAME	01
437310		IBM CORP. SDD	
DATE	LAST EC	P.N.	2346212
04-16-73	437311		

D
A
2
0
9



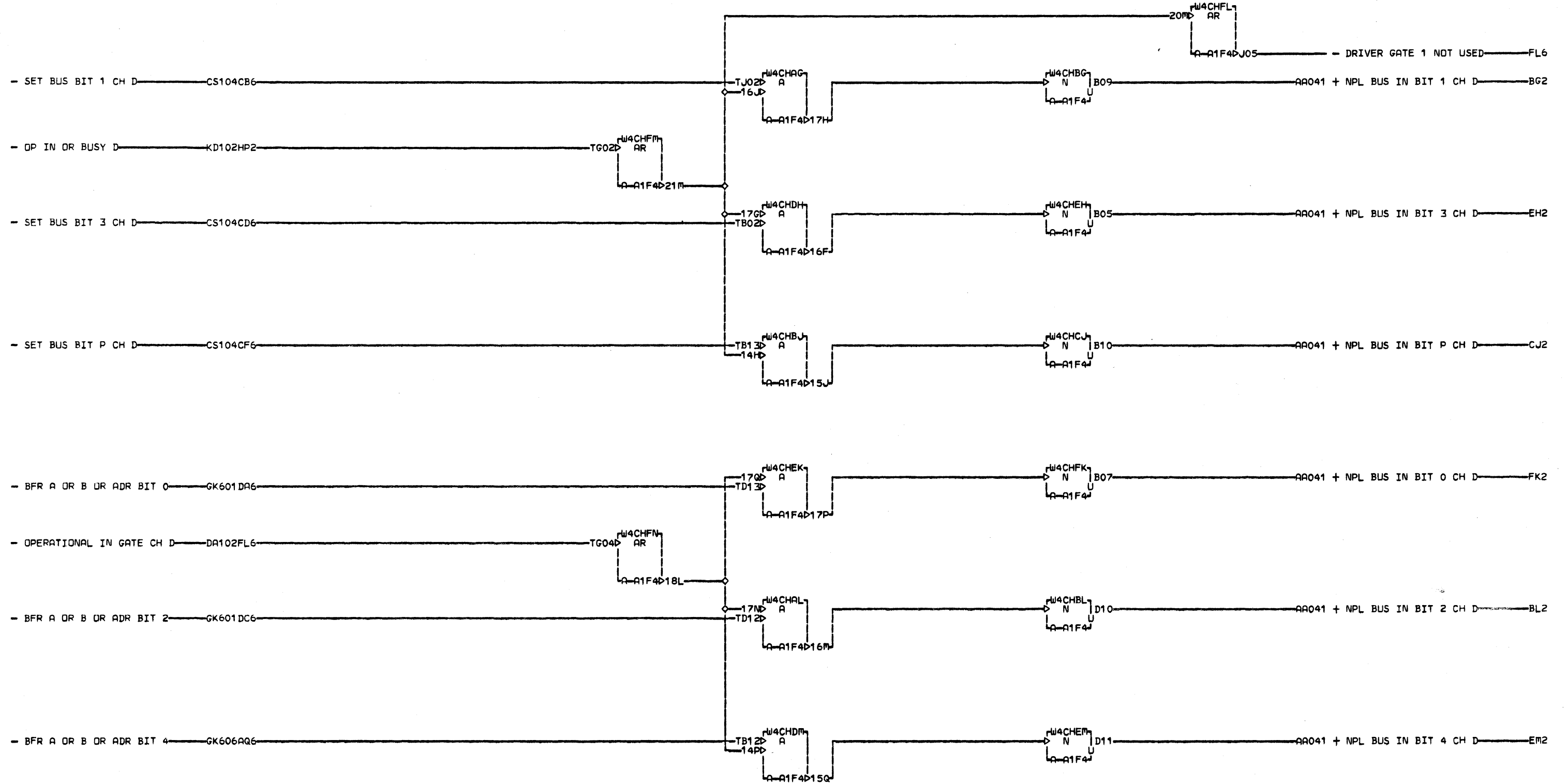
THEREAFTER **

*NOTE EARLY MACHINES MAY
HAVE YELLOW WIRES AND
PRINTED LANDS IN PARALLEL
ON MANY C AND D
INTERFACE LANDS.

000

LOC. TYPE
A-1F4 7548

CHL-I RECEIVERS			
E-C-HISTORY	B-MACH	3830-2	D
437301			A
437305	FRAME	01	3
437308			0
	IBM CORP.	SDD	1
DATE	LAST EC		000
06-15-73	437310	PoN	2345664



LOC. TYPE
A-A1F4 7548

CHL-I DRIVERS	
E.C. HISTORY 437357	B. MACH. 3830-2 FRAME 01
DATE 04-16-73	IBM CORP. SDD P.N. 2346213
LAST EC 437311	

D
N
O
N

D
A
3
0
2

CONFIDENTIAL

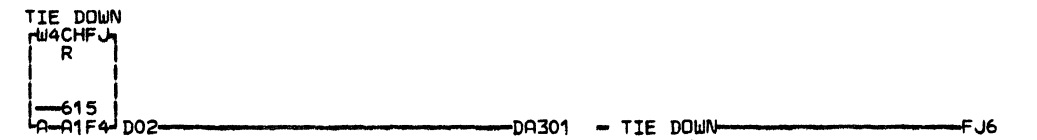
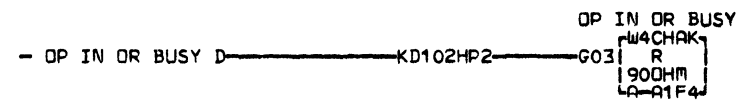
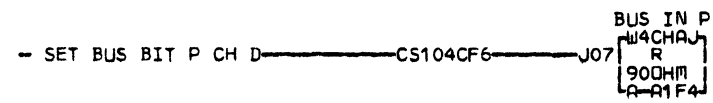
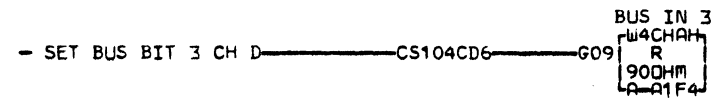
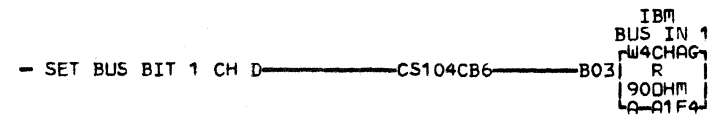
UNTIL 08-01-73

UNCLASSIFIED

THEREAFTER

THEREAFTER **

002 DA309

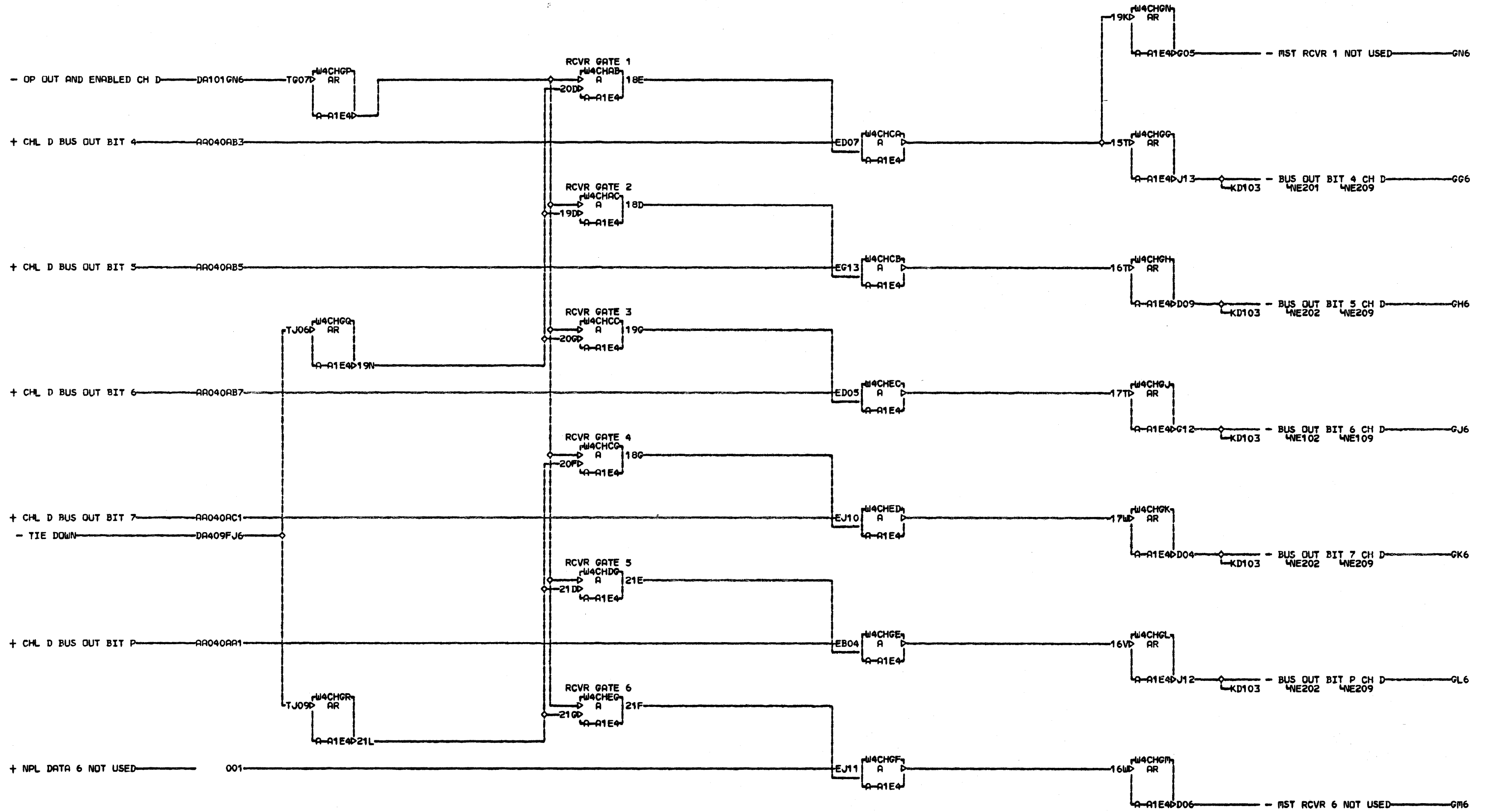


002

LOC. TYPE
A-A1F4 7548

NPL TERMINATORS	
E.C. HISTORY	B-MACH. 3830-2
437357	
437310	FRAME 01
	IBM CORP. SDD
DATE LAST EC	PoN. 2346214
04-16-73 437311	

DA309
002



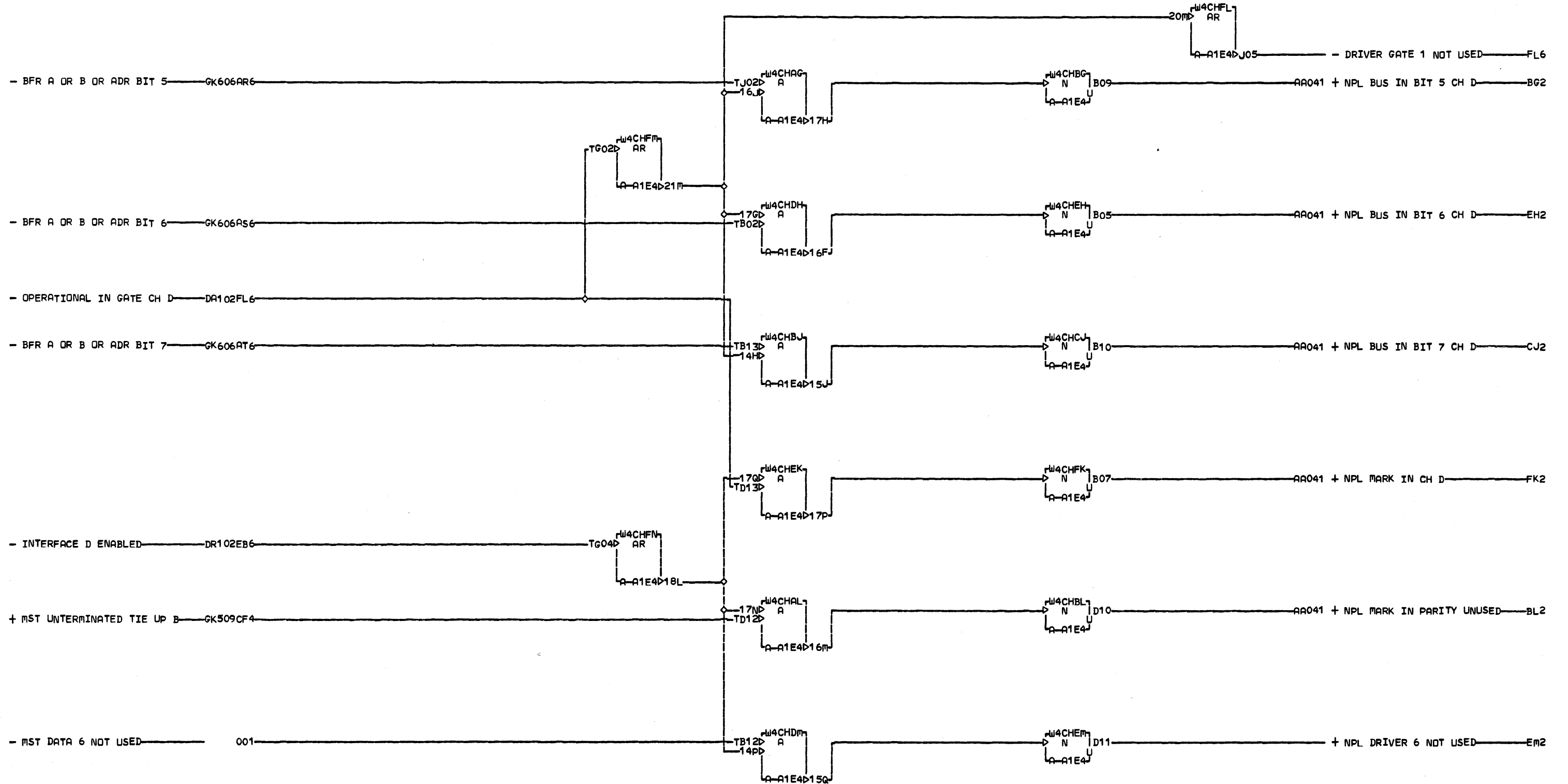
*NOTE EARLY MACHINES MAY
 HAVE YELLOW WIRES AND
 PRINTED LANDS IN PARALLEL
 ON MANY C AND D
 INTERFACE LANDS.

000

LOC. TYPE
 A-A1E4 7548

CHL-I RECEIVERS	
E.C. HISTORY	MACH. 3830-2
437301	
437303	FRAME 01
437305	
437308	IBM CORP. SDD
DATE	LAST EC
06-15-73	437310
	P.O. No. 2345667

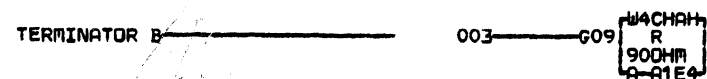
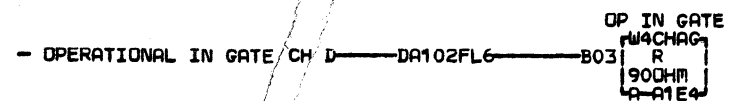
D
 A
 4
 0
 1
 000



*NOTE EARLY MACHINES MAY
 HAVE YELLOW WIRES AND
 PRINTED LANDS IN PARALLEL
 ON MANY C AND D
 INTERFACE LINES.

LOC. TYPE
 A-A1E4 7548

CHL-I DRIVERS	
E.C. HISTORY 437380	MACH. 3830-2 FRAME 01
DATE 11-28-75	IBM CORP. SDD P.N. 2290333
LAST EC 437381	

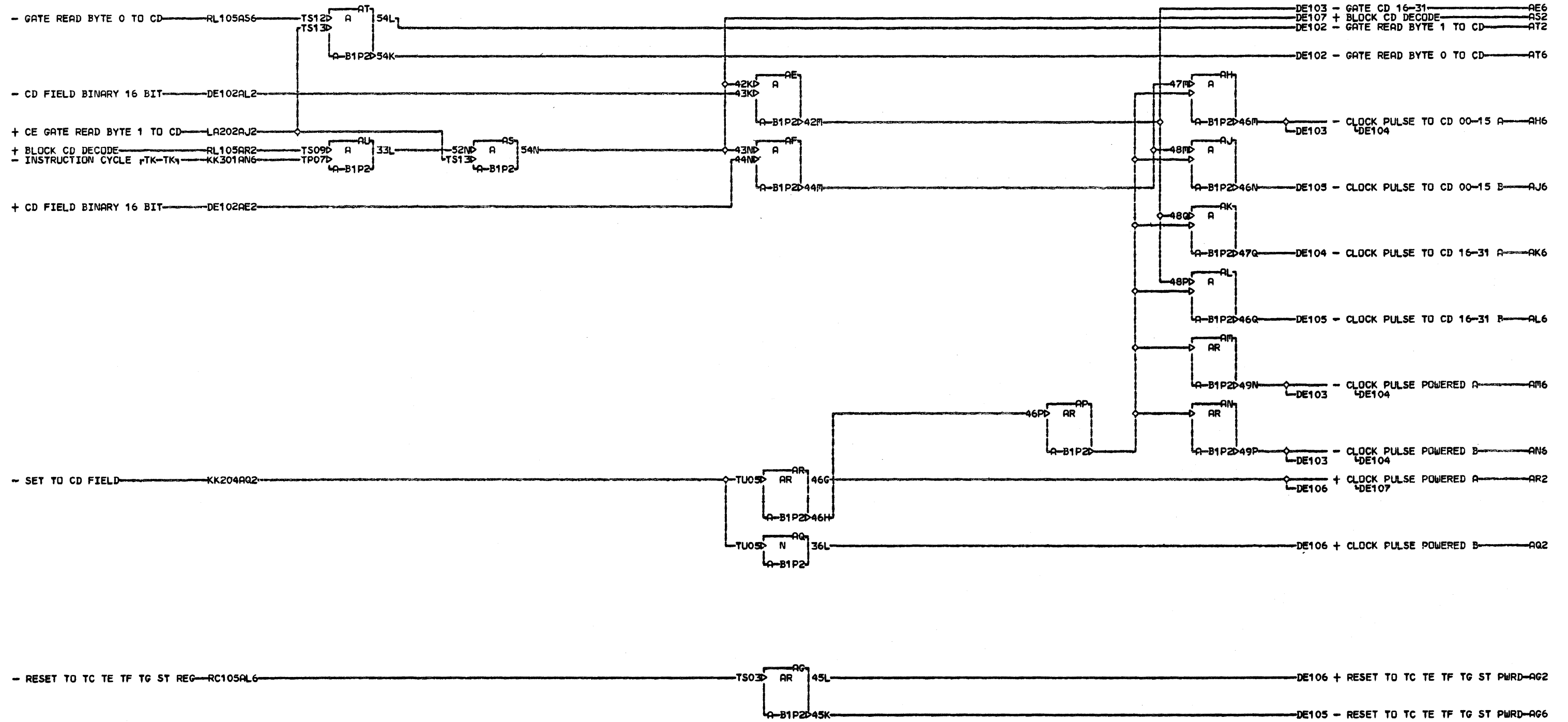


D
9
000

LOC. TYPE
A-A1E4 7548

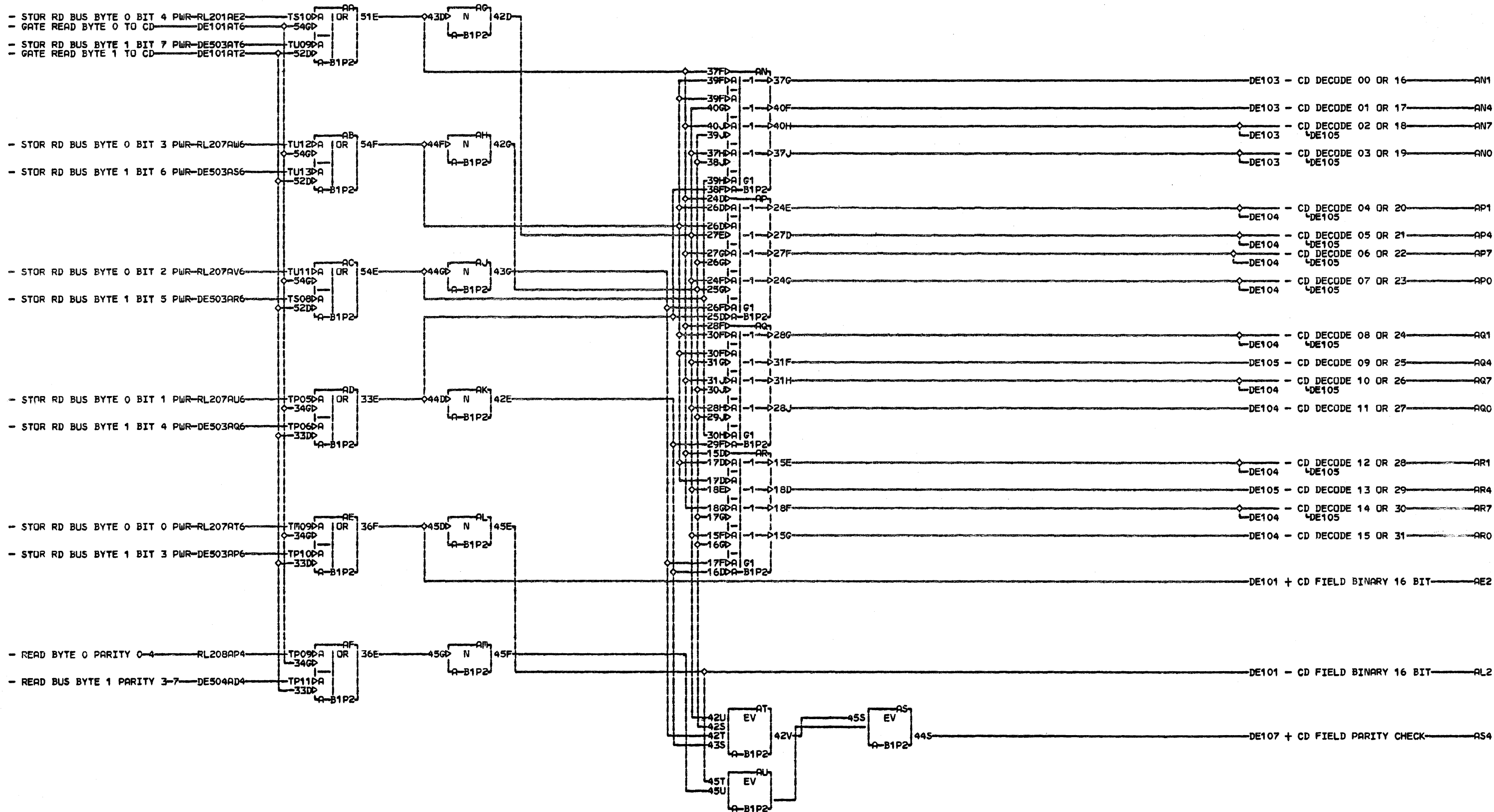
NPL TERMINATORS	
E.C.—HISTORY—	B MACH.3830-2
437301	FRAME 01
DATE LAST EC	IBM CORP. SDD
06-15-73 437310	PeN. 2345669

D
A
4
0
9



LOC. TYPE
A-B1P2 0700

CD DECODE SET CONTROLS	
E.C. HISTORY 437301	MACH. 3830-2 FRAME 01
DATE 06-15-73	LAST EC 437310
	IBM CORP. P.N. 2345670

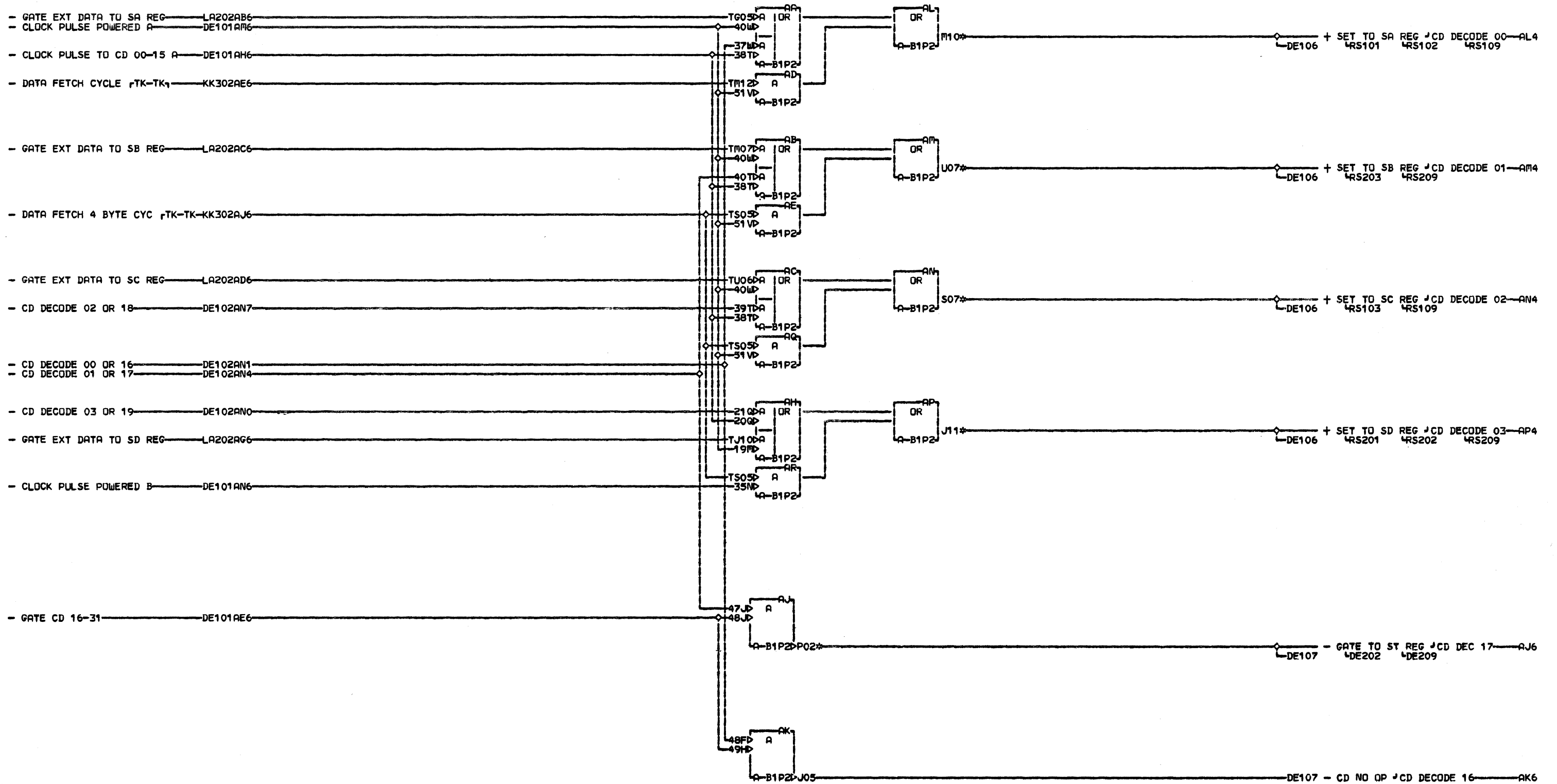


NO. 000

LOC. TYPE
A-B1P2 0700

CD PARITAL DECODE AND PAR CHK	
E.C. HISTORY 437301	MACH. 3830-2 FRAME 01
DATE 06-15-73	LAST EC 437310
	IBM CORP. P.O. 2345671

DE 102



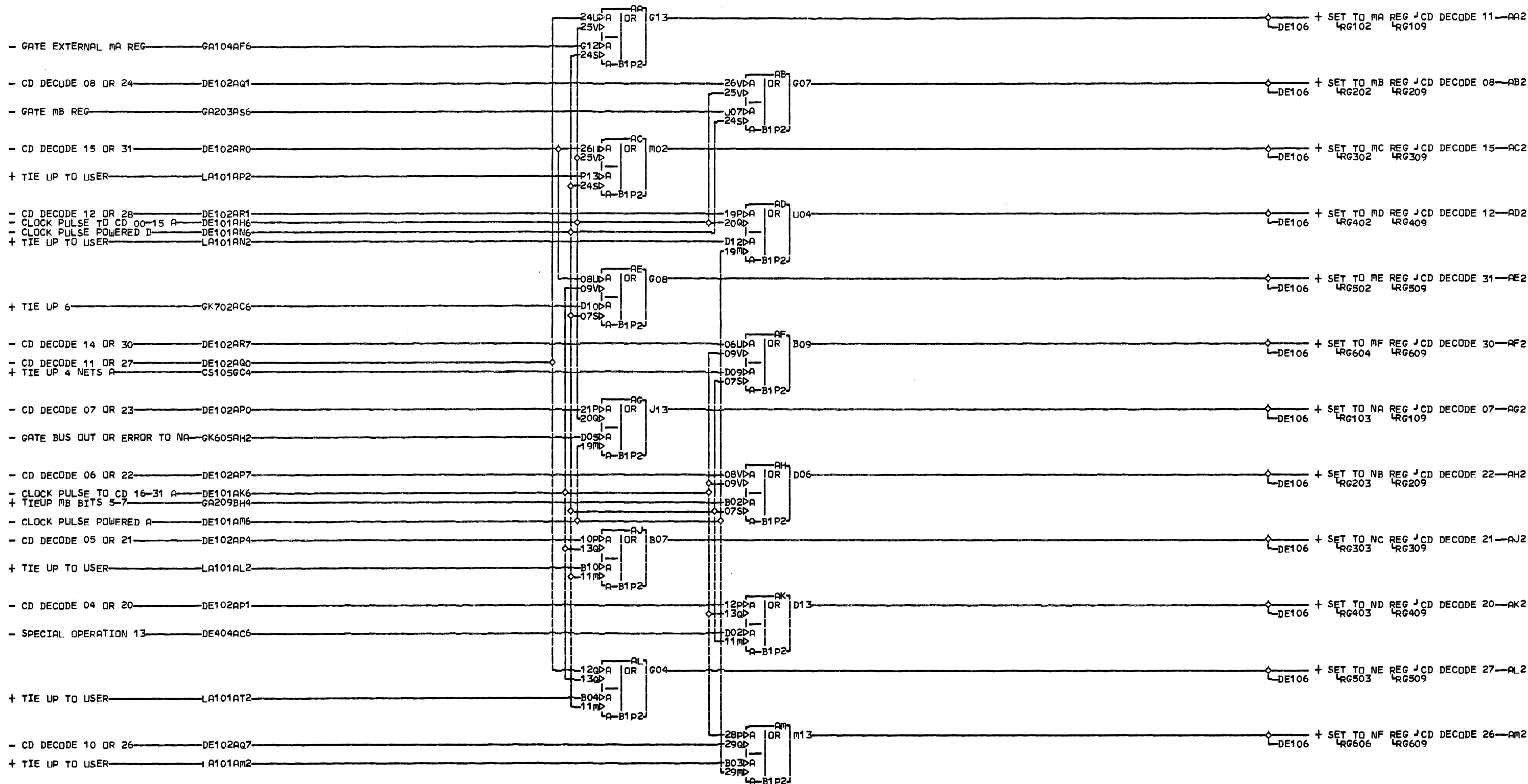
DE
103

AJ6 A-B1R6C04 A 01A-B2B1B11
 A 01A-B2R1C11
 AL4 A-B1M6E04
 A 01A-B2A1D11
 AM4 A-B1N6A04
 A 01A-B2A1E11
 AN4 A-B1N6B04
 A 01A-B2B1A11
 AP4 A-B1N6C04

LOC. TYPE
 A-B1P2 0700

SA SB SC SD REG SETS	
E.C. HISTORY	B MACH. 3830-2
437301	FRAME 01
	IBM CORP.
DATE LAST EC	PO# 2345672
06-15-73 437310	

DE
103



LDC. TYPE
A-B1P2 0700

M AND N TYPE REGISTER SETS	
E.C. HISTORY 437380	MACH. 3830-2 FRAME 01
DATE LAST EC 11-28-75 437381	IBM CORP. P.No. 2290334

DE
104

DE
104

IBM

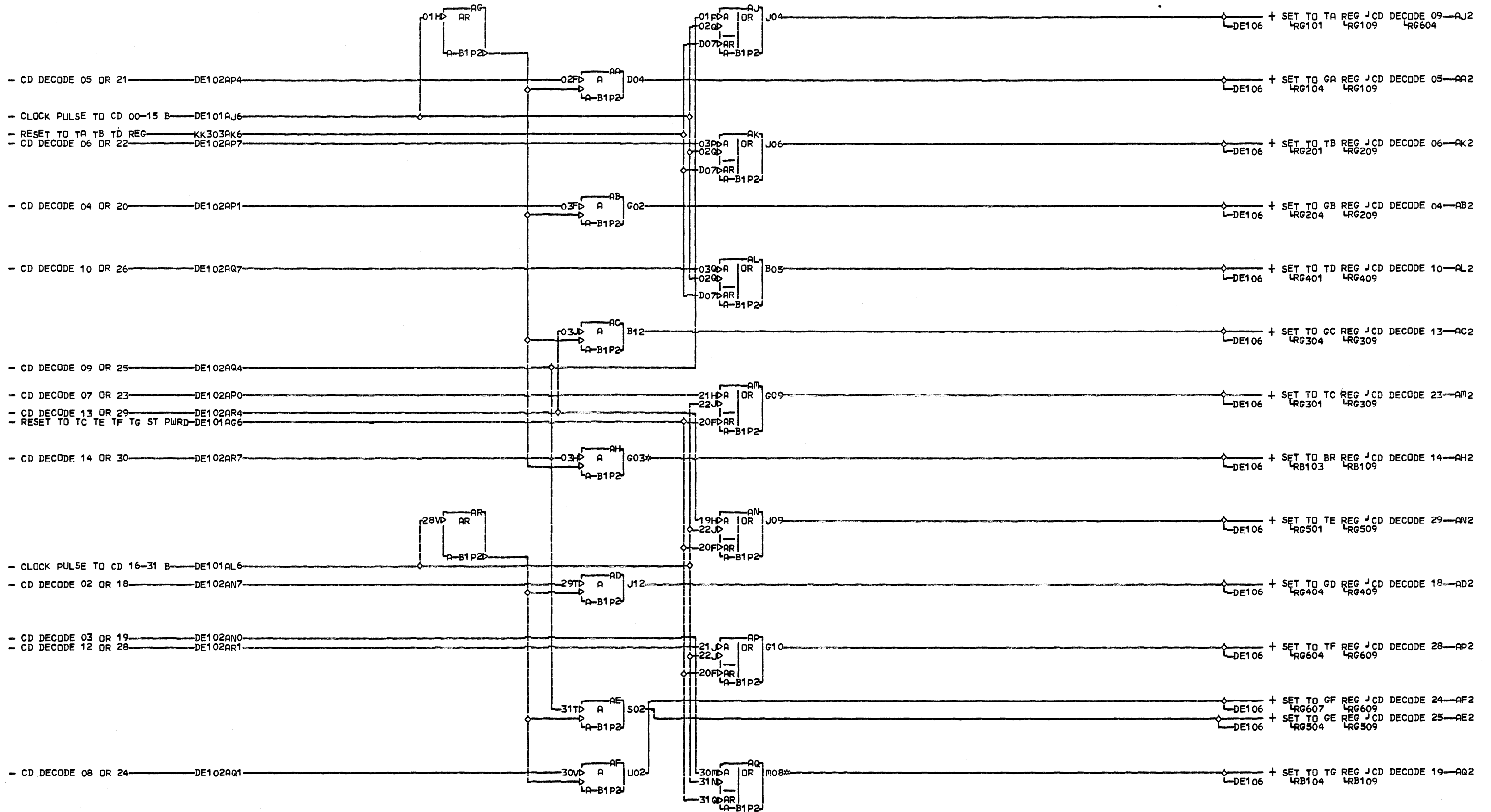
CONFIDENTIAL

UNTIL 03-30-76

UNCLASSIFIED

THEREAFTER

005 DE105



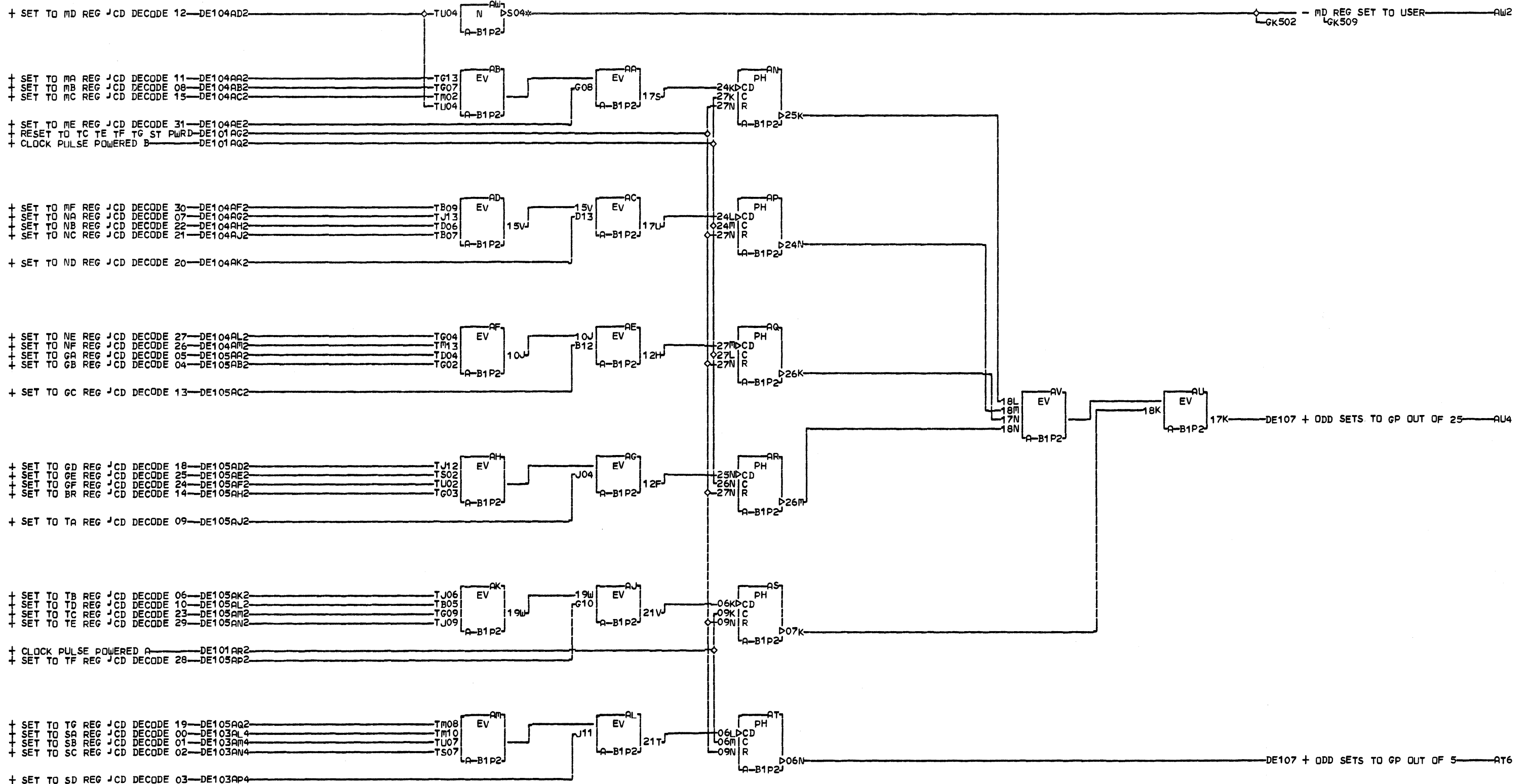
AH2 A-B1T6C04
 A 01A-B2T1C11
 AQ2 A-B1M6D04
 A 01A-B2M1D11

LOC. TYPE
 A-B1P2 0700

BRG AND T TYPE REGISTER SETS	
E.C. HISTORY 437380	B MACH. 3830-2
DATE 11-28-75	FRAME 01
LAST EC 437381	IBM CORP.
	P.N. 2290335

DE105

DE105

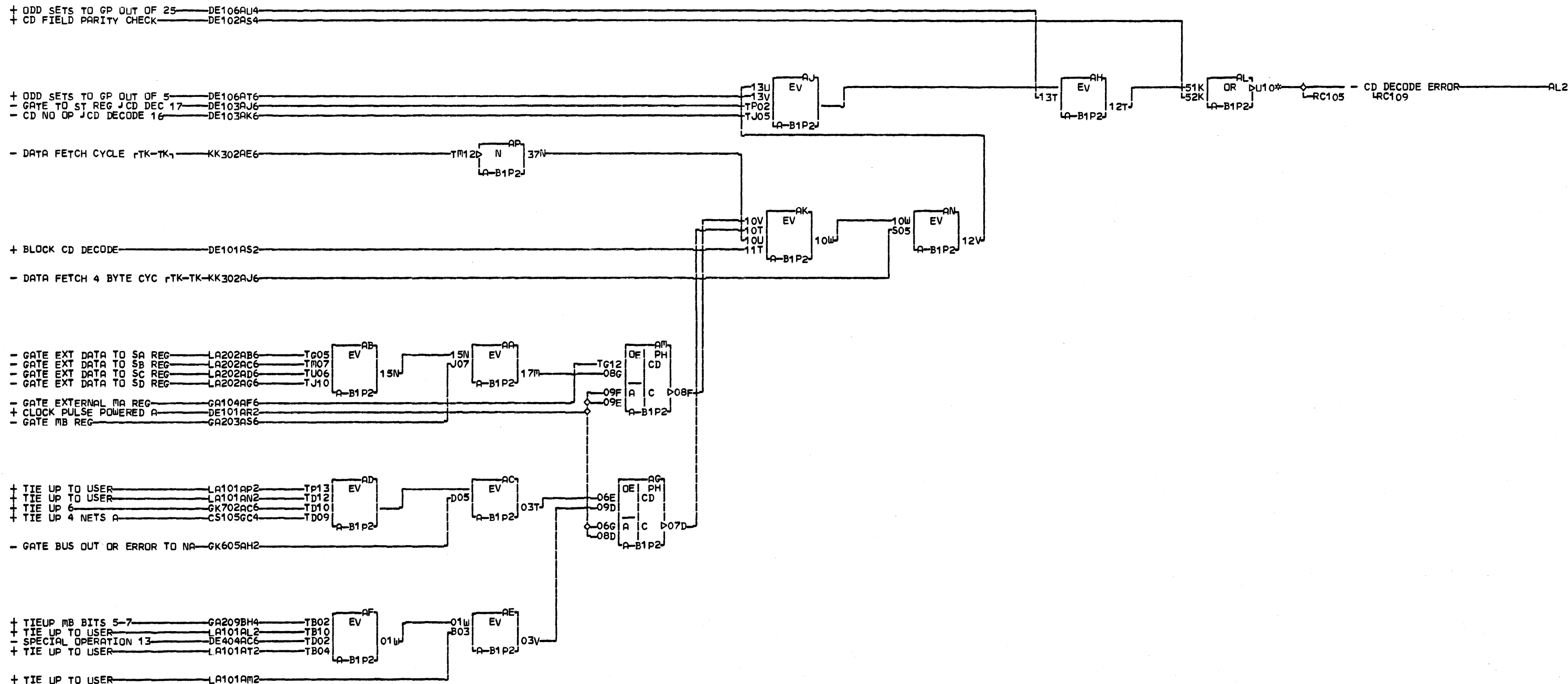


AW2 A-B1V2D07
A 01A-A1N1E13

LOC. TYPE
A-B1P2 0700

GP REGISTER SET ERROR CHECK	
E.C.-HISTORY 437380	MACH.#3830-2 FRAME 01
DATE LAST EC 11-28-75 437381	IBM CORP. P.N. 2290336

DE106



AL2 A-B1U2B03
A 01A-B2U4B03

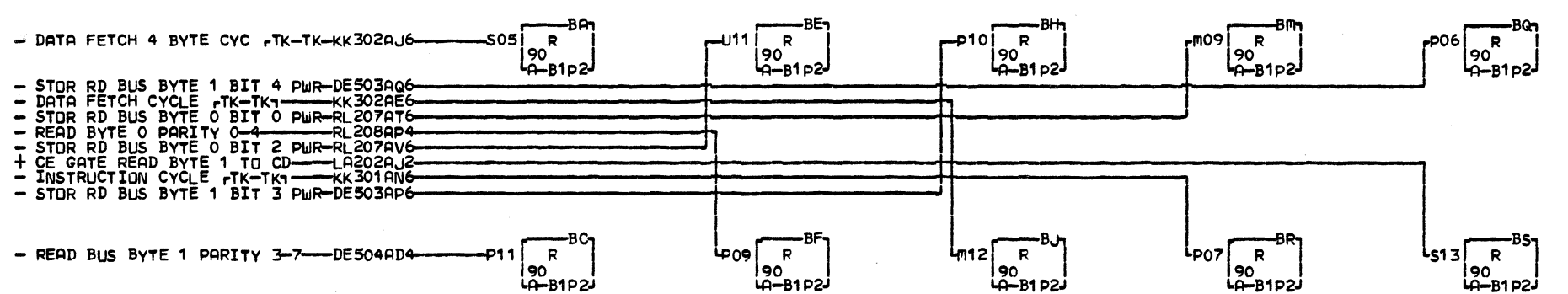
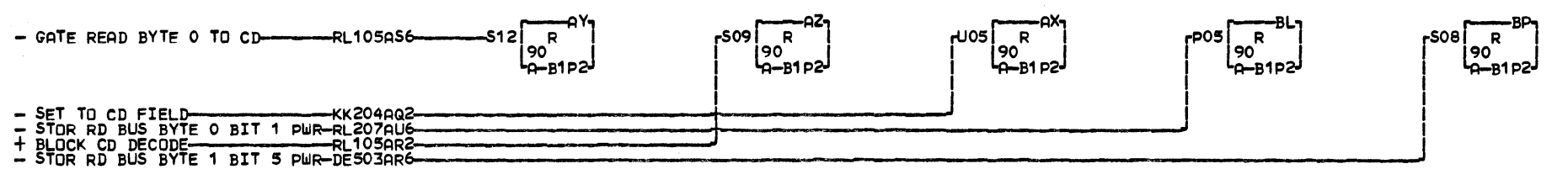
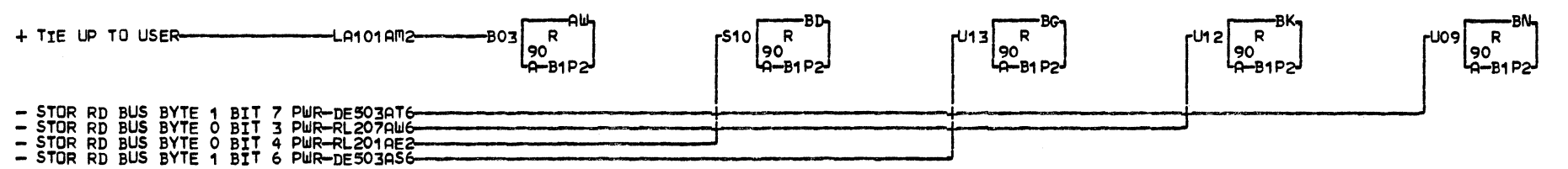
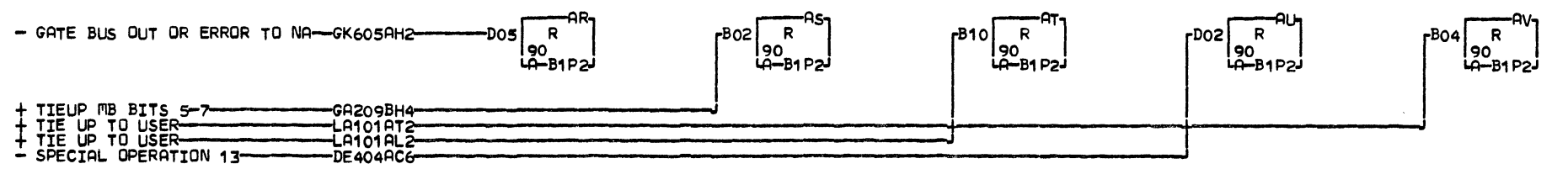
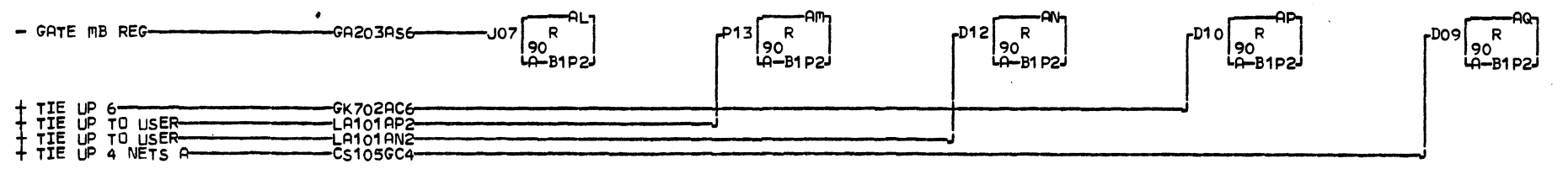
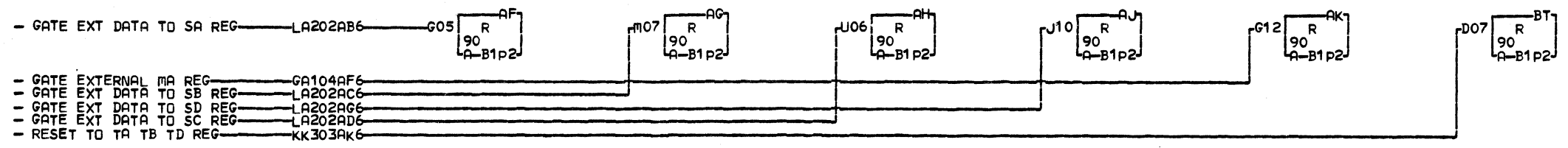
LOC. TYPE
A-B1P2 0700

GP REG SETS ERROR DETECTION	
E.C. HISTORY 437380	MACH. 3830-2 FRAME 01
IBM CORP.	
DATE 11-28-75	LAST EC 437381
P.N. 2290337	

DE 107

DE 107

IBM CONFIDENTIAL UNTIL 03-30-76 UNCLASSIFIED THEREAFTER



DE 109

LOC. TYPE
A-B1P2 0700

CD DECODE LINE TERMINATORS	
E.C. HISTORY	MACH. 3830-2
437380	FRAME 01
DATE	LAST EC
11-28-75	437381
IBM CORP.	P.N. 2290338

DE 109
005