

**Maintenance Library**



**Control Unit Models 1,2,11 and 12**

**Control Unit Models 1 and 2  
Parts Catalog**

## Preface

This Parts Catalog (PC) contains listings and illustrations of all replaceable assemblies, subassemblies and detail parts released to Production Control on or before December 1, 1975 for the 3271/3272 Control Units.

## Contents

How To Use A Parts Catalog	iii
Visual Index	iv
Catalog Section	1
Fig No.	Page
1 Final Assembly . . . . .	2
2 Power Supply Assembly . . . . .	4
3 Primary Power Box Assembly . . . . .	5
3A Power Supply Assembly . . . . .	6
4 Gate Assembly . . . . .	7
5 Cable Assemblies – List Only . . . . .	8
6 Cable Component Parts . . . . .	9
Numeric Index . . . . .	X-1

### *Fourth Edition (January 1976)*

This is a major revision of, and obsoletes the previous edition, Form S126-0004-2.

Information in this catalog is subject to change from time to time. Any such change will be reported in subsequent revisions or TNL Supplements.

Requests for copies of IBM publications should be made to your IBM representative or to the IBM branch office serving your locality.

A form is provided at the back of this publication for reader's comments. If the form has been removed, comments may be addressed to: IBM System Communications Division, Product Publications, Dept. 52L, Neighborhood Road, Kingston, N.Y., 12401

©Copyright International Business Machines Corporation, 1973, 1974, 1976

## How To Use This Parts Catalog

### CATALOG STRUCTURE

A general understanding of the structure of this catalog is necessary in order for the user to find parts easily and quickly. The catalog contains three major sections:

**Visual Index** - Contains overview illustrations of the machine with references into the Catalog Section.

**Catalog Section** - Contains exploded view drawings of assemblies and subassemblies of the machine with their associated Parts Lists.

**Numerical Index** - Lists all parts used in the machine with reference to the illustration (figure) on which the part is shown.

### FINDING A PART

The Visual Index is the starting point to locate a part. The Visual Index illustrations are overall views of the machine. These illustrations will refer you to one of two places:

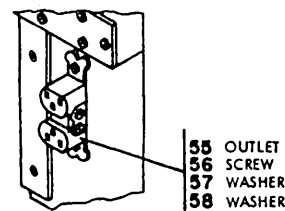
- (1) Another illustration in the Visual Index for finer detail of the portion of the machine in which you are interested and from there into a major assembly drawing in the Catalog Section, or
- (2) Directly into a major assembly drawing in the Catalog Section.

The major assembly drawing will either contain the desired part or it will reference a subordinate drawing; e.g., "See Figure 2 for detailed breakdown." Referencing may be carried to several levels before the desired part is found on an illustration. Once the part is found on an illustration, the index number serves as the key between the illustration and its associated Parts List.

### ILLUSTRATION METHODS

#### Stacked Index Numbers

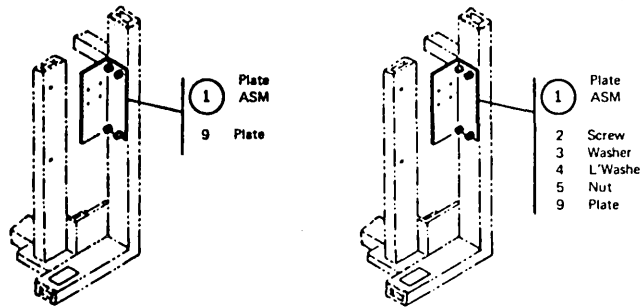
Stacked index numbers are used when showing a part and its attaching hardware as a group. The sequence of a typical stack is shown at the right. Use of the vertical line to the left of the stacked numbers is optional.



### Circled Index Numbers

Circled index numbers indicate that the circled item is an assembly which is broken down within the figure. Two configurations are possible:

- (1) A circled index number with the index number of the end item of the assembly shown below the circled number.
- (2) A circled index number with attaching hardware stacked and with the end item of the assembly shown as the last index number in the stack.



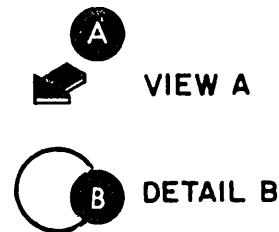
### Reference Notes

Illustration notes that reference the next higher assembly are generally located in the upper left corner of the figure; e.g., "For Parts Not Shown, See Figure X." Illustration notes that reference a subassembly are located next to the index number; e.g., "See Figure Y."

### Detail Boxes

A single-lined detail box is used to show either another view of an illustrated assembly or a finer breakdown of a portion of the illustrated assembly. The examples at the right are the symbols used to relate the content of the detail box to the assembly.

A double-lined detail box is used to show a different manufacturing level of a portion of the illustrated assembly. An explanation of the difference between these levels is contained within the box.



## PARTS LIST NOMENCLATURE AND METHODS

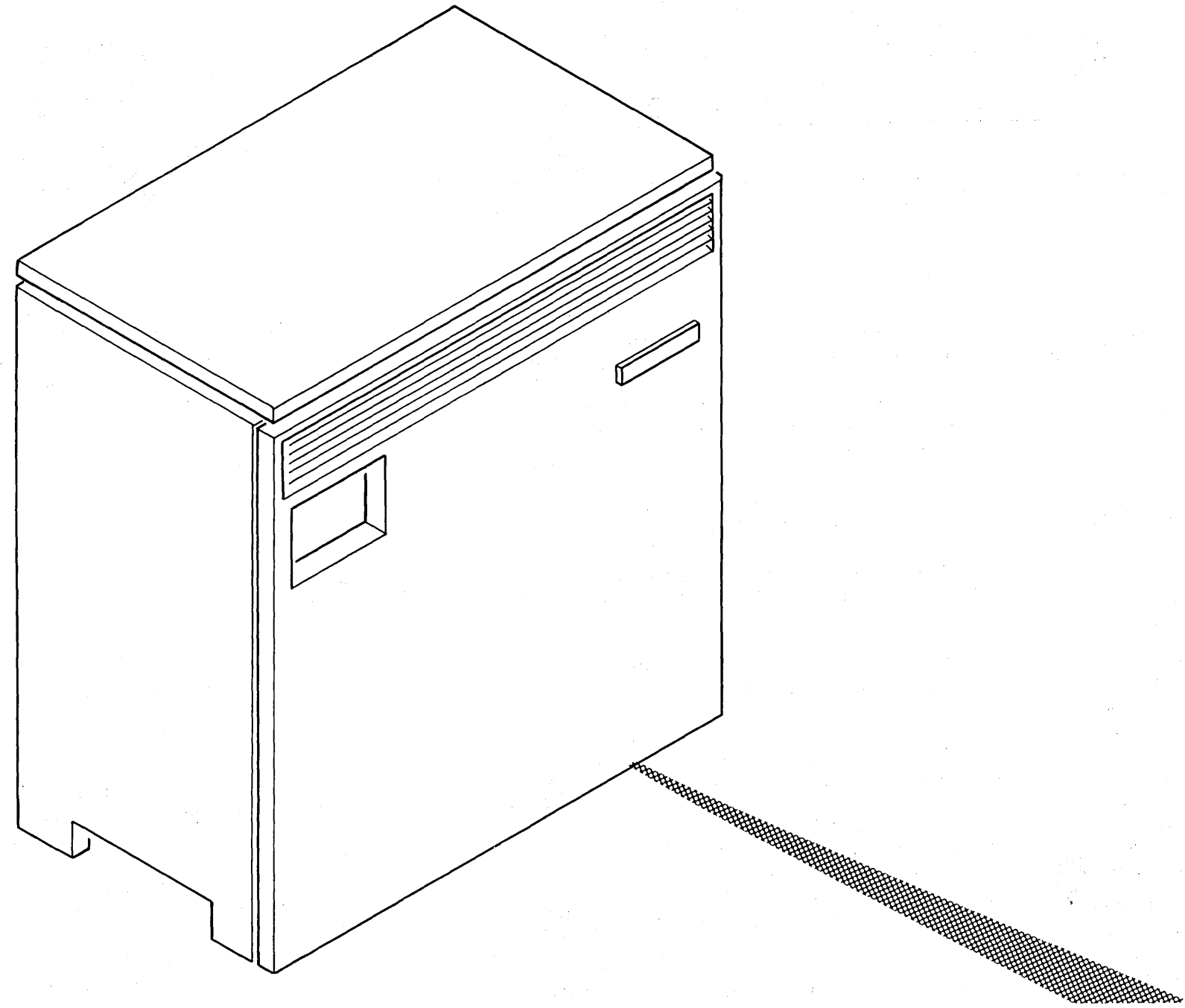
The following terms are used throughout the Parts Lists; therefore, complete familiarity with them is essential. The terms are keyed to the sample parts list shown below.

- 1 AR (As Required) - denotes an undefined or an unknown quantity.
- 2 ATT PT (Attaching Parts) - denotes parts used to attach a part or subassembly to an assembly. The "attaching parts" are listed immediately following the part or subassembly to be attached and have the same indent level as the part or subassembly.
- 3 COMM (Commercial) - denotes hardware procurable from normal commercial sources and not identified by an IBM part number.
- 4 Indent pattern - indicates relationship of a part to its next higher assembly. For example:  
1 2 3 4  
Unit  
. Assemblies and Detail Parts of Unit  
. Attaching Parts for Assemblies & Detail Parts  
. . Subassemblies  
. . Attaching Parts for Subassemblies  
. . . Detail Parts for Subassemblies, etc.
- 5 NR (Not Recommended) - denotes the part is not recommended for field replacement, and that the next higher assembly should be ordered.
- 6 NP (Non-Procurable) - denotes the assembly is non-procurable and that detail parts must be ordered separately.

- 7 NO NO. (No Number) - denotes a group of parts for which no assembly part number has been assigned and that detail parts must be ordered separately.
- 8 REF (Reference) - denotes that quantities for such items are identified in the next higher assembly.
- 9 Similar Assemblies - If two assemblies contain a majority of identical parts, they are broken down on the same figure/list. Parts unique to either of the similar assemblies are identified by either a Usable On Code or a note in the description column.
- 10 Usable on Code - This column can be used to identify unique parts of similar assemblies (see 9 above). Two types of codes (an alphabetic and numeric) are used. For any given Parts List, the codes are defined at the top of that list and are only meaningful for that list.  
Alphabetic codes are used to identify unique parts of selective assemblies:  
Ex. 1 Code A - Used on 50-Hz machines.  
Code B - Used on 60-Hz machines.  
Ex. 2 Code A - Used on Red Cover Group.  
Code B - Used on Blue Cover Group.  
Code C - Used on Yellow Cover Group.  
Numeric codes are used to identify unique parts of different manufacturing levels of assemblies:  
Ex. 1 Code 1 - Used prior to suffix L7. (See 11 below.)  
Code 2 - Used after suffix L7.  
Ex. 2 Code 1 - Used prior to serial #10137.  
Code 2 - Used after serial #10137.
- 11 Suffix Code - indicates the month (alphabetic) and the year (numeric) of the engineering change; e.g., B 6 stamped after the serial number equals Feb 1966.

LIST 2. DRIVE MOTOR ASSEMBLY - 220 VOLTS

FIGURE-INDEX NUMBER	PART NUMBER	DESCRIPTION	UNITS PER ASM.	USABLE ON CODE
2 -		1 2 3 4 CODE A USED ON 60 HZ ONLY CODE B USED ON 50 HZ ONLY CODE 1 USED ON ASM PRIOR TO B6 SUFFIX	8	10
-	2199376 NP	DRIVE MOTOR ASM - 220 VOLTS 60 HZ	RLF	1A
-	2199386 NP	DRIVE MOTOR ASM - 220 VOLTS 50 HZ	RLF	1B
		FOR NEXT HIGHER ASM SEE FIGURE 1-92		
- 1	2204176	. PULLEY, 60 HZ	1	A
- 1	2199255	. PULLEY, 50 HZ	1	B
- 2	79842	. SETSCREW, SPLINE DR CUP PT 8-32 X 3/8 LG	1	AR
- 3	2204116	. MOTOR ASM, 220V AC 60 HZ	1	A
- 4	NO NO.	. MOTOR ASM, 220V AC 50 HZ	1	B
- 5	5526	. SCREW, MACH BIND HD 8-32 X 0.625 LG	4	
- 6	2204082	. . FERRULE, OUTER	1	
- 7	2204033	. . FERRULE, INNER	1	
- 8	COMM	. . MOTOR, 1/12 HP - 220V 60 HZ	1	A
- 8	2199258	. . MOTOR, 1/12 HP - 220V 50 HZ	1	B
- 9	2199401	. PLATE, MOTOR MT - 220 VOLTS 60 HZ	1	A
- 9	2199402	. PLATE, MOTOR MT - 220 VOLTS 50 HZ	1	B



COVER AND FINAL ASSEMBLY  
FIGURE 1  
PAGE 2

VISUAL INDEX. 3271/3272 Control Unit

# CATALOG SECTION

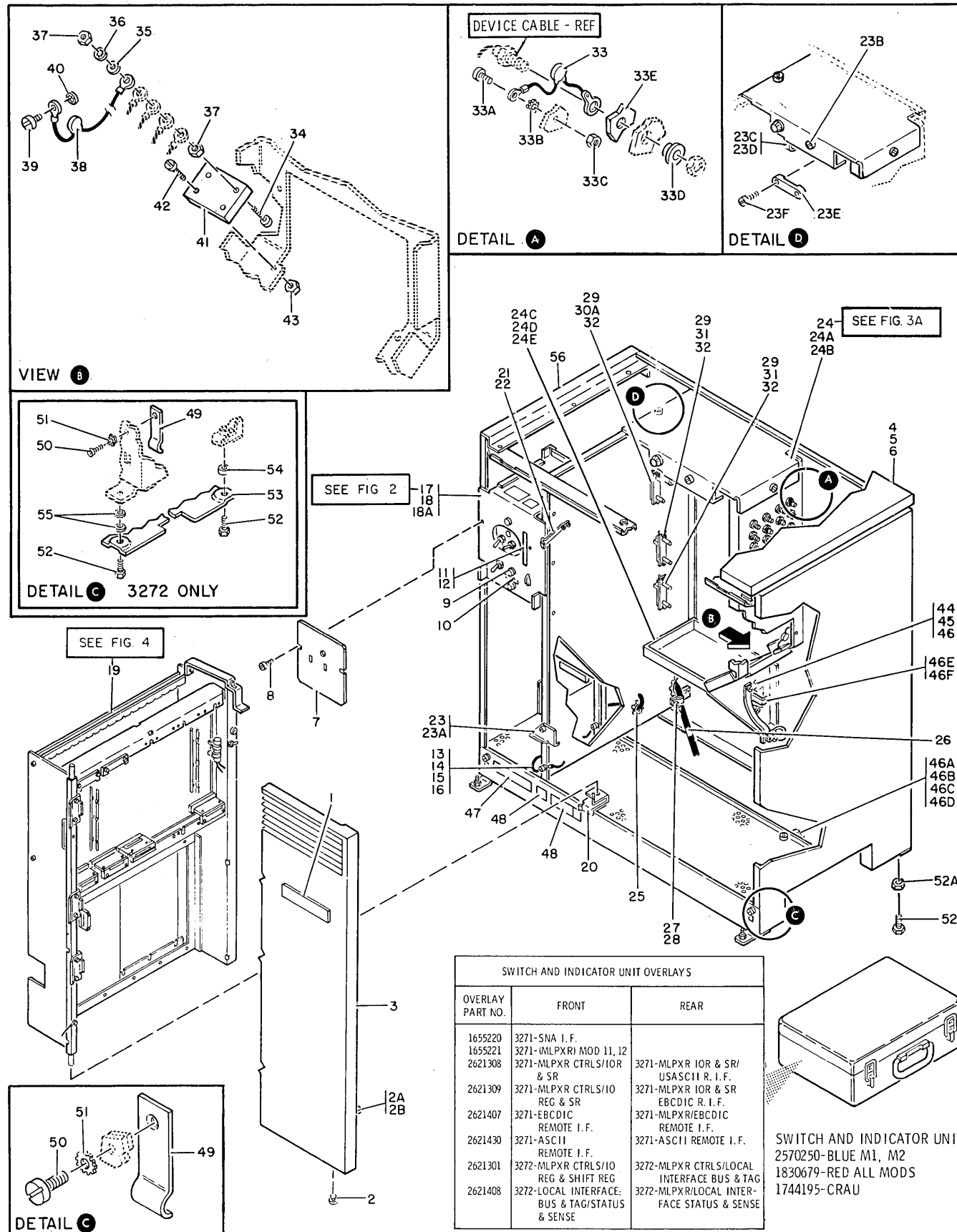


Figure 1. 3271 and 3272 Final Assembly

List 1. 3271 and 3272 Final Assembly

FIGURE-INDEX NUMBER	PART NUMBER	UNITS PER ASM.	DESCRIPTION			
			1	2	3	4
1	2569975	REF	FINAL ASSEMBLY- 3271 M1,M2			
-	5717711	REF	FINAL ASSEMBLY- 3271 M11			
-	5717712	REF	FINAL ASSEMBLY- 3271 M12			
-	2569973	REF	FINAL ASSEMBLY- 3272 M1,M2			
- 1	NO NO.	1	. NAMEPLATE FOR PART NUMBER,SEE CHART			
- 2	95834	2	. BUMPER,RUBBER			
- 2A	5267696	1	. BAFFLE			
- 2B	5267697	2	. CLIP			
- 3	2570131	1	. COVER,FRONT			
- 4	2570132	1	. TABLE TDP			
- 5	2570259	4	. SCREW,SELF TAPING- 12-11 X 1.75 LG			
- 6	2570258	4	. SPACER			
- 7	NO NO.	1	. DECAL FOR PART NUMBER,SEE CHART			
- 8	731631	2	. SCREW,PAN HD- 4-40 X 1/4 LG			
- 9	NO NO.	1	. FUSE FOR PART NUMBER,SEE CHART			
- 10	NO NO.	1	. LABEL FOR PART NUMBER,SEE CHART			
- 11	2621400	1	. CARD ASM USED ON 3271 ONLY			
- 12	731631	2	. SCREW,PAN HD- 4-40 X 1/4 LG			
- 13	5759508	1	. JUMPER ASM			
- 14	34512	1	. SCREW,BIND.HD 8-32 X .375 LG			
- 15	5319854	1	. SCREW,THD CUTTING-HEX HD 8-32 X 0.375 LG			
- 16	55901	1	. WASHER,LOCK-EXT TEETH NO. 8 X 0.381 OD			
- 17	NO NO.	1	. POWER SUPPLY ASSEMBLY FOR PART NUMBER,SEE CHART FOR DETAIL BREAKDOWN,SEE FIGURE 2			
- 18	2570096	2	. SCREW			
- 18A	257700	2	. CLIP			
- 19	NO NO. NP	1	. GATE ASSEMBLY FOR DETAIL BREAKDOWN,SEE FIGURE 4			
- 20	2570160	1	. STOP,GATE			
- 21	2570065	1	. LATCH,POWER SUPPLY			
- 22	1154338	2	. SCREW			
- 23	2569926	1	. STOP,PWR SUPP			
- 23A	113298	1	. STUD			
- 23B	70078	1	. SCREW,THD CUTTING-PAN HD 6-32 X 1/4 LG			
- 23C	104294	1	. CLAMP-CABLE			
- 23D	83606	1	. SCREW,THD CTG-BIND HD 10-32 X 5/16 LG			
- 23E	5275481	1	. STRAIN RELIEF			
- 23F	112628	2	. SCREW,THREAD FORMING,BIND HD,3/8 IN. LG			
- 24	NO NO.	1	. POWER SUPPLY ASSEMBLY- 3271 M11/M12 FOR PART NUMBER,SEE CHART FOR DETAIL BREAKDOWN,SEE FIGURE 3A			
- 24A	1154338	1	. SCREW			
- 24B	32617	1	. SCREW,MACH-BIND HD 10-32 X 0.438 LG			
- 24C	5717754	1	. SHIELD			
- 24D	32042	2	. SCREW,MACH BD HD- 10-32 X 3/8 LG			
- 24E	11598	2	. NUT,PLAIN-HEX 10-32 X 3/8 FL W			
- 25	473442	AR	. GROMMET - CATERPILLAR			
- 26	6520037	1	. LABEL-UNITED KINGDOM			
- 27	104294	1	. CLAMP-CABLE			
- 28	34512	1	. SCREW,BIND.HD 8-32 X .375 LG			
- 29	2621303	3	. BRACKET,CABLE RETAINING			
- 30A	257189	2	. NUT,HEX- 8-32			
- 31	5528	4	. SCREW,MACH BIND HD 8-32 X .625 LG			
- 32	5729007	3	. INSULATOR			
- 33	2570041	1	. CAPACITOR ASM			
- 33A	28413	1	. SCREW,MACH-BIND HD 10-32 X 5/16 LG			
- 33B	56079	1	. WASHER,LOCK-EXT T .195 ID .410 OD			
- 33C	11598	1	. NUT,PLAIN-HEX 10-32 X 3/8 FL W			
- 33D	2577718	AR	. BUSHING			
- 33E	2570068	1	. PLATE,GROUND			
- 34	322065	AR	. SCREW,MACH-BIND HD 6-32 X 5/8 LG			
- 35	257986	AR	. WASHER,FLAT NO. 6			
- 36	62031	AR	. WASHER,LOCK-INT TEETH NO. 6 X 0.295 OD			
- 37	257187	AR	. NUT,PLAIN,HEX- 6-32 X 3/8 FL W			
- 38	2570042	1	. CAPACITOR ASM- 3272			
- 39	10170	1	. SCREW,MACH-BIND HD 6-32 X 1/4 LG			
- 40	62031	1	. WASHER,LOCK-INT TEETH NO. 6 X 0.295 OD			
- 41	9667	1	. BLOCK-MAGNET TERMINAL- 3272			
- 42	81693	1	. SCREW,MACH-BIND HD 6-32 X 3/8 LG			
- 43	257187	1	. NUT,PLAIN,HEX- 6-32 X 3/8 FL W			
- 44	38264	AR	. SCREW,MACH-FIL H 4-40 X 3/8 LG			

List 1. 3271 and 3272 Final Assembly

FIGURE- INDEX NUMBER	PART NUMBER	UNITS PER ASM.	DESCRIPTION			
			1	2	3	4
1 - 45	338169	AR	• WASHER, LOCK-EXT TEETH NO. 4 X .260 OD			
- 46	37913	AR	• NUT-HEX 4-40 X .250 ID			
- 46A	167338	2	• CLIP-CABLE 3/8 DIA LOOP 9/32 MTG HOLE			
- 46B	186758	2	• SCREW, MACH-BIND HD 8-32 X 0.438			
- 46C	22478	2	• WASHER, FL- 0.170 ID 0.375 OD 0.32 THK			
- 46D	257189	2	• NUT, HEX- 8-32			
- 46E	2570073	1	• BRACKET			
- 46F	186758	1	• SCREW, MACH-BIND HD 8-32 X 0.438			
- 47	NO NO.	1	• PLATE, POWER RATING			
			FOR PART NUMBER, SEE CHART			
- 48	855262	AR	• PLATE- PROPERTY OF IBM			
- 48	855263	AR	• PLATE- PROPERTY OF IBM WT			
- 48	855264	AR	• PLATE- MANUFACTURED BY USA			
- 48	855265	AR	• PLATE, MFG BY IBM			
- 48	855266	AR	• PLATE- MANUFACTURED BY WT			
- 48	855267	AR	• PLATE- MANUFACTURED FOR USA			
- 48	855268	AR	• PLATE- MANUFACTURED FOR			
- 48	855269	AR	• PLATE- MANUFACTURED FOR WT			
- 48	855270	AR	• PLATE- RECONDITIONED BY USA			
- 48	855271	AR	• PLATE- RECONDITIONED BY USA			
- 48	855272	AR	• PLATE- RECONDITIONED BY WT			
- 48	855273	AR	• PLATE- RENOVATED BY USA			
- 48	855274	AR	• PLATE- RENOVATED BY			
- 48	855275	AR	• PLATE- RENOVATED BY WT			
- 48	855276	AR	• PLATE- RECONDITIONED FOR USA			
- 48	855277	AR	• PLATE- RECONDITIONED FOR			
- 48	855278	AR	• PLATE- RECONDITIONED FOR WT			
- 48	855279	AR	• PLATE- RENOVATED FOR USA			
- 48	855280	AR	• PLATE- RENOVATED FOR			
- 48	855281	AR	• PLATE- RENOVATED FOR WT			
- 49	2621483	1	• CLIP, GROUND-FRAME			
- 50	1091346	1	• SCREW			
- 51	56722	1	• WASHER, LOCK-EXT TEETH NO. 6			
- 52	2570256	4	• LEVELER, LEG-ADJUSTABLE			
- 52A	3960	4	• NUT, PLAIN, HEX- 1/4-20 X 7/16 FL W			
- 53	2570190	1	• PLATE			
- 54	139883	2	• SPACER			
- 55	3550	4	• WASHER, FL- 1/4 X 9/16 OD X 0.050 THK			
- 56	2570025	1	• FRAME			

CHART I. LABEL, FUSE AND POWER SUPPLY APPLICATION

		MODEL NUMBER					
		3271 M1	3271 M2	3271 M11	3271 M12	3272 M1	3272 M2
INDEX 1 NAMEPLATE	US/UK	2569940	2569945	5717727	5717733	2569930	2569935
	FRENCH	2569941	2569946	5717728	5717734	2569931	2569936
	GERMAN	2569942	2569947	5717729	5717735	2569932	2569937
	ITALIAN	2569943	2569948	5717730	5717736	2569933	2569938
	SPANISH	2569944	2569949	5717731	5717737	2569934	2569939
	JAPANESE	2570014	2570015	5717732	5717738	2570012	2570013
INDEX 7 DECAL	US/UK	2570221	2570221	5717739	5717739	2570276	2570276
	FRENCH	2570222	2570222	5717740	5717740	2570278	2570278
	GERMAN	2570223	2570223	5717741	5717741	2570280	2570280
	ITALIAN	2570224	2570224	5717742	5717742	2570282	2570282
	SPANISH	2570225	2570225	5717743	5717743	2570284	2570284
	JAPANESE	2570011	2570011	5717744	5717744	2570010	2570010
INDEX 9 FUSE	100V/110V/123.5V	332009	332009	361755	361755	332009	332009
	115V 60 HZ			361755	361755	332009	332009
	200/220/235V			1176668	1176668		
INDEX 10 LABEL	100/110/123.5V	2570064	2570064	2565147	2565147	2570064	2570064
	115V 60 HZ			2565147	2565147	2570064	2570064
	200/220/235V			2565142	2565142		
INDEX 17 POWER SUPPLY	100/200V 60 HZ	2481231	2481231	2481231	2481231	2481228	2481228
	115/208/230V 60 HZ	1839449	1839449	1839449	1839449	1839446	1839446
	100/110/123.5V 50 HZ	1838649	1838649	1838649	1838649	1839446	1839446
	200/220/235V 50 HZ	1838649	1838649	1838649	1838649	1838646	1838646
INDEX 24 POWER SUPPLY	60 HZ	Not Used	Not Used	5717760	5717760	Not Used	Not Used
	50 HZ	Not Used	Not Used	5717750	5717750	Not Used	Not Used
INDEX 47 POWER RATING PLATE	100/200V 60 HZ	2569924	2569924	5717748	5717748	2569989	2569989
	115V 60 HZ	2569991	2569991	5717746	5717746	2570296	2570296
	208/230V 60 HZ	2569993	2569993	5717746	5717746	2570298	2570298
	100/200V 50 HZ	2569923	2569923	5717749	5717749	2569928	2569928
	110/123.5/220/235V 50 HZ	2569922	2569922	5717747	5717747	2569980	2569980

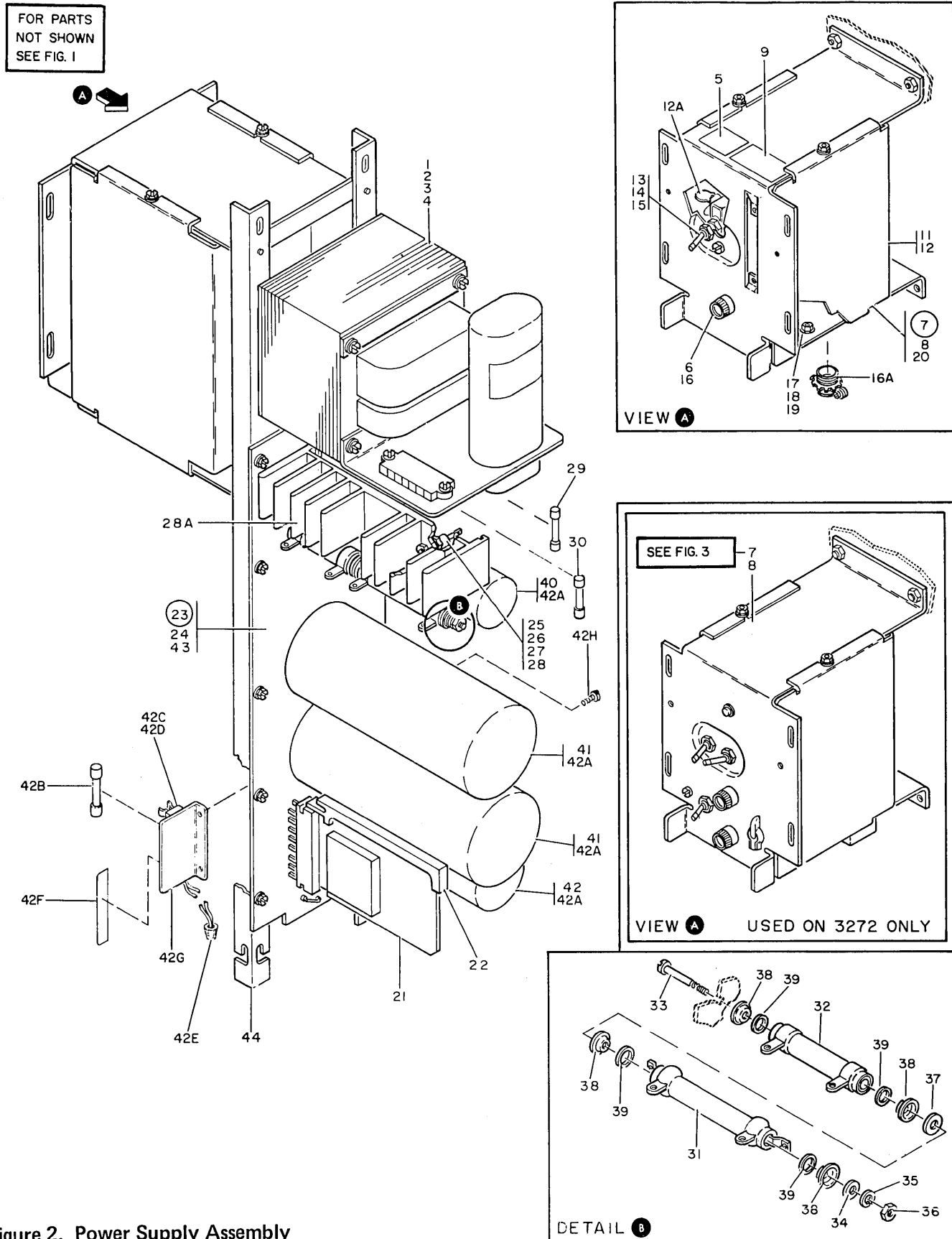


Figure 2. Power Supply Assembly

List 2. Power Supply Assembly

FIGURE-INDEX NUMBER	PART NUMBER	UNITS PER ASM.	DESCRIPTION			
			1	2	3	4
2 -	2481231	REF	POWER SUPPLY ASM- 60 HZ 3271 KATAKANA			
-	1838649	REF	POWER SUPPLY ASM- 50 HZ 3271			
-	1839449	REF	POWER SUPPLY ASM- 60 HZ 3271			
-	2481228	REF	POWER SUPPLY ASM- 60 HZ 3272 KATAKANA			
-	1838646	REF	POWER SUPPLY ASM- 50 HZ 3272			
-	1839446	REF	POWER SUPPLY ASM- 60 HZ 3272			
			FOR NEXT HIGHER ASM, SEE FIGURE 1-17			
- 1	4119390	1	. TRANSFORMER ASM- 50 HZ			
- 1	4119304	1	. TRANSFORMER ASM- 60 HZ KATAKANA			
- 1	1839453	1	. TRANSFORMER ASM- 60 HZ			
- 2	257189	4	. NUT, HEX- 8-32			
- 3	60646	4	. WASHER, LOCK-INT T NO. 8			
- 4	55901	1	. WASHER, LOCK-EXT TEETH NO. 8 X 0.381 OD			
- 5	5761463	1	. LABEL- 60 HZ			
			USED ON 115V ONLY			
- 5	845762	1	. DECAL-VOLTAGE			
- 6	332009	1	. FUSE- 2.0A, SLO BLO, 125V			
- 6	303549	1	. FUSE, CARTRIDGE-SLOW BLOW 1.0 AMP 250V			
- 7	2582992	1	. PRIMARY POWER BOX ASM- 3272			
			FOR DETAIL BREAKDOWN, SEE FIGURE 3			
- 7	2481160	1	. PRIMARY POWER BOX ASM- 3271			
- 8	5319854	4	. SCREW, THD CUTTING-HEX HD 8-32 X 0.375 LG			
- 9	138754	1	. . DECAL, SAFETY			
- 11	2582995	2	. COVER, PRIMARY PWR BOX			
- 12	2181005	4	. SCREW, SELF TAPPING, 6-32 X .375 LG.			
- 12A	2582969	1	. LINE FILTER			
- 13	846371	1	. SWITCH, TOGGLE			
- 14	179743	1	. NUT, PLAIN, HEX- 15/32-32 X 9/16 FL W			
- 15	334635	1	. WASHER, LOCK-INT TEETH 0.476 ID 0.600 OD			
- 16	179946	1	. HOLDER-FUSE			
- 16A	151598	1	. CLAMP-CABLE			
- 17	186759	2	. SCREW, MACH-BIND HD 8-32 X 5/16 LG			
- 18	55901	2	. WASHER, LOCK-EXT TEETH NO. 8 X 0.381 OD			
- 19	257189	2	. NUT, HEX- 8-32			
- 20	2481159	1	. CHASSIS			
- 21	2481207	1	. CARD ASM- 12V REGULATOR			
- 22	2521592	1	. CLAMP			
- 23	2582962	1	. BOARD ASM			
- 24	5319854	10	. SCREW, THD CUTTING-HEX HD 8-32 X 0.375 LG			
- 25	598479	2	. SEMICONDUCTOR DEVICE-DIODE, 150V 10A			
- 26	5319854	2	. SCREW, THD CUTTING-HEX HD 8-32 X 0.375 LG			
- 27	56079	2	. WASHER, LOCK-EXT T .195 ID .410 OD			
- 28	11598	2	. NUT, PLAIN-HEX 10-32 X 3/8 FL W			
- 28A	2582955	1	. HEATSINK			
- 29	303549	1	. FUSE, CARTRIDGE-SLOW BLOW 1.0 AMP 250V			
- 30	512137	1	. FUSE			
- 31	472588	1	. RESISTOR, FXD, WW- 15 OHMS P/M 10% 25W			
- 32	337213	1	. RESISTOR- 33 OHMS 25W			
- 33	304479	1	. SCREW, MACH-RH 8-32 X 4-3/4 LG			
- 34	22478	1	. WASHER, FL- 0.170 ID 0.375 OD 0.32 THK			
- 35	1090873	1	. WASHER, LOCK, SPLIT RING- .168 ID, .296 OD			
- 36	257189	1	. NUT, HEX- 8-32			
- 37	331150	1	. WASHER, NM- 11/64 ID 5/8 OD 1/16 THK			
- 38	510468	4	. WASHER, CUPPED- 1/5 IN X .029 DIA			
- 39	321603	4	. WASHER, INSULATING 5/8 OD X 0.031 THK			
- 40	483107	1	. CAPACITOR, FXD ELECT- 3100UF P100M10% 25V			
- 41	5252526	2	. CAPACITOR, 7.5 VDC			
- 42	5709382	1	. CAPACITOR, FXD, ELECTROLYTIC, 0.047 UF			
- 42A	56121	AR	. WASHER, LOCK-INT TEETH NO. 10 X 0.381 OD			
- 42B	5236559	1	. FUSE- 15A			
- 42C	5214925	1	. FUSEHOLDER			
- 42D	10170	2	. SCREW, MACH-BIND HD 6-32 X 1/4 LG			
- 42E	5214924	AR	. WIRENUT			
- 42F	5267680	AR	. LABEL-FUSE 4 (3271)			
- 42F	5267681	AR	. LABEL-FUSE 5 (3272)			
- 42G	5267675	1	. BRACKET			
- 42H	10170	2	. SCREW, MACH-BIND HD 6-32 X 1/4 LG			
- 43	2582976	1	. BOARD ASM, PC			
- 44	2582973	2	. RAIL			



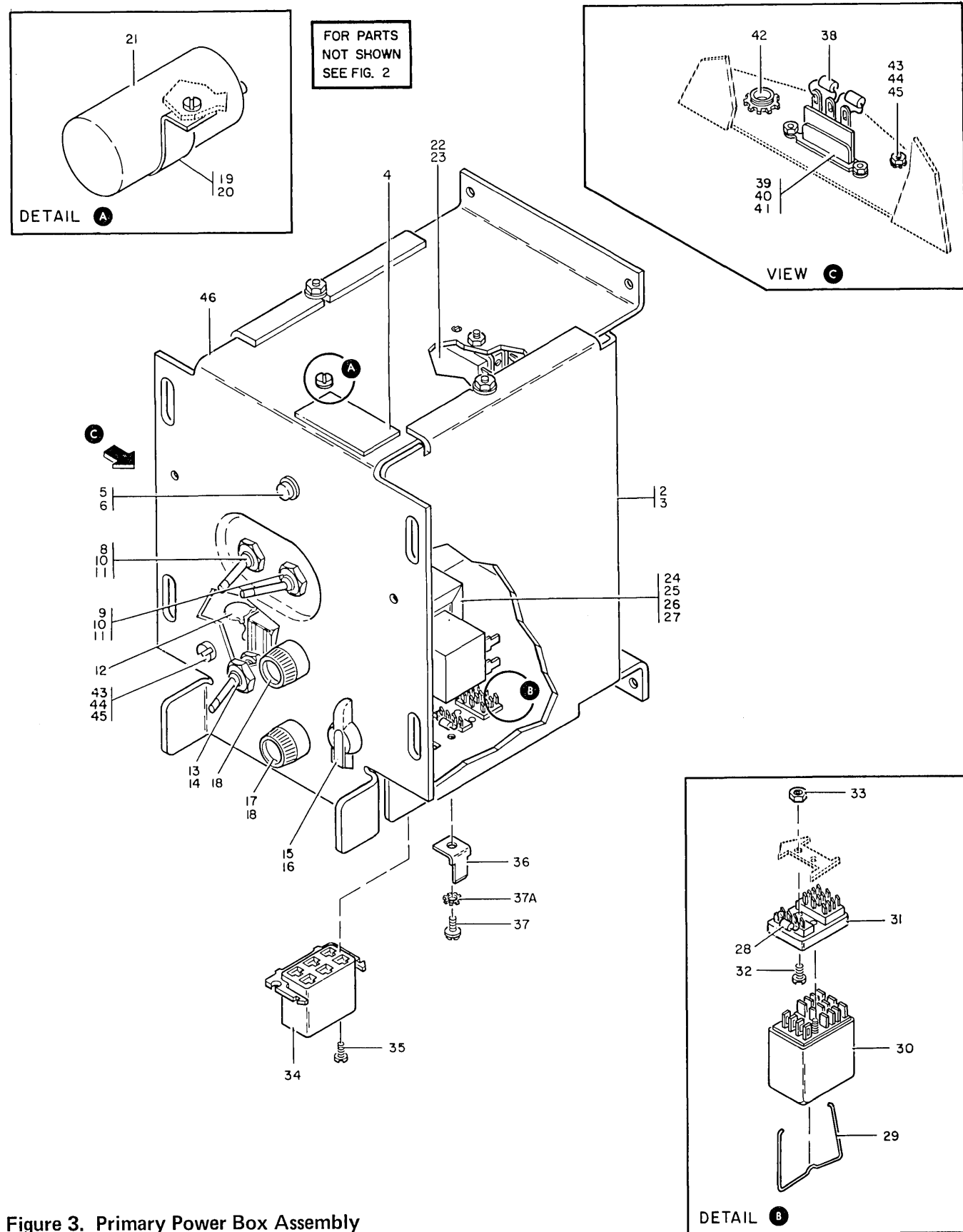


Figure 3. Primary Power Box Assembly

List 3. Primary Power Box Assembly

FIGURE-INDEX NUMBER	PART NUMBER	UNITS PER ASM.	DESCRIPTION			
			1	2	3	4
3 -	2582992	REF	PRIMARY POWER BOX ASSEMBLY- 3272 FOR NEXT HIGHER ASM,SEE FIGURE 2-7			
- 2	2582995	2	• COVER,PRIMARY PWR BOX			
- 3	2181005	4	• SCREW, SELF TAPPING, 6-32 X .375 LG. ATT PT			
- 4	138754	1	• DECAL,SAFETY			
- 5	5376712	1	• INDICATOR ASSEMBLY,24V-WHITE			
- 6	5353887	1	• HOUSING, LAMP			
- 8	725349	1	• SWITCH,TOGGLE-SPDT			
- 9	5252633	1	• SWITCH,TOGGLE			
- 10	179743	2	• NUT,PLAIN,HEX- 15/32-32 X 9/16 FL W ATT PT			
- 11	334635	2	• WASHER,LOCK-INT TEETH 0.476 ID 0.600 OD ATT PT			
- 12	2582969	1	• LINE FILTER			
- 13	5214955	1	• SWITCH			
- 14	179743	1	• NUT,PLAIN,HEX- 15/32-32 X 9/16 FL W ATT PT			
- 15	317173	1	• KNOB-BAR TYPE WITH POINTER			
- 16	5263712	1	• SWITCH,ROTARY- 3P 2 POSITION 1 DECK			
- 17	304883	1	• FUSE- .1A			
- 18	179946	2	• HOLDER-FUSE			
- 19	2481177	1	• CLAMP,CAPACITOR			
- 20	2181005	1	• SCREW, SELF TAPPING, 6-32 X .375 LG. ATT PT			
- 21	5213798	1	• CAPACITOR			
- 22	2145046	1	• CONTACTOR			
- 23	257187	1	• NUT,PLAIN,HEX- 6-32 X 3/8 FL W ATT PT			
- 24	2582953	1	• TRANSFORMER- 24V			
- 25	186759	2	• SCREW,MACH-BIND HD 8-32 X 5/16 LG ATT PT			
- 26	55901	1	• WASHER,LOCK-EXT TEETH NO. 8 X 0.381 OD ATT PT			
- 27	257189	2	• NUT,HEX- 8-32 ATT PT			
- 28	5214324	1	• DIODE			
- 29	5318966	1	• RETAINER, RELAY- 4 POSITION			
- 30	824339	1	• RELAY- 5 N/O 5 AMP 24 VDC			
- 31	5318967	1	• SOCKET,4 POSITION RELAY			
- 32	236550	1	• SCREW,MACH-BIND HD 4-40 X 0.375 LG ATT PT			
- 33	37913	1	• NUT-HEX 4-40 X .250 ID ATT PT			
- 34	523269	1	• CONNECTOR-ELECT 6 POS INSERT			
- 35	2181005	2	• SCREW, SELF TAPPING, 6-32 X .375 LG. ATT PT			
- 36	5271288	1	• TERMINAL,FIXED TAB			
- 37	5700484	1	• SCREW, SELF TAPPING, 4-40 X .375 LG. ATT PT			
- 37A	338169	1	• WASHER,LOCK-EXT TEETH NO. 4 X .260 OD ATT PT			
- 38	5214324	2	• DIODE			
- 39	317155	1	• BOARD,TERMINAL- 3 LUG			
- 40	251970	2	• SCREW-MACH BD. HD. 4-40 X 1/4 LG ATT PT			
- 41	37913	2	• NUT-HEX 4-40 X .250 ID ATT PT			
- 42	151598	1	• CLAMP-CABLE			
- 43	186759	2	• SCREW,MACH-BIND HD 8-32 X 5/16 LG			
- 44	55901	2	• WASHER,LOCK-EXT TEETH NO. 8 X 0.381 OD			
- 45	257189	2	• NUT,HEX- 8-32			
- 46	2582994	1	• CHASSIS,PRIMARY PWR BOX			

List 3A. Power Supply Assembly

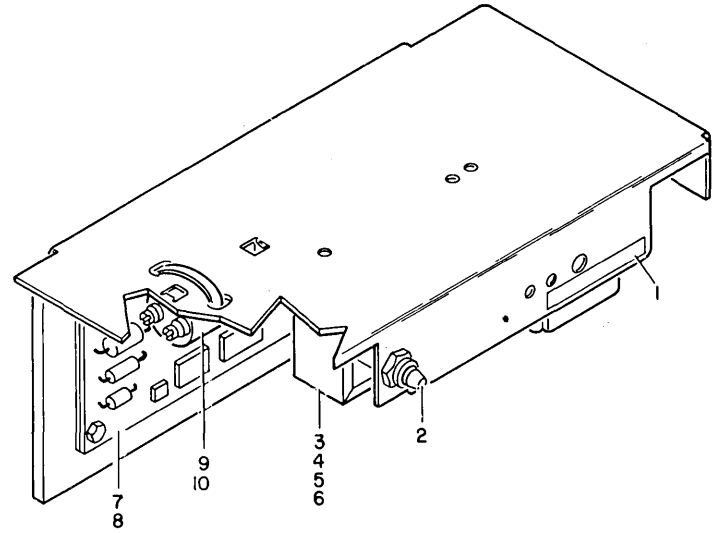


Figure 3A. Power Supply Assembly

FIGURE- INDEX NUMBER	PART NUMBER	UNITS PER ASM.	DESCRIPTION			
			1	2	3	4
3A-	5717760	REF				POWER SUPPLY ASSEMBLY- 60 HZ
-	5717750	REF				POWER SUPPLY ASSEMBLY- 50 HZ
						FOR NEXT HIGHER ASM, SEE FIGURE 1-24
- 1	124943	1				• LABEL-HAZARDOUS AREA
- 2	78999	1				• FUSE, CARTRIDGE-LG TIME LAG 0.5AMP
- 3	5252981	1				• TRANSFORMER- 60 HZ
- 3	1830736	1				• TRANSFORMER- 50 HZ
- 4	34512	2				• SCREW, BIND. HD 8-32 X .375 LG
- 5	55901	2				• WASHER, LOCK-EXT TEETH NO. 8 X 0.381 OD
- 6	257189	2				• NUT, HEX- 8-32
- 7	1825130	1				• CARD ASM.
- 8	5350006	4				• SCREW, SELF TAPPING, 6-32 X .250 LONG
- 9	5252708	1				• CAPACITOR
- 10	524519	1				• CLAMP

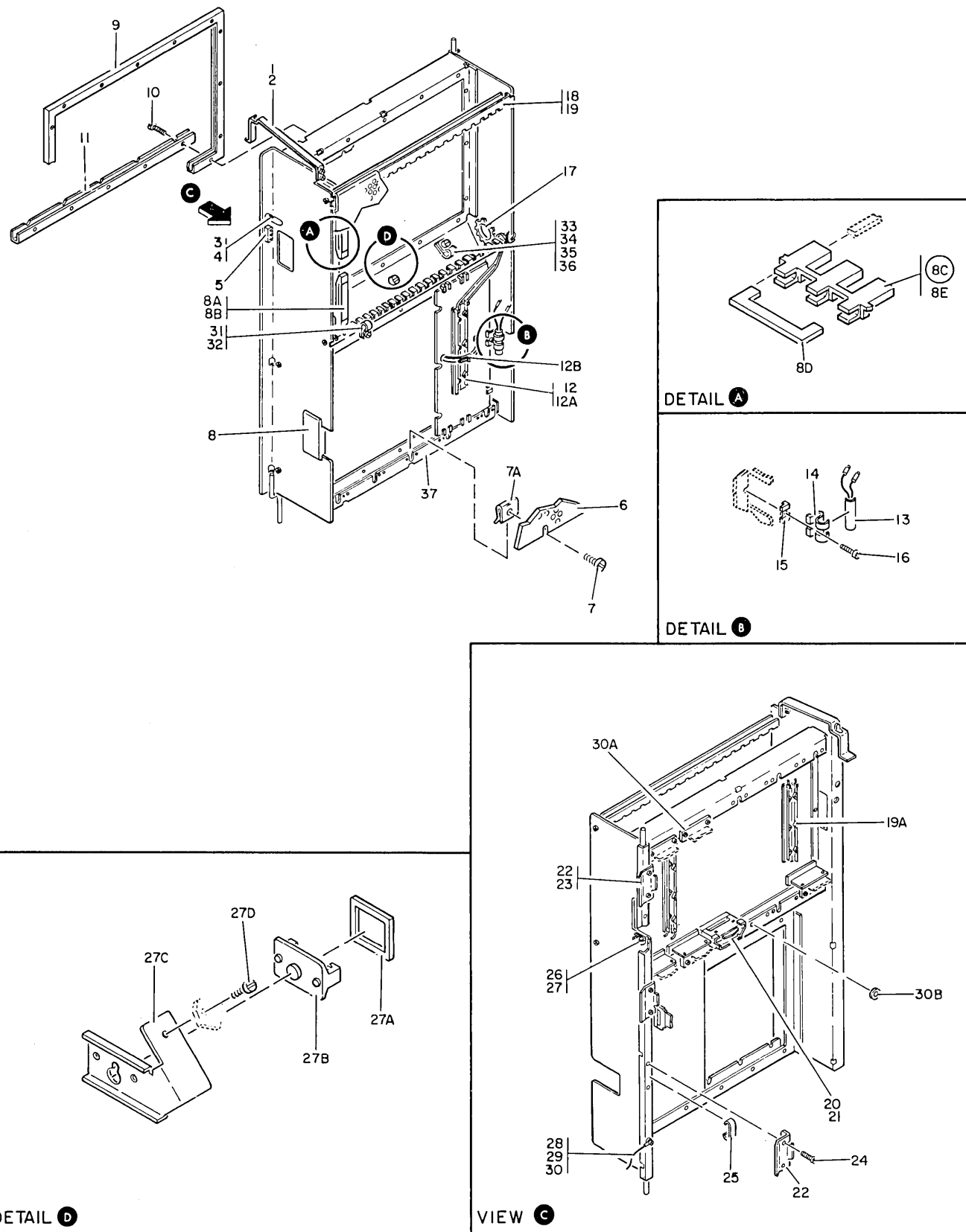


Figure 4. Gate Assembly

List 4. Gate Assembly

FIGURE-INDEX NUMBER	PART NUMBER	UNITS PER ASM.	DESCRIPTION			
			1	2	3	4
4 -	NO NO. NP		GATE ASSEMBLY FOR NEXT HIGHER ASM, SEE FIGURE 1-19			
- 1	2621304	1	• BRACKET			
- 2	70078	2	• SCREW, THD CUTTING-PAN HD 6-32 X 1/4 LG			
- 3	5440629	1	• INDICATOR ASM- 3272			
- 4	5353887	1	• HOUSING, LAMP- 3272			
- 5	5213731	1	• SWITCH, TOGGLE- 3272			
- 6	5267699	1	• COVER			
- 7	5528	1	• SCREW, MACH BIND HD 8-32 X .625 LG			
- 7A	5267698	1	• CLIP			
- 8	5267695	2	• COVER			
- 8A	2570154	AR	• LABEL			
- 8B	811802	AR	• GUIDE, CARD			
- 8B	813761	AR	• GUIDE, CARD			
- 8B	818002	AR	• HOLDER, CARD			
- 8B	819407	AR	• HOLDER, CARD			
- 8B	819408	AR	• HOLDER, CARD- 4 WIDE			
- 8B	2568970	AR	• HOLDER, CARD			
- 8B	1794401	AR	• JUMPER ASM			
- 8D	814342	2	• JUMPER			
- 8E	815923	2	• HOUSING, CONNECTOR			
- 9	816922	1	• STIFFENER			
- 10	2181088	16	• SCREW, HEX SOC- 6-32 X 7/8 LG			
- 11	2621489	1	• BRACKET			
- 12	5252614	4	• BUS STRIP			
- 12A	5922878	1	• INSULATOR			
- 12B	815080	2	• STRAP			
- 13	2565223	2	• CAPACITOR			
- 14	2565273	2	• CLAMP, CAPACITOR			
- 15	813179	9	• CLAMP-BOARD			
- 16	811417	9	• SCREW, HEX SOCKET H- 6-32 X 1/2 LG			
- 17	473442	AR	• GROMMET - CATERPILLAR			
- 18	2570151	AR	• GUIDE, CARD			
- 19	58207	AR	• SCREW, MACH-UNDRCT BIND HD 8-32 X 1/4 LG			
- 19A	2565099	4	• BUS STRIP			
- 20	2570152	AR	• CLIP, CROSSOVER			
- 21	48594	AR	• SCREW, MACH-BIND HD 6-32 X 0.250 LG			
- 22	2570153	AR	• CLAMP, CABLE			
- 23	322550	AR	• SCREW, MACH, BIND HD- 6-32 X .5 LG			
- 24	322065	AR	• SCREW, MACH-BIND HD 6-32 X 5/8 LG			
- 25	5729007	AR	• INSULATOR			
- 26	2102365	1	• CLAMP, LOOP- 0.330 ID 0.170 DIA MTG HOLE			
- 27	81693	1	• SCREW, MACH-BIND HD 6-32 X 3/8 LG			
- 27A	2565254	1	• RETAINER			
- 27B	2565252	1	• GUIDE			
- 27C	5717755	1	• BRACKET			
- 27D	183900	1	• SCREW, THD CTG-BIND HD 8-32 X 1/4 LG			
- 28	5759506	1	• JUMPER, GROUND			
- 29	10170	1	• SCREW, MACH-BIND HD 6-32 X 1/4 LG			
- 30	56722	1	• WASHER, LOCK-EXT TEETH NO. 6			
- 30A	438549	10	• SCREW, MACH-BIND HD 4-40 X 7/16 LG			
- 30B	2570270	8	• GROMMET			
- 31	356742	1	• CLAMP, LOOP- 0.250 ID 0.177 DIA MTG HOLE			
- 32	2181005	1	• SCREW, SELF TAPPING, 6-32 X .375 LG.			
- 33	2102365	1	• CLAMP, LOOP- 0.330 ID 0.170 DIA MTG HOLE			
- 34	34512	1	• SCREW, BIND, HD 8-32 X .375 LG			
- 35	55901	1	• WASHER, LOCK-EXT TEETH NO. 8 X 0.381 OD			
- 36	257189	1	• NUT, HEX- 8-32			
- 37	2570150	1	• GATE			

List 5. Line Cord and Cable Assemblies

FIGURE- INDEX NUMBER	PART NUMBER	UNITS PER ASM.	DESCRIPTION			
			1	2	3	4
5			LINE CORD ASSEMBLIES			
- 1	2481186	1	LINE CORD- 250V LOCKING FOR COMPONENT PARTS, SEE FIG. 6-3,3A,19A			
- 1A	2481190	1	LINE CORD- INPUT FOR COMPONENT PARTS, SEE FIG. 6-3B,3C			
- 2	2481203	1	LINE CORD- INPUT WTC FOR COMPONENT PARTS, SEE FIG. 6-3B,3C			
- 2A	2569929	1	LINE CORD- 250V N/LOCKING FOR COMPONENT PARTS, SEE FIG. 6-3,3A,22			
- 4	2570043	1	LINE CORD- 125V SHIELDED FOR COMPONENT PARTS, SEE FIG. 6-3,3A,21			
- 4A	2570044	1	LINE CORD- 250V SHIELDED FOR COMPONENT PARTS, SEE FIG. 6-3,3A,21			
- 5	2570045	1	LINE CORD- 250V SHIELDED LOCKING FOR COMPONENT PARTS, SEE FIG. 6-3,3A,19A			
- 5A	2570046	1	LINE CORD- 125V SHIELDED LOCKING FOR COMPONENT PARTS, SEE FIG. 6-3,3A,19B			
- 6	2570047	1	LINE CORD- SHIELDED JAPAN FOR COMPONENT PARTS, SEE FIG. 6-3,3A			
- 6A	2570048	1	LINE CORD- 50 HZ SHIELDED FOR COMPONENT PARTS, SEE FIG. 6-3,3A CABLE ASSEMBLIES			
- 11	2570022	1	CABLE ASM,EIA INTERFACE REMOTE (MULTX) FOR COMPONENT PARTS, SEE FIG. 6-1,4A,12,14			
- 12	2570023	1	CABLE ASM,I/O TO BD (MULTX) 01S-B1E-A1Z5 FOR COMPONENT PARTS,SEE FIG. 6-1,2, 3,4A,9,15,16,17,17A			
- 13	2570028	1	CABLE ASM,ENABLE/DISABLE FOR COMPONENT PARTS, SEE FIG. 6-1,8,16			
- 14	2570039	1	CABLE ASM,POWER DIST-REMOTE FOR COMPONENT PARTS,SEE FIG. 6-1,2,5, 5A,6,7,8,10,11 AND 20			
- 15	2570040	1	CABLE ASM,POWER DIST-LOCAL FOR COMPONENT PARTS,SEE FIG. 6-1,2,5, 5A,6,7,8,10,11 AND 20			
- 16	2570062	1	CABLE ASM,I/O (BNC) TO BOARD FOR COMPONENT PARTS, SEE FIG. 6-4,9,13			
- 17	2570183	1	CABLE ASM,INTERFACE BD 01S-B1D - A1Y5 FOR COMPONENT PARTS,SEE FIG. 6-1,1A, 3,4A,9,15,16,17,17A			
- 18	2621343	1	CABLE ASM,INTERFACE BD 01S-B1C - A1Z6 FOR COMPONENT PARTS,SEE FIG. 6-1,1A, 3,4A,9,15A,16,17,17A			
- 19	2621344	1	CABLE ASM,INTERFACE BD 01S-B1B - A1Y6 FOR COMPONENT PARTS,SEE FIG. 6-1,3, 4A,15,15A,16,17,17A			
- 20	2621412	1	CABLE ASM,JUMPER-CE TOOL FOR COMPONENT PARTS,SEE FIG. 6-18			
- 21	2621413	1	CABLE ASM,LED DRIVER FOR COMPONENT PARTS, SEE FIG. 6-1,4B,10,11,14			
- 22	5717752	1	CABLE ASM,AC INPUT FOR COMPONENT PARTS, SEE FIG. 6-3A,24,25			
- 23	5717753	1	CABLE ASM,VOLTAGE DIST (DC) FOR COMPONENT PARTS, SEE FIG. 6-1,2,7A,8,26,27			

## NOTE

LINE CORDS AND CABLE ASSEMBLIES DO NOT REQUIRE ILLUSTRATION. THE COMPONENT PARTS OF THESE ITEMS ARE LISTED AND ILLUSTRATED IN FIGURE/LIST 5. THE FOLLOWING IS A LISTING OF LINE CORDS AND CABLE ASSEMBLIES IN PART NUMBER ORDER, WITH REFERENCES TO FIGURE 5 FOR COMPONENT PART ILLUSTRATION.

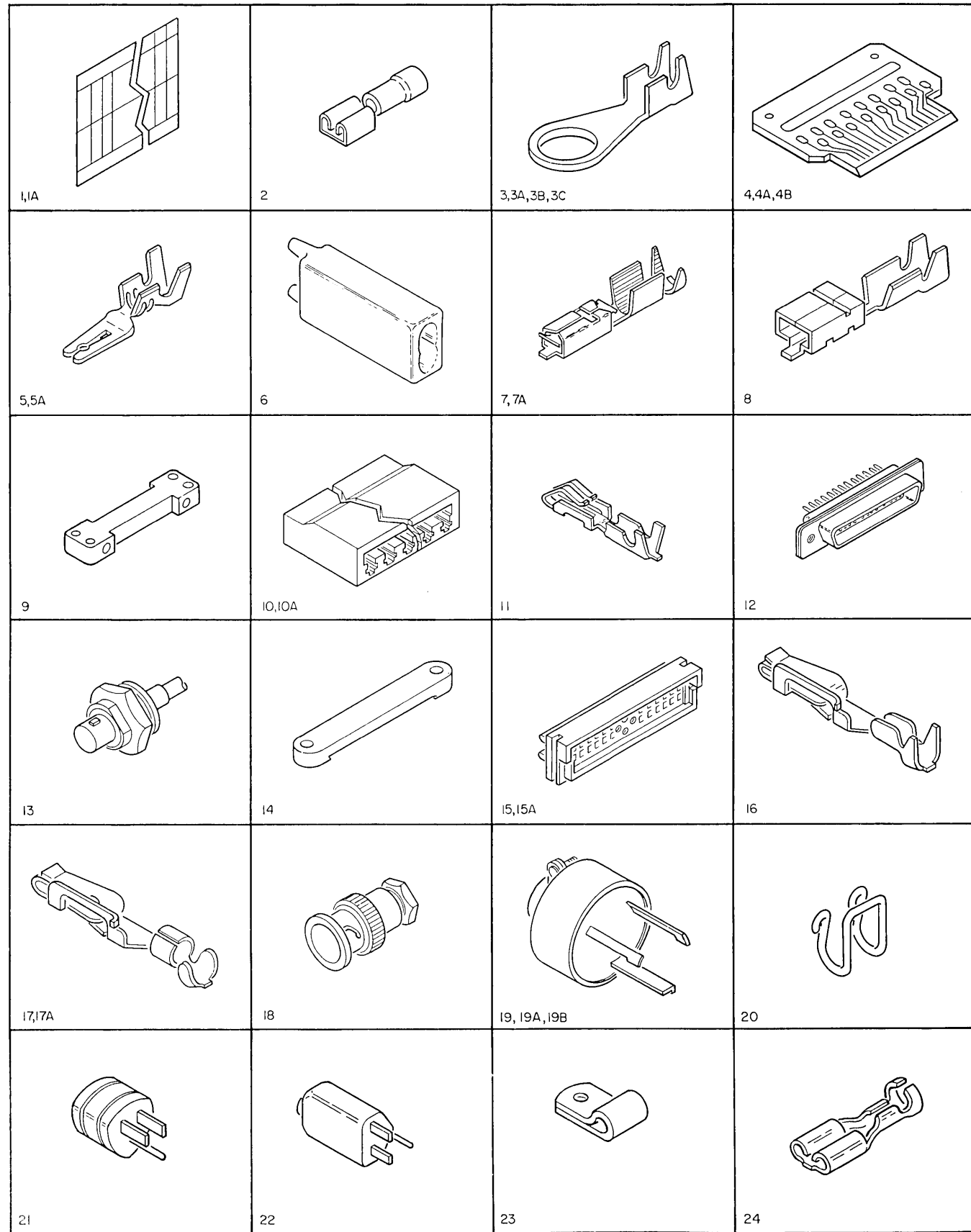


Figure 6. Cable Component Parts. Sheet 1 of 2. Index Nos. 1-24.

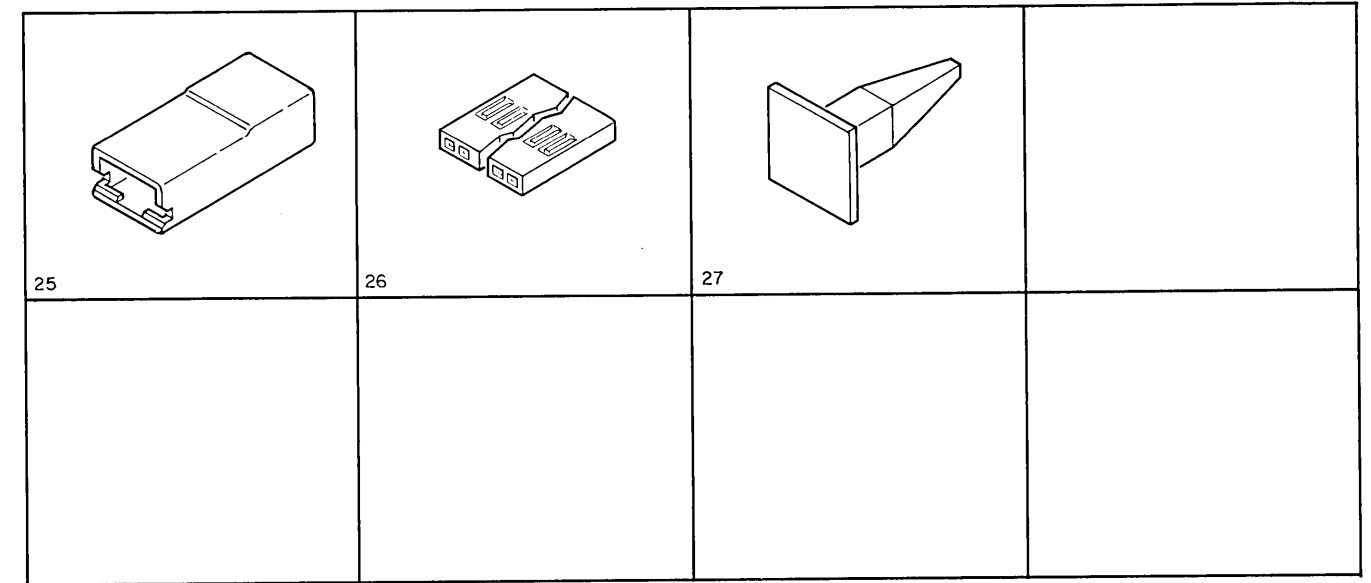


Figure 6. Cable Component Parts. Sheet 2 of 2. Index Nos. 25-27

FIGURE- INDEX NUMBER	PART NUMBER	UNITS PER ASM.	DESCRIPTION			
			1	2	3	4
6 - 1	317296	AR	• LABEL-NUMBERING L TO R 1 THRU 33			
- 1A	317297	AR	• LABEL-NUMBERING L TO R 34 THRU 66			
- 2	342087	AR	• RECEPTACLE, TAB			
- 3	483677	AR	• TERMINAL, RING-BRASS #6 STUD 18-20 AWG			
- 3A	483681	AR	• TERMINAL, RING- NO. 8			
- 3B	92784	AR	• TERMINAL-RING, 18-20 AWG #8 HOLE, INS			
- 3C	303545	AR	• TERMINAL, RING			
- 4	5800530	AR	• CARD ASSEMBLY			
- 4A	5800634	AR	• CARD ASSEMBLY			
- 4B	5862556	AR	• CARD ASM			
- 5	813194	AR	• CONNECTOR, DISCRETE 20-18 AWG			
- 5A	813195	AR	• CONNECTOR, DISCRETE 26-24-22 AWG			
- 6	813197	AR	• HOUSING, DISCRETE WIRE CONNECTOR			
- 7	815933	AR	• CONNECTOR, DISCRETE WIRE			
- 7A	2637682	AR	• CONNECTOR - DISCRETE			
- 8	815934	AR	• CONNECTOR-WIRE, 22-26 AWG			
- 9	2621490	AR	• CLAMP, CABLE			
- 10	5252581	AR	• HOUSING, CONNECTOR- 15 POS			
- 10A	5252584	AR	• HOUSING, CONNECTOR- 6 POSITION			
- 11	5252582	AR	• TERMINAL, NO. 18			
- 12	5252592	AR	• CONNECTOR, MALE- 25 POSITION			
- 13	5252661	AR	• CONNECTOR			
- 14	5275481	AR	• STRAIN RELIEF			
- 15	5353867	AR	• BLOCK, CONNECTOR-A STYLE			
- 15A	5353868	AR	• BLOCK, CONNECTOR-B STYLE			
- 16	5362301	AR	• CONTACT, LARGE SERPENT. 20-24 AWG			
- 17	5362302	AR	• CONTACT, SMALL SERPENT			
- 17A	5404480	AR	• CONTACT, GREAT SERPENT			
- 18	1836444	AR	• CONNECTOR, COAXIAL PLUG			
- 19	624035	AR	• CONNECTOR			
- 19A	2590278	AR	• CONNECTOR			
- 19B	624034	AR	• PLUG, TWIST LOCK-15A 125V			
- 20	2565041	AR	• CLIP, SPRING			
- 21	NO NO. NP	AR	• PLUG-SUPPLIED WITH LINE CORD			
- 22	NO NO. NP	AR	• PLUG-SUPPLIED WITH LINE CORD			
- 23	104294	AR	• CLAMP-CABLE			
- 24	5351177	AR	• RECEPTACLE, TAB- 0.825 LG			
- 25	5761882	AR	• HOUSING, RECEPTACLE			
- 26	2637684	AR	• HOUSING			
- 27	2637689	AR	• INSERT- NYLON			



# NUMERIC INDEX

PART NO.	LIST AND INDEX NO.	PART NO.	LIST AND INDEX NO.	PART NO.	LIST AND INDEX NO.	PART NO.	LIST AND INDEX NO.	PART NO.	LIST AND INDEX NO.	PART NO.	LIST AND INDEX NO.
3550	1 - 55	257189-CONT	2 - 2	855275	1 - 48	2570153	4 - 22	5353867	6 - 15		
3960	1 - 52A		2 - 19	855276	1 - 48	2570154	4 - 8A	5353868	6 - 15A		
5528	1 - 31		2 - 36	855277	1 - 48	2570160	1 - 20	5353887	3 - 6		
	4 - 7		3 - 27	855278	1 - 48	2570163	5 - 9		4 - 4		
9667	1 - 41		3 - 45	855279	1 - 48	2570165	5 - 9A	5362301	6 - 16		
10170	1 - 39		3A- 6	855280	1 - 48	2570167	5 - 10	5362302	6 - 17		
	2 - 42D		4 - 36	855281	1 - 48	2570168	5 - 10A	5376712	3 - 5		
	2 - 42H	257700	1 - 18A	1090873	2 - 35	2570183	5 - 17	5404480	6 - 17A		
	4 - 29	257986	1 - 35	1091346	1 - 50	2570190	1 - 53	5440629	4 - 3		
11598	1 - 24E	303545	6 - 3C	1154338	1 - 22	2570256	1 - 52	5700484	3 - 37		
	1 - 33C	303549	2 - 6		1 - 24A	2570258	1 - 6	5709382	2 - 42		
	2 - 28		2 - 29	1794401	4 - 8C	2570259	1 - 5	5717711	1 - REF		
22478	1 - 46C	304479	2 - 33	1825130	3A- 7	2570270	4 - 30B	5717712	1 - REF		
	2 - 34	304883	3 - 17	1830736	3A- 3	2577718	1 - 33D	5717750	3A- REF		
28413	1 - 33A	317155	3 - 39	1836444	6 - 18	2582953	3 - 24	5717752	5 - 22		
32042	1 - 24D	317173	3 - 15	1838646	2 - REF	2582955	2 - 28A	5717753	5 - 23		
32617	1 - 24B	317296	6 - 1	1838649	2 - REF	2582962	2 - 23	5717754	1 - 24C		
34512	1 - 14	317297	6 - 1A	1839446	2 - REF	2582969	2 - 12A	5717755	4 - 27C		
	1 - 28	321603	2 - 39	1839449	2 - REF		3 - 12	5717760	3A- REF		
	3A- 4	322065	1 - 34	1839453	2 - 1	2582973	2 - 44	5729007	1 - 32		
	4 - 34		4 - 24	2102365	4 - 26	2582976	2 - 43		4 - 25		
37913	1 - 46	322550	4 - 23		4 - 33	2582992	2 - 7	5759506	4 - 28		
	3 - 33	331150	2 - 37	2145046	3 - 22		3 - REF	5759508	1 - 13		
	3 - 41	332009	2 - 6	2181005	2 - 12	2582994	3 - 46	5761463	2 - 5		
38264	1 - 44	334635	2 - 15		3 - 3	2582995	2 - 11	5761882	6 - 25		
48594	4 - 21		3 - 11		3 - 20		3 - 2	5800530	6 - 4		
55901	1 - 16	337213	2 - 32		3 - 35	2590278	6 - 19A	5800634	6 - 4A		
	2 - 4	338169	1 - 45		4 - 32	2621303	1 - 29	5862556	6 - 4B		
	2 - 18		3 - 37A	2181088	4 - 10	2621304	4 - 1	5922878	4 - 12A		
	3 - 26	342087	6 - 2	2481159	2 - 20	2621343	5 - 18	6520037	1 - 26		
	3 - 44	356742	4 - 31	2481160	2 - 7	2621344	5 - 19				
	3A- 5	438549	4 - 30A	2481177	3 - 19	2621400	1 - 11				
	4 - 35	472588	2 - 31	2481186	5 - 1	2621412	5 - 20				
56079	1 - 33B	473442	1 - 25	2481190	5 - 1A	2621413	5 - 21				
	2 - 27		4 - 17	2481203	5 - 2	2621483	1 - 49				
56121	2 - 42A	483107	2 - 40	2481207	2 - 21	2621489	4 - 11				
56722	1 - 51	483677	6 - 3	2481228	2 - REF	2621490	6 - 9				
	4 - 30	483681	6 - 3A	2481231	2 - REF	2637682	6 - 7A				
58207	4 - 19	510468	2 - 38	2521592	2 - 22	2637684	6 - 26				
60646	2 - 3	512137	2 - 30	2565041	6 - 20	2637689	6 - 27				
62031	1 - 36	523269	3 - 34	2565099	4 - 19A	4119304	2 - 1				
	1 - 40	524519	3A- 10	2565223	4 - 13	4119390	2 - 1				
70078	1 - 23B	598479	2 - 25	2565252	4 - 27B	5213731	4 - 5				
	4 - 2	624034	6 - 19B	2565254	4 - 27A	5213798	3 - 21				
78999	3A- 2	624035	6 - 19	2565273	4 - 14	5214324	3 - 28				
81693	1 - 42	725349	3 - 8	2568970	4 - 8B		3 - 38				
	4 - 27	731631	1 - 8	2569926	1 - 23	5214924	2 - 42E				
83606	1 - 23D		1 - 12	2569929	5 - 2A	5214925	2 - 42C				
92784	6 - 3B	811417	4 - 16	2569973	1 - REF	5214955	3 - 13				
95834	1 - 2	811802	4 - 8B	2569975	1 - REF	5236559	2 - 42B				
104294	1 - 23C	813179	4 - 15	2570019	5 - 3	5252526	2 - 41				
	1 - 27	813194	6 - 5	2570020	5 - 3A	5252581	6 - 10				
	6 - 23	813195	6 - 5A	2570022	5 - 11	5252582	6 - 11				
112628	1 - 23F	813197	6 - 6	2570023	5 - 12	5252584	6 - 10A				
113298	1 - 23A	813761	4 - 8B	2570025	1 - 56	5252592	6 - 12				
124943	3A- 1	814342	4 - 8D	2570028	5 - 13	5252614	4 - 12				
138754	2 - 9	815080	4 - 12B	2570039	5 - 14	5252633	3 - 9				
	3 - 4	815923	4 - 8E	2570040	5 - 15	5252661	6 - 13				
139883	1 - 54	815933	6 - 7	2570041	1 - 33	5252708	3A- 9				
151598	2 - 16A	815934	6 - 8	2570042	1 - 38	5252981	3A- 3				
	3 - 42	816922	4 - 9	2570043	5 - 4	5263712	3 - 16				
167338	1 - 46A	818002	4 - 8B	2570044	5 - 4A	5267675	2 - 42G				
179743	2 - 14	819407	4 - 8B	2570045	5 - 5	5267680	2 - 42F				
	3 - 10	819408	4 - 8B	2570046	5 - 5A	5267681	2 - 42F				
	3 - 14	824339	3 - 30	2570047	5 - 6	5267695	4 - 8				
179946	2 - 16	845762	2 - 5	2570048	5 - 6A	5267696	1 - 2A				
	3 - 18	846371	2 - 13	2570049	5 - 7	5267697	1 - 2B				
183900	4 - 27D	855262	1 - 48	2570050	5 - 7A	5267698	4 - 7A				
186758	1 - 46B	855263	1 - 48	2570051	5 - 8	5267699	4 - 6				
	1 - 46F	855264	1 - 48	2570052	5 - 8A	5271288	3 - 36				
186759	2 - 17	855265	1 - 48	2570062	5 - 16	5275481	1 - 23E				
	3 - 25	855266	1 - 48	2570065	1 - 21		6 - 14				
	3 - 43	855267	1 - 48	2570068	1 - 33E	5318966	3 - 29				
236550	3 - 32	855268	1 - 48	2570073	1 - 46E	5318967	3 - 31				
251970	3 - 40	855269	1 - 48	2570096	1 - 18	5319854	1 - 15				
257187	1 - 37	855270	1 - 48	2570131	1 - 3		2 - 8				
	1 - 43	855271	1 - 48	2570132	1 - 4		2 - 24				
	3 - 23	855272	1 - 48	2570150	4 - 37		2 - 26				
257189	1 - 30A	855273	1 - 48	2570151	4 - 18	5350006	3A- 8				
	1 - 46D	855274	1 - 48	2570152	4 - 20	5351177	6 - 24				





READER'S COMMENT FORM

3271 Control Unit Models 1, 2, 11 and 12  
3272 Control Unit Models 1 and 2  
Parts Catalog

Order No. S126-0004-3

- Did you find the part you needed in the catalog?
- If you *did not* find the part in the catalog, how did you obtain the correct part number?
- What parts were you unable to find? (Include numbers if you were able to determine them by alternate means.)
- If you *did* find the part you needed in the catalog, but had unusual difficulty locating it, please send us the part number and page number. Include a description of your difficulty if you wish.

We would appreciate your comments. If you wish a reply, be sure to include your name and address.

NAME . . . . .  
 STREET . . . . .  
 CITY . . . . .  
 STATE . . . . . ZIP CODE . . . . .

Reply Requested?  
 Yes  
 No

READER'S COMMENT FORM

3271 Control Unit Models 1, 2, 11 and 12  
3272 Control Unit Models 1 and 2  
Parts Catalog

Order No. S126-0004-3

- Did you find the part you needed in the catalog?
- If you *did not* find the part in the catalog, how did you obtain the correct part number?
- What parts were you unable to find? (Include numbers if you were able to determine them by alternate means.)
- If you *did* find the part you needed in the catalog, but had unusual difficulty locating it, please send us the part number and page number. Include a description of your difficulty if you wish.

We would appreciate your comments. If you wish a reply, be sure to include your name and address.

NAME . . . . .  
 STREET . . . . .  
 CITY . . . . .  
 STATE . . . . . ZIP CODE . . . . .

Reply Requested?  
 Yes  
 No

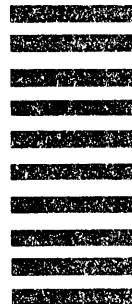
**Your comments, please . . .**

Your comments, together with your answer to the questions on the back of this form will help us produce better publications for your use. Your comments will be carefully reviewed by the persons responsible for writing and publishing this material. All comments and suggestions become the property of IBM.

Fold

Fold

First Class  
Permit 40  
Armonk  
New York



**Business Reply Mail**

No postage stamp necessary if mailed in the U.S.A.

Postage will be paid by:

International Business Machines Corporation  
Department 52L  
Neighborhood Road  
Kingston, New York 12401

Fold

Fold



International Business Machines Corporation  
Data Processing Division  
1133 Westchester Avenue, White Plains, New York 10604  
(U.S.A. only)

IBM World Trade Corporation  
821 United Nations Plaza, New York, New York 10017  
(International)

**Your comments, please . . .**

Your comments, together with your answer to the questions on the back of this form will help us produce better publications for your use. Your comments will be carefully reviewed by the persons responsible for writing and publishing this material. All comments and suggestions become the property of IBM.

Fold

Fold

First Class  
Permit 40  
Armonk  
New York



**Business Reply Mail**

No postage stamp necessary if mailed in the U.S.A.

Postage will be paid by:

International Business Machines Corporation  
Department 52L  
Neighborhood Road  
Kingston, New York 12401

Fold

Fold



International Business Machines Corporation  
Data Processing Division  
1133 Westchester Avenue, White Plains, New York 10604  
(U.S.A. only)

IBM World Trade Corporation  
821 United Nations Plaza, New York, New York 10017  
(International)

Cut or Fold Along Line

3271 Control Unit Mods 1, 2, 11 and 12 and 3272 Control Unit Mods 1 and 2 (PC) Printed in U.S.A. S126-0004-3

Cut or Fold Along Line

3271 Control Unit Mods 1, 2, 11 and 12 and 3272 Control Unit Mods 1 and 2 (PC) Printed in U.S.A. S126-0004-3

3271 / 3272

3271 / 3272

Cut

Fold



International Business Machines Corporation  
Data Processing Division  
1133 Westchester Avenue, White Plains, New York 10604  
(U.S.A. only)

IBM World Trade Corporation  
821 United Nations Plaza, New York, New York 10017  
(International)