

MACH LIST FOR-2540 MOD-001 SER-5604257 PLT-56 REQSTR 04NOV70
 CTRY-724 CUST-A006113- SER BR- SYS - -DU135 TYP-3625
 SHIPPED- SHP SEQ-A0047 FCT SEQ-80119 W/D SUF- MACH STA-FACTRY
 SEQ EC STATUS FLD B/M FCSI TIME ECA DATE
 A0047 816299 PRES LVL

B0119 FCT 816931 FACT LVL

R0014 REA C5600529 INSTALLD
 R0018 REA C7011207 INSTALLD

Y0002 OPT 812581 INQUIRY*
 Y0003 OPT 811421A INQUIRY*
 Y0004 OPT 811895B INSTALLD
 Y0005 OPT 810952C INSTALLD
 Y0006 OPT 812607A INSTALLD
 Y0007 OPT 812619 INQUIRY*
 Y0008 OPT 810962 INQUIRY*
 Y0009 OPT 813988 INQUIRY*
 Y0010 OPT 814406 INQUIRY*
 Y0011 OPT 814082 INQUIRY*
 Y0012 OPT 812374C INQUIRY*
 Y0013 OPT 814427 INQUIRY*
 Y0014 OPT 816277 INQUIRY*
 Y0015 OPT 816290 INSTALLD
 Y0016 OPT 816319 INQUIRY*
 Y0017 OPT 816326 INQUIRY*
 Y0018 OPT 816329 INQUIRY*

FEAT BM	QTY	FEATURE NAME	FLD B/M	STATUS	DATE	ACC	ECA	SHP-LVL-FCT
SEQ	EC	STATUS	FLD B/M	FCSI	TIME			DATE
0637779	001	VOLTAGE GROUP	50 CY	INT	OCT70			D0007 E0007
D0007	814438	PRES LVL						

E0007 FCT 708648N FACT LVL

0637780	001	PUNCH FEED READ		INT	OCT70	5890		D0004 E0002
D0004	815595	PRES LVL						

E0002 FCT 814415 FACT LVL

0637781	001	COVER GROUP SKY BLUE		INT	OCT70	9043		D0001 E0000
D0001	808864H	PRES LVL						

0637788	001	LANG GRP GERMAN W PFR		INT	OCT70	2929		D0002 E0001
D0002	810753	PRES LVL						

E0001 FCT 810755 FACT LVL

0665655	001	SHIP GRP STP 2025 ATTACH		INT	OCT70			D0001 E0000
D0001	814481	PRES LVL						

0665664	001	2025 ATTACHMENT FEATURE		INT	OCT70	9725		D0001 E0001
D0001	814481	PRES LVL						

E0001 FCT UNUSED FACT LVL

PAGE NO.	SH	TITLE	PART NO	EC NO.	FEATURE B/M OR B/MS
** LOGIC TYPE		REFERENCE DATA		5	
FACT REF01		INSTALL. INSTR 2025	NO EC CTRL	0665653	000000 .W. 0665664

PAGE NO.	SH	TITLE	PART NO	EC NO.	FEATURE B/M OR B/MS
** LOGIC TYPE SYSTEM DIAGRAMS			0		
10.00.01.0		READ FEED TIMING CHART	0649901	812609	
10.00.02.0	1	PUNCH FEED TIMING CHART	0649902	814443	
10.00.02.0	2	PUNCH UNIT TIMING CHART	0649902	814443	
10.00.03.0		NOT USED	0000000	0000000	
10.00.04.0		GENERAL REFERENCE	0649904	816299	.W. 0637779
11.08.07.0		A.C. POWER 50 CY	0665588	814438	.W. 0637779
11.08.08.0	1	D.C. POWER	0649908	814416	.W. 0637779
11.08.08.0	2	D.C. POWER	0649908	814416	.W. 0637779
11.08.09.0	1	40A1 BACK PANEL BUSS	0649909	815595	
11.08.09.0	2	40B1 BACK PANEL BUSS	0649909	815595	
11.10.10.0		INTERLOCKS AND CONTROL	0649910	816311	
11.10.11.0		READER SWITCHES AND BRUSH CONTROL	0649911	814416	
11.10.12.0		PUNCH SWITCHES AND BRUSH CONTROL	0649912	814443	
11.10.13.0		CONSOLE LITES	0649913	814415	
11.10.14.0		CLUTCHES HD RELAYS STK MAGNETS	0649914	816299A	
11.10.15.1		PUNCH MAGNETS	0649915	814443	
11.40.25.1		CARD LEVER INTEGRATORS	0649925	811885A	
11.40.26.1		2540 STOP RDR AND PCH	0649926	814089	
11.50.30.1		READER READY	0649930	812609	
11.50.31.1		READ CARD DETECTION CIRCUITS	0649931	812609	
11.50.32.1		READER MOTOR AND CLUTCH CONTROL	0649932	816299	
11.50.33.1		READER STOP CONTROL	0649933	812609	
11.50.34.1		READ PULSE EMITTERS	0649934	812609	
11.50.35.1		READ EMITTERS AND CLUTCH TIME	0649935	812609	
11.50.36.1		READER BRUSH CONTROL	0649936	814409	
11.50.37.1		RD NPRO AND END OF FILE	0649937	814405	
11.50.39.1		STACKER AND FILE FEED DRIVE	0649939	816299	
11.60.40.1		OFF LINE AND CE AID LITES	0649940	815595	
11.60.41.1		PCH READY AND NPRO	0649941	816299	
11.60.42.1		PCH MOTOR AND CLUTCH CONTROL	0649942	814404	
11.60.43.1		PCH CARD DETECTION CIRCUITS	0649943	811885A	
11.60.44.1		PUNCH STOP CONTROL AND 2540 STOP	0649944	812609	
11.60.45.1		PUNCH LOCK AND REMEMBER STOP	0649945	814089	
11.60.46.1		PC AND PL EMITTERS	0649946	814089	
11.60.47.1		PUNCH BRUSH CONTROL	0649947	814409	
11.60.48.1		PA EMITTERS AND PCH MAGNET CTRL	0649948	814089	
11.60.49.1		PFR END OF FILE AND UNIT EXCEPT.	0649949	814404	
12.11.51.1		SIGNAL LINES SHEET 1 ICU TO 2540	0649951	815595	
12.11.52.1		SIGNAL LINES SHEET 2 ICU TO 2540	0649952	815595	
12.11.53.1		SIGNAL LINES SHEET 3 ICU TO 2540	0649953	816299	
12.11.54.1		UNITS ADDRESS DECODE	0649954	811885A	
12.11.55.1		TENS ADDRESS DECODE	0649955	811885A	
12.11.56.1		TENS READOUT DRIVERS RDR PCH	0649956	811885A	
12.11.57.1		RDR UNITS READOUT DRIVERS	0649957	814089	
12.11.58.1		PCH UNITS READOUT DRIVERS	0649958	811885A	
12.11.59.1		RD CONTROL 51 COL RD CONTROL	0649959	814089	
12.11.61.1		BRUSH 01-16 NO 1 READ STATION	0649961	811885A	
12.11.62.1		BRUSH 17-32 NO 1 READ STATION	0649962	811885A	
12.11.63.1		BRUSH 33-48 NO 1 READ STATION	0649963	811885A	
12.11.64.1		BRUSH 49-64 NO 1 READ STATION	0649964	811885A	
12.11.65.1		BRUSH 65-80 NO 1 READ STATION	0649965	811885A	
12.11.66.1		BRUSH 01-16 NO 2 READ STATION	0649966	811885A	
12.11.67.1		BRUSH 17-32 NO 2 READ STATION	0649967	811885A	
12.11.68.1		BRUSH 33-48 NO 2 READ STATION	0649968	811885A	
12.11.69.1		BRUSH 49-64 NO 2 READ STATION	0649969	811885A	
12.11.70.1		BRUSH 65-80 NO 2 READ STATION	0649970	811885A	
12.11.71.1		BRUSH 01-16 PCH CHECK STATION	0649971	811885A	
12.11.72.1		BRUSH 17-32 PCH CHECK STATION	0649972	811885A	
12.11.73.1		BRUSH 33-48 PCH CHECK STATION	0649973	811885A	
12.11.74.1		BRUSH 49-64 PCH CHECK STATION	0649974	811885A	
12.11.75.1		BRUSH 65-80 PCH CHECK STATION	0649975	811885A	
12.11.76.1		BRUSH 01-16 PFR STATION	0649976	811885A	
12.11.77.1		BRUSH 17-32 PFR STATION	0649977	811885A	
12.11.78.1		BRUSH 33-48 PFR STATION	0649978	811885A	
12.11.79.1		BRUSH 49-64 PFR STATION	0649979	811885A	
12.11.80.1		BRUSH 65-80 PFR STATION	0649980	811885A	
12.11.81.1		SENSE DECODE	0649981	812609	
12.11.82.1		ROW BIT LATCHES READ 1 AND 2	0649982	811885A	
12.11.83.1		ROW BIT LATCHES PCH CHK AND PFR	0649983	811885A	
12.11.84.1		ROW BIT LATCH OUTPUT CONTROL	0649984	811885A	
12.11.85.1		OUTPUT DRIVE LINES RDR-PCH TO ICU	0649985	815595	
12.11.86.1		OUTPUT DRIVE LINES RDR-PCH TO ICU	0649986	815595	
12.11.87.1		ICU-2540 INPUT LINES AND LITES	0649987	815595	
16.28.90.1		PCH UNIT DIRVE LINES U0 TO U4	0649990	811885A	
16.28.91.1		PCH UNIT DRIVE LINES U5 TO U9	0649991	811885A	
16.28.92.1		PUNCH MAGNET DRIVERS 80 AND 01-09	0649992	811885A	
16.28.93.1		PUNCH MAGNET DRIVERS 10-19	0649993	811885A	
16.28.94.1		PUNCH MAGNET DRIVERS 20-29	0649994	811885A	
16.28.95.1		PUNCH MAGNET DRIVERS 30-39	0649995	811885A	
16.28.96.1		PUNCH MAGNET DRIVERS 40-49	0649996	811885A	
16.28.97.1		PUNCH MAGNET DRIVERS 50-59	0649997	811885A	
16.28.98.1		PUNCH MAGNET DRIVERS 60-69	0649998	811885A	

TABLE OF CONTENTS VOL 001 FOR 2540 001 **** CONTINUE **** RQST BY **** DATE 04NOV70**
56-04257 MODE

PAGE NO. SH	TITLE	PART NO	EC NO.	FEATURE B/M OR B/MS
** LOGIC TYPE	SYSTEM DIAGRAMS			
16.28.99.1	PUNCH MAGNET DRIVERS 70-79	0649999	811885A	

PAGE NO. SH TITLE PART NO EC NO. FEATURE B/M OR B/MS

** LOGIC TYPE OTHER SYSTEM DIAGRAMS 1

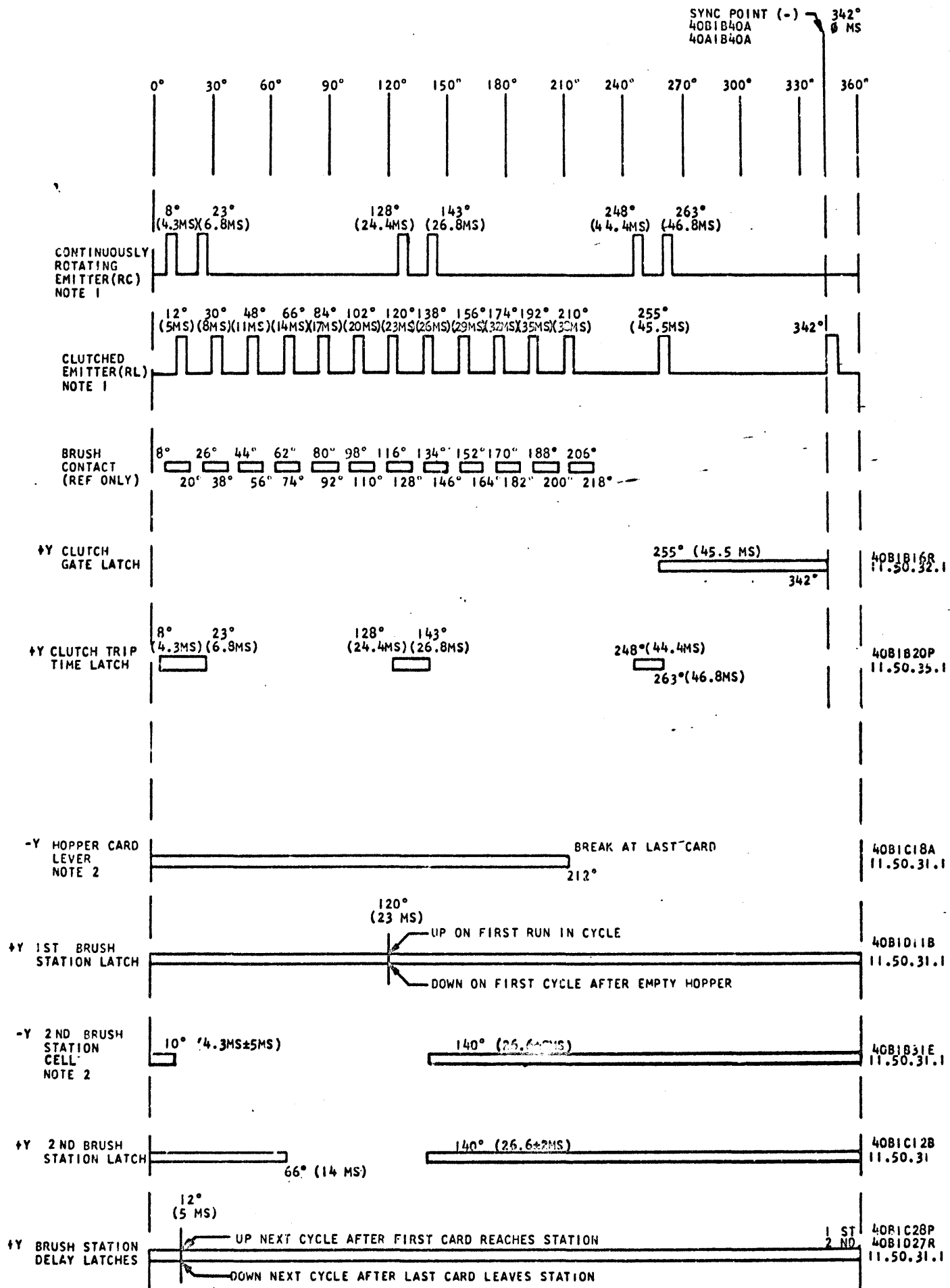
FEMDM Y31-0168-1 0645616 812023

** LOGIC TYPE COMPONENT CIRCUITS 2

ADF	DAP SOLENOID DRIVER	0734383	123738
ASQ	ALLOY CLUTCH MAGNET DRIVER	0734342	132410
AXA	SOTDL LS 4 2WAY POS AND LOGIC BLK	0734306	127160
AXB	SOTDL LS TWO 2WAY NEG AND NEG OR	0734316	116800
AXU	SOTDL LS 3 3WAY POS AND LOGIC BLK	0734308	118933
AXV	COMPLEMENTARY EMITTER FOLLOWER	0734338	122721
BCQ	SOLAR CELL SENSOR	0626806	114001H
DFJ	12 CKT 1.6K LOAD RESISTOR TO -12	0729909	117824
DFQ	SOTDL INVERTING POWER DRIVER	0729910	119217
DFR	SOTDL NON INVERTING POWER DRIVER	0729911	116034
DGT	SOTDL 2WAY -AND WITH LOAD 4 CKT	0729913	132164
DGU	SOTDL 2WAY -AND WITHOUT LOAD	0729914	132163
DGV	SOTDL 3WAY -AND WITH LOAD 3 CKT	0729915	133090
DGW	SOTDL 3WAY -AND WITHOUT LOAD	0729916	133090
DGX	SOTDL 5WAY -AND WITH LOAD 2 CKT	0729917	132160
DGY	SOTDL 5WAY -AND WITHOUT LOAD	0729918	132159
DHB	SOTDL INVERTER WITH LOAD	0729921	126401
DHC	SOTDL INVERTER WITHOUT LOAD	0729922	115599
DHW	SOTDL LATCH	0734354	116801
DHY	SOTDL 1-8, 1-2WAY -AND WITHOUT LD	0734302	116800
FJZ	BRUSH MARK-DESENSE RESISTOR CARD	0375080	127194A
FNP	INDICATOR LITE DRIVE	0649816	127509
FPC	NAND DOWN LEVEL DRIVER	0649833	130325
FPD	SCR A MAGNET DRIVER	0649825	131799
FPE	NAND TO POS V POWER DRIVER	0649826	130323
FPF	READ OUT DRIVER CAPACITOR MEMORY	0649832	130324
FPG	DETECTOR CAPACITOR MEMORY	0649830	133080
FPH	BRUSH DRIVER AMPLIFIER	0649829	132920
FPT	.3 TO 30 SECOND DELAY	0649773	130385
FPU	CAPACITIVE COUPLING	0649772	130197
FPV	POWER DRIVER CONTROL CIRCUIT	0649880	130392
FPW	037 TRANSISTOR AND HEAT SINK	0649881	130316
FPX	132 TRANSISTOR AND HEAT SINK	0649882	132412
FVR	MOTOR RELAY DRIVER WITH DELAY	0649667	130327
HGF 1	CAPACITOR MEMORY 16 ROWBITS	0649831	127537
HGF 2	CAPACITOR MEMORY 16 ROWBITS	0649831	127537
HGF 3	CAPACITOR MEMORY 16 ROWBITS	0649831	127537
UGT	LINE DRIVER	0822929	121287
YDT	DRIVER NETWORK 130 OHMS	0734331	116800B
YMO	SOTDL CAM INTEGRATOR	0822937	121287
YYN	STANDARD INTERFACE TERMINATOR	0822935	121287
ZSM	TSTR CABLE ENTRY 1.2K	0372057	120079
9CEC	CABLE RESISTOR CARD 1.2K	0665544	811885A
METER	METER CARD	0372688	132922

** LOGIC TYPE REFERENCE DATA 5

20VSU	20V SUPPLY	5253861	708648N	
REAS	C7011207			
6.3AC	6.3V AC 50CY	5232791	708643	.W. 0637779
11.10.16.1	1 CIRCUIT CARD LOCATION CHART	0649916	816299	
11.10.16.1	2 CIRCUIT CARD LOCATION CHART	0649916	816299	
11.10.16.1	3 CIRCUIT CARD LOCATION CHART	0649916	816299	
11.10.16.1	4 CIRCUIT CARD LOCATION CHART	0649916	816299	
11.10.17.1	1 EDGE CONNECTOR LIST	0649917	816299	
11.10.17.1	2 EDGE CONNECTOR LIST	0649917	816299	
11.10.17.1	3 EDGE CONNECTOR LIST	0649917	816299	
11.10.17.1	4 EDGE CONNECTOR LIST	0649917	816299	
11.10.17.1	5 EDGE CONNECTOR LIST	0649917	816299	
11.10.17.1	6 EDGE CONNECTOR LIST	0649917	816299	
11.10.18.1	1 CIRCUIT CARD LOCATION CHART	0649918	816299	
11.10.18.1	2 CIRCUIT CARD LOCATION CHART	0649918	816299	
11.10.18.1	3 CIRCUIT CARD LOCATION CHART	0649918	816299	
11.10.18.1	4 CIRCUIT CARD LOCATION CHART	0649918	816299	
11.10.19.1	1 EDGE CONNECTOR LIST	0649919	816299	
11.10.19.1	2 EDGE CONNECTOR LIST	0649919	816299	
11.10.19.1	3 EDGE CONNECTOR LIST	0649919	816299	
11.10.19.1	4 EDGE CONNECTOR LIST	0649919	816299	



NOTE 1 PULSE WIDTH 700 USEC ± 300 USEC

NOTE 2 DEGREE TIMINGS ARE FOR STATIC REFERENCE ONLY

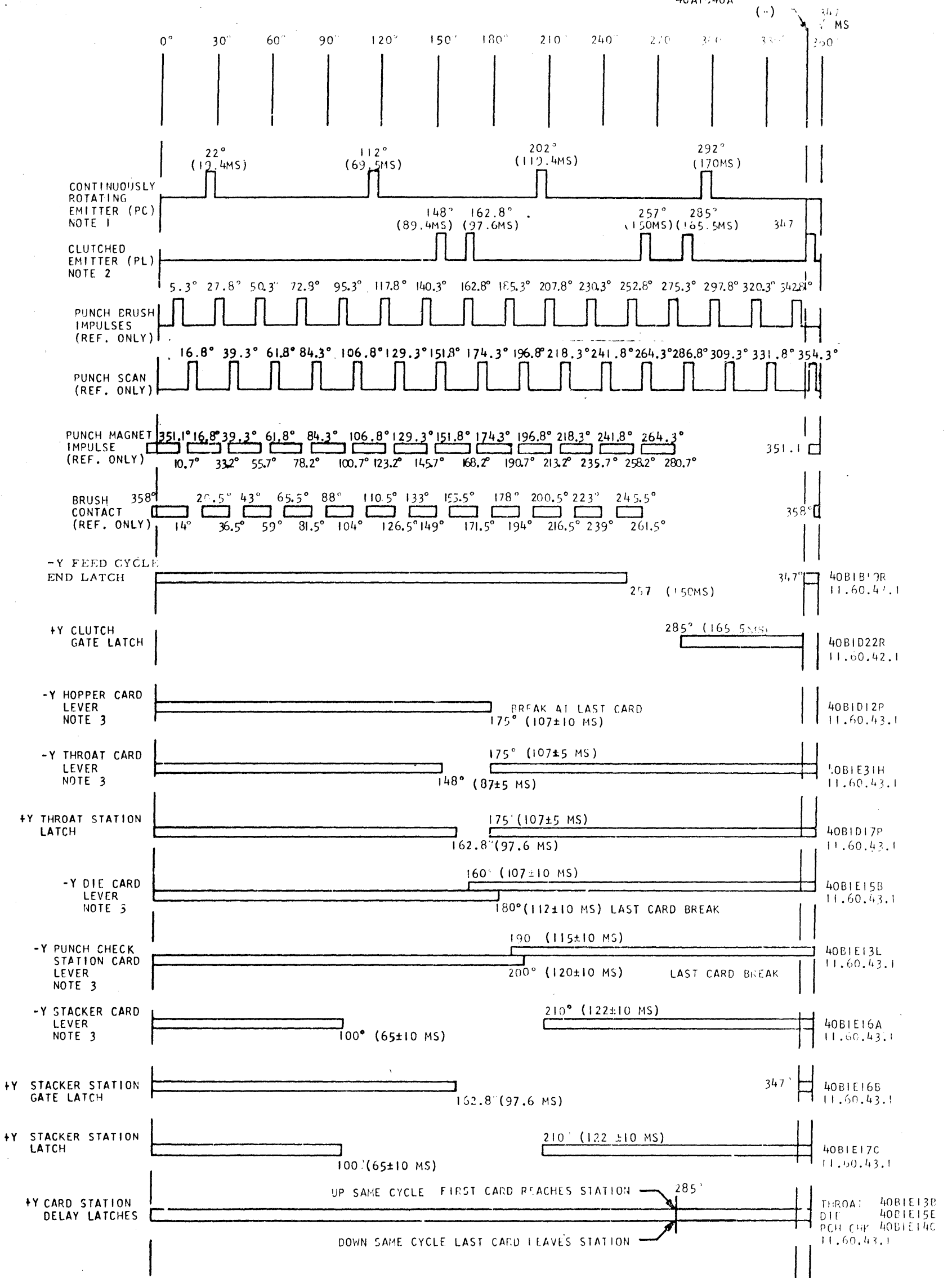
NOTE 3 QUANTITY IN BRACKETS () MILLSECS FROM SYNC POINT 342°

DATE	E.C. NO	DATE	E.C. NO	DATE	E.C. NO
11-9-66	811885A	1-5-67	812609		

1.8" PER MILLISCOND

300 CARDS PER MINUTE

SYNC POINT
40B1C40A
40A1C40A



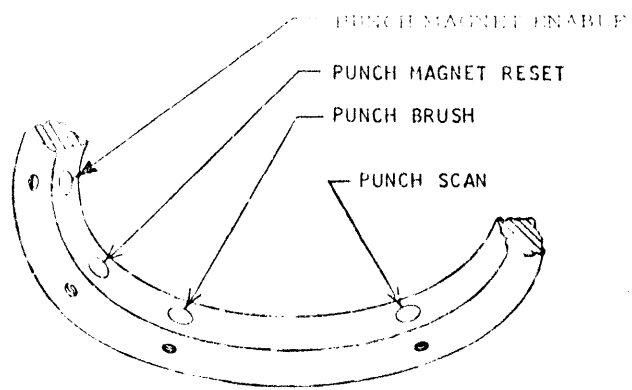
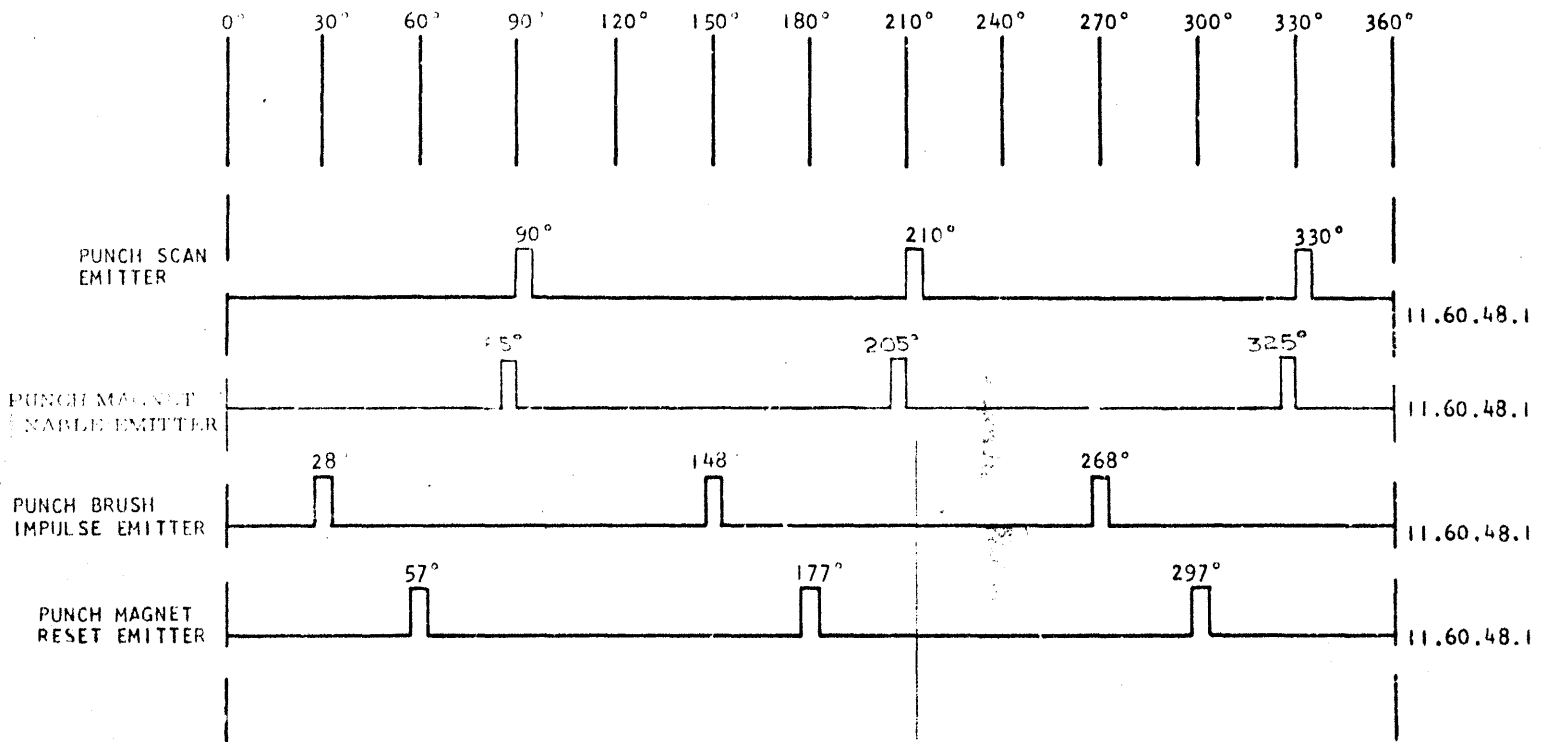
NOTE 1 PULSE WIDTH
700 USEC ±300USEC

NOTE 2 PULSE WIDTH
NOT CRITICAL

NOTE 3 DEGREE TIMING IS FOR
STATIC REFERENCE ONLY

NOTE 4 QUANTITY IN () INDICATES
MILLISECONDS FROM
SYNC POINT 347°

DATE	E.C. NO.	DATE	E.C. NO.	DATE	E.C. NO.
11-9-66	811885A	1-5-67	812609	7-26-68	814443



PA EMITTER HOUSING

DATE	E.C. NO.	DATE	E. C. NO.	DATE	E.C. NO.
11-9-66	811835A	1-5-67	812609	7-26-68	814443

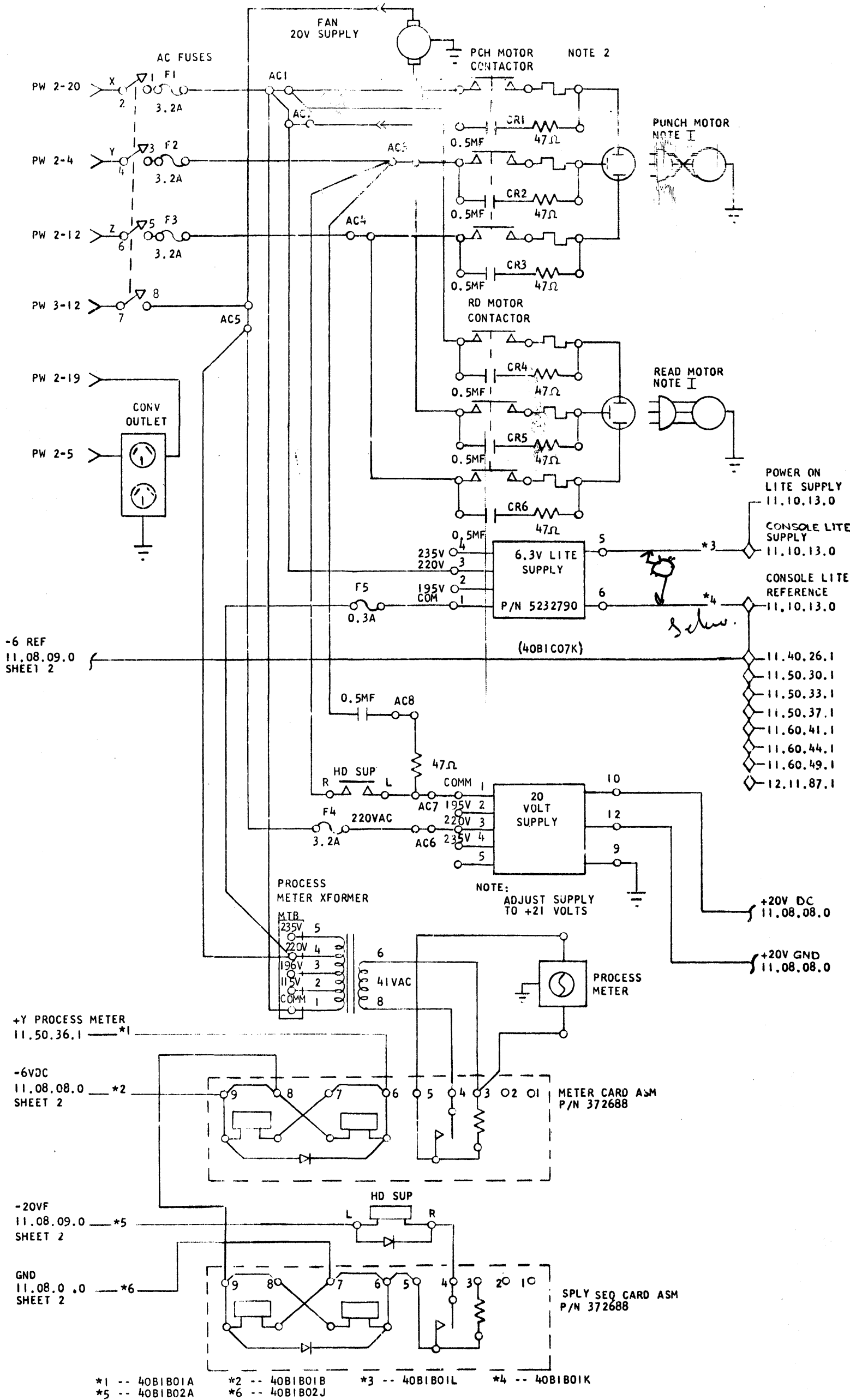
C = CAPACITOR
D = DIODE
R = RESISTOR
J = JUMPER

40B1 - A - ROW COMPONENT REFERENCE				
ELEMENT	PART NO.	LOGIC PAGE	40B1 GATE TERMINALS	
			FROM	TO
8MFD C	603255	11.40.25.1	A10A	A10Q(+)
8MFD C	603255	11.40.25.1	A10B	A10R(+)
8MFD C	603255	11.40.25.1	A10C	A10N(+)
39Ω R	2162405	11.10.10.0	A12A	A12Q
39Ω R	2162405	11.10.10.0	A12B	A12R
DIODE	620208	11.40.26.1	A16B	A16R(+)
1.8K R	438278	11.40.26.1	A16A	A16Q
1.8K R	438278	11.40.26.1	A14A	A14Q
1.8K R	438278	11.40.26.1	A14B	A14R
40Ω R	647479	11.60.48.1	A22A	A22Q
40Ω R	647479	11.60.48.1	A22B	A22R
150Ω	639300	11.50.36.1	A18A	A18Q
150Ω	639300	11.50.36.1	A18B	A18R
150Ω	639300	11.60.47.1	A20A	A20Q
150Ω	639300	11.60.47.1	A20B	A20R
DIODE	603793	11.50.36.1	A18C(+)	A18N
DIODE	603793	11.60.47.1	A20C(+)	A20N
DIODE	603793	11.10.13.0	A12C(+)	A12N
40B1 COMPONENTS PIN SIDE 50 & 60 CYCLE				
100 MFD C	649895	11.08.09.0	A34A(+)	A33P
100 MFD C	613354	11.08.09.0	B35F(+)	B33J
100 MFD C	613354	11.08.09.0	B30J(+)	B32K
0.1 MFD C	665666	11.08.09.0	A29B	A29H
100 MFD C	649895	11.08.09.0	E33P(+)	E30J
100 MFD C	649895	11.08.09.0	E350(+)	E32J
100 MFD C	649895	11.08.09.0	E370(+)	E34J
100 MFD C	649895	11.08.09.0	E390(+)	E36J
40A1 COMPONENTS PIN SIDE 50 & 60 CYCLE				
100 MFD C	613354	11.08.09.0	C08J(+)	C06M
100 MFD C	613354	11.08.09.0	C06N(+)	C09J
.01 MFD C	646623	11.08.09.0	B02K	B04J
AC POWER BOX 50 & 60 CYCLE				
DIODE	639290	11.08.07.0	HD SPLY COIL TERM	
DIODE	639290	11.10.14.0	HD RDR COIL TERM	
DIODE	639290	11.10.14.0	HD PCH COIL TERM	
AC TERMINAL BLOCK 60 CYCLE AC BOX 60 CY				
R	610582	11.08.07.0	ACTB3	ACTB9
R	610582	11.08.07.0	ACTB11	ACTB12
C	610583	11.08.07.0	ACTB3	ACTB9
C	610583	11.08.07.0	ACTB5	ACTB12
C	610583	11.08.07.0	ACTB7	ACTB14
R	610582	11.08.07.0	ACTB13	ACTB14
C.R. BLOCKS 50 CYCLE AC BOX 50 CY				
CR1	173706	11.08.07.0	A	B
CR2	173706	11.08.07.0	A	B
CR3	173706	11.08.07.0	A	B
CR4	173706	11.08.07.0	A	B
CR5	173706	11.08.07.0	A	B
CR6	173706	11.08.07.0	A	B
AC TERMINAL BLOCK 50 CYCLE AC BOX				
C	610583	11.08.07.0	AC3	AC8
R	610582	11.08.07.0	AC7	AC8

NOTE 1

READ FEED TERMINAL BLOCK (RFT)				
LOCATION: READ FEED ASM				
ELEMENT	PART NO	PAGE	TERMINALS	
R	614054	11.10.11.0	RFT-2	RFT-7
R	649594	11.10.11.0	RFT-5	RFT-7
R	471803	11.10.11.0	RFT-1	RFT-6
R	471803	11.10.11.0	RFT-1	RFT-6
J	205331	11.10.11.0	RFT-1	RFT-2
FILE FEED TERMINAL BLOCK (FFT)				
LOCATION: FILE FEED ASM				
R	613388	11.10.11.0	FFT-4	FFT-8
STACKER TERMINAL BLOCKS (STK)				
LOCATION: STACKER ASM				
J	205331	11.10.14.0	STK-1	STK-2
J	205331	11.10.14.0	STK-15	STK-16
READ CLUTCH MAGNET TERMINAL BLOCK (RMT)				
LOCATION: READER FEED ASM				
R	613388	11.10.14.0	RMT-3	RMT-8
C	609490	11.10.14.0	RMT-2 (+)	RMT-8
PUNCH CLUTCH MAGNET TERMINAL BLOCK (PMT)				
LOCATION: PUNCH FEED ASM				
R	649691	11.10.14.0	PMT-3	PMT-8
C	649578	11.10.14.0	PMT-2 (+)	PMT-8
FUSE RATINGS				
SIGNAL FUSES 1-9				
FUSE	RATING	PART NO	LOGIC PAGE	
SF1	3A	253675	11.08.08.0	
SF2	5A	104909	11.08.08.0	
SF3	5A	104909	11.08.08.0	
SF4	1A	335010	11.08.08.0	
SF5	1A	335010	11.08.08.0	
SF6	1A	335010	11.08.08.0	
SF7	1A	335010	11.08.08.0	
SF8	3A	253675	11.08.08.0	
SF9	3A	253675	11.08.08.0	
AC FUSES - 60 CYCLES				
F1	3.2A	107664	11.08.07.0	
F2	0.3A	254628	11.08.07.0	
AC FUSES - 50 CYCLES				
F1	3.2A	107664	11.08.07.0	
F2	3.2A	107664	11.08.07.0	
F3	3.2A	107664	11.08.07.0	
F4	3.2A	107664	11.08.07.0	
F5	0.3A	254628	11.08.07.0	
NOTE 1 - PFR ONLY				

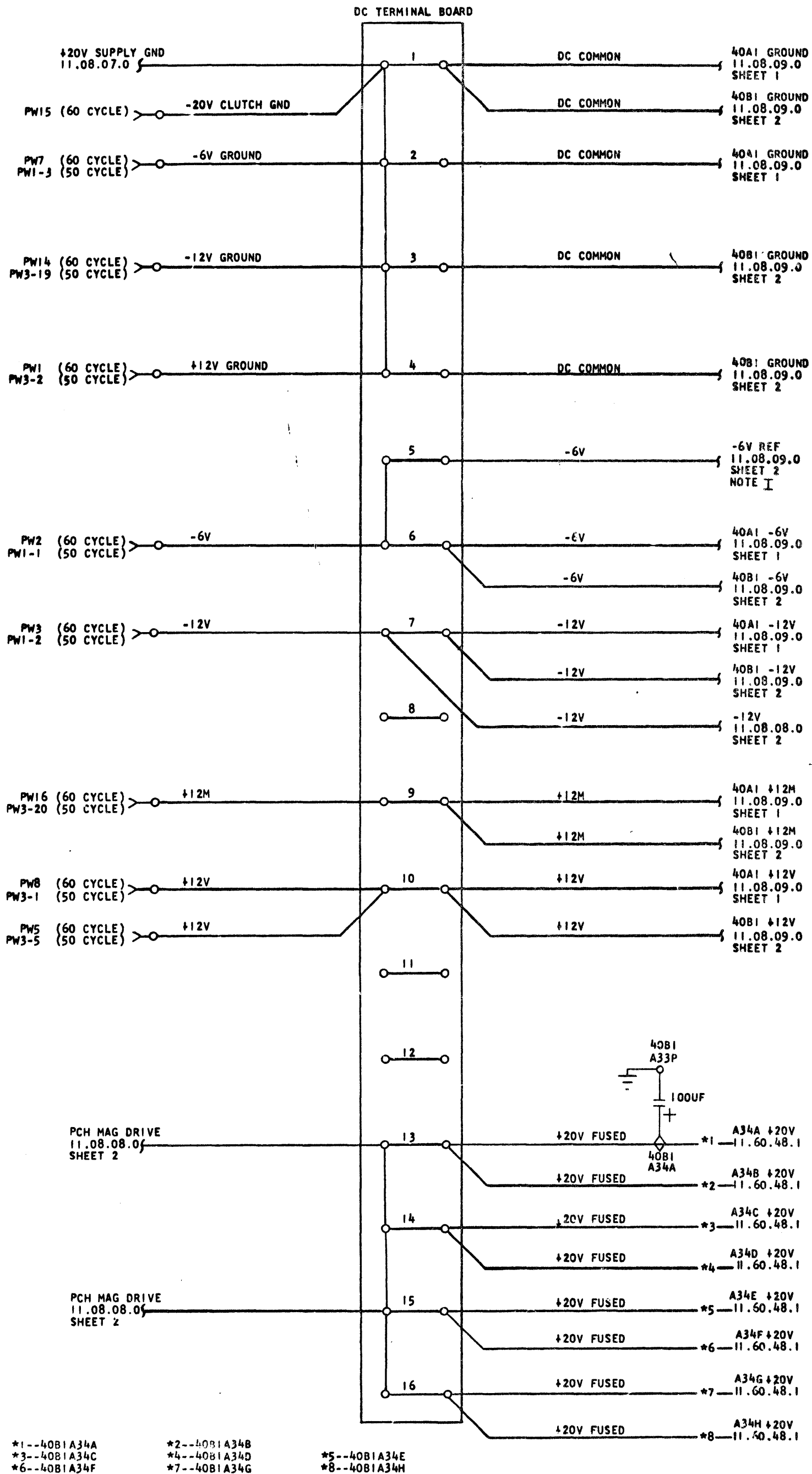
DATE	E. C. NO.	DATE	E. C. NO.	DATE	E. C. NO.
11-9-66	811885A	1-5-67	812609	3-22-67	812618
6-20-67	814089	8-31-67	814409	12-21-67	814415
9-17-68	815595	3-28-69	816299	7-26-68	814443



NOTES:

- I INTERNAL CONNECTIONS OF MOTORS ARE (SEE BACK OF COVER PLATE):
 LOW VOLTAGE - FOR 2821 DELTA CONNECTION (220V) OR TO BE USED WITH NATIVE 2540 WHEN AUTOTRANSFORMER IS USED IN 2025 CENTRAL PROCESSING UNIT
 HIGH VOLTAGE - FOR 2421 Y CONNECTION (380V)
- II OVER CURRENT PROTECTOR ADJUSTMENT IS:
 1.5A - FOR 2821 DELTA CONNECTION (220V)
 1.2A - FOR 2821 Y CONNECTION (380V)

DATE	E.C. NO.	DATE	E.C. NO.	DATE	E.C. NO.
10-11-66	811885K	1-5-67	812609	3-22-67	812618
12-01-66	811885R	1-25-67	812621	6-20-67	814089
7-2-68	814438				



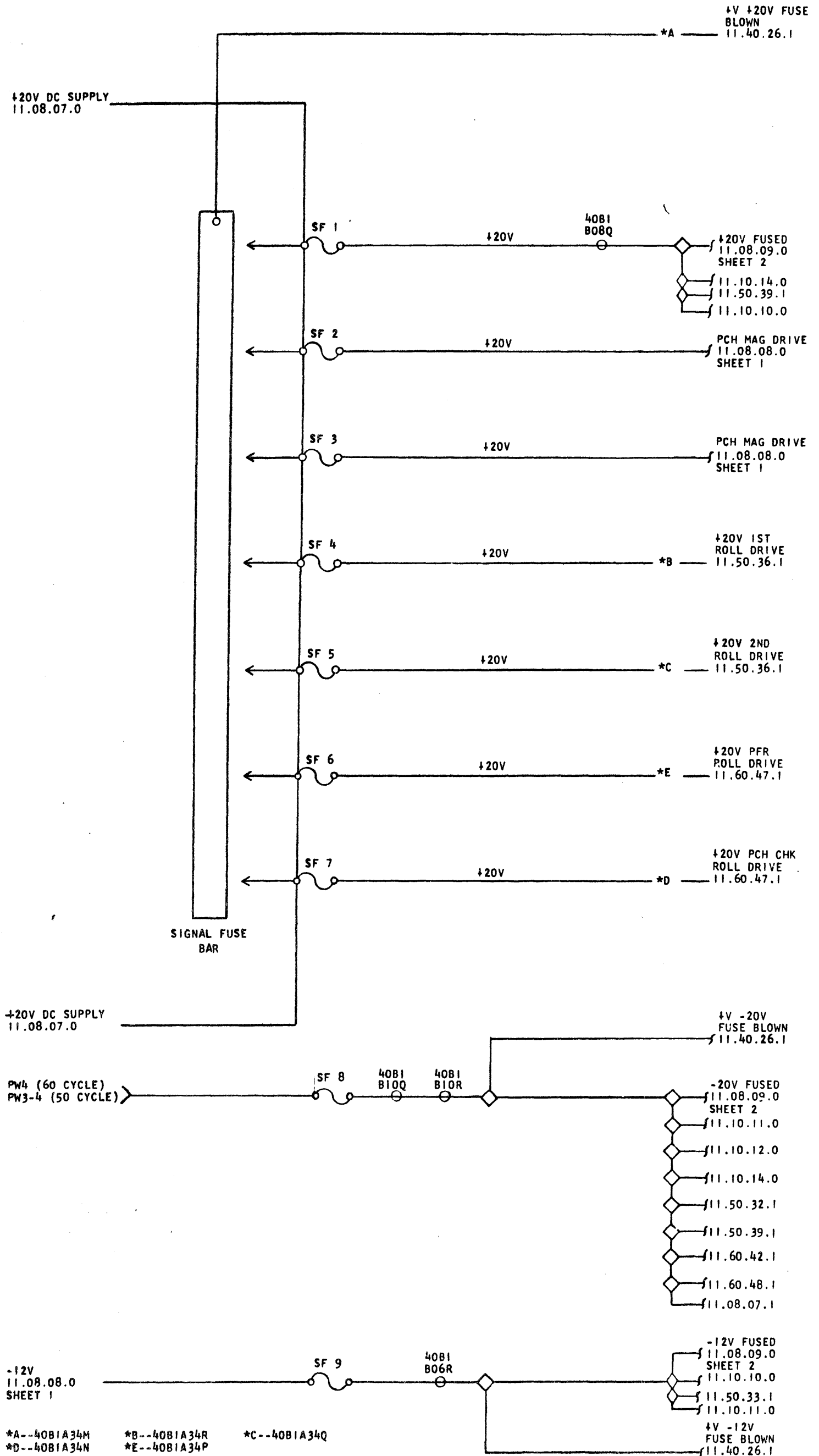
*1--40B1A34A
*3--40B1A34C
*6--40B1A34F

*2--40B1A34B
*4--40B1A34D
*7--40B1A34G

*5--40B1A34E
*8--40B1A34H

NOTE I:
LINE IS CONNECTED TO THE (FNP) LITE DRIVER CARD "K" PIN ALONG WITH 6.3 VRMS POWER SUPPLY

DATE	E.C. NO.	DATE	E.C. NO.	DATE	E.C. NO.
11-9-66	811885A	1-5-67	812609	12-21-67	814415
1-18-68	814416				



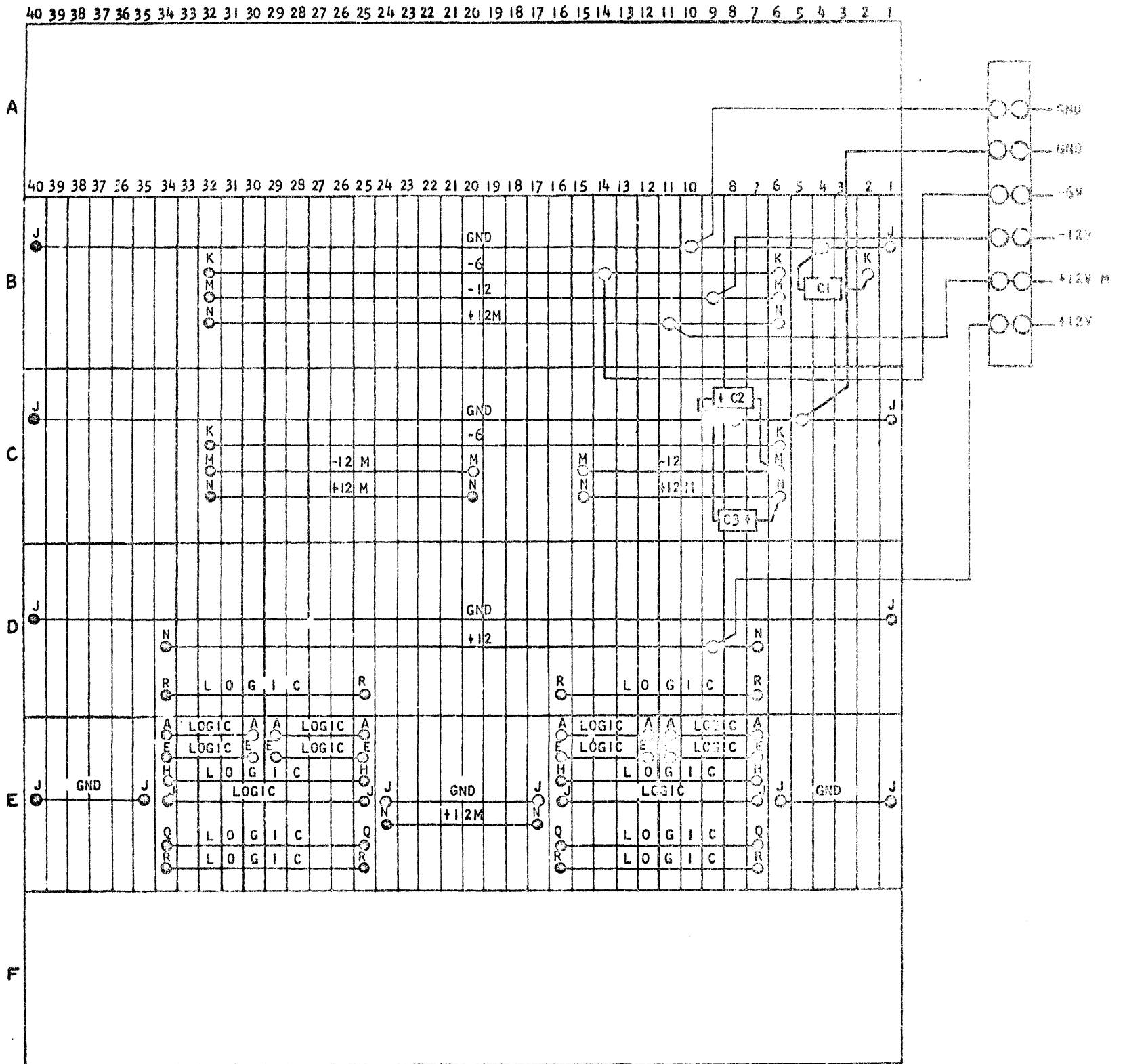
*A--40B1A34M
*D--40B1A34N

*B--40B1A34R
*E--40B1A34P

*C--40B1A34Q

DATE	E.C. NO.	DATE	E.C. NO.	DATE	E.C. NO.
11-9-66	811885A	1-5-67	812609	12-21-67	814415
1-18-69	814416				

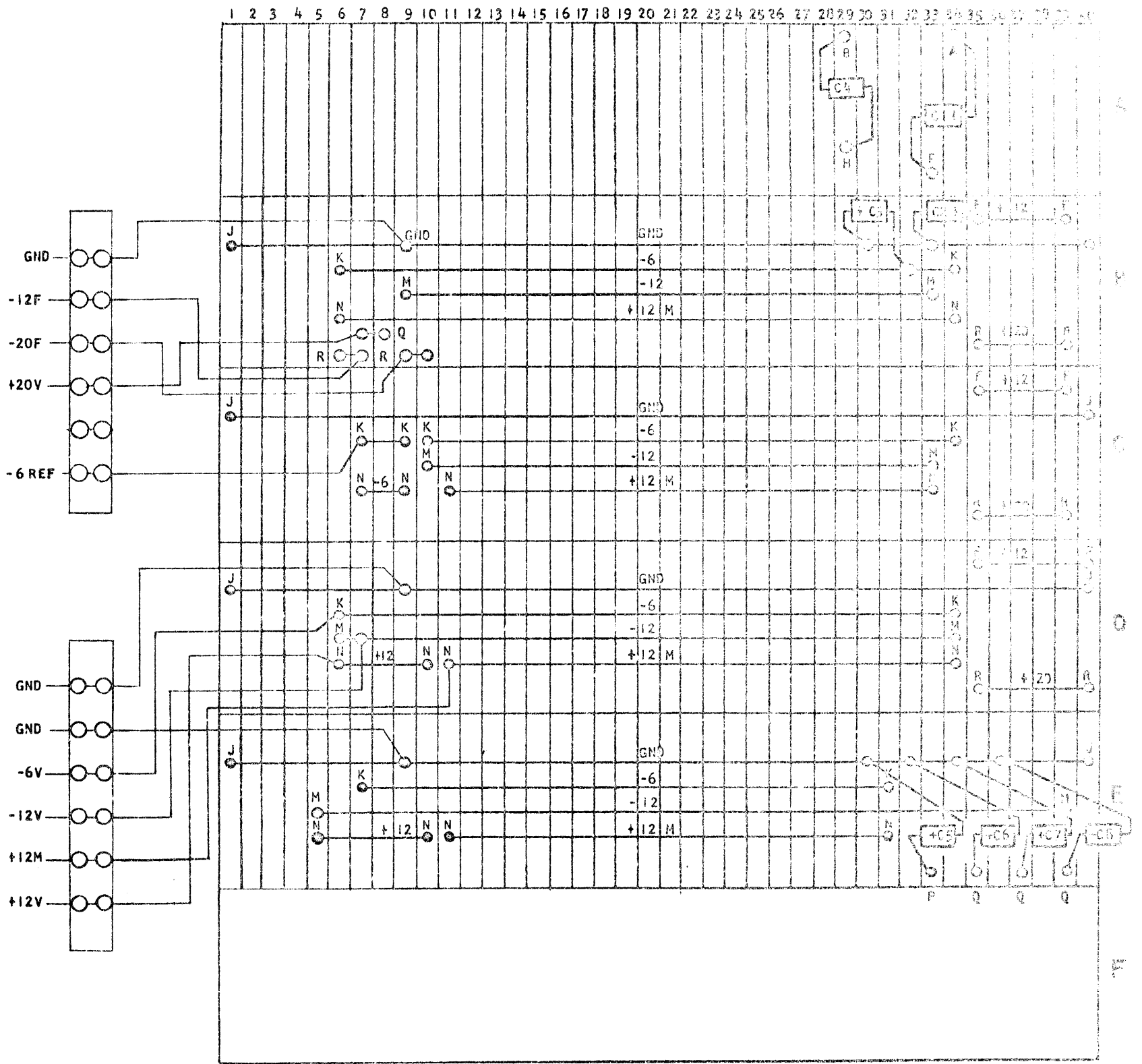
+V -12V
FUSE BLOWN
11.40.26.1



—●—●—● SOLDERED BUSS

COMPONENTS
C1 - .01 MFD
C2 - 100 MFD
C3 - 100 MFD

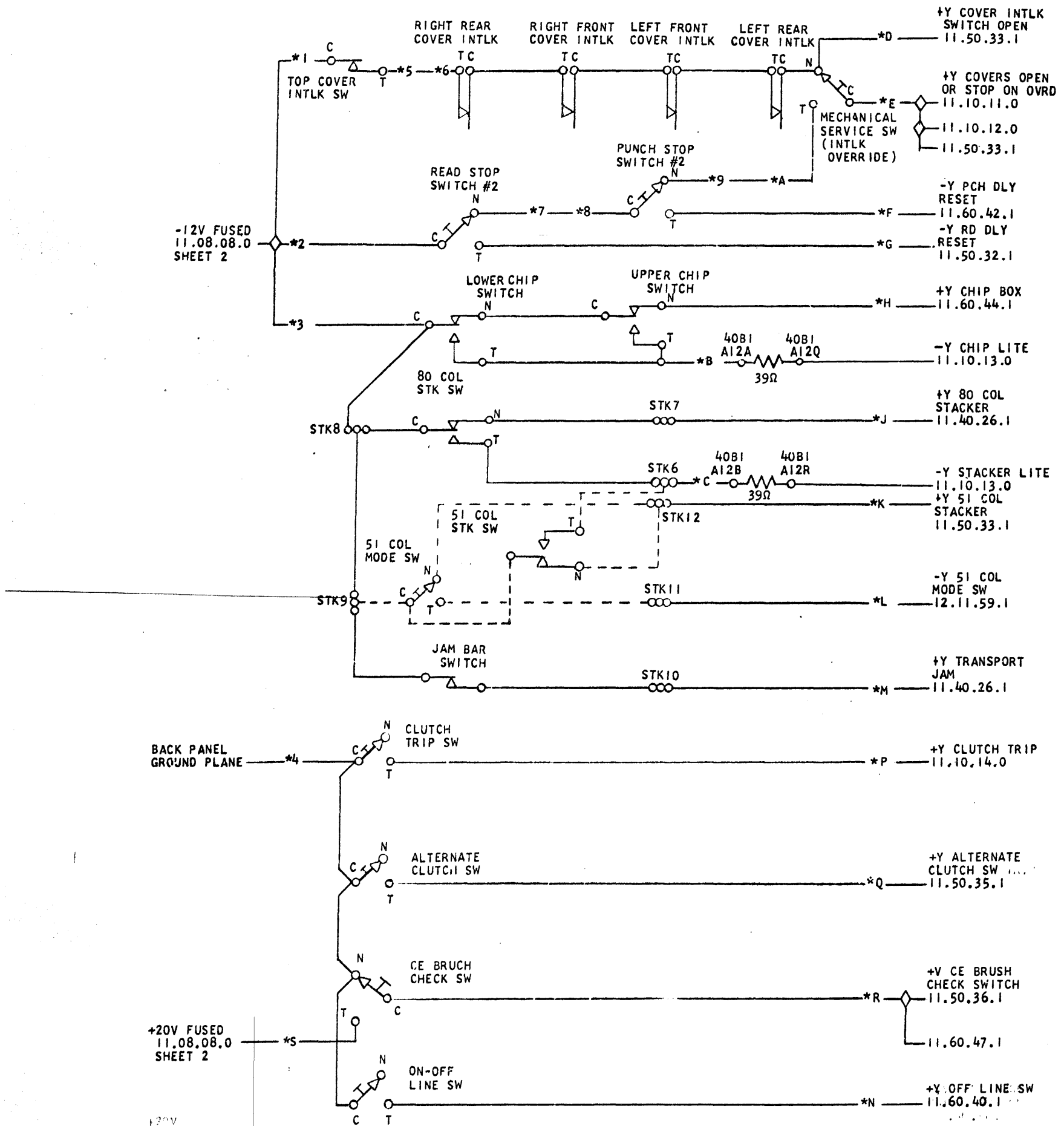
DATE	E. C. NO	DATE	E. C. NO	DATE	E. C. NO
11-9-66	811885A	1-5-67	812609	3-22-67	812618
6-20-67	814089	12-21-67	814415	7-26-68	814443
9-17-68	815595				



●-----● SOLDERED BUSS

- COMPONENTS:
 C1-100 MFD
 C2-100 MFD
 C3-100 MFD
 C4-.1 MFD
 C5-100 MFD (PFR ONLY)
 C6-100 MFD
 C7-100 MFD
 C8-100 MFD

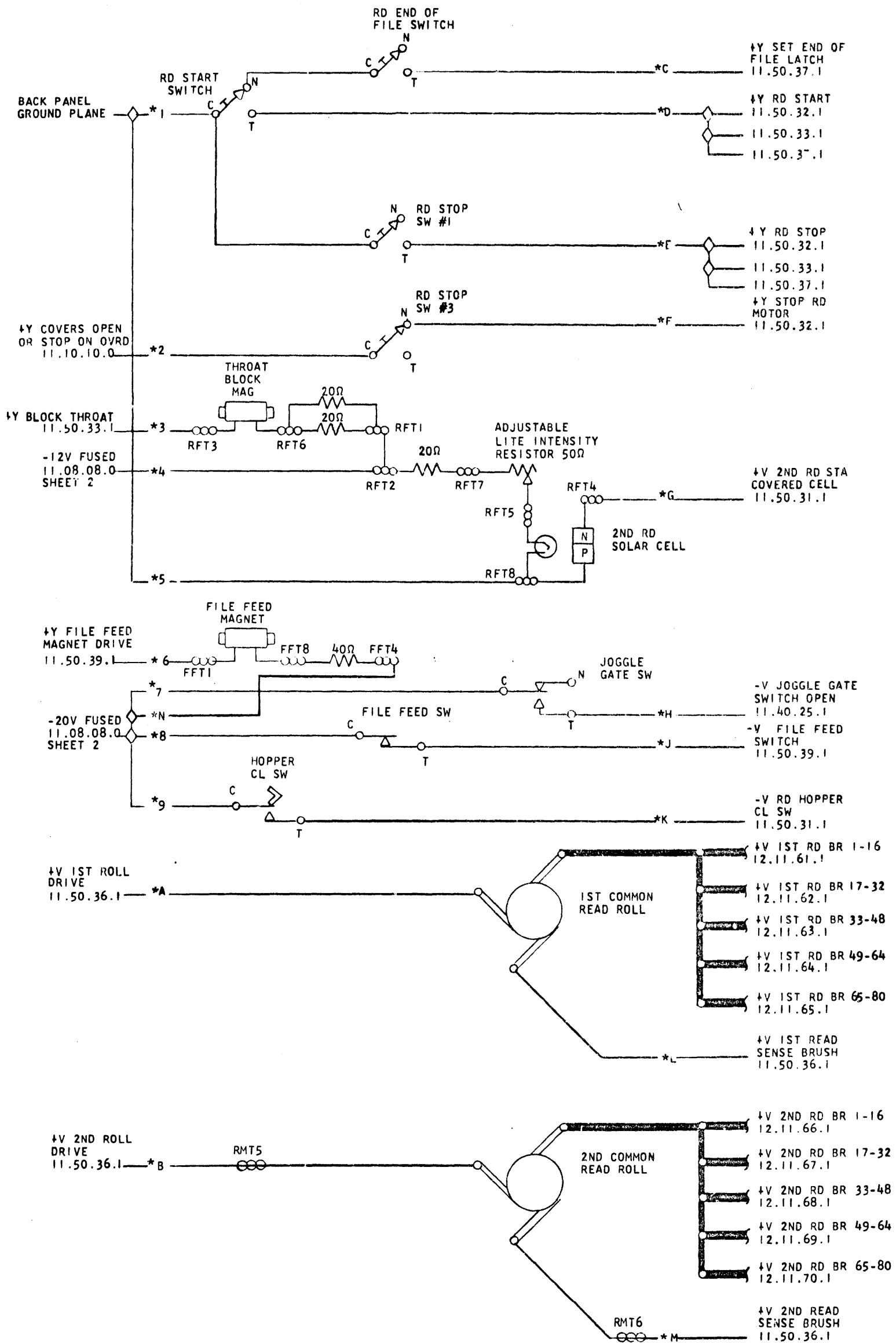
DATE	E. C. NO	DATE	E. C. NO	DATE	E. C. NO
11-9-66	811885A	1-5-67	812609	3-22-67	812618
6-20-67	814089	12-21-67	814415	7-26-68	814443
9-17-68	815595				



- | | | | |
|--------------|--------------|--------------|--------------|
| *1--40B1C01F | *2--40B1C04C | *3--40B1B02M | *4--40B1B01J |
| *5--40B1C01G | *6--40B1B01C | *7--40B1C04D | *8--40B1C01A |
| *9--40B1C01C | *A--40B1B01F | *B--40B1B02F | *C--40B1B01H |
| *D--40B1B01D | *E--40B1B01E | *F--40B1C01B | *G--40B1C04E |
| *H--40B1B02G | *J--40B1B01G | *K--40B1B01O | *L--40B1B01P |
| *M--40B1B01N | *N--40B1B02B | *P--40B1B02C | *Q--40B1B02E |
| *R--40B1B01R | *S--40B1B02K | | |

COMMENTS
 1. DOTTED LINE INDICATE WIRE FOUND ON FEATURE MACHINES ONLY

DATE	E.C. NO.	DATE	E.C. NO.	DATE	E.C. NO.
11-9-66	811885A	1-5-67	812609	5-4-67	814077
12-11-68	816311				



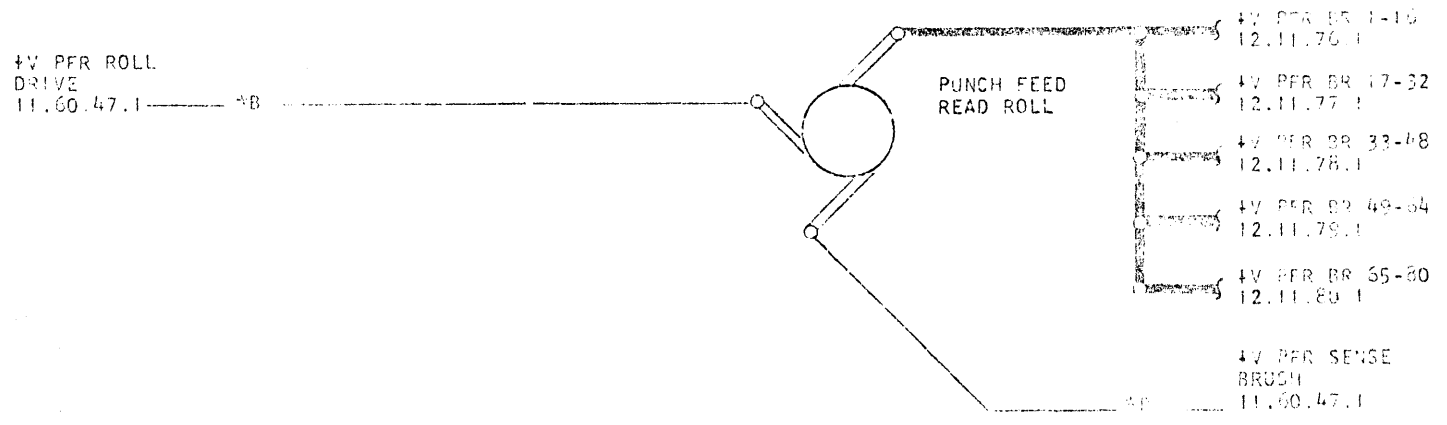
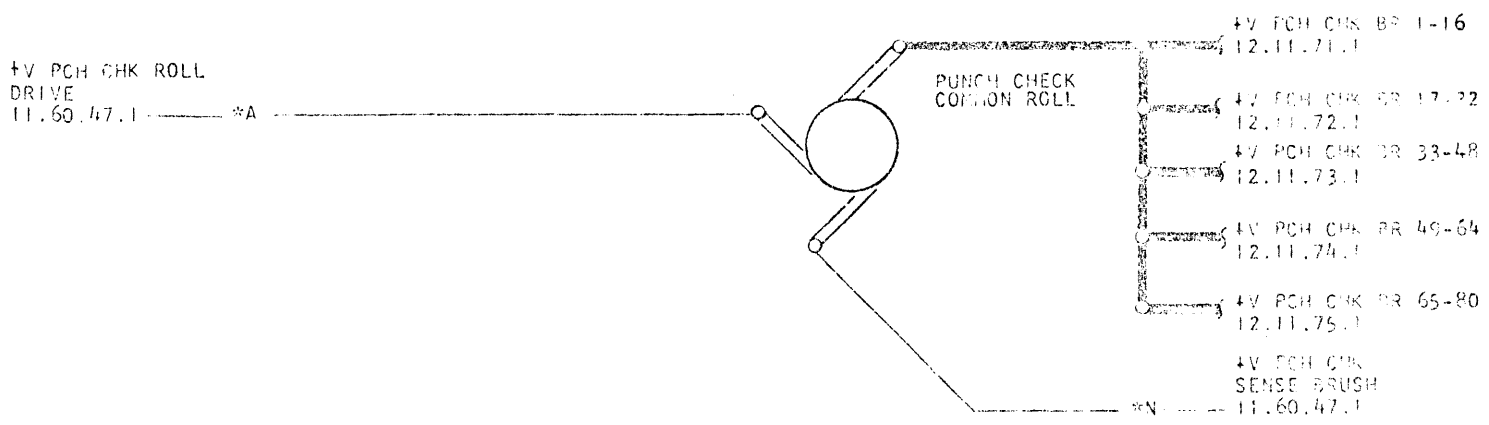
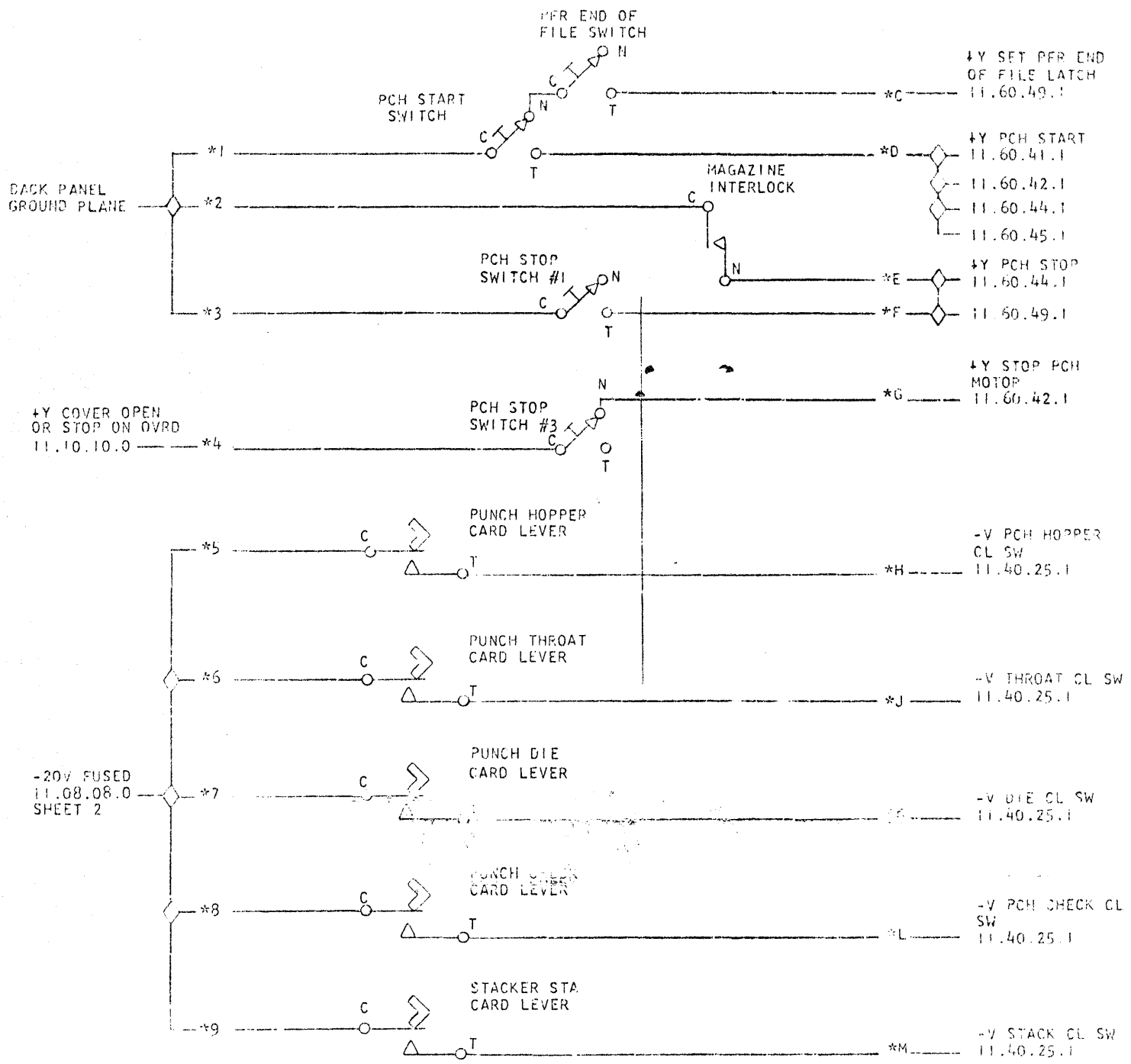
*1--40B1C05J
*5--40B1B03J
*9--40B1B03A
*0--40B1C05E
*H--40B1E03F
*M--40B1E40H

*2--40B1C04A
*6--40B1B03G
*A--40B1E40A6B
*E--40B1C04F
*J--40B1B03D
*N--40B1B03R

*3--40B1B03L
*7--40B1B03H
*B--40B1E40E&F
*F--40B1C04B
*K--40B1B03B

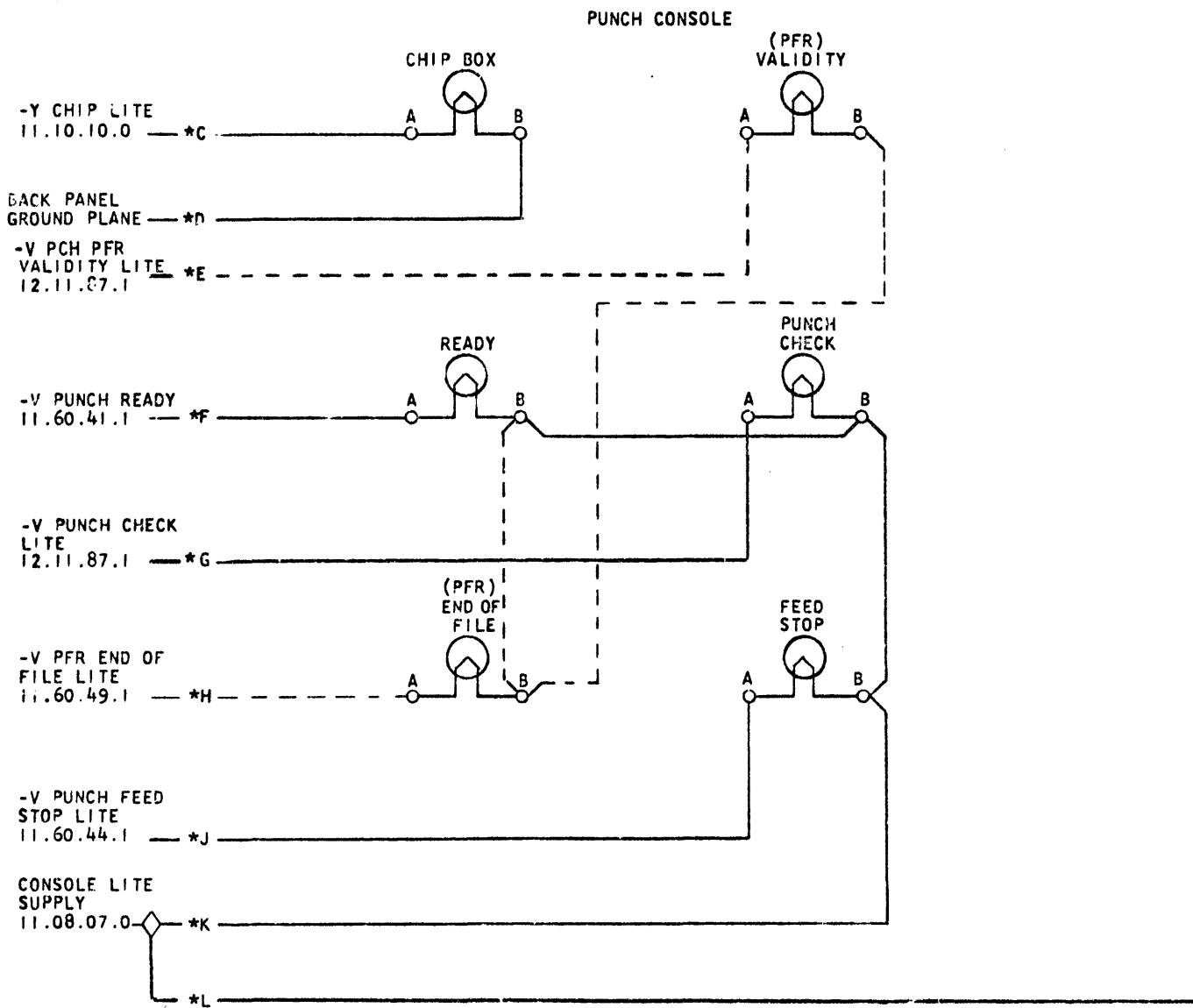
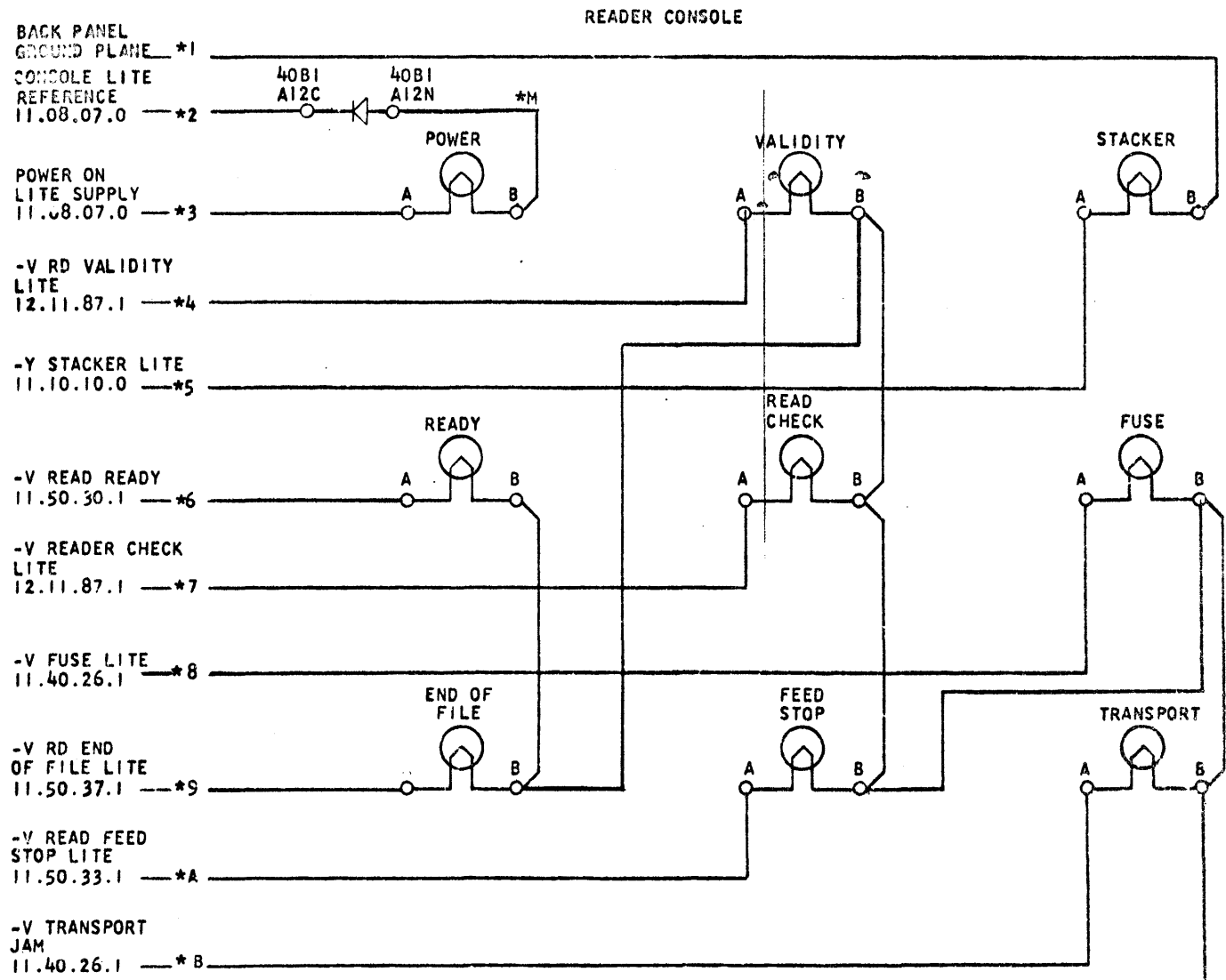
*4--40B1B03M
*8--40B1B03C
*C--40B1C05P
*G--40B1B03E
*L--40B1E40D

DATE	E.C. NO.	DATE	E.C. NO.	DATE	E.C. NO.
11-9-66	81185A	1-5-67	812609	1-18-68	814416



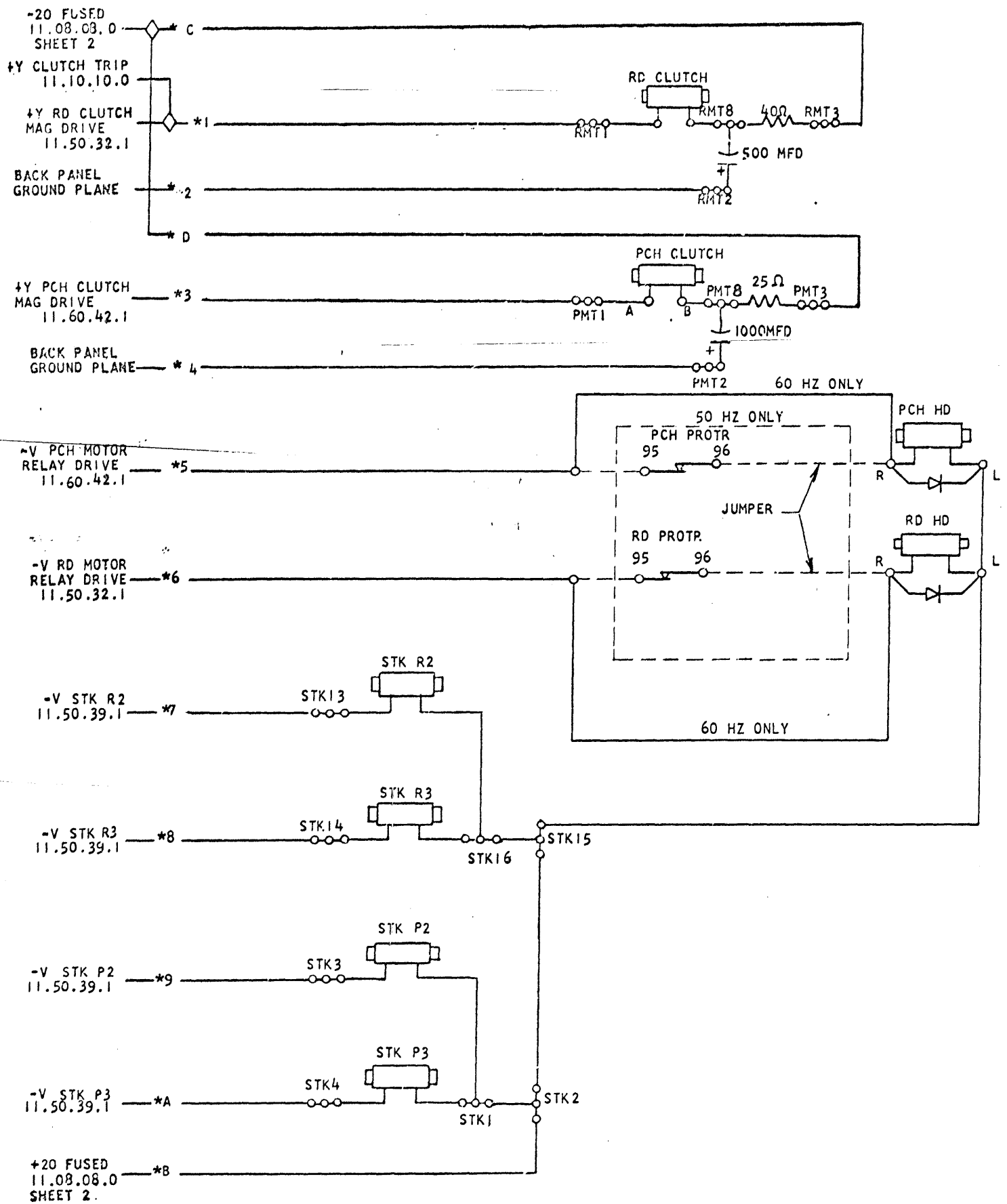
- *1--40B1C02P
- *2--40B1B04J
- *3--40B1C02J
- *4--40B1C01E
- *5--40B1B04A
- *3--40B1B04C
- *7--40B1B04E
- *8--40B1B04G
- *9--40B1B04N
- *A--40B1E40LGM
- *B--40B1E40QR
- *C--40B1C02M
- *D--40B1C02H
- *E--40B1B04K
- *F--40B1C02Q
- *G--40B1C01D
- *H--40B1B04B
- *J--40B1B04D
- *K--40B1B04F
- *L--40B1B04H
- *M--40B1B04P
- *N--40B1E4CK
- *P--40B1E40P

COMMENTS	DATE	E.C. NO.	DATE	E.C. NO.	DATE	E.C. NO.
	11-9-66	811885A	1-5-67	812609	7-26-68	814443



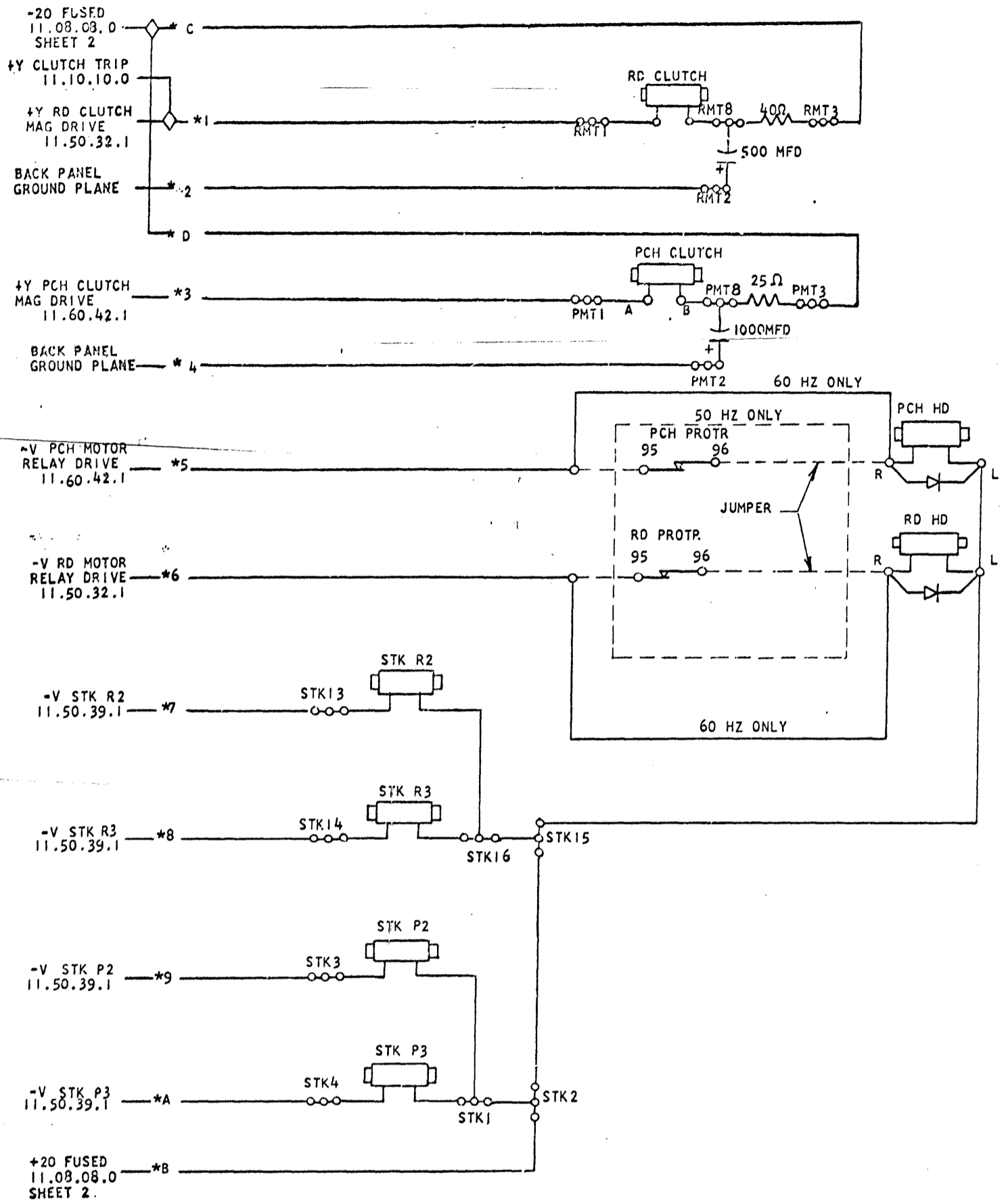
- | | | | |
|---------------------------|--------------|---------------------------|---------------------------|
| *1--40B1C05Q --- 40B1C05J | *2--40B1B01K | *3--40B1C05N --- 40B1B01L | *4--40B1C05F |
| *5--40B1C05M | *6--40B1C05H | *7--40B1C05D | *8--40B1C05B |
| *9--40B1C05G | *A--40B1C05C | *B--40B1C05A | *C--40B1C02G |
| *D--40B1C02N --- 40B1C03J | *E--40B1C02D | *F--40B1C02F | *G--40B1C02B |
| *H--40B1C02E | *J--40B1C02A | *K--40B1C02K --- 40B1B01L | *L--40B1C05K --- 40B1B01L |
| *M--40B1C05R | | | |

COMMENTS	DATE	E.C. NO.	DATE	E.C. NO.	DATE	E.C. NO.
DOTTED LINE INDICATE WIRES FOUND ON PFR FEATURE MACHINES ONLY	11-9-66	811885A	1-5-67	812609	12-21-67	814415



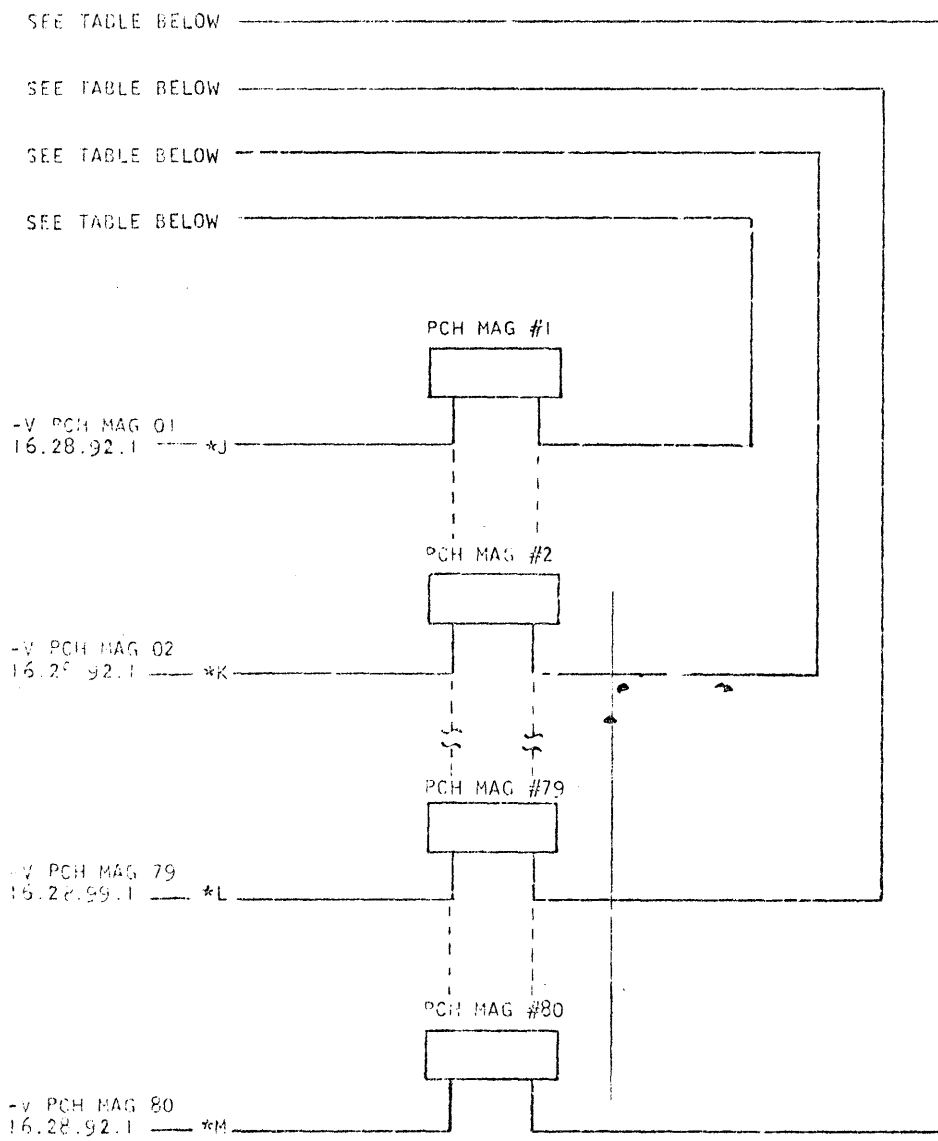
- *1--40B1B03N
- *2--40B1B03P
- *3--40B1B04L
- *4--40B1B04M
- *5--40B1B02H
- *6--40B1B01M
- *7--40B1B02L
- *8--40B1B02N
- *9--40B1B02P
- *A--40B1B02Q
- *B--40B1B02R
- *C--40B1B03Q
- *D--40B1B04Q

DATE	E.C. NO.	DATE	E.C. NO.	DATE	E.C. NO.
11-9-66	811885A	1-5-67	812609	3-28-69	816299
		6-20-67	814089	1-12-70	816299A



- *1--40B1B03N
- *2--40B1B03P
- *3--40B1B04L
- *4--40B1B04M
- *5--40B1B02H
- *6--40B1B01M
- *7--40B1B02L
- *8--40B1B02N
- *9--40B1B02P
- *A--40B1B02Q
- *B--40B1B02R
- *C--40B1B03Q
- *D--40B1B04Q

DATE	E.C. NO.	DATE	E.C. NO.	DATE	E.C. NO.
11-9-66	811885A	1-5-67	812609	3-28-69	816299
		6-20-67	814089	1-12-70	816299A



BOTTOM MAGNET ROW

TOP MAGNET ROW

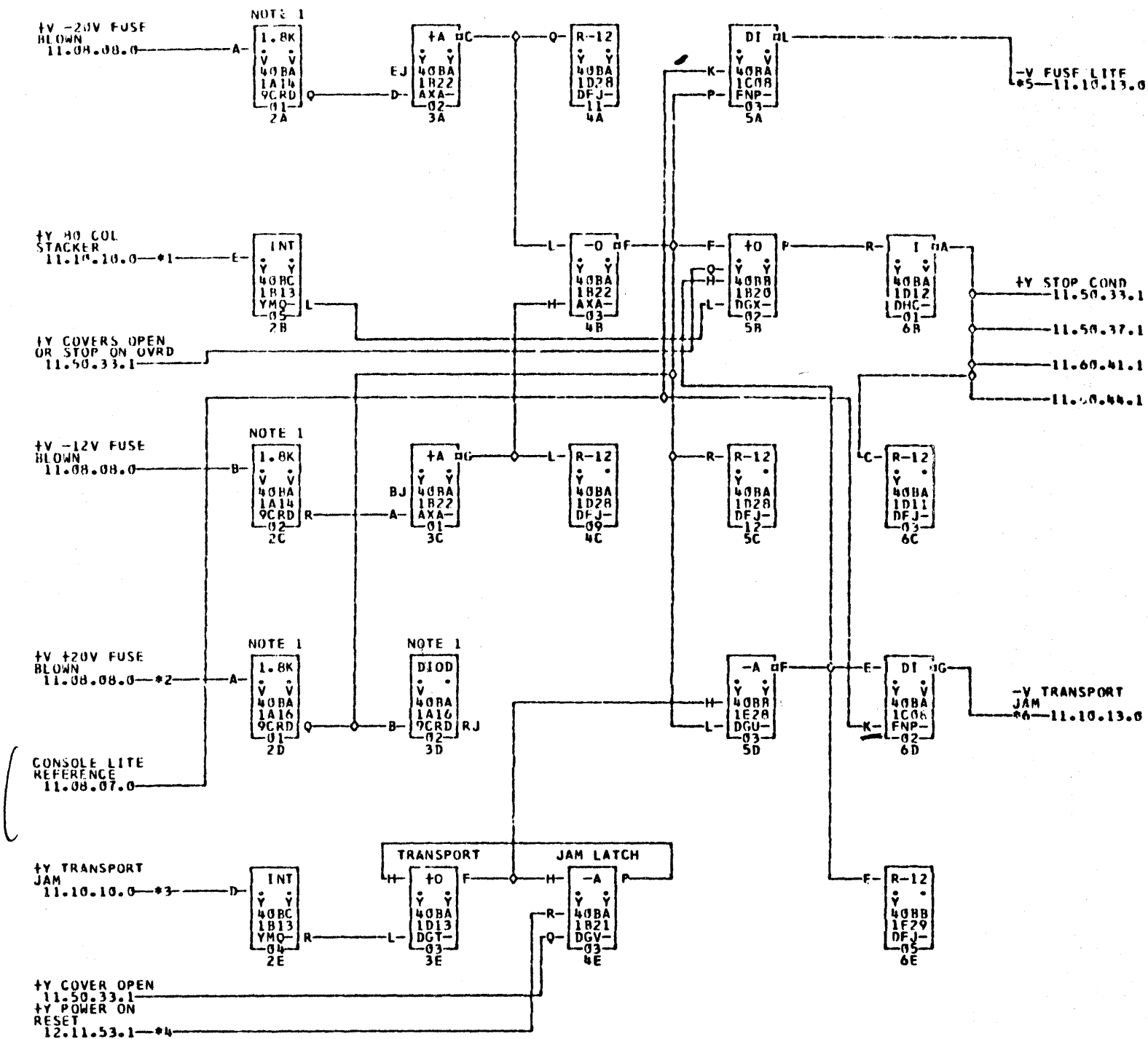
+V PCH MAG CURRENT SW 4 11.60.48.1		+V PCH MAG CURRENT SW 3 11.60.48.1		+V PCH MAG CURRENT SW 2 11.60.48.1		+V PCH MAG CURRENT SW 1 11.60.48.1	
* A	* B	* C	* D	* E	* F	* G	* H
1	41	2	42	3	43	4	44
5	45	6	46	7	47	8	48
9	49	10	50	11	51	12	52
13	53	14	54	15	55	16	56
17	57	18	58	19	59	20	60
21	61	22	62	23	63	24	64
25	65	26	66	27	67	28	68
29	69	30	70	31	71	32	72
33	73	34	74	35	75	36	76
37	77	38	78	39	79	40	80

PUNCH MAGNET
COLUMN POSITION

- *A--40B1A35G *B--40B1A35C *C--40B1A35H *D--40B1A35D
- *E--40B1A35E *F--40B1A35A *G--40B1A35F *H--40B1A35B
- *J--40B1A40A *K--40B1A40B *L--40B1A36Q *M--40B1A36R

COMMENTS

DATE	EC NO.	DATE	EC NO.	DATE	EC NO.
11-9-66	811885A	1-5-67	812609	7-26-68	814743



*1-40B1B01G
*6-40B1C05A

*2-40B1A34K

*3-40B1B01N

*4-40B1D01A

40A1B01A

*5-40B1C05B

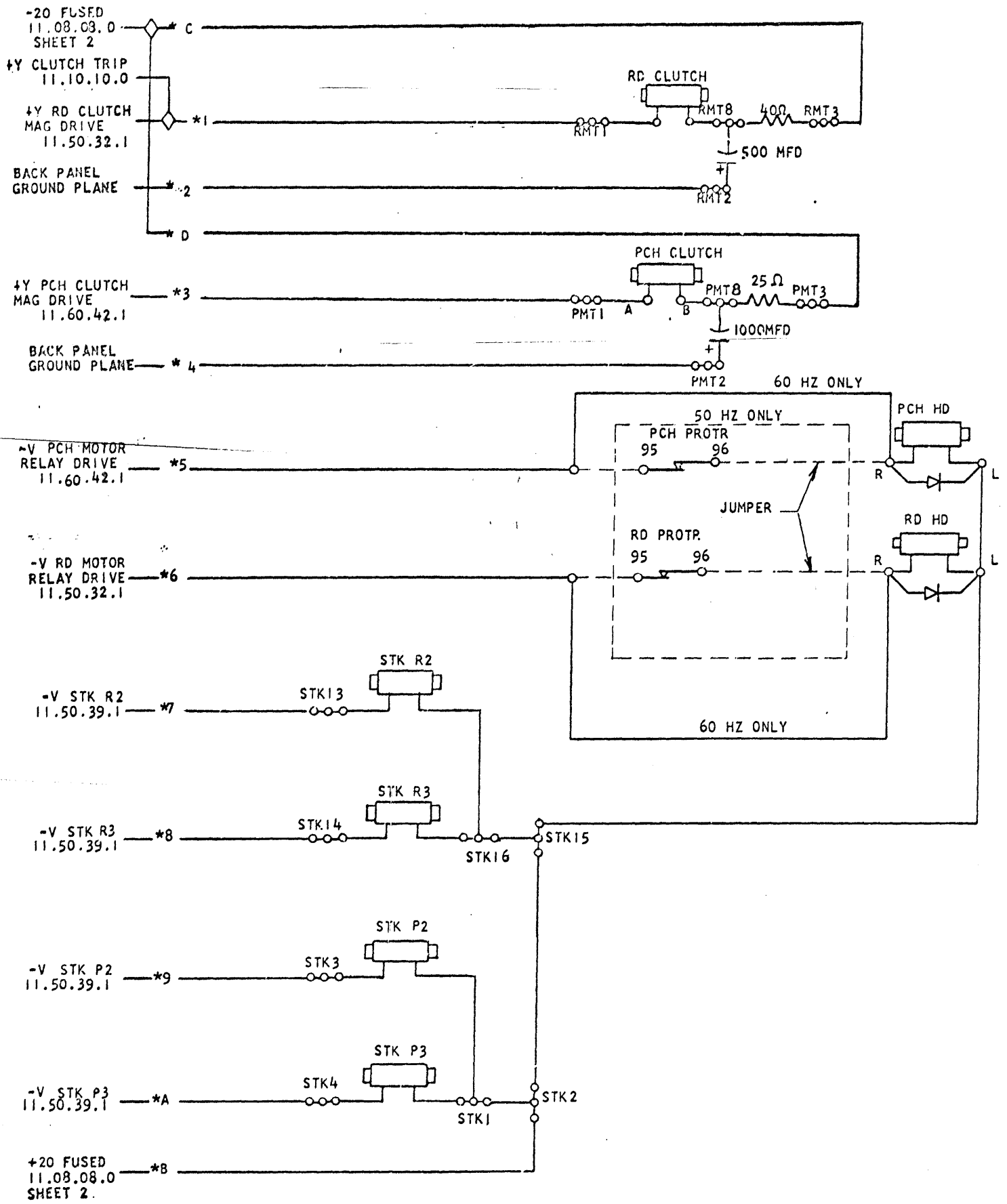
NOTE 1 COMMENTS
9CRD BLOCKS DENOTE DISCRETE COMPONENTS WHICH MAY BE FOUND ON 10.00.04.0

TAG DATE E.C.NO.
A 05-23-66 R11885A

TAG DATE E.C.NO.
B 11-30-66 0812609

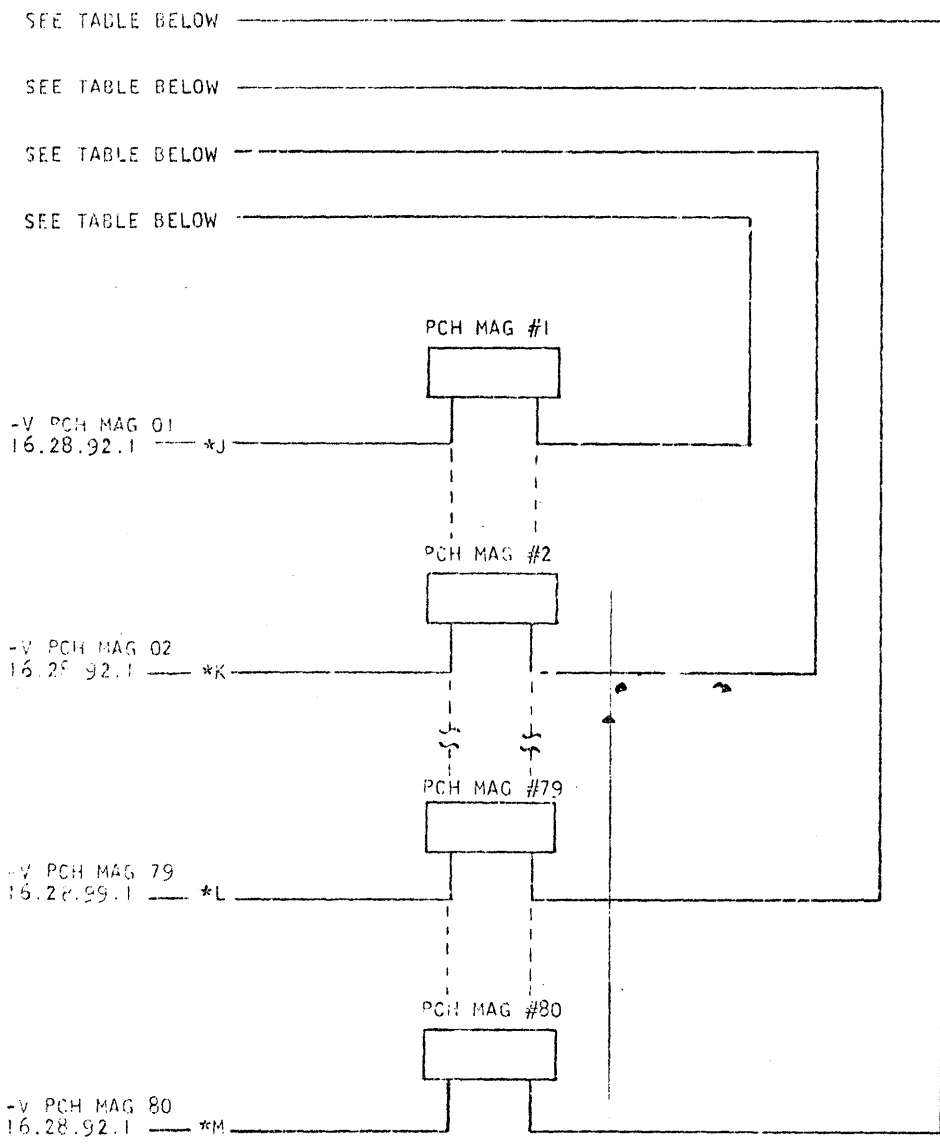
TAG DATE E.C.NO.
C 05-08-67 0814089

TAG DATE F.C.NO.



- *1--4081B03N *2--4081B03P *3--4081B04L
- *4--4081B04M *5--4081B02H *6--4081B01M
- *7--4081B02L *8--4081B02N *9--4081B02P
- *A--4081B02Q *B--4081B02R *C--4081B03Q
- *D--4081B04Q

DATE	E.C. NO.	DATE	E.C. NO.	DATE	E.C. NO.
11-9-66	811885A	1-5-67	812609	3-28-69	816299
		6-20-67	814089	1-12-70	816299A

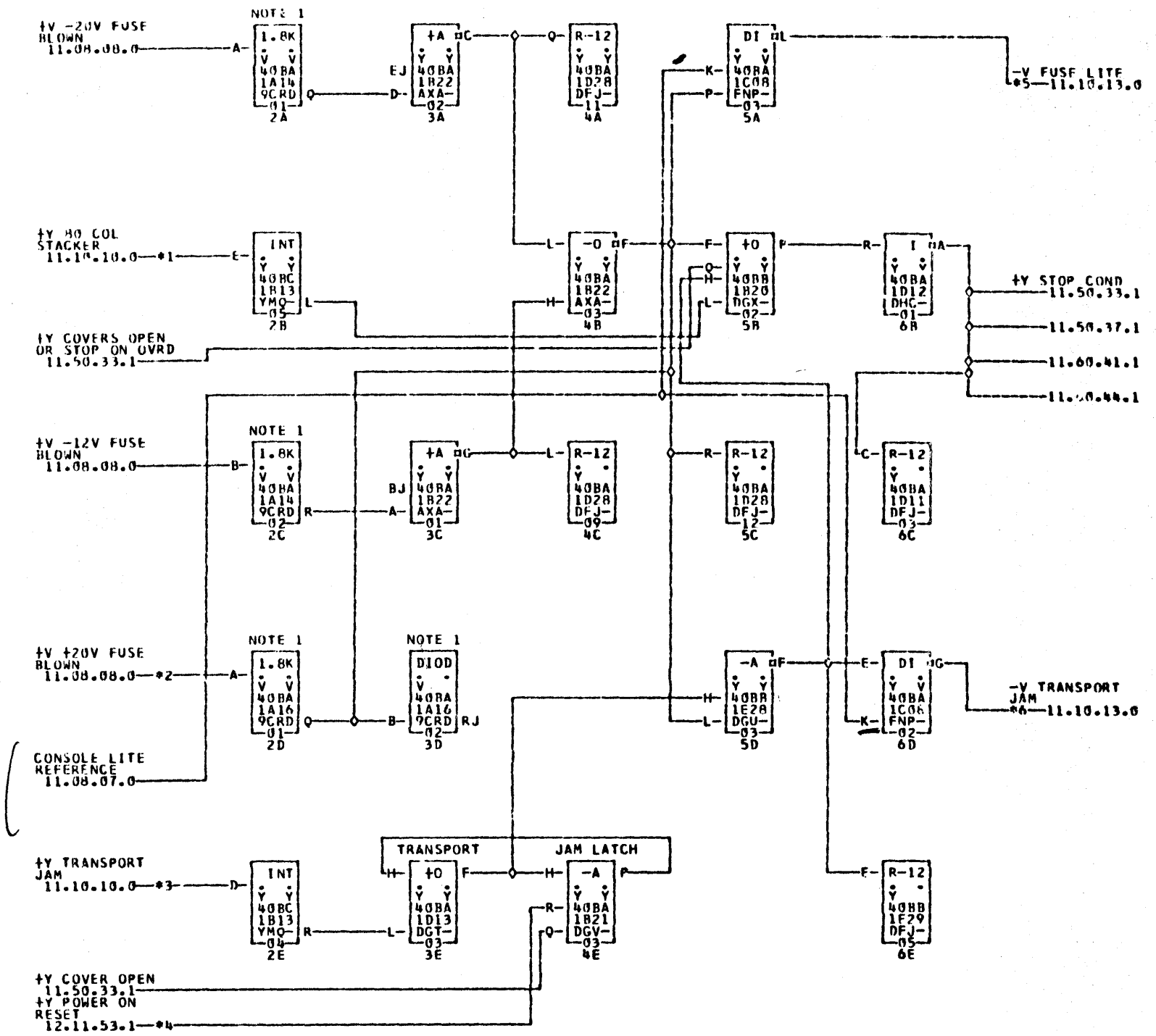


PUNCH MAGNET
COLUMN POSITION

BOTTOM MAGNET ROW				TOP MAGNET ROW			
+V PCH MAG CURRENT SW 4 11.60.48.1		+V PCH MAG CURRENT SW 3 11.60.48.1		+V PCH MAG CURRENT SW 2 11.60.48.1		+V PCH MAG CURRENT SW 1 11.60.48.1	
* A	* B	* C	* D	* E	* F	* G	* H
1	41	2	42	3	43	4	44
5	45	6	46	7	47	8	48
9	49	10	50	11	51	12	52
13	53	14	54	15	55	16	56
17	57	18	58	19	59	20	60
21	61	22	62	23	63	24	64
25	65	26	66	27	67	28	68
29	69	30	70	31	71	32	72
33	73	34	74	35	75	36	76
37	77	38	78	39	79	40	80

- *A--40B1A35G *B--40B1A35C *C--40B1A35H *D--40B1A35D
- *E--40B1A35E *F--40B1A35A *G--40B1A35F *H--40B1A35B
- *J--40B1A40A *K--40B1A40B *L--40B1A36Q *M--40B1A36R

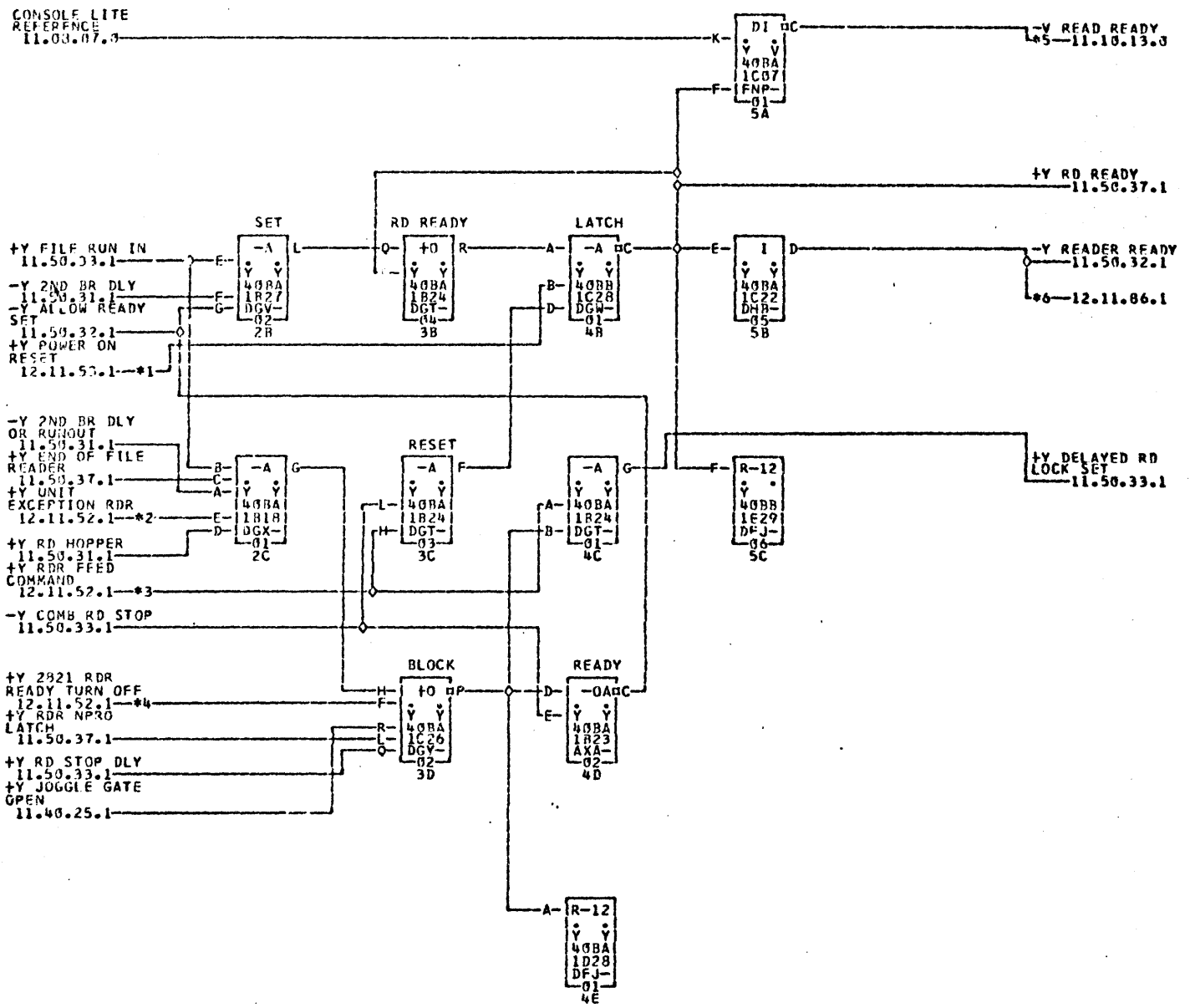
COMMENTS	DATE	EC NO.	DATE	EC NO.	DATE	EC NO.
	11-9-66	811885A	1-5-67	812609	7-26-68	814443



*1-40B1B01G *2-40R1A34K *3-40B1B01N *4-40B1D01A —40A1B01A *5-40B1C05B
 *6-40B1C05A

NOTE 1 COMMENTS
 9CRD BLOCKS DENOTE DISCRETE COMPONENTS WHICH MAY BE FOUND ON 10.00.04.0

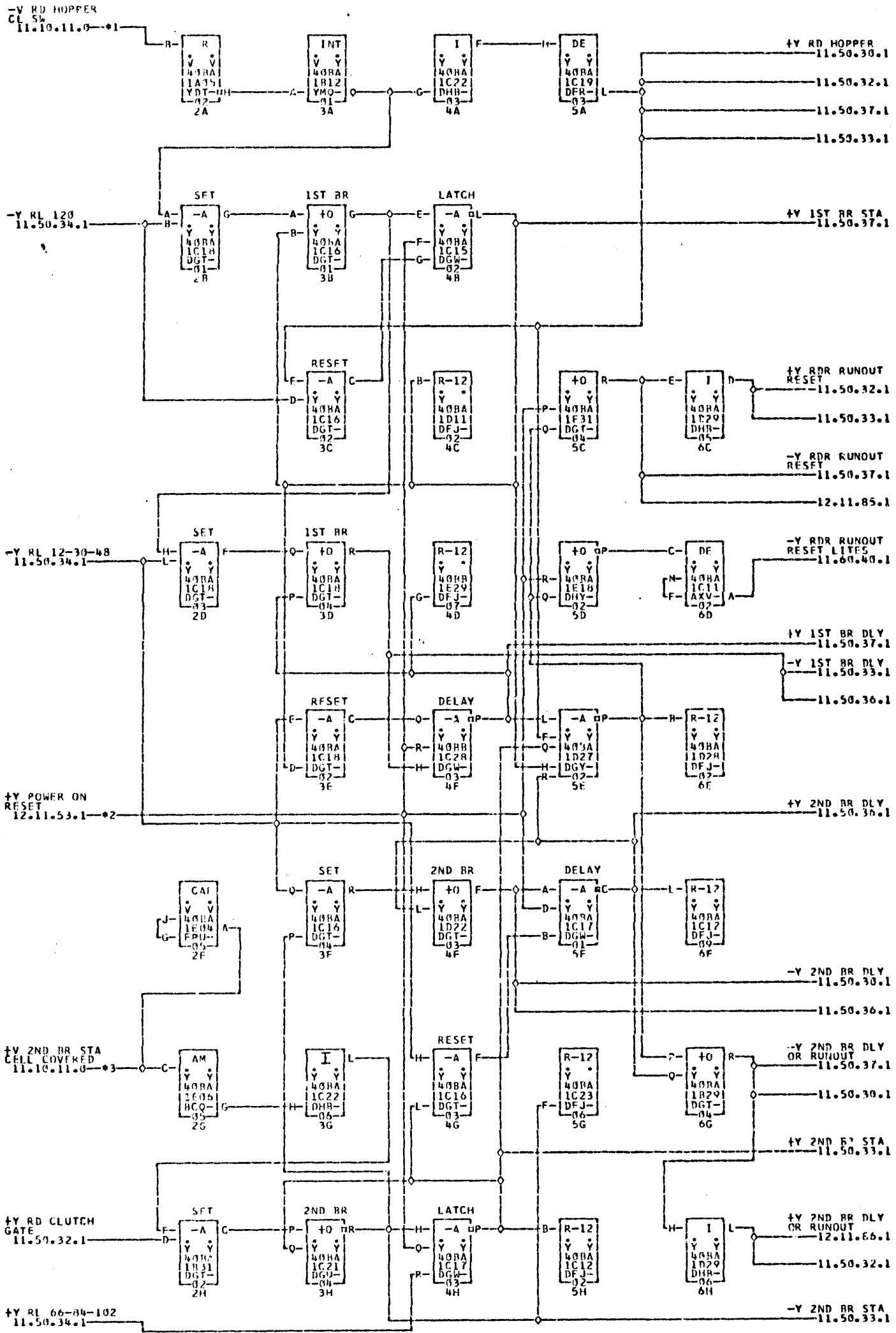
TAG DATE	E.C.NO.	TAG DATE	E.C.NO.	TAG DATE	E.C.NO.	TAG DATE	F.C.NO.
A 05-23-66	R11885A	B 11-30-66	0812609	C 05-08-67	0814089		



*1-40B1001A 40A1801A *2-40B1001C 40A1801C *3-40B1001B 40A1801B
 *4-40B1001D 40A1901D *5-40B1001H 40A1801H *6-40B1001F 40A1801F

COMMENTS

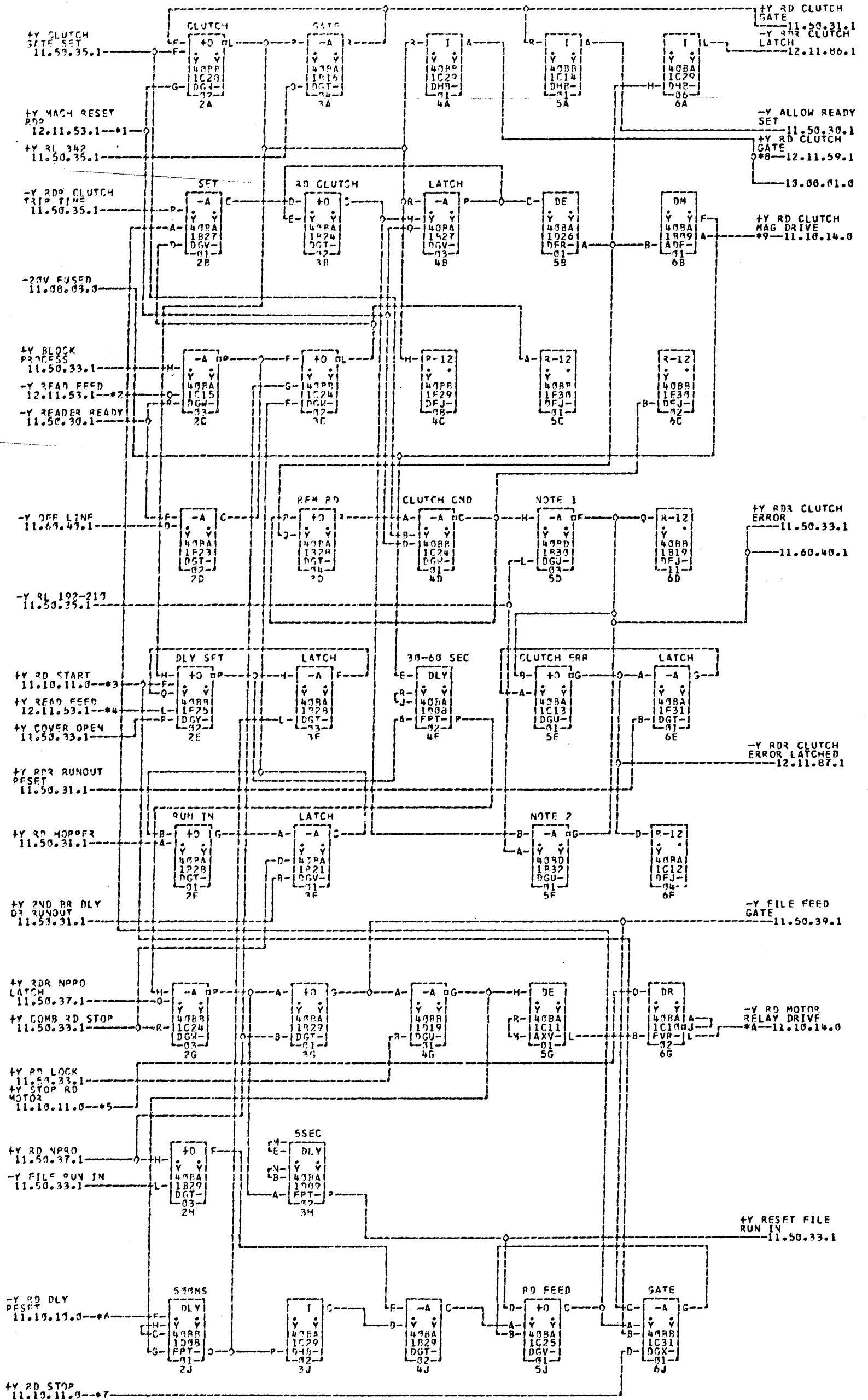
TAG	DATE	E.C.NO.	TAG	DATE	E.C.NO.	TAG	DATE	E.C.NO.	TAG	DATE	E.C.NO.
A	05-23-66	811885A	B	11-30-66	0812609						



*1-4001B03B *2-4001D01A -40A1B01A *3-4001B03F

COMMENTS

TAG DATE	E.C.NO.	TAG DATE	E.C.NO.	TAG DATE	F.C.NO.	TAG DATE	E.C.NO.
A 05-23-66	811885A	B 11-30-66	0812609				



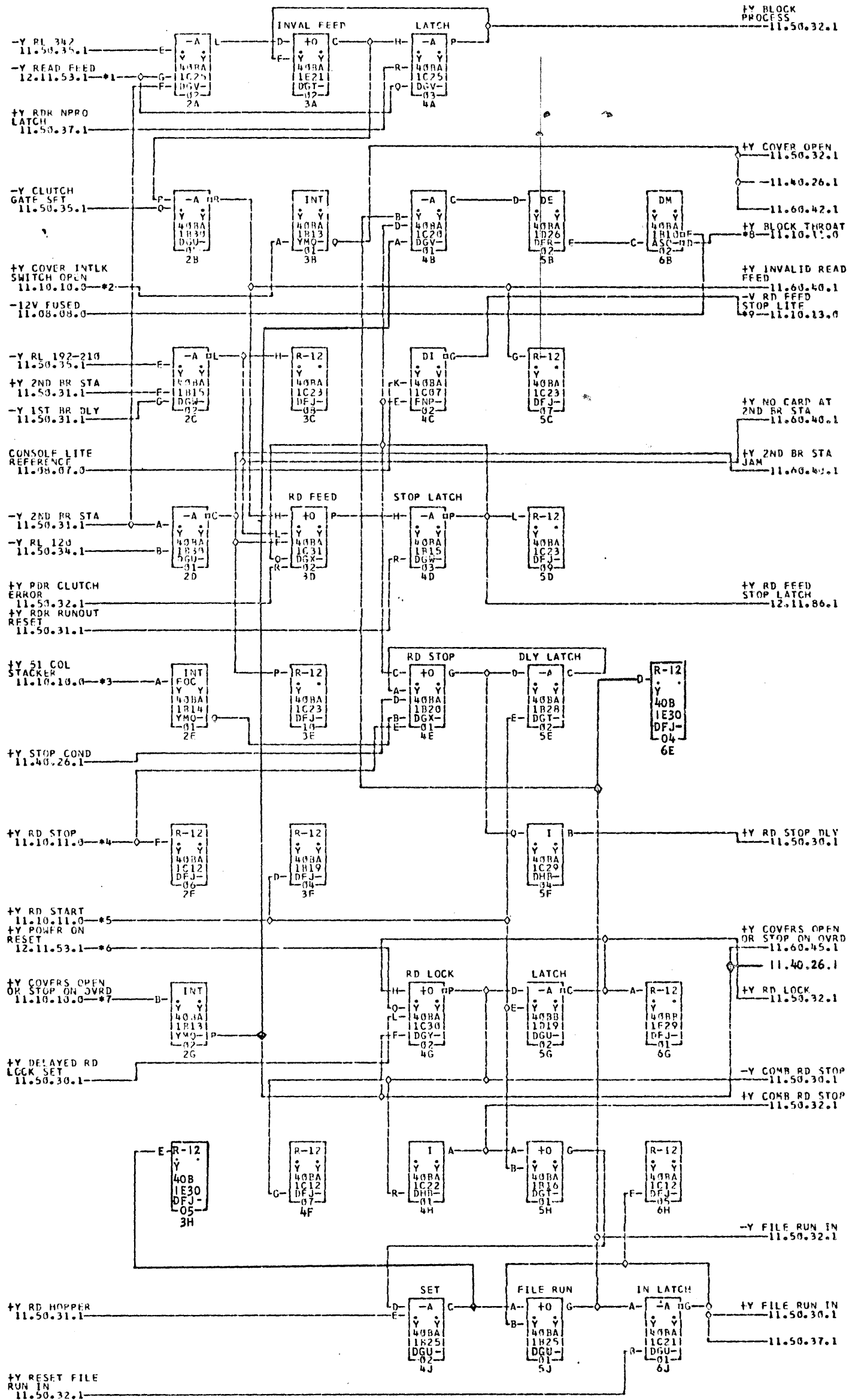
- *1--401031R ---40A1831P *2--401031F ---40A1831F *3--40B1C05E *4--40B1D01G
- 40A1801G *5--40B1C049 *6--40B1C04E *7--40B1C04F *8--40B1B40A ---40A1804A
- 40A1843A *9--40B1803N *A--40B1801M

NOTE 1 SETS CLUTCH ERROR LATCH WITH A MECHANICAL CLUTCH CYCLE TAKEN WITHOUT AN ELECTRICAL COMMAND

NOTE 2 SETS CLUTCH ERROR LATCH BY A MISSING RL 342 PULSE

TAG DATE E.C.NO. TAG DATE E.C.NO. TAG DATE E.C.NO. TAG DATE E.C.NO.

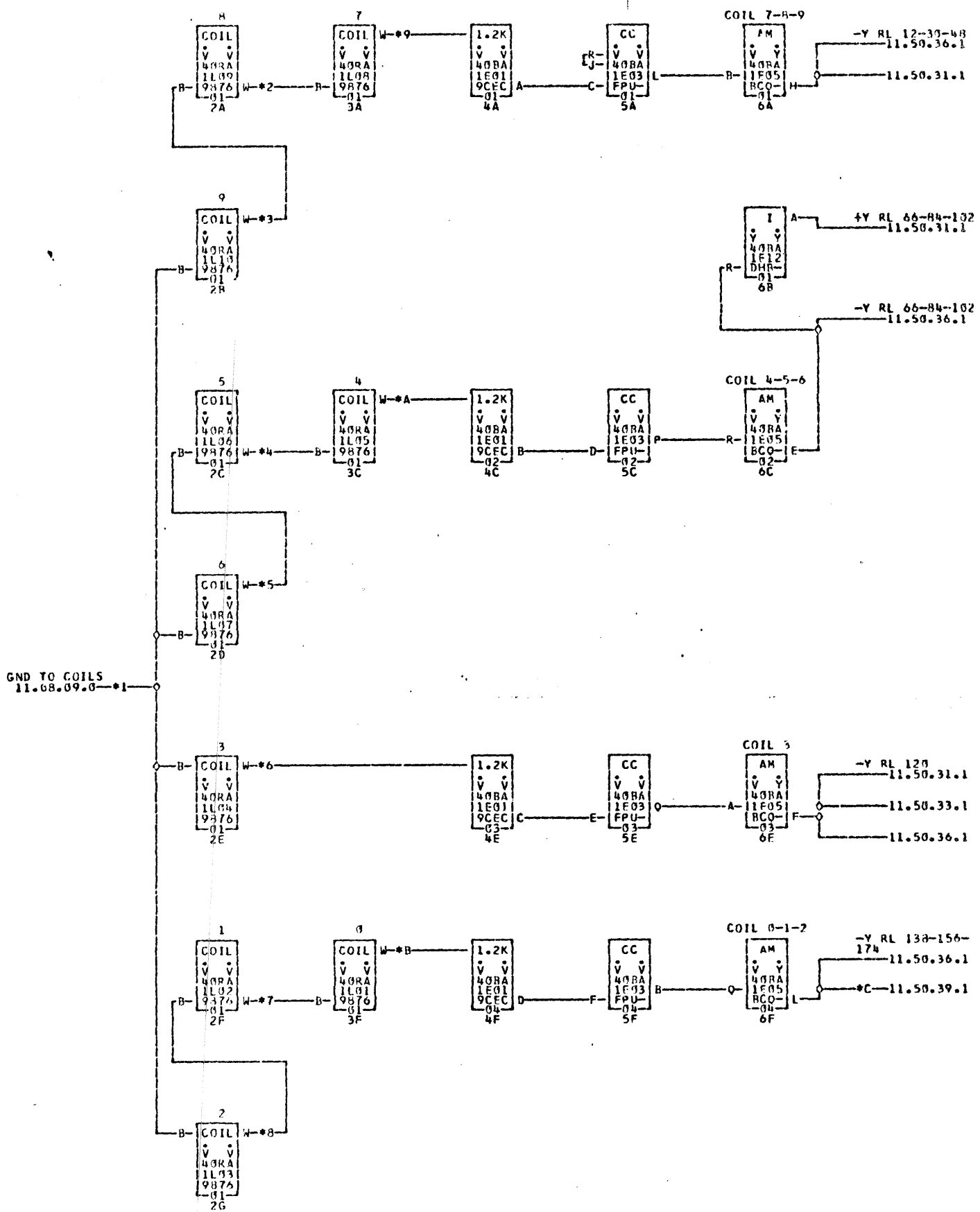
A 05-23-66 811RR5A 19 11-30-66 0912599 IC 06-26-67 0814405 D 10-09-64 0816299



- *1-40B1D01F 40A1B01F *2-40B1B01D *3-40B1B01O *4-40B1C14F *5-40B1C05E
- *6-40B1D01A 40A1B01A *7-40B1B01E *8-40B1B03L *9-40B1C15C

COMMENTS

TAG	DATE	E.C.NO.	TAG	DATE	E.C.NO.	TAG	DATE	E.C.NO.	TAG	DATE	E.C.NO.
A	05-23-66	011865A	B	11-30-66	0812609						



*1-40B1F01J
 NOTE-1
 *B-40B1F01P
 40A1B030

*2-40B1F01L
 *5-40B1F01M
 NOTE-1

NOTE-1
 NOTE-1
 *9-40B1E01A

*3-40B1F01J
 *6-40B1E01C
 *A-40B1E01B

NOTE-1
 *7-40B1E01D
 *B-40B1E01D

*4-40B1E01N
 NOTE-1
 *C-40B1D030

NOTE 1 CONNECTIONS BETWEEN COILS ARE MADE ON RESISTOR CABLE CARD 9CEC IN 40B1E01. SEE DIAGRAM OF 9CEC CARD IN 2540 WIRING DIAGRAM VOL 2

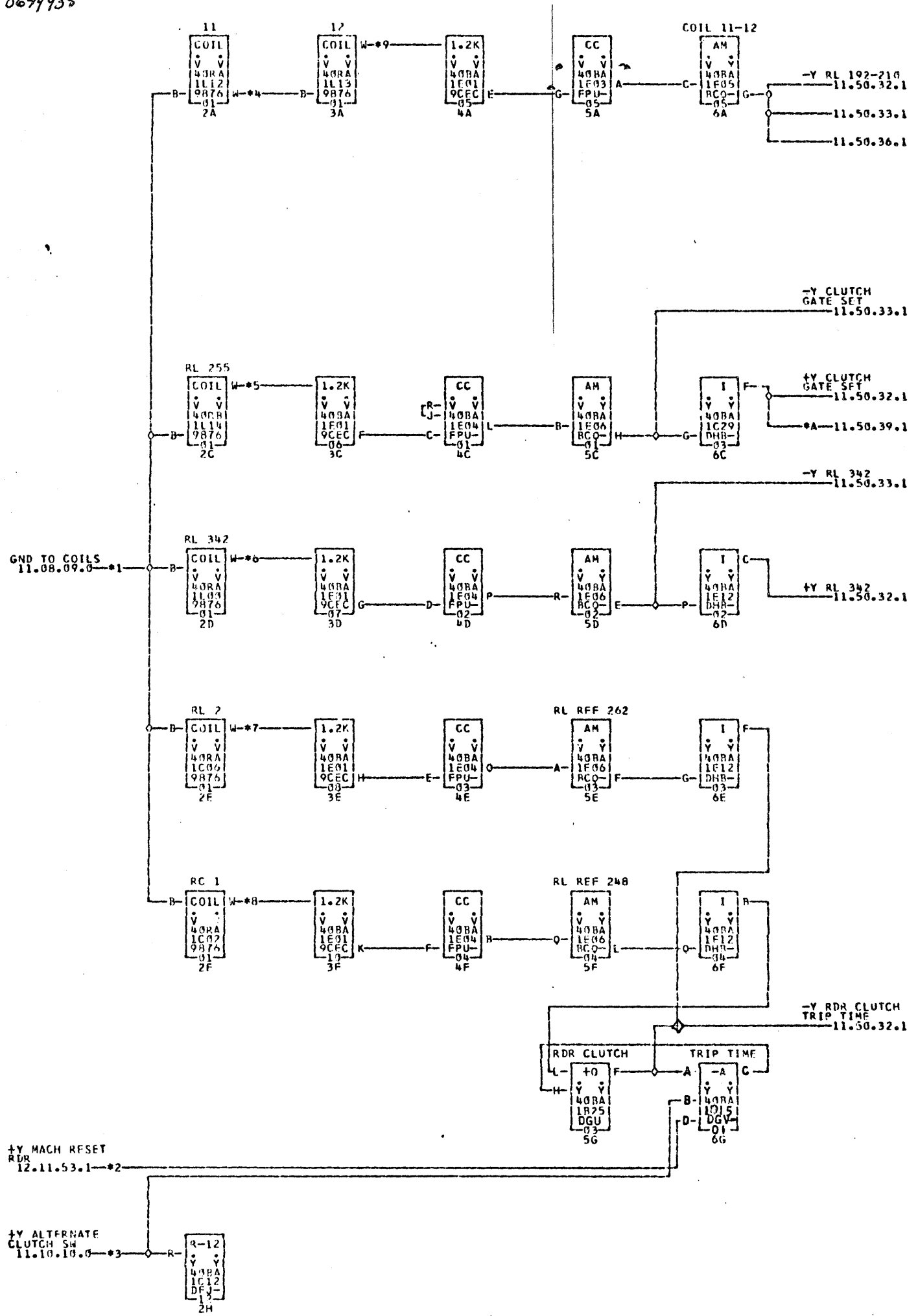
TAG DATE	E.C.NO.	TAG DATE	E.C.NO.	TAG DATE	E.C.NO.	TAG DATE	E.C.NO.
A 05-23-66	811885A	B 11-30-66	0812609				

0649935
0649935

READ EMITTERS AND CLUTCH TIME

2540

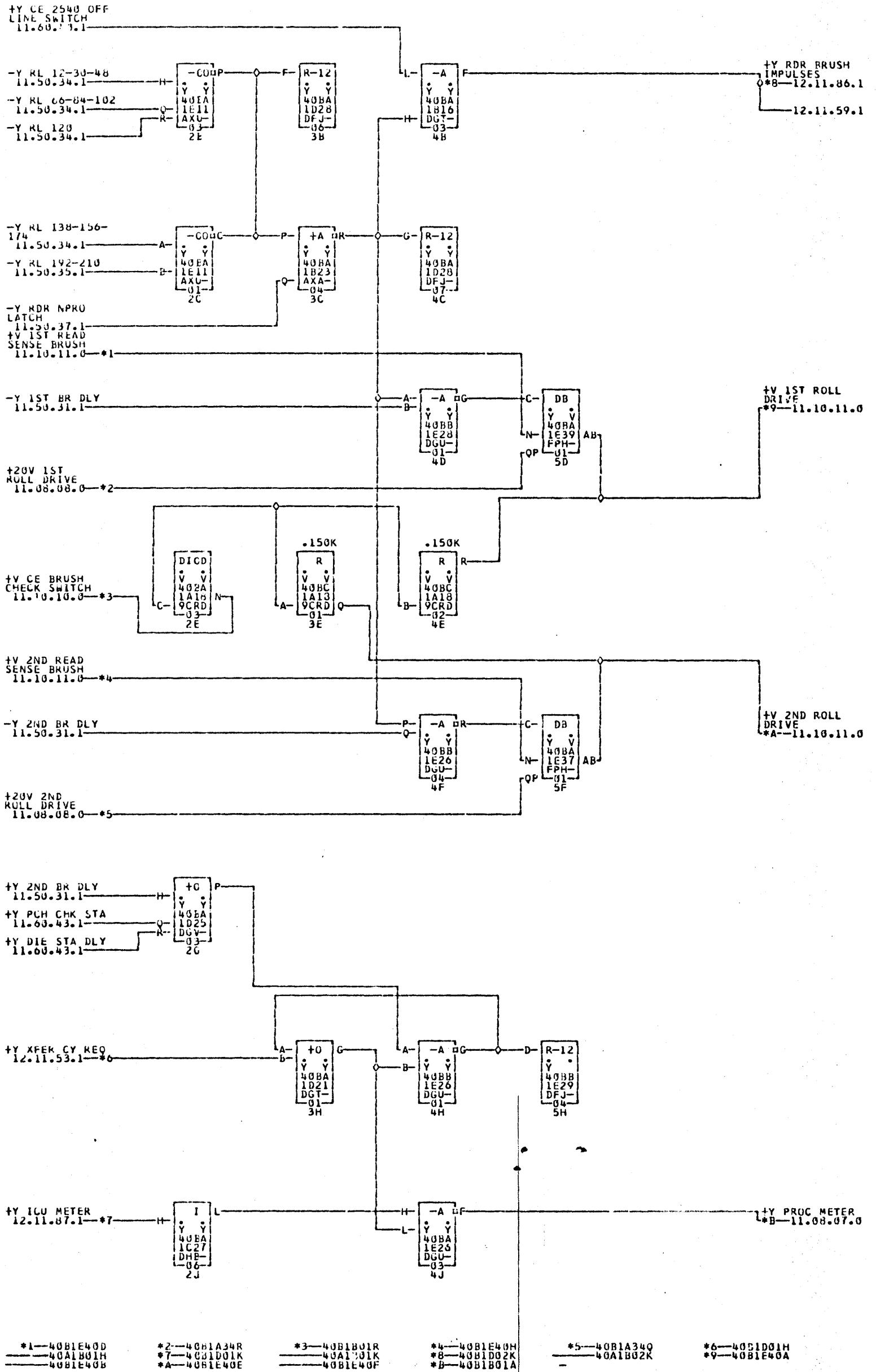
11.50.35.1



- *1-4081E01J *2-4081D01R *3-4081B07E *4-4081E01R *5-4081E01F *6-4081E01G *7-4081E01H *8-4081E01K *9-4081E01E NOTE-1 *A-4081D03R

NOTE 1 CONNECTIONS BETWEEN COILS ARE MADE ON RESISTOR CABLE CARD 9CEC IN 4081E01. SEE DIAGRAM OF 9CEC CARD IN 2540 WIRING DIAGRAM VOL 2

TAG	DATE	F.C.NO.	TAG	DATE	F.C.NO.	TAG	DATE	E.C.NO.	TAG	DATE	E.C.NO.
A	05-23-66	811865A	R	11-30-66	0812609						



NOTE 1 COMMENTS TAG DATE E.C.NO. TAG DATE E.C.NO. TAG DATE E.C.NO. TAG DATE E.C.NO.

9CRD BLOCKS DENOTE DISCRETE COMPONENTS WHICH MAY BE FOUND ON 10.00.04.0

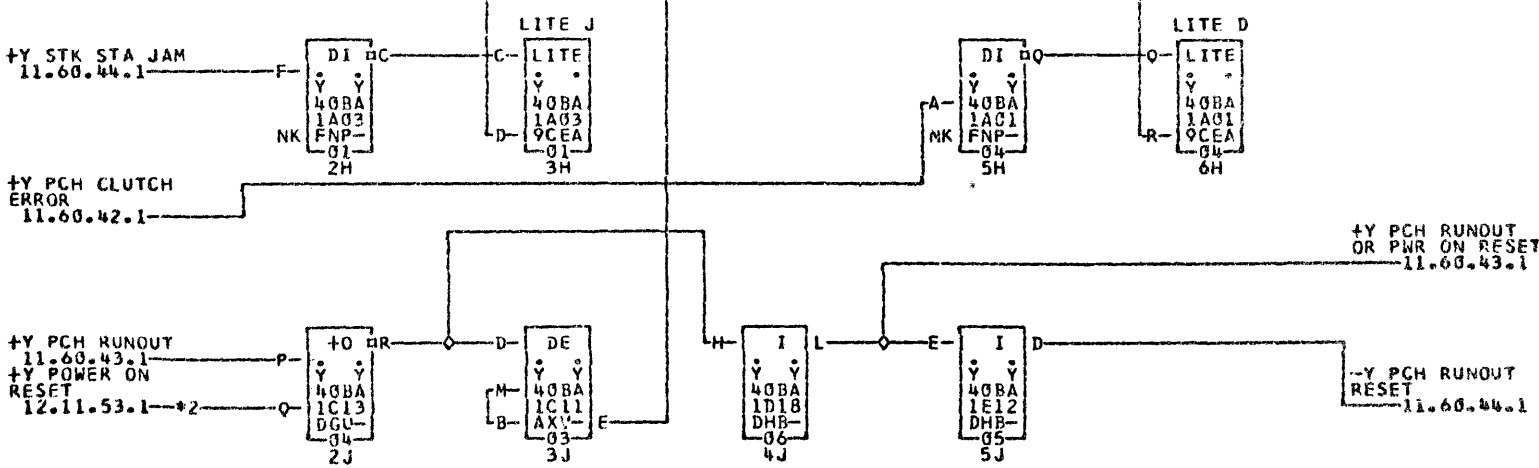
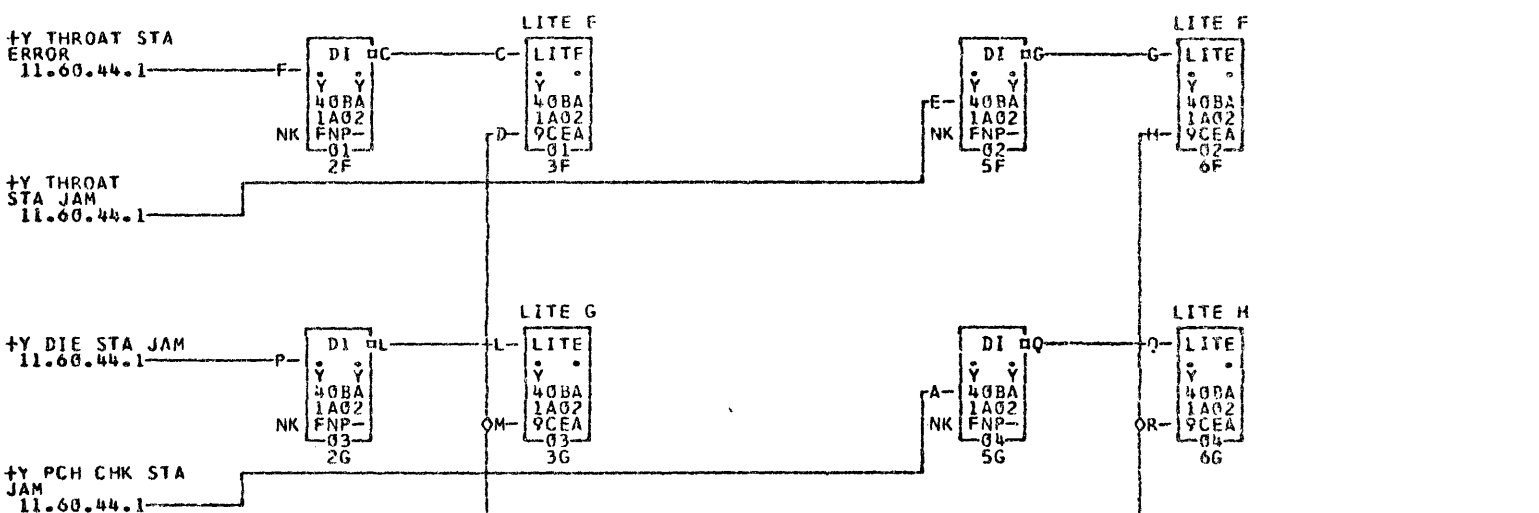
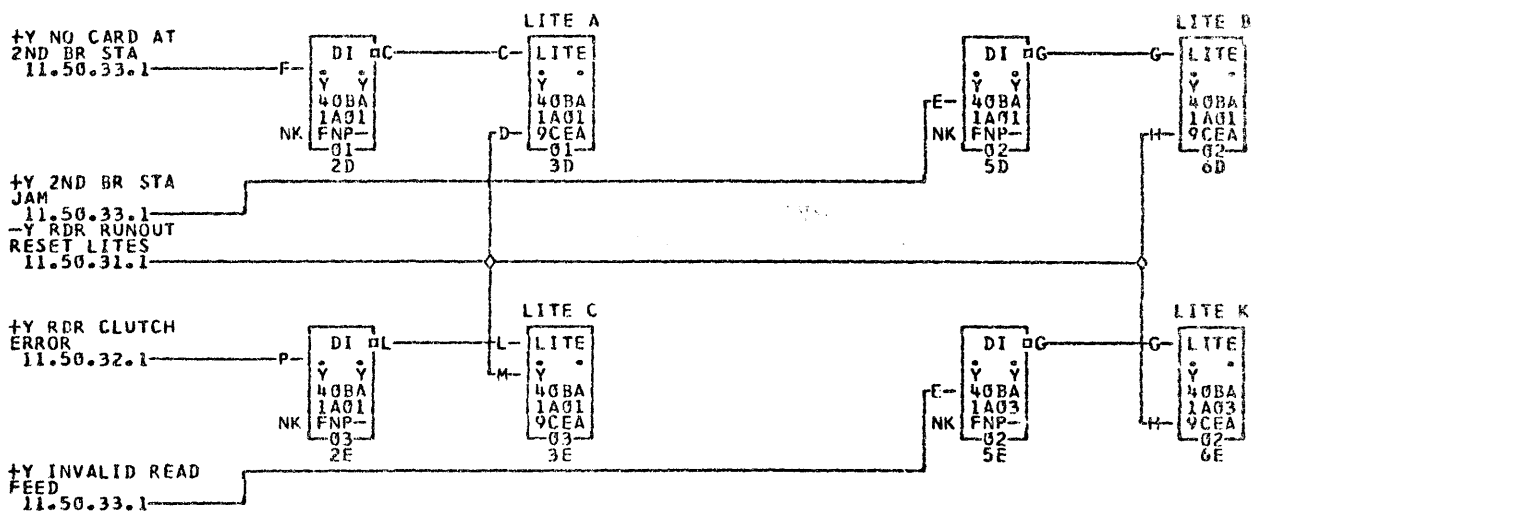
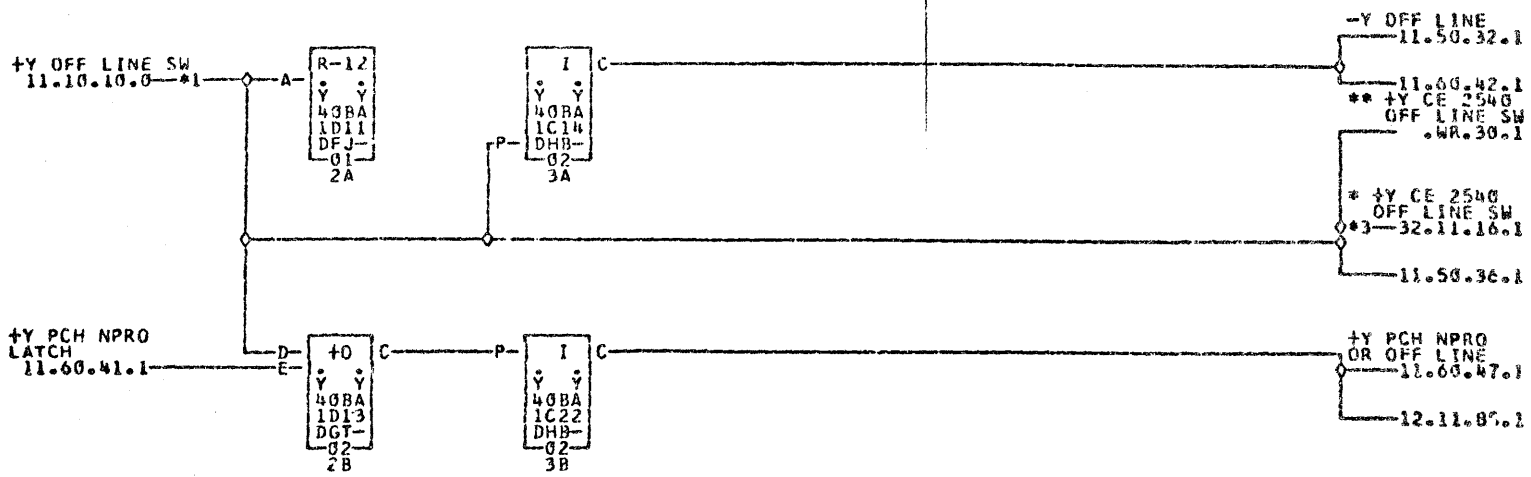
A	05-23-66	811885A	B	11-30-66	0812609	C	08-14-67	0814409
---	----------	---------	---	----------	---------	---	----------	---------

0649940

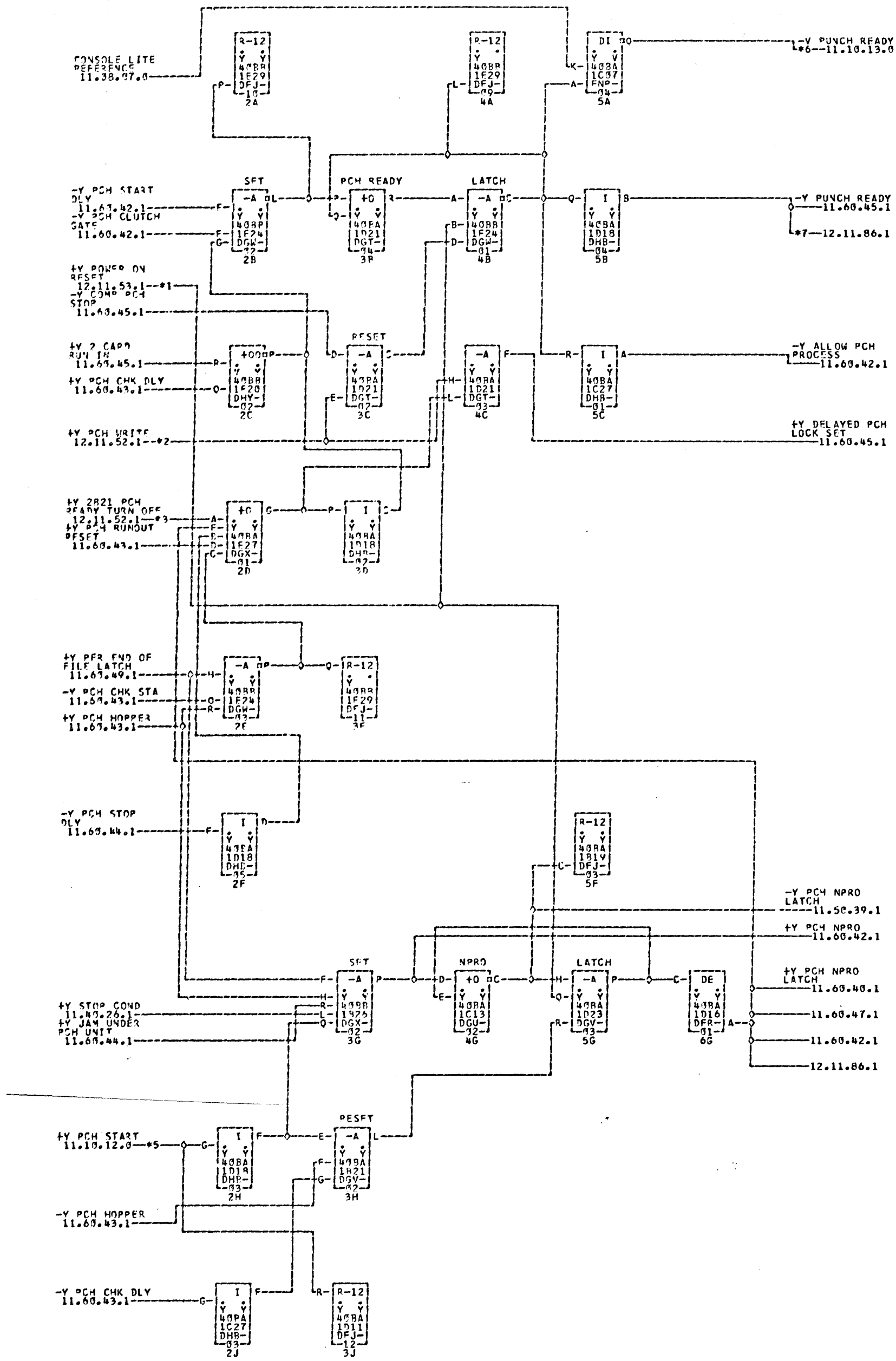
OFF LINE AND CE AID LITES

2547

11.60.40.1



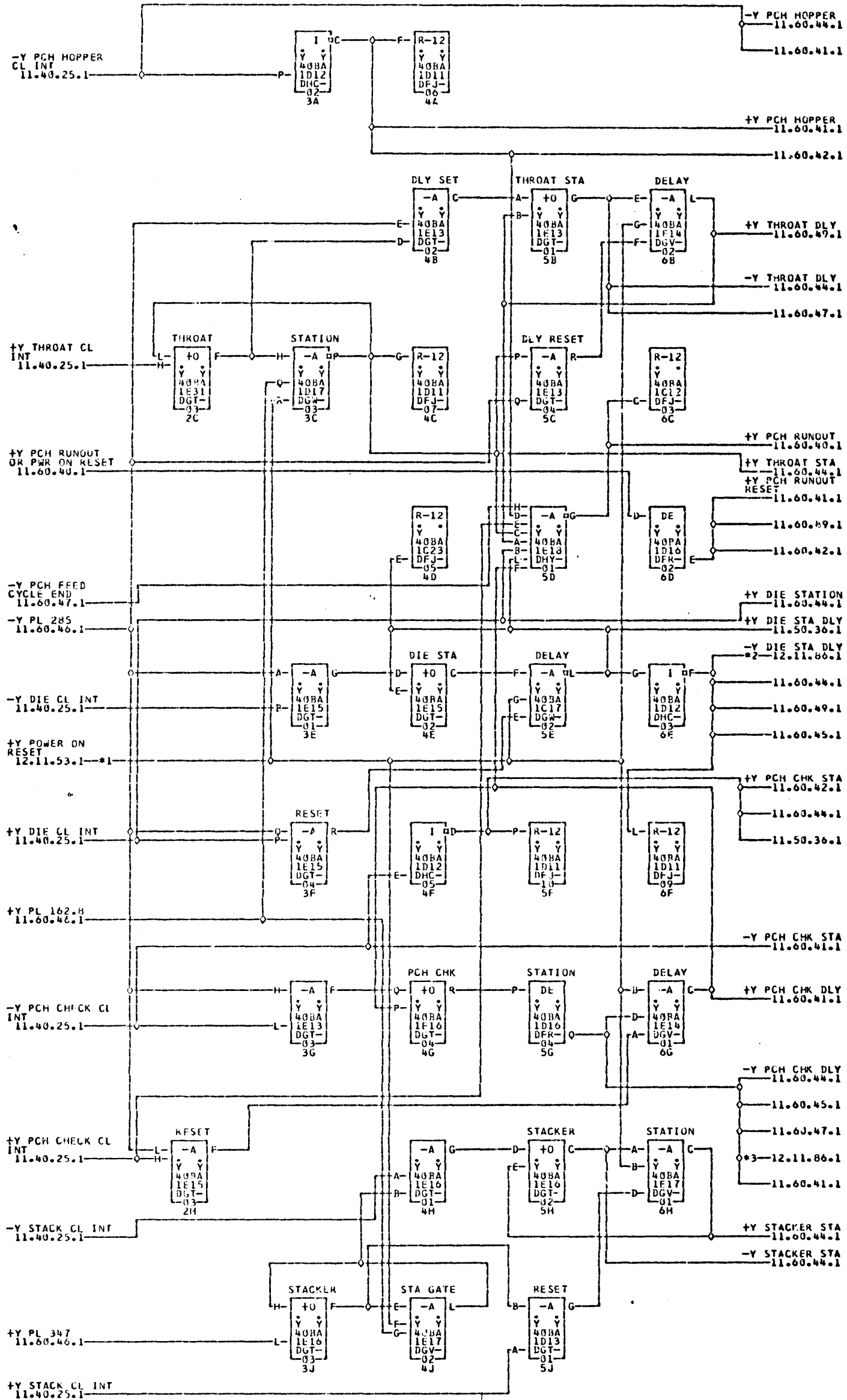
*1-40B1B02H *2-40B1D01A 40A1B01A *3-40B1D01N 40A1B01N 40A1C04R



*1--40B1D31A 40A1B31A *2--40B1D01P 40A1B01P *3--40B1D02A 40A1B02A
 *4--40B1D01Q 40A1B01Q *5--40B1C02H *6--40B1C02F *7--40B1D02Q 40A1B02Q

COMMENTS

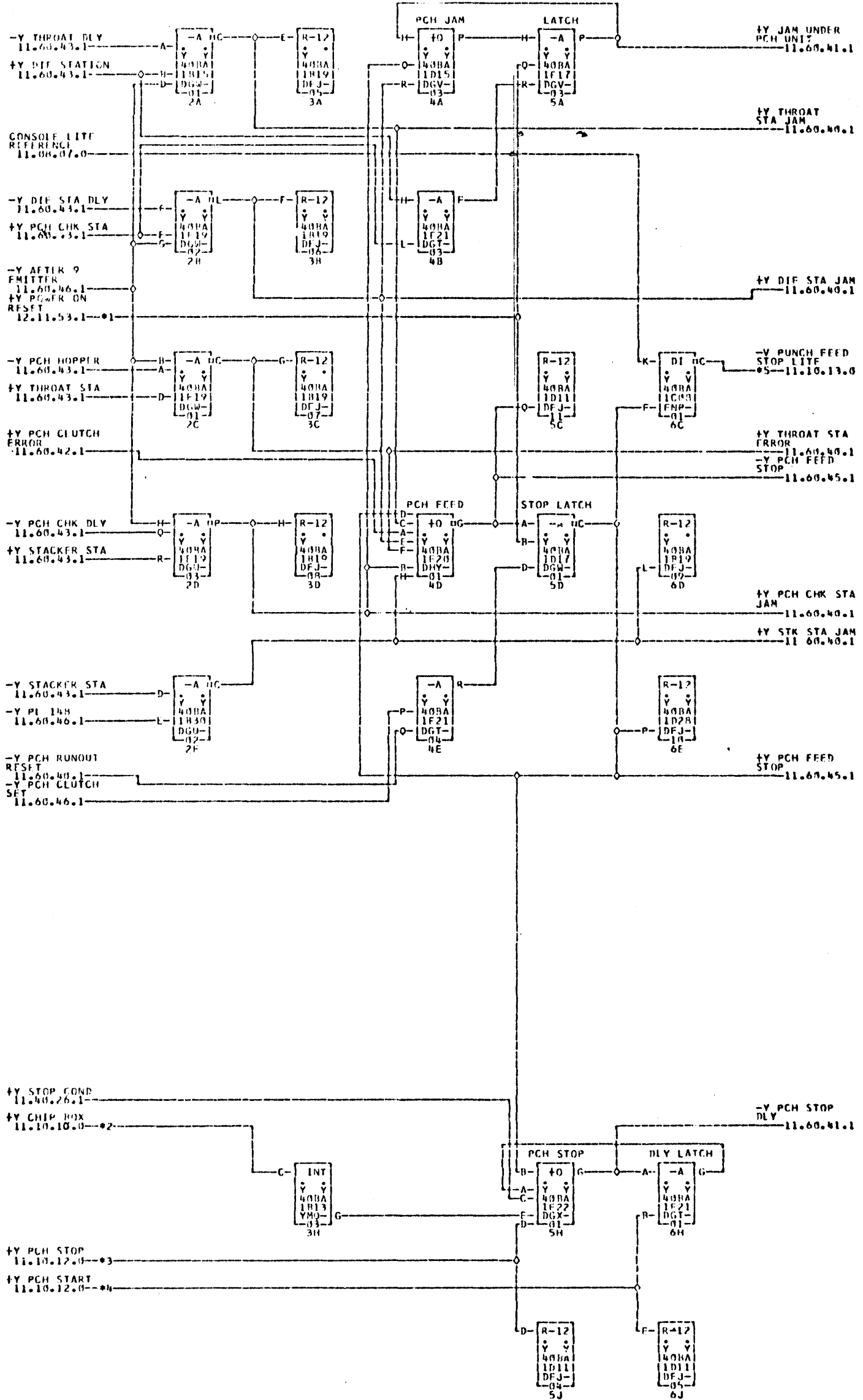
TAG	DATE	E.C.NO.	TAG	DATE	E.C.NO.	TAG	DATE	E.C.NO.	TAG	DATE	E.C.NO.
A	05-23-66	011995A	R	11-30-66	0012609	C	10-18-68	0016299			



*1-4081001A 4081001A *2-4081002D 4081002D *3-4081002E 4081002E

COMMENTS TAG DATE E.C.NO. TAG DATE E.C.NO. TAG DATE E.C.NO. TAG DATE E.C.NO.

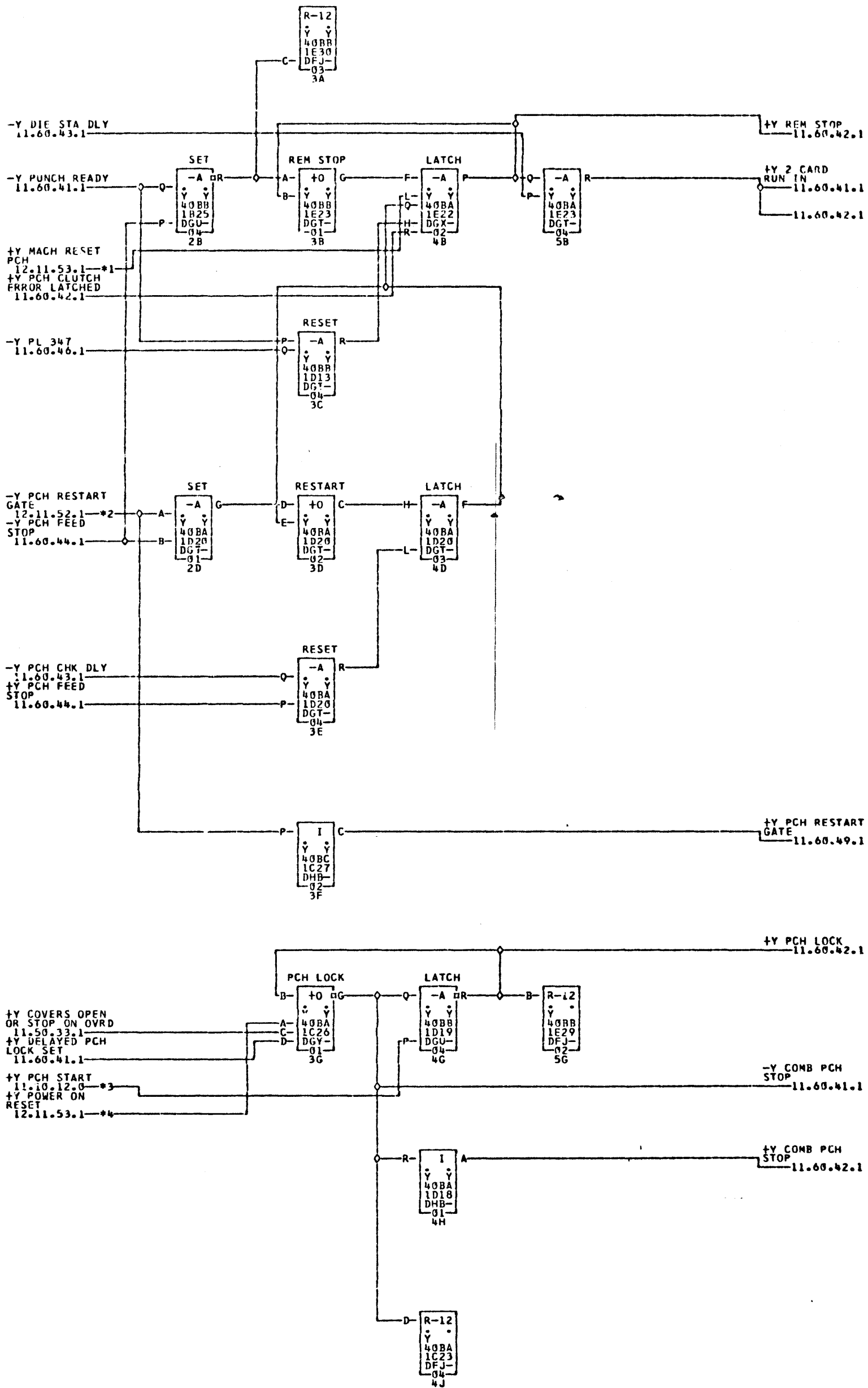
 A 05-23-66 011805A



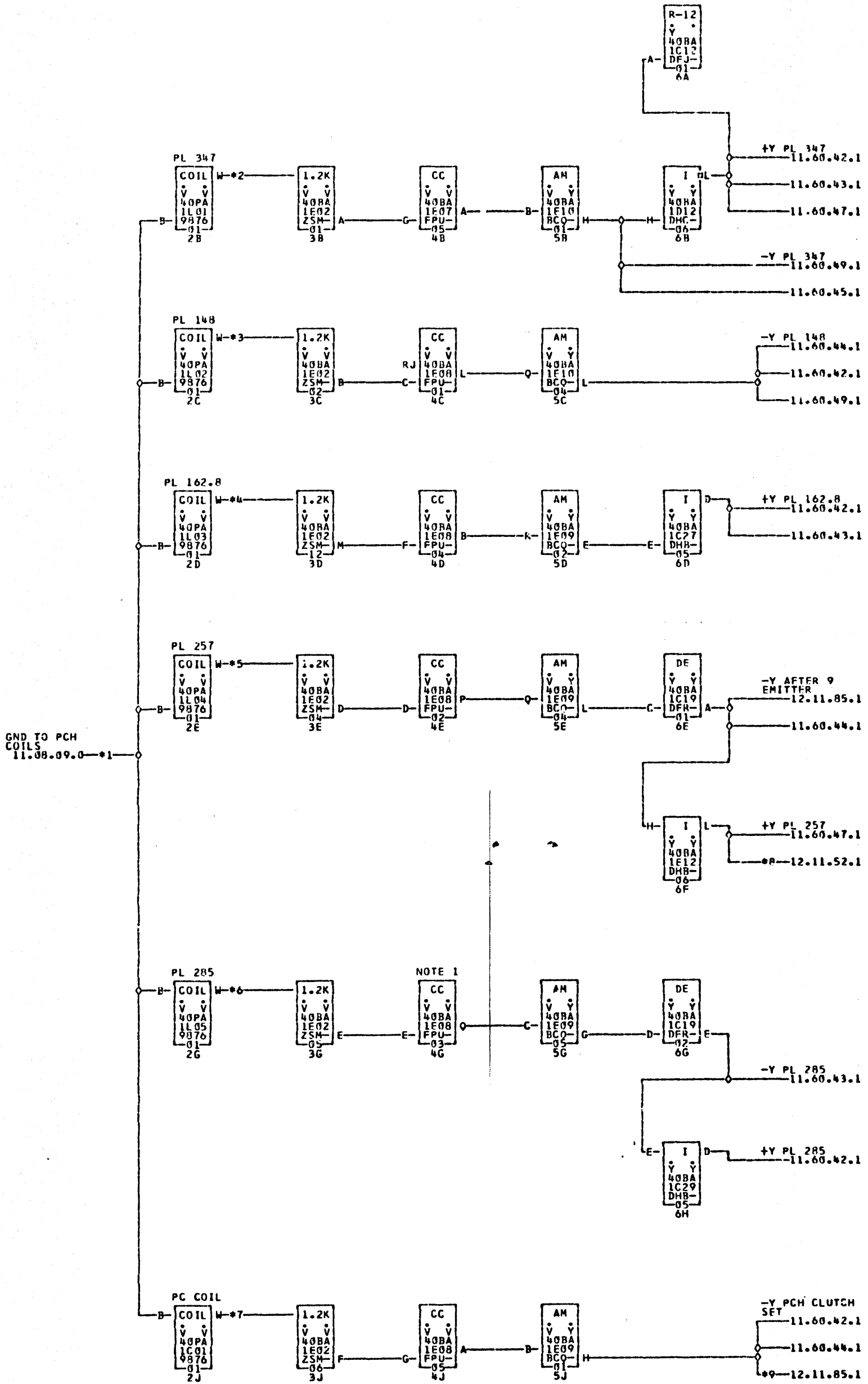
*1-40B1D01A *2-40B1B01A *3-40B1B02G *4-40B1C020 *5-40B1C02A

COMMENTS

TAG	DATE	F.C.NO.	TAG	DATE	F.C.NO.	TAG	DATE	F.C.NO.	TAG	DATE	F.C.NO.
A	05-23-66	011885A	R	11-30-66	0012609						



*1-40B1D010 40A1B010 *2-40B1D02F 40A1B02F *3-40B1C02H *4-40B1D01A



*1-40B1E02J
*7-40B1E02F

*2-40B1E02A
*8-40B1D02C

*3-40B1E02B
40A1B02G

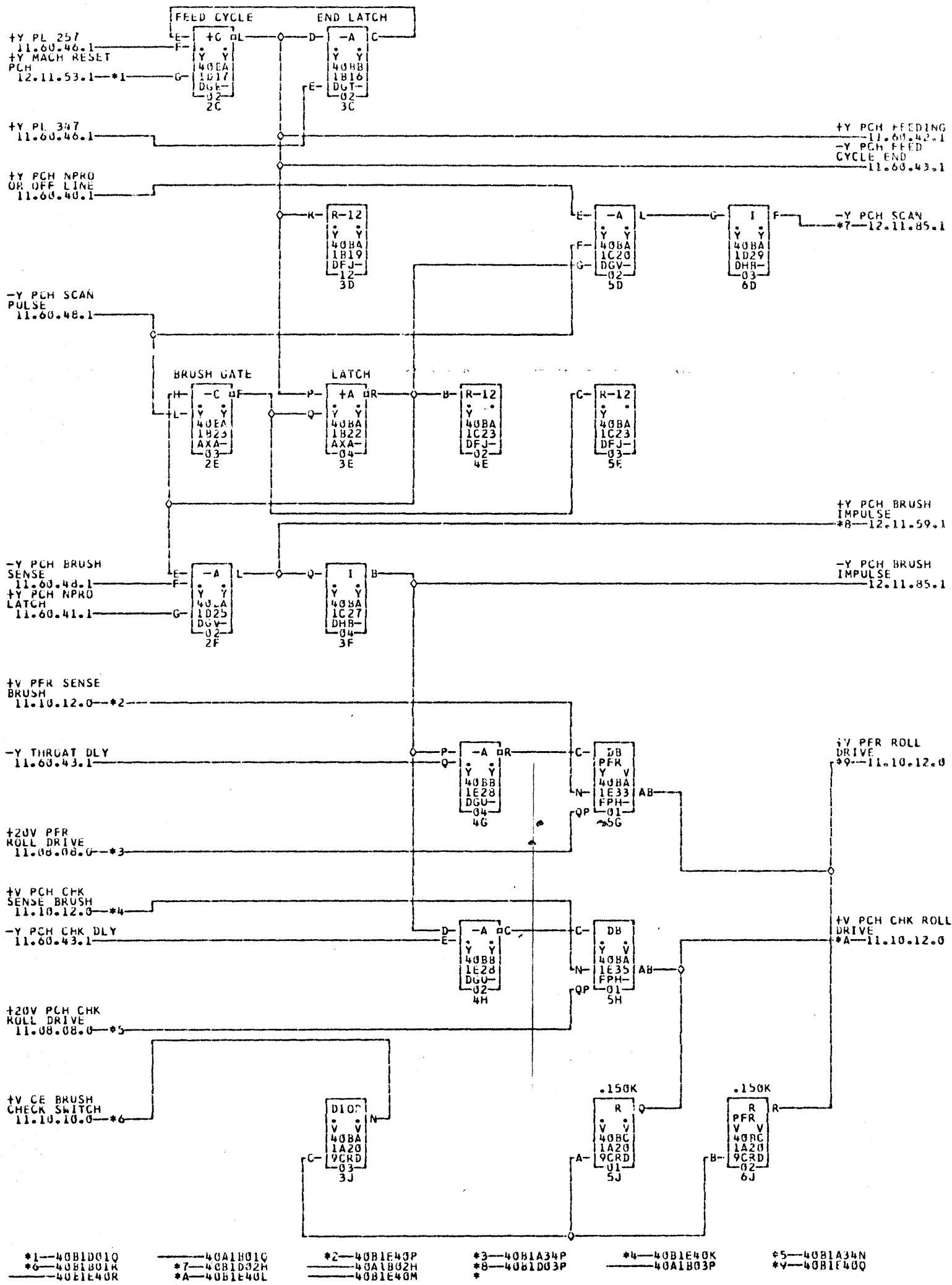
*4-40B1E02M
*9-40B1D02R

*5-40B1E02D
40A1B02R

*6-40B1E02E

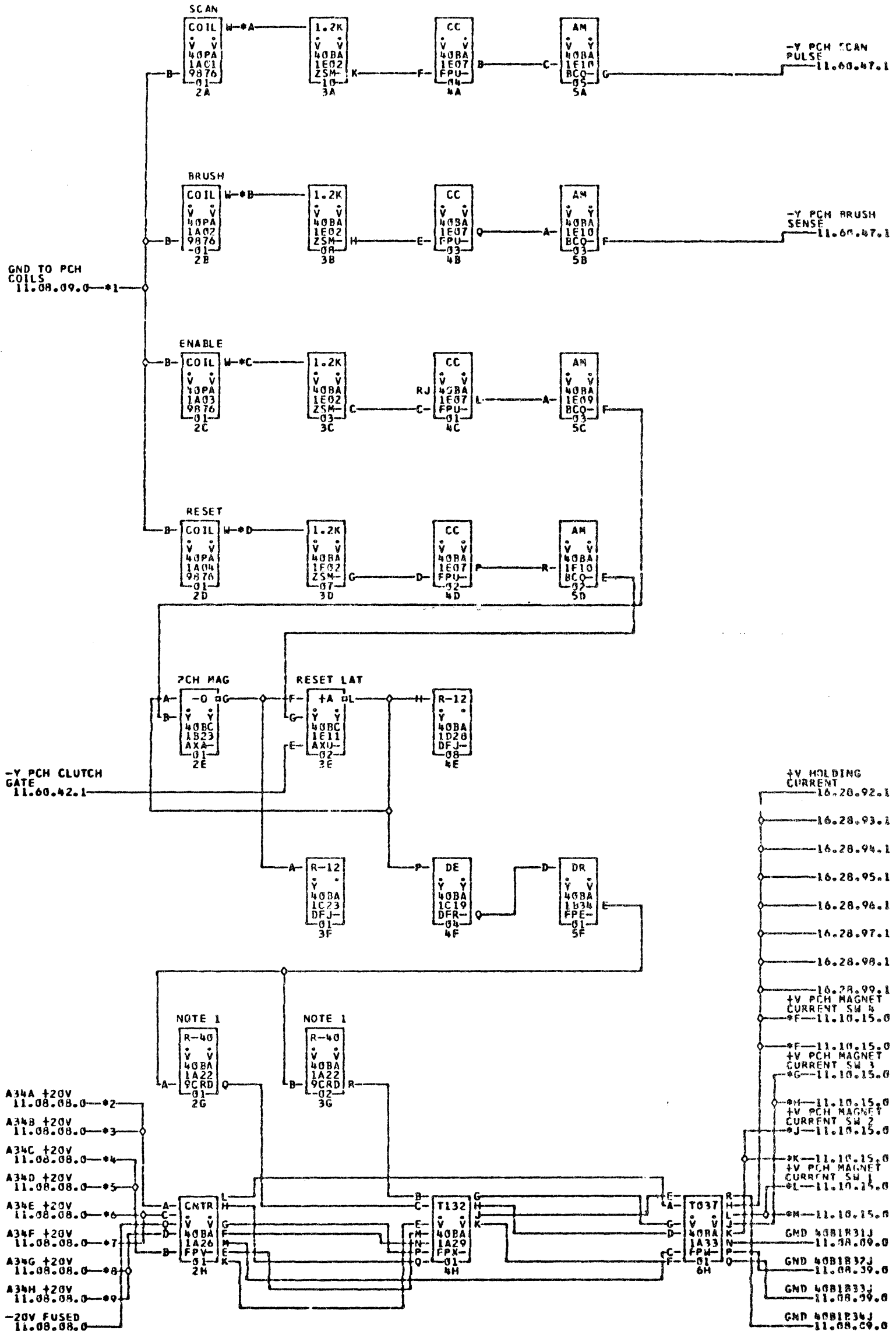
COMMENTS

TAG	DATE	E.C.NO.	TAG	DATE	E.C.NO.	TAG	DATE	E.C.NO.	TAG	DATE	E.C.NO.
A	05-23-66	811885A	B	11-30-66	0812609	C	05-08-67	0814089			

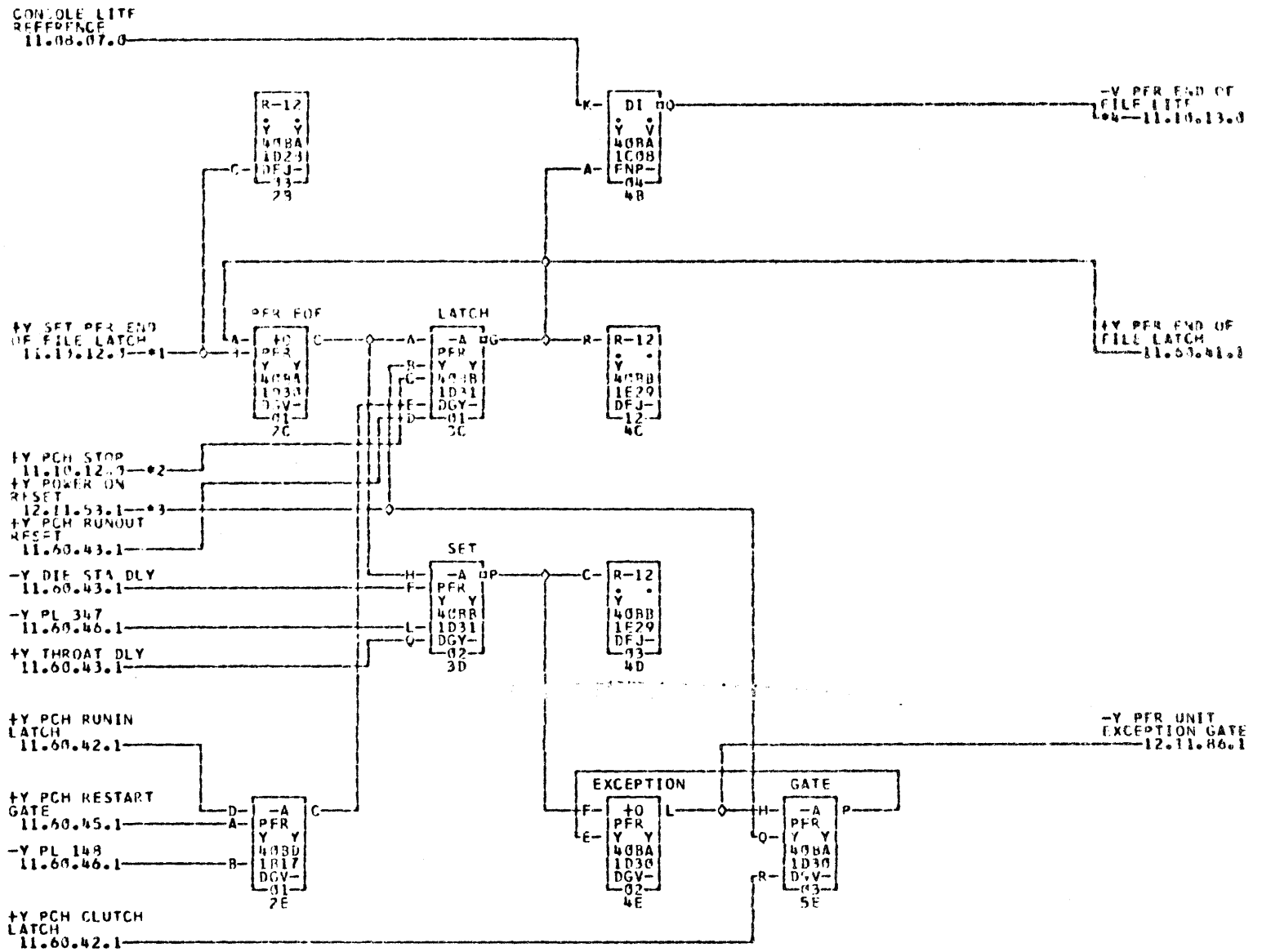


NOTE 1 9CRD BLOCKS DENOTE DISCRETE COMPONENTS WHICH MAY BE FOUND ON 10.00.04.3

TAG	DATE	E.C.NO.	TAG	DATE	E.C.NO.	TAG	DATE	E.C.NO.
A	05-23-66	811885A	B	11-30-66	8812609	C	08-14-67	9814409



- *1-40B1F02J
- *2-40B1A34A
- *3-40B1A34B
- *4-40B1A34C
- *5-40B1A34D
- *6-40B1A34E
- *7-40B1A34F
- *8-40B1A34G
- *9-40B1A34H
- *A-40B1E02K
- *B-40B1E02H
- *C-40B1F02C
- *D-40B1E02G
- *E-40B1A35C
- *F-40B1A35G
- *G-40B1A35H
- *H-40B1A35D
- *I-40B1A35A
- *J-40B1A35F
- *K-40B1A35B
- *L-40B1A35E
- *M-40B1A35B
- *



*1-40B1C07M

*2-40B1C07Q

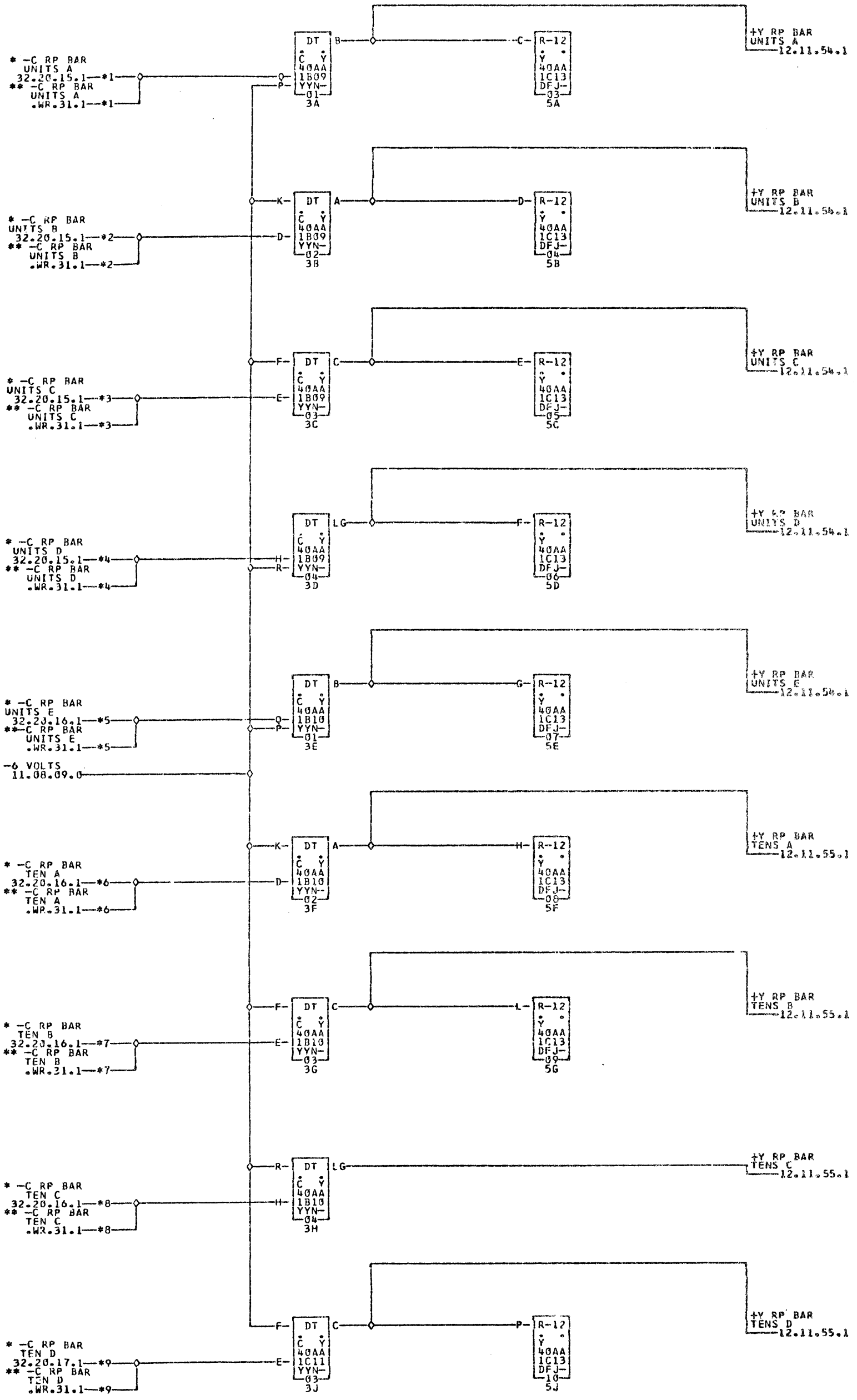
*3-40B1D01A

40A1B01A

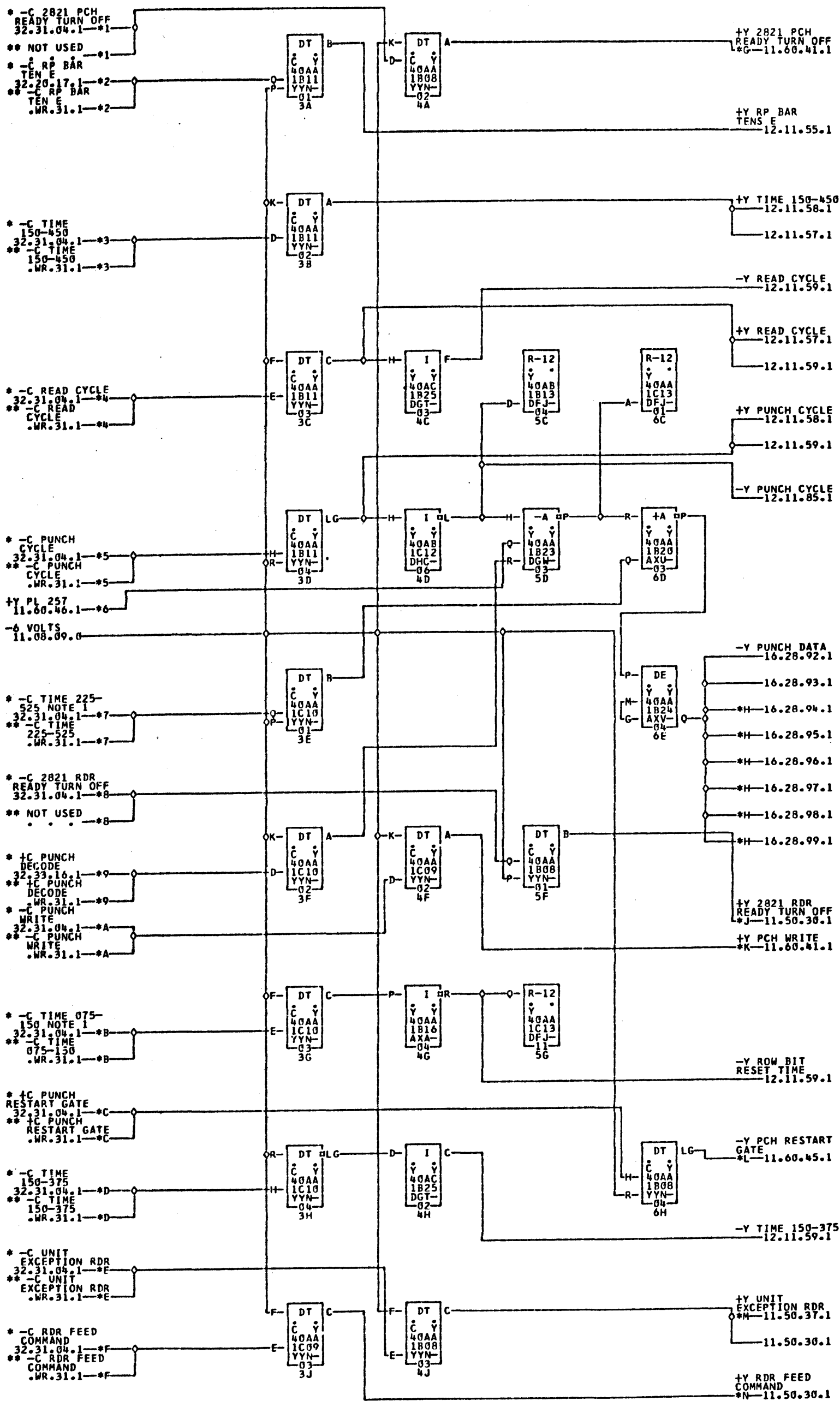
*4-40B1C07E

COMMENTS

TAG	DATE	E.C.NO.	TAG	DATE	E.C.NO.	TAG	DATE	E.C.NO.	TAG	DATE	E.C.NO.
A	05-23-66	811885A	R	11-30-66	0812609	C	05-08-67	0814089	D	06-23-67	0814408



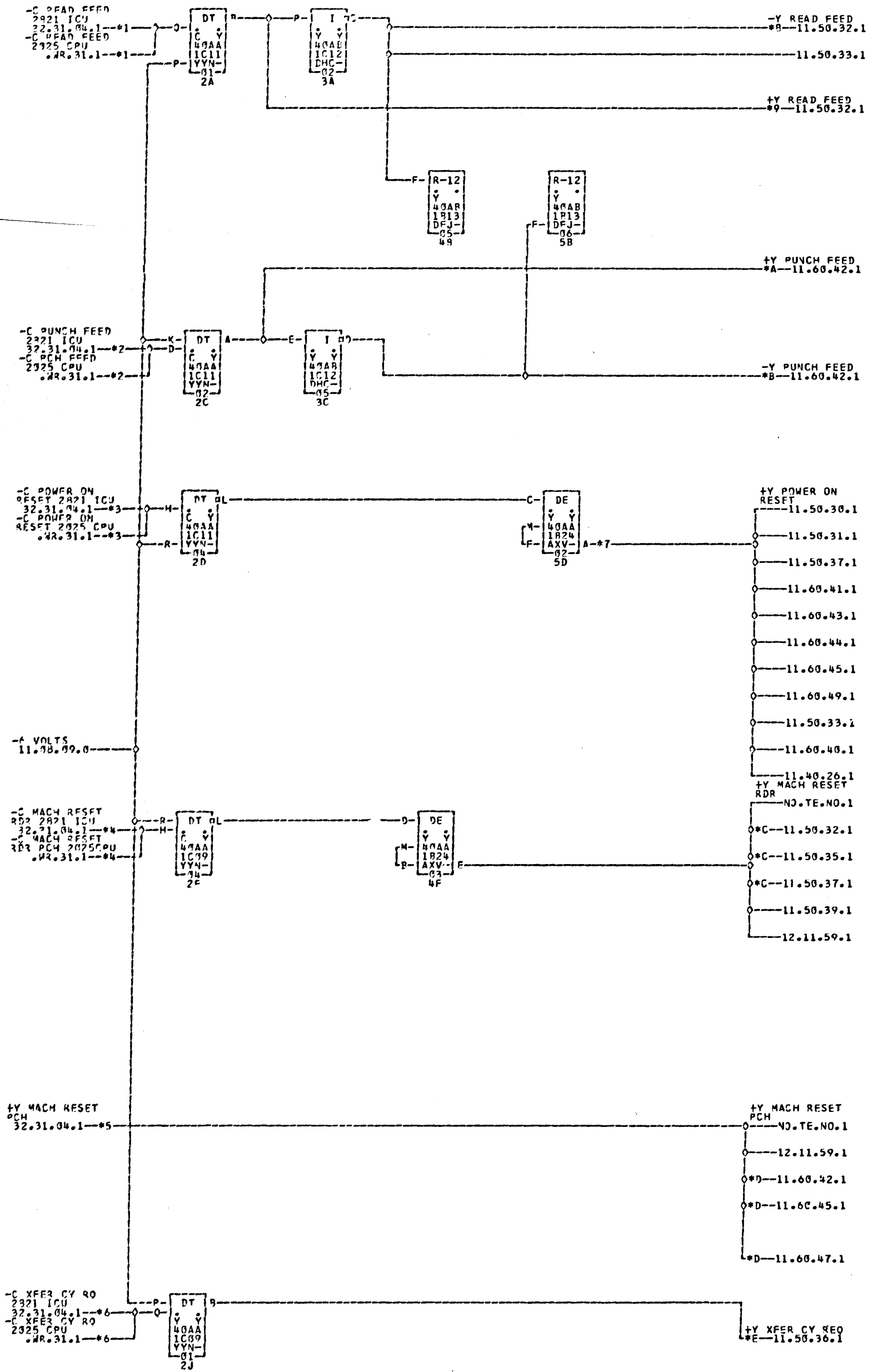
- *1-40A1C03A *2-40A1C03B *3-40A1C03C *4-40A1C03D *5-40A1C03E *6-40A1C03F
- *7-40A1C03G *8-40A1C03H *9-40A1C03K



- *1-40A1C04L
- *2-40A1C03L
- *3-40A1C03P
- *4-40A1C03N
- *5-40A1C03M
- *6-40A1B02G
- *7-40A1C03O
- *8-40A1C03R
- *9-40A1C03S
- *A-40A1C03T
- *B-40A1C03U
- *C-40A1C03V
- *D-40A1C03W
- *E-40A1C03X
- *F-40A1C03Y
- *G-40A1C03Z
- *H-40A1B02A
- *I-40A1B02B
- *J-40A1B02C
- *K-40A1B02D
- *L-40A1B02E
- *M-40A1B02F
- *N-40A1B02G
- *O-40A1B02H
- *P-40A1B02I
- *Q-40A1B02J
- *R-40A1B02K
- *S-40A1B02L
- *T-40A1B02M
- *U-40A1B02N
- *V-40A1B02O
- *W-40A1B02P
- *X-40A1B02Q
- *Y-40A1B02R
- *Z-40A1B02S

NOTE 1 2821 MUST BE AT EC 125637 OR LATER OR 2540 WILL NOT FUNCTION
 * 2821 ICU LOGIC PAGE
 ** MOD 25 ATTACH IGNORE PERIODS IN PG NO

TAG	DATE	E.C.NO.	TAG	DATE	E.C.NO.	TAG	DATE	E.C.NO.	TAG	DATE	E.C.NO.
A	05-23-66	811885A	B	11-30-66	0812609	C	05-08-67	0814089	D	08-28-68	0815595



- *1--40A1C71L
- *7--40A1B91A
- *A--40A1B92B
- *D--40A1B91Q

- *2--40A1C91M
- 40B1D91A
- 40B1D92B
- 40B1D91Q

- *3--40A1C01N
- *8--40A1B01F
- *B--40A1B02P
- *F--40A1B01H

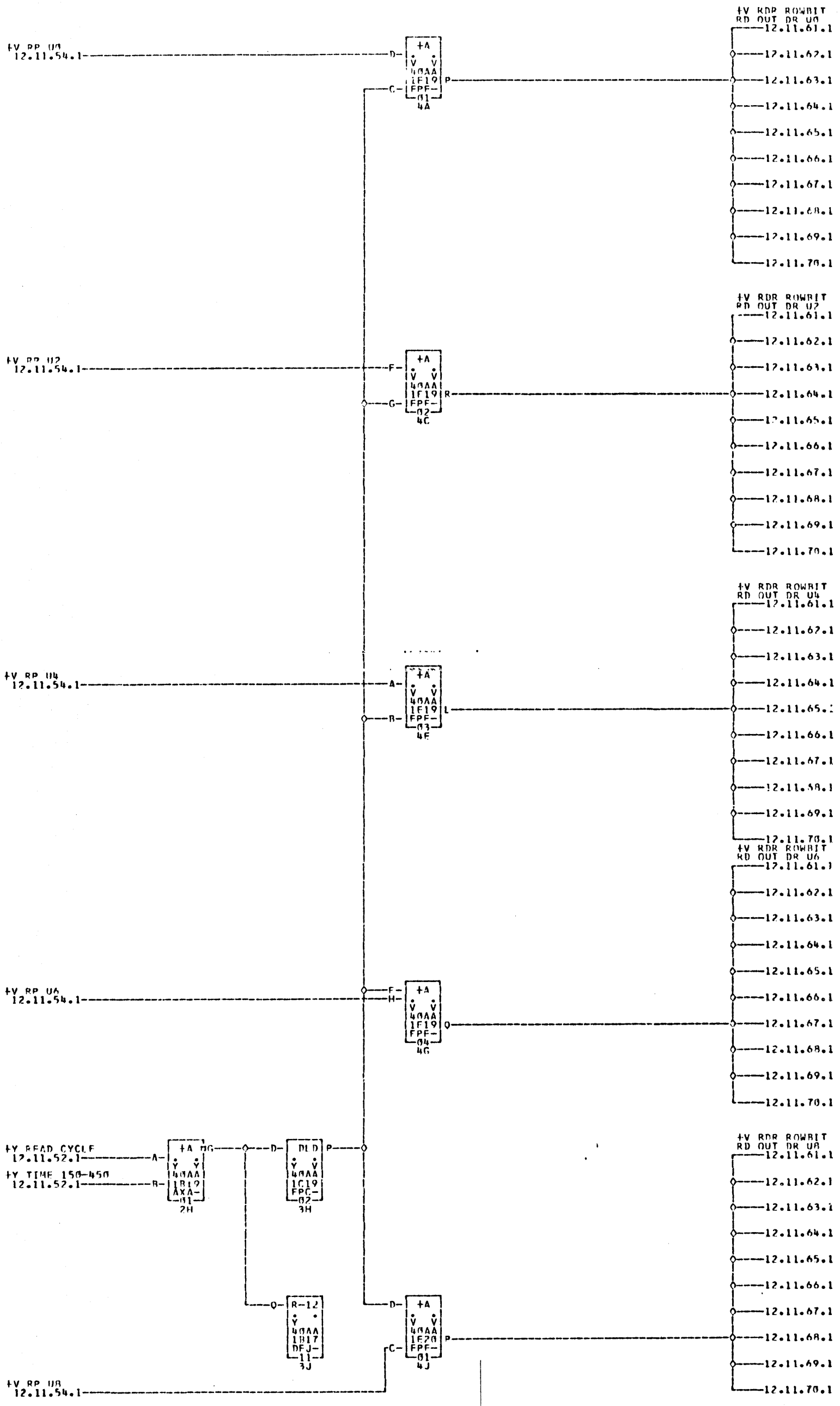
- *4--40A1C71P
- 40B1D91F
- 40B1D92P
- 40B1D91H

- *5--40A1C04M
- *9--40A1B01G
- *C--40A1B01R

- *6--40A1C32L
- 40B1D91G
- 40B1D91R

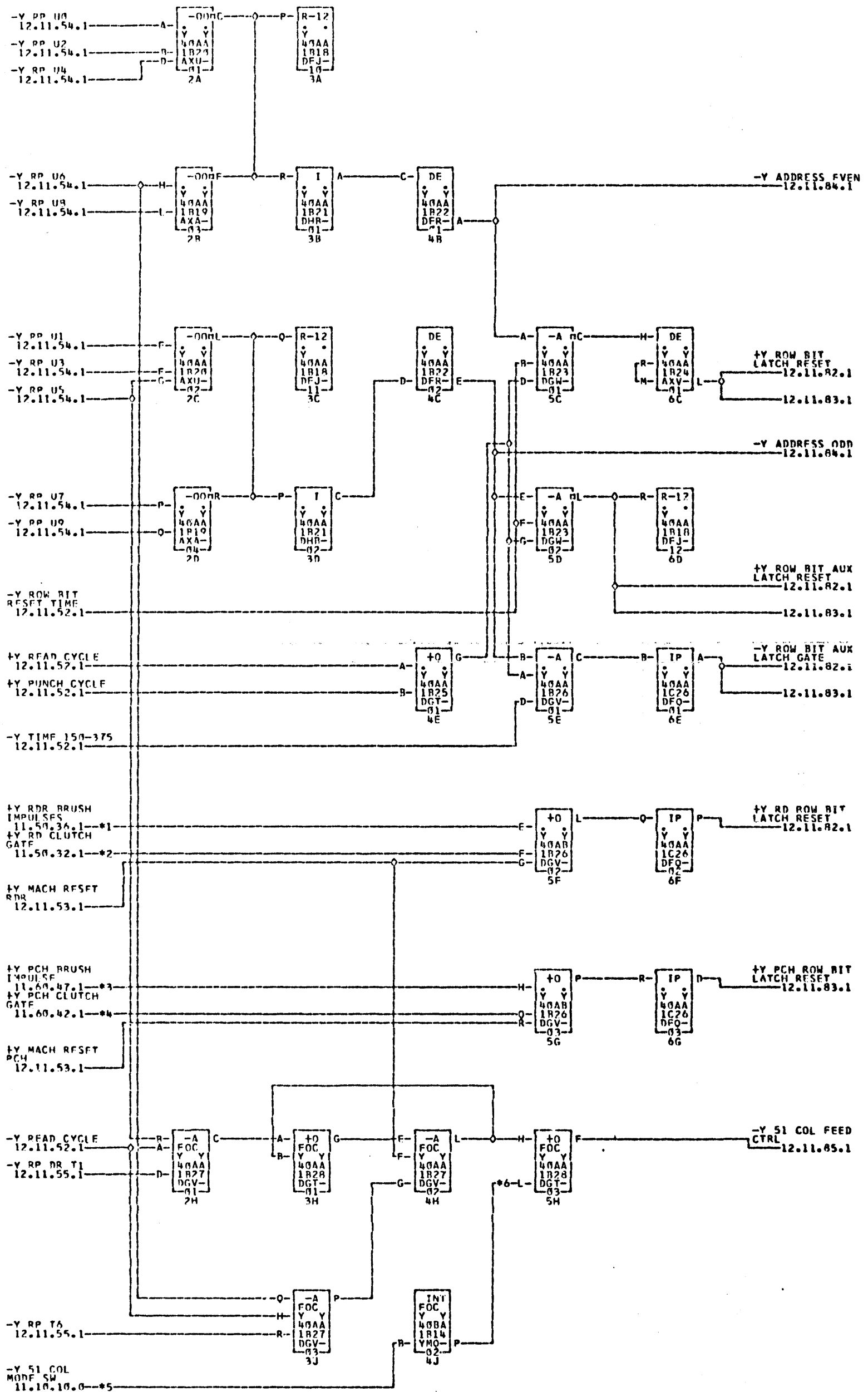
NOTE 1 COMMENTS
 MACH RESET FOR AND MACH
 RESET PCH ARE TIED TOGETHER
 40A1B91Q-40A1B91R AND ARE
 DRIVEN BY MACH RESET RDR UNLESS
 DUAL CHANNEL SWITCH FEATURE
 IS INSTALLED

TAG	DATE	E.C.NO.	TAG	DATE	E.C.NO.	TAG	DATE	E.C.NO.	TAG	DATE	E.C.NO.
A	05-23-66	611885A	B	11-30-66	6812609	C	08-20-68	6815595	D	10-18-63	6816299



COMMENTS

TAG	DATE	E.C.NO.	TAG	DATE	E.C.NO.	TAG	DATE	E.C.NO.	TAG	DATE	E.C.NO.
A	05-23-66	811885A	B	05-08-67	0814089						



- *1—40A1B2K —40A1B2K *2—40A1B4A —40A1B4A *3—40B1D3P
- 40A1B3P *4—40B1C4A —40A1B5A —40A1C4A *5—40B1D1P
- 40A1B3N —40B1D3N

COMMENTS

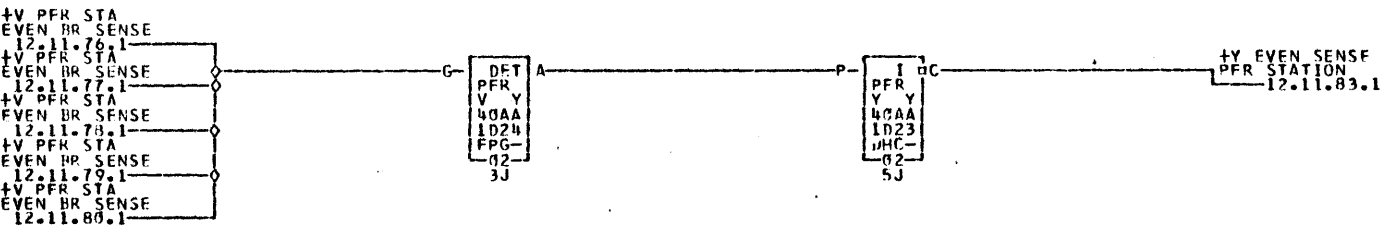
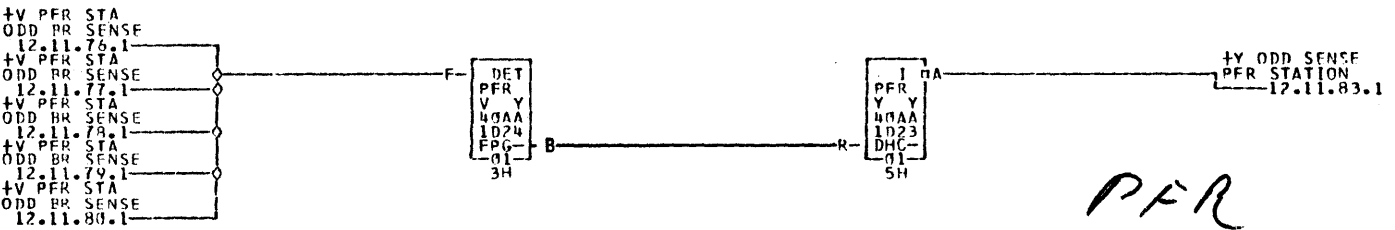
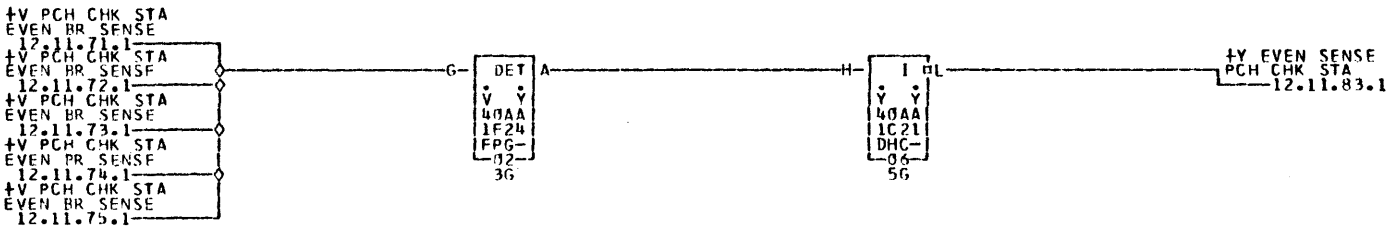
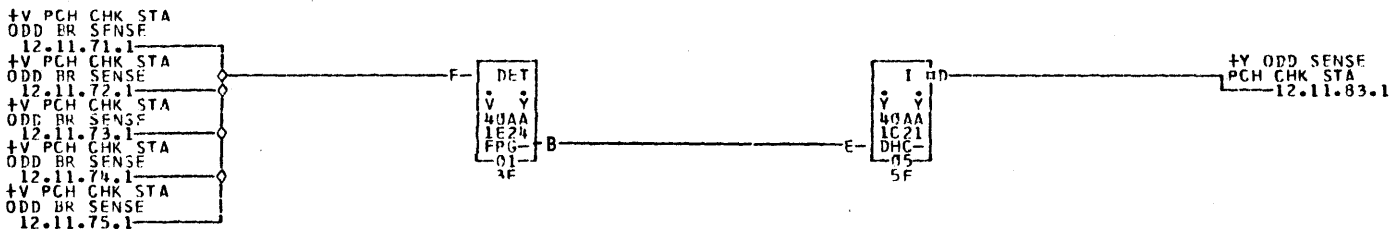
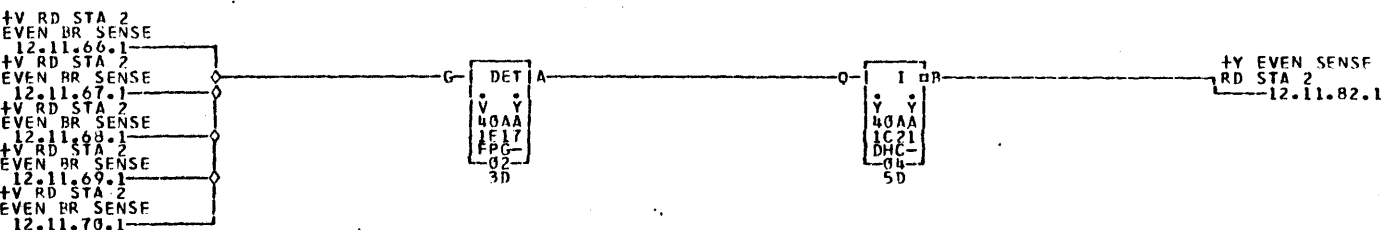
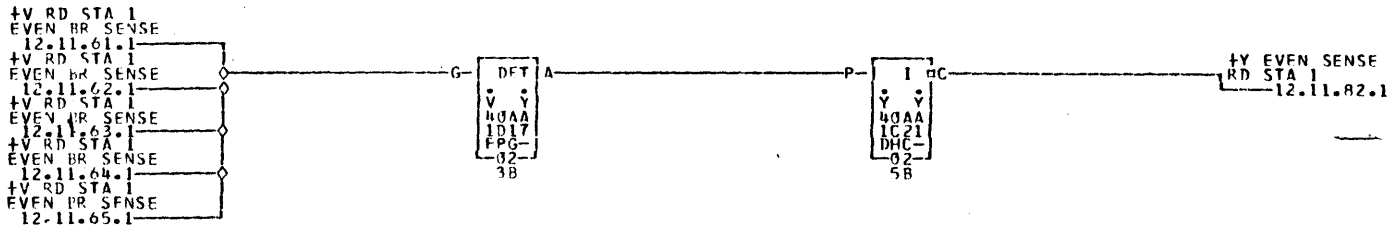
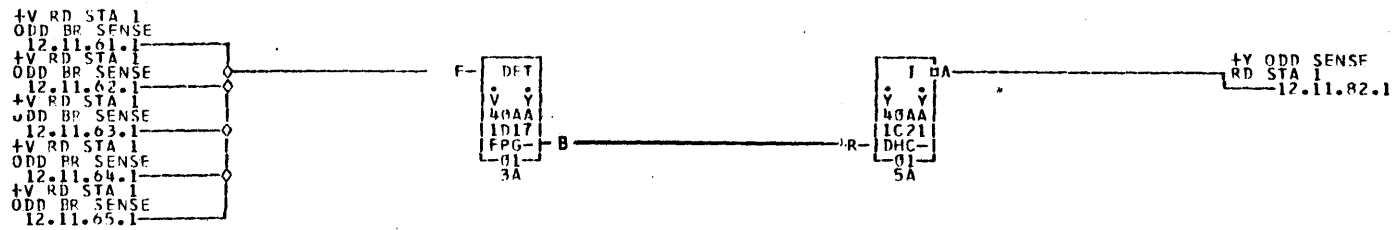
TAG	DATE	F.C.NO.	TAG	DATE	F.C.NO.	TAG	DATE	F.C.NO.
A	05-23-66	811885A	R	11-30-66	0812609	C	05-08-67	0814089

06499H1

SFENSE DECODE

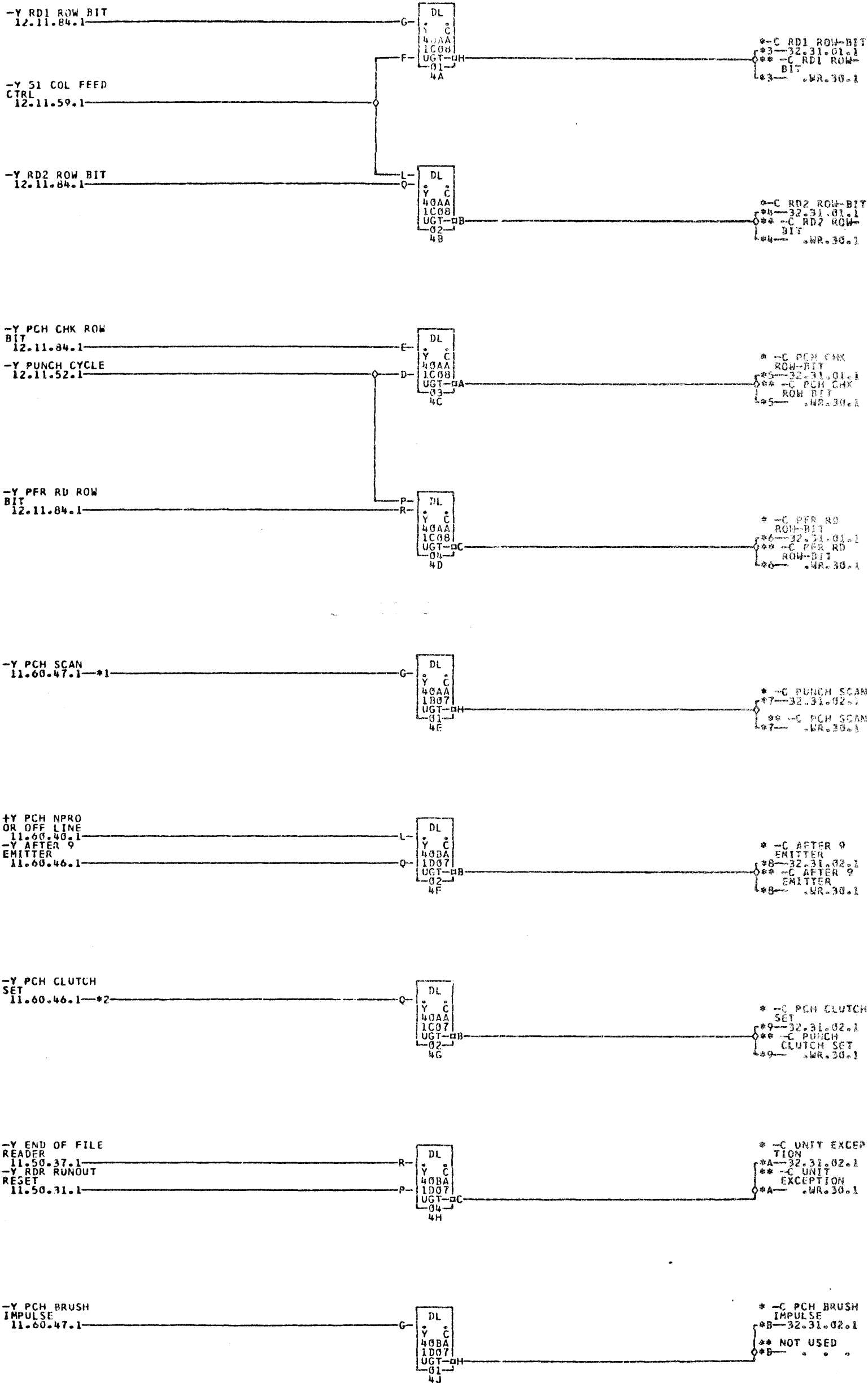
2543

12.11.01.1

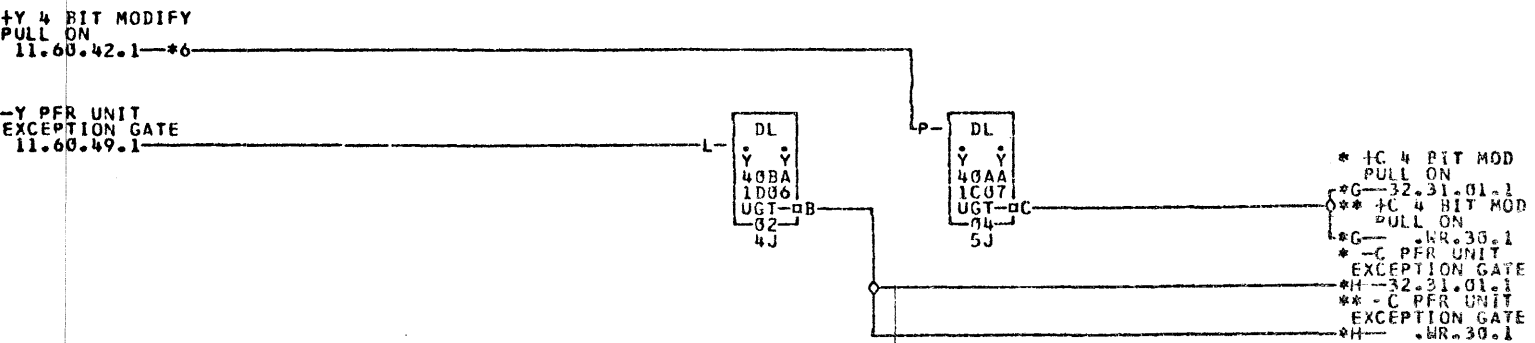
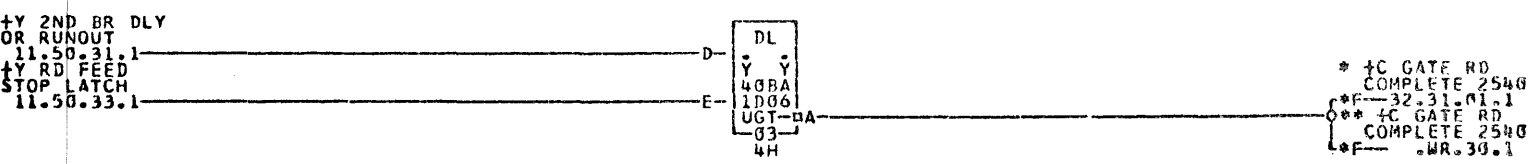
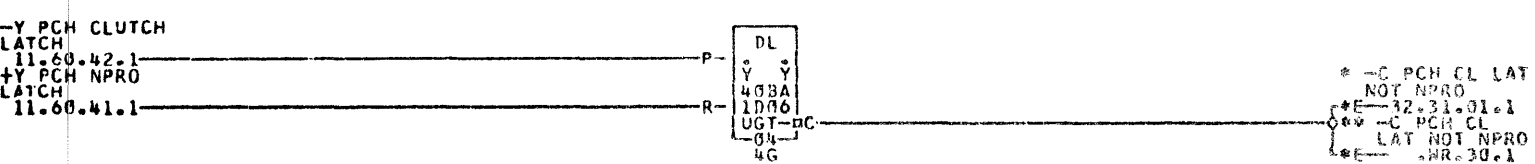
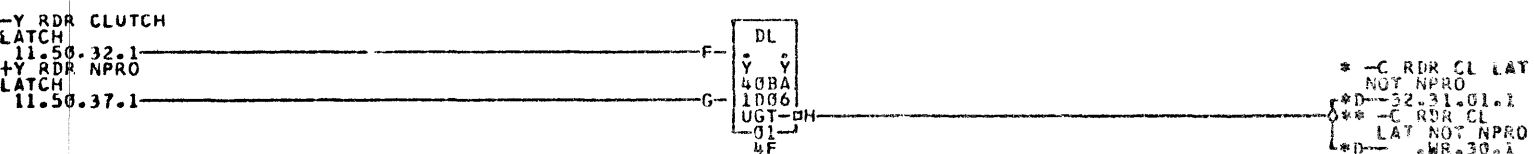
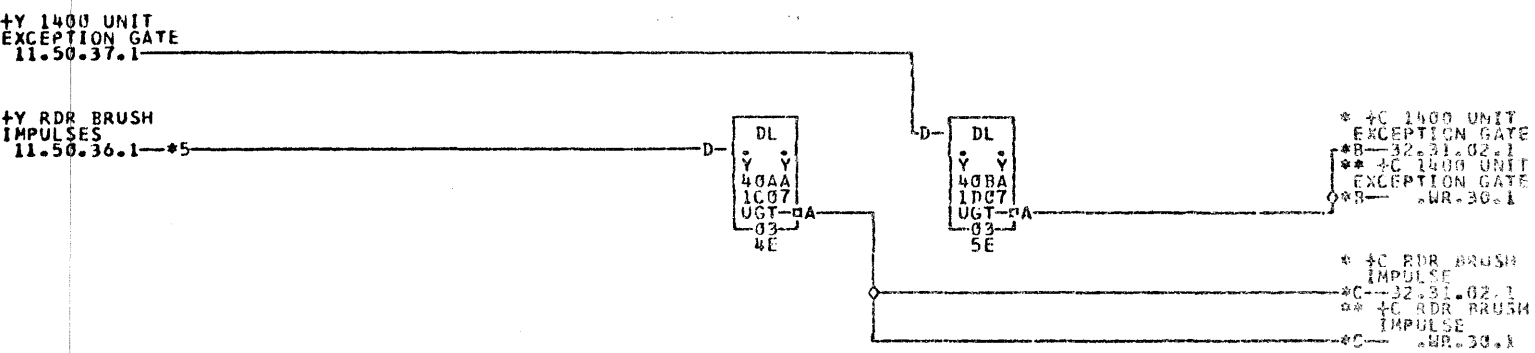
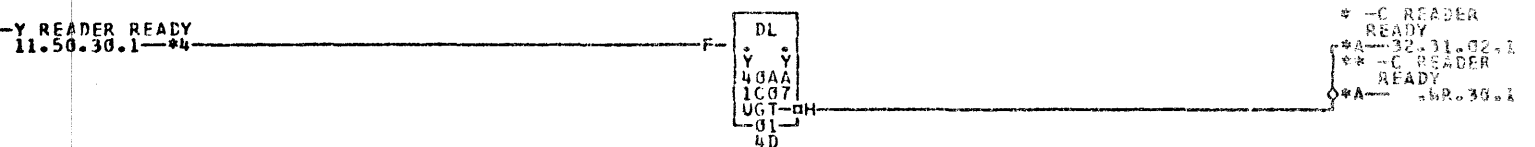
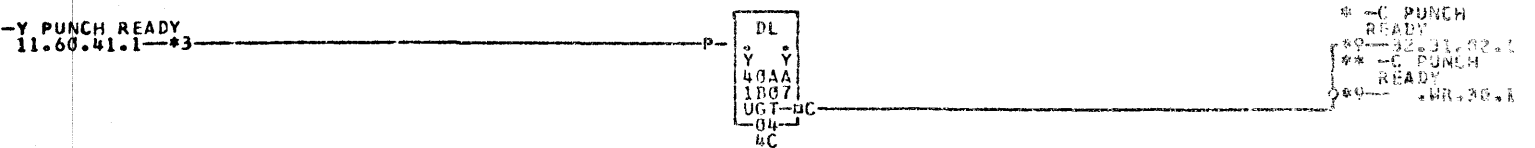
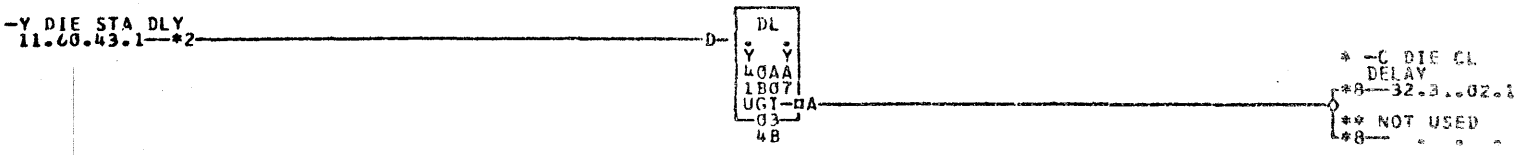
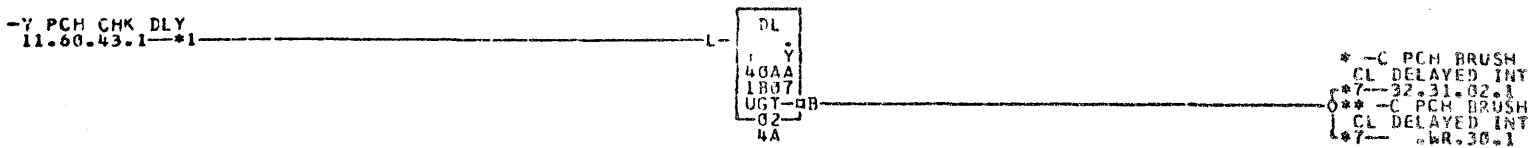


COMMENTS

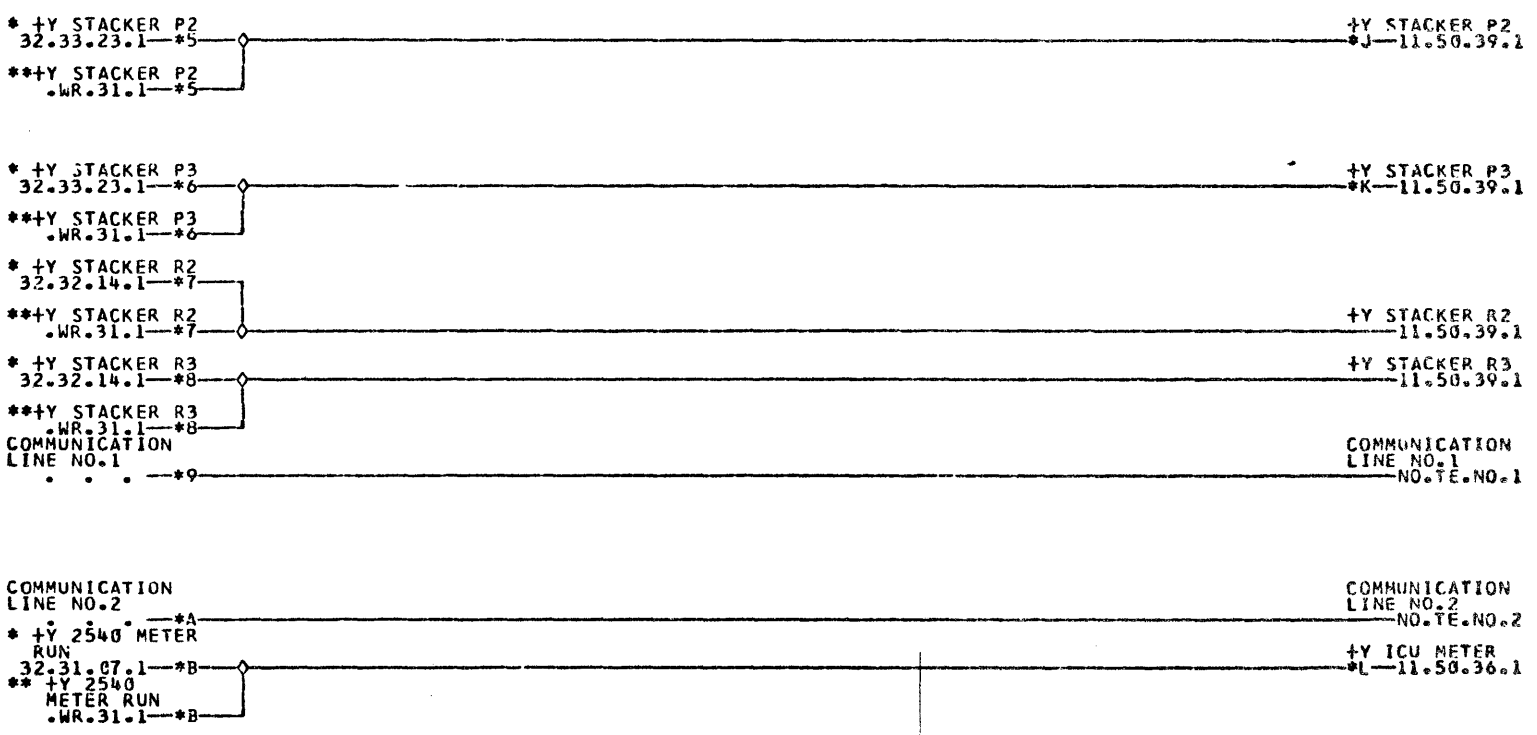
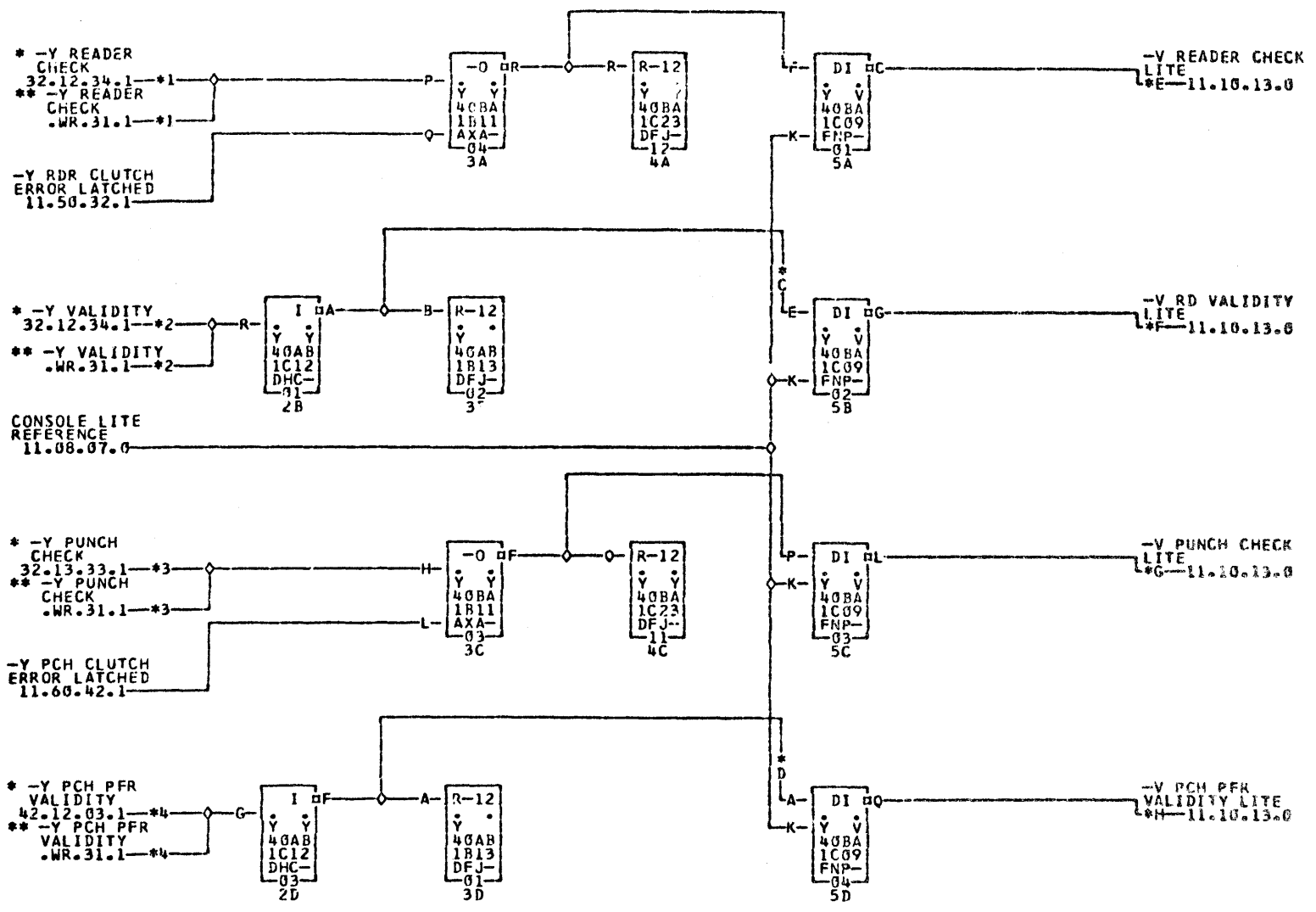
TAG DATE	E.C.NO.	TAG DATE	E.C.NO.	TAG DATE	E.C.NO.	TAG DATE	E.C.NO.
A 05-23-66	011885A	B 11-30-66	0012609				



- *1-40A1B02H *6-40B1D02H *2-40A1B02R *8-40A1C01F *3-40A1C01A *4-40A1C01B
- *5-40A1C01C *A-40A1C01H *7-40A1C01E *B-40A1C01K *4-40A1C01B
- *9-40A1C01G *A-40A1C01H *7-40A1C01E *B-40A1C01K *4-40A1C01B
- 40B1D03M *A-40A1C01H *7-40A1C01E *B-40A1C01K *4-40A1C01B



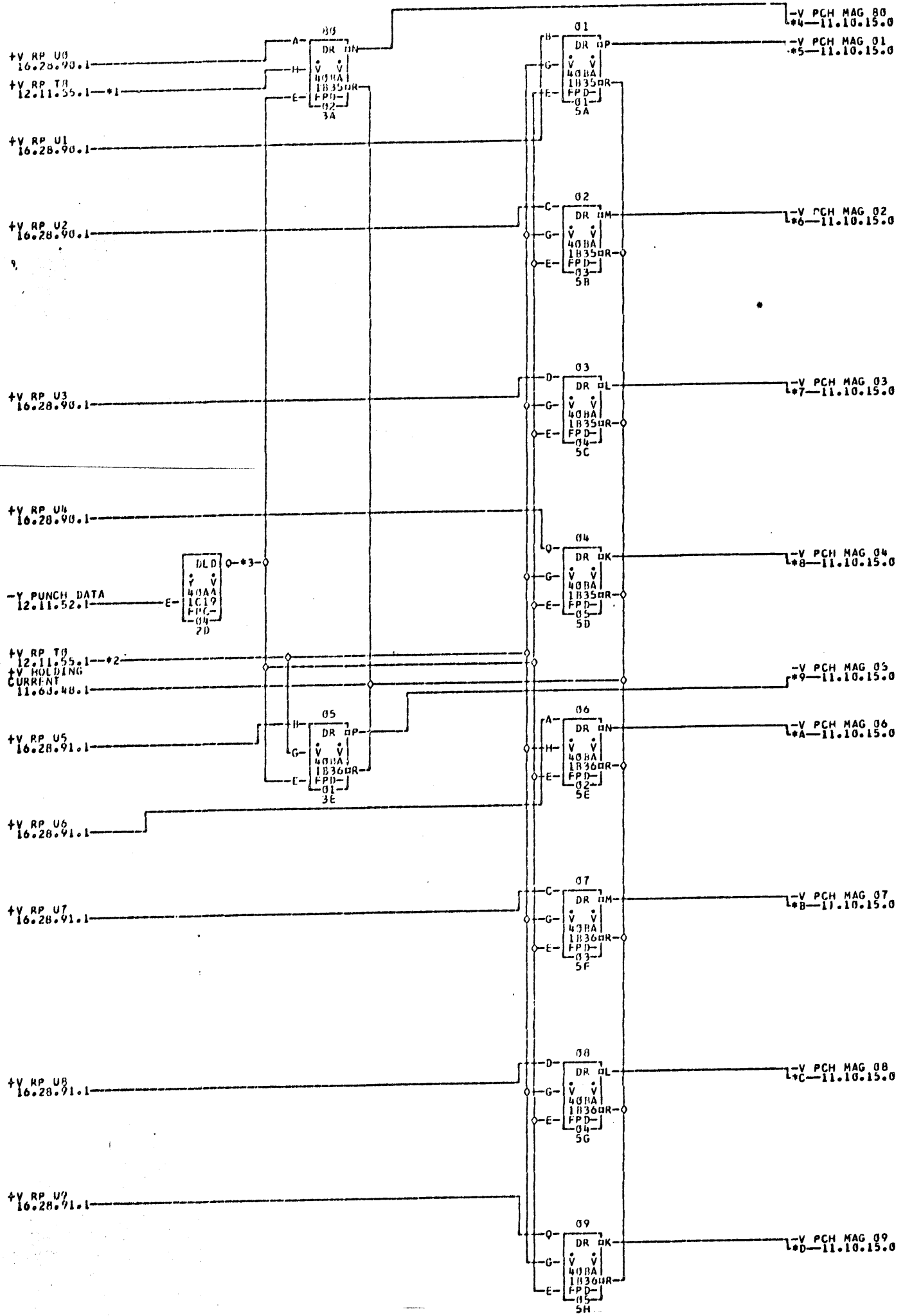
- | | | | | | |
|--------------|--------------|--------------|--------------|--------------|--------------|
| *1--40A1B02E | 40B1D02E | *2--40A1B02D | 40B1D02D | *3--40A1B02Q | 40B1D02Q |
| *4--40A1B01E | 40B1D01E | *5--40A1B02K | 40B1D02K | *5--40A1B02C | 40B1D02C |
| *7--40A1C02D | *B--40A1C02E | *9--40A1C02F | *A--40A1C02G | *B--40A1C02K | 40A1B01M |
| 40B1D01M | *C--40A1C02H | *D--40A1C02A | 40A1B02F | 40B1D03F | *E--40A1C02B |
| *H--40A1B03G | 40B1D03G | *F--40A1C02C | 40A1B02H | 40B1D03H | *G--40A1C02M |
| *H--40A1C02P | 40A1B03E | 40B1D03E | | | |



*1-40A1C04A	40A1B03A	*5-40B1D03A	*2-40A1C04B	*3-40A1C04C	40A1B03C
40B1D03C	*4-40A1C04P	*6-40A1C04F	*6-40A1C04G	*7-40A1C04D	*8-40A1C04F
*9-40A1C050	*A-40A1C05R	*B-40A1C04H	*C-40A1B03B	*40B1D03B	*D-40A1B03D
40B1D03D	*E-40B1C05D	*F-40B1C05F	*G-40B1C02B	*H-40B1C02D	*J-40A1B02M
40B1D02M	*K-40A1B02N	40B1D02N	*L-40B1D01K	40A1B01K	

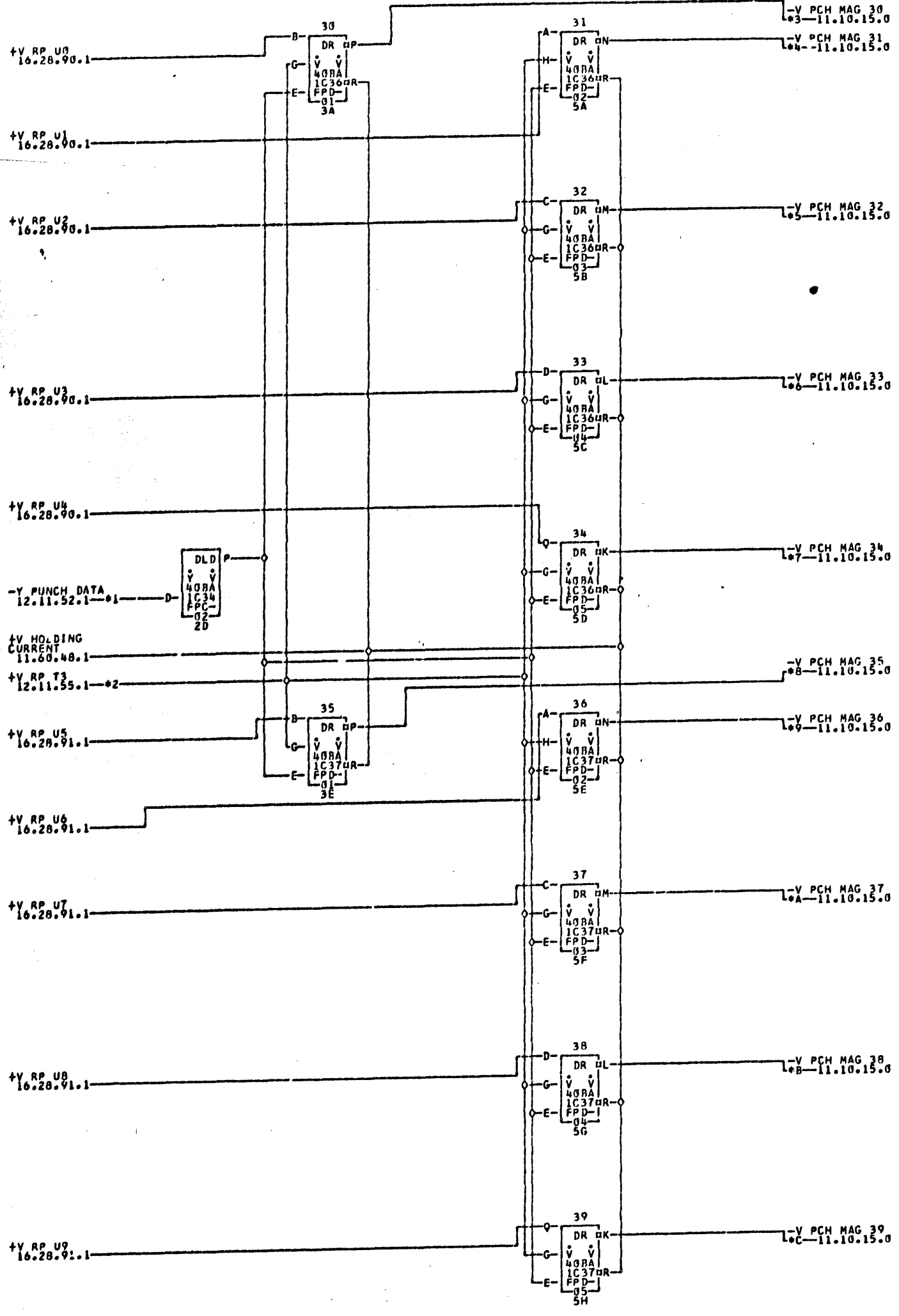
NOTE 1 LINE TERMINATES AT EDGE CONNECTOR 40A1C050
 NOTE 2 LINE TERMINATES AT EDGE CONNECTOR 40A1C05R
 * 2821 ICU LOGIC PAGE
 ** MOD 25 ATTACH IGNORE PERIODS IN PG NO

COMMENTS	TAG DATE	E.C.NO.	TAG DATE	E.C.NO.	TAG DATE	E.C.NO.	TAG DATE	E.C.NO.
	A 05-23-66	811885A	B 11-30-66	0812669	C 05-08-67	0814089	D 08-20-68	0815595



- *1—40B1B40N
- *2—40B1B40D
- *3—40B1B40R
- *4—40B1A36R
- *5—40B1A40A
- *6—40B1A40B
- *7—40B1A40C
- *8—40B1A40D
- *9—40B1A40E
- *A—40B1A40F
- *B—40B1A40G
- *C—40B1A40H
- *D—40B1A40J

COMMENTS	TAG	DATE	E.C.NO.	TAG	DATE	E.C.NO.	TAG	DATE	E.C.NO.
	A	05-23-66	811885A						



- *1-4081A40P
- *2-4081A40G
- *3-4081A39P
- *4-4081A39Q
- *5-4081A39R
- *6-4081A38B
- *7-4081A38B
- *8-4081A38C
- *9-4081A38D
- *A-4081A38E
- *B-4081A38F
- *C-4081A38G

COMMENTS	TAG DATE	E.C.NO.	TAG DATE	E.C.NO.	TAG DATE	E.C.NO.	TAG DATE	E.C.NO.
	A 05-23-66	01185A						

