

1131 Central Processing Unit

127-0808-3

1131 Central Processing Unit

127-0808-3

PREFACE

This Parts Catalog contains listings and illustrations of all replaceable assemblies, subassemblies and detail parts released to Production Control on or before August 1, 1968 for the 1131 Central Processing Unit.

Fourth Edition (September 1968)

This is a major revision of and makes obsolete 127-0808-2, 127-0913-0 and Field Engineering Supplement S27-0650.

Significant changes or additions to the specifications contained in this publication are continually being made. When using this publication in connection with the operation of IBM equipment, check the latest FE Publications Systems Sequence Listing for revisions or contact the local IBM branch office.

Copies of this and other IBM publications can be obtained through IBM Branch Offices.

A form is provided at the back of this publication for your comments.

This manual was prepared by the IBM Systems Development Division, Product Publications, Dept. 455, Bldg. 014, San Jose, California 95114.

HOW TO USE A PARTS CATALOG ii

VISUAL INDEXES

Figure	Page
MASTER VISUAL	iii
I BASIC FRAME AND COVERS	iv
II KEYBOARD, DISPLAY PANEL AND C GATE	v
III MIDPACK POWER SUPPLIES, A AND B GATE	viii
IV MEDIUM POWER SUPPLIES	x
V 13 SD	xii
VI EXPANDED MEMORY	xiv
GLOSSARY	xvi

BASIC FRAME AND COVER GROUP

1 Frame and Cover Group (2 sheets)	1
2 Right Rear Cover Assembly	6
3 Table Top Assembly	7

KEYBOARD, DISPLAY PANEL AND C GATE

4 CPU Basic Final Assembly (2 sheets)	8
5 Basic Keyboard Panel Assembly	14
6 Keyboard Assembly	17
7 Mounting Bar Assembly	21
8 Display Panel Assembly	22
9 Cover Assembly	25
9A Display Panel Assembly	26
9B Light Block Assembly	28
10 SCA Switch Assembly	29
11 Meter Power Pac Assembly	30
12 C Gate Assembly	32
13 12V Power Supply Assembly	34
14 Meter Assembly	35

MIDPACK POWER SUPPLIES, A AND B GATE

15 Midpack Supply (2 sheets)	36
16 Sequence Box Assembly	41
17 A-Gate Assembly	44
18 B-Gate Assembly	46
19 Blower Assembly	49
20 Blower Assembly - Power Supply	51
21 Power Supply Assembly, Multi Level	52

Figure

Page

22 Transformer Assembly	55
23 6V, 24A Power Pack Assembly	56
24 3V, 20A Power Pack Assembly	58

MEDIUM POWER SUPPLIES

24A Medium Power System	60
24B Sequence Box Assembly	62
24C Power Supply Assembly	65
24D 12V, 4A Power Supply Assembly	67
24E SCR Transformer Assembly	69
24F 3V, 16A Power Supply Assembly	70
24G 6V, 15A Power Supply Assembly	72
24H 3V, 4A Power Supply Assembly	75
24J Blower Assembly, Power Supply	77
24K Blower Assembly, Power Supply	79
40 6V, 12A Power Supply Assembly	117

13 SD

25 13 SD Assembly (2 sheets)	81
26 Electronic Gate Assembly	85
27 Interlock Assembly	88
28 AC Box Assembly	90
29 Actuator Assembly	92
30 Spindle and Magnetic Chuck Assembly	94
31 Blower Assembly	95
32 Drive Motor Assembly	96

EXPANDED MEMORY

33 Expanded Memory Group (2 sheets)	97
34 D-Gate Assembly	102
35 E-Gate Assembly	105
36 60 Cycle Blower Assembly	108
37 50 Cycle Blower Assembly	110
38 Blower Assembly, Power Supply	112
39 9-12V, 10A Power Supply Assembly	114
40 6V, 12A Power Supply Assembly	117
41 15V, 2.5A Power Supply Assembly	119
42 3V, 4A Power Supply Assembly	122
43 Sequence Box	124
44 Cable Components (4 sheets)	126

NUMERICAL INDEX X-1

HOW TO USE A PARTS CATALOG

PARTS CATALOG ORGANIZATION

To find a part quickly, you should understand the structure of a parts catalog. The complete machine, disassembled into major assemblies and sub-assemblies, is shown in the Visual Index.

Visual Index

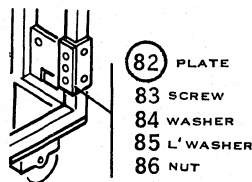
The Visual Index is the starting point for locating a part. Illustrations in the visual index show over-all views of the machine and its major assemblies. Callouts on the illustrations lead you to detailed figures.

Catalog

A catalog consists of related figures and parts lists. The figures break down the assemblies and sub-assemblies into detailed parts. The lists describe the parts and give part numbers. Each figure is referenced from the visual index.

Circled and Stacked Index Numbers

Index numbers are stacked only to indicate a part and its attaching hardware. The sequence of a typical stack is shown at right. Circled index numbers indicate an assembly broken down within the figure.



Numerical Index

The Numerical Index at the back of the catalog lists all parts in numeric order. Each part number is cross-referenced to related lists and figures. The Numerical Index permits you to locate and identify a part when only the part number is known.

HOW TO FIND A PART

Step 1

Go to the Visual Index in the front of the catalog and locate the assembly that contains the part. Note the figure and page number.

Step 2

Locate the index number of the part on the figure. Find the index number in the corresponding list. Before ordering the part number, verify your choice by checking the description of the part.

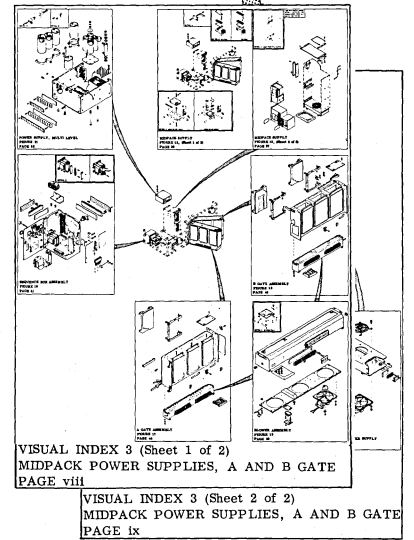
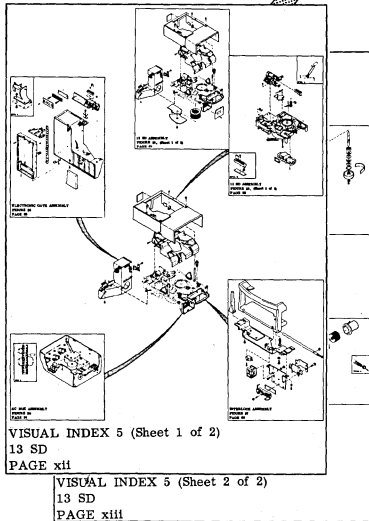
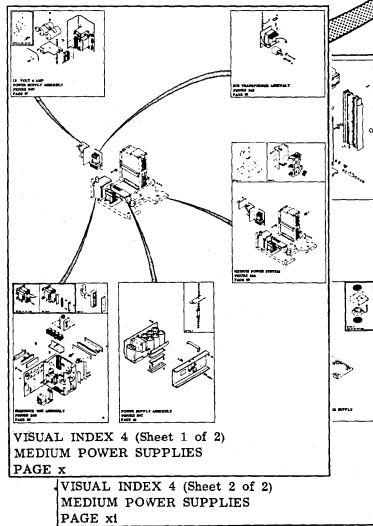
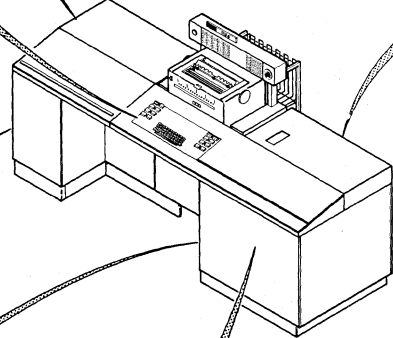
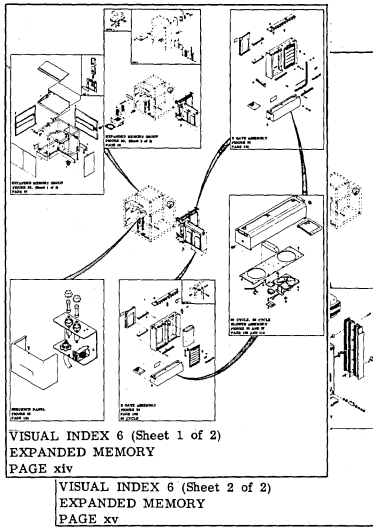
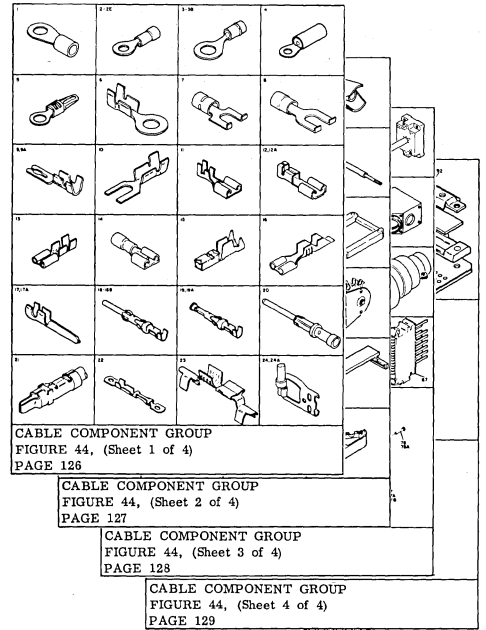
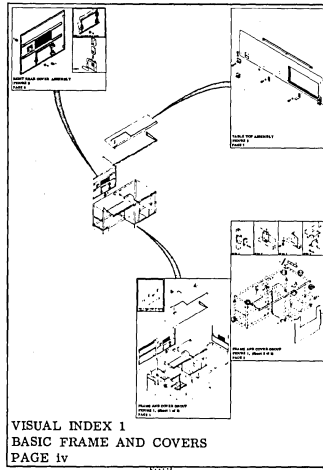
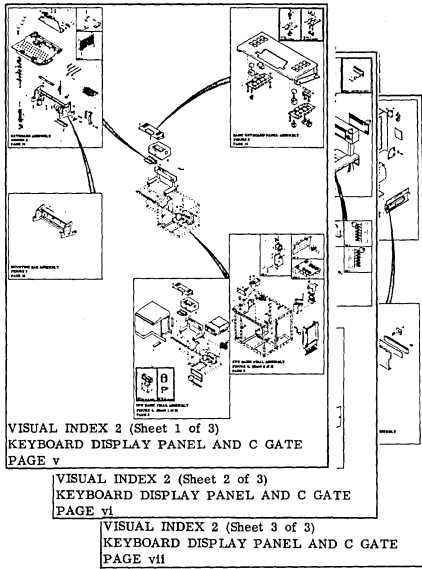
If the part you are looking for is not indexed on the figure but is shown in a subassembly on the figure, refer to the note next to the index number of the subassembly. Go to that figure and locate the part.

If the part is not shown on the illustration, note the reference to its next higher assembly on the figure (normally in upper left corner of page). Go to the figure showing the next higher assembly to locate the part.

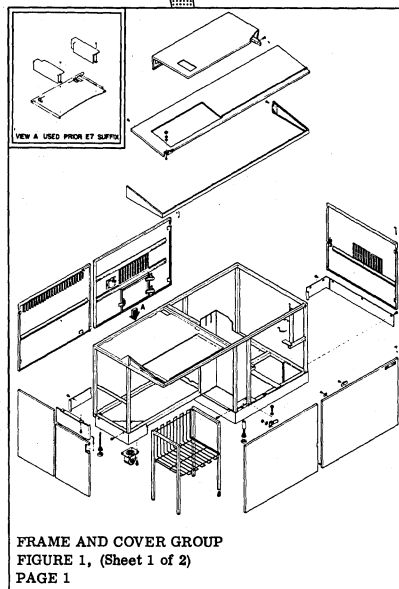
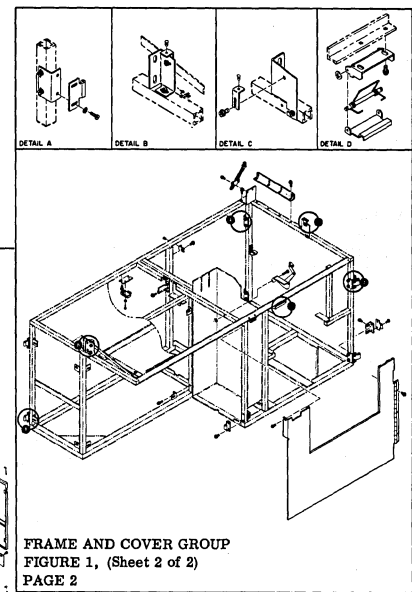
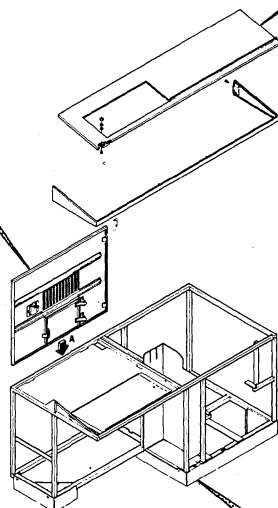
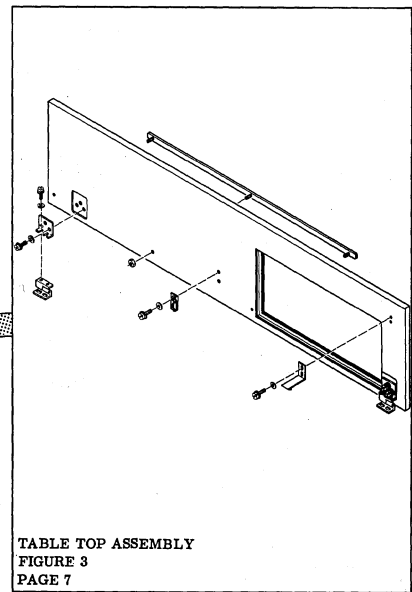
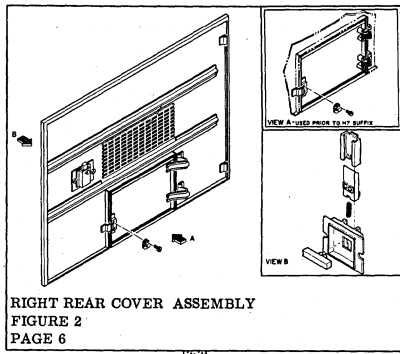
Examples For Ordering Parts

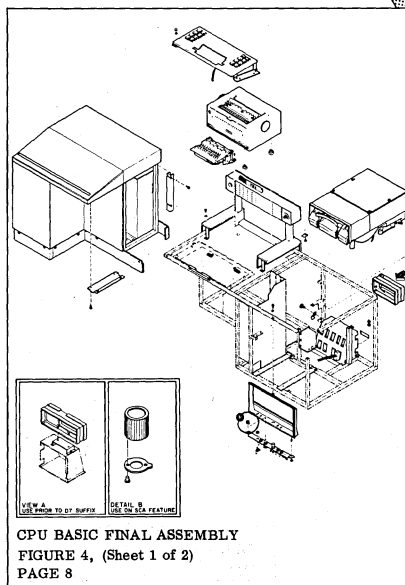
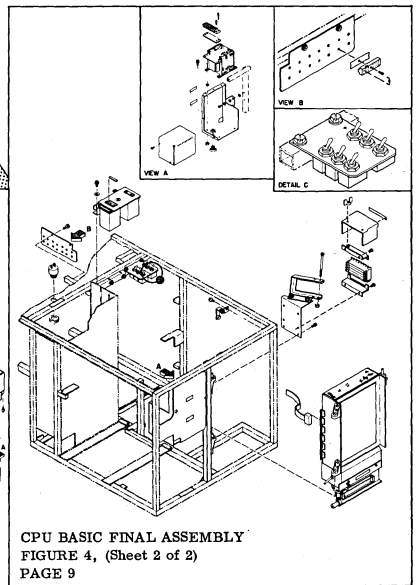
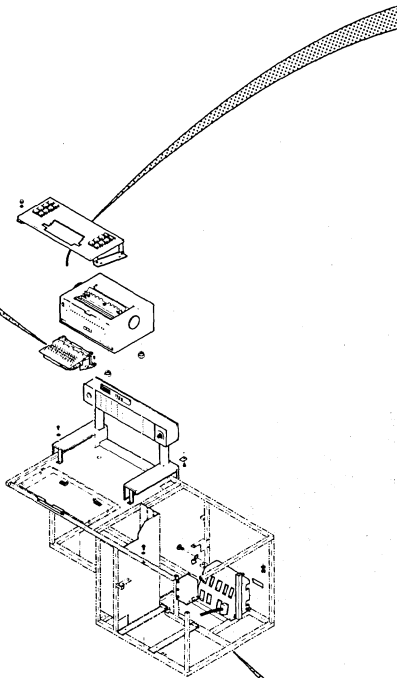
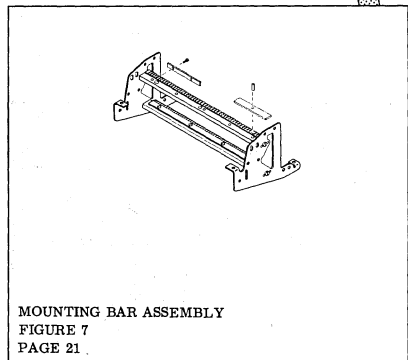
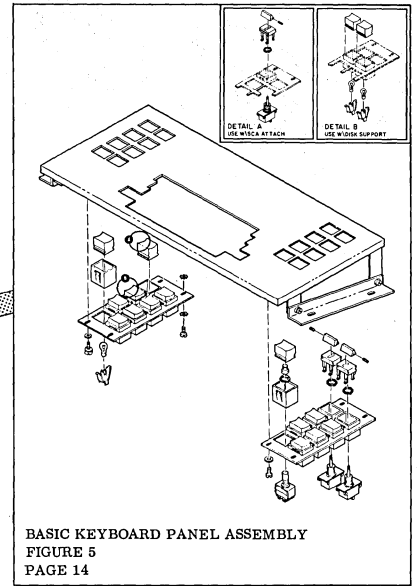
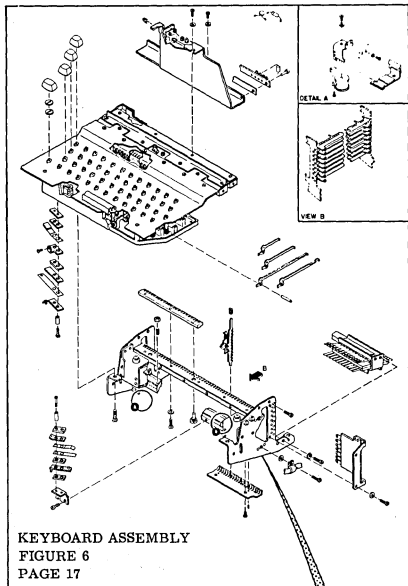
4 -	5726422	FAN ASM-P/S ENCLOSURE SEE FIG 1-184 FOR NEXT HIGHER ASSEMBLY AND FIGURE 4 FOR ILLUSTRATION	REF
- 1	334921	. TERMINAL-RING, 18-22 AWG, #6 HOLE, INS	2
- 2	187854	. SHIELD, TERMINAL BLOCK- 2 POS	1
- 3	210984	. SCREW, RD HD MACH-6-32 X .250 LG	1
- 4	5357050	. FAN ASM-NO CONNECTOR	ATT PT 1
- 5	32042	. SCREW, MACH BIND. HD 10-32 X .375 LG	ATT PT 2
- 6	5357066	. . BLADE	1
- 7	5357067	. . MOTOR 208V/230V 60CY 220V 50CY	1
- 8	130434	. . SCREW-MACH, SLOTTED HEX HD 10-32 X .375 LG	ATT PT 2
- 9	56079	. . WASHER, LOCK-EXT T .195 ID .410 OD	ATT PT 2
- 10	5726436	. . HEADER-POWER SUPPLY FAN	1

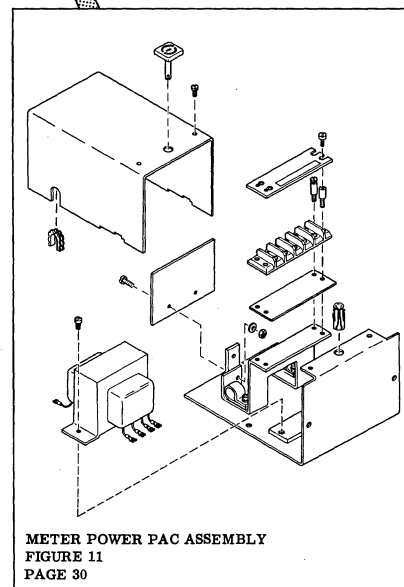
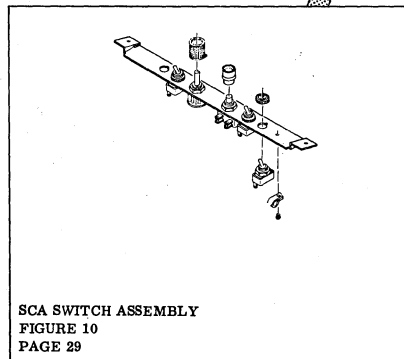
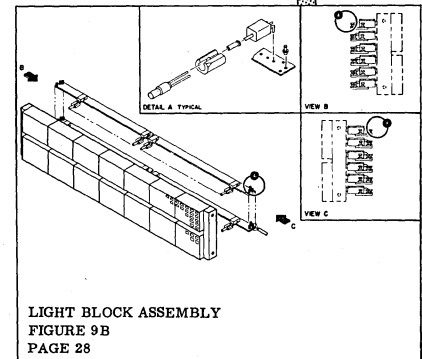
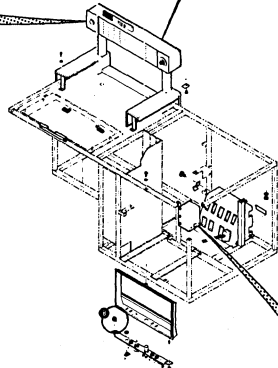
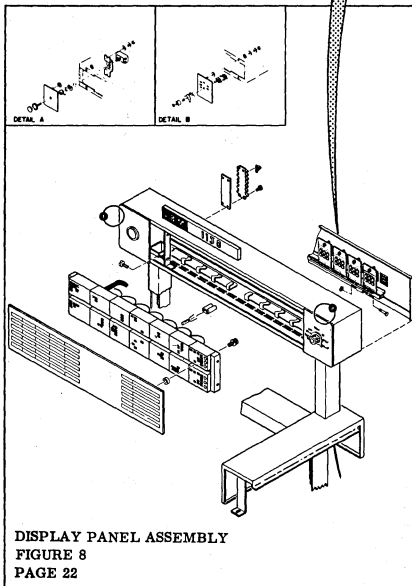
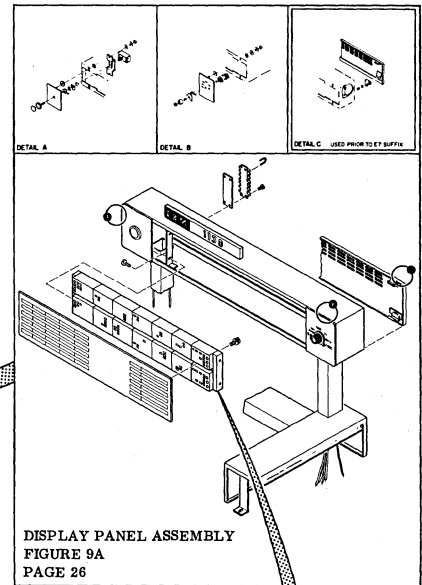
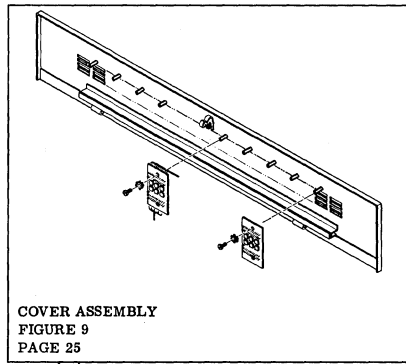
If the entire Fan is required, part number 5726422 should be ordered. Index number 4 Fan Assembly, a one dot item if ordered will give you index numbers 6-9 which are two dot items. Index number 5, a one dot item, will not be received as it is part of 5726422 which has no dot. Always check the indenture (dot) relationship of parts before ordering to insure receipt of parts required.

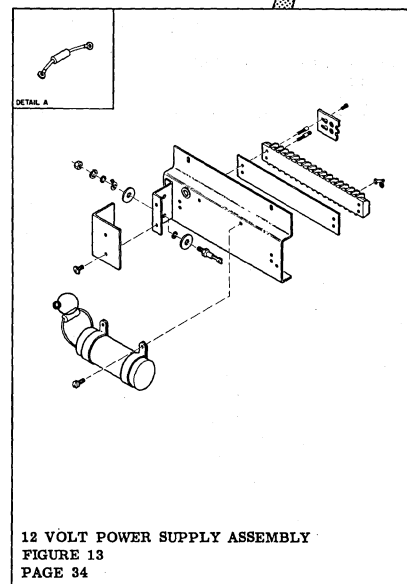
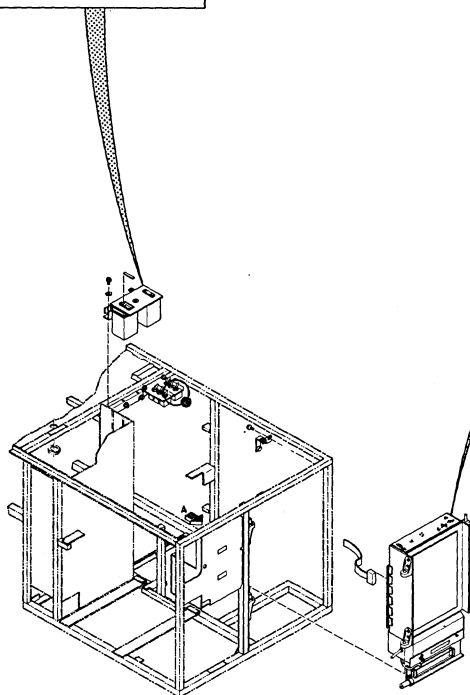
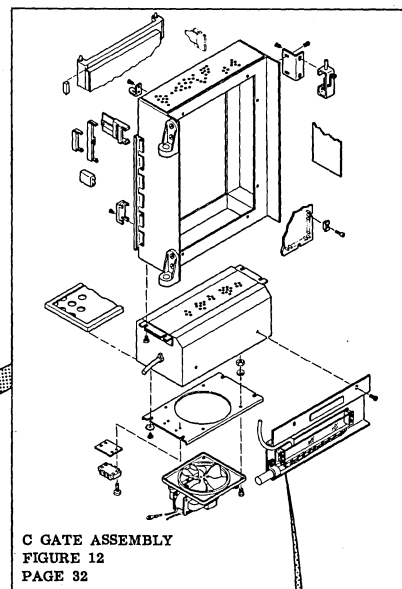
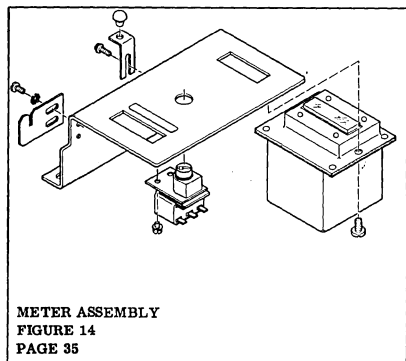


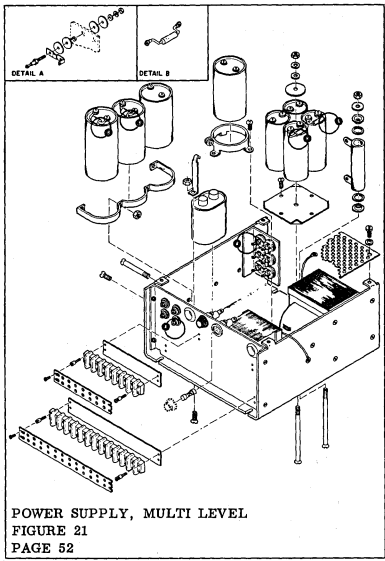
MASTER VISUAL INDEX



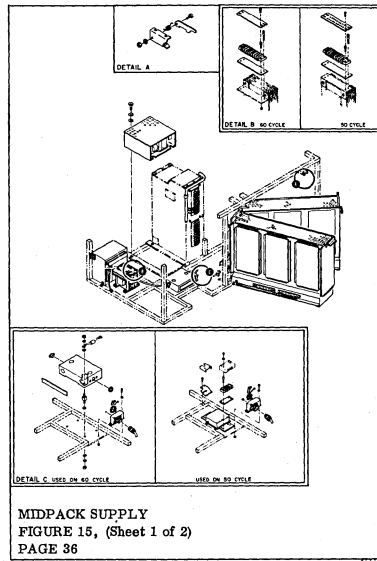




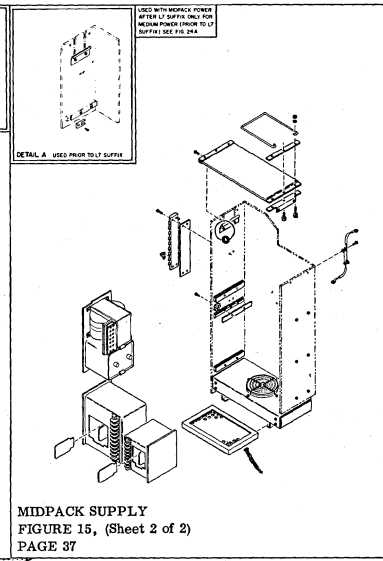




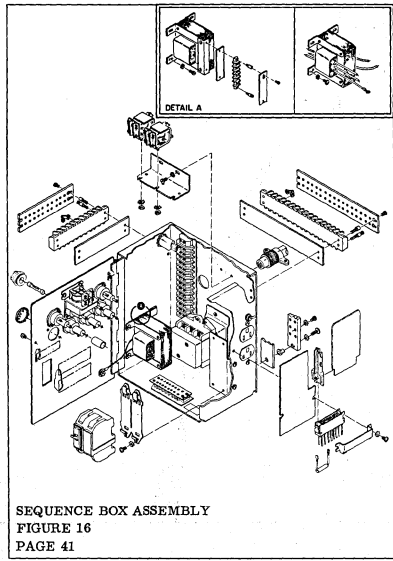
POWER SUPPLY, MULTI LEVEL
FIGURE 21
PAGE 52



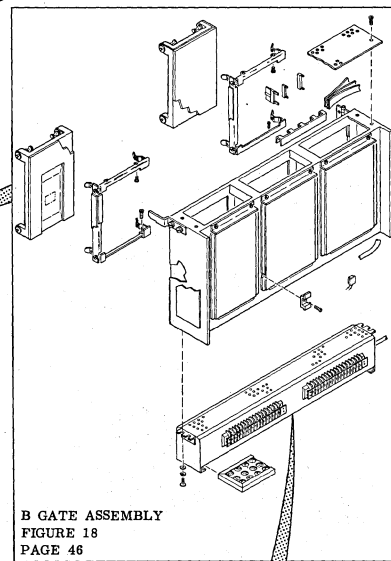
MIDPACK SUPPLY
FIGURE 15, (Sheet 1 of 2)
PAGE 36



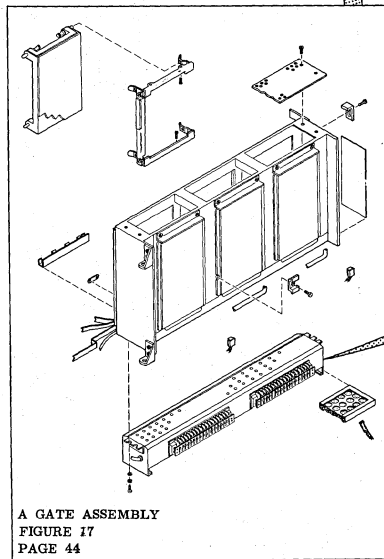
MIDPACK SUPPLY
FIGURE 15, (Sheet 2 of 2)
PAGE 37



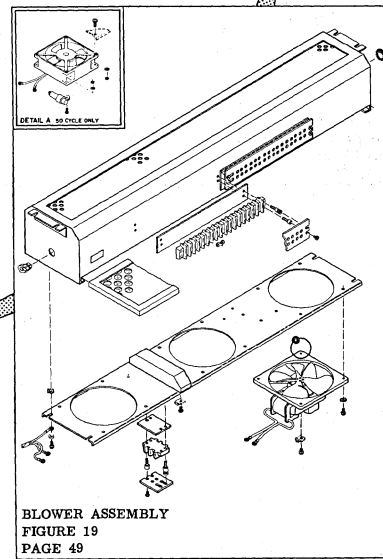
SEQUENCE BOX ASSEMBLY
FIGURE 16
PAGE 41



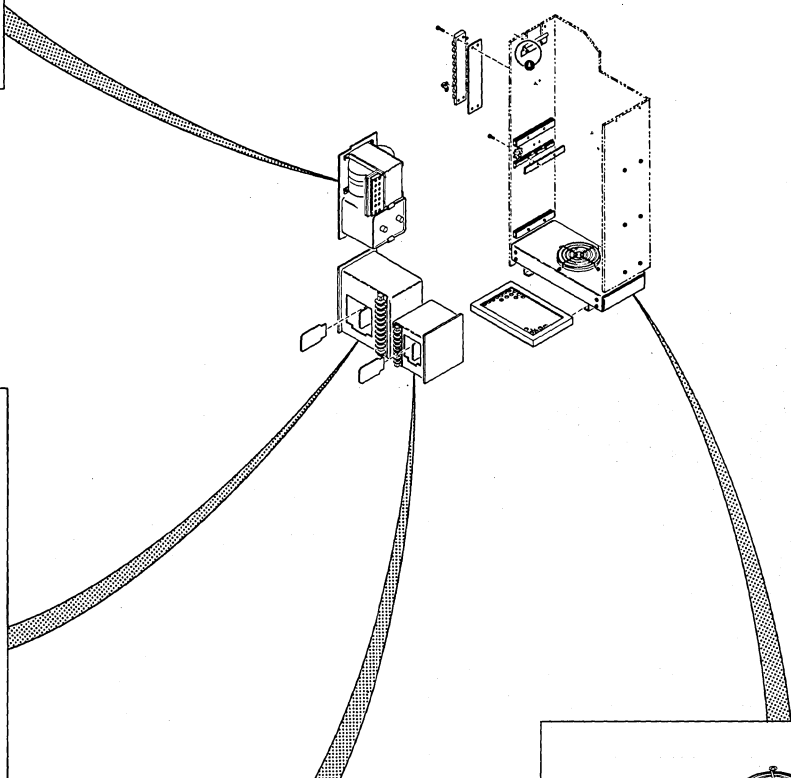
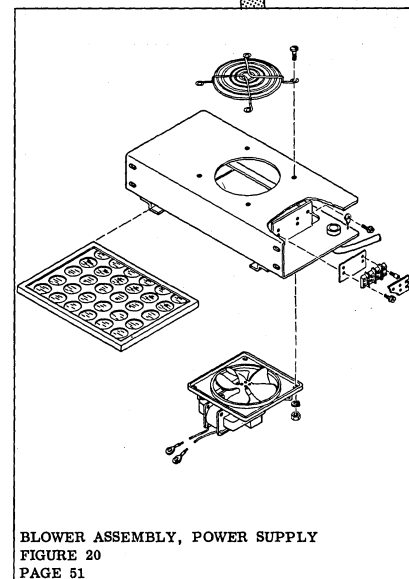
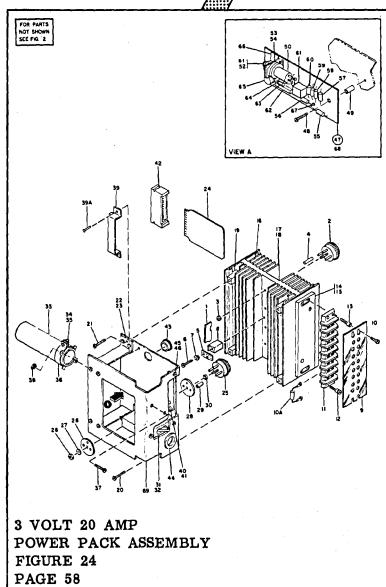
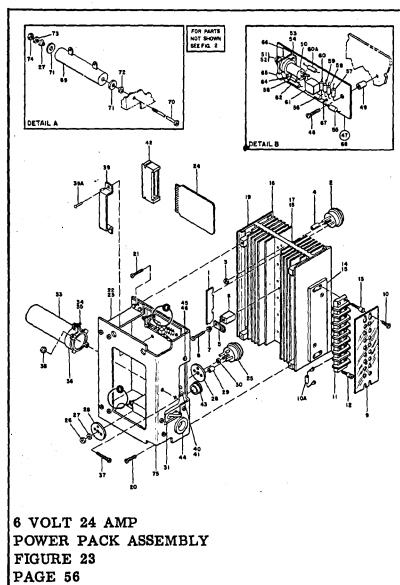
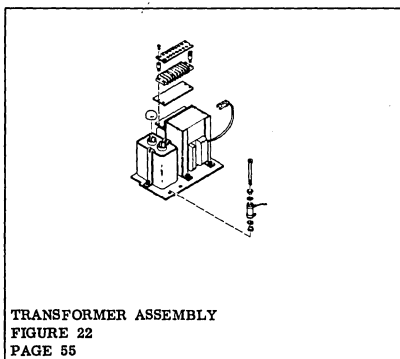
B GATE ASSEMBLY
FIGURE 18
PAGE 46

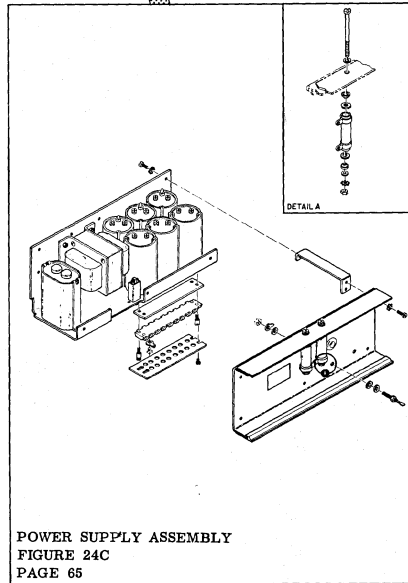
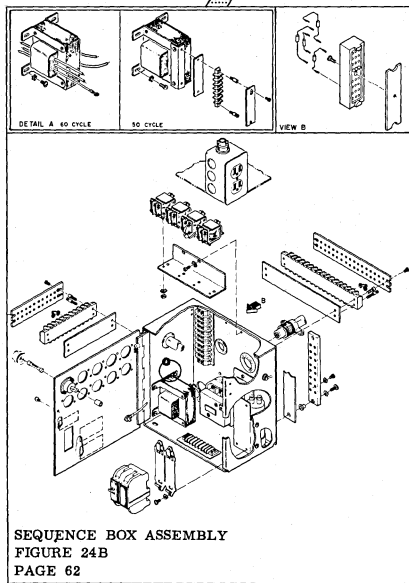
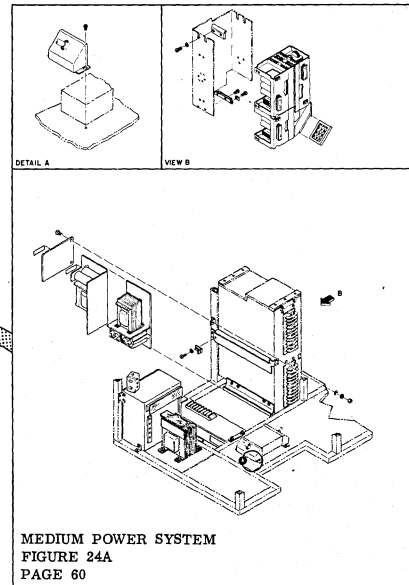
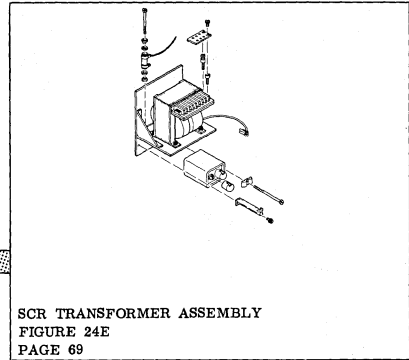
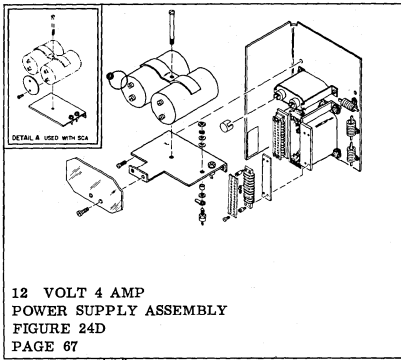


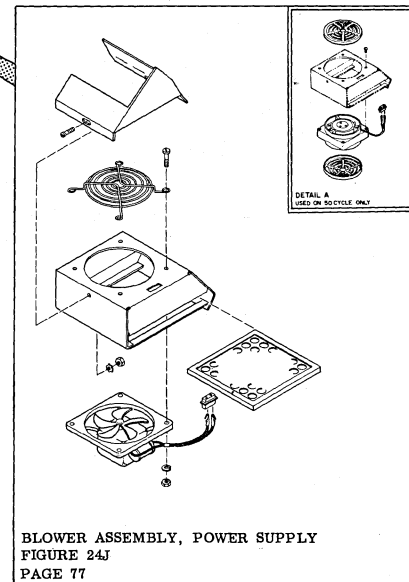
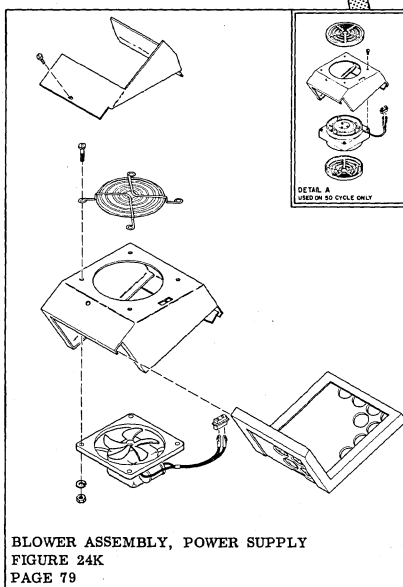
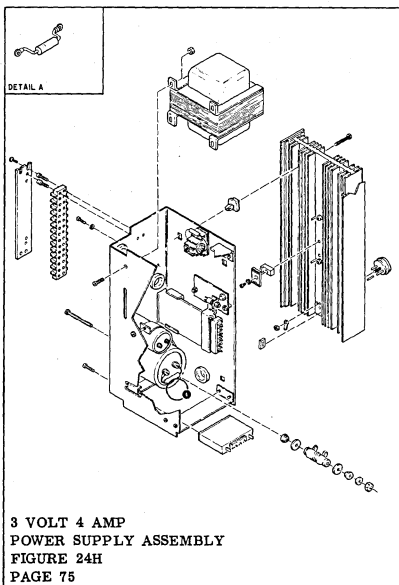
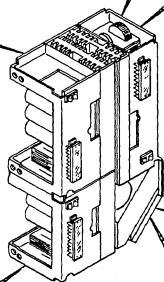
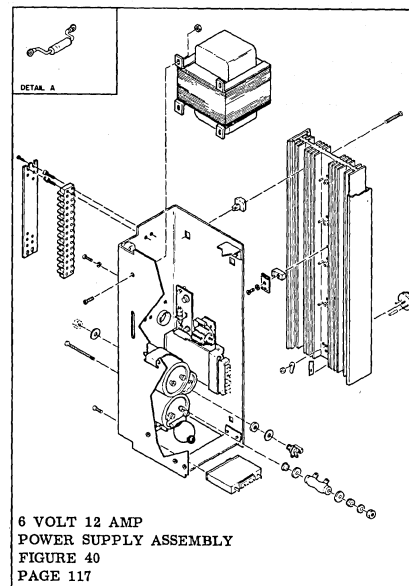
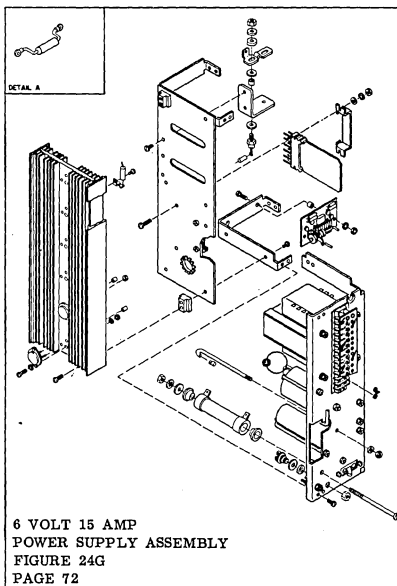
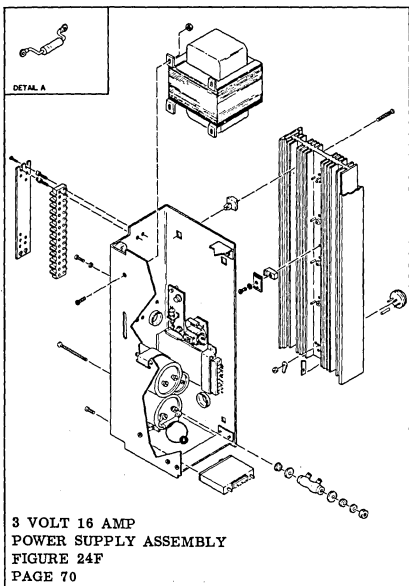
A GATE ASSEMBLY
FIGURE 17
PAGE 44

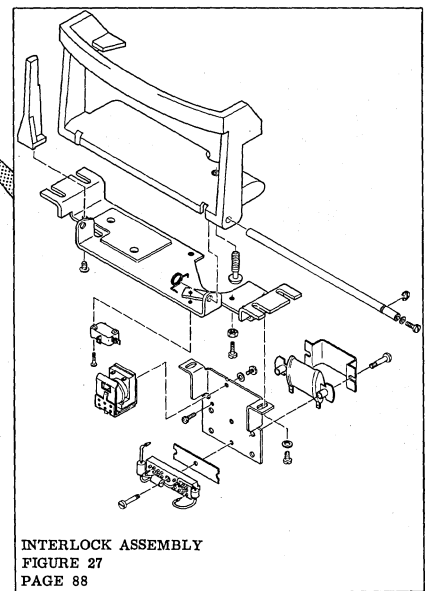
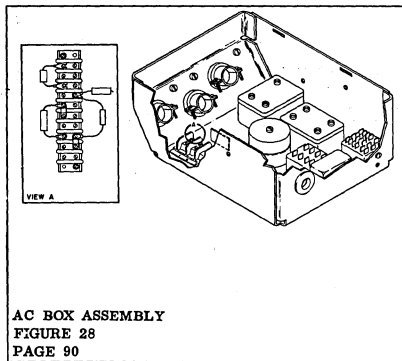
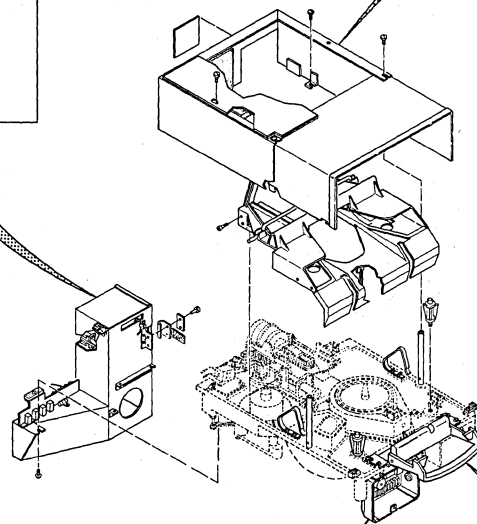
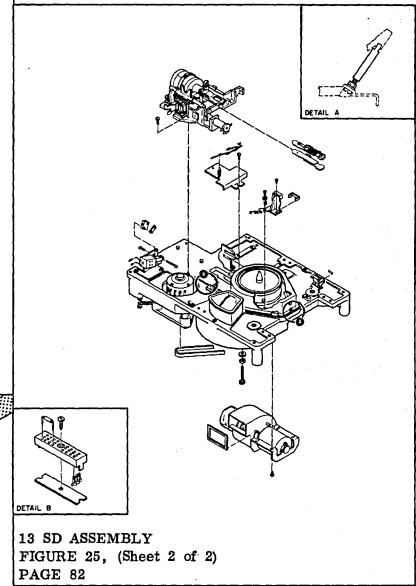
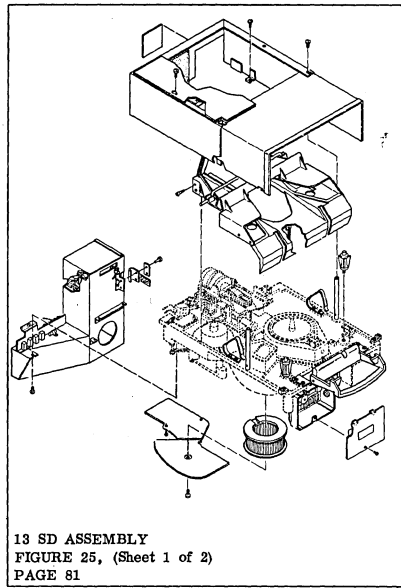
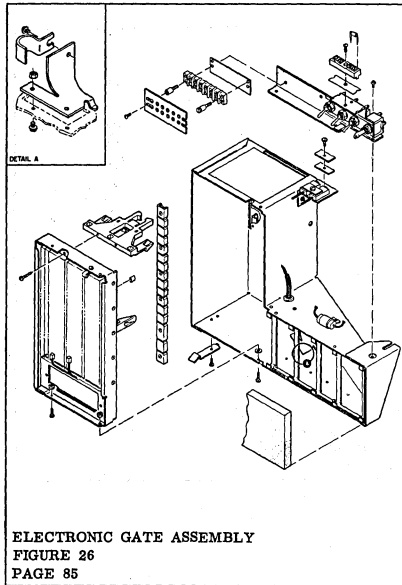


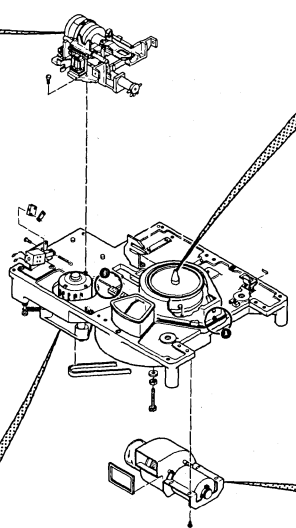
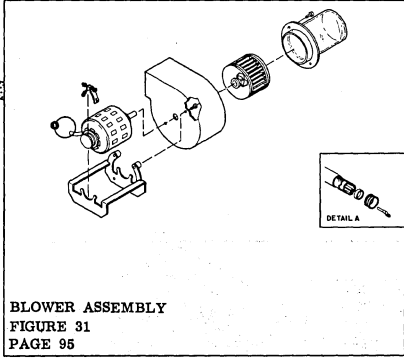
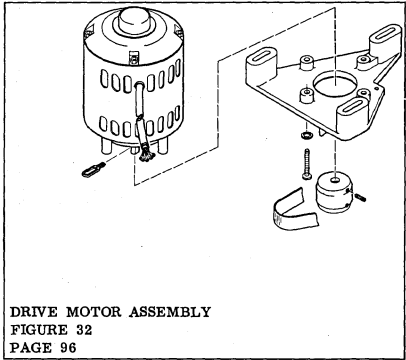
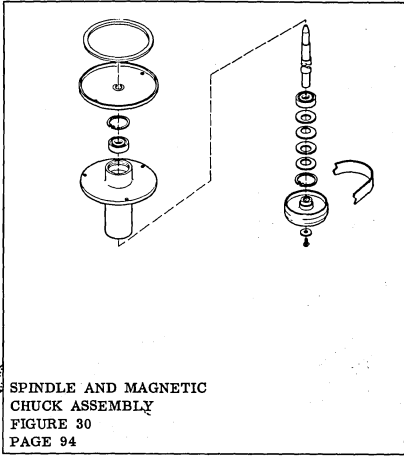
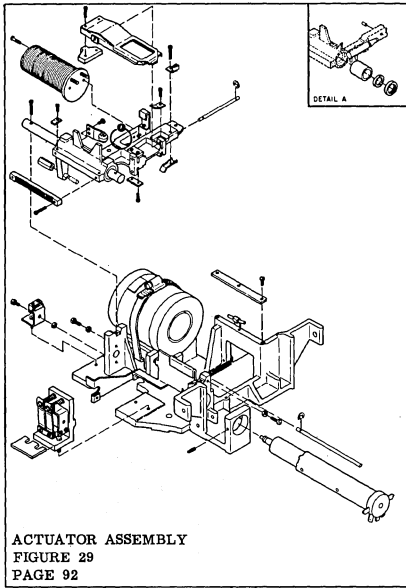
BLOWER ASSEMBLY
FIGURE 19
PAGE 49

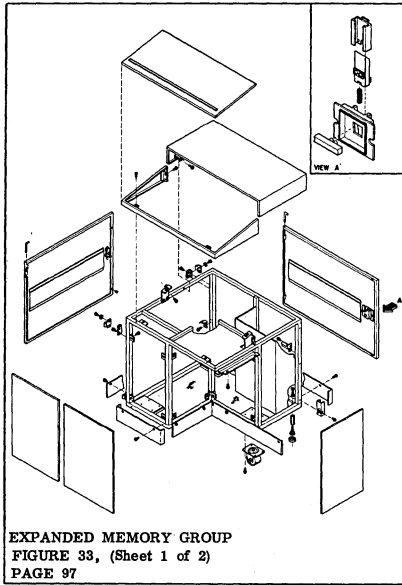




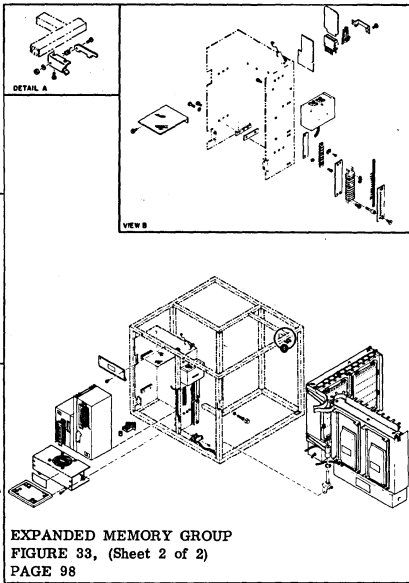




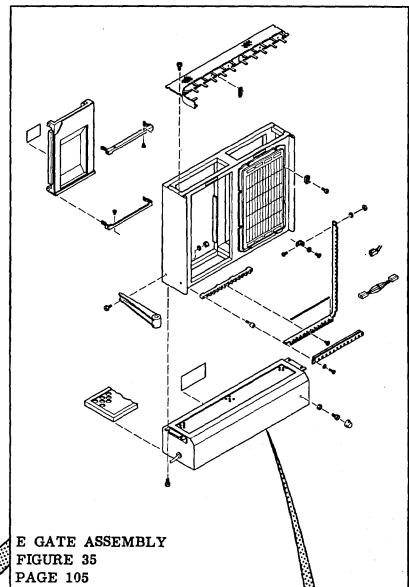




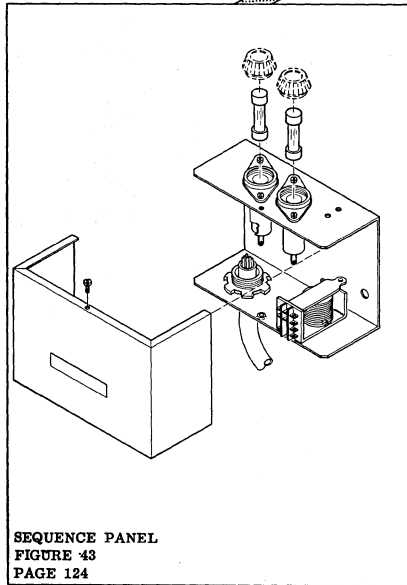
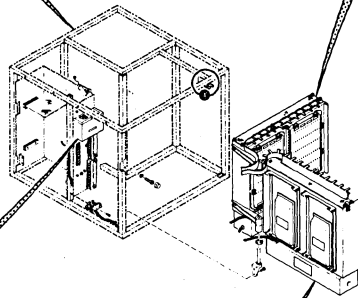
EXPANDED MEMORY GROUP
FIGURE 33, (Sheet 1 of 2)
PAGE 97



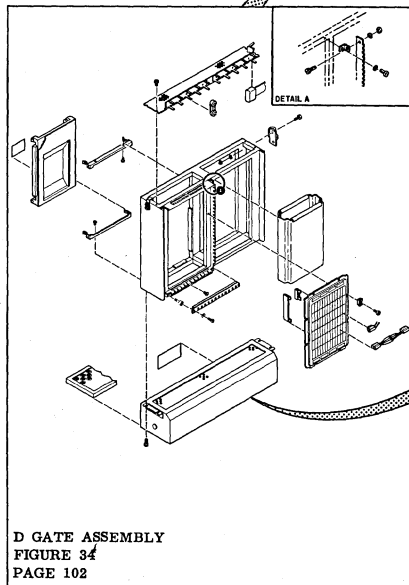
EXPANDED MEMORY GROUP
FIGURE 33, (Sheet 2 of 2)
PAGE 98



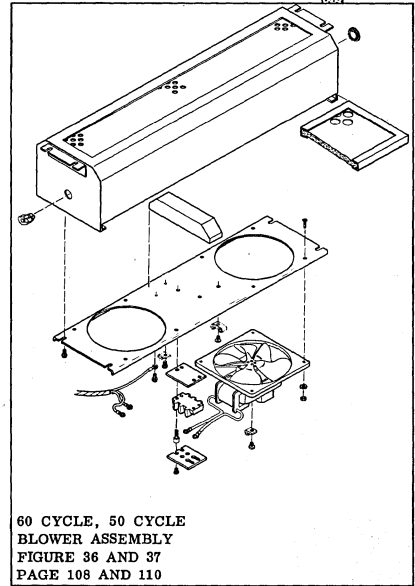
E GATE ASSEMBLY
FIGURE 35
PAGE 105



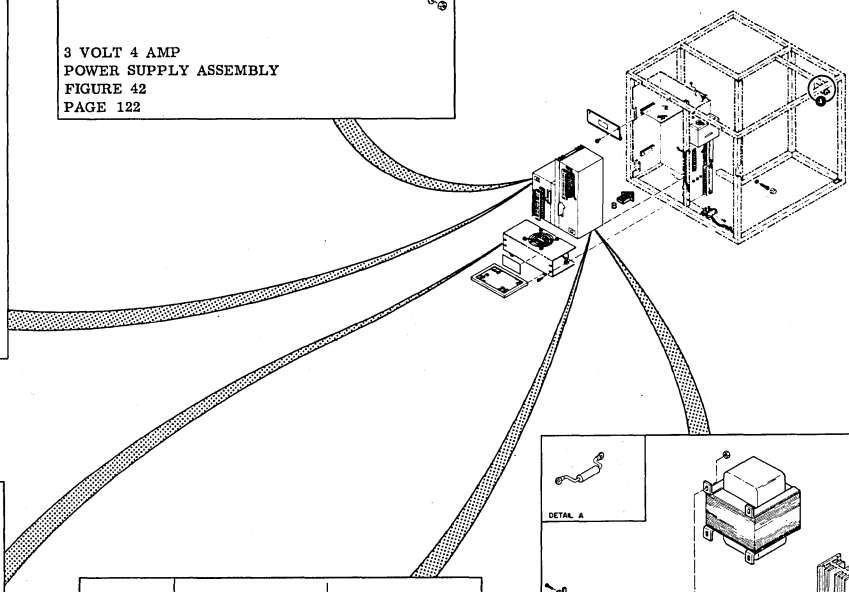
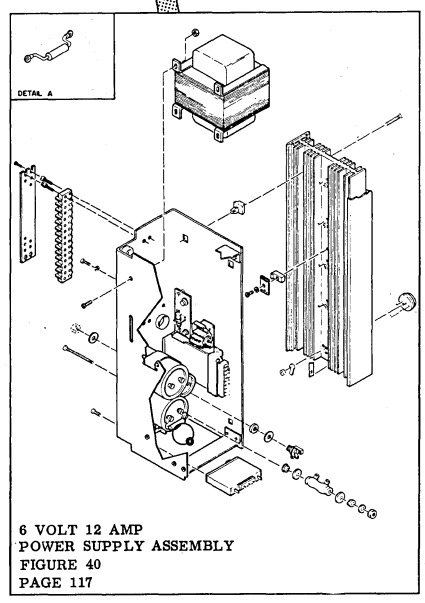
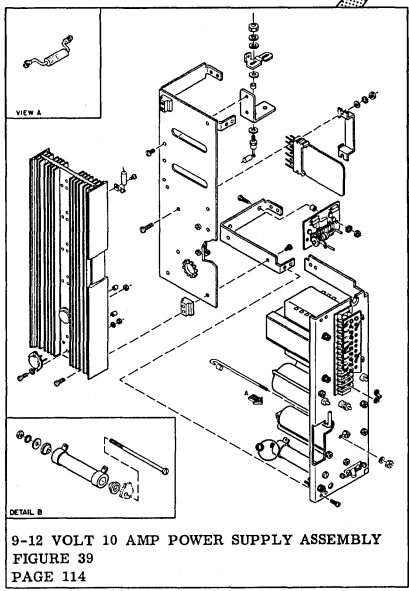
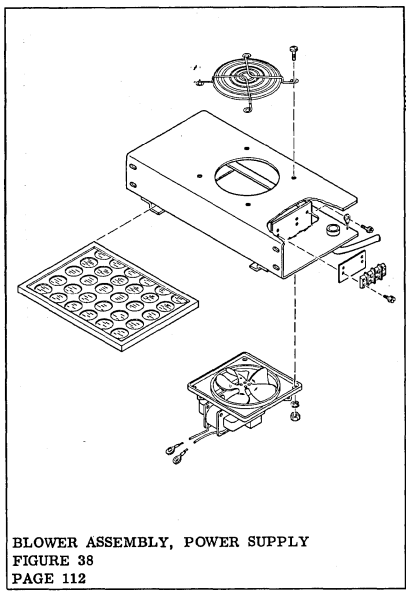
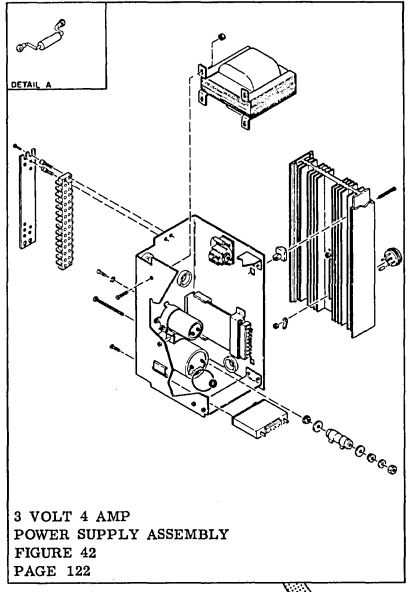
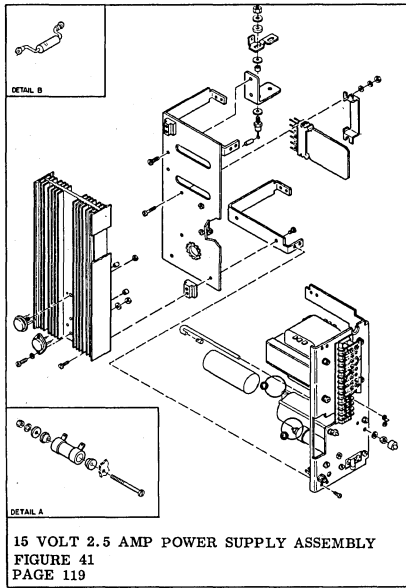
SEQUENCE PANEL
FIGURE 43
PAGE 124



D GATE ASSEMBLY
FIGURE 34
PAGE 102



60 CYCLE, 50 CYCLE
BLOWER ASSEMBLY
FIGURE 36 AND 37
PAGE 108 AND 110



GLOSSARYAR

As Required (AR) in the unit per assembly column denotes that the quantity is used as required.

*ASTERISK

An asterisk in the left margin of the list indicates a part changed in the latest revision of the catalog.

ATT PT

Attaching Parts: These parts are used to attach a component or a subassembly to an assembly. The attaching parts are listed immediately following the component or subassembly to be attached.

INDENTION

The relationship of a part to its next higher assembly is indicated by indentions. For example:

- | | | | |
|---|---|---|---|
| 1 | 2 | 3 | 4 |
| . | Assemblies and Detail Parts of Unit | | |
| . | Attaching Parts for Assemblies & Detail Parts | | |
| . | Subassemblies | | |
| . | Attaching Parts for Subassemblies | | |
| . | Detail Parts for Subassemblies, etc. | | |

LOZENGE

The lozenge in the part number column denotes the part is non-procurable and that the next higher assembly should be ordered.

NP

The entry NP in the part number column denotes the part is non-procurable and that the next higher assembly should be ordered.

NO NO.

When this indication appears in the part number column, it denotes a group of parts for which no part number has been assigned.

REF

This entry in the units per assembly column denotes an assembly which is completely assembled on a preceding illustration. Quantities for such items are found in its next higher assembly.

SIMILAR ASSEMBLIES

If two assemblies contain a majority of identical parts, they are broken down on the same list. Common parts are shown by one index number. Parts peculiar to one or the other of the assemblies are listed separately and identified by Usable On Code or distinguished by an additional descriptive line.

USABLE ON CODE

Part application and interchangeability is indicated by the usable on code. If this column is blank, the parts pertain to all equipment(s) covered. Two types of codes are used. The alphabetic code denotes similar assemblies and/or features; the numeric code denotes level. Refer to the beginning of each list for the explanation of the code(s).

VISUAL INDEX

The Visual Index, located at the front of the parts catalog, is a pictorial guide to each figure of the catalog where you can locate the desired part and part number.

FOR PARTS
NOT SHOWN
SEE FIG. 4 & 15

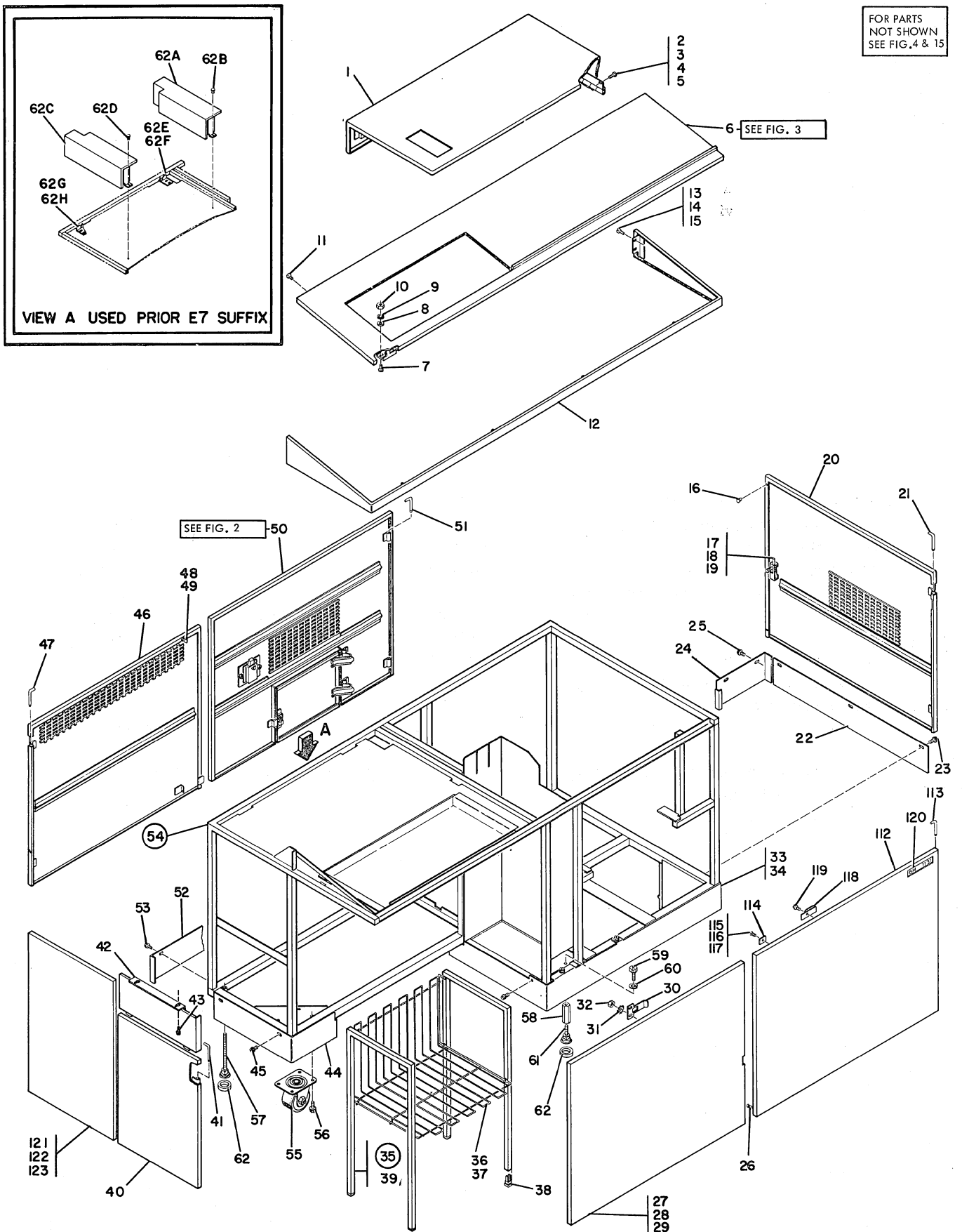
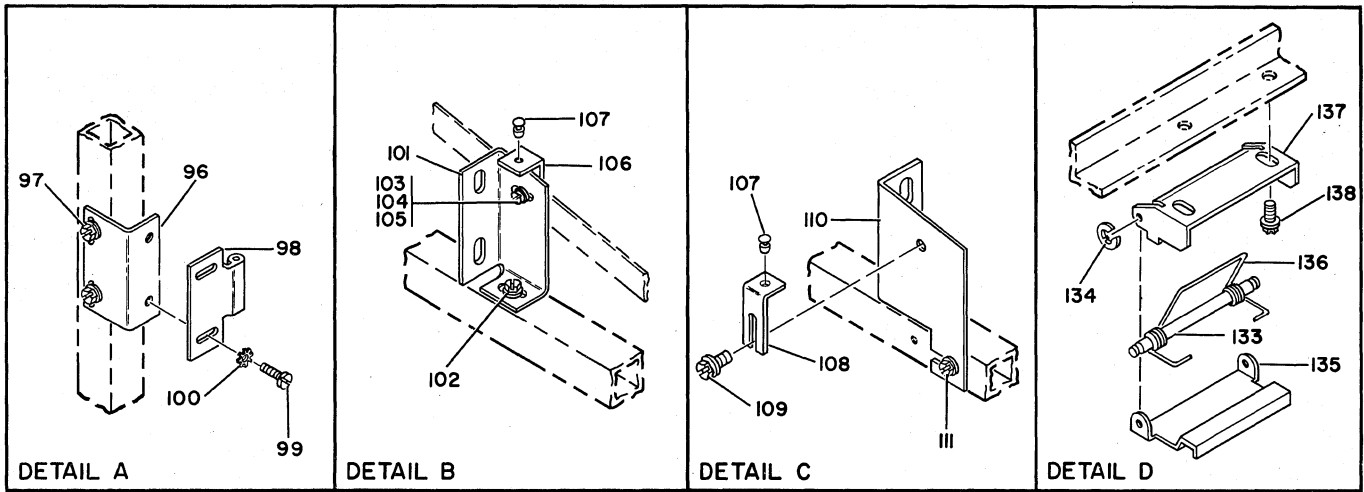


FIGURE 1. FRAME AND COVER GROUP. SHEET 1 OF 2, INDEX NOS. 1-62H AND 112-123. SEE LIST 1.



FOR PARTS
NOT SHOWN
SEE FIG. 4 & 15

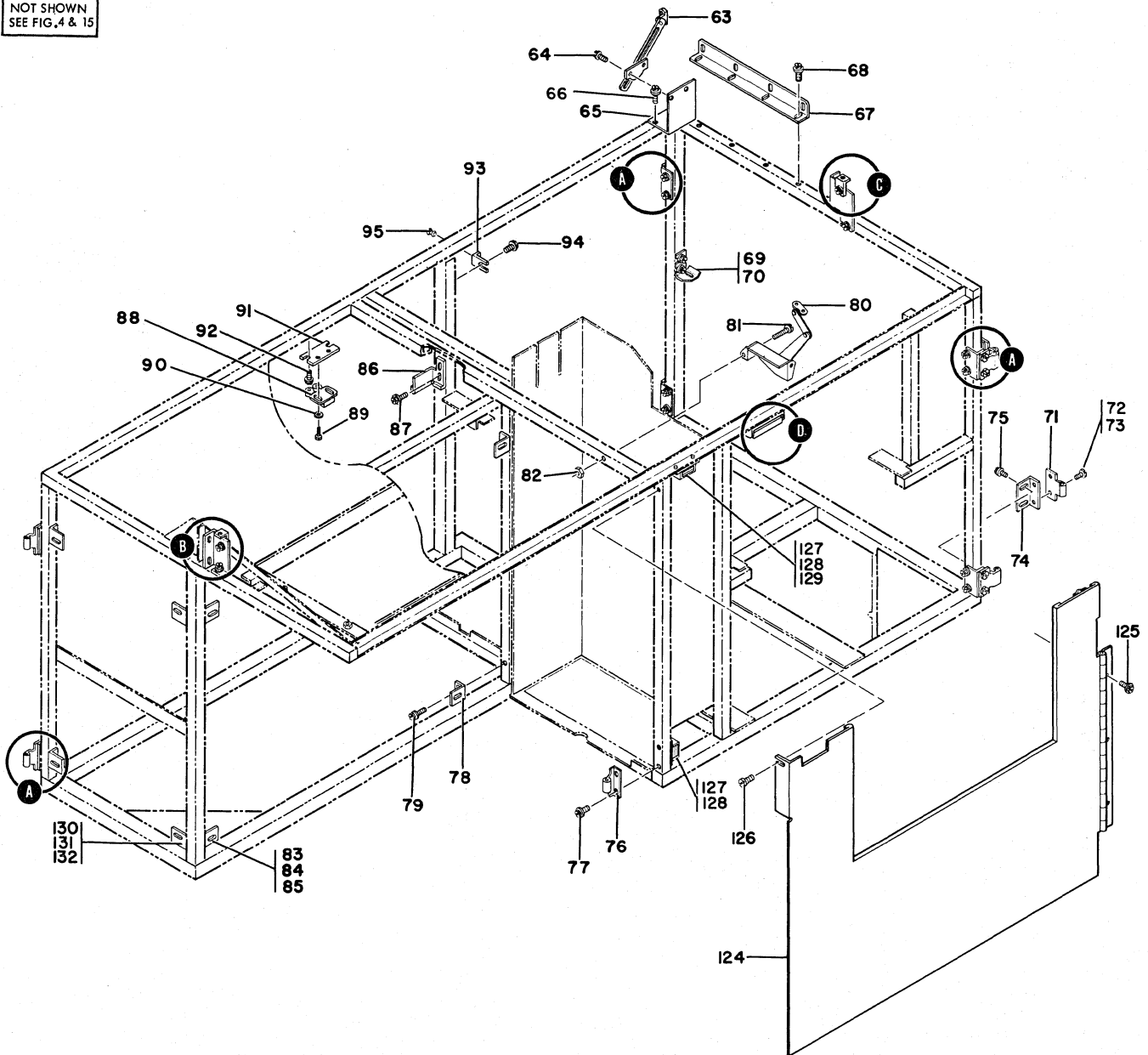


FIGURE 1. FRAME AND COVER GROUP. SHEET 2 OF 2, INDEX NOS. 63-111 AND 124-138. SEE LIST 1.

LIST AND INDEX NO.	PART NO.	DESCRIPTION				UNITS PER ASM.	USABLE ON CODE	
		1	2	3	4			
		FRAME AND COVER GROUP						
1 -		CODE A USED WITH DISK/SCA ATTACHMENT CODE B USED WITH NO DISK/SCA ATTACHMENT CODE C USED WITH 4K + 8K STORAGE ONLY CODE 1 USED ON ASM PRIOR TO A6 SUFFIX CODE 2 USED ON ASM A6 TO CURRENT CODE 3 USED ON ASM PRIOR TO E7 SUFFIX CODE 4 USED AFTER E7 SUFFIX TO PRESENT						
-	2190500	NP	FRAME AND COVER GROUP FOR ILLUSTRATION SEE FIGURE 1 FOR FURTHER BREAKDOWN SEE LIST 4 AND 15			NP		
- 1	2191153		. COVER ASM, TOP RIGHT REAR PARTS OF THIS ASM ARE NOT REPLACEABLE				1	
- 2	34512		. SCREW, MACH-BIND HD 8-32 X 3/8 LG		ATT PT		4	
- 3	22478		. WASHER, FL - 0.170 ID 0.375 OD X 1/32 THK		ATT PT		4	
- 4	55901		. WASHER, LOCK, EXT TEETH - .176 DIA		ATT PT		4	
- 5	257189		. NUT, HEX 8-32		ATT PT		4	
- 6	2190597		. TABLE TOP ASM				1	
			FOR DETAIL BREAKDOWN SEE LIST 3					
- 7	32042		. SCREW, MACH BIND. HD 10-32 X 3/8 LG.		ATT PT		4	
- 8	45690		. WASHER, FL - NO.10 X 7/16 OD X 1/32 THK		ATT PT		4	
- 9	56079		. WASHER-LOCK, EXT T .204 ID .410 OD		ATT PT		4	
- 10	11598		. NUT, HEX 10-32		ATT PT		4	
- 11	58207		. SCREW, BD HD MACH-8-32 NC-2A X .250 LG		ATT PT		4	
- 12	2190596		. TRIM, TABLE TOP				1	
- 13	32042		. SCREW, MACH BIND. HD 10-32 X 3/8 LG.		ATT PT		8	
- 14	56079		. WASHER-LOCK, EXT T .204 ID .410 OD		ATT PT		8	
- 15	11598		. NUT, HEX 10-32		ATT PT		8	
- 16	1108505		. BUMPER				2	
- 17	528014		. PIN-LATCH				1	
- 18	528013		. STUD-LATCH				1	
- 19	528012		. SPRING, HELICAL, COMPR				1	
- 20	2190578		. COVER, RIGHT END				1	
			PARTS OF THIS ASM ARE NOT REPLACEABLE					
- 21	2190586		. PIN, HINGE				2	
- 22	2190620		. KICKSTRIP, LEFT SIDE				1	
- 23	159494		. SCREW, BIND HD, 10-32 X 1/4 LG		ATT PT		3	
- 24	2190619		. KICKSTRIP, RIGHT REAR				1	
- 25	159494		. SCREW, BIND HD, 10-32 X 1/4 LG		ATT PT		2	
- 26	1108505		. BUMPER				1	
- 27	2191184		. COVER ASM, LEFT FRONT				1	
- 27	2190567		. COVER ASM, LEFT FRONT				1	
			PARTS OF THIS ASM ARE NOT REPLACEABLE					
- 28	34512		. SCREW, MACH-BIND HD 8-32 X 3/8 LG		ATT PT		4	
- 29	55901		. WASHER, LOCK, EXT TEETH - .176 DIA		ATT PT		4	
- 30	2190858		. CATCH, COVER PS				1	
- 31	56079		. WASHER-LOCK, EXT T .204 ID .410 OD		ATT PT		2	
- 32	11598		. NUT, HEX 10-32		ATT PT		2	
- 33	2243320		. KICKSTRIP, RIGHT FRONT				1	
- 34	159494		. SCREW, BIND HD, 10-32 X 1/4 LG		ATT PT		3	
- 35	2243650		. STAND ASM, CONTINUOUS FORMS				1	
- 36	2243651		. . SHELF, CONTINUOUS FORMS				1	
- 37	738378		. . SCREW, THD FORMING, PAN HD, 8-32 X .250		ATT PT		6	
- 38	737967		. . GLIDE				4	
- 39	2243652		. . LEG				2	
- 40	2190870		. COVER, LEFT MID LOWER				1	
- 41	2190586		. PIN, HINGE		ATT PT		2	
- 42	2190869		. COVER, LEFT MID UPPER				1	
- 43	5319854		. SCREW, SELF TAPPING, 8-32 X .375 LONG		ATT PT		2	
- 44	2190979		. KICKSTRIP, LEFT SIDE				1	
- 45	159494		. SCREW, BIND HD, 10-32 X 1/4 LG		ATT PT		2	
- 46	2190571		. COVER, LEFT REAR				1	
- 47	2190586		. PIN, HINGE		ATT PT		2	
- 48	609551		. STUD, COVER LOCK				1	
- 49	257189		. NUT, HEX 8-32		ATT PT		1	
- 50	2190577		. COVER ASM, RIGHT REAR				1	
			FOR DETAIL BREAKDOWN SEE LIST 2					
- 51	2190586		. PIN, HINGE		ATT PT		2	
- 52	2190618		. KICKSTRIP, LEFT REAR				1	
- 53	159494		. SCREW, BIND HD, 10-32 X 1/4 LG		ATT PT		3	

LIST AND INDEX NO.	PART NO.	DESCRIPTION				UNITS PER ASM.	USABLE ON CODE
		1	2	3	4		
FRAME AND COVER GROUP -CONT							
1 - 54	2243312	1	
- 55	513271	3	
- 56	5353301	12	
- 57	2162665	2	
- 58	2243123	1	
- 59	26299	1	
- 60	120987	1	
- 61	2191786	1	
- 62	2162666	3	
- 62A	2190611	1	3
- 62B	3696	1	3
- 62C	2190614	1	3
- 62D	3696	1	3
- 62E	2190868	1	3
- 62F	2181004	2	3
- 62G	2190867	1	3
- 62H	2181004	2	3
- 63	2190875	1	
PARTS OF THIS ASM ARE NOT REPLACEABLE							
- 64	731629	4	
- 65	2243640	1	4
- 65	2190859	1	3
- 66	2181004	4	
- 67	2190874	1	
- 68	2181004	4	
- 69	2190861	1	
- 70	2181004	2	
- 71	2190583	2	
- 72	34512	4	
- 73	55901	4	
- 74	2190584	2	
- 75	2181004	4	
- 76	2243019	2	
- 77	371	4	
- 78	2190579	1	
- 79	5319854	1	
- 80	2190711	1	
PARTS OF THIS ASM ARE NOT REPLACEABLE							
- 81	10170	2	
- 81	438587	1	
- 81	2181004	1	
- 82	257189	1	
- 83	2190579	4	
- 84	2181004	4	
- 85	2108798	4	
- 86	2191028	1	
- 87	2181004	2	
- 88	609549	1	
- 89	32042	2	
- 90	56079	2	
- 91	2190605	1	
- 92	5319888	2	
- 93	2190581	2	
- 94	2181004	2	
- 95	208529	2	
- 96	2190585	6	
- 97	2181004	12	
- 98	2190583	6	
- 99	34512	8	
- 99	25627	4	
-100	55901	12	
-101	2190594	1	
-102	2181004	1	
-103	55918	1	
-104	56079	1	
-105	11598	1	
-106	2190581	1	
-107	208529	2	
-108	2190581	1	
-109	2181004	1	
-110	2190593	1	
-111	2181004	1	

LIST AND INDEX NO.	PART NO.	DESCRIPTION				UNITS PER ASM.	USABLE ON CODE
		1	2	3	4		
		FRAME AND COVER GROUP -CONT					
		THE FOLLOWING PARTS ARE FEATURES ONLY					
1 -112	2190846					1	
-112	2190588					1	
-112	2190847					1	
-112	2190848					1	
-113	2190586				ATT PT	2	
-114	COMM				PLATE,MAGNET	1	A
					PURCHASED WITH 2132050 MAGNETIC LATCH		
-115	316807				SCREW,MACH-FH,NO. 6-32 X .375 LG	1	A
-116	56722				WASHER-LOCK,EXT T, .150 ID	1	A
-117	257187				NUT,HEX 6-32 NC	1	A
-118	2190901				STRIKER,COVER LATCH	1	B
-119	5319854				SCREW, SELF TAPPING, 8-32 X .375 LONG	1	B
-120	2190537				NAME PLATE,1131 PROCESSOR- ENGLISH	1	
-120	2190999				NAME PLATE,1131 UNITE DE TRAITMENT- FRENCH	1	
-120	2190997				NAME PLATE,1131 ZENTRALEIHEIT- GERMAN	1	
-121	2191185				COVER,LEFT END	1	2C
-121	2190591				COVER,LEFT END	1	1C
-122	34512				SCREW,MACH-BIND HD 8-32 X 3/8 LG	4	C
-123	55901				WASHER, LOCK, EXT TEETH - .176 DIA	4	C
-124	2197318				COVER,INTERNAL FRONT	1	A
-125	5373221				SCREW,PANEL MOUNTING	3	A
-126	58207				SCREW, BD HD MACH-8-32 NC-2A X .250 LG	1	A
-127	2132050				LATCH-MAGNETIC	2	A
-128	10170				SCREW-MACH,BIND HD NO. 6-32 X .250 LG	4	A
-129	257986				WASHER,FLAT NO. 6	AR	A
-130	2190579				BRACKET,COVER LEFT FRONT	4	C
-131	2181004				SCREW,THREAD FORMING-HEX WASHER HD	4	C
-132	2108798				WASHER,FLAT .062 X .50 OD X .203 ID	4	C
-133	602488				SHAFT, CARD RETAINING LEVER, 2-7/8 LG	1	B
-134	1073418				RING-RETAINING	2	B
-135	2145159				HANDLE, COVER LATCH	1	B
-136	2145158				SPRING, COVER LATCH	1	B
-137	2191009				BRACKET,COVER LATCH	1	B
-138	2181004				SCREW,THREAD FORMING-HEX WASHER HD	2	B

FOR PARTS
NOT SHOWN
SEE FIG. 1

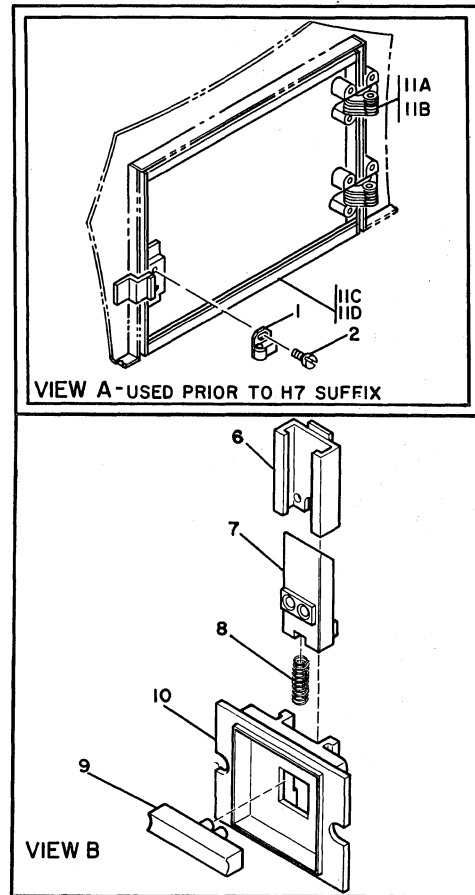
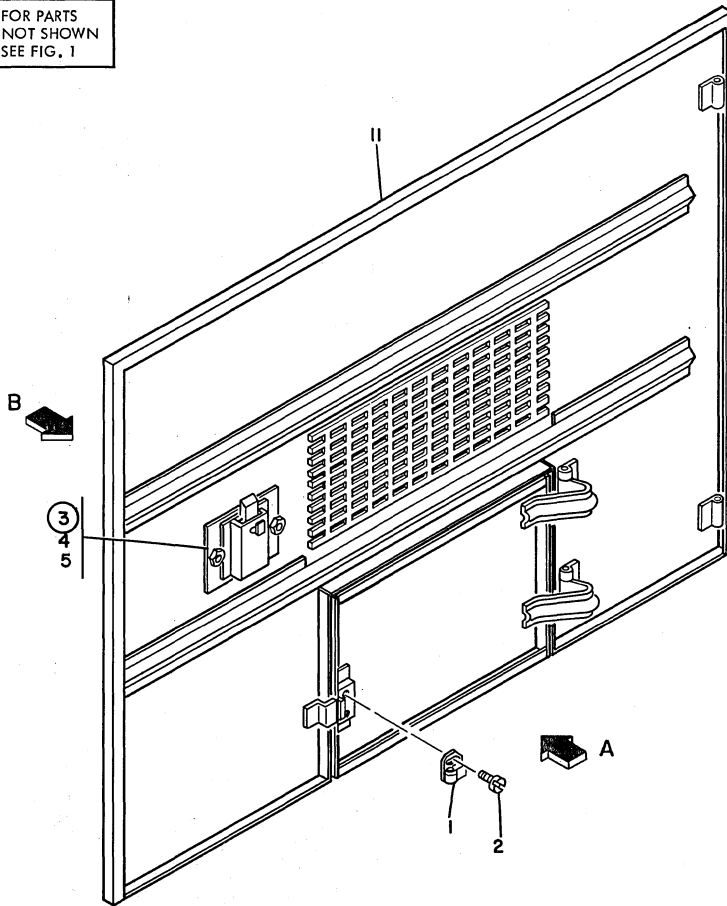


FIGURE 2. RIGHT REAR COVER ASSEMBLY. SEE LIST 2.

LIST AND INDEX NO.	PART NO.	DESCRIPTION				UNITS PER ASM.	USABLE ON CODE
		1	2	3	4		
		RIGHT REAR COVER ASSEMBLY					
2 -		CODE 1 USED PRIOR TO H7 SUFFIX					
-	2190577	RIGHT REAR COVER ASSEMBLY FOR ILLUSTRATION SEE FIGURE 2 FOR NEXT HIGHER ASM SEE LIST 1-50				1	
- 1	513668	• CATCH, FRICTION LATCH					1
- 2	10170	• SCREW-MACH, BIND HD NO. 6-32 X .250 LG				ATT PT	2
- 3	2191006	• LATCH ASM, DOMESTIC					1
- 3	2191014	• LATCH ASM, WTC					1
- 4	257189	• NUT, HEX 8-32				ATT PT	2
- 5	183841	• WASHER-SPRING				ATT PT	2
- 6	2190973	• • RETAINER, LATCH					1
- 7	2190972	• • BOLT, LATCH					1
- 8	2191007	• • SPRING-COMPRESSION					1
- 9	2190974	• • HANDLE, LATCH					1
		USED WITH ASM 2191006 ONLY					
- 10	2190971	• • HOUSING, LATCH					1
- 11	2190570	• COVER ASM, RIGHT REAR					1
		PARTS OF THIS ASM ARE NOT REPLACEABLE					
- 11A	2111930	• HINGE, INVISIBLE					2 1
- 11B	255629	• SCREW, THD CTG-FL CSK HD NO. 6 X 1/2 LG				ATT PT	4 1
- 11C	2190805	• COVER, CABLE ACCESS					1 1
- 11D	255629	• SCREW, THD CTG-FL CSK HD NO. 6 X 1/2 LG				ATT PT	4 1

FOR PARTS
NOT SHOWN
SEE FIG. 1

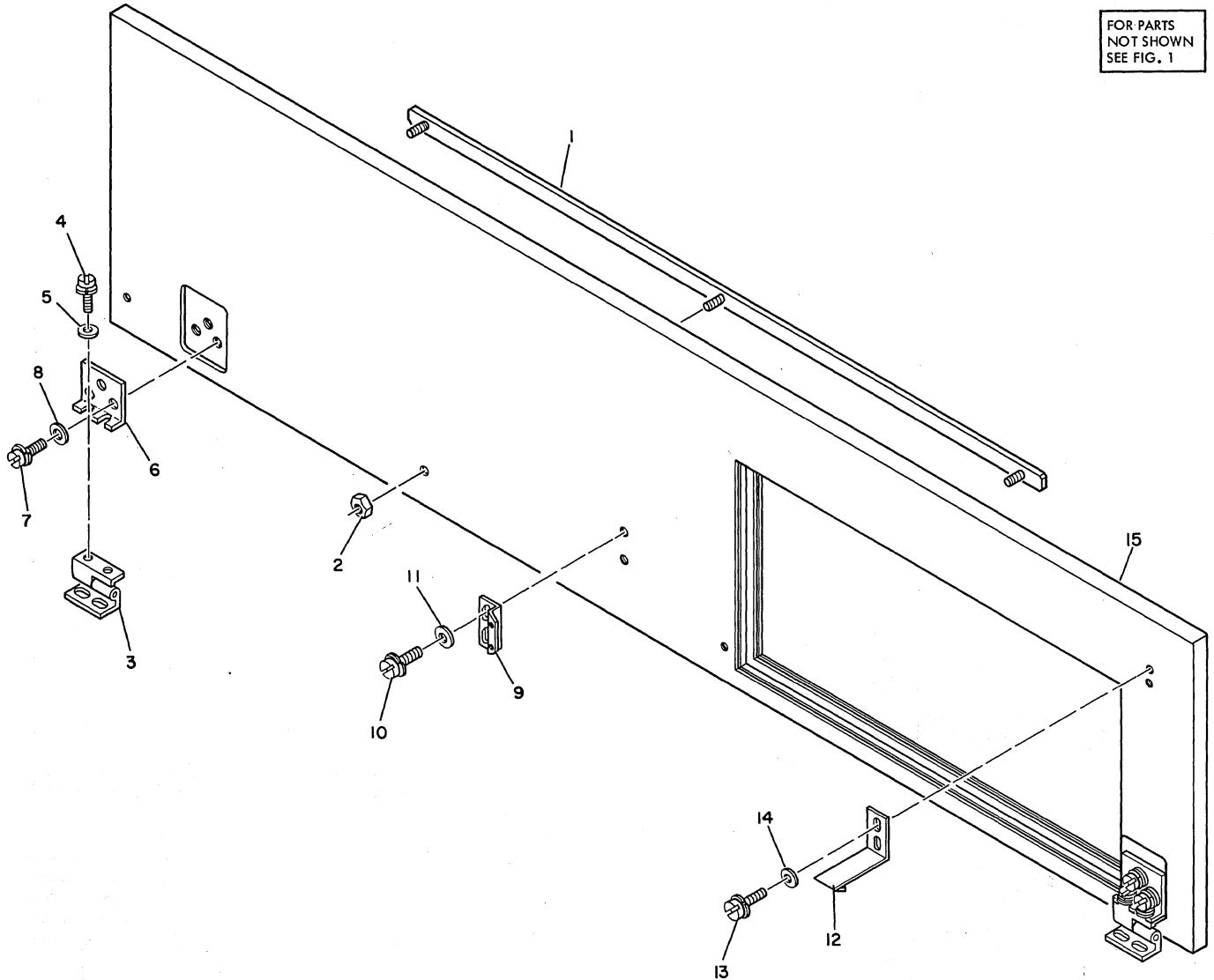


FIGURE 3. TABLE TOP ASSEMBLY. SEE LIST 3.

LIST AND INDEX NO.	PART NO.	DESCRIPTION				UNITS PER ASM.	USABLE ON CODE
		1	2	3	4		
3 -	2190597	TABLE TOP ASSEMBLY TABLE TOP ASSEMBLY FOR ILLUSTRATION SEE FIGURE 3 FOR NEXT HIGHER ASM SEE LIST 1-6				1	
- 1	2190863	• BAR, TABLE TOP PARTS OF THIS ASM ARE NOT REPLACEABLE				1	
- 2	257189	• NUT, HEX 8-32				3	ATT PT
- 3	2190598	• HINGE ASM, TABLE TOP PARTS OF THIS ASM ARE NOT REPLACEABLE				2	
- 4	234317	• SCREW, ASMD WASHER-FIL H 8-32 X 5/16 LG				4	ATT PT
- 5	22478	• WASHER, FL- 0.170 ID 0.375 OD 0.032 THK				4	ATT PT
- 6	2190599	• BRACKET, HINGE TABLE TOP				2	
- 7	234330	• SCREW, MACH-RH 10-32 X 0.438 LG				5	ATT PT
- 8	45690	• WASHER, FL - NO.10 X 7/16 OD X 1/32 THK				5	ATT PT
- 9	2190602	• BRACKET, STAY BRACE MTG				1	
- 10	234330	• SCREW, MACH-RH 10-32 X 0.438 LG				2	ATT PT
- 11	45690	• WASHER, FL - NO.10 X 7/16 OD X 1/32 THK				2	ATT PT
- 12	2243646	• CATCH				1	
- 13	234330	• SCREW, MACH-RH 10-32 X 0.438 LG				2	ATT PT
- 14	45690	• WASHER, FL - NO.10 X 7/16 OD X 1/32 THK				2	ATT PT
- 15	2243647	• TABLE TOP				1	

FOR PARTS
NOT SHOWN
SEE FIG. 1 & 15

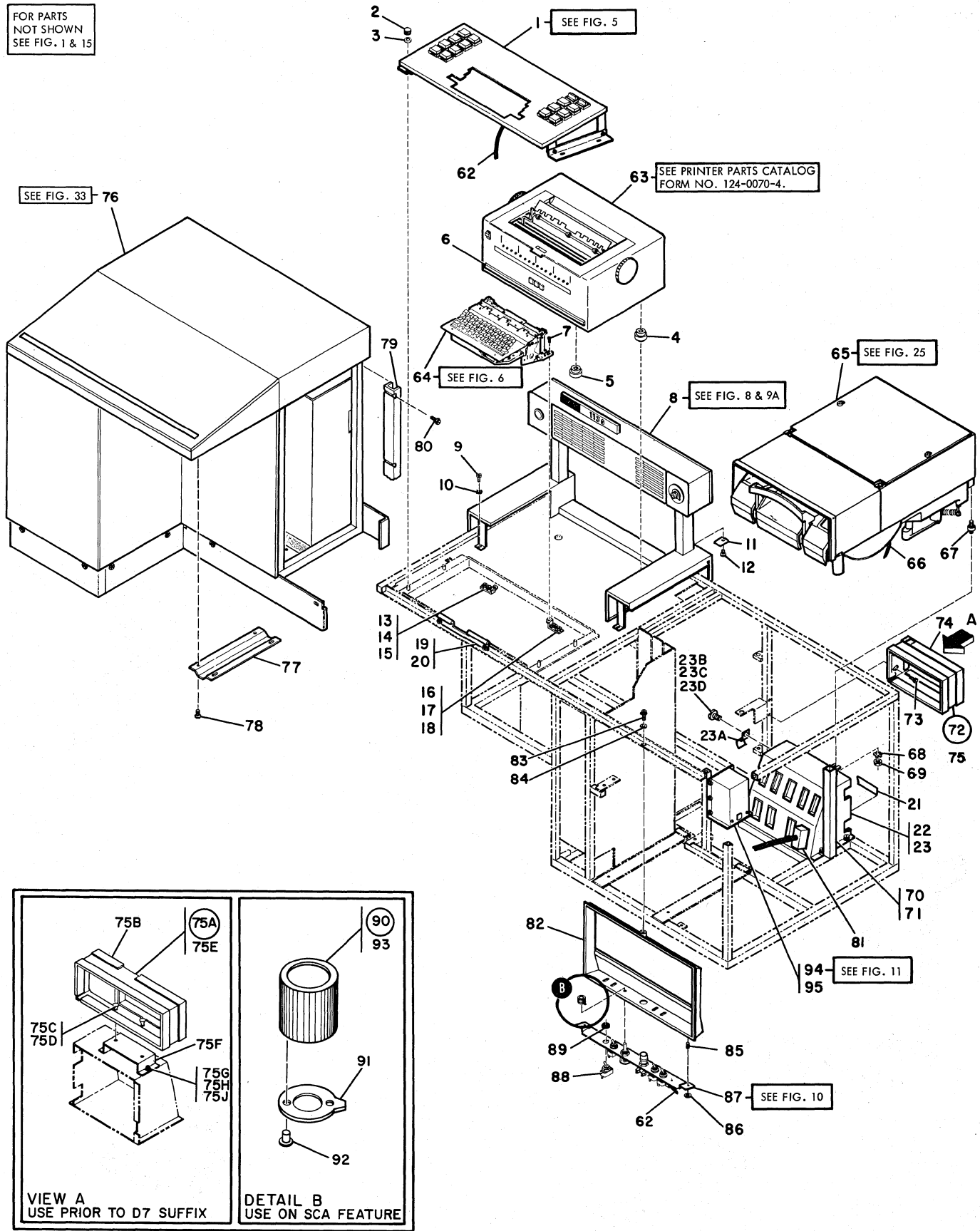


FIGURE 4. CPU BASIC FINAL ASSEMBLY. SHEET 1 OF 2, INDEX NOS. 1-23D AND 62-95. SEE LIST 4.

FOR PARTS
NOT SHOWN
SEE FIG. 1 & 15

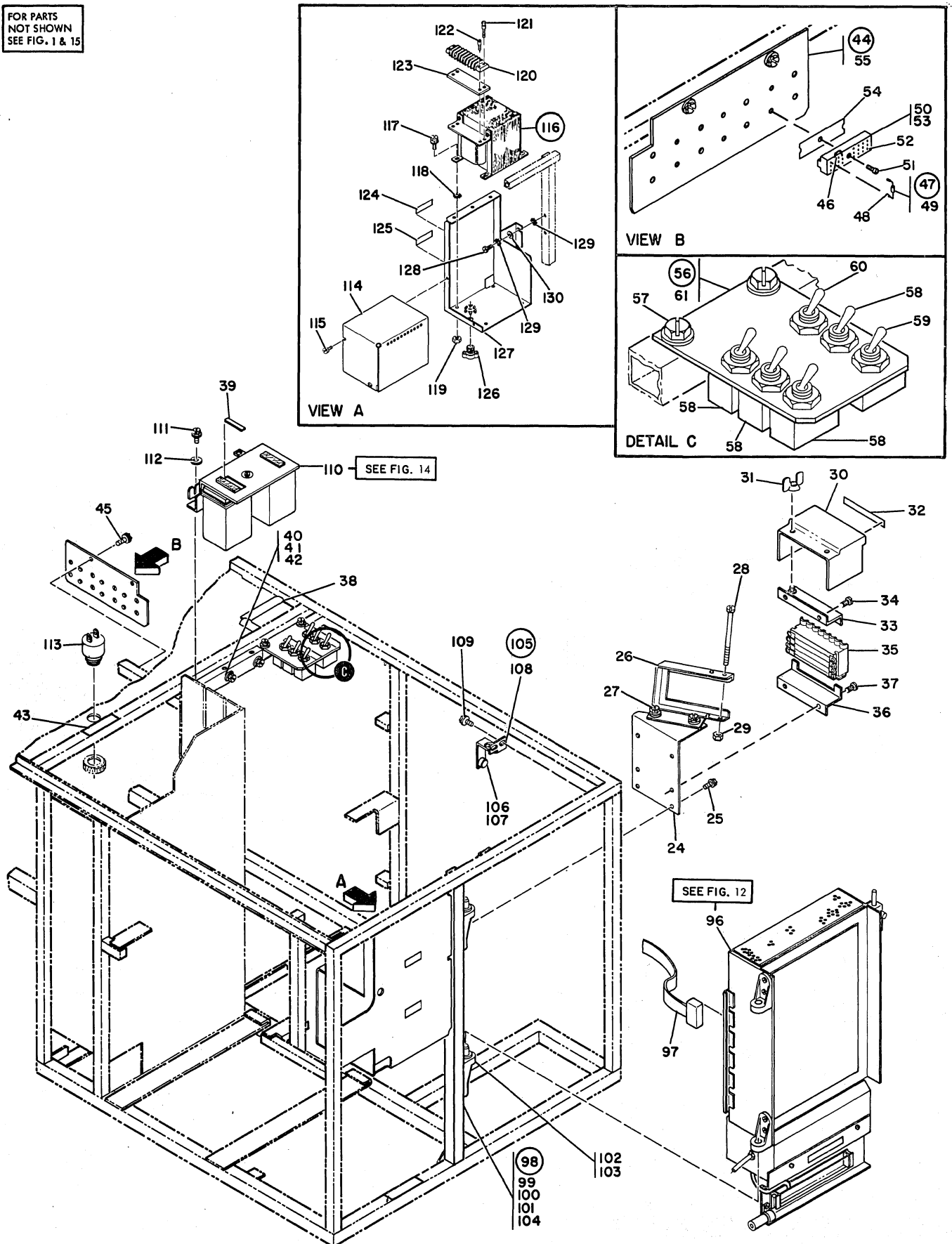


FIGURE 4. CPU BASIC FINAL ASSEMBLY. SHEET 2 OF 2, INDEX NOS. 24-61 AND 96-130. SEE LIST 4.

LIST AND INDEX NO.	PART NO.	DESCRIPTION	1 2 3 4				UNITS PER ASM.	USABLE ON CODE
			1	2	3	4		
		CPU BASIC FINAL ASSEMBLY						
4 -		CODE A USED ON DISK STORAGE ATTACHMENT CODE B USED ON SCA ATTACHMENT ONLY CODE C USED ON 208/230 60 CY ATTACHMENT CODE 1 USED PRIOR TO D7 SUFFIX CODE 2 USED FROM D7 TO PRESENT CODE 3 USED PRIOR TO S6 SUFFIX CODE 4 USED FROM S6 TO PRESENT CODE 5 USED PRIOR TO F8 SUFFIX CODE 6 USED FROM F8 TO PRESENT						
-	2190500 NP	FINAL ASM, CPU BASIC FOR ILLUSTRATION SEE FIGURE 4 FOR FURTHER BREAKDOWN SEE LISTS 1 AND 15					NP	
- 1	2191168	. KEYBOARD PANEL ASM,BASIC FOR DETAIL BREAKDOWN SEE LIST 5					1	
- 2	11598	. NUT, HEX 10-32			ATT PT		4	
- 3	45690	. WASHER, FL - NO.10 X 7/16 OD X 1/32 THK			ATT PT		4	
- 4	2243235	. STANDOFF,REAR					2	
- 5	2243234	. STANDOFF,FRONT					2	
- 6	596756	. SEAL,FOAM,.38 TH X .50 W X SPECIFY LGTH.					AR	
- 7	58207	. SCREW, BD HD MACH-8-32 NC-2A X .250 LG					2	
- 8	2243284	. DISPLAY PANEL ASM FOR DETAIL BREAKDOWN SEE LIST 8					1 6	
- 8	2190555	. DISPLAY PANEL ASM FOR DETAIL BREAKDOWN SEE LIST 9A					1 5	
- 9	91611	. SCREW,THD CUT-BIND HD NO. 10 X 1/2 LG			ATT PT		2	
- 10	56079	. WASHER-LOCK,EXT T .204 ID .410 OD			ATT PT		2	
- 11	2243642	. TAB-LOCK					2 2	
- 12	91611	. SCREW,THD CUT-BIND HD NO. 10 X 1/2 LG			ATT PT		2	
- 13	2190640	. BRACKET,KEYBOARD-LEFT REAR MOUNTING					1	
- 14	11598	. NUT, HEX 10-32			ATT PT		2	
- 15	45690	. WASHER, FL - NO.10 X 7/16 OD X 1/32 THK			ATT PT		2	
- 16	2190639	. BRACKET,KEYBOARD-RIGHT REAR MOUNTING					1	
- 17	11598	. NUT, HEX 10-32			ATT PT		2	
- 18	45690	. WASHER, FL - NO.10 X 7/16 OD X 1/32 THK			ATT PT		2	
- 19	2190638	. HOLDER,KEYBOARD FRONT					1	
- 20	2181004	. SCREW,THREAD FORMING-HEX WASHER HD			ATT PT		2	
- 21	2191140	. LABEL					1	
- 22	2191104	. HOUSING-I.O.					1	
- 23	2181004	. SCREW,THREAD FORMING-HEX WASHER HD			ATT PT		4	
- 23A	523250	. CLAMP-ADJUSTABLE CABLE					1	
- 23B	731629	. SCREW,PAN HD- 10-32 X 0.380 LG			ATT PT		1	
- 23C	9092	. WASHER-LOCK,SPLIT RING, .194 ID .3370D			ATT PT		1	
- 23D	11598	. NUT, HEX 10-32			ATT PT		1	
- 24	2190789	. BRACKET-I/O C.E.					1	
- 25	2181004	. SCREW,THREAD FORMING-HEX WASHER HD			ATT PT		2	
- 26	2190787	. HOLDER,SMS BLOCK					1	
- 27	32042	. SCREW, MACH BIND. HD 10-32 X 3/8 LG.			ATT PT		2	
- 28	2122638	. SCREW,MACH-RH 8-32 X 3.75 IN. LG					1	
- 29	324773	. NUT WING DELAY LINE MTG					1	
- 30	734488	. COVER,CARD					1	
- 31	2190927	. NUT,WING-COVER 6-32 THD			ATT PT		1	
- 32	2190898	. PLATE DESIGNATION-CONN BLOCK					1	
- 33	5240494	. BRACKET,CARD BLOCK MTG ASM PARTS OF THIS ASM ARE NOT REPLACEABLE					1	
- 34	55726	. SCREW,MACH-BIND HD 6-32 X .188 LG			ATT PT		2	
- 35	2190806	. BLOCK ASM-SMS POWER CBM PARTS OF THIS ASM ARE NOT REPLACEABLE					1	
- 36	5240464	. BRACKET,CARD BLOCK MTG					1	
- 37	55726	. SCREW,MACH-BIND HD 6-32 X .188 LG			ATT PT		2	
- 38	124822	. CHANNEL					6	
- 39	5371671	. LABEL-METER					1	
- 40	2197166	. BRACKET ASM,METER PARTS OF THIS ASM ARE NOT REPLACEABLE					1	
- 41	5319888	. SCREW, SELF TAPPING, 10-32 X .625 LONG			ATT PT		3	
- 42	23141	. WASHER,FL-NO. 10 X 9/16 OD X 1/16 THK			ATT PT		3	
- 43	124943	. LABEL-HAZARDOUS AREA					3	
- 44	2190791	. TERMINAL AND RESISTOR ASM					1	
- 45	2181004	. SCREW,THREAD FORMING-HEX WASHER HD			ATT PT		2	
- 46	205331	. . JUMPER-RELAY GATES UNIT 1/8 BRASS					1	
- 47	2123791	. . RESISTOR ASM,470 OHM,PM 5 PC,0.5 W					20	
- 48	320167	. . . TERMINAL,QUICK DISCONNECT-NGNINS 16AWG					2	
- 49	317011	. . . RESISTOR,FXD,COMP- 470 OHMS P/M 5% 1/2W					1	

LIST AND INDEX NO.	PART NO.	DESCRIPTION	UNITS	USABLE
			PER ASM.	ON CODE
		CPU BASIC FINAL ASSEMBLY -CONT		
4 - 50	302090	. . TERMINAL BLOCK ASM-24 FEMALE CONTACTS	6	
- 51	438549	. . SCREW,MACH-BIND HD 4-40 X 7/16 LG ATT PT	6	
- 52	302089	. . . SPRING-TERMINAL BOARD CONTACT	8	
- 53	302088	. . . BLOCK,TERMINAL	1	
- 54	302131	. . STRIP-TERMINAL BLOCK INSULATOR	6	
- 55	2190795	. . BRACKET,RESISTOR TERMINAL	1	
- 56	2243044	. SWITCH ASM,CE	1	4
- 56	2191076	. SWITCH ASM,CE	1	3
- 57	2181004	. SCREW,THREAD FORMING-HEX WASHER HD ATT PT	2	
- 58	2197191	. . SWITCH,TOGGLE,SPST,MAINTAINED	4	4
- 58	1166086	. . SWITCH,TOGGLE,SPDT,MAINTAINED	4	3
- 59	2197192	. . SWITCH,TOGGLE,DPST,OPEN POSITION	1	4
- 59	839529	. . SWITCH,TOGGLE-CBM DPDT	1	3
- 60	2197193	. . SWITCH,TOGGLE,DPDT,MOMENTARY	1	4
- 60	555091	. . SWITCH,PUSH,DPDT,MOMENTARY	1	3
- 61	2243045	. . BRACKET,SWITCH	1	4
- 61	2191066	. . BRACKET,SWITCH	1	3
		THE FOLLOWING PARTS ARE FEATURES ONLY		
- 62	2191343	CABLE ASM,SCA SWITCH TO C GATE	1	
- 63	NO NO.	CONSOLE PRINTER ASM	REF	
		FOR DETAIL BREAKDOWN SEE PARTS CATALOG FORM NO. 124-0070-4		
- 64	2190740	KEYBOARD ASM,ENGLISH,DOMESTIC	1	
- 64	8109194	KEYBOARD ASM,ENGLISH,UNITED KINGDOM	1	
- 64	8107886	KEYBOARD ASM,FRENCH	1	
- 64	8109274	KEYBOARD ASM,BELGIUM	1	
- 64	8107907	KEYBOARD ASM,GERMAN	1	
- 64	8109190	KEYBOARD ASM,NORWAY,DENMARK	1	
- 64	8109192	KEYBOARD ASM,SPANISH	1	
- 64	8109193	KEYBOARD ASM,SWEDEN,FINLAND	1	
- 64	8109204	KEYBOARD ASM,ITALY	1	
		FOR DETAIL BREAKDOWN SEE LIST 6		
- 65	2219061	13SD ASSEMBLY-60 CYCLE 115 VOLT	1	A
- 65	2219050	13SD ASSEMBLY-50 CYCLE 208 VOLT	1	A
		FOR DETAIL BREAKDOWN SEE LIST 25		
- 66	2191167	CABLE ASM,13 SD TO ON OFF SWITCH	1	A
		FOR COMPONENT PARTS SEE LIST 44-2A,2B 2C,3B,12A,17,17A,24 AND 24A		
- 66	2191448	CABLE ASM,13SD TO A GATE	1	A
		FOR COMPONENT PARTS SEE LIST 44-34 36,44,63,78A AND 78A		
- 66	2191165	CABLE ASM,13 SD TO POWER I/O,60 CYCLE	1	A
		FOR COMPONENT PARTS SEE LIST 44-2B 3,90B,90C,92,93,94 AND 95B		
- 66	2191166	CABLE ASM,13 SD TO POWER I/O,50 CYCLE	1	A
		FOR COMPONENT PARTS SEE LIST 44-2B 3 AND 95B		
- 67	2154465	MOUNT, SHOCK, 1 IN. DIA X 2.12 LG	4	A
- 68	25793	NUT,PLAIN,HEX- 5/16-18 X 1/2 FL W ATT PT	4	A
- 69	179966	WASHER,LOCK-EXT TEETH 5/16 ID X 0.610 OD ATT PT	4	A
- 70	2190878	POST,SUPPORT,SINGLE DISK ASM	1	A
- 71	5353301	SCREW-THREAD FORMING, HEX. WASHER HEAD ATT PT	1	A
- 72	2243649	DUCT ASM,AIR INTAKE	1	2A
- 73	2181004	SCREW,THREAD FORMING-HEX WASHER HD	2	2A
- 74	209005	. SEAL,AIR,SPECIFY LENGTH DESIRED	AR	
- 75	2243648	. DUCT,AIR INTAKE	1	
- 75A	2190872	DUCT ASM,AIR INTAKE	1	1A
- 75B	209005	. SEAL,AIR,SPECIFY LENGTH DESIRED	AR	1A
- 75C	2178597	. PLUNGER,NYLATCH	2	1A
- 75D	2178596	. GROMMET,NYLATCH	2	1A
- 75E	2190801	. DUCT,AIR INTAKE	1	1A
- 75F	2190802	BRACKET,DUCT MTG	1	1A
- 75G	443	SCREW,MACH-FIL H 10-32 X 3/8 LG	2	1A
- 75H	45690	WASHER, FL - NO.10 X 7/16 OD X 1/32 THK ATT PT	2	1A
- 75J	11891	NUT,PLAIN,HEX- 10-32 X 3/8 FL W BR5 ATT PT	2	1A
- 76	2243300	EXPANDED MEMORY GROUP	NP	
		FOR DETAILBREAKDOWN SEE LIST 33		
- 77	2243125	COUPLER,FRONT	1	
- 78	2181004	SCREW,THREAD FORMING-HEX WASHER HD ATT PT	4	
- 79	2243124	COUPLER,REAR	1	
- 80	2181004	SCREW,THREAD FORMING-HEX WASHER HD	6	

LIST AND INDEX NO.	PART NO.	DESCRIPTION				UNITS PER ASM.	USABLE ON CODE
		1	2	3	4		
		CPU BASIC FINAL ASSEMBLY -CONT					
4 - 81	2197203	CABLE	ASM,INTERNAL SIGNAL,2501 FEATURE FOR COMPONENTS SEE LIST 44-1			1	
- 81	2197231	CABLE	ASM,AC-DC POWER TO I/O,2501 ATTACH FOR COMPONENTS SEE LIST 44-2B			1	
- 81	2197201	CABLE	ASM,INTERNAL SIGNAL,SAC ATTACH FOR COMPONENTS SEE LIST 44-3A			1	
- 81	2191105	CABLE	ASM,I/O TO GATE A,1132 ATTACH FOR COMPONENTS SEE LIST 44-3A			1	
- 81	2193308	CABLE	ASM,I/O TO SEQ BOX,1132 ATTACH FOR COMPONENTS SEE LIST 44-2B			1	
- 81	2191106	CABLE	ASM,GATE A TO I/O,1442 ATTACH FOR COMPONENTS SEE LIST 44-3A			1	
- 81	2243309	CABLE	ASM,SEQ BOX TO I/O,1442 ATTACH FOR COMPONENTS SEE LIST 44-2B			1	
- 81	2243004	CABLE	ASM-SAC EX CUSTOMER DEVICE TO 1131 FOR COMPONENTS SEE LIST 44-18B			1	
- 81	2197236	CABLE	ASM-SIGNAL,2501 TO 1131 X LENGTH FOR COMPONENTS SEE LIST 44-18A,20,27			1	
- 81	2197207	CABLE	ASM-POWER,2501 TO 1131 X LENGTH FOR COMPONENTS SEE LIST 44-1,2C,18			1	
- 82	2191482	BEZEL	ASM,WITH SCA/NO DISK,ENGLISH			1	
- 82	2191493	BEZEL	ASM,WITH SCA/NO DISK,FRENCH			1	
- 82	2191494	BEZEL	ASM,WITH SCA/NO DISK,GERMAN			1	
- 82	2191484	BEZEL	ASM,WITH SCA AND DISK,ENGLISH			1	
- 82	2191491	BEZEL	ASM,WITH SCA AND DISK,FRENCH			1	
- 82	2191492	BEZEL	ASM,WITH SCA AND DISK,GERMAN			1	
- 82	2191483	BEZEL	ASM,WITH DISK AND NO SCA,ENGLISH			1	
- 82	2191495	BEZEL	ASM,WITH DISK AND NO SCA,FRENCH			1	
- 82	2191496	BEZEL	ASM,WITH DISK AND NO SCA,GERMAN			1	
- 83	38352	.	SCREW,MACH-FIL H 6-32 X 3/8 LG	ATT PT		1	
- 84	257986	.	WASHER,FLAT NO. 6	ATT PT		1	
- 85	257980	.	SCREW, HEADLESS SET, 6-32 X 3/4 LG	ATT PT		2	
- 86	257986	.	WASHER,FLAT NO. 6	ATT PT		2	
- 87	2197325	SWITCH	ASM,SCA ATTACHMENT FOR DETAIL BREAKDOWN SEE LIST 10			1	B
- 87	2197324	PLATE,SWITCH	USED ON DISK AND NO SCA			1	
- 88	734879	SWITCH, TOGGLE, DPDT,				1	A
- 89	179743	NUT,PLAIN,HEX- 15/32-32 X 9/16 FL W				1	A
- 90	5724439	KNOB AND POINTER ASM				1	B
- 91	5724438	.	POINTER			1	
- 92	1090623	.	PIN			2	
- 93	482220	.	ROTARY KNOB ASM PARTS OF THIS ASM ARE NOT REPLACEABLE			1	
- 94	740540	METER	POWER PAC ASSEMBLY-60 CY			1	
- 94	740609	METER	POWER PAC ASSEMBLY-50 CY FOR DETAIL BREAKDOWN SEE LIST 11			1	
- 95	5319854	SCREW, SELF TAPPING, 8-32 X .375 LONG		ATT PT		3	
- 96	2197308	GATE	ASM,C,60 CYCLE			1	B
- 96	2197309	GATE	ASM,C,50 CYCLE FOR DETAIL BREAKDOWN SEE LIST 12			1	B
- 97	2197240	CABLE	ASM,A GATE TO C GATE FOR COMPONENT SEE LIST 44-75			1	B
- 98	2197206	POST	ASM,C GATE			1	B
- 99	32617	SCREW, MACH BD HD 10-32 NF X .4375 LG		ATT PT		2	B
-100	5353301	SCREW-THREAD FORMING, HEX. WASHER HEAD		ATT PT		1	B
-101	45690	WASHER, FL - NO.10 X 7/16 OD X 1/32 THK		ATT PT		2	B
-102	225532	.	HINGE ASSEMBLY-MALE PARTS OF THIS ASM ARE NOT REPLACEABLE			2	
-103	5353301	.	SCREW-THREAD FORMING, HEX. WASHER HEAD	ATT PT		4	
-104	2191352	.	POST			1	

FOR PARTS
NOT SHOWN
SEE FIG. 4

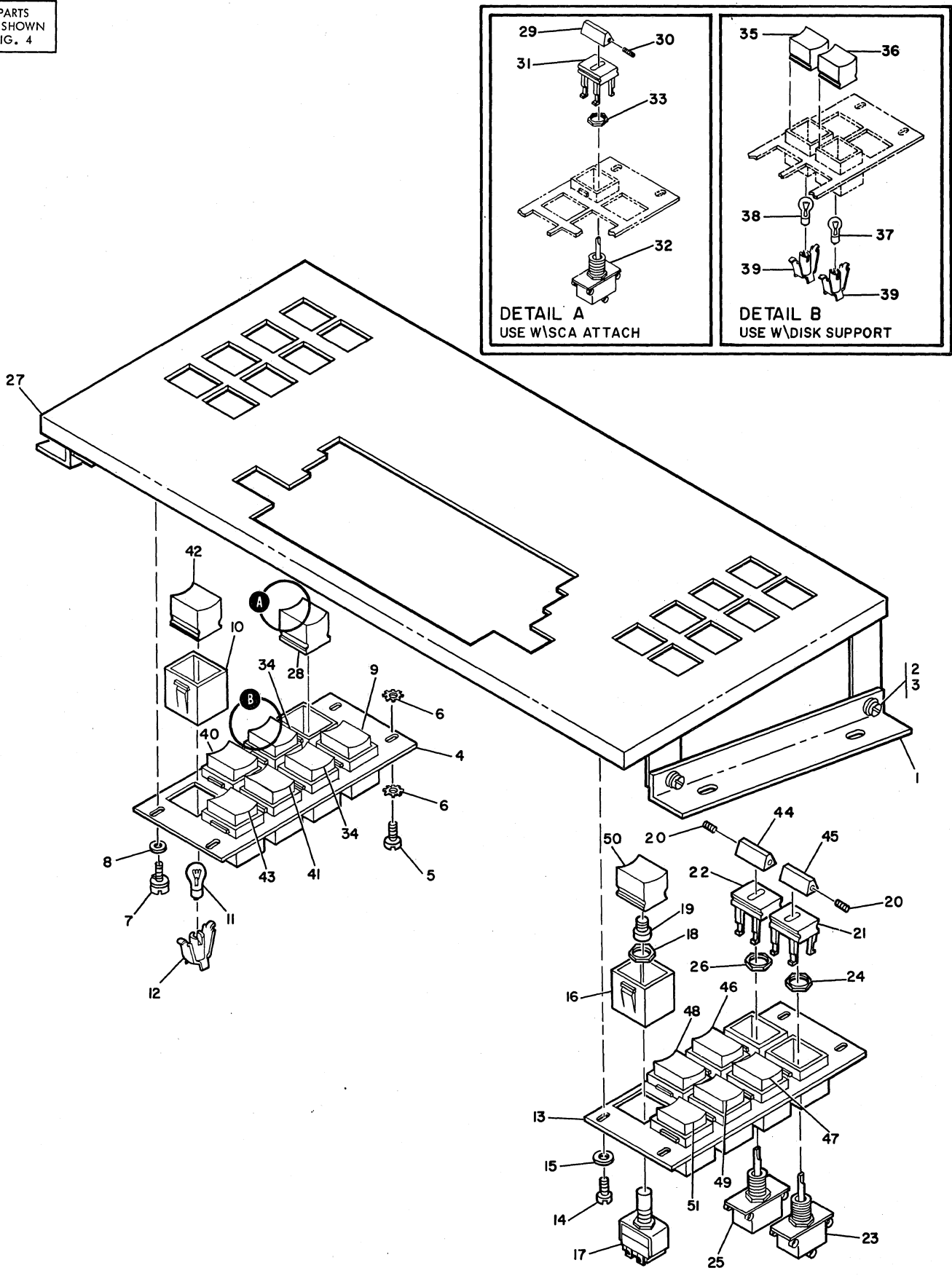


FIGURE 5. BASIC KEYBOARD PANEL ASSEMBLY. SEE LIST 5.

LIST AND INDEX NO.	PART NO.	DESCRIPTION	UNITS PER ASM.	USABLE ON CODE
		1 2 3 4		
		BASIC KEYBOARD PANEL ASSEMBLY		
5 -		CODE A USED W/SCA ATTACHMENT FEATURE CODE B USED W/NO SCA ATTACHMENT FEATURE CODE C USED W/NO DISK STORAGE CODE D USED W/DISK STORAGE CODE E USED ON IDIOMATIC GROUP		
-	2191168	BASIC KEYBOARD PANEL ASSEMBLY FOR ILLUSTRATION SEE FIGURE 5 FOR NEXT HIGHER ASM SEE LIST 4-1	REF	
- 1	2190627	. ANGLE,PANEL MTG	2	
- 2	234318	. SCREW,ASMD WASHER-FIL H 8-32 X 3/8 LG	4	ATT PT
- 3	22478	. WASHER,FL- 0.170 ID 0.375 OD 0.032 THK	4	ATT PT
- 4	2190626	. BRACKET,SWITCH MTG	1	
- 5	34512	. SCREW,MACH-BIND HD 8-32 X 3/8 LG	1	ATT PT
- 6	55901	. WASHER, LOCK, EXT TEETH - .176 DIA	2	ATT PT
- 7	234318	. SCREW,ASMD WASHER-FIL H 8-32 X 3/8 LG	3	ATT PT
- 8	22478	. WASHER,FL- 0.170 ID 0.375 OD 0.032 THK	3	ATT PT
- 9	827850	. LENS,WHITE-BLANK	1	
- 10	5373660	. HOUSING-SWITCH AND LIGHT	8	
- 11	2129665	. LAMP,INCANDESCENT- 14V 0.2 AMP	4	
- 12	827840	. SOCKET, SINGLE CONTACT, BAYONET BASE	4	
- 13	2190626	. BRACKET,SWITCH MTG	1	
- 14	234318	. SCREW,ASMD WASHER-FIL H 8-32 X 3/8 LG	4	ATT PT
- 15	22478	. WASHER,FL- 0.170 ID 0.375 OD 0.032 THK	4	ATT PT
- 16	5373660	. HOUSING-SWITCH AND LIGHT	8	
- 17	367182	. SWITCH,PUSH- 2 SPDT 125/250V AC 5 AMP	6	
- 18	5311437	. NUT,SWITCH 0.469-32	6	ATT PT
- 19	5311440	. SPRING,BUTTON	6	
- 20	1092177	. SCREW,MACH-SET 4-40 X 3/16 LG	4	
- 21	749046	. COVER,TOGGLE SWITCH	1	
- 22	5311421	. COVER,TOGGLE SWITCH	1	
- 23	2190713	. SWITCH,TOGGLE-SPDT GOLD CONTACT	1	
- 24	5311437	. NUT,SWITCH 0.469-32	1	ATT PT
- 25	5311439	. SWITCH,TOGGLE DPDT	1	
- 26	5311437	. NUT,SWITCH 0.469-32	1	ATT PT
- 27	2190625	. PANEL,SWITCH AND KEYBOARD	1	
		THE FOLLOWING PARTS ARE FEATURES ONLY		
- 28	827850	LENS,WHITE-BLANK	1	B
- 29	2197321	KEY,ON ALARM OFF,ENGLISH	1	A
- 29	2197323	KEY,EF ALARME HF,FRENCH	1	A
- 29	2197322	KEY,EIN ALARM AUS,GERMAN	1	A
- 30	1092177	SCREW,MACH-SET 4-40 X 3/16 LG	1	A
- 31	749046	COVER,TOGGLE SWITCH	1	A
- 32	2190713	SWITCH,TOGGLE-SPDT GOLD CONTACT	1	A
- 33	5311437	NUT,SWITCH 0.469-32	1	A
- 34	827850	LENS,WHITE-BLANK	2	C
- 35	2190944	LENS,DISK UNLOCK,ENGLISH	1	D
- 35	2191029	LENS,DEVERR DISQUE,FRENCH	1	D
- 35	2191030	LENS,PLATTE AUS,GERMAN	1	D
- 36	2190678	LENS,FILE READY,ENGLISH	1	D
- 36	2191002	LENS,DISQUE PRET,FRENCH	1	D
- 36	2191001	LENS,PLATTE EIN,GERMAN	1	D
- 37	2129665	LAMP,INCANDESCENT- 14V 0.2 AMP	1	D
- 38	5362163	LAMP,INDICATOR -48VDC-.060 AMPS-BAYONET	1	D
- 39	827840	SOCKET, SINGLE CONTACT, BAYONET BASE	2	D
- 40	2190677	LENS,RUN,ENGLISH	1	E
- 40	2190992	LENS,EN FONCT,FRENCH	1	E
- 40	2190991	LENS,VERARB,GERMAN	1	E
- 41	827866	LENS,PARITY CHECK,ENGLISH	1	E
- 41	2190996	LENS,CTRL PARITE,FRENCH	1	E
- 41	2190995	LENS,GULT PRUF,GERMAN	1	E
- 42	2190679	LENS,K B SELECT,ENGLISH	1	E
- 42	2190994	LENS,SELECT CLAVIER,FRENCH	1	E
- 42	2190993	LENS,TAST ANGEW,GERMAN	1	E
- 43	2190676	LENS,FORMS CHECK,ENGLISH	1	E
- 43	738517	LENS,FIN PAPIER,FRENCH	1	E
- 43	738511	LENS,PAPIER.ENDE,GERMAN	1	E
- 44	5311423	KEY,POWER ON-OFF,ENGLISH	1	E
- 44	2191043	KEY,SOUS HORS TENS,FRENCH	1	E
- 44	2191042	KEY,NETZ EIN-AUS,GERMAN	1	E

LIST AND INDEX NO.	PART NO.	DESCRIPTION				UNITS PER ASM.	USABLE ON CODE
		1	2	3	4		
		BASIC KEYBOARD PANEL ASSEMBLY -CONT					
5 - 45	2190672	KEY,KEYBOARD CONSOLE-KEYBOARD,ENGLISH				1	E
- 45	2190984	KEY,CLAVIER,PUPITRE,CLAVIER,FRENCH				1	E
- 45	2190983	KEY,KONSOL EING TAST,GERMAN				1	E
- 46	2190945	BUTTON,PUSH,PROGRAM START,ENGLISH				1	E
- 46	2191031	BUTTON,PUSH,DEPART PROGRAMME,FRENCH				1	E
- 46	2191032	BUTTON,PUSH,PROGRAMM BEG,GERMAN				1	E
- 47	853526	BUTTON,PUSH,IMMEDIATE STOP,ENGLISH				1	E
- 47	853527	BUTTON,PUSH,ARRET IMMEDIAT,FRENCH				1	E
- 47	853528	BUTTON,PUSH,SOFORT STOP,GERMAN				1	E
- 48	2190675	BUTTON,PUSH,PROGRAM STOP,ENGLISH				1	E
- 48	2191003	BUTTON,PUSH,STOP PROG,FRENCH				1	E
- 48	2191036	BUTTON,PUSH,PROGRAMM STOP,GERMAN				1	E
- 49	749034	BUTTON,PUSH,RESET,ENGLISH				1	E
- 49	2190981	BUTTON,PUSH,RESTAUR,FRENCH				1	E
- 49	2190980	BUTTON,PUSH,GRUND STELL,GERMAN				1	E
- 50	2190674	BUTTON,PUSH,LOAD IAR,ENGLISH				1	E
- 50	2190988	BUTTON,PUSH,CHARGEM IAR,FRENCH				1	E
- 50	2190987	BUTTON,PUSH,LADEN IAR,GERMAN				1	E
- 51	2194727	BUTTON,PUSH,PROGRAM LOAD,ENGLISH				1	E
- 51	2190986	BUTTON,PUSH,CHARGEM PROG.FRENCH				1	E
- 51	2190985	BUTTON,PUSH,PROGRAMM LADEN,GERMAN				1	E

FOR PARTS NOT SHOWN SEE FIG. 4

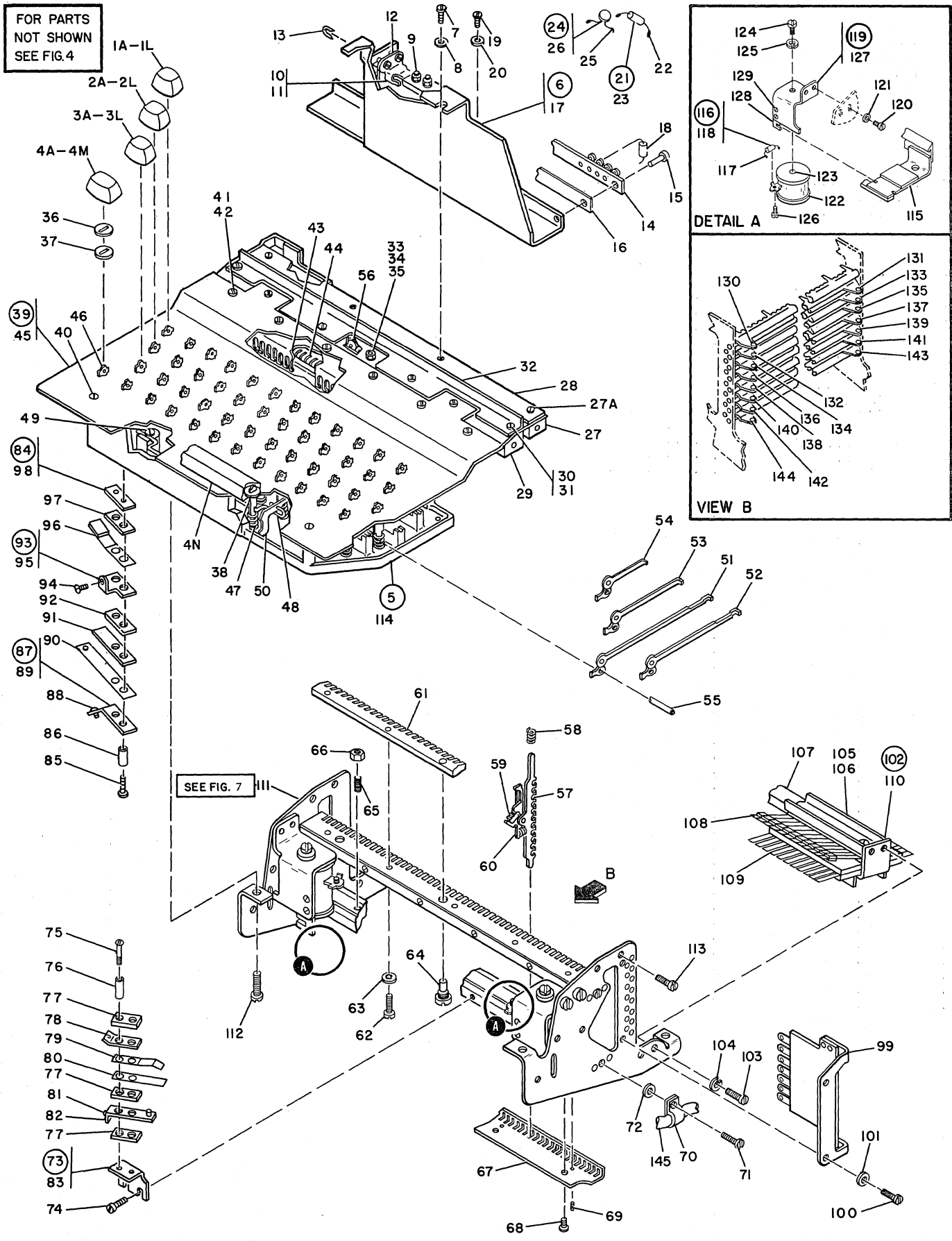


FIGURE 6. KEYBOARD ASSEMBLY. SEE LIST 6.

LIST AND INDEX NO.	PART NO.	DESCRIPTION	UNITS PER ASM.	USABLE ON CODE
		1 2 3 4		
		KEYBOARD ASSEMBLY		
6 -	2190740	KEYBOARD ASM, ENGLISH, DOMESTIC		REF
-	8107886	KEYBOARD ASM, FRENCH		REF
-	8107907	KEYBOARD ASM, GERMAN		REF
-	8109190	KEYBOARD ASM, NORWAY, DENMARK		REF
-	8109192	KEYBOARD ASM, SPANISH		REF
-	8109193	KEYBOARD ASM, SWEDEN, FINLAND		REF
-	8109194	KEYBOARD ASM, ENGLISH, UNITED KINGDOM		REF
-	8109204	KEYBOARD ASM, ITALY		REF
-	8109274	KEYBOARD ASM, BELGIUM		REF
		FOR ILLUSTRATION SEE FIGURE 6		
		FOR NEXT HIGHER ASM SEE LIST 4-64		
- 1A	2190749	• KEYBUTTON REST KB		1
- 1B	5353555	• KEYBUTTON # @		1
- 1C	5353556	• KEYBUTTON , %		1
- 1D	5353557	• KEYBUTTON \$ * ENGLISH		1
- 1D	8109263	• KEYBUTTON FRANC * BELGIUM		1
- 1E	5353741	• KEYBUTTON . <		1
- 1F	5353564	• KEYBUTTON BLANK		AR
- 1G	5353564	• KEYBUTTON BLANK		AR
- 1H	5353597	• KEYBUTTON - -		1
- 1J	5353560	• KEYBUTTON 0 /		1
- 1K	5353564	• KEYBUTTON BLANK		AR
- 1L	2190750	• KEYBUTTON INT REQ		1
- 2A	5353715	• KEYBUTTON + Q		1
- 2A	8107680	• KEYBUTTON Q BELGIUM		1
- 2B	5353716	• KEYBUTTON _ W		1
- 2B	8107681	• KEYBUTTON W BELGIUM		1
- 2C	5353717	• KEYBUTTON) E		1
- 2D	5353606	• KEYBUTTON † R		1
- 2E	5353569	• KEYBUTTON 0.8.2 T		1
- 2F	5353608	• KEYBUTTON 1 Y		1
- 2G	5353571	• KEYBUTTON 1 U		1
- 2H	5353572	• KEYBUTTON 2 I		1
- 2J	5353573	• KEYBUTTON 3 O		1
- 2K	5353574	• KEYBUTTON † P		1
- 2L	5353575	• KEYBUTTON BLANK		1
- 3A	5353576	• KEYBUTTON A ENGLISH		1
- 3A	8107771	• KEYBUTTON + A BELGIUM		1
- 3B	5353711	• KEYBUTTON > S		1
- 3C	5353610	• KEYBUTTON : D		1
- 3D	5353723	• KEYBUTTON ; F		1
- 3E	5353712	• KEYBUTTON _ G		1
- 3F	5353713	• KEYBUTTON † H		1
- 3G	5422212	• KEYBUTTON 4 J		1
- 3H	5422213	• KEYBUTTON 5 K BELGIUM		1
- 3H	5353583	• KEYBUTTON 5 K ENGLISH		1
- 3J	5422214	• KEYBUTTON 6 L		1
- 3K	2190751	• KEYBUTTON EOF ENGLISH		1
- 3K	8109313	• KEYBUTTON EOF BELGIUM		1
- 3L	2190752	• KEYBUTTON ERASE FIELD		1
- 4A	5353598	• KEYBUTTON NUMERIC		1
- 4B	5353587	• KEYBUTTON Z		1
- 4B	8107772	• KEYBUTTON - Z BELGIUM		1
- 4C	5353724	• KEYBUTTON ? X		1
- 4D	5353615	• KEYBUTTON " C		1
- 4E	5353616	• KEYBUTTON = V		1
- 4F	5353725	• KEYBUTTON ! B		1
- 4G	5353714	• KEYBUTTON (N		1
- 4H	5353593	• KEYBUTTON 7 M		1
- 4J	5353594	• KEYBUTTON 8 ,		1
- 4K	5353595	• KEYBUTTON 9 .		1
- 4L	2190748	• KEYBUTTON †		1
- 4L	8107888	• KEYBUTTON BACKSPACE BELGIUM		1
- 4M	5353599	• KEYBUTTON ALPHA		1
- 4M	5353619	• KEYBUTTON, SPACE BAR		1
- 5	2190745	• MECHANISM ASM-KEYBOARD		1
- 6	2190754	• RELAY PANEL ASM-KEYBOARD		1
- 7	58207	• SCREW, BD HD MACH-8-32 NC-2A X .250 LG ATT PT		2
- 8	4797	• WASHER, FLAT-9/32 OD 7/64 ID X .046 THK ATT PT		2
- 9	186685	• RELAY ASSEMBLY-WIRE CONTACT 4PDT 1 COIL PARTS OF THIS ASM ARE NOT REPLACEABLE		1
- 10	159941	• MOLDING ASSEMBLY-TERMINAL 4 POS		1
- 11	438550	• SCREW, MACH-BIND HD 4-40 X 1/2 LG ATT PT		4
- 12	159944	• CLIP, SPRING TENSION-TERMINAL MOLDING		1
- 12	308704	• CLIP-MOLDING		1
- 13	205331	• JUMPER-RELAY GATES UNIT 1/8 BRASS		1
- 14	2190755	• TERMINAL BOARD		1
- 15	804067	• RIVET ATT PT		10

LIST AND INDEX NO.	PART NO.	DESCRIPTION	UNITS PER ASM.	USABLE ON CODE
KEYBOARD ASSEMBLY -CONT				
6 - 16	2190756	. . . INSULATOR	1	
- 17	2190757	. . . BRACKET,RELAY ASM	1	
- 18	216438	. . . RESISTOR,FXD,COMP- 470 OHMS P/M 5% 1/4W	18	
- 19	52614	. . . SCREW,MACH-FIL H 3-48 X 3/4 LG	2	
- 20	4797	. . . WASHER,FLAT-9/32 OD 7/64 ID X .046 THK	1	
- 21	2191075	. . . DIODE ASM-KEYBOARD	2	
- 22	320167	. . . TERMINAL,QUICK DISCONNECT-NONINS 16AWG	1	
- 23	2106333	. . . SEMICONDUCTOR DEVICE,DIODE	1	
- 24	2190969	. . . CAPACITOR ASM,KEYBOARD 0.1 UF 100 V	1	
- 25	187243	. . . TERMINAL, SMALL TAPER 20-22-24 OR 26 AWG	1	
- 26	492447	. . . CAPACITOR,DISC 0.1 MED P 70 M30 PCT	1	
- 27	313353	. . . BAR-SWITCH PLATE MOUNTING	1	
- 27A	4236	. . . SCREW,MACH-FIL H 5-40 X 1/4 LG ATT PT	4	
- 28	362829	. . . PLATE-LATCH	1	
- 29	382349	. . . BAR-COMBINATION SUPPORT PLATE MOUNTING	1	
- 30	196299	. . . SCREW,MACH-BIND HD 5-40 X 1/2 LG ATT PT	4	
- 31	150109	. . . WASHER,FL-NO. 5 X 11/32 OD X 0.040 THK ATT PT	2	
- 32	313355	. . . GUIDE-UPPER BAIL FRONT	1	
- 33	28762	. . . SCREW,MACH-FH 5-40 X 1-1/4 IN. LG	1	
- 34	1090199	. . . WASHER,FL-NO. 6 X 9/32 OD X 0.031 THK	1	
- 35	103372	. . . NUT,SELF LKG,HEX- 5-40 X 1/4 FL W	1	
- 36	219204	. . . BUMPER-KEY	47	
- 37	313274	. . . SPACER-KEY LOCATED UNDER BLANK KEYS ONLY	4	
- 38	1119715	. . . BUMPER-KEY	2	
- 39	5367166	. . . PLATE ASSEMBLY-SUPPORT	1	
- 40	5393274	. . . SCREW,MACHINE-BINDING HD 5-40NC X 0.250 ATT PT	4	
- 41	227502	. . . PLATE-SPRING MTG	2	
- 42	38271	. . . SCREW,MACH-FIL H 5-40 X 3/16 LG ATT PT	6	
- 43	219278	. . . CHANNEL-HOOK	2	
- 44	227501	. . . SPRING-HOOK	2	
- 45	5367151	. . . PLATE-SUPPORT,COMBINATION	1	
- 46	227582	. . . STEM-KEY	47	
- 47	219203	. . . SPRING,HELICAL,COMPR- 20.4 TURNS	47	
- 48	227527	. . . BAIL-SPACE BAR	1	
- 49	140738	. . . SCREW,MACH-BIND HD 5-40 X 3/16 LG ATT PT	2	
- 50	227529	. . . BAR-SPACE LATCH PULL	1	
- 51	219347	. . . BAR ASSEMBLY-PULL LATCH PARTS OF THIS ASM ARE NOT REPLACEABLE	10	
- 52	219229	. . . BAR ASSEMBLY-PULL LATCH PARTS OF THIS ASM ARE NOT REPLACEABLE	11	
- 53	219346	. . . BAR ASSEMBLY-PULL LATCH PARTS OF THIS ASM ARE NOT REPLACEABLE	11	
- 54	219202	. . . BAR ASSEMBLY-PULL LATCH PARTS OF THIS ASM ARE NOT REPLACEABLE	8	
- 55	219209	. . . SHAFT-BELL CRANK	4	
- 56	219235	. . . KEY-INTLK	44	
- 57	219357	. . . LATCH ASSEMBLY PARTS OF THIS ASM ARE NOT REPLACEABLE	39	
- 57	227519	. . . LATCH ASSEMBLY-RELEASE	2	
- 58	382303	. . . SPRING,HELICAL,COMPRESSION	37	
- 58	335321	. . . SPRING,HELICAL,COMPR- 15 TURNS	4	
- 59	219333	. . . SPRING,HELICAL,COMPR- 10.8 TURNS	41	
- 60	219224	. . . SPRING,HELICAL,COMPR- 11 TURNS	41	
- 61	219232	. . . BAR-HOOK SUPPORT	1	
- 62	673	. . . SCREW,MACH-FIL H 5-40 X 1/2 LG ATT PT	3	
- 63	105047	. . . WASHER,LOCK-INT TEETH NO. 5 X 1/4 OD ATT PT	3	
- 64	219472	. . . SCREW,EXT RELIEVED BODY- 10-32 X 29/64LG ATT PT	1	
- 65	219325	. . . STUD,ARMATURE STOP	2	
- 66	11598	. . . NUT, HEX 10-32	2	
- 67	219237	. . . PLATE-COMBINATION BAIL STOP	1	
- 68	196299	. . . SCREW,MACH-BIND HD 5-40 X 1/2 LG ATT PT	4	
- 69	133798	. . . SCREW,SET 5-40 1/8 LG ATT PT	4	
- 70	533289	. . . CLAMP, CABLE	2	
- 71	120044	. . . SCREW,MACH-BIND HD 5-40 X 3/8 LG ATT PT	2	
- 72	326276	. . . WASHER,FL- NO.5 X 5/16 OD X 0.043 THK ATT PT	2	
- 73	339176	. . . CONTACT ASSEMBLY,ELECTRICAL-COMB BAIL	1	
- 74	4236	. . . SCREW,MACH-FIL H 5-40 X 1/4 LG ATT PT	2	
- 75	173205	. . . SCREW,ASMD WASHER-RH 5-40 X 21/32 LG	2	
- 76	100229	. . . INSULATOR-SCREW NO. 5 X 1/2 LG	2	
- 77	204843	. . . INSULATOR-BLOCK PUNCH UNIT CONTACT	3	
- 78	204839	. . . TERMINAL-LOWER CONTACT	1	
- 79	339113	. . . SPRING-CONTACT STIFFENER	1	
- 80	205608	. . . TERMINAL ASSEMBLY-CONTACT	1	
- 81	118418	. . . SCREW,MACH-RH 5-40 X 5/32 LG	2	
- 82	204848	. . . TERMINAL ASSEMBLY-UPPER CONTACT	1	

LIST AND INDEX NO.	PART NO.	DESCRIPTION	UNITS PER ASM.	USABLE ON CODE
		1 2 3 4		
		KEYBOARD ASSEMBLY -CONT		
6 - 83	219368	• • • BRACKET-COMBINATION BAIL CONTACT	1	
- 84	5367173	• • CONTACT ASSEMBLY,ELECTRICAL	3	
- 85	173215	• • • SCREW,ASMD WASHER-RH 5-40 X 0.688 LG	2	
- 86	100354	• • • INSULATOR	2	
- 87	342121	• • • TERMINAL ASSEMBLY-CONTACT	1	
		INDEX NOS. 88-89 ARE PART OF THIS ASM		
- 88	118418	• • • SCREW,MACH-RH 5-40 X 5/32 LG	1	
- 89	342120	• • • TERMINAL-CONTACT	1	
- 90	107070	• • • SPRING ASSEMBLY-LOWER CONTACT	1	
- 91	4792	• • • SUPPOT-CONTACT SPRING	1	
- 92	25984	• • • SUPPOT-CONTACT SPRING	1	
- 93	369060	• • • CONTACT ASSEMBLY,ELECTRICAL	1	
		INDEX NOS. 94-95 ARE PART OF THIS ASM		
- 94	118418	• • • SCREW,MACH-RH 5-40 X 5/32 LG	1	
- 95	369059	• • • CONTACT,ELECTRICAL	1	
- 96	106988	• • • CONTACT ASSEMBLY-CARD LEVER LOWER	1	
- 97	4108	• • • INSULATOR-PLATE	2	
- 98	311823	• • • INSULATOR-PLATE CONTACT ASSEMBLY	1	
- 99	219319	• • PLATE ASSEMBLY-CONTACT RIGHT	1	
		PARTS OF THIS ASM ARE NOT REPLACEABLE		
- 99	5367274	• • PLATE ASSEMBLY-CONTACT LEFT	1	
		PARTS OF THIS ASM ARE NOT REPLACEABLE		
-100	4236	• • SCREW,MACH-FIL H 5-40 X 1/4 LG	4	ATT PT
-101	1866	• • WASHER,FL-NO. 4 X 1/4 OD X 0.025 THK	4	ATT PT
-102	5367209	• • CONTACT ASM,LATCH- 64 CHAR	1	
-103	4236	• • SCREW,MACH-FIL H 5-40 X 1/4 LG	4	ATT PT
-104	163899	• • WASHER,LOCK-SPLIT NO. 6 X 0.255 OD	4	ATT PT
-105	5367162	• • • BRACKET-CLAMP	1	
-106	38255	• • SCREW,MACH-FIL H 3-48 X 1/2 LG	4	
-107	417313	• • • CLAMP-SUPPLY ROLL	1	
-108	219281	• • • CONTACT ASM,STRAP LEFT	6	
		PARTS OF THIS ASM ARE NOT REPLACEABLE		
-109	5367208	• • • COMMON ASSEMBLY-64 CHARACTER KEYBOARD	1	
		PARTS OF THIS ASM ARE NOT REPLACEABLE		
-110	5367152	• • • BRACKET-LATCH MOUNTING	1	
-111	5367210	• • BAR ASSEMBLY-MOUNTING	1	
		FOR DETAIL BREAKDOWN SEE LIST 7		
-112	38368	• • SCREW,MACH-FIL H 8-32 X 7/16 LG	2	ATT PT
-113	294	• • SCREW,MACH-RH 5-40 X 5/16 LG	4	ATT PT
-114	2190758	• • PLATE,KEYBOARD CBM	1	
-115	5318664	• • BAIL ASSEMBLY-RESTORING	1	
		PARTS OF THIS ASM ARE NOT REPLACEABLE		
-116	2161894	• • DIODE ASSEMBLY	1	
-117	313361	• • • TERMINAL, SPADE 0.119 ID- 22, 24 AWG	2	
-118	2106333	• • • SEMICONDUCTOR DEVICE,DIODE	1	
-119	315309	• • • YOKE ASM,RIGHT	1	
-119	315310	• • • YOKE ASM,LEFT	1	
-120	2300	• • SCREW,MACH-FIL H 8-32 X 1/4 LG	4	ATT PT
-121	22478	• • WASHER,FL- 0.170 ID 0.375 OD 0.032 THK	4	ATT PT
-122	316046	• • • MAGNET-KEYBOARD RESTORER	1	
-123	316047	• • • CORE,ELECTROMAGNET	1	
-124	38381	• • • SCREW,MACH-FIL H 10-32 X 5/16 LG	1	ATT PT
-125	9092	• • • WASHER-LOCK,SPLIT RING, .194 ID .337OD	1	ATT PT
-126	48594	• • • SCREW,MACH-BIND HD 4-40 X 0.175 LG	2	
-127	219213	• • • YOKE-MAGNET	1	
		USED ON ASM 315310		
-127	219244	• • • YOKE-MAGNET RIGHT	1	
		USED ON ASM 315309		
-128	219268	• • PIVOT-ARMATURE	2	
-129	196299	• • SCREW,MACH-BIND HD 5-40 X 1/2 LG	4	ATT PT
-130	5367211	• • ARM ASM,BAIL CONTACT, ALPHA 0 ,POS 1	1	
-131	5367212	• • ARM ASM,BAIL CONTACT,NUMERIC 3 ,POS 2	1	
-132	5367213	• • ARM ASM,BAIL CONTACT, ALPHA 1 ,POS 3	1	
-133	5367214	• • ARM ASM,BAIL CONTACT,NUMERIC 5 ,POS 4	1	
-134	5367215	• • ARM ASM,BAIL CONTACT, ALPHA 3 ,POS 5	1	
-135	5367216	• • ARM ASM,BAIL CONTACT,NUMERIC 6 ,POS 6	1	
-136	5367217	• • ARM ASM,BAIL CONTACT, ALPHA 4 ,POS 7	1	
-137	5367218	• • ARM ASM,BAIL CONTACT,NUMERIC 8 ,POS 8	1	
-138	5367219	• • ARM ASM,BAIL CONTACT, ALPHA 8 ,POS 9	1	
-139	5367220	• • ARM ASM,BAIL CONTACT,NUMERIC 11,POS 10	1	
-140	5367221	• • ARM ASM,BAIL CONTACT, ALPHA 9 ,POS 11	1	
-141	5367222	• • ARM ASM,BAIL CONTACT,NUMERIC 12,POS 12	1	
-142	5367223	• • ARM ASM,BAIL CONTACT, ALPHA 11,POS 13	1	
-143	5367224	• • ARM ASM,BAIL CONTACT, COMMON 0 ,POS 14	1	
-144	5367225	• • ARM ASM,BAIL CONTACT, ALPHA 12,POS 15	1	
-145	2190746	• • CABLE ASM-KEYBOARD	1	
		FOR COMPONENT PARTS SEE LIST 44-2B		
		3A,5,10 AND 17		
-145	2190766	• • CABLE ASM-KEYBOARD	1	
		FOR COMPONENT PARTS SEE LIST 44-37		
		44,63 AND 78B		

FOR PARTS
NOT SHOWN
SEE FIG. 6

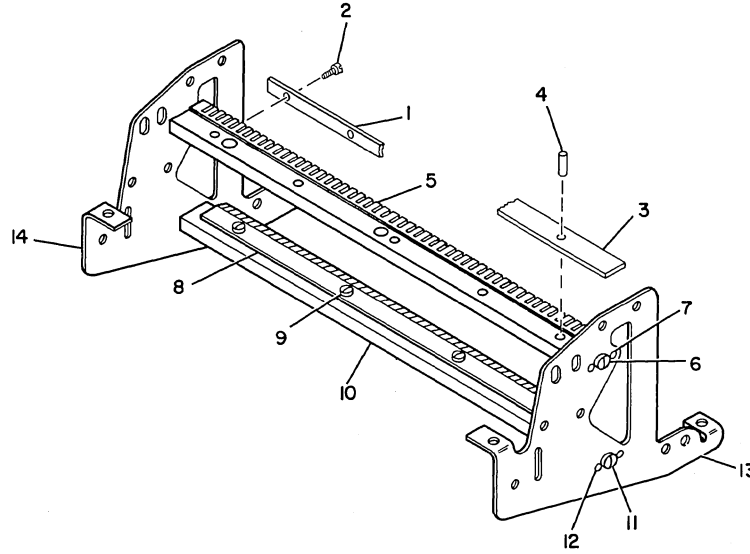
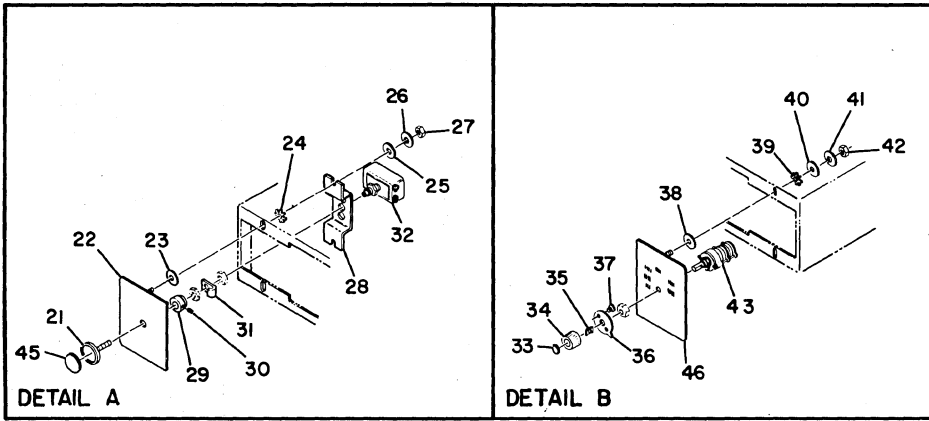


FIGURE 7. MOUNTING BAR ASSEMBLY. SEE LIST 7.

LIST AND INDEX NO.	PART NO.	DESCRIPTION				UNITS PER ASM.	USABLE ON CODE
		1	2	3	4		
		MOUNTING BAR ASSEMBLY					
7 -	5367210	BAR ASSEMBLY MOUNTING FOR ILLUSTRATION SEE FIGURE 7 FOR NEXT HIGHER ASM SEE LIST 6-111				REF	
- 1	219226	. PLATE-LATCH				1	
- 2	311483	. SCREW,MACH-FIL H 2-56 X 5/16 LG				6	
- 3	219272	. GUIDE-INTERLOCK				1	
- 4	134998	. PIN,STR,HDLS- 1/4 DIA X 5/16 LG				5	
- 5	316059	. BAR-LATCH				1	
- 6	3500	. SCREW, FIL HD MACH-5-40 X .312 LG				2	
- 7	7371	. PIN,STR,HDLS- 3/32 DIA X 3/16 LG				4	
- 8	219236	. GUIDE-BAIL LOWER				1	
- 9	196299	. SCREW,MACH-BIND HD 5-40 X 1/2 LG				4	
- 10	219216	. BAR-BAIL GUIDE MOUNTING				1	
- 11	3500	. SCREW, FIL HD MACH-5-40 X .312 LG				2	
- 12	7371	. PIN,STR,HDLS- 3/32 DIA X 3/16 LG				4	
- 13	5367204	. PLATE-RIGHT SIDE				1	
- 14	5367205	. PLATE-LEFT SIDE				1	



FOR PARTS
NOT SHOWN
SEE FIG. 4

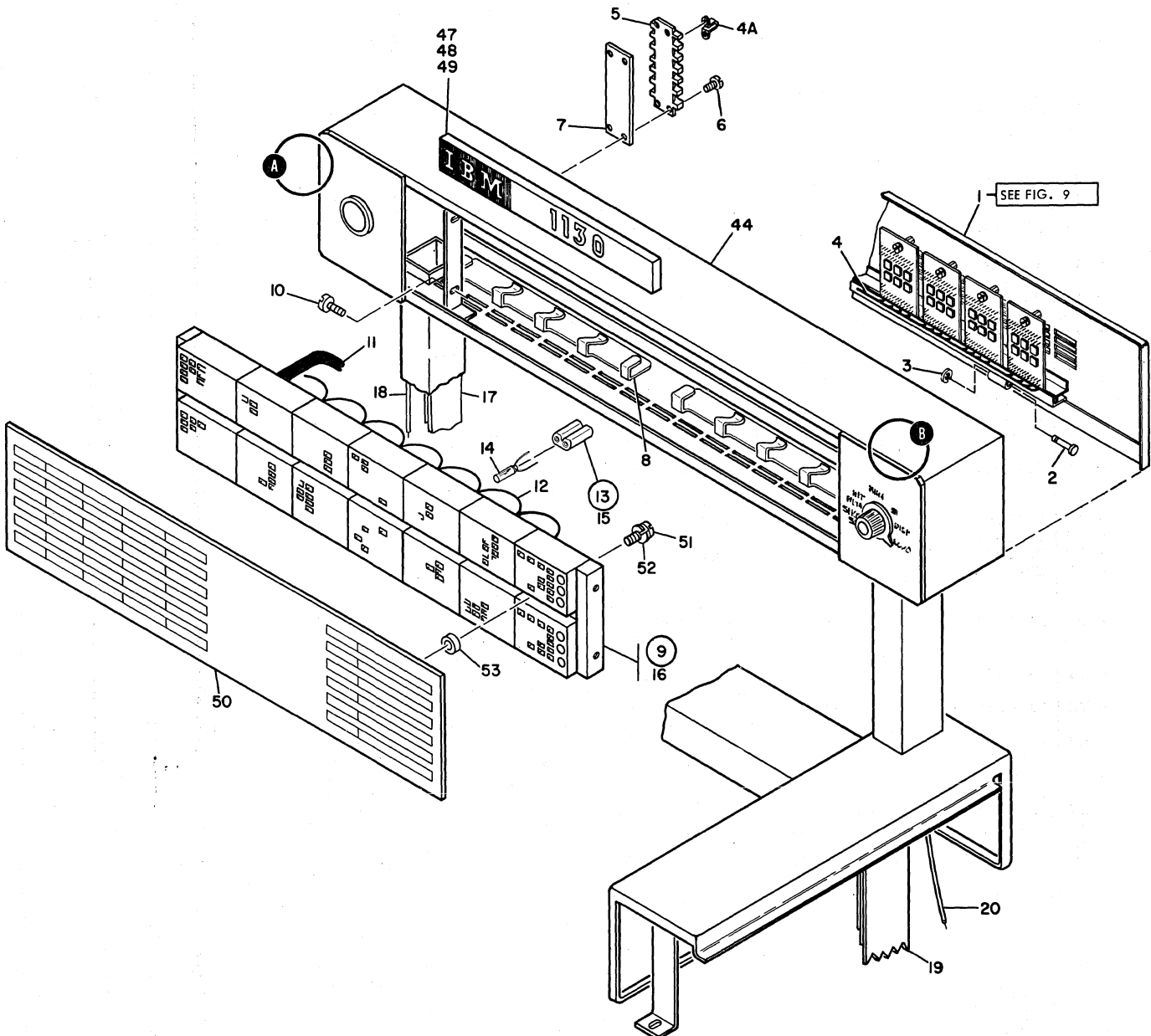


FIGURE 8. DISPLAY PANEL ASSEMBLY. SEE LIST 8.

LIST AND INDEX NO.	PART NO.	DESCRIPTION				UNITS PER ASM.	USABLE ON CODE
		1	2	3	4		
		DISPLAY PANEL ASSEMBLY					
8 -		CODE 1 USED AFTER F8 SUFFIX TO PRESENT					
-	2243284	DISPLAY PANEL ASM FOR ILLUSTRATION SEE FIGURE 8 FOR NEXT HIGHER ASM SEE LIST 4-8				REF	1
- 1	2243371	. COVER ASM, DISPLAY PANEL FOR DETAIL BREAKDOWN SEE LIST 9				1	
- 2	287502	. SCREW, MACH-FIL HD. 10-32 X 2.250 LG				ATT PT	2
- 3	364710	. CLIP, GATE ECCENTRIC PIVOT				ATT PT	2
- 4	2243241	. CABLE ASM, AC COM AND LAMP TEST FOR COMPONENT PARTS SEE LIST 44-2A 2C AND 73A					1
- 4A	1143227	. JUMPER, BRASS					3
- 5	317232	. TERMINAL BOARD- 6 DBL SCREW TERMINALS					1
- 6	35739	. SCREW, MACH-BIND HD 6-32 X 15/16 LG				ATT PT	4
- 7	589714	. STRIP-MARKER					1
- 8	825373	. SUPPORT, CABLE					2
- 9	2243297	. LIGHT BLOCK ASM					1
- 10	35739	. SCREW, MACH-BIND HD 6-32 X 15/16 LG				ATT PT	4
- 11	2243365	. . CABLE ASM, SCRID TO INDICATORS FOR COMPONENT PARTS SEE LIST 44-15 AND 17					1
- 12	2243368	. . CABLE ASM, LAMP COMMON FOR COMPONENT PARTS SEE LIST 44-3B 6 AND 17					1
- 13	2243370	. . LAMP ASM, INDICATOR USED ON ASM 2243297				154	
- 13	2243370	. . LAMP ASM, INDICATOR ADDITIONAL USED ON SCA FEATURE ONLY				6	
- 14	2391023	. . . LAMP, INDICATOR- 4.5V 140 MA					1
- 15	165010	. . . PLUG AND INSERT ASSEMBLY					1
- 16	2190632	. . BLOCK ASM, LIGHT PARTS OF THIS ASM ARE NOT REPLACEABLE					1
- 17	2243377	. CABLE ASM, SCRID CARD 7					1
- 17	2243378	. CABLE ASM, SCRID CARD 6					1
- 17	2243379	. CABLE ASM, SCRID CARD 9					1
- 17	2243380	. CABLE ASM, SCRID CARD 8 FOR COMPONENT PARTS SEE LIST 44-15 35, 44, 49, 63A AND 78B					1
- 18	2243311	. CABLE ASM, SEQUENCE BOX TO DISPLAY PANEL FOR COMPONENT PARTS SEE LIST 44-1 2A, 2B, 2C, 3 AND 3B					1
- 19	2243363	. CABLE ASM, SCRID CARD 1					1
- 19	2243372	. CABLE ASM, SCRID CARD 3					1
- 19	2243373	. CABLE ASM, SCRID CARD 2					1
- 19	2243374	. CABLE ASM, SCRID CARD 4 FOR COMPONENT PARTS SEE LIST 44-15 35, 44, 49, 63A AND 78B					1
- 20	2191110	. CABLE ASM, KB LIGHTS AND SWITCHES FOR COMPONENT PARTS SEE LIST 44-2B, 3A 3B, 10, 12, 12A, 17, 24, 24A, 37, 44, 63 AND 78B					1
- 21	482191	. STEM AND FLANGE ASM PARTS OF THIS ASM ARE NOT REPLACEABLE					1
- 22	2190634	. PANEL ASM, SWITCH PARTS OF THIS ASM ARE NOT REPLACEABLE					1
- 23	2114519	. WASHER, SPACER				ATT PT	2
- 24	55901	. WASHER, LOCK, EXT TEETH - .176 DIA				ATT PT	2
- 25	22478	. WASHER, FL- 0.170 ID 0.375 OD 0.032 THK				ATT PT	2
- 26	1090873	. WASHER, LOCK - .168 ID X .296 OD				ATT PT	2
- 27	257189	. NUT, HEX 8-32				ATT PT	2
- 28	2190633	. BRACKET, POWER SWITCH					1
- 29	482188	. COLLAR					1
- 30	257959	. SETSCREW-SPLINE DR CUP PT 4-40 X 3/16 LG				ATT PT	1
- 31	479999	. SPRING, SAFETY					1
- 32	482219	. SWITCH, PUSH PULL-DPDT					1
- 33	482204	. INSERT					1
- 34	482209	. KNOB					1
- 35	482195	. SPRING-CONTROL KNOB					1
- 36	2190889	. POINTER, SWITCH					1
- 37	1090623	. PIN				ATT PT	2
- 38	2114519	. WASHER, SPACER					2
- 39	55901	. WASHER, LOCK, EXT TEETH - .176 DIA					2
- 40	22478	. WASHER, FL- 0.170 ID 0.375 OD 0.032 THK					2

LIST AND INDEX NO.	PART NO.	DESCRIPTION	UNITS PER ASM.	USABLE ON CODE
		1 2 3 4		
		DISPLAY PANEL ASSEMBLY -CONT		
8 - 41	1090873	• WASHER, LOCK - .168 ID X .296 OD	2	
- 42	257189	• NUT, HEX 8-32	2	
- 43	2243075	• SWITCH,2 DECK,7 POS,ROTORY	1	
- 44	2243295	• HOUSING,DISPLAY PANEL	1	
		THE FOLLOWING PARTS ARE FEATURES ONLY		
- 45	482201	INSERT,PULL KNOB,EMERGENCY PULL,ENGLISH	1	
- 45	4066641	INSERT,PULL KNOB,SECURITE TIREZ,FRENCH	1	
- 45	4066640	INSERT,KNOB,NOTSCHALTER ZIEHEN,GERMAN	1	
- 46	2190635	PANEL ASM,SELECT	1	
- 46	2191011	PANEL ASM,SELECT-FRENCH	1	
- 46	2191010	PANEL ASM,SELECT-GERMAN	1	
		PARTS OF THIS ASM ARE NOT REPLACEABLE		
- 47	2190890	NAMEPLATE,1130 SYSTEM,ENGLISH	1	
- 47	2190891	NAMEPLATE,1130 SYSTEM,FRENCH	1	
- 47	2190892	NAMEPLATE,1130 SYSTEM,GERMAN	1	
- 48	170228	SCREW,ASMD WASHER- 6-32 X 5/8 LG	2	ATT PT
- 49	760541	SPACER, MOUNTING-NAMEPLATE	2	ATT PT
- 50	2197311	PANEL,DISPLAY,ENGLISH	1	
- 50	2197312	PANEL,DISPLAY,FRENCH	1	
- 50	2197313	PANEL,DISPLAY,GERMAN	1	
		PARTS OF THIS ASM ARE NOT REPLACEABLE		
- 51	438547	SCREW,MACH-FIL H 4-40 X 1-1/4 LG	4	ATT PT
- 52	257984	WASHER,LOCK-SPRING MEDIUM	4	ATT PT
- 53	473582	INSULATOR	4	ATT PT

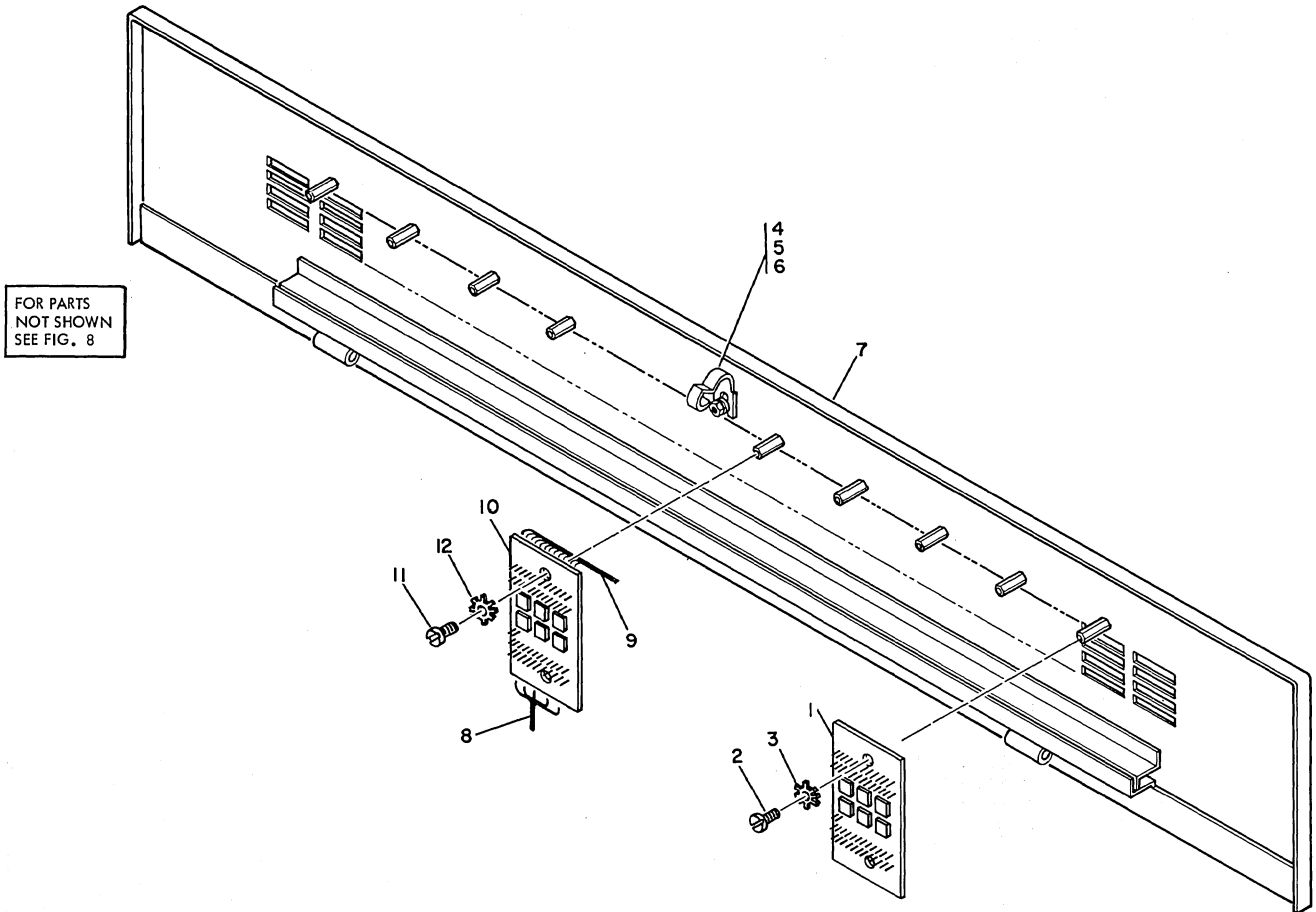
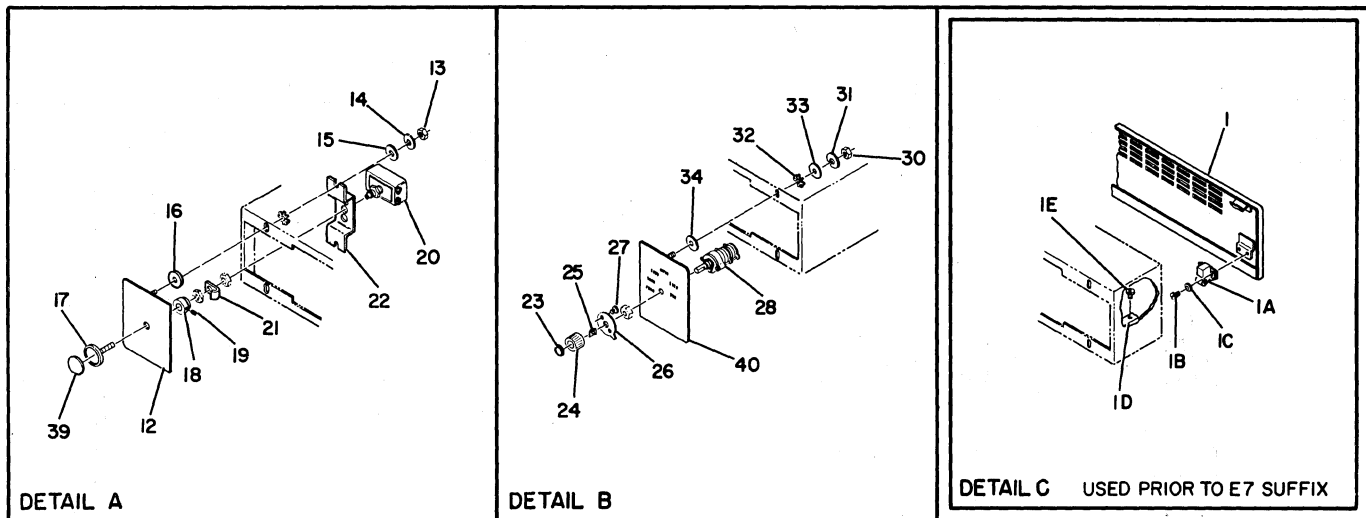


FIGURE 9. COVER ASSEMBLY. SEE LIST 9.

LIST AND INDEX NO.	PART NO.	DESCRIPTION				UNITS PER ASM.	USABLE ON CODE
		1	2	3	4		
9 -		COVER ASSEMBLY					
		CODE A USED WITH SCA FEATURE ONLY					
-	2243371	COVER ASM, DISPLAY PANEL FOR ILLUSTRATION SEE FIGURE 9 FOR NEXT HIGHER ASM SEE LIST 8-1				REF	
- 1	5800325	• CARD ASM, SCRID PARTS OF THIS ASM ARE NOT REPLACEABLE				8	
- 2	251970	• SCREW-MACH BD. HD. 4-40 X 1/4 LG				8	
- 3	338169	• WASHER, LOCK-EXT TEETH NO. 4 X 9/32 OD				8	
- 4	2243369	• RETAINER				1	
- 5	37913	• NUT, HEX 4-40 NC				1	
- 6	338169	• WASHER, LOCK-EXT TEETH NO. 4 X 9/32 OD				1	
- 7	2243296	• COVER ASM PARTS OF THIS ASM ARE NOT REPLACEABLE				1	
		THE FOLLOWING PARTS ARE FEATURES ONLY					
- 8	2243364	CABLE ASM, TO SCRID CARD FOR COMPONENT PARTS SEE LIST 44-15 35, 44, 49, 63 AND 78B				1	A
- 9	2243367	CABLE ASM, SCRID CARD TO LAMP FOR COMPONENT PARTS SEE LIST 44-2C 15, 17, 17A, 49, 69A, 71 AND 73A				1	A
- 10	5800325	CARD ASM, SCRID PARTS OF THIS ASM ARE NOT REPLACEABLE				1	A
- 11	251970	SCREW-MACH BD. HD. 4-40 X 1/4 LG				1	A
- 12	338169	WASHER, LOCK-EXT TEETH NO. 4 X 9/32 OD				1	A



FOR PARTS NOT SHOWN SEE FIG. 4

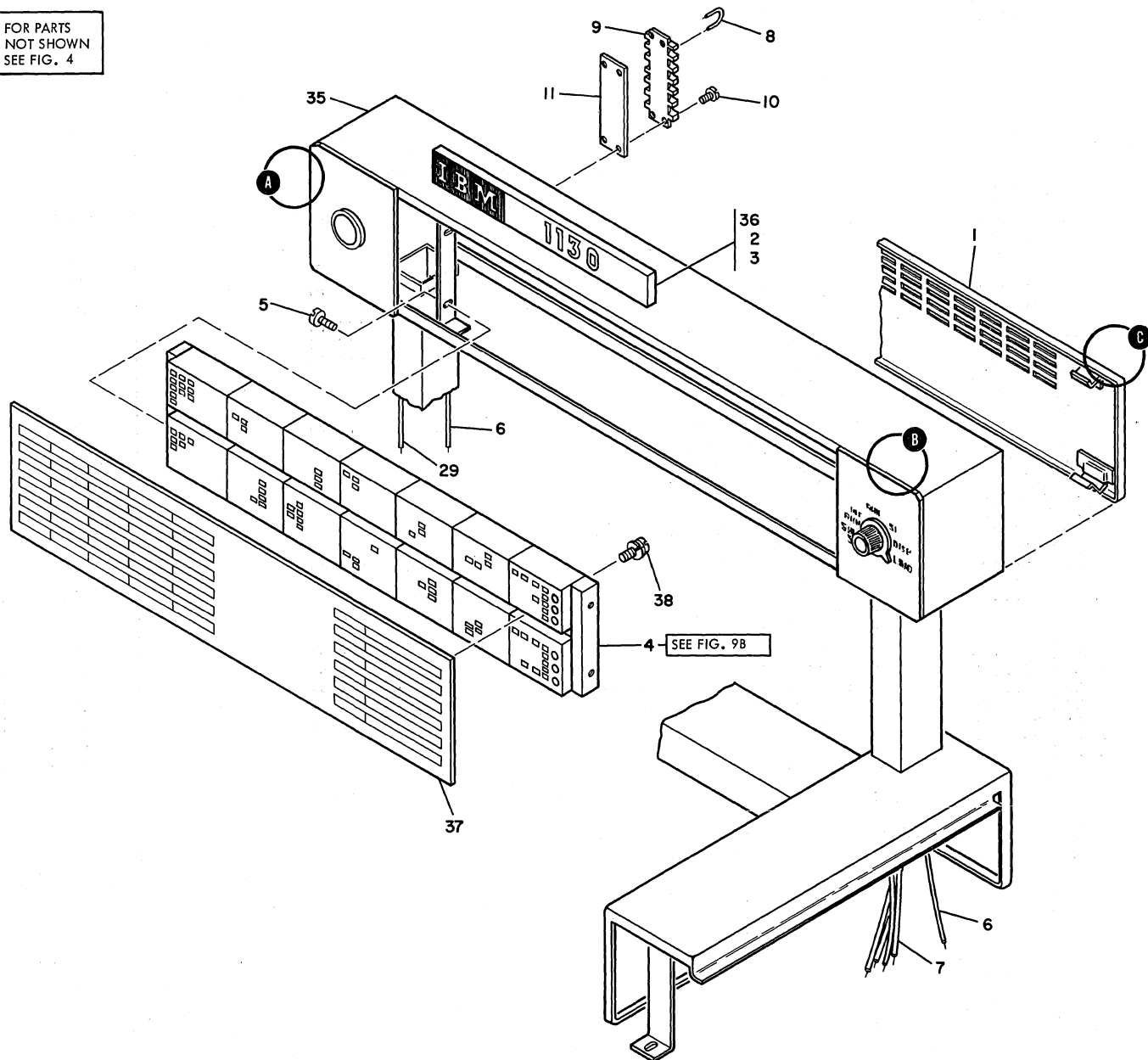


FIGURE 9A. DISPLAY PANEL ASSEMBLY. SEE LIST 9A.

LIST AND INDEX NO.	PART NO.	DESCRIPTION	UNITS PER ASM.	USABLE ON CODE
		1 2 3 4		
9A-		DISPLAY PANEL ASSEMBLY		
		CODE 1 USED PRIOR TO E7 SUFFIX CODE 2 USED FROM E7 TO PRESENT CODE 3 USED PRIOR TO F8 SUFFIX		
-	2190555	DISPLAY PANEL ASSEMBLY FOR ILLUSTRATION SEE FIGURE 9A FOR NEXT HIGHER ASM SEE LIST 4-8	REF	3
- 1	2243641	. COVER,DISPLAY PANEL HOUSING	1	2
- 1	2190637	. COVER,DISPLAY PANEL HOUSING	1	1
- 1A	513668	. CATCH, FRICTION LATCH	2	1
- 1B	731626	. SCREW, PAN HEAD, 6-32 X .25 LONG	4	1
- 1C	257986	. WASHER, FLAT NO. 6	4	1
- 1D	327408	. STRIKE, FRONT COVER	2	1
- 1E	731626	. SCREW, PAN HEAD, 6-32 X .25 LONG	4	1
- 2	170228	. SCREW, ASMD WASHER- 6-32 X 5/8 LG	2	
- 3	760541	. SPACER, MOUNTING-NAMEPLATE	2	
- 4	2190704	. LIGHT BLOCK ASM	1	
		FOR DETAIL BREAKDOWN SEE LIST 9B		
- 5	35739	. SCREW, MACH-BIND HD 6-32 X 15/16 LG	4	
- 6	2190845	. CABLE ASM, B GATE TO DISPLAY PANEL ASM FOR COMPONENT PARTS SEE LIST 44-15 35,44,63A AND 78B	1	
- 6	2197208	. CABLE ASM, LAMP DRIVER USE WITH SCA FEATURE ONLY FOR COMPONENT PARTS SEE LIST 44-22 35,44,63A AND 78B	1	
- 7	2191110	. CABLE ASM, KB LIGHTS AND SWITCHES FOR COMPONENT PARTS SEE LIST 44-2B, 3A 3B, 10, 12, 12A, 17, 24, 24A, 37, 44, 63 AND 78B	1	
- 8	1143227	. JUMPER, BRASS	3	
- 9	317232	. TERMINAL BOARD- 6 DBL SCREW TERMINALS	1	
- 10	35739	. SCREW, MACH-BIND HD 6-32 X 15/16 LG	4	
- 11	589714	. STRIP-MARKER	1	
- 12	2190634	. PANEL ASM, SWITCH PARTS OF THIS ASM ARE NOT REPLACEABLE	1	
- 13	257189	. NUT, HEX 8-32	2	
- 14	1090873	. WASHER, LOCK - .168 ID X .296 OD	2	
- 15	22478	. WASHER, FL- 0.170 ID 0.375 OD 0.032 THK	2	
- 15A	55901	. WASHER, LOCK, EXT TEETH - .176 DIA	2	
- 16	2114519	. WASHER, SPACER	2	
- 17	482191	. STEM AND FLANGE ASM PARTS OF THIS ASM ARE NOT REPLACEABLE	1	
- 18	482188	. COLLAR	1	
- 19	257959	. SETSCREW-SPLINE DR CUP PT 4-40 X 3/16 LG	1	
- 20	482219	. SWITCH, PUSH PULL-DPDT	1	
- 21	479999	. SPRING, SAFETY	1	
- 22	2190633	. BRACKET, POWER SWITCH	1	
- 23	482204	. INSERT	1	
- 24	482209	. KNOB	1	
- 25	482195	. SPRING-CONTROL KNOB	1	
- 26	2190889	. POINTER, SWITCH	1	
- 27	1090623	. PIN	2	
- 28	2243075	. SWITCH, 2 DECK, 7 POS, ROTORY	1	
- 29	2243311	. CABLE ASM, SEQUENCE BOX TO DISPLAY PANEL FOR COMPONENTS SEE LIST 44-1 2A, 2B, 2C, 3 AND 3B	1	
- 30	257189	. NUT, HEX 8-32	2	
- 31	1090873	. WASHER, LOCK - .168 ID X .296 OD	2	
- 32	55901	. WASHER, LOCK, EXT TEETH - .176 DIA	2	
- 33	22478	. WASHER, FL- 0.170 ID 0.375 OD 0.032 THK	2	
- 34	2114519	. WASHER, SPACER	2	
- 35	2243644	. HOUSING, DISPLAY PANEL	1	2
- 35	2190636	. HOUSING, DISPLAY PANEL	1	1
		THE FOLLOWING PARTS ARE FEATURES ONLY		
- 36	2190890	NAMEPLATE, 1130 SYSTEM, ENGLISH	1	
- 36	2190891	NAMEPLATE, 1130 SYSTEM, FRENCH	1	
- 36	2190892	NAMEPLATE, 1130 SYSTEM, GERMAN	1	
- 37	2197311	PANEL, DISPLAY, ENGLISH	1	
- 37	2197312	PANEL, DISPLAY, FRENCH	1	
- 37	2197313	PANEL, DISPLAY, GERMAN	1	
		PARTS OF THIS ASM ARE NOT REPLACEABLE		
- 38	170185	SCREW AND LOCKWASHER, 4-40 X 1 LG	4	
- 39	482201	INSERT, PULL KNOB, EMERGENCY PULL, ENGLISH	1	
- 39	4066640	INSERT, KNOB, NOTSCHALTER ZIEHEN, GERMAN	1	
- 39	4066641	INSERT, PULL KNOB, SECURITE TIREZ, FRENCH	1	
- 40	2190635	PANEL ASM, SELECT-ENGLISH	1	
- 40	2191011	PANEL ASM, SELECT-FRENCH	1	
- 40	2191010	PANEL ASM, SELECT-GERMAN	1	
		PARTS OF THIS ASM ARE NOT REPLACEABLE		

FOR PARTS
NOT SHOWN
SEE FIG. 9A

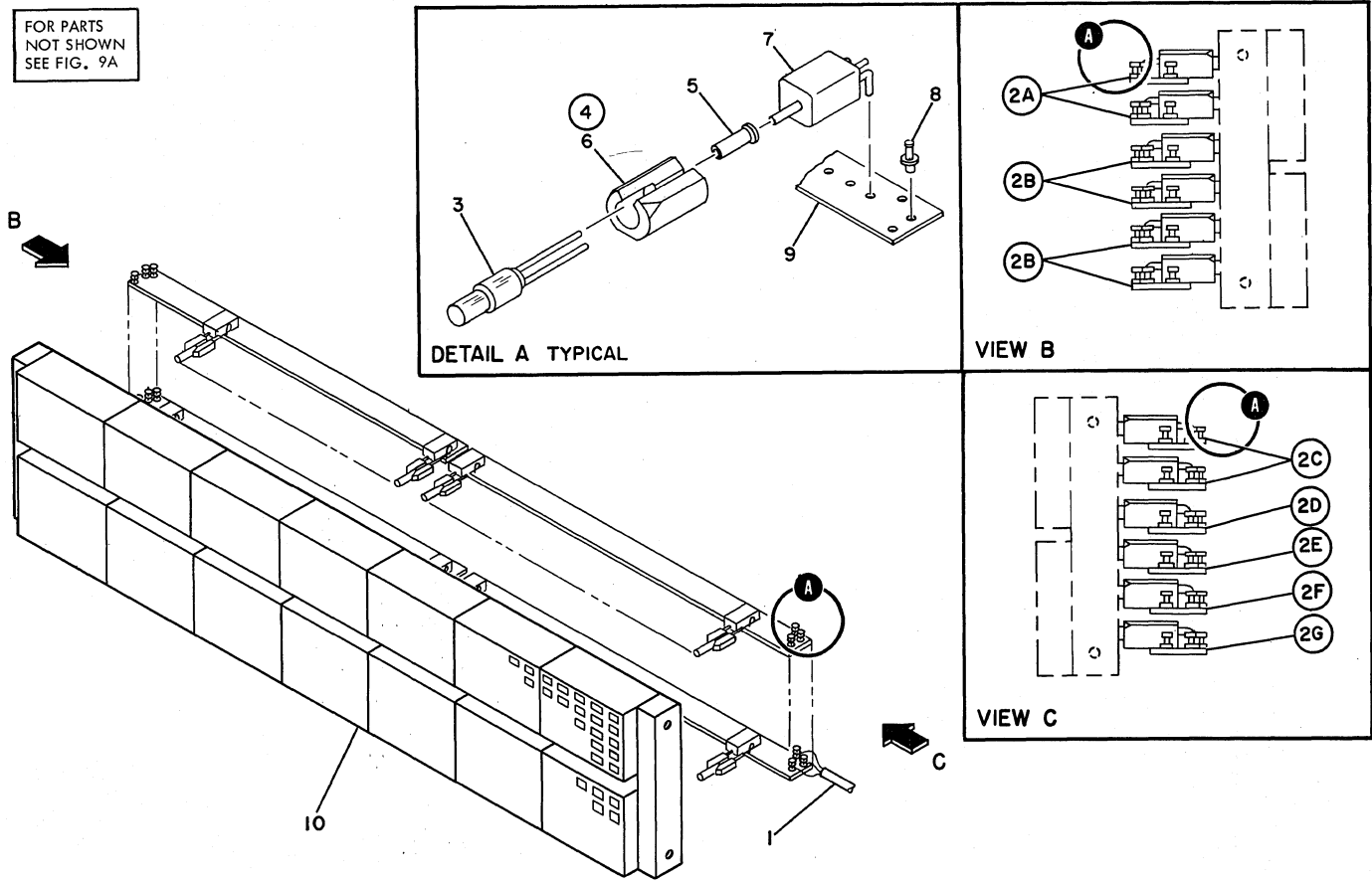


FIGURE 9B. LIGHT BLOCK ASSEMBLY. SEE LIST 9B.

LIST AND INDEX NO.	PART NO.	DESCRIPTION				UNITS PER ASM.	USABLE ON CODE
		1	2	3	4		
		LIGHT BLOCK ASSEMBLY					
9B-	2190704	LIGHT BLOCK ASM FOR ILLUSTRATION SEE FIGURE 9B FOR NEXT HIGHER ASM SEE LIST 9A-4				REF	
- 1	2191183	• CABLE ASM, LIGHT PANEL FOR COMPONENT PARTS SEE LIST 44-2B				1	
- 2A	2243725	• LAMP ASM-15 POSITION				2	
- 2B	2191020	• LAMP ASM- 16 POSITION				4	
- 2C	2191099	• LAMP ASM- 13 POSITION				2	
- 2D	2191021	• LAMP ASM- 9 POSITION				1	
- 2E	2191024	• LAMP ASM- 9 POSITION				1	
- 2F	2191498	• LAMP ASM-14 POSITION				1	
- 2G	2191499	• LAMP ASM-10 POSITION USED WITH SCA ONLY				1	
- 2G	2243345	• LAMP ASM- 2 POSITION USED WITH NO SCA ONLY				1	
- 3	2391023	• LAMP, INDICATOR- 4.5V 140 MA				AR	
- 4	165010	• PLUG AND INSERT ASSEMBLY				AR	
- 5	163800	• • • INSERT				2	
- 6	719904	• • • PLUG, LIGHT				1	
- 7	814008	• • • DRIVER, INDICATOR, TYPE 213				AR	
- 8	5246799	• • • TERMINAL-SINGLE				3	
- 9	2191089	• • • JUMPER BOARD, LAMP-LH				1	
- 9	2191088	• • • JUMPER BOARD, LAMP-RH				1	
- 10	2190632	• BLOCK ASM, LIGHT PARTS OF THIS ARE NOT REPLACEABLE				1	

FOR PARTS
NOT SHOWN
SEE FIG. 4

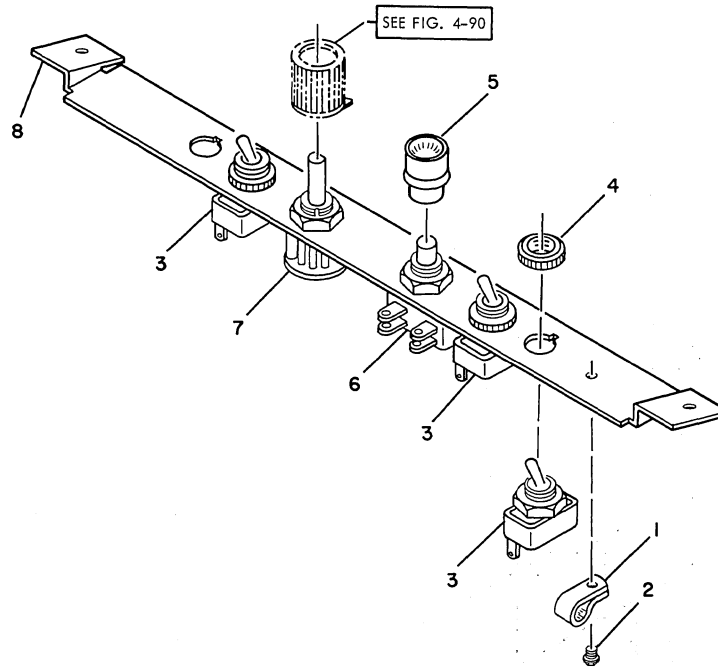


FIGURE 10. SCA SWITCH ASSEMBLY. SEE LIST 10

LIST AND INDEX NO.	PART NO.	DESCRIPTION				UNITS PER ASM.	USABLE ON CODE
		1	2	3	4		
		SCA SWITCH ASSEMBLY					
10 -	2197325	SWITCH ASM, SCA FOR ILLUSTRATION SEE FIGURE 10 FOR NEXT HIGHER ASM SEE LIST 4-87				REF	
- 1	356742	• CLAMP, LOOP- 0.250 ID 0.177 DIA MTG HOLE				1	
- 2	5350012	• SCREW, THD FORMING HEX WSR HD 8-32 X .25 ATT PT				1	
- 3	738826	• SWITCH, TOGGLE- SPDT MAINTAINED				3	
- 4	179743	• NUT, PLAIN, HEX- 15/32-32 X 9/16 FL W ATT PT				3	
- 5	482200	• PUSH BUTTON ASSEMBLY				1	
		PARTS OF THIS ASM ARE NOT REPLACEABLE					
- 6	2101433	• SWITCH, PUSHBUTTON-MOMENTARY				1	
- 7	2197243	• SWITCH, 6 POS, SINGLE DECK ROTARY				1	
- 8	2197324	• PLATE, SWITCH				1	

FOR PARTS
NOT SHOWN
SEE FIG. 4

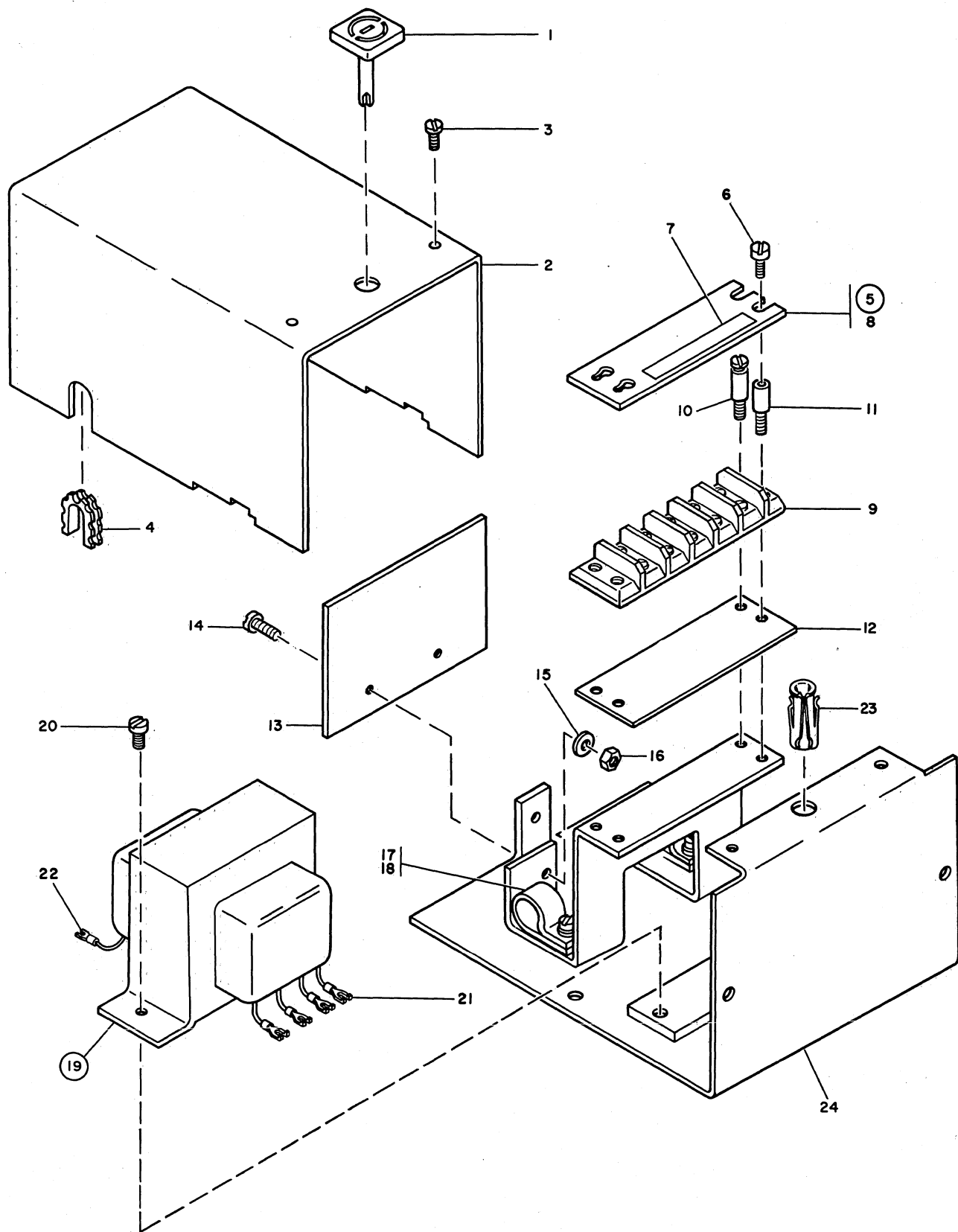


FIGURE 11. METER POWER PAC ASSEMBLY. SEE LIST 11.

LIST AND INDEX NO.	PART NO.	DESCRIPTION				UNITS PER ASM.	USABLE ON CODE
		1	2	3	4		
		METER POWER PAC ASSEMBLY					
11 -	740540	METER POWER PAC ASSEMBLY-60 CY				REF	
-	740609	METER POWER PAC ASSEMBLY-50 CY FOR ILLUSTRATION SEE FIGURE 11 FOR NEXT HIGHER ASM SEE LIST 4-94				REF	
- 1	740489	• RETAINER-COVER				1	
- 2	740564	• COVER-METER POWER PAC				1	
- 3	170202	• SCREW W/SPRING LOCKWASHER-6-32 X .188 LG				3	
- 4	740571	• GROMMET				2	
- 5	741129	• SHIELD ASM,5 POSITION				1	
- 6	740606	• SCREW-BIND HD, NO. 6-32 X .250 LG				1	
- 7	124943	• LABEL-HAZARDOUS AREA				1	
- 8	474644	• SHIELD,5 POSITION				1	
- 9	317310	• TERMINAL BOARD- 5 DBL SCREW TERMINALS				1	
- 10	210884	• STUD, SLOTTED 6-32 X 1/2 LONG THREAD				3	
- 11	210883	• STUD, EXT 6-32 X 1/2 INT 6-32 X 0.19 DP				1	
- 12	740554	• STRIP-MARKER,5 POSITION				1	
- 13	372688	• CARD ASM-TSTR,METER				1	
		PARTS OF THIS ASM ARE NOT REPLACEABLE					
- 14	81693	• SCREW,MACH-BIND HD 6-32 X 3/8 LG				2	
- 15	56722	• WASHER-LOCK,EXT T, .150 ID				1	
- 16	257187	• NUT,HEX 6-32 NC				1	
- 17	104294	• CLAMP-CABLE				1	
- 17	216362	• CLAMP-CABLE				1	
- 18	10170	• SCREW-MACH,BIND HD NO. 6-32 X .250 LG				2	
- 19	740560	• TRANSFORMER ASM,60 CYCLE				1	
- 19	740562	• TRANSFORMER ASM,50 CYCLE				1	
- 20	170202	• SCREW W/SPRING LOCKWASHER-6-32 X .188 LG				2	
- 21	92786	• TERMINAL,LUG-INS 18-20AWG NO.4 MTG SLOT				5	
- 22	313361	• TERMINAL, SPADE 0.119 ID- 22, 24 AWG USED ON ASM 740540 ONLY				2	
- 23	740491	• CLIP,TUBULAR-PERMANENT LOCK				1	
- 24	740563	• BASE-METER POWER PAC				1	

FOR PARTS
NOT SHOWN
SEE FIG. 4

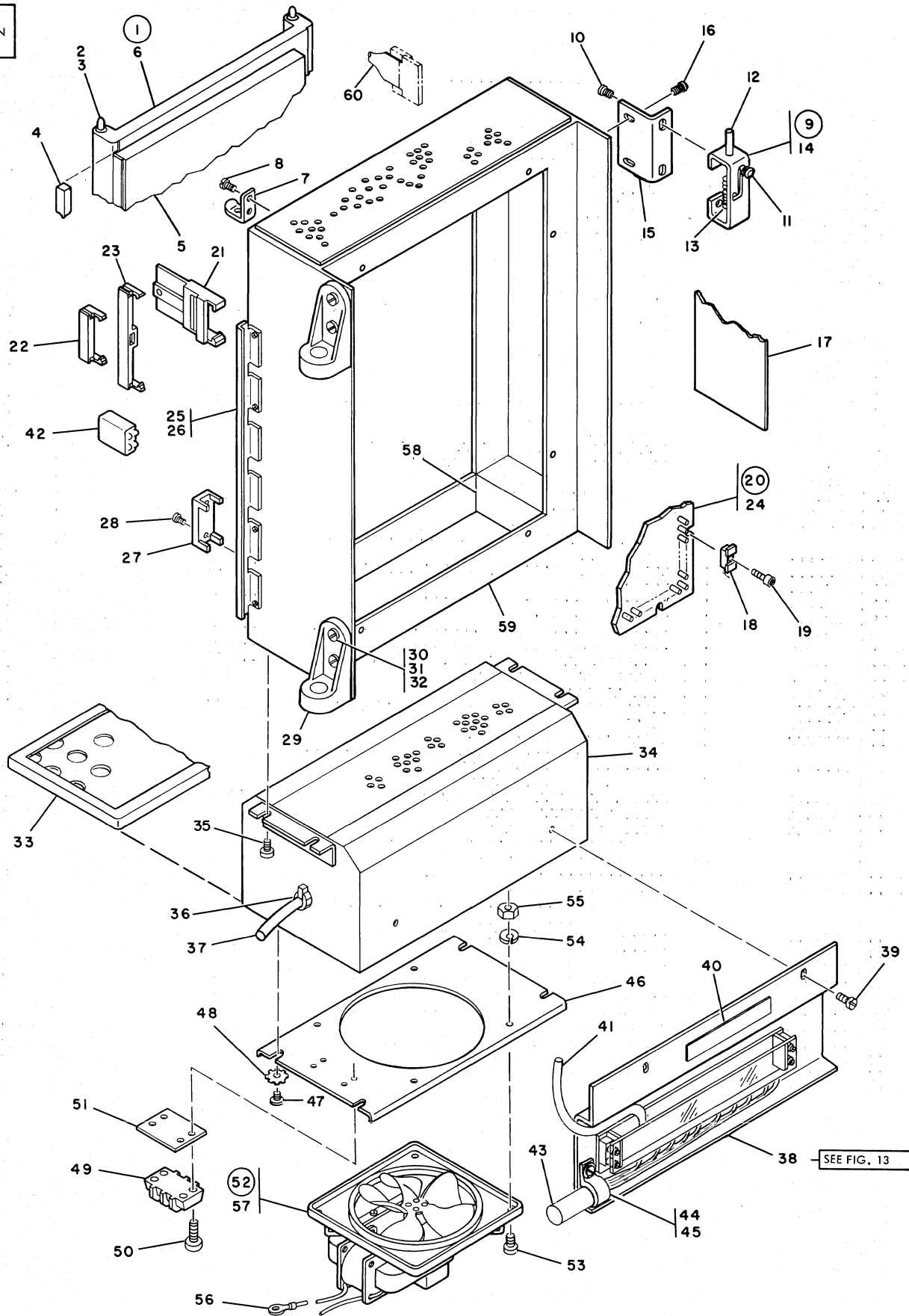


FIGURE 12. C GATE ASSEMBLY. SEE LIST 12.

LIST AND INDEX NO.	PART NO.	DESCRIPTION	UNITS	USABLE
			PER ASM.	ON CODE
		C GATE ASSEMBLY		
12 -	2197308	GATE ASM,C,60 CYCLE	REF	
-	2197309	GATE ASM,C,50 CYCLE FOR ILLUSTRATION SEE FIGURE 12 FOR NEXT HIGHER ASM SEE LIST 4-96	REF	
- 1	2191345	. COVER ASM	1	
- 2	815964	. . CATCH	4	
- 3	815963	. . CATCH-PULL	4	
- 4	2191346	. . SEAL,FOAM	1	
- 5	2191199	. . CUSHION,FOAM	1	
- 6	2191197	. . COVER,CARD BOARD	1	
- 7	2191198	. RETAINER,COVER	4	
- 8	2181005	. SCREW, SELF TAPPING, 6-32 X .375 LG.	8	
- 9	2172092	. LATCH ASSEMBLY-GATE	1	
- 10	10170	. SCREW-MACH,BIND HD NO. 6-32 X .250 LG	2	
- 11	528013	. . STUD-LATCH	1	
- 12	528014	. . PIN-LATCH	1	
- 13	528012	. . SPRING,HELICAL,COMPR	1	
- 14	528011	. . BRACKET-LATCH	1	
- 15	2191348	. SUPPORT-LATCH	1	
- 16	2181005	. SCREW, SELF TAPPING, 6-32 X .375 LG.	2	
- 17	2243098	. LABEL,C GATE- SYNC	1	
- 18	813179	. CLAMP-BOARD	8	
- 19	811417	. SCREW,HEX SOCKET H- 6-32 X 1/2 LG	8	
- 20	2197211	. BOARD ASM,C GATE SMS CARD AND	1	
- 21	811363	. . EXTENDER, CARD, 6 PAC	32	
- 22	811802	. . GUIDE-CARD,6 PAC	43	
- 23	811804	. . GUIDE, CARD	4	
- 24	2197210	. . BOARD ASM,C GATE PARTS OF THIS ASM ARE NOT REPLACEABLE	1	
- 25	2194994	. CLAMP,BASE	1	
- 26	2181005	. SCREW, SELF TAPPING, 6-32 X .375 LG.	4	
- 27	2194940	. CLAMP,ADJ.	5	
- 28	5644	. SCREW,MACH-FIL H 6-32 X 5/8 LG	10	
- 29	124871	. HINGE- REAR GATE	2	
- 30	38688	. SCREW-SUPPORT + TRIM MOUNTING .750 LONG	4	
- 31	6935	. WASHER,LOCK-SPLIT 1/4 X 0.493 OD	4	
- 32	36109	. NUT,PLAIN,HEX- 1/4-20 X 7/16 FL W	4	
- 33	2197230	. FILTER,AIR,4.88 X 9.25	1	
- 34	2191194	. HOUSING,FAN	1	
- 35	5319854	. SCREW, SELF TAPPING, 8-32 X .375 LONG	4	
- 36	107611	. BUSHING	1	
- 37	2197232	. CABLE ASM, C GATE BLOWER FOR COMPONENT PARTS SEE LIST 44-1 AND 2C	1	
- 38	2197205	. POWER SUPPLY ASM,12 VDC FOR DETAIL BREAKDOWN SEE LIST 13	1	
- 39	34512	. SCREW,MACH-BIND HD 8-32 X 3/8 LG	2	
- 40	124943	. LABEL-HAZARDOUS AREA	1	
- 41	2197209	. CABLE ASM,INTERNAL DC POWER FOR COMPONENT PARTS SEE LIST 44-2B 2C,9,69,71 AND 73		
- 42	813197	. HOUSING-TERMINAL	2	
- 43	2197233	. CABLE ASM,DC POWER FOR COMPONENT PARTS SEE LIST 44-2B 3,3B,57,58 AND 59	1	
- 44	2114108	. CLAMP, CABLE-.562 DIAMETER	1	
- 45	845	. SCREW,MACH-FIL H 8-32 X 1/2 LG	1	
- 46	2191195	. PLATE,FAN MTG	1	
- 47	5319854	. SCREW, SELF TAPPING, 8-32 X .375 LONG	4	
- 48	55901	. WASHER, LOCK, EXT TEETH - .176 DIA	1	
- 49	323840	. TERMINAL BOARD- 2 DBL SCREW TERMINALS	1	
- 50	2181071	. SCREW-BD MTG	4	
- 51	2101380	. MARKER STRIP- 2 POS NOS. 1 AND 2	1	
- 52	2190725	. FAN ASM- 115 VOLT 60 CYCLE	1	
- 52	2190900	. FAN ASM- 50 CYCLE 220V AC	1	
- 53	845	. SCREW,MACH-FIL H 8-32 X 1/2 LG USED ON 2197308 ONLY	4	
- 53	38235	. SCREW,BIND HD 6-32 X .312 LONG USED ON 2197309 ONLY	4	
- 54	1090873	. WASHER, LOCK - .168 ID X .296 OD USED ON ASM 2197308 ONLY	4	
- 55	257189	. NUT, HEX 8-32 USED ON ASM 2197308 ONLY	4	
- 56	334921	. . TERMINAL-LUG NO.22 THRU NO.18 WIRE INSUL	2	
- 57	2172165	. . FAN-115 VOLT 60 CYCLE	1	
- 57	4120171	. . FAN-220 VOLT 50 CYCLE	1	
- 58	2197310	. FOAM,AIR BLOCK,1.25 X 1.38 X 3.12 LG	2	
- 59	2191191	. GATE, C	1	
		THE FOLLOWING PARTS ARE FEATURES ONLY		
- 60	2197202	CABLE ASM-DATA SET FOR COMPONENTS SEE LIST 44-1,33,36,38A 40,41,42,43,46,54,63,78B,88,89,89A,90D	1	

FOR PARTS
NOT SHOWN
SEE FIG. 12

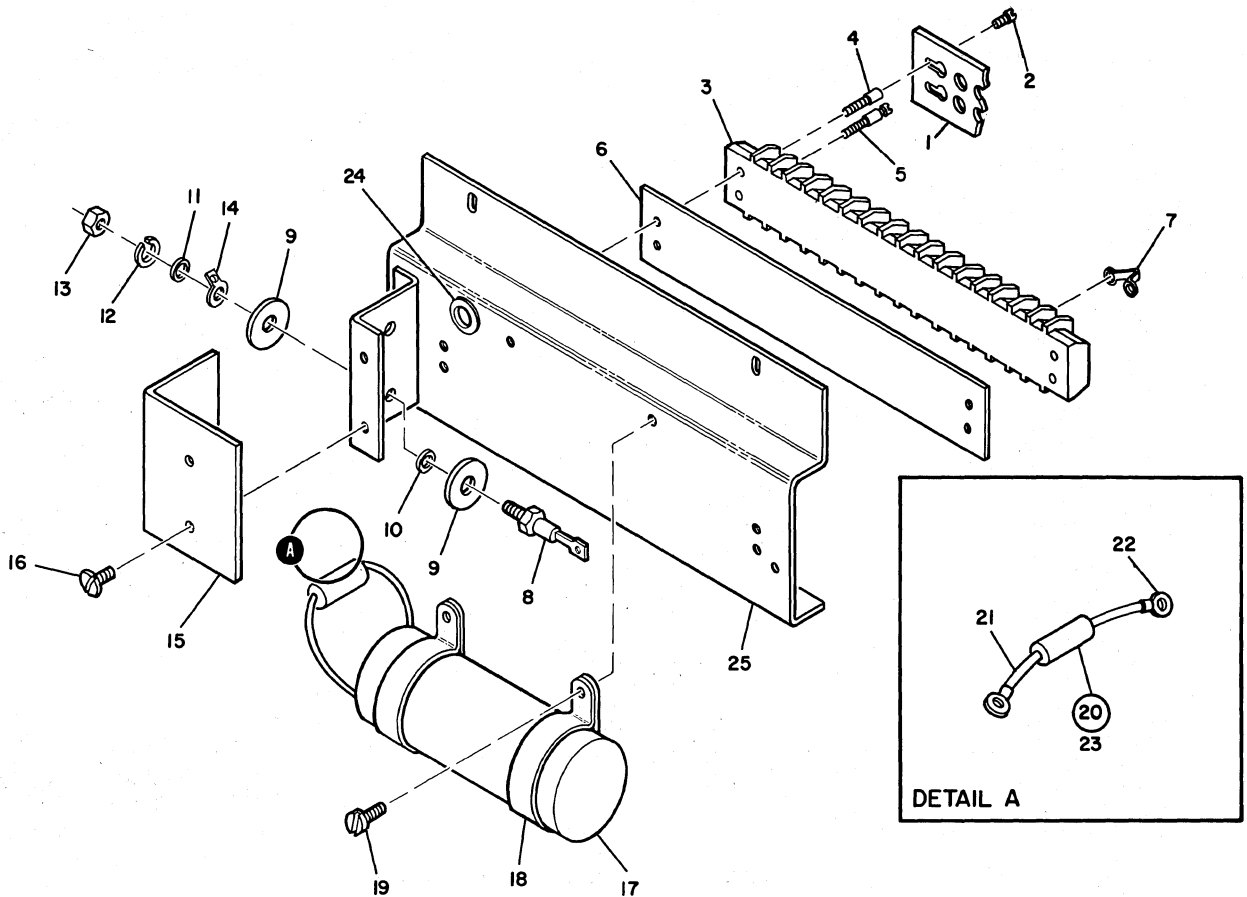


FIGURE 13. 12V POWER SUPPLY ASSEMBLY. SEE LIST 13.

LIST AND INDEX NO.	PART NO.	DESCRIPTION				UNITS PER ASM.	USABLE ON CODE
		1	2	3	4		
		12V POWER SUPPLY ASSEMBLY					
13 -	2197205	12V POWER SUPPLY ASSEMBLY FOR ILLUSTRATION SEE FIGURE 13 FOR NEXT HIGHER ASM SEE LIST 12-38				REF	
- 1	191478	• SHIELD 16 POS				1	
- 2	210984	• SCREW, MACH RH 6-32 X .25		ATT PT		1	
- 3	301731	• TERMINAL BOARD- 16 DBL SCREW TERMINALS				1	
- 4	210985	• STUD, EXT 8-32 X 1/2 INT 6-32 X 0.19 DP		ATT PT		1	
- 5	210986	• STUD, SLOTTED 8-32 X 1/2 LG THREAD		ATT PT		3	
- 6	322269	• MARKER STRIP- 16 POS. NOS. 1 THRU 16				1	
- 7	367115	• JUMPER-TERMINAL STRIP VDC DISTR BRS				8	
- 8	598480	• SEMICONDUCTOR DEVICE, D10- 150V 10 AMP				2	
- 9	217019	• WASHER, INSULATING .199 ID 1.00 OD		ATT PT		4	
- 10	473582	• INSULATOR		ATT PT		2	
- 11	45690	• WASHER, FL - NO.10 X 7/16 OD X 1/32 THK		ATT PT		2	
- 12	9092	• WASHER-LOCK, SPLIT RING, .194 ID .337 OD		ATT PT		2	
- 13	11598	• NUT, HEX 10-32		ATT PT		2	
- 14	316996	• TERMINAL, LUG-NONINS 9AWG NO. 8 MTG HOLE				2	
- 15	2197204	• SHIELD, SEMICONDUCTOR				1	
- 16	58207	• SCREW, BD HD MACH-8-32 NC-2A X .250 LG		ATT PT		2	
- 17	598341	• CAPACITOR, FXD, ELECT- 10000UF P150M10%15V				1	
- 18	2102370	• CLAMP				2	
- 19	5528	• SCREW, MACH BIND HD 8-32 X .625 LG		ATT PT		2	
- 20	501565	• RESISTOR ASSEMBLY- 50 OHMS 10W				1	
- 21	512848	• TUBING				2	
- 22	334932	• TERMINAL-LUG NO.18 THRU NO.22 WIRE INSUL				2	
- 23	501551	• RESISTOR-50 OHMS 10W				1	
- 24	317138	• GROMMET, RUB-FOR 7/16 HOLE X 1/8 PNL				1	
- 25	2191347	• SUPPORT, TERMINAL BLOCK				1	

FOR PARTS
NOT SHOWN
SEE FIG. 4

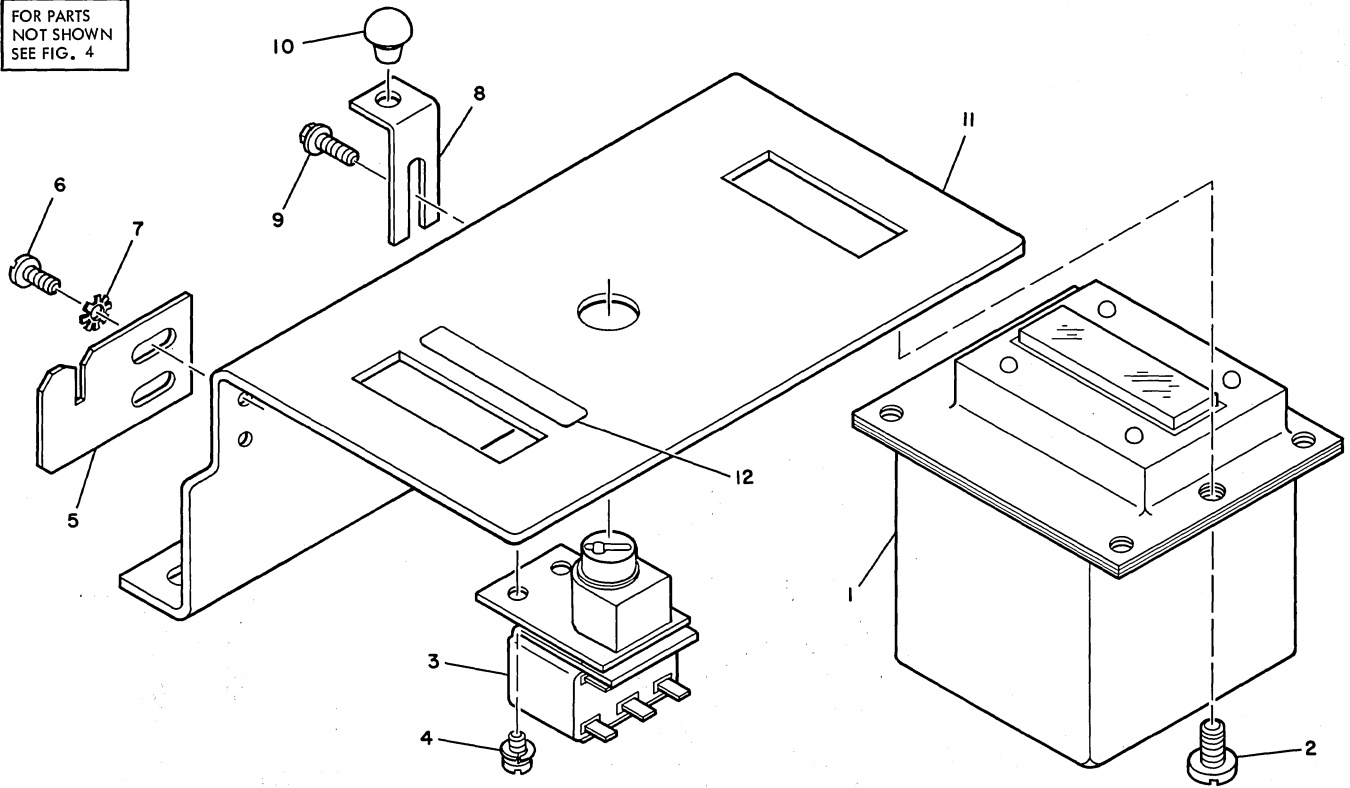


FIGURE 14. METER ASSEMBLY. SEE LIST 14.

LIST AND INDEX NO.	PART NO.	1 2 3 4	DESCRIPTION	UNITS PER ASM.	USABLE ON CODE
			METER ASSEMBLY		
14 -	2191064		METER ASM-60 CYCLE	REF	
-	2191065		METER ASM-50 CYCLE	REF	
			FOR ILLUSTRATION SEE FIGURE 14		
			FOR NEXT HIGHER ASM SEE LIST 4-110		
- 1	740503		• CLOCK-60 CYCLE	2	
- 1	740608		• CLOCK-50 CYCLE	2	
- 2	32042		• SCREW, MACH BIND. HD 10-32 X 3/8 LG.	4	ATT PT
- 3	740513		• SWITCH,PUSH-DPDT 250V AC 1 AMP	1	
- 4	170214		• SCREW,ASSEM WASH-FIL H 6-32 X 5/16 LG	2	ATT PT
- 5	2191050		• GUIDE,COVER	1	
- 6	811426		• SCREW,MACH-PAN HD 6-32 X 3/8 IN. LG	2	ATT PT
- 7	56722		• WASHER-LOCK,EXT T, .150 ID	2	ATT PT
- 8	2190581		• BRACKET,COVER STOP	1	
- 9	2181004		• SCREW,THREAD FORMING-HEX WASHER HD	1	ATT PT
- 10	208529		• BUMPER,RUBBER-FOR 3/16 HOLE	1	
- 11	2243342		• SUPPORT,METER	1	
			PARTS OF THIS ASM ARE NOT REPLACEABLE	1	
			PARTS NOT INCLUDED IN THIS ASSEMBLY		
- 12	5371671		LABEL-METER		

THIS ILLUSTRATION
PERTAINS TO MIDPACK
SUPPLY ONLY (AFTER
L7 SUFFIX.)
FOR MEDIUM POWER
SUPPLY (PRIOR TO L7
SUFFIX) SEE FIG. 24A

FOR PARTS
NOT SHOWN
SEE FIG. 1 & 4

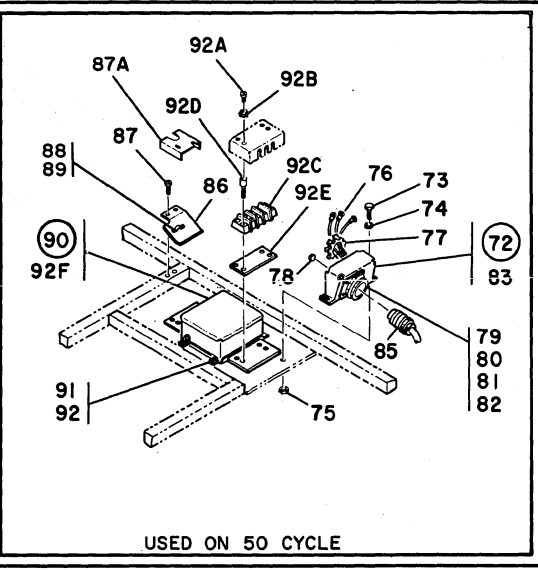
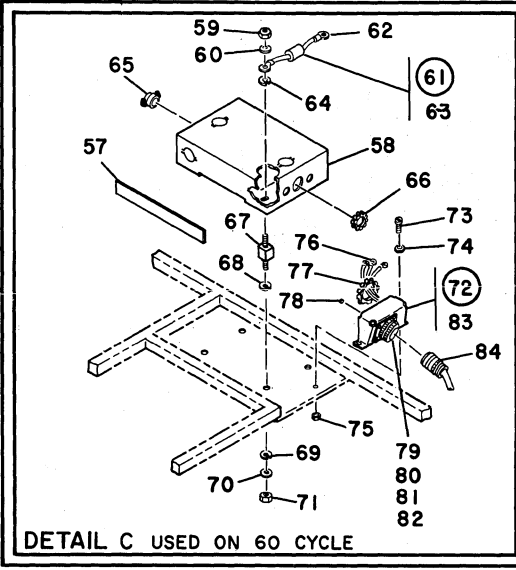
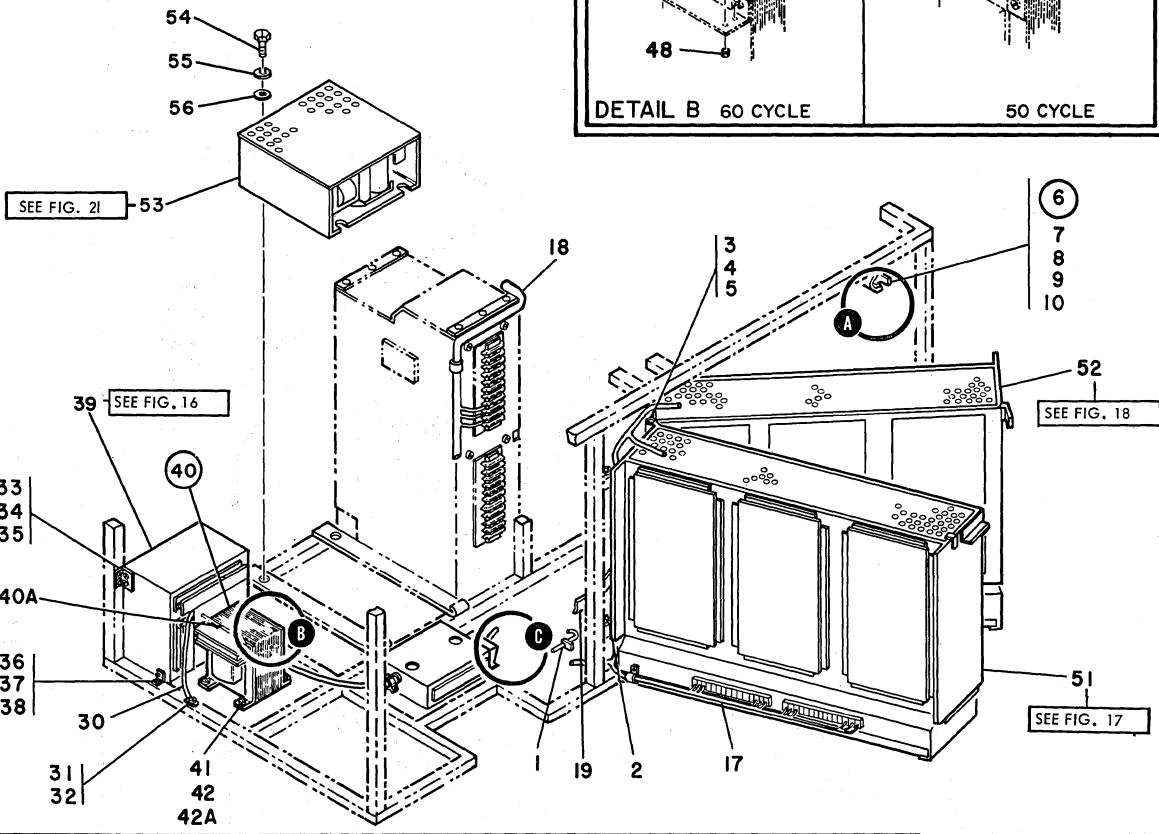
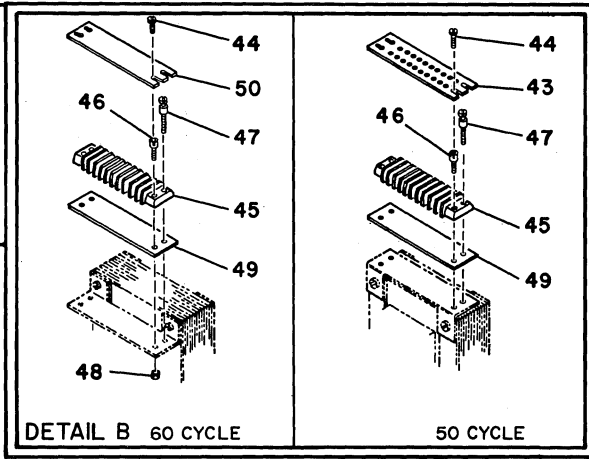
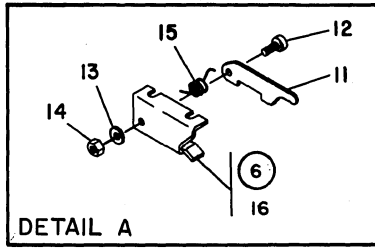
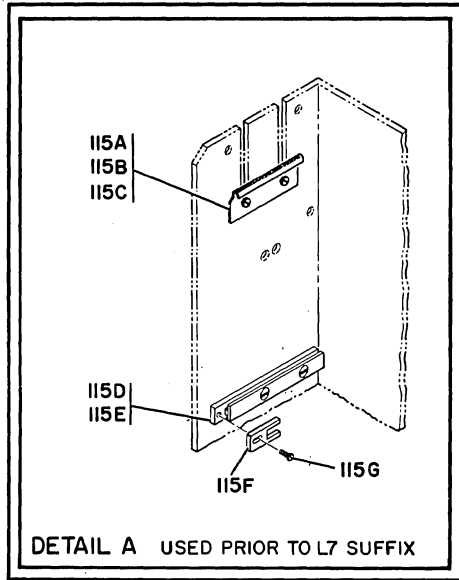


FIGURE 15. MIDPACK SUPPLY. SHEET 1 OF 2, INDEX NOS. 1-19 AND 30-92F



USED WITH MIDPACK POWER
AFTER L7 SUFFIX ONLY. FOR
MEDIUM POWER (PRIOR TO L7
SUFFIX) SEE FIG. 24A

FOR PARTS
NOT SHOWN
SEE FIG. 1 & 4

DETAIL A USED PRIOR TO L7 SUFFIX

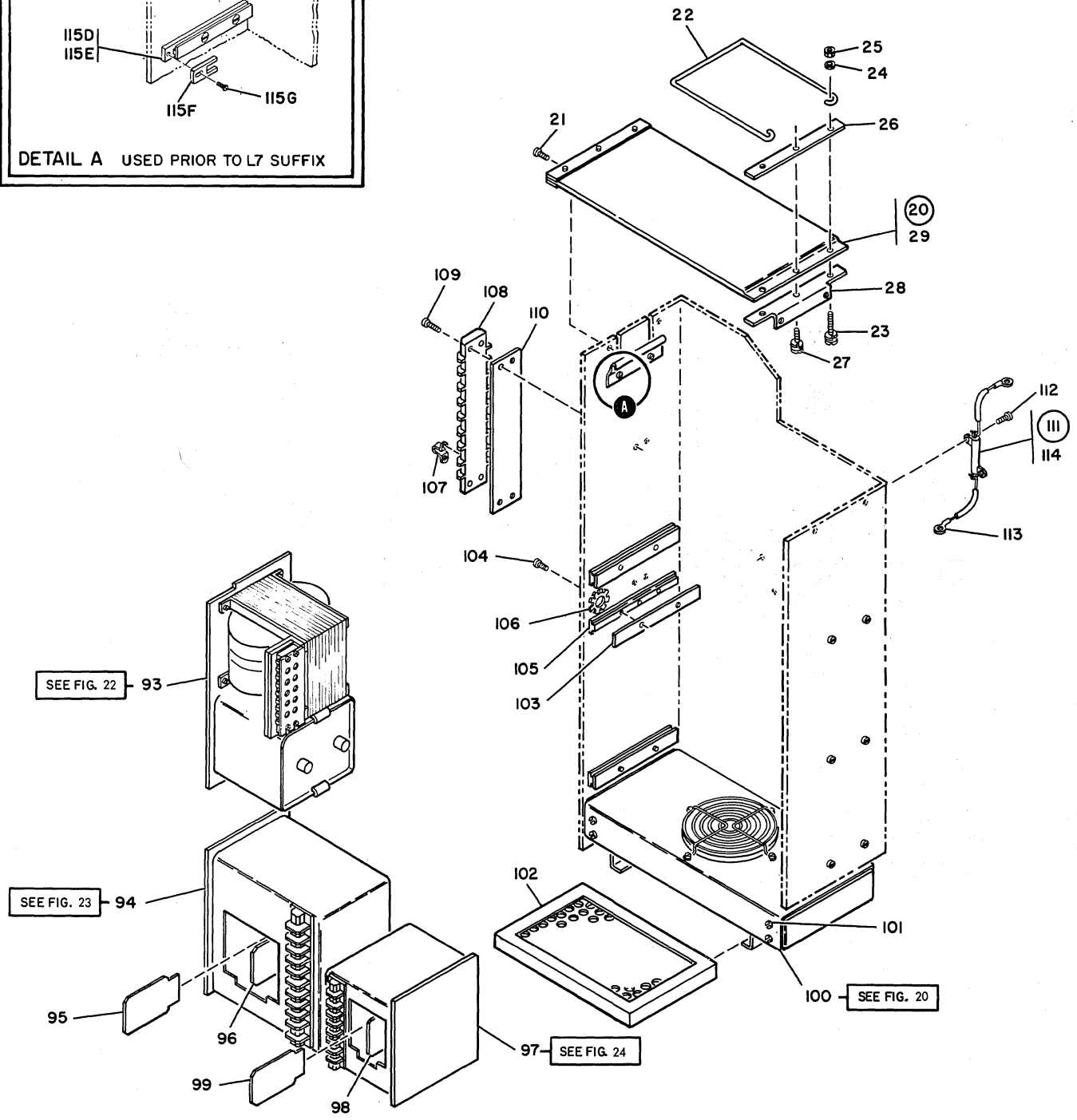


FIGURE 15. MIDPACK SUPPLY. SHEET 2 OF 2, INDEX NOS. 20-29 AND 93-115G

LIST AND INDEX NO.	PART NO.	DESCRIPTION	UNITS PER ASM.	USABLE ON CODE
		1 2 3 4		
		MIDPACK SUPPLY		
15 -		CODE A USED ON 115V 60 CYCLE MIDPACK CODE B USED ON 208/230V 60 CYCLE MIDPACK CODE C USED ON 195/220/235V 50 CY MP CODE D USED ON 60 CYCLE ONLY CODE E USED ON 50 CYCLE ONLY CODE F USED ON LOAD RESISTOR FEATURE CODE 1 USED PRIOR TO S7 SUFFIX CODE 2 USED FROM S7 SUFFIX TO PRESENT CODE 3 USED PRIOR TO H7 SUFFIX		
	2190500	BASIC FINAL ASSEMBLY FOR ILLUSTRATION SEE FIGURE 15 FOR FURTHER BREAKDOWN SEE LIST 1 AND 4		NP
- 1	642377	. BOLT-CABLE CLAMP SUPPORT		1
- 2	225533	. PIN,KNURLED- 0.509 DIA OA X 1 11/32 LG		2
- 3	169733	. SCREW		4
- 4	3550	. WASHER,FLAT 1/4 ID-9/16-OD-0.05 THICK		4
- 5	6935	. WASHER,LOCK-SPLIT 1/4 X 0.493 OD		4
- 6	2178626	. LATCH ASM, GATE		1
- 7	32617	. SCREW, MACH BD HD 10-32 NF X .4375 LG	ATT PT	2
- 8	45690	. WASHER, FL - NO.10 X 7/16 OD X 1/32 THK	ATT PT	2
- 9	9092	. WASHER-LOCK,SPLIT RING, .194 ID .337OD	ATT PT	2
- 10	11598	. NUT, HEX 10-32	ATT PT	2
- 11	2178625	. . LATCH,GATE		1
- 12	5677	. . SCREW,MACH-BIND HD 10-32 X 3/4 LG	ATT PT	1
- 13	2125974	. . WASHER, INT TOOTH, .200 ID X .562 OD	ATT PT	1
- 14	11598	. . NUT, HEX 10-32	ATT PT	1
- 15	2157668	. . SPRING		1
- 16	2178624	. . STRIKER-GATE LATCH		1
- 17	2243305	. CABLE ASM,DC VOLTAGE TO GATES FOR COMPONENT PARTS SEE LIST 44-2A 3 AND 3B		1
- 18	2243307	. CABLE ASM,DC POWER FOR COMPONENT PARTS SEE LIST 44-2A 3 AND 3B		1
- 18	2243306	. CABLE ASM,AC POWER FOR COMPONENT PARTS SEE LIST 44-2A 2B AND 3B		1
- 19	2190853	. CABLE ASM,I/O TO GATE,STANDARD FOR COMPONENT PARTS SEE LIST 44-37,44 62,62C,63,78B,90B,92,93,94,95 AND 95A		1
- 19	2190854	. CABLE ASM,1627 ATTACH,I/O TO GATE FOR COMPONENT PARTS SEE LIST 44-37,44 62A,63,78B,90B,92,93,94 AND 95A		1
- 19	2190714	. CABLE ASM,1627 ATTACH FOR COMPONENT PARTS SEE LIST 44-2C,38C 60,89,90C,90D,92,93,94,95A AND 95B		1
- 19	2190842	. CABLE ASM,I/O TO GATE,1055 ATTACH FOR COMPONENT PARTS SEE LIST 44-37,44 63,78B,90B,92,93,94 AND 95A		1
- 19	5802200	. CABLE ASM, HAMMER DRIVE 20 SIG FOR COMPONENT PARTS SEE LIST 44-75 76,77 AND 78		AR
- 20	2190922	. GUARD ASM-POWER SUPPLY		1
- 21	234316	. SCREW,ASMD WASHER-FIL H 8-32 X 1/4 LG	ATT PT	4
- 22	2191173	. . RETAINER,GUARD		1
- 23	170228	. . SCREW,ASMD WASHER- 6-32 X 5/8 LG	ATT PT	2
- 24	257986	. . WASHER,FLAT NO. 6	ATT PT	2
- 25	257187	. . NUT,HEX 6-32 NC	ATT PT	2
- 26	2190925	. . STRIP,CLAMP-POWER SUPPLY GUARD		2
- 27	170213	. . SCREW,ASSEM WASH-FIL H 6-32 X 1/4 LG	ATT PT	4
- 28	2190924	. . BRACKET,POWER SUPPLY GUARD		2
- 29	2190923	. . GUARD,FOAM-5.88 X 16.25 INCHES		1
		THE FOLLOWING PARTS ARE FEATURES ONLY		
- 30	550993	JUMPER ASSEMBLY FOR COMPONENT PARTS SEE LIST 44-11		1 D
- 31	5319854	SCREW, SELF TAPPING, 8-32 X .375 LONG	ATT PT	1 D
- 32	55901	WASHER, LOCK, EXT TEETH - .176 DIA	ATT PT	1 D
- 33	2190770	BRACKET-SEQ RH UPPER		1
- 34	2181004	SCREW,THREAD FORMING-HEX WASHER HD	ATT PT	4 D
- 34	731629	SCREW,PAN HD- 10-32 X 0.380 LG	ATT PT	4 E
- 35	56079	WASHER-LOCK,EXT T .204 ID .410 OD	ATT PT	4
- 36	2190887	BRACKET,SEQ RH		1
- 37	2181004	SCREW,THREAD FORMING-HEX WASHER HD	ATT PT	2 D
- 37	731629	SCREW,PAN HD- 10-32 X 0.380 LG	ATT PT	2 E
- 38	56079	WASHER-LOCK,EXT T .204 ID .410 OD	ATT PT	2

LIST AND INDEX NO.	PART NO.	DESCRIPTION	UNITS PER ASM.	USABLE ON CODE
		1 2 3 4		
		MIDPACK SUPPLY -CONT		
15 - 39	2243330	SEQUENCE BOX ASM,115V,60 CY	1	A
- 39	2243346	SEQUENCE BOX ASM,208/230V,60 CY.	1	B
- 39	2243337	SEQUENCE BOX ASM,195/220/235V,50 CY FOR DETAIL BREAKDOWN SEE LIST 16	1	C
- 40	2128759	TRANSFORMER ASM,208/230/115V,60 CY	1	B
- 40	4118360	TRANSFORMER ASM,115/195/220/235V,50 CY	1	C
- 41	234340	SCREW AND LOCKWASHER,HEX HD .25-20 X.50	4	B
- 41	236849	SCREW,MACH-BIND HD 10-32 X 1/4 LG	4	
- 42	76574	WASHER, LOCK-EXT. TEETH .250	2	
- 42A	24091	WASHER,FL- 5/16 X 3/4 OD X 1/16 THK	4	B
- 43	4120242	. SHIELD,TERMINAL BLOCK-5 POSITION USED ON ASM 4118360 ONLY	1	
- 44	210984	. SCREW,MACH RH 6-32 X .25	1	
- 45	207364	. TERMINAL BOARD- 9 DBL SCREW TERMINALS USED ON ASM 2128759 ONLY	1	
- 45	2101337	. TERMINAL BOARD-5 DBL SCREW TERMINALS USED ON ASM 4118360 ONLY	1	
- 46	2125898	. STUD, TAPPED MOUNTING, 6-32 X 1.087 LG USED ON ASM 2128759 ONLY	1	
- 46	210985	. STUD, EXT 8-32 X 1/2 INT 6-32 X 0.19 DP USED ON ASM JUU,OL/ ONLY	1	
- 47	2125899	. STUD, SHIELD MOUNTING, 6-32 X 1.237 LG USED ON ASM 2128759 ONLY	3	
- 47	210986	. STUD, SLOTTED 8-32 X 1/2 LG THREAD USED ON ASM 4118360 ONLY	3	
- 48	257187	. NUT,HEX 6-32 NC	4	
- 49	597951	. MARKER STRIP- 9 POS NOS. 1 THRU 9 USED ON ASM 2128759 ONLY	1	
- 49	2101357	. MARKER STRIP- 5 POS NOS. 1 THRU 5 USED ON ASM 4118360 ONLY	1	
- 50	186942	SHIELD,TERMINAL BLOCK- 9 POSITION	1	B
- 51	2243008	A GATE ASM,60 CYCLE	1	
- 51	2243010	A GATE ASM,50 CYCLE	1	
- 52	2243009	FOR DETAIL BREAKDOWN SEE LIST 17		
- 52	2243011	B GATE ASM,60 CYCLE	1	
- 52	2243011	B GATE ASM,50 CYCLE	1	
- 53	5760700	FOR DETAIL BREAKDOWN SEE LIST 18		
- 53	5760710	POWER SUPPLY ASM,MIDPACK,60 CY	1	D
- 53	5760710	POWER SUPPLY ASM,MIDPACK,50 CY	1	E
- 54	130434	FOR DETAIL BREAKDOWN SEE LIST 21		
- 54	32042	SCREW-MACH,SLOTTED HEX HD NO.10-32 X.375	2	D
- 54	32042	SCREW, MACH BIND. HD 10-32 X 3/8 LG.	2	E
- 55	9092	WASHER-LOCK,SPLIT RING, .194 ID .3370D	2	D
- 55	56079	WASHER-LOCK,EXT T .204 ID .410 OD	2	E
- 56	45690	WASHER, FL - NO.10 X 7/16 OD X 1/32 THK	2	D
- 57	216297	SEAL,RUB STRIP- 11/16 W X 1/8 THK	AR	D
- 58	2190822	FILTER ASM,LINE,RF1,30 AMP 250V,60 CY PARTS OF THIS ASM ARE NOT REPLACEABLE	1	D
- 59	257189	NUT, HEX 8-32	4	D
- 60	1090873	WASHER, LOCK - .168 ID X .296 OD	4	D
- 61	2191436	RESISTOR ASM,1 MEG 5% 0.5 WATTS	1	D
- 62	92784	. TERMINAL,LUG-INS 18-20AWG NO.8 MTG HOLE	2	
- 63	300736	. RESISTOR,FXD,COMP- 1 MEG P/M 5% 1/2W	1	
- 64	55901	WASHER, LOCK, EXT TEETH - .176 DIA	2	D
- 65	419537	CONNECTOR	2	A
- 65	419537	CONNECTOR	1	B
- 66	730432	GROMMET,CATERPILLAR	1	B
- 67	760132	MOUNT,RESILIENT- 8-32 X 3/8 LG STUD	4	D
- 68	56079	WASHER-LOCK,EXT T .204 ID .410 OD	4	D
- 69	22478	WASHER,FL- 0.170 ID 0.375 OD 0.032 THK	6	D
- 70	1090873	WASHER, LOCK - .168 ID X .296 OD	4	D
- 71	257189	NUT, HEX 8-32	4	D
- 72	2243656	RECEPTACLE ASM,POWER CORD-60 CYCLE	1	B
- 72	2243624	RECEPTACLE ASM,POWER CORD-50 CYCLE	1	C
- 73	32042	SCREW, MACH BIND. HD 10-32 X 3/8 LG.	2	
- 74	56121	WASHER,LOCK-INT TEETH NO. 10 X 0.381 OD	2	
- 75	11598	NUT, HEX 10-32	2	
- 76	2101326	. TERMINAL-CLIP,BARREL NO.12-10 WIRE INSUL	3	
- 77	730432	. GROMMET,CATERPILLAR	1	
- 78	79204	. BUMPER,RUBBER-HAMMER LATCH ARM	1	
- 79	2243112	. RECEPTACLE,3 PIN CONTACT	1	
- 80	38265	. SCREW,MACH-FIL H 4-40 X 7/16 LG	4	
- 81	257984	. WASHER,LOCK-SPRING MEDIUM	4	
- 82	37913	. NUT, HEX 4-40 NC	4	
- 83	2243655	. BOX,RECEPTACLE	1	B
- 83	2243623	. BOX,RECEPTACLE	1	C

LIST AND INDEX NO.	PART NO.	DESCRIPTION	UNITS PER ASM.	USABLE ON CODE
		MIDPACK SUPPLY -CONT		
15 - 84	2191437	CABLE ASM,POWER CORD,6 FT,115 V 60 CY FOR COMPONENT PARTS SEE LIST 44-2E 61,89 AND 90	1	
- 84	2190786	CABLE ASM,POWER CORD,15 FT,115V 60 CY FOR COMPONENT PARTS SEE LIST 44-2E 61,38B,83A AND 89	1	
- 84	2190926	CABLE ASM,POWER CORD,115V 60 CY,U.K./WTC FOR COMPONENT PARTS SEE LIST 44-2D 38B,89 AND 90	1	
- 84	2243003	CABLE ASM,PWR CORD,208/230V 60 CY,6 FT. FOR COMPONENT PARTS SEE LIST 44-3 57,58 AND 59	1	
- 84	2197234	CABLE ASM,PWR CORD,208/230V 60 CY,15 FT. FOR COMPONENT PARTS SEE LIST 44-3 57,58 AND 59	1	
- 85	2190761	CABLE ASM,PWR CORD,50 CY,WTC/UK FOR COMPONENT PARTS SEE LIST 44-57,59	1	
- 85	2190760	CABLE ASM,PWR CORD,WTC OR 60CY FOR COMPONENT PARTS SEE LIST 44-57,59	1	
- 86	2243654	BRACKET,CABLE	1	C
- 87	183900	SCREW,THD CTG-BIND HD 8-32 X 1/4 LG	2	C
- 87A	2243386	COVER,FILTER TERMINALS	1	C
- 88	740532	CLAMP	1	C
- 89	183900	SCREW,THD CTG-BIND HD 8-32 X 1/4 LG	2	C
- 90	4120735	FILTER ASM,LINE,RF1,20 AMP 250V,50 CY	1	C
- 91	5350012	SCREW, THD FORMING HEX WSR HD 8-32 X .25	4	C
- 92	55901	WASHER, LOCK, EXT TEETH - .176 DIA	2	C
- 92A	10170	. SCREW-MACH,BIND HD NO. 6-32 X .250 LG	4	
- 92B	56722	. WASHER-LOCK,EXT T, .150 ID	4	
- 92C	317132	. TERMINAL BOARD- 3 DBL SCREW TERMINALS	2	
- 92D	210985	. STUD, EXT 8-32 X 1/2 INT 6-32 X 0.19 DP	8	
- 92E	4121234	. STRIP,INSULATION	2	
- 92F	4118492	. BOX,FILTER	1	
- 93	2243314	TRANSFORMER ASM,7.25 VAC 25 AMP,60 CY	1	A
- 93	2243315	TRANSFORMER ASM,7.25 VAC 25 AMP,60 CY	1	B
- 93	2243323	TRANSFORMER ASM,7.25 VAC 25 AMP,50 CY FOR DETAIL BREAKDOWN SEE LIST 22	1	C
- 94	5762030	POWER PAC ASM,6VOLT AT 24 AMP FOR DETAIL BREAKDOWN SEE LIST 23	1	
- 95	372990	CARD ASM,REGULATOR PARTS OF THIS ASM ARE NOT REPLACEABLE	1	
- 96	372423	CARD ASM,OVERVOLTAGE PARTS OF THIS ASM ARE NOT REPLACEABLE	1	
- 97	5762000	POWER PAC ASM,3VOLT AT 20 AMP FOR DETAIL BREAKDOWN SEE LIST 24	2	
- 98	372677	CARD ASM-MINUS 3VDC OVERVOLTAGE PROTECT PARTS OF THIS ASM ARE NOT REPLACEABLE	2	
- 99	372676	CARD ASM-MINUS 3VDC VOLTAGE REGULATOR PARTS OF THIS ASM ARE NOT REPLACEABLE	2	
-100	2243225	BLOWER ASM,POWER SUPPLY,60 CY.	1	
-100	2243318	BLOWER ASM,POWER SUPPLY,50 CY FOR DETAIL BREAKDOWN SEE LIST 20	1	
-101	32042	SCREW, MACH BIND. HD 10-32 X 3/8 LG.	4	
-102	5357064	FILTER,AIR,8.30 X 5.91	1	
-103	2193932	OUTER RAIL,POWER SUPPLY MOUNTING	7	2
-104	101706	SCREW,MACH-HEX HD 10-32 X 3/4 LG	14	
-105	2193933	INNER RAIL,POWER SUPPLY MCUNTING	7	2
-106	2243005	GROMMET	AR	
-107	730468	JUMPER-TERMINAL STRIP	17	
-108	81898	TERMINAL BOARD- 12 DBL SCREW TERMINALS	2	
-109	5528	SCREW,MACH BIND HD 8-32 X .625 LG	8	
-110	5240422	STRIP-MARKER	2	
-111	2243239	RESISTOR ASM,WIREWOUND,1 OHM	1	2F
-112	251970	SCREW-MACH BD. HD. 4-40 X 1/4 LG	2	2F
-113	360370	. TERMINAL-RING TOUNGUE NO.14-16 WIRE	2	
-114	2195636	. RESISTOR,FIXED-WW 1 OHM P/M 5 PCT 50W	1	
-115A	2191049	RETAINER,POWER SUPPLY	1	1
-115B	234328	SCREW,ASMD WASHER-FIL H 10-32 X 5/16 LG	2	1
-115C	45690	WASHER, FL - NO.10 X 7/16 OD X 1/32 THK	2	1
-115D	207382	RAIL-POWER SUPPLY MOUNTING	6	1
-115E	5319888	SCREW, SELF TAPPING, 10-32 X .625 LONG	12	1
-115F	207293	KEEPER-POWER SUPPLY	6	1
-115G	234316	SCREW,ASMD WASHER-FIL H 8-32 X 1/4 LG	6	1

FOR PARTS NOT SHOWN SEE FIG. 15

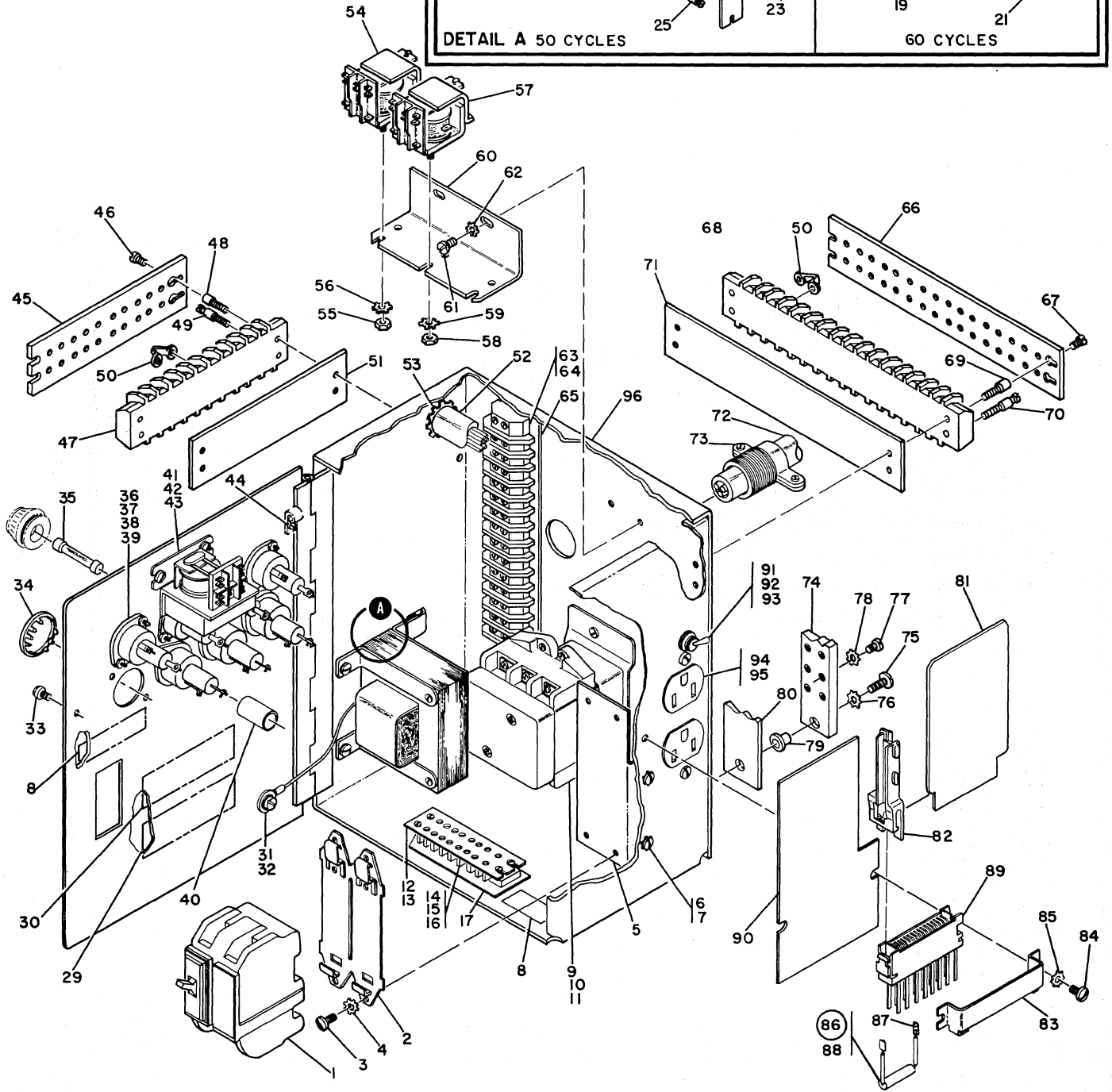
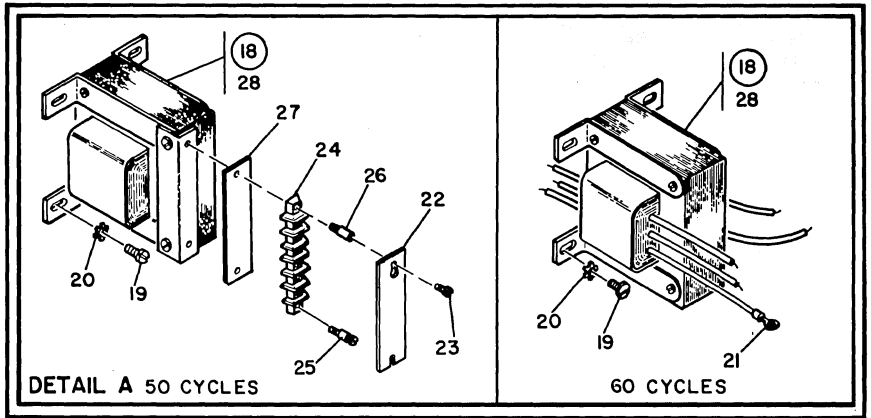


FIGURE 16. SEQUENCE BOX ASSEMBLY. SEE LIST 16.

LIST AND INDEX NO.	PART NO.	DESCRIPTION				UNITS PER ASM.	USABLE ON CODE
		1	2	3	4		
		SEQUENCE BOX ASSEMBLY					
16 -		CODE A USED ON 60 CYCLE ONLY CODE B USED ON 50 CYCLE ONLY					
-	2243330	SEQUENCE BOX ASM,115V,60 CY				REF	
-	2243346	SEQUENCE BOX ASM,208/230V,60 CY.				REF	
-	2243337	SEQUENCE BOX ASM,195/220/235V,50 CY FOR ILLUSTRATION SEE FIGURE 16 FOR NEXT HIGHER ASM SEE LIST 15-39				REF	
- 1	2158708	. CIRCUIT BREAKER, 30 AMP USED ON ASM 2243330 ONLY				1	
- 1	2197484	. CIRCUIT BREAKER, 20 AMP 2 POLE USED ON ASM 2243346 ONLY				1	
- 1	2092646	. CIRCUIT BREAKER, 15 AMP 2 POLE USED ON ASM 2243337 ONLY				1	
- 2	2158722	. CLIP, CB MOUNTING				1	
- 3	10170	. SCREW-MACH,BIND HD NO. 6-32 X .250 LG				4	
- 4	56722	. WASHER-LOCK,EXT T, .150 ID				4	
- 5	2190759	. BRACKET,CB MTG				1	
- 6	236849	. SCREW,MACH-BIND HD 10-32 X 1/4 LG				2	
- 7	56079	. WASHER-LOCK,EXT T .204 ID .410 OD				2	
- 8	138754	. LABEL,VOLTAGE WARNING				2	
- 9	2128749	. MAGNETIC CONTACTOR,2 POLE 40 AMPS 24V USED ON ASM 2243330 ONLY				1	
- 9	2128749	. MAGNETIC CONTACTOR,2 POLE 40 AMPS 24V USED ON NO 2321 ATTACHMENT FEATURE				1	
- 9	2130334	. MAGNETIC CONTACTOR, 3-POLE 40A 24V COIL USED ON 2321 ATTACHMENT FEATURE				1	
- 10	58207	. SCREW, BD HD MACH-8-32 NC-2A X .250 LG				2	
- 11	55901	. WASHER, LOCK, EXT TEETH - .176 DIA				2	
- 12	191480	. SHIELD,8 POSITION				1	A
- 13	210984	. SCREW,MACH RH 6-32 X .25				1	A
- 14	322766	. TERMINAL BOARD				1	A
- 15	210883	. STUD, EXT 6-32 X 1/2 INT 6-32 X 0.19 DP				1	
- 16	210884	. STUD, SLOTTED 6-32 X 1/2 LONG THREAD				1	
- 17	126036	. STRIP,MARKER-INSULATING				1	A
- 18	2190897	. TRANSFORMER ASM,104/115/208/230V 60 CY				1	A
- 18	4116394	. TRANSFORMER ASM,195/220/235V 50 CY				1	B
- 19	58207	. SCREW, BD HD MACH-8-32 NC-2A X .250 LG				2	
- 20	55901	. WASHER, LOCK, EXT TEETH - .176 DIA				2	
- 21	334921	. . TERMINAL-LUG NO.22 THRU NO.18 WIRE INSUL				8	A
- 22	4120318	. . SHIELD,6 POSITION SINGLE ROW				1	B
- 23	210984	. . SCREW,MACH RH 6-32 X .25				1	B
- 24	4120316	. . TERMINAL BLOCK,6 POSITION- SINGLE ROW				1	B
- 25	4120245	. . STUD				1	B
- 26	4120246	. . STUD				1	B
- 27	4120317	. . MARKER STRIP,6 POSITION				1	B
- 28	5313144	. . TRANSFORMER,104/115/208/230V 60 CY				1	A
- 28	4118453	. . TRANSFORMER,195/220/235V 50 CY				1	B
- 29	369207	. LABEL-VOLTAGE				1	
- 30	2243334	. DECAL,FUSE LOCATION				1	
- 31	58207	. SCREW, BD HD MACH-8-32 NC-2A X .250 LG				1	
- 32	55901	. WASHER, LOCK, EXT TEETH - .176 DIA				1	
- 33	470834	. SCREW,THUMB-NO. 6 PRESSURE ROLL				1	
- 34	184380	. COVER,CHECKING LIGHT				1	
- 35	252589	. FUSE,0.2 AMP,LONG TIME LAG,NON-INDICATE				AR	
- 35	117403	. FUSE,0.4 AMP,LONG TIME LAG,				AR	
- 35	252591	. FUSE,1.0 AMP,FUSETRON TYPE FNM 1				AR	
- 35	92734	. FUSE,2.0 AMP,LONG TIME LAG,NON-INDICATE				AR	
- 35	107664	. FUSE,3.2 AMP,LONG TIME LAG,				AR	
- 35	107665	. FUSE,4.0 AMP,LONG TIME LAG				AR	
- 35	107667	. FUSE,6.25 AMP,LONG TIME LAG,NON-INDICATE				AR	
- 36	104615	. FUSEHOLDER				7	
- 37	35739	. SCREW,MACH-BIND HD 6-32 X 15/16 LG				14	
- 38	56722	. WASHER-LOCK,EXT T, .150 ID				14	
- 39	257187	. NUT,HEX 6-32 NC				14	
- 40	257079	. INSULATOR,FUSE TERMINAL .375 DIA X 1.500				7	
- 40	257080	. INSULATOR,FUSE TERMINAL .962 DIA X 1.875				7	
- 41	2207277	. RELAY- DPDT 5 SEC TIME DELAY 24VAC				1	
- 42	221790	. SCREW,MACH-BIND HD 8-32 X 3/16 LG				2	
- 43	55901	. WASHER, LOCK, EXT TEETH - .176 DIA				2	
- 44	34512	. SCREW,MACH-BIND HD 8-32 X 3/8 LG				1	
- 45	186943	. SHIELD- 10 POSITION				1	
- 46	210984	. SCREW,MACH RH 6-32 X .25				1	
- 47	322767	. TERMINAL BLOCK, 10 POSITION				1	

LIST AND INDEX NO.	PART NO.	DESCRIPTION				UNITS PER ASM.	USABLE ON CODE	
		1	2	3	4			
SEQUENCE BOX ASSEMBLY -CONT								
16 - 48	210985				• STUD, EXT 8-32 X 1/2 INT 6-32 X 0.19 DP	ATT PT	1	
- 49	210986				• STUD, SLOTTED 8-32 X 1/2 LG THREAD	ATT PT	3	
- 50	367115				• JUMPER-TERMINAL STRIP VDC DISTR BRS		9	
- 51	363434				• MARKER STRIP- 10 POS NOS. 1 THRU 10		1	
- 52	2243355				• CABLE ASM,SEQUENCE BOX FOR COMPONENT PARTS SEE LIST 44-2A 2B,2C,3A,3B,4,5,7,19 AND 23		1	A
- 52	2243356				• CABLE ASM,SEQUENCE FOR COMPONENT PARTS SEE LIST 44-2A 2B,2C,3,3A,3B,4,7,19 AND 23		1	B
- 53	730432				• GROMMET,CATERPILLAR		3	
- 54	441092				• RELAY		1	
- 55	257187				• NUT,HEX 6-32 NC	ATT PT	1	
- 56	56722				• WASHER-LOCK,EXT T, .150 ID	ATT PT	1	
- 57	2158694				• RELAY,3PDT 24V AC COIL		2	
- 58	257187				• NUT,HEX 6-32 NC	ATT PT	2	
- 59	56722				• WASHER-LOCK,EXT T, .150 ID	ATT PT	2	
- 60	2243333				• BRACKET,RELAY MTG		1	
- 61	221790				• SCREW,MACH-BIND HD 8-32 X 3/16 LG	ATT PT	2	
- 62	55901				• WASHER, LOCK, EXT TEETH - .176 DIA	ATT PT	2	
- 63	82353				• TERMINAL BOARD- 14 DBL SCREW TERMINALS		1	
- 64	25627				• SCREW,MACH-BIND HD 8-32 X 1/2 LG	ATT PT	4	
- 65	212988				• INSULATOR,TERMINAL BLOCK		1	
- 66	191478				• SHIELD 16 POS		1	
- 67	210984				• SCREW,MACH RH 6-32 X .25	ATT PT	1	
- 68	301731				• TERMINAL BOARD- 16 DBL SCREW TERMINALS		1	
- 69	210985				• STUD, EXT 8-32 X 1/2 INT 6-32 X 0.19 DP	ATT PT	1	
- 70	210986				• STUD, SLOTTED 8-32 X 1/2 LG THREAD	ATT PT	3	
- 71	517894				• MARKER STRIP- 16 POS NOS. 1 THRU 16			
- 72	2190827				• CABLE ASM-FILTER BOX TO SEQ BOX USED ON ASM 2243330 ONLY FOR COMPONENT PARTS SEE LIST 44-2E			
- 72	2197317				• CABLE ASM-FILTER BOX TO SEQ BOX USED ON ASM 2243346 ONLY FOR COMPONENT PARTS SEE LIST 44-4			
- 72	2190947				• CABLE ASM- 50 CYC FILTER TO SEQ BOX USED ON ASM 2243337 ONLY FOR COMPONENT PARTS SEE LIST 44-3B			
- 73	419537				• CONNECTOR		1	
- 74	2114596				• BAR,GROUND,8 POS,DOUBLE ROW		1	
- 75	55918				• SCREW,MACH-BIND HD 10-32 X 5/8 LG	ATT PT	2	
- 76	56079				• WASHER-LOCK,EXT T .204 ID .410 OD	ATT PT	2	
- 77	58207				• SCREW, BD HD MACH-8-32 NC-2A X .250 LG		16	
- 78	55901				• WASHER, LOCK, EXT TEETH - .176 DIA	ATT PT	16	
- 79	333586				• BUSHING,PHENOLIC,.219 I.D.-SHOULDER		2	
- 80	2114597				• MARKER STRIP,8POS,DOUBLE ROW		1	
- 81	374744				• CARD ASM TSTR,LOGIC VOLTAGE SENSE PARTS OF THIS ASM ARE NOT REPLACEABLE		1	
- 82	216206				• GUIDE-SINGLE CARD LONG		1	
- 83	2197379				• BRACKET,RECT-SUPPORT		1	
- 84	10170				• SCREW-MACH,BIND HD NO. 6-32 X .250 LG	ATT PT	2	
- 85	56722				• WASHER-LOCK,EXT T, .150 ID	ATT PT	2	
- 86	2243336				• RESISTOR ASM,10 OHM 0.5 WATT		1	
- 87	596255				• TERMINAL,SLIP-ON		2	
- 88	321271				• RESISTOR,FXD,COMP- 10 OHMS P/M 5% 1/2W		1	
- 89	216076				• TERMINAL BLOCK AND CONTACT ASSEMBLY FOR COMPONENT PARTS SEE LIST 44-64		1	
- 90	2243145				• INSULATOR		1	
- 91	2197191				• SWITCH,TOGGLE,SPST,MAINTAINED		1	
- 92	179743				• NUT,PLAIN,HEX- 15/32-32 X 9/16 FL W	ATT PT	1	
- 93	159373				• WASHER,LOCK-EXT TEETH 15/32 ID X 3/4 OD	ATT PT	1	
- 94	357995				• OUTLET,CONVENIENCE,60 CYCLE		1	
- 95	221790				• SCREW,MACH-BIND HD 8-32 X 3/16 LG	ATT PT	2	
- 96	2243331				• BOX ASM,SEQUENCE PARTS OF THIS ASM ARE NOT REPLACEABLE		1	

FOR PARTS
NOT SHOWN
SEE FIG. 15

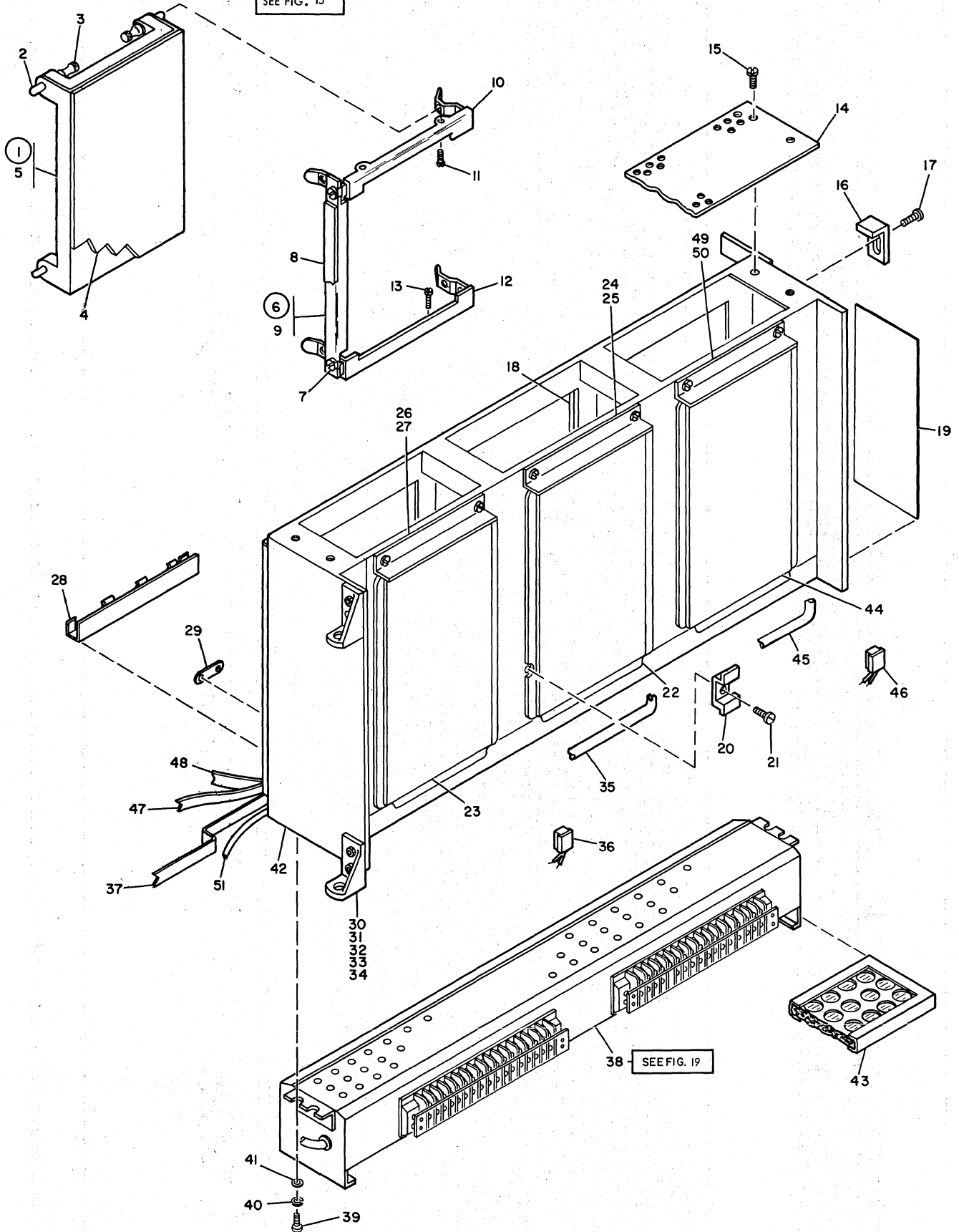


FIGURE 17. A GATE ASSEMBLY. SEE LIST 17.

LIST AND INDEX NO.	PART NO.	DESCRIPTION	UNITS	USABLE
			PER ASM.	ON CODE
		A GATE ASSEMBLY		
		CODE A USED W/BOARD ASM 2197212,222,228		
17 -				
-	2243008	A GATE ASM,60 CYCLE	REF	
-	2243010	A GATE ASM,50 CYCLE FOR ILLUSTRATION SEE FIGURE 17 FOR NEXT HIGHER ASM SEE LIST 15-51	REF	
- 1	811867	. CARD COVER ASSEMBLY	AR	
- 2	815964	. . CATCH	4	
- 3	815963	. . CATCH-PULL	4	
- 4	815263	. . BACKING, FOAM	1	
- 5	811866	. . COVER	1	
- 6	811881	. RETAINER ASSEMBLY	AR	
- 7	55726	. SCREW,MACH-BIND HD 6-32 X .188 LG	AR	
- 8	811441	. . SEAL	1	
- 9	811896	. . RETAINER	1	
- 10	811853	. BRACKET-HINGE	AR	
- 11	2181005	. SCREW, SELF TAPPING, 6-32 X .375 LG.	AR	
- 12	811852	. BRACKET-HINGE	AR	
- 13	2181005	. SCREW, SELF TAPPING, 6-32 X .375 LG.	AR	
- 14	2197167	. COVER, TOP	1	
- 15	5319854	. SCREW, SELF TAPPING, 8-32 X .375 LONG	6	
- 16	2178627	. BRACKET-LATCH	1	
- 17	2181004	. SCREW,THREAD FORMING-HEX WASHER HD	2	
- 18	811442	. SEAL	AR	
- 19	2191094	. DECAL,TEST POINT A GATE	1	
- 20	813179	. CLAMP-BOARD	AR	
- 21	811417	. SCREW,HEX SOCKET H- 6-32 X 1/2 LG	AR	
- 22	2197224	. BOARD ASM,B1 PARTS OF THIS ASM ARE NOT REPLACEABLE	1	
- 23	2197217	. BOARD ASM,C1 PARTS OF THIS ASM ARE NOT REPLACEABLE	1	
- 24	811535	. GUARD,GATE	1	
- 25	236849	. SCREW,MACH-BIND HD 10-32 X 1/4 LG	2	
- 26	2197162	. GUARD,GATE	1	
- 27	236849	. SCREW,MACH-BIND HD 10-32 X 1/4 LG	2	
- 28	825373	. SUPPORT, CABLE	4	
- 29	811427	. RETAINER	AR	
- 30	289335	. HINGE,FRONT RELAY GATE	2	
- 31	169733	. SCREW	4	
- 32	3550	. WASHER,FLAT 1/4 ID-9/16-OD-0.05 THICK	4	
- 33	6935	. WASHER,LOCK-SPLIT 1/4 X 0.493 OD	4	
- 34	36109	. NUT,PLAIN,HEX- 1/4-20 X 7/16 FL W	4	
- 35	2190703	. CABLE ASM-GATE VOLTAGE A-B1 AND C1 FOR COMPONENT PARTS SEE LIST 44-2B,9,47,69,71 AND 73	1	
- 36	5802236	. CROSSOVER ASSEMBLY - 22 SIGNAL FOR COMPONENT PARTS SEE LIST 44-75,76B,77 AND 78	AR	
- 37	2190724	. VERTICAL CONNECTION CABLE GROUP FOR COMPONENT PARTS SEE LIST 44-75,76,77 AND 78	1	
- 38	2190660	. BLOWER ASM-FAN 60 CYCLE A GATE	1	
- 38	2190662	. BLOWER ASM-FAN,50 CYCLE A GATE FOR DETAIL BREAKDOWN SEE LIST 19	1	
- 39	5319854	. SCREW, SELF TAPPING, 8-32 X .375 LONG	4	
- 40	1090873	. WASHER, LOCK - .168 ID X .296 OD	4	
- 41	22478	. WASHER,FL- 0.170 ID 0.375 OD 0.032 THK	4	
- 42	2190557	. FRAME- GATE A	1	
		THE FOLLOWING PARTS ARE FEATURES ONLY		
- 43	2190693	FILTER,AIR 5.00 X 28.00	1	
- 44	2227451	CHIMNEY ASM	1	
- 44	2197212	BOARD ASM,A1 USED ON 1132/2501/SCA/1231/EXP ADAPTER	1	
- 44	2197222	BOARD ASM,A1 USED ON 1132/2501/SCA	1	
- 44	2197228	BOARD ASM,A1 USED ON 1132 WITH NO SCA/2501/1231	1	
- 45	2190727	BOARD ASM,A1 USED ON 1231 WITH NO 2501 PARTS OF THIS ASM ARE NOT REPLACEABLE	1	
- 46	5802216	CABLE ASM,GATE VOLTAGE A-A1 FOR COMPONENT PARTS SEE LIST 44-2B,69,71 AND 73	2	A
- 47	2197242	CROSSOVER ASM-SIGNAL FOR COMPONENT PARTS SEE LIST 44-75,76B,77 AND 78	1	A
- 48	2190722	CABLE ASM,1132 AND 2501 SLT FOR COMPONENT PARTS SEE LIST 44-75,76,77 AND 78	1	A
- 49	811535	INTRA-GATE CABLE GROUP	1	A
- 50	236849	GUARD,GATE	1	A
- 51	2197203	SCREW,MACH-BIND HD 10-32 X 1/4 LG	2	A
- 51	2190727	CABLE ASM,INTERNAL SIGNAL,2501 FEATURE	1	
- 51	2197351	CABLE ASM,GATE VOLTAGE A-A1	1	
- 51	2197351	CABLE ASM,1231 EPO CONTROL USED WITH BOARD 2197228 ONLY FOR COMPONENT PARTS SEE LIST 44-75,76,77 AND 78	1	

FOR PARTS
NOT SHOWN
SEE FIG. 15

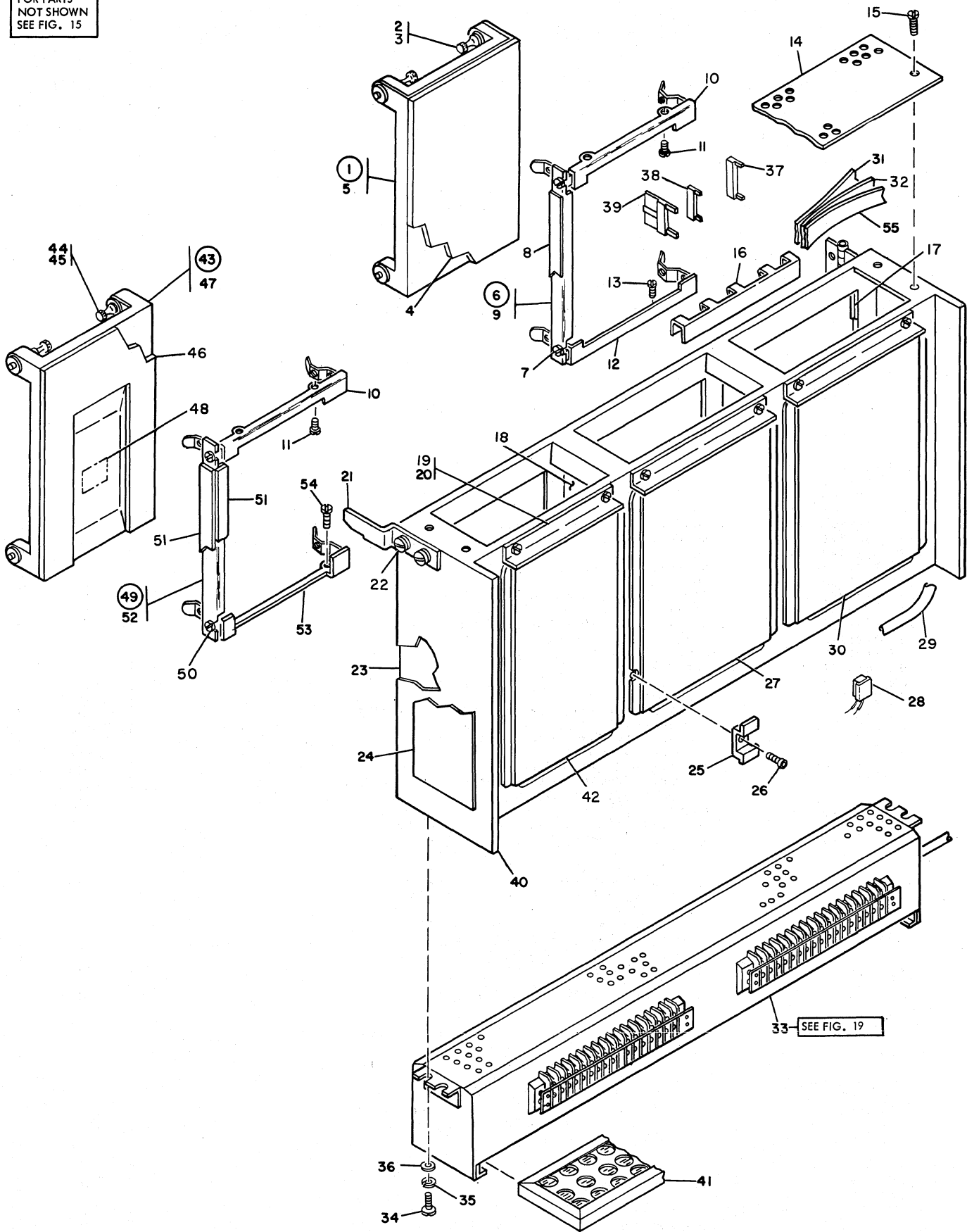
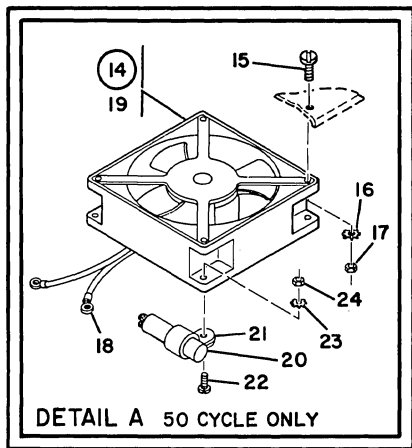


FIGURE 18. B GATE ASSEMBLY. SEE LIST 18.

LIST AND INDEX NO.	PART NO.	DESCRIPTION	UNITS PER ASM.	USABLE ON CODE
		1 2 3 4		
		B GATE ASSEMBLY		
18 -		CODE A USED ON EXPANSION MEMORY ATTACH CODE B USED ON 4K 3.6 MICROSEC CODE C USED ON 8K 3.6 MICROSEC		
-	2243009	B GATE ASM,60 CYCLE	REF	
-	2243011	B GATE ASM,50 CYCLE FOR ILLUSTRATION SEE FIGURE 18 FOR NEXT HIGHER ASM SEE LIST 15-52	REF	
- 1	811865	. COVER ASM, CARD	2	
- 2	815964	. . CATCH	4	
- 3	815963	. . CATCH-PULL	4	ATT PT
- 4	815263	. . BACKING, FOAM	1	
- 5	811864	. . COVER, MEMORY CARD	1	
- 6	811881	. RETAINER ASSEMBLY	4	
- 7	55726	. SCREW, MACH-BIND HD 6-32 X .188 LG	8	ATT PT
- 8	811441	. . SEAL	1	
- 9	811896	. . RETAINER	1	
- 10	811851	. BRACKET-HINGE-UPPER	3	
- 11	2181005	. SCREW, SELF TAPPING, 6-32 X .375 LG.	6	ATT PT
- 12	811850	. BRACKET-HINGE-LOWER	2	
- 13	2181005	. SCREW, SELF TAPPING, 6-32 X .375 LG.	4	ATT PT
- 14	2197167	. COVER, TOP	1	
- 15	5319854	. SCREW, SELF TAPPING, 8-32 X .375 LONG	6	ATT PT
- 16	825373	. SUPPORT, CABLE	5	
- 17	811442	. SEAL	6	
- 18	2191013	. SEAL, 3.00 X 14.2P X 1.00 THICK	1	
- 19	811535	. GUARD, GATE	3	
- 20	236849	. SCREW, MACH-BIND HD 10-32 X 1/4 LG	6	ATT PT
- 21	2190561	. STRIKER, LATCH	1	
- 22	5353301	. SCREW-THREAD FORMING, HEX. WASHER HEAD	2	
- 23	2191012	. SEAL, 3.00 X 12.00 X 1.00 THICK	1	
- 24	2191095	. DECAL, TEST POINT B GATE	1	
- 25	813179	. CLAMP-BOARD	AR	
- 26	811417	. SCREW, HEX SOCKET H- 6-32 X 1/2 LG	AR	
- 27	2197221	. BOARD ASM, PARTS OF THIS ASM ARE NOT REPLACEABLE	1	
- 28	5802236	. CROSSOVER ASSEMBLY - 22 SIGNAL FOR COMPONENT PARTS SEE LIST 44-75 76B, 77 AND 78	AR	
- 29	2190718	. CABLE ASM-B GATE VOLTAGE FOR COMPONENT PARTS SEE LIST 44-2B 2C, 9, 47, 69, 71 AND 73	1	
- 30	2197219	. BOARD ASM, PARTS OF THIS ASM ARE NOT REPLACEABLE	1	
- 31	2190723	. VERTICAL CONNECTION CABLE GROUP FOR COMPONENT PARTS SEE LIST 44-75 76, 77 AND 78	1	
- 32	2197237	. CABLE ASM, FLAT SAC-CAT OR 2501 INTRA FOR COMPONENT PARTS SEE LIST 44-75 76, 77 AND 78	1	
- 33	2190661	. BLOWER ASM-FAN 60 CYCLE B GATE	1	
- 33	2190548	. BLOWER ASM-FAN, 50 CYCLE B GATE FOR DETAIL BREAKDOWN SEE LIST 19	1	
- 34	5319854	. SCREW, SELF TAPPING, 8-32 X .375 LONG	4	ATT PT
- 35	1090873	. WASHER, LOCK - .168 ID X .296 OD	4	ATT PT
- 36	22478	. WASHER, FL- 0.170 ID 0.375 OD 0.032 THK	4	ATT PT
- 37	811804	. GUIDE, CARD	AR	
- 38	811802	. GUIDE-CARD, 6 PAC	AR	
- 39	811363	. EXTENDER, CARD, 6 PAC	AR	
- 40	2190558	. FRAME- GATE B PARTS OF THIS ASM ARE NOT REPLACEABLE	1	
		THE FOLLOWING PARTS ARE FEATURES ONLY		
- 41	2190693	FILTER, AIR 5.00 X 28.00	1	
- 42	2243057	BOARD ASM, 01B-C1	1	A
- 42	2510224	BOARD ASM, 4K	1	B
- 42	2510225	BOARD ASM, 8K	1	C
		PARTS OF THIS ASM ARE NOT REPLACEABLE		
- 43	2190824	COVER ASM, MEMORY	1	B

LIST AND INDEX NO.	PART NO.	DESCRIPTION	UNITS PER ASM.	USABLE ON CODE
		1 2 3 4		
		B GATE ASSEMBLY -CONT		
18 - 43	2190824	COVER ASM, MEMORY	1	C
- 43	811865	COVER ASM, CARD	1	A
- 44	815964	. CATCH	4	
- 45	815963	. CATCH-PULL	4	
- 46	2190834	. BACKING, FOAM	1	
		USED ON ASM 2190824 ONLY		
- 46	815263	. BACKING, FOAM	1	
		USED ON ASM 0811865 ONLY		
- 47	2190808	. COVER, MEMORY CARD	1	
		USED ON ASM 2190824 ONLY		
- 47	811864	. COVER, MEMORY CARD	1	
		USED ON ASM 0811865 ONLY		
- 48	2191096	. PLATE, INSTRUCTION-MEMORY DECAL	1	
		USED ON ASM 2190824 ONLY		
- 49	2194975	RETAINER ASM	1	B
- 49	2194975	RETAINER ASM	1	C
- 49	811881	RETAINER ASM	1	A
- 50	55726	SCREW, MACH-BIND HD 6-32 X .188 LG	4	
- 51	811441	. SEAL	2	
		USED ON ASM 2194775 ONLY		
- 51	811441	. SEAL	1	
		USED ON ASM 0811881 ONLY		
- 52	2194976	. BAR, CABLE RETAINER-MEMORY	1	
		USED ON ASM 2194775 ONLY		
- 52	811896	. RETAINER	1	
		USED ON ASM 0811881 ONLY		
- 53	2190819	BRACKET, STORAGE-LOWER HINGE	1	B
- 53	2190819	BRACKET, STORAGE-LOWER HINGE	1	C
- 53	811850	BRACKET-HINGE-LOWER	1	A
- 54	734483	SCREW, PAN HD- 6-32 X 0.380 LG	2	
- 55	2243181	CABLE ASM, FLAT, EXPANDED MEMORY TO B GATE	1	A
		FOR COMPONENT PARTS SEE 44-75		
		76, 77 AND 78		



FOR PARTS
NOT SHOWN
SEE FIG. 17 & 18

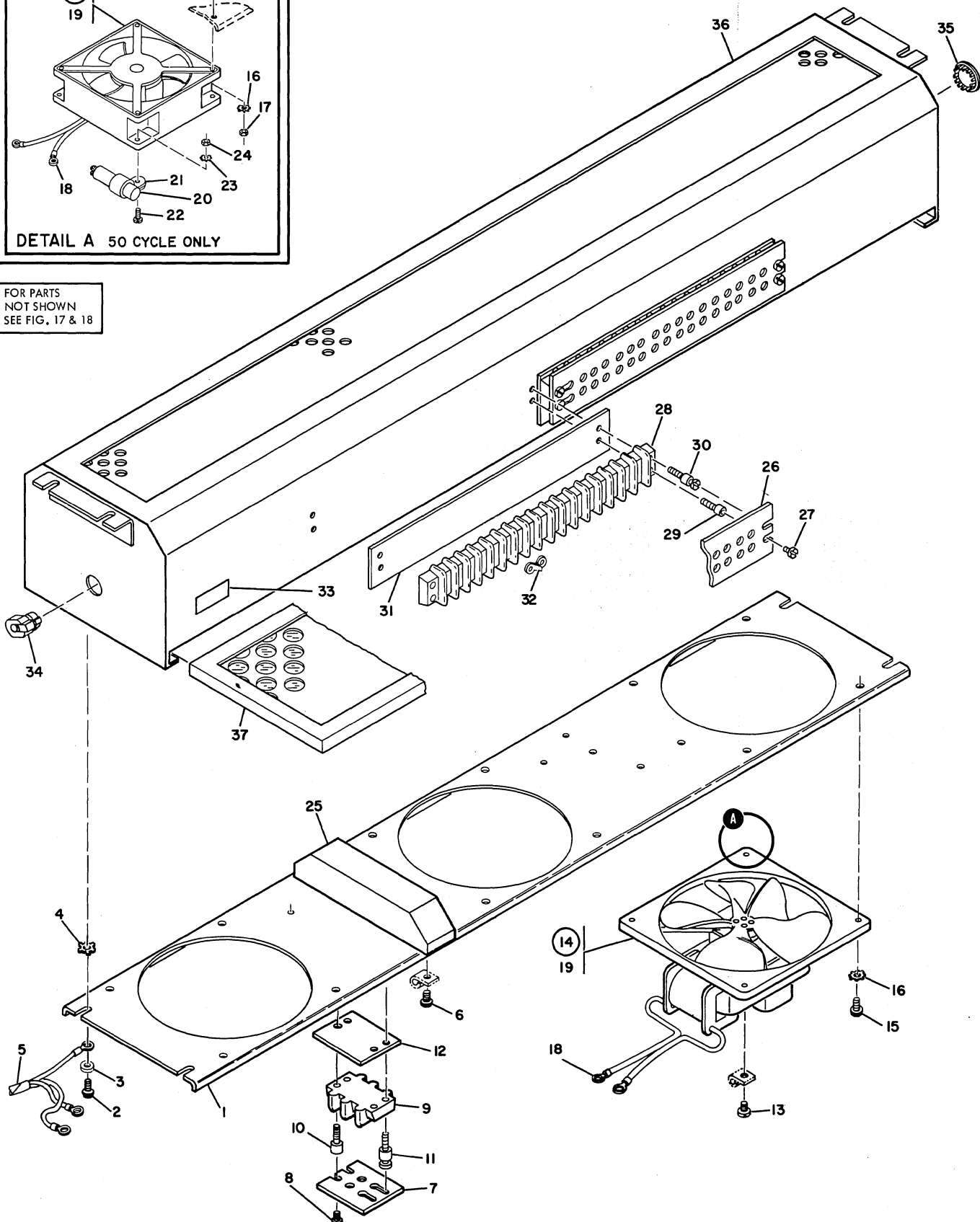


FIGURE 19. BLOWER ASSEMBLY. SEE LIST 19.

LIST AND INDEX NO.	PART NO.	DESCRIPTION	UNITS PER ASM.	USABLE ON CODE
		1 2 3 4		
		BLOWER ASSEMBLY		
19 -		CODE A USED ON 60 CYCLE CODE B USED ON 50 CYCLE CODE C USED ON ASM 2197144 ONLY CODE D USED ON 1132/2501/SCA ONLY		
-	2190660	BLOWER ASM-FAN 60 CYCLE A GATE	REF	A
-	2190662	BLOWER ASM-FAN,50 CYCLE A GATE FOR ILLUSTRATION SEE FIGURE 19 FOR NEXT HIGHER ASM SEE LIST 17-38	REF	B
-	2190661	BLOWER ASM-FAN 60 CYCLE B GATE	REF	A
-	2190548	BLOWER ASM-FAN,50 CYCLE B GATE FOR ILLUSTRATION SEE FIGURE 19 FOR NEXT HIGHER ASM SEE LIST 18-33	REF	B
- 1	2190694	. PLATE,FAN MTG	1	A
- 1	2190726	. PLATE,FAN MTG	1	B
- 2	234317	. SCREW,ASMD WASHER-FIL H 8-32 X 5/16 LG	4	
- 3	22478	. WASHER,FL- 0.170 ID 0.375 OD 0.032 THK	4	
- 4	55901	. WASHER, LOCK, EXT TEETH - .176 DIA	1	
- 5	2190712	. CABLE ASM-GATE BLOWER FOR COMPONENT PARTS SEE LIST 44-2B,3B	1	
- 6	811426	. SCREW,MACH-PAN HD 6-32 X 3/8 IN. LG	9	
- 7	187467	. SHIELD, 2 POSITION	2	
- 8	210984	. SCREW,MACH RH 6-32 X .25	2	
- 9	323840	. TERMINAL BOARD- 2 DBL SCREW TERMINALS	2	
- 10	210985	. STUD, EXT 8-32 X 1/2 INT 6-32 X 0.19 DP	2	
- 11	210986	. STUD, SLOTTED 8-32 X 1/2 LG THREAD	6	
- 12	2101380	. MARKER STRIP- 2 POS NOS. 1 AND 2	2	
- 13	32042	. SCREW, MACH BIND. HD 10-32 X 3/8 LG.	2	A
- 14	2190725	. FAN ASM- 115 VOLT 60 CYCLE	2	
- 14	2190725	. FAN ASM- 115 VOLT 60 CYCLE USED ON ASM 2190660 ONLY	3	D
- 14	2190900	. FAN ASM- 50 CYCLE 220V AC	2	
- 14	2190900	. FAN ASM- 50 CYCLE 220V AC USED ON ASM 2190662 ONLY	3	D
- 14	2190725	. FAN ASM- 115 VOLT 60 CYCLE USED ON ASM 2190661 ONLY	3	
- 14	2190900	. FAN ASM- 50 CYCLE 220V AC	2	
- 14	2197144	. FAN ASM- 50 CYCLE 220V AC USED ON ASM 2190548 ONLY	1	
- 15	322550	. SCREW,MACH-BIND HD 6-32 X 1/2 LG USED WITH FAN 2190725 AND 2197144	ATT PT	AR
- 15	38235	. SCREW,BIND HD 6-32 X .312 LONG USED WITH FAN 2190900 ONLY	ATT PT	8
- 16	6364	. WASHER,LOCK-SPLIT NO. 6 X 1/4 OD	ATT PT	AR
- 16	56722	. WASHER-LOCK,EXT T, .150 ID	ATT PT	A
- 17	257187	. NUT,HEX 6-32 NC	ATT PT	B
- 18	334921	. . TERMINAL-LUG NO.22 THRU NO.18 WIRE INSUL	2	
- 19	2172165	. . FAN-115 VOLT 60 CYCLE USED ON ASM 2190725 ONLY	1	
- 19	4120171	. . FAN-220 VOLT 50 CYCLE USED ON ASM 2190900 ONLY	1	
- 19	4120173	. . FAN USED ON ASM 2197144 ONLY	1	
- 20	4116231	. CAPACITOR,FXD,PAPER- 2MFD P/M 10% 200VAC	1	C
- 21	4062615	. CLAMP-CAPACITOR	1	C
- 22	322550	. SCREW,MACH-BIND HD 6-32 X 1/2 LG	1	C
- 23	56722	. WASHER-LOCK,EXT T, .150 ID	ATT PT	C
- 24	257187	. NUT,HEX 6-32 NC	ATT PT	C
- 25	2191016	. BAFFLE,FAN-GATE USED ON B GATE ONLY	1	
- 26	187471	. SHIELD- 18 POSITION	2	
- 27	210984	. SCREW,MACH RH 6-32 X .25	ATT PT	2
- 28	513654	. TERMINAL BOARD- 18 DBL SCREW TERMINALS	2	
- 29	210986	. STUD, SLOTTED 8-32 X 1/2 LG THREAD	ATT PT	6
- 30	210985	. STUD, EXT 8-32 X 1/2 INT 6-32 X 0.19 DP	ATT PT	2
- 31	454505	. STRIP,MARKER	2	
- 32	367115	. JUMPER-TERMINAL STRIP VDC DISTR BRS	28	
- 33	369207	. LABEL-VOLTAGE	1	
- 34	107611	. BUSHING	1	
- 35	1143048	. PLUG,SNAP IN- 0.656 HOLE	1	
- 36	2190564	. HOUSING- GATE BLOWER	1	
- 37	2190693	PARTS NOT INCLUDED WITH ASM FILTER,AIR 5.00 X 28.00	1	

FOR PARTS
NOT SHOWN
SEE FIG. 15

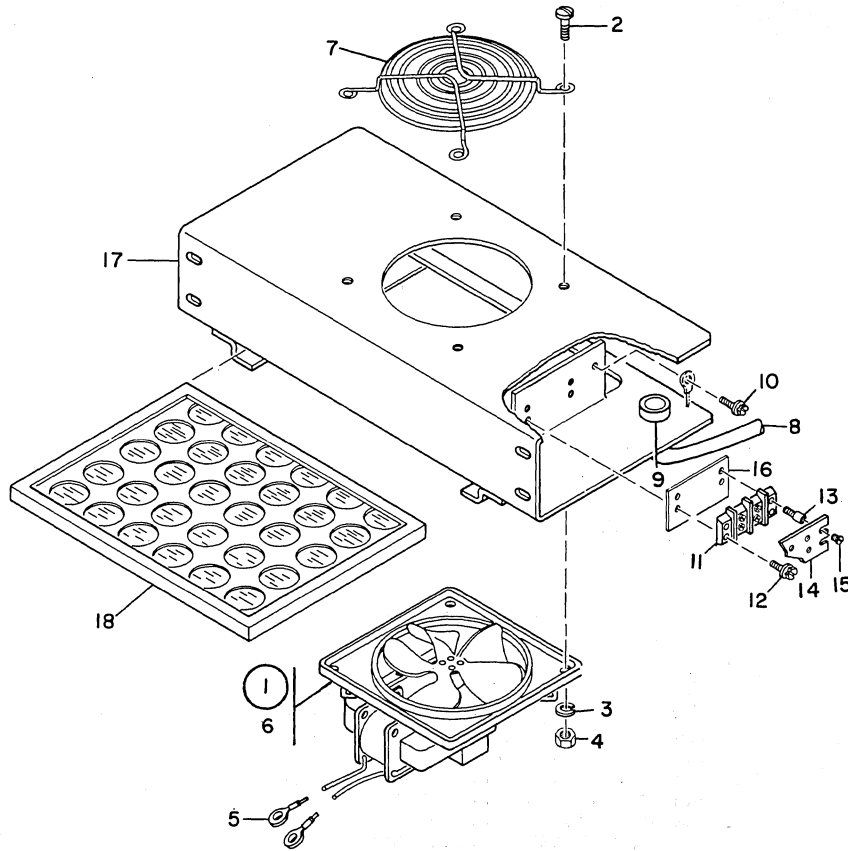


FIGURE 20. BLOWER ASSEMBLY, POWER SUPPLY. SEE LIST 20.

LIST AND INDEX NO.	PART NO.	DESCRIPTION	UNITS PER ASM.				USABLE ON CODE
			1	2	3	4	
		BLOWER ASSEMBLY, POWER SUPPLY					
20 -	2243225	BLOWER ASM, POWER SUPPLY, 60 CY.					REF
-	2243318	BLOWER ASM, POWER SUPPLY, 50 CY FOR ILLUSTRATION SEE FIGURE 20 FOR NEXT HIGHER ASM SEE LIST 15-100					REF
- 1	2190725	• FAN ASM- 115 VOLT 60 CYCLE					1
- 1	2190900	• FAN ASM- 50 CYCLE 220V AC					1
- 2	322065	• SCREW, MACH-BIND HD 6-32 X 5/8 LG USED ON 60 CYCLE ONLY			ATT PT		4
- 2	170215	• SCREW, ASMD WASHER-FIL H 6-32 X 3/8 LG USED ON 50 CYCLE ONLY			ATT PT		4
- 3	6364	• WASHER, LOCK-SPLIT NO. 6 X 1/4 OD USED ON 60 CYCLE ONLY			ATT PT		4
- 4	257187	• NUT, HEX 6-32 NC USED ON 60 CYCLE			ATT PT		4
- 5	334921	• . TERMINAL-LUG NO.22 THRU NO.18 WIRE INSUL					2
- 6	2172165	• . FAN-115 VOLT 60 CYCLE					1
- 6	4120171	• . FAN-220 VOLT 50 CYCLE					1
- 7	2172166	• GUARD, FAN 60 CYCLE					1
- 8	2243161	• CABLE ASM, P/S BLOWER TO TB 1 FOR COMPONENTS SEE LIST 44-1 AND 2C					1
- 9	107611	• BUSHING					1
- 10	2181005	• SCREW, SELF TAPPING, 6-32 X .375 LG.					1
- 11	323840	• TERMINAL BOARD- 2 DBL SCREW TERMINALS					1
- 12	322550	• SCREW, MACH-BIND HD 6-32 X 1/2 LG			ATT PT		2
- 13	210883	• STUD, EXT 6-32 X 1/2 INT 6-32 X 0.19 DP			ATT PT		2
- 14	369351	• SHIELD, 2 POSITION					1
- 15	1127733	• SCREW, MACH-SLTD HD 6-32 X 1/4 LG					2
- 16	2101380	• MARKER STRIP- 2 POS NOS. 1 AND 2					1
- 17	2243144	• HOUSING, BLOWER					1
		PARTS NOT INCLUDED WITH ASM					
- 18	5357064	FILTER, AIR- 4.88 X 18.50 INCHES					1

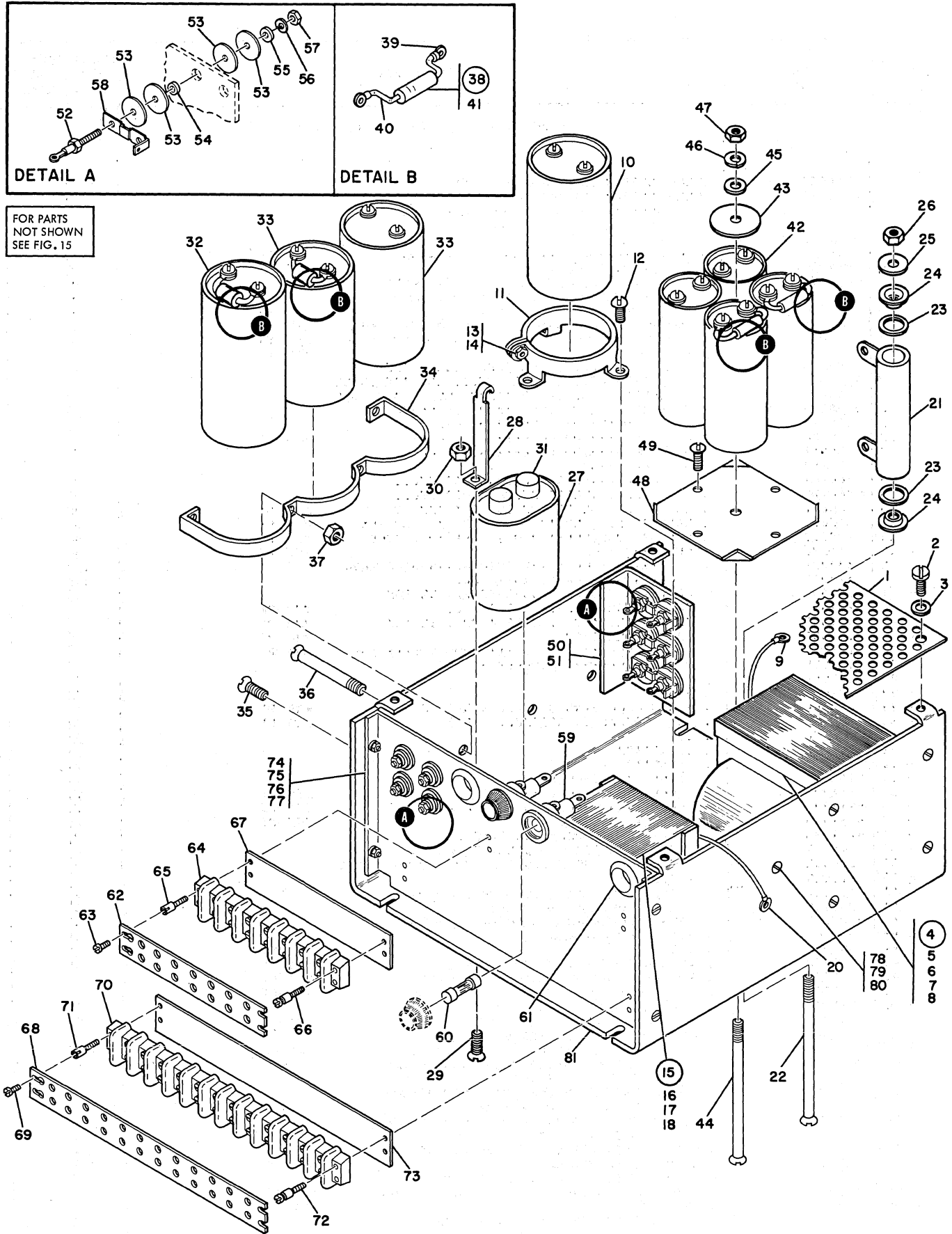
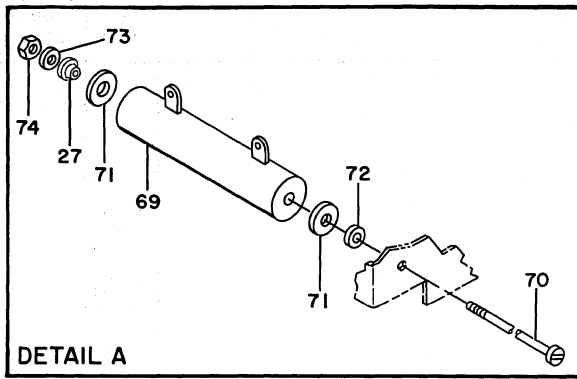


FIGURE 21. POWER SUPPLY ASSEMBLY, MULTI LEVEL. SEE LIST 21.

LIST AND INDEX NO.	PART NO.	DESCRIPTION	UNITS PER ASM.	USABLE ON CODE
		POWER SUPPLY ASSEMBLY, MULTI LEVEL		
21 -	5760700	POWER SUPPLY ASM,MIDPACK,60 CY	REF	
-	5760710	POWER SUPPLY ASM,MIDPACK,50 CY FOR ILLUSTRATION SEE FIGURE 21 FOR NEXT HIGHER ASM SEE LIST 15-53	REF	
- 1	5760790	• COVER, TOP	1	
- 2	10170	• SCREW-MACH, BIND HD NO. 6-32 X .250 LG	4	
- 3	257986	• WASHER, FLAT NO. 6	4	
- 4	5760703	• TRANSFORMER, POWER-STEP DOWN 60 CYCLE	1	
- 4	5760699	• TRANSFORMER, POWER-STEP DOWN 50 CYCLE	1	
- 5	25891	• SCREW, MACH-FL CSK HD 10-32 X 1/2 LG	4	
- 6	45690	• WASHER, FL - NO.10 X 7/16 OD X 1/32 THK	4	
- 7	9092	• WASHER-LOCK, SPLIT RING, .194 ID .337OD	4	
- 8	11598	• NUT, HEX 10-32	4	
- 9	334910	• TERMINAL-LUG NO.16 THRU NO.14 WIRE	AR	
- 9	2101326	• TERMINAL-CLIP, BARREL NO.12-10 WIRE INSUL	AR	
- 9	186968	• TERMINAL, LUG-INS 10/12AWG NO. 8 MTG HOLE	AR	
- 10	5239119	• CAPACITOR, CAN TYPE- 18000 UF 55 VDC	2	
- 11	1176717	• CLAMP-CAPACITOR STEEL 2.56 DIA	2	
- 12	55726	• SCREW, MACH-BIND HD 6-32 X .188 LG	6	
- 13	34512	• SCREW, MACH-BIND HD 8-32 X 3/8 LG	2	
- 14	257189	• NUT, HEX 8-32	2	
- 15	5760704	• TRANSFORMER, FERRO RESONANT-60 CYCLE	1	
- 15	5760719	• TRANSFORMER, FERRO RESONANT-50 CYCLE	1	
- 16	25891	• SCREW, MACH-FL CSK HD 10-32 X 1/2 LG	4	
- 17	45690	• WASHER, FL - NO.10 X 7/16 OD X 1/32 THK	4	
- 18	9092	• WASHER-LOCK, SPLIT RING, .194 ID .337OD	4	
- 19	11598	• NUT, HEX 10-32	4	
- 20	334921	• TERMINAL-LUG NO.22 THRU NO.18 WIRE INSUL	AR	
- 20	517913	• CLIP, SLIP ON NO 18-16 AWG	AR	
- 21	504694	• RESISTOR, FXD, WW- 200 OHMS P/M 5% 50W	1	
- 22	207356	• SCREW, MACH-FH 8-32 X 5 IN. LG	1	
- 23	521695	• INSULATOR, WASH- 1/2 ID 1 OD 1/32 THK	2	
- 24	528007	• WASHER, CENTERING	2	
- 25	131713	• WASHER, FL- 3/16 ID X 11/16 OD X 1/16 THK	1	
- 26	5761938	• NUT/LOCKWASHER ASSEMBLY - 8-32	1	
- 27	1143069	• CAPACITOR	1	
- 28	591587	• BRACKET	2	
- 29	19944	• SCREW, MACH-BIND HD 8-32 X 3/4 LG	2	
- 30	5761938	• NUT/LOCKWASHER ASSEMBLY - 8-32	3	
- 31	526378	• CAP	2	
- 32	5239120	• CAPACITOR	1	
- 33	5760613	• CAPACITOR	2	
- 34	5760697	• CLAMP, CAPACITOR MTG	1	
- 35	316807	• SCREW, MACH-FH, NO. 6-32 X .375 LG	2	
- 36	5213285	• SCREW, MACH-FL CSK HD 6-32 X 2-1/2 LG	2	
- 37	5761943	• NUT, HEX 10-32 NC	4	
- 38	5261936	• RESISTOR ASSEMBLY, 200 OHMS 5W	2	
- 38	5712377	• RESISTOR ASSEMBLY-70 OHM 5 WATT	2	
- 39	334932	• TERMINAL-LUG NO.18 THRU NO.22 WIRE INSUL	2	
- 40	113819	• TUBING	2	
- 41	477144	• RESISTOR, WIREWOUND - 200 OHM 5W	1	
- 41	208190	• RESISTOR, 70 OHMS 5WATT	1	
- 42	5709382	• CAPACITOR, FXD, ELECTROLYTIC, 0.047 UF	4	
- 43	323543	• RETAINER, CAPACITOR	1	
- 44	2102526	• BOLT	1	
- 45	3550	• WASHER, FLAT 1/4 ID-9/16-OD-0.05 THICK	1	
- 46	6935	• WASHER, LOCK-SPLIT 1/4 X 0.493 OD	1	
- 47	3960	• NUT, PLAIN, HEX- 1/4-20 X 7/16 FL W	1	
- 48	511097	• PLATE-CAPACITOR MOUNTING	1	
- 49	236849	• SCREW, MACH-BIND HD 10-32 X 1/4 LG	4	
- 50	5760707	• BRACKET, SEMICONDUCTOR MTG	1	
- 51	38443	• SCREW, MACH-FL CSK HD 6-32 X 5/16 LG	4	
- 52	598479	• SEMICONDUCTOR DEVICE, D10- 150V 10 AMP USED ON CR1, CR2, CR9, CR10	4	
- 52	127324	• SEMICONDUCTOR DEVICE, D10- 150V 30 AMP USED ON CR3, CR4, CR5, CR6	4	
- 52	598480	• SEMICONDUCTOR DEVICE, D10- 150V 10 AMP USED ON CR7, CR8	2	
- 53	217019	• WASHER, INSULATING .199 ID 1.00 OD	24	
- 53	217017	• WASHER-INSULATING USED ON CR3, CR4, CR5, CR6 ONLY	16	
- 54	192733	• WASHER, FL- 0.203 ID X 0.312 OD X 1/16THK	6	
- 54	473592	• INSULATOR USED ON CR3, CR4, CR5, CR6 ONLY	4	

LIST AND INDEX NO.	PART NO.	DESCRIPTION				UNITS PER ASM.	USABLE ON CODE
		1	2	3	4		
		POWER SUPPLY ASSEMBLY, MULTI LEVEL -CONT					
21 -	55	45690	•	WASHER, FL - NO.10 X 7/16 OD X 1/32 THK	ATT PT	6	
-	55	3550	•	WASHER,FLAT 1/4 ID-9/16-OD-0.05 THICK USED ON CR3,CR4,CR5,CR6 ONLY	ATT PT	4	
-	56	76574	•	WASHER, LOCK-EXT. TEETH .250 USED ON CR3,CR4,CR5,CR6 ONLY	ATT PT	4	
-	57	5761908	•	NUT,HEX 10-32 NC	ATT PT	6	
-	57	160017	•	NUT,PLAIN,HEX- 1/4-28 X 7/16 FL W USED ON CR3,CR4,CR5,CR6 ONLY	ATT PT	4	
-	58	478043	•	JUMPER - PLATE		5	
-	59	179946	•	HOLDER-FUSE		2	
-	60	1143492	•	FUSE, 4AMP		1	
-	60	512137	•	FUSE, 5 AMP-LONG TIME LAG		1	
-	61	5761936	•	GROMMET		2	
-	62	187466	•	SHIELD- 12 POSITION		1	
-	63	210984	•	SCREW,MACH RH 6-32 X .25	ATT PT	1	
-	64	323842	•	TERMINAL BLOCK, 12 POSITION		1	
-	65	210985	•	STUD, EXT 8-32 X 1/2 INT 6-32 X 0.19 DP	ATT PT	1	
-	66	210986	•	STUD, SLOTTED 8-32 X 1/2 LG THREAD	ATT PT	3	
-	67	460471	•	STRIP-INSULATING		1	
-	68	210998	•	SHIELD- 16 POSITION		1	
-	69	210984	•	SCREW,MACH RH 6-32 X .25		1	
-	70	91892	•	TERMINAL BOARD- 16 DBL SCREW TERMINALS		1	
-	71	210985	•	STUD, EXT 8-32 X 1/2 INT 6-32 X 0.19 DP	ATT PT	1	
-	72	210986	•	STUD, SLOTTED 8-32 X 1/2 LG THREAD	ATT PT	3	
-	73	5213178	•	MARKER STRIP- 16 POSITION		1	
-	74	5760715	•	FRONT PLATE,POWER SUPPLY		1	
-	75	316807	•	SCREW,MACH-FH,NO. 6-32 X .375 LG	ATT PT	4	
-	76	257986	•	WASHER,FLAT NO. 6	ATT PT	4	
-	77	5761943	•	NUT,HEX.10-32 NC	ATT PT	4	
-	78	118615	•	SCREW,MACH-FH 10-32 X 5/16 LG		1	
-	79	56079	•	WASHER-LOCK,EXT T .204 ID .410 OD		1	
-	80	11598	•	NUT, HEX 10-32		1	
-	81	5760708	•	HOUSING,POWER SUPPLY		1	



FOR PARTS
NOT SHOWN
SEE FIG. 15

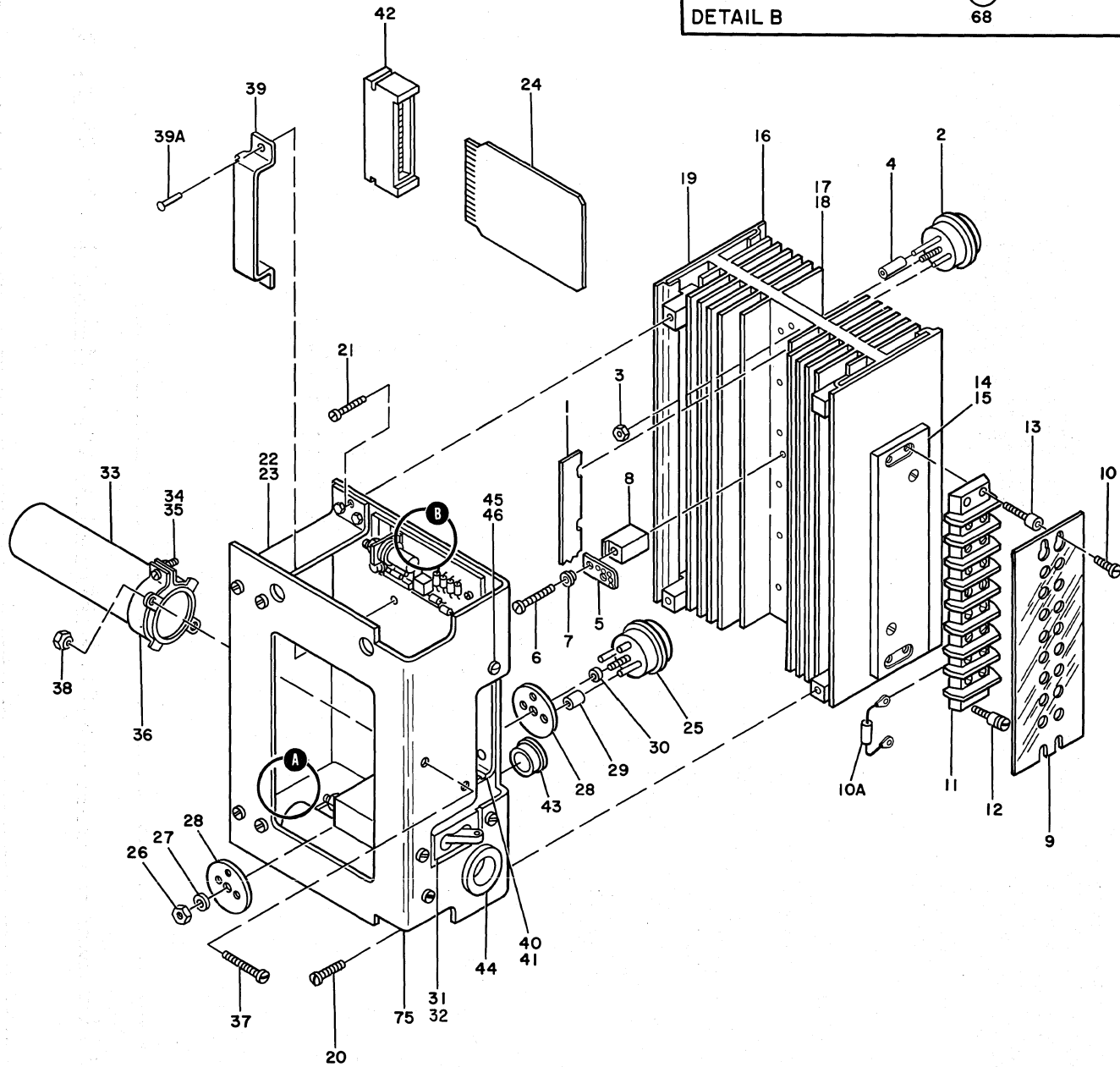
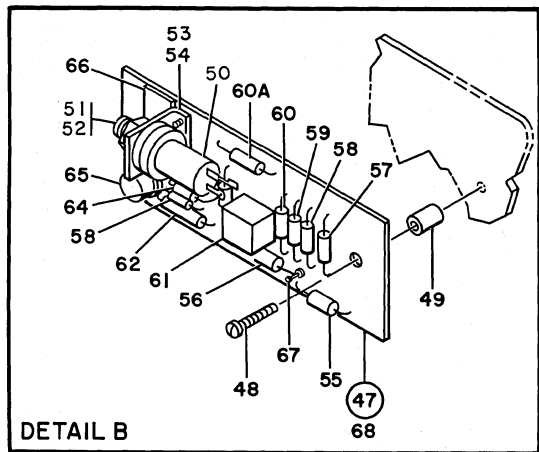
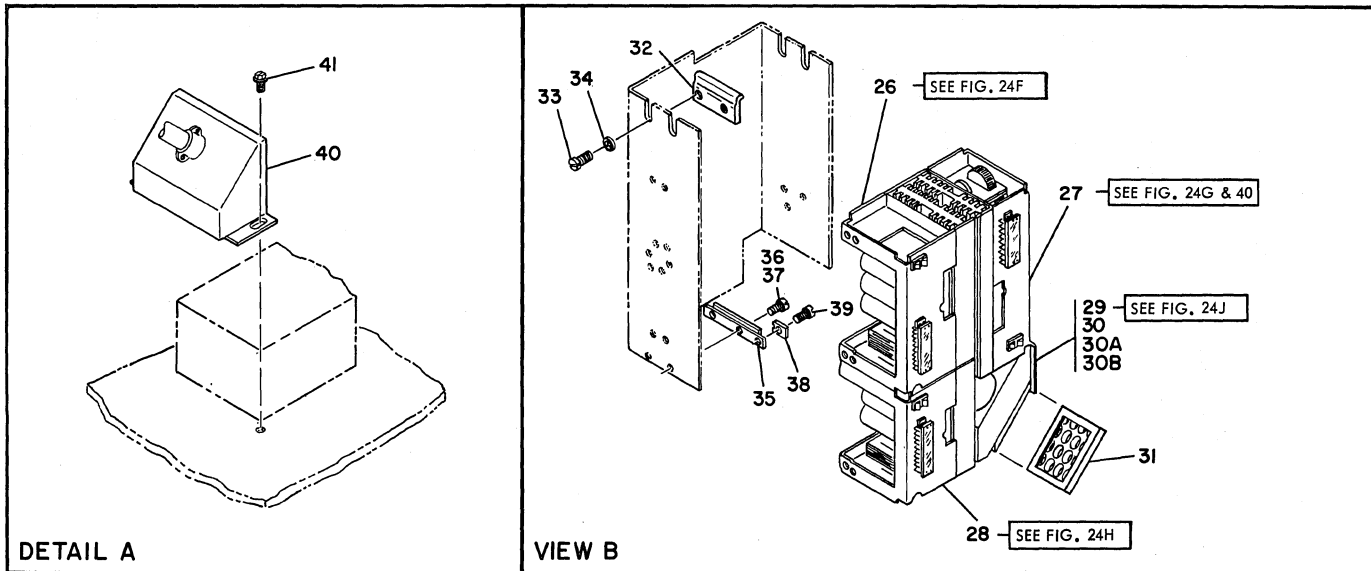


FIGURE 23. POWER PAC AS, 6VOLT 24 AMP. SEE LIST 23.

LIST AND INDEX NO.	PART NO.	DESCRIPTION	UNITS	USABLE
			PER ASM.	ON CODE
23 -	5762030	POWER PAC ASSEMBLY, 6V 24 AMP POWER PAC ASM,6VOLT AT 24 AMP FOR ILLUSTRATION SEE FIGURE 23 FOR NEXT HIGHER ASM SEE LIST 15-94	REF	
- 1	5762046	. BUS,STRIP	1	
- 2	369214	. TRANSISTOR,TYPE 108	6	
- 3	11598	. NUT, HEX 10-32 X .375 FL W	AR	
- 4	5761976	. TUBING	4	
- 5	5762037	. TERMINAL	1	
- 6	5762058	. SCREW,HEX- 6-32 X 1.125 LG	AR	
- 7	1134232	. WASHER	AR	
- 8	5762036	. STANDOFF	1	
- 9	473545	. SHIELD,9 POSITION	1	
- 10	210984	. SCREW,MACH RH 6-32 X .25 LG	AR	
10A	5762197	CAPACITOR,75MFD- 25VDC	1	
- 11	323844	. BLOCK,TERMINAL 9 POSITION	3	
- 12	4118820	. STUD,T.B. MOUNTING	AR	
- 13	4118821	. STUD,SHIELD MOUNTING	AR	
- 14	5762013	. STRIP,MARKER- 9 POSITION	1	
- 15	80651	. SCREW,THD CTG-BIND HD 6-32 X 3/8 LG	AR	
- 16	5762026	. SEAL,AIR	2	
- 17	5762016	. HEAT SINK,6 TRANSISTOR MTG	1	
- 18	255629	. SCREW,THD CTG-FL CSK HD NO. 6 X 1/2 LG	AR	
- 19	5762034	. INSULATOR,HEATSINK	4	
- 20	91610	. SCREW,THD CTG-BIND HD 6-32 X 1/2 LG	AR	
- 21	80652	. SCREW,THD CTG-BIND HD 6-32 X 5/8 LG	AR	
- 22	5762033	. BRACKET,SPACER	2	
- 23	186759	. SCREW,MACH-BIND HD 8-32 X 5/16 LG	AR	
- 24	375202	. CARD ASM	AR	
- 25	369214	. TRANSISTOR,TYPE 108	1	
- 26	11598	. NUT, HEX 10-32 X .375 FL W	1	
- 27	45690	. WASHER, FL - NO.10 X 7/16 OD X 1/32 THK	AR	
- 28	550768	. INSULATOR	AR	
- 29	5761976	. TUBING	2	
- 30	473582	. INSULATOR	2	
- 31	5214590	. CIRCUIT PROTECTOR,26AMP,50VDC- 1 POLE	1	
- 32	10170	. SCREW-MACH,BIND HD NO. 6-32 X .250 LG	AR	
- 33	730429	. CAPACITOR,FXD,ELECT- 11,000 MFD 10V DCW	1	
- 34	38354	. SCREW,MACH-FIL H 6-32 X 1/2 LG	AR	
- 35	5761943	. NUT,HEX 10-32 NC	AR	
- 36	301768	. BRACKET	1	
- 37	38235	. SCREW,BIND HD 6-32 X .312 LONG	AR	
- 38	5761943	. NUT,HEX 10-32 NC	AR	
- 39	5761904	. BRACKET	1	
- 39A	5761907	. RIVET	AR	
- 40	5712309	. GUIDE	1	
- 41	5761907	. RIVET	AR	
- 42	216076	. TERMINAL BLOCK AND CONTACT ASSEMBLY	1	
- 43	5762057	. GROMMET,SNAP BUSHING	1	
- 44	5761936	. GROMMET,SELF LOCKING- 1.0 IN OD	1	
- 45	236849	. SCREW,MACH-BIND HD 10-32 X 1/4 LG	AR	
- 46	56079	. WASHER-LOCK,EXT T .204 ID .410 OD	AR	
- 47	5761988	. OVERVOLTAGE CARD ASSEMBLY, 6 VOLT	1	
- 48	438550	. SCREW,MACH-BIND HD 4-40 X 1/2 LG	AR	
- 49	332779	. SPACER	2	
- 50	5214335	. SEMICONDUCTOR,CONTROLLED RECTIFIER	AR	
- 51	83462	. LOCKNUT- 1/4-28	AR	
- 52	76574	. LOCKWASHER-EXT TOOTH ID .267 X OD .510	1	
- 53	5762153	. BRACKET,SCR MTG	AR	
- 54	438548	. SCREW,MACH-BIND HD 4-40 X 3/16 LG	1	
- 55	356740	. RESISTOR,FXD,COMP 270 OHMS P/M 10 % 1/2W	1	
- 56	509499	. RESISTOR,FXD,COMP- 130 OHMS P/M 5% 1/2W	1	
- 57	317009	. RESISTOR,FXD 390 OHM P/M 5 PCT 0.5W	1	
- 58	333202	. RESISTOR,FXD,COMP-240 OHMS P/M 5% 1/2W	3	
- 59	213536	. RESISTOR,FIXED COMP,100 OHM 5% 1/2 WATT	1	
- 60	322729	. RESISTOR 150 OHMS	1	
- 60A	360060	. RESISTOR,FXD,COMP-62 MEGOHM P/M 5% 1/2W	1	
- 61	361429	. RECTIFIER	1	
- 62	124580	. CAPACITOR-ELECTROLYTIC-0.47 MFD 35VDCW	1	
- 64	369611	. SEMICONDUCTOR DEVICE, DIODE	1	
- 65	535441	. TRANSISTOR-PNP TYPE 026	1	
- 66	5762004	. LABEL	1	
- 67	216258	. RECEPTACLE-PLUGGABLE CAP	2	
- 68	5761993	. BOARD ASM	1	
- 69	730499	. RESISTOR,FXD	1	
- 70	331982	. SCREW,MACH RD HD 8-32 X 1-1/4 LG	AR	
- 71	5761935	. WASHER	AR	
- 72	510468	. WASHER,CUPPED	AR	
- 73	22478	. WASHER,FL- 0.170 ID 0.375 OD 0.032 THK	AR	
- 74	5761938	. NUT/LOCKWASHER ASSEMBLY - 8-32	AR	
- 75	5762006	. CHASSIS,6 TRANSISTOR,MID-PAC	1	

LIST AND INDEX NO.	PART NO.	DESCRIPTION	UNITS PER ASM.	USABLE ON CODE
		POWER PAC ASM, 3V 20AMP		
24 -	5762000	POWER PAC ASSEMBLY, 3V 20AMP FOR ILLUSTRATION SEE FIGURE 24 FOR NEXT HIGHER ASM SEE LIST 15-97	REF	
- 1	5762045	. STRIP	1	
- 2	369214	. TRANSISTOR,TYPE 108	4	
- 3	11598	. NUT, HEX 10-32 X .375 FL W	4	
- 4	5761976	. TUBING,PLASTIC	8	
- 5	5762037	. TERMINAL	1	
- 6	5762058	. SCREW,HEX- 6-32 X 1.125 LG	1	
- 7	1134232	. WASHER,INSULATING	1	
- 8	5762036	. STANDOFF	1	
- 9	473545	. SHIELD,9 POSITION	1	
- 10	210984	. SCREW,MACH RH 6-32 X .25 LG	1	
- 10A	5762197	. CAPACITOR,75MFD- 25VDC	1	
- 11	323844	. BLOCK,TERMINAL 9 POSITION	1	
- 12	4118820	. STUD,T.B. MOUNTING	3	
- 13	4118821	. STUD,SHIELD MOUNTING	1	
- 14	5762013	. STRIP,MARKER- 9 POSITION	1	
- 15	80651	. SCREW,THD CTG-BIND HD 6-32 X 3/8 LG	2	
- 16	5762025	. SEAL,AIR	2	
- 17	5762015	. HEAT SINK,4 TRANSISTOR MTG	1	
- 18	255629	. SCREW,THD CTG-FL CSK HD NO. 6 X 1/2 LG	4	
- 19	5762034	. INSULATOR,HEATSINK	4	
- 20	91610	. SCREW,THD CTG-BIND HD 6-32 X 1/2 LG	2	
- 21	80652	. SCREW,THD CTG-BIND HD 6-32 X 5/8 LG	2	
- 22	5762033	. BRACKET,SPACER	2	
- 23	186759	. SCREW,MACH-BIND HD 8-32 X 5/16 LG	4	
- 24	375200	. CARD ASSEMBLY	1	
- 25	369214	. TRANSISTOR,TYPE 108	1	
- 26	11598	. NUT,HEX 10-32 X .375 FL W	1	
- 27	45690	. WASHER, FL - NO.10 X 7/16 OD X 1/32 THK	1	
- 28	550768	. INSULATOR	2	
- 29	5761976	. TUBING	2	
- 30	473582	. INSULATOR	1	
- 31	5214553	. CIRCUIT PROTECTOR,20 AMP,50VDC- 1 POLE	1	
- 32	38235	. SCREW,BIND HD 6-32 X .312 LONG	2	
- 33	730429	. CAPACITOR,FXD,ELECT- 11,000 MFD 10V DCW	1	
- 34	38354	. SCREW,MACH-FIL H 6-32 X 1/2 LG	1	
- 35	5761943	. NUT,HEX 10-32 NC	1	
- 36	301768	. BRACKET	1	
- 37	38235	. SCREW,BIND HD 6-32 X .312 LONG	2	
- 38	5761943	. NUT,HEX 10-32 NC	2	
- 39	5761904	. BRACKET	1	
39A	5761907	. RIVET	AR	
- 40	5712309	. GUIDE	1	
- 41	5761907	. RIVET	AR	
- 42	216076	. TERMINAL BLOCK AND CONTACT ASSEMBLY	1	
- 43	5762057	. GROMMET,SNAP BUSHING	AR	
- 44	5761936	. GROMMET,SELF LOCKING- 1.0 IN OD	AR	
- 45	236849	. SCREW,MACH-BIND HD 10-32 X 1/4 LG	1	
- 46	56079	. WASHER-LOCK,EXT T .204 ID .410 OD	1	
- 47	5761987	. OVERVOLTAGE CARD ASSEMBLY,3 VOLT	1	
- 48	438550	. SCREW,MACH-BIND HD 4-40 X 1/2 LG	2	
- 49	332779	. SPACER	2	
- 50	5214335	. SEMICONDUCTOR,CONTROLLED RECTIFIER	1	
- 51	83462	. LOCKNUT- 1/4-28	1	
- 52	76574	. LOCKWASHER-EXT TOOTH ID .267 X OD .510	1	
- 53	5762153	. BRACKET,SCR MTG	2	
- 54	438548	. SCREW,MACH-BIND HD 4-40 X 3/16 LG	1	
- 55	213536	. RESISTOR,FIXED COMP,100 OHM 5% 1/2 WATT	1	
- 56	502483	. RESISTOR,FXD,COMP- 51 OHMS P/M 5% 1/2W	AR	
- 56	360060	. RESISTOR,FXD,COMP-62 MEGOHM P/M 5% 1/2W	AR	
- 56	521792	. RESISTOR,FXD COMP- 75 OHM P/M 5% 1/2W	AR	
- 56	317390	. RESISTOR,FXD,COMP- 82 OHMS P/M 5% 1/2W	AR	
- 56	334902	. RESISTOR,FXD,COMP- 91 OHMS P/M 5% 1/2W	AR	
- 56	213536	. RESISTOR,FIXED COMP,100 OHM 5% 1/2 WATT	AR	
- 56	132422	. RESISTOR,FXD,COMP 110 OHM P/M 5 PCT 1/2W	AR	
- 57	509499	. RESISTOR,FXD,COMP- 130 OHMS P/M 5% 1/2W	2	
- 58	333202	. RESISTOR,FXD,COMP-240 OHMS P/M 5% 1/2W	1	
- 59	322742	. RESISTOR,FXD,COMP- 30 OHMS P/M 5% 1/2W	1	
- 60	322729	. RESISTOR 150 OHMS	1	
- 61	361429	. RECTIFIER	1	
- 62	419184	. CAPACITOR 0.1MFD 75V	1	
- 63	317007	. RESISTOR,FXD,COMP- 220 OHMS P/M 5% 1/2W	1	
- 64	2414815	. SEMICONDUCTOR DEVICE,DIODE	1	
- 65	535441	. TRANSISTOR-PNP TYPE 026	1	
- 66	5762004	. LABEL	1	
- 67	216258	. RECEPTACLE, PLUGABLE CAP	2	
- 68	5761993	. BOARD.	1	
- 69	5762005	. CHASSIS,4 TRANSISTOR,MID-PAC	1	



TO BE USED WITH MEDIUM POWER SUPPLY ONLY - PRIOR TO L7 SUFFIX . FOR MIDPACK SUPPLY AFTER L7 SUFFIX SEE FIGURE 15.

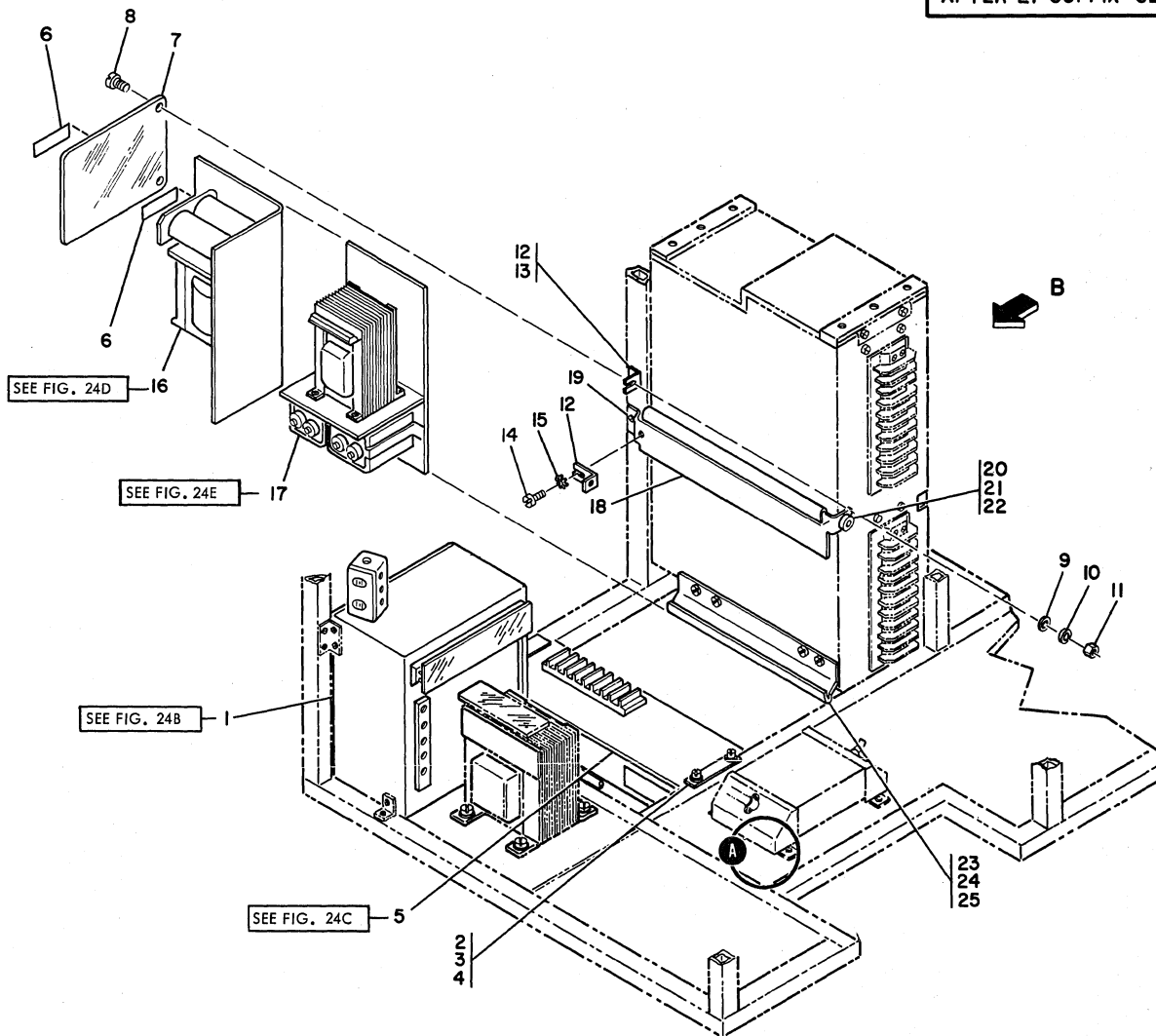


FIGURE 24A. MEDIUM POWER SYSTEM. SEE LIST 24A.

24A-	NO NO.	NP	MEDIUM POWER SYSTEM	NP
-			MEDIUM POWER SYSTEM USED ON MACHINES PRIOR TO L7 SUFFIX FOR ILLUSTRATION SEE FIGURE 24A	
- 1	2190778		• BOX ASM,SEQUENCE- 60 CYC	1
- 1	2190856		• BOX,SEQUENCE ASM- 50 CYC FOR DETAIL BREAKDCWN SEE LIST 24B	1
- 2	2190879		• CLAMP,POWER SUPPLY	2
- 3	5319888		• SCREW, SELF TAPPING, 10-32 X .625 LONG	4
- 4	2190882		• SPACER,POWER SUPPLY	2
- 5	2158753		• POWER SUPPLY ASM- 48V 2.7A 60 CPS	1
- 5	5247055		• POWER SUPPLY ASM,48 VOLT 2 7A 50 CYCLE FOR DETAIL BREAKDOWN SEE LIST 24C	1
- 6	369207		• LABEL-VOLTAGE	2
- 7	2243344		• SHIELD	1
- 8	25627		• SCREW,MACH-BIND HD 8-32 X 1/2 LG	2
- 9	22478		• WASHER,FL- 0.170 ID 0.375 OD 0.032 THK	2
- 10	1090873		• WASHER, LOCK - .168 ID X .296 OD	2
- 11	257189		• NUT, HEX 8-32	2
- 12	2190581		• BRACKET,COVER STOP	3
- 13	5319854		• SCREW, SELF TAPPING, 8-32 X .375 LONG	2
- 14	236849		• SCREW,MACH-BIND HD 10-32 X 1/4 LG	1
- 15	56079		• WASHER-LOCK,EXT T .204 ID .410 OD	1
- 16	5261818		• POWER SUPPLY ASM,12V AT 4AMPS-60 CYCLE USED WITH NO SCA 60 CYCLE ATTACHMENT	1
- 16	5760620		• POWER SUPPLY ASM,12V AT 4AMPS-60 CYCLE USED WITH SCA 60 CYCLE ATTACHMENT	1
- 16	5261992		• POWER SUPPLY ASM,12V AT 4AMPS-50 CYCLE USED WITH NO SCA 50 CYCLE ATTACHMENT	1
- 16	5260625		• POWER SUPPLY ASM,12V AT 4AMPS-50 CYCLE USED WITH SCA 50 CYCLE ATTACHMENT FOR DETAIL BREAKDOWN SEE LIST 24D	1
- 17	2191056		• TRANSFORMER ASM,115V,60 CYCLE	1
- 17	2243029		• TRANSFORMER ASM,208/230V,60 CYCLE	1
- 17	2191057		• TRANSFORMER ASM,50 CYCLE FOR DETAIL BREAKDOWN SEE LIST 24E	1
- 18	2191053		• GUIDE,UPPER	1
- 19	2181004		• SCREW,THREAD FORMING-HEX WASHER HD	1
- 20	11598		• NUT, HEX 10-32	1
- 21	56079		• WASHER-LOCK,EXT T .204 ID .410 OD	1
- 22	45690		• WASHER, FL- NO.10 X 7/16 OD X 1/32 THK	AR
- 23	2191052		• GUIDE,LOWER	1
- 24	236849		• SCREW,MACH-BIND HD 10-32 X 1/4 LG	4
- 25	56079		• WASHER-LOCK,EXT T .204 ID .410 OD	4
- 26	5239403		• POWER SUPPLY ASM,3V AT 16AMPS-60 CYCLE	1
- 26	5239421		• POWER SUPPLY ASM,3V AT 16AMPS-50 CYCLE FOR DETAIL BREAKDOWN SEE LIST 24F	1
- 27	5760610		• POWER SUPPLY ASM,6V AT 15AMPS-60 CYCLE USED WITH SCA OR 2501 60 CYCLE ATTACH	1
- 27	5760690		• POWER SUPPLY ASM,6V AT 15AMPS-50 CYCLE USED WITH SCA OR 2501 50 CYCLE ATTACH FOR DETAIL BREAKDOWN SEE LIST 24G	1
- 27	5239409		• POWER SUPPLY ASM,6V AT 12AMPS-60CYCLE USED WITH NO SCA OR NO 2501 60 CY ATTACH	1
- 27	5239427		• POWER SUPPLY ASM,6V AT 12AMPS-50CYCLE USED WITH NO SCA OR NO 2501 50 CY ATTACH FOR DETAIL BREAKDOWN SEE LIST 40	1
- 28	5239401		• POWER SUPPLY ASM,3V AT 8AMPS-60 CYCLE	1
- 28	5239419		• POWER SUPPLY ASM,3V AT 8AMPS-50 CYCLE FOR DETAIL BREAKDOWN SEE LIST 24H	1
- 29	2191045		• FAN ASM-POWER SUPPLY,60 CYCLE USED ON NO SCA OR NO 2501 60 CY ATTACH	1
- 29	2191046		• FAN ASM-PCWER SUPPLY 50 CYCLE USED ON NO SCA OR NO 2501 50 CY ATTACH FOR DETAIL BREAKDOWN SEE LIST 24J	1
- 29	2191472		• FAN ASM-POWER SUPPLY,60 CYCLE USED CN SCA OR 2501 60 CYCLE ATTACHMENT	1
- 29	2191471		• FAN ASM-POWER SUPPLY,50 CYCLE USED ON SCA OR 2501 50 CYCLE ATTACHMENT FOR DETAIL BREAKDOWN SEE LIST 24K	1
- 30	234328		• SCREW,ASMD WASHER-FIL H 10-32 X 5/16 LG	AR
- 30	2181004		• SCREW,THREAD FORMING-HEX WASHER HD	AR
- 30A	45690		• WASHER, FL - NO.10 X 7/16 OD X 1/32 THK	AR
- 30B	56079		• WASHER-LOCK,EXT T .204 ID .410 OD	AR
- 31	2191468		• FILTER,AIR,10.25 X 6.0 USED ON SCA OR 2501 ATTACHMENT FEATURE	1
- 31	2130055		• FILTER,AIR 6.00 X 6.75 USED ON NO SCA OR NO 2501 ATTACH FEATURE	1
- 32	2128509		• RETAINER-LH PWR SUPPLY UPPER	2
- 33	234328		• SCREW,ASMD WASHER-FIL H 10-32 X 5/16 LG	4
- 34	45690		• WASHER, FL - NO.10 X 7/16 OD X 1/32 THK	4
- 35	207382		• RAIL-POWER SUPPLY MOUNTING	3
- 36	5319888		• SCREW, SELF TAPPING, 10-32 X .625 LONG	2
- 36	234333		• SCREW,ASMD WASHER-FIL H 10-32 X 3/4 LG	2
- 37	11598		• NUT, HEX 10-32	2
- 38	207293		• KEEPER-POWER SUPPLY	3
- 39	234316		• SCREW,ASMD WASHER-FIL H 8-32 X 1/4 LG	3
- 40	2191018		• COVER,FILTER	2
- 41	5350012		• SCREW, THD FORMING HEX WSR HD 8-32 X .25	4

LIST AND INDEX NO.	PART NO.	DESCRIPTION	UNITS PER ASM.	USABLE ON CODE
24B-		SEQUENCE BOX ASSEMBLY		
		CODE A USED ON 60 CYCLE ONLY		
		CODE B USED ON 50 CYCLE ONLY		
-	2190778	BOX ASM,SEQUENCE- 60 CYC	REF	
-	2190856	BOX,SEQUENCE ASM- 50 CYC USED PRIOR TO L7 SUFFIX FOR ILLUSTRATION SEE FIGURE 24B FOR NEXT HIGHER ASM SEE LIST 24A-1	REF	
- 1	2092646	. CIRCUIT BREAKER, 15 AMP 2 POLE USED ON ASM 2190856 ONLY	1	
- 1	2158708	. CIRCUIT BREAKER, 30 AMP USED ON 115V ATTACHMENT FEATURE	1	
- 1	2197484	. CIRCUIT BREAKER, 20 AMP 2 POLE USED ON 208/230V ATTACHMENT FEATURE	1	
- 2	2158722	. CLIP, CB MOUNTING	1	
- 3	55726	. SCREW,MACH-BIND HD 6-32 X .188 LG	4	
- 4	56722	. WASHER-LOCK,EXT T, .150 ID	4	
- 5	2190759	. BRACKET,CB MTG	1	
- 6	236849	. SCREW,MACH-BIND HD 10-32 X 1/4 LG	2	
- 7	56079	. WASHER-LOCK,EXT T .204 ID .410 OD	4	
- 8	2173920	. CAPACITOR,ELECT- 10,000 UF 6V DC,ALUM	1	
- 9	445304	. CLAMP	1	
- 10	55726	. SCREW,MACH-BIND HD 6-32 X .188 LG	2	
- 11	56722	. WASHER-LOCK,EXT T, .150 ID	3	
- 12	322551	. SCREW,BIND HD 6-32 X 0.75 LONG	1	
- 13	257187	. NUT,HEX 6-32 NC	25	
- 14	138754	. LABEL,VOLTAGE WARNING	2	
- 15	322766	. TERMINAL BOARD	1	A
- 16	81693	. SCREW,MACH-BIND HD 6-32 X 3/8 LG	4	A
- 17	126036	. STRIP,MARKER-INSULATING	1	A
- 18	2190897	. TRANSFORMER ASM,104/115/208/230V 60 CY	1	A
- 18	4116394	. TRANSFORMER ASM,195/220/235V 50 CY	1	B
- 19	58207	. SCREW, BD HD MACH-8-32 NC-2A X .250 LG	4	
- 20	55901	. WASHER, LOCK, EXT TEETH - .176 DIA	4	
- 21	334921	. . TERMINAL-LUG NO.22 THRU NO.18 WIRE INSUL	8	A
- 22	4120318	. . SHIELD,6 POSITION SINGLE ROW	1	B
- 23	210984	. . SCREW,MACH RH 6-32 X .25	1	B
- 24	4120316	. . TERMINAL BLOCK,6 POSITION- SINGLE ROW	1	B
- 25	4120245	. . STUD	1	B
- 26	4120246	. . STUD	1	B
- 27	4120317	. . MARKER STRIP,6 POSITION	1	B
- 28	5313144	. . TRANSFORMER,104/115/208/230V 60 CY	1	A
- 28	4118453	. . TRANSFORMER,195/220/235V 50 CY	1	B
- 29	369207	. LABEL-VOLTAGE	1	
- 30	2191151	. LABEL,SEQ. FUSE	1	
- 31	58207	. SCREW, 8D HD MACH-8-32 NC-2A X .250 LG	1	
- 32	55901	. WASHER, LOCK, EXT TEETH - .176 DIA	1	
- 33	470834	. SCREW,THUMB-NO. 6 PRESSURE ROLL	1	
- 34	252589	. FUSE,0.2 AMP, LONG TIME LAG, NON-INDICATE	AR	
- 34	252590	. FUSE,0.6 AMP LONG TIME LAG, NON-INDICATE	AR	
- 34	252591	. FUSE,1.0 AMP, FUSETRON TYPE FNM 1	AR	
- 34	228391	. FUSE,1.6 AMP	AR	
- 34	92734	. FUSE,2.0 AMP, LONG TIME LAG, NON-INDICATE	AR	
- 34	107664	. FUSE,3.2 AMP, LONG TIME LAG,	AR	
- 34	107665	. FUSE,4.0 AMP, LONG TIME LAG	AR	
- 34	107667	. FUSE,6.25 AMP, LONG TIME LAG, NON-INDICATE	AR	
- 35	257079	. INSULATOR, FUSE TERMINAL .375 DIA X 1.500	10	
- 35	257080	. INSULATOR, FUSE TERMINAL .962 DIA X 1.875	10	
- 36	104615	. FUSEHOLDER	10	
- 37	35739	. SCREW,MACH-BIND HD 6-32 X 15/16 LG	20	
- 38	56722	. WASHER-LOCK,EXT T, .150 ID	20	
- 39	257187	. NUT,HEX 6-32 NC	20	
- 40	2102367	. CLAMP, LOOP- 0.700 ID 0.200 DIA MTG HOLE	1	
- 41	34512	. SCREW,MACH-BIND HD 8-32 X 3/8 LG	1	
- 42	186943	. SHIELD- 10 POSITION	1	
- 43	210984	. SCREW,MACH RH 6-32 X .25	1	
- 44	322767	. TERMINAL BLOCK, 10 POSITION	1	
- 45	210985	. STUD, EXT 8-32 X 1/2 INT 6-32 X 0.19 DP	1	
- 46	210986	. STUD, SLOTTED 8-32 X 1/2 LG THREAD	3	
- 47	367115	. JUMPER-TERMINAL STRIP VDC DISTR BRS	AR	
- 48	363434	. MARKER STRIP- 10 POS NOS. 1 THRU 10	1	
- 49	2190852	. CABLE ASM- 60 CYC SEQ BOX FOR COMPONENT PARTS SEE LIST 44-2A 2B,2C,3B,4,5,7 AND 17	1	A
- 49	2190935	. CABLE ASM-SEQ BOX 50 CYC FOR COMPONENT PARTS SEE LIST 44-2A 2B,2C,3,3B,4,5 AND 17	1	B

FOR PARTS
NOT SHOWN
SEE FIG. 24A

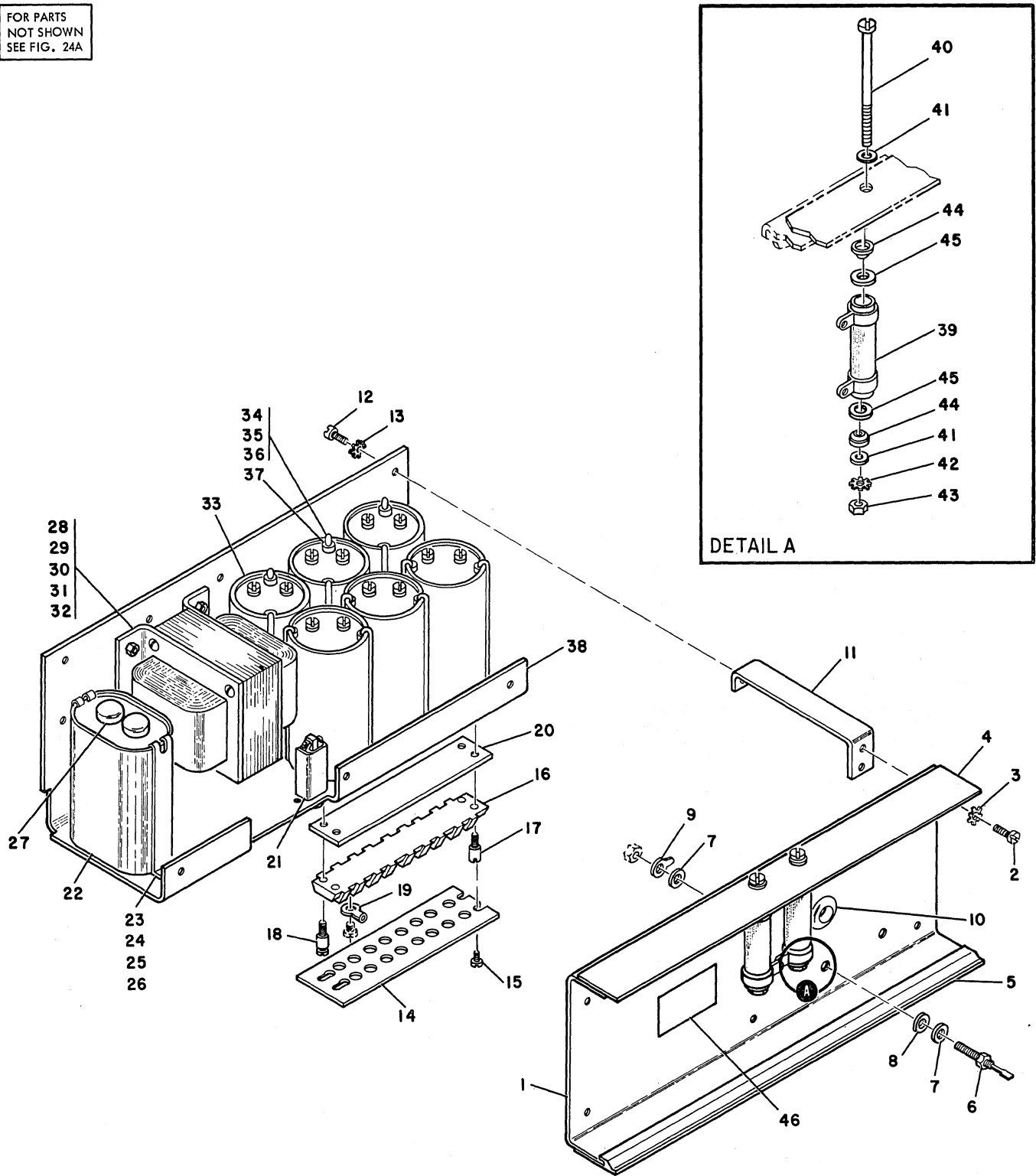


FIGURE 24C. POWER SUPPLY ASSEMBLY. SEE LIST 24C.

LIST AND INDEX NO.	PART NO.	DESCRIPTION	UNITS PER ASM.	USABLE ON CODE
		1 2 3 4		
		POWER SUPPLY ASSEMBLY		
24C-	2158753	POWER SUPPLY ASM- 48V 2.7A 60 CPS	REF	
-	5247055	POWER SUPPLY ASM,48 VOLT 2 7A 50 CYCLE FOR ILLUSTRATION SEE FIGURE 24C FOR NEXT HIGHER ASM SEE LIST 24A-5	REF	
- 1	2158756	. HEAT SINK, 48V 2.7 AMP POWER SUPPLY		
- 2	186759	. SCREW,MACH-BIND HD 8-32 X 5/16 LG	ATT PT	7
- 3	55901	. WASHER, LOCK, EXT TEETH - .176 DIA	ATT PT	7
- 4	5762137	. SEAL,AIR		2
- 5	5762137	. SEAL,AIR		1
- 5	209005	USED ON ASM 2158753 . SEAL,AIR,SPECIFY LENGTH DESIRED USED ON ASM 5247055		1
- 6	598479	. SEMICONDUCTOR DEVICE,D10- 150V 10 AMP		4
- 7	217019	. WASHER,INSULATING .199 ID 1.00 OD		8
- 8	192733	. WASHER,FL- 0.203 ID X 0.312 OD X 1/16THK		4
- 9	316996	. TERMINAL,LUG-NONINS 9AWG NO. 8 MTG HOLE		4
- 10	186324	. GROMMET,RUBBER-9/16 ID		1
- 11	2159746	. BRACKET, POWER SUPPLY		2
- 12	186759	. SCREW,MACH-BIND HD 8-32 X 5/16 LG	ATT PT	2
- 13	55901	. WASHER, LOCK, EXT TEETH - .176 DIA	ATT PT	2
- 14	186943	. SHIELD- 10 POSITION		1
- 15	210984	. SCREW,MACH RH 6-32 X .25	ATT PT	1
- 16	322767	. TERMINAL BLOCK, 10 POSITION		1
- 17	210985	. STUD, EXT 8-32 X 1/2 INT 6-32 X 0.19 DP		1
- 17	210883	. STUD, EXT 6-32 X 1/2 INT 6-32 X 0.19 DP USED ON 50 CYCLE POWER SUPPLY		1
- 18	210986	. STUD, SLOTTED 8-32 X 1/2 LG THREAD		3
- 18	210884	. STUD, SLOTTED 6-32 X 1/2 LONG THREAD USED ON 50 CYCLE POWER SUPPLY		3
- 19	334921	. TERMINAL-LUG NO.22 THRU NO.18 WIRE INSUL		
- 19	517913	. CLIP, SLIP ON NO 18-16 AWG		
- 20	363434	. MARKER STRIP- 10 POS NOS. 1 THRU 10		1
- 21	220916	. CIRCUIT BREAKER- 1 POLE 30V DC 5 AMP		1
- 22	2129258	. CAPACITOR		1
- 23	517333	. BRACKET-CAPACITOR MOUNTING		2
- 24	25627	. SCREW,MACH-BIND HD 8-32 X 1/2 LG	ATT PT	2
- 25	55901	. WASHER, LOCK, EXT TEETH - .176 DIA	ATT PT	2
- 26	257189	. NUT, HEX 8-32	ATT PT	2
- 27	526378	. CAP		2
- 28	2129256	. REGULATOR, FERRO 60CYCLE 2.7A 49VDC		1
- 28	5247056	. REGULATOR,FERRO- 130VA OUTPUT 50 CPS		1
- 29	332620	. SCREW,MACH-BIND HD 10-32 X 1/2 LG	ATT PT	4
- 30	45690	. WASHER, FL - NO.10 X 7/16 OD X 1/32 THK	ATT PT	4
- 31	56079	. WASHER-LOCK,EXT T .204 ID .410 OD	ATT PT	5
- 32	11598	. NUT, HEX 10-32	ATT PT	4
- 33	2158757	. CAPACITOR, ELEC AL, 6000MFD P150 M10 55V		6
- 34	473422	. CLAMP,CAPACITOR		12
- 35	56722	. WASHER-LOCK,EXT T, .150 ID	ATT PT	12
- 36	257187	. NUT,HEX 6-32 NC	ATT PT	12
- 37	473412	. INSULATOR,CAPACITOR CLAMP		12
- 38	2158755	. BRACKET, HOUSING, POWER SUPPLY		1
- 39	221110	. RESISTOR,FXD,NW- 200 OHMS P/M 5% 25W		2
- 40	438583	. SCREW,MACH-FIL H 8-32 X 2-1/2 LG	ATT PT	2
- 41	22478	. WASHER,FL- 0.170 ID 0.375 OD 0.032 THK	ATT PT	4
- 42	55901	. WASHER, LOCK, EXT TEETH - .176 DIA	ATT PT	2
- 43	257189	. NUT, HEX 8-32	ATT PT	2
- 44	507144	. WASHER-CENTERING 0.173 ID X 5/8 OD		4
- 45	442958	INSULATOR,WASH- 7/16 ID 3/4 OD 1/32 THK		4
		PARTS NOT INCLUDED WITH ASM		
- 46	1141554	LABEL,WARNING HIGH TEMPERATURE		1

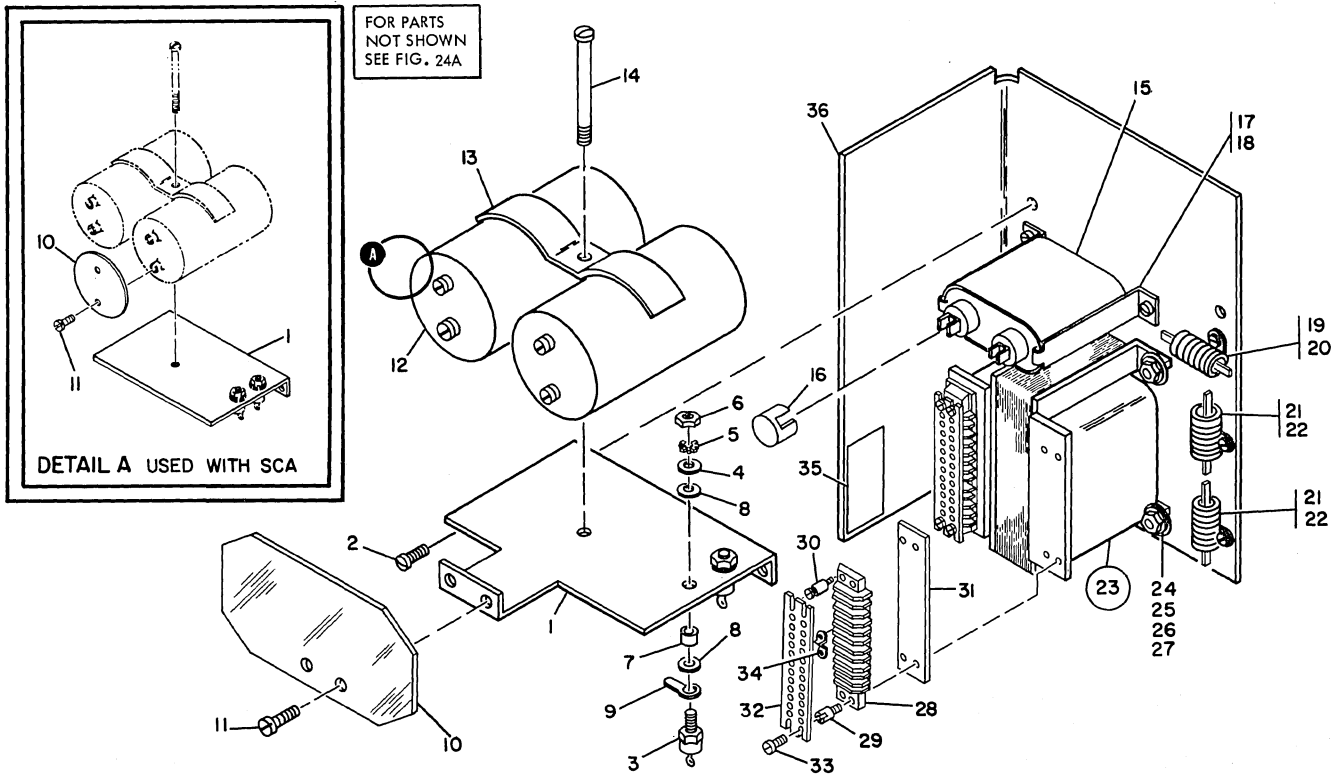


FIGURE 24D. 12VOLT 4AMP POWER SUPPLY ASSEMBLY SEE LIST 24D.

LIST AND INDEX NO.	PART NO.	DESCRIPTION				UNITS PER ASM.	USABLE ON CODE
		1	2	3	4		
24D-		12 VDC 4AMP POWER ASSEMBLY					
		CODE A USED ON MODELS WITHOUT SCA CODE B USED ON MODELS WITH SCA					
-	5261818	POWER SUPPLY ASM,12V AT 4AMPS-60 CYCLE				REF	A
-	5261992	POWER SUPPLY ASM,12V AT 4AMPS-50 CYCLE				REF	A
-	5760620	POWER SUPPLY ASM,12V AT 4AMPS-60 CYCLE				REF	B
-	5760625	POWER SUPPLY ASM,12V AT 4AMPS-50 CYCLE FOR ILLUSTRATION SEE FIGURE 24D FOR NEXT HIGHER ASM SEE LIST 24A-16				REF	B
- 1	5261820	• BRACKET, SEMICONDUCTOR MTG.				1	A
- 1	5261796	• BRACKET, SEMICONDUCTOR MTG.				1	B
- 2	58207	• SCREW, BD HD MACH-8-32 NC-2A X .250 LG				2	
- 3	598479	• SEMICONDUCTOR DEVICE, D10- 150V 10 AMP				2	A
- 3	598480	• SEMICONDUCTOR DEVICE, D10- 150V 10 AMP				2	B
- 4	45690	• WASHER, FL - NO.10 X 7/16 OD X 1/32 THK				2	
- 5	56079	• WASHER-LOCK, EXT T .204 ID .410 OD				2	
- 6	11598	• NUT, HEX 10-32				2	
- 7	473582	• INSULATOR				2	
- 8	217019	• WASHER, INSULATING .199 ID 1.00 OD				4	
- 9	316996	• TERMINAL, LUG-NONINS 9AWG NO. 8 MTG HOLE				2	
- 10	5247125	• COVER				1	A
- 10	5240477	• SHIELD, CAPACITOR				2	B
- 11	28413	• SCREW, MACH-BIND HD 10-32 X 5/16 LG				2	A
- 11	32042	• SCREW, MACH BIND. HD 10-32 X 3/8 LG.				4	B
- 12	5261826	• CAPACITOR,				2	
- 13	5261821	• CLAMP				1	
- 14	438604	• SCREW, MACH-BIND HD 10-32 X 2-1/2 LG				1	
- 15	5213359	• CAPACITOR,				1	
- 15	5247156	USED ON 60 CYCLE ONLY • CAPACITOR, FIXED PAPER-8MFD 6% 330V AC USED ON 50 CYCLE ONLY				1	
- 16	526378	• CAP				2	
- 17	621446	• CLAMP				2	
- 17	524928	USED ON ASM 5261818 ONLY • BRACKET, CAPACITOR MTG				2	

LIST AND INDEX NO.	PART NO.	DESCRIPTION				UNITS PER ASM.	USABLE ON CODE
		1	2	3	4		
		12 VDC 4AMP POWER ASSEMBLY -CONT					
24D- 18	321483	•	SCREW,MACH-BIND HD 8-32 X 1 LG	ATT PT		2	
- 19	5240459	•	RESISTOR,FIXED 250HM 25WATT			1	
- 20	438548	•	SCREW,MACH-BIND HD 4-40 X .188 LG	ATT PT		2	
- 21	5261815	•	RESISTOR,100HMS,25W			2	
- 22	438548	•	SCREW,MACH-BIND HD 4-40 X .188 LG	ATT PT		2	
- 23	5261822	•	TRANSFORMER,FERRO RESCNANT-60 CYCLE			1	
- 23	5261989	•	TRANSFORMER,FERRO RESCNANT-50 CYCLE			1	
- 24	25891	•	SCREW,MACH-FL CSK HD 10-32 X 1/2 LG	ATT PT		4	
- 25	45690	•	WASHER, FL - NO.10 X 7/16 OD X 1/32 THK	ATT PT		4	
- 26	56079	•	WASHER-LOCK,EXT T .204 ID .410 OD	ATT PT		4	
- 27	11598	•	NUT, HEX 10-32	ATT PT		4	
- 28	2100194	•	STRIP,TERMINAL-9 POSITION USED ON 60 CYCLE			2	
- 28	522850	•	TERMINAL BOARD- 10 DBL SCREW TERMINALS USED ON 50 CYCLE			2	
- 29	210883	•	STUD, EXT 6-32 X 1/2 INT 6-32 X 0.19 DP	ATT PT		1	
- 30	210884	•	STUD, SLOTTED 6-32 X 1/2 LONG THREAD	ATT PT		3	
- 31	472662	•	MARKER STRIP USED CN 60 CYCLE			2	
- 31	522849	•	MARKER STRIP,10 POS USED ON 50 CYCLE			2	
- 32	187736	•	SHIELD,9 POSITION USED ON 60 CYCLE			2	
- 32	187491	•	SHIELD,10 POSITION 15AMP USED CN 50 CYCLE			2	
- 33	210984	•	SCREW,MACH RH 6-32 X .25	ATT PT		1	
- 34	1143227	•	JUMPER,BRASS			1	
- 35	801652	•	LABEL USED ON 60 CYCLE ONLY			1	
- 35	5240513	•	LABEL USED ON 50 CYCLE ONLY			1	
- 36	5261819	•	CHASSIS			1	

FOR PARTS
NOT SHOWN
SEE FIG. 24A

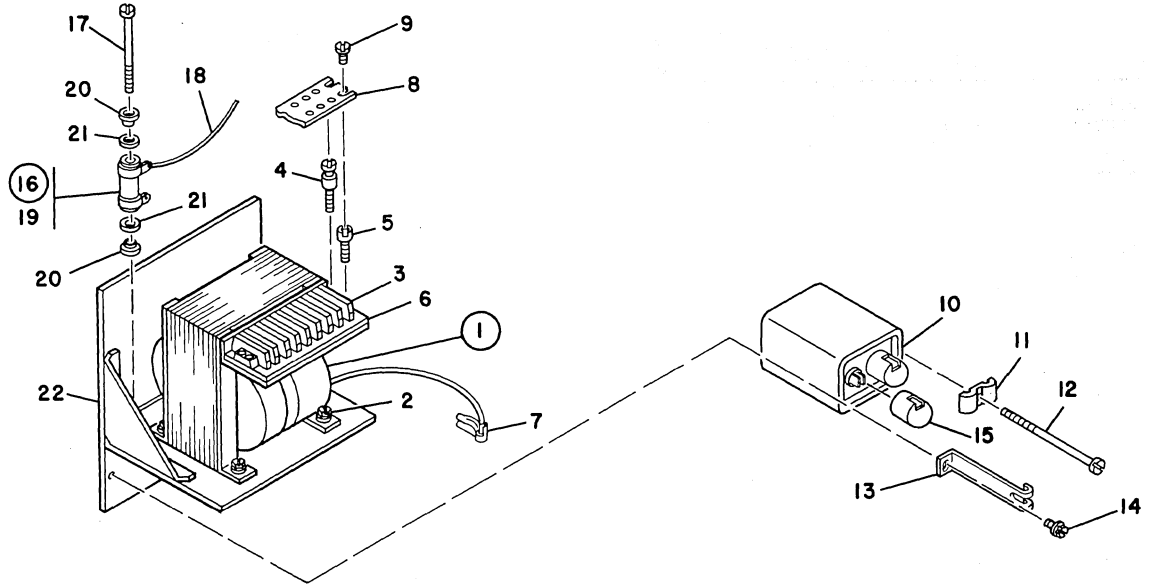
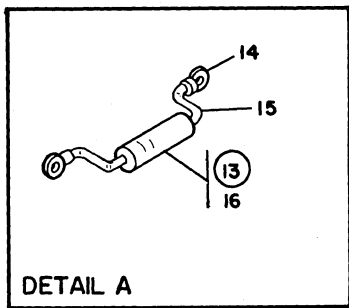


FIGURE 24E. SCR TRANSFORMER ASSEMBLY. SEE LIST 24E.

LIST AND INDEX NO.	PART NO.	DESCRIPTION				UNITS PER ASM.	USABLE ON CODE
		1	2	3	4		
24E-		SCR TRANSFORMER ASSEMBLY					
		CODE 1 USED ON ASM PRIOR TO S5 SUFFIX					
		CODE 2 USED ON ASM S5 TO CURRENT					
		CODE 3 USED ON ASM PRIOR TO C6 SUFFIX					
		CODE 4 USED ON ASM C6 TO CURRENT					
-	2191056	TRANSFORMER ASM,115V,60 CYCLE				REF	
-	2243029	TRANSFORMER ASM,208V/230V,60 CYCLE				REF	
-	2191057	TRANSFORMER ASM,50 CYCLE				REF	
		FOR ILLUSTRATION SEE FIGURE 24E					
		FOR NEXT HIGHER ASM SEE LIST 24A-17					
- 1	5708993	• TRANSFORMER-115V 60 CYCLE				1	
- 1	5708922	• TRANSFORMER-208V/230V 60 CYCLE				1	
- 1	5708991	• TRANSFORMER-FERRORESONANT REG. 50 CYCLE				1	
- 2	725413	• SCREW,ASMD WASHER-HEX HD 10-32 X0.312 LG				4	
- 2	725411	• SCREW-HEX HEAD SEMS				4	
		USED ON ASM 5708991 ONLY					
- 3	80880	• TERMINAL BOARD- 6 DBL SCREW TERMINALS				1	
- 3	603248	• TERMINAL BOARD- 14 CBL SCREW TERMINALS				1	
- 3	91469	• TERMINAL BOARD- 4 DBL SCREW TERMINALS				1	
- 3	317145	• TERMINAL BOARD- 8 DBL SCREW TERMINALS				1	
- 4	210986	• STUD, SLOTTED 8-32 X 1/2 LG THREAD				3	
- 5	210985	• STUD, EXT 8-32 X 1/2 INT 6-32 X 0.19 DP				1	
- 6	529084	• MARKER STRIP-6 POSITION				1	
- 6	351797	• MARKER STRIP-14 POSITION				1	
- 6	322271	• MARKER STRIP-4 POSITION				1	
- 6	360339	• MARKER STRIP-8 POSITION				1	
- 7	517913	• CLIP, SLIP CN NO 18-16 AWG				2	
- 8	2197160	• SHIELD,TERMINAL BLOCK-6 POSITION				1	4
- 8	186945	• SHIELD,TERMINAL BLOCK- 8 POSITION				1	2
- 8	187858	• SHIELD,TERMINAL BLOCK- 4 POSITION				1	2
- 8	191484	• SHIELD-TERMINAL BOARD 6 POS				1	3
- 9	210984	• SCREW,MACH RH 6-32 X .25				1	
- 10	477202	• CAPACITOR,15MFD P/M 6 PCT 330V AC				2	
- 11	204818	• STRAP,RETAINING				1	
- 12	2122638	• SCREW,MACH-RH 8-32 X 3.75 IN. LG				1	4
- 12	2122636	• SOCKET,GUIDE CORNER				1	3
- 13	331191	• BRACKET, CAPACITOR MOUNTING				2	
- 14	25627	• SCREW,MACH-BIND HD 8-32 X 1/2 LG				2	4
- 14	234318	• SCREW,ASMD WASHER-FIL H 8-32 X 3/8 LG				2	3
- 15	526378	• CAP				4	
- 16	2191093	• RESISTOR ASM-POWER 0.16 OHM, 25W				1	
- 16	2243002	• RESISTOR ASM-POWER 3.0 OHM, 25W				1	
- 17	438582	• SCREW,MACH-FIL H 8-32 X 2-1/4 LG				2	4
- 17	438593	• SCREW-MACH-BIND HD NO. 8-32 X 2 1/2 LG				1	3
- 18	2191092	• LEAD,ELECTRICAL-BLACK 14.00 IN. LG				2	
		FOR COMPONENT PARTS SEE LIST 44-2B,3B					
- 19	5261119	• RESISTOR,0.16 OHMS 25 WATTS WIREWOUND				1	2
- 19	5213405	• RESISTOR-.3 OHMS,25W PM 10%				2	1
- 19	620232	• RESISTOR,FXD,WW- 3 OHMS P/M 10% 25W				1	
- 20	510468	• CUP WASHER				2	
- 21	508224	• WASHER-INSULATOR				2	
- 22	2191054	• PLATE,MTG-SCR TRANSFORMER				1	



FOR PARTS
NOT SHOWN
SEE FIG. 24A

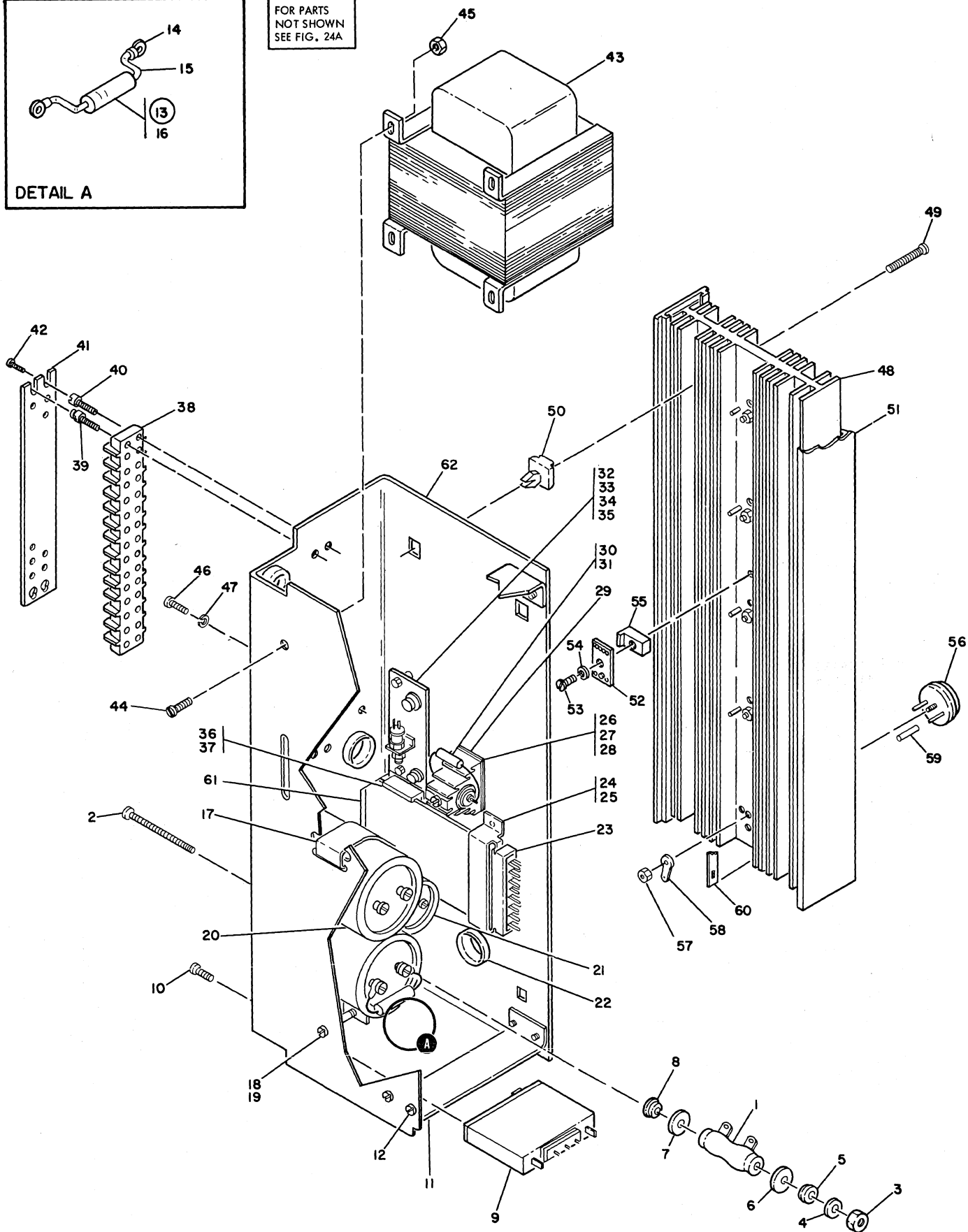
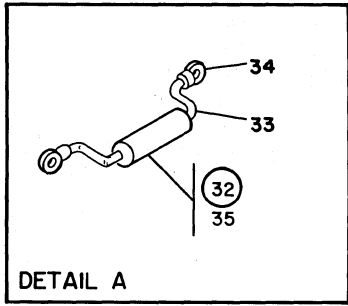


FIGURE 24F. 3 VOLT 16 AMP POWER SUPPLY ASSEMBLY. SEE LIST 24F.

LIST AND INDEX NO.	PART NO.	DESCRIPTION				UNITS PER ASM.	USABLE ON CODE
		1	2	3	4		
		3VDC 16AMP POWER SUPPLY ASSEMBLY					
24F-	5239403	POWER SUPPLY ASM,3V AT 16AMPS-60 CYCLE				REF	
-	5239421	POWER SUPPLY ASM,3V AT 16AMPS-50 CYCLE FOR ILLUSTRATION SEE FIGURE 24F FOR NEXT HIGHER ASM SEE LIST 24A-26				REF	
- 1	5261098	. RESISTOR,FXD,WW- 0.04 OHMS P/M 10% 25W				1	
- 2	438593	. SCREW-MACH-BIND HD NO. 8-32 X 2 1/2 LG				ATT PT	1
- 3	5761938	. NUT/LOCKWASHER ASSEMBLY - 8-32				ATT PT	1
- 4	2903	. WASHER,FL-NO. 6 X 1/2 OD X 1/32 THK				ATT PT	1
- 5	510468	. CUP WASHER					1
- 6	5761935	. WASHER					1
- 7	5761935	. WASHER					1
- 8	510468	. CUP WASHER					1
- 9	5214552	. PROTECTOR					1
- 10	38235	. SCREW,BIND HD 6-32 X .312 LONG				ATT PT	2
- 11	5761779	. BRACKET,CHASSIS					2
- 12	731629	. SCREW,PAN HD- 10-32 X 0.380 LG				ATT PT	8
- 13	5261935	. RESISTOR ASSEMBLY-330 OHMS 2W					1
- 14	359695	. . TERMINAL-RING LUG NO.10 STUD					2
- 15	113819	. . TUBING					2
- 16	317080	. . RESISTOR,FXD 330 OHM 2W					1
- 17	5761794	. STRAP,CAPACITOR					1
- 18	438571	. SCREW, BINDING HEAD, 6-32 NC X 1-3/4 LG.				ATT PT	1
- 19	5761943	. NUT,HEX 10-32 NC				ATT PT	1
- 20	5214368	. CAPACITOR					2
- 21	5261089	. CAPACITOR,ELECTROLYTIC- 10000 UF 6VDC					1
- 22	5761936	. GROMMET					3
- 23	216076	. TERMINAL BLOCK AND CONTACT ASSEMBLY FOR COMPONENTS SEE LIST 44-64					1
- 24	5761904	. BRACKET					1
- 25	5761907	. RIVET				ATT PT	2
- 26	5761977	. RECTIFIER ASSEMBLY PARTS OF THIS ASM ARE NOT REPLACEABLE					1
- 27	734483	. SCREW,PAN HD- 6-32 X 0.380 LG				ATT PT	3
- 28	5762215	. WASHER,INSULATING					2
- 29	5761979	. INSULATOR					1
- 30	491228	. CAPACITOR, .010 UF					1
- 31	113819	. TUBING					2
- 32	5761987	. OVERVOLTAGE CARD ASSEMBLY,3 VOLT PARTS OF THIS ASM ARE NOT REPLACEABLE					1
- 33	438551	. SCREW,MACH-BIND HD 4-40 X 5/8 LG				ATT PT	2
- 34	332779	. SPACER					2
- 35	37913	. NUT, HEX 4-40 NC				ATT PT	2
- 36	5712309	. GUIDE					1
- 37	5761907	. RIVET				ATT PT	2
- 38	5214556	. TERMINAL					1
- 39	5261165	. STUD,SHLDR- 8-32 X 0.438 LG THD				ATT PT	3
- 40	5261167	. STUD- 8-32 X 0.438 LG W/6-32 TAPPED HOLE				ATT PT	1
- 41	210990	. SHIELD- 13 POSITION					1
- 42	210984	. SCREW,MACH RH 6-32 X .25				ATT PT	1
- 43	5761726	. TRANSFORMER,60 CYCLE					1
- 43	4116483	. TRANSFORMER,50 CYCLE					1
- 44	332620	. SCREW,MACH-BIND HD 10-32 X 1/2 LG				ATT PT	4
- 45	5761908	. NUT,HEX 10-32 NC				ATT PT	4
- 46	10170	. SCREW-MACH,BIND HD NO. 6-32 X .250 LG					1
- 47	56722	. WASHER-LOCK,EXT T, .150 ID					1
- 48	5761768	. HEAT SINK					1
- 49	5761913	. SCREW,				ATT PT	4
- 50	5761796	. INSULATOR,HEAT SINK					4
- 51	473536	. SEAL					AR
- 52	5761909	. TERMINAL, BRASS					1
- 53	2181002	. SCREW,THREAD FORMING-8-32 X 3/4 LG				ATT PT	1
- 54	5374689	. BUSHING				ATT PT	1
- 55	5761798	. INSULATOR, PHENOLIC - .38W X .75 LG					1
- 56	369214	. TRANSISTOR,TYPE 108					5
- 57	11598	. NUT, HEX 10-32				ATT PT	5
- 58	316996	. TERMINAL,LUG-NONINS 9AWG NO. 8 MTG HOLE					1
- 59	5761976	. TUBING					10
- 60	5761968	. BUS STRIP					1
- 61	375200	. CARD ASSEMBLY PARTS OF THIS ASM ARE NOT REPLACEABLE					1
- 62	5761767	. CHASSIS					1



FOR PARTS
NOT SHOWN
SEE FIG. 24A

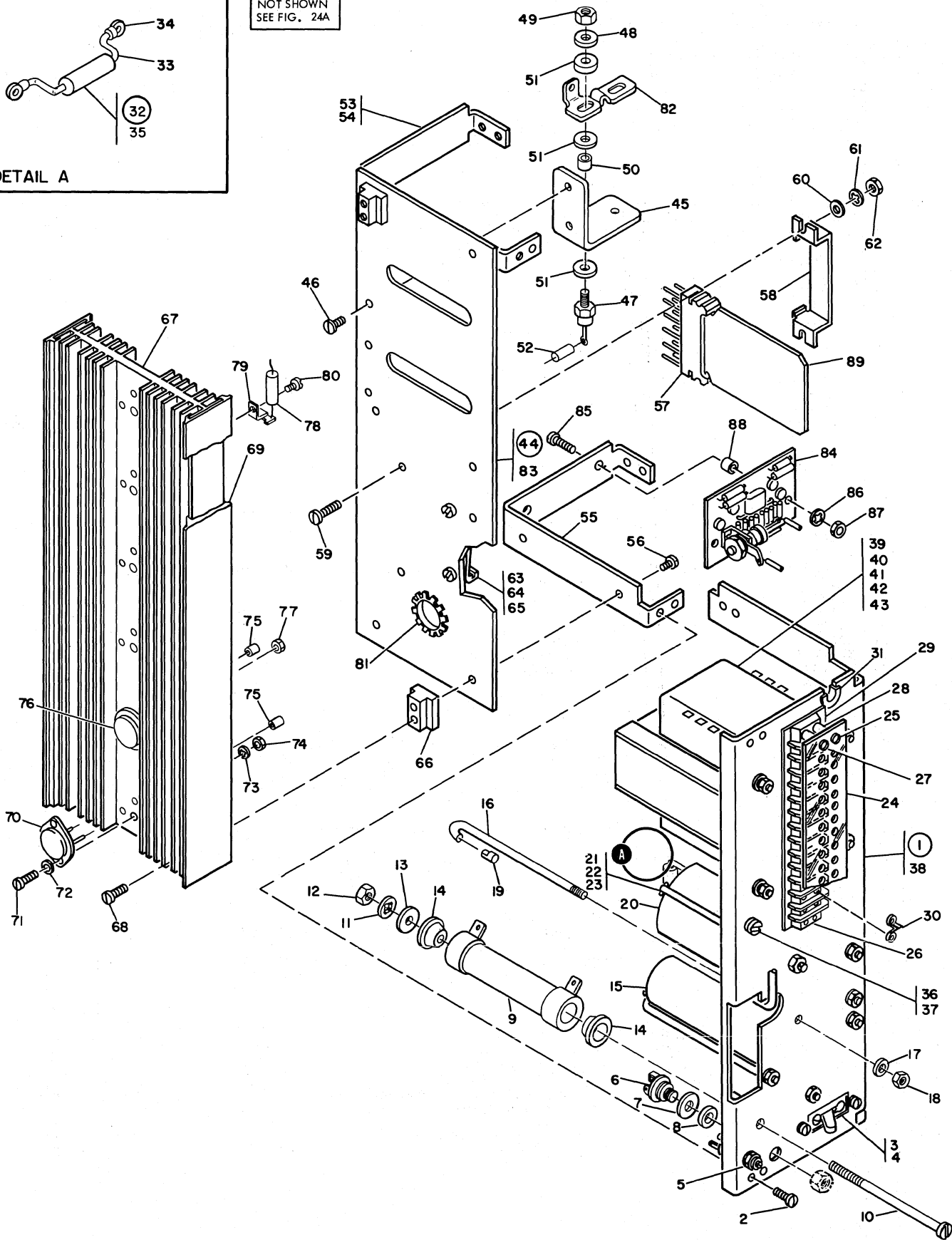
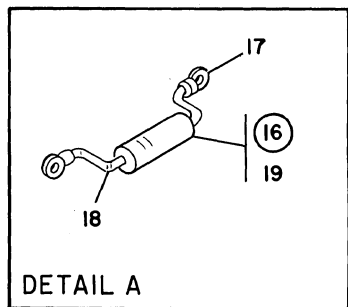


FIGURE 24G. POWER SUPPLY ASM, 6V AT 15 AMP. SEE LIST 24G.

LIST AND INDEX NO.	PART NO.	DESCRIPTION				UNITS PER ASM.	USABLE ON CODE
		1	2	3	4		
		POWER SUPPLY ASM,6V AT 15 AMPS					
24G-	5760610	POWER SUPPLY ASM,6V AT 15AMPS-60 CYCLE				REF	
-	5760690	POWER SUPPLY ASM,6V AT 15AMPS-50 CYCLE FOR ILLUSTRATION SEE FIGURE 24G FOR NEXT HIGHER ASM SEE LIST 24A-27				REF	
- 1	5760614	. PLATE ASM,COMPONENT MOUNTING				1	
- 2	28413	. SCREW,MACH-BIND HD 10-32 X 5/16 LG				ATT PT	8
- 3	5261157	. . PROTECTOR					1
- 4	10170	. . SCREW-MACH,BIND HD NO. 6-32 X .250 LG				ATT PT	2
- 5	441181	. . POTENTIOMETER					1
- 6	1134451	. . JACK,AUX PWR- .44 OD					1
- 7	529691	. . WASHER, MICA					4
- 8	473592	. . INSULATOR					1
- 9	730483	. . RESISTOR,FXD-WW-0.06 OHM P/M 10PCT 90W					1
- 10	331982	. . SCREW,MACH RD HD 8-32 X 1-1/4 LG				ATT PT	1
- 11	60646	. . WASHER,LOCK-INT TEETH NO. 8 X 0.340 OD				ATT PT	1
- 12	257189	. . NUT, HEX 8-32				ATT PT	1
- 13	22478	. . WASHER,FL- 0.170 ID 0.375 OD 0.032 THK					1
- 14	510468	. . CUP WASHER					2
- 15	5261128	. . CAPACITOR,ELECTROLYTIC- 7300 UF 10VDC					1
- 16	473432	. . CLAMP					2
- 17	62031	. . WASHER,LOCK-INT TEETH NO. 6 X 0.295 OD				ATT PT	2
- 18	38051	. . NUT,PLAIN HEX 6-32 X 1/4 FL W				ATT PT	2
- 19	473412	. . INSULATOR,CAPACITOR CLAMP					6
- 20	5760613	. . CAPACITOR,					2
- 21	5760665	. . TERMINAL,STRAP					4
- 22	62031	. . WASHER,LOCK-INT TEETH NO. 6 X 0.295 OD				ATT PT	4
- 23	38051	. . NUT,PLAIN HEX 6-32 X 1/4 FL W				ATT PT	4
- 24	210990	. . SHIELD- 13 POSITION					1
- 25	210984	. . SCREW,MACH RH 6-32 X .25				ATT PT	1
- 26	320461	. . TERMINAL BOARD-13 POS					1
- 27	5261165	. . STUD,SHLDR- 8-32 X 0.438 LG THD					3
- 28	5261167	. . STUD- 8-32 X 0.438 LG W/6-32 TAPPED HOLE					1
- 29	2101325	. . MARKER STRIP,13 POSITION					1
- 30	472187	. . JUMPER-BRASS					2
- 31	730432	. . GROMMET,CATERPILLAR					1
- 32	5261936	. . RESISTOR ASSEMBLY,200 OHMS 5W					1
- 33	113819	. . . TUBING					2
- 34	334932	. . . TERMINAL-LUG NO.18 THRU NO.22 WIRE INSUL					2
- 35	477144	. . . RESISTOR, WIREWOUND - 200 OHM 5W					1
- 36	55726	. . SCREW,MACH-BIND HD 6-32 X .188 LG					1
- 37	56722	. . WASHER-LOCK,EXT T, .150 ID					1
- 38	5760615	. . PLATE,MOUNTING					1
- 39	4118354	. TRANSFORMER- 6V 15AMPS-50 CYCLE					1
- 39	5253873	. TRANSFORMER,PWR,STEP DOWN- 168VA 60 CPS					1
- 40	332620	. SCREW,MACH-BIND HD 10-32 X 1/2 LG				ATT PT	4
- 41	45690	. WASHER, FL - NO.10 X 7/16 OD X 1/32 THK				ATT PT	4
- 42	9092	. WASHER-LOCK,SPLIT RING, .194 ID .337OD				ATT PT	4
- 43	11598	. NUT, HEX 10-32				ATT PT	4
- 44	5760624	. HEATSINK ASM					1
- 45	5261009	. . BRACKET-DIODE MOUNTING					1
- 46	10170	. . SCREW-MACH,BIND HD NO. 6-32 X .250 LG				ATT PT	2
- 47	127324	. . SEMICONDUCTOR DEVICE,D10- 150V 30 AMP					2
- 48	3550	. . WASHER,FLAT 1/4 ID-9/16-OD-0.05 THICK				ATT PT	2
- 49	160017	. . NUT,PLAIN,HEX- 1/4-28 X 7/16 FL W				ATT PT	2
- 50	473592	. . INSULATOR					2
- 51	217017	. . WASHER-INSULATING					8
- 52	491228	. . CAPACITOR, .010 UF					1
- 53	730176	. . BRACKET-UNIT SUPPORT					1
- 54	1132669	. . SCREW,BINDING HEAD .625 LG				ATT PT	2
- 55	5261159	. . BRACKET-UNIT SUPPORT					1
- 56	1132669	. . SCREW,BINDING HEAD .625 LG				ATT PT	2
- 57	216076	. . TERMINAL BLOCK AND CONTACT ASSEMBLY FOR CCMPONENT PARTS SEE LIST 44-64					1
- 58	477203	. . BRACKET					1
- 59	38235	. . SCREW,BIND HD 6-32 X .312 LONG				ATT PT	4
- 60	257986	. . WASHER,FLAT NO. 6				ATT PT	2

LIST AND INDEX NO.	PART NO.	DESCRIPTION				UNITS PER ASM.	USABLE ON CODE
		1	2	3	4		
		POWER SUPPLY ASM,6V AT 15 AMPS -CONT					
24G- 61	62031	. .	WASHER,LOCK-INT TEETH NO. 6 X 0.295 OD	ATT PT	2		
- 62	38051	. .	NUT,PLAIN HEX 6-32 X 1/4 FL W	ATT PT	2		
- 63	5712309	. .	GUIDE		1		
- 64	38235	. .	SCREW,BIND HD 6-32 X .312 LONG	ATT PT	2		
- 65	257187	. .	NUT,HEX 6-32 NC	ATT PT	2		
- 66	473531	. .	INSULATOR		6		
- 67	5760623	. .	HEATSINK		1		
- 68	79779	. .	SCREW,THD CTG-BIND HD NO. 6 X 3/4 LG	ATT PT	6		
- 69	473536	. .	SEAL		29		
- 70	369616	. .	TRANSISTOR-TYPE 119		1		
- 71	322550	. .	SCREW,MACH-BIND HD 6-32 X 1/2 LG	ATT PT	2		
- 72	257986	. .	WASHER,FLAT NO. 6	ATT PT	2		
- 73	6364	. .	WASHER,LOCK-SPLIT NO. 6 X 1/4 OD	ATT PT	2		
- 74	38051	. .	NUT,PLAIN HEX 6-32 X 1/4 FL W	ATT PT	2		
- 75	219423	. .	TUBE,RUBBER- 0.085 ID X 0.120 OD X 2 LG		12		
- 76	369214	. .	TRANSISTOR,TYPE 108		5		
- 77	11891	. .	NUT,PLAIN,HEX- 10-32 X 3/8 FL W BRS	ATT PT	5		
- 78	207324	. .	RESISTOR,FXD,WW- 0.1 OHM P/M 5% 5W		5		
- 79	478045	. .	TERMINAL - SOLDER		5		
- 80	70078	. .	SCREW,THD FORMING-BIND HD	ATT PT	5		
- 81	473533	. .	GROMMET		1		
- 82	5261606	. .	JUMPER PLATE		1		
- 83	5261058	. .	COVER		1		
- 84	5261543	. .	OVERVOLTAGE CIRCUIT CARD ASM		1		
		PARTS OF THIS ASM ARE NOT REPLACEABLE					
- 85	1091173	. .	SCREW,MACH-FL CSK HD 4-40 X 5/8 LG	ATT PT	2		
- 86	257985	. .	WASHER-PLAIN, .125 ID .250 OD NO. 4	ATT PT	2		
- 87	37913	. .	NUT, HEX 4-40 NC	ATT PT	2		
- 88	483111	. .	SPACER,SLEEVE- 0.12 ID 0.25 OD X 0.19 LG		2		
- 89	374621	. .	CARD ASSEMBLY-REGULATOR		1		
		PARTS OF THIS ASM ARE NOT REPLACEABLE					



FOR PARTS
NOT SHOWN
SEE FIG. 24A

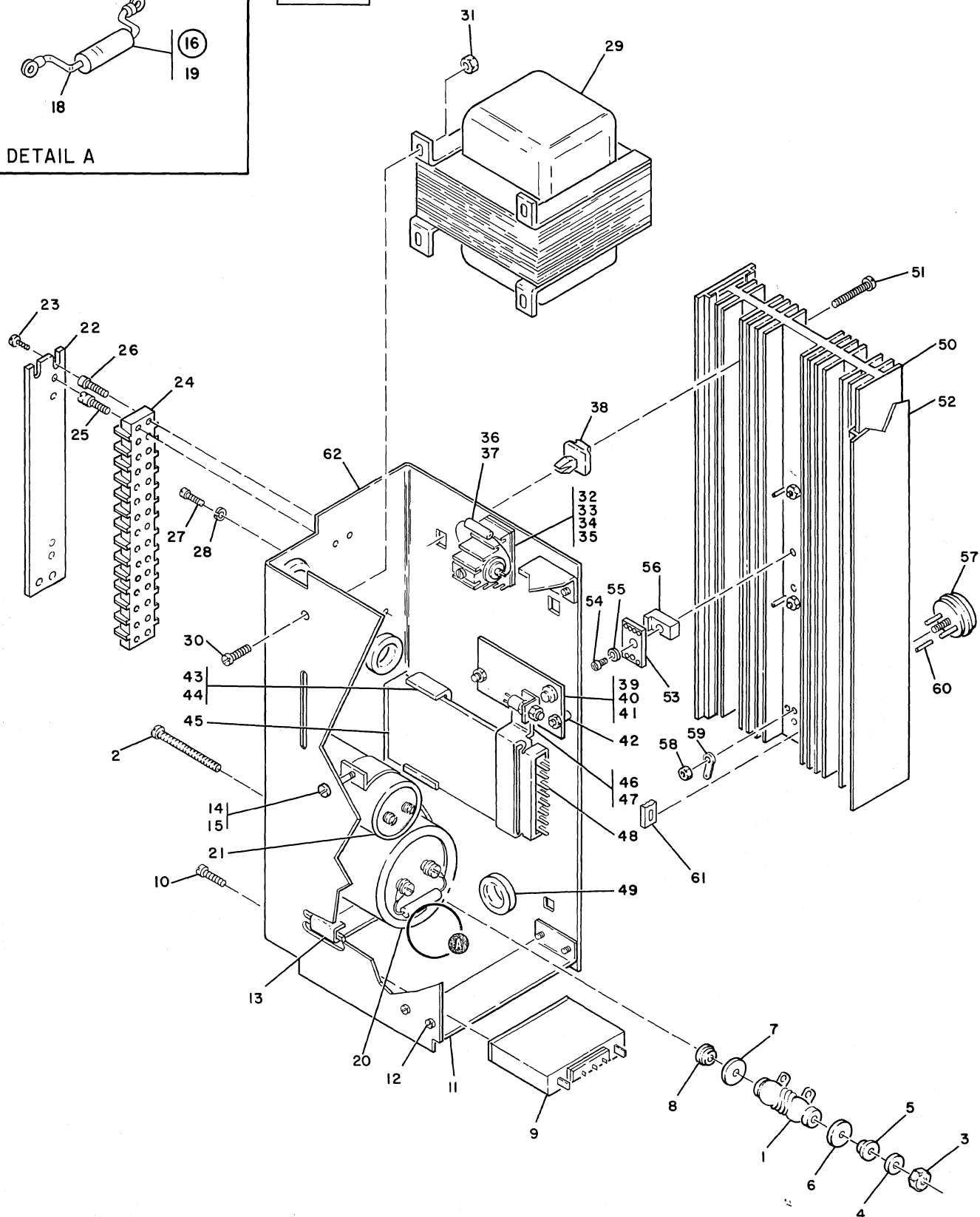


FIGURE 24H. 3 VOLT 4 AMP POWER SUPPLY ASSEMBLY. SEE LIST 24H.

LIST AND INDEX NO.	PART NO.	DESCRIPTION				UNITS PER ASM.	USABLE ON CODE
		1	2	3	4		
		3VDC 8.0AMP POWER SUPPLY ASSEMBLY					
24H-	5239401 5239419	POWER SUPPLY ASM,3V AT 8AMPS-60 CYCLE POWER SUPPLY ASM,3V AT 8AMPS-50 CYCLE FOR ILLUSTRATION SEE FIGURE 24H FOR NEXT HIGHER ASM SEE LIST 24A-28				REF REF	
- 1	5261118	• RESISTOR,FXD,WW-0.06 OHM P/M 10% 25W				1	
- 2	438593	• SCREW-MACH-BIND HD NO. 8-32 X 2 1/2 LG				ATT PT	
- 3	5761938	• NUT/LOCKWASHER ASSEMBLY - 8-32				ATT PT	
- 4	2903	• WASHER,FL-NO. 6 X 1/2 OD X 1/32 THK				1	
- 5	510468	• CUP WASHER				1	
- 6	5761935	• WASHER				1	
- 7	5761935	• WASHER				1	
- 8	510468	• CUP WASHER				1	
- 9	5214546	• PROTECTOR				1	
- 10	38235	• SCREW,BIND HD 6-32 X .312 LONG				ATT PT	
- 11	5761779	• BRACKET,CHASSIS				2	
- 12	731629	• SCREW,PAN HD- 10-32 X 0.380 LG				ATT PT	
- 13	5761795	• STRAP, CAPACITOR				1	
- 14	438567	• SCREW,MACH-UNDRCT BIND HD 6-32 X 1 LG				ATT PT	
- 15	5761943	• NUT,HEX 10-32 NC				ATT PT	
- 16	5261935	• RESISTOR ASSEMBLY-330 OHMS 2W				1	
- 17	359695	• . TERMINAL-RING LUG NO.10 STUD				ATT PT	
- 18	113819	• . TUBING				2	
- 19	317080	• . RESISTOR,FXD 330 OHM 2W				1	
- 20	5214368	• CAPACITOR				1	
- 21	5261089	• CAPACITOR,ELECTROLYTIC- 10000 UF 6VDC				1	
- 22	210990	• SHIELD- 13 POSITION				1	
- 23	210984	• SCREW,MACH RH 6-32 X .25				ATT PT	
- 24	5214556	• TERMINAL				1	
- 25	5261165	• STUD,SHLDR- 8-32 X 0.438 LG THD				ATT PT	
- 26	5261167	• STUD- 8-32 X 0.438 LG W/6-32 TAPPED HOLE				ATT PT	
- 27	10170	• SCREW-MACH,BIND HD NO. 6-32 X .250 LG				1	
- 28	56722	• WASHER-LOCK,EXT T, .150 ID				1	
- 29	5761724	• TRANSFORMER - 60 CYCLE				1	A
- 29	4116494	• TRANSFORMER - 50 CYCLE				1	B
- 30	332620	• SCREW,MACH-BIND HD 10-32 X 1/2 LG				ATT PT	
- 31	5761908	• NUT,HEX 10-32 NC				ATT PT	
- 32	5761977	• RECTIFIER ASSEMBLY				1	
		PARTS OF THIS ASM ARE NOT REPLACEABLE					
- 33	734483	• SCREW,PAN HD- 6-32 X 0.380 LG				ATT PT	3
- 34	2156037	• WASHER,INSULATING				ATT PT	2
- 35	5761979	• INSULATOR				1	
- 36	491228	• CAPACITOR, .010 UF				1	
- 37	113819	• TUBING				2	
- 38	5761796	• INSULATOR,HEAT SINK				4	
- 39	5761987	• OVERVOLTAGE CARD ASSEMBLY,3 VOLT				1	
		PARTS OF THIS ASM ARE NOT REPLACEABLE					
- 40	438551	• SCREW,MACH-BIND HD 4-40 X 5/8 LG				ATT PT	2
- 41	37913	• NUT, HEX 4-40 NC				ATT PT	2
- 42	5312982	• INSULATOR				2	
- 43	5712309	• GUIDE				1	
- 44	5761907	• RIVET				ATT PT	2
- 45	375200	• CARD ASSEMBLY				1	
		PARTS OF THIS ASM ARE NOT REPLACEABLE					
- 46	5761904	• BRACKET				1	
- 47	5761907	• RIVET				ATT PT	2
- 48	216076	• TERMINAL BLOCK AND CONTACT ASSEMBLY FOR COMPONENTS SEE LIST 44-64				1	
- 49	5761936	• GROMMET				3	
- 50	5761764	• HEAT SINK				1	
- 51	5761913	• SCREW,				ATT PT	4
- 52	473536	• SEAL				AR	
- 53	5761909	• TERMINAL, BRASS				1	
- 54	2181002	• SCREW,THREAD FORMING-8-32 X 3/4 LG				ATT PT	1
- 55	5374689	• BUSHING				ATT PT	1
- 56	5761798	• INSULATOR, PHENOLIC - .38W X .75 LG				1	
- 57	369214	• TRANSISTOR,TYPE 108				3	
- 58	11598	• NUT, HEX 10-32				ATT PT	3
- 59	316996	• TERMINAL,LUG-NONINS 9AWG NO. 8 MTG HOLE				1	
- 60	5761976	• TUBING				6	
- 61	5761966	• BUS STRIP				1	
- 62	5761763	• CHASSIS				1	

FOR PARTS
NOT SHOWN
SEE FIG. 24A

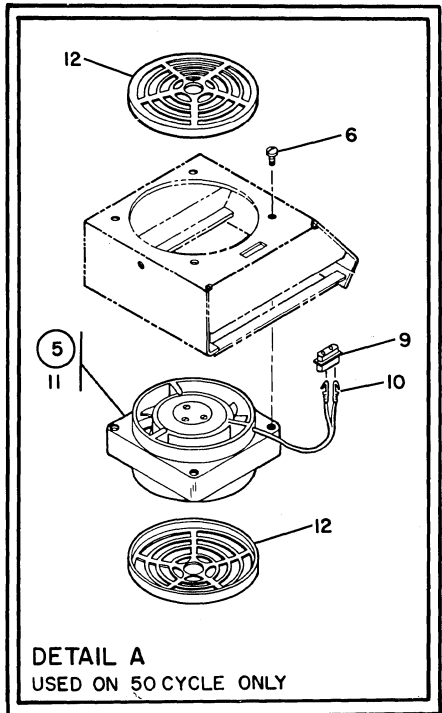
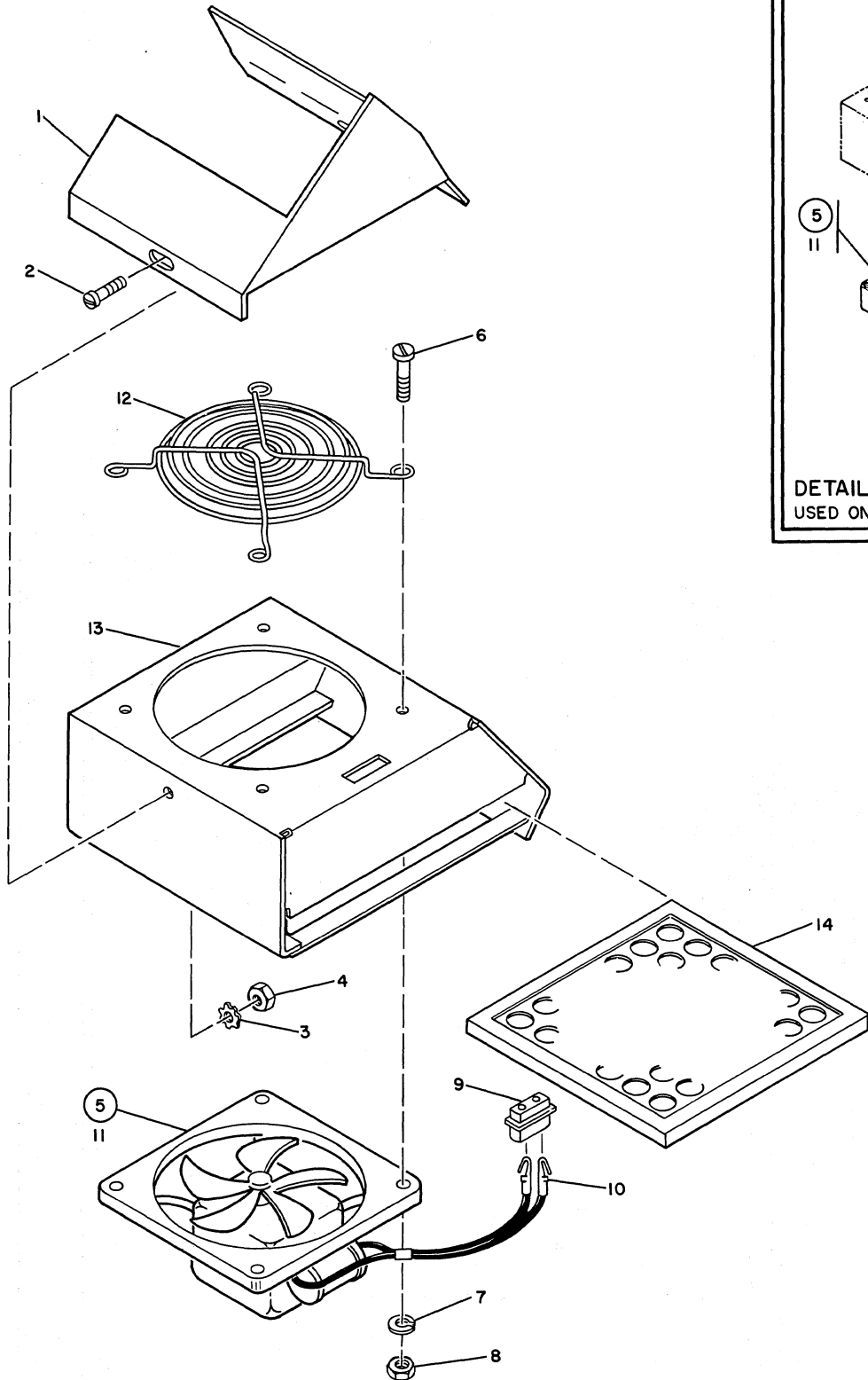


FIGURE 24J. BLOWER ASSEMBLY POWER SUPPLY. SEE LIST 24J

LIST AND INDEX NO.	PART NO.	DESCRIPTION				UNITS PER ASM.	USABLE ON CODE
		1	2	3	4		
		BLOWER ASSEMBLY, POWER SUPPLY					
24J-		CODE A USED ON NO SCA OR NO 2501 60 CY CODE B USED ON NO SCA OR NO 2501 50 CY					
-	2191045	FAN ASM-POWER SUPPLY,60 CYCLE				REF	A
-	2191046	FAN ASM-POWER SUPPLY 50 CYCLE FOR ILLUSTRATION SEE FIGURE 24J FOR NEXT HIGHER ASM SEE LIST 24A-29				REF	B
- 1	2191027	• PLENUM,POWER SUPPLY FAN				1	
- 2	32042	• SCREW, MACH BIND. HD 10-32 X 3/8 LG.				ATT PT	
- 3	56079	• WASHER-LOCK,EXT T .204 ID .410 OD				ATT PT	
- 4	11598	• NUT, HEX 10-32				ATT PT	
- 5	2191103	• FAN ASM- 60 CYCLE				1	A
- 5	2191044	• FAN ASM,50 CYCLE				1	B
- 6	322065	• SCREW,MACH-BIND HD 6-32 X 5/8 LG				ATT PT	A
- 6	38235	• SCREW,BIND HD 6-32 X .312 LONG				ATT PT	B
- 7	6364	• WASHER,LOCK-SPLIT NO. 6 X 1/4 OD				ATT PT	A
- 8	257187	• NUT,HEX 6-32 NC				ATT PT	A
- 9	725558	• COVER-CONNECTOR				1	
- 10	609687	• CONTACT				2	
- 11	2172165	• FAN-115 VOLT 60 CYCLE				1	
- 11	4120171	• FAN-220 VOLT 50 CYCLE				1	
- 12	2172166	• GUARD,FAN 60 CYCLE				1	A
- 12	4065157	• GUARD-FAN				2	B
- 13	2190864	• HOLDER,FAN PS				1	
		FOLLOWING PARTS ARE NOT INCLUDED W/ASM					
- 14	2130055	FILTER,AIR 6.00 X 6.75				1	

FOR PARTS
NOT SHOWN
SEE FIG. 24A

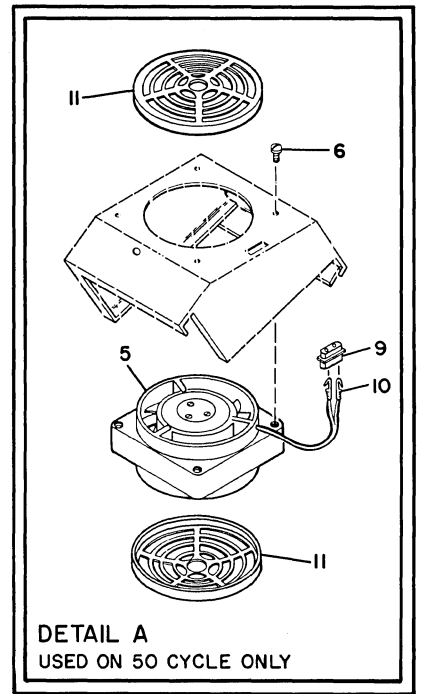
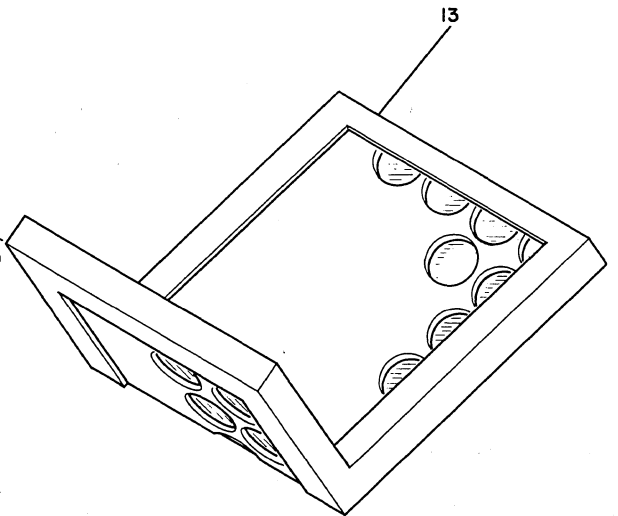
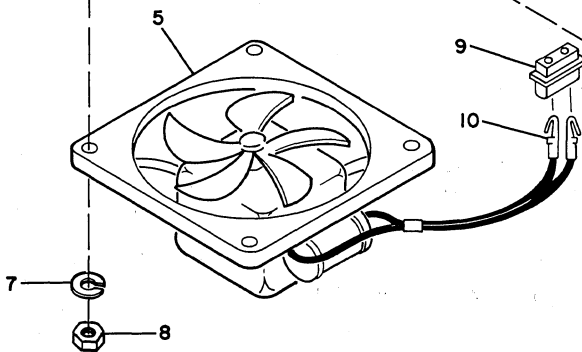
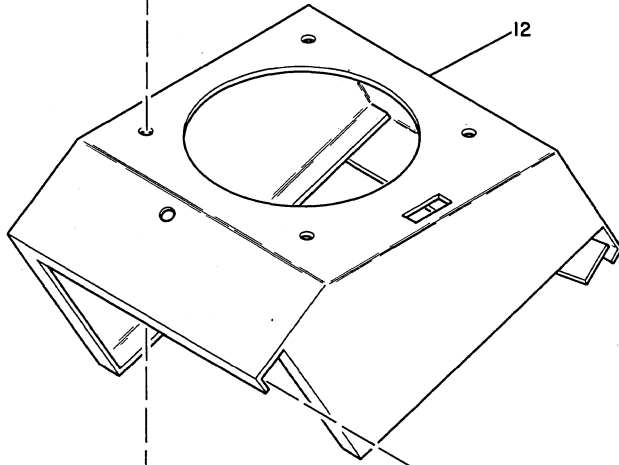
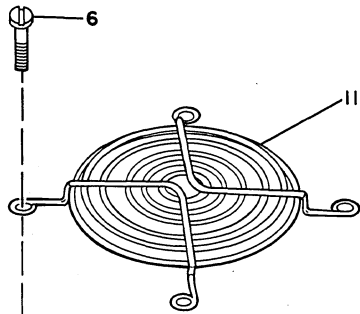
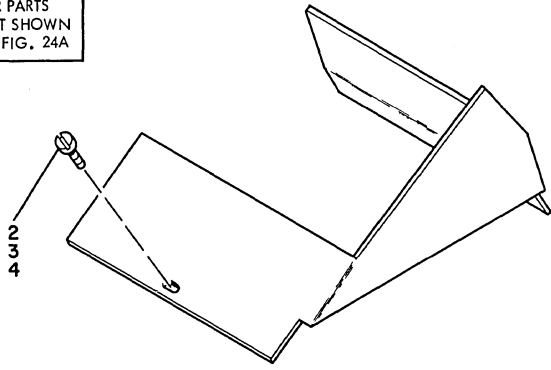


FIGURE 24K. BLOWER ASSEMBLY POWER SUPPLY. SEE LIST 24K

LIST AND INDEX NO.	PART NO.	DESCRIPTION				UNITS PER ASM.	USABLE ON CODE
		1	2	3	4		
		BLOWER ASSEMBLY, POWER SUPPLY					
24K-		CODE A USED ON SCA OR 2501 60 CY ATTACH CODE B USED ON SCA OR 2501 50 CY ATTACH					
-	2191472	FAN ASM-POWER SUPPLY,60 CYCLE				REF	A
-	2191471	FAN ASM-POWER SUPPLY,50 CYCLE				REF	B
		FOR ILLUSTRATION SEE FIGURE 24K FOR NEXT HIGHER ASM SEE LIST 24A-29					
- 1	2191469	. PLENUM,POWER SUPPLY FAN				1	
- 2	32042	. SCREW, MACH BIND. HD 10-32 X 3/8 LG.				2	
- 3	56079	. WASHER-LOCK,EXT T .204 ID .410 OD				2	
- 4	11598	. NUT, HEX 10-32				2	
- 5	2172165	. FAN-115 VOLT 60 CYCLE				1	A
- 5	4120171	. FAN-220 VOLT 50 CYCLE				1	B
- 6	322550	. SCREW,MACH-BIND HD 6-32 X 1/2 LG				4	A
- 6	38235	. SCREW,BIND HD 6-32 X .312 LONG				4	B
- 7	6364	. WASHER,LOCK-SPLIT NO. 6 X 1/4 OD				4	A
- 8	257187	. NUT,HEX 6-32 NC				4	A
- 9	725558	. COVER-CONNECTOR				1	
- 10	609687	. CONTACT					
- 11	2172166	. GUARD,FAN 60 CYCLE				1	A
- 11	4065157	. GUARD-FAN				2	B
- 12	2191470	. HOUSING,FAN				1	
		FOLLOWING PARTS ARE NOT INCLUDED W/ASM					
- 13	2191468	FILTER,AIR,10.25 X 6.0				1	

FOR PARTS
NOT SHOWN
SEE FIG. 4

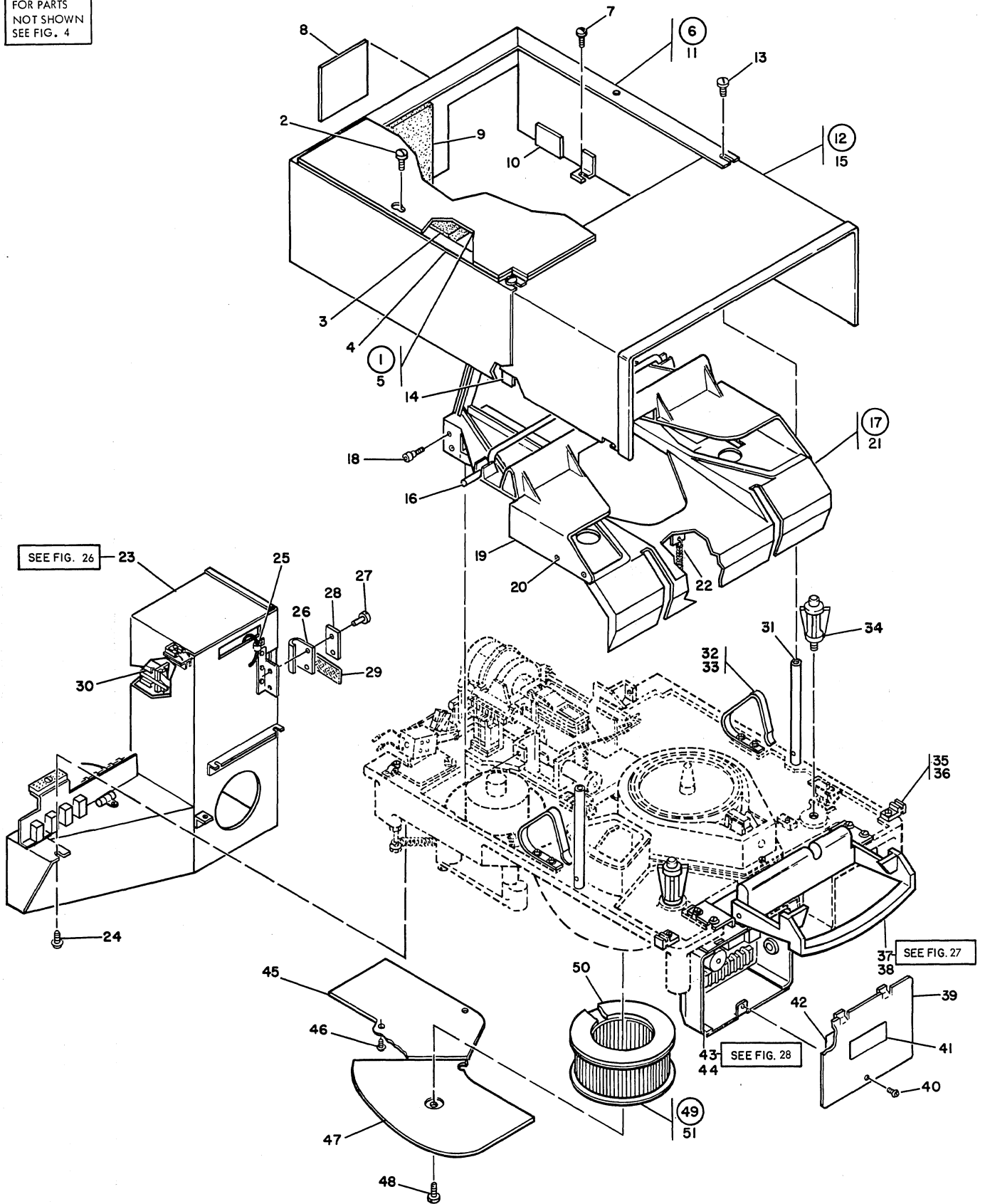


FIGURE 25. 13 SD ASSEMBLY. SHEET 1 OF 2, INDEX NOS. 1-51. SEE LIST 25.

FOR PARTS
NOT SHOWN
SEE FIG. 4

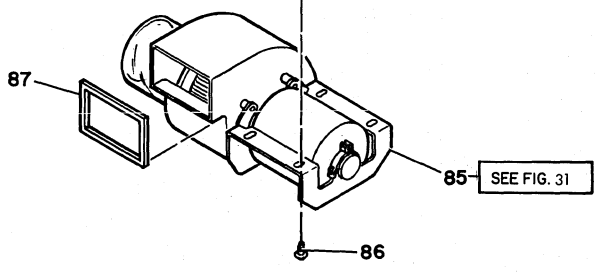
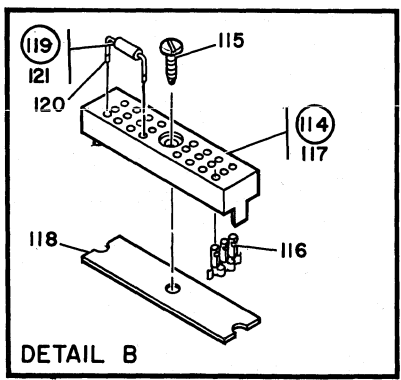
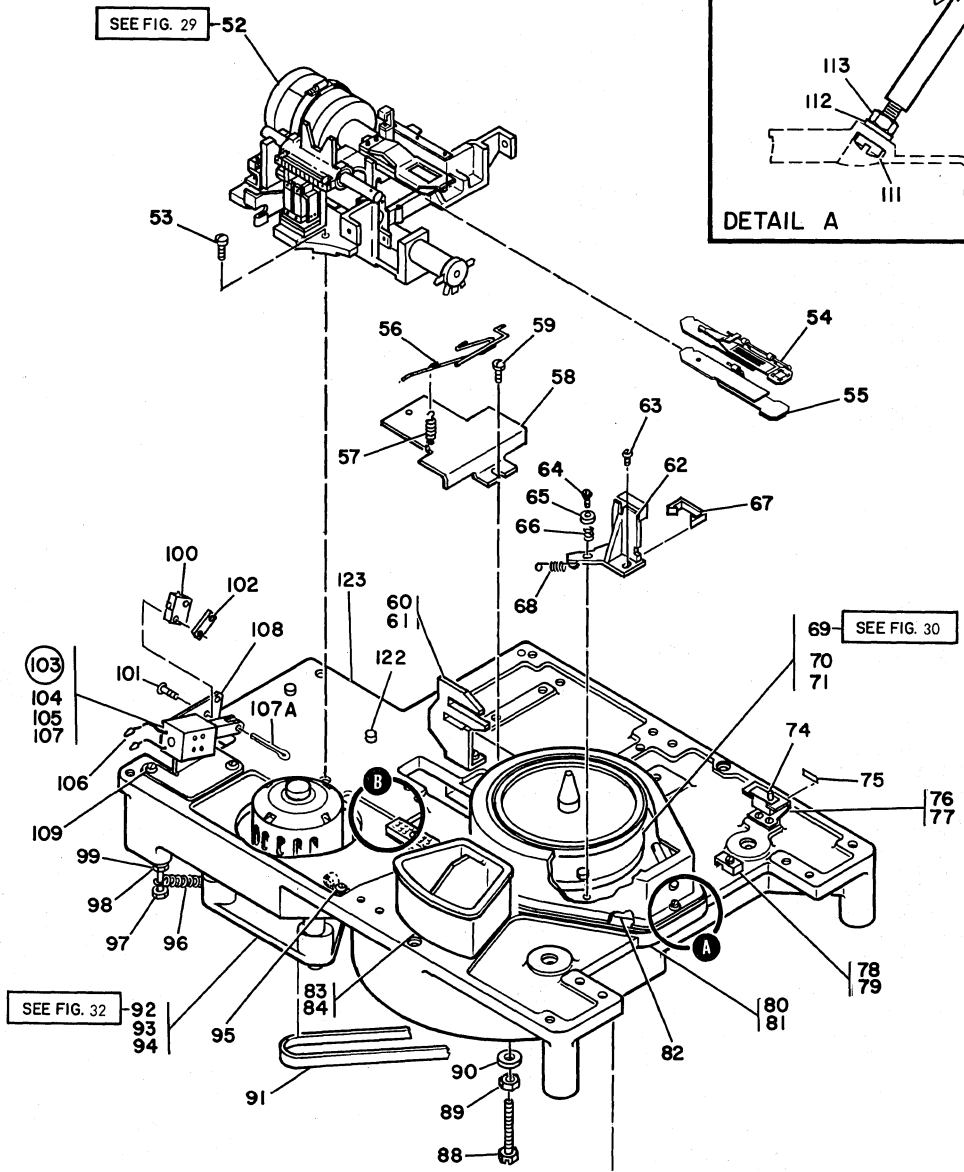
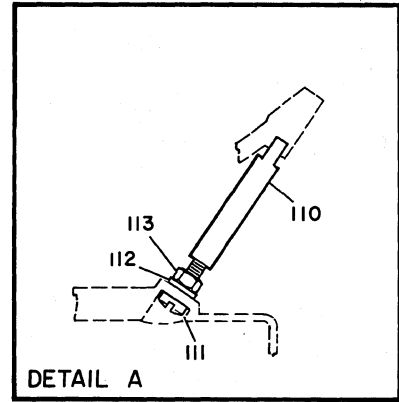


FIGURE 25. 13 SD ASSEMBLY. SHEET 2 OF 2, INDEX NO. 52-123. SEE LIST 25.

LIST AND INDEX NO.	PART NO.	DESCRIPTION	UNITS PER ASM.	USABLE ON CODE
		1 2 3 4		
		13 SD ASSEMBLY		
25 -	2219061	13SD ASSEMBLY-60 CYCLE 115 VOLT	REF	
-	2219050	13SD ASSEMBLY-50 CYCLE 208 VOLT FOR ILLUSTRATION SEE FIGURE 25 FOR NEXT HIGHER ASM SEE LIST 4-65	REF	
- 1	2219144	. COVER ASM,TOP REAR	1	
- 2	81693	. SCREW,MACH-BIND HD 6-32 X 3/8 LG	2	
- 3	2219146	. . RUBBER,TOP COVER	1	
- 4	2162959	. . FELT, .062 X .375 WIDE, BULK	AR	
- 5	2219142	. . COVER,TOP REAR	1	
- 6	2219143	. COVER ASM,SIDE REAR	1	
- 7	81693	. SCREW,MACH-BIND HD 6-32 X 3/8 LG	2	
- 8	2219044	. . LABEL,IDENTIFICATION	1	
- 9	2219145	. . RUBBER,SIDE COVER	1	
- 10	2219140	. . FOAM,COVERS	1	
- 11	2219141	. . COVER,SIDE REAR	1	
- 12	2219069	. COVER ASSEMBLY,FRONT	1	
- 13	236849	. SCREW,MACH-BIND HD 10-32 X 1/4 LG	2	
- 14	2219140	. . FOAM,COVERS	2	
- 15	2219001	. . COVER-FRONT WELDMENT	1	
- 16	2219064	. ROD	1	
- 17	2199417	. RECEIVER ASSEMBLY	1	
- 18	2199427	. SCREW, KNURL-SHOULDER 1/4-20 X 0.437 LG.	2	
- 19	2204146	. . RECEIVER,TOP	1	
- 20	2219094	. . EYELET	ATT PT	8
- 21	2204147	. . RECEIVER,BOTTOM	1	
- 22	2207643	. SPRING,HELICAL, EXTENSION- 55 TURNS	1	
- 23	2204059	. ELECTRONIC GATE ASSEMBLY FOR DETAIL BREAKDOWN SEE LIST 26	1	
- 24	2181004	. SCREW,THREAD FORMING-HEX WASHER HD	ATT PT	4
- 25	2207640	. CABLE ASM, BASEPLATE FOR COMPONENTS SEE LIST 44-2,2C 14,16,17,26A,28A,34A,63 AND 78A	1	
- 26	2219006	. GUIDE,CABLE	1	
- 27	2181011	. SCREW, SELF TAPPING, 6-32 X .50 LG.	ATT PT	2
- 28	2219005	. STRAP, RETAINER	1	
- 29	2199164	. CABLE ASSEMBLY-TRANSDUCER FOR COMPONENT PARTS SEE LIST 44-75A 76A,77A,77B AND 78	1	
- 30	2204195	. CLAMP,ADAPTER	1	
- 31	2204189	. STANDOFF	2	
- 32	2219066	. SPRING	2	
- 33	2181012	. SCREW, SELF TAPPING, 8-32 X .437 LG.	ATT PT	4
- 34	2219178	. PIN, REST	2	
- 35	2219003	. BLOCK,COVER LOCATING	4	
- 36	322550	. SCREW,MACH-BIND HD 6-32 X 1/2 LG	ATT PT	4
- 37	2207642	. INTERLOCK ASSEMBLY FOR DETAIL BREAKDOWN SEE LIST 27	1	
- 38	2181004	. SCREW,THREAD FORMING-HEX WASHER HD	ATT PT	4
- 39	2207633	. COVER PLATE,ACCESS	1	
- 40	2181005	. SCREW, SELF TAPPING, 6-32 X .375 LG.	ATT PT	1
- 41	138754	. LABEL,VOLTAGE WARNING	1	
- 42	2207634	. LABEL, AC BOX	1	
- 43	2207631	. BOX ASM,AC 115V 60 CYCLE	1	
- 43	2207638	. BOX ASM,AC 220V 50 CYCLE FOR DETAIL BREAKDOWN SEE LIST 28	1	
- 44	2181001	. SCREW,THD FORMING-HEX WASH HD 10-32X 3/4	ATT PT	2
- 45	2204053	. COVER 2,PLENUM	1	
- 46	2181004	. SCREW,THREAD FORMING-HEX WASHER HD	ATT PT	2
- 47	2204052	. COVER 1,PLENUM	1	
- 48	234340	. SCREW AND LOCKWASHER,HEX HD .25-20 X.50	ATT PT	1
- 49	2219104	. FILTER ASM	1	
- 50	2204127	. . GASKET-RUBBER FILTER 3.38 ID X 5-1/4 OD	1	
- 51	2204128	. . FILTER-AIR 3.22 ID X 5.42 OD X 2.09 THK	1	
- 52	2204028	. ACTUATOR ASSEMBLY FOR DETAIL BREAKDCWN SEE LIST 29	1	
- 53	2181001	. SCREW,THD FORMING-HEX WASH HD 10-32X 3/4	ATT PT	5
- 54	2207604	. HEAD ARM ASSEMBLY-TOP PARTS OF THIS ASM ARE NOT REPLACEABLE	1	
- 55	2207605	. HEAD ARM ASSEMBLY-BOTTOM PARTS OF THIS ASM ARE NOT REPLACEABLE	1	
- 56	2204037	. OPENER,DOOR CARTRIDGE	1	
- 57	2199272	. SPRING,HELICAL, EXTENSION- 24 TURNS	1	
- 58	2204045	. BAFFLE,AIR	1	
- 59	234318	. SCREW,ASMD WASHER-FIL H 8-32 X 3/8 LG	ATT PT	2
- 60	2204047	. DISK GUIDE	1	
- 61	5319888	. SCREW, SELF TAPPING, 10-32 X .625 LONG	ATT PT	2

LIST AND INDEX NO.	PART NO.	DESCRIPTION	UNITS	USABLE
			PER ASM.	ON CODE
		1 2 3 4		
		13 SD ASSEMBLY		
25 - 62	2219167	• TRANSDUCER ASSEMBLY	1	
		PARTS OF THIS ASM ARE NOT REPLACEABLE		
- 63	322550	• SCREW,MACH-BIND HD 6-32 X 1/2 LG	1	ATT PT
- 64	2181001	• SCREW,THD FORMING-HEX WASH HD 10-32X 3/4	1	ATT PT
- 65	2204073	• WASHER, CUP INSULATING	1	ATT PT
- 66	2204076	• SPRING-COMPRESSION 0.295 OD X 0.39 LG	1	
- 67	2219056	• CLAMP	1	
- 68	2204183	• SPRING, HELICAL, EXTENSION 35 TURNS	1	
- 69	2207714	• SPINDLE ASM, MAGNET AND FOR DETAIL BREAKDOWN SEE LIST 30	1	
- 70	120211	• SCREW,MACH-HEX HD 10-32 X 1/2 LG	3	ATT PT
- 71	9092	• WASHER-LOCK,SPLIT RING, .194 ID .337OD	3	ATT PT
- 74	2219049	• SWITCH,PUSH-SPDT 250VAC 10 AMP MOMENTARY	1	
- 75	2219170	• LABEL,SWITCHES	1	
- 76	2219048	• BRACKET	1	
- 77	2181005	• SCREW, SELF TAPPING, 6-32 X .375 LG.	2	ATT PT
- 78	2199134	• CLAMP, CABLE	3	
- 79	5349929	• SCREW,THD FORMING HEX- 8-32 X 1/2 LG	3	ATT PT
- 80	2204031	• SHROUD	1	
- 81	2181012	• SCREW, SELF TAPPING, 8-32 X .437 LG.	4	ATT PT
- 82	2164097	• SEAL,ACTUATOR SHIELD	1	
- 83	2199379	• DUCT,AIR CARTRIDGE	1	
- 84	2181004	• SCREW,THREAD FORMING-HEX WASHER HD	2	ATT PT
- 85	2204138	• BLOWER ASSEMBLY-115V 60 CYCLE	1	
- 85	2204139	• BLOWER ASSEMBLY-220V 50 CYCLE FOR DETAIL BREAKDOWN SEE LIST 31	1	
- 86	2181004	• SCREW,THREAD FORMING-HEX WASHER HD	4	ATT PT
- 87	2199391	• GASKET,BLOWER	1	
- 88	127712	• SCREW, SLOTTED HEX HD 5/16-18 X 3.0 LONG	1	
- 89	4564	• NUT, HEX 5/16-18 THREAD	1	
- 90	161351	• WASHER, FLAT 0.330 ID-0.625 OD-0.05 THK	1	
- 91	2199173	• BELT,FLAT-FILE DRIVE	1	
- 92	2199377	• MOTOR ASM,DRIVE-115 VOLT 60 CYCLE	1	
- 92	2199386	• MOTOR ASM,DRIVE-220 VOLT 50 CYCLE FOR DETAIL BREAKDCWN SEE LIST 32	1	
- 93	59649	• SCREW,MACH-HEX HD 1/4-20 X 2 LG	3	ATT PT
- 94	6935	• WASHER,LOCK-SPLIT 1/4 X 0.493 OD	3	ATT PT
- 95	322550	• SCREW,MACH-BIND HD 6-32 X 1/2 LG	1	
- 96	2199380	• SPRING,HELICAL, EXTENSION- 34 TURNS	1	
- 97	59659	• SCREW,MACH HEX HD 5/16 X 2-1/4 LG	1	
- 98	4564	• NUT, HEX 5/16-18 THREAD	1	
- 99	127499	• WASHER,LOCK-INT TEETH 5/16 ID X 0.607 OD	1	
-100	2162551	• SWITCH,MICRO	1	
-101	438551	• SCREW,MACH-BIND HD 4-40 X 5/8 LG	2	ATT PT
-102	2157349	• PLATE, SECTOR PULSE SWITCH	1	ATT PT
-103	2204060	• SOLENOID ASSEMBLY,24V-DC	1	
-104	58207	• SCREW, BD HD MACH-8-32 NC-2A X .250 LG	3	ATT PT
-105	45690	• WASHER, FL - NO.10 X 7/16 OD X 1/32 THK	3	ATT PT
-106	187243	• . TERMINAL, SMALL TAPER 20-22-24 OR 26 AWG	2	
-107	2199129	• . SOLENOID,24V DC	1	
-107A	35868	• PIN,COTTER- 0.120 DIA X 7/8 LG	1	
-108	2219190	• BRACKET	1	
-109	2181012	• SCREW, SELF TAPPING, 8-32 X .437 LG.	2	ATT PT
-110	2204181	• PUSH ROD,TRANSDUCER	1	
-111	438564	• SCREW, MACHINE FILL.-HD, 6-32 X 1-304 LG	1	
-112	257986	• WASHER,FLAT NO. 6	1	
-113	344015	• NUT,SELF LKG,HEX- 6-32 X 5/16 FL W	1	
-114	302090	• TERMINAL BLOCK ASM-24 FEMALE CONTACTS	1	
-115	2191846	• SCREW, PAN HD 4-40 X 0.500 LONG	1	ATT PT
-116	302089	• . SPRING-TERMINAL BOARD CONTACT	8	
-117	302088	• . BLOCK,TERMINAL	1	
-118	302131	• STRIP-TERMINAL BLOCK INSULATOR	1	
-119	610083	• CAPACITOR ASM, 0.01 MFD	1	
-120	320167	• . TERMINAL,QUICK DISCONNECT-NONINS 16AWG	2	
-121	492411	• . CAPACITOR,.001 UF	1	
-122	104715	• PIN, DOWEL, .312 OD X 1.00 LG	2	
-123	2207552	• BASE PLATE	1	

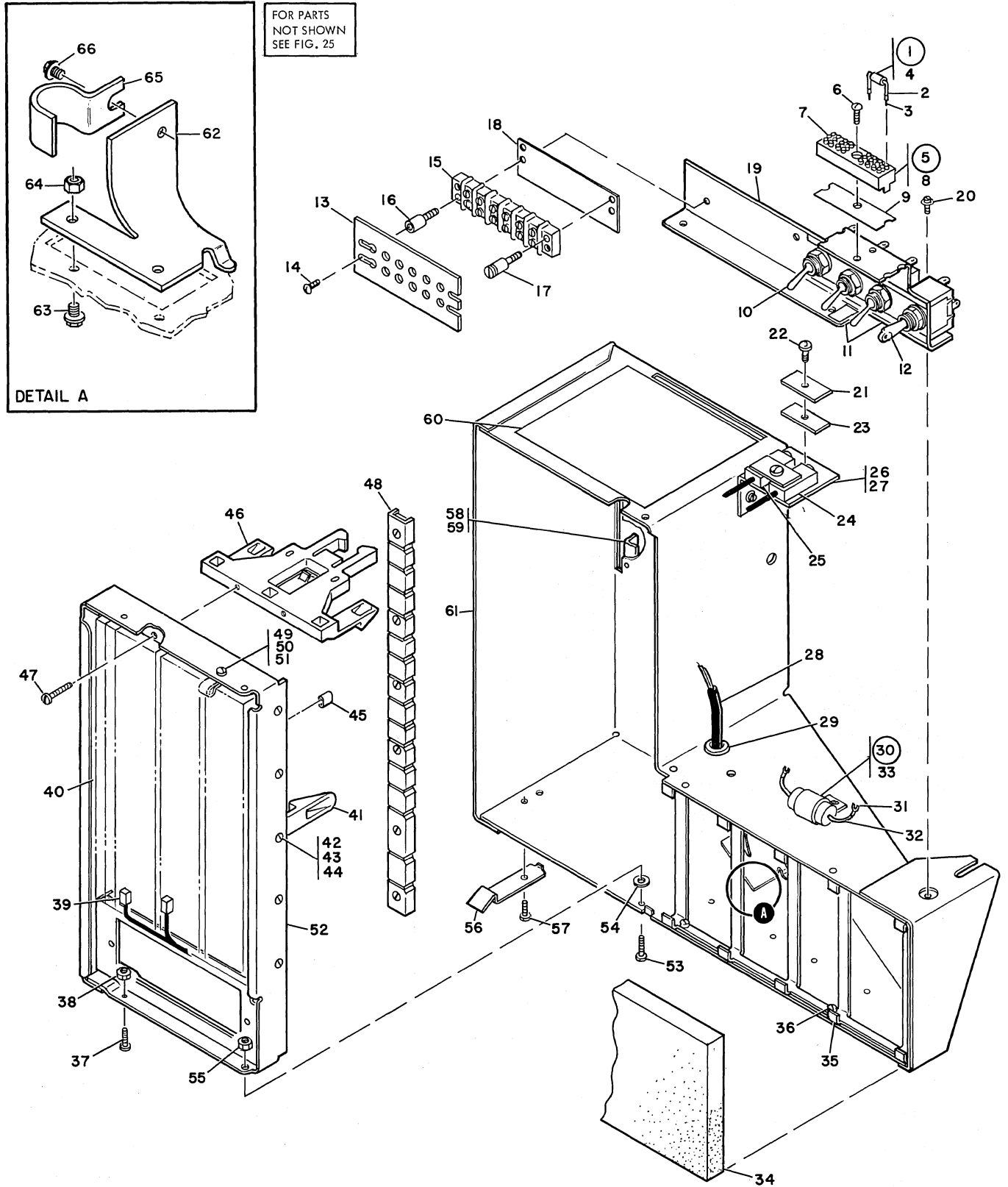


FIGURE 26. ELECTRONIC GATE ASSEMBLY. SEE LIST 26.

LIST AND INDEX NO.	PART NO.	DESCRIPTION				UNITS PER ASM.	USABLE ON CODE
		1	2	3	4		
		ELECTRONIC GATE ASSEMBLY					
26 -	2204059	ELECTRONIC GATE ASSEMBLY FOR ILLUSTRATION SEE FIGURE 26 FOR NEXT HIGHER ASM SEE LIST 25-23				REF	
- 1	615354	. DIODE ASM, SILICON TYPE AM				1	
- 2	113819	. . TUBING				2	
- 3	187243	. . TERMINAL, SMALL TAPER 20-22-24 OR 26 AWG				2	
- 4	2111232	. . DIODE SILICON TYPE AM				1	
- 5	302090	. TERMINAL BLOCK ASM-24 FEMALE CONTACTS				1	
- 6	2191846	. SCREW, PAN HD 4-40 X 0.500 LONG				1	ATT PT
- 7	302089	. . SPRING-TERMINAL BOARD CONTACT				8	
- 8	302088	. . BLOCK, TERMINAL				1	
- 9	302131	. STRIP-TERMINAL BLOCK INSULATOR				1	
- 10	479318	. SWITCH, TOGGLE, SPST				3	
- 11	2219027	. LABEL, IDENTIFICATION				1	
- 12	339036	. SWITCH, MICRO- TOGGLE				1	
- 13	186944	. SHIELD, TERMINAL BOARD- 6 POSITION				1	
- 14	210984	. SCREW, MACH RH 6-32 X .25				1	ATT PT
- 15	317131	. TERMINAL BLOCK, 6 POSITION				1	
- 16	210883	. STUD, EXT 6-32 X 1/2 INT 6-32 X 0.19 DP				1	ATT PT
- 17	210884	. STUD, SLOTTED 6-32 X 1/2 LONG THREAD				1	ATT PT
- 18	322266	. MARKER STRIP- 6 POS NOS. 1 THRU 6				1	
- 19	2257133	. PANEL				1	
- 20	2181005	. SCREW, SELF TAPPING, 6-32 X .375 LG.				3	ATT PT
- 21	2199132	. CLAMP, CABLE TERMINAL				2	
- 22	2181007	. SCREW, SELF TAPPING, 6-32 X .625 LG.				2	ATT PT
- 23	2199133	. PAD, RUBBER-CABLE CLAMP				2	
- 24	2199249	. CABLE ASM- B HEAD TO EL. BOX EXTENSION FOR COMPONENTS SEE LIST 44-26, 28 AND 55				1	
- 25	2199138	. CABLE ASM-A HEAD TO EL. BOX EXTENSION FOR COMPONENTS SEE LIST 44-26, 28 AND 55				1	
- 26	2257135	. BRACKET, HEAD LEADS				1	
- 27	2181005	. SCREW, SELF TAPPING, 6-32 X .375 LG.				2	ATT PT
- 28	2204177	. CABLE ASM, CE SWITCHES AND HEAD LOAD FOR COMPONENTS SEE LIST 44-8, 11 17, 34A, 62B, 76 AND 78A				1	
- 29	317192	. GROMMET, RUB-FOR 1/2 HOLE X 1/16 PNL				1	
- 30	194719	. CAPACITOR ASM-W/TERMINALS 16 UF 250 VDC				1	
- 31	255994	. . TERMINAL, LUG				2	
- 32	113819	. . TUBING				2	
- 33	444984	. . CAPACITOR, ELECTROLYTIC - 16UF 250VDC				1	
- 34	2199270	. FILTER, INTAKE				1	
- 35	2257136	. RETAINER, FILTER				1	
- 36	80650	. SCREW, THD CTG-BIND HD NO. 6 X 3/16 LG				2	ATT PT
- 37	1138818	. SCREW, MACH, BIND HD- 4-40 X 1/4 LG				2	
- 38	37913	. NUT, HEX 4-40 NC				2	
- 39	2199480	. CABLE ASM-SLT POWER FOR COMPONENTS SEE LIST 44-2C 69, 69A, 71, 73 AND 73A				1	
- 40	2199441	. PANEL ASSEMBLY-CUSTOMIZED BOARD PARTS OF THIS ASM ARE NOT REPLACEABLE				1	
- 41	2219151	. CLAMP				4	
- 42	472729	. SCREW, MACH-FL CSK HD 4-40 X 3/8 LG				4	ATT PT
- 43	56722	. WASHER-LOCK, EXT T, .150 ID				4	ATT PT
- 44	37913	. NUT, HEX 4-40 NC				4	ATT PT
- 45	811090	. LOCATOR-OVAL				14	
- 46	2204121	. SUPPORT, RETAINER				2	
- 47	322551	. SCREW, BIND HD 6-32 X 0.75 LONG				4	ATT PT
- 48	2204120	. RETAINER ASSEMBLY, SLT CARD PARTS OF THIS ASM ARE NOT REPLACEABLE				1	

LIST AND INDEX NO.	PART NO.	DESCRIPTION 1 2 3 4	UNITS PER ASM.	USABLE ON CODE
ELECTRONIC GATE ASSEMBLY -CONT				
26 - 49	81693	. SCREW,MACH-BIND HD 6-32 X 3/8 LG	1	
- 50	56722	. WASHER-LOCK,EXT T, .150 ID	1	
- 51	257187	. NUT,HEX 6-32 NC	1	
- 52	2204018	. GATE WELDMENT,ELECTRONICS GATE	1	
- 53	35739	. SCREW,MACH-BIND HD 6-32 X 15/16 LG	2	ATT PT
- 54	257986	. WASHER,FLAT NO. 6	2	ATT PT
- 55	344015	. NUT,SELF LKG,HEX- 6-32 X 5/16 FL W	2	ATT PT
- 56	2219010	. LATCH, ELECTRONIC GATE	1	
- 57	2181005	. SCREW, SELF TAPPING, 6-32 X .375 LG.	1	ATT PT
- 58	2257137	. RETAINER,BOARD	1	
- 59	2181005	. SCREW, SELF TAPPING, 6-32 X .375 LG.	3	ATT PT
- 60	2219044	. LABEL,IDENTIFICATION	1	
- 61	2257139	. HOUSING, ELECTRONIC GATE	1	
THE FOLLOWING PARTS ARE FEATURES ONLY				
- 62	2219047	CLAMP SUPPORT,CPU	1	
- 63	2181005	SCREW, SELF TAPPING, 6-32 X .375 LG.	2	ATT PT
- 64	257187	NUT,HEX 6-32 NC	2	ATT PT
- 65	15889	CLAMP-CABLE	1	
- 66	2181005	SCREW, SELF TAPPING, 6-32 X .375 LG.	1	ATT PT

FOR PARTS
NOT SHOWN
SEE FIG. 25

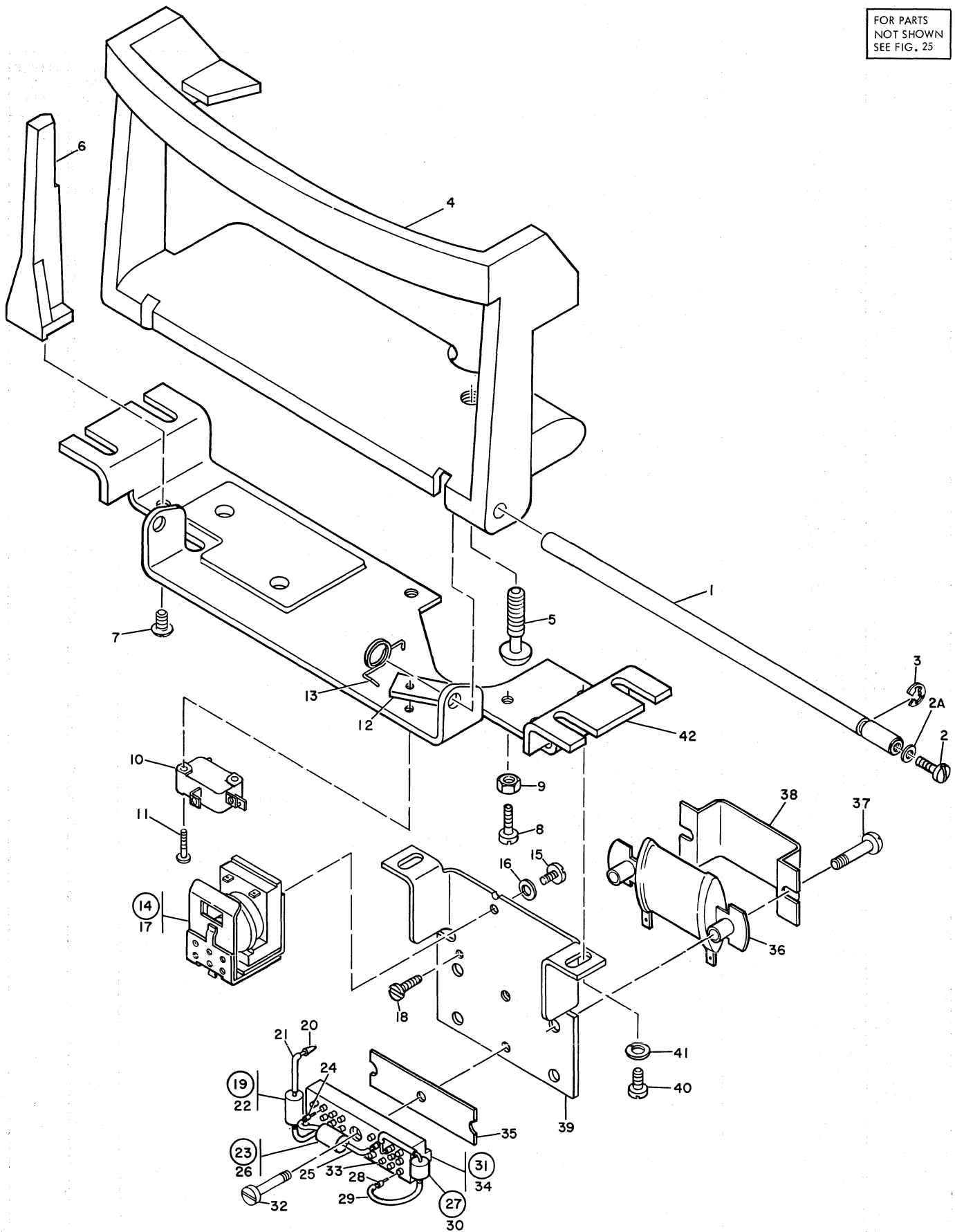


FIGURE 27. INTERLOCK ASSEMBLY. SEE LIST 27

LIST AND INDEX NO.	PART NO.	DESCRIPTION				UNITS PER ASM.	USABLE ON CODE
		1	2	3	4		
		INTERLOCK ASSEMBLY					
27 -	2207642	INTERLOCK ASSEMBLY FOR ILLUSTRATION SEE FIGURE 27 FOR NEXT HIGHER ASM SEE LIST 25-37				REF	
- 1	2199276	• SHAFT,HANDLE				1	
- 2	336324	• SCREW,MACH-FIL H 6-32 X 5/8 LG				1	
- 2A	257986	• WASHER,FLAT NO. 6				1	
- 3	332747	• RING,RETAINING-EXT 0.207 ID X 0.025 THK				1	
- 4	2207593	• HANDLE				1	
- 5	2207644	• SCREW, BUTTON HD HEX SOC 10-24 X 1-1/2LG				1	
- 6	2204085	• COLUMN, CARTRIDGE SUPPORT				2	
- 7	186758	• SCREW,MACH-BIND HD 8-32 X 7/16 LG				2	
- 8	38393	• SCREW,MACH-FIL H 10-32 X 1-3/4 LG				1	
- 9	11598	• NUT, HEX 10-32				1	
- 10	2162551	• SWITCH,MICRO				1	
- 11	438551	• SCREW,MACH-BIND HD 4-40 X 5/8 LG				2	
- 12	2157349	• PLATE, SECTOR PULSE SWITCH				1	
- 13	2207635	• SPRING				1	
- 14	2207637	• RELAY,ACTUATOR PICK 24VDC DROP 3VDC				1	
- 15	186758	• SCREW,MACH-BIND HD 8-32 X 7/16 LG				1	
- 16	2903	• WASHER,FL-NO. 6 X 1/2 OD X 1/32 THK				1	
- 17	2207636	• PLATE,STRIKER				1	
- 18	2181006	• SCREW, SELF TAPPING, 6-32 X 1.00 LG.				1	
- 19	2207960	• RESISTOR, FXD COMP-220 OHMS P/M 5% 1W				1	
- 20	360433	• TERMINAL-TAPER PIN 16/18AWG 0.073 NOM OD				2	
- 21	317304	• TUBING				2	
- 22	321196	• RESISTOR,FXD,COMP- 220 OHMS P/M 5% 1W				1	
- 23	2199447	• RESISTOR ASM-W/PLUGS 15 OHMS P/M 10% 5W				1	
- 24	187243	• TERMINAL, SMALL TAPER 20-22-24 OR 26 AWG				2	
- 25	512848	• TUBING				2	
- 26	520546	• RESISTOR,FXD,WW- 15 OHMS P/M 10% 5W				1	
- 27	615354	• DIODE ASM, SILICON TYPE AM				1	
- 28	187243	• TERMINAL, SMALL TAPER 20-22-24 OR 26 AWG				2	
- 29	113318	• DIODE, SPEC. NOT AVAILABLE				2	
- 30	2111232	• DIODE SILICON TYPE AM				1	
- 31	302090	• TERMINAL BLOCK ASM-24 FEMALE CONTACTS				2	
- 32	438550	• SCREW,MACH-BIND HD 4-40 X 1/2 LG				2	
- 33	302089	• SPRING-TERMINAL BOARD CONTACT				8	
- 34	302088	• BLOCK,TERMINAL				1	
- 35	302131	• STRIP-TERMINAL BLOCK INSULATOR				2	
- 36	2199312	• RESISTOR,WIREWOUND 100 OHMS 40 WATTS				1	
- 37	731627	• SCREW, PAN HEAD, 6-32 X .75 LONG				2	
- 38	2207611	• SHIELD,40W RESISTOR				1	
- 39	2207639	• BRACKET, INTERLOCK				1	
- 40	38235	• SCREW,BIND HD 6-32 X .312 LONG				2	
- 41	257986	• WASHER,FLAT NO. 6				2	
- 42	2207645	• BRACKET ASSEMBLY				1	
		PARTS OF THIS ASM ARE NOT REPLACEABLE					

FOR PARTS
NOT SHOWN
SEE FIG. 25

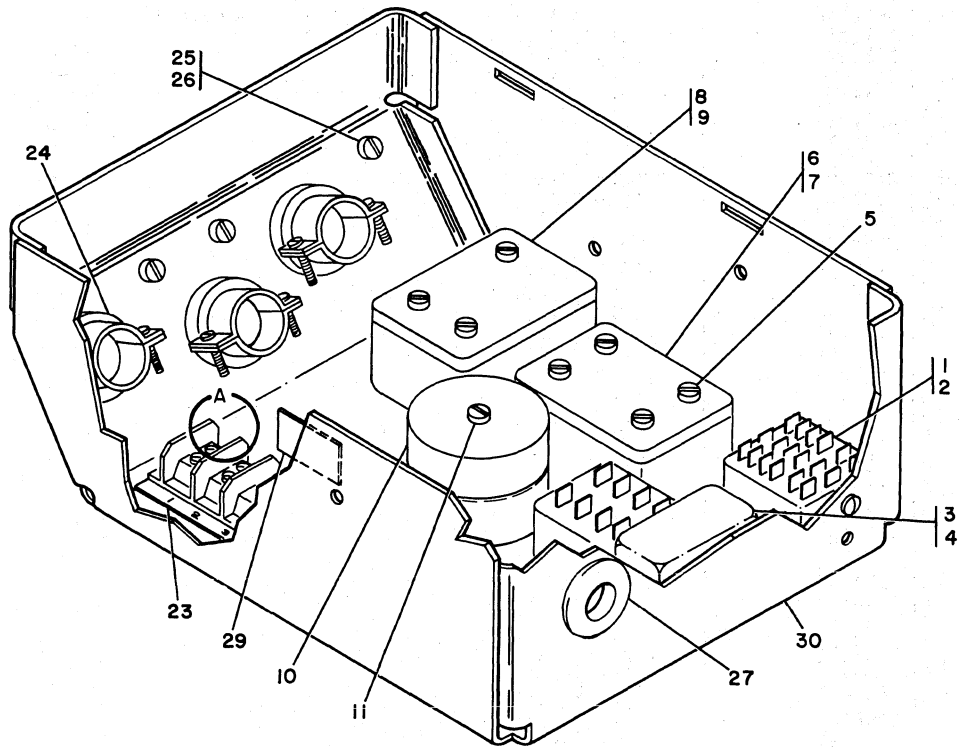
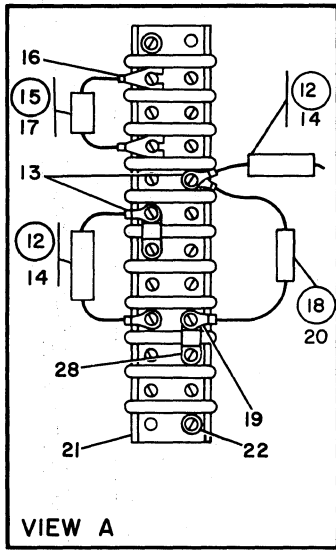


FIGURE 28. AC BOX ASSEMBLY. SEE LIST 28.

LIST AND INDEX NO.	PART NO.	DESCRIPTION	UNITS PER ASM.	USABLE ON CODE
		1 2 3 4		
		AC BOX ASSEMBLY		
28 -	2207631	BOX ASM,AC 115V 60 CYCLE	REF	
-	2207638	BOX ASM,AC 220V 50 CYCLE	REF	
		FOR ILLUSTRATION SEE FIGURE 28		
		FOR NEXT HIGHER ASM SEE LIST 25-43		
- 1	2199251	. RELAY,3PDT-48 VDC COIL	1	
- 2	81693	. SCREW,MACH-BIND HD 6-32 X 3/8 LG ATT PT	1	
- 3	2204173	. RELAY ASM,TIME DELAY 48VOLT DC,100 SEC	1	
- 4	2181005	. SCREW, SELF TAPPING, 6-32 X .375 LG. ATT PT	2	
- 5	2219091	. SCREW,BINDING HD 6-32 X 0.19 LONG	7	
- 6	2219074	. RELAY,MOTOR START- 115V 60 CYCLE	1	
		USED ON 2207631 ASM ONLY		
- 6	2199297	. RELAY,MOTOR START- 220 V 50 CYC	1	
		USED ON 2207638 ASM ONLY		
- 7	5350006	. SCREW, SELF TAPPING, 6-32 X .250 LONG ATT PT	2	
- 8	2204166	. RELAY ASM,MOTOR START-115V 60 CYCLE	1	
- 8	2204165	. RELAY ASM,MOTOR START-230V 50 CYCLE	1	
- 9	5350006	. SCREW, SELF TAPPING, 6-32 X .250 LONG ATT PT	2	
- 10	2160790	. CHOKE ASSEMBLY, TOROID	2	
- 11	438593	. SCREW-MACH-BIND HD NO. 8-32 X 2 1/2 LG ATT PT	1	
- 12	2160805	. CAPACITOR ASM, PAPER 0.01 MFD 20% 600VDC	2	
- 13	1092019	. . TERMINAL, RING NONINS NO 22-16 AWGX0.145	2	
- 14	286531	. . CAPACITOR, PAPER 0.01MFD 20% 600VDC	1	
- 15	2219116	. DIODE ASM,SILICON TYPE AM	1	
- 16	186967	. . TERMINAL,LUG-NONINS 20AWG NO.6 MTG SLOT	2	
- 17	2111232	. . DIODE SILICON TYPE AM	1	
- 18	2101495	. RESISTOR ASM-W/LEADS 100 OHMS 2 W	1	
- 19	1092019	. . TERMINAL, RING NONINS NO 22-16 AWGX0.145	2	
- 20	322888	. . RESISTOR,FXD,COMP- 100 OHMS P/M 5% 2W	1	
- 21	322767	. TERMINAL BLOCK, 10 POSITION	1	
- 22	2181007	. SCREW, SELF TAPPING, 6-32 X .625 LG. ATT PT	2	
- 23	363434	. MARKER STRIP- 10 POS NOS. 1 THRU 10	1	
- 24	2100264	. RELIEF,CABLE STRAIN	3	
- 25	2181005	. SCREW, SELF TAPPING, 6-32 X .375 LG.	3	
- 26	56722	. WASHER-LOCK,EXT T, .150 ID	3	
- 27	265059	. GROMMET,RUB-FOR 5/8 HOLE X 1/16 PNL	1	
- 28	367115	. JUMPER-TERMINAL STRIP VDC DISTR BRS	2	
- 29	138754	. LABEL,VOLTAGE WARNING	1	
- 30	2207632	. BOX	1	

FOR PARTS
NOT SHOWN
SEE FIG. 25

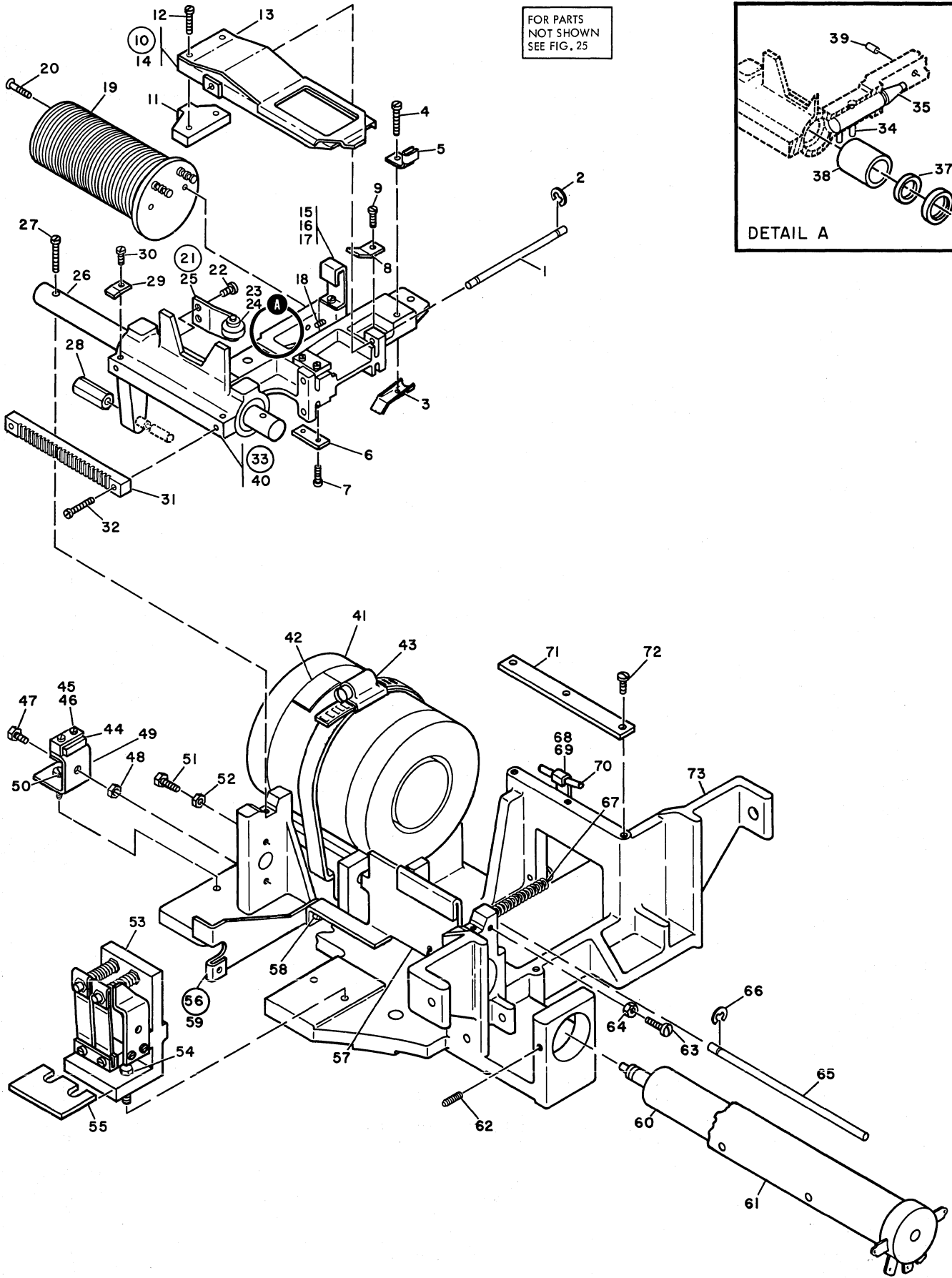
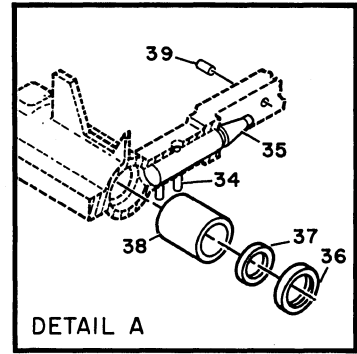


FIGURE 29. ACTUATOR ASSEMBLY. SEE LIST 29.

LIST AND INDEX NO.	PART NO.	DESCRIPTION	UNITS PER ASM.	USABLE ON CODE
29 -	2204028	ACTUATOR ASSEMBLY FOR ILLUSTRATION SEE FIGURE 29 FOR NEXT HIGHER ASM SEE LIST 25-52	REF	
- 1	2199038	. PIN,PIVOT-HEAD LOAD	2	
- 2	251989	. RING, RETAINING 0.051 ID-1.40 OD-0.01 TH	ATT PT	4
- 3	2219015	. CLAMP,LOWER HEAD ARM		1
- 4	2219157	. SCREW,MACH-SOC HD CAP 4-40 X 0.625 LG	ATT PT	1
- 5	2207603	. CLAMP CABLE		1
- 6	2199042	. PLATE-HOLD DOWN HEAD		2
- 7	2219156	. SCREW,MACH-BIND HD 4-40 X 0.250 LG	ATT PT	4
- 8	2207543	. CLAMP-UPPER HEAD SST		1
- 9	2219155	. SCREW,MACH-SOC HD CAP 4-40 X 0.312 LG	ATT PT	1
- 10	2199014	. LOAD ASM,HEAD		2
- 11	2199060	. . FOLLOWER,CAM-HEAD LOAD		1
- 12	2219158	. . SCREW,MACH-BIND HD 4-40 X 0.125	ATT PT	2
- 13	2199061	. . SPRING,HEAD LOAD		1
- 14	2199063	. . SUPPORT,HEAD LOAD SPRING		1
- 15	2199083	. CLIP,COIL LEAD-RAMKIT		1
- 16	2219154	. SCREW,MACH-FIL HD 2-56 X 0.188 LG	ATT PT	1
- 17	263217	. WASHER,LOCK-INT TEETH NO. 2 X 0.180 OD	ATT PT	1
- 18	2207592	. SETSCREW,CRES,6-32 X 1/2 LG		2
- 19	2199429	. COIL ASSEMBLY-VOICE		1
		PARTS OF THIS ASM ARE NOT REPLACEABLE		
- 20	2219036	. SCREW,MACH-FLAT HD 4-40 X 0.281 LG	ATT PT	2
- 21	2219038	. BEARING ASSEMBLY,PRELOAD		1
- 22	2199399	. SCREW,MACH-BIND HD 4-40 X 0.125 IN. LG	ATT PT	2
- 23	2199498	. . BEARING		1
- 24	2219062	. . PIN,STRAIGHT,RD,STEEL,0.1874 DIA X 1/2 1	ATT PT G	1
- 25	2204048	. . SPRING,BEARING PRELOAD		1
- 26	2207505	. RAIL		1
- 27	2204069	. SCREW,MACH-HEX WASHER HD 4-40 X 0.625 LG	ATT PT	2
- 28	2204043	. ACTUATOR,HOME SWITCH		1
- 29	2204160	. SPRING,RACK MOUNT		1
- 30	2219154	. SCREW,MACH-FIL HD 2-56 X 0.188 LG	ATT PT	1
- 31	2204067	. DETENT		1
- 32	2121379	. SCREW,MACH-BUTTON HD 6-32 X 1/4 LG	ATT PT	1
- 33	2207531	. CARRIAGE ASSEMBLY		1
- 34	2219159	. . ROLL PIN,CARRIAGE ASSEMBLY		2
- 35	2199163	. . CAM,HEAD LOAD		1
- 36	2199160	. . RETAINER,WIPER		2
- 37	2199161	. . WIPER,FELT		2
- 38	2199497	. . BEARING,BALL		2
- 39	2219160	. . DWEL PIN,CARRIAGE ASSEMBLY		1
- 40	2207545	. . HOUSING-LINEAR CARRIAGE		1
- 41	2204000	. DRIVE MAGNET ASSEMBLY		1
		PARTS OF THIS ASM ARE NOT REPLACEABLE		
- 42	2219034	. LABEL-WARNING STRONG MAGNET		1
- 43	5212727	. CLAMP,HOSE-NO 3		1
- 44	2129508	. SWITCH,SENSITIVE- SPDT 20V DC 1 AMP		1
- 45	438541	. SCREW,MACH-BIND HD 2-56 X 7/16 LG	ATT PT	2
- 46	2121393	. BLOCK-SWITCH	ATT PT	1
- 47	845	. SCREW,MACH-FIL H 8-32 X 1/2 LG		1
- 48	257189	. NUT, HEX 8-32		1
- 49	2204046	. BRACKET,HOME SWITCH		1
- 50	186759	. SCREW,MACH-BIND HD 8-32 X 5/16 LG	ATT PT	1
- 51	2219092	. SETSCREW,STEEL,10-32 X 3/4 LG		1
- 52	11598	. NUT, HEX 10-32		1
- 53	2204106	. DETENT ASSEMBLY		1
		PARTS OF THIS ASM ARE NOT REPLACEABLE		
- 54	2195400	. SCREW,SHLD-HEX HD 8/32	ATT PT	2
- 55	2219035	. SPACER-DETENT MOUNT		1
- 56	2219187	. PIVOT, HEADLOAD		1
- 57	2219185	. . PIVOT,ACTUATOR		1
- 58	2219186	. . PIN,HEAD LOAD ACTUATOR		1
- 59	2219189	. . LINK,ACTUATOR,PIVOT		1
- 60	2207700	. TACHOMETER AND ROD ASM		1
		PARTS OF THIS ASM ARE NOT REPLACEABLE		
- 61	2204030	. SHIELD ASSEMBLY,TACHOMETER		1
		PARTS OF THIS ASM ARE NOT REPLACEABLE		
- 62	81404	. SETSCREW-SPLINE DR FP 8-32 X 1/4 LG	ATT PT	2
- 63	2219092	. SETSCREW,STEEL,10-32 X 3/4 LG		1
- 64	11598	. NUT, HEX 10-32		1
- 65	2204009	. SHAFT,PIVOT		1
- 66	1092125	. RING, RET 0.145 ID-0.335 OD-0.025 THICK	ATT PT	1
- 67	2204013	. SPRING,EXTENSION-HEAD LOAD PIVOT		1
- 68	2204050	. CLAMP, CABLE 1.75 LONG		1
- 69	5350006	. SCREW, SELF TAPPING, 6-32 X .250 LONG	ATT PT	1
- 70	116875	. INSULATION TUBE- 0.166 ID X 0.186 OD		2
- 71	2204040	. SLIDE,CARRIAGE		1
- 72	5700484	. SCREW, SELF TAPPING, 4-40 X .375 LG.	ATT PT	3
- 73	2207546	. BASE-MOUNTING ACTUATOR		1

FOR PARTS
NOT SHOWN
SEE FIG. 25

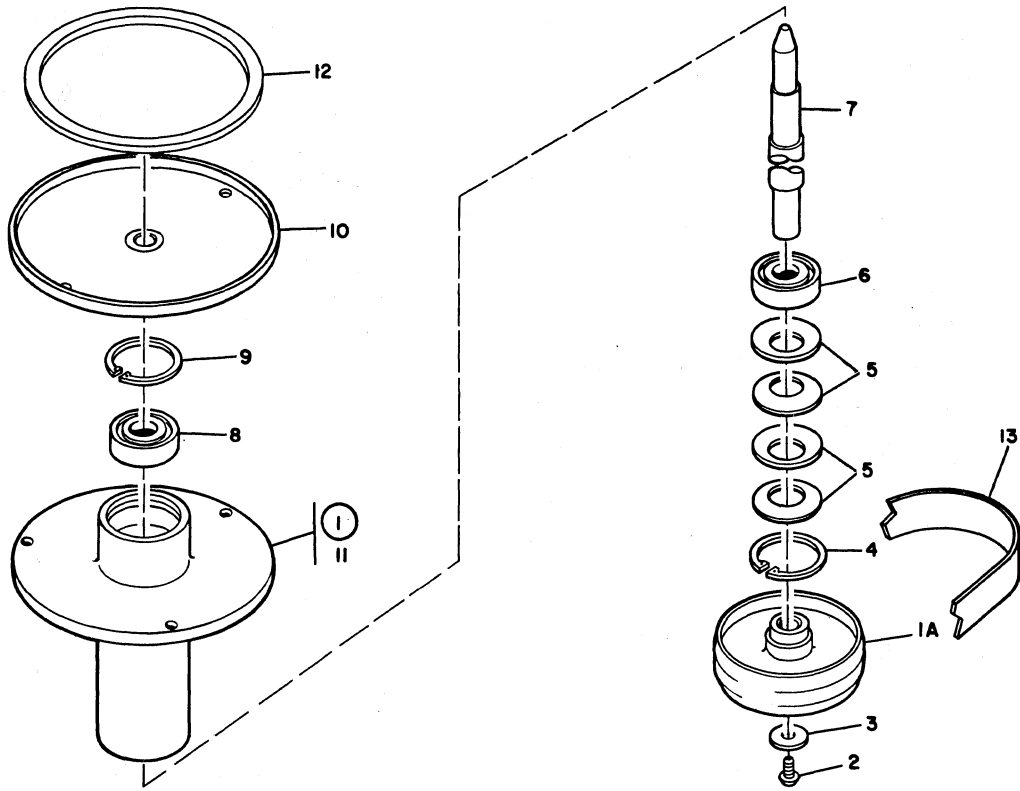


FIGURE 30. SPINDLE AND MAGNETIC CHUCK ASSEMBLY. SEE LIST 30.

LIST AND INDEX NO.	PART NO.	DESCRIPTION	UNITS PER ASM.	USABLE ON CODE
		1 2 3 4		
		SPINDLE AND MAGNETIC CHUCK ASSEMBLY		
30 -	2207714	SPINDLE ASM, MAGNET AND FOR ILLUSTRATION SEE FIGURE 30 FOR NEXT HIGHER ASM SEE LIST 25-69	REF	
- 1	2207713	• SPINDLE ASM		
- 1A	2199332	• PULLEY, DRIVEN		
- 2	2181004	• SCREW, THREAD FORMING-HEX WASHER HD	ATT PT	1
- 3	139050	• WASHER-MOUNTING .012 O.D.	ATT PT	1
- 4	2207710	• RING, SNAP HOUSING BORE 1.378 IN		1
- 5	2199329	• SPRING, WASHER TYPE-1.362 OD-0.882 ID		4
- 6	2207717	• BEARING, ANNULAR BALL		1
- 7	2207708	• SHAFT		1
- 8	2207717	• BEARING, ANNULAR BALL		1
- 9	2207710	• RING, SNAP HOUSING BORE 1.378 IN		1
- 10	2207709	• POLE ASSEMBLY, MAGNETIC CHUCK PARTS OF THIS ASM ARE NOT REPLACEABLE		1
- 11	2207707	• HOUSING		1
- 12	2207715	• MAGNET		1
		PARTS NOT INCLUDED WITH ASSEMBLY		
- 13	2199173	BELT, FLAT-FILE DRIVE		1

FOR PARTS
NOT SHOWN
SEE FIG. 25

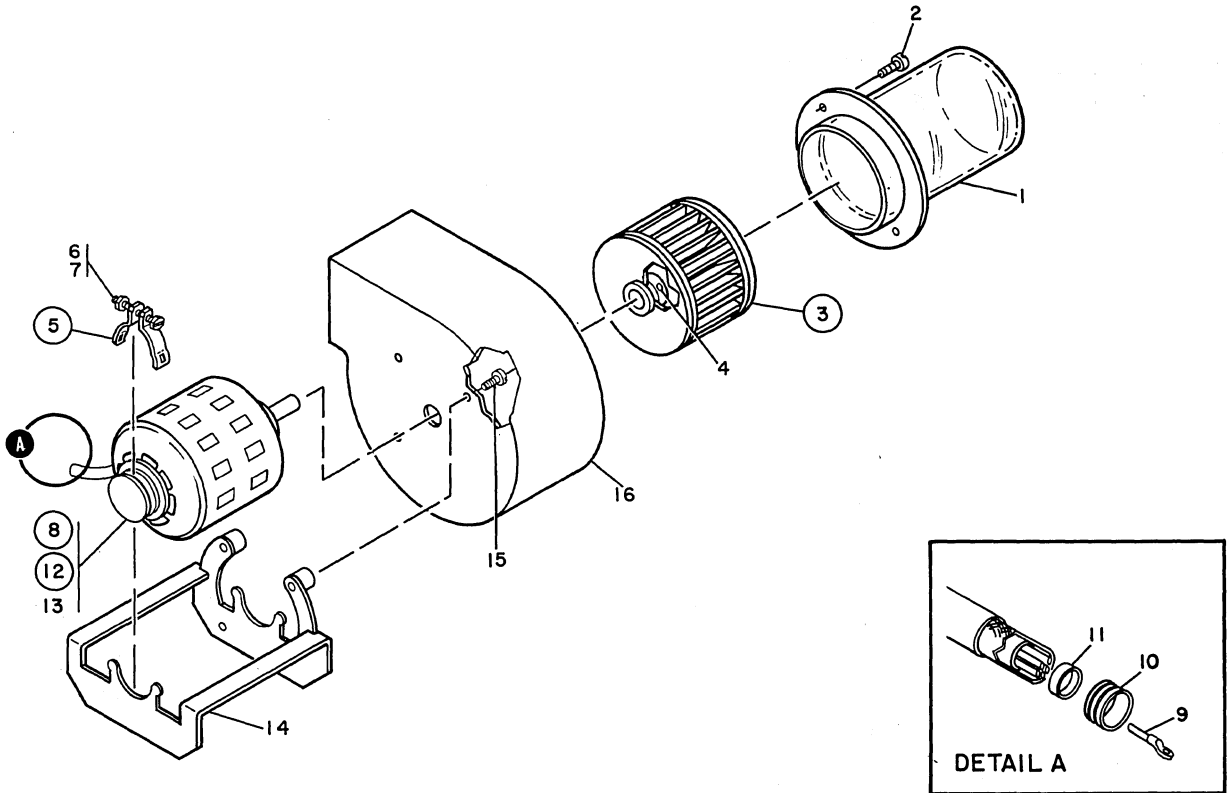


FIGURE 31. BLOWER ASSEMBLY. SEE LIST 31.

LIST AND INDEX NO.	PART NO.	DESCRIPTION				UNITS PER ASM.	USABLE ON CODE	
		1	2	3	4			
		BLOWER ASSEMBLY						
31 -	2204138						REF	
-	2204139						REF	
		FOR ILLUSTRATION SEE FIGURE 31						
		FOR NEXT HIGHER ASM SEE LIST 25-85						
- 1	2204167						1	
- 2	67873						3	
- 3	2204142						1	
- 4	176246						1	
- 5	2122113						2	
- 6	251283						1	
- 7	257187						1	
- 8	2204144						1	
- 8	2204143						1	
- 9	334921						5	
- 10	2204083						1	
- 11	2204082						1	
- 12	2204133						1	
- 12	2204136						1	
- 13	2204165						1	
		. . . RELAY ASM, MOTOR START-230V 50 CYCLE						
		PARTS OF THIS ASM ARE NOT REPLACEABLE						
- 14	2204135						1	
- 15	322550						4	
		. . . BRACKET ASSEMBLY						
		. . . SCREW, MACH-BIND HD 6-32 X 1/2 LG ATT PT						
		PARTS OF THIS ASM ARE NOT REPLACEABLE						
- 16	2204001						1	
		. . . SCROLL, BLOWER						

FOR PARTS
NOT SHOWN
SEE FIG. 25

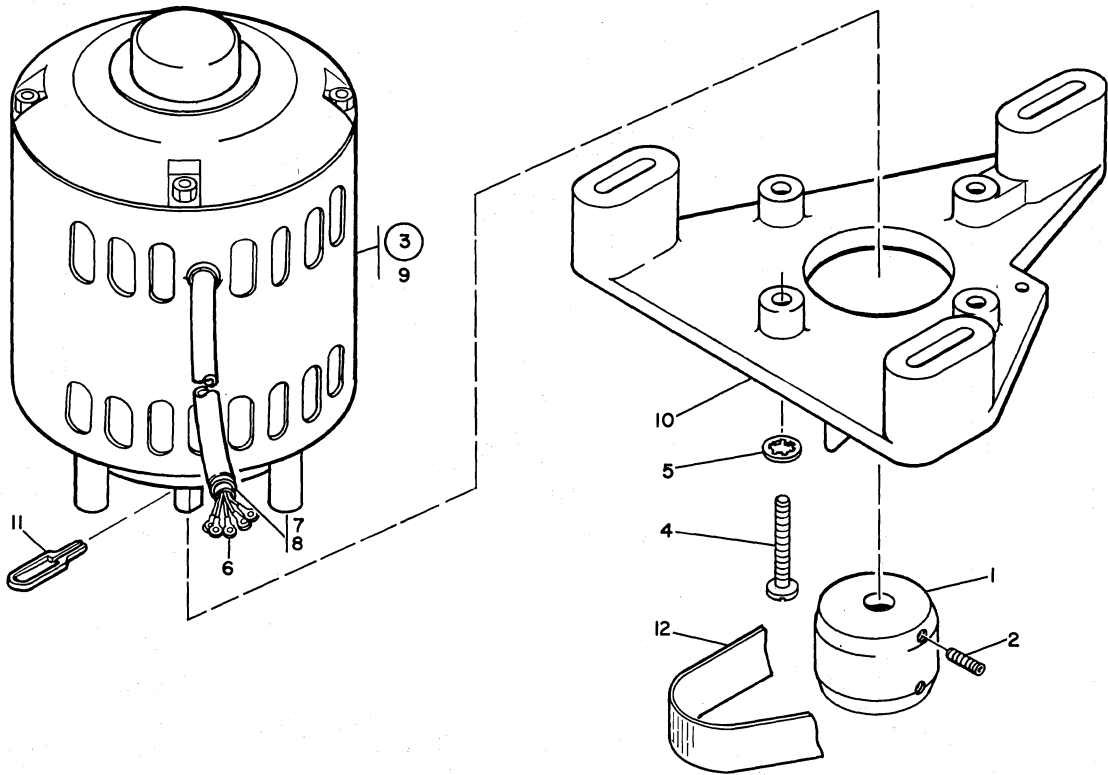


FIGURE 32. DRIVE MOTOR ASSEMBLY. SEE LIST 32.

LIST AND INDEX NO.	PART NO.	DESCRIPTION	UNITS PER ASM.	USABLE ON CODE
		1 2 3 4		
		DRIVE MOTOR ASSEMBLY		
32 -	2199377	MOTOR ASM,DRIVE-115 VOLT 60 CYCLE	REF	
-	2199386	MOTOR ASM,DRIVE-220 VOLT 50 CYCLE FOR ILLUSTRATION SEE FIGURE 32 FOR NEXT HIGHER ASM SEE LIST 25-92	REF	
- 1	2204176	• PULLEY,60 CYCLE	1	
- 1	2199255	• PULLEY,50 CYC	1	
- 2	79842	• SETSCREW-SPLINE DR CUP PT 8-32 X 3/8 LG	ATT PT	2
- 3	2204117	• MOTOR ASM,115V AC 60 CYCLE	1	
- 3	2204118	• MOTOR ASM,220V AC 50 CYCLE	1	
- 4	5528	• SCREW,MACH BIND HD 8-32 X .625 LG USED ON 60 CYCLE ONLY	ATT PT	4
- 4	10295	• SCREW,MACH-BIND HD 10-32 X 1-1/8 LG USED ON 50 CYCLE ONLY	ATT PT	4
- 5	60646	• WASHER,LOCK-INT TEETH NO. 8 X 0.340 OD USED ON 60 CYCLE ONLY	ATT PT	4
- 5	56121	• WASHER,LOCK-INT TEETH NO. 10 X 0.381 OD USED ON 50 CYCLE ONLY	ATT PT	4
- 6	334921	• • TERMINAL-LUG NO.22 THRU NO.18 WIRE INSUL	5	
- 7	2204083	• • FERRULE,OUTER	1	
- 8	2204082	• • FERRULE,INNER	1	
- 9	2199128	• • MOTOR,DRIVE-115V 50 CYC	1	
- 9	2199258	• • MOTOR,DRIVE - 220 V 50 CYC	1	
- 10	2199401	• PLATE,MOTOR MT-115/220 VOLTS 60 CYCLE	1	
- 10	2199402	• PLATE,MOTOR MT-220 VOLT 50 CYCLE	1	
		PARTS NOT INCLUDED WITH THIS ASSEMBLY		
- 11	2204025	OILER,MOTOR 50 CYCLE	1	
- 12	2199173	BELT,FLAT-FILE DRIVE	1	

FOR PARTS
NOT SHOWN
SEE FIG. 4

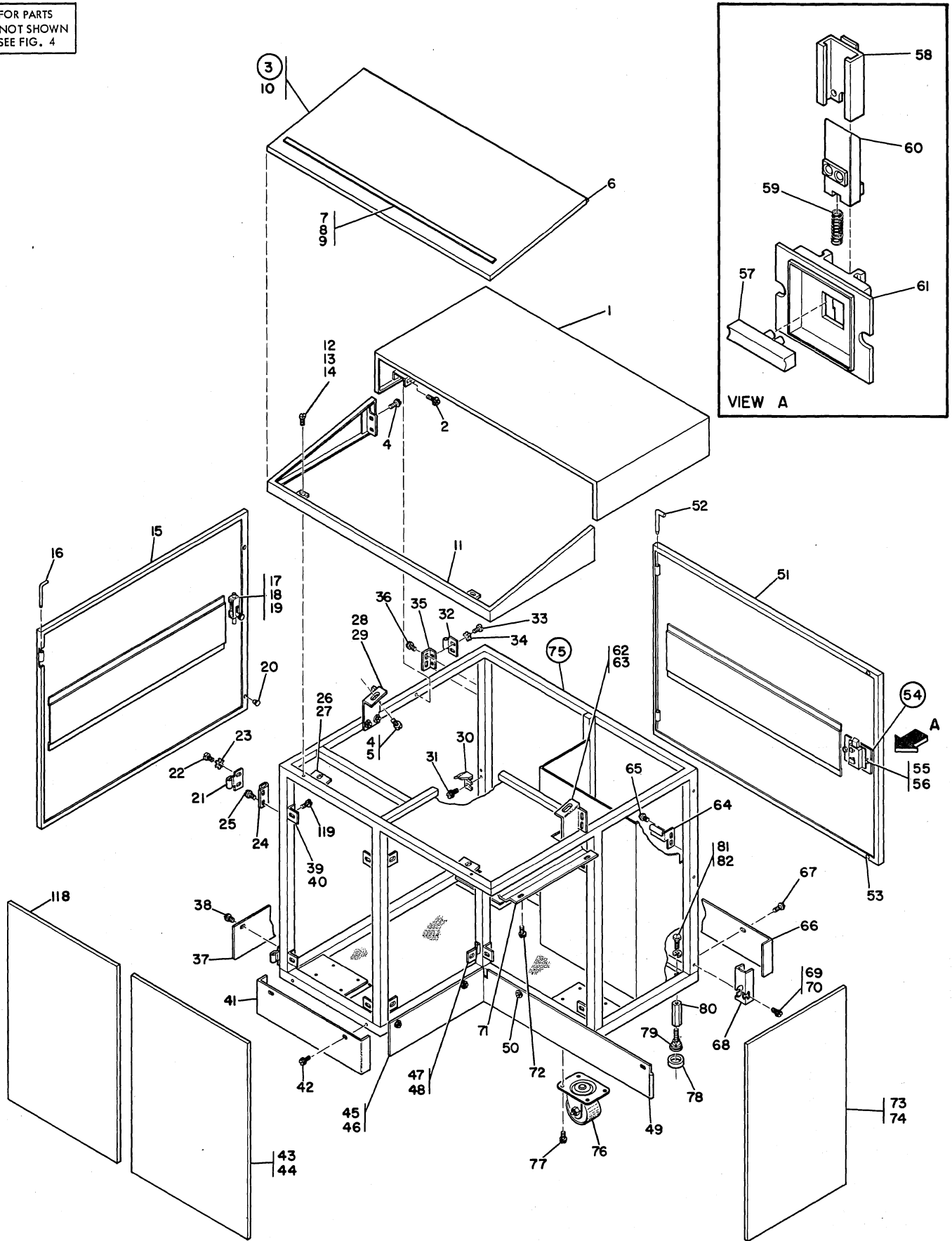


FIGURE 33. EXPANDED MEMORY GROUP. SHEET 1 OF 2, INDEX NOS. 1-82 AND 118-119. SEE LIST 33.

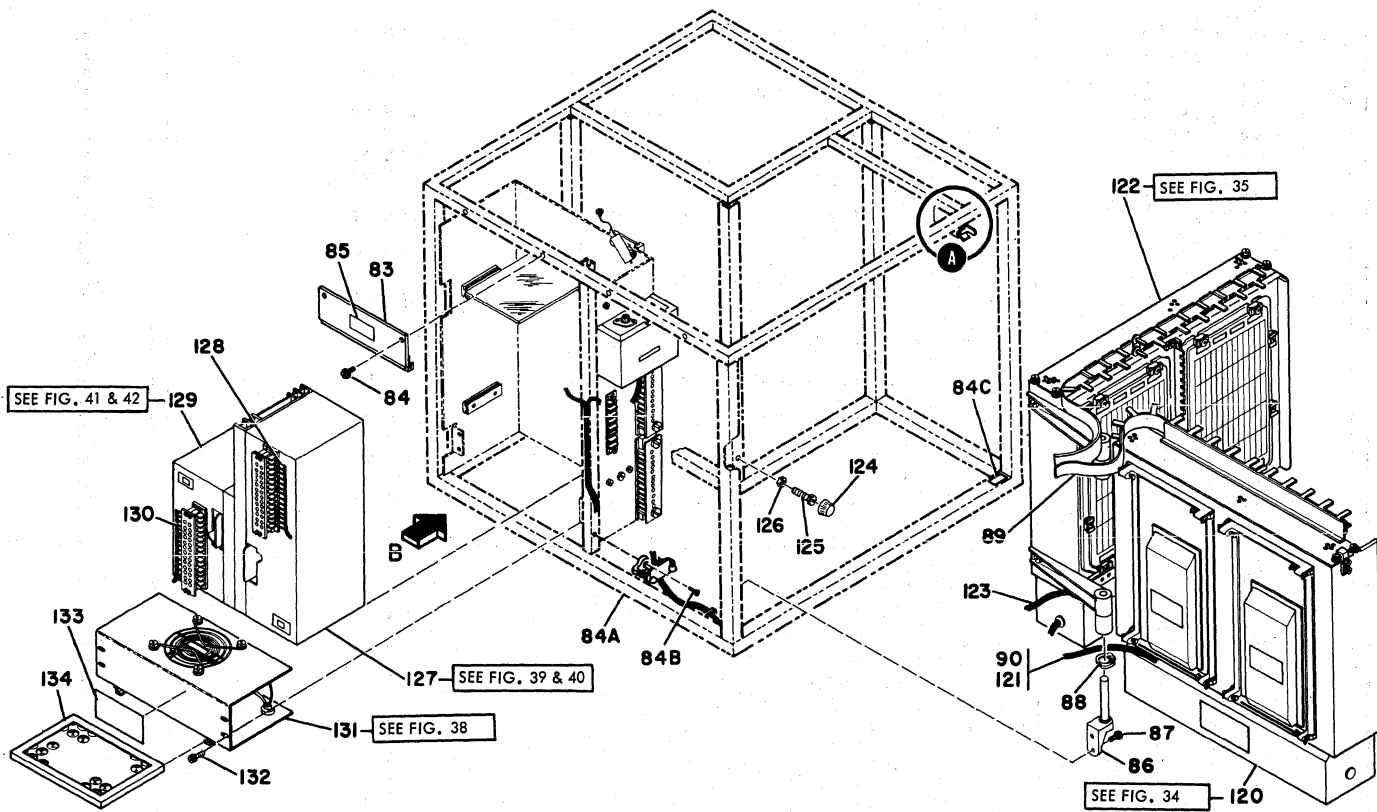
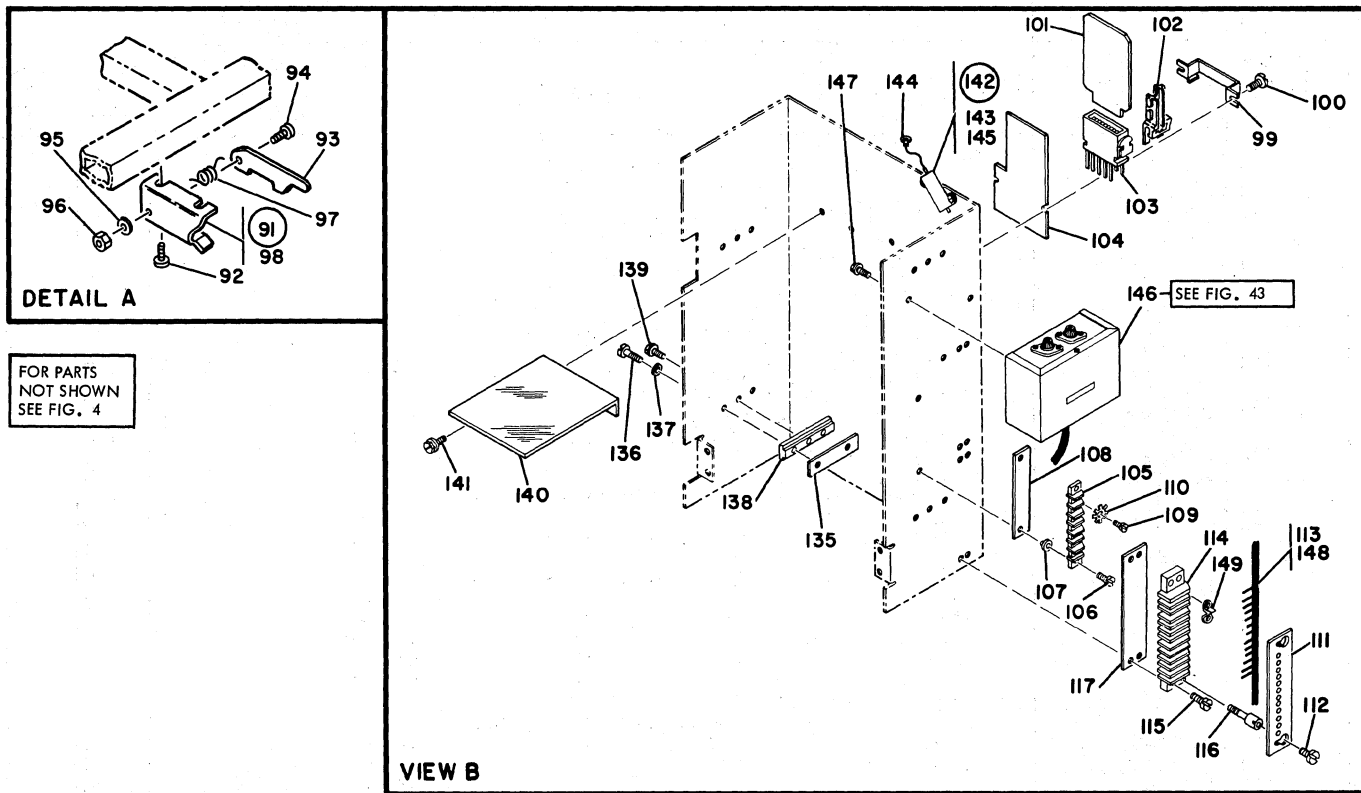


FIGURE 33. EXPANDED MEMORY GROUP. SHEET 2 OF 2, INDEX NOS. 83-117 AND 120-149. SEE LIST 33.

LIST AND INDEX NO.	PART NO.	DESCRIPTION	UNITS PER ASM.	USABLE ON CODE
		1 2 3 4		
		EXPANDED MEMORY GROUP		
.33 -		CODE A USED ON 60 CYCLE ONLY CODE B USED ON 50 CYCLE ONLY CODE C USED ON 32K ONLY		
-	2243300 NP	EXPANDED MEMORY GROUP FOR ILLUSTRATION SEE FIGURE 33	NP	
- 1	2243116	. COVER, TOP REAR	1	
- 2	2181004	. SCREW, THREAD FORMING-HEX WASHER HD	4	
- 3	2243120	. TABLE TOP ASM, EXPANDED MEMORY	1	
- 4	32042	. SCREW, MACH BIND. HD 10-32 X 3/8 LG.	4	
- 5	56079	. WASHER-LOCK, EXT T .204 ID .410 OD	4	
- 6	2243121	. . SEAL	1	
- 7	2243122	. . BAR ASM PARTS OF THIS ASM ARE NOT REPLACEABLE	1	
- 8	257189	. . NUT, HEX 8-32	3	
- 9	55901	. . WASHER, LOCK, EXT TEETH - .176 DIA	3	
- 10	2243119	. . TABLE TOP PARTS OF THIS ASM ARE NOT REPLACEABLE	1	
- 11	2243117	. BEZEL, TABLE TOP	1	
- 12	32042	. SCREW, MACH BIND. HD 10-32 X 3/8 LG.	4	
- 12	2181004	. SCREW, THREAD FORMING-HEX WASHER HD	4	
- 13	56079	. WASHER-LOCK, EXT T .204 ID .410 OD	4	
- 14	11598	. NUT, HEX 10-32	4	
- 15	2243110	. COVER, HINGED LEFT SIDE PARTS OF THIS ASM ARE NOT REPLACEABLE		
- 16	2190586	. PIN, HINGE	2	
- 17	528014	. PIN-LATCH	1	
- 18	528013	. STUD-LATCH	1	
- 19	528012	. SPRING, HELICAL, COMPR	1	
- 20	1108505	. BUMPER	2	
- 21	2190583	. HINGE, COVER	2	
- 22	34512	. SCREW, MACH-BIND HD 8-32 X 3/8 LG	4	
- 23	55901	. WASHER, LOCK, EXT TEETH - .176 DIA	4	
- 24	2243102	. BRACKET, HINGE MTG	2	
- 25	2181004	. SCREW, THREAD FORMING-HEX WASHER HD	4	
- 26	2243118	. BRACKET	2	
- 27	2181004	. SCREW, THREAD FORMING-HEX WASHER HD	4	
- 28	2243115	. BRACKET, LT	1	
- 29	2181004	. SCREW, THREAD FORMING-HEX WASHER HD	2	
- 30	2190861	. BRACKET, LATCH-RIGHT END COVER	1	
- 31	2181004	. SCREW, THREAD FORMING-HEX WASHER HD	2	
- 32	2190583	. HINGE, COVER	2	
- 33	34512	. SCREW, MACH-BIND HD 8-32 X 3/8 LG	4	
- 34	55901	. WASHER, LOCK, EXT TEETH - .176 DIA	4	
- 35	2190585	. BRACKET, HINGE COVER	2	
- 36	2181004	. SCREW, THREAD FORMING-HEX WASHER HD	4	
- 37	2190620	. KICKSTRIP, LEFT SIDE	1	
- 38	159494	. SCREW, BIND HD, 10-32 X 1/4 LG	3	
- 39	2190579	. BRACKET, COVER LEFT FRONT	10	
- 40	2181004	. SCREW, THREAD FORMING-HEX WASHER HD	10	
- 41	2243190	. KICKSTRIP, LEFT FRONT	1	
- 42	159494	. SCREW, BIND HD, 10-32 X 1/4 LG	2	
- 43	2243108	. COVER, RIGHT FRONT	1	
- 44	2181004	. SCREW, THREAD FORMING-HEX WASHER HD	4	
- 45	2243189	. KICKSTRIP, RIGHT SIDE	1	
- 46	159494	. SCREW, BIND HD, 10-32 X 1/4 LG	2	
- 47	2243103	. BRACKET	2	
- 48	2181004	. SCREW, THREAD FORMING-HEX WASHER HD	4	
- 49	2243191	. KICKSTRIP, RIGHT FRONT	1	
- 50	159494	. SCREW, BIND HD, 10-32 X 1/4 LG	2	
- 51	2243111	. COVER ASM, REAR PARTS OF THIS ASM ARE NOT REPLACEABLE	1	
- 52	2190586	. PIN, HINGE	2	
- 53	1108505	. BUMPER	2	
- 54	2191006	. LATCH ASM, DOMESTIC	1	
- 54	2191014	. LATCH ASM, WTC	1	
- 55	257189	. NUT, HEX 8-32	2	
- 56	183841	. WASHER-SPRING	2	
- 57	2190974	. . HANDLE, LATCH USE ON ASM 2191006 ONLY	1	
- 58	2190973	. . RETAINER, LATCH	1	
- 59	2191007	. . SPRING-COMPRESSION	1	
- 60	2190972	. . BOLT, LATCH	1	
- 61	2190971	. . HOUSING, LATCH	1	
- 62	2243114	. BRACKET, RT	1	
- 63	2181004	. SCREW, THREAD FORMING-HEX WASHER HD	2	

LIST AND INDEX NO.	PART NO.	DESCRIPTION	UNITS PER ASM.	USABLE ON CODE
		EXPANDED MEMORY GROUP -CONT		
33 - 64	2191028	. CATCH,BRACKET LATCH	1	
- 65	2181004	. SCREW,THREAD FORMING-HEX WASHER HD ATT PT	2	
- 66	2243192	. KICKSTRIP,REAR	1	
- 67	159494	. SCREW, BIND HD, 10-32 X 1/4 LG ATT PT	3	
- 68	2243124	. COUPLER,REAR	1	
- 69	2181004	. SCREW,THREAD FORMING-HEX WASHER HD ATT PT	6	
- 70	45690	. WASHER, FL - NO.10 X 7/16 OD X 1/32 THK ATT PT	3	
- 71	2243125	. COUPLER,FRONT	1	
- 72	2181004	. SCREW,THREAD FORMING-HEX WASHER HD ATT PT	4	
- 73	2243109	. COVER,RIGHT SIDE	1	
- 74	2181004	. SCREW,THREAD FORMING-HEX WASHER HD ATT PT	4	
- 75	2243101	. FRAME ASM,EXPANDED MEMORY	1	
- 76	513271	. . CASTER,SWIVEL- 3 IN. WHL W/MTG PLATE	4	
- 77	5353301	. . SCREW-THREAD FORMING, HEX. WASHER HEAD ATT PT	16	
- 78	2162666	. CUP	4	
- 79	2191786	. BOLT-SQUARE NECK,1/2-13 X 2 LG	4	
- 80	2243123	. SPACER NUT,HEX 1.0 X 2.44,.500-13UNC	4	
- 81	93178	. SCREW,CAP-SLOT HD,1/13 X 3/4 LG ATT PT	4	
- 82	130987	. WASHER,LOCK-SPLIT 0.509 ID X 0.879 OD ATT PT	4	
- 83	2243155	. SUPPORT ASM,CABLE	2	
		PARTS OF THIS ASM ARE NOT REPLACEABLE		
- 84	2181004	. SCREW,THREAD FORMING-HEX WASHER HD ATT PT	4	
- 84A	523250	. CLAMP-ADJUSTABLE CABLE	2	
- 84B	336657	. SCREW,MACHINE ATT PT	2	
- 84C	124943	. LABEL-HAZARDOUS AREA	1	
- 85	369207	. LABEL-VOLTAGE	1	
- 86	2243150	. HINGE AND PIN ASM,GATE	2	
		PARTS OF THIS ASM ARE NOT REPLACEABLE		
- 87	5353301	. SCREW-THREAD FORMING, HEX. WASHER HEAD ATT PT	4	
- 88	2243090	. STOP,GATE	2	
- 89	2243170	. CABLE ASM,20 SIG	1	
		FOR COMPONENT PARTS SEE LIST 44-75		
		76,77 AND 78		
- 90	2243165	. CABLE ASM, DC DIST. TO GATE D	1	
		FOR COMPONENT PARTS SEE LIST 44-1		
		2A,3 AND 23		
- 91	2178626	. LATCH ASM, GATE	1	
- 92	2181004	. SCREW,THREAD FORMING-HEX WASHER HD ATT PT	2	
- 93	2178625	. . LATCH,GATE	1	
- 94	5677	. . SCREW,MACH-BIND HD 10-32 X 3/4 LG ATT PT	1	
- 95	2125974	. . WASHER, INT TOOTH, .200 ID X .562 OD ATT PT	1	
- 96	11598	. . NUT, HEX 10-32 ATT PT	1	
- 97	2157668	. . SPRING	1	
- 98	2178624	. . STRIKER-GATE LATCH	1	
- 99	2197379	. BRACKET,RECT-SUPPORT	1	
-100	38235	. SCREW,BIND HD 6-32 X .312 LONG ATT PT	2	
-101	374744	. CARD ASM TSTR,LOGIC VOLTAGE SENSE	1	
		PARTS OF THIS ASM ARE NOT REPLACEABLE		
-102	216206	. GUIDE-SINGLE CARD LONG	1	
-103	216076	. TERMINAL BLOCK AND CONTACT ASSEMBLY	1	
		FOR COMPONENT PARTS SEE LIST 44-64		
-104	2243145	. INSULATOR	1	
-105	2162453	. BAR, BUS	1	
-106	731627	. SCREW, PAN HEAD, 6-32 X .75 LONG ATT PT	2	
-107	596211	. SPACER-LAMINATED BUS BLOCK	2	
-108	2195919	. INSULATOR,GROUND BLOCK	1	
-109	221790	. SCREW,MACH-BIND HD 8-32 X 3/16 LG	7	
-110	55901	. WASHER, LOCK, EXT TEETH - .176 DIA	7	
-111	352826	. COVER TERMINAL	2	
-112	1127733	. SCREW,MACH-SLTD HD 6-32 X 1/4 LG ATT PT	4	
-113	2243156	. CABLE ASM, AC DIST. CPU TO TB1	1	
		FOR COMPONENT PARTS SEE LIST 44-2A,2C,3		
-114	323842	. TERMINAL BLOCK, 12 POSITION	2	
-115	2181071	. SCREW-BD MTG ATT PT	4	
-116	210883	. STUD, EXT 6-32 X 1/2 INT 6-32 X 0.19 DP ATT PT	4	
-117	589814	. MARKER STRIP, 12 POS NOS 1 THRU 12	2	
		THE FOLLOWING PARTS ARE FEATURES ONLY		
-118	2243104	COVER,LEFT FRONT,GRAY	1	
-118	2243105	COVER,LEFT FRONT,RED	1	
-118	2243106	COVER,LEFT FRONT,BLUE	1	
-118	2243107	COVER,LEFT FRONT,YELLOW	1	
-119	2181004	SCREW,THREAD FORMING-HEX WASHER HD ATT PT	4	

LIST AND INDEX NO.	PART NO.	DESCRIPTION	UNITS PER ASM.	USABLE ON CODE
		EXPANDED MEMORY GROUP -CONT		
33 -120	2243140	D GATE ASM, ONE BOARD, 60 CYCLE	1	A
-120	2243141	D GATE ASM, ONE BOARD, 50 CYCLE USED CN 8K ONLY	1	B
-120	2243138	D GATE ASM, TWO BOARD, 60 CYCLE	1	A
-120	2243139	D GATE ASM, TWO BOARD, 50 CYCLE USED CN 16K AND 32K ONLY FOR DETAIL BREAKDOWN SEE LIST 34	1	B
-121	2243167	CABLE ASM, SPECIAL DC TO GATE D FOR COMPONENT PARTS SEE LIST 44-2A,3	1	
-122	2243142	E GATE ASM, TWO BOARD, 60 CYCLE	1	A
-122	2243143	E GATE ASM, TWO BOARD, 50 CYCLE USED ON 32K ONLY FOR DETAIL BREAKDOWN SEE LIST 35	1	B
-123	2243166	CABLE ASM, DC DIST. TO GATE E	1	
-123	2243168	CABLE ASM, SPECIAL DC TO E GATE FOR COMPONENT PARTS SEE LIST 44-2A,3	1	
-124	333064	BUMPER, RUBBER	1	C
-125	36112	SCREW, MACH-HEX HD 1/4-20 X 1-1/2 LG	1	C
-126	36109	NUT, PLAIN, HEX- 1/4-20 X 7/16 FL W	1	C
-127	5709440	POWER SUPPLY ASM, 9-12VDC 10A-60CPS	1	A
-127	5709480	POWER SUPPLY ASM, 9-12VDC 10A-50CPS USED W/MIDPACK 2.2 MICROSEC ONLY FOR DETAIL BREAKDOWN SEE LIST 39	1	B
-127	5239409	POWER SUPPLY ASM, 6V AT 12AMPS-60CYCLE	1	A
-127	5239427	POWER SUPPLY ASM, 6V AT 12AMPS-50CYCLE USED W/16K + 32K MED POWER SUPPLY ONLY FOR DETAIL BREAKDOWN SEE LIST 40	1	B
-128	2243160	CABLE ASM, PRIMARY AC TO P/S 7 FOR COMPONENT PARTS SEE LIST 44-1 AND 2C	1	
-128	2243164	CABLE ASM, VZ TRACKING, P/S 7 TO GATE D FOR COMPONENT PARTS SEE LIST 44-2C, 9A, 47 USED W/MIDPACK SUPPLY	1	
-128	2243601	CABLE ASM, P/S 7 TO TB 2 FOR COMPONENT PARTS SEE LIST 44-2A USED W/MEDIUM POWER SUPPLY	1	
-129	5709430	POWER SUPPLY ASSEMBLY 15V 2.5A 60 CYCLE	1	A
-129	5709470	POWER SUPPLY ASSEMBLY 15V 2.5A 50 CYCLE USED W/MIDPACK 2.2 FOR DETAIL BREAKDOWN SEE LIST 41	1	B
-129	5239400	POWER SUPPLY ASM, 3 AT 4AMPS-60 CYCLE	1	A
-129	5239418	POWER SUPPLY ASM, 3V AT 4AMPS-50 CYCLE USED W/32K + 3.6 MED POWER SUPPLY ONLY FOR DETAIL BREAKDOWN SEE LIST 42	1	B
-130	2243159	CABLE ASM, PRIMARY AC TO P/S 8 FOR COMPONENT PARTS SEE LIST 44-1, 2C	1	
-130	2243158	CABLE ASM, P/S 8 TO TB2 FOR COMPONENT PARTS SEE LIST 44-2A USED W/MEDIUM POWER SUPPLY ONLY	1	
-130	2243602	CABLE ASM, PS8 TO BL TB2 FOR COMPONENT PARTS SEE LIST 44-2A USED W/MEDIUM POWER SUPPLY ONLY	1	
-131	2243172	BLOWER ASM, 60 CYCLE	1	A
-131	2243173	BLOWER ASM, 50 CYCLE FOR DETAIL BREAKDOWN SEE LIST 38	1	B
-132	2181004	SCREW, THREAD FORMING-HEX WASHER HD	4	
-133	369208	DECAL, INST-HAZARDOUS AREA	1	
-134	5357064	FILTER, AIR, 8.30 X 5.91	1	
-135	2193933	INNER RAIL, POWER SUPPLY MOUNTING	AR	
-136	101706	SCREW, MACH-HEX HD 10-32 X 3/4 LG	AR	
-137	2125974	WASHER, INT TOOTH, .200 ID X .562 OD	AR	
-138	2193932	OUTER RAIL, POWER SUPPLY MOUNTING	AR	
-139	2181004	SCREW, THREAD FORMING-HEX WASHER HD	AR	
-140	2159711	SHIELD, POWER SUPPLY	1	
-141	2181004	SCREW, THREAD FORMING-HEX WASHER HD	2	
-142	2243231	RESISTOR ASM, 4.0 OHMS 50 WATTS	1	
-143	251970	SCREW-MACH BD. HD. 4-40 X 1/4 LG	2	
-144	360370	. TERMINAL-RING TONGUE NO.14-16 WIRE	2	
-145	2194889	. RESISTOR, WIREWOUND, 4.0 OHMS 50 WATTS	1	
-146	2243147	SEQUENCE BOX ASM, USED W/MIDPACK 2.2 MICROSEC	1	
-146	2243603	SEQUENCE BOX ASM, USED W/MIDPACK 3.6 MICROSEC	1	
-146	2243361	SEQUENCE BOX ASM, USED W/MEDIUM POWER SUPPLY FOR DETAIL BREAKDOWN SEE LIST 43	1	
-147	5350012	SCREW, THD FORMING HEX WSR HD 8-32 X .25	2	
-148	2243157	CABLE ASM, DC DIST. CPU TO TB2 USED W/MIDPACKS ONLY FOR COMPONENT PARTS SEE LIST 44-2A AND 3	1	
-148	2243605	CABLE ASM, DC DIST, CPU TO TB 2 USED W/MEDIUM POWER SUPPLIES ONLY FOR COMPONENT PARTS SEE LIST 44-2A AND 3	1	
-149	367115	JUMPER-TERMINAL STRIP VDC DISTR BRS	3	

FOR PARTS
NOT SHOWN
SEE FIG. 33

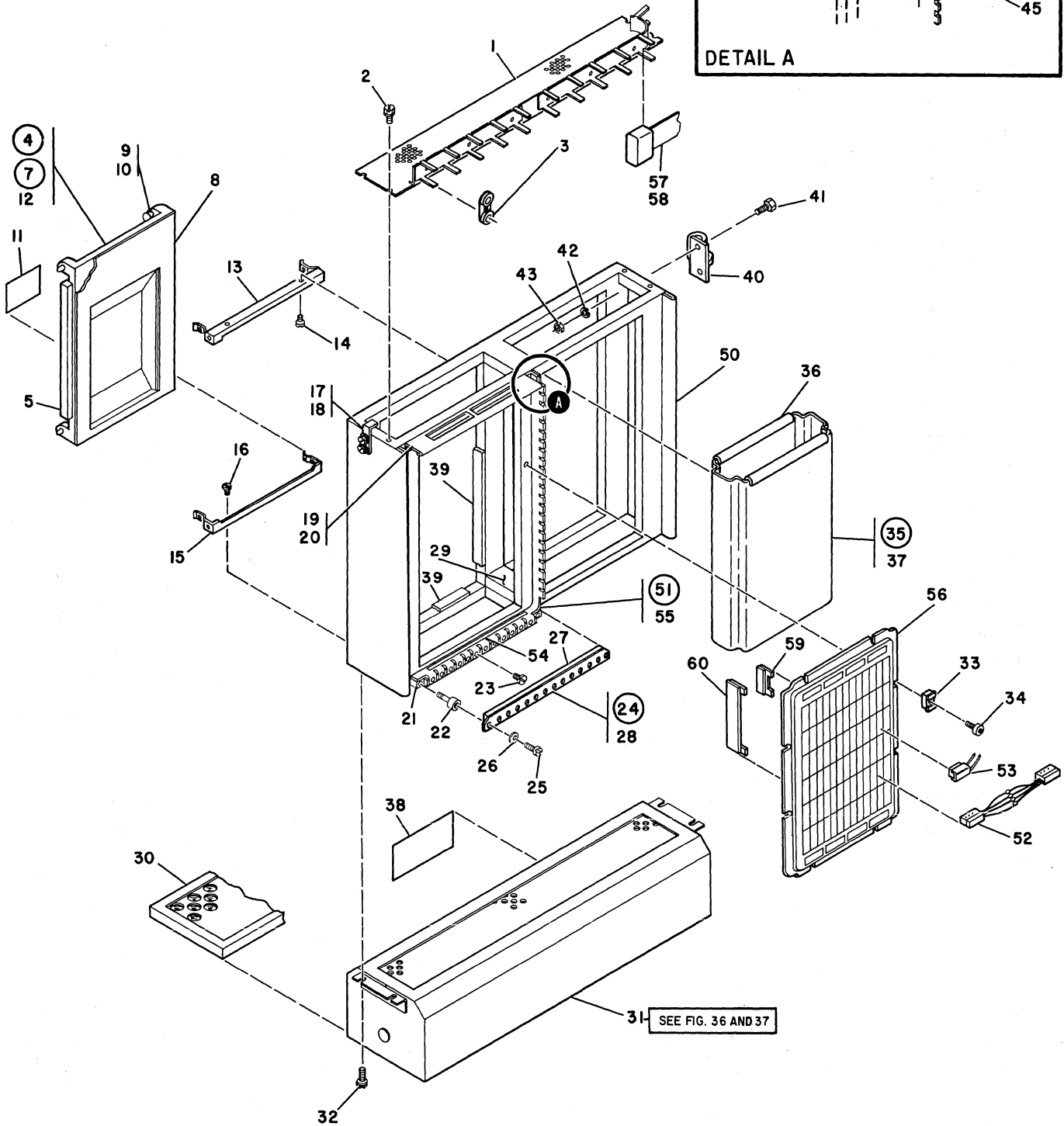
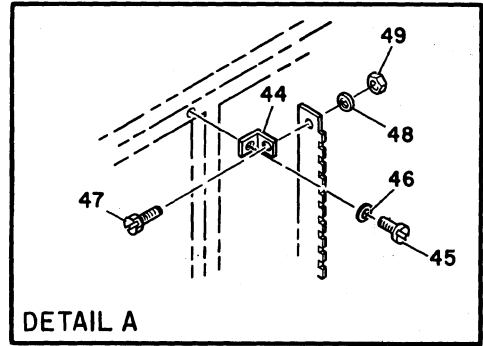


FIGURE 34. D GATE ASSEMBLY. SEE LIST 34.

LIST AND INDEX NO.	PART NO.	DESCRIPTION				UNITS PER ASM.	USABLE ON CODE
		1	2	3	4		
		D GATE ASSEMBLY					
34 -	2243138					REF	A
-	2243139					REF	B
		USED ON 16K AND 32K ONLY					
-	2243140					REF	A
-	2243141					REF	B
		USED ON 8K ONLY FOR ILLUSTRATION SEE FIGURE 3J FOR NEXT HIGHER ASM SEE LIST 33-120					
- 1	2243136						1
- 2	5350012						4
- 3	811427				ATT PT		AR
- 4	2243135						AR
- 5	2243197						AR
- 7	2190824						AR
- 8	2190834						1
- 9	815963						4
- 10	815964						4
- 11	2191096						1
- 12	2190808						1
- 13	811853						AR
- 14	734483				ATT PT		AR
- 15	2190819						AR
- 16	734483				ATT PT		AR
- 17	2178627						1
- 18	5319854				ATT PT		2
- 19	2243091						AR
- 20	236849				ATT PT		AR
- 21	811476						1
- 22	811536				ATT PT		2
- 23	811481				ATT PT		12
- 24	811556						1
- 25	10170				ATT PT		2
- 26	22478				ATT PT		2
- 27	811555						1
- 28	811534						1
- 29	2197310						3
- 30	2243128						1
- 31	2243129						1
- 31	2243131						1
- 31	2243130						1
- 31	2243132						1
- 32	5350012				ATT PT		4
- 33	813179						AR
- 34	811417				ATT PT		AR
- 35	2227451						1
- 36	816652						2
- 37	816653						1
- 38	369208						1
- 39	596756						6
- 40	2194604						2
- 41	59647				ATT PT		4
- 42	6935				ATT PT		4
- 43	36109				ATT PT		4
- 44	811742						1
- 45	811426				ATT PT		1
- 46	257986				ATT PT		1
- 47	438550						1
- 48	257985						1
- 49	37913						1
- 50	2243133						1

LIST AND INDEX NO.	PART NO.	DESCRIPTION	UNITS PER ASM.	USABLE ON CODE
		1 2 3 4		
		D GATE ASSEMBLY -CONT		
		THE FOLLOWING PARTS ARE FEATURES ONLY		
34 - 51	2243149	BUS AND CROSSOVER ASM USED ON 2.2 MICROSEC ONLY	1	
- 51	2243171	BUS AND CROSSOVER ASM USED ON 3.6 MICROSEC ONLY	1	
- 52	811621	• CROSSOVER ASSEMBLY, VOLTAGE FOR COMPONENT PARTS SEE LIST 44-69 70 AND 73	5	
- 53	2195466	• JUMPER ASM, GATE DOUBLE	5	
- 53	2196042	• JUMPER ASM, GATE DOUBLE	1	
- 53	2196055	• JUMPER ASM, GATE DOUBLE FOR COMPONENT PARTS SEE LIST 44-9,47,72	1	
- 53	2196049	• JUMPER ASM, GATE SINGLE	18	
- 53	2196052	• JUMPER ASM, GATE DOUBLE FOR COMPONENT PARTS SEE LIST 44-9 AND 47 USED ON ASM 2243149 ONLY	8	
- 53	2195294	• JUMPER ASM, GATE DOUBLE FOR COMPONENT PARTS SEE LIST 44-69A 71,72 AND 73A USED ON ASM 2243171 ONLY	AR	
- 54	2197488	• LABEL USED ON ASM 2243149 ONLY	1	
- 54	2197489	• LABEL USED ON ASM 2243171 ONLY	1	
- 55	811525	• BUS ASSEMBLY PARTS OF THIS ASM ARE NOT REPLACEABLE	1	
- 56	2510223	BOARD ASM,8K USED ON 2.2 MICROSEC ONLY	AR	
- 56	2510225	BOARD ASM,8K USED ON 3.6 MICROSEC ONLY PARTS OF THIS ASM ARE NOT REPLACEABLE	AR	
- 57	2191342	CABLE ASM,INTER GATE USED WITH 16K AND 32K ONLY FOR COMPONENT PARTS SEE LIST 44-45	AR	
- 58	5802225	CABLE ASM USED ON 2.2 MICROSEC ONLY FOR COMPONENT PARTS SEE LIST 44-75 76,77 AND 78	1	
- 59	811802	GUIDE-CARD,6 PAC	AR	
- 60	811363	EXTENDER, CARD, 6 PAC	AR	

FOR PARTS
NOT SHOWN
SEE FIG. 33

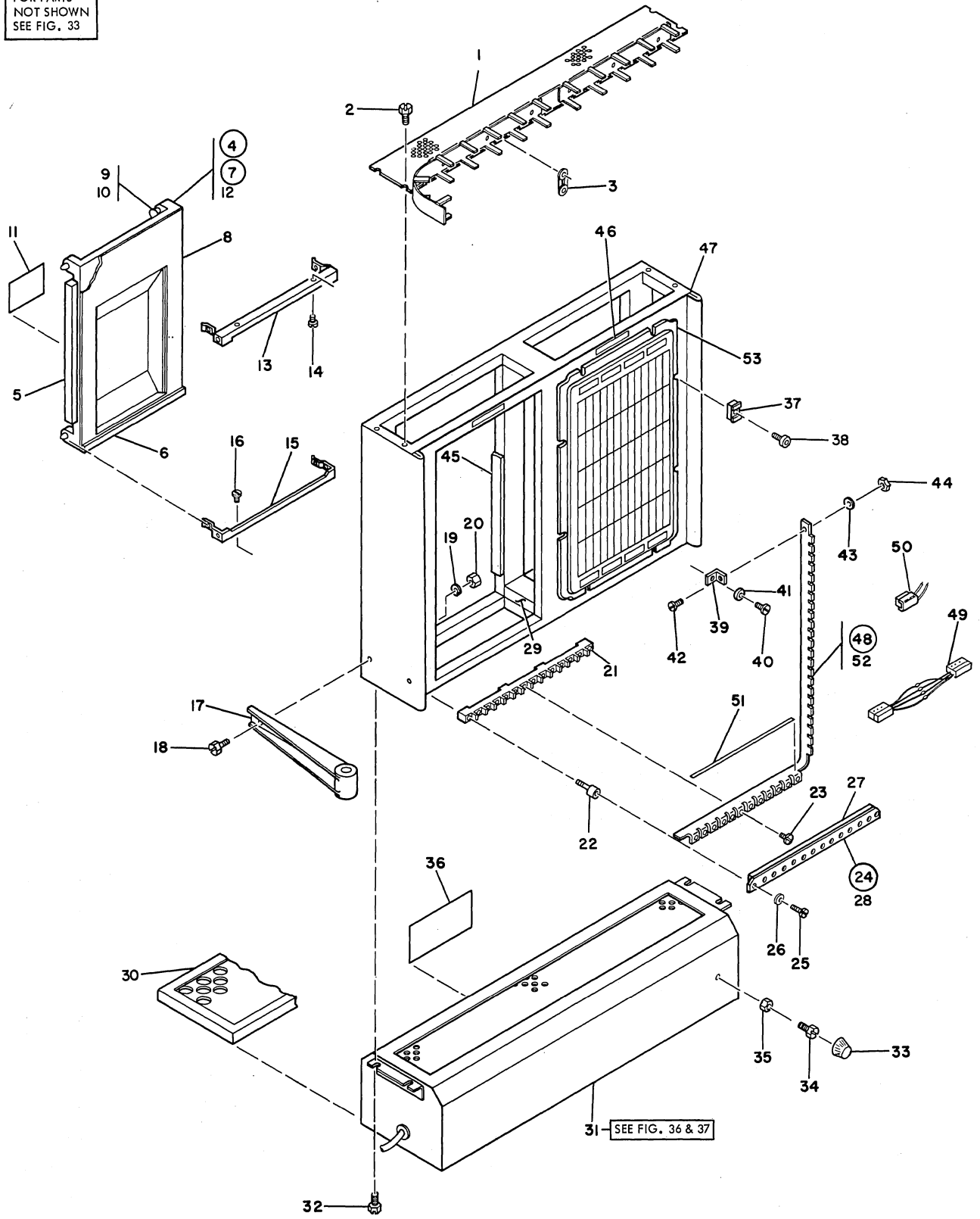


FIGURE 35. E GATE ASSEMBLY. SEE LIST 35.

LIST AND INDEX NO.	PART NO.	DESCRIPTION	UNITS PER ASM.	USABLE ON CODE
		E GATE ASSEMBLY		
35 -	2243142	E GATE ASM,TWO BOARD,60 CYCLE	REF	
-	2243143	E GATE ASM,TWO BOARD,50 CYCLE FOR ILLUSTRATION SEE FIGURE 35 FOR NEXT HIGHER ASM SEE LIST 33-122	REF	
- 1	2243137	• COVER ASM,E GATE TOP PARTS OF THIS ASM ARE NOT REPLACEABLE	1	
- 2	5350012	• SCREW, THD FORMING HEX WSR HD 8-32 X .25	ATT PT	4
- 3	811427	• RETAINER		10
- 4	2243135	• COVER ASM,CARD		2
- 5	2243197	• . SEAL,.25X.25X AS REQUIRED		AR
- 6	596756	• . SEAL,FOAM,.38 TH X .50 W X SPECIFY LGTH.		AR
- 7	2190824	• COVER ASM,MEMORY		1
- 8	2190834	• . . BACKING,FOAM		1
- 9	815963	• . . CATCH-PULL		4
- 10	815964	• . . CATCH		4
- 11	2191096	• . . PLATE,INSTRUCTION-MEMORY DECAL		1
- 12	2190808	• . . COVER,MEMORY CARD		1
- 13	811853	• BRACKET-HINGE		2
- 14	734483	• SCREW,PAN HD- 6-32 X 0.380 LG	ATT PT	4
- 15	2190819	• BRACKET,STORAGE-LOWER HINGE CBM PARTS OF THIS ASM ARE NOT REPLACEABLE		2
- 16	734483	• SCREW,PAN HD- 6-32 X 0.380 LG	ATT PT	4
- 17	2194606	• HINGE-REAR,LH BAY		2
- 18	59647	• SCREW,MACH-HEX HD 1/4-20 X 1 LG	ATT PT	4
- 19	6935	• WASHER,LOCK-SPLIT 1/4 X 0.493 OD	ATT PT	4
- 20	36109	• NUT,PLAIN,HEX- 1/4-20 X 7/16 FL W	ATT PT	4
- 21	811476	• TERMINAL BLOCK, 12 POSITION		1
- 22	811536	• STANDOFF	ATT PT	2
- 23	811481	• SCREW,MACH- 6-32 X 1/4 LG		12
- 24	811556	• SHIELD ASM,INSULATOR AND - 12 POS		1
- 25	10170	• SCREW-MACH,BIND HD NO. 6-32 X .250 LG	ATT PT	2
- 26	22478	• WASHER,FL- 0.170 ID 0.375 OD 0.032 THK	ATT PT	2
- 27	811555	• . SEAL		1
- 28	811534	• . SHIELD, 12 POSITION		1
- 29	2197310	• FOAM,AIR BLOCK,1.25 X 1.38 X 3.12 LG USED ON 50 CYCLE ONLY		3
- 30	2243128	• FILTER,AIR-4.88 X 18.50 INCHES		1
- 31	2243251	• BLOWER ASM,TWO FAN,60 CYCLE FOR DETAIL BREAKDOWN SEE LIST 36		1
- 31	2243252	• BLOWER ASM,TWO FAN,50 CYCLE FOR DETAIL BREAKDOWN SEE LIST 37		1
- 32	5350012	• SCREW, THD FORMING HEX WSR HD 8-32 X .25	ATT PT	4
- 33	333064	• BUMPER,RUBBER		1
- 34	36112	• SCREW,MACH-HEX HD 1/4-20 X 1-1/2 LG		1
- 35	36109	• NUT,PLAIN,HEX- 1/4-20 X 7/16 FL W		1
- 36	369208	• DECAL,INST-HAZARDOUS AREA		1
- 37	813179	• CLAMP-BOARD		16
- 38	811417	• SCREW,HEX SOCKET H- 6-32 X 1/2 LG	ATT PT	16
- 39	811742	• SUPPORT		1
- 40	811426	• SCREW,MACH-PAN HD 6-32 X 3/8 IN. LG	ATT PT	1
- 41	257986	• WASHER,FLAT NO. 6	ATT PT	1
- 42	438550	• SCREW,MACH-BIND HD 4-40 X 1/2 LG		1
- 43	257985	• WASHER-PLAIN, .125 ID .250 OD NG. 4		1
- 44	37913	• NUT, HEX 4-40 NC		1
- 45	596756	• SEAL,FOAM,.38 TH X .50 W X SPECIFY LGTH.		4
- 46	2197473	• LABEL		1
- 47	2243133	• GATE, TWO BOARD POSITION		1
		THE FOLLOWING PARTS ARE FEATURES ONLY		
- 48	2243149	BUS AND CROSSOVER ASM USED ON 2.2 MICROSEC ONLY		2
- 48	2243171	BUS AND CROSSOVER ASM USED ON 2.2 MICROSEC ONLY		2

LIST AND INDEX NO.	PART NO.	DESCRIPTION 1 2 3 4	UNITS PER ASM.	USABLE ON CODE
E GATE ASSEMBLY -CONT				
35 - 49	811621	<ul style="list-style-type: none"> • CROSSOVER ASSEMBLY, VOLTAGE FOR COMPONENT PARTS SEE LIST 44-69,70,73 	5	
- 50	2195466	<ul style="list-style-type: none"> • JUMPER ASM, GATE DOUBLE 	5	
- 50	2196042	<ul style="list-style-type: none"> • JUMPER ASM, GATE DOUBLE 	1	
- 50	2196055	<ul style="list-style-type: none"> • JUMPER ASM, GATE DOUBLE 	1	
- 50	2196049	<ul style="list-style-type: none"> • JUMPER ASM, GATE SINGLE 	18	
- 50	2196052	<ul style="list-style-type: none"> • JUMPER ASM, GATE DOUBLE 	8	
- 50	2195294	<ul style="list-style-type: none"> • JUMPER ASM, GATE DOUBLE 	AR	
- 51	2197488	<ul style="list-style-type: none"> • LABEL 	1	
- 51	2197489	<ul style="list-style-type: none"> • LABEL 	1	
- 52	811525	<ul style="list-style-type: none"> • BUS ASSEMBLY 	1	
- 53	2510223	<ul style="list-style-type: none"> • BOARD ASM,8K 	2	
		PARTS OF THIS ASM ARE NOT REPLACEABLE		
		PARTS OF THIS ASM ARE NOT REPLACEABLE		

FOR PARTS
NOT SHOWN
SEE FIG. 34 & 35

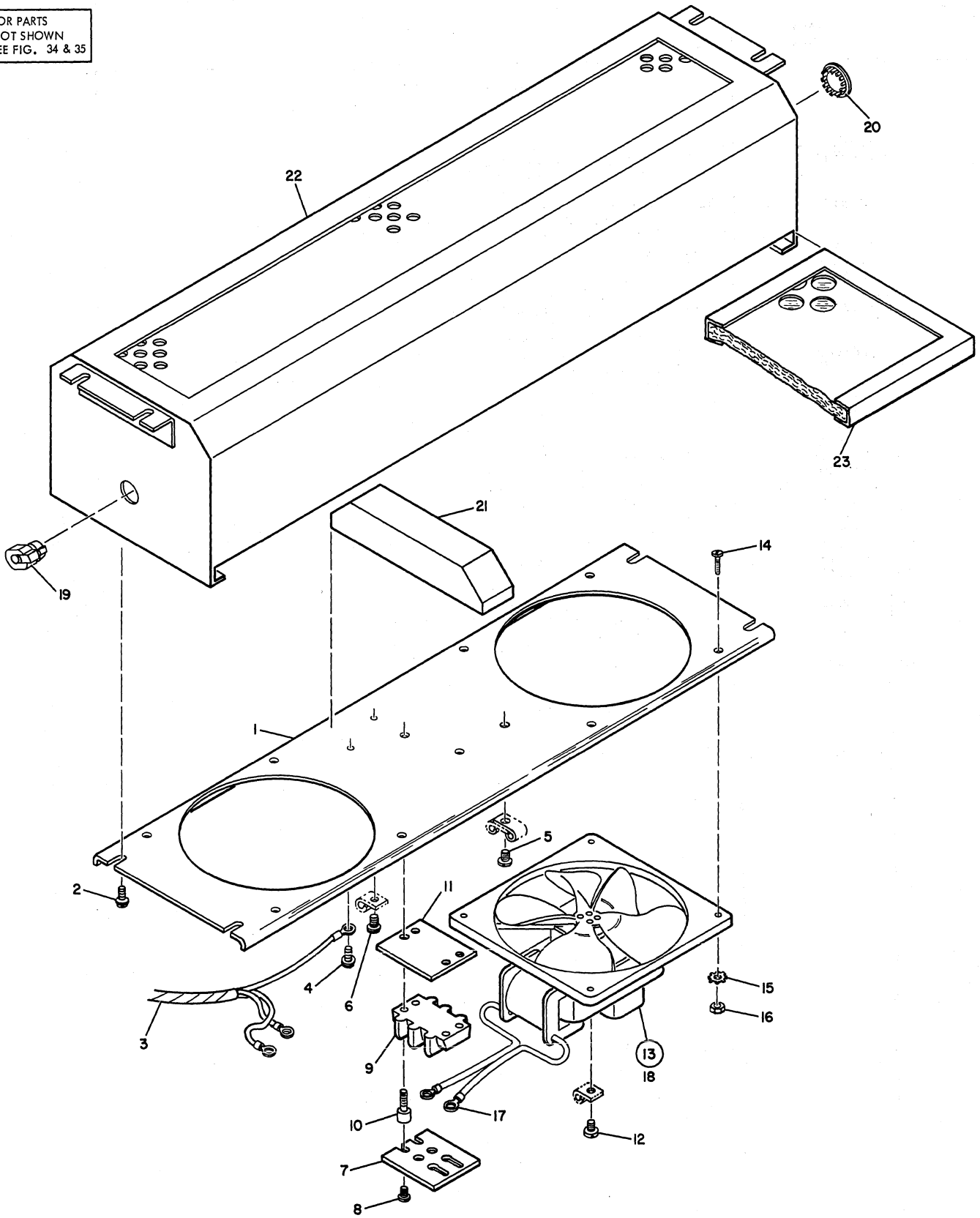


FIGURE 36. 60 CYCLE BLOWER ASSEMBLY. SEE LIST 36.

LIST AND INDEX NO.	PART NO.	DESCRIPTION	UNITS PER ASM.	USABLE ON CODE
		1 2 3 4		
		60 CYCLE BLOWER ASSEMBLY		
36 -	2243129	BLOWER ASM,TWO FAN,60 CYCLE	REF	
-	2243131	BLOWER ASM,ONE FAN,60 CYCLE FOR ILLUSTRATION SEE FIGURE 36 FOR NEXT HIGHER ASM SEE LIST 34-31	REF	
-	2243251	BLOWER ASM,TWO FAN,60 CYCLE FOR ILLUSTRATION SEE FIGURE 36 FOR NEXT HIGHER ASM SEE LIST 35-31	REF	
- 1	2243127	• PLATE,FAN MTG	1	
- 2	5319854	• SCREW, SELF TAPPING, 8-32 X .375 LONG	4	ATT PT
- 3	2243162	• CABLE ASM,D GATE BLOWER TO TB 1 USED CN ASM 2243129 AND 2243131	1	
- 3	2243163	• CABLE ASM,E GATE BLOWER TO TB 1 USED CN ASM 2243251 ONLY FOR COMPONENT PARTS SEE LIST 44-1 AND 2C	1	
- 4	2181005	• SCREW, SELF TAPPING, 6-32 X .375 LG.	1	
- 5	10170	• SCREW-MACH,BIND HD NO. 6-32 X .250 LG	1	
- 6	2181005	• SCREW, SELF TAPPING, 6-32 X .375 LG.	1	
- 7	187467	• SHIELD, 2 POSITION	1	
- 8	10170	• SCREW-MACH,BIND HD NO. 6-32 X .250 LG	2	ATT PT
- 9	323840	• TERMINAL BOARD- 2 DBL SCREW TERMINALS	1	
- 10	210883	• STUD, EXT 6-32 X 1/2 INT 6-32 X 0.19 DP	2	ATT PT
- 11	2101380	• MARKER STRIP- 2 POS NOS. 1 AND 2	1	
- 12	236849	• SCREW,MACH-BIND HD 10-32 X 1/4 LG	1	
- 13	2190725	• FAN ASM- 115 VOLT 60 CYCLE	AR	
- 14	322550	• SCREW,MACH-BIND HD 6-32 X 1/2 LG	AR	ATT PT
- 15	56722	• WASHER-LOCK,EXT T, .150 ID	AR	ATT PT
- 16	257187	• NUT,HEX 6-32 NC	AR	ATT PT
- 17	334921	• . . TERMINAL-LUG NO.22 THRU NO.18 WIRE INSUL	2	
- 18	2172165	• . FAN-115 VOLT 60 CYCLE	1	
- 19	107611	• BUSHING USE ON OPPOSITE SIDE FOR 2243251		
- 20	1143048	• PLUG,SNAP IN- 0.656 HOLE USE ON OPPOSITE SIDE FOR 2243251	1	
- 21	2191016	• BAFFLE,FAN-GATE USED CN ASM 2243131 ONLY	1	
- 22	2243126	• HOUSING,FAN	1	
		PARTS NOT INCLUDED WITH ASM		
- 23	2243128	FILTER,AIR-4.88 X 18.50 INCHES	1	

FOR PARTS
NOT SHOWN
SEE FIG. 34 & 35

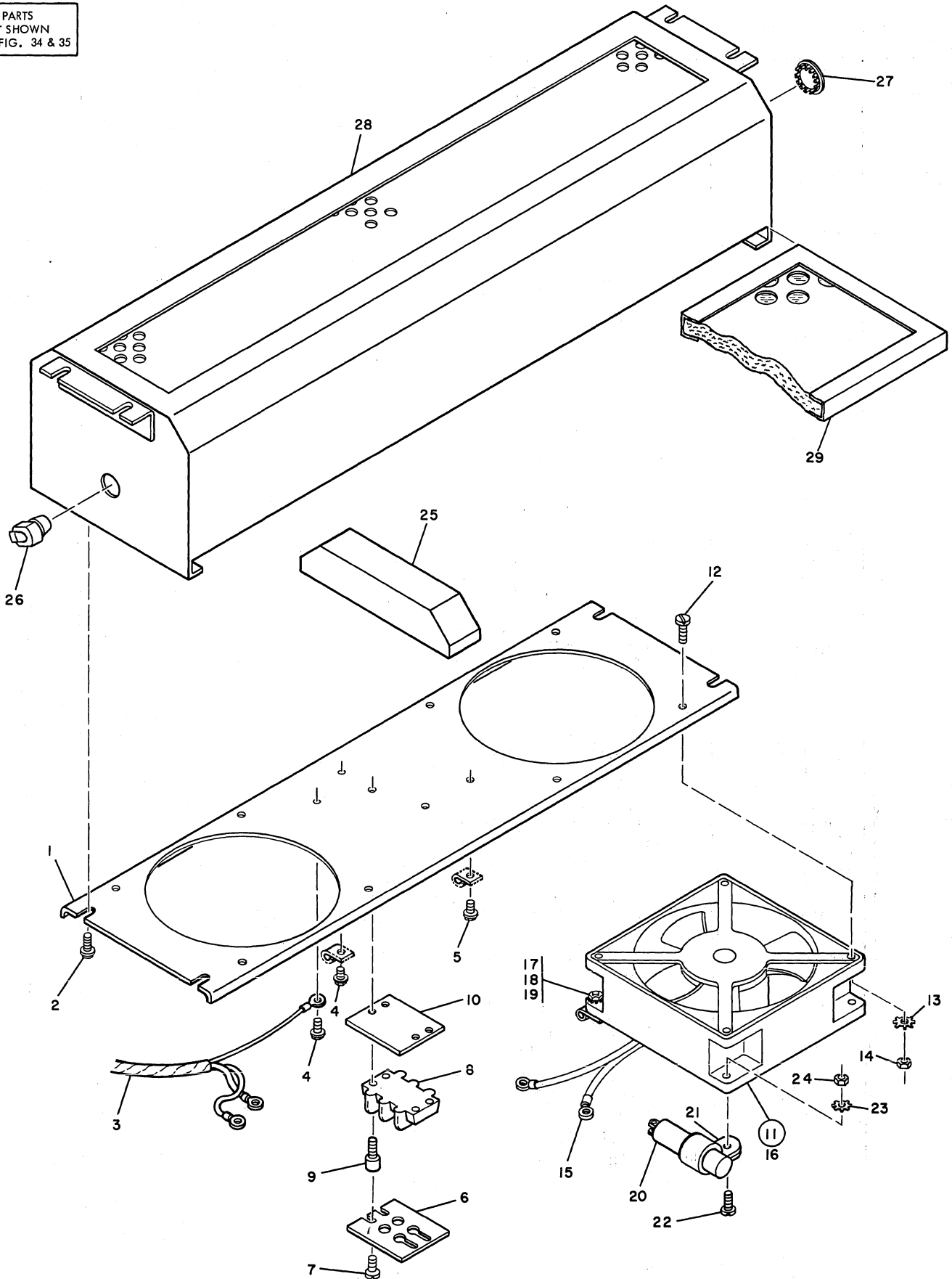


FIGURE 37. 50 CYCLE BLOWER ASSEMBLY. SEE LIST 37.

LIST AND INDEX NO.	PART NO.	DESCRIPTION				UNITS PER ASM.	USABLE ON CODE
		1	2	3	4		
		50 CYCLE BLOWER ASSEMBLY					
37 -	2243130						REF
-	2243132						REF
		FOR ILLUSTRATION SEE FIGURE 3M FOR NEXT HIGHER ASM SEE LIST 34-31					
-	2243252						REF
		FOR ILLUSTRATION SEE FIGURE 37 FOR NEXT HIGHER ASM SEE LIST 35-31					
- 1	2243127						1
- 2	5319854						4
- 3	2243162				ATT PT		1
		USED ON ASM 2243130 AND 2243132					
- 3	2243163						1
		USED ON ASM 2243252 ONLY FOR COMPONENT PARTS SEE LIST 44-1 AND 2C					
- 4	2181005						2
- 5	10170						1
- 6	187467						1
- 7	10170				ATT PT		2
- 8	323840						1
- 9	210883				ATT PT		2
- 10	2101380						1
- 11	2197144						AR
- 12	322550				ATT PT		AR
- 13	56722				ATT PT		AR
- 14	257187				ATT PT		AR
- 15	334921						2
- 16	4120173						1
- 17	322550						1
- 18	56722						1
- 19	257187						1
- 20	4116231						2
- 21	4062615						2
- 22	322550						1
- 23	56722				ATT PT		1
- 24	257187				ATT PT		1
- 25	2191016				ATT PT		1
		. NUT, HEX 6-32 NC . TERMINAL-LUG NO.22 THRU NO.18 WIRE INSUL . FAN SCREW, MACH-BIND HD 6-32 X 1/2 LG WASHER-LOCK, EXT T, .150 ID NUT, HEX 6-32 NC CAPACITOR, FXD, PAPER- 2MFD P/M 10% 200VAC CLAMP-CAPACITOR SCREW, MACH-BIND HD 6-32 X 1/2 LG WASHER-LOCK, EXT T, .150 ID NUT, HEX 6-32 NC BAFFLE, FAN-GATE USED ON ASM 2243132 ONLY					
- 26	107611						1
		. BUSHING USE ON OPPOSITE SIDE FOR 2243252					
- 27	1143048						1
		. PLUG, SNAP IN- 0.656 HOLE USE ON OPPOSITE SIDE FOR 2243252					
- 28	2243126						1
		. HOUSING, FAN					
		PARTS NOT INCLUDED WITH ASM					
- 29	2243128						1
		FILTER, AIR-4.88 X 18.50 INCHES					

FOR PARTS
NOT SHOWN
SEE FIG. 33

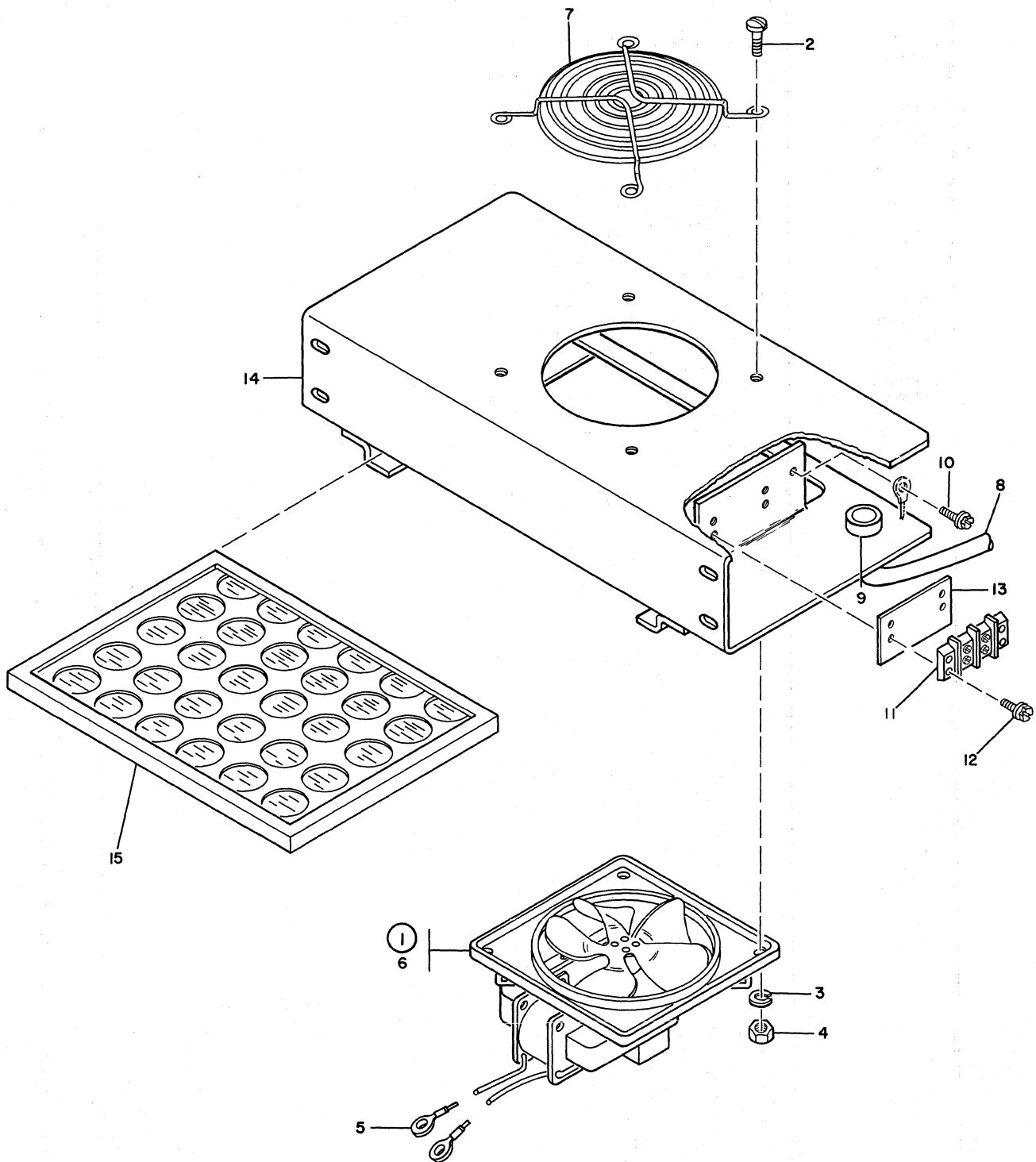


FIGURE 38. BLOWER ASSEMBLY, POWER SUPPLY. SEE LIST 38.

LIST AND INDEX NO.	PART NO.	DESCRIPTION 1 2 3 4	UNITS PER ASM.	USABLE ON CODE
		BLOWER ASSEMBLY, POWER SUPPLY		
38 -	2243172	BLOWER ASM, 60 CYCLE	REF	
-	2243173	BLOWER ASM, 50 CYCLE FOR ILLUSTRATION SEE FIGURE 38 FOR NEXT HIGHER ASM SEE LIST 33-131	REF	
- 1	2190725	. FAN ASM- 115 VOLT 60 CYCLE	1	
- 1	2190900	. FAN ASM- 50 CYCLE 220V AC	1	
- 2	322065	. SCREW, MACH-BIND HD 6-32 X 5/8 LG ATT PT USED ON 60 CYCLE ONLY	4	
- 2	170215	. SCREW, ASMD WASHER-FIL H 6-32 X 3/8 LG ATT PT USED ON 50 CYCLE ONLY	4	
- 3	6364	. WASHER, LOCK-SPLIT NO. 6 X 1/4 OD ATT PT USED ON 60 CYCLE ONLY	4	
- 4	257187	. NUT, HEX 6-32 NC ATT PT USED ON 60 CYCLE ONLY	4	
- 5	334921	. . TERMINAL-LUG NO. 22 THRU NO. 18 WIRE INSUL	2	
- 6	2172165	. . FAN-115 VOLT 60 CYCLE	1	
- 6	4120171	. . FAN-220 VOLT 50 CYCLE	1	
- 7	2172166	. GUARD, FAN 60 CYCLE	1	
- 8	2243161	. CABLE ASM, P/S BLOWER TO TB 1 FOR COMPONENT PARTS SEE LIST 44-1 AND 2C	1	
- 9	107611	. BUSHING	1	
- 10	2181005	. SCREW, SELF TAPPING, 6-32 X .375 LG.	1	
- 11	323840	. TERMINAL BOARD- 2 DBL SCREW TERMINALS	1	
- 12	2181011	. SCREW, SELF TAPPING, 6-32 X .50 LG. ATT PT	4	
- 13	2101380	. MARKER STRIP- 2 POS NOS. 1 AND 2	1	
- 14	2243144	. HOUSING, BLOWER	1	
		PARTS NOT INCLUDED WITH ASM		
- 15	5357064	FILTER, AIR, 8.30 X 5.91	1	

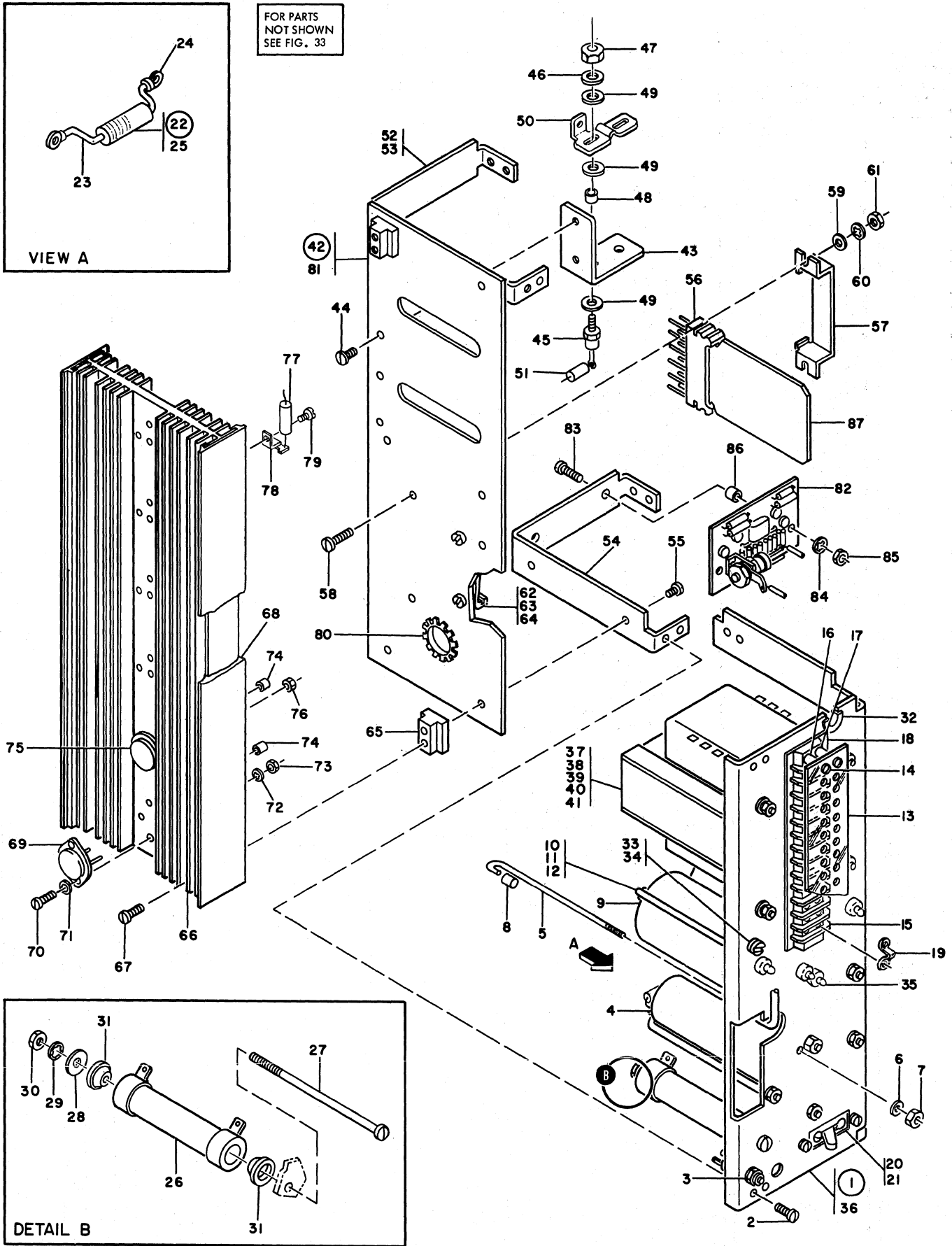
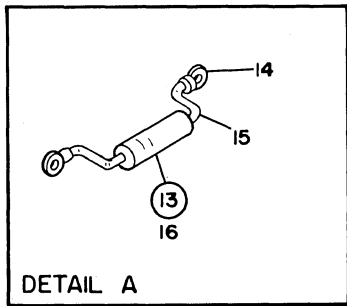


FIGURE 39. POWER SUPPLY ASSEMBLY, 9-12V AT 10A. SEE LIST 39

LIST AND INDEX NO.	PART NO.	1 2 3 4	DESCRIPTION	UNITS PER ASM.	USABLE ON CODE
			POWER SUPPLY ASSEMBLY, 9-12V AT 10A		
39 -	5709440		POWER SUPPLY ASM, 9-12VDC 10A-60CPS	REF	
-	5709480		POWER SUPPLY ASM, 9-12VDC 10A-50CPS FOR ILLUSTRATION SEE FIGURE 39 FOR NEXT HIGHER ASM SEE LIST 33-127	REF	
- 1	5709444		• COMPONENT MOUNTING PLATE ASSEMBLY	1	
- 2	28413		• SCREW, MACH-BIND HD 10-32 X 5/16 LG	8	
- 3	441181		• POTENTIOMETER	1	
- 4	5261127		• CAPACITOR-ELECTROLYTIC	1	
- 5	473432		• CLAMP	2	
- 6	62031		• WASHER, LOCK-INT TEETH NO. 6 X 0.295 OD	2	
- 7	38051		• NUT, PLAIN HEX 6-32 X 1/4 FL W	2	
- 8	473412		• INSULATOR, CAPACITOR CLAMP	12	
- 9	5261077		• CAPACITOR-ELECTROLYTIC	4	
- 10	5247112		• CLAMP, CAPACITOR	8	
- 11	62031		• WASHER, LOCK-INT TEETH NO. 6 X 0.295 OD	8	
- 12	38051		• NUT, PLAIN HEX 6-32 X 1/4 FL W	8	
- 13	187470		• SHIELD, TERMINAL BOARD	1	
- 14	210984		• SCREW, MACH RH 6-32 X .25	1	
- 15	82353		• TERMINAL BOARD- 14 DBL SCREW TERMINALS	1	
- 16	5261167		• STUD- 8-32 X 0.438 LG W/6-32 TAPPED HOLE	1	
- 17	5261165		• STUD, SHLDR- 8-32 X 0.438 LG THD	3	
- 18	620240		• INSULATOR	1	
- 19	472187		• JUMPER-BRASS	2	
- 20	207351		• CIRCUIT BREAKER- 1 POLE 60V DC 12 AMP	1	
- 21	10170		• SCREW-MACH, BIND HD NO. 6-32 X .250 LG	2	
- 22	5261936		• RESISTOR ASSEMBLY, 200 OHMS 5W	1	
- 23	113819		• TUBING	3	
- 24	334932		• TERMINAL-LUG NO. 18 THRU NO. 22 WIRE INSUL	2	
- 25	477144		• RESISTOR, WIREWOUND - 200 OHM 5W	1	
- 26	730452		• RESISTOR, FXD	1	
- 27	331982		• SCREW, MACH RD HD 8-32 X 1-1/4 LG	1	
- 28	22478		• WASHER, FL- 0.170 ID 0.375 OD 0.032 THK	1	
- 29	60646		• WASHER, LOCK-INT TEETH NO. 8 X 0.340 OD	1	
- 30	257189		• NUT, HEX 8-32	1	
- 31	510468		• CUP WASHER	2	
- 32	730432		• GROMMET, CATERPILLAR	1	
- 33	55726		• SCREW, MACH-BIND HD 6-32 X .188 LG	1	
- 34	56722		• WASHER-LOCK, EXT T, .150 ID	1	
- 35	5253894		• CAP, SCREW- .280 ID	4	
- 36	5709429		• CHASSIS-UNIT 4 SPECIAL	1	
- 37	5261083		• TRANSFORMER, POWER	1	
- 37	4116411		• TRANSFORMER	1	
- 38	332620		• SCREW, MACH-BIND HD 10-32 X 1/2 LG	4	
- 39	45690		• WASHER, FL - NO. 10 X 7/16 OD X 1/32 THK	4	
- 40	9092		• WASHER-LOCK, SPLIT RING, .194 ID .337 OD	4	
- 41	11598		• NUT, HEX 10-32	4	
- 42	5261037		• HEATSINK ASSEMBLY	1	
- 43	5261009		• BRACKET-DIODE MOUNTING	1	
- 44	10170		• SCREW-MACH, BIND HD NO. 6-32 X .250 LG	2	
- 45	127324		• SEMICONDUCTOR DEVICE, D10- 150V 30 AMP	2	
- 46	3550		• WASHER, FLAT 1/4 ID-9/16-OD-0.05 THICK	2	
- 47	160017		• NUT, PLAIN, HEX- 1/4-28 X 7/16 FL W	2	
- 48	473592		• INSULATOR	2	
- 49	217017		• WASHER-INSULATING	8	
- 50	5261606		• JUMPER PLATE	1	
- 51	491228		• CAPACITOR, .010 UF	1	
- 52	730176		• BRACKET-UNIT SUPPORT	1	
- 53	473544		• SCREW, BINDING HEAD SELF TAP NO 6 1/2 IN	2	

LIST AND INDEX NO.	PART NO.	DESCRIPTION				UNITS PER ASM.	USABLE ON CODE
		1	2	3	4		
		POWER SUPPLY ASSEMBLY, 9-12V AT 10A -CONT					
39 - 54	5261159	•	•	BRACKET-UNIT SUPPORT		1	
- 55	473544	•	•	SCREW,BINDING HEAD SELF TAP NO 6 1/2 IN	ATT PT	2	
- 56	216076	•	•	TERMINAL BLOCK AND CONTACT ASSEMBLY FOR CCOMPONENTS SEE LIST 44-64			
- 57	477203	•	•	BRACKET			
- 58	38235	•	•	SCREW,BIND HD 6-32 X .312 LONG	ATT PT	2	
- 59	257986	•	•	WASHER,FLAT NO. 6	ATT PT	2	
- 60	62031	•	•	WASHER,LOCK-INT TEETH NO. 6 X 0.295 OD	ATT PT	2	
- 61	38051	•	•	NUT,PLAIN HEX 6-32 X 1/4 FL W	ATT PT	2	
- 62	5712309	•	•	GUIDE		1	
- 63	38235	•	•	SCREW,BIND HD 6-32 X .312 LONG	ATT PT	2	
- 64	257187	•	•	NUT,HEX 6-32 NC	ATT PT	2	
- 65	473531	•	•	INSULATOR		6	
- 66	5261079	•	•	HEAT SINK		1	
- 67	79779	•	•	SCREW,THD CTG-BIND HD NO. 6 X 3/4 LG	ATT PT	6	
- 68	473536	•	•	SEAL		29	
- 69	369616	•	•	TRANSISTOR-TYPE 119		1	
- 70	322550	•	•	SCREW,MACH-BIND HD 6-32 X 1/2 LG	ATT PT	2	
- 71	257986	•	•	WASHER,FLAT NO. 6	ATT PT	2	
- 72	6364	•	•	WASHER,LOCK-SPLIT NO. 6 X 1/4 OD	ATT PT	2	
- 73	38051	•	•	NUT,PLAIN HEX 6-32 X 1/4 FL W	ATT PT	2	
- 74	219423	•	•	TUBE,RUBBER- 0.085 ID X 0.120 OD X 2 LG		10	
- 75	369214	•	•	TRANSISTOR,TYPE 108		4	
- 76	11891	•	•	NUT,PLAIN,HEX- 10-32 X 3/8 FL W BRS	ATT PT	4	
- 77	207324	•	•	RESISTOR,FXD,WW- 0.1 OHM P/M 5% 5W		4	
- 78	478045	•	•	TERMINAL - SOLDER		4	
- 79	70078	•	•	SCREW,THD FORMING-BIND HD	ATT PT	4	
- 80	473533	•	•	GROMMET		1	
- 81	5261058	•	•	COVER		1	
- 82	5253897	•	•	CARD ASSEMBLY-OVERVOLTAGE CKT 12V PARTS OF THIS ASM ARE NOT REPLACEABLE		1	
- 83	1091173	•	•	SCREW,MACH-FL CSK HD 4-40 X 5/8 LG	ATT PT	2	
- 84	257985	•	•	WASHER-PLAIN, .125 ID .250 OD NO. 4	ATT PT	2	
- 85	37913	•	•	NUT, HEX 4-40 NC	ATT PT	2	
- 86	483111	•	•	SPACER,SLEEVE- 0.12 ID 0.25 OD X 0.19 LG		2	
- 87	375249	•	•	PARTS OF THIS ASM ARE NOT REPLACEABLE		1	



FOR PARTS
NOT SHOWN
SEE FIG. 33

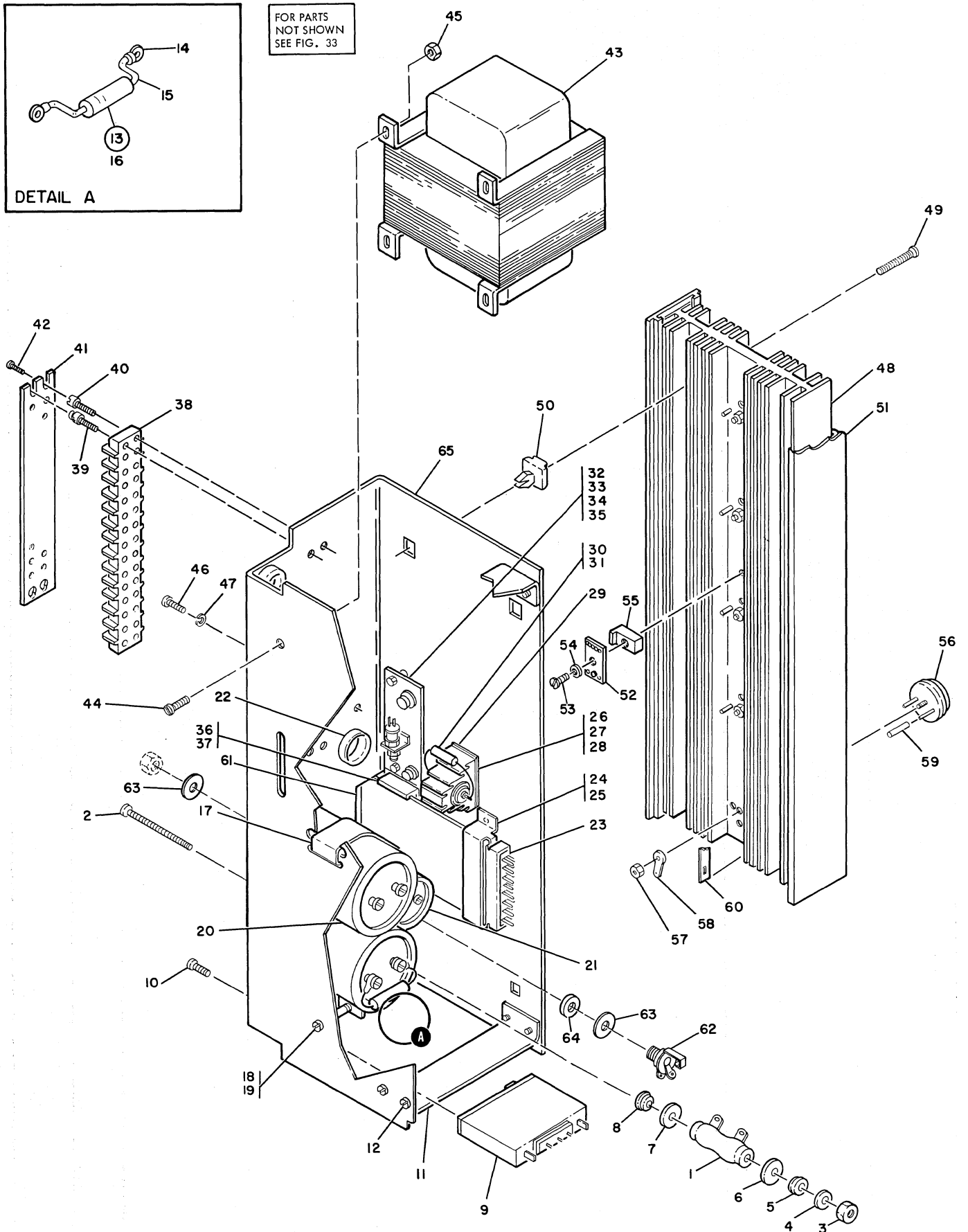
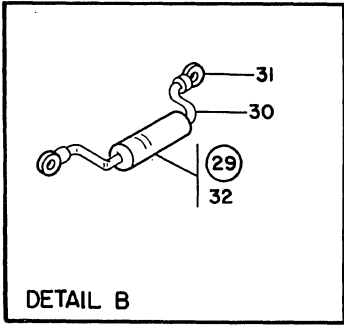


FIGURE 40. 6 VOLT 12 AMP POWER SUPPLY ASSEMBLY. SEE LIST 40.

LIST AND INDEX NO.	PART NO.	DESCRIPTION				UNITS PER ASM.	USABLE ON CODE
		1	2	3	4		
		6VDC 12AMP POWER SUPPLY ASSEMBLY					
40 -	5239409	POWER SUPPLY ASM,6V AT 12AMPS-60CYCLE				REF	
-	5239427	POWER SUPPLY ASM,6V AT 12AMPS-50CYCLE FOR ILLUSTRATION SEE FIGURE 40 FOR NEXT HIGHER ASM SEE LIST 33-127 AND LIST 24A-27				REF	
- 1	5261098	. RESISTOR,FXD,WW- 0.04 OHMS P/M 10% 25W				1	
- 2	438593	. SCREW-MACH-BIND HD NO. 8-32 X 2 1/2 LG				ATT PT	1
- 3	5761938	. NUT/LOCKWASHER ASSEMBLY - 8-32				ATT PT	1
- 4	2903	. WASHER,FL-NO. 6 X 1/2 OD X 1/32 THK				ATT PT	1
- 5	510468	. CUP WASHER					1
- 6	5761935	. WASHER					1
- 7	5761935	. WASHER					1
- 8	510468	. CUP WASHER					1
- 9	5214548	. PROTECTOR					1
- 10	38235	. SCREW,BIND HD 6-32 X .312 LONG				ATT PT	2
- 11	5761779	. BRACKET,CHASSIS					2
- 12	731629	. SCREW,PAN HD- 10-32 X 0.380 LG				ATT PT	8
- 13	5261935	. RESISTOR ASSEMBLY-330 OHMS 2W					1
- 14	359695	. . TERMINAL-RING LUG NO.10 STUD					2
- 15	113819	. . TUBING					
- 16	317080	. . RESISTOR,FXD 330 OHM 2W					
- 17	5761794	. STRAP,CAPACITOR					1
- 18	438571	. SCREW, BINDING HEAD, 6-32 NC X 1-3/4 LG.				ATT PT	1
- 19	5761943	. NUT,HEX 10-32 NC				ATT PT	1
- 20	5214367	. CAPACITOR					
- 21	5261128	. CAPACITOR,ELECTROLYTIC- 7300 UF 10VDC					
- 22	5761936	. GROMMET					3
- 23	216076	. TERMINAL BLOCK AND CONTACT ASSEMBLY					1
- 24	5761904	. BRACKET					1
- 25	5761907	. RIVET				ATT PT	2
- 26	5761977	. RECTIFIER ASSEMBLY					1
- 27	734483	. SCREW,PAN HD- 6-32 X 0.380 LG				ATT PT	3
- 28	5762215	. WASHER,INSULATING					
- 29	5761979	. INSULATOR					1
- 30	491228	. CAPACITOR, .010 UF					1
- 31	113819	. TUBING					2
- 32	5761988	. OVERVOLTAGE CARD ASSEMBLY, 6 VOLT					
- 33	438551	. SCREW,MACH-BIND HD 4-40 X 5/8 LG				ATT PT	2
- 34	332779	. SPACER					
- 35	37913	. NUT, HEX 4-40 NC				ATT PT	2
- 36	5712309	. GUIDE					1
- 37	5761907	. RIVET				ATT PT	2
- 38	5214556	. TERMINAL					1
- 39	5261165	. STUD,SHLDR- 8-32 X 0.438 LG THD				ATT PT	3
- 40	5261167	. STUD- 8-32 X 0.438 LG W/6-32 TAPPED HOLE				ATT PT	1
- 41	210990	. SHIELD- 13 POSITION					1
- 42	210984	. SCREW,MACH RH 6-32 X .25				ATT PT	1
- 43	5761729	. TRANSFORMER, 60 CYCLE					
- 43	4116484	. TRANSFORMER, 50 CYCLE					
- 44	332620	. SCREW,MACH-BIND HD 10-32 X 1/2 LG				ATT PT	4
- 45	5761908	. NUT,HEX 10-32 NC				ATT PT	4
- 46	10170	. SCREW-MACH,BIND HD NO. 6-32 X .250 LG					1
- 47	56722	. WASHER-LOCK,EXT T, .150 ID					1
- 48	5761768	. HEAT SINK					1
- 49	5761913	. SCREW,				ATT PT	4
- 50	5761796	. INSULATOR,HEAT SINK					4
- 51	473536	. SEAL					AR
- 52	5761909	. TERMINAL, BRASS					1
- 53	2181002	. SCREW,THREAD FORMING-8-32 X 3/4 LG				ATT PT	1
- 54	5374689	. BUSHING				ATT PT	1
- 55	5761798	. INSULATOR, PHENOLIC - .38W X .75 LG					1
- 56	369214	. TRANSISTOR,TYPE 108					5
- 57	11598	. NUT, HEX 10-32				ATT PT	5
- 58	316996	. TERMINAL,LUG-NDNINS 9AWG NO. 8 MTG HOLE					1
- 59	5761976	. TUBING					10
- 60	5761968	. BUS STRIP					1
- 61	375203	. CARD ASSEMBLY					
- 62	1134451	. JACK,AUX PWR- .44 OD					1
- 63	529691	. WASHER, MICA					2
- 64	473592	. INSULATOR					1
- 65	5761767	. CHASSIS					1



FOR PARTS
NOT SHOWN
SEE FIG. 33

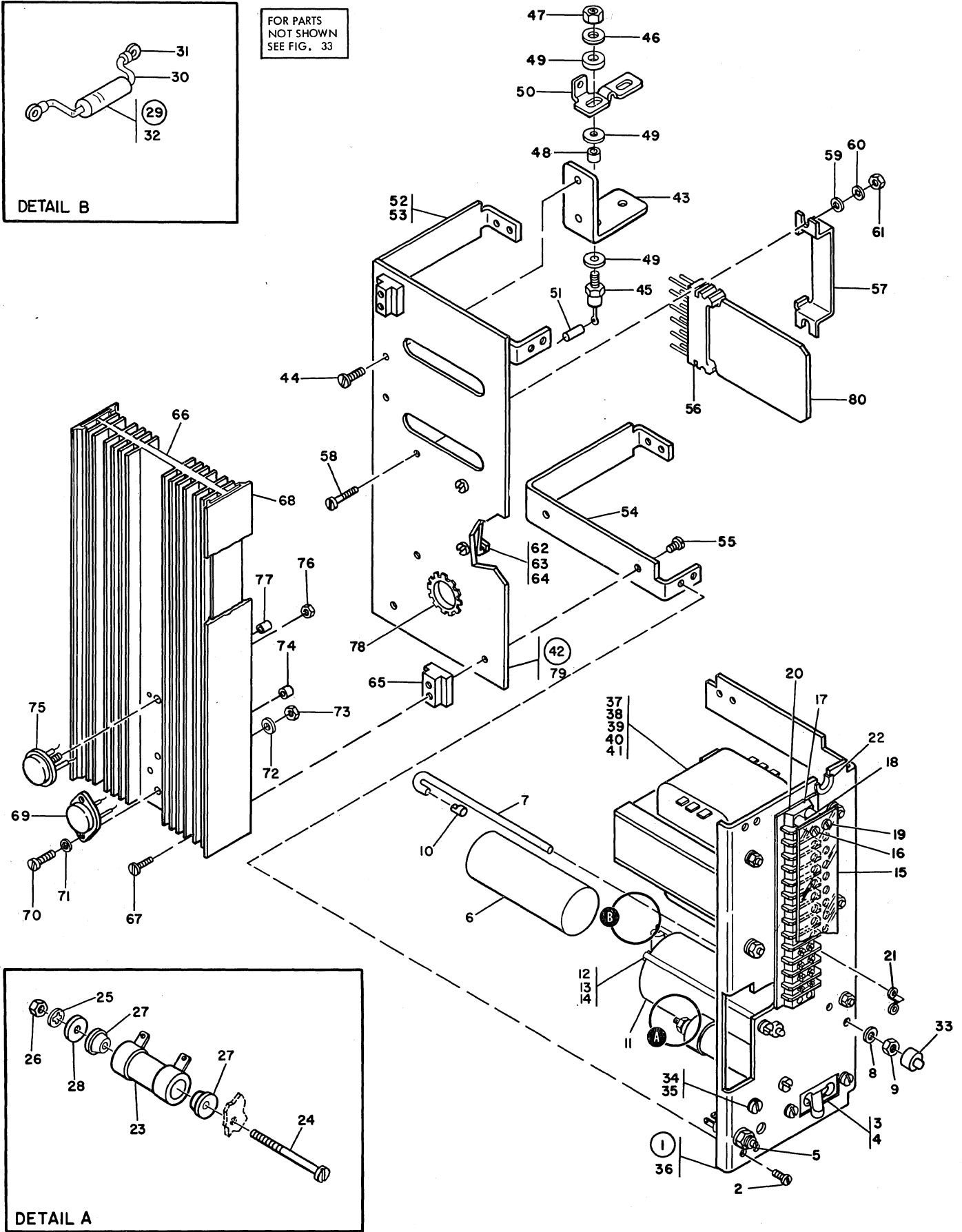
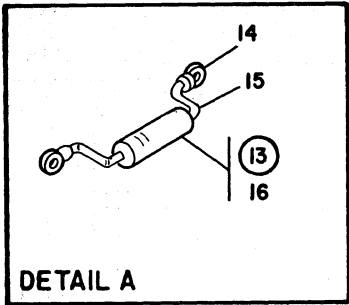


FIGURE 41. POWER SUPPLY ASM, 15V AT 2.5 AMPS. SEE LIST 41.

LIST AND INDEX NO.	PART NO.	DESCRIPTION				UNITS PER ASM.	USABLE ON CODE
		1	2	3	4		
		POWER SUPPLY ASM,15V @ 2.5 AMP					
41 -	5709430						REF
-	5709470						REF
- 1	5709434						1
- 2	28413						8
- 3	538830						1
- 4	10170						2
- 5	441181						1
- 6	208228						1
- 7	473422						2
- 8	62031						4
- 9	38051						4
- 10	473412						4
- 11	5261077						1
- 12	5247112						2
- 13	62031						4
- 14	38051						4
- 15	210990						1
- 16	210984						1
- 17	320461						1
- 18	5261167						1
- 19	5261165						3
- 20	2101325						1
- 21	472187						2
- 22	730432						1
- 23	5261117						1
- 24	438593						1
- 25	60646						1
- 26	257189						1
- 27	510468						2
- 28	22478						1
- 29	5261937						1
- 30	113819						2
- 31	359695						2
- 32	492568						1
- 33	5253894						4
- 34	55726						1
- 35	56722						1
- 36	5261018						1
- 37	4116461						2
- 37	5261483						
- 38	332620						4
- 39	45690						4
- 40	9092						4
- 41	11598						4
- 42	5261007						1
- 43	5261008						1
- 44	10170						2
- 45	598479						2
- 46	45690						2
- 47	11891						3
- 48	473582						2
- 49	217019						8
- 50	5261606						1
- 51	491228						1
- 52	730176						1
- 53	473544						2
- 54	5261159						1

LIST AND INDEX NO.	PART NO.	DESCRIPTION				UNITS PER ASM.	USABLE ON CODE
		1	2	3	4		
		POWER SUPPLY ASM,15V @ 2.5 AMP -CONT					
41 -	55 473544	. .	SCREW,BINDING HEAD SELF TAP NO 6 1/2 IN	ATT PT		2	
-	56 216076	. .	TERMINAL BLOCK AND CONTACT ASSEMBLY FOR COMPONENT PARTS SEE LIST 44-64			1	
-	57 477203	. .	BRACKET			1	
-	58 38235	. .	SCREW,BIND HD 6-32 X .312 LONG	ATT PT		2	
-	59 257986	. .	WASHER,FLAT NO. 6	ATT PT		2	
-	60 62031	. .	WASHER,LOCK-INT TEETH NO. 6 X 0.295 OD	ATT PT		2	
-	61 38051	. .	NUT,PLAIN HEX 6-32 X 1/4 FL W	ATT PT		2	
-	62 5712309	. .	GUIDE			1	
-	63 38235	. .	SCREW,BIND HD 6-32 X .312 LONG	ATT PT		2	
-	64 257187	. .	NUT,HEX 6-32 NC	ATT PT		2	
-	65 473531	. .	INSULATOR			4	
-	66 5261068	. .	HEATSINK			1	
		PARTS OF THIS ASM ARE NOT REPLACEABLE					
-	67 79779	. .	SCREW,THD CTG-BIND HD NO. 6 X 3/4 LG	ATT PT		4	
-	68 473536	. .	SEAL			19	
-	69 369616	. .	TRANSISTOR-TYPE 119			1	
-	70 322550	. .	SCREW,MACH-BIND HD 6-32 X 1/2 LG	ATT PT		2	
-	71 257986	. .	WASHER,FLAT NO. 6	ATT PT		2	
-	72 6364	. .	WASHER,LOCK-SPLIT NO. 6 X 1/4 OD	ATT PT		2	
-	73 38051	. .	NUT,PLAIN HEX 6-32 X 1/4 FL W	ATT PT		2	
-	74 219423	. .	TUBE,RUBBER- 0.085 ID X 0.120 OD X 2 LG			2	
-	75 369214	. .	TRANSISTOR,TYPE 108			1	
-	76 11891	. .	NUT,PLAIN,HEX- 10-32 X 3/8 FL W BRS	ATT PT		1	
-	77 219423	. .	TUBE,RUBBER- 0.085 ID X 0.120 OD X 2 LG			2	
-	78 473442	. .	GROMMET - CATERPILLAR			1	
-	79 5261039	. .	COVER			1	
-	80 374923	. .	CARD ASM,REGULATOR			1	
		PARTS OF THIS ASM ARE NOT REPLACEABLE					



FOR PARTS
NOT SHOWN
SEE FIG. 33

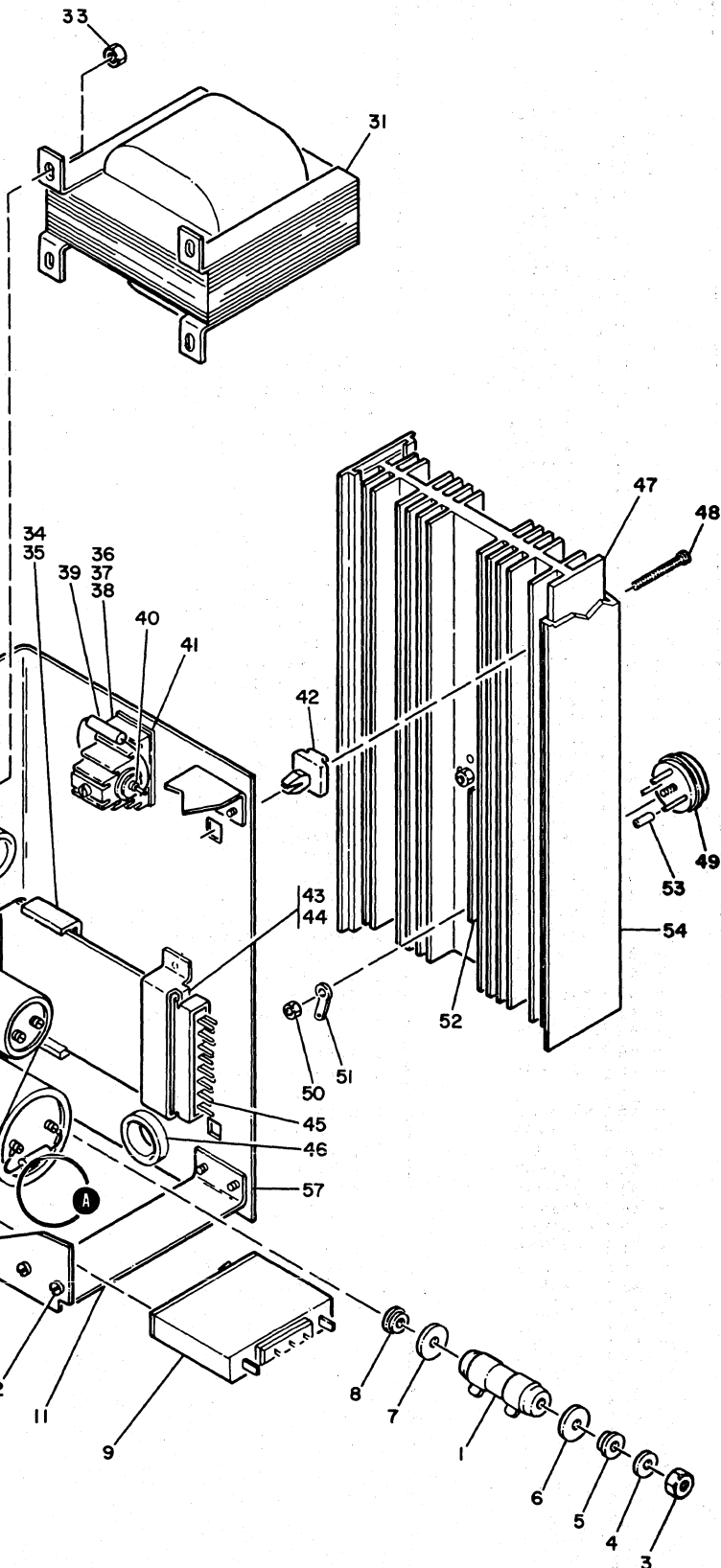


FIGURE 42. 3 VOLT 4 AMP POWER SUPPLY ASSEMBLY. SEE LIST 42.

LIST AND INDEX NO.	PART NO.	DESCRIPTION	UNITS	USABLE
			PER ASM.	ON CODE
		3VDC 4.0AMP POWER SUPPLY ASSEMBLY		
42 -	5239400	POWER SUPPLY ASM,3 AT 4AMPS-60 CYCLE	REF	
-	5239418	POWER SUPPLY ASM,3V AT 4AMPS-50 CYCLE FOR ILLUSTRATION SEE FIGURE 42 FOR NEXT HIGHER ASM SEE LIST 33-129	REF	
- 1	5261119	• RESISTOR,0.16 OHMS 25 WATTS WIREWOUND	1	
- 2	438593	• SCREW-MACH-BIND HD NO. 8-32 X 2 1/2 LG ATT PT	1	
- 3	5761938	• NUT/LOCKWASHER ASSEMBLY - 8-32 ATT PT	1	
- 4	2903	• WASHER,FL-NO. 6 X 1/2 OD X 1/32 THK	1	
- 5	510468	• CUP WASHER	1	
- 6	5761935	• WASHER	1	
- 7	5761935	• WASHER	1	
- 8	510468	• CUP WASHER	1	
- 9	5214544	• CIRCUIT BREAKER	1	
- 10	38235	• SCREW,BIND HD 6-32 X .312 LONG ATT PT	2	
- 11	5761779	• BRACKET,CHASSIS	2	
- 12	731629	• SCREW,PAN HD- 10-32 X 0.380 LG ATT PT	8	
- 13	5261935	• RESISTOR ASSEMBLY-330 OHMS 2W	1	
- 14	359695	• . TERMINAL-RING LUG NO.10 STUD	2	
- 15	113819	• . TUBING	2	
- 16	317080	• . RESISTOR,FXD 330 OHM 2W	1	
- 17	5261067	• CAPACITOR, ELECT., 24000 MF 10VDC	1	
- 18	5761786	• STRAP,CAPACITOR	1	
- 19	438570	• SCREW,MACH-BIND HD 6-32 X 1-1/2 LG ATT PT	1	
- 20	5761943	• NUT,HEX 10-32 NC ATT PT	1	
- 21	5261089	• CAPACITOR,ELECTROLYTIC- 10000 UF 6VDC	1	
- 22	322550	• SCREW,MACH-BIND HD 6-32 X 1/2 LG ATT PT	1	
- 23	5761943	• NUT,HEX 10-32 NC ATT PT	1	
- 24	301768	• BRACKET	1	
- 25	55726	• SCREW,MACH-BIND HD 6-32 X .188 LG ATT PT	2	
- 26	210990	• SHIELD- 13 POSITION	1	
- 27	210984	• SCREW,MACH RH 6-32 X .25 ATT PT	1	
- 28	5214556	• TERMINAL	1	
- 29	5261167	• STUD- 8-32 X 0.438 LG W/6-32 TAPPED HOLE ATT PT	1	
- 30	5261165	• STUD,SHLDR- 8-32 X 0.438 LG THD ATT PT	3	
- 31	5761723	• TRANSFORMER,STEPPDOWN - 60 CYCLE	1	
- 31	4116492	• TRANSFORMER,STEPPDOWN - 50 CYCLE	1	
- 32	332620	• SCREW,MACH-BIND HD 10-32 X 1/2 LG ATT PT	4	
- 33	5761908	• NUT,HEX 10-32 NC ATT PT	4	
- 34	5712309	• GUIDE	1	
- 35	5761907	• RIVET ATT PT	2	
- 36	5761977	• RECTIFIER ASSEMBLY	1	
- 37	734483	• SCREW,PAN HD- 6-32 X 0.380 LG ATT PT	3	
- 38	5762215	• WASHER,INSULATING ATT PT	2	
- 39	491228	• CAPACITOR, .010 UF	1	
- 40	113819	• TUBING	AR	
- 41	5761979	• INSULATOR	1	
- 42	5761796	• INSULATOR,HEAT SINK	4	
- 43	5761904	• BRACKET	1	
- 44	5761907	• RIVET ATT PT	2	
- 45	216076	• TERMINAL BLOCK AND CONTACT ASSEMBLY FOR COMPONENTS SEE LIST 44-64	1	
- 46	5761936	• GROMMET	2	
- 47	5761759	• HEAT SINK	1	
- 48	5761913	• SCREW, ATT PT	4	
- 50	11598	• NUT, HEX 10-32 ATT PT	2	
- 51	316996	• TERMINAL,LUG-NONINS 9AWG NO. 8 MTG HOLE	1	
- 52	5761965	• BUS STRIP	1	
- 53	5761976	• TUBING	AR	
- 54	473536	• SEAL	AR	
- 55	10170	• SCREW-MACH,BIND HD NO. 6-32 X .250 LG	1	
- 56	56722	• WASHER-LOCK,EXT T, .150 ID	1	
- 57	5761758	• CHASSIS	1	

FOR PARTS
NOT SHOWN
SEE FIG. 33

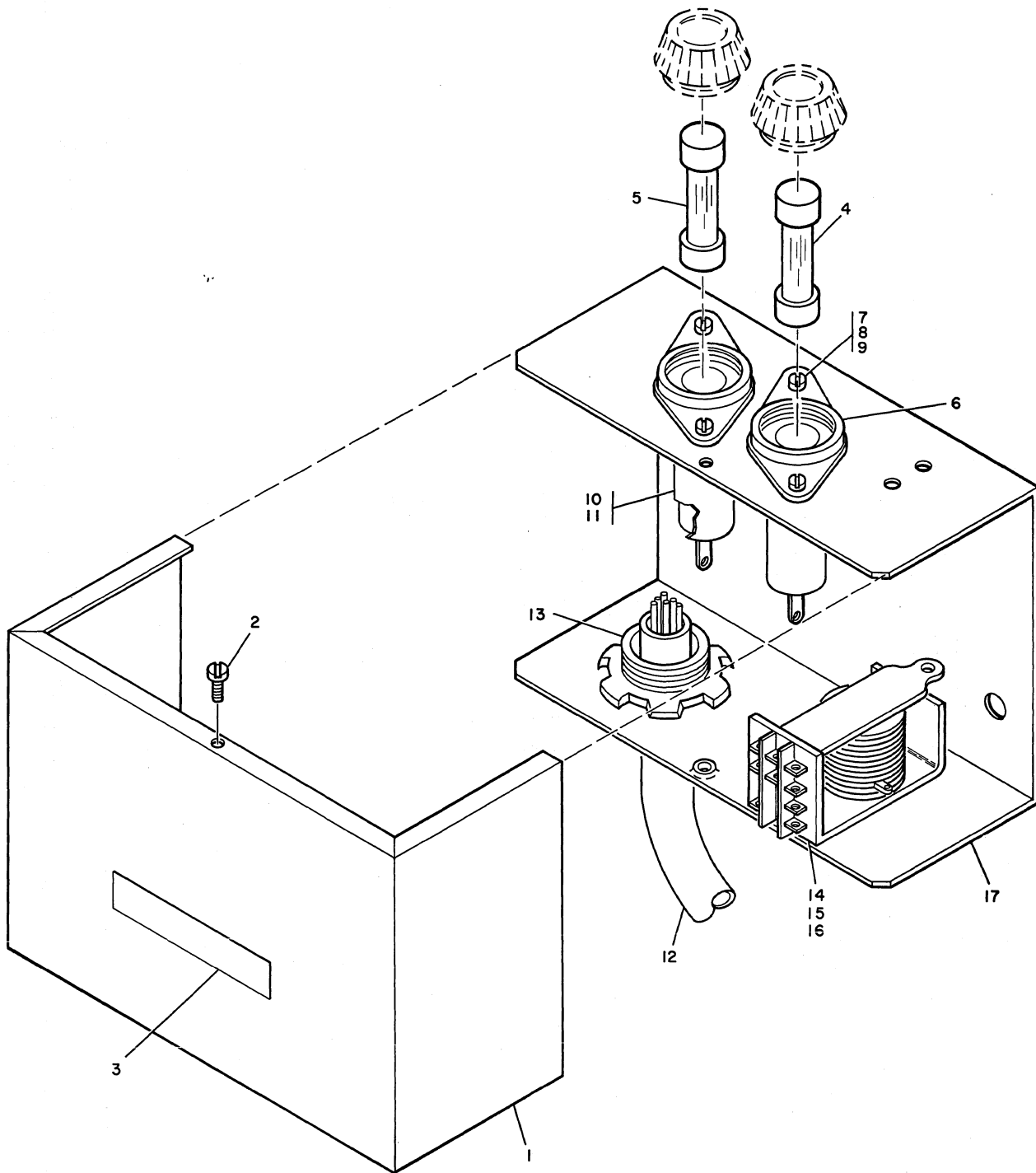


FIGURE 43. SEQUENCE BOX ASSEMBLY. SEE LIST 43.

LIST AND INDEX NO.	PART NO.	DESCRIPTION	UNITS PER ASM.	USABLE ON CODE
		1 2 3 4		
		SEQUENCE BOX ASSEMBLY		
43 -		CODE A USED ON ASMS 2243147 AND 2243361		
-				
-	2243147	SEQUENCE BOX ASM, USED ON MIDPACK 2.2 MICROSEC	REF	
-	2243603	SEQUENCE BOX ASM, USED ON MIDPACK 3.6 MICROSEC	REF	
-	2243361	SEQUENCE BOX ASM, USED ON MEDIUM POWER 3.6 MICROSEC FOR ILLUSTRATION SEE FIGURE 43 FOR NEXT HIGHER ASM SEE LIST 33-146	REF	
- 1	2243348	• COVER	1	
- 2	731626	• SCREW, PAN HEAD, 6-32 X .25 LONG	2	
- 3	124943	• LABEL-HAZARDOUS AREA	1	
- 4	92734	• FUSE, 2.0 AMP, LONG TIME LAG, NON-INDICATE	1	A
- 5	117401	• FUSE USED ON ASM 2243147 ONLY	1	
- 5	252590	• FUSE, 0.6 AMP LONG TIME LAG, NON-INDICATE USED ON ASM 2243361 ONLY	1	
- 6	104615	• FUSEHOLDER	2	A
- 7	322550	• SCREW, MACH-BIND HD 6-32 X 1/2 LG	4	A
- 8	6364	• WASHER, LOCK-SPLIT NO. 6 X 1/4 OD	4	A
- 9	257187	• NUT, HEX 6-32 NC	4	A
- 10	257079	• INSULATOR, FUSE TERMINAL .375 DIA X 1.500	2	A
- 11	257080	• INSULATOR, FUSE TERMINAL .962 DIA X 1.875	2	A
- 12	2243169	• CABLE ASM, SEQUENCE BOX TO TB 2 USED ON ASM 2243147 ONLY	1	
- 12	2243600	• CABLE ASM, SEQUENCE BOX TO TB 2 USED ON ASM 2243603 ONLY	1	
- 12	2243438	• CABLE ASM, SEQUENCE BOX TO TB 2 FOR COMPONENT PARTS SEE LIST 44-2B, 2C, 23 USED ON ASM 2243361 ONLY	1	
- 13	2100264	• RELIEF, CABLE STRAIN	1	
- 14	2158694	• RELAY, 3PDT 24V AC COIL	AR	
- 15	6364	• WASHER, LOCK-SPLIT NO. 6 X 1/4 OD	AR	
- 16	322550	• SCREW, MACH-BIND HD 6-32 X 1/2 LG	AR	
- 17	2243146	• HOUSING, SEQUENCE USED ON ASMS 2243147 AND 2243361	1	
- 17	2243604	• HOUSING, SEQUENCE USED ON ASM 2243603 ONLY	1	

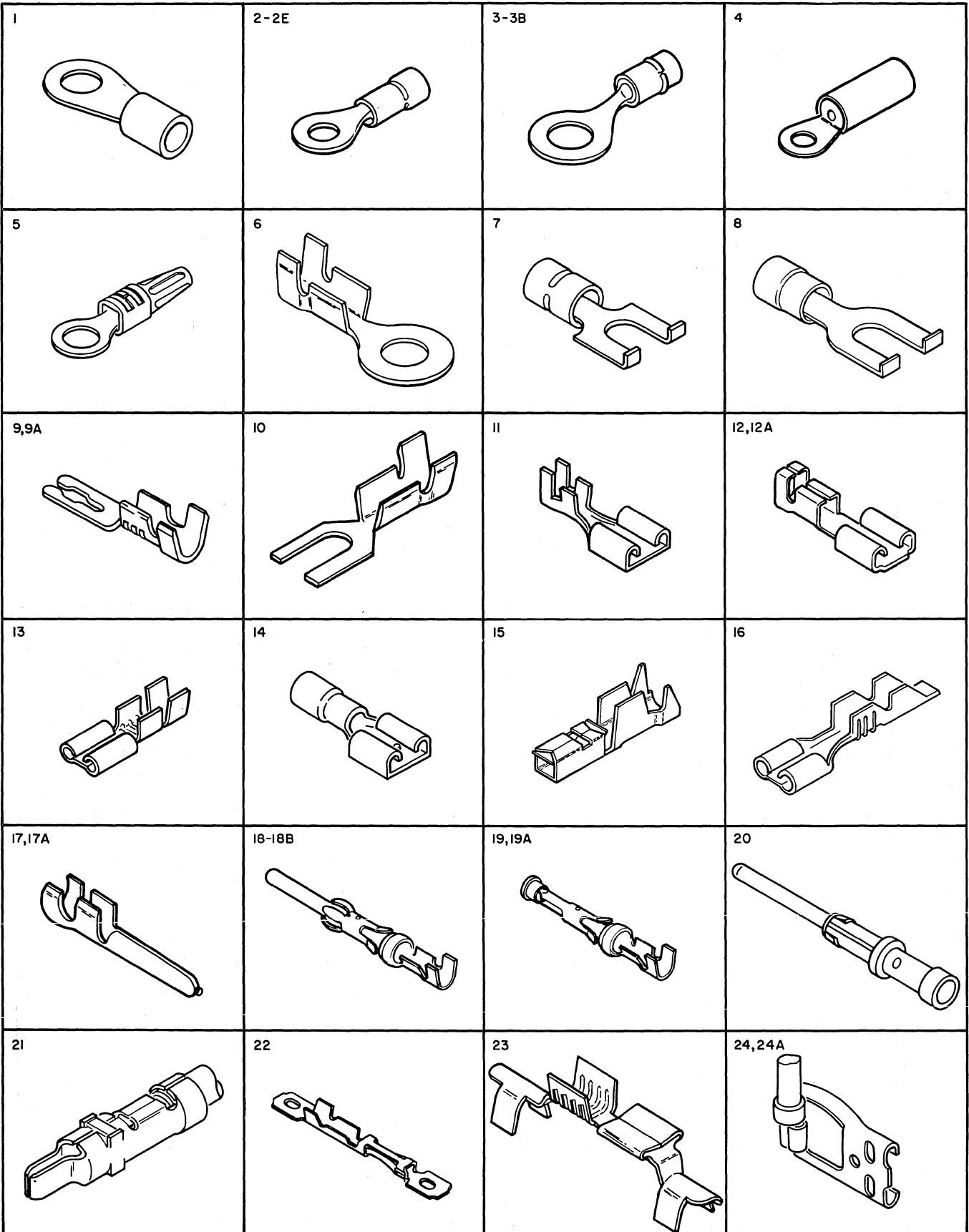


FIGURE 44. CABLE COMPONENT GROUP. SHEET 1 OF 4, INDEX NOS. 1-24. SEE LIST 44.

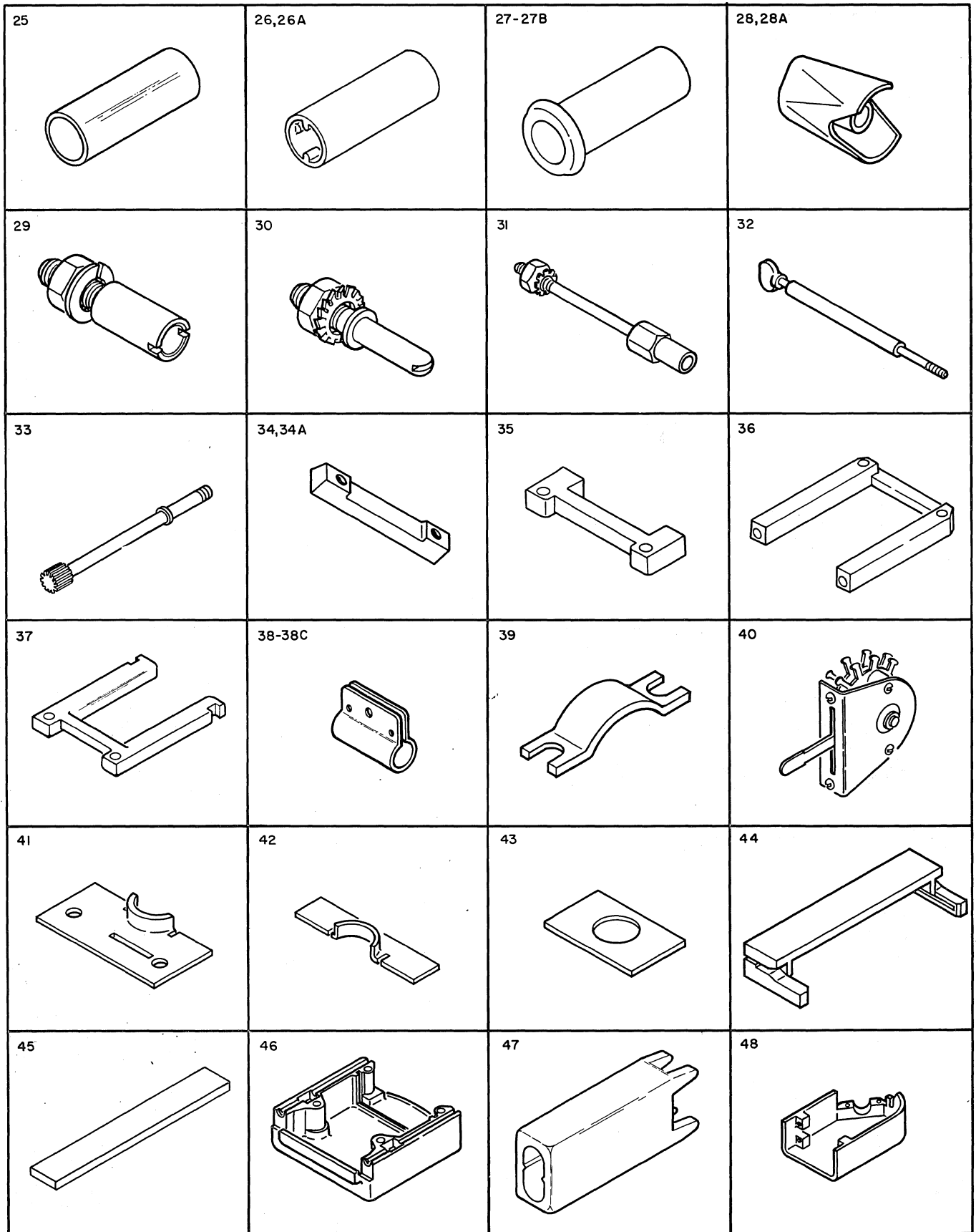


FIGURE 44. CABLE COMPONENT GROUP. SHEET 2 OF 4, INDEX NOS. 25-48. SEE LIST 44.

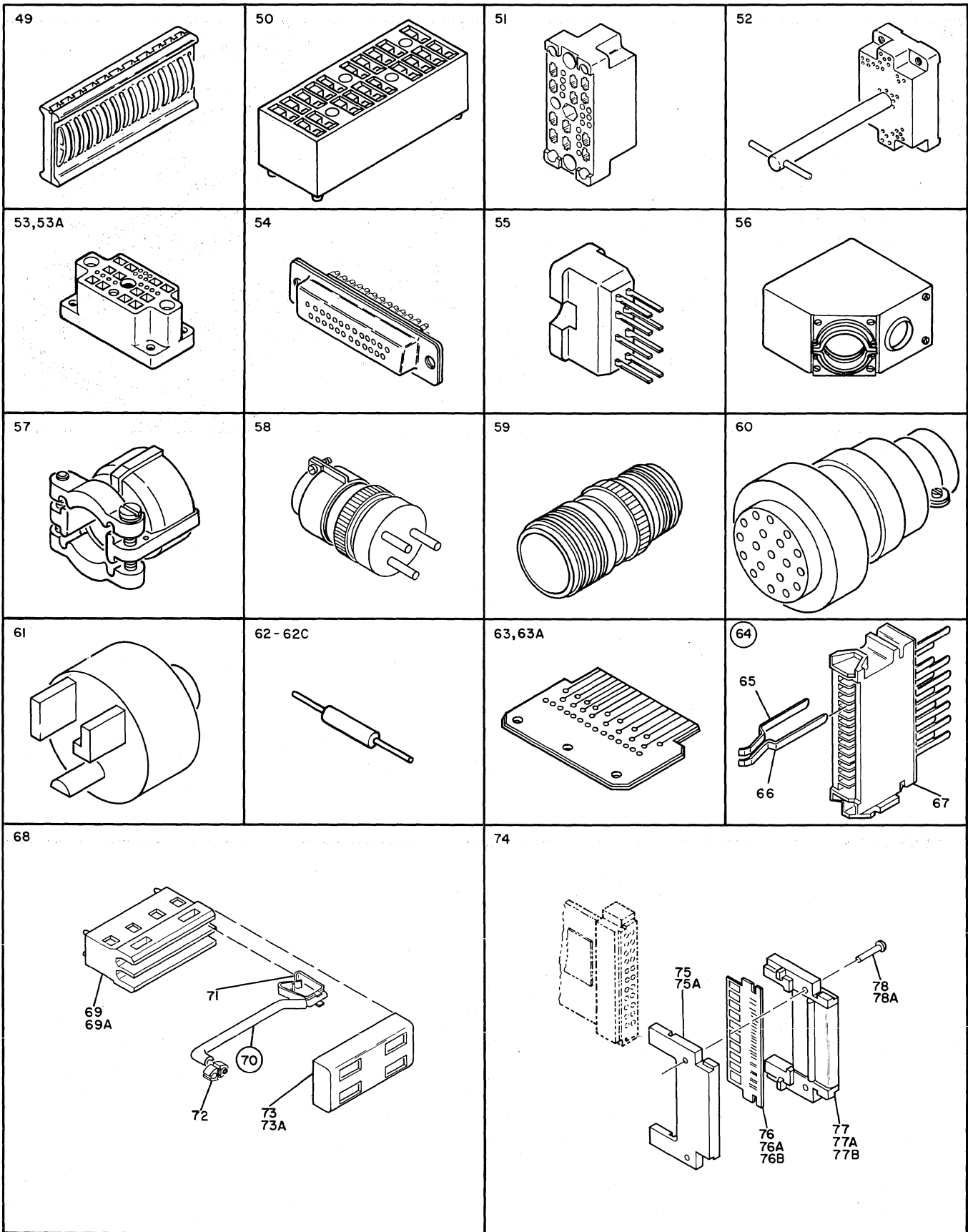


FIGURE 44. CABLE COMPONENT GROUP. SHEET 3 OF 4, INDEX NOS. 49-78. SEE LIST 44.

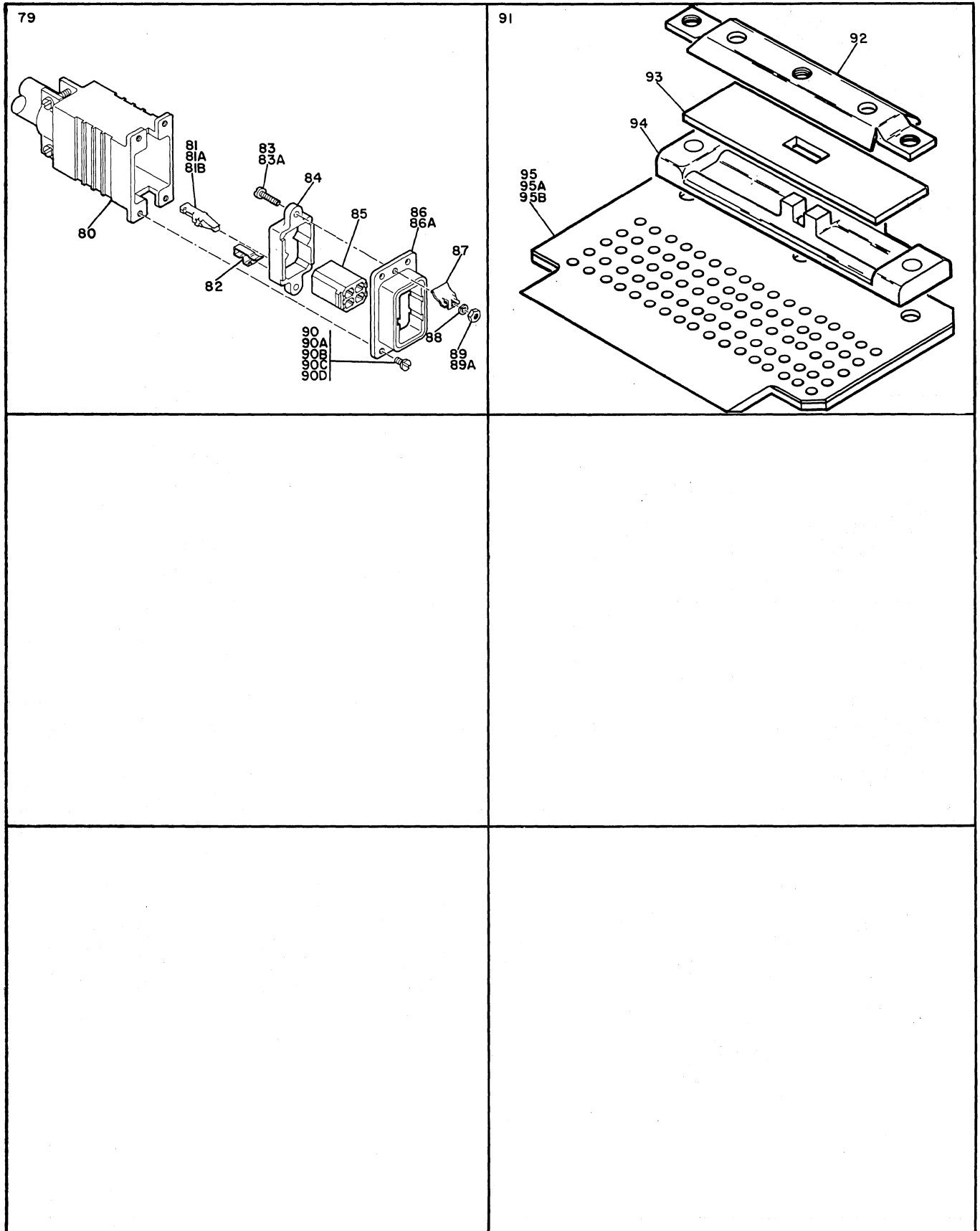


FIGURE 44. CABLE COMPONENT GROUP. SHEET 4 OF 4, INDEX NOS. 79-90 SEE LIST 44.

LIST AND INDEX NO.	PART NO.	DESCRIPTION	UNITS PER ASM.	USABLE ON CODE
		1 2 3 4		
		CABLE COMPONENT GROUP		
44 -	NO NO.	CABLE COMPONENT GROUP FOR ILLUSTRATION SEE FIGURE 44		
- 1	92784	. TERMINAL,LUG-INS 18-20AWG NO.8 MTG HOLE	AR	
- 2	2102617	. TERMINAL-LUG NO.10 STUD	AR	
- 2A	2197170	. TERMINAL,WIRE,#8 AWG	AR	
- 2B	253453	. TERMINAL, RING INS NO 22 AWG 0.140 ID	AR	
- 2C	253740	. TERMINAL,LUG-INS 10-12AWG NO.6 MTG HOLE	AR	
- 2D	334910	. TERMINAL-LUG NO.16 THRU NO.14 WIRE	AR	
- 2E	334921	. TERMINAL-LUG NO.22 THRU NO.18 WIRE INSUL	AR	
- 3	186968	. TERMINAL,LUG-INS 10/12AWG NO. 8 MTG HOLE	AR	
- 3A	334932	. TERMINAL-LUG NO.18 THRU NO.22 WIRE INSUL	AR	
- 3B	360370	. TERMINAL-RING TOUNGUE NO.14-16 WIRE	AR	
- 4	2101326	. TERMINAL-CLIP,BARREL NO.12-10 WIRE INSUL	AR	
- 5	359695	. TERMINAL-RING LUG NO.10 STUD	AR	
- 6	186961	. TERMINAL-RING,NO.6 STUD NON INSULATED	AR	
- 7	368222	. TERMINAL-NO.8 STUD 16-14 WIRE	AR	
- 8	92786	. TERMINAL,LUG-INS 18-20AWG NO.4 MTG SLOT	AR	
- 9	813194	. TERMINAL-AWG,20-18	AR	
- 9A	813195	. TERMINAL-DISCRETE WIRE,22/24/26	AR	
- 10	313361	. TERMINAL, SPADE 0.119 ID- 22, 24 AWG	AR	
- 11	430798	. TERMINAL, RECEPTACLE WIRE SIZE 20-18 AWG	AR	
- 12	236915	. TERMINAL-CONTACT FEMALE 20-18 AWG	AR	
- 12A	236916	. TERMINAL-CONTACT FEMALE 24-22 AWG	AR	
- 13	2123393	. TERMINAL,QUICK DISCONNECT- 16/20AWG	AR	
- 14	5247187	. TERMINAL,QUICK DISCONNECT- 18/22AWG	AR	
- 15	815934	. CONNECTOR,DISCRETE WIRE 22-26 AWG	AR	
- 16	5412817	. TERMINAL-QUICK DISCONNECT	AR	
- 17	187243	. TERMINAL, SMALL TAPER 20-22-24 OR 26 AWG	AR	
- 17A	360433	. TERMINAL-TAPER PIN 16/18AWG 0.073 NOM OD	AR	
- 18	2122260	. PIN-CONTACT,AWG 18-16	AR	
- 18A	2127867	. PIN, CONTACT 24-26 AWG	AR	
- 18B	2122258	. PIN-CONTACT MALE 20/22AWG	AR	
- 19	2127890	. SOCKET-CONTACT AWG 26-24	AR	
- 19A	2122261	. SOCKET,CONTACT AWG 18 - 16	AR	
- 20	2190742	. PIN,CONTACT MALE 16/18 AWG	AR	
- 21	2192507	. TERMINAL ASM-MALE 12/14 AWG LONG	AR	
- 22	813810	. TERMINAL,QUICK DISCONNECT	AR	
- 23	596255	. TERMINAL,SLIP-ON	AR	
- 24	517913	. CLIP, SLIP ON NO 18-16 AWG	AR	
- 24A	2162590	. TERMINAL-FLAG FAST	AR	
- 25	257080	. INSULATOR,FUSE TERMINAL .962 DIA X 1.875	AR	
- 26	2163847	. SLEEVE,INSULATING 0.225 DIA X 0.75 LG	AR	
- 26A	2178470	. SLEEVE,INSULATING 0.308 DIA X 0.75 LG	AR	
- 27	2191359	. BUSHING CABLE CLAMP	AR	
- 27A	2243200	. BUSHING-.925 OD X .75 ID X 2.00 LCNG	AR	
- 27B	4203608	. BUSHING-.738 OD X .625 ID X 2.141 LONG	AR	
- 28	123816	. FERRULE-SHIELDED WIRE 0.070 ID	AR	
- 28A	2178469	. FERRULE-SHIELDED WIRE 0.150 ID	AR	
- 29	2122636	. SOCKET,GUIDE CORNER	AR	
- 30	2122637	. PIN,GUIDE CORNER	AR	
- 31	2180796	. JACKSCREW, FIXED	AR	
- 32	2244723	. SCREW,JACK 8-32 X 0.5 THR TOTAL 4.88 LG	AR	
- 33	347752	. STUD,KNURLED HD- 4-40 X 2.60 LG	AR	
- 34	2180973	. CLAMP, SLT CARD	AR	
- 34A	2204024	. STRAIN RELIEF	AR	
- 35	5352958	. STRAIN RELIEF	AR	
- 36	5352960	. STRAIN RELIEF	AR	
- 37	5352967	. STRAIN RELIEF	AR	
- 38	2154996	. CLAMP, CABLE, MOTOR POWER INTERCONN	AR	
- 38A	627603	. CLAMP	AR	
- 38B	2145183	. CLAMP-CABLE	AR	
- 38C	2162457	. CLAMP, CABLE	AR	
- 39	2244724	. CLAMP,CABLE	AR	
- 40	347745	. SWITCH,LEVER-8 POLES NON SHORTING	AR	
- 41	4034312	. PLATE,SWITCH MOUNTING	AR	
- 42	4034311	. PLATE,CABLE CLAMP	AR	
- 43	347751	. PLATE-PRESSURE	AR	
- 44	811802	. GUIDE-CARD,6 PAC	AR	
- 45	2191340	. STRAIN RELIEF	AR	
- 46	347755	. SHELL-CONNECTOR AND SWITCH HOUSING	AR	
- 47	813197	. HOUSING-TERMINAL	AR	
- 48	2244722	. HOUSING, PLUG	AR	
- 49	2242704	. HOUSING,SNAP 12 UP	AR	
- 50	2191341	. HOUSING-JUMPER CONNECTOR	AR	
- 51	2191078	. RECEPTACLE, PIN	AR	
- 52	2191077	. CONNECTOR- 160 PIN	AR	

LIST AND INDEX NO.	PART NO.	DESCRIPTION				UNITS PER ASM.	USABLE ON CODE
		1	2	3	4		
CABLE COMPONENT GROUP -CONT							
44 - 53	2180672					AR	
- 53A	2244725					AR	
- 54	5302662					AR	
- 55	2160951					AR	
- 56	2191079					AR	
- 57	2243148					AR	
- 58	820384					AR	
- 59	2243099					AR	
- 60	2135031					AR	
- 61	2243571					AR	
- 62	216438					AR	
- 62A	216458					AR	
- 62B	216468					AR	
- 62C	317087					AR	
- 63	5800610					AR	
- 63A	5805030					AR	
- 64	216076					AR	
- 65	216087					AR	
- 66	216088					AR	
- 67	216073					AR	
- 68	NO NO.	NP				NP	
- 69	813801					AR	
- 69A	813550					AR	
- 70	811496					AR	
- 71	813681					AR	
- 72	813827					AR	
- 73	813802					AR	
- 73A	813549					AR	
- 74	NO NO.	NP				NP	
- 75	813803					AR	
- 75A	813805					AR	
- 76	5800660					AR	
- 76A	5800656					AR	
- 76B	5800671					AR	
- 77	813804					AR	
- 77A	813806					AR	
- 77B	813807					AR	
- 78	813338					AR	
- 78A	2204180					AR	
- 78B	595720					AR	
- 79	NO NO.	NP				NP	
- 80	738256					AR	
- 81	738255					AR	
- 81A	2192503					AR	
- 81B	2192502					AR	
- 82	2195482					AR	
- 83	438550					AR	
- 83A	2300					AR	
- 84	738166					AR	
- 85	738257					AR	
- 86	2192524					AR	
- 86A	738196					AR	
- 87	738197					AR	
- 88	257984					AR	
- 89	257189					AR	
- 89A	37913					AR	
- 90	337					AR	
- 90A	186758					AR	
- 90B	236550					AR	
- 90C	338238					AR	
- 90D	186759					AR	
- 91	NO NO.	NP				NP	
- 92	216208					AR	
- 93	216210					AR	
- 94	216209					AR	
- 95	396335					AR	
- 95A	491349					AR	
- 95B	747369					AR	

LIST AND INDEX NO.	PART NO.	DESCRIPTION 1 2 3 4	UNITS PER ASM.	USABLE ON CODE

NUMERICAL INDEX

PART NO.	LIST AND INDEX NO.	PART NO.	LIST AND INDEX NO.	PART NO.	LIST AND INDEX NO.
294	6 - 113	6935-CONT	34 - 42	11598-CONT	24 - 3
337	44 - 90		35 - 19		24 - 26
371	1 - 77	7371	7 - 7		24A- 20
443	4 - 75G		7 - 12		24A- 37
673	6 - 62	9092	4 - 23C		24C- 32
845	12 - 45		6 - 125		24D- 6
	12 - 53		13 - 12		24D- 27
	29 - 47		15 - 9		24F- 57
1866	6 - 101		15 - 55		24G- 43
2300	6 - 120		21 - 7		24H- 58
	44 - 83A		21 - 18		24J- 4
2903	24F- 4		24G- 42		24K- 4
	24H- 4		25 - 71		27 - 9
	27 - 16		39 - 40		29 - 52
	40 - 4		41 - 40		29 - 64
	42 - 4	10170	1 - 81		33 - 14
3500	7 - 6		1 - 128		33 - 96
	7 - 11		2 - 2		39 - 41
3550	4 - 130		11 - 18		40 - 57
	15 - 4		12 - 10		41 - 41
	17 - 32		15 - 92A		42 - 50
	21 - 45		16 - 3	11891	4 - 75J
	21 - 55		16 - 84		24G- 77
	24G- 48		21 - 2		39 - 76
	39 - 46		23 - 32		41 - 47
3696	1 - 62B		24F- 46		41 - 76
	1 - 62D		24G- 4	15889	26 - 65
3960	4 - 119		24G- 46	19944	21 - 29
	21 - 47		24H- 27	22478	1 - 3
4108	6 - 97		34 - 25		3 - 5
4236	6 - 27A		35 - 25		5 - 3
	6 - 74		36 - 5		5 - 8
	6 - 100		36 - 8		5 - 15
	6 - 103		37 - 5		6 - 121
4564	25 - 89		37 - 7		8 - 25
	25 - 98		39 - 21		8 - 40
4792	6 - 91		39 - 44		9A- 15
4797	6 - 8		40 - 46		9A- 33
	6 - 20		41 - 4		15 - 69
5528	13 - 19		41 - 44		17 - 41
	15 - 109		42 - 55		18 - 36
	32 - 4	10295	32 - 4		19 - 3
5644	12 - 28		1 - 10		23 - 73
5677	15 - 12	11598	1 - 15		24A- 9
	33 - 94		1 - 32		24C- 41
6364	19 - 16		1 - 105		24G- 13
	20 - 3		4 - 2		34 - 26
	24G- 73		4 - 14		35 - 26
	24J- 7		4 - 17		39 - 28
	24K- 7		4 - 23D		41 - 28
	38 - 3		6 - 66	23141	4 - 42
	39 - 72		13 - 13		4 - 112
	41 - 72		15 - 10	24091	15 - 42A
	43 - 8		15 - 14	25627	1 - 99
	43 - 15		15 - 75		16 - 64
6935	12 - 31		21 - 8		24A- 8
	15 - 5		21 - 19		24B- 66
	17 - 33		21 - 80		24C- 24
	21 - 46		23 - 3		24E- 14
	25 - 94		23 - 26	25793	4 - 68

PART NO.	LIST AND INDEX NO.
25891	21 - 5 21 - 16 24D- 24
25984	6 - 92
26299	1 - 59
28413	24D- 11 24G- 2 39 - 2 41 - 2
28762	6 - 33
32042	1 - 7 1 - 13 1 - 89 4 - 27 14 - 2 15 - 54 15 - 73 15 -101 19 - 13 24D- 11 24J- 2 24K- 2 33 - 4 33 - 12 4 - 99
32617	15 - 7
34512	1 - 2 1 - 28 1 - 72 1 - 99 1 -122 4 -115 5 - 5 12 - 39 16 - 44 21 - 13 24B- 41 33 - 22 33 - 33
35739	8 - 6 8 - 10 9A- 5 9A- 10 16 - 37 24B- 37 26 - 53 25 -107A
35868	12 - 32
36109	17 - 34 33 -126 34 - 43 35 - 20 35 - 35 33 -125 35 - 34 9 - 5 15 - 82 24F- 35 24G- 87 24H- 41 26 - 38 26 - 44 34 - 49 35 - 44 39 - 85 40 - 35 44 - 89A
36112	24G- 18 24G- 23 24G- 62 24G- 74 39 - 7 39 - 12 39 - 61 39 - 73 41 - 9 41 - 14 41 - 61 41 - 73 41 - 73
37913	12 - 53
38051	12 - 53
38235	12 - 53

PART NO.	LIST AND INDEX NO.
38235-CONT	19 - 15 23 - 37 24 - 32 24 - 37 24F- 10 24G- 59 24G- 64 24H- 10 24J- 6 24K- 6 27 - 40 33 -100 39 - 58 39 - 63 40 - 10 41 - 58 41 - 63 42 - 10 6 -106 15 - 80 6 - 42 4 - 83 23 - 34 24 - 34 6 -112 6 -124 27 - 8 21 - 51 4 -128 12 - 30 1 - 8 3 - 8 3 - 11 3 - 14 4 - 3 4 - 15 4 - 18 4 - 75H 4 -101 13 - 11 15 - 8 15 - 56 15 -115C 21 - 6 21 - 17 21 - 55 23 - 27 24 - 27 24A- 22 24A- 30A 24A- 34 24C- 30 24D- 4 24D- 25 24G- 41 25 -105 33 - 70 39 - 39 41 - 39 41 - 46 6 -126 6 - 19 24 - 28 4 - 34 4 - 37 17 - 7 18 - 7 18 - 50 21 - 12 24B- 3 24B- 10 24G- 36 39 - 33 41 - 34 42 - 25 1 - 4 1 - 29 1 - 73 1 -100 1 -123
38255	6 -106
38265	15 - 80
38271	6 - 42
38352	4 - 83
38354	23 - 34 24 - 34 6 -112 6 -124 27 - 8 21 - 51 4 -128 12 - 30 1 - 8 3 - 8 3 - 11 3 - 14 4 - 3 4 - 15 4 - 18 4 - 75H 4 -101 13 - 11 15 - 8 15 - 56 15 -115C 21 - 6 21 - 17 21 - 55 23 - 27 24 - 27 24A- 22 24A- 30A 24A- 34 24C- 30 24D- 4 24D- 25 24G- 41 25 -105 33 - 70 39 - 39 41 - 39 41 - 46 6 -126 6 - 19 24 - 28 4 - 34 4 - 37 17 - 7 18 - 7 18 - 50 21 - 12 24B- 3 24B- 10 24G- 36 39 - 33 41 - 34 42 - 25 1 - 4 1 - 29 1 - 73 1 -100 1 -123
38368	6 -112
38381	6 -124
38393	27 - 8
38443	21 - 51
38686	4 -128
38688	12 - 30
45690	1 - 8 3 - 8 3 - 11 3 - 14 4 - 3 4 - 15 4 - 18 4 - 75H 4 -101 13 - 11 15 - 8 15 - 56 15 -115C 21 - 6 21 - 17 21 - 55 23 - 27 24 - 27 24A- 22 24A- 30A 24A- 34 24C- 30 24D- 4 24D- 25 24G- 41 25 -105 33 - 70 39 - 39 41 - 39 41 - 46 6 -126 6 - 19 24 - 28 4 - 34 4 - 37 17 - 7 18 - 7 18 - 50 21 - 12 24B- 3 24B- 10 24G- 36 39 - 33 41 - 34 42 - 25 1 - 4 1 - 29 1 - 73 1 -100 1 -123
48594	6 -126
52614	6 - 19
55076	24 - 28
55726	4 - 34 4 - 37 17 - 7 18 - 7 18 - 50 21 - 12 24B- 3 24B- 10 24G- 36 39 - 33 41 - 34 42 - 25 1 - 4 1 - 29 1 - 73 1 -100 1 -123
55901	1 - 4 1 - 29 1 - 73 1 -100 1 -123

PART NO.	LIST AND INDEX NO.
55901-CONT	5 - 6 8 - 24 8 - 39 9A- 15A 9A- 32 12 - 48 15 - 32 15 - 64 15 - 92 16 - 11 16 - 20 16 - 32 16 - 43 16 - 62 16 - 78 19 - 4 24B- 20 24B- 32 24B- 59 24B- 80 24B-107 24C- 3 24C- 13 24C- 25 24C- 42 33 - 9 33 - 23 33 - 34 33 -110 1 -103 16 - 75 24B- 76 1 - 9 1 - 14 1 - 31 1 - 90 1 -104 4 - 10 15 - 35 15 - 38 15 - 55 15 - 68 16 - 7 16 - 76 21 - 79 23 - 46 24 - 46 24A- 15 24A- 21 24A- 25 24A- 30B 24B- 7 24B- 77 24C- 31 24D- 5 24D- 26 24J- 3 24K- 3 33 - 5 33 - 13 15 - 74 32 - 5 1 -116 11 - 15 14 - 7 15 - 92B 16 - 4 16 - 38 16 - 56 16 - 59 16 - 85 19 - 16 19 - 23 24B- 4 24B- 11 24B- 38 24B- 51 24C- 35 24F- 47 24G- 37
55918	1 -103 16 - 75 24B- 76 1 - 9 1 - 14 1 - 31 1 - 90 1 -104 4 - 10 15 - 35 15 - 38 15 - 55 15 - 68 16 - 7 16 - 76 21 - 79 23 - 46 24 - 46 24A- 15 24A- 21 24A- 25 24A- 30B 24B- 7 24B- 77 24C- 31 24D- 5 24D- 26 24J- 3 24K- 3 33 - 5 33 - 13 15 - 74 32 - 5 1 -116 11 - 15 14 - 7 15 - 92B 16 - 4 16 - 38 16 - 56 16 - 59 16 - 85 19 - 16 19 - 23 24B- 4 24B- 11 24B- 38 24B- 51 24C- 35 24F- 47 24G- 37
56079	1 - 9 1 - 14 1 - 31 1 - 90 1 -104 4 - 10 15 - 35 15 - 38 15 - 55 15 - 68 16 - 7 16 - 76 21 - 79 23 - 46 24 - 46 24A- 15 24A- 21 24A- 25 24A- 30B 24B- 7 24B- 77 24C- 31 24D- 5 24D- 26 24J- 3 24K- 3 33 - 5 33 - 13 15 - 74 32 - 5 1 -116 11 - 15 14 - 7 15 - 92B 16 - 4 16 - 38 16 - 56 16 - 59 16 - 85 19 - 16 19 - 23 24B- 4 24B- 11 24B- 38 24B- 51 24C- 35 24F- 47 24G- 37
56121	1 -116 11 - 15 14 - 7 15 - 92B 16 - 4 16 - 38 16 - 56 16 - 59 16 - 85 19 - 16 19 - 23 24B- 4 24B- 11 24B- 38 24B- 51 24C- 35 24F- 47 24G- 37
56722	1 -116 11 - 15 14 - 7 15 - 92B 16 - 4 16 - 38 16 - 56 16 - 59 16 - 85 19 - 16 19 - 23 24B- 4 24B- 11 24B- 38 24B- 51 24C- 35 24F- 47 24G- 37

PART NO.	LIST AND INDEX NO.
56722-CCNT	24H- 28 26 - 43 26 - 50 28 - 26 36 - 15 37 - 13 37 - 18 37 - 23 39 - 34 40 - 47 41 - 35 42 - 56
58207	1 - 11 1 -126 4 - 7 6 - 7 13 - 16 16 - 10 16 - 19 16 - 31 16 - 77 24B- 19 24B- 31 24B- 79 24B-106 24D- 2 25 -104
59647	34 - 41 35 - 18
59649	25 - 93
59659	25 - 97
60646	24G- 11 32 - 5 39 - 29 41 - 25 24G- 17 24G- 22 24G- 61 39 - 6 39 - 11 39 - 60 41 - 8 41 - 13 41 - 60
67873	31 - 2
70078	24G- 80 39 - 79
76574	4 -118 4 -129 15 - 42 21 - 56 23 - 51 24 - 51 15 - 78
79204	24G- 68
79779	39 - 67 41 - 67 32 - 2
79842	26 - 36
80650	23 - 15
80651	24 - 15 23 - 21 24 - 21
80652	22 - 3 24E- 3
80880	29 - 62
81404	11 - 14
81693	24B- 16 25 - 2 25 - 7 26 - 49 28 - 2
81898	15 -108
82353	16 - 63 39 - 15
83462	23 - 50 24 - 50
91469	22 - 3 24E- 3
91610	23 - 20

PART NO.	LIST AND INDEX NO.
91610-CONT	24 - 20
91611	4 - 9 4 - 12
91892	21 - 70
92734	16 - 35 24B- 34 43 - 4
92784	15 - 62 44 - 1
92786	11 - 21 44 - 8
93178	33 - 81
100229	6 - 76
100354	6 - 86
101706	15 -104 33 -136
103372	6 - 35
104294	11 - 17
104615	16 - 36 24B- 36 43 - 6
104715	25 -122
105047	6 - 63
106988	6 - 96
107070	6 - 90
107611	12 - 36 19 - 34 20 - 9 36 -19 37 - 26 38 - 9
107664	16 - 35 24B- 34
107665	16 - 35 24B- 34
107667	16 - 35 24B- 34
113318	27 - 29
113819	21 - 41 24F- 15 24F- 31 24G- 33 24H- 18 24H- 37 26 - 2 26 - 32 39 - 23 40 - 15 40 - 31 41 - 30 42 - 15 42 - 40 29 - 70 43 - 5
116875	16 - 35
117401	6 - 81
117403	6 - 88 6 - 94
118418	21 - 78 6 - 71
118615	25 - 70
120044	44 - 28
120211	23 - 62 4 - 38
123816	12 - 29
124580	4 - 43 4 -125
124822	11 - 7 12 - 40
124871	33 - 84C 43 - 3
124943	16 - 17 24B- 17
126036	21 - 52 24C- 47 39 - 45
127324	25 - 99 25 - 88
127499	15 - 54
127712	1 - 60
130434	
130987	

PART NO.	LIST AND INDEX NO.
130987-CONT	33 - 82
131713	21 - 25
132422	24 - 56
133798	6 - 69
134998	7 - 4
138754	4 -124 16 - 8 24B- 14 25 - 41 28 - 29 30 - 3
139050	6 - 49
140738	6 - 31
150109	16 - 93
159373	24B- 85 1 - 23 1 - 25 1 - 34 1 - 45 1 - 53 33 - 38 33 - 42 33 - 46 33 - 50 33 - 67
159494	6 - 10 6 - 12 21 - 57 24G- 49 39 - 47 25 - 90
159941	9B- 5
159944	6 -104 8 - 15 9B- 4
160017	17 - 3 17 - 31 9A- 38 11 - 3 11 - 20 15 - 27 14 - 4 20 - 2 38 - 2 8 - 48 9A- 2 15 - 23 6 - 75 6 - 85 31 - 4 4 - 89 10 - 4 16 - 92 24B- 86
161351	21 - 59
163800	4 - 69
163899	2 - 5
165010	33 - 56 15 - 87 15 - 89 16 - 34 24C- 10 6 - 9 27 - 7 27 - 15 44 - 90A 23 - 22A 23 - 23 24 - 23 24C- 2 24C- 12 29 - 50 44 - 90D
169733	15 - 50
170185	16 - 45
170202	24B- 42 24C- 14 26 - 13 22 - 8 24E- 8
170213	
170214	
170215	
170228	
173205	
173215	
176246	
179743	
179946	
179966	
183841	
183900	
184380	
186324	
186685	
186758	
186759	
186942	
186943	
186944	
186945	

PART NO.	LIST AND INDEX NO.
186961	44 - 6
186967	28 - 16
186968	21 - 9
	44 - 3
187243	6 - 25
	24B- 94
	24B- 97
	25 -106
	26 - 3
	27 - 24
	27 - 28
	44 - 17
187466	21 - 62
187467	19 - 7
	36 - 7
	37 - 6
187470	39 - 13
187471	19 - 26
187491	24D- 32
187736	24D- 32
187858	22 - 8
	24E- 8
191478	13 - 1
	16 - 66
	24B- 69
191480	16 - 12
191484	24E- 8
192733	21 - 54
	24C- 8
194719	26 - 30
196299	6 - 30
	6 - 68
	6 -129
	7 - 9
204818	24E- 11
204839	6 - 78
204843	6 - 77
204848	6 - 82
205331	4 - 46
	6 - 13
205608	6 - 80
207293	15 -115F
	24A- 38
207324	24G- 78
	39 - 77
207351	39 - 20
207356	21 - 22
207364	15 - 45
207382	15 -115D
	24A- 35
208190	21 - 41
208228	41 - 6
208529	1 - 95
	1 -107
	14 - 10
209005	4 - 74
	4 - 75B
	24C- 5
210883	11 - 11
	16 - 15
	20 - 13
	24C- 17
	24D- 29
	26 - 16
	33 -116
	36 - 10
	37 - 9
210884	11 - 10
	16 - 16
	24C- 18
	24D- 30
	26 - 17
210984	13 - 2
	15 - 44
	16 - 13
	16 - 23
	16 - 46
	16 - 67
	19 - 8
	19 - 27

PART NO.	LIST AND INDEX NO.
21C984-CONT	21 - 63
	21 - 69
	22 - 9
	23 - 10
	24 - 10
	24B- 23
	24B- 43
	24B- 70
	24C- 15
	24D- 33
	24E- 9
	24F- 42
	24G- 25
	24H- 23
	26 - 14
	39 - 14
	40 - 42
	41 - 16
	42 - 27
21C985	4 -122
	13 - 4
	15 - 46
	15 - 92D
	16 - 48
	16 - 69
	19 - 10
	19 - 30
	21 - 65
	21 - 71
	22 - 5
	24B- 45
	24B- 72
	24C- 17
21C986	24E- 5
	4 -121
	13 - 5
	15 - 47
	16 - 49
	16 - 70
	19 - 11
	19 - 29
	21 - 66
	21 - 72
	22 - 4
	24B- 46
	24B- 73
	24C- 18
21C990	24E- 4
	24F- 41
	24G- 24
	24H- 22
	40 - 41
	41 - 15
	42 - 26
21C998	21 - 68
212988	16 - 65
213536	23 - 59
	24 - 55
	24 - 56
	24B- 89
216073	44 - 67
216076	16 - 89
	23 - 42
	24 - 42
	24F- 23
	24G- 57
	24H- 48
	33 -103
	39 - 56
	40 - 23
	41 - 56
	42 - 45
	44 - 64
216087	44 - 65
216088	44 - 66
216206	16 - 82
	33 -102
216208	44 - 92
216209	44 - 94
216210	44 - 93

PART NO.	LIST AND INDEX NO.
216258	23 - 67
	24 - 67
216297	15 - 57
216362	11 - 17
216438	6 - 18
	44 - 62
216458	44 - 62A
216468	44 - 62B
216794	24B- 95
217017	21 - 53
	24G- 51
	39 - 49
217019	13 - 9
	21 - 53
	24C- 7
	24D- 8
	41 - 49
219202	6 - 54
219203	6 - 47
219204	6 - 36
219209	6 - 55
219213	6 -127
219216	7 - 10
219224	6 - 60
219226	7 - 1
219229	6 - 52
219232	6 - 61
219235	6 - 56
219236	7 - 8
219237	6 - 67
219244	6 -127
219268	6 -128
219272	7 - 3
219278	6 - 43
219281	6 -108
219319	6 - 99
219325	6 - 65
219333	6 - 59
219346	6 - 53
219347	6 - 51
219357	6 - 57
219368	6 - 83
219423	24G- 75
	39 - 74
	41 - 74
	41 - 77
219472	6 - 64
220764	24B- 68
220916	24C- 21
221110	24C- 39
221790	16 - 42
	16 - 61
	16 - 95
	24B- 58
	33 -109
223803	24B- 50
225532	4 -102
225533	15 - 2
227501	6 - 44
227502	6 - 41
227519	6 - 57
227527	6 - 48
227529	6 - 50
227582	6 - 46
228391	24B- 34
234316	15 - 21
	15 -115G
	24A- 39
234317	3 - 4
	19 - 2
234318	5 - 2
	5 - 7
	5 - 14
	24E- 14
	25 - 59
234328	15 -115B
	24A- 30
	24A- 33
234330	3 - 7
	3 - 10

PART NO.	LIST AND INDEX NO.
234330-CONT	3 - 13
234333	24A- 36
234340	15 - 41
	25 - 48
234341	4 -117
236550	24B-100
	44 - 90B
236849	15 - 41
	16 - 6
	17 - 25
	17 - 27
	17 - 50
	18 - 20
	21 - 49
	23 - 45
	24 - 45
	24A- 14
	24A- 24
	24B- 6
	25 - 13
	34 - 20
	36 - 12
236915	44 - 12
236916	44 - 12A
251283	31 - 6
251970	9 - 2
	9 - 11
	15 -112
	33 -143
251989	29 - 2
252589	16 - 35
	24B- 34
252590	24B- 34
	43 - 5
252591	16 - 35
	24B- 34
253219	24B- 67
253453	44 - 2B
253740	44 - 2C
255629	2 - 11B
	2 - 11D
	23 - 18
	24 - 18
255994	26 - 31
257079	16 - 40
	24B- 35
	43 - 10
257080	16 - 40
	24B- 35
	43 - 11
	44 - 25
257187	1 -117
	11 - 16
	15 - 25
	15 - 48
	16 - 39
	16 - 55
	16 - 58
	19 - 17
	19 - 24
	20 - 4
	24B- 13
	24B- 39
	24B- 52
	24C- 36
	24G- 65
	24J- 8
	24K- 8
	26 - 51
	26 - 64
	31 - 7
	36 - 16
	37 - 14
	37 - 19
	37 - 24
	38 - 4
	39 - 64
	41 - 64
	43 - 9
257189	1 - 5

PART NO.	LIST AND INDEX NO.
257189-CONT	1 - 49
	1 - 82
	2 - 4
	3 - 2
	8 - 27
	8 - 42
	9A- 13
	9A- 30
	12 - 55
	15 - 59
	15 - 71
	21 - 14
	24A- 11
	24C- 26
	24C- 43
	24G- 12
	29 - 48
	33 - 8
	33 - 55
	39 - 30
	41 - 26
	44 - 89
257959	8 - 30
	9A- 19
257980	4 - 85
257984	8 - 52
	15 - 81
	44 - 88
257985	24G- 86
	34 - 48
	35 - 43
	39 - 84
257986	1 -129
	4 - 84
	4 - 86
	9A- 1C
	15 - 24
	21 - 3
	21 - 76
	24G- 60
	24G- 72
	25 -112
	26 - 54
	27 - 2A
	27 - 41
	34 - 46
	35 - 41
	39 - 59
	39 - 71
	41 - 59
	41 - 71
	29 - 17
263217	28 - 27
265059	28 - 14
286531	8 - 2
287502	17 - 30
289335	15 - 63
300736	13 - 3
301731	16 - 68
	24B- 71
301768	23 - 36
	24 - 36
	42 - 24
302088	4 - 53
	24B-102
	25 -117
	26 - 8
	27 - 34
302089	4 - 52
	24B-101
	25 -116
	26 - 7
	27 - 33
302090	4 - 50
	24B- 99
	25 -114
	26 - 5
	27 - 31
302131	4 - 54
	24B-103

PART NO.	LIST AND INDEX NO.
302131-CONT	25 -118
	26 - 9
	27 - 35
308704	6 - 12
311483	7 - 2
311823	6 - 98
313274	6 - 37
313353	6 - 27
313355	6 - 32
313361	6 -117
	11 - 22
	44 - 10
315309	6 -119
315310	6 -119
316046	6 -122
316047	6 -123
316059	7 - 5
316807	1 -115
	21 - 35
	21 - 75
316996	13 - 14
	24C- 9
	24D- 9
	24F- 58
	24H- 59
	40 - 58
	42 - 51
317007	24 - 63
317009	23 - 57
317011	4 - 49
317080	24F- 16
	24H- 19
	40 - 16
	42 - 16
317087	44 - 62C
317131	26 - 15
317132	15 - 92C
317138	13 - 24
317145	22 - 3
	24E- 3
317192	26 - 29
317232	8 - 5
	9A- 9
317304	27 - 21
317310	11 - 9
317390	24 - 56
320167	4 - 48
	6 - 22
	24B- 88
	24B- 91
	25 -120
320461	24G- 26
	41 - 17
321196	27 - 22
321271	16 - 88
321483	24D- 18
322065	20 - 2
	24J- 6
	38 - 2
322266	26 - 18
322269	13 - 6
	24B- 74
322271	22 - 6
	24E- 6
322550	19 - 15
	19 - 22
	20 - 12
	24G- 71
	24K- 6
	25 - 36
	25 - 63
	25 - 95
	31 - 15
	36 - 14
	37 - 12
	37 - 17
	37 - 22
	39 - 70
	41 - 70
	42 - 22

PART NO.	LIST AND INDEX NO.
322550-CONT	43 - 7
	43 - 16
322551	24B- 12
	26 - 47
322729	23 - 60
	24 - 60
322742	24 - 59
	24B- 98
322766	16 - 14
	24B- 15
322767	16 - 47
	24B- 44
	24B- 65
	24C- 16
	28 - 21
322888	28 - 20
323543	21 - 43
323840	12 - 49
	19 - 9
	20 - 11
	36 - 9
	37 - 8
	38 - 11
323842	21 - 64
	33 - 114
323844	23 - 11
	24 - 11
	4 - 29
324773	6 - 72
326276	9A- 1D
327408	24E- 13
331191	23 - 70
331982	24G- 10
	39 - 27
332620	24C- 29
	24F- 44
	24G- 40
	24H- 30
	39 - 38
	40 - 44
	41 - 38
	42 - 32
332747	27 - 3
332779	23 - 49
	24 - 49
	24F- 34
	40 - 34
333064	33 - 124
	35 - 33
333202	23 - 58
	24 - 58
333586	16 - 79
	24B- 78
334902	24 - 56
334910	21 - 9
	44 - 2D
334921	12 - 56
	16 - 21
	19 - 18
	20 - 5
	21 - 20
	24B- 21
	24C- 19
	31 - 9
	32 - 6
	36 - 17
	37 - 15
	38 - 5
	44 - 2E
334932	13 - 22
	21 - 39
	24G- 34
	39 - 24
	44 - 3A
335321	6 - 58
336324	27 - 2
336657	33 - 84B
338169	9 - 3
	9 - 6
	9 - 12

PART NO.	LIST AND INDEX NO.
338238	44 - 90C
339036	26 - 12
339113	6 - 79
339176	6 - 73
342120	6 - 89
342121	6 - 87
344015	4 - 107
	25 - 113
	26 - 55
347745	44 - 40
347751	44 - 43
347752	44 - 33
347755	44 - 46
351797	22 - 6
	24E- 6
352826	33 - 111
356740	23 - 55
356742	10 - 1
357995	16 - 94
	24B- 62
359018	24B- 61
359511	24B- 90
359695	24F- 14
	24H- 17
	40 - 14
	41 - 31
	42 - 14
	44 - 5
360060	23 - 60A
	24 - 56
360339	22 - 6
	24E- 6
360370	15 - 113
	33 - 144
	44 - 3B
360433	27 - 20
	44 - 17A
361429	23 - 61
	24 - 61
361536	22 - 10
362829	6 - 28
363434	16 - 51
	24B- 48
	24C- 20
	28 - 23
364710	8 - 3
367115	13 - 7
	16 - 50
	19 - 32
	24B- 47
	28 - 28
	33 - 149
367182	5 - 17
368222	44 - 7
369059	6 - 95
369060	6 - 93
369207	16 - 29
	19 - 33
	24A- 6
	24B- 29
	33 - 85
369208	33 - 133
	34 - 38
	35 - 36
369214	23 - 2
	23 - 25
	24 - 2
	24 - 25
	24F- 56
	24G- 76
	24H- 57
	39 - 75
	40 - 56
	41 - 75
369351	20 - 14
369593	24B- 60
369611	23 - 64
369616	24G- 70
	39 - 69
	41 - 69

PART NO.	LIST AND INDEX NO.
372423	15 - 96
372676	15 - 99
372677	15 - 98
372688	11 - 13
372990	15 - 95
374621	24G- 89
374744	16 - 81
	33 - 101
374923	41 - 80
375200	24 - 24
	24F- 61
	24H- 45
375202	23 - 24
375203	40 - 61
375249	39 - 87
382303	6 - 58
382349	6 - 29
396335	44 - 95
417313	6 - 107
419184	24 - 62
419537	15 - 65
	15 - 65
	16 - 73
430798	44 - 11
438541	29 - 45
438547	8 - 51
438548	24 - 53
	24D- 20
	24D- 22
438549	4 - 51
438550	6 - 11
	23 - 48
	24 - 48
	27 - 32
	34 - 47
	35 - 42
	44 - 83
438551	24F- 33
	24H- 40
	25 - 101
	27 - 11
	40 - 33
438564	25 - 111
438567	24H- 14
438570	42 - 19
438571	24F- 18
	40 - 18
438582	22 - 14
	24E- 17
438583	24C- 40
438587	1 - 81
438593	24E- 17
	24F- 2
	24H- 2
	28 - 11
	40 - 2
	41 - 24
	42 - 2
438604	24D- 14
441092	16 - 54
	24B- 53
441181	24G- 5
	39 - 3
	41 - 5
442958	24C- 45
444984	26 - 33
445304	24B- 9
454505	19 - 31
460471	21 - 67
470834	16 - 33
	24B- 33
472187	24G- 30
	39 - 19
	41 - 21
472662	24D- 31
472729	26 - 42
473412	24C- 37
	24G- 19
	39 - 8
	41 - 10

PART NO.	LIST AND INDEX NO.	PART NO.	LIST AND INDEX NO.	PART NO.	LIST AND INDEX NO.
473422	24C- 34	504694	21 - 21	596255-CONT	44 - 23
	41 - 7	507144	24C- 44	596756	4 - 6
473432	24G- 16	508224	22 - 18		34 - 39
	39 - 5		24E- 21		35 - 6
473442	41 - 78	509499	23 - 56		35 - 45
473531	24G- 66		24 - 57	597951	15 - 49
	39 - 65	510468	22 - 17	598341	13 - 17
	41 - 65		23 - 72	598479	21 - 52
473533	24G- 81		24E- 20		24C- 6
	39 - 80		24F- 5		24D- 3
473536	24F- 51		24F- 8		41 - 45
	24G- 69		24G- 14	598480	13 - 8
	24H- 52		24H- 5		21 - 52
	39 - 68		24H- 8		24D- 3
	40 - 51		39 - 31	602488	1 - 133
	41 - 68		40 - 5	603248	22 - 3
	42 - 54		40 - 8		24E- 3
473544	39 - 53		41 - 27	603683	22 - 8
	39 - 55		42 - 5	609549	1 - 88
	41 - 53		42 - 8	609551	1 - 48
	41 - 55	511097	21 - 48	609687	24J- 10
473545	23 - 9	512137	21 - 60		24K- 10
	24 - 9	512848	13 - 21	610083	25 - 119
473582	8 - 53		27 - 25	615354	26 - 1
	13 - 10	513271	1 - 55		27 - 27
	23 - 30		33 - 76	620232	22 - 16
	24 - 30	513654	19 - 28		24E- 19
	24D- 7	513668	2 - 1	620240	39 - 18
	41 - 48		9A- 1A	621446	24D- 17
473592	21 - 54	517333	24C- 23	627603	44 - 38A
	24G- 8	517894	16 - 71	642377	15 - 1
	24G- 50	517913	21 - 20	719904	9B- 6
	39 - 48		22 - 7	725347	24B- 84
	40 - 64		24C- 19	725411	24E- 2
474644	11 - 8		24E- 7	725413	24E- 2
477144	21 - 40		44 - 24	725558	24J- 9
	24G- 35	520546	27 - 26		24K- 9
	39 - 25	521695	21 - 23	730176	24G- 53
477202	24E- 10	521792	24 - 56		39 - 52
477203	24G- 58	522849	24D- 31		41 - 52
	39 - 57	522850	24D- 28	730429	23 - 33
	41 - 57	523250	4 - 23A		24 - 33
478043	21 - 58		33 - 84A	730432	15 - 66
478045	24G- 79	524928	24D- 17		15 - 77
	39 - 78	526378	21 - 31		16 - 53
	26 - 10		22 - 19		24G- 31
479318	8 - 31		24C- 27		39 - 32
479999	9A- 21		24D- 16		41 - 22
482188	8 - 29		24E- 15	730452	39 - 26
	9A- 18	528007	21 - 24	730468	15 - 107
482191	8 - 21	528011	12 - 14	730483	24G- 9
	9A- 17	528012	1 - 19	730499	23 - 69
482195	8 - 35		12 - 13	731626	9A- 1B
	9A- 25		33 - 19		9A- 1E
482200	10 - 5	528013	1 - 18		43 - 2
482201	8 - 45		12 - 11	731627	27 - 37
	9A- 39		33 - 18		33 - 106
482204	8 - 33	528014	1 - 17	731629	1 - 64
	9A- 23		12 - 12		4 - 23B
482209	8 - 34		33 - 17		15 - 34
	9A- 24	529084	22 - 6		15 - 37
482219	8 - 32		24E- 6		24F- 12
	9A- 20	529691	24G- 7		24H- 12
	4 - 93		40 - 63		40 - 12
482220	24G- 88	533289	6 - 70		42 - 12
483111	39 - 86	535441	23 - 65	734483	18 - 54
	24F- 30		24 - 65		24F- 27
491228	24G- 52	538548	23 - 53		24H- 33
	24H- 36	538830	41 - 3		34 - 14
	39 - 51	550768	23 - 28		34 - 16
	40 - 30	550993	15 - 30		35 - 14
	41 - 51	555091	4 - 60		35 - 16
	42 - 39	563891	22 - 11		40 - 27
	44 - 95A	589714	8 - 7		42 - 37
491349	25 - 121		9A- 11	734488	4 - 30
492411	6 - 26	589814	33 - 117	734879	4 - 88
492447	41 - 32	591587	21 - 28	736918	24B- 83
492568	13 - 23	595720	44 - 78B	737967	1 - 38
501551	13 - 20	596211	33 - 107	738166	44 - 84
501565	24 - 56	596255	16 - 87	738196	44 - 86A

PART NO.	LIST AND INDEX NO.
738197	44 - 87
738255	44 - 81
738256	44 - 80
738257	44 - 85
738378	1 - 37
738511	5 - 43
738517	5 - 43
738826	10 - 3
740489	11 - 1
740491	11 - 23
740503	14 - 1
740513	14 - 3
740532	15 - 88
740540	4 - 94
	11 - REF
740554	11 - 12
740560	11 - 19
740562	11 - 19
740563	11 - 24
740564	11 - 2
740571	11 - 4
740606	11 - 6
740608	14 - 1
740609	4 - 94
	11 - REF
741129	11 - 5
747369	44 - 95B
749034	5 - 49
749046	5 - 21
	5 - 31
760132	15 - 67
760541	8 - 49
	9A - 3
801652	24D - 35
804067	6 - 15
811090	26 - 45
811363	12 - 21
	18 - 39
	34 - 60
811417	12 - 19
	17 - 21
	18 - 26
	34 - 34
	35 - 38
811426	14 - 6
	19 - 6
	34 - 45
	35 - 40
811427	17 - 29
	34 - 3
	35 - 3
811441	17 - 8
	18 - 8
	18 - 51
	18 - 51
811442	17 - 18
	18 - 17
811476	34 - 21
	35 - 21
811481	34 - 23
	35 - 23
811496	44 - 70
811525	34 - 55
	35 - 52
811534	34 - 28
	35 - 28
811535	17 - 24
	17 - 49
	18 - 19
811536	34 - 22
	35 - 22
811555	34 - 27
	35 - 27
811556	34 - 24
	35 - 24
811621	34 - 52
	35 - 49
811742	34 - 44
	35 - 39
811802	12 - 22

PART NO.	LIST AND INDEX NO.
811802-CONT	18 - 38
	34 - 59
	44 - 44
811804	12 - 23
	18 - 37
811850	18 - 12
	18 - 53
811851	18 - 10
811852	17 - 12
811853	17 - 10
	34 - 13
	35 - 13
811864	18 - 5
	18 - 47
811865	18 - 1
	18 - 43
811866	17 - 5
811867	17 - 1
811881	17 - 6
	18 - 6
	18 - 49
811896	17 - 9
	18 - 9
	18 - 52
813179	12 - 18
	17 - 20
	18 - 25
	34 - 33
	35 - 37
813194	44 - 9
813195	44 - 9A
813197	12 - 42
	44 - 47
813338	44 - 78
813549	44 - 73A
813550	44 - 69A
813681	44 - 71
813801	44 - 69
813802	44 - 73
813803	44 - 75
813804	44 - 77
813805	44 - 75A
813806	44 - 77A
813807	44 - 77B
813810	44 - 22
813827	44 - 72
814008	9B - 7
815263	17 - 4
	18 - 4
	18 - 46
815934	44 - 15
815963	12 - 3
	17 - 3
	18 - 3
	18 - 45
	34 - 9
	35 - 9
815964	12 - 2
	17 - 2
	18 - 2
	18 - 44
	34 - 10
	35 - 10
816652	34 - 36
816653	34 - 37
820384	44 - 58
825373	8 - 8
	17 - 28
	18 - 16
827840	5 - 12
	5 - 39
827850	5 - 9
	5 - 28
	5 - 34
827866	5 - 41
839529	4 - 59
853526	5 - 47
853527	5 - 47
853528	5 - 47
1073418	1 - 134

PART NO.	LIST AND INDEX NO.
1090199	6 - 34
1090623	4 - 92
	8 - 37
	9A - 27
1090873	8 - 26
	8 - 41
	9A - 14
	9A - 31
	12 - 54
	15 - 60
	15 - 70
	17 - 40
	18 - 35
	24A - 10
1091173	24G - 85
	39 - 83
1092019	28 - 13
	28 - 19
1092125	29 - 66
1092177	5 - 20
	5 - 30
1108505	1 - 16
	1 - 26
	33 - 20
	33 - 53
1119715	6 - 38
1127733	20 - 15
	33 - 112
1132669	24G - 54
	24G - 56
1134232	23 - 7
	24 - 7
1134451	24G - 6
	40 - 62
1138818	26 - 37
1141554	24C - 46
1143048	19 - 35
	36 - 20
	37 - 27
1143069	21 - 27
1143227	8 - 4A
	9A - 8
	24D - 34
1143492	21 - 60
1166086	4 - 58
1176717	21 - 11
2092646	16 - 1
	24B - 1
2100194	24D - 28
2100264	4 - 126
	24B - 63
	28 - 24
	43 - 13
2101325	24G - 29
	41 - 20
2101326	15 - 76
	21 - 9
	44 - 4
2101337	15 - 45
2101338	4 - 120
2101357	15 - 49
2101358	4 - 123
2101380	12 - 51
	19 - 12
	20 - 16
	36 - 11
	37 - 10
	38 - 13
2101433	10 - 6
2101495	28 - 18
2102151	24B - 64
2102160	24B - 92
2102367	24B - 40
2102370	13 - 18
2102526	21 - 44
2102617	44 - 2
2106333	6 - 23
	6 - 118
2108798	1 - 85
	1 - 132

PART NO.	LIST AND INDEX NO.	PART NO.	LIST AND INDEX NO.	PART NO.	LIST AND INDEX NO.
2111232	26 - 4	2162453	33 -105	2181004-CONT	25 - 84
	27 - 30	2162457	44 - 38C		25 - 86
	28 - 17	2162551	25 -100		30 - 2
2111930	2 - 11A		27 - 10		33 - 2
2114051	24B- 54	2162590	44 - 24A		33 - 12
2114108	12 - 44	2162665	1 - 57		33 - 25
2114519	8 - 23	2162666	1 - 62		33 - 27
	8 - 38		33 - 78		33 - 29
	9A- 16	2162959	25 - 4		33 - 31
	9A- 34	2163847	44 - 26		33 - 36
2114596	16 - 74	2164097	25 - 82		33 - 40
	24B- 75	2172092	12 - 9		33 - 44
2114597	16 - 80	2172165	12 - 57		33 - 48
	24B- 81		19 - 19		33 - 63
2121379	29 - 32		20 - 6		33 - 65
2121393	29 - 46		24J- 11		33 - 69
2122113	31 - 5		24K- 5		33 - 72
2122258	44 - 18B		36 - 18		33 - 74
2122260	44 - 18		38 - 6		33 - 84
2122261	44 - 19A	2172166	20 - 7		33 - 92
2122636	24E- 12		24J- 12		33 -119
	44 - 29		24K- 11		33 -132
2122637	44 - 30		38 - 7		33 -139
2122638	4 - 28	2173920	24B- 8		33 -141
	24E- 12	2178469	44 - 28A	2181005	12 - 8
2123393	44 - 13	2178470	44 - 26A		12 - 16
2123791	4 - 47	2178596	4 - 75D		12 - 26
2124703	24B- 55	2178597	4 - 75C		17 - 11
2125898	15 - 46	2178624	15 - 16		17 - 13
2125899	15 - 47		33 - 98		18 - 11
2125974	15 - 13	2178625	15 - 11		18 - 13
	33 - 95		33 - 93		20 - 10
	33 -137	2178626	15 - 6		25 - 40
2127867	44 - 18A		33 - 91		25 - 77
2127890	44 - 19	2178627	17 - 16		26 - 20
2128509	24A- 32		34 - 17		26 - 27
2128749	16 - 9	2180672	44 - 53		26 - 57
	16 - 9	2180796	44 - 31		26 - 59
	24B-105	2180973	44 - 34		26 - 63
2128759	15 - 40	2181001	25 - 44		26 - 66
2129256	24C- 28		25 - 53		28 - 4
2129258	24C- 22		25 - 64		28 - 25
2129508	29 - 44	2181002	24F- 53		36 - 4
2129665	5 - 11		24H- 54		36 - 6
	5 - 37		40 - 53		37 - 4
2130055	24A- 31	2181004	1 - 62F		38 - 10
	24J- 14		1 - 62H		27 - 18
2130334	16 - 9		1 - 66	2181006	27 - 18
	24B-105		1 - 68	2181007	26 - 22
2132050	1 -127		1 - 70		28 - 22
2132088	4 -106		1 - 75	2181011	25 - 27
2135031	44 - 60		1 - 81		38 - 12
2145158	1 -136		1 - 84	2181012	25 - 33
2145159	1 -135		1 - 87		25 - 81
2145183	44 - 38B		1 - 94		25 -109
2154465	4 - 67		1 - 97	2181071	12 - 50
2154996	44 - 38		1 -102		33 -115
2156037	24H- 34		1 -109	2190500	1 -REF
2157349	25 -102		1 -111		4 -REF
	27 - 12		1 -131		15 -REF
2157668	15 - 15		1 -138	2190537	1 -120
	33 - 97		4 - 20	2190548	18 - 33
2158694	16 - 57		4 - 23		19 -REF
	24B- 56		4 - 25	2190555	4 - 8
	43 - 14		4 - 45		9A-REF
2158708	16 - 1		4 - 57	2190557	17 - 42
	24B- 1		4 - 73	2190558	18 - 40
2158722	16 - 2		4 - 78	2190561	18 - 21
	24B- 2		4 - 80	2190564	19 - 36
2158753	24A- 5		4 -109	2190567	1 - 27
	24C-REF		14 - 9	2190570	2 - 11
2158755	24C- 38		15 - 34	2190571	1 - 46
2158756	24C- 1		15 - 37	2190577	1 - 50
2158757	24C- 33		17 - 17		2 -REF
2159711	33 -140		22 - 2	2190578	1 - 20
2159746	24C- 11		24A- 19	2190579	1 - 78
2160790	28 - 10		24A- 30		1 - 83
2160805	28 - 12		25 - 24		1 -130
2160951	44 - 55		25 - 38		33 - 39
2161894	6 -116		25 - 46	2190581	1 - 93
					1 -106

PART NO.	LIST AND INDEX NO.
2190581-CONT	1 - 108
	14 - 8
	24A- 12
2190583	1 - 71
	1 - 98
	33 - 21
	33 - 32
2190584	1 - 74
2190585	1 - 96
	33 - 35
2190586	1 - 21
	1 - 41
	1 - 47
	1 - 51
	1 - 113
	33 - 16
	33 - 52
2190588	1 - 112
2190591	1 - 121
2190593	1 - 110
2190594	1 - 101
2190596	1 - 12
2190597	1 - 6
	3 - REF
2190598	3 - 3
2190599	3 - 6
2190602	3 - 9
2190605	1 - 91
2190611	1 - 62A
2190614	1 - 62C
2190618	1 - 52
2190619	1 - 24
2190620	1 - 22
	33 - 37
2190625	5 - 27
2190626	5 - 4
	5 - 13
2190627	5 - 1
2190632	8 - 16
	9B- 10
2190633	8 - 28
	9A- 22
2190634	8 - 22
	9A- 12
2190635	8 - 46
	9A- 40
2190636	9A- 35
2190637	9A- 1
2190638	4 - 19
2190639	4 - 16
2190640	4 - 13
2190660	17 - 38
	19 - REF
2190661	18 - 33
	19 - REF
2190662	17 - 38
	19 - REF
2190672	5 - 45
2190674	5 - 50
2190675	5 - 48
2190676	5 - 43
2190677	5 - 40
2190678	5 - 36
2190679	5 - 42
2190693	17 - 43
	18 - 41
	19 - 37
2190694	19 - 1
2190703	17 - 35
2190704	9A- 4
	9B- REF
2190711	1 - 80
2190712	19 - 5
2190713	5 - 23
	5 - 32
2190714	15 - 19
2190718	18 - 29
2190722	17 - 48
2190723	18 - 31
2190724	17 - 37

PART NO.	LIST AND INDEX NO.
2190725	12 - 52
	19 - 14
	19 - 14
	19 - 14
	20 - 1
	36 - 13
	38 - 1
2190726	19 - 1
2190727	17 - 45
	17 - 51
2190740	4 - 64
	6 - REF
2190742	44 - 20
2190745	6 - 5
2190746	6 - 145
2190748	6 - 4L
2190749	6 - 1A
2190750	6 - 1L
2190751	6 - 3K
2190752	6 - 3L
2190754	6 - 6
2190755	6 - 14
2190756	6 - 16
2190757	6 - 17
2190758	6 - 114
2190759	16 - 5
	24B- 5
2190760	15 - 85
2190761	15 - 85
2190766	6 - 145
2190770	15 - 33
2190776	24B- 104
2190778	24A- 1
	24B- REF
2190786	15 - 84
2190787	4 - 26
2190789	4 - 24
2190791	4 - 44
2190795	4 - 55
2190796	24B- 57
2190801	4 - 75E
2190802	4 - 75F
2190805	2 - 11C
2190806	4 - 35
2190808	18 - 47
	34 - 12
	35 - 12
2190819	18 - 53
	18 - 53
	34 - 15
	35 - 15
2190822	15 - 58
2190824	18 - 43
	18 - 43
	34 - 7
	35 - 7
2190827	16 - 72
	24B- 82
	24B- 83
2190834	18 - 46
	34 - 8
	35 - 8
2190842	15 - 19
2190845	9A- 6
2190846	1 - 112
2190847	1 - 112
2190848	1 - 112
2190852	24B- 49
2190853	15 - 19
2190854	15 - 19
2190856	24A- 1
	24B- REF
2190858	1 - 30
2190859	1 - 65
2190861	1 - 69
	33 - 30
2190863	3 - 1
2190864	24J- 13
2190867	1 - 62G
2190868	1 - 62E

PART NO.	LIST AND INDEX NO.
2190869	1 - 42
2190870	1 - 40
2190872	4 - 75A
2190874	1 - 67
2190875	1 - 63
2190878	4 - 70
2190879	24A- 2
2190880	24B- 93
2190881	24B- 96
2190882	24A- 4
2190887	15 - 36
2190889	8 - 36
	9A- 26
2190890	8 - 47
	9A- 36
2190891	8 - 47
	9A- 36
2190892	8 - 47
	9A- 36
2190897	16 - 18
	24B- 18
2190898	4 - 32
2190900	12 - 52
	19 - 14
	19 - 14
	19 - 14
	20 - 1
	38 - 1
2190901	1 - 118
2190922	15 - 20
2190923	15 - 29
2190924	15 - 28
2190925	15 - 26
2190926	15 - 84
2190927	4 - 31
2190935	24B- 49
2190944	5 - 35
2190945	5 - 46
2190947	16 - 72
	24B- 82
2190969	6 - 24
2190971	2 - 10
	33 - 61
2190972	2 - 7
	33 - 60
2190973	2 - 6
	33 - 58
2190974	2 - 9
	33 - 57
2190977	1 - 120
2190979	1 - 44
2190980	5 - 49
2190981	5 - 49
2190983	5 - 45
2190984	5 - 45
2190985	5 - 51
2190986	5 - 51
2190987	5 - 50
2190988	5 - 50
2190991	5 - 40
2190992	5 - 40
2190993	5 - 42
2190994	5 - 42
2190995	5 - 41
2190996	5 - 41
2190999	1 - 120
2191001	5 - 36
2191002	5 - 36
2191003	5 - 48
2191006	2 - 3
	33 - 54
2191007	2 - 8
	33 - 59
2191009	1 - 137
2191010	8 - 46
	9A- 40
2191011	8 - 46
	9A- 40
2191012	18 - 23
2191013	18 - 18

PART NO.	LIST AND INDEX NO.	PART NO.	LIST AND INDEX NO.	PART NO.	LIST AND INDEX NO.
2191014	2 - 3	2191342	34 - 57	2197191-CONT	16 - 91
	33 - 54	2191343	4 - 62	2197192	4 - 59
2191016	19 - 25	2191344	4 -105	2197193	4 - 60
	36 - 21	2191345	12 - 1	2197201	4 - 81
	37 - 25	2191346	12 - 4	2197202	12 - 60
2191018	24A- 40	2191347	13 - 25	2197203	4 - 81
2191020	9B- 2B	2191348	12 - 15		17 - 51
2191021	9B- 2D	2191349	4 -108	2197204	13 - 15
2191024	9B- 2E	2191352	4 -104	2197205	12 - 38
2191027	24J- 1	2191359	44 - 27		13 -REF
2191028	1 - 86	2191436	15 - 61	2197206	4 - 98
	33 - 64	2191437	15 - 84	2197207	4 - 81
2191029	5 - 35	2191448	4 - 66	2197208	9A- 6
2191030	5 - 35	2191468	24A- 31	2197209	12 - 41
2191031	5 - 46		24K- 13	2197210	12 - 24
2191032	5 - 46	2191469	24K- 1	2197211	12 - 20
2191036	5 - 48	2191470	24K- 12	2197212	17 - 44
2191043	5 - 44	2191471	24A- 29	2197217	17 - 23
2191044	24J- 5		24K-REF	2197219	18 - 30
2191045	24A- 29	2191472	24A- 29	2197221	18 - 27
	24J-REF		24K-REF	2197222	17 - 44
2191046	24A- 29	2191482	4 - 82	2197224	17 - 22
	24J-REF	2191483	4 - 82	2197228	17 - 44
2191049	15 -115A	2191484	4 - 82	2197230	12 - 33
2191050	14 - 5	2191491	4 - 82	2197231	4 - 81
2191052	24A- 23	2191492	4 - 82	2197232	12 - 37
2191053	24A- 18	2191493	4 - 82	2197233	12 - 43
2191054	24E- 22	2191494	4 - 82	2197234	15 - 84
2191056	24A- 17	2191495	4 - 82	2197236	4 - 81
	24E-REF	2191496	4 - 82	2197237	18 - 32
2191057	24A- 17	2191498	9B- 2F	2197240	4 - 97
	24E-REF	2191499	9B- 2G	2197242	17 - 47
2191064	4 -110	2191786	1 - 61	2197243	10 - 7
	14 -REF		33 - 79	2197244	4 -113
2191065	4 -110	2191846	25 -115	2197245	4 -127
	14 -REF		26 - 6	2197246	4 -114
2191066	4 - 61	2192502	44 - 81B	2197308	4 - 96
2191075	6 - 21	2192503	44 - 81A		12 -REF
2191076	4 - 56	2192507	44 - 21	2197309	4 - 96
2191077	44 - 52	2192524	44 - 86		12 -REF
2191078	44 - 51	2193308	4 - 81	2197310	12 - 58
2191079	44 - 56	2193932	15 -103		34 - 29
2191088	9B- 9		33 -138		35 - 29
2191089	9B- 9	2193933	15 -105	2197311	8 - 50
2191092	22 - 15		33 -135		9A- 37
	24E- 18	2194604	34 - 40	2197312	8 - 50
2191093	22 - 13	2194606	35 - 17		9A- 37
	24E- 16	2194727	5 - 51	2197313	8 - 50
2191094	17 - 19	2194889	33 -145		9A- 37
2191095	18 - 24	2194940	12 - 27	2197317	16 - 72
2191096	18 - 48	2194975	18 - 49		24B- 82
	34 - 11		18 - 49		24B- 83
	35 - 11	2194976	18 - 52	2197318	1 -124
2191099	9B- 2C	2194994	12 - 25	2197321	5 - 29
2191103	24J- 5	2195294	34 - 53	2197322	5 - 29
2191104	4 - 22		35 - 50	2197323	5 - 29
2191105	4 - 81	2195400	29 - 54	2197324	4 - 87
2191106	4 - 81	2195466	34 - 53		10 - 8
2191110	8 - 20		35 - 50	2197325	4 - 87
	9A- 7	2195482	44 - 82		10 -REF
2191140	4 - 21	2195636	15 -114	2197351	17 - 51
2191151	24B- 30	2195919	33 -108	2197379	16 - 83
2191153	1 - 1	2196042	34 - 53		33 - 99
2191165	4 - 66		35 - 50	2197473	35 - 46
2191166	4 - 66	2196049	34 - 53	2197484	16 - 1
2191167	4 - 66		35 - 50		24B- 1
2191168	4 - 1	2196052	34 - 53	2197488	34 - 54
	5 -REF		35 - 50		35 - 51
2191173	15 - 22	2196055	34 - 53	2197489	34 - 54
2191183	9B- 1		35 - 50		35 - 51
2191184	1 - 27	2197144	19 - 14	2199014	29 - 10
2191185	1 -121		37 - 11	2199038	29 - 1
2191191	12 - 59	2197160	22 - 8	2199042	29 - 6
2191194	12 - 34		24E- 8	2199060	29 - 11
2191195	12 - 46	2197162	17 - 26	2199061	29 - 13
2191197	12 - 6	2197166	4 - 40	2199063	29 - 14
2191198	12 - 7	2197167	17 - 14	2199083	29 - 15
2191199	12 - 5		18 - 14	2199128	32 - 9
2191340	44 - 45	2197170	44 - 2A	2199129	25 -107
2191341	44 - 50	2197191	4 - 58	2199132	26 - 21

PART NO.	LIST AND INDEX NO.
2199133	26 - 23
2199134	25 - 78
2199138	26 - 25
2199160	29 - 36
2199161	29 - 37
2199163	29 - 35
2199164	25 - 29
2199173	25 - 91
	30 - 13
	32 - 12
2199249	26 - 24
2199251	28 - 1
2199255	32 - 1
2199258	32 - 9
2199270	26 - 34
2199272	25 - 57
2199276	27 - 1
2199297	28 - 6
2199312	27 - 36
2199329	30 - 5
2199332	30 - 1A
2199377	25 - 92
	32 -REF
2199379	25 - 83
2199380	25 - 96
2199386	25 - 92
	32 -REF
2199391	25 - 87
2199399	29 - 22
2199401	32 - 10
2199402	32 - 10
2199417	25 - 17
2199427	25 - 18
2199429	29 - 19
2199441	26 - 40
2199447	27 - 23
2199480	26 - 39
2199497	29 - 38
2199498	29 - 23
2204000	29 - 41
2204001	31 - 16
2204009	29 - 65
2204013	29 - 67
2204018	26 - 52
2204024	44 - 34A
2204025	32 - 11
2204028	25 - 52
	29 -REF
2204030	29 - 61
2204031	25 - 80
2204037	25 - 56
2204040	29 - 71
2204043	29 - 28
2204045	25 - 58
2204046	29 - 49
2204047	25 - 60
2204048	29 - 25
2204050	29 - 68
2204052	25 - 47
2204053	25 - 45
2204059	25 - 23
	26 -REF
2204060	25 -103
2204067	29 - 31
2204069	29 - 27
2204073	25 - 65
2204076	25 - 66
2204082	31 - 11
	32 - 8
2204083	31 - 10
	32 - 7
	27 - 6
2204106	29 - 53
2204117	32 - 3
2204118	32 - 3
2204120	26 - 48
2204121	26 - 46
2204127	25 - 50
2204128	25 - 51
2204133	31 - 12

PART NO.	LIST AND INDEX NO.
2204135	31 - 14
2204136	31 - 12
2204138	25 - 85
	31 -REF
2204139	25 - 85
	31 -REF
2204142	31 - 3
2204143	31 - 8
2204144	31 - 8
2204146	25 - 19
2204147	25 - 21
2204160	29 - 29
2204165	28 - 8
	31 - 13
2204166	28 - 8
2204167	31 - 1
2204173	28 - 3
2204176	32 - 1
2204177	26 - 28
2204180	44 - 78A
2204181	25 -110
2204183	25 - 68
2204189	25 - 31
2204195	25 - 30
2207277	16 - 41
2207505	29 - 26
2207531	29 - 33
2207543	29 - 8
2207545	29 - 40
2207546	29 - 73
2207552	25 -123
2207592	29 - 18
2207593	27 - 4
2207603	29 - 5
2207604	25 - 54
2207605	25 - 55
2207611	27 - 38
2207631	25 - 43
	28 -REF
2207632	28 - 30
2207633	25 - 39
2207634	25 - 42
2207635	27 - 13
2207636	27 - 17
2207637	27 - 14
2207638	25 - 43
	28 -REF
2207639	27 - 39
2207640	25 - 25
2207642	25 - 37
	27 -REF
2207643	25 - 22
2207644	27 - 5
2207645	27 - 42
2207700	29 - 60
2207707	30 - 11
2207708	30 - 7
2207709	30 - 10
2207710	30 - 4
	30 - 9
2207713	30 - 1
2207714	25 - 69
	30 -REF
2207715	30 - 12
2207717	30 - 6
	30 - 8
2207960	27 - 19
2219001	25 - 15
2219003	25 - 35
2219005	25 - 28
2219006	25 - 26
2219010	26 - 56
2219015	29 - 3
2219027	26 - 11
2219034	29 - 42
2219035	29 - 55
2219036	29 - 20
2219038	29 - 21
2219044	25 - 8
	26 - 60

PART NO.	LIST AND INDEX NO.
2219047	26 - 62
2219048	25 - 76
2219049	25 - 74
2219050	4 - 65
	25 -REF
2219056	25 - 67
2219061	4 - 65
	25 -REF
2219062	29 - 24
2219064	25 - 16
2219066	25 - 32
2219069	25 - 12
2219074	28 - 6
2219091	28 - 5
2219092	29 - 51
	29 - 63
2219094	25 - 20
2219104	25 - 49
2219116	28 - 15
2219140	25 - 10
	25 - 14
2219141	25 - 11
2219142	25 - 5
2219143	25 - 6
2219144	25 - 1
2219145	25 - 9
2219146	25 - 3
2219151	26 - 41
2219154	29 - 16
	29 - 30
2219155	29 - 9
2219156	29 - 7
2219157	29 - 4
2219158	29 - 12
2219159	29 - 34
2219160	29 - 39
2219167	25 - 62
2219170	25 - 75
2219178	25 - 34
2219185	29 - 57
2219186	29 - 58
2219187	29 - 56
2219189	29 - 59
2219190	25 -108
2227451	17 - 44
	34 - 35
2242704	44 - 49
2243002	22 - 13
	24E- 16
2243003	15 - 84
2243004	4 - 81
2243005	15 -106
2243008	15 - 51
	17 -REF
2243009	15 - 52
	18 -REF
2243010	15 - 51
	17 -REF
2243011	15 - 52
	18 -REF
2243019	1 - 76
2243029	24A- 17
	24E-REF
2243044	4 - 56
2243045	4 - 61
2243057	18 - 42
2243075	8 - 43
	9A- 28
2243090	33 - 88
2243091	34 - 19
2243098	12 - 17
2243099	44 - 59
2243101	33 - 75
2243102	33 - 24
2243103	33 - 47
2243104	33 -118
2243105	33 -118
2243106	33 -118
2243107	33 -118
2243108	33 - 43

PART NO.	LIST AND INDEX NO.
2243109	33 - 73
2243110	33 - 15
2243111	33 - 51
2243112	15 - 79
2243114	33 - 62
2243115	33 - 28
2243116	33 - 1
2243117	33 - 11
2243118	33 - 26
2243119	33 - 10
2243120	33 - 3
2243121	33 - 6
2243122	33 - 7
2243123	1 - 58
	33 - 80
2243124	4 - 79
	33 - 68
2243125	4 - 77
	33 - 71
2243126	36 - 22
	37 - 28
2243127	36 - 1
	37 - 1
2243128	34 - 30
	35 - 30
	36 - 23
	37 - 29
2243129	34 - 31
	36 - REF
2243130	34 - 31
	37 - REF
2243131	34 - 31
	36 - REF
2243132	34 - 31
	37 - REF
2243133	34 - 50
	35 - 47
2243135	34 - 4
	35 - 4
2243136	34 - 1
2243137	35 - 1
2243138	33 - 120
	34 - REF
2243139	33 - 120
	34 - REF
2243140	33 - 120
	34 - REF
2243141	33 - 120
	34 - REF
2243142	33 - 122
	35 - REF
2243143	33 - 122
	35 - REF
2243144	20 - 17
	38 - 14
2243145	16 - 90
	33 - 104
2243146	43 - 17
2243147	33 - 146
	43 - REF
2243148	44 - 57
2243149	34 - 51
	35 - 48
	33 - 86
2243150	33 - 83
2243155	33 - 113
2243156	33 - 148
2243157	33 - 130
2243158	33 - 130
2243159	33 - 130
2243160	33 - 128
2243161	20 - 8
	38 - 8
2243162	36 - 3
	37 - 3
2243163	36 - 3
	37 - 3
2243164	33 - 128
2243165	33 - 90
2243166	33 - 123
2243167	33 - 121

PART NO.	LIST AND INDEX NO.
2243168	33 - 123
2243169	43 - 12
2243170	33 - 89
2243171	34 - 51
	35 - 48
2243172	33 - 131
	38 - REF
2243173	33 - 131
	38 - REF
2243181	18 - 55
2243189	33 - 45
2243190	33 - 41
2243191	33 - 49
2243192	33 - 66
2243197	34 - 5
	35 - 5
2243200	44 - 27A
2243225	15 - 100
	20 - REF
2243231	33 - 142
2243234	4 - 5
2243235	4 - 4
2243239	15 - 111
2243241	8 - 4
2243251	35 - 31
	36 - REF
2243252	35 - 31
	37 - REF
2243284	4 - 8
	8 - REF
2243295	8 - 44
2243296	9 - 7
2243297	8 - 9
2243300	4 - 76
	33 - REF
2243305	15 - 17
2243306	15 - 18
2243307	15 - 18
2243309	4 - 81
2243311	8 - 18
	9A - 29
2243312	1 - 54
2243314	15 - 93
	22 - REF
2243315	15 - 93
	22 - REF
2243318	15 - 100
	20 - REF
2243319	22 - 20
2243320	1 - 33
2243323	15 - 93
	22 - REF
2243330	15 - 39
	16 - REF
2243331	16 - 96
2243333	16 - 60
2243334	16 - 30
2243336	16 - 86
2243337	15 - 39
	16 - REF
2243342	14 - 12
2243344	24A - 7
2243345	9B - 2G
2243346	15 - 39
	16 - REF
2243348	43 - 1
2243355	16 - 52
2243356	16 - 52
2243361	33 - 146
	43 - REF
2243363	8 - 19
2243364	9 - 8
2243365	8 - 11
2243367	9 - 9
2243368	8 - 12
2243369	9 - 4
2243370	8 - 13
	8 - 13
2243371	8 - 1
	9 - REF

PART NO.	LIST AND INDEX NO.
2243372	8 - 19
2243373	8 - 19
2243374	8 - 19
2243377	8 - 17
2243378	8 - 17
2243379	8 - 17
2243380	8 - 17
2243386	15 - 87A
2243438	43 - 12
2243571	44 - 61
2243600	43 - 12
2243601	33 - 128
2243602	33 - 130
2243603	33 - 146
	43 - REF
2243604	43 - 17
2243605	33 - 148
2243623	15 - 83
2243624	15 - 72
2243640	1 - 65
2243641	9A - 1
2243642	4 - 11
2243644	9A - 35
2243646	3 - 12
2243648	4 - 75
2243649	4 - 72
2243650	1 - 35
2243651	1 - 36
2243652	1 - 39
2243654	15 - 86
2243655	15 - 83
2243656	15 - 72
2243725	9B - 2A
2244722	44 - 48
2244723	44 - 32
2244724	44 - 39
2244725	44 - 53A
2257133	26 - 19
2257135	26 - 26
2257136	26 - 35
2257137	26 - 58
2257139	26 - 61
2391023	8 - 14
	9B - 3
2414815	24 - 64
2510223	34 - 56
	35 - 53
2510224	18 - 42
2510225	18 - 42
	34 - 56
4034311	44 - 42
4034312	44 - 41
4062615	19 - 21
	37 - 21
4065157	24J - 12
	24K - 11
4066640	8 - 45
	9A - 39
4066641	8 - 45
	9A - 39
4116231	19 - 20
	37 - 20
4116323	24B - 62
4116394	16 - 18
	24B - 18
4116411	39 - 37
4116461	41 - 37
4116483	24F - 43
4116484	40 - 43
4116492	42 - 31
4116494	24H - 29
4118354	24G - 39
4118360	15 - 40
4118453	16 - 28
	24B - 28
4118492	15 - 92F
4118820	23 - 12
	24 - 12
4118821	23 - 13
	24 - 13

PART NO.	LIST AND INDEX NO.
4120171	12 - 57
	19 - 19
	20 - 6
	24J- 11
	24K- 5
	38 - 6
4120173	19 - 19
	37 - 16
4120242	15 - 43
4120245	16 - 25
	24B- 25
4120246	16 - 26
	24B- 26
4120316	16 - 24
	24B- 24
4120317	16 - 27
	24B- 27
4120318	16 - 22
	24B- 22
4120735	15 - 90
4121234	15 - 92E
4203608	44 - 27B
5212727	29 - 43
5213178	21 - 73
5213285	21 - 36
5213359	24D- 15
5213405	24E- 19
5214335	23 - 54
	24 - 54
5214367	40 - 20
5214368	24F- 20
	24H- 20
5214544	42 - 9
5214546	24H- 9
5214548	40 - 9
5214552	24F- 9
5214553	24 - 31
5214556	24F- 38
	24H- 24
	40 - 38
	42 - 28
5214590	23 - 31
5239119	21 - 10
5239120	21 - 32
5239400	33 -129
	42 -REF
5239401	24A- 28
	24H-REF
5239403	24A- 26
	24F-REF
5239409	24A- 27
	33 -127
	40 -REF
5239418	33 -129
	42 -REF
5239419	24A- 28
	24H-REF
5239421	24A- 26
	24F-REF
5239427	24A- 27
	33 -127
	40 -REF
5240422	15 -110
5240459	24D- 19
5240464	4 - 36
5240477	24D- 10
5240494	4 - 33
5240513	24D- 35
5246799	9B- 8
5247055	24A- 5
	24C-REF
5247056	24C- 28
5247112	39 - 10
	41 - 12
5247125	24D- 10
5247156	24D- 15
5247187	44 - 14
5253873	24G- 39
5253894	39 - 35
	41 - 33

PART NO.	LIST AND INDEX NO.
5253897	39 - 82
5260625	24A- 16
5261007	41 - 42
5261008	41 - 43
5261009	24G- 45
	39 - 43
5261018	41 - 36
5261037	39 - 42
5261039	41 - 79
5261058	24G- 83
	39 - 81
5261067	42 - 17
5261068	41 - 66
5261077	39 - 9
	41 - 11
5261079	39 - 66
5261083	39 - 37
5261089	24F- 21
	24H- 21
	42 - 21
5261098	24F- 1
	40 - 1
5261117	41 - 23
5261118	24H- 1
5261119	22 - 16
	24E- 19
	42 - 1
5261127	39 - 4
5261128	24G- 15
	40 - 21
5261157	24G- 3
5261159	24G- 55
	39 - 54
	41 - 54
5261165	24F- 39
	24G- 27
	24H- 25
	39 - 17
	40 - 39
	41 - 19
	42 - 30
5261167	24F- 40
	24G- 28
	24H- 26
	39 - 16
	40 - 40
	41 - 18
	42 - 29
5261543	24G- 84
5261606	24G- 82
	39 - 50
	41 - 50
5261796	24D- 1
5261815	24D- 21
5261818	24A- 16
	24D-REF
5261819	24D- 36
5261820	24D- 1
5261821	24D- 13
5261822	24D- 23
5261826	24D- 12
5261935	24F- 13
	24H- 16
	40 - 13
	42 - 13
5261936	21 - 38
	24G- 32
	39 - 22
5261937	41 - 29
5261989	24D- 23
5261992	24A- 16
	24D-REF
5302662	44 - 54
5311421	5 - 22
5311437	5 - 18
	5 - 24
	5 - 26
	5 - 33
5311439	5 - 25
5311440	5 - 19

PART NO.	LIST AND INDEX NO.
5312982	24H- 42
5313144	16 - 28
	24B- 28
5318664	6 -115
5319854	1 - 43
	1 - 79
	1 -119
	4 - 95
	12 - 35
	12 - 47
	15 - 31
	17 - 15
	17 - 39
	18 - 15
	18 - 34
	24A- 13
	34 - 18
	36 - 2
	37 - 2
5319888	1 - 92
	4 - 41
	4 -111
	15 -115E
	24A- 3
	24A- 36
	25 - 61
5323493	24B- 87
5349929	25 - 79
5350006	28 - 7
	28 - 9
	29 - 69
5350012	10 - 2
	15 - 91
	22 - 12
	24A- 41
	33 -147
	34 - 2
	34 - 32
	35 - 2
	35 - 32
5352958	44 - 35
5352960	44 - 36
5352967	44 - 37
5353301	1 - 56
	4 - 71
	4 -100
	4 -103
	18 - 22
	33 - 77
	33 - 87
5353555	6 - 1B
5353556	6 - 1C
5353557	6 - 1D
5353560	6 - 1J
5353564	6 - 1F
	6 - 1G
	6 - 1K
5353569	6 - 2E
5353571	6 - 2G
5353572	6 - 2H
5353573	6 - 2J
5353574	6 - 2K
5353575	6 - 2L
5353576	6 - 3A
5353583	6 - 3H
5353587	6 - 4B
5353593	6 - 4H
5353594	6 - 4J
5353595	6 - 4K
5353597	6 - 1H
5353598	6 - 4A
5353599	6 - 4M
5353606	6 - 2D
5353608	6 - 2F
5353610	6 - 3C
5353615	6 - 4D
5353616	6 - 4E
5353619	6 - 4N
5353711	6 - 3B
5353712	6 - 3E

PART NO.	LIST AND INDEX NO.
5353713	6 - 3F
5353714	6 - 4G
5353715	6 - 2A
5353716	6 - 2B
5353717	6 - 2C
5353723	6 - 3D
5353724	6 - 4C
5353725	6 - 4F
5353741	6 - 1E
5357064	15 - 102
	33 - 134
	38 - 15
5362163	5 - 38
5367151	6 - 45
5367152	6 - 110
5367162	6 - 105
5367166	6 - 39
5367173	6 - 84
5367204	7 - 13
5367205	7 - 14
5367208	6 - 109
5367209	6 - 102
5367210	6 - 111
	7 - REF
5367211	6 - 130
5367212	6 - 131
5367213	6 - 132
5367214	6 - 133
5367215	6 - 134
5367216	6 - 135
5367217	6 - 136
5367218	6 - 137
5367219	6 - 138
5367220	6 - 139
5367221	6 - 140
5367222	6 - 141
5367223	6 - 142
5367224	6 - 143
5367225	6 - 144
5367274	6 - 99
5371671	4 - 39
	14 - 11
5373221	1 - 125
5373660	5 - 10
	5 - 16
5374689	24F- 54
	24H- 55
	40 - 54
5393274	6 - 40
5412817	44 - 16
5422212	6 - 3G
5422213	6 - 3H
5422214	6 - 3J
5700484	29 - 72
5708922	22 - 1
	24E- 1
5708943	4 - 116
5708991	22 - 1
	24E- 1
5708993	22 - 1
	24E- 1
5709382	21 - 42
5709429	39 - 36
5709430	33 - 129
	41 - REF
5709434	41 - 1
5709440	33 - 127
	39 - REF
5709444	39 - 1
5709470	33 - 129
	41 - REF
5709480	33 - 127
	39 - REF
5712309	23 - 40
	24 - 40
	24F- 36
	24G- 63
	24H- 43
	39 - 62
	40 - 36

PART NO.	LIST AND INDEX NO.
5712309-CONT	41 - 62
	42 - 34
5712377	21 - 38
5724438	4 - 91
5724439	4 - 90
5760610	24A- 27
	24G- REF
5760613	21 - 33
	24G- 20
5760614	24G- 1
5760615	24G- 38
5760620	24A- 16
	24D- REF
5760623	24G- 67
5760624	24G- 44
5760625	24D- REF
5760665	24G- 21
5760690	24A- 27
	24G- REF
5760697	21 - 34
5760699	21 - 4
5760700	15 - 53
	21 - REF
5760703	21 - 4
5760704	21 - 15
5760707	21 - 50
5760708	21 - 81
5760710	15 - 53
	21 - REF
5760715	21 - 74
5760719	21 - 15
5760790	21 - 1
5761723	42 - 31
5761724	24H- 29
5761726	24F- 43
5761729	40 - 43
5761758	42 - 57
5761759	42 - 47
5761763	24H- 62
5761764	24H- 50
5761767	24F- 62
	40 - 65
5761768	24F- 48
	40 - 48
5761779	24F- 11
	24H- 11
	40 - 11
	42 - 11
5761786	42 - 18
5761794	24F- 17
	40 - 17
5761795	24H- 13
5761796	24F- 50
	24H- 38
	40 - 50
	42 - 42
5761798	24F- 55
	24H- 56
	40 - 55
5761904	23 - 39
	24 - 39
	24F- 24
	24H- 46
	40 - 24
	42 - 43
5761907	23 - 39A
	23 - 41
	24 - 41
	24F- 25
	24F- 37
	24H- 44
	24H- 47
	40 - 25
	40 - 37
	42 - 35
	42 - 44
5761908	21 - 57
	24F- 45
	24H- 31
	40 - 45

PART NO.	LIST AND INDEX NO.
5761908-CONT	42 - 33
5761909	24F- 52
	24H- 53
	40 - 52
5761913	24F- 49
	24H- 51
	40 - 49
	42 - 48
5761935	23 - 71
	24F- 6
	24F- 7
	24H- 6
	24H- 7
	40 - 6
	40 - 7
	42 - 6
	42 - 7
5761936	21 - 61
	23 - 44
	24 - 44
	24F- 22
	24H- 49
	40 - 22
	42 - 46
5761938	21 - 26
	21 - 30
	23 - 74
	24F- 3
	24H- 3
	40 - 3
	42 - 3
5761943	21 - 37
	21 - 77
	23 - 35
	23 - 38
	24 - 35
	24 - 38
	24F- 19
	24H- 15
	40 - 19
	42 - 20
	42 - 23
5761965	42 - 52
5761966	24H- 61
5761968	24F- 60
	40 - 60
5761976	23 - 4
	23 - 29
	24 - 4
	24 - 29
	24F- 59
	24H- 60
	40 - 59
	42 - 53
5761977	24F- 26
	24H- 32
	40 - 26
	42 - 36
5761979	24F- 29
	24H- 35
	40 - 29
	42 - 41
5761987	24 - 47
	24F- 32
	24H- 39
5761988	23 - 47
	40 - 32
5761993	23 - 68
	24 - 68
5762000	15 - 97
5762004	23 - 66
	24 - 66
5762005	24 - 69
5762006	23 - 75
5762013	23 - 14
	24 - 14
5762015	24 - 17
5762016	23 - 17
5762025	24 - 16
5762026	23 - 16

PART NO.	LIST AND INDEX NO.
5762030	15 - 94 23 - REF
5762033	23 - 22 24 - 22
5762034	23 - 19 24 - 19
5762036	23 - 8 24 - 8
5762037	23 - 5 24 - 5
5762045	24 - 1
5762046	23 - 1
5762057	23 - 43 24 - 43
5762058	23 - 6 24 - 6
5762137	24C- 4 24C- 5
5762153	23 - 52 24 - 52

PART NO.	LIST AND INDEX NO.
5762197	24 - 10A
5762215	24F- 28 40 - 28 42 - 38
5800325	9 - 1 9 - 10
5800610	44 - 63
5800656	44 - 76A
5800660	44 - 76
5800671	44 - 76B
5802200	15 - 19
5802216	17 - 46
5802225	34 - 58
5802236	17 - 36 18 - 28
5805030	44 - 63A
8107680	6 - 2A
8107681	6 - 2B
8107771	6 - 3A
8107772	6 - 4B

PART NO.	LIST AND INDEX NO.
8107886	4 - 64 6 - REF
8107888	6 - 4L
8107907	4 - 64 6 - REF
8109190	4 - 64 6 - REF
8109192	4 - 64 6 - REF
8109193	4 - 64 6 - REF
8109194	4 - 64 6 - REF
8109204	4 - 64 6 - REF
8109263	6 - 1D
8109274	4 - 64 6 - REF
8109313	6 - 3K

READER'S COMMENT FORM

1131 Central Processing Unit
Parts Catalog

Form 127-0808-3

● How did you use this publication?

- As a reference source
- As a classroom text
- As.....

● Based on your own experience, rate this publication...

As a reference source:
	Very	Good	Fair	Poor	Very
	Good				Poor
As a text:
	Very	Good	Fair	Poor	Very
	Good				Poor

● What is your occupation?

● We would appreciate your other comments; please give specific page and line references where appropriate. If you wish a reply, be sure to include your name and address.

● Thank you for your cooperation. No postage necessary if mailed in the U.S. A.

YOUR COMMENTS PLEASE . . .

Your answers to the questions on the back of this form, together with your comments, will help us produce better publications for your use. Each reply will be carefully reviewed by the persons responsible for writing and publishing this material. All comments and suggestions become the property of IBM.

Please note: Requests for copies of publications and for assistance in utilizing your IBM system should be directed to your IBM representative or to the IBM sales office serving your locality.

fold

fold

BUSINESS REPLY MAIL
NO POSTAGE STAMP NECESSARY IF MAILED IN U. S. A.

FIRST CLASS
PERMIT NO. 2078
SAN JOSE, CALIF.



POSTAGE WILL BE PAID BY . . .

IBM Corporation
Monterey & Cottle Rds.
San Jose, California
95114

Attention: Product Publications, Dept. 455

fold

fold



International Business Machines Corporation
Field Engineering Division
112 East Post Road, White Plains, N.Y. 10601

1131

1131

TAB INSERT FOR FRONT COVER

127-0808-3

IBM 1131 PRINTED IN U.S.A. 127-0808-3

IBM

International Business Machines Corporation
Field Engineering Division
112 East Post Road, White Plains, N. Y. 10601