

Honeywell

THIS DOCUMENT AND THE INFORMATION CONTAINED THEREIN IS CONFIDENTIAL AND PROPRIETARY TO AND THE EXCLUSIVE PROPERTY OF HONEYWELL INFORMATION SYSTEMS INC. IT IS MADE AVAILABLE ONLY TO HONEYWELL FIELD ENGINEERING DIVISION PERSONNEL FOR THEIR USE SOLELY IN THE MAINTENANCE AND OPERATION OF HONEYWELL PRODUCTS. THIS DOCUMENT AND INFORMATION MUST BE MAINTAINED IN STRICTEST CONFIDENCE; IT MUST NOT BE REPRODUCED, IN WHOLE OR IN PART; AND IT SHALL NOT BE DISCLOSED TO ANY OTHER PARTY WITHOUT THE PRIOR WRITTEN CONSENT OF HONEYWELL.

4792

Honeywell Information Systems Inc.
Phoenix Computer Operations

Printed in the United States of America
All Rights Reserved

MAGNETIC TAPE PROCESSOR
MODEL 4WMTP601/602

FIELD ENGINEERING MANUAL

58009632-042

CONTENTS

Binder: B-size, Post
Window (TAPE/DISK/UNIT RECORD PROCESSOR)..... 58009632-030
Title Page 58009632 (a)
Table of Contents 58009632-002
CO/FCO Drawing Status Log 58009632-020

VOLUME 1 - 58009632-001

INTRODUCTION

Parts

Installation Kits, Instructions, Wire Lists

VOLUME 2F - 58009632-002

SCHEMATICS (TAB)

Option Paper Copy Packages..... (b)

TAB 1	4WMPC001BA/DA	Basic MPC
TAB 2	4WXTC501/502CA	Magnetic Tape Controller
TAB 3	4WMTP601/602	Magnetic Tape Processor
TAB 4	4WMSP450AA	Mass Storage Processor
TAB 5	{ 4WURP600AB	Unit Record Processor
	{ 4WURC002AB	Unit Record Controller
TAB 6	WMSP600A/B	Mass Storage Processor
TAB 7	WMTP610	Magnetic Tape Processor

(a) Use Title Page -040, -041, -042, -043, -044, or -045 as applicable
(b) Option package included only if called for on Equipment Requisition.

OPTION CONTENTS-VOLUME 2F

TAB 1 (4WMPC001BA/DA/EA)

Table of Contents 58009632-201(a)

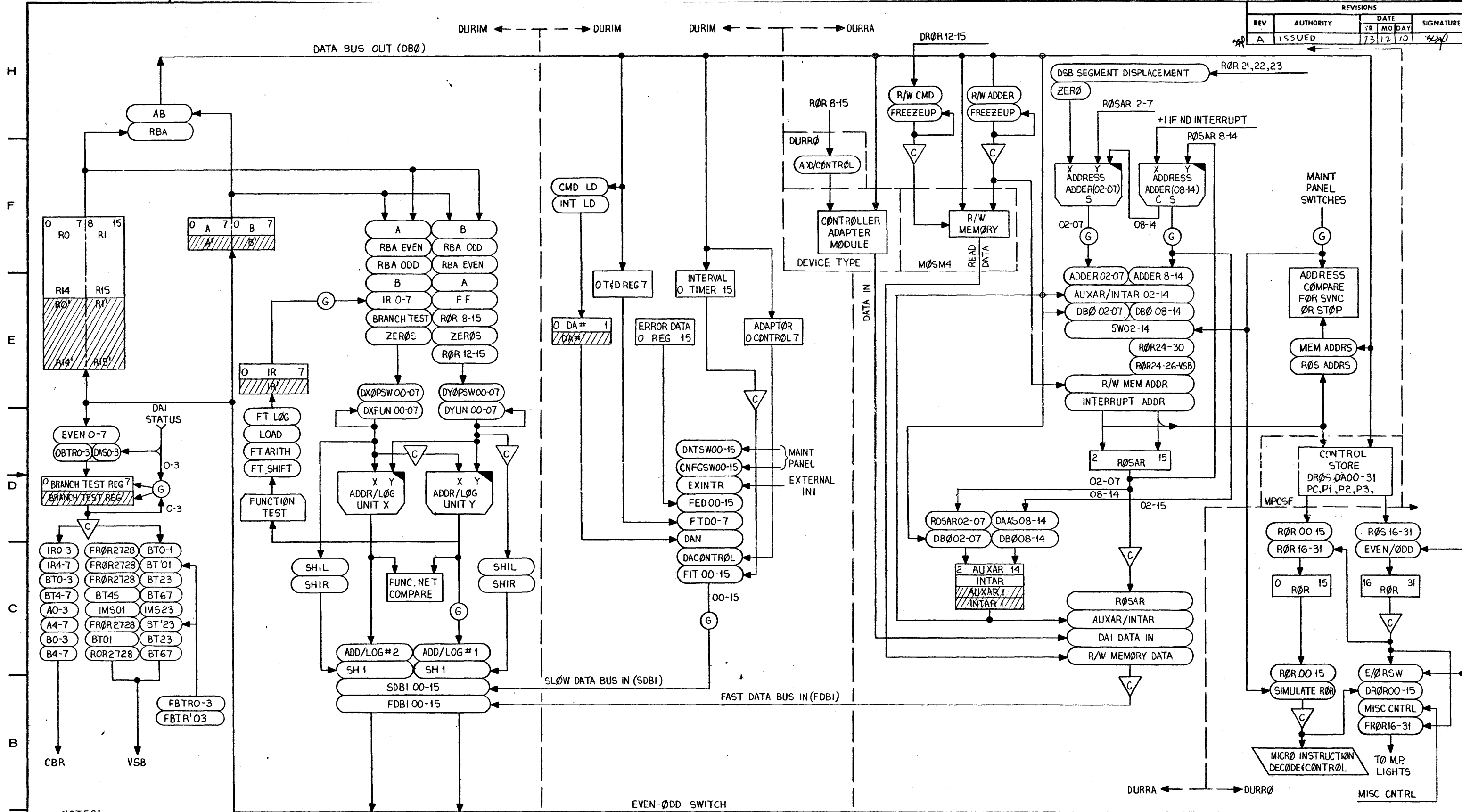
SCHEMATICS

Major Block Functional	43D238460
Intermediate Block	58006542
MPCFN	43D234054
MPCLA	43D234074
MPCSE	58003714
MPCSF	58006114
DURIM	58003954
DURRA	58003974
DURRO	58003984
ROMSE	58003558
MOSM	58006459
MPCME	58040457
Schematic Diagram DUR MP1	58006481
Schematic Osc. Board	43B238182
Schematic MPC PCB	58007037
Schematic Opr/Maint. Panel	58007432
Oscillator Board(EA)	58039455
Schematic (Interface)	58015699

Change bar line

(a) Insert this option package in TAPE/DISK/UNIT RECORD PROCESSOR Volume 2F.

REVISIONS				
REV	AUTHORITY	DATE	SIGNATURE	
YR	MO	DAY		
A	ISSUED	73/12/10	[Signature]	



- NOTES:**
- [Hatched Box] = DUPLICATED REGISTERS
 - (G) = PARITY GENERATOR
 - (C) = PARITY CHECKER
 - [Triangle with slash] = DUPLICATED FOR ERROR DETECTION

BD6 DURIM
BD7 MPCFN
BD8 DURRA
BD9 DURRR0

UNLESS OTHERWISE SPECIFIED		MATERIAL	
DIMENSIONS = MILLIMETERS		TREATMENT	
TOLERANCE OF SIZE AND FORM PER INITIAL DESIGN		FINISH	
PROJECTION		DRAWN BY: 4 MAY 73 Cipriano Mendoya .7	
SCALE	CODE	APP'D BY: [Signature]	DATE: 11/19/73
Honeywell		LOC PCO	
HONEYWELL INFORMATION SYSTEMS		PHOENIX, ARIZONA U. S. A.	
TITLE: INTER BLOCK DIAGRAM			
SIZE: D		DWG NO: 58006542	SH: 11
DISTR: CGB-22 To S, Nco		REV: A	

BRUNING 44.141

THE INFORMATION CONTAINED IN THIS DOCUMENT PROPRIETARY TO HONEYWELL INFORMATION SYSTEMS, INC. AND IS INTENDED FOR INTERNAL HONEYWELL USE ONLY. SUCH INFORMATION MAY BE DISTRIBUTED TO OTHERS BY WRITTEN PERMISSION OF AN AUTHORIZED HONEYWELL OFFICIAL. THIS RESTRICTION DOES NOT APPLY TO VENDOR PROPRIETARY THAT MAY BE DISCLOSED IN THIS DOCUMENT.

43D234054

REV	AUTHORITY	DATE			SIGNATURE	DWG SH.																			
		YR	MO	DAY		1	2	3	31	4	5	6	7	8	9	10	11	12	13	14	15	16	17	18	19
A	ISSUED	71	12	13	V. S. Donat					A	A	A	A	A	A	A	A	A	A	A	A	A	A	A	A
B	HXP-00-0133	72	03	21	V. S. Donat					B	B										B				
C	HXP-00-0147	72	04	08	Shackelford							C	C								C	C		C	
RENUMBERED SHEET COL'S						1	2	3	31	32	4	5	6	7	8	9	10	11	12	13	14	15	16	17	18
C1	PHADBAO11	74	SEP	30	L. Mills																				

BLANK SHEETS NOT INCLUDED

FOR CONTINUATION OF REVISION STATUS SEE SHEET 2

Honeywell HONEYWELL INFORMATION SYSTEMS LOC PHOENIX, ARIZONA	MADE BY V.S. Donat 71 NOV 13	TITLE LOGIC DIAGRAM MPCFN
	APPROVED R. Whinn 12-08-91	REVISION STATUS FOR EACH PAGE, SHEET OR GROUP IS SHOWN BY LAST ENTRY IN THE CORRESPONDING NUMBERED COLUMN
LOC PHOENIX, ARIZONA	SIZE D	REVISION STATUS FOR SHEET 1/2
		REV C1

CE 300A-3 (6-71) BRUNING 44-141 C68-26, 705 SIF NCO

THE INFORMATION CONTAINED IN THIS DOCUMENT PROPRIETARY TO HONEYWELL INFORMATION SYSTEMS, INC. AND IS INTENDED FOR INTERNAL HONEYWELL USE ONLY. SUCH INFORMATION MAY BE DISTRIBUTED TO OTHERS BY WRITTEN PERMISSION OF AN AUTHORIZED HONEYWELL OFFICIAL. THIS RESTRICTION DOES NOT APPLY TO VENDOR PROPRIETARY THAT MAY BE DISCLOSED IN THIS DOCUMENT.

43D234054

REV	AUTHORITY	DATE			SIGNATURE	DWG SH.																													
		YR	MO	DAY		20	21	22	23	24	25	26	27	28	29	30																			
A	ISSUED	71	12	13	V. S. Donat	A	A	A	A	A	A	A	A	A	A	A	A	A	A	A	A	A	A	A	A	A	A	A	A	A	A	A			
B	HXP-00-0133	72	03	21	V. S. Donat	B	B																												
C	HXP-00-0147	72	04	08	Shackelford																														
RENUMBERED SHEET COL'S						19	20	21	22	23	24	25	26	27	28	29	30																		
C1	PHADBAO11	74	SEP	30	L. Mills																														

FOR CONTINUATION OF REVISION STATUS SEE SHEET

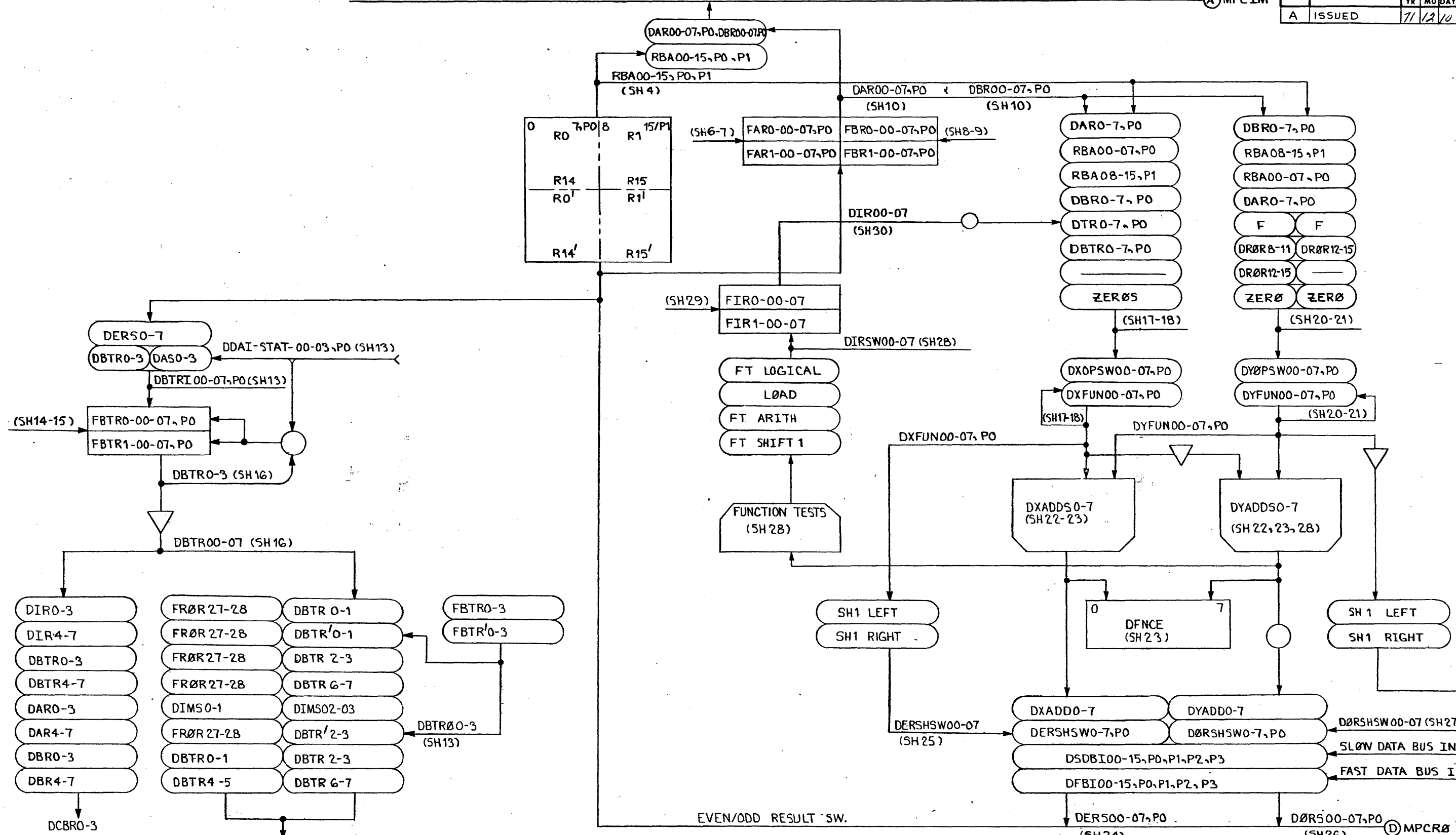
Honeywell HONEYWELL INFORMATION SYSTEMS LOC PHOENIX, ARIZONA	MADE BY V.S. Donat 71 NOV 13	TITLE LOGIC DIAGRAM MPCFN
	APPROVED R. Whinn 12-08-91	REVISION STATUS FOR EACH PAGE, SHEET OR GROUP IS SHOWN BY LAST ENTRY IN THE CORRESPONDING NUMBERED COLUMN
LOC PHOENIX, ARIZONA	SIZE D	REVISION STATUS FOR SHEET 2F
		REV C1

CE 300A-3 (6-71) BRUNING 44-141 C68-26, 705 SIF NCO

REV	AUTHORITY	DATE	SIGNATURE
YR	MO	DAY	
A	ISSUED	7/12/70	B. U. [Signature]

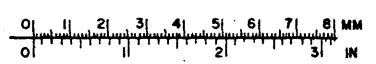
(A) MPCIM

DDB 00-15, P0, P1 (SH 11)



BRUNING 44-141

REF SPEC NO

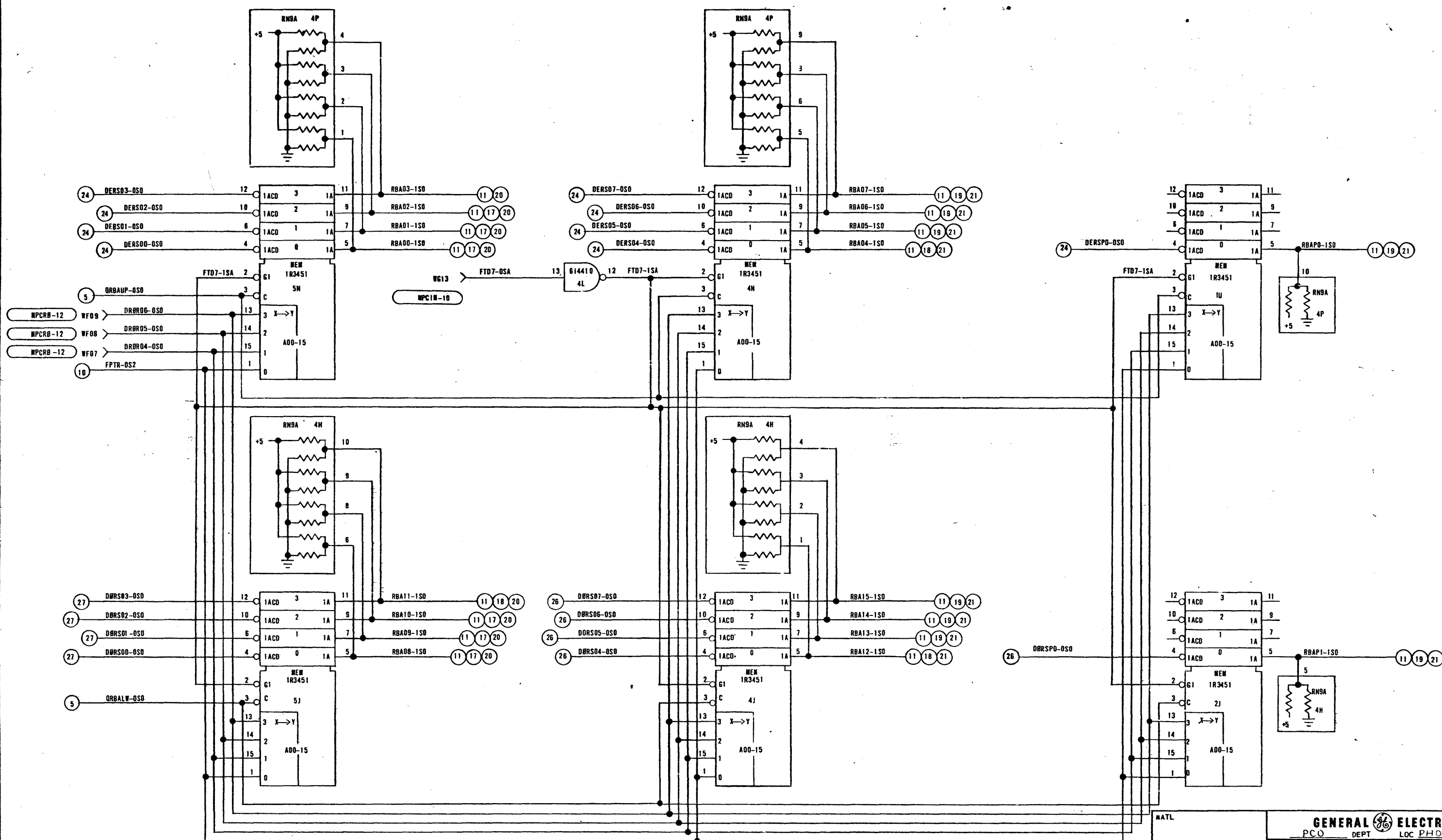


FOR INTERPRETATION OF SYMBOLOGY SEE 43A231781 SHEETS 1, 2 & 3 ARE "A" SIZE

FOR DOCUMENT STATUS SEE RSS

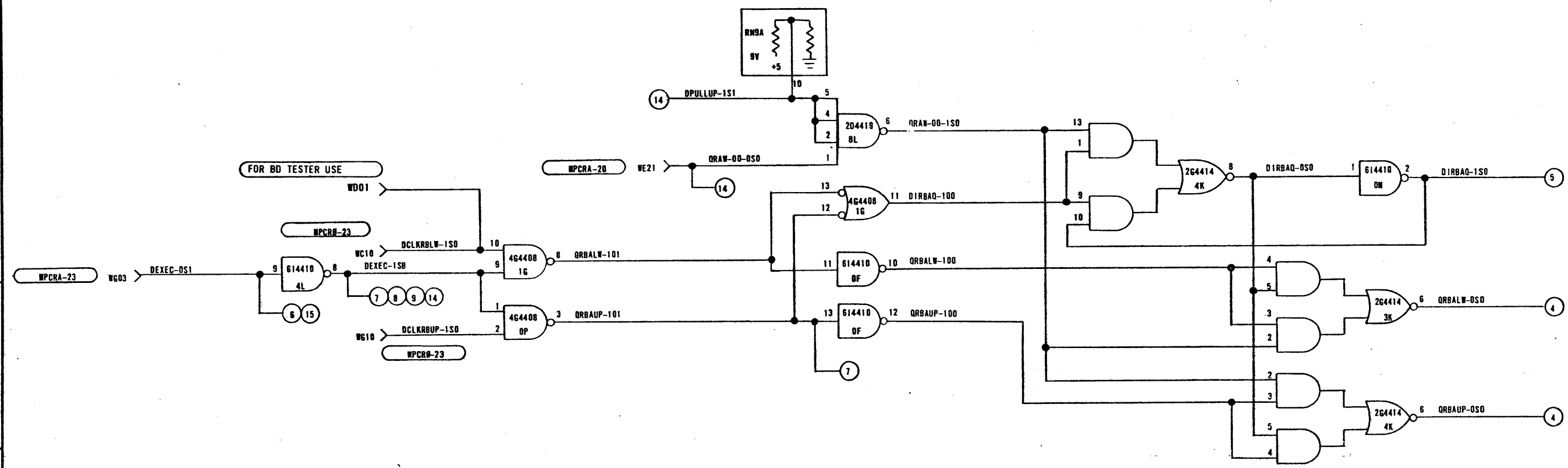
UNLESS OTHERWISE SPECIFIED DIMENSIONS= MILLIMETERS TOLERANCE OF SIZE AND FORM PER INITIAL DESIGN PROJECTION	MATL. TREAT. FIN.	Honeywell HONEYWELL INFORMATION SYSTEMS PHOENIX, ARIZONA U. S. A. LOC: [Blank] TITLE: LOGIC DIAGRAM MPCFN BLOCK DIAGRAM - BDI			
SCALE	CODE	DR 7/12/70 7/12/70	APPD [Signature]	DISTR C68-26, TOS [Signature]	SIZE: [Blank] DWG NO: 43D234054 SH: 3.1 REV: B

REVISIONS				
REV	AUTHORITY	DATE	SIGNATURE	
YR	MO	DAY		



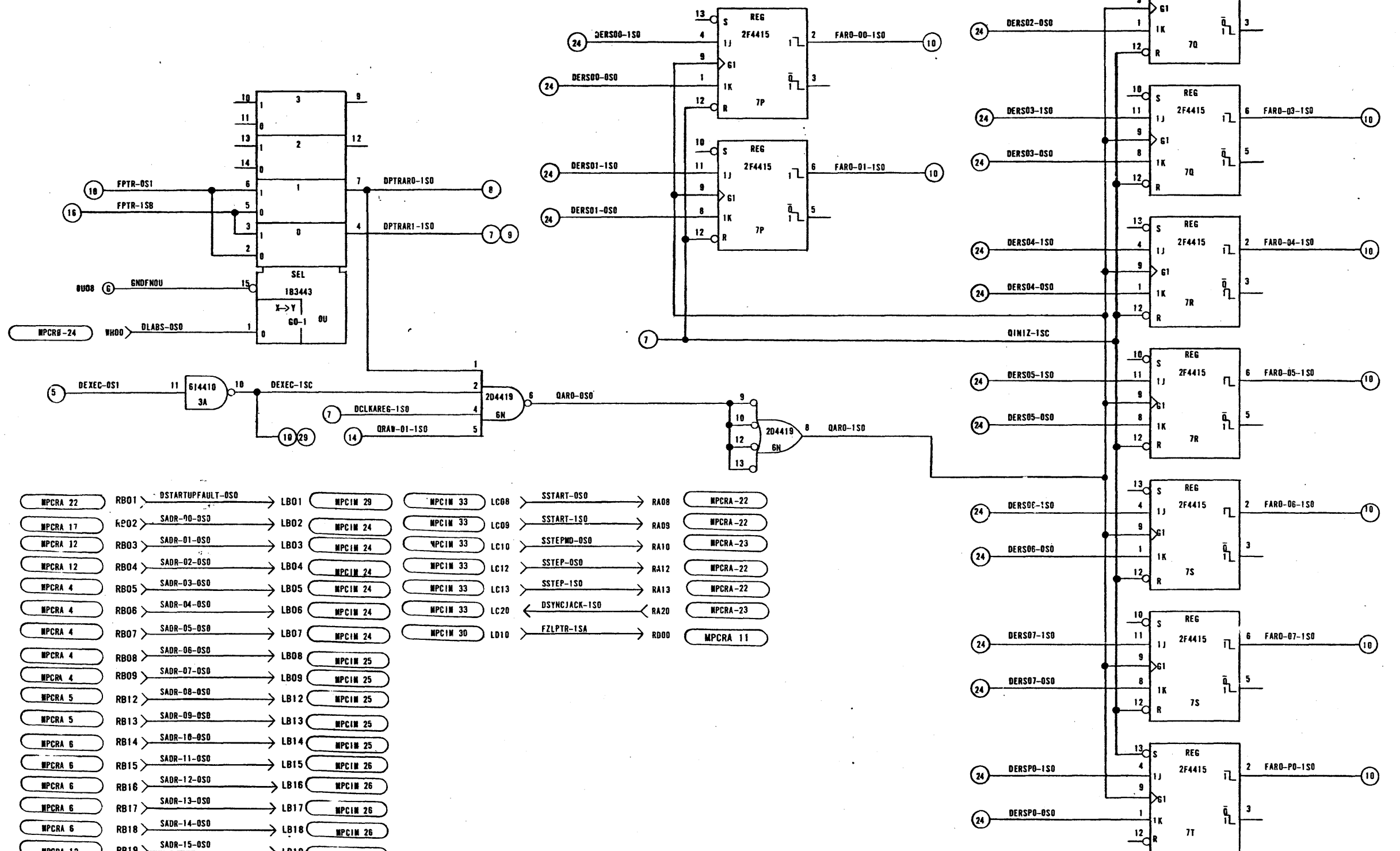
MATL	GENERAL ELECTRIC PCO DEPT LOC PHOENIX			
TREAT.	TITLE LOGIC DIAGRAM MPCFN REGISTER BANK			
FIN.	DWG 43D234054		SH 4	REV B
DR 71 JULY 22 Eunice Antona	APPD R. M. 12-08-71		DISTR 004-20 TOS 150EV	

REVISIONS				
REV	AUTHORITY	DATE	SIGNATURE	
		YR MO DAY		



UNLESS OTHERWISE SPECIFIED		MATERIAL		GENERAL ELECTRIC PCO DEPT LOC PHOENIX	
DIMENSIONS = $\frac{\text{MILLIMETERS}}{\text{INCHES}}$		TREAT.			
TOLERANCE OF SIZE AND FORM PER PROJECTION		FIN.		TITLE LOGIC DIAGRAM MPCFN RBA CLOCK GENERATOR	
SCALE	CODE	DR 7/ JULY 22 <i>Russell Fontana</i>	DWG 43D234054	SH 5	REV C
		APPD <i>R Thynn 10-08-71</i>		DISTR C68-26, TOS/SDFV	

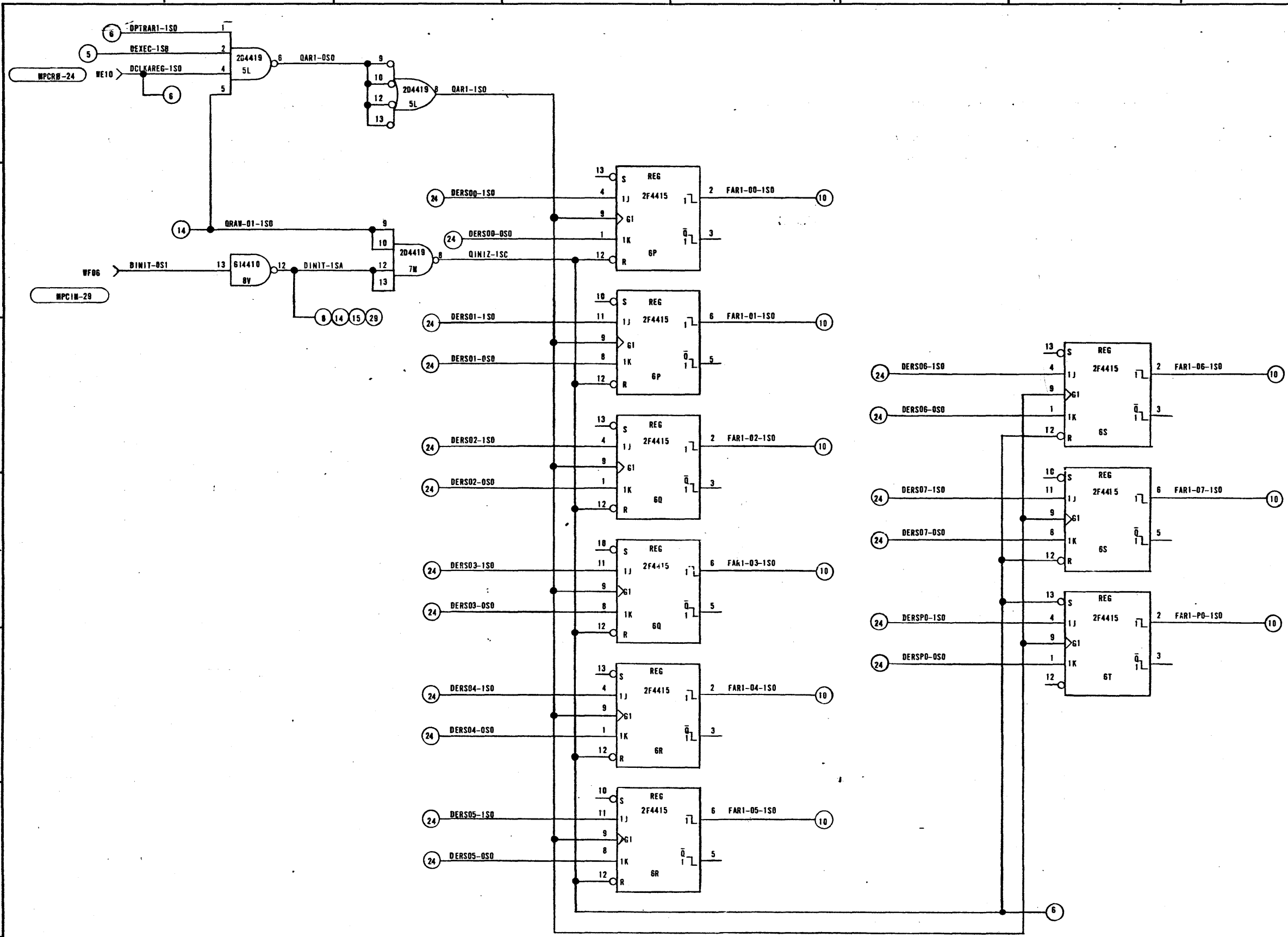
REVISIONS			
REV	AUTHORITY	DATE YR MO DAY	SIGNATURE



MPCRA 22	RB01	DSTARTUPFAULT-OSO	LB01	MPCIM 29	MPCIM 33	LC08	SSTART-OSO	RA08	MPCRA-22
MPCRA 17	RB02	SADR-00-OSO	LB02	MPCIM 24	MPCIM 33	LC09	SSTART-1SO	RA09	MPCRA-22
MPCRA 12	RB03	SADR-01-OSO	LB03	MPCIM 24	MPCIM 33	LC10	SSTEPMD-OSO	RA10	MPCRA-23
MPCRA 12	RB04	SADR-02-OSO	LB04	MPCIM 24	MPCIM 33	LC12	SSTEP-OSO	RA12	MPCRA-22
MPCRA 4	RB05	SADR-03-OSO	LB05	MPCIM 24	MPCIM 33	LC13	SSTEP-1SO	RA13	MPCRA-22
MPCRA 4	RB06	SADR-04-OSO	LB06	MPCIM 24	MPCIM 33	LC20	DSYNCJACK-1SO	RA20	MPCRA-23
MPCRA 4	RB07	SADR-05-OSO	LB07	MPCIM 24	MPCIM 30	LD10	FZLPTR-1SA	RD00	MPCRA 11
MPCRA 4	RB08	SADR-06-OSO	LB08	MPCIM 25					
MPCRA 4	RB09	SADR-07-OSO	LB09	MPCIM 25					
MPCRA 5	RB12	SADR-08-OSO	LB12	MPCIM 25					
MPCRA 5	RB13	SADR-09-OSO	LB13	MPCIM 25					
MPCRA 6	RB14	SADR-10-OSO	LB14	MPCIM 25					
MPCRA 6	RB15	SADR-11-OSO	LB15	MPCIM 25					
MPCRA 6	RB16	SADR-12-OSO	LB16	MPCIM 26					
MPCRA 6	RB17	SADR-13-OSO	LB17	MPCIM 26					
MPCRA 6	RB18	SADR-14-OSO	LB18	MPCIM 26					
MPCRA 12	RB19	SADR-15-OSO	LB19	MPCIM 26					
MPCIM 33	LC00	SCBNPSTP-OSO	RA00	MPCRA-23					
MPCIM 33	LC04	SRSAD-OSO	RA04	MPCRA 12					
MPCIM 33	LC05	SSAT-OSO	RA05	MPCRA 22					
MPCIM 33	LC06	SSAT-1SO	RA06	MPCRA 22					
MPCIM 33	LC07	SSINDAT-OSO	RA07	MPCRA 13					

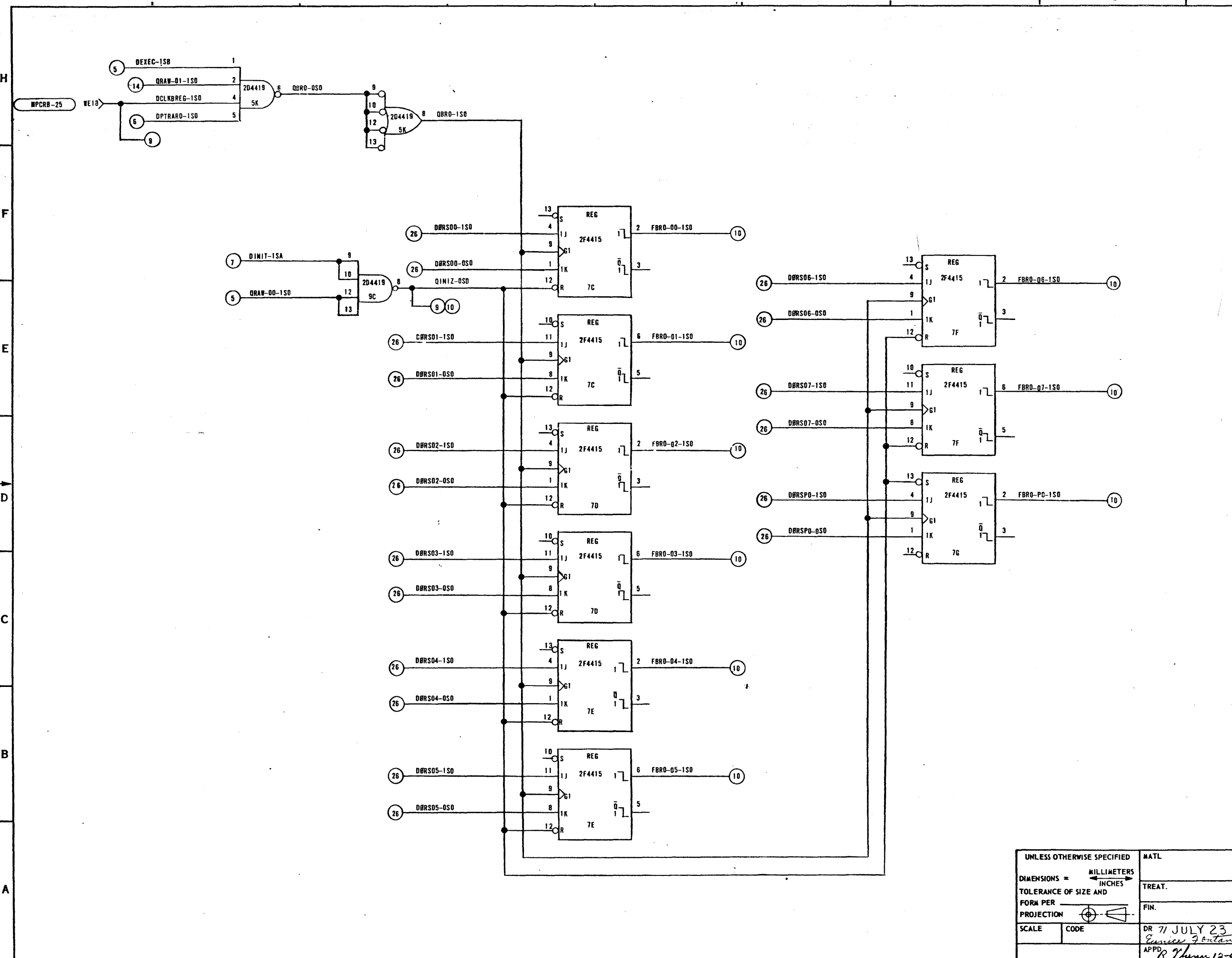
UNLESS OTHERWISE SPECIFIED		MAY 1962		GENERAL ELECTRIC	
DIMENSIONS = MILLIMETERS		INCHES		PCO DEPT LOC PHOENIX	
TOLERANCE OF SIZE AND FORM PER PROJECTION		FIN.		TITLE LOGIC DIAGRAM MPCFN A REGISTER 0	
SCALE	CODE	DR 71 JULY 23 R. J. ...	DWG 43D234054	SH 6	REV C

REVISIONS			
REV	AUTHORITY	DATE YR MO DAY	SIGNATURE



UNLESS OTHERWISE SPECIFIED		MAYL		GENERAL ELECTRIC PCO DEPT LOC PHOENIX	
DIMENSIONS = $\frac{\text{MILLIMETERS}}{\text{INCHES}}$		TREAT.			
TOLERANCE OF SIZE AND FORM PER		FIN.		TITLE LOGIC DIAGRAM MCPFN A REGISTER 1	
PROJECTION		DR 71 JULY 23 R. J. Fortune		DWG 43D234054	
SCALE	CODE	APPD R. J. Fortune 12-08-51		SH 7	REV A
		DISTR CBB-26, TOS			

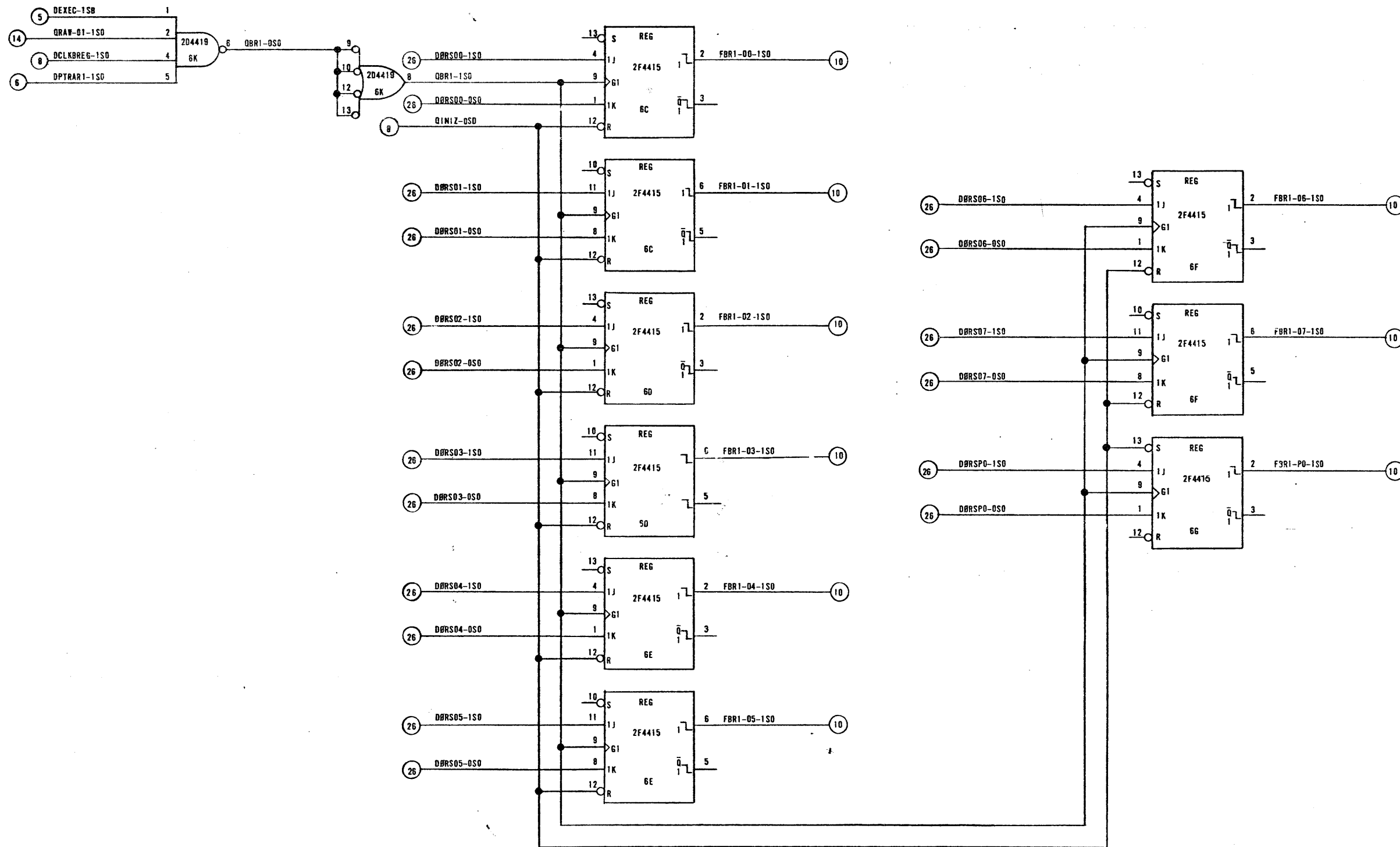
REVISIONS				
REV	AUTHORITY	DATE	SIGNATURE	
		YR MO DAY		



UNLESS OTHERWISE SPECIFIED		MAYL		GENERAL ELECTRIC PCO DEPT LOC PHOENIX	
DIMENSIONS = MILLIMETERS INCHES		TREAT.			
TOLERANCE OF SIZE AND FORM PER		FIN.		TITLE LOGIC DIAGRAM MPCFN B REGISTER 0	
PROJECTION		SCALE CODE			
DR 71 JULY 23 E. J. ...		DWG 43D234054		SH 8	REV A
DISTR C. G. A. 72 TOS 15DEV					

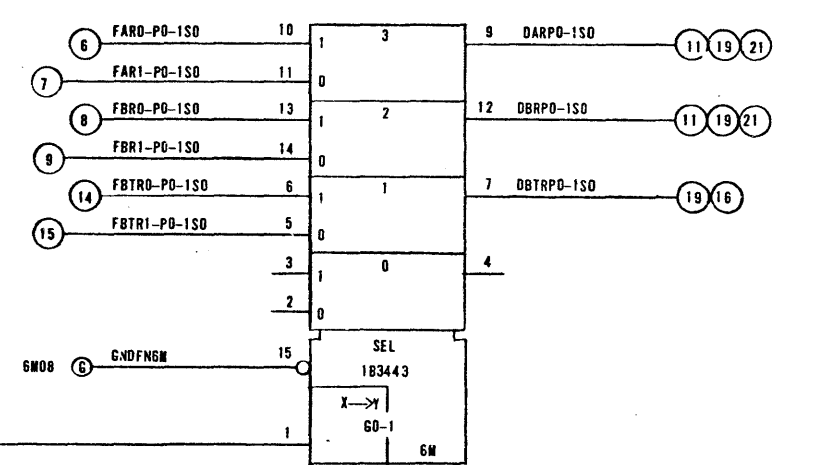
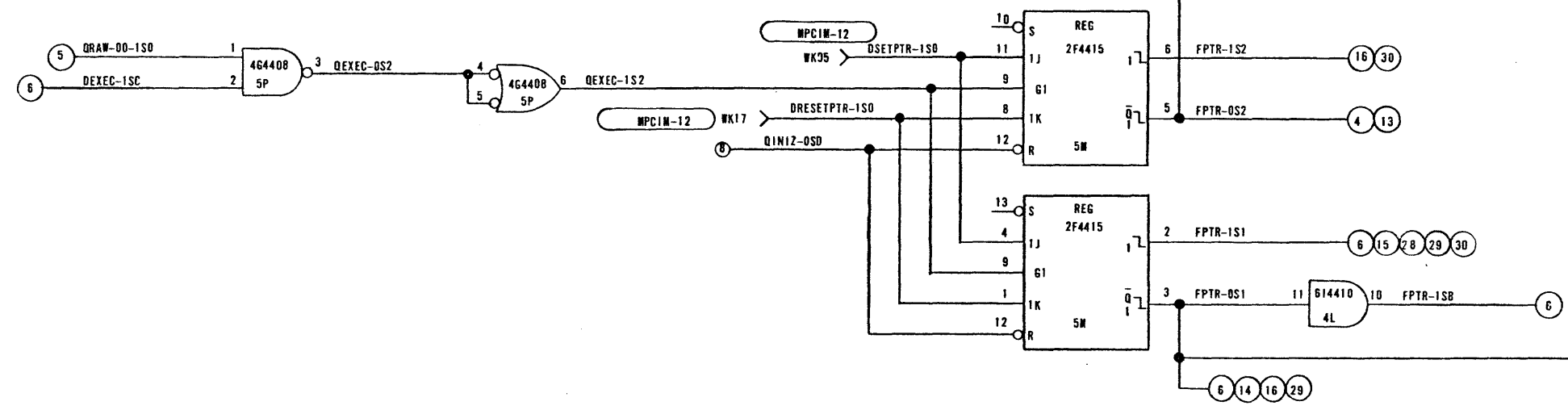
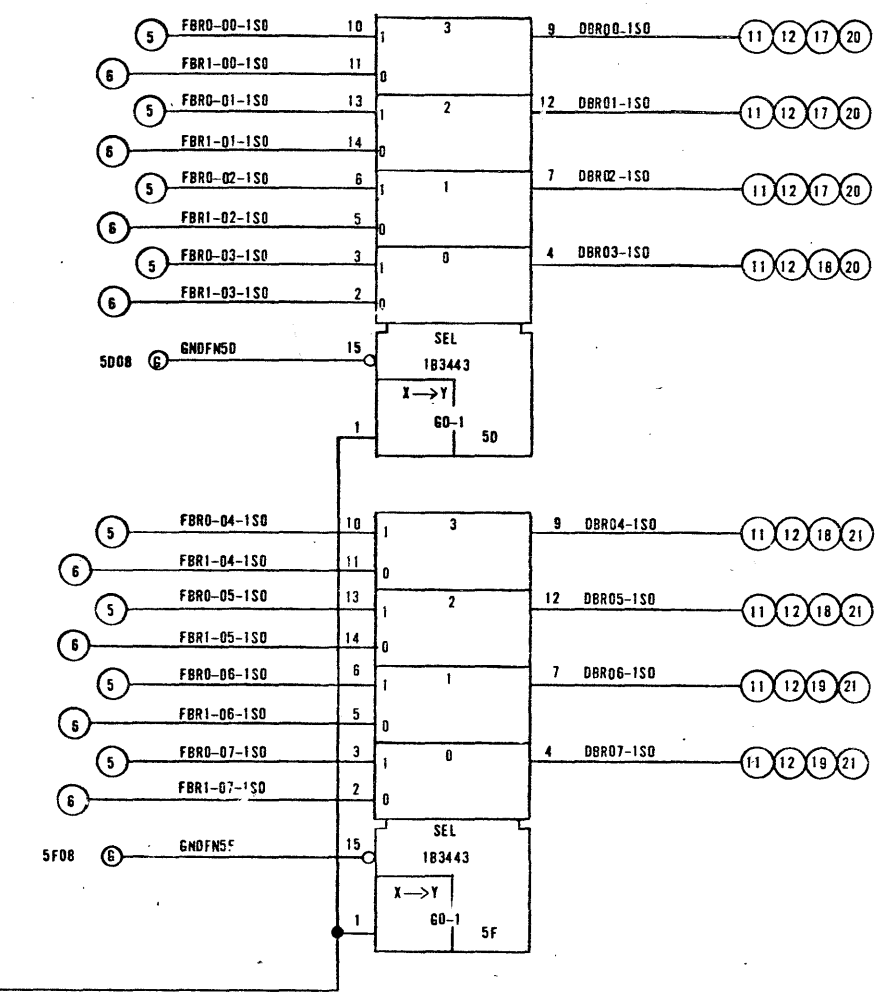
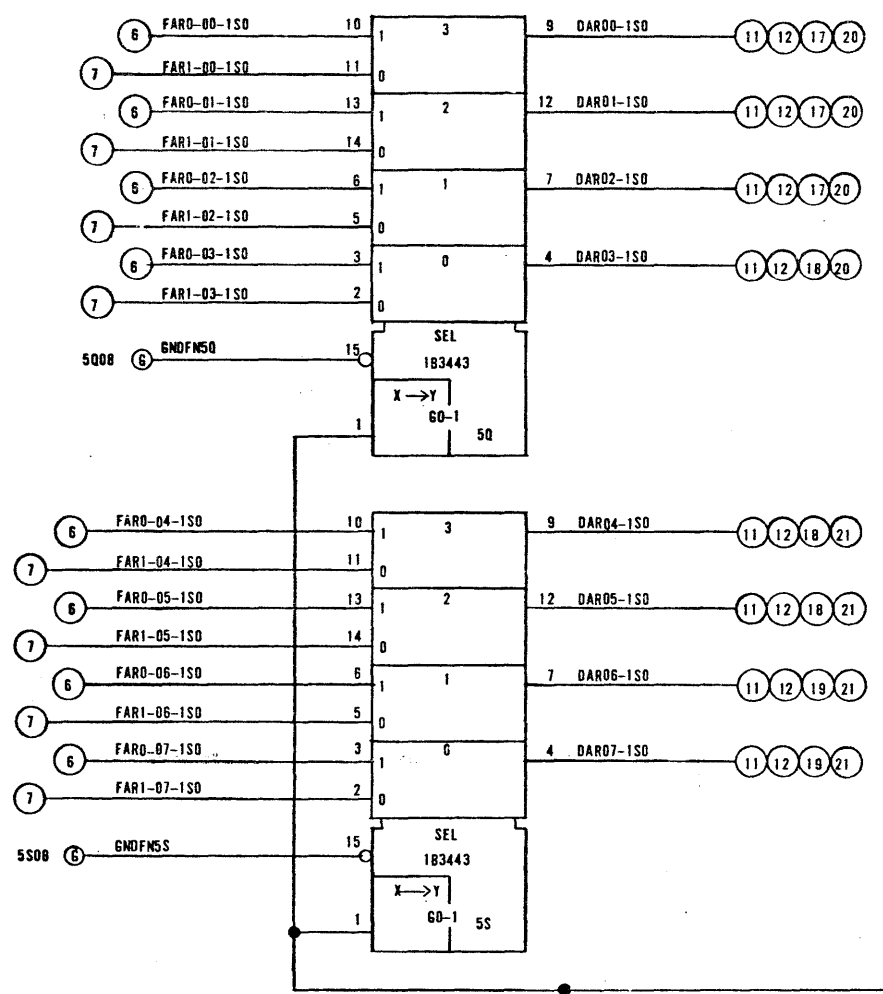
43D234054

REVISIONS				
REV	AUTHORITY	DATE	SIGNATURE	
YR	MO	DAY		



UNLESS OTHERWISE SPECIFIED		MATERIAL		GENERAL ELECTRIC PCO DEPT LOC PHOENIX	
DIMENSIONS = $\frac{\text{MILLIMETERS}}{\text{INCHES}}$		TREAT.			
TOLERANCE OF SIZE AND FORM PER		FIN.		TITLE LOGIC DIAGRAM MPCFN B REGISTER I	
PROJECTION $\left[\begin{array}{c} \text{---} \\ \text{---} \end{array} \right]$		DR 71 JULY 26 E. J. Fortner APPD R. J. ... 12-08-71 DISTR C 68-20.105			
SCALE	CODE	DWG	SH	REV	
		43D234054	9	A	

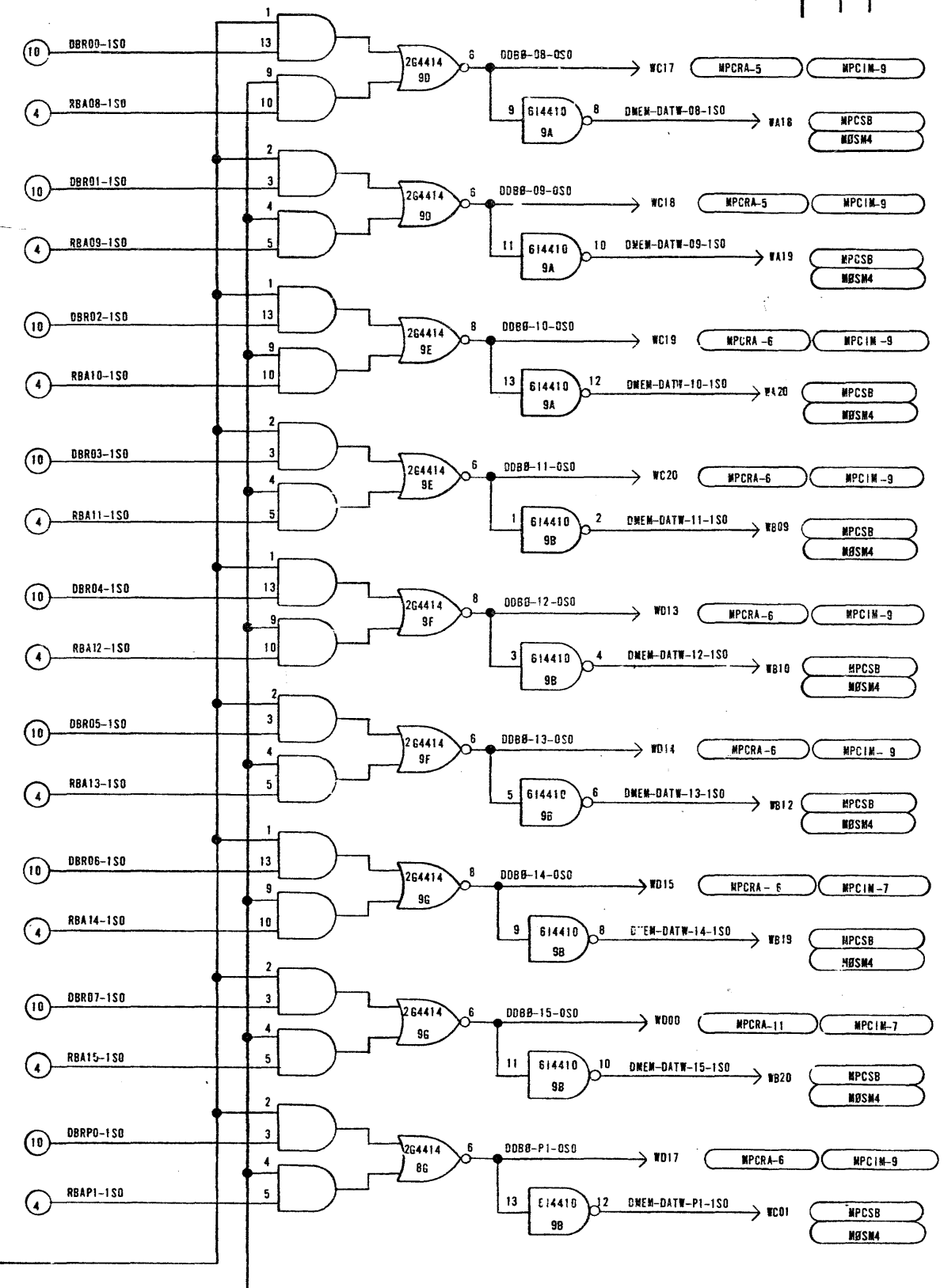
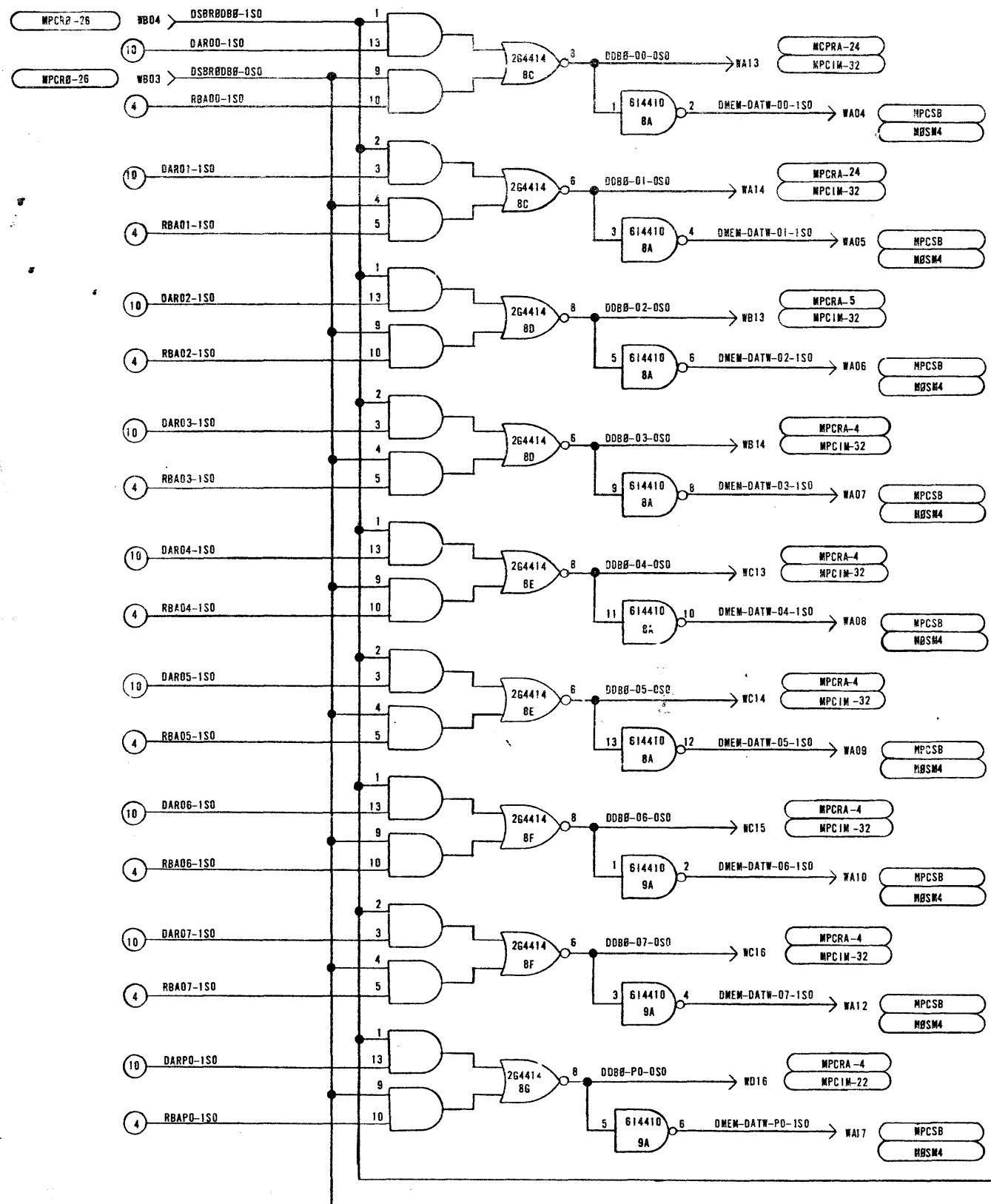
REVISIONS				
REV	AUTHORITY	DATE	SIGNATURE	
		YR MO DAY		



UNLESS OTHERWISE SPECIFIED		MATL	GENERAL ELECTRIC	
DIMENSIONS = MILLIMETERS		TREAT.	PCO DEPT LOC PHOENIX	
TOLERANCE OF SIZE AND FORM PER PROJECTION		FIN.	TITLE LOGIC DIAGRAM MPCFN AB REGISTER OUTPUT SWITCH	
SCALE	CODE	DR 71 JULY 26 Gunnar Fontana APPD R Tpm 12-08-71	DWG 43D234054	SH 10 REV A

43D234054

ZONE	LTR	DESCRIPTION	DATE	APPROVED



G
F
E
D
C
B
A

UNLESS OTHERWISE SPECIFIED DIMENSIONS ARE IN INCHES—
 TOLERANCES ON:
 2-PLACE DECIMALS ±
 3-PLACE DECIMALS ±
 ANGLES ±
 FRACTIONS ±
 MATERIAL—

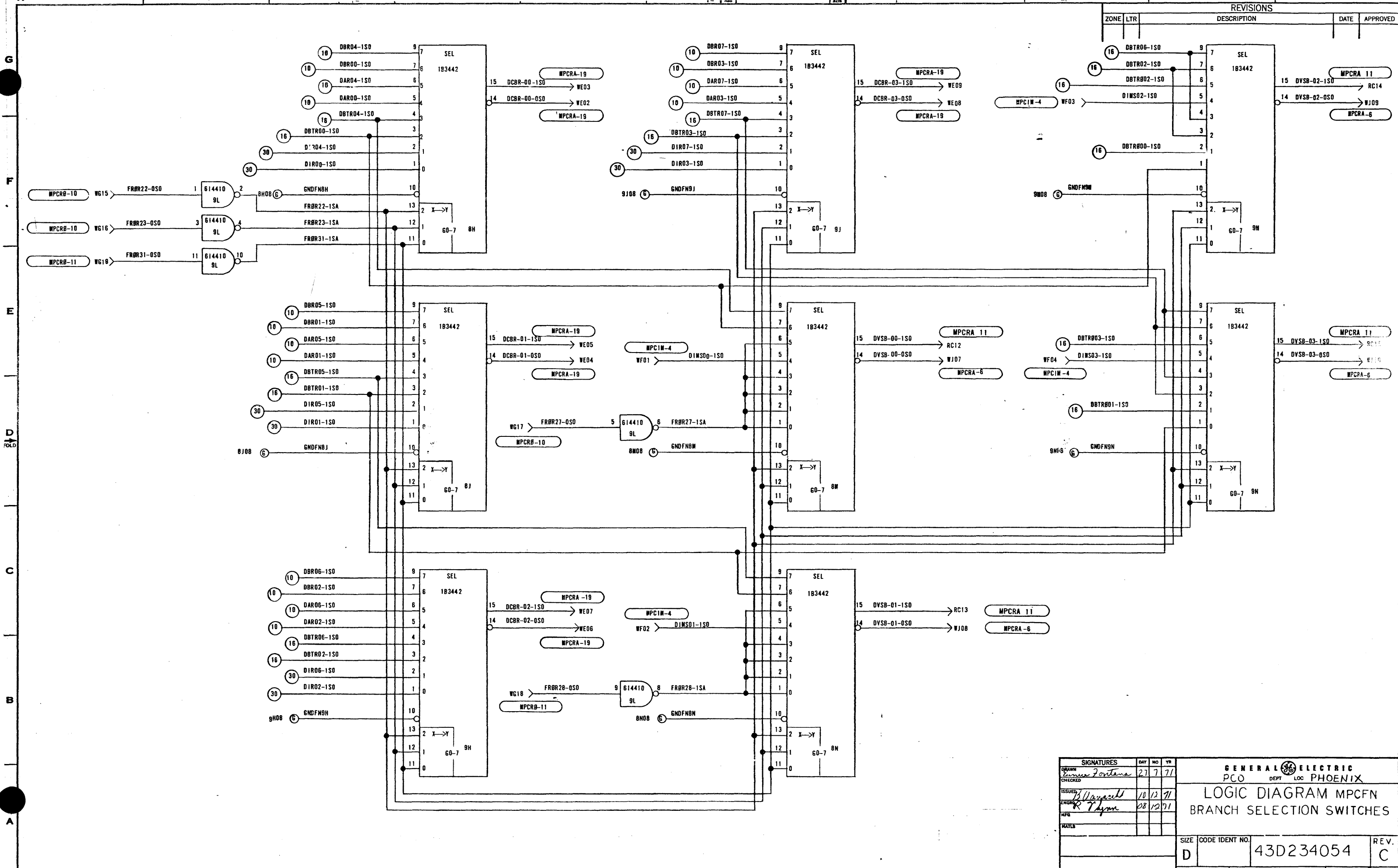
SIGNATURES
 DRAWN *George Fontana* 26 7 71
 CHECKED
 ISSUED *B. Vignash* 10 13 71
 ENGRD *R. Thym* 27 12 71
 ALL SURF. ✓

GENERAL ELECTRIC
 PCO DEPT. LOC. PHOENIX

LOGIC DIAGRAM MPCFN
 DATA BUS OUT SWITCH

SIZE D CODE IDENT NO. 43D234054 REV. B
 SCALE SHEET 11

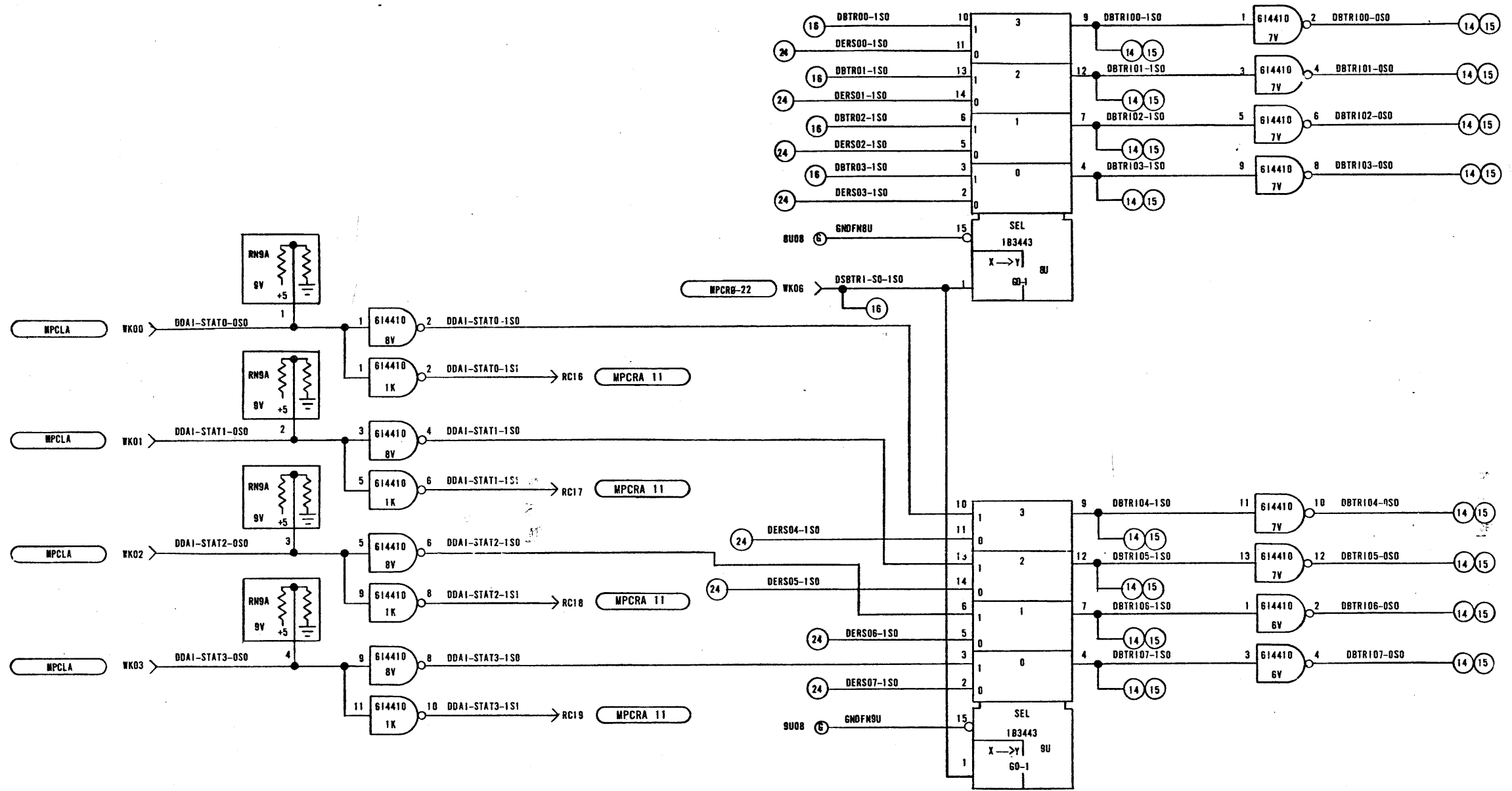
ZONE		LTR		DESCRIPTION	DATE	APPROVED



SIGNATURES				DAY	MO	YR
DRAWN	<i>Emilio Fontana</i>	27	7	71		
CHECKED						
ISSUED	<i>R. Harnett</i>	10	12	71		
ENGINEER	<i>R. Harnett</i>	08	12	71		
HFB						
DATE						

GENERAL ELECTRIC	
PCO	DEPT LOG PHOENIX
LOGIC DIAGRAM MPCFN	
BRANCH SELECTION SWITCHES	
SIZE	CODE IDENT NO.
D	43D234054
SCALE	REV. C
SHEET 12	

REVISIONS				
ZONE	LTR	DESCRIPTION	DATE	APPROVED



UNLESS OTHERWISE SPECIFIED
DIMENSIONS ARE IN INCHES—
TOLERANCES ON:
2-PLACE DECIMALS ±
3-PLACE DECIMALS ±
ANGLES ±
FRACTIONS ±
MATERIAL—

SIGNATURES				DAY	MO	YR
DESIGNED	<i>James Fontana</i>			27	7	71
CHECKED						
ISSUED	<i>B. Vangosh</i>			10	12	71
ENGRD	<i>R. Thayer</i>			08	12	71
MFG						
MAILED						

GENERAL ELECTRIC
PCO DEPT LOC PHOENIX

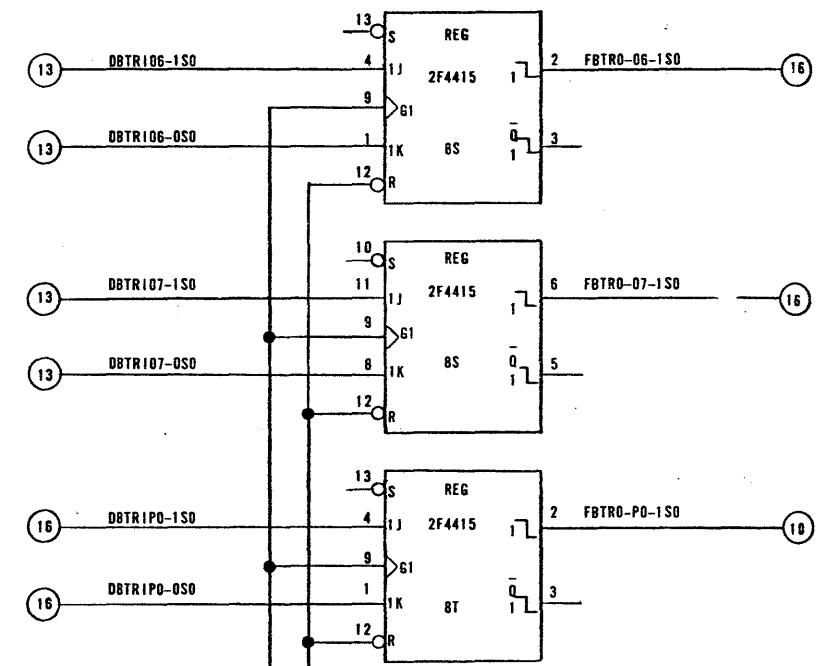
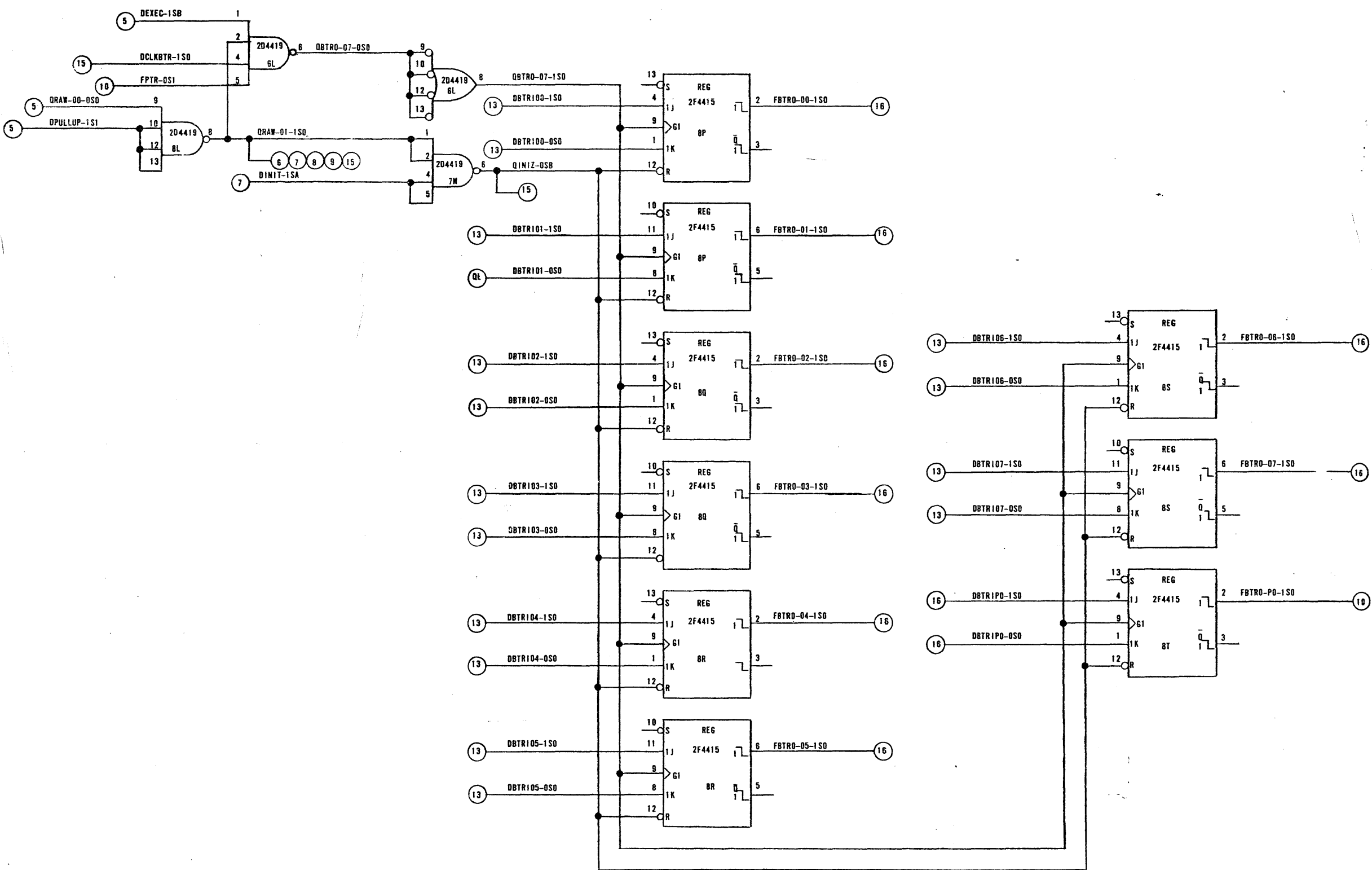
LOGIC DIAGRAM MPCFN
BRANCH TEST REG INPUT SWITCH

SIZE	CODE IDENT NO.	REV
D	43D234054	C
SCALE		SHEET 13

11
G
F
E
D
C
B
A

11 10 9 8 7 6 5 4 3 2 1

REVISIONS				
ZONE	LTR	DESCRIPTION	DATE	APPROVED



UNLESS OTHERWISE SPECIFIED
DIMENSIONS ARE IN INCHES—
TOLERANCES ON:
2-PLACE DECIMALS ±
3-PLACE DECIMALS ±
ANGLES ±
FRACTIONS ±
MATERIAL—

SIGNATURES		DAY	MO	YR
DRAWN	<i>James Fontana</i>	27	7	71
CHECKED				
ISSUED	<i>B. J. Smith</i>	10	12	71
ENGR	<i>R. J. Lynn</i>	08	12	71
MFR				
MATL				

ALL SURF. ✓

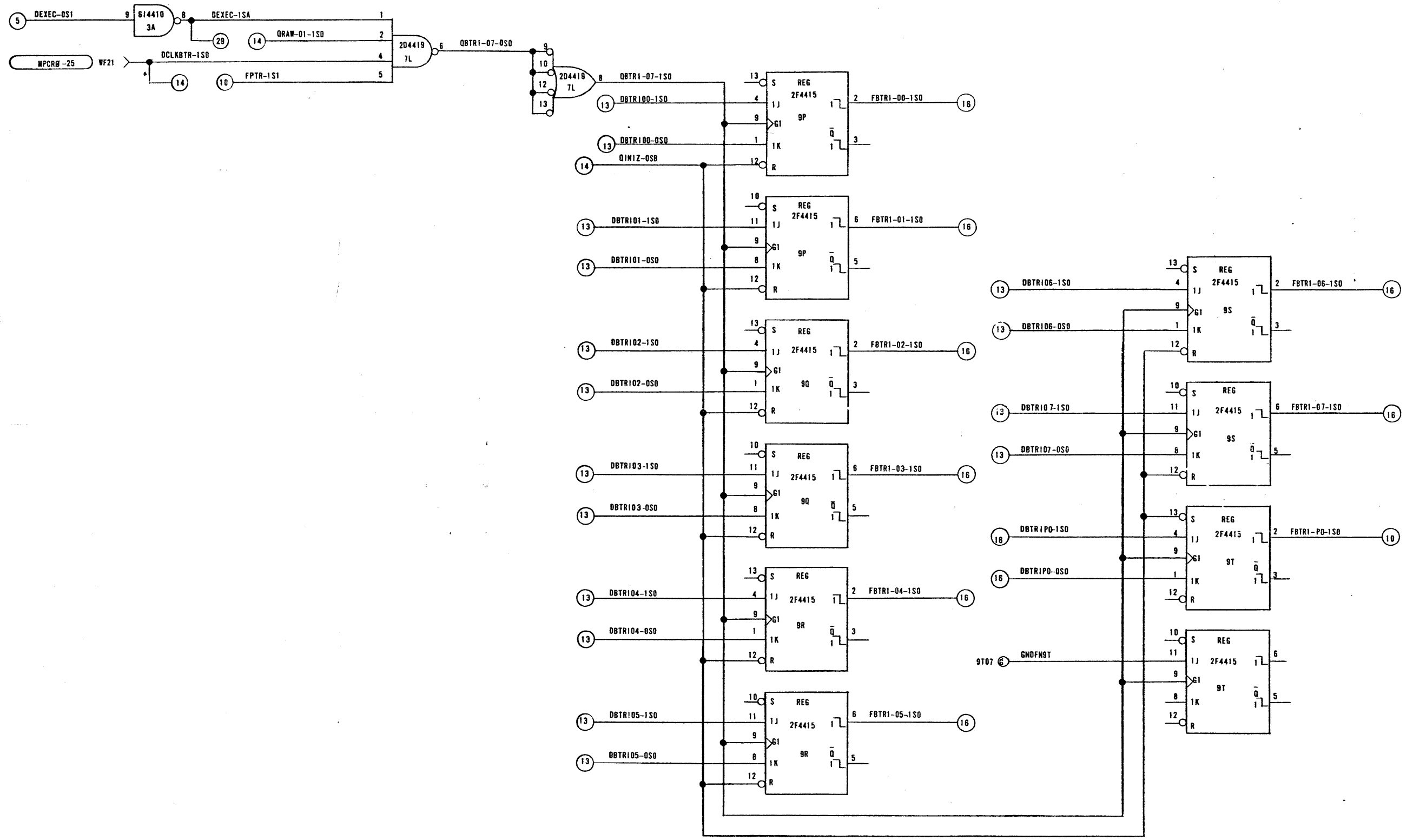
GENERAL ELECTRIC
DEPT. LOC.

LOGIC DIAGRAM MPCFN
BRANCH TEST REGISTER

SIZE	CODE IDENT NO.	REV
D	43D234054	A
SCALE		SHEET 4

G
F
E
D
C
B
A

REVISIONS				
ZONE	LTR	DESCRIPTION	DATE	APPROVED



UNLESS OTHERWISE SPECIFIED
DIMENSIONS ARE IN INCHES—
TOLERANCES ON:
2-PLACE DECIMALS ±
3-PLACE DECIMALS ±
ANGLES ±
FRACTIONS ±
MATERIAL—

SIGNATURES			DATE	NO.	YR.
DESIGNED	<i>[Signature]</i>	22	7	71	
CHECKED	<i>[Signature]</i>				
ISSUED	<i>[Signature]</i>	10	12	71	
ENG'D	<i>[Signature]</i>	18	12	71	
MPD					
MATL					

ALL SURF. ✓

GENERAL ELECTRIC
FCO DEPT. LOC. PHOENIX

LOGIC DIAGRAM MPCFN BRANCH TEST REGISTER I

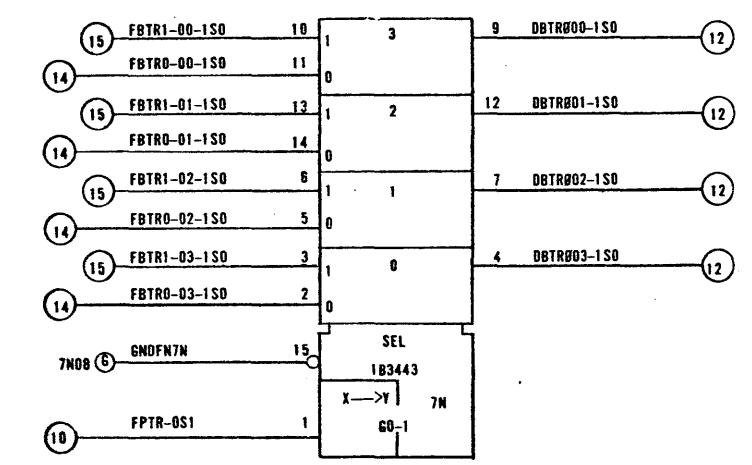
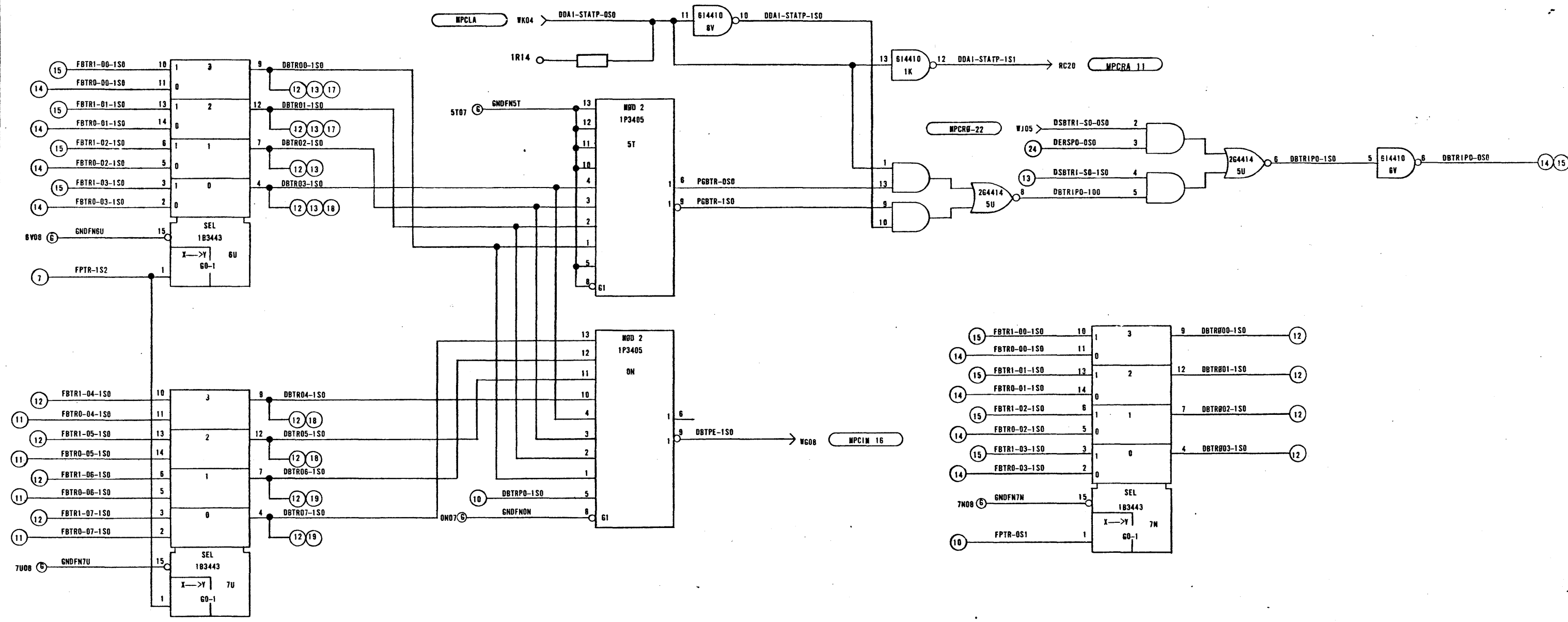
SIZE	CODE IDENT NO.	REV
D	43D234054	A

SCALE SHEET 15

11
G
F
E
D
C
B
A

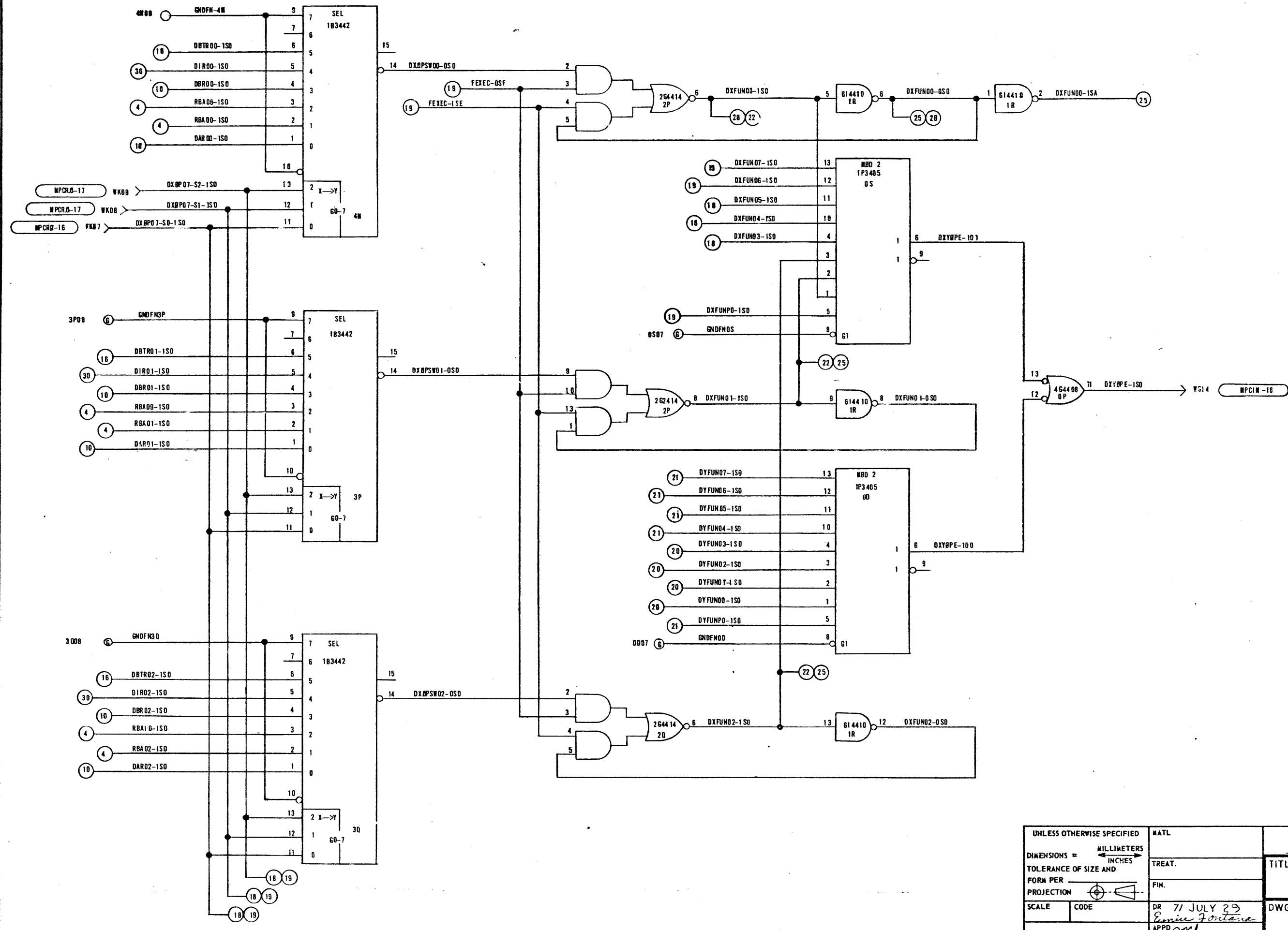
FOLD
FOLD

REVISIONS				
REV	AUTHORITY	DATE	SIGNATURE	
		YR MO DAY		



UNLESS OTHERWISE SPECIFIED		MATERIAL		GENERAL ELECTRIC PCO DEPT LOC PHOENIX	
DIMENSIONS = MILLIMETERS TOLERANCE OF SIZE AND FORM PER PROJECTION		TREAT. FIN.		TITLE LOGIC DIAGRAM MPCFN BRANCH TEST REG OUTPUT SWITCH	
SCALE	CODE	DR 71 JULY 28 Gussie Fontana APPD R. Thompson 12-08-51		DWG 43D234054	SH 16
		DISTR C68-26-TOS/5DFV		REV C	

REVISIONS				
REV	AUTHORITY	DATE	SIGNATURE	
		YR MO DAY		



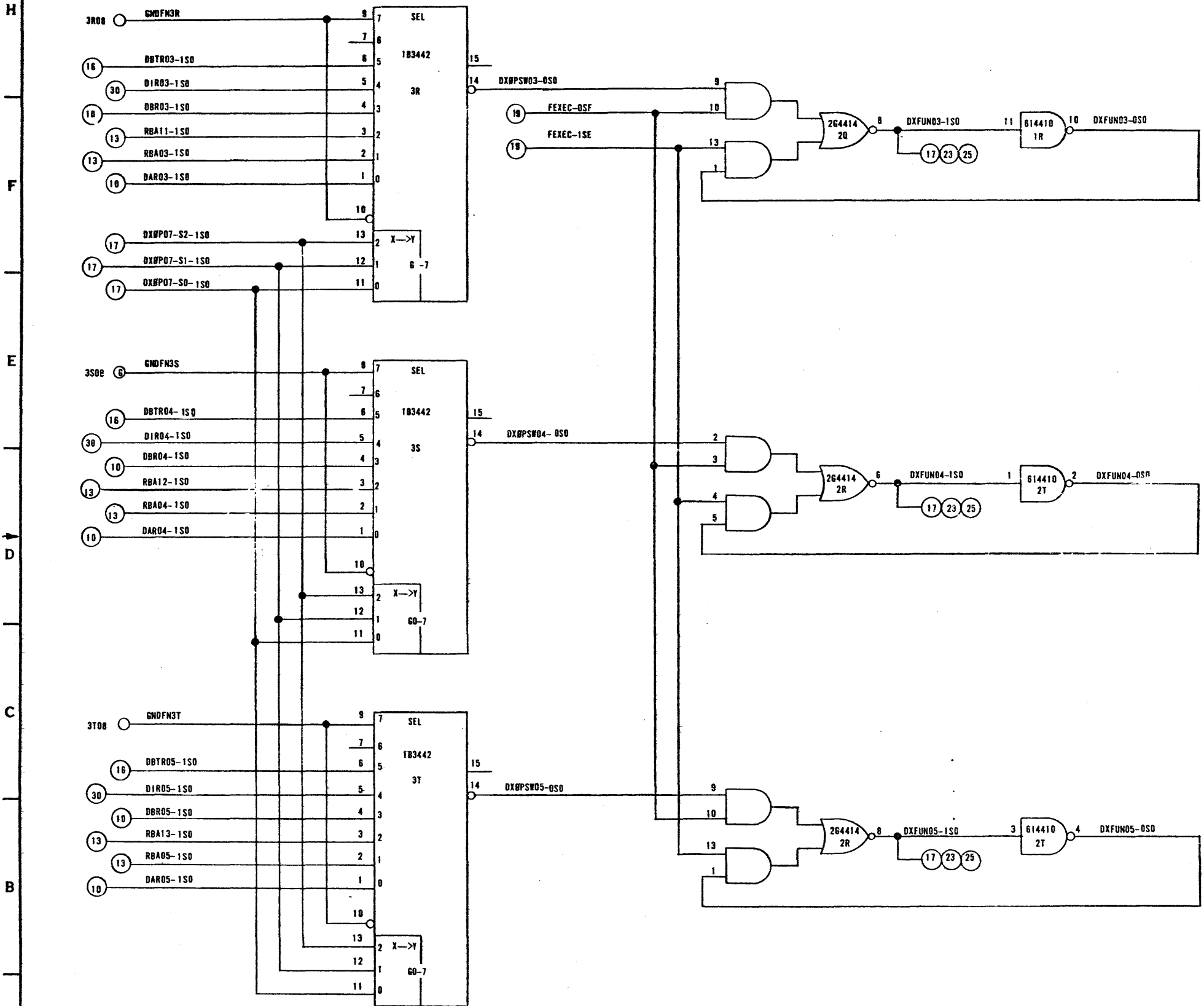
UNLESS OTHERWISE SPECIFIED		MATT		GENERAL ELECTRIC PCO DEPT LOC PHOENIX	
DIMENSIONS = MILLIMETERS		TREAT.			
TOLERANCE OF SIZE AND FORM PER INCHES		FIN.		TITLE LOGIC DIAGRAM MPCFN X OPERAND SWITCH O-2 & XY OPERANDS PARITY CHECKING	
PROJECTION		DR 71 JULY 29		DWG 43D234054	
SCALE		APPD <i>Emilio Fontana</i>		SH 17	
CODE		DISTR 066-26, TOS/SAEV		REV A	

H
F
E
D
C
B
A

H
F
E
D
C
B
A

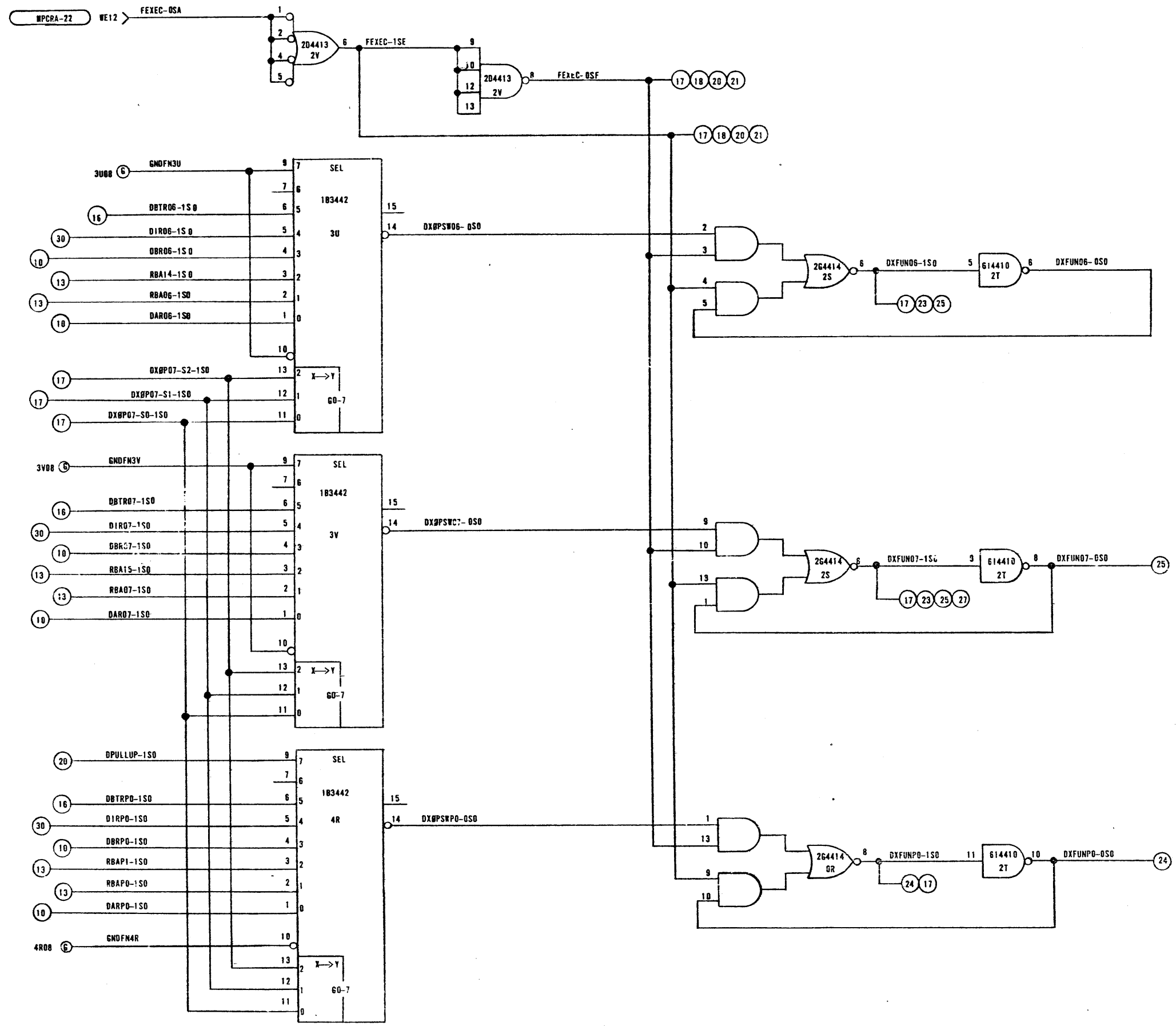
10 9 8 7 6 5 4 3

REVISIONS			
REV	AUTHORITY	DATE	SIGNATURE
		YR MO DAY	



UNLESS OTHERWISE SPECIFIED		MATH		GENERAL ELECTRIC PCO DEPT LOC PHOENIX	
DIMENSIONS = MILLIMETERS INCHES		TREAT.			
FORM PER		FIN.		TITLE LOGIC DIAGRAM MPCFN X OPERAND SWITCH 3-5	
PROJECTION		DR 71 JULY 29 <i>Ernie Fontana</i>		DWG 43D234054	
SCALE	CODE	APPD <i>R Flynn 12-08-51</i>		SH 18	REV A
		DISTR C68-26.TOS			

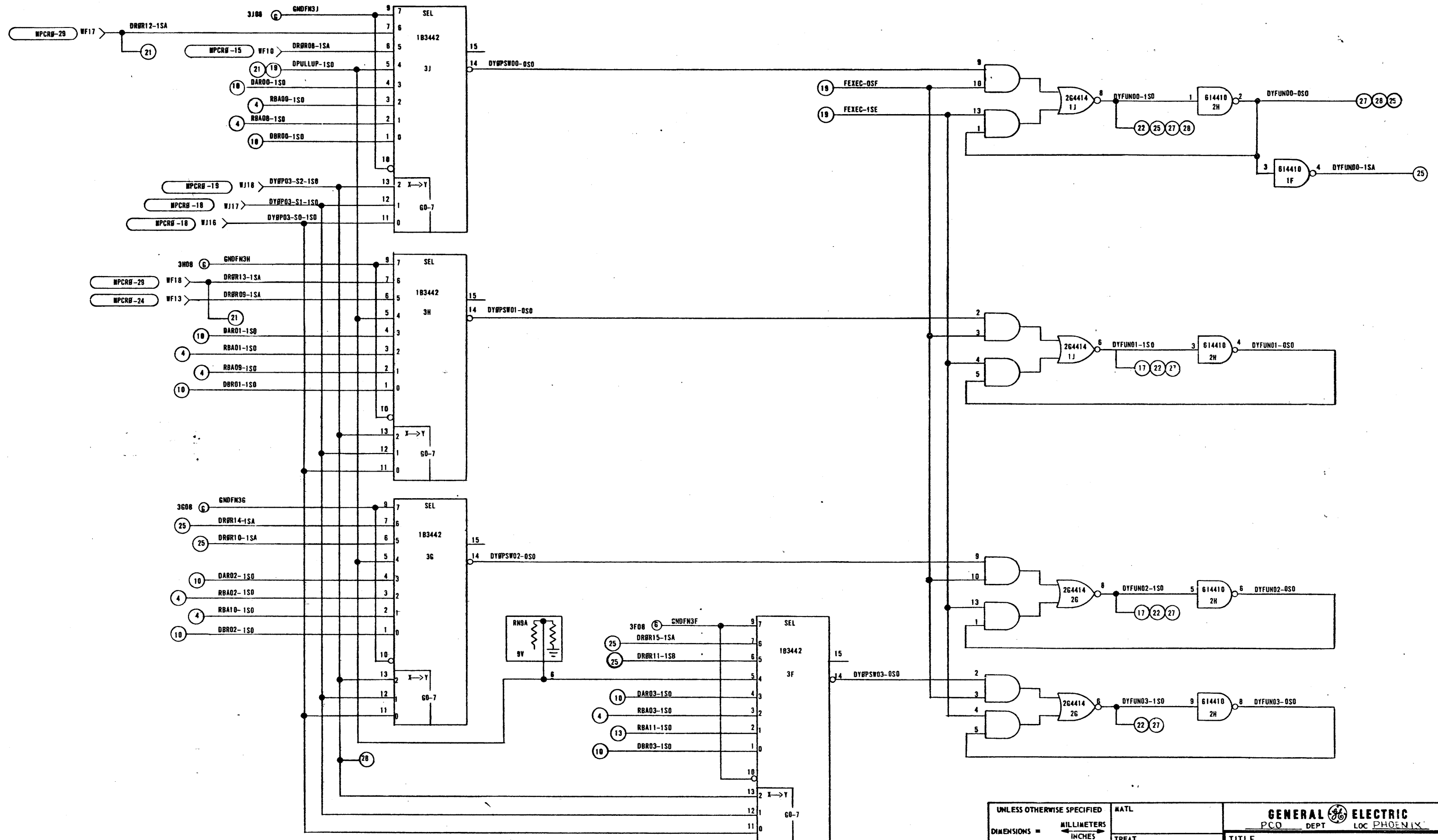
REVISIONS				
REV	AUTHORITY	DATE	SIGNATURE	
		YR MO DAY		



UNLESS OTHERWISE SPECIFIED		MATL	GENERAL ELECTRIC PCO DEPT LOC PHOENIX	
DIMENSIONS = $\frac{\text{MILLIMETERS}}{\text{INCHES}}$		TREAT.		
TOLERANCE OF SIZE AND FORM PER		FIN.	TITLE LOGIC DIAGRAM MPCFN X OPERAND SWITCH 6-7	
PROJECTION		DR 71 JULY 29 P. J. Jentura	DWG 43D234054	SH 19
SCALE	CODE	APPD R. J. Jentura 12-07-71	REV A	
		DISTR CCB-26, TOS		

H
F
E
D
C
B
A

REVISIONS			
REV	AUTHORITY	DATE	SIGNATURE
		YR MO DAY	

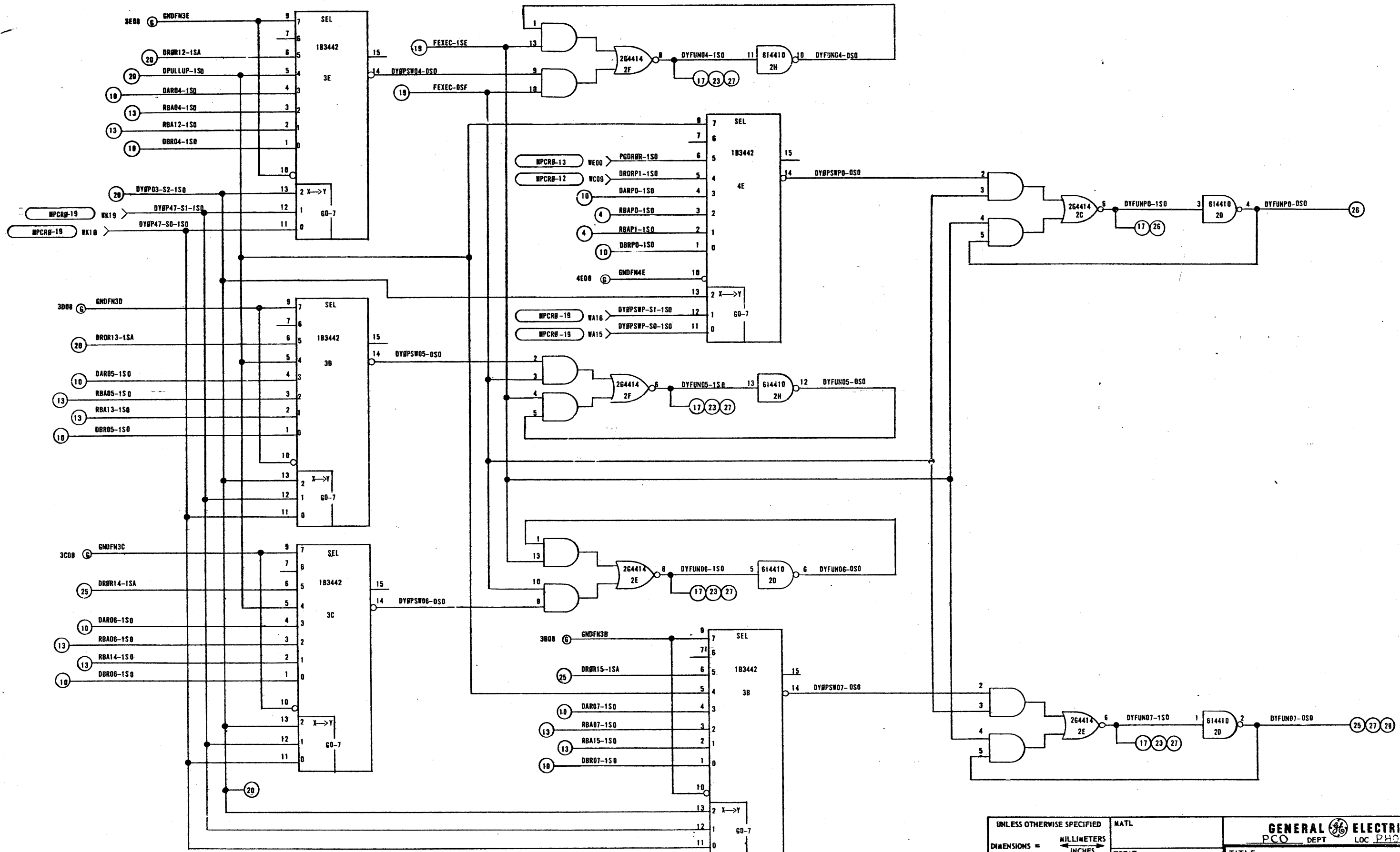


UNLESS OTHERWISE SPECIFIED		MATH		GENERAL ELECTRIC PCO DEPT LOC PHOENIX	
DIMENSIONS = MILLIMETERS		TREAT.			
TOLERANCE OF SIZE AND FORM PER PROJECTION		FIN.		TITLE	
SCALE		CODE		LOGIC DIAGRAM MPCFN Y OPERAND SWITCH 0-3	
DR 71 JULY 30		APPD R. J. Lynn 12-08-71		DWG 43D234054	
DISTR C68-26-T05				SH 20	
				REV B	

H
F
E
D
C
B
A

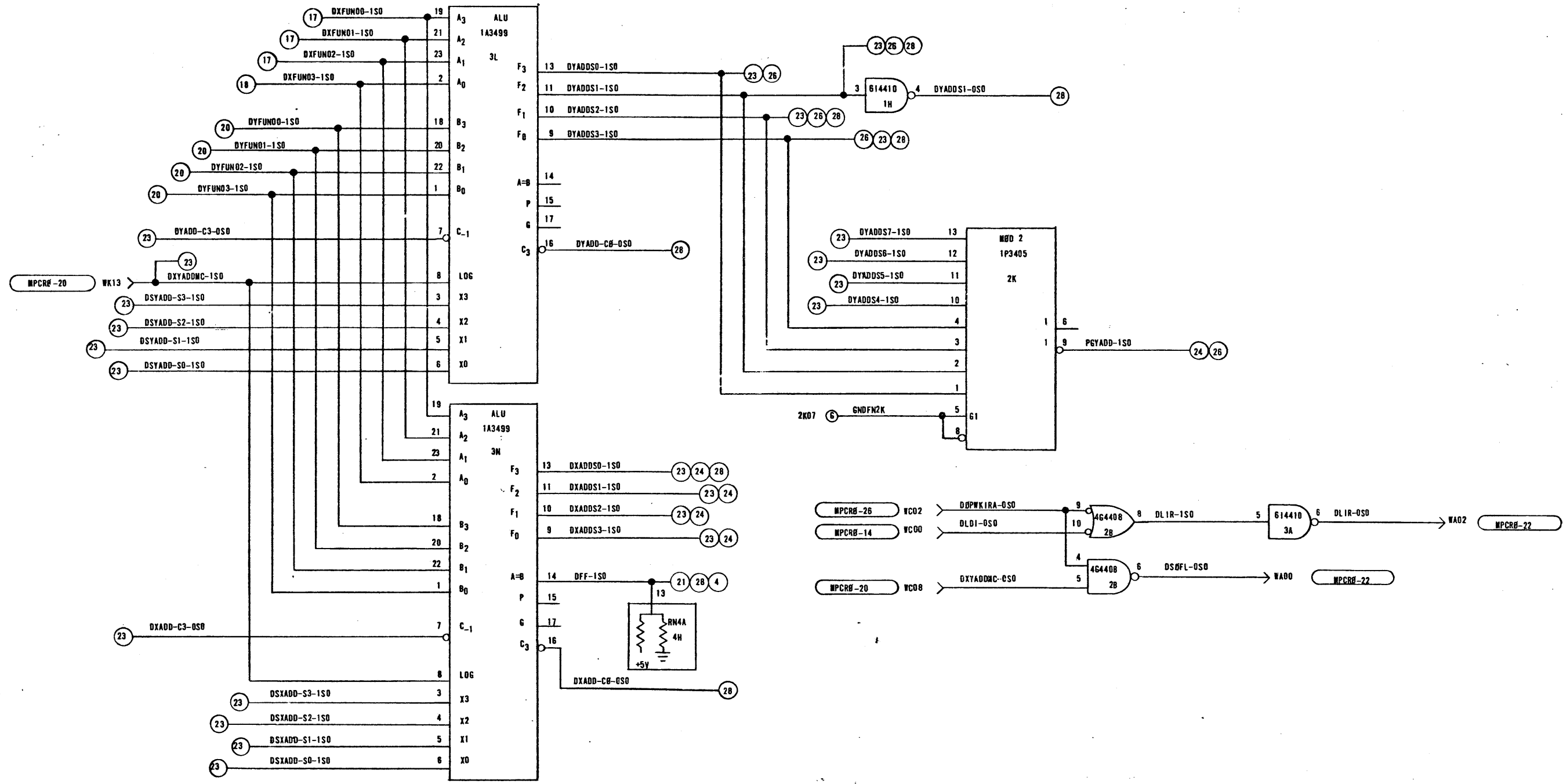
10 9 8 7 6 5 4 3

REVISIONS				
REV	AUTHORITY	DATE	YR	SIGNATURE



UNLESS OTHERWISE SPECIFIED		MATERIAL		GENERAL ELECTRIC	
DIMENSIONS = MILLIMETERS		TREAT.		PCO DEPT LOC PHOENIX	
TOLERANCE OF SIZE AND FORM PER PROJECTION		FIN.		TITLE	
SCALE		DR 71 JULY 30		LOGIC DIAGRAM MPCFN	
CODE		APPD		Y OPERAND SWITCH 4-7, FO	
		R. J. ...		DWG 43D234054	
		DISTR. ...		SH 21	
				REV B	

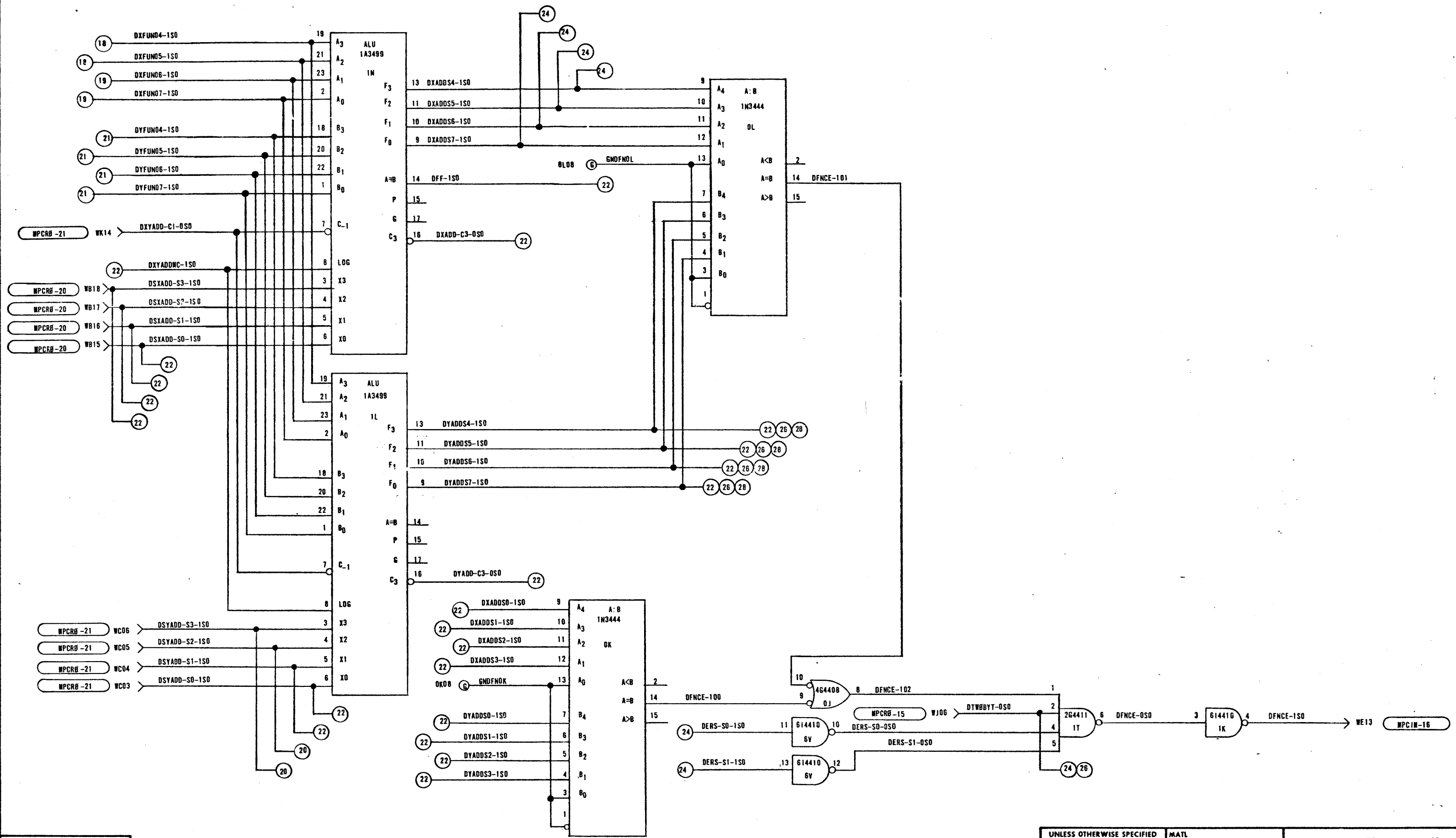
REVISIONS				
REV	AUTHORITY	DATE	SIGNATURE	
		YR MO DAY		



UNLESS OTHERWISE SPECIFIED		MATERIAL		GENERAL ELECTRIC PCO DEPT LOC PHOENIX	
DIMENSIONS = MILLIMETERS		TREAT.			
TOLERANCE OF SIZE AND FORM PER		FIN.		TITLE	
PROJECTION		DR 71 JULY 30		LOGIC DIAGRAM MPCFN	
SCALE		APPD <i>R. Thompson</i>		XY ADDERS 0-3	
CODE		DISTR CDB-26, TOS/SAEK		DWG	
		SH		REV	
		43D234054		22 A	

43D234054 PA

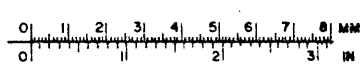
REVISIONS			
REV	AUTHORITY	DATE	SIGNATURE
		YR MO DAY	



THE INFORMATION CONTAINED IN THIS DOCUMENT IS PROPRIETARY TO HONEYWELL INFORMATION SYSTEMS AND IS INTENDED FOR INTERNAL HONEYWELL USE ONLY. SUCH INFORMATION MAY BE DISTRIBUTED TO OTHERS ONLY BY WRITTEN PERMISSION OF AN AUTHORIZED HONEYWELL OFFICIAL. THIS RESTRICTION DOES NOT APPLY TO VENDOR PROPRIETARY PARTS THAT MAY BE DISCLOSED IN THIS DOCUMENT.

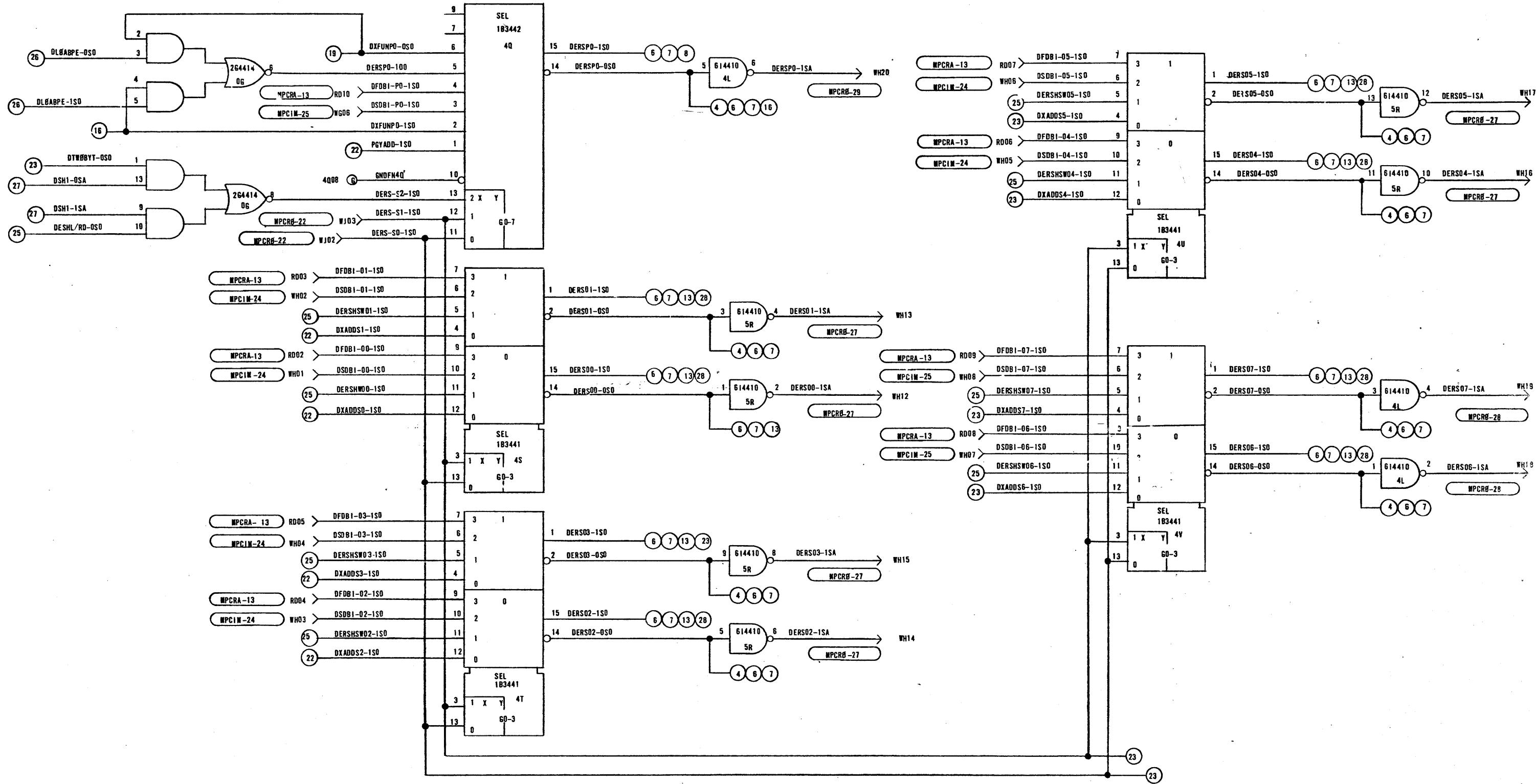
43D234054

REV	DATE	SIGNATURE

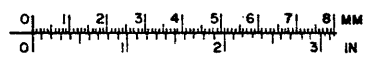


UNLESS OTHERWISE SPECIFIED		MATERIAL		Honeywell HONEYWELL INFORMATION SYSTEMS PHOENIX, ARIZONA U. S. A.			
DIMENSIONS— MILLIMETERS INCHES		TREAT.					
TOLERANCE OF SIZE AND FORM PER INITIAL DESIGN		FIN.		TITLE LOGIC DIAGRAM MPCFN XY ADDERS 4-7			
PROJECTION		SCALE CODE		DR 71 AUG 15 Eric Fontana	SIZE DWG NO	SH	REV
DISTR CCR-26-TDS				APPD R 71 Jun 12-01	D 43D234054	23	A

REVISIONS				
REV	AUTHORITY	DATE		SIGNATURE
		YR	MO DAY	



INFORMATION CONTAINED IN THIS DOCUMENT IS PROPRIETARY TO HONEYWELL INFORMATION SYSTEMS AND IS INTENDED FOR INTERNAL HONEYWELL USE ONLY. NO INFORMATION MAY BE DISTRIBUTED TO OTHERS WITHOUT THE WRITTEN PERMISSION OF AN AUTHORIZED HONEYWELL OFFICIAL. THIS RESTRICTION DOES NOT APPLY TO VENDOR PROPRIETARY PARTS THAT MAY BE DISCLOSED IN THIS DOCUMENT.



UNLESS OTHERWISE SPECIFIED DIMENSIONS— MILLIMETERS INCHES TOLERANCE OF SIZE AND FORM PER INITIAL DESIGN PROJECTION	MATL	Honeywell HONEYWELL INFORMATION SYSTEMS PHOENIX, ARIZONA U. S. A.			
	TREAT.			LOC	
	SCALE	CODE	TITLE LOGIC DIAGRAM MPCFN EVEN RESULT SWITCH		
DR 71 AUG 15 APPD R [Signature] 12-08-91 DISTR C68-26,705		SIZE D	DWG NO 43D234054	SH 24	REV A

43D234054

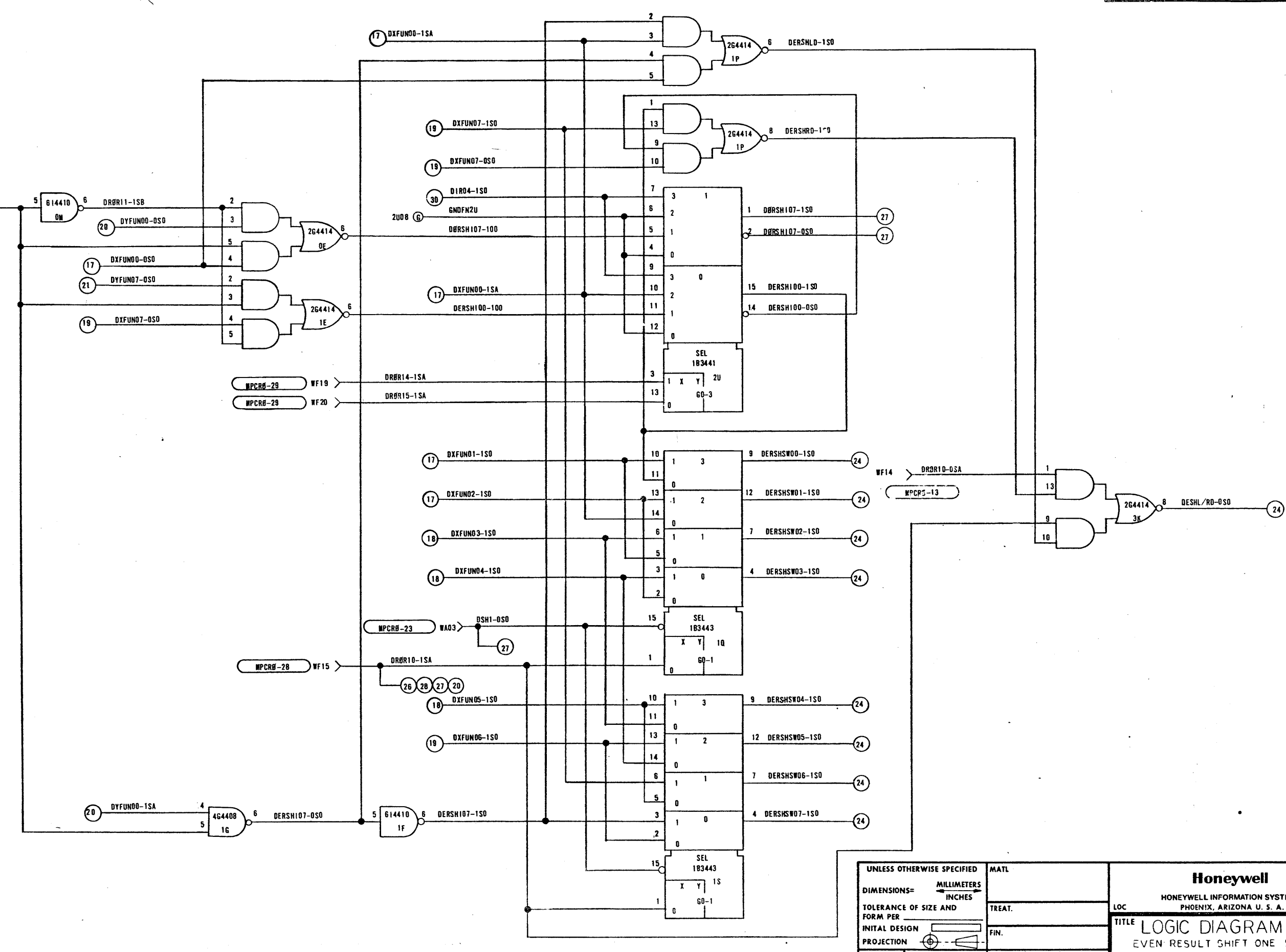
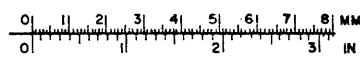
REVISIONS				
REV	AUTHORITY	DATE		SIGNATURE
		YR	MO DAY	

H
F
E
D
C
B
A

INFORMATION CONTAINED IN THIS DOCUMENT IS PROPRIETARY TO HONEYWELL INFORMATION SYSTEMS AND IS INTENDED FOR INTERNAL HONEYWELL USE ONLY.
 SUCH INFORMATION MAY BE DISTRIBUTED TO OTHERS ONLY BY WRITTEN PERMISSION OF AN AUTHORIZED HONEYWELL OFFICIAL. THIS RESTRICTION DOES NOT APPLY
 TO VENDOR PROPRIETARY PARTS THAT MAY BE DISCLOSED IN THIS DOCUMENT.

10 9 8 7 6 5 4

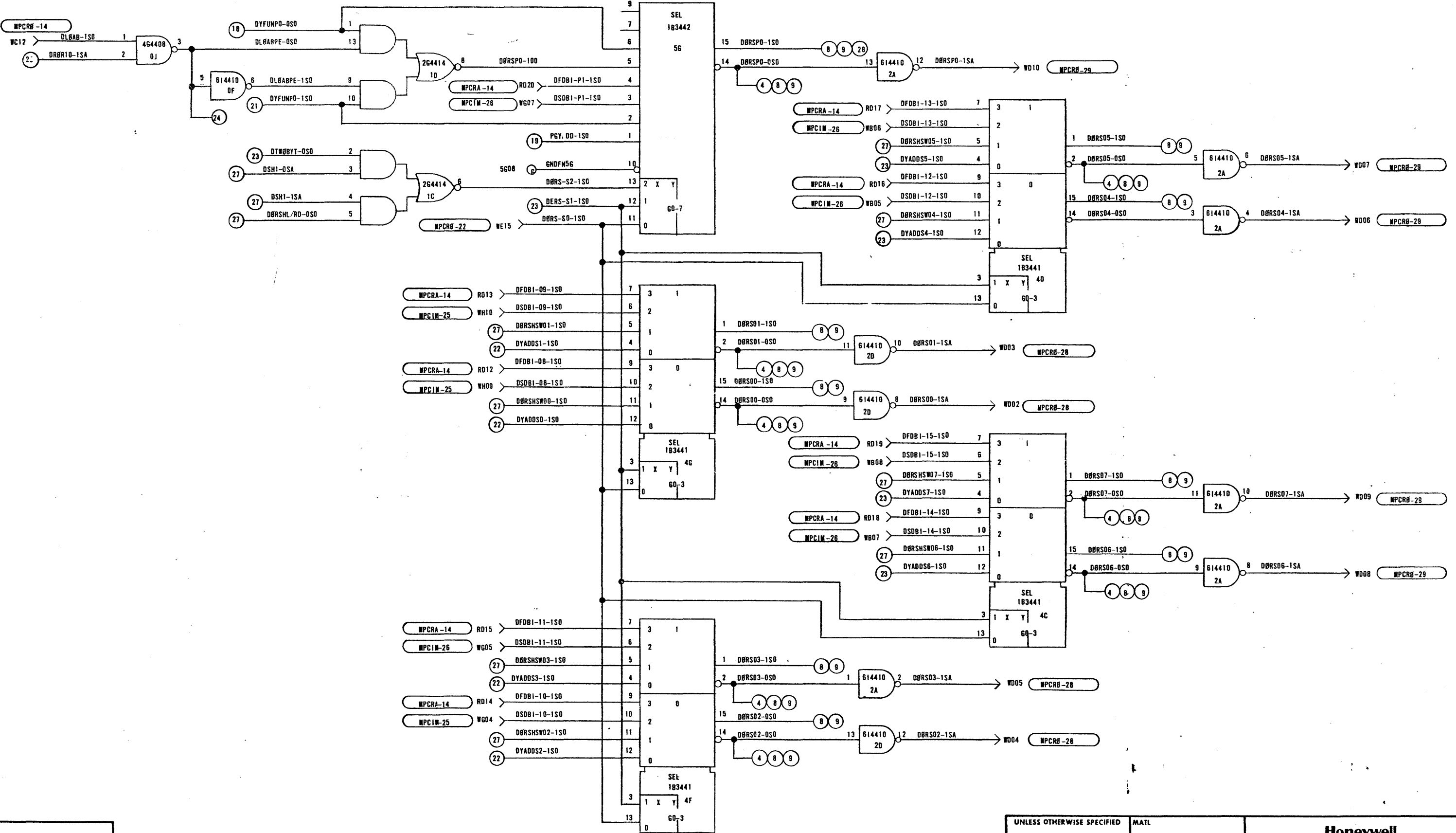
BRUNING 441A1
REF SPEC NO



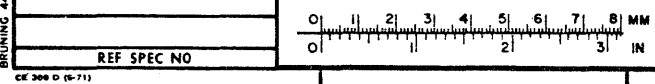
UNLESS OTHERWISE SPECIFIED		MATL	Honeywell HONEYWELL INFORMATION SYSTEMS PHOENIX, ARIZONA U. S. A.		
DIMENSIONS— MILLIMETERS INCHES		TREAT.			
TOLERANCE OF SIZE AND FORM PER INITIAL DESIGN		FIN.			
PROJECTION	SCALE	CODE	TITLE LOGIC DIAGRAM MPCFN EVEN RESULT SHIFT ONE SWITCH		
DR 71 AUG 17 Genise Fontana APPDR J. Thomas 12-17-70 DISTR C68-26, TOS SDO		DR	SIZE D	DWG NO 43D234054	SH 25
			REV A		

43D234054

REVISIONS					
REV	AUTHORITY	DATE		SIGNATURE	
		YR	MO	DAY	



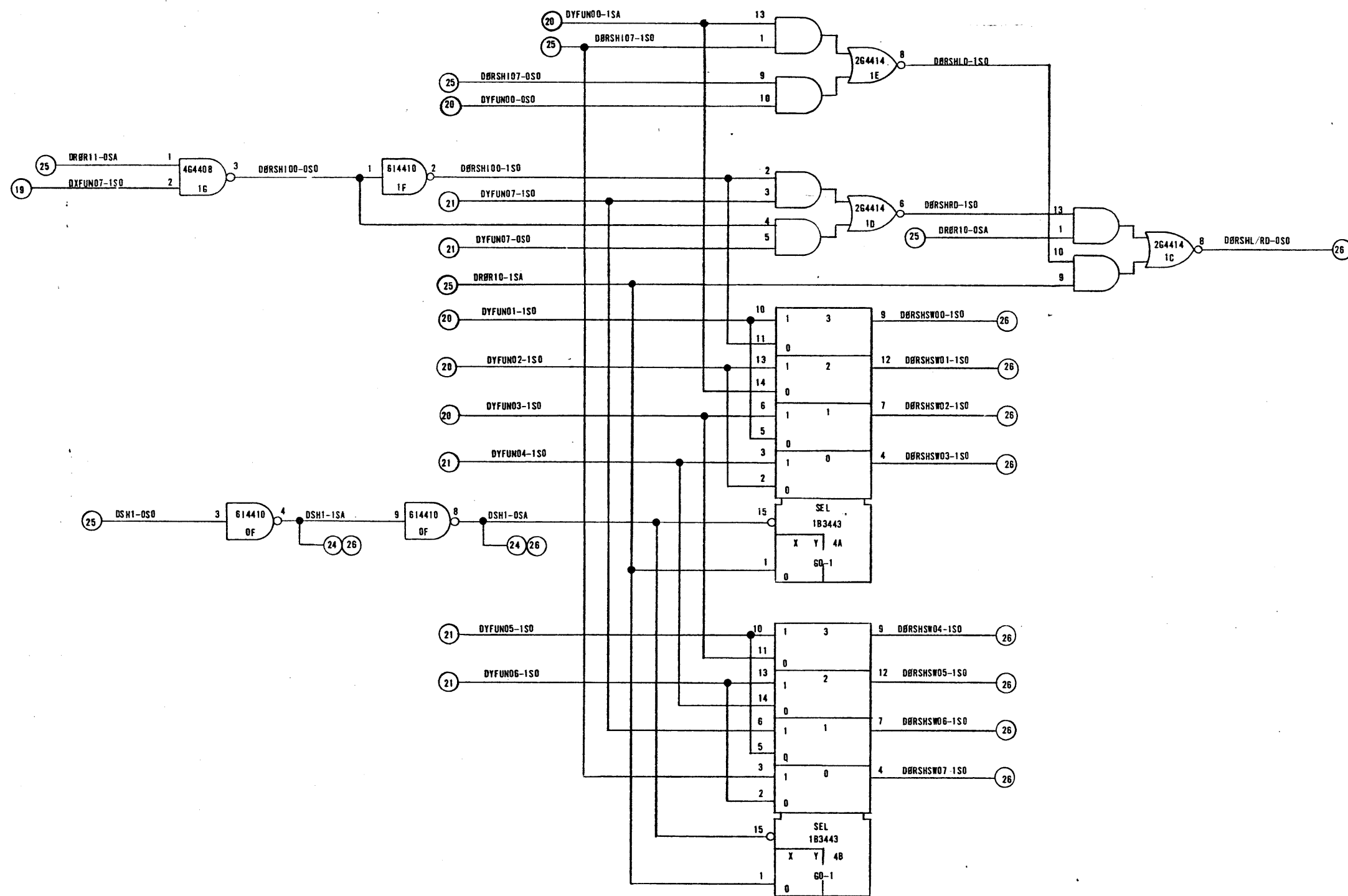
THIS DOCUMENT IS PROPRIETARY TO HONEYWELL INFORMATION SYSTEMS AND IS INTENDED FOR INTERNAL HONEYWELL USE ONLY. IT IS NOT TO BE DISTRIBUTED TO OTHERS WITHOUT THE WRITTEN PERMISSION OF AN AUTHORIZED HONEYWELL OFFICIAL. THIS RESTRICTION DOES NOT APPLY TO INFORMATION THAT IS EITHER IN THE PUBLIC DOMAIN OR IS PROPERLY ATTRIBUTED TO OTHERS.



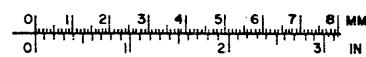
UNLESS OTHERWISE SPECIFIED		MILLIMETERS		Honeywell	
DIMENSIONS=		INCHES		HONEYWELL INFORMATION SYSTEMS	
TOLERANCE OF SIZE AND		TREAT.		PHOENIX, ARIZONA U. S. A.	
FORM PER		FIN.		LOC	
INITIAL DESIGN		SCALE		TITLE	
PROJECTION		CODE		LOGIC DIAGRAM MPCFN	
		DR 71 AUG 18		ODD RESULT SWITCH O-7, P0	
		APPD R. J. Flynn 12-09-71		SIZE DWG NO	
		DISTR CGB-26, T05		SH 26	
				REV A	

43D234054

REVISIONS				
REV	AUTHORITY	DATE		SIGNATURE
		YR	MO	DAY



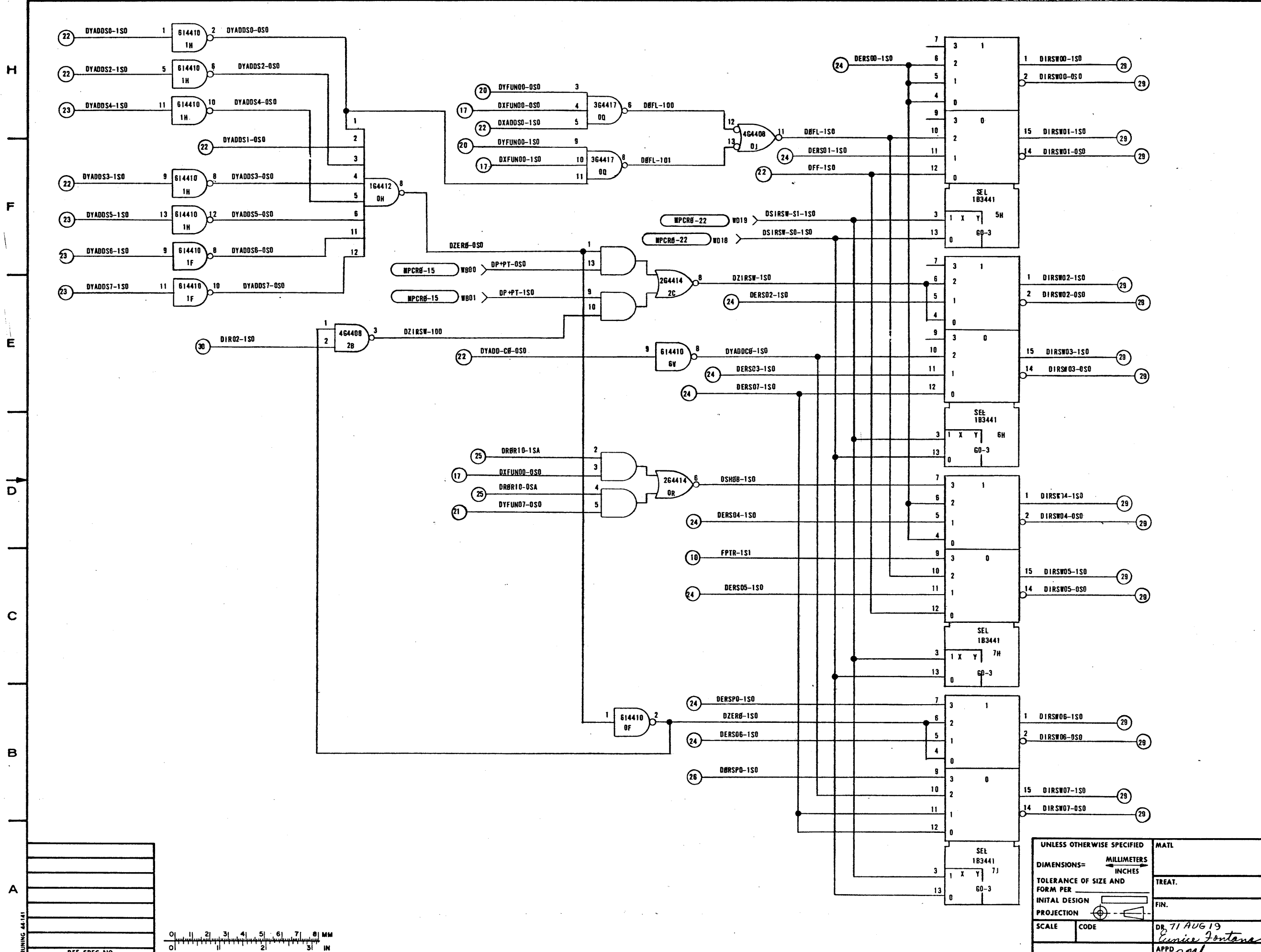
INFORMATION CONTAINED IN THIS DOCUMENT IS PROPRIETARY TO HONEYWELL INFORMATION SYSTEMS AND IS INTENDED FOR INTERNAL HONEYWELL USE ONLY. IT MAY BE DISTRIBUTED TO OTHERS ONLY BY WRITTEN PERMISSION OF AN AUTHORIZED HONEYWELL OFFICIAL. THIS RESTRICTION DOES NOT APPLY TO UNCLASSIFIED INFORMATION THAT MAY BE DISCLOSED IN THIS DOCUMENT.



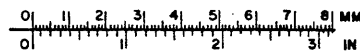
UNLESS OTHERWISE SPECIFIED		MATERIAL		Honeywell HONEYWELL INFORMATION SYSTEMS PHOENIX, ARIZONA U. S. A.			
DIMENSIONS = MILLIMETERS / INCHES		TREAT.					
TOLERANCE OF SIZE AND FORM PER		FIN.		LOGIC DIAGRAM MPCFN			
INITIAL DESIGN		DR 71 AUG 18		ODD RESULT SHIFT ONE SWITCH			
PROJECTION		APPD R. Fontana 12-08-71		SIZE DWG NO			
SCALE	CODE	DISTR CGB-26, TOS / SDFV		D	43D234054	SH 27	REV A

43D234054

REVISIONS				
REV	AUTHORITY	DATE	SIGNATURE	
		YR MO DAY		



INFORMATION CONTAINED IN THIS DOCUMENT IS PROPRIETARY TO HONEYWELL INFORMATION SYSTEMS AND IS INTENDED FOR INTERNAL HONEYWELL USE ONLY. SUCH INFORMATION MAY BE DISTRIBUTED TO OTHERS ONLY BY WRITTEN PERMISSION OF AN AUTHORIZED HONEYWELL OFFICIAL. THIS RESTRICTION DOES NOT APPLY TO VENDOR PROPRIETARY PARTS THAT MAY BE DISCLOSED IN THIS DOCUMENT.



UNLESS OTHERWISE SPECIFIED		MATERIAL	
DIMENSIONS =	MILLIMETERS		
TOLERANCE OF SIZE AND FORM PER INITIAL DESIGN	INCHES	TREAT.	
PROJECTION		FIN.	
SCALE	CODE	DR. 71 AUG 19 <i>Cunice Fontana</i>	SH
		APPD <i>R. M. ...</i>	REV
		DISTR C6B-26, TOS	
Honeywell			
HONEYWELL INFORMATION SYSTEMS PHOENIX, ARIZONA U. S. A.			
TITLE LOGIC DIAGRAM MPCFN INDICATOR REGISTER INPUT SWITCH			
LOC	SIZE	DWG NO	SH
	D	43D234054	28
			A


43D234054

THE INFORMATION CONTAINED IN THIS DOCUMENT PROPRIETARY TO HONEYWELL INFORMATION SYSTEMS, INC. AND IS INTENDED FOR INTERNAL HONEYWELL USE ONLY. SUCH INFORMATION MAY BE DISTRIBUTED TO OTHERS BY WRITTEN PERMISSION OF AN AUTHORIZED HONEYWELL OFFICIAL. THIS RESTRICTION DOES NOT APPLY TO VENDOR PROPRIETARY THAT MAY BE DISCLOSED IN THIS DOCUMENT.

43D234074

REV	AUTHORITY	DATE			SIGNATURE	DWG SH																			
		YR	MO	DAY		1	2	3	4	5	6	7	8	9	10	11	12	13	14	15	16	17	18	19	
A	ISSUED	71	12	10	B. Vansick	A	A	A	A	A	A	A	A	A	A	A	A	A	A	A	A	A	A		
B	HXP-00-0133	72	03	29	B. Vansick					B	B					B	B				B	B			
RENUMBERED SHEET COL'S						1	2	3	3.1	4	5	6	7	8	9	10	11	12	13	14	15	16	17	18	19
C	HXP-00-0139	72	05	17	V. Fisher				C			C													
D	HXP-00-0162	72	12	08	P.M. DiAgostino					D															
E	HXP-00-0198	73	08	10	P.M. DiAgostino					E						E	E	E				E			
F	HXP-00-0256	73	10	26	D. Lanier												F								
RENUMBERED SHEET COL'S						1	*2	3	3.1	3.2	4	5	6	7	8	9	10	11	12	13	14	15	16	17	18
F1	PHAØBA011	74	SEP	30	L. Mills					F1															
F2	PHAØPA094	75	01	29	L. Mills																				
G	PHAØBB073	78	09	06	C.Q. Showlund																				
BLANK SHEETS NOT INCLUDED																									

* INDICATES ADDED POINT SHEETS. FOR CONTINUATION OF REVISION STATUS SEE SHEET 2

 HONEYWELL INFORMATION SYSTEMS LOC PCO PHOENIX, ARIZONA	MADE BY <i>V.F. Howell</i> 71 NOV 13	TITLE LOGIC DIAGRAM MPCLA			
	APPROVED <i>R. Flynn</i> 12-08-71	SIZE D	REVISION STATUS FOR 43D234074	SHEET 1/2	REV G
	REVISION STATUS FOR EACH PAGE, SHEET OR GROUP IS SHOWN BY LAST ENTRY IN THE CORRESPONDING NUMBERED COLUMN				


CE 300A-3 (6-71) BRUNING 44-141 C68-26, TOS, NCO

THE INFORMATION CONTAINED IN THIS DOCUMENT PROPRIETARY TO HONEYWELL INFORMATION SYSTEMS, INC. AND IS INTENDED FOR INTERNAL HONEYWELL USE ONLY. SUCH INFORMATION MAY BE DISTRIBUTED TO OTHERS BY WRITTEN PERMISSION OF AN AUTHORIZED HONEYWELL OFFICIAL. THIS RESTRICTION DOES NOT APPLY TO VENDOR PROPRIETARY THAT MAY BE DISCLOSED IN THIS DOCUMENT.

43D234074

REV	AUTHORITY	DATE			SIGNATURE	DWG SH																			
		YR	MO	DAY		21	22	23	24	25	26	27	28	29	30	31	32	33	34F						
A	ISSUED	71	12	10	B. Vansick	A	A	A	A	A	A	A	A	A	A	A	A	A	A	A	A	A	A		
B	HXP-00-0133	72	03	29	B. Vansick					B	B														
RENUMBERED SHEET COL'S						20	21	22	23	24	25	26	27	28	29	30	31	32	33	34F					
C	HXP-00-0139	72	05	17	V. Fisher																				
D	HXP-00-0162	72	12	08	P.M. DiAgostino					D															
E	HXP-00-0198	73	08	10	P.M. DiAgostino					E	E										E				
F	HXP-00-0256	73	10	26	D. Lanier					F															
RENUMBERED SHEET COL'S						19	20	21	22	23	24	25	26	27	28	29	30	31	32	33	34				
F1	PHAØBA011	74	SEP	30	L. Mills																				
F2	PHAØPA094	75	01	29	L. Mills																				
G	PHAØBB073	78	09	06	C.Q. Showlund	G					G			G											

FOR CONTINUATION OF REVISION STATUS SEE SHEET

 HONEYWELL INFORMATION SYSTEMS LOC PHOENIX, ARIZONA	MADE BY <i>V.F. Howell</i> 71 NOV 13	TITLE LOGIC DIAGRAM MPCLA			
	APPROVED <i>R. Flynn</i> 12-08-71	SIZE D	REVISION STATUS FOR 43D234074	SHEET 2F	REV G
	REVISION STATUS FOR EACH PAGE, SHEET OR GROUP IS SHOWN BY LAST ENTRY IN THE CORRESPONDING NUMBERED COLUMN				

CE 300A-3 (6-71) BRUNING 44-141 C68-26, TOS, NCO

Honeywell

MPCLA PSI LINK ADAPTER
LOGIC/PAGE CROSS REFERENCE

43D234074
2.01 2.00

SIGNAL NAME	SHEET	SIGNAL NAME	SHEET
DABUFSW0-1SO	08.0	DCMDDC8-OSO	05.0
DABUFSW1-1SO	08.0	DCMDDC9-OSO	05.0
DABUFSW2-1SO	08.0	DDAIBOUTPARERR-1SO	07.0
DABUFSW3-1SO	08.0	DDAI-ADD-CONT0-OSO	04.0
DABUFSW4-1SO	08.0	DDAI-ADD-CONT0-1SO	04.0
DABUFSW5-1SO	03.0	DDAI-ADD-CONT1-OSO	04.0
DABUFSW6-1SO	08.0	DDAI-ADD-CONT1-1SO	04.0
DABUFSW7-1SO	08.0	DDAI-ADD-CONT2-OSO	04.0
DABUFSWP-OSO	11.0	DDAI-ADD-CONT2-1SO	04.0
DABUFSWP-1SO	11.0	DDAI-ADD-CONT3-OSO	04.0
DABUFSWSEL1-1SO	11.0	DDAI-ADD-CONT3-OS1	04.0
DACPARERR-OSO	04.0	DDAI-ADD-CONT3-1SO	04.0
DACPARERR-1SO	04.0	DDAI-ADD-CONT4-OSO	04.0
DALERT-101	23.0	DDAI-ADD-CONT4-OS1	04.0
DALERT-102	23.0	DDAI-ADD-CONT4-1SO	04.0
DALERT-103	23.0	DDAI-ADD-CONT5-OSO	04.0
DALERT-104	23.0	DDAI-ADD-CONT5-OS1	04.0
DALERT-107	12.0	DDAI-ADD-CONT5-1SO	04.0
DALERT-1SO	23.0	DDAI-ADD-CONT6-OSO	04.0
DA-BFUL-1SO	15.0	DDAI-ADD-CONT6-OS1	04.0
DBUFSW0-1SO	09.0	DDAI-ADD-CONT6-1SO	04.0
DBUFSW1-1SO	09.0	DDAI-ADD-CONT7-OSO	04.0
DBUFSW2-1SO	09.0	DDAI-ADD-CONT7-OS1	04.0
DBUFSW3-1SO	09.0	DDAI-ADD-CONT7-1SO	04.0
DBUFSW4-1SO	09.0	DDAI-ADD-CONTP-OSO	04.0
DBUFSW5-1SO	09.0	DDAI-ADD-CONTP-1SO	04.0
DBUFSW6-1SO	09.0	DDAI-DATAIN-SW08-1SO	24.0
DBUFSW7-1SO	09.0	DDAI-DATAIN-SW09-1SO	24.0
DBUFSWP-OSO	11.0	DDAI-DATAIN-SW10-1SO	24.0
DBUFSWP-1SO	11.0	DDAI-DATAIN-SW11-1SO	24.0
DBUFSWSEL1-1SO	11.0	DDAI-DATAIN-SW12-1SO	24.0
DBRD-1SO	15.0	DDAI-DATAIN-SW13-1SO	24.0
DBRDTCMD-OSO	13.0	DDAI-DATAIN-SW14-1SO	24.0
DBRDTCMD-1SO	13.0	DDAI-DATAIN-SW15-1SO	24.0
DBUFSWSELO-OSO	11.0	DDAI-DATAIN-SWP-1SO	26.0
DBWT-NSCS-OSO	22.0	DDAI-DATA-INO0-OSO	25.0
DBWT-NSCS-1SO	22.0	DDAI-DATA-INO1-OSO	25.0
DCMDDC0-OSO	05.0	DDAI-DATA-INO2-OSO	25.0
DCMDDC1-OSO	05.0	DDAI-DATA-INO3-OSO	25.0
DCMDDC2-OSO	05.0	DDAI-DATA-INO4-OSO	25.0
DCMDDC3-OSO	05.0	DDAI-DATA-INO5-OSO	25.0
DCMDDC4-OSO	05.0	DDAI-DATA-INO6-OSO	25.0
DCMDDC5-OSO	05.0	DDAI-DATA-INO7-OSO	25.0
DCMDDC6-OSO	05.0	DDAI-DATA-INO8-OSO	26.0
DCMDDC7-OSO	05.0	DDAI-DATA-INO9-OSO	26.0

EDA MAY 10,71 JUN 14,78 REV G

43D234074
2.01 2.00

Honeywell

MPCLA PSI LINK ADAPTER
LOGIC/PAGE CROSS REFERENCE

43D234074
2.02 2.01

SIGNAL NAME	SHEET	SIGNAL NAME	SHEET
DDAI-DATA-IN10-OSO	26.0	DDAI-DATA-OUT15-1SO	08.0
DDAI-DATA-IN11-OSO	26.0	DDAI-DATA-OUTP0-OSO	07.0
DDAI-DATA-IN12-OSO	26.0	DDAI-DATA-OUTP0-1SO	07.0
DDAI-DATA-IN13-OSO	26.0	DDAI-DATA-OUTP1-OSO	07.0
DDAI-DATA-IN14-OSO	26.0	DDAI-DATA-OUTP1-1SO	07.0
DDAI-DATA-IN15-OSO	26.0	DDAI-EN1-DA2-OSO	22.0
DDAI-DATA-INP0-OSO	25.0	DDAI-EN2-DA2-OSO	22.0
DDAI-DATA-INP1-OSO	26.0	DDAI-EXEC-OSO	06.0
DDAI-DATA-OUT00-OSO	08.0	DDAI-INIT-OSO	06.0
DDAI-DATA-OUT00-1SO	08.0	DDAI-OPI-OSO	04.0
DDAI-DATA-OUT01-OSO	08.0	DDAI-OPO-OSO	31.0
DDAI-DATA-OUT01-1SO	08.0	DDAI-OPO-1SO	31.0
DDAI-DATA-OUT02-OSO	08.0	DDAI-RESET-OSO	06.0
DDAI-DATA-OUT02-1SO	08.0	DDAI-RPI-DA2-OSO	22.0
DDAI-DATA-OUT03-OSO	08.0	DDAI-RPI-DA2-102	22.0
DDAI-DATA-OUT03-1SO	08.0	DDAI-RPI-DA2-103	22.0
DDAI-DATA-OUT04-OSO	08.0	DDAI-SEL-DA2-OSO	04.0
DDAI-DATA-OUT04-1SO	08.0	DDAI-SEL-DA2-1SO	04.0
DDAI-DATA-OUT05-OSO	08.0	DDAI-SEL-DA2-1S1	04.0
DDAI-DATA-OUT05-1SO	08.0	DDAI-STAT0-OSO	23.0
DDAI-DATA-OUT06-OSO	08.0	DDAI-STAT1-OSO	23.0
DDAI-DATA-OUT06-1SO	08.0	DDAI-STAT2-OSO	23.0
DDAI-DATA-OUT07-OSO	08.0	DDAI-STAT3-OSO	23.0
DDAI-DATA-OUT07-1SO	08.0	DDAI-STATP-OSO	23.0
DDAI-DATA-OUT08-OSO	08.0	DDATA-INP0-101	25.0
DDAI-DATA-OUT08-OS1	23.0	DDATA-INP0-102	25.0
DDAI-DATA-OUT08-1SO	08.0	DDATA-INP0-1SO	25.0
DDAI-DATA-OUT09-OSO	08.0	DDATATRANCMD-OSO	05.0
DDAI-DATA-OUT09-OS1	19.0	DDATATRANCMD-1SO	05.0
DDAI-DATA-OUT09-1SO	08.0	DDILPAR-100	26.0
DDAI-DATA-OUT10-OSO	08.0	DDILPAR-1SO	26.0
DDAI-DATA-OUT10-1SO	08.0	DDOUTLPARERR-OSO	07.0
DDAI-DATA-OUT11-OSO	08.0	DDOUTSELO-1SO	05.0
DDAI-DATA-OUT11-1SO	08.0	DDOUTSEL1-1SO	05.0
DDAI-DATA-OUT12-OSO	08.0	DDOUTSEL2-1SO	05.0
DDAI-DATA-OUT12-OS1	21.0	DDOUTUPARERR-OSO	07.0
DDAI-DATA-OUT12-1SO	08.0	DDTCMDSELPAR-OSO	25.0
DDAI-DATA-OUT13-OSO	08.0	DDTCMDSELPAR-1SO	25.0
DDAI-DATA-OUT13-OS1	21.0	DDTENDATA-OSO	25.0
DDAI-DATA-OUT13-1SO	08.0	DDTENDATA-1SO	25.0
DDAI-DATA-OUT14-OSO	08.0	DDTSETPAR-OSO	26.0
DDAI-DATA-OUT14-OS1	18.0	DEN1-OSO	22.0
DDAI-DATA-OUT14-1SO	08.0	DEN1-101	22.0
DDAI-DATA-OUT15-OSO	08.0	DEN1-102	22.0
DDAI-DATA-OUT15-OS1	17.0	DEN1-103	22.0

EDA MAY 10,71 JUN 14,78 REV G

43D234074
2.02 2.01

SIGNAL NAME	SHEET	SIGNAL NAME	SHEET
DEN1-104	22.0	DLA-INIT-OSO	32.0
DEN1-1SO	22.0	DLA-INIT-1SO	32.0
DEN2P1-OSO	21.0	DLDBBKD-OSO	13.0
DEN2P1-1SO	21.0	DLDBUF-PSI-OSO	13.0
DEN2P2-OSO	21.0	DLDAFWD-OSO	13.0
DEN2P2-1SO	21.0	DLDA-1SO	13.0
DEN2-100	22.0	DLDA+B-PSI-1SO	13.0
DEN2-1SO	22.0	DLDBBKD-OSO	14.0
DENCMD-OSO	05.0	DLDBBUF-PSI-OSO	14.0
DENDINL-1SO	25.0	DLDBFWD-OSO	14.0
DENPAR-1SO	04.0	DLDB-1SO	14.0
DGSEL-OSO	04.0	DLDPSI-DAI-OSO	15.0
DGSEL-1SO	04.0	DLDPSI-DAI-100	15.0
DHIGH1	30.0	DLDPSI-DAI-101	15.0
DHIGH2	34.0	DLDPSI-DAI-102	15.0
DHIGHCLK1	06.0	DLDPSI-DAI-1SO	15.0
DHIGHCLK	06.0	DLDPSI-PSI-OSO	15.0
DHRPI-DAO-OSO	22.0	DOPER1-OSO	21.0
DHRPI-DA1-OSO	22.0	DOPER1-1SO	21.0
DIDENTIFY-OSO	23.0	DOPER2-OSO	21.0
DIDENTIFY-101	05.0	DOPER2-1SO	21.0
DIDENTIFY-102	05.0	DPBSWSEL1-100	12.0
DIDENTIFY-1SO	25.0	DPBSWSEL1-101	12.0
DIDENTIFY-SEL-OSO	25.0	DPBSWSEL1-1SO	12.0
DILLSEQ-1SO	23.0	DPSI1DOUT0-1SO	29.0
DINGCH1-OSO	28.0	DPSI1DOUT1-1SO	29.0
DINGCH1-1SO	28.0	DPSI1DOUT2-1SO	29.0
DINGCH2-OSO	32.0	DPSI1DOUT3-1SO	29.0
DINGCH2-1SO	31.0	DPSI1DOUT4-1SO	29.0
DINHDS-OSO	23.0	DPSI1DOUT5-1SO	29.0
DINHDS-1SO	23.0	DPSI1DOUT6-1SO	30.0
DINHSTBIN-OSO	15.0	DPSI1DOUT7-1SO	30.0
DINIT-OSA	06.0	DPSI1DOUTP-1SO	30.0
DINIT-OSD	06.0	DPSI1-CPW-100	27.0
DINIT-101	06.0	DPSI1-CPW-1SO	27.0
DINIT-103	06.0	DPSI1-DATA0-1SO	29.0
DINIT-1SD	06.0	DPSI1-DATA1-1SO	29.0
DINIT-BUF-OSO	14.0	DPSI1-DATA2-1SO	29.0
DINIT-BUF-OSA	10.0	DPSI1-DATA3-1SO	29.0
DINIT-BUF-1SO	14.0	DPSI1-DATA4-1SO	29.0
DINIT-RESET-1SO	06.0	DPSI1-DATA5-1SO	29.0
DISCTCMD-OSO	13.0	DPSI1-DATA6-1SO	30.0
DISCTCMD-1SO	13.0	DPSI1-DATA7-1SO	30.0
DLA-ALERT-LOC-OSO	23.0	DPSI1-DATAP-1SO	30.0
DLA-AVAIL-LOC-1SO	22.0	DPSI1-MI-1SO	27.0

SIGNAL NAME	SHEET	SIGNAL NAME	SHEET
DPSI1-OPI-1SO	27.0	DPSI2-OP0-100	32.0
DPSI1-OP0-OSO	28.0	DPSI2-OP0-1SO	32.0
DPSI1-OP0-100	28.0	DPSI2-RESIN-1SO	31.0
DPSI1-OP0-1SO	28.0	DPSI2-RSO-OSO	31.0
DPSI1-RESIN-1SO	27.0	DPSI2-RSO-100	31.0
DPSI1-RSO-OSO	27.0	DPSI2-RSO-1SO	31.0
DPSI1-RSO-100	27.0	DPSI2-SCI-1SO	31.0
DPSI1-RSO-1SO	27.0	DPSI2-SCW-100	31.0
DPSI1-SCI-1SO	27.0	DPSI2-SCW-1SO	31.0
DPSI1-SCW-100	27.0	DPSI2-SEO-OSO	32.0
DPSI1-SCW-1SO	27.0	DPSI2-SEO-100	32.0
DPSI1-SEO-OSO	28.0	DPSI2-SEO-1SO	32.0
DPSI1-SEO-100	28.0	DPSI2-STI-1SO	31.0
DPSI1-SEO-1SO	28.0	DPSI2-STO-OSO	32.0
DPSI1-STI-1SO	27.0	DPSI2-STO-100	32.0
DPSI1-STO-OSO	28.0	DPSI2-STO-1SO	32.0
DPSI1-STO-100	28.0	DPSI2-TMI-1SO	31.0
DPSI1-STO-1SO	28.0	DPSI2-TMO-OSO	32.0
DPSI1-TMI-1SO	27.0	DPSI2-TMO-100	32.0
DPSI1-TMO-OSO	28.0	DPSI2-TMO-1SO	32.0
DPSI1-TMO-100	28.0	DPSIBUFFLGR-OSO	13.0
DPSI1-TMO-1SO	28.0	DPSIBUFFLG-1SO	13.0
DPSI2DOUT0-1SO	33.0	DPSIBUFFLGW-OSO	13.0
DPSI2DOUT1-1SO	33.0	DPSIBUFFLGW-1SO	13.0
DPSI2DOUT2-1SO	33.0	DPSIBUFSW0-1SO	10.0
DPSI2DOUT3-1SO	33.0	DPSIBUFSW1-1SO	10.0
DPSI2DOUT4-1SO	33.0	DPSIBUFSW2-1SO	10.0
DPSI2DOUT5-1SO	33.0	DPSIBUFSW3-1SO	10.0
DPSI2DOUT6-1SO	34.0	DPSIBUFSW4-1SO	10.0
DPSI2DOUT7-1SO	34.0	DPSIBUFSW5-1SO	10.0
DPSI2DOUTP-1SO	34.0	DPSIBUFSW6-1SO	10.0
DPSI2-CPW-100	31.0	DPSIBUFSW7-1SO	10.0
DPSI2-CPW-1SO	31.0	DPSIBUFSWPARRERR-OSO	12.0
DPSI2-DATA0-1SO	33.0	DPSIBUFSWPARRERR-1SO	12.0
DPSI2-DATA1-1SO	33.0	DPSIBUFSWP-OSO	12.0
DPSI2-DATA2-1SO	33.0	DPSIBUFSWP-1SO	12.0
DPSI2-DATA3-1SO	33.0	DPSIBUFSW-CORP-OSO	12.0
DPSI2-DATA4-1SO	33.0	DPSIBUFSW-CORP-1SO	12.0
DPSI2-DATA5-1SO	33.0	DPSIDATAEN-1SO	03.0
DPSI2-DATA6-1SO	34.0	DPSISTROBERECV-OSO	31.0
DPSI2-DATA7-1SO	34.0	DPSISTROBE-OSO	15.0
DPSI2-DATAP-1SO	34.0	DPSISTROBE-1SO	15.0
DPSI2-MI-1SO	31.0	DPSREADY-1SO	31.0
DPSI2-OPI-1SO	31.0	DQABUF-101	13.0
DPSI2-OP0-OSO	32.0	DQABUF-102	13.0

Honeywell

MPCLA PSI LINK ADAPTER
LOGIC/PAGE CROSS REFERENCE

43D234074
2.05 2.04

SIGNAL NAME	SHEET	SIGNAL NAME	SHEET
DQABUF-1SO	13.0	DSENDTERMOUT-003	23.0
DQBBUF-101	14.0	DSENDTERMOUT-OSO	23.0
DQBBUF-102	14.0	DSENDTERMOUT-1SO	23.0
DQBBUF-103	14.0	DSEO-OSO	28.0
DQBBUF-104	13.0	DSEO-1SO	28.0
DQBBUF-1SO	14.0	DSEQEND-OSO	14.0
DQPSIBUF-100	15.0	DSEQEND-1SO	14.0
DRDATATRANCMD-1SO	05.0	DSERVCDTCMD-OSO	05.0
DRD-SCI-OSO	12.0	DSERVCDTCMD-1SO	05.0
DRD-SCI-1SO	15.0	DSETLACMD-OSO	05.0
DRPI-100	22.0	DSETLACMD-1SO	05.0
DRPI-101	22.0	DSETREG2-OSO	05.0
DRSOPI-OSO	20.0	DSETREG3-OSO	05.0
DRSOPI-1SO	20.0	DSETREG3-1SO	05.0
DRSOPI-BUSY-OSO	12.0	DSET-WRT-TERM-OSO	13.0
DRSPSIPE-OSO	12.0	DSET-WRT-TERM-1SO	13.0
DRSPSIPE-1SO	12.0	DSETTI-OSO	14.0
DRSREG4834-OSO	12.0	DSETTI-100	14.0
DRSREG4-1SO	05.0	DSINGLEBYT-000	23.0
DRSTERM-OSO	17.0	DSINGLEBYT-001	23.0
DRSTERM-1SO	17.0	DSINGLEBYT-002	23.0
DSCSEND-OSO	22.0	DSINGLEBYT-OSO	23.0
DSCS-OSO	22.0	DSINGLEBYT-1SO	23.0
DSCS-1SO	23.0	DSTATUS1-1SO	23.0
DSELBF-101	11.0	DSTATUS2-1SO	23.0
DSELBUF-OSO	26.0	DSTATUSP-1SO	23.0
DSELBUF-1SO	26.0	DSTROBER-OSO	15.0
DSELDPSI-LCOPER-1SO	16.0	DSTROBE-1SA	15.0
DSELDPSI-OPER-OSO	16.0	DTERM-OSO	22.0
DSELDPSI-OPOD-1SO	16.0	DTERM-100	22.0
DSELDPSI-SCW-OSO	17.0	DTERM-1SO	24.0
DSELDPSI-SCW-1SO	16.0	DTERMSEQ-OSO	18.0
DSELOP1-OSO	23.0	DTERMSEQ-1SO	17.0
DSELREG0-OSO	05.0	DTESTCMDSEL-OSO	25.0
DSELREG0-1SO	05.0	DTESTDOPAR-OSO	07.0
DSELREG1-OSO	05.0	DTESTDOPAR-1SO	07.0
DSELREG1-1SO	05.0	DTESTLACMD-OSO	05.0
DSELREG2-OSO	05.0	DTESTLACMD-1SO	05.0
DSELREG2-1SO	05.0	DTEST-OSO	30.0
DSELREG3-OSO	05.0	DWDAIBUF-OSO	13.0
DSELREG3-1SO	05.0	DWDATATRANCMD-1SO	05.0
DSELREG4-OSO	05.0	DWRT-NSCS-OSO	19.0
DSELREG8-OSO	05.0	DWRT-NSCS-1SO	19.0
DSENDTERMOUT-001	23.0	DWRT-TERM-1SO	13.0
DSENDTERMOUT-002	23.0	FABUFO-1SO	08.0

EDA MAY 10,71 JUN 14,78 REV G

43D234074
2.05 2.04

Honeywell

MPCLA PSI LINK ADAPTER
LOGIC/PAGE CROSS REFERENCE

43D234074
2.06 2.05

SIGNAL NAME	SHEET	SIGNAL NAME	SHEET
FABUF1-1SO	08.0	FBUSY-OSO	16.0
FABUF2-1SO	08.0	FBUSY-OSA	22.0
FABUF3-1SO	08.0	FBUSY-100	16.0
FABUF4-1SO	08.0	FBUSY-101	16.0
FABUF5-1SO	08.0	FBUSY-102	16.0
FABUF6-1SO	08.0	FBUSY-1SO	16.0
FABUF7-1SO	08.0	FCPW-CH1-OSO	19.0
FABUFP-OSO	11.0	FCPW-CH1-1SO	19.0
FABUFP-1SO	11.0	FCPW-CH2-OSO	19.0
FACPARERR-OSO	04.0	FCPW-CH2-1SO	19.0
FACPARERR-100	04.0	FDAIBOUTPARERR-OSO	07.0
FACPARERR-101	04.0	FDAIBOUTPARERR-100	07.0
FACPARERR-1SO	04.0	FDAIBOUTPARERR-101	07.0
FALLPARERR-1SO	19.0	FDAIBOUTPARERR-1SO	07.0
FATERM-FLG-OSO	13.0	FDATAEND-OSO	17.0
FATERM-FLG-1SO	13.0	FDATAEND-100	17.0
FBBUFO-1SO	09.0	FDATAEND-101	17.0
FBBUF1-1SO	09.0	FDATAEND-1SO	17.0
FBBUF2-1SO	09.0	FEN1-000	22.0
FBBUF3-1SO	09.0	FEN1-001	22.0
FBBUF4-1SO	09.0	FEN1-OSO	22.0
FBBUF5-1SO	09.0	FEN1-1SO	22.0
FBBUF6-1SO	09.0	FEN2P1-OSO	21.0
FBBUF7-1SO	09.0	FEN2P1-100	21.0
FBBUFP-1SO	11.0	FEN2P1-101	21.0
FBTERM-FLG-OSO	13.0	FEN2P1-1SO	21.0
FBTERM-FLG-1SO	13.0	FEN2P2-OSO	21.0
FBUFFLGA-000	13.0	FEN2P2-100	21.0
FBUFFLGA-OSO	13.0	FEN2P2-101	21.0
FBUFFLGA-1SO	13.0	FEN2P2-1SO	21.0
FBUFFLGB-000	14.0	FEXEC-1SD	06.0
FBUFFLGB-001	14.0	FFRWD-OSO	19.0
FBUFFLGB-OSO	14.0	FFRWD-1SO	19.0
FBUFFLGB-1SO	14.0	FHLDDATA-001	15.0
FBUSY-000	16.0	FHLDDATA-OSO	15.0
FBUSY-001	16.0	FHLDDATA-100	15.0
FBUSY-002	16.0	FHLDDATA-101	15.0
FBUSY-003	16.0	FHLDDATA-102	15.0
FBUSY-004	16.0	FHLDDATA-1SO	15.0
FBUSY-005	16.0	FICMD-OSO	06.0
FBUSY-006	16.0	FICMD-100	06.0
FBUSY-007	16.0	FICMD-101	06.0
FBUSY-008	16.0	FICMD-1SO	06.0
FBUSY-009	16.0	FIIWG-100	17.0
FBUSY-010	16.0	FIIWG-101	17.0

EDA MAY 10,71 JUN 14,78 REV G

43D234074
2.06 2.05

Honeywell

MPCLA PSI LINK ADAPTER
LOGIC/PAGE CROSS REFERENCE

43D234074
2.07 2.06

SIGNAL NAME	SHEET	SIGNAL NAME	SHEET
FIIWG-102	17.0	FSCI-1S1	31.0
FIIWG-1SO	17.0	FSCSEND-000	16.0
FIIWG-1S1	21.0	FSCSEND-001	16.0
FILLSEQ-100	23.0	FSCSEND-OSO	16.0
FILLSEQ-101	23.0	FSCSEND-100	16.0
FILLSEQ-1SO	23.0	FSCSEND-101	16.0
FLOPER-CH1-1SO	20.0	FSCSEND-1SO	16.0
FLOPER-CH2-1SO	20.0	FSCW-CH1-OSO	19.0
FMI-CH1-1SO	20.0	FSCW-CH1-1SO	19.0
FMI-CH2-1SO	20.0	FSCW-CH2-OSO	19.0
FOPER-CH1-OSO	21.0	FSCW-CH2-1SO	19.0
FOPER-CH1-1SO	21.0	FSELPSI1-1SO	19.0
FOPER-CH2-OSO	21.0	FSELPSI1-1S1	32.0
FOPER-CH2-1SO	21.0	FSELPSI2-1SO	19.0
FPSIBUFO-1SO	10.0	FSELPSI2-1S1	28.0
FPSIBUF1-1SO	10.0	FSENDTERMIN-000	14.0
FPSIBUF2-1SO	10.0	FSENDTERMIN-001	14.0
FPSIBUF3-1SO	10.0	FSENDTERMIN-OSO	14.0
FPSIBUF4-1SO	10.0	FSENDTERMIN-100	14.0
FPSIBUF5-1SO	10.0	FSENDTERMIN-102	14.0
FPSIBUF6-1SO	10.0	FSENDTERMIN-1SO	14.0
FPSIBUF7-1SO	10.0	FSEO-000	18.0
FPSIBUFP-1SO	12.0	FSEO-001	18.0
FPSIBUFSMPARERR-1SO	12.0	FSEO-002	18.0
FREAD-1SO	19.0	FSEO-OSO	18.0
FREAD-1S1	29.0	FSEO-100	18.0
FREAD-1SA	14.0	FSEO-101	18.0
FRESIN-CH1-1SO	20.0	FSEO-102	18.0
FRESIN-CH2-1SO	20.0	FSEO-1SO	18.0
FRHLDDATA-1SO	15.0	FSTROBEIN-000	15.0
FRSIBUSY-000	17.0	FSTROBEIN-001	15.0
FRSIBUSY-001	17.0	FSTROBEIN-002	15.0
FRSIBUSY-100	17.0	FSTROBEIN-003	15.0
FRSIBUSY-101	17.0	FSTROBEIN-OSO	15.0
FRSIBUSY-102	17.0	FSTROBEIN-100	15.0
FRSIBUSY-1SO	17.0	FSTROBEIN-101	15.0
FSCI-000	18.0	FSTROBEIN-1SO	15.0
FSCI-001	18.0	FTERMOUT-OSO	17.0
FSCI-002	18.0	FTERMOUT-100	17.0
FSCI-003	18.0	FTERMOUT-1SO	17.0
FSCI-OSO	18.0	FWRITE-1SO	19.0
FSCI-100	18.0	FWRITE-1SA	19.0
FSCI-101	18.0	QABUF-OSO	13.0
FSCI-102	18.0	QABUF-1SO	13.0
FSCI-1SO	18.0	QBBUF-OSO	14.0

EDA MAY 10,71 JUN 14,78 REV G 43D234074 2.07 2.06

Honeywell

MPCLA PSI LINK ADAPTER
LOGIC/PAGE CROSS REFERENCE

43D234074
2.08 2.07

SIGNAL NAME	SHEET	SIGNAL NAME	SHEET
QBBUF-1SO	14.0		
QEXEC-OSO	06.0		
QEXEC-1SA	06.0		
QEXEC-1SD	06.0		
QPSIBUF-OSO	15.0		
QPSIBUF-1SO	15.0		
QRAW-08-1SO	06.0		
QRAW-OSO	06.0		
QRAW-1SA	06.0		
QRAW-1SD	06.0		
QREGO-OSO	05.0		

EDA MAY 10,71 JUN 14,78 REV G 43D234074 2.08 2.07

Honeywell

MPCLA PSI LINK ADAPTER
PIN/PAGE CROSS REFERENCE

43D234074
2.09 2.08

PIN NAME	SHEET	PIN NAME	SHEET	PIN NAME	SHEET
OC*06	32.0	1K*07	27.0	2H*08	12.0
OC*08	22.0	1K*09	27.0	2H*11	12.0
OD+06	22.0	1L+07	27.0	2J+01	10.0
OD+09	22.0	1L+09	27.0	2J+15	10.0
OD+13	22.0	1M+07	33.0	2K+01	10.0
OE+06	22.0	1M+09	33.0	2K+15	10.0
OE+09	22.0	1N+07	33.0	2L+01	10.0
OE+13	22.0	1N+09	33.0	2L+15	10.0
OG+06	22.0	1P+07	33.0	2M+01	10.0
OG+09	22.0	1P+09	33.0	2M+15	10.0
OG+13	22.0	1Q+07	34.0	2N+01	12.0
OH+06	27.0	1Q+09	34.0	2N+02	12.0
OH+09	27.0	1R+07	34.0	2N*06	12.0
OH+13	27.0	1R+09	34.0	2N*09	12.0
OK+06	28.0	1S+07	34.0	2Q*02	17.0
OK+09	28.0	1S+09	34.0	2Q*04	28.0
OK+13	28.0	1T+06	34.0	2Q*06	31.0
OL+06	28.0	1T+09	34.0	2Q*08	21.0
ON+06	28.0	1T+13	34.0	2Q*10	21.0
ON+09	28.0	1U+07	34.0	2Q*12	32.0
ON+13	28.0	1U+09	34.0	2R*06	03.0
OP+06	33.0	2B*02	21.0	2R*08	29.0
OP+09	33.0	2B*04	21.0	2S*02	32.0
OP+13	33.0	2B*06	17.0	2S*04	12.0
OR+06	44.0	2B*10	31.0	2S*06	27.0
OR+09	44.0	2C*08	16.0	2S*08	33.0
OR+13	44.0	2D+04	16.0	2S*10	31.0
OS+06	11.0	2D+07	16.0	2S*12	22.0
OS+09	11.0	2D+09	16.0	2T*03	22.0
OS+13	11.0	2D+12	16.0	2T*06	28.0
OU+06	22.0	2E*06	05.0	2T*08	28.0
1B*06	22.0	2E*08	15.0	2T*11	32.0
1B*08	22.0	2F+11	19.0	2U*03	32.0
1D+07	22.0	2F+12	19.0	2U*06	32.0
1D+09	22.0	2F+13	19.0	2U*08	32.0
1E+07	22.0	2F+14	19.0	2U*11	17.0
1E+09	22.0	2F+15	19.0	3A*03	17.0
1F+07	22.0	2G*02	28.0	3A*06	17.0
1F+09	22.0	2G*04	13.0	3A*08	21.0
1G+07	33.0	2G*06	28.0	3A*11	21.0
1G+09	33.0	2G*08	15.0	3B*02	17.0
1H+07	33.0	2G*10	13.0	3B*04	17.0
1H+09	33.0	2G*12	13.0	3B*06	24.0
1J+07	27.0	2H*03	31.0	3B*08	23.0
1J+09	27.0	2H*06	12.0	3B*10	22.0

EDA

MAY 10,71

JUN 14,78

REV G

43D234074
2.09 2.08

Honeywell

MPCLA PSI LINK ADAPTER
PIN/PAGE CROSS REFERENCE

43D234074
2.10 2.09

PIN NAME	SHEET	PIN NAME	SHEET	PIN NAME	SHEET
3B*12	21.0	3P*05	16.0	4G*12	13.0
3C*02	17.0	3P*06	16.0	4H*03	13.0
3C*05	17.0	3Q*02	15.0	4H*06	13.0
3C*06	17.0	3Q*03	15.0	4H*08	14.0
3D*03	21.0	3Q*05	14.0	4H*11	14.0
3D*06	22.0	3Q*06	14.0	4J*03	13.0
3D*08	22.0	3R*03	12.0	4J*06	13.0
3D*11	22.0	3R*06	25.0	4J*08	14.0
3E*02	19.0	3R*08	15.0	4J*11	14.0
3E*04	19.0	3R*11	14.0	4K*02	13.0
3E*06	19.0	3S*03	18.0	4K*04	15.0
3E*08	12.0	3S*06	18.0	4K*06	15.0
3E*10	14.0	3S*08	18.0	4K*08	15.0
3E*12	10.0	3S*11	18.0	4K*10	19.0
3F*03	15.0	3T*03	22.0	4K*12	13.0
3F*06	11.0	3T*06	22.0	4L*03	14.0
3F*08	13.0	3T*08	22.0	4L*06	15.0
3F*11	11.0	3T*11	13.0	4L*08	15.0
3G*03	14.0	3U*06	15.0	4L*11	15.0
3G*06	13.0	3U*08	15.0	4M*06	15.0
3G*08	11.0	3U*12	15.0	4M*08	16.0
3G*11	13.0	3V*03	18.0	4M*12	15.0
3H*03	12.0	3V*06	21.0	4N*02	15.0
3H*06	12.0	3V*08	21.0	4N*03	15.0
3H*08	13.0	3V*11	18.0	4N*05	18.0
3H*11	14.0	4A+12	20.0	4N*06	18.0
3J*06	13.0	4A+13	20.0	4P*02	17.0
3J*08	19.0	4A+14	20.0	4P*03	17.0
3J*12	14.0	4B+12	20.0	4P*06	23.0
3K*03	15.0	4B+13	20.0	4Q*03	14.0
3K*06	15.0	4B+14	20.0	4Q*06	18.0
3K*08	22.0	4C+11	21.0	4Q*08	15.0
3K*11	22.0	4C+12	21.0	4Q*11	14.0
3L+12	10.0	4C+14	21.0	4R*06	14.0
3L+13	10.0	4C+15	21.0	4R*08	17.0
3L+14	10.0	4D*06	22.0	4R*12	15.0
3L+15	10.0	4E*02	21.0	4S*06	16.0
3M+12	10.0	4E*03	21.0	4S*08	18.0
3M+13	10.0	4E*05	21.0	4T*06	15.0
3M+14	10.0	4E*06	21.0	4T*08	14.0
3H+15	10.0	4F*03	14.0	4U*03	18.0
3N*03	12.0	4F*06	13.0	4U*06	18.0
3N*05	12.0	4F*08	13.0	4U*08	16.0
3P*02	18.0	4G*06	14.0	4U*11	12.0
3P*03	18.0	4G*08	15.0	4V*03	18.0

EDA

MAY 10,71

JUN 14,78

REV G

43D234074
2.10 2.09

Honeywell

MPCLA PSI LINK ADAPTER
PIN/PAGE CROSS REFERENCE

43D234074
2.11 2.10

PIN NAME	SHEET	PIN NAME	SHEET	PIN NAME	SHEET
4V*06	18.0	5M+15	09.0	6E*06	07.0
4V*08	18.00	5N+12	09.00	6F+01	08.00
4V*11	18.00	5N+13	09.00	6F+15	08.00
5A*06	17.00	5N+14	09.00	6G+01	08.00
5A*08	25.00	5N+15	09.00	6G+15	08.00
5B*08	05.00	5P*02	11.00	6H+01	08.00
5B*11	16.00	5P*05	13.00	6H+15	08.00
5C*06	17.00	5P*06	13.00	6J+01	08.00
5C*08	15.00	5Q*02	16.00	6J+15	08.00
5D+11	19.00	5Q*03	16.00	6K+01	11.00
5D+12	19.00	5Q*05	22.00	6K+02	11.00
5D+13	19.00	5Q*06	22.00	6L+01	09.00
5D+14	19.00	5R*03	16.00	6L+15	09.00
5D+15	19.00	5R*06	16.00	6M+01	09.00
5E*02	19.00	5R*08	16.00	6M+15	09.00
5E*04	21.00	5R*11	16.00	6N+01	09.00
5E*06	19.00	5S*06	16.00	6N+15	09.00
5E*08	25.00	5S*08	22.00	6P+01	09.00
5E*10	20.00	5S*12	16.00	6P+15	09.00
5E*12	21.00	5T*04	16.00	6Q+01	11.00
5F*06	17.00	5T*06	16.00	6Q+02	11.00
5F*08	15.00	5T*08	16.00	6R*03	22.00
5G*03	15.00	5T*10	22.00	6R*06	16.00
5G*06	15.00	5T*12	15.00	6R*08	16.00
5G*08	13.00	5U*06	12.00	6R*11	16.00
5G*11	14.00	5U*08	22.00	6S*02	25.00
5H+12	08.00	6A*02	05.00	6S*04	22.00
5H+13	08.00	6A*04	05.00	6S*06	22.00
5H+14	08.00	6A*06	05.00	6S*08	22.00
5H+15	08.00	6A*08	05.00	6S*10	22.00
5J+12	08.00	6A*12	05.00	6S*12	14.00
5J+13	08.00	6B*03	07.00	6T*06	20.00
5J+14	08.00	6B*06	05.00	6T*08	13.00
5J+15	08.00	6B*08	05.00	6U*06	22.00
5K*02	11.00	6B*11	05.00	6U*08	22.00
5K*03	11.00	6C*03	17.00	6U*12	22.00
5K*05	13.00	6C*06	17.00	6V*03	26.00
5K*06	13.00	6C*08	05.00	6V*06	14.00
5L*02	13.00	6C*11	05.00	6V*08	23.00
5L*03	13.00	6D*02	05.00	6V*11	14.00
5L*05	14.00	6D*04	05.00	7A+01	05.00
5L*06	14.00	6D*06	04.00	7A+02	05.00
5M+12	09.00	6D*08	05.00	7A+03	05.00
5M+13	09.00	6D*10	23.00	7A+04	05.00
5M+14	09.00	6D*12	04.00	7A+05	05.00

EDA

MAY 10,71

JUN 14,78

REV G

43D234074
2.11 2.10

Honeywell

MPCLA PSI LINK ADAPTER
PIN/PAGE CROSS REFERENCE

43D234074
2.12 2.11

PIN NAME	SHEET	PIN NAME	SHEET	PIN NAME	SHEET
7A+10	05.0	7U*03	23.0	8K*06	05.0
7B+01	05.00	7U*06	06.00	8K*08	05.00
7B+02	05.00	7U*08	23.00	8K*11	26.00
7B+03	05.00	7U*11	23.00	8L*09	26.00
7B+04	05.00	7V*06	25.00	8M+15	24.00
7B+05	05.00	7V*08	25.00	8N+15	24.00
7B+06	05.00	7V*12	26.00	8P+15	24.00
7B+07	05.00	8A*02	04.00	8Q+15	24.00
7B+09	05.00	8A*03	04.00	8R*06	22.00
7B+10	05.00	8A*05	07.00	8R*08	22.00
7B+11	05.00	8A*06	07.00	8S*03	25.00
7C*03	05.00	8B*06	07.00	8S*06	25.00
7C*06	05.00	8C*06	05.00	8S*08	26.00
7C*08	04.00	8C*08	17.00	8S*11	23.00
7C*11	21.00	8C*12	07.00	8T*02	26.00
7D*06	06.00	8D*02	04.00	8T*04	25.00
7D*08	06.00	8D*04	04.00	8T*06	25.00
7E*03	11.00	8D*06	19.00	8T*08	23.00
7E*08	14.00	8D*08	23.00	8T*10	22.00
7E*11	06.00	8D*10	07.00	8T*12	06.00
7F*06	11.00	8E*02	18.00	8U*06	23.00
7F*08	16.00	8E*04	21.00	8U*08	23.00
7F*12	11.00	8E*06	21.00	8V+15	23.00
7H*03	06.00	8E*08	04.00	9A*02	22.00
7H*06	06.00	8E*10	04.00	9A*04	05.00
7H*08	06.00	8E*12	04.00	9A*06	05.00
7H*11	11.00	8F*02	08.00	9A*08	05.00
7J*06	06.00	8F*04	08.00	9A*10	22.00
7J*08	06.00	8F*06	08.00	9B*06	04.00
7L*06	06.00	8F*08	07.00	9B*09	04.00
7L*08	06.00	8F*10	23.00	9C*02	04.00
7M+15	24.00	8F*12	17.00	9C*04	04.00
7N+15	24.00	8G*02	17.00	9C*06	04.00
7P+15	24.00	8G*04	17.00	9C*08	04.00
7Q+15	24.00	8G*06	07.00	9C*10	04.00
7R*06	26.00	8G*08	06.00	9C*12	04.00
7R*08	14.00	8G*10	04.00	9D*02	04.00
7S*03	25.00	8G*12	19.00	9D*04	04.00
7S*06	23.00	8H*03	15.00	9D*06	04.00
7S*08	22.00	8H*06	15.00	9D*08	04.00
7S*11	22.00	8H*08	12.00	9D*10	08.00
7T*03	23.00	8H*11	25.00	9D*12	08.00
7T*06	23.00	8J*06	12.00	9E*02	08.00
7T*08	23.00	8J*08	12.00	9E*04	08.00
7T*11	22.00	8K*03	05.00	9E*06	08.00

EDA

MAY 10,71

JUN 14,78

REV G

43D234074
2.12 2.11

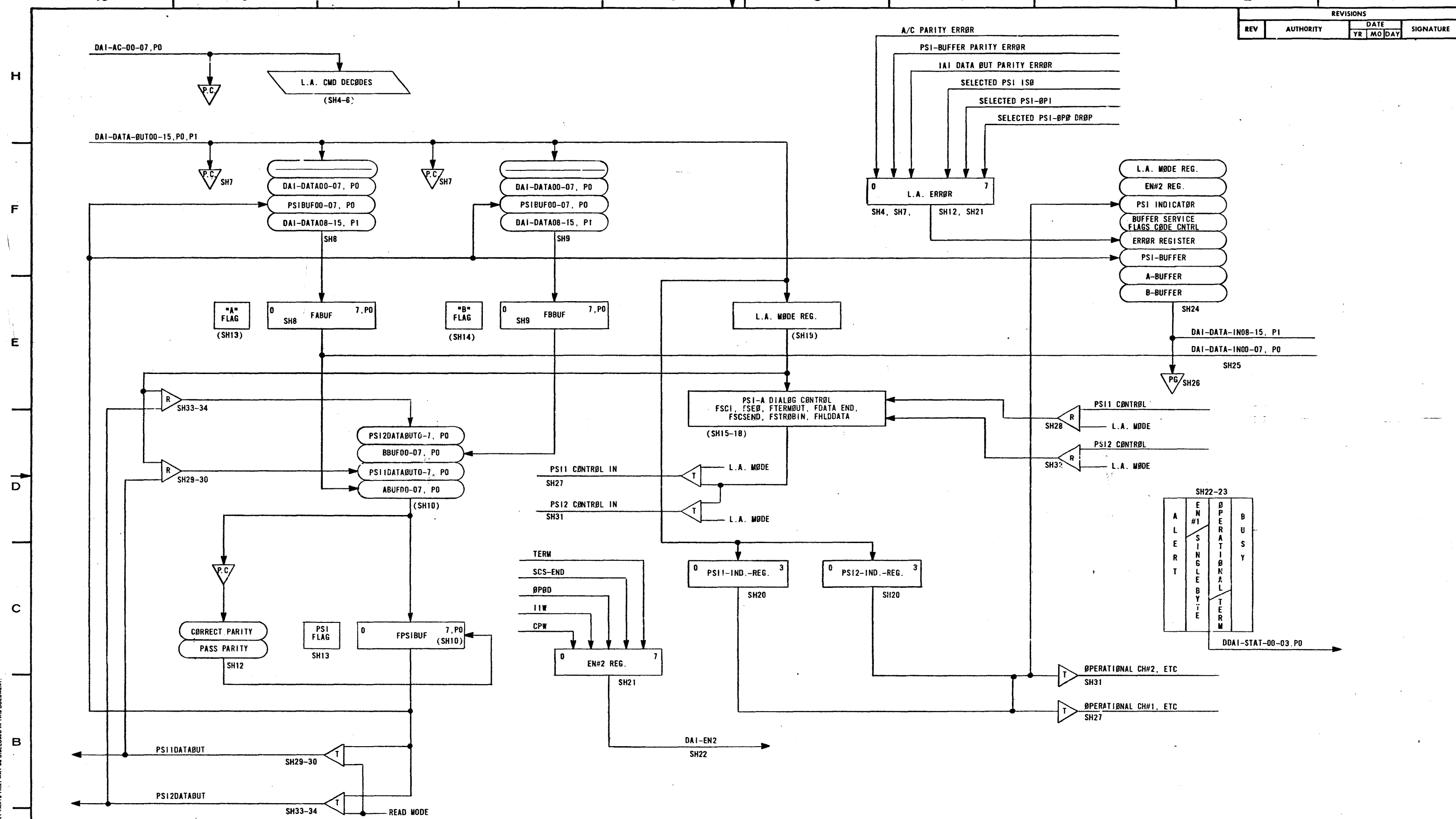
Honeywell

MPCLA PSI LINK ADAPTER
PIN/PAGE CROSS REFERENCE

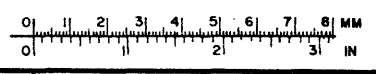
43D234074
3.00 2.12

PIN NAME	SHEET	PIN NAME	SHEET	PIN N	SHEET
9E*08	08.0	9T*06	23.0	WF 14	08.0
9E*10	08.0	9T*08	23.0	WF 15	08.0
9E*12	08.0	9T*11	23.0	WF 16	08.0
9F*02	07.0	9U*03	23.0	WF 17	07.0
9F*04	08.0	9V*09	23.0	WF 18	07.0
9F*06	08.0	LA 00	33.0	WG 00	06.0
9F*08	08.0	LB 12	11.0	WG 10	06.0
9F*10	08.0	LC 00	11.0	WG 20	31.0
9F*12	08.0	LC 08	22.0	WH 12	22.0
9G*03	23.0	LD 00	22.0	WH 13	22.0
9G*06	07.0	LD 07	22.0	WH 20	31.0
9G*11	04.0	LD 14	22.0		
9H*06	06.0	RA 00	22.0		
9H*08	23.0	RA 04	22.0		
9J*02	06.0	RB 12	22.0		
9J*03	06.0	RC 00	22.0		
9J*06	17.0	RC 08	22.0		
9K*08	23.0	RD 00	22.0		
9L*03	23.0	RD 07	22.0		
9L*06	06.0	RD 14	22.0		
9L*08	23.0	WD 20	06.0		
9M*03	06.0	WE 00	04.0		
9M*04	06.0	WE 01	04.0		
9M*11	34.0	WE 02	04.0		
9N*03	25.0	WE 03	04.0		
9N*06	25.0	WE 04	04.0		
9N*08	25.0	WE 05	04.0		
9N*11	04.0	WE 06	04.0		
9P*03	25.0	WE 07	04.0		
9P*06	25.0	WE 08	04.0		
9P*08	25.0	WE 10	06.0		
9P*11	25.0	WE 12	04.0		
9Q*03	22.0	WF 00	08.0		
9Q*06	22.0	WF 01	08.0		
9Q*08	25.0	WF 02	08.0		
9Q*11	25.0	WF 03	08.0		
9R*03	26.0	WF 04	08.0		
9R*06	26.0	WF 05	08.0		
9R*08	26.0	WF 06	08.0		
9R*11	26.0	WF 07	08.0		
9S*03	23.0	WF 08	08.0		
9S*06	26.0	WF 09	08.0		
9S*08	26.0	WF 10	08.0		
9S*11	26.0	WF 12	08.0		
9T*03	23.0	WF 13	08.0		

REVISIONS				
REV	AUTHORITY	DATE		SIGNATURE
		YR	MO DAY	



INFORMATION CONTAINED IN THIS DOCUMENT IS PROPRIETARY TO HONEYWELL INFORMATION SYSTEMS AND IS INTENDED FOR INTERNAL HONEYWELL USE ONLY. NO PART OF THIS DOCUMENT IS TO BE DISTRIBUTED TO OTHERS WITHOUT THE WRITTEN PERMISSION OF AN AUTHORIZED HONEYWELL OFFICIAL. THIS RESTRICTION DOES NOT APPLY TO VENDOR PROPRIETARY PARTS THAT MAY BE DISCLOSED IN THIS DOCUMENT.

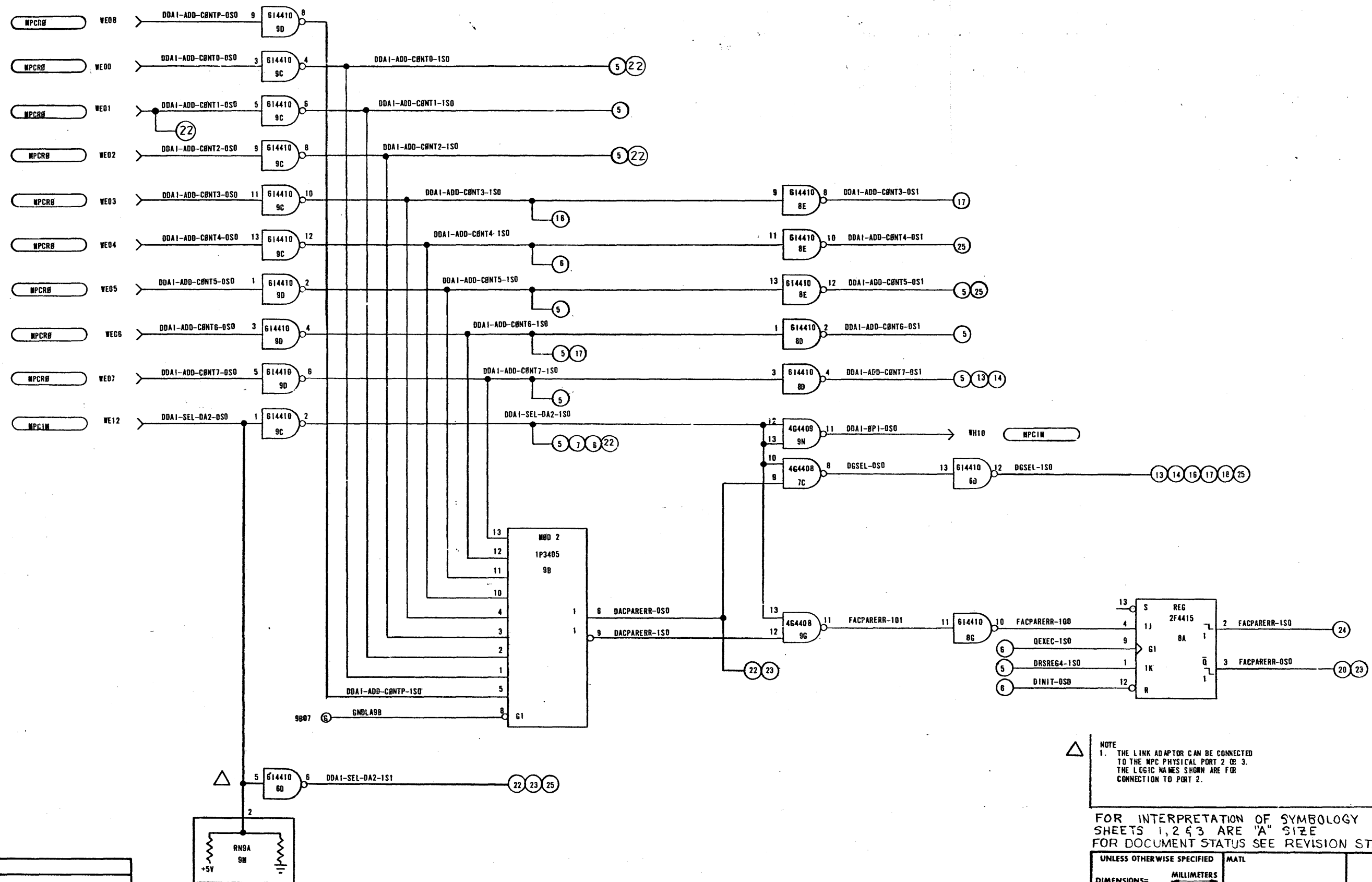


UNLESS OTHERWISE SPECIFIED		MATERIAL	
DIMENSIONS=	MILLIMETERS		
	INCHES		
TOLERANCE OF SIZE AND FORM PER		TREAT.	
INITIAL DESIGN		FIN.	
PROJECTION			
SCALE	CODE	DR <i>David E. Bragg</i>	
NONE		1-7-72 May 3	
		APPD <i>R. Lynn Max</i>	
		DISTR C.68-26-TOS SDFV.NC01	

Honeywell	
HONEYWELL INFORMATION SYSTEMS PHOENIX, ARIZONA U. S. A.	
LOC	
TITLE	LOGIC DIAGRAM MPCLA L.A. INTERMEDIATE BLOCK
SIZE	DWG NO
D	43D234074
SH	REV
3.1	C

170234074

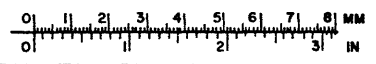
REVISIONS					
REV	AUTHORITY	DATE		SIGNATURE	
		YR	MO	DAY	
A	ISSUED	71	12	10	P. Vansack



NOTE
 1. THE LINK ADAPTOR CAN BE CONNECTED TO THE MPC PHYSICAL PORT 2 OR 3. THE LOGIC NAMES SHOWN ARE FOR CONNECTION TO PORT 2.

FOR INTERPRETATION OF SYMBOLOGY SEE 43A231781
 SHEETS 1, 2 & 3 ARE "A" SIZE
 FOR DOCUMENT STATUS SEE REVISION STATUS SHEET

REV	DATE	BY	CHKD	APPD

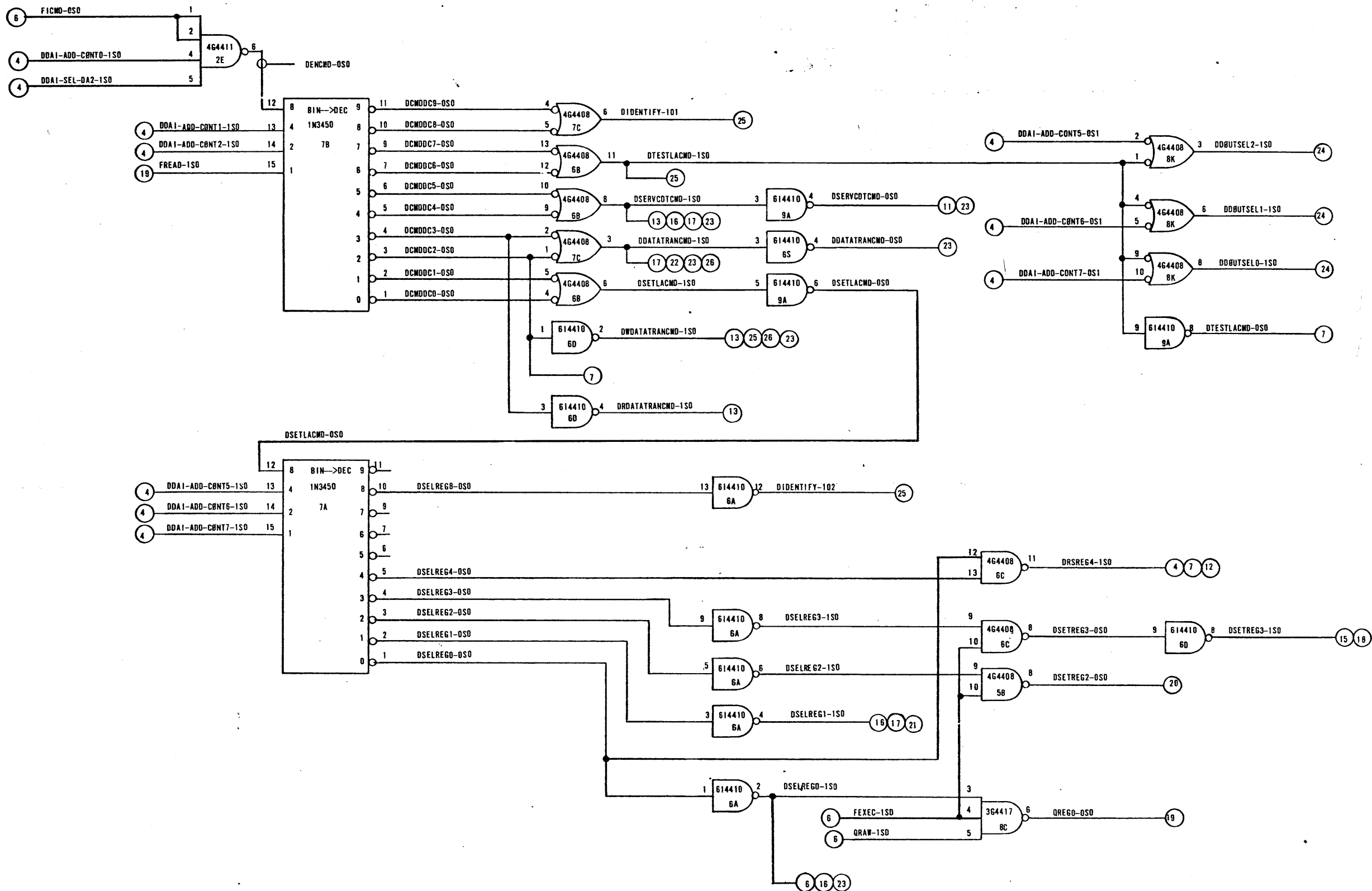


UNLESS OTHERWISE SPECIFIED		MATERIAL		Honeywell HONEYWELL INFORMATION SYSTEMS PHOENIX, ARIZONA U. S. A.	
DIMENSIONS= MILLIMETERS / INCHES		TREAT.			
TOLERANCE OF SIZE AND FORM PER		FIN.		LOC	
INITIAL DESIGN		DR <i>W. J. Bragg</i>		TITLE LOGIC DIAGRAM MPCLA	
PROJECTION		APPD <i>R. P. Ryan 12-08-71</i>		SIZE DWG NO	
SCALE NONE		DISTR		D 43D234074	
				SH 4	
				REV E	

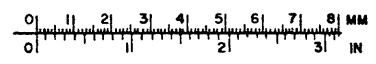
THIS DOCUMENT IS PROPRIETARY TO HONEYWELL INFORMATION SYSTEMS AND IS INTENDED FOR INTERNAL HONEYWELL USE ONLY. NO INFORMATION MAY BE DISTRIBUTED TO OTHERS WITHOUT WRITTEN PERMISSION OF AN AUTHORIZED HONEYWELL OFFICIAL. THIS RESTRICTION DOES NOT APPLY TO PROPRIETARY PARTS THAT MAY BE DISCLOSED IN THIS DOCUMENT.

43D234074

REVISIONS				
REV	AUTHORITY	DATE	SIGNATURE	
		YR MO DAY		



THIS INFORMATION IS PROPRIETARY TO HONEYWELL INFORMATION SYSTEMS AND IS INTENDED FOR INTERNAL USE ONLY. IT IS NOT TO BE DISTRIBUTED TO OTHERS WITHOUT THE WRITTEN PERMISSION OF AN AUTHORIZED HONEYWELL OFFICIAL. THIS RESTRICTION DOES NOT APPLY TO INFORMATION CONTAINED IN THIS DOCUMENT.



UNLESS OTHERWISE SPECIFIED		MATL	Honeywell HONEYWELL INFORMATION SYSTEMS PHOENIX, ARIZONA U. S. A.			
DIMENSIONS =	MILLIMETERS INCHES	TREAT.				
TOLERANCE OF SIZE AND FORM PER INITIAL DESIGN	PROJECTION	FIN.	LOC TITLE LOGIC DIAGRAM MPCLA			
SCALE NONE	CODE	DR: <i>Bertil E. Branzell</i> 1971 Aug 26 APPD: <i>R. J. ...</i> DISTR: C68-26, TUS SDFV No. 1	SIZE D	DWG NO 43D234074	SH 5	REV B

14302 34074

B

A

10

9

8

7

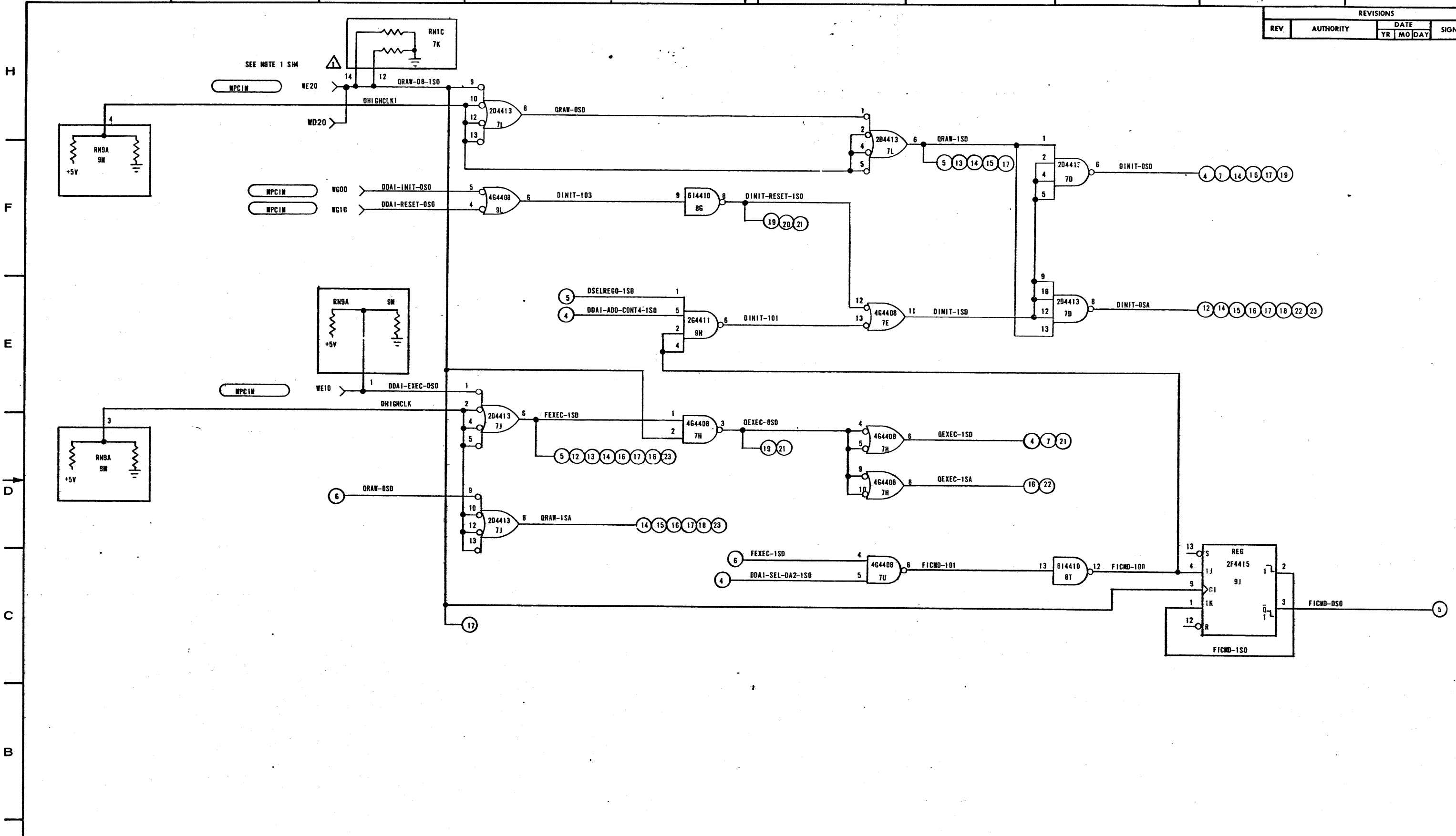
6

5

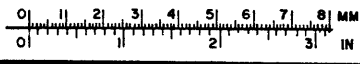
4

1

REVISIONS				
REV.	AUTHORITY	DATE		SIGNATURE
		YR	MO DAY	



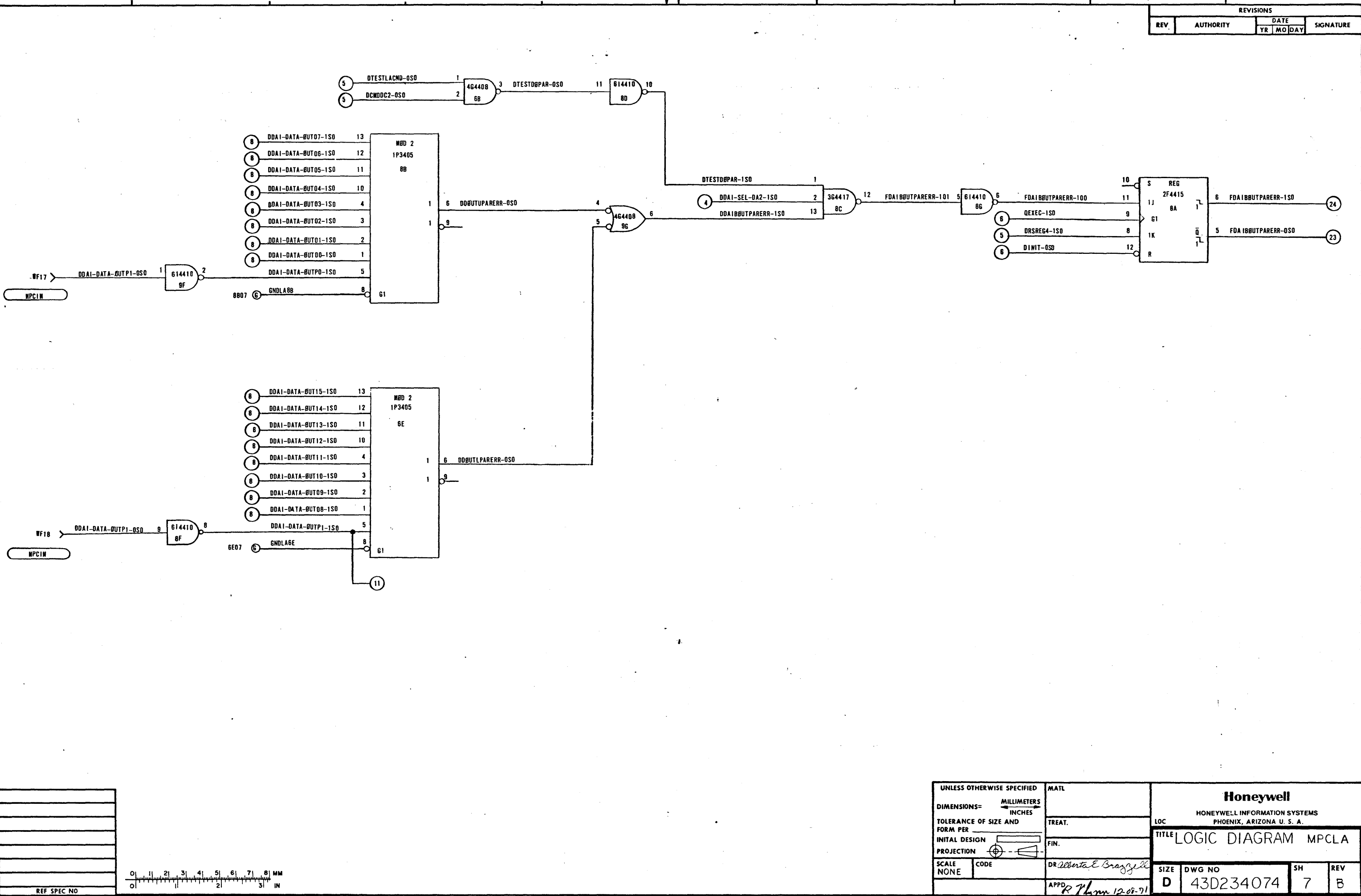
INFORMATION CONTAINED IN THIS DOCUMENT IS PROPRIETARY TO HONEYWELL INFORMATION SYSTEMS AND IS INTENDED FOR INTERNAL HONEYWELL USE ONLY. NO INFORMATION MAY BE DISTRIBUTED TO OTHERS WITHOUT WRITTEN PERMISSION OF AN AUTHORIZED HONEYWELL OFFICIAL. THIS RESTRICTION DOES NOT APPLY TO VENDOR PROPRIETARY PARTS THAT MAY BE DISCLOSED IN THIS DOCUMENT.



UNLESS OTHERWISE SPECIFIED		MATERIAL	
DIMENSIONS = $\frac{\text{MILLIMETERS}}{\text{INCHES}}$		TREAT.	
TOLERANCE OF SIZE AND FORM PER INITIAL DESIGN		FIN.	
PROJECTION $\frac{\text{FIRST ANGLE}}{\text{THIRD ANGLE}}$		SCALE NONE	
CODE	DR. <i>Alberta & Braggell</i> 1971 Aug 27	SIZE	DWG NO
APPD. <i>R. Thompson</i> 12-03-71	DISTR. <i>C.68-26-105 NCAV SDEV</i>	D	43D234074
LOC		SH	REV
HONEYWELL INFORMATION SYSTEMS PHOENIX, ARIZONA U. S. A.		6	C
TITLE		LOGIC DIAGRAM MPCLA	

43D234074

REVISIONS				
REV	AUTHORITY	DATE		SIGNATURE
		YR	MO DAY	

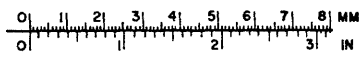


INFORMATION CONTAINED IN THIS DOCUMENT IS PROPRIETARY TO HONEYWELL INFORMATION SYSTEMS AND IS INTENDED FOR INTERNAL HONEYWELL USE ONLY. INFORMATION MAY BE DISTRIBUTED TO OTHERS ONLY BY WRITTEN PERMISSION OF AN AUTHORIZED HONEYWELL OFFICIAL. THIS RESTRICTION DOES NOT APPLY TO NON-PROPRIETARY PARTS THAT MAY BE DISCLOSED IN THIS DOCUMENT.

DRAWING 44 141

CE 200 D (6-71)

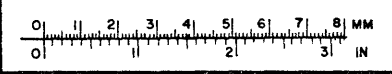
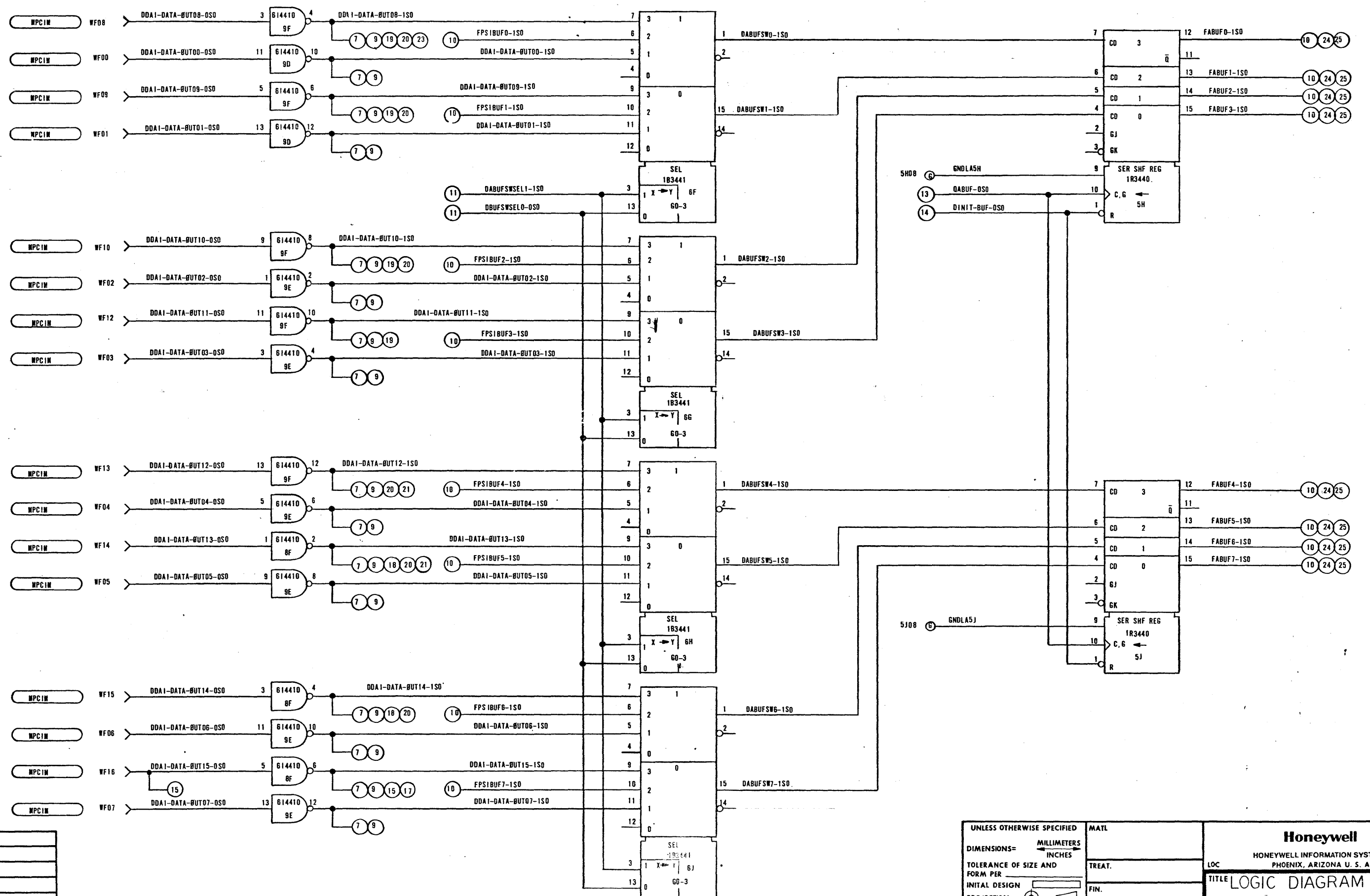
REF SPEC NO



UNLESS OTHERWISE SPECIFIED		MATERIAL		Honeywell HONEYWELL INFORMATION SYSTEMS PHOENIX, ARIZONA U. S. A.			
DIMENSIONS= MILLIMETERS INCHES		TREATMENT					
TOLERANCE OF SIZE AND FORM PER		FINISH		LOGIC DIAGRAM MPCLA			
INITIAL DESIGN PROJECTION		DR Albert E. Brazzell		SCALE	DWG NO	SH	REV
SCALE NONE		APPD R Thom 12-08-71		NONE	D 43D234074	7	B
CODE		DISTR C68-26, TOS/SDFV.NCA.V.		1			

43D234074

REVISIONS					
REV	AUTHORITY	DATE		SIGNATURE	
		YR	MO DAY		



INFORMATION CONTAINED IN THIS DOCUMENT IS PROPRIETARY TO HONEYWELL INFORMATION SYSTEMS AND IS INTENDED FOR INTERNAL HONEYWELL USE ONLY. NO DISSEMINATION OR REPRODUCTION OF THIS INFORMATION MAY BE DISTRIBUTED TO OTHERS WITHOUT THE WRITTEN PERMISSION OF AN AUTHORIZED HONEYWELL OFFICIAL. THIS RESTRICTION DOES NOT APPLY TO INFORMATION CONTAINED IN THIS DOCUMENT.

H
F
E
D
C
B
A

143D234074

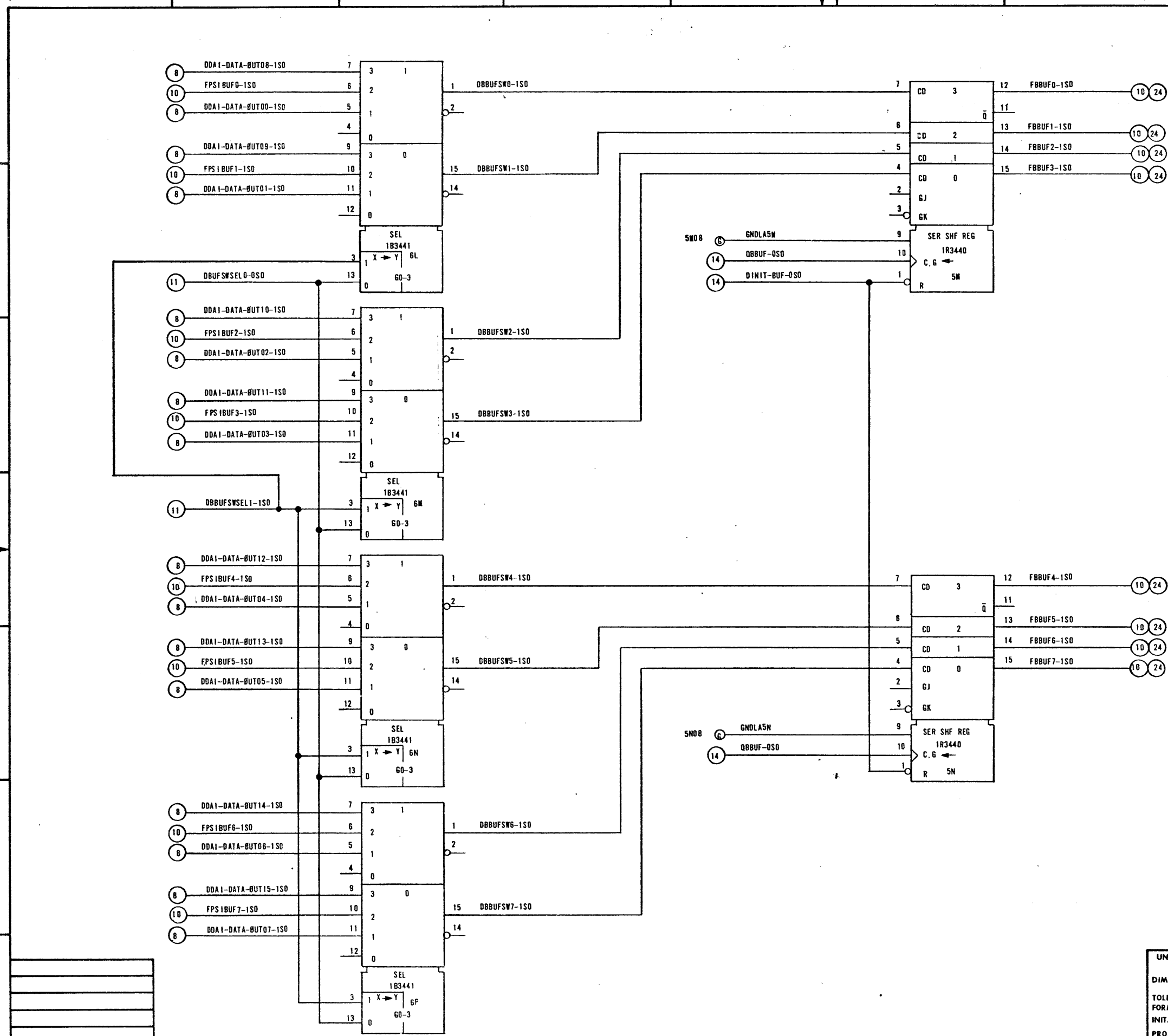
UNLESS OTHERWISE SPECIFIED		MATERIAL		Honeywell HONEYWELL INFORMATION SYSTEMS PHOENIX, ARIZONA U. S. A.	
DIMENSIONS =	MILLIMETERS INCHES	TREAT.	FIN.	LOC	
TOLERANCE OF SIZE AND FORM PER INITIAL DESIGN				TITLE	
PROJECTION				LOGIC DIAGRAM MPCLA	
SCALE	CODING	DR <i>Dr. [Signature]</i>	DATE	SIZE	DWG NO
NONE		1971 Aug 30		D	43D234074
APPD <i>R. Lynn 12-28-71</i>		SH	REV		
		8	A		

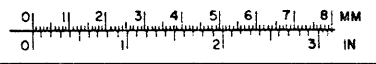
REF SPEC NO

DISTR 068-26 TOS

REVISIONS				
REV.	AUTHORITY	DATE		SIGNATURE
		YR	MO	DAY

THE INFORMATION CONTAINED IN THIS DOCUMENT IS PROPRIETARY TO HONEYWELL INFORMATION SYSTEMS AND IS INTENDED FOR INTERNAL HONEYWELL USE ONLY. SUCH INFORMATION MAY BE DISTRIBUTED TO OTHERS ONLY BY WRITTEN PERMISSION OF AN AUTHORIZED HONEYWELL OFFICIAL. THIS RESTRICTION DOES NOT APPLY TO VENDOR PROPRIETARY PARTS THAT MAY BE DISCLOSED IN THIS DOCUMENT.

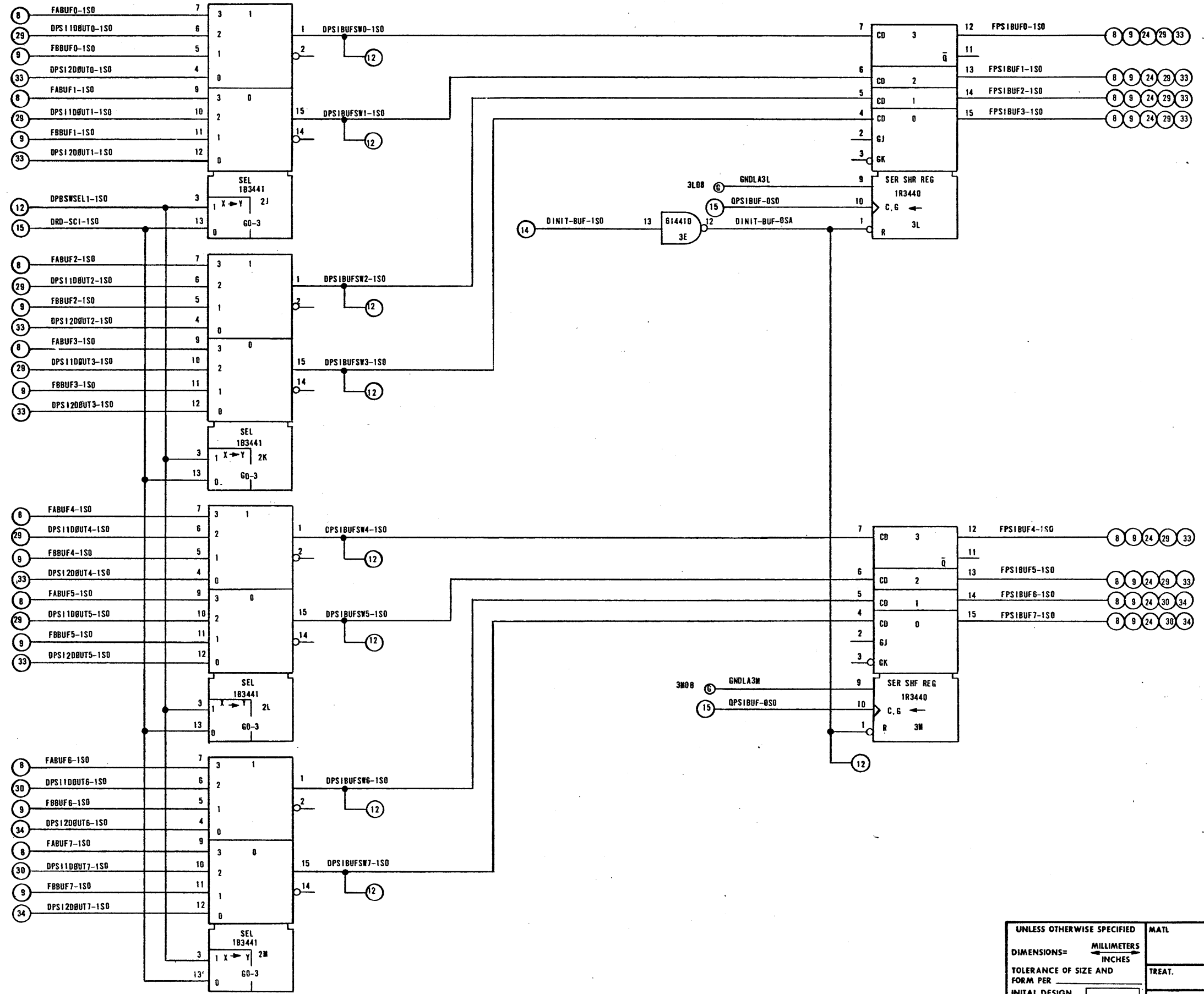




UNLESS OTHERWISE SPECIFIED DIMENSIONS= ← MILLIMETERS ← INCHES		MATERIAL		Honeywell HONEYWELL INFORMATION SYSTEMS PHOENIX, ARIZONA U. S. A.	
TOLERANCE OF SIZE AND FORM PER INITIAL DESIGN		TREAT.			
PROJECTION		FIN.		TITLE LOGIC DIAGRAM MPCLA	
SCALE NONE	CODE	DR. <i>William E. Brazzil</i> 1971 Aug 30		SIZE D	DWG NO 43D234074
APPD. <i>R. Lynn</i> 12-02-71		SH 9	REV A		
DISTR C68-26, TOS SDFV					

43D234074

REVISIONS				
REV	AUTHORITY	DATE		SIGNATURE
		YR	MO DAY	

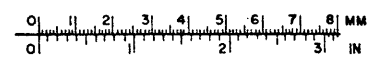


INFORMATION CONTAINED IN THIS DOCUMENT IS PROPRIETARY TO HONEYWELL INFORMATION SYSTEMS AND IS INTENDED FOR INTERNAL HONEYWELL USE ONLY. NO INFORMATION MAY BE DISTRIBUTED TO OTHERS WITHOUT THE WRITTEN PERMISSION OF AN AUTHORIZED HONEYWELL OFFICIAL. THIS RESTRICTION DOES NOT APPLY TO HONEYWELL PROPRIETARY PARTS THAT MAY BE DISCLOSED IN THIS DOCUMENT.

H
F
E
D
C
B
A

H
F
E
D
C
B
A

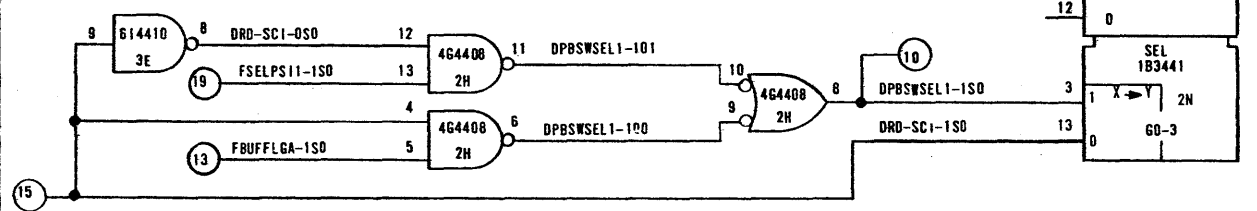
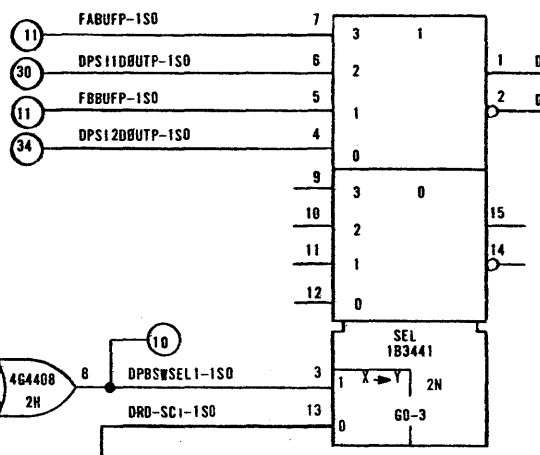
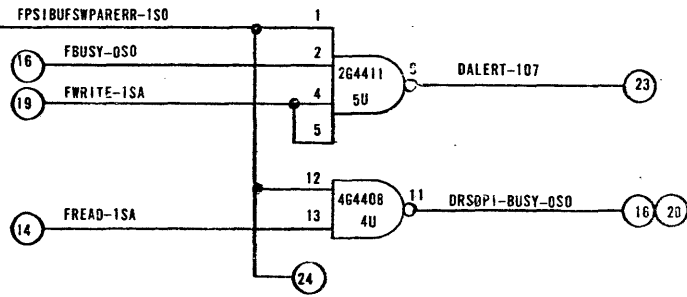
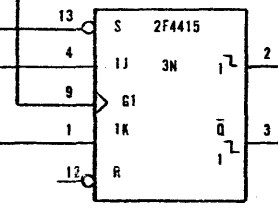
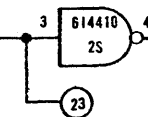
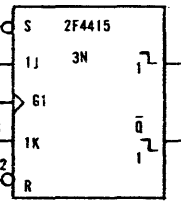
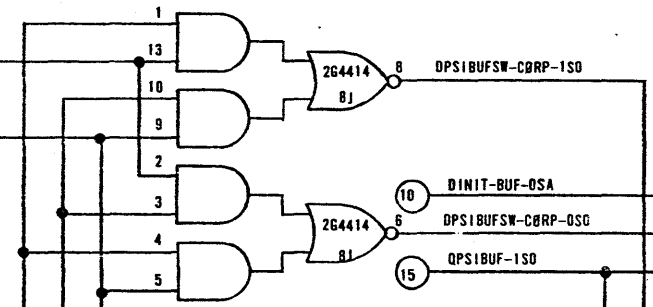
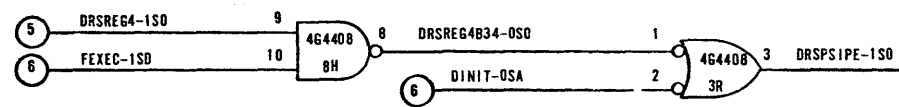
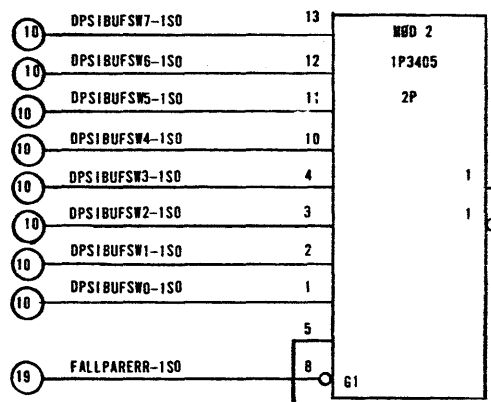
BRUNING 44 141
REF SPEC NO



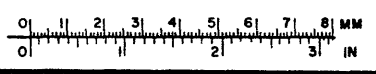
UNLESS OTHERWISE SPECIFIED		MATERIAL		Honeywell HONEYWELL INFORMATION SYSTEMS PHOENIX, ARIZONA U. S. A.			
DIMENSIONS = $\frac{\text{MILLIMETERS}}{\text{INCHES}}$		TREAT.					
TOLERANCE OF SIZE AND FORM PER		FIN.		LOC TITLE LOGIC DIAGRAM MPCLA			
INITIAL DESIGN		DR <i>Althara & Brazzell</i>		SIZE	DWG NO	SH	REV
PROJECTION		1971 Aug 30		D	43D234074	10	A
SCALE	CODE	APPD <i>R. Lynn 12-08-71</i>		DISTR C68-26, TOS NCA SDF			
NONE				1			

43D234074 D

REVISIONS				
REV	AUTHORITY	DATE	SIGNATURE	
		YR MO DAY		



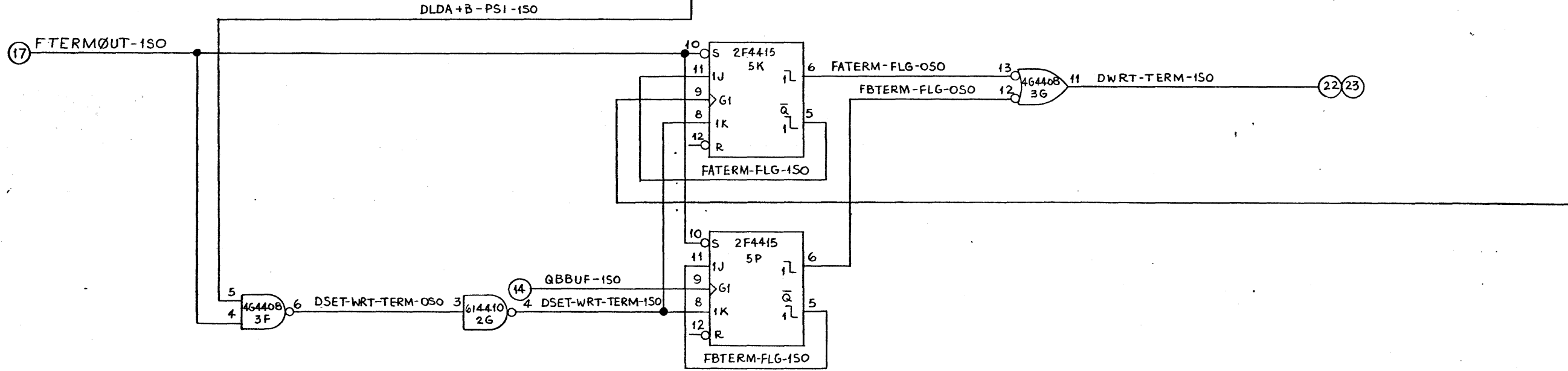
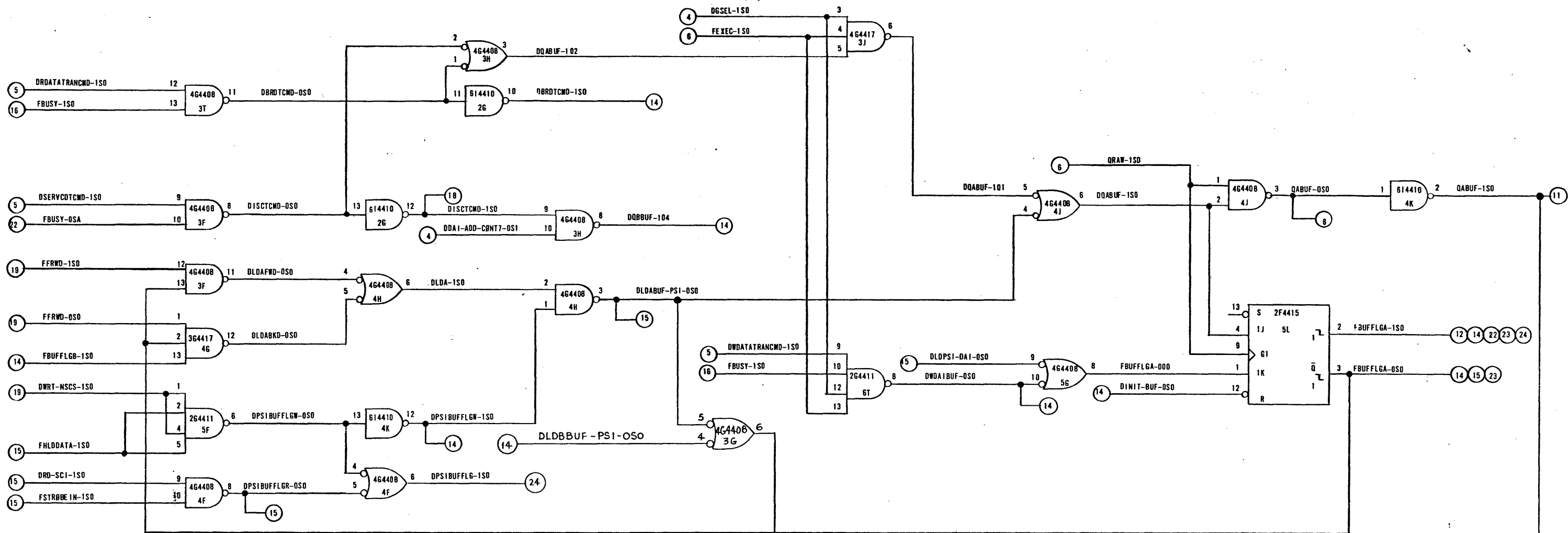
INFORMATION CONTAINED IN THIS DOCUMENT IS PROPRIETARY TO HONEYWELL INFORMATION SYSTEMS AND IS INTENDED FOR INTERNAL HONEYWELL USE ONLY. NO INFORMATION MAY BE DISTRIBUTED TO OTHERS WITHOUT THE WRITTEN PERMISSION OF AN AUTHORIZED HONEYWELL OFFICIAL. THIS RESTRICTION DOES NOT APPLY TO INFORMATION PROPRIETARY PARTS THAT MAY BE DISCLOSED IN THIS DOCUMENT.

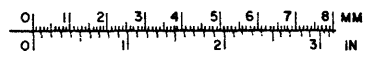


UNLESS OTHERWISE SPECIFIED		MATERIAL		Honeywell HONEYWELL INFORMATION SYSTEMS PHOENIX, ARIZONA U. S. A.	
DIMENSIONS= MILLIMETERS / INCHES		TREAT.			
TOLERANCE OF SIZE AND FORM PER INITIAL DESIGN		FIN.		LOC	
PROJECTION		SCALE NONE		TITLE LOGIC DIAGRAM MPCLA	
CODE		DR: <i>Albata & Braggell</i> 1971 Aug 31		SIZE D	DWG NO 43D234074
APPD: <i>R. Flynn</i> 12-08-71		DISTR C 68-26 TOS/...		SH 12	REV A

43D234074

REVISONS				
REV	AUTHORITY	DATE	SIGNATURE	
		YR MO DAY		





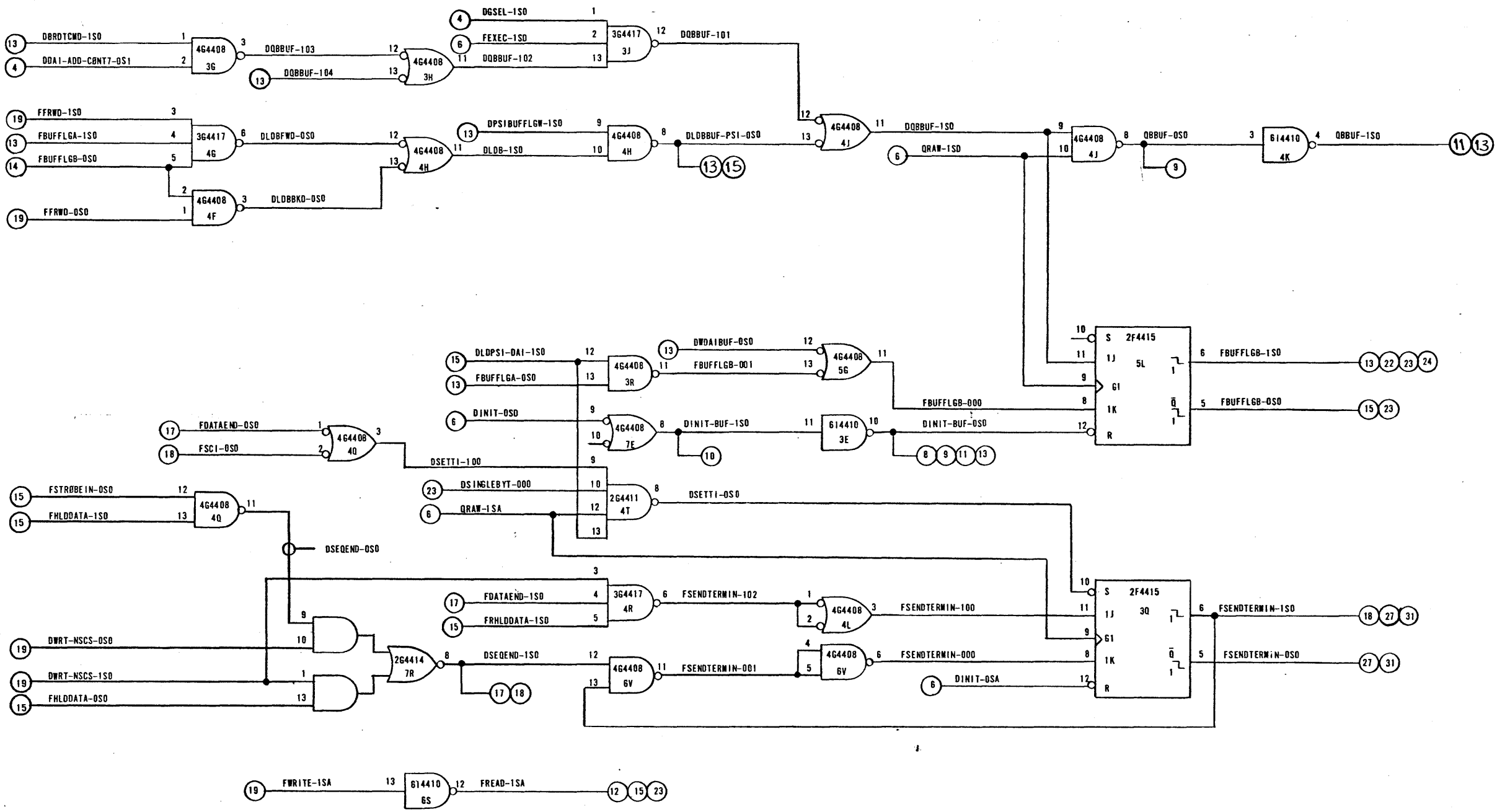
UNLESS OTHERWISE SPECIFIED			MATL			
DIMENSIONS=	MILLIMETERS		INCHES			
TOLERANCE OF SIZE AND	FORM PER		FIN.			
INITIAL DESIGN	PROJECTION		DR <i>R. Thoma</i> 12-08-71			
SCALE	CODE	APPD		DISTR		
NONE		C68-26, TOS		110, SDFV		

Honeywell		HONEYWELL INFORMATION SYSTEMS		PHOENIX, ARIZONA U. S. A.	
LOC		TITLE LOGIC DIAGRAM MPCLA			
SIZE	DWG NO	SH	REV		
D	43D234074	13	F		

ALL INFORMATION CONTAINED IN THIS DOCUMENT IS PROPRIETARY TO HONEYWELL INFORMATION SYSTEMS AND IS INTENDED FOR INTERNAL HONEYWELL USE ONLY. NO PART OF THIS DOCUMENT MAY BE REPRODUCED OR TRANSMITTED IN ANY FORM OR BY ANY MEANS WITHOUT THE WRITTEN PERMISSION OF HONEYWELL INFORMATION SYSTEMS. THIS RESTRICTION DOES NOT APPLY TO INFORMATION CONTAINED HEREIN THAT IS IDENTIFIED AS BEING PROPRIETARY TO OTHERS.

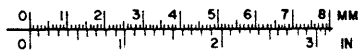
43D234074

REVISIONS				
REV.	AUTHORITY	DATE		SIGNATURE
		YR	MO	DAY



INFORMATION CONTAINED IN THIS DOCUMENT IS PROPRIETARY TO HONEYWELL INFORMATION SYSTEMS AND IS INTENDED FOR INTERNAL USE ONLY. NO INFORMATION MAY BE DISTRIBUTED TO OTHERS WITHOUT THE WRITTEN PERMISSION OF AN AUTHORIZED HONEYWELL OFFICIAL. THIS RESTRICTION DOES NOT APPLY TO UNCLASSIFIED PROPRIETARY PARTS THAT MAY BE DISCLOSED IN THIS DOCUMENT.

DRIVING 44141

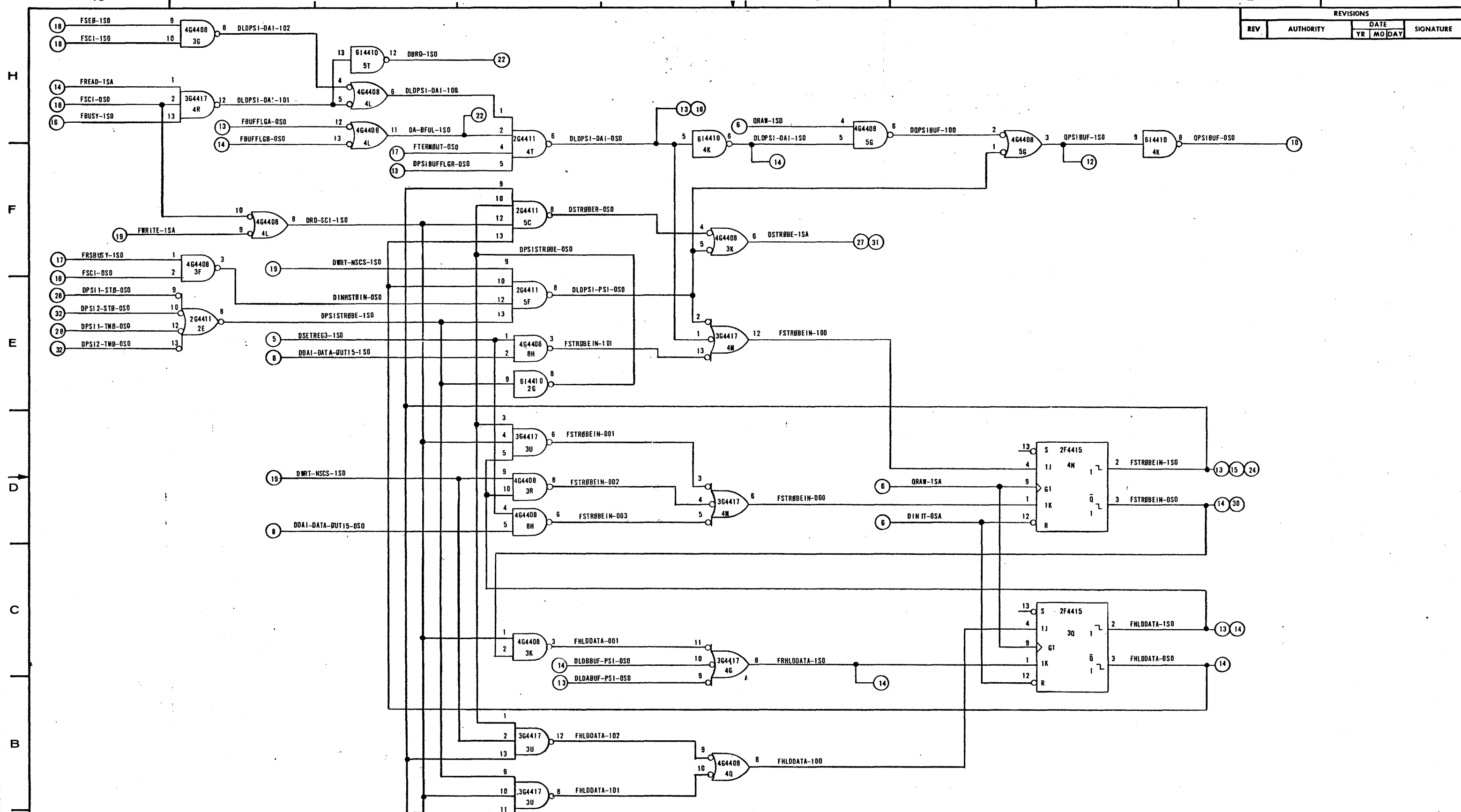


REF SPEC NO

UNLESS OTHERWISE SPECIFIED		MATL		Honeywell HONEYWELL INFORMATION SYSTEMS PHOENIX, ARIZONA U. S. A.			
DIMENSIONS=	MILLIMETERS INCHES	TREAT.					
TOLERANCE OF SIZE AND FORM PER		INITIAL DESIGN		TITLE			LOGIC DIAGRAM MPCLA
PROJECTION		FIN.		DR.			
SCALE	CODE	DR. <i>R. Lynn</i> 19-08-71		SIZE	DWG NO	SH	REV
NONE		APPD		D	43D234074	14	E
DISTR C68-26, TOS				NEO, SDF			

43D234074

REVISIONS					
REV	AUTHORITY	DATE			SIGNATURE
		YR	MO	DAY	



INFORMATION CONTAINED IN THIS DOCUMENT IS PROPRIETARY TO HONEYWELL INFORMATION SYSTEMS AND IS INTENDED FOR INTERNAL HONEYWELL USE ONLY. IT IS NOT TO BE DISTRIBUTED TO OTHERS WITHOUT THE WRITTEN PERMISSION OF AN AUTHORIZED HONEYWELL OFFICIAL. THIS RESTRICTION DOES NOT APPLY TO HONEYWELL PROPRIETARY PARTS THAT MAY BE DISCLOSED IN THIS DOCUMENT.

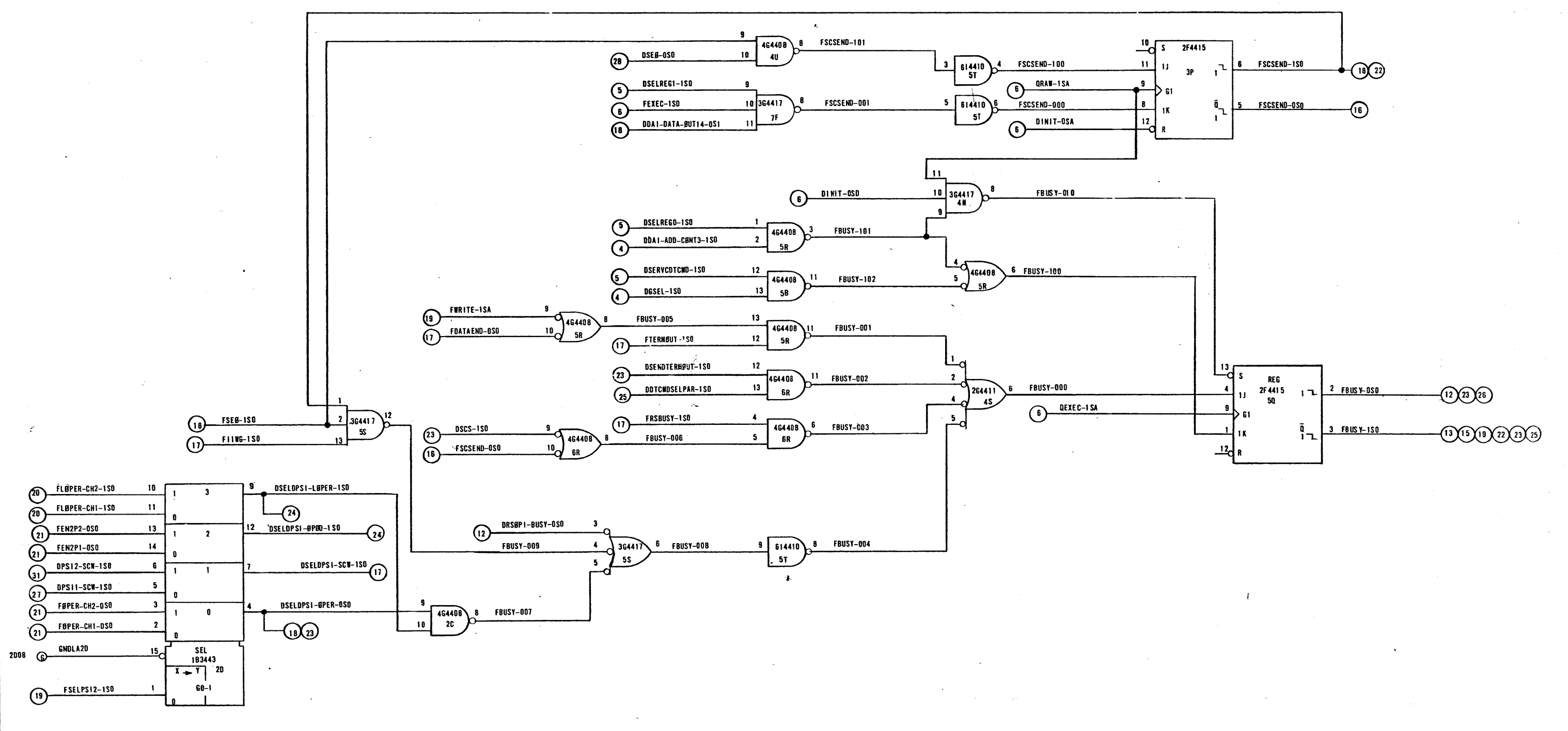


UNLESS OTHERWISE SPECIFIED		MATL
DIMENSIONS=	MILLIMETERS	
	INCHES	
TOLERANCE OF SIZE AND FORM PER	INITIAL DESIGN	TREAT.
SCALE	CODE	DR <i>Richard E. Bongson</i>
NONE		1971 <i>Best 1</i>
		APPD <i>R. Thynn 12-08-71</i>
		DISTR C66-26, TOS NAA SDF

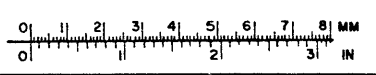
Honeywell			
HONEYWELL INFORMATION SYSTEMS PHOENIX, ARIZONA U. S. A.			
LOC			
TITLE LOGIC DIAGRAM MPCLA			
SIZE	DWG NO	SH	REV
D	43D234074	15	B

143D234074

REVISIONS			
REV	AUTHORITY	DATE YR MO DAY	SIGNATURE



INFORMATION CONTAINED IN THIS DOCUMENT IS PROPRIETARY TO HONEYWELL INFORMATION SYSTEMS AND IS INTENDED FOR INTERNAL HONEYWELL USE ONLY. NO PART OF THIS DOCUMENT IS TO BE DISTRIBUTED TO OTHERS WITHOUT THE WRITTEN PERMISSION OF AN AUTHORIZED HONEYWELL OFFICIAL. THIS RESTRICTION DOES NOT APPLY TO VENDOR PROPRIETARY PARTS THAT MAY BE DISCLOSED IN THIS DOCUMENT.

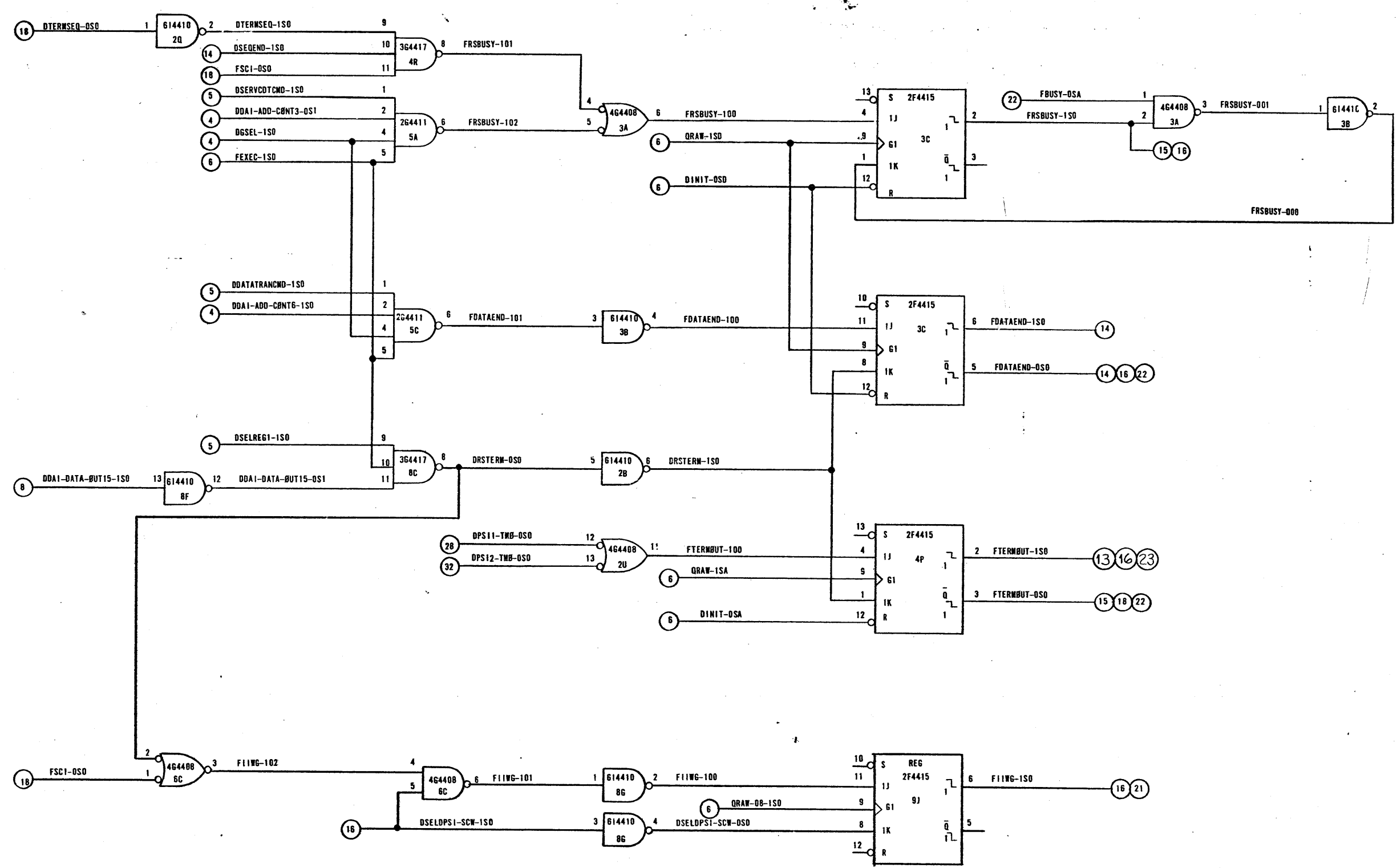


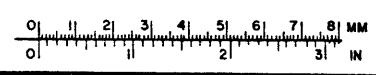
UNLESS OTHERWISE SPECIFIED		MATERIAL	
DIMENSIONS = MILLIMETERS / INCHES		TREAT.	
TOLERANCE OF SIZE AND FORM PER INITIAL DESIGN PROJECTION		FIN.	
SCALE NONE	CODE	DR [Signature]	DATE 12-27-71
APPD [Signature]		SIZE D	DWG NO 43D234074
DISTR C 68-26, TOS/SDF/NCV		SH 16	REV A

43D234074

ALL INFORMATION CONTAINED IN THIS DOCUMENT IS PROPRIETARY TO HONEYWELL INFORMATION SYSTEMS AND IS INTENDED FOR INTERNAL HONEYWELL USE ONLY. NO PART OF THIS DOCUMENT MAY BE DISTRIBUTED TO OTHERS WITHOUT THE WRITTEN PERMISSION OF AN AUTHORIZED HONEYWELL OFFICIAL. THIS RESTRICTION DOES NOT APPLY TO UNMOUNTED PROPRIETARY PARTS THAT MAY BE DISCLOSED IN THIS DOCUMENT.

REV	AUTHORITY	DATE		SIGNATURE
		YR	MO DAY	



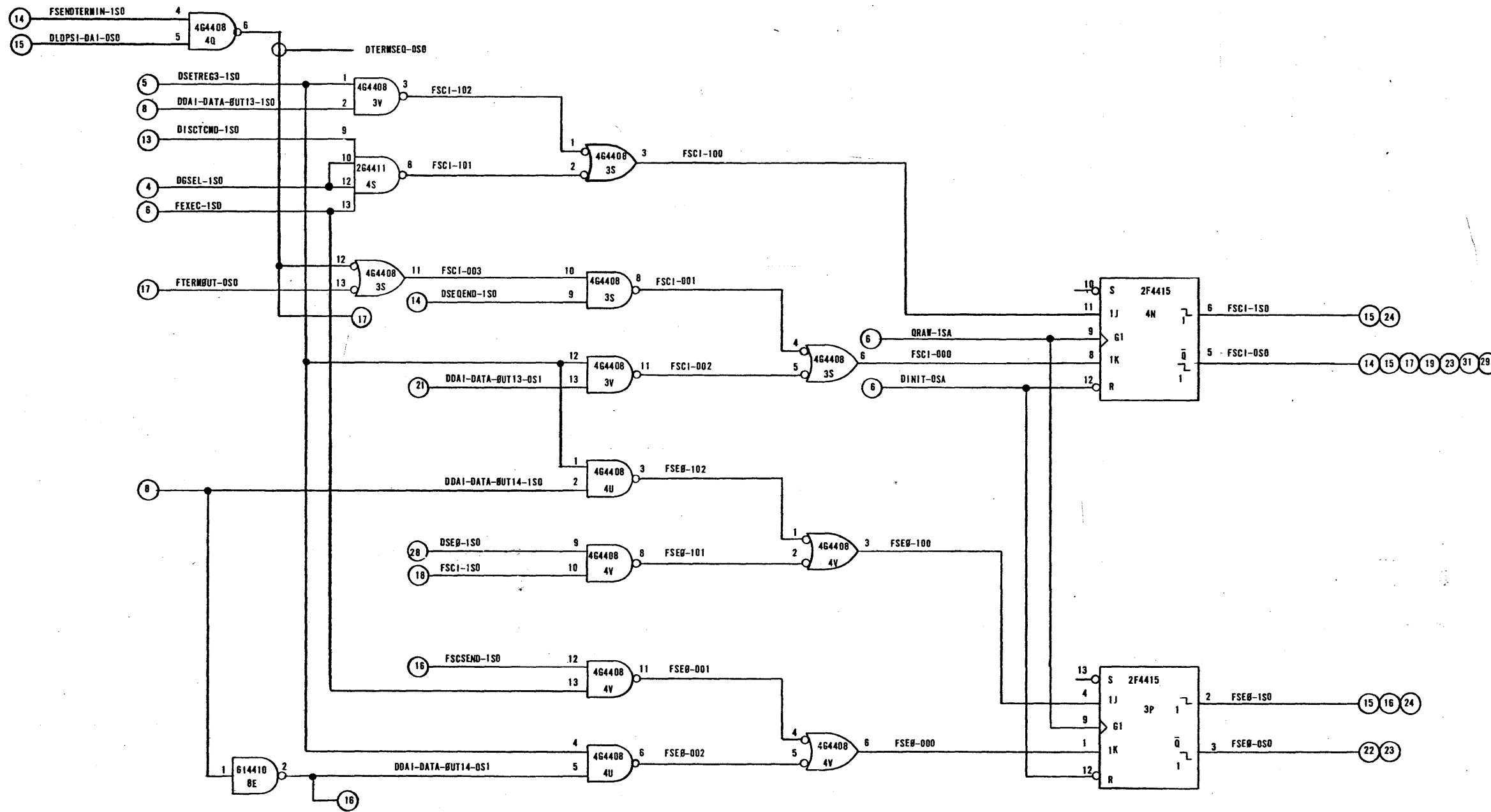


UNLESS OTHERWISE SPECIFIED		MAIL
DIMENSIONS =	MILLIMETERS	
TOLERANCE OF SIZE AND	INCHES	TREAT.
FORM PER		FIN.
INITIAL DESIGN		
PROJECTION		
SCALE NONE	CODE	DR <i>Albert E. Brazzell</i>
		APPD <i>R. Lynn</i>
		DISTR <i>C68-26 TOS/5 DE V. N. C.</i>

Honeywell HONEYWELL INFORMATION SYSTEMS PHOENIX, ARIZONA U. S. A.			
LOC	TITLE LOGIC DIAGRAM MPCLA		
SIZE D	DWG NO 43D234074	SH 17	REV E

43D234074

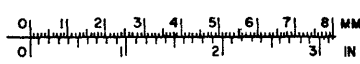
REVISIONS				
REV	AUTHORITY	DATE		SIGNATURE
		YR	MO DAY	



INFORMATION CONTAINED IN THIS DOCUMENT IS PROPRIETARY TO HONEYWELL INFORMATION SYSTEMS AND IS INTENDED FOR INTERNAL HONEYWELL USE ONLY. NO INFORMATION MAY BE DISTRIBUTED TO OTHERS WITHOUT THE WRITTEN PERMISSION OF AN AUTHORIZED HONEYWELL OFFICIAL. THIS RESTRICTION DOES NOT APPLY TO NON-PROPRIETARY PARTS THAT MAY BE DISCLOSED IN THIS DOCUMENT.

H
F
E
D
C
B
A

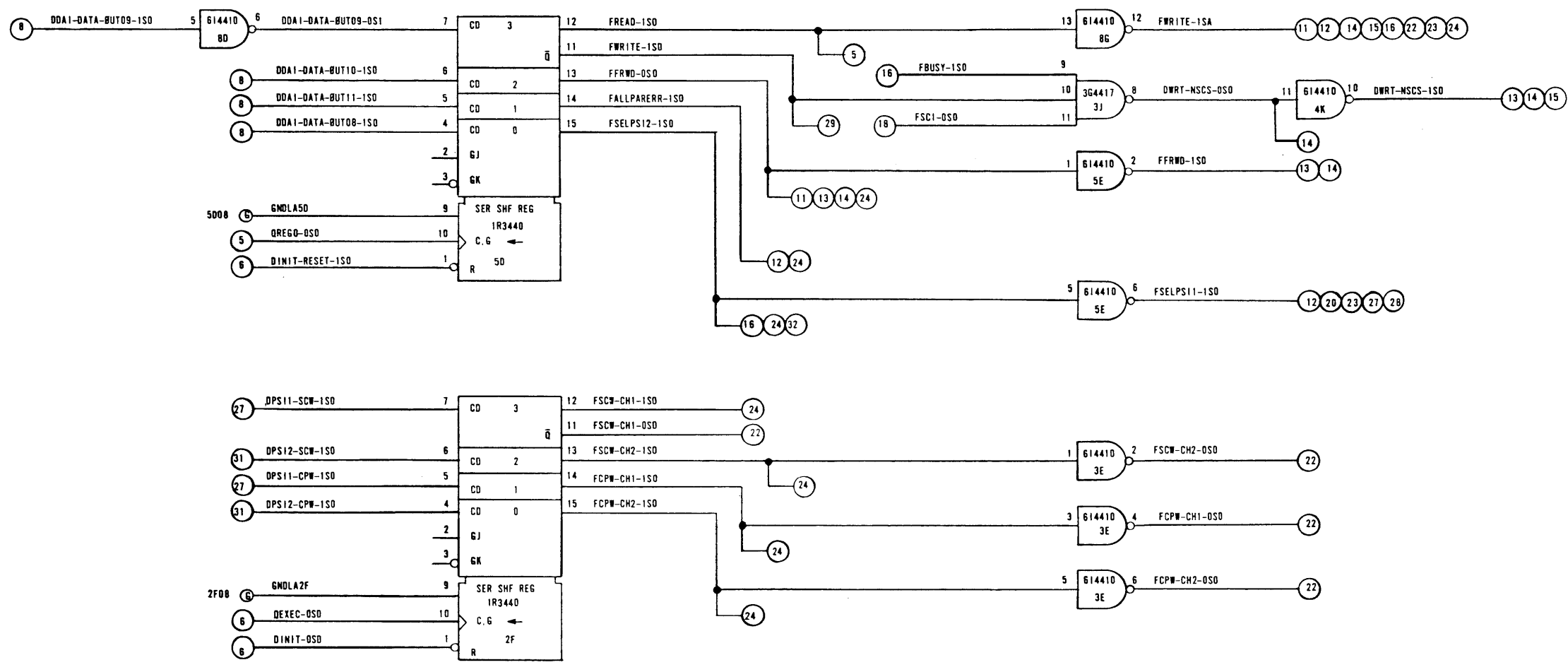
REV	DATE	BY	CHKD	APPD



UNLESS OTHERWISE SPECIFIED		MATERIAL	
DIMENSIONS = MILLIMETERS ← / INCHES ←		TREAT.	
TOLERANCE OF SIZE AND FORM PER INITIAL DESIGN		FIN.	
SCALE NONE	CODE	DR <i>Alberta E. Brazzell</i> 1971 <i>Sept 1</i>	
PROJECTION		APPD <i>R. Thynn</i> 12-08-71	DIST. 558-26, TOS NCR SDF
HONEYWELL INFORMATION SYSTEMS PHOENIX, ARIZONA U. S. A.		LOC	REV B
TITLE LOGIC DIAGRAM MPCLA		SIZE D	DWG NO 43D234074
		SH 18	

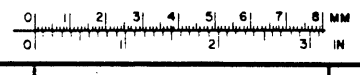
43D234074

REVISIONS				
REV	AUTHORITY	DATE		SIGNATURE
		YR	MO DAY	



THE INFORMATION CONTAINED IN THIS DOCUMENT IS PROPRIETARY TO HONEYWELL INFORMATION SYSTEMS AND IS INTENDED FOR INTERNAL HONEYWELL USE ONLY. SUCH INFORMATION MAY BE DISCLOSED TO OTHERS ONLY BY WRITTEN PERMISSION OF AN AUTHORIZED HONEYWELL OFFICIAL. THIS RESTRICTION DOES NOT APPLY TO PERSONS PROPRIETARY PARTS THAT MAY BE DISCLOSED IN THIS DOCUMENT.

REF SPEC NO



UNLESS OTHERWISE SPECIFIED	
DIMENSIONS	MILLIMETERS
	INCHES
TOLERANCE OF SIZE AND FORM PER INITIAL DESIGN	
PROJECTION	
SCALE	NONE
CODE	

MATL
TREAT.
FIN.
DR <i>Wm E Crayton</i>
1471 ENT 2
APPD <i>R. Wann</i> 12-09-71
DISTR C68-26, TOS

Honeywell
HONEYWELL INFORMATION SYSTEMS
PHOENIX, ARIZONA U. S. A.

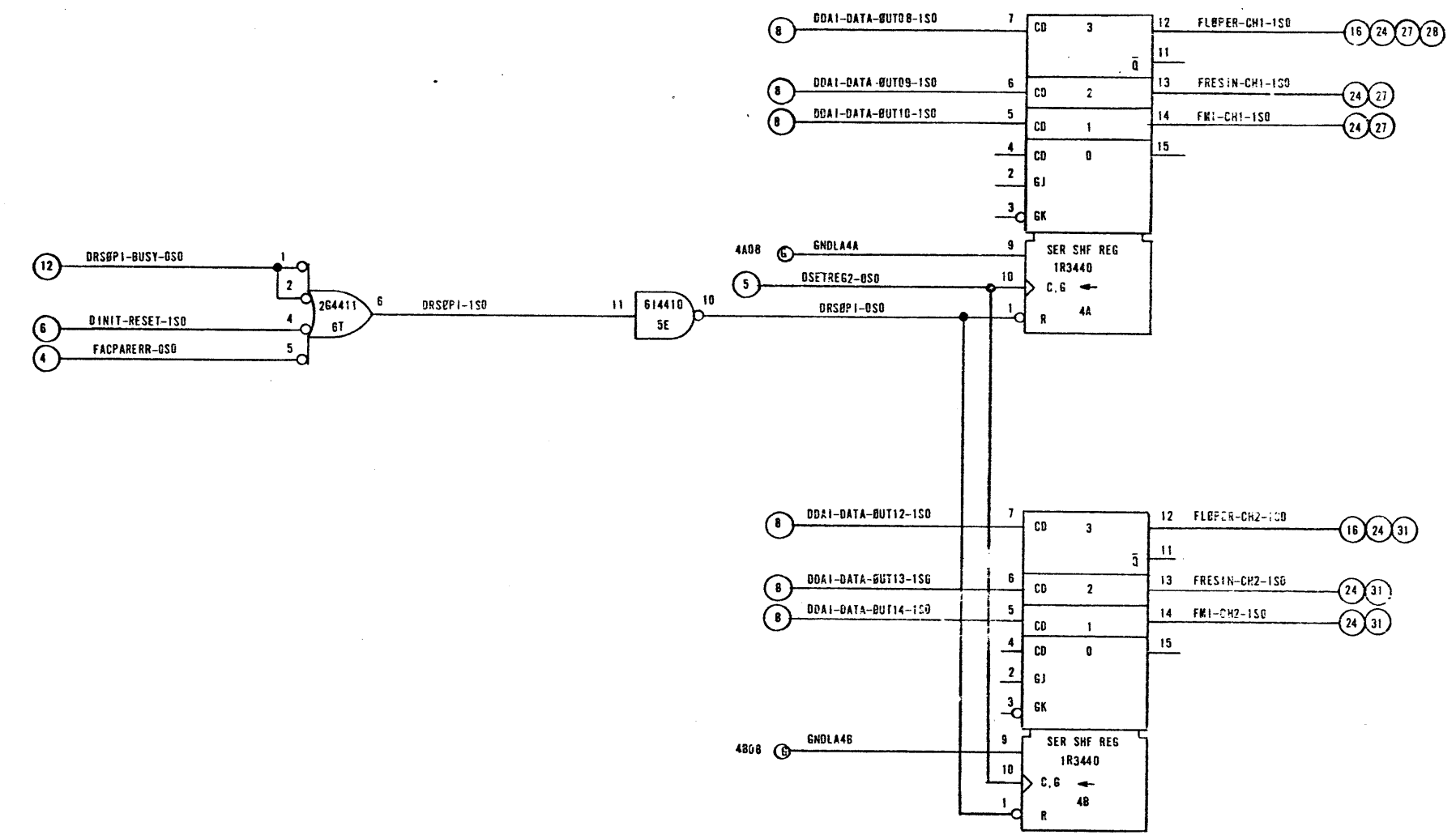
LOC
TITLE **LOGIC DIAGRAM MFCLA**

SIZE D	DWG NO 43D234074	SH 19	REV G
---------------	-------------------------	--------------	--------------

43D234074

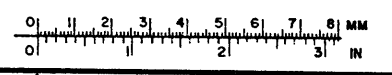
REVISIONS

REV	AUTHORITY	DATE		SIGNATURE
		YR	MO DAY	



INFORMATION CONTAINED IN THIS DOCUMENT IS PROPRIETARY TO HONEYWELL INFORMATION SYSTEMS AND IS INTENDED FOR INTERNAL HONEYWELL USE ONLY. NO PART OF THIS DOCUMENT MAY BE DISTRIBUTED TO OTHERS OR BY ANY MEANS WITHOUT THE WRITTEN PERMISSION OF AN AUTHORIZED HONEYWELL OFFICIAL. THIS RESTRICTION DOES NOT APPLY TO HONEYWELL PROPRIETARY PARTS THAT MAY BE DISCLOSED IN THIS DOCUMENT.

REV	DATE	BY	CHKD	APPD	TITLE



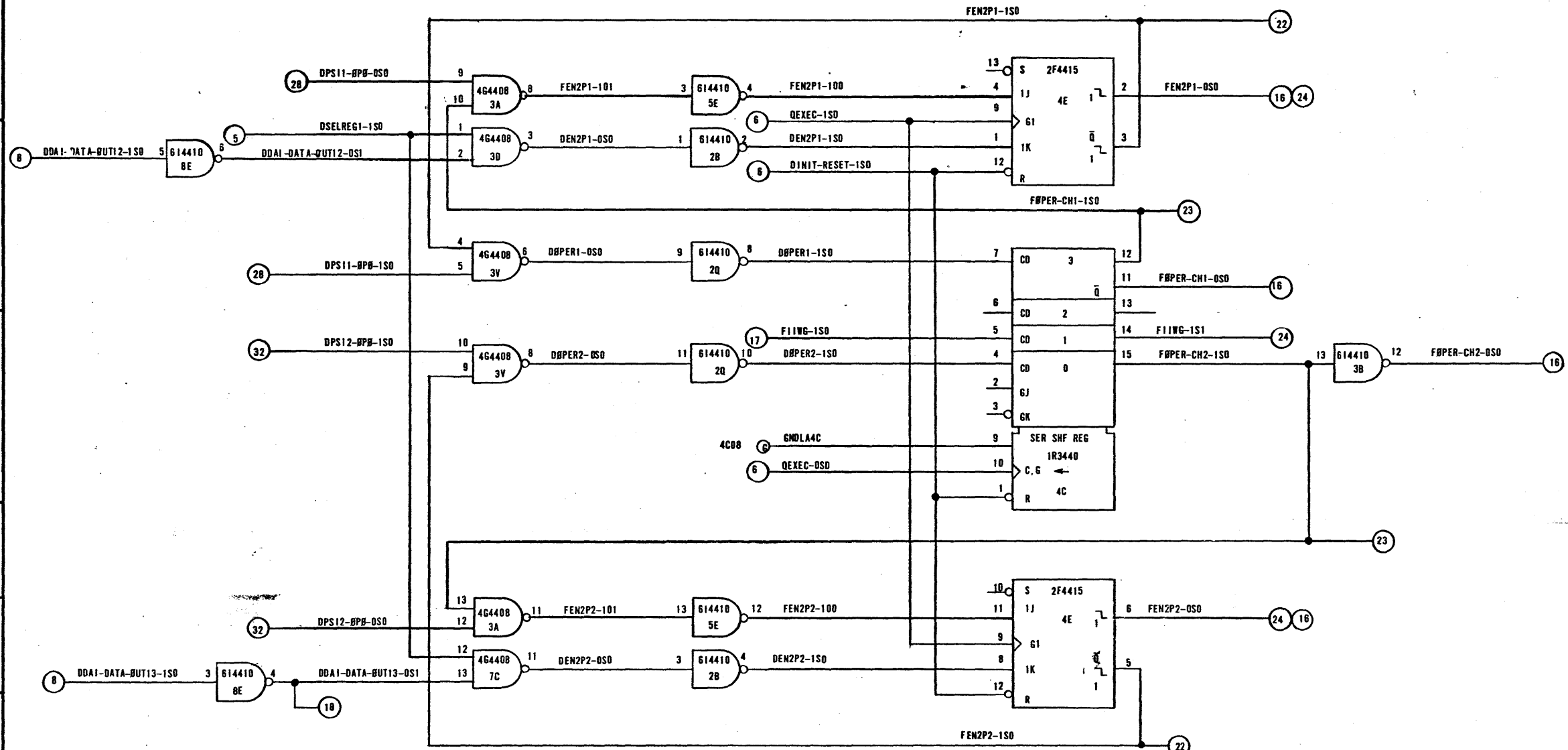
BRUNING 44 141

UNLESS OTHERWISE SPECIFIED		MATERIAL		Honeywell HONEYWELL INFORMATION SYSTEMS PHOENIX, ARIZONA U. S. A.	
DIMENSIONS=	MILLIMETERS INCHES	TREAT.	LOC		
TOLERANCE OF SIZE AND FORM PER	INITIAL DESIGN	PROJECTION	SCALE	TITLE LOGIC DIAGRAM MPCLA	
NONE	CODE	DR <i>Robert E. Braz...</i>	APPD	SIZE	DWG NO
		4/11/82	<i>R. Johnson 12-02-71</i>	D	43D234074
		DISTR C68-26 IOS		SH	REV
				20	B

43D234074

REVISIONS				
REV	AUTHORITY	DATE		SIGNATURE
		YR	MO DAY	

H
F
E
D
C
B
A



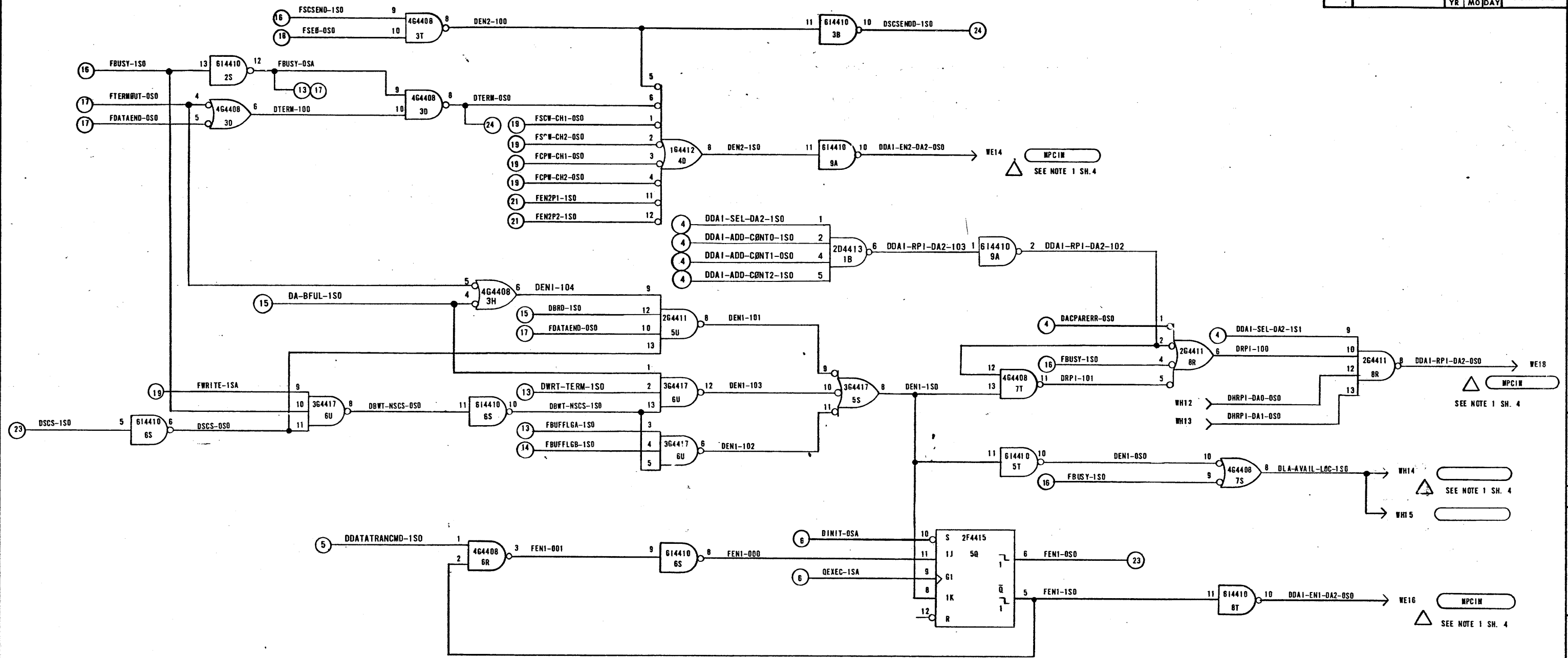
UNLESS OTHERWISE SPECIFIED DIMENSIONS= MILLIMETERS INCHES TOLERANCE OF SIZE AND FORM PER INITIAL DESIGN PROJECTION SCALE NONE CODE DRILLING 44.141 REF SPEC NO 01 02 03 04 05 06 07 08 MM 01 02 03 04 05 06 07 08 IN

UNLESS OTHERWISE SPECIFIED		MATERIAL		Honeywell HONEYWELL INFORMATION SYSTEMS PHOENIX, ARIZONA U. S. A.	
DIMENSIONS= MILLIMETERS INCHES		TREAT.			
TOLERANCE OF SIZE AND FORM PER INITIAL DESIGN PROJECTION		FIN.		LOC	
SCALE NONE CODE		DR <i>Robert E. Bragg</i> 1971 List 2 APPD <i>R. Thomas</i> 12-08-71 DISTR C68-26, TOS SDF NCA V		TITLE LOGIC DIAGRAM MPCLA	
SIZE D	DWG NO 43D234074	SH 21	REV A		

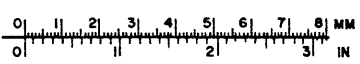
43D234074

A

REVISIONS				
REV	AUTHORITY	DATE	SIGNATURE	
		YR MO DAY		



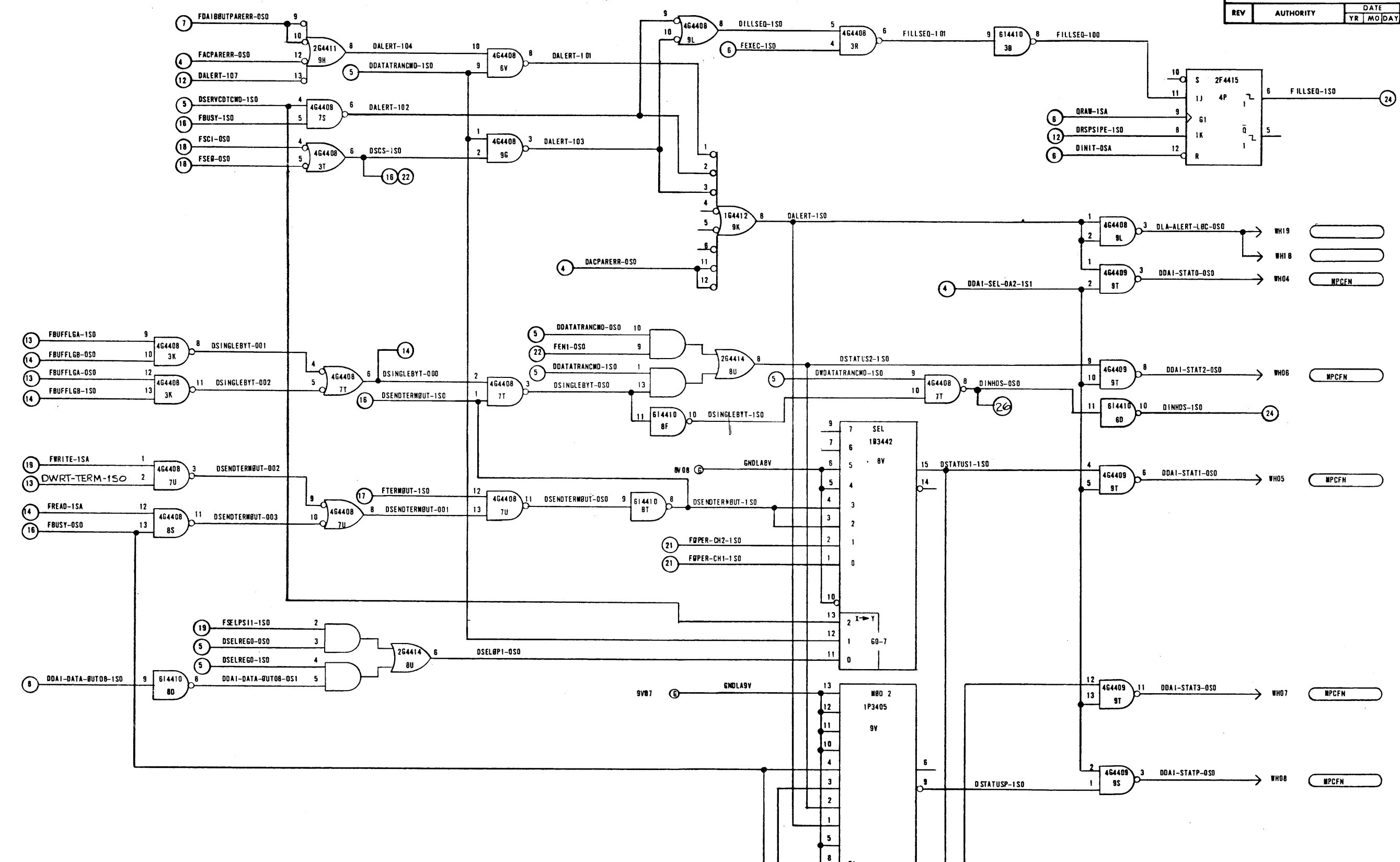
INFORMATION CONTAINED IN THIS DOCUMENT IS PROPRIETARY TO HONEYWELL INFORMATION SYSTEMS AND IS INTENDED FOR INTERNAL HONEYWELL USE ONLY. NO INFORMATION MAY BE DISTRIBUTED TO OTHERS WITHOUT THE WRITTEN PERMISSION OF AN AUTHORIZED HONEYWELL OFFICIAL. THIS RESTRICTION DOES NOT APPLY TO HONEYWELL PROPRIETARY PARTS THAT MAY BE DISCLOSED IN THIS DOCUMENT.



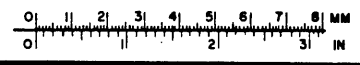
UNLESS OTHERWISE SPECIFIED		MATERIAL	
DIMENSIONS = MILLIMETERS / INCHES		TREAT.	
TOLERANCE OF SIZE AND FORM PER INITIAL DESIGN		FIN.	
PROJECTION		DR. <i>Robert E. Bragg</i>	
SCALE NONE	CODE	1971 <i>2nd 2</i>	
APPD <i>R. J. ...</i>		SIZE D	DWG NO 43D234074
DISTR C68-26, TOS, NCO, SDFV		SH 22	REV F

43D234074

REVISIONS				
REV	AUTHORITY	DATE	SIGNATURE	
		YR	MO	DAY



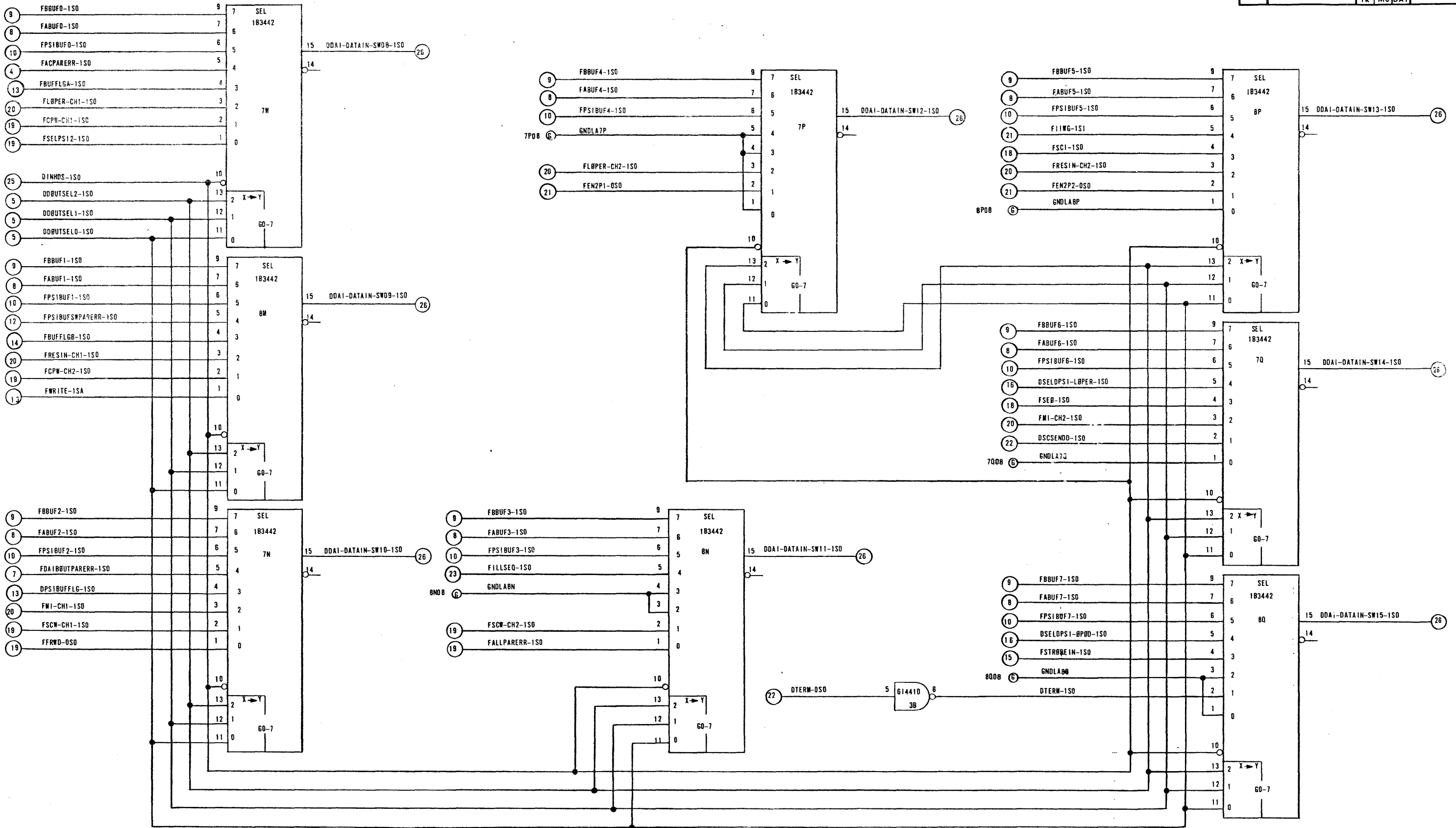
THIS INFORMATION CONTAINED IN THIS DOCUMENT IS PROPRIETARY TO HONEYWELL INFORMATION SYSTEMS AND IS INTENDED FOR INTERNAL HONEYWELL USE ONLY.
 ANY REPRODUCTION OF THIS DOCUMENT BY ANY MEANS IS STRICTLY PROHIBITED WITHOUT THE WRITTEN PERMISSION OF AN AUTHORIZED HONEYWELL OFFICIAL. THIS RESTRICTION DOES NOT APPLY
 TO UNCLASSIFIED PORTIONS OF THIS DOCUMENT.



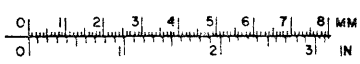
UNLESS OTHERWISE SPECIFIED		MATERIAL		Honeywell HONEYWELL INFORMATION SYSTEMS PHOENIX, ARIZONA U. S. A.			
DIMENSIONS = MILLIMETERS INCHES		TREAT.					
TOLERANCE OF SIZE AND FORM PER INITIAL DESIGN		FIN.		TITLE LOGIC DIAGRAM MPCLA			
SCALE NONE	CODE	DR. <i>Liberta</i> <i>3/11/71</i> <i>list 3</i>		SIZE D	DWG NO 43D234074	SH 23	REV G
APPD. <i>R. J. ...</i>		DISTR. C68-26, TOS SDF V NCD					

43D234074

REVISIONS				
REV	AUTHORITY	DATE	SIGNATURE	
		YR MO DAY		



INFORMATION CONTAINED IN THIS DOCUMENT IS PROPRIETARY TO HONEYWELL INFORMATION SYSTEMS AND IS INTENDED FOR INTERNAL HONEYWELL USE ONLY. NO DISSEMINATION MAY BE MADE TO OTHERS OR BY WRITTEN PERMISSION OF AN AUTHORIZED HONEYWELL OFFICIAL. THIS RESTRICTION DOES NOT APPLY TO INFORMATION CONTAINED IN THIS DOCUMENT.



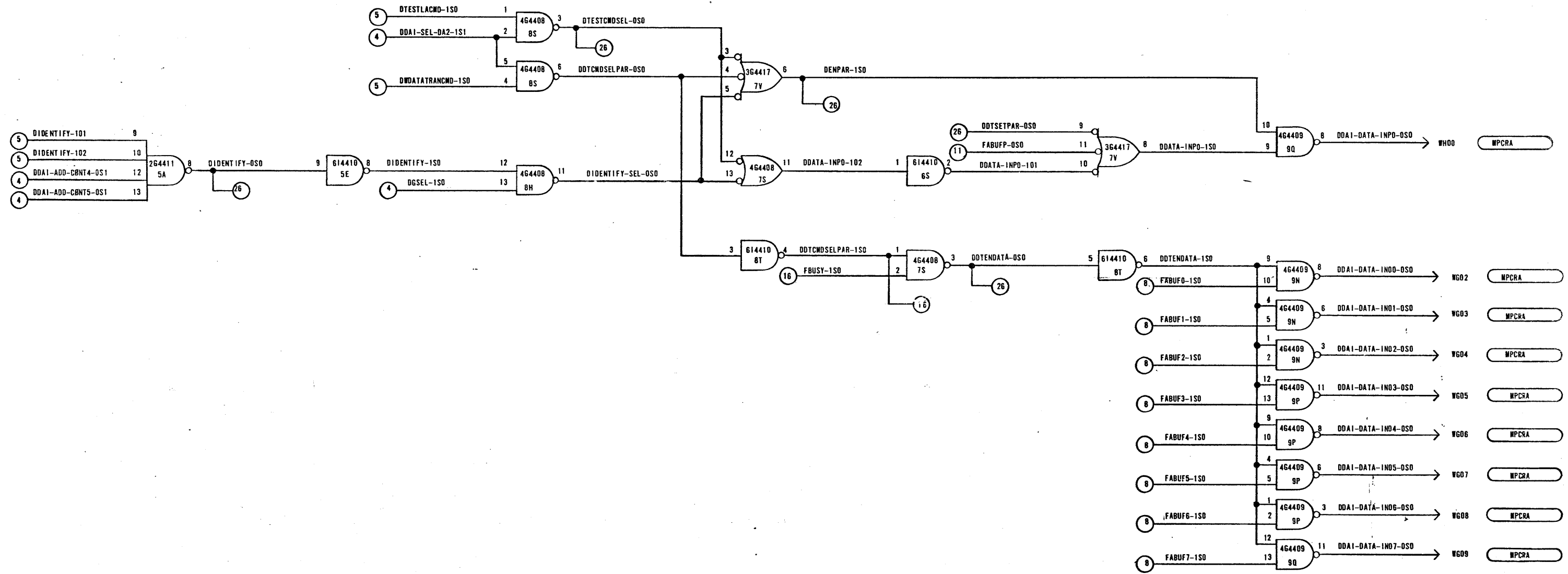
SCALE NONE	CODE	TREAT.	LOC	TITLE	SIZE	DWG NO	SH	REV
		DR. <i>Walter E. Braggen</i>		LOGIC DIAGRAM MPCLA	D	43D234074	24	B
		APPD. <i>R. J. ...</i>						
		DISTR. <i>CCB-26 TOS</i>						

Honeywell
HONEYWELL INFORMATION SYSTEMS
PHOENIX, ARIZONA U. S. A.

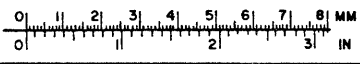
43D234074

REVISIONS

REV	AUTHORITY	DATE		SIGNATURE
		YR	MO DAY	



INFORMATION CONTAINED IN THIS DOCUMENT IS PROPRIETARY TO HONEYWELL INFORMATION SYSTEMS AND IS INTENDED FOR INTERNAL HONEYWELL USE ONLY. SUCH INFORMATION MAY BE DISTRIBUTED TO OTHERS ONLY BY WRITTEN PERMISSION OF AN AUTHORIZED HONEYWELL OFFICIAL. THIS RESTRICTION DOES NOT APPLY TO VENDOR PROPRIETARY PARTS THAT MAY BE DISCLOSED IN THIS DOCUMENT.



UNLESS OTHERWISE SPECIFIED		MAATL
DIMENSIONS=	MILLIMETERS	TREAT.
	INCHES	FIN.
TOLERANCE OF SIZE AND FORM PER INITIAL DESIGN PROJECTION		
SCALE NONE	CODE	DR. <i>Liberto & Branzetti</i> 1971 <i>12-17</i>
		APPD. <i>R. J. ...</i> 12-17-71

Honeywell

HONEYWELL INFORMATION SYSTEMS
PHOENIX, ARIZONA U. S. A.

LOC _____

TITLE **LOGIC DIAGRAM MPCRA**

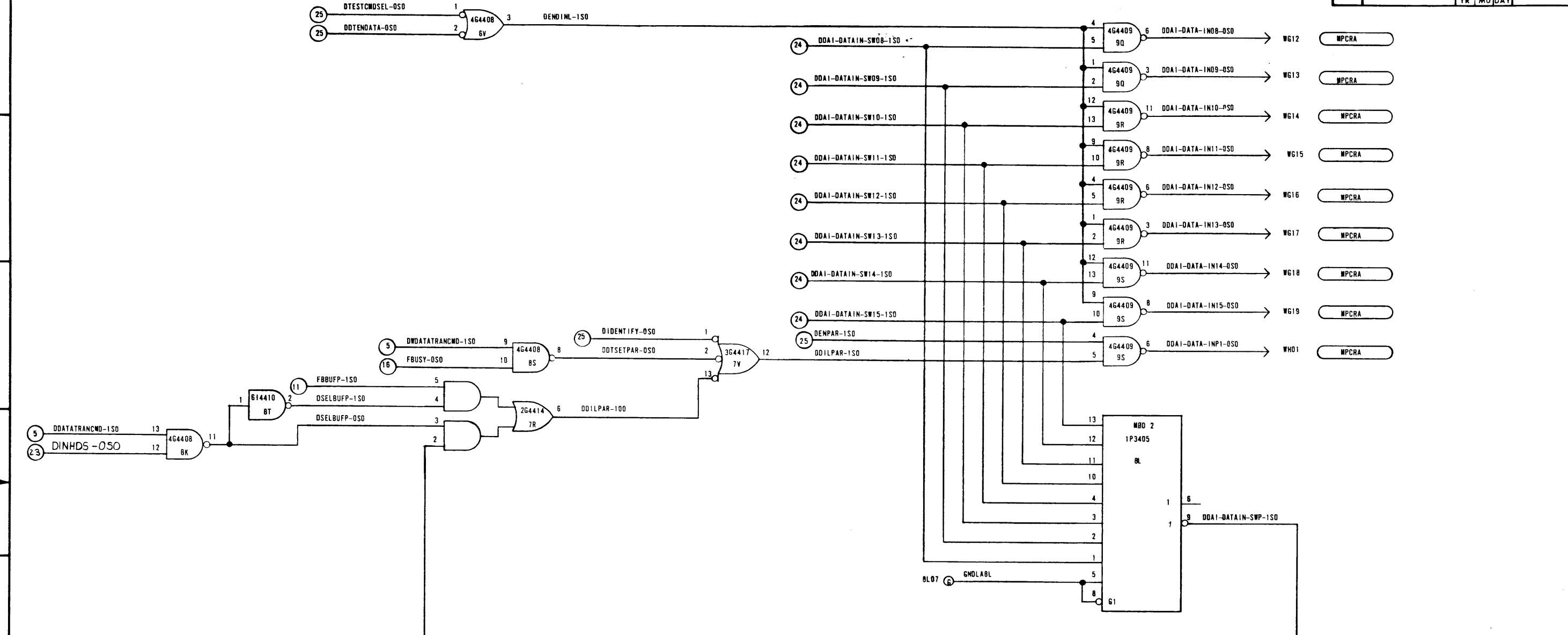
SIZE	DWG NO	SH	REV
D	43D234074	25	A

43D234074

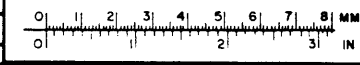
DISTR C68-26, TOS SDF 12/71

43D234074

REVISIONS				
REV	AUTHORITY	DATE		SIGNATURE
		YR	MO DAY	



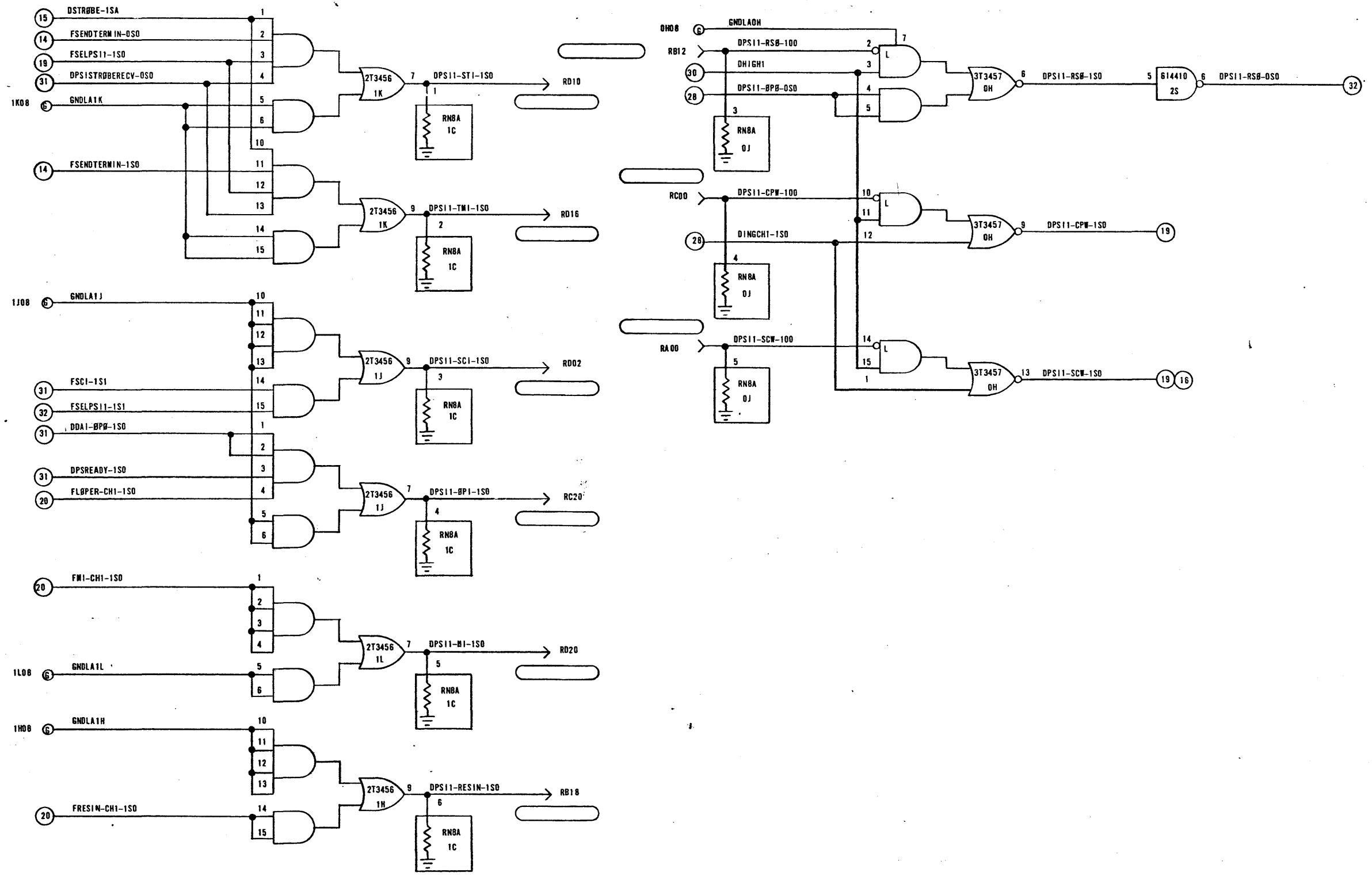
UNLESS OTHERWISE SPECIFIED THE INFORMATION CONTAINED IN THIS DOCUMENT IS PROPRIETARY TO HONEYWELL INFORMATION SYSTEMS AND IS INTENDED FOR INTERNAL HONEYWELL USE ONLY. SUCH INFORMATION MAY BE DISTRIBUTED TO OTHERS ONLY BY WRITTEN PERMISSION OF AN AUTHORIZED HONEYWELL OFFICIAL. THIS RESTRICTION DOES NOT APPLY TO VENDOR PROPRIETARY PARTS THAT MAY BE DELIVERED IN THIS DOCUMENT.



UNLESS OTHERWISE SPECIFIED		MATERIAL		Honeywell HONEYWELL INFORMATION SYSTEMS PHOENIX, ARIZONA U. S. A.		
DIMENSIONS= MILLIMETERS INCHES		TREAT.				
TOLERANCE OF SIZE AND FORM PER		FIN.		TITLE LOGIC DIAGRAM MPCLA		
INITIAL DESIGN		DRAWN BY		SIZE		
PROJECTION		APP'D		DWG NO		SH
SCALE NONE		CODE		43D234074		REV
		DISTR C68-26, TOS SDF, NCO		26		G

REF SPEC NO

REVISIONS				
REV.	AUTHORITY	DATE		SIGNATURE
		YR	MO DAY	
2				



INFORMATION CONTAINED IN THIS DOCUMENT IS PROPRIETARY TO HONEYWELL INFORMATION SYSTEMS AND IS INTENDED FOR INTERNAL HONEYWELL USE ONLY. IT MAY BE DISTRIBUTED TO OTHERS ONLY BY WRITTEN PERMISSION OF AN AUTHORIZED HONEYWELL OFFICIAL. THIS RESTRICTION DOES NOT APPLY TO INFORMATION CONTAINED HEREIN THAT IS IDENTIFIED AS UNCLASSIFIED.

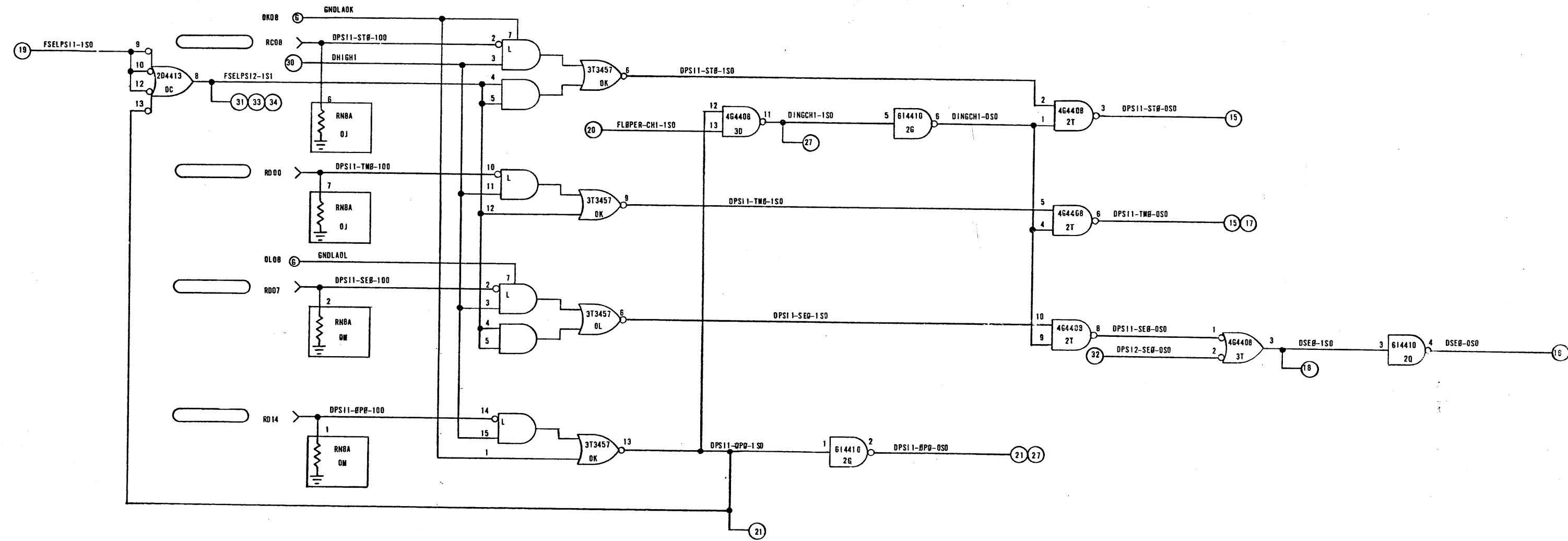


UNLESS OTHERWISE SPECIFIED		MATERIAL		Honeywell HONEYWELL INFORMATION SYSTEMS PHOENIX, ARIZONA U. S. A.	
DIMENSIONS =	MILLIMETERS INCHES	TREAT.	FIN.		
TOLERANCE OF SIZE AND FORM PER INITIAL DESIGN	PROJECTION	DR. Albert E. Brazzell 1971 Int 7	APPD. R. Wynn 12-08-71	LOC	
SCALE NONE	CODE	DISTR C68-26.TOS NEW COPY		TITLE LOGIC DIAGRAM MPCLA	
REF SPEC NO		SIZE D	DWG NO 43D234074	SH 27	REV A

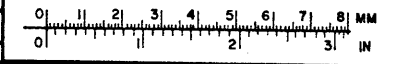
43D234074

REVISIONS				
REV	AUTHORITY	DATE	SIGNATURE	
		YR MO DAY		

H
 F
 E
 D
 C
 B
 A



THIS INFORMATION IS PROPRIETARY TO HONEYWELL INFORMATION SYSTEMS AND IS INTENDED FOR INTERNAL HONEYWELL USE ONLY. NO INFORMATION MAY BE DISTRIBUTED TO OTHERS WITHOUT THE WRITTEN PERMISSION OF AN AUTHORIZED HONEYWELL OFFICIAL. THIS RESTRICTION DOES NOT APPLY TO UNCLASSIFIED INFORMATION.

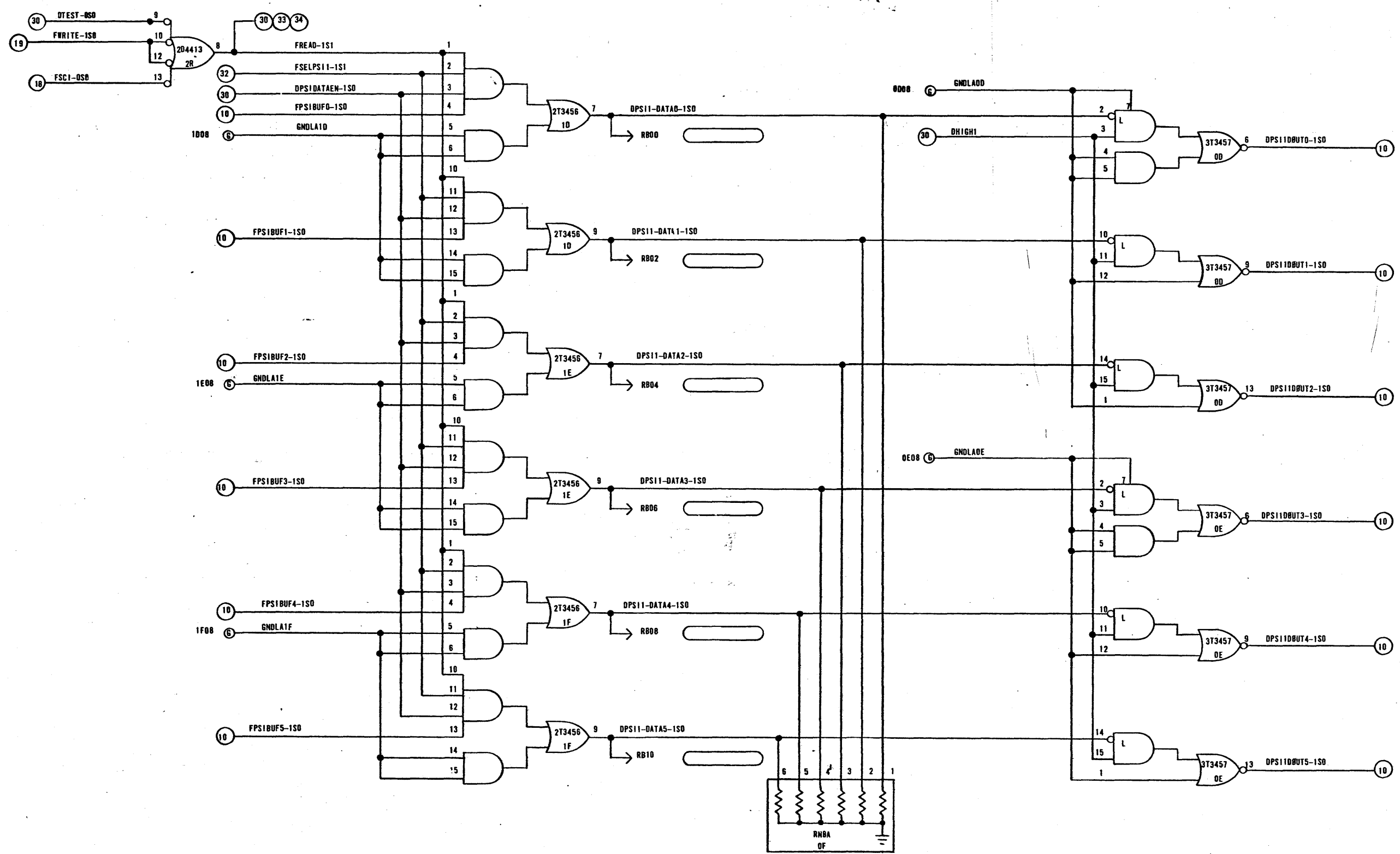


REF SPEC NO
 CE 300 D (6-71)

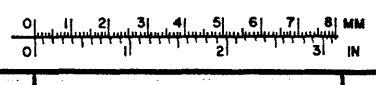
UNLESS OTHERWISE SPECIFIED		MATERIAL		Honeywell HONEYWELL INFORMATION SYSTEMS PHOENIX, ARIZONA U. S. A.	
DIMENSIONS= MILLIMETERS INCHES		TREAT.			
TOLERANCE OF SIZE AND FORM PER		FIN.		TITLE LOGIC DIAGRAM MPCLA	
INITIAL DESIGN		DR <i>Albert E. Brazger</i> 1971 <i>Lot 7</i>		SIZE	DWG NO
PROJECTION		APP'D <i>R. M...</i> 12-20-71		D	43D234074
SCALE	CODE	DR		SH	REV
NONE				28	A

43D234074

REVISIONS				
REV	AUTHORITY	DATE		SIGNATURE
		YR	MO DAY	



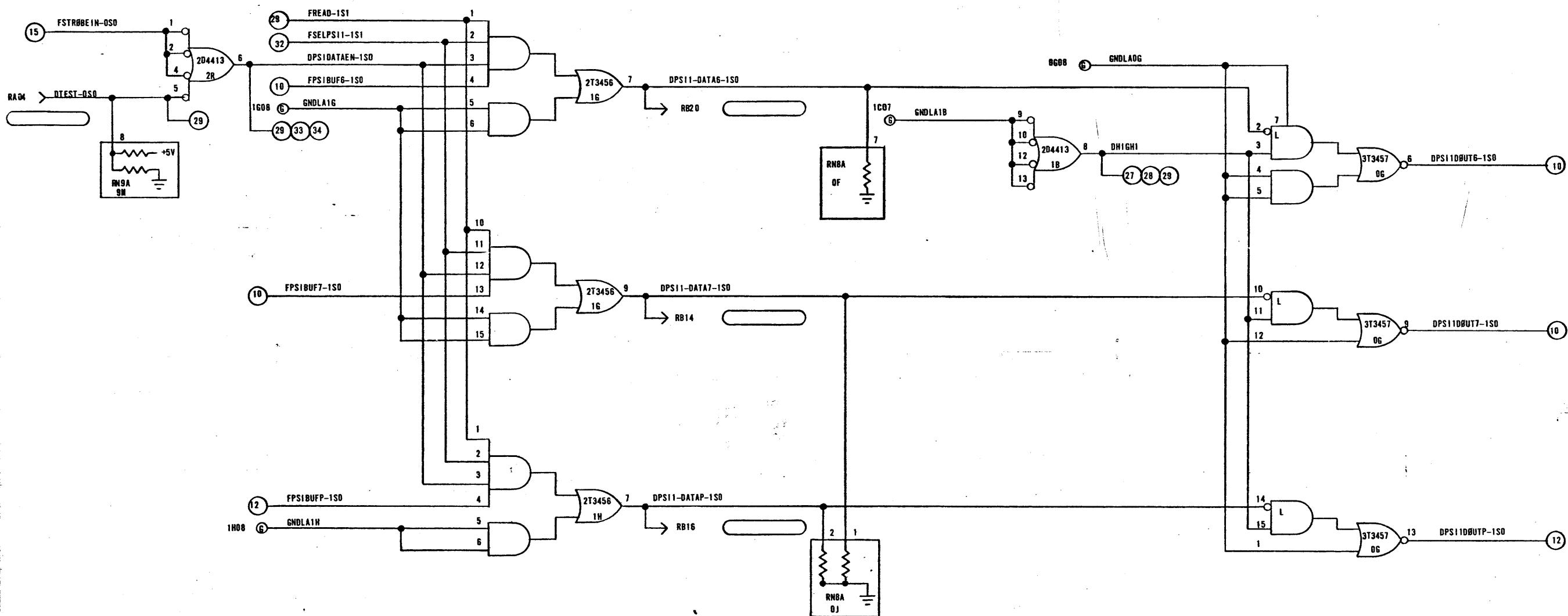
INFORMATION CONTAINED IN THIS DOCUMENT IS PROPRIETARY TO HONEYWELL INFORMATION SYSTEMS AND IS INTENDED FOR INTERNAL USE ONLY. IT IS NOT TO BE DISTRIBUTED TO OTHERS WITHOUT THE WRITTEN PERMISSION OF AN AUTHORIZED HONEYWELL OFFICIAL. THIS RESTRICTION DOES NOT APPLY TO PROPRIETARY PARTS THAT MAY BE INCLUDED IN THIS DOCUMENT.



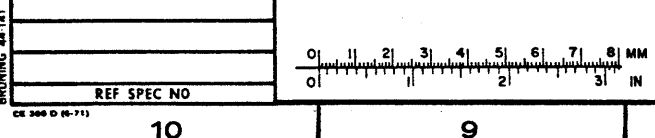
UNLESS OTHERWISE SPECIFIED		MATL		Honeywell HONEYWELL INFORMATION SYSTEMS PHOENIX, ARIZONA U. S. A.	
DIMENSIONS= MILLIMETERS / INCHES		TREAT.			
TOLERANCE OF SIZE AND FORM PER INITIAL DESIGN		FIN.		TITLE LOGIC DIAGRAM MPCLA	
SCALE NONE	CODE	DR. <i>Albert E. Bragg</i> .971 2-27-77 APPD. <i>R. Flynn</i> 12-08-71 DISTR C68-26, TO S, S.D.F. NCO		SIZE D	DWG NO 43D234074
				SH 29	REV A

43D234074

REVISIONS				
REV	AUTHORITY	DATE	SIGNATURE	
		YR MO DAY		



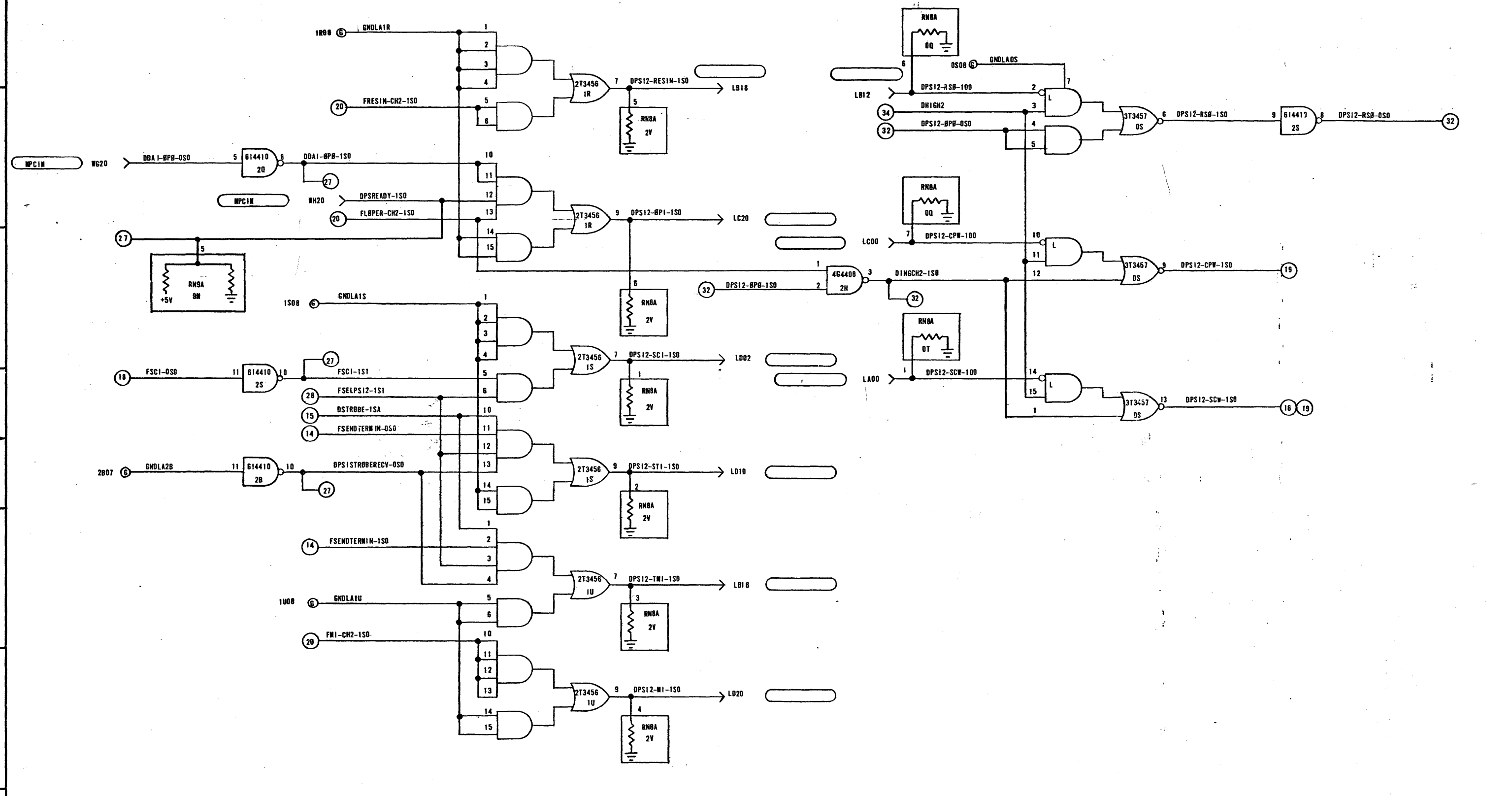
ALL INFORMATION CONTAINED IN THIS DOCUMENT IS PROPRIETARY TO HONEYWELL INFORMATION SYSTEMS AND IS INTENDED FOR INTERNAL HONEYWELL USE ONLY. NO INFORMATION MAY BE DISTRIBUTED TO OTHERS ONLY BY WRITTEN PERMISSION OF AN AUTHORIZED HONEYWELL OFFICIAL. THIS RESTRICTION DOES NOT APPLY TO UNCLASSIFIED PROPRIETARY PARTS THAT MAY BE DISCLOSED IN THIS DOCUMENT.



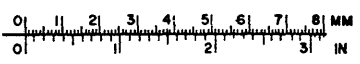
UNLESS OTHERWISE SPECIFIED		MATERIAL		Honeywell HONEYWELL INFORMATION SYSTEMS PHOENIX, ARIZONA U. S. A.	
DIMENSIONS= MILLIMETERS INCHES		TREAT.			
TOLERANCE OF SIZE AND FORM PER		FIN.		LOC	
INITIAL DESIGN		DR Alberto E. Bray, et al		TITLE LOGIC DIAGRAM MPCLA	
PROJECTION		APPD R Thom 12-18-71		SIZE	
SCALE NONE		CODE		DWG NO	
				D 43D234074	
				SH	
				30	
				REV	
				A	
DISTR C68-26, TOS SOFV nos 1					

43D234074

REVISIONS				
REV	AUTHORITY	DATE	SIGNATURE	
		YR MO DAY		



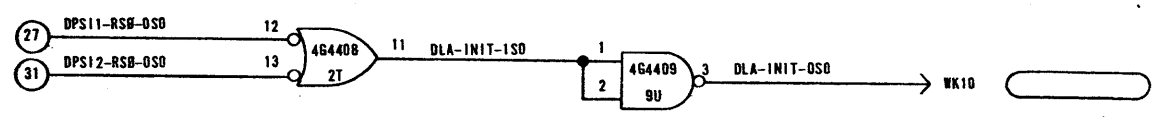
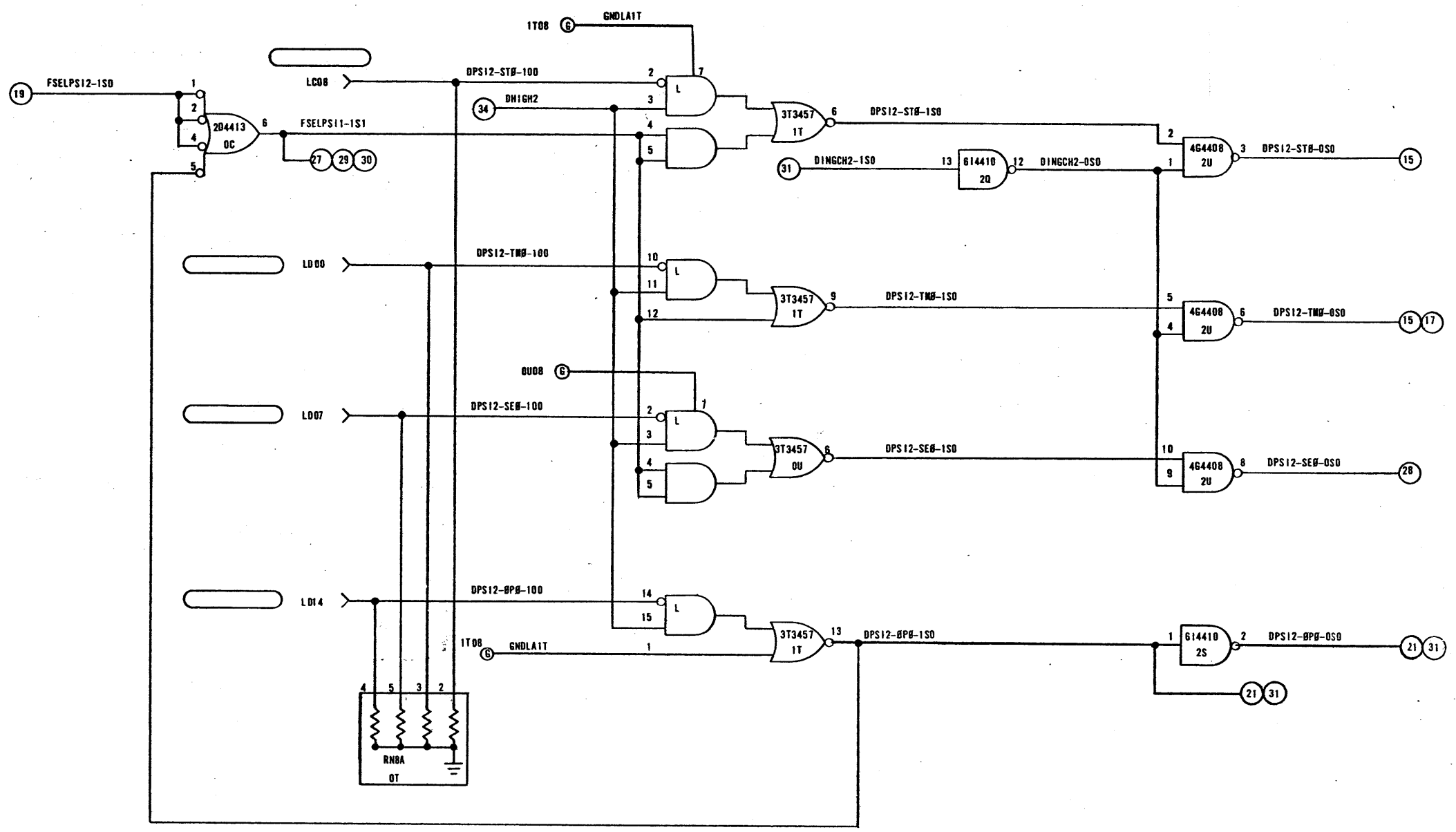
INFORMATION CONTAINED IN THIS DOCUMENT IS PROPRIETARY TO HONEYWELL INFORMATION SYSTEMS AND IS INTENDED FOR INTERNAL HONEYWELL USE ONLY. NO INFORMATION MAY BE DISTRIBUTED TO OTHERS OR BY WRITTEN PERMISSION OF AN AUTHORIZED HONEYWELL OFFICIAL. THIS RESTRICTION DOES NOT APPLY TO INFORMATION CONTAINED IN THIS DOCUMENT.



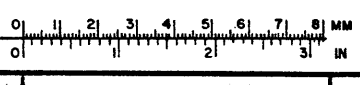
UNLESS OTHERWISE SPECIFIED		MATERIAL	
DIMENSIONS= MILLIMETERS		TREAT.	
TOLERANCE OF SIZE AND INCHES		FIN.	
FORM PER		DR <i>Alberta E. Brazzell</i>	
INITIAL DESIGN		1971 Sept 8	
PROJECTION		APPD <i>R. Lynn</i> 12-08-71	
SCALE	CODE	DISTR C68-26, TOS, SDF, NCO	
NONE		SIZE	REV
		D 43D234074	31 A

43D234074

REVISIONS				
REV	AUTHORITY	DATE		SIGNATURE
		YR	MO DAY	



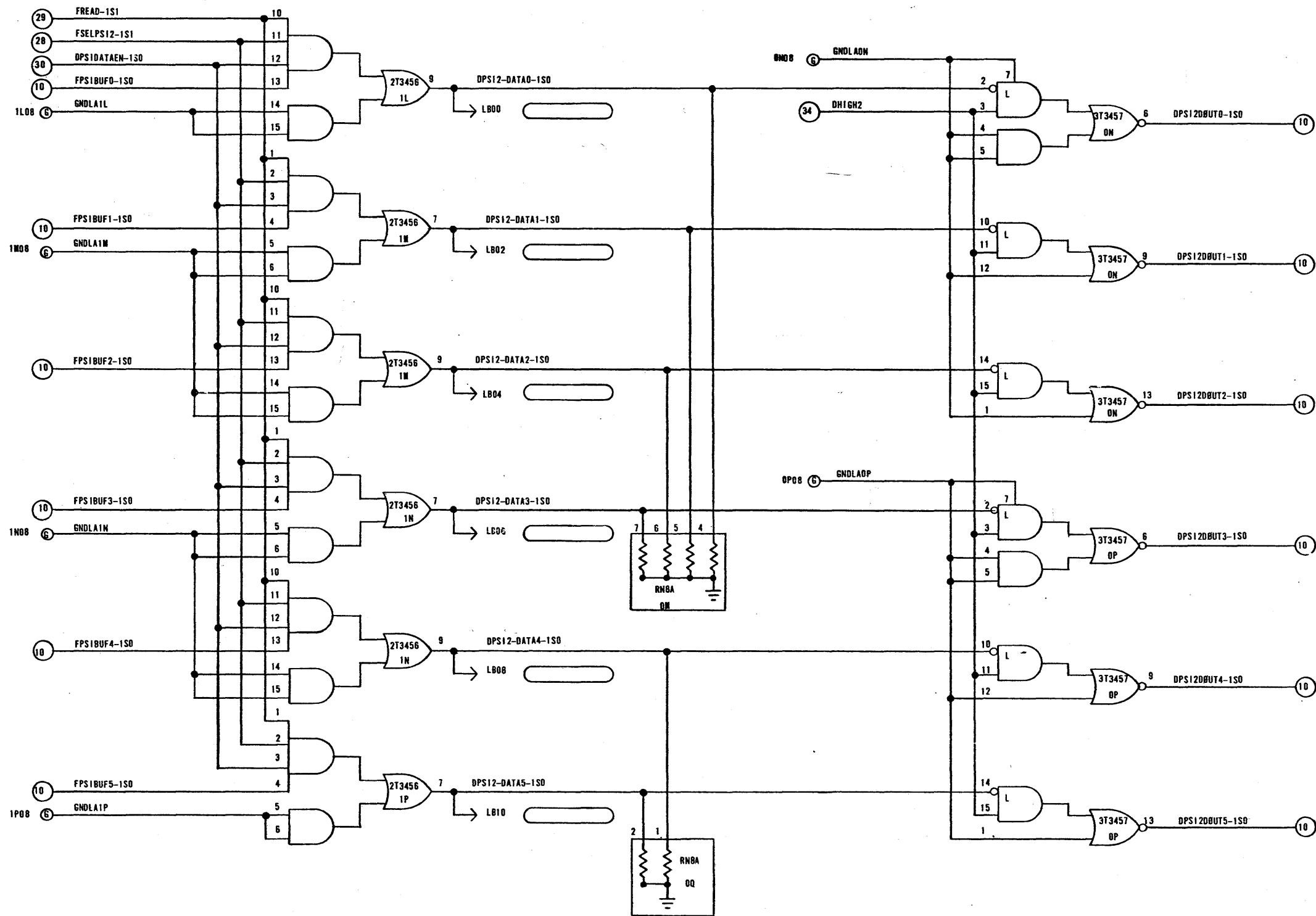
INFORMATION CONTAINED IN THIS DOCUMENT IS PROPRIETARY TO HONEYWELL INFORMATION SYSTEMS AND IS INTENDED FOR INTERNAL HONEYWELL USE ONLY. NO INFORMATION MAY BE DISTRIBUTED TO OTHERS WITHOUT WRITTEN PERMISSION OF AN AUTHORIZED HONEYWELL OFFICIAL. THIS RESTRICTION DOES NOT APPLY TO VARIOUS PROPRIETARY PARTS THAT MAY BE DISCLOSED IN THIS DOCUMENT.



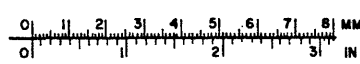
UNLESS OTHERWISE SPECIFIED		MATL	Honeywell HONEYWELL INFORMATION SYSTEMS PHOENIX, ARIZONA U. S. A.						
DIMENSIONS=	MILLIMETERS ← INCHES	TREAT.					LOC	TITLE LOGIC DIAGRAM MPCLA	
TOLERANCE OF SIZE AND FORM PER INITIAL DESIGN	PROJECTION	FIN.					SIZE	DWG NO	SH
SCALE NONE	CODE	DR. <i>Alberta E. Bragg</i> 1971 <i>Dist 8</i>	APPD. <i>R. Lynn</i> 12-05-71	D	43D234074	32	A		
DISTR C68-26, TOS, NCO, SDF			1						

43D234074

REVISIONS				
REV	AUTHORITY	DATE		SIGNATURE
		YR	MO	DAY



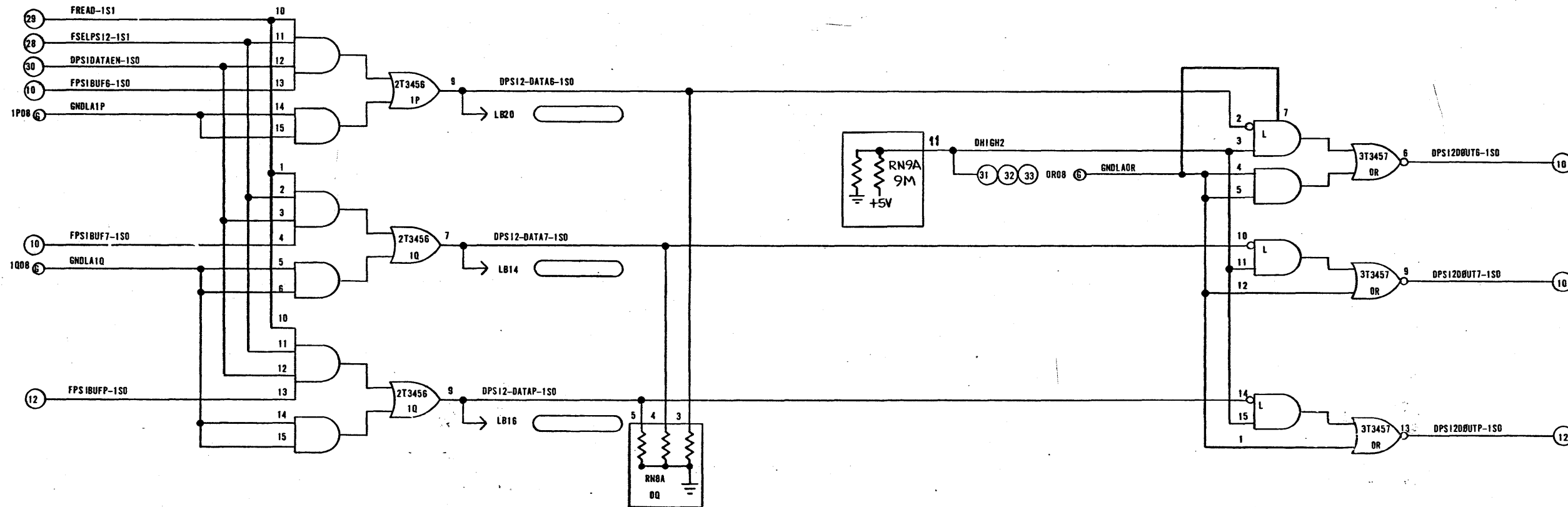
INFORMATION CONTAINED IN THIS DOCUMENT IS PROPRIETARY TO HONEYWELL INFORMATION SYSTEMS AND IS INTENDED FOR INTERNAL HONEYWELL USE ONLY. INFORMATION MAY BE DISTRIBUTED TO OTHERS ONLY BY WRITTEN PERMISSION OF AN AUTHORIZED HONEYWELL OFFICIAL. THIS RESTRICTION DOES NOT APPLY TO VENDOR PROPRIETARY PARTS THAT MAY BE DISCLOSED IN THIS DOCUMENT.

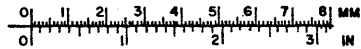


UNLESS OTHERWISE SPECIFIED		MATERIAL		Honeywell HONEYWELL INFORMATION SYSTEMS PHOENIX, ARIZONA U. S. A.	
DIMENSIONS= MILLIMETERS / INCHES		TREAT.			
TOLERANCE OF SIZE AND FORM PER INITIAL DESIGN		FIN.		LOC	
PROJECTION				TITLE LOGIC DIAGRAM MPCLA	
SCALE NONE	CODE	DR <i>Alberta E. Brazzell</i> 1971 Rev 8 APPD <i>R. Thym</i> 12-25-71		SIZE D	DWG NO 43D234074
		DISTR C68-26, TO S, SJFV, NCOV		SH 33	REV A

143D234074

REVISIONS				
REV	AUTHORITY	DATE	SIGNATURE	
		YR MO DAY		





UNLESS OTHERWISE SPECIFIED		MATL
DIMENSIONS=	MILLIMETERS	
	INCHES	
TOLERANCE OF SIZE AND FORM PER INITIAL DESIGN		TREAT.
PROJECTION		FIN.
SCALE NONE	CODE	DR Albert J. Brazzell 1971 Int. 8
		APPD R. J. ... 12-08-71

Honeywell			
HONEYWELL INFORMATION SYSTEMS PHOENIX, ARIZONA U. S. A.			
TITLE LOGIC DIAGRAM MPCLA		LOC	
SIZE D	DWG NO 43D234074	SH 34F	REV E
DISTR C68-26, TOS SDFV NC01			

DRAWING 44-141

NOTICE: INFORMATION CONTAINED HEREIN IS PROPRIETARY TO HONEYWELL INFORMATION SYSTEMS AND IS INTENDED FOR INTERNAL HONEYWELL USE ONLY. INFORMATION MAY BE DISTRIBUTED TO OTHERS ONLY BY WRITTEN PERMISSION OF AN AUTHORIZED HONEYWELL OFFICIAL. THIS RESTRICTION DOES NOT APPLY TO HONEYWELL PROPRIETARY PATENTS THAT MAY BE DISCLOSED IN THIS DOCUMENT.

43D234074

THE INFORMATION CONTAINED IN THIS DOCUMENT PROPRIETARY TO HONEYWELL INFORMATION SYSTEMS, INC. AND IS INTENDED FOR INTERNAL HONEYWELL USE ONLY. SUCH INFORMATION MAY BE DISTRIBUTED TO OTHERS BY WRITTEN PERMISSION OF AN AUTHORIZED HONEYWELL OFFICIAL. THIS RESTRICTION DOES NOT APPLY TO VENDOR PROPRIETARY THAT MAY BE DISCLOSED IN THIS DOCUMENT.

31-IV

58003714

REV	AUTHORITY	DATE			SIGNATURE	DWG SHEET NO														
		YR	MO	DAY		1	2	3	4	5	6	7	8	9	10	11	12	13	14	15
A	ISSUED	73	02	26	C.M. Ripley	[REDACTED]			A	A	A	A	A	A	A	A	A	A	A	A
B	HXP-00-0178	73	APR	04	R.M. Hargrave				B	B	B		B							
C	HXP-00-0280	73	07	11	Cy Young				C	C	C		C	C						
D	HXP-00-0255	73	10	10	R.M. Hargrave					D	D									
E	PHAØBA002	73	DEC	28	R.M. Hargrave					E	E									
F	PHAØDM010	76	12	07	C.M. Ripley				F											
G	PHAØBA020	77	12	09	C.M. Ripley					G										

BLANK SHEETS
NOT
INCLUDED

FOR CONTINUATION OF REVISION STATUS SEE SHEET

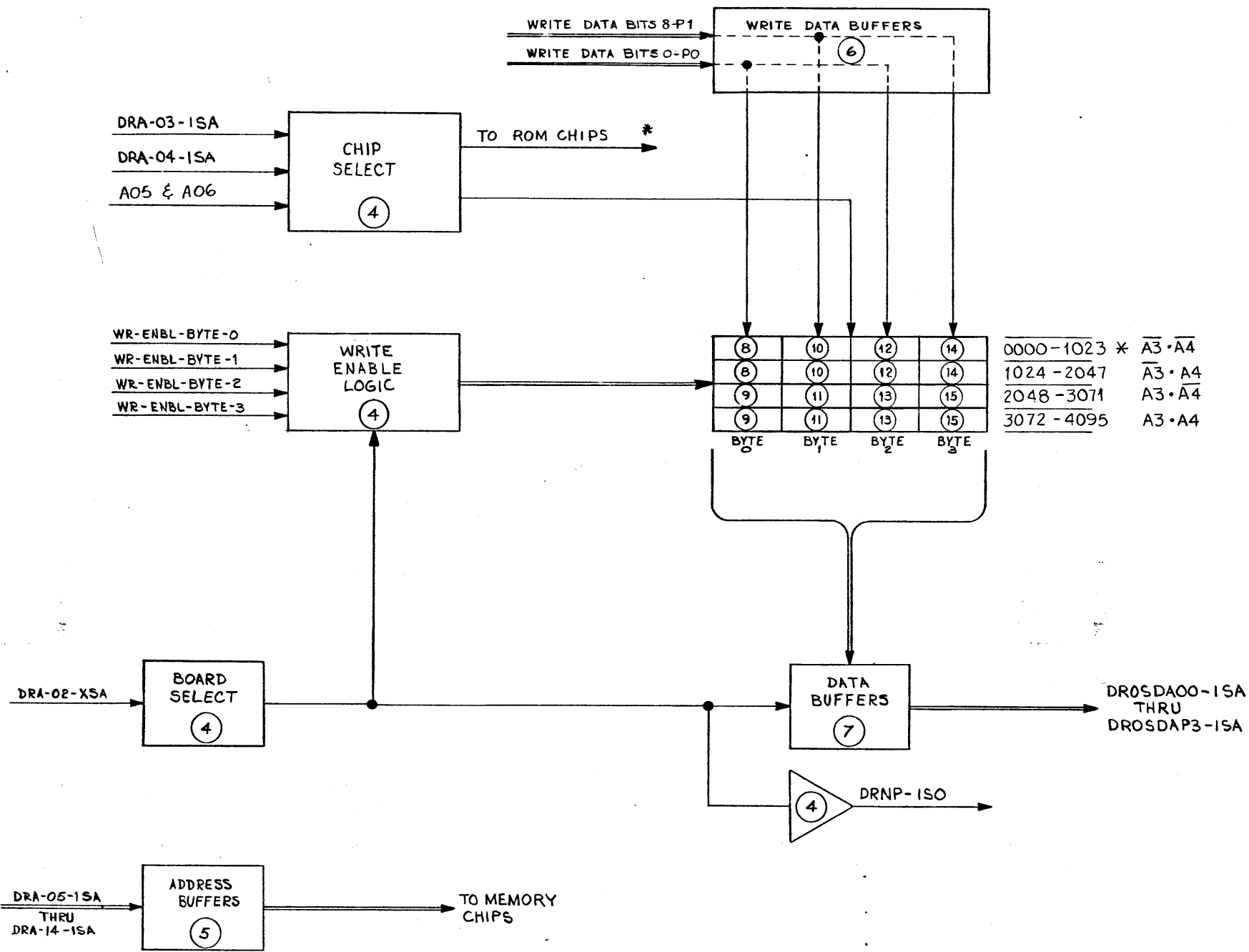
HONEYWELL INFORMATION SYSTEMS
LOC PCO PHOENIX, ARIZONA

LOGIC DIAGRAM
MPCSE
REVISION STATUS FOR EACH PAGE, SHEET OR GROUP IS SHOWN BY LAST ENTRY IN THE CORRESPONDING NUMBERED COLUMN
SIZE D REVISION STATUS FOR SHEET 1/1 REV G

CE 300 A-3 112-71 BRUNING 44-141

CG8-26, NCO, 7000

REVISIONS				
REV	AUTHORITY	DATE	SIGNATURE	
		YR MO DAY		



*

ADDRESS				ENABLE
A3	A4	A5	A6	
0	0	0	0	RENBL:100
0	0	1	0	CENBL(0);000
0	0	0	1	CENBL(0);001
0	0	1	1	RENBL:101

A0000-A0255 = ROM
 A0256-A0767 = RAM
 A0768-A1023 = ROM
 A1024-A4095 = RAM

NOTE: THE ROM ADDRESSES MASK OUT THE CORRESPONDING RAM ADDRESSES

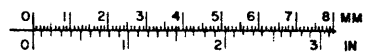
0000-1023 * A3·A4
 1024-2047 A3·A4
 2048-3071 A3·A4
 3072-4095 A3·A4

SHEETS 1, 2 & 3 ARE "A" SIZE.

FOR DOCUMENT STATUS SEE REVISION STATUS SHEET

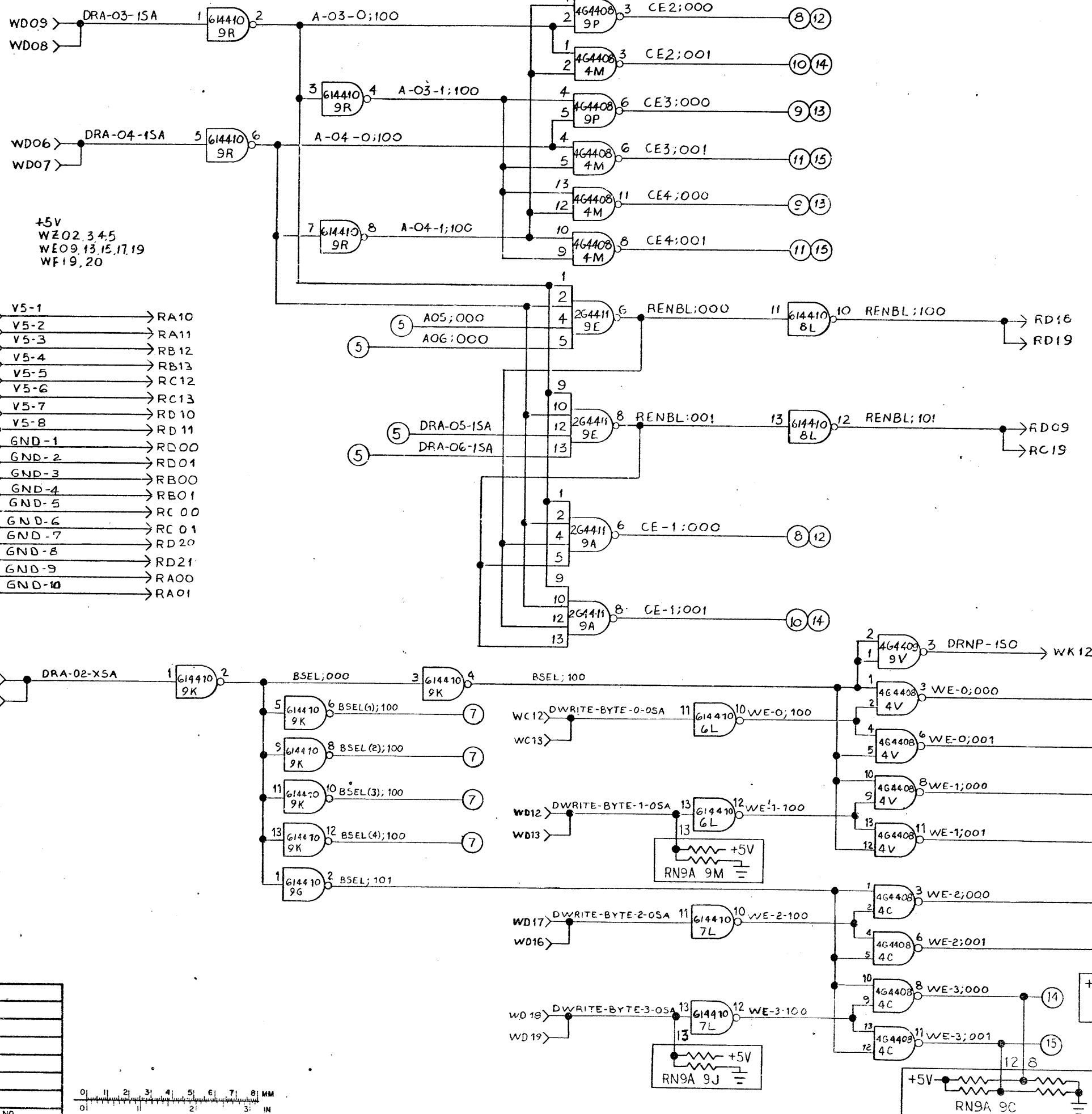
INFORMATION CONTAINED IN THIS DOCUMENT IS PROPRIETARY TO HONEYWELL INFORMATION SYSTEMS AND IS INTENDED FOR INTERNAL HONEYWELL USE ONLY. SUCH INFORMATION MAY BE DISTRIBUTED TO OTHERS ONLY BY WRITTEN PERMISSION OF AN AUTHORIZED HONEYWELL OFFICIAL. THIS RESTRICTION DOES NOT APPLY TO VENDOR PROPRIETARY PARTS THAT MAY BE DISCLOSED IN THIS DOCUMENT.

BRUNING 44 141



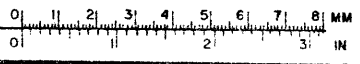
UNLESS OTHERWISE SPECIFIED		MAIL		Honeywell HONEYWELL INFORMATION SYSTEMS PHOENIX, ARIZONA U. S. A. LOC PCO TITLE LOGIC DIAGRAM MPCSE BLOCK DIAGRAM				
DIMENSIONS = $\frac{\text{MILLIMETERS}}{\text{INCHES}}$		TREAT.					SIZE DWG NO D 58003714	
TOLERANCE OF SIZE AND FORM PER		FIN.					SH REV	
INITIAL DESIGN		DR					3.1 F	
PROJECTION ---		APPD		REV				
SCALE CODE		DISTR		NCO C68-26 NCO.703.				

REVISIONS			
REV	AUTHORITY	DATE	SIGNATURE
		YR MO DAY	



+5V
WZ02, 3, 4, 5
WE09, 13, 15, 17, 19
WF19, 20

- | | | | |
|------|--------|---|------|
| OC16 | V5-1 | → | RA10 |
| OD16 | V5-2 | → | RA11 |
| OE16 | V5-3 | → | RB12 |
| OF16 | V5-4 | → | RB13 |
| OG16 | V5-5 | → | RC12 |
| OH16 | V5-6 | → | RC13 |
| OJ16 | V5-7 | → | RD10 |
| OK14 | V5-8 | → | RD11 |
| OJ08 | GND-1 | → | RD00 |
| OK07 | GND-2 | → | RD01 |
| OE08 | GND-3 | → | RD01 |
| OF08 | GND-4 | → | RB00 |
| OG08 | GND-5 | → | RB01 |
| OH08 | GND-6 | → | RC00 |
| OJ08 | GND-7 | → | RC01 |
| OK08 | GND-8 | → | RD20 |
| OD08 | GND-9 | → | RD21 |
| OE08 | GND-10 | → | RA00 |
| OF08 | GND-10 | → | RA01 |



Honeywell
HONEYWELL INFORMATION SYSTEMS
PHOENIX, ARIZONA U. S. A.

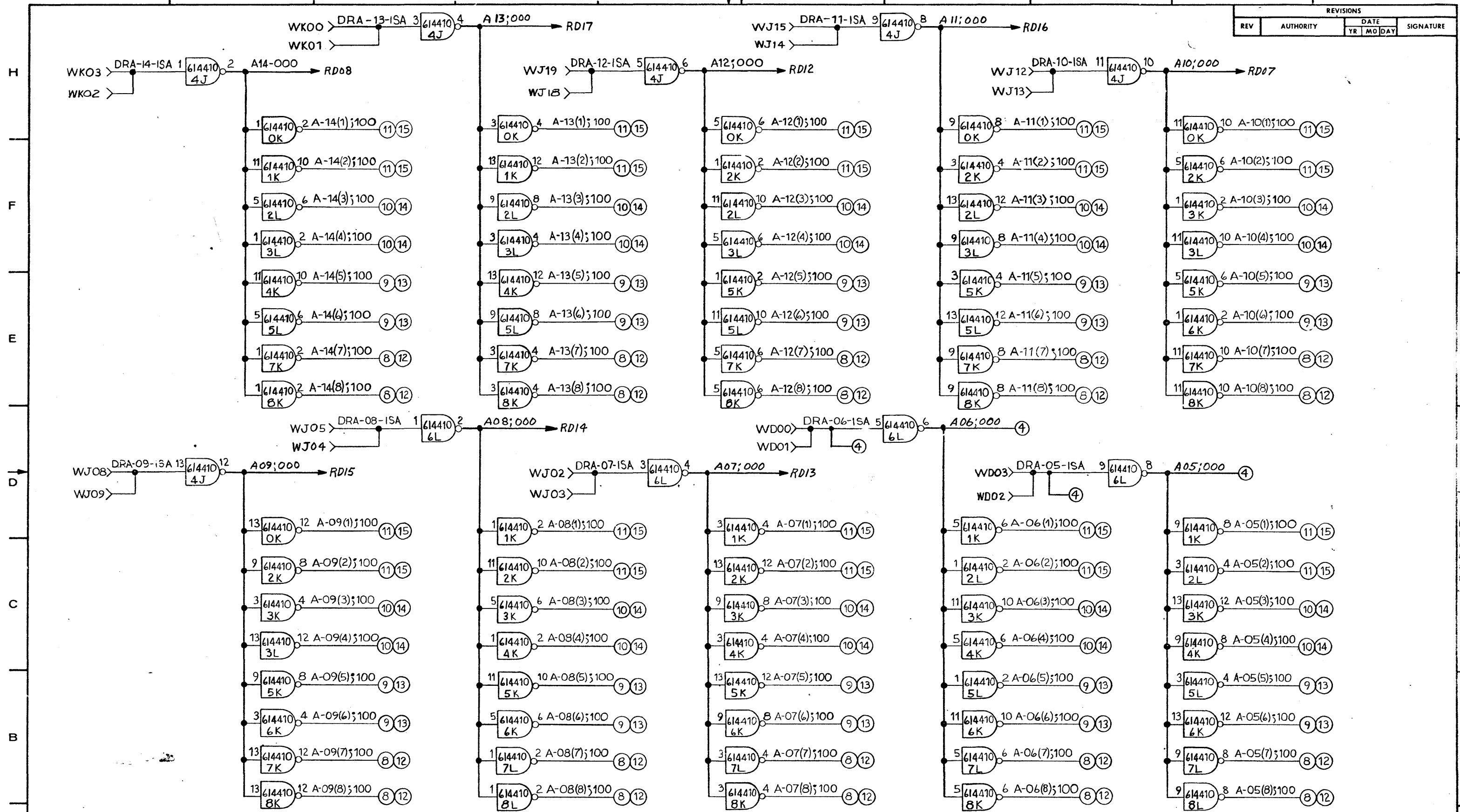
LOC PCO
TITLE LOGIC DIAGRAM MPCSE DECODERS

FIN. DR. [Signature] 23 FEB 74
APPD. [Signature] 27 FEB 74
DISTR. [Signature]

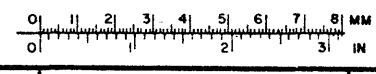
SIZE	DWG NO	SH	REV
D	58003714	4	G

INFORMATION CONTAINED IN THIS DOCUMENT IS PROPRIETARY TO HONEYWELL INFORMATION SYSTEMS AND IS INTENDED FOR INTERNAL HONEYWELL USE ONLY. NO PART OF THIS DOCUMENT IS TO BE DISTRIBUTED TO OTHERS OR BY ANY MEANS, WITHOUT THE WRITTEN PERMISSION OF AN AUTHORIZED HONEYWELL OFFICIAL. THIS RESTRICTION APPLIES TO ALL INFORMATION CONTAINED HEREIN, INCLUDING ANY INFORMATION THAT MAY BE DISCLOSED IN THIS DOCUMENT.

REVISIONS				
REV	AUTHORITY	DATE	SIGNATURE	
YR	MO	DAY		



INFORMATION CONTAINED IN THIS DOCUMENT IS PROPRIETARY TO HONEYWELL INFORMATION SYSTEMS AND IS INTENDED FOR INTERNAL HONEYWELL USE ONLY. SUCH INFORMATION MAY BE DISTRIBUTED TO OTHERS ONLY BY WRITTEN PERMISSION OF AN AUTHORIZED HONEYWELL OFFICIAL. THIS RESTRICTION DOES NOT APPLY TO VENDOR PROPRIETARY PARTS THAT MAY BE DISCLOSED IN THIS DOCUMENT.



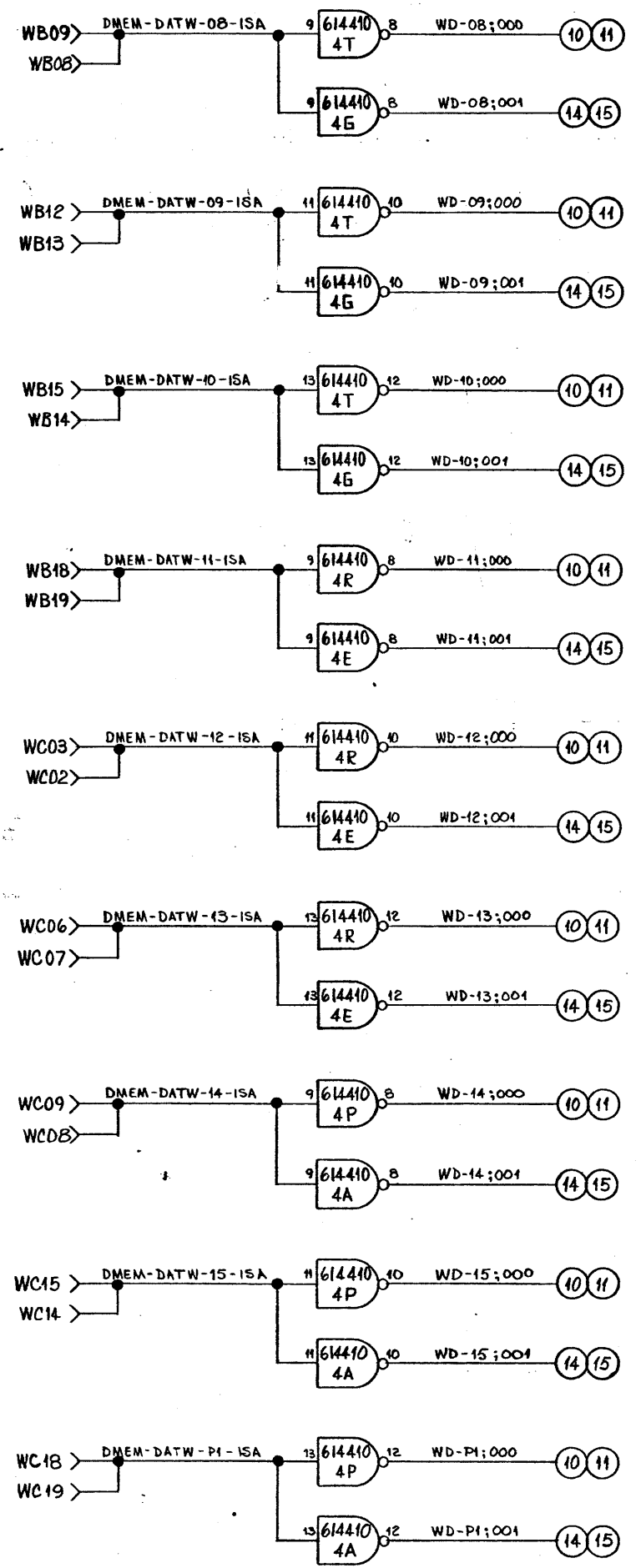
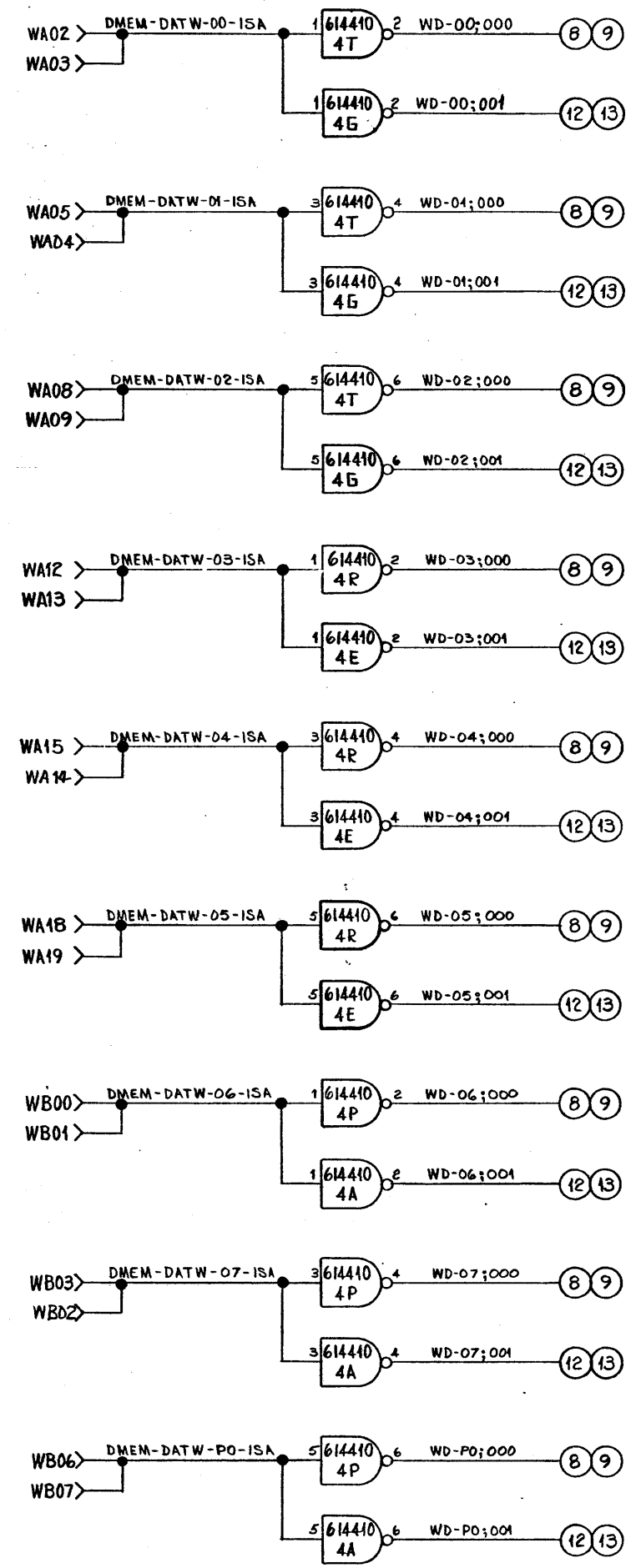
UNLESS OTHERWISE SPECIFIED		MATL	Honeywell HONEYWELL INFORMATION SYSTEMS PHOENIX, ARIZONA U. S. A.		
DIMENSIONS—	MILLIMETERS	TREAT.			
	INCHES	FIN.	TITLE LOGIC DIAGRAM MPCSE ADDRESS BUFFERS		
TOLERANCE OF SIZE AND FORM PER		DR	DATE	SIZE	DWG NO.
INITIAL DESIGN		APD		D	58003714
PROJECTION		DISTR		SH	REV
SCALE	CODE			5	E

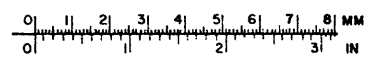
REF SPEC NO: 10, 9, 8, 7, 6, 5, 4
 BRUNING 44 141
 CE 350 D 12-72
 C68-26, NCO, TOS, SDP V1 NCO

REVISIONS

REV	AUTHORITY	DATE			SIGNATURE
		YR	MO	DAY	

THE INFORMATION CONTAINED IN THIS DOCUMENT IS PROPRIETARY TO HONEYWELL INFORMATION SYSTEMS AND IS INTENDED FOR INTERNAL HONEYWELL USE ONLY. SUCH INFORMATION MAY BE DISTRIBUTED TO OTHERS ONLY BY WRITTEN PERMISSION OF AN AUTHORIZED HONEYWELL OFFICIAL. THIS RESTRICTION DOES NOT APPLY TO VENDOR PROPRIETARY PATENTS THAT MAY BE DISCLOSED IN THIS DOCUMENT.





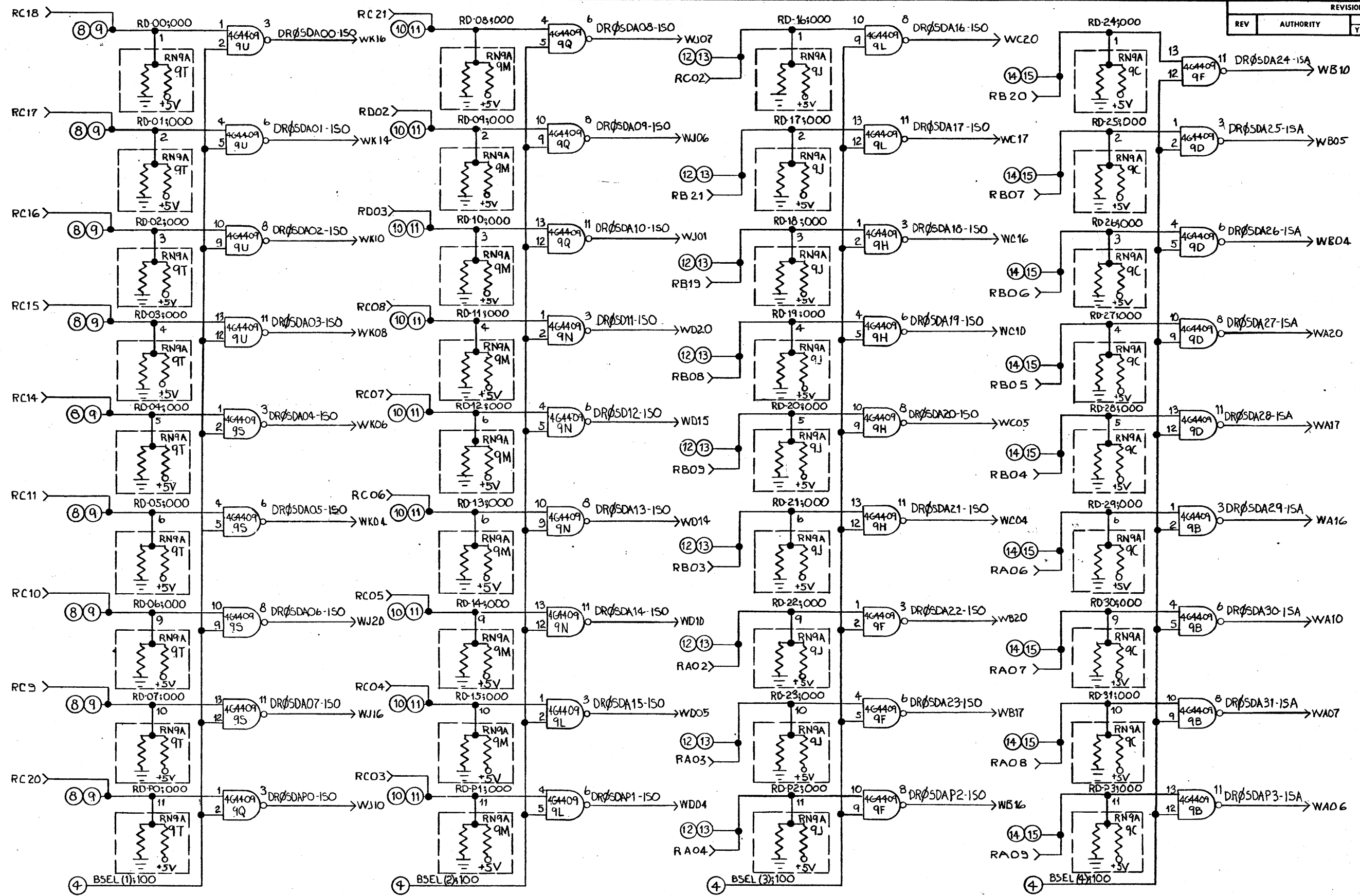
REF SPEC NO

UNLESS OTHERWISE SPECIFIED DIMENSIONS = <input checked="" type="checkbox"/> MILLIMETERS <input type="checkbox"/> INCHES	MATL	Honeywell HONEYWELL INFORMATION SYSTEMS PHOENIX, ARIZONA U.S.A. TITLE LOGIC DIAGRAM MPCSE WRITE DATA BUFFERS				
	TREAT.					
TOLERANCE OF SIZE AND FORM PER INITIAL DESIGN	FIN	DR <i>[Signature]</i> 13 FEB 14 APPD <i>[Signature]</i> 19 FEB 73 DISTR C68-26, NCO/SDP/NCU	SIZE D	DWG NO 58003714	SH 6	REV A

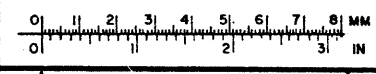
10 9 8 7 6 5 4

58003714

REVISIONS			
REV	AUTHORITY	DATE	SIGNATURE

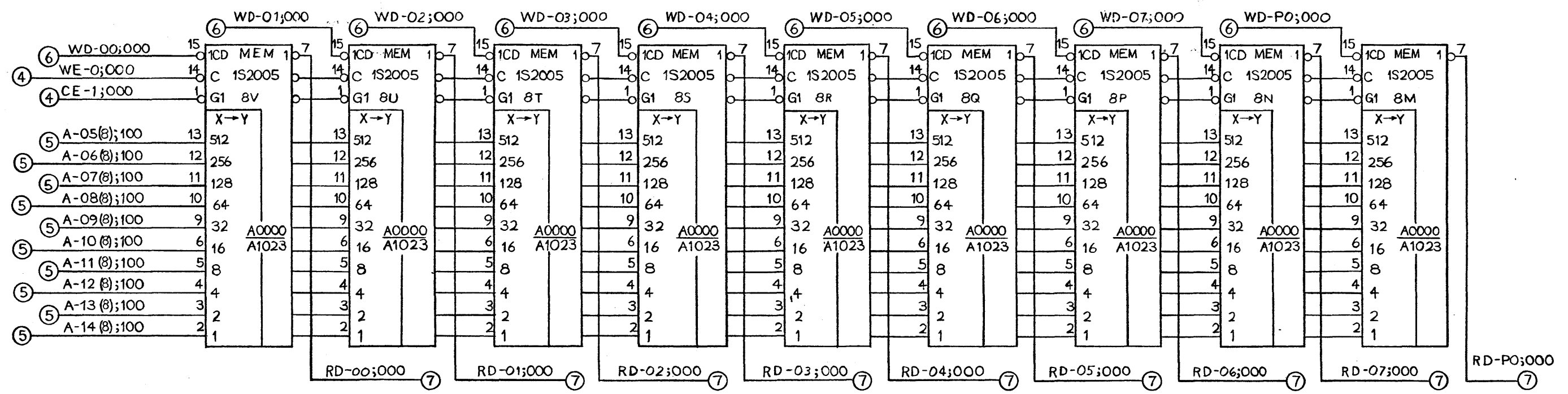
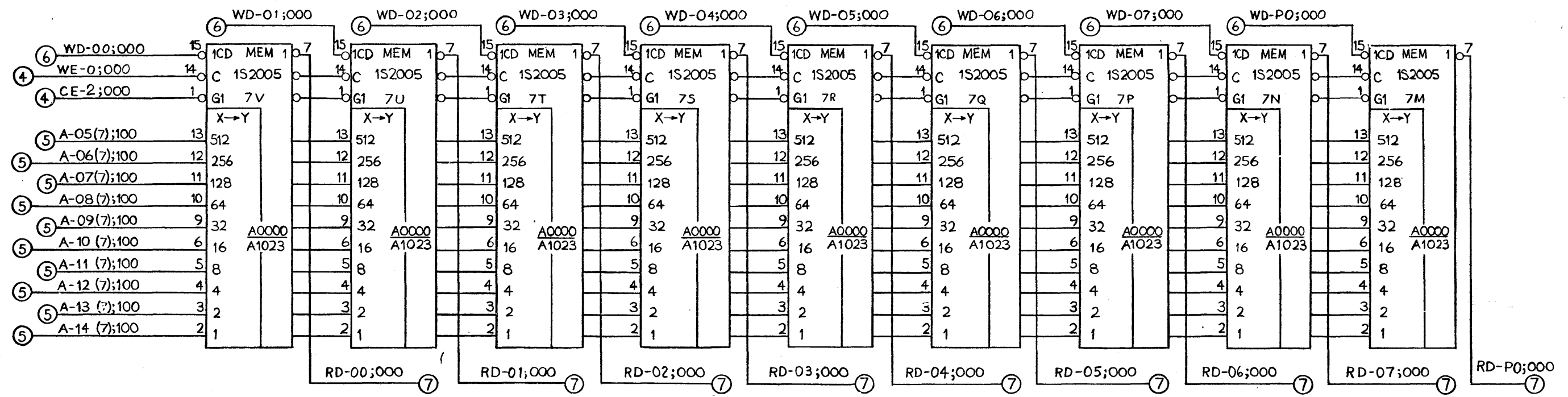


INFORMATION CONTAINED IN THIS DOCUMENT IS PROPRIETARY TO HONEYWELL INFORMATION SYSTEMS AND IS INTENDED FOR INTERNAL HONEYWELL USE ONLY. SUCH INFORMATION MAY BE DISTRIBUTED TO OTHERS ONLY BY WRITTEN PERMISSION OF AN AUTHORIZED HONEYWELL OFFICIAL. THIS RESTRICTION DOES NOT APPLY TO VENDOR PROPRIETARY PARTS THAT MAY BE DISCLOSED IN THIS DOCUMENT.

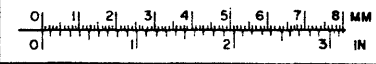


UNLESS OTHERWISE SPECIFIED		MATERIAL		Honeywell HONEYWELL INFORMATION SYSTEMS PHOENIX, ARIZONA U. S. A.	
DIMENSIONS = $\frac{\text{MILLIMETERS}}{\text{INCHES}}$		TREAT.			
TOLERANCE OF SIZE AND FORM PER		FIN.		LOC PCO TITLE LOGIC DIAGRAM MP CSE DATA LINE DRIVERS	
INITIAL DESIGN		DR <i>[Signature]</i> 13 FEB 14		SIZE DWG NO 58003714 SH 7 REV C	
PROJECTION		APPR <i>[Signature]</i> 12 FEB 73		DISTR C6B-26, N10 SDF 105	
SCALE		CODE			

REVISIONS				
REV	AUTHORITY	DATE	SIGNATURE	
YR	MO	DAY		



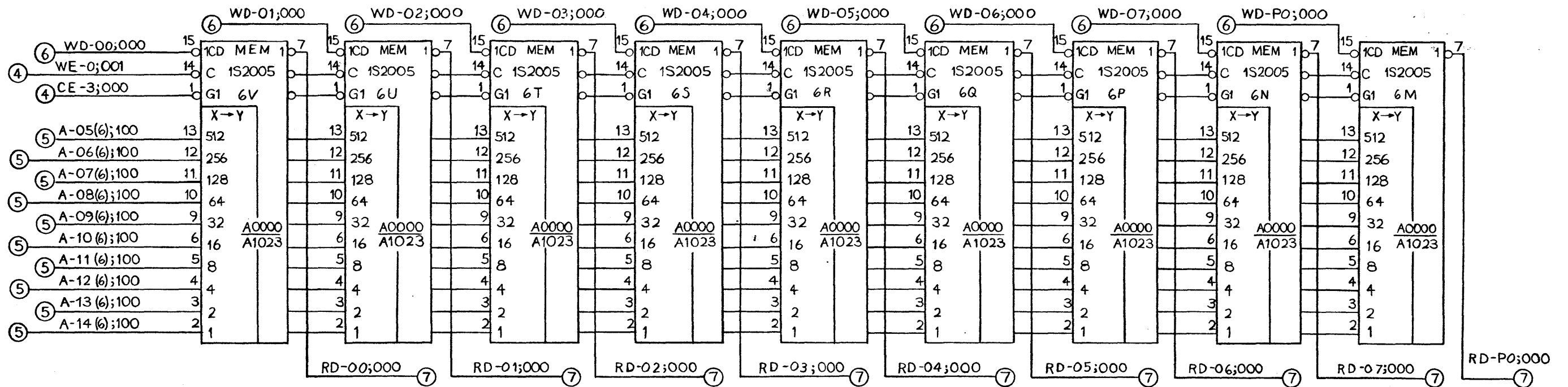
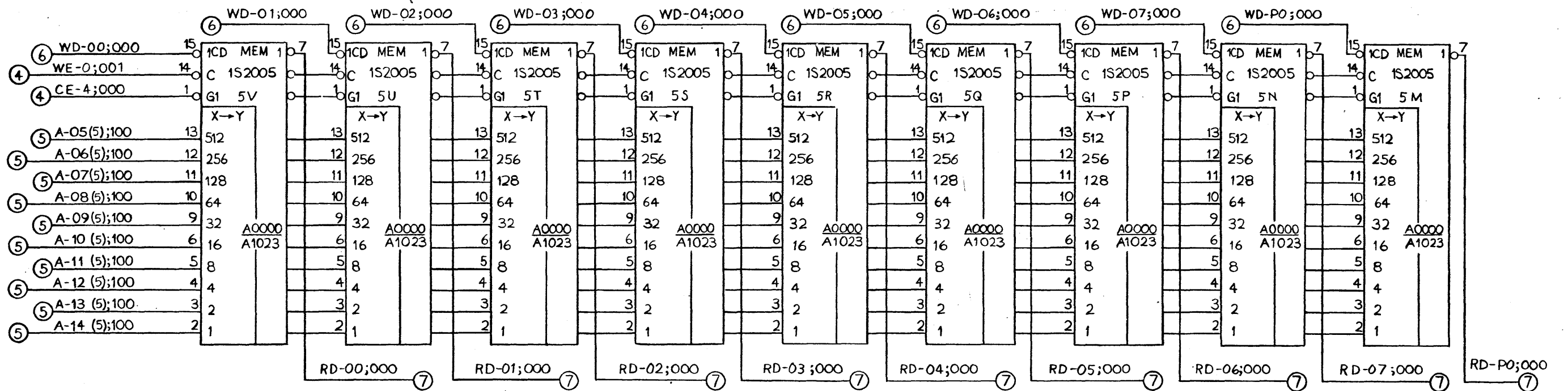
ALL INFORMATION CONTAINED IN THIS DOCUMENT IS UNCLASSIFIED EXCEPT WHERE SHOWN OTHERWISE. THIS DOCUMENT IS THE PROPERTY OF HONEYWELL INFORMATION SYSTEMS AND IS LOANED TO YOU BY HONEYWELL INFORMATION SYSTEMS. IT IS TO BE RETURNED TO HONEYWELL INFORMATION SYSTEMS. IT IS NOT TO BE REPRODUCED OR DISTRIBUTED TO OTHERS WITHOUT THE WRITTEN PERMISSION OF AN AUTHORIZED HONEYWELL OFFICIAL. THIS RESTRICTION DOES NOT APPLY TO VENDOR PROPRIETARY PARTS THAT MAY BE DISCLOSED IN THIS DOCUMENT.



UNLESS OTHERWISE SPECIFIED		MATERIAL	
DIMENSIONS= MILLIMETERS		TREAT.	
TOLERANCE OF SIZE AND FORM PER		FIN.	
INITIAL DESIGN	PROJECTION	DR.	DATE
SCALE	CODE	APPD.	
		DISTR.	

Honeywell			
HONEYWELL INFORMATION SYSTEMS			
LOC PCO PHOENIX, ARIZONA U.S.A.			
TITLE LOGIC DIAGRAM MP CSE			
BYTE 0 MEMORY CHIPS			
SIZE D	DWG NO 58003714	SH 8	P/V C

REVISIONS				
REV	AUTHORITY	DATE	SIGNATURE	
		YR MO DAY		



THIS DRAWING IS PROPRIETARY TO HONEYWELL INFORMATION SYSTEMS AND IS INTENDED FOR INTERNAL USE ONLY. IT IS NOT TO BE DISTRIBUTED TO OTHERS WITHOUT THE WRITTEN PERMISSION OF AN AUTHORIZED HONEYWELL OFFICIAL. THIS RESTRICTION DOES NOT APPLY TO VENDOR PROPRIETARY PARTS THAT MAY BE DISCLOSED IN THIS DOCUMENT.

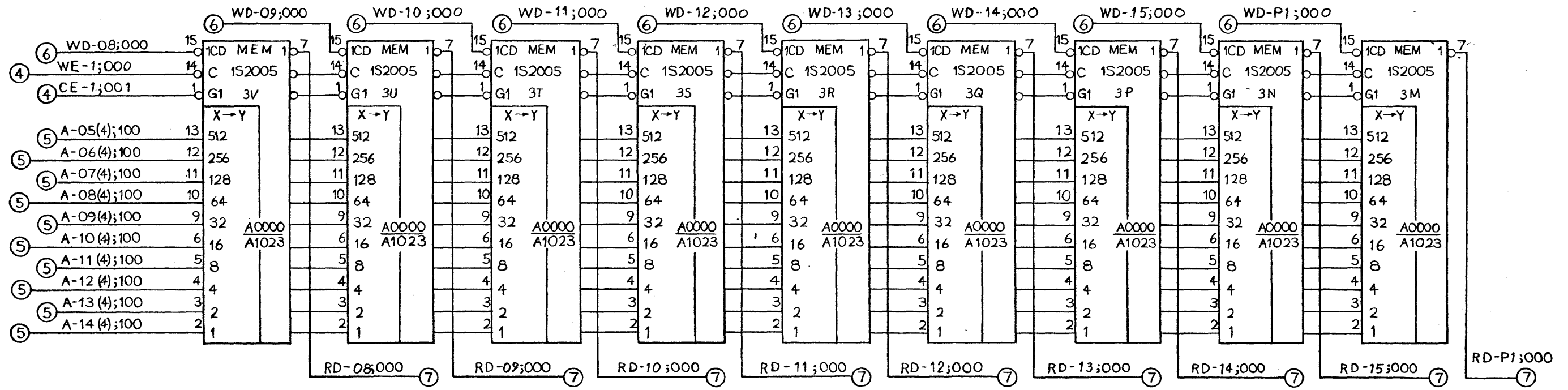
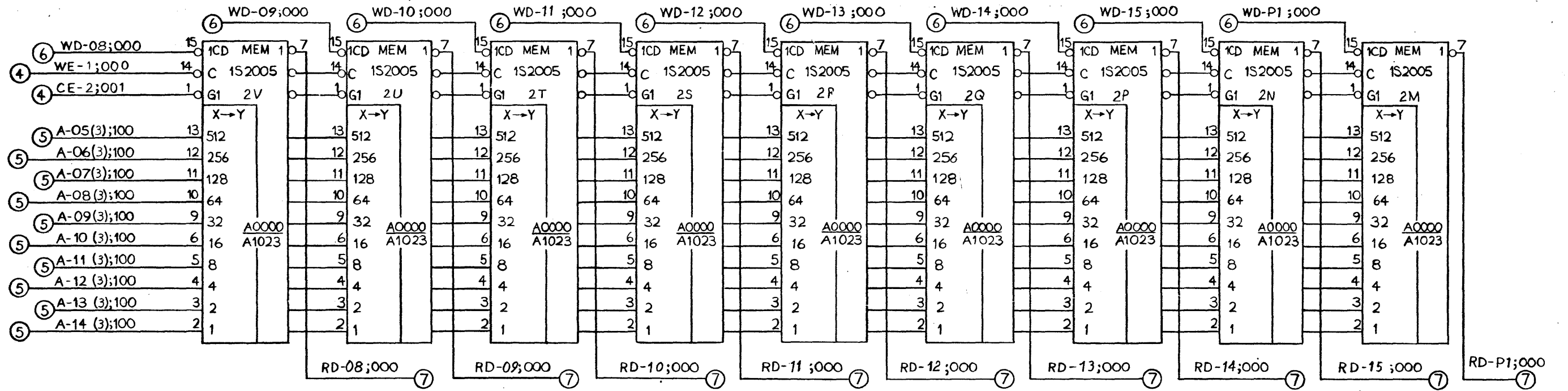
DRAWING 44 141



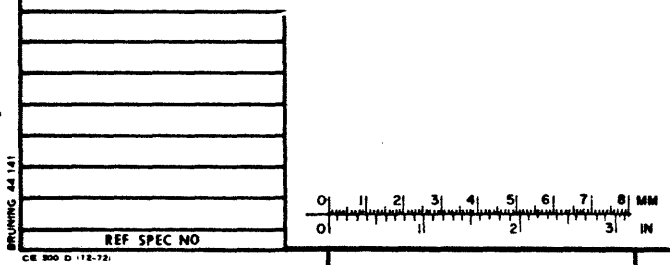
UNLESS OTHERWISE SPECIFIED		MATH	
DIMENSIONS=	MILLIMETERS	INCHES	
TOLERANCE OF SIZE AND FORM PER INITIAL DESIGN		TREAT.	
PROJECTION		FIN.	
SCALE	CODE	DR	173 FEB 15
APPD		19 Feb 73	
HONEYWELL		HONEYWELL INFORMATION SYSTEMS	
LOC P00		PHOENIX, ARIZONA U. S. A.	
TITLE LOGIC DIAGRAM MPCSE BYTE 0 MEMORY CHIPS			
SIZE D	DWG NO 58003714	SH 9	REV A

REF SPEC NO

REV			AUTHORITY			DATE			SIGNATURE
YR	MO	DAY				YR	MO	DAY	



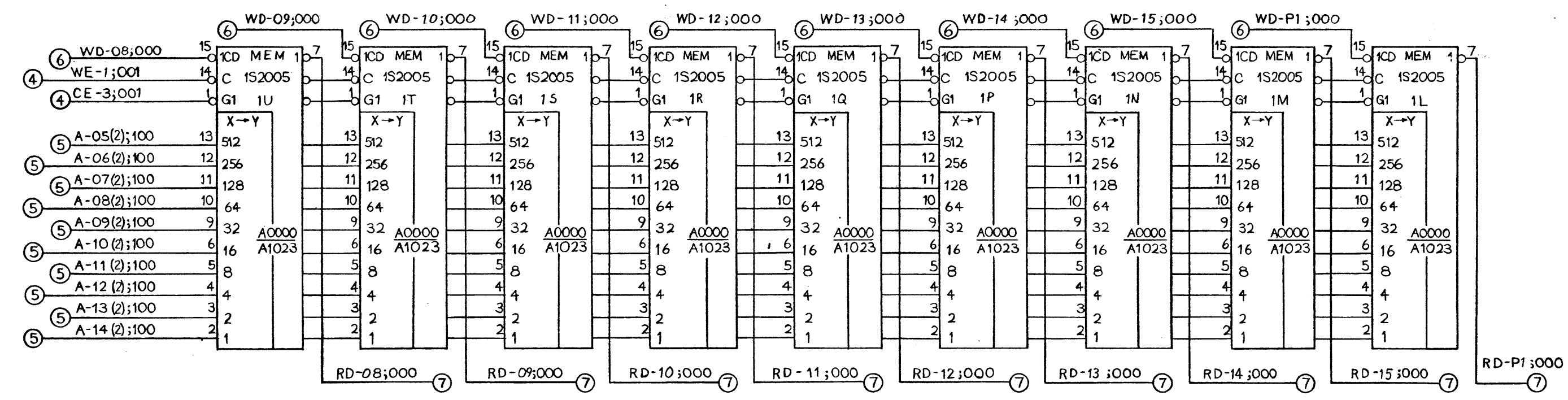
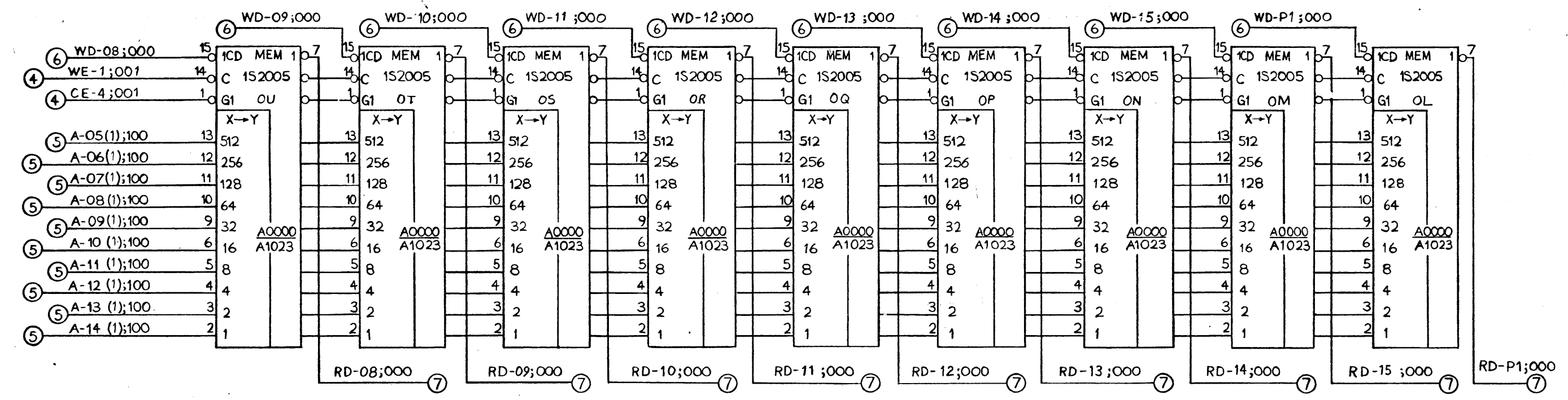
THIS DRAWING IS THE PROPERTY OF HONEYWELL INFORMATION SYSTEMS AND IS INTENDED FOR INTERNAL USE ONLY. NO INFORMATION MAY BE DISTRIBUTED TO OTHERS WITHOUT THE WRITTEN PERMISSION OF AN AUTHORIZED HONEYWELL OFFICIAL. THIS RESTRICTION DOES NOT APPLY TO VENDORS PROPRIETARY PARTS THAT MAY BE SPECIFIED IN THIS DOCUMENT.



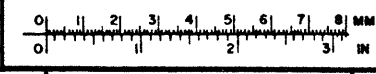
UNLESS OTHERWISE SPECIFIED		MATERIAL	
DIMENSIONS =	MILLIMETERS INCHES		
TOLERANCE OF SIZE AND FORM PER	INITIAL DESIGN PROJECTION	TREAT.	FIN.
SCALE	CODE	DR	JAN 23 FEB 15
		APRD	APR 19 1973

Honeywell HONEYWELL INFORMATION SYSTEMS PHOENIX, ARIZONA U. S. A.			
LOC	PCO	TITLE	LOGIC DIAGRAM MPCSE BYTE 1 MEMORY CHIPS
SIZE	DWG NO	SH	REV
D	58003714	10	A

REVISIONS				
REV	AUTHORITY	DATE		SIGNATURE
		YR	MO DAY	

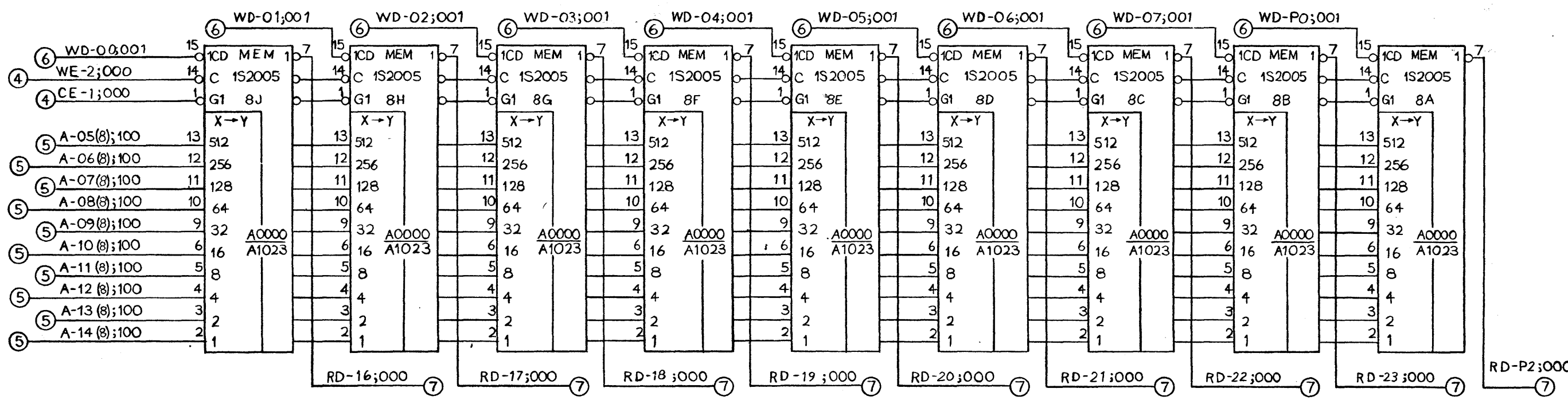
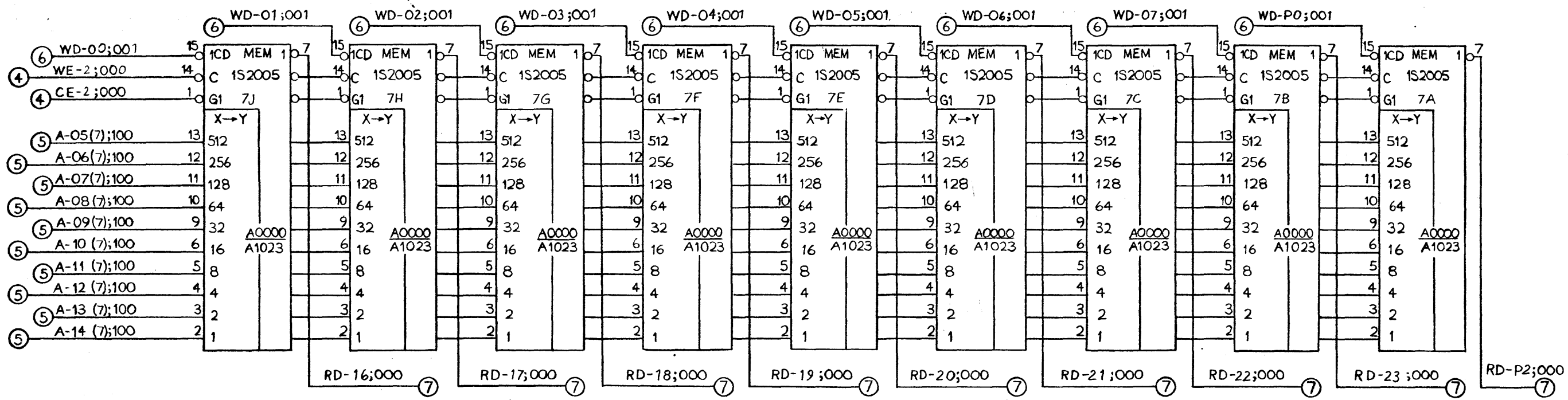


THIS DRAWING IS PROPRIETARY TO HONEYWELL INFORMATION SYSTEMS AND IS INTENDED FOR INTERNAL HONEYWELL USE ONLY. SUCH INFORMATION MAY BE DISTRIBUTED TO OTHERS ONLY BY WRITTEN PERMISSION OF AN AUTHORIZED HONEYWELL OFFICIAL. THIS RESTRICTION DOES NOT APPLY TO VENDOR PROPRIETARY PARTS THAT MAY BE DISCLOSED IN THIS DOCUMENT.

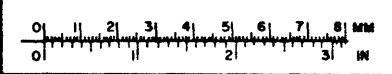


UNLESS OTHERWISE SPECIFIED		MATL	Honeywell HONEYWELL INFORMATION SYSTEMS PHOENIX, ARIZONA U. S. A.			
DIMENSIONS=	MILLIMETERS INCHES	TREAT.				
TOLERANCE OF SIZE AND FORM PER	INITIAL DESIGN	FIN.	TITLE LOGIC DIAGRAM MPCSE BYTE 1 MEMORY CHIPS			
PROJECTION	SCALE	CODE				
DR	23 FEB 16 <i>[Signature]</i>		SIZE	DWG NO	SH	REV
APPD	12 FEB 75 <i>[Signature]</i>		D	58003714	11	A
DISTR		C68-26, NCD / SDFV				

REVISIONS			
REV	AUTHORITY	DATE	SIGNATURE
		YR MO DAY	



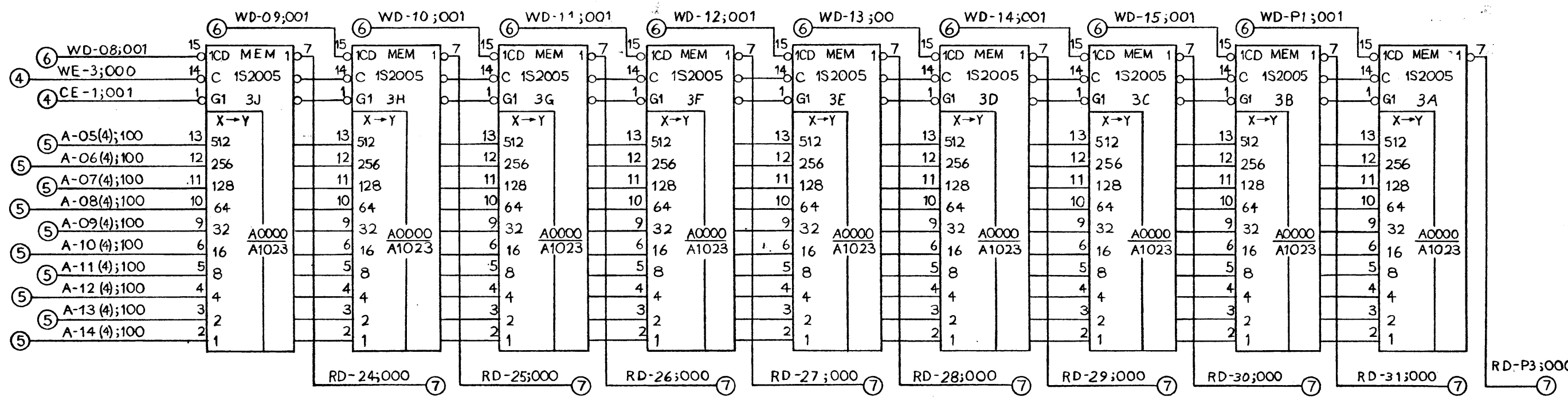
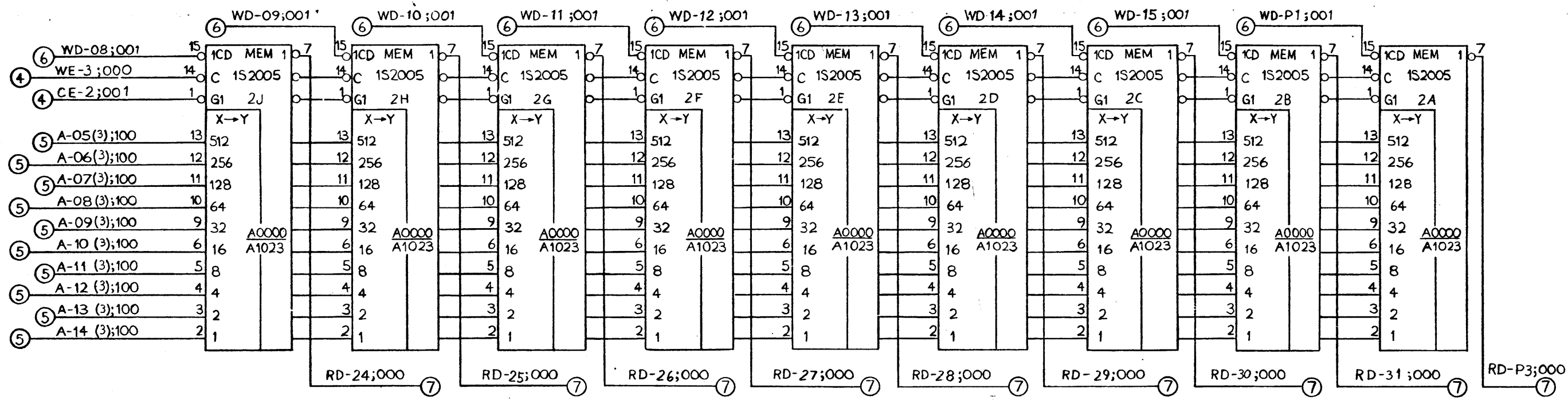
THIS DRAWING IS THE PROPERTY OF HONEYWELL INFORMATION SYSTEMS AND IS INTENDED FOR INTERNAL USE ONLY. NO INFORMATION MAY BE DISTRIBUTED TO OTHERS WITHOUT WRITTEN PERMISSION OF AN AUTHORIZED HONEYWELL OFFICIAL. THIS RESTRICTION DOES NOT APPLY TO VENDORS PROPRIETARY PARTS THAT MAY BE DISCLOSED IN THIS DOCUMENT.



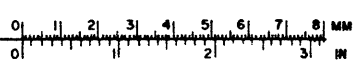
UNLESS OTHERWISE SPECIFIED		MATL.
DIMENSIONS - <input type="checkbox"/> MILLIMETERS <input type="checkbox"/> INCHES		TREAT.
TOLERANCE OF SIZE AND FORM PER		FIN.
INITIAL DESIGN <input type="checkbox"/>		DR <i>[Signature]</i> 23 FEB 76
PROJECTION <input checked="" type="checkbox"/>		APP <i>[Signature]</i> 13 Feb 75
SCALE	CODE	DR
DISTR. <i>[Signature]</i> 20 FEB 75		DR

Honeywell			
HONEYWELL INFORMATION SYSTEMS			
LOC PCO PHOENIX, ARIZONA U. S. A.			
TITLE LOGIC DIAGRAM MPCSE			
BYTE 2 MEMORY CHIPS			
SIZE	DWG NO	SH	REV
D	58003714	12	A

REV	AUTHORITY	DATE			SIGNATURE
		YR	MO	DAY	

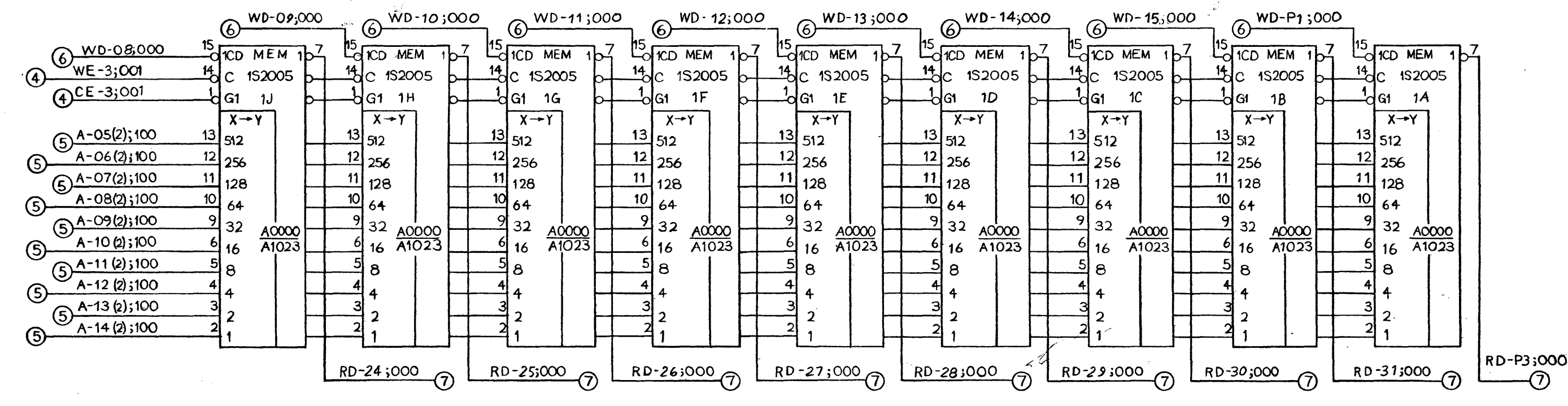
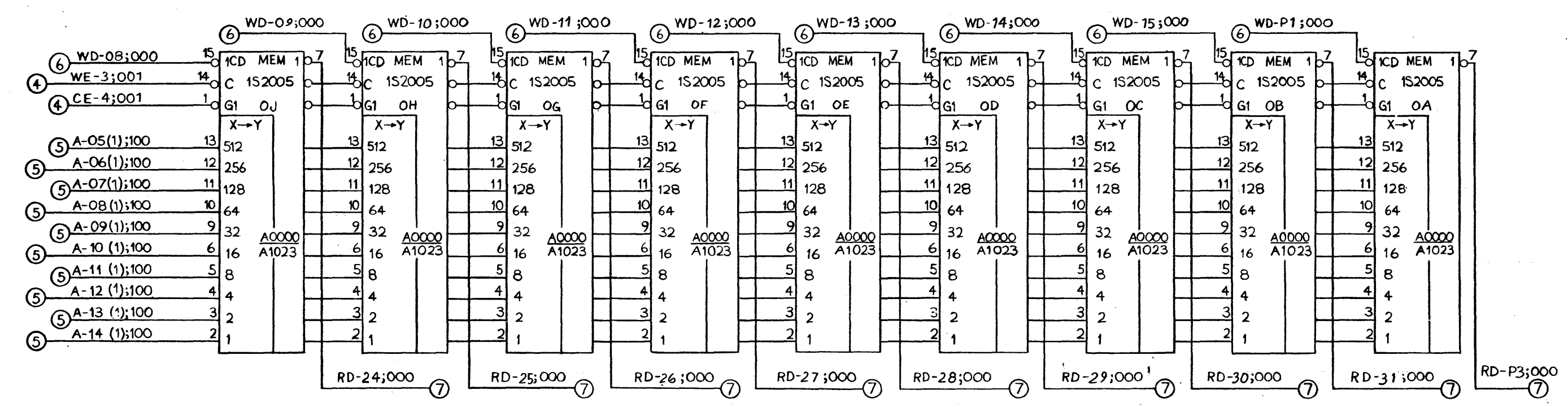


THE INFORMATION CONTAINED IN THIS DOCUMENT IS PROPRIETARY TO HONEYWELL INFORMATION SYSTEMS AND IS INTENDED FOR INTERNAL HONEYWELL USE ONLY. SUCH INFORMATION MAY BE DISTRIBUTED TO OTHERS ONLY BY WRITTEN PERMISSION OF AN AUTHORIZED HONEYWELL OFFICIAL. THIS RESTRICTION DOES NOT APPLY TO VENDOR PROPRIETARY PARTS THAT MAY BE INCLUDED IN THIS DOCUMENT.



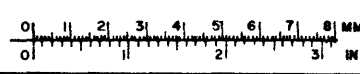
UNLESS OTHERWISE SPECIFIED		MATERIAL		Honeywell HONEYWELL INFORMATION SYSTEMS PHOENIX, ARIZONA U. S. A.			
DIMENSIONS= MILLIMETERS		INCHES					
TOLERANCE OF SIZE AND FORM PER		TREAT.		TITLE		LOGIC DIAGRAM MPCSE	
INITIAL DESIGN		FIN.		BY		BYTE 3 MEMORY CHIPS	
PROJECTION		DR		DATE		SIZE	
SCALE		CODE		APPD		DWG NO	
				DISTR		REV	

REVISIONS			
REV	AUTHORITY	DATE	SIGNATURE
		YR MO DAY	



THIS DOCUMENT IS THE PROPERTY OF HONEYWELL INFORMATION SYSTEMS AND IS INTENDED FOR INTERNAL USE ONLY. SUCH INFORMATION MAY BE DISTRIBUTED TO OTHERS ONLY BY WRITTEN PERMISSION OF AN AUTHORIZED HONEYWELL OFFICIAL. THIS INFORMATION DOES NOT APPLY TO VENDOR PROPRIETARY PARTS THAT MAY BE DISCLOSED IN THIS DOCUMENT.

REV	DATE	SIGNATURE	DESCRIPTION



UNLESS OTHERWISE SPECIFIED		MATL	Honeywell HONEYWELL INFORMATION SYSTEMS PHOENIX, ARIZONA U. S. A.	
DIMENSIONS = MILLIMETERS / INCHES		TREAT.		
TOLERANCE OF SIZE AND FORM PER		FIN.	LOC PCO TITLE LOGIC DIAGRAM MPCSE BYTE 3 MEMORY CHIPS	
INITIAL DESIGN PROJECTION		SCALE	SIZE	REV
APPD <i>[Signature]</i>		DATE <i>73 FEB 16</i>	DWG NO 58003714	SH 15F
DISTR				

A

BRUNING 44141

10

9

8

7

6

5

4

3

2

1

58003714

THE INFORMATION CONTAINED IN THIS DOCUMENT PROPRIETARY TO HONEYWELL INFORMATION SYSTEMS, INC. AND IS INTENDED FOR INTERNAL HONEYWELL USE ONLY. SUCH INFORMATION MAY BE DISTRIBUTED TO OTHERS BY WRITTEN PERMISSION OF AN AUTHORIZED HONEYWELL OFFICIAL. THIS RESTRICTION DOES NOT APPLY TO VENDOR PROPRIETARY THAT MAY BE DISCLOSED IN THIS DOCUMENT.

58006114

REV	AUTHORITY	DATE			SIGNATURE	DRAWING SHEET NUMBERS																																		
		YR	MO	DAY		1	2	3	3.1	4	5	6	7	8	9	10	11	12	13	14	15																			
A	ISSUE	73	03	30	<i>[Signature]</i>																																			
B	PHAØBAQ10	74	MAY	20	<i>[Signature]</i>																																			
C	PHAØXC021	74	09	18	<i>[Signature]</i>																																			
D	PHAØDM010	76	12	02	<i>[Signature]</i>																																			

BLANK SHEETS NOT INCLUDED

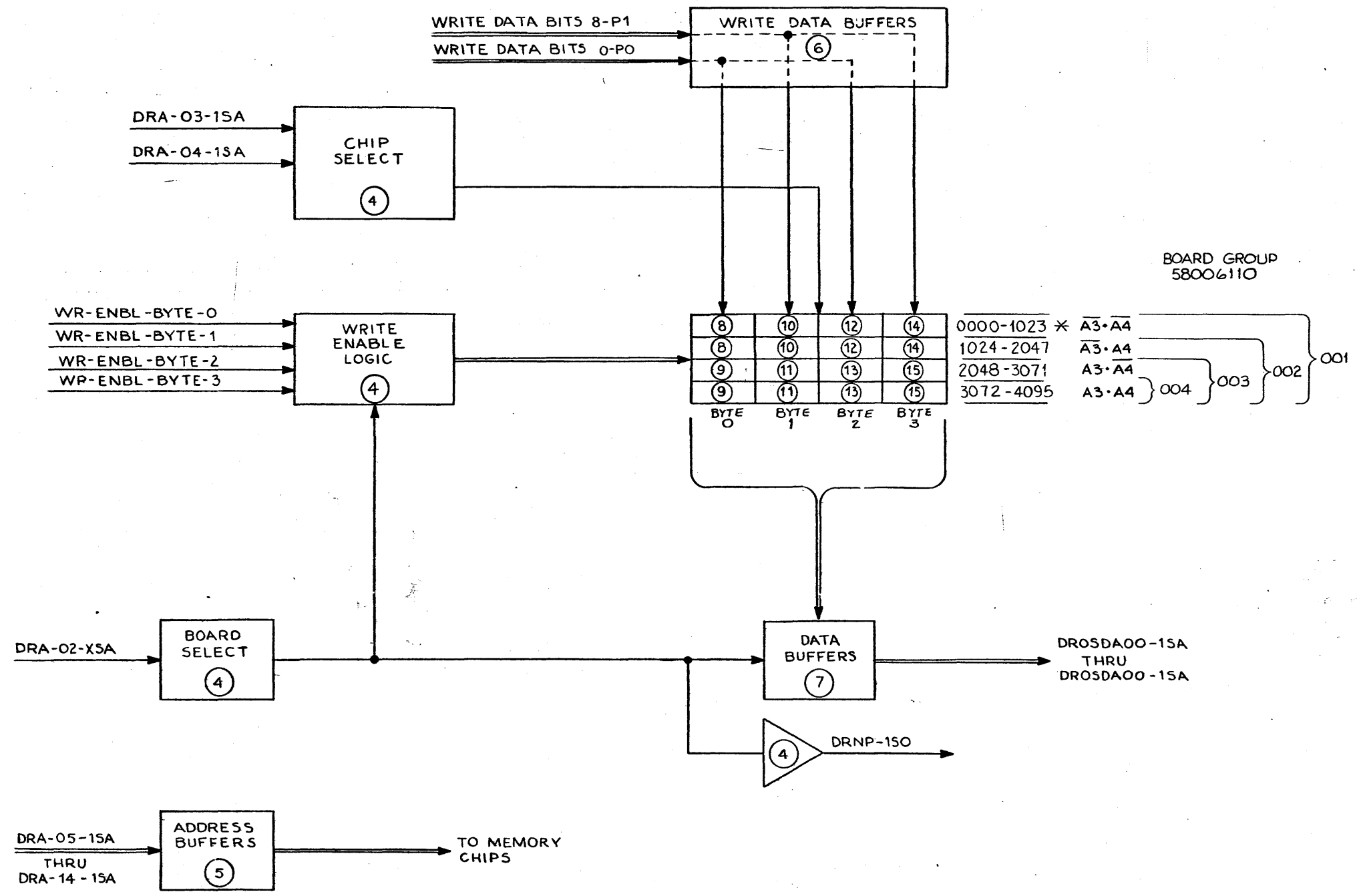
REV B
REV C
REV D

FOR CONTINUATION OF REVISION STATUS SEE SHEET

Honeywell HONEYWELL INFORMATION SYSTEMS LOC PCØ PHOENIX, ARIZONA CE 300 A-3 (12-71) BRUNING 44-141	MADE BY <i>[Signature]</i> 73/MAR.24 APPROVED <i>[Signature]</i> 73/MAR.23	TITLE LOGIC DIAGRAM MP2SF
	REVISION STATUS FOR EACH PAGE SHEET OR GROUP IS SHOWN BY LAST ENTRY IN THE CORRESPONDING NUMBERED COLUMN	SIZE D 58006114

C68-26, NCD, Tos

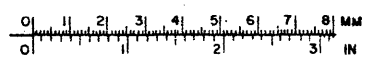
REVISIONS				
REV	AUTHORITY	DATE		SIGNATURE
		YR	MO DAY	



SHEETS 1 THROUGH 3 ARE "A" SIZE.

FOR DOCUMENT STATUS SEE REVISION STATUS SHEET

UNLESS OTHERWISE SPECIFIED		MATERIAL		Honeywell HONEYWELL INFORMATION SYSTEMS PHOENIX, ARIZONA U. S. A.	
DIMENSIONS= MILLIMETERS / INCHES		TREAT.			
TOLERANCE OF SIZE AND FORM PER		FIN.		loc PCO	
INITIAL DESIGN		SCALE		TITLE	
PROJECTION		CODE		LOGIC DIAGRAM MPCSF BLOCK DIAGRAM	
DR		DR		SIZE	
APPD		73 FEB 12		DWG NO	
DISTR		268-26, NCD		58006114	
				SH	
				3.1	
				REV	
				D	

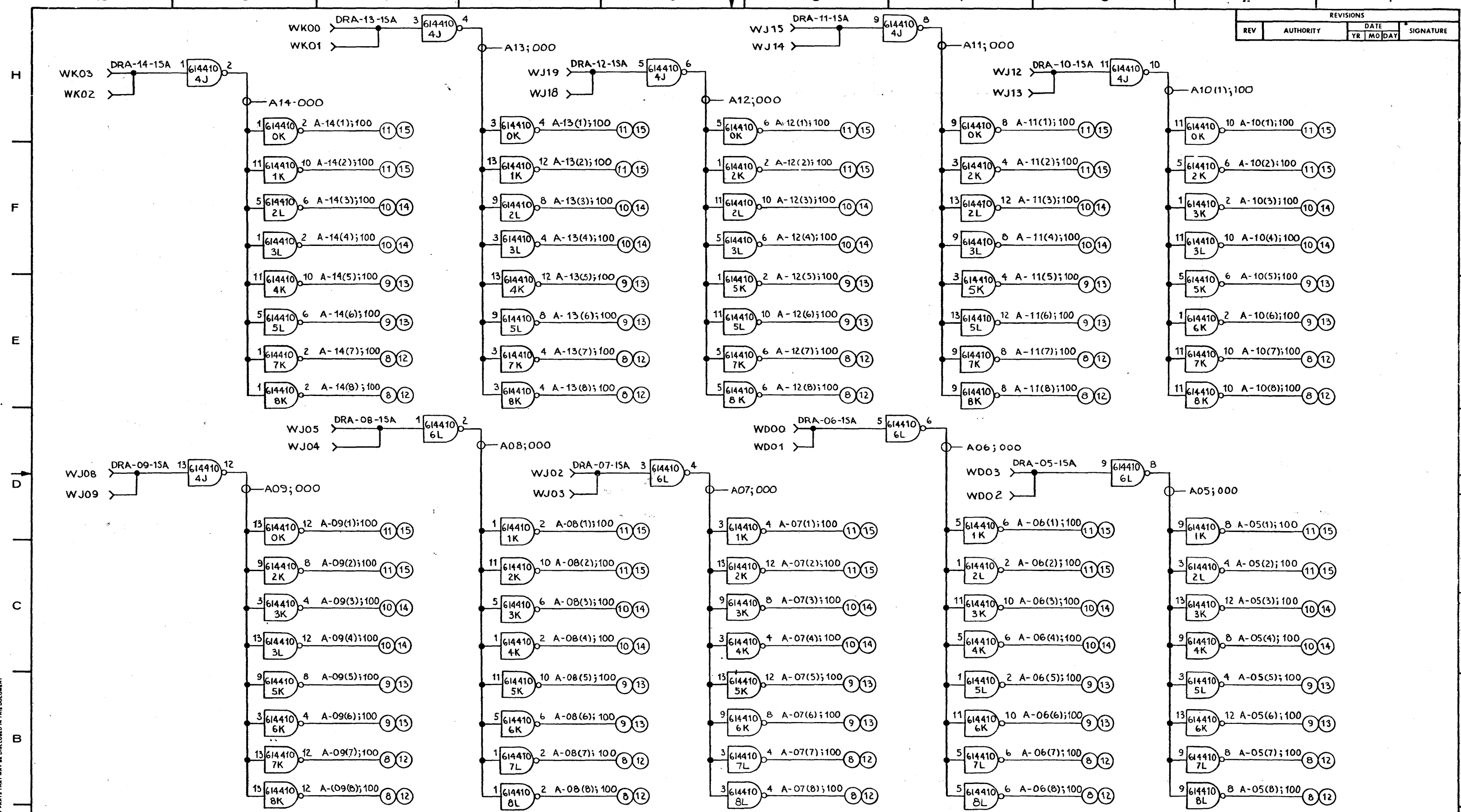


INFORMATION CONTAINED IN THIS DOCUMENT IS PROPRIETARY TO HONEYWELL INFORMATION SYSTEMS AND IS INTENDED FOR INTERNAL HONEYWELL USE ONLY. SUCH INFORMATION MAY BE DISTRIBUTED TO OTHERS ONLY BY WRITTEN PERMISSION OF AN AUTHORIZED HONEYWELL OFFICIAL. THIS RESTRICTION DOES NOT APPLY TO HONEYWELL PROPRIETARY PARTS THAT MAY BE DISCLOSED IN THIS DOCUMENT.

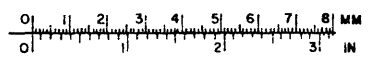
H
F
E
D
C
B
A

58006110

REVISIONS				
REV	AUTHORITY	DATE	SIGNATURE	
		YR MO DAY		



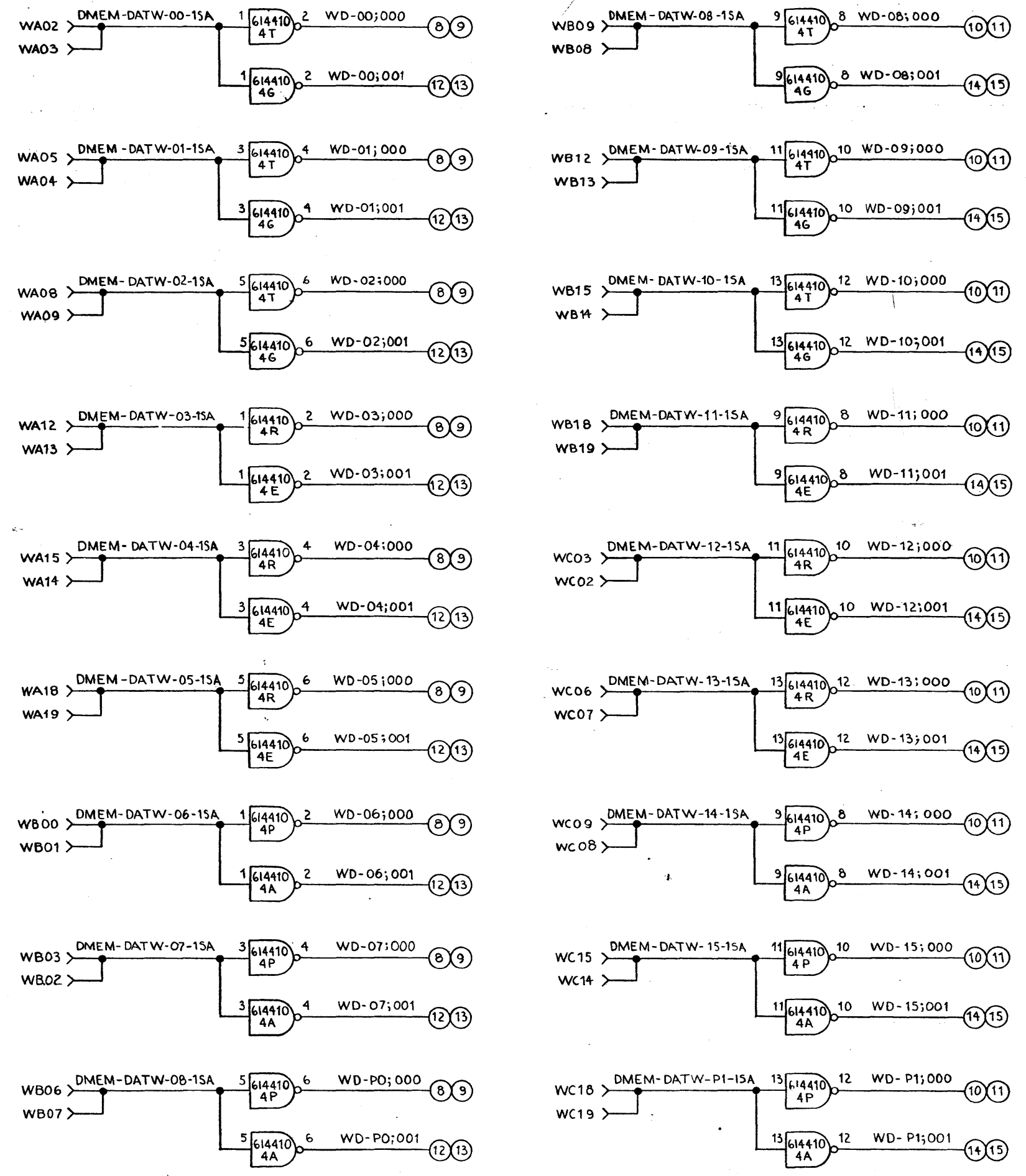
INFORMATION CONTAINED IN THIS DOCUMENT IS PROPRIETARY TO HONEYWELL INFORMATION SYSTEMS AND IS INTENDED FOR INTERNAL HONEYWELL USE ONLY. SUCH INFORMATION MAY BE DISTRIBUTED TO OTHERS ONLY BY WRITTEN PERMISSION OF AN AUTHORIZED HONEYWELL OFFICIAL. THIS RESTRICTION DOES NOT APPLY TO VENDOR PROPRIETARY PARTS THAT MAY BE DISCLOSED IN THIS DOCUMENT.



UNLESS OTHERWISE SPECIFIED		MATERIAL		Honeywell HONEYWELL INFORMATION SYSTEMS PHOENIX, ARIZONA U. S. A.	
DIMENSIONS= MILLIMETERS / INCHES		TREAT.			
TOLERANCE OF SIZE AND FORM PER		FIN.		LOC PCO TITLE LOGIC DIAGRAM MPCSF ADDRESS BUFFERS	
INITIAL DESIGN		DR		SIZE D DWG NO 58006114 SH 5 REV C	
PROJECTION		DATE		73 FEB 12 73 MAR 22	
SCALE		CODE		DIST	

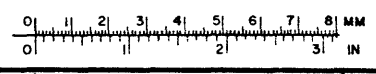
REVISIONS

REV	AUTHORITY	DATE		SIGNATURE
		YR	MO DAY	



THIS INFORMATION CONTAINED IN THIS DOCUMENT IS PROPRIETARY TO HONEYWELL INFORMATION SYSTEMS AND IS INTENDED FOR INTERNAL HONEYWELL USE ONLY.
 SUCH INFORMATION MAY BE DISTRIBUTED TO OTHERS ONLY BY WRITTEN PERMISSION OF AN AUTHORIZED HONEYWELL OFFICIAL. THIS RESTRICTION DOES NOT APPLY
 TO VENDOR PROPRIETARY PARTS THAT MAY BE INCLUDED IN THIS DOCUMENT.

H
F
E
D
C
B
A



REF SPEC NO

UNLESS OTHERWISE SPECIFIED		MILLIMETERS		MATL	
DIMENSIONS=		INCHES		TREAT.	
TOLERANCE OF SIZE AND FORM PER INITIAL DESIGN		PROJECTION		FIN.	
SCALE	CODE	DR	DATE	SIZE	DWG NO
		W.H. [Signature]	73 FEB 14	D	58006114
		M.P. [Signature]	73 MAR 23	SH	6
		DISTR		REV	A

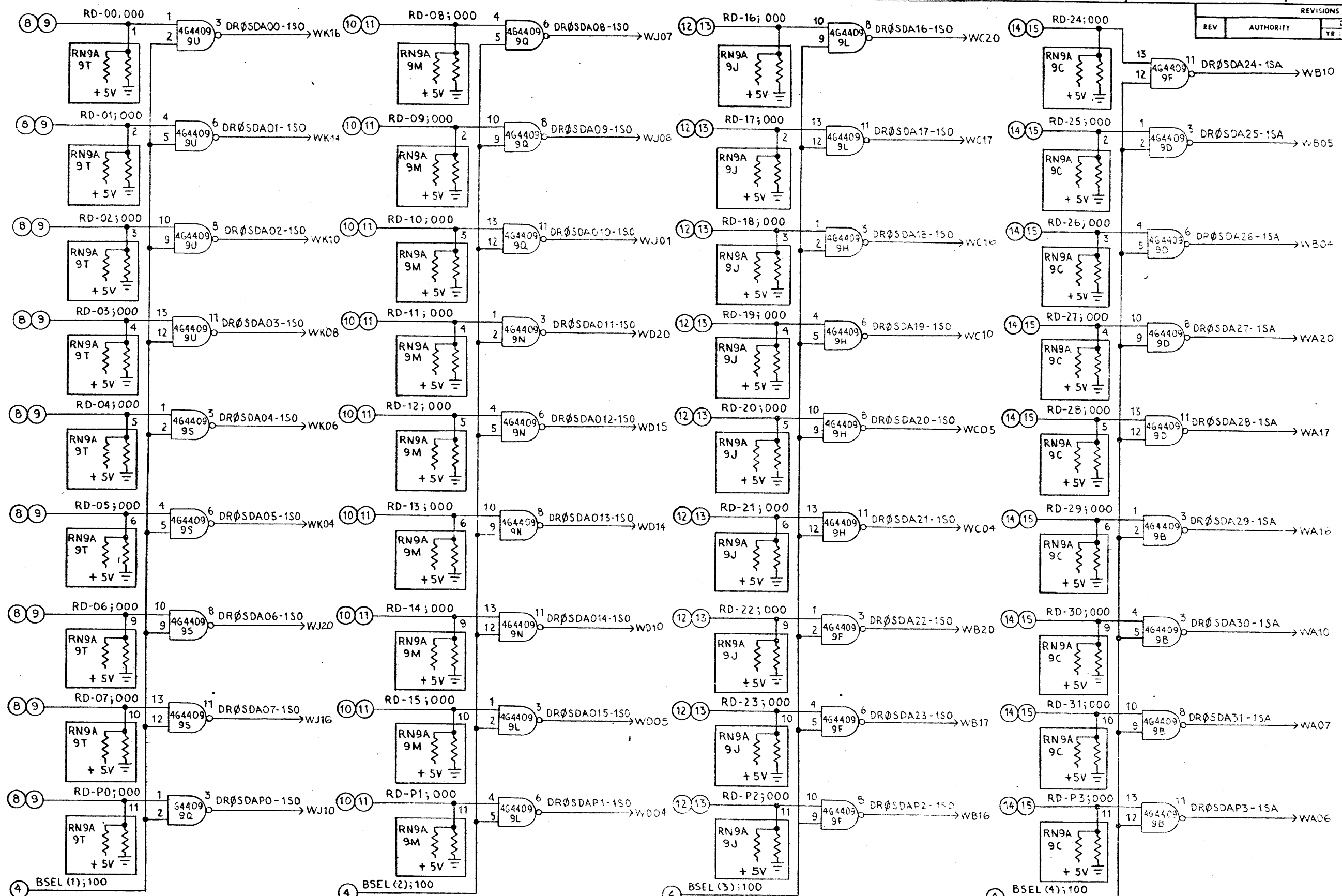
Honeywell

HONEYWELL INFORMATION SYSTEMS
PHOENIX, ARIZONA U. S. A.

LOC **PCO**

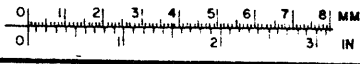
TITLE **LOGIC DIAGRAM MPCSF
WRITE DATA BUFFERS**

REVISIONS				
REV	AUTHORITY	DATE	YR	SIGNATURE



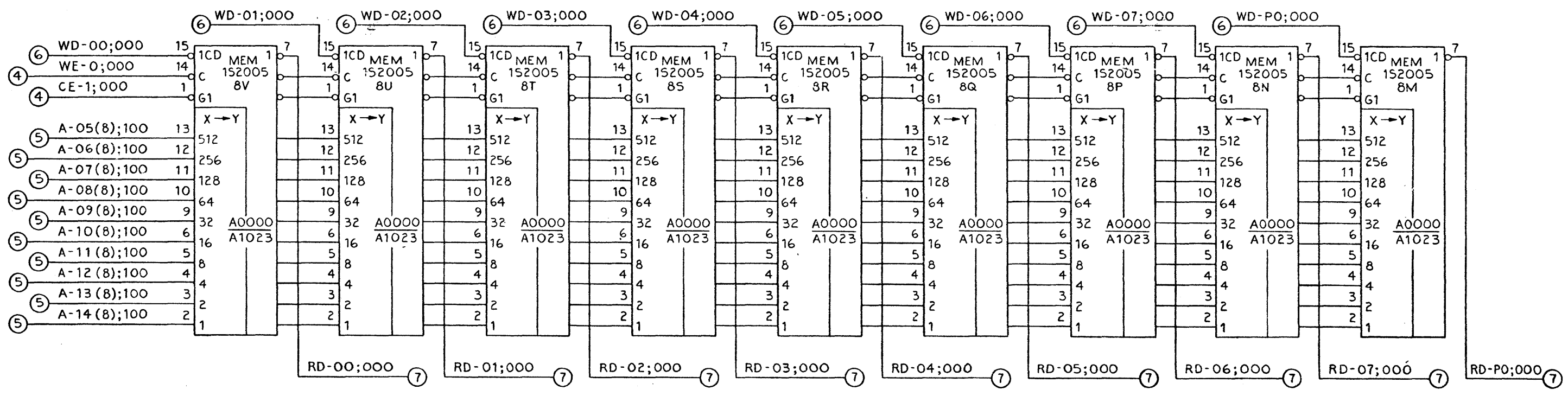
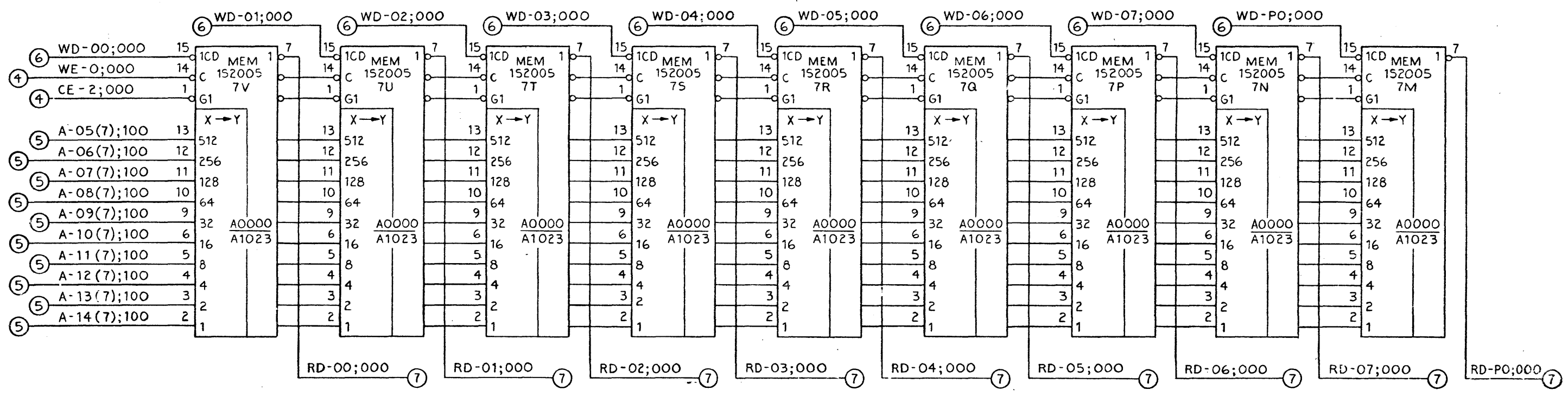
UNLESS OTHERWISE SPECIFIED, ALL DIMENSIONS ARE IN MILLIMETERS. THIS RESTRICTION DOES NOT APPLY TO PROPERTIES THAT MAY BE DECLARED IN THIS DOCUMENT.

H
F
E
D
C
B
A

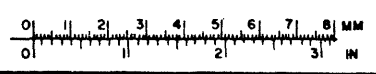


UNLESS OTHERWISE SPECIFIED		MAIL		Honeywell HONEYWELL INFORMATION SYSTEMS PHOENIX, ARIZONA, U.S.A.		
DIMENSIONS	MILLIMETERS	TREAT.	LOC.			
TOLERANCE OF SIZE AND FORM PER	INCHES	FIN.	TITLE	LOGIC DIAGRAM MPCSF DATA LINE DRIVERS		
INITIAL DESIGN	PROJECTION	DR	SIZE			DWG NO
SCALE	CODE	DR <i>W.P. Brown</i> 73 FEB 12 APP'D <i>W.P. Brown</i> 73 MAR 23 DICTR	D	58006114	7	A

REVISIONS				
REV	AUTHORITY	DATE		SIGNATURE
		YR	MO DAY	

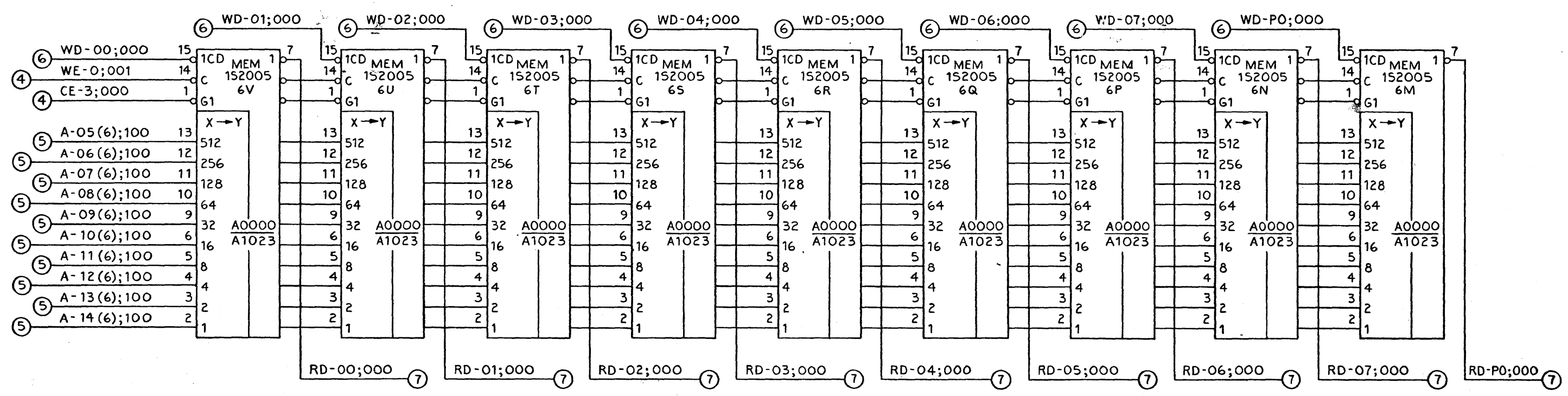
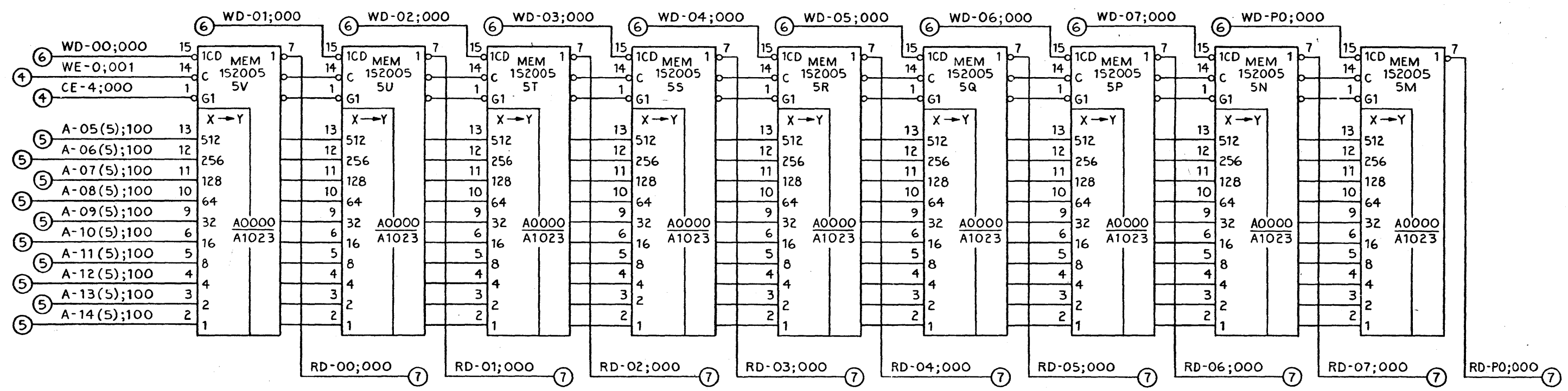


INFORMATION CONTAINED IN THIS DOCUMENT IS PROPRIETARY TO HONEYWELL INFORMATION SYSTEMS AND IS INTENDED FOR INTERNAL HONEYWELL USE ONLY. SUCH INFORMATION MAY BE DIVULGED TO OTHERS ONLY BY WRITTEN PERMISSION OF AN AUTHORIZED HONEYWELL OFFICIAL. THIS RESTRICTION DOES NOT APPLY TO VENDOR PROPRIETARY PARTS THAT MAY BE DISCLOSED IN THIS DOCUMENT.

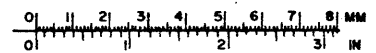


UNLESS OTHERWISE SPECIFIED		MATL	Honeywell HONEYWELL INFORMATION SYSTEMS PHOENIX, ARIZONA U. S. A.	
DIMENSIONS= MILLIMETERS		TREAT.		
TOLERANCE OF SIZE AND FORM PER		FIN.	LOC PCO	
INITIAL DESIGN PROJECTION		DR	TITLE	
SCALE CODE		8. Starlondo 73FEB12	LOGIC DIAGRAM MPCSF BYTE O MEMORY CHIPS	
		APPD	SIZE	DWG NO
		DISTR	D	58006114
			SH	REV
			8	A

REVISIONS				
REV	AUTHORITY	DATE		SIGNATURE
		YR	MO DAY	



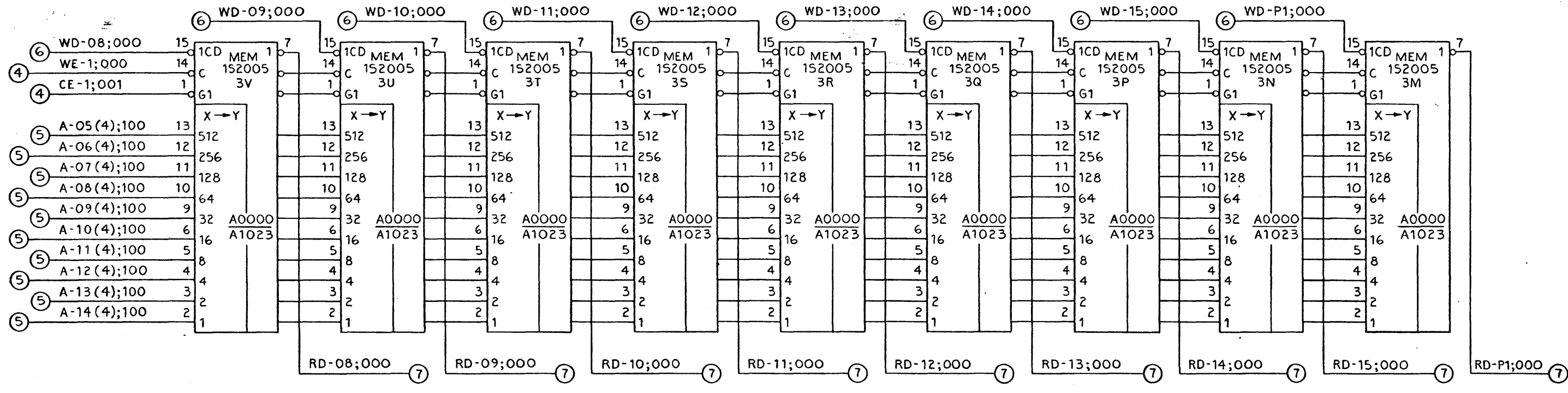
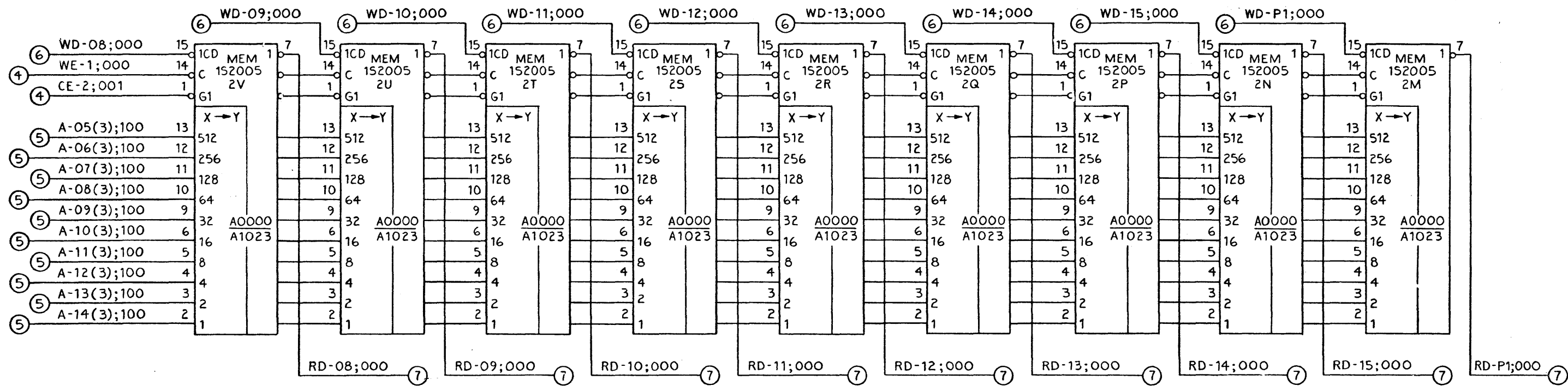
UNLESS OTHERWISE SPECIFIED
 DIMENSIONS= MILLIMETERS
 TOLERANCE OF SIZE AND FORM PER INITIAL DESIGN PROJECTION
 SCALE CODE
 DR 8. Zierlando 73FEB12
 APPD [Signature] BLMar 23
 DISTR [Signature]



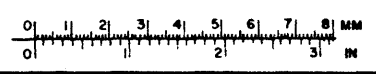
UNLESS OTHERWISE SPECIFIED			
DIMENSIONS=	MILLIMETERS	MATL	
TOLERANCE OF SIZE AND FORM PER	INCHES	TREAT.	
INITIAL DESIGN		FIN.	
PROJECTION		DR	8. Zierlando 73FEB12
SCALE	CODE	APPD	[Signature] BLMar 23
		DISTR	[Signature]

Honeywell HONEYWELL INFORMATION SYSTEMS PHOENIX, ARIZONA U. S. A.			
LOC	PCO	TITLE	LOGIC DIAGRAM MPCSF BYTE 0 MEMORY CHIPS
SIZE	DWG NO	SH	REV
D	58006114	9	A

REVISIONS					
REV	AUTHORITY	DATE			SIGNATURE
		YR	MO	DAY	

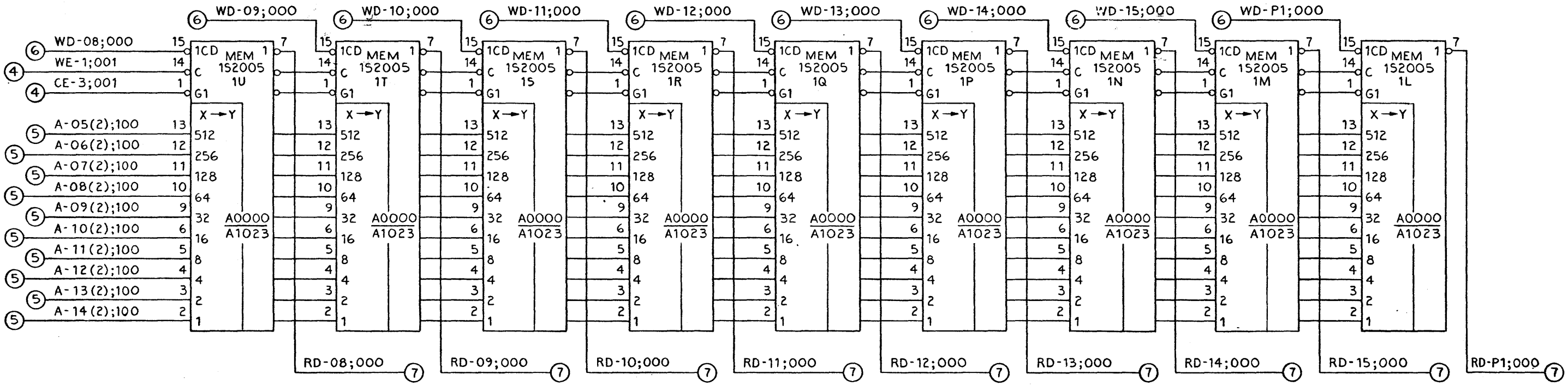
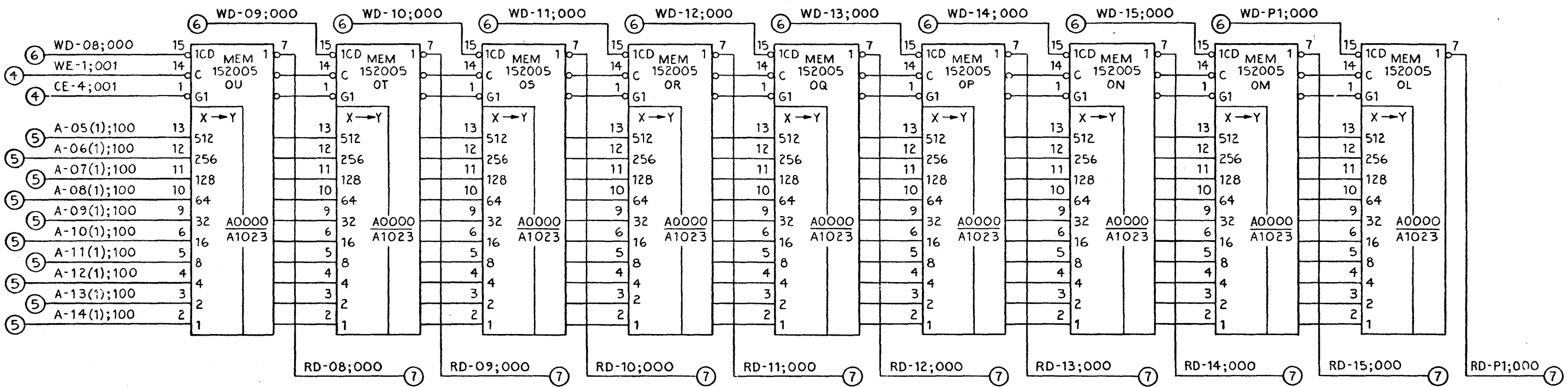


INFORMATION CONTAINED IN THIS DOCUMENT IS PROPRIETARY TO HONEYWELL INFORMATION SYSTEMS AND IS INTENDED FOR INTERNAL HONEYWELL USE ONLY. SUCH INFORMATION MAY BE DISTRIBUTED TO OTHERS ONLY BY WRITTEN PERMISSION OF AN AUTHORIZED HONEYWELL OFFICIAL. THIS RESTRICTION DOES NOT APPLY TO VENDOR PROPRIETARY PARTS THAT MAY BE DISCLOSED IN THIS DOCUMENT.

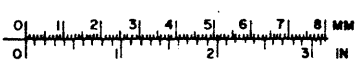


UNLESS OTHERWISE SPECIFIED		MATL	Honeywell HONEYWELL INFORMATION SYSTEMS PHOENIX, ARIZONA U. S. A.	
DIMENSIONS— MILLIMETERS INCHES		TREAT.		
TOLERANCE OF SIZE AND FORM PER		FIN.	loc PCO TITLE LOGIC DIAGRAM MPCSF BYTE 1 MEMORY CHIPS	
INITIAL DESIGN		DR	SIZE	DWG NO
PROJECTION		DR <i>S. Liorlando</i> 73FEB12	D	58006114
SCALE	CODE	APP'D	SH	REV
		<i>Chicchi</i> 73 MAR 23	10	A
DISTR <i>A/R-76 NAD cdevl-1 BCO</i>				

REVISIONS				
REV	AUTHORITY	DATE		SIGNATURE
		YR	MO	DAY

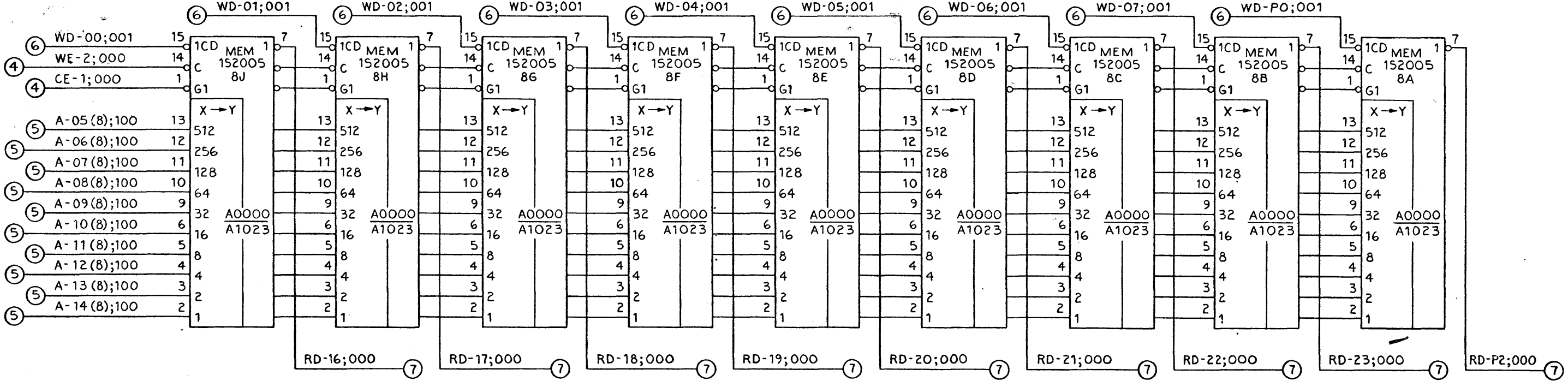
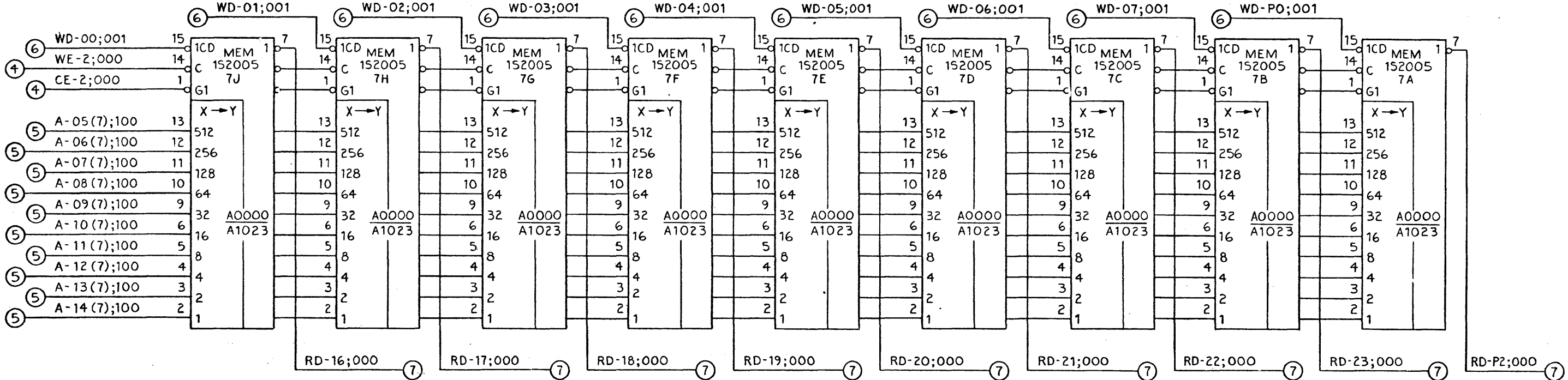


INFORMATION CONTAINED IN THIS DOCUMENT IS PROPRIETARY TO HONEYWELL INFORMATION SYSTEMS AND IS INTENDED FOR INTERNAL HONEYWELL USE ONLY. SUCH INFORMATION MAY BE DISTRIBUTED TO OTHERS ONLY BY WRITTEN PERMISSION OF AN AUTHORIZED HONEYWELL OFFICIAL. THIS RESTRICTION DOES NOT APPLY TO VENDOR PROPRIETARY PARTS THAT MAY BE DISCLOSED IN THIS DOCUMENT.



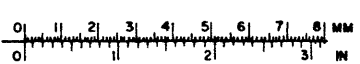
UNLESS OTHERWISE SPECIFIED		MATH	
DIMENSIONS=	MILLIMETERS		
	INCHES		
TOLERANCE OF SIZE AND FORM PER		TREAT.	
INITIAL DESIGN		FIN.	
PROJECTION		DR	
SCALE	CODE	B. Gianci 73 FEB 12	
		APPD	
		C. Gianci 73 MAR 23	
		DR	
Honeywell			
HONEYWELL INFORMATION SYSTEMS			
PHOENIX, ARIZONA U. S. A.			
LOC PCO			
TITLE LOGIC DIAGRAM MPCSF			
BYTE 1 MEMORY CHIPS			
SIZE	DWG NO	SH	REV
D	58006114	11	A

REVISIONS				
REV	AUTHORITY	DATE	SIGNATURE	
		YR	MO	DAY



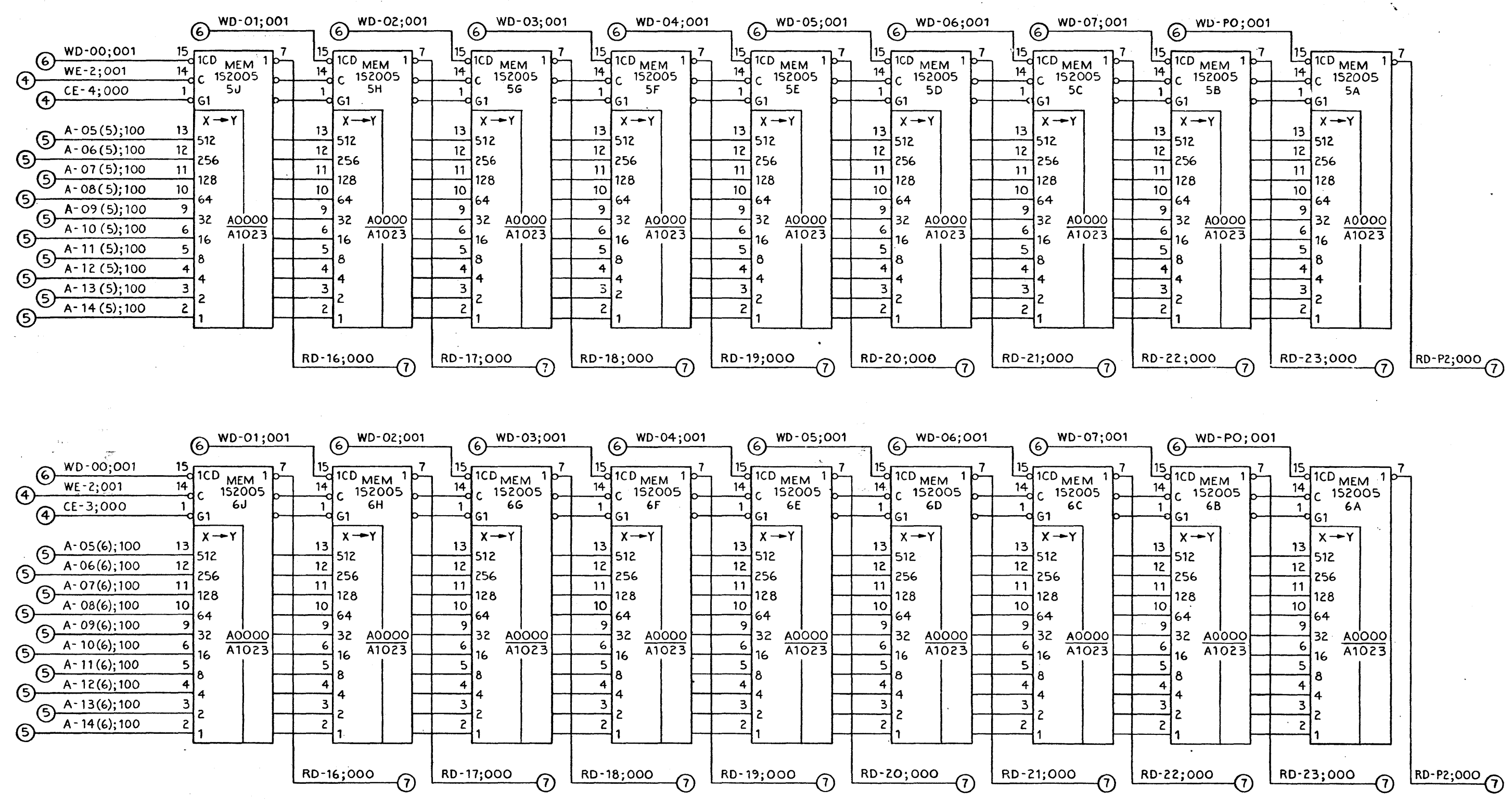
THIS DOCUMENT IS PROPRIETARY TO HONEYWELL INFORMATION SYSTEMS AND IS INTENDED FOR INTERNAL USE ONLY. SUCH INFORMATION MAY BE DISTRIBUTED TO OTHERS ONLY BY WRITTEN PERMISSION OF AN AUTHORIZED HONEYWELL OFFICIAL. THIS RESTRICTION DOES NOT APPLY TO VENDOR PROPRIETARY PARTS THAT MAY BE DISCLOSED IN THIS DOCUMENT.

REF SPEC NO

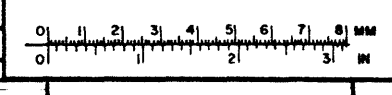


UNLESS OTHERWISE SPECIFIED		MATERIAL		Honeywell HONEYWELL INFORMATION SYSTEMS PHOENIX, ARIZONA U. S. A. LOC PCO			
DIMENSIONS= MILLIMETERS / INCHES		TREAT.					
TOLERANCE OF SIZE AND FORM PER INITIAL DESIGN		FIN.		TITLE LOGIC DIAGRAM MPCSF			
PROJECTION		DR <i>S. Liorlando</i> 73FEB12		BY BYTE 2 MEMORY CHIPS			
SCALE	CODE	APPD <i>[Signature]</i> 73Mar 23		SIZE D	DWG NO 58006114	SH 12	REV A

REVISIONS				
REV	AUTHORITY	DATE		SIGNATURE
		YR	MO DAY	



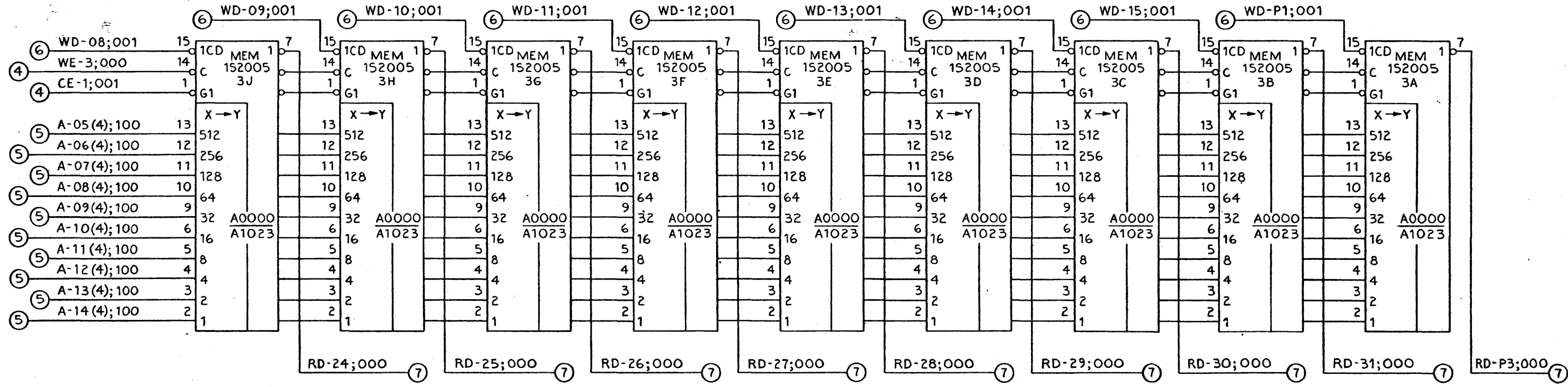
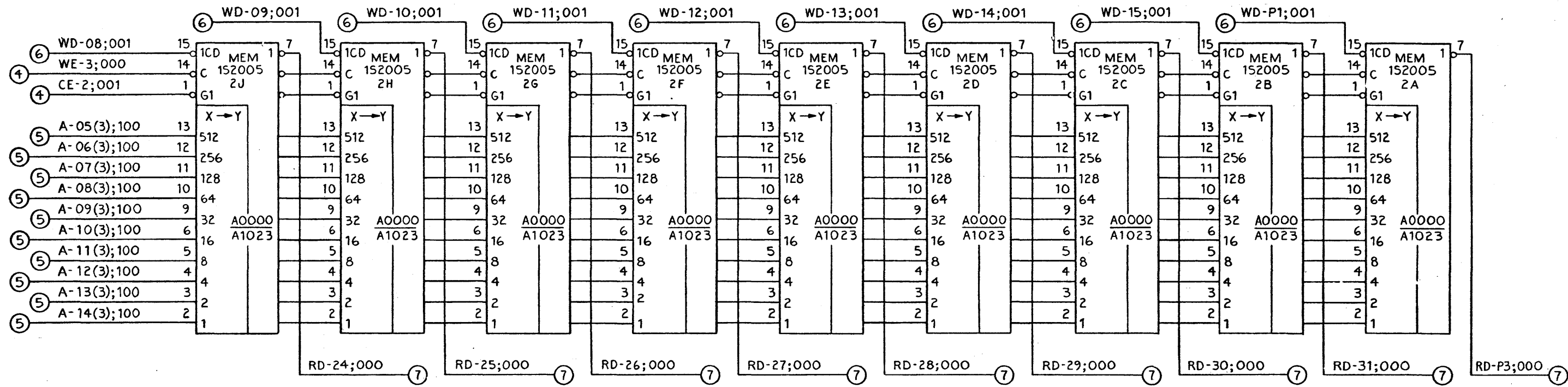
THIS INFORMATION IS PROPRIETARY TO HONEYWELL INFORMATION SYSTEMS AND IS INTENDED FOR INTERNAL HONEYWELL USE ONLY. SUCH INFORMATION MAY BE DISTRIBUTED TO OTHERS ONLY BY WRITTEN PERMISSION OF AN AUTHORIZED HONEYWELL OFFICIAL. THIS RESTRICTION DOES NOT APPLY TO VENDOR PROPRIETARY PARTS THAT MAY BE DISCLOSED IN THIS DOCUMENT.



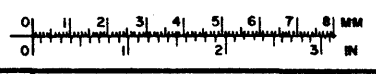
UNLESS OTHERWISE SPECIFIED		MATERIAL	
DIMENSIONS=	MILLIMETERS		
	INCHES		
TOLERANCE OF SIZE AND FORM PER		TREAT.	
INITIAL DESIGN		FIN.	
PROJECTION			
SCALE	CODE	DR. <i>B. Fiorlando</i> 73FEB12	
		APPD. <i> </i> 73Mar 23	
		DISTR. <i> </i>	

Honeywell			
HONEYWELL INFORMATION SYSTEMS PHOENIX, ARIZONA U. S. A.			
loc PCO			
TITLE LOGIC DIAGRAM MPCSF BYTE 2 MEMORY CHIPS			
SIZE	DWG NO	SH	REV
D	58006114	13	A

REVISIONS				
REV	AUTHORITY	DATE		SIGNATURE
		YR	MO DAY	

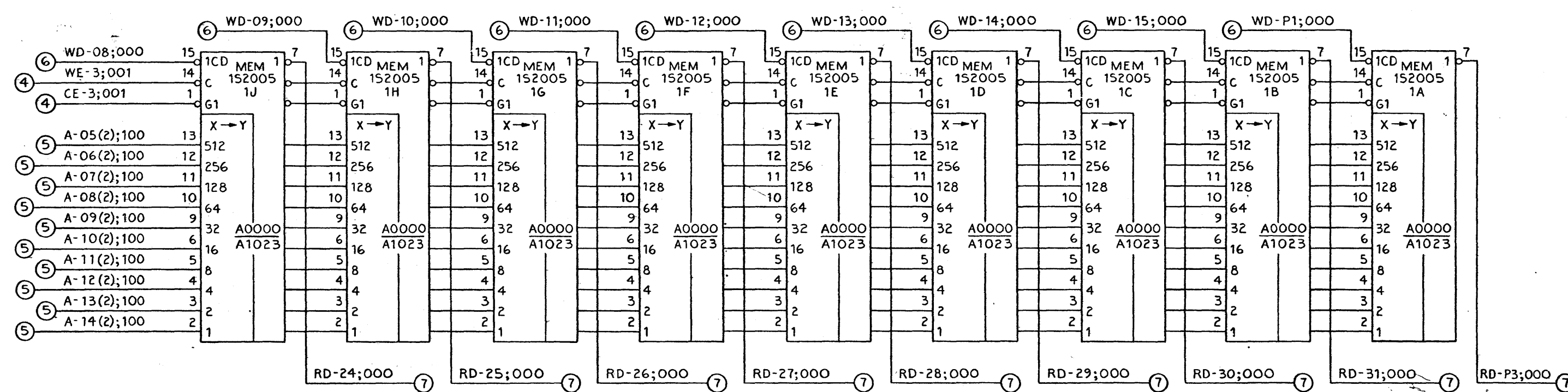
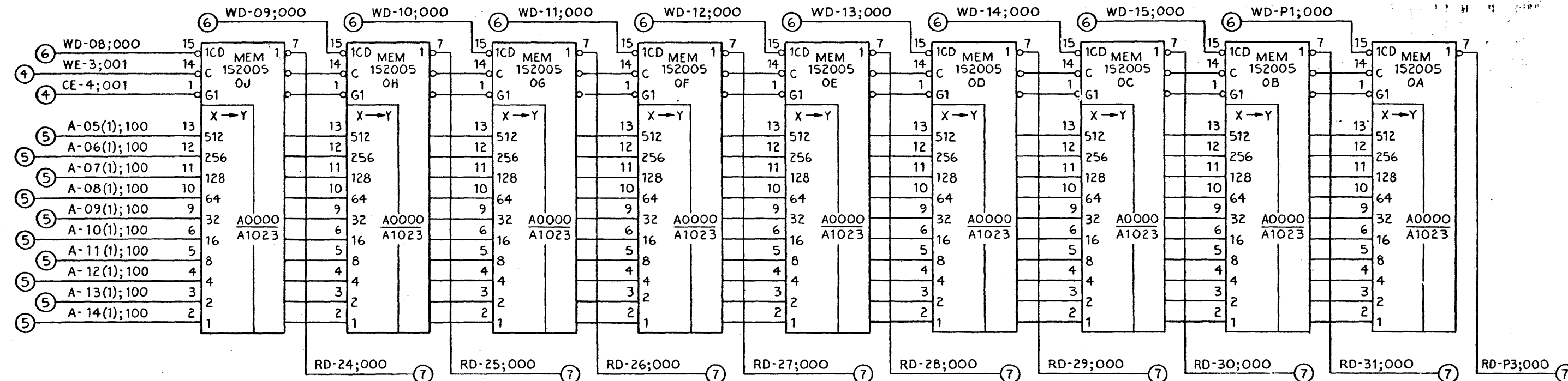


INFORMATION CONTAINED IN THIS DOCUMENT IS PROPRIETARY TO HONEYWELL INFORMATION SYSTEMS AND IS INTENDED FOR INTERNAL HONEYWELL USE ONLY. SUCH INFORMATION MAY BE DIVULGED TO OTHERS ONLY BY WRITTEN PERMISSION OF AN AUTHORIZED HONEYWELL OFFICIAL. THIS RESTRICTION DOES NOT APPLY TO VENDOR PROPRIETARY PARTS THAT MAY BE DISCLOSED IN THIS DOCUMENT.

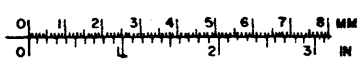


UNLESS OTHERWISE SPECIFIED		MATERIAL		Honeywell HONEYWELL INFORMATION SYSTEMS PHOENIX, ARIZONA U. S. A. locPCO					
DIMENSIONS = MILLIMETERS / INCHES		TREAT.							
TOLERANCE OF SIZE AND FORM PER		FIN.		TITLE LOGIC DIAGRAM MPCSF					
INITIAL DESIGN		SCALE		BYT 3 MEMORY CHIPS					
PROJECTION		CODE		DR		SIZE	DWG NO	SH	REV
				S. Hurlando 73FEB12		D	58006114	14	A
				APPD C. Spicari 73Mar23					
				DISTR 068-26, NCO					

REVISIONS				
REV	AUTHORITY	DATE	SIGNATURE	
		YR. MO. DAY		



INFORMATION CONTAINED IN THIS DOCUMENT IS PROPRIETARY TO HONEYWELL INFORMATION SYSTEMS AND IS INTENDED FOR INTERNAL HONEYWELL USE ONLY. SUCH INFORMATION MAY BE DISTRIBUTED TO OTHERS ONLY BY WRITTEN PERMISSION OF AN AUTHORIZED HONEYWELL OFFICIAL. THIS RESTRICTION DOES NOT APPLY TO VENDOR PROPRIETARY PARTS THAT MAY BE DISCLOSED IN THIS DOCUMENT.



UNLESS OTHERWISE SPECIFIED		MATERIAL	
DIMENSIONS: \leftarrow MILLIMETERS \rightarrow		TREAT.	
TOLERANCE OF SIZE AND FORM PER		FIN.	
INITIAL DESIGN		DR	
PROJECTION		APPD	
SCALE	CODE	DISTR	

Honeywell			
HONEYWELL INFORMATION SYSTEMS PHOENIX, ARIZONA U. S. A.			
LOC PCO		TITLE	
		LOGIC DIAGRAM MPCSF BYTE 3 MEMORY CHIPS	
SIZE	DWG NO	SH	REV
D	58006114	15F	A
DR <i>B. Lindero</i> 73 FEB 12			
APPD <i>L. Baizer</i> 73 MAR 23			
DISTR C68-26, NCO 53FV			

THE INFORMATION CONTAINED IN THIS DOCUMENT PROPRIETARY TO HONEYWELL INFORMATION SYSTEMS, INC. AND IS INTENDED FOR INTERNAL HONEYWELL USE ONLY. SUCH INFORMATION MAY BE DISTRIBUTED TO OTHERS BY WRITTEN PERMISSION OF AN AUTHORIZED HONEYWELL OFFICIAL. THIS RESTRICTION DOES NOT APPLY TO VENDOR PROPRIETARY THAT MAY BE DISCLOSED IN THIS DOCUMENT.

58003954

REV	AUTHORITY	DATE			SIGNATURE	DRAWING SHEET NUMBERS																																		
		YR	MO	DAY		1	2	3	31	4	5	6	7	8	9	10	11	12	13	14	15	16	17	18	19															
A	ISSUED	73	11	30	M.A. Rose																																			
RENUMBERED SHEET COL'S						1	2	3	31	32	4	5	6	7	8	9	10	11	12	13	14	15	16	17	18															
A	PHABAO11	74	SEP	30	L. Mills																																			

**BLANK SHEETS
NOT
INCLUDED**

FOR CONTINUATION OF REVISION STATUS SEE SHEET

Honeywell HONEYWELL INFORMATION SYSTEMS LOC PCO PHOENIX, ARIZONA	MADE BY M.A. Rose OCT 4 '73	TITLE
	APPROVED R. Lynn 11/19/73	LOGIC DIAGRAM DURIM
	REVISION STATUS FOR EACH PAGE, SHEET OR GROUP IS SHOWN BY LAST ENTRY IN THE CORRESPONDING NUMBERED COLUMN	SIZE D REVISION STATUS FOR 58003954 SHEET 1/2 REV A

CE 300 A-3 (12-71) BRUNING 44-141 C68-26 NCO, SDF, TOS

THE INFORMATION CONTAINED IN THIS DOCUMENT PROPRIETARY TO HONEYWELL INFORMATION SYSTEMS, INC. AND IS INTENDED FOR INTERNAL HONEYWELL USE ONLY. SUCH INFORMATION MAY BE DISTRIBUTED TO OTHERS BY WRITTEN PERMISSION OF AN AUTHORIZED HONEYWELL OFFICIAL. THIS RESTRICTION DOES NOT APPLY TO VENDOR PROPRIETARY THAT MAY BE DISCLOSED IN THIS DOCUMENT.

58003954

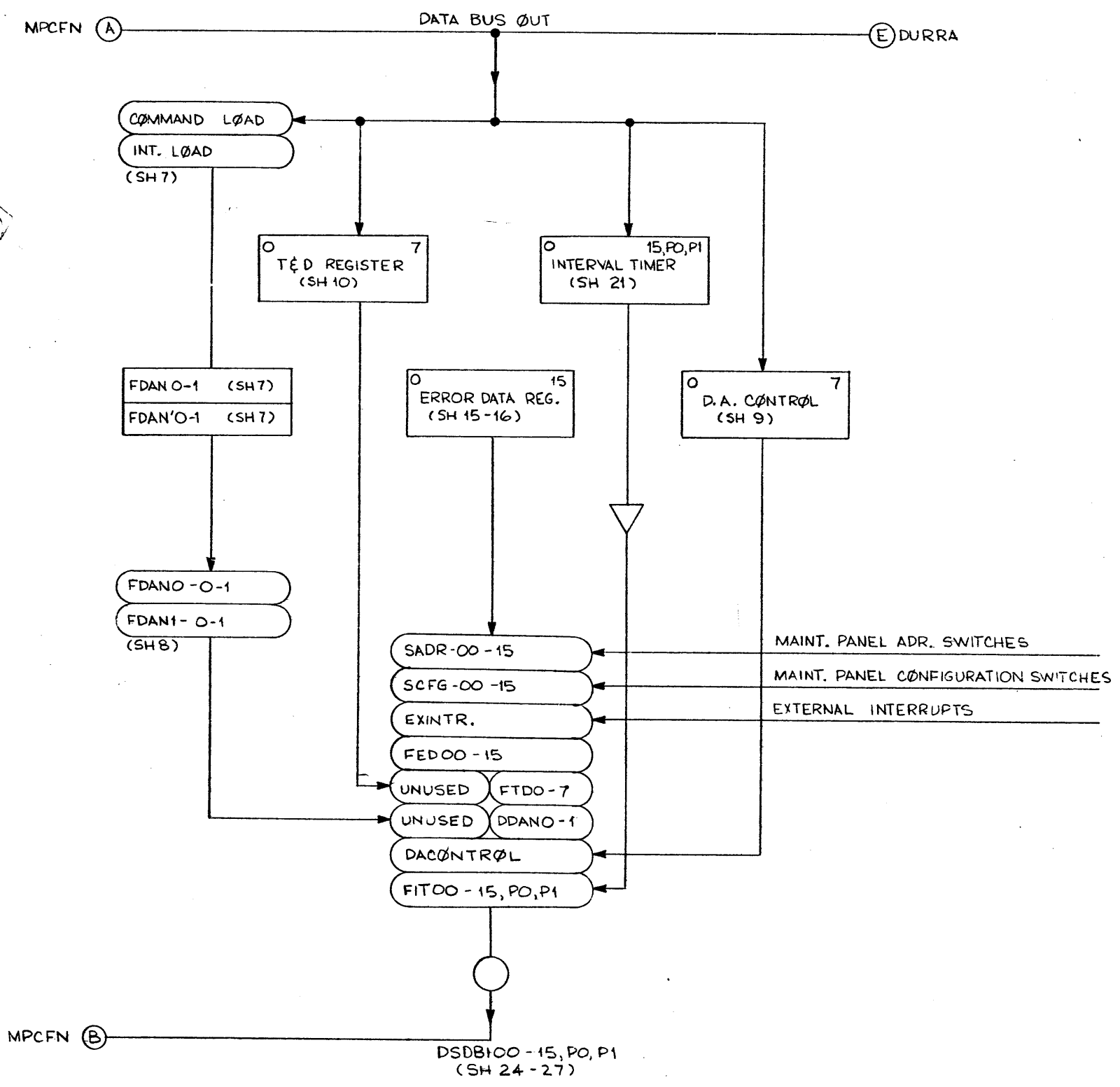
REV	AUTHORITY	DATE			SIGNATURE	DRAWING SHEET NUMBERS																																				
		YR	MO	DAY		20	21	22	23	24	25	26	27	28	29	30	31	32	33																							
A	ISSUED	73	11	30	M.A. Rose																																					
RENUMBERED SHEET COL'S						19	20	21	22	23	24	25	26	27	28	29	30	31	32	33																						
A	PHABAO11	74	SEP	30	L. Mills																																					

FOR CONTINUATION OF REVISION STATUS SEE SHEET

Honeywell HONEYWELL INFORMATION SYSTEMS LOC PCO PHOENIX, ARIZONA	MADE BY M.A. Rose OCT 4 '73	TITLE
	APPROVED R. Lynn 11/19/73	LOGIC DIAGRAM DURIM
	REVISION STATUS FOR EACH PAGE, SHEET OR GROUP IS SHOWN BY LAST ENTRY IN THE CORRESPONDING NUMBERED COLUMN	SIZE D REVISION STATUS FOR 58003954 SHEET 2F REV A

CE 300 A-3 (12-71) BRUNING 44-141 C68-26 NCO, SDF, TOS

REVISIONS				
REV	AUTHORITY	DATE		SIGNATURE
		YE	MO DAY	

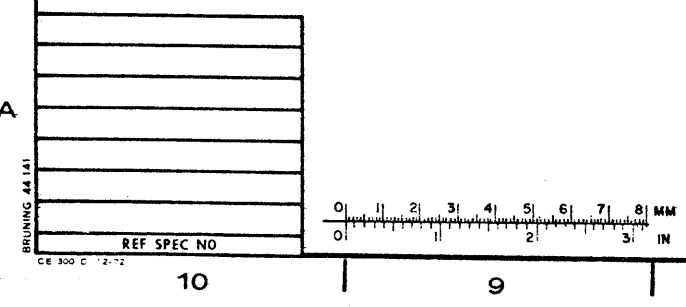


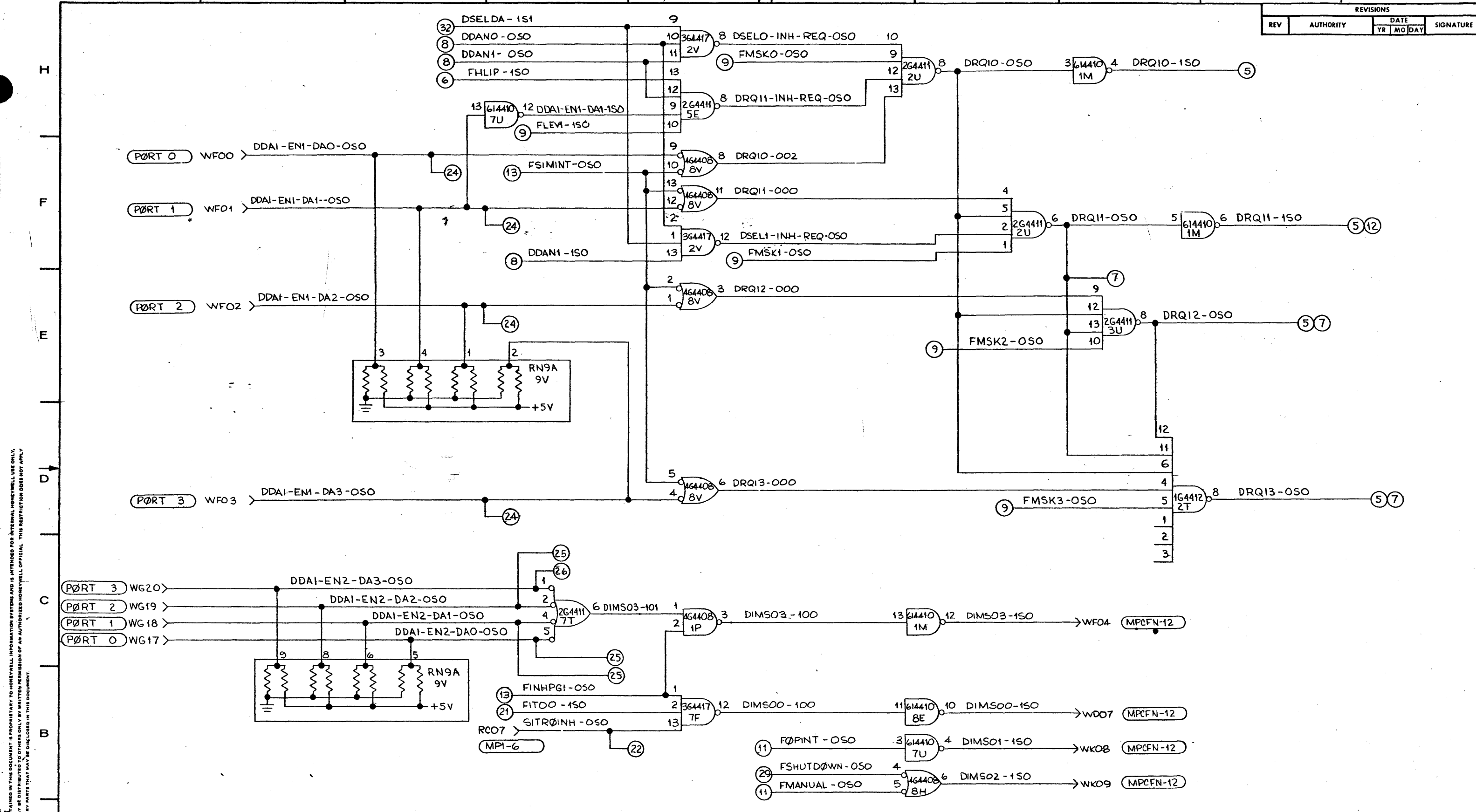
2- FOR INTERPRETATION OF LOGIC SYMBOLY SEE 43A231781.
NOTE: 1 - SHEETS 1,2 & 3 ARE A SIZE

FOR DOCUMENT STATUS SEE REVISION STATUS SHEET

UNLESS OTHERWISE SPECIFIED		MATL	
DIMENSIONS = $\frac{\text{MILLIMETERS}}{\text{INCHES}}$		TREAT.	
TOLERANCE OF SIZE AND FORM PER		FIN.	
INITIAL DESIGN		DR 73 MAY 2	
PROJECTION		APPD <i>R. J. ...</i> 11/19/73	
SCALE	CODE	DISTR <i>CGR-76</i>	
Honeywell		LOC PCO HONEYWELL INFORMATION SYSTEMS PHOENIX, ARIZONA U S A	
TITLE LOGIC DIAGRAM DURIM BLOCK DIAGRAM - BDO			
SIZE D	DWG NO 58003954	SH 3.1	REV A

INFORMATION CONTAINED IN THIS DOCUMENT IS PROPRIETARY TO HONEYWELL INFORMATION SYSTEMS AND IS INTENDED FOR INTERNAL HONEYWELL USE ONLY. NO INFORMATION MAY BE DISTRIBUTED TO OTHERS OR BY ANY MEANS WITHOUT THE WRITTEN PERMISSION OF AN AUTHORIZED HONEYWELL OFFICIAL. THIS RESTRICTION DOES NOT APPLY TO VENDOR PROPRIETARY PARTS THAT MAY BE DISCLOSED IN THIS DOCUMENT.





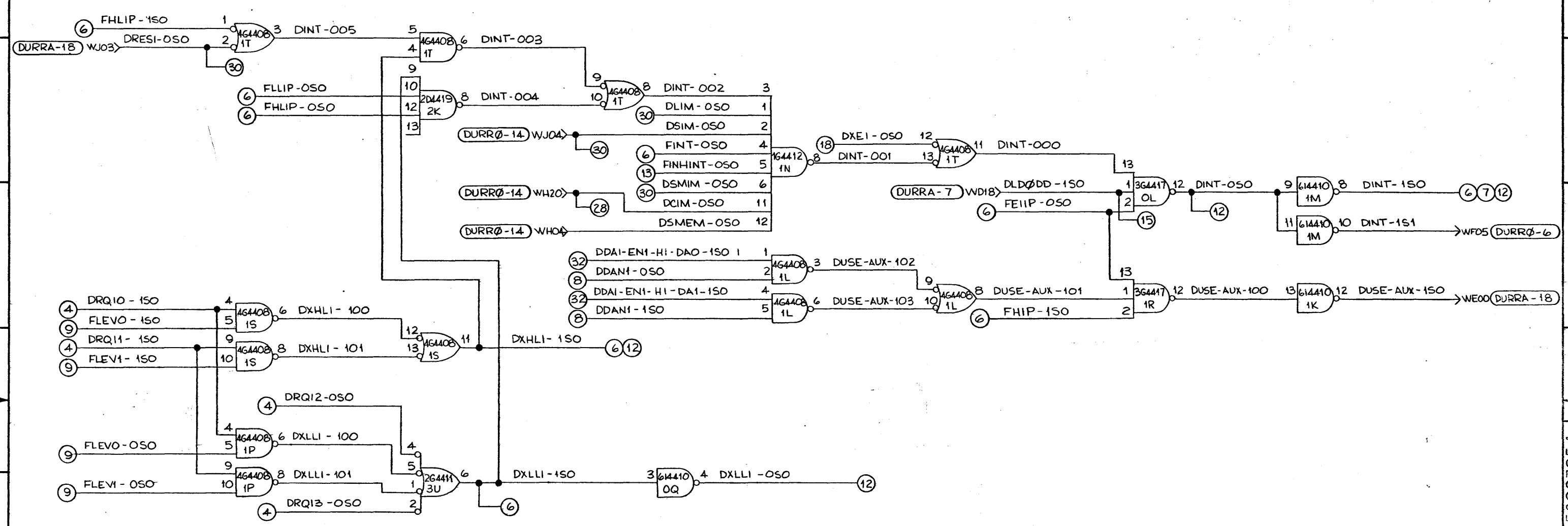
REVISIONS			
REV	AUTHORITY	DATE	SIGNATURE
		YR MO DAY	

ALL INFORMATION CONTAINED IN THIS DOCUMENT IS PROPRIETARY TO HONEYWELL INFORMATION SYSTEMS AND IS INTENDED FOR INTERNAL HONEYWELL USE ONLY. SUCH INFORMATION MAY BE DISTRIBUTED TO OTHERS ONLY BY WRITTEN PERMISSION OF AN AUTHORIZED HONEYWELL OFFICIAL. THIS RESTRICTION DOES NOT APPLY TO VENDOR PROPRIETARY PARTS THAT MAY BE EMPLOYED IN THIS DOCUMENT.

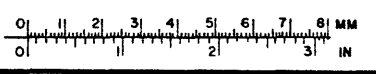
UNLESS OTHERWISE SPECIFIED		MATERIAL	
DIMENSIONS = <input type="checkbox"/> MILLIMETERS <input checked="" type="checkbox"/> INCHES		TREAT.	
TOLERANCE OF SIZE AND FORM PER		FIN.	
INITIAL DESIGN		DR 73 MAY 2	
PROJECTION <input checked="" type="checkbox"/>		APPD. R. Flynn 11/19/73	
SCALE	CODE	SIZE	REV
		D 58003954	4 A
DISTR CLR-76 N/A 2.3V 5DFV1705			

58003954

REVISIONS				
REV	AUTHORITY	DATE		SIGNATURE
		YR	MO DAY	



INFORMATION CONTAINED IN THIS DOCUMENT IS PROPRIETARY TO HONEYWELL INFORMATION SYSTEMS AND IS INTENDED FOR INTERNAL HONEYWELL USE ONLY. SUCH INFORMATION MAY BE DISTRIBUTED TO OTHERS ONLY BY WRITTEN PERMISSION OF AN AUTHORIZED HONEYWELL OFFICIAL. THIS RESTRICTION DOES NOT APPLY TO VENDOR PROPRIETARY PARTS THAT MAY BE DISCLOSED IN THIS DOCUMENT.



UNLESS OTHERWISE SPECIFIED		MATERIAL	
DIMENSIONS = MILLIMETERS / INCHES		TREATMENT	
TOLERANCE OF SIZE AND FORM PER		FINISH	
INITIAL DESIGN		DATE	
PROJECTION		APPROVED	
SCALE	CODE	DR	SH
		73 MAY 2	
		APPD	REV
		R. J. Ryan 11/14/73	5
		DISTR	
		C68-26 NC03V, SDFV TOS	

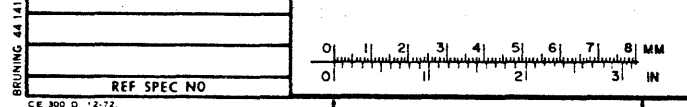
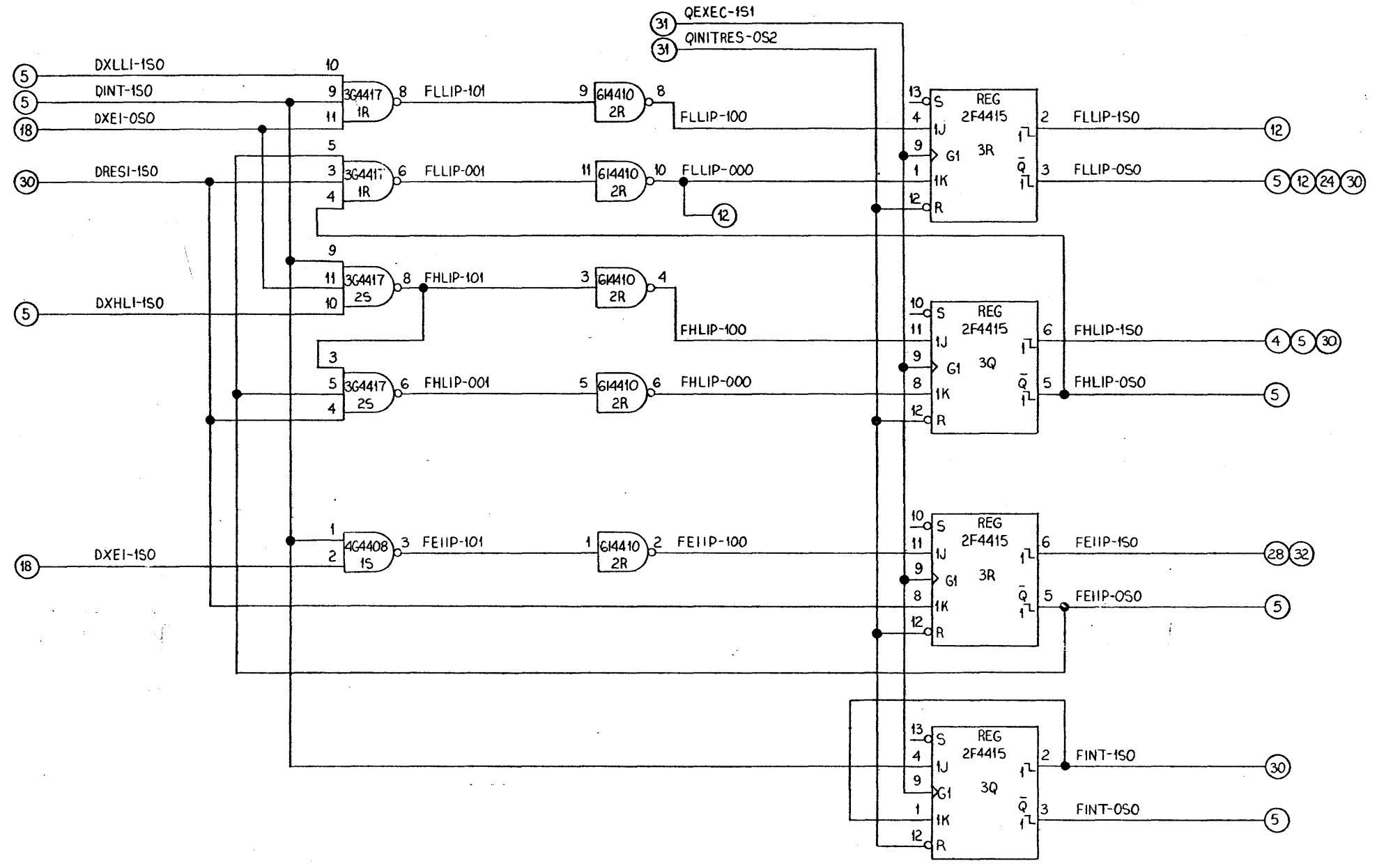
Honeywell
 HONEYWELL INFORMATION SYSTEMS
 PHOENIX, ARIZONA U. S. A.

loc PCO
 TITLE LOGIC DIAGRAM DURIM
 INTERRUPT EXECUTION DECISION

SIZE DWG NO SH REV
 D 58003954 5 A

INFORMATION CONTAINED IN THIS DOCUMENT IS PROPRIETARY TO HONEYWELL INFORMATION SYSTEMS AND IS INTENDED FOR INTERNAL HONEYWELL USE ONLY. NO INFORMATION MAY BE DISTRIBUTED TO OTHERS WITHOUT THE WRITTEN PERMISSION OF AN AUTHORIZED HONEYWELL OFFICIAL. THIS RESTRICTION DOES NOT APPLY TO VENDOR PROPRIETARY PARTS THAT MAY BE DISCLOSED IN THIS DOCUMENT.

REVISIONS				
REV	AUTHORITY	DATE		SIGNATURE
		YR	MO	DAY

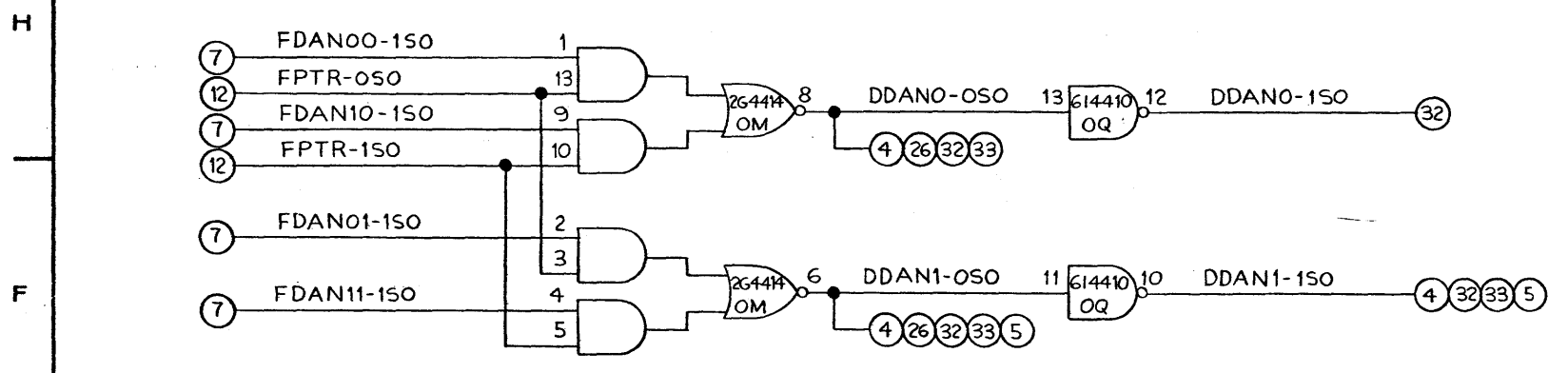


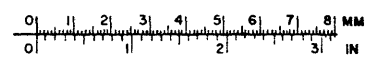
BRUNING 44 141
REF SPEC NO

UNLESS OTHERWISE SPECIFIED		MATL		Honeywell HONEYWELL INFORMATION SYSTEMS LOC PCO PHOENIX, ARIZONA U. S. A.	
DIMENSIONS=	MILLIMETERS	TREAT.	TITLE		
TOLERANCE OF SIZE AND	INCHES	FIN.	LOGIC DIAGRAM DURIM		
FORM PER			INTERRUPT LEVEL IN PROCESS		
INITIAL DESIGN		DR	73 MAY 2	SIZE	DWG NO
PROJECTION		A. Hallenath		D	58003954
SCALE	CODE	APP	R. Flynn 11/19/73	SH	REV
		DISTR	CR-26	6	A

ALL INFORMATION CONTAINED IN THIS DOCUMENT IS PROPRIETARY TO HONEYWELL INFORMATION SYSTEMS AND IS INTENDED FOR INTERNAL HONEYWELL USE ONLY. SUCH INFORMATION MAY BE WITHHELD FROM OTHERS BY WRITTEN PERMISSION OF AN AUTHORIZED HONEYWELL OFFICIAL. THIS RESTRICTION DOES NOT APPLY TO VENDOR PROPRIETARY PARTS THAT MAY BE DISCLOSED IN THIS DOCUMENT.

REVISIONS				
REV	AUTHORITY	DATE		SIGNATURE
		YR	MO DAY	

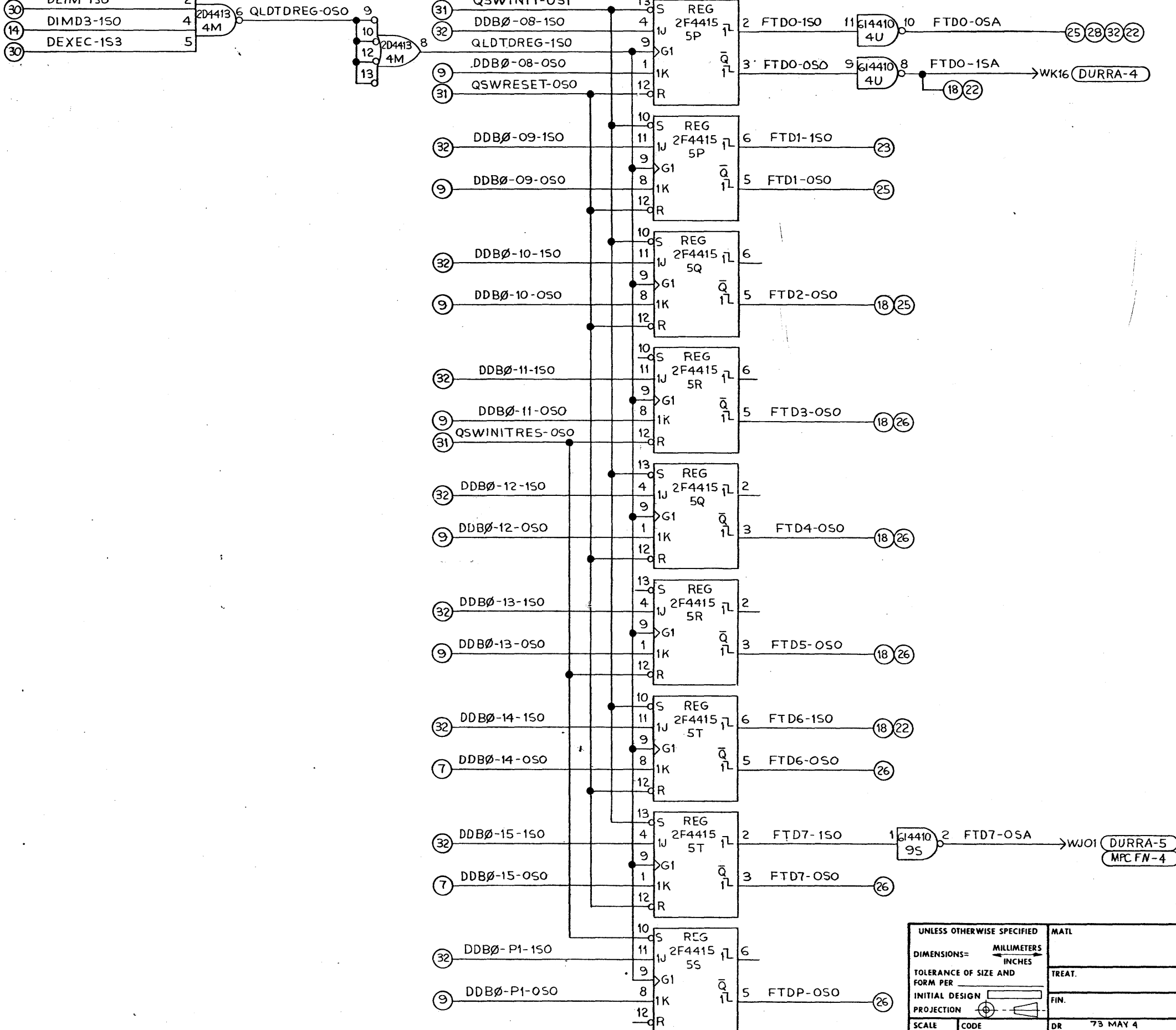


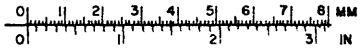


UNLESS OTHERWISE SPECIFIED		MATERIAL		Honeywell HONEYWELL INFORMATION SYSTEMS LOC PCO PHOENIX, ARIZONA U. S. A. TITLE LOGIC DIAGRAM DURIM	
DIMENSIONS =	MILLIMETERS	TREAT.			
TOLERANCE OF SIZE AND FORM PER INITIAL DESIGN		FIN.		SCALE	CODE
PROJECTION		DR	73 MAY 4	SIZE	DWG NO
		APPD	<i>a. Halbreath</i>	D	58003954
		DISTR	<i>R. Hyman 11/19/73</i>	SH	REV
				8	A

(31) QRAW-05-1S0	1
(30) DLIM-1S0	2
(14) DIMD3-1S0	4
(30) DEXEC-1S3	5

REVISIONS				
REV	AUTHORITY	DATE		SIGNATURE
		YR	MO DAY	



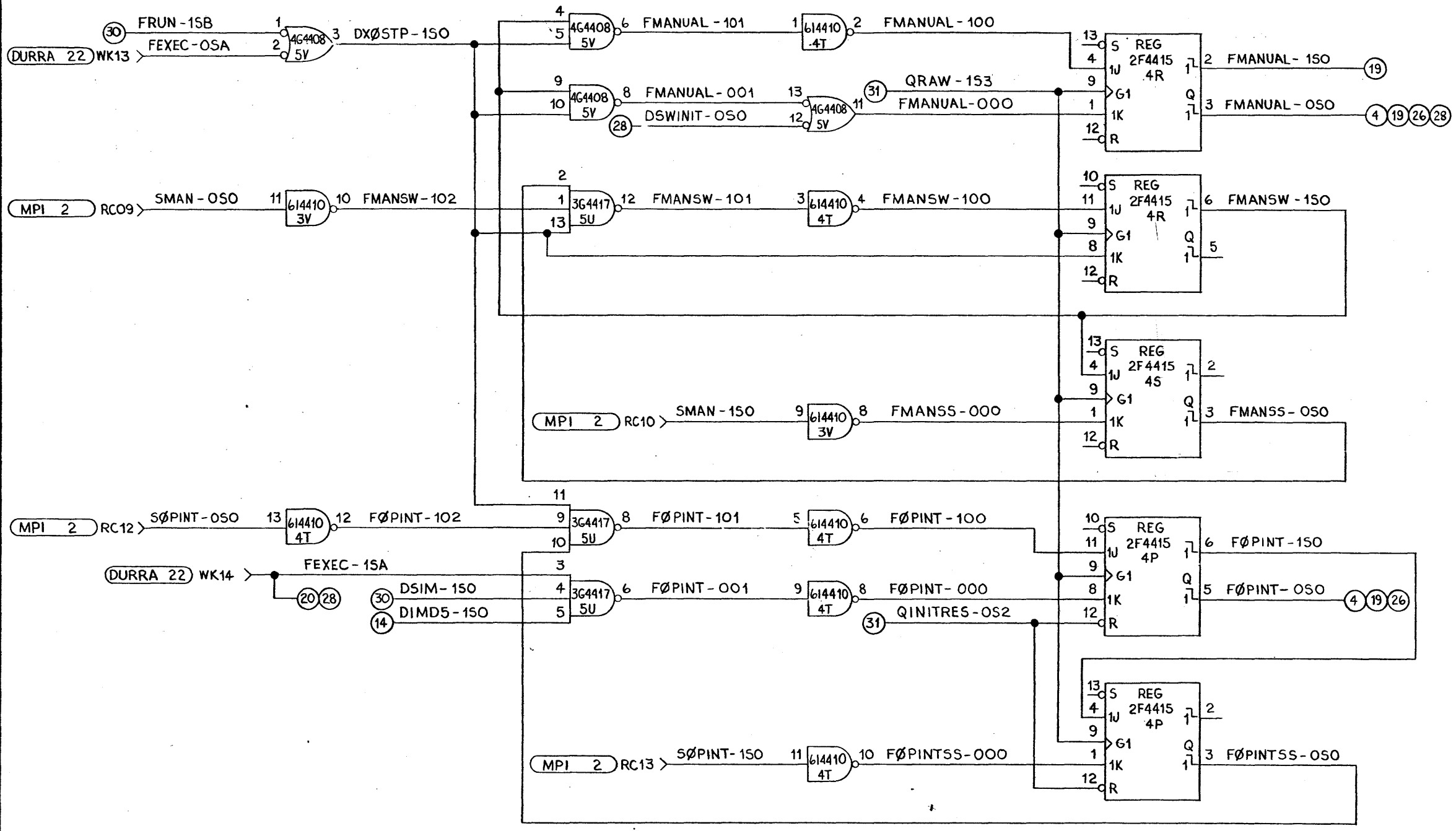


INFORMATION CONTAINED IN THIS DOCUMENT IS PROPRIETARY TO HONEYWELL INFORMATION SYSTEMS AND IS INTENDED FOR INTERNAL HONEYWELL USE ONLY. SUCH INFORMATION MAY BE DISTRIBUTED TO OTHERS ONLY BY WRITTEN PERMISSION OF AN AUTHORIZED HONEYWELL OFFICIAL. THIS RESTRICTION DOES NOT APPLY TO VENDOR PROPRIETARY PARTS THAT MAY BE DISCLOSED IN THIS DOCUMENT.

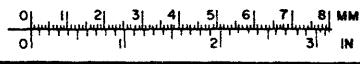
UNLESS OTHERWISE SPECIFIED		MATH		Honeywell HONEYWELL INFORMATION SYSTEMS LOC PCO PHOENIX, ARIZONA U. S. A.	
DIMENSIONS=	MILLIMETERS	TREAT.	FIN.		
TOLERANCE OF SIZE AND FORM PER	INCHES	INITIAL DESIGN	DR 73 MAY 4	TITLE LOGIC DIAGRAM DURIM	
PROJECTION			APPD <i>A. Hillenath</i>	TEST & DIAGNOSTIC REGISTER	
SCALE	CODE	DR		SIZE	DWG NO
				D	58003954
		DISTR		SH	REV
				10	A

C68-26 NCO, SDF, Tos 1 JB

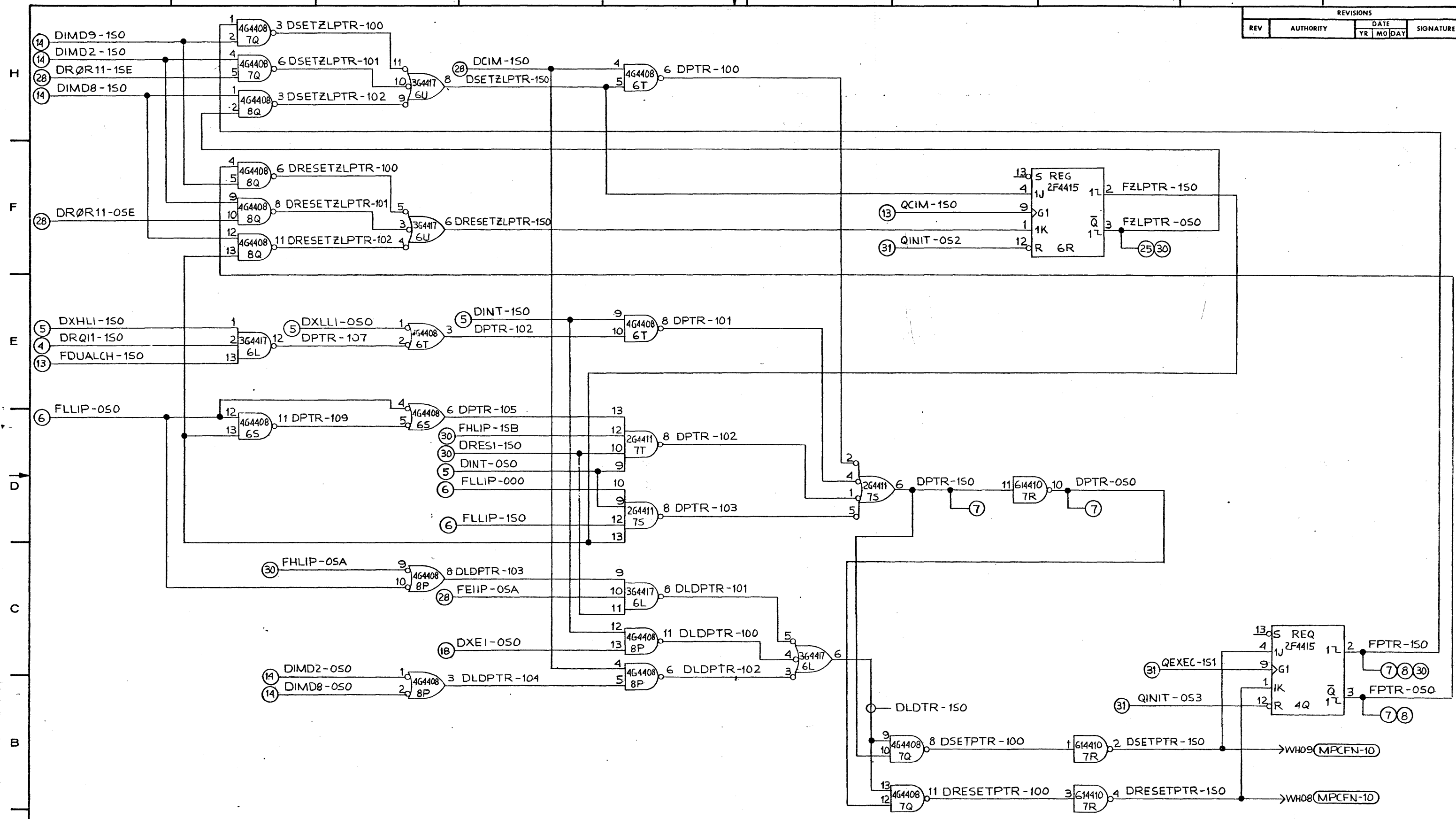
REVISIONS				
REV	AUTHORITY	DATE		SIGNATURE
		YR	MO DAY	



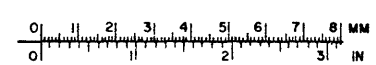
INFORMATION CONTAINED IN THIS DOCUMENT IS PROPRIETARY TO HONEYWELL INFORMATION SYSTEMS AND IS INTENDED FOR INTERNAL HONEYWELL USE ONLY. SUCH INFORMATION MAY BE DISTRIBUTED TO OTHERS ONLY BY WRITTEN PERMISSION OF AN AUTHORIZED HONEYWELL OFFICIAL. THIS RESTRICTION DOES NOT APPLY TO VENDOR PROPRIETARY PARTS THAT MAY BE DISCLOSED IN THIS DOCUMENT.



UNLESS OTHERWISE SPECIFIED		MATL		Honeywell	
DIMENSIONS=	MILLIMETERS	TREAT.		LOC PCO HONEYWELL INFORMATION SYSTEMS PHOENIX, ARIZONA U.S.A.	
TOLERANCE OF SIZE AND FORM PER	INCHES	FIN.		TITLE LOGIC DIAGRAM DURIM	
INITIAL DESIGN		DR 73 MAY 4		AUTO MANUAL & OPER. INTERRUPT	
PROJECTION		APPD R. J. Hallmark 11/19/72		SIZE DWG NO SH REV	
SCALE	CODE	DISTR C68-26 NCO, SDFV Tos		D 58003954 11 A	

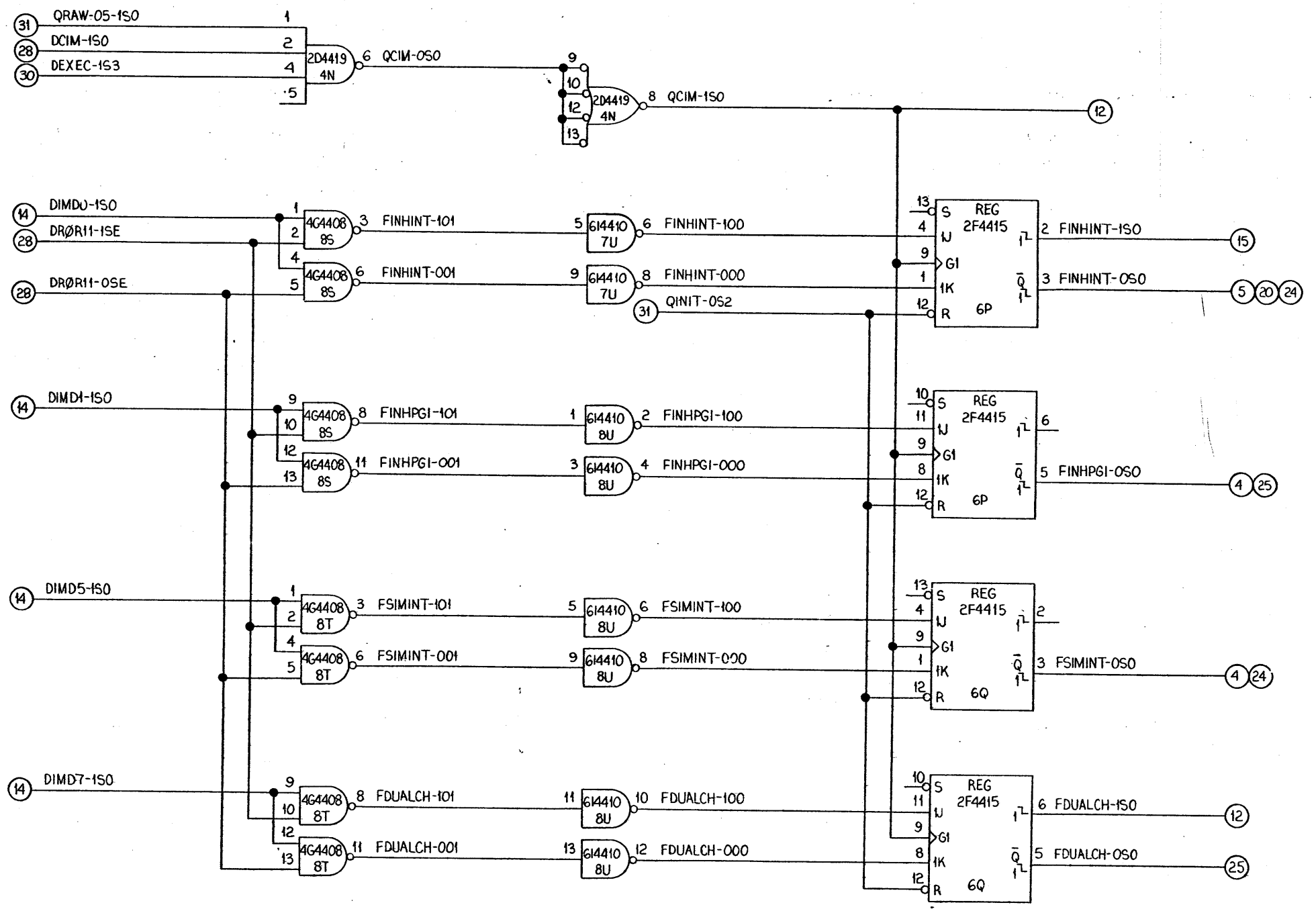


INFORMATION CONTAINED IN THIS DOCUMENT IS PROPRIETARY TO HONEYWELL INFORMATION SYSTEMS AND IS INTENDED FOR INTERNAL HONEYWELL USE ONLY. SUCH INFORMATION MAY BE DISTRIBUTED TO OTHERS ONLY BY WRITTEN PERMISSION OF AN AUTHORIZED HONEYWELL OFFICIAL. THIS RESTRICTION DOES NOT APPLY TO VENDOR PROPRIETARY PARTS THAT MAY BE DISCLOSED IN THIS DOCUMENT.



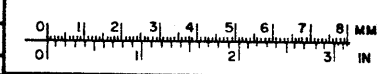
UNLESS OTHERWISE SPECIFIED		MATL	Honeywell HONEYWELL INFORMATION SYSTEMS LOC PCO PHOENIX, ARIZONA U. S. A.			
DIMENSIONS=	MILLIMETERS	TREAT.				
	INCHES	FIN.				
TOLERANCE OF SIZE AND FORM PER						
INITIAL DESIGN		DR	73 MAY 4			
PROJECTION		APPD	<i>a. Halbreath</i>			
SCALE	CODE	DISTR	<i>R. Palma 11/14/73</i>			
			SIZE	DWG NO	SH	REV
			D	58003954	12	A
			TITLE			
			LOGIC DIAGRAM DURIM			
			RBA POINTER			
			WH09 (MPCFN-10) WH08 (MPCFN-10)			
				NCO, SDFN Tos		1

REVISIONS				
REV	AUTHORITY	DATE	SIGNATURE	
		YR MO DAY		



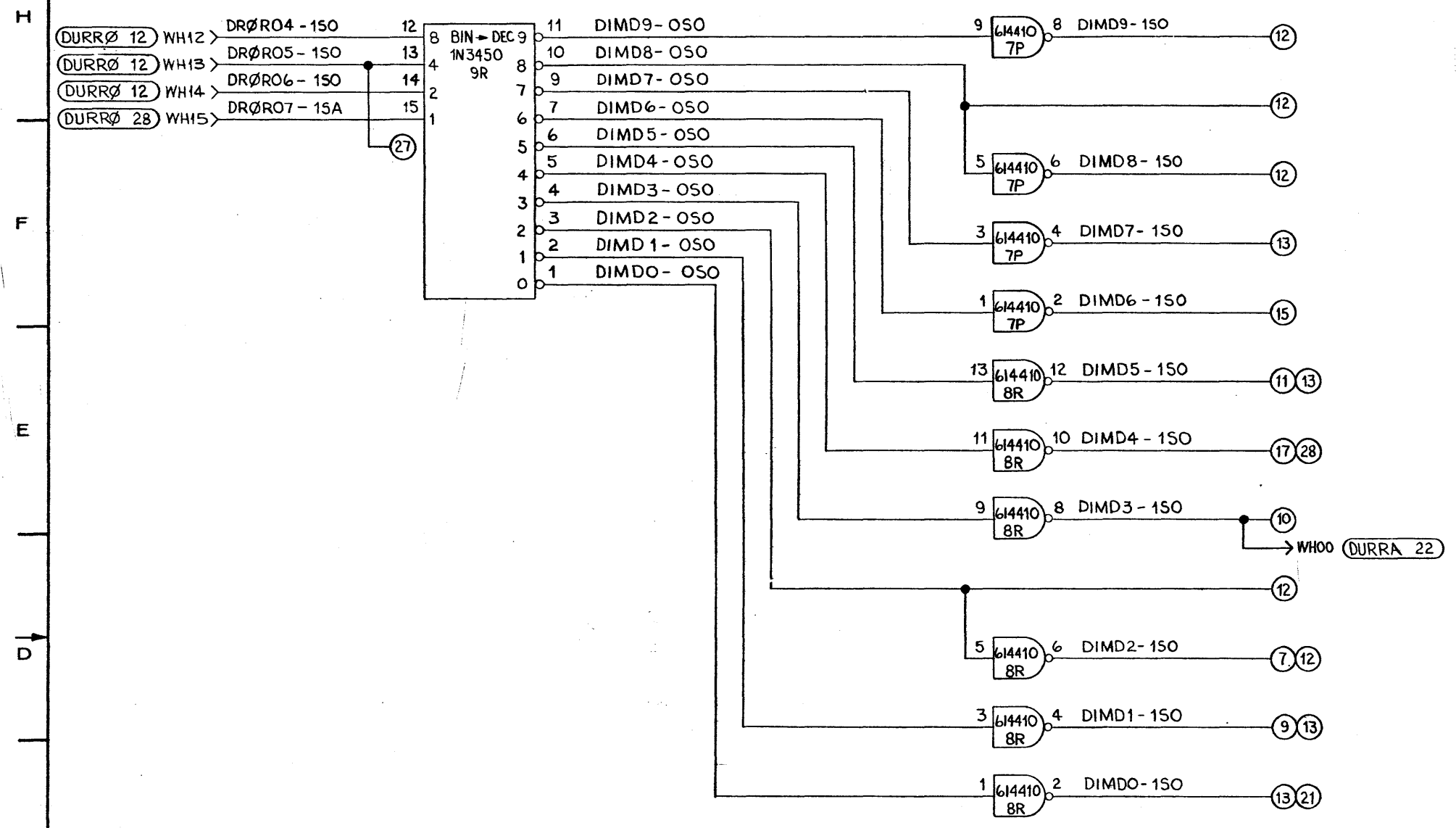
UNLESS OTHERWISE SPECIFIED
DIMENSIONS ARE IN MILLIMETERS
TOLERANCE OF SIZE AND
FORM PER
INITIAL DESIGN
PROJECTION
SCALE
CODE
MAY BE DISTRIBUTED TO OTHERS ONLY BY WRITTEN PERMISSION OF AN AUTHORIZED HONEYWELL OFFICIAL. THIS RESTRICTION DOES NOT APPLY TO VENDOR PROPRIETARY PARTS THAT MAY BE DISCLOSED IN THIS DOCUMENT.

REF SPEC NO

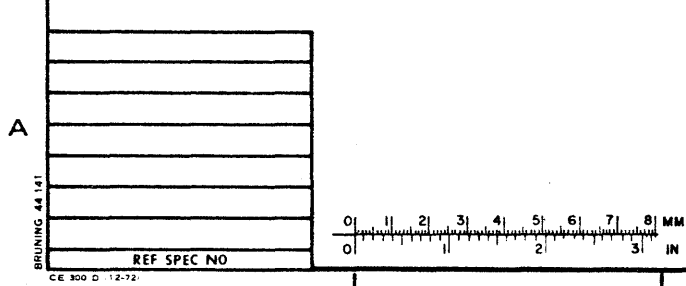


UNLESS OTHERWISE SPECIFIED		MILLIMETERS		MATL	
DIMENSIONS=		INCHES		TREAT.	
TOLERANCE OF SIZE AND FORM PER		INITIAL DESIGN		FIN.	
PROJECTION		SCALE		CODE	
DR 73 MAY 4		DR		APPD	
a. Halbreath		R. Lynn		DIRECT	
Honeywell		HONEYWELL INFORMATION SYSTEMS		PHOENIX, ARIZONA U. S. A.	
LOC PCO		TITLE		DURIM	
LOGIC DIAGRAM		INTERRUPT CONTROL			
SIZE	DWG NO	SH	REV		
D	58003954	13	A		

REVISIONS				
REV	AUTHORITY	DATE		SIGNATURE
		YR	MO DAY	

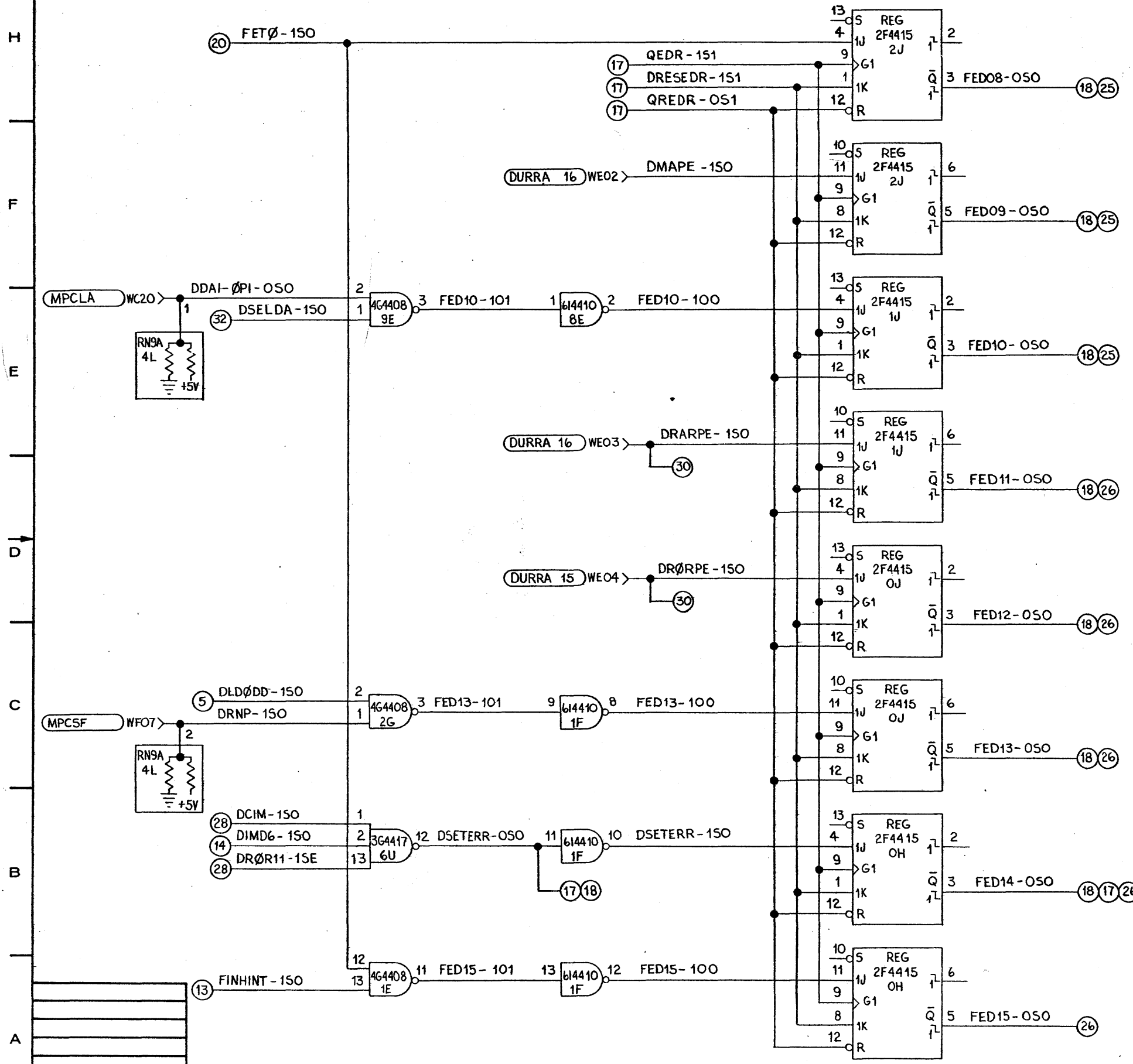


INFORMATION CONTAINED IN THIS DOCUMENT IS PROPRIETARY TO HONEYWELL INFORMATION SYSTEMS AND IS INTENDED FOR INTERNAL HONEYWELL USE ONLY. SUCH INFORMATION MAY BE DISTRIBUTED TO OTHERS ONLY BY WRITTEN PERMISSION OF AN AUTHORIZED HONEYWELL OFFICIAL. THIS RESTRICTION DOES NOT APPLY TO VENDOR PROPRIETARY PARTS THAT MAY BE DISCLOSED IN THIS DOCUMENT.

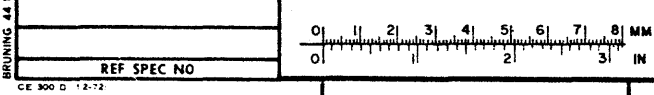


UNLESS OTHERWISE SPECIFIED		MATH		Honeywell HONEYWELL INFORMATION SYSTEMS PHOENIX ARIZONA U. S. A.	
DIMENSIONS = $\frac{\text{MILLIMETERS}}{\text{INCHES}}$		TREAT.			
TOLERANCE OF SIZE AND FORM PER		FIN.		LOC PCO TITLE LOGIC DIAGRAM DURIM CIM/LIM/SIM DECODES	
INITIAL DESIGN		DR 73 MAY 4		SIZE	DWG NO
PROJECTION		APPD <i>R. Ryan</i> 11/19/73		D	58003954
SCALE	CODE	DISTR C68-26 NCO, SDF 105		SH	REV
				14	A

REVISIONS			
REV	AUTHORITY	DATE	SIGNATURE
		YR MO DAY	



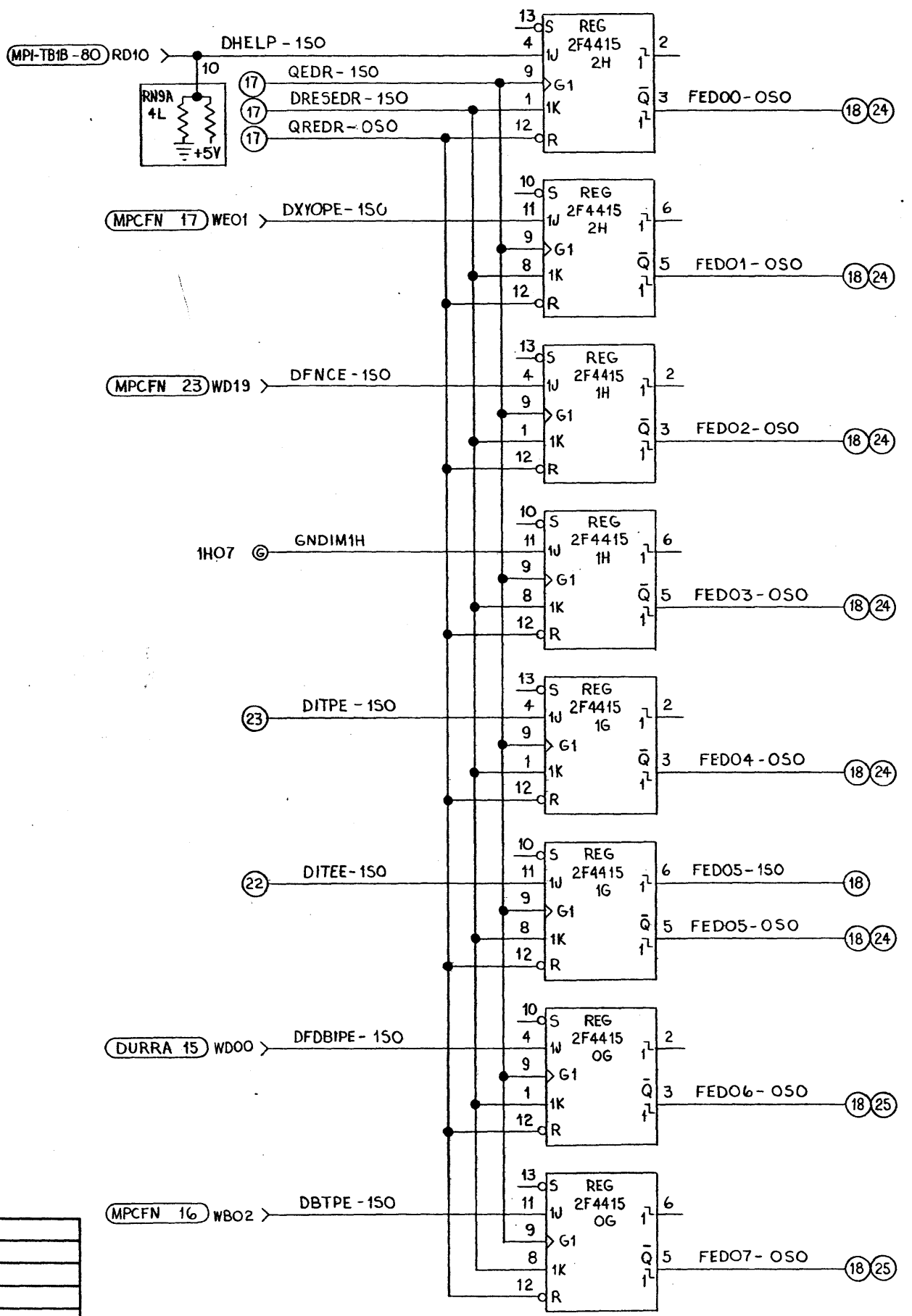
INFORMATION CONTAINED IN THIS DOCUMENT IS PROPRIETARY TO HONEYWELL INFORMATION SYSTEMS AND IS INTENDED FOR INTERNAL HONEYWELL USE ONLY. SUCH INFORMATION MAY BE DISTRIBUTED TO OTHERS ONLY BY WRITTEN PERMISSION OF AN AUTHORIZED HONEYWELL OFFICIAL. THIS RESTRICTION DOES NOT APPLY TO VENDOR PROPRIETARY PARTS THAT MAY BE DISCLOSED IN THIS DOCUMENT.



UNLESS OTHERWISE SPECIFIED		MATERIAL		Honeywell HONEYWELL INFORMATION SYSTEMS PHOENIX, ARIZONA U. S. A.		
DIMENSIONS = $\frac{\text{MILLIMETERS}}{\text{INCHES}}$		TREATMENT				
TOLERANCE OF SIZE AND FORM PER INITIAL DESIGN		FIN.		LOC PCO		
PROJECTION		DR		TITLE LOGIC DIAGRAM DURIM		
SCALE	CODE	DR 73 MAY 5 <i>o. Hallbreath</i>		ERROR DATA REGISTER-LSB		
		APPD <i>R. J. Lynn 11/19/73</i>		SIZE D	DWG NO 58003954	SH 15
		DISTR C68-26 NCO, SDF		REV A		

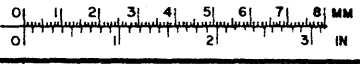
Tas

REVIEWS			
REV	AUTHORITY	DATE	SIGNATURE
		YR MO DAY	



INFORMATION CONTAINED IN THIS DOCUMENT IS PROPRIETARY TO HONEYWELL INFORMATION SYSTEMS AND IS INTENDED FOR INTERNAL HONEYWELL USE ONLY.
 SUCH INFORMATION MAY BE DISTRIBUTED TO OTHERS ONLY BY WRITTEN PERMISSION OF AN AUTHORIZED HONEYWELL OFFICIAL. THIS RESTRICTION DOES NOT APPLY
 TO VENDOR PROPRIETARY PARTS THAT MAY BE DISCLOSED IN THIS DOCUMENT.

BRUNING 44 141

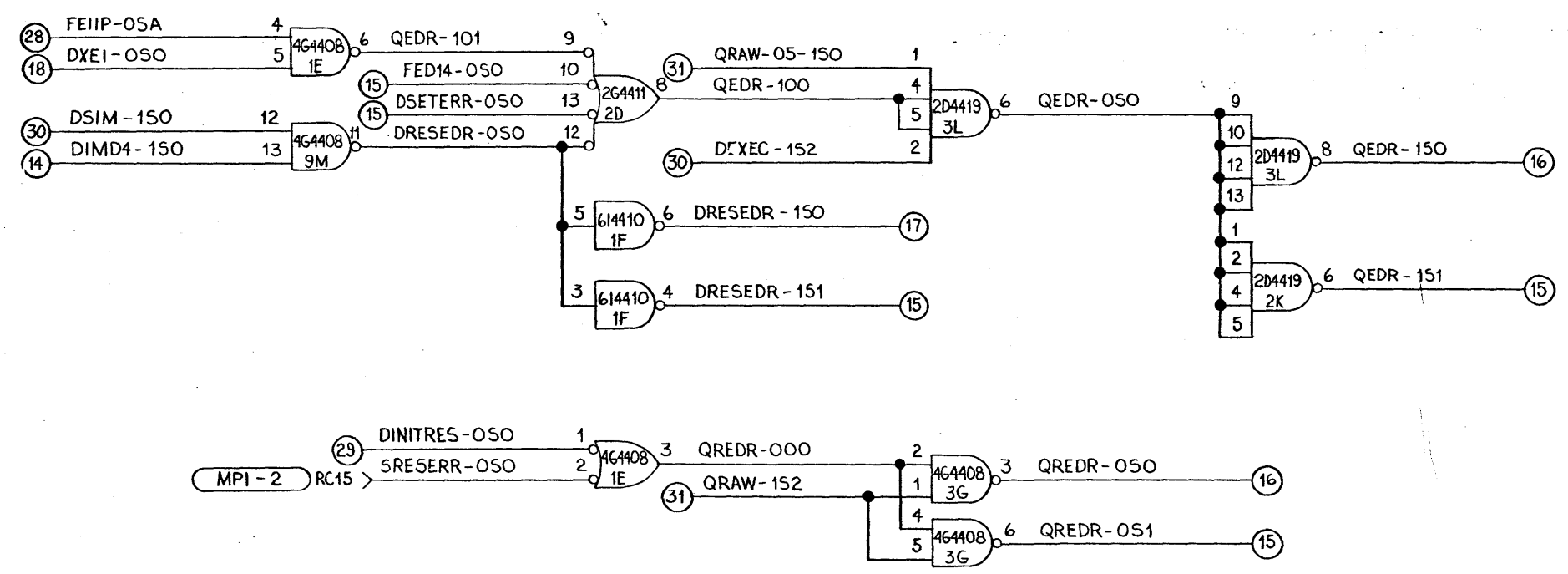


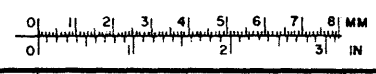
REF SPEC NO

UNLESS OTHERWISE SPECIFIED		MATL	
DIMENSIONS=	MILLIMETERS		
	INCHES		
TOLERANCE OF SIZE AND		TREAT.	
FORM PER		FIN.	
INITIAL DESIGN			
PROJECTION			
SCALE	CODE	DR 73 MAY 8	
		<i>J. Stonwick</i>	
		APPD <i>R. J. [Signature]</i>	
		DISTR <i>C68-26 NCO, SDF, TAS</i>	
HONEYWELL		LOC PCO	SH
HONEYWELL INFORMATION SYSTEMS		PHOENIX, ARIZONA U. S. A.	REV
TITLE LOGIC DIAGRAM DURIM			
ERROR DATA REGISTER-MSB			
SIZE	DWG NO		
D	58003954	16	A

INFORMATION CONTAINED IN THIS DOCUMENT IS PROPRIETARY TO HONEYWELL INFORMATION SYSTEMS AND IS INTENDED FOR INTERNAL HONEYWELL USE ONLY. NO INFORMATION MAY BE DISTRIBUTED TO OTHERS WITHOUT WRITTEN PERMISSION OF AN AUTHORIZED HONEYWELL OFFICIAL. THIS RESTRICTION DOES NOT APPLY TO VENDOR PROPRIETARY PARTS THAT MAY BE DISCLOSED IN THIS DOCUMENT.

REVISIONS				
REV	AUTHORITY	DATE		SIGNATURE
		YR	MO	DAY





REF SPEC NO

UNLESS OTHERWISE SPECIFIED		MATERIAL	
DIMENSIONS = $\frac{MILLIMETERS}{INCHES}$		TREAT.	
TOLERANCE OF SIZE AND FORM PER		FIN.	
INITIAL DESIGN	<input type="checkbox"/>	DR 73 MAY 5	
PROJECTION	\oplus	APPD <i>a. Halbath</i>	
SCALE	CODE	SIZE	DWG NO
		D	58003954
		SH	REV
		17	A

Honeywell
 HONEYWELL INFORMATION SYSTEMS
 LOCP CO PHOENIX, ARIZONA U. S. A.
 TITLE LOGIC DIAGRAM DURIM
 ERROR DATA REGISTER CLOCK CONTROL
 DISTR CGB-26 NCO V, SDF 4as

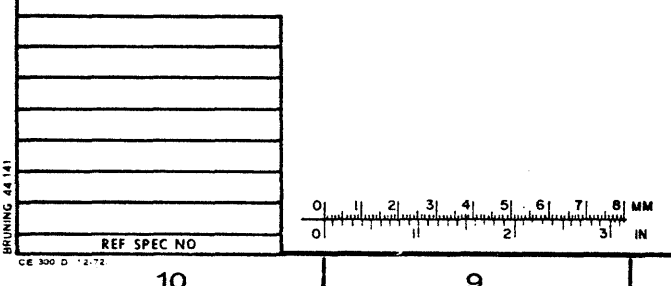
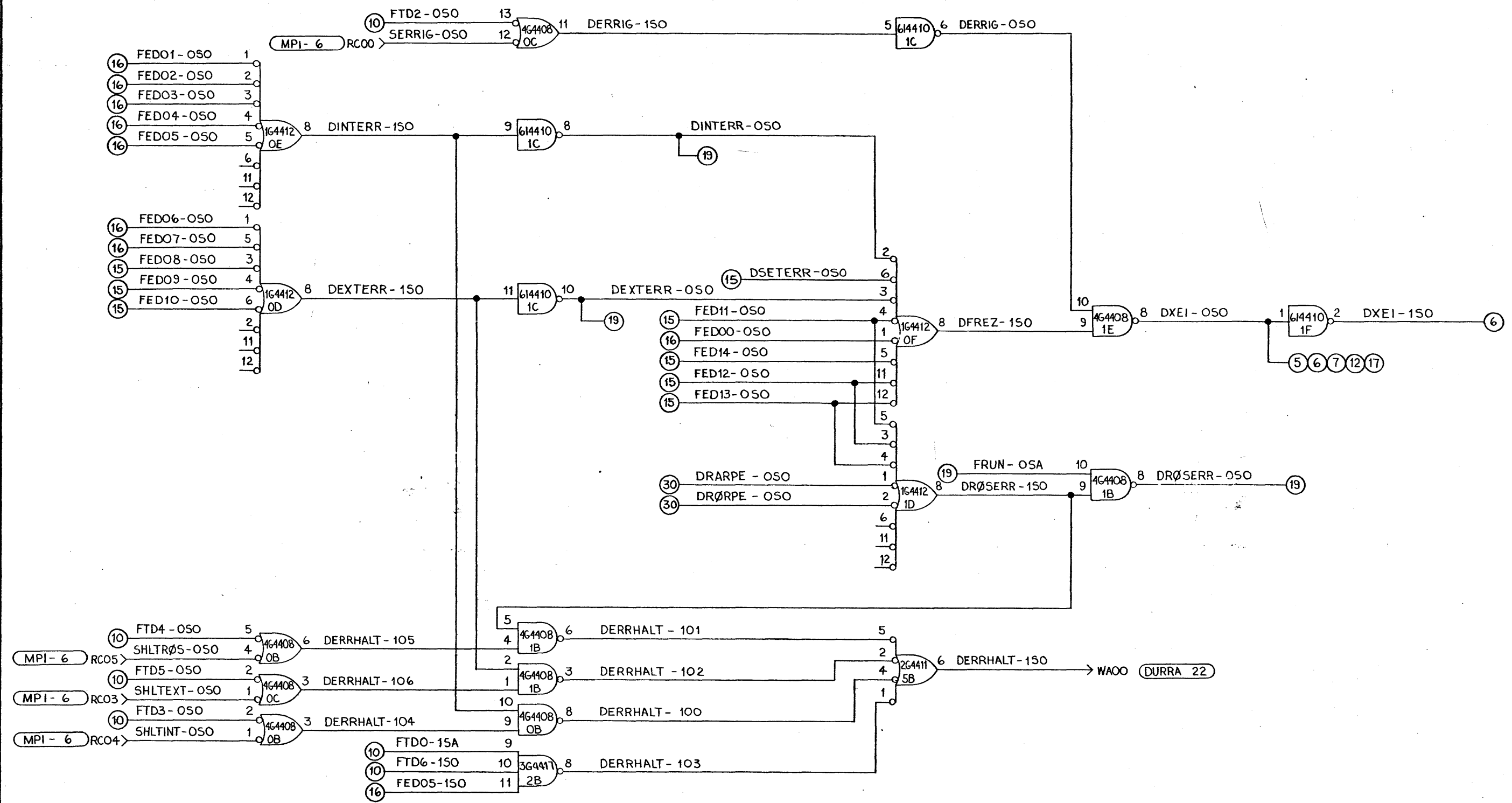
10 9 8 7 6 5 4

58003954

REVISIONS			
REV	AUTHORITY	DATE	SIGNATURE
		YR MO DAY	

H
F
E
D
C
B
A

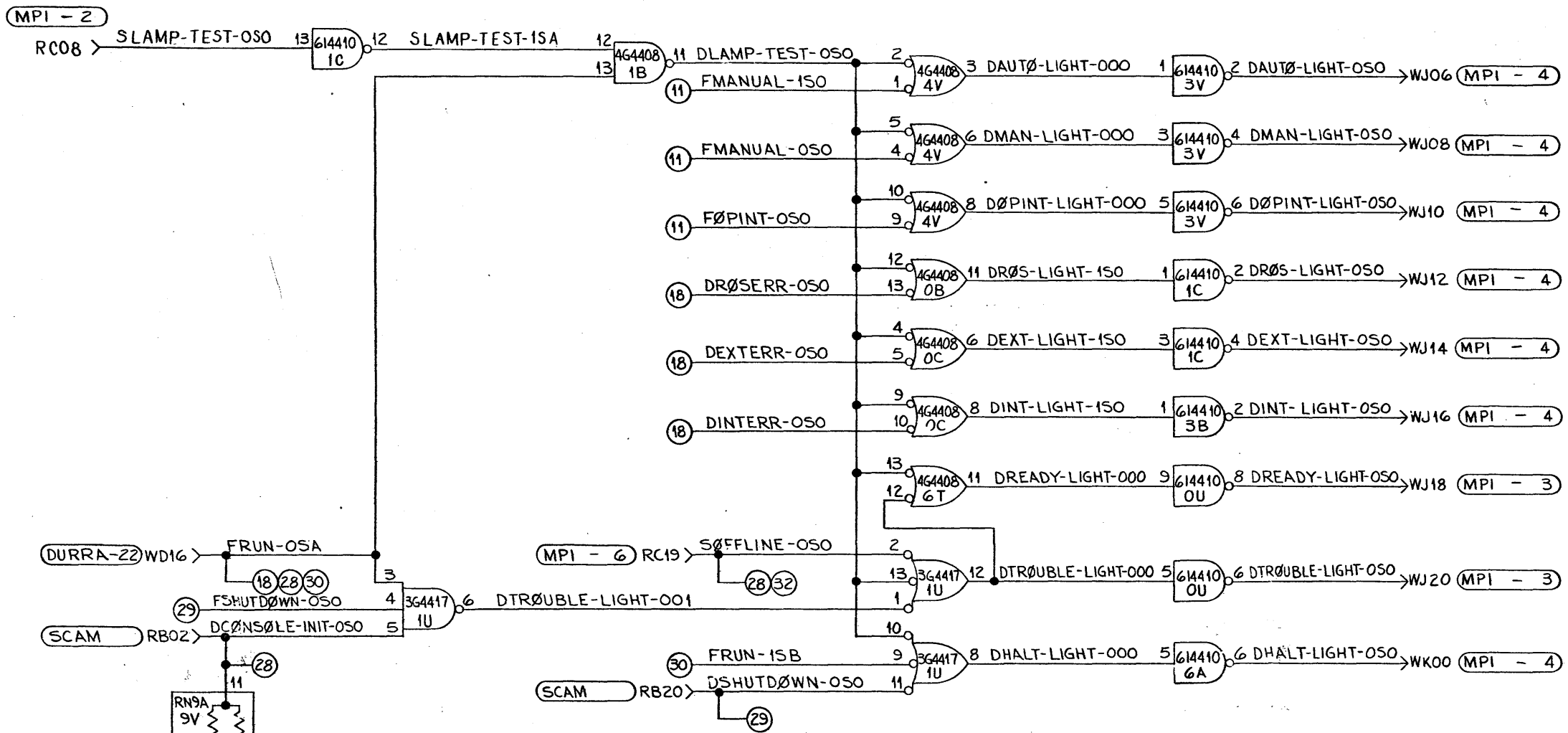
UNLESS OTHERWISE SPECIFIED, DIMENSIONS ARE IN MILLIMETERS. INFORMATION CONTAINED IN THIS DOCUMENT IS PROPRIETARY TO HONEYWELL INFORMATION SYSTEMS AND IS INTENDED FOR INTERNAL HONEYWELL USE ONLY. PERMISSION MAY BE DISTRIBUTED TO OTHERS ONLY BY WRITTEN PERMISSION OF AN AUTHORIZED HONEYWELL OFFICIAL. THIS RESTRICTION DOES NOT APPLY TO VENDOR PROPRIETARY PARTS THAT MAY BE DISCLOSED IN THIS DOCUMENT.



UNLESS OTHERWISE SPECIFIED		MATERIAL		Honeywell HONEYWELL INFORMATION SYSTEMS PHOENIX, ARIZONA U. S. A.	
DIMENSIONS= MILLIMETERS / INCHES		TREAT.			
TOLERANCE OF SIZE AND FORM PER INITIAL DESIGN		FIN.		TITLE LOGIC DIAGRAM DURIM ERROR INTERRUPT/HALT EXECUTION	
PROJECTION		SCALE		DR 73 MAY 5 APPD <i>[Signature]</i> 11/19/73 DISTR C68-26 NCO V, SDF/TGS	
CODE		DR		SIZE DWG NO D 58003954	SH REV 18 A

58003954

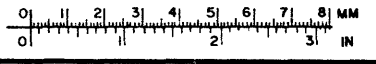
REVISIONS						
REV	AUTHORITY	DATE	SIGNATURE			
YR	MO	DAY				
2						
1						



INFORMATION CONTAINED IN THIS DOCUMENT IS PROPRIETARY TO HONEYWELL INFORMATION SYSTEMS AND IS INTENDED FOR INTERNAL HONEYWELL USE ONLY. INFORMATION MAY BE DISTRIBUTED TO OTHERS ONLY BY WRITTEN PERMISSION OF AN AUTHORIZED HONEYWELL OFFICIAL. THIS RESTRICTION DOES NOT APPLY TO VENDOR PROPRIETARY PARTS THAT MAY BE DISCLOSED IN THIS DOCUMENT.

58003954

REF SPEC NO

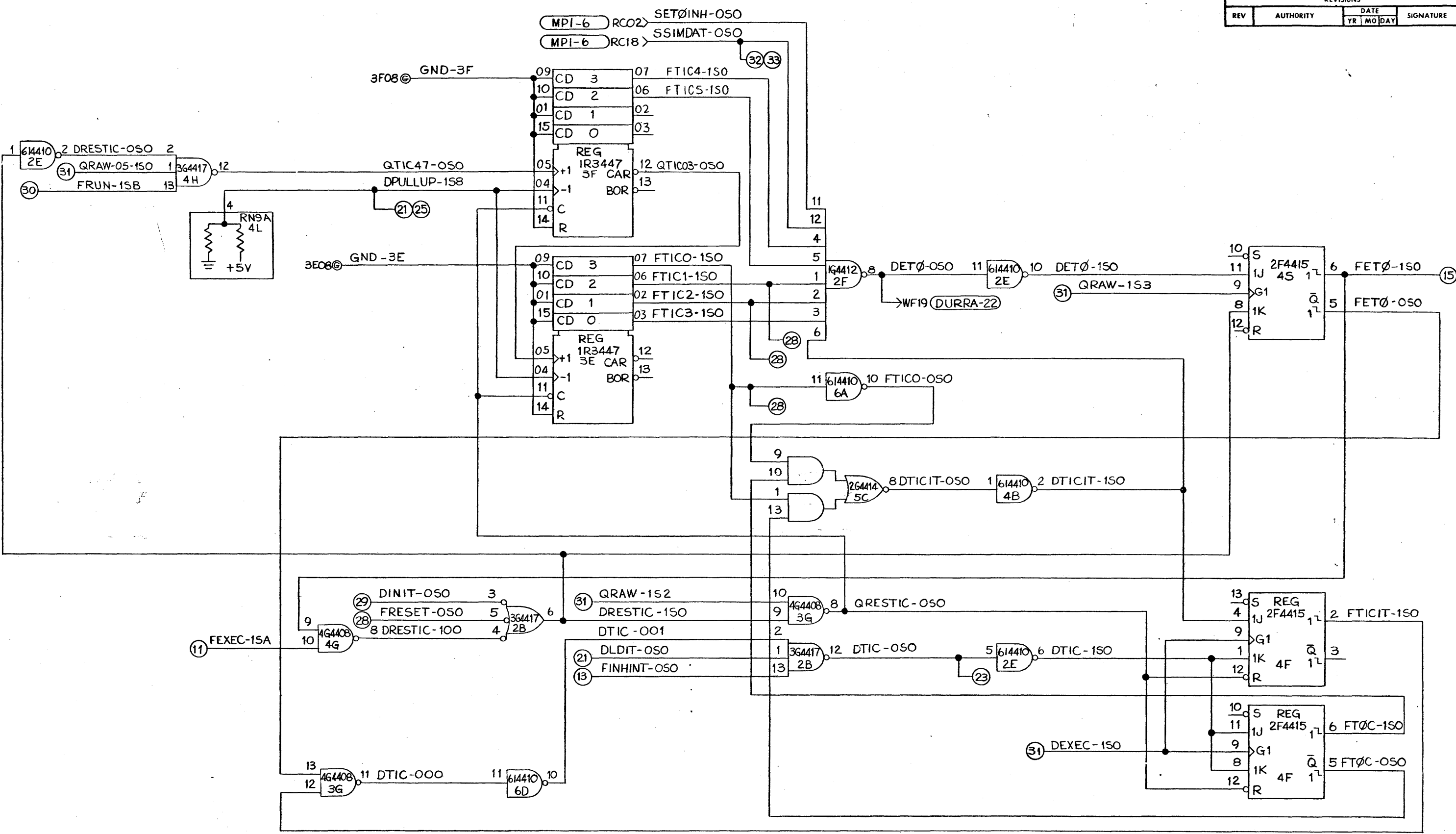


UNLESS OTHERWISE SPECIFIED		MATERIAL		Honeywell	
DIMENSIONS=	MILLIMETERS			HONEYWELL INFORMATION SYSTEMS	
	INCHES			PHOENIX, ARIZONA U. S. A.	
TOLERANCE OF SIZE AND		TREAT.		LOC PCO	
FORM PER		FIN.		TITLE LOGIC DIAGRAM DURIM	
INITIAL DESIGN		DR	73 MAY 7	OPERATOR PANEL LAMP DRIVERS	
PROJECTION		APPD	R. Lynn 11/19/73	SIZE	DWG NO
SCALE	CODE	DISTR	CC-26 NCO V,SDF/TOS	D	58003954
				SH	REV
				19	A

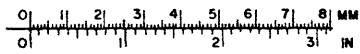
BRUNING 44 141

CE 300 D 12-72

REVISIONS					
REV	AUTHORITY	DATE	SIGNATURE		
		YR MO DAY			



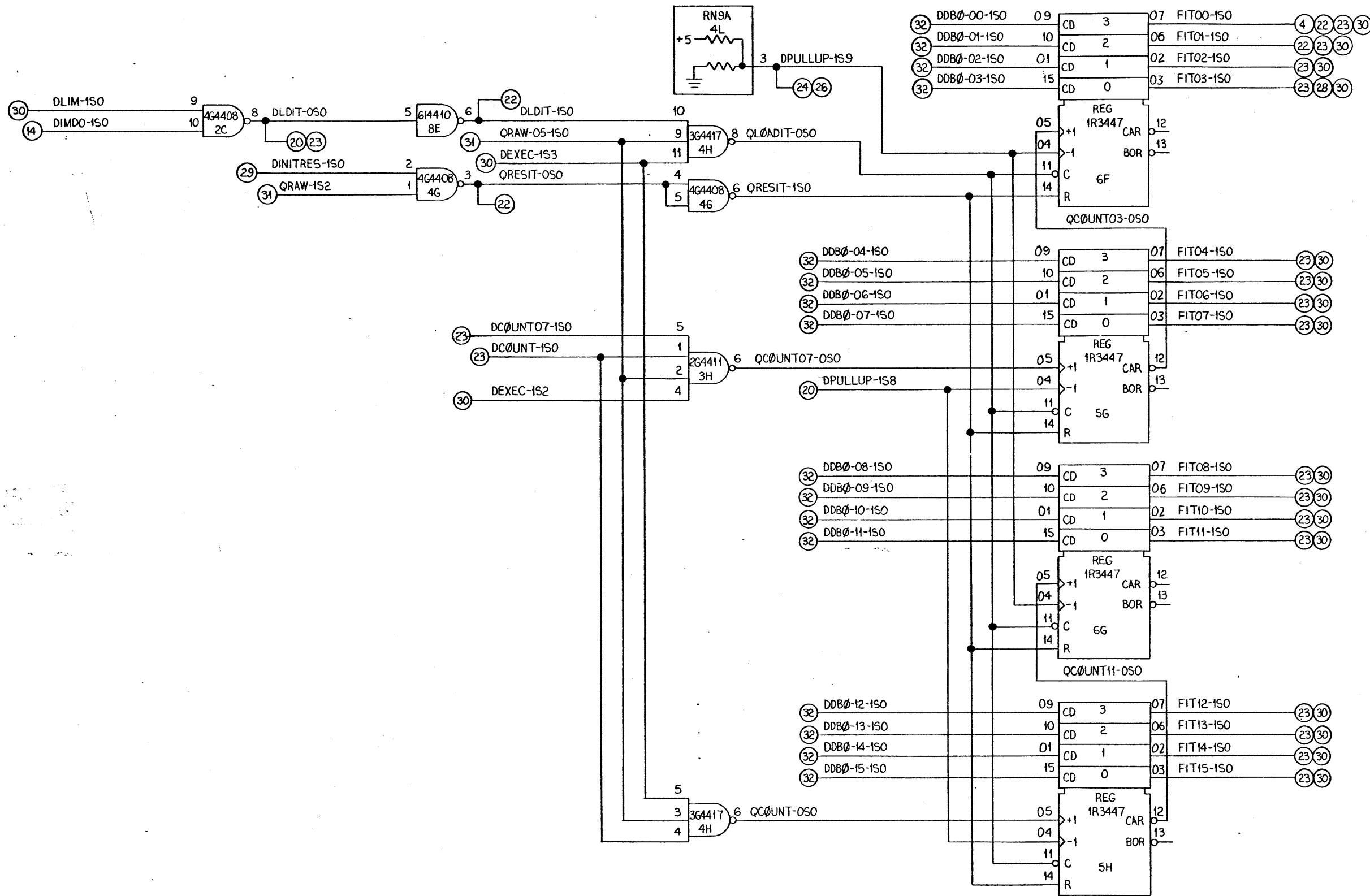
INFORMATION CONTAINED IN THIS DOCUMENT IS PROPRIETARY TO HONEYWELL INFORMATION SYSTEMS AND IS INTENDED FOR INTERNAL HONEYWELL USE ONLY. NO INFORMATION MAY BE DISTRIBUTED TO OTHERS WITHOUT WRITTEN PERMISSION OF AN AUTHORIZED HONEYWELL OFFICIAL. THIS RESTRICTION DOES NOT APPLY TO VENDOR PROPRIETARY PARTS THAT MAY BE DISCLOSED IN THIS DOCUMENT.



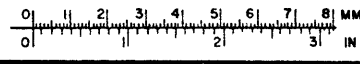
UNLESS OTHERWISE SPECIFIED		MATL	Honeywell HONEYWELL INFORMATION SYSTEMS PHOENIX, ARIZONA U. S. A.	
DIMENSIONS-	MILLIMETERS INCHES	TREAT.		
TOLERANCE OF SIZE AND FORM PER	INITIAL DESIGN	FIN.	LOC PCO TITLE LOGIC DIAGRAM DURIM INTERVAL TIMER TICKER	
PROJECTION	SCALE	CODE	DR 73 MAY 7	SH 20
			APPR. <i>R. J. Hall</i> 11/19/73	REV A
			DISTR CGB-26 NCO V. SDFV/TOS	SIZE DWG NO D 58003954

50003954

REVISIONS				
REV	AUTHORITY	DATE		SIGNATURE
		YR	MO DAY	

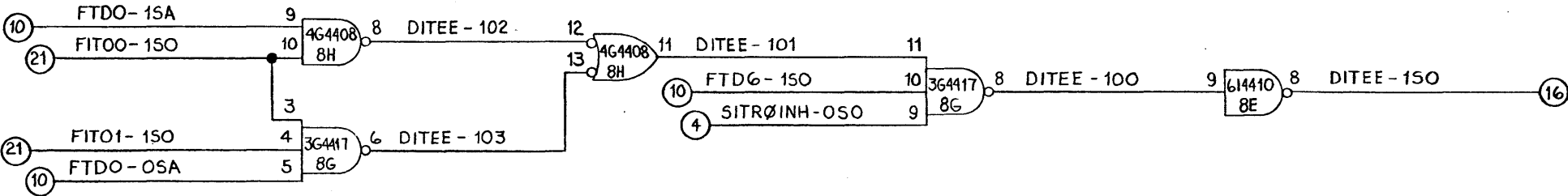
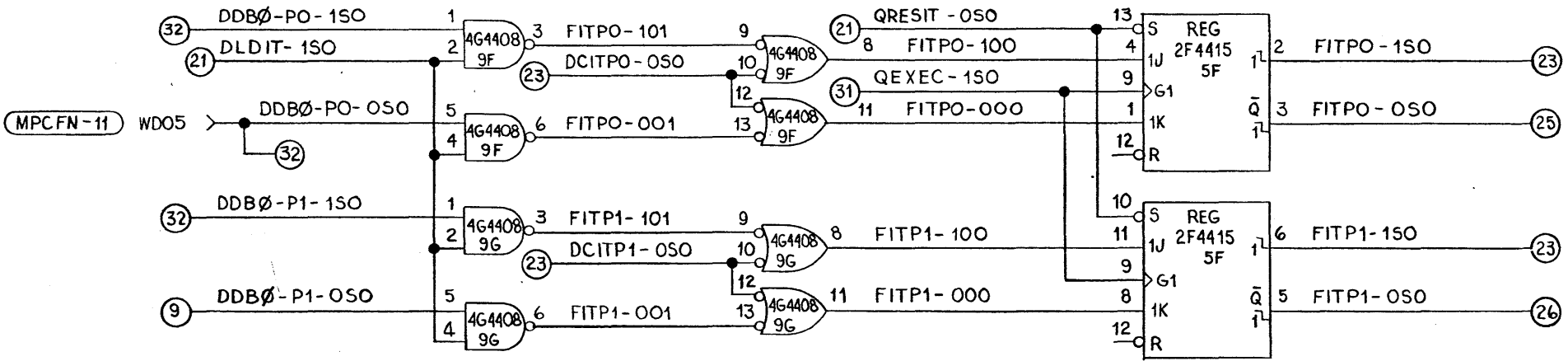


INFORMATION CONTAINED IN THIS DOCUMENT IS PROPRIETARY TO HONEYWELL INFORMATION SYSTEMS AND IS INTENDED FOR INTERNAL HONEYWELL USE ONLY. NO INFORMATION MAY BE DISTRIBUTED TO OTHERS WITHOUT THE WRITTEN PERMISSION OF AN AUTHORIZED HONEYWELL OFFICIAL. THIS RESTRICTION DOES NOT APPLY TO VENDOR PROPRIETARY PARTS THAT MAY BE DISCLOSED IN THIS DOCUMENT.

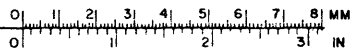


UNLESS OTHERWISE SPECIFIED		MATERIAL		Honeywell HONEYWELL INFORMATION SYSTEMS PHOENIX, ARIZONA U. S. A.			
DIMENSIONS=	MILLIMETERS ← INCHES	TREAT.					
TOLERANCE OF SIZE AND FORM PER INITIAL DESIGN		FIN.		LOC PCO TITLE LOGIC DIAGRAM DURIM INTERVAL TIMER			
PROJECTION	\oplus - \ominus	DR	73 MAY 7	SIZE	DWG NO	SH	REV
SCALE	CODE	APPD	R. Johnson 11/19/73	D	58003954	21	A
		DISTR	C68-26 NCG V, SDF/V-TOS				

REVISIONS				
REV	AUTHORITY	DATE	SIGNATURE	
		YR MO DAY		



ALL INFORMATION CONTAINED IN THIS DOCUMENT IS PROPRIETARY TO HONEYWELL INFORMATION SYSTEMS AND IS INTENDED FOR INTERNAL HONEYWELL USE ONLY. SUCH INFORMATION MAY BE DISTRIBUTED TO OTHERS ONLY BY WRITTEN PERMISSION OF AN AUTHORIZED HONEYWELL OFFICIAL. THIS RESTRICTION DOES NOT APPLY TO VENDOR PROPRIETARY PARTS THAT MAY BE DISCLOSED IN THIS DOCUMENT.



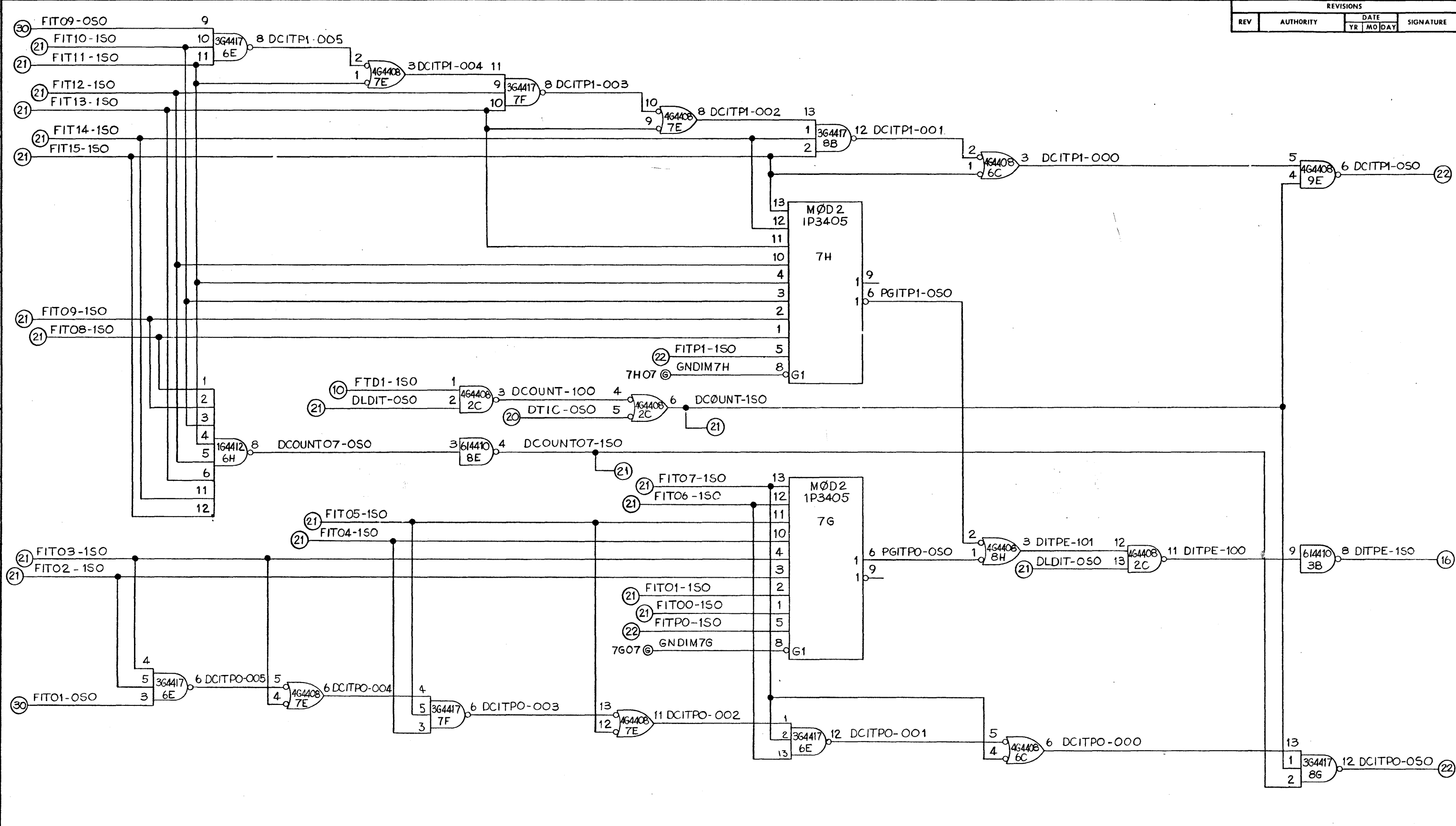
REF SPEC NO

UNLESS OTHERWISE SPECIFIED		MATERIAL		Honeywell HONEYWELL INFORMATION SYSTEMS PHOENIX, ARIZONA U. S. A.	
DIMENSIONS=		TREAT.			
TOLERANCE OF SIZE AND		FIN.		TITLE LOGIC DIAGRAM DURIM	
FORM PER				INTERVAL TIMER PARITY	
INITIAL DESIGN		DR 73 MAY 7 <i>J. Stimpke</i>		SIZE	DWG NO
PROJECTION		APPD <i>R. Hennig</i> 1/2/73		D 58003954	SH 22
SCALE	CODE	DISTR CEB-26		NC. OF SHEETS	REV A

15800395

INFORMATION CONTAINED IN THIS DOCUMENT IS PROPRIETARY TO HONEYWELL INFORMATION SYSTEMS AND IS INTENDED FOR INTERNAL HONEYWELL USE ONLY. INFORMATION MAY BE DISTRIBUTED TO OTHERS ONLY BY WRITTEN PERMISSION OF AN AUTHORIZED HONEYWELL OFFICIAL. THIS RESTRICTION DOES NOT APPLY TO VENDOR PROPRIETARY PARTS THAT MAY BE DISCLOSED IN THIS DOCUMENT.

REVISIONS				
REV	AUTHORITY	DATE		SIGNATURE
		YR	MO/DAY	



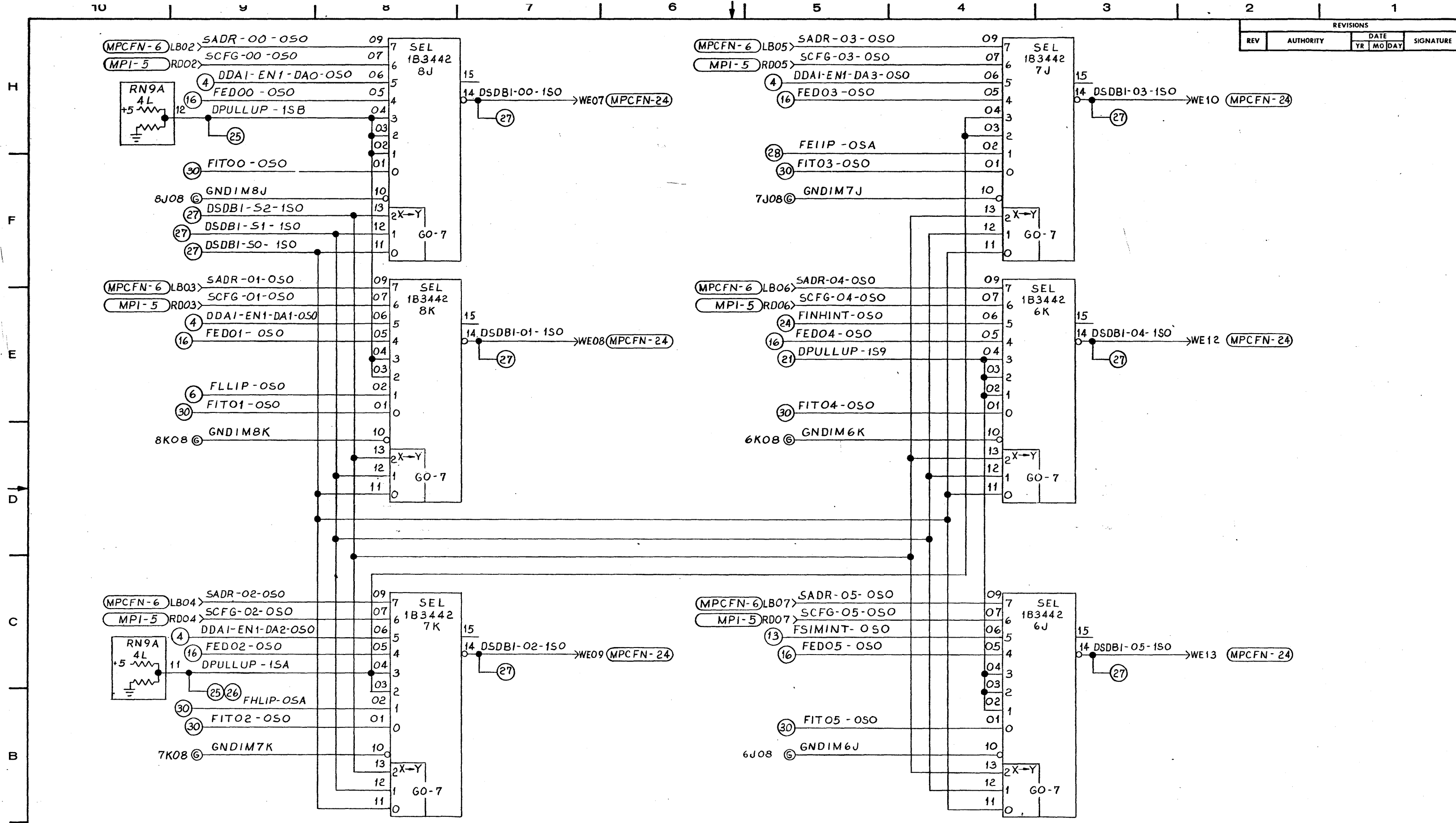
BRUNING 44 141
CE 300 D 12-72

0 1 2 3 4 5 6 7 8 10
1 2 3 4 5 6 7 8 10
REF SPEC NO

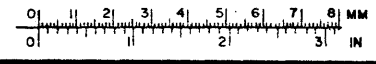
UNLESS OTHERWISE SPECIFIED		MATH		Honeywell HONEYWELL INFORMATION SYSTEMS PHOENIX, ARIZONA U. S. A.		
DIMENSIONS= MILLIMETERS INCHES		TREAT.				
TOLERANCE OF SIZE AND FORM PER		FIN.		TITLE LOGIC DIAGRAM DURIM INTERVAL TIMER PARITY PREDICTION / CHECKING		
INITIAL DESIGN		DR 73 MAY 8 G. Johnson		SIZE DWG NO SH REV D 58003954 23 A		
PROJECTION		APPD R. Payne 11/19/73		DISTR C6B-26 NCG V.SDFM TOS		
SCALE	CODE					

REVISIONS

REV	AUTHORITY	DATE			SIGNATURE
		YR	MO	DAY	



INFORMATION CONTAINED IN THIS DOCUMENT IS PROPRIETARY TO HONEYWELL INFORMATION SYSTEMS AND IS INTENDED FOR INTERNAL HONEYWELL USE ONLY. NO INFORMATION MAY BE DISTRIBUTED TO OTHERS WITHOUT WRITTEN PERMISSION OF AN AUTHORIZED HONEYWELL OFFICIAL. THIS RESTRICTION DOES NOT APPLY TO VENDOR PROPRIETARY PARTS THAT MAY BE DISCLOSED IN THIS DOCUMENT.

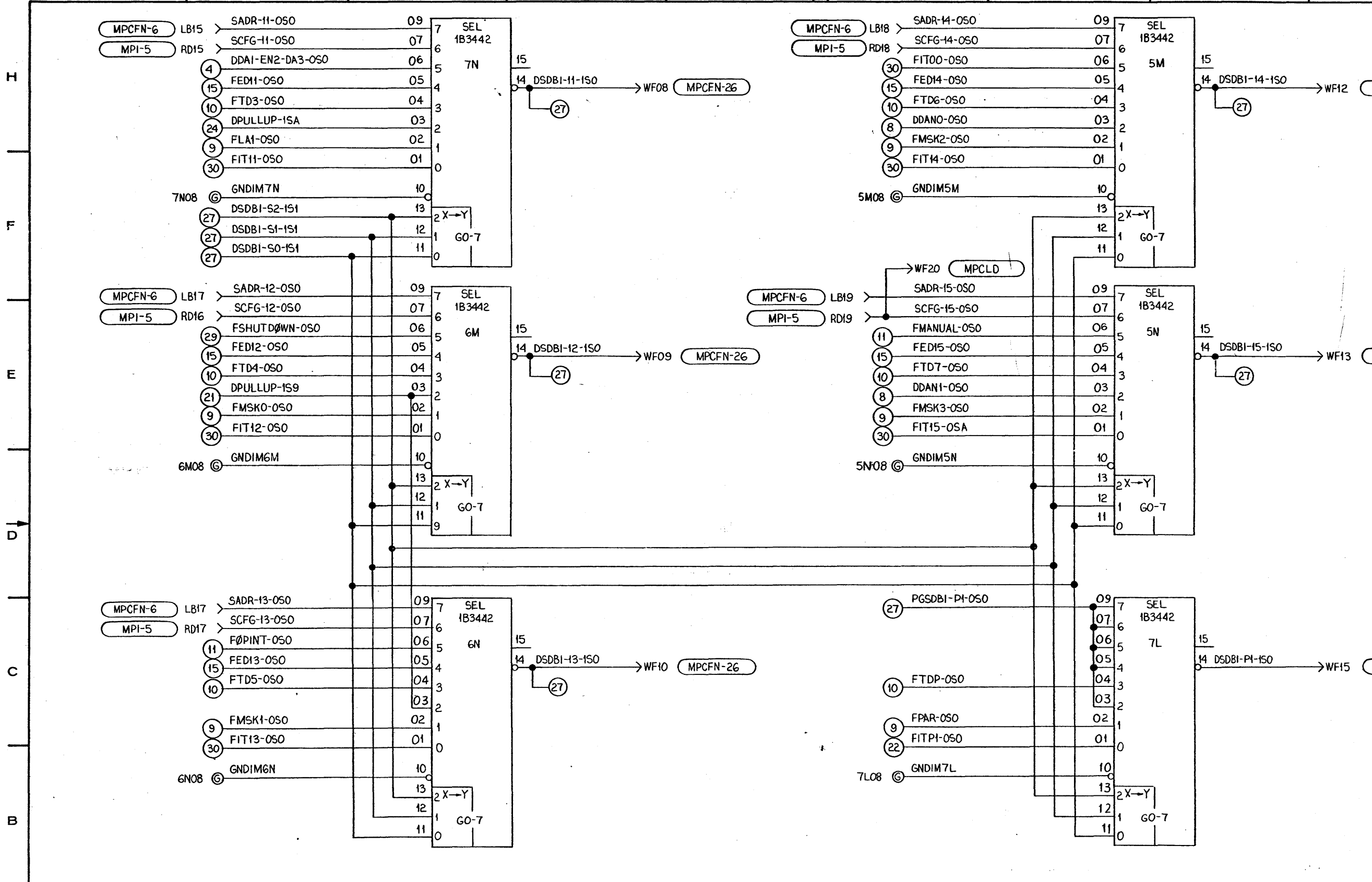


UNLESS OTHERWISE SPECIFIED		MATERIAL		Honeywell HONEYWELL INFORMATION SYSTEMS PHOENIX, ARIZONA U. S. A.	
DIMENSIONS= MILLIMETERS INCHES		TREAT.			
TOLERANCE OF SIZE AND FORM PER		FIN.		TITLE LOGIC DIAGRAM DURIM SLOW DATA BUS	
INITIAL DESIGN PROJECTION		DR 73-MAY-7 APPD R. V. ... 11/19/73		SIZE D	DWG NO 58003954
SCALE CODE		SH 24		REV A	

58003954

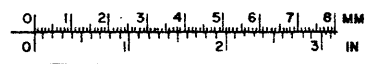
THIS DOCUMENT IS PROPRIETARY TO HONEYWELL INFORMATION SYSTEMS AND IS INTENDED FOR INTERNAL HONEYWELL USE ONLY. ALL INFORMATION MAY BE DISTRIBUTED TO OTHERS ONLY BY WRITTEN PERMISSION OF AN AUTHORIZED HONEYWELL OFFICIAL. THIS RESTRICTION DOES NOT APPLY TO VENDOR PROPRIETARY PARTS THAT MAY BE DISCLOSED IN THIS DOCUMENT.

REVISIONS				
REV	AUTHORITY	DATE	SIGNATURE	
YR	MO	DAY		



UNLESS OTHERWISE SPECIFIED		MATERIAL	
DIMENSIONS = MILLIMETERS / INCHES		TREATMENT	
TOLERANCE OF SIZE AND FORM PER INITIAL DESIGN		FINISH	
PROJECTION		SCALE CODE	
DR 73 MAY 7		APPD R. Johnson 11/19/25	
DISTR		NCO V-1SDFV	

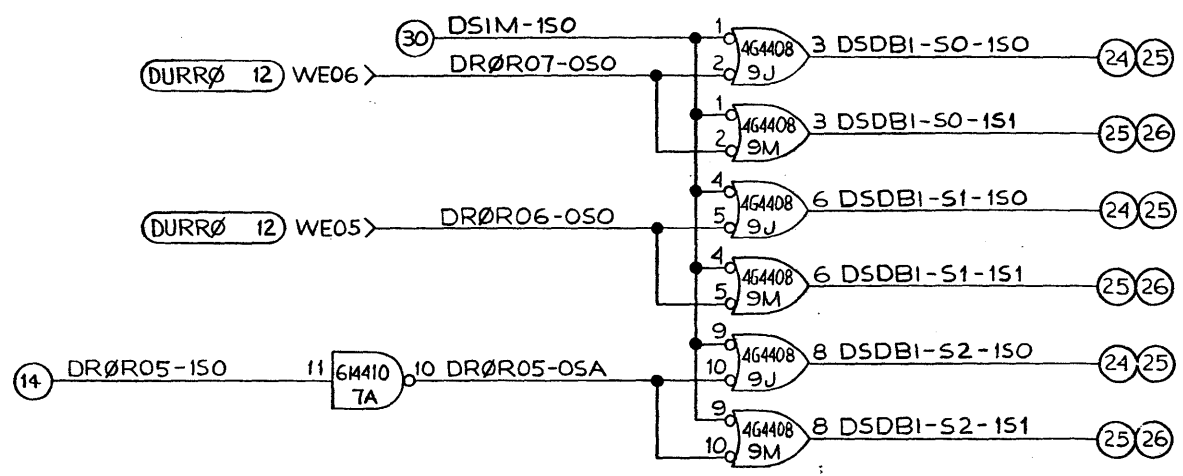
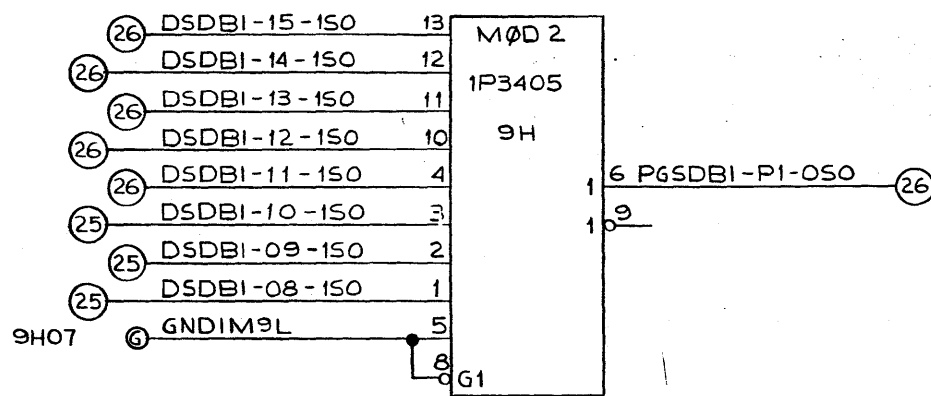
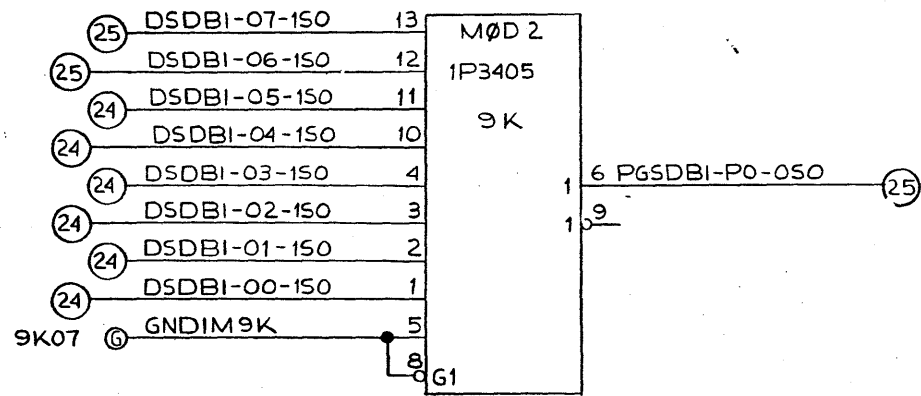
Honeywell			
HONEYWELL INFORMATION SYSTEMS LOC PCO PHOENIX, ARIZONA U. S. A.			
TITLE LOGIC DIAGRAM DURIM SLOW DATA BUS			
SIZE D	DWG NO 58003954	SH 26	REV A



REVISIONS

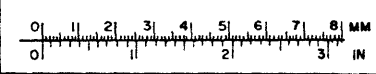
REV	AUTHORITY	DATE		SIGNATURE
		YR	MO DAY	

H
F
E
D
C
B
A



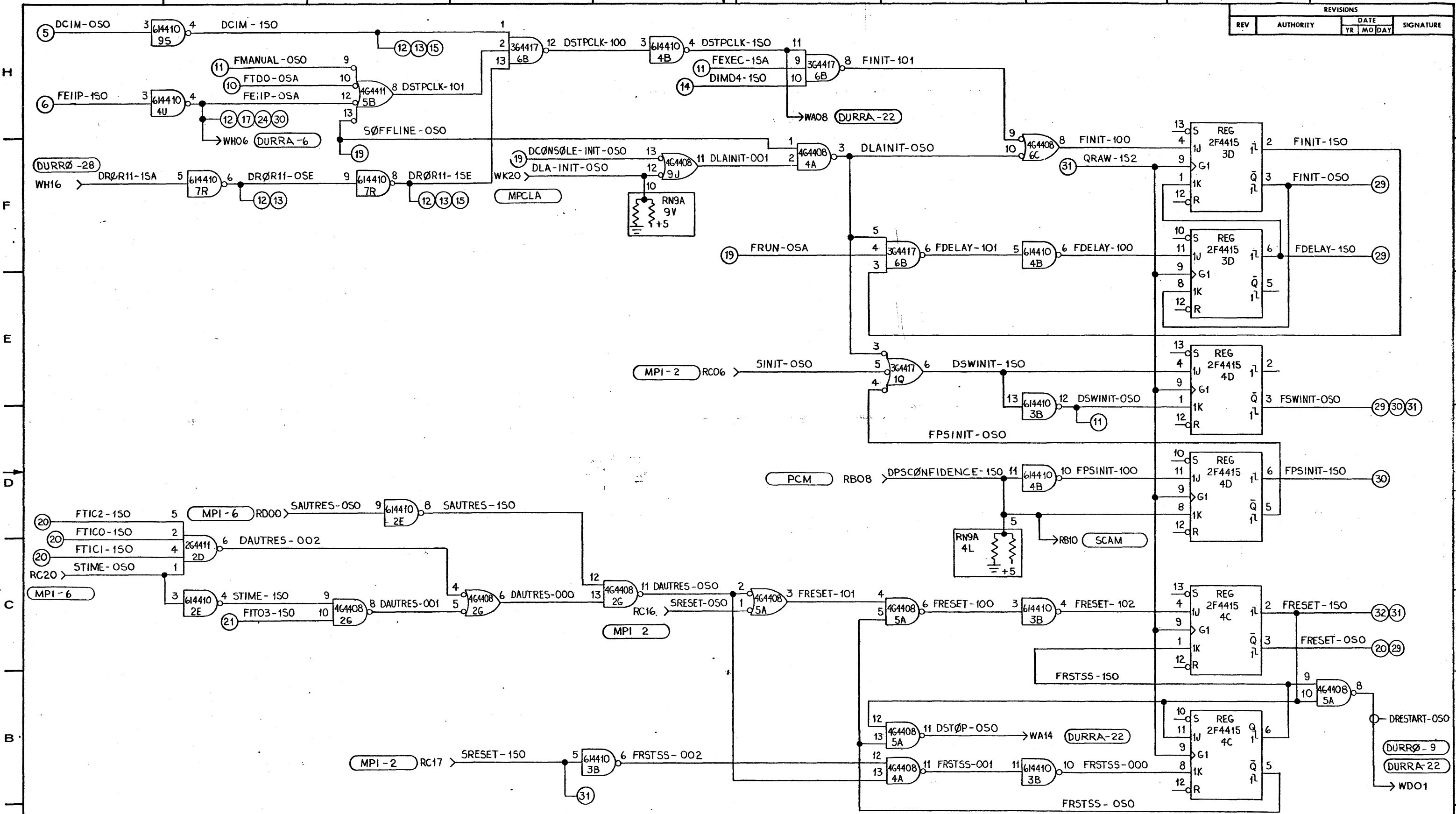
THIS INFORMATION IS PROPRIETARY TO HONEYWELL INFORMATION SYSTEMS AND IS INTENDED FOR INTERNAL HONEYWELL USE ONLY. SUCH INFORMATION MAY BE DISTRIBUTED TO OTHERS ONLY BY WRITTEN PERMISSION OF AN AUTHORIZED HONEYWELL OFFICIAL. THIS RESTRICTION DOES NOT APPLY TO VENDOR PROPRIETARY PARTS THAT MAY BE DISCLOSED IN THIS DOCUMENT.

BRUNING 44.161

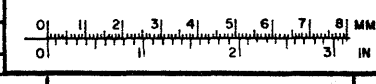


UNLESS OTHERWISE SPECIFIED		MAY 8		Honeywell HONEYWELL INFORMATION SYSTEMS PHOENIX, ARIZONA U. S. A.	
DIMENSIONS = $\frac{\text{MILLIMETERS}}{\text{INCHES}}$		73			
TOLERANCE OF SIZE AND FORM PER INITIAL DESIGN		FIN.		LOC PCO TITLE LOGIC DIAGRAM DURIM SLOW DATA BUS CONTROL PARITY GENERATION	
PROJECTION		DR <i>Ruby Pava</i>		SIZE D	DWG NO 58003954
SCALE	CODE	APPD <i>Ruby Pava</i> 11/19/73		SH 27	REV A

REVISIONS				
REV	AUTHORITY	DATE		SIGNATURE
		YR	MO DAY	



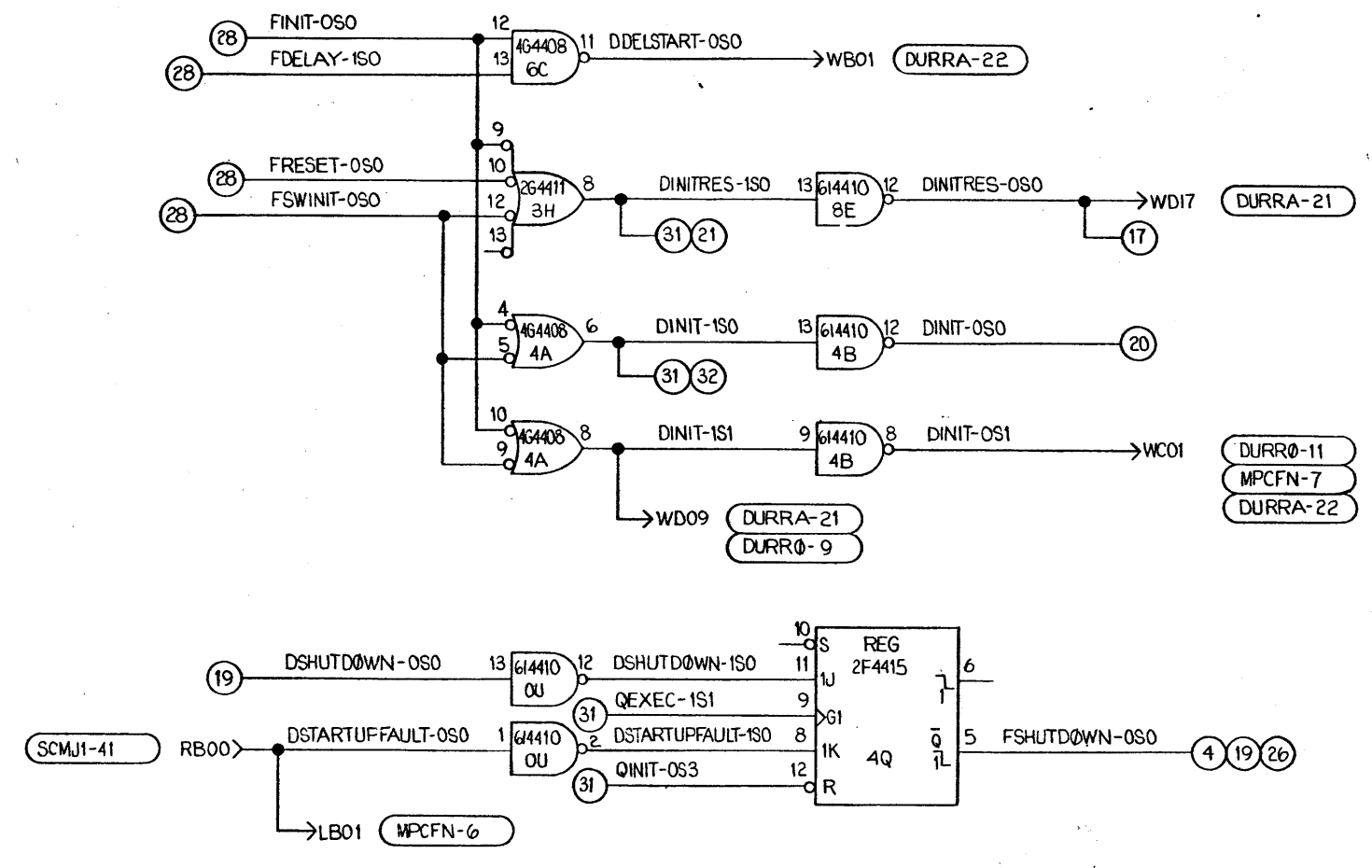
INFORMATION CONTAINED IN THIS DOCUMENT IS PROPRIETARY TO HONEYWELL INFORMATION SYSTEMS AND IS INTENDED FOR INTERNAL HONEYWELL USE ONLY. SUCH INFORMATION MAY BE DISTRIBUTED TO OTHERS ONLY BY WRITTEN PERMISSION OF AN AUTHORIZED HONEYWELL OFFICIAL. THIS RESTRICTION DOES NOT APPLY TO VENDOR PROPRIETARY PARTS THAT MAY BE INCLUDED IN THIS DOCUMENT.



UNLESS OTHERWISE SPECIFIED		MATL	Honeywell HONEYWELL INFORMATION SYSTEMS PHOENIX, ARIZONA U. S. A.	
DIMENSIONS=	MILLIMETERS	TREAT.		
TOLERANCE OF SIZE AND	INCHES	FIN.	LOC PCØ	
FORM PER			TITLE	
INITIAL DESIGN			LOGIC DIAGRAM DURIM	
PROJECTION			INITIALIZE & RESET	
SCALE	CODE	DR 73 MAY 8	SIZE	
		<i>R. D. Dyma 11/19/73</i>	DWG NO	
			58003954	
			SH	
			28	
			REV	
			A	

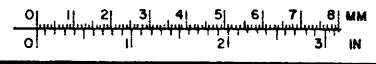
APPD: *R. D. Dyma 11/19/73*
 DISTR: *CGB-76 NCA-101 15DFV*

REVISIONS				
REV	AUTHORITY	DATE		SIGNATURE
		YR	MO DAY	



THE INFORMATION CONTAINED IN THIS DOCUMENT IS PROPRIETARY TO HONEYWELL INFORMATION SYSTEMS AND IS INTENDED FOR INTERNAL HONEYWELL USE ONLY. SUCH INFORMATION MAY BE DISTRIBUTED TO OTHERS ONLY BY WRITTEN PERMISSION OF AN AUTHORIZED HONEYWELL OFFICIAL. THIS RESTRICTION DOES NOT APPLY TO VENDOR PROPRIETARY PARTS THAT MAY BE DISCLOSED IN THIS DOCUMENT.

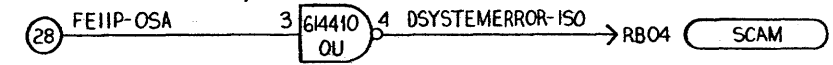
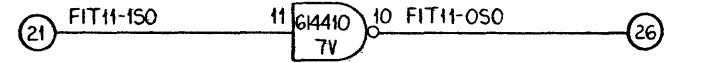
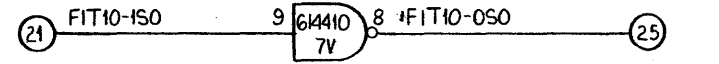
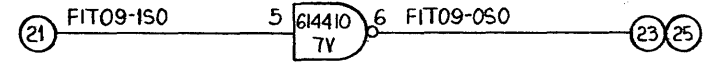
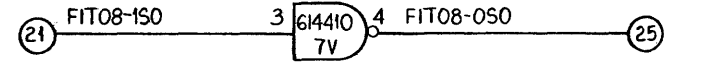
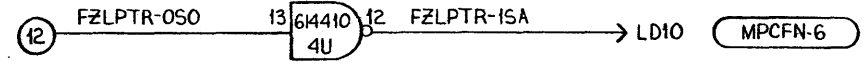
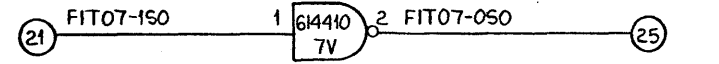
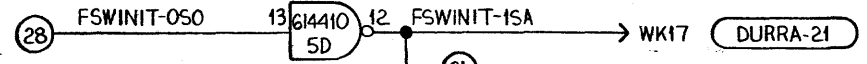
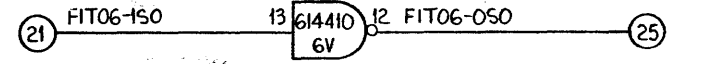
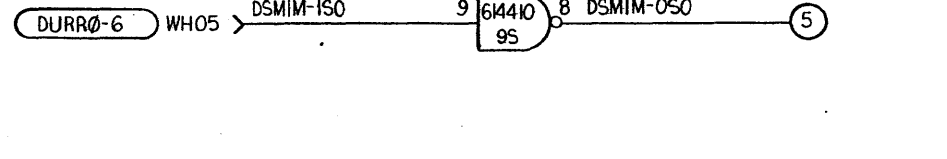
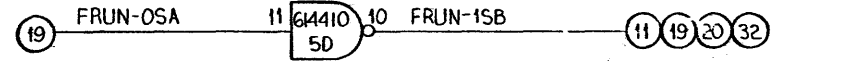
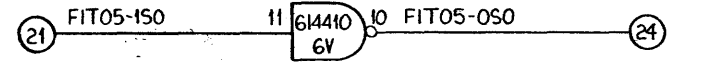
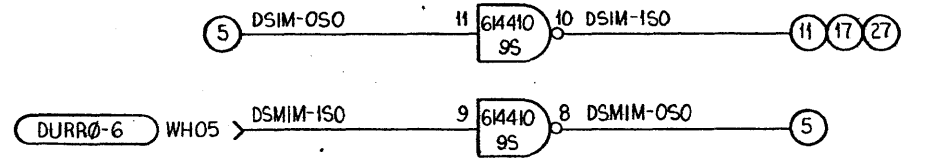
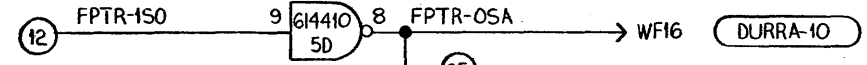
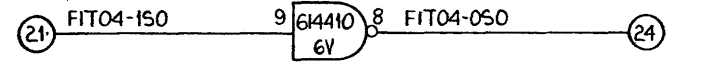
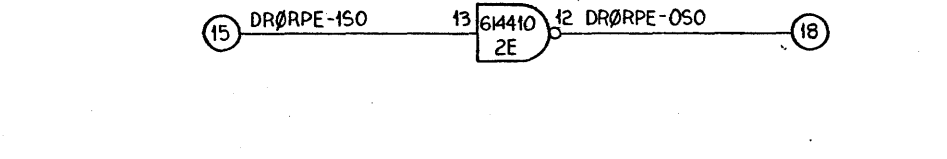
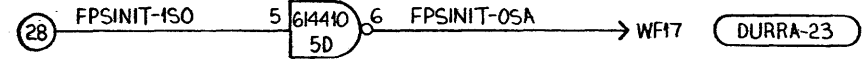
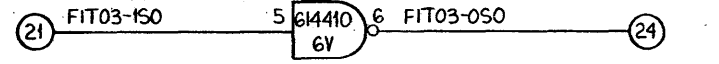
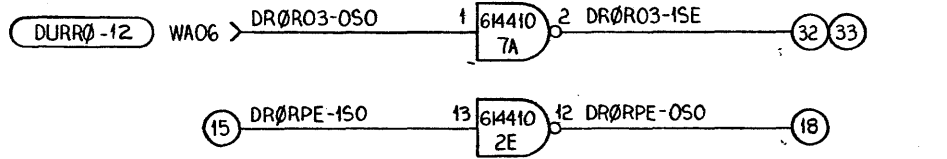
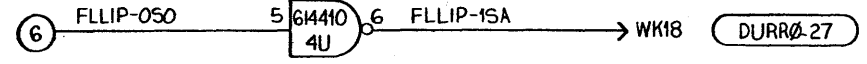
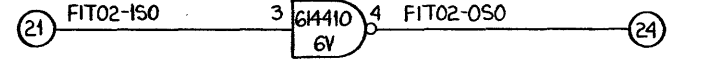
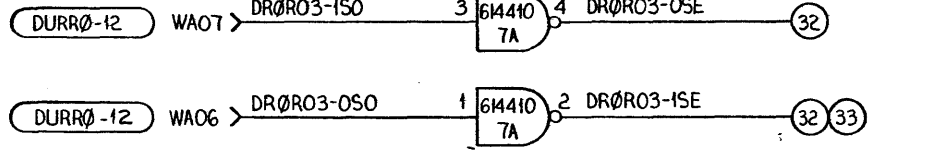
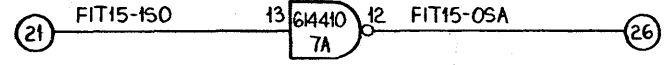
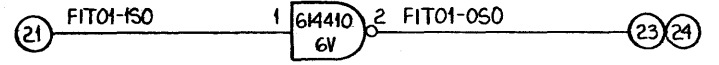
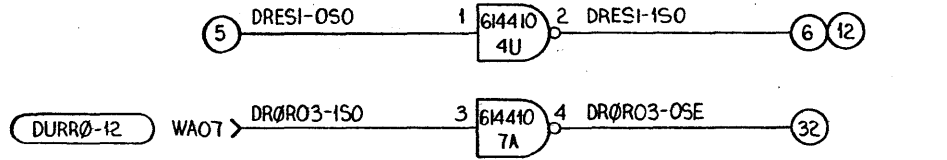
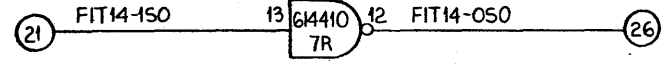
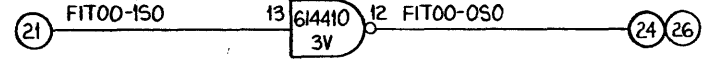
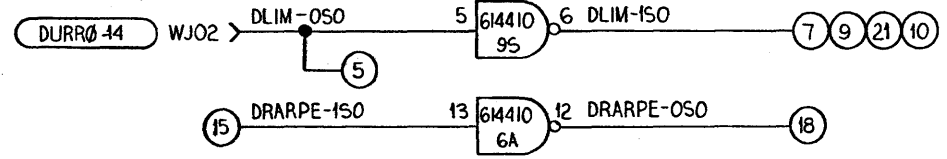
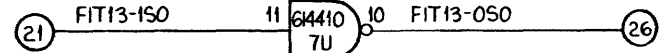
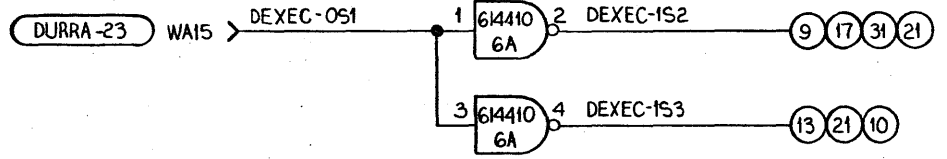
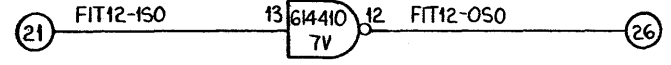
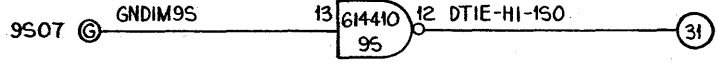
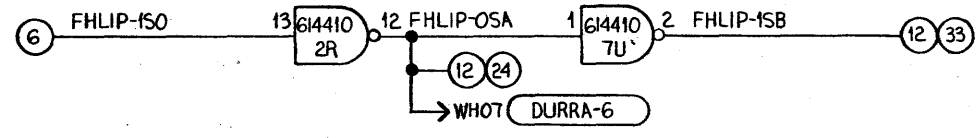
BRUNING 44 141



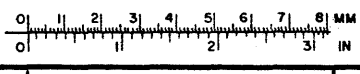
UNLESS OTHERWISE SPECIFIED		MATERIAL		Honeywell HONEYWELL INFORMATION SYSTEMS PHOENIX, ARIZONA U. S. A.			
DIMENSIONS= MILLIMETERS INCHES		TREAT.					
TOLERANCE OF SIZE AND FORM PER INITIAL DESIGN		FIN.		SCALE		DR 73 MAY 8 APPD <i>E. Johnson</i> DISTR <i>R. Pham 11/19/93</i>	
PROJECTION		DR 73 MAY 8		SIZE	DWG NO	SH	REV
				D	58003954	29	A

58003954

REVISIONS				
REV	AUTHORITY	DATE		SIGNATURE
		YR	MO DAY	



INFORMATION CONTAINED IN THIS DOCUMENT IS PROPRIETARY TO HONEYWELL INFORMATION SYSTEMS AND IS INTENDED FOR INTERNAL HONEYWELL USE ONLY. SUCH INFORMATION MAY BE DISTRIBUTED TO OTHERS ONLY BY WRITTEN PERMISSION OF AN AUTHORIZED HONEYWELL OFFICIAL. THIS RESTRICTION DOES NOT APPLY TO VENDOR PROPRIETARY PARTS THAT MAY BE DISCLOSED IN THIS DOCUMENT.



UNLESS OTHERWISE SPECIFIED		MATL	Honeywell	
DIMENSIONS=	MILLIMETERS INCHES	TREAT.		
TOLERANCE OF SIZE AND FORM PER		FIN.	TITLE LOGIC DIAGRAM DURIM POWER DRIVE	
INITIAL DESIGN		DR 73 MAY 8	SIZE D	DWG NO 58003954
PROJECTION		APPD R. Thoma 11/19/73	SH 30	REV A
SCALE	CODE	DISTR C68-26 NCO, Tos SDF		

BRUNING 44 41

10

9

8

7

6

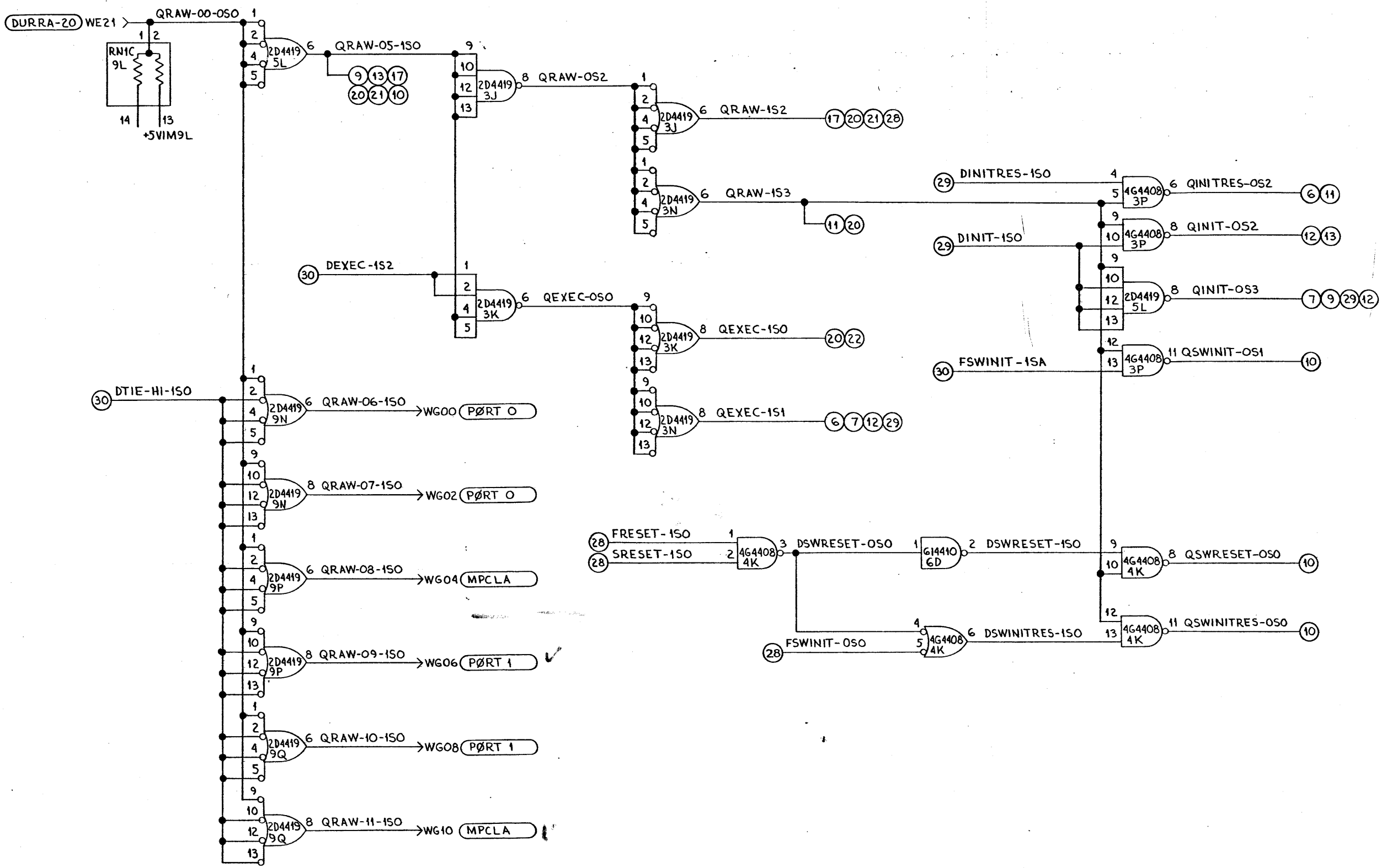
5

4

1

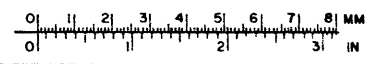
REVISIONS				
REV	AUTHORITY	DATE	SIGNATURE	
		YR MO DAY		

H
F
E
D
C
B
A



UNLESS OTHERWISE SPECIFIED THIS DOCUMENT IS PROPRIETARY TO HONEYWELL INFORMATION SYSTEMS AND IS INTENDED FOR INTERNAL HONEYWELL USE ONLY. SUCH INFORMATION MAY BE DISTRIBUTED TO OTHERS ONLY BY WRITTEN PERMISSION OF AN AUTHORIZED HONEYWELL OFFICIAL. THIS RESTRICTION DOES NOT APPLY TO VENDOR PROPRIETARY PARTS THAT MAY BE DISCLOSED IN THIS DOCUMENT.

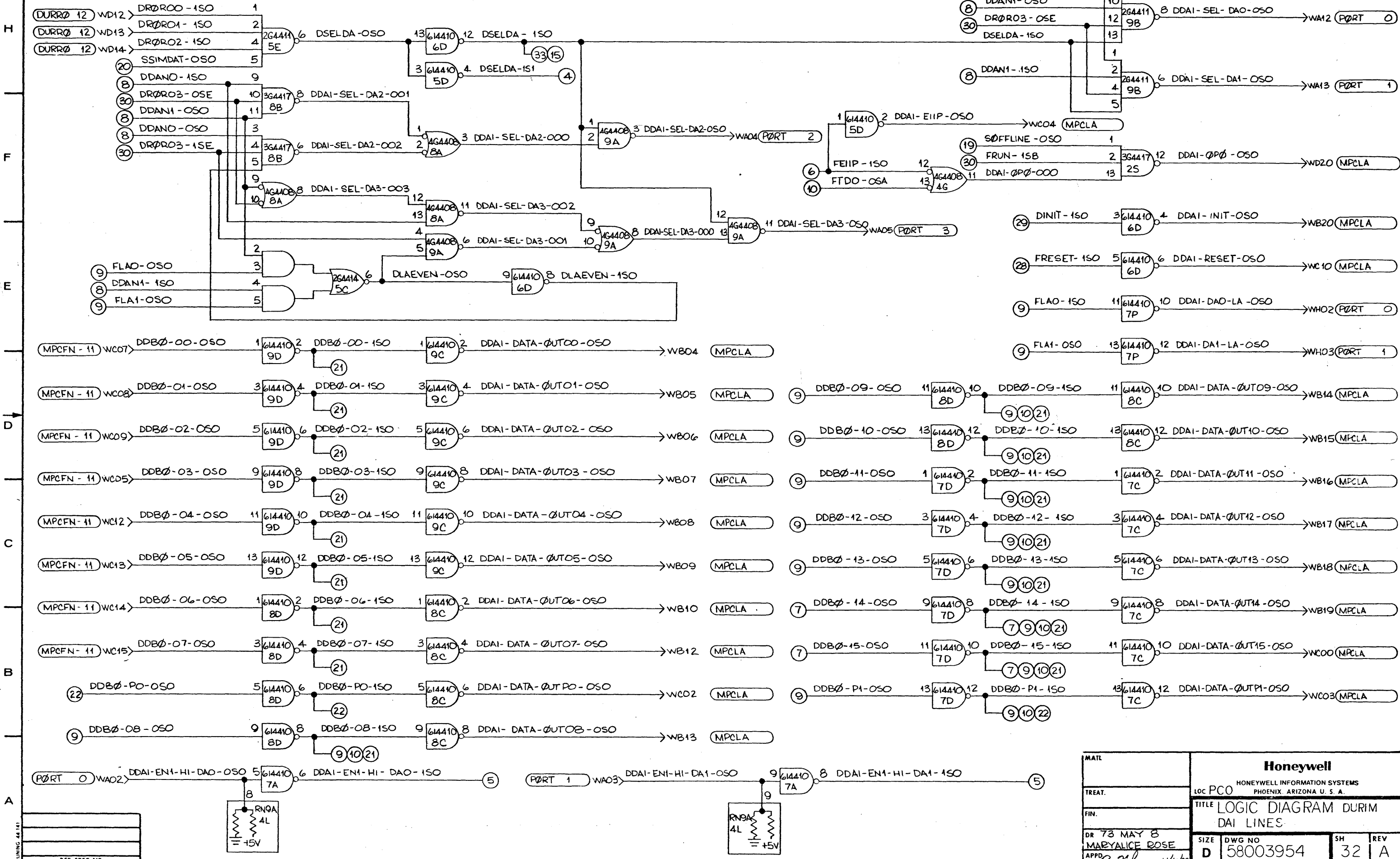
BRUNING 44 1A1



REF SPEC NO

UNLESS OTHERWISE SPECIFIED		MATERIAL		Honeywell HONEYWELL INFORMATION SYSTEMS PHOENIX, ARIZONA U. S. A.			
DIMENSIONS = $\frac{\text{MILLIMETERS}}{\text{INCHES}}$		TREAT.		LOC PCO TITLE LOGIC DIAGRAM DURIM CLOCK SOURCES			
TOLERANCE OF SIZE AND FORM PER		FIN.		SCALE	CODE	DR	REV
INITIAL DESIGN		APPD				73 MAY 8 <i>A. Halbreath</i>	
PROJECTION		DISTR				<i>R. T. Lyman 11/19/73</i>	
		SIZE	DWG NO	SH	REV		
		D	58003954	31	A		
		CGB-26 NCO; SIF/TAS		1			

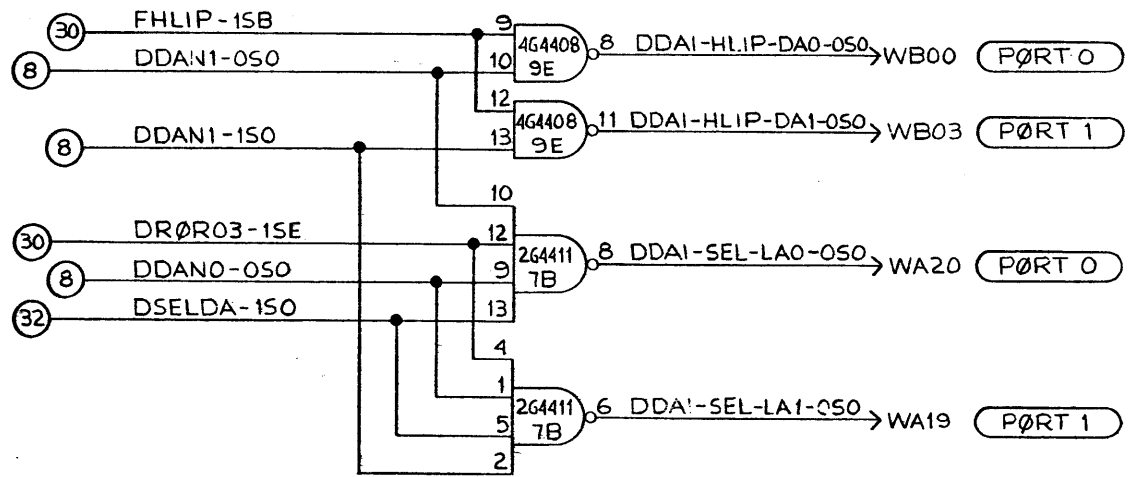
REVISIONS			
REV	AUTHORITY	DATE	SIGNATURE
		YR MO DAY	



INFORMATION CONTAINED IN THIS DOCUMENT IS PROPRIETARY TO HONEYWELL INFORMATION SYSTEMS AND IS INTENDED FOR INTERNAL HONEYWELL USE ONLY. SUCH INFORMATION MAY BE DISTRIBUTED TO OTHERS ONLY BY WRITTEN PERMISSION OF AN AUTHORIZED HONEYWELL OFFICIAL. THIS RESTRICTION DOES NOT APPLY TO VENDOR PROPRIETARY PARTS THAT MAY BE DISCLOSED IN THIS DOCUMENT.

MATERIAL		Honeywell	
TREAT.		LOC PCO HONEYWELL INFORMATION SYSTEMS PHOENIX, ARIZONA U. S. A.	
FIN.		TITLE LOGIC DIAGRAM DURIM DAI LINES	
DR 73 MAY 8	SIZE D	DWG NO 58003954	SH 32
APPD MARYALICE ROSE			REV A
DISTR CG8-26		N.C.C. V. THE SDF	

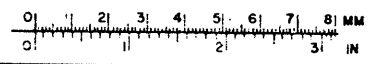
REV	AUTHORITY	DATE	SIGNATURE
		YR MO DAY	



(MPI-6)	RC01	SCØMPSTP-050	LC00	(MPCFN-6)
(MPI-6)	RD20	SRØSAD-050	LC04	(MPCFN-6)
(MPI-6)	RB13	SSAT-050	LC05	(MPCFN-6)
(MPI-6)	RB14	SSAT-150	LC06	(MPCFN-6)
(MPI-6)	RC18	SSIMDAT-050	LC07	(MPCFN-6)
(MPI-2)	RB15	SSTART-050	LC08	(MPCFN-6)
(MPI-2)	RB16	SSTART-150	LC09	(MPCFN-6)
(MPI-6)	RB17	SSTEPMD-050	LC10	(MPCFN-6)
(MPI-6)	RB18	SSTEP-050	LC12	(MPCFN-6)
(MPI-6)	RB19	SSTEP-150	LC13	(MPCFN-6)
(MPI-2)	WK02	DSYNCJACK-150	LC20	(MPCFN-6)
(MPCLA)	WD10	DPSREADY-150	RB06	(PCMPI-N)

ALL INFORMATION CONTAINED IN THIS DOCUMENT IS PROPRIETARY TO HONEYWELL INFORMATION SYSTEMS AND IS INTENDED FOR INTERNAL USE ONLY. NO INFORMATION MAY BE DISTRIBUTED TO OTHERS WITHOUT THE WRITTEN PERMISSION OF AN AUTHORIZED HONEYWELL OFFICIAL. THIS RESTRICTION DOES NOT APPLY TO VENDOR PROPRIETARY PARTS THAT MAY BE INCLUDED IN THIS DOCUMENT.

I
F
E
D
C
B
A



REF SPEC NO

UNLESS OTHERWISE SPECIFIED		MATL		Honeywell HONEYWELL INFORMATION SYSTEMS PHOENIX, ARIZONA U. S. A. LOC PCO					
DIMENSIONS=	MILLIMETERS	TREAT.							
TOLERANCE OF SIZE AND FORM PER	INCHES	FIN.		TITLE LOGIC DIAGRAM DURIM DAI & SWITCH LINES					
INITIAL DESIGN	PROJECTION	SCALE	CODE	DR	73 MAY 8 Rady Pena	SIZE	DWG NO	SH	REV
				APPD	R. J. ... 1/19/73	D	58003954	33F	A
				DISTR	...				

THE INFORMATION CONTAINED IN THIS DOCUMENT PROPRIETARY TO HONEYWELL INFORMATION SYSTEMS, INC. AND IS INTENDED FOR INTERNAL HONEYWELL USE ONLY. SUCH INFORMATION MAY BE DISTRIBUTED TO OTHERS BY WRITTEN PERMISSION OF AN AUTHORIZED HONEYWELL OFFICIAL. THIS RESTRICTION DOES NOT APPLY TO VENDOR PROPRIETARY THAT MAY BE DISCLOSED IN THIS DOCUMENT.

58003974

REV	AUTHORITY	DATE			SIGNATURE	DRAWING SHEET NUMBER																			
		YR	MO	DAY		1	2	3	3.1	4	5	6	7	8	9	10	11	12	13	14	15	16	17	18	19
A	ISSUED	73	11	30	Maryalice Rose							A	A	A	A	A	A	A	A	A	A	A	A	A	A
B	PHAO BA005	74	04	17	N. Tamber																				
RENUMBERED SHEET COL'S						1	2	3	3.1	3.2	4	5	6	7	8	9	10	11	12	13	14	15	16	17	18
B ₁	PHAO BA011	74	SEP	30	S. Mills																				
C	PHAO XK128	76	12	07	N. Rehe																				
BLANK SHEETS NOT INCLUDED																									

FOR CONTINUATION OF REVISION STATUS SEE SHEET

Honeywell HONEYWELL INFORMATION SYSTEMS LOC PCO PHOENIX, ARIZONA	MADE BY <i>Maryalice Rose</i> 5/29/73	TITLE LOGIC DIAGRAM			
	APPROVED <i>R. Johnson</i> 11/19/73	DURRA	SIZE D	REVISION STATUS FOR 58003974	SHEET 1/2
REVISION STATUS FOR EACH PAGE SHEET OR GROUP IS SHOWN BY LAST ENTRY IN THE CORRESPONDING NUMBERED COLUMN					

CE 300 A-3 (12-71) BRUNING 44-141 *1100, C68-26 Tos*

THE INFORMATION CONTAINED IN THIS DOCUMENT PROPRIETARY TO HONEYWELL INFORMATION SYSTEMS, INC. AND IS INTENDED FOR INTERNAL HONEYWELL USE ONLY. SUCH INFORMATION MAY BE DISTRIBUTED TO OTHERS BY WRITTEN PERMISSION OF AN AUTHORIZED HONEYWELL OFFICIAL. THIS RESTRICTION DOES NOT APPLY TO VENDOR PROPRIETARY THAT MAY BE DISCLOSED IN THIS DOCUMENT.

58003974

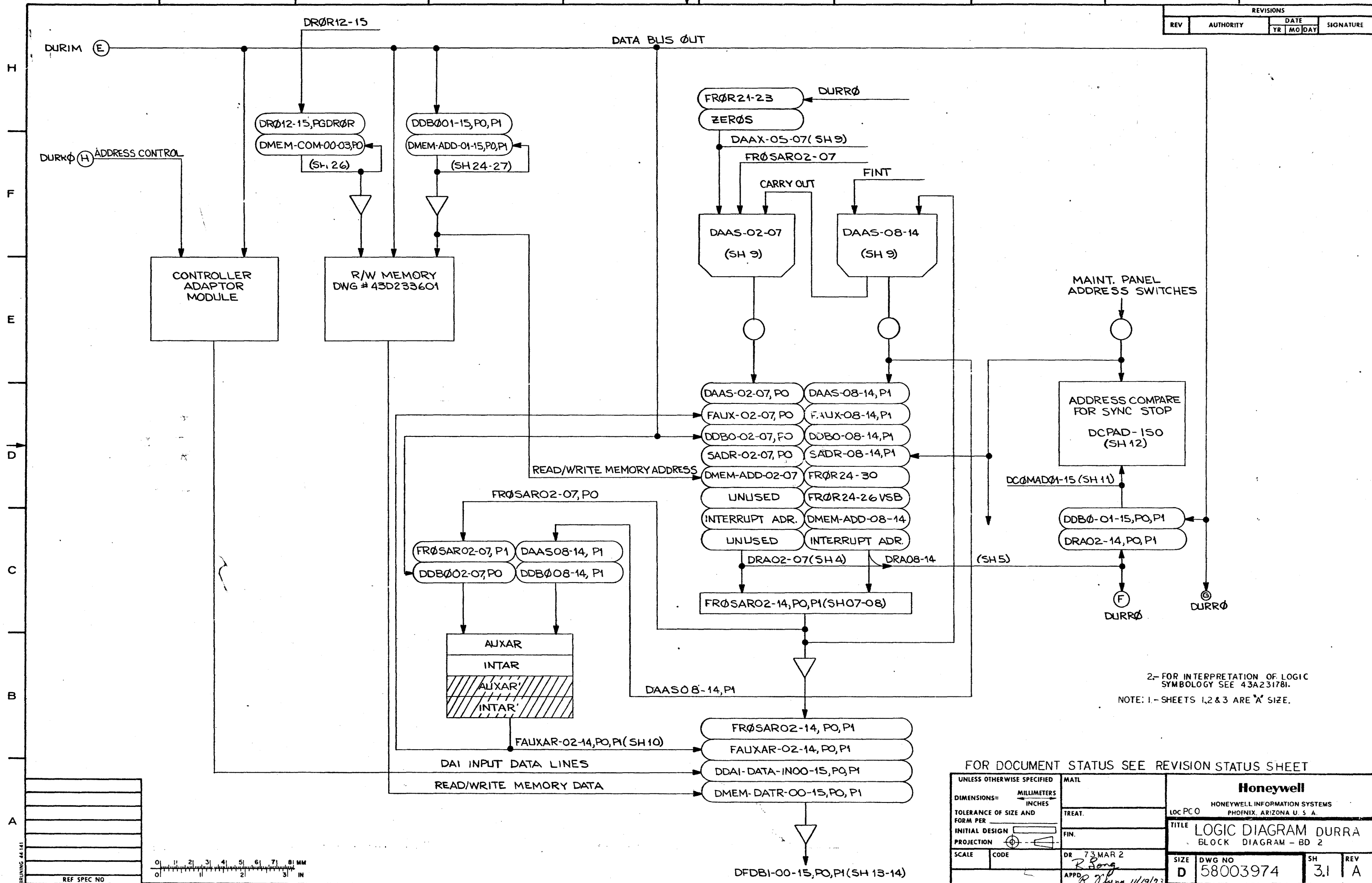
REV	AUTHORITY	DATE			SIGNATURE	DRAWING SHEET NUMBER																			
		YR	MO	DAY		20	21	22	23	24	25	26	27	28	29										
A	ISSUED	73	11	30	Maryalice Rose							A	A	A	A	A	A	A	A	A	A	A	A	A	
B	PHAO BA005	74	04	17	N. Tamber							B													
RENUMBERED SHEET COL'S						19	20	21	22	23	24	25	26	27	28	29									
B ₁	PHAO BA011	74	SEP	30	S. Mills																				
C	PHAO XK128	76	12	07	N. Rehe																				
BLANK SHEETS NOT INCLUDED																									

FOR CONTINUATION OF REVISION STATUS SEE SHEET

Honeywell HONEYWELL INFORMATION SYSTEMS LOC PCO PHOENIX, ARIZONA	MADE BY <i>Maryalice Rose</i> 5/29/73	TITLE LOGIC DIAGRAM			
	APPROVED <i>R. Johnson</i> 11/19/73	DURRA	SIZE D	REVISION STATUS FOR 58003974	SHEET 2F
REVISION STATUS FOR EACH PAGE SHEET OR GROUP IS SHOWN BY LAST ENTRY IN THE CORRESPONDING NUMBERED COLUMN					

CE 300 A-3 (12-71) BRUNING 44-141 *Tos, vco, C68-26*

REVISIONS				
REV	AUTHORITY	DATE	SIGNATURE	
		YR MO DAY		

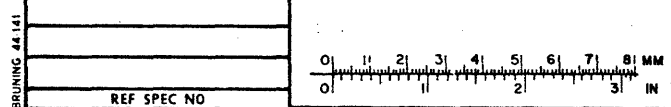


2- FOR INTERPRETATION OF LOGIC SYMBOLOLOGY SEE 43A231781.
NOTE: 1- SHEETS 1,2 & 3 ARE 'A' SIZE.

FOR DOCUMENT STATUS SEE REVISION STATUS SHEET

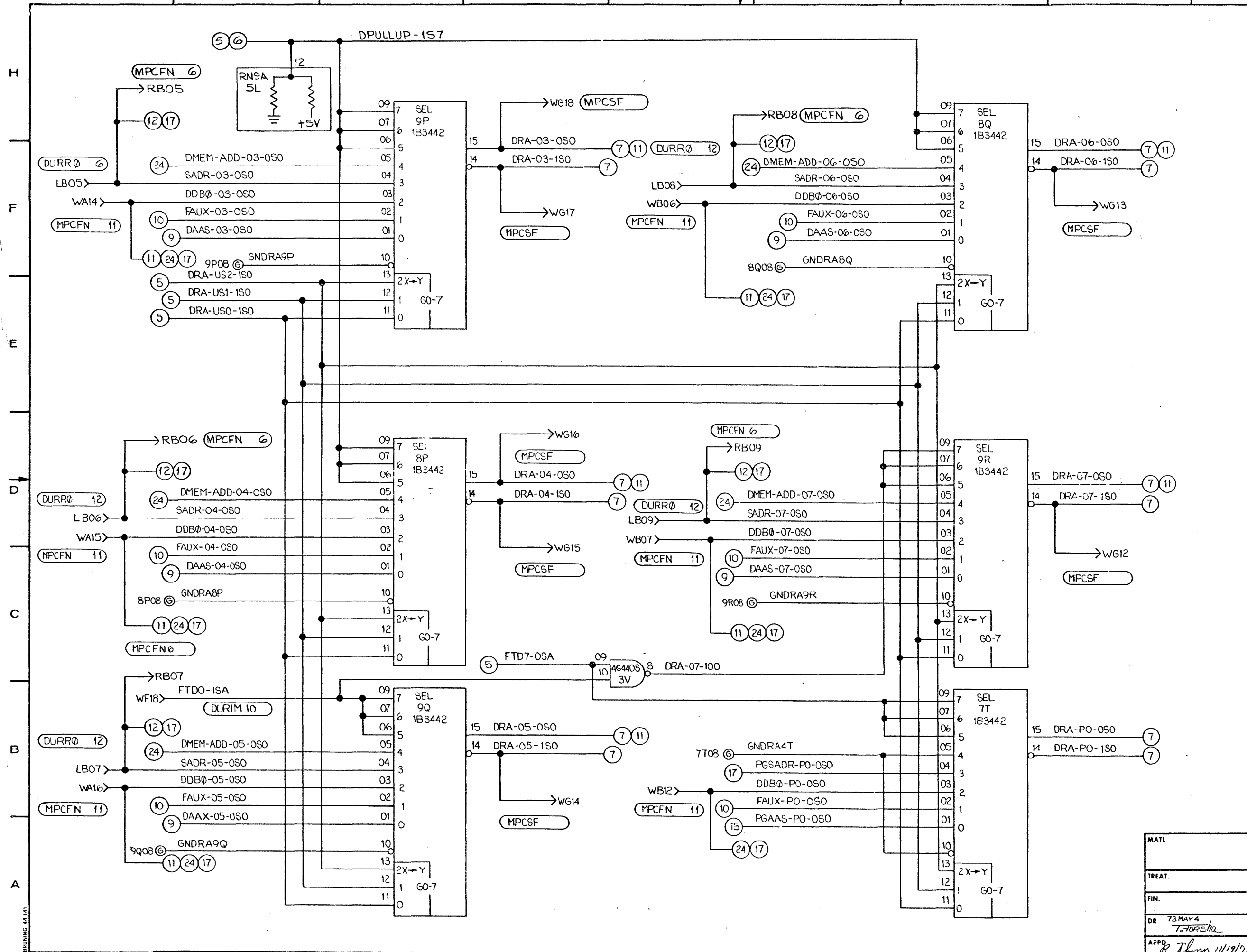
UNLESS OTHERWISE SPECIFIED		MATH	
DIMENSIONS=	MILLIMETERS		
	INCHES		
TOLERANCE OF SIZE AND FORM PER		TREAT.	
INITIAL DESIGN		FIN.	
PROJECTION			
SCALE	CODE	DR 73 MAR 2	
		APPD. <i>R. Song</i>	
		DISTR. <i>R. Song 11/19/73</i>	
Honeywell		HONEYWELL INFORMATION SYSTEMS PHOENIX, ARIZONA U. S. A.	
LOC PCØ		TITLE LOGIC DIAGRAM DURØA BLOCK DIAGRAM - BD 2	
SIZE D	DWG NO 58003974	SH 3.1	REV A

INFORMATION CONTAINED IN THIS DOCUMENT IS PROPRIETARY TO HONEYWELL INFORMATION SYSTEMS AND IS INTENDED FOR INTERNAL HONEYWELL USE ONLY. NO INFORMATION MAY BE DISTRIBUTED TO OTHERS WITHOUT WRITTEN PERMISSION OF AN AUTHORIZED HONEYWELL OFFICIAL. THIS RESTRICTION DOES NOT APPLY TO VENDOR PROPRIETARY PARTS THAT MAY BE DISCLOSED IN THIS DOCUMENT.



BRUNING 44141
REF SPEC NO

REVISIONS				
REV	AUTHORITY	DATE	SIGNATURE	
		YR MO DAY		

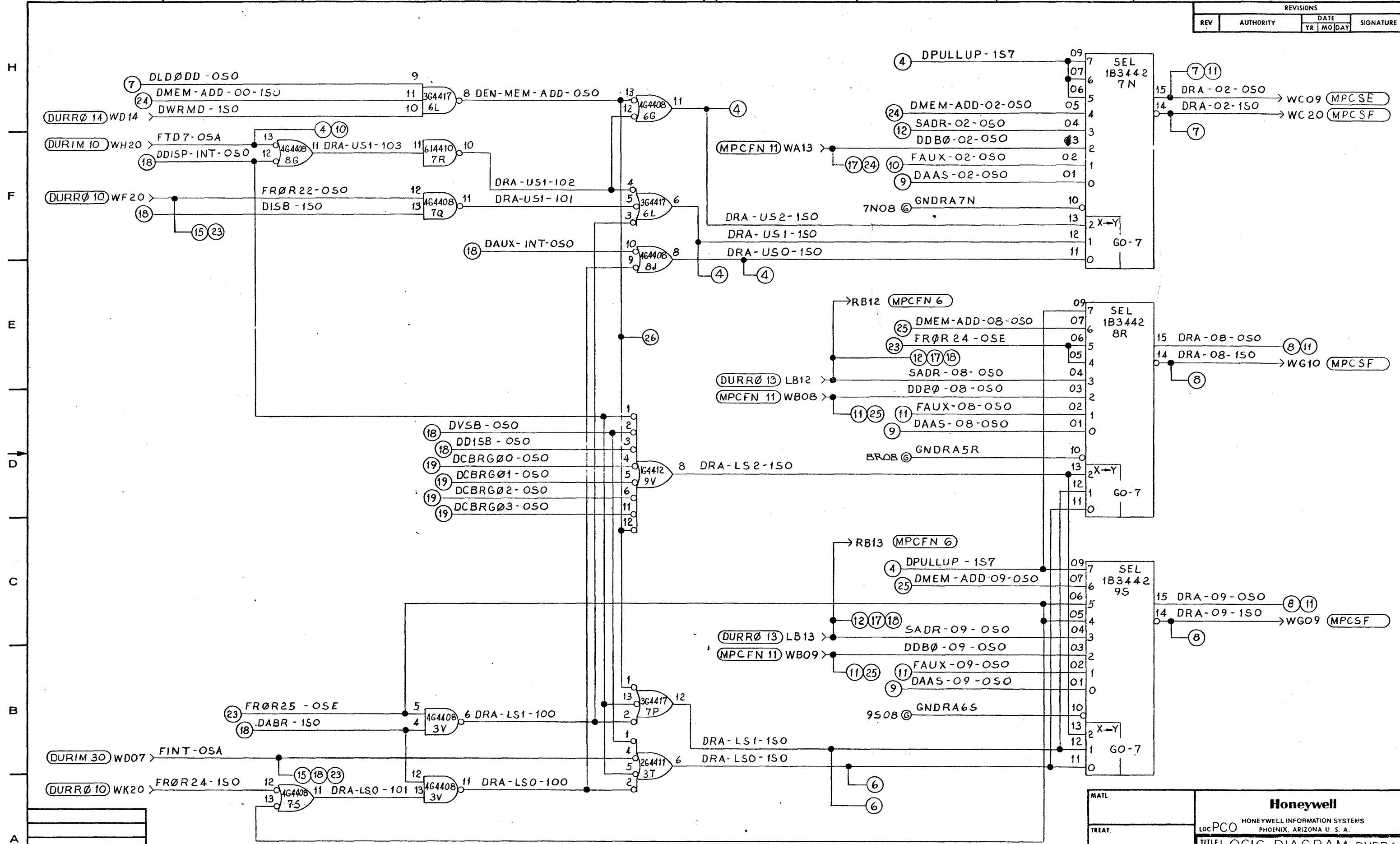


INFORMATION CONTAINED IN THIS DOCUMENT IS PROPRIETARY TO HONEYWELL INFORMATION SYSTEMS AND IS INTENDED FOR INTERNAL HONEYWELL USE ONLY. SUCH INFORMATION MAY BE DISTRIBUTED TO OTHERS ONLY BY WRITTEN PERMISSION OF AN AUTHORIZED HONEYWELL OFFICIAL. THIS RESTRICTION DOES NOT APPLY TO VENDOR PROPRIETARY PARTS THAT MAY BE DISCLOSED IN THIS DOCUMENT.

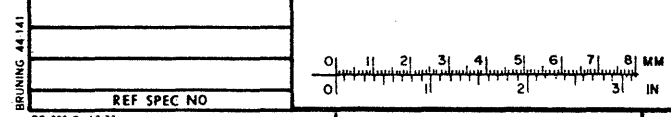
BRUNING 44 141

MATERIAL		Honeywell			
TREAT.		HONEYWELL INFORMATION SYSTEMS PHOENIX, ARIZONA U. S. A.			
FIN.		TITLE LOGIC DIAGRAM DURRA ROS ADDRESS SWITCH SEGMENT NUMBER			
DR 73 MAY 4 T. FORSHAN	SIZE D	DWG NO 58003974	SH 4	REV A	
APPD R. Thym 11/19/73	DISTR 68R-26 11/21/73 SDF T09				

REVISIONS			
REV	AUTHORITY	DATE	SIGNATURE
		YR MO DAY	



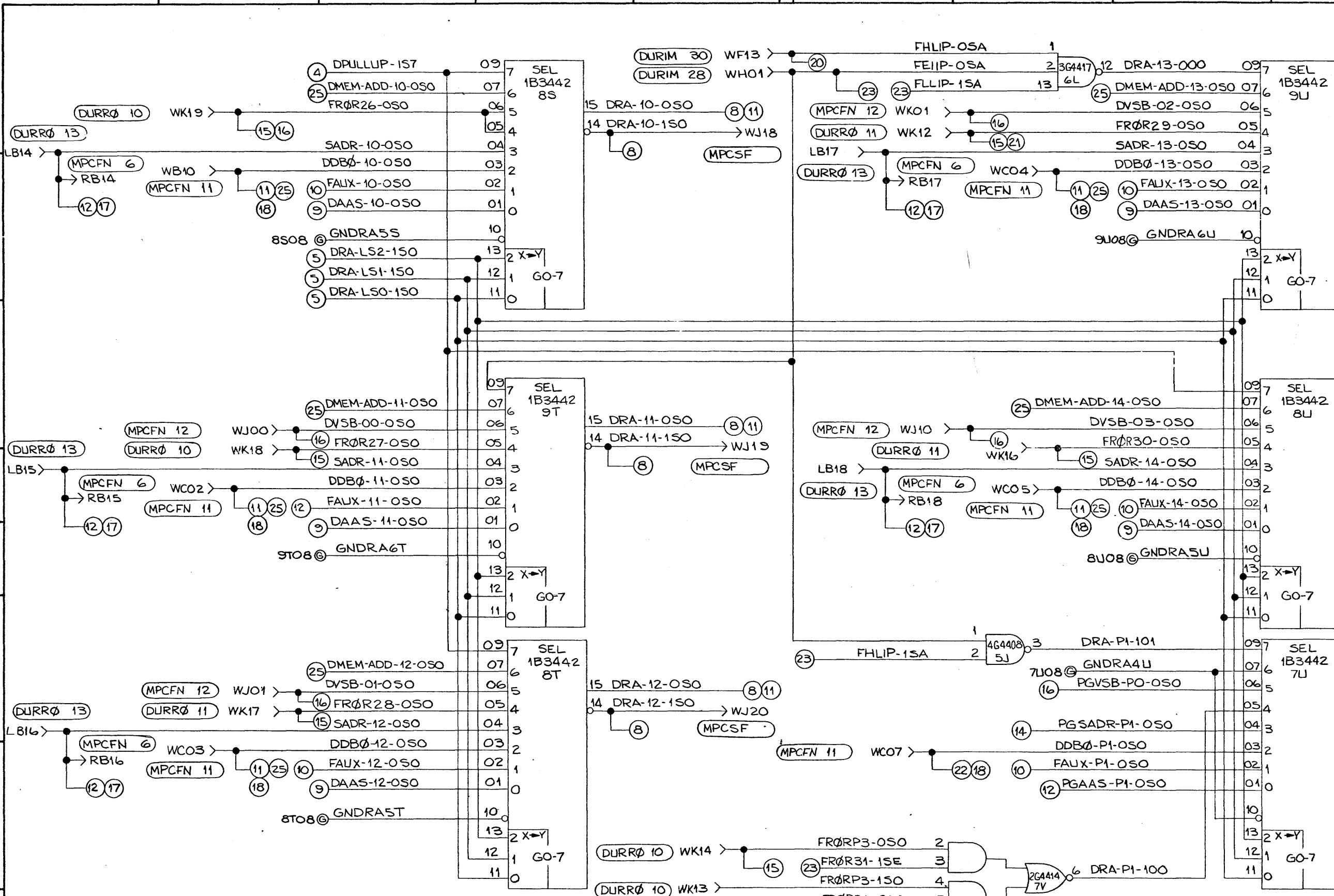
INFORMATION CONTAINED IN THIS DOCUMENT IS PROPRIETARY TO HONEYWELL INFORMATION SYSTEMS AND IS INTENDED FOR INTERNAL HONEYWELL USE ONLY. SUCH INFORMATION MAY BE DISTRIBUTED TO OTHERS ONLY BY WRITTEN PERMISSION OF AN AUTHORIZED HONEYWELL OFFICIAL. THIS RESTRICTION DOES NOT APPLY TO VENDOR PROPRIETARY PARTS THAT MAY BE DISCLOSED IN THIS DOCUMENT.



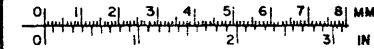
MATL	Honeywell		
TREAT.	LOC PCO HONEYWELL INFORMATION SYSTEMS PHOENIX, ARIZONA U. S. A.		
FIN.	TITLE LOGIC DIAGRAM DURRA ROS ADDRESS SWITCH & CONTROL		
DR: 73-MAY-3	SIZE D	DWG NO 58003974	SH 5
APPD: <i>R. J. ...</i>			REV A
DISTR C68-26		SDF TOS	

58003974

REVISIONS				
REV	AUTHORITY	DATE		SIGNATURE
		YR	MO	DAY



THE INFORMATION CONTAINED IN THIS DOCUMENT IS PROPRIETARY TO HONEYWELL INFORMATION SYSTEMS AND IS INTENDED FOR INTERNAL HONEYWELL USE ONLY. SUCH INFORMATION MAY BE DISTRIBUTED TO OTHERS ONLY BY THE WRITER PERMISSION OF AN AUTHORIZED HONEYWELL OFFICIAL. THIS RESTRICTION DOES NOT APPLY TO VENDOR PROPRIETARY PARTS THAT MAY BE DISCLOSED IN THIS DOCUMENT.



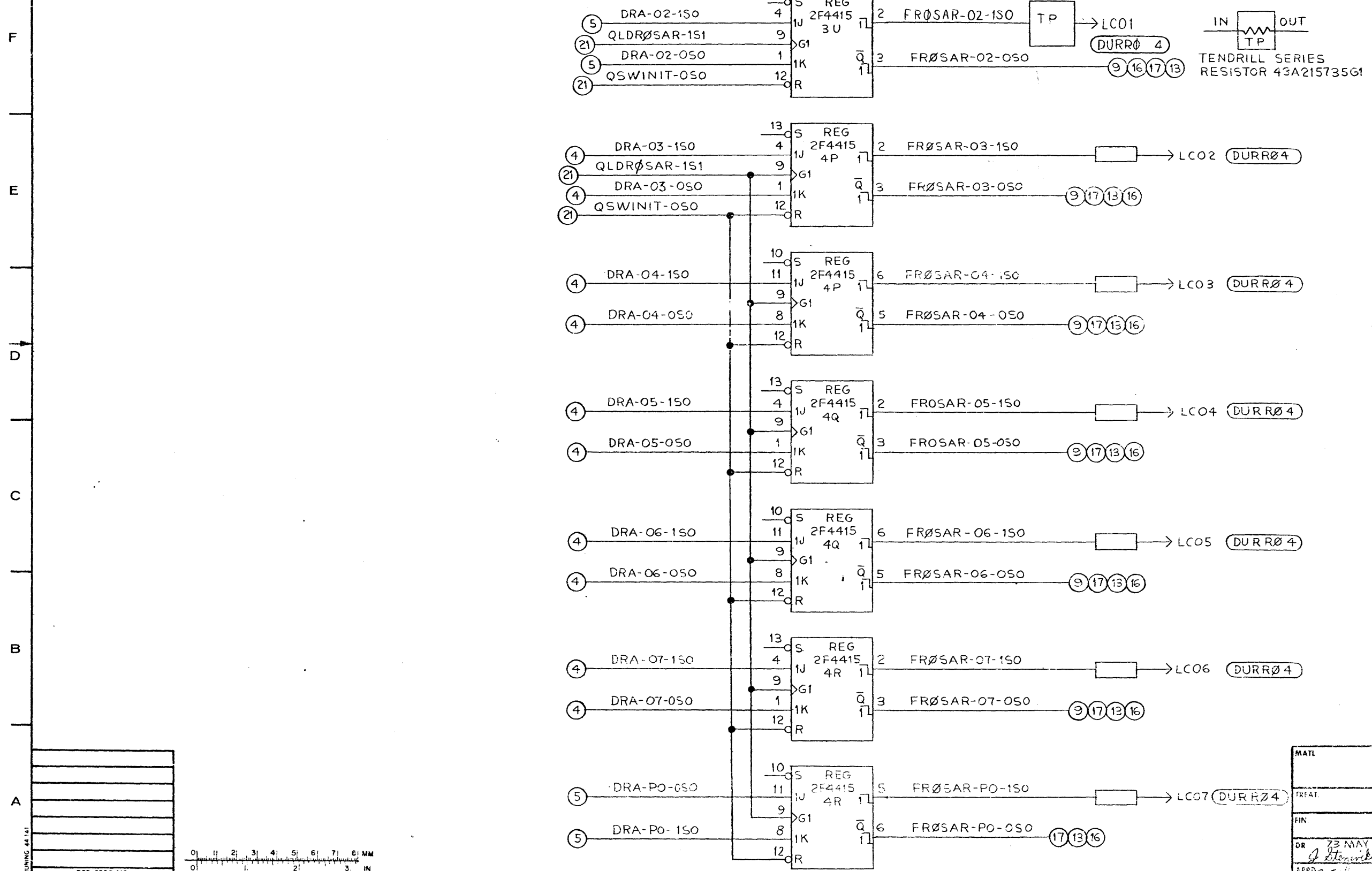
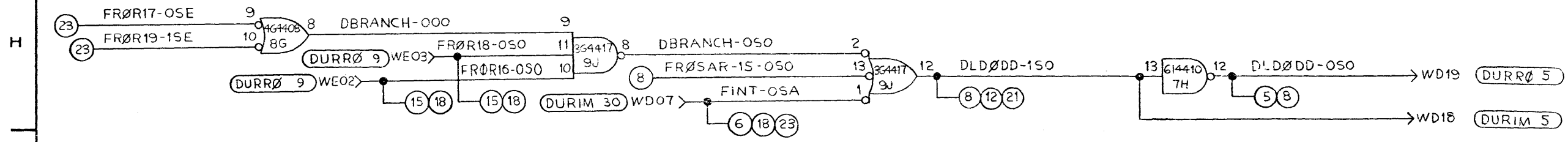
UNLESS OTHERWISE SPECIFIED		MATL.
DIMENSIONS = \rightarrow MILLIMETERS \leftarrow INCHES		TREAT.
TOLERANCE OF SIZE AND FORM PER		FIN.
INITIAL DESIGN	PROJECTION	
SCALE	CODE	

DR 73 MAY 4 R. Song
APPD R. Song 11/19/73
DISTR C68-26

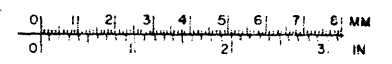
Honeywell			
HONEYWELL INFORMATION SYSTEMS PHOENIX, ARIZONA U.S.A.			
LOC PCO			
TITLE LOGIC DIAGRAM DURRA ROS ADDRESS SWITCH SEGMENT ADDRESS			
SIZE	DWG NO	SH	REV
D	58003974	6	A

BRUNING 48 141
REF SPEC NO

REVISONS			DATE	SIGNATURE	
REV	AUTHORITY	YR			MO



INFORMATION CONTAINED IN THIS DOCUMENT IS PROPRIETARY TO HONEYWELL INFORMATION SYSTEMS AND IS INTENDED FOR INTERNAL HONEYWELL USE ONLY. SUCH INFORMATION MAY BE DISTRIBUTED TO OTHERS ONLY BY WRITTEN PERMISSION OF AN AUTHORIZED HONEYWELL OFFICIAL. THIS RESTRICTION DOES NOT APPLY TO VENDOR PROPRIETARY PARTS THAT MAY BE DISCLOSED IN THIS DOCUMENT.

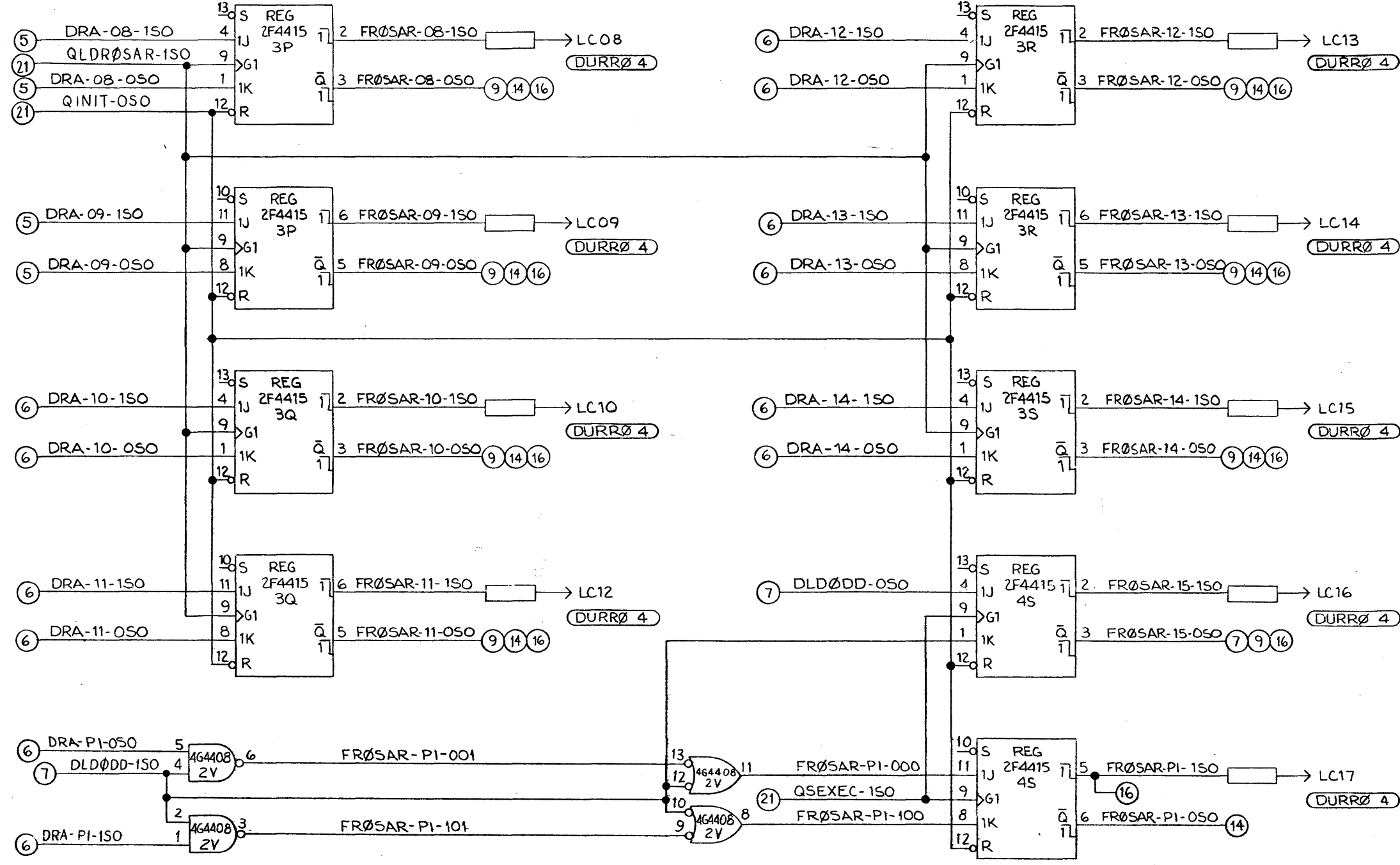


MATL		Honeywell	
TREAT		HONEYWELL INFORMATION SYSTEMS PHOENIX, ARIZONA U.S.A.	
FIN	LOC PCO	TITLE LOGIC DIAGRAM DURRA	
DR	ROS ADDRESS REG - SEGMENT NUMBER	SIZE	DWG NO
APPR	73 MAY 3	D	58003974
DISTR	SH	7	REV
			A

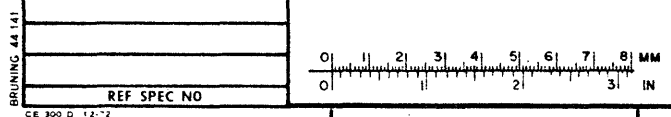
10 | 9 | 8 | 7 | 6 | 5 | 4

REVISIONS				
REV	AUTHORITY	DATE	SIGNATURE	
		YR MO DAY		

H
F
E
D
C
B
A



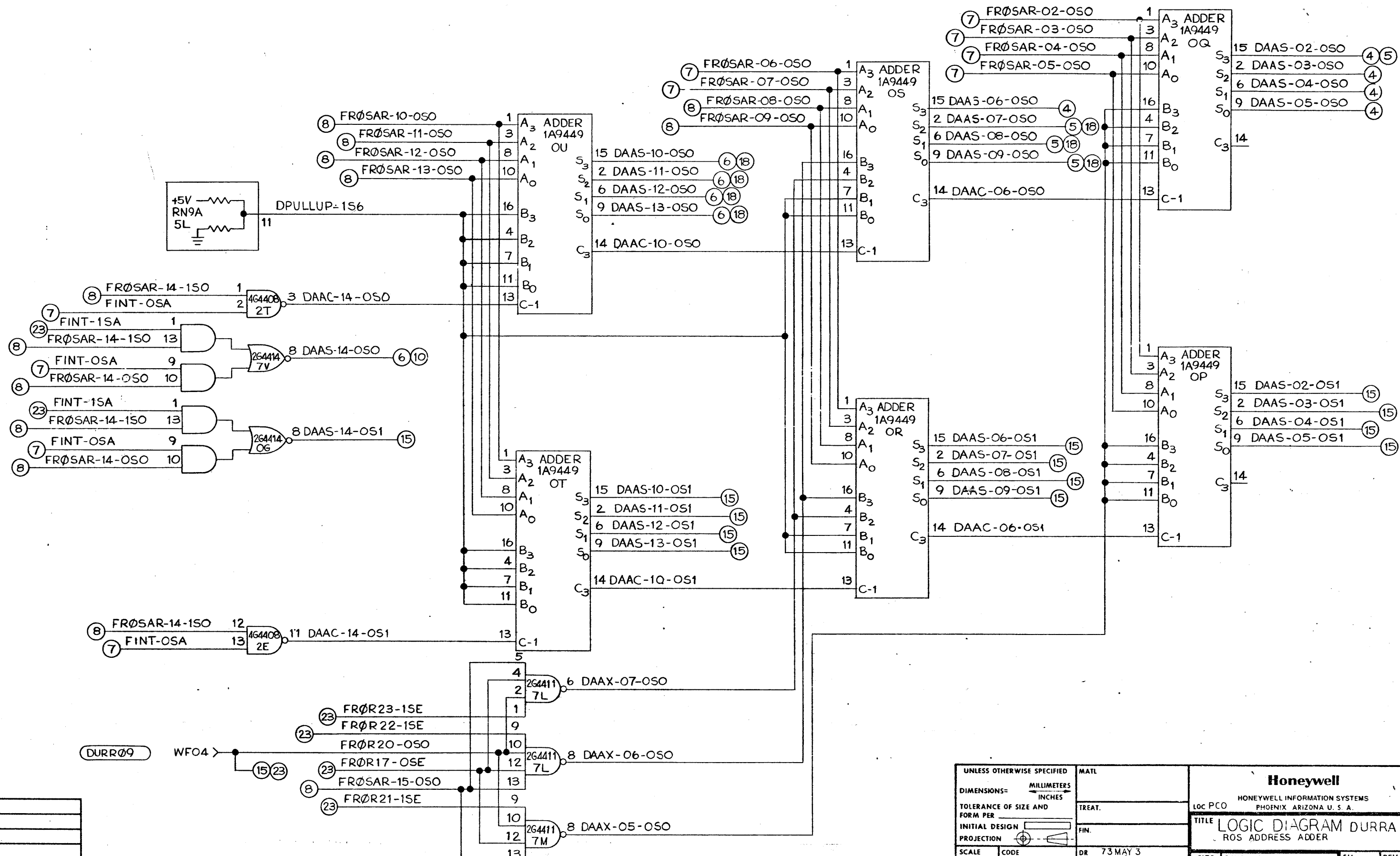
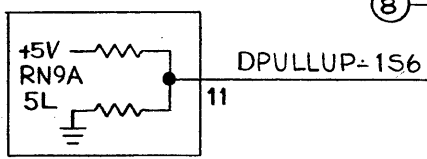
UNLESS OTHERWISE SPECIFIED
DIMENSIONS= MILLIMETERS
TOLERANCE OF SIZE AND FORM PER
INITIAL DESIGN
PROJECTION
SCALE CODE
UNLESS OTHERWISE SPECIFIED
MATERIAL
TREAT.
FIN.
DR 73 MAY 2
APPD James Drummond
DISTR C68-26



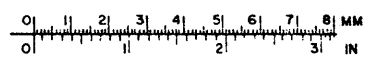
UNLESS OTHERWISE SPECIFIED		MATERIAL		Honeywell HONEYWELL INFORMATION SYSTEMS PHOENIX, ARIZONA U. S. A.	
DIMENSIONS= MILLIMETERS INCHES		TREAT.			
TOLERANCE OF SIZE AND FORM PER		FIN.		LOC PCO TITLE LOGIC DIAGRAM DURRA ROS ADDRESS REG-SEGMENT ADDRESS	
INITIAL DESIGN		DR 73 MAY 2 James Drummond		SIZE DWG NO D 58003974	
PROJECTION		APPD R. Flynn 11/19/73		SH 8 REV A	
SCALE CODE		DISTR C68-26		NGO V SDF TAs	

REVISIONS				
REV	AUTHORITY	DATE	SIGNATURE	
		YR MO DAY		

H
F
E
D
C
B
A



UNLESS OTHERWISE SPECIFIED
DIMENSIONS= MILLIMETERS
TOLERANCE OF SIZE AND FORM PER
INITIAL DESIGN
PROJECTION
SCALE CODE
MATERIAL
TREAT.
FIN.
DR 73 MAY 3
APPD R. Long
DISTR C68-26

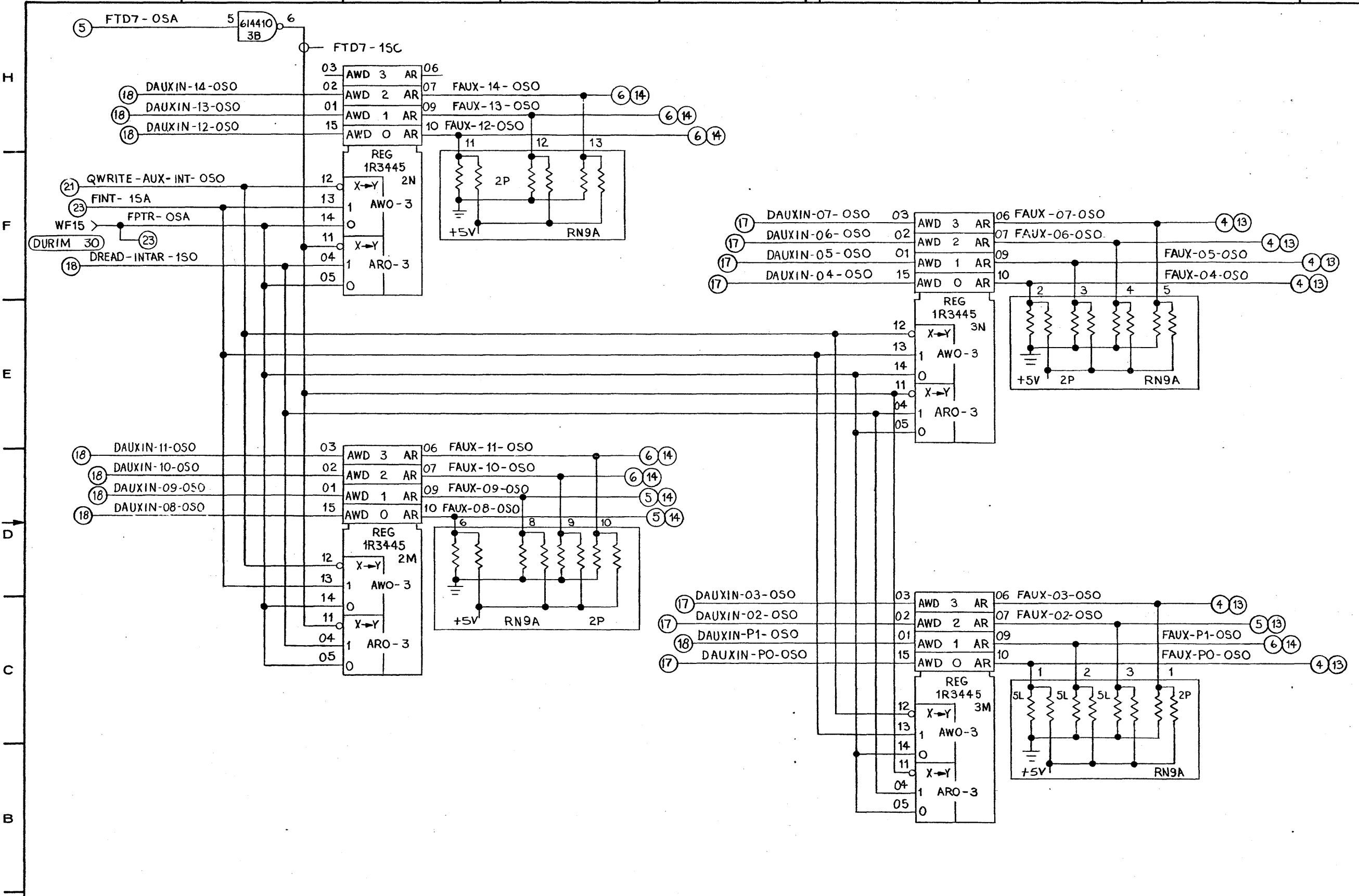


UNLESS OTHERWISE SPECIFIED		MATERIAL		Honeywell HONEYWELL INFORMATION SYSTEMS PHOENIX ARIZONA U. S. A.			
DIMENSIONS= MILLIMETERS		TREAT.					
TOLERANCE OF SIZE AND FORM PER		FIN.		LOC PCO TITLE LOGIC DIAGRAM DURRA ROS ADDRESS ADDER			
INITIAL DESIGN		DR 73 MAY 3		SIZE	DWG NO	SH	REV
PROJECTION		APPD R. Long		D	58003974	9	A
SCALE CODE		DISTR C68-26		NCO SDF Tos 1			

BRUNING 44 141
REF SPEC NO

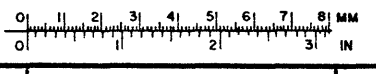
58003974

REVISIONS				
REV	AUTHORITY	DATE	SIGNATURE	
YR	MO	DAY		



INFORMATION CONTAINED IN THIS DOCUMENT IS PROPRIETARY TO HONEYWELL INFORMATION SYSTEMS AND IS INTENDED FOR INTERNAL HONEYWELL USE ONLY. SUCH INFORMATION MAY BE DISTRIBUTED TO OTHERS ONLY BY WRITTEN PERMISSION OF AN AUTHORIZED HONEYWELL OFFICIAL. THIS RESTRICTION DOES NOT APPLY TO VENDOR PROPRIETARY PARTS THAT MAY BE DISCLOSED IN THIS DOCUMENT.

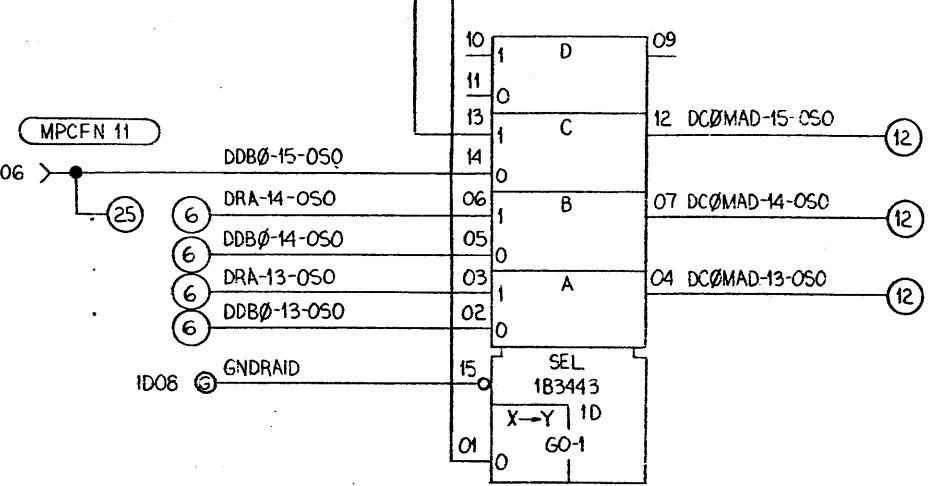
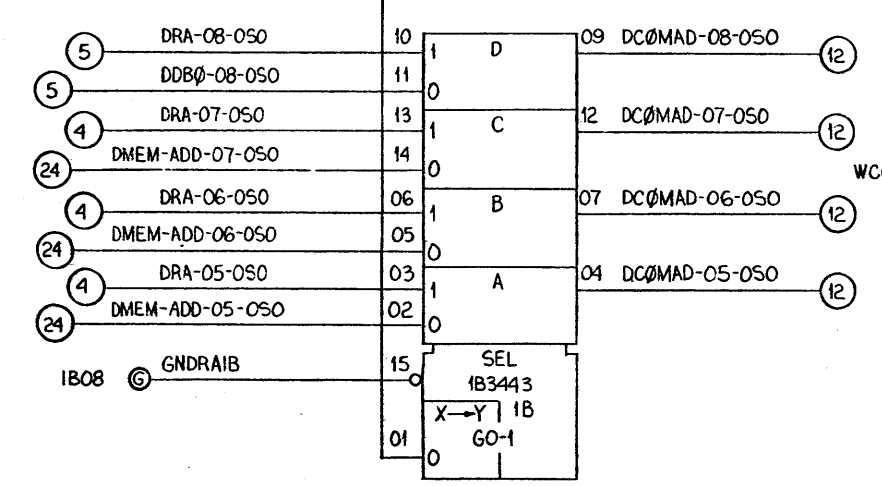
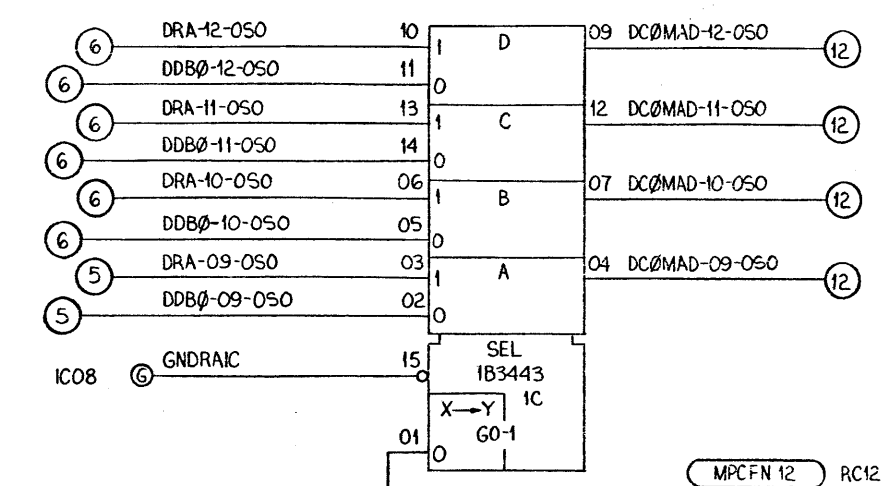
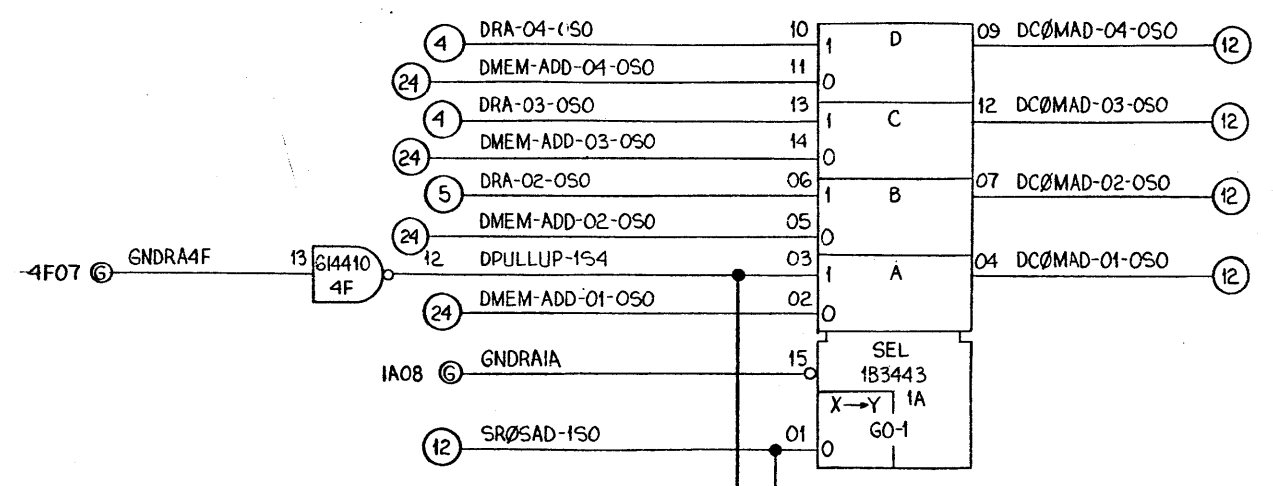
DRAWING 44-141



UNLESS OTHERWISE SPECIFIED		MATERIAL	
DIMENSIONS = MILLIMETERS / INCHES		TREAT.	
TOLERANCE OF SIZE AND FORM PER INITIAL DESIGN		FIN.	
PROJECTION		DR. 73 MAY 7 <i>J. Stennik</i>	
SCALE	CODE	APPD. <i>R. Flynn 11/19/73</i>	
		DISTR. 068-26 NCA V SDF TOS	
Honeywell HONEYWELL INFORMATION SYSTEMS PHOENIX, ARIZONA U. S. A.			
LOC PCO TITLE LOGIC DIAGRAM DURRA - AUXAR / INTAR			
SIZE	DWG NO	SH	REV
D	58003974	10	A

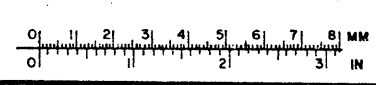
58003974

REVISIONS					
REV	AUTHORITY	DATE			SIGNATURE
		YR	MO	DAY	



MPCFN 12	RC12	DVSB-00-150	LA02	DURRØ 28
MPCFN 12	RC13	DVSB-01-150	LA03	DURRØ 28
MPCFN 12	RC14	DVSB-02-150	LA04	DURRØ 28
MPCFN 12	RC15	DVSB-03-150	LA05	DURRØ 28
MPCFN 13	RC16	DDAI-STAT0-151	LA06	DURRØ 29
MPCFN 13	RC17	DDAI-STAT1-151	LA07	DURRØ 29
MPCFN 13	RC18	DDAI-STAT2-151	LA08	DURRØ 29
MPCFN 13	RC19	DDAI-STAT3-151	LA09	DURRØ 29
MPCFN 16	RC20	DDAI-STATP-151	LA10	DURRØ 29
MPCFN 6	RD00	FZLPTR-15A	LC00	DURRØ 28

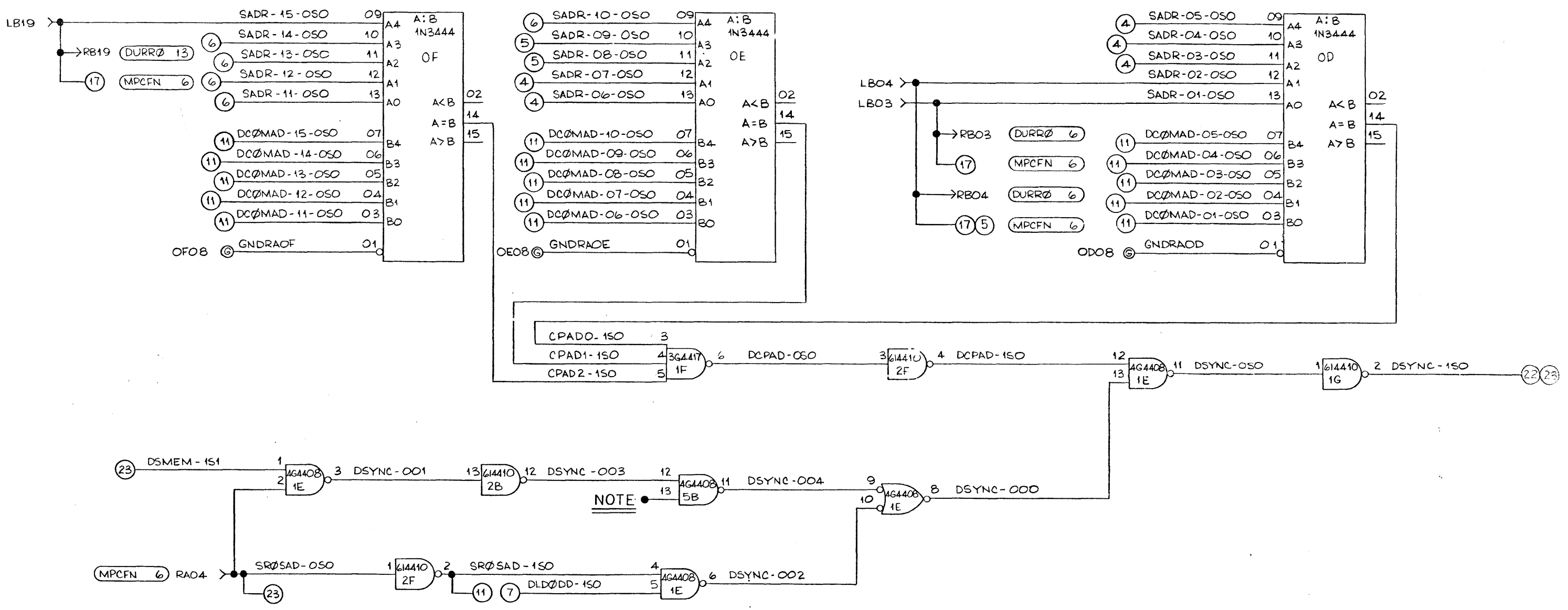
INFORMATION CONTAINED IN THIS DOCUMENT IS PROPRIETARY TO HONEYWELL INFORMATION SYSTEMS AND IS INTENDED FOR INTERNAL HONEYWELL USE ONLY. SUCH INFORMATION MAY BE DISTRIBUTED TO OTHERS ONLY BY WRITTEN PERMISSION OF AN AUTHORIZED HONEYWELL OFFICIAL. THIS RESTRICTION DOES NOT APPLY TO VENDOR PROPRIETARY PARTS THAT MAY BE DISCLOSED IN THIS DOCUMENT.



UNLESS OTHERWISE SPECIFIED		MATERIAL		Honeywell HONEYWELL INFORMATION SYSTEMS PHOENIX, ARIZONA U. S. A.	
DIMENSIONS = MILLIMETERS / INCHES		TREAT.			
TOLERANCE OF SIZE AND FORM PER INITIAL DESIGN		FIN.		locPCO TITLE LOGIC DIAGRAM DURRA ADDRESS COMPARISON SWITCH	
SCALE	CODE	DR	73 MAY 3 <i>James Drummond</i>		SIZE
		APPD	R. J. Lynn 11/19/73		DWG NO
		DISTR	C68-26		58003974
					SH
					REV
					A

REVISIONS			
REV	AUTHORITY	DATE	SIGNATURE
		YR MO DAY	

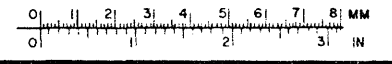
H
F
E
D
C
B
A



NOTE: TO SYNC ON MEMORY WRITES JUMPER 5B13-5E06
TO SYNC ON MEMORY READS JUMPER 5B13-5E08

THIS DOCUMENT IS PROPRIETARY TO HONEYWELL INFORMATION SYSTEMS AND IS INTENDED FOR INTERNAL HONEYWELL USE ONLY. SUCH INFORMATION MAY BE DISTRIBUTED TO OTHERS ONLY BY WRITTEN PERMISSION OF AN AUTHORIZED HONEYWELL OFFICIAL. THIS RESTRICTION DOES NOT APPLY TO VENDOR PROPRIETARY PARTS THAT MAY BE DISCLOSED IN THIS DOCUMENT.

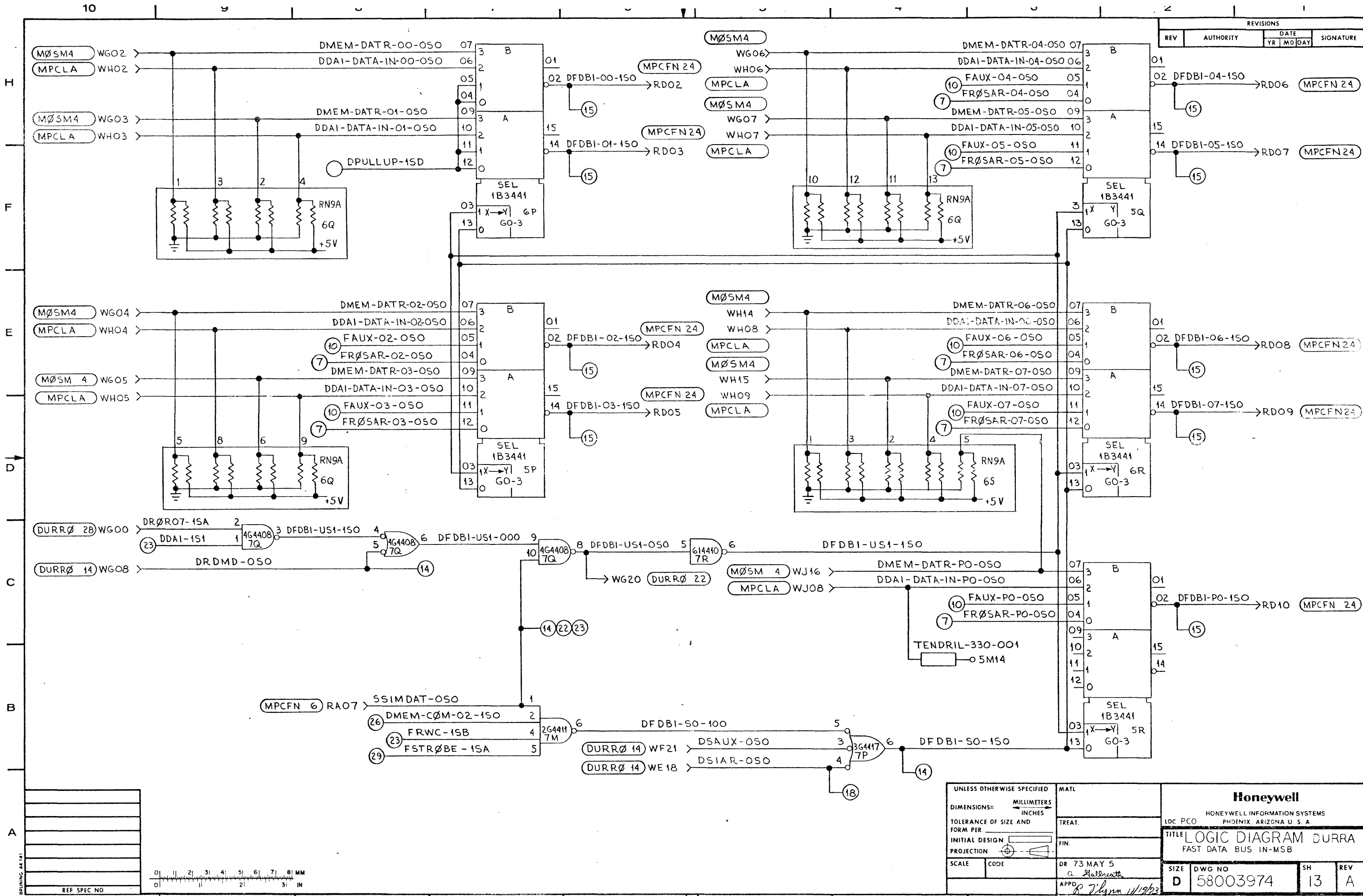
BRUNING 44 141



REF SPEC NO	
-------------	--

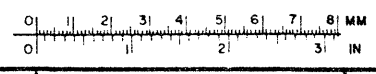
UNLESS OTHERWISE SPECIFIED		MATH	
DIMENSIONS= $\frac{\text{MILLIMETERS}}{\text{INCHES}}$		TREAT.	
TOLERANCE OF SIZE AND FORM PER INITIAL DESIGN		FIN.	
PROJECTION		SCALE CODE	
DR 73-MAY-4 <i>Thomas P. ...</i>		SIZE	DWG NO
APPD <i>R. Flynn 11/19/73</i>		D	58003974
DISTR 68R-26 11/21/73 SDF TAC		SH	REV
		12	A

EPC0707



REVISIONS				
REV	AUTHORITY	DATE	SIGNATURE	
YR	MO	DAY		

THE INFORMATION CONTAINED IN THIS DOCUMENT IS PROPRIETARY TO HONEYWELL INFORMATION SYSTEMS AND IS INTENDED FOR INTERNAL HONEYWELL USE ONLY. SUCH INFORMATION MAY BE DISTRIBUTED TO OTHERS ONLY BY WRITTEN PERMISSION OF AN AUTHORIZED HONEYWELL OFFICIAL. THIS RESTRICTION DOES NOT APPLY TO VENDOR PROPRIETARY PARTS THAT MAY BE DISCLOSED IN THIS DOCUMENT.

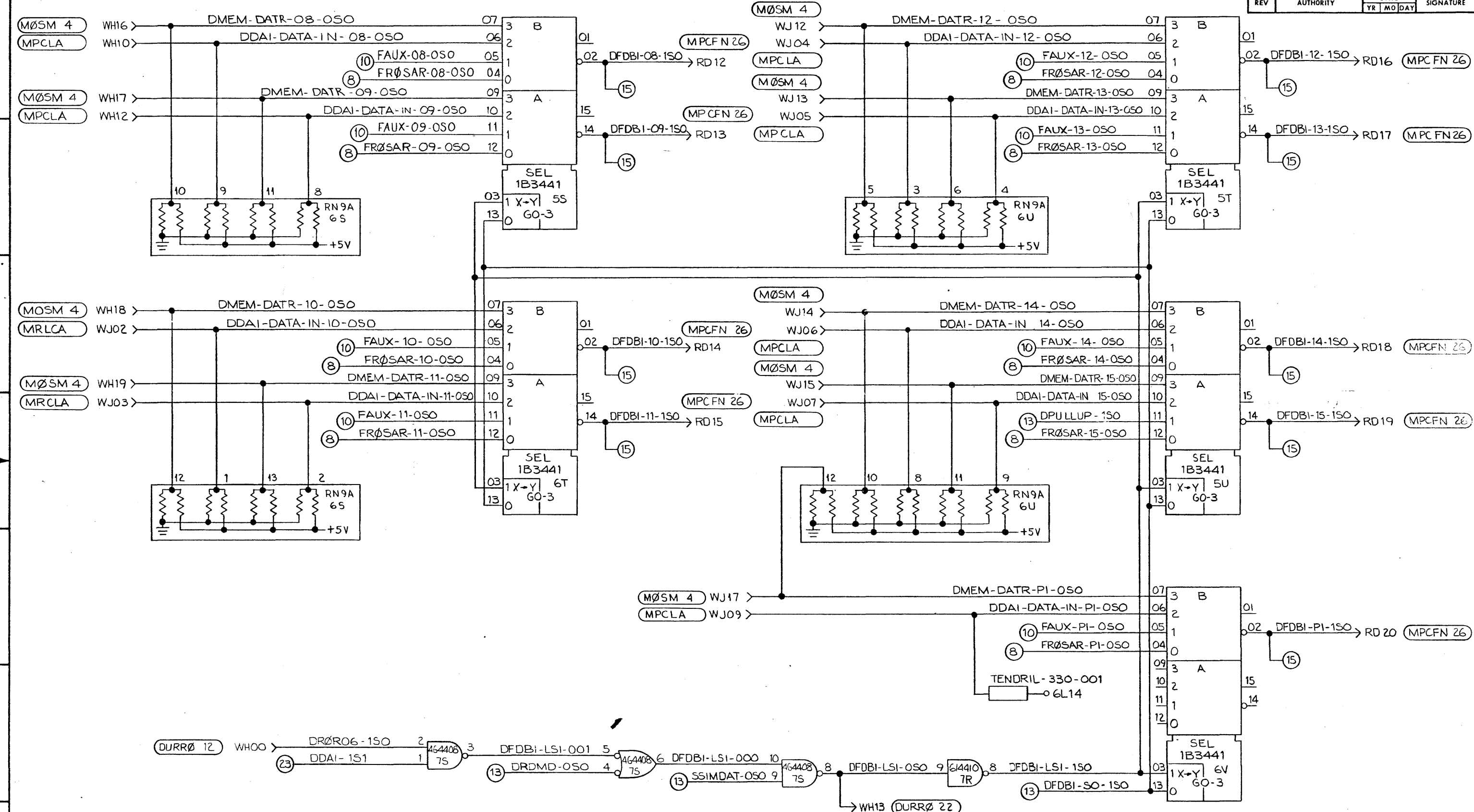


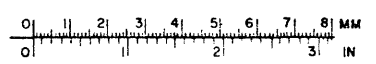
UNLESS OTHERWISE SPECIFIED DIMENSIONS = MILLIMETERS TOLERANCE OF SIZE AND FORM PER INITIAL DESIGN PROJECTION	MATERIAL	HONEYWELL INFORMATION SYSTEMS PHOENIX, ARIZONA U.S.A.	
		HONEYWELL	
SCALE	CODE	TREAT.	FIN.
DR 73 MAY 5	G. Hallbreath		
APPD R. J. Lynn 11/9/73			
DISTR C68-26	MCA V SDF	Tos	
TITLE LOGIC DIAGRAM DURRA FAST DATA BUS IN-MSB		SIZE D	DWG NO 58003974
		SH 13	REV A

58003974

THE INFORMATION CONTAINED IN THIS DOCUMENT IS PROPRIETARY TO HONEYWELL INFORMATION SYSTEMS AND IS INTENDED FOR INTERNAL HONEYWELL USE ONLY. SUCH INFORMATION MAY BE DISTRIBUTED TO OTHERS ONLY BY WRITTEN PERMISSION OF AN AUTHORIZED HONEYWELL OFFICIAL. THIS RESTRICTION DOES NOT APPLY TO VENDOR PROPRIETARY PARTS THAT MAY BE DISCLOSED IN THIS DOCUMENT.

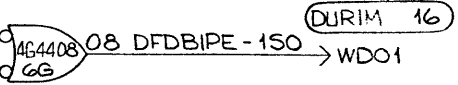
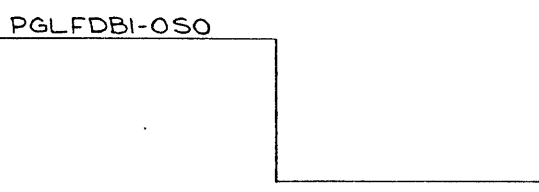
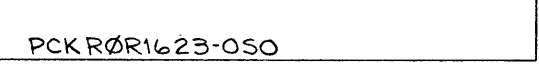
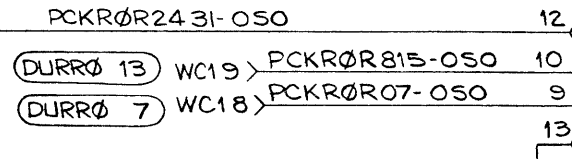
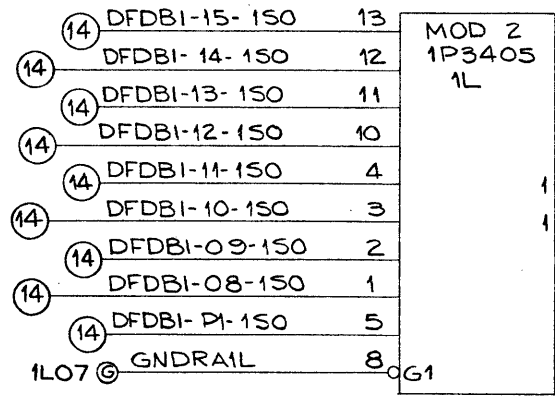
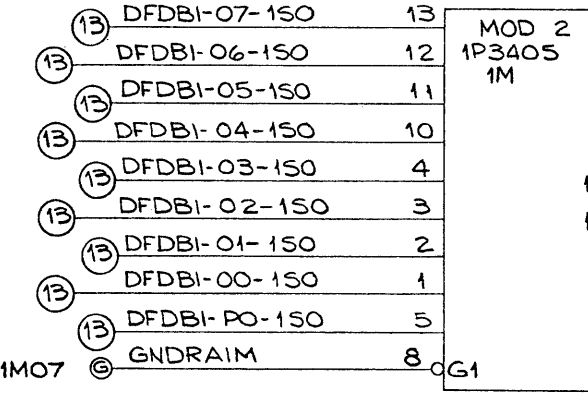
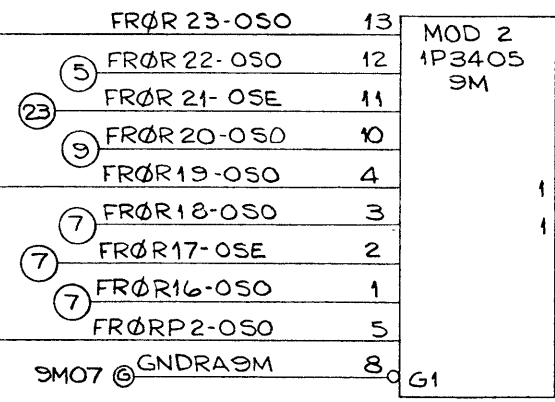
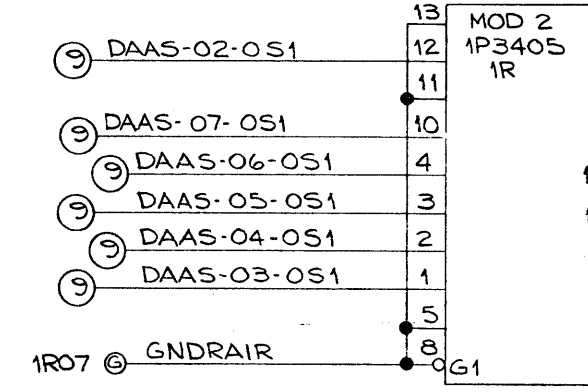
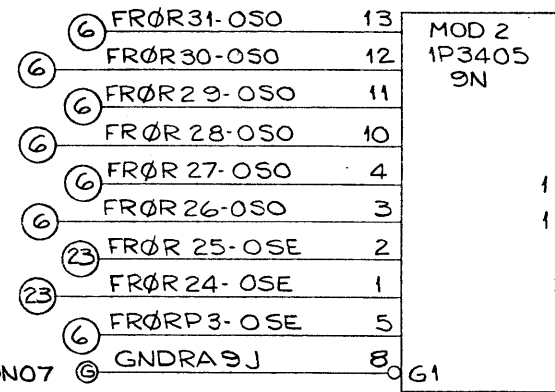
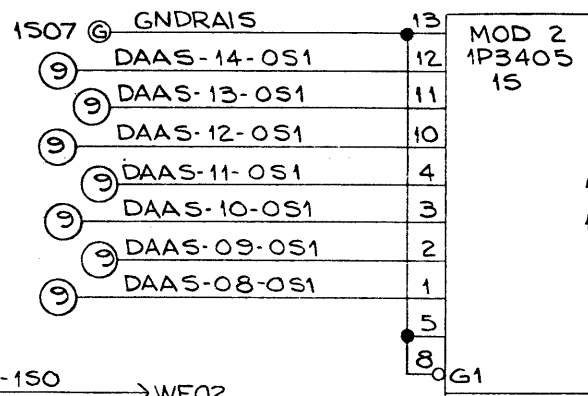
REVISIONS				
REV	AUTHORITY	DATE		SIGNATURE
		YR	MO	DAY



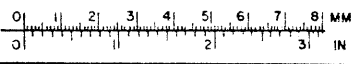


UNLESS OTHERWISE SPECIFIED		MATERIAL		Honeywell HONEYWELL INFORMATION SYSTEMS PHOENIX, ARIZONA U. S. A.			
DIMENSIONS = <input type="checkbox"/> MILLIMETERS <input type="checkbox"/> INCHES		TREAT.					
TOLERANCE OF SIZE AND FORM PER		FIN.		LOCPCO TITLE LOGIC DIAGRAM DURRA FAST DATA BUS IN-LSB			
INITIAL DESIGN		PROJECTION		SCALE		CODE	DR
							73 MAY 7 R. Song
							APPD R. Song 11/19/73
							DISTR 688-26
REF SPEC NO		SIZE	DWG NO	SH	REV		
		D	58003974	14	A		

REVISIONS				
REV	AUTHORITY	DATE		SIGNATURE
		YR	MO DAY	

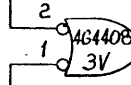
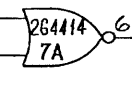
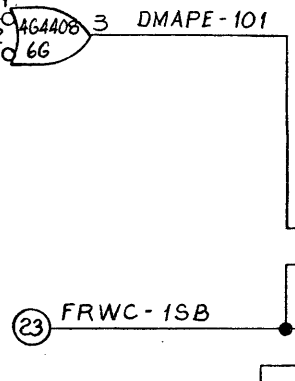
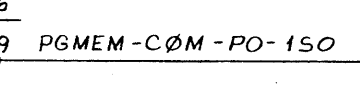
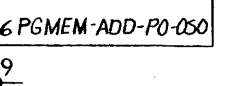
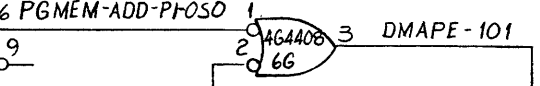
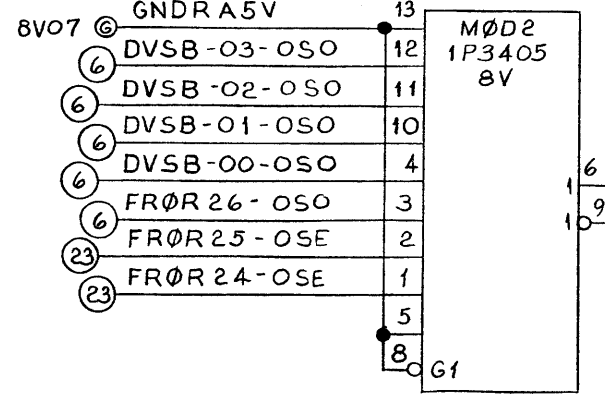
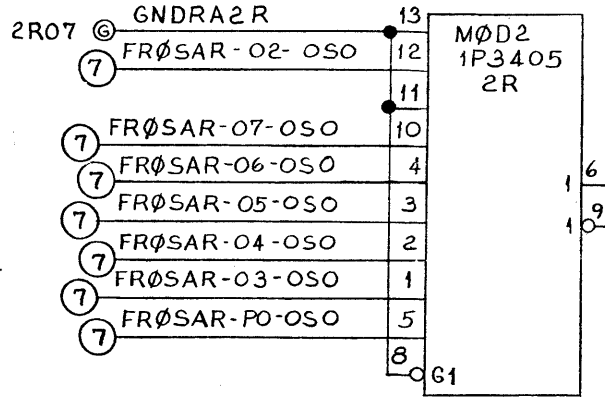
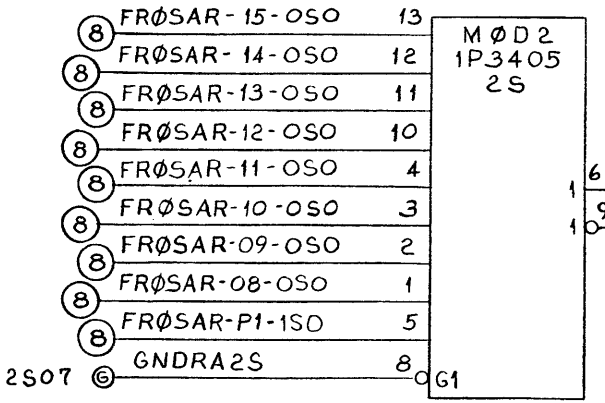
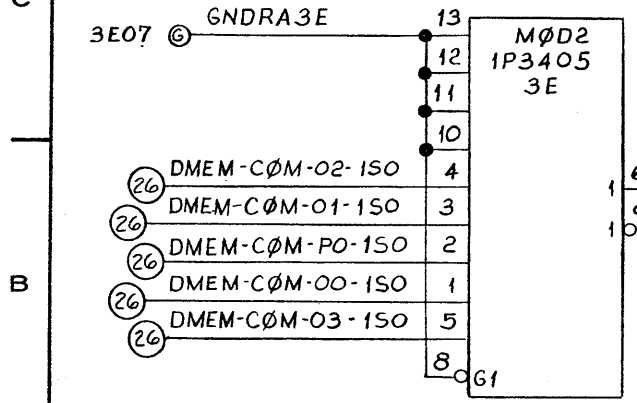
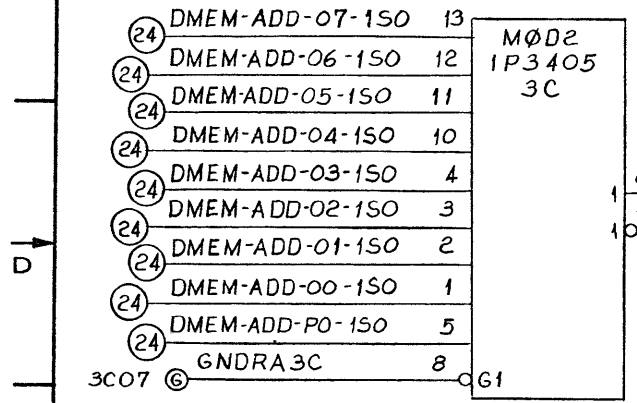
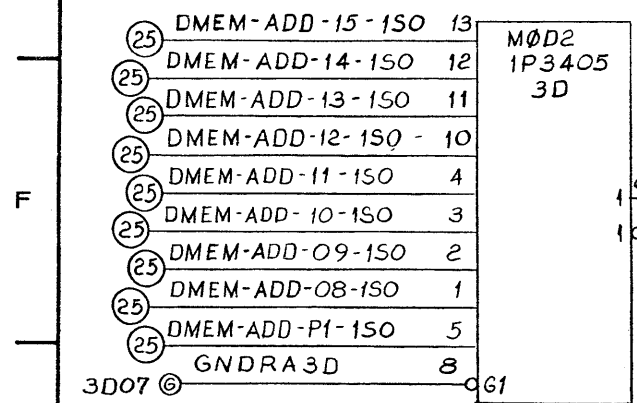


INFORMATION CONTAINED IN THIS DOCUMENT IS PROPRIETARY TO HONEYWELL INFORMATION SYSTEMS AND IS INTENDED FOR INTERNAL HONEYWELL USE ONLY. SUCH INFORMATION MAY BE DISTRIBUTED TO OTHERS ONLY BY WRITTEN PERMISSION OF AN AUTHORIZED HONEYWELL OFFICIAL. THIS RESTRICTION DOES NOT APPLY TO VENDOR PROPRIETARY PARTS THAT MAY BE DISCLOSED IN THIS DOCUMENT.



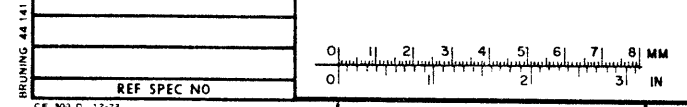
UNLESS OTHERWISE SPECIFIED		MATH		Honeywell HONEYWELL INFORMATION SYSTEMS LOC. P.C.O. PHOENIX, ARIZONA U.S.A. TITLE LOGIC DIAGRAM DURRA PARITY CHECKERS & GENERATORS	
DIMENSIONS=	MILLIMETERS ← INCHES	TREAT.	FIN.		
TOLERANCE OF SIZE AND FORM PER	INITIAL DESIGN	DR 73 MAY 5	APPD		
PROJECTION	SCALE	CODE	DISTR		
SIZE	DWG NO	SH	REV	8 58003974 15 A	
REF SPEC NO		C68-26 NCO SDF Tos		1	

REVISIONS				
REV	AUTHORITY	DATE		SIGNATURE
		YR	MO DAY	



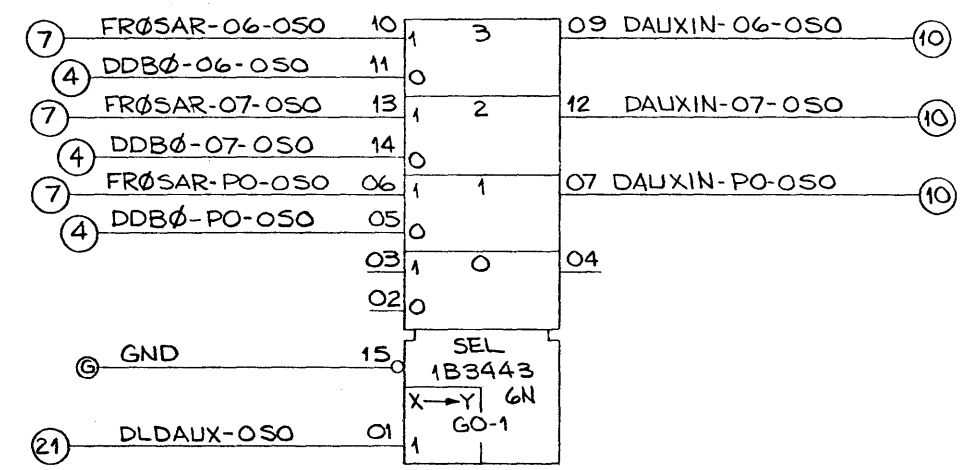
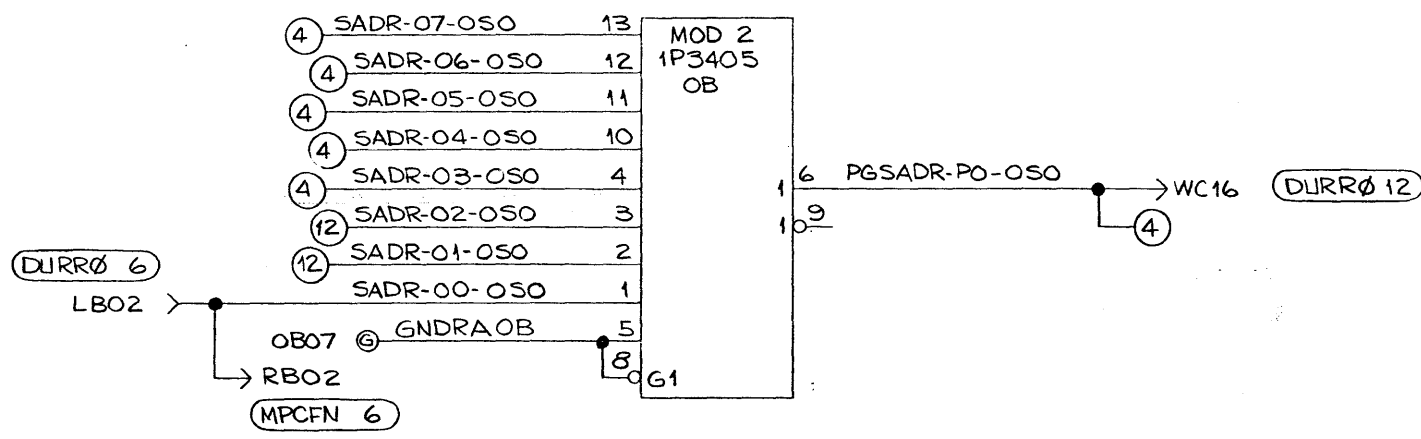
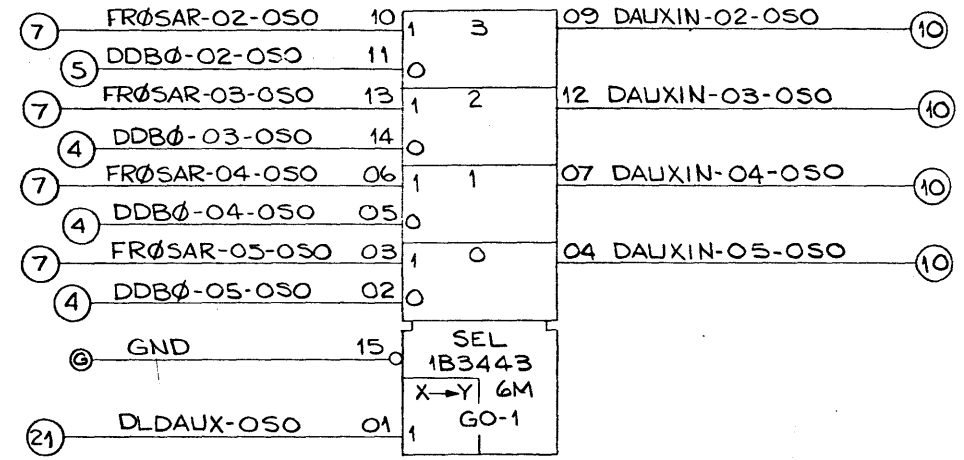
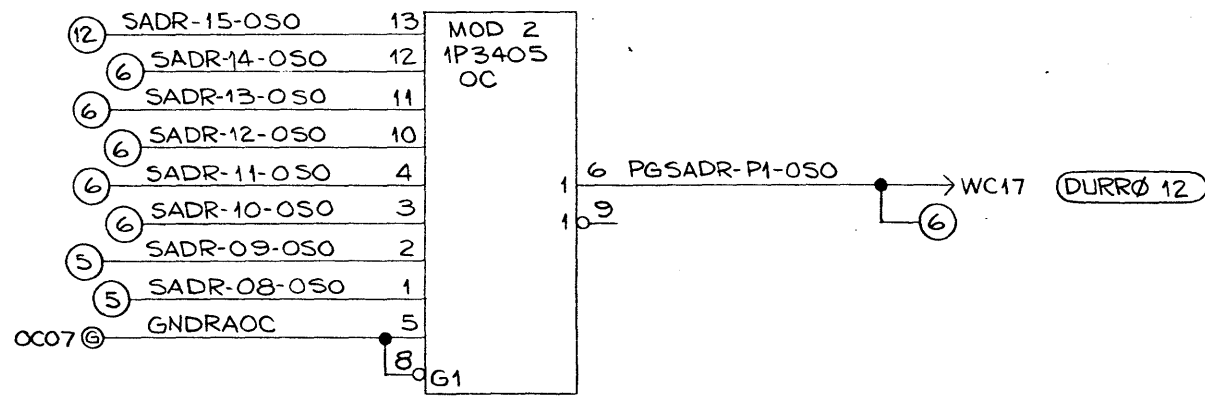
UNLESS OTHERWISE SPECIFIED		MATL		Honeywell HONEYWELL INFORMATION SYSTEMS PHOENIX, ARIZONA U. S. A.	
DIMENSIONS= MILLIMETERS / INCHES		TREAT.			
TOLERANCE OF SIZE AND FORM PER		FIN.		LOC PCO	
INITIAL DESIGN		DR 73-MAY-7		TITLE LOGIC DIAGRAM DURRA	
PROJECTION		APPD <i>Thomas C. Esposito</i>		PARITY CHECKERS & GENERATORS	
SCALE	CODE	DISTR		SIZE D	DWG NO 58003974
				SH 16	REV A

THE INFORMATION CONTAINED IN THIS DOCUMENT IS PROPRIETARY TO HONEYWELL INFORMATION SYSTEMS AND IS INTENDED FOR INTERNAL HONEYWELL USE ONLY. SUCH INFORMATION MAY BE DISTRIBUTED TO OTHERS ONLY BY WRITTEN PERMISSION OF AN AUTHORIZED HONEYWELL OFFICIAL. THIS RESTRICTION DOES NOT APPLY TO VENDOR PROPRIETARY PARTS THAT MAY BE DISCLOSED IN THIS DOCUMENT.



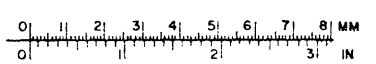
REF SPEC NO

REVISIONS				
REV	AUTHORITY	DATE		SIGNATURE
		YR	MO DAY	



UNLESS OTHERWISE SPECIFIED DIMENSIONS ARE IN MILLIMETERS UNLESS OTHERWISE SPECIFIED DIMENSIONS ARE IN INCHES TOLERANCE OF SIZE AND FORM PER INITIAL DESIGN PROJECTION SCALE CODE DR 73 MAY 5 2 Song APPD R. Song 11/19/23 DISTR C68-26 1101V.57E 1

REF SPEC NO

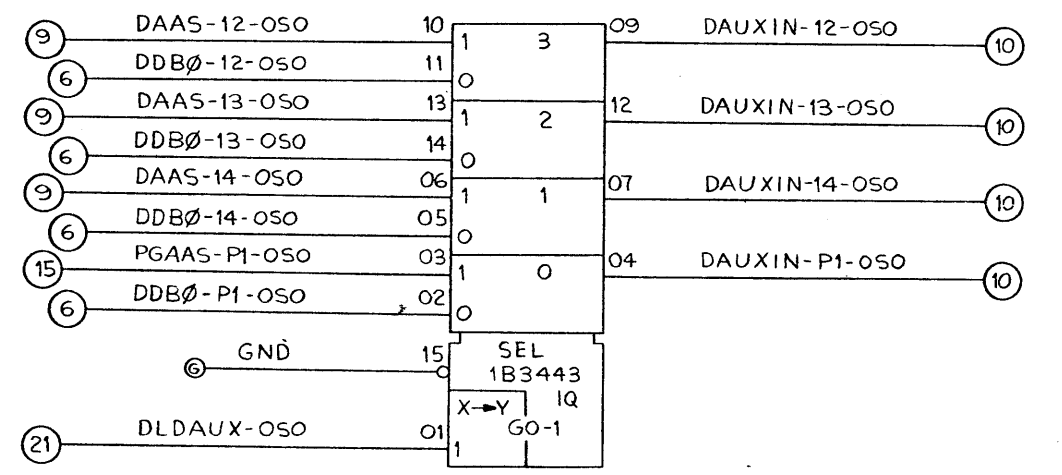
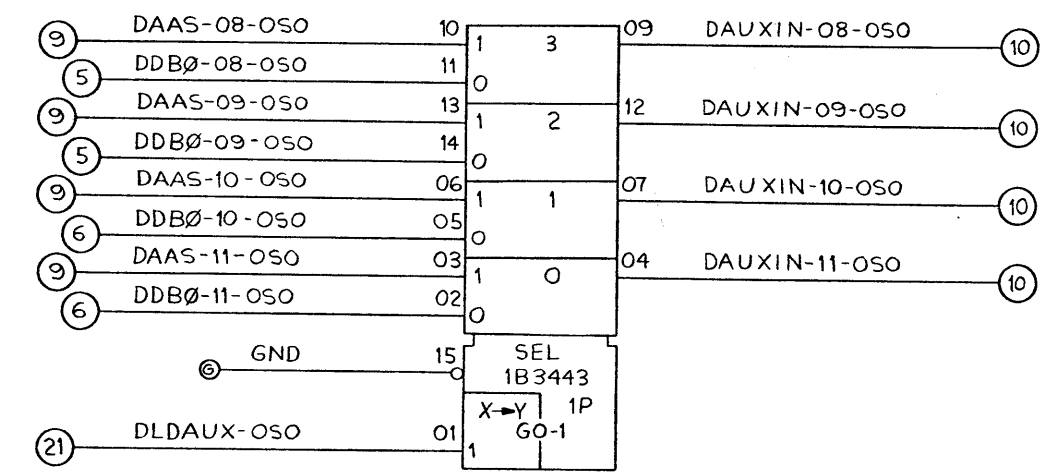
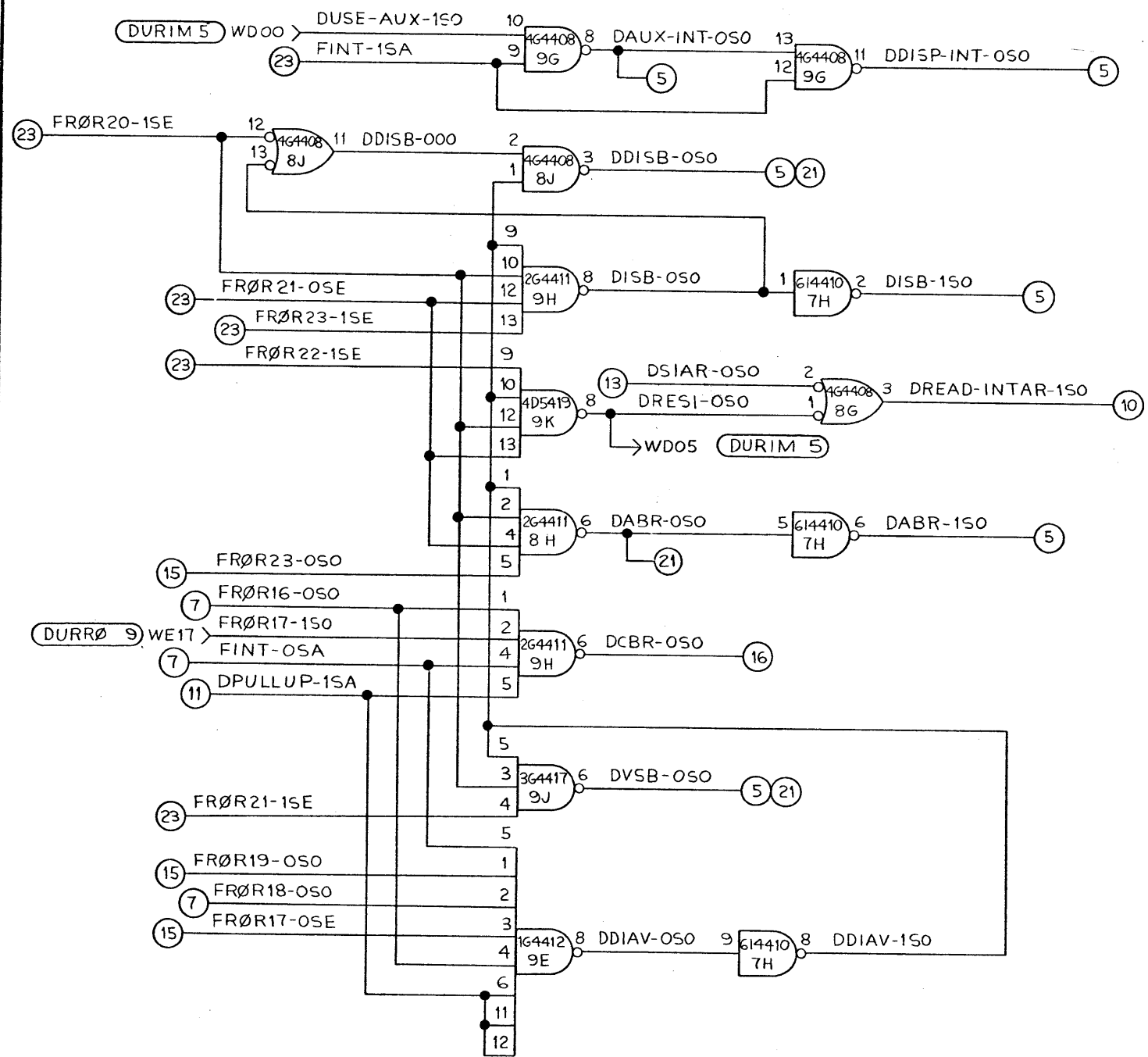


UNLESS OTHERWISE SPECIFIED		MATERIAL		Honeywell HONEYWELL INFORMATION SYSTEMS PHOENIX, ARIZONA U. S. A.	
DIMENSIONS=		TREAT.			
TOLERANCE OF SIZE AND FORM PER		FIN.		TITLE LOGIC DIAGRAM DURRA OP PANEL SW PARITY GENERATORS	
INITIAL DESIGN		DR 73 MAY 5 R. Song		SIZE D	DWG NO 58003974
PROJECTION		APPD R. Song 11/19/23		SH 17	REV A
SCALE	CODE	DISTR C68-26 1101V.57E 1			

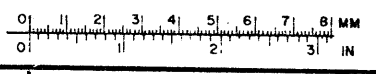
DRAWING 44 141

58003974

REVISIONS				
REV	AUTHORITY	DATE		SIGNATURE
		YR	MO	DAY

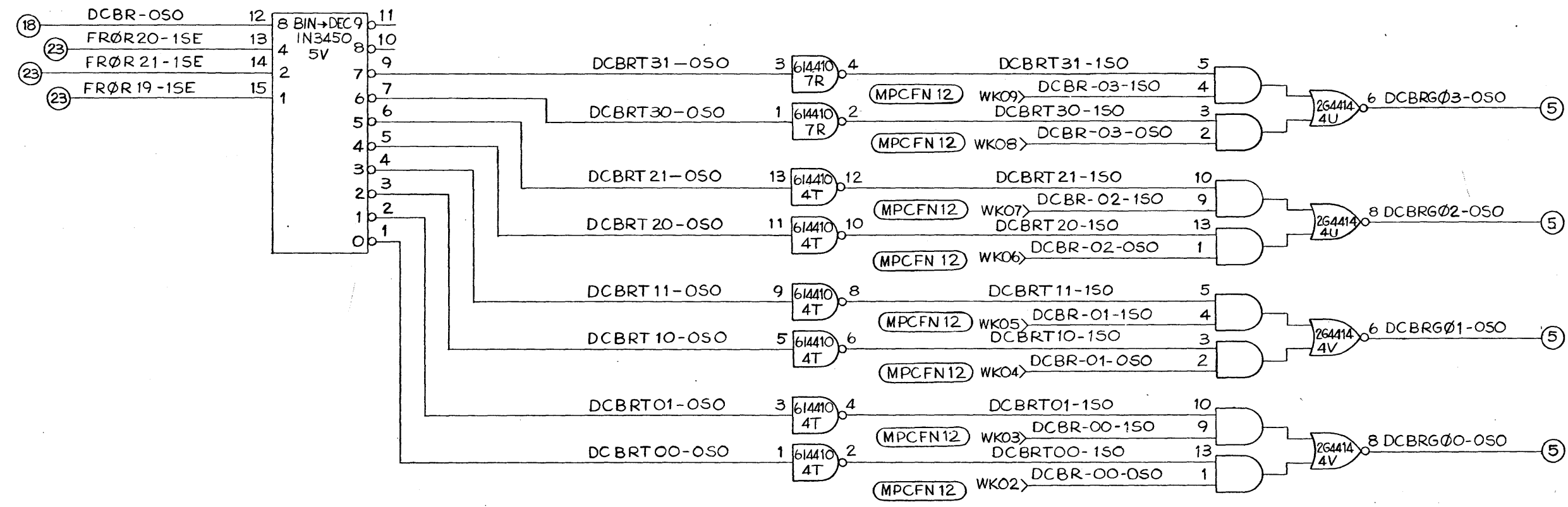


INFORMATION CONTAINED IN THIS DOCUMENT IS PROPRIETARY TO HONEYWELL INFORMATION SYSTEMS AND IS INTENDED FOR INTERNAL HONEYWELL USE ONLY. SUCH INFORMATION MAY BE DISTRIBUTED TO OTHERS ONLY BY WRITTEN PERMISSION OF AN AUTHORIZED HONEYWELL OFFICIAL. THIS RESTRICTION DOES NOT APPLY TO VENDOR PROPRIETARY PARTS THAT MAY BE DISCLOSED IN THIS DOCUMENT.



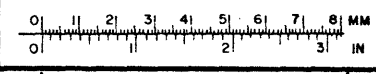
UNLESS OTHERWISE SPECIFIED		MATERIAL		Honeywell HONEYWELL INFORMATION SYSTEMS LOC PCO PHOENIX, ARIZONA U. S. A.	
DIMENSIONS = $\frac{\text{MILLIMETERS}}{\text{INCHES}}$		TREAT.			
TOLERANCE OF SIZE AND FORM PER		FIN.		TITLE LOGIC DIAGRAM DURRA	
INITIAL DESIGN		DR73 MAY 7		BRANCH DECODER	
PROJECTION		APPD <i>Larry Bedek</i>		SIZE DWG NO	
SCALE	CODE	R. Thym 11/19/73		SH REV	
		DISTR		D 58003974 18 A	

REVOLUTIONS			
REV	AUTHORITY	DATE YR MO DAY	SIGNATURE



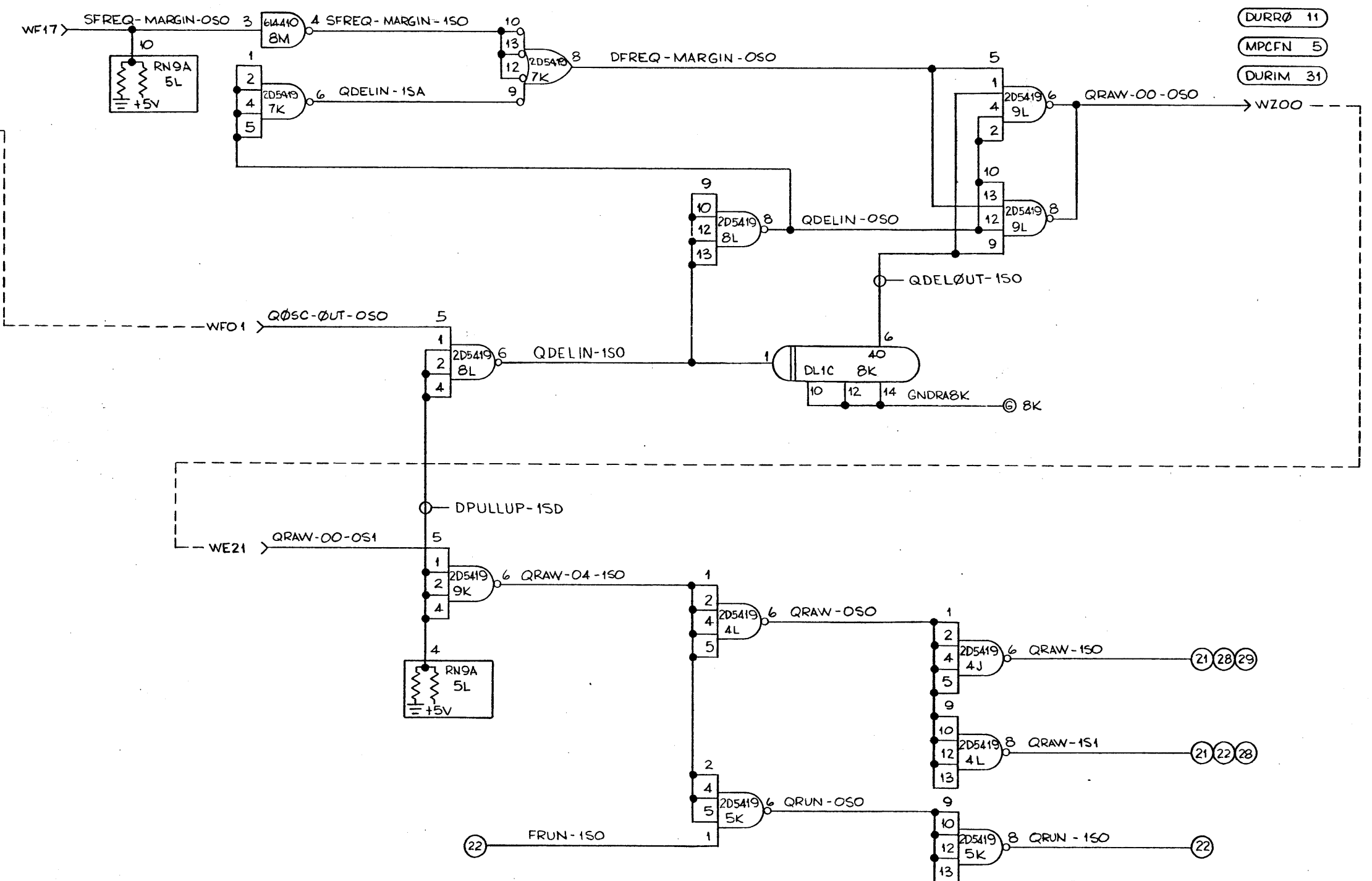
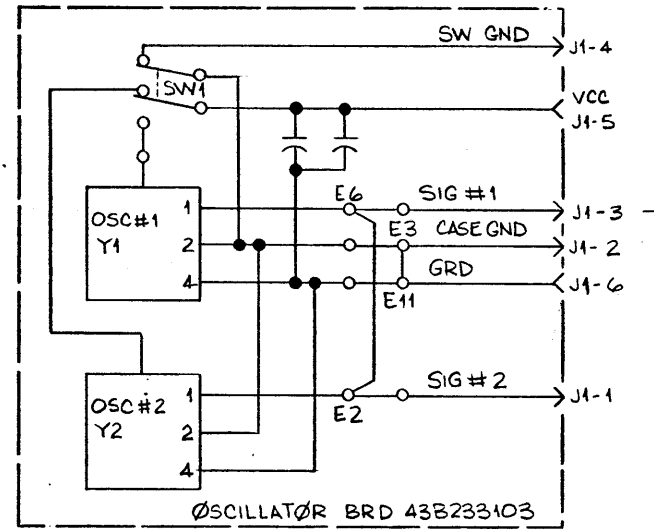
ALL INFORMATION CONTAINED IN THIS DOCUMENT IS PROPRIETARY TO HONEYWELL INFORMATION SYSTEMS AND IS INTENDED FOR INTERNAL HONEYWELL USE ONLY. SUCH INFORMATION MAY BE DISTRIBUTED TO OTHERS ONLY BY WRITTEN PERMISSION OF AN AUTHORIZED HONEYWELL OFFICIAL. THIS RESTRICTION DOES NOT APPLY TO VENDOR PROPRIETARY PARTS THAT MAY BE DISCLOSED IN THIS DOCUMENT.

H
F
E
D
C
B
A



UNLESS OTHERWISE SPECIFIED		MATERIAL		Honeywell HONEYWELL INFORMATION SYSTEMS PHOENIX, ARIZONA U. S. A.	
DIMENSIONS=	MILLIMETERS INCHES	TREAT.			
TOLERANCE OF SIZE AND FORM PER		INITIAL DESIGN	FIN.	TITLE LOGIC DIAGRAM DURRA CONDITIONAL BRANCH DECISIONS	
PROJECTION		SCALE	CODE		
DR 73 MAY 7		APPD R. Sang		SIZE D	DWG NO 58003974
SH 19		REV A			

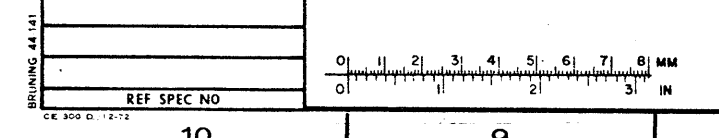
REVISIONS				
REV	AUTHORITY	DATE		SIGNATURE
		YR	MO DAY	



- DURRO 11
- MPCFN 5
- DURIM 31

MATL	Honeywell HONEYWELL INFORMATION SYSTEMS PHOENIX, ARIZONA U. S. A.				
TREAT.				LOC	PCO
FIN.				TITLE	
DR 73 MAY 9 Maryalice Ross		LOGIC DIAGRAM DURRA RAW CLOCK SOURCE			
APPD. <i>R. Nymul</i>	SIZE	DWG NO	SH	REV	
DISTR	D	58003974	20	B	

THE INFORMATION CONTAINED IN THIS DOCUMENT IS PROPRIETARY TO HONEYWELL INFORMATION SYSTEMS AND IS INTENDED FOR INTERNAL HONEYWELL USE ONLY. SUCH INFORMATION MAY BE DISTRIBUTED TO OTHERS ONLY BY WRITTEN PERMISSION OF AN AUTHORIZED HONEYWELL OFFICIAL. THIS RESTRICTION DOES NOT APPLY TO VENDOR PROPRIETARY PARTS THAT MAY BE DISCLOSED IN THIS DOCUMENT.

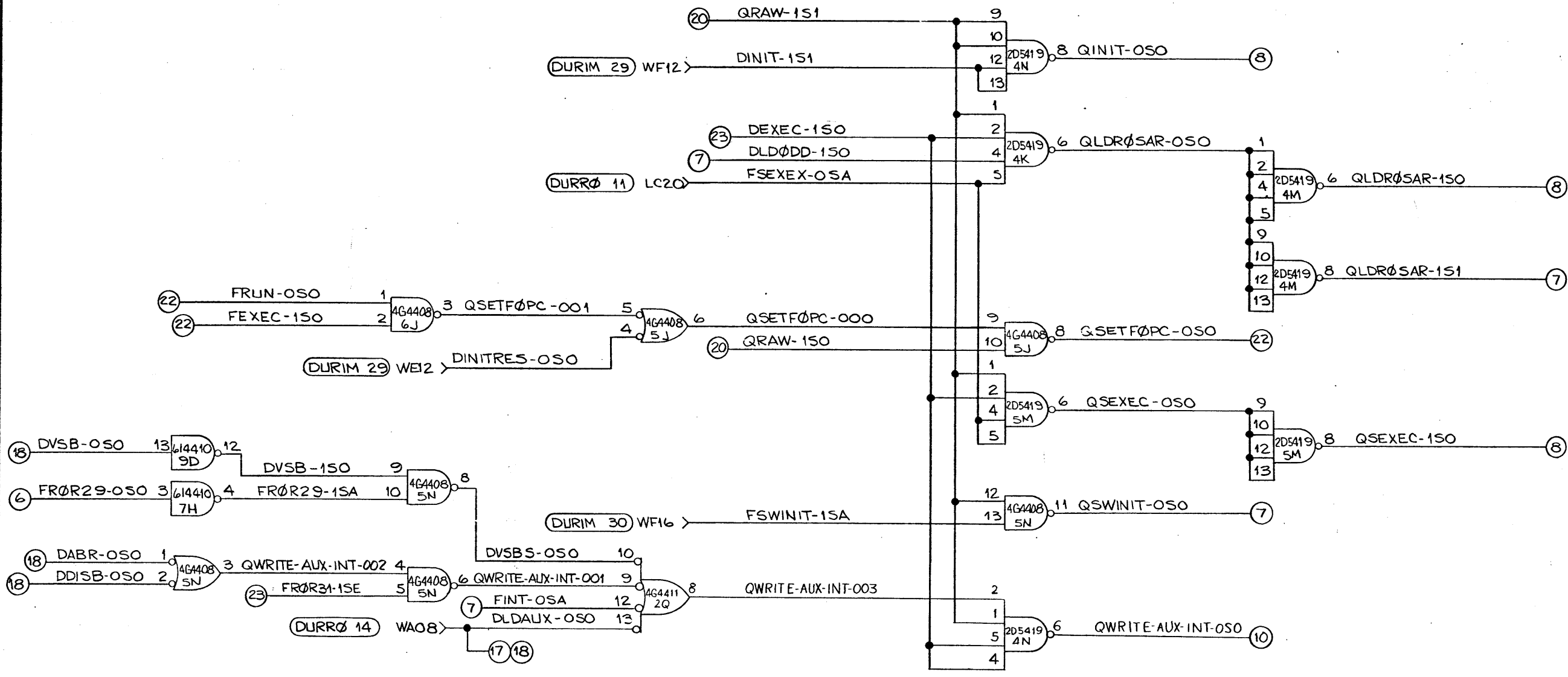


53003974

REVISIONS

REV	AUTHORITY	DATE		SIGNATURE
		YR	MO DAY	

H
F
E
D
C
B
A



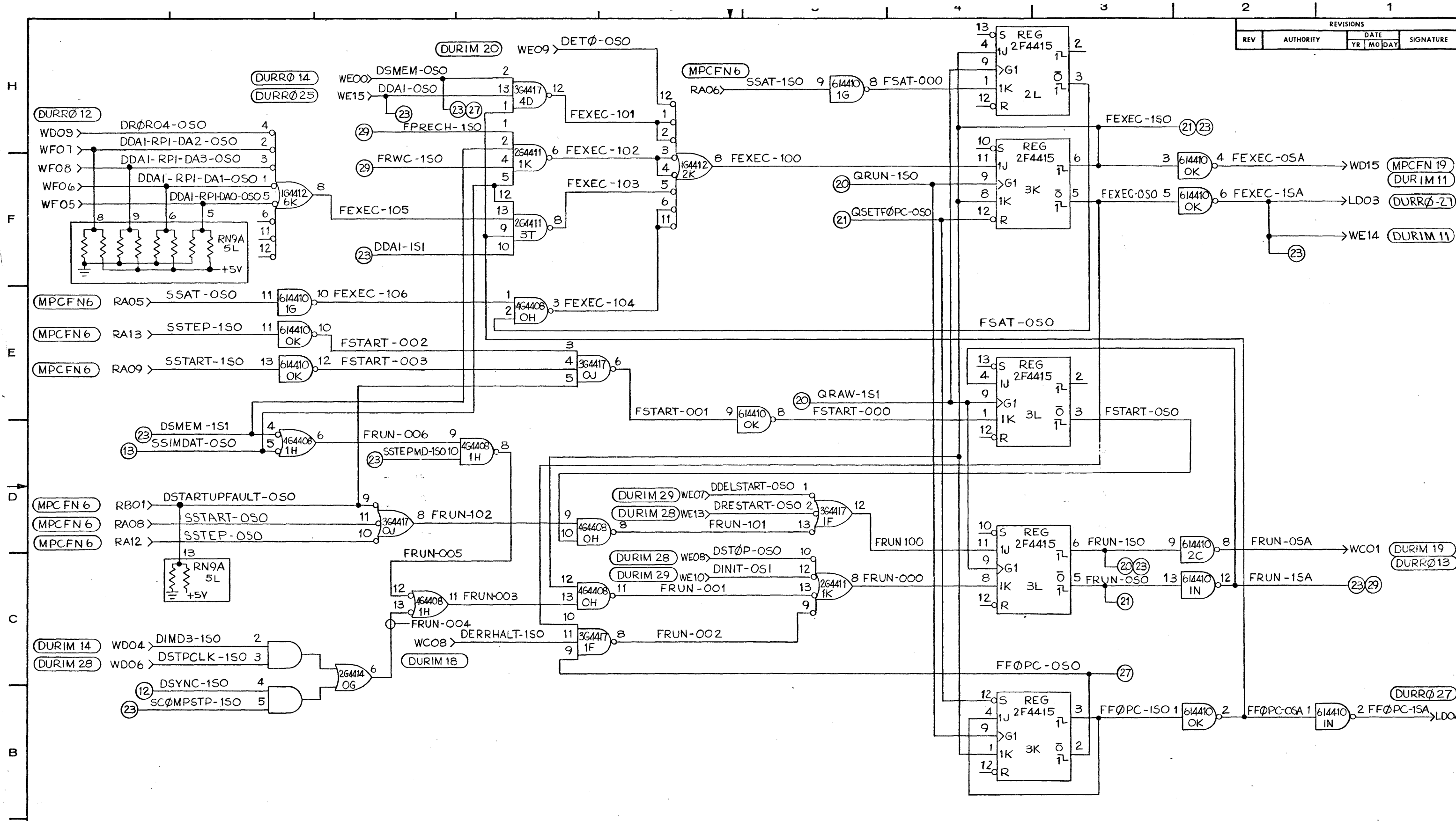
UNLESS OTHERWISE SPECIFIED MILLIMETERS DIMENSIONS INCHES TOLERANCE OF SIZE AND FORM PER INITIAL DESIGN PROJECTION SCALE CODE DR 73 MAY 9 APPD R. Song 11/19/73 DISTR C68-26 110A V SDF TOS 1

BRUNING 44 141
REF SPEC NO
0 1 2 3 4 5 6 7 8 MM
0 1 2 3 4 IN

UNLESS OTHERWISE SPECIFIED		MATERIAL		Honeywell	
DIMENSIONS =		MILLIMETERS		HONEYWELL INFORMATION SYSTEMS	
TOLERANCE OF SIZE AND FORM PER		INCHES		PHOENIX, ARIZONA U. S. A.	
INITIAL DESIGN PROJECTION		TREAT.		LOC PCO	
SCALE		FIN.		TITLE LOGIC DIAGRAM DURRA GATED CLOCKS	
CODE		DR 73 MAY 9 R. Song		SIZE D	
CODE		APPD R. Song 11/19/73		DWG NO 58003974	
CODE		DISTR C68-26 110A V SDF TOS		SH 21	
CODE		CODE		REV A	

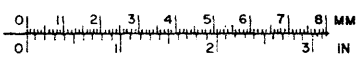
58003974

INFORMATION CONTAINED IN THIS DOCUMENT IS PROPRIETARY TO HONEYWELL INFORMATION SYSTEMS AND IS INTENDED FOR INTERNAL HONEYWELL USE ONLY. SUCH INFORMATION MAY BE DISTRIBUTED TO OTHERS ONLY BY WRITTEN PERMISSION OF AN AUTHORIZED HONEYWELL OFFICIAL. THIS RESTRICTION DOES NOT APPLY TO VENDOR PROPRIETARY PARTS THAT MAY BE DISCLOSED IN THIS DOCUMENT.

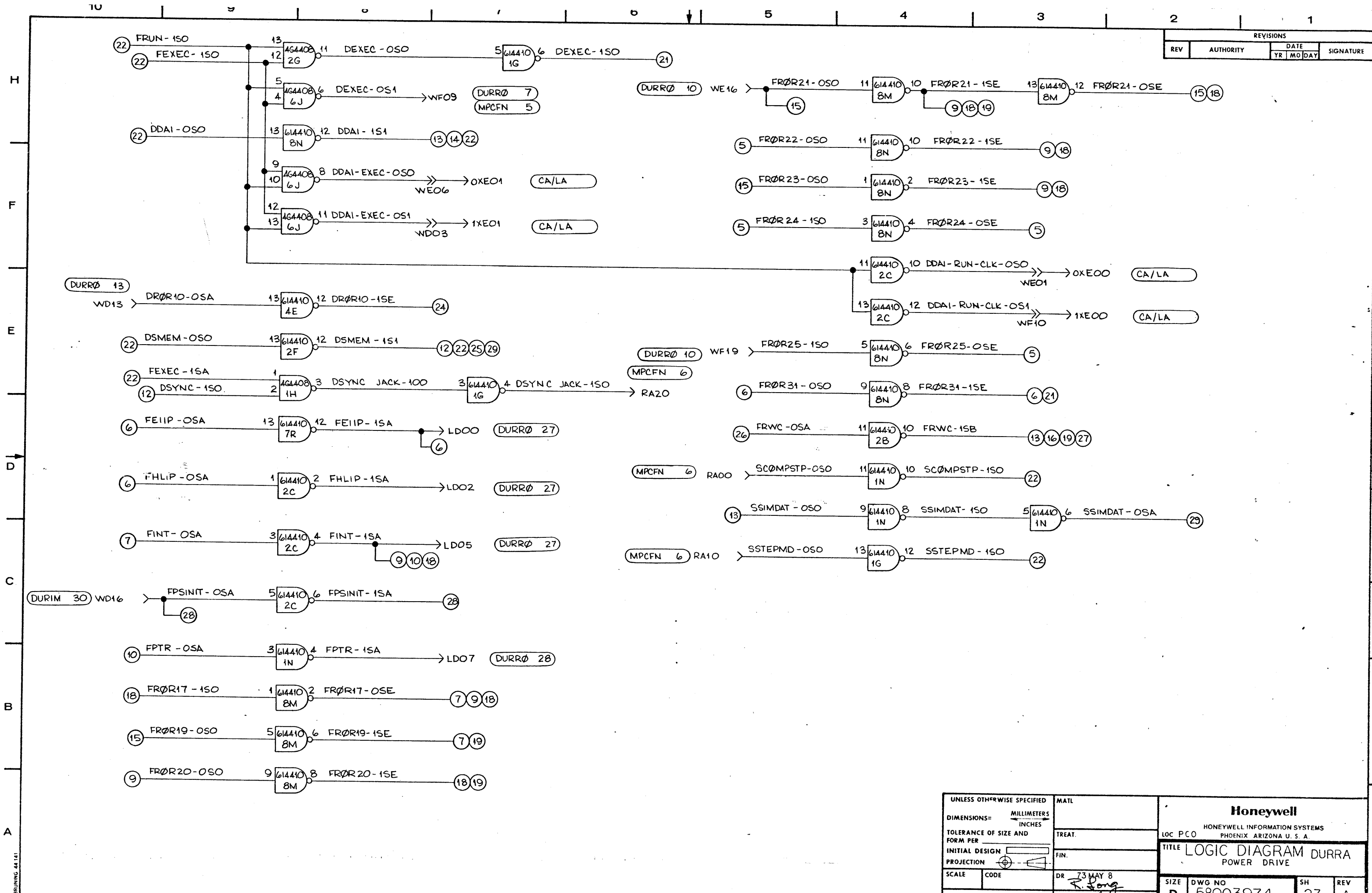


REVISIONS			
REV	AUTHORITY	DATE YR MO DAY	SIGNATURE

UNLESS OTHERWISE SPECIFIED		MATL	
DIMENSIONS = MILLIMETERS / INCHES		TREAT.	
TOLERANCE OF SIZE AND FORM PER INITIAL DESIGN		FIN.	
PROJECTION		DR 73 MAY 10	
SCALE	CODE	APPD <i>R. Johnson</i> 11/19/73	
DISTR		DISTR 068-26	
Honeywell			
HONEYWELL INFORMATION SYSTEMS LOC PCO PHOENIX, ARIZONA U. S. A.			
TITLE LOGIC DIAGRAM DURRA EXECUTION & CLOCK CONTROL			
SIZE	DWG NO	SH	REV
D	58003974	22	A



THE INFORMATION CONTAINED IN THIS DOCUMENT IS PROPRIETARY TO HONEYWELL INFORMATION SYSTEMS AND IS INTENDED FOR INTERNAL HONEYWELL USE ONLY. SUCH INFORMATION MAY BE DISTRIBUTED TO OTHERS ONLY BY WRITTEN PERMISSION OF AN AUTHORIZED HONEYWELL OFFICIAL. THIS RESTRICTION DOES NOT APPLY TO VENDOR PROPRIETARY PARTS THAT MAY BE DISCLOSED IN THIS DOCUMENT.



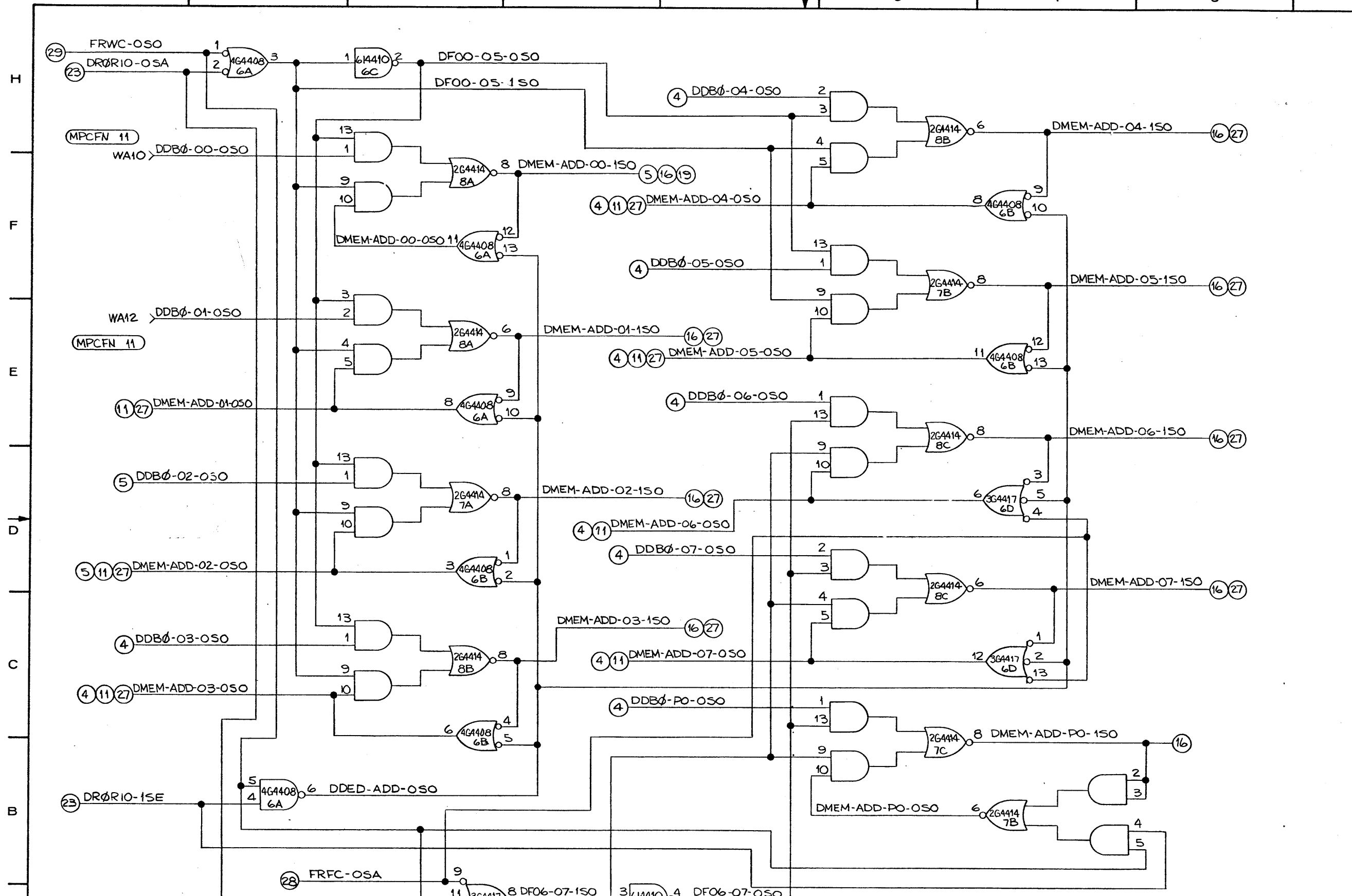
REVISIONS				
REV	AUTHORITY	DATE	SIGNATURE	
		YR MO DAY		

UNLESS OTHERWISE SPECIFIED		MATERIAL		Honeywell HONEYWELL INFORMATION SYSTEMS LOC PCO PHOENIX ARIZONA U. S. A.	
DIMENSIONS = $\frac{\text{MILLIMETERS}}{\text{INCHES}}$		TREAT.			
TOLERANCE OF SIZE AND FORM PER INITIAL DESIGN		FIN.		TITLE LOGIC DIAGRAM DURRA POWER DRIVE	
PROJECTION		DR 73 MAY 8		SIZE DWG NO SH REV	
SCALE CODE		APPD <i>R. Song</i>		D 58003974 23 A	
		DATE <i>11/19/73</i>			

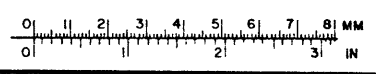
BRUNING 44 141

58003974

REVISIONS				
REV	AUTHORITY	DATE	SIGNATURE	
		YR MO DAY		

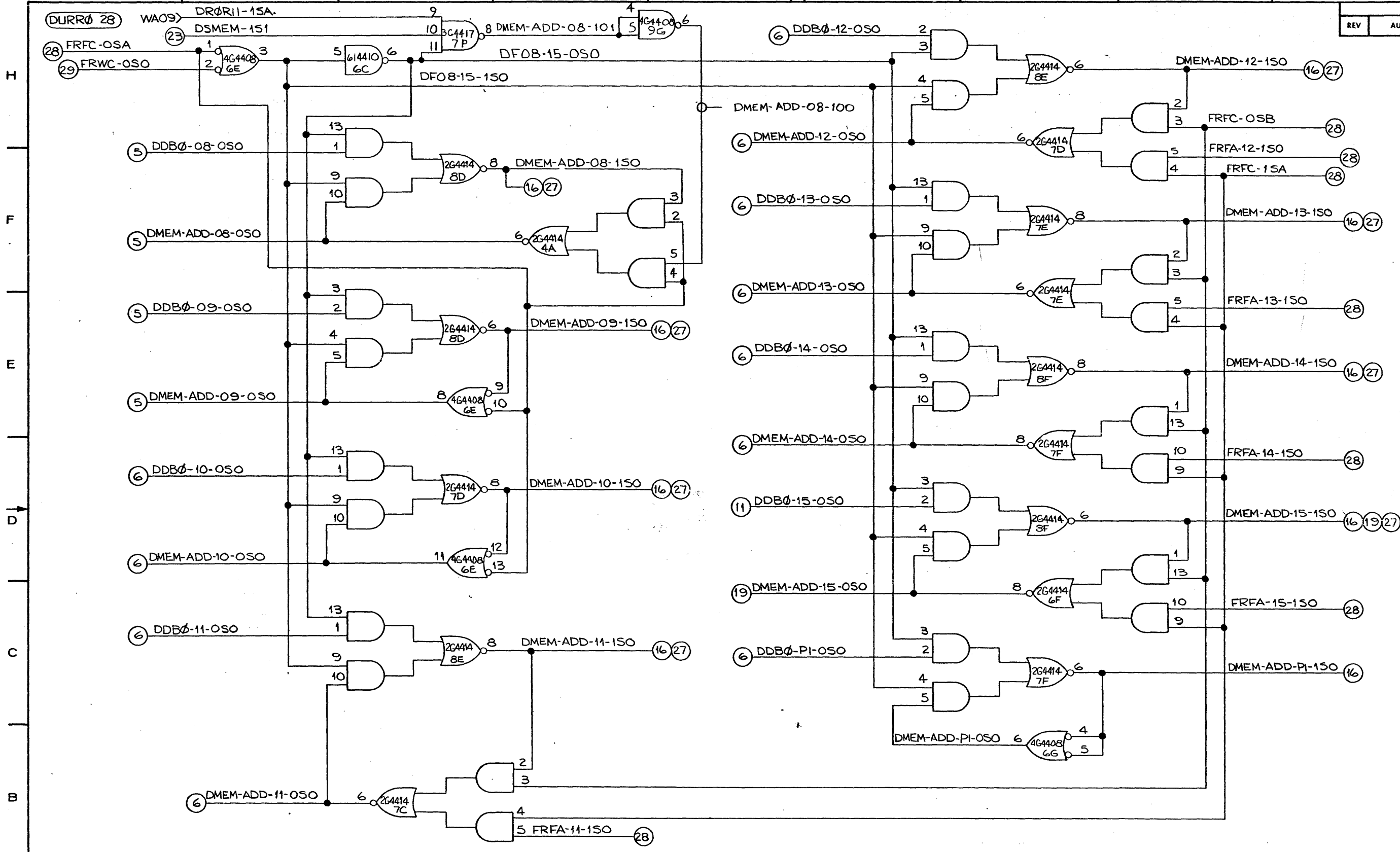


ALL INFORMATION CONTAINED IN THIS DOCUMENT IS PROPRIETARY TO HONEYWELL INFORMATION SYSTEMS AND IS INTENDED FOR INTERNAL HONEYWELL USE ONLY. SUCH INFORMATION MAY BE DISTRIBUTED TO OTHERS ONLY BY WRITTEN PERMISSION OF AN AUTHORIZED HONEYWELL OFFICIAL. THIS RESTRICTION DOES NOT APPLY TO HONEYWELL PROPRIETARY PARTS THAT MAY BE DISCLOSED IN THIS DOCUMENT.



UNLESS OTHERWISE SPECIFIED:		MATERIAL		Honeywell HONEYWELL INFORMATION SYSTEMS PHOENIX, ARIZONA U. S. A.			
DIMENSIONS - MILLIMETERS / INCHES		TREAT.					
TOLERANCE OF SIZE AND FORM PER		FIN.		TITLE LOGIC DIAGRAM DURRA			
INITIAL DESIGN		PROJECTION		R/W MOS MEMORY ADDRESS-MSB			
SCALE	CODE	DR 73-MAX-8		SIZE	DWG NO	SH	REV
		APPD R. Flynn 11/19/73		D	58003974	24	A
		DISTR C&S-20					

REVISIONS				
REV	AUTHORITY	DATE	SIGNATURE	
		YR MO DAY		



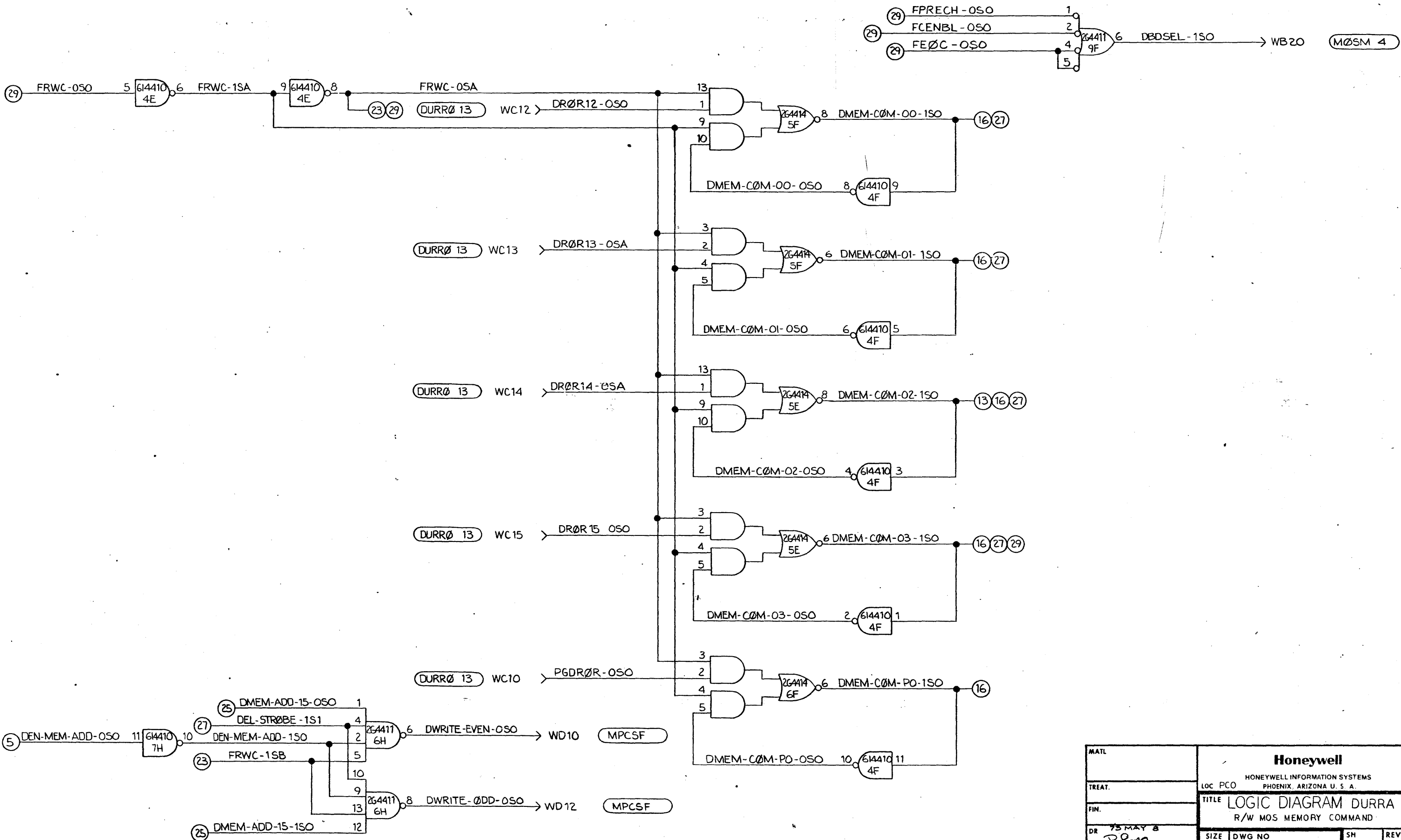
INFORMATION CONTAINED IN THIS DOCUMENT IS PROPRIETARY TO HONEYWELL INFORMATION SYSTEMS AND IS INTENDED FOR INTERNAL HONEYWELL USE ONLY. SUCH INFORMATION MAY BE DISTRIBUTED TO OTHERS ONLY BY WRITTEN PERMISSION OF AN AUTHORIZED HONEYWELL OFFICIAL. THIS RESTRICTION DOES NOT APPLY TO VENDOR PROPRIETARY PARTS THAT MAY BE DISCLOSED IN THIS DOCUMENT.

BRUNING 44 141

UNLESS OTHERWISE SPECIFIED		MATERIAL		Honeywell HONEYWELL INFORMATION SYSTEMS PHOENIX, ARIZONA U. S. A.	
DIMENSIONS = MILLIMETERS / INCHES		TREAT.			
TOLERANCE OF SIZE AND FORM PER INITIAL DESIGN		FIN.		TITLE LOGIC DIAGRAM DURRA R/W MOS MEMORY ADDRESS LSB	
PROJECTION		DR 73 MAY 9		SIZE	REV
SCALE	CODE	APPD <i>R. Long</i> APPD <i>R. Long</i> 11/19/73 DISTR 000-26		DWG NO	SH
				D	25
				58003974	A

58003974

REVISIONS				
REV	AUTHORITY	DATE		SIGNATURE
		YR	MO DAY	



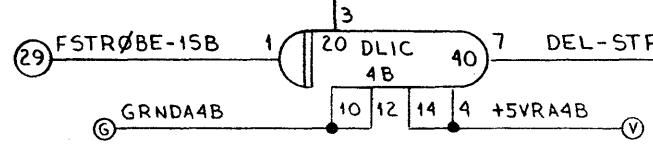
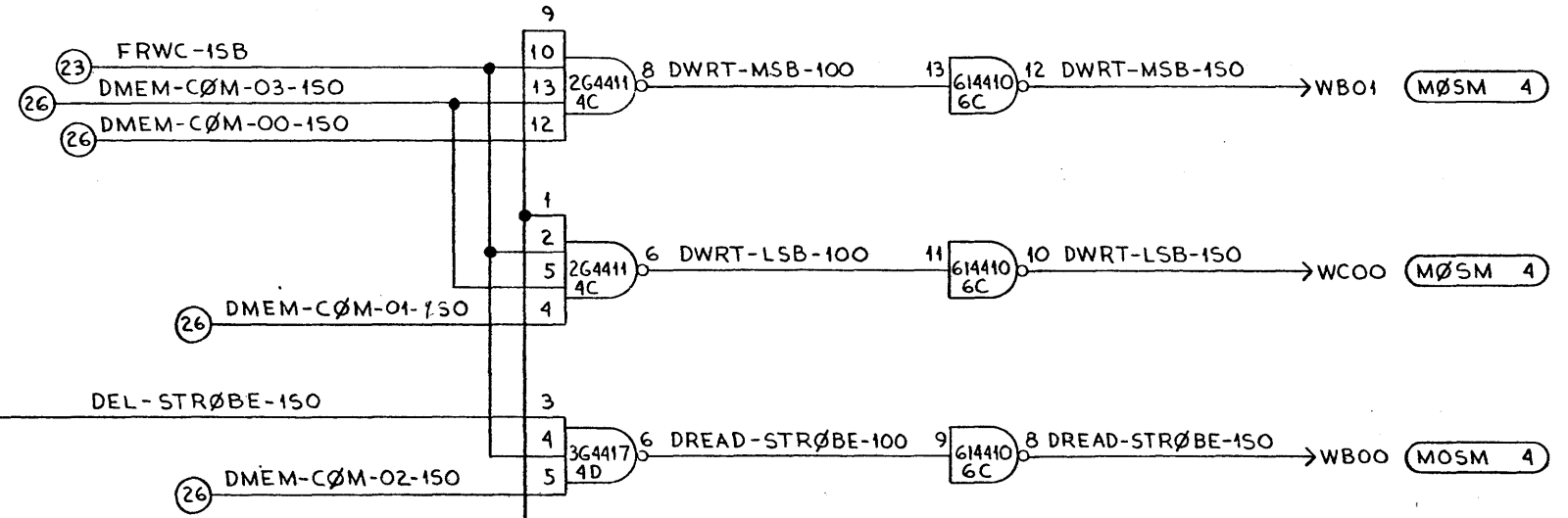
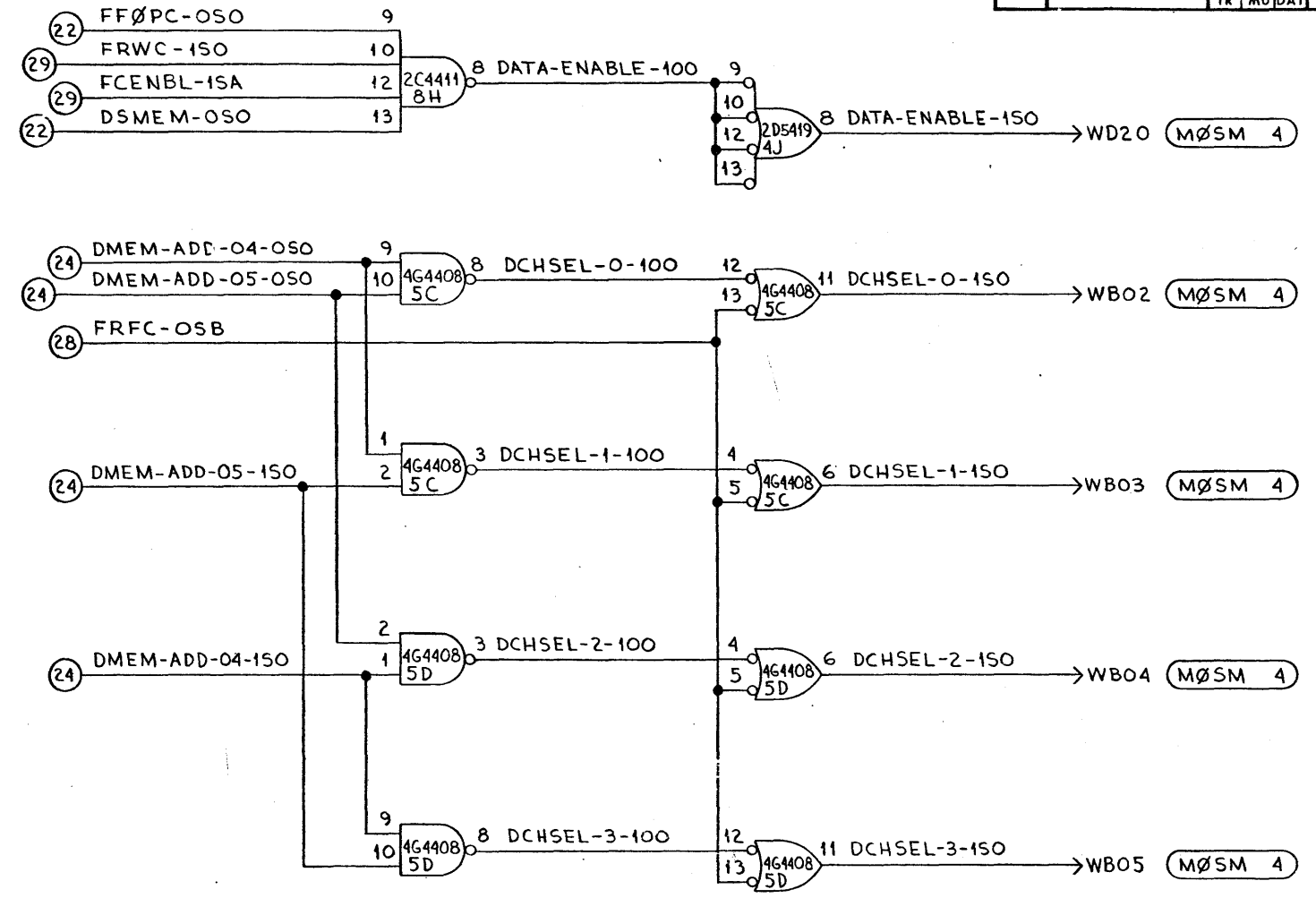
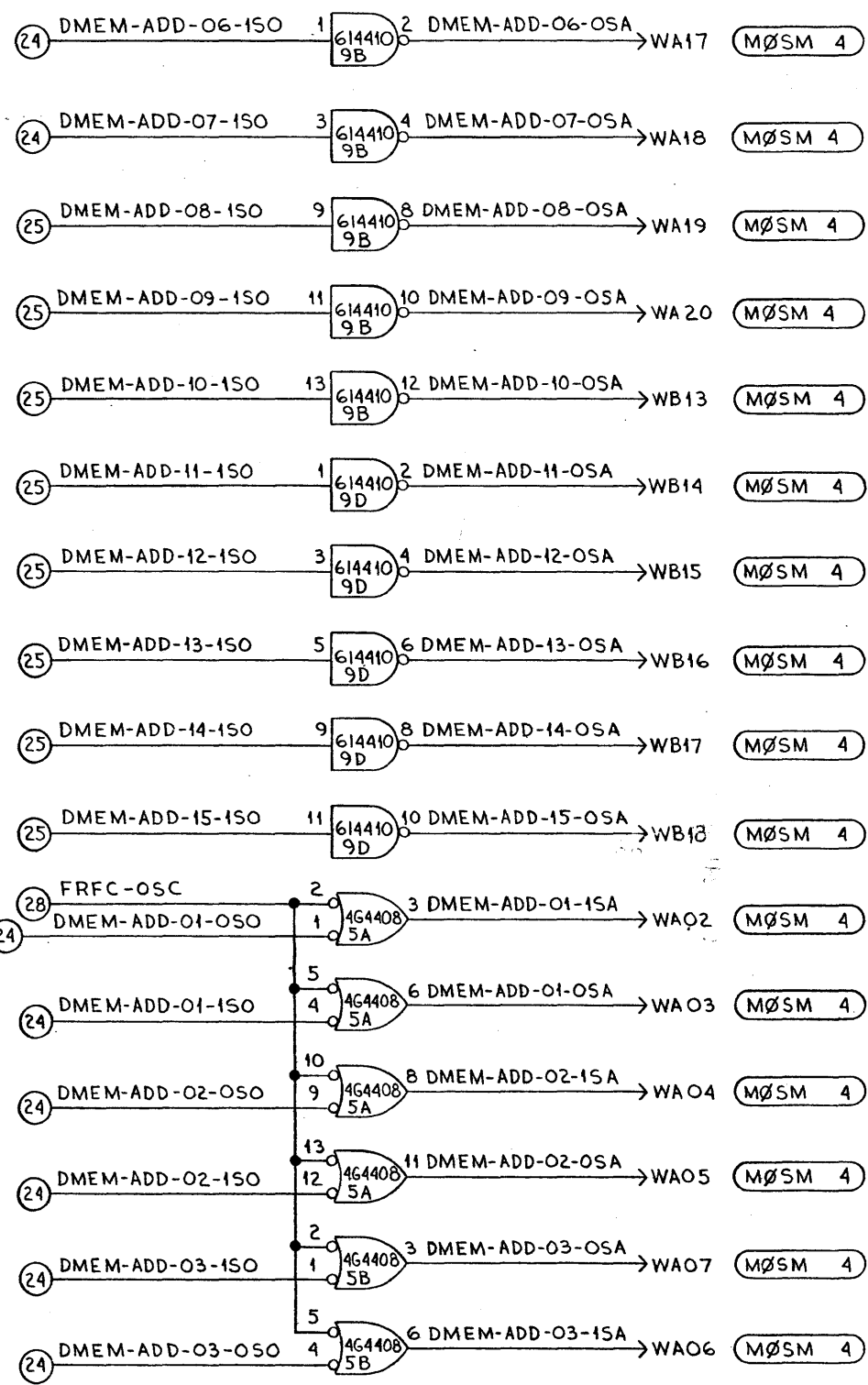
THE INFORMATION CONTAINED IN THIS DOCUMENT IS PROPRIETARY TO HONEYWELL INFORMATION SYSTEMS AND IS INTENDED FOR INTERNAL HONEYWELL USE ONLY. SUCH INFORMATION MAY BE DISTRIBUTED TO OTHERS ONLY BY WRITTEN PERMISSION OF AN AUTHORIZED HONEYWELL OFFICIAL. THIS RESTRICTION DOES NOT APPLY TO VENDOR PROPRIETARY PARTS THAT MAY BE INCLUDED IN THIS DOCUMENT.

MATERIAL		Honeywell			
TREATMENT		HONEYWELL INFORMATION SYSTEMS LOC. PCO PHOENIX, ARIZONA U. S. A.			
FINISH		TITLE LOGIC DIAGRAM DURRA R/W MOS MEMORY COMMAND			
DR	73 MAY 8 R Song	SIZE	DWG NO 58003974	SH	REV 26 A
APPD	R. Song 11/17/73	DISTR			

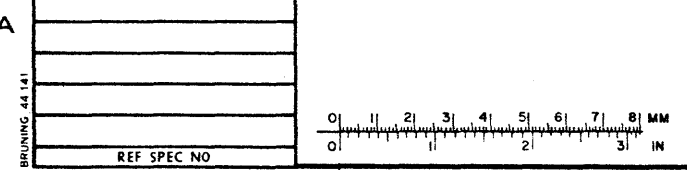
BRUNING 44 141

58003974

REVISIONS				
REV	AUTHORITY	DATE	SIGNATURE	
		YR MO DAY		



INFORMATION CONTAINED IN THIS DOCUMENT IS PROPRIETARY TO HONEYWELL INFORMATION SYSTEMS AND IS INTENDED FOR INTERNAL HONEYWELL USE ONLY. SUCH INFORMATION MAY BE DISTRIBUTED TO OTHERS ONLY BY WRITTEN PERMISSION OF AN AUTHORIZED HONEYWELL OFFICIAL. THIS RESTRICTION DOES NOT APPLY TO VENDOR PROPRIETARY PARTS THAT MAY BE DISCLOSED IN THIS DOCUMENT.

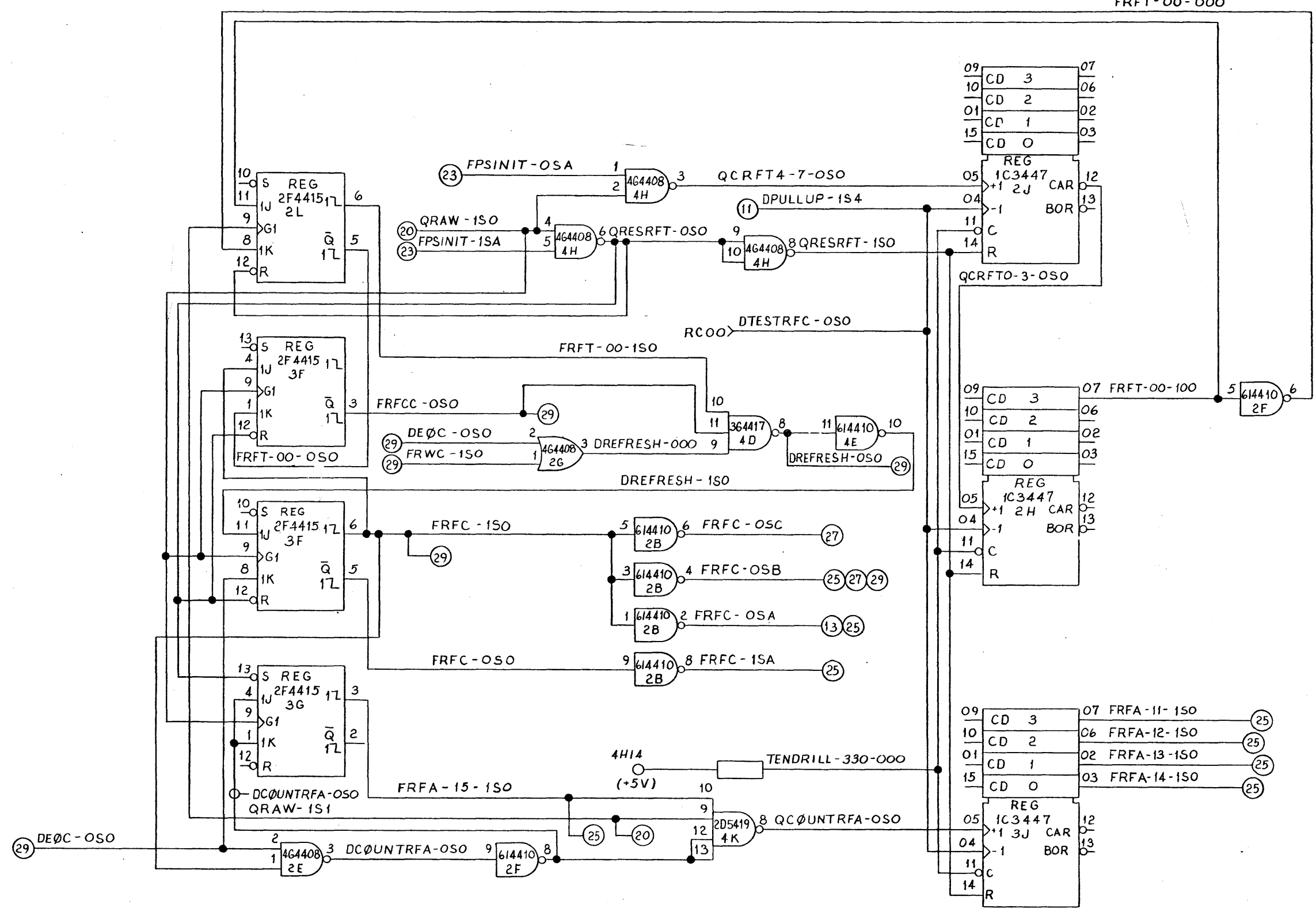


UNLESS OTHERWISE SPECIFIED		MATERIAL	
DIMENSIONS = MILLIMETERS / INCHES		TREAT.	
TOLERANCE OF SIZE AND FORM PER INITIAL DESIGN		FIN.	
PROJECTION		DR 73 MAY 11	
SCALE		APPD <i>a. Halbrecht</i>	
CODE		DISTR	

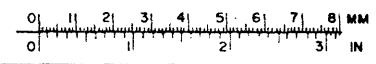
Honeywell			
HONEYWELL INFORMATION SYSTEMS PHOENIX, ARIZONA U. S. A.			
LOC PCO		TITLE LOGIC DIAGRAM DURRA	
R/W MOS MEM SELECTION & STROBE		SIZE	REV
DWG NO		SH	REV
D 58003974		27	A

REVISIONS				
REV	AUTHORITY	DATE	SIGNATURE	
		YR MO DAY		

FRFT-00-000



THIS INFORMATION IS PROPRIETARY TO HONEYWELL INFORMATION SYSTEMS AND IS INTENDED FOR INTERNAL HONEYWELL USE ONLY. SUCH INFORMATION MAY BE DISTRIBUTED TO OTHERS ONLY BY WRITTEN PERMISSION OF AN AUTHORIZED HONEYWELL OFFICIAL. THIS RESTRICTION DOES NOT APPLY TO VENDOR PROPRIETARY PARTS THAT MAY BE DISCLOSED IN THIS DOCUMENT.



UNLESS OTHERWISE SPECIFIED	
DIMENSIONS=	MILLIMETERS
	INCHES
TOLERANCE OF SIZE AND FORM PER	
INITIAL DESIGN	
PROJECTION	
SCALE	CODE

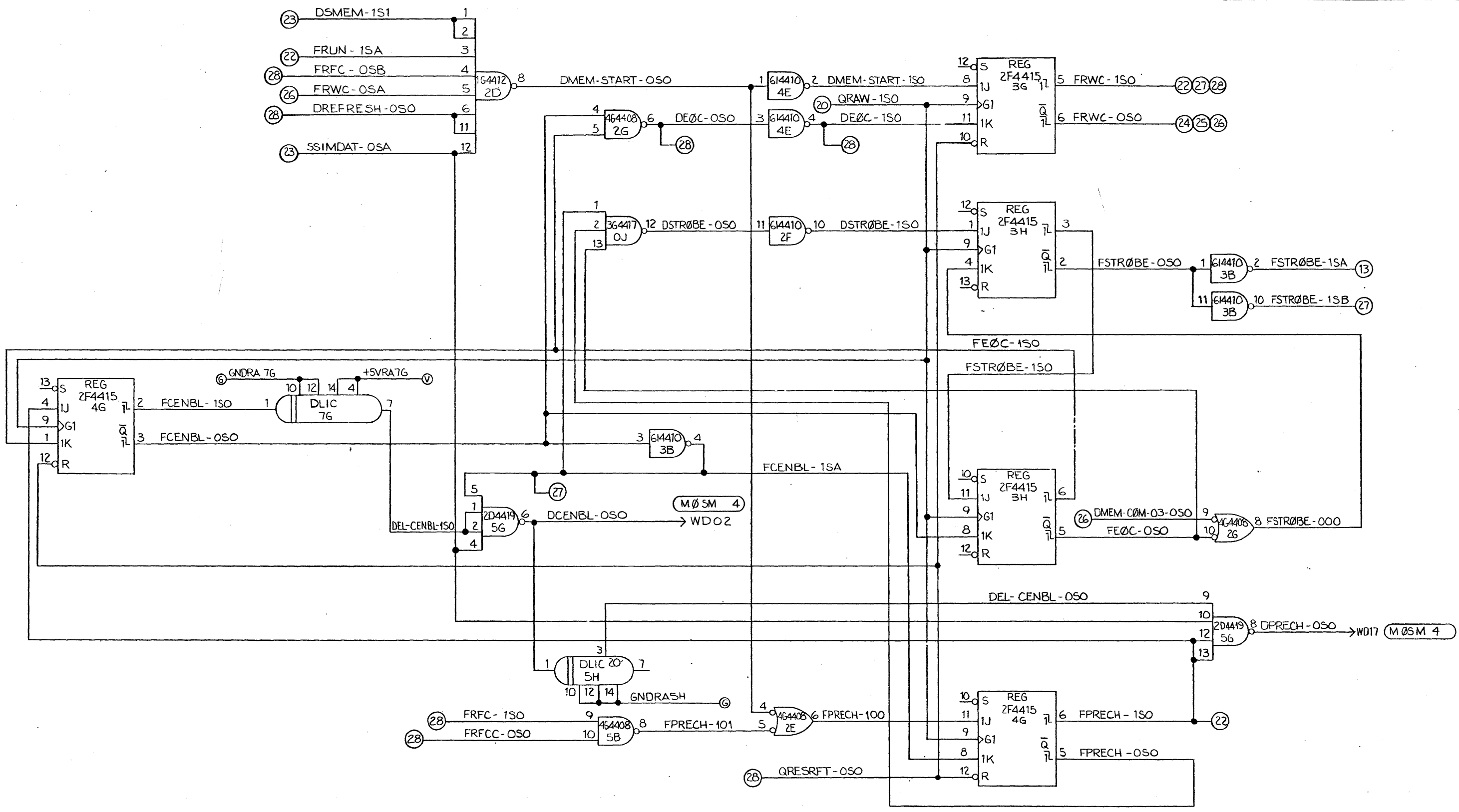
MATL
TREAT.
FIN.
DR 73 - MAY - 10
APPD
DISTR

Honeywell			
HONEYWELL INFORMATION SYSTEMS			
LOC PCO PHOENIX, ARIZONA U. S. A.			
TITLE LOGIC DIAGRAM DURRA			
R/W MOS MEM REFRESH ADDR & TIMING			
SIZE	DWG NO	SH	REV
D	58003974	28	C

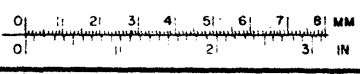
58003974

REVISIONS				
REV	AUTHORITY	DATE	SIGNATURE	
		YR MO DAY		

H
 F
 E
 D
 C
 B
 A



INFORMATION CONTAINED IN THIS DOCUMENT IS PROPRIETARY TO HONEYWELL INFORMATION SYSTEMS AND IS INTENDED FOR INTERNAL HONEYWELL USE ONLY. SUCH INFORMATION MAY BE DISTRIBUTED TO OTHERS ONLY BY WRITTEN PERMISSION OF AN AUTHORIZED HONEYWELL OFFICIAL. THIS RESTRICTION DOES NOT APPLY TO VENDOR PROPRIETARY PARTS THAT MAY BE DISCLOSED IN THIS DOCUMENT.



UNLESS OTHERWISE SPECIFIED DIMENSIONS = $\frac{\text{MILLIMETERS}}{\text{INCHES}}$ TOLERANCE OF SIZE AND FORM PER INITIAL DESIGN PROJECTION SCALE CODE	MATL TREAT. FIN.	Honeywell HONEYWELL INFORMATION SYSTEMS LOC PCO PHOENIX, ARIZONA U. S. A.
	DR 73 MAY 9 <i>R Long</i>	TITLE LOGIC DIAGRAM DURRA R/W MOS MEM. CYCLE TIMING & CONTROL
	APP'D <i>R. Dym</i> 11/19/73	SIZE DWG NO SH REV D 58003974 29F C
	DISR	DISR

THE INFORMATION CONTAINED IN THIS DOCUMENT PROPRIETARY TO HONEYWELL INFORMATION SYSTEMS, INC. AND IS INTENDED FOR INTERNAL HONEYWELL USE ONLY. SUCH INFORMATION MAY BE DISTRIBUTED TO OTHERS BY WRITTEN PERMISSION OF AN AUTHORIZED HONEYWELL OFFICIAL. THIS RESTRICTION DOES NOT APPLY TO VENDOR PROPRIETARY THAT MAY BE DISCLOSED IN THIS DOCUMENT.

58003984

REV	AUTHORITY	DATE			SIGNATURE	DRAWING SHEET NUMBER																										
		YR	MO	DAY		1	2	3	4	5	6	7	8	9	10	11	12	13	14	15	16	17	18	19								
A	ISSUED	73	11	30	Justice Morgan	[REDACTED]			A	A	A	A	A	A	A	A	A	A	A	A	A	A	A	A								
RENUMBERED SHEET COL'S.						1	2	3	31	32	4	5	6	7	8	9	10	11	12	13	14	15	16	17	18							
A1	PHAØBA011	74	Sep	30	L. Mills	[REDACTED]			A																							
B	PHAØBB051	73	08	24	Nancy Behre												B									B	B					

**BLANK SHEETS
NOT
INCLUDED**

FOR CONTINUATION OF REVISION STATUS SEE SHEET

Honeywell <small>HONEYWELL INFORMATION SYSTEMS LOC PCO PHOENIX, ARIZONA</small>	MADE BY Justice Morgan MAY 16 73	TITLE LOGIC DIAGRAM			
	APPROVED R. Lynn 11/19/73	DURØ			
REVISION STATUS FOR EACH PAGE, SHEET OR GROUP IS SHOWN BY LAST ENTRY IN THE CORRESPONDING NUMBERED COLUMN		SIZE D	REVISION STATUS FOR 58003984	SHEET 1/2	REV B

CE 300 A-3 (12-71) BRUNING 44-141 *Justice Morgan* C 68-26 NCO, Tos

THE INFORMATION CONTAINED IN THIS DOCUMENT PROPRIETARY TO HONEYWELL INFORMATION SYSTEMS, INC. AND IS INTENDED FOR INTERNAL HONEYWELL USE ONLY. SUCH INFORMATION MAY BE DISTRIBUTED TO OTHERS BY WRITTEN PERMISSION OF AN AUTHORIZED HONEYWELL OFFICIAL. THIS RESTRICTION DOES NOT APPLY TO VENDOR PROPRIETARY THAT MAY BE DISCLOSED IN THIS DOCUMENT.

58003984

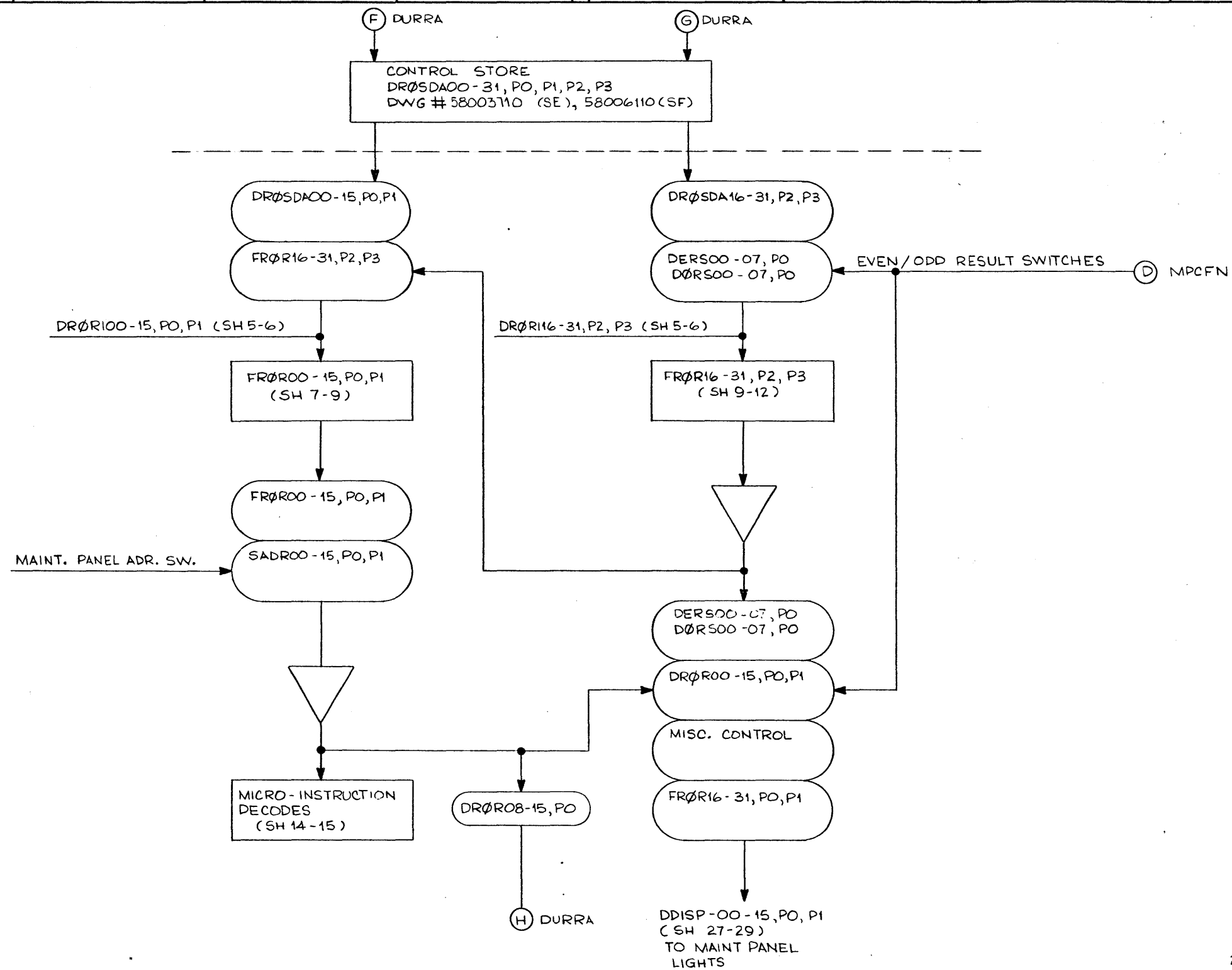
REV	AUTHORITY	DATE			SIGNATURE	DRAWING SHEET NUMBER																		
		YR	MO	DAY		20	21	22	23	24	25	26	27	28	29									
A	ISSUED	73	11	30	Justice Morgan	A	A	A	A	A	A	A	A	A	A	A	A							
RENUMBERED SHEET COL'S.						19	20	21	22	23	24	25	26	27	28	29								
A1	PHAØBA011	74	Sep	30	L. Mills																			
B	PHAØBB051	76	08	24	J. Behre																			

FOR CONTINUATION OF REVISION STATUS SEE SHEET

Honeywell <small>HONEYWELL INFORMATION SYSTEMS LOC PCO PHOENIX, ARIZONA</small>	MADE BY Justice Morgan MAY 16 73	TITLE LOGIC DIAGRAM			
	APPROVED R. Lynn 11/19/73	DURØ			
REVISION STATUS FOR EACH PAGE, SHEET OR GROUP IS SHOWN BY LAST ENTRY IN THE CORRESPONDING NUMBERED COLUMN		SIZE D	REVISION STATUS FOR 58003984	SHEET 2F	REV B

CE 300 A-3 (12-71) BRUNING 44-141

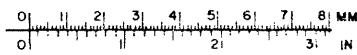
REVISIONS				
REV	AUTHORITY	DATE		SIGNATURE
		YR	MO DAY	



2- FOR INTERPRETATION OF LOGIC SYMBOLY SEE 43A231781.
NOTE: 1.- SHEETS 1,2 & 3 ARE A SIZE.

FOR DOCUMENT STATUS SEE REVISION STATUS SHEET

UNLESS OTHERWISE SPECIFIED		MATERIAL		Honeywell HONEYWELL INFORMATION SYSTEMS PHOENIX, ARIZONA U. S. A.	
DIMENSIONS = $\frac{\text{MILLIMETERS}}{\text{INCHES}}$		TREAT.			
TOLERANCE OF SIZE AND FORM PER		FIN.		TITLE LOGIC DIAGRAM DURRØ BLOCK DIAGRAM - BD 3	
INITIAL DESIGN		DR <i>J. Rice</i> 25 May 62		SIZE	REV
PROJECTION		APPD <i>R. Lynn</i> 11/19/62		DWG NO	3.1
SCALE	CODE	DISTR C68-26 NCO SDF ITO S		58003984	A



REF SPEC NO

INFORMATION CONTAINED IN THIS DOCUMENT IS PROPRIETARY TO HONEYWELL INFORMATION SYSTEMS AND IS INTENDED FOR INTERNAL HONEYWELL USE ONLY. SUCH INFORMATION MAY BE DISTRIBUTED TO OTHERS ONLY BY WRITTEN PERMISSION OF AN AUTHORIZED HONEYWELL OFFICIAL. THIS RESTRICTION DOES NOT APPLY TO VENDOR PROPRIETARY PARTS THAT MAY BE DISCLOSED IN THIS DOCUMENT.

H
F
E
D
C
B
A

10

9

8

7

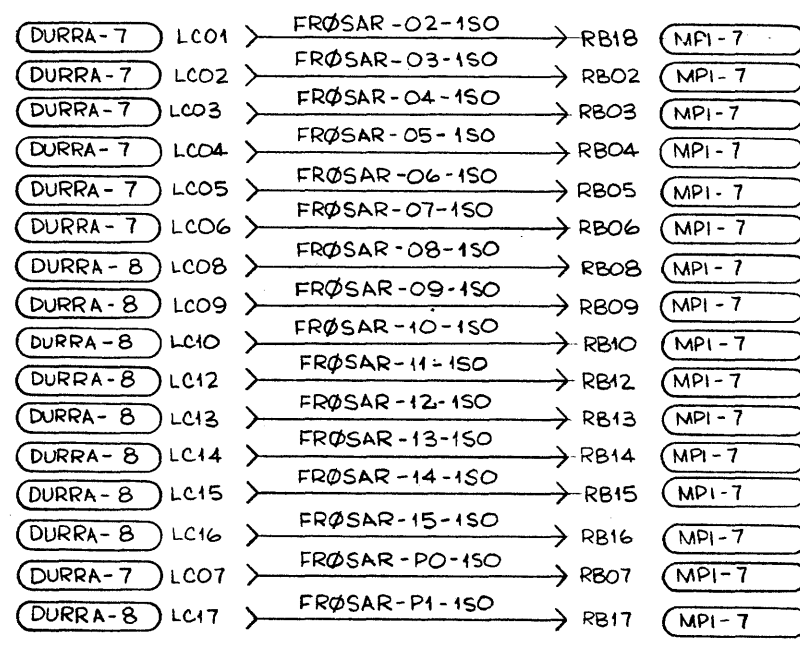
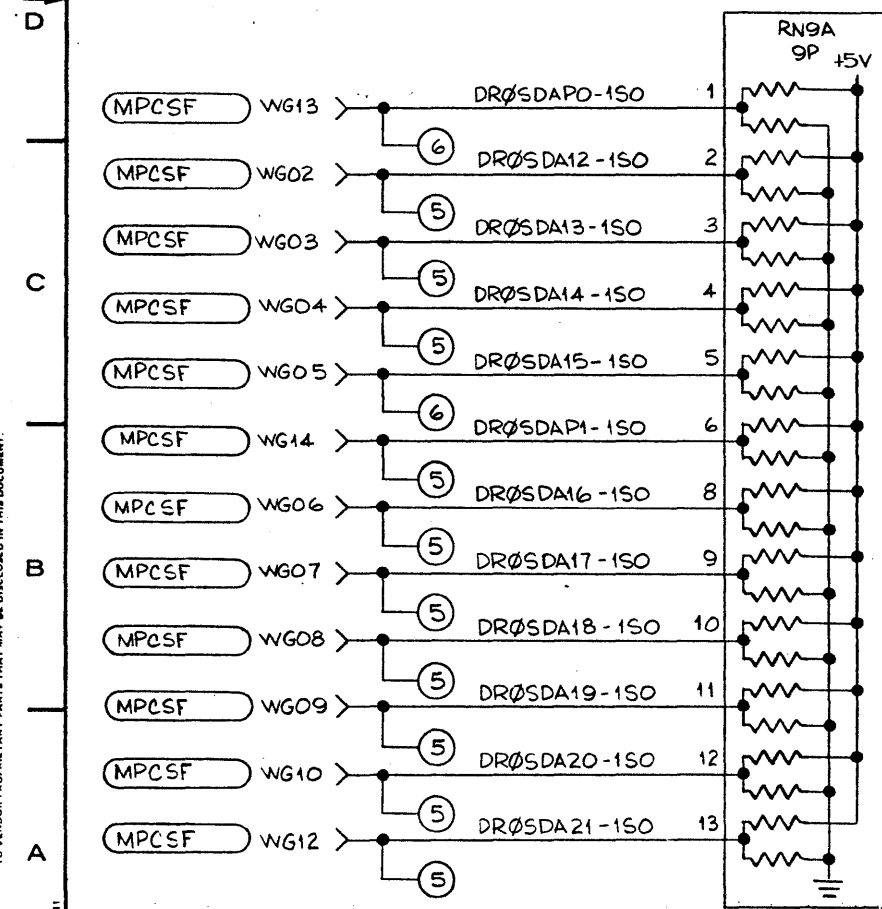
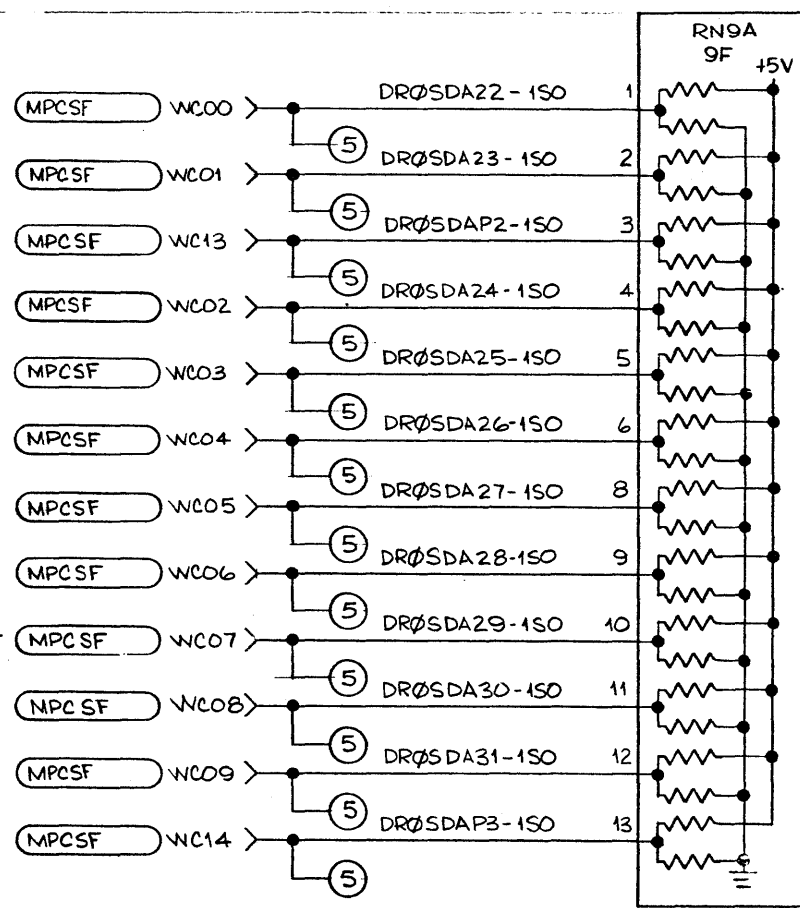
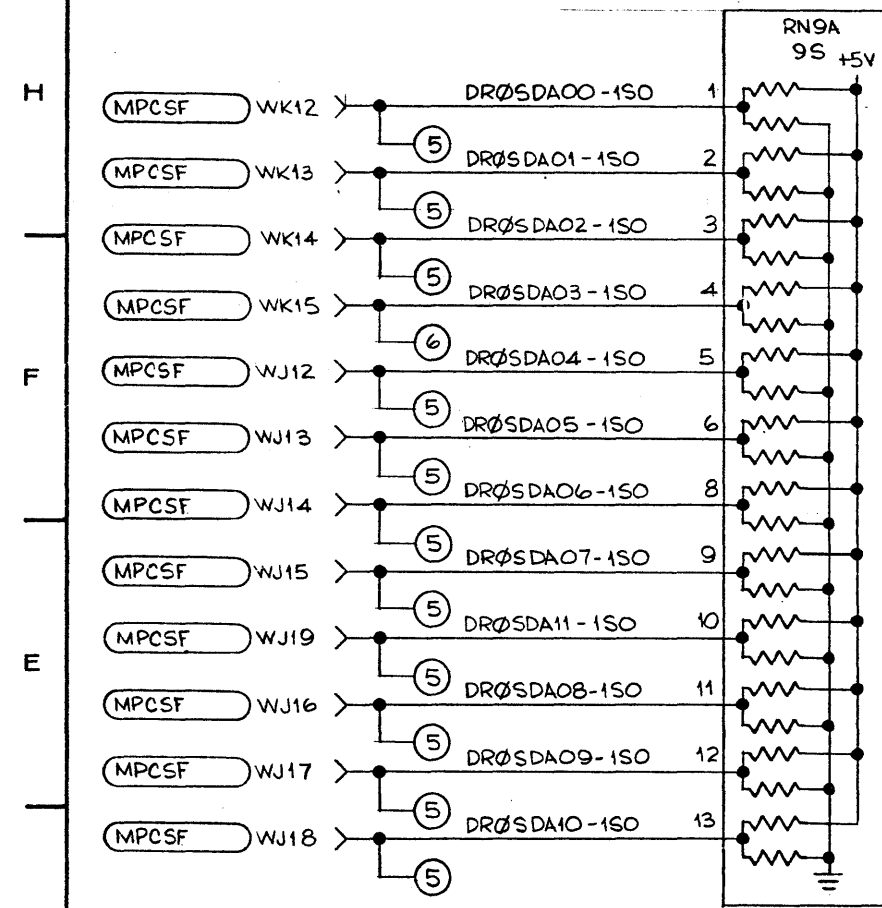
6

5

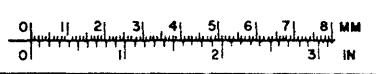
4

1

REVISIONS				
REV	AUTHORITY	DATE	SIGNATURE	
		YR MO DAY		



INFORMATION CONTAINED IN THIS DOCUMENT IS PROPRIETARY TO HONEYWELL INFORMATION SYSTEMS AND IS INTENDED FOR INTERNAL HONEYWELL USE ONLY. SUCH INFORMATION MAY BE DISTRIBUTED TO OTHERS ONLY BY WRITTEN PERMISSION OF AN AUTHORIZED HONEYWELL OFFICIAL. THIS RESTRICTION DOES NOT APPLY TO VENDOR PROPRIETARY PARTS THAT MAY BE DISCLOSED IN THIS DOCUMENT.



UNLESS OTHERWISE SPECIFIED		MATERIAL		Honeywell HONEYWELL INFORMATION SYSTEMS PHOENIX, ARIZONA U. S. A.	
DIMENSIONS = MILLIMETERS / INCHES		TREAT.			
TOLERANCE OF SIZE AND FORM PER		FIN.		LOC PCO TITLE LOGIC DIAGRAM DURRØ CONTROL STORE OUTPUT RESISTOR PULLUP NETWORK	
INITIAL DESIGN		SCALE		SIZE D DWG NO 58003984 SH 4 REV A	
PROJECTION		CODE		APPD <i>R. T. Ryan 11/19/73</i> DISTR <i>CR-25 NCA SDFV LTR</i>	

DRAWING 44 141
 CE 300 C 12-72

REF SPEC NO

10

9

8

7

6

5

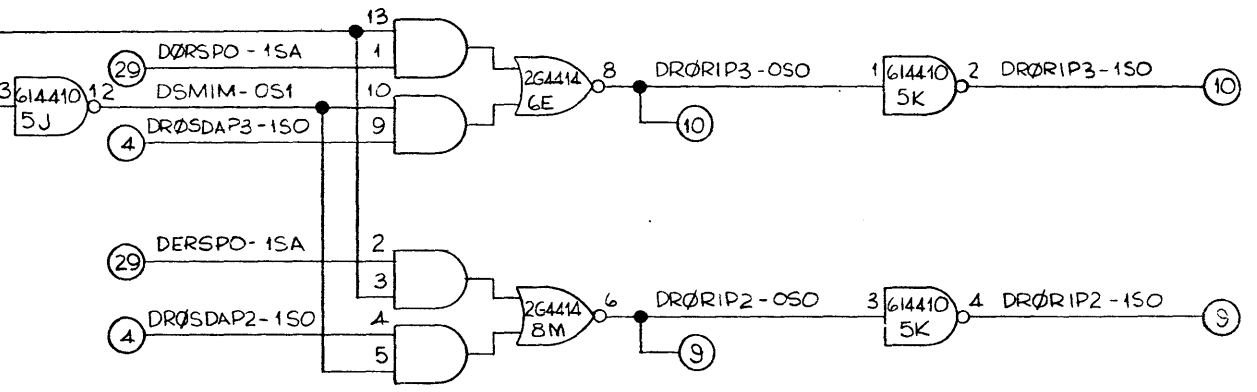
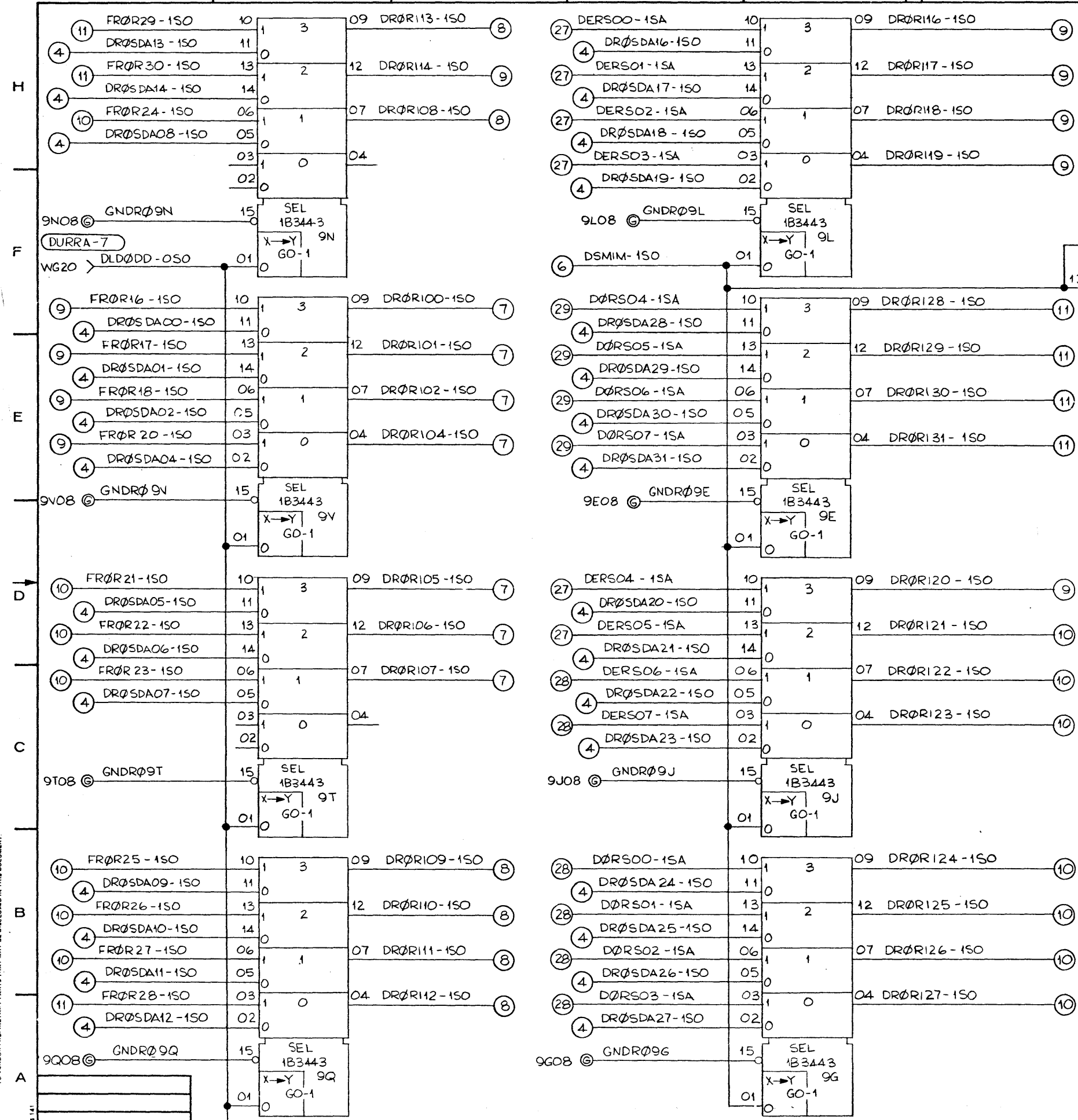
4

3

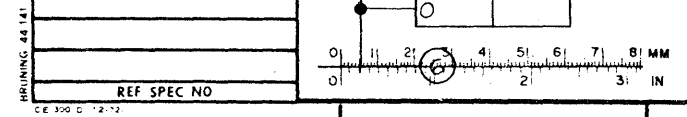
2

1

REVISIONS				
REV	AUTHORITY	DATE		SIGNATURE
		YR	MO DAY	

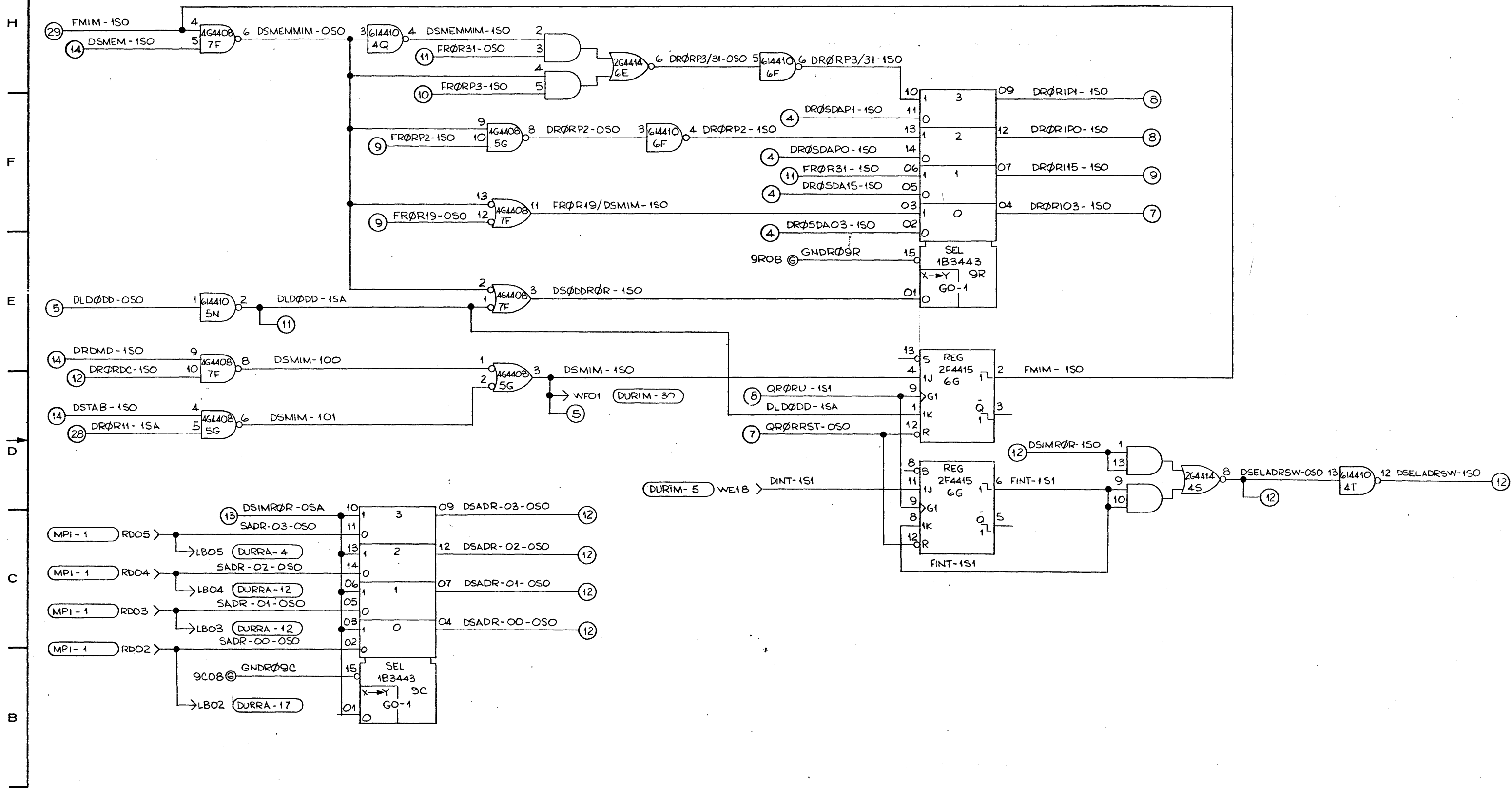


INFORMATION CONTAINED IN THIS DOCUMENT IS PROPRIETARY TO HONEYWELL INFORMATION SYSTEMS AND IS INTENDED FOR INTERNAL HONEYWELL USE ONLY. SUCH INFORMATION MAY BE DISTRIBUTED TO OTHERS ONLY BY WRITTEN PERMISSION OF AN AUTHORIZED HONEYWELL OFFICIAL. THIS RESTRICTION DOES NOT APPLY TO VENDOR PROPRIETARY PARTS THAT MAY BE DISCLOSED IN THIS DOCUMENT.

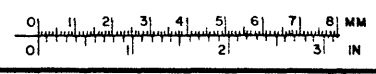


UNLESS OTHERWISE SPECIFIED		MATERIAL		Honeywell HONEYWELL INFORMATION SYSTEMS PHOENIX, ARIZONA U. S. A.			
DIMENSIONS =		MILLIMETERS					
TOLERANCE OF SIZE AND FORM PER		INCHES		TREAT.		LOC PCO	
INITIAL DESIGN		FIN.		TITLE LOGIC DIAGRAM DURRØ			
PROJECTION		FIN.		FRØR - INPUT - SWITCH			
SCALE	CODE	DR 73 may 3		SIZE	DWG NO	SH	REV
		G. Kild MAR		D	58003984	5	B
		APPD R. Thoma 11/19/73		DISTR C68-26 NCG 1, 1 TOS			

REVISIONS				
REV	AUTHORITY	DATE	SIGNATURE	
		YR	MO	DAY

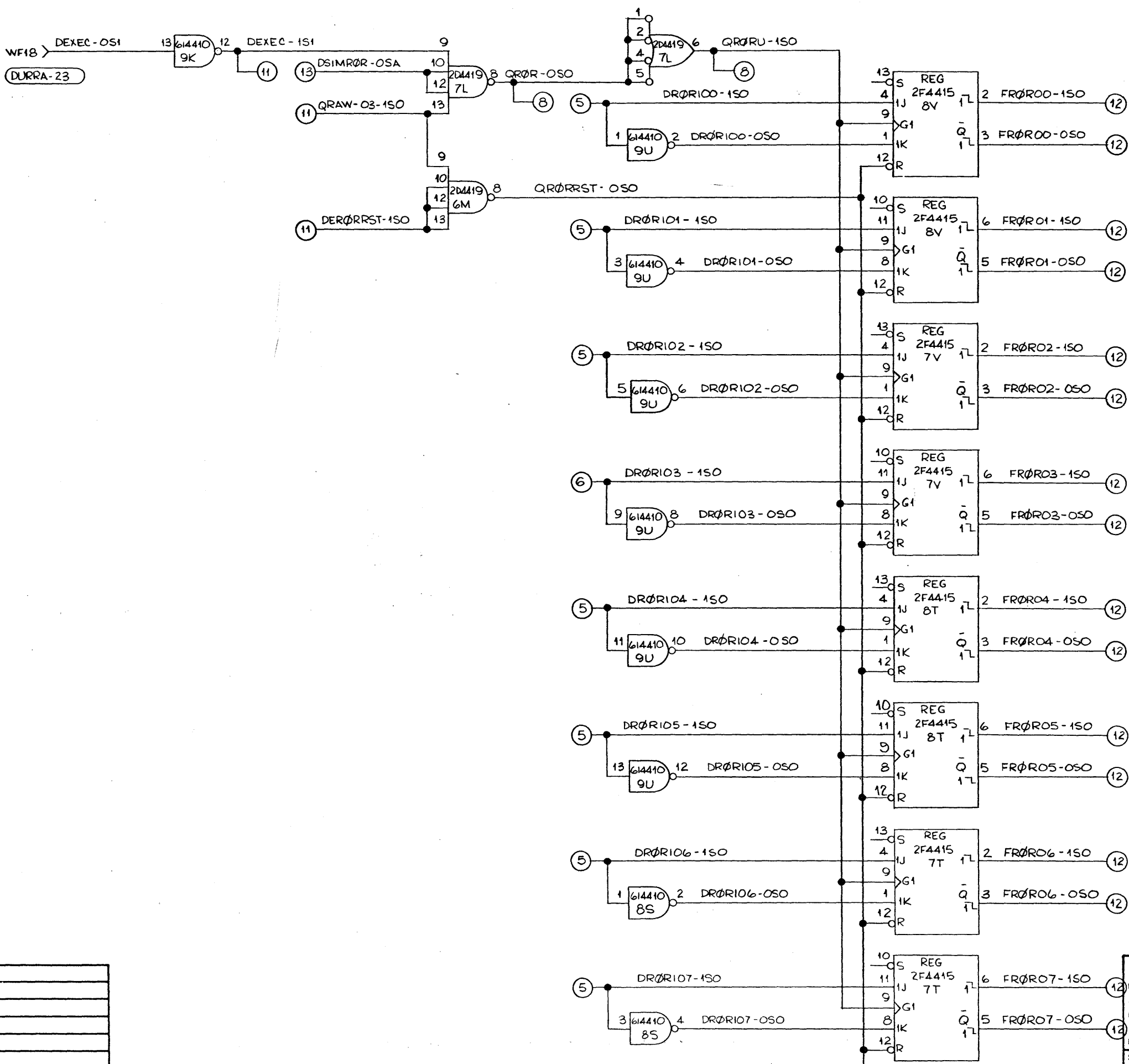


INFORMATION CONTAINED IN THIS DOCUMENT IS PROPRIETARY TO HONEYWELL INFORMATION SYSTEMS AND IS INTENDED FOR INTERNAL HONEYWELL USE ONLY. SUCH INFORMATION MAY BE DISTRIBUTED TO OTHERS ONLY BY WRITTEN PERMISSION OF AN AUTHORIZED HONEYWELL OFFICIAL. THIS RESTRICTION DOES NOT APPLY TO VENDOR PROPRIETARY PARTS THAT MAY BE DISCLOSED IN THIS DOCUMENT.

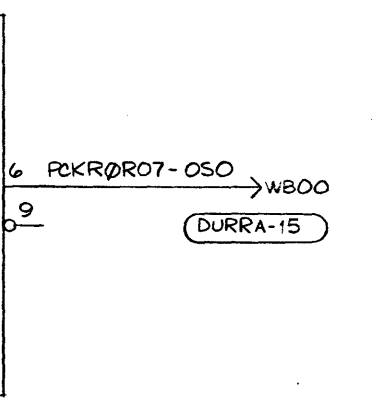


UNLESS OTHERWISE SPECIFIED		MATERIAL		Honeywell HONEYWELL INFORMATION SYSTEMS PHOENIX, ARIZONA U. S. A.			
DIMENSIONS=		TREAT.					
MILLIMETERS		FIN.		LOC PCO TITLE LOGIC DIAGRAM DURRØ FRØR INPUT SWITCH IN MEM. CONTROL			
INCHES		SCALE		DWG NO		SH	
TOLERANCE OF SIZE AND FORM PER		CODE		868-26		6	
INITIAL DESIGN		DR		73 may 4		REV	
PROJECTION		APPD		R. Flynn 11/17/73		A	
SCALE		DISTR		58003984			

REVISIONS			
REV	AUTHORITY	DATE	SIGNATURE
		YR MO DAY	

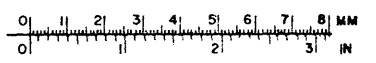


REV	DESCRIPTION	DATE
7	FRØR07-ISO	13
7	FRØR06-ISO	12
7	FRØR05-ISO	11
7	FRØR04-ISO	10
7	FRØR03-ISO	4
7	FRØR02-ISO	3
7	FRØR01-ISO	2
7	FRØR00-ISO	1
8	FRØR00-OSO	5
6D07	GNDØ6D	8



THE INFORMATION CONTAINED IN THIS DOCUMENT IS PROPRIETARY TO HONEYWELL INFORMATION SYSTEMS AND IS INTENDED FOR INTERNAL HONEYWELL USE ONLY. SUCH INFORMATION MAY BE DISTRIBUTED TO OTHERS ONLY BY WRITTEN PERMISSION OF AN AUTHORIZED HONEYWELL OFFICIAL. THIS RESTRICTION DOES NOT APPLY TO VENDOR PROPRIETARY PARTS THAT MAY BE DISCLOSED IN THIS DOCUMENT.

REV	DESCRIPTION	DATE



UNLESS OTHERWISE SPECIFIED		MATERIAL	
DIMENSIONS = MILLIMETERS		TREAT.	
TOLERANCE OF SIZE AND FORM PER INITIAL DESIGN		FIN.	
PROJECTION		DR 73 May 4	
SCALE	CODE	APPD R. J. M. 11/19/73	
HONEYWELL		HONEYWELL INFORMATION SYSTEMS PHOENIX, ARIZONA U. S. A.	
LOC PCO		TITLE LOGIC DIAGRAM DURRØ CONTROL STORE OUTPUT REG. FRØR 00-07	
SIZE	DWG NO	SH	REV
D	58003984	7	A

REVISIONS				
REV	AUTHORITY	DATE		SIGNATURE
		YR	MO DAY	

I

F

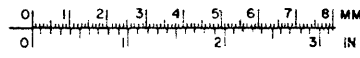
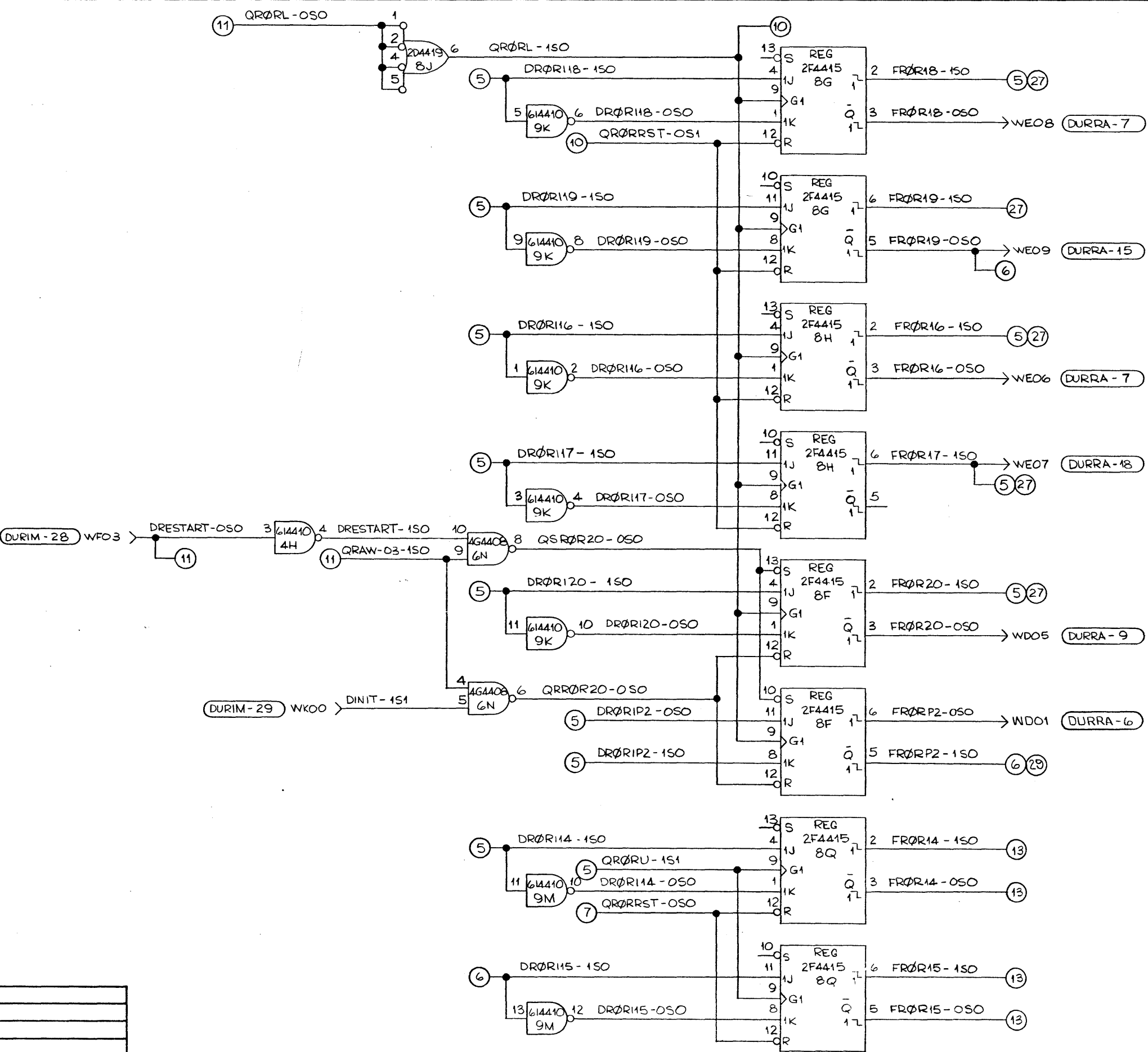
E

D

C

B

A



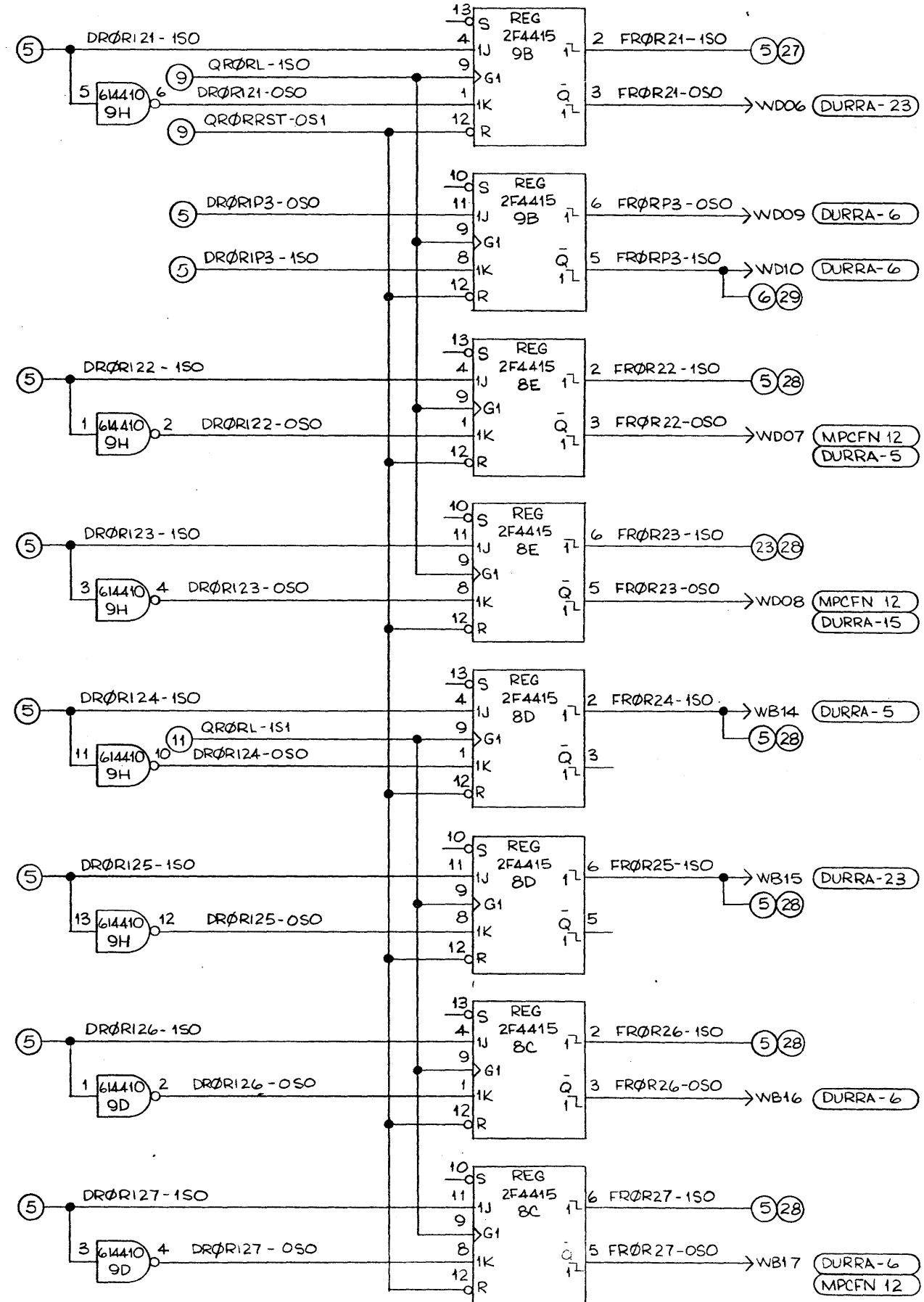
THE INFORMATION CONTAINED IN THIS DOCUMENT IS PROPRIETARY TO HONEYWELL INFORMATION SYSTEMS AND IS INTENDED FOR INTERNAL HONEYWELL USE ONLY. SUCH INFORMATION MAY BE DISTRIBUTED TO OTHERS ONLY BY WRITTEN PERMISSION OF AN AUTHORIZED HONEYWELL OFFICIAL. THIS RESTRICTION DOES NOT APPLY TO VENDOR PROPRIETARY PARTS THAT MAY BE DISCLOSED IN THIS DOCUMENT.

REF SPEC NO

UNLESS OTHERWISE SPECIFIED		MATH	
DIMENSIONS=	MILLIMETERS	TREAT.	
TOLERANCE OF SIZE AND	INCHES	FIN.	
FORM PER		SCALE CODE	
INITIAL DESIGN		DWG NO	
PROJECTION		SH	
SCALE CODE		REV	
SCALE CODE		DATE	
SCALE CODE		SIGNATURE	
SCALE CODE		DATE	
SCALE CODE		SIGNATURE	

Honeywell
 HONEYWELL INFORMATION SYSTEMS
 PHOENIX, ARIZONA U. S. A.
 TITLE LOGIC DIAGRAM DURRØ
 CONTROL STORE OUTPUT
 REG. FRØR 14-20
 SIZE D DWG NO 58003984 SH 9 REV B

REVISIONS			
REV	AUTHORITY	DATE	SIGNATURE
		YR MO DAY	





UNLESS OTHERWISE SPECIFIED		MATERIAL	
DIMENSIONS = <input checked="" type="checkbox"/> MILLIMETERS <input type="checkbox"/> INCHES			
TOLERANCE OF SIZE AND FORM PER INITIAL DESIGN		TREAT.	
PROJECTION <input checked="" type="checkbox"/> FIRST ANGLE <input type="checkbox"/> THIRD ANGLE		FIN.	
SCALE	CODE	DR	<i>J Hill mae</i>
		APPD	<i>R. Lynn 11/17/73</i>
		DISTR	

LOC	PCO
TITLE	LOGIC DIAGRAM DURRØ
	CONTROL STORE OUTPUT
	REG. FRØR 21-27, P3
SIZE	D
DWG NO.	58003984
SH	10
REV	B

Honeywell

HONEYWELL INFORMATION SYSTEMS

PHOENIX ARIZONA U. S. A.

INFORMATION CONTAINED IN THIS DOCUMENT IS PROPRIETARY TO HONEYWELL INFORMATION SYSTEMS AND IS INTENDED FOR INTERNAL HONEYWELL USE ONLY. SUCH INFORMATION MAY BE DISTRIBUTED TO OTHERS ONLY BY WRITTEN PERMISSION OF AN AUTHORIZED HONEYWELL OFFICIAL. THIS RESTRICTION DOES NOT APPLY TO VENDOR PROPRIETARY PARTS THAT MAY BE DISCLOSED IN THIS DOCUMENT.

H
F
E
D
C
B
A

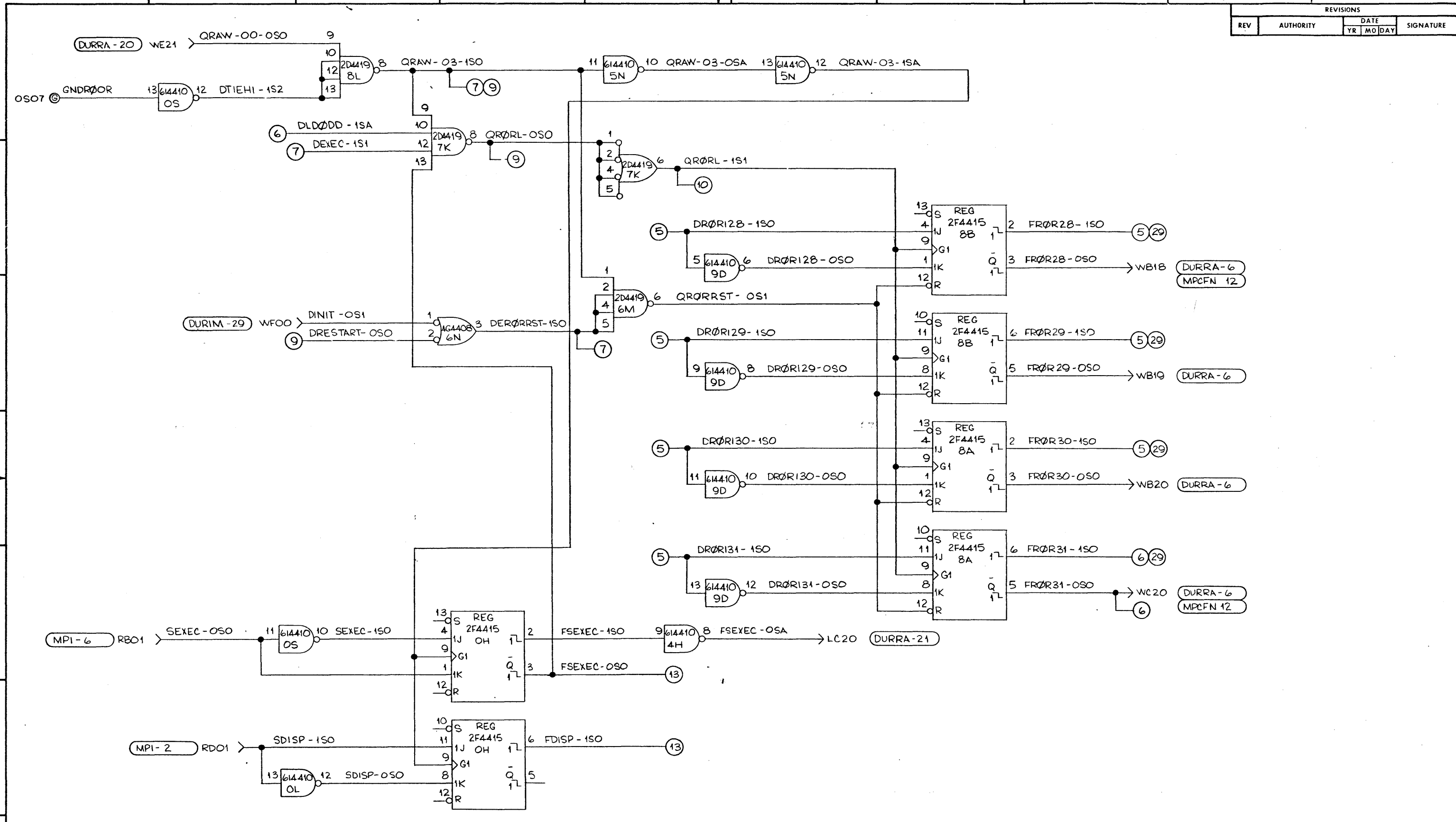
BRUNING 44 151

58003984

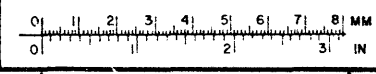
10 9 8 7 6 5 4 3 2 1

REVISIONS				
REV	AUTHORITY	DATE		SIGNATURE
		YR	MO	DAY

H
F
E
D
C
B
A

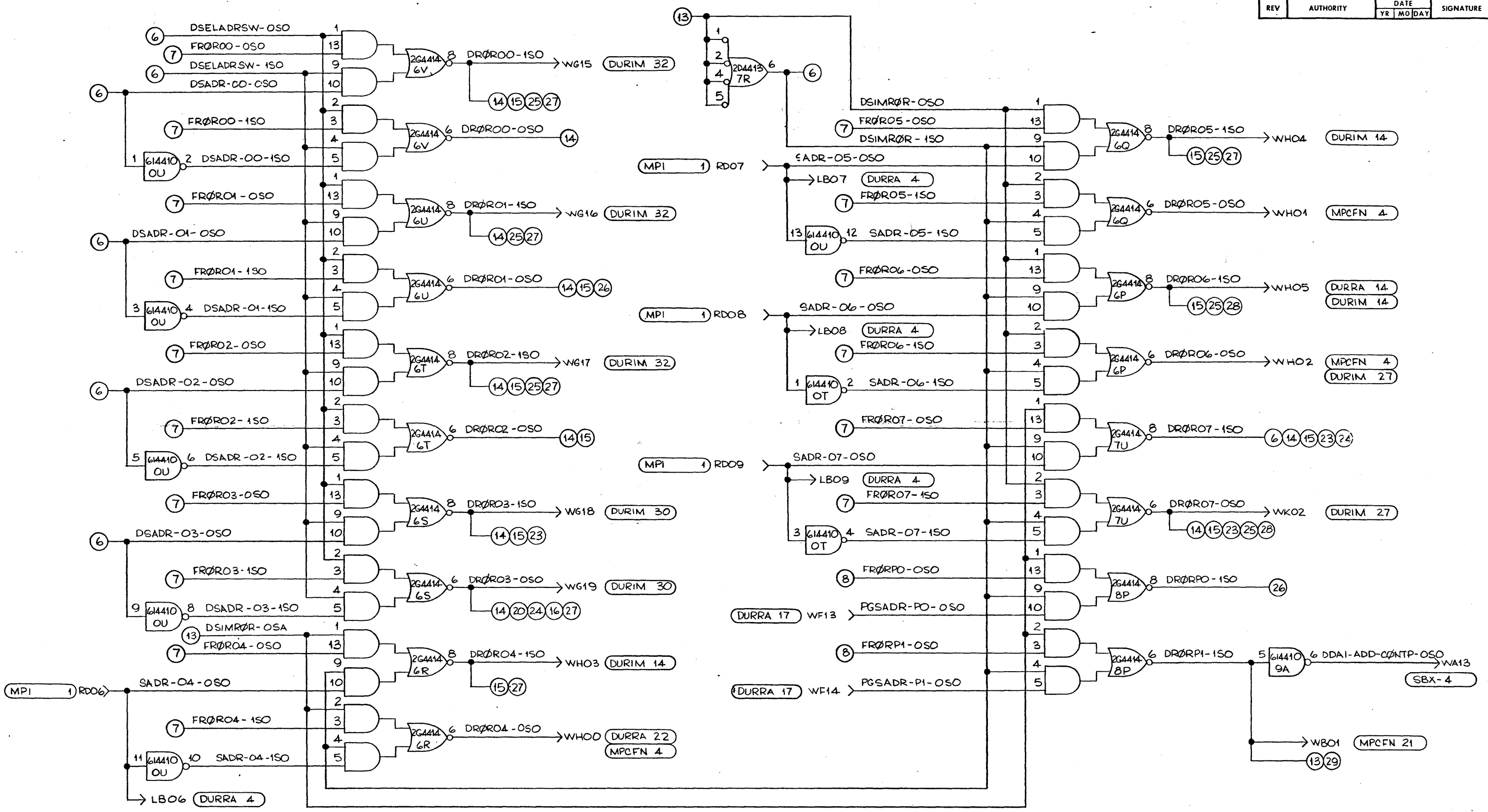


THE INFORMATION CONTAINED IN THIS DOCUMENT IS PROPRIETARY TO HONEYWELL INFORMATION SYSTEMS AND IS INTENDED FOR INTERNAL HONEYWELL USE ONLY. SUCH INFORMATION MAY BE DISTRIBUTED TO OTHERS ONLY BY WRITTEN PERMISSION OF AN AUTHORIZED HONEYWELL OFFICIAL. THIS RESTRICTION DOES NOT APPLY TO VENDOR PROPRIETARY PARTS THAT MAY BE DISCLOSED IN THIS DOCUMENT.



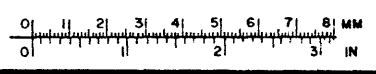
UNLESS OTHERWISE SPECIFIED		MATL	Honeywell HONEYWELL INFORMATION SYSTEMS PHOENIX, ARIZONA U. S. A. LOC PCO	
DIMENSIONS =	MILLIMETERS INCHES	TREAT.		
TOLERANCE OF SIZE AND FORM PER		FIN.	TITLE LOGIC DIAGRAM DURRØ CONTROL STORE OUTPUT REG. FROR 28-31	
INITIAL DESIGN		PROJECTION	SCALE	CODE
APPD. <i>R. Flynn 11/19/73</i>		DATE <i>73 May 7 MAR</i>	SIZE D	DWG NO 58003984
DISTR. <i>CR-26</i>			REV 11	A

REVISIONS				
REV	AUTHORITY	DATE		SIGNATURE
		YR	MO	DAY



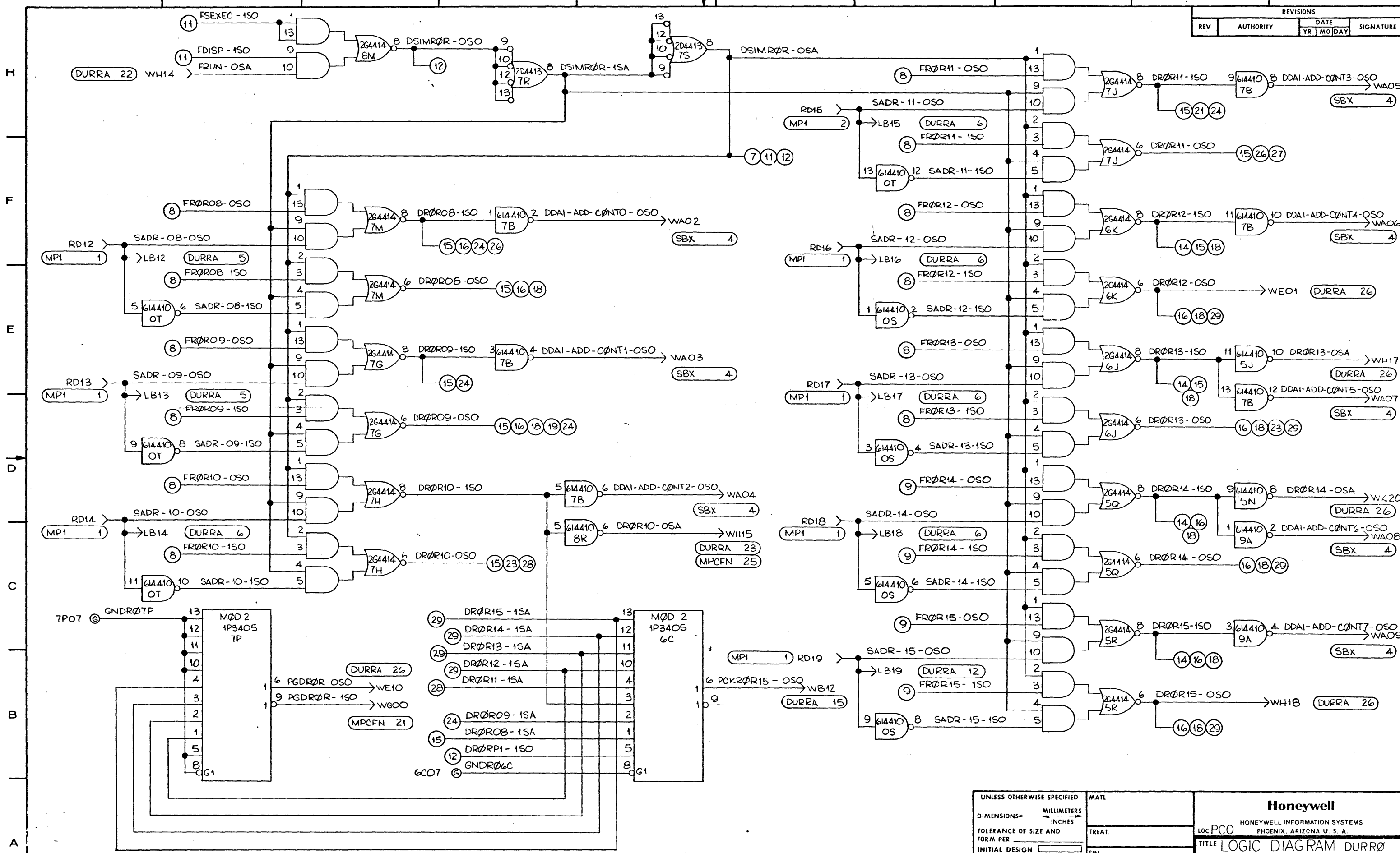
THIS DOCUMENT IS PROPRIETARY TO HONEYWELL INFORMATION SYSTEMS AND IS INTENDED FOR INTERNAL HONEYWELL USE ONLY. SUCH INFORMATION MAY BE DISTRIBUTED TO OTHERS ONLY BY WRITTEN PERMISSION OF AN AUTHORIZED HONEYWELL OFFICIAL. THIS RESTRICTION DOES NOT APPLY TO VENDOR PROPRIETARY PARTS THAT MAY BE DISCLOSED IN THIS DOCUMENT.

BRUNING 44 141



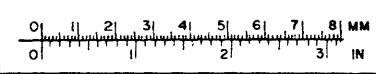
UNLESS OTHERWISE SPECIFIED		MATERIAL		Honeywell HONEYWELL INFORMATION SYSTEMS PHOENIX, ARIZONA U. S. A.	
DIMENSIONS = MILLIMETERS		TREAT.			
TOLERANCE OF SIZE AND FORM PER		FIN.		LOC PCO TITLE LOGIC DIAGRAM DURRØ FROR OUTPUT SWITCH DROR CO-07, PO, PI	
INITIAL DESIGN		SCALE		DR	SIZE DWG NO D 58003984
PROJECTION		CODE		APPD	SH REV 12 A
73 May 7 G. Hill mae R. D. [Signature] 11/19/73				DIST	

REVISIONS				
REV	AUTHORITY	DATE	SIGNATURE	
YR	MO	DAY		



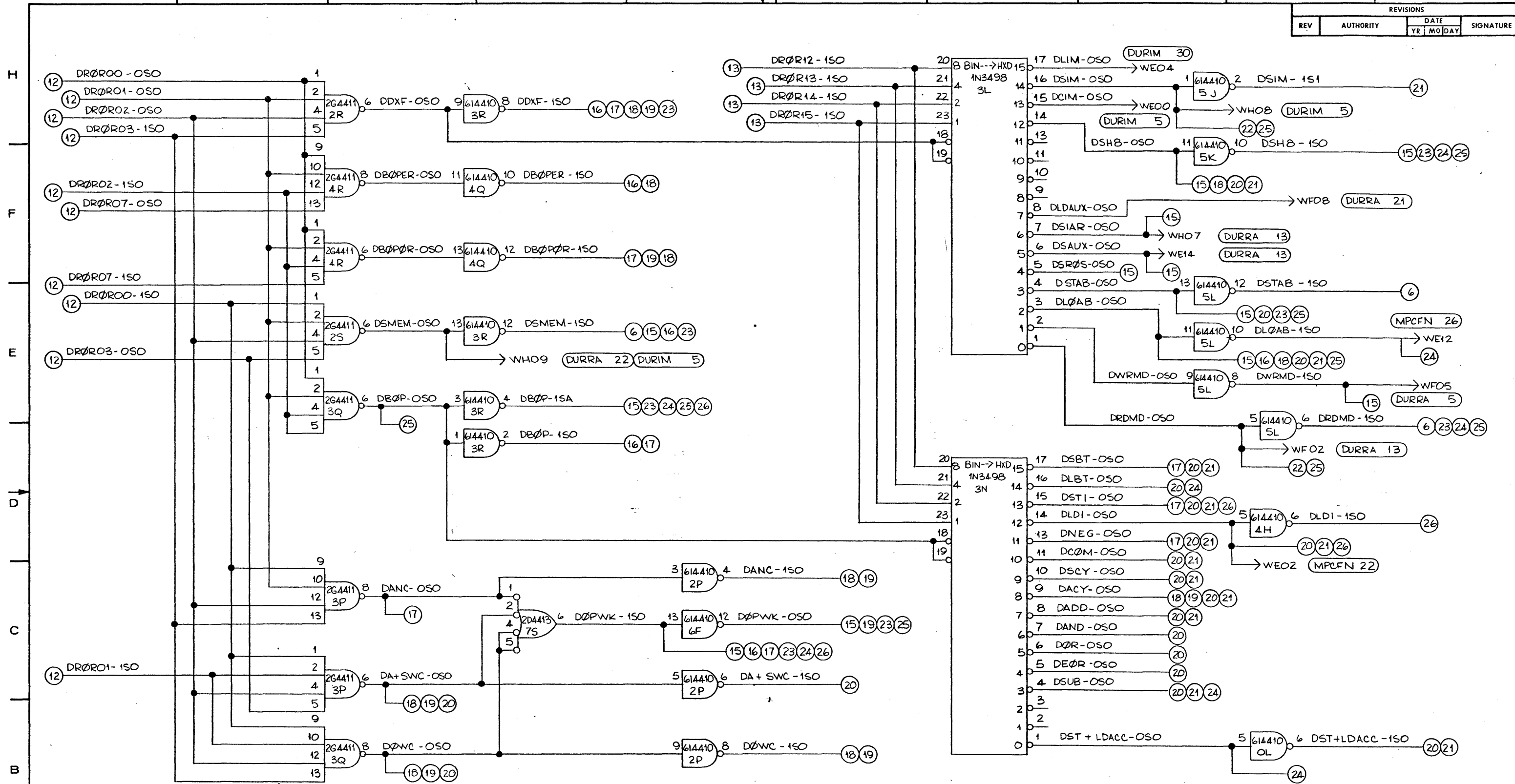
INFORMATION CONTAINED IN THIS DOCUMENT IS PROPRIETARY TO HONEYWELL INFORMATION SYSTEMS AND IS INTENDED FOR INTERNAL HONEYWELL USE ONLY. SUCH INFORMATION MAY BE DISTRIBUTED TO OTHERS ONLY BY WRITTEN PERMISSION OF AN AUTHORIZED HONEYWELL OFFICIAL. THIS RESTRICTION DOES NOT APPLY TO VENDOR PROPRIETARY PARTS THAT MAY BE DISCLOSED IN THIS DOCUMENT.

UNLESS OTHERWISE SPECIFIED		MATERIAL		Honeywell HONEYWELL INFORMATION SYSTEMS PHOENIX, ARIZONA U. S. A.	
DIMENSIONS= MILLIMETERS		TREAT.			
TOLERANCE OF SIZE AND FORM PER INITIAL DESIGN		FIN.		LOC PCO TITLE LOGIC DIAGRAM DURRØ FROR OUTPUT SWITCH DRØR 08-15	
PROJECTION		SCALE		DR 73 May 8 APPD R. Thymel 11/17/73	SIZE D DWG NO 58003984 SH 13 REV A

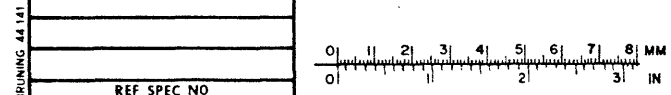


BRUNING 44 141
 REF SPEC NO
 CE 300 D 12-72

REVISIONS				
REV	AUTHORITY	DATE	SIGNATURE	
		YR MO DAY		



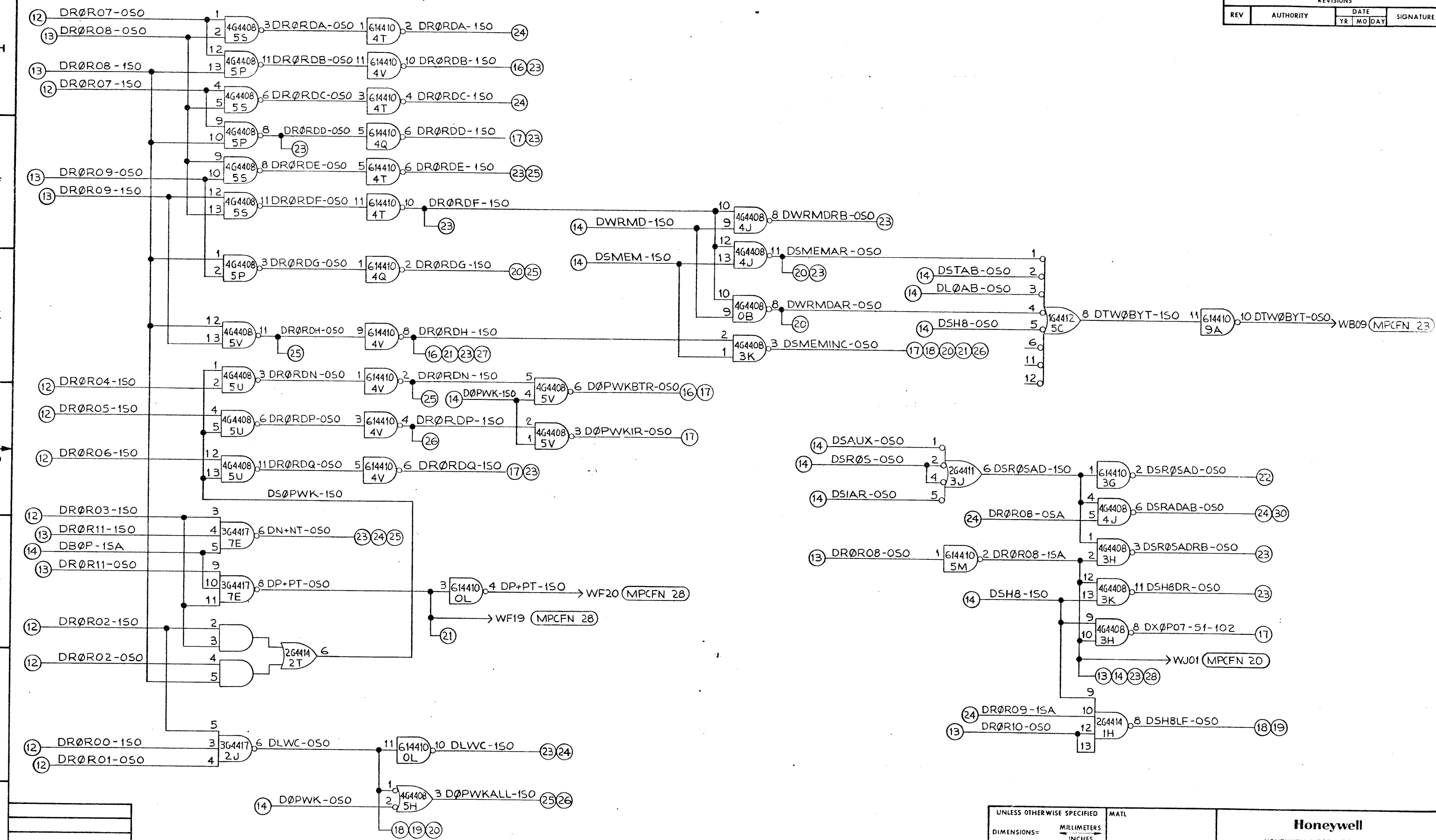
THE INFORMATION CONTAINED IN THIS DOCUMENT IS PROPRIETARY TO HONEYWELL INFORMATION SYSTEMS AND IS INTENDED FOR INTERNAL HONEYWELL USE ONLY. SUCH INFORMATION MAY BE DISTRIBUTED TO OTHERS ONLY BY WRITTEN PERMISSION OF AN AUTHORIZED HONEYWELL OFFICIAL. THIS RESTRICTION DOES NOT APPLY TO VENDOR PROPRIETARY PARTS THAT MAY BE DISCLOSED IN THIS DOCUMENT.



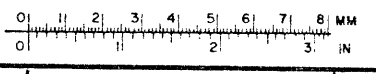
UNLESS OTHERWISE SPECIFIED		MATERIAL		Honeywell HONEYWELL INFORMATION SYSTEMS PHOENIX, ARIZONA U. S. A.			
DIMENSIONS = MILLIMETERS		TREAT.					
TOLERANCE OF SIZE AND FORM PER INITIAL DESIGN		FIN.		LOC PCO TITLE LOGIC DIAGRAM DURRØ I DECODE			
PROJECTION		SCALE		DR 73 May 9 APPD R. [Signature] 11/17/73		SIZE D DWG NO 58003984	SH 14 REV A

ALL INFORMATION CONTAINED IN THIS DOCUMENT IS PROPRIETARY TO HONEYWELL INFORMATION SYSTEMS AND IS INTENDED FOR INTERNAL HONEYWELL USE ONLY. SUCH INFORMATION MAY BE DISTRIBUTED TO OTHERS ONLY BY WRITTEN PERMISSION OF AN AUTHORIZED HONEYWELL OFFICIAL. THIS RESTRICTION DOES NOT APPLY TO VENDOR PROPRIETARY PARTS THAT MAY BE DISCLOSED IN THIS DOCUMENT.

REVISIONS				
REV	AUTHORITY	DATE	SIGNATURE	
		YR MO DAY		



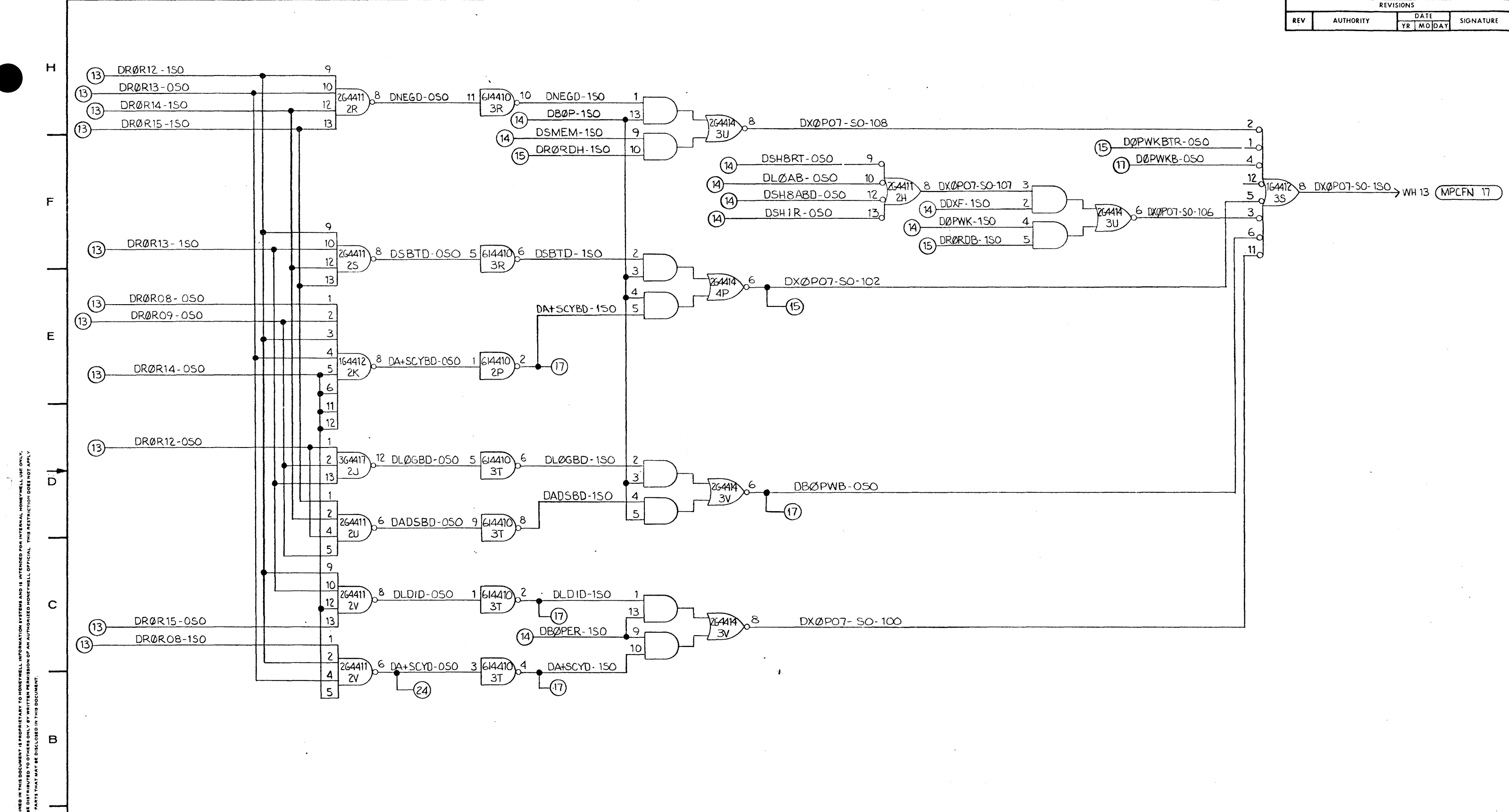
HEATING 44 141
REF SPEC NO



UNLESS OTHERWISE SPECIFIED		MATERIAL		Honeywell HONEYWELL INFORMATION SYSTEMS PHOENIX ARIZONA U.S.A. TITLE LOGIC DIAGRAM DURRØ ALI DECODE	
DIMENSIONS =	MILLIMETERS	TREAT.	LOC PCO		
TOLERANCE OF SIZE AND FORM PER	INCHES	FIN.			
INITIAL DESIGN					
PROJECTION					
SCALE	CODE	DR	14 MAY 73		
		APPD	<i>Ruby Peña</i>		
		DISTR	<i>11/17/73</i>		
		SIZE	D		
		DWG NO	58003984		
		SH	15		
		REV	A		

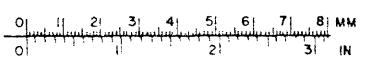
158003984

REVISIONS				
REV	AUTHORITY	DATE		SIGNATURE
		YR	MO DAY	



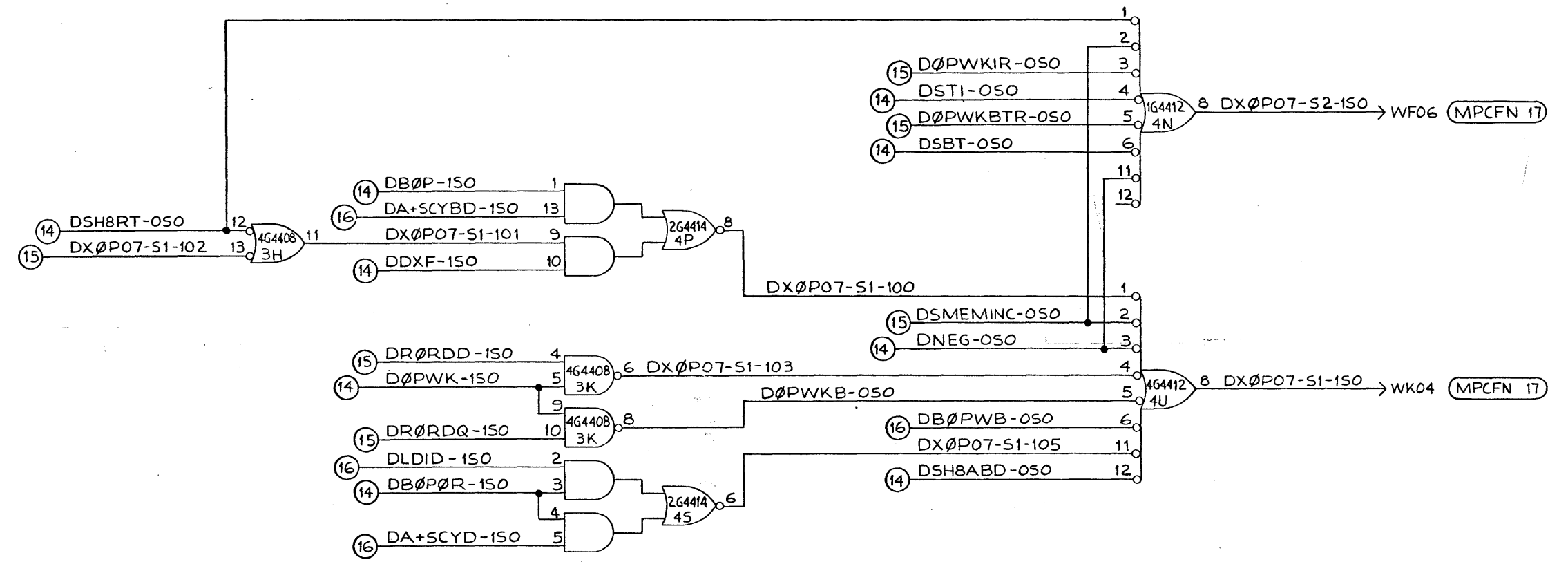
THE INFORMATION CONTAINED IN THIS DOCUMENT IS PROPRIETARY TO HONEYWELL INFORMATION SYSTEMS AND IS INTENDED FOR INTERNAL HONEYWELL USE ONLY. SUCH INFORMATION MAY BE DISTRIBUTED TO OTHERS ONLY BY WRITTEN PERMISSION OF AN AUTHORIZED HONEYWELL OFFICIAL. THIS RESTRICTION DOES NOT APPLY TO VENDOR PROPRIETARY PARTS THAT MAY BE DISCLOSED IN THIS DOCUMENT.

REF SPEC NO

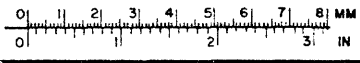


UNLESS OTHERWISE SPECIFIED		MATERIAL		Honeywell HONEYWELL INFORMATION SYSTEMS PHOENIX, ARIZONA U.S.A.	
DIMENSIONS: MILLIMETERS / INCHES		TREAT.			
TOLERANCE OF SIZE AND FORM PER INITIAL DESIGN		FIN.		LOC PCO TITLE LOGIC DIAGRAM DURRE X-SWITCH - SO - CONTROL	
PROJECTION		SCALE CODE		SIZE DWG NO SH REV D 58003984 16 A	
APPROVED: R. Brown 11/19/73		DATE: DR 73 MAY 14		DISTR	

REVISIONS				
REV	AUTHORITY	DATE	SIGNATURE	
		YR MO DAY		

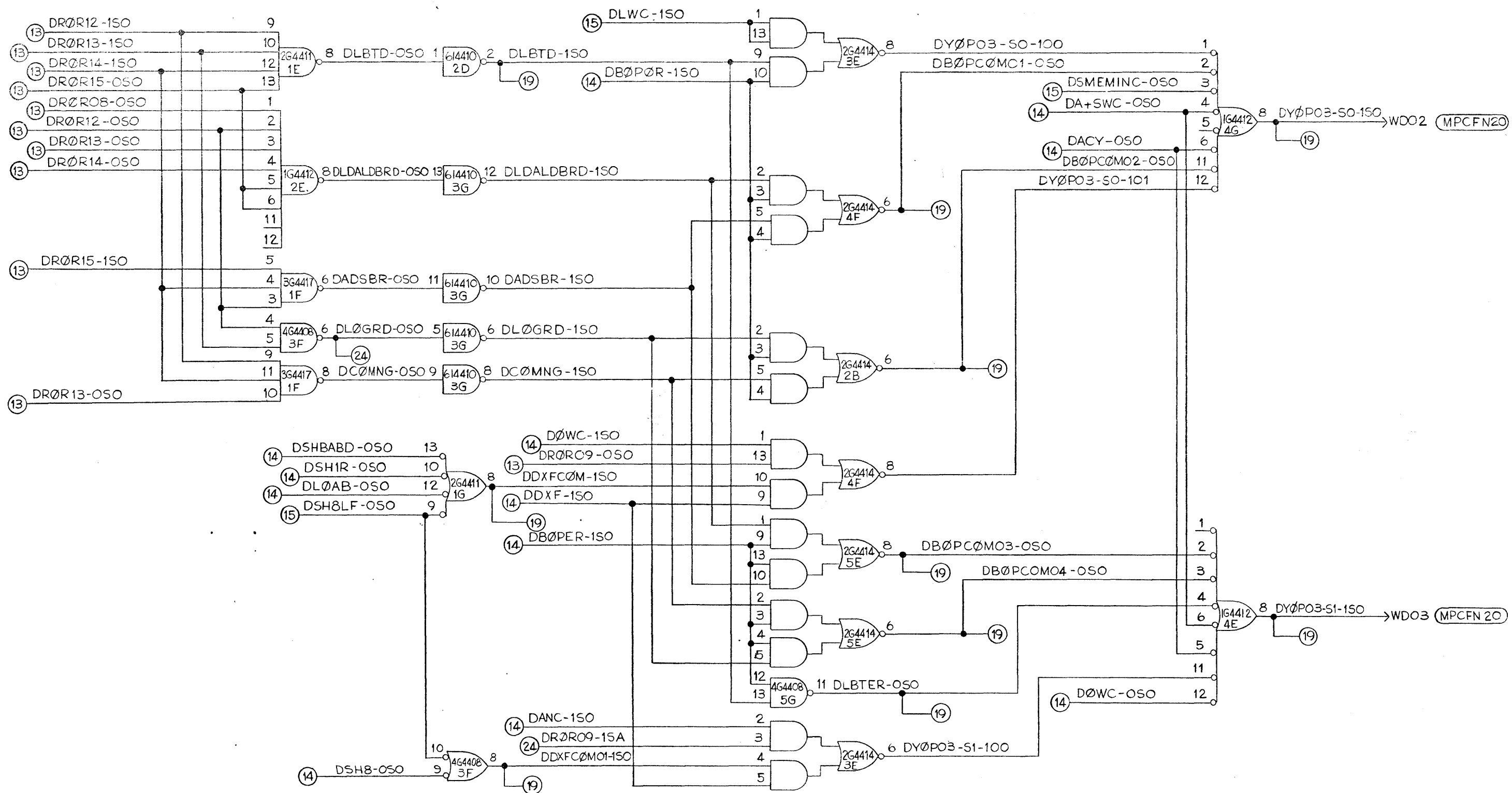


THIS INFORMATION IS PROPRIETARY TO HONEYWELL INFORMATION SYSTEMS AND IS INTENDED FOR INTERNAL HONEYWELL USE ONLY. SUCH INFORMATION MAY BE DISTRIBUTED TO OTHERS ONLY BY WRITTEN PERMISSION OF AN AUTHORIZED HONEYWELL OFFICIAL. THIS RESTRICTION DOES NOT APPLY TO VENDOR PROPRIETARY PARTS THAT MAY BE DISCLOSED IN THIS DOCUMENT.



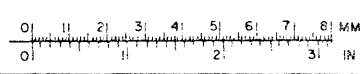
UNLESS OTHERWISE SPECIFIED		MATL		Honeywell HONEYWELL INFORMATION SYSTEMS LOC PCO PHOENIX, ARIZONA U. S. A.	
DIMENSIONS=	MILLIMETERS INCHES	TREAT.			
TOLERANCE OF SIZE AND FORM PER		INITIAL DESIGN	FIN.	TITLE LOGIC DIAGRAM DURRØ X-SWITCH S1, S2 CONTROL	
PROJECTION		SCALE	CODE	DR	11 MAY 73
				DR	<i>Ruby Pena</i>
				APPD	<i>R. J. [unclear]</i> 11/19/73
		SIZE	DWG NO	SH	REV
		D	58003984	17	A

REVISIONS				
REV	AUTHORITY	DATE	SIGNATURE	
		YR MO DAY		



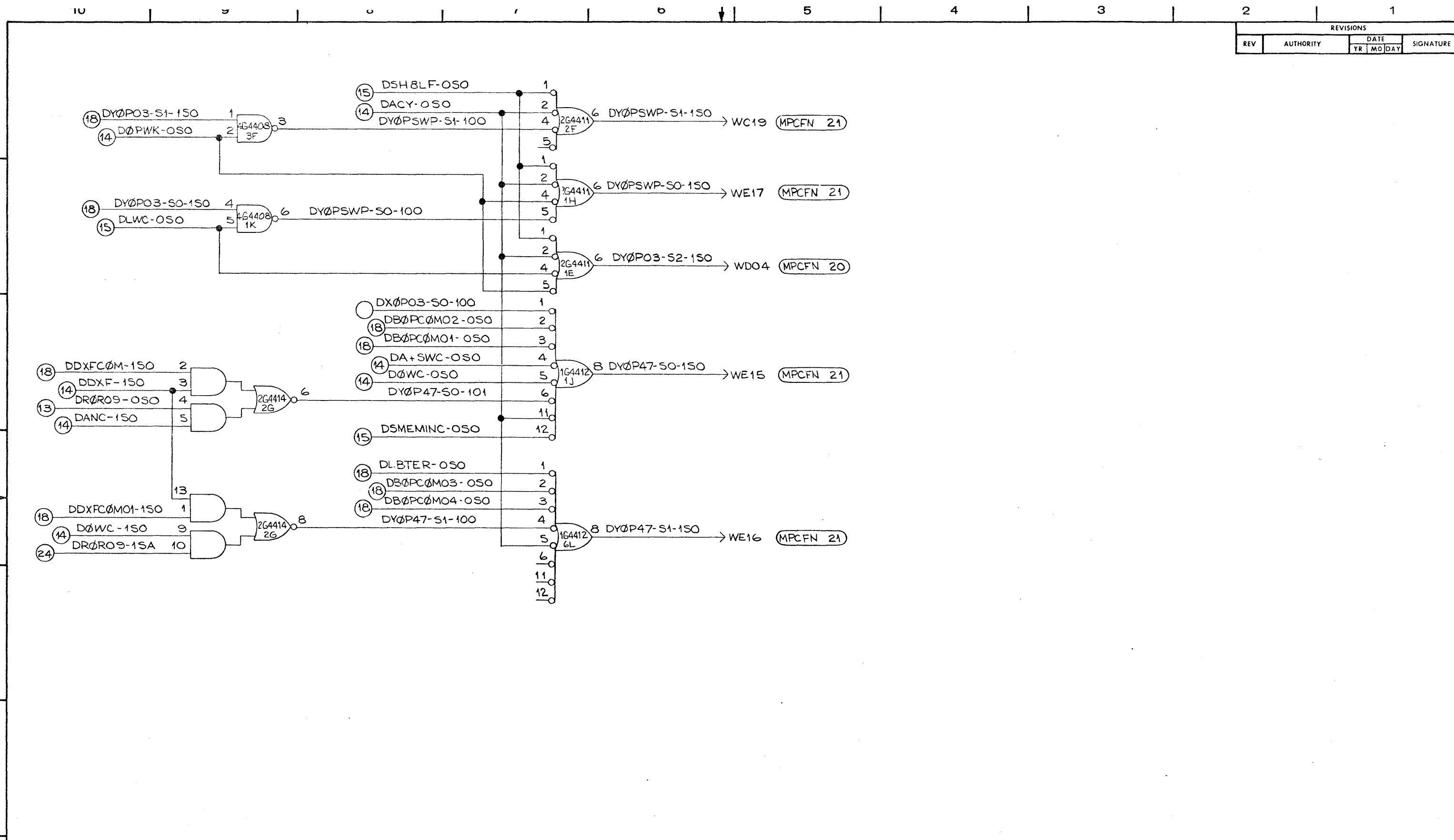
THE INFORMATION CONTAINED IN THIS DOCUMENT IS PROPRIETARY TO HONEYWELL INFORMATION SYSTEMS AND IS INTENDED FOR INTERNAL HONEYWELL USE ONLY. SUCH INFORMATION MAY BE DISTRIBUTED TO OTHERS ONLY BY WRITTEN PERMISSION OF AN AUTHORIZED HONEYWELL OFFICIAL. THIS RESTRICTION DOES NOT APPLY TO VENDOR PROPRIETARY PARTS THAT MAY BE DISCLOSED IN THIS DOCUMENT.

H
F
E
D
C
B
A

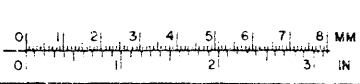


UNLESS OTHERWISE SPECIFIED		MATL	HONEYWELL INFORMATION SYSTEMS PHOENIX, ARIZONA U. S. A.		
DIMENSIONS = $\frac{\text{MILLIMETERS}}{\text{INCHES}}$		TREAT.			
TOLERANCE OF SIZE AND FORM PER		FIN.	LOC PCØ		
INITIAL DESIGN		DR	TITLE		
PROJECTION		APPD.	LOGIC DIAGRAM DURRØ		
SCALE		DISTR.	Y-SWITCH 0-3 CONTROL		
CODE	DR	SIZE	DWG NO	SH	REV
	73 MAY 17	D	58003984	18	A
	<i>a. Hillenath</i>				
	<i>R. Johnson 11/19/73</i>				

REVISIONS					
REV	AUTHORITY	DATE		SIGNATURE	
		YR	MO	DAY	

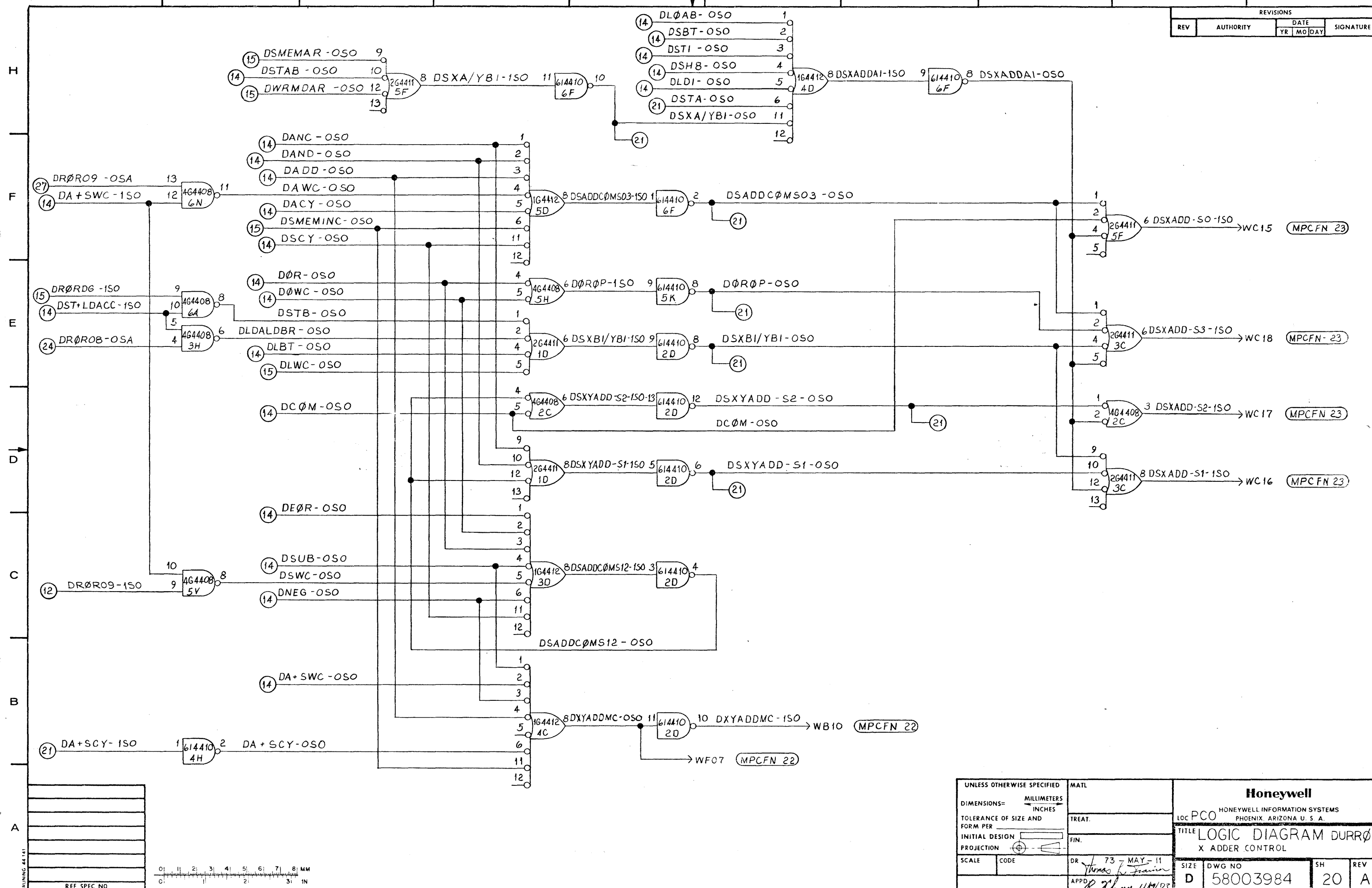


THE INFORMATION CONTAINED IN THIS DOCUMENT IS PROPRIETARY TO HONEYWELL INFORMATION SYSTEMS AND IS INTENDED FOR INTERNAL HONEYWELL USE ONLY. SUCH INFORMATION MAY BE DISTRIBUTED TO OTHERS ONLY BY WRITTEN PERMISSION OF AN AUTHORIZED HONEYWELL OFFICIAL. THIS RESTRICTION DOES NOT APPLY TO VENDOR PROPRIETARY PARTS THAT MAY BE DISCLOSED IN THIS DOCUMENT.

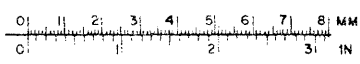


UNLESS OTHERWISE SPECIFIED		MATL		Honeywell			
DIMENSIONS =		MILLIMETERS		HONEYWELL INFORMATION SYSTEMS			
TOLERANCE OF SIZE AND		INCHES		LOC PCØ PHOENIX, ARIZONA U.S.A.			
FORM PER		TREAT.		TITLE LOGIC DIAGRAM DURRØ			
INITIAL DESIGN		FIN.		Y SWITCH 4-7 CONTROL			
PROJECTION		DR		73 MAY 11			
SCALE		CODE		APPD <i>R. Long</i>			
				R. Long 11/17/23			
SIZE	DWG NO	SH	REV				
D	58003984	19	A				

REVISIONS				
REV	AUTHORITY	DATE		SIGNATURE
		YR	MO	DAY

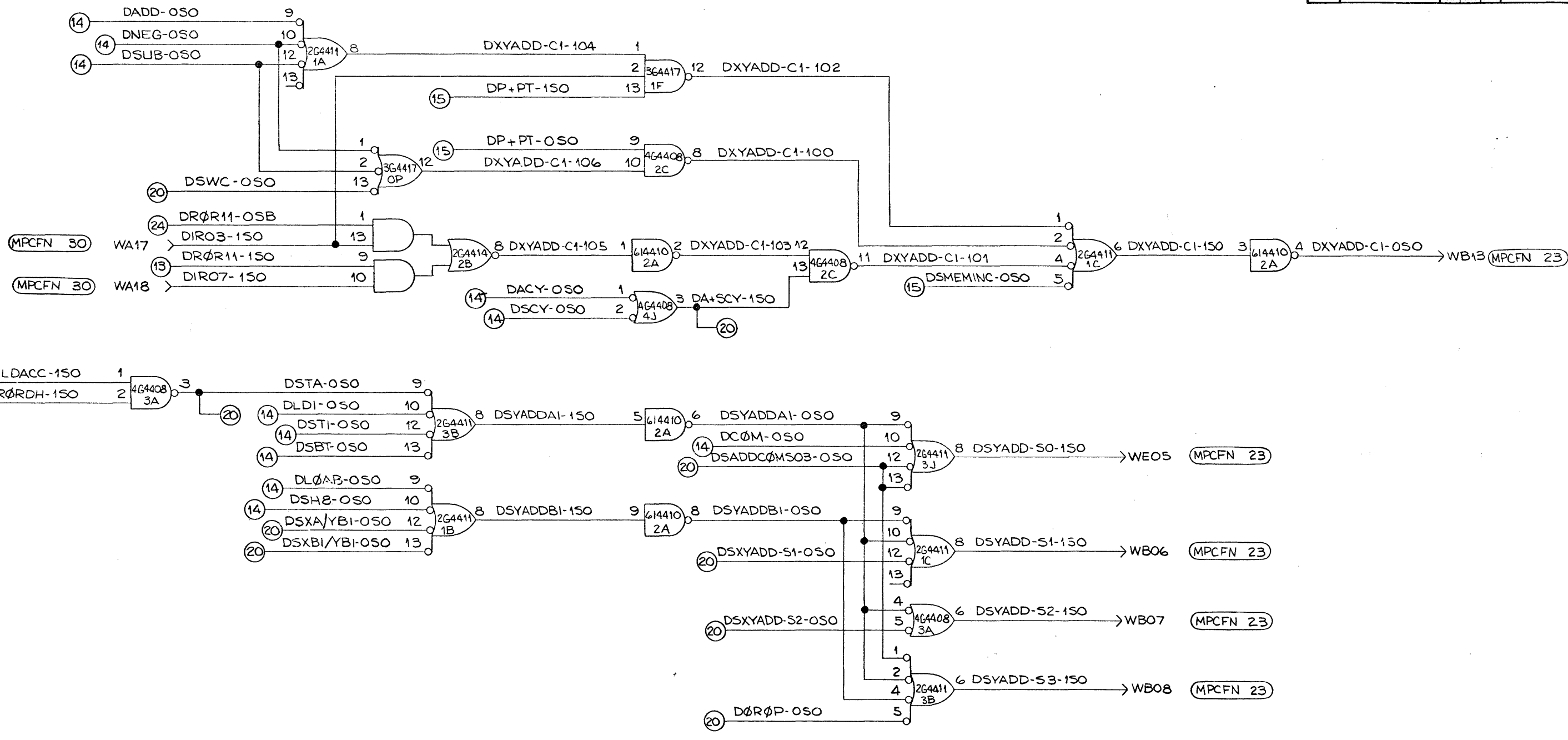


INFORMATION CONTAINED IN THIS DOCUMENT IS PROPRIETARY TO HONEYWELL INFORMATION SYSTEMS AND IS INTENDED FOR INTERNAL HONEYWELL USE ONLY.
 NO PART OF THIS DOCUMENT MAY BE DISTRIBUTED TO OTHERS WITHOUT THE WRITTEN PERMISSION OF AN AUTHORIZED HONEYWELL OFFICIAL. THIS RESTRICTION DOES NOT APPLY TO INFORMATION CONTAINED IN THIS DOCUMENT.

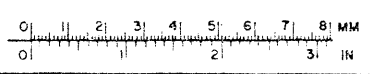


UNLESS OTHERWISE SPECIFIED		MATERIAL		Honeywell HONEYWELL INFORMATION SYSTEMS PHOENIX, ARIZONA U.S.A.	
DIMENSIONS = MILLIMETERS		TREAT.			
TOLERANCE OF SIZE AND FORM PER INITIAL DESIGN		FIN.		LOC PCO	
PROJECTION		DR		TITLE LOGIC DIAGRAM DURRO X ADDER CONTROL	
SCALE	CODE	DR 73 MAY - 11		SIZE D	DWG NO 58003984
APPD		R. Thomas 11/11/73		SH 20	REV A

REVISIONS				
REV	AUTHORITY	DATE		SIGNATURE
		YR	MO	DAY

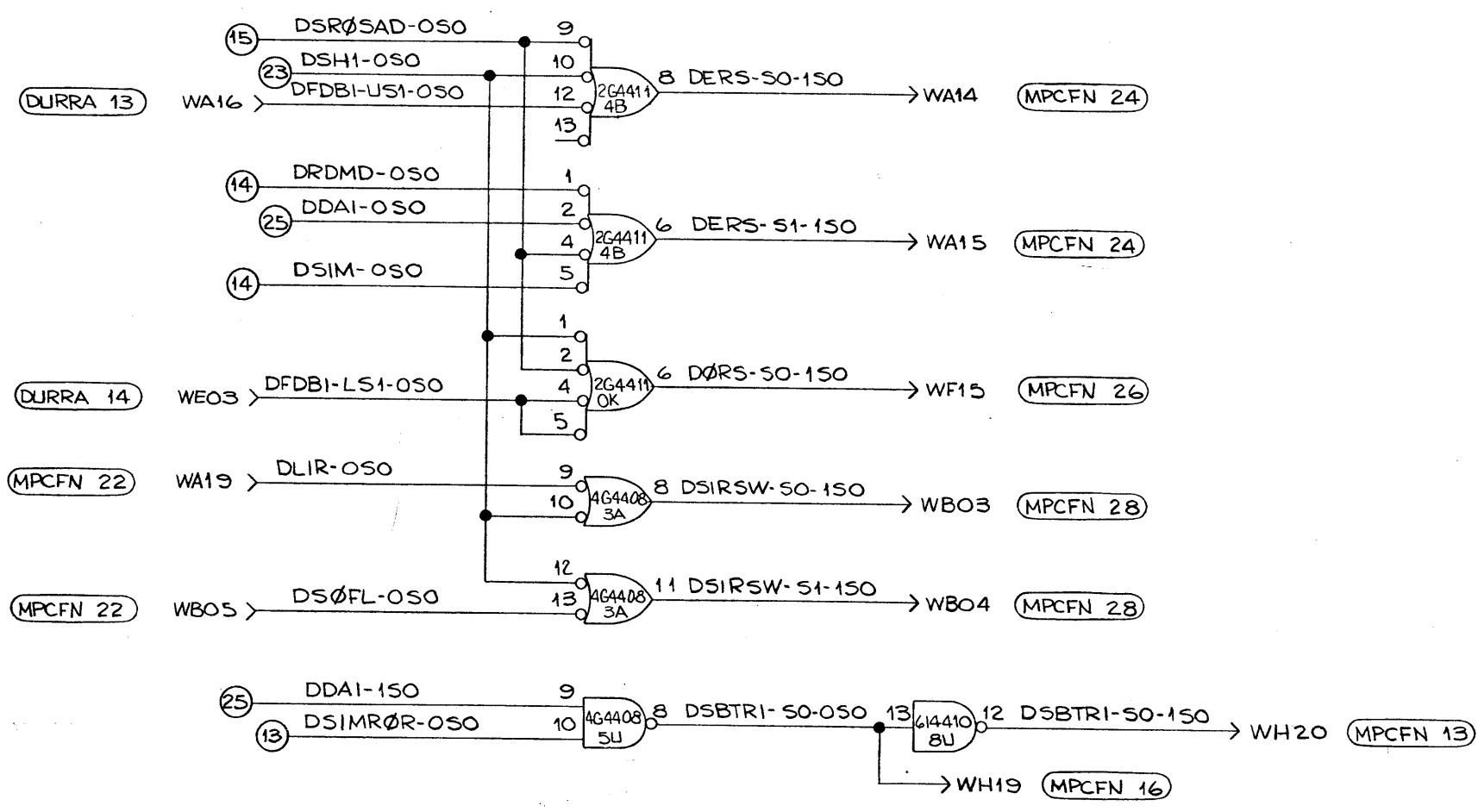


THE INFORMATION CONTAINED IN THIS DOCUMENT IS PROPRIETARY TO HONEYWELL INFORMATION SYSTEMS AND IS INTENDED FOR INTERNAL HONEYWELL USE ONLY. SUCH INFORMATION MAY BE DISTRIBUTED TO OTHERS ONLY BY WRITTEN PERMISSION OF AN AUTHORIZED HONEYWELL OFFICIAL. THIS RESTRICTION DOES NOT APPLY TO VENDOR PROPRIETARY PARTS THAT MAY BE DISCLOSED IN THIS DOCUMENT.



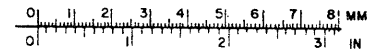
UNLESS OTHERWISE SPECIFIED		MATERIAL		Honeywell HONEYWELL INFORMATION SYSTEMS LOC PCO PHOENIX ARIZONA U. S. A.			
DIMENSIONS = $\frac{\text{MILLIMETERS}}{\text{INCHES}}$		TREAT.					
TOLERANCE OF SIZE AND FORM PER		FIN.		LOGIC DIAGRAM DURRØ			
INITIAL DESIGN		PROJECTION		Y ADDER CONTROL			
SCALE	CODE	DR 73 MAY 11		SIZE	DWG NO	SH	REV
		APPD R. Song		D	58003984	21	A
REF SPEC NO		DISTR					

REVISIONS				
REV	AUTHORITY	DATE		SIGNATURE
		YR	MO DAY	



INFORMATION CONTAINED IN THIS DOCUMENT IS PROPRIETARY TO HONEYWELL INFORMATION SYSTEMS AND IS INTENDED FOR INTERNAL HONEYWELL USE ONLY. SUCH INFORMATION MAY BE DISTRIBUTED TO OTHERS ONLY BY WRITTEN PERMISSION OF AN AUTHORIZED HONEYWELL OFFICIAL. THIS RESTRICTION DOES NOT APPLY TO VENDOR PROPRIETARY PARTS THAT MAY BE DISCLOSED IN THIS DOCUMENT.

BRUNING 44 141

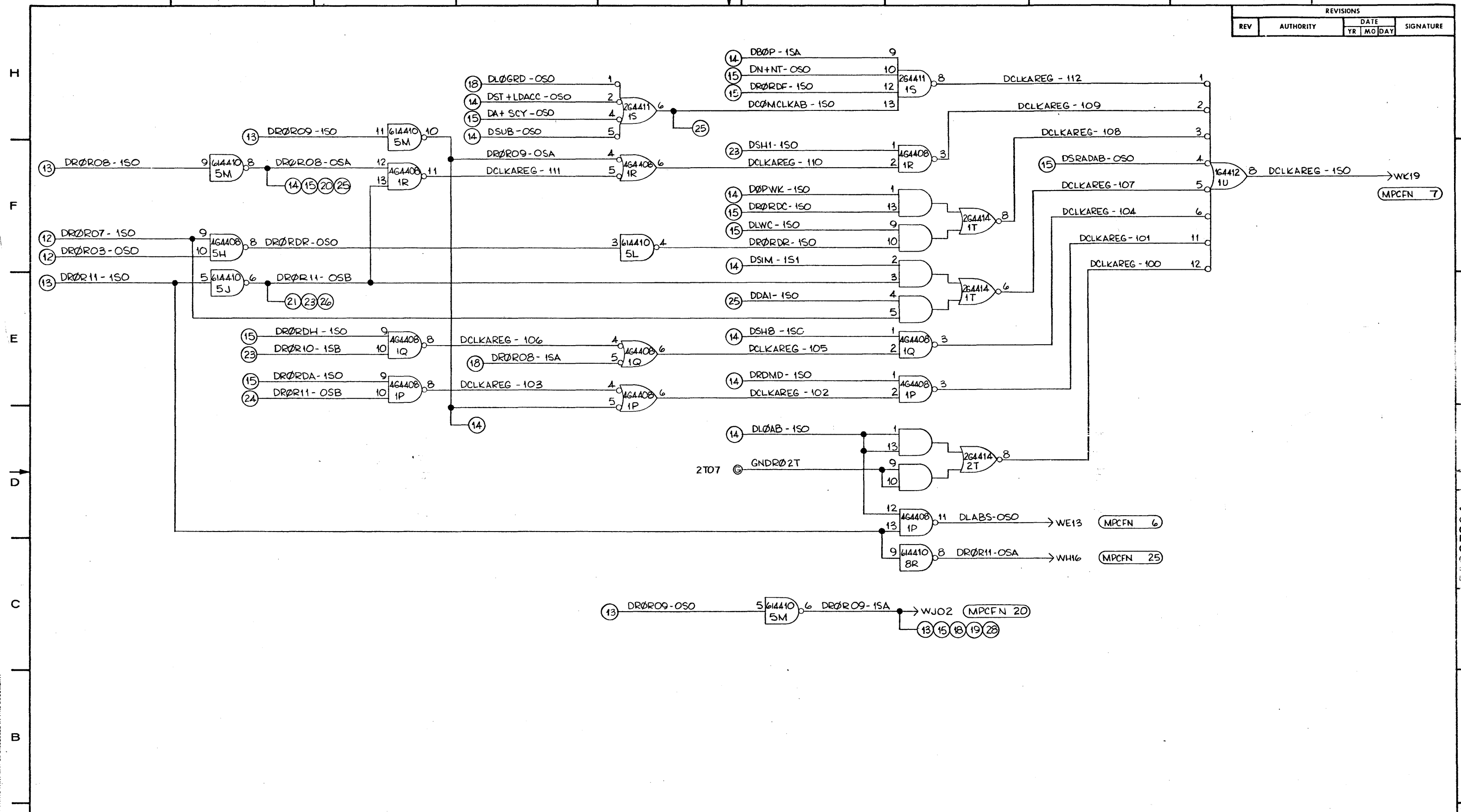


REF SPEC NO

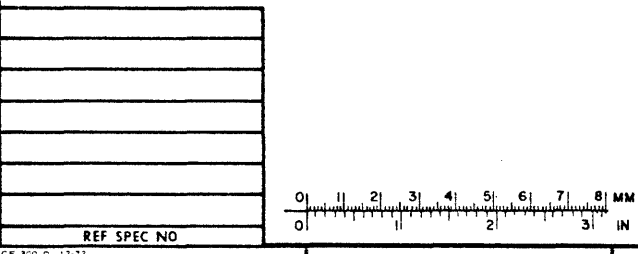
UNLESS OTHERWISE SPECIFIED		MATL	Honeywell HONEYWELL INFORMATION SYSTEMS PHOENIX, ARIZONA U. S. A.	
DIMENSIONS=	MILLIMETERS INCHES	TREAT.		
TOLERANCE OF SIZE AND FORM PER	INITIAL DESIGN	FIN.	TITLE LOGIC DIAGRAM DURRØ EVEN/ODD RESULT SW. CONT.	
PROJECTION	SCALE	CODE	DR	73 MAY 11 R. Song
			APPD	R. Song 11/19/73
			DISTR	CGR-26 NCC3V52E42
SIZE	DWG NO	SH	REV	
D	58003984	22	A	

10 9 8 7 6 5 4

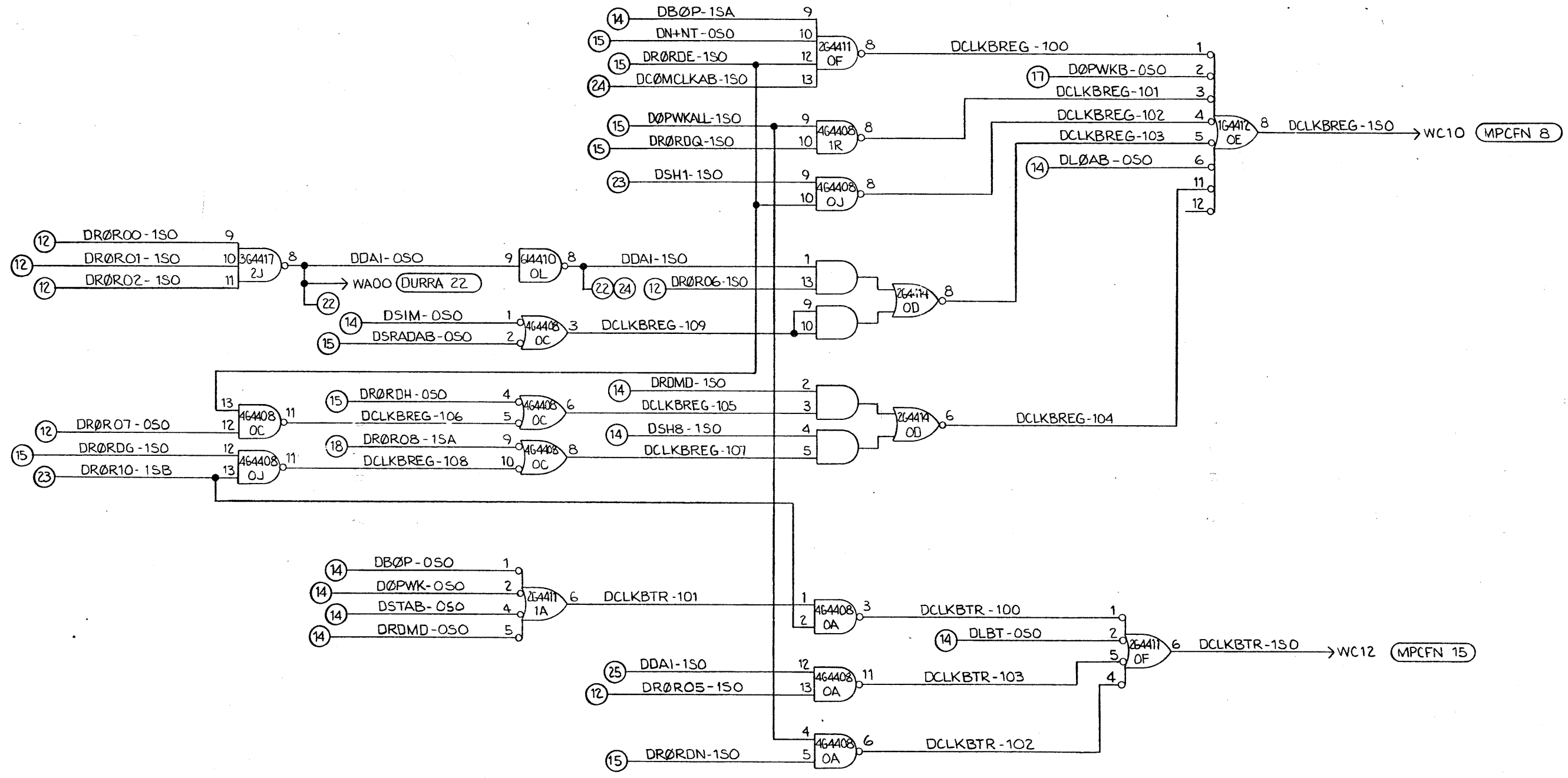
REVISIONS			
REV	AUTHORITY	DATE	SIGNATURE
		YR MO DAY	



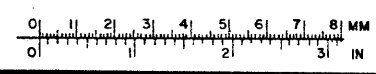
ALL INFORMATION CONTAINED IN THIS DOCUMENT IS PROPRIETARY TO HONEYWELL INFORMATION SYSTEMS AND IS INTENDED FOR INTERNAL HONEYWELL USE ONLY. SUCH INFORMATION MAY BE DISTRIBUTED TO OTHERS ONLY BY WRITTEN PERMISSION OF AN AUTHORIZED HONEYWELL OFFICIAL. THIS RESTRICTION DOES NOT APPLY TO VENDOR PROPRIETARY PARTS THAT MAY BE DISCLOSED IN THIS DOCUMENT.



REVISIONS			
REV	AUTHORITY	DATE	SIGNATURE
YR	MO	DAY	



THE INFORMATION CONTAINED IN THIS DOCUMENT IS PROPRIETARY TO HONEYWELL INFORMATION SYSTEMS AND IS INTENDED FOR INTERNAL HONEYWELL USE ONLY. SUCH INFORMATION MAY BE DISTRIBUTED TO OTHERS ONLY BY WRITTEN PERMISSION OF AN AUTHORIZED HONEYWELL OFFICIAL. THIS RESTRICTION DOES NOT APPLY TO VENDOR PROPRIETARY PARTS THAT MAY BE DISCLOSED IN THIS DOCUMENT.

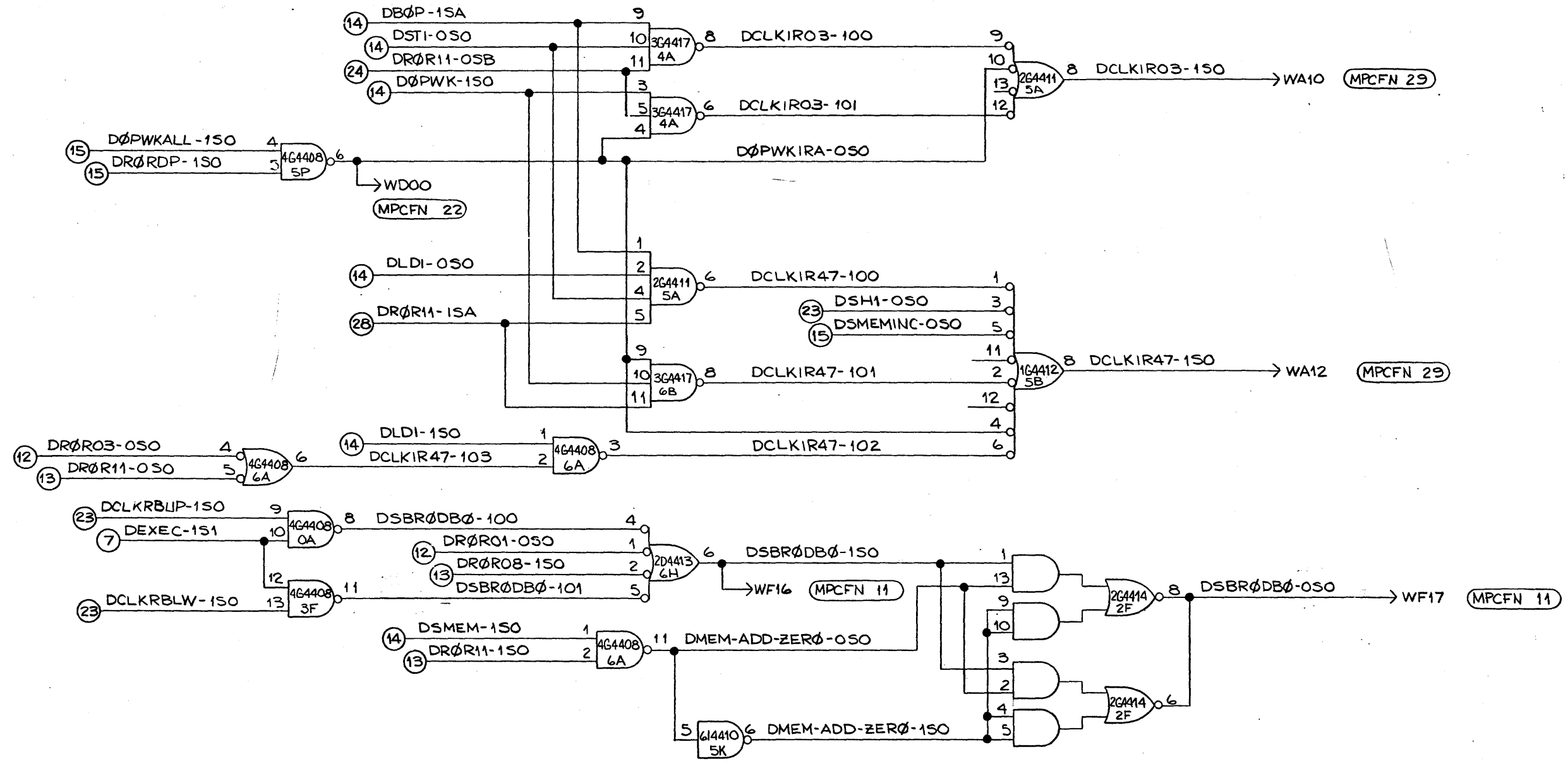


UNLESS OTHERWISE SPECIFIED		MATERIAL	
DIMENSIONS=	MILLIMETERS		
TOLERANCE OF SIZE AND	INCHES		
FORM PER		TREAT.	
INITIAL DESIGN		FIN.	
PROJECTION			
SCALE	CODE	DR .73 MAY 14	
		J. DROMMOND	
		APPD. R. Lynn 11/19/73	
		DISTR. 068-26 NC03Y SDF	
		Honeywell	
		HONEYWELL INFORMATION SYSTEMS	
		PHOENIX, ARIZONA U. S. A.	
		LOC PC0	
		TITLE LOGIC DIGRAM DURRØ	
		B REG & BTR CLK CONTROL	
SIZE	DWG NO	SH	REV
D	58003984	25	A

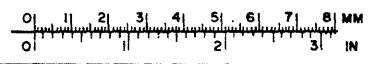
REVISIONS			
REV	AUTHORITY	DATE	SIGNATURE
		YR MO DAY	

10 9 8 7 6 5 4 3 2 1

H
F
E
D
C
B
A



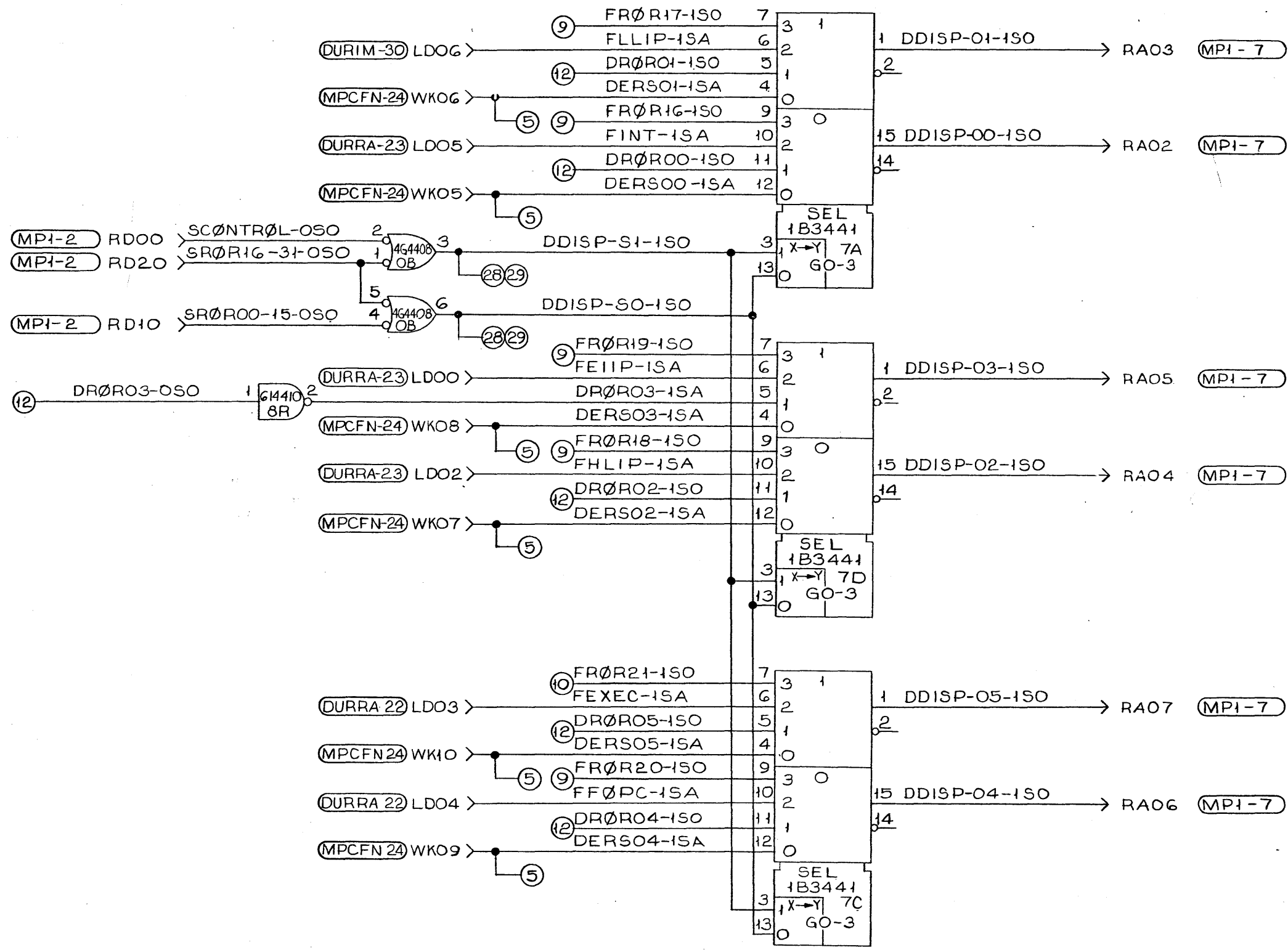
ALL INFORMATION CONTAINED IN THIS DOCUMENT IS PROPRIETARY TO HONEYWELL INFORMATION SYSTEMS AND IS INTENDED FOR INTERNAL HONEYWELL USE ONLY. SUCH INFORMATION MAY BE DISTRIBUTED TO OTHERS ONLY BY WRITTEN PERMISSION OF AN AUTHORIZED HONEYWELL OFFICIAL. THIS RESTRICTION DOES NOT APPLY TO VENDOR PROPRIETARY PARTS THAT MAY BE DISCLOSED IN THIS DOCUMENT.



UNLESS OTHERWISE SPECIFIED		MATERIAL		Honeywell HONEYWELL INFORMATION SYSTEMS PHOENIX, ARIZONA U. S. A.			
DIMENSIONS—							
MILLIMETERS				LOC PCO	TITLE LOGIC DIAGRAM DURRO IR CLOCK CONTROL		
INCHES				TREAT.	SIZE DWG NO SH REV		
TOLERANCE OF SIZE AND				FIN.	D 58003984 26 A		
FORM PER				DR	75 MAY 13		
INITIAL DESIGN				APPD	R. Song		
PROJECTION				PRD	R. Flynn 11/19/73		
SCALE	CODE						

58003984

REVISIONS				
REV	AUTHORITY	DATE	SIGNATURE	
YR	MO	DAY		



THE INFORMATION CONTAINED IN THIS DOCUMENT IS PROPRIETARY TO HONEYWELL INFORMATION SYSTEMS AND IS INTENDED FOR INTERNAL HONEYWELL USE ONLY. SUCH INFORMATION MAY BE DISTRIBUTED TO OTHERS ONLY BY WRITTEN PERMISSION OF AN AUTHORIZED HONEYWELL OFFICIAL. THIS RESTRICTION DOES NOT APPLY TO VENDOR PROPRIETARY PARTS THAT MAY BE DISCLOSED IN THIS DOCUMENT.

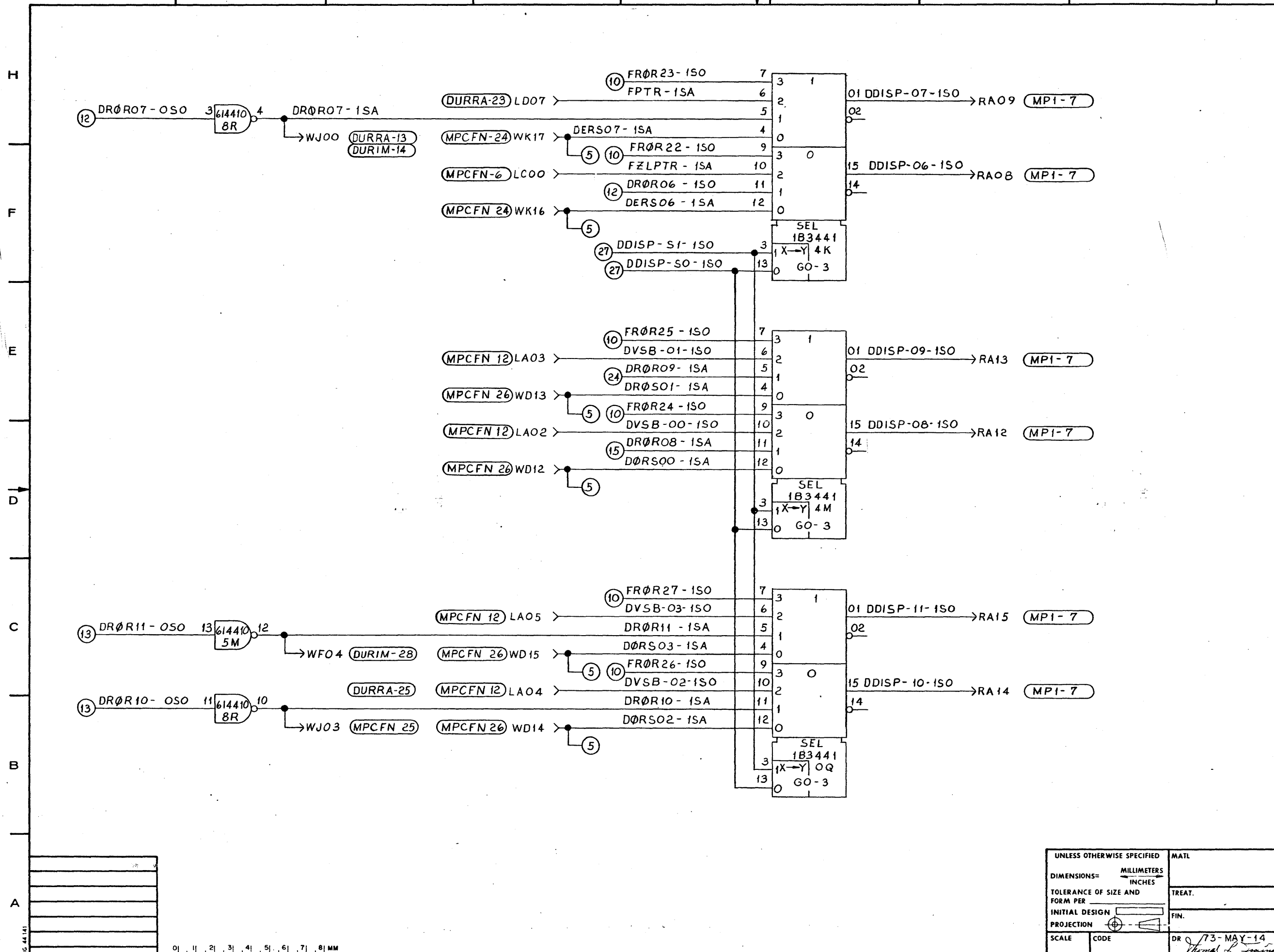
H
F
E
D
C
B
A



UNLESS OTHERWISE SPECIFIED		MATL	
DIMENSIONS=		MILLIMETERS	
		INCHES	
TOLERANCE OF SIZE AND		TREAT.	
FORM PER		FIN.	
INITIAL DESIGN		DR <i>73 May 14</i>	
PROJECTION		APPD <i>9. 2000</i>	
SCALE	CODE	DR	SH
		DISTR	

Honeywell			
HONEYWELL INFORMATION SYSTEMS PHOENIX, ARIZONA U. S. A.			
LOC PCO			
TITLE LOGIC DIAGRAM DURRØ DISPLAY SW 00-05			
SIZE	DWG NO	SH	REV
D	58003984	27	A

REVISIONS				
REV	AUTHORITY	DATE		SIGNATURE
		YR	MO DAY	



INFORMATION CONTAINED IN THIS DOCUMENT IS PROPRIETARY TO HONEYWELL INFORMATION SYSTEMS AND IS INTENDED FOR INTERNAL HONEYWELL USE ONLY. SUCH INFORMATION MAY BE DISTRIBUTED TO OTHERS ONLY BY WRITTEN PERMISSION OF AN AUTHORIZED HONEYWELL OFFICIAL. THIS RESTRICTION DOES NOT APPLY TO VENDOR PROPRIETARY PARTS THAT MAY BE DISCLOSED IN THIS DOCUMENT.

58003984

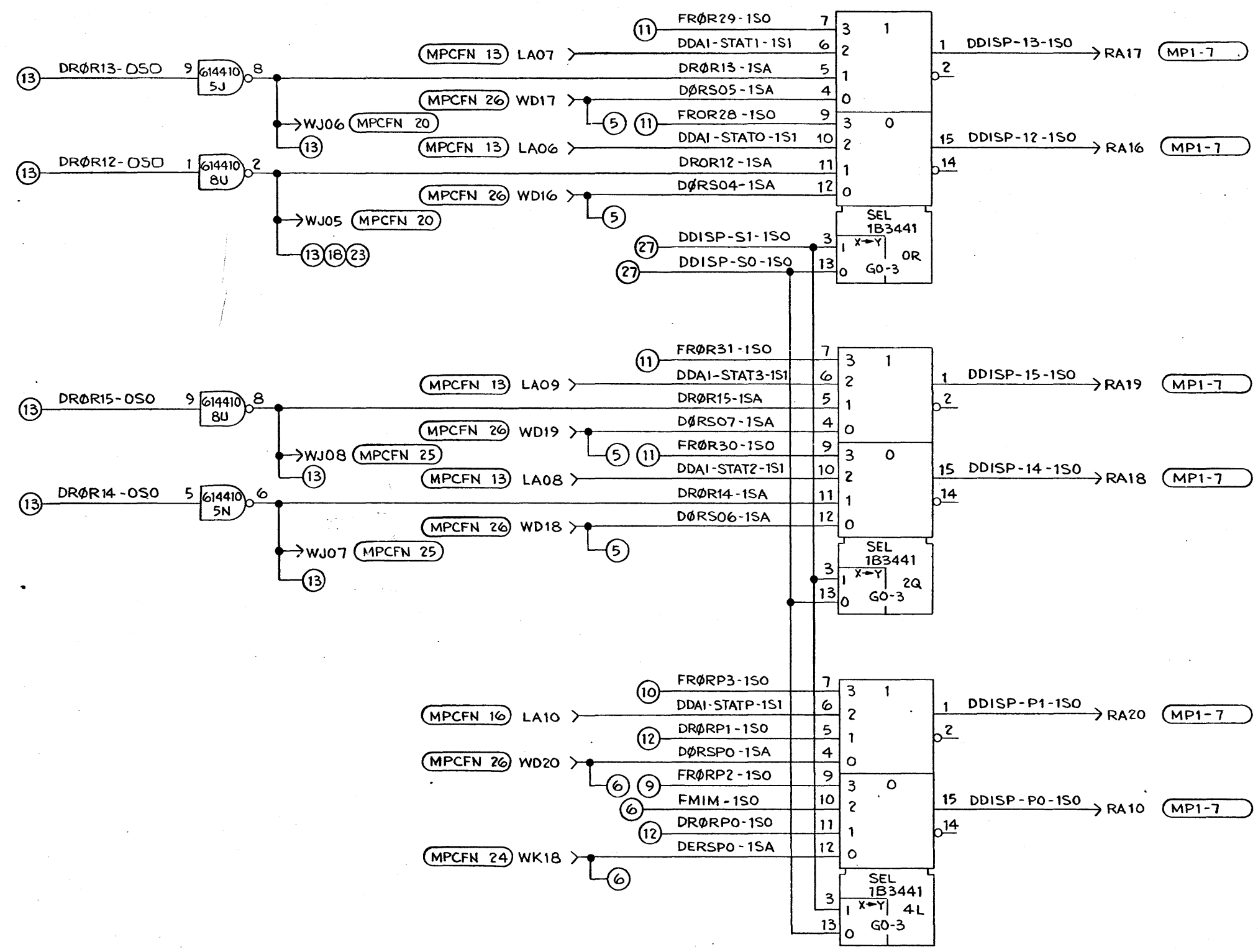
BRUNING 44 141

REF SPEC NO

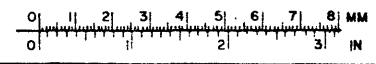
UNLESS OTHERWISE SPECIFIED		MATERIAL	
DIMENSIONS = MILLIMETERS			
TOLERANCE OF SIZE AND		TREAT.	
FORM PER		FIN.	
INITIAL DESIGN			
PROJECTION			
SCALE	CODE	DR	
		APPD	
		DISTR	

Honeywell HONEYWELL INFORMATION SYSTEMS PHOENIX, ARIZONA U. S. A.			
LOC	PCO		TITLE
LOGIC DIAGRAM DURRØ		DISPLAY SW 07-11	
SIZE	DWG NO	SH	REV
D	58003984	28	A

REVISIONS				
REV	AUTHORITY	DATE	SIGNATURE	
		YR MO DAY		



INFORMATION CONTAINED IN THIS DOCUMENT IS PROPRIETARY TO HONEYWELL INFORMATION SYSTEMS AND IS INTENDED FOR INTERNAL HONEYWELL USE ONLY. SUCH INFORMATION MAY BE DISTRIBUTED TO OTHERS ONLY BY THE WRITER PERMISSION OF AN AUTHORIZED HONEYWELL OFFICIAL. THIS RESTRICTION DOES NOT APPLY TO VENDOR PROPRIETARY PARTS THAT MAY BE DISCLOSED IN THIS DOCUMENT.



UNLESS OTHERWISE SPECIFIED		MATERIAL		Honeywell HONEYWELL INFORMATION SYSTEMS PHOENIX, ARIZONA U. S. A.			
DIMENSIONS=		TREAT.					
MILLIMETERS		FIN.		TITLE LOGIC DIAGRAM DURRØ DISPLAY SW 12-15, P0, P1			
TOLERANCE OF SIZE AND FORM PER		SCALE		CODE		DR <i>R. Jones</i> 73 MAY 14 APPD <i>R. Flynn 11/19/73</i> DISTR 68-26 NO. 3V SDFV 1705	
INITIAL DESIGN		PROJECT		SIZE		DWG NO 58003984 SH 29F REV A	
PROJECTION							

58003984


THE INFORMATION CONTAINED IN THIS DOCUMENT PROPRIETARY TO HONEYWELL INFORMATION SYSTEMS, INC. AND IS INTENDED FOR INTERNAL HONEYWELL USE ONLY. SUCH INFORMATION MAY BE DISTRIBUTED TO OTHERS BY WRITTEN PERMISSION OF AN AUTHORIZED HONEYWELL OFFICIAL. THIS RESTRICTION DOES NOT APPLY TO VENDOR PROPRIETARY THAT MAY BE DISCLOSED IN THIS DOCUMENT.

24-14
105

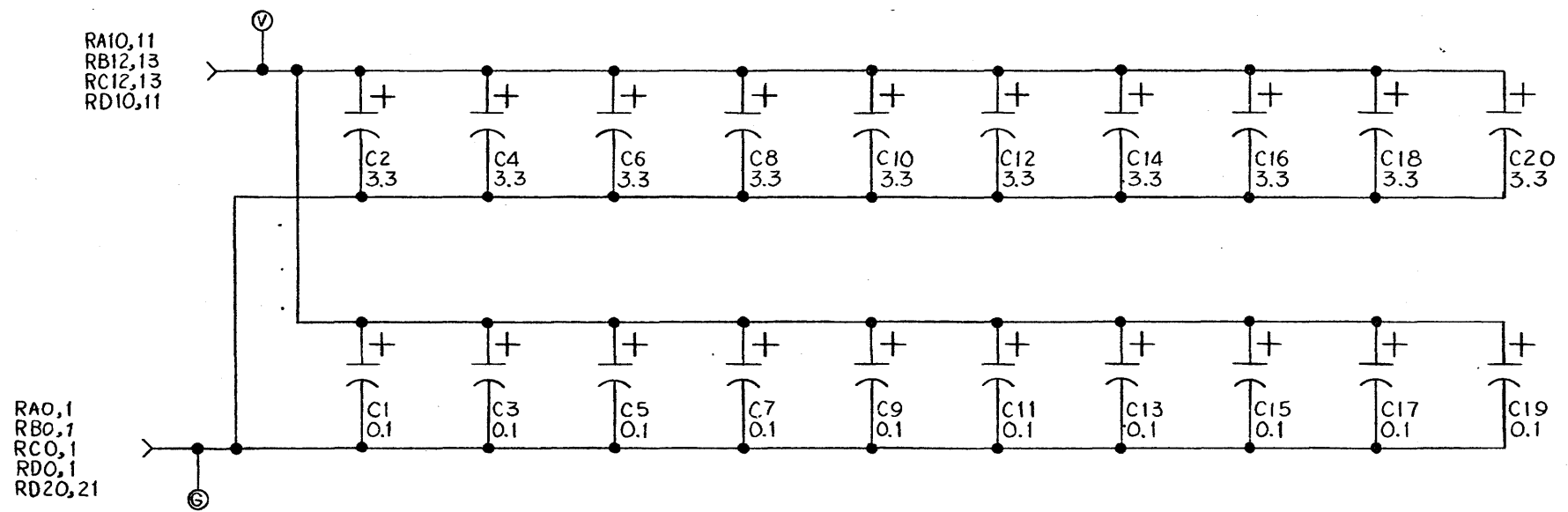
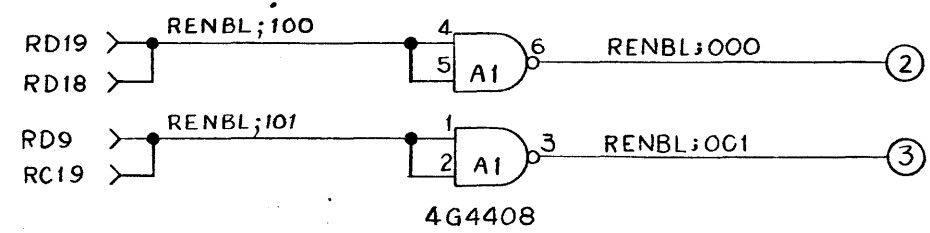
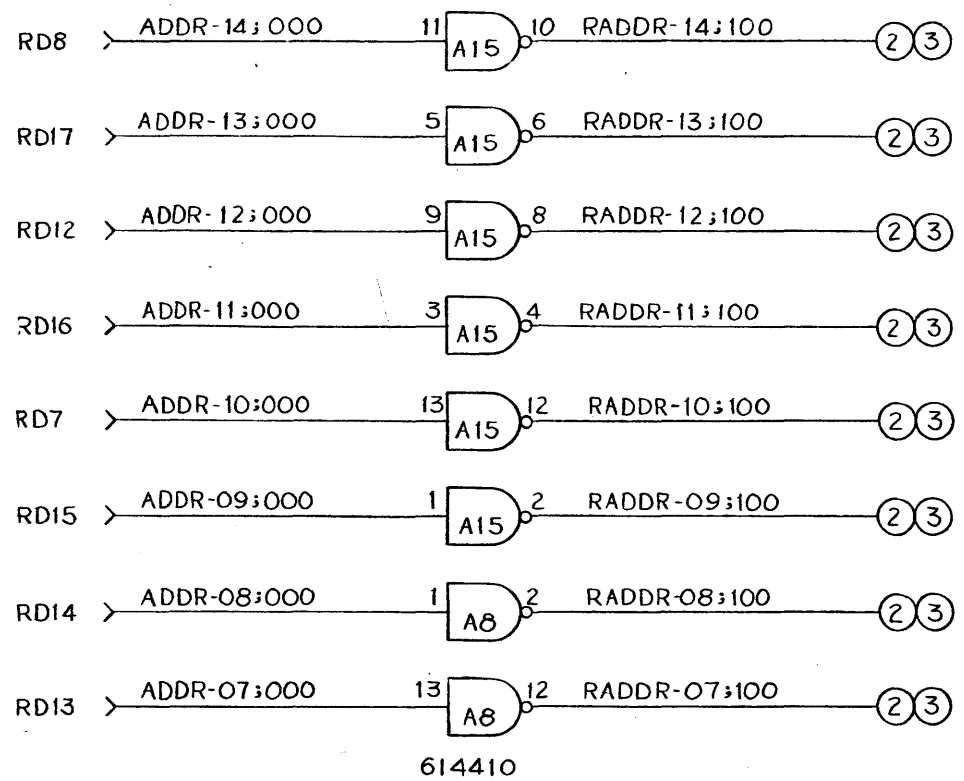
58003558

REV	AUTHORITY	DATE			SIGNATURE	DWG. SHEET													
		YR	MO	DAY		1	2	3											
A	PROTO REL.	73	08	28	<i>William Solowski</i>	A	A	A											
AI	LEVEL 3 ISSUE PER EWA 23192	76	04	29	<i>L. Roehlke</i>	AI	AI	AI											

FOR CONTINUATION OF REVISION STATUS SEE SHEET

 <p>HONEYWELL INFORMATION SYSTEMS LOC PHOENIX, ARIZONA</p>	MADE BY <i>William Solowski</i> 73 MAR 26	TITLE	LOGIC DIAG. CONTROL STORE PWB		
	APPROVED <i>D. O. E. ...</i> 4/2/76	SIZE	REVISION STATUS FOR	SHEET	REV
	REVISION STATUS FOR EACH PAGE, SHEET OR GROUP IS SHOWN BY LAST ENTRY IN THE CORRESPONDING NUMBERED COLUMN	D	58003558	1/1	AI
	DISTR. C68-26 TOS	NCO	<i>S. ... 4.26.76</i>		

REVISIONS			
REV	AUTHORITY	DATE	SIGNATURE
		YR MO DAY	

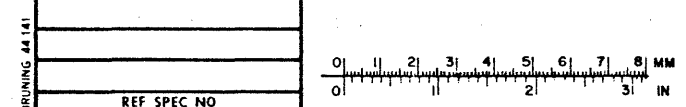


3. FOR TAB 001 USE 'DISC/URC', TAB 002 USE 'URC' AND TAB 003 USE 'MTC 501'.
 2. RECTANGLES REPRESENT BUSS FUNCTIONS.
 1. CAPACITANCE VALUES ARE IN MICROFARDS.
 NOTES: (UNLESS OTHERWISE SPECIFIED)

FOR DOCUMENT STATUS, SEE REVISION STATUS SHEET

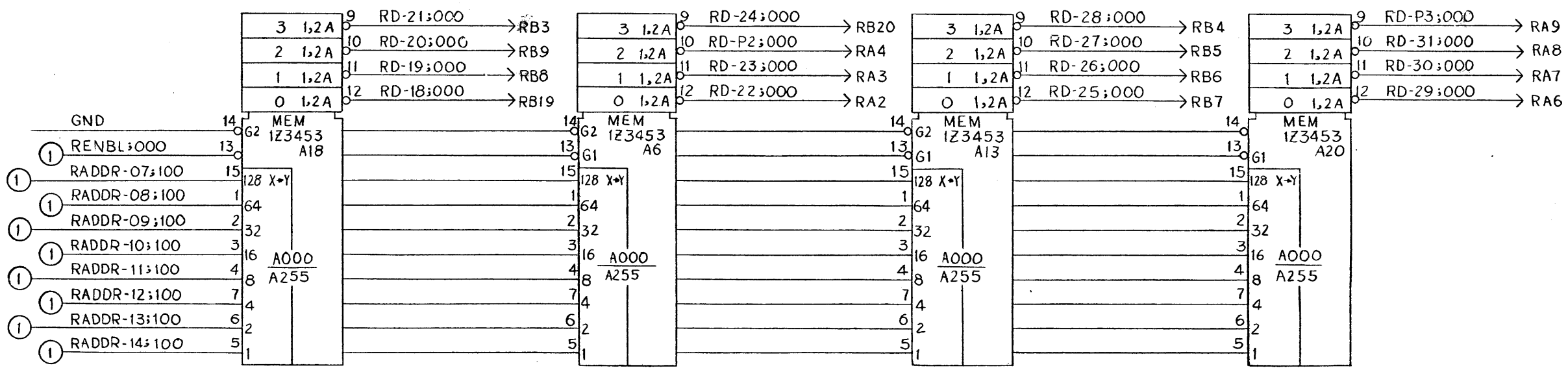
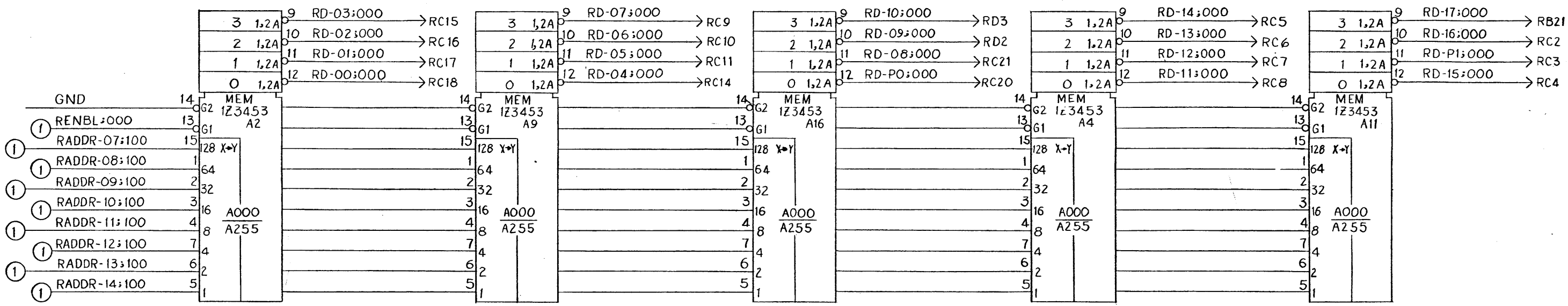
UNLESS OTHERWISE SPECIFIED		MATL	Honeywell	
DIMENSIONS = MILLIMETERS / INCHES		TREAT.	HONEYWELL INFORMATION SYSTEMS PHOENIX, ARIZONA U. S. A.	
TOLERANCE OF SIZE AND FORM PER INITIAL DESIGN PROJECTION		FIN.	LOC PCO	
SCALE CODE		DR 72 DEC. 15 Don English	TITLE LOGIC DIAGRAM CONTROL STORE PWB	
APPROVED: [Signature]		APP'D: [Signature]	SIZE D	DWG NO 58003558
DISTR C68-26 NEO.Tas		SH 1/3	REV A1	

ALL INFORMATION CONTAINED IN THIS DOCUMENT IS PROPRIETARY TO HONEYWELL INFORMATION SYSTEMS AND IS INTENDED FOR INTERNAL HONEYWELL USE ONLY. SUCH INFORMATION MAY BE DISTRIBUTED TO OTHERS ONLY BY WRITTEN PERMISSION OF AN AUTHORIZED HONEYWELL OFFICIAL. THIS RESTRICTION DOES NOT APPLY TO VENDOR PROPRIETARY PARTS THAT MAY BE DISCLOSED IN THIS DOCUMENT.

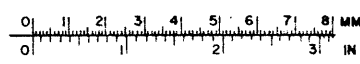


58003558

REV	AUTHORITY	DATE		SIGNATURE
		YR	MO DAY	



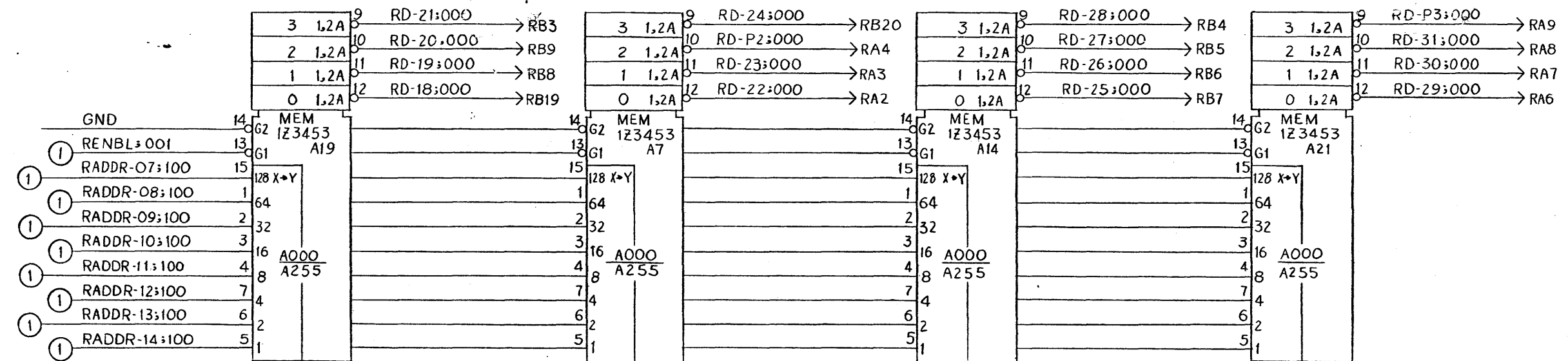
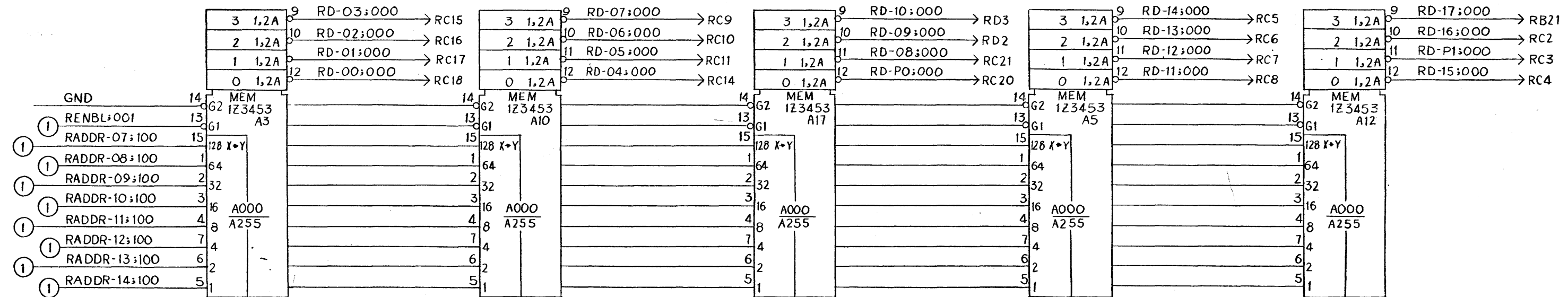
THE INFORMATION CONTAINED IN THIS DOCUMENT IS PROPRIETARY TO HONEYWELL INFORMATION SYSTEMS AND IS INTENDED FOR INTERNAL HONEYWELL USE ONLY. SUCH INFORMATION MAY BE DISTRIBUTED TO OTHERS ONLY BY WRITTEN PERMISSION OF AN AUTHORIZED HONEYWELL OFFICIAL. THIS RESTRICTION DOES NOT APPLY TO VENDOR PROPRIETARY PARTS THAT MAY BE DISCLOSED IN THIS DOCUMENT.



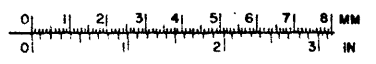
UNLESS OTHERWISE SPECIFIED		MATERIAL		Honeywell HONEYWELL INFORMATION SYSTEMS PHOENIX, ARIZONA U. S. A.	
DIMENSIONS =		TREAT.			
TOLERANCE OF SIZE AND FORM PER		FIN.		TITLE	
INITIAL DESIGN		DR 72 DEC. 18		LOGIC DIAGRAM	
PROJECTION		Don English		CONTROL STORE PWB	
SCALE		APP'D		SIZE	
CODE		DISTR C68-26 Neo, Tos		DWG NO	
				D 58003558	
				SH	
				REV	
				2 A1	

58003558

REVISIONS				
REV	AUTHORITY	DATE		SIGNATURE
		YR	MO DAY	

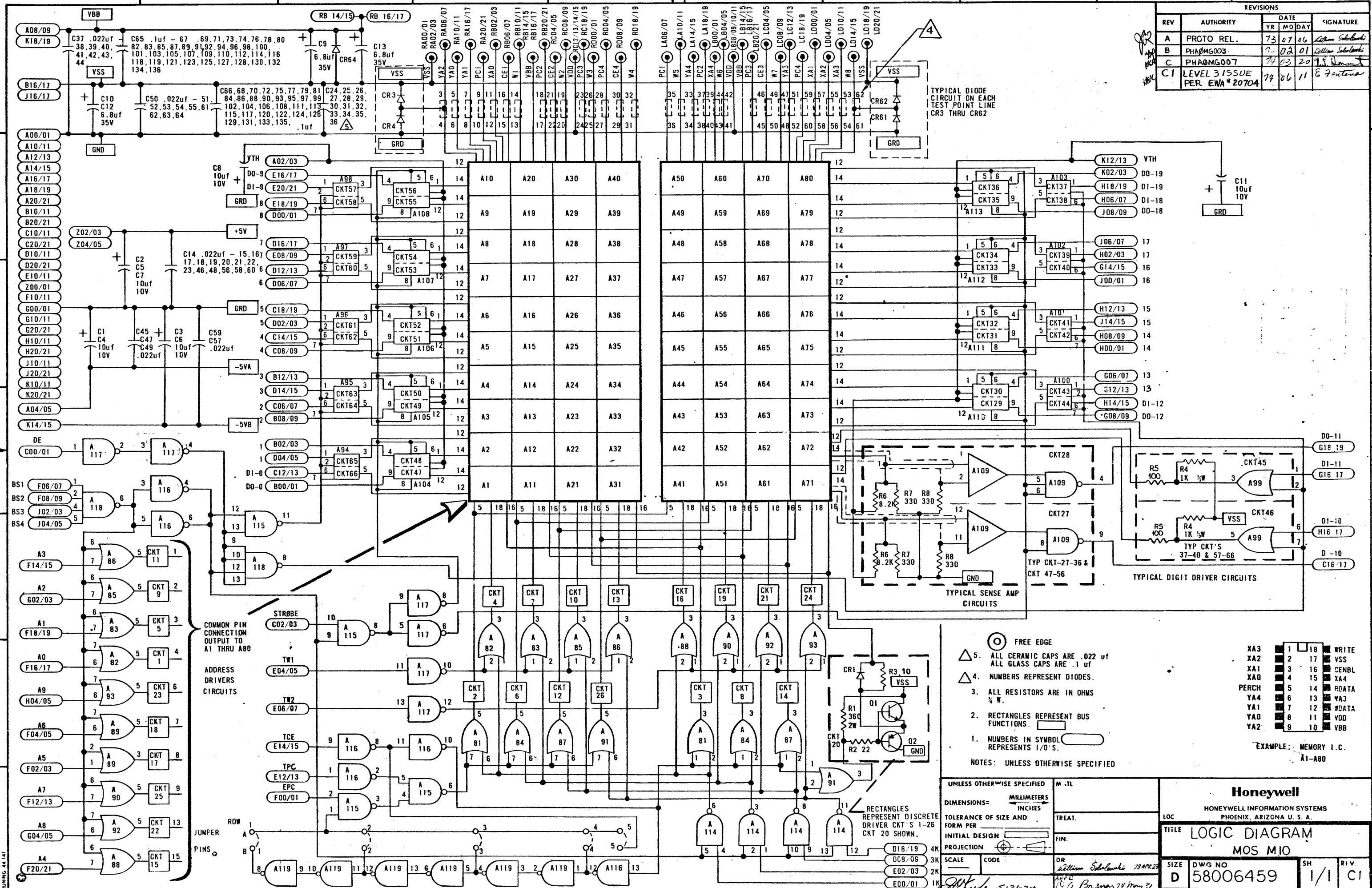


INFORMATION CONTAINED IN THIS DOCUMENT IS PROPRIETARY TO HONEYWELL INFORMATION SYSTEMS AND IS INTENDED FOR INTERNAL USE ONLY. IT IS THE POLICY OF HONEYWELL TO PROTECT THIS INFORMATION FROM DISCLOSURE TO UNAUTHORIZED PERSONNEL. THIS INFORMATION DOES NOT APPLY TO VENDOR PROPRIETARY PARTS THAT MAY BE DISCLOSED IN THIS DOCUMENT.



UNLESS OTHERWISE SPECIFIED DIMENSIONS= MILLIMETERS INCHES	MATL	Honeywell HONEYWELL INFORMATION SYSTEMS PHOENIX, ARIZONA U. S. A.
TOLERANCE OF SIZE AND FORM PER	TREAT.	
INITIAL DESIGN	FIN.	
PROJECTION	SCALE	TITLE LOGIC DIAGRAM CONTROL STORE PWB
CODE	DR 72 DEC 18	SIZE D DWG NO 58003558 SH 3F REV A1
APP'D		DISTRIBUTION

REVISIONS						
REV	AUTHORITY	DATE	YR	MO	DAY	SIGNATURE
A	PROTO REL.	73	07	26		William Sobolewski
B	PHAM0G003	74	03	01		William Sobolewski
C	PHAM0G007	74	03	20		William Sobolewski
CI	LEVEL 3 ISSUE PER EWA # 20704	74	06	11		E Fontana



THIS DOCUMENT CONTAINS PROPRIETARY INFORMATION OF HONEYWELL INFORMATION SYSTEMS AND IS INTENDED FOR INTERNAL HONEYWELL USE ONLY. IT IS NOT TO BE DISTRIBUTED TO OTHERS WITHOUT THE WRITTEN PERMISSION OF AN AUTHORIZED HONEYWELL OFFICIAL. THIS RESTRICTION DOES NOT APPLY TO VENDOR PROPRIETARY PARTS THAT MAY BE DISCLOSED IN THIS DOCUMENT.

58006459

THE INFORMATION CONTAINED IN THIS DOCUMENT IS PROPRIETARY TO HONEYWELL INFORMATION SYSTEMS INC. AND IS INTENDED FOR INTERNAL HONEYWELL USE ONLY. SUCH INFORMATION MAY BE DISTRIBUTED TO OTHERS BY WRITTEN PERMISSION OF AN AUTHORIZED HONEYWELL OFFICIAL. THIS RESTRICTION DOES NOT APPLY TO VENDOR PROPRIETARY THAT MAY BE DISCLOSED IN THIS DOCUMENT.

58040457

REV	AUTHORITY	DATE			SIGNATURE	SHEET NUMBERS																		
		YR	MO	DAY		1	2	3	4	5	6	7	8	9	10	11	12	13	14	15	16	17	18	19
A	LEVEL 3 ISSUE	78	06	14	<i>R. L. ...</i>	A	A	A	A	A	A	A	A	A	A	A	A	A	A	A	A	A	A	

FOR CONTINUATION OF REVISION STATUS SEE SHEET 2 F

Honeywell HONEYWELL INFORMATION SYSTEMS PHOENIX, ARIZONA	MADE BY <i>Donnie Carr</i> ^{1978 May 16} APPROVED <i>D. J. ...</i>	TITLE LOGIC DIAGRAM MPCCM		
	REVISION STATUS FOR EACH PAGE, SHEET OR GROUP IS SHOWN BY LAST ENTRY IN THE CORRESPONDING NUMBERED COLUMN	SIZE D	REVISION STATUS FOR 58040457	SHEET 1/2

66-000 A-3 (12-77) DRAWING 44-141 C67-26

THE INFORMATION CONTAINED IN THIS DOCUMENT IS PROPRIETARY TO HONEYWELL INFORMATION SYSTEMS INC. AND IS INTENDED FOR INTERNAL HONEYWELL USE ONLY. SUCH INFORMATION MAY BE DISTRIBUTED TO OTHERS BY WRITTEN PERMISSION OF AN AUTHORIZED HONEYWELL OFFICIAL. THIS RESTRICTION DOES NOT APPLY TO VENDOR PROPRIETARY THAT MAY BE DISCLOSED IN THIS DOCUMENT.

58040457

REV	AUTHORITY	DATE			SIGNATURE	SHEET NUMBERS																		
		YR	MO	DAY		20	21	22																
A	LEVEL 3 ISSUE	78	06	14	<i>R. L. ...</i>	A	A	A																

FOR CONTINUATION OF REVISION STATUS SEE SHEET

Honeywell HONEYWELL INFORMATION SYSTEMS PHOENIX, ARIZONA	MADE BY <i>Donnie Carr</i> ^{1978 May 16} APPROVED <i>D. J. ...</i>	TITLE LOGIC DIAGRAM MPCCM		
	REVISION STATUS FOR EACH PAGE, SHEET OR GROUP IS SHOWN BY LAST ENTRY IN THE CORRESPONDING NUMBERED COLUMN	SIZE D	REVISION STATUS FOR 58040457	SHEET 2F

66-000 A-3 (12-77) DRAWING 44-141 C67-26

THE INFORMATION CONTAINED IN THIS DOCUMENT IS PROPRIETARY TO HONEYWELL INFORMATION SYSTEMS INC. AND IS INTENDED FOR INTERNAL HONEYWELL USE ONLY. SUCH INFORMATION MAY BE DISTRIBUTED TO OTHERS BY WRITTEN PERMISSION OF AN AUTHORIZED HONEYWELL OFFICIAL. THIS RESTRICTION DOES NOT APPLY TO VENDOR PROPRIETARY THAT MAY BE DISCLOSED IN THIS DOCUMENT.

58040457

REV	AUTHORITY	DATE			SIGNATURE	SHEET NUMBERS																					
		YR	MO	DAY		1	2	3	4	5	6	7	8	9	10	11	12	13	14	15	16	17	18	19			
A	LEVEL 3 ISSUE	78	4	14	<i>[Signature]</i>	A	A	A	A	A	A	A	A	A	A	A	A	A	A	A	A	A	A	A	A	A	A

FOR CONTINUATION OF REVISION STATUS SEE SHEET 2 F

Honeywell
HONEYWELL INFORMATION SYSTEMS
PHOENIX, ARIZONA
LOC

MADE BY *Bonnie Carr* May 16 1978
APPROVED *D. G. [Signature]* 8/1/78

REVISION STATUS FOR EACH PAGE, SHEET OR GROUP IS SHOWN BY LAST ENTRY IN THE CORRESPONDING NUMBERED COLUMN

TITLE: LOGIC DIAGRAM MPCCM
SIZE: D REVISION STATUS FOR SHEET: 1/2 REV: A

C67-26

THE INFORMATION CONTAINED IN THIS DOCUMENT IS PROPRIETARY TO HONEYWELL INFORMATION SYSTEMS INC. AND IS INTENDED FOR INTERNAL HONEYWELL USE ONLY. SUCH INFORMATION MAY BE DISTRIBUTED TO OTHERS BY WRITTEN PERMISSION OF AN AUTHORIZED HONEYWELL OFFICIAL. THIS RESTRICTION DOES NOT APPLY TO VENDOR PROPRIETARY THAT MAY BE DISCLOSED IN THIS DOCUMENT.

58040457

REV	AUTHORITY	DATE			SIGNATURE	SHEET NUMBERS																						
		YR	MO	DAY		20	21	22																				
A	LEVEL 3 ISSUE	78	4	14	<i>[Signature]</i>	A	A	A																				

FOR CONTINUATION OF REVISION STATUS SEE SHEET

Honeywell
HONEYWELL INFORMATION SYSTEMS
PHOENIX, ARIZONA
LOC

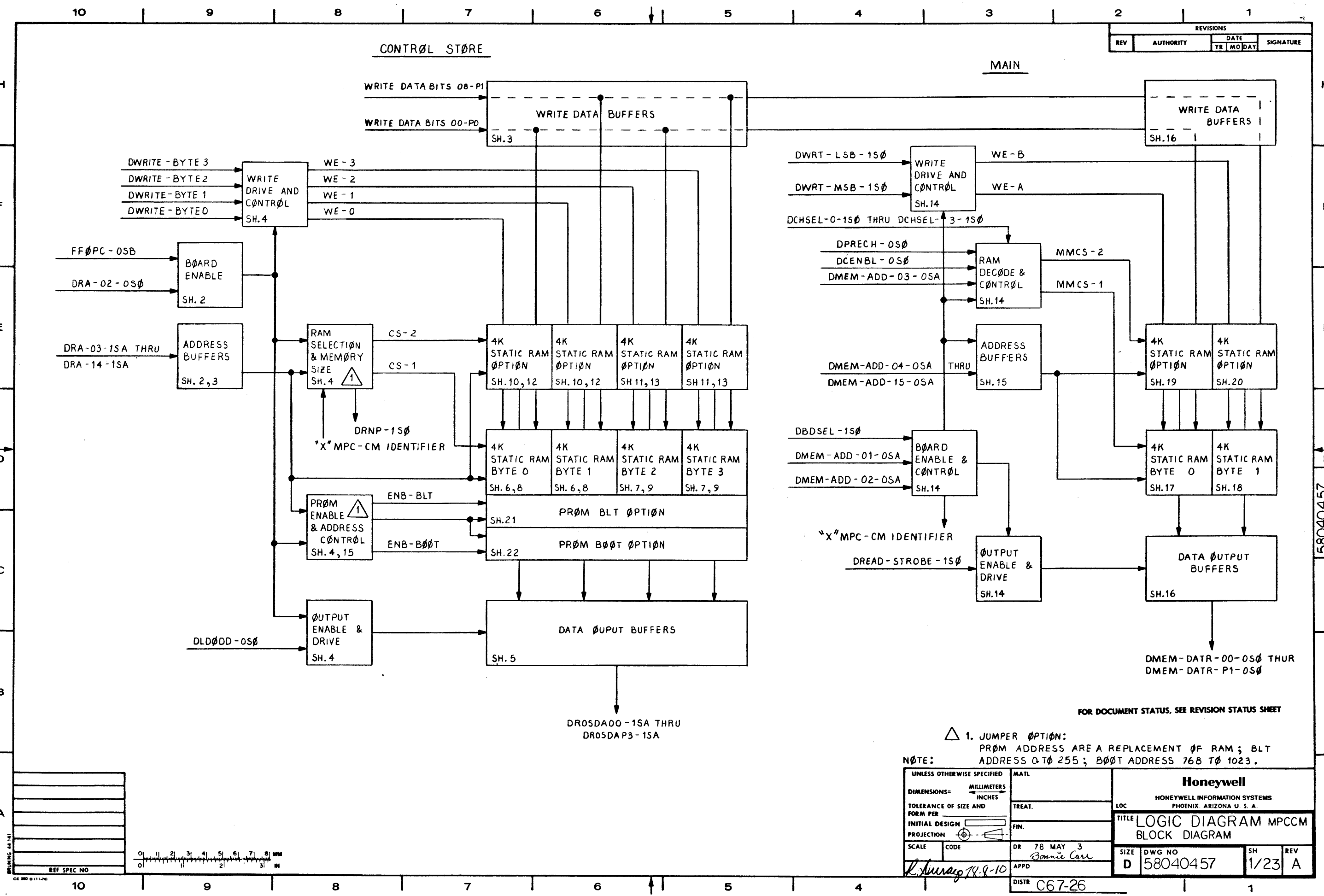
MADE BY *Bonnie Carr* May 16 1978
APPROVED *D. G. [Signature]* 8/1/78

REVISION STATUS FOR EACH PAGE, SHEET OR GROUP IS SHOWN BY LAST ENTRY IN THE CORRESPONDING NUMBERED COLUMN

TITLE: LOGIC DIAGRAM MPCCM
SIZE: D REVISION STATUS FOR SHEET: 2F REV: A

C67-26

THE INFORMATION CONTAINED IN THIS DOCUMENT IS PROPRIETARY TO HONEYWELL INFORMATION SYSTEMS AND IS INTENDED FOR INTERNAL HONEYWELL USE ONLY. SUCH INFORMATION MAY BE DISTRIBUTED TO OTHERS ONLY BY WRITTEN PERMISSION OF AN AUTHORIZED HONEYWELL OFFICIAL. THIS RESTRICTION DOES NOT APPLY TO VENDOR PROPRIETARY PARTS THAT MAY BE DISCLOSED IN THIS DOCUMENT.



REVISONS				
REV	AUTHORITY	DATE		SIGNATURE
		YR	MO DAY	

FOR DOCUMENT STATUS, SEE REVISION STATUS SHEET

NOTE: 1. JUMPER ØPTION: PRØM ADDRESS ARE A REPLACEMENT ØF RAM; BLT ADDRESS 0 TØ 255; BØØT ADDRESS 768 TØ 1023.

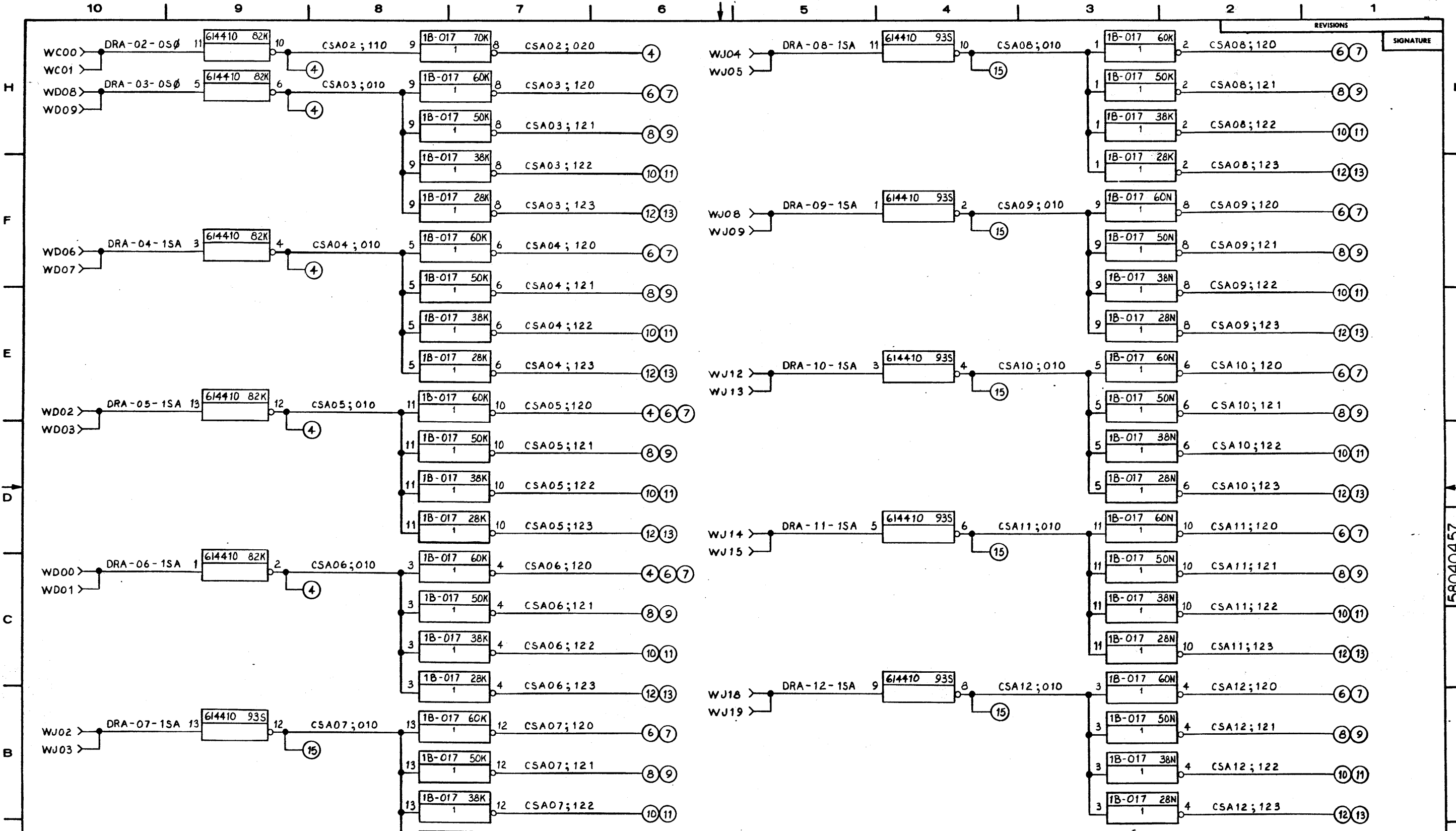
UNLESS OTHERWISE SPECIFIED	MATL	Honeywell		
DIMENSIONS: MILLIMETERS INCHES	TREAT.	HONEYWELL INFORMATION SYSTEMS PHOENIX, ARIZONA U. S. A.		
TOLERANCE OF SIZE AND FORM PER INITIAL DESIGN PROJECTION	FIN.	TITLE LOGIC DIAGRAM MPCCM BLOCK DIAGRAM		
SCALE CODE	DR 78 MAY 3 Bonne Carr	SIZE D	DWG NO 58040457	SH 1/23
APPD <i>R. Surratt 78.8-10</i>		DISTR C67-26	REV A	

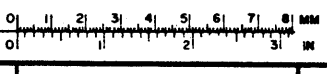


BRUNING 44141
REF SPEC NO

58040457

THE INFORMATION CONTAINED IN THIS DOCUMENT IS PROPRIETARY TO HONEYWELL INFORMATION SYSTEMS AND IS INTENDED FOR INTERNAL HONEYWELL USE ONLY. SUCH INFORMATION MAY BE DISTRIBUTED TO OTHERS ONLY BY WRITTEN PERMISSION OF AN AUTHORIZED HONEYWELL OFFICIAL. THIS RESTRICTION DOES NOT APPLY TO VENDOR PROPRIETARY PARTS THAT MAY BE DISCLOSED IN THIS DOCUMENT.





UNLESS OTHERWISE SPECIFIED		MATL	Honeywell HONEYWELL INFORMATION SYSTEMS PHOENIX, ARIZONA U. S. A.	
DIMENSIONS=	MILLIMETERS INCHES	TREAT.		
TOLERANCE OF SIZE AND		FIN.	TITLE	
FORM PER			LOGIC DIAGRAM MPCM	
INITIAL DESIGN		DR 78 APRIL 7 Bonnie Carr	SIZE	
PROJECTION		APPD	DWG NO	
SCALE	CODE		58040457	
			SH	
			2	
			REV	
			A	
			DISTR C67-26	

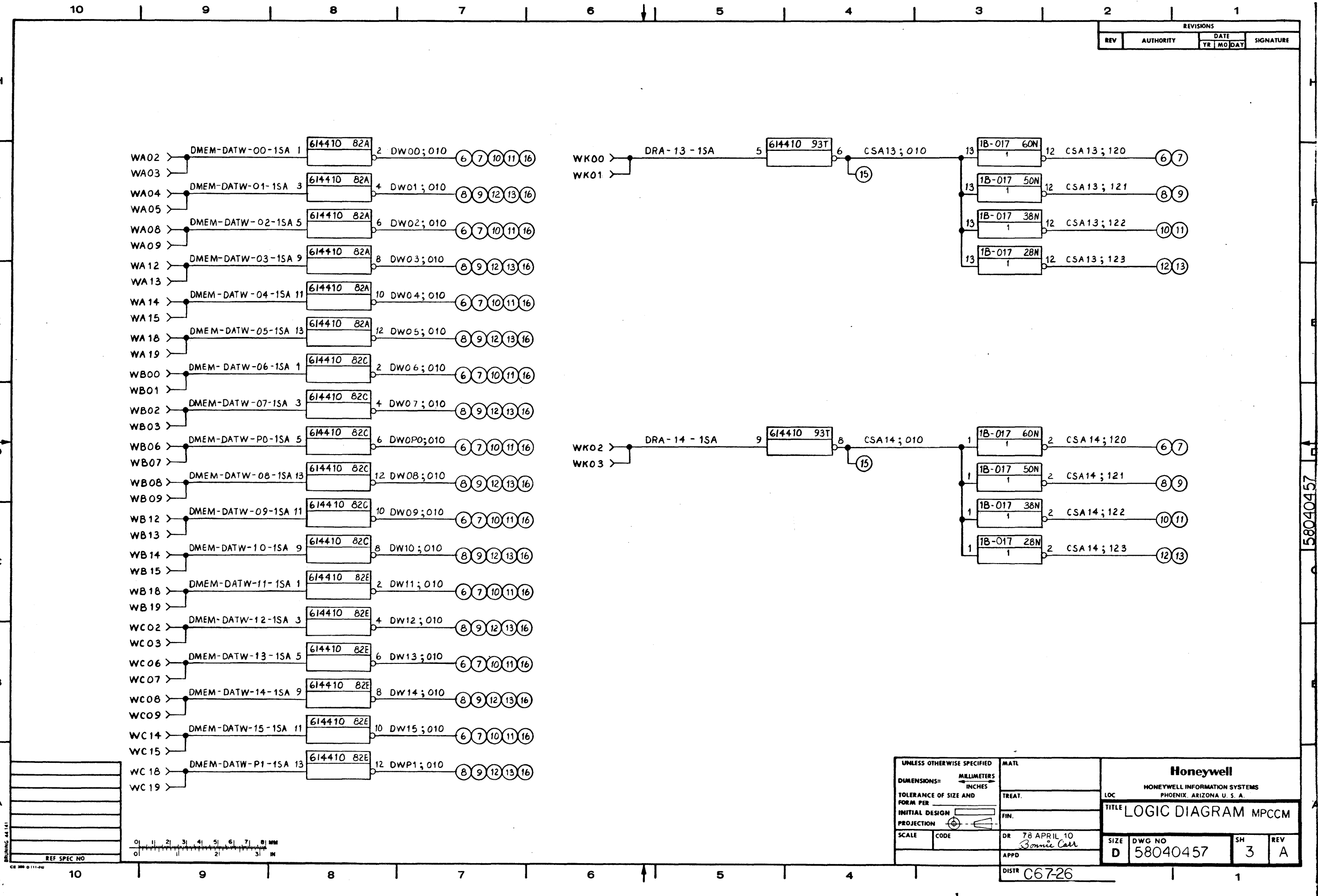
58040457

SIGNATURE

REVISIONS

REVISIONS				
REV	AUTHORITY	DATE	SIGNATURE	
		YR MO DAY		

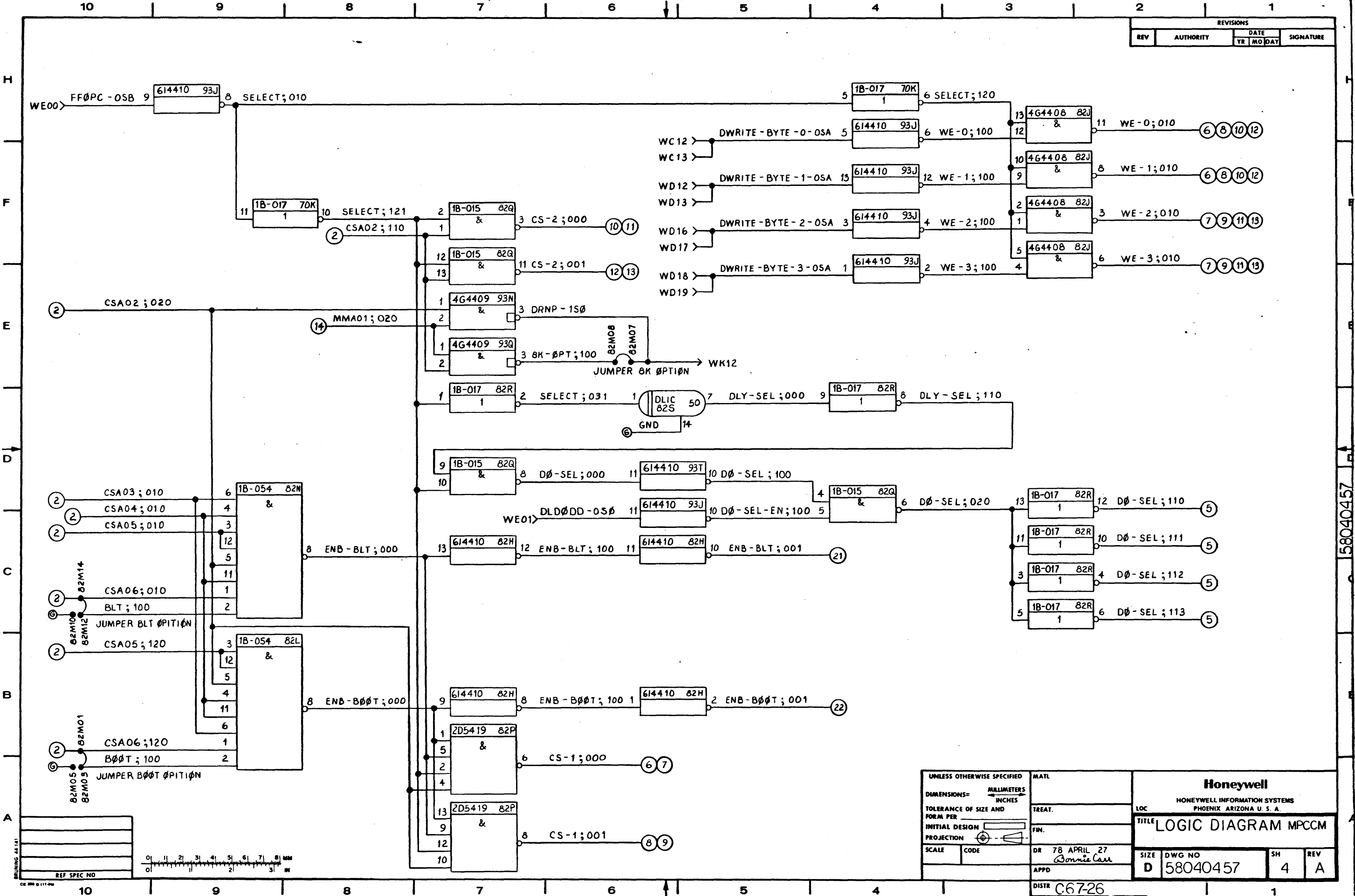
THE INFORMATION CONTAINED IN THIS DOCUMENT IS PROPRIETARY TO HONEYWELL INFORMATION SYSTEMS AND IS INTENDED FOR INTERNAL HONEYWELL USE ONLY. SUCH INFORMATION MAY BE DISTRIBUTED TO OTHERS ONLY BY WRITTEN PERMISSION OF AN AUTHORIZED HONEYWELL OFFICIAL. THIS RESTRICTION DOES NOT APPLY TO VENDOR PROPRIETARY PARTS THAT MAY BE DISCLOSED IN THIS DOCUMENT.



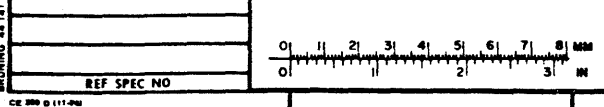
58040457

UNLESS OTHERWISE SPECIFIED		MATL	Honeywell HONEYWELL INFORMATION SYSTEMS PHOENIX, ARIZONA U. S. A.	
DIMENSIONS: $\frac{M}{I}$		TREAT.		
TOLERANCE OF SIZE AND FORM PER INITIAL DESIGN		FIN.	LOC	
PROJECTION			TITLE LOGIC DIAGRAM MPCCM	
SCALE	CODE	DR 78 APRIL 10 <i>Bonnie Carr</i>	SIZE D	DWG NO 58040457
		APPD	SH 3	REV A
		DISTR C67-26	1	

REVISIONS				
REV	AUTHORITY	DATE	SIGNATURE	
		YR MO DAY		



THE INFORMATION CONTAINED IN THIS DOCUMENT IS PROPRIETARY TO HONEYWELL INFORMATION SYSTEMS AND IS INTENDED FOR INTERNAL HONEYWELL USE ONLY. SUCH INFORMATION MAY BE DISTRIBUTED TO OTHERS ONLY BY WRITTEN PERMISSION OF AN AUTHORIZED HONEYWELL OFFICIAL. THIS RESTRICTION DOES NOT APPLY TO VENDOR PROPRIETARY PARTS THAT MAY BE DISCLOSED IN THIS DOCUMENT.

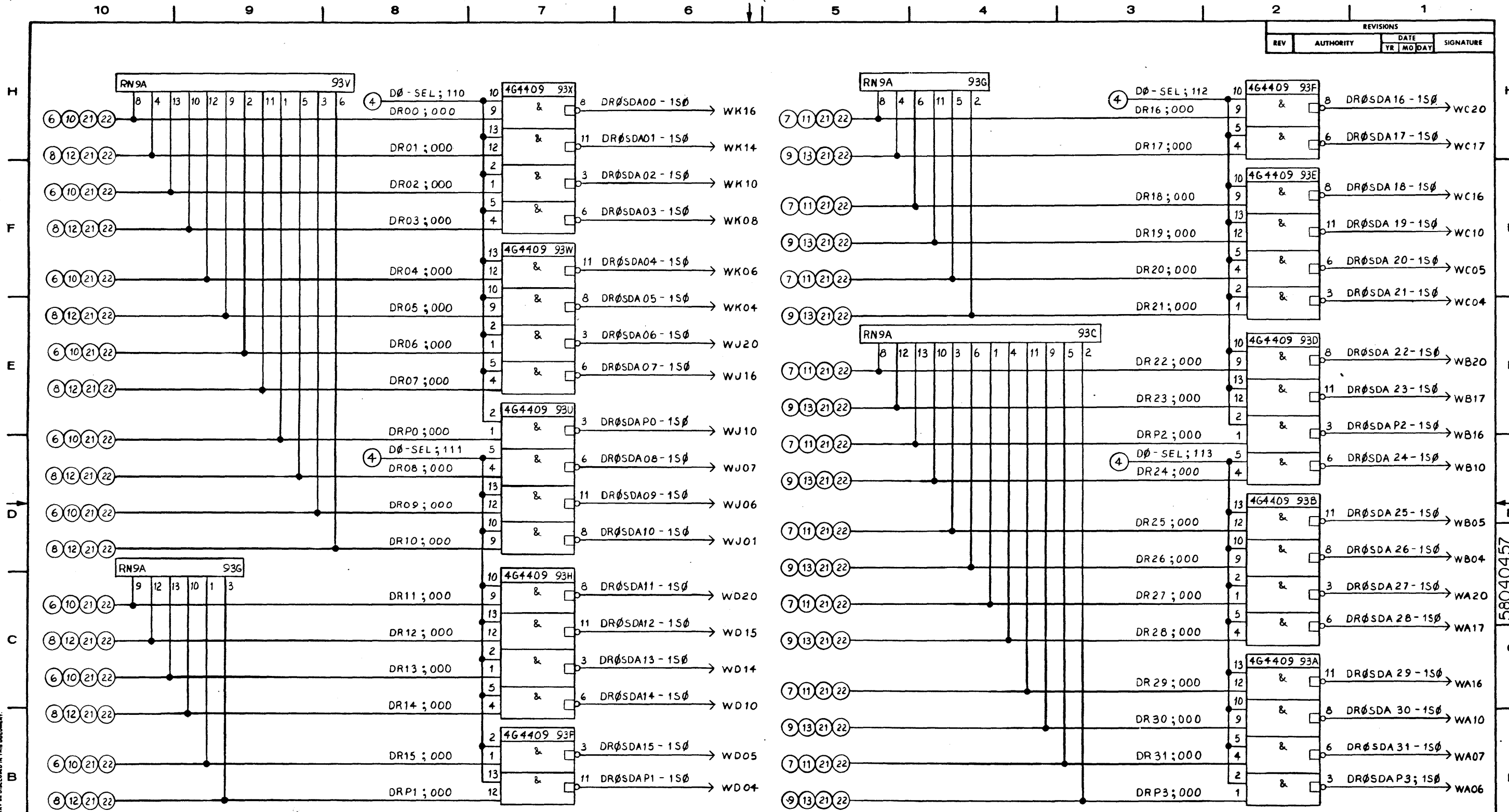


BRUNING 44 141
REF SPEC NO

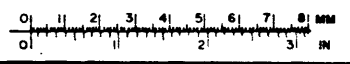
UNLESS OTHERWISE SPECIFIED		MATH		Honeywell HONEYWELL INFORMATION SYSTEMS PHOENIX ARIZONA U. S. A.			
DIMENSIONS = MILLIMETERS		INCHES					
TOLERANCE OF SIZE AND FORM PER INITIAL DESIGN		TREAT.		LOC			
PROJECTION		FIN.		TITLE LOGIC DIAGRAM MPCCM			
SCALE	CODE	DR 78 APRIL 27 Bonnie Carr		SIZE	DWG NO	SH	REV
		APPD		D	58040457	4	A
DISTR C67-26							

58040457

REVISIONS			
REV	AUTHORITY	DATE	SIGNATURE
		YR MO DAY	



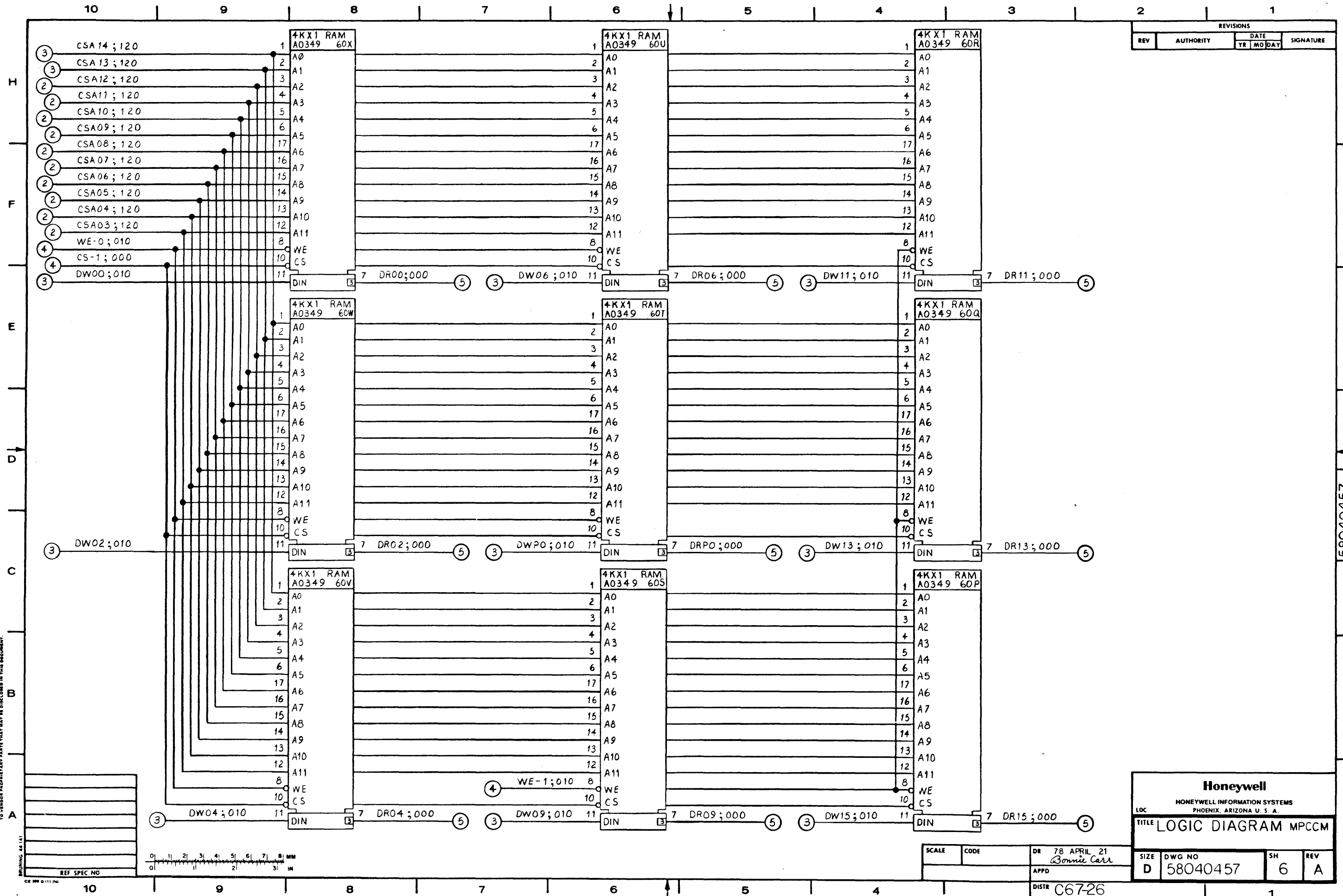
THE INFORMATION CONTAINED IN THIS DOCUMENT IS PROPRIETARY TO HONEYWELL INFORMATION SYSTEMS AND IS INTENDED FOR INTERNAL HONEYWELL USE ONLY. SUCH INFORMATION MAY BE DISTRIBUTED TO OTHERS ONLY BY WRITTEN PERMISSION OF AN AUTHORIZED HONEYWELL OFFICIAL. THIS RESTRICTION DOES NOT APPLY TO VENDOR PROPRIETARY PARTS THAT MAY BE DISCLOSED IN THIS DOCUMENT.



UNLESS OTHERWISE SPECIFIED DIMENSIONS= MILLIMETERS INCHES TOLERANCE OF SIZE AND FORM PER INITIAL DESIGN PROJECTION SCALE CODE	MATL	Honeywell HONEYWELL INFORMATION SYSTEMS PHOENIX, ARIZONA U. S. A. TITLE LOGIC DIAGRAM MPCCM	LOC	SIZE	DWG NO	SH	REV
	TREAT.		FIN.	DR 78 APRIL 12 Bonnie Carr	D	58040457	5
DISTR C67-26							

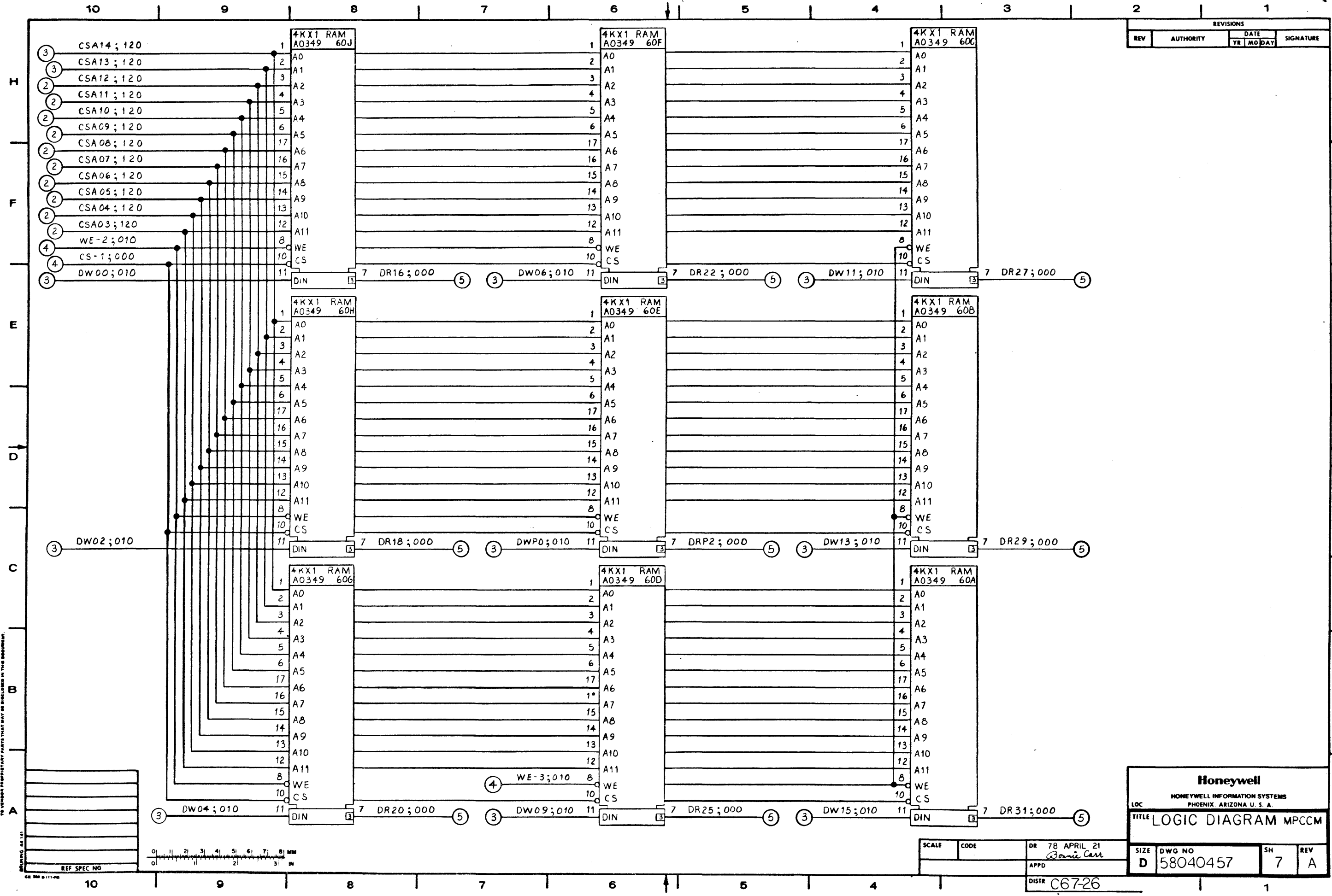
58040457

THE INFORMATION CONTAINED IN THIS DOCUMENT IS PRESENTED IN UNCLASSIFIED FORM AND IS INTENDED FOR INTERNAL HONEYWELL USE ONLY. SUCH INFORMATION MAY BE DISTRIBUTED TO OTHERS ONLY BY WRITERS MEMBERS OF AN AUTHORIZED HONEYWELL OFFICE. THIS RESTRICTION DOES NOT APPLY TO VENDOR PROPRIETARY PARTS THAT MAY BE DISCLOSED IN THIS DOCUMENT.

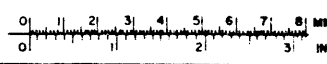


58040457

THIS INFORMATION CONTAINED IN THIS DOCUMENT IS PROPRIETARY TO HONEYWELL INFORMATION SYSTEMS AND IS INTENDED FOR INTERNAL HONEYWELL USE ONLY. NO OTHER INFORMATION MAY BE DISCLOSED TO OTHERS OR BY OTHER MEANS WITHOUT THE WRITTEN PERMISSION OF AN AUTHORIZED HONEYWELL OFFICIAL. THIS RESTRICTION DOES NOT APPLY TO VENDOR PROPRIETARY PARTS THAT MAY BE DISCLOSED IN THIS DOCUMENT.



REVISIONS				
REV	AUTHORITY	DATE	SIGNATURE	
		YR MO DAY		



SCALE	CODE	DR 78 APRIL 21 Boni Carr
APPD		DISTR C67-26

Honeywell
 HONEYWELL INFORMATION SYSTEMS
 PHOENIX, ARIZONA U. S. A.

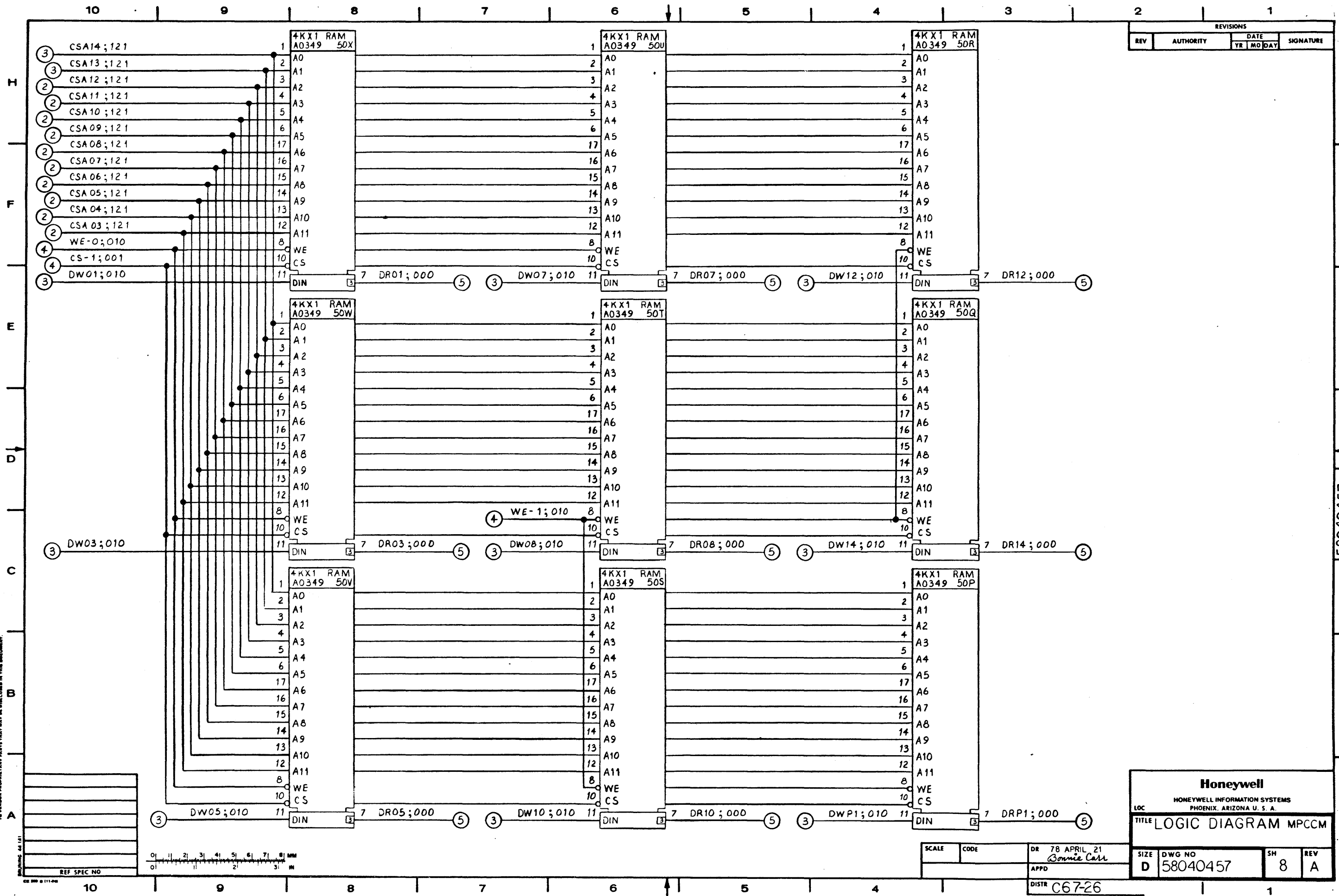
LOC
 TITLE LOGIC DIAGRAM MPCCM

SIZE D	DWG NO 58040457	SH 7	REV A
-----------	--------------------	---------	----------

58040457

THE INFORMATION CONTAINED IN THIS DOCUMENT IS PROPRIETARY TO HONEYWELL INFORMATION SYSTEMS AND IS UNCLASSIFIED EXCEPT WHERE SHOWN OTHERWISE. IT IS THE POLICY OF HONEYWELL INFORMATION SYSTEMS TO MAKE SUCH INFORMATION AVAILABLE TO OTHERS ONLY BY WRITTEN PERMISSION OF AN AUTHORIZED HONEYWELL OFFICIAL. THIS RESTRICTION DOES NOT APPLY TO HONEYWELL PROPRIETARY PARTS THAT MAY BE DISCLOSED IN THIS DOCUMENT.

REVISIONS				
REV	AUTHORITY	DATE		SIGNATURE
		YR	MO DAY	



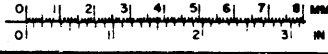
Honeywell

HONEYWELL INFORMATION SYSTEMS
PHOENIX, ARIZONA U. S. A.

LOC: **LOGIC DIAGRAM MPCCM**

SIZE	DWG NO	SH	REV
D	58040457	8	A

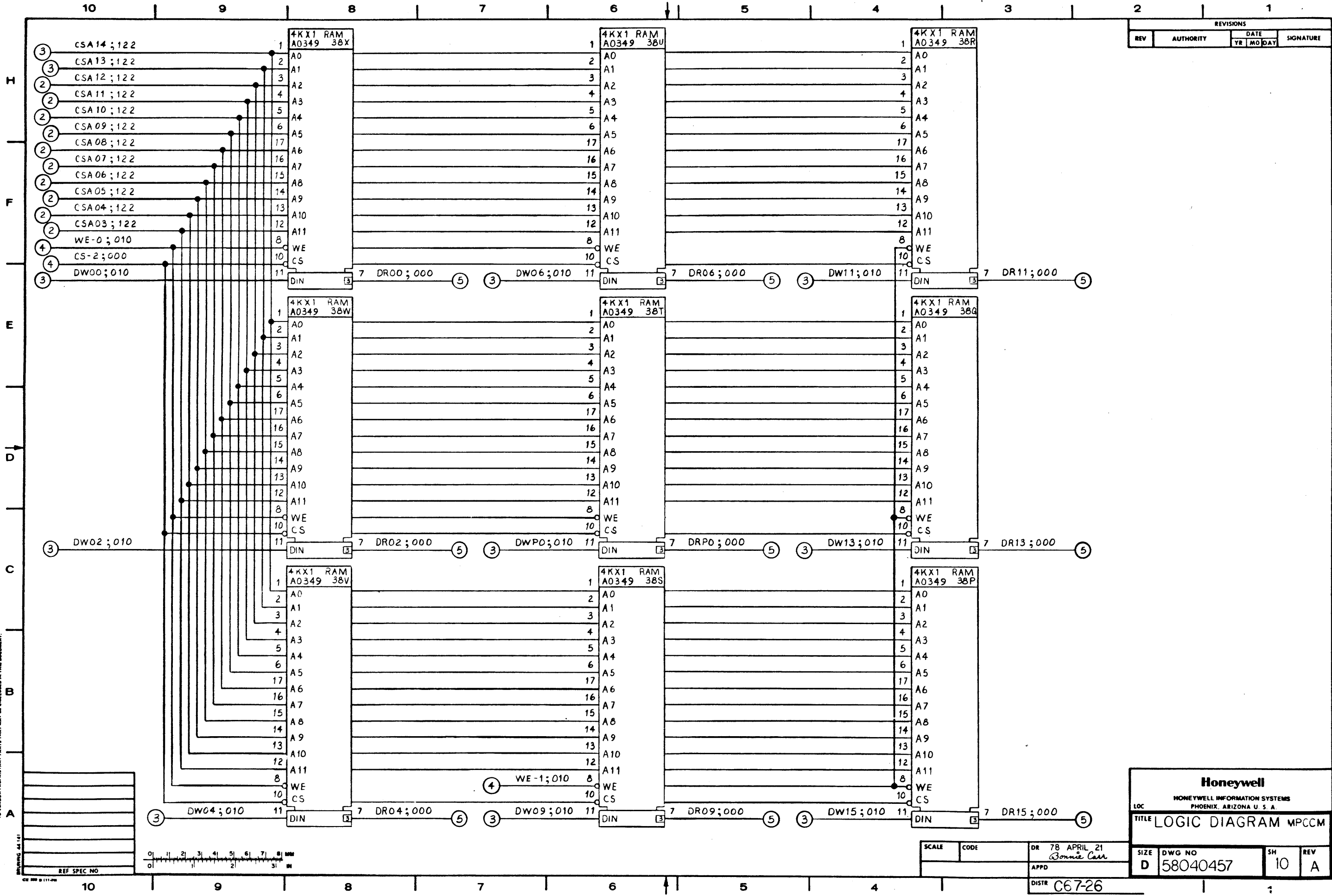
SCALE: CODE: DR 78 APRIL 21
Bonnie Call
 APPD: DISTR C67-26



58040457

REVISIONS				
REV	AUTHORITY	DATE		SIGNATURE
		YR	MO DAY	

THE INFORMATION CONTAINED IN THIS DOCUMENT IS PROPRIETARY TO HONEYWELL INFORMATION SYSTEMS AND IS INTENDED FOR INTERNAL USE ONLY. SUCH INFORMATION MAY BE DISTRIBUTED TO OTHERS ONLY BY WRITTEN PERMISSION OF AN AUTHORIZED HONEYWELL OFFICIAL. THIS RESTRICTION DOES NOT APPLY TO VENDOR PROPRIETARY PARTS THAT MAY BE ENCLOSED IN THIS DOCUMENT.



Honeywell
 HONEYWELL INFORMATION SYSTEMS
 PHOENIX, ARIZONA U. S. A.

LOC
 TITLE LOGIC DIAGRAM MPCCM

SIZE	DWG NO	SH	REV
D	58040457	10	A

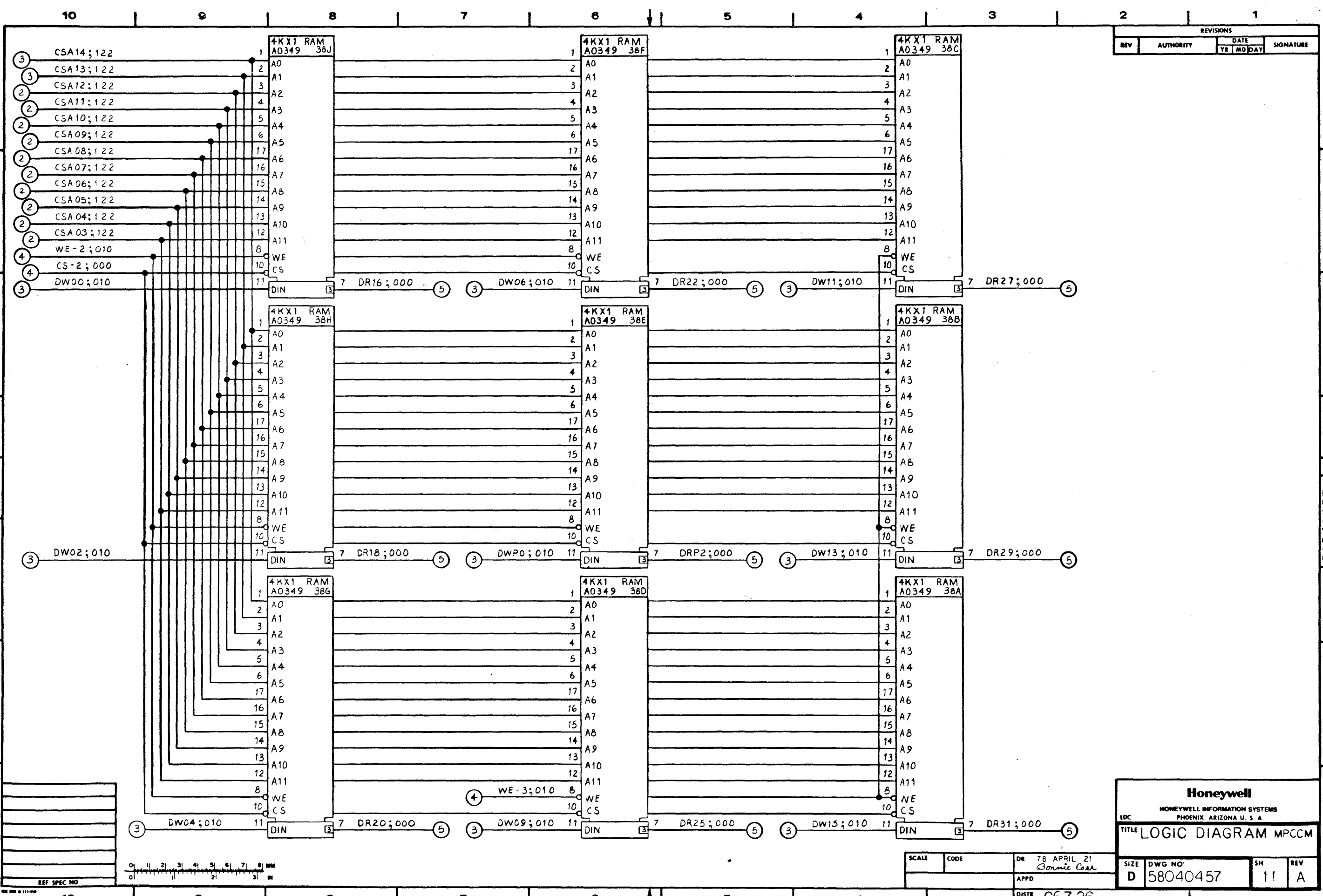
SCALE CODE DR 78 APRIL 21
Bonnie Carr
 APPD
 DISTR C67-26



REF SPEC NO

58040457

REVISIONS			
REV	AUTHORITY	DATE	SIGNATURE
		YE MO DAY	



THE INFORMATION CONTAINED HEREIN IS UNCLASSIFIED EXCEPT WHERE SHOWN OTHERWISE. INFORMATION CONTAINED HEREIN IS UNCLASSIFIED EXCEPT WHERE SHOWN OTHERWISE. THE INFORMATION CONTAINED HEREIN IS UNCLASSIFIED EXCEPT WHERE SHOWN OTHERWISE. THE INFORMATION CONTAINED HEREIN IS UNCLASSIFIED EXCEPT WHERE SHOWN OTHERWISE.

58040457

Honeywell

HONEYWELL INFORMATION SYSTEMS
PHOENIX, ARIZONA U. S. A.

LOC PHOENIX, ARIZONA U. S. A.

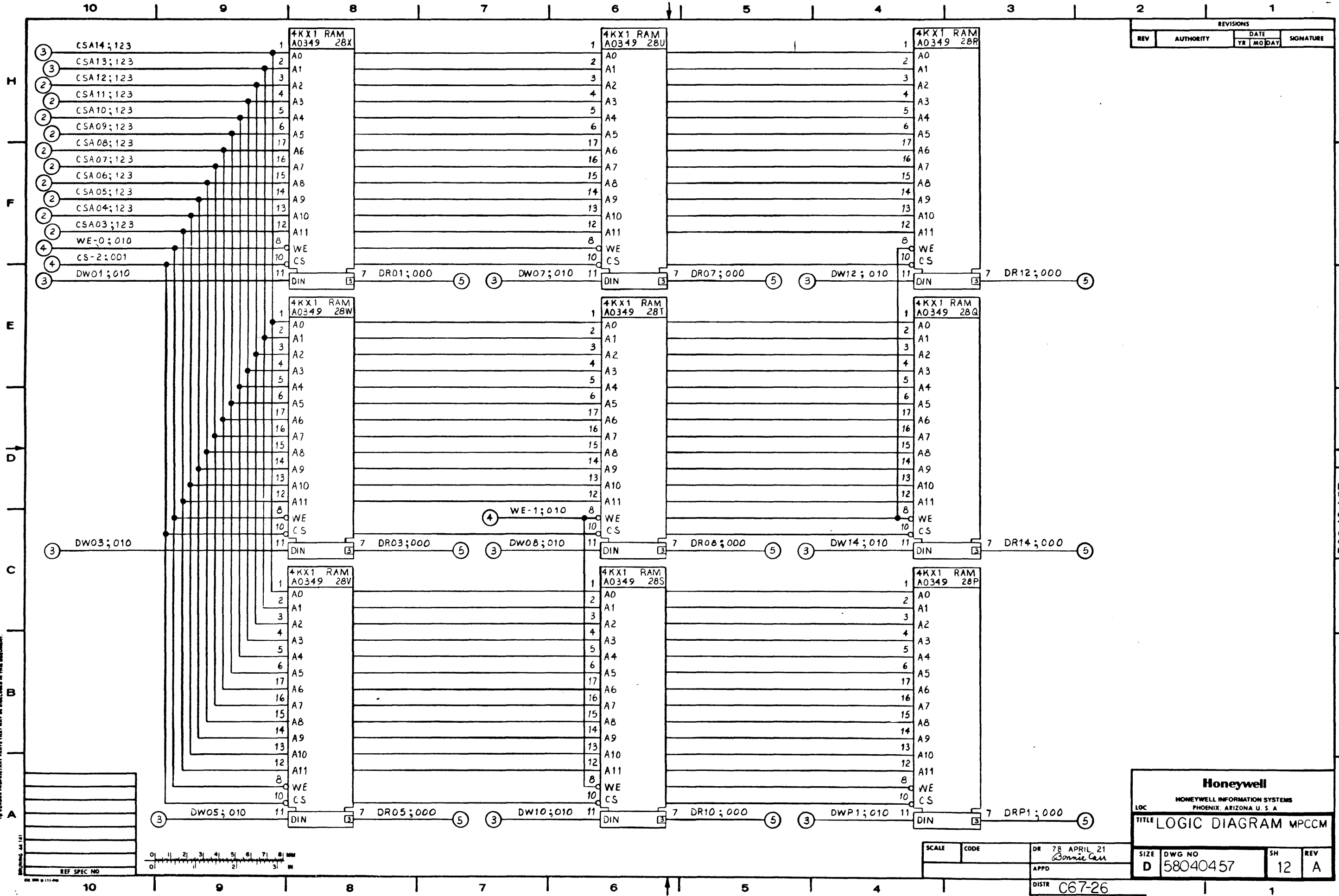
TITLE **LOGIC DIAGRAM MPCCM**

SIZE	DWG NO.	SH	REV
D	58040457	11	A

SCALE CODE DR 78 APRIL 21
APPD *Bonnie Carr*

DISTR C67-26

THE INFORMATION CONTAINED IN THIS DOCUMENT IS PROPRIETARY TO HONEYWELL INFORMATION SYSTEMS AND IS TO BE USED ONLY BY THE PERSONNEL OF HONEYWELL INFORMATION SYSTEMS. THE INFORMATION CONTAINED HEREIN IS UNCLASSIFIED EXCEPT WHERE SHOWN OTHERWISE. THIS DOCUMENT IS UNCLASSIFIED EXCEPT WHERE SHOWN OTHERWISE.



REVISIONS			
REV	AUTHORITY	DATE	SIGNATURE
		YR MO DAY	

Honeywell

HONEYWELL INFORMATION SYSTEMS
PHOENIX, ARIZONA U. S. A.

LOC: PHOENIX, ARIZONA U. S. A.

TITLE: LOGIC DIAGRAM MPCCM

SIZE	DWG NO	SH	REV
D	58040457	12	A

SCALE: _____ CODE: _____

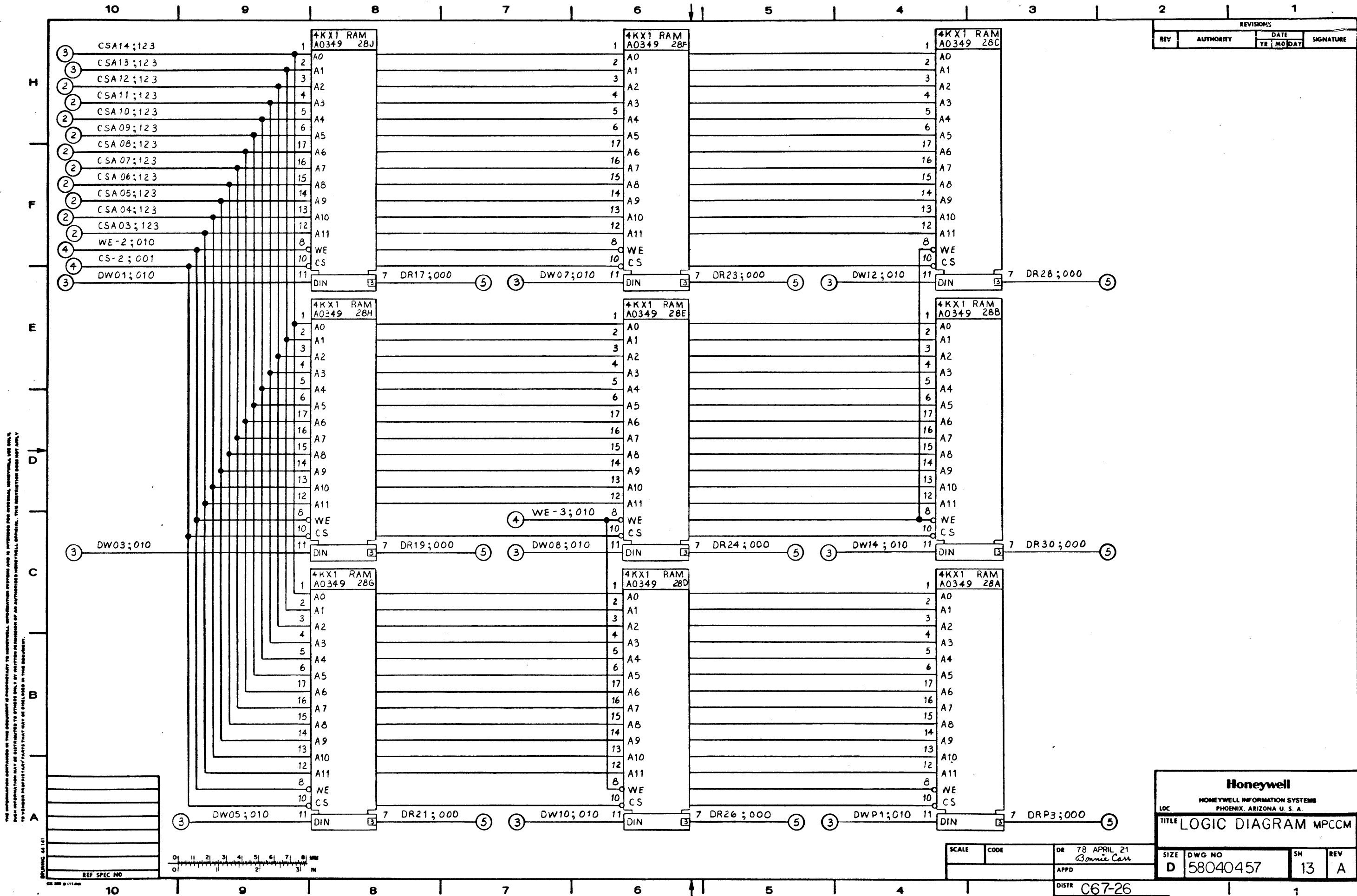
DR: 78 APRIL 21
Bonnie Carr

APPD: _____

DISTR: C67-26

58040457

REVISIONS			
REV	AUTHORITY	DATE	SIGNATURE
		YR MO DAY	



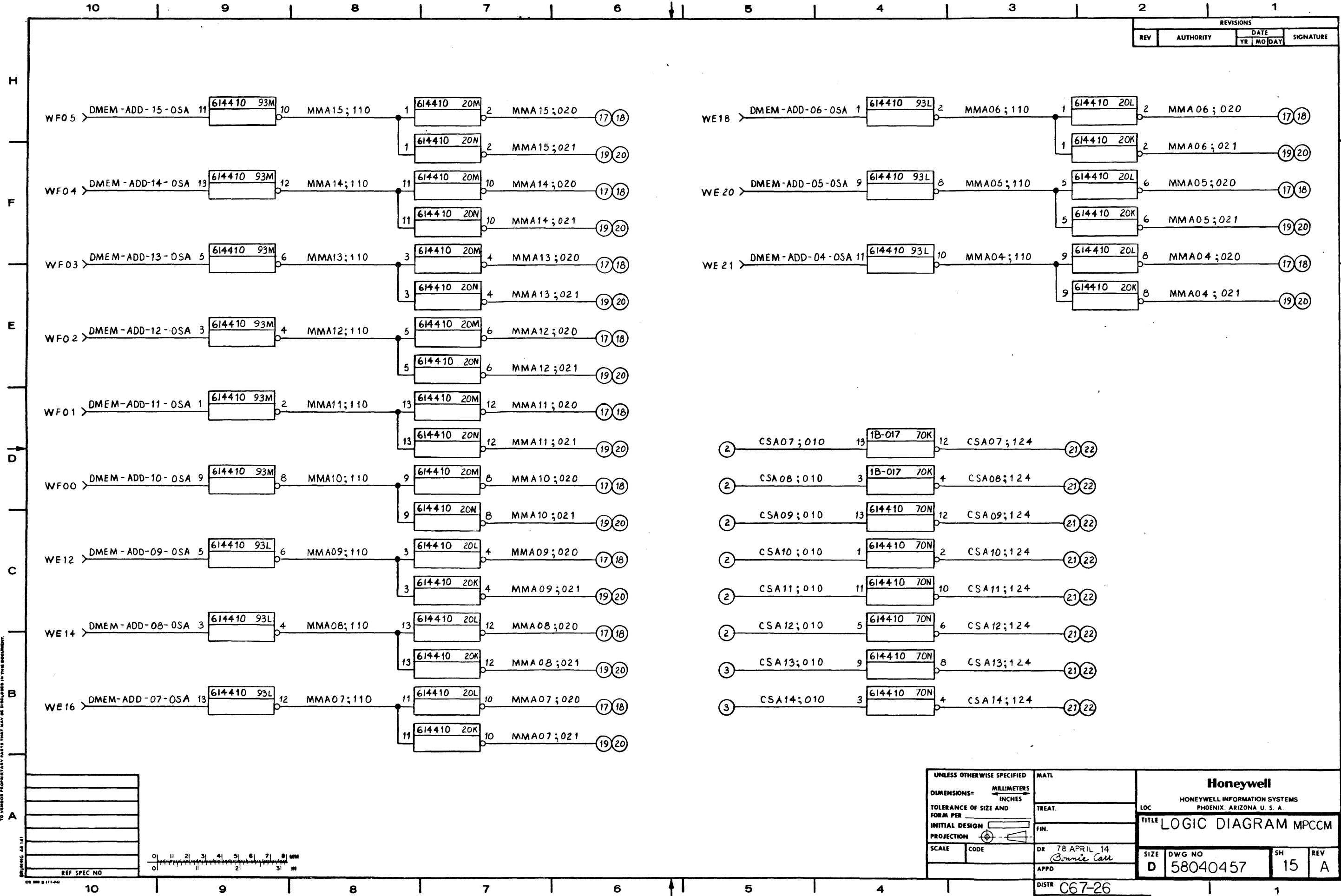
THE INFORMATION CONTAINED IN THIS DOCUMENT IS UNCLASSIFIED EXCEPT WHERE SHOWN OTHERWISE. UNCLASSIFIED INFORMATION MAY BE REPRODUCED AND TRANSMITTED IN ANY FORM AND BY ANY MEANS, ELECTRONIC OR MECHANICAL, INCLUDING PHOTOCOPYING, RECORDING, OR BY ANY INFORMATION STORAGE AND RETRIEVAL SYSTEM. THIS DOCUMENT IS UNCLASSIFIED EXCEPT WHERE SHOWN OTHERWISE.

Honeywell
 HONEYWELL INFORMATION SYSTEMS
 PHOENIX, ARIZONA U. S. A.

LOC _____
 TITLE **LOGIC DIAGRAM MPCCM**

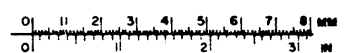
SCALE	CODE	DR 78 APRIL 21 <i>Bonnie Carr</i>	SIZE	DWG NO	SH	REV
		APPD	D	58040457	13	A
DISTR C67-26						

58040457



REVISIONS			
REV	AUTHORITY	DATE YR MO DAY	SIGNATURE

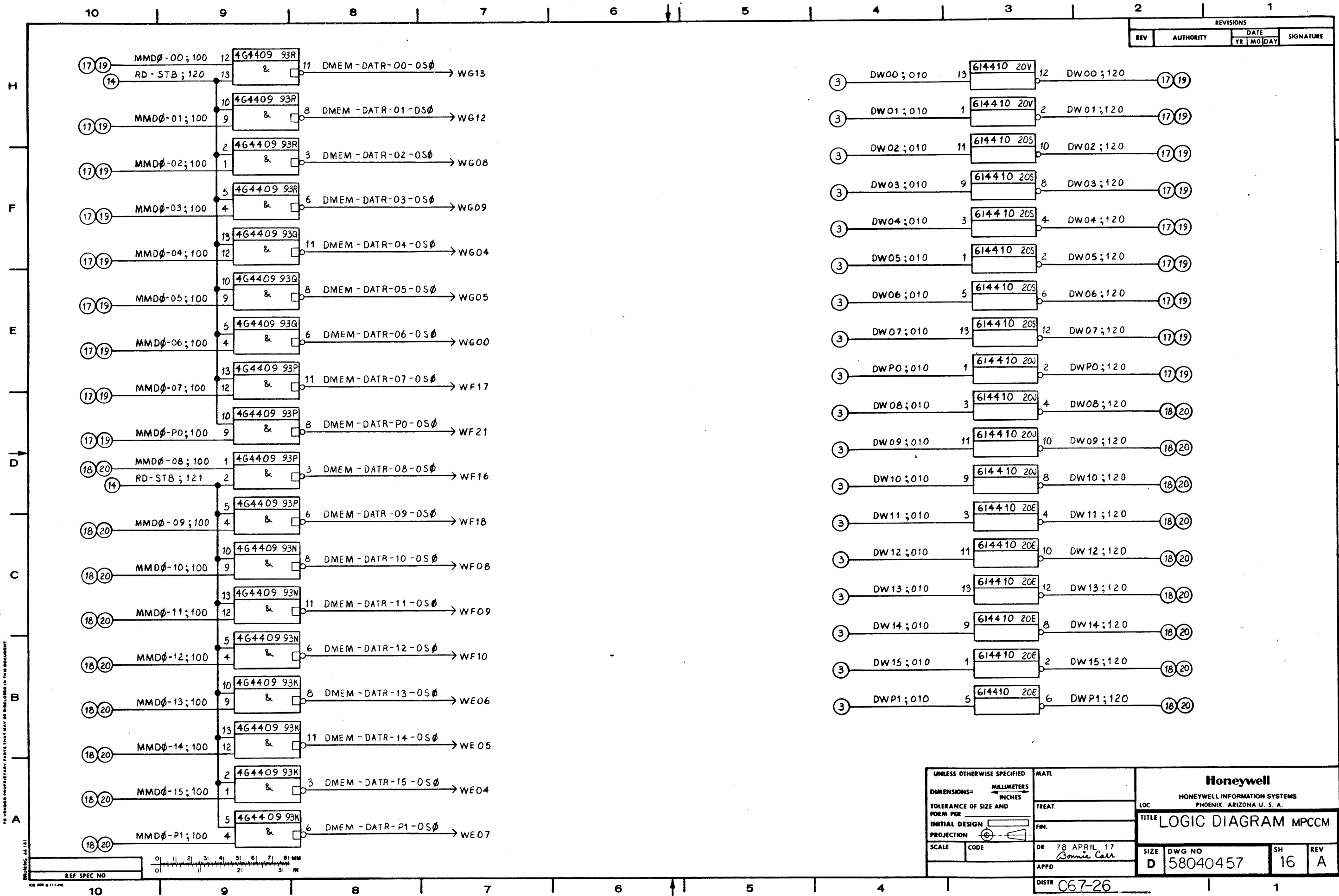
THE INFORMATION CONTAINED IN THIS DOCUMENT IS PROPRIETARY TO HONEYWELL INFORMATION SYSTEMS AND IS INTENDED FOR INTERNAL HONEYWELL USE ONLY. NO INFORMATION SHALL BE DISCLOSED TO OTHERS WITHOUT THE WRITTEN PERMISSION OF AN AUTHORIZED HONEYWELL OFFICIAL. THIS RESTRICTION DOES NOT APPLY TO HONEYWELL EMPLOYEES WHOSE DUTY REQUIRES ACCESS TO THIS DOCUMENT.



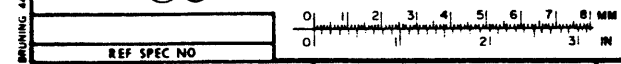
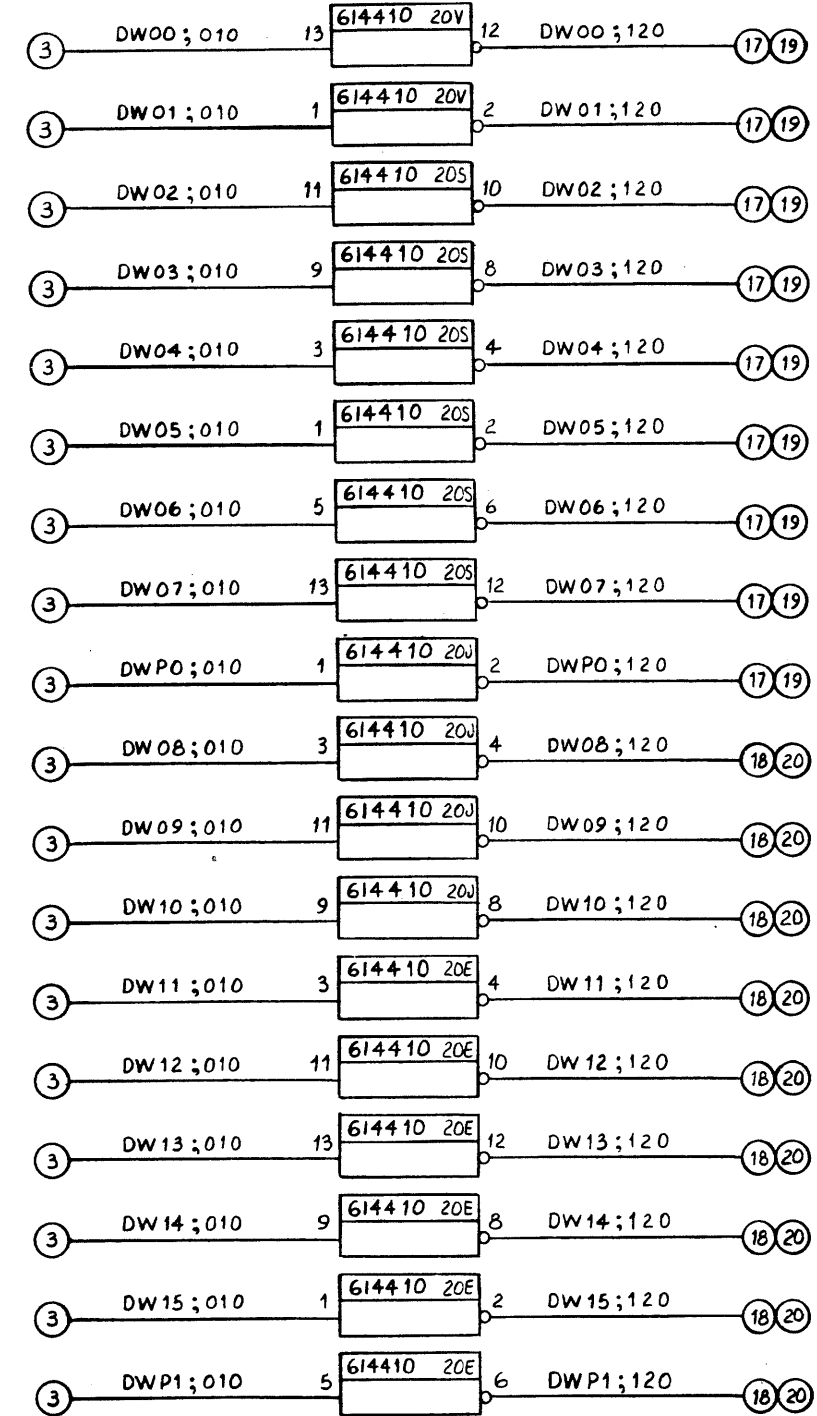
UNLESS OTHERWISE SPECIFIED		MATERIAL	
DIMENSIONS = MILLIMETERS INCHES		TREATMENT	
TOLERANCE OF SIZE AND FORM PER		FINISH	
INITIAL DESIGN PROJECTION		DATE DR 78 APRIL 14 BY Bonnie Call	
SCALE	CODE	APPD	DISTR C67-26
Honeywell HONEYWELL INFORMATION SYSTEMS PHOENIX, ARIZONA U. S. A.			LOC TITLE LOGIC DIAGRAM MPCCM
SIZE D	DWG NO 58040457	SH 15	REV A

58040457

THE INFORMATION CONTAINED IN THIS DOCUMENT IS PROPRIETARY TO HONEYWELL INFORMATION SYSTEMS AND IS INTENDED FOR INTERNAL HONEYWELL USE ONLY. SUCH INFORMATION MAY BE DISTRIBUTED TO OTHERS ONLY BY WRITTEN PERMISSION OF AN AUTHORIZED HONEYWELL OFFICIAL. THIS RESTRICTION DOES NOT APPLY TO UNBORN PROPRIETARY PARTS THAT MAY BE DISCLOSED IN THIS DOCUMENT.



REVISIONS				
REV	AUTHORITY	DATE		SIGNATURE
		YR	MO DAY	

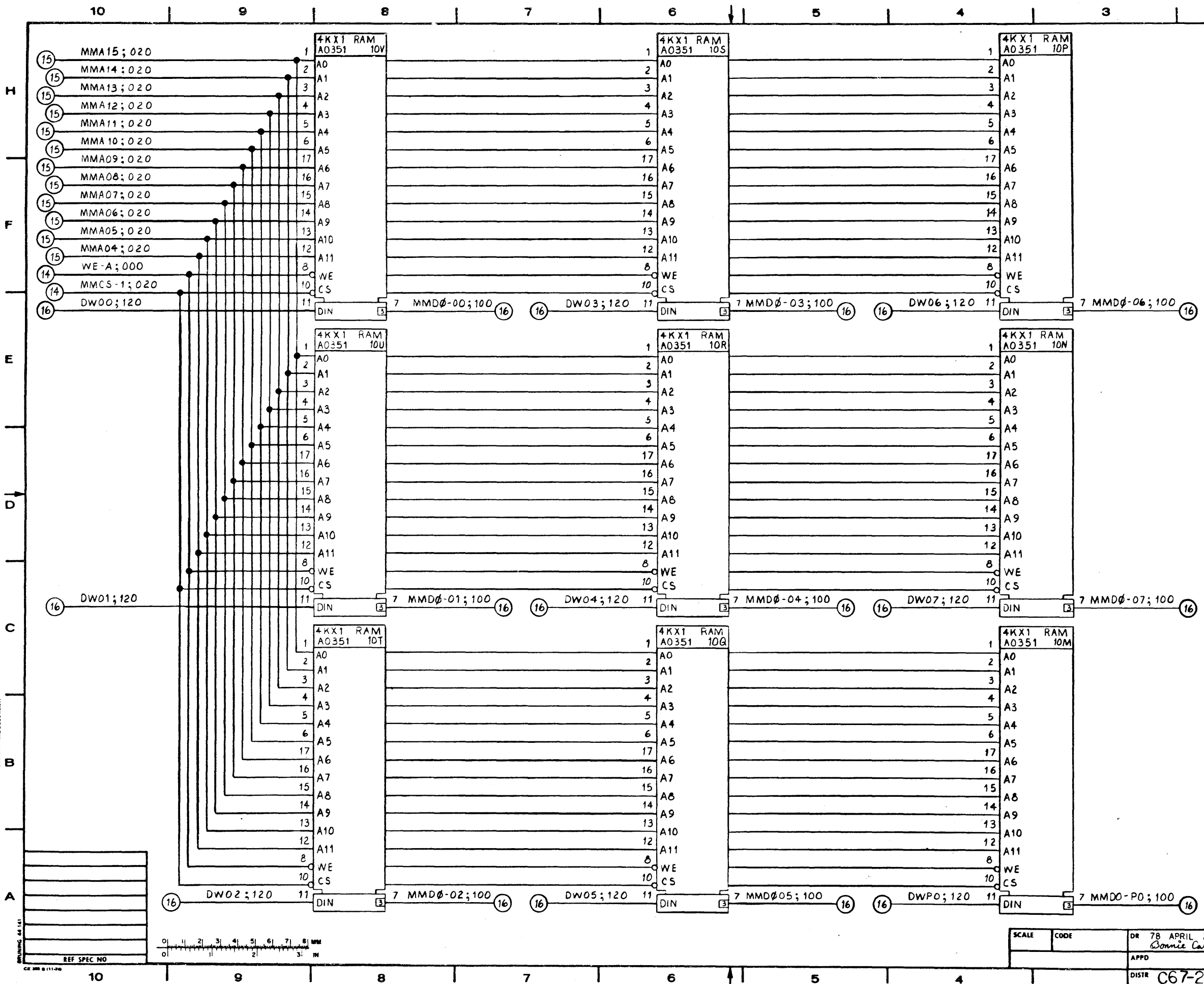


UNLESS OTHERWISE SPECIFIED		MATERIAL		Honeywell HONEYWELL INFORMATION SYSTEMS PHOENIX, ARIZONA U. S. A.	
DIMENSIONS =		TREAT.			
MILLIMETERS		FIN.		LOC	
INCHES		DR 78 APRIL 17		TITLE	
TOLERANCE OF SIZE AND FORM PER		APPD		LOGIC DIAGRAM MPCCM	
INITIAL DESIGN		DR <i>Bonnie Carr</i>		SIZE	
PROJECTION		DISTR C67-26		DWG NO	
SCALE	CODE	REV		SH	
		16		REV	
		A			

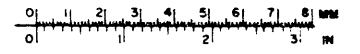
58040457

REVISIONS				
REV	AUTHORITY	DATE		SIGNATURE
		YR	MO/DAY	

THE INFORMATION CONTAINED IN THIS DOCUMENT IS PROPRIETARY TO HONEYWELL INFORMATION SYSTEMS AND IS INTENDED FOR INTERNAL USE ONLY. SUCH INFORMATION MAY BE DISTRIBUTED TO OTHERS ONLY BY WRITTEN PERMISSION OF AN AUTHORIZED HONEYWELL OFFICIAL. THIS RESTRICTION DOES NOT APPLY TO VENDOR PROPRIETARY PARTS THAT MAY BE INCLUDED IN THE DOCUMENT.



REV	DATE	BY	APPD



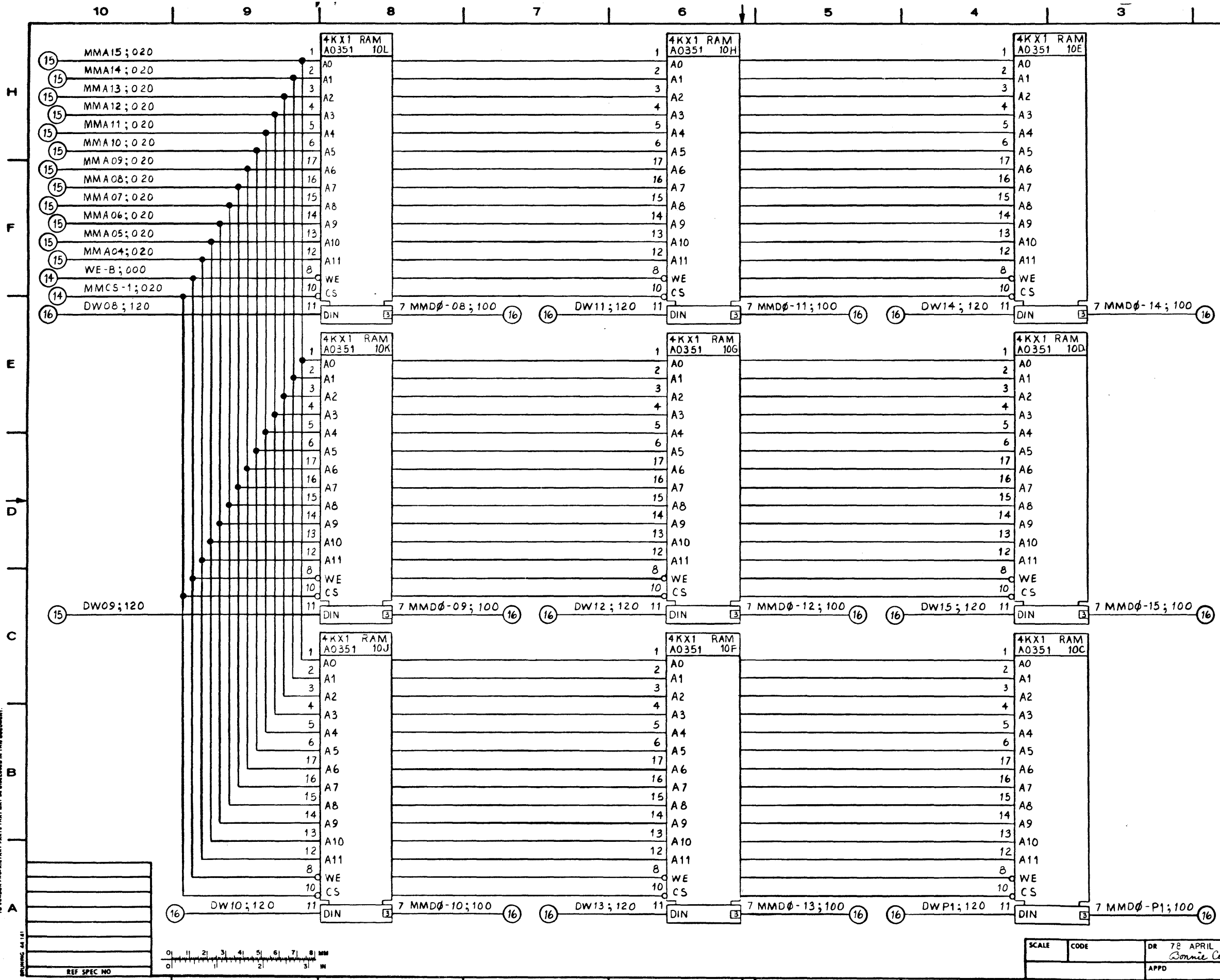
Honeywell			
HONEYWELL INFORMATION SYSTEMS PHOENIX, ARIZONA U. S. A.			
LOC	TITLE		
	LOGIC DIAGRAM MPCCM		
SIZE	DWG NO	SH	REV
D	58040457	17	A

SCALE	CODE	DR	DATE
			78 APRIL 21
			Bonnie Carr
		APPD	
DISTR		C67-26	

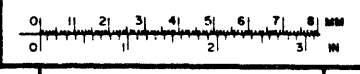
58040457

REVISIONS				
REV	AUTHORITY	DATE		SIGNATURE
		YR	MO DAY	

THE INFORMATION CONTAINED IN THIS DOCUMENT IS PROPRIETARY TO HONEYWELL INFORMATION SYSTEMS AND IS INTENDED FOR INTERNAL HONEYWELL USE ONLY. SUCH INFORMATION MAY BE DISTRIBUTED TO OTHERS ONLY BY WRITTEN PERMISSION OF AN AUTHORIZED HONEYWELL OFFICIAL. THIS RESTRICTION DOES NOT APPLY TO VENDOR PROPRIETARY PARTS THAT MAY BE INCLUDED IN THE EQUIPMENT.



REV	DATE	BY	CHKD	APPD



SCALE: _____ CODE: _____
 DR: 78 APRIL 21
 APPD: *Bonnie Carr*
 DISTR: C67-26

Honeywell
HONEYWELL INFORMATION SYSTEMS
PHOENIX, ARIZONA U. S. A.

LOC: _____
 TITLE: LOGIC DIAGRAM MPCCM
 SIZE: D DWG NO: 58040457 SH: 18 REV: A

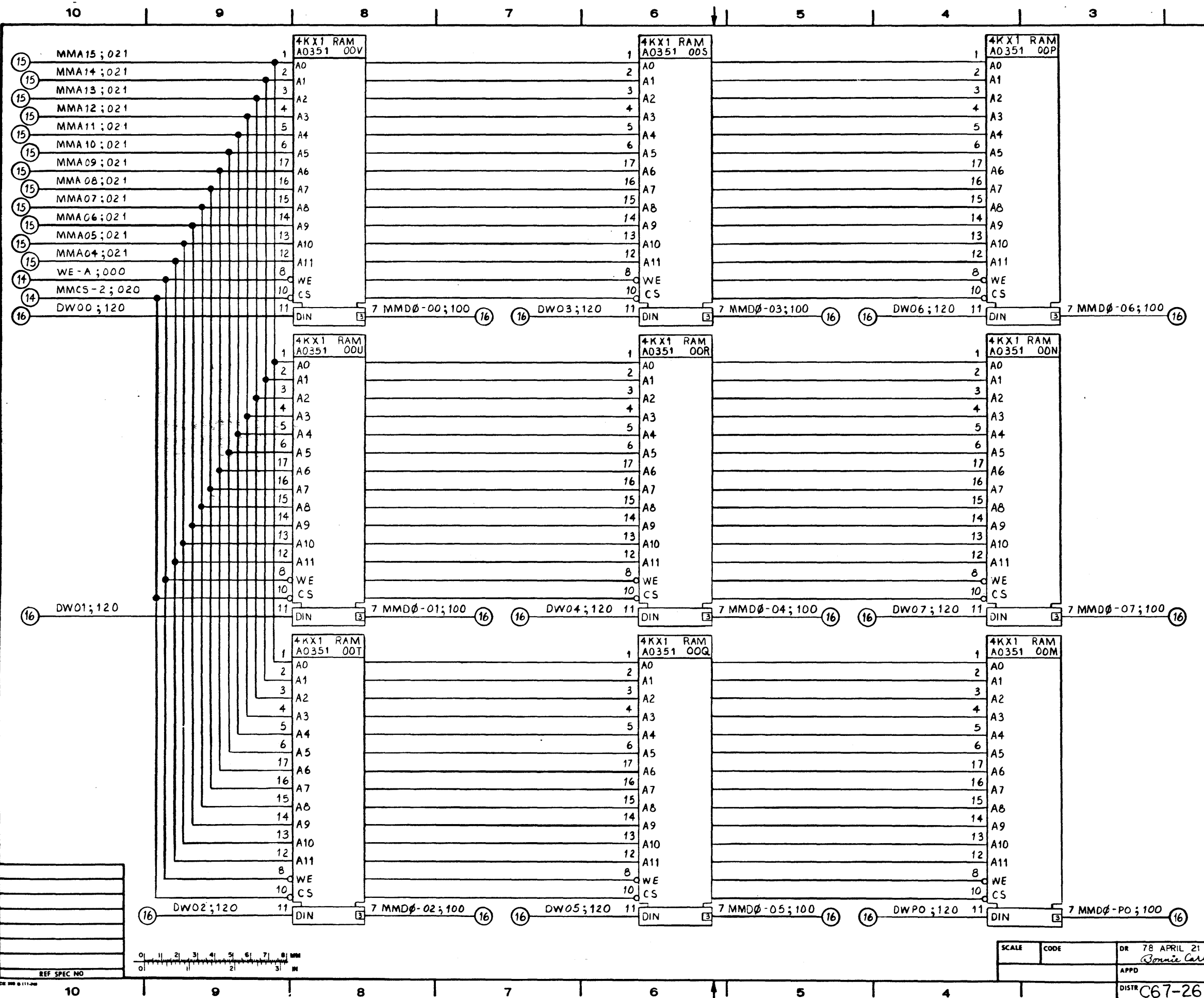
58040457

REVISIONS			
REV	AUTHORITY	DATE	SIGNATURE
		YR MO DAY	

Honeywell
 HONEYWELL INFORMATION SYSTEMS
 PHOENIX, ARIZONA U. S. A.
 TITLE LOGIC DIAGRAM MPCCM

SCALE	CODE	DR 78 APRIL 21 <i>Ronnie Carr</i>	SIZE D	DWG NO 58040457	SH 19	REV A
-------	------	--------------------------------------	--------	-----------------	-------	-------

DISTR C67-26



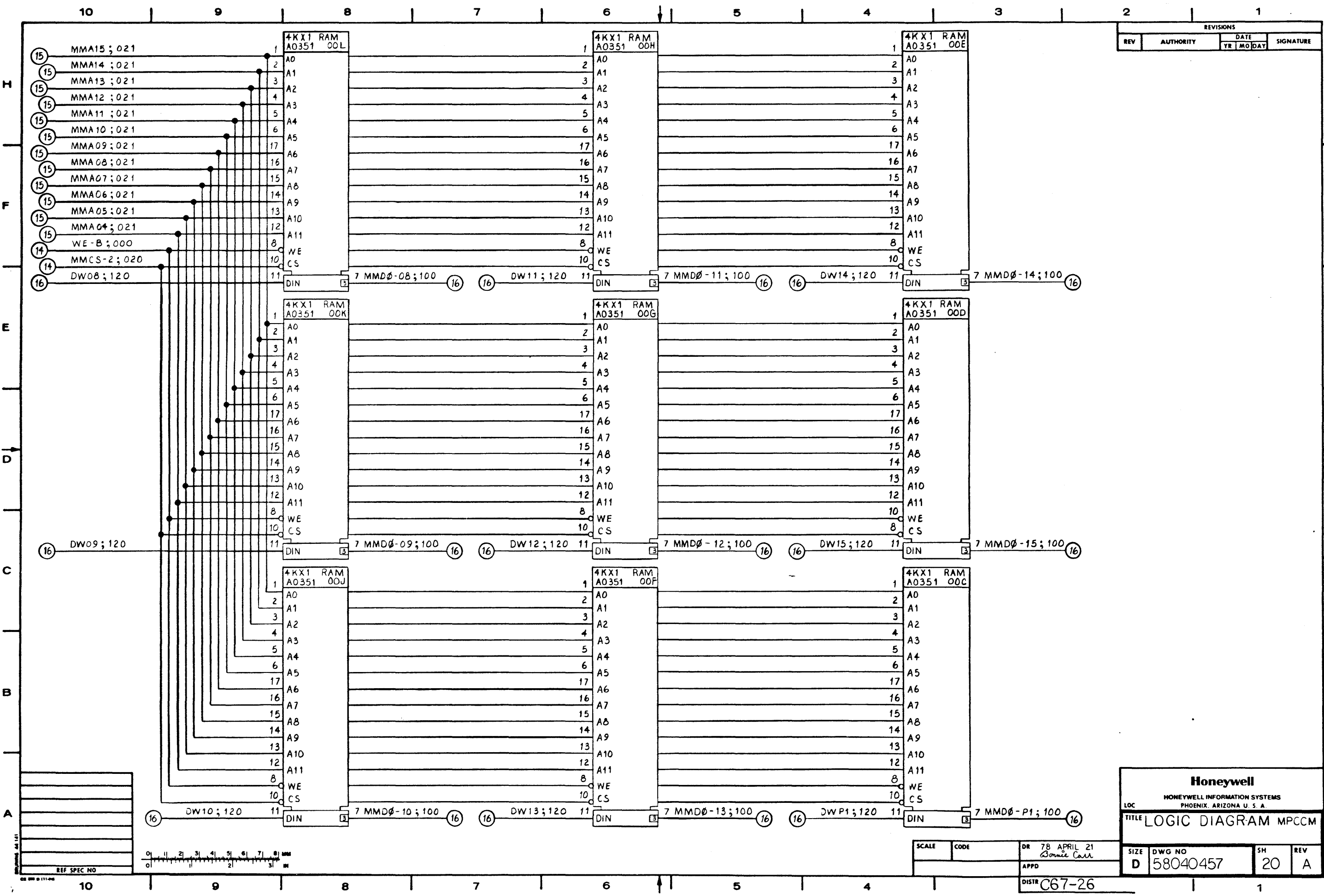
THE INFORMATION CONTAINED IN THIS DOCUMENT IS PROPRIETARY TO HONEYWELL INFORMATION SYSTEMS AND IS INTENDED FOR INTERNAL USE ONLY. NO PART OF THIS DOCUMENT IS TO BE REPRODUCED OR TRANSMITTED IN ANY FORM OR BY ANY MEANS, ELECTRONIC OR MECHANICAL, INCLUDING PHOTOCOPYING, RECORDING, OR BY ANY INFORMATION STORAGE AND RETRIEVAL SYSTEM. THIS DOCUMENT IS UNCLASSIFIED.

REF SPEC NO	



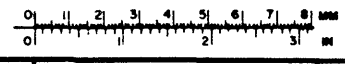
58040457

REVISIONS				
REV	AUTHORITY	DATE		SIGNATURE
		YR	MO/DAY	



THIS INFORMATION CONTAINED HEREIN IS UNCLASSIFIED EXCEPT WHERE SHOWN OTHERWISE. AUTHORITY: 50 USC 3042 (a) (2). DATE OF REVIEW: 08/01/2011. BY: [REDACTED]

REF SPEC NO	



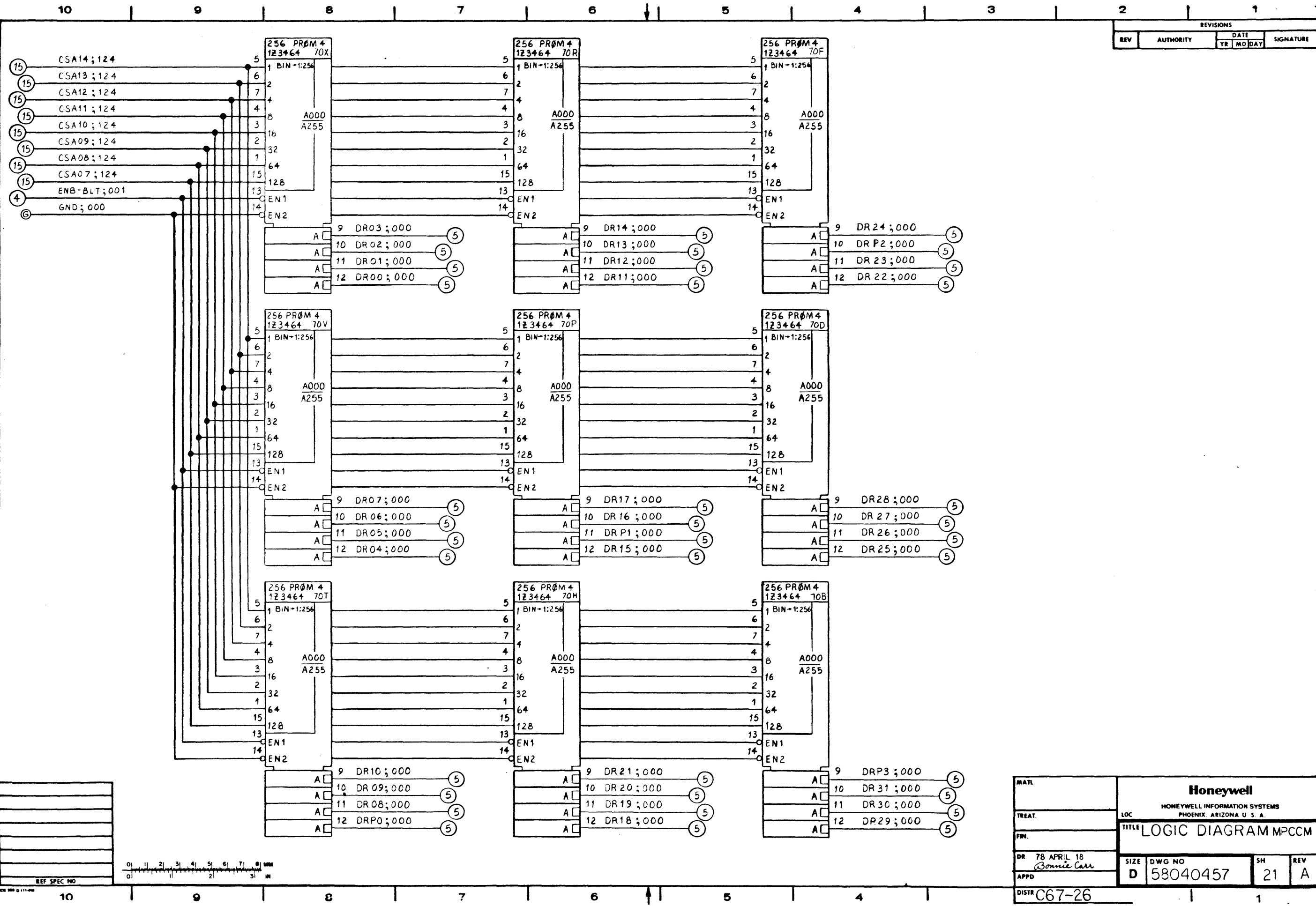
SCALE	CODE	DR 78 APRIL 21 Bonnie Carr
		APPD
DISTR C67-26		

Honeywell			
HONEYWELL INFORMATION SYSTEMS PHOENIX, ARIZONA U. S. A.			
LOC	TITLE LOGIC DIAGRAM MPCCM		
SIZE D	DWG NO 58040457	SH 20	REV A

58040457

REVISIONS			
REV	AUTHORITY	DATE	SIGNATURE
		YR MO DAY	

THIS INFORMATION CONTAINED IN THIS DOCUMENT IS PROPRIETARY TO HONEYWELL INFORMATION SYSTEMS AND IS INTENDED FOR INTERNAL USE ONLY. IT IS NOT TO BE DISSEMINATED TO OTHERS WITHOUT THE WRITTEN PERMISSION OF AN AUTHORIZED HONEYWELL OFFICIAL. THE RESTRICTIONS AND LIMITATIONS ON THIS DOCUMENT MAY BE DIFFERENT FROM THOSE STATED ON OTHER HONEYWELL DOCUMENTS.

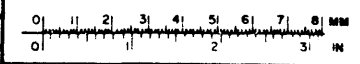
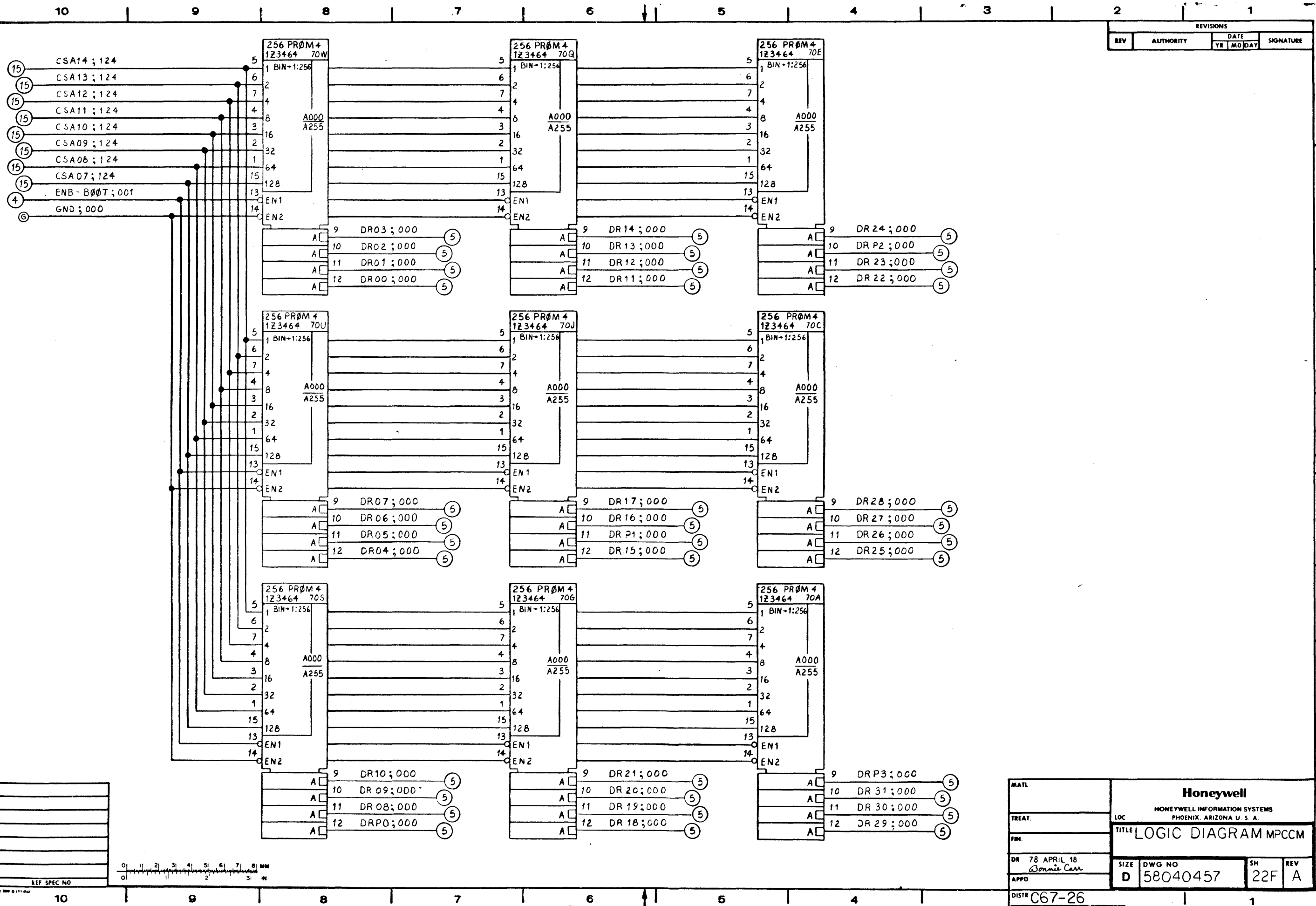


MATL	Honeywell			
TREAT.	HONEYWELL INFORMATION SYSTEMS PHOENIX, ARIZONA U.S.A.			
FRM.	TITLE LOGIC DIAGRAM MPCCM			
DR 78 APRIL 18 <i>Bonnie Carr</i>	SIZE D	DWG NO 58040457	SH 21	REV A
APPD	DISTR C67-26			

58040457

REVISIONS			
REV	AUTHORITY	DATE	SIGNATURE
		YR MO DAY	

THE INFORMATION CONTAINED IN THIS DOCUMENT IS PROPRIETARY TO HONEYWELL INFORMATION SYSTEMS AND IS INTENDED FOR INTERNAL HONEYWELL USE ONLY. EACH INFORMATION MAY BE DISTRIBUTED TO OTHERS ONLY BY WRITERS OR ENGINEERS OF AN AUTHORIZED HONEYWELL OFFICE. THIS RESTRICTION DOES NOT APPLY TO VENDOR PROPRIETARY PARTS THAT MAY BE DISCLOSED IN THIS DOCUMENT.



MATL	Honeywell			
TREAT.	HONEYWELL INFORMATION SYSTEMS PHOENIX, ARIZONA U. S. A.			
FIN.	TITLE LOGIC DIAGRAM MPCCM			
DR 78 APRIL 18 <i>Bonnie Carr</i>	SIZE D	DWG NO 58040457	SH 22F	REV A
APPD	DISTR C67-26			


58040457

THE INFORMATION CONTAINED IN THIS DOCUMENT PROPRIETARY TO HONEYWELL INFORMATION SYSTEMS, INC. AND IS INTENDED FOR INTERNAL HONEYWELL USE ONLY. SUCH INFORMATION MAY BE DISTRIBUTED TO OTHERS BY WRITTEN PERMISSION OF AN AUTHORIZED HONEYWELL OFFICIAL. THIS RESTRICTION DOES NOT APPLY TO VENDOR PROPRIETARY THAT MAY BE DISCLOSED IN THIS DOCUMENT.

58006481

REV	AUTHORITY	DATE			SIGNATURE	DRAWING SHEET NUMBER																
		YR	MO	DAY		1	2	3	4	5	6											
A	ISSUED	73	11	19	Justine Morgan	A	A	A	A	A	A											
B	PHAØDM008	76	07	30	<i>[Signature]</i>						B											
C	PHAØBA017	76	11	19	C. Tollert		C				C											

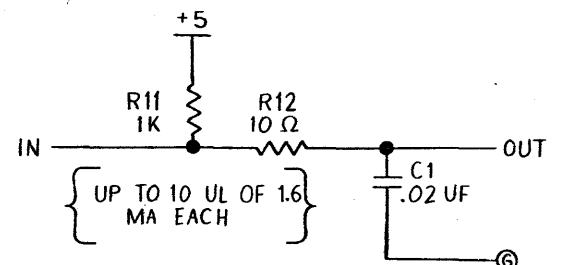
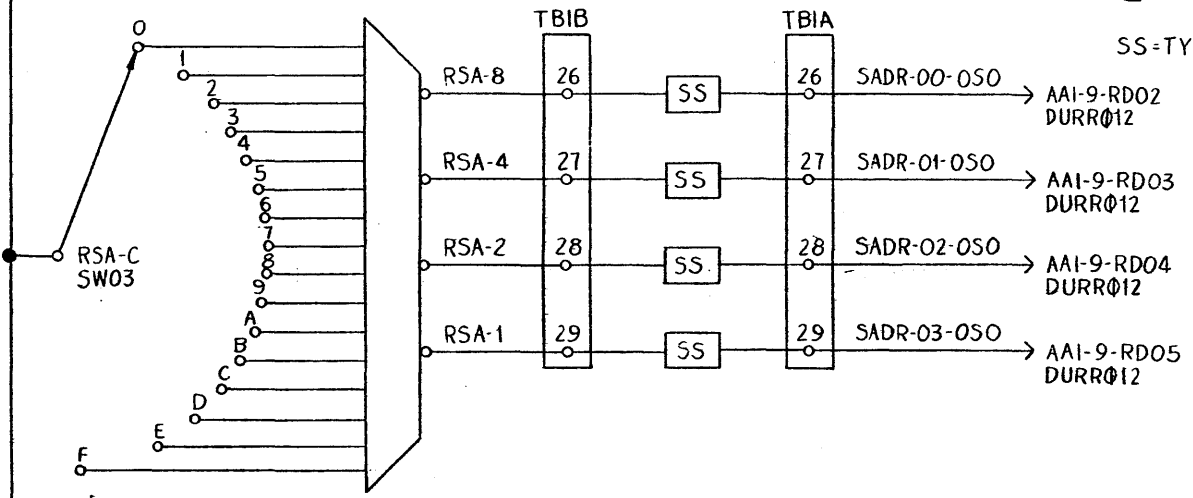
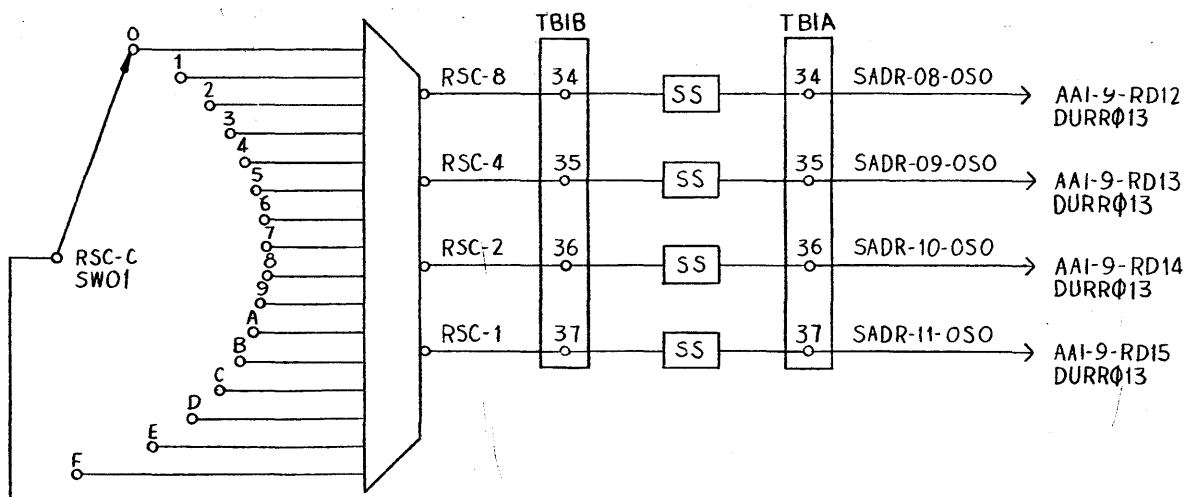
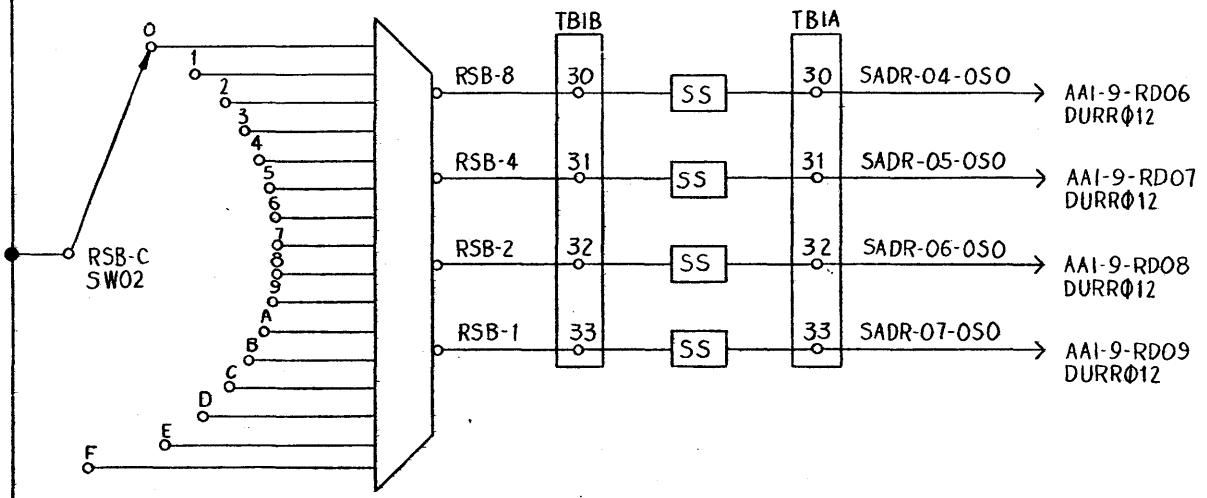
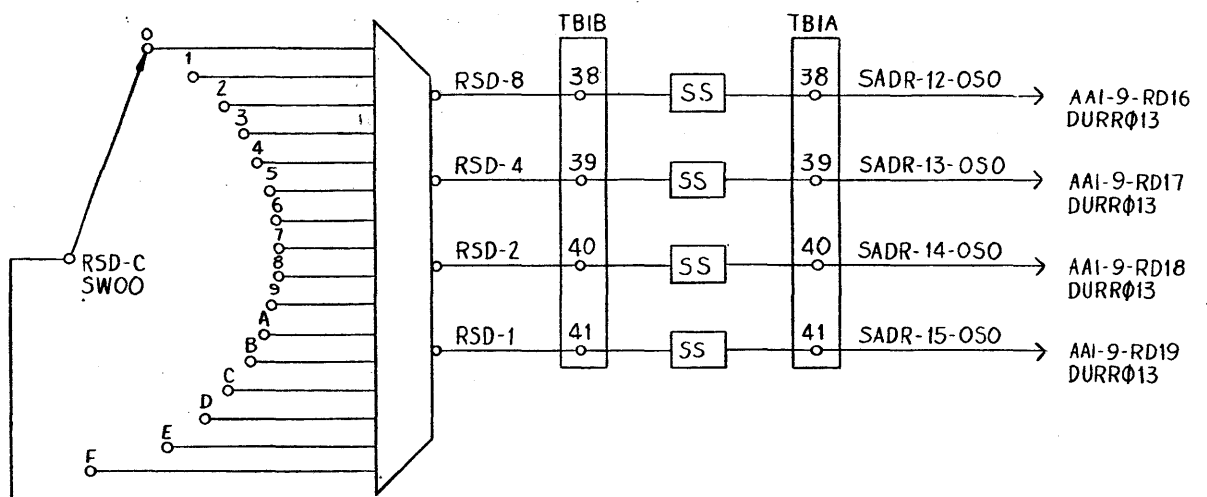
FOR CONTINUATION OF REVISION STATUS SEE SHEET

 HONEYWELL INFORMATION SYSTEMS LOC PCO PHOENIX, ARIZONA	MADE BY <i>Justine Morgan</i> 73 MAY 31	TITLE SCHEMATIC DIAGRAM
	APPROVED <i>R. Flynn 11/173</i>	DURM P.1
	REVISION STATUS FOR EACH PAGE, SHEET OR GROUP IS SHOWN BY LAST ENTRY IN THE CORRESPONDING NUMBERED COLUMN	SIZE D
		SHEET 1/1
		REV C

C68-10, Tos,

g. Bryan 11-15-73 NCO

REVISIONS				
REV	AUTHORITY	DATE		SIGNATURE
		YR	MO	DAY



SS-TYPICAL SWITCH SUPPRESSION CIRCUIT

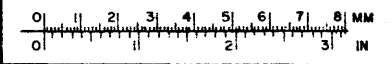
2.- FOR INTERPRETATION OF LOGIC SYMBOLY SEE 43A231781.

ALL INFORMATION CONTAINED IN THIS DOCUMENT IS PROPRIETARY TO HONEYWELL INFORMATION SYSTEMS AND IS INTENDED FOR INTERNAL HONEYWELL USE ONLY. SUCH INFORMATION MAY BE DISTRIBUTED TO OTHERS ONLY BY WRITTEN PERMISSION OF AN AUTHORIZED HONEYWELL OFFICIAL. THIS RESTRICTION DOES NOT APPLY TO VENDOR PROPRIETARY PARTS THAT MAY BE DISCLOSED IN THIS DOCUMENT.

H
F
E
D
C
B
A

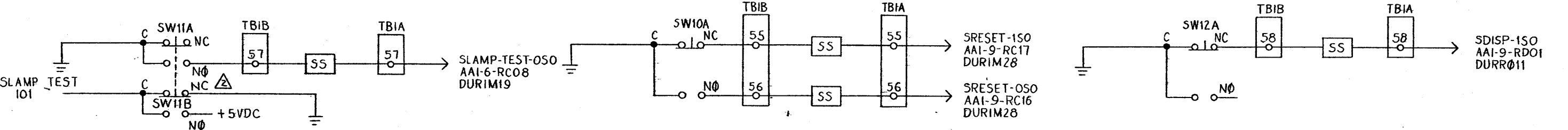
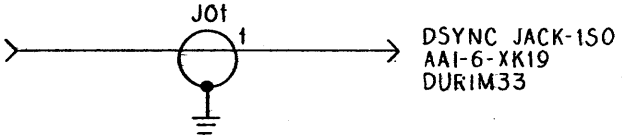
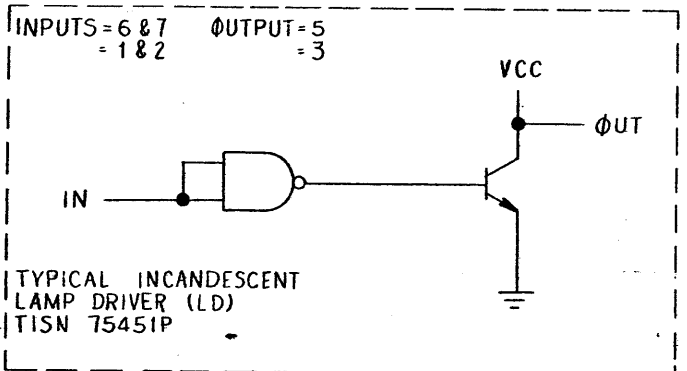
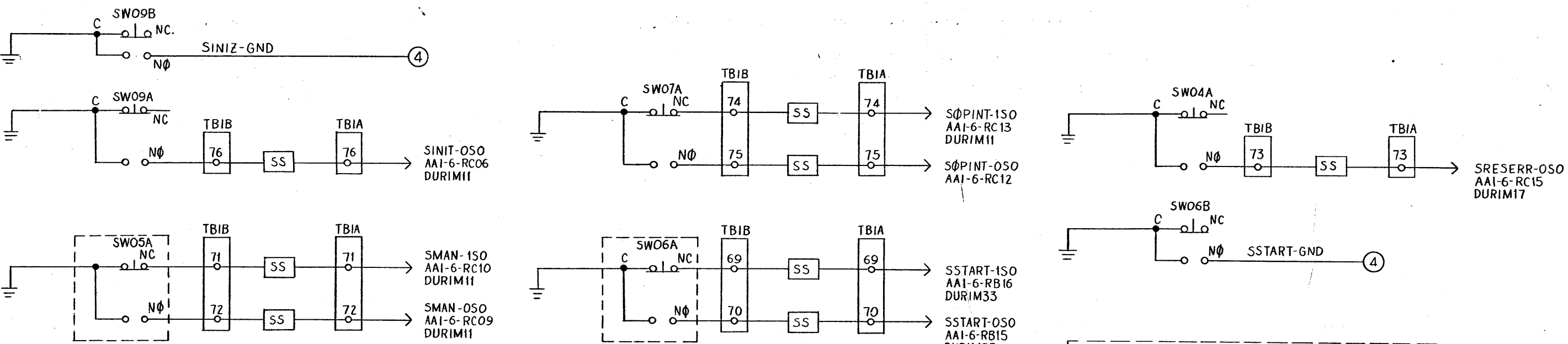
FOR DOCUMENT STATUS SEE REVISION STATUS SHEET

UNLESS OTHERWISE SPECIFIED		MATL	Honeywell loc PCO HONEYWELL INFORMATION SYSTEMS PHOENIX, ARIZONA U. S. A.	
DIMENSIONS=	MILLIMETERS ← INCHES	TREAT.		
TOLERANCE OF SIZE AND FORM PER INITIAL DESIGN	PROJECTION	FIN.	TITLE SCHEMATIC DIAGRAM DUR M.P.I.	
SCALE	CODE	DR 73-MAY-1 <i>Thomas L. Trainer</i>	SIZE D	DWG NO 58006481
APPD <i>Ben J. Bryan 11-15-73</i>		APPD <i>R. Flynn 11/17/73</i>	SH 1/6	REV A
REF SPEC NO 43A231781		DISTR C68-10 TOS WCO, SDF		

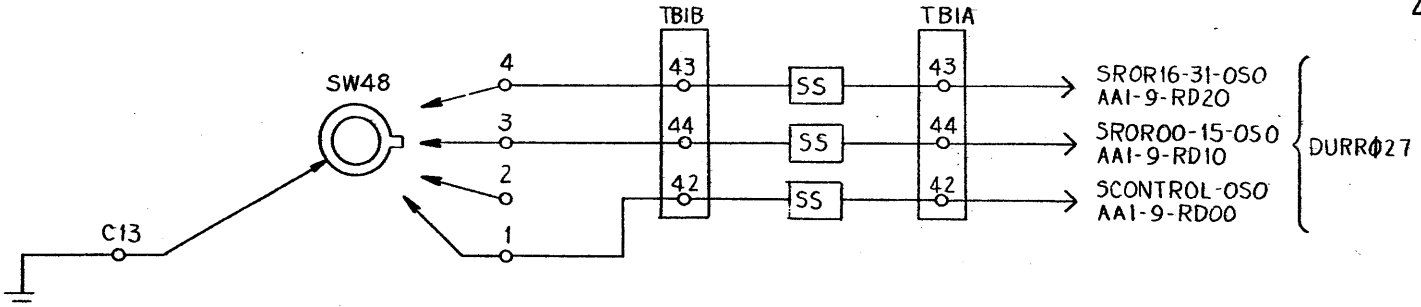


43A231781
REF SPEC NO

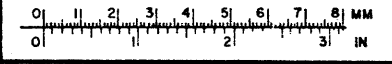
REV		AUTHORITY		DATE		SIGNATURE	
YR	MO	DAY					



- Δ 2. SW11BNC WILL BE FLOATING IN SOME PANEL ASSEMBLIES.
1. WHEN SW48 IS POSITIONED AGAINST ITS PERMANENT STOP THE KNOB OF SW48 SHOULD POINT TO "CONTROL" ON THE MAINTENANCE PANEL.



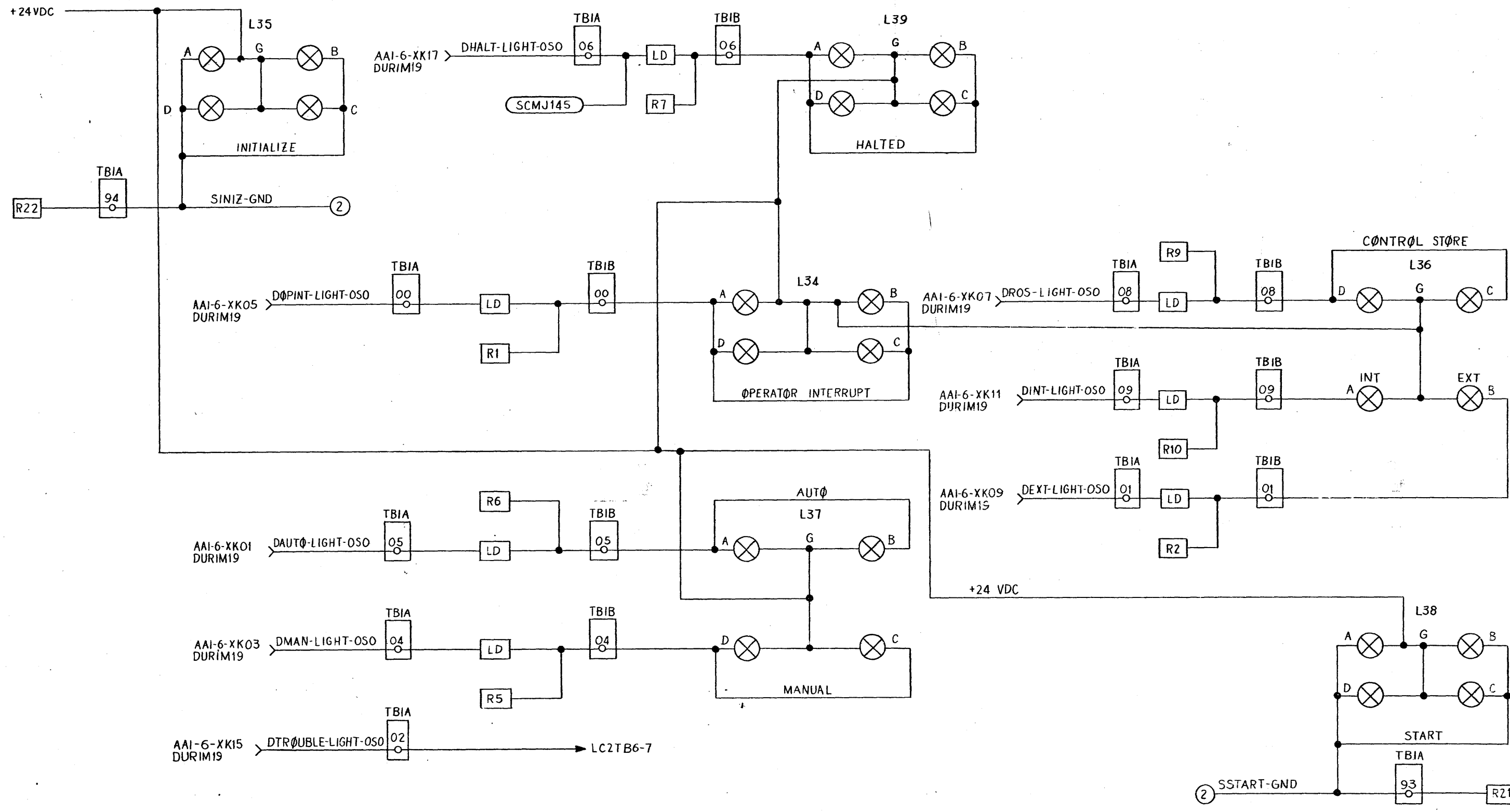
NOTES:



UNLESS OTHERWISE SPECIFIED		MATERIAL	
DIMENSIONS = MILLIMETERS / INCHES		TREAT.	
TOLERANCE OF SIZE AND FORM PER INITIAL DESIGN		FIN.	
PROJECTION		SCALE	
CODE		DATE	
APPD		DISTR	
CONTR		HONEYWELL INFORMATION SYSTEMS	
PHOENIX, ARIZONA U. S. A.		LOC PCO	
TITLE SCHEMATIC DUR MPI.			
SIZE D	DWG NO 58006481	SH 2	REV C

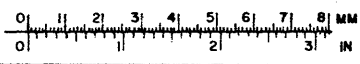
THE INFORMATION CONTAINED IN THIS DOCUMENT IS PROPRIETARY TO HONEYWELL INFORMATION SYSTEMS AND IS INTENDED FOR INTERNAL HONEYWELL USE ONLY. SUCH INFORMATION MAY BE DISTRIBUTED TO OTHERS ONLY BY WRITTEN PERMISSION OF AN AUTHORIZED HONEYWELL OFFICIAL. THIS RESTRICTION DOES NOT APPLY TO VENDOR PROPRIETARY PARTS THAT MAY BE DISCLOSED IN THIS DOCUMENT.

REVISIONS					
REV	AUTHORITY	DATE	SIGNATURE		
		YR MO DAY			



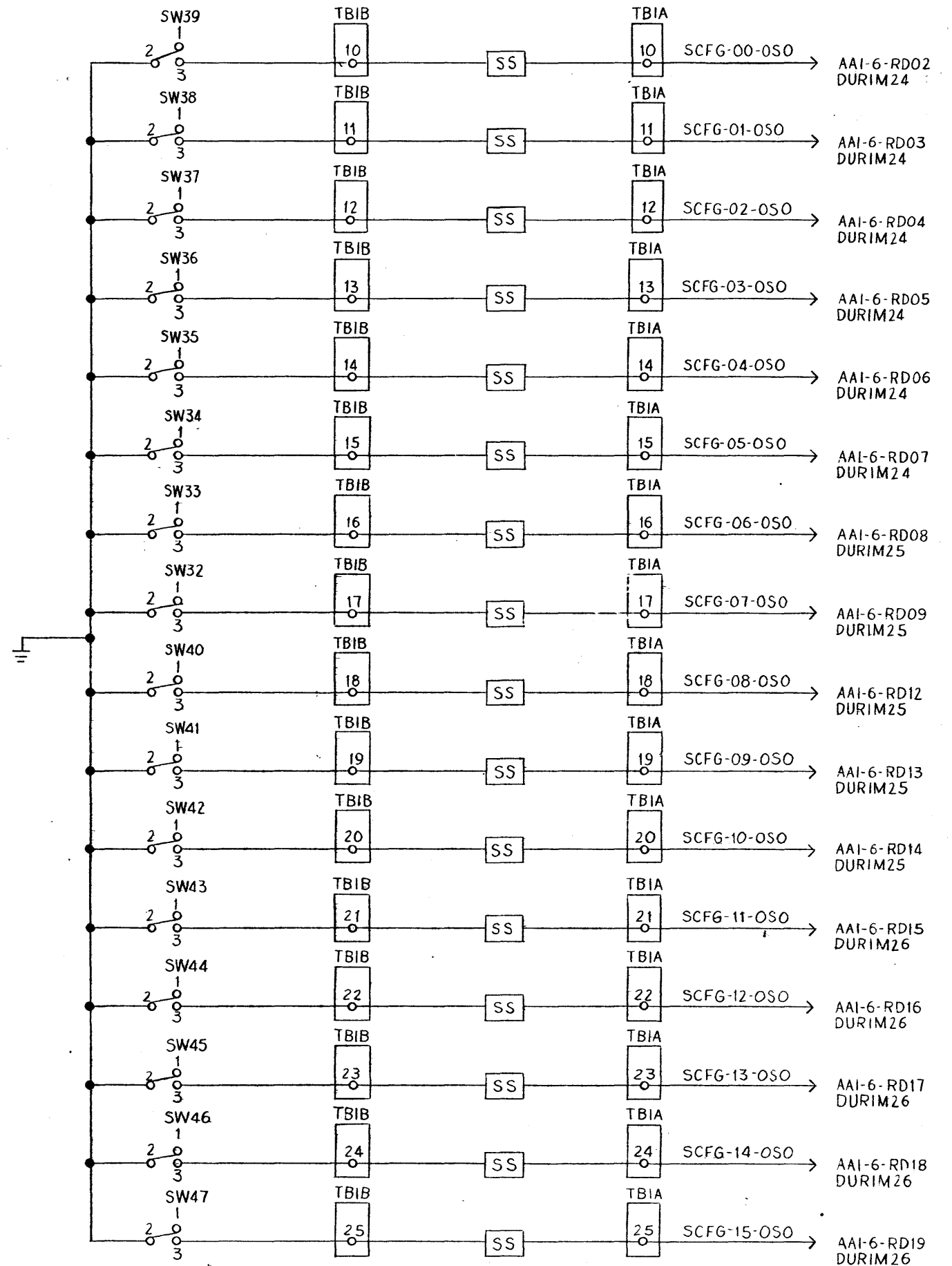
ALL INFORMATION CONTAINED IN THIS DOCUMENT IS PROPRIETARY TO HONEYWELL INFORMATION SYSTEMS AND IS INTENDED FOR INTERNAL HONEYWELL USE ONLY. SUCH INFORMATION MAY BE DISTRIBUTED TO OTHERS ONLY BY WRITTEN PERMISSION OF AN AUTHORIZED HONEYWELL OFFICIAL. THIS RESTRICTION DOES NOT APPLY TO VENDOR PROPRIETARY PARTS THAT MAY BE DISCLOSED IN THIS DOCUMENT.

REF SPEC NO



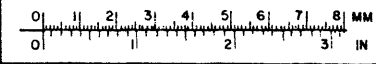
UNLESS OTHERWISE SPECIFIED		MATERIAL		Honeywell	
DIMENSIONS =	MILLIMETERS	TREAT.		LOC PCO HONEYWELL INFORMATION SYSTEMS PHOENIX, ARIZONA U. S. A.	
TOLERANCE OF SIZE AND	INCHES	FIN.		TITLE SCHEMATIC DUR-MPI.	
FORM PER		DR 73 MAY 1		SIZE DWG NO SH REV	
INITIAL DESIGN		R. Long		D 58006481 3 A	
PROJECTION		APPD R. Long 11/1/73			
SCALE	CODE	DISTR			

REVISIONS				
REV	AUTHORITY	DATE		SIGNATURE
		YR	MO DAY	



THE INFORMATION CONTAINED IN THIS DOCUMENT IS PROPRIETARY TO HONEYWELL INFORMATION SYSTEMS AND IS INTENDED FOR INTERNAL HONEYWELL USE ONLY. SUCH INFORMATION MAY BE DISTRIBUTED TO OTHERS ONLY BY WRITTEN PERMISSION OF AN AUTHORIZED HONEYWELL OFFICIAL. THIS RESTRICTION DOES NOT APPLY TO VENDOR PROPRIETARY PARTS THAT MAY BE DISCLOSED IN THIS DOCUMENT.

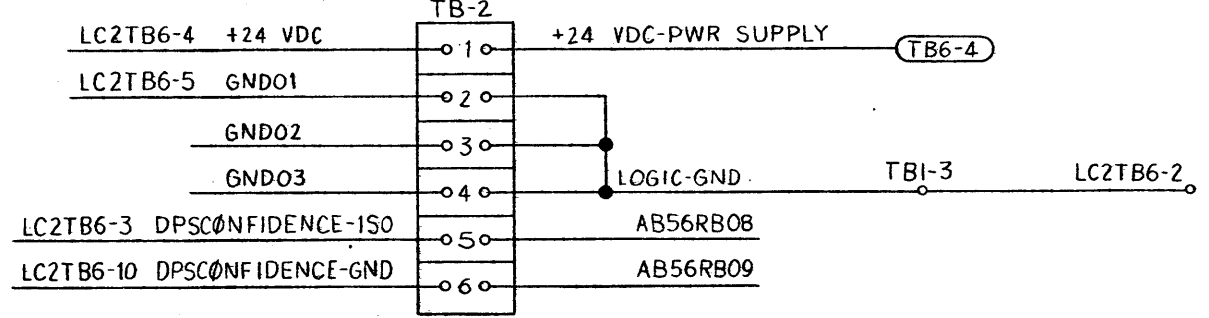
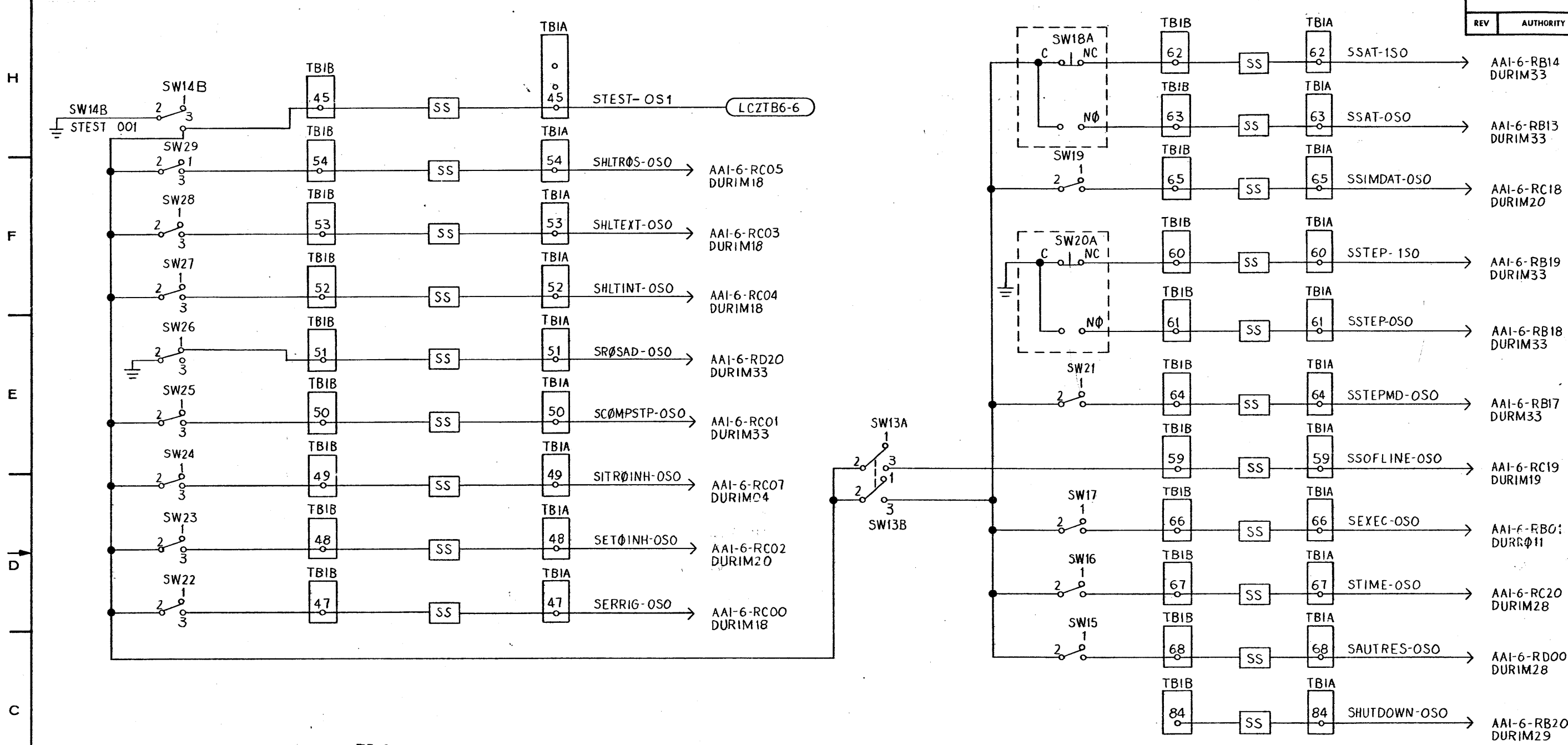
H
F
E
D
C
B
A

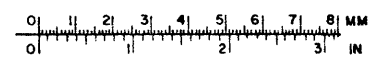


UNLESS OTHERWISE SPECIFIED		MATERIAL		Honeywell HONEYWELL INFORMATION SYSTEMS PHOENIX, ARIZONA U.S.A.			
DIMENSIONS =	MILLIMETERS INCHES	TREAT.					
TOLERANCE OF SIZE AND FORM PER		FIN.		TITLE SCHEMATIC DUR. M.P.I.			
INITIAL DESIGN		DR	1 MAY 73	SIZE	DWG NO	SH	REV
PROJECTION		APPD	R. Flynn 11/17	D	58006481	4	A
SCALE	CODE	Ben J. Bayan 11-15-73		DISTR			

THE INFORMATION CONTAINED IN THIS DOCUMENT IS PROPRIETARY TO HONEYWELL INFORMATION SYSTEMS AND IS INTENDED FOR INTERNAL HONEYWELL USE ONLY. SUCH INFORMATION MAY BE DISTRIBUTED TO OTHERS ONLY BY WRITTEN PERMISSION OF AN AUTHORIZED HONEYWELL OFFICIAL. THIS RESTRICTION DOES NOT APPLY TO VENDOR PROPRIETARY PARTS THAT MAY BE DISCLOSED IN THIS DOCUMENT.

REVISIONS				
REV	AUTHORITY	DATE	SIGNATURE	
		YR MO DAY		





UNLESS OTHERWISE SPECIFIED		MATERIAL	
DIMENSIONS= MILLIMETERS			
	INCHES		
TOLERANCE OF SIZE AND FORM PER		TREAT.	
INITIAL DESIGN		FIN.	
PROJECTION			
SCALE	CODE	DR 73 MAY 2 7. FOREMAN	
		APPD R. ... 11/1/73	
		SIZE	DWG NO
		D	58006481
		SH	5
		REV	C

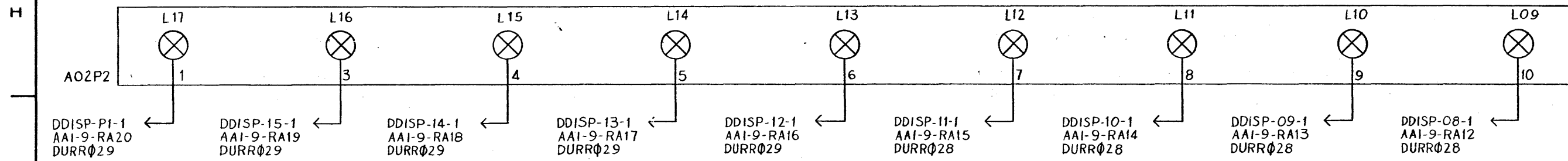
Honeywell
HONEYWELL INFORMATION SYSTEMS
PHOENIX, ARIZONA U. S. A.

LOC
TITLE SCHEMATIC DUR M.P.I.

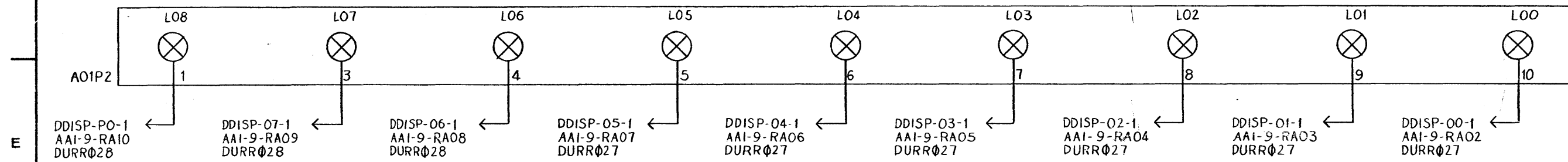
DISTR

BRUNING 44141

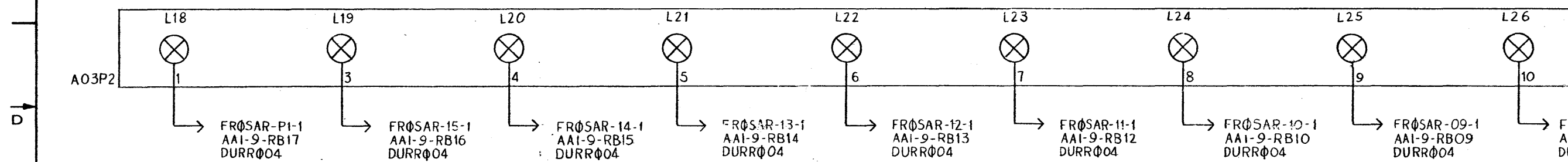
REVISIONS			
REV	AUTHORITY	DATE	SIGNATURE
		YR MO DAY	



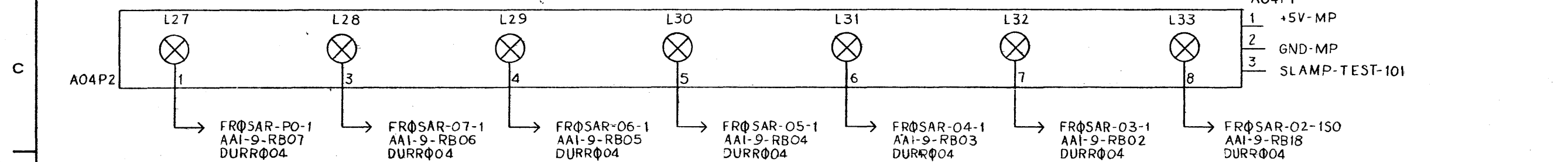
A01P1
1 +5V-MP TB2-5
2 GND-MP TB2-4
3 SLAMP-TEST-101 S11B-C



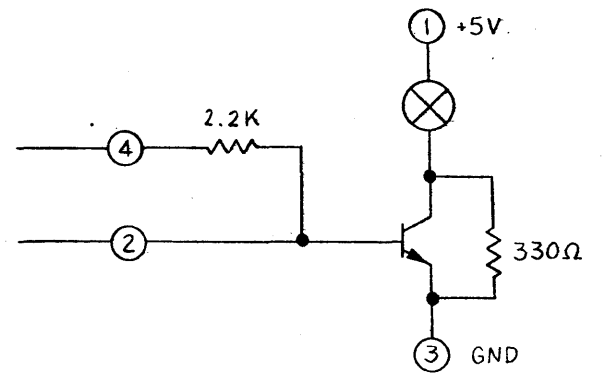
A02P1
1 +5V-MP
2 GND-MP
3 SLAMP-TEST-101



A03P1
1 +5V-MP
2 GND-MP
3 SLAMP-TEST-101

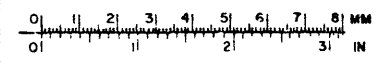


A04P1
1 +5V-MP
2 GND-MP
3 SLAMP-TEST-101



THIS INFORMATION IS PROPRIETARY TO HONEYWELL INFORMATION SYSTEMS AND IS INTENDED FOR INTERNAL USE ONLY. SUCH INFORMATION MAY BE DISTRIBUTED TO OTHERS ONLY BY WRITTEN PERMISSION OF AN AUTHORIZED HONEYWELL OFFICIAL. THIS RESTRICTION DOES NOT APPLY TO VENDOR PROPRIETARY PARTS THAT MAY BE DISCLOSED IN THIS DOCUMENT.

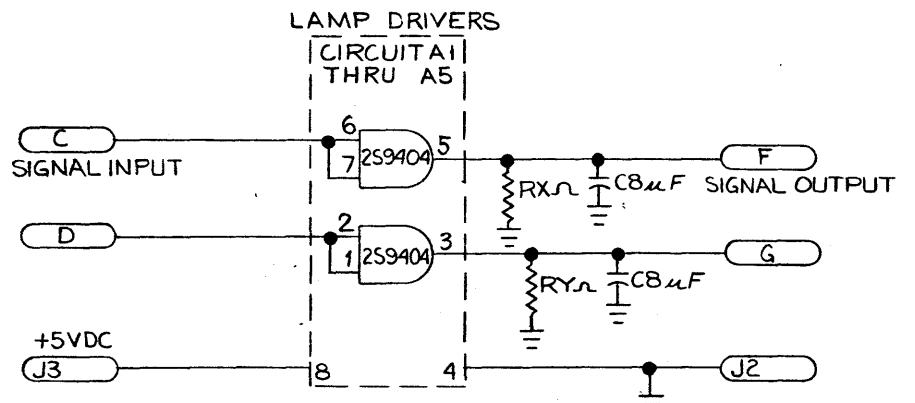
REF SPEC NO



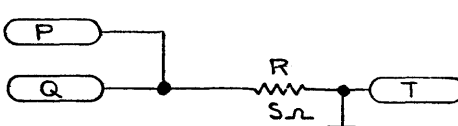
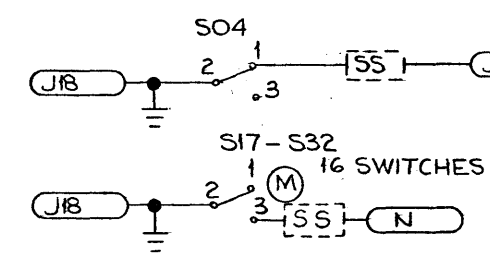
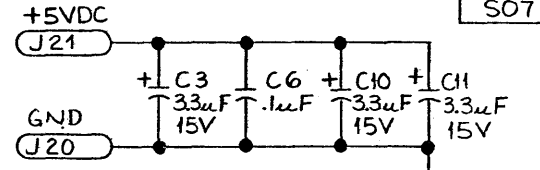
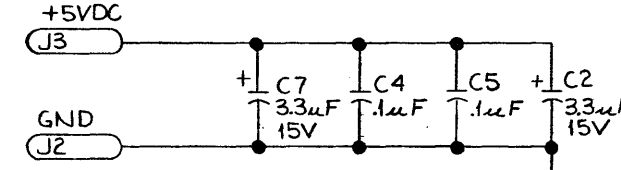
UNLESS OTHERWISE SPECIFIED	MATL	Honeywell HONEYWELL INFORMATION SYSTEMS PHOENIX, ARIZONA U.S.A.	
DIMENSIONS = MILLIMETERS / INCHES	TREAT.	LOC PCO	TITLE
TOLERANCE OF SIZE AND FORM PER INITIAL DESIGN	FIN.	SCHEMATIC DUR M.P.I.	
PROJECTION	DR 73 MAY 1 a Hallmark	SIZE D	DWG NO 58006481
SCALE	APPD R Flynn 11/1/73	SH 6F	REV A
	DISTR WCO, SDF, TOS		

ALL INFORMATION CONTAINED IN THIS DOCUMENT IS PROPRIETARY TO HONEYWELL INFORMATION SYSTEMS AND IS INTENDED FOR INTERNAL USE ONLY. SUCH INFORMATION MAY BE DISTRIBUTED TO OTHERS ONLY BY WRITTEN PERMISSION OF AN AUTHORIZED HONEYWELL OFFICIAL. THIS RESTRICTION DOES NOT APPLY TO VENDOR PROPRIETARY PARTS THAT MAY BE INCLUDED IN THIS DOCUMENT.

REVISIONS					
REV	AUTHORITY	DATE		SIGNATURE	
		YR	MO	DAY	
A	ISSUED	73	11	09	<i>[Signature]</i>
B	PHABBB004	74	01	29	<i>[Signature]</i>
C	PHABBB007	74	05	29	<i>[Signature]</i>

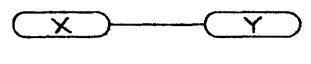
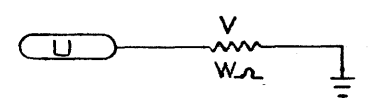


CIRCUIT NUMBER	SIGNAL INPUT		SIGNAL OUTPUT		X	Ω	Y	Ω
A1	J4-20	J4-18	J5-01	J5-02	1	270	2	1200
A2	J4-16	J4-14	J5-03	J5-04	3	560	4	560
A3	J4-12	J4-10	J5-05	J5-06	5	560	6	560
A4	J4-08	J4-06	J5-07	J5-08	7	270	8	560
A5	J4-04	J4-00	J5-09	J5-10	9	560	10	1200



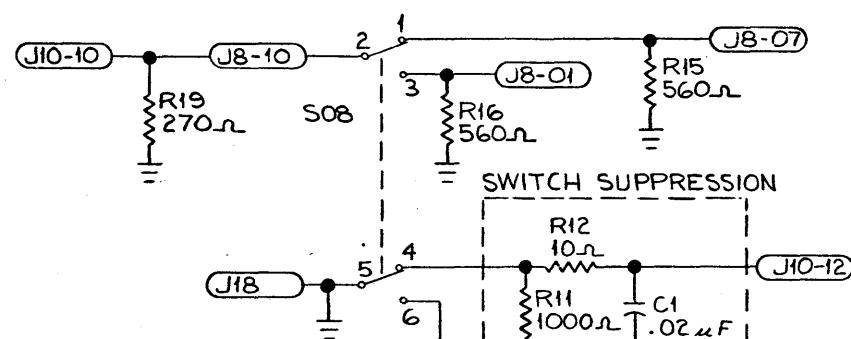
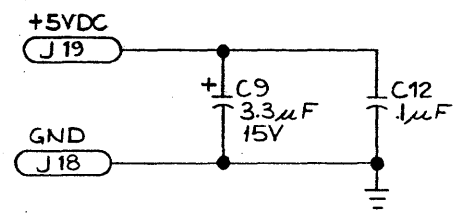
M	N
S17	J7-02
S18	J7-03
S19	J7-04
S20	J7-05
S21	J7-06
S22	J7-07
S23	J7-08
S24	J7-09
S25	J7-19
S26	J7-18
S27	J7-17
S28	J7-16
S29	J7-15
S30	J7-14
S31	J7-13
S32	J7-12

P	Q	R	S	T
J8-00	J10-00	R17	560Ω	J10-01
J8-04	J10-04	R18	560Ω	J10-05
J8-10	J10-10	R19	270Ω	J10-11
J8-16	J10-16	R20	270Ω	J10-17

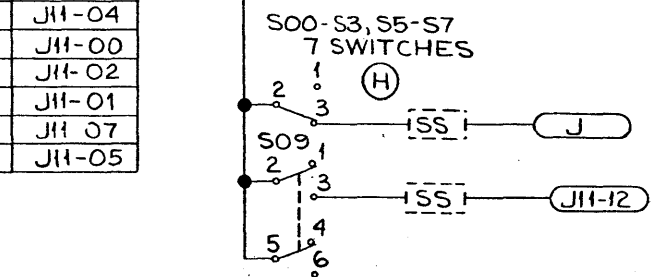


U	V	W
J8-07	R15	560Ω
J8-01	R16	560Ω
J8-13	R21	560Ω
J8-17	R22	560Ω

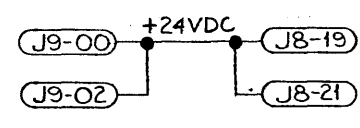
X	Y
J8-02	J10-02
J8-08	J10-08
J8-18	J10-18



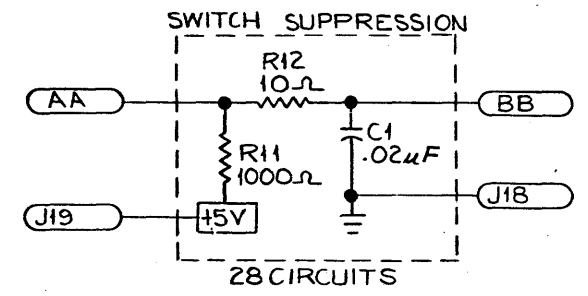
H	J
S00	J11-06
S01	J11-04
S02	J11-00
S03	J11-02
S05	J11-01
S06	J11-07
S07	J11-05



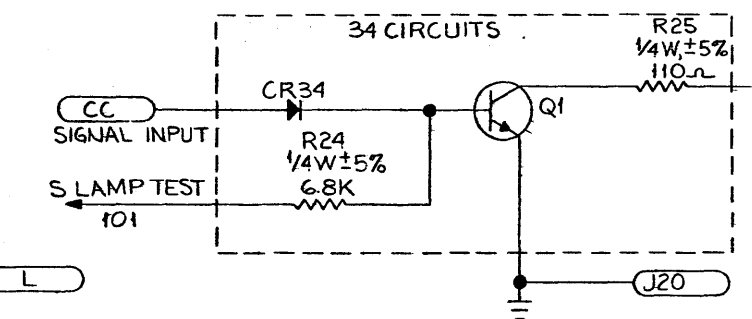
K	L
S10	J11-20
S12	J11-14
S14	J11-19
S15	J11-21
S16	J11-17



Z
J9-01
J9-03
J10-03
J10-07
J10-09
J10-13
J10-15
J10-19
J10-21
J11-10
J22-01



AA	BB	AA	BB
J10-06	J11-09	J14-03	J15-08
J10-14	J11-11	J14-04	J15-13
J12-01	J13-06	J14-05	J15-12
J12-02	J13-10	J14-06	J15-14
J12-03	J13-09	J14-07	J15-15
J12-04	J13-12	J14-08	J15-16
J12-05	J13-13	J14-09	J15-17
		J14-10	J15-18
J12-07	J13-14	J14-11	J15-19
J12-08	J13-15	J14-12	J15-20
J12-09	J13-19	J22-02	J15-01
J12-10	J13-18	J22-03	J15-03
J14-01	J15-06	J22-04	J15-05
J14-02	J15-09	J22-06	J15-04



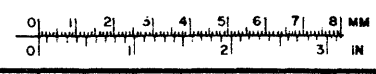
LIGHT DIODE	CC
C00	J17-02
C01	J17-03
C02	J17-04
C03	J17-05
C04	J17-06
C05	J17-07
C06	J17-08
C07	J17-09
C08	J17-10
C09	J17-12
C10	J17-13
CR1	J17-14
CR12	J17-15
CR13	J17-16
CR14	J17-17
CR15	J17-18
CR16	J17-19

LIGHT DIODE	CC
CR17	J17-20
CR18	J16-17
CR19	J16-16
CR20	J16-15
CR21	J16-14
CR22	J16-13
CR23	J16-12
CR24	J16-10
CR25	J16-09
CR26	J16-08
CR27	J16-07
CR28	J16-06
CR29	J16-05
CR30	J16-04
CR31	J16-03
CR32	J16-02
CR33	J16-18

- NOTES:
- R1, R3, R9, R15 & R23 ARE 3W ± 3%, WIRE WOUND.
 - R2, R10, R13 & R14 ARE 1W ± 5% CARBON.
 - R11 & R12 ARE 1/4W 5% CARBON.

UNLESS OTHERWISE SPECIFIED	MATL
DIMENSIONS - MILLIMETERS	
TOLERANCE OF SIZE AND FORM PER INITIAL DESIGN	TREAT.
PROJECTION	FIN.
SCALE CGDE	DR 73 Oct 15 De Ann Kabecki
	APPD S. Turner OCT 31, 73

Honeywell		HONEYWELL INFORMATION SYSTEMS PHOENIX, ARIZONA U. S. A.	
LOC PCO		TITLE SCHEMATIC DIAGRAM MPC MAINT PANEL (PC)	
SIZE D	DWG NO 58007037	SH 1/1	REV C
DISTR 068-10. Tnc. NCo. SDF			



BRUNING 44-141
REF SPEC NO

30-IV


58007432

THE INFORMATION CONTAINED IN THIS DOCUMENT PROPRIETARY TO HONEYWELL INFORMATION SYSTEMS, INC. AND IS INTENDED FOR INTERNAL HONEYWELL USE ONLY. SUCH INFORMATION MAY BE DISTRIBUTED TO OTHERS BY WRITTEN PERMISSION OF AN AUTHORIZED HONEYWELL OFFICIAL. THIS RESTRICTION DOES NOT APPLY TO VENDOR PROPRIETARY THAT MAY BE DISCLOSED IN THIS DOCUMENT.

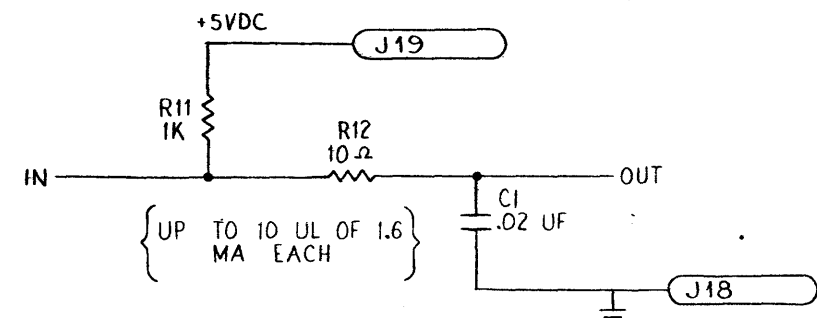
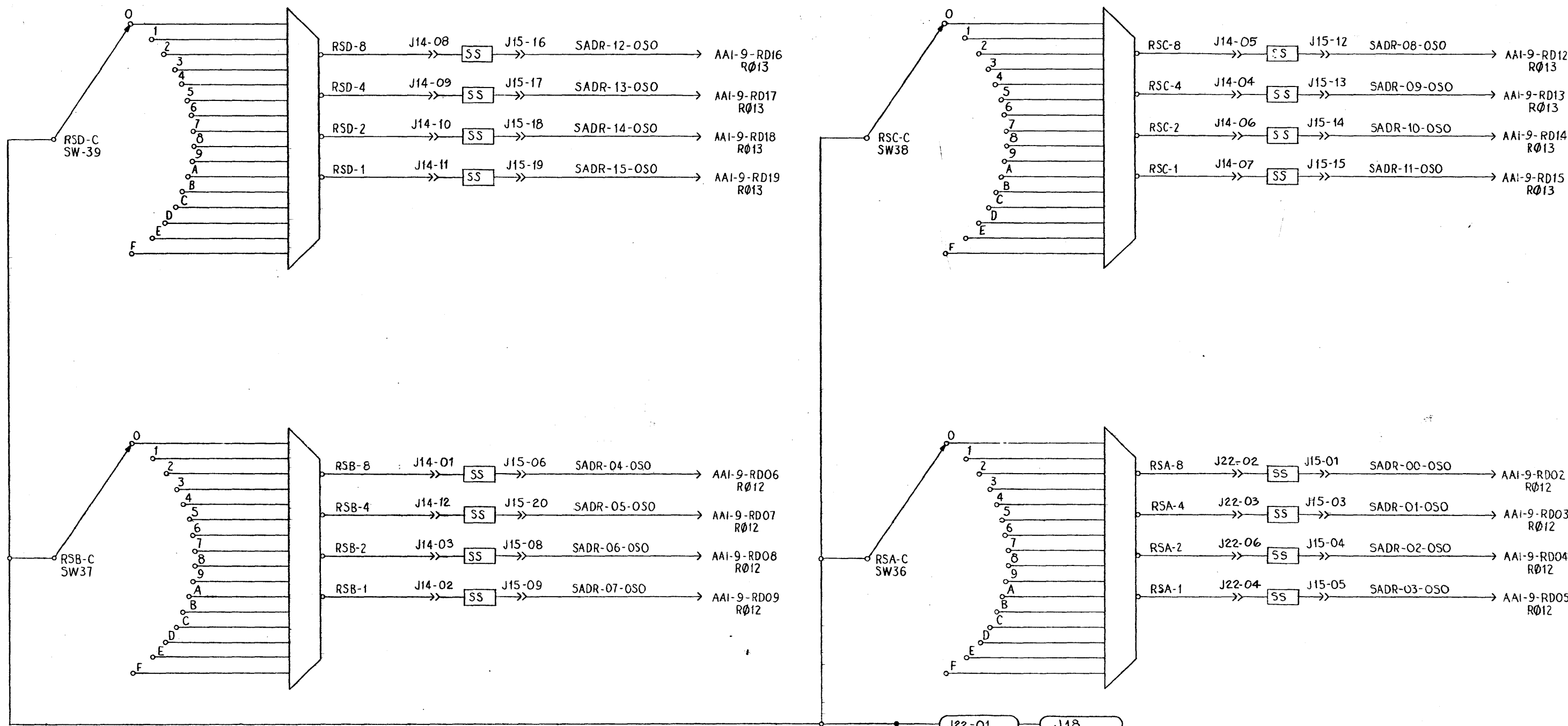
REVISED

REV	AUTHORITY	DATE			SIGNATURE	DRAWING SHEET NUMBERS																				
		YR	MO	DAY		1	2	3	4	5	6	7														
A	ISSUED	74	JAN	09	Marguerite Rose	A	A	A	A	A	A	A														
B	PHAOBB007	74	MAY	29	R. Hoekstra	B	B					B														

FOR CONTINUATION OF REVISION STATUS SEE SHEET

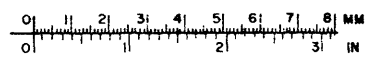
 HONEYWELL INFORMATION SYSTEMS LOC PCO PHOENIX, ARIZONA	MADE BY <i>Marguerite Rose</i> 73-NOV-15	TITLE SCHEMATIC MPC M.P. 1
	APPROVED <i>[Signature]</i> 1/2/74	SIZE D 58007432
	REVISION STATUS FOR EACH PAGE, SHEET OR GROUP IS SHOWN BY LAST ENTRY IN THE CORRESPONDING NUMBERED COLUMN	SHEET 1/1 REV B

REVISIONS				
REV	AUTHORITY	DATE	SIGNATURE	
		YR MO DAY		



SS = TYPICAL SWITCH SUPPRESSION CIRCUIT (70 CIRCUITS)

FOR DOCUMENT STATUS SEE REVISION STATUS SHEET

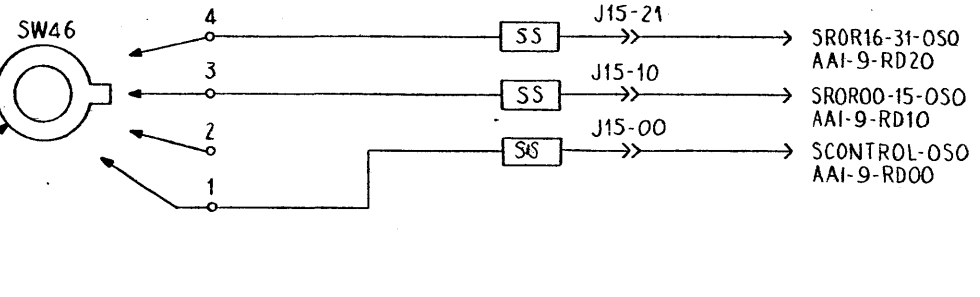
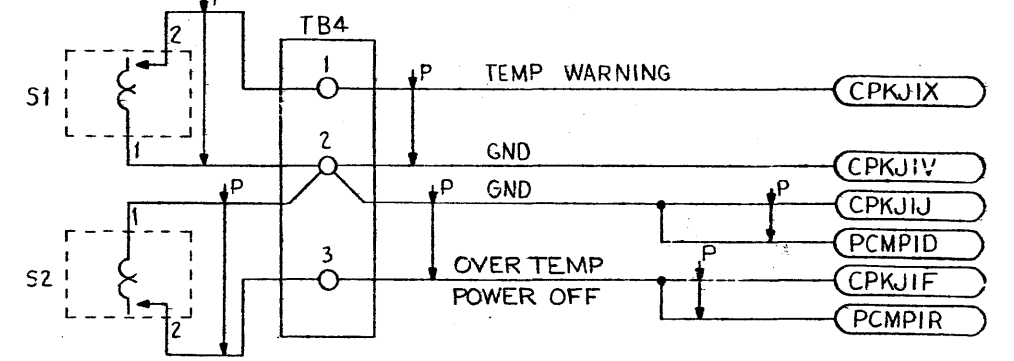
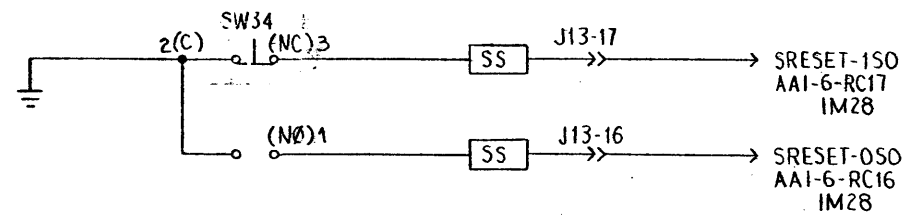
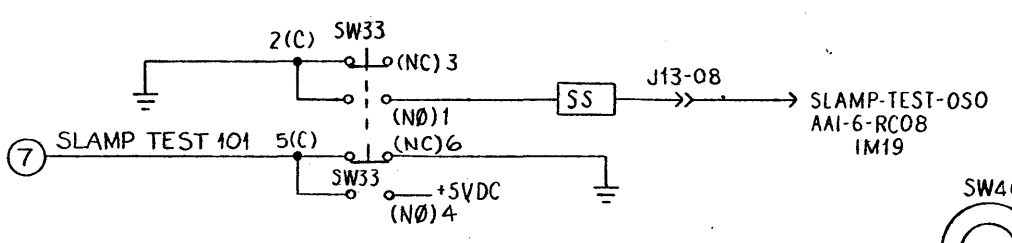
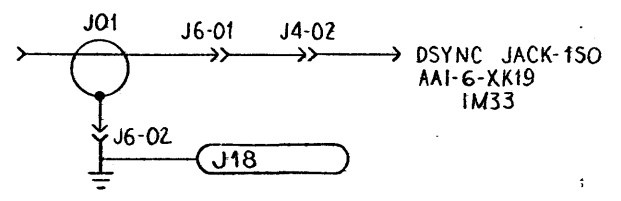
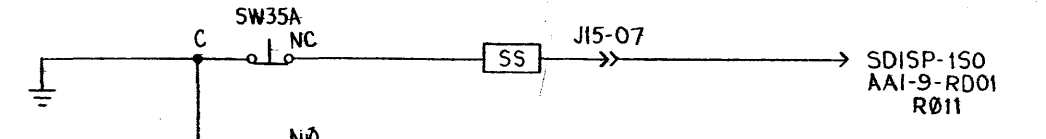
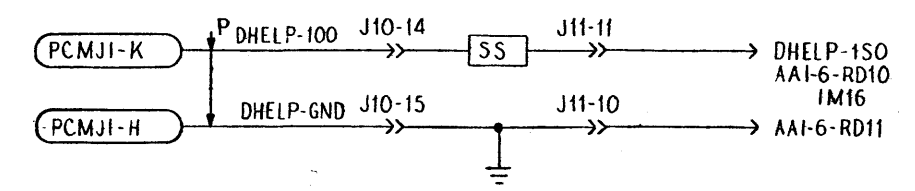
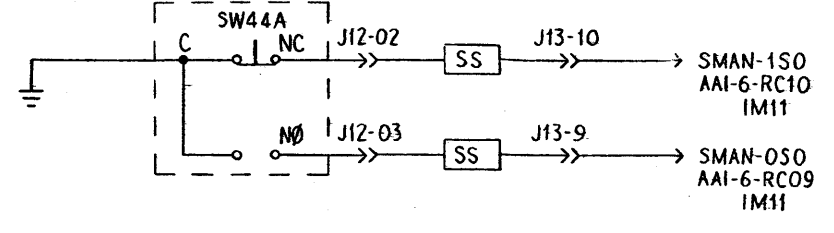
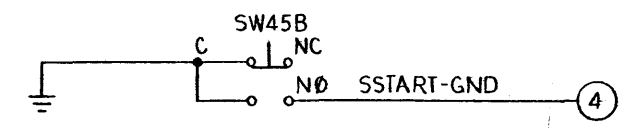
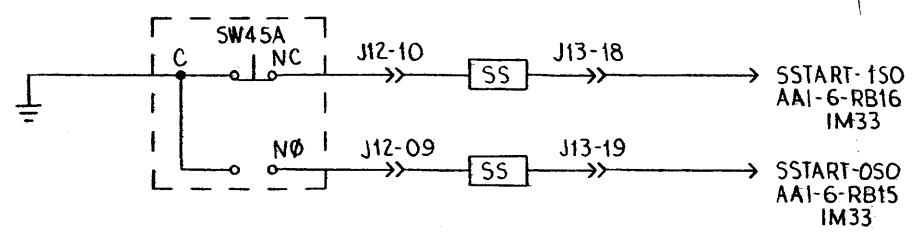
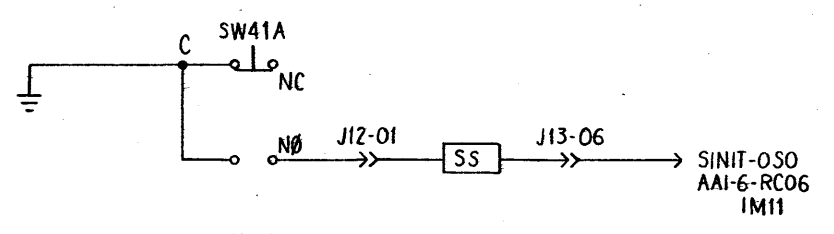
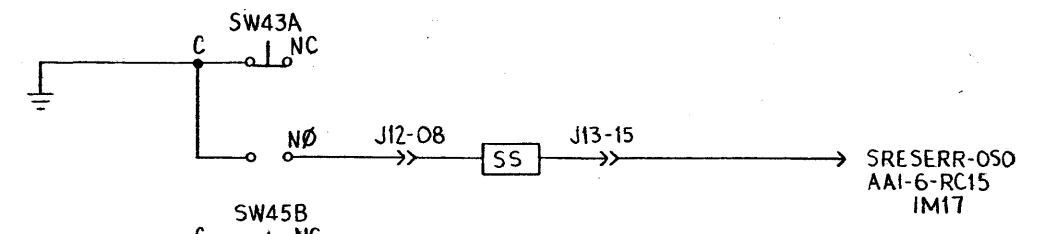
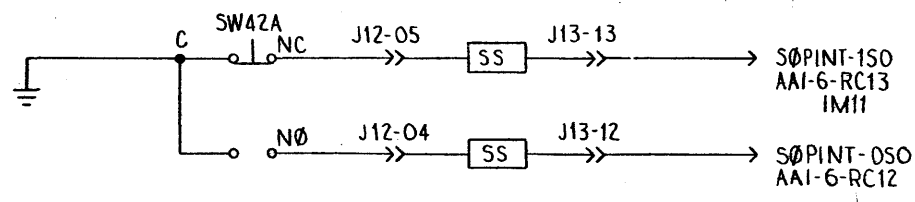
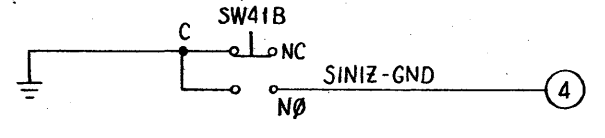
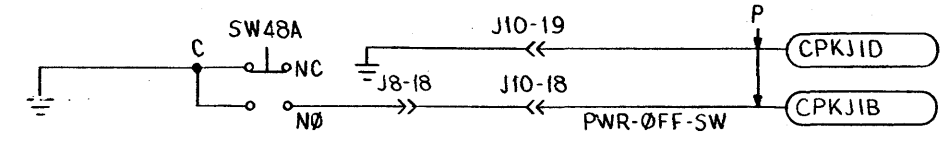
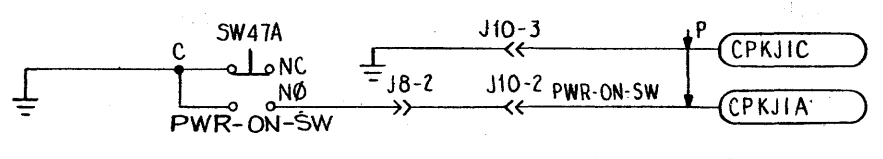
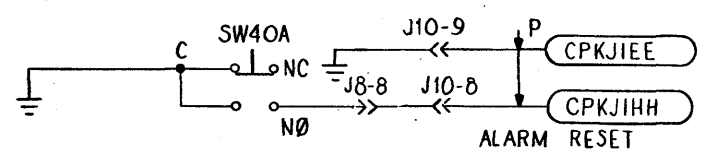


UNLESS OTHERWISE SPECIFIED		MATERIAL		Honeywell HONEYWELL INFORMATION SYSTEMS PHOENIX, ARIZONA U. S. A.	
DIMENSIONS = MILLIMETERS / INCHES		TREAT.			
TOLERANCE OF SIZE AND FORM PER INITIAL DESIGN PROJECTION		FIN.		TITLE SCHEMATIC MPC - M. R. I	
SCALE	CODE	DR	DATE	SIZE	DWG NO.
		13 Sept. 26	1962	D	58007432
		APPROVED	SIGNED	SH	REV
				1/7	B

THE INFORMATION CONTAINED IN THIS DOCUMENT IS PROPRIETARY TO HONEYWELL INFORMATION SYSTEMS AND IS INTENDED FOR INTERNAL HONEYWELL USE ONLY. SUCH INFORMATION MAY BE DISTRIBUTED TO OTHERS ONLY BY WRITTEN PERMISSION OF AN AUTHORIZED HONEYWELL OFFICIAL. THIS RESTRICTION DOES NOT APPLY TO VENDOR PROPRIETARY PARTS THAT MAY BE DISCLOSED IN THIS DOCUMENT.

REVISIONS				
REV	AUTHORITY	DATE	SIGNATURE	
YR	MO	DAY		

H
F
E
D
C
B
A

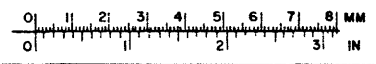


RØ27

1) WHEN SW46 IS POSITIONED AGAINST ITS PERMANENT STOP THE KNOB OF SW46 SHOULD POINT TO "CONTROL" ON THE MAINTENANCE PANEL.

NOTES:

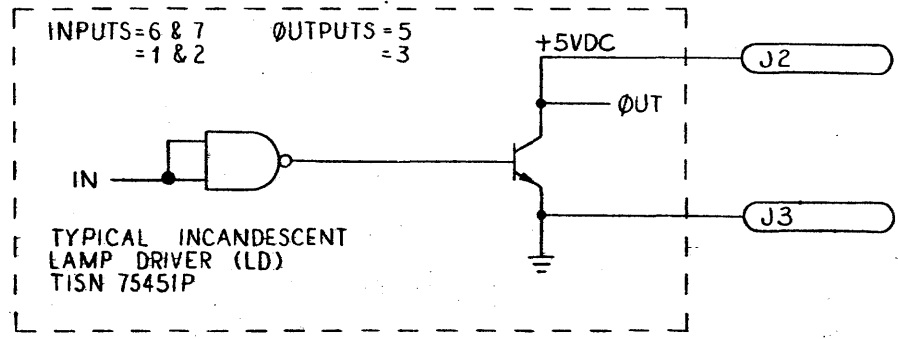
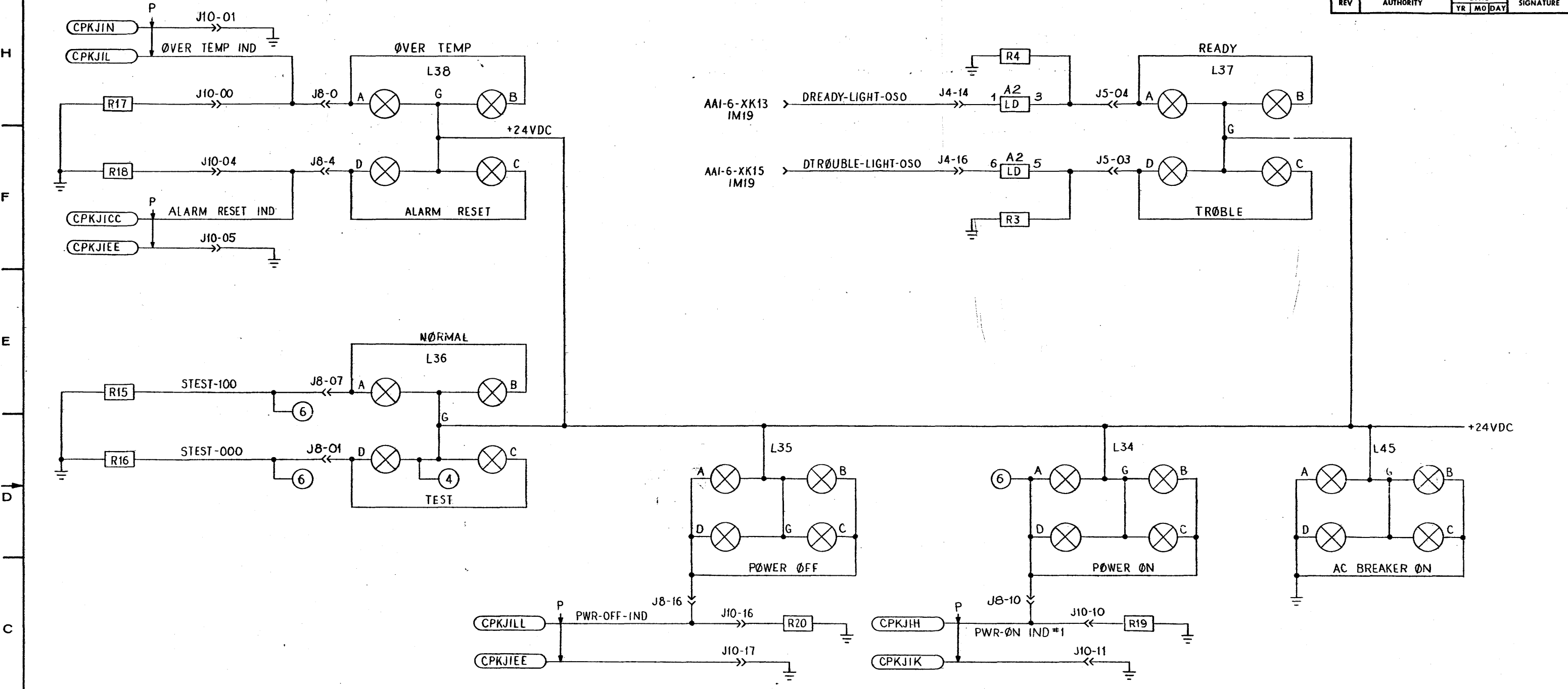
UNLESS OTHERWISE SPECIFIED		MATERIAL		Honeywell HONEYWELL INFORMATION SYSTEMS PHOENIX, ARIZONA U. S. A.							
DIMENSIONS= MILLIMETERS / INCHES		TREAT.						LOC PCØ			
TOLERANCE OF SIZE AND FORM PER INITIAL DESIGN		FIN.		TITLE SCHEMATIC MPC - M. P. I							
PROJECTION		SCALE		DR 13 Sept. 26 Cate Ripley		SIZE DWG NO D 58007432		SH 2		REV B	
APPD.		CODE		DISTR C68-10 TOS SDE NCO-Real							



THIS DOCUMENT IS PROPRIETARY TO HONEYWELL INFORMATION SYSTEMS AND IS INTENDED FOR INTERNAL HONEYWELL USE ONLY. SUCH INFORMATION MAY BE DISTRIBUTED TO OTHERS ONLY BY WRITTEN PERMISSION OF AN AUTHORIZED HONEYWELL OFFICIAL. THIS RESTRICTION DOES NOT APPLY TO VENDOR PROPRIETARY PARTS THAT MAY BE DISCLOSED IN THIS DOCUMENT.

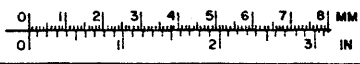
58007432

REVISIONS				
REV	AUTHORITY	DATE	SIGNATURE	
		YR MO DAY		



THIS INFORMATION IS PROPRIETARY TO HONEYWELL INFORMATION SYSTEMS AND IS INTENDED FOR INTERNAL HONEYWELL USE ONLY. SUCH INFORMATION MAY BE DISTRIBUTED TO OTHERS ONLY BY WRITTEN PERMISSION OF AN AUTHORIZED HONEYWELL OFFICIAL. THIS RESTRICTION DOES NOT APPLY TO VENDOR PROPRIETARY PARTS THAT MAY BE DISCLOSED IN THIS DOCUMENT.

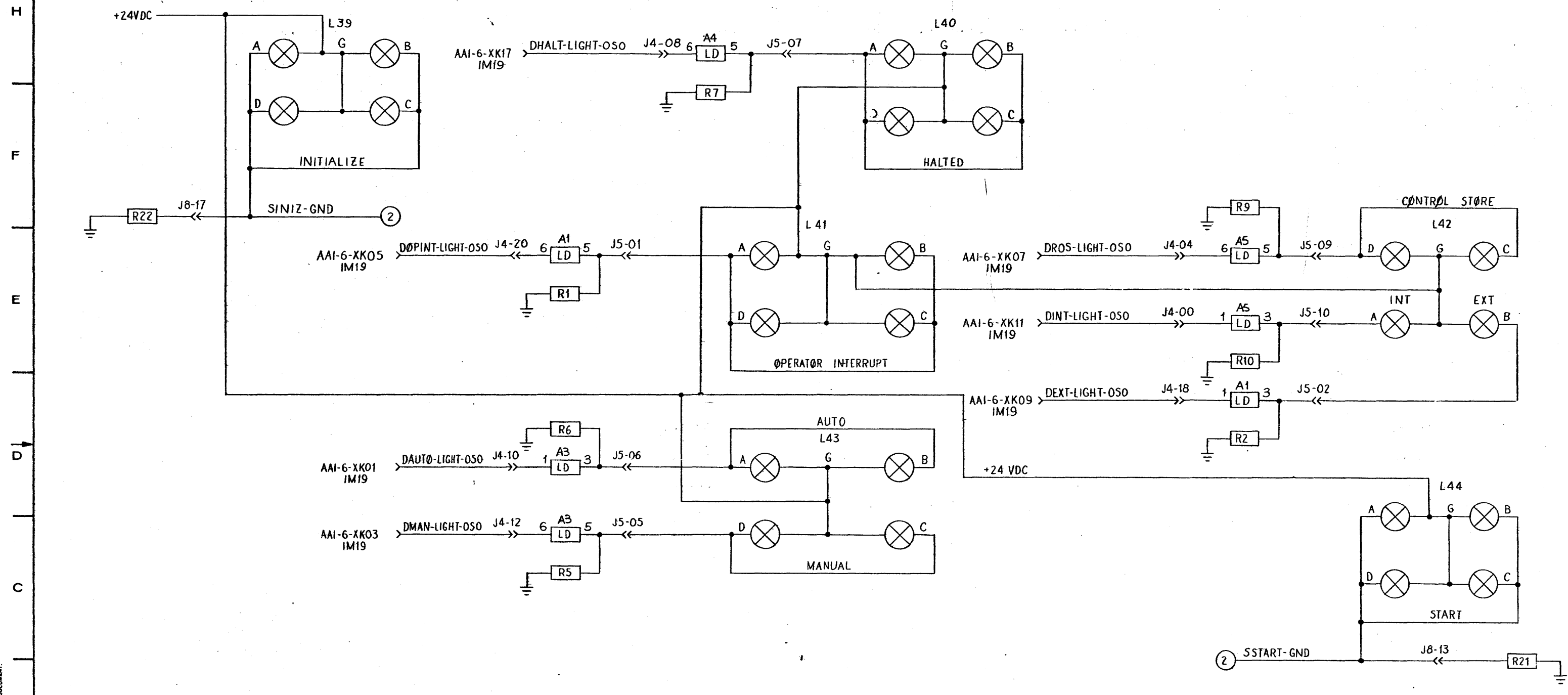
REV	DATE	BY	CHKD	APPD	TITLE



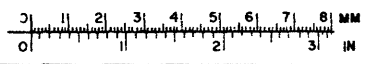
UNLESS OTHERWISE SPECIFIED		MATERIAL		Honeywell HONEYWELL INFORMATION SYSTEMS PHOENIX, ARIZONA U. S. A.	
DIMENSIONS =	MILLIMETERS	TREAT.		LOC PCO TITLE SCHEMATIC MPC M.P.I.	
TOLERANCE OF SIZE AND FORM PER	INCHES	FIN.		SIZE	DWG NO
INITIAL DESIGN				D	58007432
PROJECTION		DR 73 Sept. 27		SH	3
SCALE	CODE	Crete Ripley		REV	A
		APPD [Signature]		DISTR C68-10 TOS SDF, NCO-8co	

58007432

REVISIONS				
REV	AUTHORITY	DATE	SIGNATURE	
		YR MO DAY		



ALL INFORMATION CONTAINED IN THIS DOCUMENT IS PROPRIETARY TO HONEYWELL INFORMATION SYSTEMS AND IS INTENDED FOR INTERNAL HONEYWELL USE ONLY. SUCH INFORMATION MAY BE DISTRIBUTED TO OTHERS ONLY BY WRITTEN PERMISSION OF AN AUTHORIZED HONEYWELL OFFICIAL. THIS RESTRICTION DOES NOT APPLY TO VENDOR PROPRIETARY PARTS THAT MAY BE DISCLOSED IN THIS DOCUMENT.

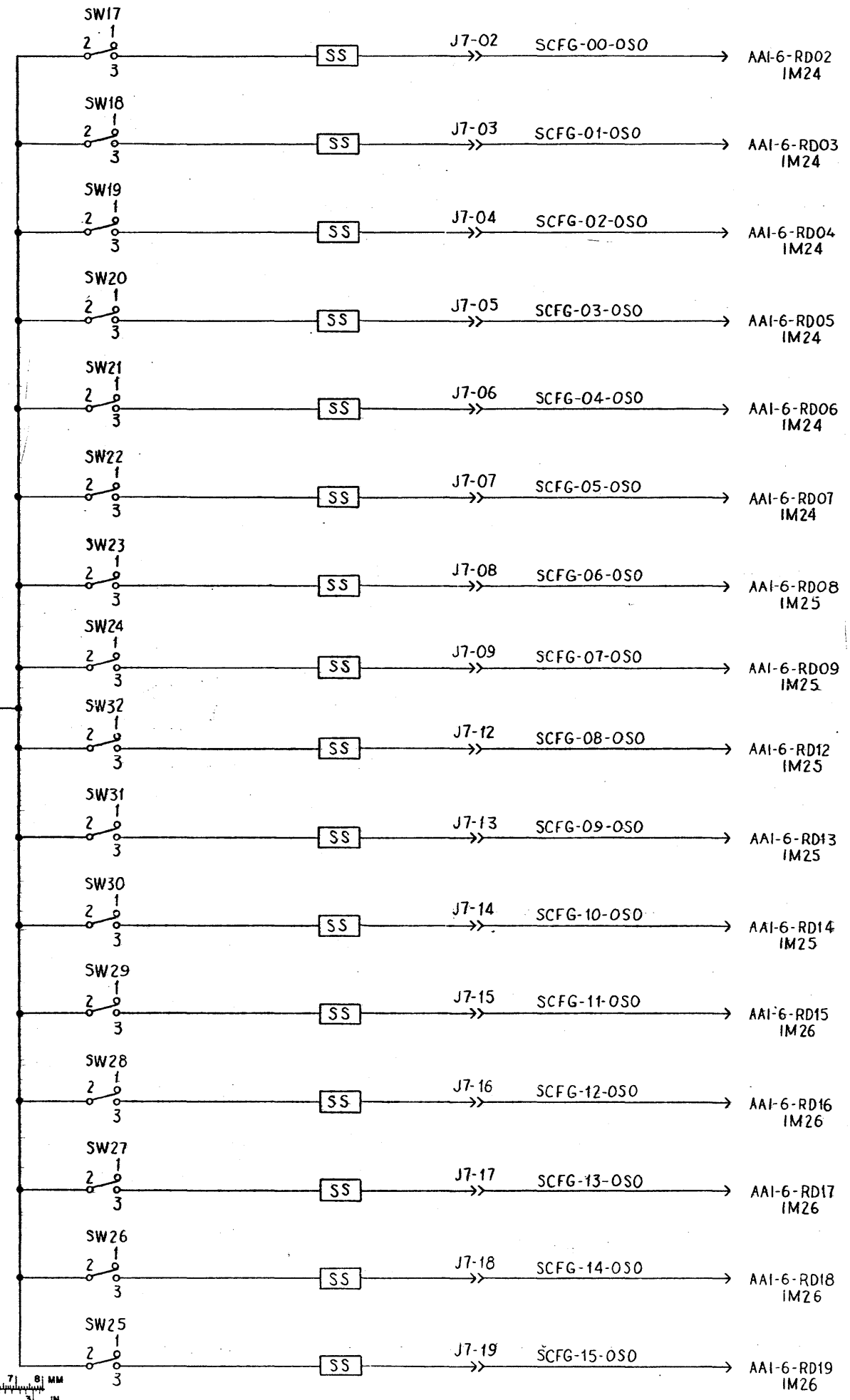
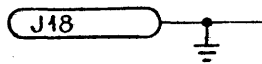


UNLESS OTHERWISE SPECIFIED		MATERIAL		Honeywell	
DIMENSIONS = MILLIMETERS / INCHES		TREAT.		HONEYWELL INFORMATION SYSTEMS PHOENIX, ARIZONA U. S. A.	
TOLERANCE OF SIZE AND FORM PER INITIAL DESIGN PROJECTION		FIN.		TITLE SCHEMATIC MPC - M. P. I.	
SCALE	CODE	DR 73 Sept. 27	APPD. <i>C. Ripley</i>	SIZE D	DWG NO 58007432
				SH 4	REV A

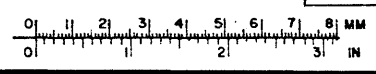
58007432

INFORMATION CONTAINED IN THIS DOCUMENT IS PROPRIETARY TO HONEYWELL INFORMATION SYSTEMS AND IS INTENDED FOR INTERNAL USE ONLY. SUCH INFORMATION MAY BE DISTRIBUTED TO OTHERS ONLY BY WRITTEN PERMISSION OF AN AUTHORIZED HONEYWELL OFFICIAL. THIS RESTRICTION DOES NOT APPLY TO VENDOR PROPRIETARY PARTS THAT MAY BE DISCLOSED IN THIS DOCUMENT.

H
F
E
D
C
B
A



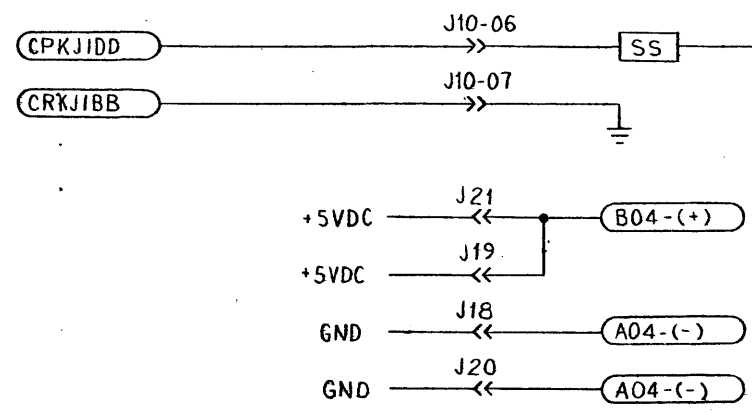
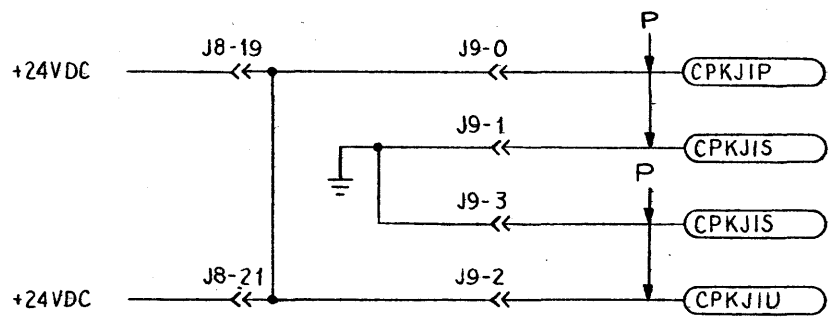
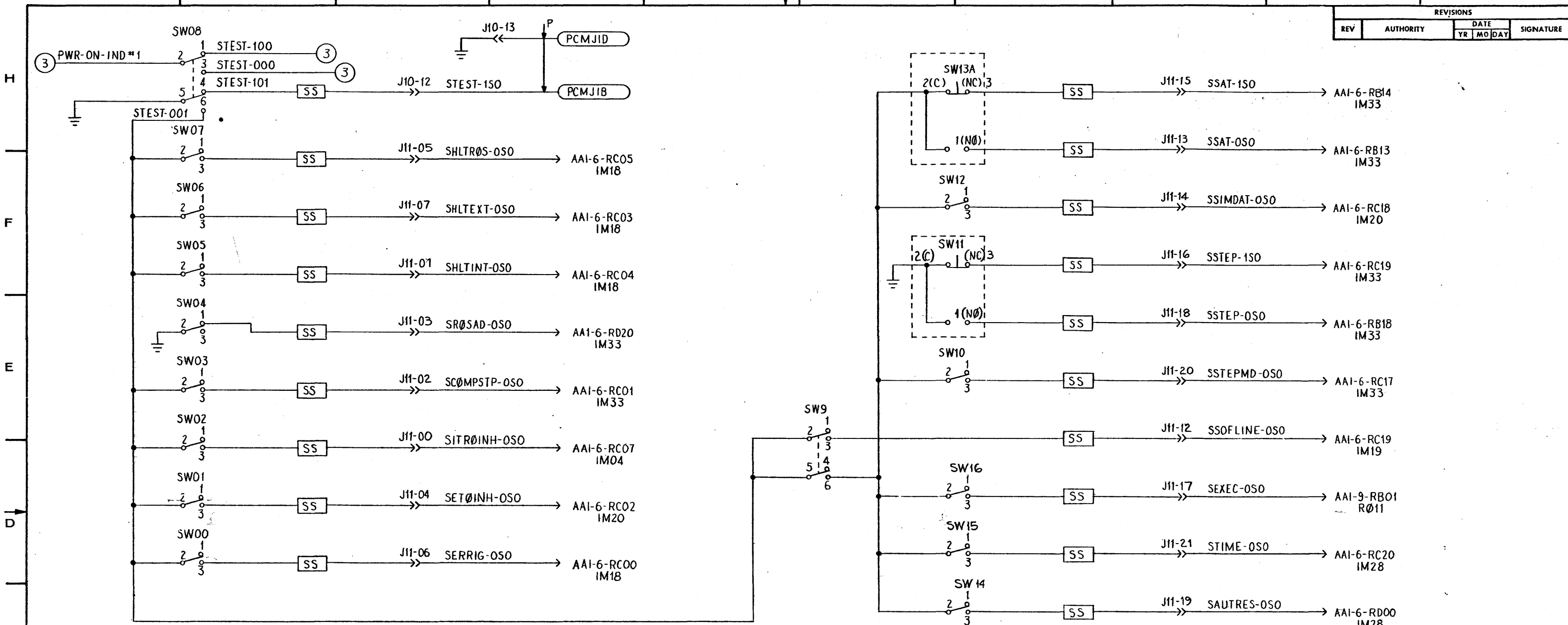
REVISIONS				
REV	AUTHORITY	DATE		SIGNATURE
		YR	MO DAY	



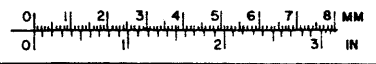
UNLESS OTHERWISE SPECIFIED		MATERIAL		Honeywell HONEYWELL INFORMATION SYSTEMS PHOENIX, ARIZONA U. S. A. Schematic MPC M.P.I.								
DIMENSIONS = $\frac{\text{MILLIMETERS}}{\text{INCHES}}$		TREAT.						LOC PC0	SIZE	DWG NO	SH	REV
TOLERANCE OF SIZE AND FORM PER INITIAL DESIGN		FIN.						DR 73 Sept. 27 Creta Ripley	D	58007432	5	A
PROJECTION		SCALE CODE						APPR [Signature]	DISTR C68-10 TOS SDF NCO-BC01			

158007432

REVISIONS			
REV	AUTHORITY	DATE	SIGNATURE
		YR MO DAY	



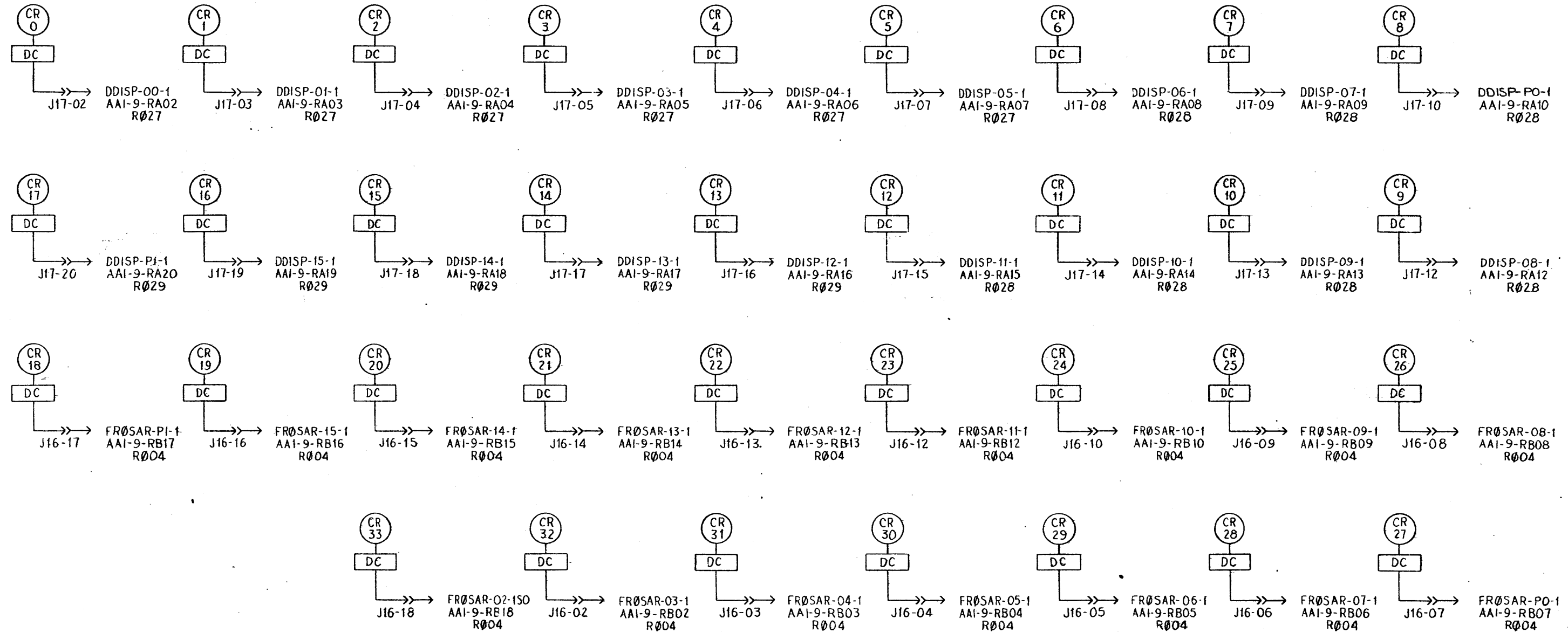
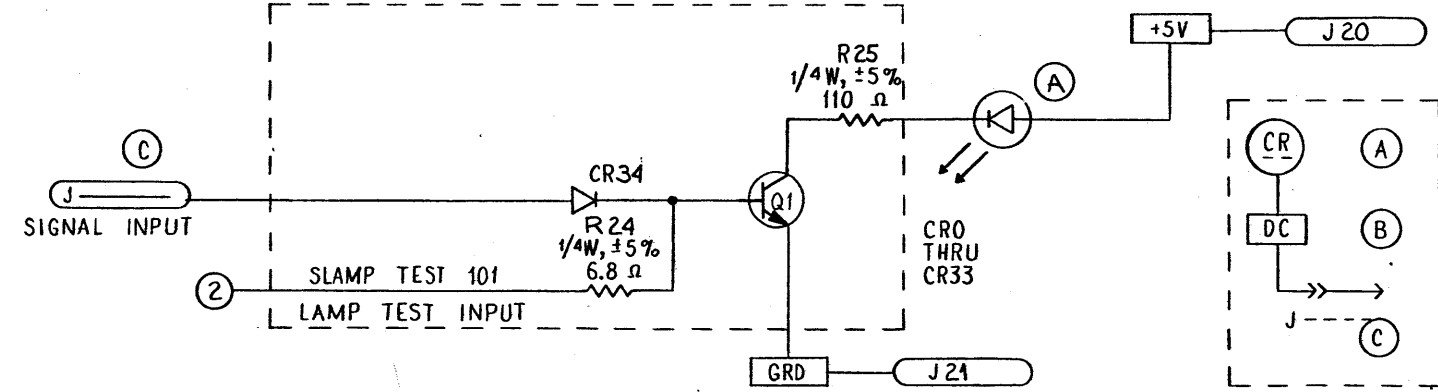
INFORMATION CONTAINED IN THIS DOCUMENT IS PROPRIETARY TO HONEYWELL INFORMATION SYSTEMS AND IS INTENDED FOR INTERNAL HONEYWELL USE ONLY. SUCH INFORMATION MAY BE DISTRIBUTED TO OTHERS ONLY BY WRITTEN PERMISSION OF AN AUTHORIZED HONEYWELL OFFICIAL. THIS RESTRICTION DOES NOT APPLY TO VENDOR PROPRIETARY PARTS THAT MAY BE DISCLOSED IN THIS DOCUMENT.



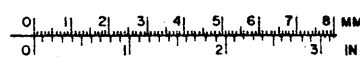
UNLESS OTHERWISE SPECIFIED		MATERIAL		Honeywell HONEYWELL INFORMATION SYSTEMS PHOENIX, ARIZONA U. S. A.			
DIMENSIONS—		TREAT.					
MILLIMETERS		FIN.		LOC PC0 TITLE SCHEMATIC MPC M.P.I.			
TOLERANCE OF SIZE AND FORM PER		SCALE		CODE		DR 73 Sept. 28 Clete Ripley	
INITIAL DESIGN		DR		DATE		SIZE D DWG NO 58007432	
PROJECTION		APPD		DATE		SH 6 REV B	

58007432

REVISIONS			
REV	AUTHORITY	DATE YR MO DAY	SIGNATURE



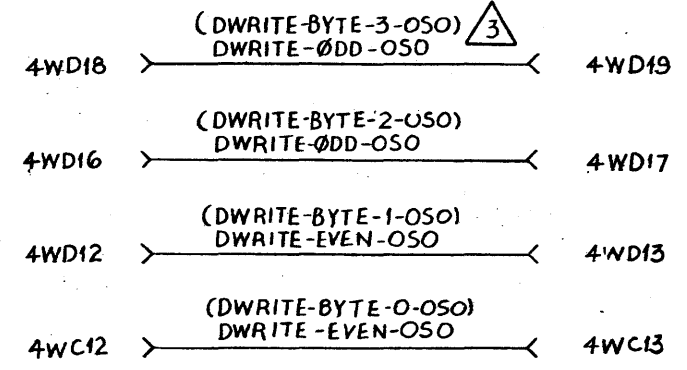
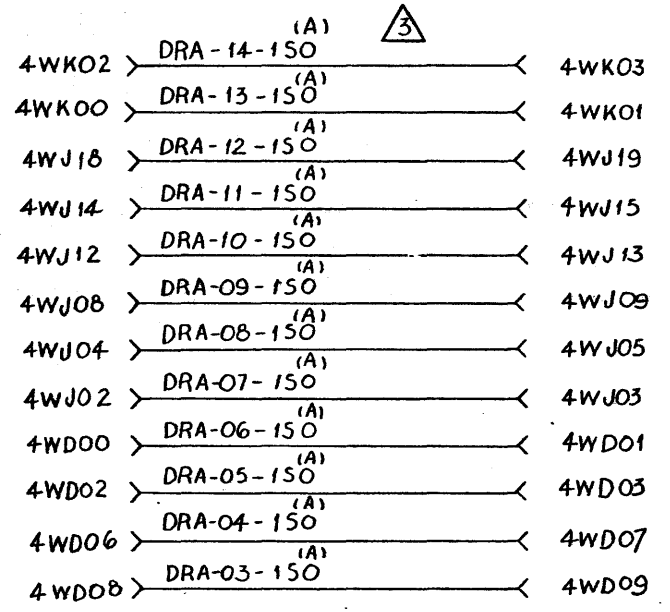
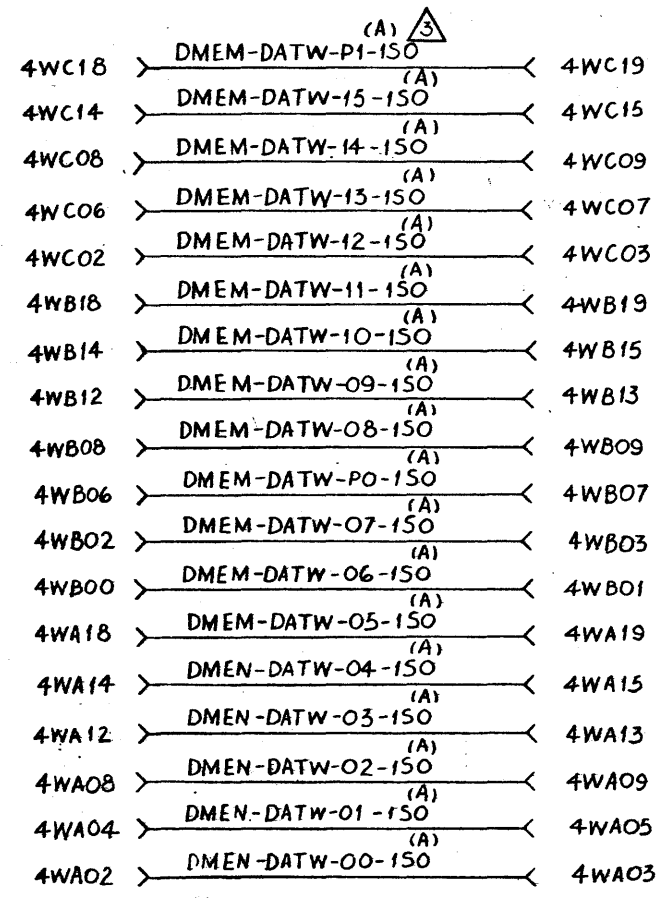
ALL INFORMATION CONTAINED IN THIS DOCUMENT IS PROPRIETARY TO HONEYWELL INFORMATION SYSTEMS AND IS INTENDED FOR INTERNAL HONEYWELL USE ONLY. SUCH INFORMATION MAY BE DISTRIBUTED TO OTHERS ONLY BY WRITTEN PERMISSION OF AN AUTHORIZED HONEYWELL OFFICIAL. THIS RESTRICTION DOES NOT APPLY TO VENDOR PROPRIETARY PARTS THAT MAY BE DISCLOSED IN THIS DOCUMENT.



UNLESS OTHERWISE SPECIFIED		MATERIAL		Honeywell HONEYWELL INFORMATION SYSTEMS PHOENIX, ARIZONA U. S. A.			
DIMENSIONS=	MILLIMETERS INCHES	TREAT.					
TOLERANCE OF SIZE AND FORM PER		FIN.		LOC PCØ TITLE SCHEMATIC DIAGRAM MPC M.P.I.			
INITIAL DESIGN		DR 13 Sept. 28 <i>Cute Ripley</i>		SIZE D	DWG NO 58007432	SH 7F	REV A
PROJECTION		APPD <i>Watt</i> 1/2/74		DISTR CG8-10 TOS SDF NCO-Bco1			
SCALE	CODE						

58007432

REVISIONS				
REV	AUTHORITY	DATE		SIGNATURE
		YR	MO DAY	

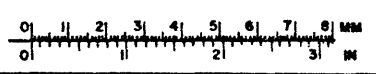


- 3 LOGIC NAMES ABOVE IN () ARE NAMES COMING OUT OF LOADER BOARD (DURLD)
 - 2 THE JUMPER WIRES ON THIS SHEET MUST BE ADDED TO THE BASIC MPC BACK PANEL ONCE MANUFACTURING TEST HAS PROGRESSED TO THE STAGE WHERE THE LOADER BOARD (DURLD) WILL NO LONGER BE USED.
 - 1 ALL PINS REFERENCED ON EACH SHEET OF THESE SCHEMATICS ARE BASIC MPC BACKPANEL (AA1) PINS EXCEPT WHERE INDICATED.
- NOTE: DIFFERENTLY.

BACKPANEL WIRING SCHEMATIC
BASIC MPC (4WMPLOOIBAI)

FOR DOCUMENT STATUS SEE REVISION STATUS SHEET

UNLESS OTHERWISE SPECIFIED		MATERIAL		Honeywell HONEYWELL INFORMATION SYSTEMS LOC PCO PHOENIX, ARIZONA U. S. A.	
DIMENSIONS=		TREAT.			
TOLERANCE OF SIZE AND FORM PER		FIN.		TITLE SCHEM DIAGRAM	
INITIAL DESIGN		SCALE		LOADER BOARD REPLACEMENT JUMPERS	
PROJECTION		CODE		SIZE DWG NO	
DR		APP'D		SH REV	
74 SEP 19		7401 03		D 58015699 1/8 B	
DISTR		CAB-10-TOS		NCO	



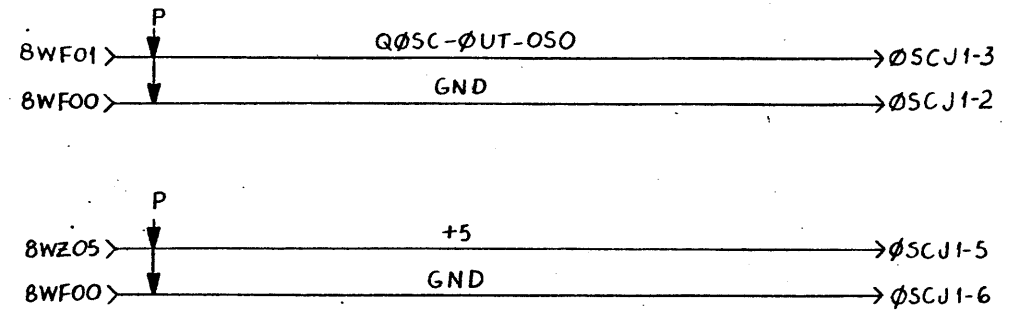
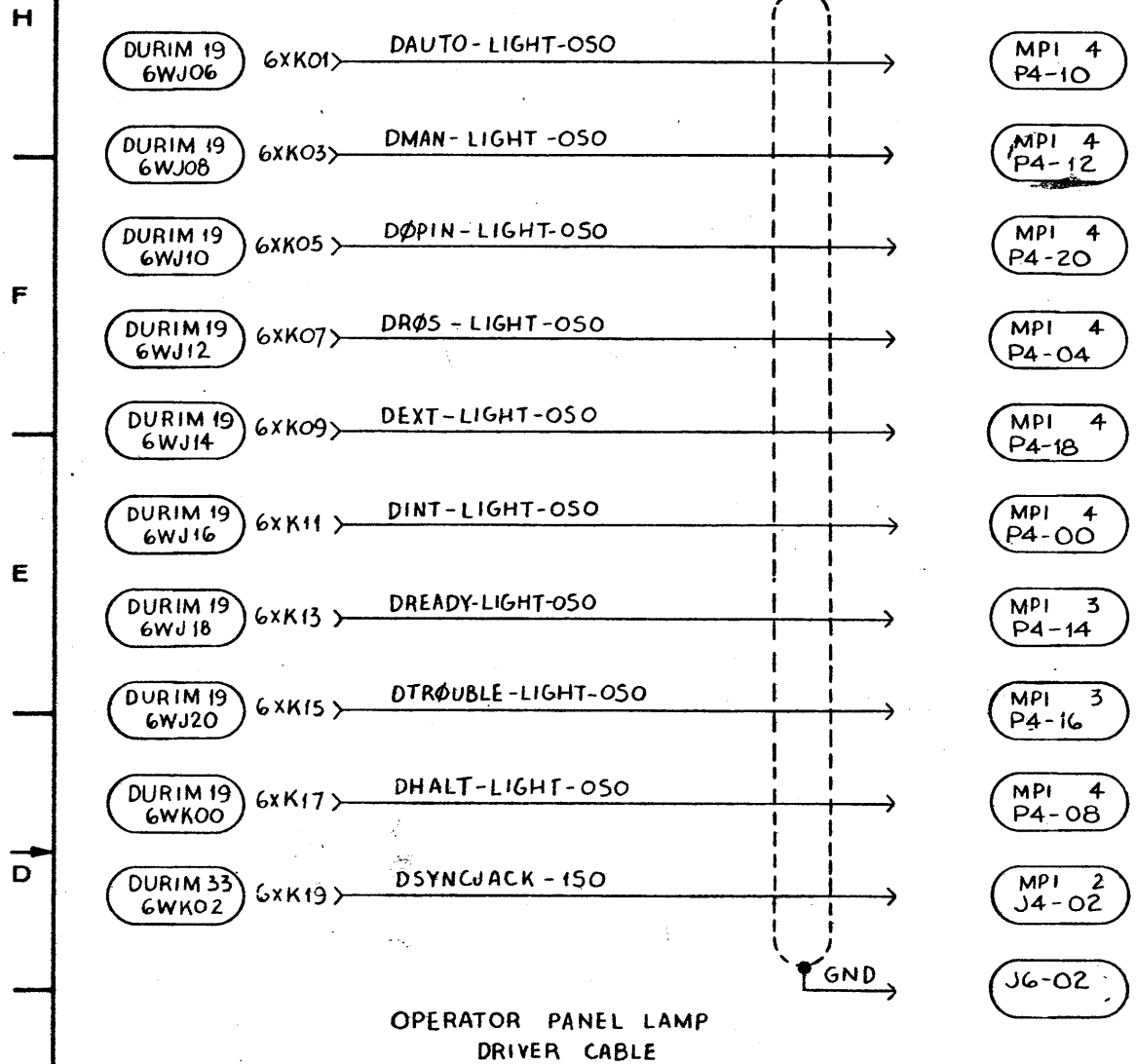
THIS DOCUMENT IS PROPRIETARY TO HONEYWELL INFORMATION SYSTEMS AND IS PROVIDED FOR INTERNAL USE ONLY. ANY INFORMATION MAY BE DISCLOSED TO OTHERS ONLY BY WRITTEN PERMISSION OF AN AUTHORIZED HONEYWELL OFFICIAL. THIS RESTRICTION DOES NOT APPLY TO VENDOR PROPRIETARY PARTS THAT MAY BE DISCLOSED IN THIS DOCUMENT.

A

REF SPEC NO

MAINTENANCE PANEL TERMINAL
BOARD PIN TERMINATION

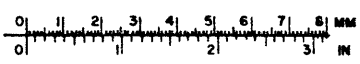
REVISIONS				
REV	AUTHORITY	DATE	SIGNATURE	
YR	MO	DAY		



OSCILLATOR BOARD WIRING

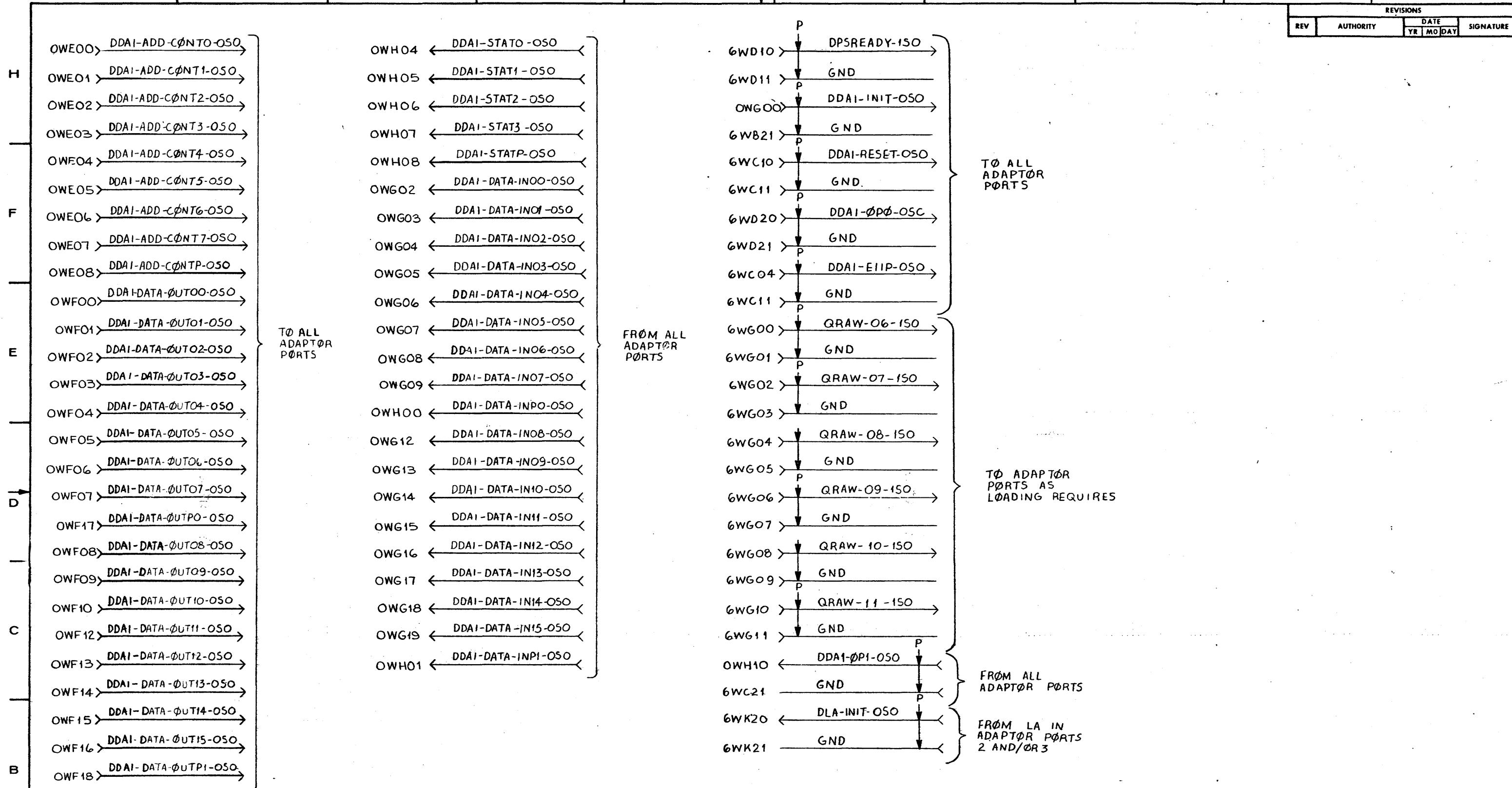
BACKPANEL WIRING SCHEMATIC
BASIC MPC (4WMPC00IBAI)

THIS DOCUMENT IS PROPRIETARY TO HONEYWELL INFORMATION SYSTEMS AND IS INTENDED FOR INTERNAL HONEYWELL USE ONLY. SUCH INFORMATION MAY BE DISTRIBUTED TO OTHERS ONLY BY WRITTEN PERMISSION OF AN AUTHORIZED HONEYWELL OFFICIAL. THIS RESTRICTION DOES NOT APPLY TO VENDOR PROPRIETARY PARTS THAT MAY BE DISCLOSED IN THIS DOCUMENT.



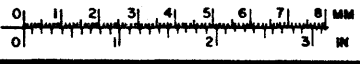
UNLESS OTHERWISE SPECIFIED		MATERIAL		<p>HONEYWELL INFORMATION SYSTEMS PHOENIX, ARIZONA U. S. A.</p>	
DIMENSIONS=	MILLIMETERS INCHES	TREAT.			
TOLERANCE OF SIZE AND FORM PER		INITIAL DESIGN	FIN.	TITLE SCHEM. DIAGRAM MAINT PNL/OSCILLATOR BD INTERFACE	
PROJECTION		SCALE	CODE	DR <i>Wm Seder</i> 74SEP19	SIZE D
				APPD <i>RR Pat</i> 74Oct03	DWG NO 58015699
				DISTR C68-10, TOS NCO	SH 2
					REV A

REVISIONS			
REV	AUTHORITY	DATE	SIGNATURE
		YR MO DAY	



THIS DOCUMENT IS PROPERTY OF HONEYWELL INFORMATION SYSTEMS AND IS INTENDED FOR INTERNAL HONEYWELL USE ONLY. SUCH INFORMATION MAY BE DISTRIBUTED TO OTHERS ONLY BY WRITTEN PERMISSION OF AN AUTHORIZED HONEYWELL OFFICIAL. THIS RESTRICTION DOES NOT APPLY TO VENDOR PROPRIETARY PARTS THAT MAY BE ENCLOSED IN THIS DOCUMENT.

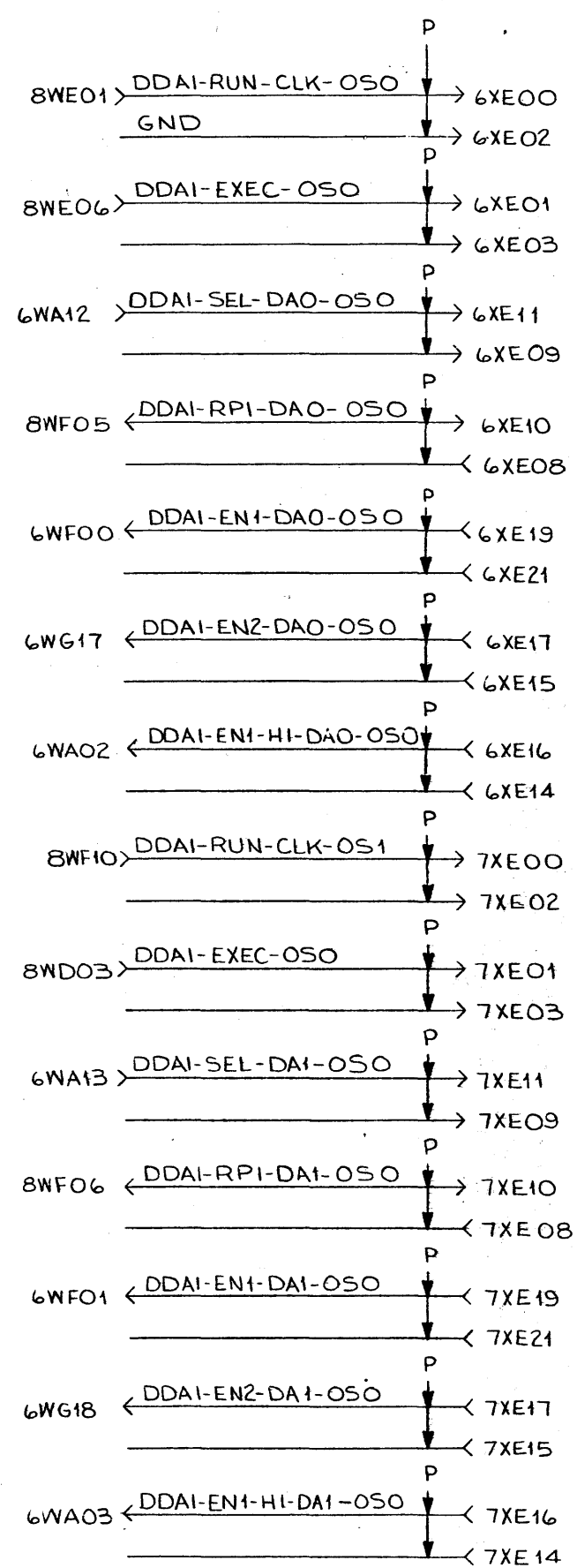
BACKPANEL WIRING SCHEMATIC
BASIC MPC (4WMPC OOI BAI)



UNLESS OTHERWISE SPECIFIED		MATERIAL		Honeywell HONEYWELL INFORMATION SYSTEMS PHOENIX, ARIZONA U. S. A.	
DIMENSIONS = $\frac{\text{MILLIMETERS}}{\text{INCHES}}$		TREAT.			
TOLERANCE OF SIZE AND FORM PER		FIN.		LOC PCO	
INITIAL DESIGN		SCALE		TITLE SCHEM DIAGRAM	
PROJECTION		CODE		DAI INTERFACE	
DR. [Signature]		DATE 74 SEP 19		SIZE D	DWG NO 58015699
APPD. [Signature]		DATE 74 Oct 03		SH 3	REV A
DISTR C68-10.TOS		M.P.D.			

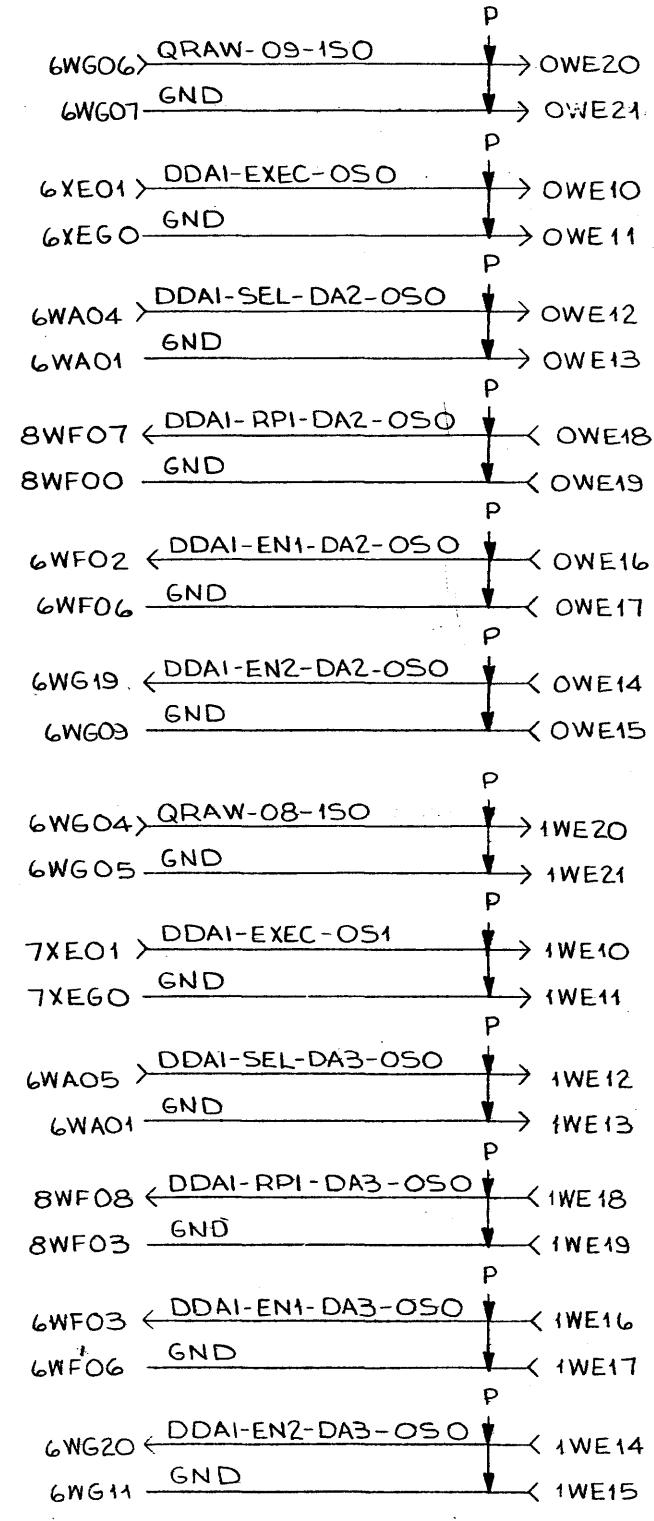
REVISIONS				
REV	AUTHORITY	DATE		SIGNATURE
		YR	MO	DAY

10 9 8 7 6 5 4 3 2 1



TØ / FRØM
DEVICE ADAPTØR
PØRT 0

TØ / FRØM
DEVICE ADAPTØR
PØRT 1



TØ / FRØM
LINK ADAPTØR
PØRT 0

TØ / FRØM
LINK ADAPTØR
PØRT 1

BACKPANEL WIRING SCHEMATIC
BASIC MPC (4WMPC001BA1)

UNLESS OTHERWISE SPECIFIED		MATL		Honeywell HONEYWELL INFORMATION SYSTEMS PHOENIX, ARIZONA U. S. A.	
DIMENSIONS= $\frac{\text{MILLIMETERS}}{\text{INCHES}}$		TREAT.			
TOLERANCE OF SIZE AND FORM PER INITIAL DESIGN		FIN.		TITLE SCHEMATIC DIAGRAM DAI INTERFACE	
PROJECTION		DR <i>[Signature]</i> 74SEP20		SIZE	DWG NO
SCALE	CODE	APPD <i>[Signature]</i> 74OCT03		D	58015699
		DISTR 612 12 700 (1.0)		SH	REV
				4	A

THIS DOCUMENT IS PROPRIETARY TO HONEYWELL INFORMATION SYSTEMS AND IS INTENDED FOR INTERNAL HONEYWELL USE ONLY. IT MAY BE DISTRIBUTED TO OTHERS ONLY BY WRITTEN PERMISSION OF AN AUTHORIZED HONEYWELL OFFICIAL. THIS RESTRICTION DOES NOT APPLY TO VENDOR SUPPLIERS OR TO VENDOR PARTS THAT MAY BE DISCLOSED IN THIS DOCUMENT.

BRUNING 44141

58015699

REVISIONS				
REV	AUTHORITY	DATE		SIGNATURE
		YR	MO DAY	

DURRA-27	WE00/01	DCHSEL-0-ISO	A3-1
DURRA-29	WE14/15	DCENBL-OSO	A2-2
DURRA-27	WE02/03	DCHSEL-1-ISO	A1-1
DURRA-27	WD08/09	DCHSEL-2-ISO	A3-9
DURRA-29	WE12/13	DPRECH-OSO	A2-1
DURRA-27	WD18/19	DCHSEL-3-ISO	A1-4
DURRA-27	WE04/05	DWRT-MSB-ISO	A4-10
DURRA-27	WE06/07	DWRT-LSB-ISO	A4-13
DURRA-27	WF06/07	DMEM-ADD-03-XSA*	A99-4
DURRA-27	WF08/09	DMEM-ADD-02-XSA*	A99-5
DURRA-26	WJ02/03	DBOSEL-ISO	A99-1
DURRA-27	WJ04/05	DMEM-ADD-01-XSA*	A99-2
DURRA-27	WC02/03	BREAD-STRØBE-ISO	A5-2

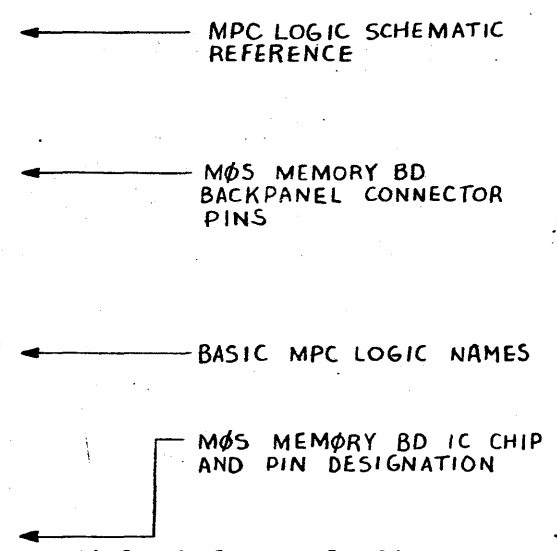
A102-6	DMEM-DATW-00-150	WC12/13	MPCFN-11
A102-1	DMEM-DATW-01-150	WDO4/05	MPCFN-11
A103-6	DMEM-DATW-02-150	WCO6/07	MPCFN-11
A103-1	DMEM-DATW-03-150	WDI4/15	MPCFN-11
A104-6	DMEM-DATW-04-150	WC14/15	MPCFN-11
A104-1	DMEM-DATW-05-150	WDO2/03	MPCFN-11
A105-6	DMEM-DATW-06-150	WDI2/13	MPCFN-11
A105-1	DMEM-DATW-07-150	WE08/09	MPCFN-11
A106-6	DMEM-DATW-PO-150	WE18/19	MPCFN-11
A106-1	(NOT USED)	WE20/21	GND
A107-6	DMEM-DATW-08-150	WH16/17	MPCFN-11
A107-1	DMEM-DATW-09-150	WG16/17	MPCFN-11
A108-6	DMEM-DATW-10-150	WH14/15	MPCFN-11
A108-1	DMEN-DATW-11-150	WG12/13	MPCFN-11
A109-6	DMEN-DATW-12-150	WH08/09	MPCFN-11
A109-1	DMEN-DATW-13-150	WJ14/15	MPCFN-11
A110-6	DMEN-DATW-14-150	WG14/15	MPCFN-11
A110-1	DMEN-DATW-15-150	WH02/03	MPCFN-11
A111-6	DMEN-DATW-P1-150	WHO6/07	MPCFN-11
A111-1	(NOT USED)	WH18/19	GND

NOTE:

THIS DOCUMENT REPRESENTS THE IDENTICAL BACK PANEL PIN LAYOUT OF THE MØS MEMORY BD (MØSM4) LOGIC SCHEMATIC (43D233601)

- THE APPROPRIATE BASIC MPC LOGIC NAME ALONG WITH THE MØS MEMORY BD PIN IT INTERFACES WITH
- A REFERENCE TO THE APPROPRIATE BASIC MPC BD LOGIC SCHEMATIC AND SH NUMBER THE LOGIC SIGNAL ORIGINATES FROM OR TERMINATES AT.

DURRA-13	WB00/01	DMEM-DATR-00-OSO	A9-9
DURRA-13	WB02/03	DMEM-DATR-01-OSO	A9-4
DURRA-13	WB08/09	DMEM-DATR-02-OSO	A10-9
DURRA-13	WB12/13	DMEM-DATR-03-OSO	A10-4
DURRA-13	WC08/09	DMEM-DATR-04-OSO	A11-9
DURRA-13	WC18/19	DMEM-DATR-05-OSO	A11-4
DURRA-14	WD06/07	DMEM-DATR-06-OSO	A12-9
DURRA-13	WD16/17	DMEM-DATR-07-OSO	A12-4
DURRA-13	WDO0/01	DMEM-DATR-PO-OSO	A13-9
DURRA-14	WE16/17	(NOT USED)	A13-4
DURRA-14	WC16/17	DMEM-DATR-08-OSO	A14-9
DURRA-14	WG18/19	DMEM-DATR-09-OSO	A14-4
DURRA-14	WG08/09	DMEM-DATR-10-OSO	A15-9
DURRA-14	WG06/07	DMEM-DATR-11-OSO	A15-4
DURRA-14	WH00/01	DMEM-DATR-12-OSO	A16-9
DURRA-14	WH12/13	DMEM-DATR-13-OSO	A16-4
DURRA-14	WJ00/01	DMEM-DATR-14-OSO	A17-9
DURRA-14	WJ06/07	DMEM-DATR-15-OSO	A17-4
DURRA-14	WJ08/09	DMEM-DATR-P1-OSO	A18-9
DURRA-14	WK02/03	(NOT USED)	A18-4



TYPICAL ALL FOUR SIDES

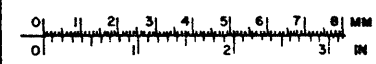
A6-9	DMEM-ADD-15-OSA	WF16/17	DURRA-27
A6-1	DMEM-ADD-14-OSA	WF18/19	DURRA-27
A8-2	DMEM-ADD-13-OSA	WG02/03	DURRA-27
A6-12	DMEM-ADD-12-OSA	WF14/15	DURRA-27
A6-4	DMEM-ADD-11-OSA	WF20/21	DURRA-27
A7-12	DMEM-ADD-10-OSA	WF02/03	DURRA-27
A7-1	DMEM-ADD-09-OSA	WF04/05	DURRA-27
A8-9	DMEM-ADD-08-OSA	WF12/13	DURRA-27
A8-4	DMEM-ADD-07-OSA	WG04/05	DURRA-27
A8-12	DMEM-ADD-06-OSA	WHO4/05	DURRA-27

* THESE LOGIC SIGNALS REPRESENT THE BOARD SELECT LOGIC

	ADD-01	ADD-02	ADD-03	BD SOCKET SELECTED
x =	0	0	0	3
x =	0	0	1	2

BACKPANEL WIRING SCHEMATIC BASIC MPC(4WMPC001BAI)

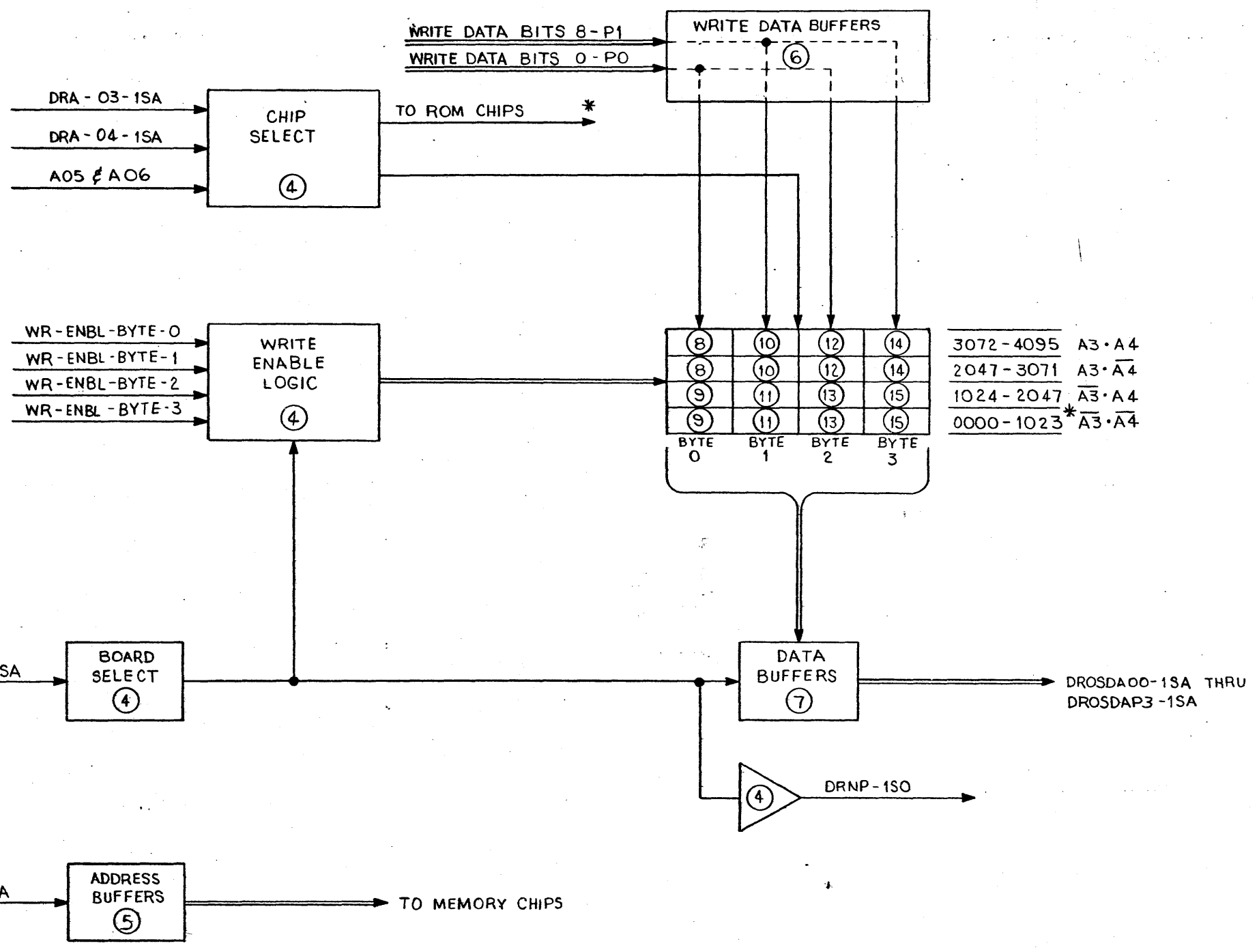
REV	DATE	BY	CHKD



UNLESS OTHERWISE SPECIFIED		MATERIAL	
DIMENSIONS = MILLIMETERS / INCHES		TREAT.	
TOLERANCE OF SIZE AND FORM PER INITIAL DESIGN		FIN.	
PROJECTION		DR	
SCALE	CODE	APPD: R.P. 7/10/03	
HONEYWELL INFORMATION SYSTEMS PHOENIX, ARIZONA U. S. A.		SIZE	REV
LOC PCØ		DWG NO	5
TITLE SCHEMATIC DIAGRAM MØS MEMORY INTERFACE		D	A
DISTR 628-10-705 11/03			

THE INFORMATION CONTAINED IN THIS DOCUMENT IS PROPRIETARY TO HONEYWELL INFORMATION SYSTEMS AND IS INTENDED FOR INTERNAL HONEYWELL USE ONLY. SUCH INFORMATION MAY BE DISTRIBUTED TO OTHERS ONLY BY WRITTEN PERMISSION OF AN AUTHORIZED HONEYWELL OFFICIAL. THIS RESTRICTION DOES NOT APPLY TO VENDOR PROPRIETARY PARTS THAT MAY BE DISCLOSED IN THIS DOCUMENT.

REVISIONS				
REV	AUTHORITY	DATE	SIGNATURE	
		YR MO DAY		



3072-4095	A3 · A4
2047-3071	A3 · A4
1024-2047	A3 · A4
0000-1023	A3 · A4

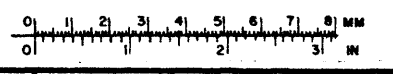
*

ADDRESS				ENABLE
A3	A4	A5	A6	
0	0	0	0	RENBL;100
0	0	1	0	CENBL(0);000
0	0	0	1	CENBL(0);001
0	0	1	1	RENBL;101

A0000 - A0255 = ROM
 A0256 - A0767 = RAM
 A0768 - A1023 = ROM
 A1024 - A4095 = RAM

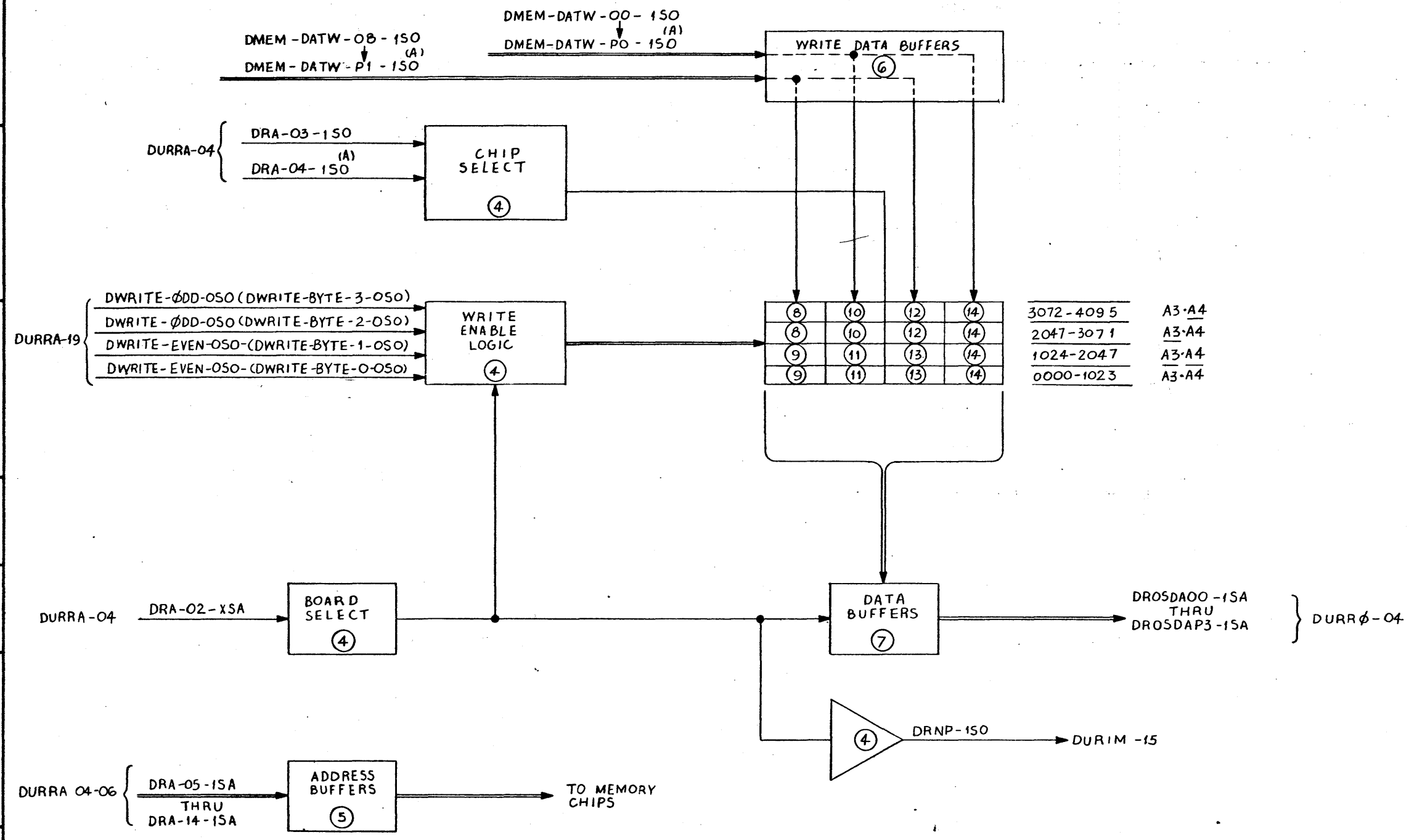
NOTE: THE ROM ADDRESSES MASK OUT THE CORRESPONDING RAM ADDRESSES.

THE INFORMATION CONTAINED IN THIS DOCUMENT IS PROPRIETARY TO HONEYWELL INFORMATION SYSTEMS AND IS RETURNED FOR INTERNAL HONEYWELL USE ONLY. SUCH INFORMATION MAY BE DISTRIBUTED TO OTHERS ONLY BY WRITTEN PERMISSION OF AN AUTHORIZED HONEYWELL OFFICIAL. THIS RESTRICTION DOES NOT APPLY TO VENDOR PROPRIETARY PARTS THAT MAY BE DISCLOSED IN THIS DOCUMENT.



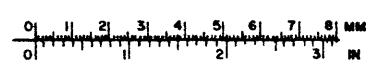
UNLESS OTHERWISE SPECIFIED		MATERIAL		Honeywell HONEYWELL INFORMATION SYSTEMS PHOENIX, ARIZONA U. S. A.			
DIMENSIONS= MILLIMETERS		INCHES					LOC
TOLERANCE OF SIZE AND FORM PER INITIAL DESIGN		TREAT.		TITLE LOGIC DIAGRAM MPCSE BLOCK DIAGRAM			
PROJECTION		FIN.		SIZE	DWG NO	SH	REV
SCALE	CODE	DR <i>Wm Sider</i> 7SEP.19		D	58015699	6	A
		APP <i>RRP</i> 740103		DISTR			

REVISIONS				
REV	AUTHORITY	DATE		SIGNATURE
		YR	MO DAY	



THIS COMPANY IS NOT RESPONSIBLE FOR THE ACCURACY OF THE INFORMATION CONTAINED HEREIN. THE INFORMATION IS PROVIDED FOR INFORMATIONAL PURPOSES ONLY. THE INFORMATION IS NOT TO BE USED FOR ANY OTHER PURPOSE. THE INFORMATION IS NOT TO BE USED FOR ANY OTHER PURPOSE. THE INFORMATION IS NOT TO BE USED FOR ANY OTHER PURPOSE.

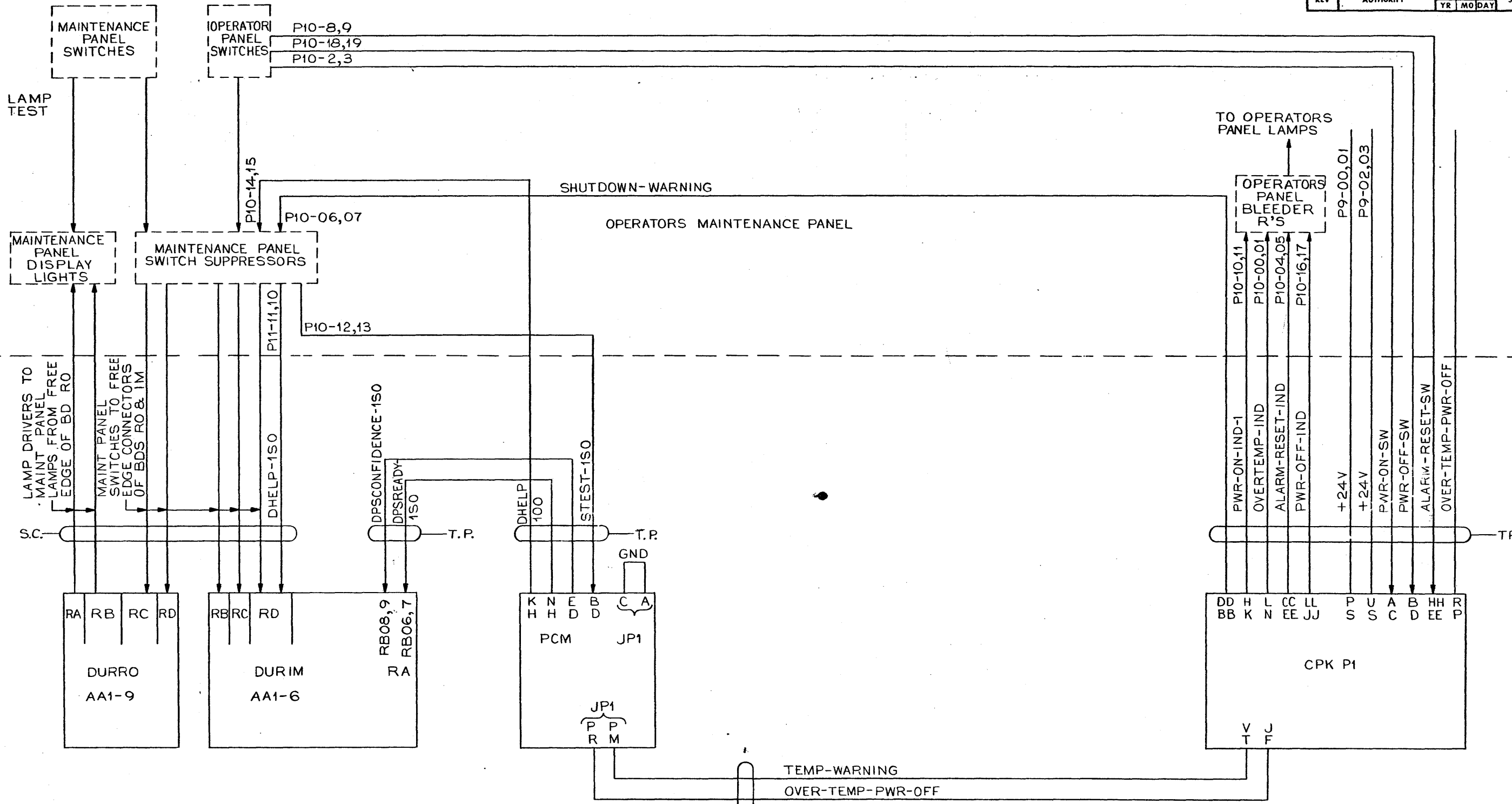
REV	DATE	BY	CHKD



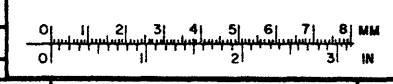
UNLESS OTHERWISE SPECIFIED		MATERIAL		Honeywell HONEYWELL INFORMATION SYSTEMS PHOENIX, ARIZONA U. S. A.	
DIMENSIONS = MILLIMETERS / INCHES		TREAT.			
TOLERANCE OF SIZE AND FORM PER INITIAL DESIGN		FIN.		TITLE SCHEMATIC DIAGRAM BLOCK DIAGRAM	
SCALE	CODE	DR	APP'D	SIZE	REV
		W. J. S. 7 SEP 19	R. P. S. 74010	D 58015699	7 B
		DISTR			
		CLB-10, TOS, NCD			

58015699

REVISIONS			
REV	AUTHORITY	DATE	SIGNATURE
		YR MO DAY	



ALL INFORMATION CONTAINED HEREIN IS PROPRIETARY TO HONEYWELL INFORMATION SYSTEMS AND IS INTENDED FOR INTERNAL HONEYWELL USE ONLY. NO INFORMATION MAY BE DISTRIBUTED TO OTHERS WITHOUT WRITTEN PERMISSION OF AN AUTHORIZED HONEYWELL OFFICIAL. THIS RESTRICTION DOES NOT APPLY TO INFORMATION CONTAINED HEREIN THAT IS EITHER (A) A COMMONLY AVAILABLE TRADE ITEM OR (B) INFORMATION THAT IS NECESSARY TO OPERATE THE EQUIPMENT.



UNLESS OTHERWISE SPECIFIED		MATERIAL		Honeywell HONEYWELL INFORMATION SYSTEMS PHOENIX, ARIZONA U. S. A.			
DIMENSIONS= MILLIMETERS / INCHES		TREAT.					
TOLERANCE OF SIZE AND FORM PER INITIAL DESIGN		FIN.		LOCPCO TITLE SCHEMATIC DIAGRAM EXTERNAL CABLING			
SCALE	CODE	DR	APPD	SIZE	DWG NO	SH	REV
				D	58015699	8F	B

58015699

OPTION CONTENTS - VOLUME 2F

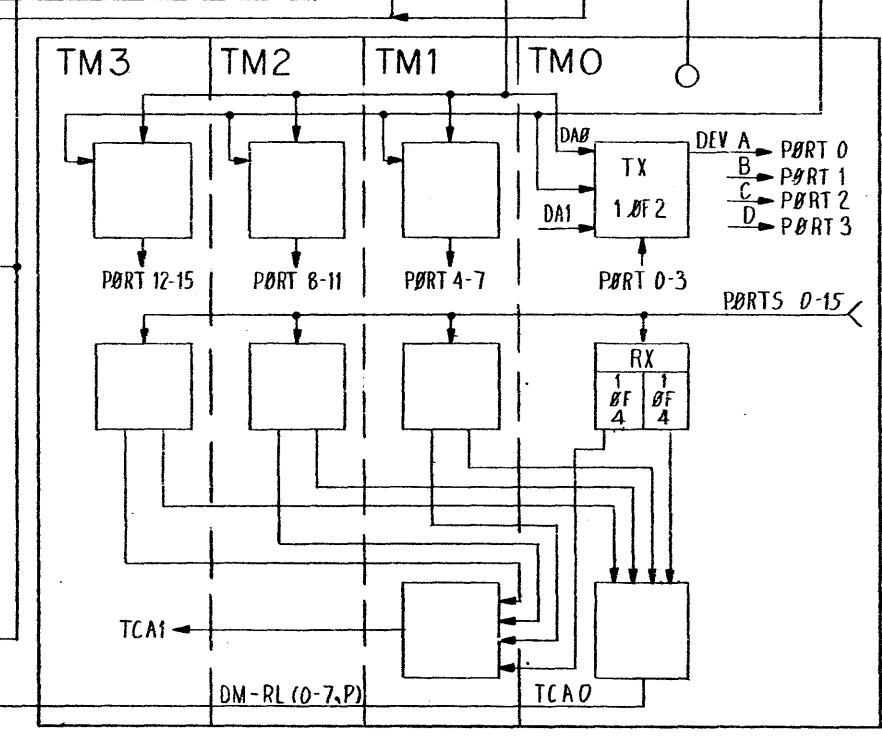
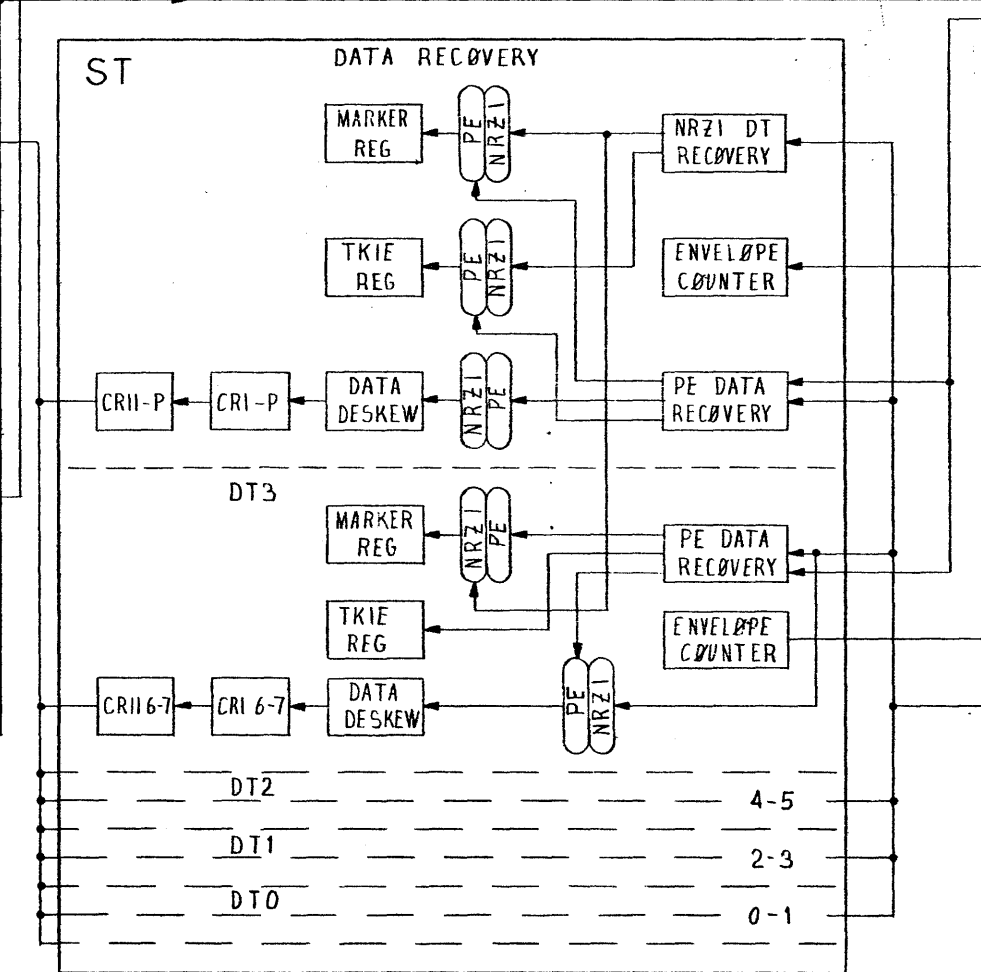
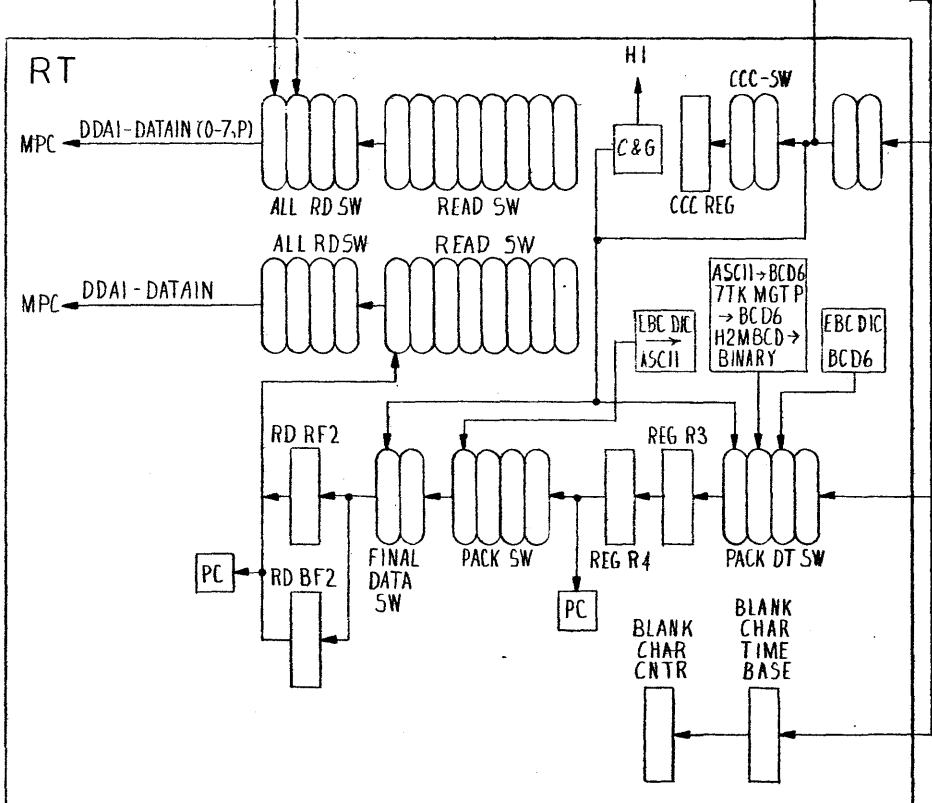
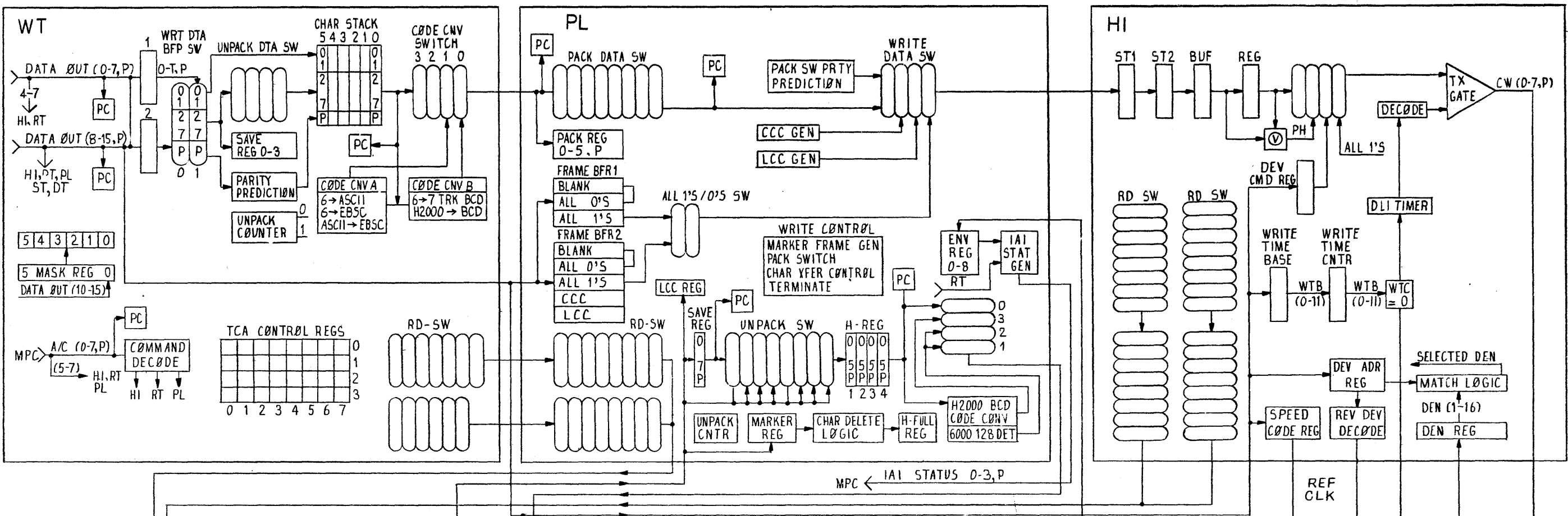
TAB 3 (4WMTP601/602

Contents 58009632-203 (a)

SCHEMATICS

Major Block Diagram	58017325	
Flowchart	58018149	
MT6DT	58008804	
MT6HI	58008814	
MT6PL	58012234	
MT6RT	58007954	
MT6ST	58008794	
MT6TM	58008784	
MT6WT	58007984	
MT7ST	58032474	
MT7DT	58029314	
MPCZA	58032514	Later
MPCZB	58032524	Later
MPCZC	58032534	Later

(a) Insert this option package in the MAGNETIC TAPE PROCESSOR, VOLUME 2F.



THIS DOCUMENT CONTAINS PROPRIETARY INFORMATION THAT MAY BE DISCLOSED IN THIS DOCUMENT.

REV 3-10-75
LEVEL 1 ISSUE
APPROVAL

FOR DOCUMENT STATUS, SEE REVISION STATUS SHEET

MATERIAL		Honeywell	
TREATMENT		LOC PCO HONEYWELL INFORMATION SYSTEMS PHOENIX, ARIZONA U. S. A.	
FINISH		TITLE MAJ. BLOCK DIAG. MT600 TCA BLOCK DIAGRAM	
DATE	2-12-75	SIZE	DWG NO
APPD	<i>[Signature]</i>	D	58017325
DISTR CG8-26, TOS, NCO, SDF		SH	1/6
		REV	A

58017325

MT6600 TCA COMMANDS

REVISIONS table with columns for REV, AUTHORITY, DATE (YR, MO, DAY), and SIGNATURE.

Register list table for MTC600 TCA COMMANDS, columns include A/C LINE, REGISTER NAME, and binary values.

Register list table for MTC600 TCA COMMANDS, columns include A/C LINE, REGISTER NAME, and binary values.

* A/C-0 = 1 FAST DAI RESPONSE TIME
= 0 SLOW DAI RESPONSE TIME

COPY PROPRIETARY PARTS THAT MAY BE DISCLOSED IN THIS DOCUMENT.

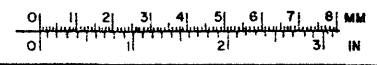
Scale bar in inches (0-1) and millimeters (0-25), REF SPEC NO, and other technical drawing information.

Technical drawing title block containing Honeywell logo, title 'MAJ. BLOCK DIAG. MT6600 TCA COMMAND LIST', DWG NO 58017325, and revision information.

IAI DATA IN LINES

REGISTER	RD CMD HEX	0	1	2	3	4	5	6	7	8	9	10	11	12	13	14	15
TCA ID REG	00	1	1	0	0	0	1=EBS/6	1=ASC/6	1=ASC/EBS	—	—	—	—	—	—	—	—
MTU SELECTED	01	1	2	3	4	5	6	7	8	9	10	11	12	13	14	15	16
MTU ADDR DECODER	02	1	2	3	4	5	6	7	8	9	10	11	12	13	14	15	16
ØPI	03	1	2	3	4	5	6	7	8	9	10	11	12	13	14	15	16
LIMITED ACCESS	04	1	2	3	4	5	6	7	8	9	10	11	12	13	14	15	16
DEN REG	05	1	2	3	4	5	6	7	8	9	10	11	12	13	14	15	16
RIN REG	06	1	2	3	4	5	6	7	8	9	10	11	12	13	14	15	16
	07																
R/W MODE ERROR REG	08	LATERAL PARITY (RT)	TRANSFER TIMING ERROR	ILLEGAL CHAR	MULTI TRACK ERROR	SKEW ERROR	POSTAMBLE ERROR	READ HARDWARE ERROR	SELECTED HANDLER DEN	HI-CLIP PARITY ERROR	LOW CLIP PARITY ERROR	HIGH/LOW CLIP COMP ERROR	ERROR CORRECTED PE RECORD			WRITE HARDWARE ERROR	
DEVICE INFO	09	DOS	MTU STATUS REQUEST	MTU STATUS REG FULL	MTU STATUS PAR ERR	MTU REQUEST ACCEPTED	MTU STATUS STROBED RECEIVED			READ DATA BUFFER PART ERR	UNPACK PARITY ERROR	MODULO 4 LENGTH ERROR	READ HARDWARE ERROR	CHAR STACK PRT ERR	CODE CVN SWITCH PRT ERR	PACK DATA SWITCH PRT ERR	
MTU ADDR REG	0A	ADDR PRESENT	RØT			ADDR BIT 0 MSB	ADDR BIT 1	2	3 LSB	SC1	SC2	SC3	SC4				
WRITE TIME COUNTER	0B			LOAD WRITE TIME COUNTER	FWRTM	11	10	9	8	7	6	5	4	3	2	1	0
COMMAND WRITE LINE	0C	0	1	2	3	4	5	6	7	P	ENAB DLI	TRANS	CWS	PHASE TIME	INTERFACE COUNTER 4	2	1
WRITE REG PARITY BITS & MISC.	0D	TWS 1 PARITY BIT	TWS 2	TWB	TWR	TAG	DEV CMD	STOP CMD		TWS 1 FULL	TWS 1 BLANK CHAR	TWS 2 FULL	TWS 2 BLANK CHAR	TWB FULL	TWB BLANK CHAR	TWR FULL	TWR BLANK CHAR
TAPE WRITE STORAGE REG. 1 & 2	0E	0	1	2	3	4	5	6	7	0	1	2	3	4	5	6	7
TAPE WRITE BUFFER/ REG	0F	0	1	2	3	4	5	6	7	0	1	2	3	4	5	6	7
READ DTA BFRS	98	0	1	2	3	4	5	6	7	8	9	10	11	12	13	14	15
PK-REG/PD	11	R4 0	R4 1	R4 2	R4 3	R4 4	R4 5	R4 P	—	0	1	2	3	4	5	P	—
PACK COUNTER PACK SW	12				NØ DATA	2 ²	2 ¹	2 ⁰	PS _P	0	1	2	3	4	5	6	7
RD-CCC/R3	13	0	1	2	3	4	5	6	7	CCC-P	0	1	2	3	4	5	P
BLANK CHAR TIME BASE	14	0	1	2	3	4	5	6	7	8	9	10	11	—	ILL AS2 → 6	ILL EB → 6	ILL EB → AS2
BLANK CHAR COUNTER	15	0	1	2	3	4	5	6	7	8	9	10	11	—	—	—	—
STATUS F/R/S & MISC F/R/S	16	BCC=0	R2F	R	READ RECORD	DTA BFR 1 FULL	DTA BFR 2 FULL	BLNK/PSTAM N DTA BFR 1	BLNK/PSTAM N DTA BFR 2	R3F	R3	PACK COUNT DELAY	PRTY CHECK RD DATA BFRS	ØDD	LAST DATA CHAR	FIRST DATA CHAR	DATA DETECTED
MISC F/FS & MTH STATUS	17	END ØF RECORD	TERMINATE	R2B	B	LOAD BCTB	BCTB LOADED	BCC 258	1ST CHECK CHAR PASSED	MTH STAT 1	2	3	4	5	6	7	MTH STAT 8

NOT PROPRIETARY PARTS THAT MAY BE DISCLOSED IN THIS DOCUMENT.



BRUNING 44141
REF SPEC NO

UNLESS OTHERWISE SPECIFIED DIMENSIONS = $\frac{\text{MILLIMETERS}}{\text{INCHES}}$		MATERIAL		Honeywell HONEYWELL INFORMATION SYSTEMS PHOENIX, ARIZONA U. S. A.	
TOLERANCE OF SIZE AND FORM PER		TREAT.			
INITIAL DESIGN PROJECTION		FIN.		LOC PCØ TITLE MAJ. BLOCK DIAG. MT600 TCA COMMAND LIST-READØUTS	
SCALE	CODE	DR 75 Jan. 8 Cote Ripley	APPD	SIZE D	DWG NO 58017325
DISTR C68-26, TOS, MCO, SDF				SH 4	REV A

58017325

REVISIONS				
REV	AUTHORITY	DATE		SIGNATURE
		YR	MO DAY	

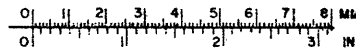
REGISTER	RD CMD HEX	0	1	2	3	4	5	6	7	8	9	10	11	12	13	14	15
DATA REG 4	20	1	2	3	4	5	6	7	8	9							
SKEW DESKEW REG 1-9	21	1	2	3	4	5	6	7	8	9							
MTH STATUS REG 1-9	MTH PE NRZ1	22	MTH FIRST DATA ERROR	STATUS CHARACTER CHARACTER													
TKIE SAVE REG	PE NRZ1	23	PE TRACK ERROR	IN ERROR CHARACTER	LO CHIP												
DATA RECOVERY TEST REG 2	24	$\overline{RD-ENB}$	PE-READ	PSTAMD	DYWRAP	\overline{ALLID}					ALLØD						
DATA RECOVERY TEST REG 1	25	CRIF	\overline{CRIIF}	BLCRI	BLCRII	CCCRI	CCCRII				XFAC						
CRII (1-9)	26	1	2	3	4	5	6	7	8	9							
CRI (1-9)	27	1	2	3	4	5	6	7	8	9							
CCC-WND (1-9)	28	1	2	3	4	5	6	7	8	9							
DATA DESKEW REG 5	29	1	2	3	4	5	6	7	8	9							
DATA DESKEW REG 2	2A	1	2	3	4	5	6	7	8	9							
TKIE DESKEW REG 5	2B	1	2	3	4	5	6	7	8	9							
TKIE DESKEW REG 2	2C	1	2	3	4	5	6	7	8	9							
MARKER DESKEW REG 5	2D	1	2	3	4	5	6	7	8	9							
MARKER DESKEW REG 2	2E	1	2	3	4	5	6	7	8	9							
MARKER DESKEW REG 1B	2F	1	2	3	4	5	6	7	8	9							

UNLESS OTHERWISE SPECIFIED

BRUNING 44 141

CE 500 D (12-72)

REF SPEC NO



UNLESS OTHERWISE SPECIFIED		MATERIAL		Honeywell HONEYWELL INFORMATION SYSTEMS PHOENIX, ARIZONA U. S. A.	
DIMENSIONS = MILLIMETERS INCHES		TREAT.			
TOLERANCE OF SIZE AND FORM PER INITIAL DESIGN		FIN.		loc PCØ TITLE MAJ. BLOCK DIAG. MT600 TCA COMMAND LIST READOUTS	
PROJECTION	SCALE	CODE	DR <i>DR</i> 2-10-75 APPD	SIZE D	DWG NO 58017325
				SH 5	REV A

DISTR C68-26, TOS, NCO, SDF

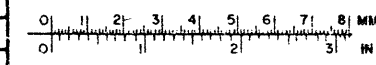
58017325

IAI DATA IN LINES

REVISIONS			
REV	AUTHORITY	DATE	SIGNATURE
YR	MO	DAY	

REGISTER	CMD HEX	0	1	2	3	4	5	6	7	8	9	10	11	12	13	14	15
WDB 1 & 2	3A	FWDB1-0 0	1	2	3	4	5	6	FWDB1-7 7	FWDB2-0 0	1	2	3	4	5	6	FWDB2-7 7
WT BOARD CONTRL F/FS	3B	WDB1 PARITY BIT	WDB2 PARITY BIT	WDB1 FULL	WDB2 FULL	WDB1 TERMINATE	WDB TERMINATE	WDBS CHAR PRESENT	WDBS TERM DATA	ICP MASK READY	ICP MASK LOADED	TCP MASK READY	TCP MASK LOADED	LOAD CHAR STACK FULL REG	CODE CNV SWITCH CHAR PRESENT	CHAR STACK REG 0 EMPTY	CODE CNV SWITCH TERMINATE DATA
CHAR STACK INPUT DATA UPC/SR	3C	WDB SWITCH BIT 0	WDB SWITCH BIT 1	UNPACK DATA SWITCH BIT 0	BIT 1	BIT 2	BIT 3	BIT 4	UNPACK DATA SWITCH BIT 5	CHAR STACK INPUT PARITY	PARTIAL PARITY FF	UNPACK COUNTER BIT 0	UNPACK COUNTER BIT 1	SAVE REG BIT 0	SAVE REG BIT 1	SAVE REG BIT 2	SAVE REG BIT 3
CHAR STACK FULL REG	3D	CS 5 FULL	CS 4	CS 3	CS 2	CS 1	CS 0 FULL			CS 5 MASK	CS 4	CS 3	CS 2	CS 1	CS 0 MASK	ENI	ERROR ENI
CODE CNV SWITCH	3E	CCS 0	1	2	3	4	5	6	7	CCS PARITY			WRT XFR TM ERROR	TCA ALERT	DOL PE	DOL PE	A/C PE
FRAME BUFFERS 1 & 2	30	FB1 BLANK CHAR	FB1 ALL 0'S CHAR	FB1 ALL 1'S CHAR	FB2 BLANK CHAR	FB2 ALL 0'S CHAR	FB2 ALL 1'S CHAR	FB2 CCC CHAR	FB2 LCC CHAR	PACK REG BIT 0	BIT 1	BIT 2	BIT 3	BIT 4	PACK REG BIT 5	PACK REG PARITY	PARITY PREDICTION FF
PACK DATA SWITCH	31	0	1	2	3	4	5	6	7	PACK DATA SWITCH PARITY	PACK COUNTER BIT 0	PACK COUNTER BIT 1	PACK DATA SWITCH TERMINATE	PACK DATA SWITCH MODE			
WRITE CCC REG	32	0	1	2	3	4	5	6	7	CCC PARITY	MARKER REG FULL	CHAR COUNT BIT 0	CHAR COUNT BIT 1	FILE MARK BIT	BCD TYPE RECORD	MARKER FRAME PARITY	
READ UNPACK COUNTER	33	UPC 2 ²	UPC 2 ¹	UPC 2 ⁰	TA CNT 2	TA CNT 1	ENB PACK CNT	CLEAR DLY	FLASH MODE DLY	MARKER FILE MARK	$\overline{E}OF$	$\overline{E}FF$ RD-ENAB	MARKER BCD BIT	128 DETECTED	UNPK PRTY	-	-
READ SAVE REG & H4REG	34	READ SAVE REG 0	1	2	3	4	5	6	7	READ SAVE REG P	H4 0	1	2	3	4	5	H4 P
READ LCC REG & H2BCD	35	0	1	2	3	4	5	6	7	LCC PARITY	H2BCD 0	1	2	3	4	5	H2BCD P
ENVELOPE DETECTORS	36	0	1	2	3	4	5	6	7	ENVEL DET 8	H4 FULL	H3 FULL	H2 FULL	H1 FULL	MARKER M2	MARKER M1	MARK BCD BIT
	37																
KRL REG 0/1	38																
PACK/UNPACK KRL REG/EN1	39																

TO VENDOR PROPRIETARY PARTS THAT MAY BE DISCLOSED IN THIS DOCUMENT.



UNLESS OTHERWISE SPECIFIED		MATERIAL		Honeywell HONEYWELL INFORMATION SYSTEMS PHOENIX, ARIZONA U. S. A.			
DIMENSIONS=		TREAT.					
TOLERANCE OF SIZE AND		FIN.		LOC PCØ			
FORM PER		DR 75 Jan. 8		TITLE MAJ. BLOCK DIAG. MT600 TCA			
INITIAL DESIGN		Cate D. P. ...		COMMAND LIST - READOUTS			
PROJECTION		APFD		SIZE D			
SCALE		CODE		DWG NO 58017325			
				SH 6F			
				REV A			
DISTR CG8-26, TDS, NCO, SDF				1			

58017325

THE INFORMATION CONTAINED IN THIS DOCUMENT PROPRIETARY TO HONEYWELL INFORMATION SYSTEMS, INC. AND IS INTENDED FOR INTERNAL HONEYWELL USE ONLY. SUCH INFORMATION MAY BE DISTRIBUTED TO OTHERS BY WRITTEN PERMISSION OF AN AUTHORIZED HONEYWELL OFFICIAL. THIS RESTRICTION DOES NOT APPLY TO VENDOR PROPRIETARY THAT MAY BE DISCLOSED IN THIS DOCUMENT.

58018149

REV	AUTHORITY	DATE			SIGNATURE	DWG SHEET NUMBER																			
		YR	MO	DAY		1	2	3	4	5	6	7	8	9	10	11	12	13	14	15	16	17	18	19	20
A	LEVEL 3 ISSUE	75	10	08	<i>L. Budek</i>	A	A	A	A	A	A	A	A	A	A	A	A	A	A	A	A	A	A	A	

FOR CONTINUATION OF REVISION STATUS SEE SHEET

Honeywell HONEYWELL INFORMATION SYSTEMS LOC PCO PHOENIX, ARIZONA		MADE BY <i>L. Budek</i> 75 OCT 1	TITLE FLOW DIAGRAM MTP0601
CE 300 A-3 (12-71) BRUNING 44-141 <i>15 OCT 3</i> C68-25, TOS, NEC, NCO		APPROVED <i>Charles P. Cohen</i> 10/3/75	REVISION STATUS FOR EACH PAGE, SHEET OR GROUP IS SHOWN BY LAST ENTRY IN THE CORRESPONDING NUMBERED COLUMN
SIZE D	REVISION STATUS FOR 58018149	SHEET 1/5	REV A

THE INFORMATION CONTAINED IN THIS DOCUMENT PROPRIETARY TO HONEYWELL INFORMATION SYSTEMS, INC. AND IS INTENDED FOR INTERNAL HONEYWELL USE ONLY. SUCH INFORMATION MAY BE DISTRIBUTED TO OTHERS BY WRITTEN PERMISSION OF AN AUTHORIZED HONEYWELL OFFICIAL. THIS RESTRICTION DOES NOT APPLY TO VENDOR PROPRIETARY THAT MAY BE DISCLOSED IN THIS DOCUMENT.

58018149

REV	AUTHORITY	DATE			SIGNATURE	DWG SHEET NUMBER																			
		YR	MO	DAY		21	22	23	24	25	26	27	28	29	30	31	32	33	34	35	36	37	38	39	40
A	LEVEL 3 ISSUE	75	10	08	<i>L. Budek</i>	A	A	A	A	A	A	A	A	A	A	A	A	A	A	A	A	A	A	A	

FOR CONTINUATION OF REVISION STATUS SEE SHEET

Honeywell HONEYWELL INFORMATION SYSTEMS LOC PCO PHOENIX, ARIZONA		MADE BY <i>L. Budek</i> 75 OCT 1	TITLE FLOW DIAGRAM MTP0601
CE 300 A-3 (12-71) BRUNING 44-141 <i>15 OCT 3</i> C68-25, TOS, NEC, NCO		APPROVED <i>Charles P. Cohen</i> 10/3/75	REVISION STATUS FOR EACH PAGE, SHEET OR GROUP IS SHOWN BY LAST ENTRY IN THE CORRESPONDING NUMBERED COLUMN
SIZE D	REVISION STATUS FOR 58018149	SHEET 2	REV A

THE INFORMATION CONTAINED IN THIS DOCUMENT PROPRIETARY TO HONEYWELL INFORMATION SYSTEMS, INC. AND IS INTENDED FOR INTERNAL HONEYWELL USE ONLY. SUCH INFORMATION MAY BE DISTRIBUTED TO OTHERS BY WRITTEN PERMISSION OF AN AUTHORIZED HONEYWELL OFFICIAL. THIS RESTRICTION DOES NOT APPLY TO VENDOR PROPRIETARY THAT MAY BE DISCLOSED IN THIS DOCUMENT.

58018149

REV	AUTHORITY	DATE			SIGNATURE	DWG SHEET NUMBER																			
		YR	MO	DAY		41	42	43	44	45	46	47	48	49	50	51	52	53	54	55	56	57	58	59	60
A	LEVEL 3 ISSUE	75	10	08	<i>L. Budek</i>	A	A	A	A	A	A	A	A	A	A	A	A	A	A	A	A	A	A	A	

FOR CONTINUATION OF REVISION STATUS SEE SHEET

Honeywell HONEYWELL INFORMATION SYSTEMS LOC PCO PHOENIX, ARIZONA		MADE BY <i>L. Budek</i> 75 OCT 1	TITLE FLOW DIAGRAM MTP0601
CE 300 A-3 (12-71) BRUNING 44-141 C68-25, TOS, NEC, NCO		APPROVED <i>Charles P. Cohen</i> 10/3/75	REVISION STATUS FOR EACH PAGE, SHEET OR GROUP IS SHOWN BY LAST ENTRY IN THE CORRESPONDING NUMBERED COLUMN
SIZE D	REVISION STATUS FOR 58018149	SHEET 3	REV A

THE INFORMATION CONTAINED IN THIS DOCUMENT PROPRIETARY TO HONEYWELL INFORMATION SYSTEMS, INC. AND IS INTENDED FOR INTERNAL HONEYWELL USE ONLY. SUCH INFORMATION MAY BE DISTRIBUTED TO OTHERS BY WRITTEN PERMISSION OF AN AUTHORIZED HONEYWELL OFFICIAL. THIS RESTRICTION DOES NOT APPLY TO VENDOR PROPRIETARY THAT MAY BE DISCLOSED IN THIS DOCUMENT.

58018149

REV	AUTHORITY	DATE			SIGNATURE	DWG SHEET NUMBER																			
		YR	MO	DAY		61	62	63	64	65	66	67	68	69	70	71	72	73	74	75	76	77	78	79	80
A	LEVEL 3 ISSUE	75	10	08	<i>L. Budek</i>	A	A	A	A	A	A	A	A	A	A	A	A	A	A	A	A	A	A	A	

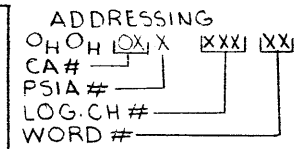
FOR CONTINUATION OF REVISION STATUS SEE SHEET

Honeywell HONEYWELL INFORMATION SYSTEMS LOC PCO PHOENIX, ARIZONA		MADE BY <i>L. Budek</i> 75 OCT 1	TITLE FLOW DIAGRAM MTP0601
CE 300 A-3 (12-71) BRUNING 44-141 C68-25, TOS, NEC, NCO		APPROVED <i>Charles P. Cohen</i> 10/3/75	REVISION STATUS FOR EACH PAGE, SHEET OR GROUP IS SHOWN BY LAST ENTRY IN THE CORRESPONDING NUMBERED COLUMN
SIZE D	REVISION STATUS FOR 58018149	SHEET 4	REV A

REVISIONS			
REV	AUTHORITY	DATE	SIGNATURE
		YR MO DAY	

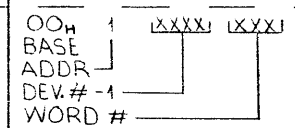
LOGCHT 0000

LOGICAL CHAN. TABLE *



DEV-1 007F
 DEV-2 88
 DEV-3 90
 DEV-4 98
 -5 A0
 -6 A8
 -7 B0
 -8 B8
 -9 C0
 -10 C8
 -11 D0
 -12 D8
 -13 E0
 -14 E8
 -15 F0
 -16 FB

DEVICE TABLE *



WORD	0	1	2	3	4	5	6	7	8	9	10	11	12	13	14	15
0			OP	CODE												
1	CONT	MARK			CHAN	INST										
2																
3																

LOGICAL CHAN. TABLE

* BIT = 0 IF CMD FOR DEV. 0

DENSITY CODE		TIME BASE						CODED CMD		
000	1600	100	800	1600	75	125	200	45	67	LOAD
001	6250	101		800	W	B	W	B	00 01	STANDBY
010		110	200	556	28	78	17	47	0E 2B	BRSPC OR MARGIN
011		111	556	200	A7	F3	G3	91	3C 59	REWIND
					EF	015A	90	D2	58 81	UNLOAD
					02A2	03C0	0103	024A	F8 6B	
									11 00	

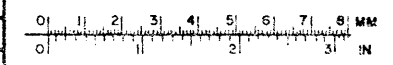
WORD	0	1	2	3	4	5	6	7	8	9	10	11	12	13	14	15
0	OPI	MULT. DEVICE #			CA/ PSIA PORT #	ADDR. RESERVED	RES. ED	SEIZ. ED								
1	STORED SPEC PEND	RES. ED DEV. ADDR.	CODED CMD ISSUED	CODED CMD COMPL'D												
2																
3																
4																
5																
6																
7																

DEVICE TABLE

FOR DOCUMENT STATUS, SEE REVISION STATUS SHEET

UNLESS OTHERWISE SPECIFIED		MATERIAL		Honeywell HONEYWELL INFORMATION SYSTEMS PHOENIX, ARIZONA U. S. A.	
DIMENSIONS = MILLIMETERS / INCHES		TREAT.			
TOLERANCE OF SIZE AND FORM PER		FIN.		TITLE FLOW DIAGRAM MTP0601	
INITIAL DESIGN		DR 74-11-1		READ WRITE MEMORY MAP	
PROJECTION		APPD		SIZE D	
SCALE		DISTR C68-25 TOS NEC NCO		DWG NO 58018149	
				SH 1/98	
				REV A	

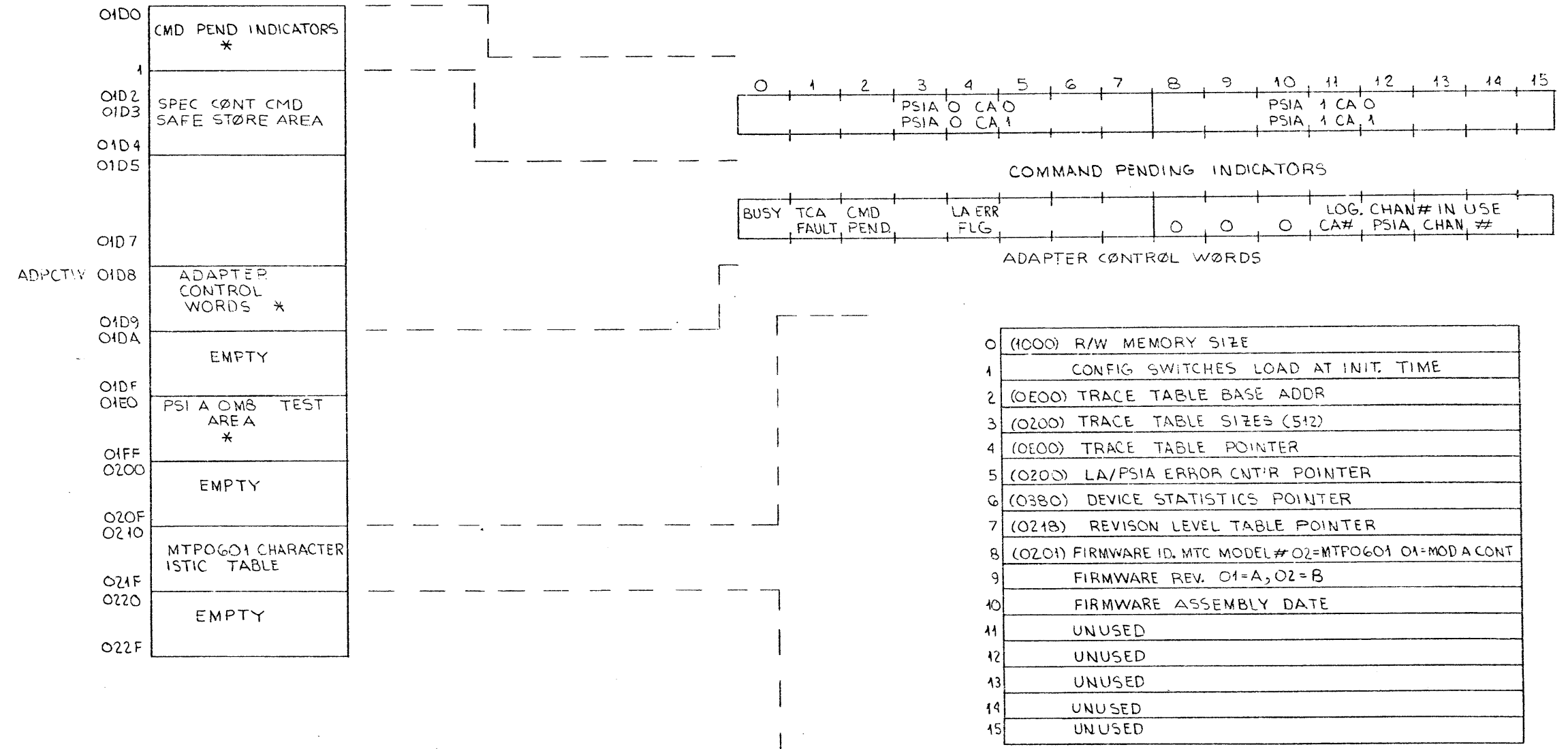
NOTE 1 * THESE ARE CLEARED BY INITIALIZATION ROUTINE



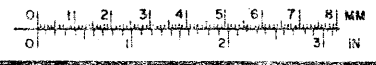
THIS DOCUMENT CONTAINS PROPRIETARY INFORMATION THAT MAY BE DISCLOSED IN THIS DOCUMENT.

58018149

REVISIONS				
REV	AUTHORITY	DATE	SIGNATURE	
		YR MO DAY		



REF SPEC NO



* THESE AREAS ARE CLEARED BY INITIALIZATION ROUTINE

UNLESS OTHERWISE SPECIFIED DIMENSIONS = $\frac{\text{MILLIMETERS}}{\text{INCHES}}$	MATL	Honeywell	
TOLERANCE OF SIZE AND FORM PER INITIAL DESIGN PROJECTION	TREAT. FIN.	HONEYWELL INFORMATION SYSTEMS PHOENIX, ARIZONA U. S. A.	
SCALE	CODE	TITLE FLOW DIAGRAM MTPO601 READ WRITE MEMORY MAP	
		DR 74-11-5	SH 4
		APPD [Signature]	REV A
		DISTR C68-25 TOS NEC NCO	SIZE DWG NO D 58018149

NO PROPRIETARY PARTS THAT MAY BE DISCLOSED IN THIS DOCUMENT.

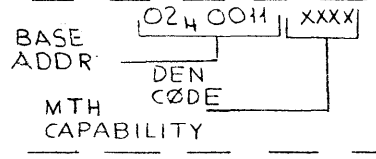
H
F
E
D
C
B

H
F
E
D
C
B
A

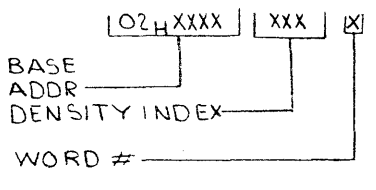
58018149

REVISIONS			DATE	SIGNATURE
REV	AUTHORITY	YR	MO	

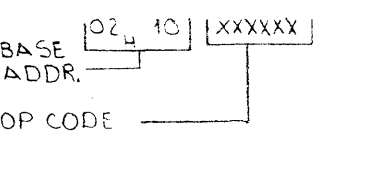
0230	DENSITY CODE WORD
023B	
023C	EMPTY
023F	
0240	STD 75 IPS TM BASES
024F	
0250	STD 125 IPS TM BASES
025F	
0260	STD 200 IPS TM BASES
026F	
0270	GAP COUNTS
027F	
0280	MPCWS
02BF	
02C0	+10% 75 IPS TM BASES
02F	
02D0	+10% 125 IPS TM BASES
02DF	
02E0	+10% 200 IPS TM BASES
02EF	
02FO	EMPTY 9X16
037F	
0380	DEVICE STATISTICAL COUNTERS
03FF	



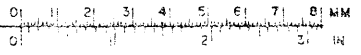
0	1	2	3	4	5	6	7	8	9	10	11	12	13	14	15
0	0	G 250 BPI	1600 BPI	1200 BPI	800 BPI	556 BPI	200 BPI	0	0	0	0	0	0	0	0



WORD 0	WRITE TIME BASE
WORD 1	BLANK TIME BASE



BIRMING 44141



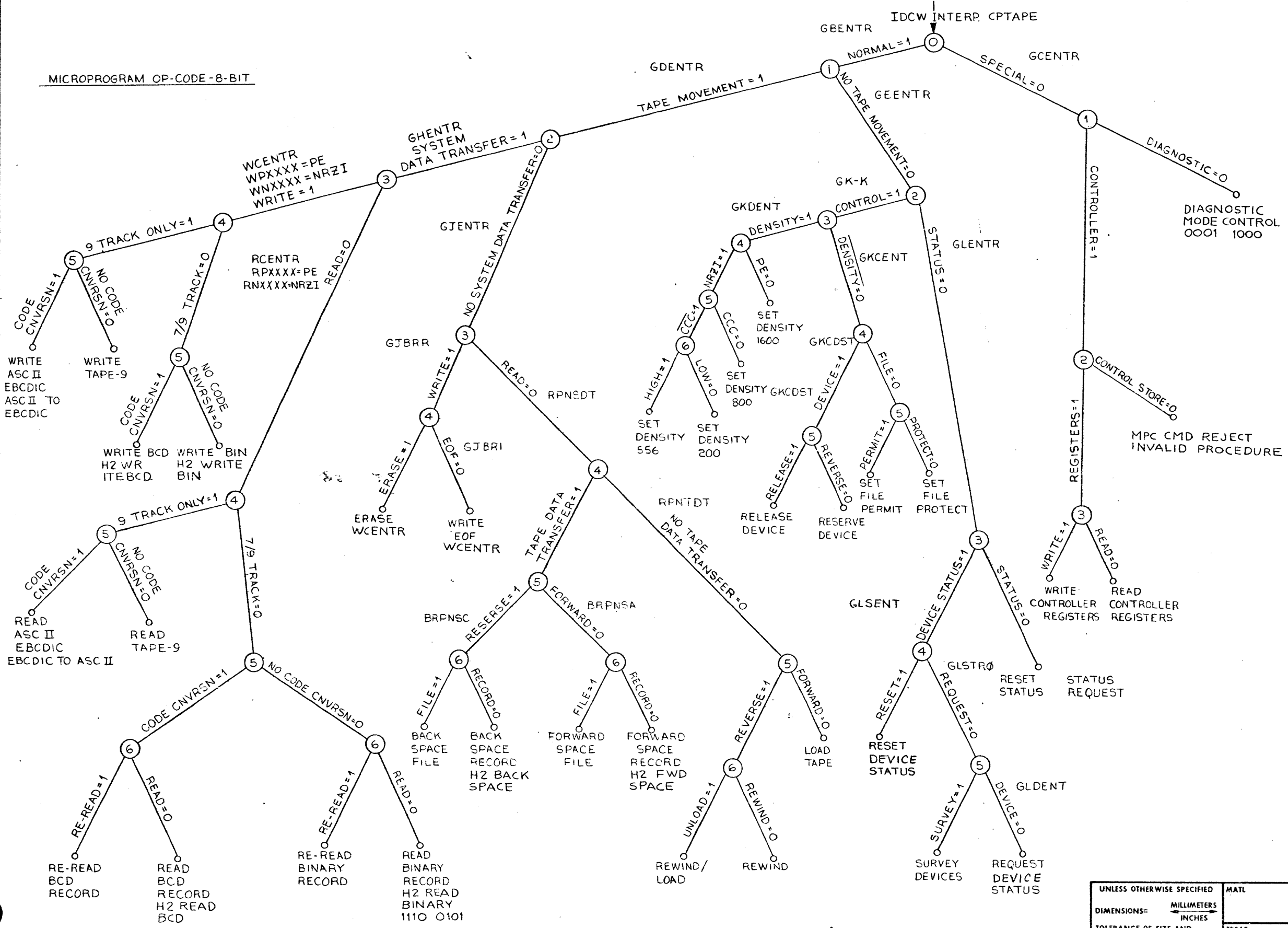
REF SPEC NO

UNLESS OTHERWISE SPECIFIED		MATERIAL		Honeywell			
DIMENSIONS— MILLIMETERS INCHES		TREAT.		HONEYWELL INFORMATION SYSTEMS PHOENIX, ARIZONA U.S.A.			
TOLERANCE OF SIZE AND FORM PER		FIN.		TITLE FLOW DIAGRAM MTPO601 READ/WRITE MEMORY MAP			
INITIAL DESIGN	PROJECTION	SCALE	CODE	DR	DATE	SIZE	DWG NO
					7-4-76	D	58018149
						SH	REV
							5 A

58018149

REVISIONS				
REV	AUTHORITY	DATE	SIGNATURE	
		YR MO DAY		

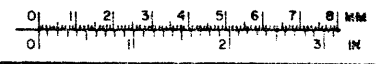
MICROPROGRAM OP-CODE-8-BIT



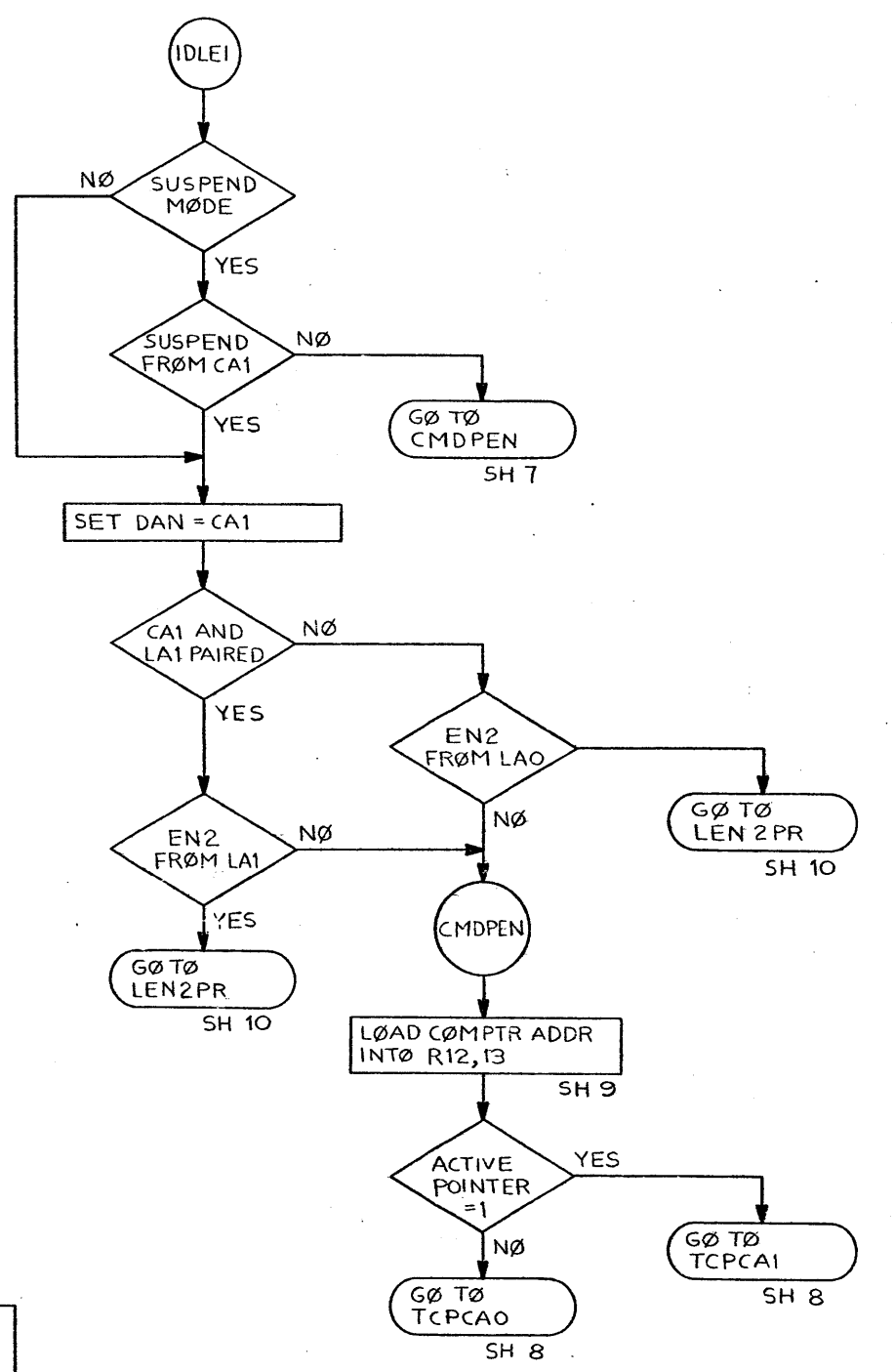
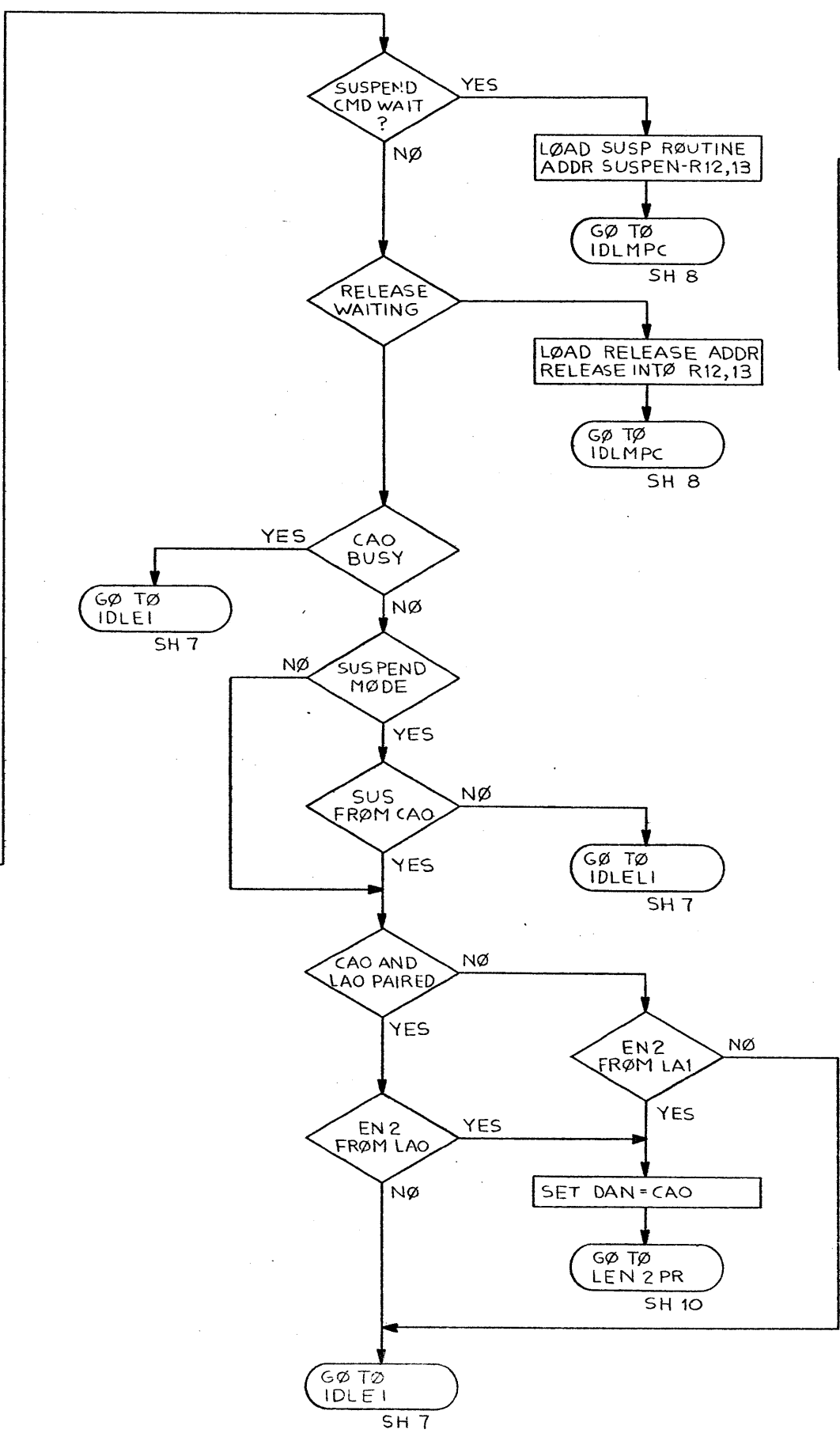
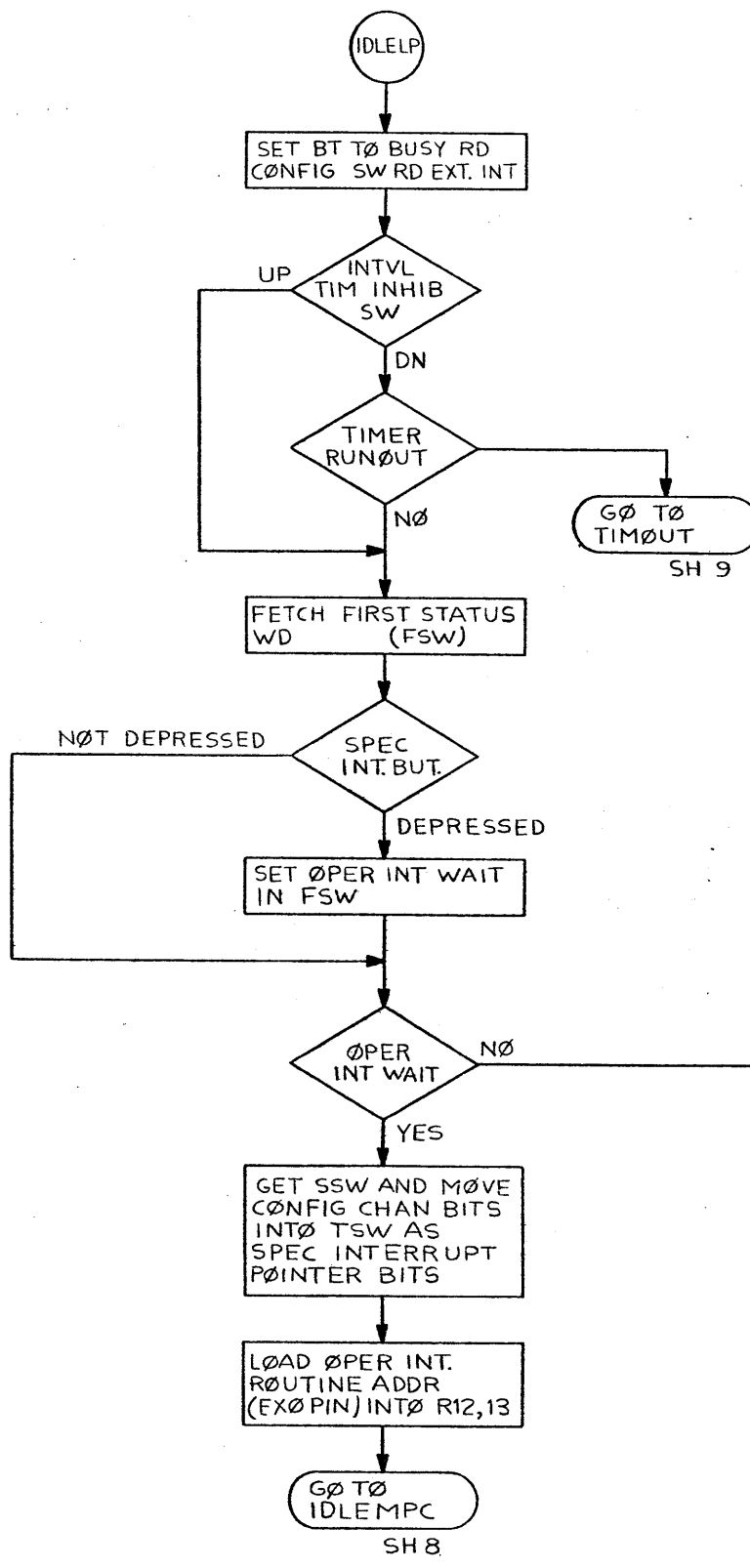
I
F
E
D
C
B
A

58018149

UNLESS OTHERWISE SPECIFIED		MATH		Honeywell HONEYWELL INFORMATION SYSTEMS LOC PCO PHOENIX, ARIZONA U. S. A.			
DIMENSIONS= MILLIMETERS		INCHES					
TOLERANCE OF SIZE AND FORM PER		FIN.		TITLE		FLOW DIAGRAM MTP0601 OP-CODE DECODE	
INITIAL DESIGN		PROJECTION		SCALE		DR 75 OCT 1 <i>Karol B. Redek</i> APPD <i>Richard P. G... 10/1/75</i>	
CODE		SIZE		DWG NO		SH 6 REV A	
REF SPEC NO		D		58018149		DISTR C68-25, TOS, NEC, NCO	



REVISIONS			
REV	AUTHORITY	DATE	SIGNATURE
		YR MO DAY	



REF SPEC NO

BRUNING 44 141

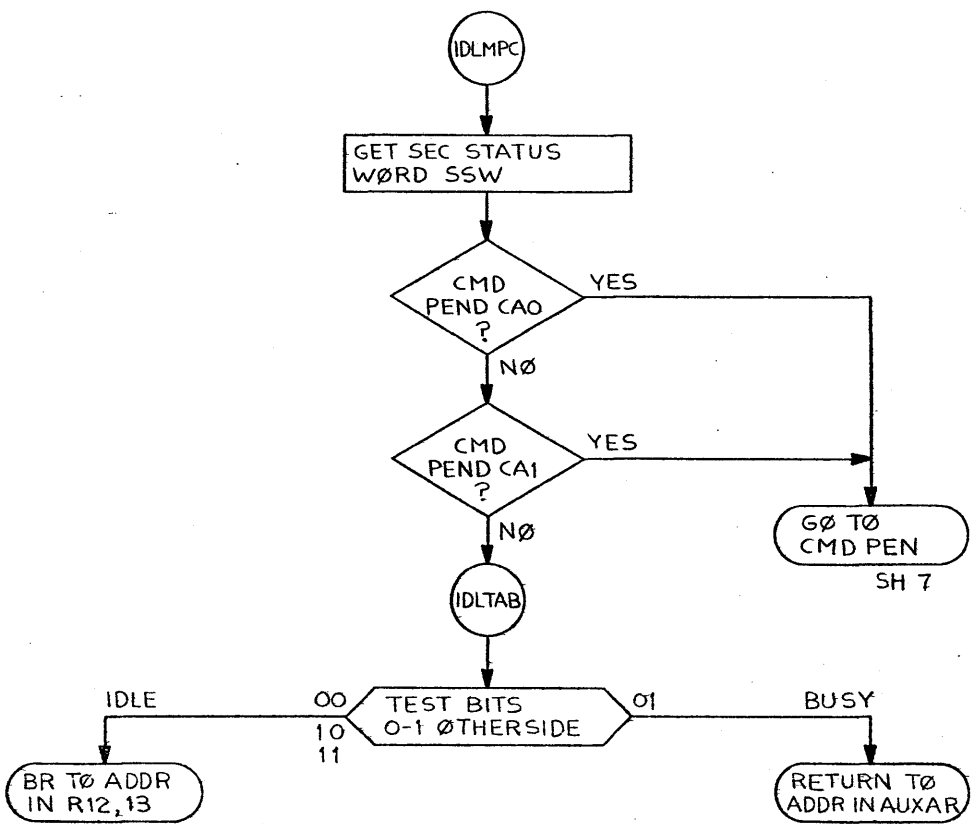
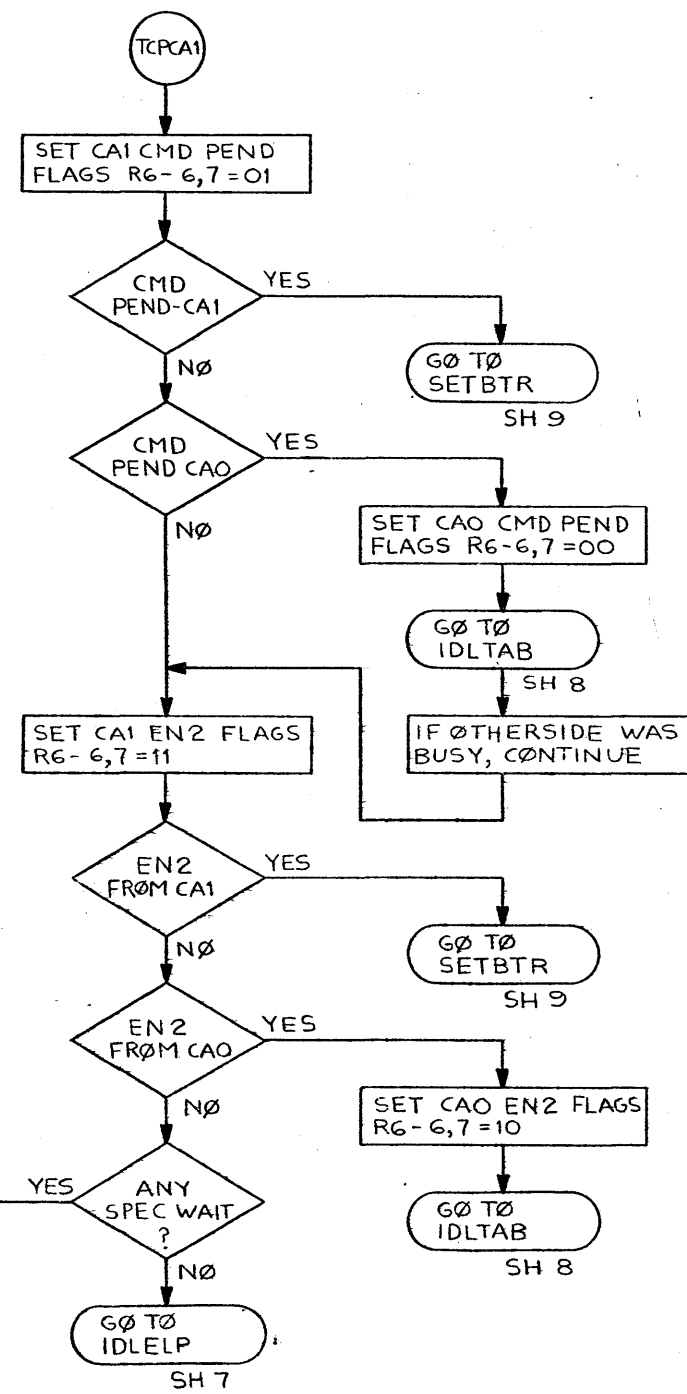
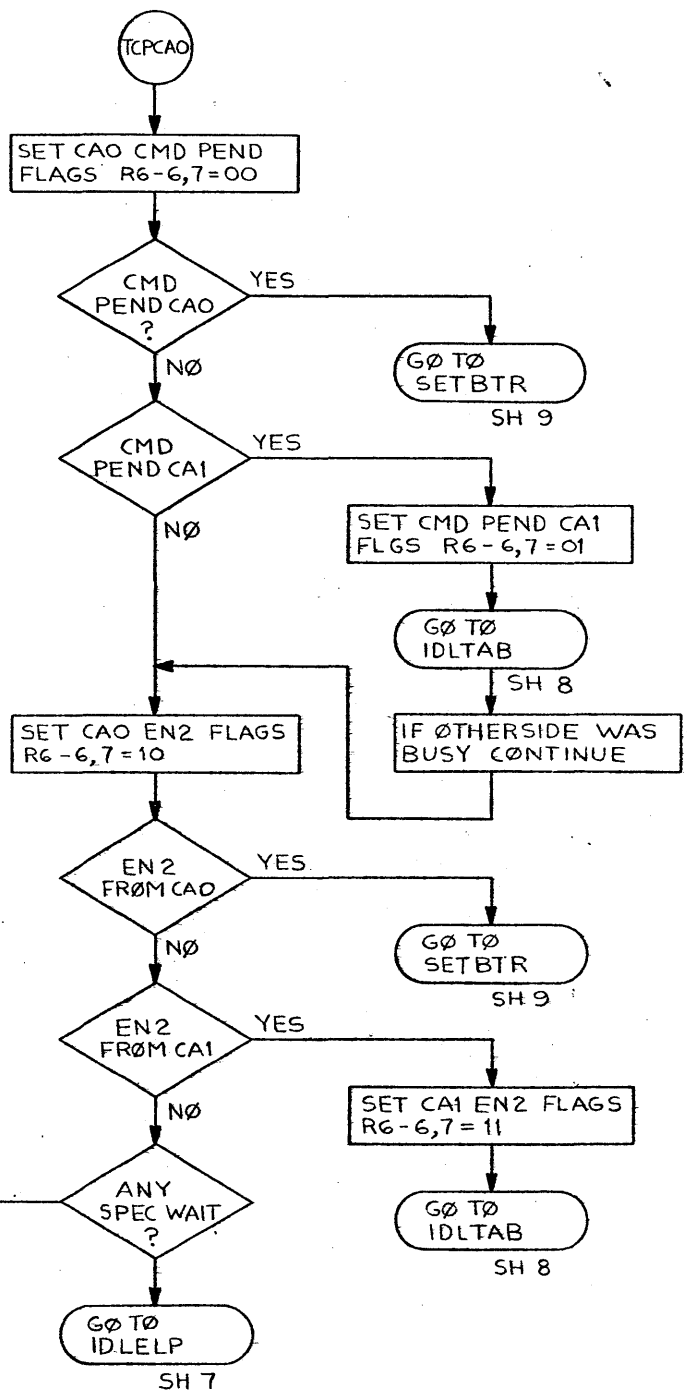
01 11 21 31 41 51 61 71 81 MM

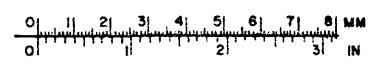
01 11 21 31 41 51 61 71 81 IN

MATL.	Honeywell		
TREAT.	LOC PCO HONEYWELL INFORMATION SYSTEMS PHOENIX, ARIZONA U. S. A.		
FIN.	TITLE FLOW DIAGRAM MTP0601 IDLE LOOP		
DR 75 JULY 27 Jamy Bedik	SIZE D	DWG NO 58018149	SH 7 REV A
APPD Chas L. P. Glover 11/1/75	DISTR C68-25 TOS NEC NCO		

58018149

REVISIONS				
REV	AUTHORITY	DATE		SIGNATURE
		YR	MO DAY	

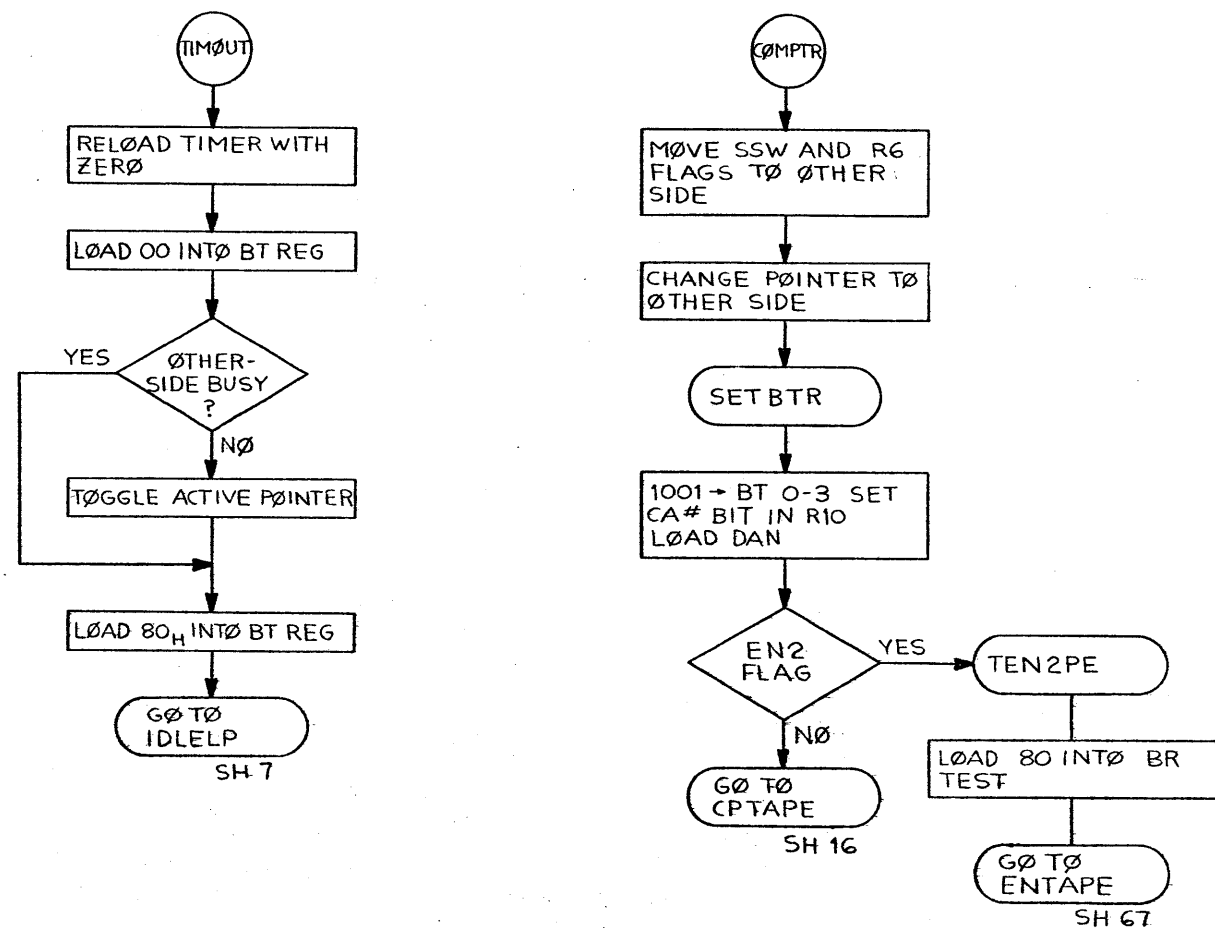




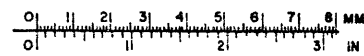
UNLESS OTHERWISE SPECIFIED		MATL	Honeywell HONEYWELL INFORMATION SYSTEMS PHOENIX, ARIZONA U. S. A.			
DIMENSIONS = MILLIMETERS / INCHES		TREAT.				
TOLERANCE OF SIZE AND FORM PER INITIAL DESIGN PROJECTION		FIN.				
SCALE	CODE	DR 75 JULY 26 <i>Jerry Bedak</i>	SIZE	DWG NO	SH	REV
		APPD <i>Charles P. Libear</i>	D	58018149	8	A

58018149

REVISIONS				
REV	AUTHORITY	DATE		SIGNATURE
		YR	MO/DAY	
				1



UNLESS OTHERWISE SPECIFIED		MATL	Honeywell HONEYWELL INFORMATION SYSTEMS PHOENIX, ARIZONA U. S. A.	
DIMENSIONS=		TREAT.		
TOLERANCE OF SIZE AND FORM PER	MILLIMETERS INCHES	FIN.	TITLE FLOW DIAGRAM MTP0601 IDLE LOOP	
INITIAL DESIGN	PROJECTION	DR 75 JULY 28 <i>Larry Buckle</i>	SIZE D	DWG NO 58018149
SCALE	CODE	APP <i>Chas. P. Cohen 10/6/75</i>	SH 9	REV A
REF SPEC NO	DISTR CGR-25 TOS NEC NCO			



58018149

H
F
E
D
C
B
A

H
F
E
D
C
B
A

10

9

8

7

6

5

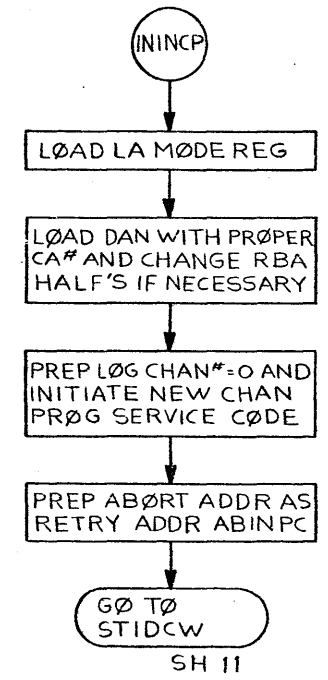
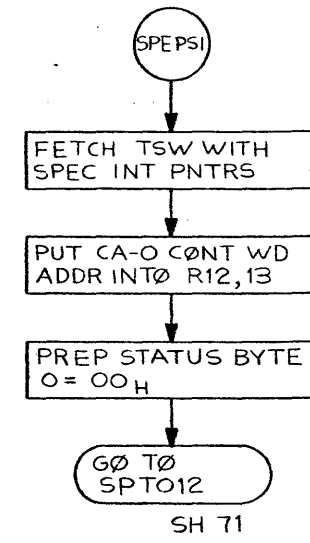
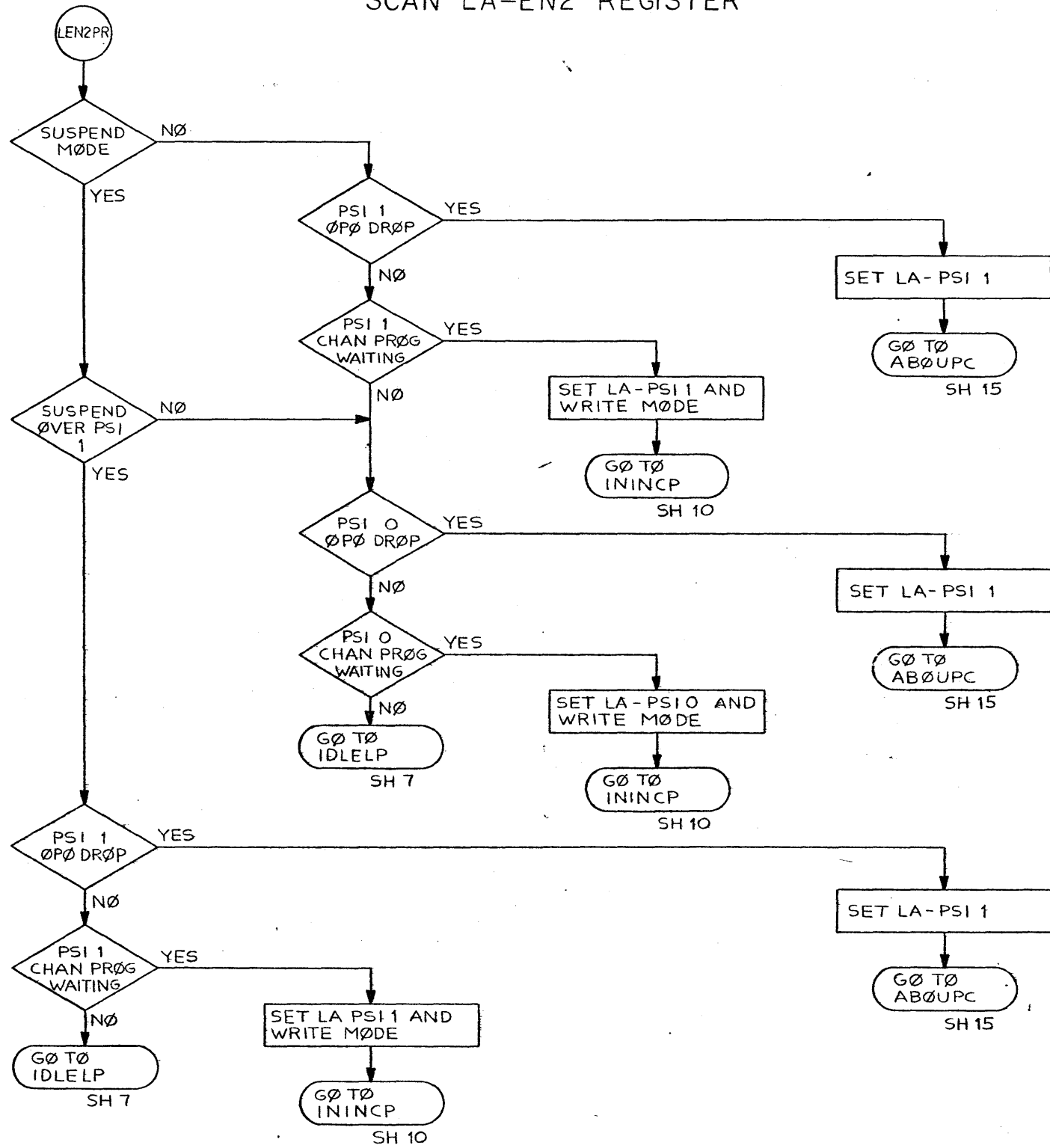
4

3

2

1

SCAN LA-EN2 REGISTER



REVISIONS				
REV	AUTHORITY	DATE		SIGNATURE
		YR	MO/DAY	

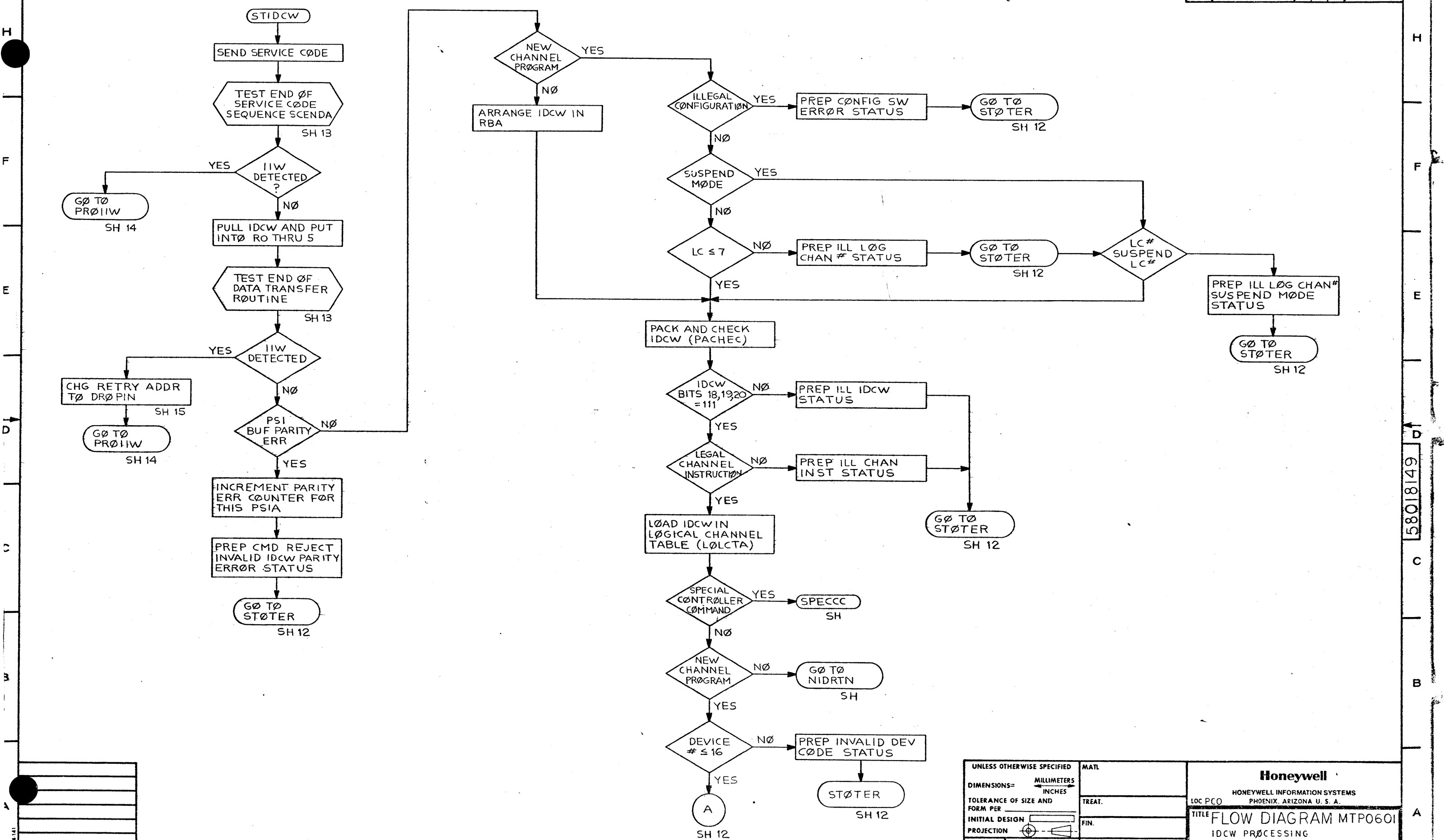
H F E D C B A 58018149

UNLESS OTHERWISE SPECIFIED		MAIL		Honeywell HONEYWELL INFORMATION SYSTEMS PHOENIX, ARIZONA U. S. A.	
DIMENSIONS= MILLIMETERS / INCHES		TREAT.			
TOLERANCE OF SIZE AND FORM PER		FIN.		TITLE FLOW DIAGRAM MTP0601 IDLE LØØP	
INITIAL DESIGN		SCALE CODE			
PROJECTION		DR		SH 10	
APPD.		DISTR		REV A	
REF SPEC NO		CE 8-25, TOS, NEC, NCO			



IDCW TRANSFER AND CHECKING

IDCW CHECKING AND QUEUING



BRUNING 44.141
REF SPEC NO

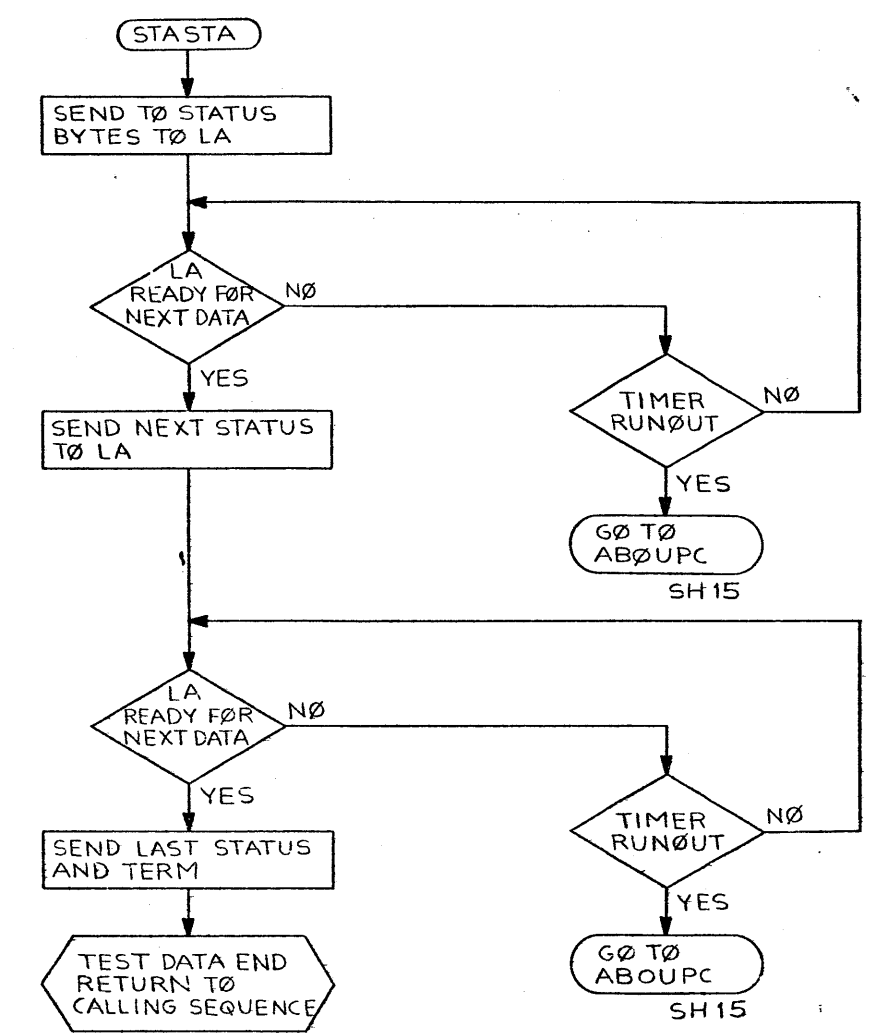
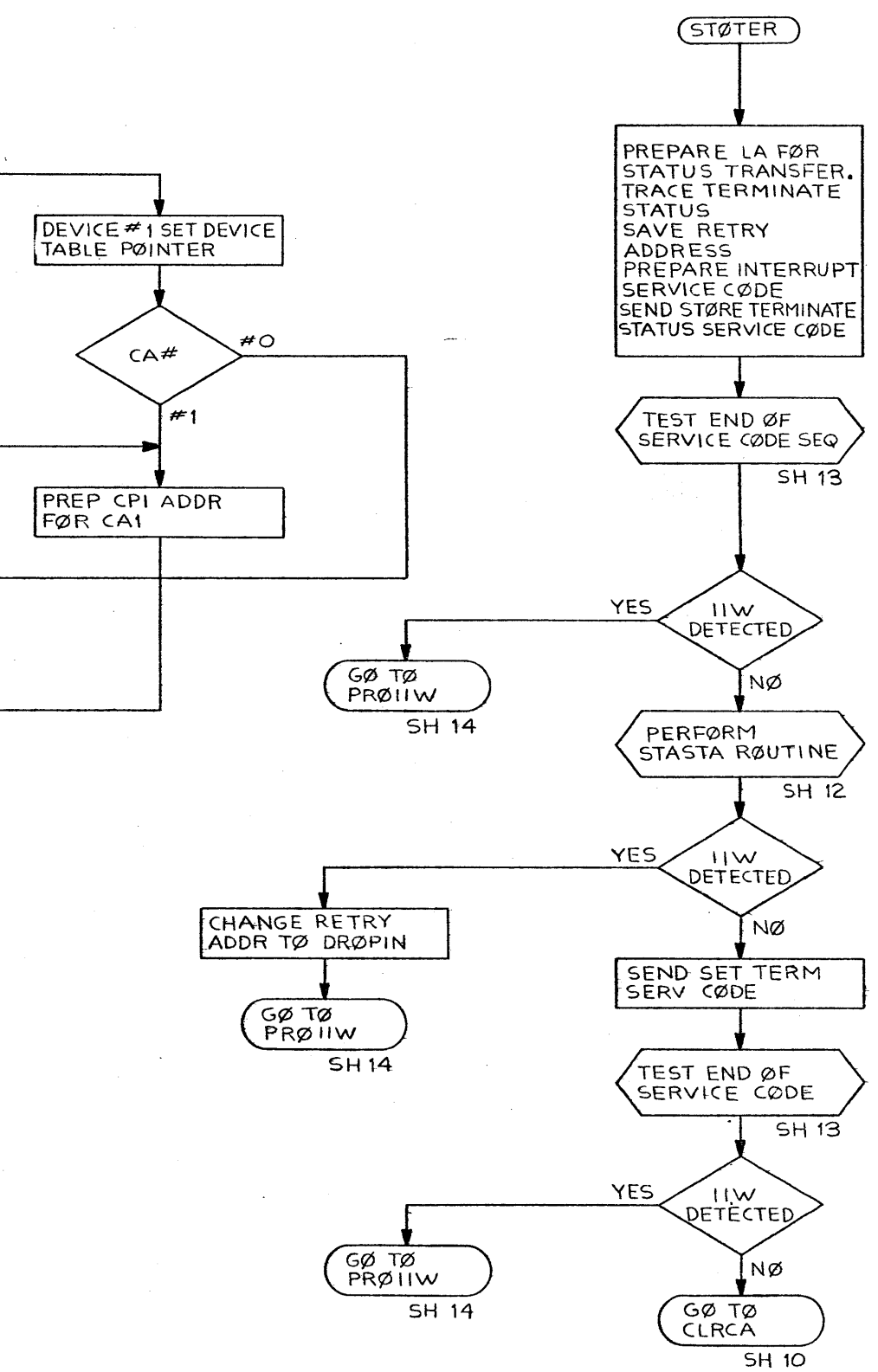
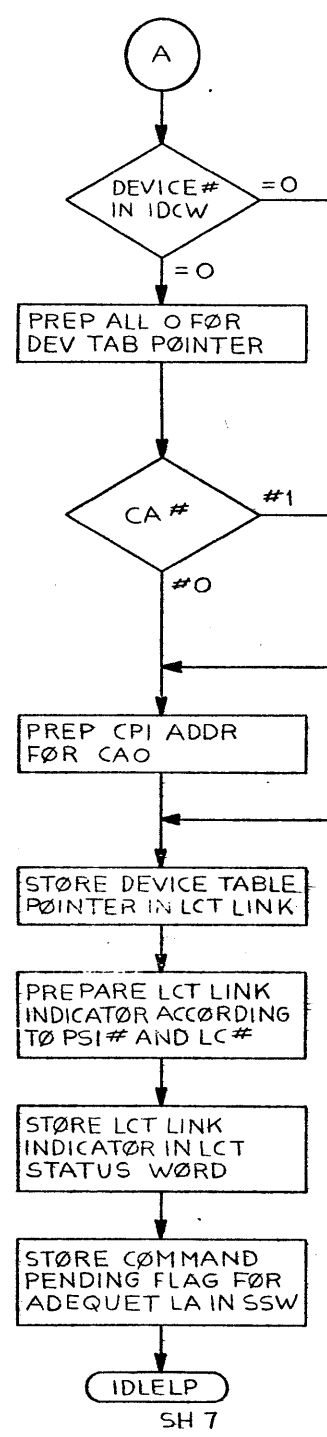
0 1 2 3 4 5 6 7 8 MM
0 1 2 3 4 IN

UNLESS OTHERWISE SPECIFIED			MATERIAL		
DIMENSIONS= MILLIMETERS INCHES			TREATMENT		
TOLERANCE OF SIZE AND FORM PER			FINISH		
INITIAL DESIGN PROJECTION			SCALE		
CODE			DATE		
			DRAWN BY <i>Jerry Budek</i> 75 AUG 7		
			APPROVED BY <i>Charles P. Gelman</i> 11/3/75		
			DISTR C68-25, TOS NEC NCO		

Honeywell					
HONEYWELL INFORMATION SYSTEMS PHOENIX, ARIZONA U. S. A.					
TITLE FLOW DIAGRAM MTP0601 IDCW PROCESSING					
LOC PCO	SIZE	DWG NO	SH	REV	
	D	58018149	11	A	

58018149

REVISIONS				
REV	AUTHORITY	DATE	SIGNATURE	
		YR MO DAY		



BRUNING 44141

REF SPEC NO

01 02 03 04 05 06 07 08 MM

01 02 03 04 05 06 07 08 IN

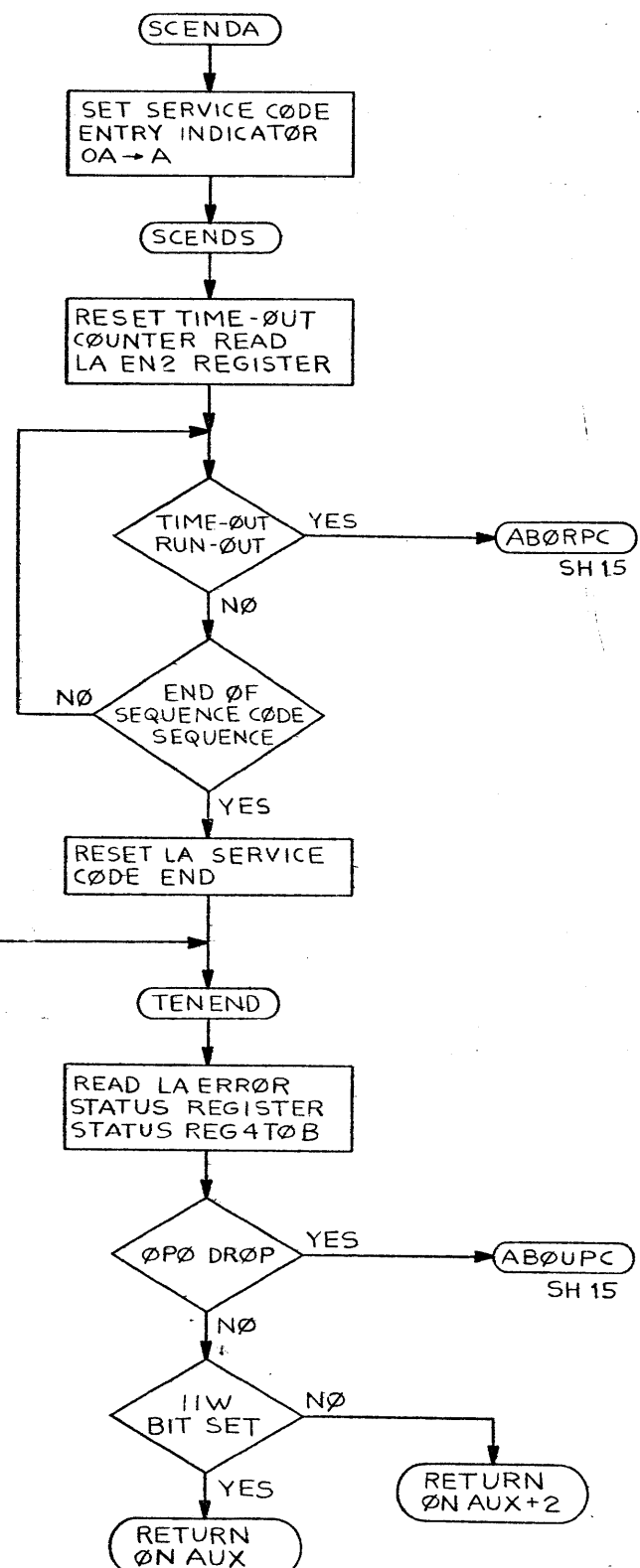
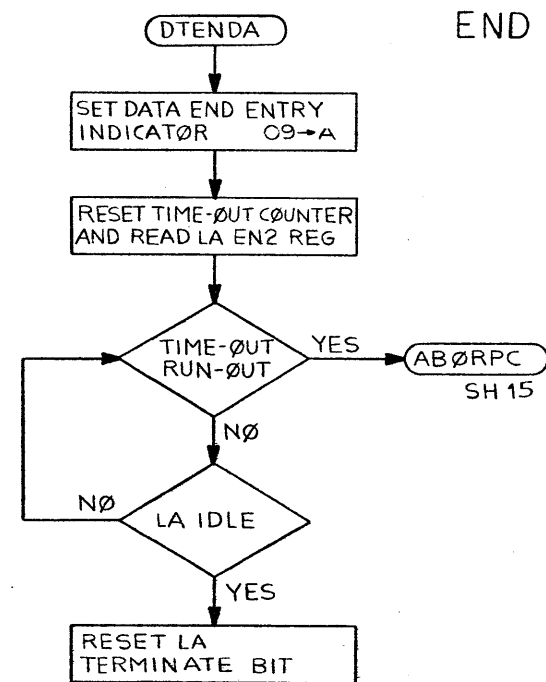
CE 500 D (11-74)

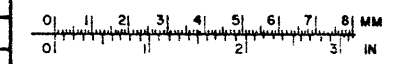
UNLESS OTHERWISE SPECIFIED		MATERIAL		Honeywell HONEYWELL INFORMATION SYSTEMS PHOENIX, ARIZONA U. S. A.	
DIMENSIONS= MILLIMETERS		TREAT.			
TOLERANCE OF SIZE AND FORM PER INITIAL DESIGN		FIN.		LOC PCO TITLE FLOW DIAGRAM MTP0601 IDCW PRØSSING	
PROJECTION		DR		SIZE DWG NO D 58018149	
SCALE		CODE		SH REV 12 A	
		DR 75 AUG 7 <i>Larry R. Rudek</i> APPD <i>Charles P. Cohen 10/1/75</i> DISTR C68-25, TOS, NEC, NCO			

58018149

END OF TRANSFER SEQ. AND
END OF SERVICE CODE SEQ.

REVISIONS				
REV	AUTHORITY	DATE		SIGNATURE
		YR	MO	DAY
2				
1				



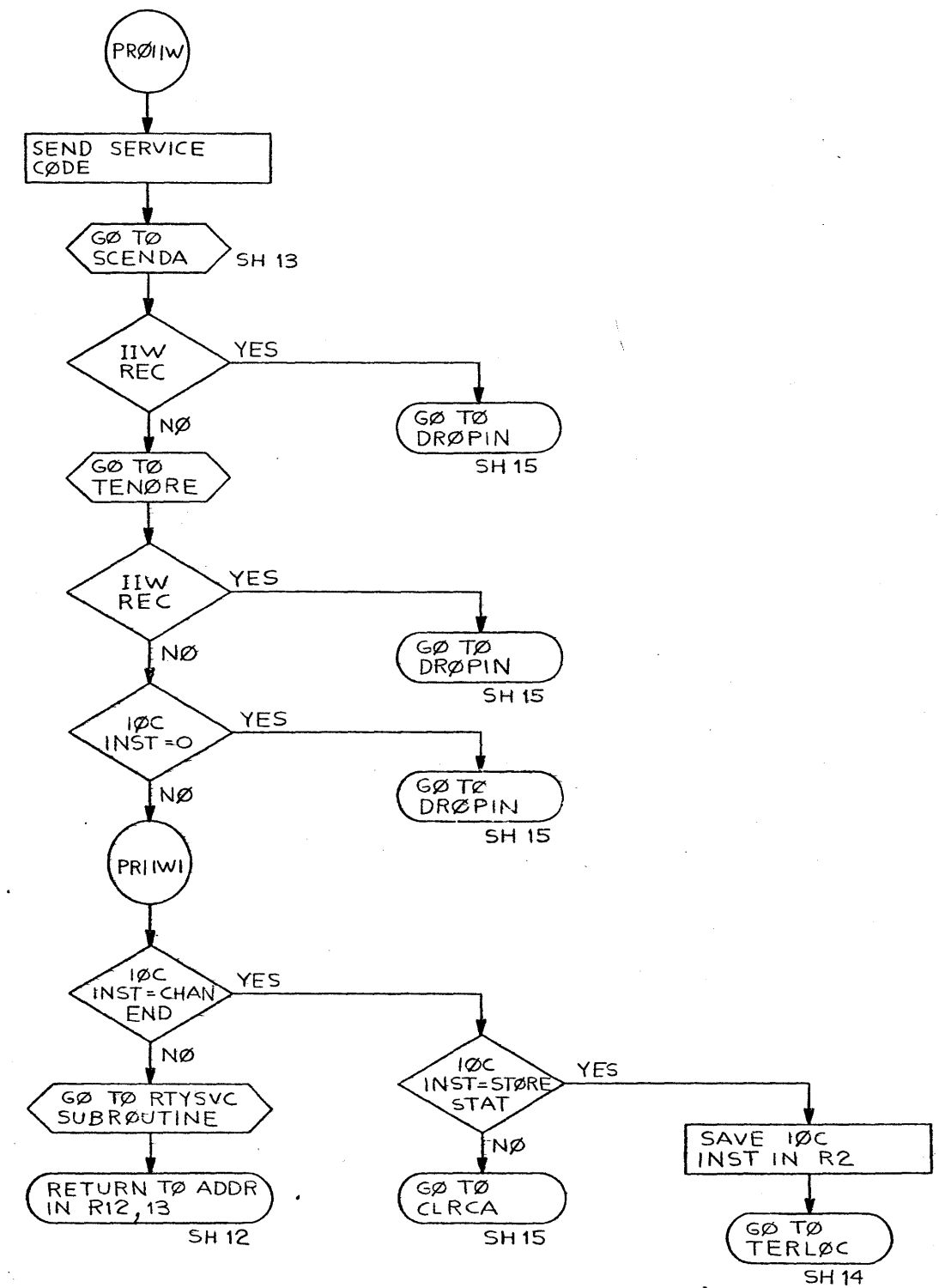
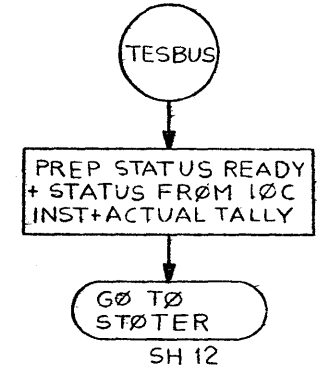
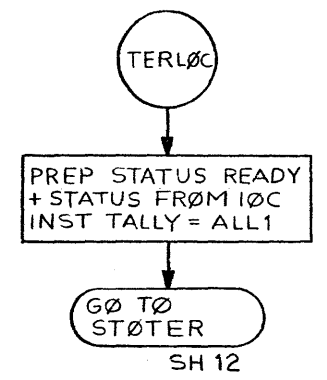
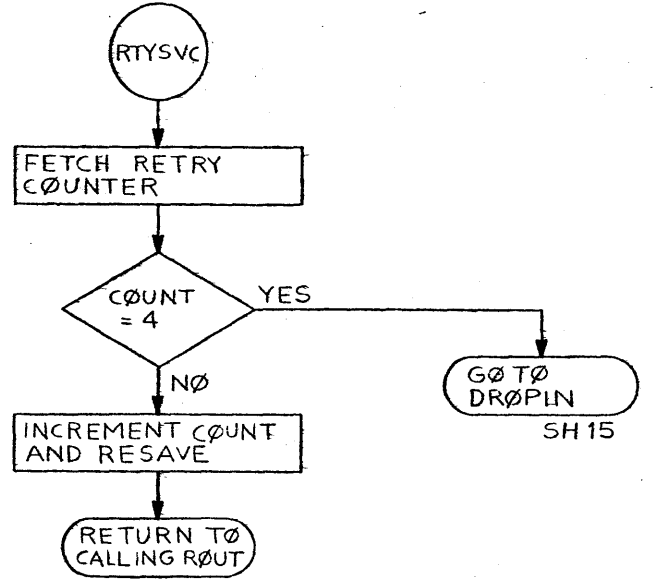
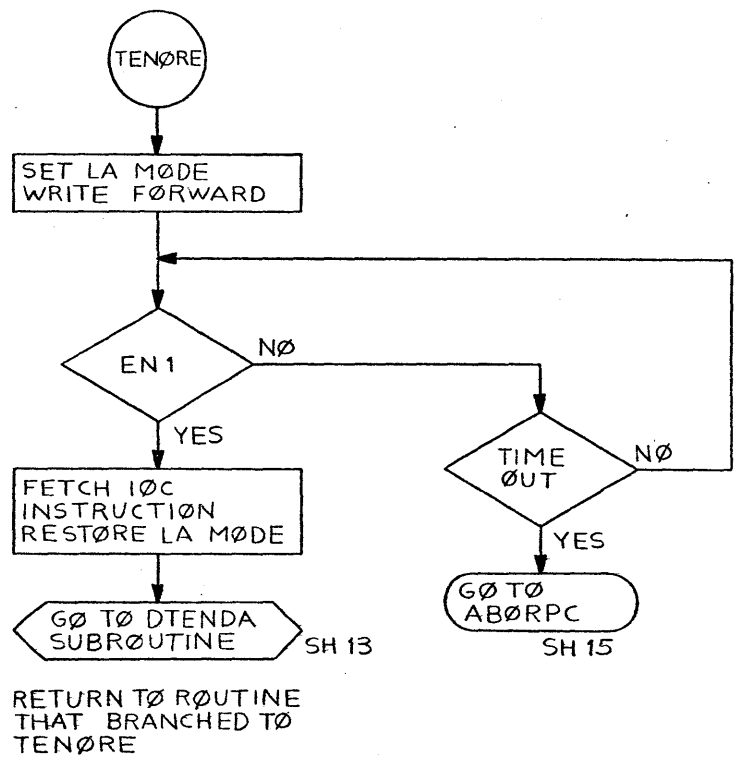


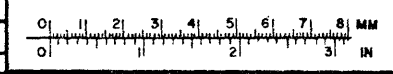
UNLESS OTHERWISE SPECIFIED		MATERIAL		Honeywell HONEYWELL INFORMATION SYSTEMS LOC PCO PHOENIX, ARIZONA U. S. A.					
DIMENSIONS= MILLIMETERS		TREAT.							
TOLERANCE OF SIZE AND INCHES		FIN.		TITLE FLOW DIAGRAM MTP0601					
FORM PER		PROJECTION		MPC BASIC FIRMWARE					
SCALE		CODE		DR 75 AUG 7 <i>Larry Bredt</i>		SIZE D	DWG NO 58018149	SH 13	REV A
				APPD <i>Charles P. Cohen 10/75</i>					
				DISTR C68-25, TOS, NEC, NCO					

58018149

BRUNING 44-141

REVISIONS				
REV	AUTHORITY	DATE		SIGNATURE
		YR	MO	DAY



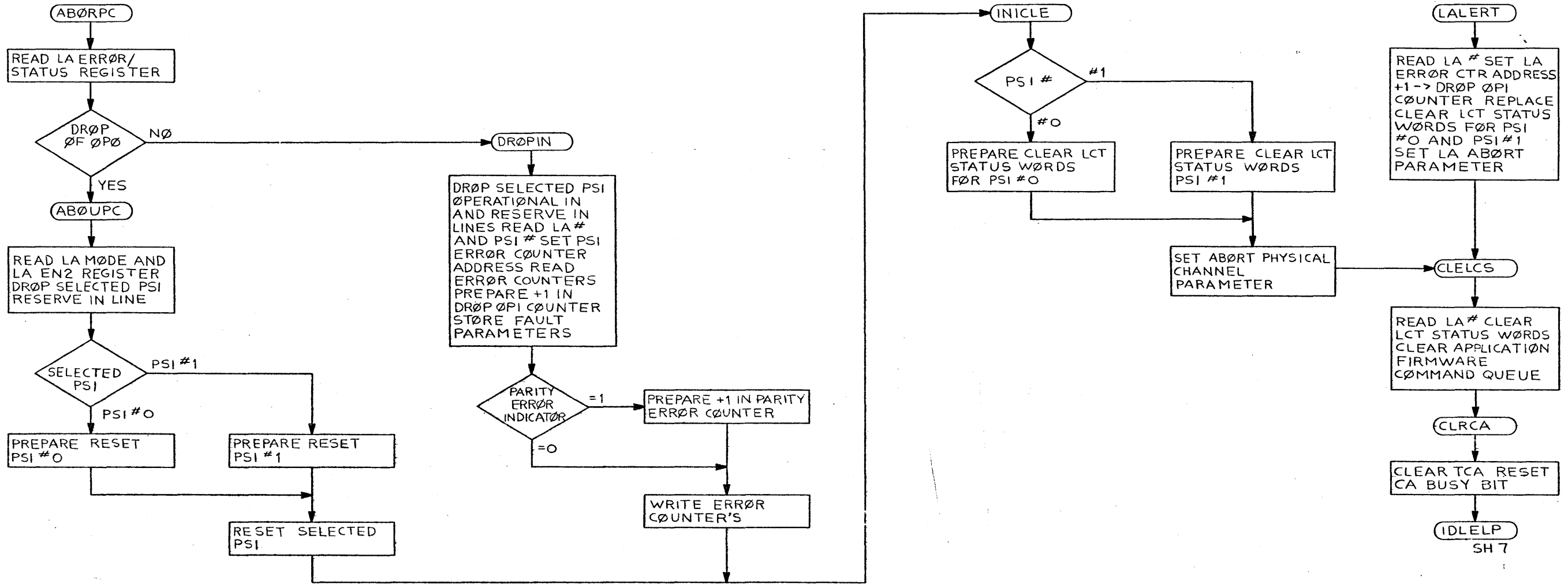


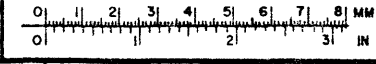
UNLESS OTHERWISE SPECIFIED		MATERIAL		Honeywell HONEYWELL INFORMATION SYSTEMS PHOENIX, ARIZONA U. S. A.					
DIMENSIONS =		TREAT.						TITLE	
TOLERANCE OF SIZE AND FORM PER		FIN.						FLOW DIAGRAM MTPO601	
INITIAL DESIGN PROJECTION		DR 75 SEP 11 Larry Budek		MPC BASIC FIRMWARE		SIZE	DWG NO	SH	REV
SCALE CODE		APPD Charles P. Cohen 10/3/75		DISTR		D	58018149	14	A
REF SPEC NO		CE 200 D (11-74)		CG8-25, TOS NEC NCO					

58018149

ABORT PROCEDURES

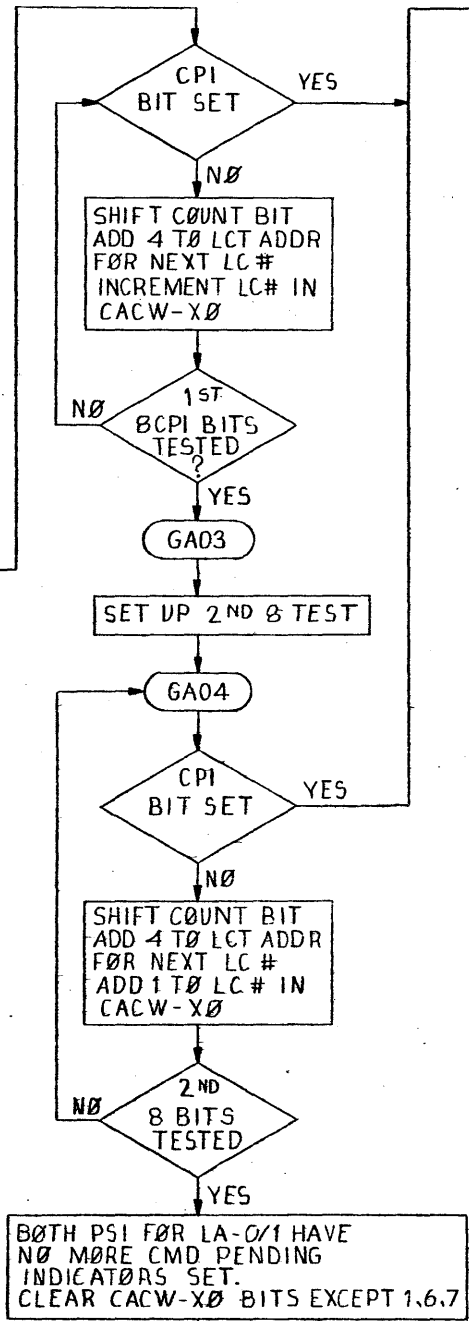
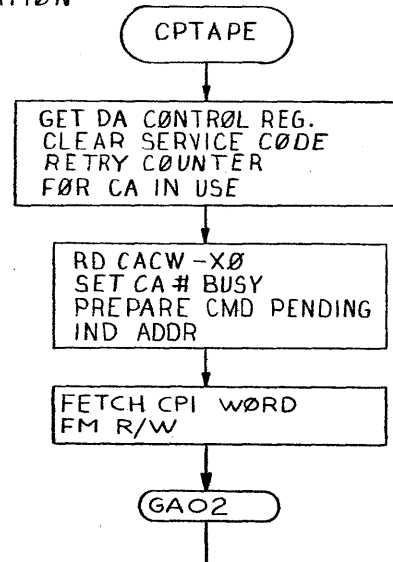
REVISIONS				
REV	AUTHORITY	DATE		SIGNATURE
		YR	MO DAY	



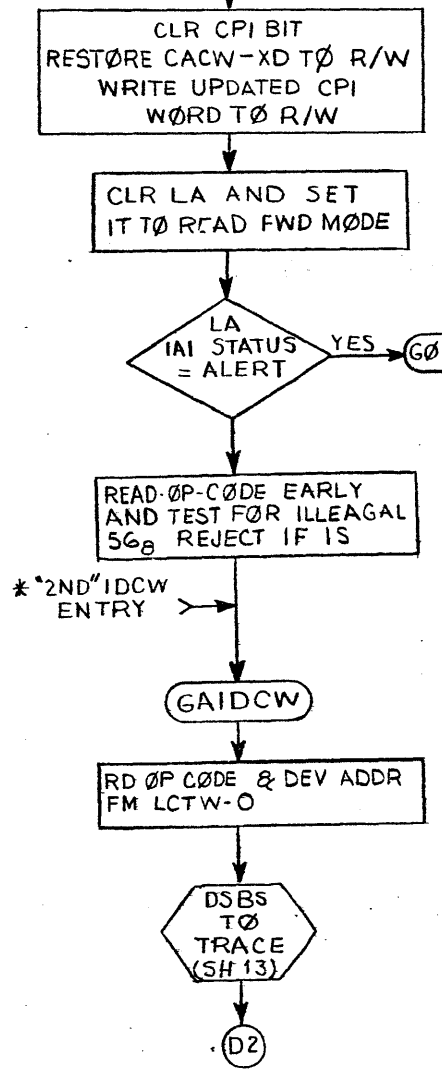


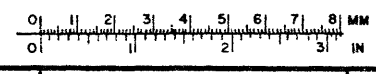
UNLESS OTHERWISE SPECIFIED		MATERIAL		Honeywell	
DIMENSIONS = $\frac{\text{MILLIMETERS}}{\text{INCHES}}$		TREAT.		LOC PCO HONEYWELL INFORMATION SYSTEMS PHOENIX, ARIZONA U.S.A.	
TOLERANCE OF SIZE AND FORM PER INITIAL DESIGN		FIN.		TITLE FLOW DIAGRAM MTP0601	
PROJECTION		SCALE		MPC BASIC FIRMWARE	
CODE		DR 75 SEP 12 <i>Jerry Biedle</i>		SIZE D	DWG NO 58018149
APPD <i>Charles P. Owen 10/1/75</i>		SH 15		REV A	

58018149



- 00- IDLE-GO TO IDLELP
- 01- INTERRUPT DRIVEN-GO TO IDLELP
- 10- INTARRTN MODE-BR ON INTAR
- 11- AUX RTN MODE-BR ON AUX



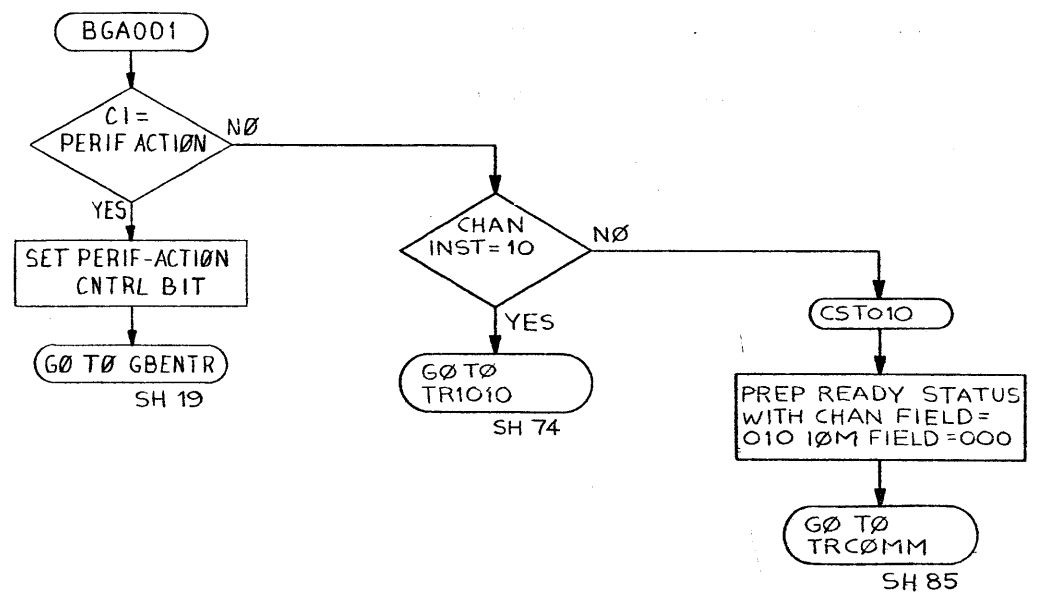
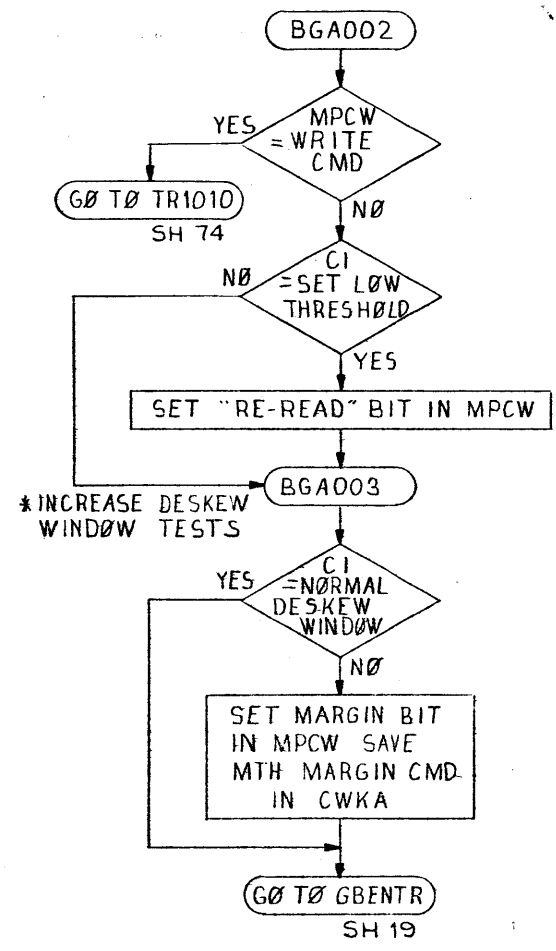


UNLESS OTHERWISE SPECIFIED		MATL	HONEYWELL INFORMATION SYSTEMS PHOENIX, ARIZONA U. S. A.		
DIMENSIONS=	MILLIMETERS INCHES	TREAT.			
TOLERANCE OF SIZE AND FORM PER		FIN.	TITLE FLOW DIAGRAM MTP0601 CPTAPE-GA IDCW INTERPRETATION		
INITIAL DESIGN		DR <i>W. Maloney</i>	SIZE	DWG NO	SH
PROJECTION		3-12-75	D	58018149	16
SCALE	CODE	APD <i>Charles P. Chen 10/1/75</i>			REV
		DISTR C68-25 TOS NEC, NCO			A

58018149

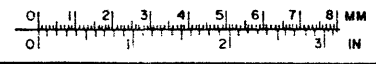
REVISIONS				
REV	AUTHORITY	DATE		SIGNATURE
		YR	MO DAY	

* CPTAPE - GA
READ THRESHOLD
TESTS



BRUNING 44 141

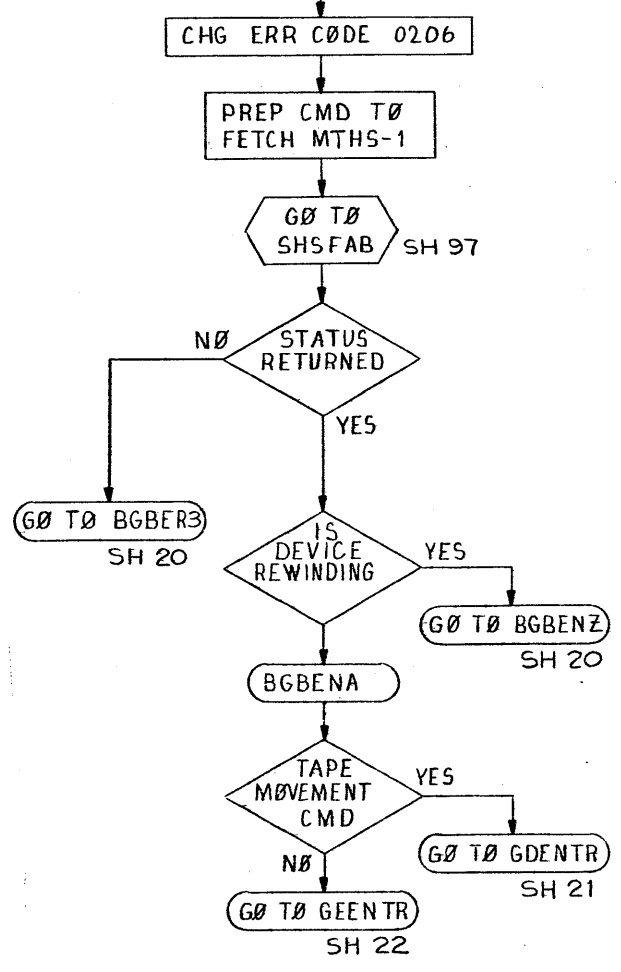
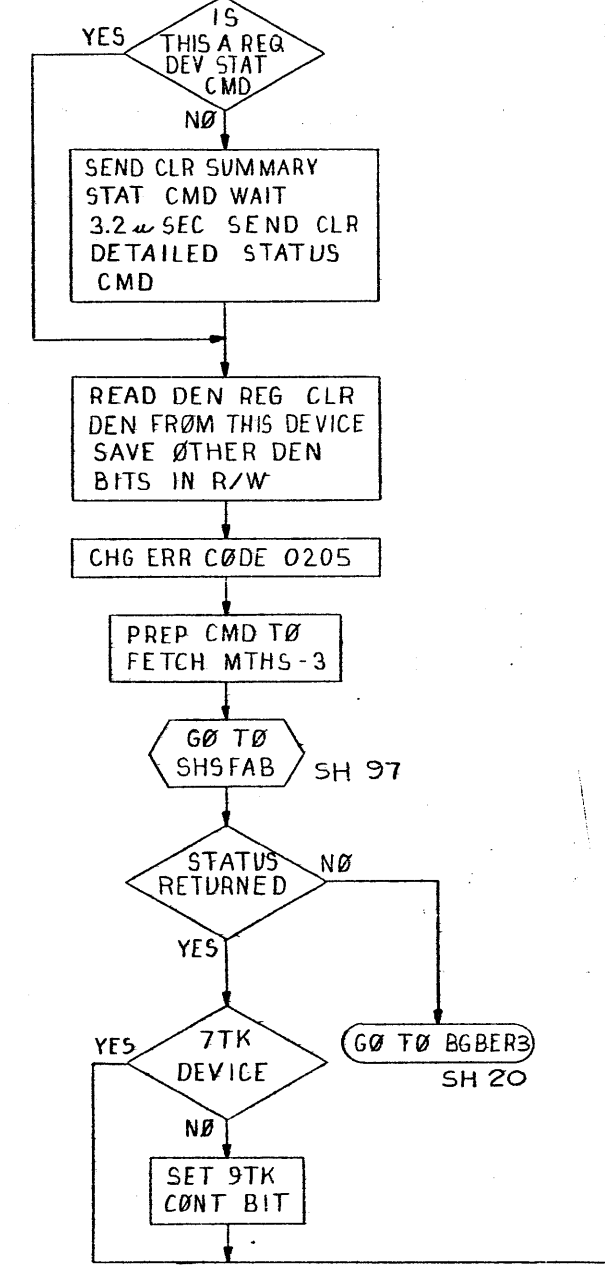
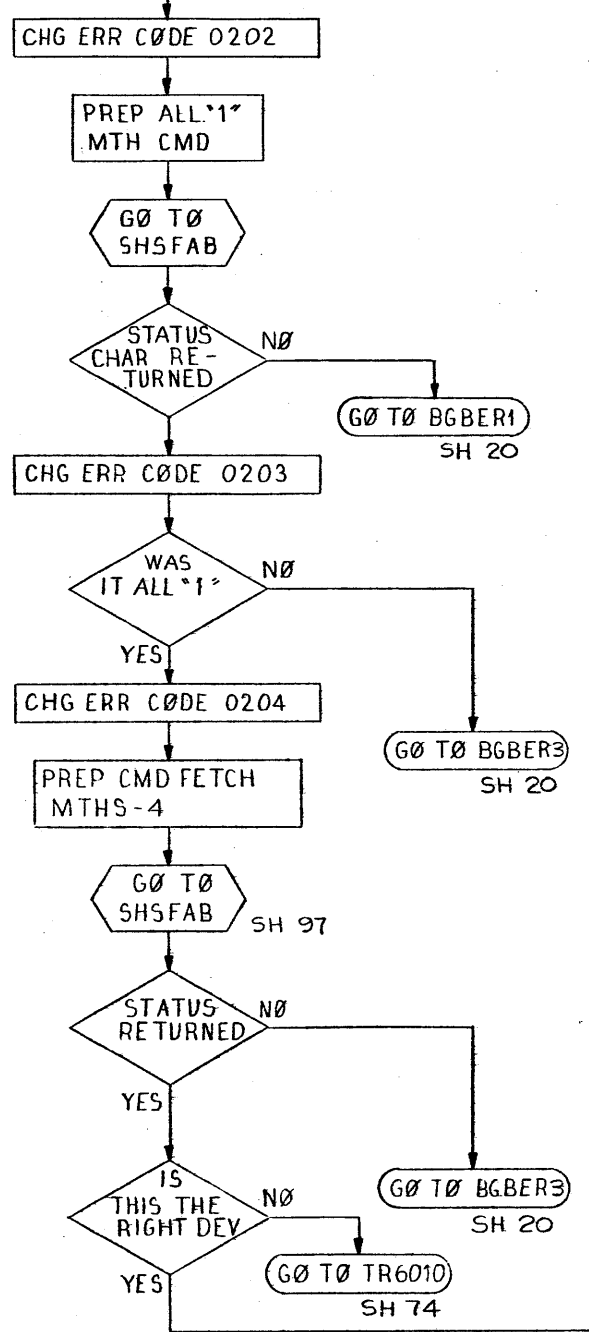
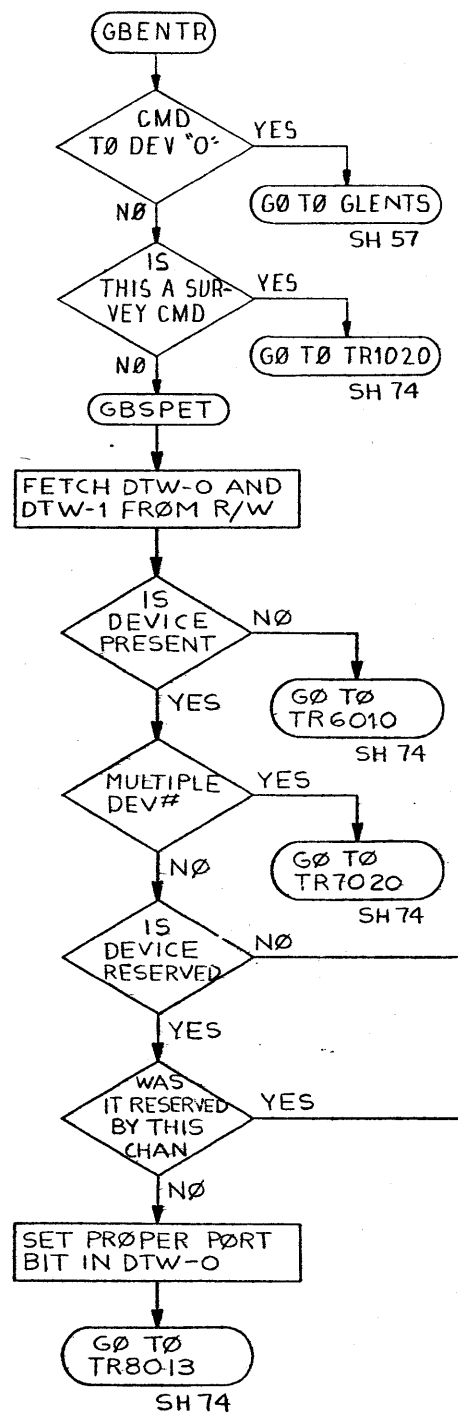
REF SPEC NO



UNLESS OTHERWISE SPECIFIED		MATL		Honeywell HONEYWELL INFORMATION SYSTEMS PHOENIX, ARIZONA U. S. A. TITLE FLOW DIAGRAM MTPO601 CPTAPE-(GA) IDCW #INTERPRETATION	
DIMENSIONS=	MILLIMETERS INCHES	TREAT.	FIN.		
TOLERANCE OF SIZE AND FORM PER	INITIAL DESIGN	PROJECTION		SCALE	CODE
DR. <i>J.D. Halligan</i> 3-14-75		APPD. <i>Charles P. Cole</i> 10/3/75		SIZE	DWG NO
DISTR. C-68-2.5, TOS, NEC, NIC, G		D	58018149	SH	REV
				18	A

58018149

REVISIONS					
REV	AUTHORITY	DATE			SIGNATURE
		YR	MO	DAY	



F

E

D

C

B

A

H

F

E

D

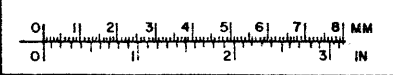
C

B

A

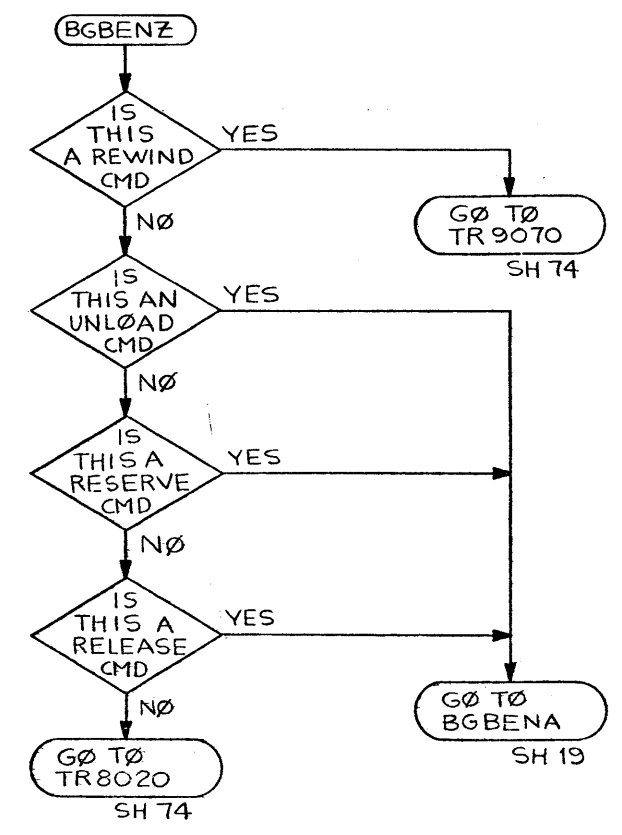
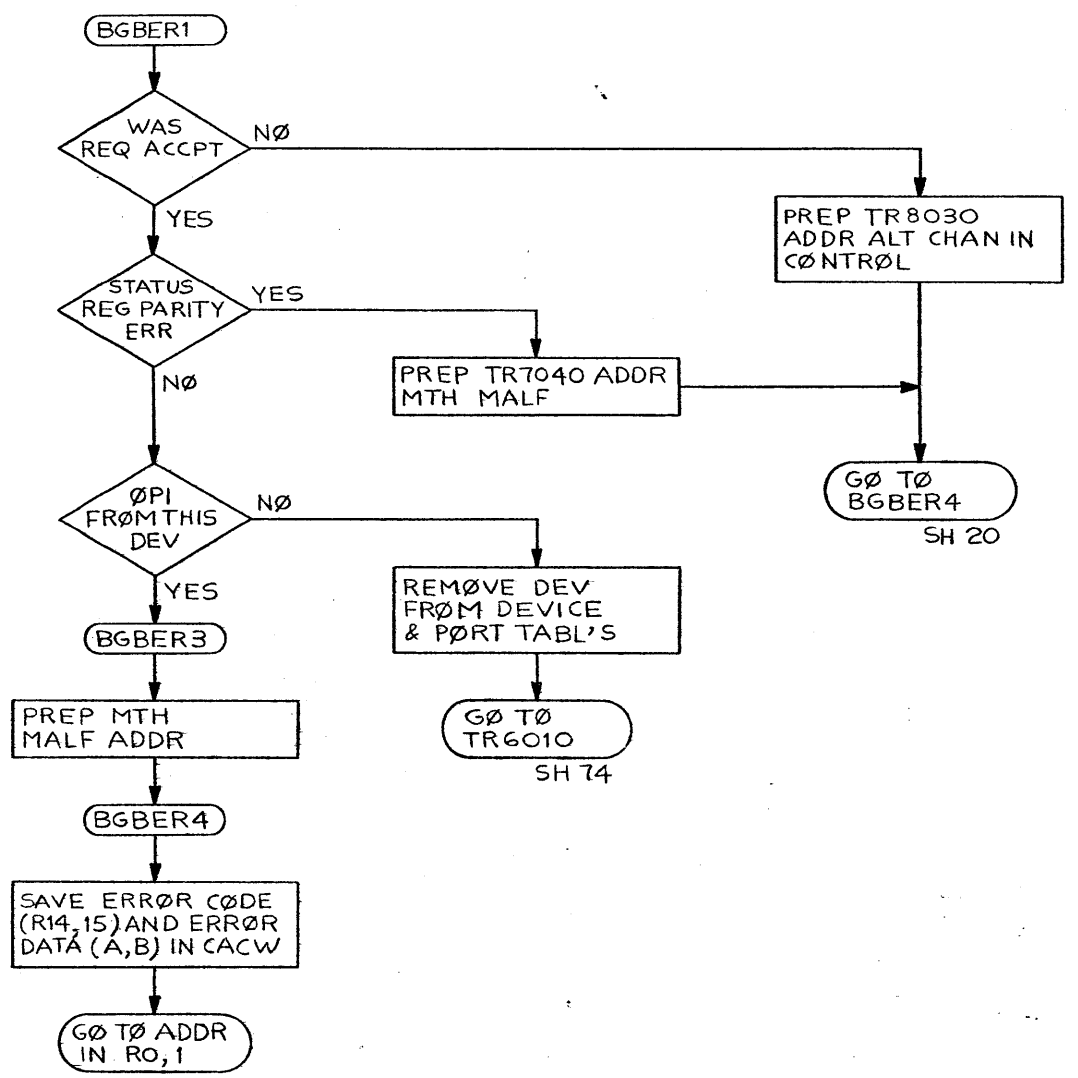
58018149

REF SPEC NO



UNLESS OTHERWISE SPECIFIED		MATL		Honeywell HONEYWELL INFORMATION SYSTEMS PHOENIX, ARIZONA U. S. A. TITLE FLOW DIAGRAM MTP0601 GB
DIMENSIONS=	MILLIMETERS	TREAT.	LOC PCØ	
TOLERANCE OF SIZE AND FORM PER	INCHES	FIN.		
INITIAL DESIGN	PROJECTION	SCALE	CODE	DR <i>R. Mulhargan</i> 3-12-75 APP'D <i>Chandler P. Allen</i> 1/3/75 DISTR C63-25 TOS, NEC, NCO
		SIZE D	DWG NO 58018149	SH 19
				REV A

REVISIONS				
REV	AUTHORITY	DATE		SIGNATURE
		YR	MO DAY	



H
F
E
D
C
B
A

H
F
E
D
C
B
A

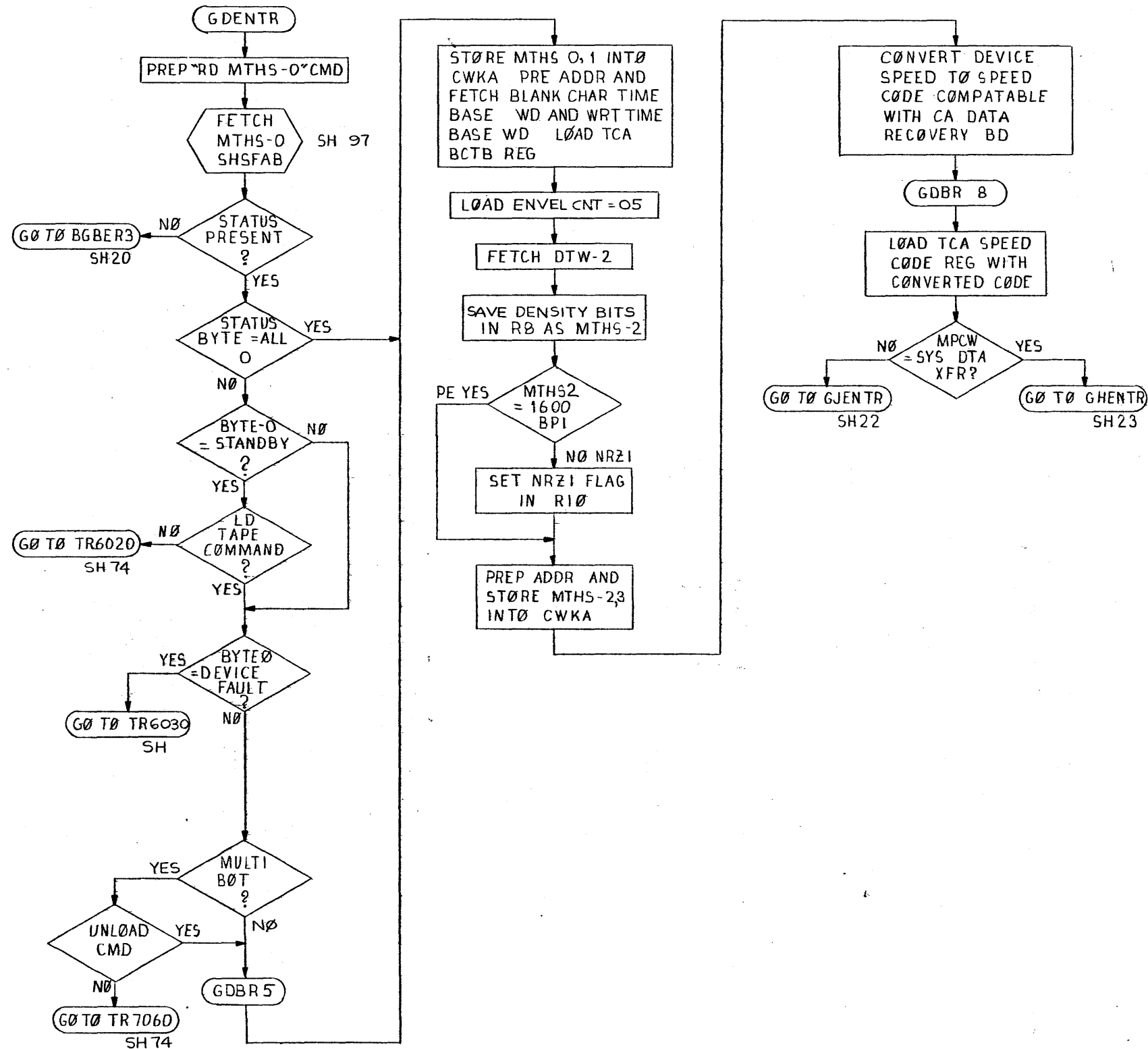
BRUNING 44-141

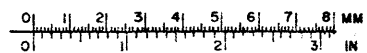
REF SPEC NO

CE 900 D 111-241

UNLESS OTHERWISE SPECIFIED		MATL	Honeywell HONEYWELL INFORMATION SYSTEMS LOC PCO PHOENIX, ARIZONA U. S. A.	
DIMENSIONS=		TREAT.		
TOLERANCE OF SIZE AND FORM PER		FIN.	TITLE FLOW DIAGRAM MTP0601	
INITIAL DESIGN	PROJECTION	DR 25 SEP 23 <i>Larry Bedik</i>	SIZE D	DWG NO 58018149
SCALE	CODE	APPD <i>Charles P. Chen 10/3/75</i>	SH 20	REV A
		DISTR C68-25, TOS, NEC, NCB		

58018149



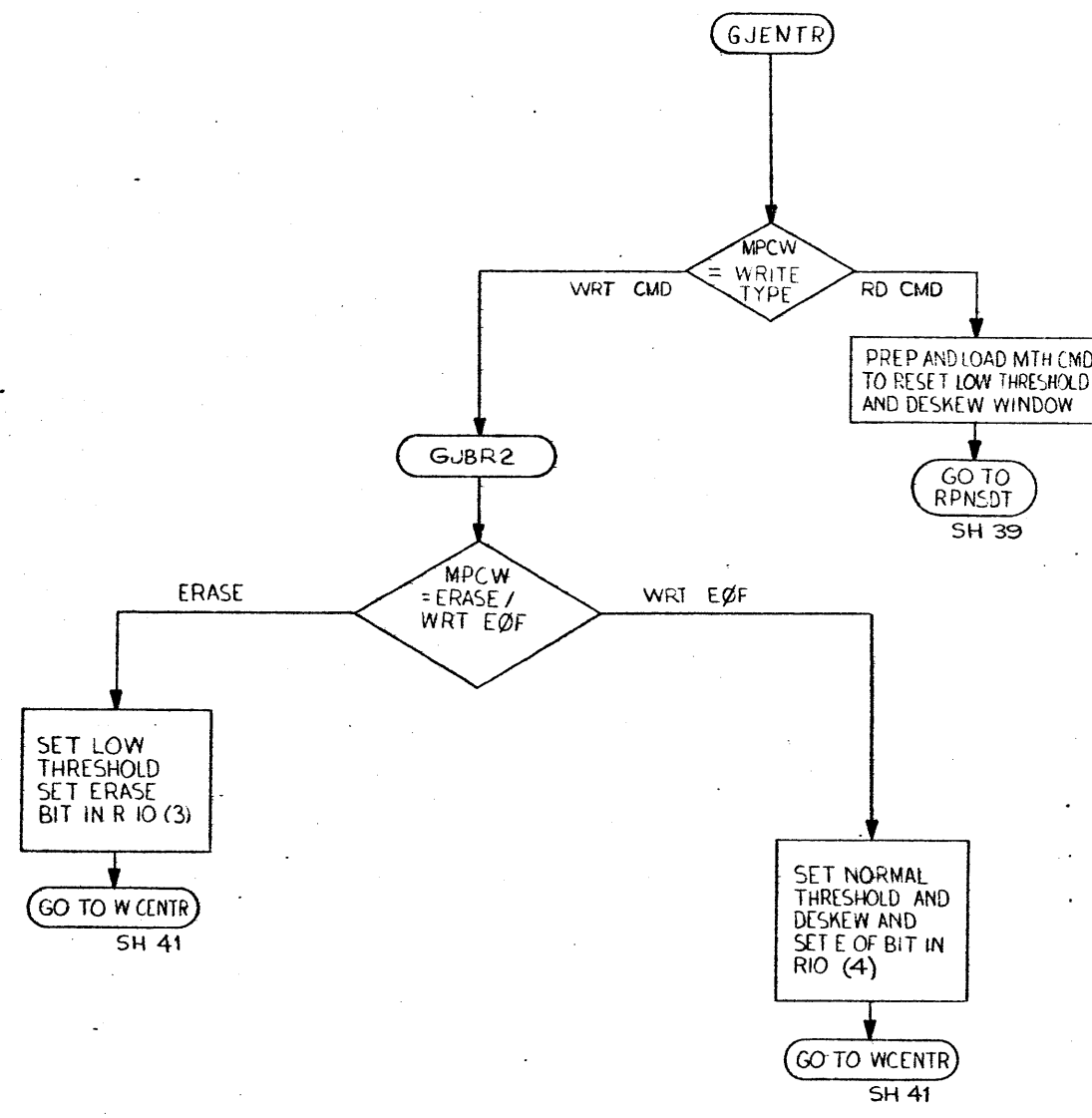


UNLESS OTHERWISE SPECIFIED		MATERIAL		Honeywell HONEYWELL INFORMATION SYSTEMS PHOENIX, ARIZONA U. S. A.	
DIMENSIONS=	MILLIMETERS / INCHES	TOLERANCE OF SIZE AND FORM PER	TREAT.		
INITIAL DESIGN		PROJECTION	FIN.	TITLE FLOW DIAGRAM MTP0601 GD-TAPE MOVEMENT COMMANDS	
SCALE	CODE	DR <i>H. Sullivan</i> 3-14-75	APPD <i>TS od 3</i> & <i>Boeing</i>	SIZE D	DWG NO 58018149
DISTR CG8-25, TOS, NEC, NC0				SH 21	REV A

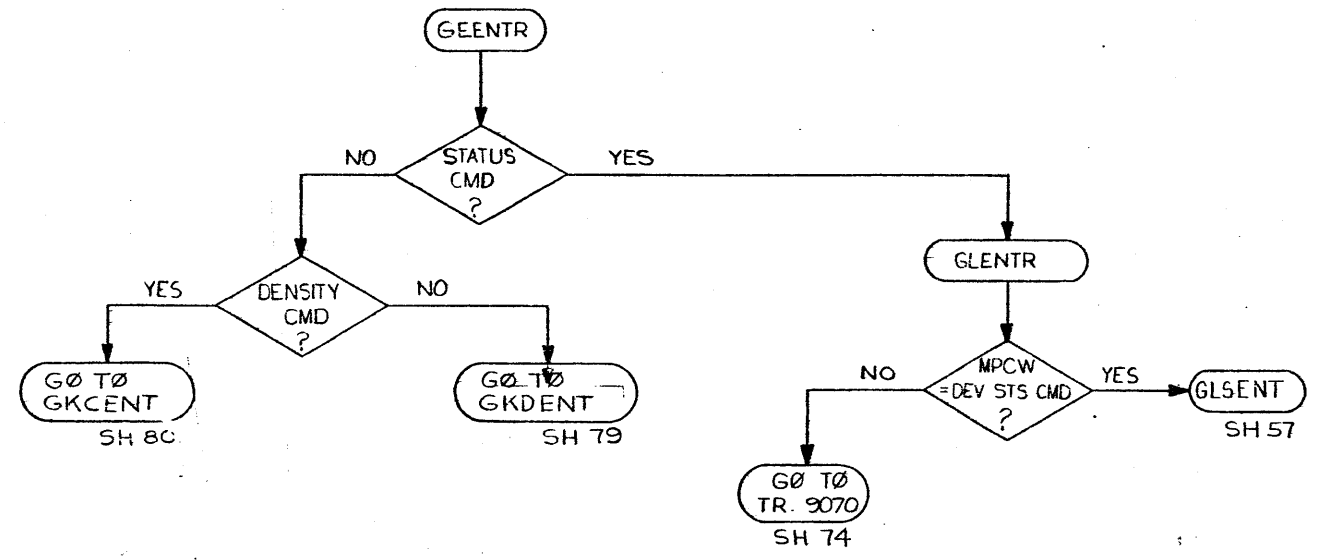
58018149

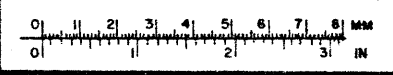
REVISIONS				
REV	AUTHORITY	DATE	SIGNATURE	
YR	MO	DAY		

GJ-NØ SYSTEM DATA TRANSFER



GE-NØ TAPE MØVEMENT



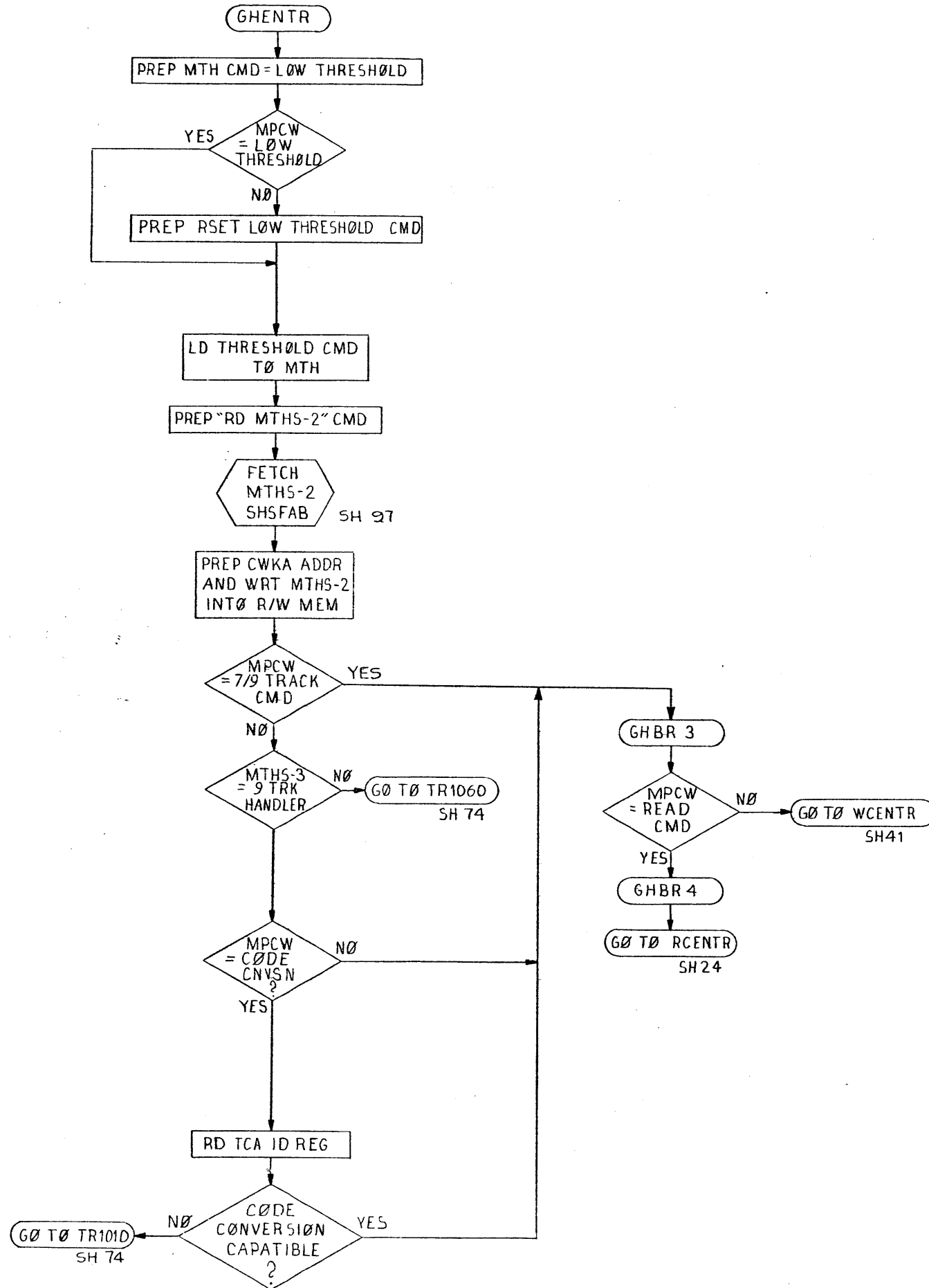


UNLESS OTHERWISE SPECIFIED		MATERIAL		Honeywell HONEYWELL INFORMATION SYSTEMS LOC PCO PHOENIX, ARIZONA U. S. A.	
DIMENSIONS=	MILLIMETERS	TREAT.			
TOLERANCE OF SIZE AND FORM PER	INCHES	FIN.		TITLE FLOW DIAGRAM MTPØGØI	
INITIAL DESIGN		PROJECTION		MPCW DECODE	
SCALE	CODE	DR. <i>W. Mallyan</i> 3-12-75		SIZE	DWG NO
		APP. <i>J. Boone</i>		D	58018149
		DISTR C68-25 TOS.NEG. NØØ I		SH	REV
				22	A

58018149

GH - SYSTEM DATA TRANSFER

REVISIONS				
REV	AUTHORITY	DATE		SIGNATURE
		YR	MO DAY	

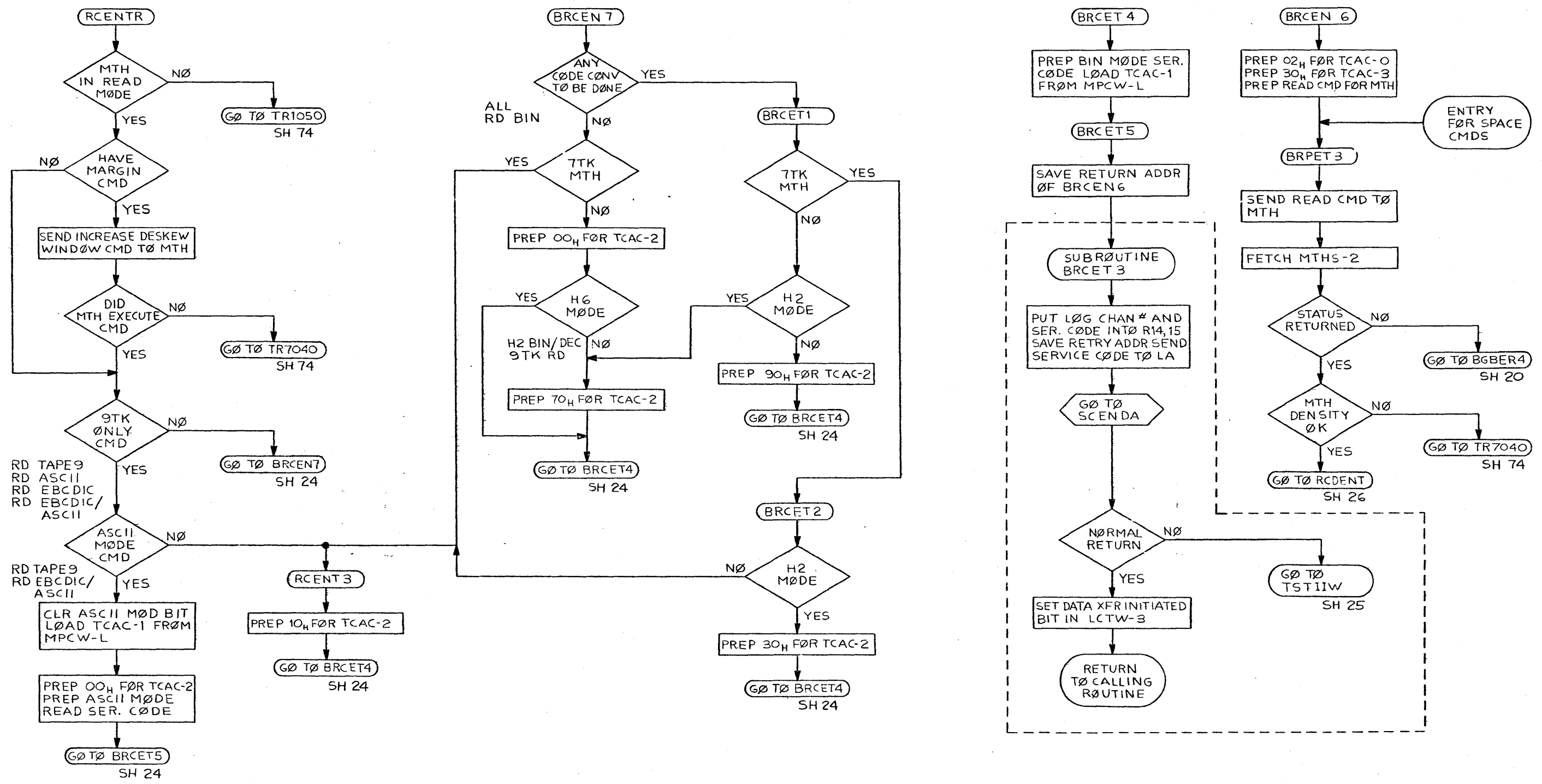


BRUNING 44 141
REF SPEC NO
01 11 21 31 41 51 61 71 81 MM
01 11 21 31 IN

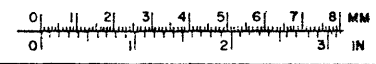
UNLESS OTHERWISE SPECIFIED		MATL	Honeywell HONEYWELL INFORMATION SYSTEMS PHOENIX, ARIZONA U. S. A. loc PC	
DIMENSIONS = MILLIMETERS INCHES	TREAT.			
TOLERANCE OF SIZE AND FORM PER INITIAL DESIGN	FIN.	TITLE FLOW DIAGRAM MTP0601 SYSTEM DATA TRANSFER COMMANDS		
PROJECTION				
SCALE	CODE	DR <i>A. Mulligan</i> 3-14-75	SIZE DWG NO	SH REV
		APPD <i>J. B. Linn</i>	D 58018149	23 A
DISTR C68-25 TDS, NEC, NCO				

58018149

REVISIONS				
REV	AUTHORITY	DATE	SIGNATURE	
		YR MO DAY		

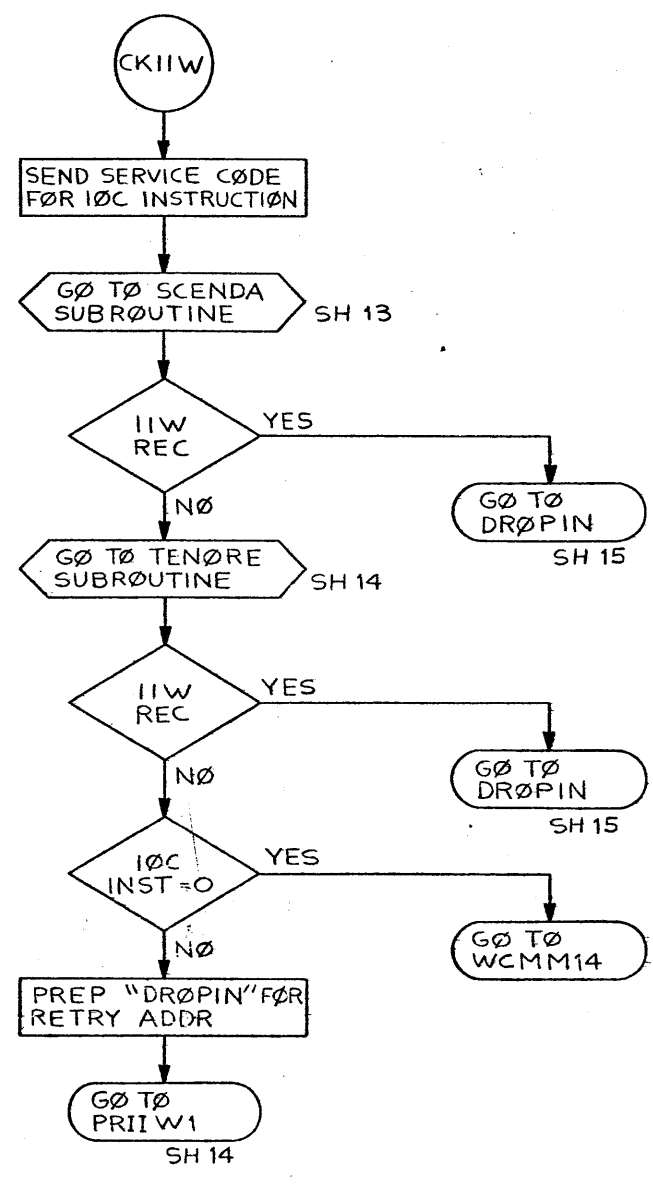
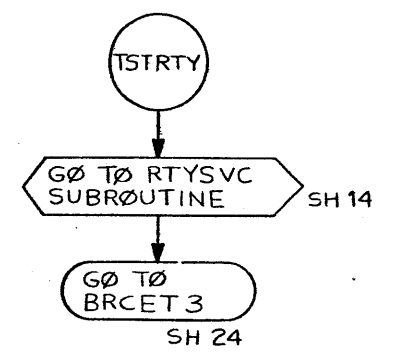
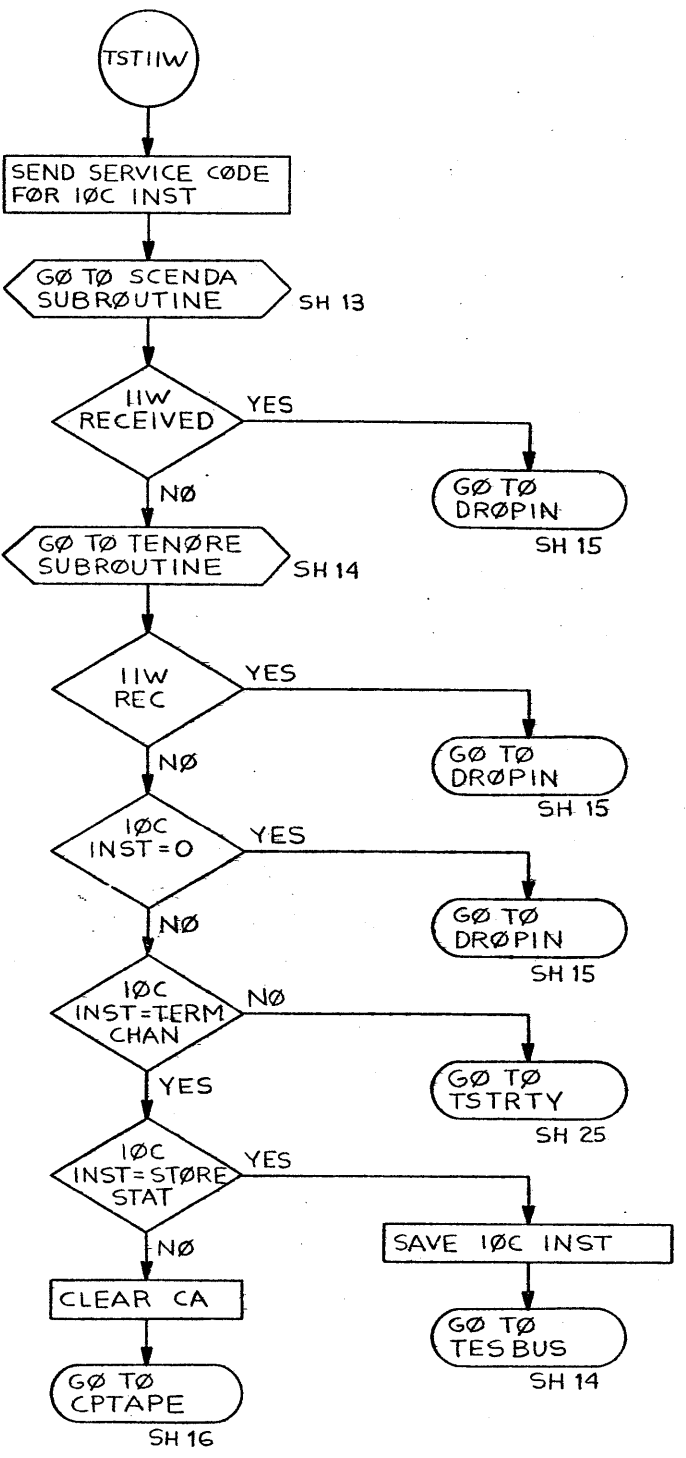


58018149

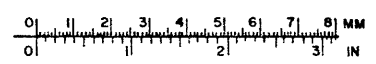


UNLESS OTHERWISE SPECIFIED		MATERIAL		<p style="text-align: center;">Honeywell</p> HONEYWELL INFORMATION SYSTEMS PHOENIX, ARIZONA U.S.A.					
DIMENSIONS= $\frac{\text{MILLIMETERS}}{\text{INCHES}}$		TREAT.						TITLE	
TOLERANCE OF SIZE AND FORM PER INITIAL DESIGN		FIN.						FLOW DIAGRAM MTP0601	
PROJECTION $\frac{\text{FIRST ANGLE}}{\text{THIRD ANGLE}}$		SCALE		DR 75 APR 25		SIZE			
CODE				APPD <i>Larry B. ...</i>		D 58018149			
				DISTR C68-25 TOS, NEC, NCO					
				SH 24		REV A			

REVISIONS				
REV	AUTHORITY	DATE		SIGNATURE
		YR	MO/DAY	



REF SPEC NO



UNLESS OTHERWISE SPECIFIED		MATL		Honeywell HONEYWELL INFORMATION SYSTEMS PHOENIX, ARIZONA U. S. A.			
DIMENSIONS=	MILLIMETERS	TREAT.					
TOLERANCE OF SIZE AND FORM PER	INCHES	FIN.		TITLE FLOW DIAGRAM MTP0601 READ CMD - IIW PROCESSING			
INITIAL DESIGN		SCALE	CODE				
PROJECTION		DR	75 AUG 26 Jarry Budek	SIZE	DWG NO	SH	REV
			APPD 75 Oct 2 B. Bradens	D	58018149	25	A
				DISTR C-8-25.TOS.NEC.NCM			

58018149

REVISIONS				
REV	AUTHORITY	DATE	SIGNATURE	
YR	MO	DAY		

RCDEXT

PREP FOLLOWING COUNTS (HEX)

	1600	800	556	200
BLK TAPE	027100	013800	00D900	004E00
STOP DELAY	02	05	04	01
7TK BK SP STOP DELAY	—	2F	20	0C

RCOXXX

ADD NRZ1 INHIBIT ERR CORR BITS TO TCAC-0

RC0804

ADD ENAB RD DATA BIT TO TCAC-3

LOAD TCAC-2

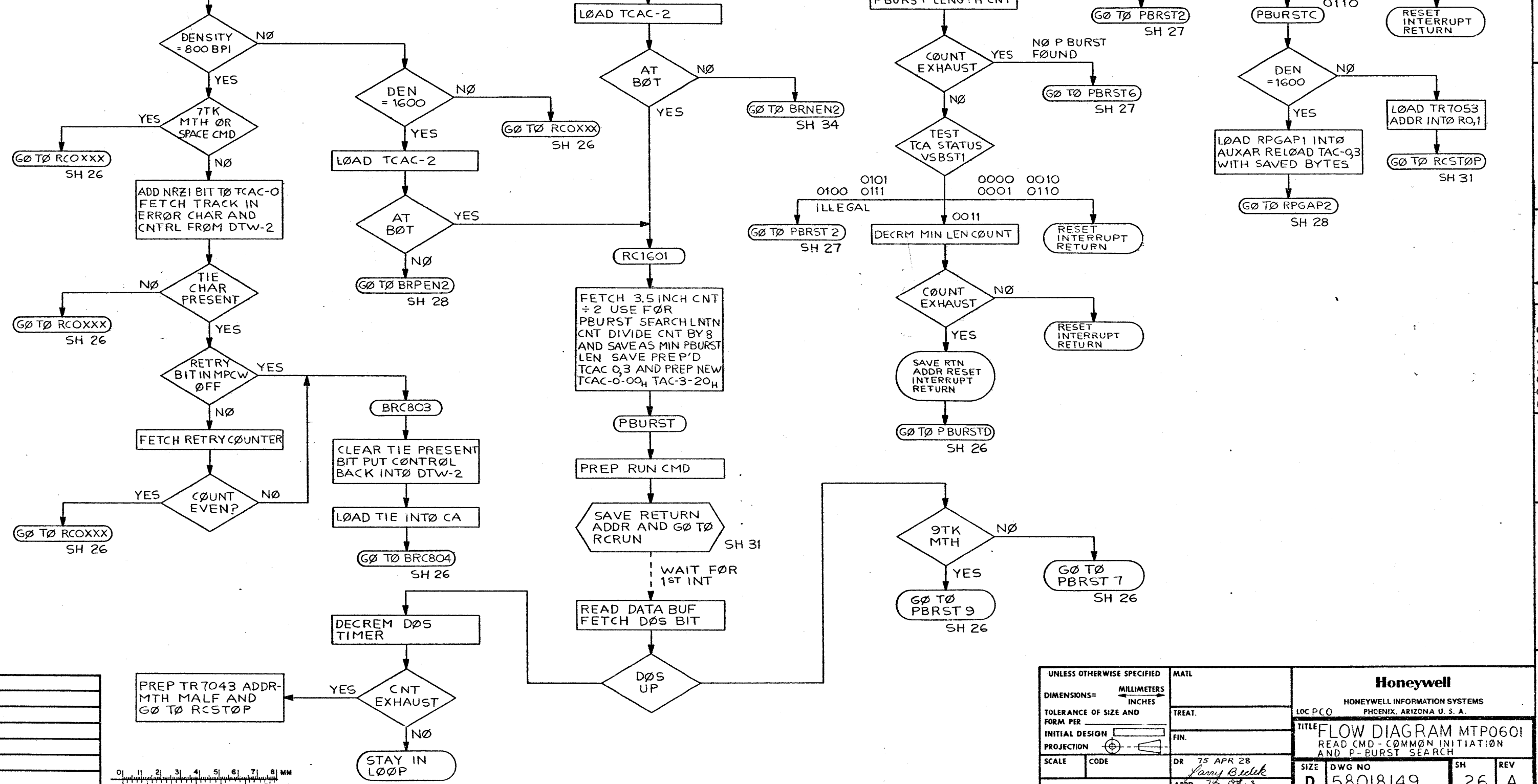
PBRST9

SAVE AUX RESE INT RETURN

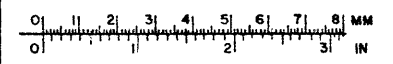
READ DATA BUF DECRM PBURST LENGTH CNT

PBURSTD

RD DATA BUF



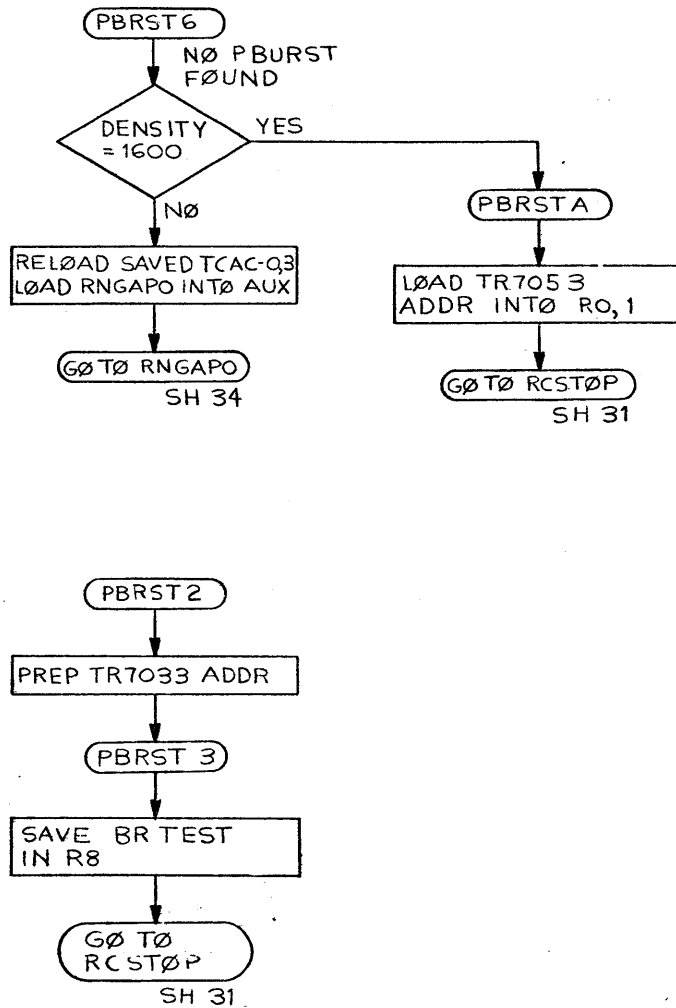
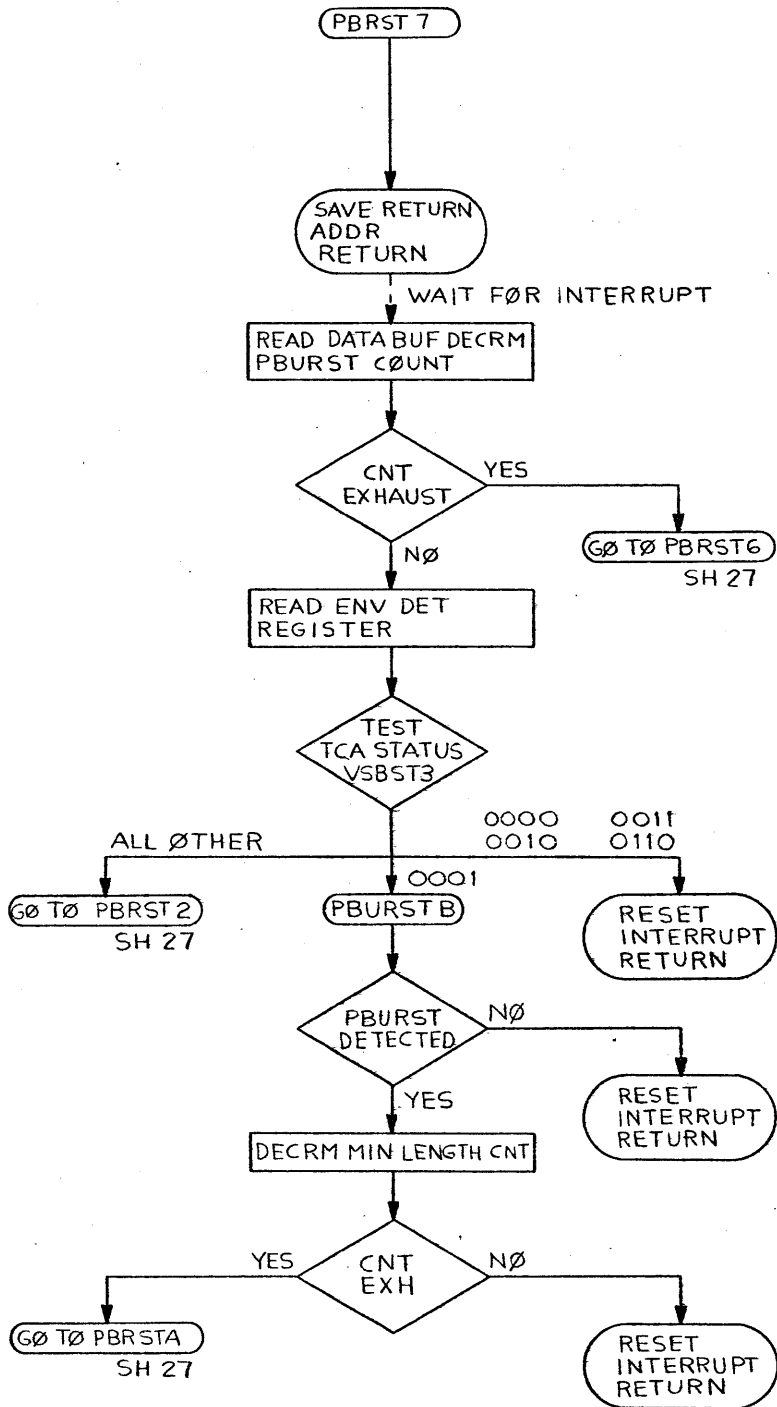
PREP TR7043 ADDR-MTH MALF AND GO TO RCRSTOP

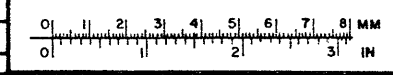


UNLESS OTHERWISE SPECIFIED		MATERIAL		Honeywell HONEYWELL INFORMATION SYSTEMS PHOENIX, ARIZONA U. S. A.	
DIMENSIONS = $\frac{\text{MILLIMETERS}}{\text{INCHES}}$		TREAT.			
TOLERANCE OF SIZE AND FORM PER		FIN.		LOC PCO TITLE FLOW DIAGRAM MTP0601 READ CMD - COMMON INITIATION AND P-BURST SEARCH	
INITIAL DESIGN PROJECTION		DR 75 APR 28 <i>Jerry Bielek</i>		SIZE DWG NO D 58018149	
SCALE CODE		APPD 75 APR 28 <i>J. Bielek</i>		SH REV 26 A	
REF SPEC NO		DISTR C68-25.TDS.NEC.NCQ		1	

58018149

REVISIONS			
REV	AUTHORITY	DATE YR MO DAY	SIGNATURE



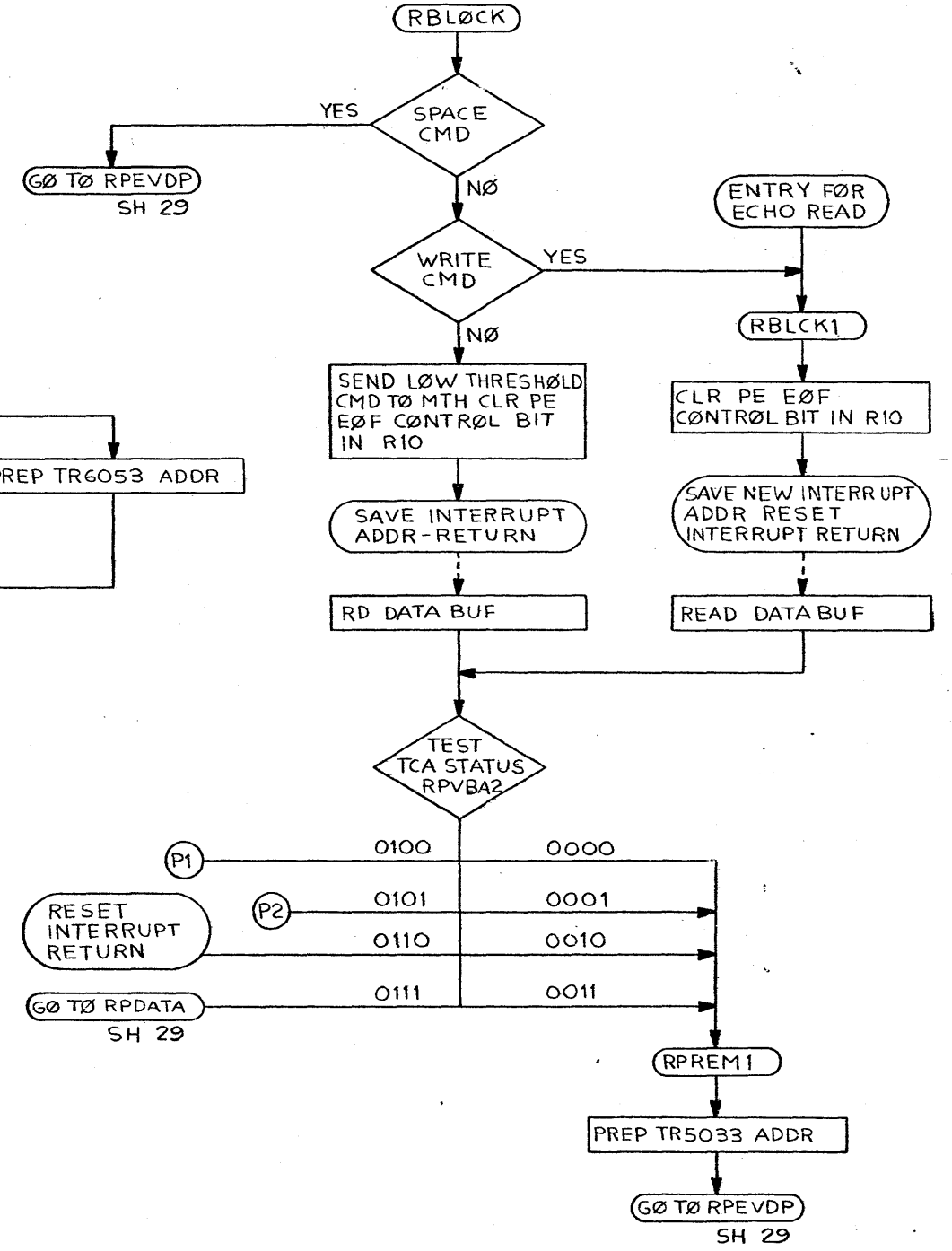
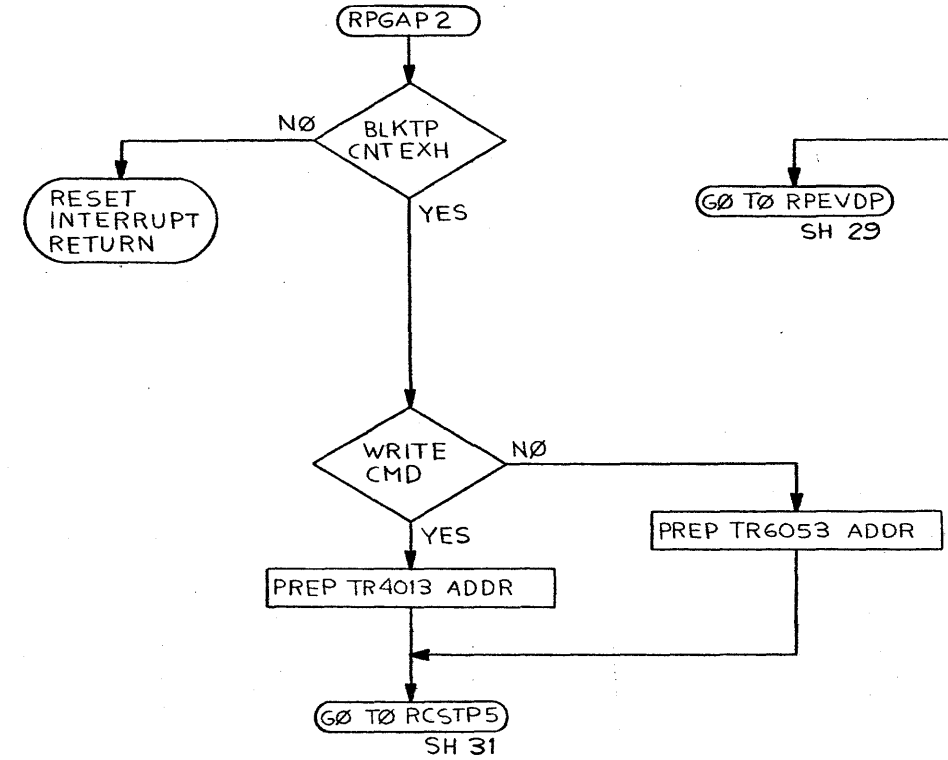
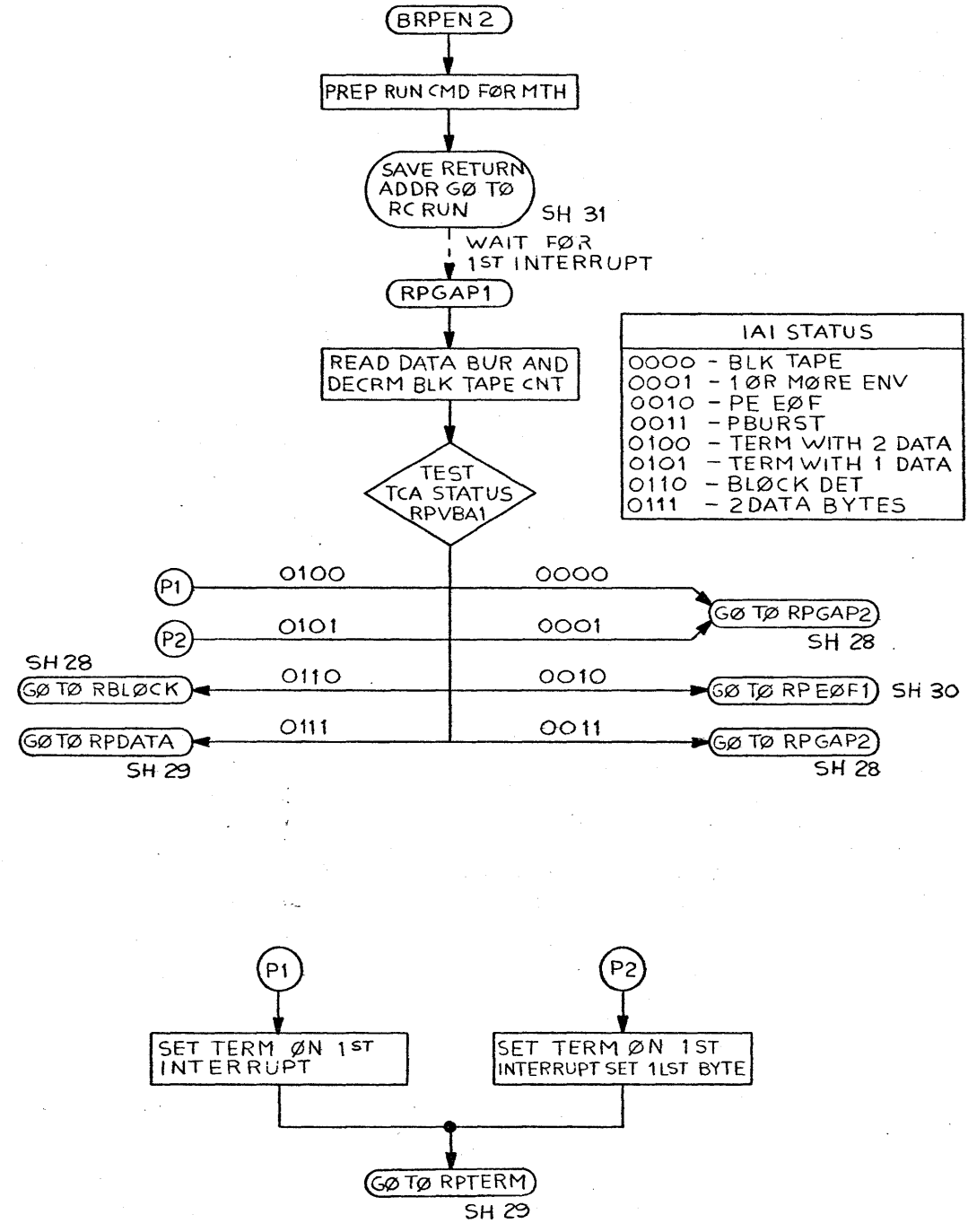


UNLESS OTHERWISE SPECIFIED		MATERIAL	
DIMENSIONS= MILLIMETERS INCHES		Honeywell	
TOLERANCE OF SIZE AND FORM PER		HONEYWELL INFORMATION SYSTEMS LOC PCO PHOENIX, ARIZONA U. S. A.	
INITIAL DESIGN		TITLE FLOW DIAGRAM MTP0601 READ CMD-PBURST SEARCH	
PROJECTION		DR 75 APR 28 APPD Larry Belek 75 apr 3 g. working	
SCALE	CODE	SIZE D	DWG NO 58018149
		SH 27	REV A
		DISTR C.68-25, TOS.NEC.NCB	

H
F
E
D
C
B
A

58018149

REVISIONS				
REV	AUTHORITY	DATE	SIGNATURE	
		YR MO DAY		



BRUNING 44-141

REF SPEC NO

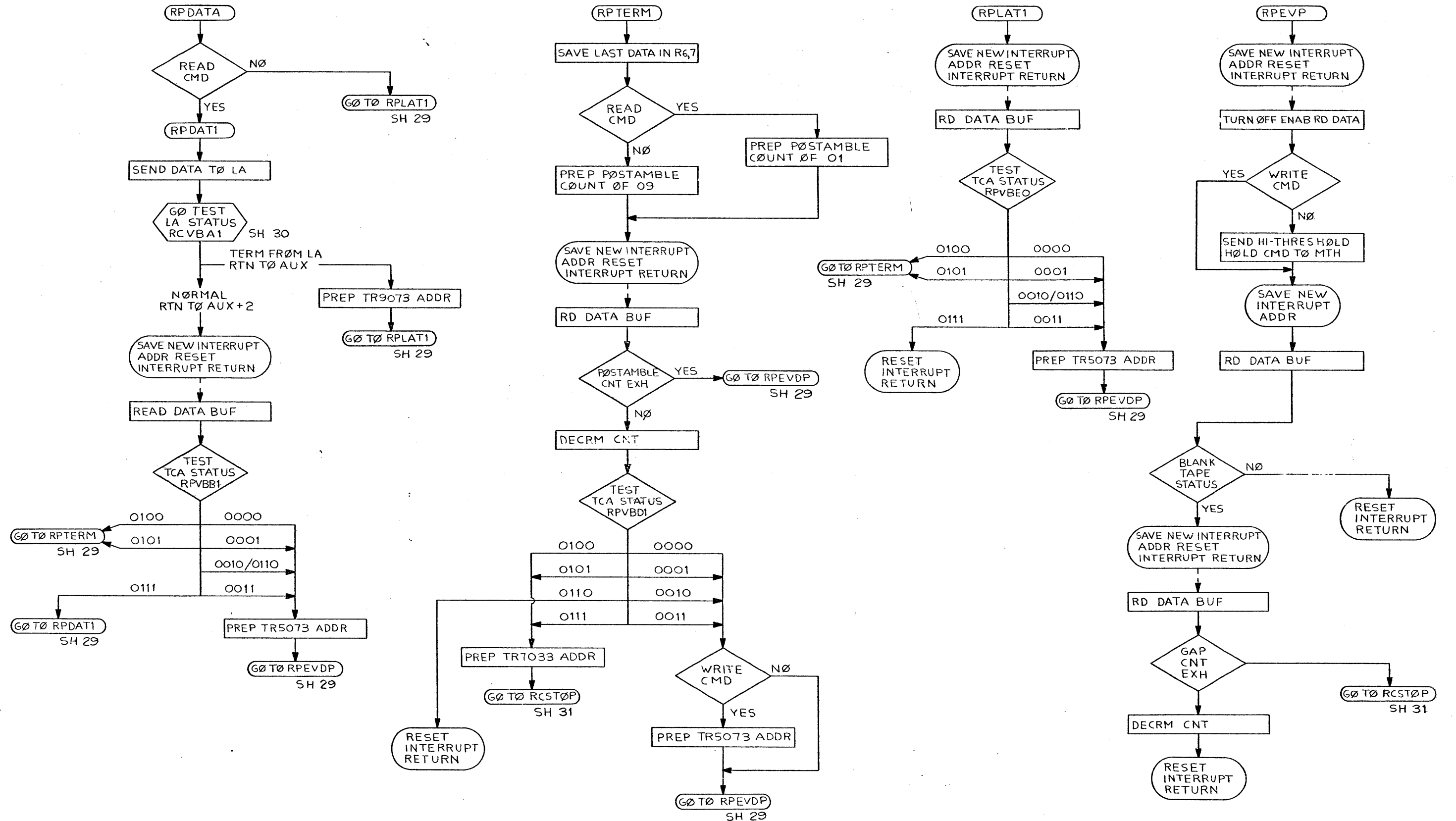
0 1 2 3 4 5 6 7 8 MM
0 1 2 3 4 IN

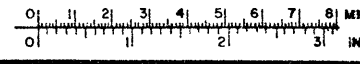
UNLESS OTHERWISE SPECIFIED		MATERIAL		Honeywell HONEYWELL INFORMATION SYSTEMS PHOENIX, ARIZONA U. S. A.			
DIMENSIONS = MILLIMETERS / INCHES		TREATMENT					
TOLERANCE OF SIZE AND FORM PER INITIAL DESIGN		FINISH		LOC PCO TITLE FLOW DIAGRAM MTP0601			
SCALE	CODE	DR	DATE	SIZE	DWG NO	SH	REV
		Jerry Breda	75 APR 29	D	58018149	28	A

H
F
E
D
C
B
A

58018149

REVISIONS					
REV	AUTHORITY	DATE		SIGNATURE	
		YR	MO	DAY	



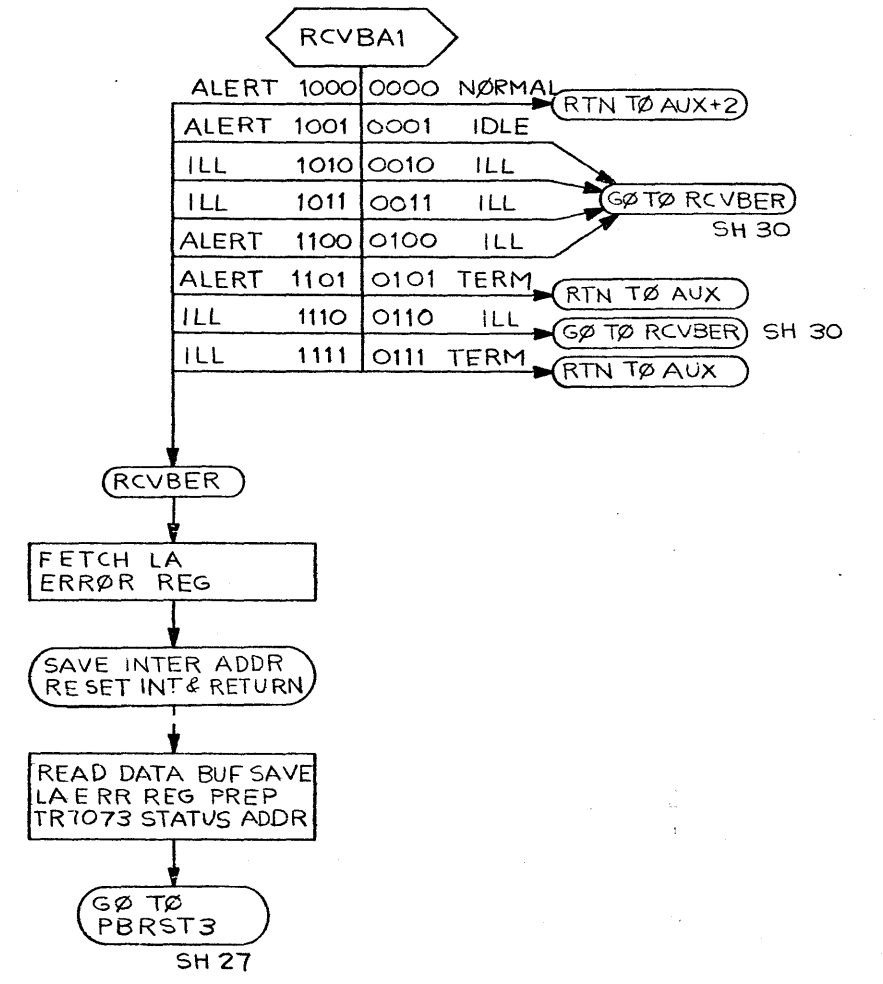
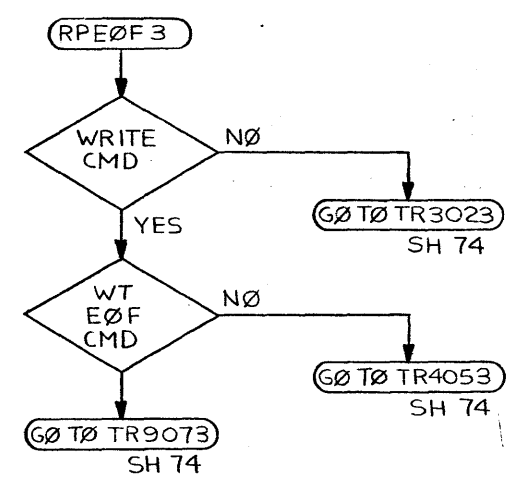
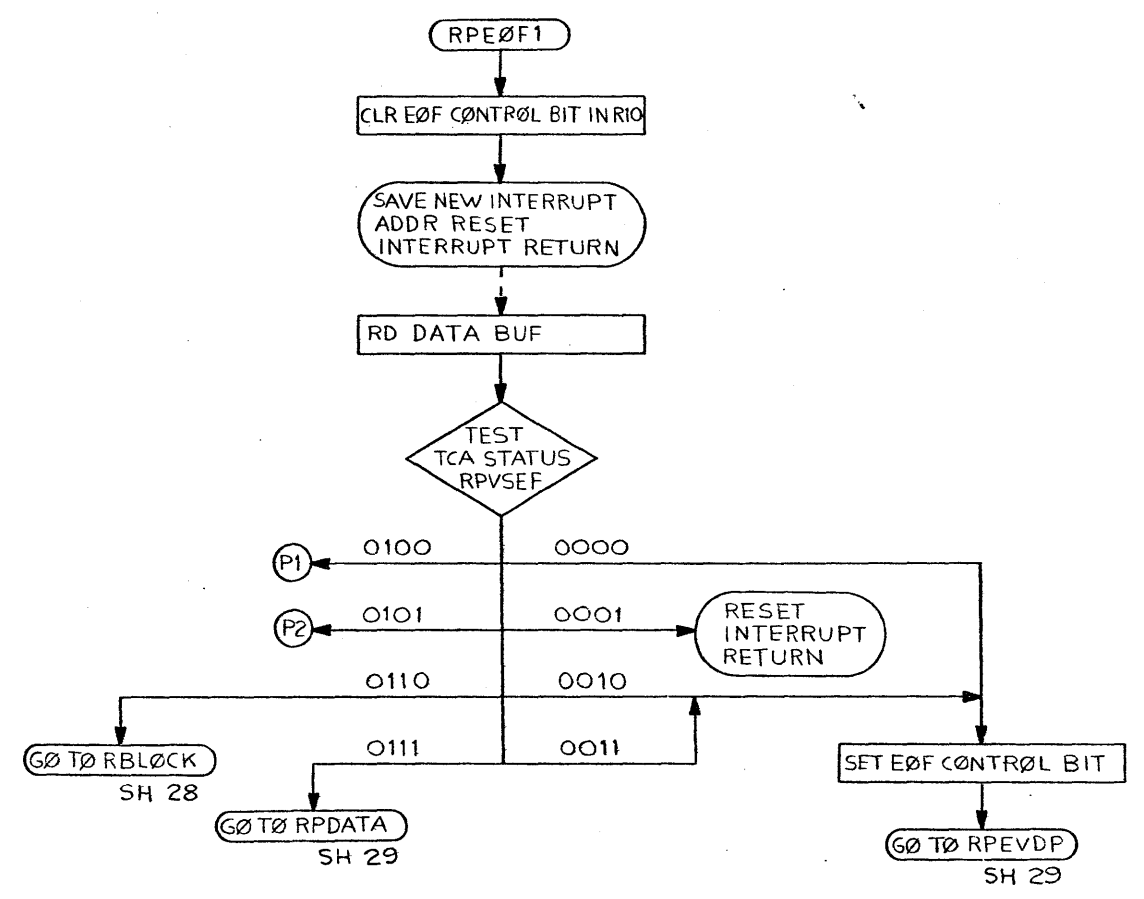


UNLESS OTHERWISE SPECIFIED		MATERIAL	
DIMENSIONS=	MILLIMETERS		
TOLERANCE OF SIZE AND	INCHES		
FORM PER		TREAT.	
INITIAL DESIGN		FIN.	
PROJECTION			
SCALE	CODE	DR <i>TS, APR 30</i>	
		APPD <i>TS, APR 30</i>	
		DISTR <i>C68-25.T05.NEC.NC0</i>	

Honeywell		HONEYWELL INFORMATION SYSTEMS	
LOC P CO		PHOENIX, ARIZONA U. S. A.	
TITLE FLOW DIAGRAM MTP0601			
READ CMD - PE READ			
SIZE	DWG NO	SH	REV
D	58018149	29	A

58018149

REVISIONS				
REV	AUTHORITY	DATE		SIGNATURE
		YR	MO	DAY



BRUNING 44-141

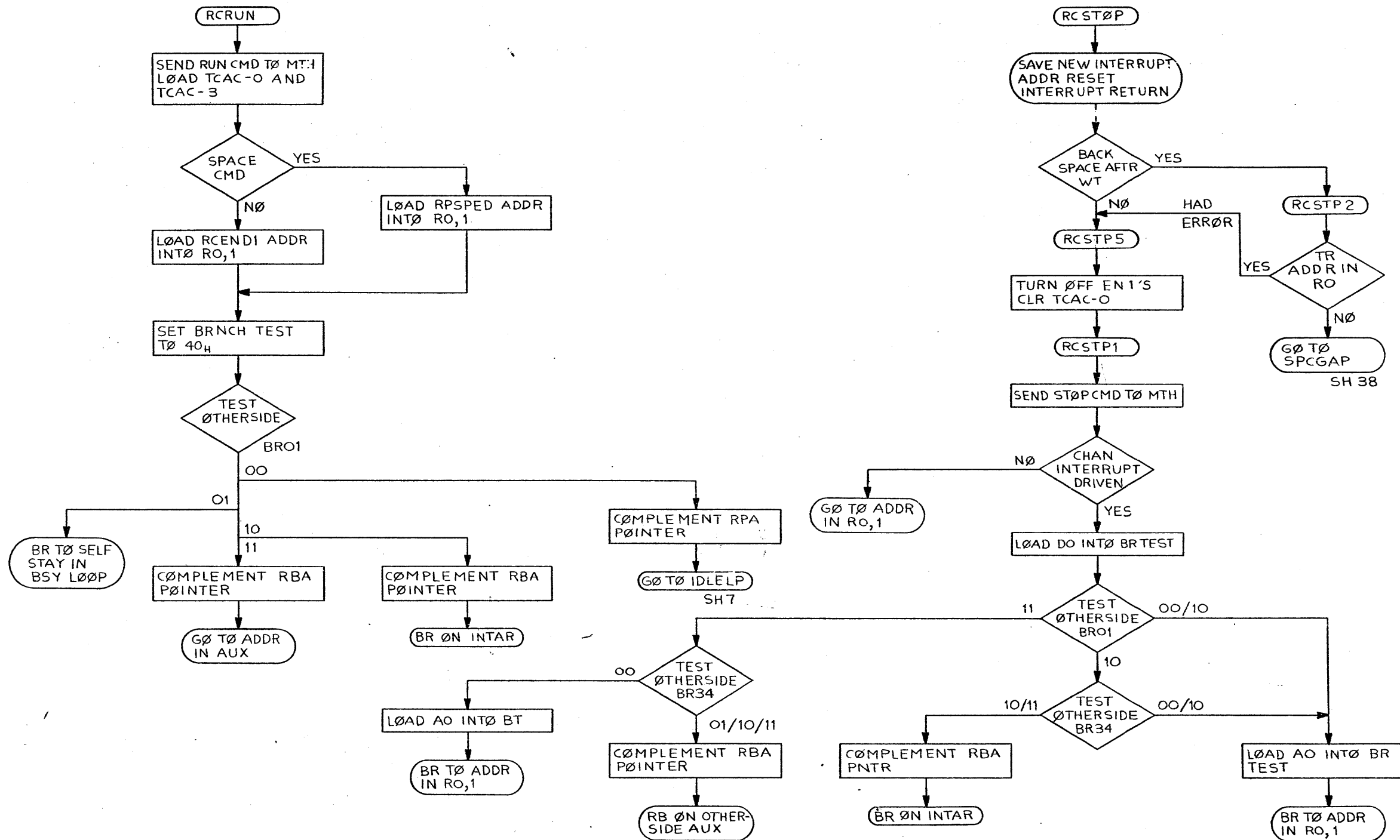
REF SPEC NO

10 9 8 7 6 5 4

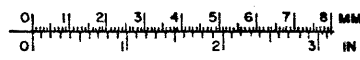
UNLESS OTHERWISE SPECIFIED		MATERIAL		Honeywell	
DIMENSIONS =	MILLIMETERS			LOC PCØ	
TOLERANCE OF SIZE AND FORM PER	INCHES	TREAT.		HONEYWELL INFORMATION SYSTEMS PHOENIX, ARIZONA U. S. A.	
INITIAL DESIGN		FIN.		TITLE FLOW DIAGRAM MTPØ6Ø1	
PROJECTION				READ CMD PE EØF	
SCALE	CODE	DR 75 APR 30		SIZE	DWG NO
		APPD 75 Oct 3 J. Donling		D	58018149
				SH	REV
DISTR CØB-25.TØS.NEC,NCØ				30	A

58018149

REVISIONS				
REV	AUTHORITY	DATE	SIGNATURE	
		YR MO DAY		



REV	AUTHORITY	DATE	SIGNATURE



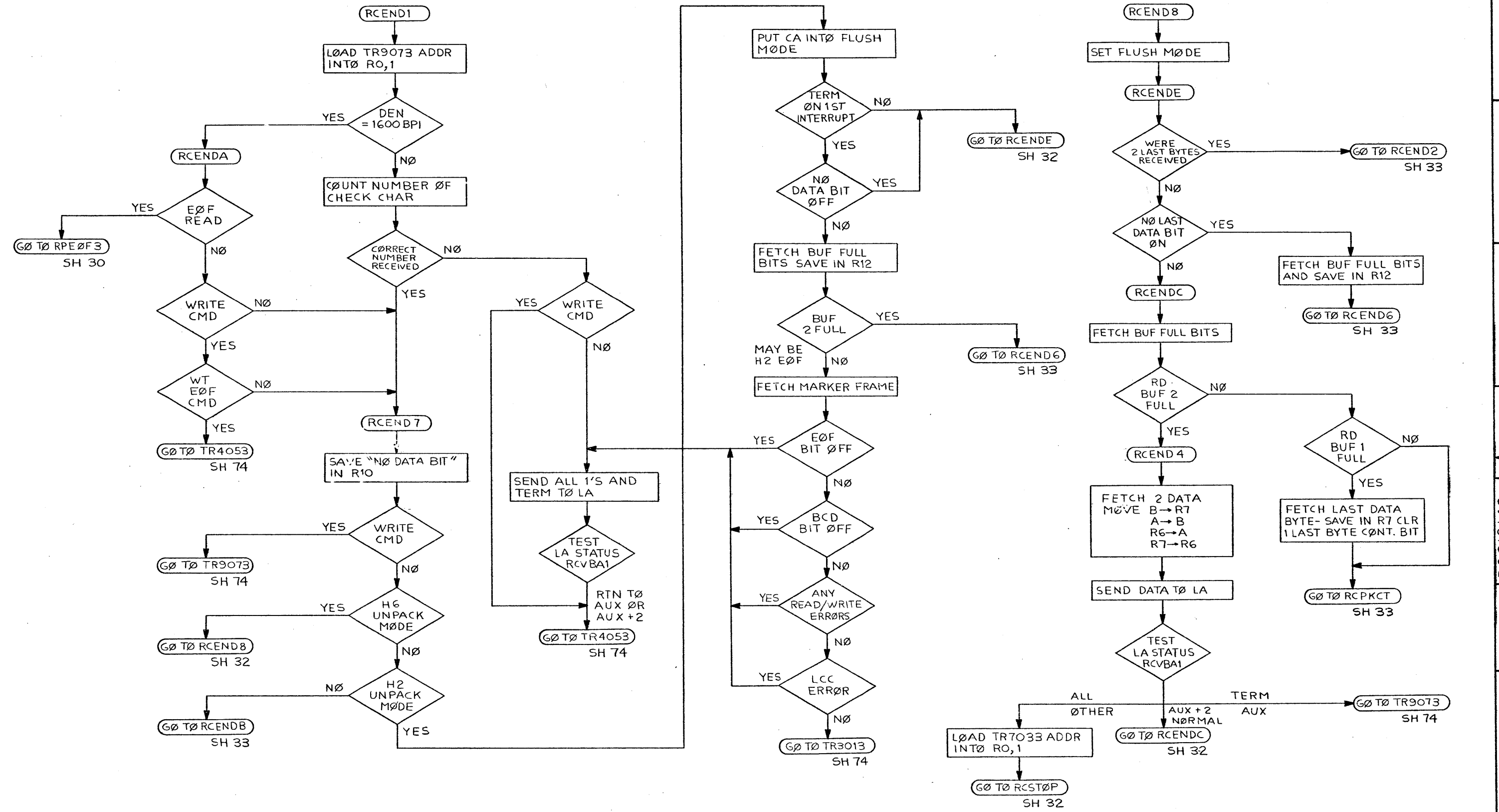
UNLESS OTHERWISE SPECIFIED		MATL		Honeywell HONEYWELL INFORMATION SYSTEMS LOC PCO PHOENIX, ARIZONA U. S. A. TITLE FLOW DIAGRAM MTP0601 READ CMD RUN/STOP	
DIMENSIONS=		TREAT.			
TOLERANCE OF SIZE AND FORM PER		FIN.		DR 75 MAY 1	
INITIAL DESIGN		PROJECTION		APPD 75 Oct 3	
SCALE		CODE		SIZE D	
REF SPEC NO		DISTR C-68-25, TDS, NCO, NCO		DWG NO 58018149	
				SH 31	
				REV A	

58018149

BRUNING 44-141

CE 100 0111-24

REVISIONS				
REV	AUTHORITY	DATE	SIGNATURE	
YR	MO	DAY		



BRINING 44 141

REF SPEC NO

10 9 8 7 6 5 4 3 2 1

01 11 21 31 41 51 61 71 81 MM
01 11 21 31 IN

UNLESS OTHERWISE SPECIFIED

MATERIAL: _____

TOLERANCE OF SIZE AND FORM PER: _____

INITIAL DESIGN: _____

PROJECTION:

SCALE: _____ CODE: _____

DR: 75 MAY 1
Jerry Budick

APPD: 75 Oct 2
J. Budick

DISTR: C68-25, TOS, NEC, NCO

Honeywell

HONEYWELL INFORMATION SYSTEMS
PHOENIX, ARIZONA U. S. A.

LOC PCO

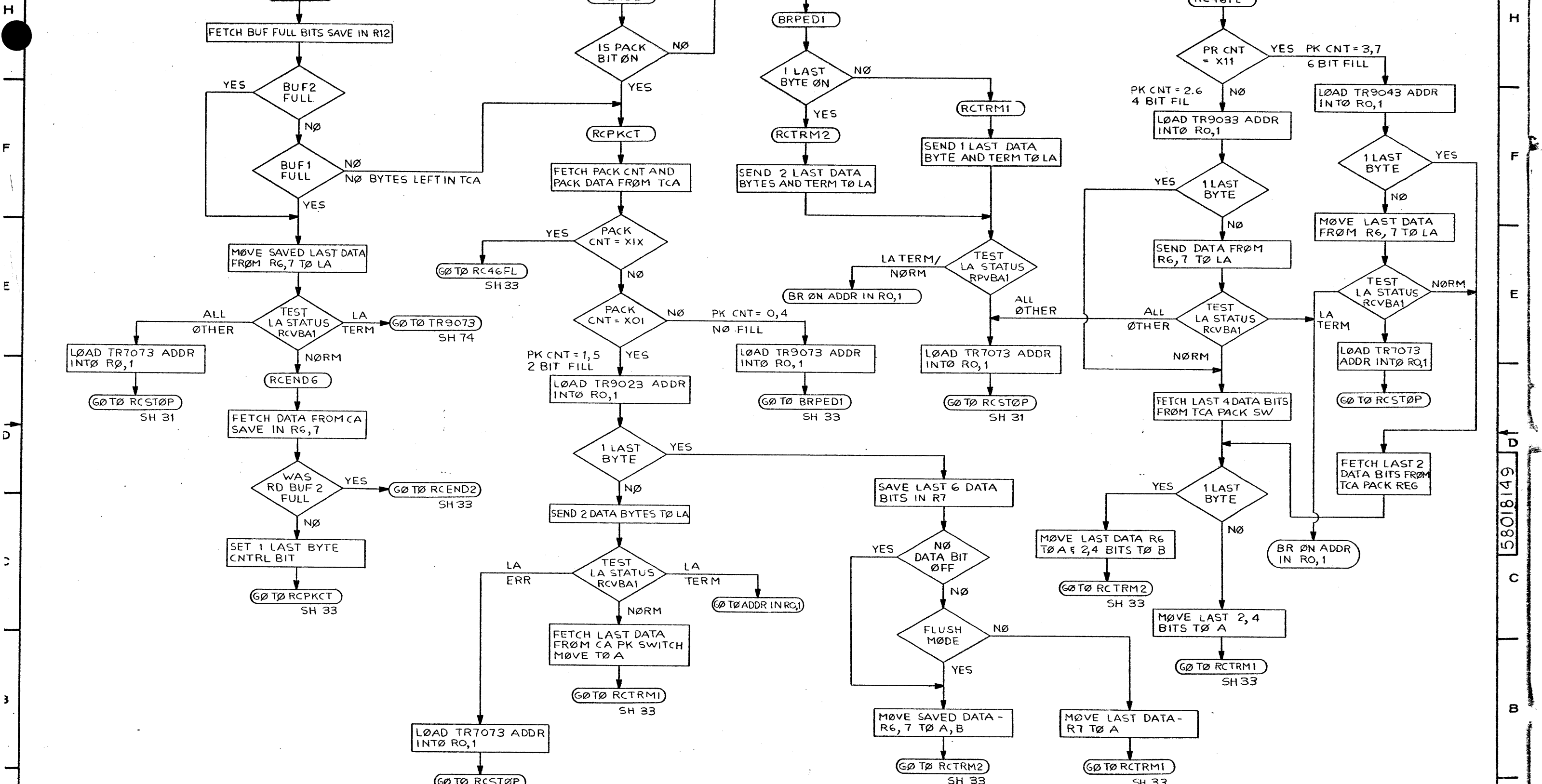
TITLE: FLOW DIAGRAM MTP0601

READ CMD END OF RECORD PROCESSING

SIZE	DWG NO	SH	REV
D	58018149	32	A

58018149

REVISIONS				
REV	AUTHORITY	DATE	DATE	SIGNATURE
		YR	MO DAY	



BRUNING 44.141

REF SPEC NO

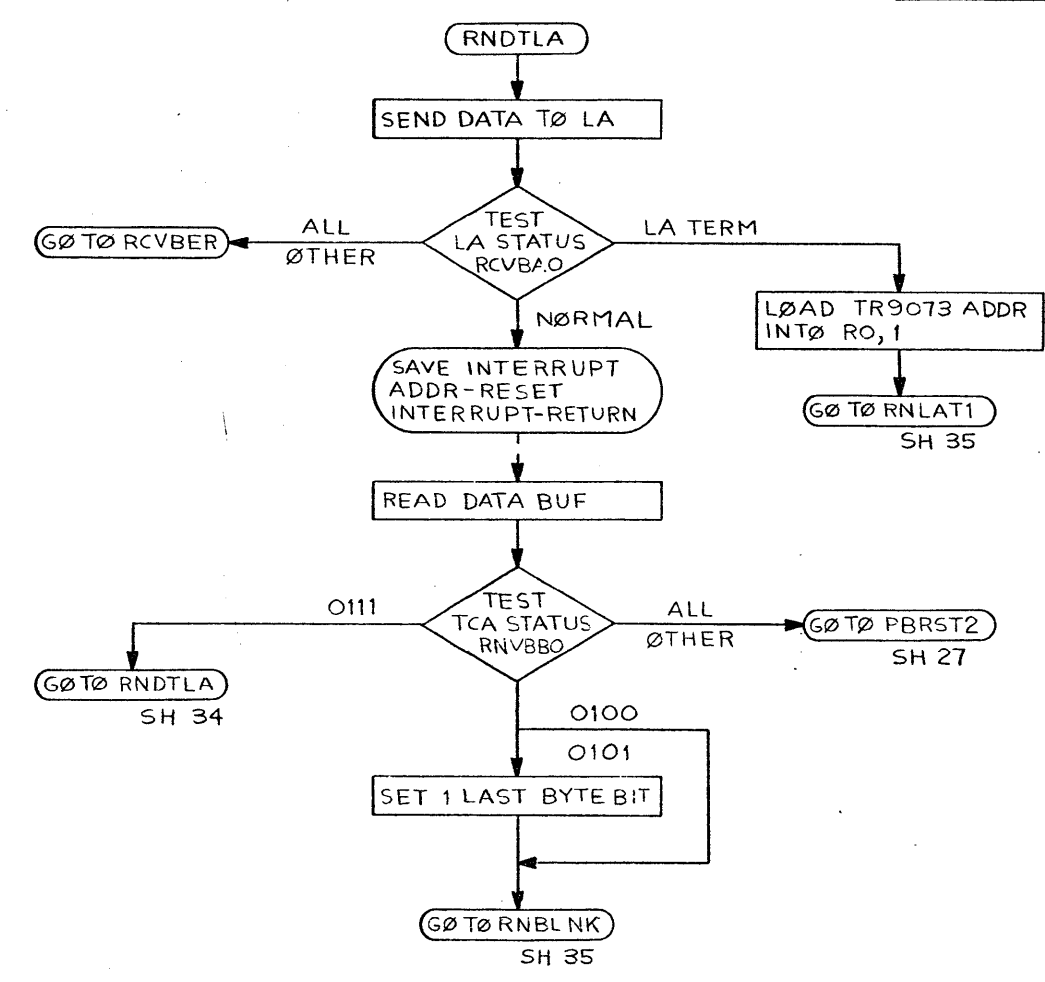
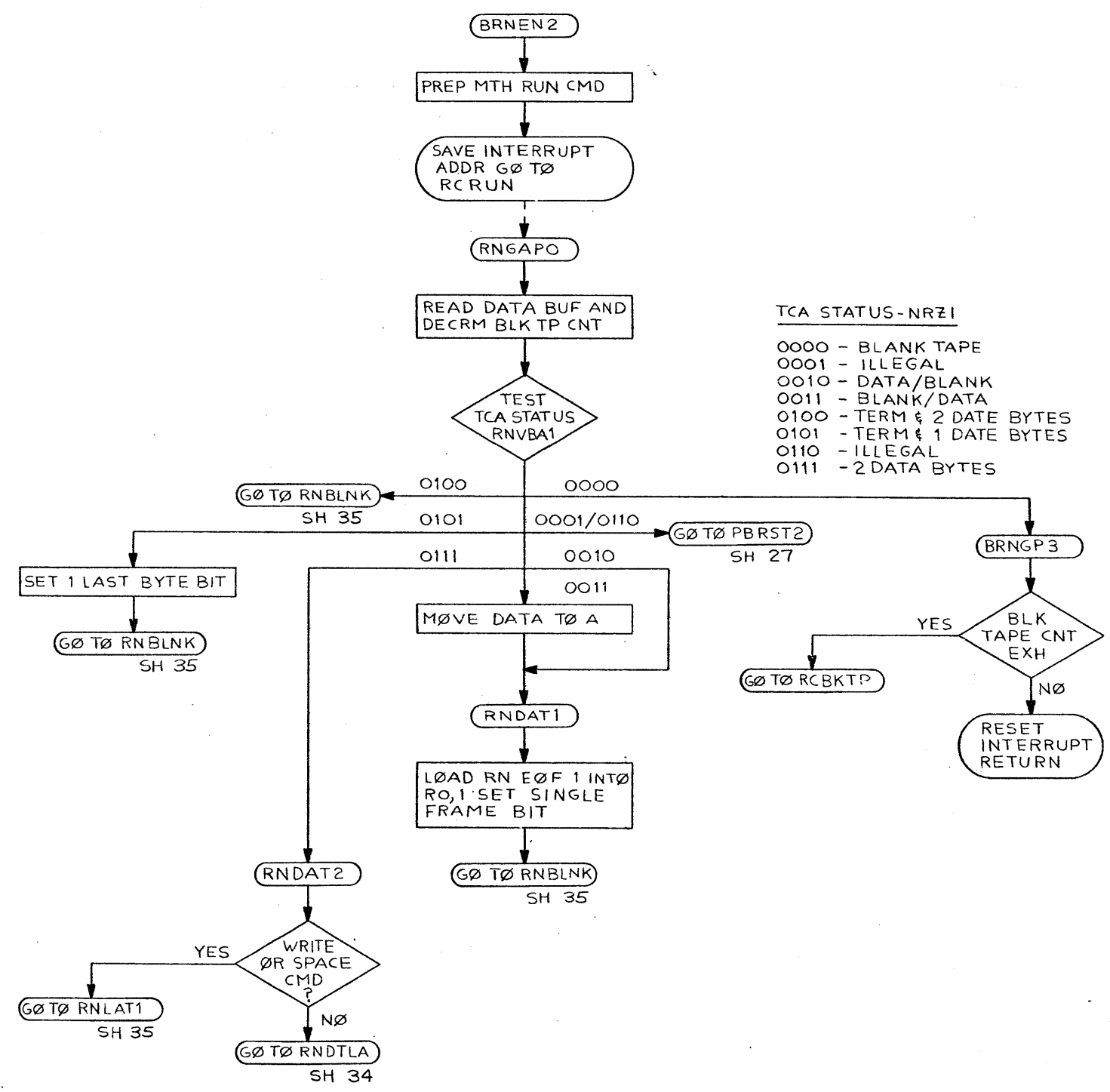
0 1 2 3 4 5 6 7 8 IN

01 11 21 31 MM

UNLESS OTHERWISE SPECIFIED				MATERIAL	
DIMENSIONS = $\frac{1}{16}$ INCHES				TREATMENT	
TOLERANCE OF SIZE AND FORM PER INITIAL DESIGN				FINISH	
PROJECTION 1st Angle				SCALE	
SCALE				CODE	
Honeywell					
HONEYWELL INFORMATION SYSTEMS LOC PCO PHOENIX, ARIZONA U. S. A.					
TITLE FLOW DIAGRAM MTP0601					
READ CMD END OF RECORD PROCESSING					
DR 75 MAY 5		APPD <i>Jerry Bedek</i>		SIZE D	DWG NO 58018149
DISTR C6B-25, TOS, NEC, NCO		REV 33		SH A	

58018149

REVISIONS				
REV	AUTHORITY	DATE	SIGNATURE	
		YR MO DAY		



BRUNING 44 141

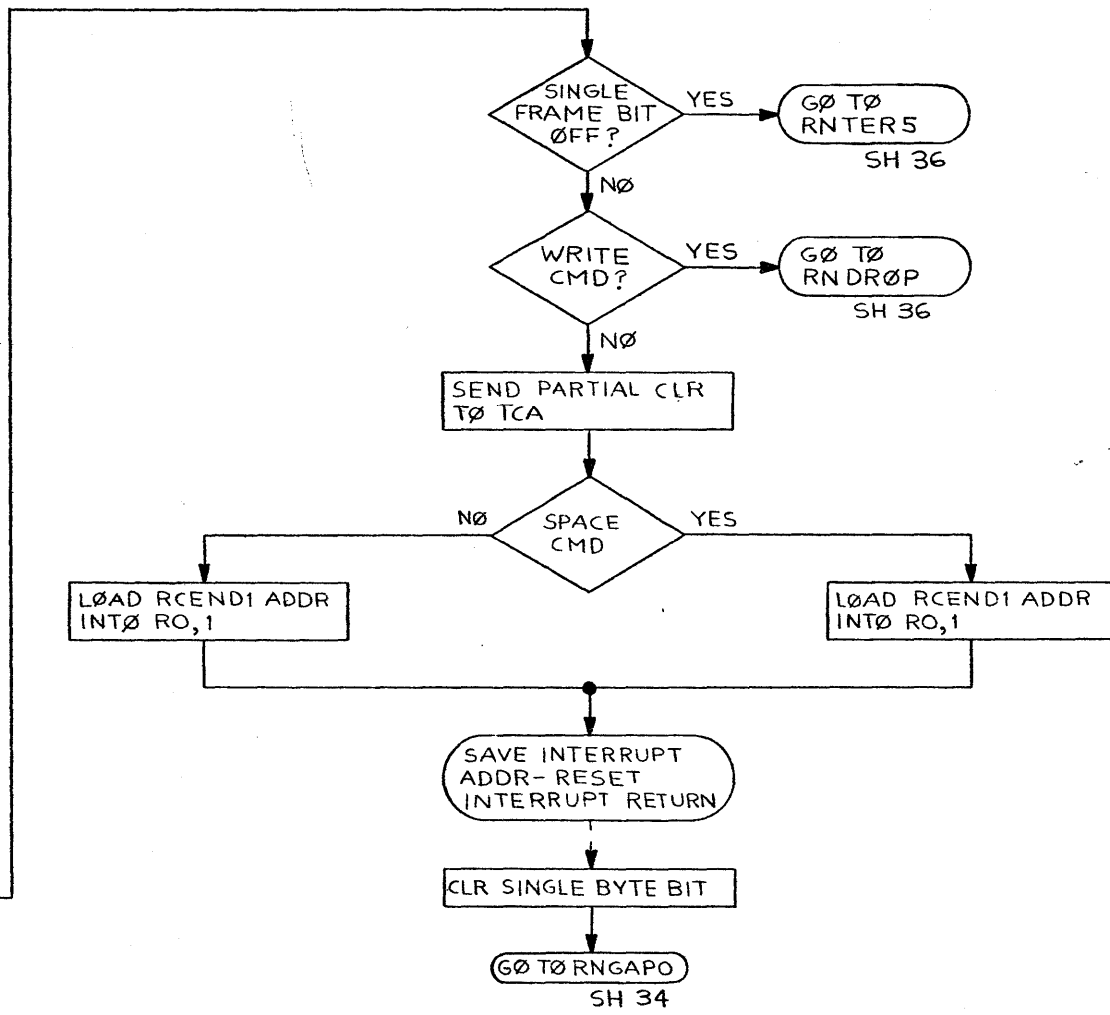
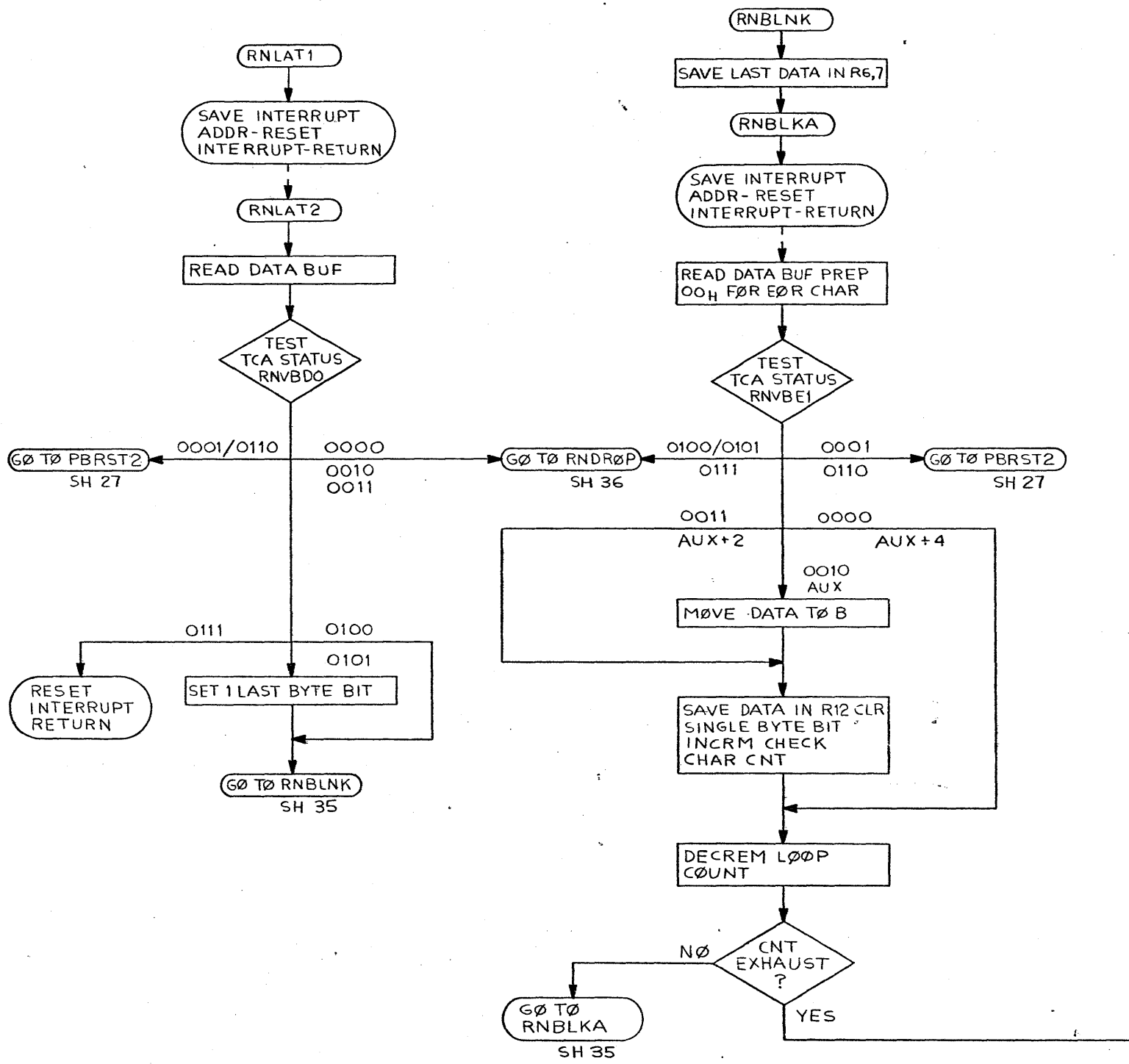
REF SPEC NO

01 11 21 31 41 51 61 71 81 MM
01 11 21 31 IN

UNLESS OTHERWISE SPECIFIED		MATERIAL		Honeywell HONEYWELL INFORMATION SYSTEMS PHOENIX, ARIZONA U. S. A.	
DIMENSIONS= MILLIMETERS INCHES		TREAT.			
TOLERANCE OF SIZE AND FORM PER		FIN.		LOC PCO TITLE FLOW DIAGRAM MTP0601 READ CMD - NRZI READ	
INITIAL DESIGN		DR 75 MAY 2 <i>Larry B. ...</i>		SIZE DWG NO SH REV D 58018149 34 A	
PROJECTION		APPD 75 Oct 2 <i>L. ...</i>		DISTR C68-25 TOS AFG 10A1	

58018149

REVISIONS				
REV	AUTHORITY	DATE		SIGNATURE
		YR	MO	DAY



BRUNING 44 141

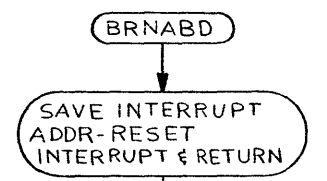
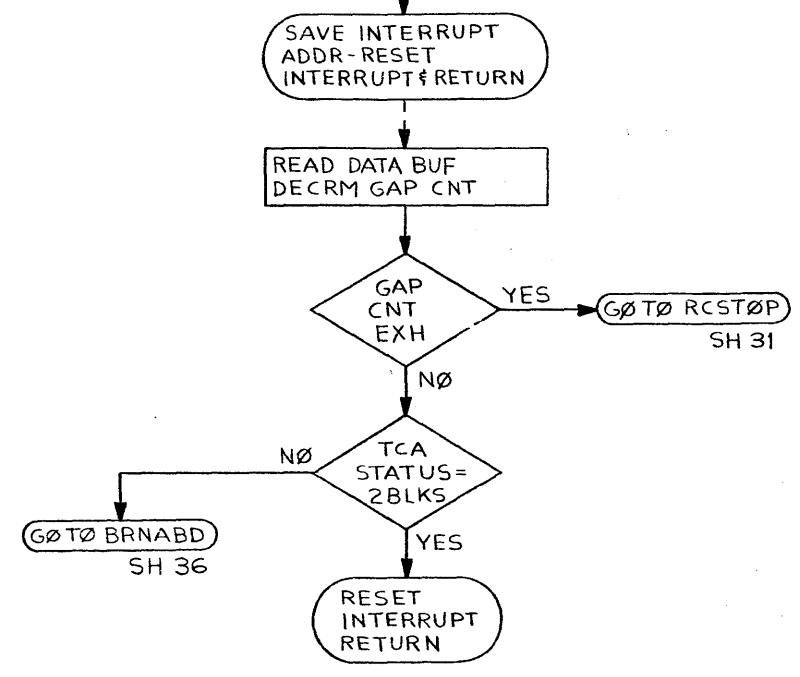
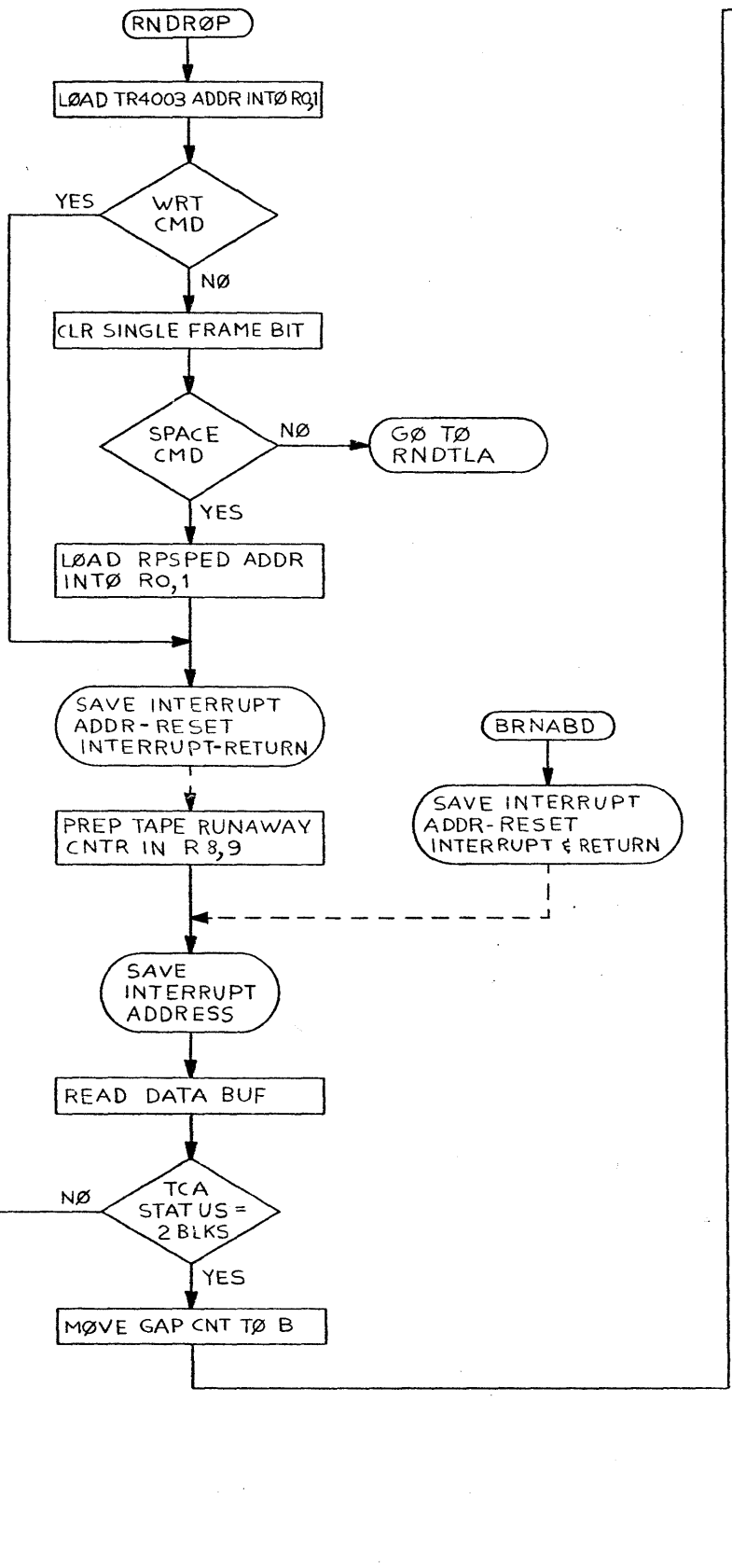
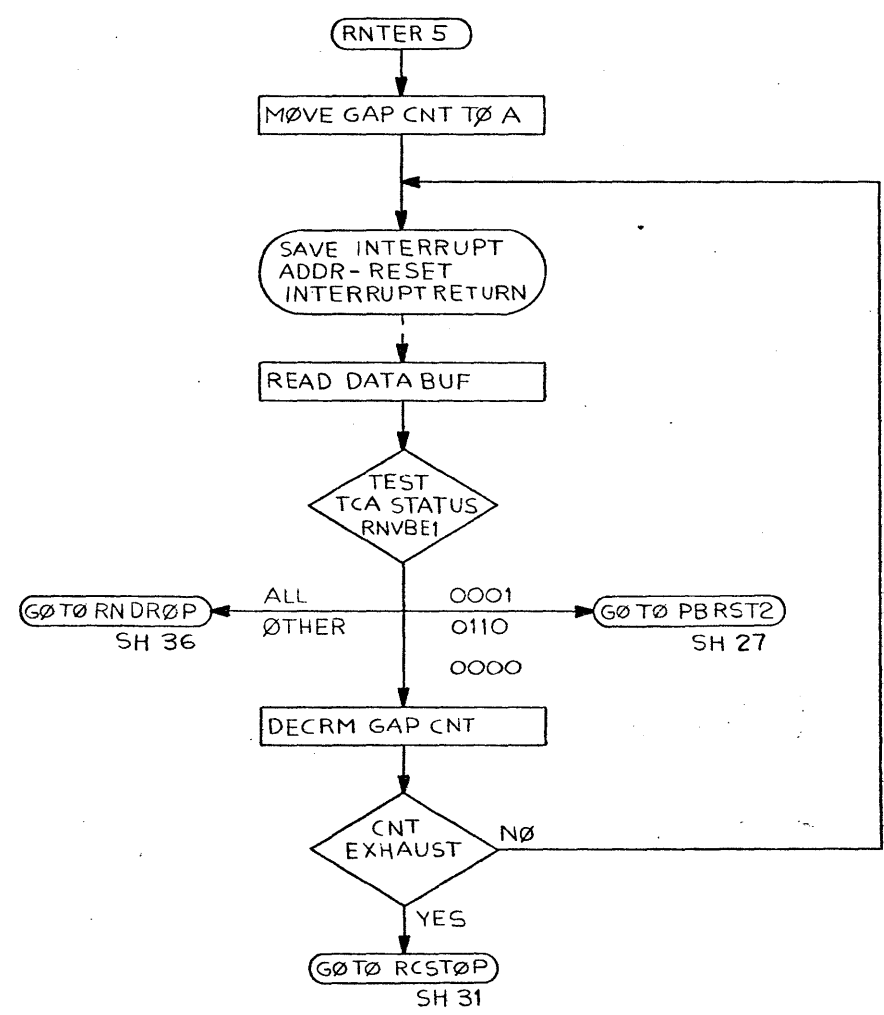
REF SPEC NO

CE 300 D 111-241

UNLESS OTHERWISE SPECIFIED		MATL		Honeywell HONEYWELL INFORMATION SYSTEMS PHOENIX, ARIZONA U. S. A.			
DIMENSIONS= MILLIMETERS / INCHES		TREAT.					
TOLERANCE OF SIZE AND FORM PER		FIN.		TITLE FLOW DIAGRAM MTP0601			
INITIAL DESIGN		DR 75 MAY 6		READ CMD - NRZI READ			
PROJECTION		APPD 750 Ed. 3		SIZE	DWG NO	SH	REV
		DISTR CG8-25, T05, NEC, NCO		D	58018149	35	A

58018149

REVISIONS				
REV	AUTHORITY	DATE		SIGNATURE
		YR	MO	DAY



BRUNING 44 141
REF SPEC NO

0 1 2 3 4 5 6 7 8 MM
0 1 2 3 IN

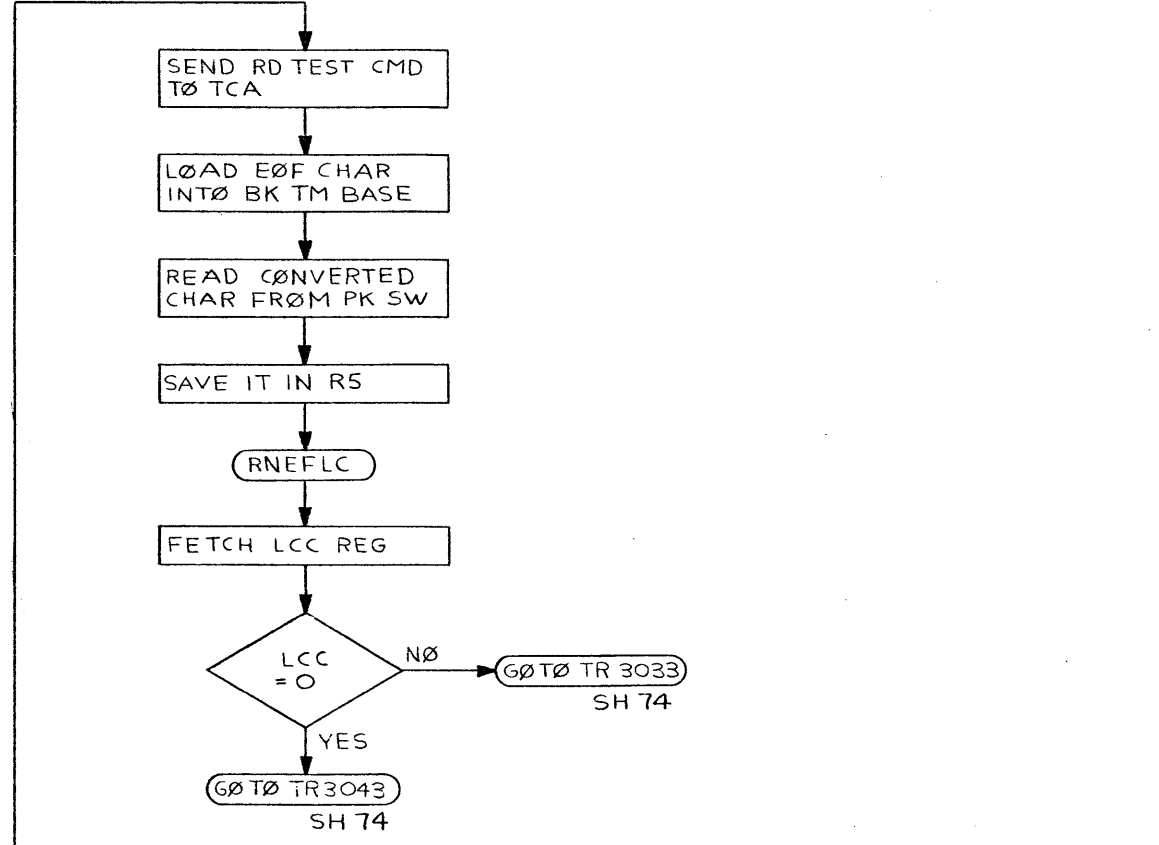
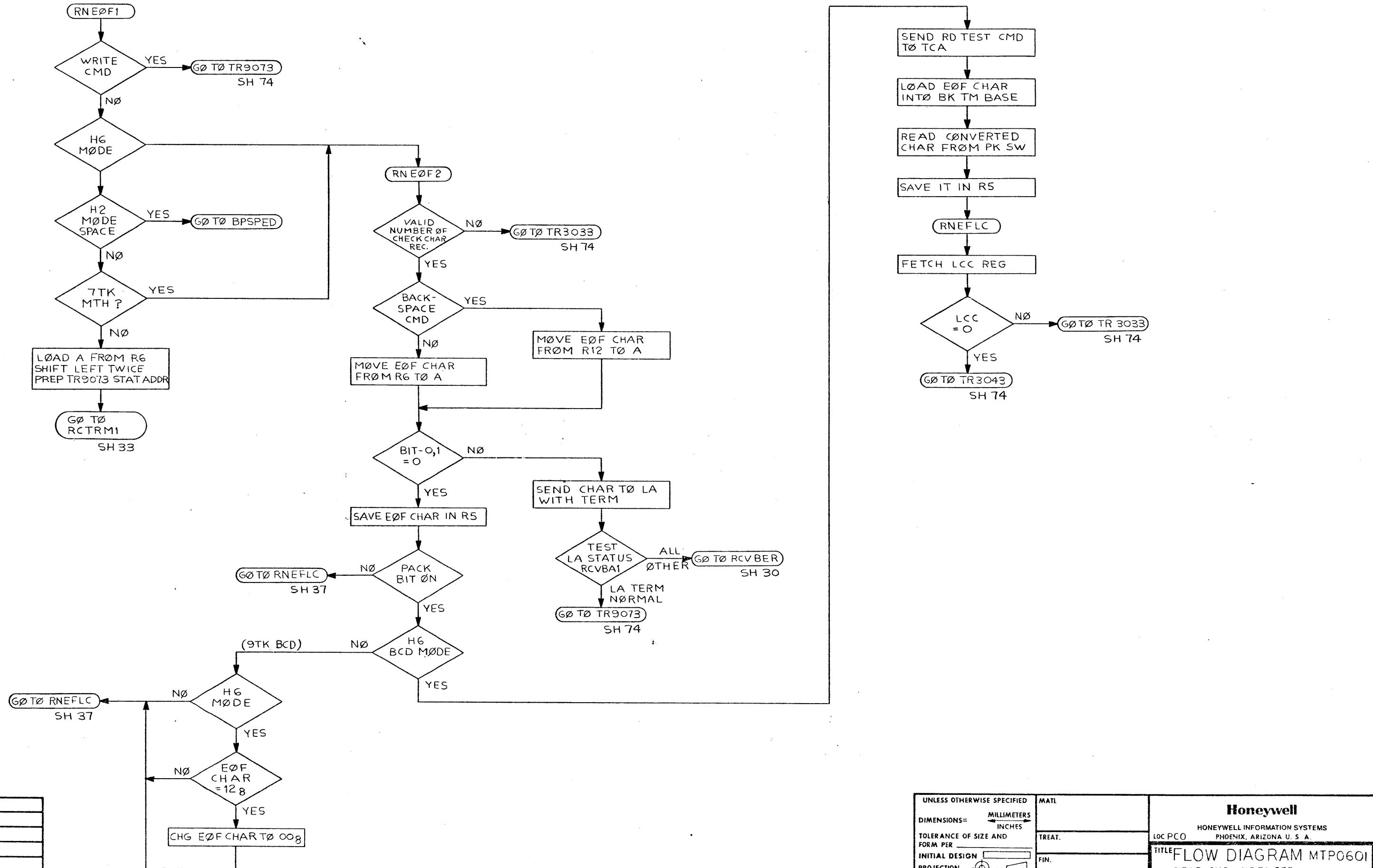
10 9 8 7 6 5 4 3 2 1

UNLESS OTHERWISE SPECIFIED		MATERIAL		Honeywell HONEYWELL INFORMATION SYSTEMS LOC PCO PHOENIX, ARIZONA U. S. A.			
DIMENSIONS = MILLIMETERS INCHES		TREAT.					
TOLERANCE OF SIZE AND FORM PER		FIN.		FLOW DIAGRAM MTP0601			
INITIAL DESIGN		DR		READ CMD - NRZI READ			
PROJECTION		APPD		SIZE DWG NO			
SCALE	CODE	DR 75 MAY 2 Larry Bedele APPD 75 MAY 2 J. Bedele		D 58018149			
DISTR C68-25, TOS, NEC, NCD		REV		SH 36			
				REV A			

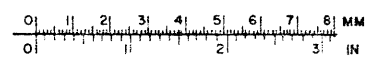
H
F
E
D
C
B
A

58018149

REVOLUTIONS			
REV	AUTHORITY	DATE YR MO DAY	SIGNATURE



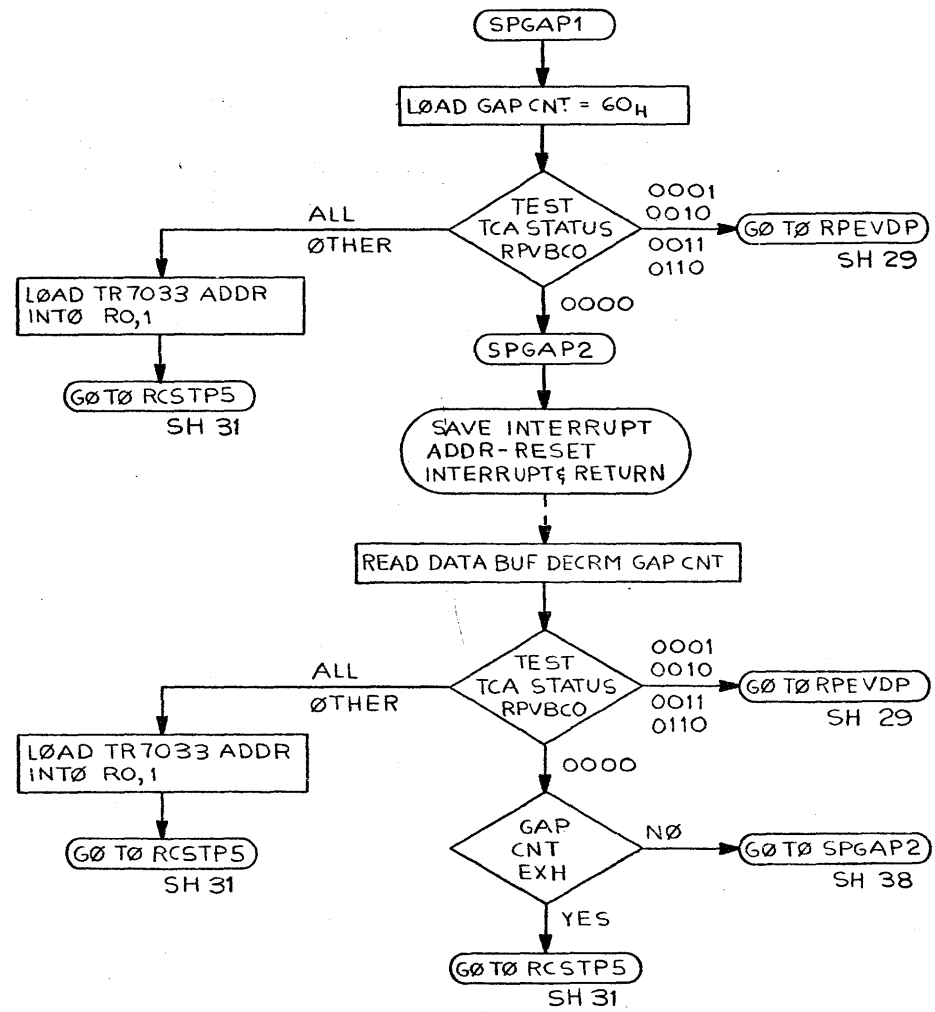
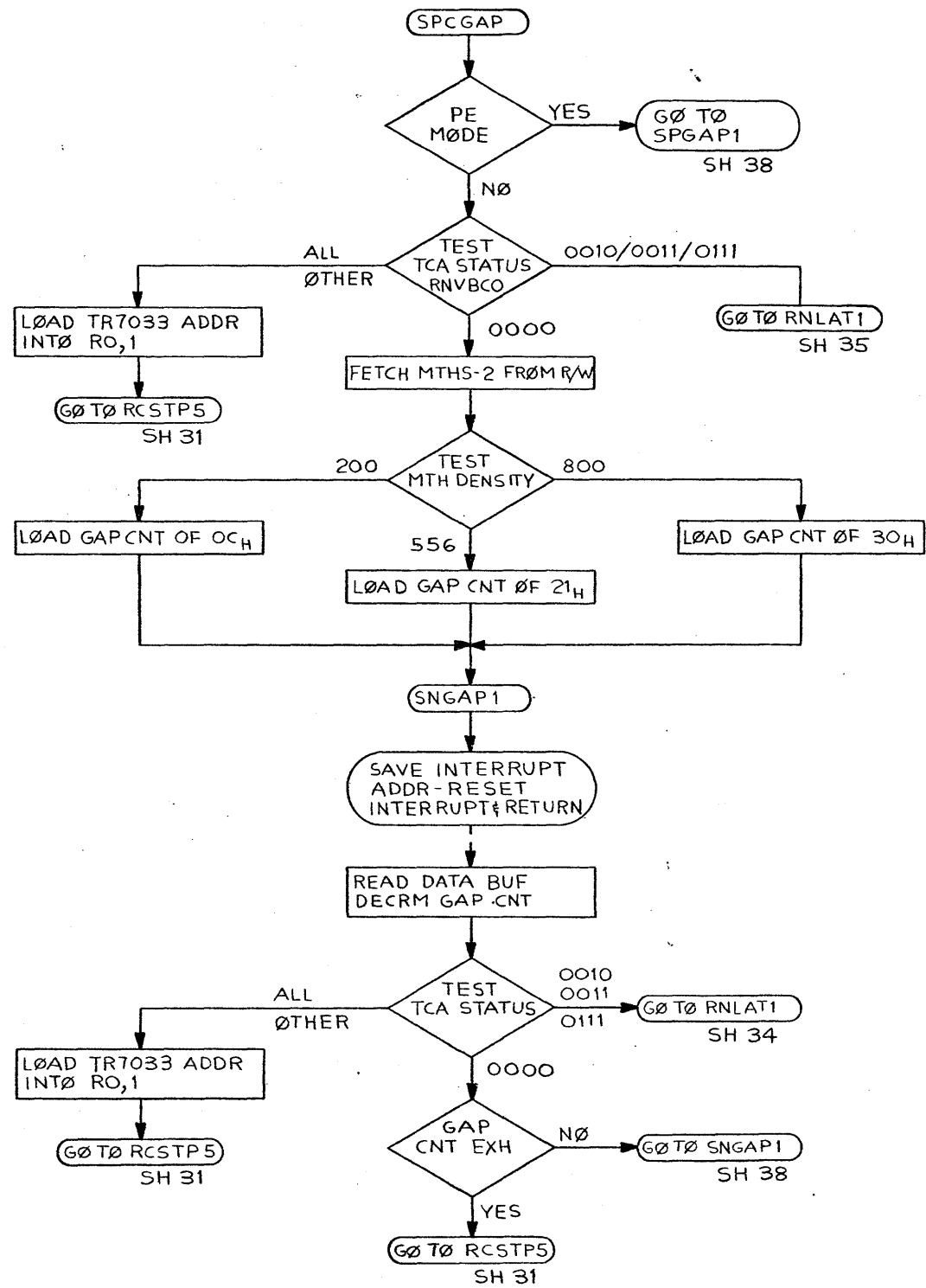
BRUNING 44 141	REF SPEC NO



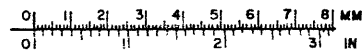
UNLESS OTHERWISE SPECIFIED		MATERIAL		Honeywell HONEYWELL INFORMATION SYSTEMS PHOENIX, ARIZONA U. S. A.	
DIMENSIONS= MILLIMETERS INCHES		TREAT.			
TOLERANCE OF SIZE AND FORM PER		FIN.		LOC PCO TITLE FLOW DIAGRAM MTP0601 READ CMD - NRZI EOF	
SCALE	CODE	DR 75 MAY 1 Larry Bulek	SH 37	REV A	
		APPD 75 5/13/75 Bonding			
		DISTR C68-25.TMS.MEC.NCO.1		SIZE D	DWG NO 58018149

58018149

REVISIONS				DATE	SIGNATURE
REV	AUTHORITY	YR	MO	DAY	



REF SPEC NO

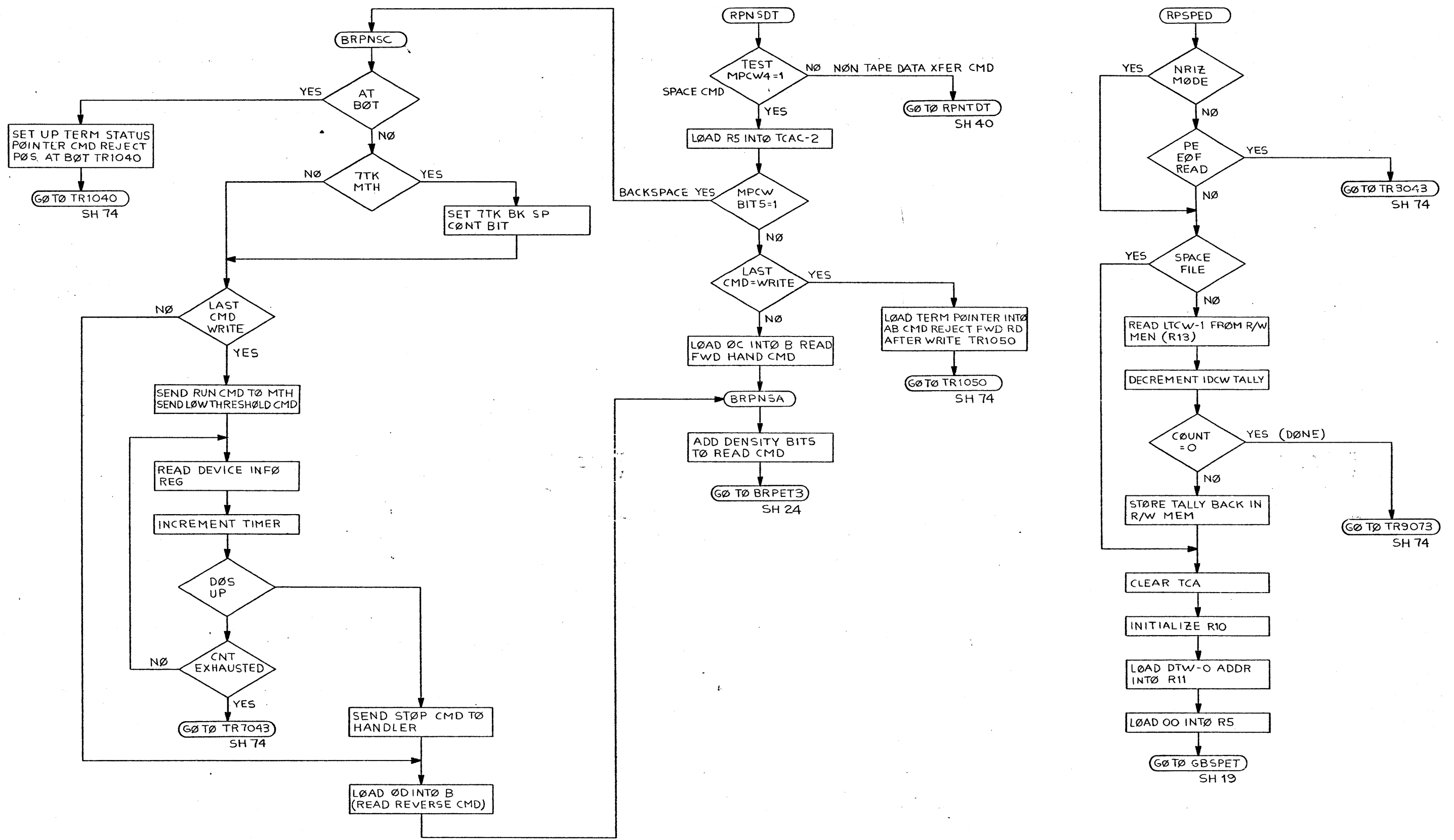


UNLESS OTHERWISE SPECIFIED	
DIMENSIONS=	MILLIMETERS
	INCHES
TOLERANCE OF SIZE AND FORM PER	
INITIAL DESIGN	FIN.
PROJECTION	
SCALE	CODE

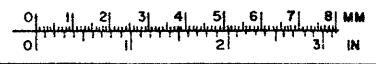
MATL	
TREAT.	
FIN.	
DR	19 MAY 5
APPD	<i>Jerry Bedek</i>
DISTR C68-25,TOS,NEC,NC0	

Honeywell			
HONEYWELL INFORMATION SYSTEMS PHOENIX, ARIZONA U. S. A.			
TITLE FLOW DIAGRAM MTP0601 EXTENDED BACKSPACE AFTER WRITE CMD			
SIZE	DWG NO	SH	REV
D	58018149	38	A

REVISIONS				
REV	AUTHORITY	DATE		SIGNATURE
		YR	MO	DAY



REV	DATE	DESCRIPTION

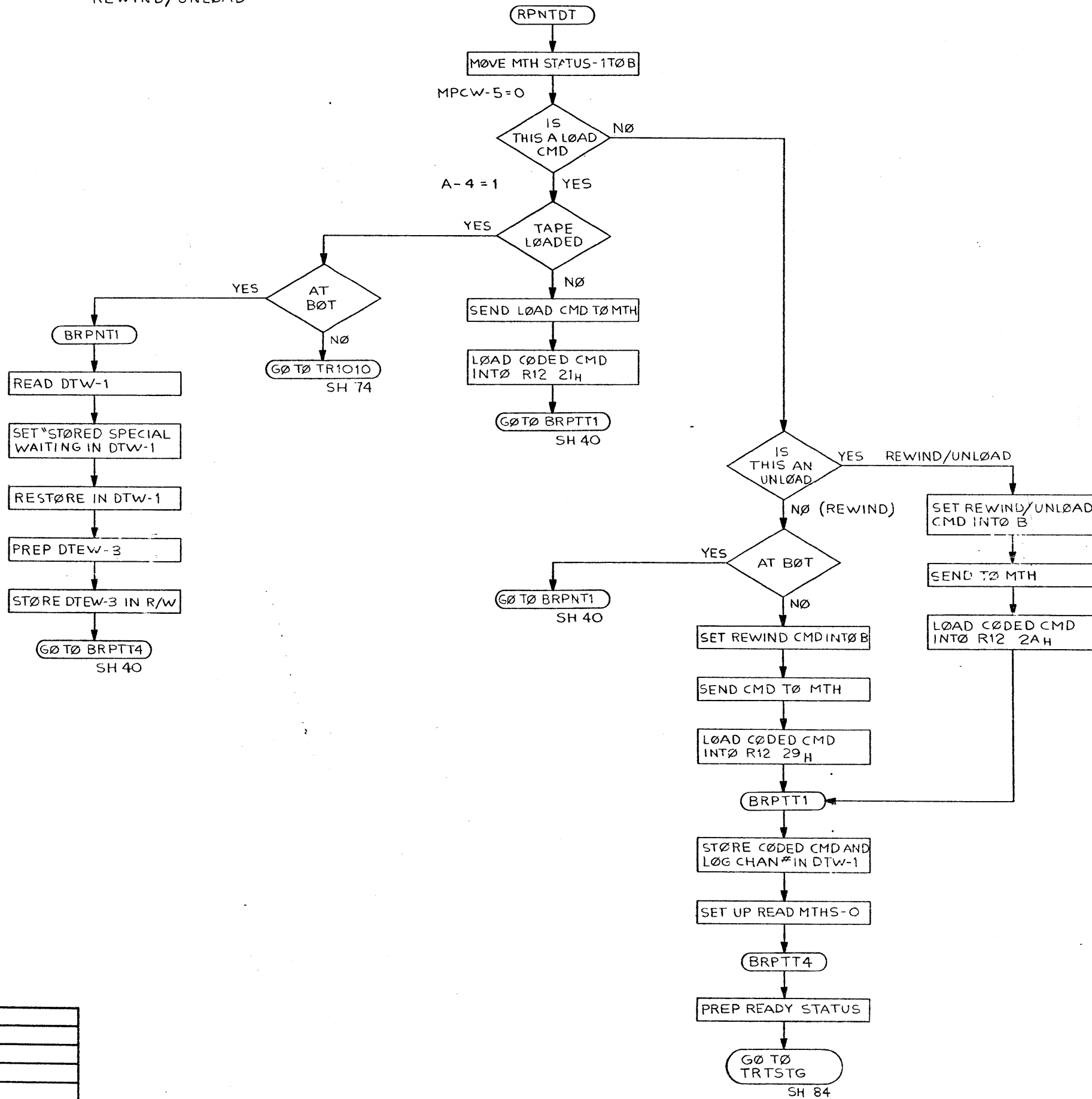


UNLESS OTHERWISE SPECIFIED			MATERIAL		Honeywell HONEYWELL INFORMATION SYSTEMS LOC PCO PHOENIX, ARIZONA U. S. A.					
DIMENSIONS = MILLIMETERS INCHES			TREAT.					TITLE: FLOW DIAGRAM MTP0601 READ-NO SYSTEM DATA TRANSFER		
TOLERANCE OF SIZE AND FORM PER			FIN.					SIZE DWG NO SH REV		
INITIAL DESIGN PROJECTION			SCALE CODE					D 58018149 39 A		
DR 75 MAY 7 APPD 75 54.3 D. D. D.			DISTR CGB-25, TOS, NEC, NCD		1					

58018149

REWIND TAPE LOAD
REWIND/UNLOAD

REVISIONS				
REV	AUTHORITY	DATE	SIGNATURE	
		YR MO DAY		



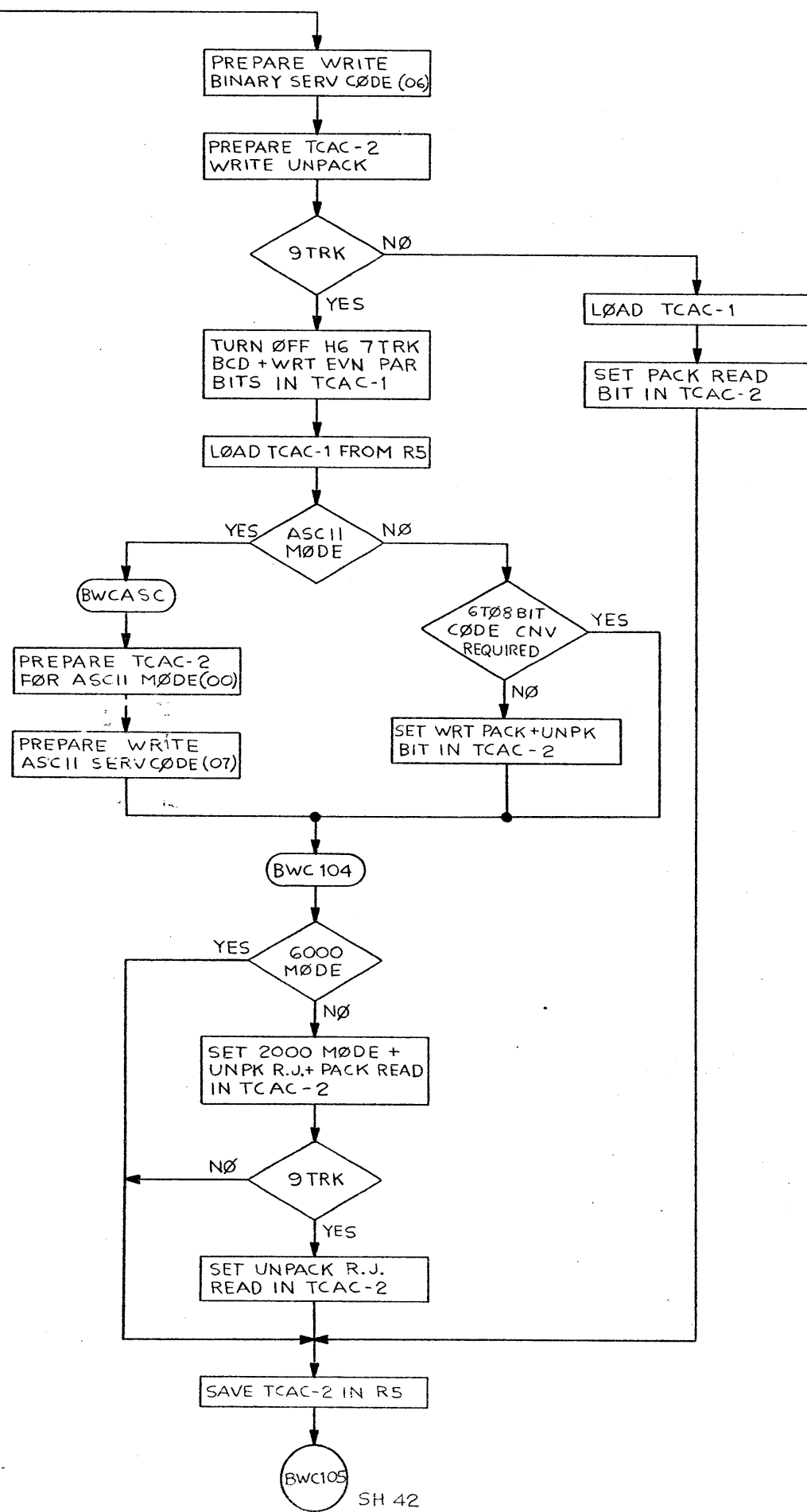
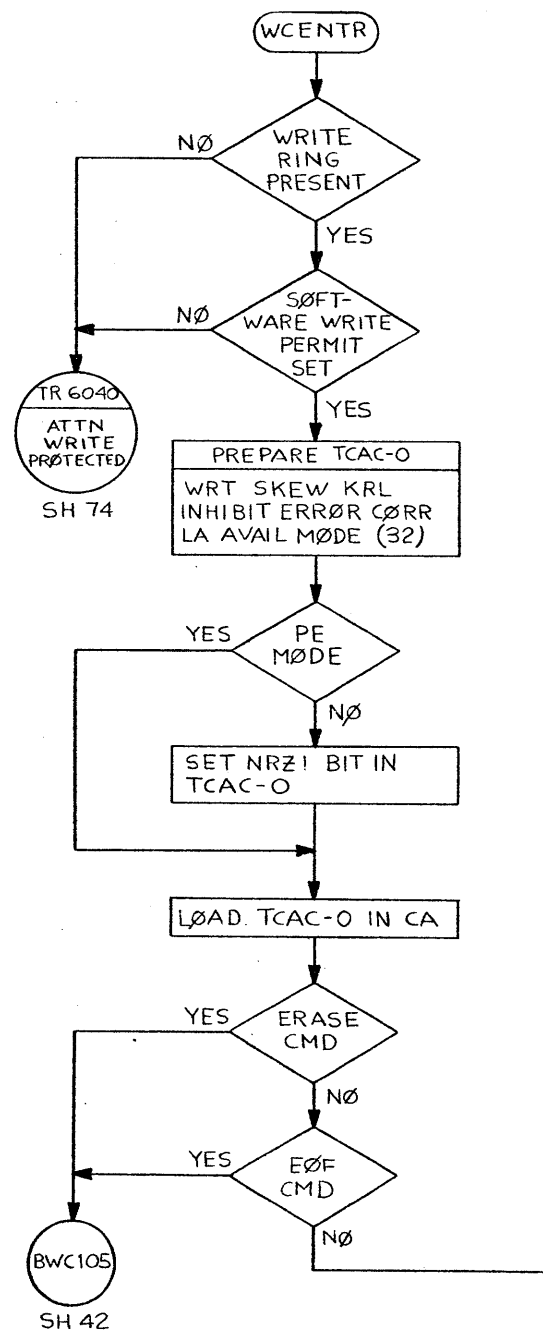
BRUNING 44141

REF SPEC NO

MATL	Honeywell			
TREAT.	LOC PCO HONEYWELL INFORMATION SYSTEMS PHOENIX, ARIZONA U. S. A.			
FIN.	TITLE FLOW DIAGRAM MTP0601 READ-NO TAPE DATA TRANSFER			
DR 75 MAY 6 <i>Larry Bedek</i>	SIZE D	DWG NO 58018149	SH 40	REV A
APPD 75 JUN 3 <i>L. Bedek</i>	DISTR			

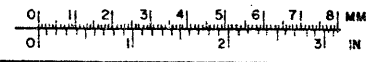
58018149

A



	ENTER WRITE RØUTINES	EXIT WRITE RØUTINES
RØ 1	CAKA WO-11 ADDR	TRXXXX
2	CACW	DELAY STØP CNT
3	LØCIAL CHANEL #	LØGICAL CHANNEL #
4	MPCW	
6	MTH S-0	BLANK TAPE CØUNTER FOR RD RØUTINE
7	MTH S-1	
8	MTH S-2	
9	MTH S-3	
10	CØNTRØL BITS	CØNTRØL BITS
11	LCTW-2L DTWL ADDR	LCTW-2L DTWL ADDR
12		
13		
14		
15	LCTW-2 ADDR	

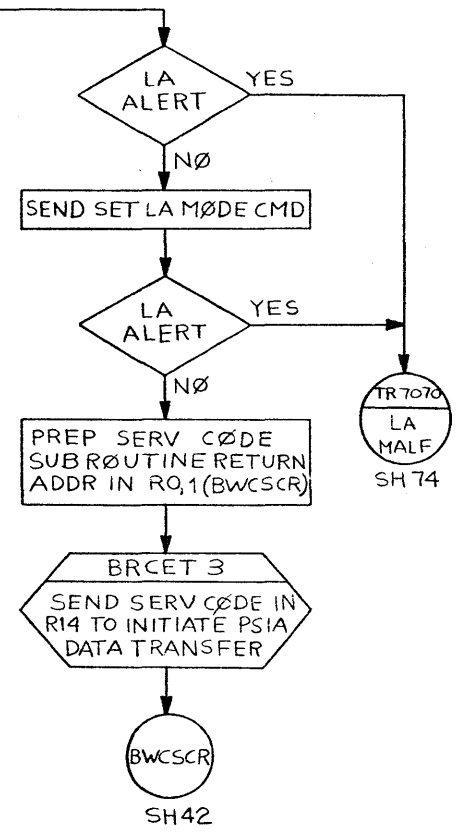
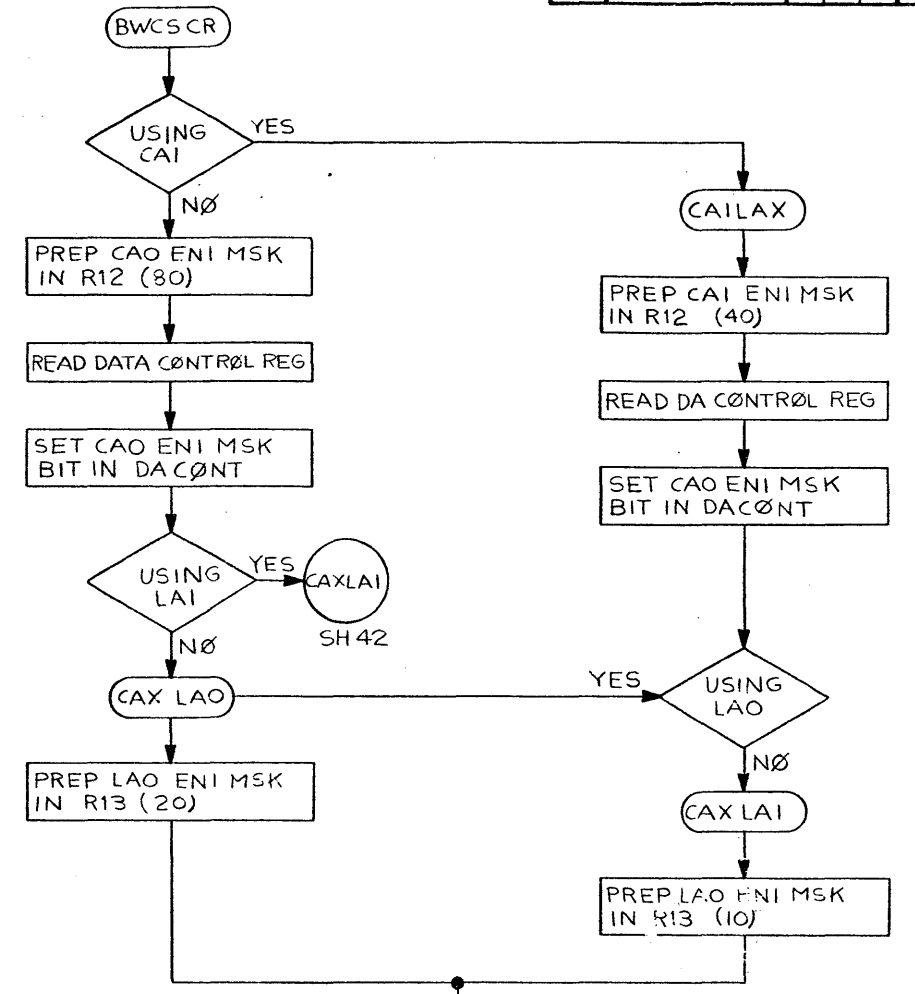
R10		
	FENTER	USED
0	CA #	
1	9TRK MTH	
2	PERIPH ACTION CMD	TERM DURING RELØAD
3	ERASE CMD	ICP/TCP MASK LØADED
4	WT EØF CMD	
5	NRZ1	
6	BØT	ERRØR DETECTED
7		



UNLESS OTHERWISE SPECIFIED		MATL		Honeywell HONEYWELL INFORMATION SYSTEMS PHOENIX, ARIZONA U. S. A.	
DIMENSIONS=		TREAT.			
TOLERANCE OF SIZE AND FORM PER		FIN.		LOC PCO TITLE FLOW DIAGRAM MTP0601 WRITE CMDS ENTRY	
INITIAL DESIGN		DR 75 APR 7 <i>Larry Bedek</i>			
PROJECTION		APPD <i>XP/Per</i> 75013		SIZE	REV
SCALE	CODE	DISTR C69-25, TOS, NEC, NCO		D	A
				DWG NO	41
				58018149	A

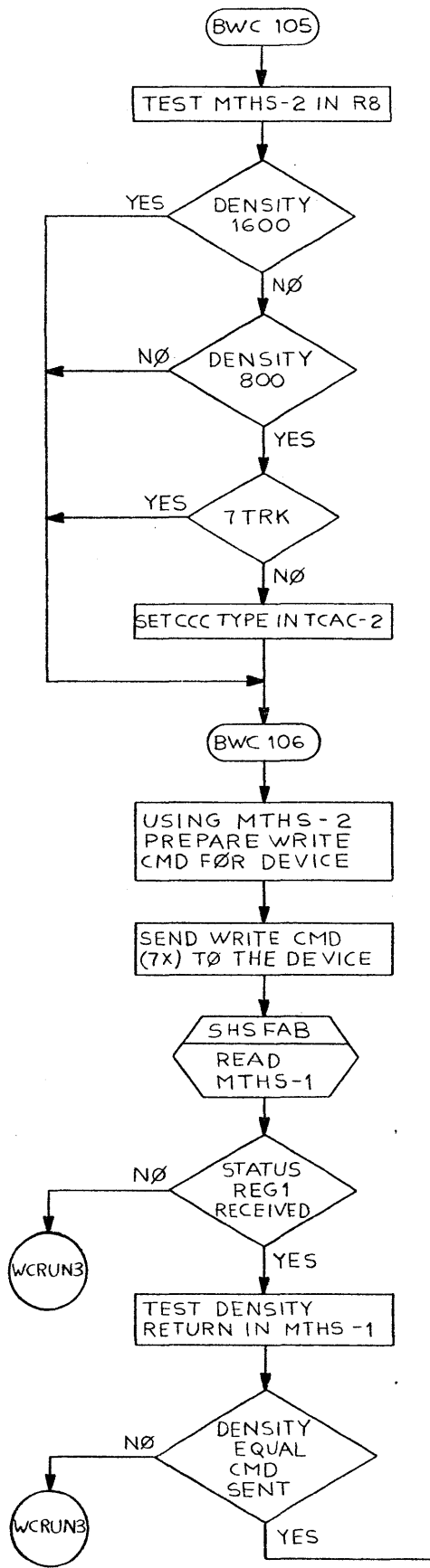
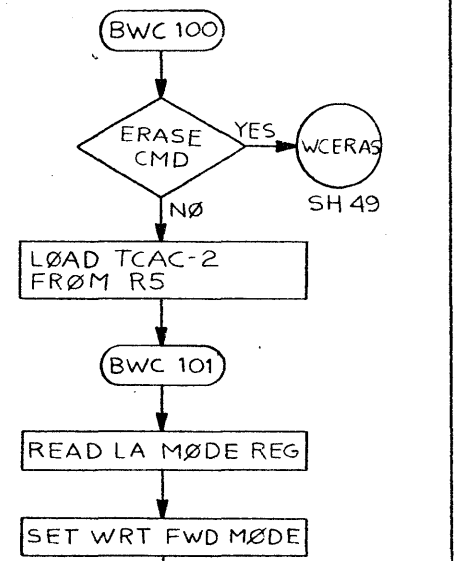
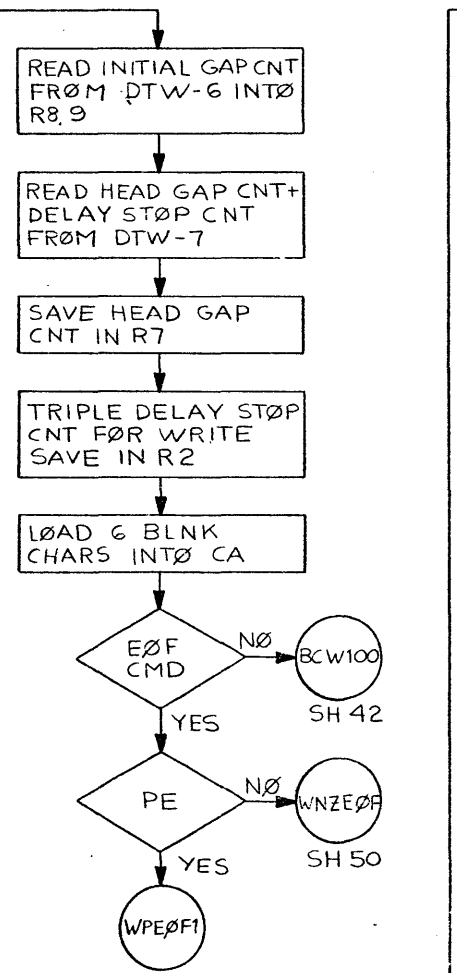
58018149

REVISIONS				
REV	AUTHORITY	DATE	SIGNATURE	
		YR MO DAY		



RBA CONTENTS

0	
1	
2	DELAY STOP CNT
3	LOGICAL CHANNEL #
4	MPCWU
5	TCAC-2
6	LA ENI TIMER
7	HEAD GAP CNT
8	INITIAL GAP CNT
9	
10	
11	
12	CA ENI MSK
13	LA ENI MSK
14	
15	LCTW-3 ADDR



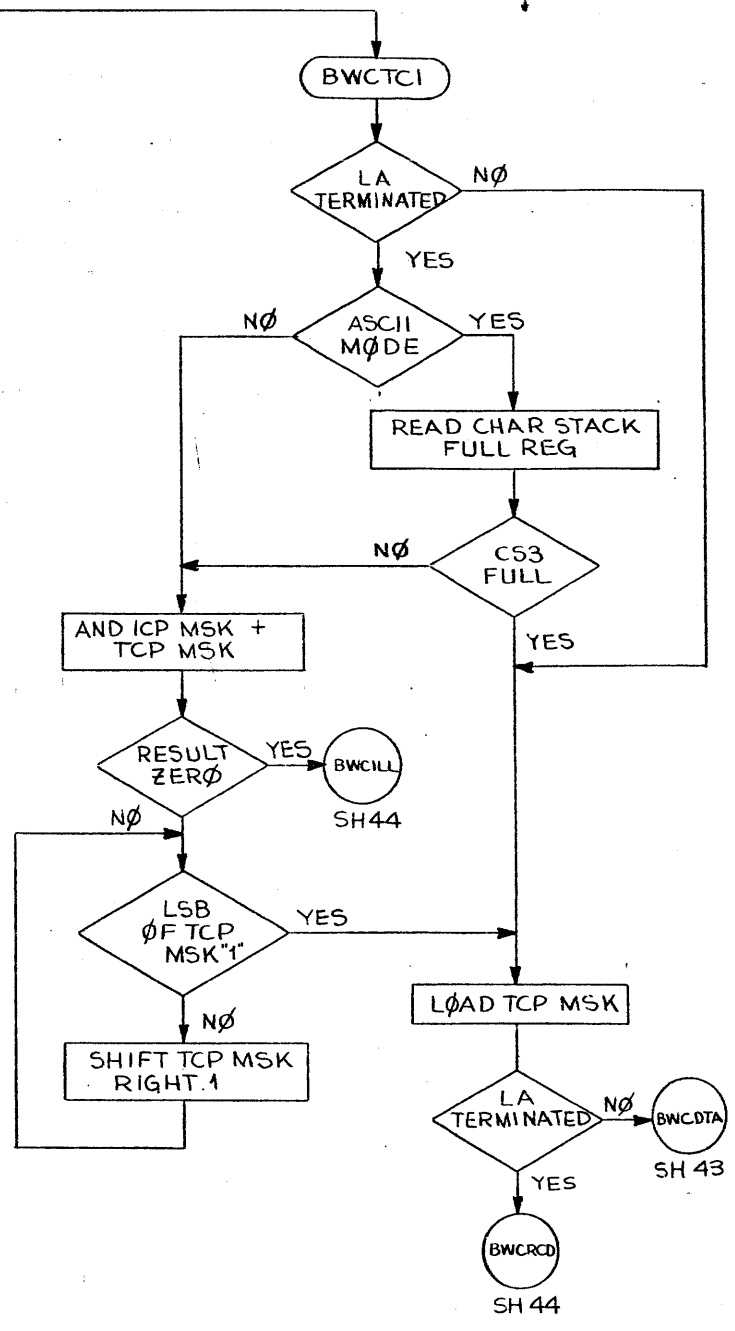
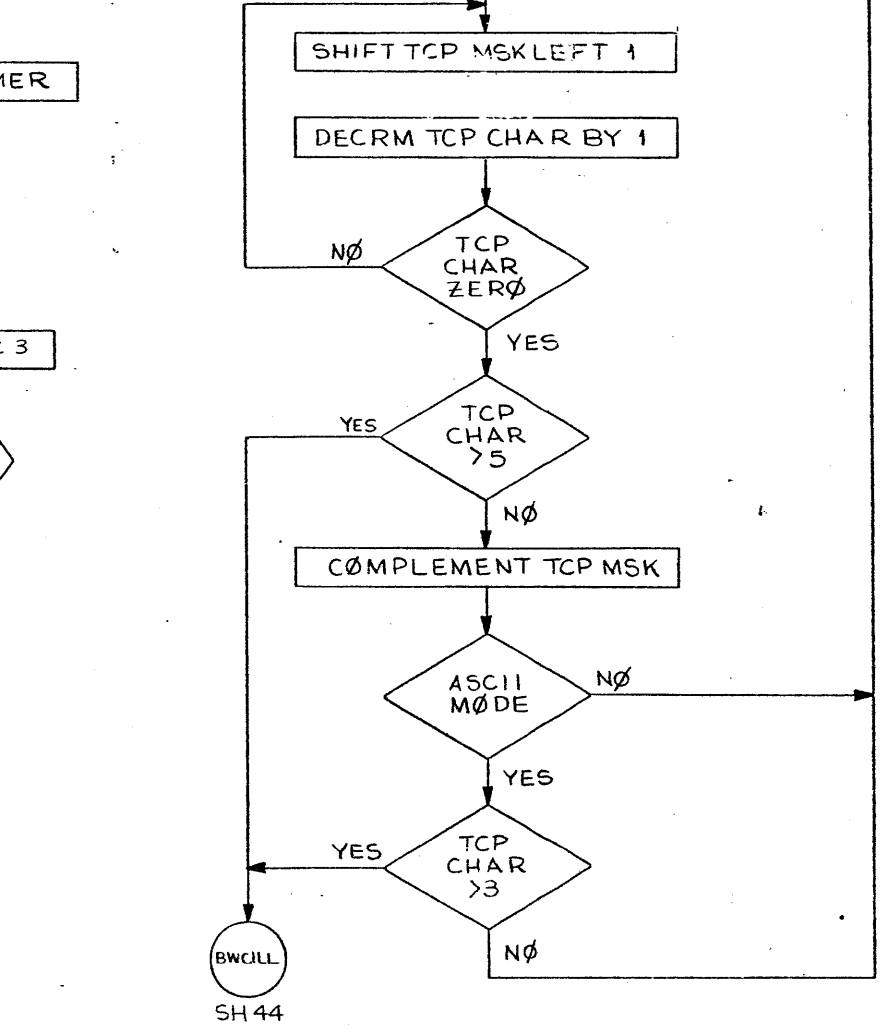
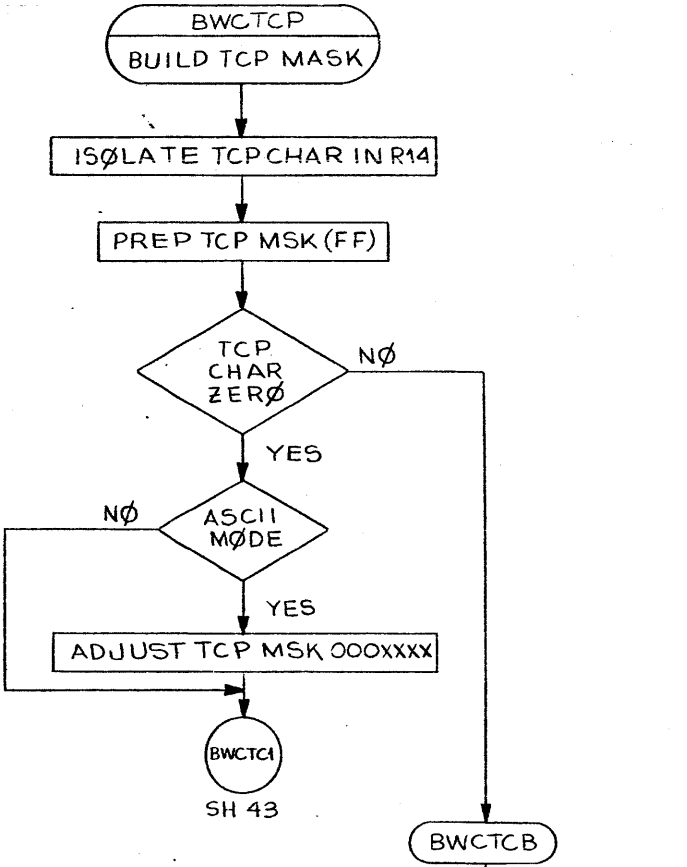
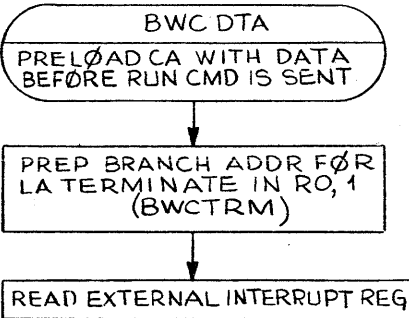
UNLESS OTHERWISE SPECIFIED		MATL		Honeywell HONEYWELL INFORMATION SYSTEMS PHOENIX, ARIZONA U. S. A.			
DIMENSIONS= MILLIMETERS		TREAT.					
TOLERANCE OF SIZE AND FORM PER INITIAL DESIGN		FIN.		TITLE FLOW DIAGRAM MTP0601 PREPARATION FOR WRITE			
SCALE	CODE	DR	75 APR 8	SIZE	DWG NO	SH	REV
			<i>Larry Budek</i>	D	58018149	42	A
		APPD <i>RRP</i> 75 07 3		DISTR C68-25, TOS, NEC, NCO			

H
F
E
D
C
B
A

H
F
E
D
C
B
A

58018149

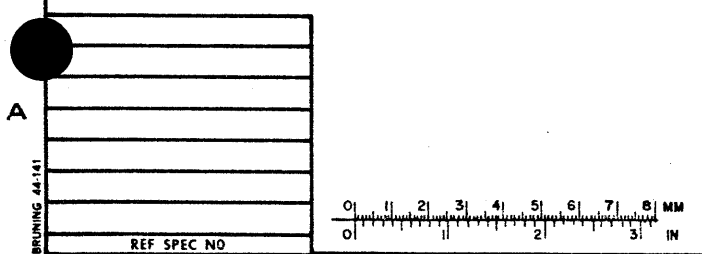
BRUNING 44.141



REVISIONS			
REV	AUTHORITY	DATE	SIGNATURE
		YR MO DAY	

0	LA TERMINATE ADDR
1	DELAY STOP CNT
2	LOGICAL CHANNEL #
3	MPCWU
4	TCAC-2
5	LA ENI TIMER
6	HEAD GAP CNT
7	INITIAL GAP CNT
8	CONTROL BITS
9	DEV TBL ADDR
10	CA ENI MSK
11	LA ENI MSK
12	ICP/TCP CHARS
13	LCTW-3 ADDR

TCP	TCP MASK	
	BINARY	ASC II
000	00111111	00001111
001	00011111	00000111
010	00001111	00000011
011	00000111	00000001
100	00000011	ILLEGAL
101	00000001	
110	ILLEGAL	
111		



UNLESS OTHERWISE SPECIFIED
DIMENSIONS: MILLIMETERS INCHES
TOLERANCE OF SIZE AND FORM PER INITIAL DESIGN PROJECTION
SCALE: CODE

MATL
TREAT.
FIN.
DR 75 APR 7
APPD 75 APR 3

Honeywell
HONEYWELL INFORMATION SYSTEMS
PHOENIX, ARIZONA U. S. A.

LOC
TITLE **FLOW DIAGRAM MTP0601**
TPC MASK GENERATION

SIZE	DWG NO	SH	REV
D	58018149	43	A

H
F
E
D
C
B
A

58018149

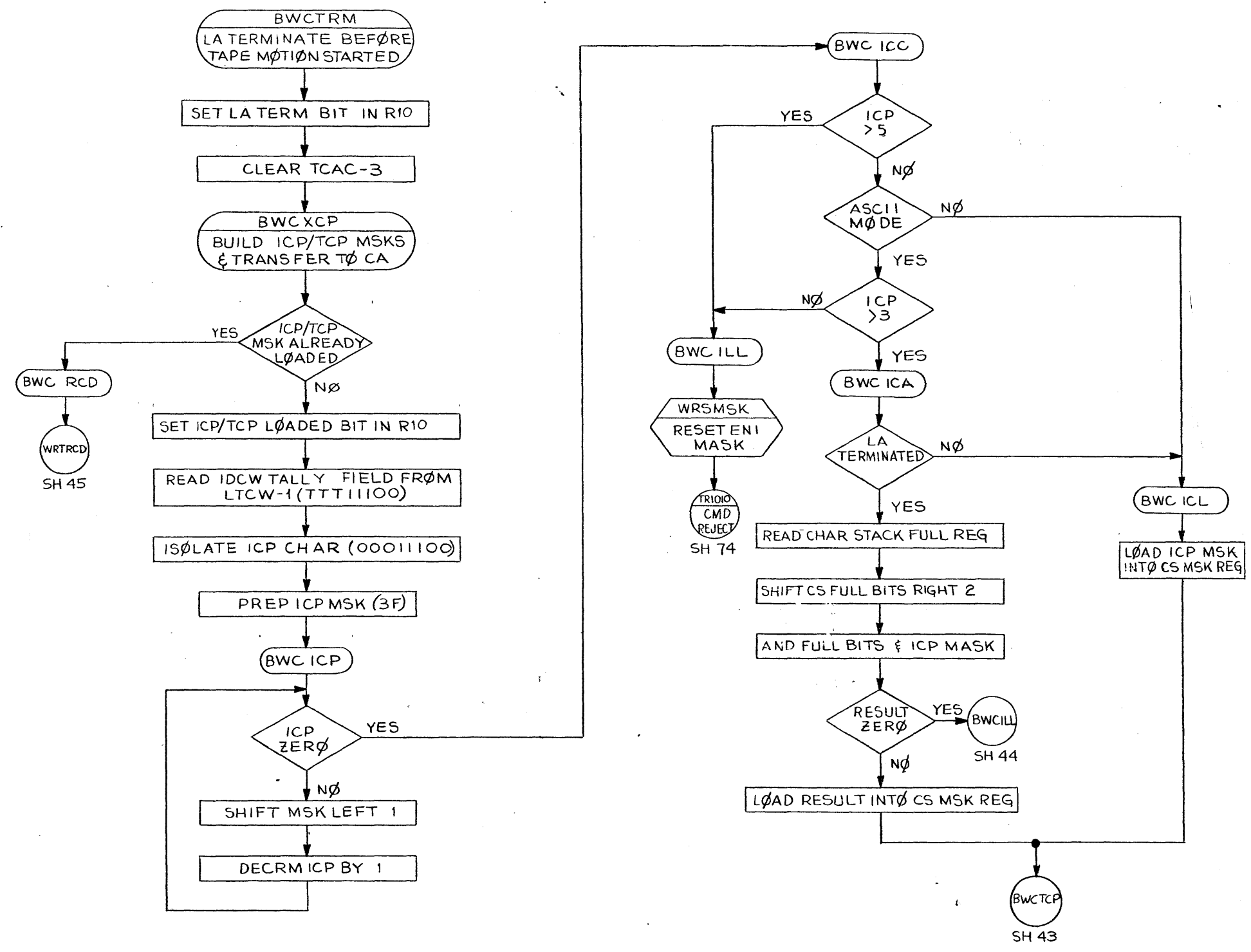
REVISIONS				
REV	AUTHORITY	DATE	SIGNATURE	
YR	MO	DAY		

RBA

0	LA TERM ADDR
1	DELAY STOP CNT
2	LOGICAL CHANNEL #
3	MPCW
4	TCAC-2
5	LA EN1 TIMER
6	HEAD GAP CNT
7	INITIAL GAP CNT
8	CONTROL BITS
9	DEV TBL ADDR
10	CA EN1 MSK
11	LA EN1 MSK
12	ICP/TCP CHARS
13	LCTW-3 ADDR
14	
15	

R10

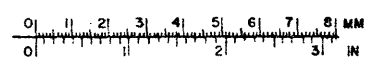
0	CA #
1	9TRK
2	LA TERM IN PRELOAD
3	ICP/TCP LOADED
4	EOP CMD
5	NRZI MODE
6	BOT
7	



ICP	ICP MASK	
	BINARY	ASC II
000	00111111	00111111
001	00111110	00111110
010	00111100	00111100
011	00111000	00111000
100	00110000	ILLEGAL
101	00100000	
110	ILLEGAL	
111		

REF SPEC NO

CE 300 D (11-72)



UNLESS OTHERWISE SPECIFIED

DIMENSIONS = MILLIMETERS / INCHES

TOLERANCE OF SIZE AND FORM PER INITIAL DESIGN PROJECTION

SCALE CODE

MATL

TREAT.

FIN.

DR. *Hubert* 75 APR 7

APPD. *RRP* 75 Oct 3

DISTR. *CEB-25, IOS, NEC, NCO*

Honeywell

HONEYWELL INFORMATION SYSTEMS
PHOENIX, ARIZONA U. S. A.

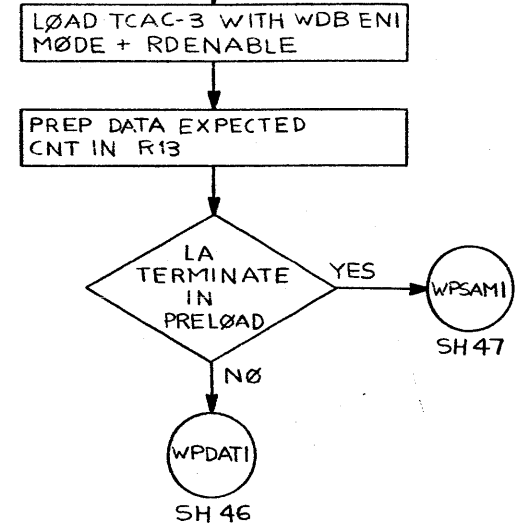
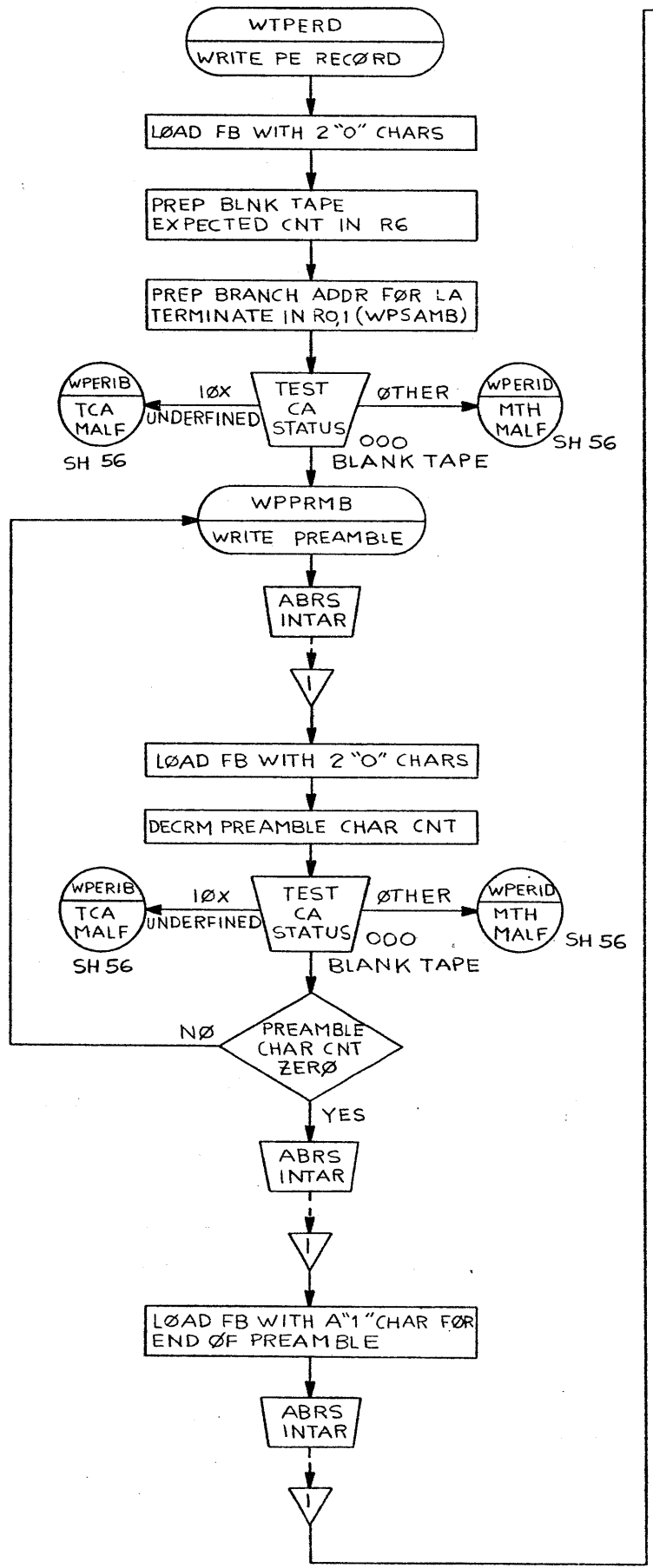
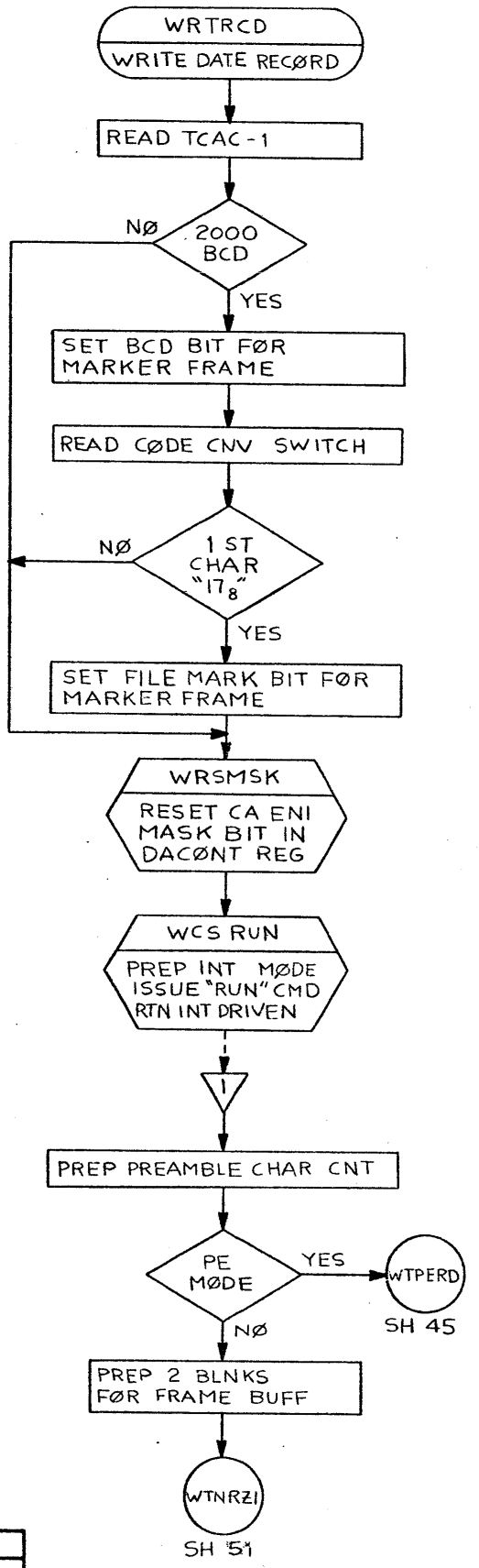
LOC PCO

TITLE **FLOW DIAGRAM MTP0601**
ICP MASK GENERATION

SIZE **D** DWG NO **58018149** SH **44** REV **A**

58018149

REVISIONS				
REV	AUTHORITY	DATE		SIGNATURE
		YR	MO DAY	



RBA

0	LA TERMINATE ADDR
1	
2	DELAY STOP CNT
3	LOGICAL CHANNEL #
4	MPCWU
5	
6	BLOCK DETECT TIMER
7	HEAD GAP CNT
8	
9	
10	CONTROL BITS
11	DEV TBL ADDR
12	
13	DATA EXPECTED CNT
14	
15	

BRUNING 44.141

REF SPEC NO

01 11 21 31 41 51 61 71 81 MM
01 11 21 31 IN

UNLESS OTHERWISE SPECIFIED

DIMENSIONS = MILLIMETERS / INCHES

TOLERANCE OF SIZE AND FORM PER INITIAL DESIGN

PROJECTION

SCALE CODE

MATL

TREAT.

FIN.

DR 15 APR 21
Larry Bede
APPD R.P. Oct 3, 75

Honeywell
HONEYWELL INFORMATION SYSTEMS
PHOENIX, ARIZONA U. S. A.

LOC PCO

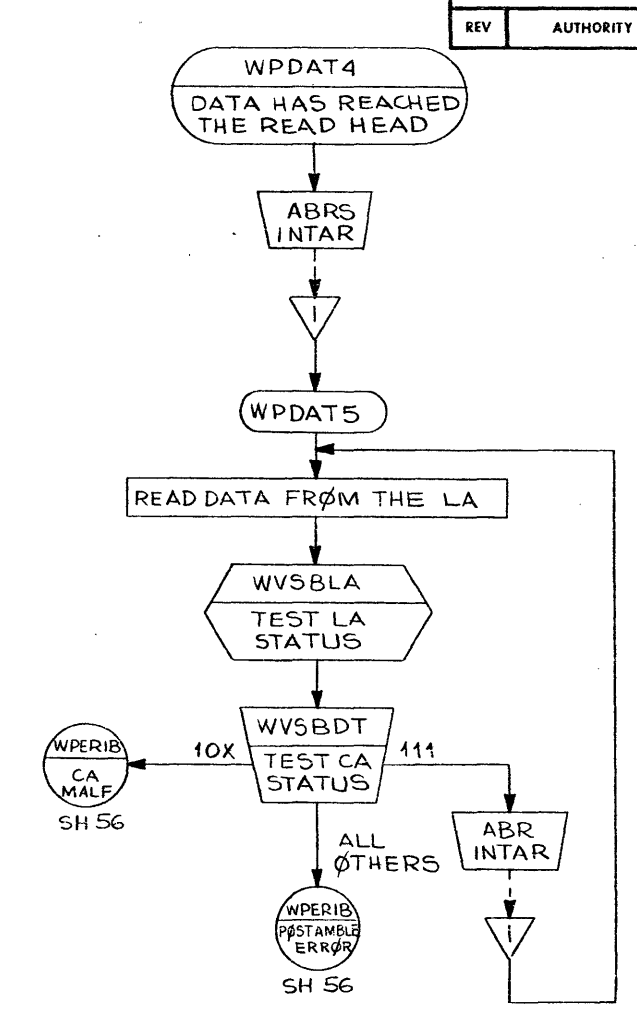
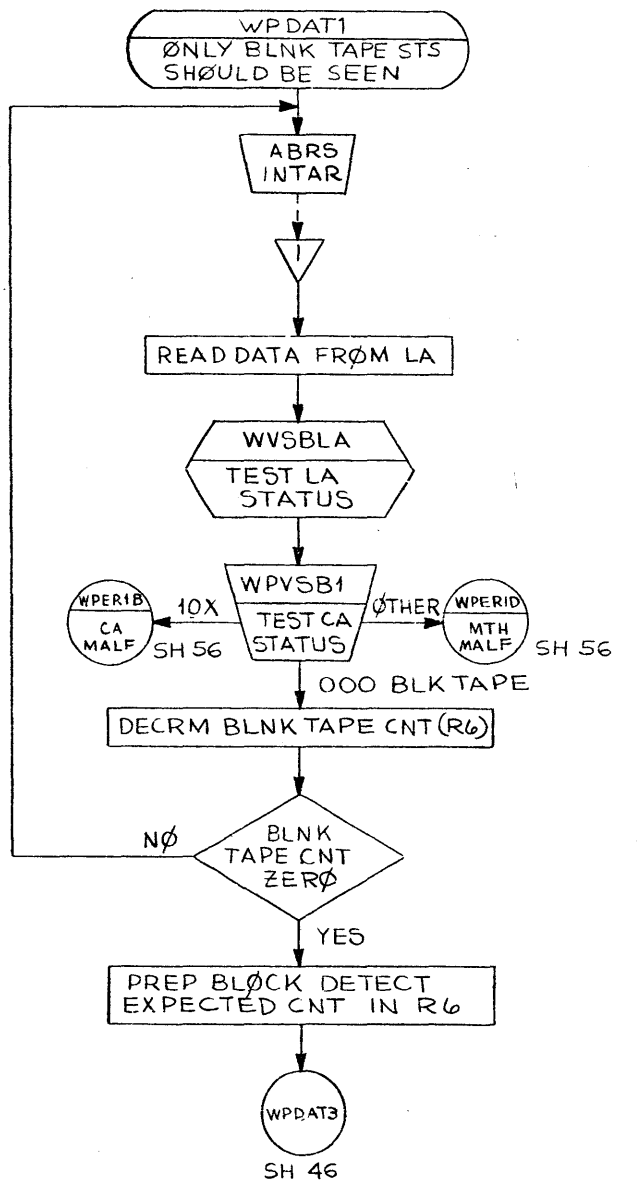
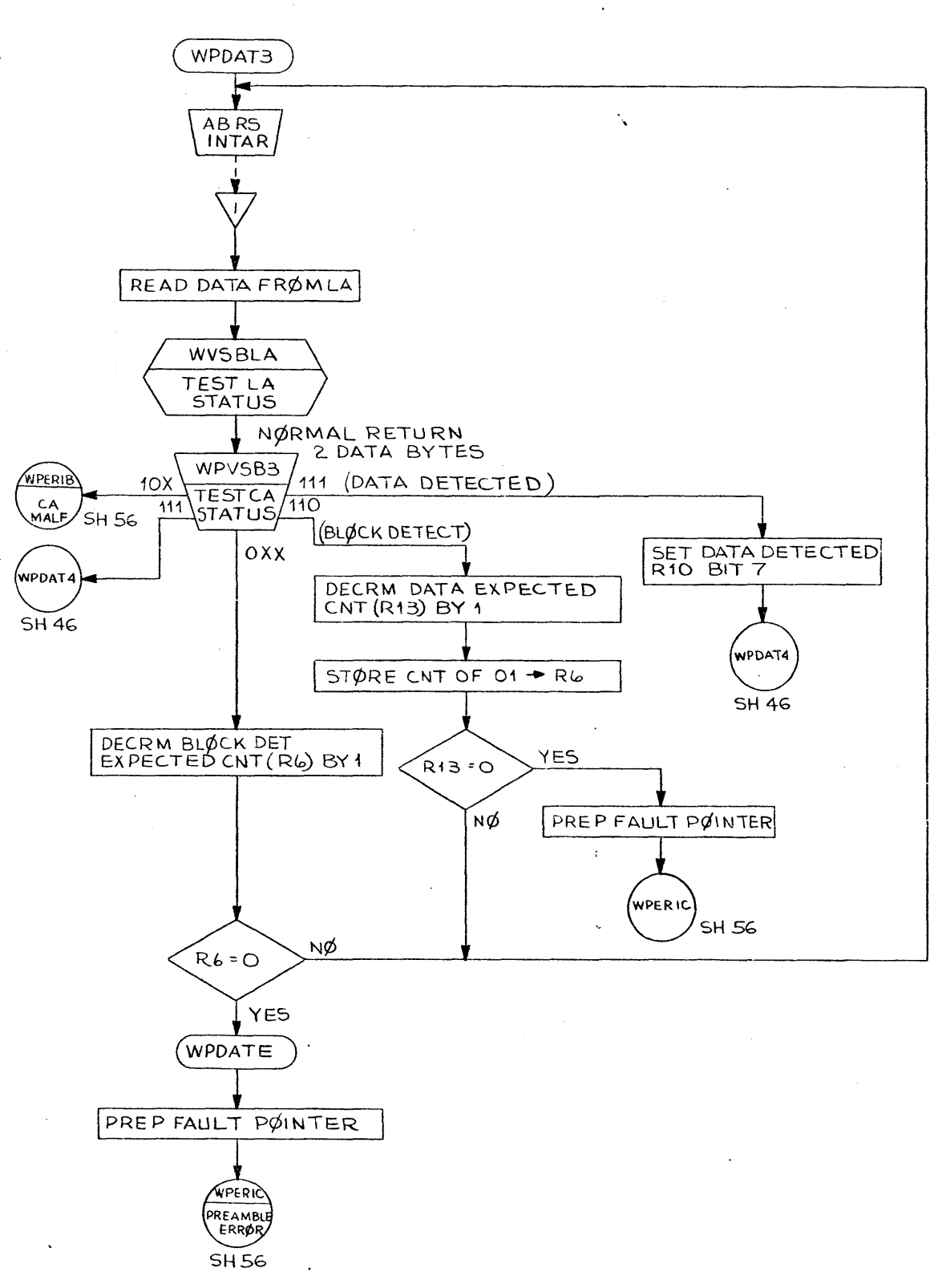
TITLE FLOW DIAGRAM MTP0601
WRITE PREAMBLE

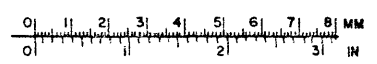
SIZE DWG NO SH REV
D 58018149 45 A

DISTR 668-95 TOS REC 100

58018149

REVISIONS				
REV	AUTHORITY	DATE	SIGNATURE	
		YR MO DAY		

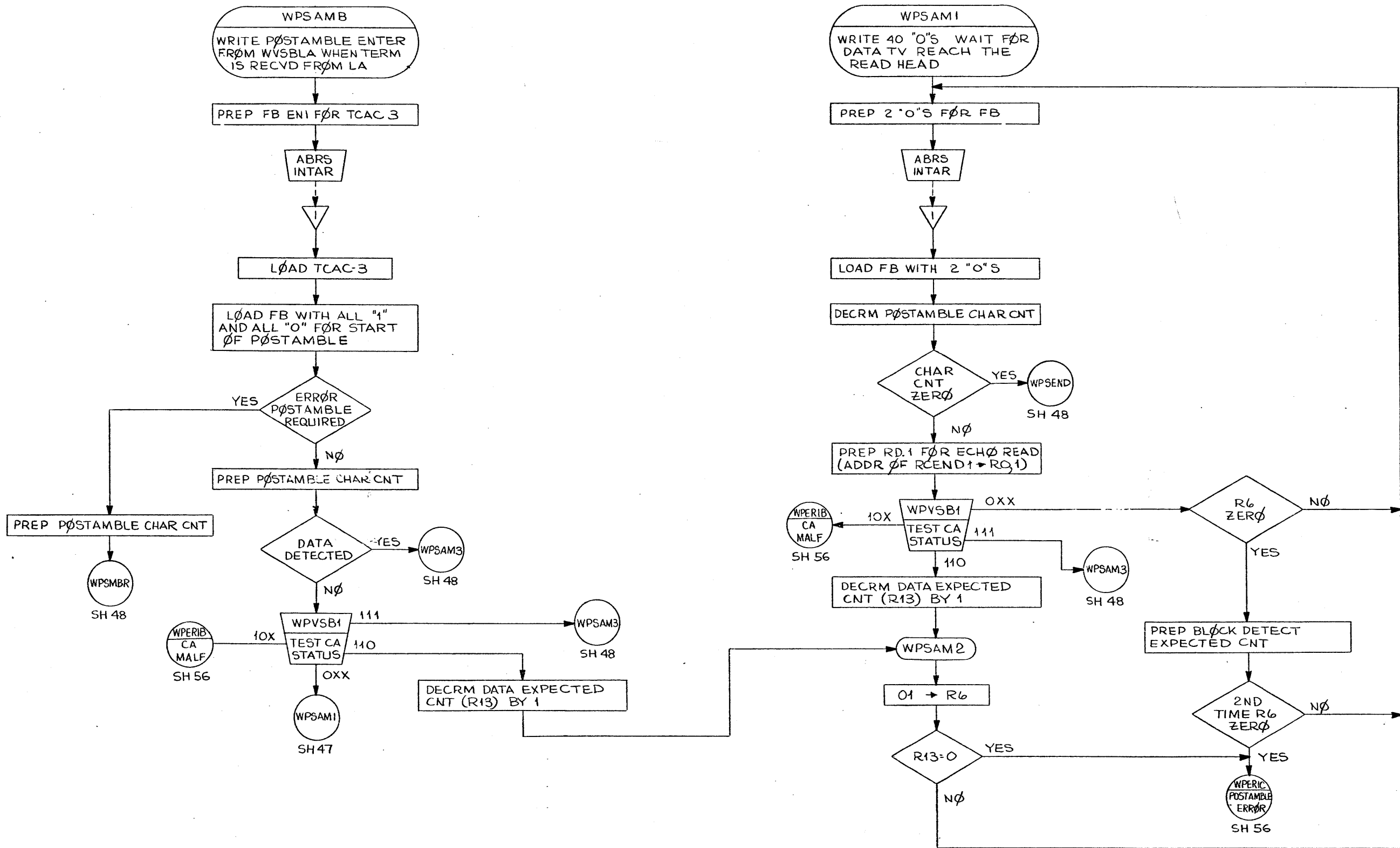




UNLESS OTHERWISE SPECIFIED		MATERIAL		Honeywell HONEYWELL INFORMATION SYSTEMS PHOENIX, ARIZONA U. S. A.	
DIMENSIONS= MILLIMETERS / INCHES		TREAT.			
TOLERANCE OF SIZE AND FORM PER		FIN.		LOC PCO	
INITIAL DESIGN		DR. <i>[Signature]</i> 75 APR 9		TITLE FLOW DIAGRAM MTP0601	
PROJECTION		APPD. <i>[Signature]</i> 75413		WRITE PE DATA	
SCALE	CODE	DR. <i>[Signature]</i> 75 APR 9		SIZE	DWG NO
				D	58018149
				SH	REV
				46	A

58018149

REVISIONS				
REV	AUTHORITY	DATE		SIGNATURE
		YR	MO DAY	



REF SPEC NO

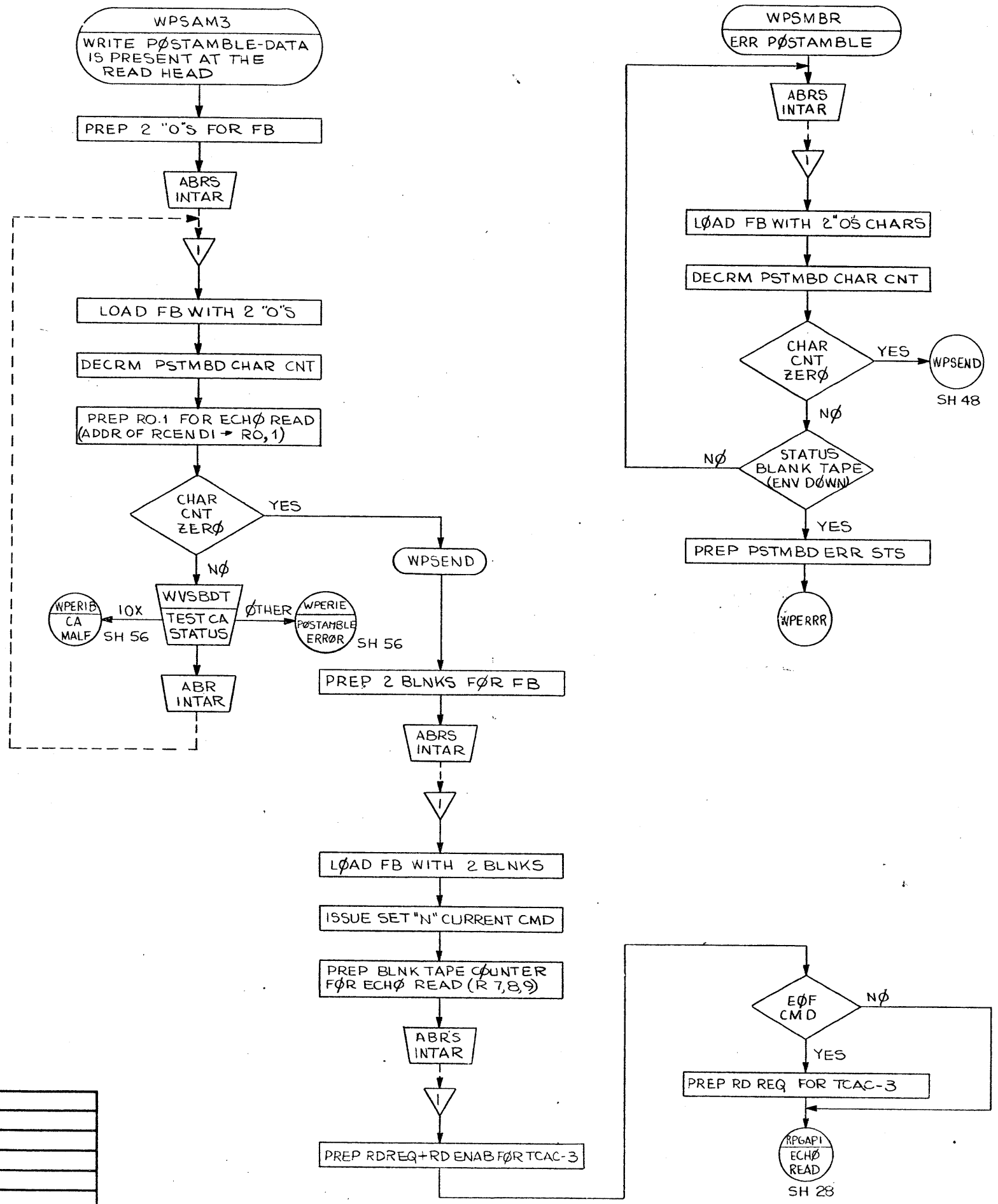
CE 300 D (11-2-72)

UNLESS OTHERWISE SPECIFIED		MATERIAL		Honeywell HONEYWELL INFORMATION SYSTEMS LOC PCO PHOENIX, ARIZONA U. S. A.			
DIMENSIONS= MILLIMETERS INCHES		TREAT.					
TOLERANCE OF SIZE AND FORM PER		FIN.		FLOW DIAGRAM MPT0601			
INITIAL DESIGN PROJECTION		DR		WRITE POSTAMBLE			
SCALE CODE		APPD		SIZE DWG NO SH REV			
		75 APR 10		D 58018149 47 A			
		APPD		DISTR C68-25, TOS, NEC, NCO			

58018149

A

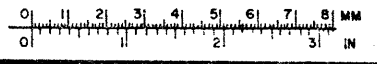
REVISIONS				
REV	AUTHORITY	DATE	SIGNATURE	
		YR MO DAY		



H
F
E
D
C
B
A

H
F
E
D
C
B
A

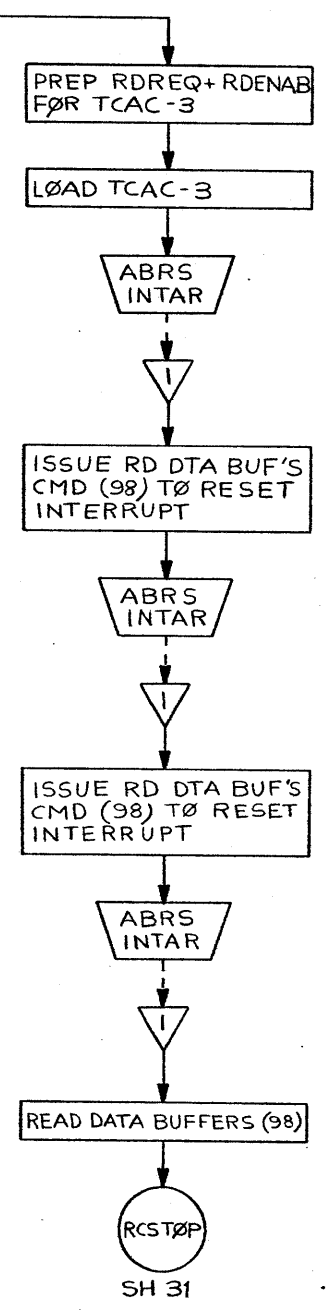
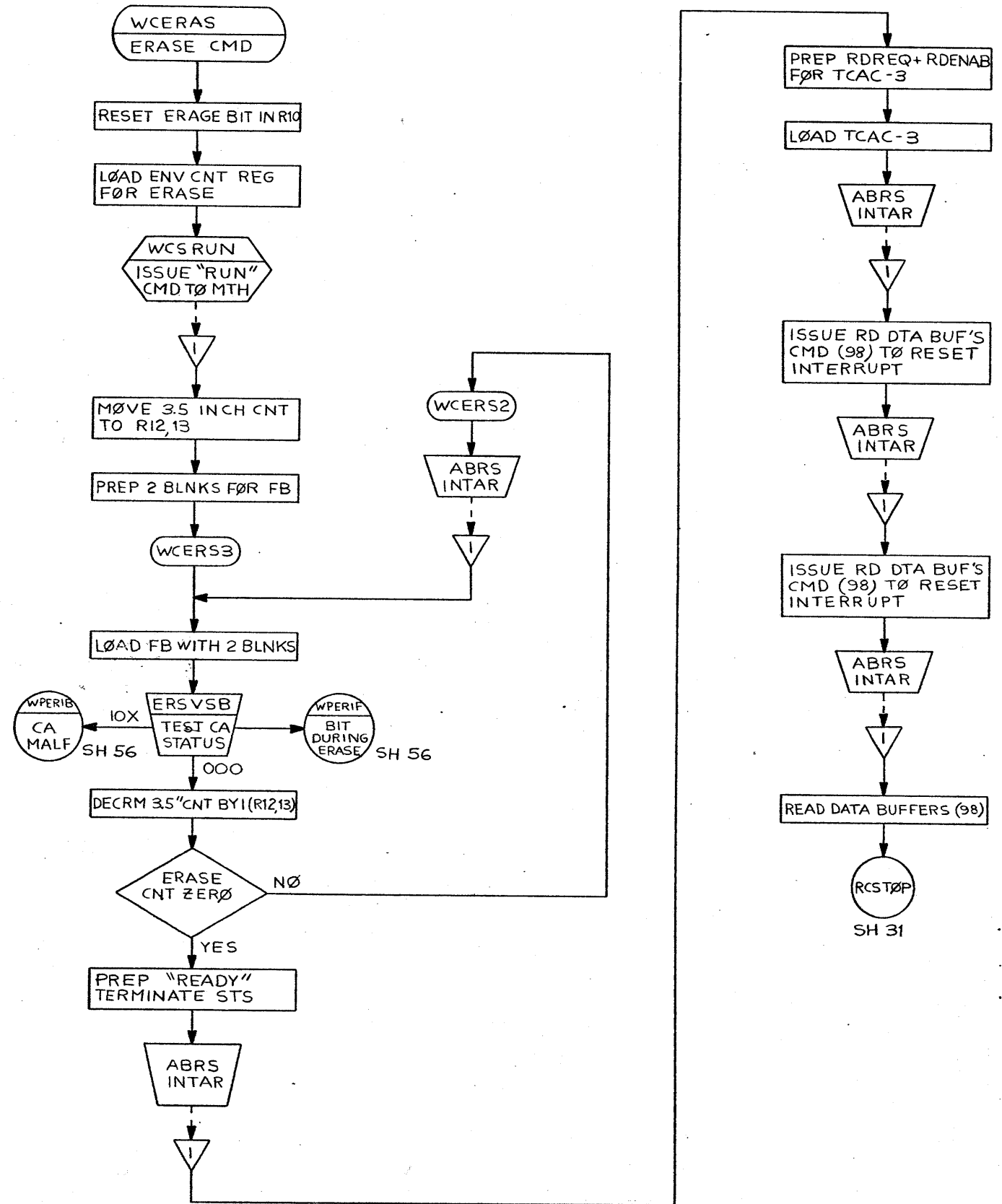
BRUNING 44-141
REF SPEC NO

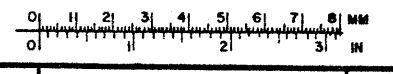


UNLESS OTHERWISE SPECIFIED		MATERIAL		Honeywell HONEYWELL INFORMATION SYSTEMS PHOENIX, ARIZONA U. S. A.			
DIMENSIONS= MILLIMETERS / INCHES		TREAT.					
TOLERANCE OF SIZE AND FORM PER		FIN.		TITLE FLOW DIAGRAM MPT0601 WRITE POSTAMBLE			
INITIAL DESIGN		DR		DATE 75 APR 10 <i>Delmar Hughes</i>		SIZE D DWG NO 58018149	
PROJECTION		APPD		SH 48		REV A	
SCALE		CODE		DISTR CR-25, TOS, NEG, NEG			

58018149

REVISIONS				
REV	AUTHORITY	DATE		SIGNATURE
		YR	MO DAY	





UNLESS OTHERWISE SPECIFIED		MATL		Honeywell HONEYWELL INFORMATION SYSTEMS PHOENIX, ARIZONA U. S. A.	
DIMENSIONS= MILLIMETERS / INCHES		TREAT.			
TOLERANCE OF SIZE AND FORM PER		FIN.		LOC PCO TITLE FLOW DIAGRAMMTP0601 ERASE CMD	
INITIAL DESIGN		PROJECTION		SCALE CODE DR 75 APR 10 APPD Larry Bidale APPD RR Per 75 Oct 3	
SIZE DWG NO		SH		REV	
D 58018149		49		A	

58018149

BRUNING 44141

REF SPEC NO

CE 900 D (12-72)

REVISIONS				
REV	AUTHORITY	DATE		SIGNATURE
		YR	MO DAY	

WPEØF1
WRITER PE EØF

WCSRUN
ISSUE "RUN"
CMD TO MTH

PREP FB ENI MØDE AND
WRITE PE EØF FØR TCAC-3

LØAD TCAC-3

PREP EØF CHAR CNT
(120 CHARS)

LØAD FB WITH 2 ALL 'I'S

ABRS
INTAR

LØAD FB WITH 2 ALL 'I'S

STATUS
BLANK
TAPE

WPERID
MTH
MALE
SH 56

EØF
CHAR CNT
ZERØ

WPSEND
SH 48

NRZI EØF FØR MATS

	F1	F2	F3	F4	F5	F6	F7	F8	F9
9TRK 556,200BPI ALL 7TRK*	E Ø F C H A R	B L A N K	B L A N K	B L A N K	L C C				
9TRK 800 BPI	E Ø F C H A R	B L A N K	B L A N K	B L A N K	B L A N K	B L A N K	B L A N K	B L A N K	L C C C H A R

* 7TRK EØF ARE PRECEDED BY A
3.75 INCH NØMINAL GAP

PE EØF FØR MAT

TRACK	7	6	5	3	9	1	8	2	4
DATA BIT	0	1	2	3	4	5	6	7	P
120 FRAMES	O P T I Ø N A L	E R A S E D	E R A S E D	E R A S E D	O P T I Ø N A L	O P T I Ø N A L	O P T I Ø N A L	O P T I Ø N A L	O P T I Ø N A L

* ØPTIØNAL TRACKS ARE RECORDED
BY MTPØ601

WNZEØF
WRITE NRZI EØF

PREP ØCT'23" EØF CHAR

9TRK

PREP ØCT'17" EØF CHAR

SET BØT BIT TO
GENERATE BIG GAP

TURN ØN EVEN PAR
IN TCAC-1

LØAD EØF CHAR INTØWDB

WAIT FØR CHAR TØ
REACH END ØF THE
CHAR STACK

LØAD ICP MASK (01)

LØAD TCP MASK (01)

WCSRUN
SEND RUN
CMD TO MTH

WNEØFI

DIVIDE HEAD GAP CNT
IN HALF

ØØ → TCAC-3

TURN ØN FBENIM +
RDENAB IN TCAC-3

9TRK
800
BPI

WNEF52
SH 52

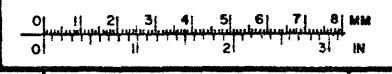
LØAD FB WITH 2 BLNKS

WNCKST
TEST CA
STATUS

PREP 2 BLNKS FØR FB
WRITE BLNK FØR CCC

WNEØFB
SH 52

DRAWING 44.141



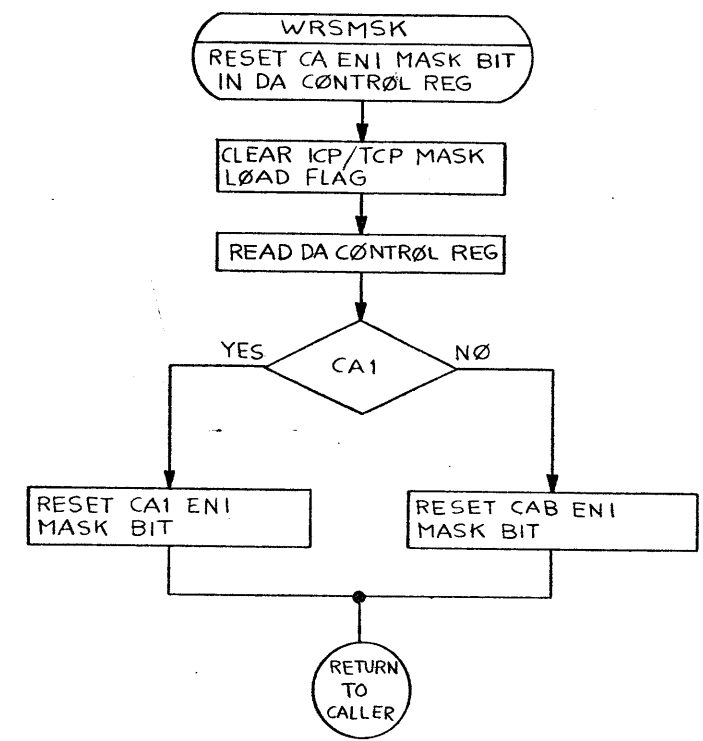
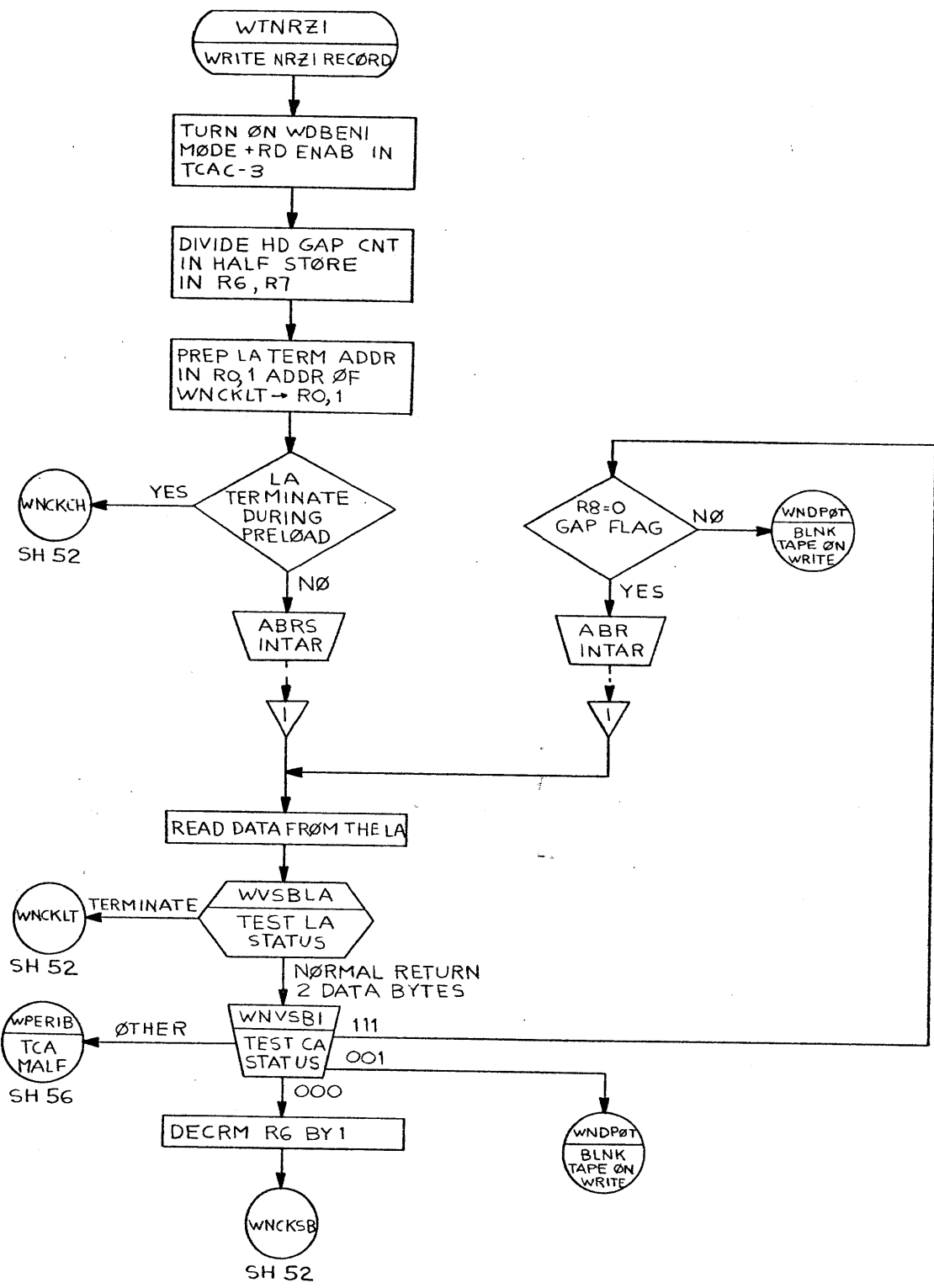
REF SPEC NO

UNLESS OTHERWISE SPECIFIED		MATERIAL		Honeywell HONEYWELL INFORMATION SYSTEMS PHOENIX, ARIZONA U. S. A.			
DIMENSIONS = MILLIMETERS / INCHES		TREATMENT					
TOLERANCE OF SIZE AND FORM PER INITIAL DESIGN		FINISH		TITLE FLOW DIAGRAM MPT0601 WRITE EØF PE & NRZI			
SCALE	CODE	DR	DATE	SIZE	DWG NO	SH	REV
		Jerry Budik	75 APR 11	D	58018149	50	A
		APPD	DATE				
		LRP	75 OCT 3				

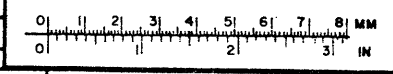
58018149

REVISIONS				
REV	AUTHORITY	DATE		SIGNATURE
		YR	MO DAY	

0	LA TERMINATE ADDR
1	DELAY STOP CNT
2	LOGICAL CHANNEL #
3	MPCWU
4	
5	
6	GAP TIMER
7	1/2 HEAD GAP CNT
8	GAP FLAG
9	
10	CONTROL BITS
11	DEV TBL ADDR
12	
13	
14	
15	



UNLESS OTHERWISE SPECIFIED		MATERIAL		Honeywell HONEYWELL INFORMATION SYSTEMS PHOENIX, ARIZONA U. S. A.			
DIMENSIONS = MILLIMETERS INCHES		TREAT.					
TOLERANCE OF SIZE AND FORM PER		FIN.		TITLE FLOW DIAGRAM MTP0601 WRITE NRZI DATA			
INITIAL DESIGN		DR 75 APR 22 Larry Bedek		SIZE D		DWG NO 58018149	
PROJECTION		APPD R.R. Pat. 75 Oct 3		SH 51		REV A	
SCALE		CODE		DISTR			

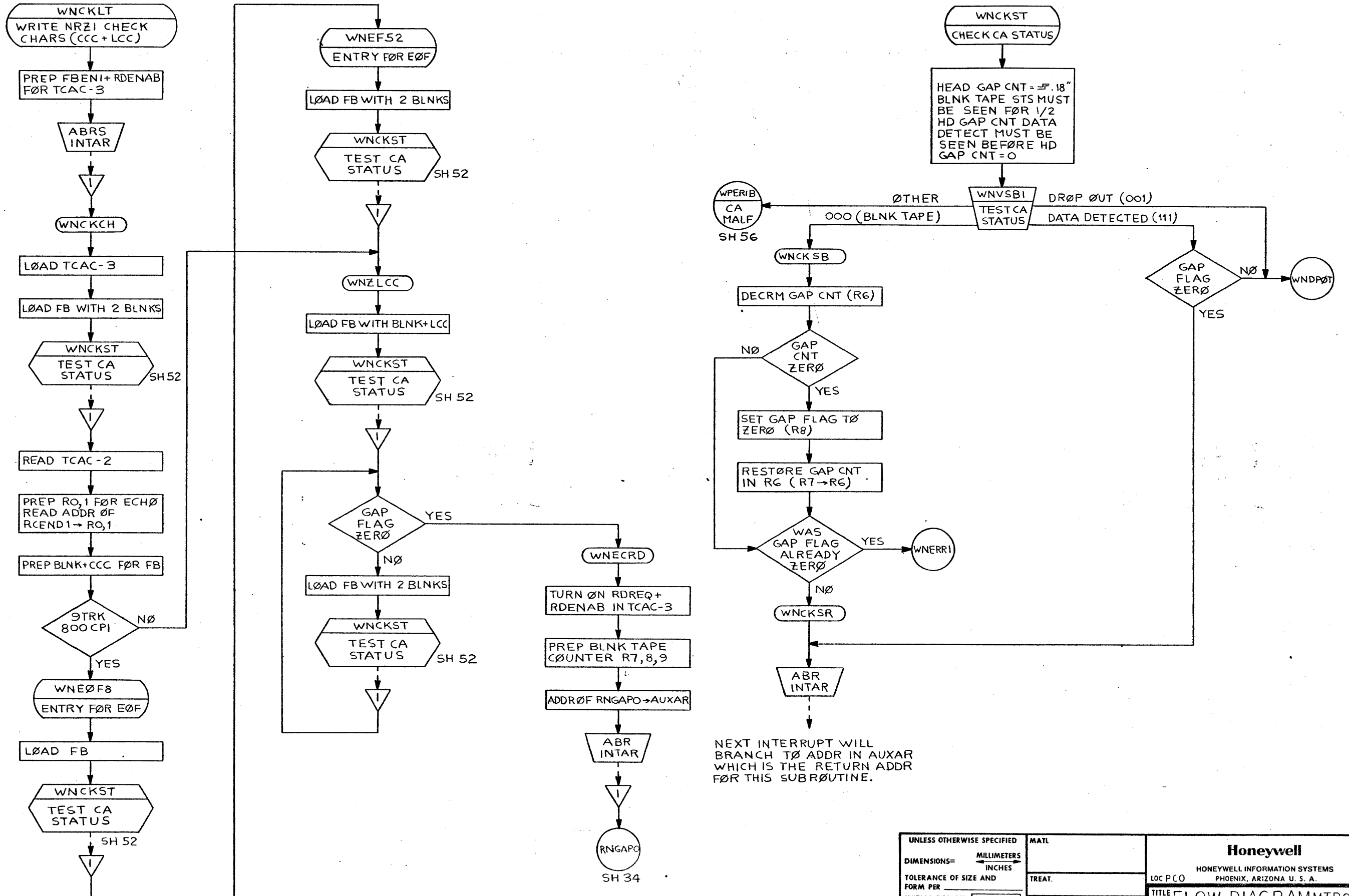


DRAWING 44 141

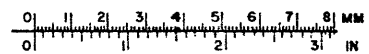
58018149

A

REVISIONS				
REV	AUTHORITY	DATE	YR	MO



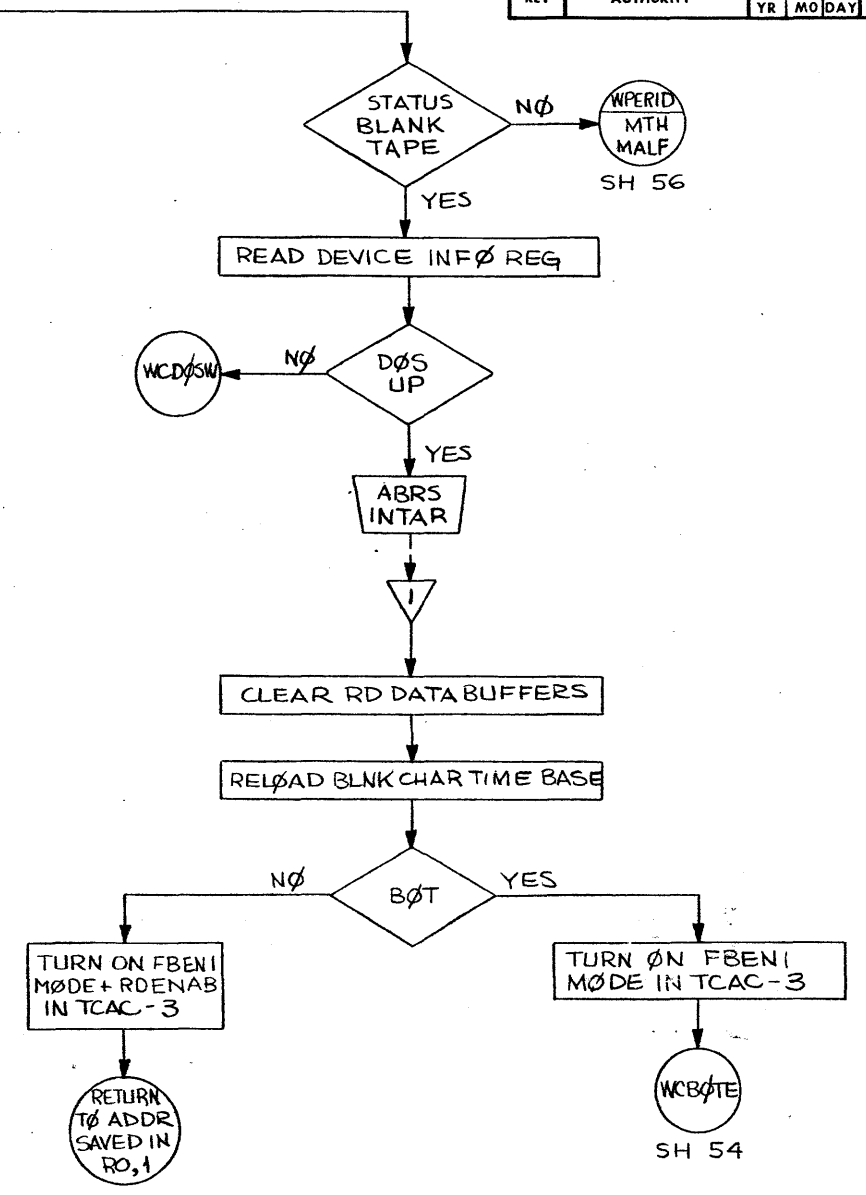
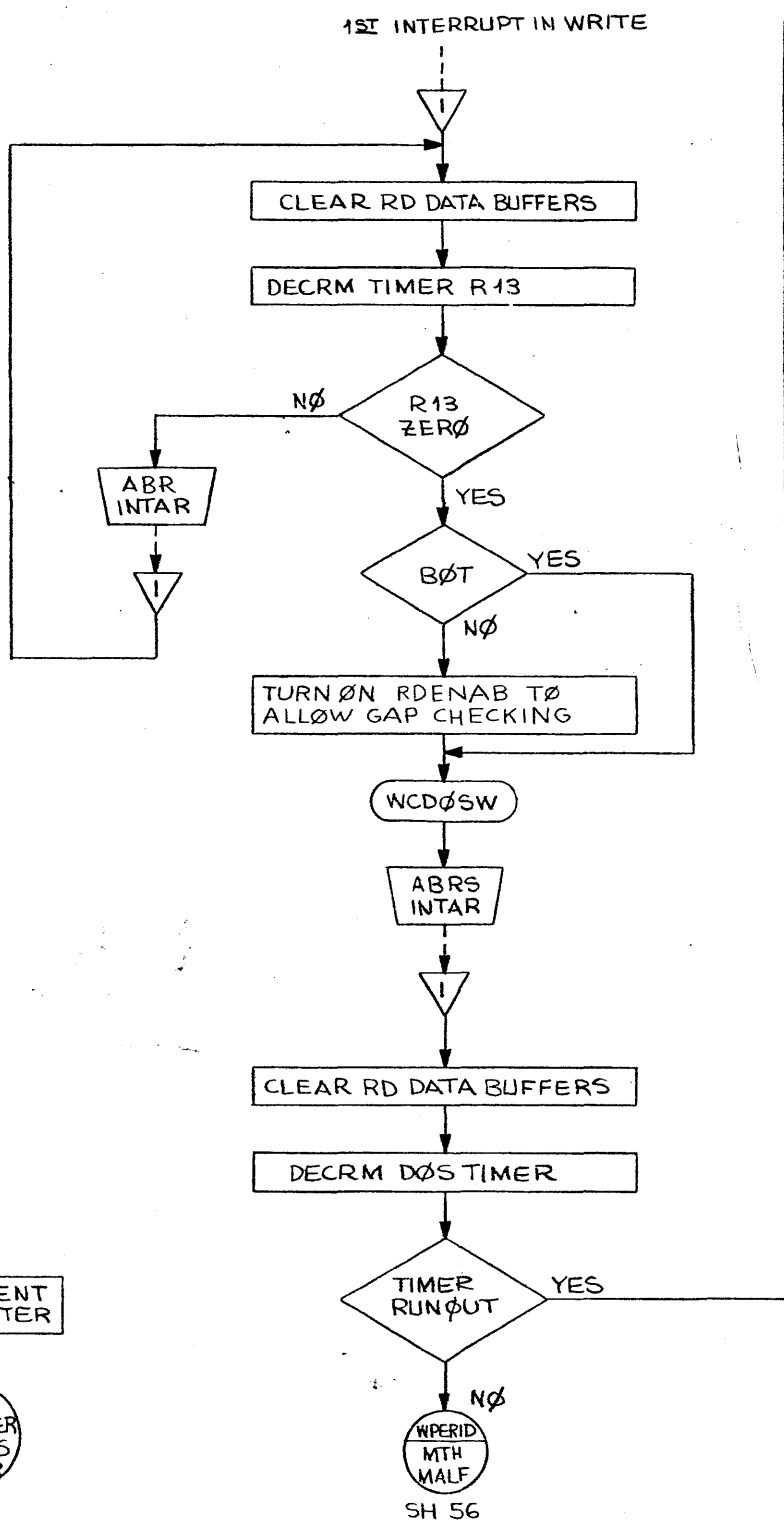
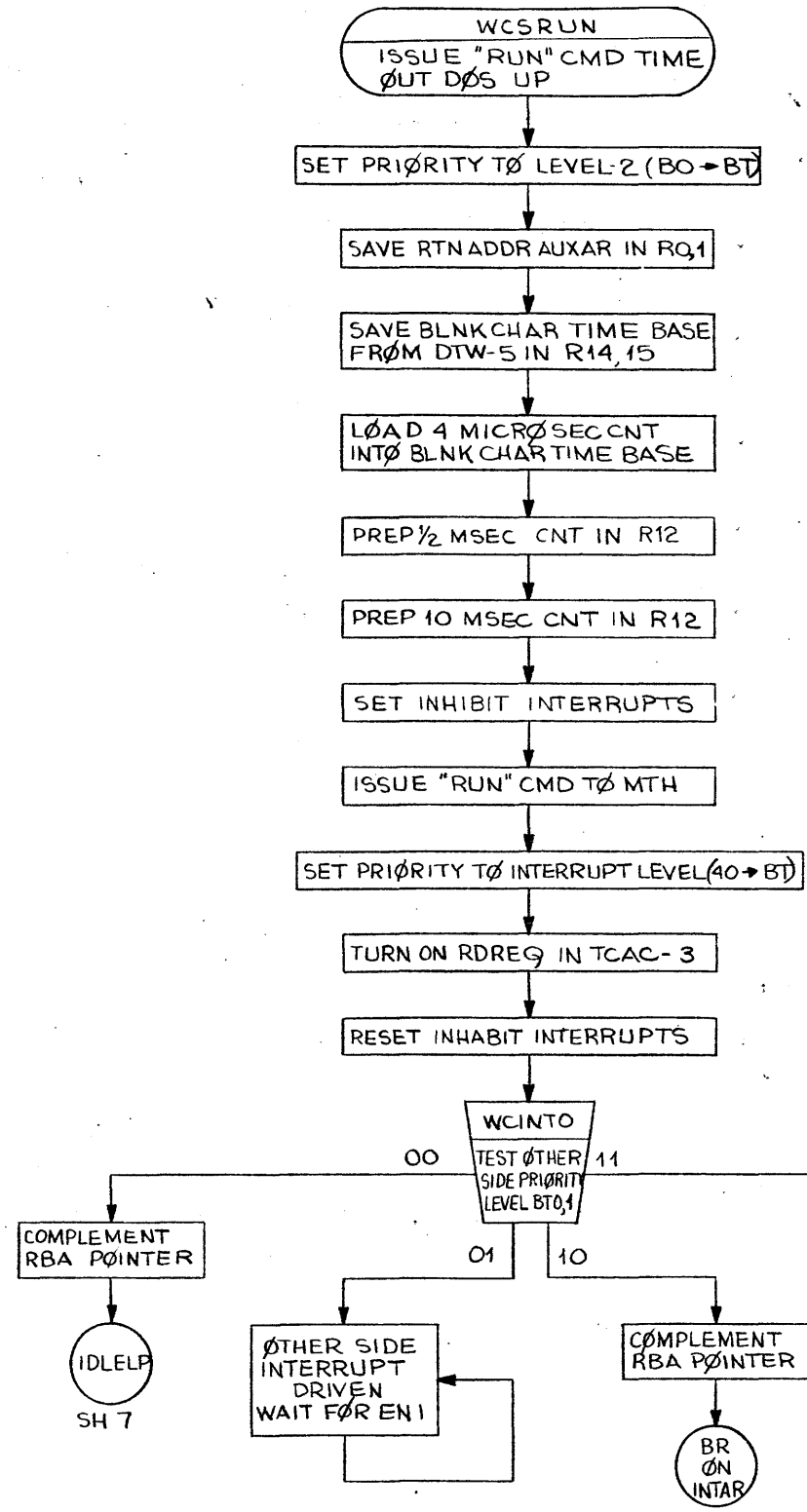
NEXT INTERRUPT WILL
BRANCH TO ADDR IN AUXAR
WHICH IS THE RETURN ADDR
FOR THIS SUBROUTINE.



UNLESS OTHERWISE SPECIFIED DIMENSIONS= TOLERANCE OF SIZE AND FORM PER INITIAL DESIGN PROJECTION		MILLIMETERS INCHES FIN.		Honeywell HONEYWELL INFORMATION SYSTEMS LOC PCO PHOENIX, ARIZONA U. S. A. TITLE FLOW DIAGRAM MTP0601 WRITE CCC+LCC			
SCALE	CODE	DR 75 APR 21 <i>Larry Bidek</i>		SIZE	DWG NO	SH	REV
		APPD. <i>L.P. ... at 3:25</i>		D	58018149	52	A
DISTR C88-25.TOS.NFC.NCO							

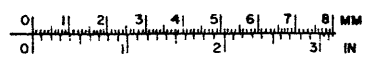
H
F
E
D
C
B
A

REVISIONS			
REV	AUTHORITY	DATE	SIGNATURE
		YR MO DAY	



BRUNING 44-141

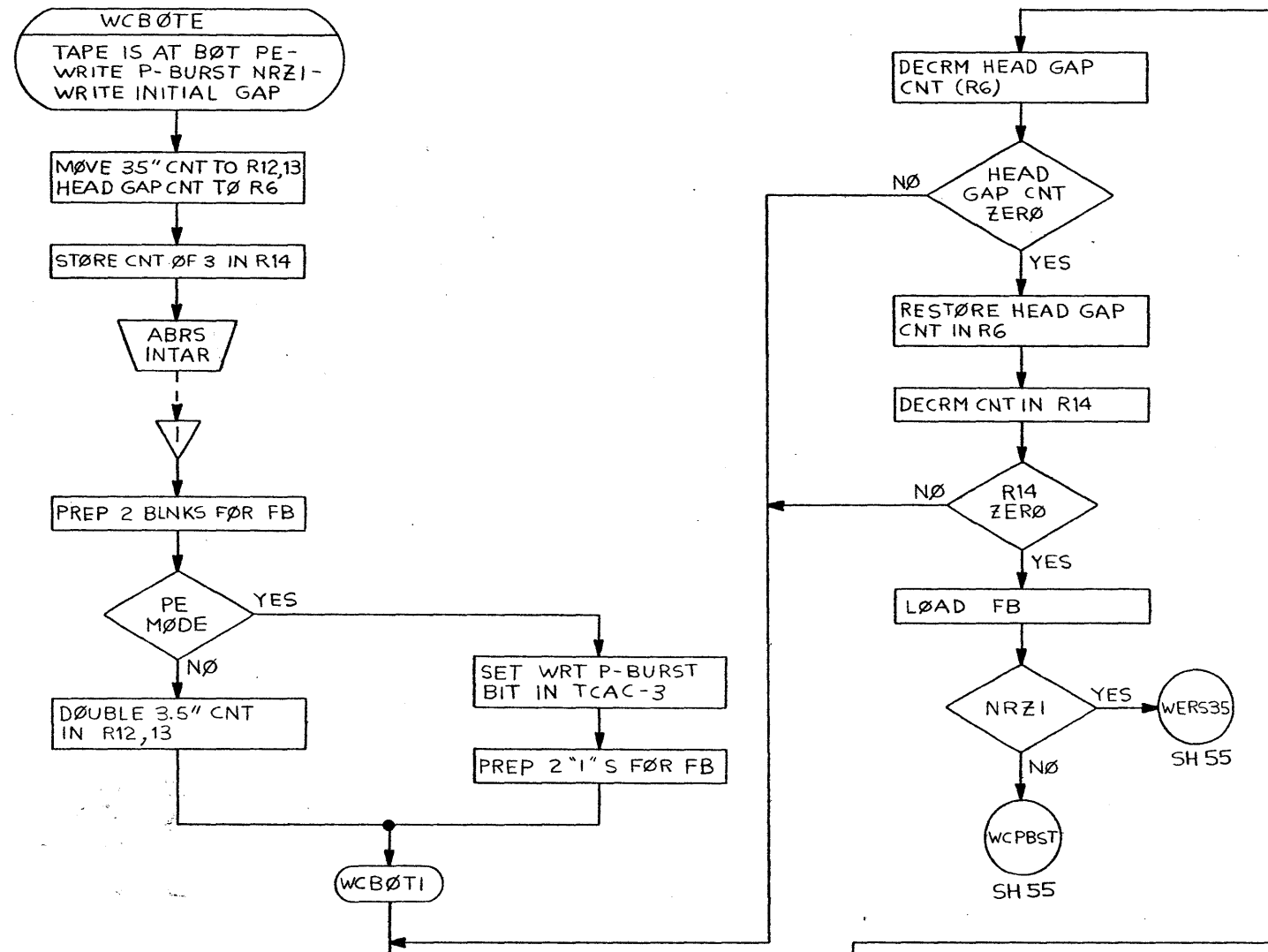
REF SPEC NO



UNLESS OTHERWISE SPECIFIED		MATT		Honeywell HONEYWELL INFORMATION SYSTEMS PHOENIX, ARIZONA U. S. A.			
DIMENSIONS = MILLIMETERS / INCHES		TREAT.					
TOLERANCE OF SIZE AND FORM PER		FIN.		TITLE FLOW DIAGRAM MPT0601			
INITIAL DESIGN PROJECTION		DR 75 APR 14 APPD 22 Feb 75 at 3		SEND "RUN" CMD			
SCALE	CODE	DR 75 APR 14 APPD 22 Feb 75 at 3		SIZE	DWG NO	SH	REV
				D	58018149	53	A

H
F
E
D
C
B
A

58018149



RBA REGISTERS	
0	RETURN ADDRESS
1	
2	DELAY STØP CNT
3	LØGICAL CHANNEL #
4	MPCWU
5	
6	HD GAP TIMER
7	HEAD GAP CNT
8	INITIAL GAP CNT 3.5"
9	
10	CØNTRØL BITS
11	DEV TBL ADDR
12	INITIAL GAP/P-BURST TIMER
13	
14	RD TØERS HEAD TIMER
15	

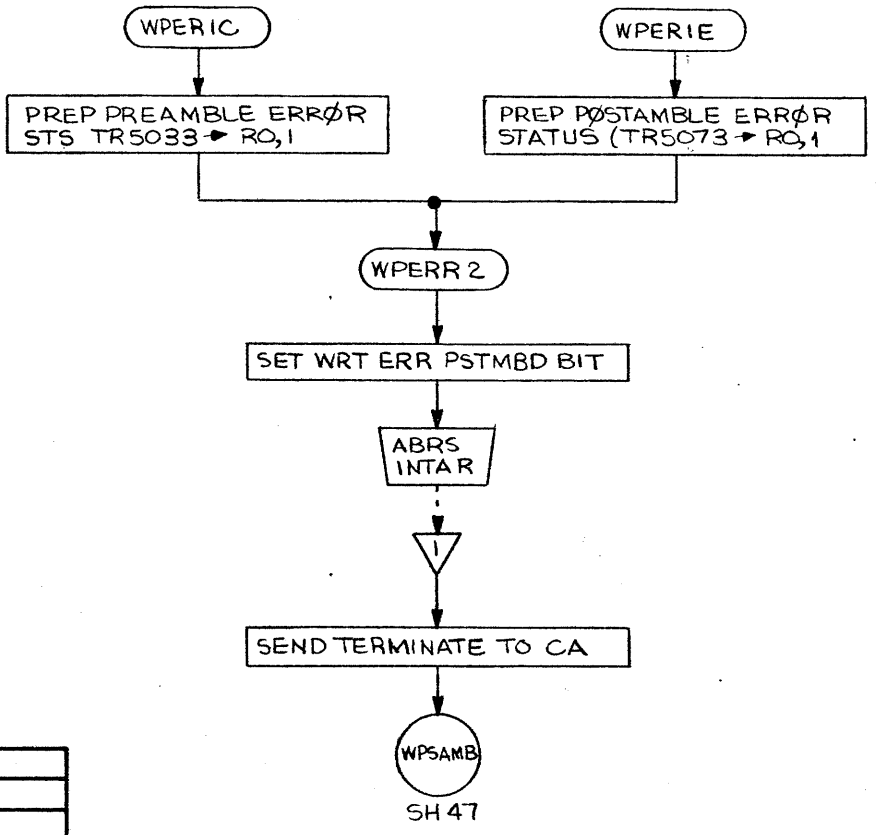
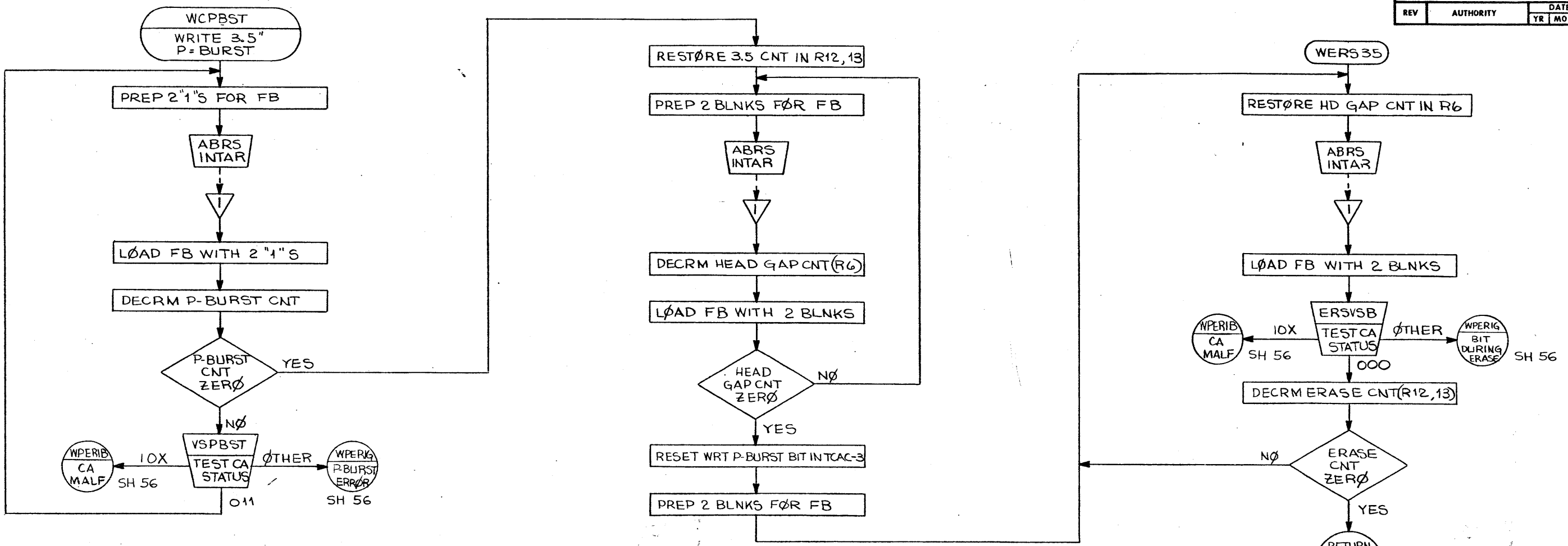
REF SPEC NO

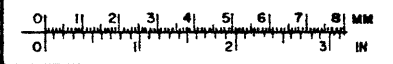
DR 75 APR 14
APPD. *Jerry Bidok*
DK Ped. 75013

UNLESS OTHERWISE SPECIFIED	MATL		<p>Honeywell</p> <p>HONEYWELL INFORMATION SYSTEMS PHOENIX, ARIZONA U. S. A.</p>
DIMENSIONS= MILLIMETERS INCHES	TREAT.	TITLE FLOW DIAGRAM MTP0601 WRITE P-BURST ØR INITIAL GAP	
TOLERANCE OF SIZE AND FORM PER	FIN.	DR 75 APR 14 <i>Jerry Bidok</i>	SIZE DWG NO D 58018149
INITIAL DESIGN	PROJECTION	APPD. <i>DK Ped. 75013</i>	SH REV 54 A
SCALE	CODE	DISTR C-68-25, TOS, NEC, NCO	

58018149

REVISIONS				
REV	AUTHORITY	DATE	SIGNATURE	
		YR MO DAY		

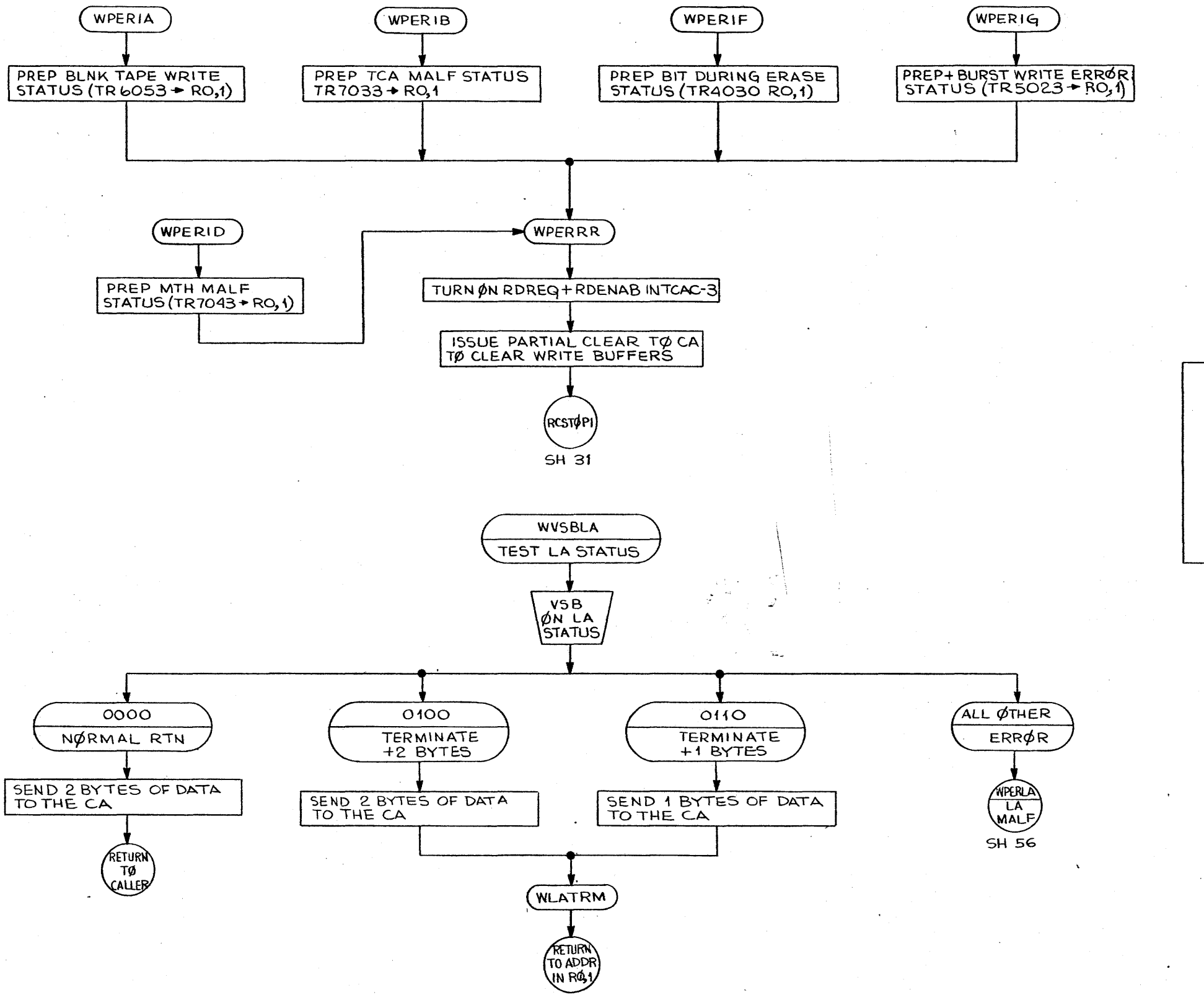




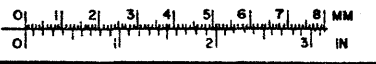
UNLESS OTHERWISE SPECIFIED		MATL		Honeywell HONEYWELL INFORMATION SYSTEMS PHOENIX, ARIZONA U. S. A.	
DIMENSIONS= MILLIMETERS / INCHES		TREAT.			
TOLERANCE OF SIZE AND FORM PER		FIN.		LOC PCO	
INITIAL DESIGN PROJECTION		DR <i>Debbie...</i> 75 APR 14		TITLE FLOW DIAGRAM MTP0601 WRITE P-BURST	
SCALE	CODE	APPD <i>LLP...</i>	SIZE D	DWG NO 58018149	SH 55
DISTR C68-25 TOS. NEC. NCO			REV A		

58018149

REVISIONS				
REV	AUTHORITY	DATE		SIGNATURE
		YR	MO DAY	

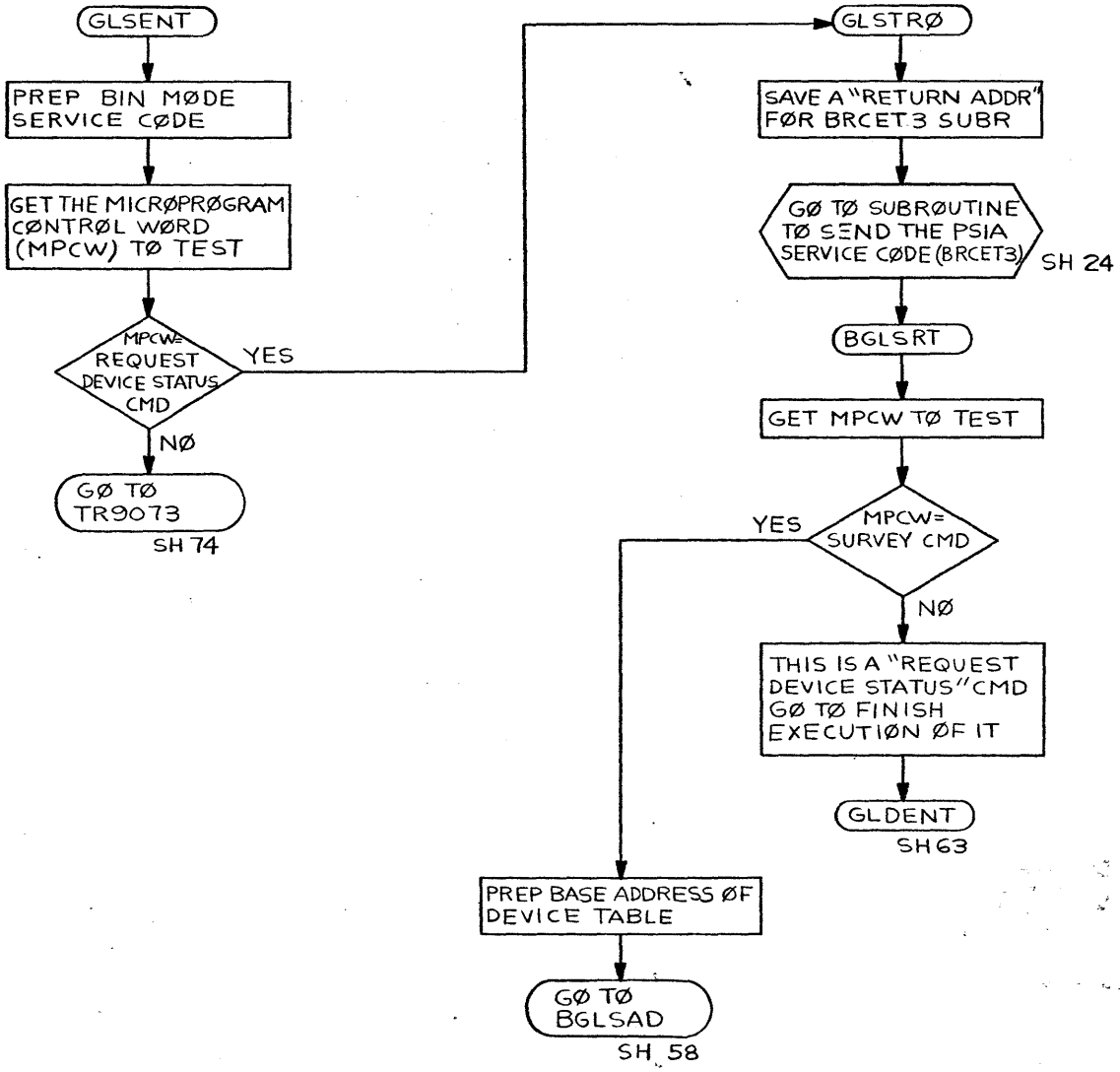


58018149



UNLESS OTHERWISE SPECIFIED		MATL	Honeywell	
DIMENSIONS=	MILLIMETERS INCHES	TREAT.	LOC PCO HONEYWELL INFORMATION SYSTEMS PHOENIX, ARIZONA U. S. A.	
TOLERANCE OF SIZE AND FORM PER	INITIAL DESIGN	FIN.	TITLE FLOW DIAGRAM MTP0601 LA VSB AND WRITE ERRORS	
PROJECTION	SCALE	CODE	DR. <i>[Signature]</i> 75 APR 11	SH 56
			APPD: <i>[Signature]</i> at 3	REV A
			DISTR 003-25 TOS NEG NCG	SIZE D DWG NO 58018149

REVISIONS				
REV	AUTHORITY	DATE		SIGNATURE
		YR	MO DAY	

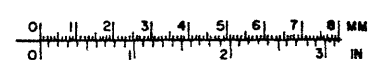


H
F
E
D
C
B
A

58018149

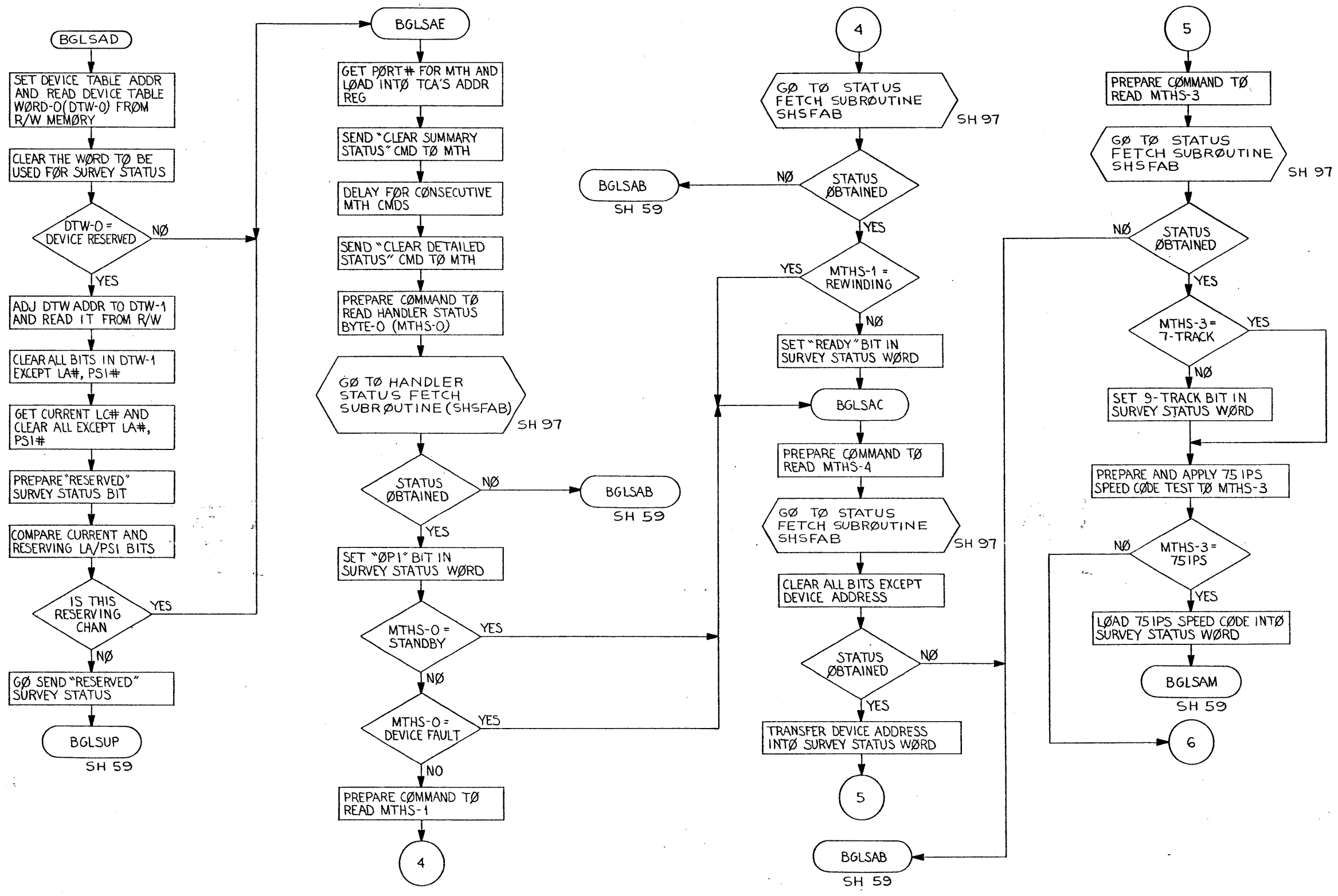
BRUNING 44-141

REF SPEC NO

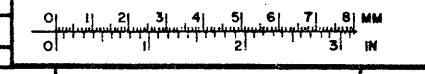


UNLESS OTHERWISE SPECIFIED		MATL		Honeywell			
DIMENSIONS=	MILLIMETERS INCHES	TOLERANCE OF SIZE AND FORM PER	TREAT.	HONEYWELL INFORMATION SYSTEMS LOC PCO PHOENIX, ARIZONA U. S. A.			
INITIAL DESIGN	PROJECTION	SCALE	CODE	TITLE FLOW DIAGRAM MTP060I GLSENT			
DR 75 SEP 24 Larry Bredetz	APPD [Signature]	SIZE D	DWG NO 58018149	SH 57	REV A		

A



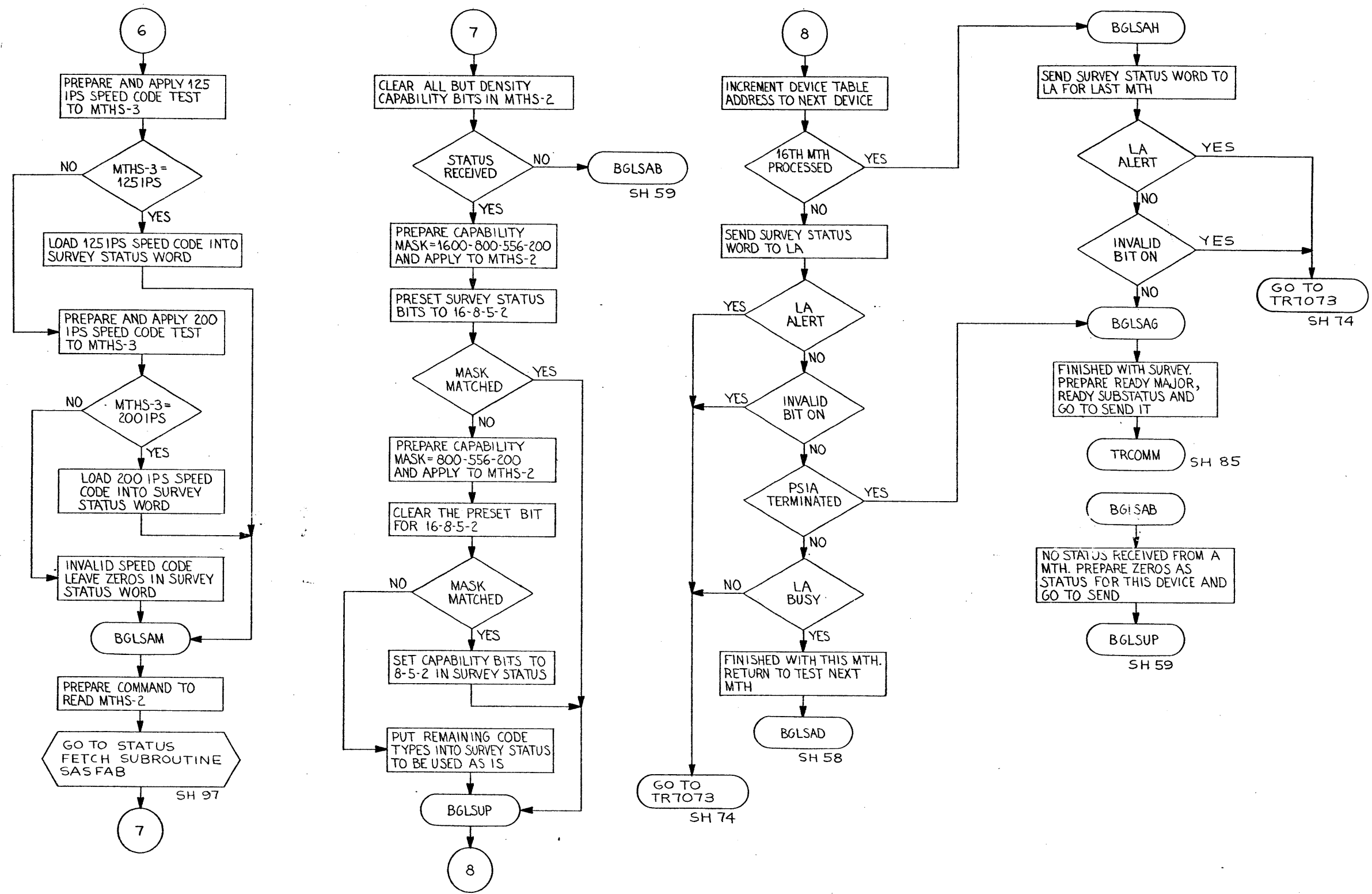
DRAWING 44141



UNLESS OTHERWISE SPECIFIED		MATH		Honeywell HONEYWELL INFORMATION SYSTEMS PHOENIX, ARIZONA U. S. A.
DIMENSIONS= MILLIMETERS		TREAT.		
TOLERANCE OF SIZE AND FORM PER		FIN.		
INITIAL DESIGN		DR		
PROJECTION		APPD		TITLE FLOW DIAGRAM MTPO601 GL-5
SCALE	CODE	DR	APPD	
		DR	APPD	SIZE D DWG NO 58018149 SH 58 REV A
		DISTR		1

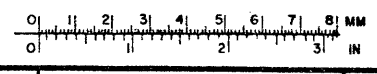
58018149

REVISIONS				
REV	AUTHORITY	DATE		SIGNATURE
		YR	MO DAY	



H
F
E
D
C
B
A

H
F
E
D
C
B
A



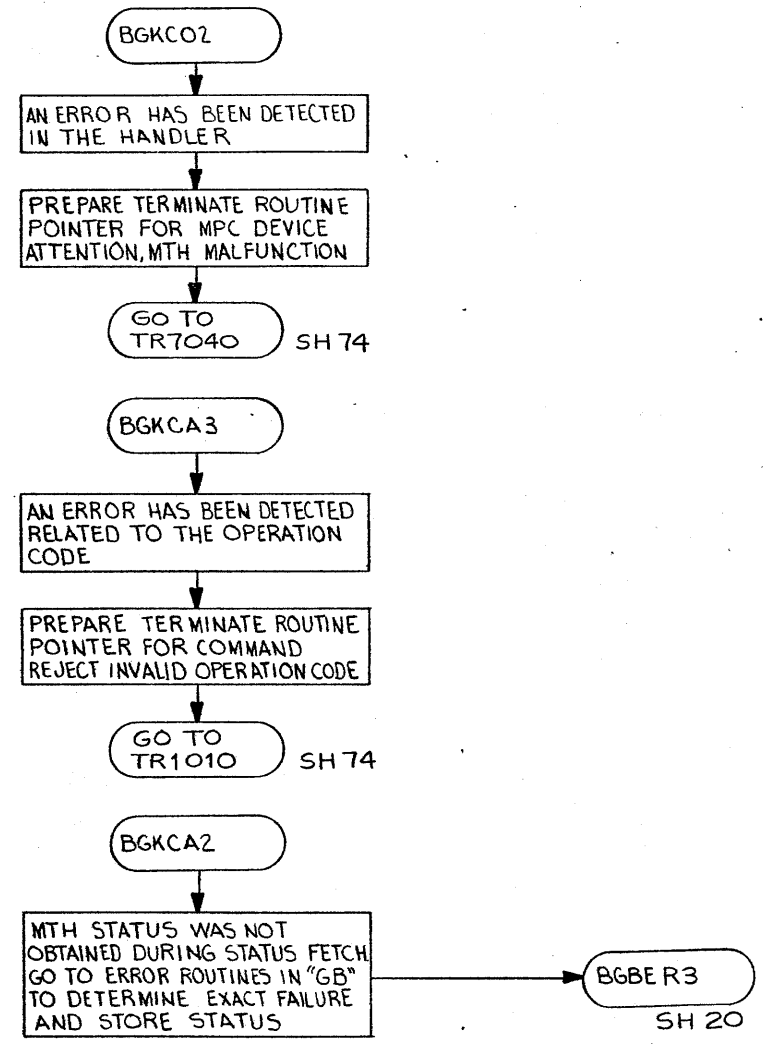
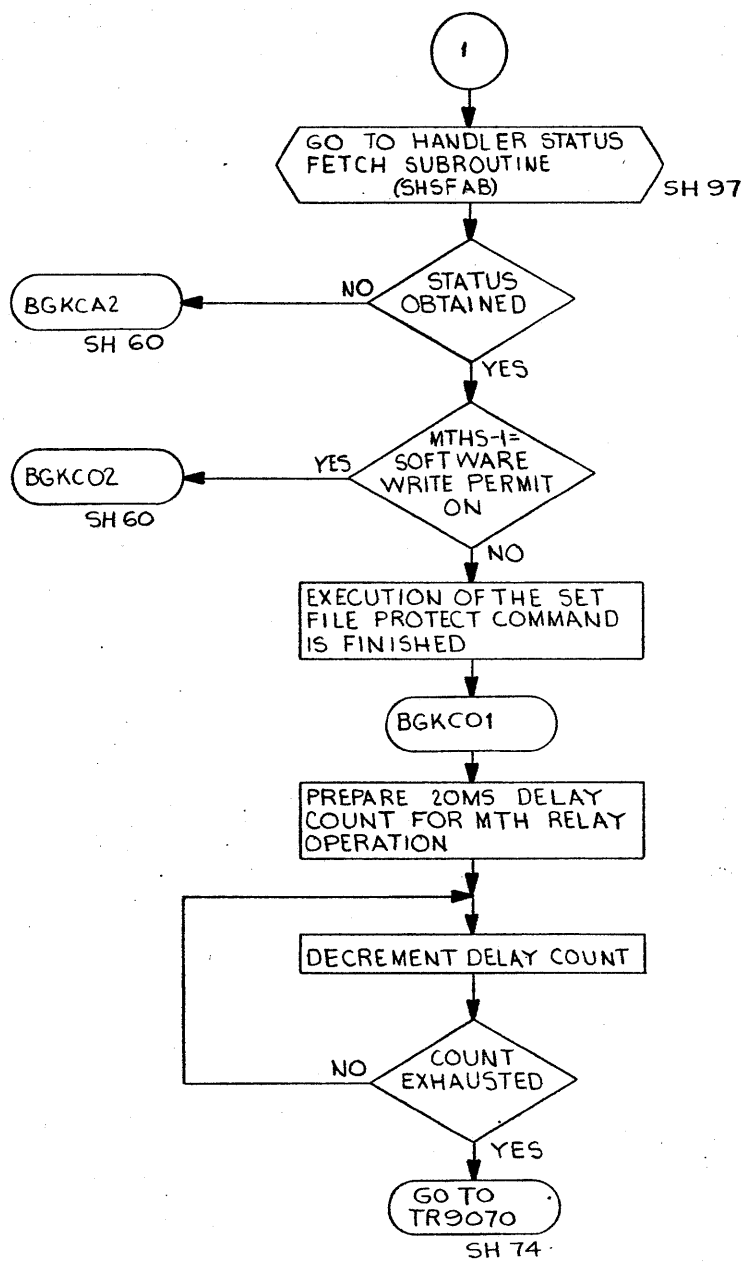
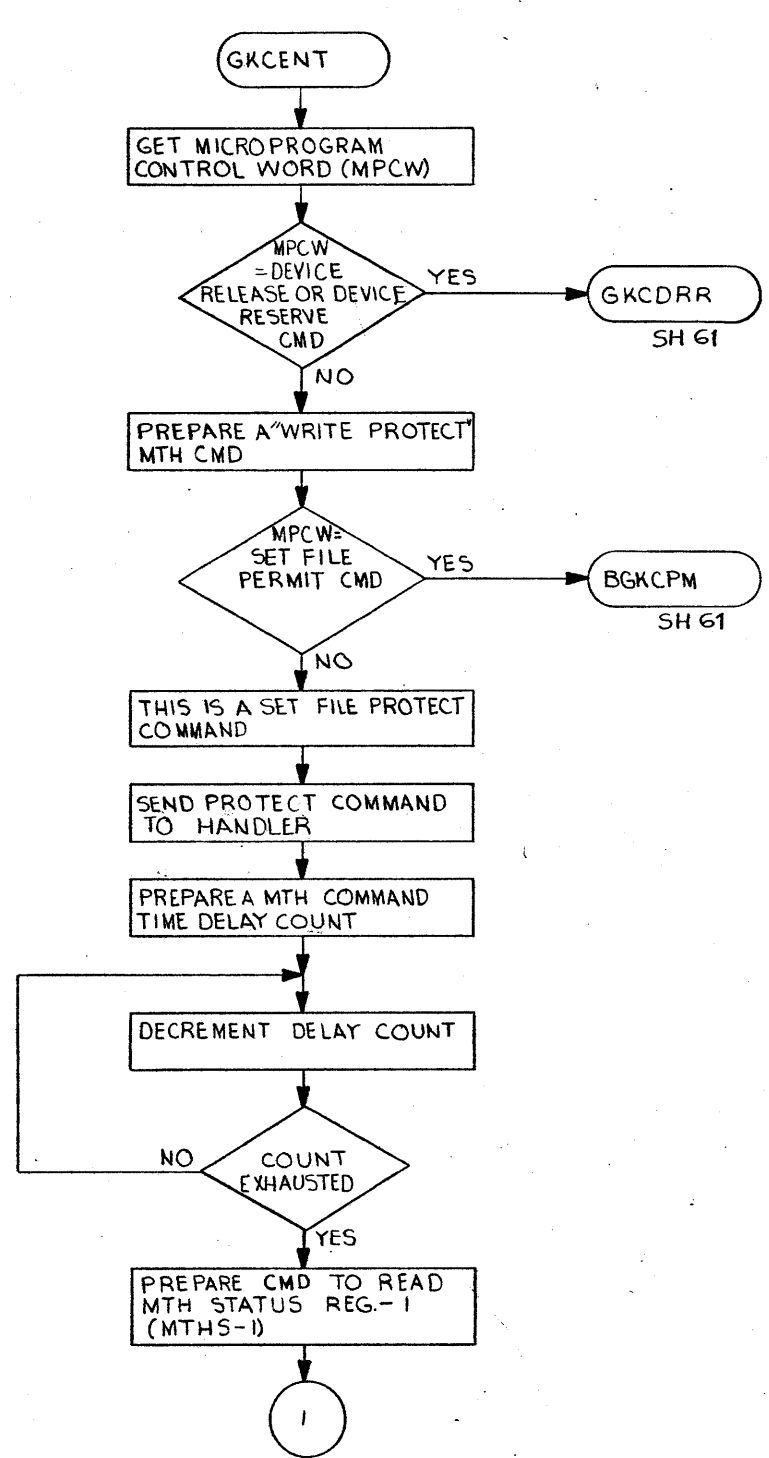
UNLESS OTHERWISE SPECIFIED DIMENSIONS= TOLERANCE OF SIZE AND FORM PER INITIAL DESIGN PROJECTION SCALE CODE	← MILLIMETERS → INCHES	MATERIAL		Honeywell HONEYWELL INFORMATION SYSTEMS PHOENIX, ARIZONA U. S. A.	
		TREAT.	LOC PC0		
		FIN.	TITLE FLOW DIAGRAM MTP0601 GL-5		
		DR 2.7 Wills APPD: 2/1/80 75A13	DATE 79-10-25	SIZE D	DWG NO 58018149
				SH 59	REV A

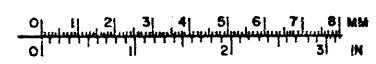
DISTR C68-25-TOS, NFC, NCO

58018149

REVISIONS			
REV	AUTHORITY	DATE	SIGNATURE
		YR MO DAY	

GKCENT- EXECUTES FOUR COMMANDS-
SET FILE PERMIT, SET FILE PROTECT,
RESERVE DEVICE, RELEASE DEVICE.

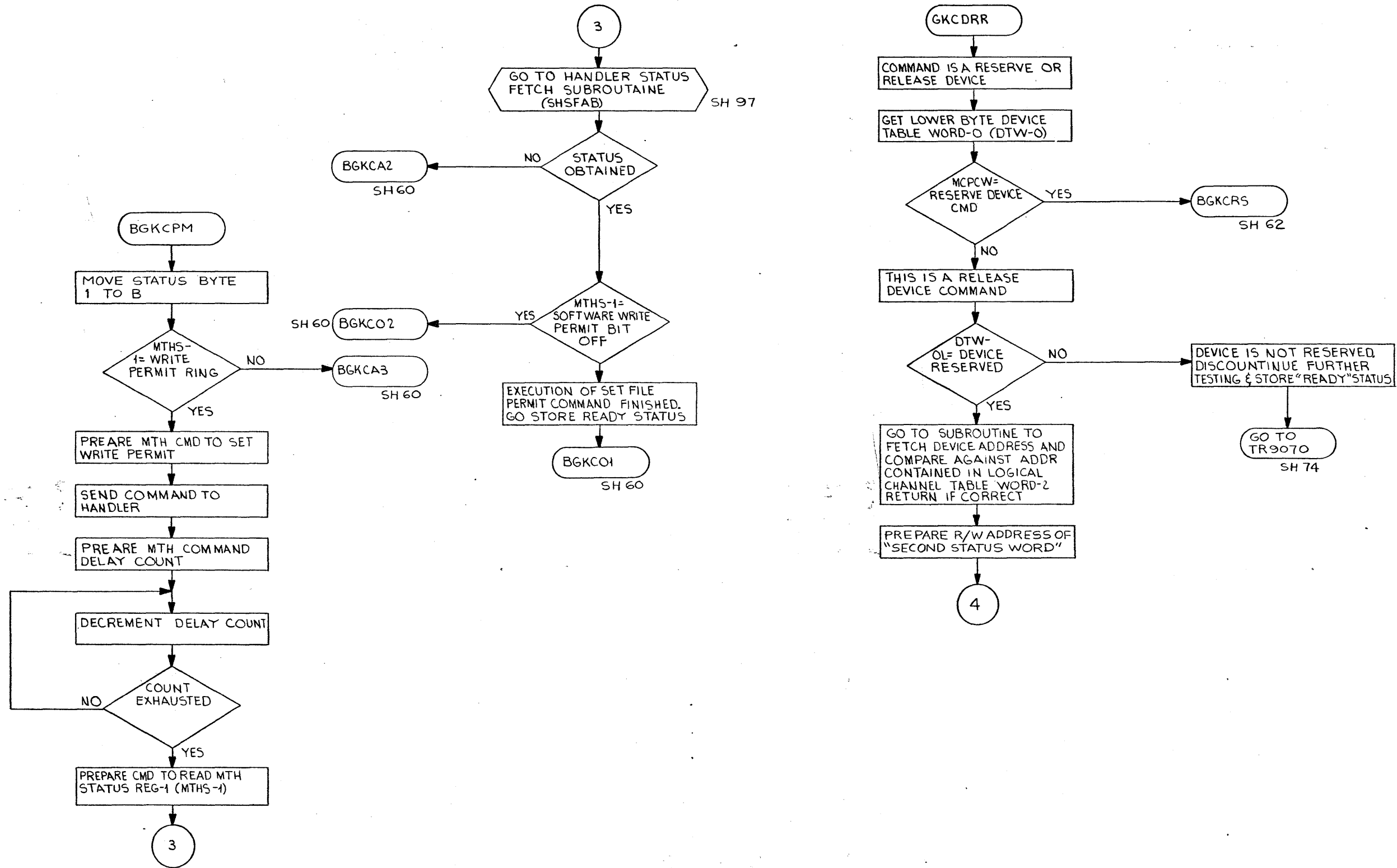


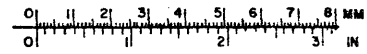


UNLESS OTHERWISE SPECIFIED		MATERIAL		Honeywell HONEYWELL INFORMATION SYSTEMS PHOENIX, ARIZONA U. S. A.	
DIMENSIONS= MILLIMETERS INCHES		TREAT.			
TOLERANCE OF SIZE AND FORM PER		FIN.		LOC	
INITIAL DESIGN		PROJECTION		TITLE	
SCALE		CODE		FLOW DIAGRAM MTP0601 GKCENT	
DR 74 October 25		APPD [Signature]		SIZE	DWG NO
				D	58018149
				SH	REV
				60	A
DISTR C6R-25. TOS. NEC. NCO					

58018149

REVISIONS				
REV	AUTHORITY	DATE		SIGNATURE
		YR	MO DAY	

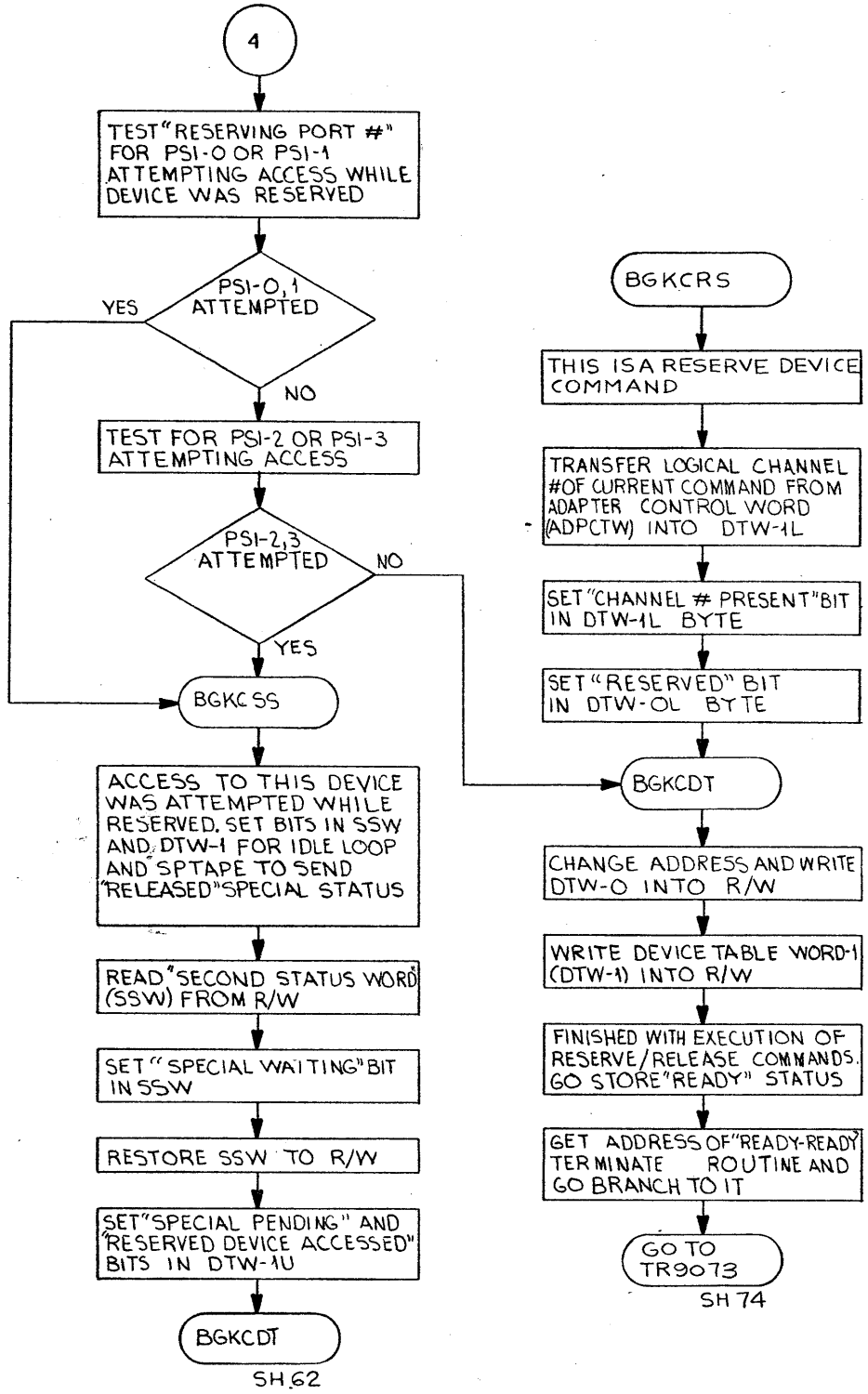




UNLESS OTHERWISE SPECIFIED		MATERIAL		Honeywell HONEYWELL INFORMATION SYSTEMS PHOENIX, ARIZONA U. S. A.			
DIMENSIONS=		TOLERANCE OF SIZE AND					
MILLIMETERS		FORM PER		FLOW DIAGRAM MTP0601			
INCHES		INITIAL DESIGN		GKCENT			
PROJECTION		PROJECTION		SIZE DWG NO			
SCALE		CODE		D 58018149			
		DR 74 October 24		SH			
		APPD RRP/AS/25 Oct 73		61			
				REV			
				A			

58018149

REVISIONS				
REV	AUTHORITY	DATE		SIGNATURE
		YR	MO DAY	



BRUNING 44.141

REF SPEC NO

01 02 03 04 05 06 07 08 MM

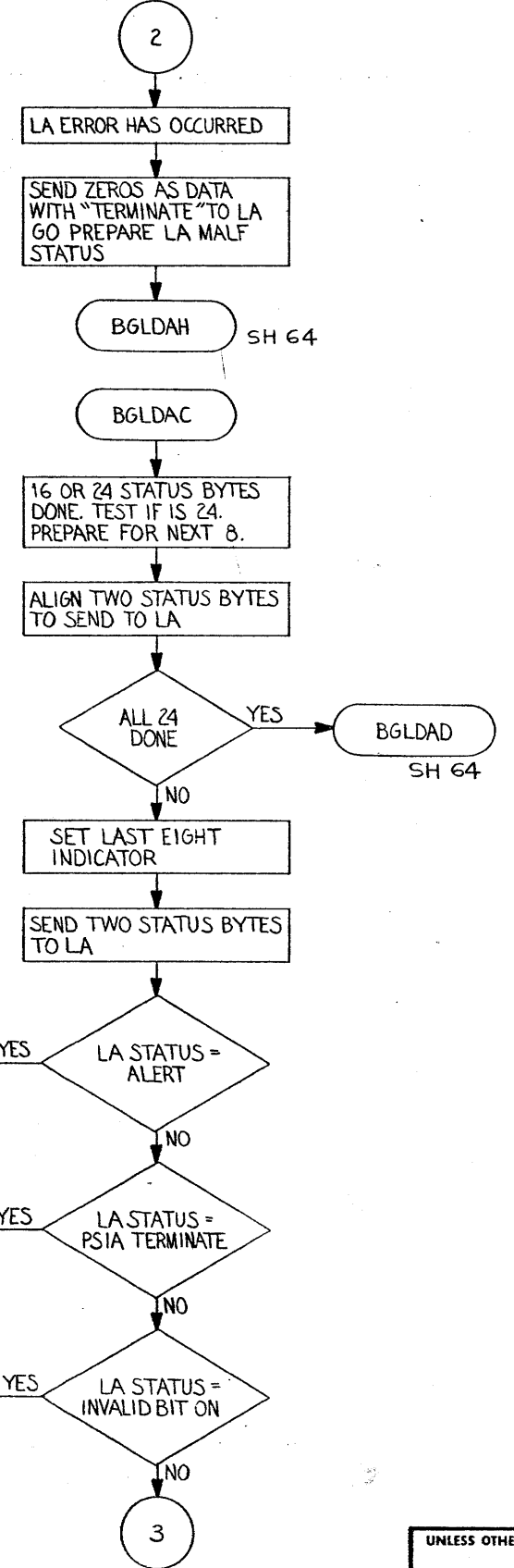
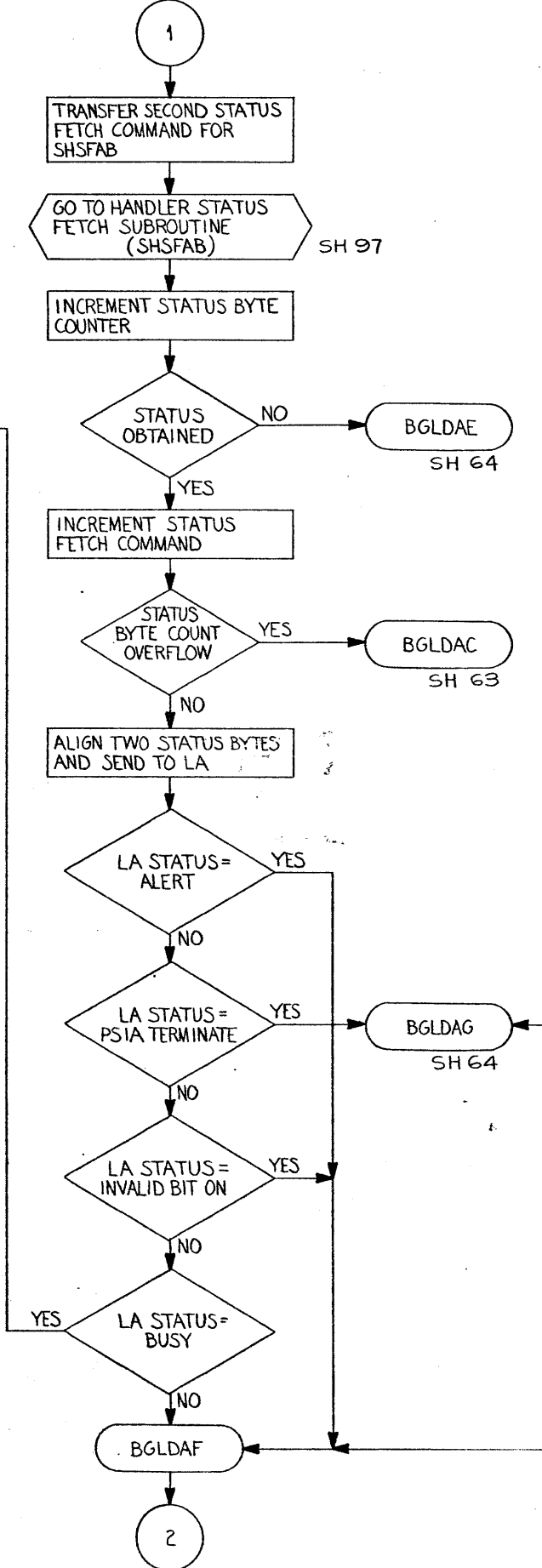
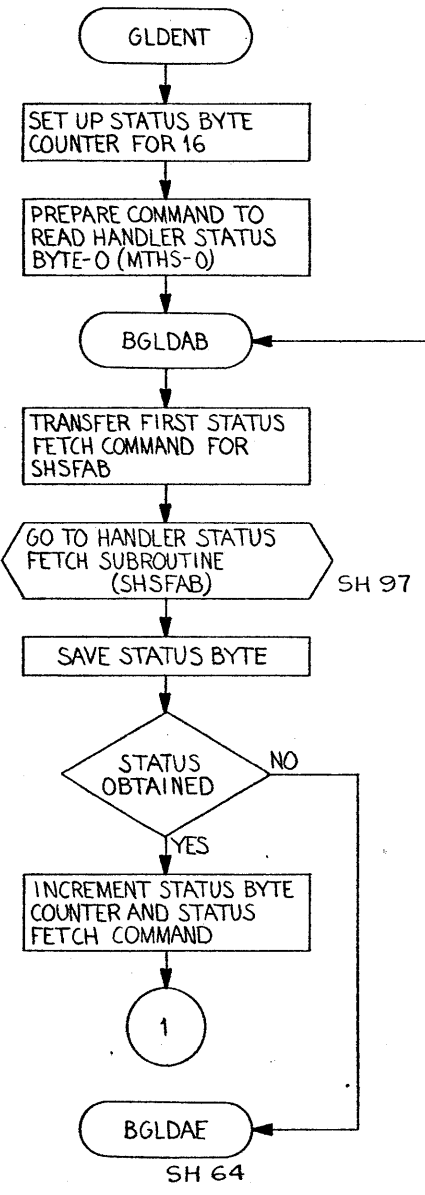
01 02 03 04 IN

UNLESS OTHERWISE SPECIFIED		MATL		Honeywell HONEYWELL INFORMATION SYSTEMS PHOENIX, ARIZONA U. S. A.	
DIMENSIONS= MILLIMETERS INCHES		TREAT.			
TOLERANCE OF SIZE AND FORM PER		FIN.		TITLE FLOW DIAGRAM MTP0601 GKCENT	
SCALE	CODE	DR	74 October 21	SIZE	DWG NO
		APPD	Richard Johnson	D	58018149
PROJECTION			SH	REV	A
			DISTR CGR-25 TOS NEC. NCO		

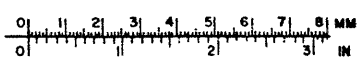
58018149

REVISIONS				
REV	AUTHORITY	DATE	SIGNATURE	
		YR MO DAY		

GLD-REQUEST DEVICE STATUS
THIS ROUTINE READS 24 BYTES OF STATUS FROM A HANDLER SENDING TWO AT A TIME TO THE SYSTEM



CR	REV	DATE	BY

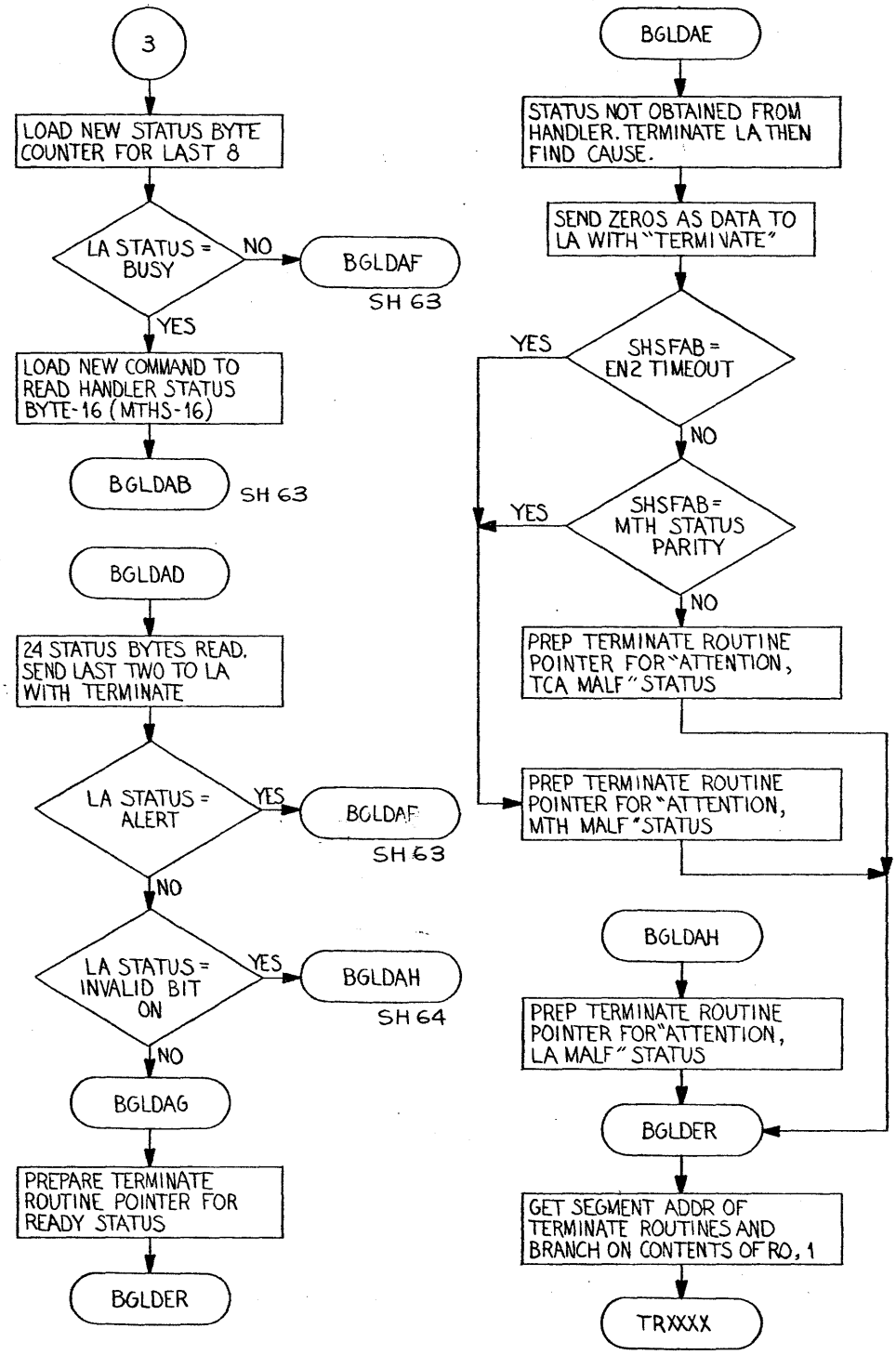


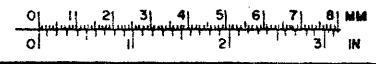
UNLESS OTHERWISE SPECIFIED		MATERIAL	
DIMENSIONS = MILLIMETERS			
TOLERANCE OF SIZE AND FORM PER		TREAT.	
INITIAL DESIGN		FIN.	
SCALE	CODE	DR	APPD
		92 Wills 74-10-28	

Honeywell		HONEYWELL INFORMATION SYSTEMS	
LOC PC0 PHOENIX, ARIZONA U. S. A.		TITLE FLOW DIAGRAM MTP0601	
GLDENT			
SIZE	DWG NO	SH	REV
D	58018149	63	A

58018149

REVISIONS				
REV	AUTHORITY	DATE		SIGNATURE
		YR	MO	DAY

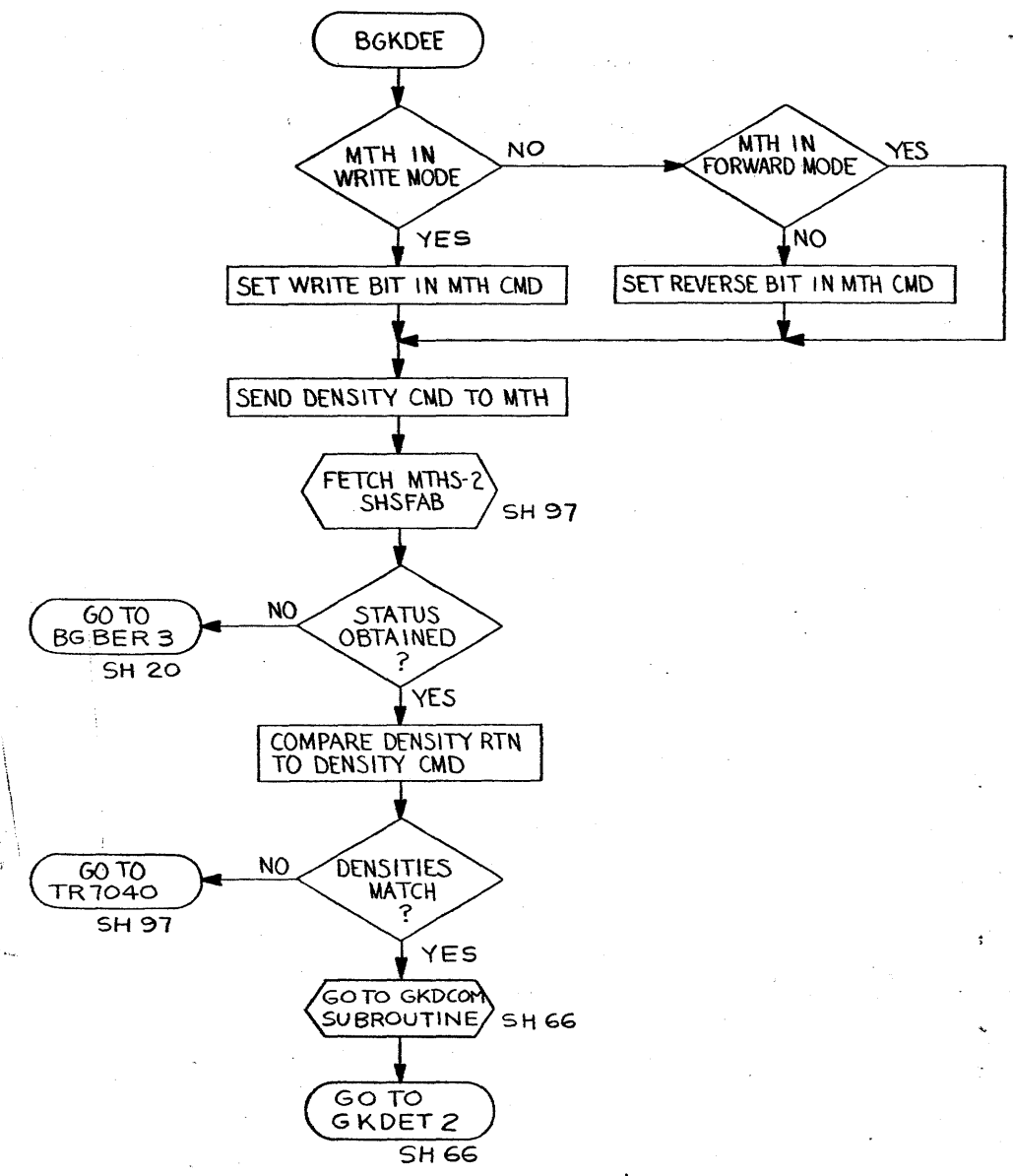
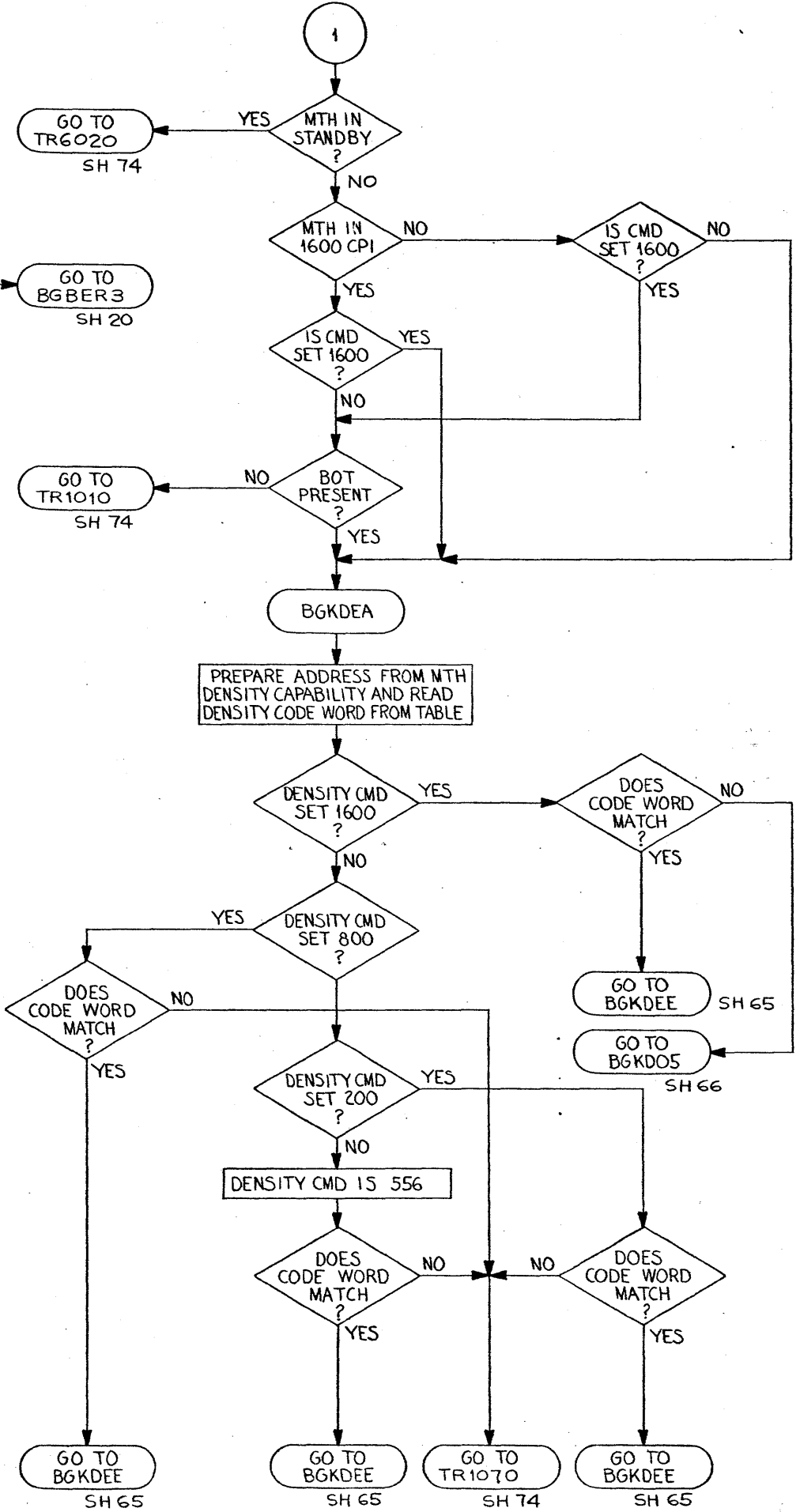
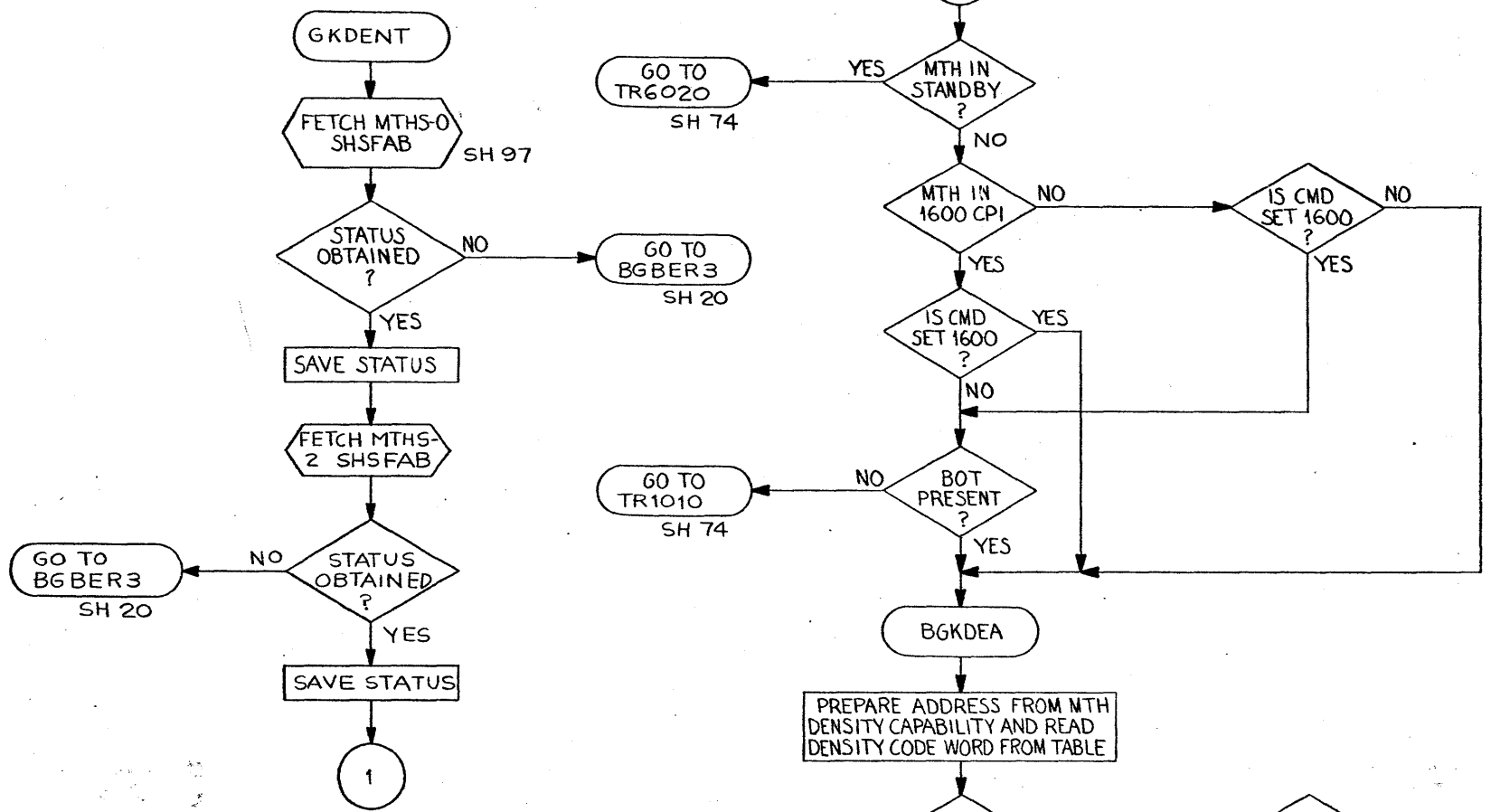


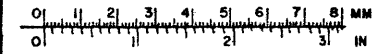


UNLESS OTHERWISE SPECIFIED		MATL		Honeywell HONEYWELL INFORMATION SYSTEMS PHOENIX, ARIZONA U. S. A.			
DIMENSIONS=		TREAT.					
TOLERANCE OF SIZE AND FORM PER		FIN.		TITLE		LOC	
INITIAL DESIGN		DR		FLOW DIAGRAM MTP0601		GLDENT	
PROJECTION		APPD		8.7 Wells 74-10-29		LRP	
SCALE	CODE	SIZE	DWG NO	SH	REV		
		D	58018149	64	A		

REVISIONS					
REV	AUTHORITY	DATE		SIGNATURE	
		YR	MO DAY		

SET DENSITY COMMAND

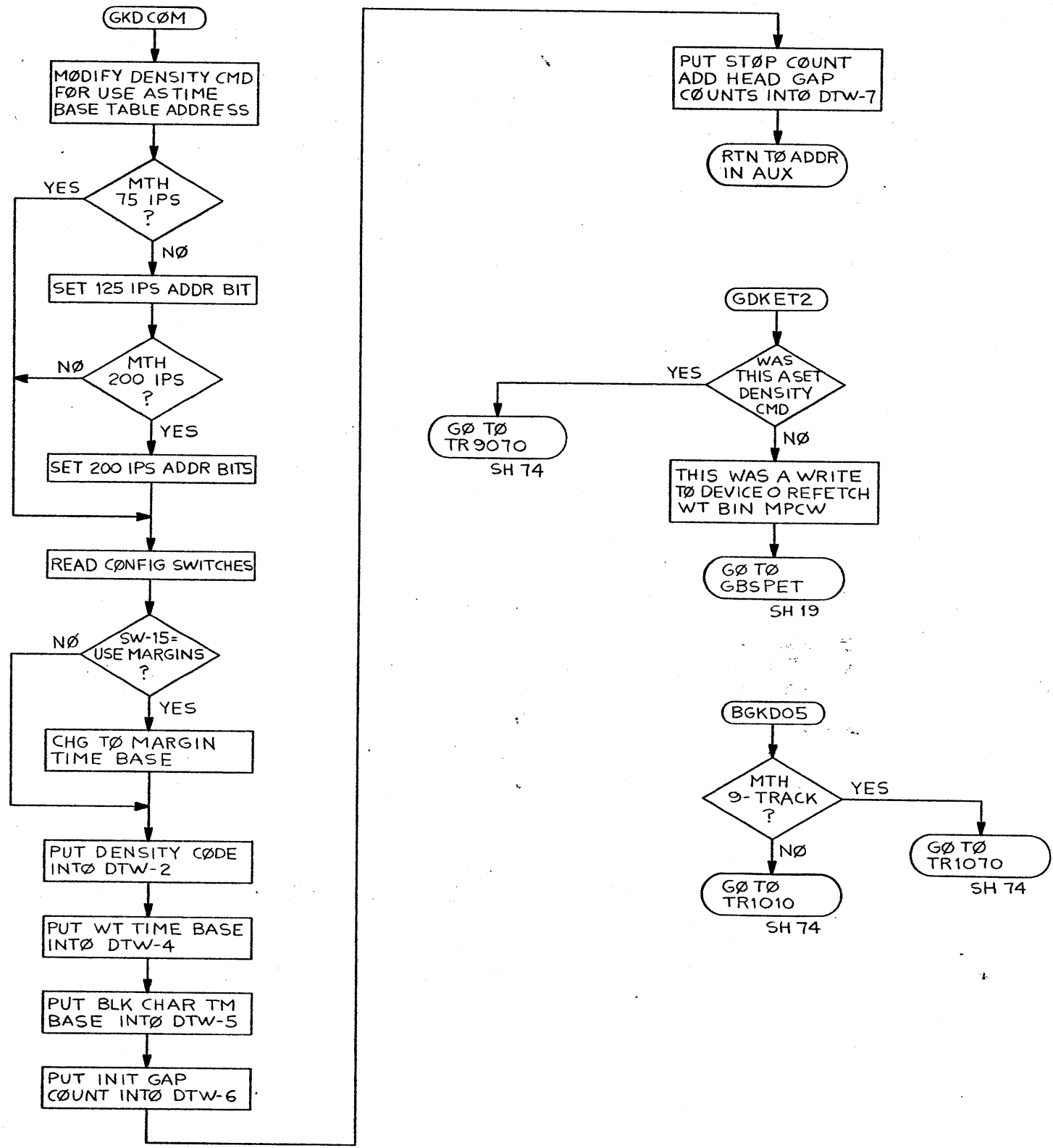


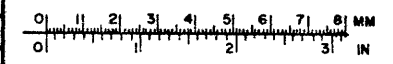


UNLESS OTHERWISE SPECIFIED		MATERIAL		Honeywell	
DIMENSIONS=	MILLIMETERS ← INCHES	TREAT.	LOC PC0	HONEYWELL INFORMATION SYSTEMS PHOENIX, ARIZONA U. S. A.	
TOLERANCE OF SIZE AND FORM PER INITIAL DESIGN	PROJECTION	FIN.	TITLE FLOW DIAGRAM MTP0601 GKD		
SCALE	CODE	DR	74-10-3	SIZE	DWG NO
		APPD	<i>J. J. Willa</i> 75 Oct 3	D	58018149
		DISTR	C68-25, TOS, NEC, NCO	SH	65
				REV	A

58018149

REVISIONS			
REV	AUTHORITY	DATE	SIGNATURE
		YR MO DAY	





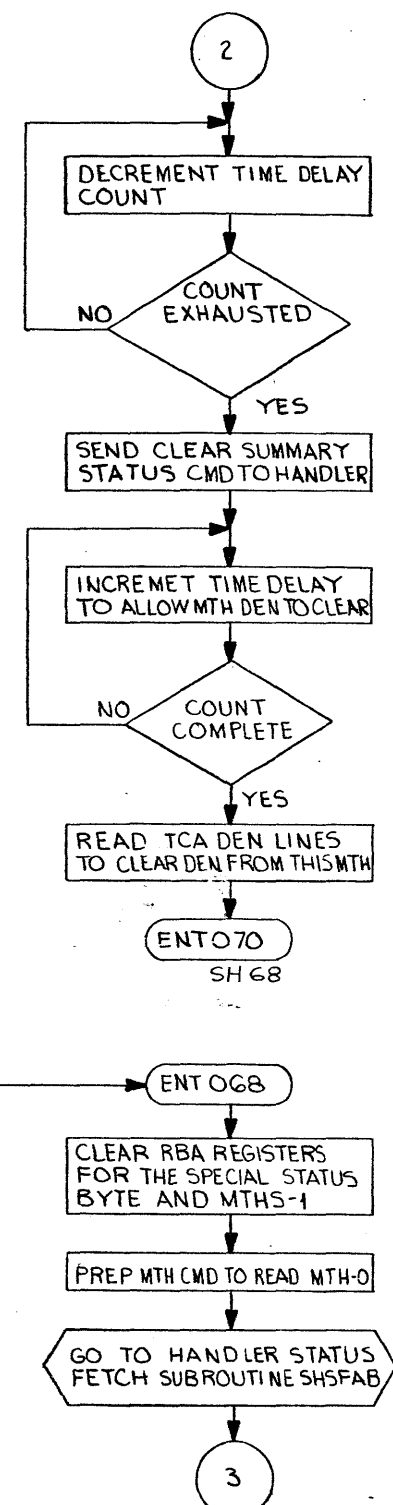
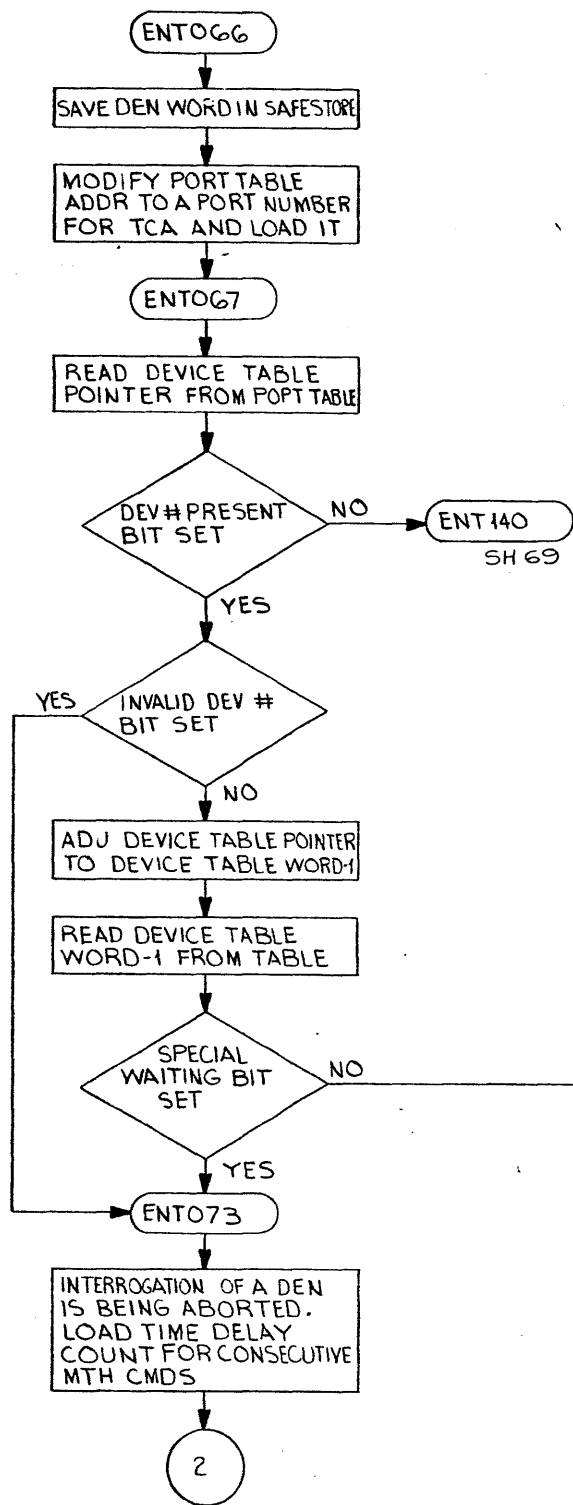
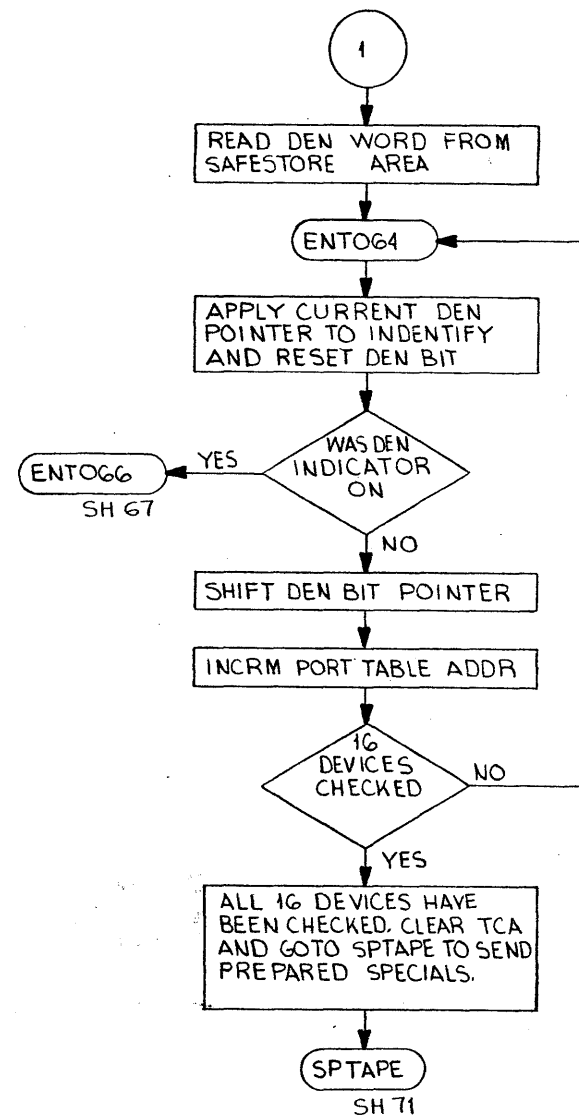
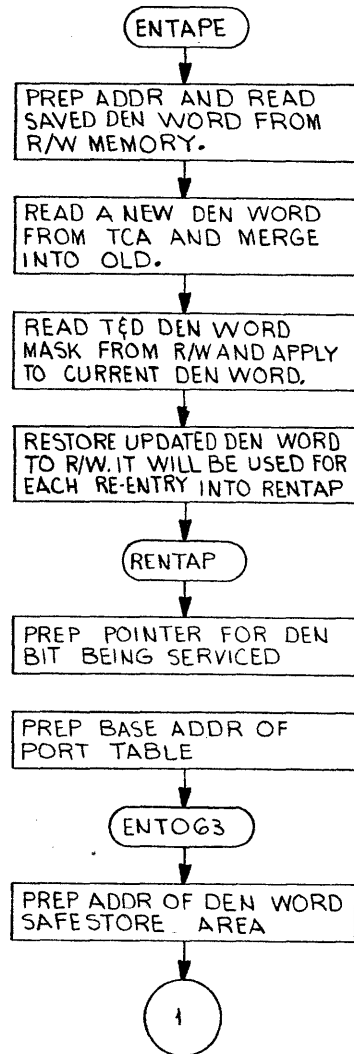
UNLESS OTHERWISE SPECIFIED		MATL	Honeywell	
DIMENSIONS= MILLIMETERS / INCHES		TREAT.		
TOLERANCE OF SIZE AND FORM PER		FIN.	LOC PCO HONEYWELL INFORMATION SYSTEMS PHOENIX, ARIZONA U. S. A.	
INITIAL DESIGN			TITLE FLOW DIAGRAM MTP0601	
PROJECTION			GKD	
SCALE	CODE	DR 75 SEP 24 Larry Bidik	SIZE DWG NO	SH REV
		APPD R.R. Pet 75013	D 58018149	66 A

H
F
E
D
C
B
A

58018149

ENTAPE INVESTIGATES THE CAUSE OF A DEN FROM A HANDLER AND MAKES UP A SPECIAL INTERRUPT WORD TO BE SENT BY SPTAPE. ENTRY IS FROM THE IDLE LOOP.

REVISIONS				
REV	AUTHORITY	DATE	SIGNATURE	
YR	MO	DAY		



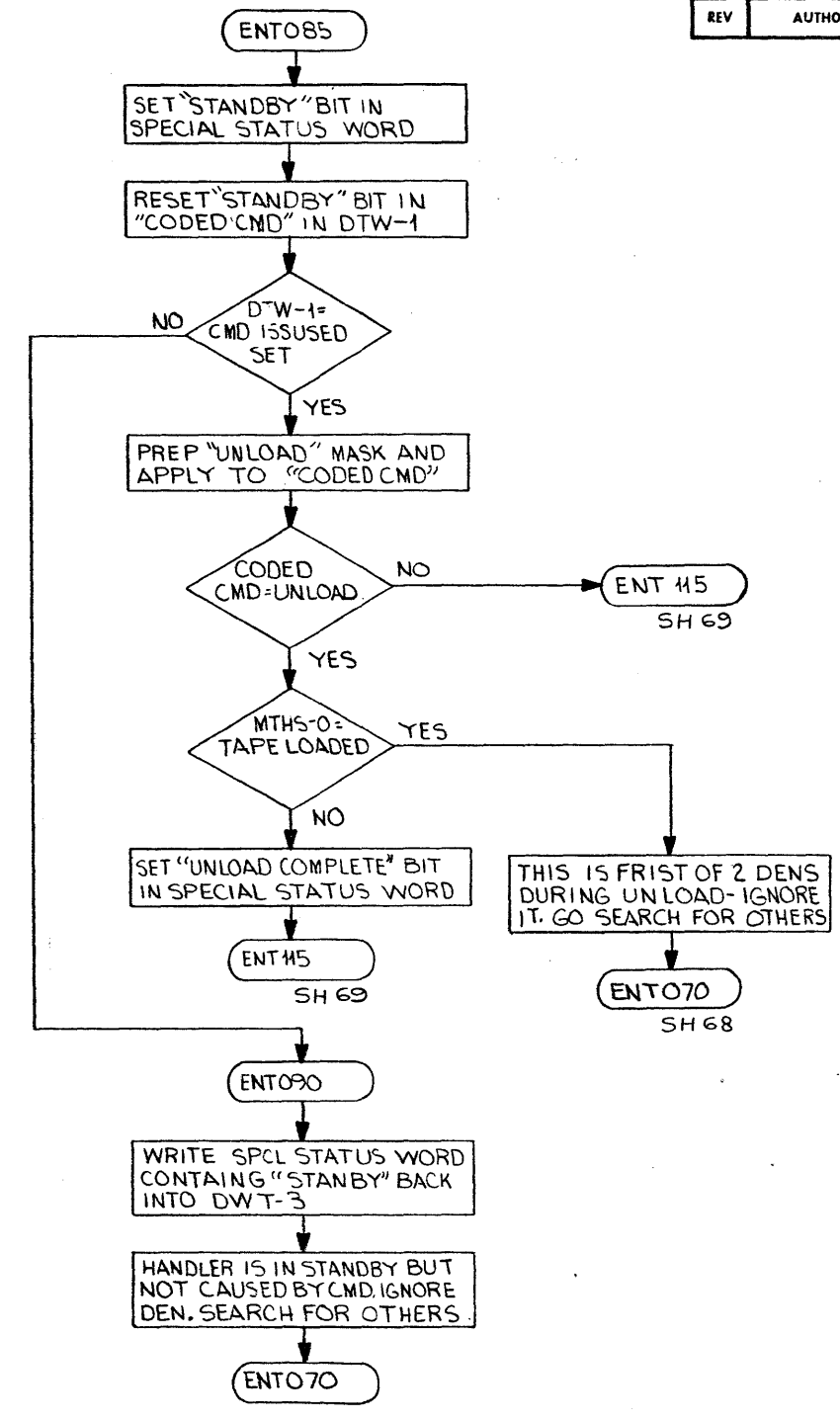
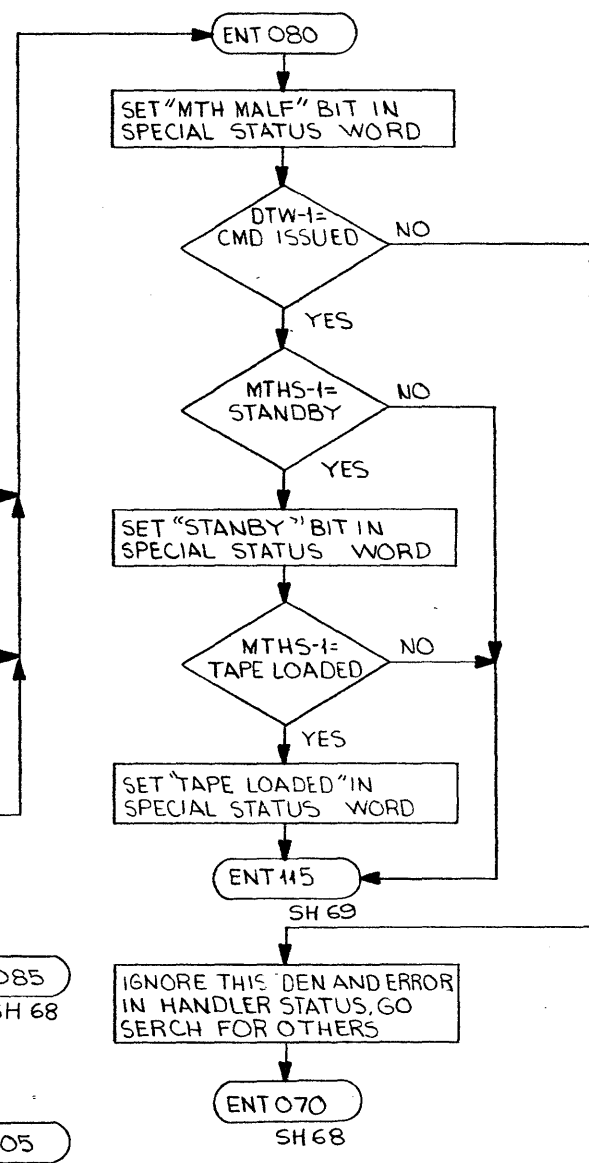
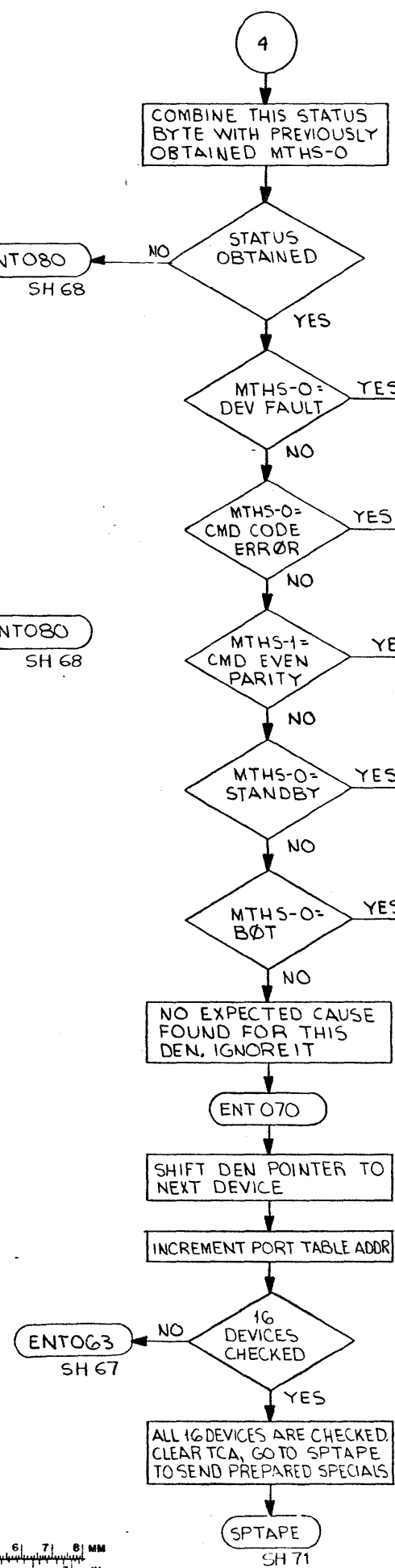
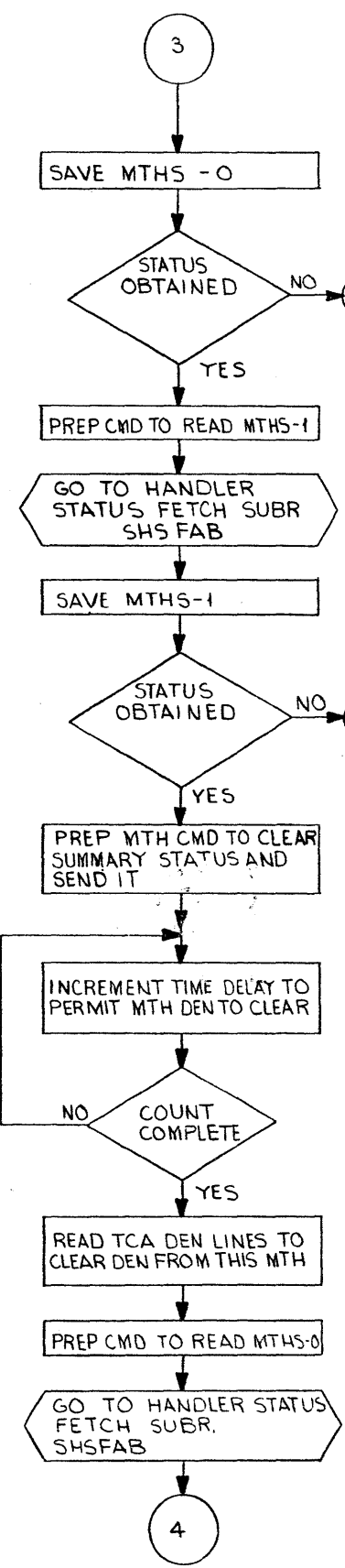
BRUNING 44.141

REF SPEC NO

UNLESS OTHERWISE SPECIFIED		MATERIAL		Honeywell HONEYWELL INFORMATION SYSTEMS PHOENIX, ARIZONA U. S. A.			
DIMENSIONS= MILLIMETERS / INCHES		TREAT.					
TOLERANCE OF SIZE AND FORM PER INITIAL DESIGN PROJECTION		FIN.		TITLE		FLOW DIGRAM MTP0601 ENTAPE	
SCALE	CODE	DR 74 October 11 Richard W. Hock		SIZE	DWG NO	SH	REV
		APPD RRP 75 01 3		D	58018149	67	A

58018149

REVISIONS				
REV	AUTHORITY	DATE	SIGNATURE	
		YR MO DAY		



BRUNING 44 121

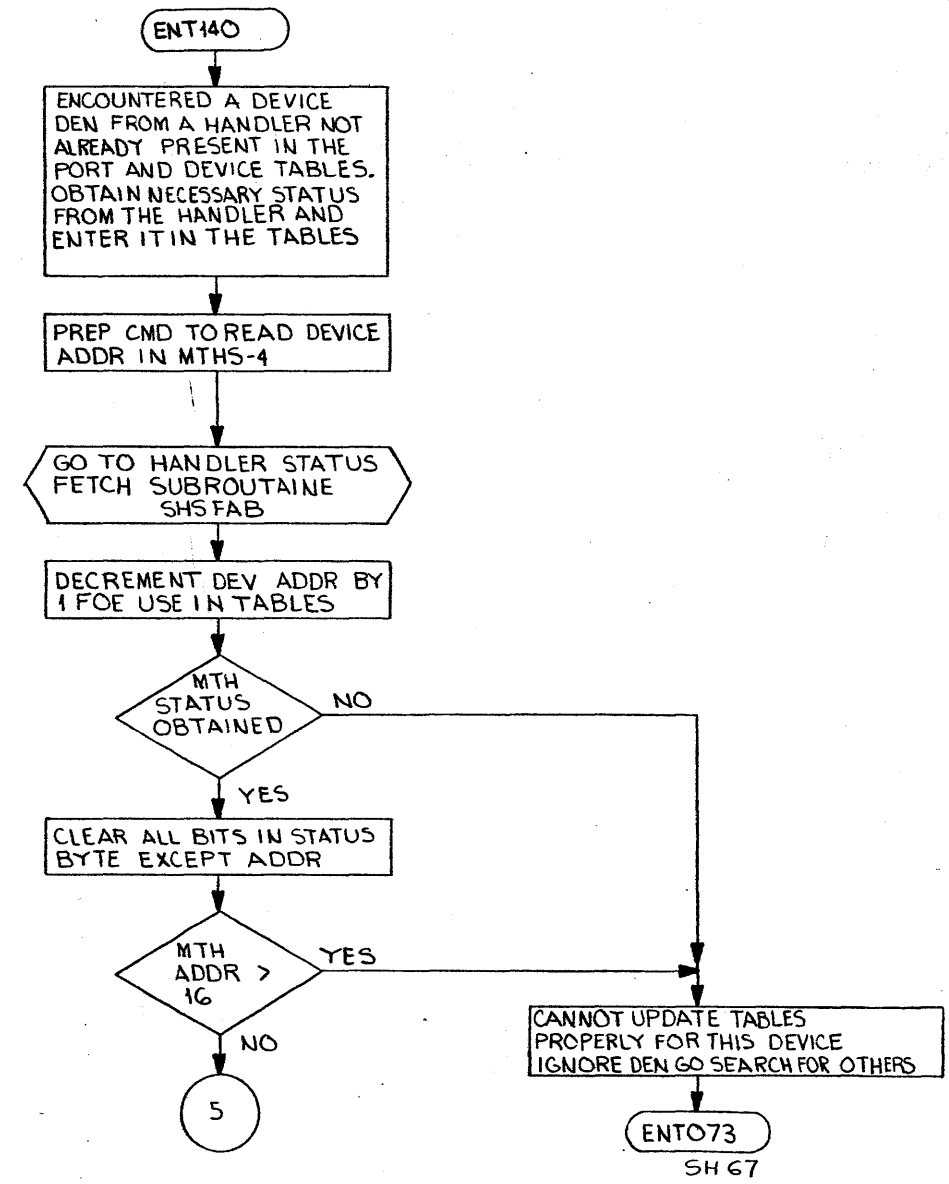
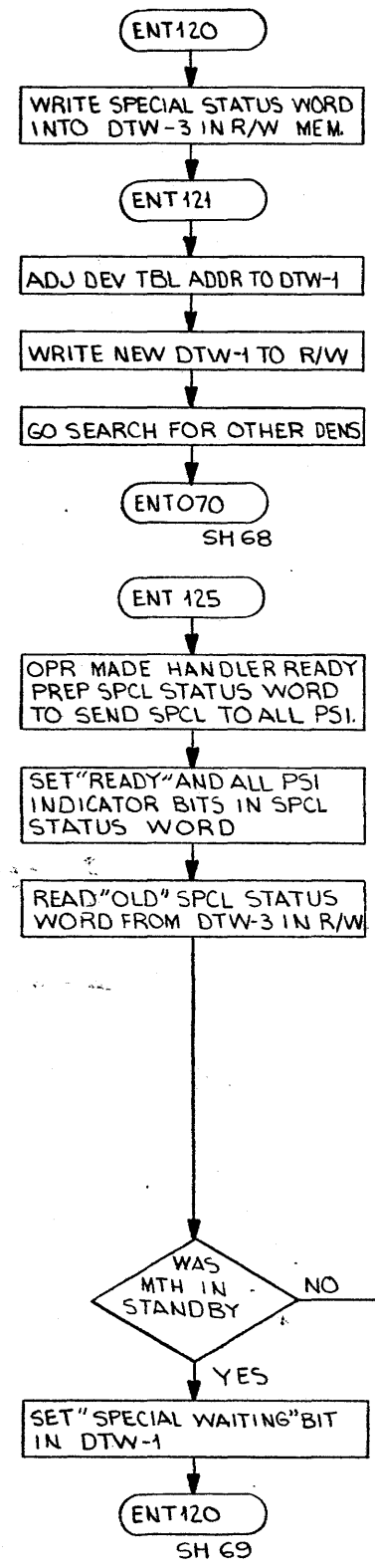
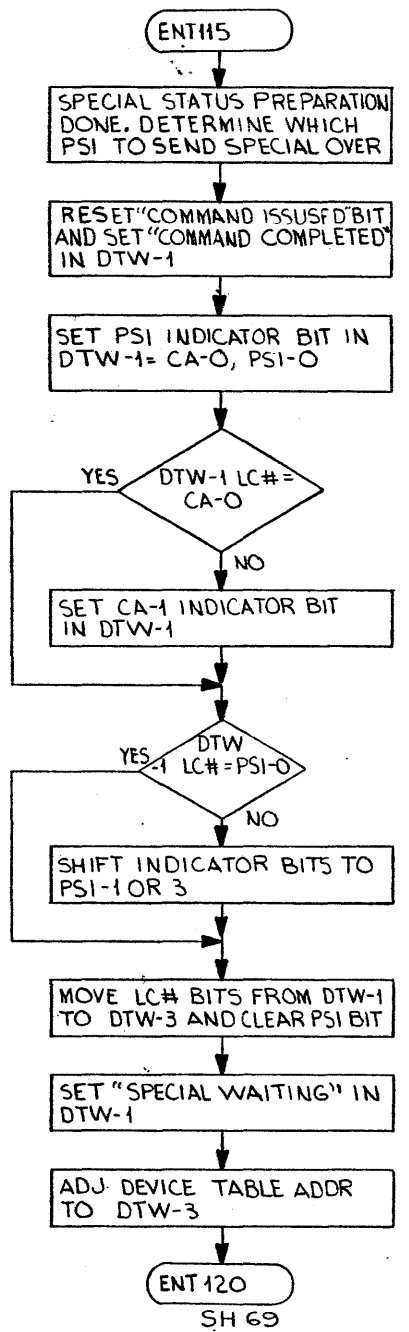
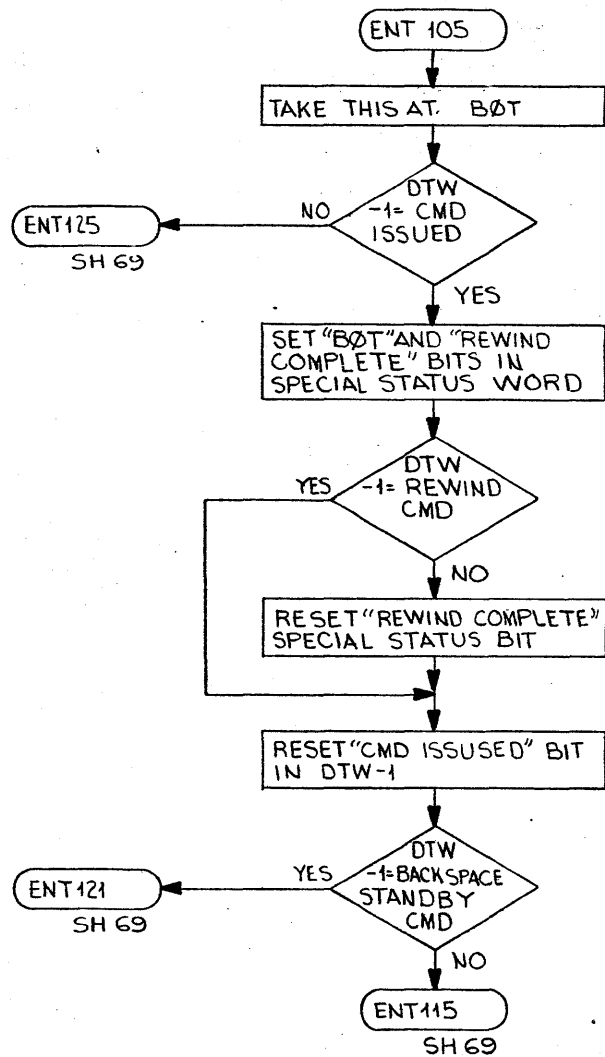
REF SPEC NO

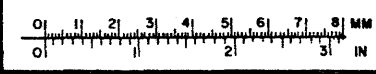
CE 900 D (12-72)

UNLESS OTHERWISE SPECIFIED		MATERIAL		Honeywell HONEYWELL INFORMATION SYSTEMS PHOENIX, ARIZONA U. S. A.	
DIMENSIONS- MILLIMETERS INCHES		TREAT.			
TOLERANCE OF SIZE AND FORM PER		FIN.		LOC TITLE FLOW DIAGRAM MTP0601 ENTAPE	
INITIAL DESIGN		DR 7410/16		SIZE DWG NO SH REV D 58018149 68 A	
PROJECTION		APPD <i>Richard D. ...</i> <i>R.P. ... 750473</i>			
SCALE	CODE				

58018149

REVISIONS			
REV	AUTHORITY	DATE	SIGNATURE
		YR MO DAY	





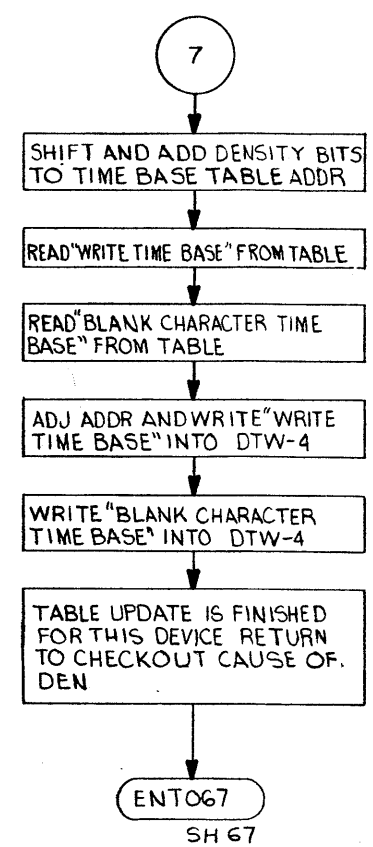
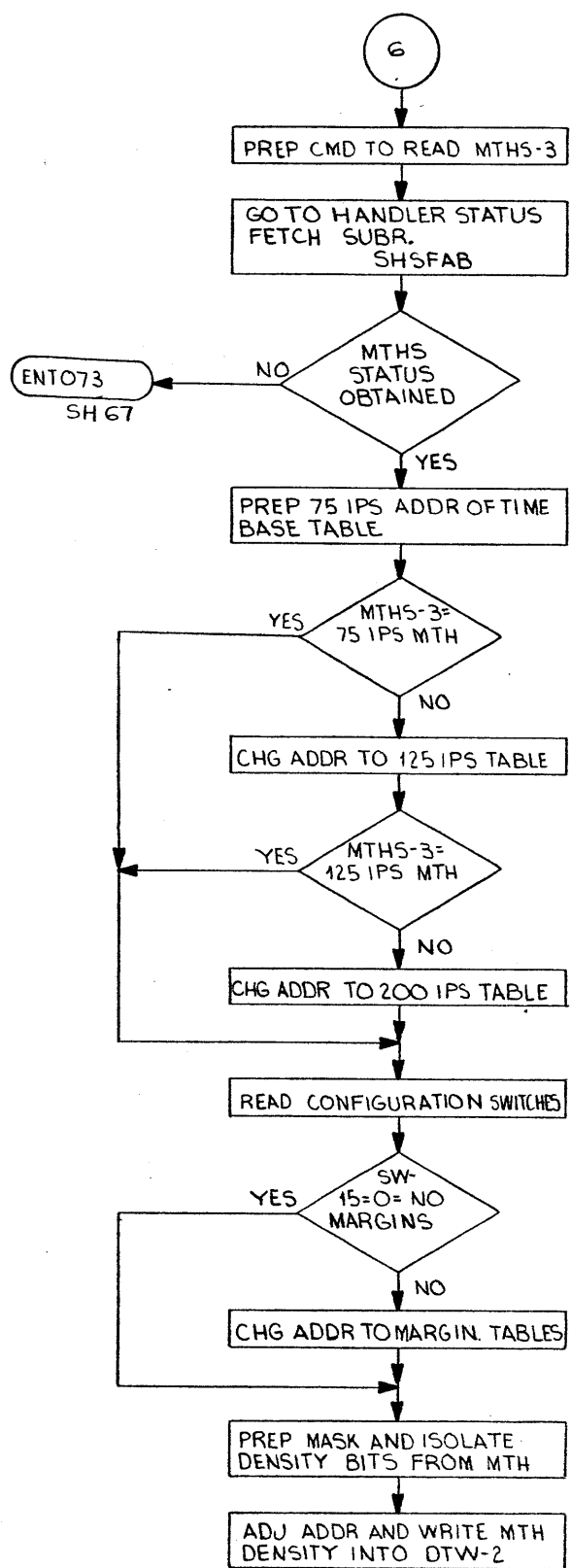
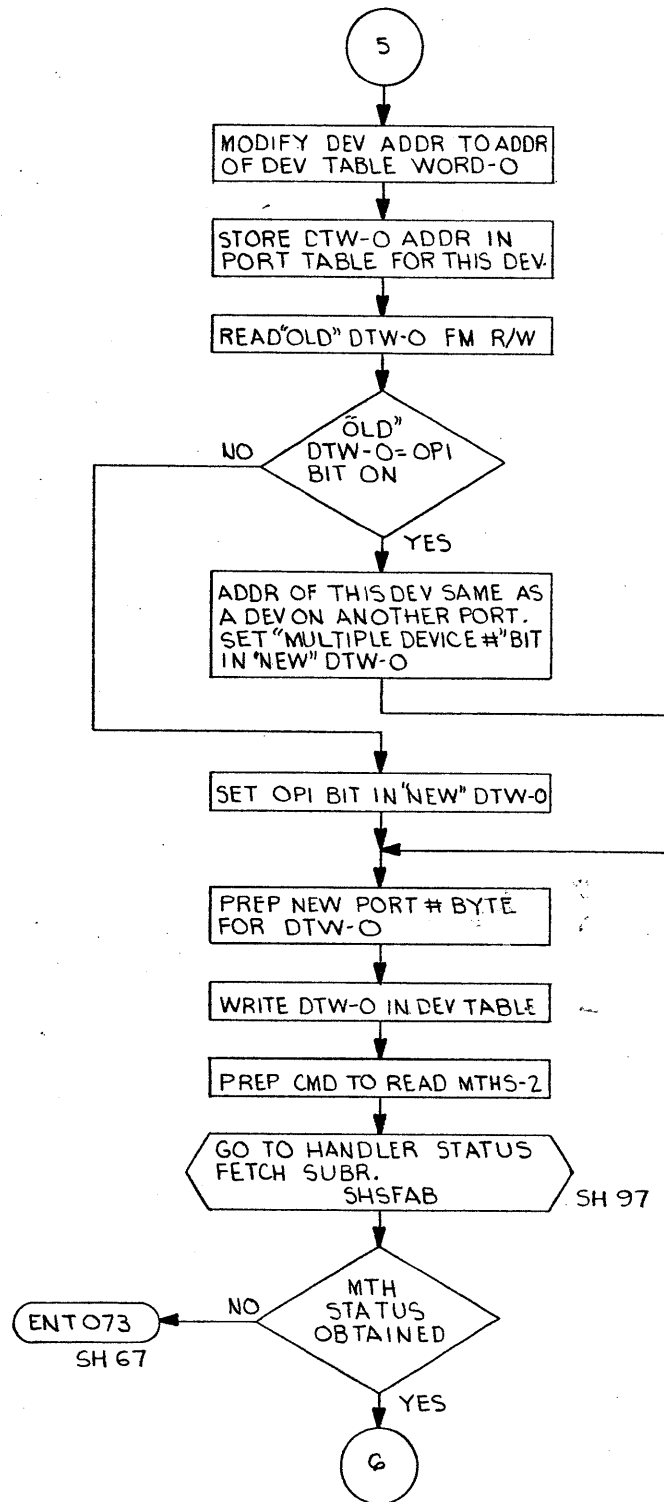
UNLESS OTHERWISE SPECIFIED		MATH		Honeywell HONEYWELL INFORMATION SYSTEMS PHOENIX, ARIZONA U. S. A.
DIMENSIONS=	MILLIMETERS	TREAT.	LOC	
TOLERANCE OF SIZE AND FORM PER	INCHES	FIN.	TITLE	
INITIAL DESIGN	PROJECTION	SCALE	CODE	
PROJECT	DR	DR	DR	SIZE
APPD				DWG NO
				SH
				REV

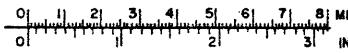
58018149

TITLE FLOW DIAGRAM MTP0601 ENTAPE

SIZE D DWG NO 58018149 SH 69 REV A

REVISIONS			
REV	AUTHORITY	DATE	SIGNATURE
		YR MO DAY	





UNLESS OTHERWISE SPECIFIED		MATL		Honeywell HONEYWELL INFORMATION SYSTEMS PHOENIX, ARIZONA U. S. A. TITLE FLOW DIAGRAM MTP0610 ENTAPE	
DIMENSIONS=	MILLIMETERS INCHES	TREAT.	LOC		
TOLERANCE OF SIZE AND FORM PER	INITIAL DESIGN	FIN.	SIZE		
PROJECTION	SCALE	CODE	DWG NO		
DR	74 October 18	SH	70	REV	A
APPD	Richard W. [Signature]	DISTR	CG8-25, TOS, NEC, NCO	DWG NO	58018149

58018149

A

SENDS PREVIOUSLY PREPARED SPECIAL INTERRUPT STATUS.

SPTAPE

PREP ADDR OF DEVICE TABLE WORD-1 (DTW-1)

PREP HANDLER ADDRESS MINUS 1

PREP ADDR OF SECOND STATUS WORD (SSW)

READ SSW FROM R/W AND RESET "SPL WAITING" BIT

SPT001

ADD 1 TO DTW-1 ADDR

ADD 1 TO DEVICE ADDR

READ DTW-1 FROM R/W

ALL 16 DEVICES TESTED?

SPTEND SH 72

PREP ADDR OF ADAPTER-0 CONTROL WORD (ADAPTCW)

STORED SPECIAL PENDING?

SPT011

INCRM DTW ADDR TO 3

READ DTW-3 FROM R/W

1

1 SPT012

READ ADAPTCW-0 FROM R/W

CA/LA BUSY?

GO SUBR TO SET "SPECIAL WAITING" SPT031

RSET PSI-0 INDICATOR PREP LA CMD-PSI-0 SW

SPECIAL PENDING PSI-0?

RSET PSI-1 INDICATOR PREP LA CMD-PSI-1 SW

SPECIAL PENDING PSI-1?

SPT014

PREP ADDR AND READ ADAPTCW-1 FROM R/W

2

2

CA/LA BUSY?

GO SUBR TO SET "SPECIAL WAITING" SPT031

RSET PSI-2 INDICATOR PREP LA CMD-PSI-0 SW

SPECIAL PENDING PSI-2?

RSET PSI-3 INDICATOR PREP LA CMD-PSI-1 SW

SPECIAL PENDING PSI-3?

SPT015

LOAD PREPARED CA# TO DAN CLEAR LA, LOAD PSI SW #

SELECTED PSI OPERATIONAL?

3

3

PREPARE DEVICE #, LOGICAL CHAN #, AND LA/PSI BITS FOR TRACE AND STO STA

GO SUBR TO TRACE THIS SPECIAL STATUS TRACE

PREP SPCL INTERRUPT SVC CODE FOR STO STA

GO SUBR TO SEND THE SPECIAL STATUS STO STA

SPT020

RELOAD ADAPTCW-0 ADDR

GO TO SPT012

SPT041

SPCL STILL PENDING FOR THIS DEVICE?

RESERVED DEVICE ACCESSED BIT SET?

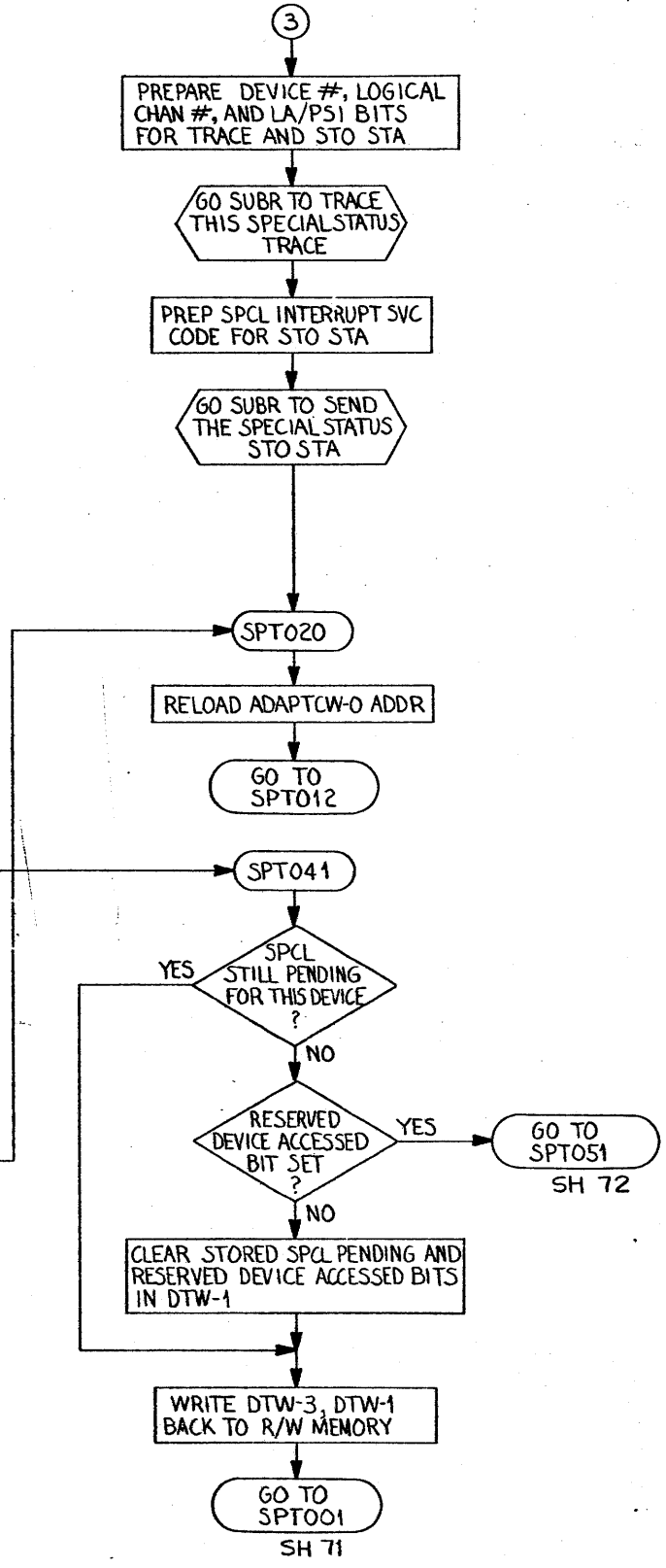
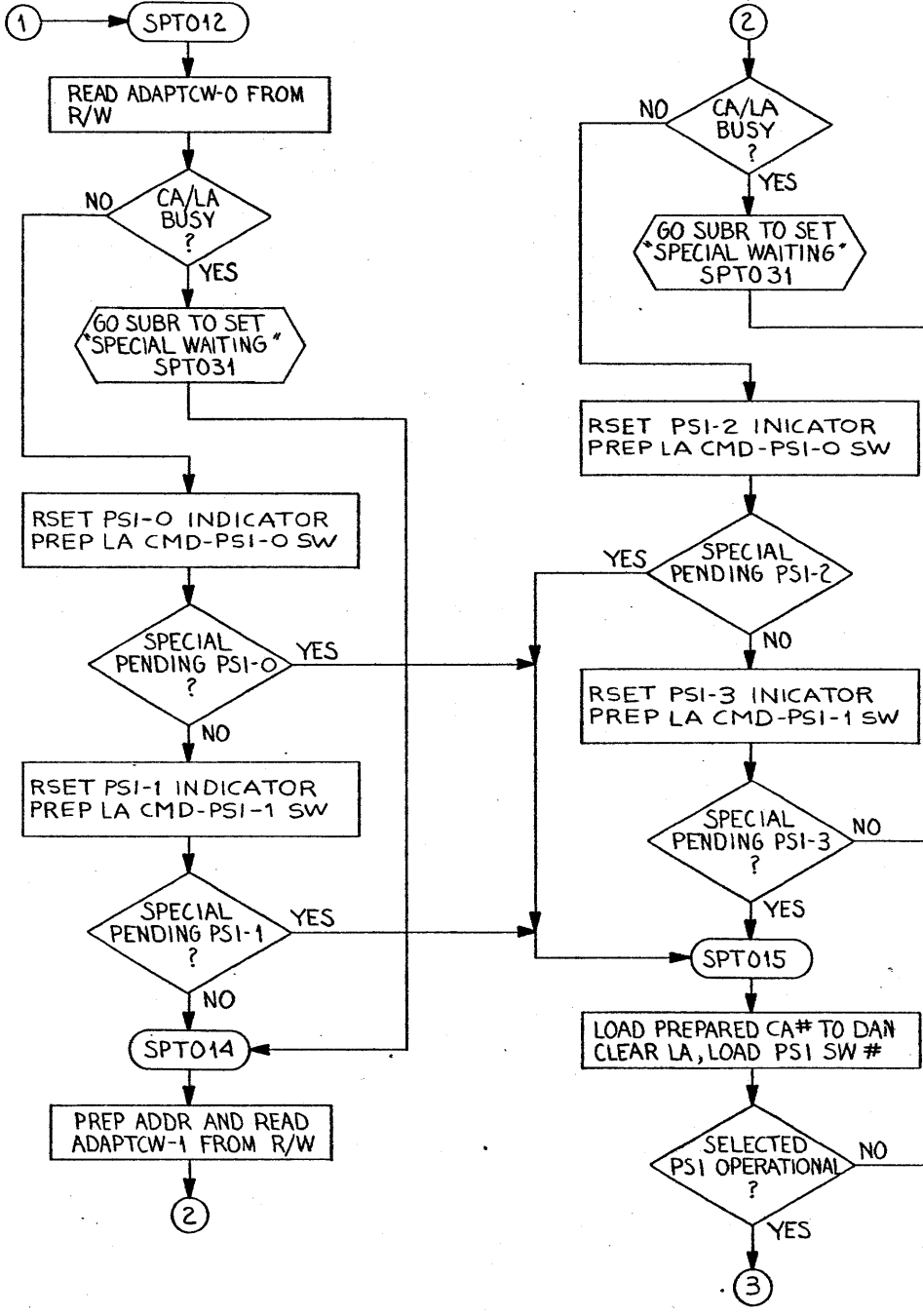
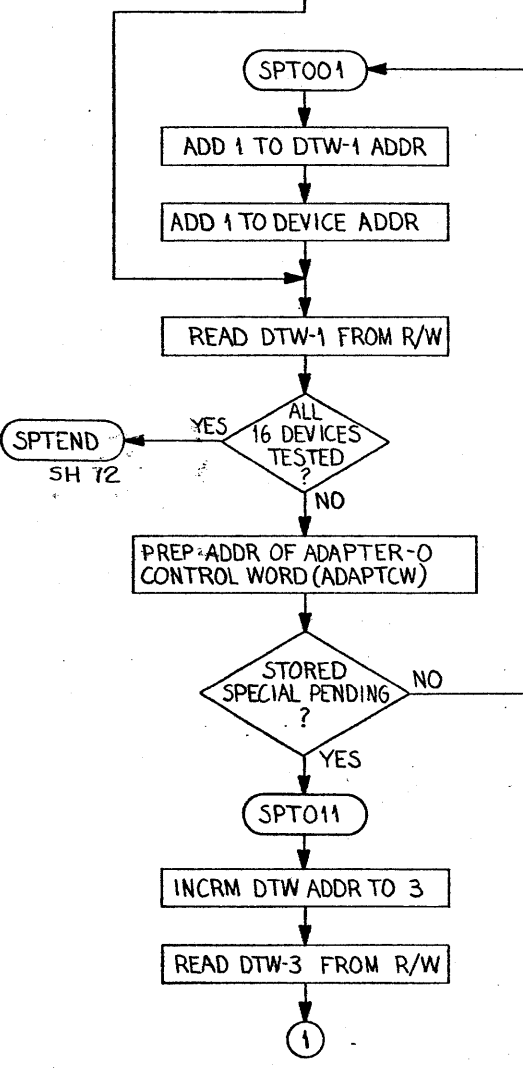
GO TO SPT051 SH 72

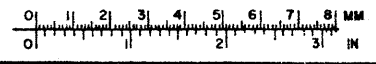
CLEAR STORED SPCL PENDING AND RESERVED DEVICE ACCESSED BITS IN DTW-1

WRITE DTW-3, DTW-1 BACK TO R/W MEMORY

GO TO SPT001 SH 71

REVISIONS				SIGNATURE
REV	AUTHORITY	DATE YR MO DAY		





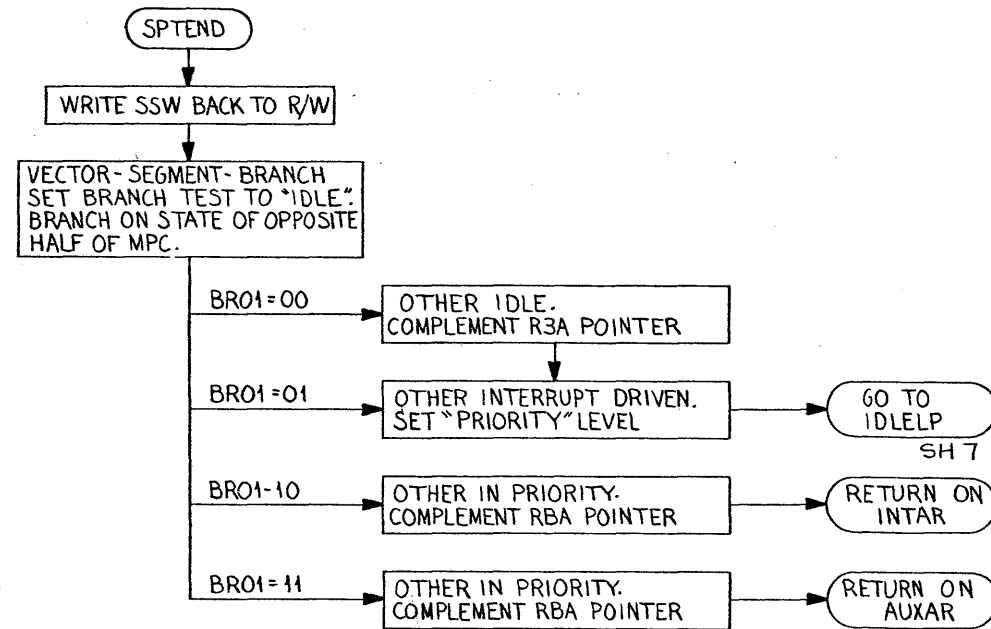
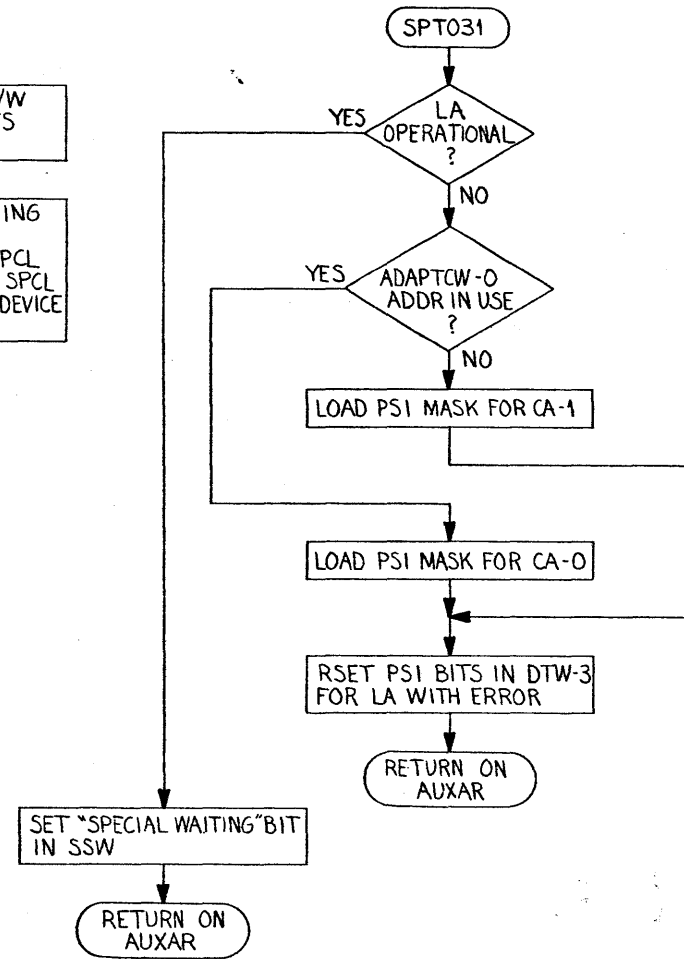
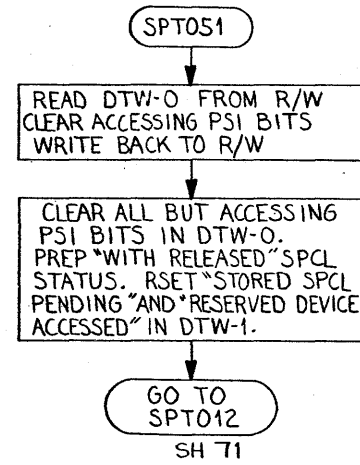
UNLESS OTHERWISE SPECIFIED		MATL		Honeywell HONEYWELL INFORMATION SYSTEMS PHOENIX, ARIZONA U. S. A.	
DIMENSIONS= MILLIMETERS INCHES		TREAT.			
TOLERANCE OF SIZE AND FORM PER		FIN.			
INITIAL DESIGN	PROJECTION	DR	74-9-12 <i>J.P. Wells</i>	SIZE D	DWG NO 58018149
SCALE	CODE	APPD <i>J.P. Wells</i>		SH 71	REV A
DISTR C68-25 TOS NFG NCA					

H
F
E
D
C
B
A

58018149

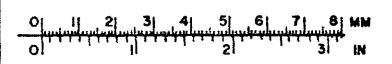
10 9 8 7 6 5 4 3 2 1

REVISIONS				
REV	AUTHORITY	DATE		SIGNATURE
		YR	MO DAY	



A

BRUNING 44.141



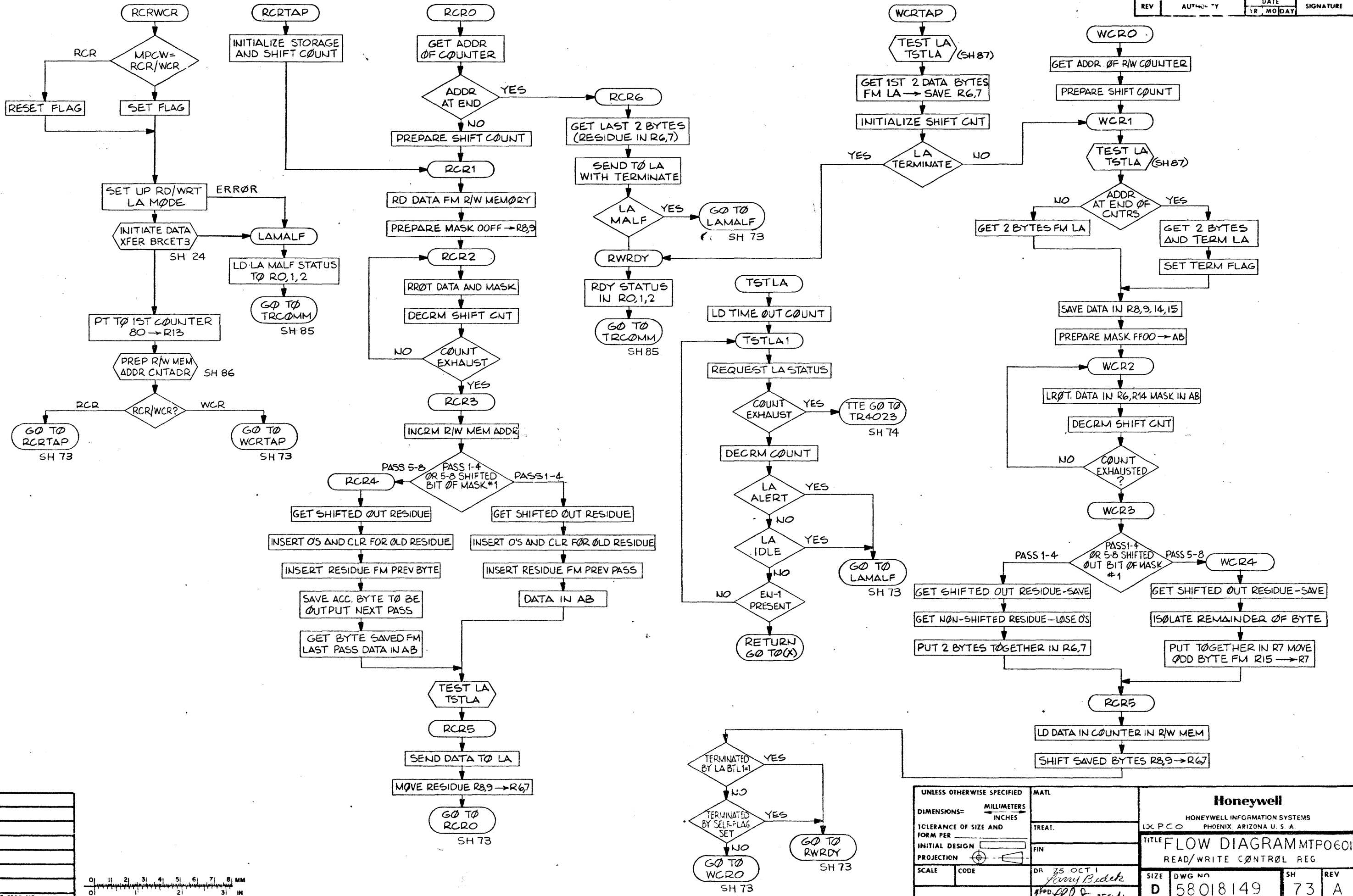
REF SPEC NO

CE 900 D 112-721

UNLESS OTHERWISE SPECIFIED		MATERIAL		Honeywell HONEYWELL INFORMATION SYSTEMS PHOENIX, ARIZONA U. S. A.			
DIMENSIONS =		MILLIMETERS		LOC		PC0	
TOLERANCE OF SIZE AND		INCHES		TREAT.		TITLE	
FORM PER		INITIAL DESIGN		FIN.		FLOW DIAGRAM MTP0601	
PROJECTION		SCALE		DR		SPTAPE	
CODE				74-9-13 <i>J. J. Wells</i>		SIZE	
				APPD <i>RRP</i>		D 58018149	
				DISTR <i>RRP</i>		SH 72	
						REV A	

58018149

REVISIONS			
REV.	AUTHORITY	DATE 1R MO/DAY	SIGNATURE



F

E

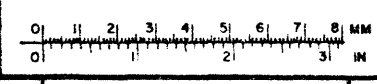
D

C

B

A

58018149



UNLESS OTHERWISE SPECIFIED		MATERIAL		Honeywell HONEYWELL INFORMATION SYSTEMS LOU P. CO. PHOENIX, ARIZONA U. S. A. TITLE: FLOW DIAGRAM MTP0601 READ/WRITE CONTROL REG			
DIMENSIONS = MILLIMETERS / INCHES		TREATMENT					
TOLERANCE OF SIZE AND FORM PER INITIAL DESIGN PROJECTION		FINISH					
SCALE	CODE	DR	DATE	SIZE	DWG NO	SH	REV
		DR J. S. BIDDEE	75 OCT 1	D	58018149	73	A

REVISIONS				
REV	AUTHORITY	DATE		SIGNATURE
		YR	MO/DAY	

TERMINATE ROUTINE

LOADS MAJOR AND SUB STATUS

COMMAND REJECT

	RO	R1	R2	
TR1010	94	10	80	INVALID OPERATION CODE
TR1020	94	20	80	INVALID DEVICE CODE
TR1030	94	40	80	INVALID IDCW PARITY
TR1040	94	80	80	POSITIONED AT BOT
TR1050	95	00	80	FORWARD READ AFTER WRITE
TR1060	96	00	80	NINE TRACK ERROR
TR1070	94	00	80	INVALID DENSITY

END-OF-FILE

TR3013	90	FO	01	END-OF-FILE MARK-7 TRACK
TR3023	91	30	01	END-OF-FILE MARK-9 TRACK
TR3033	93	FO	02	DATA ALERT CONDITION
TR3043	9(R5)	0	01	SINGLE CHAR. RECORD

DEVICE DATA ALERT

TR4003	8C	80	00	DROP OUT
TR4013	8C	20	02	BLANK TAPE ON READ
TR4023	8C	10	03	TRANSFER TIMING ALERT
TR4033	8C	30	02	BIT DETECTED DURING ERASE
TR4053	AC	AO	02	LATERAL PARITY ERROR

	RO	R1	R2	R6	
TR5023	AC	80	02	05	P-BURST WRITE ERROR
TR5033	AC	90	02	05	PREAMBLE ERROR
TR5073	AD	20	02	07	POSTAMBLE ERROR

DEVICE ATTENTION

TR6010	88	20	80	09	NO SUCH HANDLER
TR6020	88	40	80		HANDLER IN STANDBY
TR6040	88	10	80		WRITE PROTECTED
TR6053	89	00	02	0C	BLANK TAPE ON WRITE

MPC DEVICE ATTENTION

TR7020	A4	20	80		MULTIPLE DEVICES
TR7033	A8	C/D0	02		TCA MALFUNCTION
TR7030	A8	C/D0	82		
TR7043	A9	00	02	0C	MTH MALFUNCTION
TR7040	A9	00	82	0C	
TR7053	A8	80	00		PE COMMAND-NRZI TAPE
TR7060	A9	10	82	0C	MULTIPLE BOT
TR7073	A8	E/FO	02		
TR7070	A8	E/FO	82		LA MALFUNCTION

DEVICE BUSY

TR8013	86	00	80		DEVICE RESERVED
TR8020	84	10	80	0D	IN REWIND
TR8030	84	20	80	0E	ALTERNATE CHANNEL IN CONTROL

PERIPHERAL SUBSYSTEM READY

TR9023	81	00	01	10	TWO BIT FILL
TR9033	82	00	01	10	FOUR BIT FILL
TR9043	83	00	01	10	SIX BIT FILL
TR9063	80	40	01	11	
TR9060	80	40	81	11	NINE TRACK HANDLER
TR9073	80	00	01	12	
TR9070	80	00	81	12	READY

GO TO TRCOMM SH 85

GO TO TRSTW SH 75

GO TO TRTSTB SH 81

GO TO TRCOMM SH 85

GO TO TRSTW SH 75

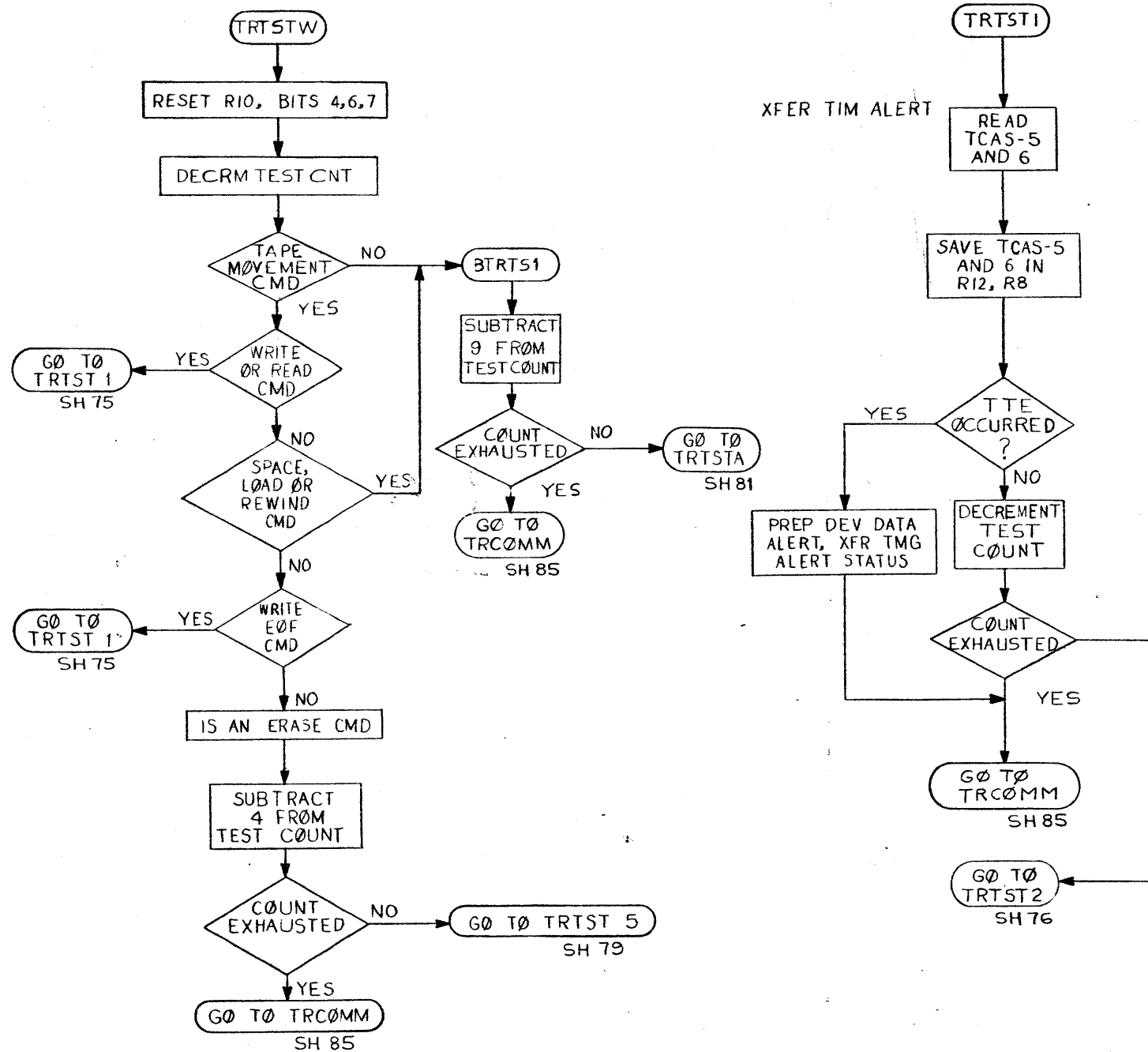
F
E
D
C
B
A

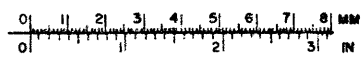
58018149



UNLESS OTHERWISE SPECIFIED		MATERIAL		Honeywell HONEYWELL INFORMATION SYSTEMS PHOENIX, ARIZONA U. S. A.	
DIMENSIONS = MILLIMETERS / INCHES		TREAT.			
TOLERANCE OF SIZE AND FORM PER		FIN.		LOC PCO TITLE FLOW DIAGRAM MTP0601 TERMINATE STATUS POINTERS	
INITIAL DESIGN		DR 15 SEP 80		SIZE DWG NO SH REV D 58018149 74 A	
PROJECTION		APPD. <i>LRP</i>			
SCALE	CODE				

REVISIONS				
REV	AUTHORITY	DATE		SIGNATURE
		YR	MO DAY	





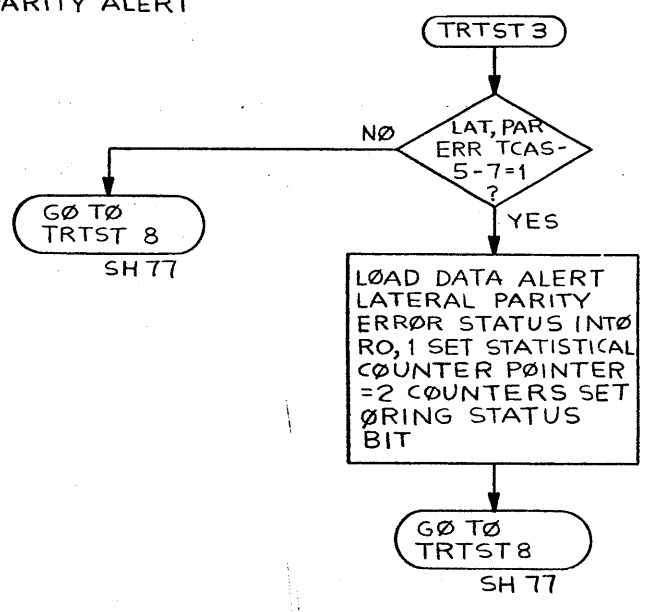
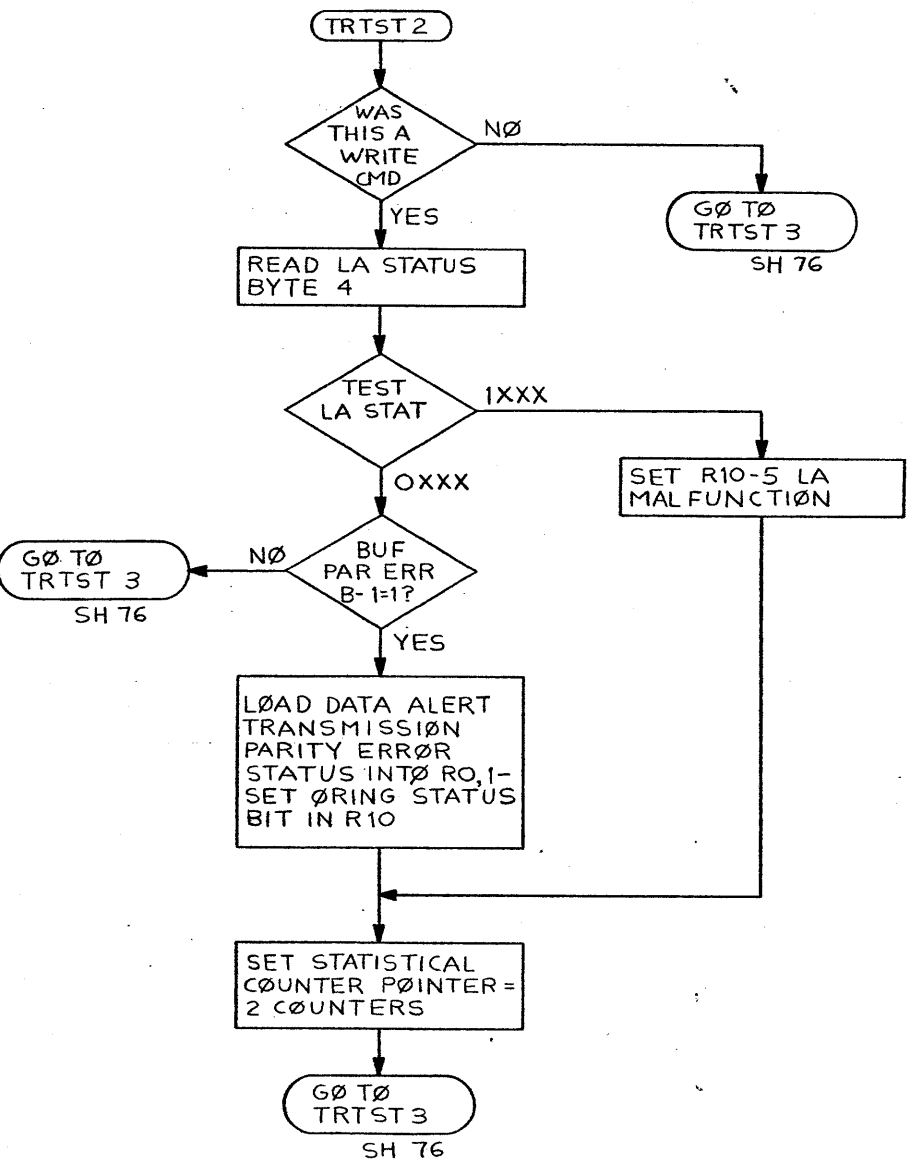
UNLESS OTHERWISE SPECIFIED		MATL	Honeywell HONEYWELL INFORMATION SYSTEMS PHOENIX, ARIZONA U. S. A.	
DIMENSIONS= ← MILLIMETERS ← INCHES		TREAT.		
TOLERANCE OF SIZE AND FORM PER INITIAL DESIGN Ⓟ		FIN.	TITLE	FLOW DIAGRAMMTP060 TERMINATE STATUS TESTS
SCALE	CODE	DR 75 SEP 30 <i>Jerry Bedke</i>	SIZE	DWG NO
		APPO <i>LR Bedke 75 Oct 3</i>	D	58018149
		DISTR	SH	REV
			75	A

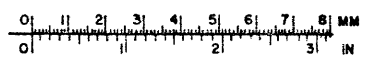
58018149

REVISIONS				
REV	AUTHORITY	DATE		SIGNATURE
		YR	MO/DAY	

TRANSMISSION
PARITY ALERT

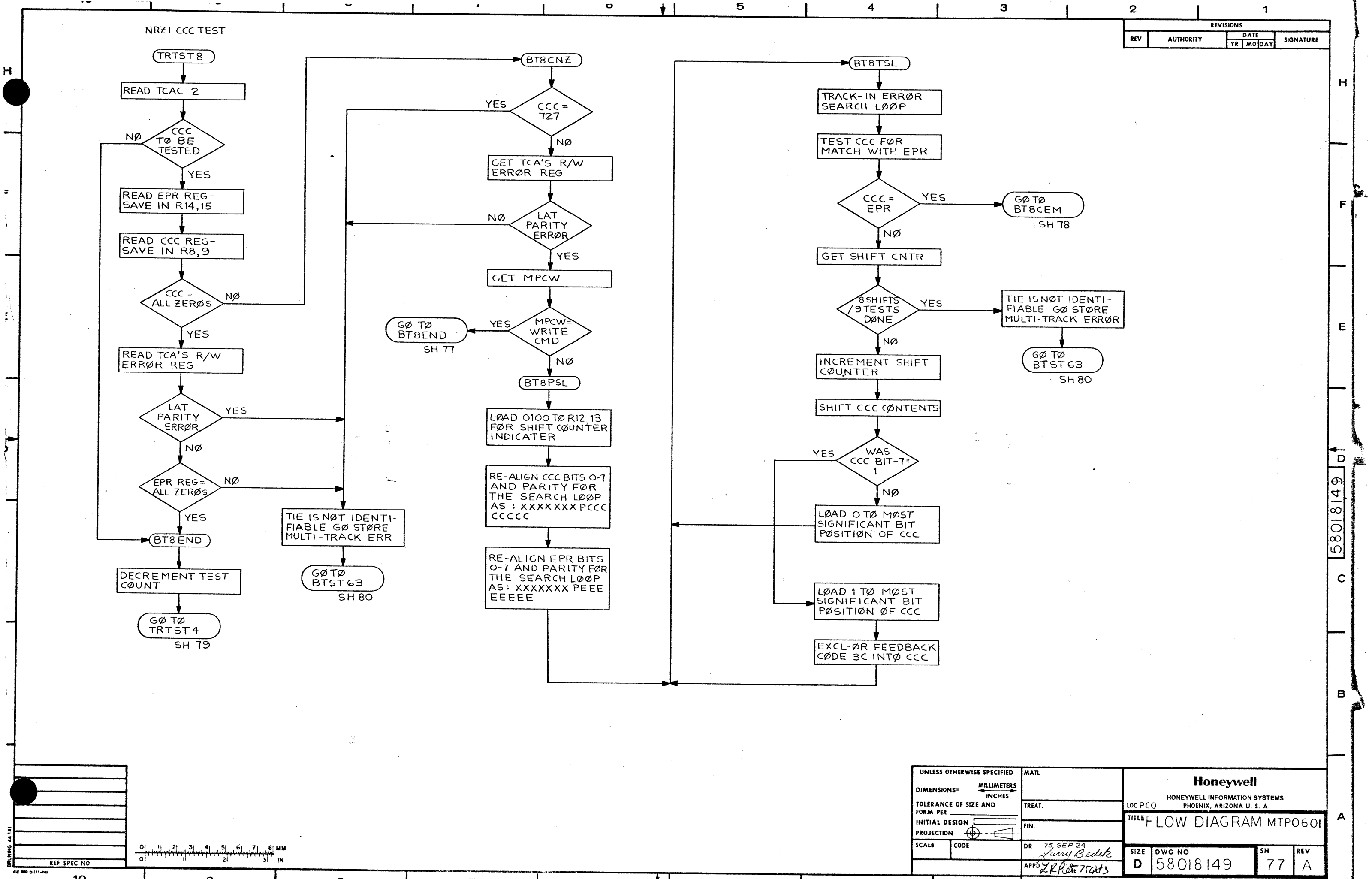
LATERAL
PARITY ALERT



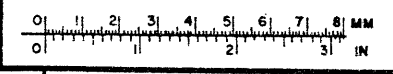


UNLESS OTHERWISE SPECIFIED		MATL	Honeywell	
DIMENSIONS=		TREAT.	HONEYWELL INFORMATION SYSTEMS	
TOLERANCE OF SIZE AND FORM PER		FIN.	PHOENIX, ARIZONA U. S. A.	
INITIAL DESIGN		DR 75 SEP 26	LOC PCO	
PROJECTION		APPD <i>[Signature]</i>	TITLE FLOW DIAGRAM MTP0601	
SCALE	CODE		TERMINATE STATUS TESTS	
			SIZE D	DWG NO 58018149
			SH 76	REV A

58018149



REVISIONS			
REV	AUTHORITY	DATE	SIGNATURE
		YR MO DAY	



UNLESS OTHERWISE SPECIFIED	
DIMENSIONS =	MILLIMETERS INCHES
TOLERANCE OF SIZE AND FORM PER	
INITIAL DESIGN PROJECTION	
SCALE	CODE

MATL
TREAT.
FIN.
DR 75 SEP 24 Larry Bedek
APPD Z.R. Row 75 Oct 3
DISTR

Honeywell
HONEYWELL INFORMATION SYSTEMS
LOC PCO PHOENIX, ARIZONA U. S. A.

TITLE FLOW DIAGRAM MTP0601

SIZE D	DWG NO 58018149	SH 77	REV A
--------	-----------------	-------	-------

58018149

10

9

8

7

6

5

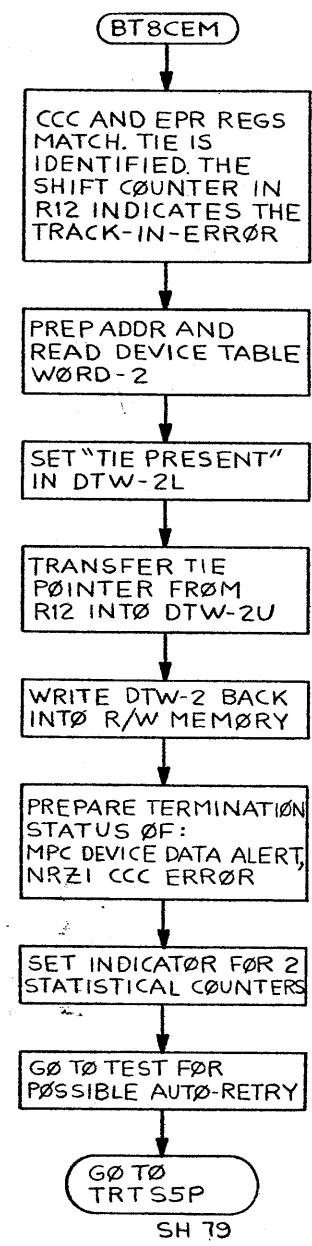
4

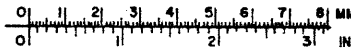
3

2

1

REVISIONS				
REV	AUTHORITY	DATE		SIGNATURE
		YR	MO DAY	





H
F
E
D
C
B
A

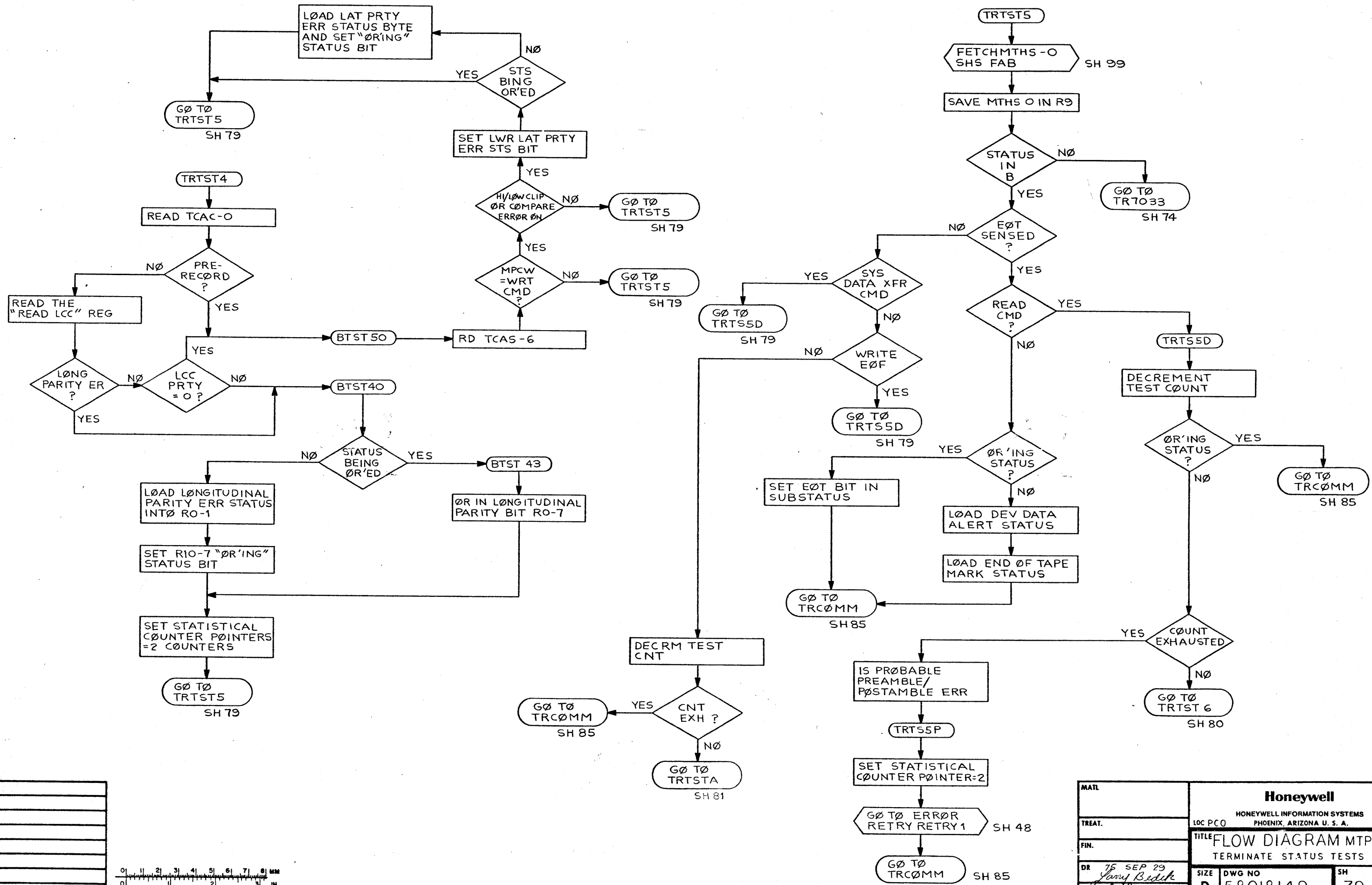
58018149

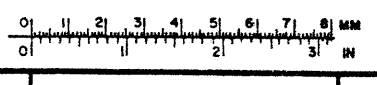
UNLESS OTHERWISE SPECIFIED		MATL		Honeywell HONEYWELL INFORMATION SYSTEMS LOU PCO PHOENIX, ARIZONA U. S. A.			
DIMENSIONS= MILLIMETERS INCHES		TREAT.				TITLE FLOW DIAGRAM MTP0601	
TOLERANCE OF SIZE AND FORM PER		FIN.				SIZE DWG NO SH REV	
INITIAL DESIGN	PROJECTION	SCALE	CODE	DR 75 SEP 25 <i>Larry Budek</i>	APPD <i>L.P. Rife 75pt3</i>		
D		58018149		78	A		

LONGITUDINAL PARITY TEST

END OF TAPE TEST

REVISIONS				
REV	AUTHORITY	DATE	SIGNATURE	
		YR MO DAY		



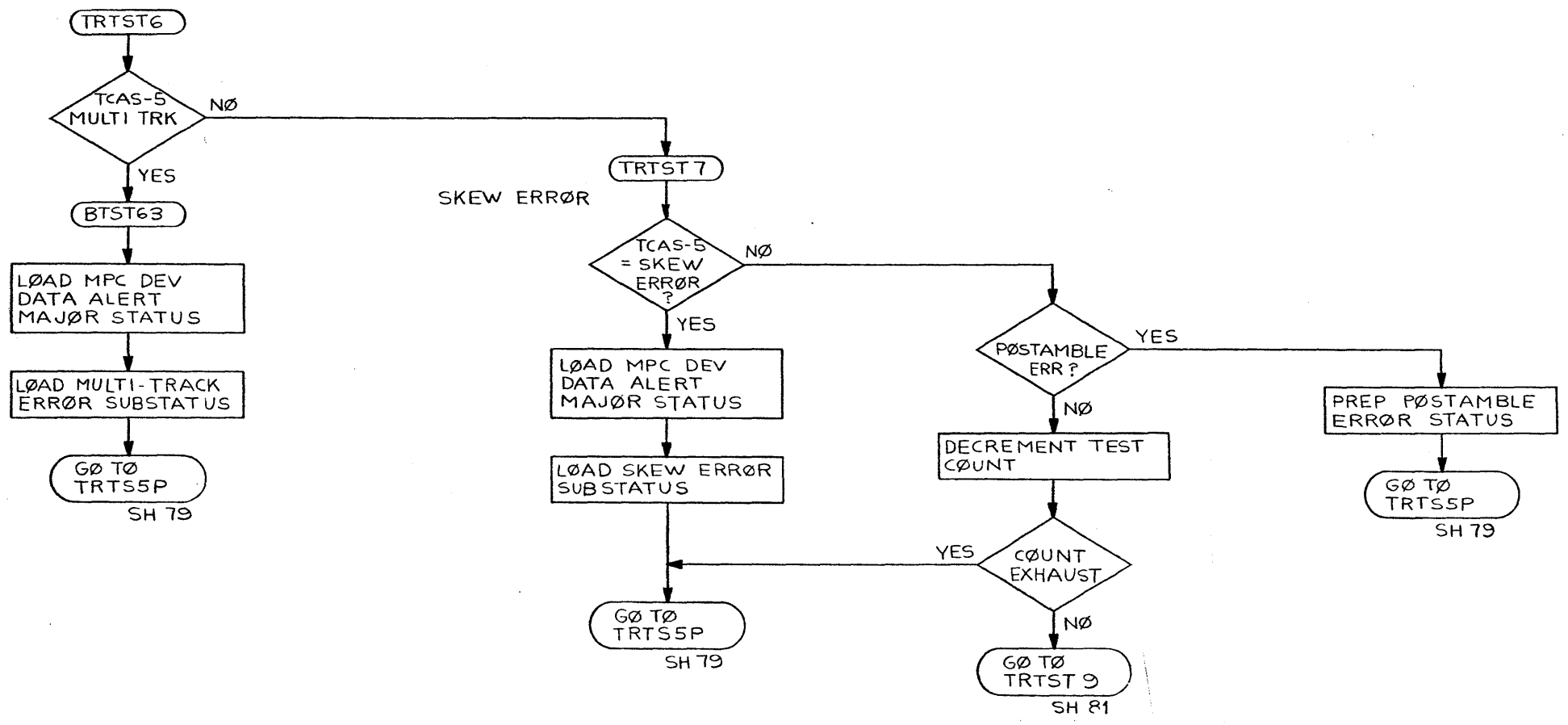


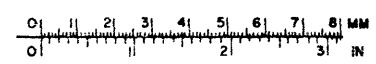
MATL	Honeywell			
TREAT.	HONEYWELL INFORMATION SYSTEMS PHOENIX, ARIZONA U. S. A.			
FIN.	TITLE FLOW DIAGRAM MTP0601 TERMINATE STATUS TESTS			
DR 75 SEP 29 Larry Bedek	SIZE D	DWG NO 58018149	SH 79	REV A
APPRO RRP				

58018149

MULTI TRACK ERROR

REVISIONS			
REV	AUTHORITY	DATE	SIGNATURE
		YR MO DAY	





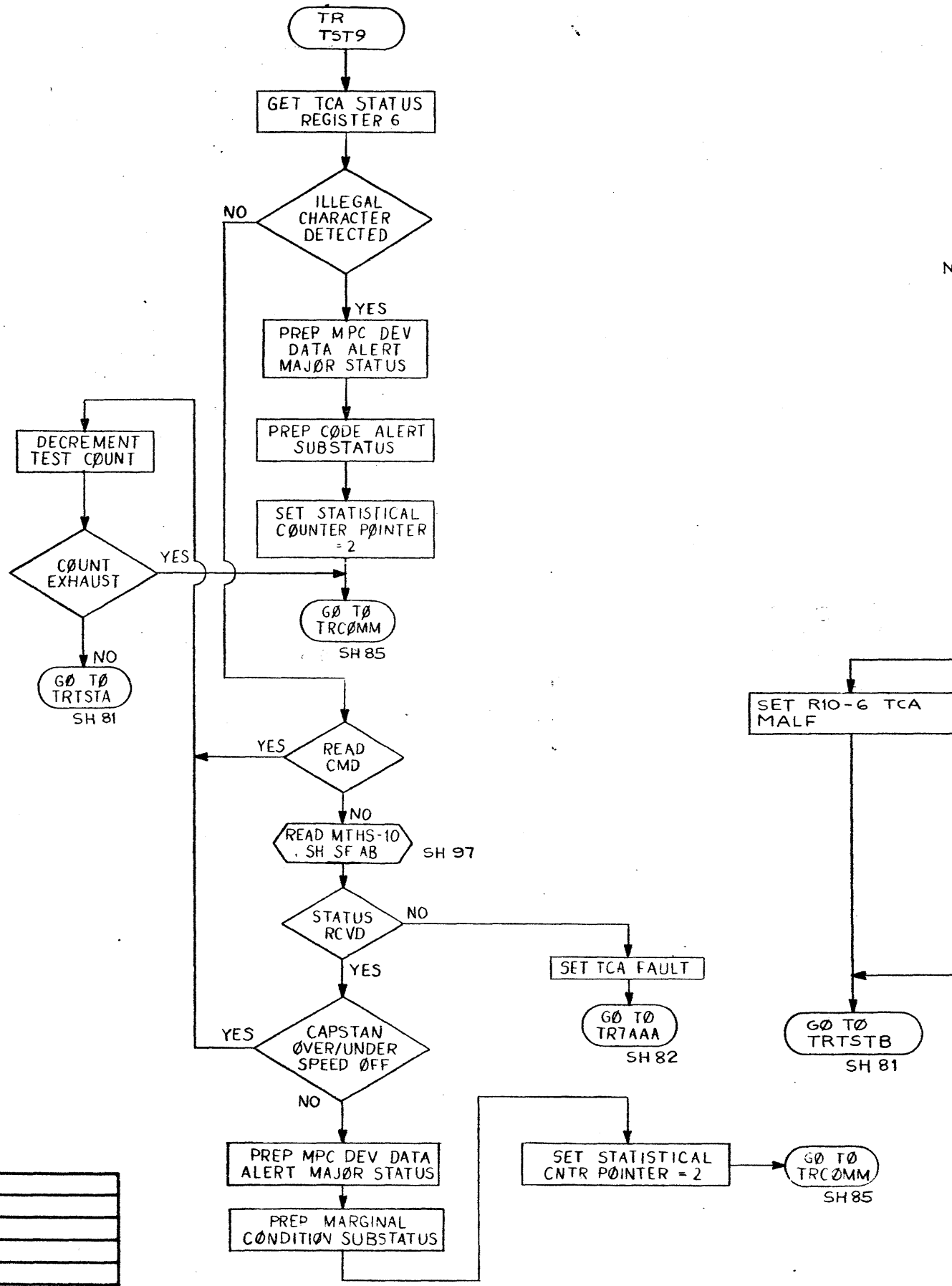
UNLESS OTHERWISE SPECIFIED		MATERIAL	
DIMENSIONS= ← MILLIMETERS → INCHES		TREAT.	
TOLERANCE OF SIZE AND FORM PER		FIN.	
INITIAL DESIGN		DR	
PROJECTION		APPD	
SCALE	CODE	DR 75 SEP 30 <i>[Signature]</i>	SIZE DWG NO
		APPD <i>[Signature]</i>	D 58018149
			SH 80 REV A

Honeywell
 HONEYWELL INFORMATION SYSTEMS
 PHOENIX, ARIZONA U. S. A.
TITLE FLOW DIAGRAM MTP0601
 TERMINATE STATUS TESTS

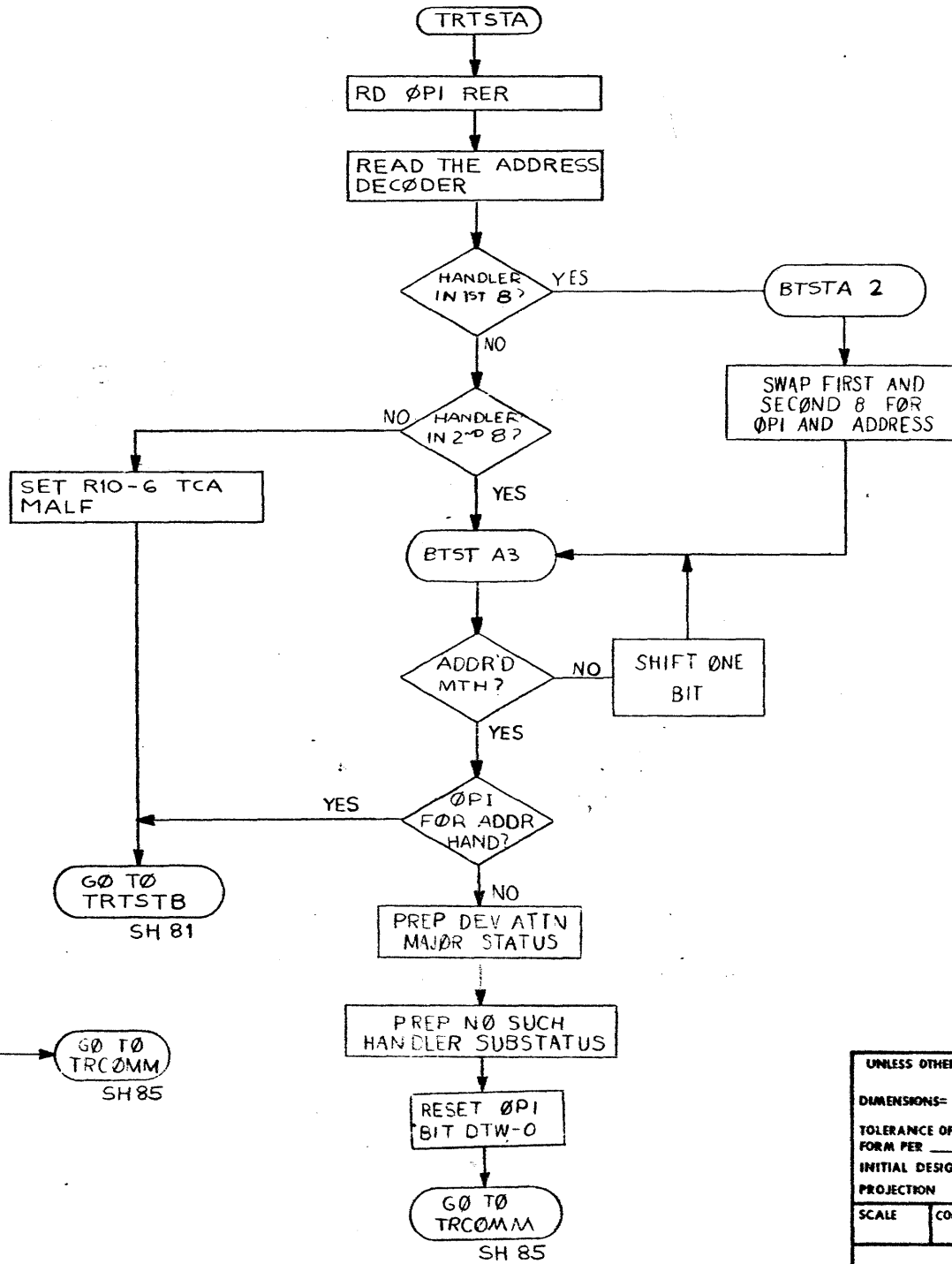
58018149

CODE ALERT AND MARGINAL SPEED

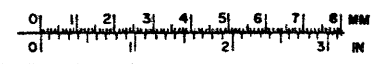
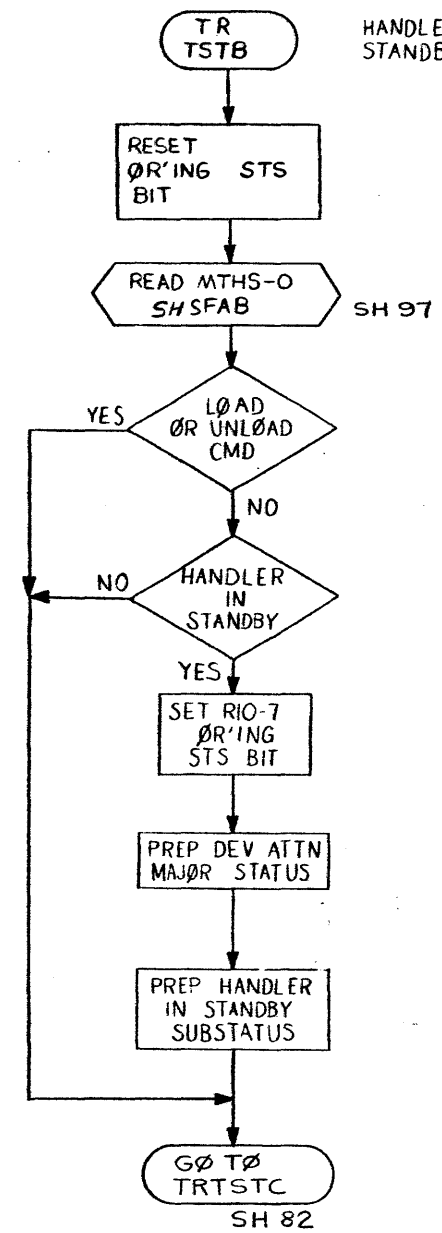
H
F
E
D
C
B
A



NO SUCH HANDLER



HANDLER IN STANDBY

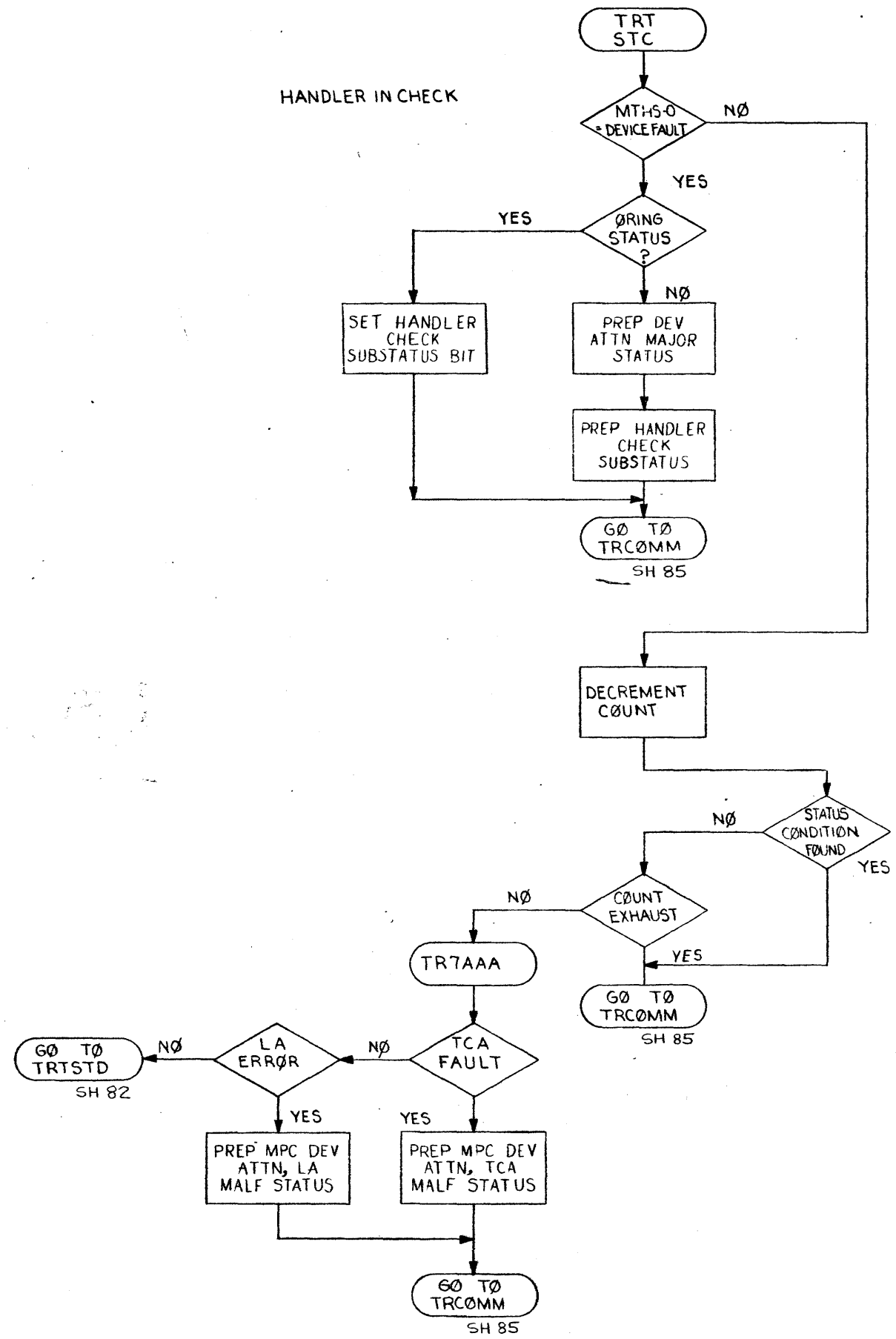


UNLESS OTHERWISE SPECIFIED		MATERIAL		Honeywell HONEYWELL INFORMATION SYSTEMS PHOENIX, ARIZONA U. S. A.			
DIMENSIONS= MILLIMETERS		TREAT.					
TOLERANCE OF SIZE AND FORM PER		FIN.		TITLE			
INITIAL DESIGN PROJECTION		DR 75 SEP 30		FLOW DIAGRAM MTP0601			
SCALE		APPD		TERMINATE STATUS TESTS			
CODE		APPD		SIZE	DWG NO	SH	REV
		750pts		D	58018149	81	A

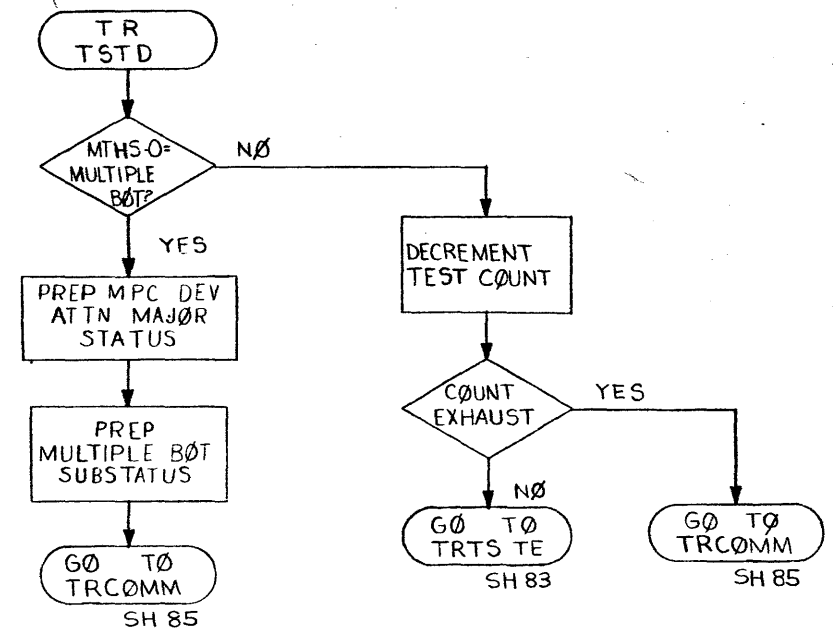
58018149

REVISIONS				
REV	AUTHORITY	DATE		SIGNATURE
		YR	MO	DAY

HANDLER IN CHECK



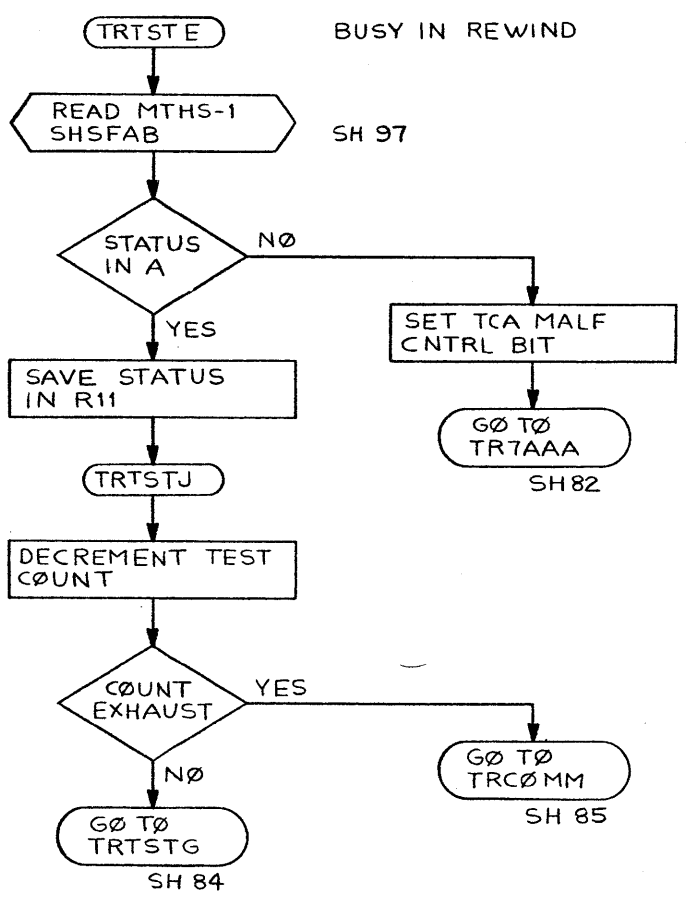
MULTIPLE BOT



UNLESS OTHERWISE SPECIFIED		MATERIAL		Honeywell HONEYWELL INFORMATION SYSTEMS PHOENIX, ARIZONA U. S. A.			
DIMENSIONS = MILLIMETERS / INCHES		TREATMENT					
TOLERANCE OF SIZE AND FORM PER INITIAL DESIGN		FINISH		LOC PCO TITLE FLOW DIAGRAM MTP0601 TERMINATE STATUS TESTS			
SCALE	CODE	DR	DATE	SIZE	DWG NO	SH	REV
		Jerry Budek	75 OCT 1	D	58018149	82	A
		APPD [Signature]					

58018149

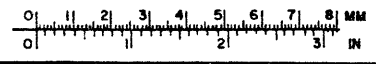
REVISIONS				
REV	AUTHORITY	DATE		SIGNATURE
		YR	MO DAY	



H
F
E
D
C
B
A

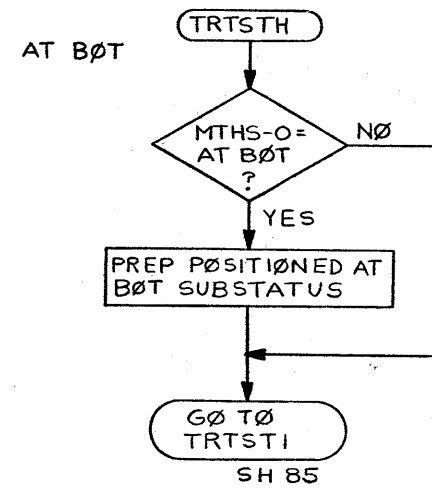
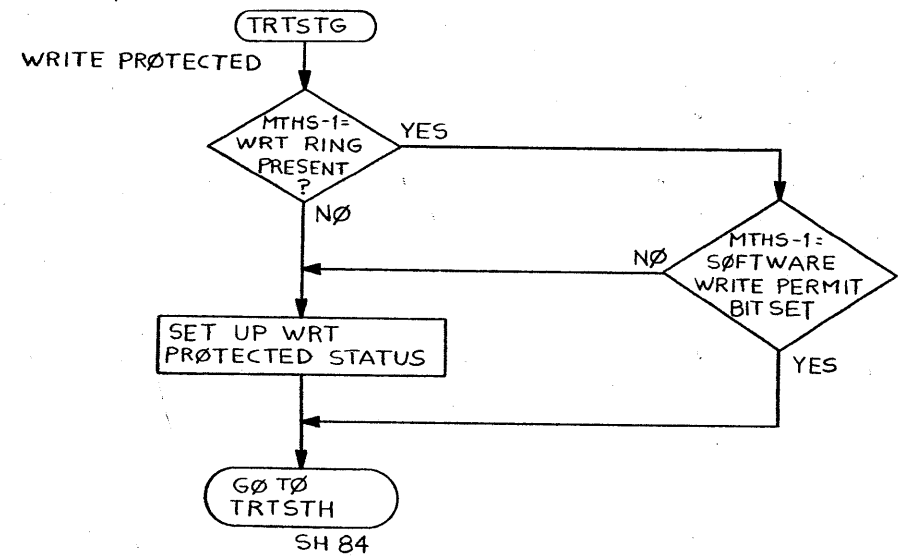
H
F
E
D
C
B
A

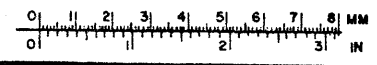
58018149



UNLESS OTHERWISE SPECIFIED		MAIL		Honeywell HONEYWELL INFORMATION SYSTEMS LOC PCO PHOENIX, ARIZONA U. S. A.			
DIMENSIONS= MILLIMETERS / INCHES		TREAT.		TITLE FLOW DIAGRAM MTP0601			
TOLERANCE OF SIZE AND FORM PER INITIAL DESIGN		FIN.		TERMINATE STATUS TESTS			
PROJECTION		DR 79 SEP 30 Larry Bidok		SIZE D	DWG NO 58018149	SH 83	REV A
SCALE		APPD [Signature]		DISTR C68-25, TOS, NEC, NCO			

REVISIONS				
REV	AUTHORITY	DATE		SIGNATURE
		YR	MO DAY	



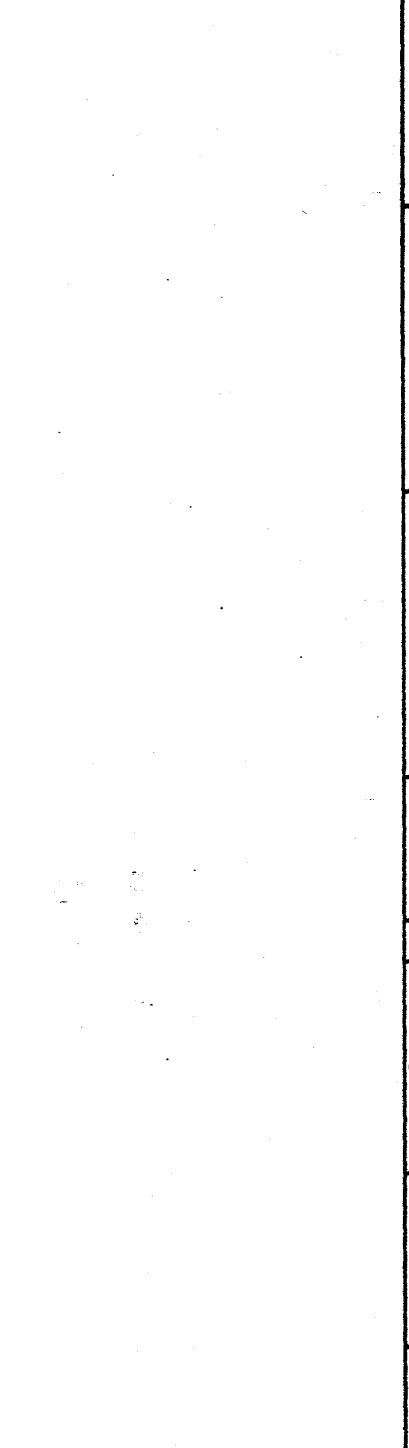
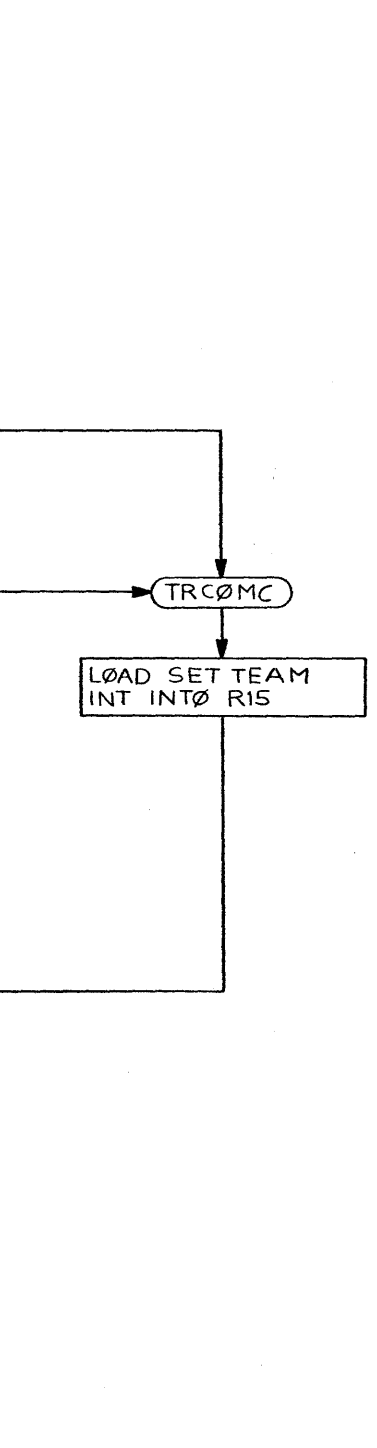
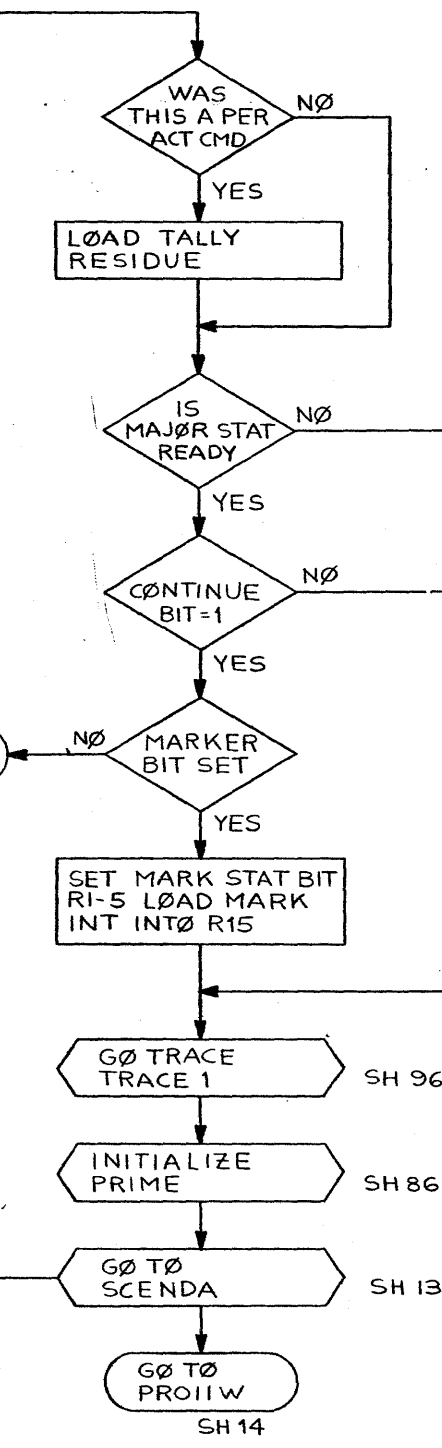
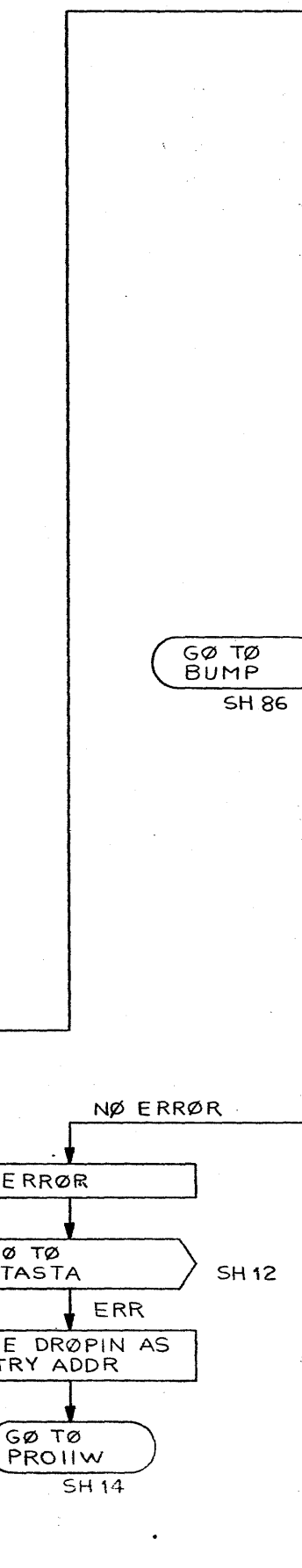
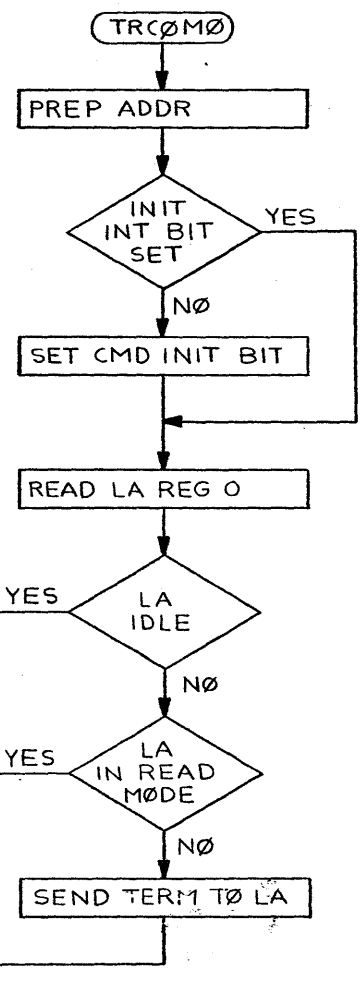
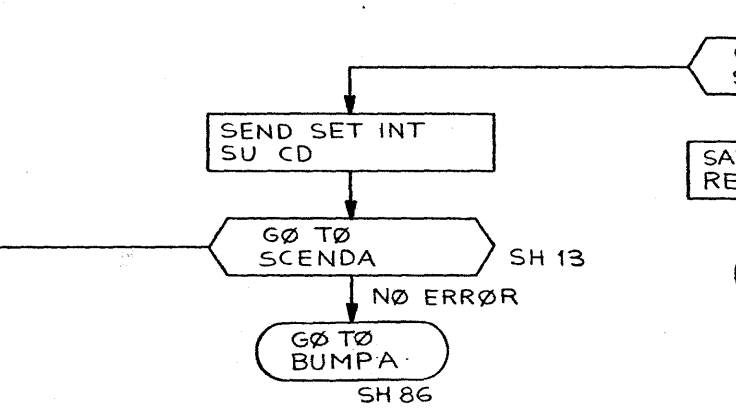
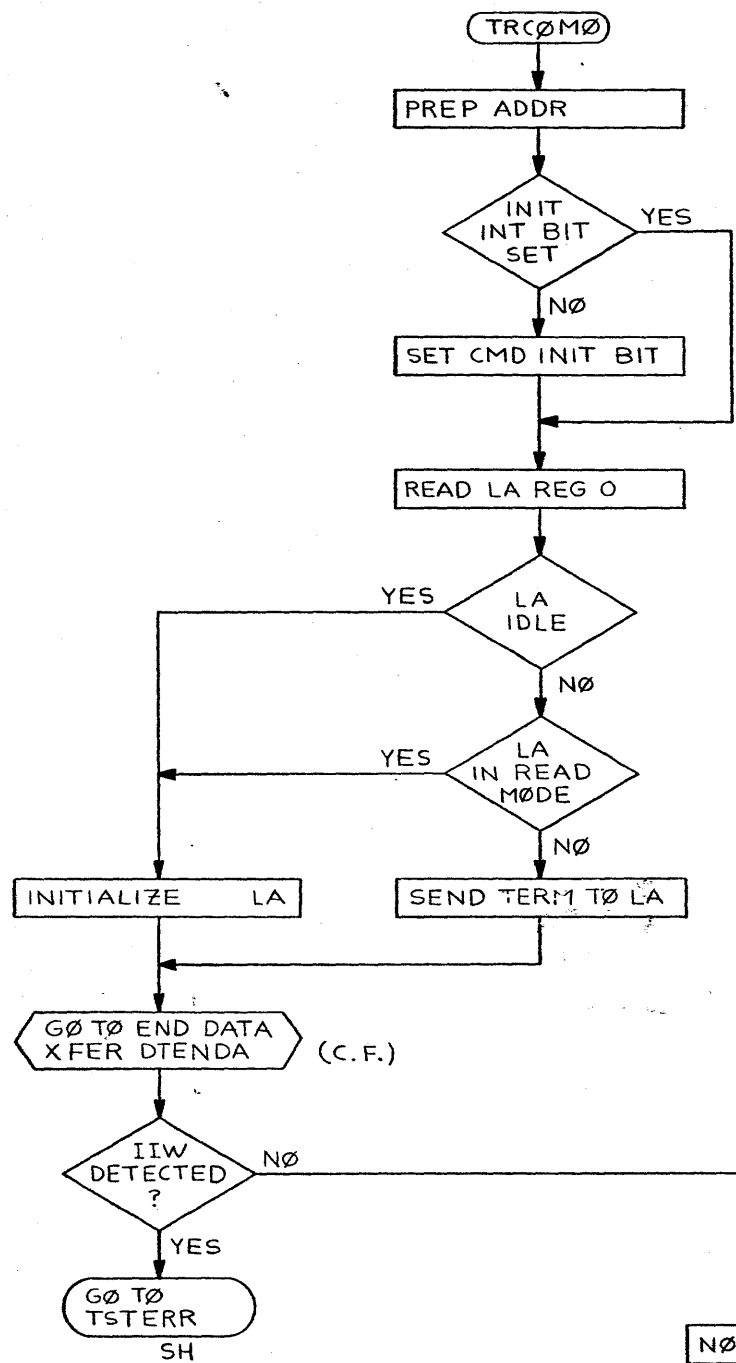
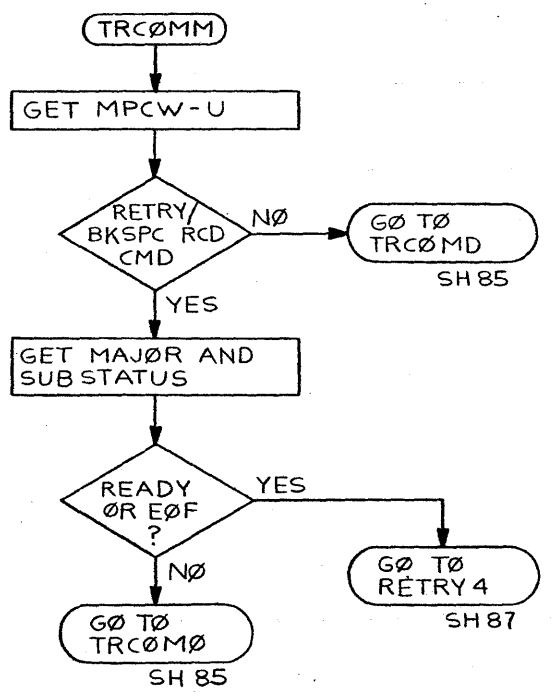
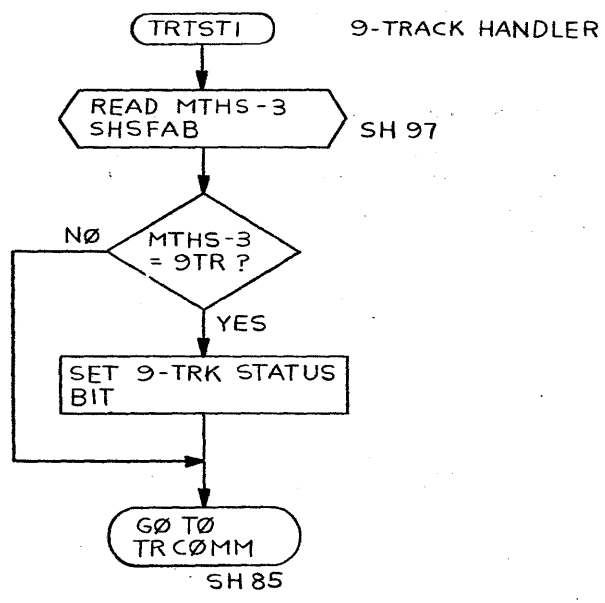


BRUNING 44141
 REF SPEC NO
 CE 900 D 111241
 10 9 8 7 6 5 4

58018149

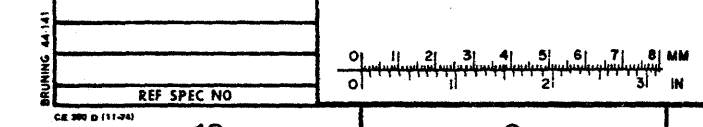
UNLESS OTHERWISE SPECIFIED		MATL	Honeywell HONEYWELL INFORMATION SYSTEMS PHOENIX, ARIZONA U. S. A.		
DIMENSIONS=	MILLIMETERS ← INCHES →	TREAT.			
TOLERANCE OF SIZE AND FORM PER		FIN.	LOC P C O		
INITIAL DESIGN			TITLE FLOW DIAGRAM MTP060I		
PROJECTION			TERMINATE STATUS TESTS		
SCALE	CODE	DR 75 SEP 29 <i>Jerry Bedik</i>	SIZE	DWG NO	SH
		APPD <i>R. P. ...</i>	D	58018149	84
		DISTR C68-25, TOS, NEC, NCO			REV A

REVISIONS				
REV	AUTHORITY	DATE	SIGNATURE	
YR	MO	DAY		



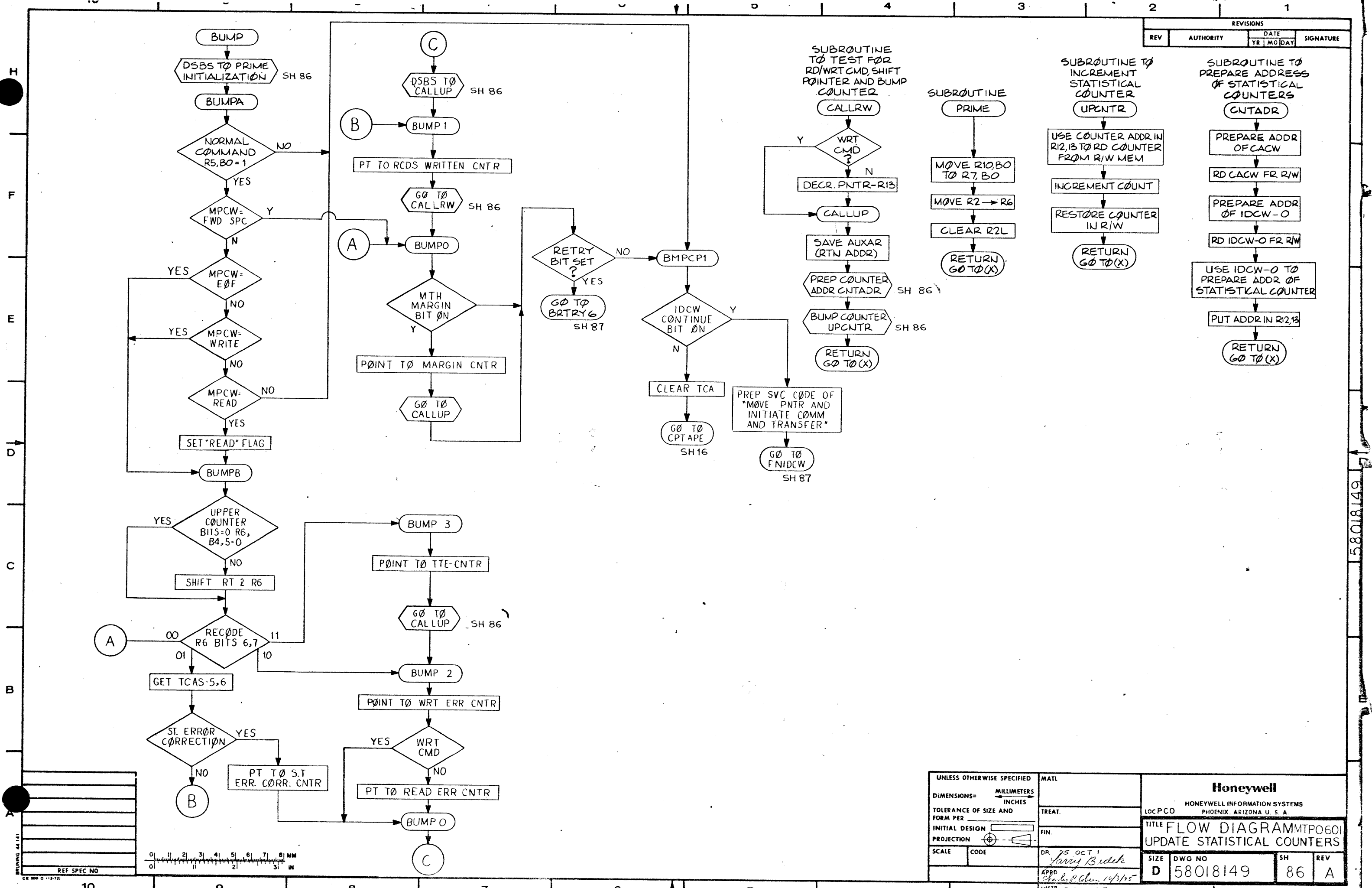
H
F
E
D
C
B
A

H
F
E
D
C
B
A



UNLESS OTHERWISE SPECIFIED		MATERIAL		Honeywell HONEYWELL INFORMATION SYSTEMS PHOENIX, ARIZONA U. S. A.	
DIMENSIONS = MILLIMETERS / INCHES		TREAT.			
TOLERANCE OF SIZE AND FORM PER		FIN.		LOC PCO TITLE FLOW DIAGRAM MTP0601 TERMINATE STATUS - COMMON	
INITIAL DESIGN PROJECTION		DR		SIZE D DWG NO 58018149 SH 85 REV A	
SCALE		APPD		75 SEP 30 <i>Larry Bedik</i> Charles P. Ober-1/3/75	

58018149



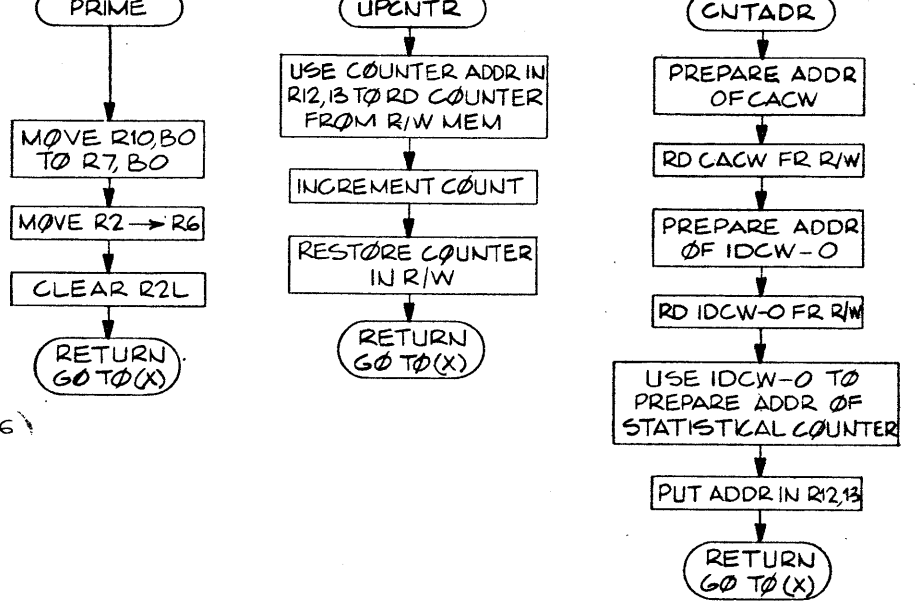
REVISIONS				
REV	AUTHORITY	DATE	SIGNATURE	
		YR MO DAY		

SUBROUTINE TO TEST FOR RD/WRT CMD, SHIFT POINTER AND BUMP COUNTER

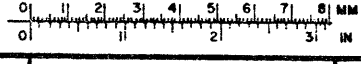
SUBROUTINE PRIME

SUBROUTINE TO INCREMENT STATISTICAL COUNTER

SUBROUTINE TO PREPARE ADDRESS OF STATISTICAL COUNTERS



REF SPEC NO: _____

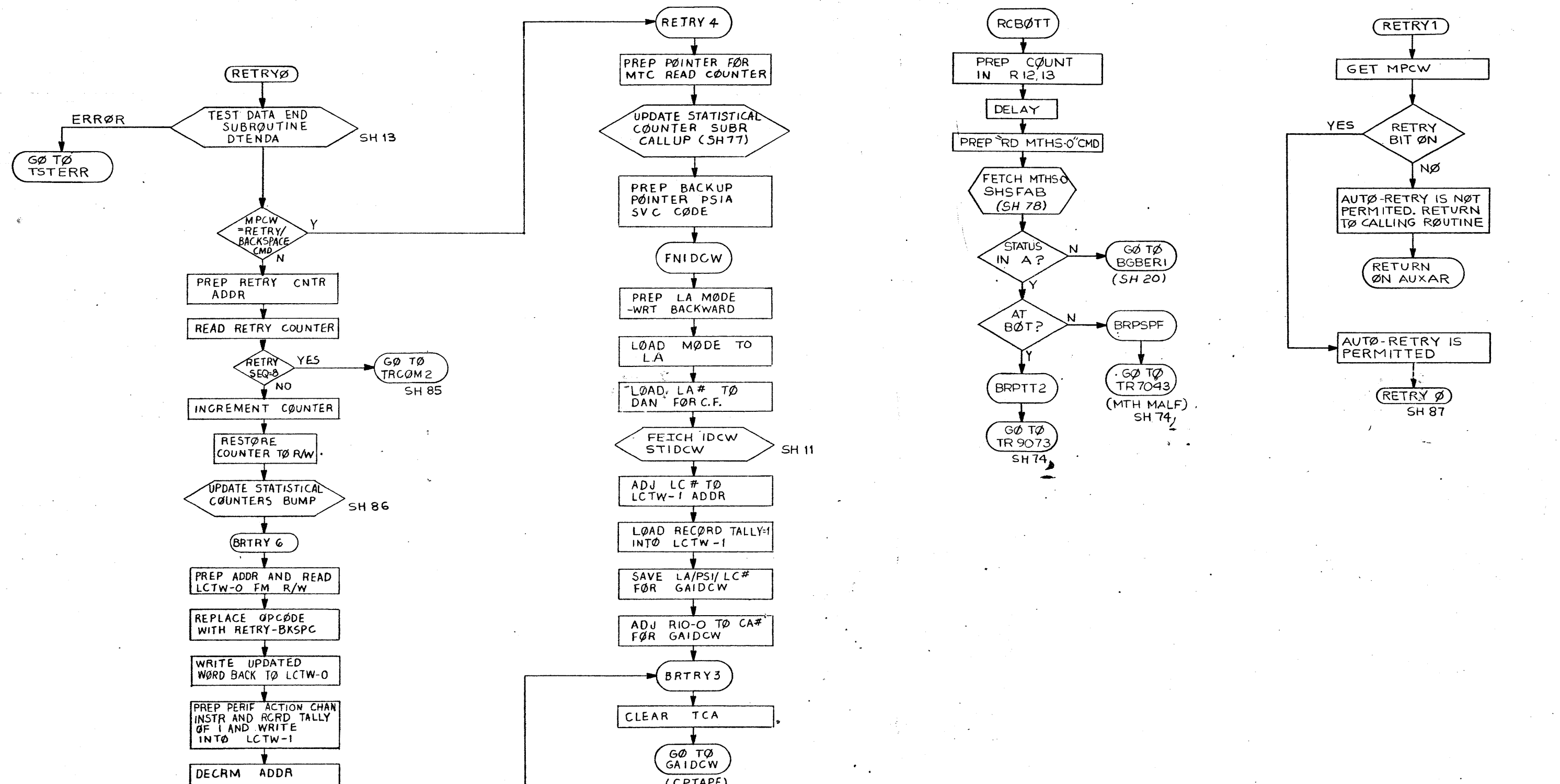


UNLESS OTHERWISE SPECIFIED		MATL	
DIMENSIONS=	MILLIMETERS		
	INCHES		
TOLERANCE OF SIZE AND FORM PER		TREAT.	
INITIAL DESIGN		FIN.	
PROJECTION			
SCALE	CODE	DR. 75 OCT 1 <i>Larry B. Deke</i>	
		APPD. <i>Charles P. Allen 10/3/75</i>	
		DISTR. CER-75 TOS NEG. NCO	
Honeywell			
LOC PCO HONEYWELL INFORMATION SYSTEMS PHOENIX, ARIZONA U. S. A.			
TITLE FLOW DIAGRAM MTP0601 UPDATE STATISTICAL COUNTERS			
SIZE	DWG NO	SH	REV
D	58018149	86	A

58018149

READ ERROR RETRY

REVISIONS			
REV	AUTHORITY	DATE	SIGNATURE
		YR MO DAY	



F
E
D
C
B
A

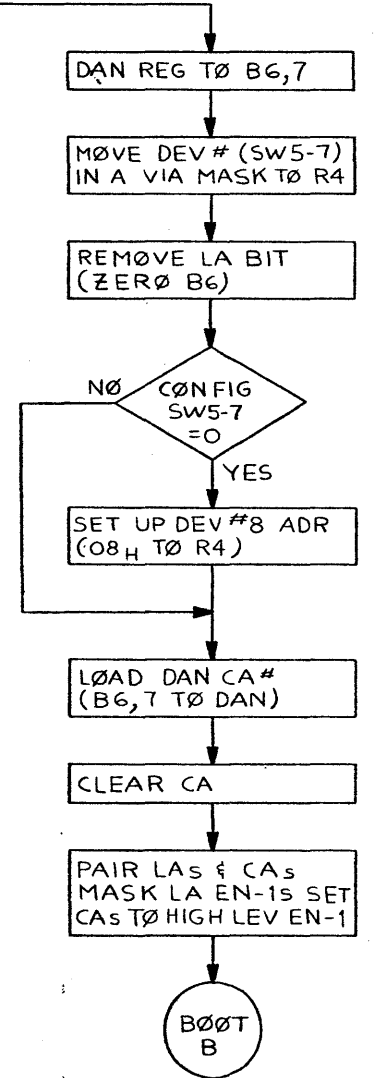
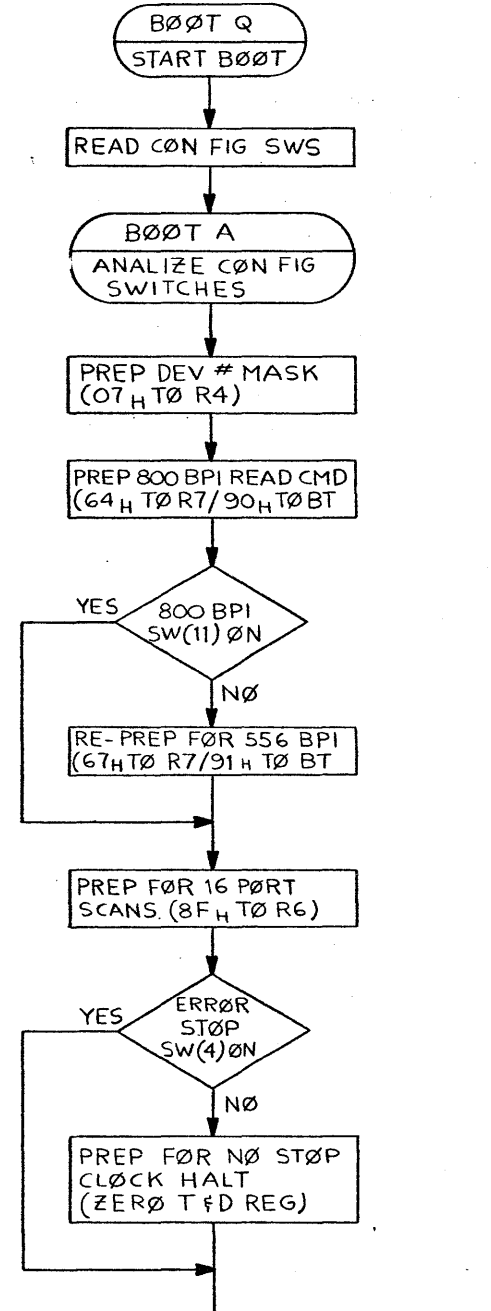
58018149

REF SPEC NO



UNLESS OTHERWISE SPECIFIED		MATL	Honeywell	
DIMENSIONS =			HONEYWELL INFORMATION SYSTEMS	
TOLERANCE OF SIZE AND		TREAT.	LOC PCO	
FORM PER		FIN.	PHOENIX, ARIZONA U. S. A.	
INITIAL DESIGN			TITLE	
PROJECTION			FLOW DIAGRAM MTP0601	
SCALE			READ COMMAND - ERROR RETRY	
CODE		DR	SIZE	DWG NO
		75 OCT 1	D	58018149
		<i>Charles P. Olson</i>	SH	87
		APPD	REV	A
		10/3/75		

REVISIONS				
REV	AUTHORITY	DATE		SIGNATURE
		YR	MO/DAY	



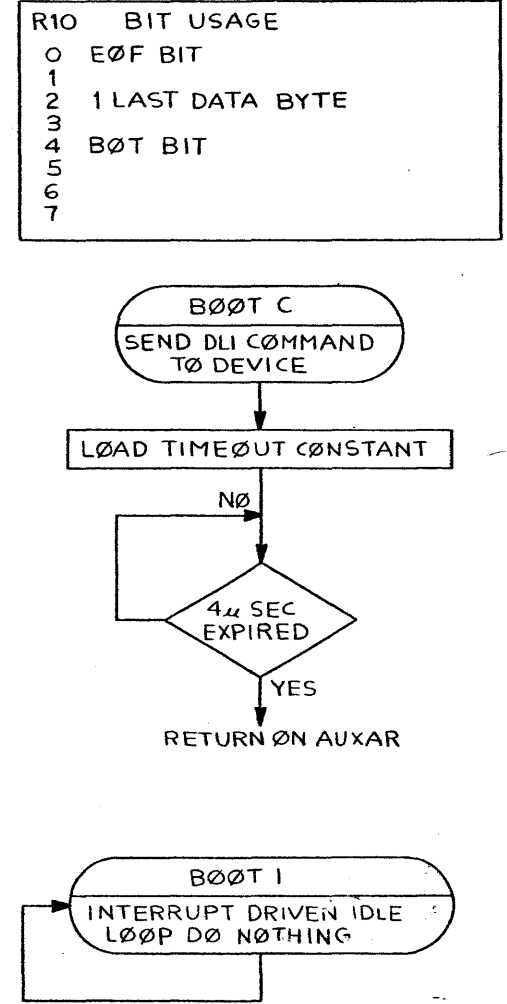
MPC CONFIGURATION SWITCH USE

- SWO BYPASS BLT
- 1 ITR LOOP CONTROL
- 2 LA # FOR BOOT
- 3 # OF LA'S IN CONTROLLER
- 4 INH INTERVAL TMR TRACE OFF BOOT ERR STOP
- 5 BOOT DEVICE #
- 6 BOOT DEVICE #
- 7 BOOT DEVICE #
- * 8 LA # TO USE IF SINGLE CHANNEL
- * 9 CA # TO USE IF SINGLE CHANNEL
- * 10 DUAL CHANNEL
- 11 BOOT AT 800BPI
- 12
- 13 R/W MEM SIZE = 4K
- 14 ERROR INPT BYPASS
- 15 USE MARGIN TIME BASES

* IGNORE FOR BOOT LOAD

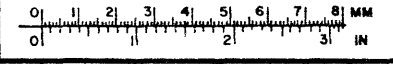
BOOT LOAD REGISTER USE

- RO
- 1 FLAG 84H ENTERED FROM BLT
- 2 BLK TM BASE
- 3 BLK TM BASE STOP GAP CNT
- 4 BOOT DEV #
- 5 TCAC-2 ---- LA TIMER
- 6 PORT ADDRESS
- 7 MTH READ CMD
- 8 BLK TAPE CNTR/ SAVE LAST DATA
- 9 SAVE LAST DATA
- 10 CONTROL-SEE BIT USAGE
- 11
- 12 SV AUX
- 13 SV AUX
- 14 TERM STATUS BYTE 0
- 15 TERM STATUS BYTE 1



R10 BIT USAGE

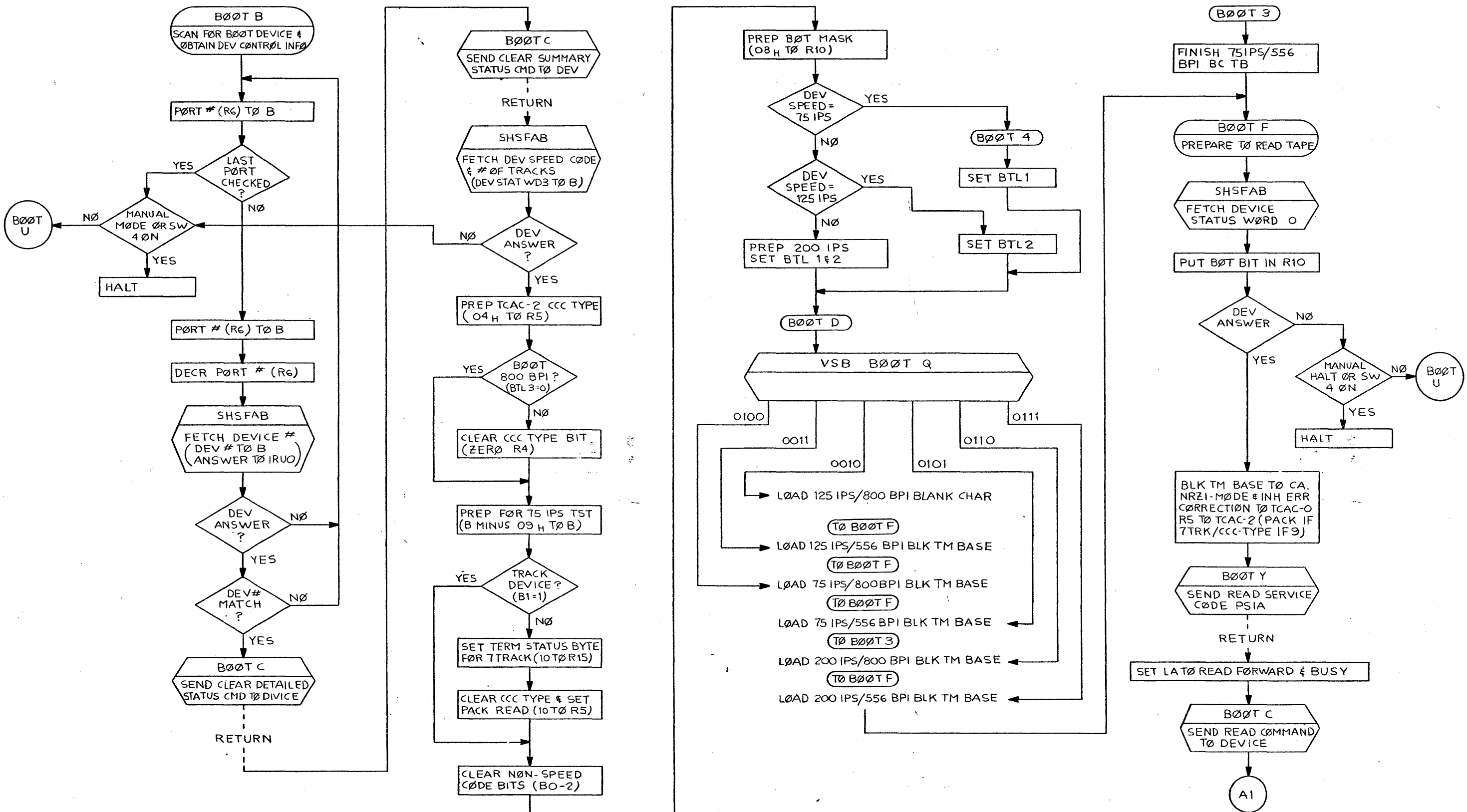
- 0 EOF BIT
- 1
- 2 1 LAST DATA BYTE
- 3
- 4 BOT BIT
- 5
- 6
- 7



UNLESS OTHERWISE SPECIFIED		MATL	Honeywell HONEYWELL INFORMATION SYSTEMS PHOENIX, ARIZONA U. S. A.			
DIMENSIONS =	MILLIMETERS INCHES	TREAT.				
TOLERANCE OF SIZE AND FORM PER	INITIAL DESIGN	FIN.	LOC PCO			
PROJECTION	SCALE	CODE	TITLE			
DR	75 MAY 23 Yany Bedek		FLOW DIAGRAM MTP0601 BOOT LOAD			
APD	Chas P. Allen 10/3/75		SIZE	DWG NO	SH	REV
DIST			D	58018149	87.1	A

58018149

REVISIONS				
REV	AUTHORITY	DATE	SIGNATURE	
		YR MO DAY		

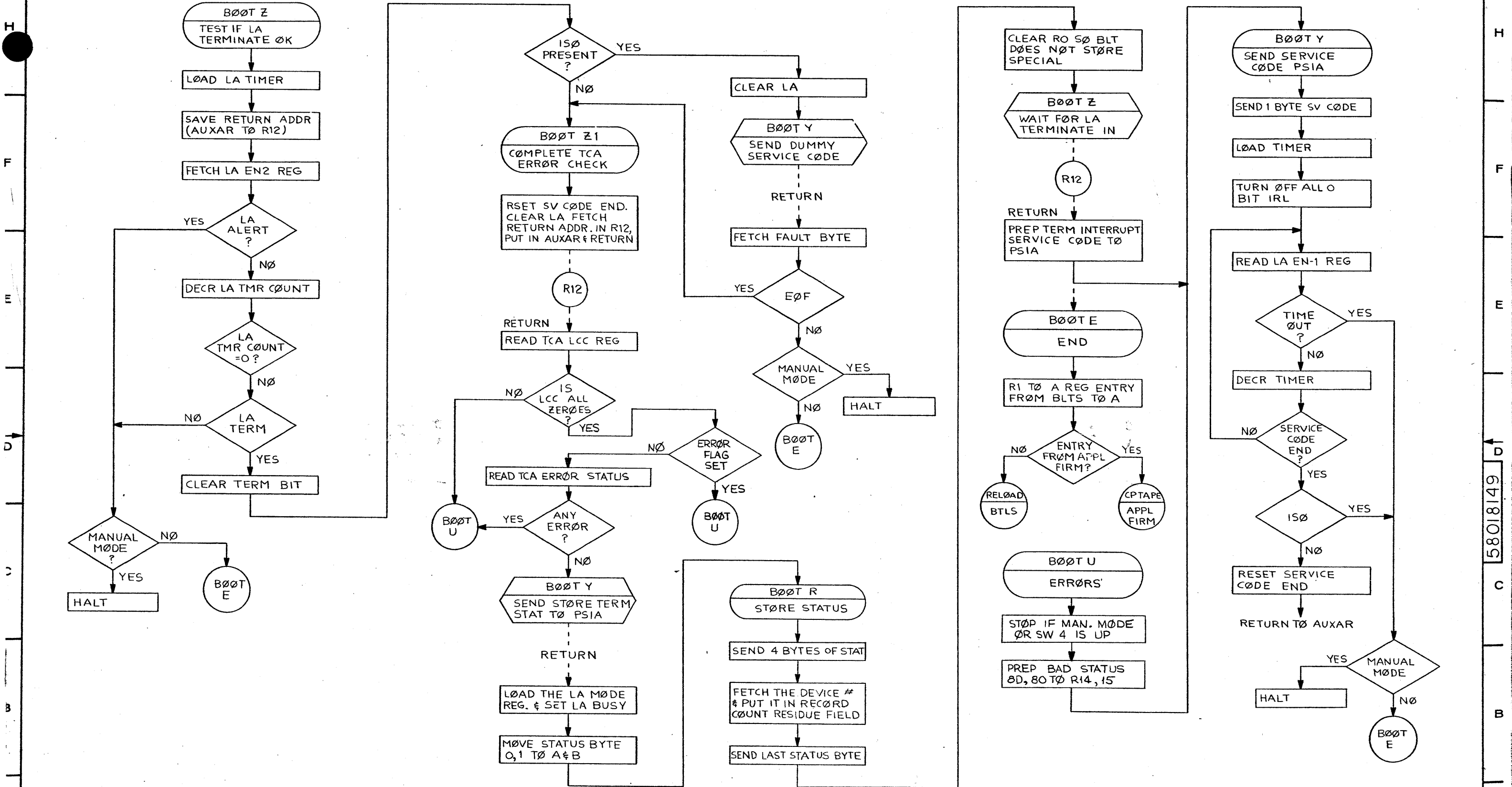


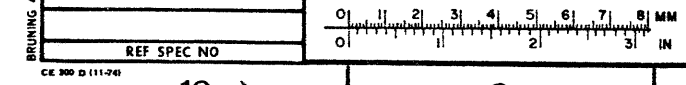
58018149

REF SPEC NO	10
CRTING 44 141	
0 1 2 3 4 5 6 7 8 MM	
0 1 2 3 4 IN	

UNLESS OTHERWISE SPECIFIED DIMENSIONS= TOLERANCE OF SIZE AND FORM PER INITIAL DESIGN PROJECTION	MILLIMETERS INCHES M A AS	MATL	Honeywell HONEYWELL INFORMATION SYSTEMS LOC PCO PHOENIX, ARIZONA U. S. A.			
SCALE	CODE	DR 75 JUNE 2 <i>Larry Bidete</i>	TREAT.	TITLE FLOW DIAGRAM MTP0601 B00T LOAD		
		APPD <i>Charles P. Olsen 11/3/75</i>	FIN.	SIZE D	DWG NO 58018149	SH 88
		DISTR 669-25 TOS NEG NEG				REV A

REVISIONS				
REV	AUTHORITY	DATE		SIGNATURE
		YR	MO DAY	





UNLESS OTHERWISE SPECIFIED DIMENSIONS = $\frac{MILLIMETERS}{INCHES}$ TOLERANCE OF SIZE AND FORM PER INITIAL DESIGN PROJECTION	DR	75 JUN 6 Larry Budek	Honeywell HONEYWELL INFORMATION SYSTEMS LOC PCO PHOENIX, ARIZONA U. S. A.		
	APPD	Charles P. Lohr 10/3/75	TITLE	FLOW DIAGRAM MTP0601 BOOT LOAD	
SCALE	CODE	DR	SIZE	DWG NO	SH
			D	58018149	90
					REV
					A
DISTR			CGR-25 TOS NEC NCO		

BRUNING 44-141

58018149

H

F

E

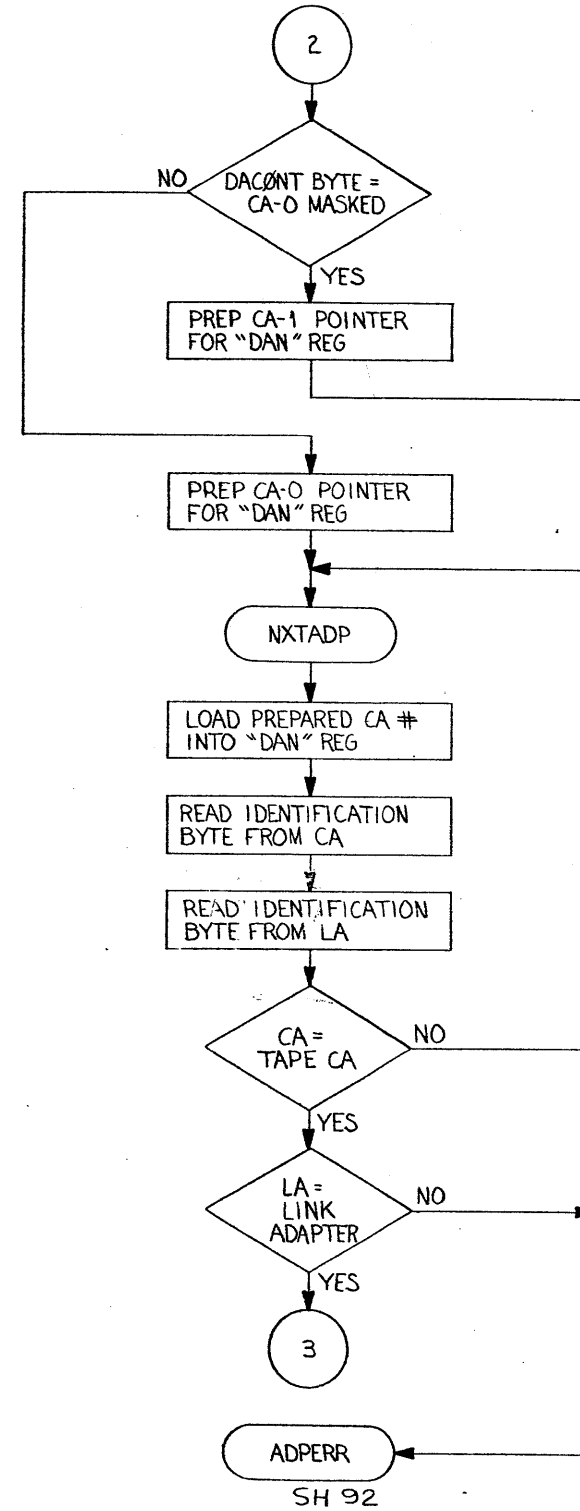
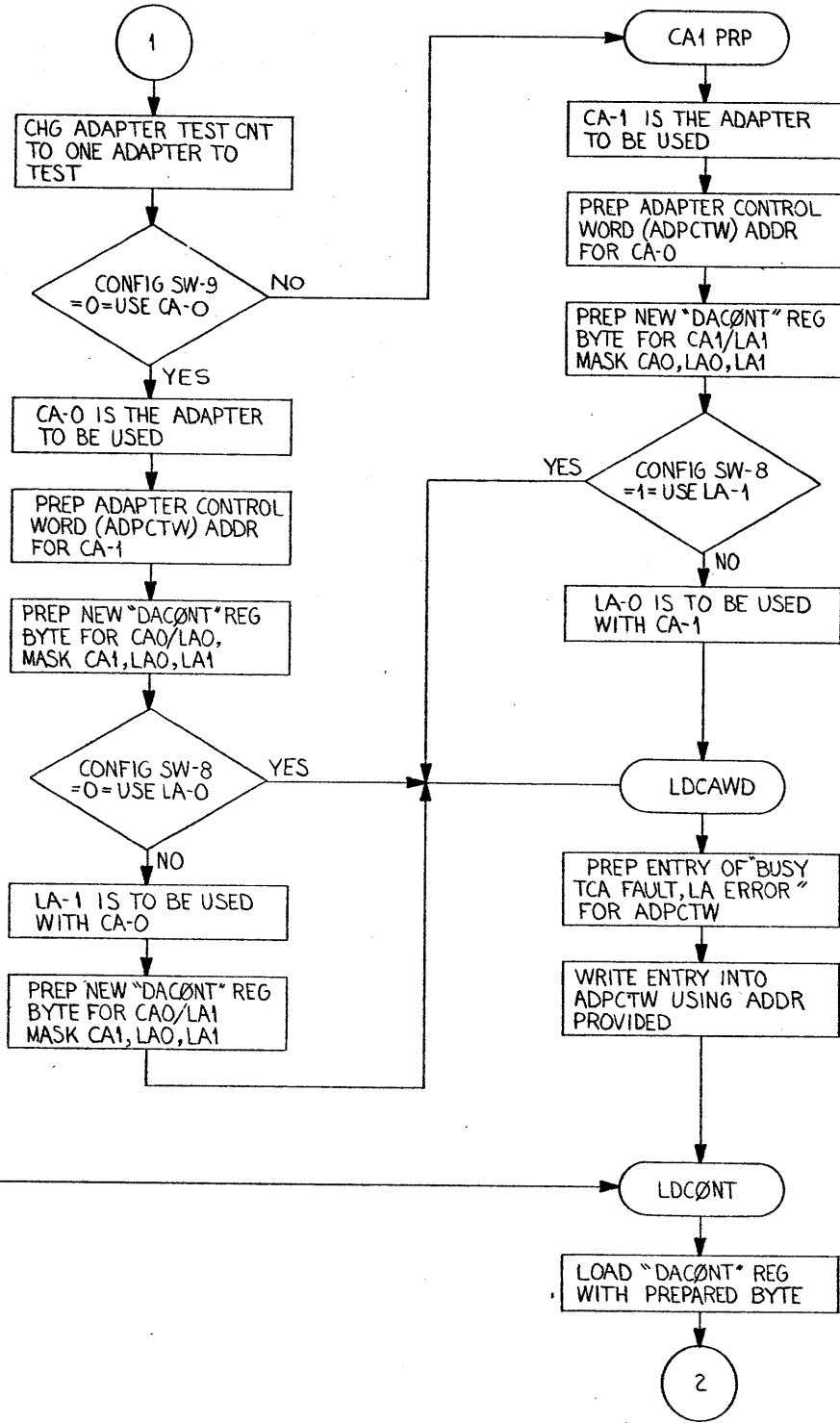
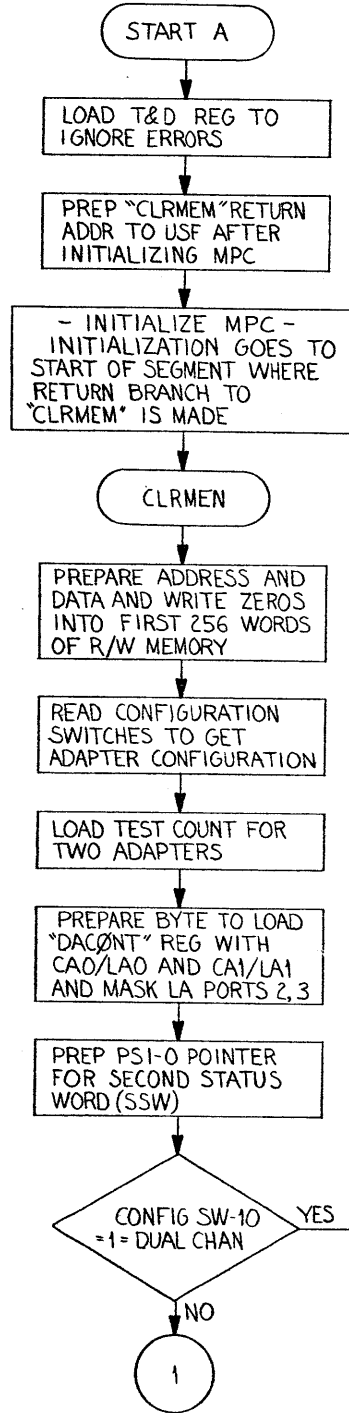
D

C

B

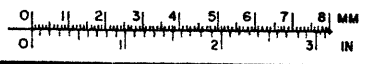
A

REVISIONS				
REV	AUTHORITY	DATE		SIGNATURE
		YR	MO DAY	



I
H
F
E
D
C
B
A

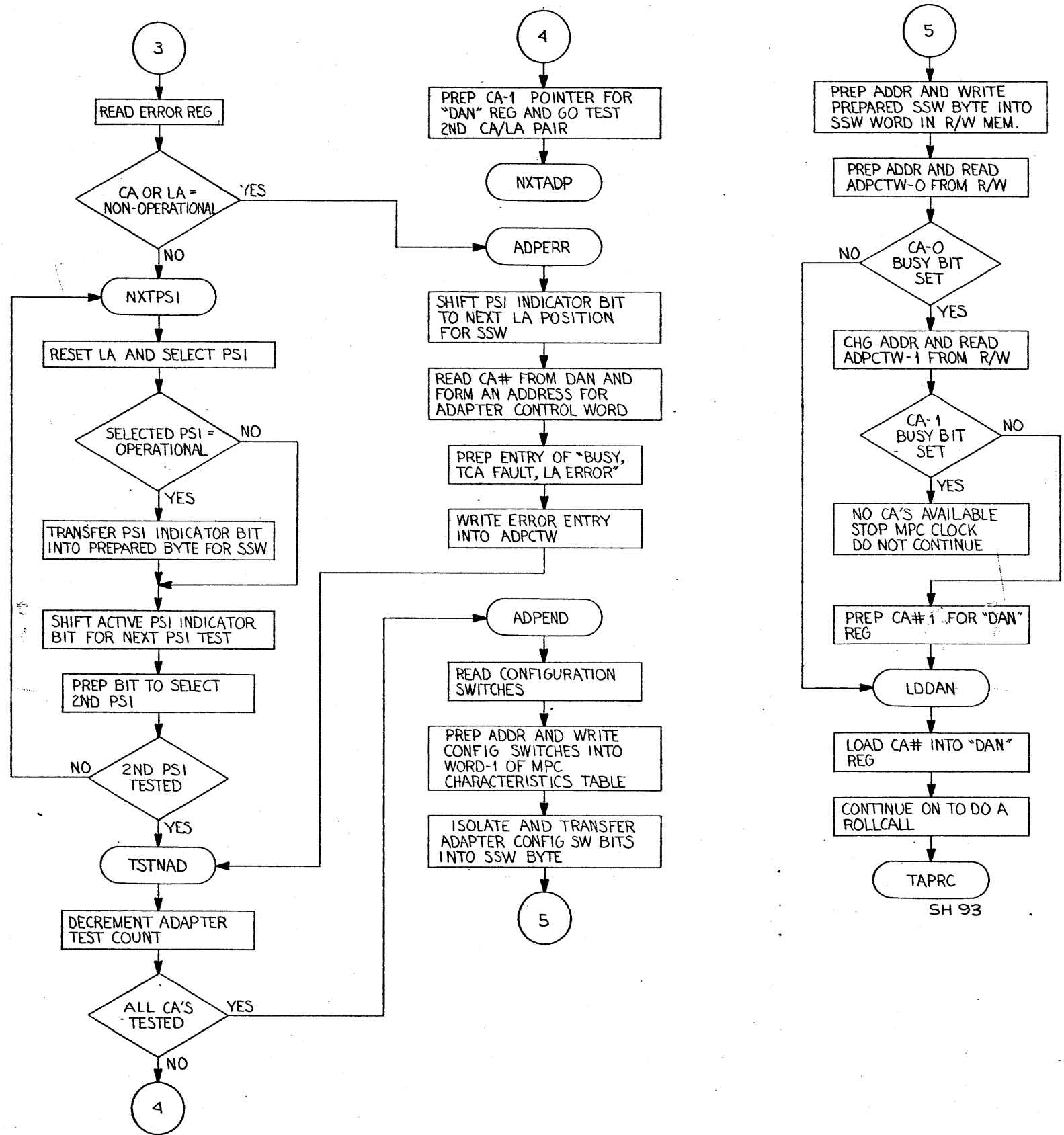
I
H
F
E
D
C
B
A

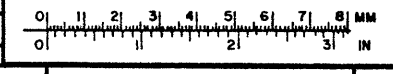


UNLESS OTHERWISE SPECIFIED			MATL	
DIMENSIONS= MILLIMETERS INCHES		TREAT.		
TOLERANCE OF SIZE AND FORM PER		FIN.		
INITIAL DESIGN		DR		
PROJECTION		APRD		
SCALE		DISTR		
CODE				
Honeywell HONEYWELL INFORMATION SYSTEMS PHOENIX, ARIZONA U. S. A.			TITLE	
LOC PC0			FLOW DIAGRAM MTP0601 MPC INITIALIZATION	
SIZE	DWG NO	SH	REV	
D	58018149	91	A	

58018149

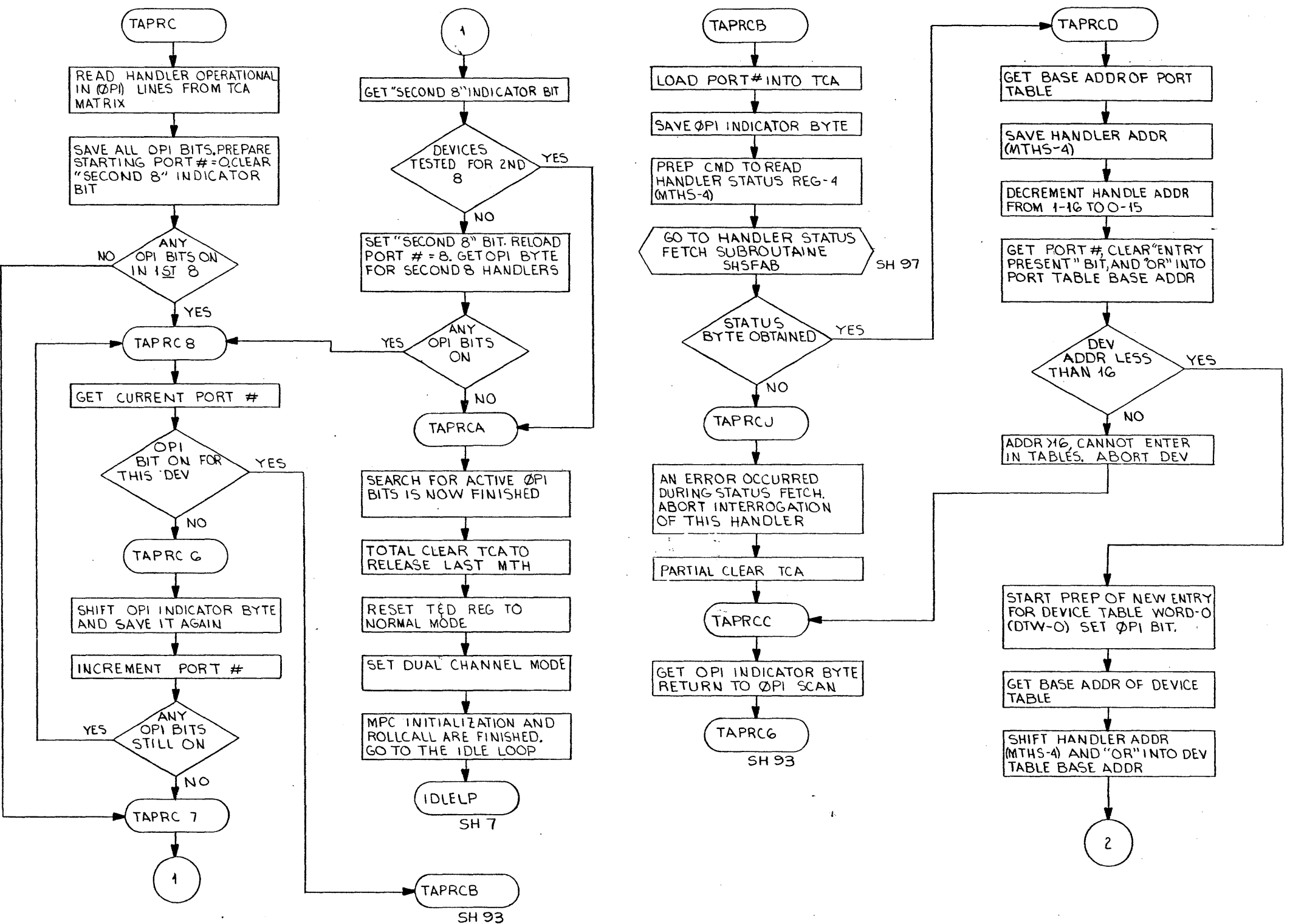
REVISIONS				
REV	AUTHORITY	DATE		SIGNATURE
		YR	MO DAY	



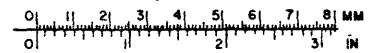


UNLESS OTHERWISE SPECIFIED		MATL	Honeywell	
DIMENSIONS— MILLIMETERS INCHES		TREAT.	loc PC0 HONEYWELL INFORMATION SYSTEMS PHOENIX, ARIZONA U. S. A.	
TOLERANCE OF SIZE AND FORM PER		FIN.	TITLE FLOW DIAGRAM MTP0601 MPC INITIALIZATION	
INITIAL DESIGN		DR	SIZE	DWG NO
PROJECTION		DR	D	58018149
SCALE	CODE	DR	SH	REV
		DR	92	A
		APPD		

REVISIONS				
REV	AUTHORITY	DATE		SIGNATURE
		YR	MO DAY	



BRUNING 44 141



REF SPEC NO

UNLESS OTHERWISE SPECIFIED		MATL		Honeywell HONEYWELL INFORMATION SYSTEMS PHOENIX, ARIZONA U. S. A.			
DIMENSIONS = MILLIMETERS / INCHES		TREAT.					
TOLERANCE OF SIZE AND FORM PER		FIN.		TITLE FLOW DIAGRAM MTP0601			
INITIAL DESIGN		PROJECTION		TAPE ROLLCALL			
SCALE	CODE	DR	74 October 21	SIZE	DWG NO	SH	REV
		APPD	<i>Charles P. Adam 10/3/74</i>	D	58018149	93	A
		DISTR					

58018149

10 9 8 7 6 5 4 3 2 1

REVISIONS				
REV	AUTHORITY	DATE		SIGNATURE
		YR	MO DAY	

2
READ "OLD" DTW-O FOR THIS DEVICE

NO
ADDR PRESENT BIT SET

YES
SET "MULTIPLE DEVICE NUMBER" BIT IN NEW DTW-O

TAPRCH

WRITE "NEW" DTW-O INTO R/W MEM.

WRITE DEVICE TABLE ADDR INTO PORT TABLE

PREP AND SEND "CLEAR SUMMARY STATUS" MTH CMD

INCRMENT DELAY COUNT FOR CONSECITIVE MTH CMD'S

NO
DELAY COUNT=4

YES
PREP AND SEND "CLEAR DETAILED STATUS" MTH CMD

PREP CMD TO READ DENSITY IN HANDLER STATUS REG-2 (MTHS-2)

GO TO HANDLER STATUS FETCH SUBROUTINE (SHSFAB) SH 97

3

3
SAVE DENSITY BYTE

NO
STATUS BYTE OBTAINED

YES
PREP CMD TO READ SPEED CODE IN MTHS-3

GO TO HANDLER STATUS FETCH SUBR. (SHSFAB) SH 97

CHG DEVICE TABE ADDR TO WORD-2

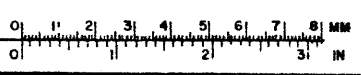
NO
STATUS BYTE OBTAINED

YES
GO TO GKDCOM SUBROUTINE SH 66

GO TO TAPRCG SH 93

TAPRCJ

REV	DATE	DESCRIPTION



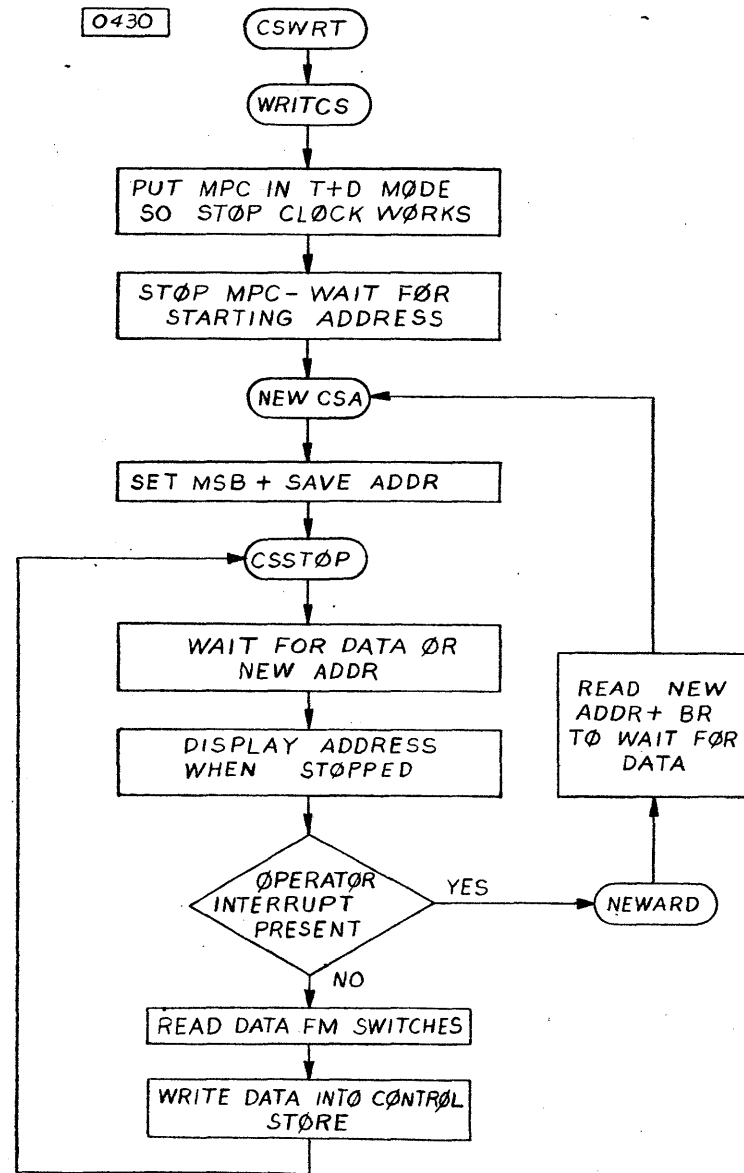
UNLESS OTHERWISE SPECIFIED		MATL	
DIMENSIONS— MILLIMETERS INCHES		TREAT.	
TOLERANCE OF SIZE AND FORM PER INITIAL DESIGN		FIN.	
PROJECTION		DR 74 October 21 <i>Richard L. ...</i>	
SCALE	CODE	DR 74 October 21 <i>Richard L. ...</i>	DR 74 October 21 <i>Richard L. ...</i>
APPD <i>Charles P. ...</i>		DR 74 October 21 <i>Richard L. ...</i>	DR 74 October 21 <i>Richard L. ...</i>
DISTR		DISTR	
HONEYWELL INFORMATION SYSTEMS PHOENIX, ARIZONA U. S. A.		TITLE FLOW DIAGRAM MTP0601 TAPE ROLL CALL	
SIZE	DWG NO	SH	REV
D	58018149	94	A

58018149

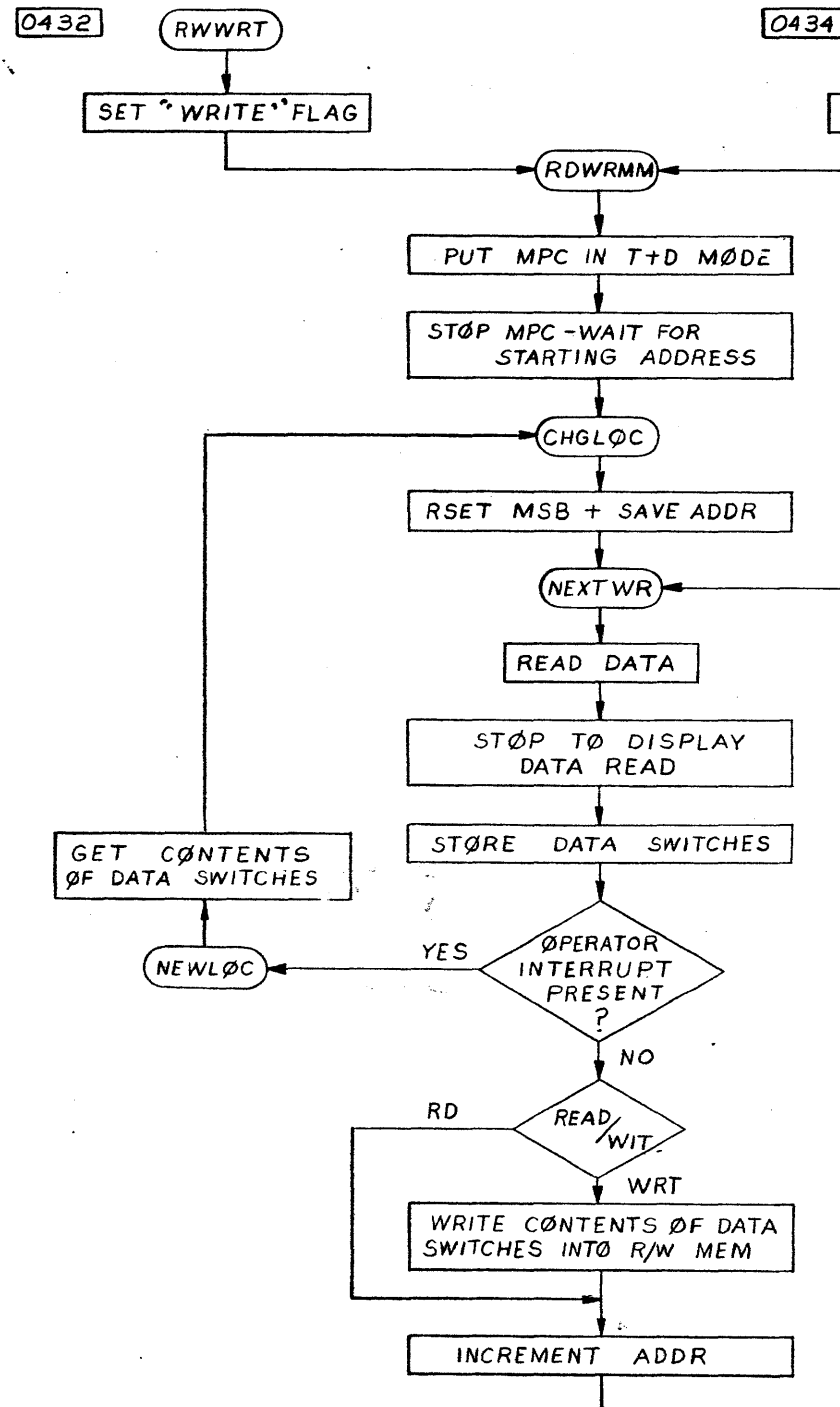
REF SPEC NO

A

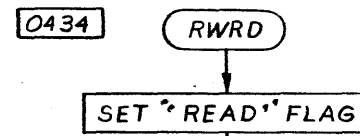
MAINTENANCE ROUTINES
WRITE CONTROL STORE



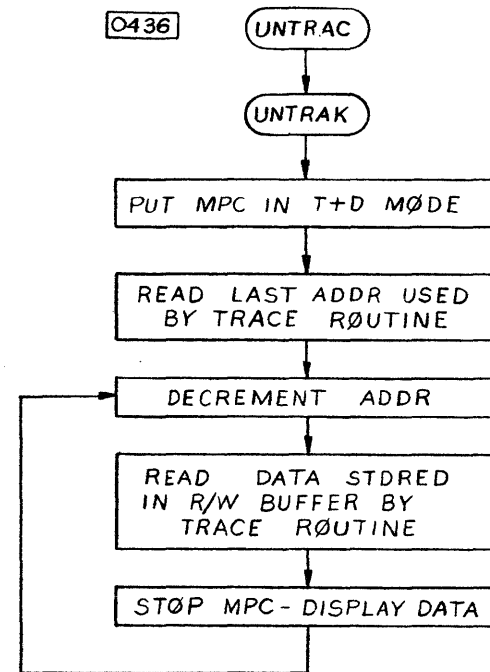
WRITE R/W MEMORY



READ R/W MEMORY

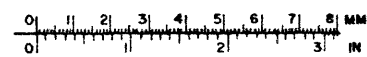


UNTRACE



REVISIONS				
REV	AUTHORITY	DATE	SIGNATURE	
YR	MO	DAY		

UNLESS OTHERWISE SPECIFIED		MATERIAL		Honeywell HONEYWELL INFORMATION SYSTEMS LOC PCO PHOENIX, ARIZONA U. S. A.			
DIMENSIONS= MILLIMETERS INCHES		TREAT.					
TOLERANCE OF SIZE AND FORM PER		FIN.		SIZE DWG NO		SH REV	
INITIAL DESIGN		DR		D 58018149		95 A	
PROJECTION		APP'D		DATE		REV	
SCALE CODE		15 OCT 1 Jarry Bedek		14/1/75			
		DISTR					



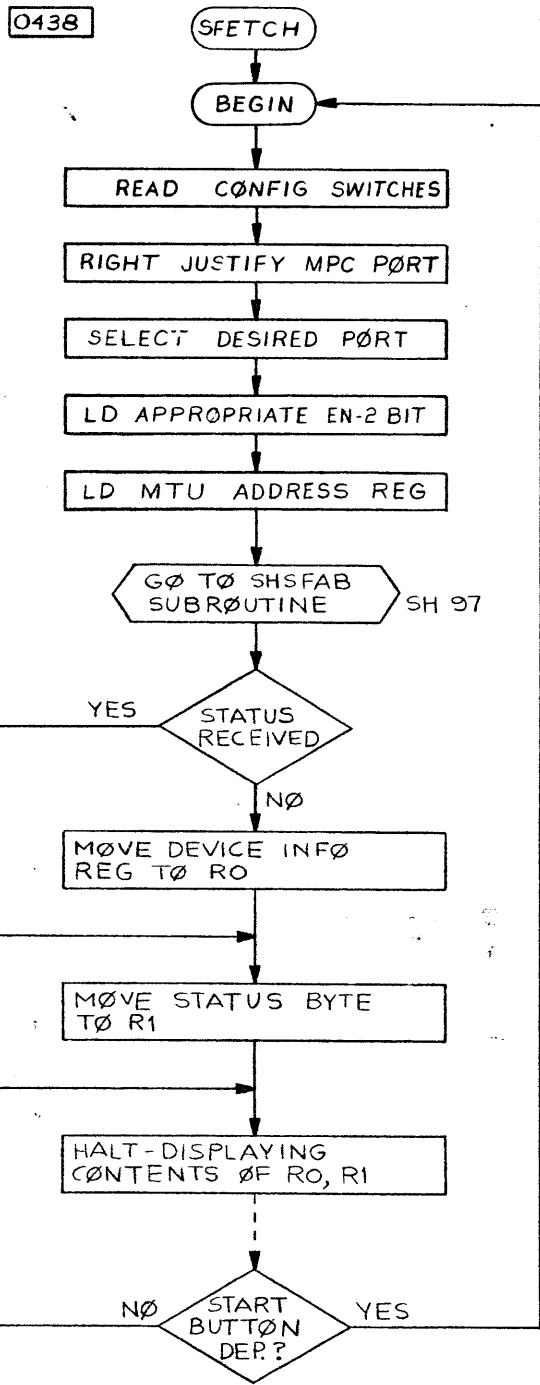
REF SPEC NO

BRUNING 44 141

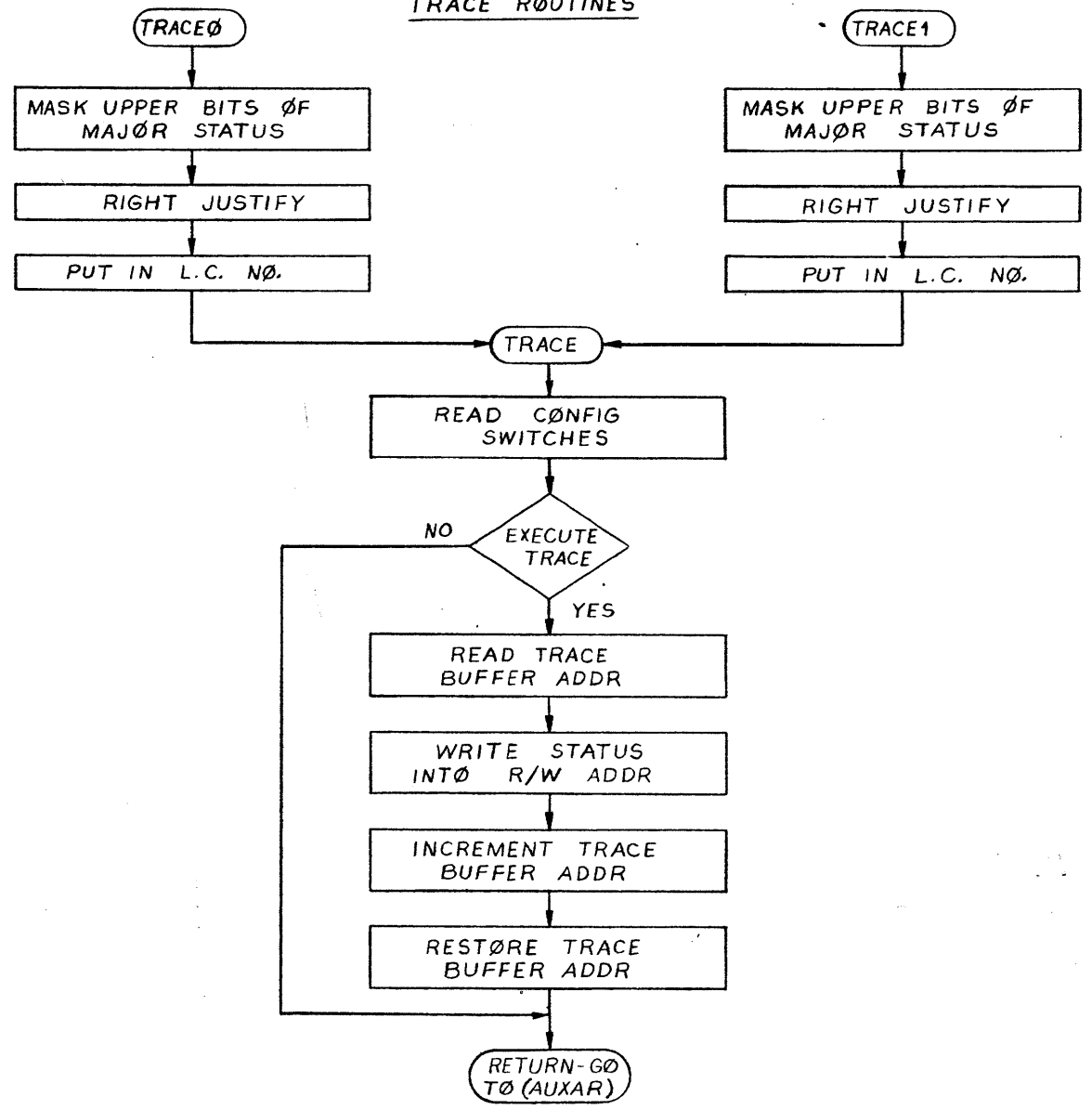
CE 800 D (12-72)

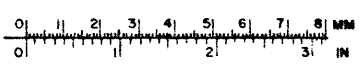
58018149

STATUS FETCH ROUTINE



TRACE ROUTINES





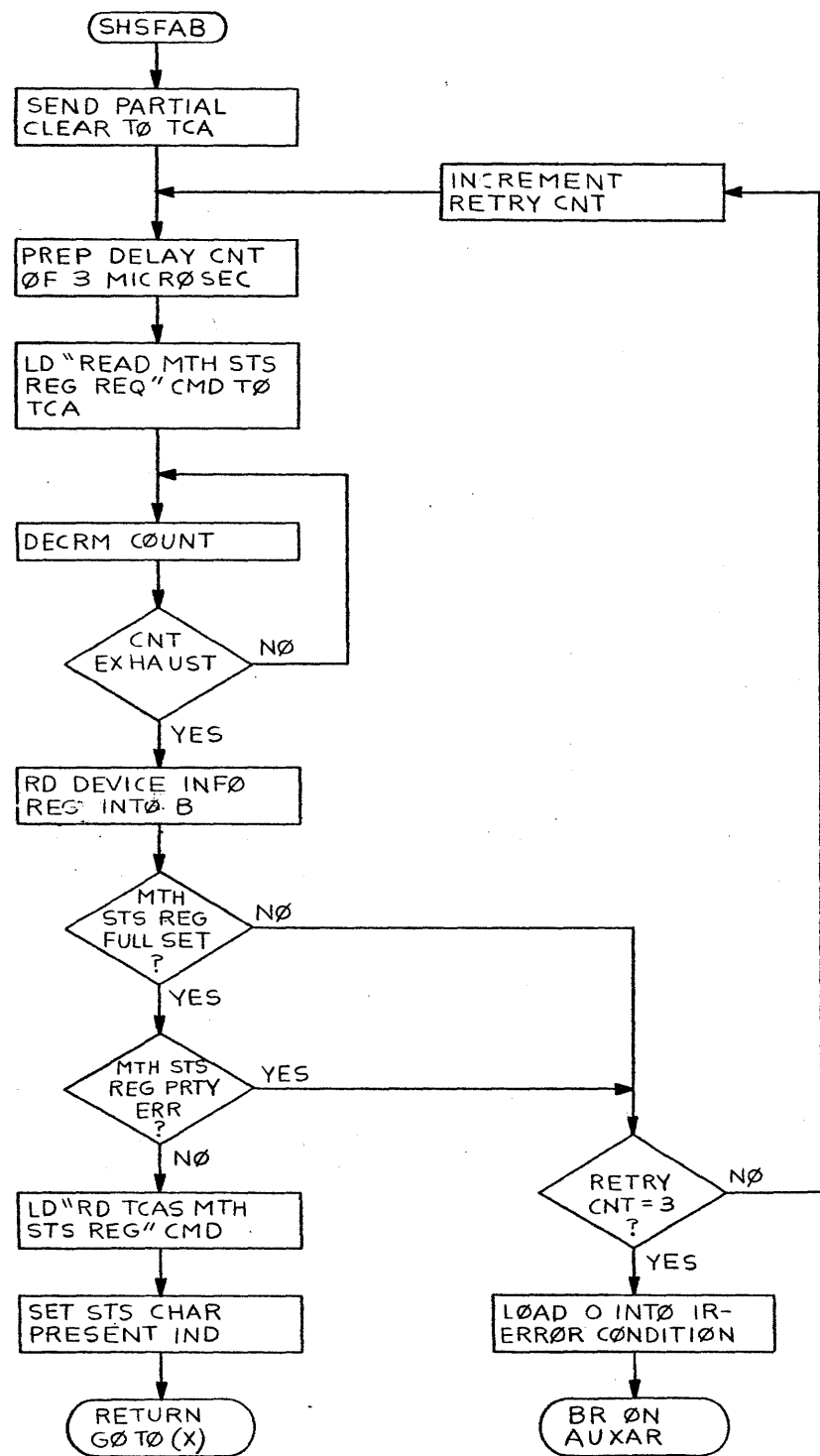
UNLESS OTHERWISE SPECIFIED		MATERIAL		Honeywell HONEYWELL INFORMATION SYSTEMS PHOENIX, ARIZONA U.S.A.	
DIMENSIONS=	MILLIMETERS	TREAT.			
TOLERANCE OF SIZE AND FORM PER		FIN.		LOC PCO TITLE FLOW DIAGRAM MTP0601 MIANTENANCE ROUTINES	
PROJECTION		DR	75 OCT 1	SIZE	DWG NO
SCALE	CODE	DR	<i>Harry Bedek</i>	D	58018149
REF SPEC NO		APPLY	Charles P. Adam 1/31/75	SH	REV
		DISTR	CCP-75 TDS NEZ AND	96	A

58018149

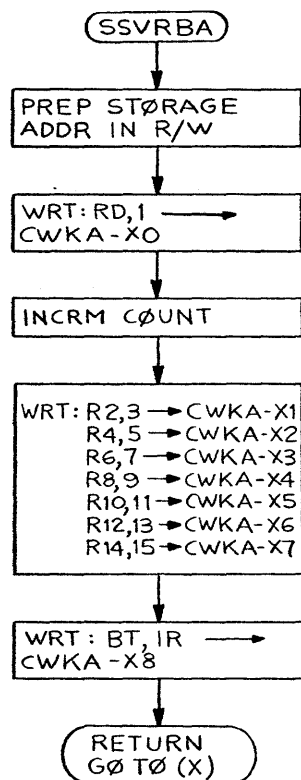
SUBROUTINES

REVISIONS				
REV	AUTHORITY	DATE	SIGNATURE	
		YR MO DAY		

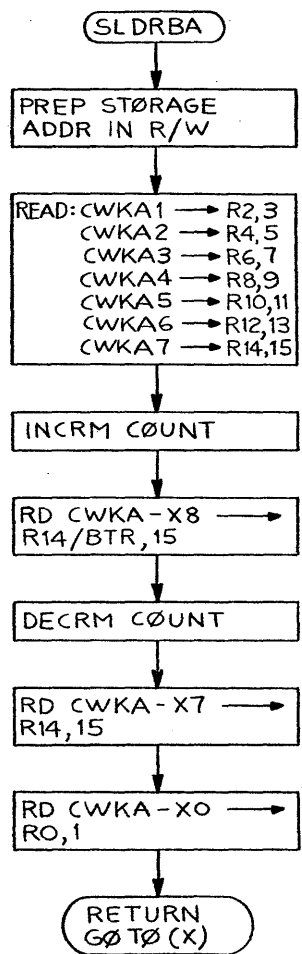
MTH STATUS FETCH SHSFAB



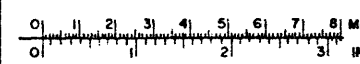
SAVE RBA REGISTERS-SSVRBA



LOAD RBA REGISTERS-SLDRBA



58018149 D



UNLESS OTHERWISE SPECIFIED		MATL		Honeywell HONEYWELL INFORMATION SYSTEMS LOC PCC PHOENIX, ARIZONA U. S. A.	
DIMENSIONS = $\frac{\text{MILLIMETERS}}{\text{INCHES}}$		TREAT.			
TOLERANCE OF SIZE AND FORM PER		FIN.		TITLE FLOW DIAGRAM MTP0601	
INITIAL DESIGN		PROJECTION		COMMON SUBROUTINES	
SCALE	CODE	DR	REV		SH
		75 SEP 29 <i>Larry Bidet</i>	SIZE	DWG NO	REV ~
			D	58018149	97F A
		APPD <i>Charles P. Glem 10/3/75</i>	DISTR		

THE INFORMATION CONTAINED IN THIS DOCUMENT PROPRIETARY TO HONEYWELL INFORMATION SYSTEMS, INC. AND IS INTENDED FOR INTERNAL HONEYWELL USE ONLY. SUCH INFORMATION MAY BE DISTRIBUTED TO OTHERS BY WRITTEN PERMISSION OF AN AUTHORIZED HONEYWELL OFFICIAL. THIS RESTRICTION DOES NOT APPLY TO VENDOR PROPRIETARY THAT MAY BE DISCLOSED IN THIS DOCUMENT.

58008804

REV	AUTHORITY	DATE			SIGNATURE	DWG SH NO.																		
		YR	MO	DAY		1	2	3	31	32	33	4	5	6	7	8	9	10	11	12	13	14	15	16
A	LEVEL 3 ISSUE	75	03	06	W. S. Siders	A	A	A	A	A	A	A	A	A	A	A	A	A	A	A	A	A	A	A
B	PHAO7E043	75	May	07	W. S. Siders				B										B	B	B	B	B	B
C	PHAO7E071	76	02	24	H. H. Hays														C	C	C	C		
C1	PHAO7E073	76	Apr	02	G. E. Braggell																			

* POINT SHEETS FOR CONTINUATION OF REVISION STATUS SEE SHEET

Honeywell HONEYWELL INFORMATION SYSTEMS LOC PHOENIX, ARIZONA CE 300 A-3 (12-71) BRUNING 44-141	MADE BY <i>W. S. Siders</i> 75-2-14	TITLE
	APPROVED <i>J. B. ...</i> 175-2-26	LOGIC DIAGRAM MT6DT
REVISION STATUS FOR EACH PAGE, SHEET OR GROUP IS SHOWN BY LAST ENTRY IN THE CORRESPONDING NUMBERED COLUMN	SIZE D	REVISION STATUS FOR SHEET REV 58008804 1/2 C1

THE INFORMATION CONTAINED IN THIS DOCUMENT PROPRIETARY TO HONEYWELL INFORMATION SYSTEMS, INC. AND IS INTENDED FOR INTERNAL HONEYWELL USE ONLY. SUCH INFORMATION MAY BE DISTRIBUTED TO OTHERS BY WRITTEN PERMISSION OF AN AUTHORIZED HONEYWELL OFFICIAL. THIS RESTRICTION DOES NOT APPLY TO VENDOR PROPRIETARY THAT MAY BE DISCLOSED IN THIS DOCUMENT.

58008804

REV	AUTHORITY	DATE			SIGNATURE	DWG. SHEET NUMBER																		
		YR	MO	DAY		18	19	20	21	22	23	24												
A	LEVEL 3 ISSUE	75	03	06	W. S. Siders	A	A	A	A	A	A	A	A											
B	PHAO7E043	75	May	07	W. S. Siders	B	B	B	B	B	B	B	B											
C	PHAO7E071	76	02	24	H. H. Hays																			
C1	PHAO7E073	76	Apr	02	G. E. Braggell																			

FOR CONTINUATION OF REVISION STATUS SEE SHEET

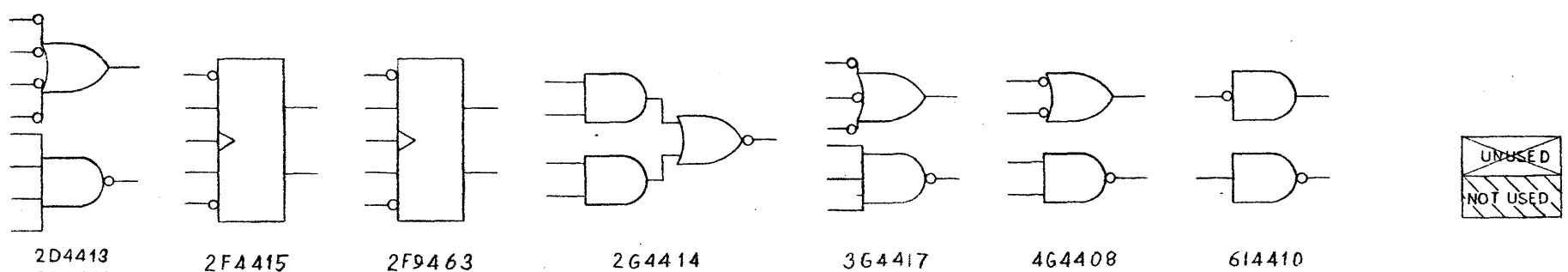
Honeywell HONEYWELL INFORMATION SYSTEMS LOC PHOENIX, ARIZONA CE 300 A-3 (12-71) BRUNING 44-141	MADE BY <i>W. S. Siders</i> 75-2-14	TITLE
	APPROVED <i>J. B. ...</i> 175-2-26	LOGIC DIAGRAM MT6DT
REVISION STATUS FOR EACH PAGE, SHEET OR GROUP IS SHOWN BY LAST ENTRY IN THE CORRESPONDING NUMBERED COLUMN	SIZE D	REVISION STATUS FOR SHEET REV 58008804 2 F C1

CE 300 A-3 (12-71) BRUNING 44-141

REVISIONS			
REV	AUTHORITY	DATE YR MO DAY	SIGNATURE

	A	B	C	D	E	F	G	H	J	K	L	M	N	P	Q	R	S	T	U	V
0	0A 464408 4 6 6 6	0B 614410 4 4 6 6	0C 464408 4 4 6 8	0D 2F4415 6	0E 2D4413 4 4	0F 464408 4 4 4 8	0G 614410 2 4 2 4 2 4 2 4	0H 464408 11 11 11 11	0J 464408 10 10 11 11	0K 364417 10 10 8	0L 364417 11 11 24	0M SIG	0N 2F4415 4 4	0P 364417 24 24 24	0Q 364417 24 24 24	0R ---	0S ---	0T ---	0U ---	0V ---
1	1A 464408 6 8 4 4	1B 614410 4 4 10 6 8 8	1C 2F4415 6 6	1D 2F4415 4 4	1E 2F4415 4 4	1F 2F4415 4 4	1G 2F4415 6 8	1H 264411 10 18	1J 364417 18 18 18	1K 614410 2 0 2 2 1 4	1L 2F9463 2 0 2 0	1M 464408 14 14 14 15	1N 2F4415 5 5	1P 183441 14	1Q SIG	1R TIEP 9,11,13, = 20	1S ---	1T ---	1U ---	1V ---
2	2A 464408 8 8 8 24	2B 614410 8 8 4 10 8 13	2C 2F4415 8 8	2D 2F4415 8 8	2E 464408 6 14 10 16	2F 364417 4 4 13	2G 2F4415 18 18	2H 464408 18 18 18 18	2J 464408 18 18 18 18	2K 614410 10 10 15 10 11 11	2L 2F4415 15 15	2M 2F4415 15 15	2N 2F9463 20 18	2P 2F4415 20 20	2Q 1R3448 20	2R TIEP 11,12,14 = 20 9,13,15,16 = 22	2S ---	2T ---	2U ---	2V ---
3	3A 2F4415 10 10	3B 2D4413 10 8	3C 2F4415 10 10	3D 264411 10 10	3E 264411 10 10	3F 464408 10 18 18 8	3G 614410 10 14 15 4 18 15	3H 464408 18 18 18 18	3J 464408 18 18 18 18	3K 1C3447 15	3L 1C3447 15	3M 464408 14 15 15 20	3N 464408 20 20 20 20	3P 1N3444 15	3Q 2F4415 24 20	3R TIEP 16 = 20 9,13 = 22	3S ---	3T ---	3U ---	3V ---
4	4A 464408 5 7 7 7	4B 614410 5 5 7 7 7 7	4C 464408 5 5 7 9	4D 2F4415 7 7	4E 2D4413 5 5	4F 464408 9 4 5 11	4G 464408 10 10 10 10	4H 614410 18 18 18 18 9 15	4J 464408 18 18 18 18	4K SIG	4L 464408 4 4 5 5	4M 2D4413 14 18	4N 464408 20 20 20 20	4P 264411 24 14	4Q 614410 20 24 20 20 20 22	4R TIEP 9,10,11, 13 = 18 16 = 22	4S ---	4T ---	4U ---	4V ---
5	5A 464408 7 9 5 5	5B 614410 5 5 11 7 9 9	5C 2F4415 7 7	5D 2F4415 5 5	5E 2F4415 5 5	5F 2F4415 5 5	5G 2F4415 7 9	5H 264411	5J 364417 19 19 19	5K 464408 14 18 18 14	5L 464408 12 15 15 15	5M 464408 16 16 16 13	5N 614410 15 18 20 15 20	5P 2F9463 14 15	5Q 614410 14 14 14 14 18 18	5R TIEP 10,11,13,14 = 14 14,16 = 19 9,12,15 = 22 9 = 23	5S ---	5T ---	5U ---	5V ---
6	6A 464408 9 9 9 11	6B 614410 9 9 5 11 10 10	6C 2F4415 9 9	6D 2F4415 9 9	6E 464408 7 12 11 13	6F 364417 5 5 12	6G 2F4415 19 19	6H 464408 19 19 19 19	6J 464408 19 19 19 19	6K 264414 20 21	6L 2F4415 17 17	6M 2F4415 17 17	6N 2F9463 21 19	6P 2F4415 21 21	6Q 1R3448 21	6R TIEP 11,12,14 = 21 16 = 22 9,13,15, 16 = 23	6S ---	6T ---	6U ---	6V ---
7	7A 2F4415 11 11	7B 2D4413	7C 2F4415 11 11	7D 264411 11 11	7E 264411 11 11	7F 464408 11 19 19 9	7G 614410 15 12 17 15 19 17	7H 464408 19 19 19 19	7J 464408 19 19 19 19	7K 1C3447 17	7L 1C3447 17	7M 464408 16 17 17 21	7N 464408 21 21 21 21	7P 1N3444 17	7Q 2F4415 24 21	7R TIEP 16 = 21 9,13 = 23	7S ---	7T ---	7U ---	7V ---
8	8A 183442 12	8B 183442 12	8C SIG	8D 464408 12 12 12 13	8E 1N3450 12 12	8F 2F4415 12 13	8G SIG	8H 614410 19 19 19 19 14 12	8J 464408 19 19 19 19	8K SIG	8L 183441 16	8M 2D4413 16 19	8N 464408 21 21 21 21	8P 264411 16	8Q 614410 12 13 21 21 21 23	8R TIEP 9,10,11, 13 = 19 16 = 23	8S ---	8T ---	8U ---	8V ---
9	9A 183442 13	9B 614410 9 9 10 11 10 10	9C 364417 9 13 12	9D 614410 4 4 4 5 4 4	9E 1N3450 13	9F 183442 13	9G 614410 5 5 6 7 8 8	9H 614410 11 11 11 10 17 17	9J 614410 12 12 12 12 10 11	9K 464408 16 19 19 16	9L 464408 12 17 17 10	9M 2F9463 21	9N 614410 11 19 21 17 21 17	9P 2F9463 16 17	9Q 614410 16 16 16 16 19 19	9R TIEP 10,11,13, 14,16 = 16 14 = 19 9,12,15 = 23	9S ---	9T ---	9U ---	9V ---

- 1B3441
- 1B3442
- 1C3447
- 1N3444
- 1N3450
- 1R3448
- TIEP



2D4413 2G4411	2F4415	2F9463	2G4414	364417	464408	614410	UNUSED NOT USED
1,2,4,5,6 8,9,10,12,13	1,4,13,14,15 5,6,8,10,11	1,2,3,4,14,15,16 6,7,8,9,10,11,12	1,8,9,10,13 2,3,4,5,6	1,2,12,13 3,4,5,6 8,9,10,11	1,2,3,4,5,6 8,9,10,11,12,13	1,2,3,4 5,6,8,9 10,11,12,13	

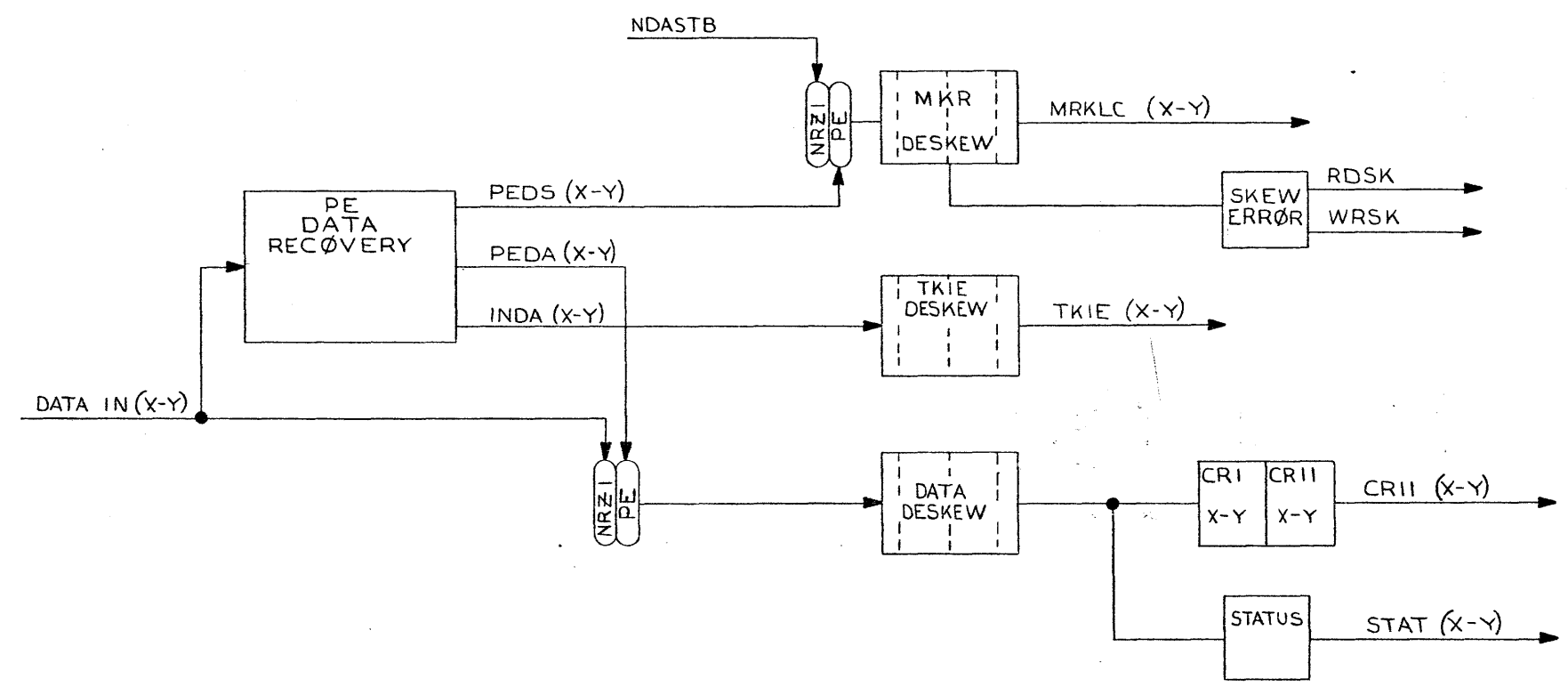
UNLESS OTHERWISE SPECIFIED		MAIL	<div style="text-align: center;">Honeywell</div> HONEYWELL INFORMATION SYSTEMS PHOENIX, ARIZONA U. S. A.	
DIMENSIONS =	MILLIMETERS INCHES	TREAT.		
TOLERANCE OF SIZE AND FORM PER	INITIAL DESIGN	FIN.	TITLE	LOGIC DIAGRAMMT6DT CIRCUIT LOCATOR
PROJECTION	SCALE	CODE	DR	74 NOV 9
SCALE	CODE	APPD	1975 Feb 26	SH
		DISTR	C6P-26-Tos/Vico	REV
				C

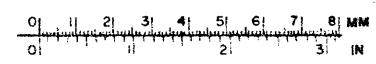
THIS DOCUMENT CONTAINS PROPRIETARY INFORMATION AND IS NOT TO BE REPRODUCED OR TRANSMITTED IN ANY FORM OR BY ANY MEANS, ELECTRONIC OR MECHANICAL, INCLUDING PHOTOCOPYING, RECORDING, OR BY ANY INFORMATION STORAGE AND RETRIEVAL SYSTEM.

58008804

10 9 8 7 6 5 4 3 2 1

REVISIONS				
REV	AUTHORITY	DATE		SIGNATURE
		YR	MO DAY	

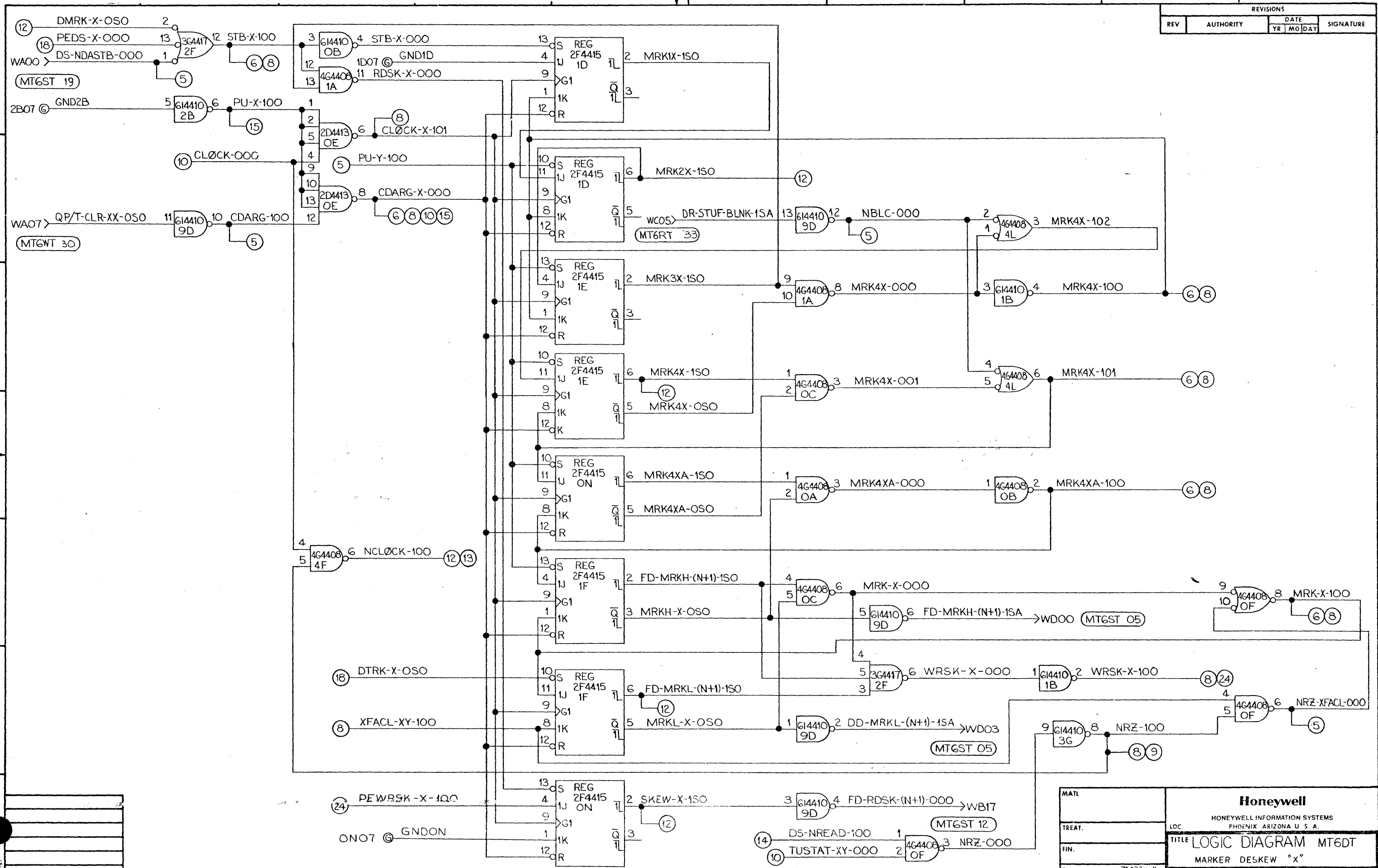




UNLESS OTHERWISE SPECIFIED		MATERIAL		Honeywell	
DIMENSIONS= MILLIMETERS / INCHES		TREAT.		locPC0 HONEYWELL INFORMATION SYSTEMS PHOENIX, ARIZONA U.S.A.	
TOLERANCE OF SIZE AND FORM PER		FIN.		TITLE LOGIC DIAGRAM MT6DT BLOCK DIAGRAM	
INITIAL DESIGN PROJECTION		DR <i>Jim Caschick</i> 74 MAR 19		SIZE DWG NO SH REV	
SCALE CODE		APPD <i>J. Bohling</i> 1973 FEB 26		D 58008804 3.3 A	
		DISTR C-6B-26, TOS, NICO, SDF			

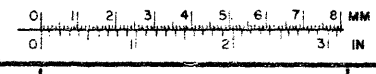
58008804

REVISIONS				
REV	AUTHORITY	DATE	SIGNATURE	
		YR MO DAY		



I
 F
 E
 D
 C
 B

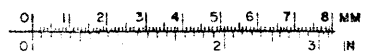
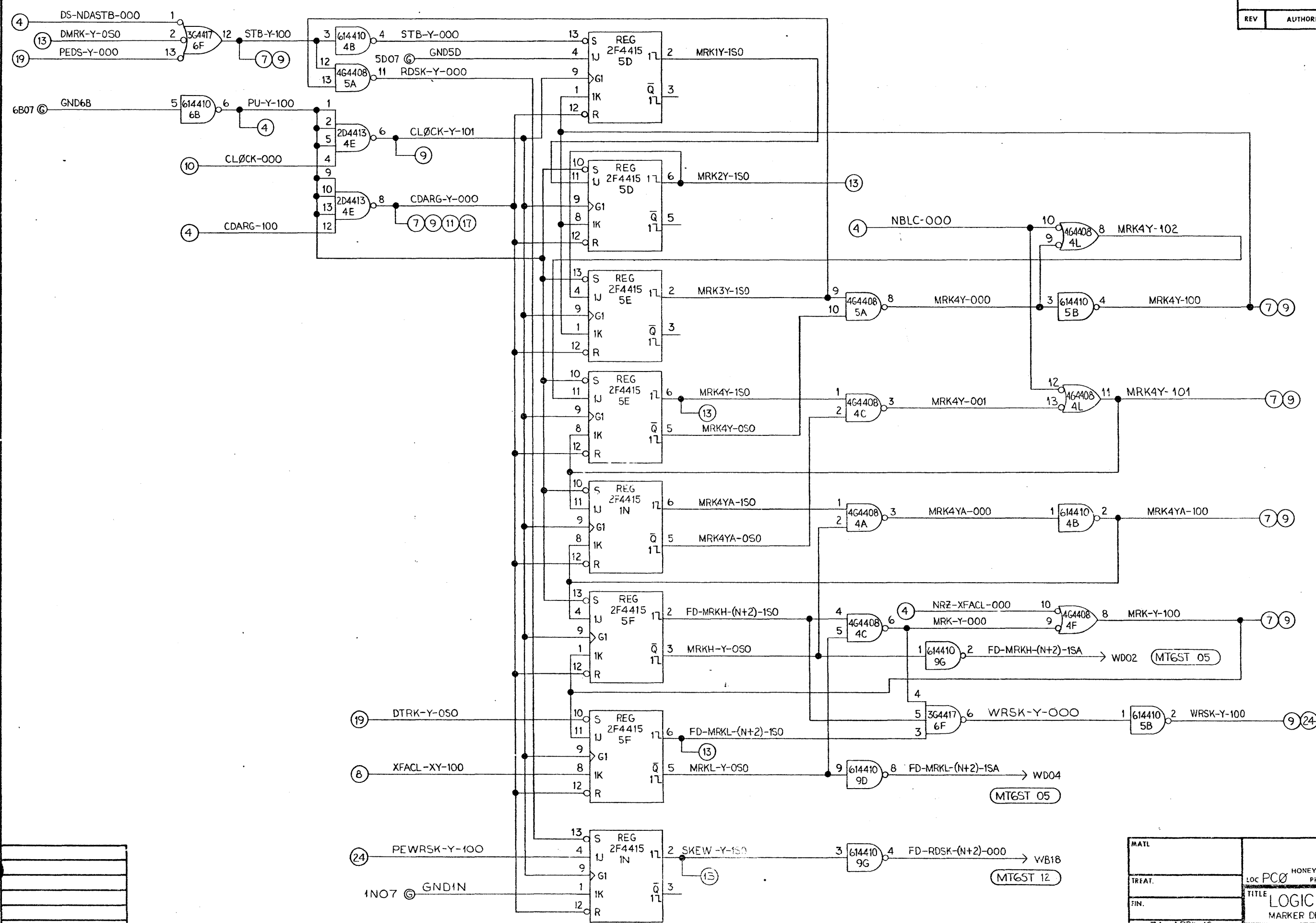
58008804



MATL	Honeywell			
TREAT.	HONEYWELL INFORMATION SYSTEMS PHOENIX ARIZONA U.S.A.			
FIN.	TITLE LOGIC DIAGRAM MT6DT MARKER DESKEW "X"			
DR. <i>Jim Crachiale</i>	DATE: 25 APRIL 76	SIZE: D	DWG NO: 58008804	SH: 4
APPD: <i>J. G. G. G.</i>	DATE: 1975 Feb 26	REV: B		
DISTR: C6B-26, TDS, NCO, SDF				

REVISIONS				
REV	AUTHORITY	DATE	SIGNATURE	
		YR	MO	DAY

H
F
E
D
C
B
A

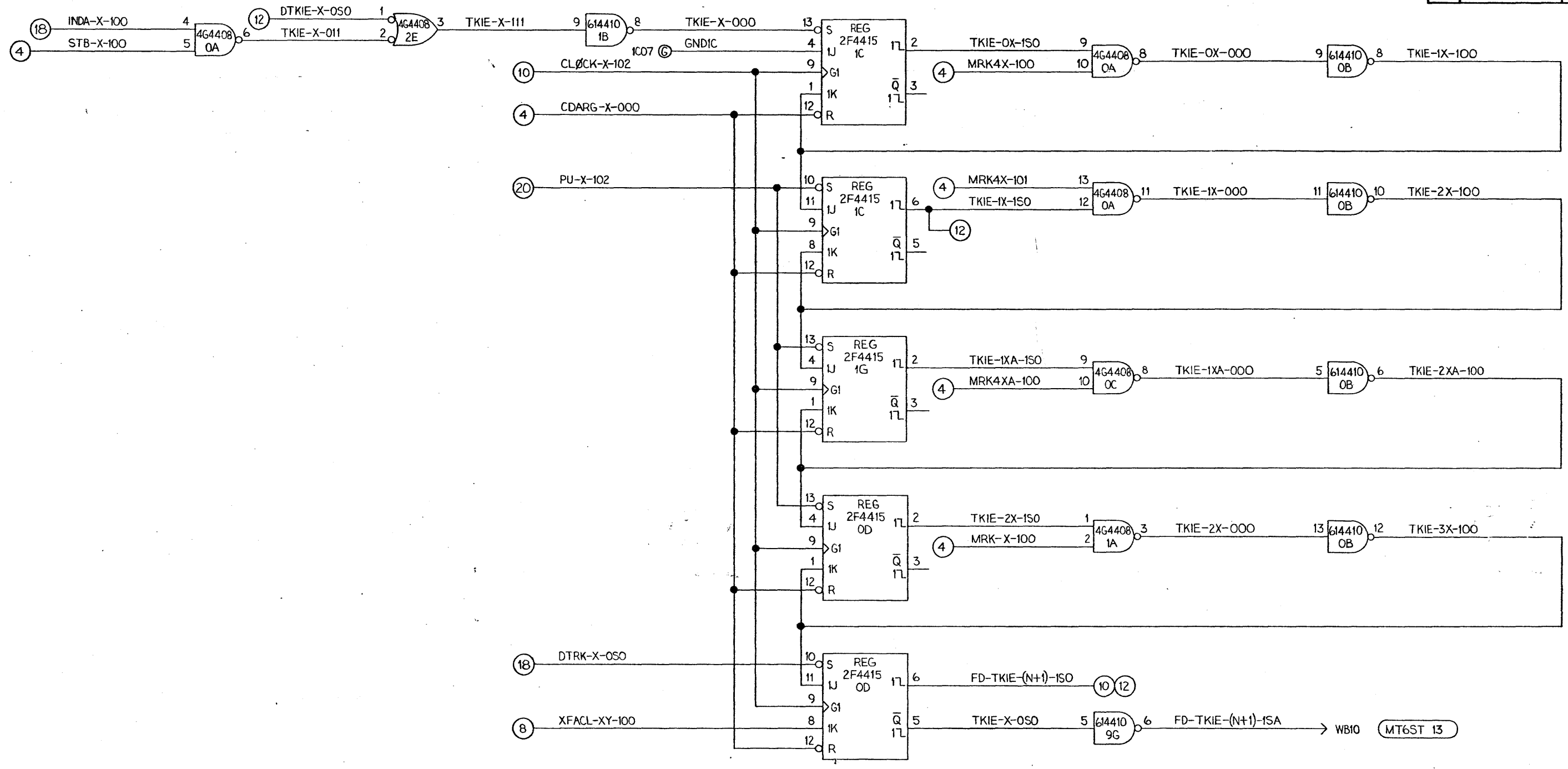


REF SPEC NO	
-------------	--

MATL		Honeywell HONEYWELL INFORMATION SYSTEMS PHOENIX, ARIZONA U.S.A.		
TREAT.	LOC PCØ			
FIN.	TITLE	LOGIC DIAGRAM MT6DT MARKER DESKEW "Y"		
DR 74 APRIL 18	SIZE	DWG NO	SH	REV
APPD	D	58008804	5	A
DISTR				

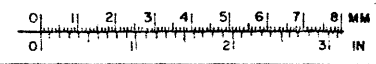
58008804

REVISIONS			
REV	AUTHORITY	DATE	SIGNATURE
		YR MO DAY	



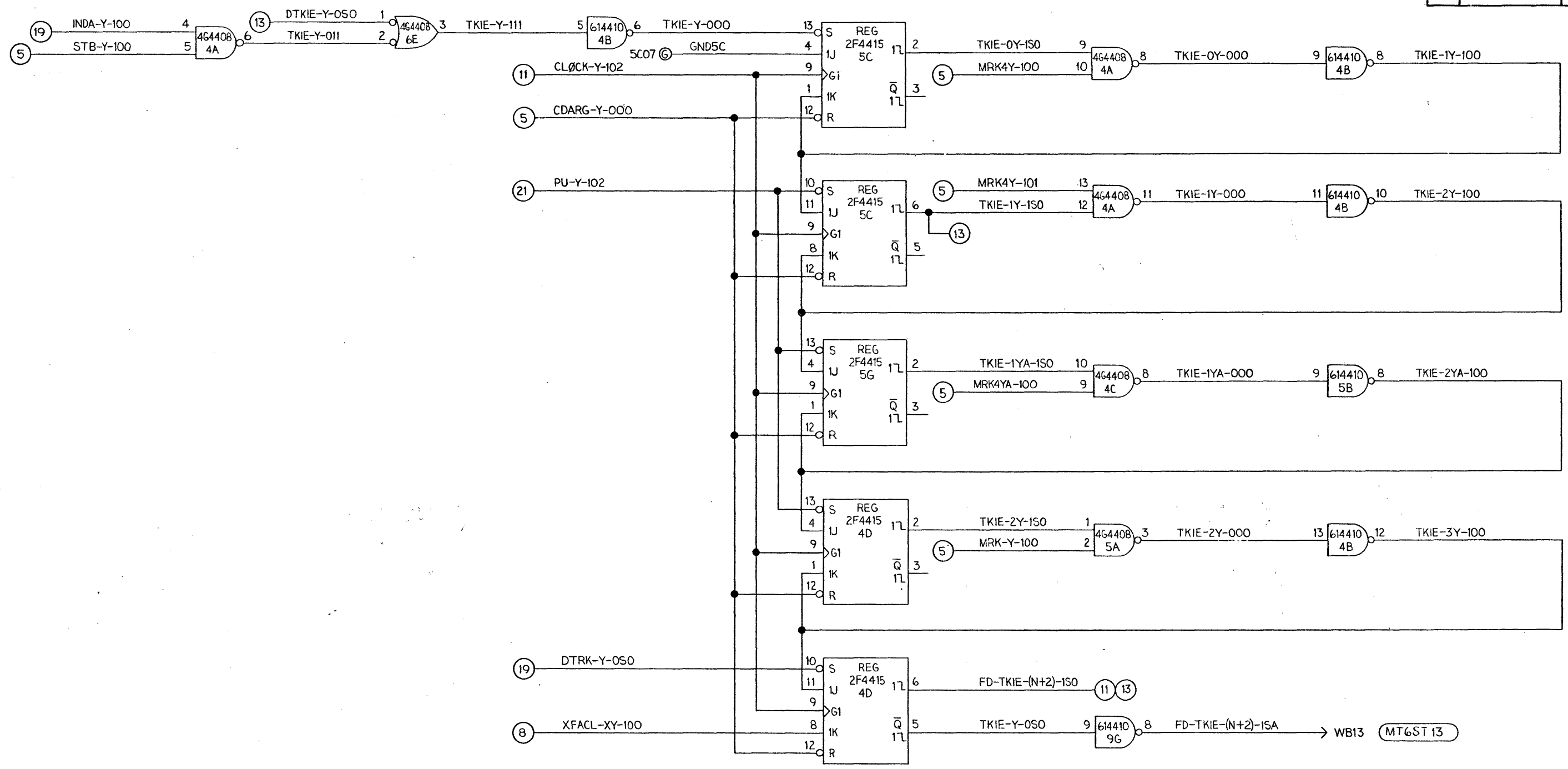
H
F
E
D
C
B

58008804

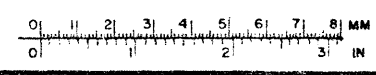


UNLESS OTHERWISE SPECIFIED DIMENSIONS = $\frac{\text{MILLIMETERS}}{\text{INCHES}}$ TOLERANCE OF SIZE AND FORM PER INITIAL DESIGN $\frac{\text{---}}{\text{---}}$ PROJECTION $\frac{\text{---}}{\text{---}}$	MATL TREAT. FIN.	Honeywell HONEYWELL INFORMATION SYSTEMS PHOENIX ARIZONA U.S.A.				
		TITLE LOGIC DIAGRAM MT6DT TRACK IN ERROR DESKEW "X"		SIZE D	DWG NO 58008804	SH 6
SCALE D	CODE D	DR <i>Jim Cochran</i> 74 APRIL 15	APPD <i>G. B. ...</i> 1975 FEB 26	DISTR C68-26, TOS, NCO, SDF		

REVISIONS			
REV	AUTHORITY	DATE	SIGNATURE
		YR MO DAY	



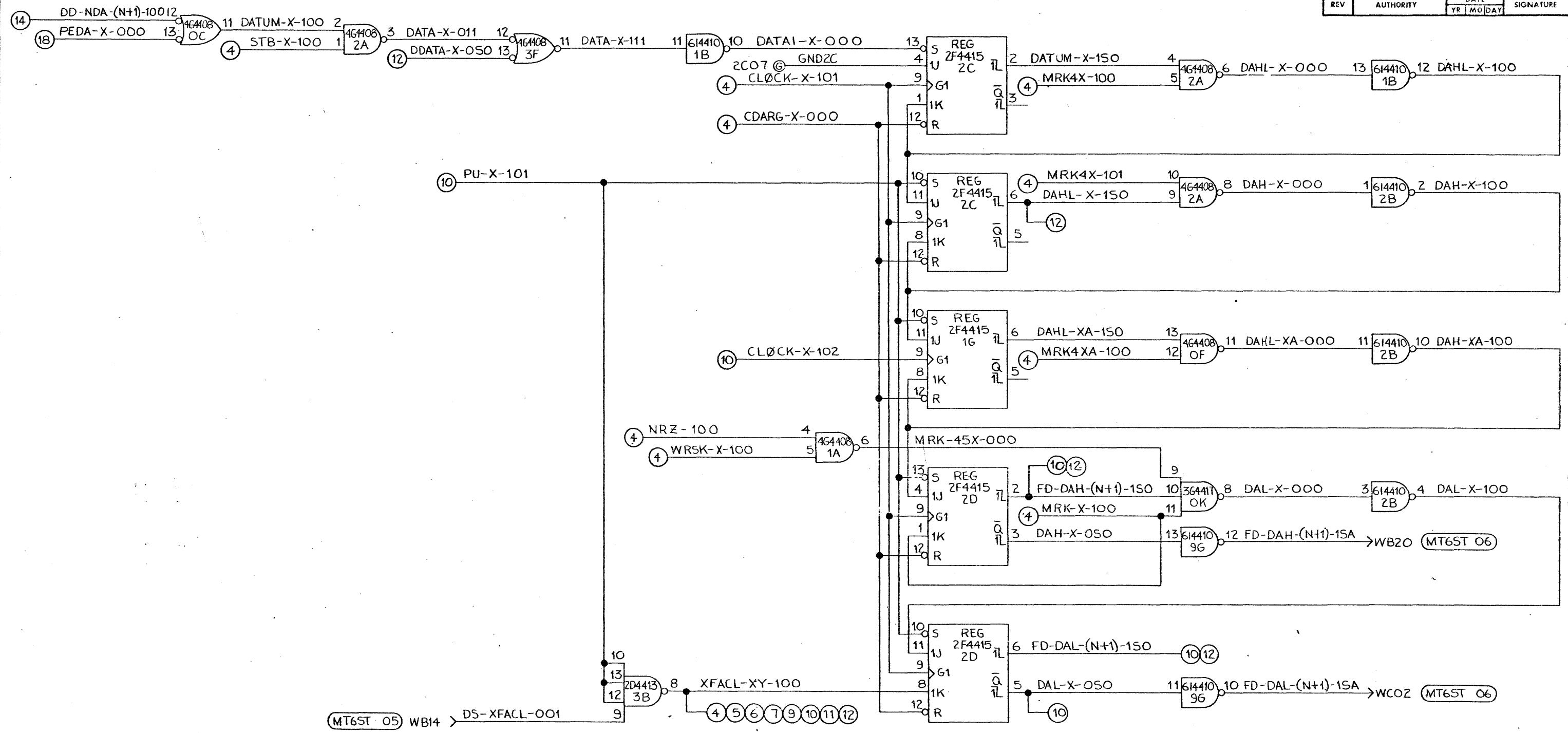
H
F
E
D
C
B
A



UNLESS OTHERWISE SPECIFIED		MATL		Honeywell HONEYWELL INFORMATION SYSTEMS PHOENIX, ARIZONA U. S. A.	
DIMENSIONS= $\frac{\text{MILLIMETERS}}{\text{INCHES}}$		TREAT.			
TOLERANCE OF SIZE AND FORM PER		FIN.		TITLE LOGIC DIAGRAM MT6DT TRACK IN ERROR DESKEW "Y"	
INITIAL DESIGN		DR		DATE 74-APRIL-16 <i>Tom Forester</i>	
PROJECTION		APPD		DATE 1975 FEB 26 <i>J. Doolan</i>	
SCALE	CODE	DISTR		SIZE	REV
				D 58008804	7 A

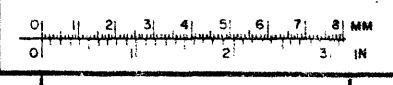
58008804

REVISIONS			
REV	AUTHORITY	DATE	SIGNATURE
		YR MO DAY	



BRUNING 44.14T

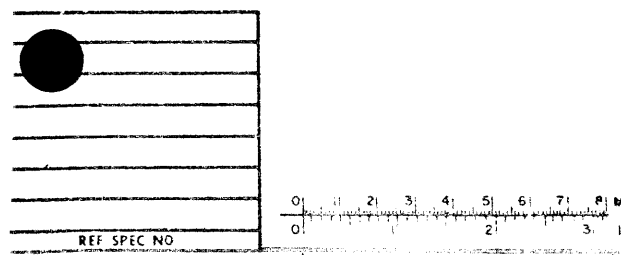
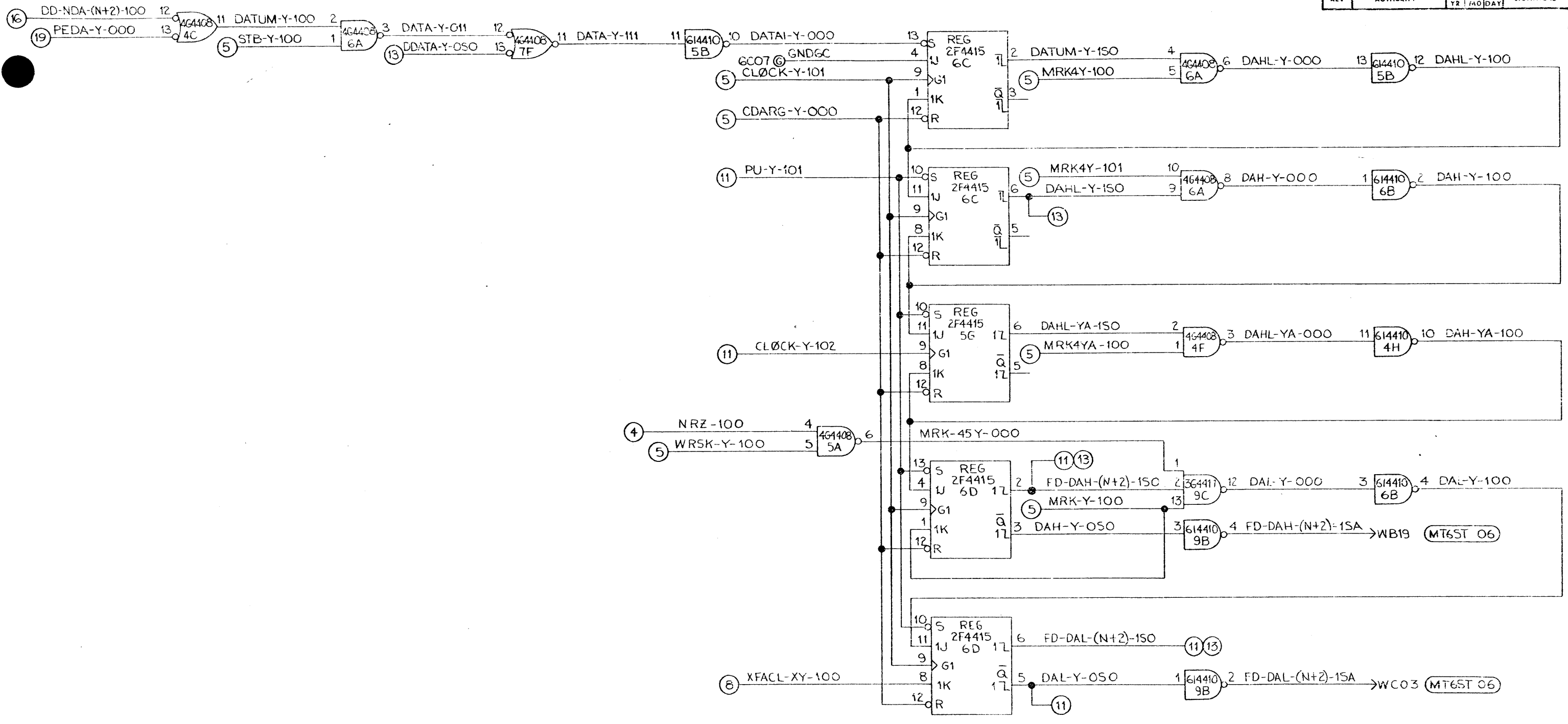
58008804



REF SPEC NO

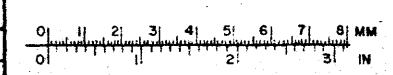
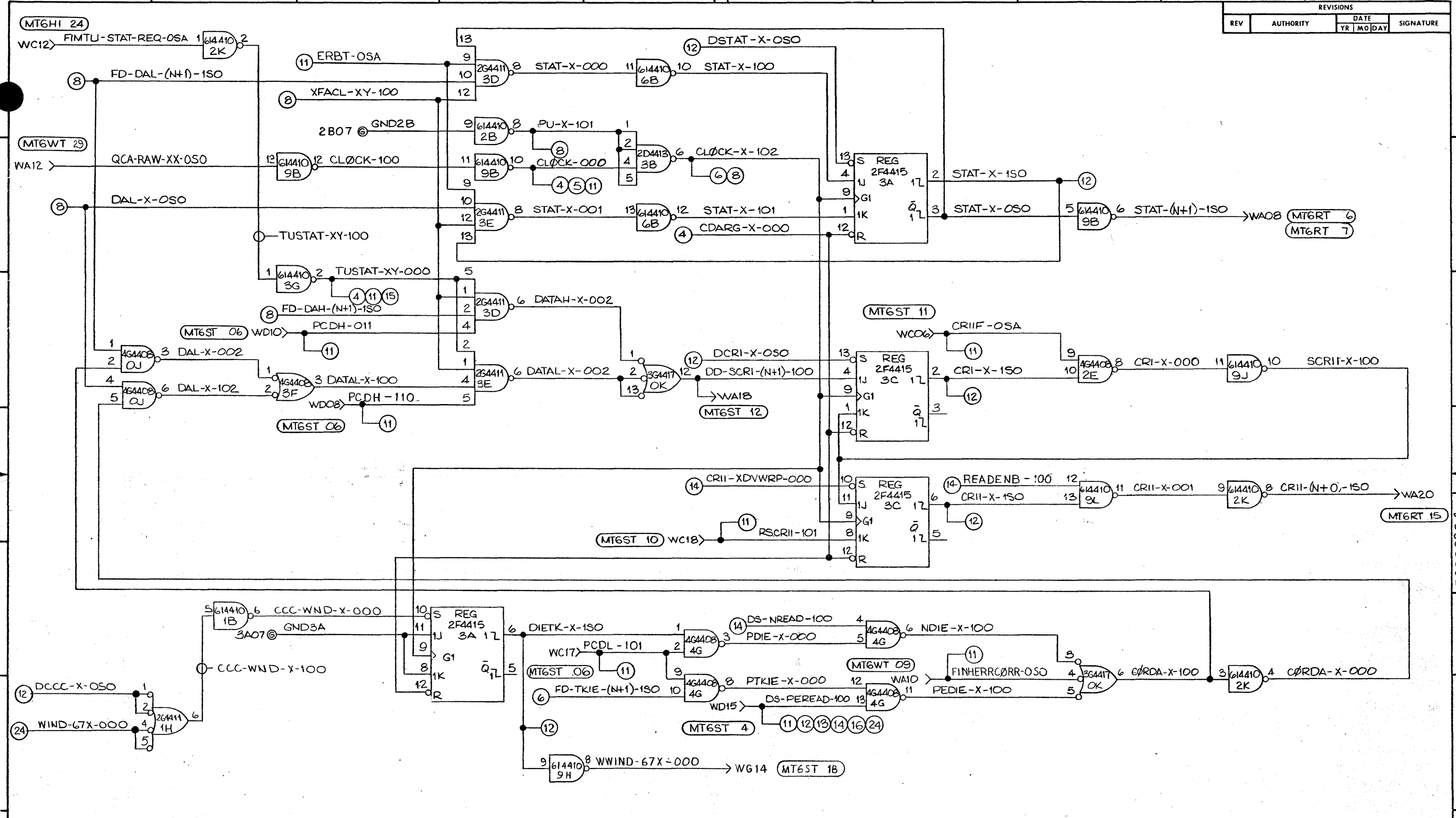
UNLESS OTHERWISE SPECIFIED		MATL		Honeywell HONEYWELL INFORMATION SYSTEMS LOC PCO PHOENIX ARIZONA U.S.A. TITLE LOGIC DIAGRAM MT6DT DATA DESKEW *X*			
DIMENSIONS= $\frac{\text{MILLIMETERS}}{\text{INCHES}}$		TREAT.					
TOLERANCE OF SIZE AND FORM PER		FIN.		SCALE		DR. <i>Jim Cranchick</i> 74 APRIL 21	
INITIAL DESIGN		PROJECTION		APPD. <i>[Signature]</i> 1975 FEB 20		SIZE D DWG NO 58008804 SH 8 REV A	
				DISTR C68-26, 70S, U.C.O. SDF			

REVISIONS			
REV	AUTHORITY	DATE	SIGNATURE
		YR MO DAY	



UNLESS OTHERWISE SPECIFIED		MATERIAL		Honeywell HONEYWELL INFORMATION SYSTEMS PHOENIX, ARIZONA, U.S.A.	
DIMENSIONS: MILLIMETERS		TREAT.			
TOLERANCE OF SIZE AND FORM PER INITIAL DESIGN PROJECTION		FIN.		LOC PCØ TITLE LOGIC DIAGRAM MT6DT DATA DESKEW "Y"	
SCALE	CODE	DR. Jim Cuccinello APPD. 175 Feb 26 DATE 28-26, 70S, NCO, SDF	14 APRIL 20 SIZE D DWG NO 58008804	SH 9 REV A	

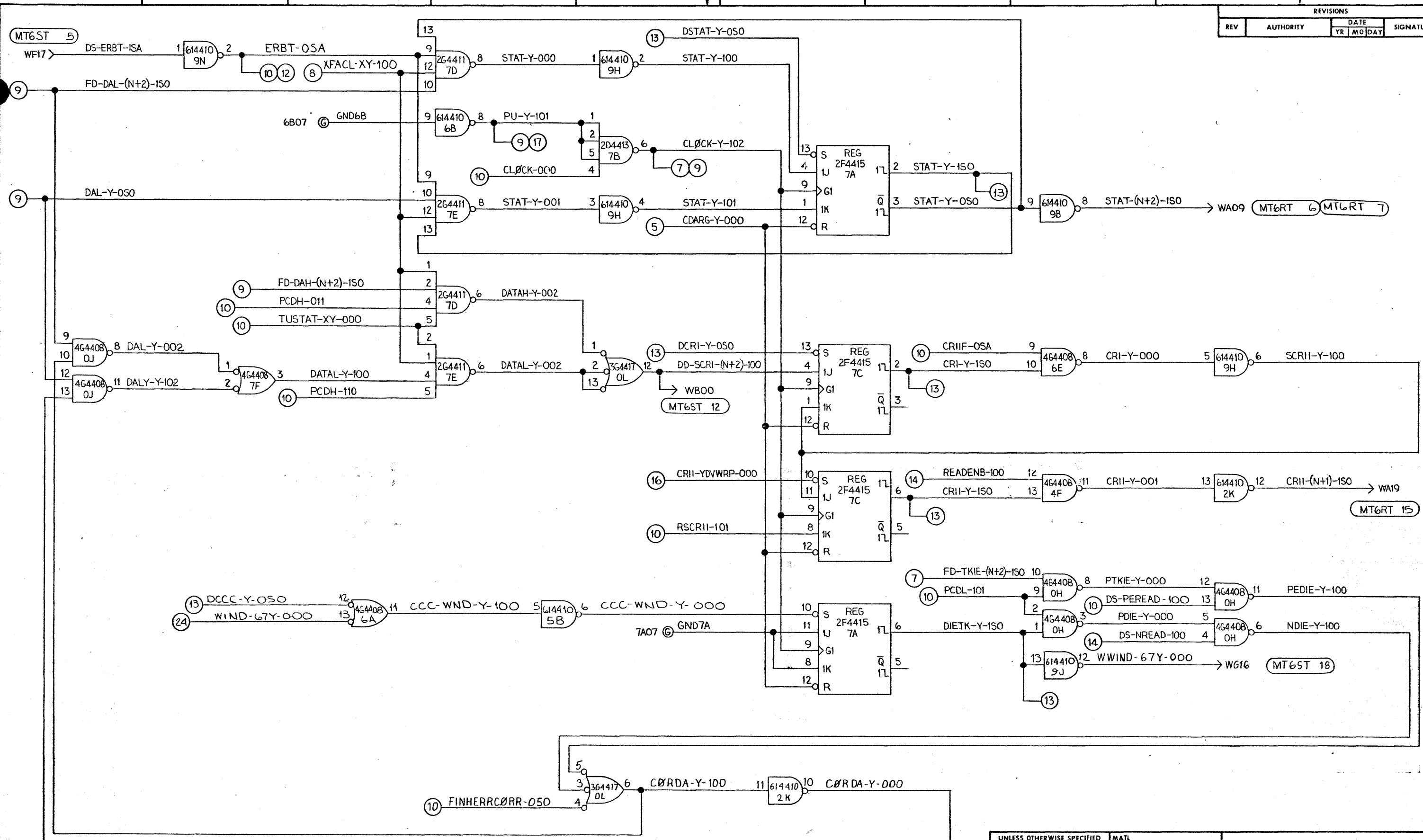
REVISIONS				
REV	AUTHORITY	DATE	SIGNATURE	
		YR MO DAY		



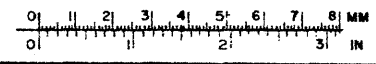
UNLESS OTHERWISE SPECIFIED		MATERIAL	
DIMENSIONS - MILLIMETERS		TREAT.	
FORM PER INITIAL DESIGN		FIN.	
SCALE	CODE	DR	APPD
		74-3-11	1475 F430
		Maryalice Rose	J. J. ...
DISTR C68-26, TOS, NCO		Honeywell	
		HONEYWELL INFORMATION SYSTEMS	
		PHOENIX, ARIZONA U. S. A.	
LOC PC0		TITLE LOGIC DIAGRAM MT6DT	
		ERROR CORRECT/STATUS/CR1/CR1 X	
SIZE	DWG NO	SH	REV
D	58008804	10	C

58008804

REVISIONS				
REV	AUTHORITY	DATE	SIGNATURE	
		YR MO DAY		



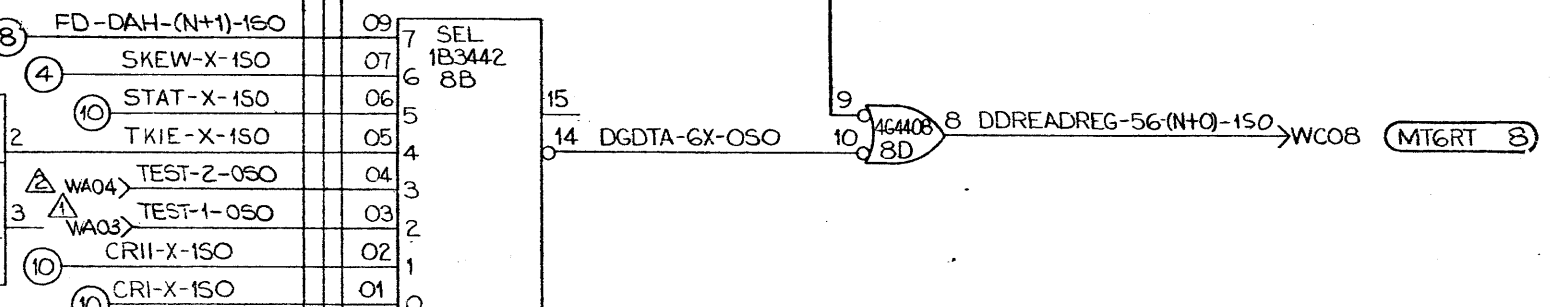
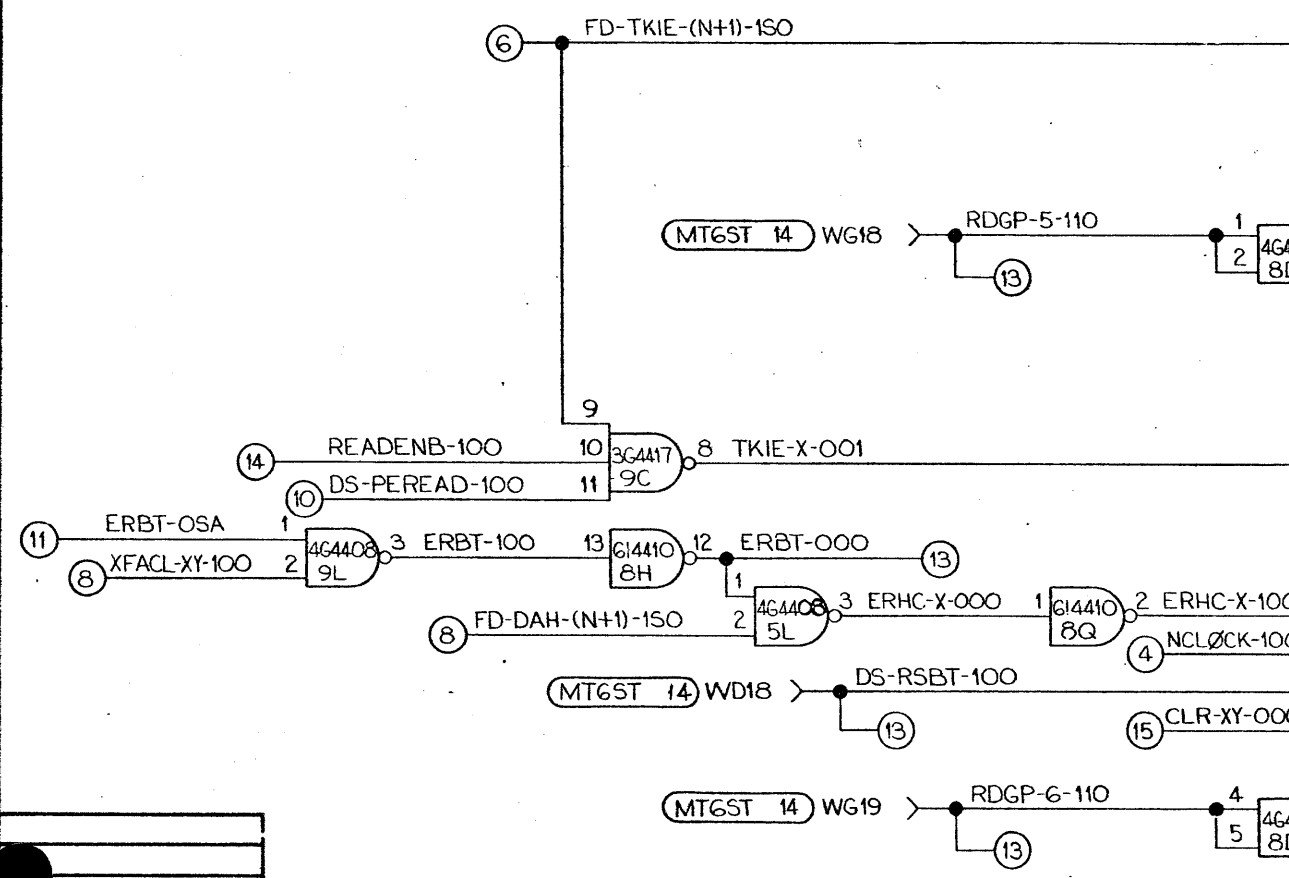
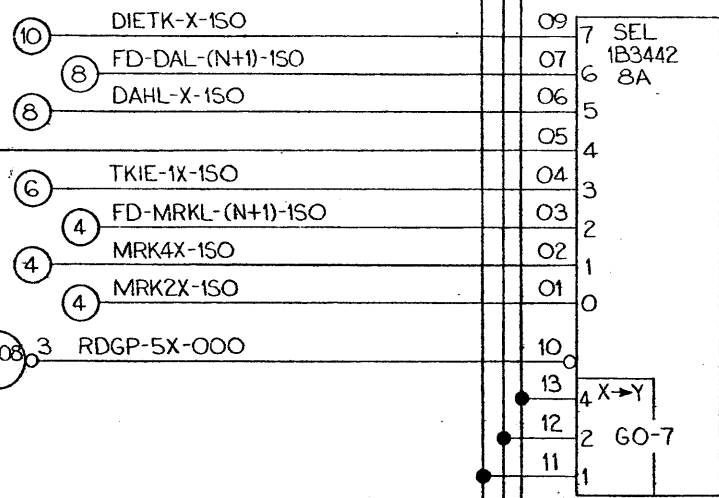
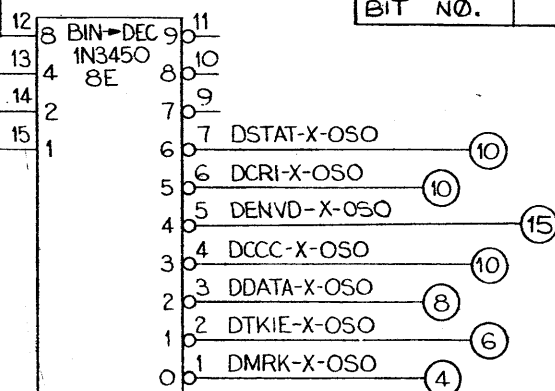
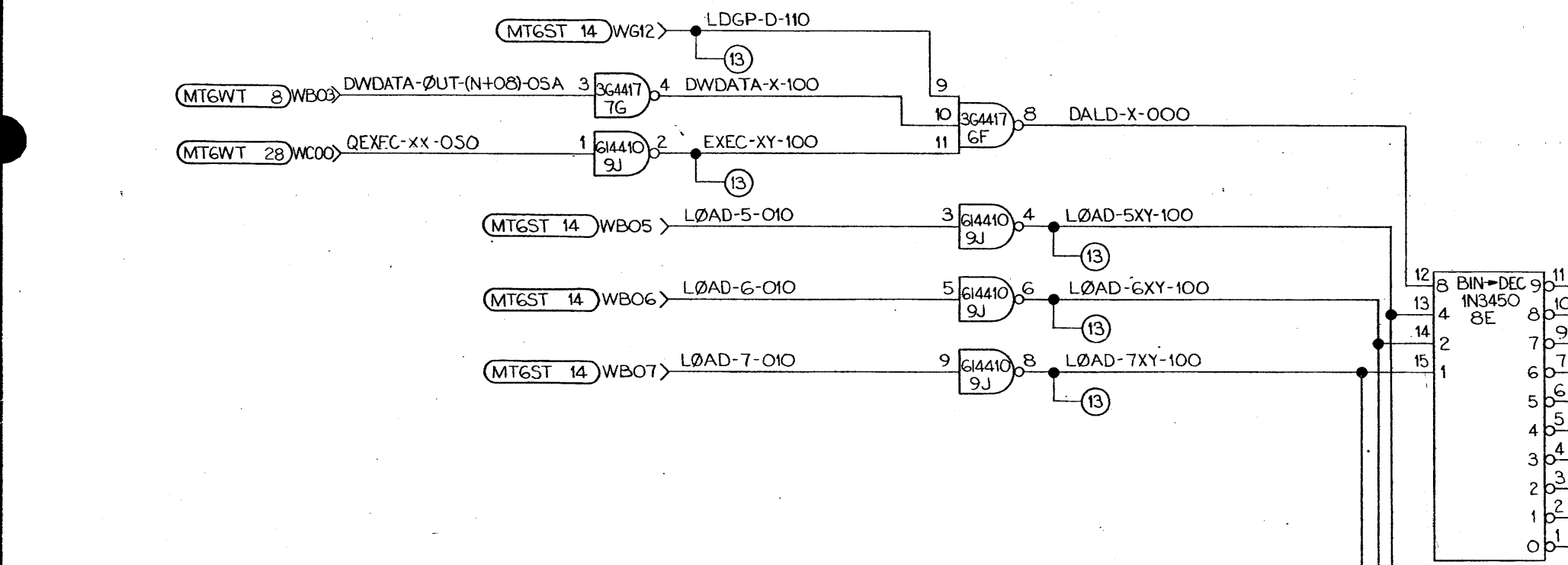
BRUNING 44 141
REF SPEC NO



UNLESS OTHERWISE SPECIFIED		MATERIAL		Honeywell HONEYWELL INFORMATION SYSTEMS PHOENIX, ARIZONA U. S. A.	
DIMENSIONS= MILLIMETERS / INCHES		TREAT.			
TOLERANCE OF SIZE AND FORM PER INITIAL DESIGN		FIN.		TITLE LOGIC DIAGRAM MT6DT ERROR CORRECT/STATUS/CRI/CRII "Y"	
PROJECTION		DR 74 APRIL 13		SIZE DWG NO SH REV D 58008804 11 C	
SCALE CODE		APPD J. Bookings		DISTR 668-26 TOR. NLS	

58008804

LOCATION	AA20/AA40	AA21/AA41	AA22/AA42	AA23/AA43
MNEMONICS TEST-1-OSO WAO3	DS-CRIF-1SA	DS-BLCRI-1SA	DS-CCCRI-1SA	WAO3GND
	(MT6ST 11)	(MT6ST 20)	(MT6ST 21)	(BKP NL GND)
TEST-2-OSO WAO4	DS-RD-ENB-000	PSTAMD-1SA	ALLID-OSA	WAO4GND
	(MT6ST 15)	(MT6ST 11)	(MT6ST 11)	(BKP NL GND)
BIT NO.	0	2	4	6



UNLESS OTHERWISE SPECIFIED		MAIL	
DIMENSIONS - MILLIMETERS / INCHES		TREAT.	
TOLERANCE OF SIZE AND FORM PER INITIAL DESIGN		FIN.	
PROJECTION		DR. BRUCE BANDER	
SCALE CODE		APPD 1975 FEB 26	

Honeywell

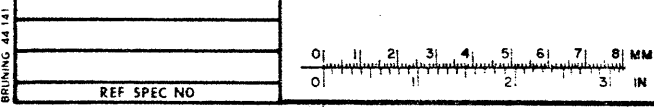
HONEYWELL INFORMATION SYSTEMS
PHOENIX, ARIZONA, U.S.A.

LOC PC0

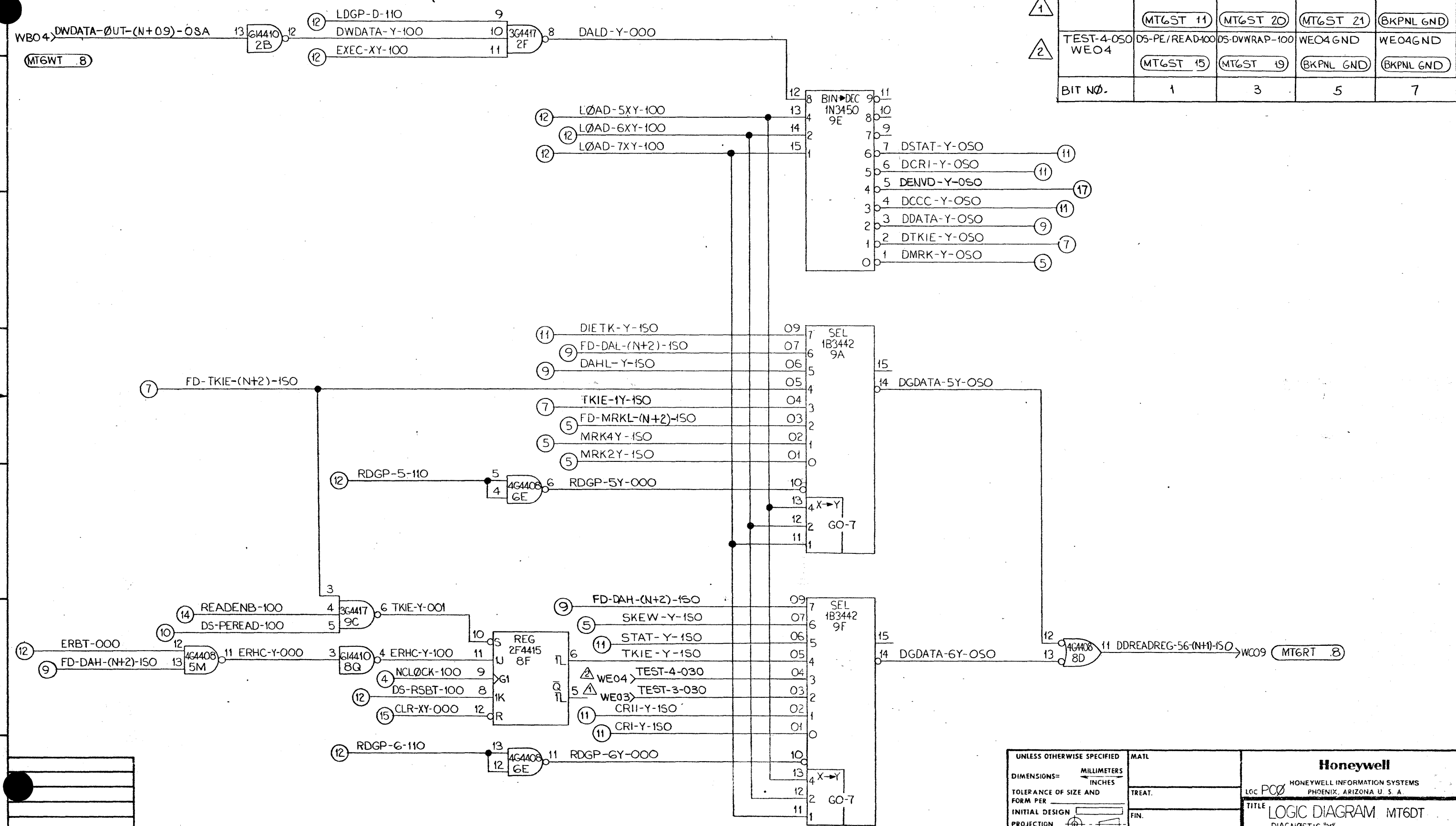
TITLE **LOGIC DIAGRAM MT6DT**
DIAGNOSTIC "X"

SIZE	DWG NO	SH	REV
D	58008804	12	C

DISTR CG 8-26, TOS. IICO.

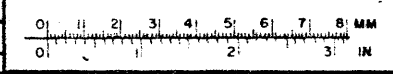


LOCATION	AA20/AA40	AA21/AA41	AA22/AA42	AA23/AA43
MNEMONIC				
TEST-3-OSO WEO3	CRIIF-OSA (MT6ST 11)	DS-BLCRII-ISA (MT6ST 20)	DS-CCCRII-ISA (MT6ST 21)	WEO3GND (BKP NL GND)
TEST-4-OSO WEO4	DS-PE/READ-100 (MT6ST 15)	DS-DVWRAP-100 (MT6ST 19)	WEO4GND (BKP NL GND)	WEO4GND (BKP NL GND)
BIT NO.	1	3	5	7

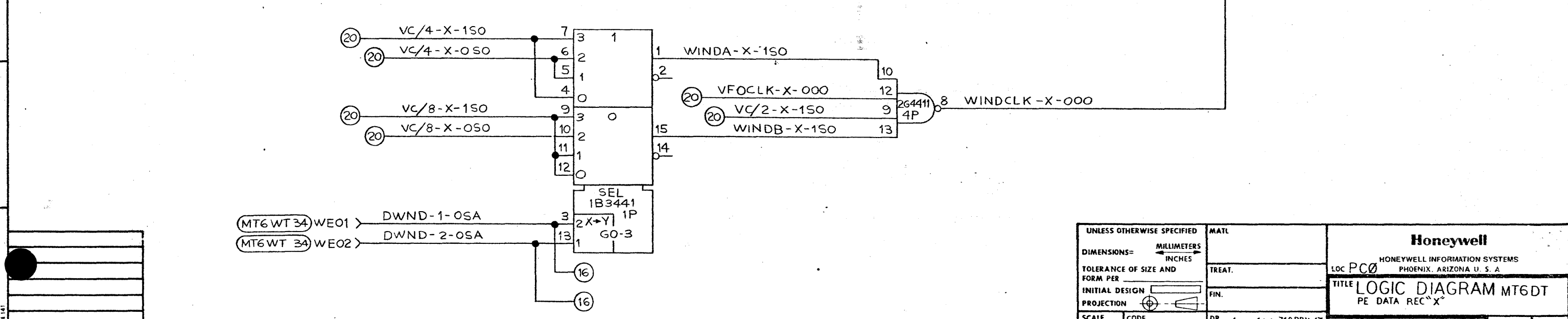
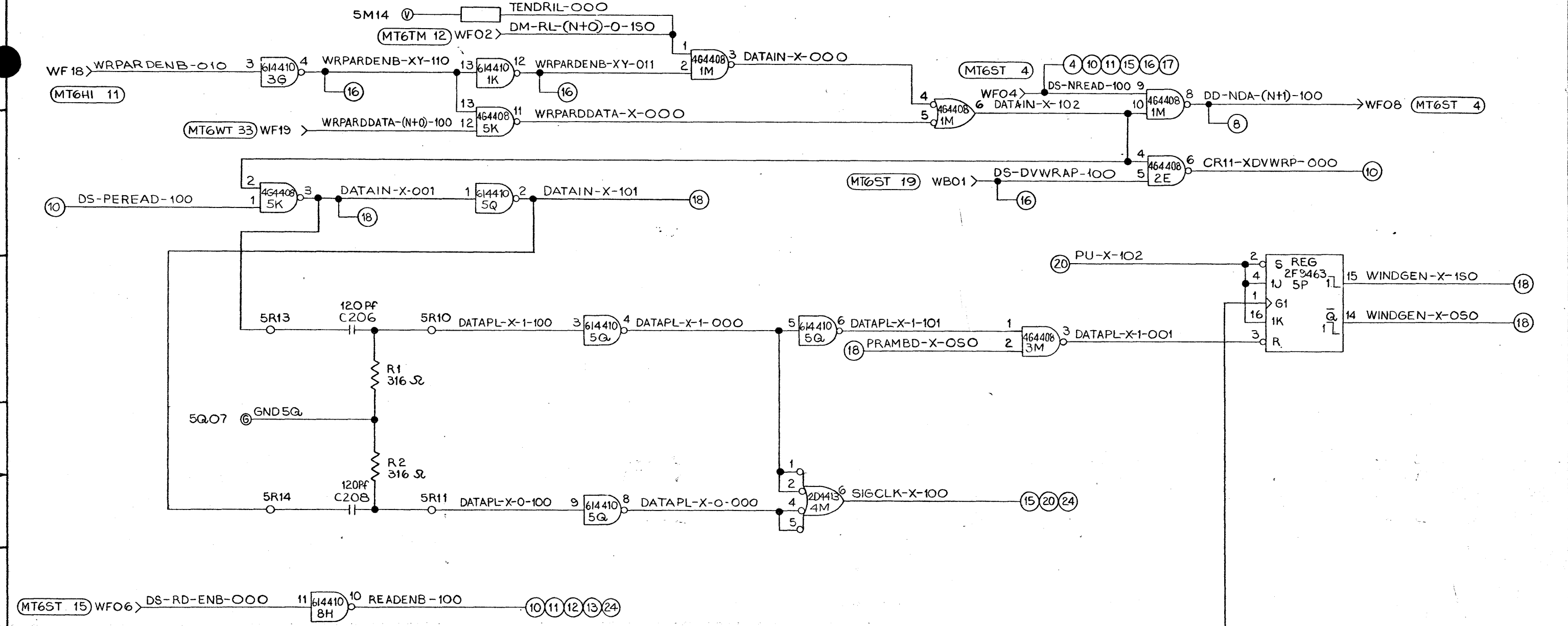


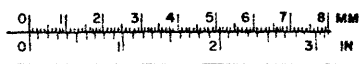
UNLESS OTHERWISE SPECIFIED		MILLIMETERS		HONEYWELL	
DIMENSIONS-		INCHES		HONEYWELL INFORMATION SYSTEMS	
TOLERANCE OF SIZE AND		TREAT.		PHOENIX, ARIZONA U. S. A.	
FORM PER		FIN.		TITLE	
INITIAL DESIGN		DR Andrew Thomas 74MAR9		LOGIC DIAGRAM MT6DT	
PROJECTION		APPD 1975 Feb 26		DIAGNOSTIC "Y"	
SCALE		DISTR CLR-26, TOS, NCO.		SIZE DWG NO	
CODE		D 58008804		SH 13	
				REV C	

REF SPEC NO	



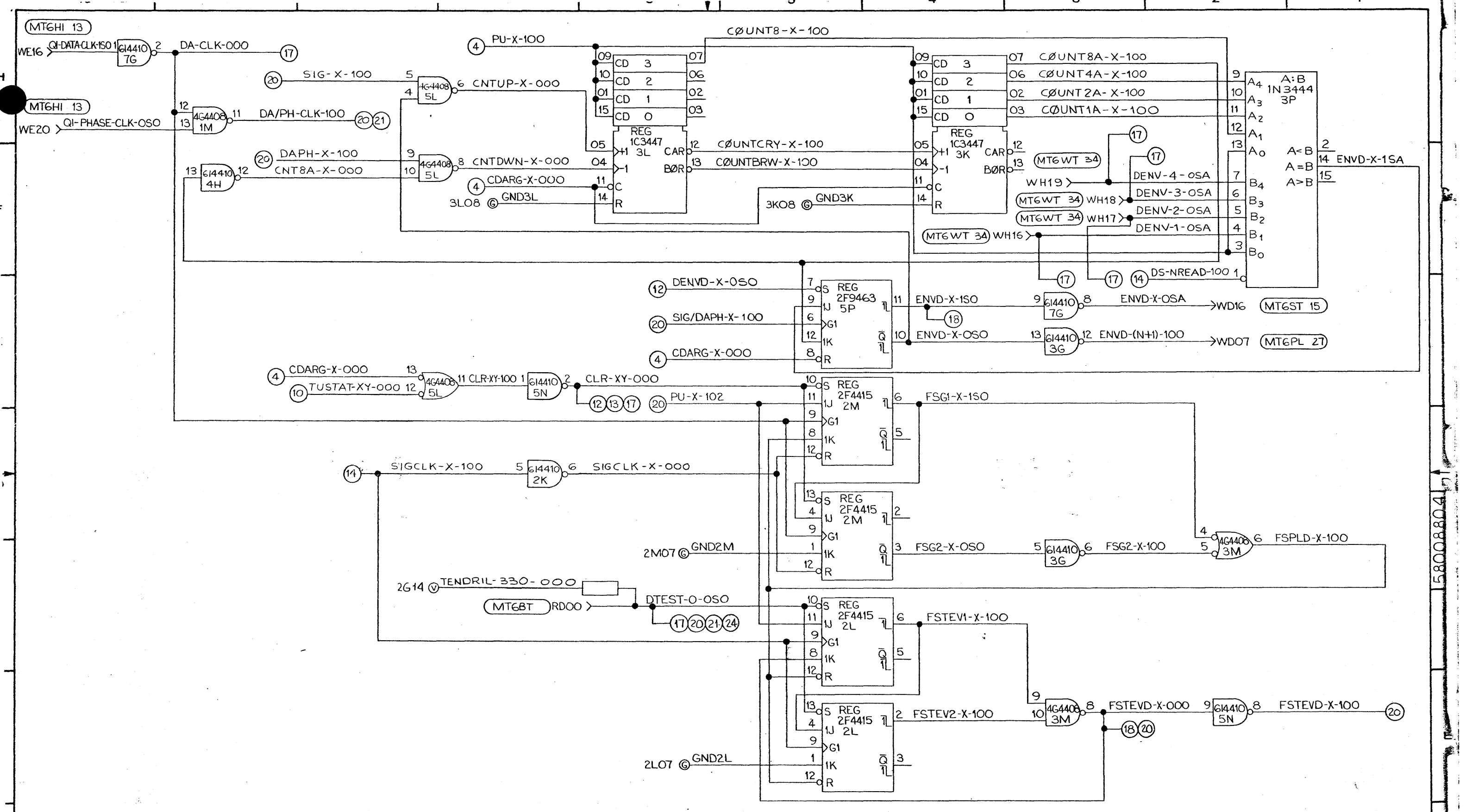
REVISIONS				
REV	AUTHORITY	DATE	SIGNATURE	
		YR	MO	DAY

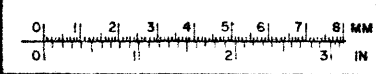




UNLESS OTHERWISE SPECIFIED		MATL	Honeywell	
DIMENSIONS=	MILLIMETERS		HONEYWELL INFORMATION SYSTEMS	
TOLERANCE OF SIZE AND	INCHES	TREAT.	LOC PC0 PHOENIX, ARIZONA U.S.A.	
FORM PER		FIN.	TITLE LOGIC DIAGRAM MT6DT	
INITIAL DESIGN			PE DATA REC X	
PROJECTION			SCALE	CODE
DR. <i>J. Bacchiolo</i> 74 APRIL 17		DR.	SIZE	DWG NO
APPD. <i>J. B. ...</i> 1975 Feb 20		APPD.	D	58008804
DISTR. <i>CAR-20-TS-1100-SDS</i>		DISTR.	SH	REV
			14	B

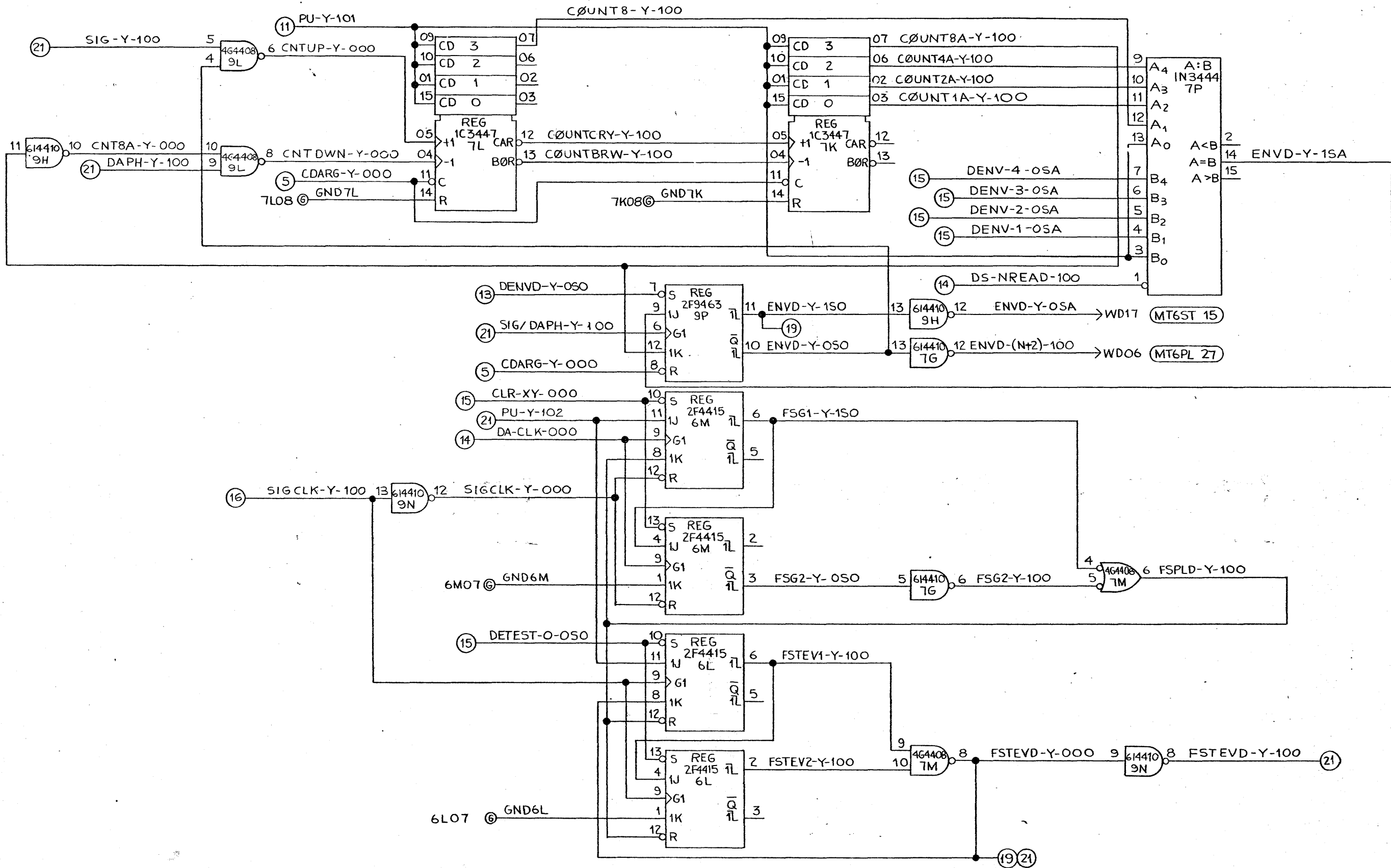
58008804

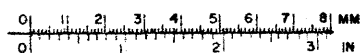




UNLESS OTHERWISE SPECIFIED		MATERIAL		Honeywell HONEYWELL INFORMATION SYSTEMS PHOENIX, ARIZONA U. S. A.	
DIMENSIONS = $\frac{\text{MILLIMETERS}}{\text{INCHES}}$		TREAT.			
TOLERANCE OF SIZE AND FORM PER INITIAL DESIGN		FIN.		LOC PC0 TITLE LOGIC DIAGRAM MT6DT PE DATA REC "X"	
PROJECTION	SCALE	CODE	DATE	SIZE	DWG NO
Φ - \perp			74 APRIL 22	D	58008804
			DR <i>Jim Casadevall</i>	SH	REV
			APPD 1975 Feb 26 <i>J. B. Golding</i>	15	B
			DISTR C-108-76 TOS. NCO. SDF		

58008804

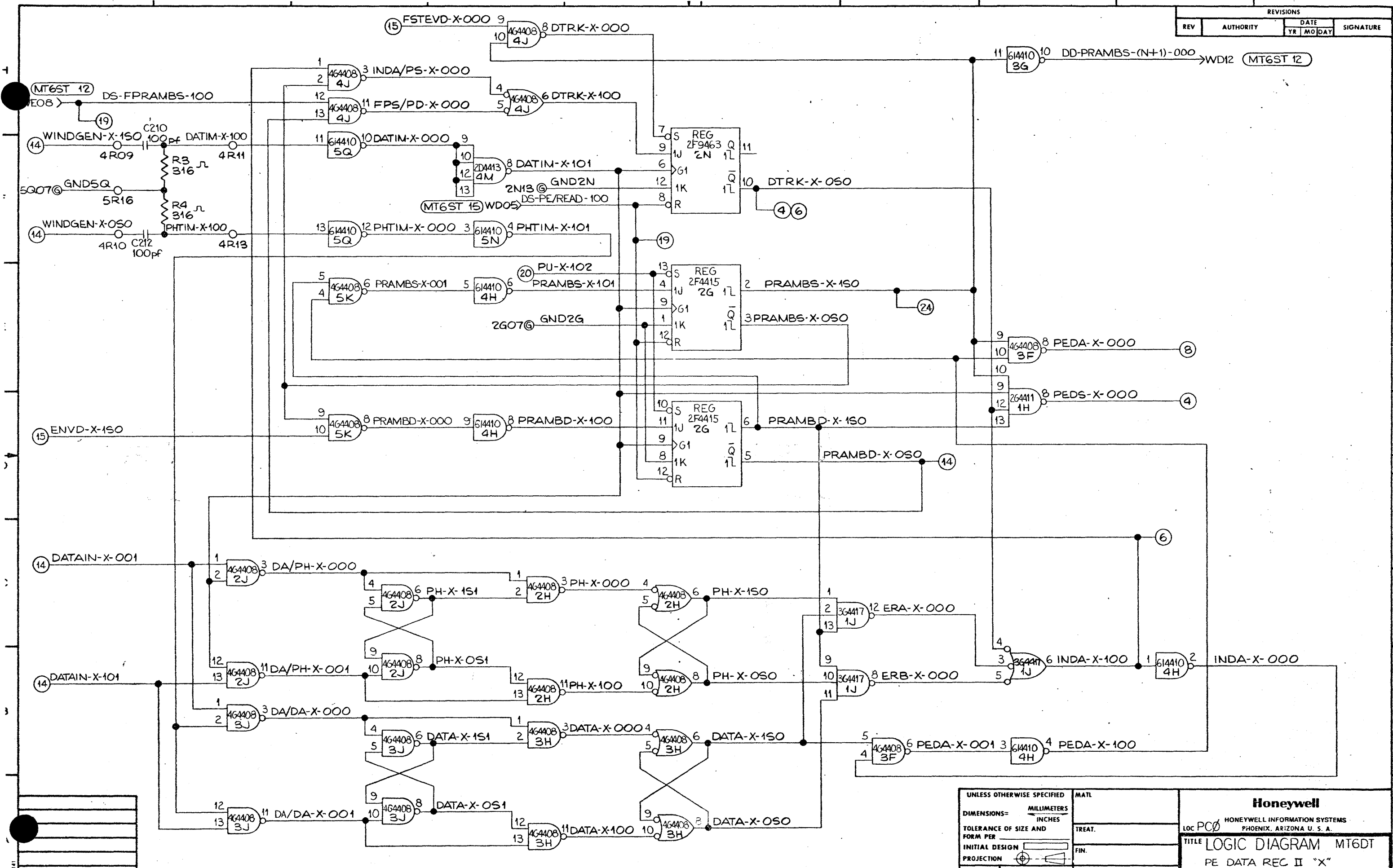




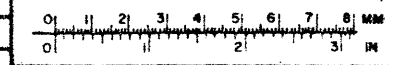
UNLESS OTHERWISE SPECIFIED		MATERIAL	
DIMENSIONS=	MILLIMETERS INCHES	TREAT.	
TOLERANCE OF SIZE AND FORM PER INITIAL DESIGN	PROJECTION	FIN.	
SCALE	CODE	DR <i>Jim Caccchio</i> 74 APRIL 23	
APPD <i>J. B. Selby</i> 1475 FEB 26		DISTR C68-26 TOR NCO SDE	
HONEYWELL		LOC PC0 HONEYWELL INFORMATION SYSTEMS PHOENIX, ARIZONA U.S.A.	
TITLE		LOGIC DIAGRAM MT6DT PE DATA REC'Y	
SIZE	DWG NO	SH	REV
D	58008804	17	B

58008804

REVISIONS			
REV	AUTHORITY	DATE	SIGNATURE
		YR MO DAY	



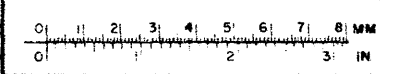
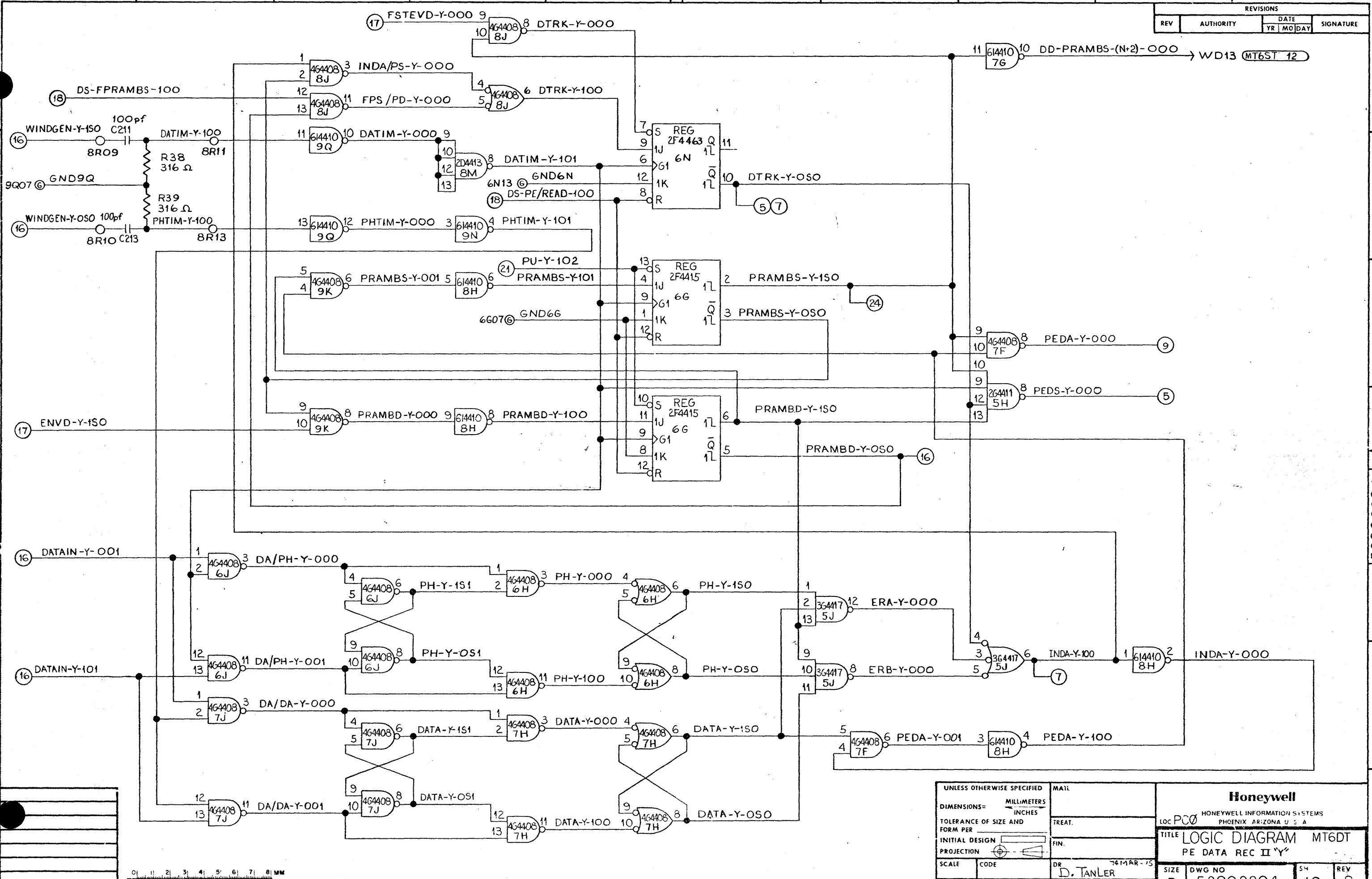
REF SPEC NO	



UNLESS OTHERWISE SPECIFIED		MATERIAL	
DIMENSIONS =	MILLIMETERS		
TOLERANCE OF SIZE AND FORM PER INITIAL DESIGN	INCHES	TREAT.	
PROJECTION		FIN.	
SCALE	CODE	DR	74MAR9
		APPD	1975 FEB 26
		DISTR	C68-26, TOS, NCO, SDF
Honeywell HONEYWELL INFORMATION SYSTEMS PHOENIX, ARIZONA U. S. A.		LOC	PC0
TITLE		SIZE	DWG NO
LOGIC DIAGRAM MT6DT		D	58008804
PE DATA REC II "X"		SH	18
		REV	B

58008804

REVISIONS			
REV	AUTHORITY	DATE	SIGNATURE
YR	MO	DAY	

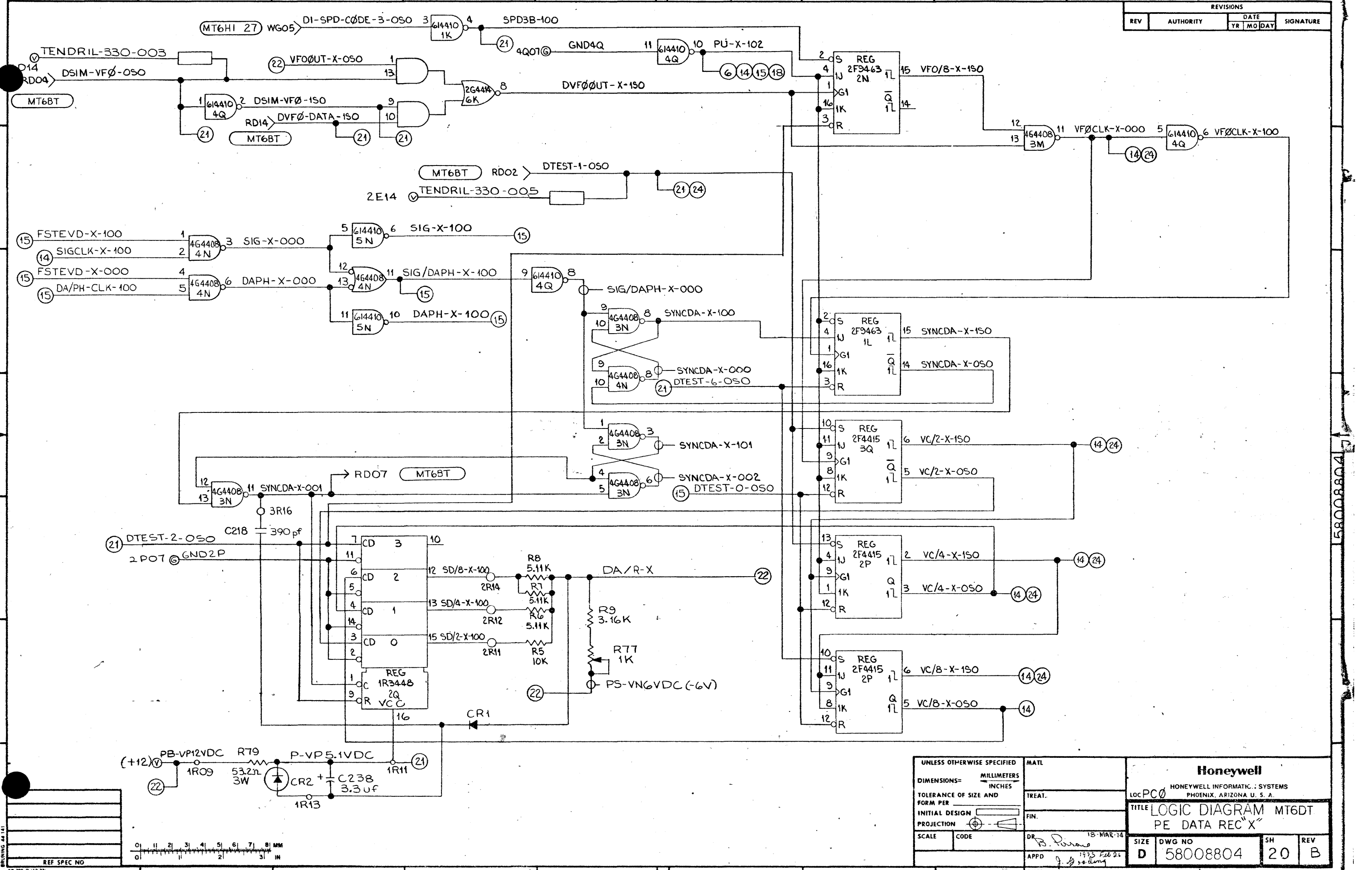


UNLESS OTHERWISE SPECIFIED		MILLIMETERS		MAIL	
DIMENSIONS=		INCHES		TREAT.	
TOLERANCE OF SIZE AND FORM PER INITIAL DESIGN		PROJECTION		FIN.	
SCALE	CODE	DR	DATE	SIZE	DWG NO
		D. TANLER	74 MAR - 75	D	58008804
		APPD	1975 FEB 26	54	REV
				19	B

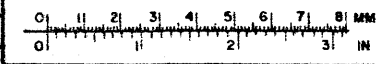
Honeywell
 HONEYWELL INFORMATION SYSTEMS
 PHOENIX ARIZONA U.S.A.
TITLE LOGIC DIAGRAM MT6DT
 PE DATA REC II "Y"
 LOC PCO

58008804

REVISIONS				
REV	AUTHORITY	DATE	YR	SIGNATURE



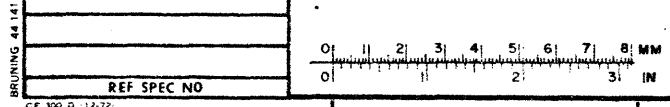
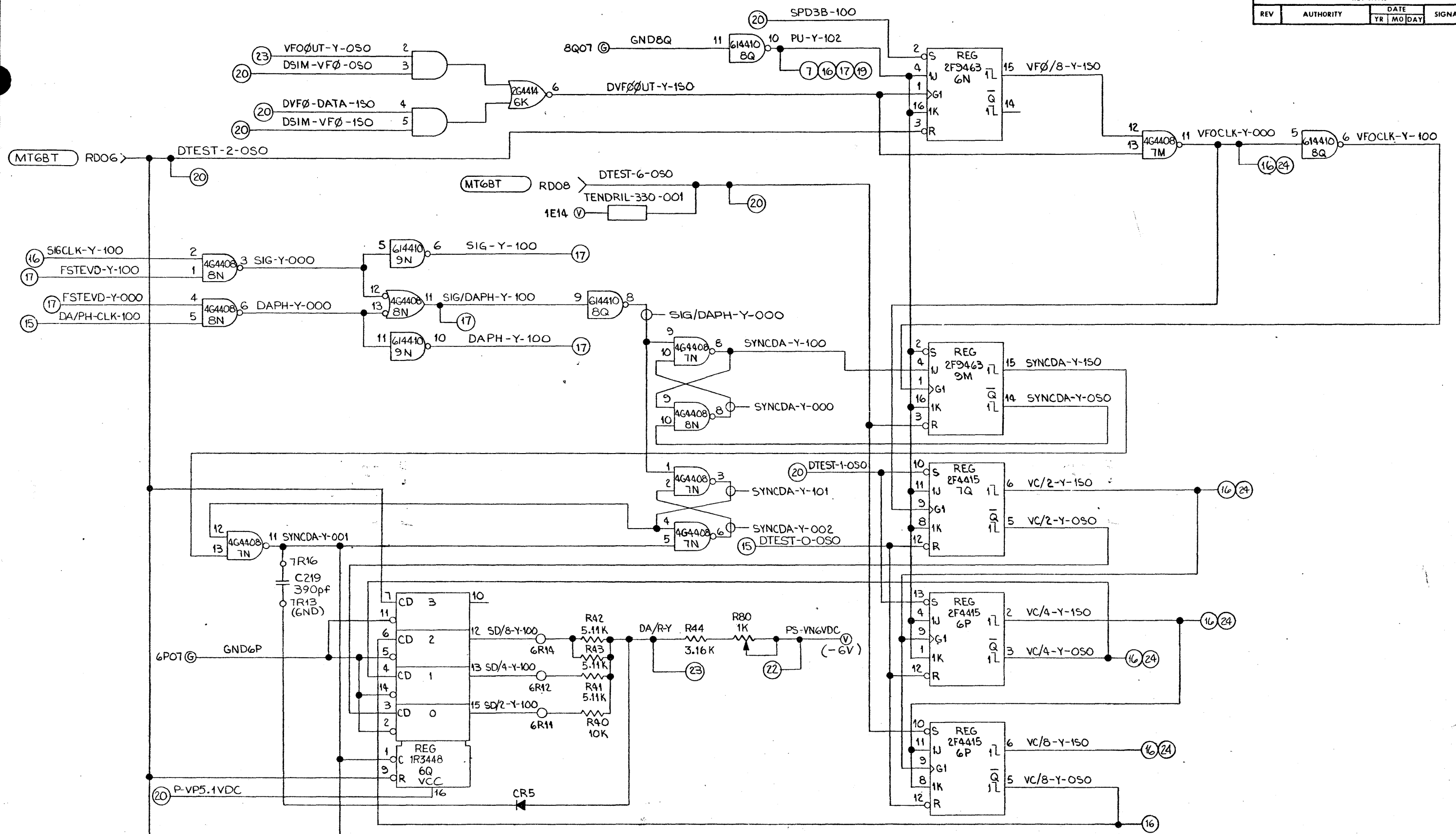
BRUNING 44 151



UNLESS OTHERWISE SPECIFIED		MATL	Honeywell HONEYWELL INFORMATICS SYSTEMS PHOENIX, ARIZONA U. S. A.	
DIMENSIONS=	MILLIMETERS	TREAT.		
TOLERANCE OF SIZE AND FORM PER	INCHES	FIN.	TITLE LOGIC DIAGRAM MT6DT PE DATA REC X	
INITIAL DESIGN	PROJECTION	DR. <i>B. Ponce</i>	DATE 18-MAR-74	SIZE D
SCALE	CODE	APPD. <i>J. J. ...</i>	REV 20	DWG NO 58008804
DISTR. C-68-26 TOS VCO SDF		SH B REF SPEC NO		

58008804

REVISIONS			
REV	AUTHORITY	DATE	SIGNATURE
		YR MO DAY	



UNLESS OTHERWISE SPECIFIED		MATERIAL	
DIMENSIONS = $\frac{\text{MILLIMETERS}}{\text{INCHES}}$		TREAT.	
TOLERANCE OF SIZE AND FORM PER INITIAL DESIGN		FIN.	
PROJECTION		SCALE	
CODE		DATE	
DRAWN BY: B. Pirone		DATE: 74-MAR-15	
APPROVED BY: J. B. ...		SIZE: D	
DISTR		DWG NO: 58008804	
		SH: 21	
		REV: B	

Honeywell
HONEYWELL INFORMATION SYSTEMS
PHOENIX, ARIZONA U.S.A.

LOC PC0
TITLE: LOGIC DIAGRAM MT6DT
PE DATA REC "Y"

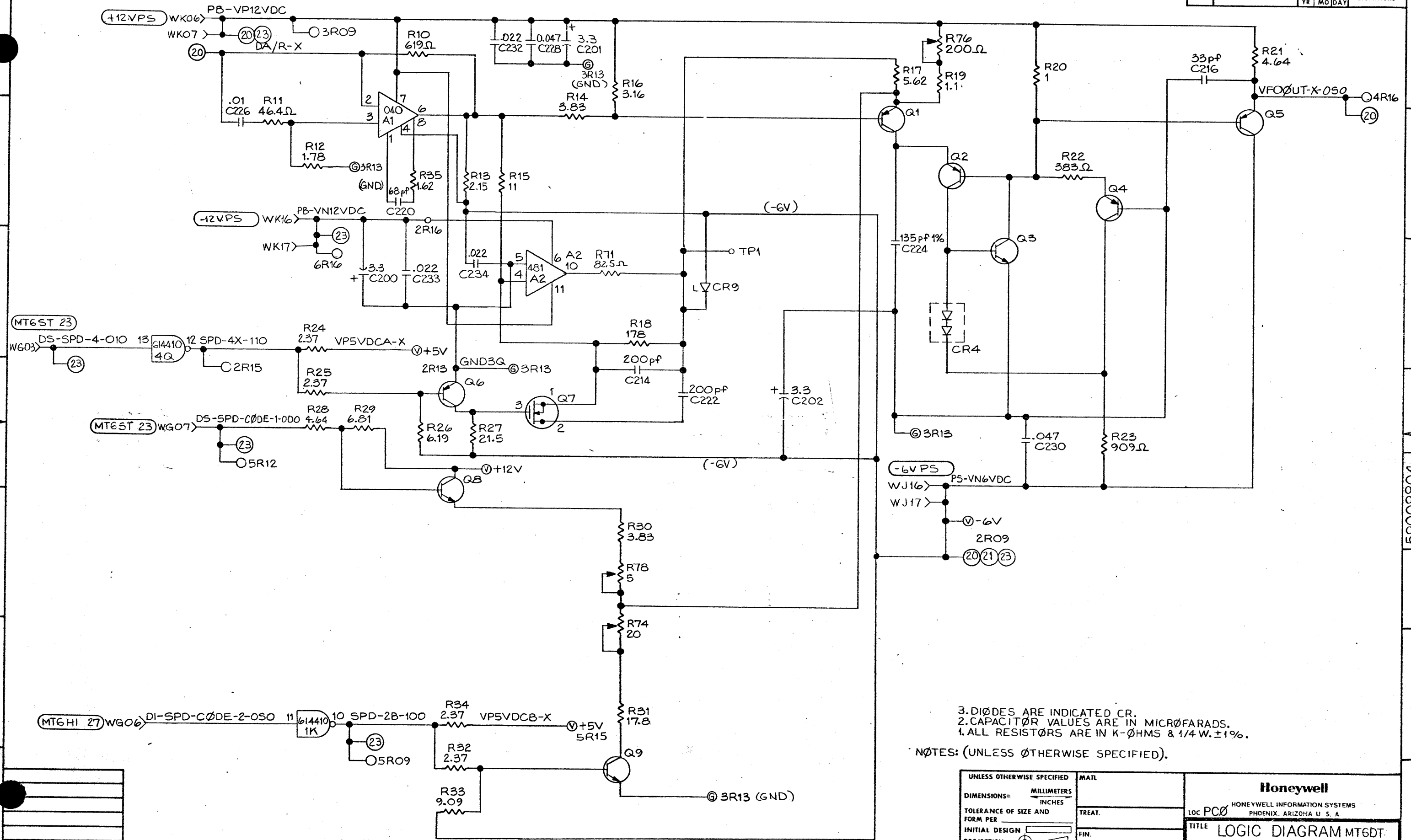
SIZE: D
DWG NO: 58008804
SH: 21
REV: B

58008804

BRUNING 44 141

REF SPEC NO

REVISIONS			
REV	AUTHORITY	DATE	SIGNATURE
		YR MO DAY	

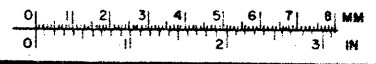


3. DIODES ARE INDICATED CR.
 2. CAPACITOR VALUES ARE IN MICROFARADS.
 1. ALL RESISTORS ARE IN K-OHMS & 1/4 W. ±1%.

NOTES: (UNLESS OTHERWISE SPECIFIED).

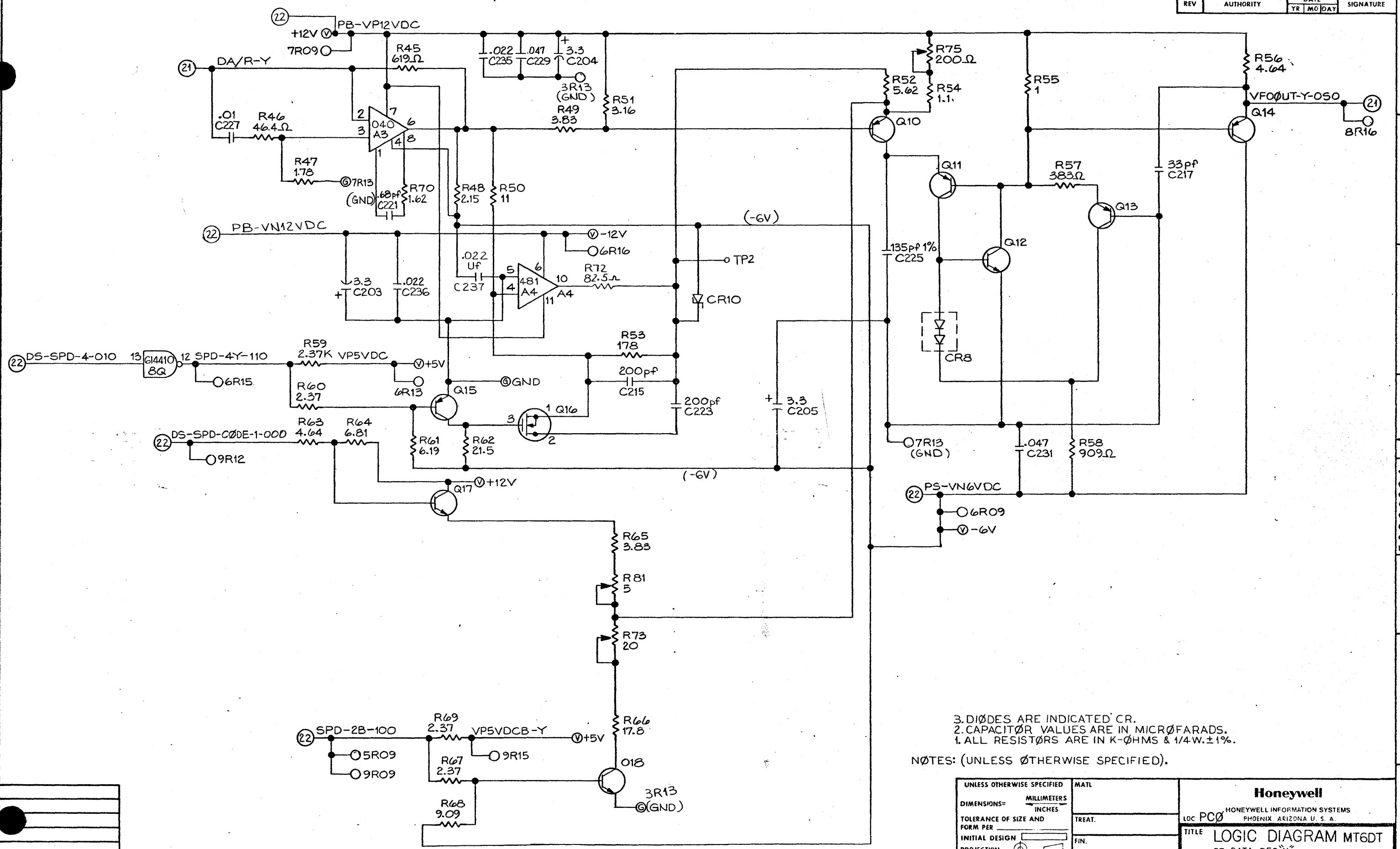
UNLESS OTHERWISE SPECIFIED		MATERIAL		Honeywell HONEYWELL INFORMATION SYSTEMS PHOENIX, ARIZONA U. S. A.					
DIMENSIONS= MILLIMETERS / INCHES		TREAT.						LOC PCØ	
TOLERANCE OF SIZE AND FORM PER INITIAL DESIGN		FIN.		TITLE LOGIC DIAGRAM MT6DT PE DATA REC II "X"					
PROJECTION		SCALE		CODE		SIZE DWG NO		SH REV	
		DR 74, MAR. 80		APPD 1975 Feb 26		D 58008804		22 B	

REF SPEC NO	



58008804

REVISIONS			
REV	AUTHORITY	DATE	SIGNATURE
		YR MO DAY	



3. DIODES ARE INDICATED CR.
 2. CAPACITOR VALUES ARE IN MICROFARADS.
 1. ALL RESISTORS ARE IN K-ΩMS & 1/4W. ±1%.

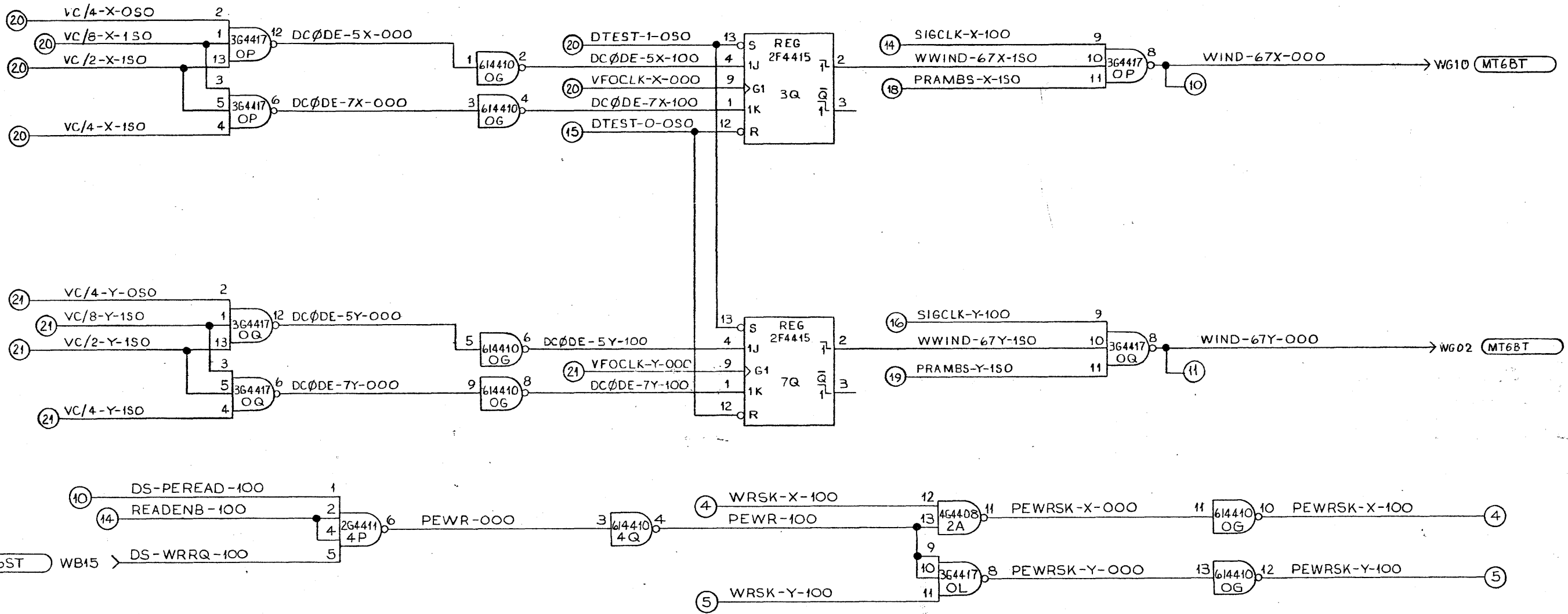
NOTES: (UNLESS OTHERWISE SPECIFIED).

REF SPEC NO	
10	9
8	7
6	5
4	

0 1 2 3 4 5 6 7 8 11 MM
 0 1 2 3 1 IN

UNLESS OTHERWISE SPECIFIED		MATL	Honeywell HONEYWELL INFORMATION SYSTEMS PHOENIX, ARIZONA U. S. A.	
DIMENSIONS=	MILLIMETERS	TREAT.		
TOLERANCE OF SIZE AND FORM PER	INCHES	FIN.	LOC PC0 TITLE LOGIC DIAGRAM MT6DT PE DATA REC'Y	
INITIAL DESIGN		DR 74, MAR. 9	SIZE	DWG NO
PROJECTION		<i>Bruce M. Nickerson</i>	D	58008804
SCALE	CODE	APPD 1975 FEB 26	SH	REV
		DISTR C68-26, TOS, NCO, SDF	23	B

58008804



58008804

UNLESS OTHERWISE SPECIFIED DIMENSIONS = MILLIMETERS TOLERANCE OF SIZE AND FORM INITIAL ESIGN	MAT:	Honeywell HONEYWELL INFORMATION SYSTEMS PHOENIX ARIZONA U.S.A.			
	TREAT:				
DATE:	FILE:	LOGIC DIAGRAM MT6DT WRITE WINDOW/SKEW			
BY:	DATE: 74 MAR 8				
APPROVED:	BY: <i>D. Taylor</i>	U	58008804	SH	REV
CG8-26, TOS, NCO			24F	C	

THE INFORMATION CONTAINED IN THIS DOCUMENT PROPRIETARY TO HONEYWELL INFORMATION SYSTEMS, INC. AND IS INTENDED FOR INTERNAL USE ONLY. SUCH INFORMATION MAY BE DISTRIBUTED TO OTHERS BY WRITTEN PERMISSION OF AN AUTHORIZED HONEYWELL OFFICIAL. THIS RESTRICTION DOES NOT APPLY TO VENDOR PROPRIETARY THAT MAY BE DISCLOSED IN THIS DOCUMENT.

58008814

REV	AUTHORITY	DATE			SIGNATURE	DWG. SHEET NUMBER																		
		YR	MO	DAY		1	2	3	3.1	3.2	3.3	4	5	6	7	8	9	10	11	12	13	14	15	16
A	LEVEL 3 ISSUE	75	03	06	Wayne Sanders	A	A	A	A	A	A	A	A	A	A	A	A	A	A	A	A	A	A	A
B	PHAØTE051	75	06	30	H. Mulligan	B	B				B	B	B	B	B	B	B	B	B	B	B	B	B	
B1	PHAØTE055	75	07	23	A. E. Braggell	+5 B1																		
B2	PHAØTE069	75	12	22	A. E. Braggell	+5 B2																		
C	PHAØTE079	76	08	25	H. Mulligan	+12 C	C																	

Blank sheets
Not Included

* ADDED POINT SHEETS FOR CONTINUATION OF REVISION STATUS SEE SHEET

Honeywell HONEYWELL INFORMATION SYSTEMS LOC PHOENIX, ARIZONA	MADE BY <i>Wayne Sanders</i> 75-2-14	TITLE
	APPROVED <i>1915</i> <i>Feb 26</i> <i>1975</i>	LOGIC DIAGRAM MTGHI
REVISION STATUS FOR EACH PAGE, SHEET OR GROUP IS SHOWN BY LAST ENTRY IN THE CORRESPONDING NUMBERED COLUMN	SIZE D	REVISION STATUS FOR 58008814
	SHEET 1/2	REV C

CE 300 A-3 (12-71) BRUNING 44-141
 INFORMATION CONTAINED IN THIS DOCUMENT IS PROPRIETARY TO HONEYWELL INFORMATION SYSTEMS, INC. AND IS INTENDED FOR INTERNAL USE ONLY. SUCH INFORMATION MAY BE DISTRIBUTED TO OTHERS BY WRITTEN PERMISSION OF AN AUTHORIZED HONEYWELL OFFICIAL. THIS RESTRICTION DOES NOT APPLY TO VENDOR PROPRIETARY THAT MAY BE DISCLOSED IN THIS DOCUMENT.

58008814

REV	AUTHORITY	DATE			SIGNATURE	DWG. SHEET NUMBER																	
		YR	MO	DAY		18	19	20	21	22	23	24	25	26	27	28	29	30	31				
A	LEVEL 3 ISSUE	75	03	06	Wayne Sanders	A	A	A	A	A	A	A	A	A	A	A	A	A	A	A	A	A	A
B	PHAØTE051	75	06	30	H. Mulligan	B					B	B	B	B	B	B	B	B	B	B	B	B	B
B1	PHAØTE055	75	07	23	A. E. Braggell																		
B2	PHAØTE069	75	12	22	A. E. Braggell																		
C	PHAØTE079	76	08	25	H. Mulligan																		

FOR CONTINUATION OF REVISION STATUS SEE SHEET

Honeywell HONEYWELL INFORMATION SYSTEMS LOC PHOENIX, ARIZONA	MADE BY <i>Wayne Sanders</i> 75-2-14	TITLE
	APPROVED <i>1915</i> <i>Feb 26</i> <i>1975</i>	LOGIC DIAGRAM MTGHI
REVISION STATUS FOR EACH PAGE, SHEET OR GROUP IS SHOWN BY LAST ENTRY IN THE CORRESPONDING NUMBERED COLUMN	SIZE D	REVISION STATUS FOR 58008814
	SHEET 2 F	REV C

CE 300 A-3 (12-71) BRUNING 44-141
 68-26, TOS, NCO,

Table with columns: SIGNAL NAME, SHEET, SIGNAL NAME, SHEET. Lists various signals like DSR-10-1SO, DWDS-6-1SO, etc.

Honeywell

EDA JUL 12,74 JUL 23,76 REV C 2.05 58008814 2.04

Table with columns: SIGNAL NAME, SHEET, SIGNAL NAME, SHEET. Lists various signals like FI-DEVCHD-0-1SO, FI-TWS1-3-1SO, etc.

Honeywell

EDA JUL 12,74 JUL 23,76 REV C 2.06 58008814 2.05

Table with columns: SIGNAL NAME, SHEET, SIGNAL NAME, SHEET. Lists various signals like FITWR-4-1SO, FSTSPEC-1SO, etc.

Honeywell

EDA JUL 12,74 JUL 23,76 REV C 2.07 58008814 2.06

Table with columns: SIGNAL NAME, SHEET, SIGNAL NAME, SHEET. Lists various signals like QIPAR-TOT-CLR-OSD, QIPAR-TOT-CLR-OSF, etc.

Honeywell

EDA JUL 12,74 JUL 23,76 REV C 2.08 58008814 2.07

PIN NAME	SHEET	PIN NAME	SHEET	PIN NAME	SHEET
9S+12	31.0	WE 18	13.0	WJ 02	14.0
9T+10	31.0	WF 00	12.0	WJ 03	14.0
9T+12	31.0	WF 01	30.0	WJ 05	31.0
9T+13	31.0	WF 06	27.0	WJ 07	31.0
9T+15	31.0	WF 07	27.0	WJ 08	31.0
9U+11	31.0	WF 08	27.0	WJ 12	31.0
9U+11	31.0	WF 13	24.0	WJ 14	31.0
9U+11	31.0	WF 14	30.0	WJ 16	31.0
9U+11	31.0	WF 17	22.0	WJ 17	31.0
9V+11	31.0	WF 19	24.0	WJ 17	31.0
9V+11	31.0	WG 00	25.0	WK 04	20.0
9V+11	31.0	WG 02	04.0	WK 05	20.0
LD 10	18.0	WG 03	04.0	WK 06	20.0
WA 15	18.0	WG 04	04.0	WK 07	20.0
WA 17	18.0	WG 05	04.0	WK 08	20.0
WB 00	15.0	WG 06	04.0	WK 09	20.0
WB 01	24.0	WG 07	04.0	WK 10	20.0
WB 03	24.0	WG 08	04.0	WK 11	20.0
WB 04	24.0	WG 09	04.0	WK 12	20.0
WB 05	24.0	WG 10	04.0	WK 13	20.0
WB 06	24.0	WG 11	04.0	WK 14	20.0
WB 07	24.0	WG 12	04.0	WK 15	20.0
WB 08	24.0	WG 13	04.0	WK 16	20.0
WB 09	24.0	WG 14	04.0	WK 17	20.0
WB 10	24.0	WG 15	04.0	WK 18	20.0
WB 11	24.0	WG 16	04.0	WK 19	20.0
WB 12	24.0	WG 17	04.0	WK 20	20.0
WB 13	24.0	WG 18	04.0		
WB 14	24.0	WG 19	04.0		
WB 15	24.0	WG 20	04.0		
WB 16	24.0	WH 00	22.0		
WB 17	24.0	WH 01	22.0		
WB 18	24.0	WH 02	22.0		
WB 19	24.0	WH 03	22.0		
WB 20	24.0	WH 04	22.0		
WE 00	25.0	WH 05	22.0		
WE 01	25.0	WH 06	22.0		
WE 02	25.0	WH 07	22.0		
WE 03	25.0	WH 08	22.0		
WE 04	25.0	WH 09	22.0		
WE 05	25.0	WH 10	22.0		
WE 10	13.0	WH 11	22.0		
WE 16	25.0	WH 12	22.0		
WE 17	25.0	WH 14	22.0		
		WH 16	30.0		
		WJ 00	14.0		
		WJ 01	14.0		

Honeywell

EDA

JUL 12,74

JUL 23,76

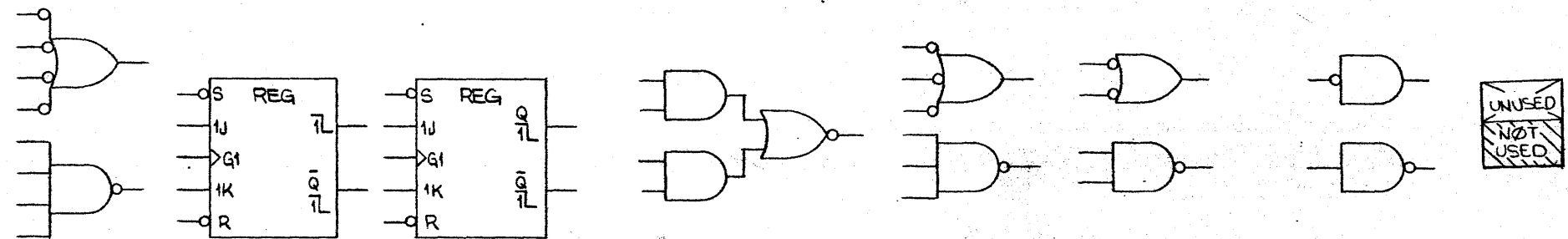
REV C

3.00 58008814
2.12

REVISIONS			
REV	AUTHORITY	DATE	SIGNATURE
		YR MO DAY	

	A	B	C	D	E	F	G	H	J	K	L	M	N	P	Q	R	S	T	U	V
0	0A 2G4414 8 8	0B 2G4414 8 8	0C 2G4414 8 8	0D 2G4414 8 8	0E 2G4414 8 15	0F 2F4415 26 26	0G 4G4408 26 26	0H S16 X	0J S16 X	0K S16 X	0L 2F9463 23 15	0M 4G4408 10 23 24 7	0N 64410 24 28 24 23 7 23	0P 4G4408 8 10 23 23	0Q S16 X	0R 64410 24 23 15 18 7	0S 2G4414 7 X	0T 2G4414 15 13	0U 4G4408 27 13 23 X	0V X
1	1A 1B3442 16 16	1B 1B3442 16 16	1C 1B3442 16 16	1D 1B3442 16 16	1E 1B3442 16 16	1F 1B3442 16 16	1G 1B3442 16 16	1H 1B3442 16 16	1J 4G4408 24 7 10 28	1K S16 X	1L 64410 5 5 5 6 6	1M S16 X	1N 2F4415 24 X	1P 2F4415 23 23	1Q 4G4408 23 27 26 23	1R 64410 23 23 13 13	1S 64410 12 12 12 12 23 27	1T 2G4414 12 12 26	1U 3G4417 12 13 X	1V X
2	2A 1B3442 17 17	2B 1B3442 17 17	2C 1B3442 17 17	2D 1B3442 17 17	2E 1B3442 17 17	2F 1B3442 17 17	2G 1B3442 17 17	2H 1B3442 17 17	2J 3G4417 5 7 27	2K 1R3440 7 X	2L 64410 14 14 14 14	2M 2F4415 24 24	2N 2F9463 23 24	2P 2F9463 23 7	2Q 3G4417 10 23 23	2R 1C3447 12 12	2S 1C3447 12 12	2T 1C3447 12 12	2U 2F4415 13 13	2V 1G4412 12 12
3	3A S16 X	3B S16 X	3C S16 X	3D 4G4408 7 X	3E 64410 10 10 10 10	3F 4G4408 26 15 10 23	3G 3G4417 10 10	3H 1C3447 10 10	3J 64410 7 10 5 7 28	3K 1R3440 5 X	3L 1R3440 6 X	3M S16 X	3N 1N3450 15 15	3P 64410 13 13 13 28 13 27	3Q 2D5419 13 13	3R 1R3440 12 12	3S 1R3440 12 12	3T 1R3440 12 12	3U 64410 12 12 12 12	3V 64410 12 12 X 13 28 28
4	4A 1B3442 18 18	4B 1B3442 18 18	4C 1B3442 18 18	4D 1B3442 18 18	4E 1B3442 18 18	4F 1B3442 18 18	4G 1B3442 18 18	4H 1B3442 18 18	4J 1R3440 7 7	4K 1R3440 6 6	4L 64410 5 5 13 6 6	4M 1R3440 6 6	4N 2F9463 27 27	4P 4G4408 13 21 27 13	4Q 2D5419 13 13	4R 2D5419 13 13	4S 2F4415 28 28	4T S16 X	4U S16 X	4V S16 X
5	5A 1B3442 19 19	5B 1B3442 19 19	5C 1B3442 19 19	5D 1B3442 19 19	5E 1B3442 19 19	5F 1B3442 19 19	5G 1B3442 19 19	5H 1B3442 19 19	5J 1R3440 7 7	5K 1R3440 5 5	5L 1R3440 6 6	5M 64410 23 15 28 25 25	5N 2G4411 23 23	5P 64410 25 13 15 15 13 24	5Q S16 X	5R 1R3440 27 27	5S S16 X	5T 64410 27 27 27 27	5U 1G4412 22 22	5V 4G4408 20 20 28 28
6	6A 3G4417 8 X 26	6B 2G4411 8 X 26	6C 64410 8 8 8 26	6D S16 X	6E S16 X	6F 64410 25 25 25 25 24 24	6G 1R3448 25 25	6H 1R3448 25 25	6J 1R3448 25 25	6K 4G4408 24 24 24 26	6L 2G4414 7 15	6M S16 X	6N 2D4413 13 13	6P RN4D 13 13	6Q 3G4417 13 13	6R 3G4417 31 31	6S 1G4412 22 22	6T 64410 20 20 20 20	6U 64410 31 31 31 31	6V 1R3448 20 20
7	7A 1B3441 10 10	7B 1B3441 10 10	7C 1B3441 9 9	7D 1B3441 9 9	7E 1R3440 11 11	7F 1R3440 11 11	7G 1R3440 29 29	7H 1R3448 25 25	7J 1R3440 29 29	7K 4G4408 30 30 29 29	7L 1R3440 29 29	7M 1R3440 29 29	7N 64410 11 11 11 11	7P 64410 30 30 30 30	7Q 4G4408 30 10 30 10	7R 64410 20 20 20 20	7S 64410 20 20 20 20	7T 1B3442 21 21	7U 1B3442 21 21	7V 1R3448 20 20
8	8A 4G4408 9 10 10	8B 3G4417 8 X X	8C 1B3441 9 9	8D S16 X	8E 4G4408 11 11 11 11	8F 4G4408 14 14 14 14	8G 4G4408 14 14 14 14	8H 4G4408 23 30 25 22	8J 1R3440 29 29	8K 1R3440 29 29	8L S16 X	8M 64410 27 27 27 27	8N 2G4411 30 31	8P 64410 4 28 4 30 4 4	8Q 64410 4 4 4 30	8R 64410 22 22 22 22	8S 64410 14 14 14 14 31 31	8T 64410 14 14 14 14 31 31	8U 64410 21 21 21 21	8V 1R3448 20 20
9	9A 4G4408 9 9 9	9B 4G4408 8 10 10	9C 64410 X X 15 15	9D 64410 11 9 11 11 15	9E 1N3450 11 11	9F 1N3450 11 11	9G S16 X	9H 64410 25 25 25 25	9J S16 X	9K 4G4408 22 22 22 22	9L 64410 30 22 13 X	9M 2F9463 30 22	9N 2F9463 30 30	9P 2F9463 30 30	9Q 64410 4 4 4 4	9R 64410 22 22 22 22	9S 64410 22 22 22 22 31	9T 1R3448 31 31	9U 1R3448 31 31	9V 1R3448 20 20

1B3441
1B3442
1C3447
1G4412
1N3450
1R3440
1R3448
RN4D

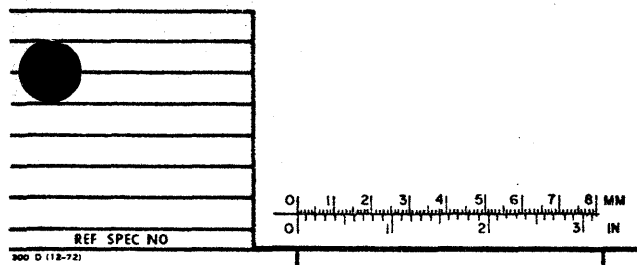
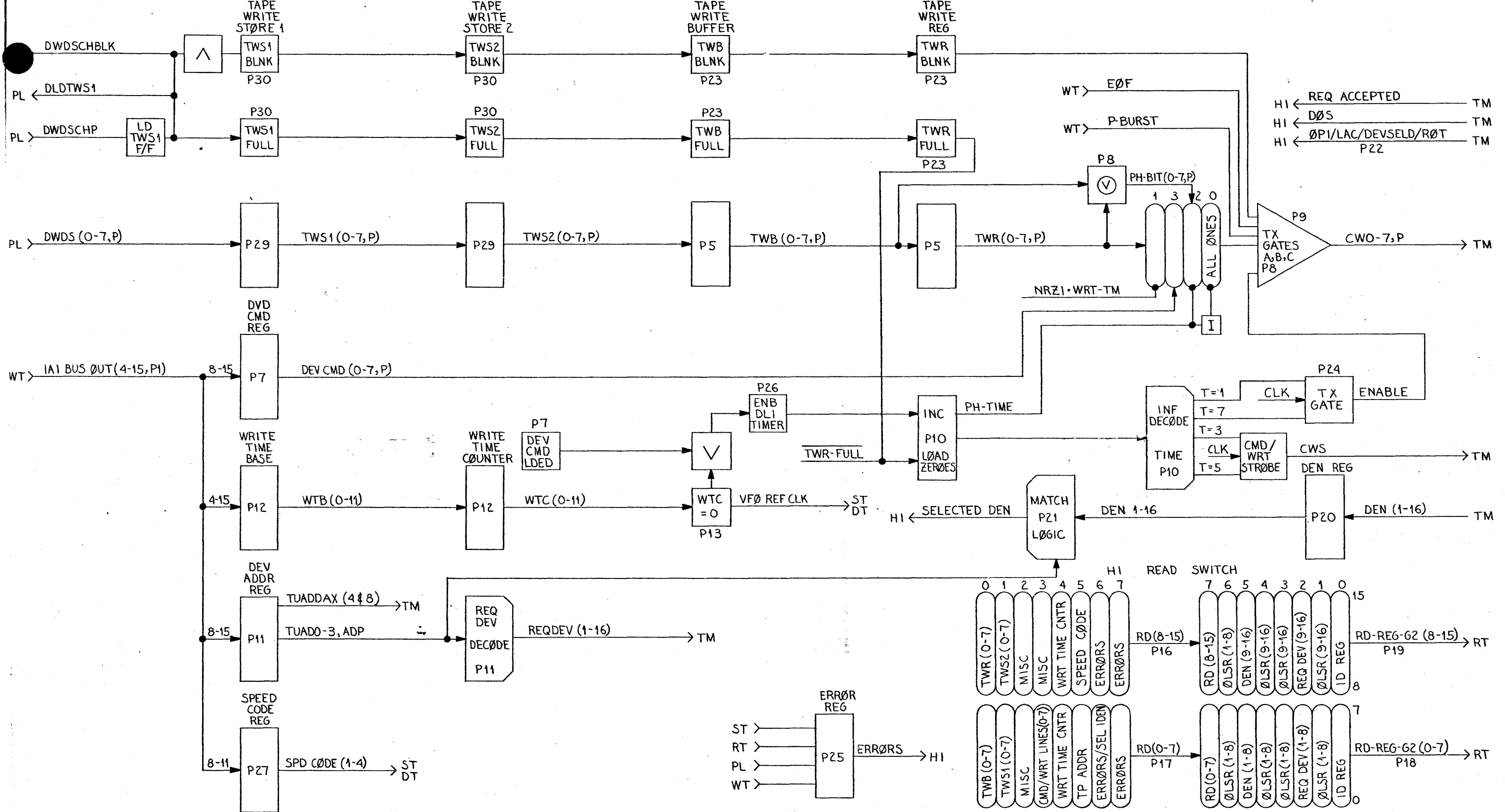


2D4413 2D5419 2G4411	2F4415	2F9463	2G4414	3G4417	4G4408	64410
1,2,4,5,6 8,9,10,12,13	1,4 13,14,15 5,6,8 10,12	1,2,3,4 14,15,16 6,7,8,9 10,11,12	1,8,9,10,13 2,3,4,5,6	1,2,12,13 3,4,5,6 8,9,10,11	1,2,4,5 3 8,9,11,12 10,13	1,2,3,4 5,6,8,9 10,11,12,13

MATL	Honeywell		
TREAT.	HONEYWELL INFORMATION SYSTEMS LOC PC0 PHOENIX, ARIZONA U.S.A.		
FIN.	TITLE LOGIC DIAGRAM MT6H CIRCUIT LOCATOR		
DR	19 OCT 29	SIZE	DWG NO
APPD	T. J. Kowalski	D	58008814
DISTR	C68-26, TOS, NCO, SDF	SH	REV
		3.2	B

REF SPEC NO

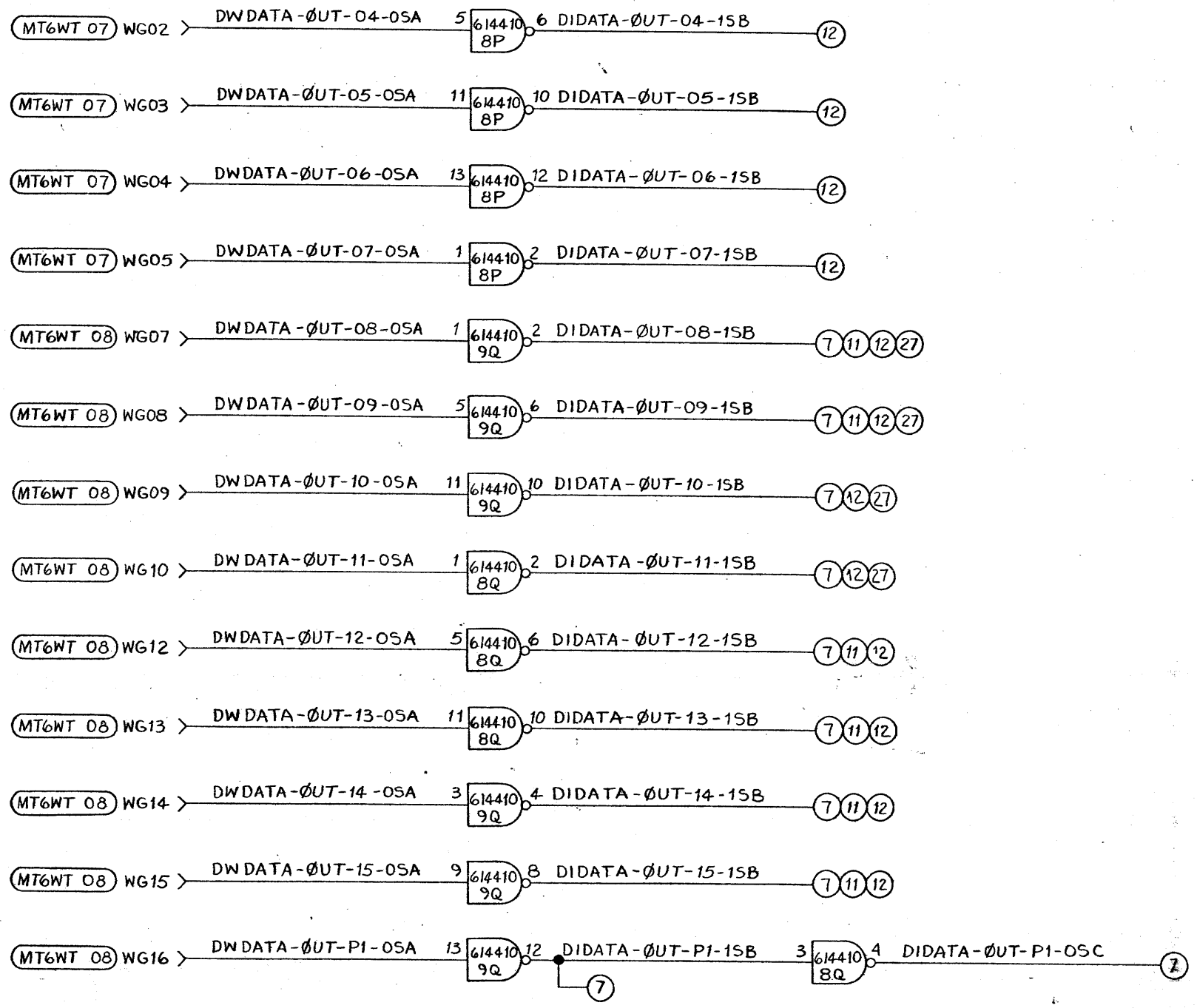
REVISIONS			
REV	AUTHORITY	DATE YR MO DAY	SIGNATURE



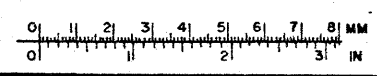
UNLESS OTHERWISE SPECIFIED		MATL	
DIMENSIONS= MILLIMETERS		TREAT.	
TOLERANCE OF SIZE AND FORM PER		FIN.	
INITIAL DESIGN PROJECTION		DR	
SCALE	CODE	DR 87 Wills 79-AUG-16	
		APPD 1975 Feb 26 J. Sorensen	
		DISTR	
Honeywell			
HONEYWELL INFORMATION SYSTEMS PHOENIX ARIZONA U. S. A.			
LOC PCØ		TITLE	
		LOGIC DIAGRAM MT6H1 BLOCK DIAGRAM	
SIZE	DWG NO	SH	REV
D	58008814	3.3	A

58008814

REVISIONS				
REV	AUTHORITY	DATE		SIGNATURE
		YR	MO DAY	



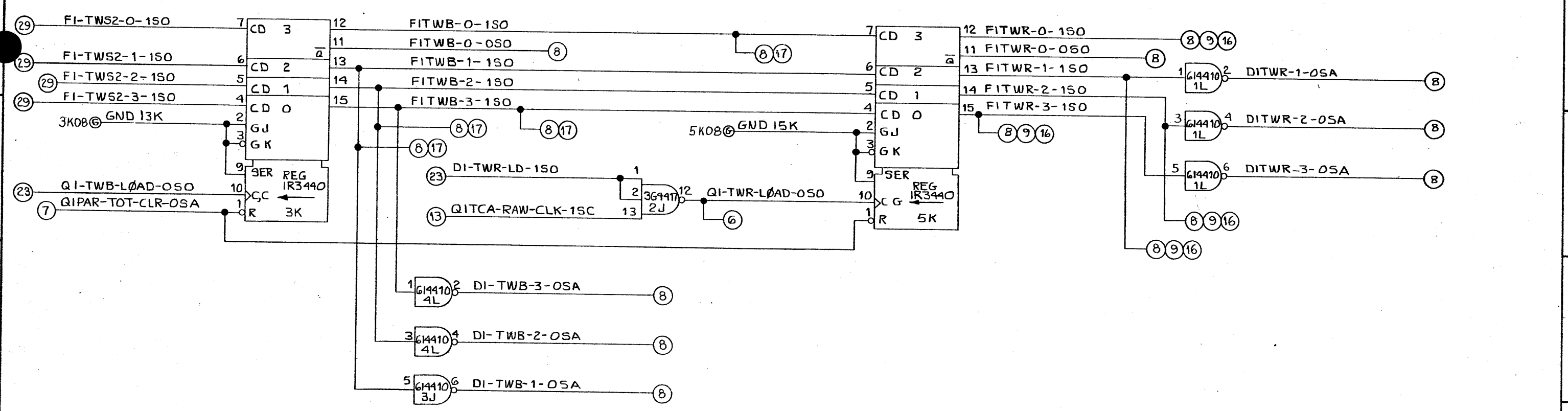
GN35 @ DHI-BP-OSO → WJ16 (MT6PL 5)



UNLESS OTHERWISE SPECIFIED		MATL		Honeywell	
DIMENSIONS = MILLIMETERS		TREAT.		HONEYWELL INFORMATION SYSTEMS	
TOLERANCE OF SIZE AND FORM PER INITIAL DESIGN		FIN.		PHOENIX, ARIZONA U. S. A.	
PROJECTION		DR. Jim Coover 74APRIL 24		Loc PCØ	
SCALE	CODE	APPD 1975 Feb 26		TITLE LOGIC DIAGRAM MT6HI	
		DISTR C68-26, TOS, NCA SDE		DAI DATA ØUT 4-15,P1	
		SIZE	DWG NO	SH	REV
		D	58008814	4	A

58008814

REVISIONS				
REV	AUTHORITY	DATE		SIGNATURE
		YR	MO DAY	



BRUNING 44 141

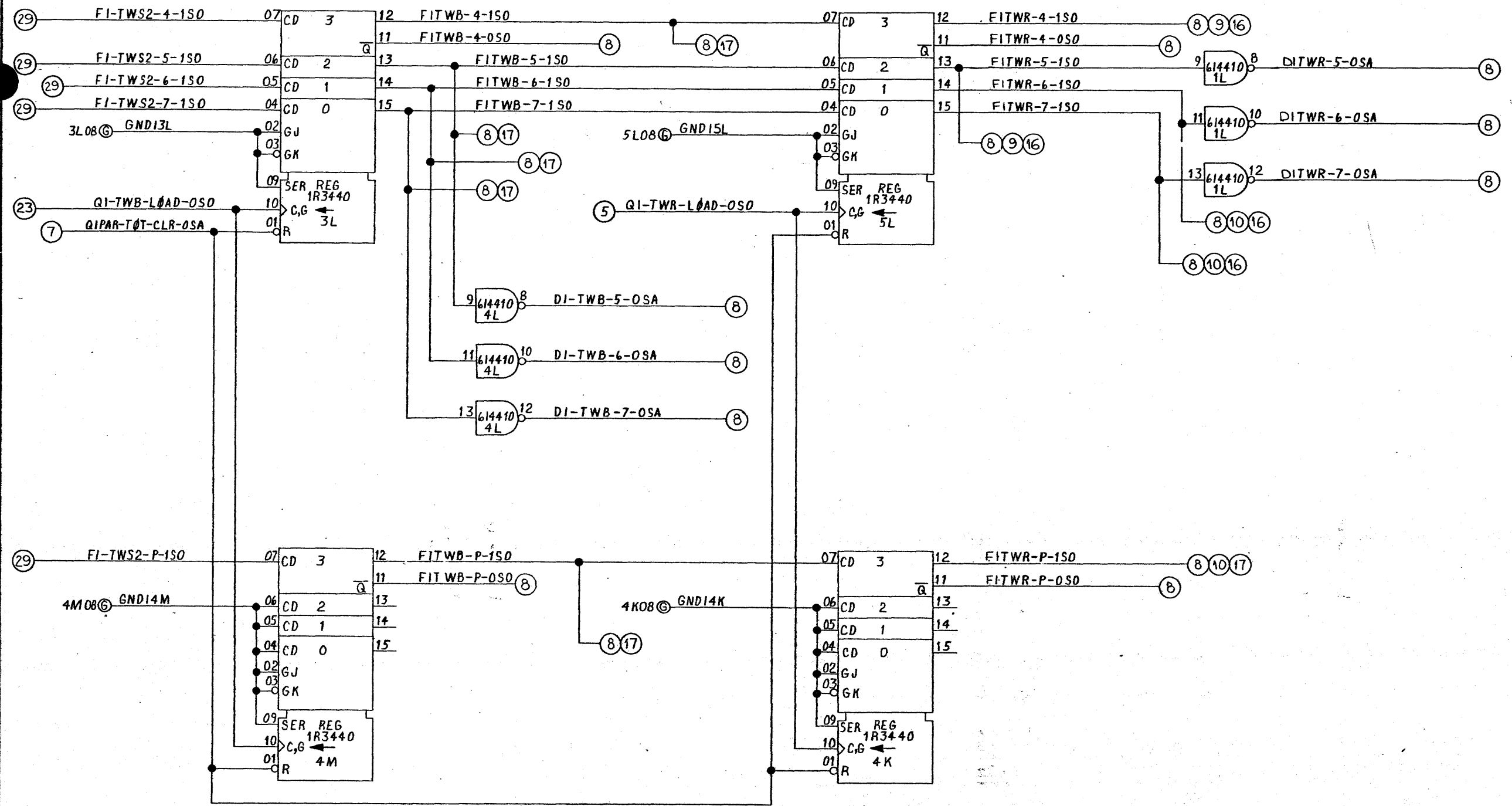
REF SPEC NO

0 1 2 3 4 5 6 7 8 MM
0 1 2 3 4 5 6 7 8 9 10 11 12 13 14 15 16 17 18 19 20 21 22 23 24 25 26 27 28 29 30 31 IN

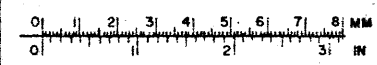
UNLESS OTHERWISE SPECIFIED		MATERIAL		Honeywell HONEYWELL INFORMATION SYSTEMS PHOENIX, ARIZONA U. S. A.	
DIMENSIONS= MILLIMETERS		TREAT.			
TOLERANCE OF SIZE AND FORM PER		FIN.		loc PC0 TITLE LOGIC DIAGRAM MT6HI TAPE WRT REG/BUF 0-3	
INITIAL DESIGN PROJECTION		DR <i>Jim Leach</i> 74 APRIL 24		SIZE	REV
SCALE CODE		APPD 1976 Feb 26 <i>J. J. ...</i>		D	B
		DISR C68-26 TOS, MCO, SDE		DWG NO	SH
				58008814	5

58008814

REVISIONS				
REV	AUTHORITY	DATE		SIGNATURE
		YR	MO	DAY



<p>UNLESS OTHERWISE SPECIFIED</p> <p>DIMENSIONS= MILLIMETERS</p> <p>TOLERANCE OF SIZE AND FORM PER INITIAL DESIGN</p> <p>PROJECTION </p>	<p>MATL</p>	<p>Honeywell</p> <p>LOC PC0 HONEYWELL INFORMATION SYSTEMS PHOENIX, ARIZONA U. S. A.</p> <p>TITLE LOGIC DIAGRAM MT6HI TAPE WRT REG/BUF 4-7,P</p>				
	<p>SCALE</p>	<p>CODE</p>	<p>DR. <i>John Lauchnitz</i> 14 APRIL 25</p> <p>APPD <i>1975 Feb 26</i> <i>D. Robinson</i></p> <p>DISTR <i>608-26, TOS, NCO, SDF</i></p>	<p>SIZE D</p>	<p>DWG NO 58008814</p>	<p>SH 6</p>

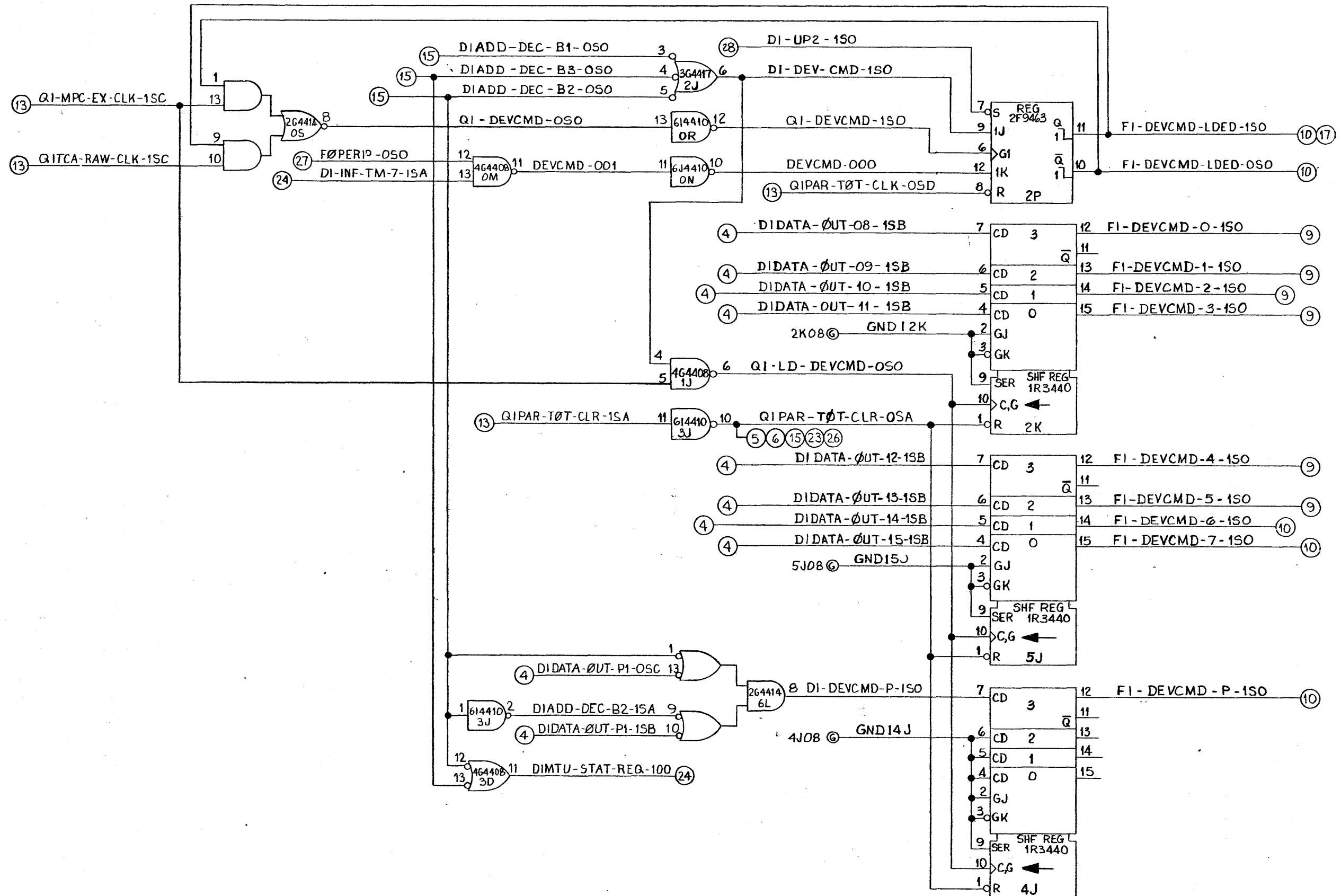


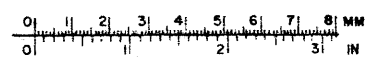
REF SPEC NO

CE 900 D 12-72

58008814

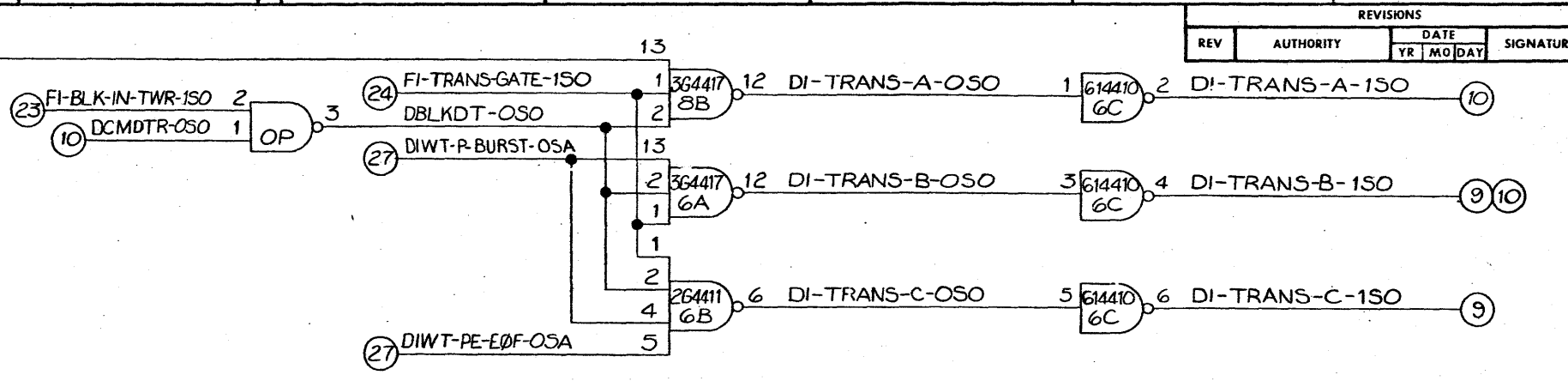
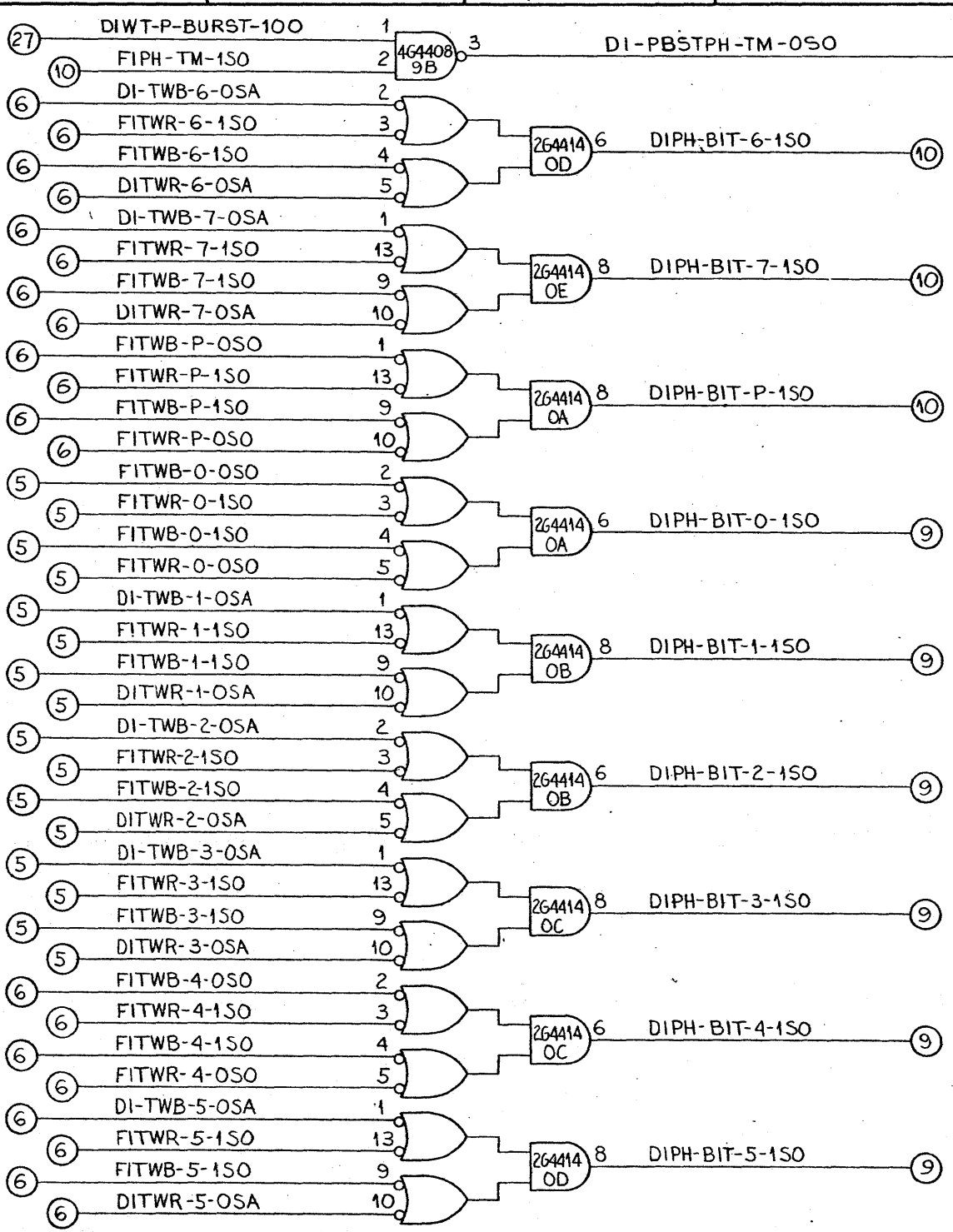
REVISIONS				
REV	AUTHORITY	DATE	SIGNATURE	
YR	MO	DAY		



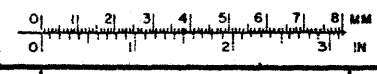


UNLESS OTHERWISE SPECIFIED		MATERIAL		Honeywell HONEYWELL INFORMATION SYSTEMS PHOENIX, ARIZONA U. S. A.			
DIMENSIONS= MILLIMETERS		INCHES					
TOLERANCE OF SIZE AND FORM PER INITIAL DESIGN		TREAT.		LOC PC0			
PROJECTION		FIN.		TITLE LOGIC DIAGRAM MT6HI DEVICE CMD REG			
SCALE	CODE	DR. Jim Crocchiolo 74 APRIL 25		SIZE	DWG NO.	SH	REV
		APPD 1975 Feb 26		D	58008814	7	B

58008814



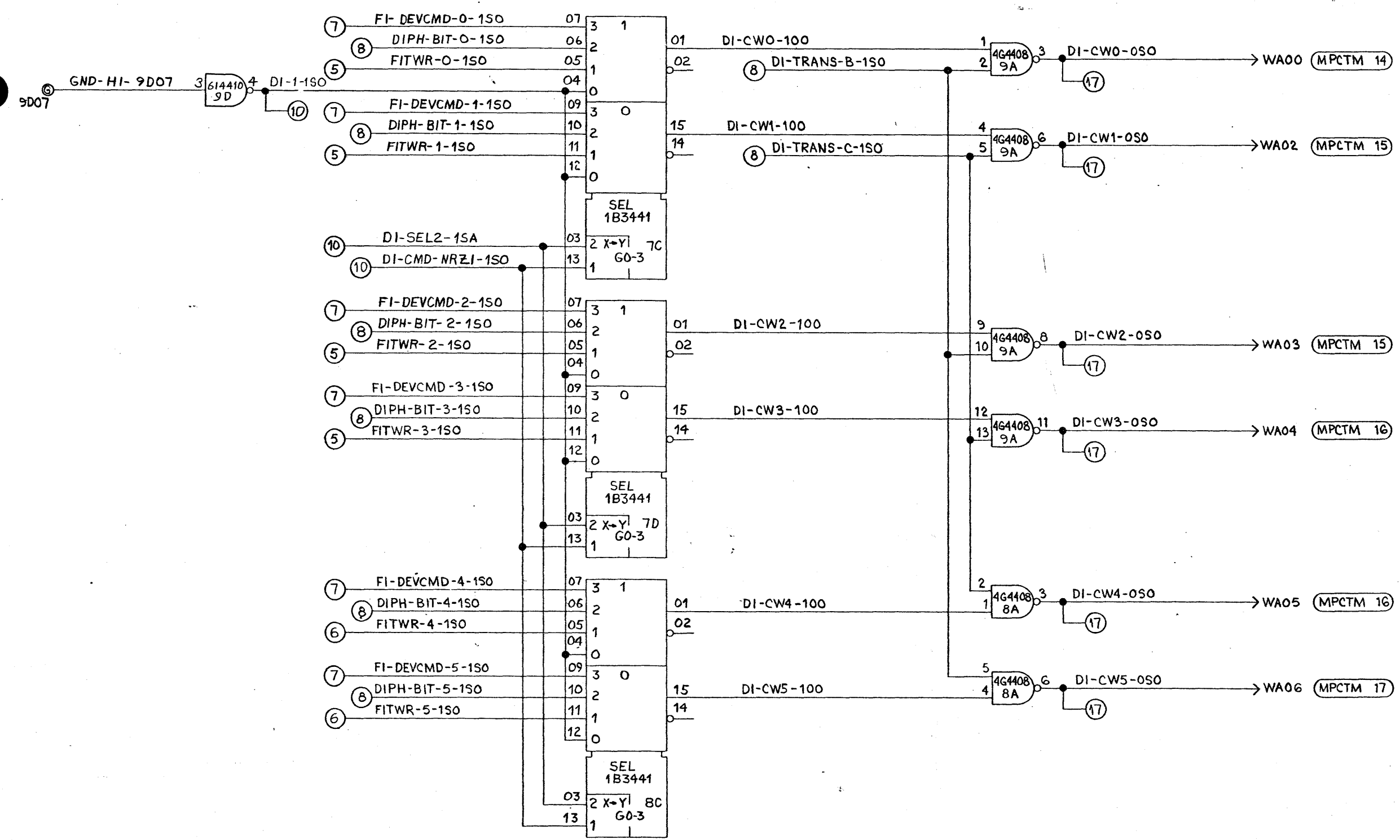
REVISIONS			
REV	AUTHORITY	DATE	SIGNATURE
		YR MO DAY	

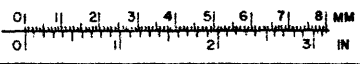


UNLESS OTHERWISE SPECIFIED		MATL		Honeywell HONEYWELL INFORMATION SYSTEMS PHOENIX, ARIZONA U. S. A.						
DIMENSIONS=	MILLIMETERS INCHES	TREAT.	LOC PCØ					TITLE LOGIC DIAGRAM MT6HI PHASE BIT GEN & TRANS GATES		
TOLERANCE OF SIZE AND	FORM PER	FIN.	SCALE	CODE	DR.	DATE	SIZE	DWG NO	SH	REV
INITIAL DESIGN	PROJECTION	DR. <i>Jim Cacciatolo</i>				74 APRIL 26	D	58008814	8	B
		APPD. <i>1975 Feb 20</i> <i>J. G. Sedberry</i>								
		DISTR CG8-26, TOS, NCA SDF								

58008814

REVISIONS				
REV	AUTHORITY	DATE		SIGNATURE
		YR	MO DAY	

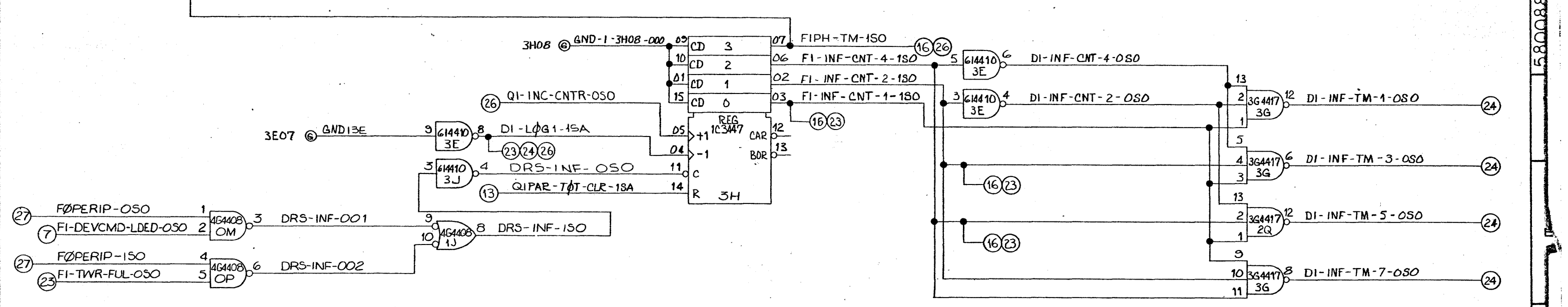
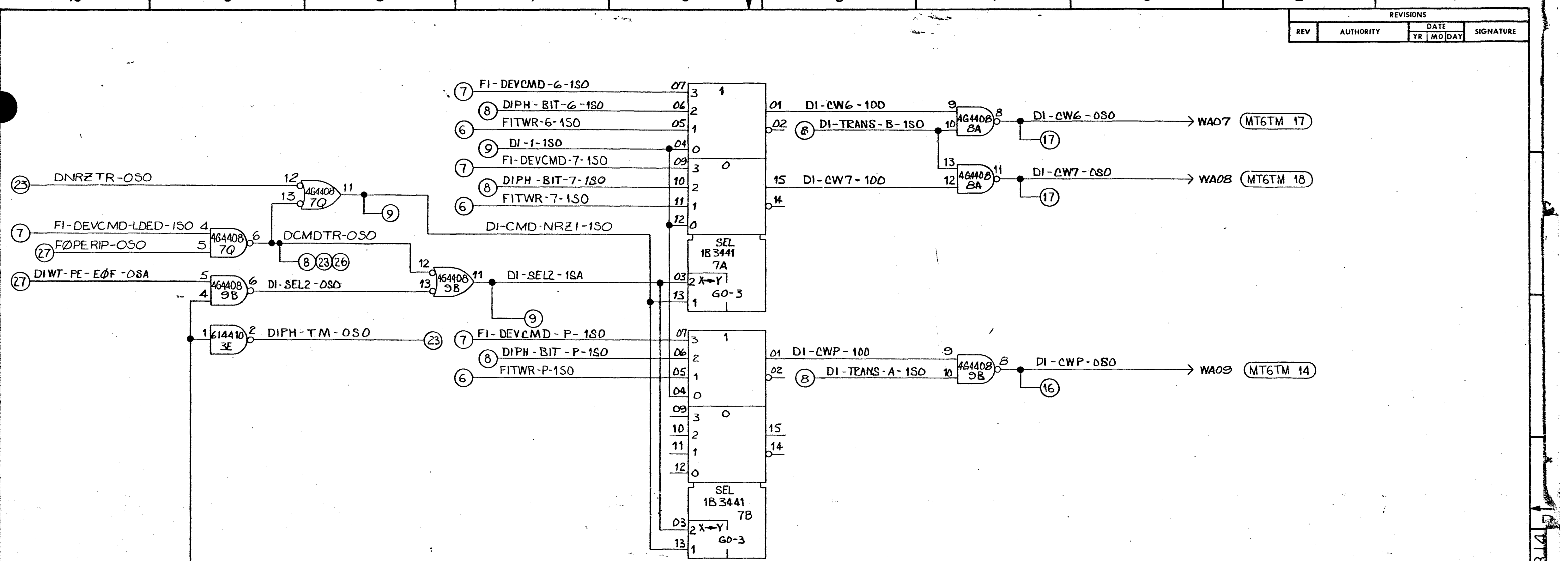


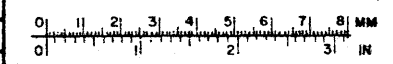


UNLESS OTHERWISE SPECIFIED		MATERIAL		Honeywell HONEYWELL INFORMATION SYSTEMS PHOENIX, ARIZONA U. S. A.		
DIMENSIONS— <small>← MILLIMETERS →</small> <small>← INCHES →</small>		TREAT.				
TOLERANCE OF SIZE AND FORM PER		FIN.		SIZE D 58008814		
INITIAL DESIGN		DR. <i>Jim Caschida</i> 74 APRIL 26		SH 9		
PROJECTION		APPD 1975 Feb-26 <i>A. P. ...</i>		REV B		
SCALE	CODE	DISTR				

58008814 D

REV		AUTHORITY	DATE		SIGNATURE
1	2		YR	MO	DAY



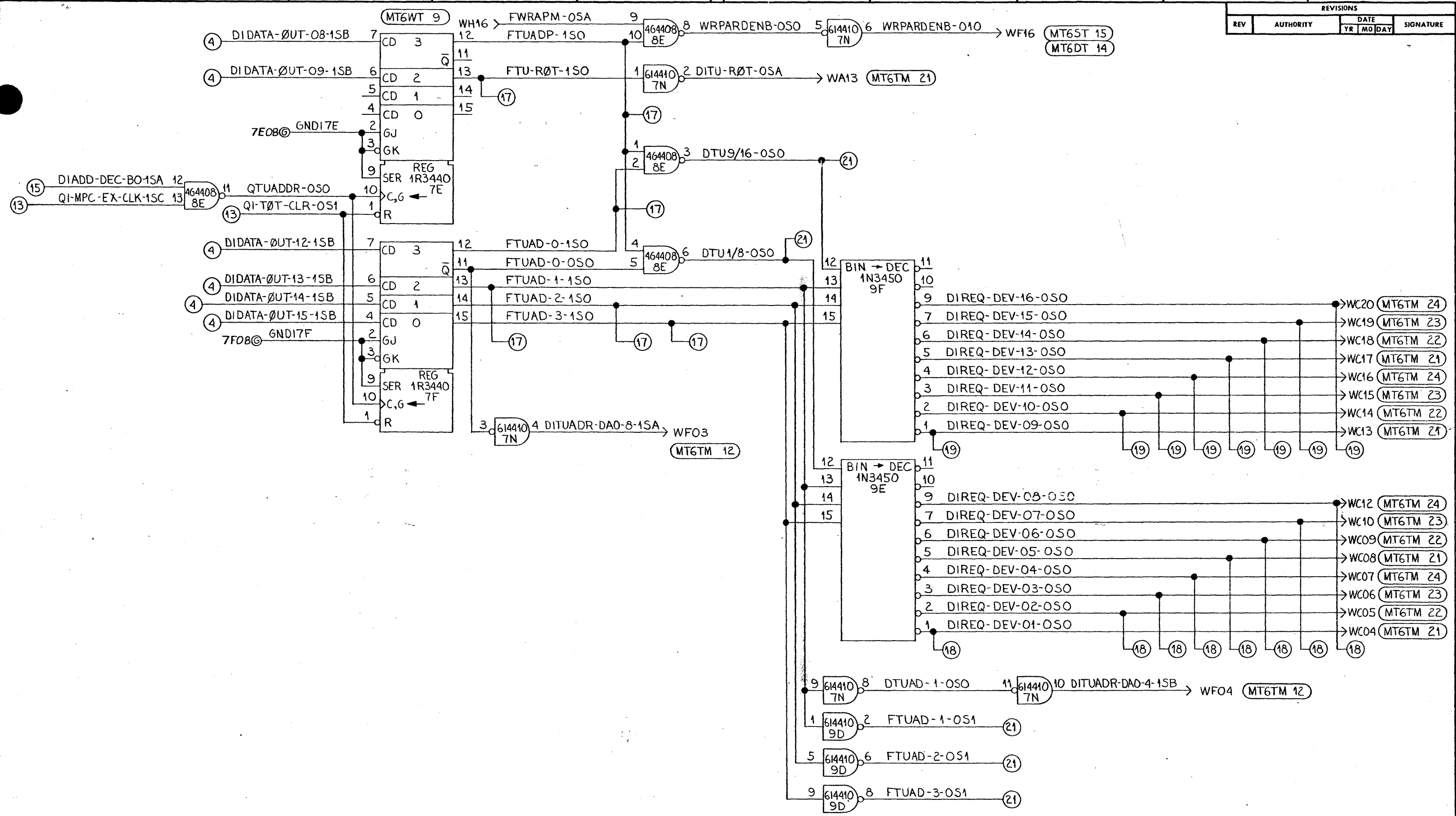


UNLESS OTHERWISE SPECIFIED	
DIMENSIONS=	MILLIMETERS
	INCHES
TOLERANCE OF SIZE AND	
FORM PER	
INITIAL DESIGN	
PROJECTION	
SCALE	CODE

Honeywell			
HONEYWELL INFORMATION SYSTEMS PHOENIX, ARIZONA U. S. A.			
LOC PC0		TITLE	
LOGIC DIAGRAM MT6HI		CMD WRT LINES & INTERFACE CNTR	
SIZE	DWG NO	SH	REV
D	58008814	10	B
DR. Jim Lauchlin 74 APRIL 26		APPD 1975 Feb 20.	
DISTR C-28-71, JOS, NCO, SDC			

58008814

REVISIONS			
REV	AUTHORITY	DATE	SIGNATURE
		YR MO DAY	



REF SPEC NO	10
	9
	8
	7
	6
	5
	4

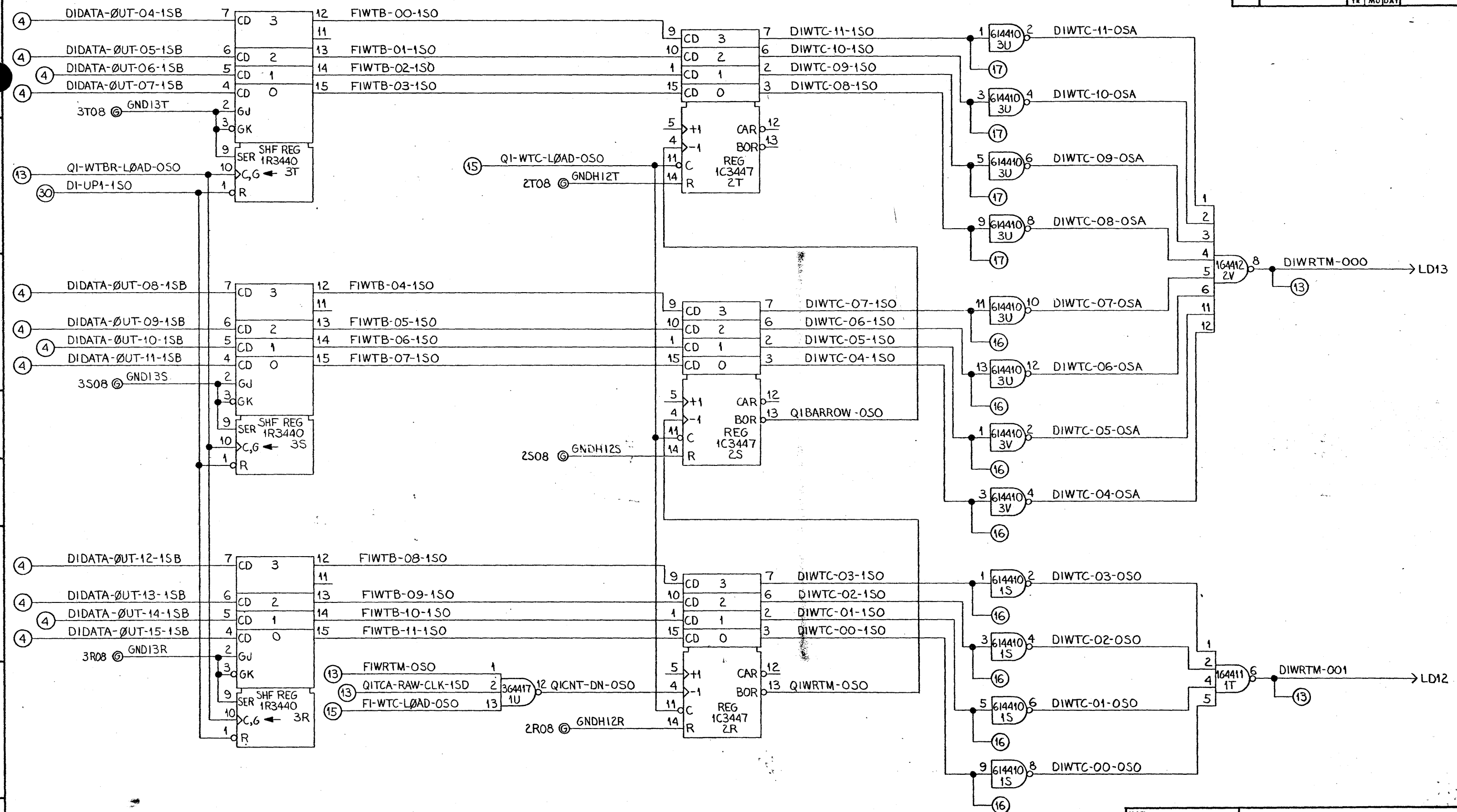
Scale: 0 1 2 3 4 5 6 7 8 MM

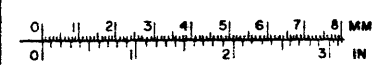
UNLESS OTHERWISE SPECIFIED		MATH	
DIMENSIONS = MILLIMETERS / INCHES		TREAT.	
TOLERANCE OF SIZE AND FORM PER INITIAL DESIGN		FIN.	
PROJECTION		DR 79-JULY-77 J. J. Wilke	
SCALE	CODE	APPD 1975 Feb 26 J. J. Wilke	DR
HONEYWELL		SIZE D	REV B
HONEYWELL INFORMATION SYSTEMS PHOENIX, ARIZONA U. S. A.		DWG NO 58008814	SH 11
TITLE LOGIC DIAGRAM MT6HI DEV ADDRESS & DECODE		DISTR C68-26, TOS, NCO, SDF	

H
F
E
D
C
B
A

58008814

REVISIONS				
REV	AUTHORITY	DATE YR MO DAY	SIGNATURE	

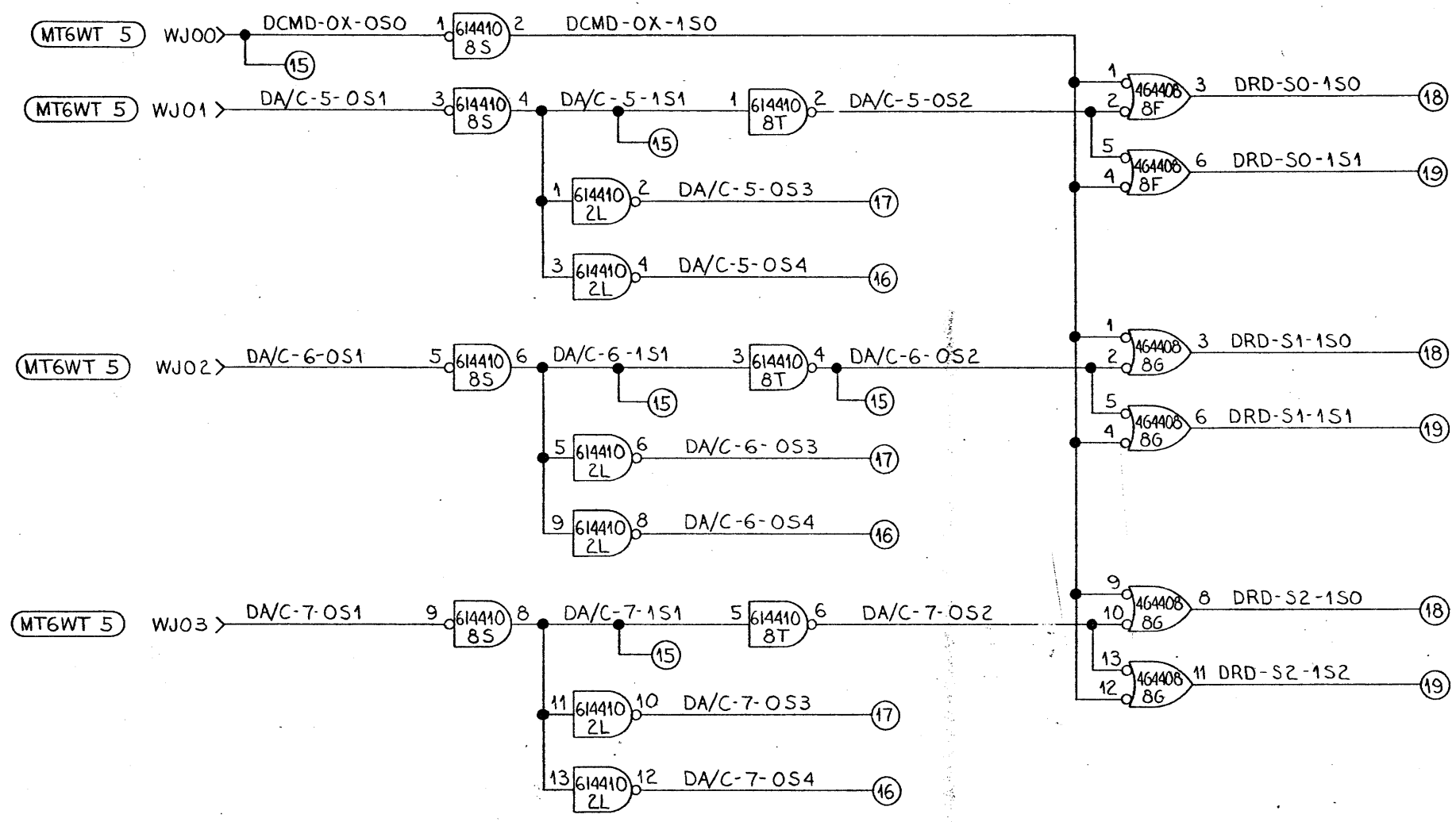


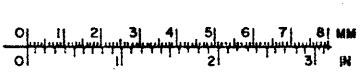


MATL	Honeywell			
TREAT.	LOC PC	HONEYWELL INFORMATION SYSTEMS PHOENIX, ARIZONA U. S. A.		
FIN.	TITLE LOGIC DIAGRAM MT6HI WRT TIME BASE/COUNTER			
DR. <i>Jim Cochito</i>	74 APRIL 29	SIZE	DWG NO	SH
APPD. <i>1975 Feb 26</i>	<i>H. B. ...</i>	D	58008814	12
DISTR C68-26, TOS, NCO, SDF				REV A

58008814

REVISIONS				
REV	AUTHORITY	DATE		SIGNATURE
		YR	MO DAY	

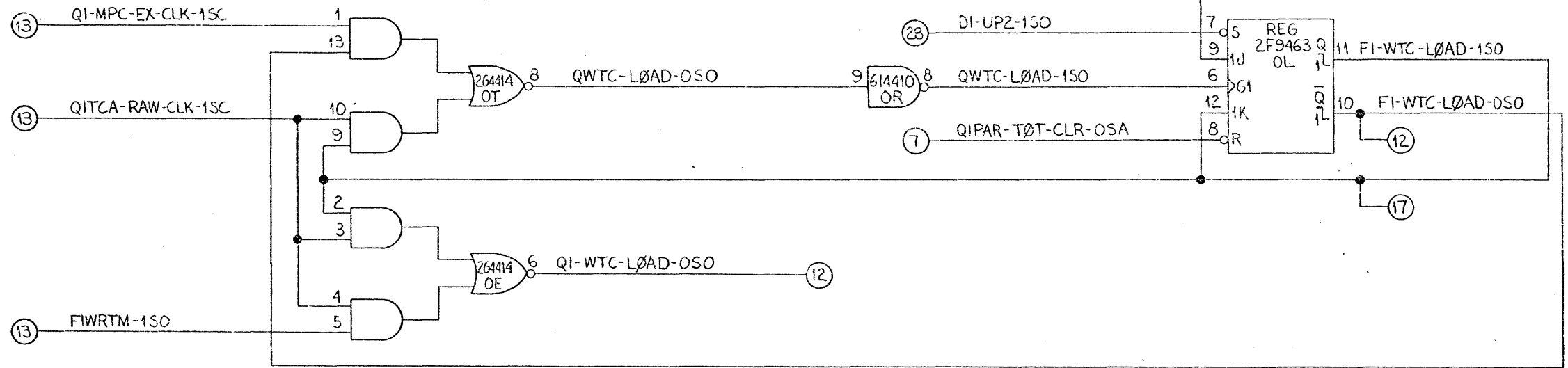
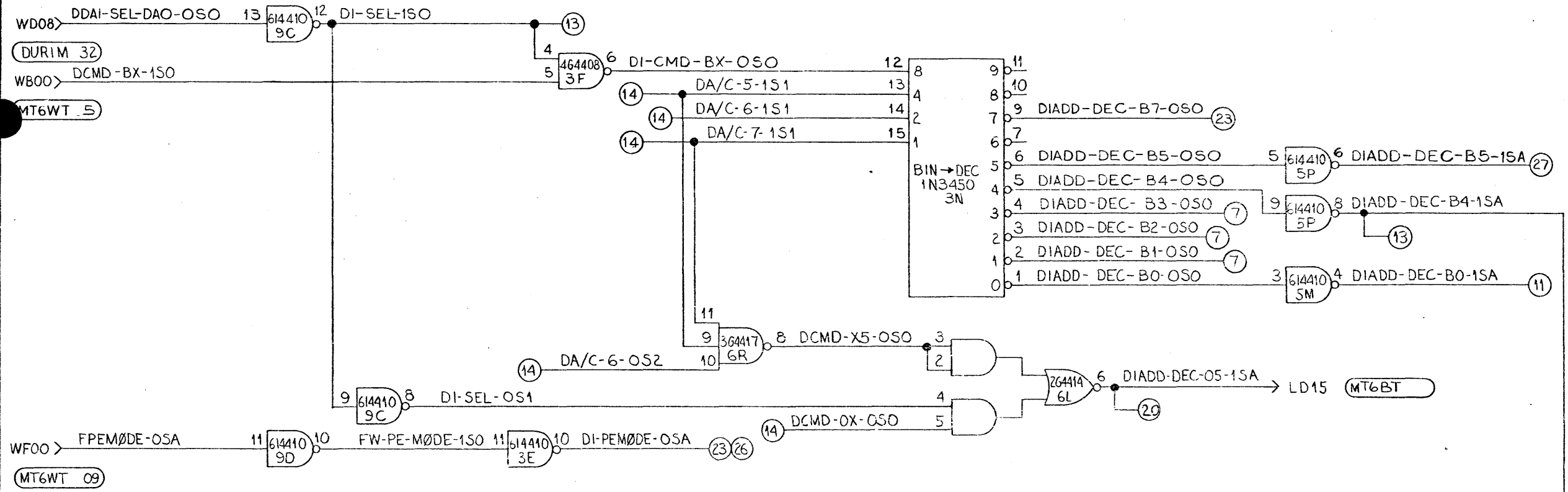


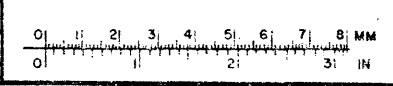


UNLESS OTHERWISE SPECIFIED		MATERIAL	
DIMENSIONS: MILLIMETERS			
TOLERANCE OF SIZE AND FORM PER INITIAL DESIGN		TREAT.	
PROJECTION		FIN.	
SCALE	CODE	DR	
		APPD	
		DISTR	
Honeywell HONEYWELL INFORMATION SYSTEMS PHOENIX, ARIZONA U. S. A.			
LOC PCØ		TITLE LOGIC DIAGRAM MT6HI	
		HI READ OUT CONTROL	
SIZE	DWG NO	SH	REV
D	58008814	14	A

58008814 D

REVISIONS				
REV	AUTHORITY	DATE		SIGNATURE
		YR	MO DAY	





UNLESS OTHERWISE SPECIFIED		MATERIAL	
DIMENSIONS = MILLIMETERS / INCHES		TREATMENT	
TOLERANCE OF SIZE AND FORM PER INITIAL DESIGN		FINISH	
PROJECTION		SCALE	
CODE		DATE	
DRAWN BY		DATE	
APPD		DATE	
DISTR		DATE	

Honeywell
HONEYWELL INFORMATION SYSTEMS
PHOENIX, ARIZONA U.S.A.

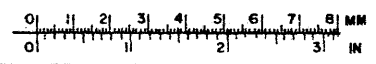
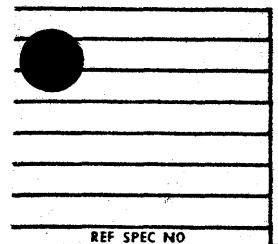
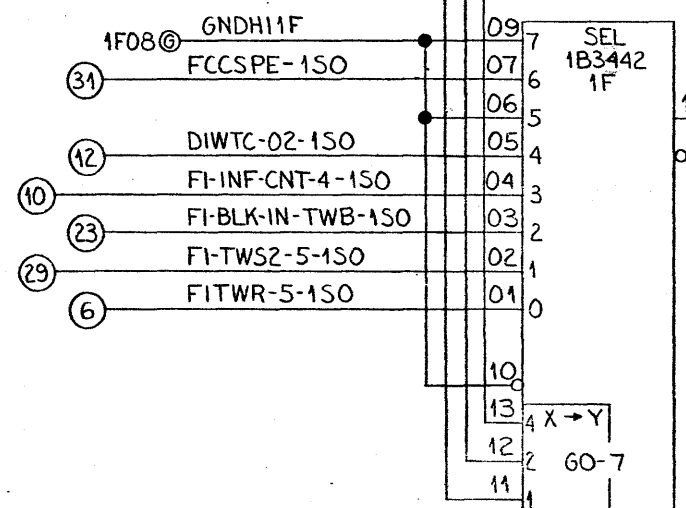
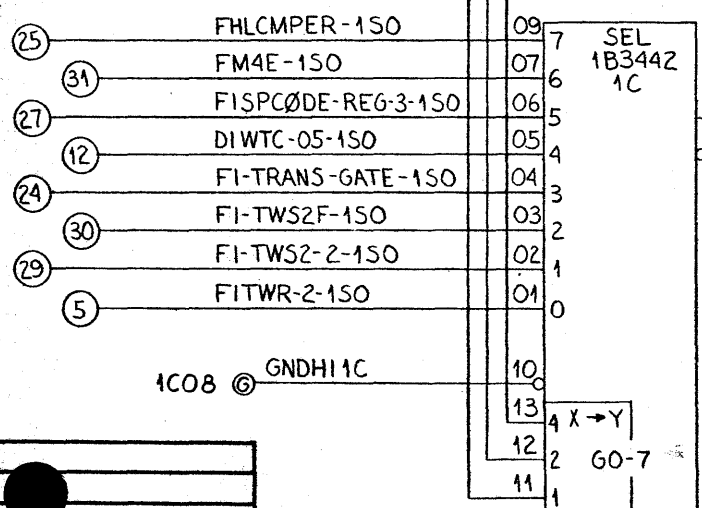
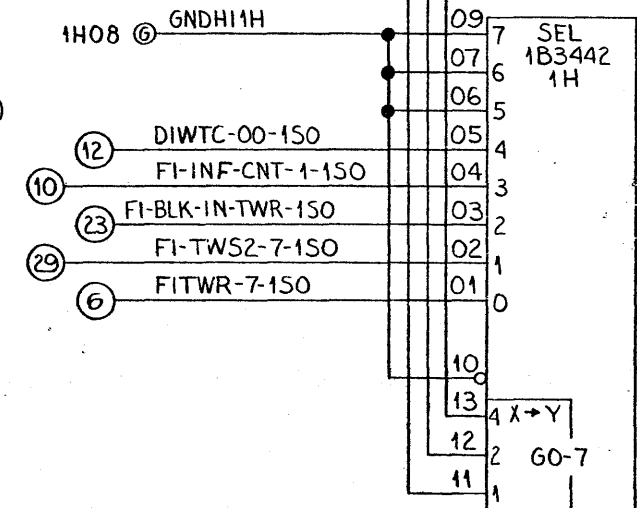
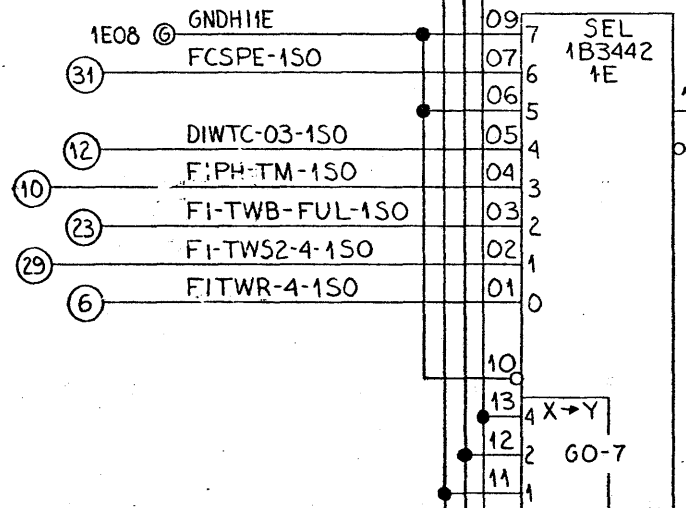
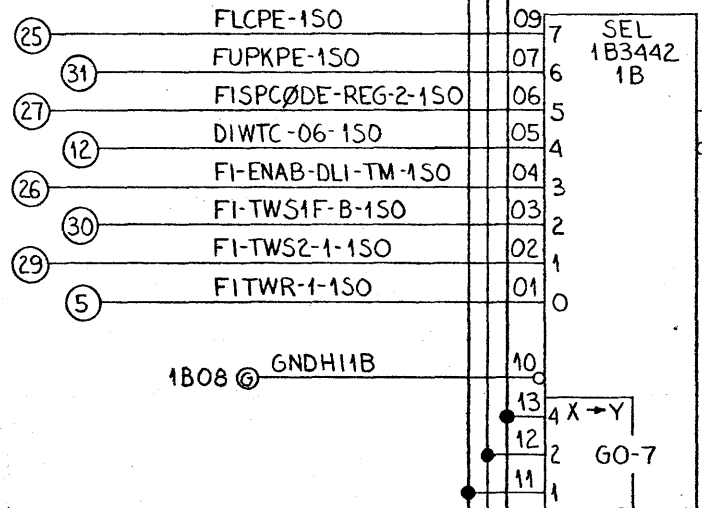
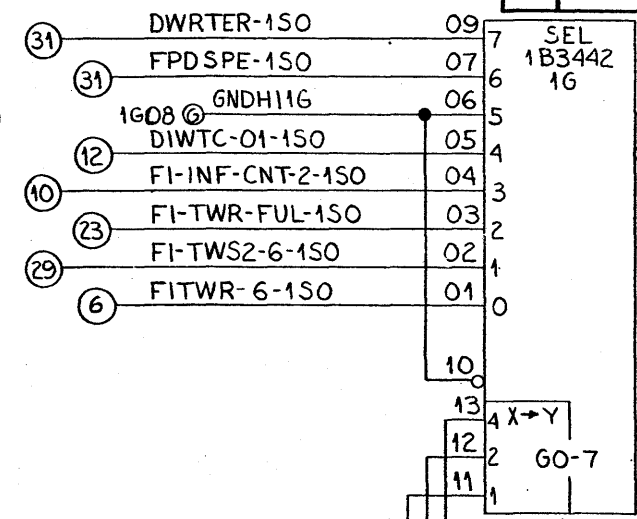
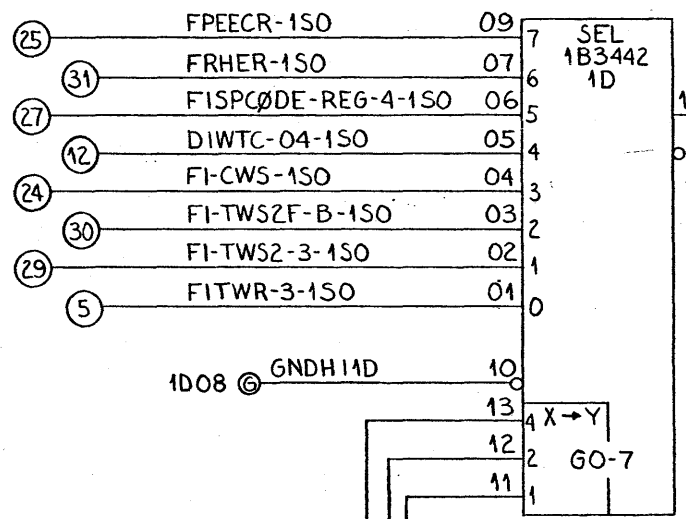
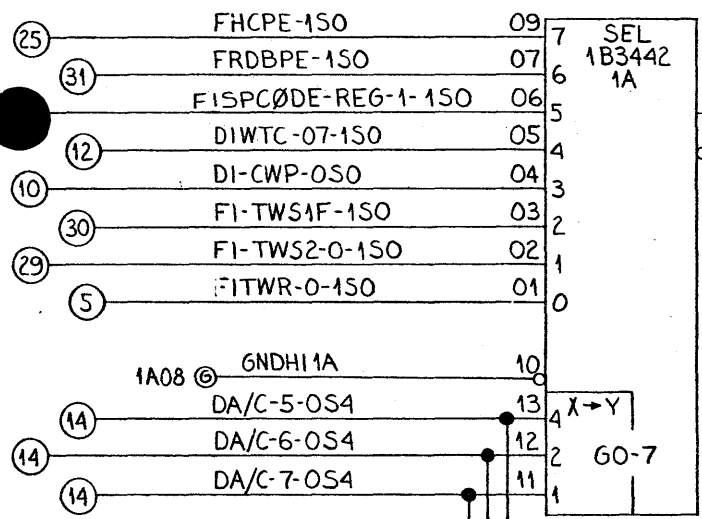
LOC PCØ

TITLE: LOGIC DIAGRAM MT6HI
AC DECØDE

SIZE	DWG NO	SH	REV
D	58008814	15	B

58008814

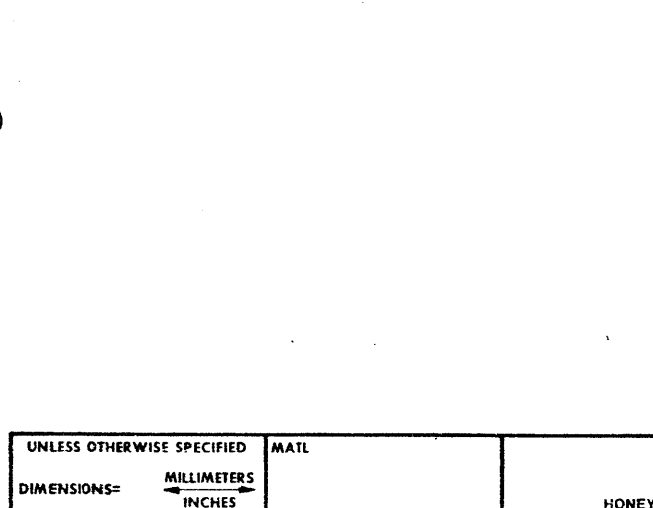
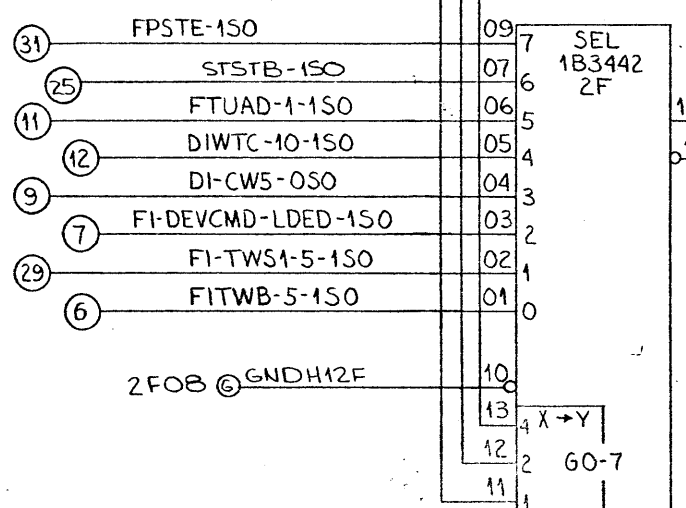
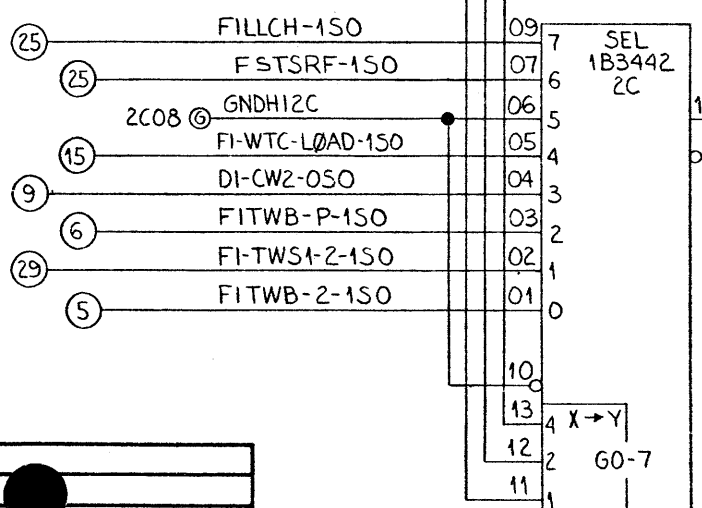
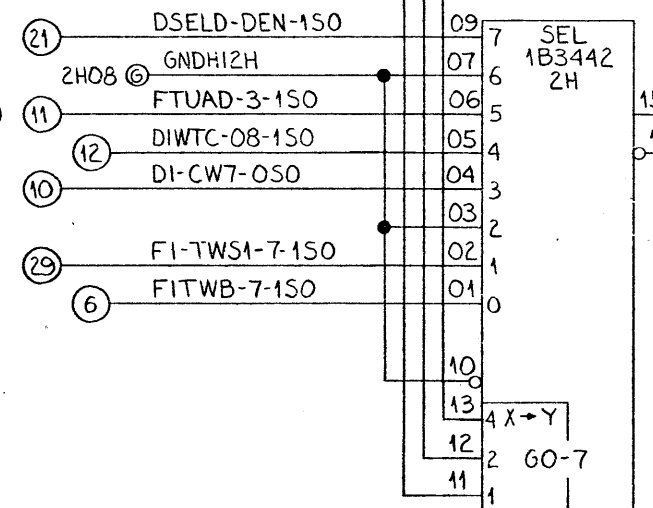
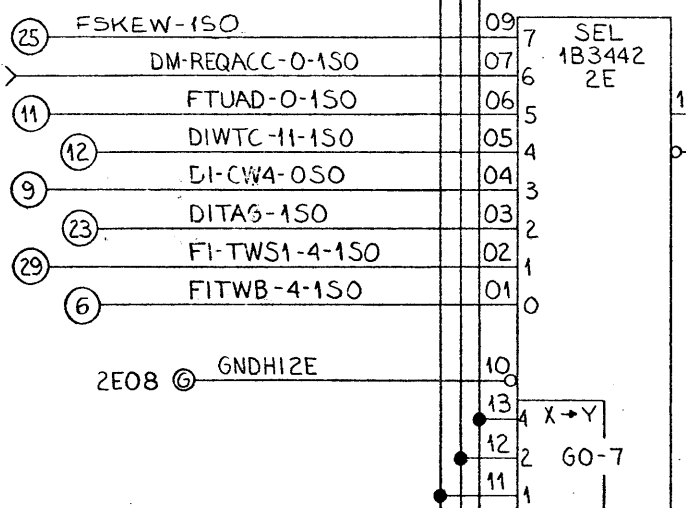
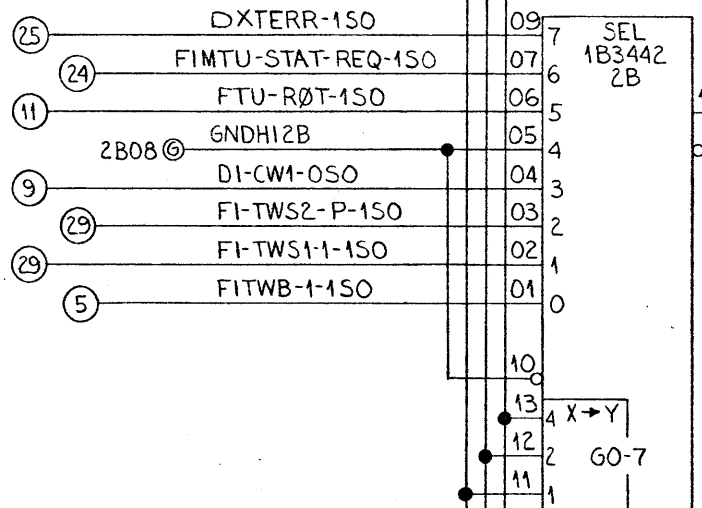
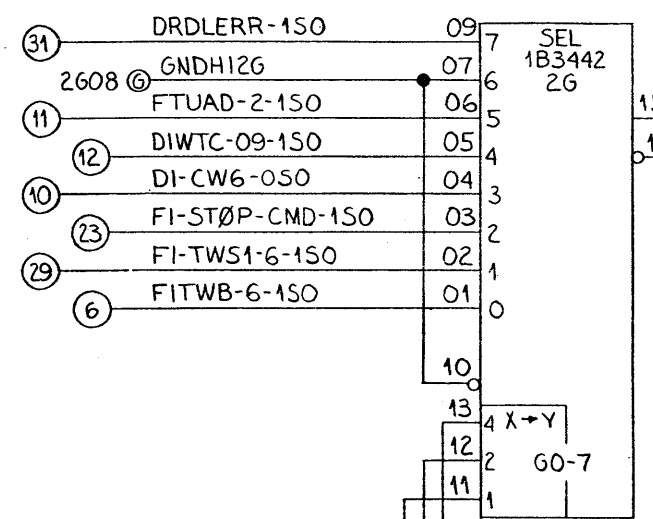
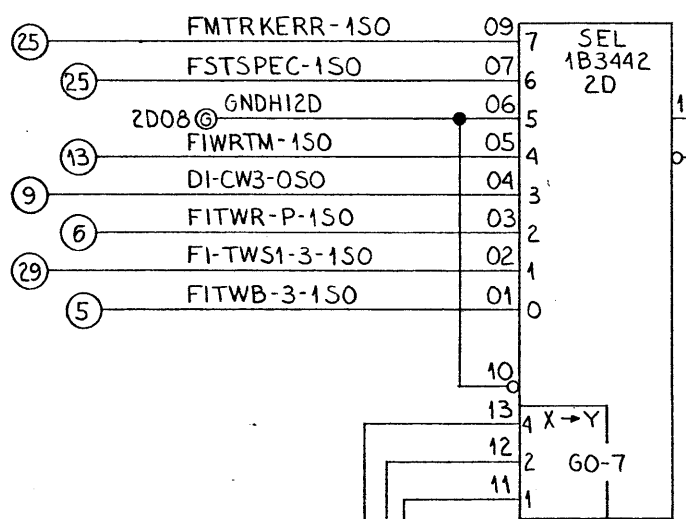
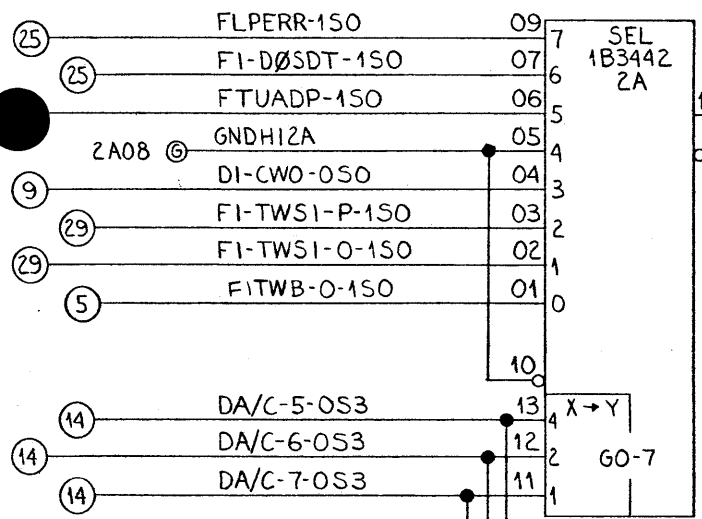
REVISIONS				
REV	AUTHORITY	DATE	SIGNATURE	
		YR MO DAY		



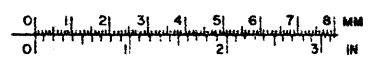
UNLESS OTHERWISE SPECIFIED		MATH		Honeywell HONEYWELL INFORMATION SYSTEMS PHOENIX, ARIZONA U. S. A.	
DIMENSIONS=	MILLIMETERS	TREAT.	FIN.		
TOLERANCE OF SIZE AND FORM PER	INCHES	INITIAL DESIGN	PROJECTION	TITLE LOGIC DIAGRAM MT6HT READ OUT SWITCH 1 (8-15)	
SCALE	CODE	DR	APPD	SIZE	REV
		74-JULY-25 <i>J. J. Wills</i>	1975 Feb 26 <i>J. J. Wills</i>	D	B
				DWG NO	SH
				58008814	16

58008814

REVISIONS		
DATE	SIGNATURE	
YR MO DAY		



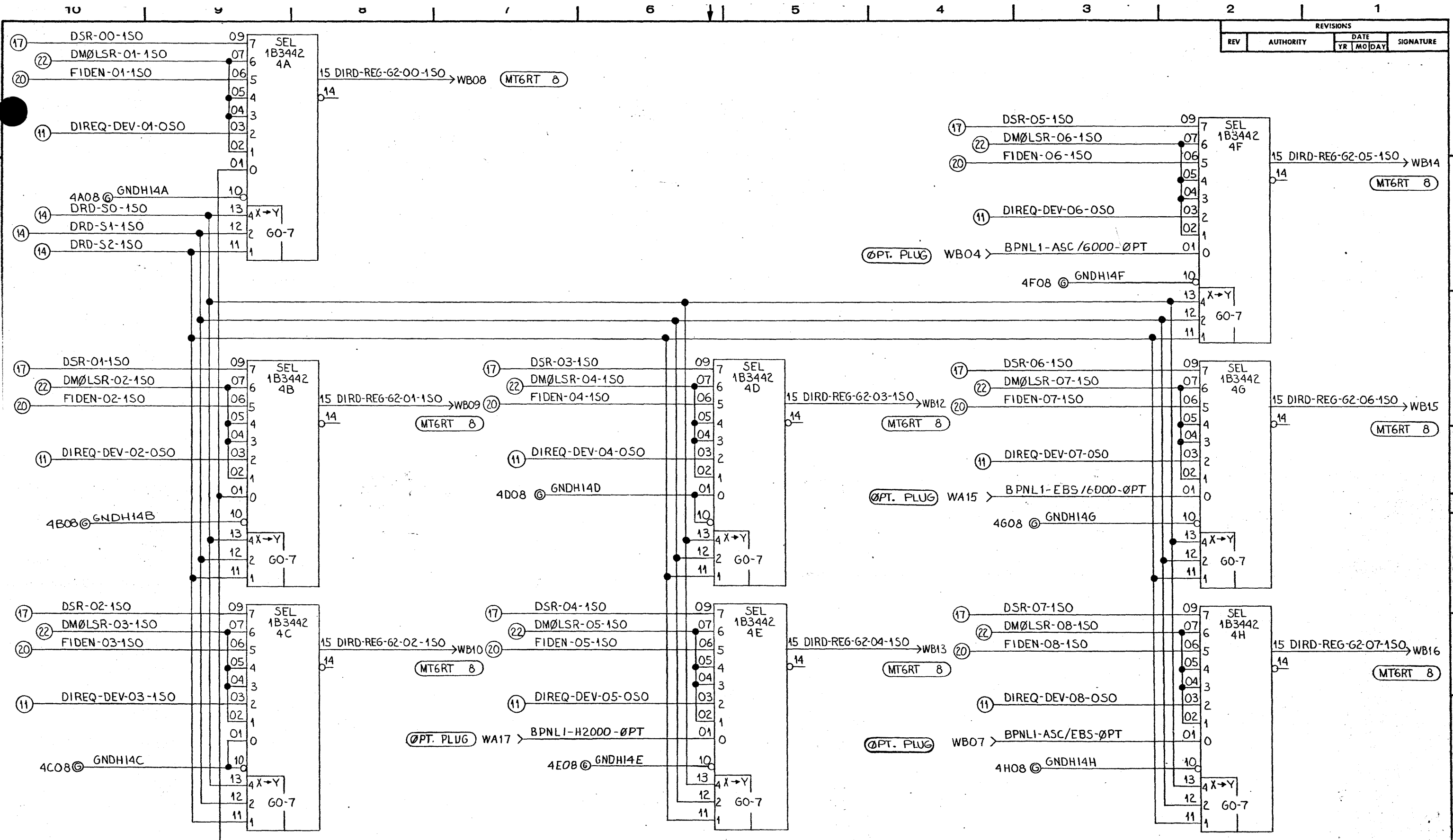
REF SPEC NO	



UNLESS OTHERWISE SPECIFIED		MILLIMETERS		MAIL	
DIMENSIONS=		INCHES		TREAT.	
TOLERANCE OF SIZE AND FORM PER		INITIAL DESIGN		FIN.	
PROJECTION		SCALE		CODE	
DR 74-JULY-25		APPD 1975 Feb 26		DR 74-JULY-25	
APPD 1975 Feb 26		DR 74-JULY-25		APPD 1975 Feb 26	
Honeywell		HONEYWELL INFORMATION SYSTEMS		LOC PCØ	
PHOENIX, ARIZONA U. S. A.		TITLE		LOGIC DIAGRAM MT6H1	
SIZE		DWG NO		SH	
D		58008814		17	
REV		B			

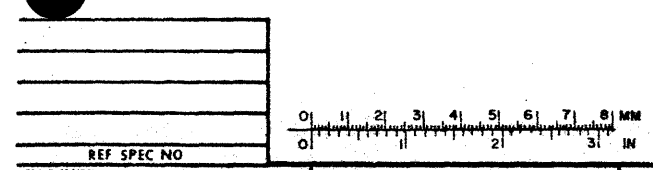
58008814

H
F
E
D
C
B
A



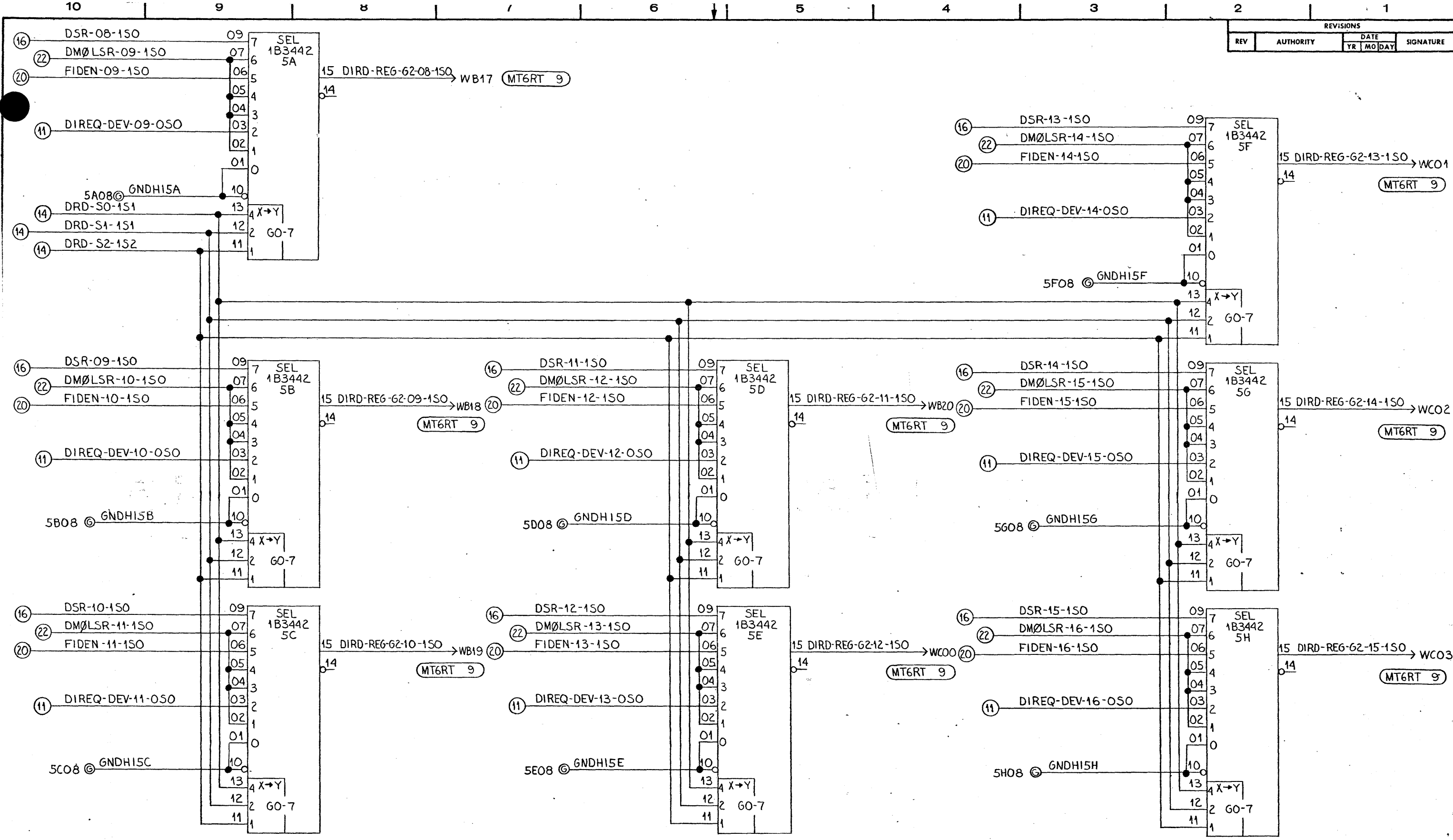
REVISIONS				
REV	AUTHORITY	DATE		SIGNATURE
		YR	MO/DAY	

UNLESS OTHERWISE SPECIFIED		MATH		Honeywell HONEYWELL INFORMATION SYSTEMS PHOENIX, ARIZONA U. S. A.	
DIMENSIONS= MILLIMETERS ← INCHES		TREAT.			
TOLERANCE OF SIZE AND FORM PER INITIAL DESIGN		FIN.		TITLE LOGIC DIAGRAM MT6H1 READ OUT SWITCH 2 (0-7)	
PROJECTION		DR		SIZE	REV
SCALE		DR Day Penrose 74 JULY 77 APPD 1975 Feb 26		D	B
CODE		WB07		DWG NO	SH
				58008814	18



58008814

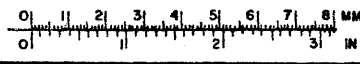
A



REVISIONS				
REV	AUTHORITY	DATE	SIGNATURE	
		YR	MO	DAY

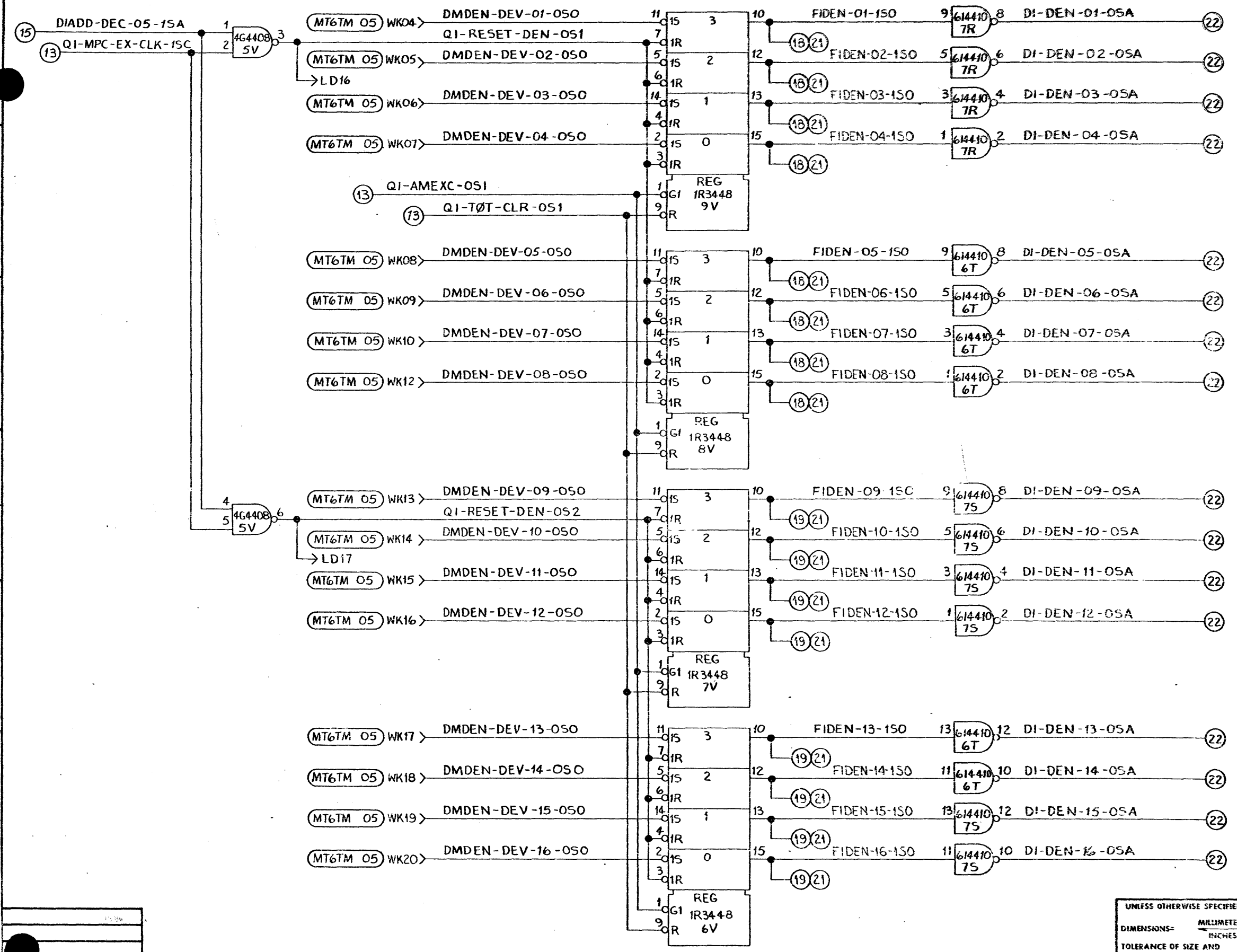
H
F
E
D
C
B
A

58008814



UNLESS OTHERWISE SPECIFIED		MATH		Honeywell HONEYWELL INFORMATION SYSTEMS PHOENIX, ARIZONA U. S. A. TITLE LOGIC DIAGRAM MT6HI READ OUT SWITCH 2 (8-15)				
DIMENSIONS= MILLIMETERS / INCHES		TREAT.						
TOLERANCE OF SIZE AND FORM PER INITIAL DESIGN		FIN.		LOC PCØ	SIZE	DWG NO	SH	REV
PROJECTION		DR 74-JULY-23 D. J. Wills		D		58008814	19	A
SCALE	CODE	APPD 1975 FEB 26 J. J. ...		DISTR				

REVISIONS			
REV	AUTHORITY	DATE	SIGNATURE
		YR MO DAY	

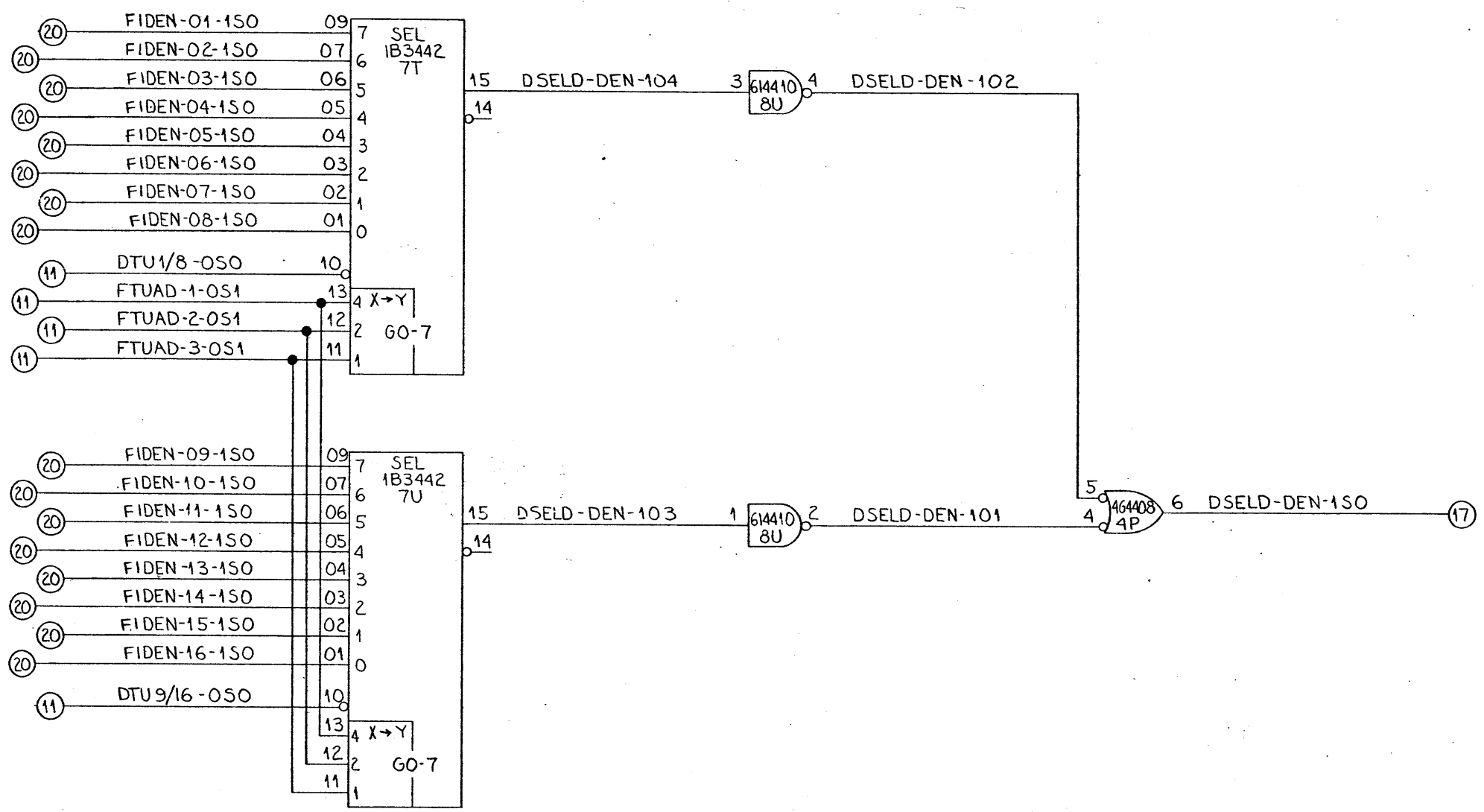


15	DIADD-DEC-05-15A
13	QI-MPC-EX-CLK-15C

UNLESS OTHERWISE SPECIFIED		MATERIAL	
DIMENSIONS-	MILLIMETERS		
TOLERANCE OF SIZE AND	INCHES		
FORM PER		TREAT.	
INITIAL DESIGN		FIN.	
PROJECTION			
SCALE	CODE	DR. <i>Jim Carver</i> 74 MAY 6	
		APPD 1975 Feb 24	
		DISTR C68-26, TOS, NCO, SDF	
		Honeywell HONEYWELL INFORMATION SYSTEMS PHOENIX, ARIZONA U. S. A.	
		LOC PCO	
		TITLE LOGIC DIAGRAM MT6HI	
		DEN REG	
SIZE	DWG NO	SH	REV
D	58008814	20	A

58008814

REVISIONS				
REV	AUTHORITY	DATE		SIGNATURE
		YR	MO DAY	



H
F
E
D
C
B
A

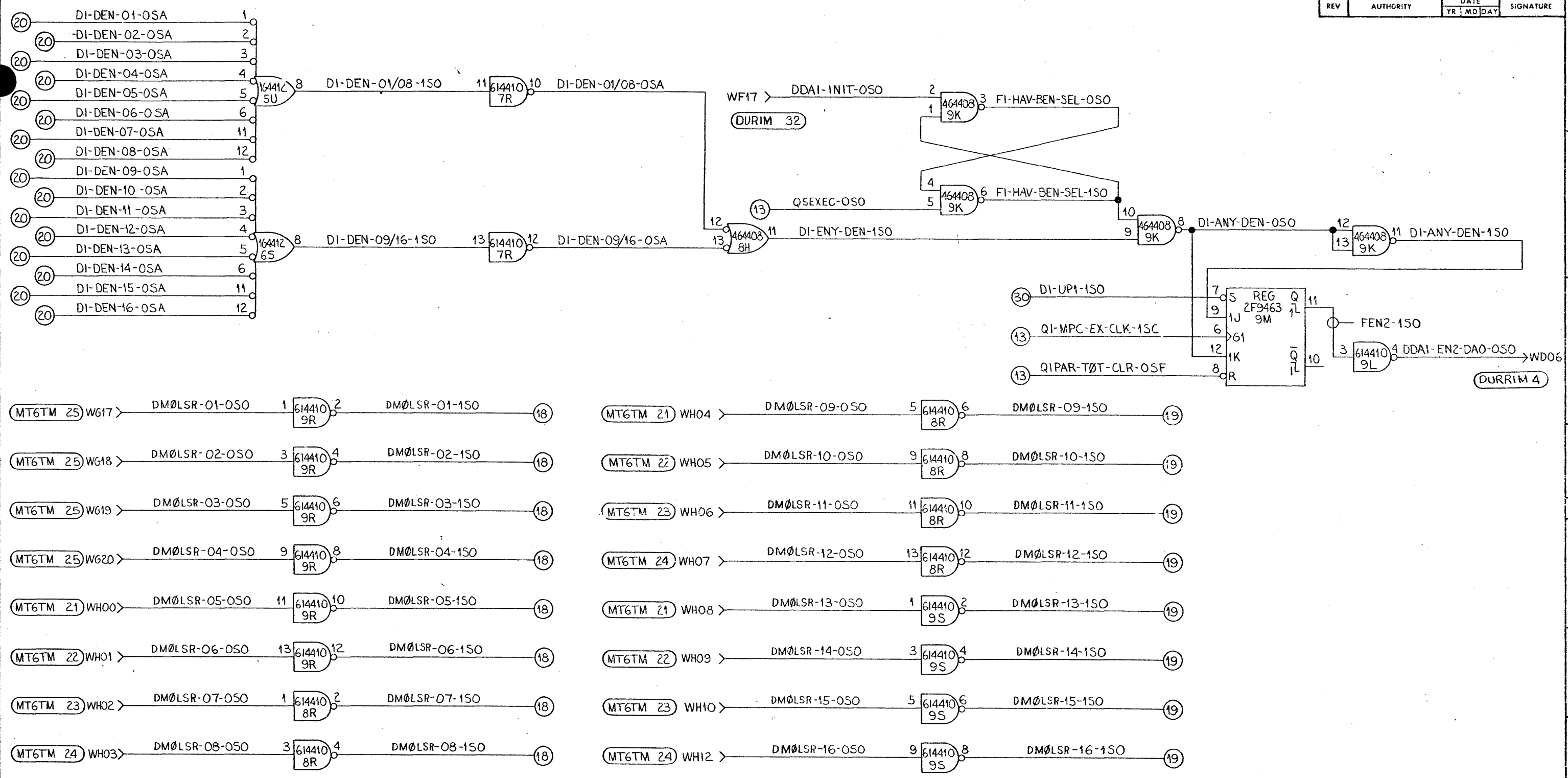
58008814

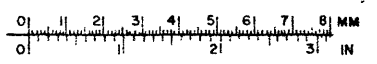
REF SPEC NO

10 9 8 7 6 5 4

UNLESS OTHERWISE SPECIFIED		MATERIAL		Honeywell HONEYWELL INFORMATION SYSTEMS PHOENIX, ARIZONA U. S. A.	
DIMENSIONS= MILLIMETERS / INCHES		TREAT.			
TOLERANCE OF SIZE AND FORM PER INITIAL DESIGN		FIN.		TITLE LOGIC DIAGRAM MT6HI SELECTED DEN	
SCALE	CODE	DR	79-JULY-18 J. J. Wille	SIZE	DWG NO
		APPD	1975 Feb 26 J. J. Wille	D	58008814
		DISTR	C68-26 DS, NCO, SDF	SH	REV
				21	A

REVISIONS				
REV	AUTHORITY	DATE		SIGNATURE
		YR	MO DAY	

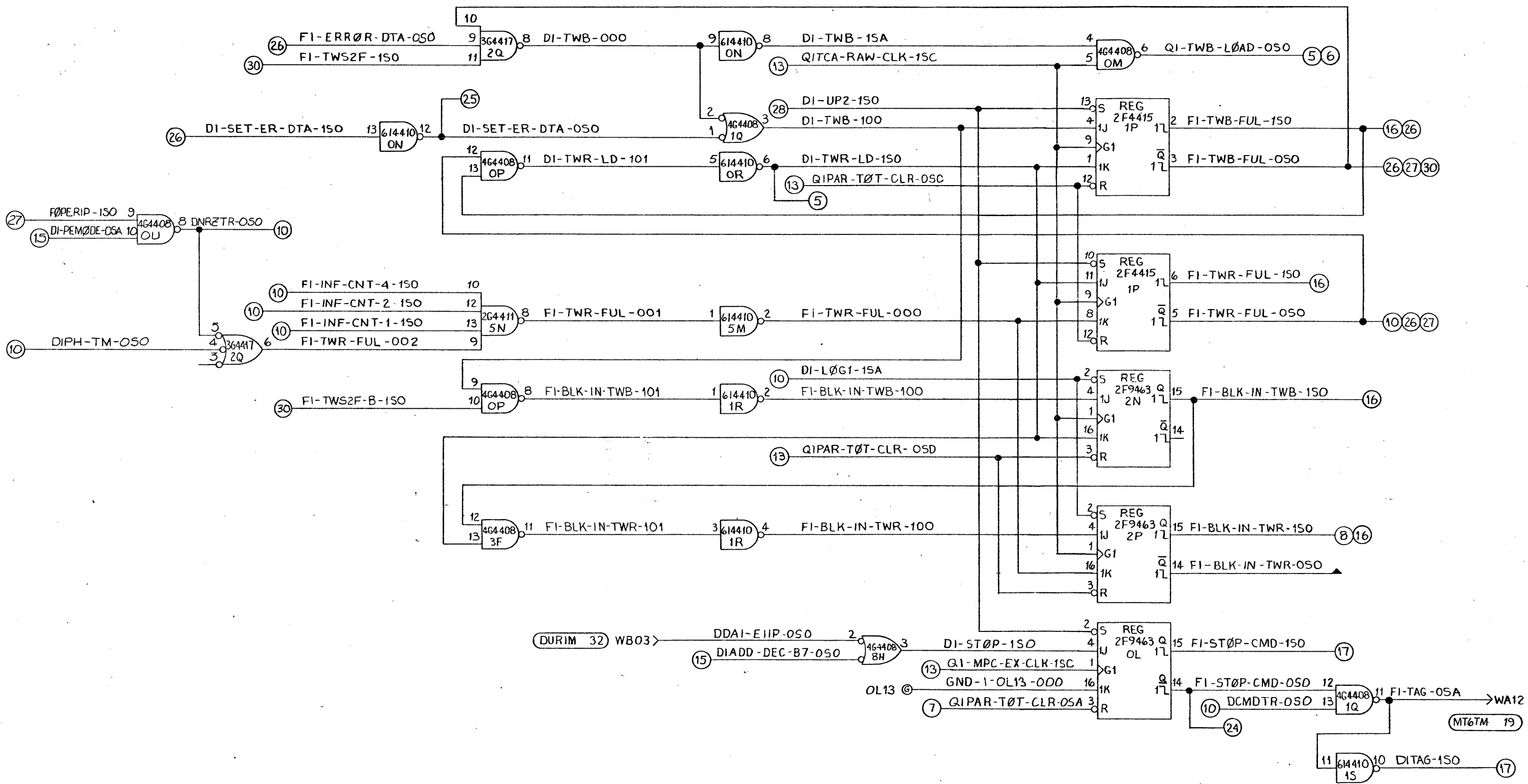




UNLESS OTHERWISE SPECIFIED		MATERIAL		Honeywell HONEYWELL INFORMATION SYSTEMS PHOENIX, ARIZONA U. S. A.	
DIMENSIONS = MILLIMETERS / INCHES		TREAT.			
TOLERANCE OF SIZE AND FORM PER		FIN.		loc PCØ TITLE LOGIC DIAGRAM MT6HI ANY DEN/EN2/TM-SW	
INITIAL DESIGN		PROJECTION		DR. <i>Jim Caschiba</i> 74 MAY 6 APPD 1975 Feb 26 <i>J. Anderson</i>	
SCALE	CODE	SIZE	DWG NO	SH	REV
		D	58008814	22	B

58008814

REVISIONS			
REV	AUTHORITY	DATE	SIGNATURE
		YR MO DAY	



REF SPEC NO	
SCALE	
PROJECTION	
INITIAL DESIGN	
FORM PER	
TOLERANCE OF SIZE AND	
DIMENSIONS=	
UNLESS OTHERWISE SPECIFIED	

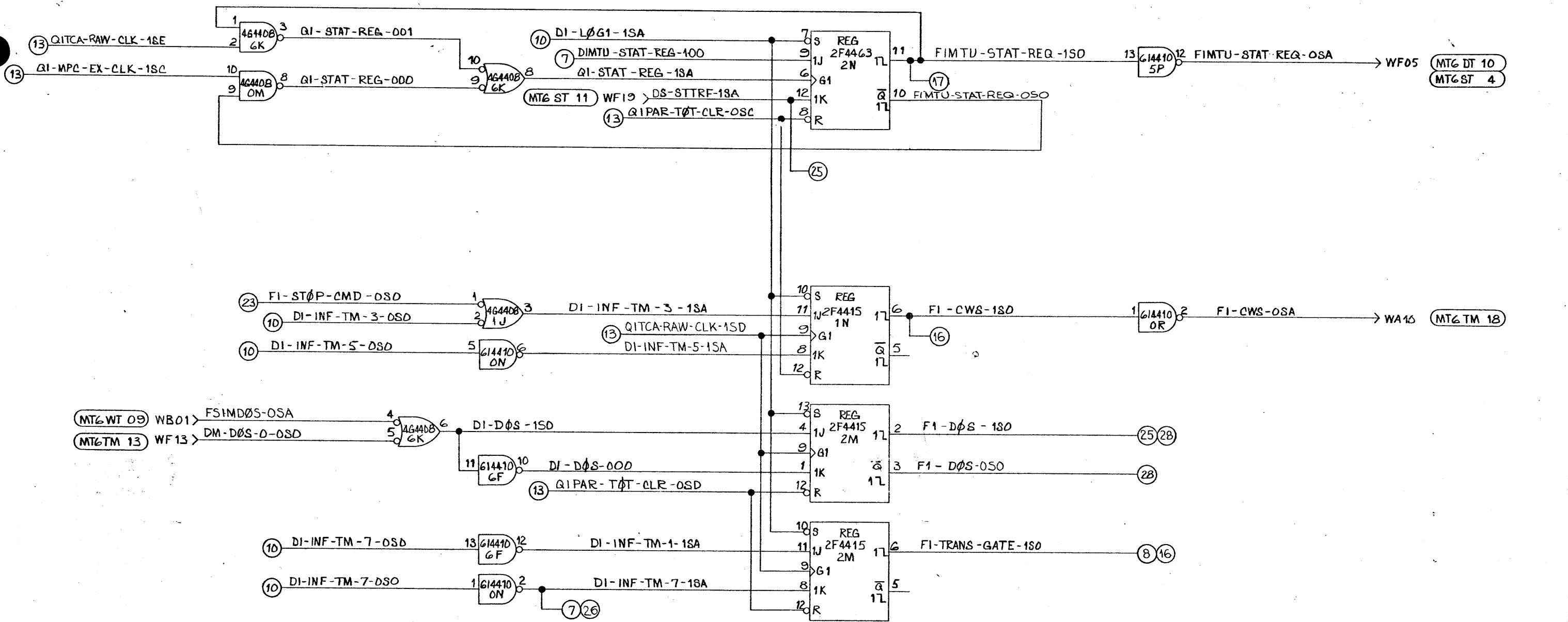
0 1 2 3 4 5 6 7 8 MM
0 1 2 3 4 5 IN

UNLESS OTHERWISE SPECIFIED		MATERIAL	
DIMENSIONS= MILLIMETERS		TREAT.	
INCHES		FIN.	
TOLERANCE OF SIZE AND		DR. <i>Jim Craccholo</i> 74 MAY 7	
FORM PER		APPD 1975 Feb 26	
INITIAL DESIGN		DISTR C68-26, TOS, NCO, SDC	
PROJECTION		SIZE DWG NO SH REV	
SCALE	CODE	D	58008814 23 B

Honeywell
HONEYWELL INFORMATION SYSTEMS
PHOENIX, ARIZONA U.S.A.
TITLE LOGIC DIAGRAM MT6HI
TAPE WRT BUF/REG CTRL
LOC PCØ

58008814

REVISIONS				
REV	AUTHORITY	DATE		SIGNATURE
		YR	MO DAY	

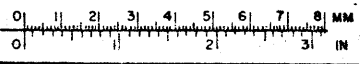


MT6 WT 09 WB01 FSIMDOS-OSA
 MT6 TM 13 WF13 DM-DOS-0-OSD

MT6 DT 10
 MT6 ST 4

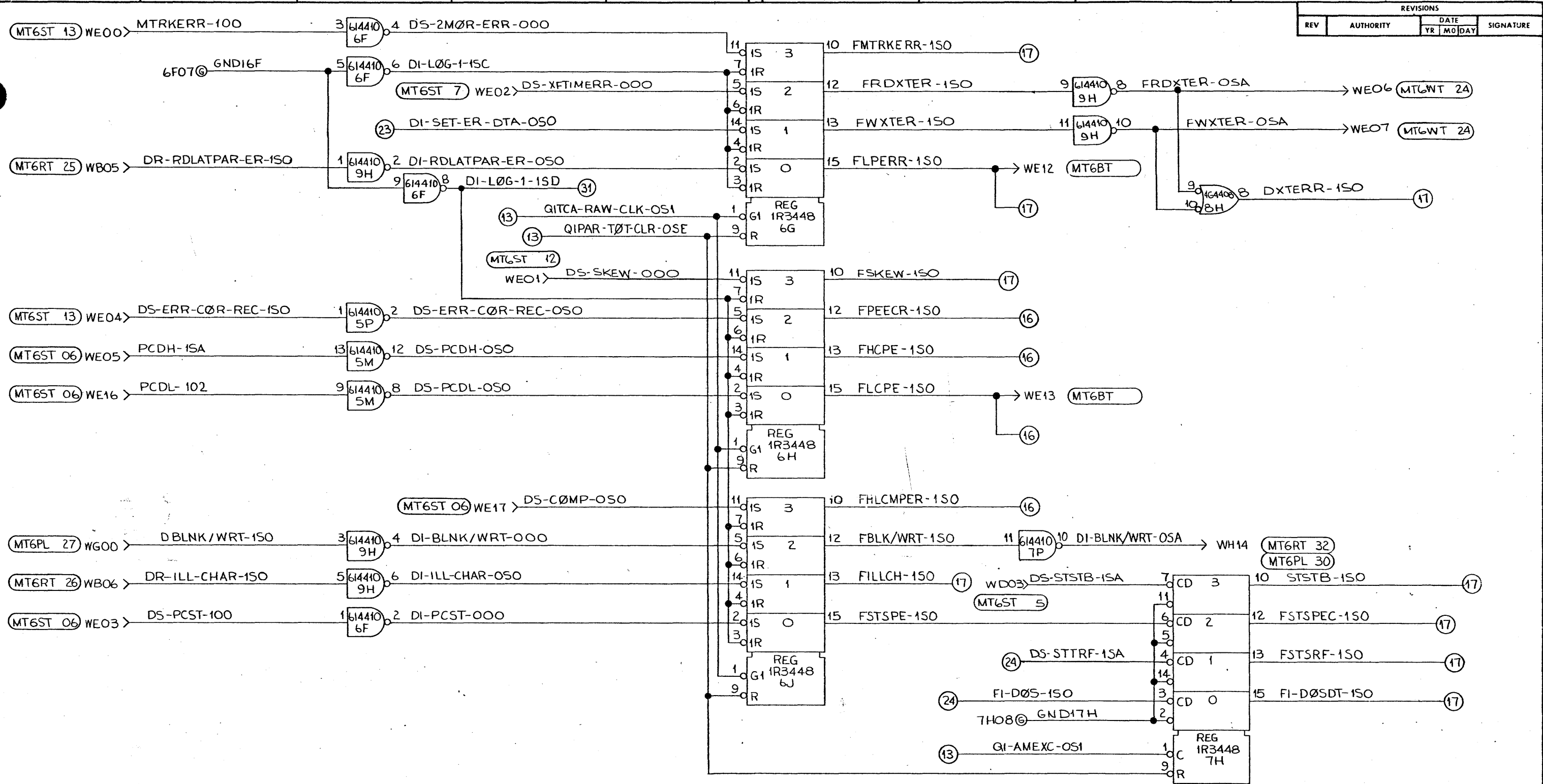
MT6 TM 18

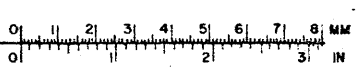
UNLESS OTHERWISE SPECIFIED		MATL		Honeywell HONEYWELL INFORMATION SYSTEMS PHOENIX, ARIZONA U.S.A.	
DIMENSIONS= MILLIMETERS / INCHES		TREAT.			
TOLERANCE OF SIZE AND FORM PER		FIN.		TITLE LOGIC DIAGRAM MT6HI CTRL FF'S	
INITIAL DESIGN		DR. <i>Jim Cochran</i> T4 MAY 8		SIZE	DWG NO
PROJECTION		APPD. <i>J. S. ...</i> 1975 Feb 26		D	58008814
SCALE	CODE	DISTR. CL-8-26 TOR. NCO. SDC		SH	REV
				24	B



58008814 D

REVISIONS				
REV	AUTHORITY	DATE	SIGNATURE	
		YR MO DAY		

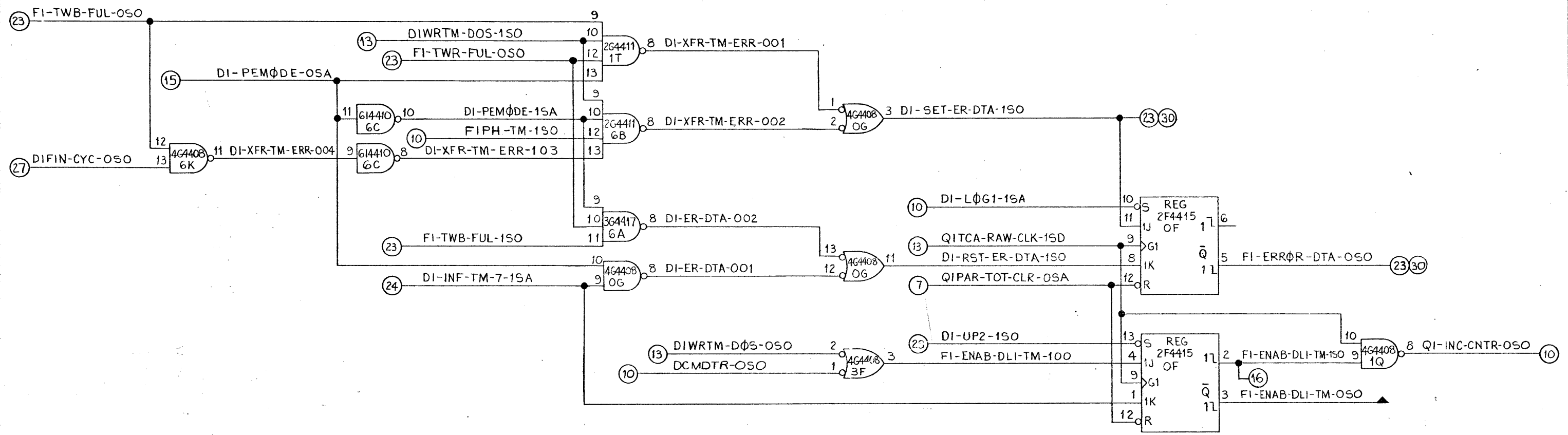




UNLESS OTHERWISE SPECIFIED		MATH		Honeywell HONEYWELL INFORMATION SYSTEMS PHOENIX, ARIZONA U. S. A.	
DIMENSIONS= MILLIMETERS / INCHES		TREAT.			
TOLERANCE OF SIZE AND FORM PER INITIAL DESIGN		FIN.		TITLE LOGIC DIAGRAM MT6HI ERROR REGS	
SCALE	CODE	DR <i>Jim Caschide</i> 74 MAY 10	APPD <i>P. S. ...</i> 1975 FEB 26	SIZE D	DWG NO 58008814
PROJECTION		DISTR C68-26 JRS NCo. SDF		SH 25	REV B

58008814

REVISIONS				
REV	AUTHORITY	DATE	SIGNATURE	
		YR MO DAY		



BRUNING 44 141

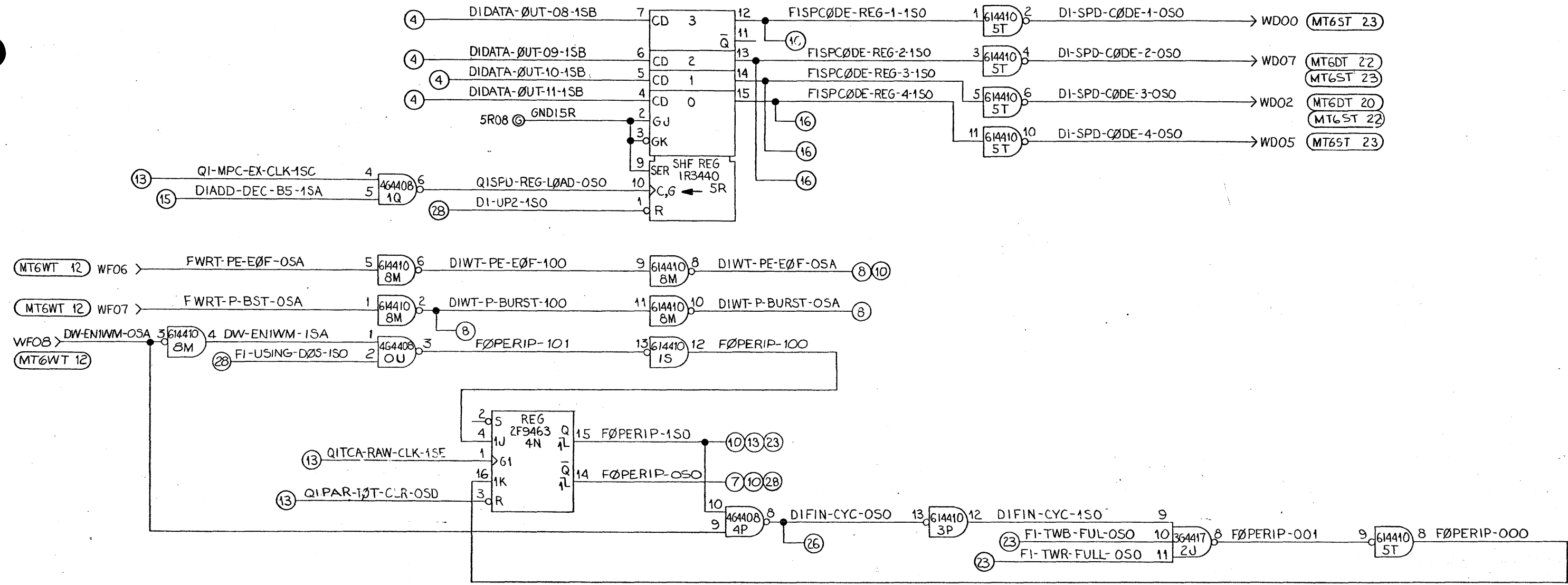
REF SPEC NO

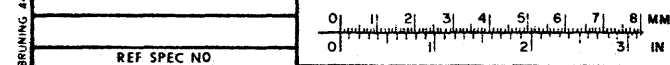
CE 900 D 12-72

UNLESS OTHERWISE SPECIFIED		MATERIAL		Honeywell HONEYWELL INFORMATION SYSTEMS PHOENIX, ARIZONA U. S. A.			
DIMENSIONS = MILLIMETERS / INCHES		TREAT.					
TOLERANCE OF SIZE AND FORM PER INITIAL DESIGN		FIN.		TITLE LOGIC DIAGRAM MT6H1 ØPEP COMP & ENAB DLI			
SCALE	CODE	DR.	DATE	SIZE	DWG NO	SH	REV
		<i>Jim Crachio</i>	74 MAY 8	D	58008814	26	B
		APPD.	DATE				
			1975 FEB 20				
		DISTR					
		CG8-26, TOS, NCO, SDF					

58008814

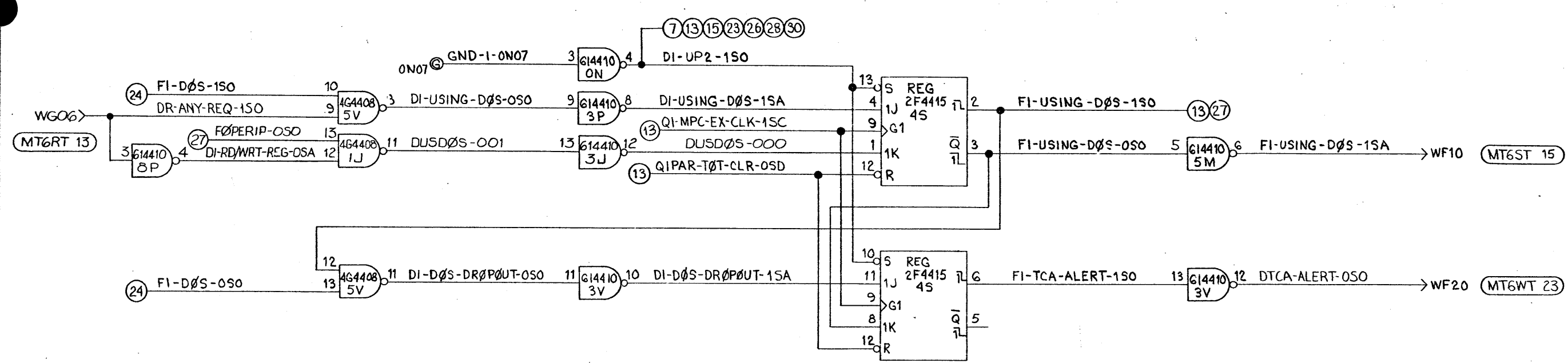
REVISIONS				
REV	AUTHORITY	DATE		SIGNATURE
		YR	MO DAY	
2				
1				





UNLESS OTHERWISE SPECIFIED		MATL	Honeywell HONEYWELL INFORMATION SYSTEMS PHOENIX, ARIZONA U. S. A.	
DIMENSIONS - MILLIMETERS / INCHES		TREAT.		
TOLERANCE OF SIZE AND FORM PER INITIAL DESIGN		FIN.	LOC PCO TITLE LOGIC DIAGRAM MT6HI SPD CODE PEG & FIN CYCLE	
SCALE	CODE	DR. <i>Jim Leach</i> 74 MAY 13	SIZE	REV
		APPD. <i>J. J. [unclear]</i> 74 FEB 26	DWG NO.	
		DISTR. CG8-26, TOS, NCO, SDF	D 58008814	27 B

REVISIONS				
REV	AUTHORITY	DATE		SIGNATURE
		YR	MO	DAY



10 9 8 7 6 5 4

REF SPEC NO

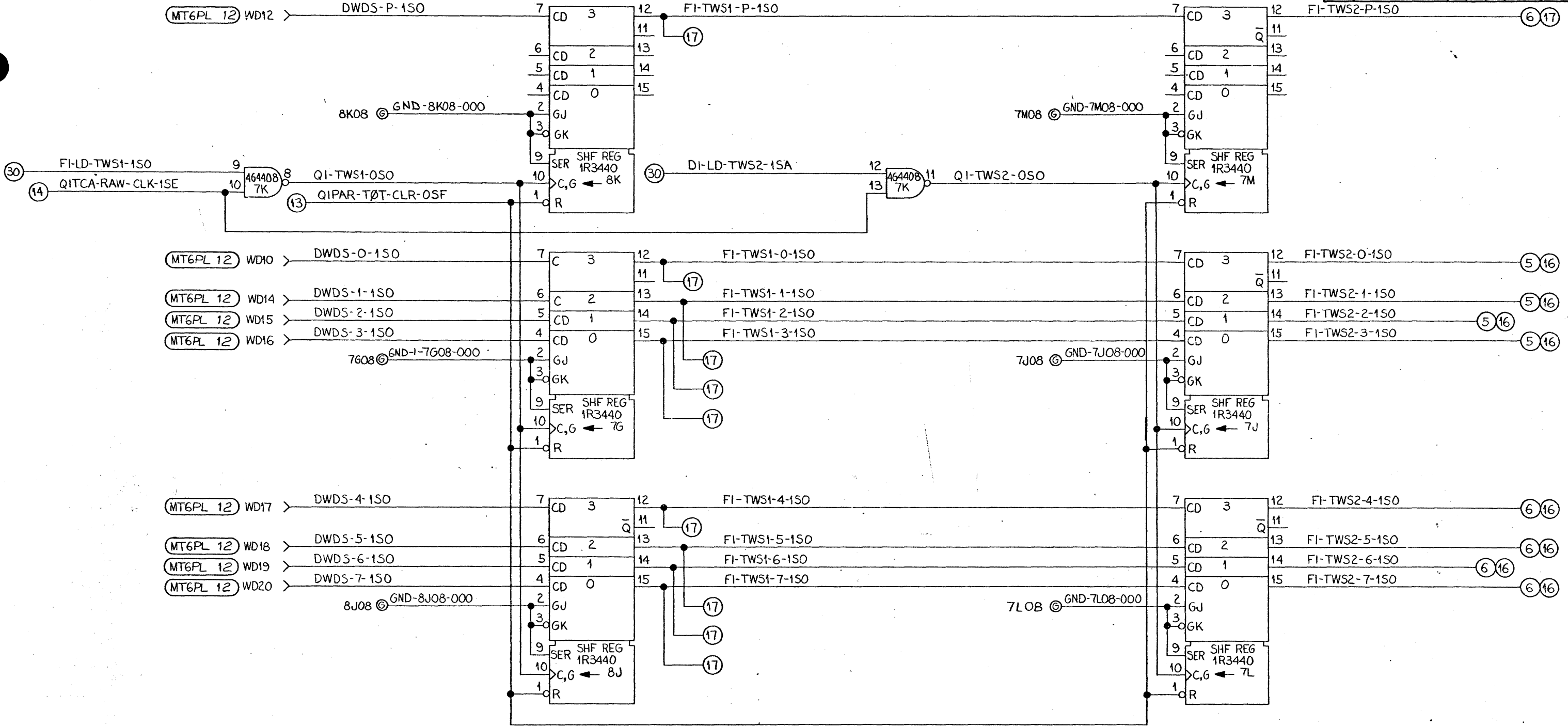
01 11 21 31 41 51 61 71 81 MM
01 11 21 31 IN

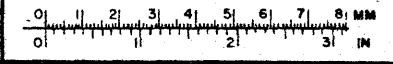
CE 100 D 12-72

UNLESS OTHERWISE SPECIFIED		MAIL		Honeywell HONEYWELL INFORMATION SYSTEMS PHOENIX, ARIZONA U. S. A.	
DIMENSIONS= MILLIMETERS		TREAT.			
TOLERANCE OF SIZE AND FORM PER		FIN.		locPCØ TITLE LOGIC DIAGRAM MT6HI TCA ALERT \$USEING DØS	
INITIAL DESIGN		SCALE		DR. <i>Jim Coachols</i> 74MAY 9 APPD. <i>D. S. ...</i> 1975 FEB 26 DISTR. CGS-26, TOS, NCO, SDF	
PROJECTION		CODE		SIZE DWG NO SH REV D 58008814 28 B	

58008814

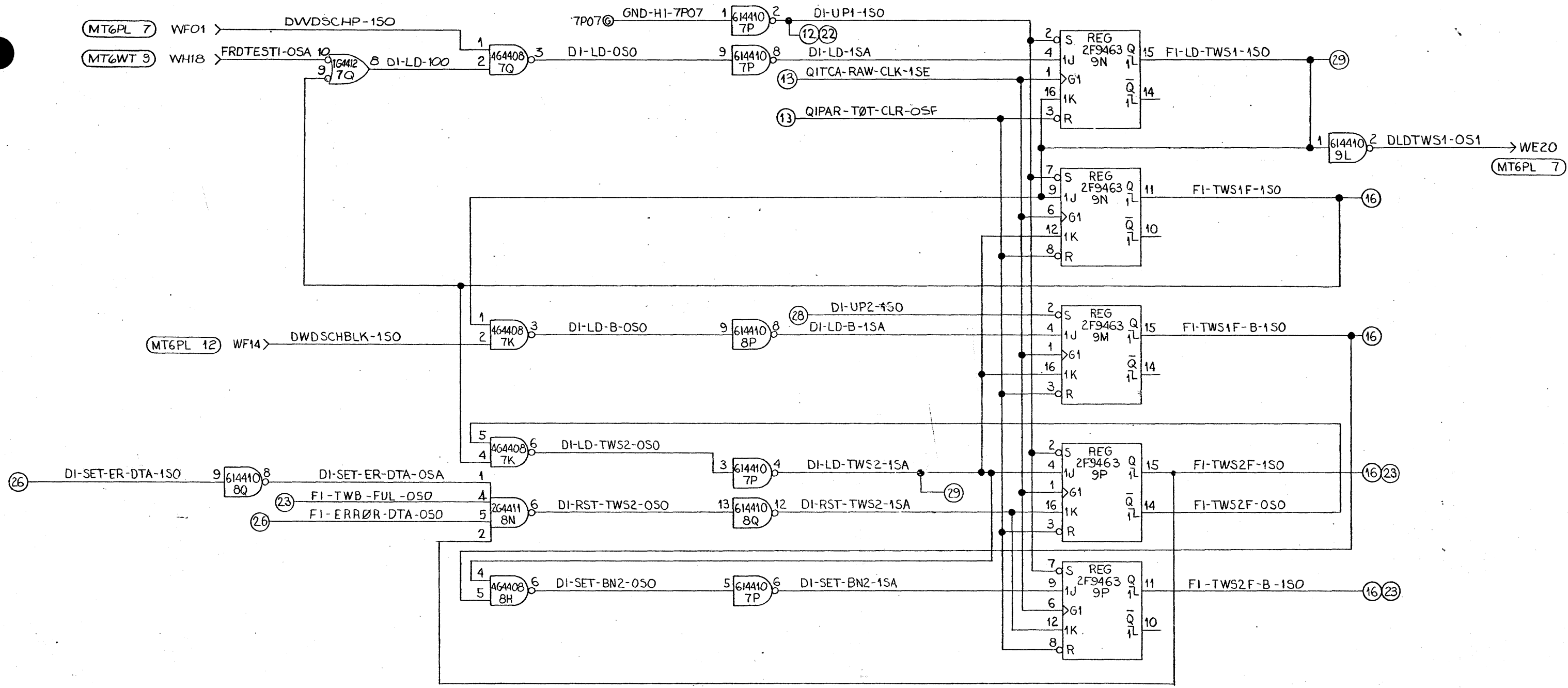
REVISIONS			
REV	AUTHORITY	DATE	SIGNATURE
		YR MO DAY	

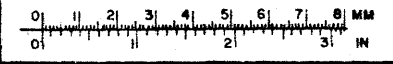




UNLESS OTHERWISE SPECIFIED		MATERIAL	
DIMENSIONS— MILLIMETERS INCHES		TREAT.	
TOLERANCE OF SIZE AND FORM PER		FIN.	
INITIAL DESIGN		SCALE	
PROJECTION		CODE	
DR <i>Jim Caschub</i> 74 MAY 13		APPD <i>Dr. B. ...</i> 1975 Feb 26	
DISTR C68-26, TOS, NCO, SDC		HONEYWELL INFORMATION SYSTEMS PHOENIX, ARIZONA U. S. A.	
TITLE LOGIC DIAGRAM MT6H1 TAPE WRITE STORE 1 & 2		SIZE DWG NO SH REV D 58008814 29 B	

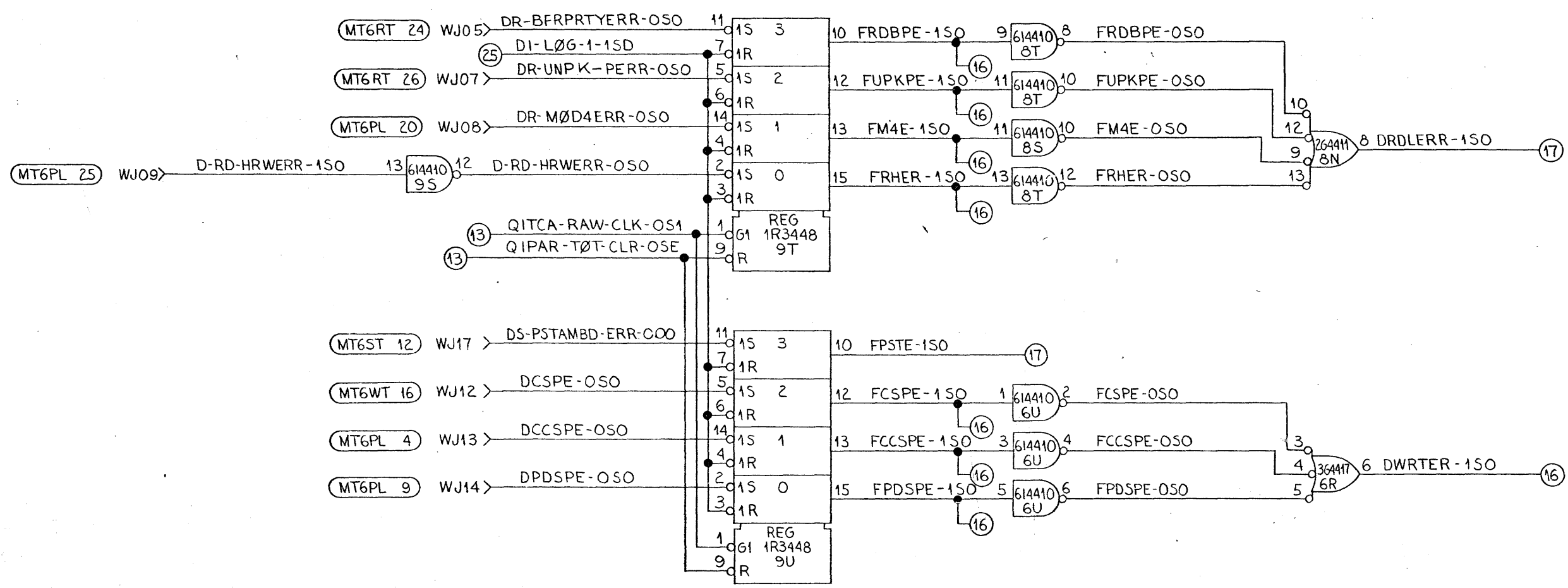
REVISIONS			
REV	AUTHORITY	DATE	SIGNATURE
		YR MO DAY	



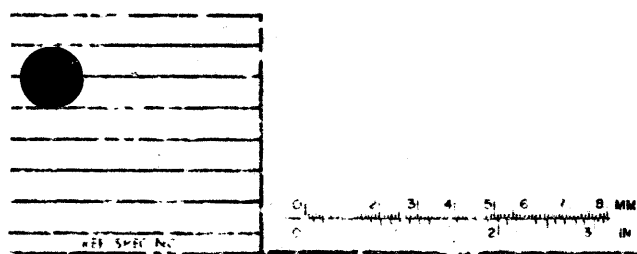


UNLESS OTHERWISE SPECIFIED		MATERIAL		Honeywell HONEYWELL INFORMATION SYSTEMS PHOENIX, ARIZONA U. S. A.	
DIMENSIONS = $\frac{\text{MILLIMETERS}}{\text{INCHES}}$		TREAT.			
TOLERANCE OF SIZE AND FORM PER		FIN.		LOC PCØ TITLE LOGIC DIAGRAM MT6HI TAPE WRITE STORE 1&2 CONTRØL	
INITIAL DESIGN PROJECTION		SCALE CODE		DR. <i>Jim Leach</i> 74 MAY 13 APPD. <i>D. B. ...</i> 1975 Feb 24 DISTR C68-26, TOS, NCO, SDF	
REF SPEC NO		SIZE DWG NO		SH REV	
		D 58008814		30 B	

58008814



58008814



UNLESS OTHERWISE SPECIFIED		MATERIAL		Honeywell HONEYWELL INFORMATION SYSTEMS PHOENIX, ARIZONA U. S. A.			
DIMENSIONS— MILLIMETERS INCHES		TREAT					
TOLERANCE OF SIZE AND FORM PER		FIN.		LOC PC0 TITLE LOGIC DIAGRAM MT6HI WRITE & READ HARDWARE ERR			
INITIAL DESIGN		DR		SCALE	COEF	DATE	REV
PROJECTION		DR 79-JULY-16 J. P. Wills				1975 FEB 24	
		APP 79-000000		SIZE	DWG NO	5th	B
		ISTR CG-26 TOR. IICO. SDC		D	58008814	31F	B

THE INFORMATION CONTAINED IN THIS DOCUMENT PROPRIETARY TO HONEYWELL INFORMATION SYSTEMS, INC. AND IS INTENDED FOR INTERNAL HONEYWELL USE ONLY. SUCH INFORMATION MAY BE DISTRIBUTED TO OTHERS BY WRITTEN PERMISSION OF AN AUTHORIZED HONEYWELL OFFICIAL. THIS RESTRICTION DOES NOT APPLY TO VENDOR PROPRIETARY THAT MAY BE DISCLOSED IN THIS DOCUMENT.

58012234

REV	AUTHORITY	DATE			SIGNATURE	DWG. SHEET NUMBER																			
		YR	MO	DAY		1	2	3	31	32	33	34	4	5	6	7	8	9	10	11	12	13	14	15	16
A	LEVEL 3 ISSUE	75	03	06	<i>Wm Sedor</i>	A																			
B	PHAØTE048	75	06	29	<i>L. Mills</i>					B															
C	PHAØTE059	75	06	27	<i>L. Mills</i>																				
C1	PHAØTE065	75	10	24	<i>L. Mills</i>																				
D	PHAØTE070	76	01	12	<i>L. Mills</i>																				
D1	PHAØTE072	76	03	24	<i>H. Holbyen</i>																				

**Blank sheets
not included**

* POINT SHEETS ADDED FOR CONTINUATION OF REVISION STATUS SEE SHEET

Honeywell HONEYWELL INFORMATION SYSTEMS LOC PHOENIX, ARIZONA <small>CE 300 A-3 (12-71) BRUNING 44-141</small>	MADE BY <i>Wm Sedor 75-2-13</i>	TITLE
	APPROVED <i>L. Mills 75-2-26</i>	LOGIC DIAGRAM MT6PL
REVISION STATUS FOR EACH PAGE, SHEET OR GROUP IS SHOWN BY LAST ENTRY IN THE CORRESPONDING NUMBERED COLUMN	SIZE D	REVISION STATUS FOR SHEET 1/2 REV D1

THE INFORMATION CONTAINED IN THIS DOCUMENT PROPRIETARY TO HONEYWELL INFORMATION SYSTEMS, INC. AND IS INTENDED FOR INTERNAL HONEYWELL USE ONLY. SUCH INFORMATION MAY BE DISTRIBUTED TO OTHERS BY WRITTEN PERMISSION OF AN AUTHORIZED HONEYWELL OFFICIAL. THIS RESTRICTION DOES NOT APPLY TO VENDOR PROPRIETARY THAT MAY BE DISCLOSED IN THIS DOCUMENT.

58012234

REV	AUTHORITY	DATE			SIGNATURE	DWG. SHEET NUMBERS																			
		YR	MO	DAY		17	18	19	20	21	22	23	24	25	26	27	28	29	30						
A	LEVEL 3 ISSUE	75	03	06	<i>Wm Sedor</i>	A	A	A	A	A	A	A	A	A	A	A	A	A	A	A	A	A	A	A	A
B	PHAØTE048	75	06	29	<i>L. Mills</i>																				
C	PHAØTE059	75	06	27	<i>L. Mills</i>																				
C1	PHAØTE065	75	10	24	<i>L. Mills</i>																				
D	PHAØTE070	76	01	12	<i>L. Mills</i>																				
D1	PHAØTE072	76	03	24	<i>H. Holbyen</i>																				

FOR CONTINUATION OF REVISION STATUS SEE SHEET

Honeywell HONEYWELL INFORMATION SYSTEMS LOC PHOENIX, ARIZONA <small>CE 300 A-3 (12-71) BRUNING 44-141</small>	MADE BY <i>Wm Sedor 75-2-13</i>	TITLE
	APPROVED <i>L. Mills 75-2-26</i>	LOGIC DIAGRAM MT6PL
REVISION STATUS FOR EACH PAGE, SHEET OR GROUP IS SHOWN BY LAST ENTRY IN THE CORRESPONDING NUMBERED COLUMN	SIZE D	REVISION STATUS FOR SHEET 2F REV D1

Honeywell

REV. DATE		REV. DATE		REV. DATE		DWC. NO.	
ED	JUN 19 74	DEC 30 75	REV D1	58012234	NO 2.08	58012234	NO 2.08

Honeywell

REV. DATE		REV. DATE		REV. DATE		DWC. NO.	
ED	JUN 19 74	DEC 30 75	REV D1	58012234	NO 2.09	58012234	NO 2.09

Honeywell

REV. DATE		REV. DATE		REV. DATE		DWC. NO.	
ED	JUN 19 74	DEC 30 75	REV D1	58012234	NO 2.10	58012234	NO 2.10

Honeywell

REV. DATE		REV. DATE		REV. DATE		DWC. NO.	
ED	JUN 19 74	DEC 30 75	REV D1	58012234	NO 2.11	58012234	NO 2.11

Honeywell

58012234
SHEET NO. 2.12

TITLE MT6PL PACK LOGIC
PIN/PAGE CROSS REFERENCE

CONT. ON 3.00

PIN NAME SHEET PIN NAME SHEET PIN NAME SHEET

WG 09 17.0
WG 10 17.0
WG 12 17.0
WG 13 18.0
WG 14 18.0
WG 15 18.0
WG 16 18.0
WG 17 18.0
WG 18 18.0
WG 19 30.0
WG 20 17.0
WH 00 04.0
WH 01 04.0
WH 02 04.0
WH 03 04.0
WH 04 04.0
WH 05 04.0
WH 06 04.0
WH 07 04.0
WH 08 17.0
WH 09 17.0
WH 10 17.0
WH 12 14.0
WH 13 09.0
WH 15 10.0
WH 16 10.0
WH 18 09.0
WJ 10 14.0
WJ 12 05.0
WJ 14 05.0
WJ 16 05.0
WK 12 04.0
WK 13 04.0
WK 14 04.0
WK 15 04.0
WK 16 04.0
WK 17 04.0
WK 18 04.0
WK 19 04.0
WK 20 04.0

MADE BY

EDA

REV. DATE

JUN 19.74

DEC 30.75

REV D1

DWG. NO.

58012234

CONT. ON 3.00

SHEET NO. 2.12

REVISIONS				
REV	AUTHORITY	DATE		SIGNATURE
		YR	MO DAY	

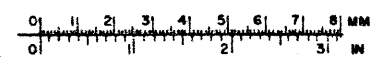
PIN NO.	SHEET NO.	PIN NO.	SHEET NO.	PIN NO.	SHEET NO.	PIN NO.	SHEET NO.	PIN NO.	SHEET NO.	PIN NO.	SHEET NO.	PIN NO.	SHEET NO.
WA00	22	WD00		WG00		WK00	30	LA00		LD00		RA00	
WA01		WD01		WG01		WK01	30	LA01		LD01		RA01	
WA02	22	WD02		WG02	16	WK02	30	LA02		LD02		RA02	
WA03	22	WD03		WG03	16	WK03	30	LA03		LD03		RA03	
WA04	22	WD04	20	WG04	16	WK04	30	LA04		LD04		RA04	
WA05	22	WD05		WG05	16	WK05	30	LA05		LD05		RA05	
WA06	22	WD06	21	WG06	16	WK06		LA06		LD06		RA06	
WA07	22	WD07	27	WG07	16	WK07		LA07		LD07		RA07	
WA08	22	WD08	25	WG08	17	WK08		LA08		LD08		RA08	
WA09	22	WD09		WG09	17	WK09		LA09		LD09		RA09	
WA10		WD10		WG10	17	WK10		LA10		LD10		RA10	
WA11		WD11		WG11		WK11		LA11		LD11		RA11	
WA12	22	WD12	26	WG12	17	WK12		LA12		LD12		RA12	
WA13		WD13	26	WG13	18	WK13	4	LA13		LD13		RA13	
WA14		WD14	26	WG14	18	WK14	4	LA14		LD14		RA14	
WA15		WD15	26	WG15	18	WK15	4	LA15		LD15		RA15	
WA16		WD16	26	WG16	18	WK16	4	LA16		LD16		RA16	
WA17		WD17	26	WG17	18	WK17	4	LA17		LD17		RA17	
WA18		WD18	26	WG18	18	WK18	4	LA18		LD18		RA18	
WA19		WD19	24	WG19	30	WK19	4	LA19		LD19		RA19	
WA20		WD20		WG20	17	WK20	4	LA20		LD20		RA20	
WA21		WD21		WG21		WK21		LA21		LD21		RA21	
WB00	22	WE00	16	WH00	4	WZ00		LB00		RB00			
WB01	22	WE01	16	WH01	4	WZ01		LB01		RB01			
WB02	22	WE02	16	WH02	4	WZ02		LB02		RB02			
WB03	27	WE03	16	WH03	4	WZ03		LB03		RB03			
WB04		WE04	16	WH04	4	WZ04		LB04		RB04			
WB05		WE05	16	WH05	4	WZ05		LB05		RB05			
WB06		WE06	17	WH06	4			LB06		RB06			
WB07		WE07	17	WH07	4			LB07		RB07			
WB08		WE08	17	WH08	17			LB08		RB08			
WB09		WE09	17	WH09	17			LB09		RB09			
WB10		WE10	5	WH10	17			LB10		RB10			
WB11		WE11		WH11				LB11		RB11			
WB12	27	WE12	18	WH12	14			LB12		RB12			
WB13	28	WE13	18	WH13	9			LB13		RB13			
WB14	28	WE14	18	WH14	6			LB14		RB14			
WB15	28	WE15	18	WH15	10			LB15		RB15			
WB16		WE16	18	WH16	10			LB16		RB16			
WB17	24	WE17	18	WH17	12			LB17		RB17			
WB18	24	WE18	18	WH18	9			LB18		RB18			
WB19	26	WE19	18	WH19	4			LB19		RB19			
WB20		WE20		WH20				LB20		RB20			
WB21		WE21		WH21				LB21		RB21			
WC00	27	WF00	9	WJ00		LC00		RC00					
WC01	27	WF01		WJ01	12	LC01		RC01					
WC02	27	WF02		WJ02	12	LC02		RC02					
WC03	27	WF03		WJ03	12	LC03		RC03					
WC04	27	WF04		WJ04	12	LC04		RC04					
WC05	27	WF05	30	WJ05	12	LC05		RC05					
WC06	27	WF06		WJ06	12	LC06		RC06					
WC07	27	WF07	30	WJ07	12	LC07		RC07					
WC08	27	WF08	7	WJ08	12	LC08		RC08					
WC09	27	WF09	7	WJ09	12	LC09		RC09					
WC10	20	WF10	7	WJ10	14	LC10		RC10					
WC11		WF11		WJ11		LC11		RC11					
WC12	19	WF12	6	WJ12	5	LC12		RC12					
WC13	19	WF13	7	WJ13		LC13		RC13					
WC14	19	WF14	7	WJ14	5	LC14		RC14					
WC15	20	WF15	5	WJ15		LC15		RC15					
WC16	19	WF16	10	WJ16	5	LC16		RC16					
WC17	21	WF17		WJ17		LC17		RC17					
WC18		WF18		WJ18		LC18		RC18					
WC19		WF19		WJ19		LC19		RC19					
WC20	28	WF20		WJ20		LC20		RC20					
WC21		WF21		WJ21		LC21		RC21					

NOTE: 1, SHEETS 1,2,3 ARE "A" SIZE

AAA/2-SLOT 8

FOR DOCUMENT STATUS SEE REVISION STATUS SHEET

UNLESS OTHERWISE SPECIFIED		MATERIAL		Honeywell HONEYWELL INFORMATION SYSTEMS PHOENIX, ARIZONA U. S. A.			
DIMENSIONS=		MILLIMETERS					
TOLERANCE OF SIZE AND		TREAT.		LOC PC0 TITLE LOGIC DIAGRAM MT6PL PIN SHEET CROSS REF			
FORM PER		FIN.					
INITIAL DESIGN		DR		SIZE DWG NO D 58012234			
PROJECTION		APPD					
SCALE	CODE	DISTR		SH REV 3.1 A			

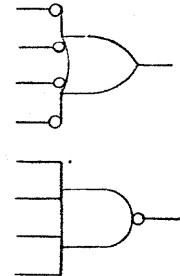


58012234

REVISIONS				
REV	AUTHORITY	DATE		SIGNATURE
		YR	MO	DAY

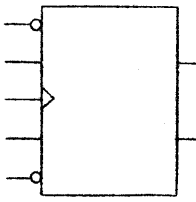
	A	B	C	D	E	F	G	H	J	K	L	M	N	P	Q	R	S	T	U	V
0	OA 2F4415 29 29	OB 2F4415 29 29	OC 2F4415 29 29	OD 2F4415 29 29	OE 2F9463 29 21	OF S14 X	OG S14 X	OH S16 X	OJ S16 X	OK S14 X	OL S16 X	OM 1B3443 4	ON 1B3443 4	OP S14 X	OQ RN9A 1=6 2=7 3=5	OR 614410 13 13 13 13	OS 2G4414 13 13	OT 2G4414 13 13	OU 614410 14 14 14 14 14 14	OV - X
1	1A 1R3440 25	1B 1R3440 25	1C 1R3440 25	1D 1P3405 25	1E 2D4413 29 19	1F 3G4417 25 21 29	1G 1G4412 26	1H 1Z3453 26	1J RN3E 2,3,5,6,7 8,9=26	1K 1Z3453 26	1L S14 X	1M 2G4411 9	1N 4G4408 7	1P 4G4408 15 14 14	1Q 4G4408 14	1R 614410 13 13 13 7	1S 1R3440 13	1T 1R3440 14	1U 1R3440 14	1V - X
2	2A 1R3440 25	2B 1R3440 25	2C 1R3440 25	2D 1R3440 25	2E 614410 5 5 29 20 5 26	2F 4G4408 19 19 20 21	2G 1N3450 20	2H S16 X	2J 1B3442 16	2K 1B3442 16	2L 1B3442 16	2M 1B3442 16	2N 2F9463 7 7	2P 3G4417 7 7	2Q 3G4417 7 7	2R 2G4414 14 14	2S 2G4414 13 13	2T 2G4414 13 13	2U 2G4414 14 14	2V 2G4414 14 14
3	3A 1B3442 24	3B 1B3442 24	3C 1B3442 24	3D 1R3440 19	3E 1R3440 19	3F 1C3447 20	3G 1C3447 20	3H 2G4414 19 20	3J 1B3442 16	3K 1B3442 16	3L 1B3442 17	3M 1B3442 17	3N 2G4411 7 7	3P 614410 7 7 10 4 7 7	3Q 4G4408 7	3R 1B3441 12	3S 1B3441 12	3T 1B3441 12	3U 1E-011 9	3V 2G4414 9
4	4A 1B3442 24	4B 1B3442 24	4C 1B3442 24	4D 1B3442 24	4E 4G4408 19 19 20 20	4F 3G4417 19 19 19	4G 2G4411 20	4H 614410 20 19 19 20 19 21	4J 1B3442 17	4K 1B3442 17	4L 1B3442 18	4M 1B3442 18	4N 3G4417 7 7 5	4P 3G4417 10 10 10	4Q 4G4408 6 7	4R 1B3441 12	4S 1B3441 12	4T 1B3442 8	4U 1B3442 8	4V 1B3442 9
5	5A 1P3405 23	5B 1P3405 23	5C 1P3405 23	5D 1P3405 23	5E 614410 19 19 19 19	5F 2G4411 20 19	5G 4G4408 19 19 19	5H S14 X	5J 1B3442 18	5K 1B3442 18	5L 1B3442 18	5M 1B3442 18	5N 2G4411 6	5P 614410 5 5 5 5 5 5	5Q 2D5419 15 6	5R 2F9463 15 15	5S 2F9463 15 15	5T 1B3442 8	5U 1B3442 8	5V 1B3442 9
6	6A 1P3405 23	6B 1P3405 23	6C 1P3405 23	6D 1P3405 23	6E 1N3450 28	6F 1N3450 28	6G 1N3450 28	6H 1B3441 26	6J 3G4417 30 30 30	6K 3G4417 30 30 30	6L 2G4411 30	6M 4G4408 17 17 17 17	6N 1G4412 6	6P 3G4417 6 6 6	6Q 614410 6 6 6 6 6 6	6R 2F9463 15 15	6S 2F9463 15 15	6T 1B3442 8	6U 1B3442 8	6V 1B3442 9
7	7A 614410 28 27 22 22 22 22	7B 614410 22 22 22 22 27 28	7C 4G4408 22 28 27 28	7D S14 X	7E 3G4417 27 27 30	7F 2G4411 28 X	7G 3G4417 28 27 27	7H 1B3441 26	7J 1B3441 26	7K 1B3441 26	7L 4G4408 30 30 30 30	7M 4G4408 30 30 X 30	7N 2F9463 6 6	7P 1B3443 12	7Q 614410 12 12 12 7 9 4	7R 2F9463 15 X	7S 614410 10 10 9 10 9 9	7T 1E-011 11	7U 1B3441 11	7V 1E-011 11
8	8A 1R3440 22	8B 1R3440 22	8C 1R3440 22	8D 1P3405 22	8E 1R3440 27	8F 1R3440 27	8G 1R3440 27	8H 614410 30 30 30 30 30 30	8J RN4D 5 X	8K 2F9463 21 21	8L 2E-011 30	8M 3G4417 30 30 30	8N 2F9463 6 6	8P 2F9463 6 6	8Q 2F9463 6 6	8R 4G4408 17 17 7 4	8S 1C3447 10	8T 1B3443 11	8U 1B3443 11	8V 614410 5 5 5 5 X 4
9	9A 614410 22 22 22 22 22 22	9B 614410 22 22 28 22 21	9C 614411 22 28	9D 614410 27 28 28 24 28 26	9E 614410 21 20 28 19 30	9F 4G4408 21 30 X 27	9G 4G4408 21 27 25 24	9H 614410 5 5 X 30	9J 2D5419 20	9K 2D5419 5	9L 4G4409 30 30 30 30	9M 4G4409 30 5 X	9N 614410 4 4 17 17 X	9P 614410 4 4 4 4 4 4	9Q 2F9463 10 10	9R 1P3405 10	9S 1R3440 10	9T 1R3440 10	9U 1R3440 10	9V 1P3405 4

- 1B3441
- 1B3442
- 1B3443
- 1C3447
- 1E-011
- 1G4412
- 1N3450
- 1P3405
- 1R3440
- 1Z3453
- RN3E
- RN4D
- RN9A



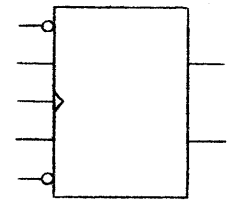
2D4413
2D5419
2G4411

1,2,4,5,6
8,9,10,12,13



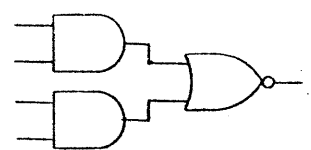
2F4415

1,4
13,14,15
5,6,8
10,11



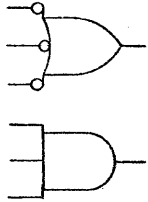
2F9463

1,2,3,4
14,15,16
6,7,8,9
10,11,12



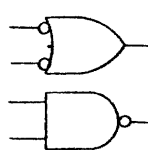
2G4414

1,8
9,10,13
2,3,4,5,6



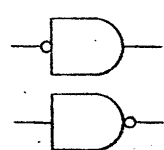
3G4417

1,2,12,13
3,4,5,6
8,9,10,11



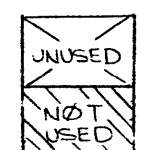
4G4408
4G4409

1,2,3,4,5,6
8,9,10,11,12,13



614410

1,2,3,4
5,6,8,9
10,11,12,13



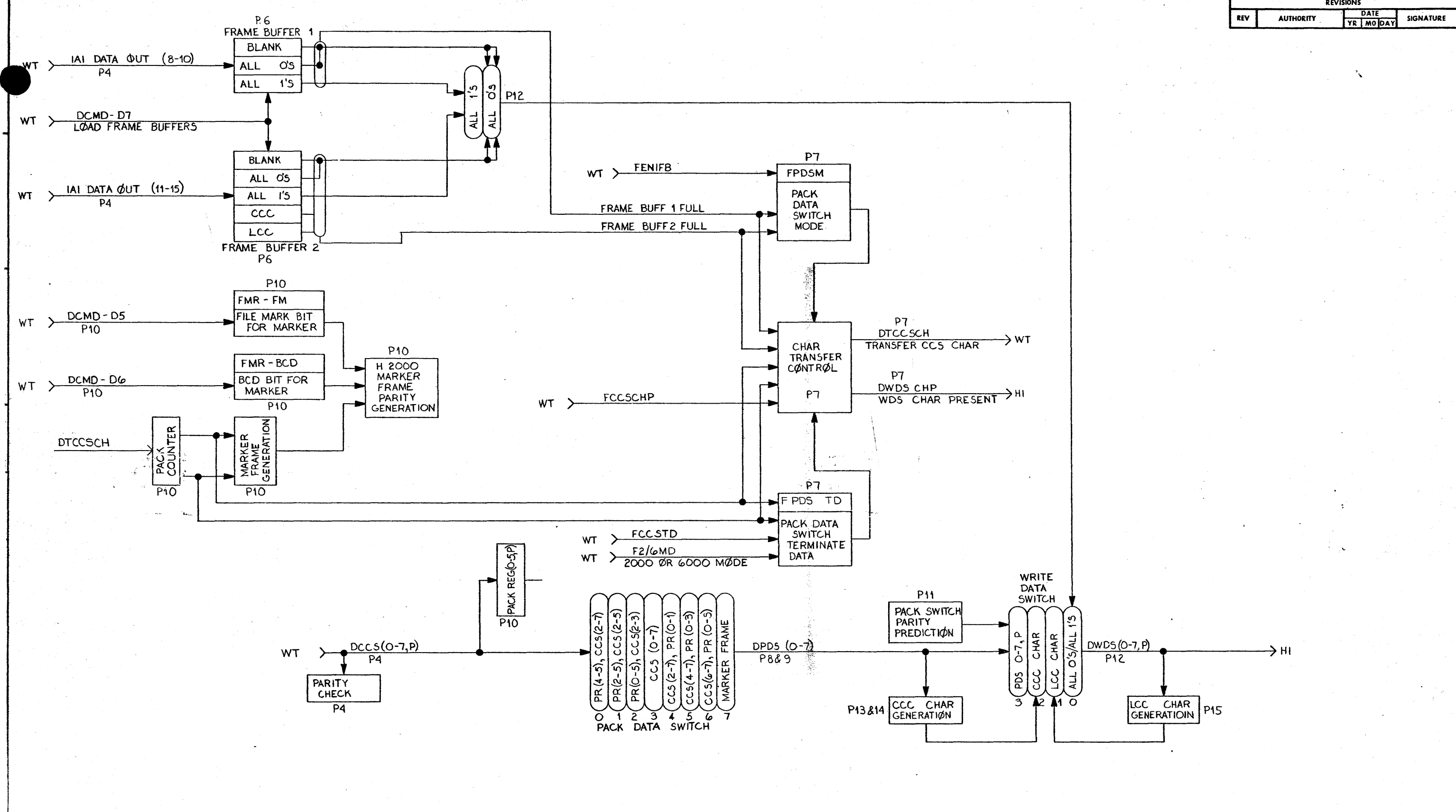
UNLESS OTHERWISE SPECIFIED		MATT	
DIMENSIONS= MILLIMETERS INCHES		TREAT.	
TOLERANCE OF SIZE AND FORM PER		FIN.	
INITIAL DESIGN PROJECTION		DR 74, NOV-15 Dubbie Hughes	
SCALE	CODE	APPD 9/2/20	

Honeywell			
HONEYWELL INFORMATION SYSTEMS PHOENIX, ARIZONA U. S. A.			
LOC PCØ		TITLE	
		LOGIC DIAGRAM MT6PL CIRCUIT LOCATOR	
SIZE	DWG NO	SH	REV
D	58012234	3.2	D

DRAWING 44 141

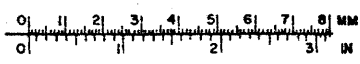
58012234

REVISIONS				
REV	AUTHORITY	DATE	SIGNATURE	
		YR	MO	DAY



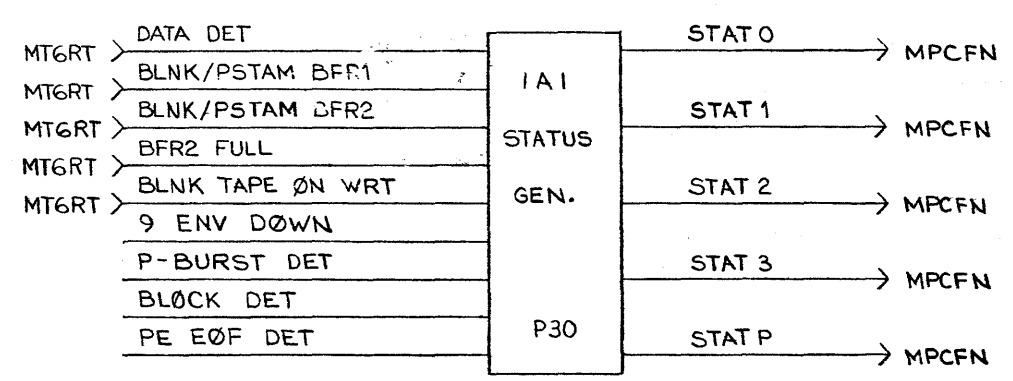
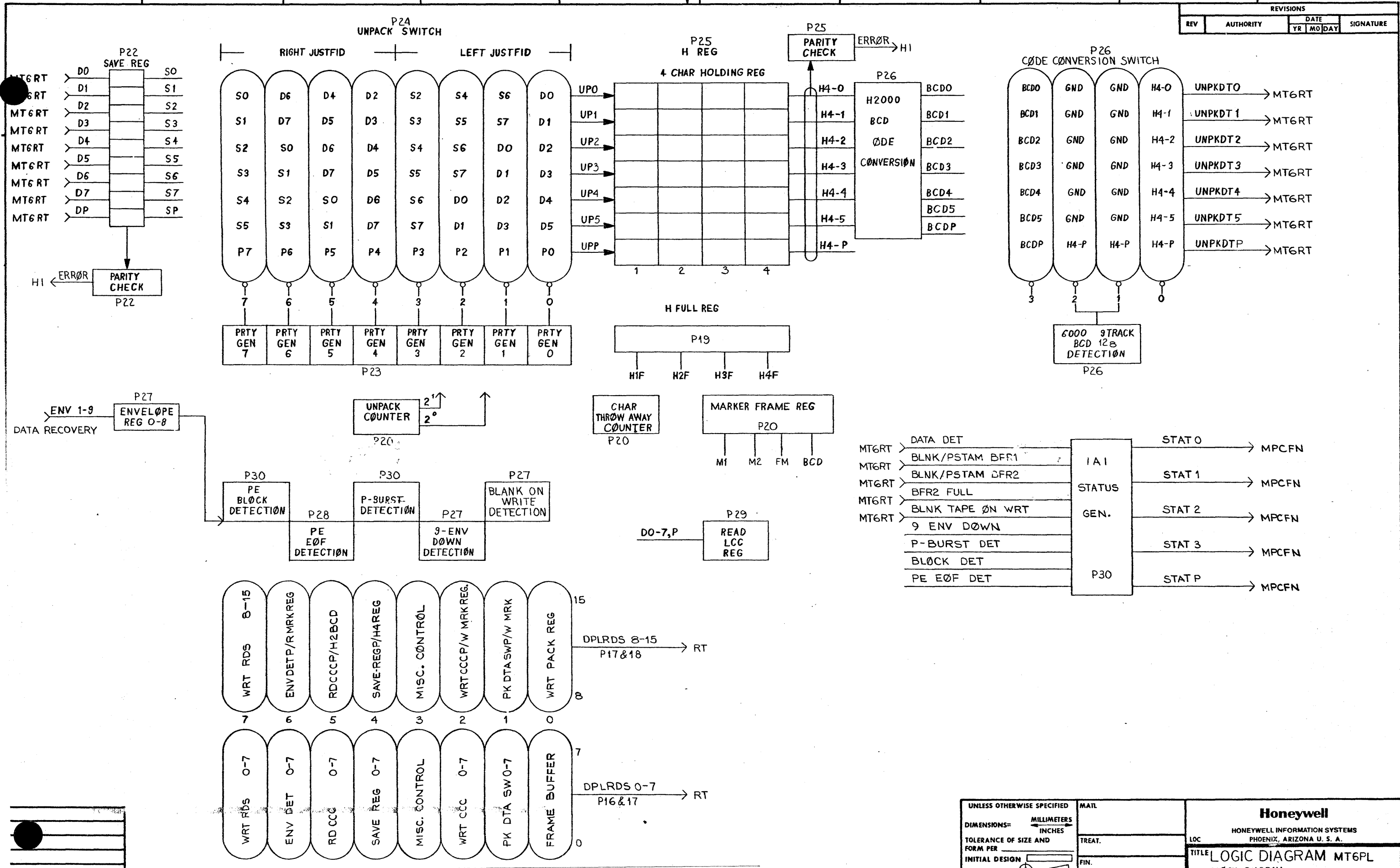
H
F
E
D
C
B

58012234

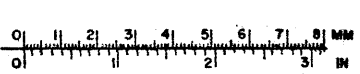


UNLESS OTHERWISE SPECIFIED		MATERIAL		Honeywell HONEYWELL INFORMATION SYSTEMS PHOENIX, ARIZONA U. S. A.			
DIMENSIONS— MILLIMETERS ← INCHES →		TREAT.					
TOLERANCE OF SIZE AND FORM PER INITIAL DESIGN		FIN.		LOC PC0 TITLE WRITE LOGIC MT6PL BLOCK DIAGRAM			
PROJECTION		DR		SIZE		REV	
SCALE		CODE		D		A	
		74 JUN 21 APPD <i>[Signature]</i>		DWG NO 58012234		SH 3.3 REV A	

REVISIONS				
REV	AUTHORITY	DATE	SIGNATURE	
		YR MO DAY		



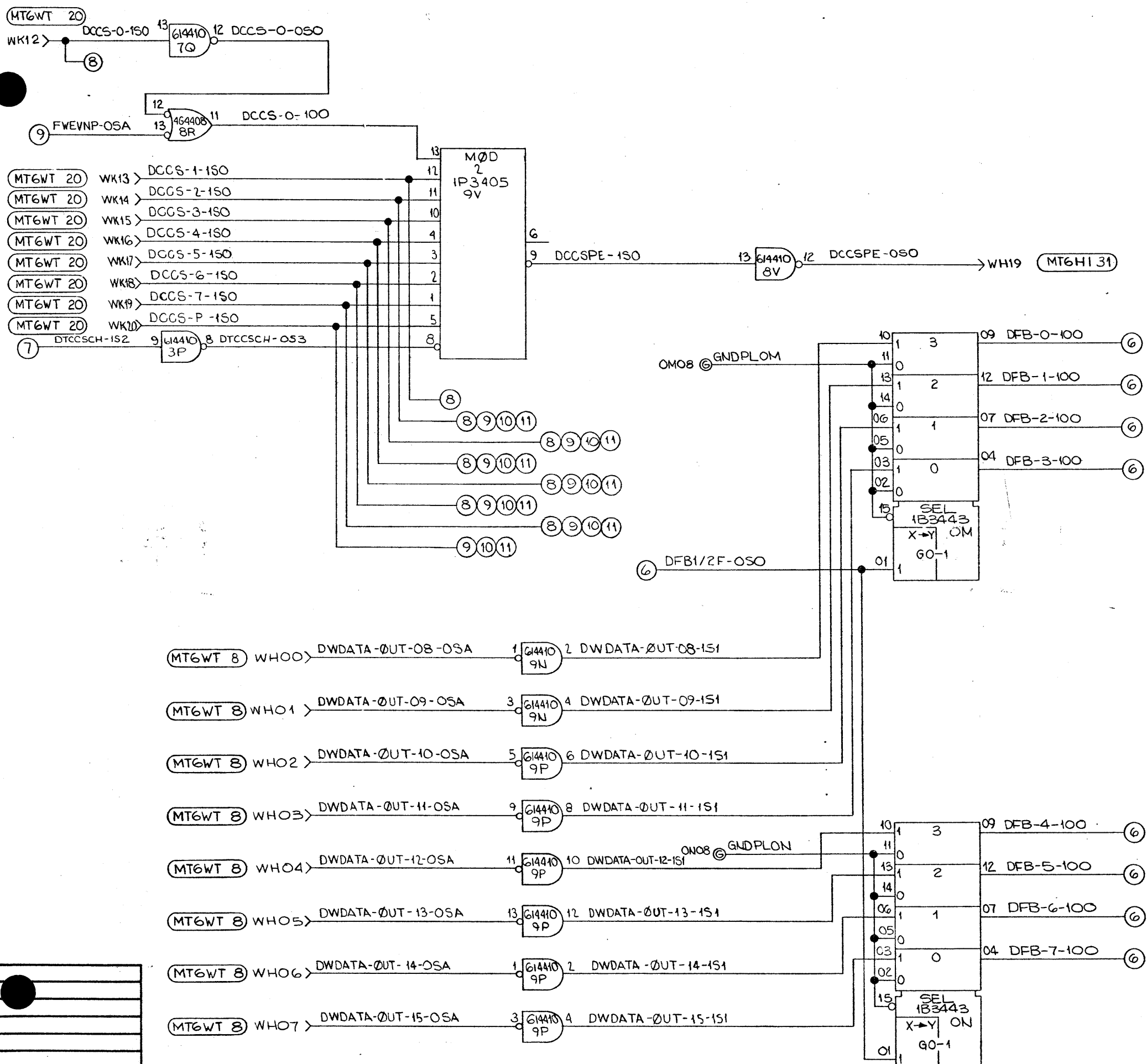
REF SPEC NO	
DATE	
APPD	
DR	

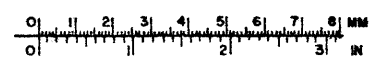


UNLESS OTHERWISE SPECIFIED		MATERIAL	
DIMENSIONS = MILLIMETERS			
TOLERANCE OF SIZE AND FORM PER INITIAL DESIGN		TREAT.	
PROJECTION		FIN.	
SCALE	CODE	DR	DATE
		APPD	14 JUNE 22
		Honeywell	
		HONEYWELL INFORMATION SYSTEMS PHOENIX, ARIZONA U. S. A.	
		TITLE: LOGIC DIAGRAM MT6PL BLOCK DIAGRAM	
SIZE	DWG NO	SH	REV
D	58012234	3.4	A

58012234

REVISIONS				
REV	AUTHORITY	DATE	SIGNATURE	
		YR MO DAY		

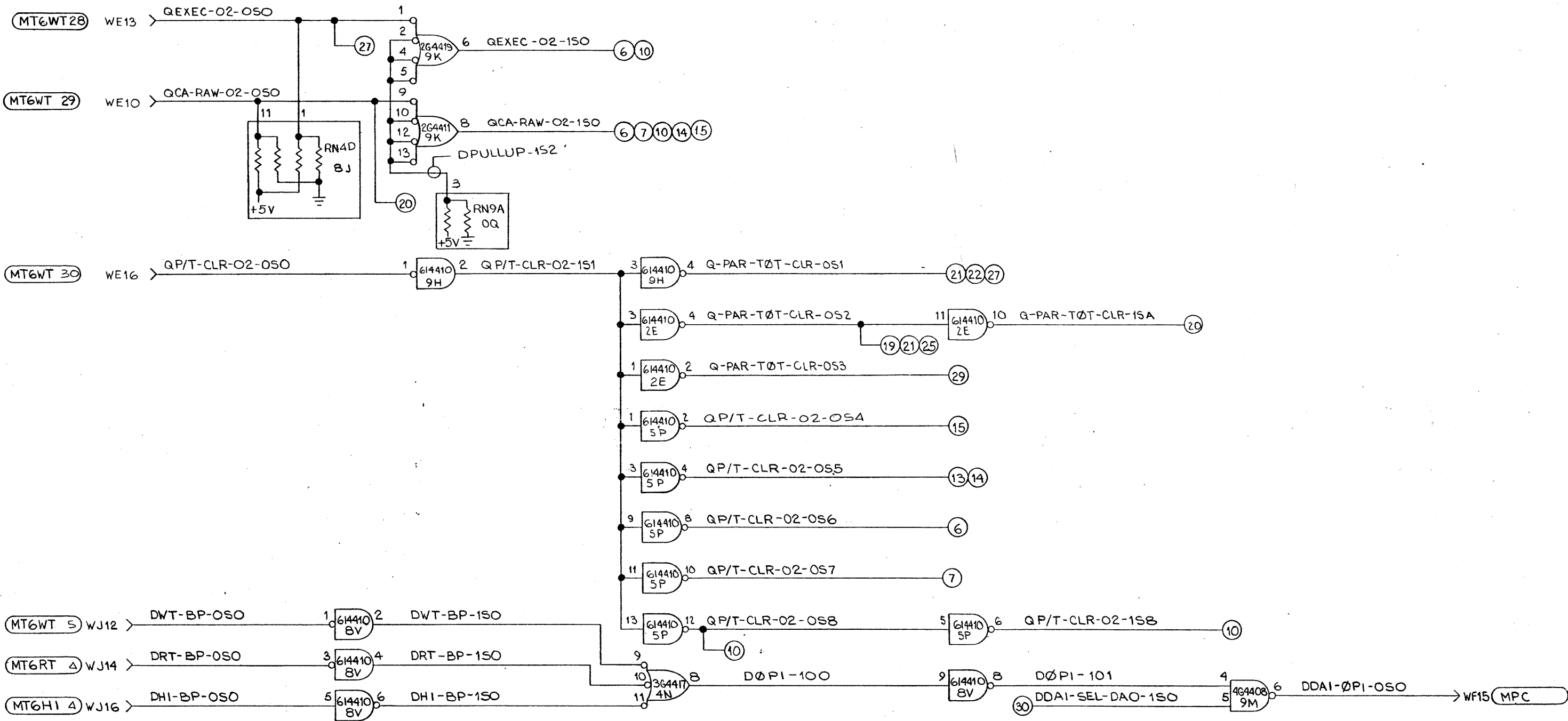


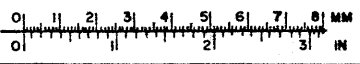


UNLESS OTHERWISE SPECIFIED		MATT		Honeywell HONEYWELL INFORMATION SYSTEMS PHOENIX, ARIZONA U. S. A. LOC PC0	
DIMENSIONS= $\frac{\text{MILLIMETERS}}{\text{INCHES}}$		TREAT.			
TOLERANCE OF SIZE AND FORM PER		INITIAL DESIGN		TITLE LOGIC DIAGRAM MT6PL	
PROJECTION		FIN. 74 June 21 Richard Wayne Booth		CODE CNV SW PARITY CK	
SCALE	CODE	DR	APPD 1975 Feb 26 R. J. ...	SIZE D	DWG NO 58012234
				SH 4	REV D

58012234

REVISIONS				
REV	AUTHORITY	DATE		SIGNATURE
		YR	MO DAY	



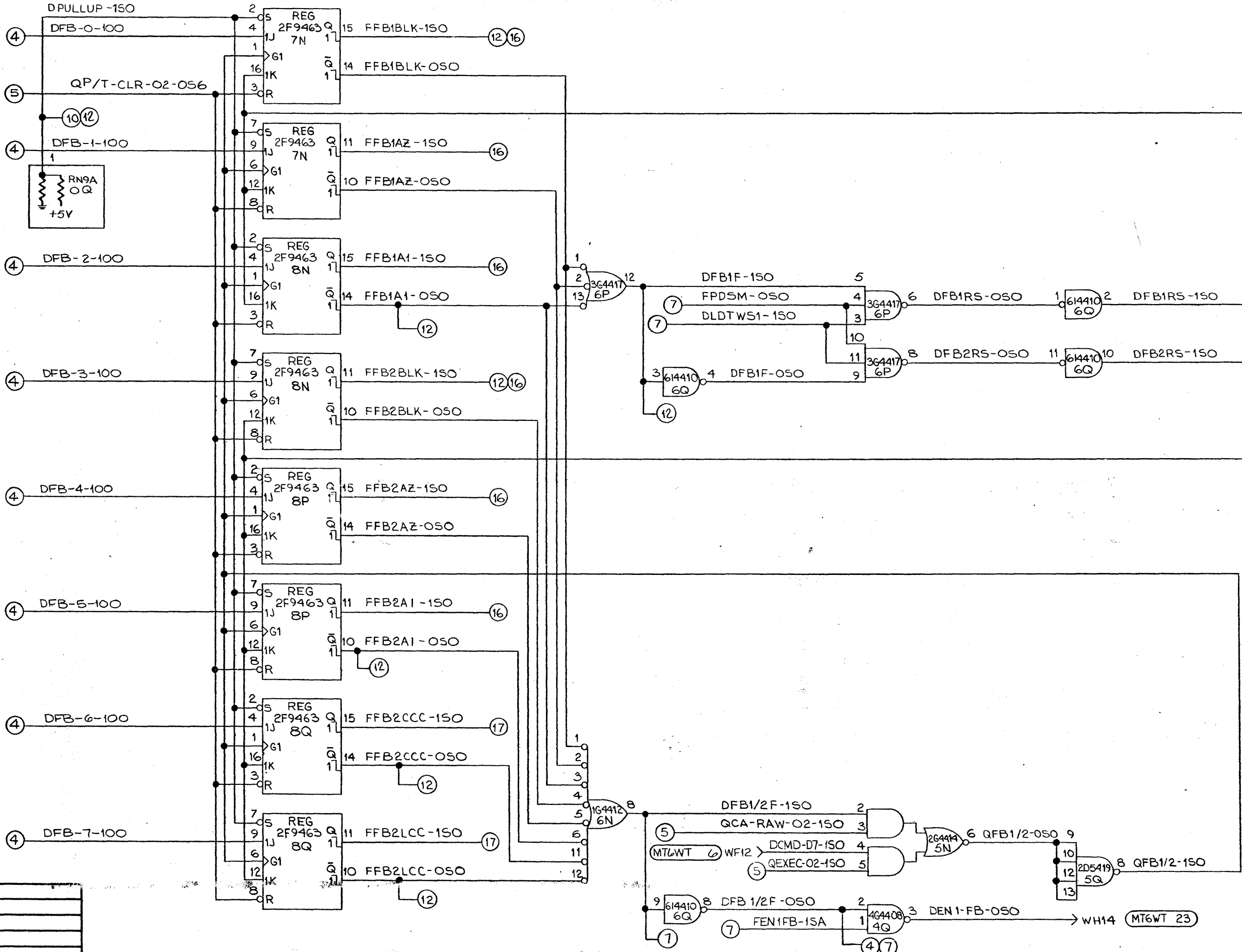


UNLESS OTHERWISE SPECIFIED		MATERIAL		Honeywell HONEYWELL INFORMATION SYSTEMS PHOENIX, ARIZONA U.S.A. TITLE LOGIC DIAGRAM MT6PL CLK/CLR DISTRIB			
DIMENSIONS =	MILLIMETERS INCHES	TREAT.	FIN.				
TOLERANCE OF SIZE AND FORM PER	INITIAL DESIGN	DR. <i>Gold</i> 7 JUN 75	APPD. 1975 JUN 26	SIZE	DWG NO.	SH	REV
PROJECTION	SCALE	CODE		D	58012234	5	A

58012234

A

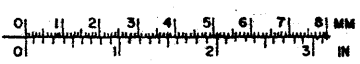
REVISIONS			
REV	AUTHORITY	DATE	SIGNATURE
		YR MO DAY	



H
F
E
C
B
A

58012234

REF SPEC NO



DR 74 JUNE 21
 Barry Bowling
 APPD 1975 FEB 26
 G. A. Bowling

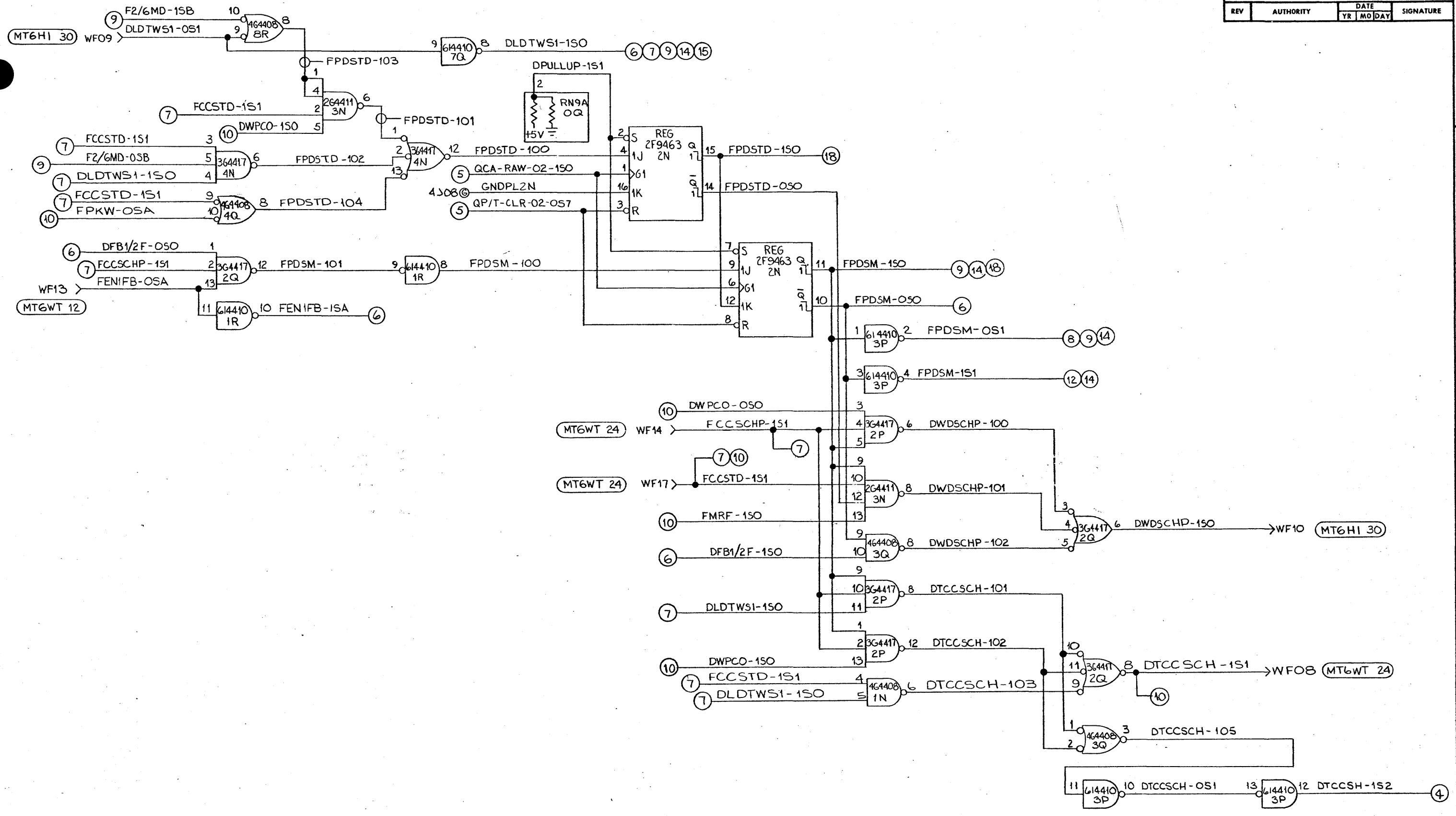
Honeywell
 HONEYWELL INFORMATION SYSTEMS
 PHOENIX, ARIZONA U. S. A.

LOC PC0

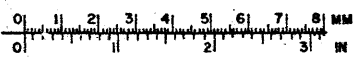
TITLE **LOGIC DIAGRAM MT6PL**
 FRAME BUFFER 1+2

SIZE	DWG NO	SH	REV
D	58012234	6	C

REVISIONS				
REV	AUTHORITY	DATE	SIGNATURE	
		YR MO DAY		



REF SPEC NO	

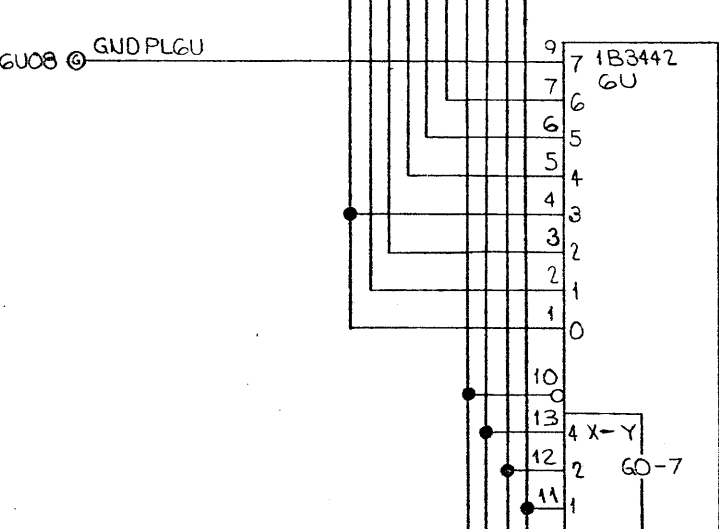
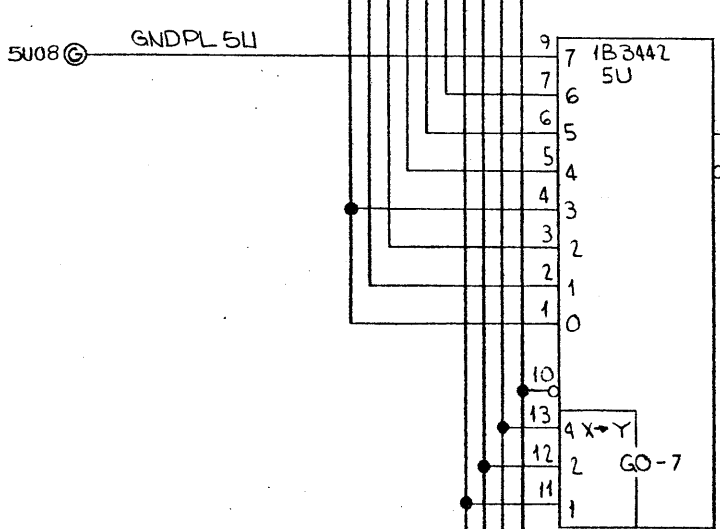
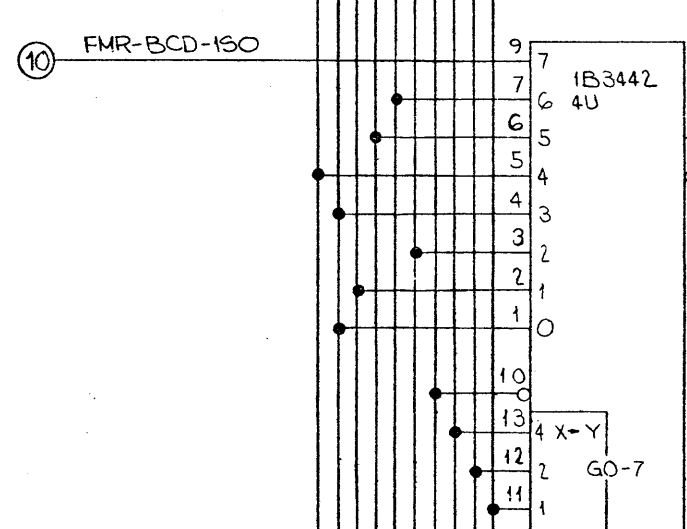
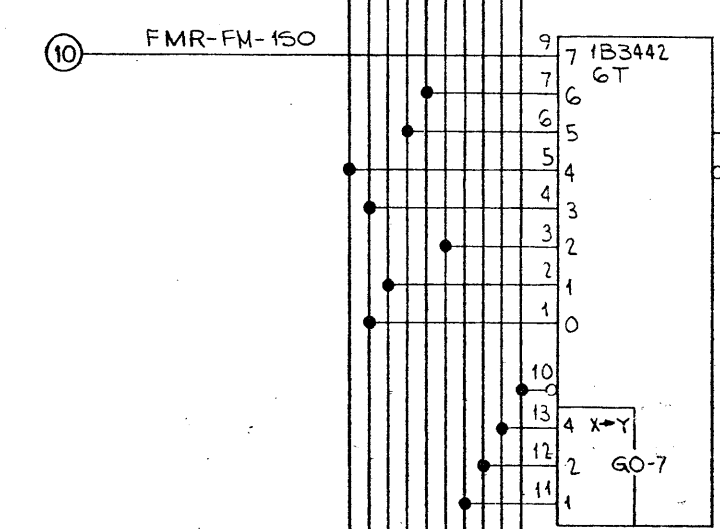
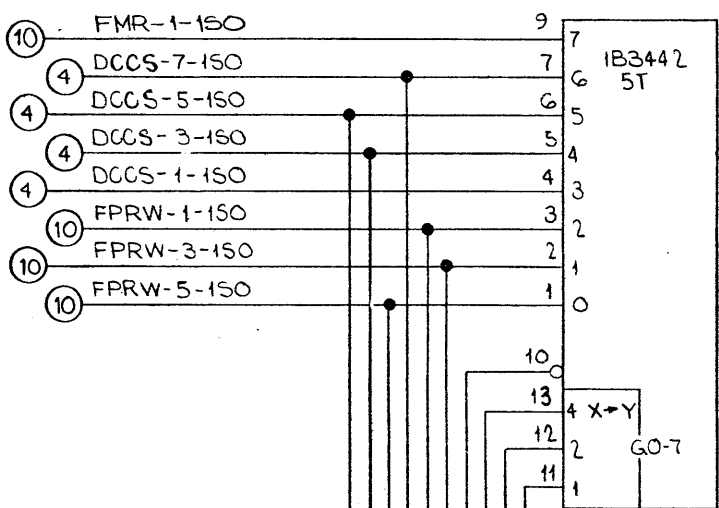
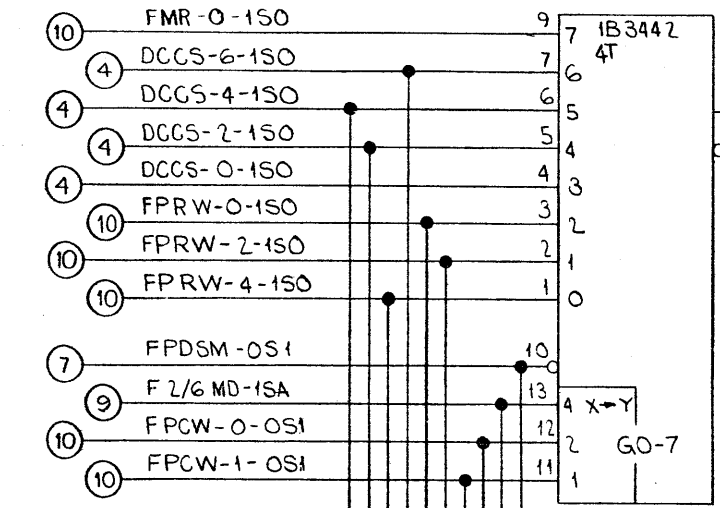


UNLESS OTHERWISE SPECIFIED		MATERIAL	
DIMENSIONS =	MILLIMETERS		
	INCHES		
TOLERANCE OF SIZE AND		TREAT.	
FORM PER		FIN.	
INITIAL DESIGN			
PROJECTION			
SCALE	CODE	DR	74 JUNE 22
		APPD	1975 Feb 26
		DISTR	
Honeywell			
HONEYWELL INFORMATION SYSTEMS PHOENIX, ARIZONA U. S. A.			
TITLE LOGIC DIAGRAM MT6PL			
CHAR TRANSFER KRL			
SIZE	DWG NO	SH	REV
D	58012234	7	D

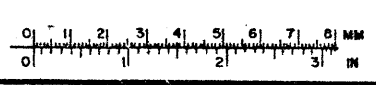
58012234

A

REVISIONS				
REV	AUTHORITY	DATE	SIGNATURE	
		YR MO DAY		



REF SPEC NO	

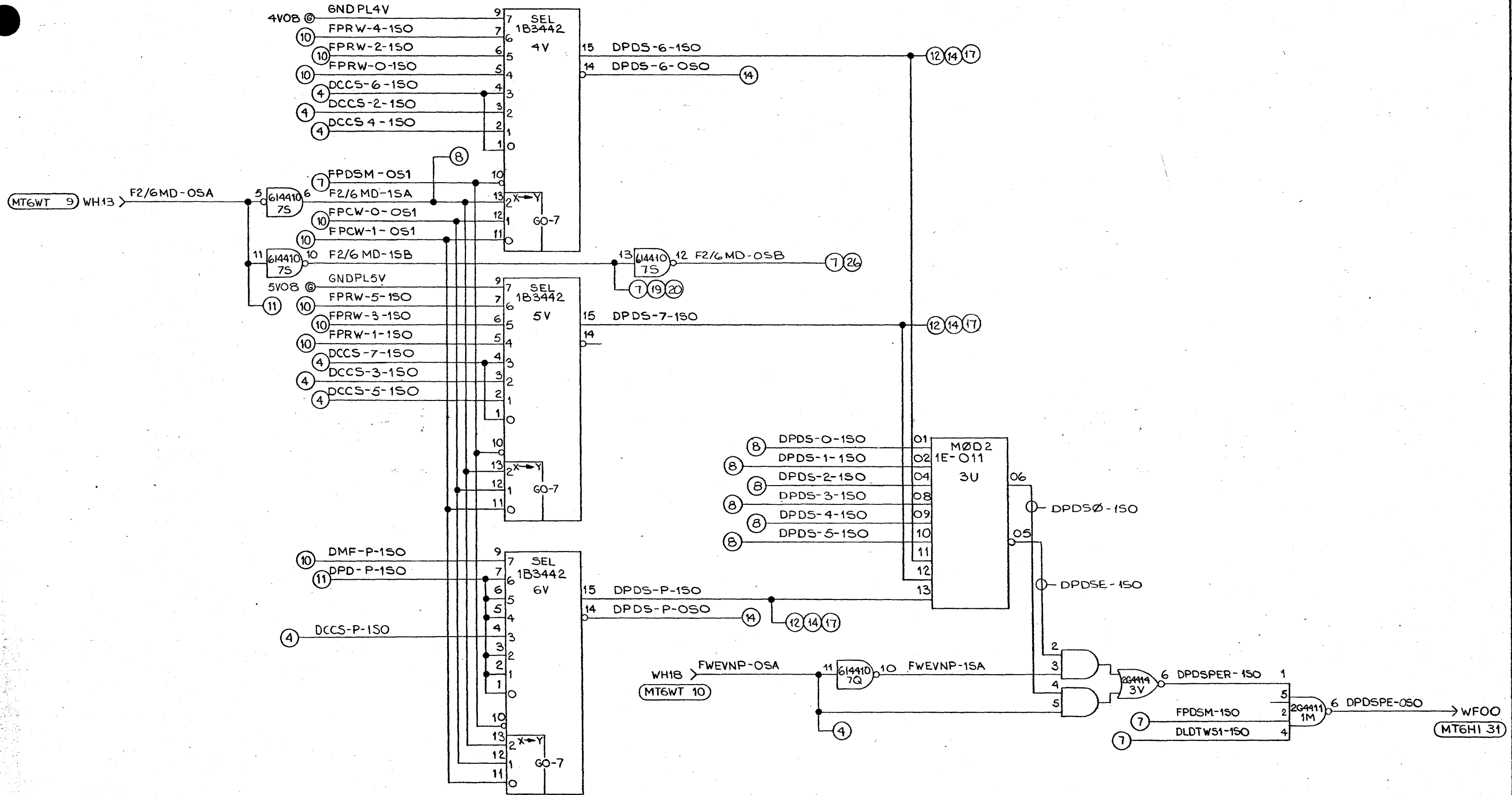


UNLESS OTHERWISE SPECIFIED		MATERIAL		Honeywell HONEYWELL INFORMATION SYSTEMS PHOENIX, ARIZONA U. S. A.	
DIMENSIONS =	MILLIMETERS INCHES	TREAT.			
TOLERANCE OF SIZE AND FORM PER		FIN.		LOC PCØ TITLE LOGIC DIAGRAM MT6PL PACK DATA SW 0-5	
INITIAL DESIGN		DR	74 JUNE 21	SIZE	DWG NO
PROJECTION		APPD	1975 Feb 26	D	58012234
SCALE	CODE			SH	REV
				8	A

H
F
E
D
C
B
A

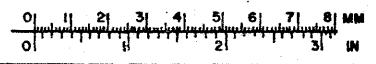
58012234

REVISIONS			
REV	AUTHORITY	DATE YR MO DAY	SIGNATURE



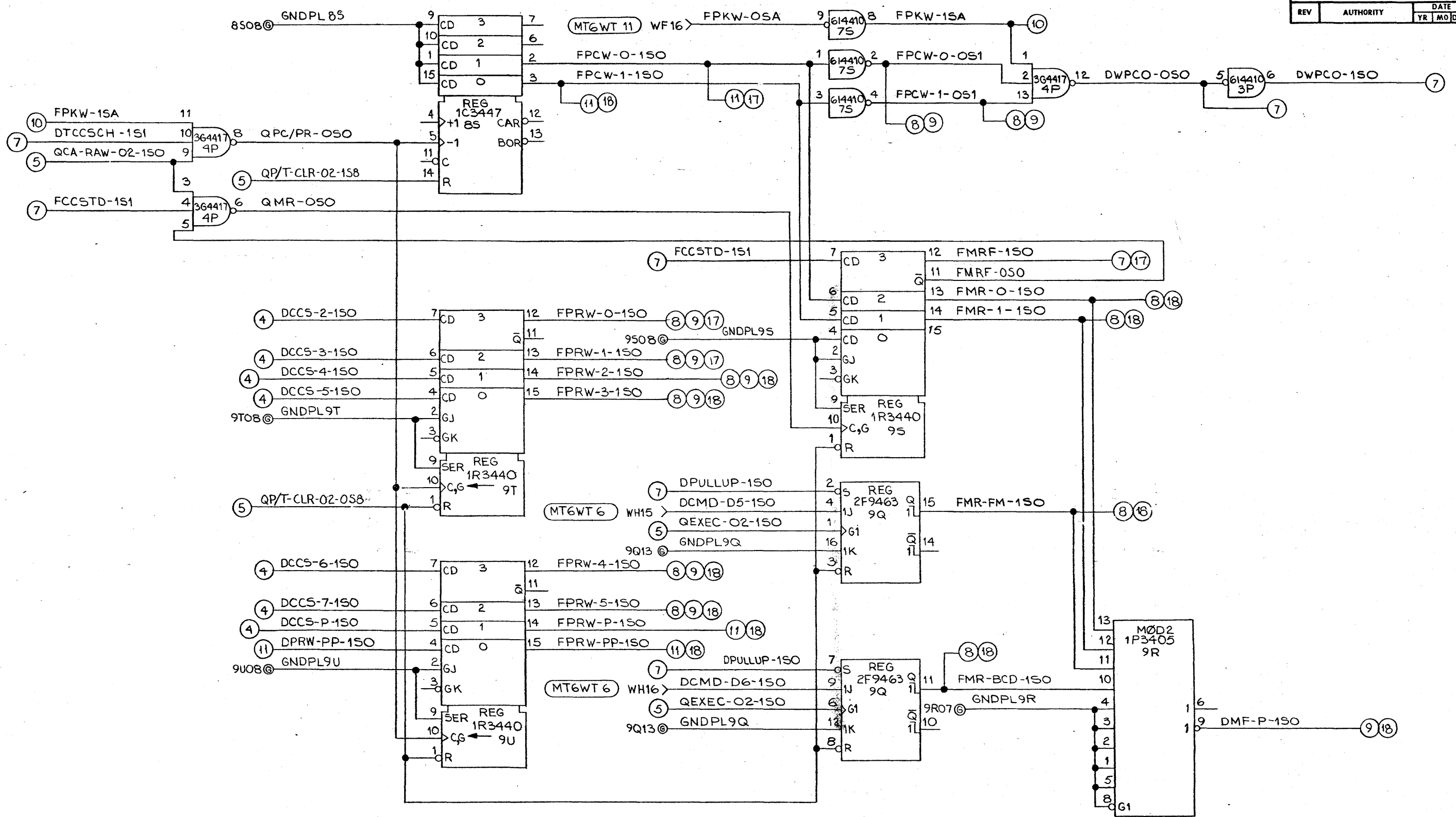
H
F
E
D
C
B
A

58012234

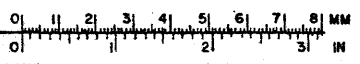


UNLESS OTHERWISE SPECIFIED DIMENSIONS= MILLIMETERS INCHES		MATERIAL		Honeywell HONEYWELL INFORMATION SYSTEMS PHOENIX, ARIZONA U. S. A.	
TOLERANCE OF SIZE AND FORM PER INITIAL DESIGN PROJECTION		TREAT.		LOC PCØ TITLE LOGIC DIAGRAM MT6PL PACK DATA SW 6-7,P	
SCALE	CODE	DATE 74 JUNE 21	SIZE D	DWG NO 58012234	REV A
APPD 1975 FLO PLV G. G. G. G.		SH 9		REV A	

REVISIONS			
REV	AUTHORITY	DATE	SIGNATURE
		YR MO DAY	



REF SPEC NO	



UNLESS OTHERWISE SPECIFIED	
DIMENSIONS	MILLIMETERS
	INCHES
TOLERANCE OF SIZE AND	
FORM PER	
INITIAL DESIGN	
PROJECTION	
SCALE	CODE

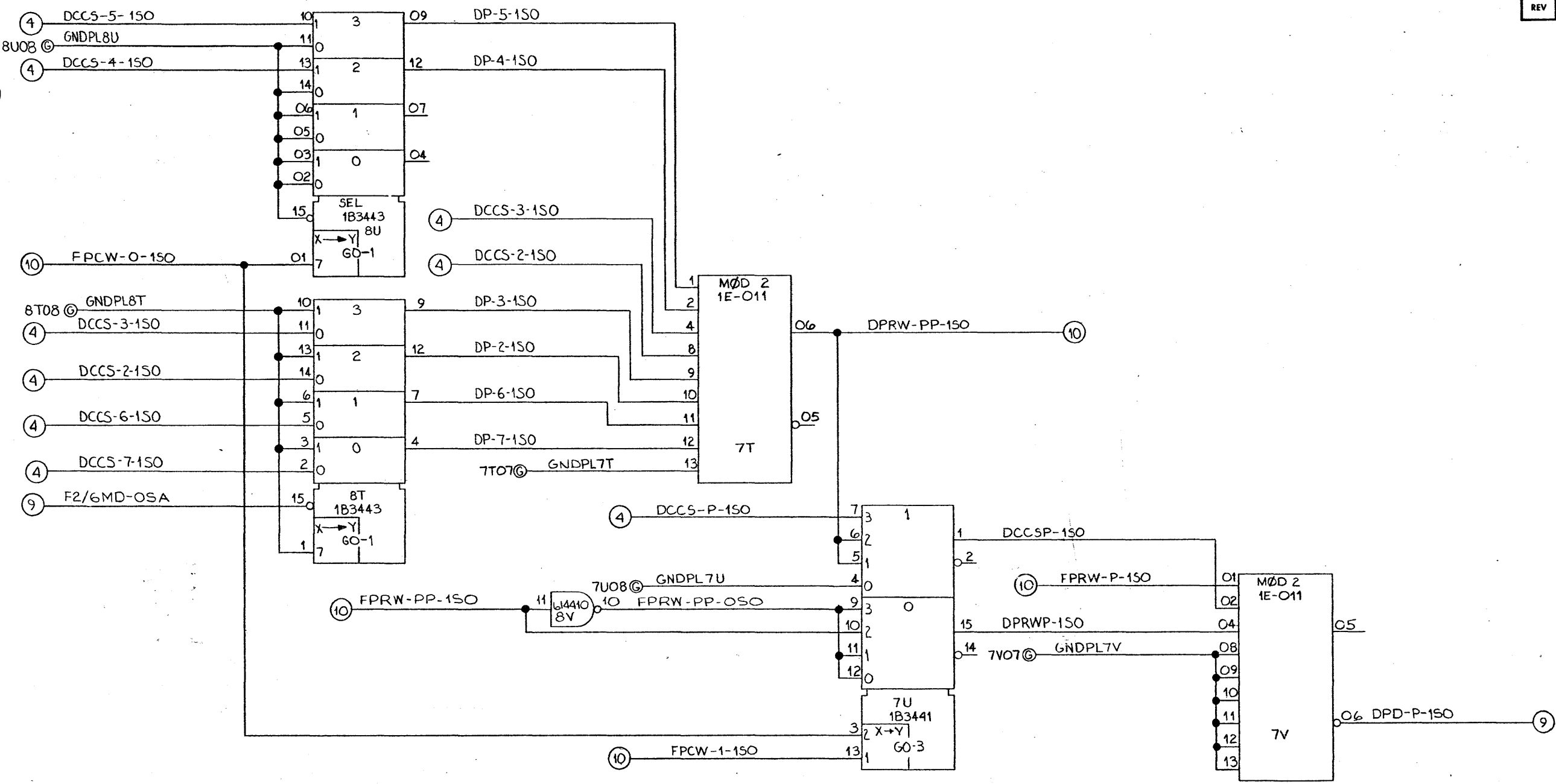
MATL	
TREAT.	
FIN.	
DATE	74 JUNE 24
APPD	1975 Feb 26
DISTR	C68-26, TOS, NCO, SDF

Honeywell			
HONEYWELL INFORMATION SYSTEMS			
LOC PC0 PHOENIX, ARIZONA U. S. A.			
TITLE LOGIC DIAGRAM MT6PL			
PACK CTR/MAR/ER REG.			
SIZE	DWG NO	SH	REV
D	58012234	10	A

58012234

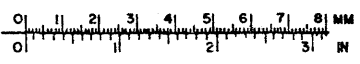
A

REVISIONS				
REV	AUTHORITY	DATE	SIGNATURE	
		YR MO DAY		



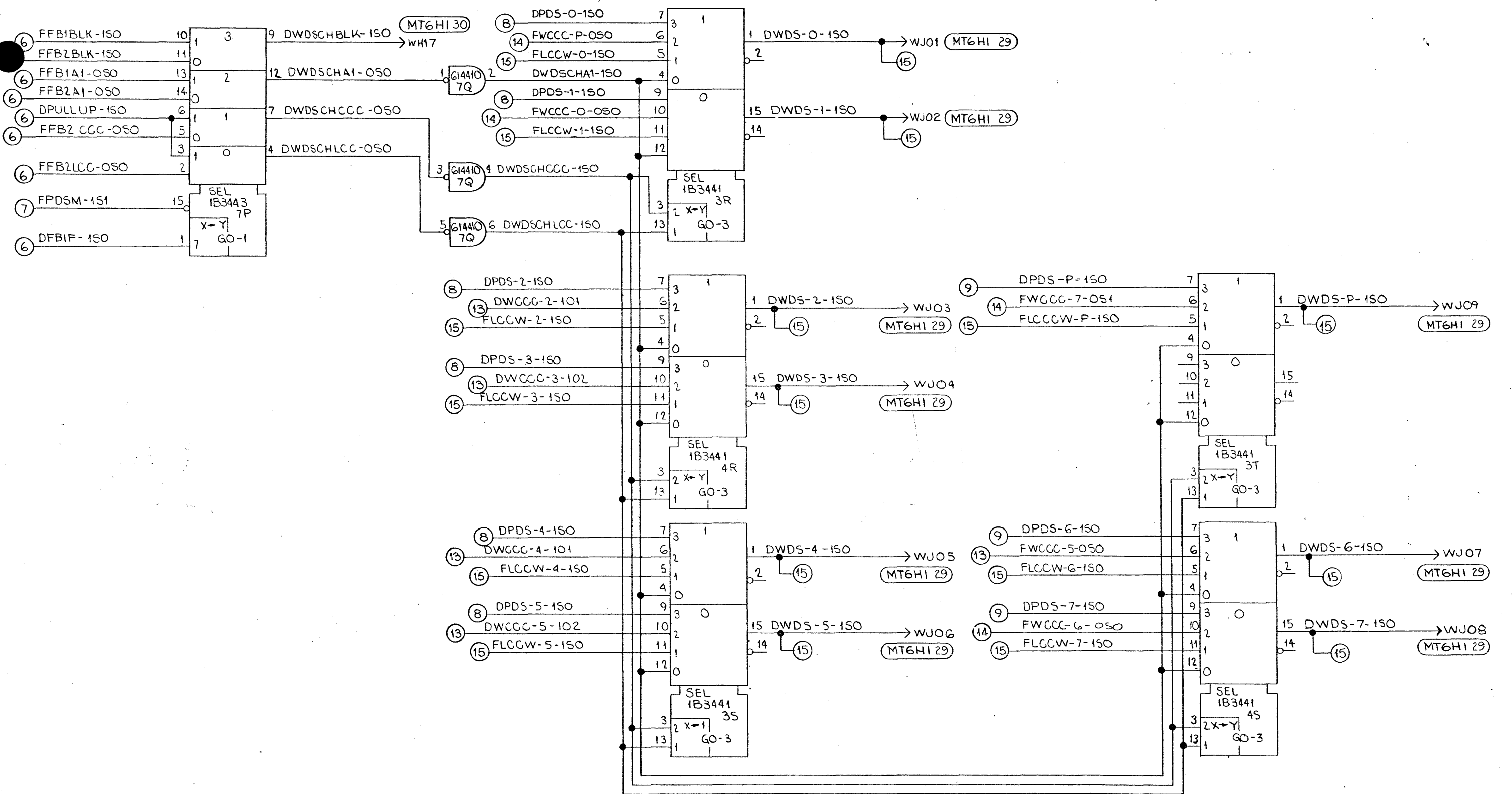
58012234

REF SPEC NO



UNLESS OTHERWISE SPECIFIED		MATERIAL		Honeywell HONEYWELL INFORMATION SYSTEMS PHOENIX, ARIZONA U. S. A. TITLE LOGIC DIAGRAM MT6PL PACK SW PARITY	
DIMENSIONS= MILLIMETERS / INCHES		TREAT.			
TOLERANCE OF SIZE AND FORM PER		FIN.			
INITIAL DESIGN PROJECTION		DR 74 JUNE 22		SIZE	DWG NO
SCALE CODE		APPD <i>Jerry Swelling</i>		D	58012234
		DISTR 01-9-76-TDS-1100 SDC		SH	REV
				11	A

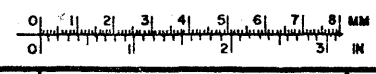
REVISIONS				
REV	AUTHORITY	DATE	SIGNATURE	
		YR MO DAY		



H
F
E
D
C
B
A

58012234

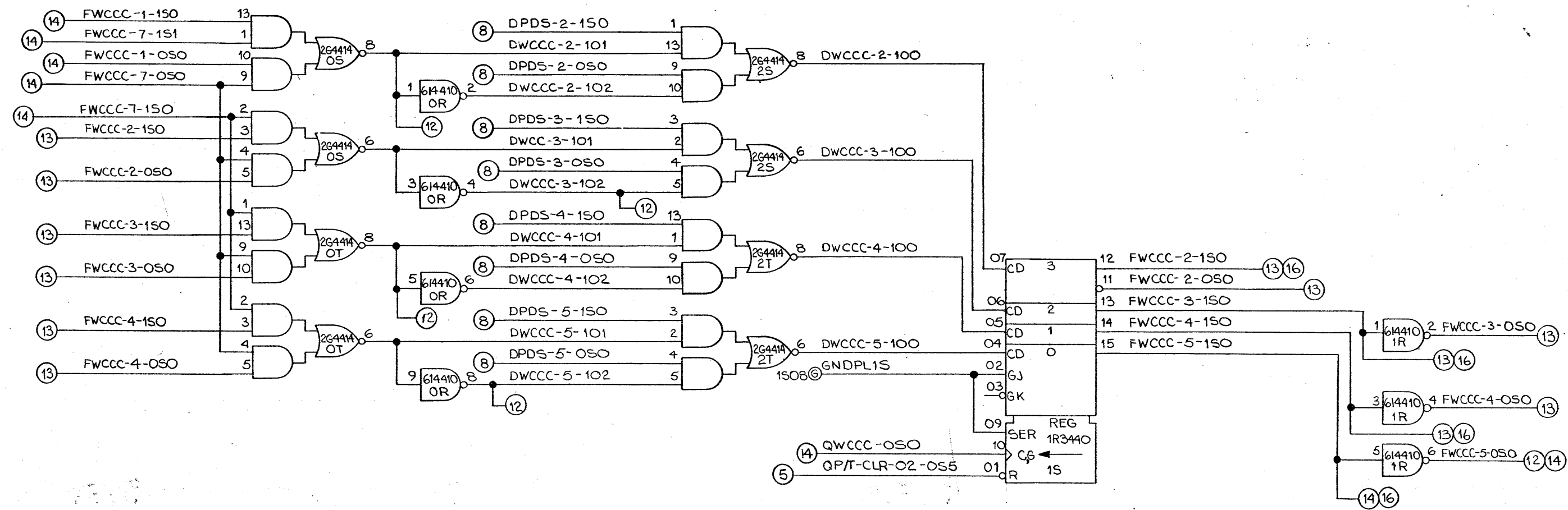
REF SPEC NO	



UNLESS OTHERWISE SPECIFIED		MATERIAL	
DIMENSIONS=	MILLIMETERS		
TOLERANCE OF SIZE AND FORM PER	INCHES	TREAT.	
INITIAL DESIGN		FIN.	
PROJECTION		DR	74 June 22
SCALE	CODE		Richard Wayne Storch
		APPD	1975 Feb 24
		DISTR C6A-26 TOS. IICO SDF	

Honeywell			
HONEYWELL INFORMATION SYSTEMS PHOENIX, ARIZONA U. S. A.			
LOC		TITLE	
		LOGIC DIAGRAM MT6PL	
WRITE DATA SWITCH			
SIZE	DWG NO	SH	REV
D	58012234	12	A

REVISIONS				
REV	AUTHORITY	DATE	SIGNATURE	
YR	MO	DAY		



REF SPEC NO

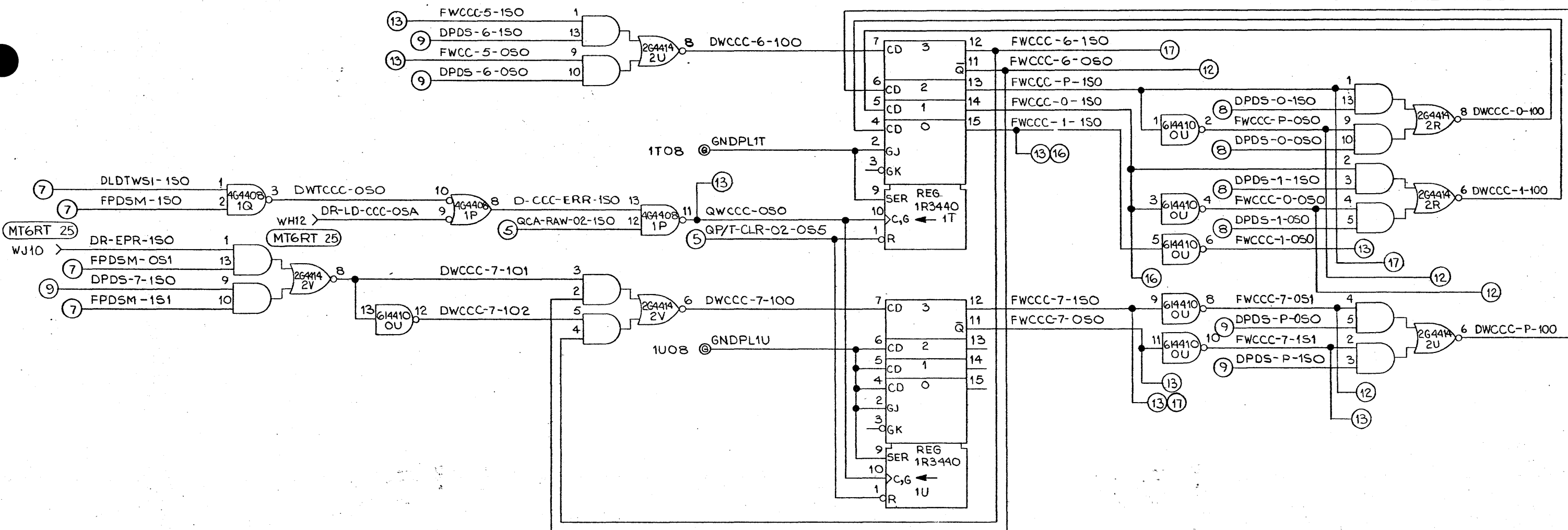
0 1 2 3 4 5 6 7 8 IN
0 1 2 3 4 5 6 7 8 MM

UNLESS OTHERWISE SPECIFIED		MATERIAL		Honeywell HONEYWELL INFORMATION SYSTEMS PHOENIX, ARIZONA U. S. A.	
DIMENSIONS= MILLIMETERS / INCHES		TREAT.			
TOLERANCE OF SIZE AND FORM PER INITIAL DESIGN		FIN.		LOC PC0 TITLE LOGIC DIAGRAM MT6PL WRT CCC REG O-5	
PROJECTION		DR		SIZE DWG NO D 58012234	
SCALE CODE		DR <i>Bob [Signature]</i> 74 JUNE 21 APPD 1975 <i>[Signature]</i>		SH 13 REV A	
		DISTR CUB-26, TOS, NCO, SDF			

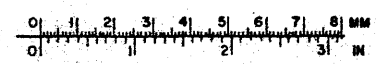
58012234

10 9 8 7 6 5 4 3 2 1

REVISIONS				
REV	AUTHORITY	DATE		SIGNATURE
		YR	MO	DAY



REF SPEC NO	

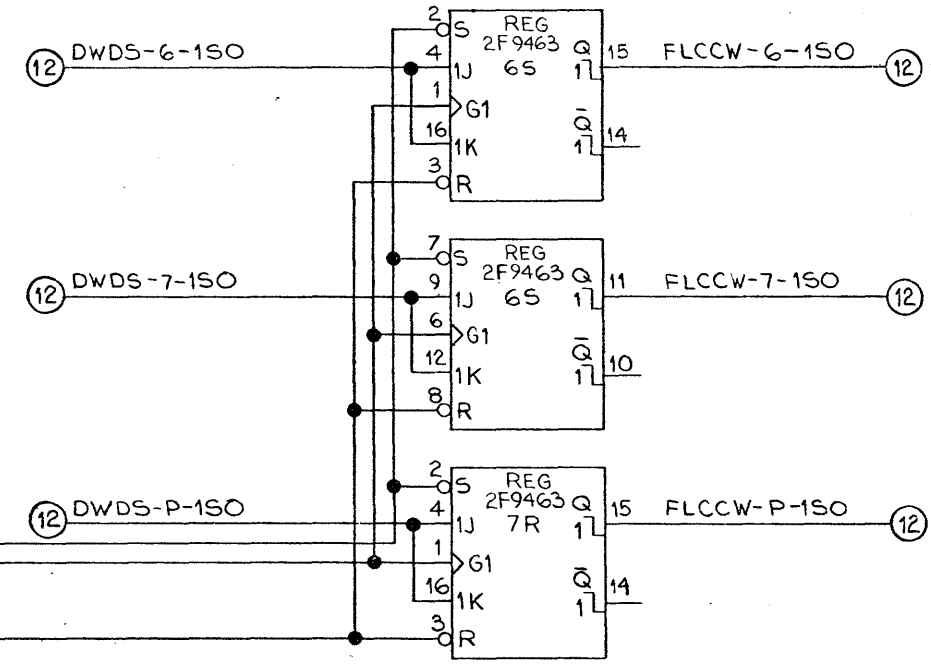
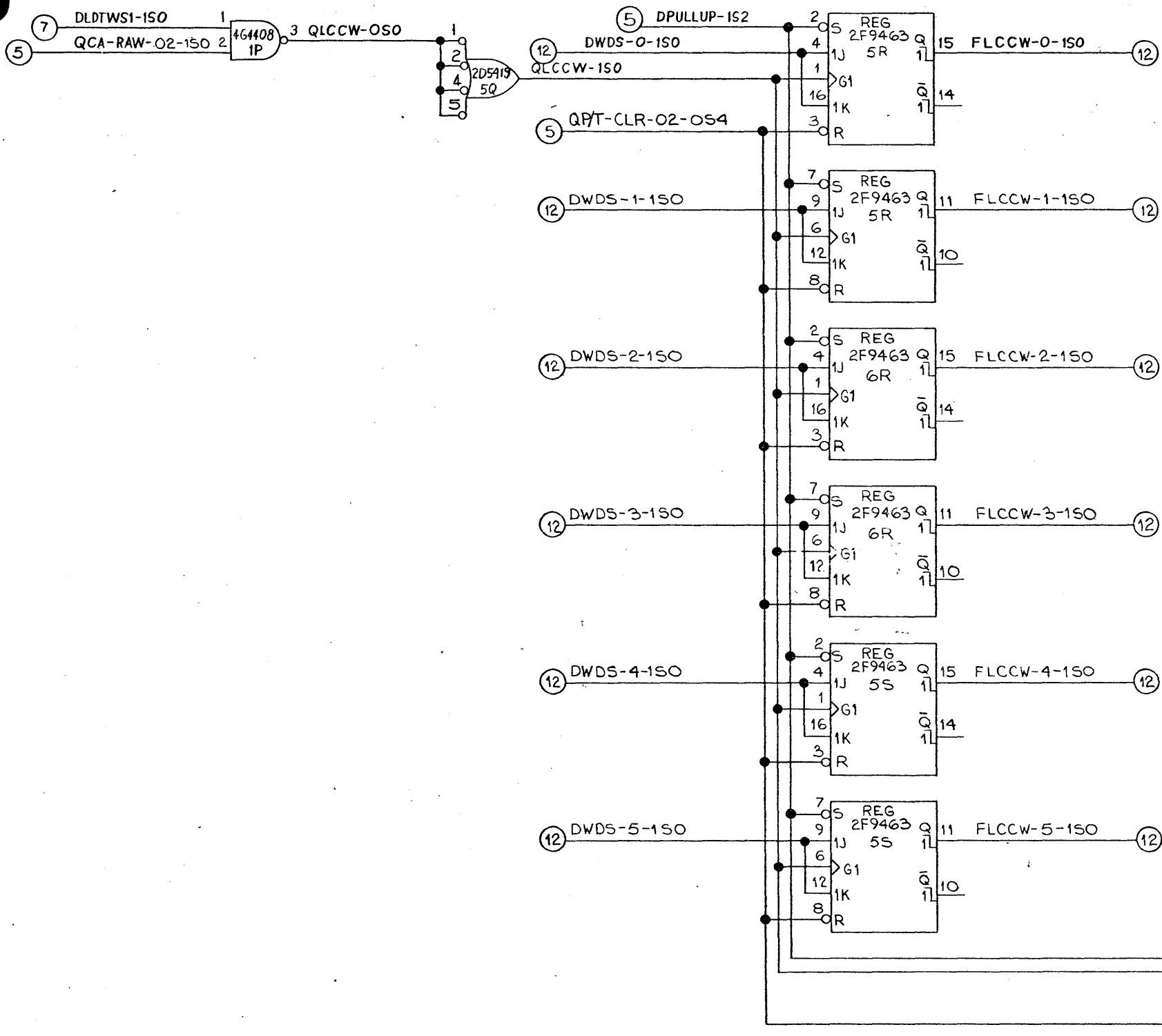


UNLESS OTHERWISE SPECIFIED		MATL		Honeywell HONEYWELL INFORMATION SYSTEMS PHOENIX, ARIZONA U. S. A.	
DIMENSIONS=	MILLIMETERS INCHES	TREAT.		loc PC0	
TOLERANCE OF SIZE AND FORM PER		FIN.		TITLE LOGIC DIAGRAM MT6PL	
INITIAL DESIGN				WRT CCC REG 0-1,6-7,P	
PROJECTION		SCALE	CODE	DR 74 JUNE 25	SIZE D
				APPD <i>E. J. ...</i>	DWG NO 58012234
				DISTR CGB-26, TOS, NCO, SDF	SH 14
					REV A

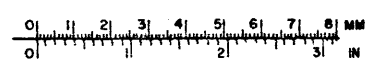
58012234

H
F
E
D
C
B
A

REVISIONS			
REV	AUTHORITY	DATE	SIGNATURE
		YR MO DAY	



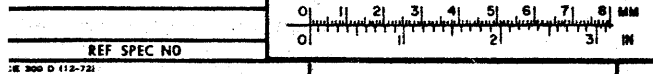
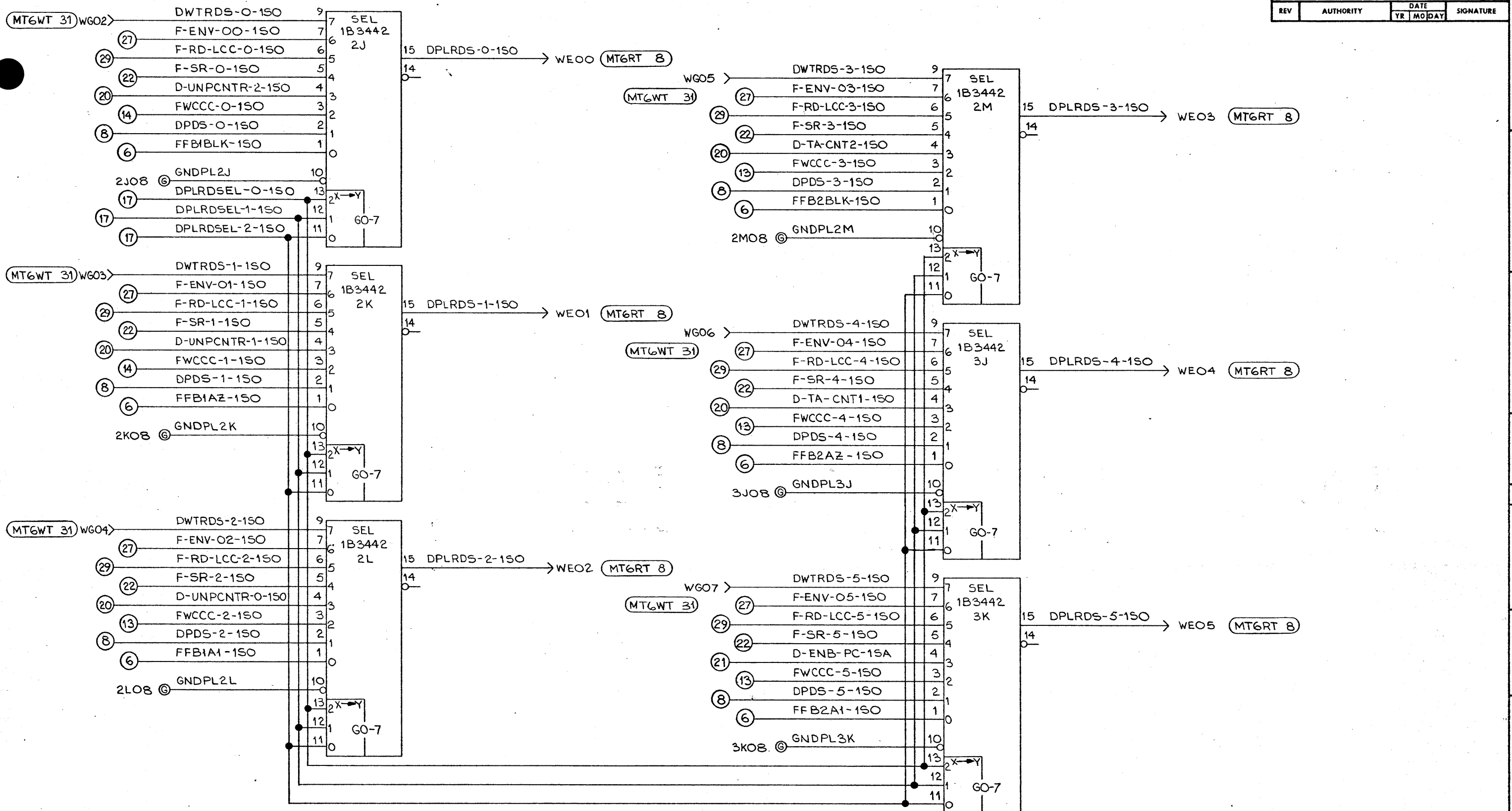
REF SPEC NO



UNLESS OTHERWISE SPECIFIED		MATERIAL		Honeywell HONEYWELL INFORMATION SYSTEMS PHOENIX, ARIZONA U. S. A.	
DIMENSIONS= MILLIMETERS / INCHES		TREAT.			
TOLERANCE OF SIZE AND FORM PER INITIAL DESIGN		FIN.		LOC PCØ TITLE LOGIC DIAGRAM MT6PL WRT LCC REG	
SCALE	CODE	DR	APPD	SIZE	DWG NO
			74 JUN 24	D	58012234
			1975 FEB 20	SH	15
				REV	A

58012234

REVISONS			
REV	AUTHORITY	DATE YR MO DAY	SIGNATURE

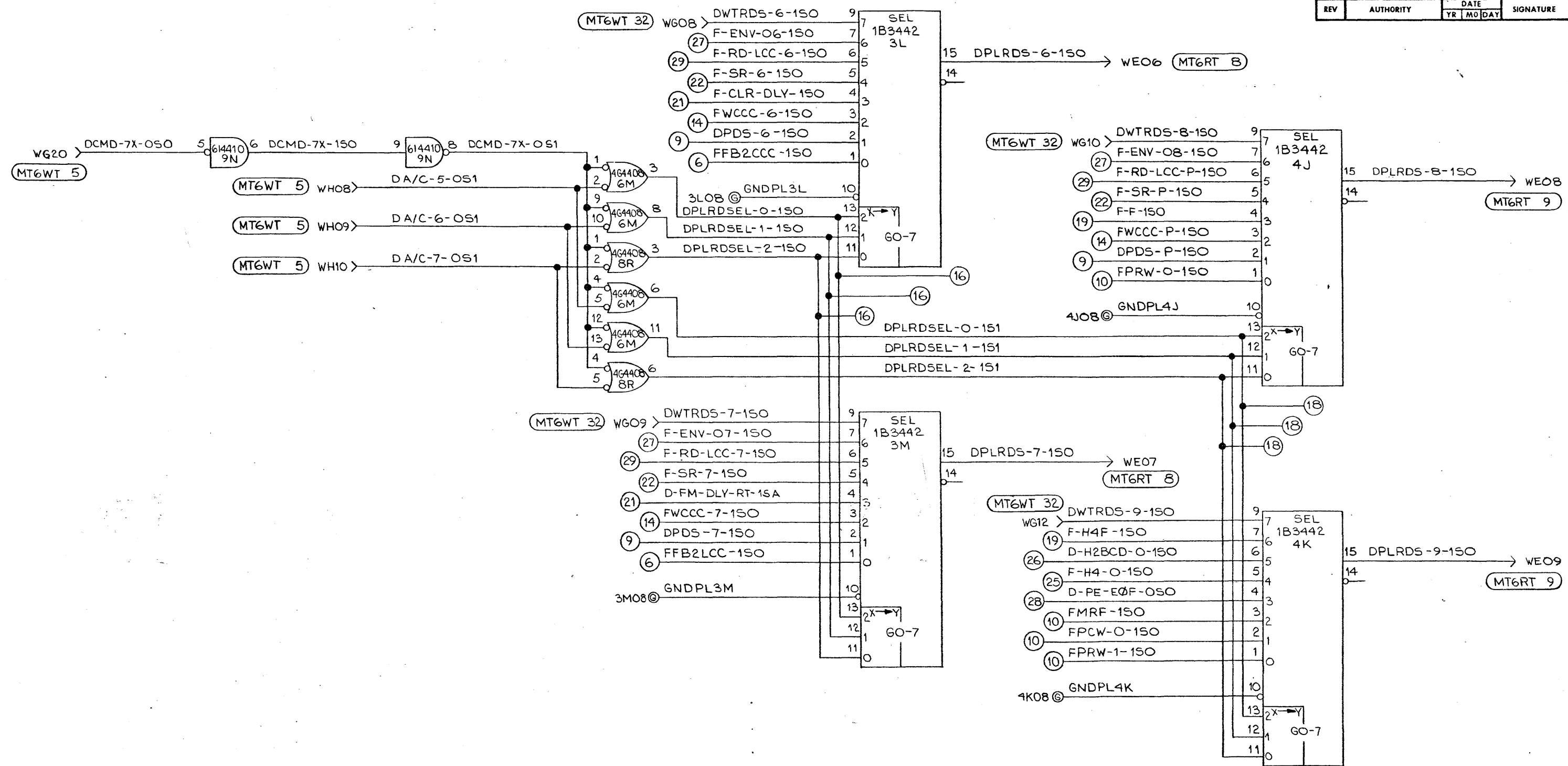


UNLESS OTHERWISE SPECIFIED		MATERIAL		Honeywell HONEYWELL INFORMATION SYSTEMS PHOENIX, ARIZONA U. S. A. TITLE LOGIC DIAGRAM MT6PL PL READ SW 0-5			
DIMENSIONS- MILLIMETERS INCHES		TREAT.				LOC PCØ	
TOLERANCE OF SIZE AND FORM PER INITIAL DESIGN		FIN.				SIZE DWG NO	
PROJECTION		DR		SH			
SCALE		APPD		REV			
CODE		DISTP		A			

74-11NE-2A
1875
M. F. S. H. K.

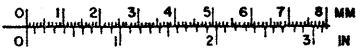
58012234

REVISIONS				
REV	AUTHORITY	DATE	SIGNATURE	
YR	MO	DAY		



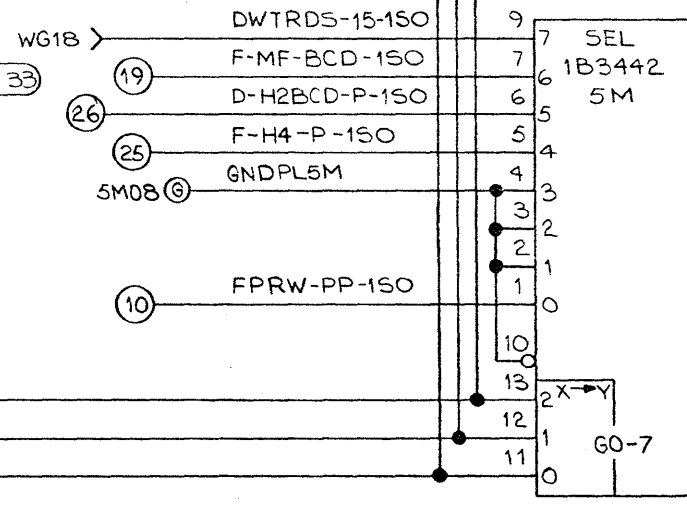
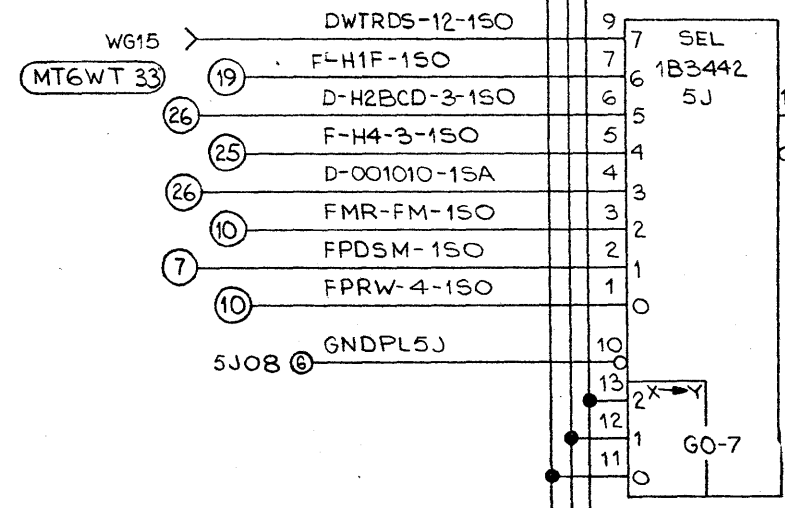
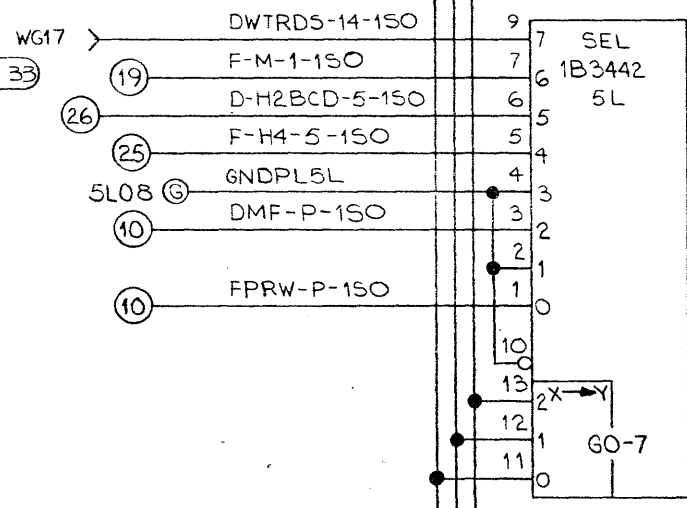
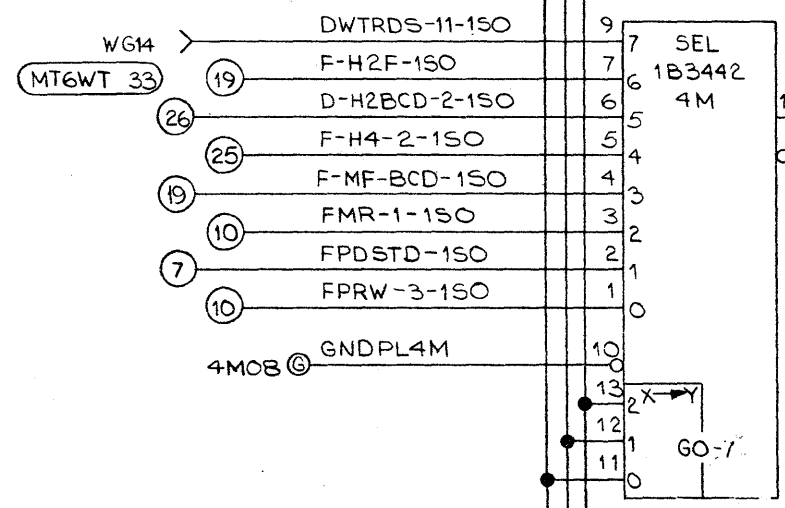
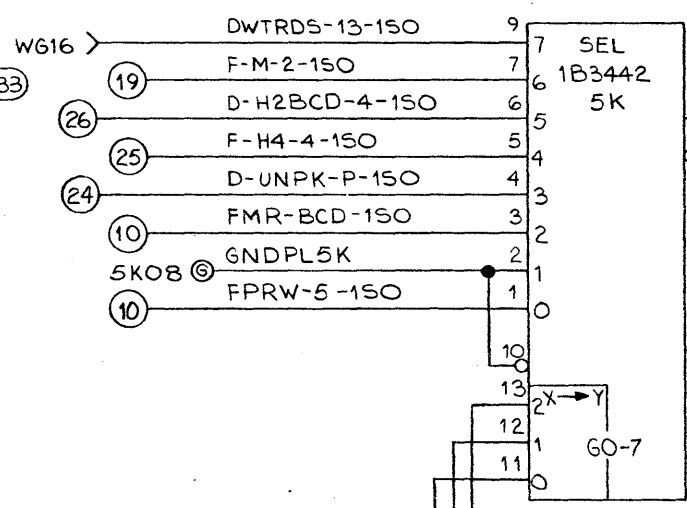
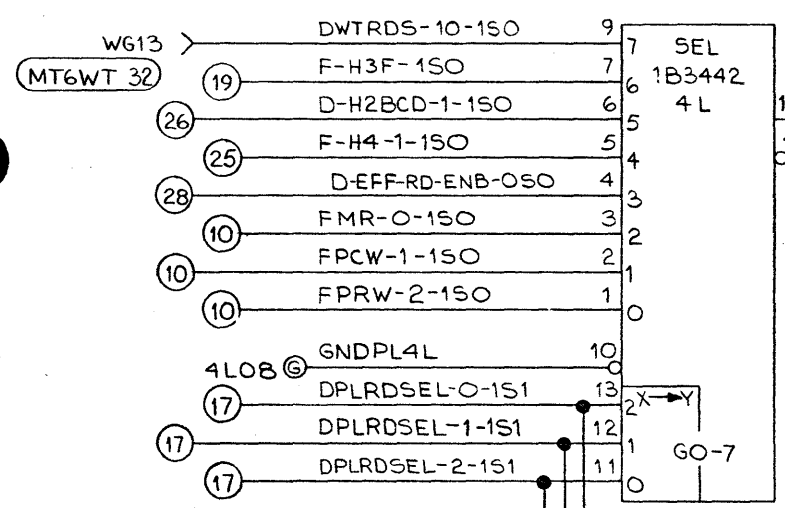
H
F
E
D
C
B
A

58012234

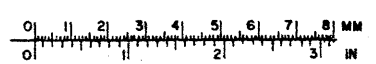


UNLESS OTHERWISE SPECIFIED		MATERIAL		Honeywell	
DIMENSIONS =	MILLIMETERS			LOC PC0 HONEYWELL INFORMATION SYSTEMS PHOENIX, ARIZONA U. S. A.	
TOLERANCE OF SIZE AND FORM PER	INCHES	TREAT.	TITLE		LOGIC DIAGRAM MT6PL PL READ SW 6-9
INITIAL DESIGN		FIN.			
PROJECTION					
SCALE	CODE	DATE	SIZE	DWG NO	SH
		74 JUNE 24	D	58012234	17
		APPD 1975 Feb 24			
		DISTR CGB-26, TOS, NCO, SDF			

REVISIONS				
REV	AUTHORITY	DATE		SIGNATURE
		YR	MO	DAY



REF SPEC NO



UNLESS OTHERWISE SPECIFIED		MATERIAL		Honeywell HONEYWELL INFORMATION SYSTEMS PHOENIX, ARIZONA U. S. A.	
DIMENSIONS: MILLIMETERS / INCHES		TREAT.			
TOLERANCE OF SIZE AND FORM PER		FIN.		LOC PCØ TITLE LOGIC DIAGRAM MT6PL PL READ SW 10-15	
INITIAL DESIGN		DR		DATE 74 JUNE 24 APPD 1975 F11 24	
PROJECTION		SCALE		SIZE D DWG NO 58012234 SH 18 REV A	

58012234

B

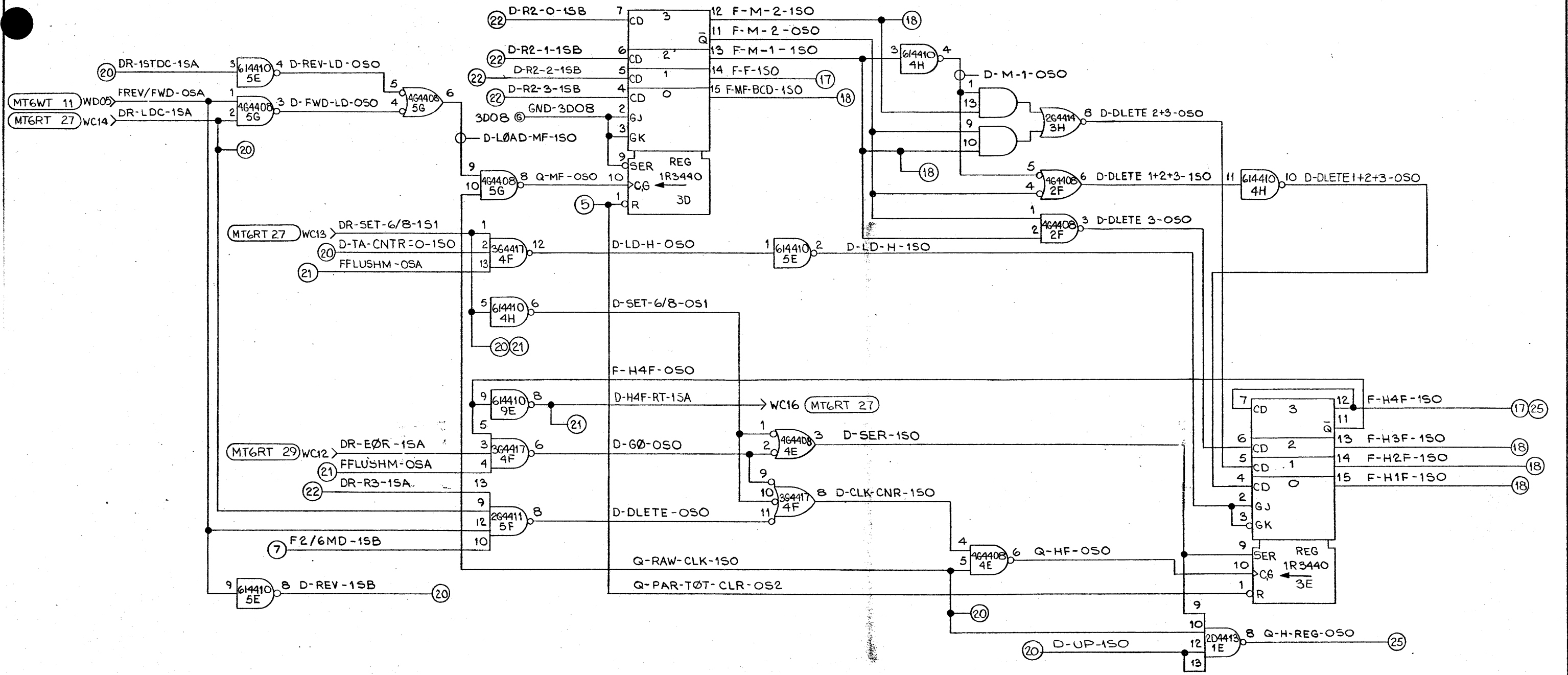
C

E

F

H

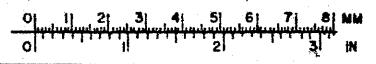
REVISIONS				
REV	AUTHORITY	DATE	SIGNATURE	
		YR MO DAY		



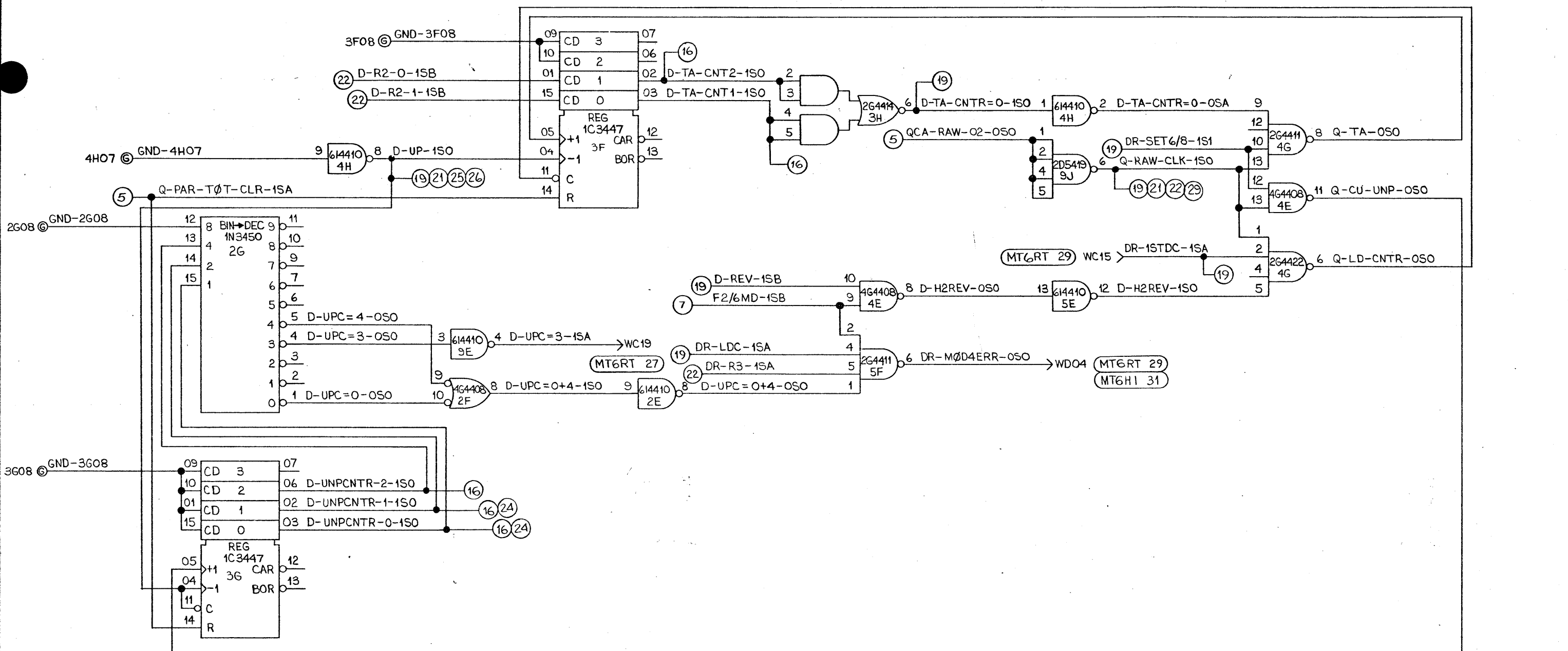
H
F
E
D
C
B
A

58012234

REF SPEC NO

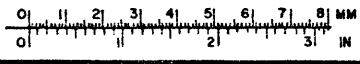


UNLESS OTHERWISE SPECIFIED		MATH		Honeywell	
DIMENSIONS = MILLIMETERS / INCHES		TREAT.		LOC PCØ HONEYWELL INFORMATION SYSTEMS PHOENIX, ARIZONA U. S. A.	
TOLERANCE OF SIZE AND FORM PER INITIAL DESIGN		FIN.		TITLE LOGIC DIAGRAM MT6PL H FULL REG/MARKER REG	
PROJECTION		DATE JUN 25 1975		SIZE DWG NO 58012234 SH 19 REV A	
SCALE CODE		APPD 1975 Feb 26 A. Pooling			



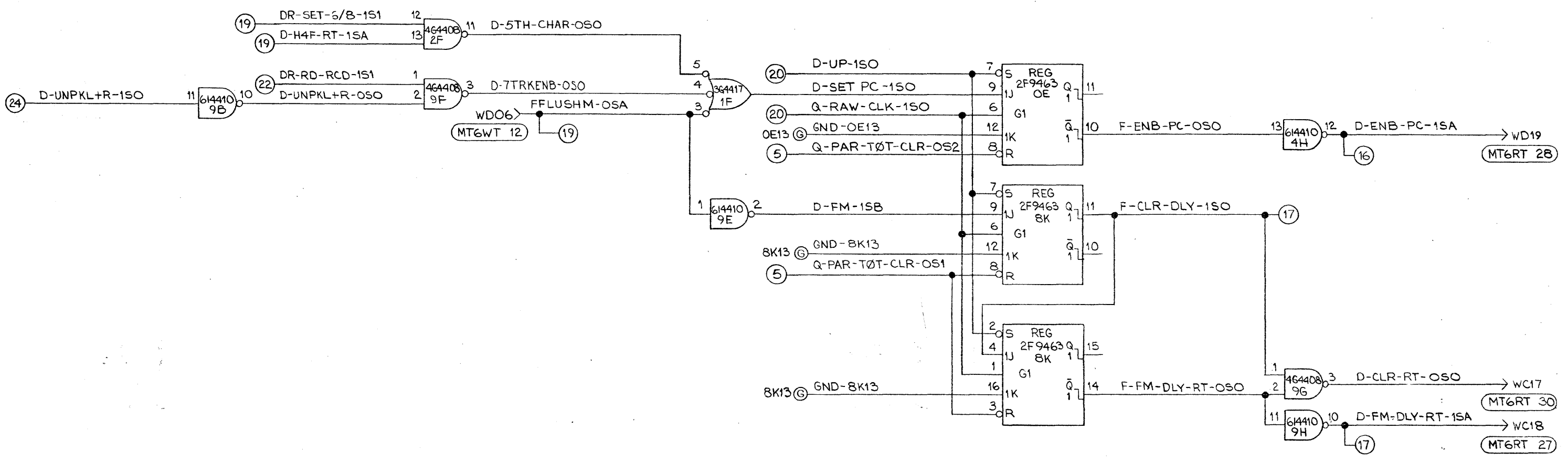
H
F
E
D
C
B
A

58012234



UNLESS OTHERWISE SPECIFIED		MATL		Honeywell HONEYWELL INFORMATION SYSTEMS PHOENIX, ARIZONA U. S. A.	
DIMENSIONS= $\frac{MILLIMETERS}{INCHES}$		TREAT.			
TOLERANCE OF SIZE AND FORM PER INITIAL DESIGN		FIN.		locPCØ TITLE LOGIC DIAGRAM MT6PL UNPACK COUNTER	
SCALE	CODE	DR	APPD	SIZE	DWG NO
				D	58012234
			DR	SH	REV
				20	A

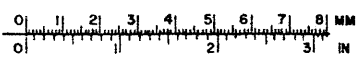
REVISIONS				
REV	AUTHORITY	DATE		SIGNATURE
		YR	MO DAY	



H
F
E
D
C
B
A

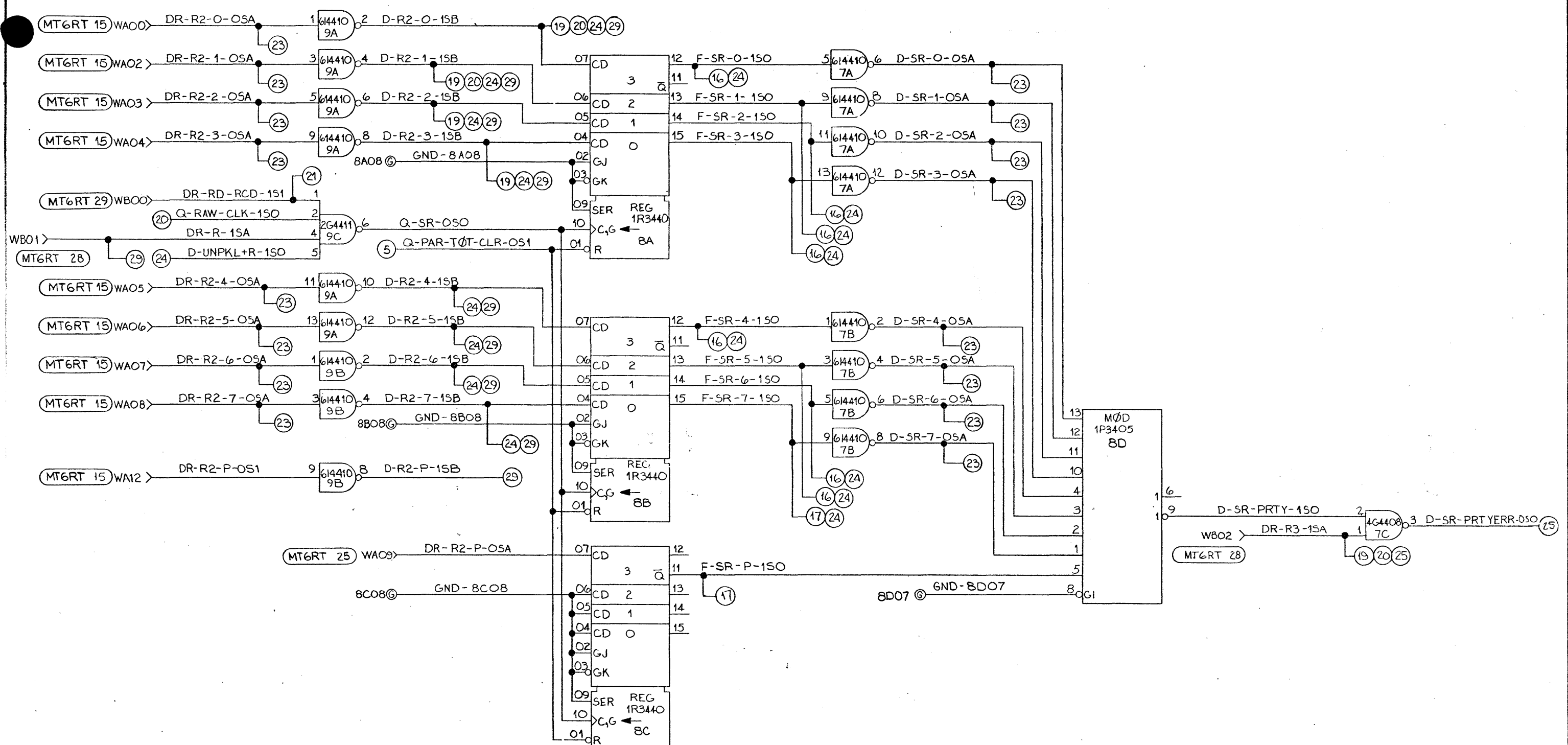
58012234

REF SPEC NO

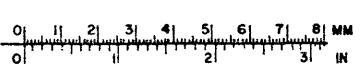


UNLESS OTHERWISE SPECIFIED		MATL	Honeywell HONEYWELL INFORMATION SYSTEMS PHOENIX, ARIZONA U. S. A.	
DIMENSIONS= MILLIMETERS / INCHES		TREAT.	LOC PC0	
TOLERANCE OF SIZE AND FORM PER		FIN.	TITLE LOGIC DIAGRAM MT6PL CONTROL F/FS	
INITIAL DESIGN	PROJECTION	DATE	SIZE	DWG NO
		7A JUNE 25	D	58012234
SCALE	CODE	APPD 1975 Feb 26 J. Bookery	SH	REV
		DISTR C6A-26, TOS NCO.SDF	21	A

REVISIONS			
REV	AUTHORITY	DATE	SIGNATURE
		YR MO DAY	



REF SPEC NO	

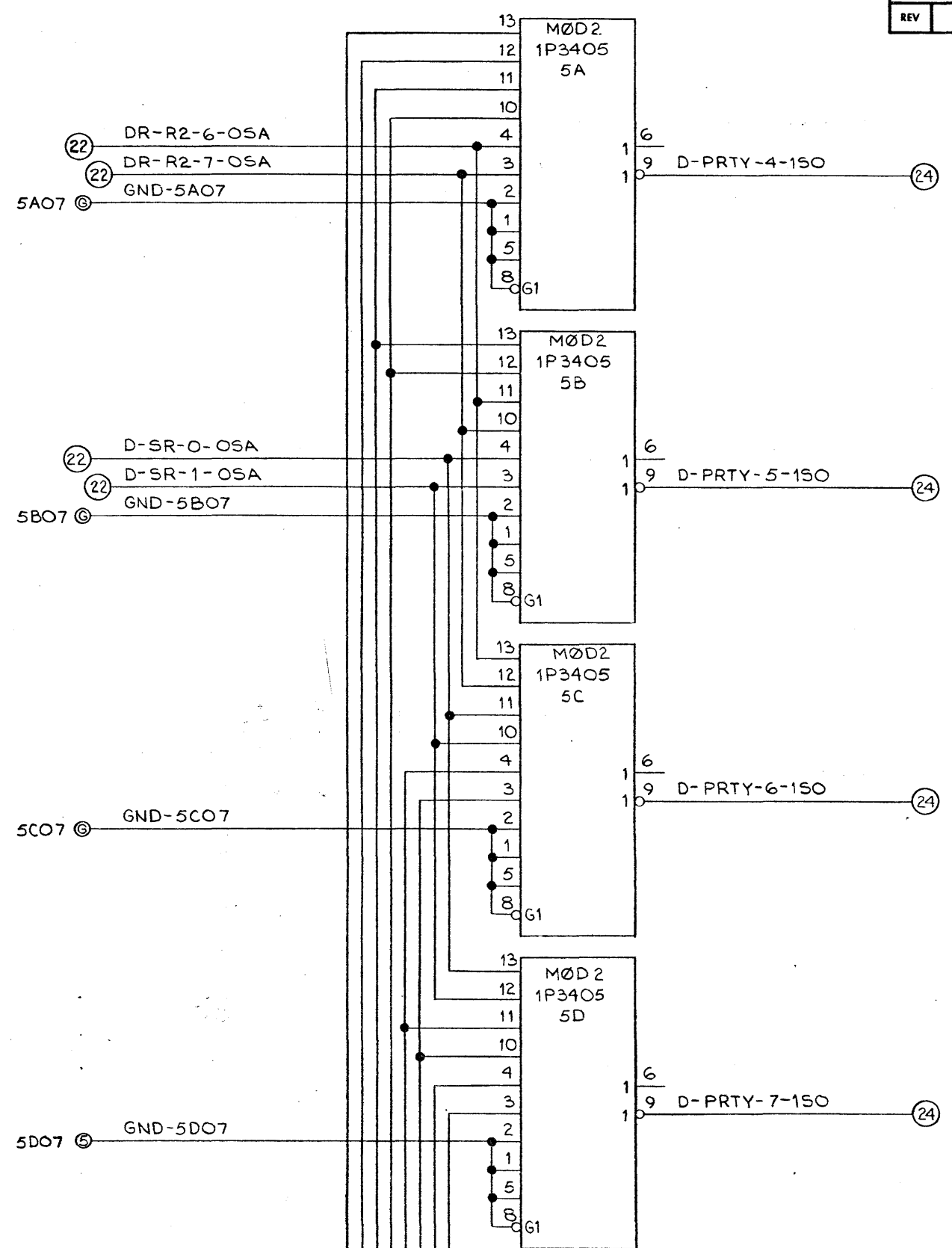
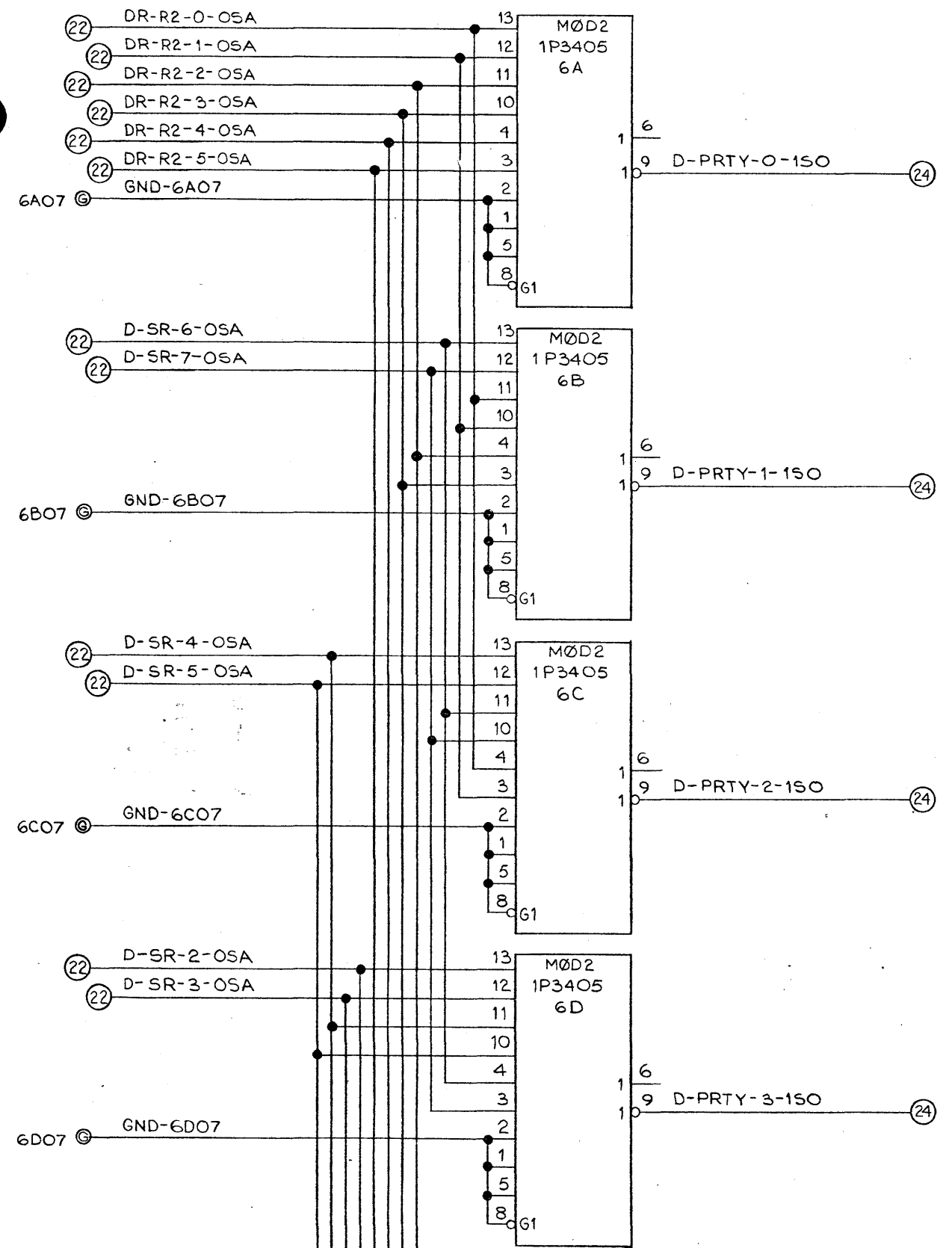


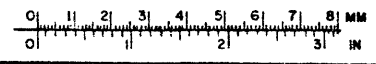
UNLESS OTHERWISE SPECIFIED		MATH		Honeywell HONEYWELL INFORMATION SYSTEMS PHOENIX, ARIZONA U. S. A.	
DIMENSIONS= MILLIMETERS		TREAT.			
TOLERANCE OF SIZE AND FORM PER		FIN.		LOC PC Ø TITLE LOGIC DIAGRAM MT6PL SAVE REG	
INITIAL DESIGN		DR		SIZE D DWG NO 58012234 SH 22 REV A	
PROJECTION		APPD		74 JUNE 24 1975 FEB 24 G. J. ...	
SCALE	CODE	DISTR			

H
F
E
D
C
B
A

58012234

REVISIONS				
REV	AUTHORITY	DATE		SIGNATURE
		YR	MO DAY	





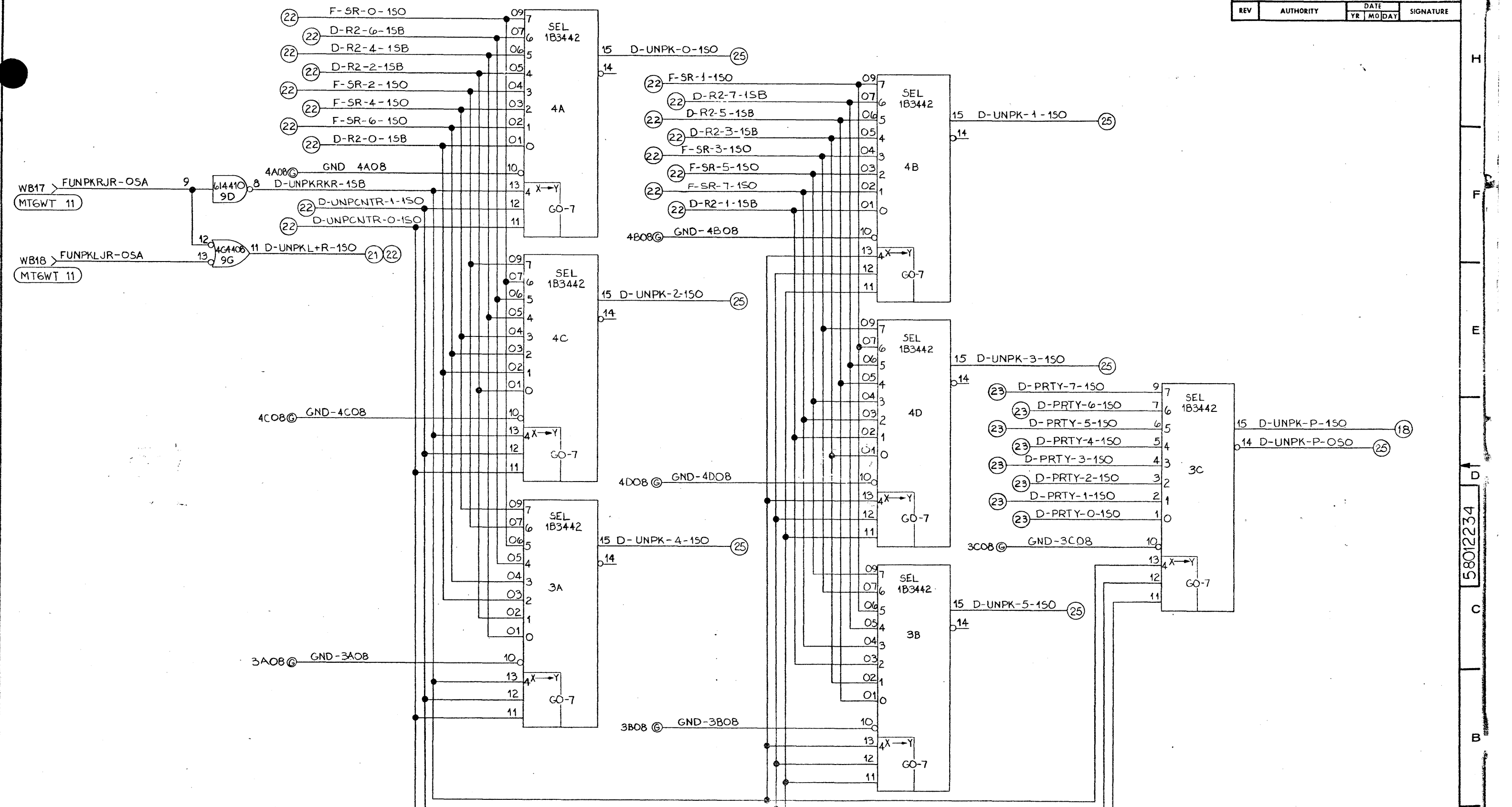
UNLESS OTHERWISE SPECIFIED		MATERIAL		Honeywell HONEYWELL INFORMATION SYSTEMS PHOENIX, ARIZONA U. S. A.	
DIMENSIONS=	MILLIMETERS INCHES	TREAT.			
TOLERANCE OF SIZE AND FORM PER		FIN.		TITLE LOGIC DIAGRAM MT6PL UNPACK PRY GEN.	
INITIAL DESIGN		DR	74 JUNE 25	SIZE	DWG NO
PROJECTION		APPD	1975 Feb 26	D	58012234
SCALE	CODE	DISTR		SH	REV
				23	A

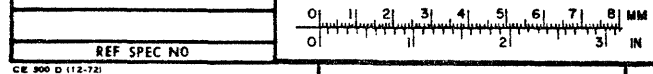
58012234

A

10 9 8 7 6 5 4 3 2 1

REVISIONS				
REV	AUTHORITY	DATE		SIGNATURE
		YR	MO DAY	



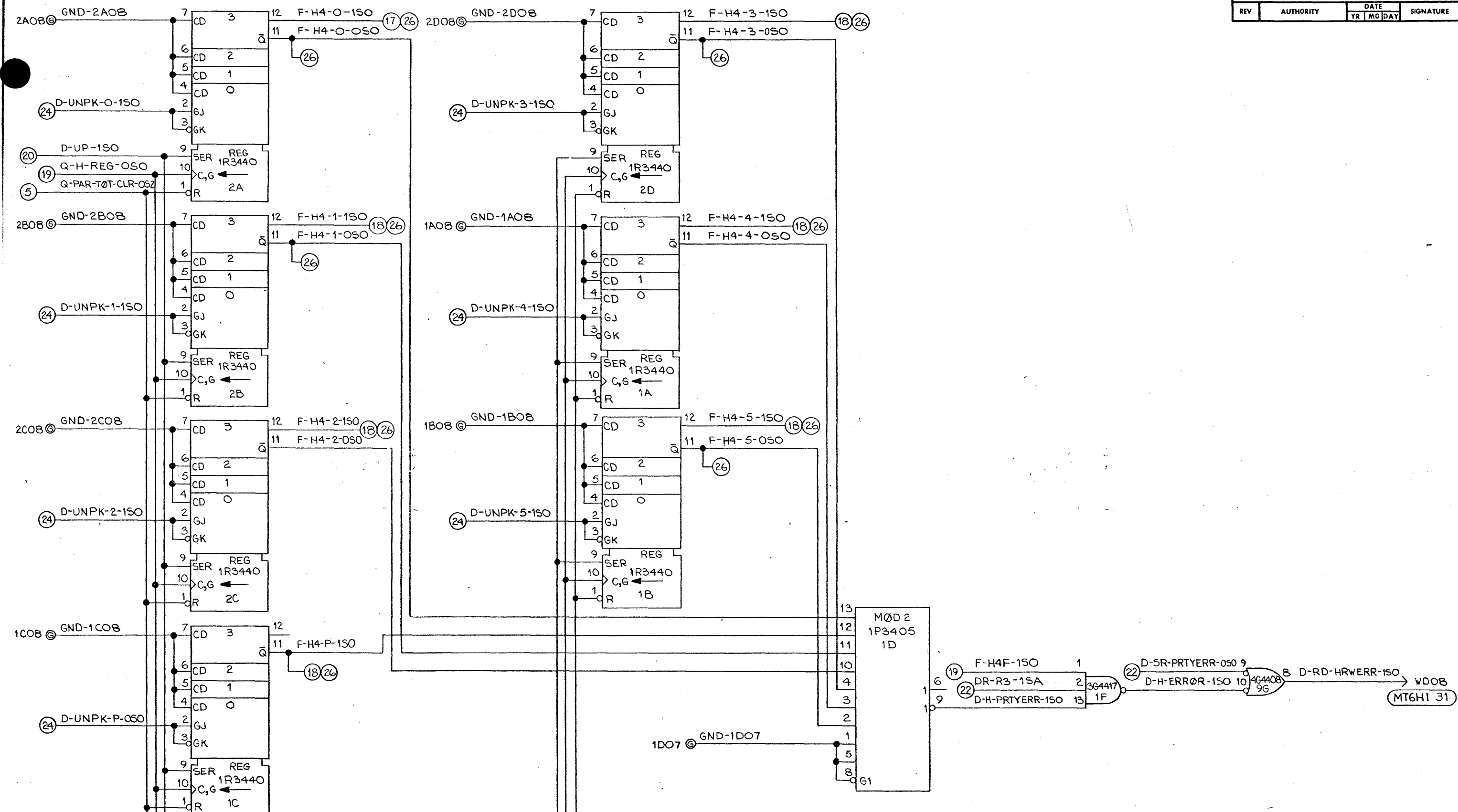


MATL	Honeywell		
	HONEYWELL INFORMATION SYSTEMS PHOENIX, ARIZONA U. S. A.		
TREAT.	loc PCØ		
FIN.	TITLE LOGIC DIAGRAM MT6PL UNPACK SWITCH		
DR 74	JUNE 26	SIZE D	DWG NO 58012234
APPD 1475	Fib. 26 3.5 welding	SH 24	REV A
DISTR C68-26-TOS, NCO, SDF			

58012234

10 9 8 7 6 5 4 3 2 1

REVISIONS				
REV	AUTHORITY	DATE	SIGNATURE	
		YR MO DAY		



REF SPEC NO

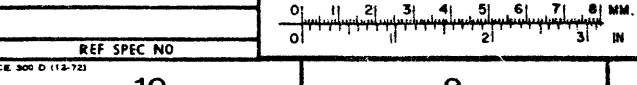
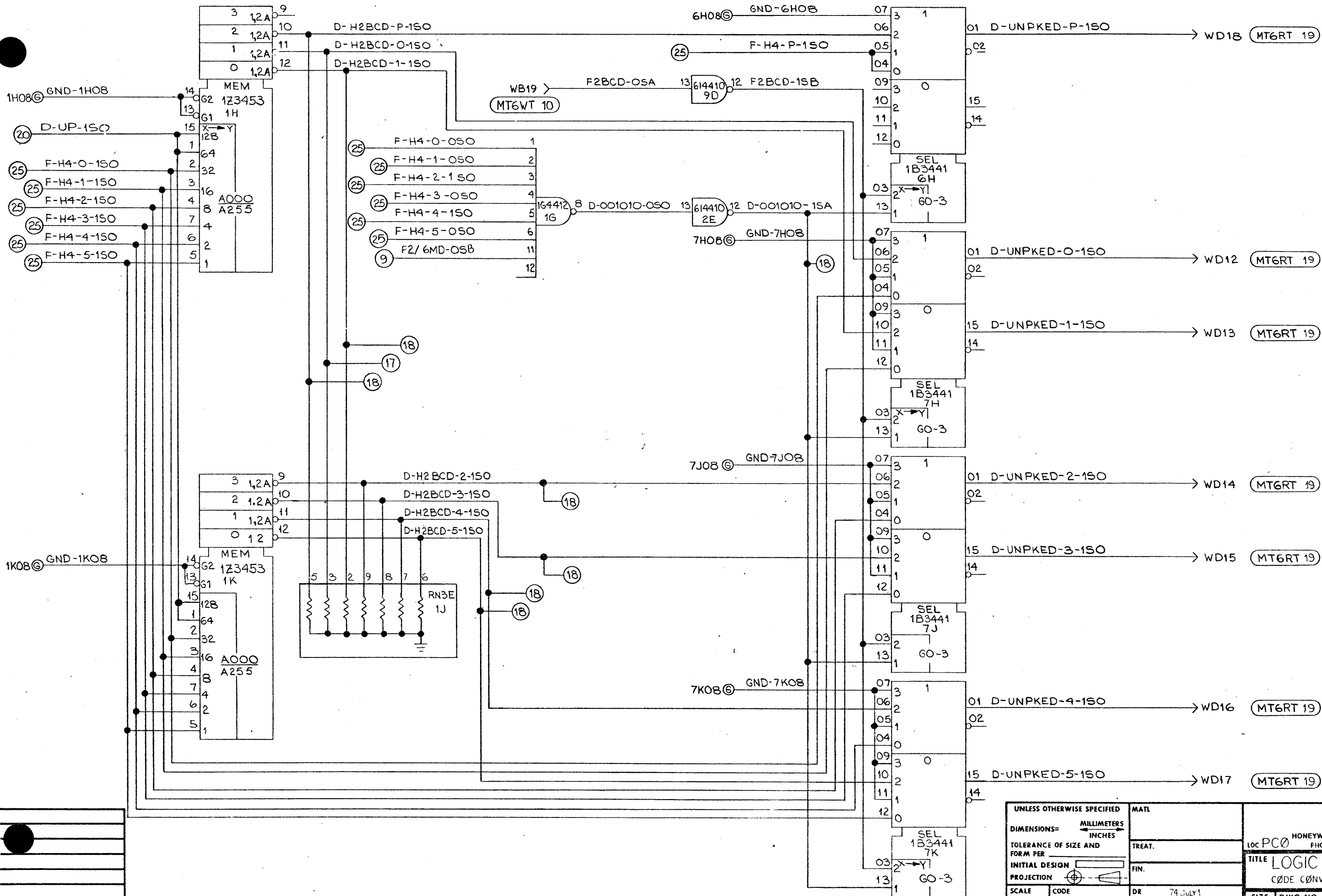
0 1 2 3 4 5 6 7 8 MM
0 1 2 3 4 5 6 7 8 9 10 11 12 13 14 15 16 17 18 19 20 21 22 23 24 25 26 27 28 29 30 31 32 33 34 35 36 37 38 39 40 41 42 43 44 45 46 47 48 49 50 51 52 53 54 55 56 57 58 59 60 61 62 63 64 65 66 67 68 69 70 71 72 73 74 75 76 77 78 79 80 81 82 83 84 85 86 87 88 89 90 91 92 93 94 95 96 97 98 99 100 101 102 103 104 105 106 107 108 109 110 111 112 113 114 115 116 117 118 119 120 121 122 123 124 125 126 127 128 129 130 131 132 133 134 135 136 137 138 139 140 141 142 143 144 145 146 147 148 149 150 151 152 153 154 155 156 157 158 159 160 161 162 163 164 165 166 167 168 169 170 171 172 173 174 175 176 177 178 179 180 181 182 183 184 185 186 187 188 189 190 191 192 193 194 195 196 197 198 199 200

UNLESS OTHERWISE SPECIFIED		MATL		Honeywell HONEYWELL INFORMATION SYSTEMS PHOENIX, ARIZONA U. S. A.	
DIMENSIONS= MILLIMETERS INCHES		TREAT.			
TOLERANCE OF SIZE AND FORM PER		FIN.		LOC PCØ TITLE LOGIC DIAGRAM MT6PL H-REG-4CHAR STACK	
INITIAL DESIGN		DR		SIZE DWG NO SH REV D 58012234 25 A	
PROJECTION		APPD		DATE 74 JUNE 26 APPD 1975 Feb 24 DISTR 06-26 TOS NCO SDE	

H
F
E
D
C
B
A

58012234

REVISIONS			
REV	AUTHORITY	DATE	SIGNATURE
		YR MO DAY	

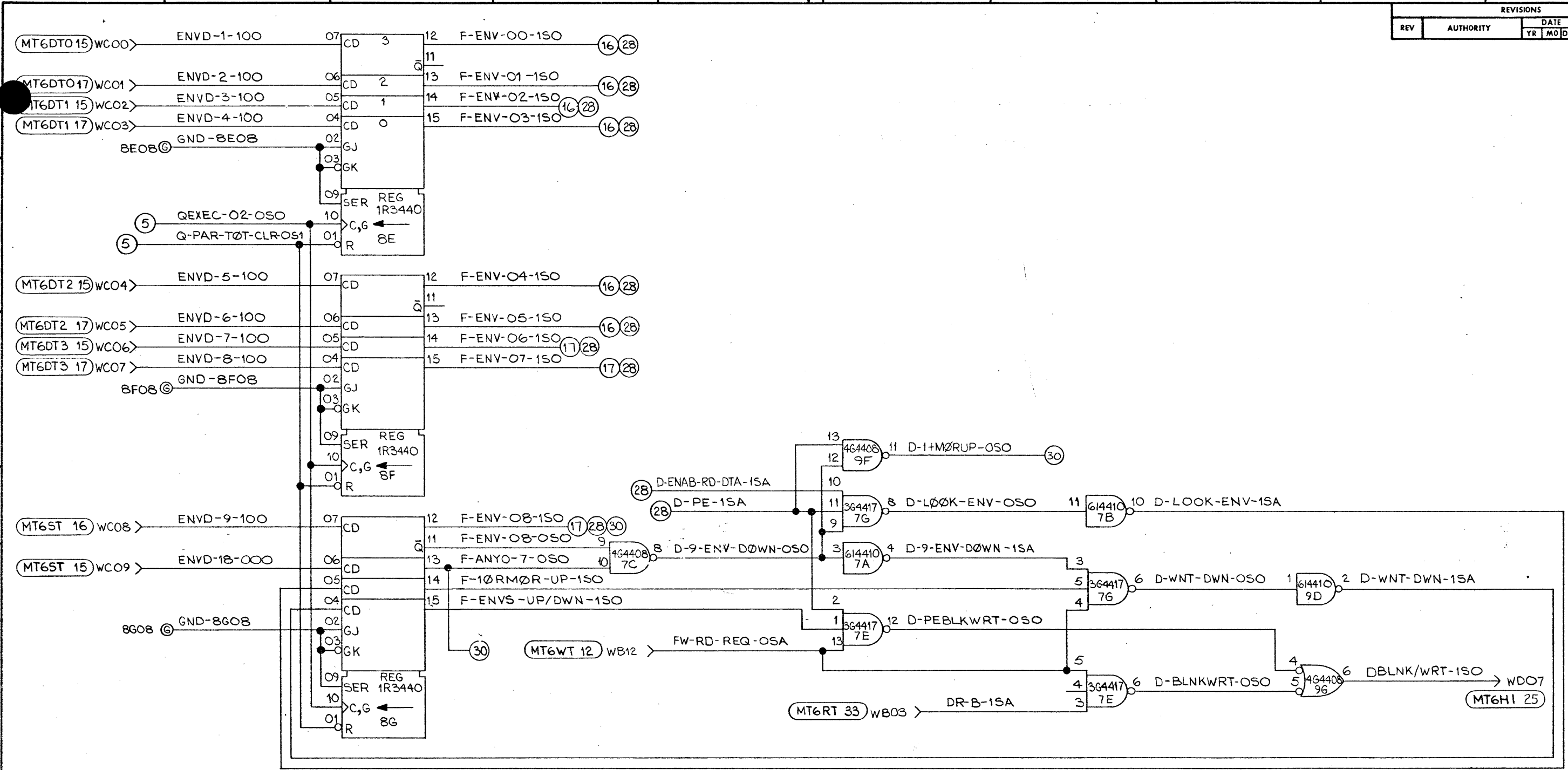


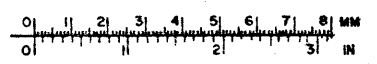
UNLESS OTHERWISE SPECIFIED		MATERIAL	
DIMENSIONS=	MILLIMETERS INCHES	TREAT.	
TOLERANCE OF SIZE AND FORM PER		FIN.	
INITIAL DESIGN		DR	74 JULY 1
PROJECTION		APPD	1975 FEB 26
SCALE	CODE	DISTR	C68-26, TOS, NCO, SDF

Honeywell			
HONEYWELL INFORMATION SYSTEMS PHOENIX, ARIZONA U. S. A.			
LOC PC0		TITLE LOGIC DIAGRAM MT6PL	
		CODE CONVERSION SW	
SIZE	DWG NO	SH	REV
D	58012234	26	A

H
F
E
D
C
B
A
58012234

REVISIONS				
REV	AUTHORITY	DATE		SIGNATURE
		YR	MO DAY	



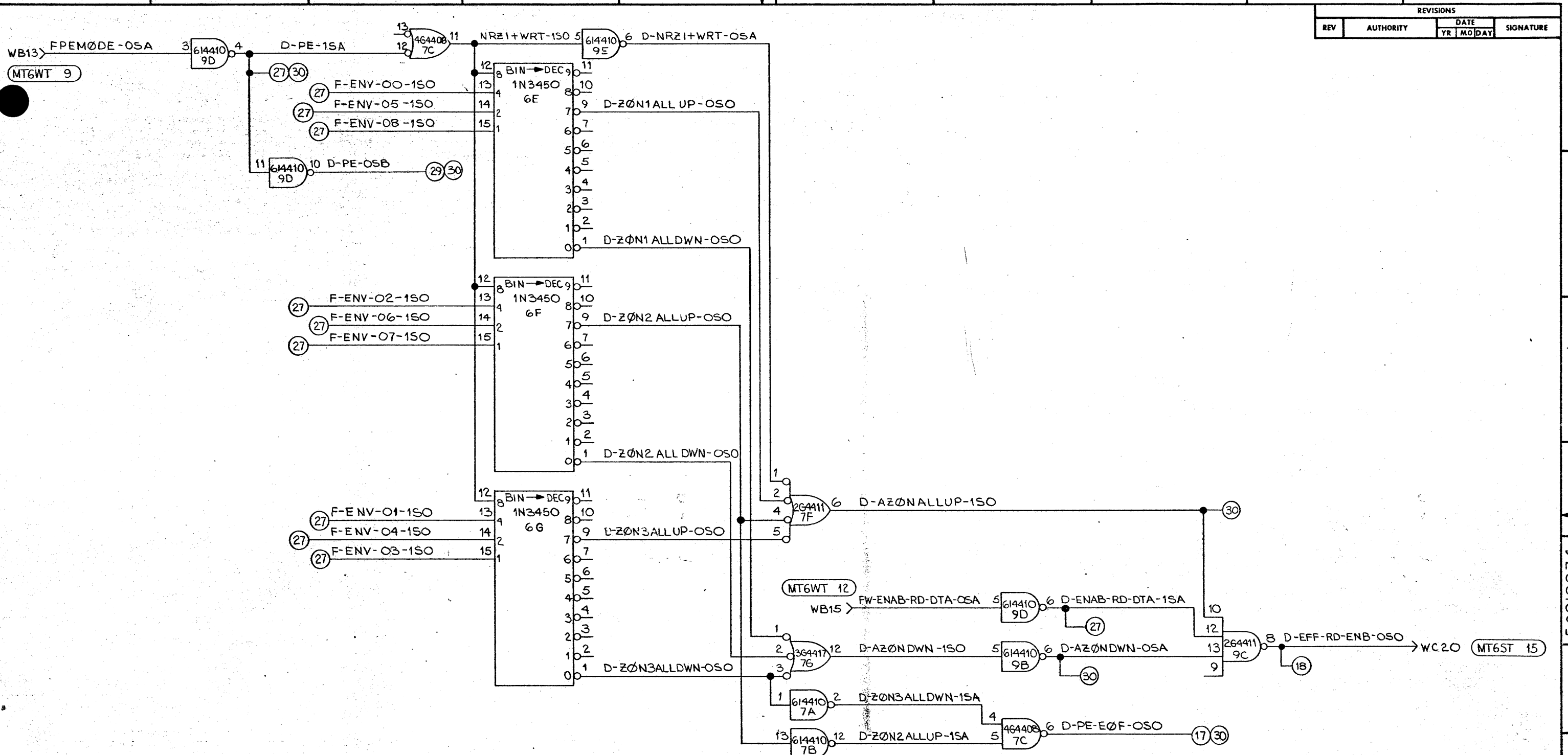


UNLESS OTHERWISE SPECIFIED		MATERIAL		Honeywell HONEYWELL INFORMATION SYSTEMS PHOENIX, ARIZONA U. S. A.	
DIMENSIONS = $\frac{\text{MILLIMETERS}}{\text{INCHES}}$		TREAT.			
TOLERANCE OF SIZE AND FORM PER		FIN.		LOC PC0	
INITIAL DESIGN PROJECTION $\frac{\text{FIRST ANGLE}}$		DR		TITLE LOGIC DIAGRAM MT6PL	
SCALE CODE		APPD		ENV REG/BLANK 0N WRITE	
		74 JULY 71		SIZE D	
		1975 FEB 26		DWG NO 58012234	
		DISTR C.L.P.-26 T.O.S. NCO.SDF		SH 27	
				REV A	

H
F
E
D
C
B
A

58012234

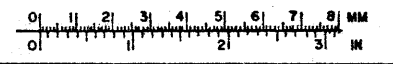
REVISIONS			
REV	AUTHORITY	DATE	SIGNATURE
		YR MO DAY	



H
F
E
D
C
B
A

58012234

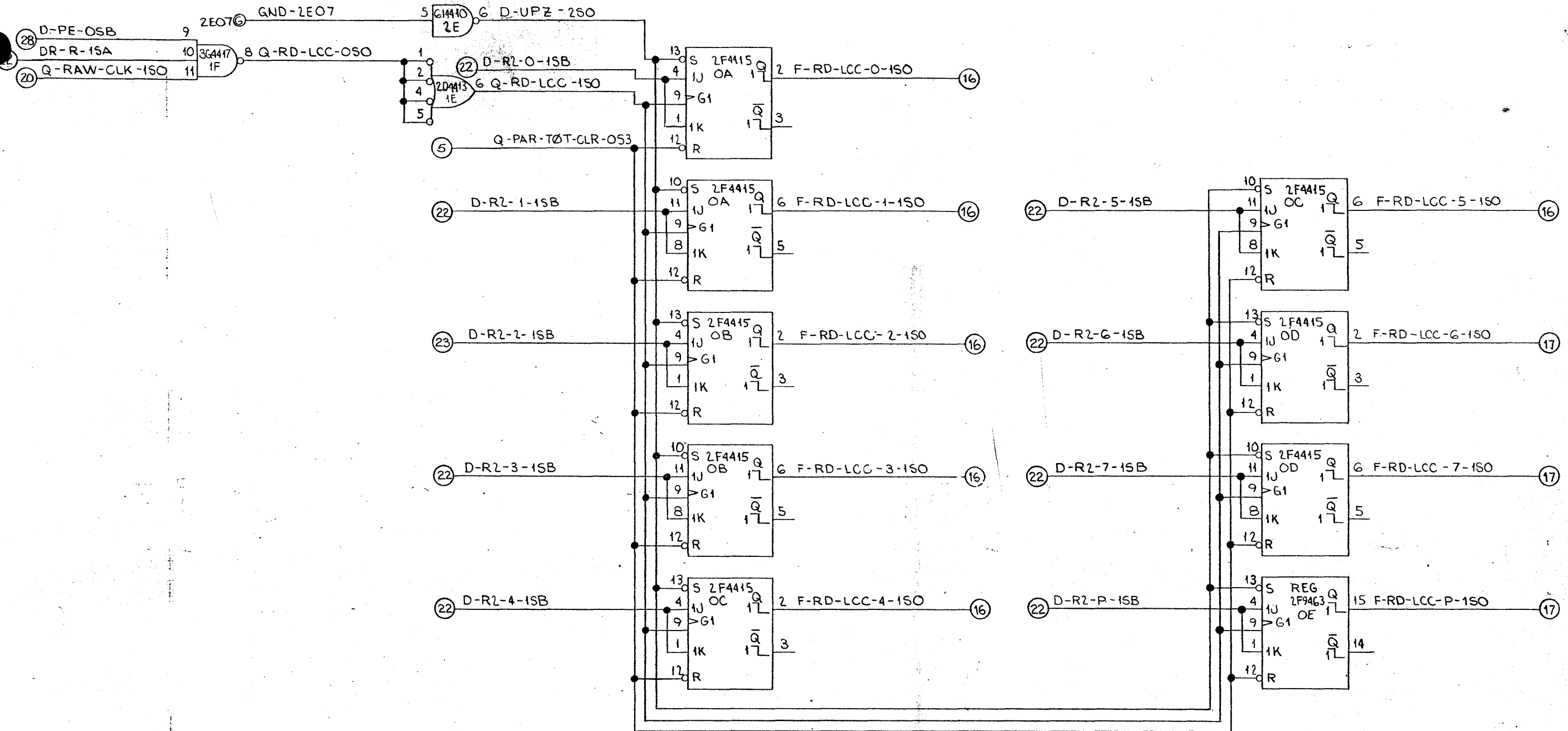
REF SPEC NO	
CIR 300 D (11-73)	



UNLESS OTHERWISE SPECIFIED DIMENSIONS = MILLIMETERS INCHES TOLERANCE OF SIZE AND FORM PER INITIAL DESIGN <input type="checkbox"/> PROJECTION <input checked="" type="checkbox"/>	MATL	Honeywell HONEYWELL INFORMATION SYSTEMS PHOENIX, ARIZONA U. S. A.	
	TREAT.		
SCALE	CODE	TITLE LOGIC DIAGRAM MT6PL BLOCK & PE-EQF DET	
DR	74-JUNE-28	SIZE	DWG NO
APPD	1975 Feb 26 D. J. Schwegler	D	58012234
DISTR	C68-26, TOS, NCO, SDF	SH	REV
		28	A

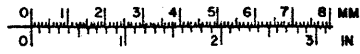
10 9 8 7 6 5 4

REVISIONS				
REV	AUTHORITY	DATE		SIGNATURE
		YR	MO DAY	



H
F
E
D
C
B
A

58012234

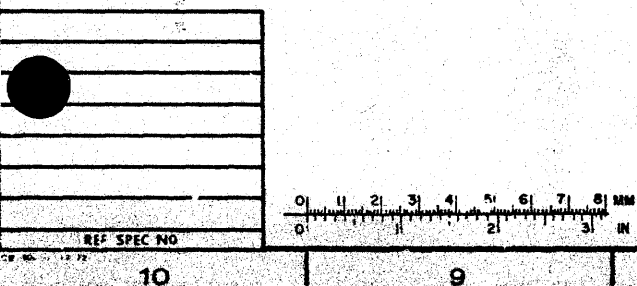
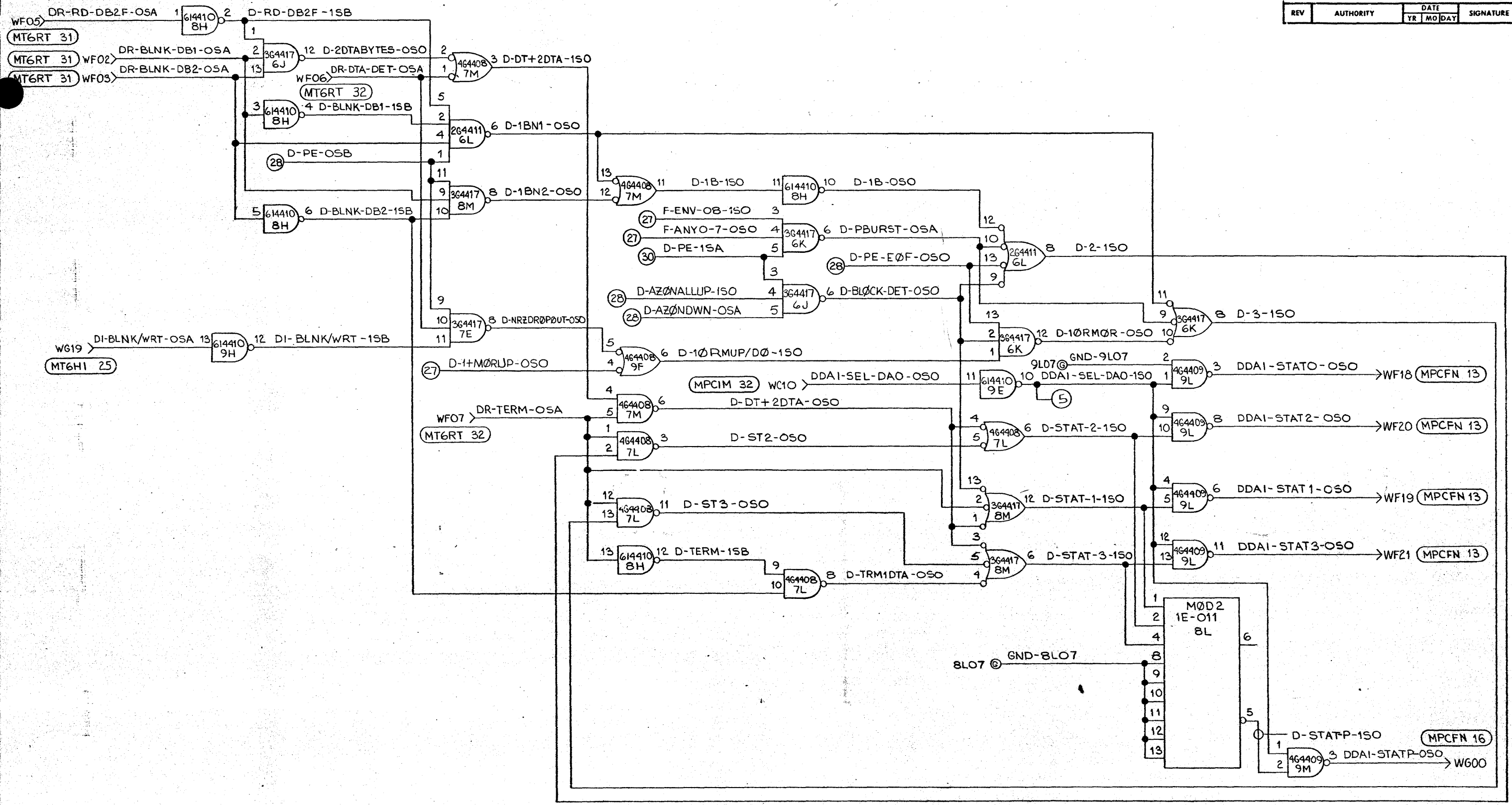


UNLESS OTHERWISE SPECIFIED		MATL		Honeywell HONEYWELL INFORMATION SYSTEMS PHOENIX, ARIZONA U. S. A.			
DIMENSIONS— MILLIMETERS INCHES		TREAT.					
TOLERANCE OF SIZE AND FORM PER		FIN.		TITLE		LOGIC DIAGRAM MT6PL READ-LCC-REG	
INITIAL DESIGN		PROJECTION		SCALE		SIZE	
CODE		DR Richard W. Moore 74 June 26		DWG NO		SH	
APPD 1975 Feb 24 G. L. Goring		DISTR		58012234		REV	
						29 A	

REF SPEC NO

10

REVISIONS				
REV	AUTHORITY	DATE	SIGNATURE	
		YR MO DAY		



UNLESS OTHERWISE SPECIFIED		MATERIAL		Honeywell HONEYWELL INFORMATION SYSTEMS PHOENIX, ARIZONA U. S. A.	
DIMENSIONS— MILLIMETERS INCHES		TREAT.			
TOLERANCE OF SIZE AND FORM PER INITIAL DESIGN		FIN.		LOC PCØ TITLE LOGIC DIAGRAM MT6PL IAI STATUS	
PROJECTION		DR <i>[Signature]</i> 74 JUNE 27 APPD 1975 F.W. 26 DISTR C68726, TOS, NCO, SDFV		SIZE	REV
SCALE	CODE	DWG NO	SH	REV	
		D 58012234	30F	A	

H
F
E
D
C
B
A

58012234

THE INFORMATION CONTAINED IN THIS DOCUMENT IS PROPRIETARY TO HONEYWELL INFORMATION SYSTEMS, INC. AND IS INTENDED FOR INTERNAL HONEYWELL USE ONLY. SUCH INFORMATION MAY BE DISTRIBUTED TO OTHERS BY WRITTEN PERMISSION OF AN AUTHORIZED HONEYWELL OFFICIAL. THIS RESTRICTION DOES NOT APPLY TO VENDOR PROPRIETARY THAT MAY BE DISCLOSED IN THIS DOCUMENT.

58007954

REV	AUTHORITY	DATE			SIGNATURE	DWG SHEET NUMBER																		
		YR	MO	DAY		1	2	3	31	32	33	4	5	6	7	8	9	10	11	12	13	14	15	16
A	LEVEL 3 ISSUE	75	03	07	Cate Ripley	A	A	A	A	A	A	A	A	A	A	A	A	A	A	A	A	A	A	A
B	PHADTE040	75	04	08	L. Mills																			
C	PHADTE046	75	06	06	L. Mills																			
D	PHADTE054	75	06	05	L. Mills																			
D1	PHADTE065	75	10	24	L. Mills																			
D2	PHADTE069	75	12	22	A.E. Braggell																			
D3	PHADTE072	76	03	24	H. Whelan																			
E	PHADTE078	76	06	01	A.E. Braggell																			

Blank sheets not included

* POINT SHEETS ADDED FOR CONTINUATION OF REVISION STATUS SEE SHEET

Honeywell		MADE BY Cate Ripley 74 July 11	TITLE LOGIC DIAGRAM MT6RT
HONEYWELL INFORMATION SYSTEMS		APPROVED [Signature]	SIZE D REVISION STATUS FOR 58007954 SHEET 1/2 REV E
LOC PHOENIX, ARIZONA	REVISION STATUS FOR EACH PAGE, SHEET OR GROUP IS SHOWN BY LAST ENTRY IN THE CORRESPONDING NUMBERED COLUMN		

CE 300 A-3 (12-71) BRUNING 44-141

THE INFORMATION CONTAINED IN THIS DOCUMENT IS PROPRIETARY TO HONEYWELL INFORMATION SYSTEMS, INC. AND IS INTENDED FOR INTERNAL HONEYWELL USE ONLY. SUCH INFORMATION MAY BE DISTRIBUTED TO OTHERS BY WRITTEN PERMISSION OF AN AUTHORIZED HONEYWELL OFFICIAL. THIS RESTRICTION DOES NOT APPLY TO VENDOR PROPRIETARY THAT MAY BE DISCLOSED IN THIS DOCUMENT.

58007954

REV	AUTHORITY	DATE			SIGNATURE	DWG SHEET NUMBER																		
		YR	MO	DAY		18	19	20	21	22	23	24	25	26	27	28	29	30	31	32	33			
A	LEVEL 3 ISSUE	75	03	07	Cate Ripley	A	A	A	A	A	A	A	A	A	A	A	A	A	A	A	A	A	A	A
B	PHADTE040	75	04	08	L. Mills																			
C	PHADTE046	75	06	06	L. Mills																			
D	PHADTE054	75	06	05	L. Mills																			
D1	PHADTE065	75	10	24	L. Mills																			
D2	PHADTE069	75	12	22	A.E. Braggell																			
D3	PHADTE072	76	03	24	H. Whelan																			
E	PHADTE078	76	06	01	A.E. Braggell																			

FOR CONTINUATION OF REVISION STATUS SEE SHEET

Honeywell		MADE BY Cate Ripley 74 July 11	TITLE LOGIC DIAGRAM MT6RT
HONEYWELL INFORMATION SYSTEMS		APPROVED [Signature]	SIZE D REVISION STATUS FOR 58007954 SHEET 2 F REV E
LOC PHOENIX, ARIZONA	REVISION STATUS FOR EACH PAGE, SHEET OR GROUP IS SHOWN BY LAST ENTRY IN THE CORRESPONDING NUMBERED COLUMN		

CE 300 A-3 (12-71) BRUNING 44-141

C68, 26, TOS, NCO,

Honeywell

MT6RT READ TAPE BOARD LOGIC/PAGE CROSS REFERENCE

58007954

CONT. ON 2.01 NO. 2.00

Table with 4 columns: SIGNAL NAME, SHEET, SIGNAL NAME, SHEET. Lists various signal names and their corresponding sheet numbers.

MADE BY EDA JUN 13 74 REV. DATE MAY 19 76 REV E DWG. NO. 58007954 CONT. ON 2.01 NO. 2.00

Honeywell

MT6RT READ TAPE BOARD LOGIC/PAGE CROSS REFERENCE

58007954

CONT. ON 2.02 NO. 2.01

Table with 4 columns: SIGNAL NAME, SHEET, SIGNAL NAME, SHEET. Lists various signal names and their corresponding sheet numbers.

MADE BY EDA JUN 13 74 REV. DATE MAY 19 76 REV E DWG. NO. 58007954 CONT. ON 2.02 NO. 2.01

Honeywell

MT6RT READ TAPE BOARD LOGIC/PAGE CROSS REFERENCE

58007954

CONT. ON 2.03 NO. 2.02

Table with 4 columns: SIGNAL NAME, SHEET, SIGNAL NAME, SHEET. Lists various signal names and their corresponding sheet numbers.

MADE BY EDA JUN 13 74 REV. DATE MAY 19 76 REV E DWG. NO. 58007954 CONT. ON 2.03 NO. 2.02

Honeywell

MT6RT READ TAPE BOARD LOGIC/PAGE CROSS REFERENCE

58007954

CONT. ON 2.04 NO. 2.03

Table with 4 columns: SIGNAL NAME, SHEET, SIGNAL NAME, SHEET. Lists various signal names and their corresponding sheet numbers.

MADE BY EDA JUN 13 74 REV. DATE MAY 19 76 REV E DWG. NO. 58007954 CONT. ON 2.04 NO. 2.03

Honeywell

58007954

PRINTS TO TITLE MT6RT READ TAPE BOARD CONT. ON 2.09 NO. 2.08 LOGIC/PAGE CROSS REFERENCE

Table with columns: SIGNAL NAME, SHEET, SIGNAL NAME, SHEET. Lists various signal names and their corresponding sheet numbers.

MADE BY EDA JUN 13.74 REV. DATE MAY 19.76 REV E DWG. NO. 58007954 CONT. ON 2.09 NO. 2.08

Honeywell

58007954

PRINTS TO TITLE MT6RT READ TAPE BOARD CONT. ON 2.10 NO. 2.09 PIN/PAGE CROSS REFERENCE

Table with columns: PIN NAME, SHEET, PIN NAME, SHEET, PIN NAME, SHEET. Lists various pin names and their corresponding sheet numbers.

MADE BY EDA JUN 13.74 REV. DATE MAY 19.76 REV E DWG. NO. 58007954 CONT. ON 2.10 NO. 2.09

Honeywell

58007954

PRINTS TO TITLE MT6RT READ TAPE BOARD CONT. ON 2.11 NO. 2.10 PIN/PAGE CROSS REFERENCE

Table with columns: PIN NAME, SHEET, PIN NAME, SHEET, PIN NAME, SHEET. Lists various pin names and their corresponding sheet numbers.

MADE BY EDA JUN 13.74 REV. DATE MAY 19.76 REV E DWG. NO. 58007954 CONT. ON 2.11 NO. 2.10

Honeywell

58007954

PRINTS TO TITLE MT6RT READ TAPE BOARD CONT. ON 2.12 NO. 2.11 PIN/PAGE CROSS REFERENCE

Table with columns: PIN NAME, SHEET, PIN NAME, SHEET, PIN NAME, SHEET. Lists various pin names and their corresponding sheet numbers.

MADE BY EDA JUN 13.74 REV. DATE MAY 19.76 REV E DWG. NO. 58007954 CONT. ON 2.12 NO. 2.11

REVISIONS				
REV	AUTHORITY	DATE		SIGNATURE
		YR	MO DAY	

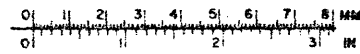
PIN NO.	SHEET NO.	PIN NO.	SHEET NO.	PIN NO.	SHEET NO.	PIN NO.	SHEET NO.	PIN NO.	SHEET NO.	PIN NO.	SHEET NO.	PIN NO.	SHEET NO.
WA00	15	WD00	27	WG00	8	WK00	44	LA00		LD00		RA00	
WA01		WD01	27	WG01		WK01	44	LA01		LD01		RA01	
WA02	15	WD02	18	WG02		WK02	44	LA02		LD02		RA02	
WA03	15	WD03	18	WG03		WK03	44	LA03		LD03		RA03	
WA04	15	WD04	27	WG04		WK04	44	LA04		LD04		RA04	
WA05	15	WD05	27	WG05		WK05	44	LA05		LD05		RA05	
WA06	15	WD06	27	WG06		WK06	44	LA06		LD06		RA06	
WA07	15	WD07	30	WG07		WK07	44	LA07		LD07		RA07	
WA08	15	WD08	13	WG08		WK08	44	LA08		LD08		RA08	
WA09	15	WD09	13	WG09		WK09	44	LA09		LD09		RA09	
WA10	29	WD10	13	WG10		WK10	44	LA10		LD10		RA10	
WA11		WD11		WG11		WK11		LA11		LD11		RA11	
WA12	25	WD12	12	WG12		WK12	44	LA12		LD12		RA12	
WA13	15	WD13	12	WG13		WK13	44	LA13		LD13		RA13	
WA14	15	WD14	12	WG14		WK14	44	LA14		LD14		RA14	
WA15	15	WD15	12	WG15		WK15	44	LA15		LD15		RA15	
WA16	15	WD16	12	WG16		WK16	44	LA16		LD16		RA16	
WA17	15	WD17	12	WG17		WK17	44	LA17		LD17		RA17	
WA18	15	WD18	12	WG18		WK18	44	LA18		LD18		RA18	
WA19	15	WD19	12	WG19		WK19	44	LA19		LD19		RA19	
WA20	15	WD20	12	WG20		WK20		LA20		LD20		RA20	
WA21		WD21		WG21		WK21		LA21		LD21		RA21	
WB00	29	WE00	15	WH00	32	WZ00		LB00		RB00			
WB01	28	WE01	16	WH01	32	WZ01		LB01		RB01			
WB02	28	WE02		WH02	12	WZ02		LB02		RB02			
WB03	30	WE03	13	WH03	12	WZ03		LB03		RB03			
WB04	30	WE04	13	WH04		WZ04		LB04		RB04			
WB05	25	WE05	22	WH05		WZ05		LB05		RB05			
WB06	25	WE06		WH06				LB06		RB06			
WB07	4	WE07	26	WH07	12			LB07		RB07			
WB08	4	WE08	27	WH08				LB08		RB08			
WB09	4	WE09	4	WH09				LB09		RB09			
WB10	4	WE10	12	WH10				LB10		RB10			
WB11		WE11		WH11				LB11		RB11			
WB12	33	WE12	25	WH12				LB12		RB12			
WB13	4	WE13	12	WH13				LB13		RB13			
WB14	4	WE14	6	WH14				LB14		RB14			
WB15	4	WE15	6	WH15	11			LB15		RB15			
WB16	4	WE16	6	WH16				LB16		RB16			
WB17	4	WE17	6	WH17				LB17		RB17			
WB18	4	WE18	7	WH18				LB18		RB18			
WB19	4	WE19	7	WH19	12			LB19		RB19			
WB20	4	WE20	7	WH20				LB20		RB20			
WB21		WE21	7	WH21				LB21		RB21			
WC00	12	WF00	25	WJ00		LC00		RC00					
WC01	32	WF01	29	WJ01		LC01		RC01					
WC02	32	WF02	34	WJ02		LC02		RC02					
WC03		WF03	31	WJ03		LC03		RC03					
WC04	25	WF04	29	WJ04		LC04		RC04					
WC05	22	WF05	31	WJ05		LC05		RC05					
WC06	28	WF06	32	WJ06		LC06		RC06					
WC07		WF07	32	WJ07		LC07		RC07					
WC08	30	WF08	32	WJ08		LC08		RC08					
WC09		WF09	33	WJ09		LC09		RC09					
WC10	29	WF10	33	WJ10		LC10		RC10					
WC11		WF11		WJ11		LC11		RC11					
WC12	23	WF12		WJ12		LC12		RC12					
WC13	17	WF13		WJ13		LC13		RC13					
WC14	15	WF14		WJ14		LC14		RC14					
WC15	27	WF15		WJ15		LC15		RC15					
WC16	27	WF16		WJ16		LC16		RC16					
WC17	32	WF17		WJ17		LC17		RC17					
WC18	20	WF18		WJ18		LC18		RC18					
WC19	14	WF19		WJ19		LC19		RC19					
WC20	19	WF20		WJ20		LC20		RC20					
WC21		WF21		WJ21		LC21		RC21					

SHEETS 1,2,3 ARE "A" SIZE

FOR DOCUMENT STATUS, SEE REVISION STATUS SHEET

AA4/2-SLOT 5

UNLESS OTHERWISE SPECIFIED		MATERIAL		Honeywell HONEYWELL INFORMATION SYSTEMS PHOENIX, ARIZONA U. S. A.	
DIMENSIONS= MILLIMETERS					
TOLERANCE OF SIZE AND FORM PER		TREAT.		LOC <i>PC0</i>	
INITIAL DESIGN		FIN.		TITLE LOGIC DIAGRAM MT6RT	
PROJECTION				PIN/SHEET CROSS REF	
SCALE	CODE	DR	DATE	SIZE	DWG NO
		<i>Richard D. Jones</i>	<i>22 August 74</i>	D	58007954
		<i>APPD 1975 Feb 26</i>		SH	REV
				3.1	A



REF SPEC NO

58007954

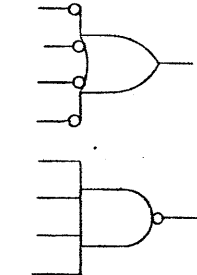
REVISIONS				
REV	AUTHORITY	DATE		SIGNATURE
		YR	MO DAY	

	A	B	C	D	E	F	G	H	J	K	L	M	N	P	Q	R	S	T	U	V	
0	16 16 16 16 16 17	17 17 17 17 17 17	25	25 25 25 25	25 25 18 18 18 18	25 25	18	18	18	19	19	20	20	21	21	22	23	23	23	23	
1	16	16	17	16 18	25 25 25	25 16	18	18	18	19 19 20 19	19	20	20	21	21	22	24	24	24	24	
2	17 17	17 17 17 17 25	17	16 16 16 25	25	25	1,2,3,5 11,12,13,14 18	1,2,3,5 11,12,13,14 18	29	28 28 28 19 19	19	19	26 26 26	26 26 23	23 23 28	30 30	22	24	24	24	
3	16 16	17 17	17	16 19 27 23 12	25 25	29 29	29 29	29 29	29 29	28	29	31	31 31 31 31 30 30	31 26 31 30	31 31	30 30	26 26	24 24 29 29	24	24	
4	16 16	16 16	29 27	27	27	27	27 27 27 28	28 29 29 29 27 12	28	29	31	31 30 30	31 30 30	30 30	31 27 26	31 31	27 26 26 26	26	26	26	
5	15 15 15 15 15 15	15 15 15 25 15 25	14	13 13 14 29	14	27 27 27 27	27 27 25 25	29 27 32 32	28 27	33 33	32 24	32 32	30 33	32 29	33 32	33 32	33 32	27 30 26 26 32 26	30	30	
6	15	15	14 14 14 13	14 14 14 13	14	14 14 13 13	14	27 30	27 29 29 29 27 32	29 29 29 29 32 32	29 29 29 32 32 32	31 31 31 31 32	30 30 30	30 32 33	8	8	9	9	9	10	
7	25 15 15 15 15 15	15 15 15 15 15 15	14	14	14	13 13 13	13	5	5	5	6	6	6	6	7	7	8	8	9	9	10
8	15	15 15 15 15 15 15	13	13	13	27	18 27 18 18	5	5	5	6	6	6	7	7	11 11 11 11	11 11 11 11	11 11 11 11	11 11 11 11	11 11 11 11	11 11
9	15	15	4 4 4 4 4 4	4 4 4 4 4 4	15 27 30 30 30 25	30 30 30 30	49 30 33 33 18 26	16 27 29 29 11 29	11 → 11	12	12 12 12	12 12 12 12 30 30	12 12	12	5 5 5 6 6 6	8 8 11 11 11 26	11 32 32 10 33	32 10 33	9	9	9

- 1B3441
- 1B3442
- 1B3443
- 1C3447
- 1E-O11
- 1G4412
- 1N3450
- 1P3405
- 1R3440
- 1Z3453

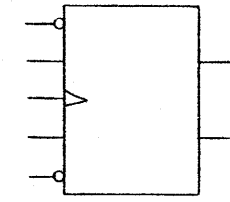
- PO05
- PO07
- PO08
- PO56
- PO57

RN3E
RN9A



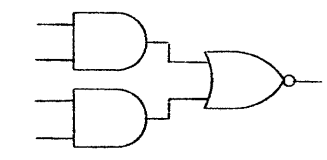
2D5419
2G4414

1, 2, 4, 5, 6
8, 9, 10, 12, 13



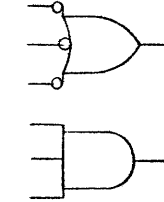
2F9463

1, 2, 3, 4 14, 15, 16
6, 7, 8, 9 10, 11, 12



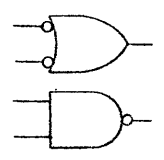
2G4414

1, 8, 9, 10, 13
2, 3, 4, 5, 6



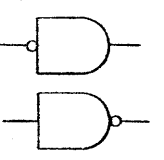
3G4417

1, 2, 12, 13
3, 4, 5, 6
8, 9, 10, 11



4G4408
4G4409

1, 2, 3, 4, 5, 6
8, 9, 10, 11, 12, 13



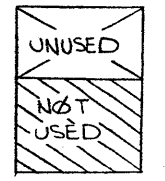
614410

1, 2, 3, 4
5, 6, 8, 9
10, 11, 12, 13



RN4D

1	11
2	7
3	5

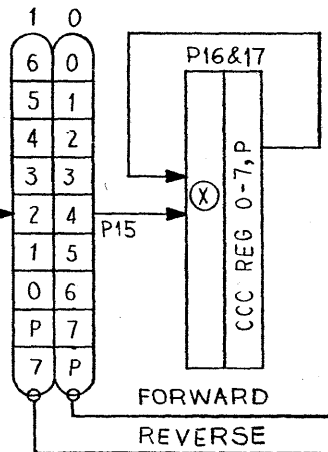


UNUSED
NOT USED

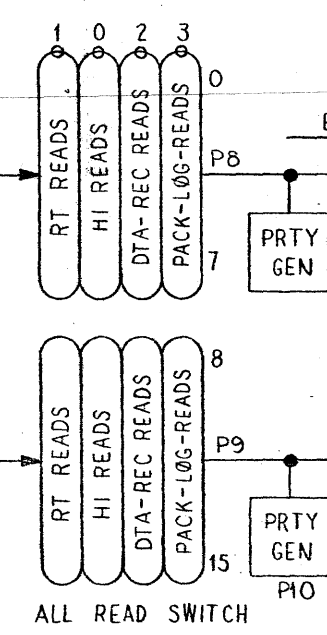
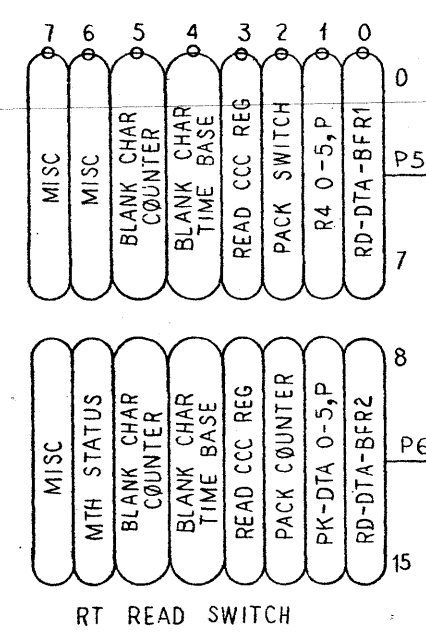
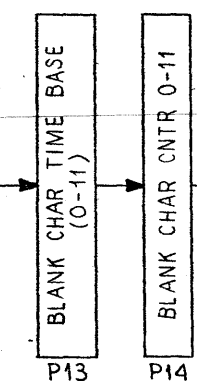
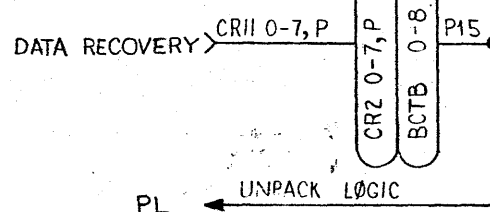
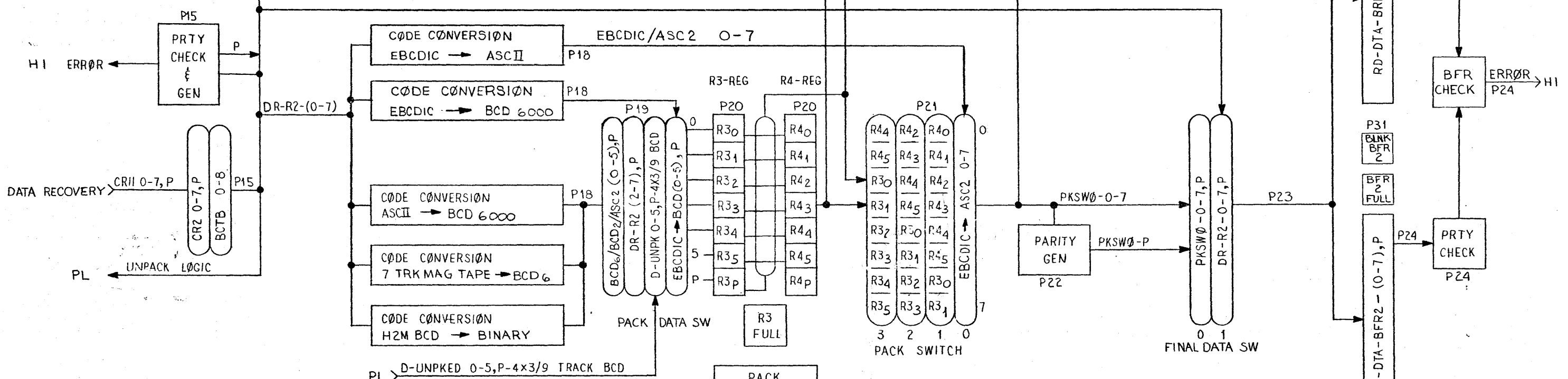
UNLESS OTHERWISE SPECIFIED		MATERIAL		Honeywell HONEYWELL INFORMATION SYSTEMS PHOENIX, ARIZONA U. S. A.	
DIMENSIONS= MILLIMETERS / INCHES		TREAT.			
TOLERANCE OF SIZE AND FORM PER		FIN.		TITLE LOGIC DIAGRAM MT6RT CIRCUIT LOCATOR	
INITIAL DESIGN		PROJECTION		SCALE	
CODE		DR 7A-11-19 APPD 1975 Feb 26		SIZE D	
		DISTR.		DWG NO 58007954	
				SH 3.2	
				REV C	

58007954

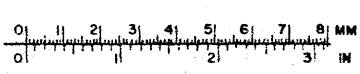
CCC TWISTER



REVISIONS			
REV	AUTHORITY	DATE	SIGNATURE
		YR MO DAY	

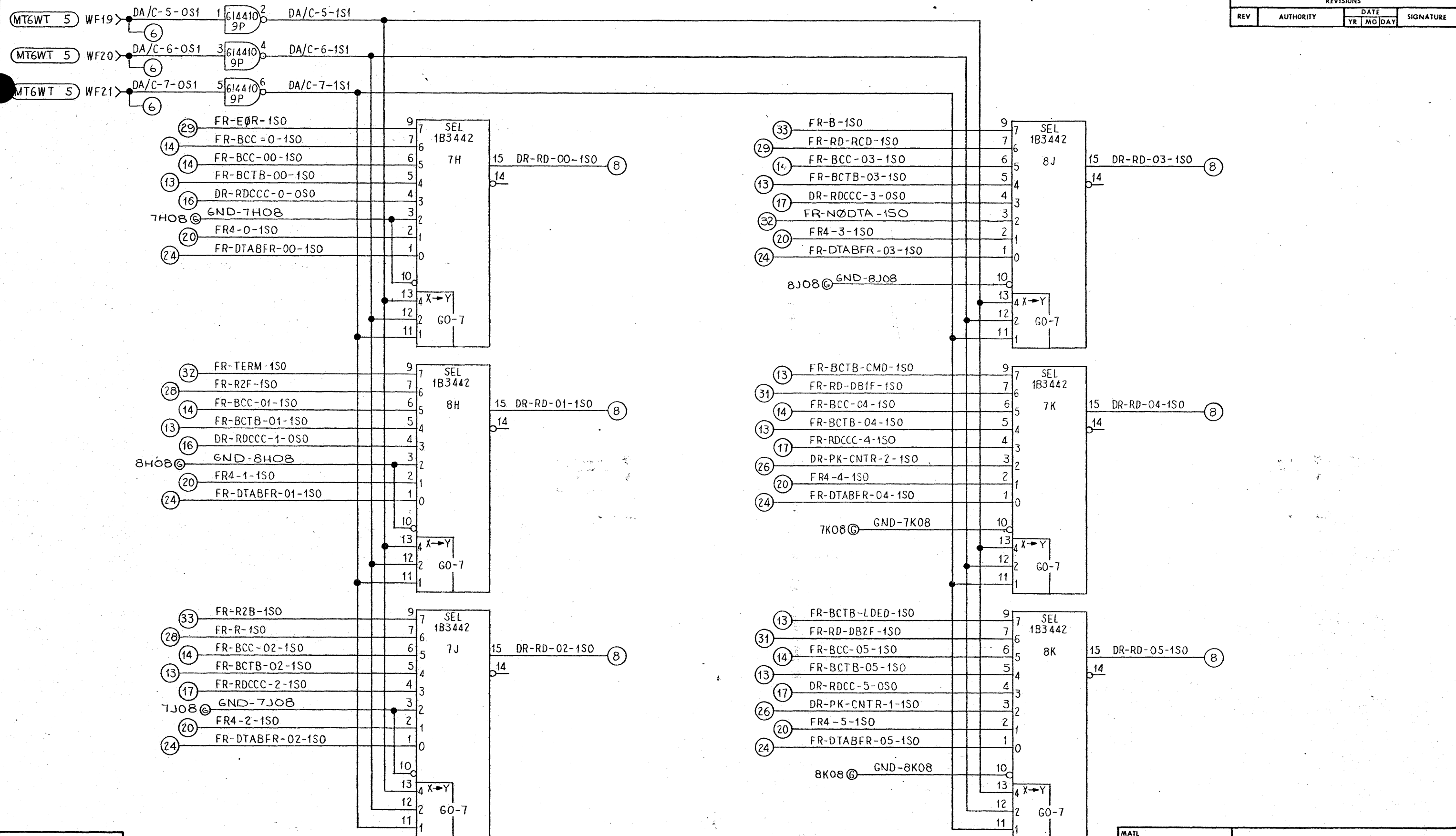


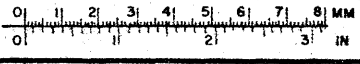
UNLESS OTHERWISE SPECIFIED		MATERIAL	
DIMENSIONS = MILLIMETERS			
TOLERANCE OF SIZE AND FORM PER INCHES		TREAT.	
INITIAL DESIGN		FIN.	
PROJECTION			
SCALE	CODE	DR 14 JUNE 11	SIZE DWG NO
		<i>John Riley</i>	D 58007954
		APPD 1475 Feb 26	SH 3.3
		<i>P. Sandberg</i>	REV A



58007954

REVISIONS			
REV	AUTHORITY	DATE	SIGNATURE
		YR MO DAY	

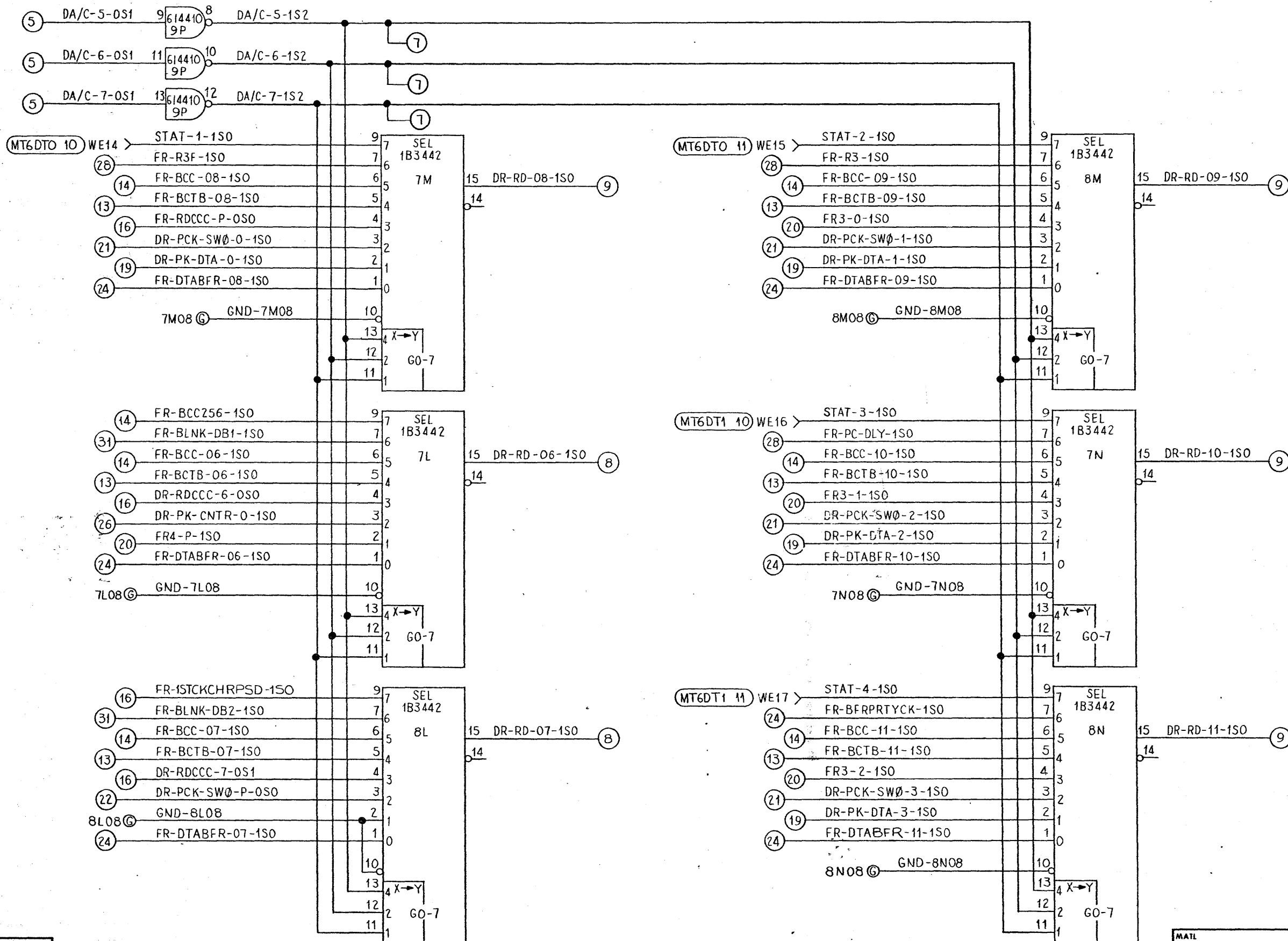




MATL	Honeywell HONEYWELL INFORMATION SYSTEMS PHOENIX, ARIZONA U.S.A.		
TREAT.			
FIN.	TITLE LOGIC DIAGRAM MT6RT READ OUT SW (00-05)		
DR 74 JUNE 11 C. Ripley	SIZE D	DWG NO 58007954	SH 5
APPD 1975 Feb 26 J. Spooling			REV A

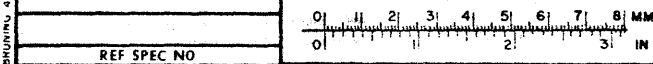
58007954

REVISIONS				
REV	AUTHORITY	DATE		SIGNATURE
		YR	MO	

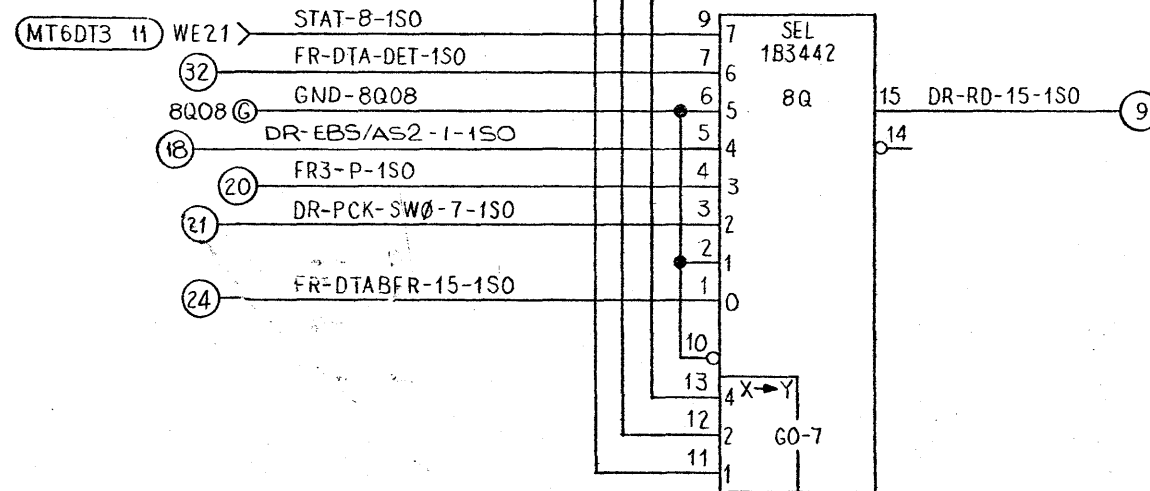
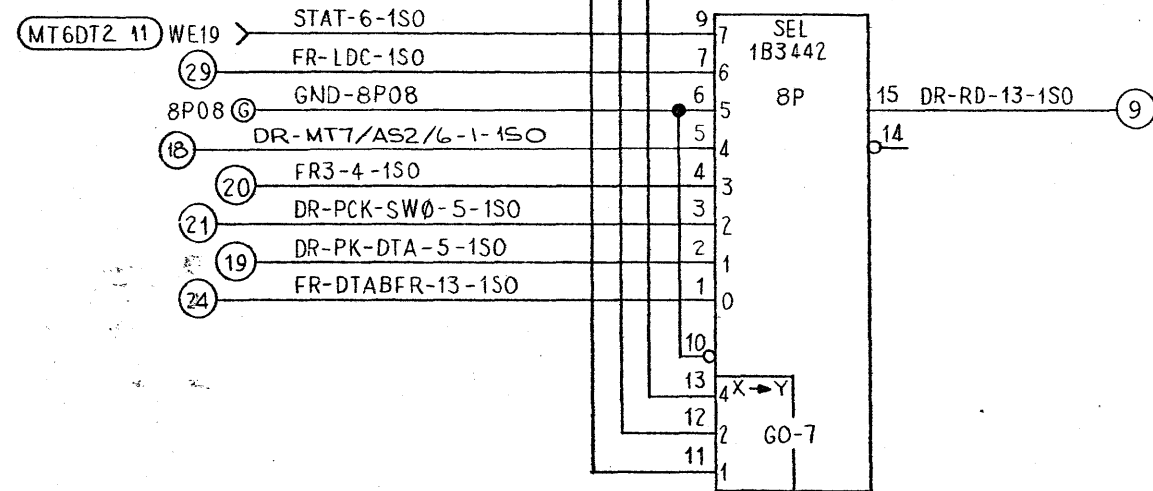
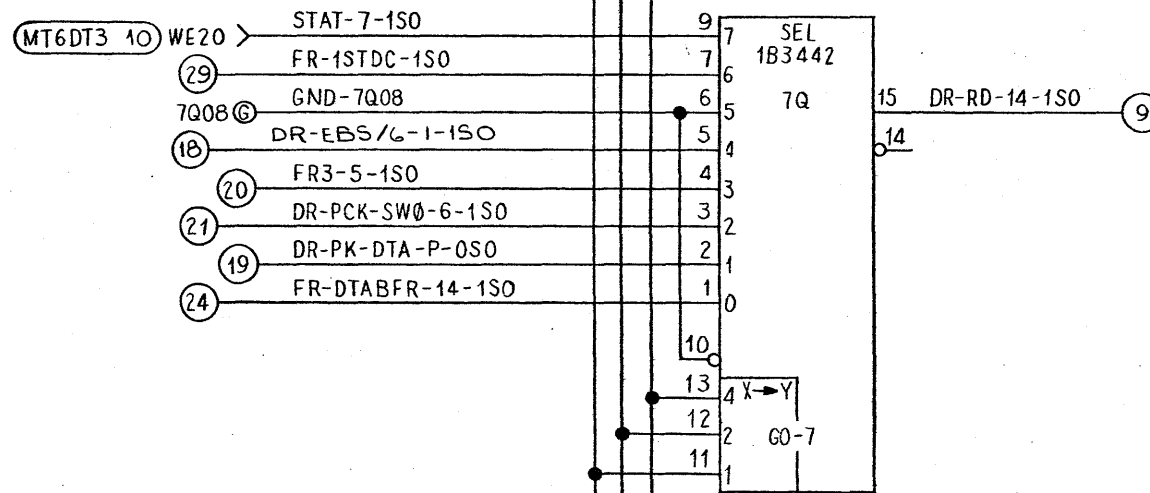
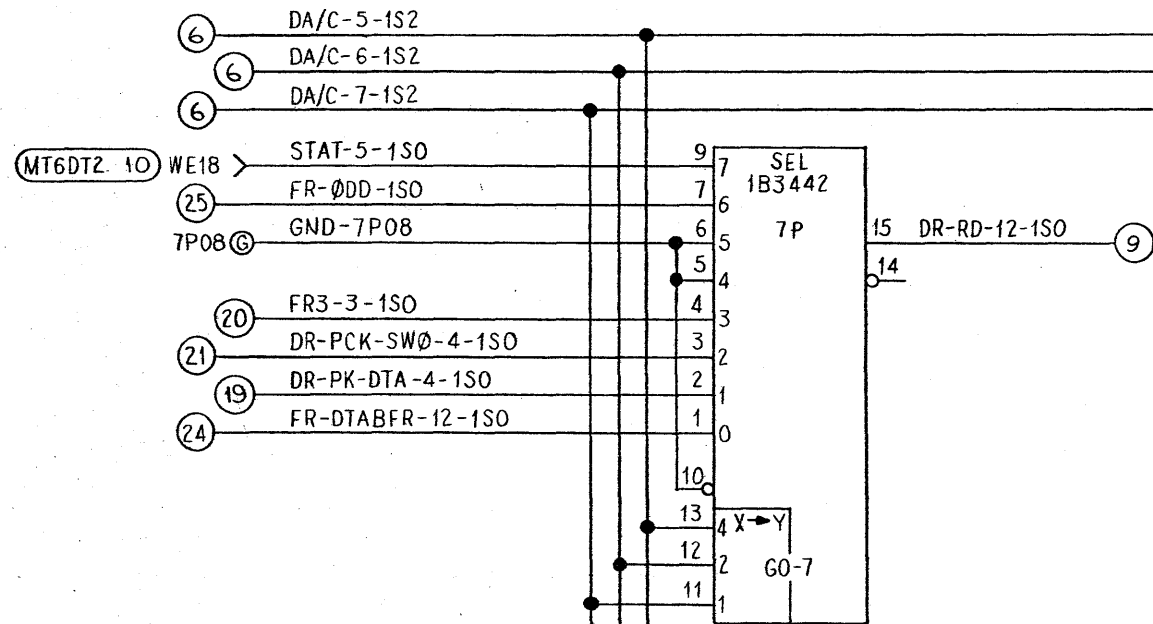


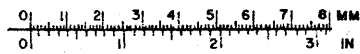
58007954-7

MATERIAL		Honeywell	
TREAT.	LOC PCD	HONEYWELL INFORMATION SYSTEMS PHOENIX, ARIZONA U. S. A.	
FIN.		TITLE LOGIC DIAGRAM MT6RT READ OUT SW (06-11)	
DR 74 JUNE 12 Dote Ripley	APPD 1975 FEB 20 J. D. Ripley	SIZE D	DWG NO 58007954
DISTR		SH 6	REV A



REVISIONS				
REV	AUTHORITY	DATE		SIGNATURE
		YR	MO DAY	



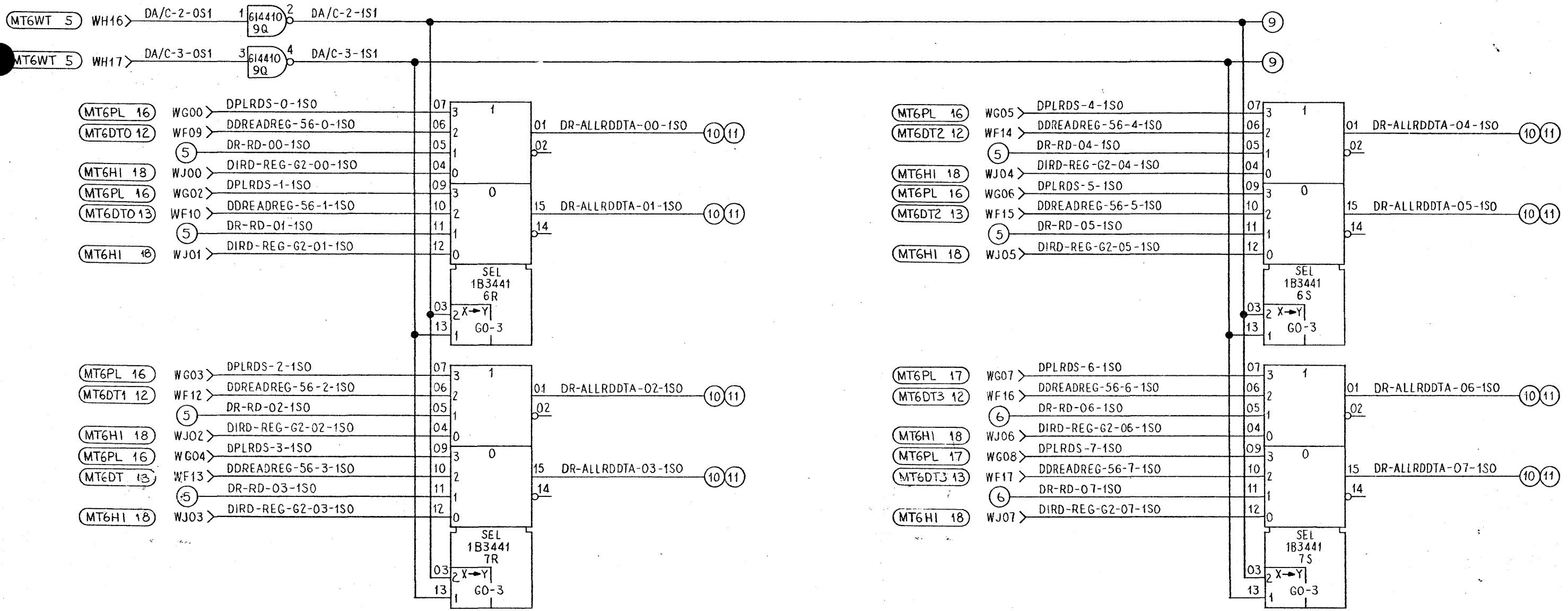


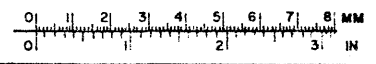
UNLESS OTHERWISE SPECIFIED		MATERIAL	
DIMENSIONS=	MILLIMETERS		
TOLERANCE OF SIZE AND FORM PER	INCHES	TREAT.	
INITIAL DESIGN		FIN.	
PROJECTION		DR 74 JUNE 12	
SCALE	CODE	APPD 1475 Feb 24	
		DISTR 668-26 TOS, NCO, SDF	

Honeywell HONEYWELL INFORMATION SYSTEMS PHOENIX, ARIZONA U. S. A.			
TITLE LOGIC DIAGRAM MT6RT READ OUT SW (12-15)			
SIZE	DWG NO	SH	REV
D	58007954	7	A

58007954

REVISIONS				
REV	AUTHORITY	DATE		SIGNATURE
		YR	MO DAY	

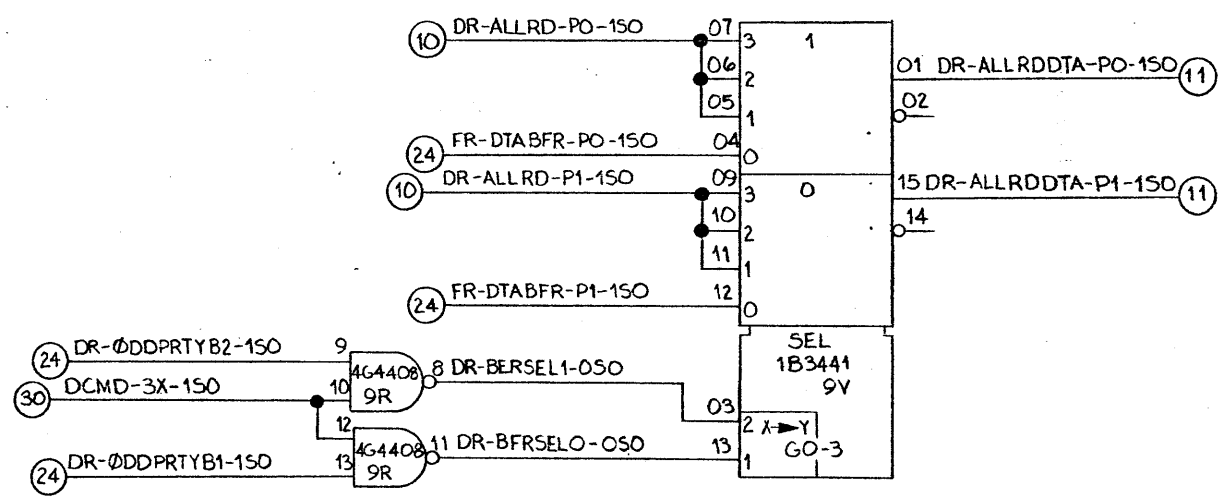
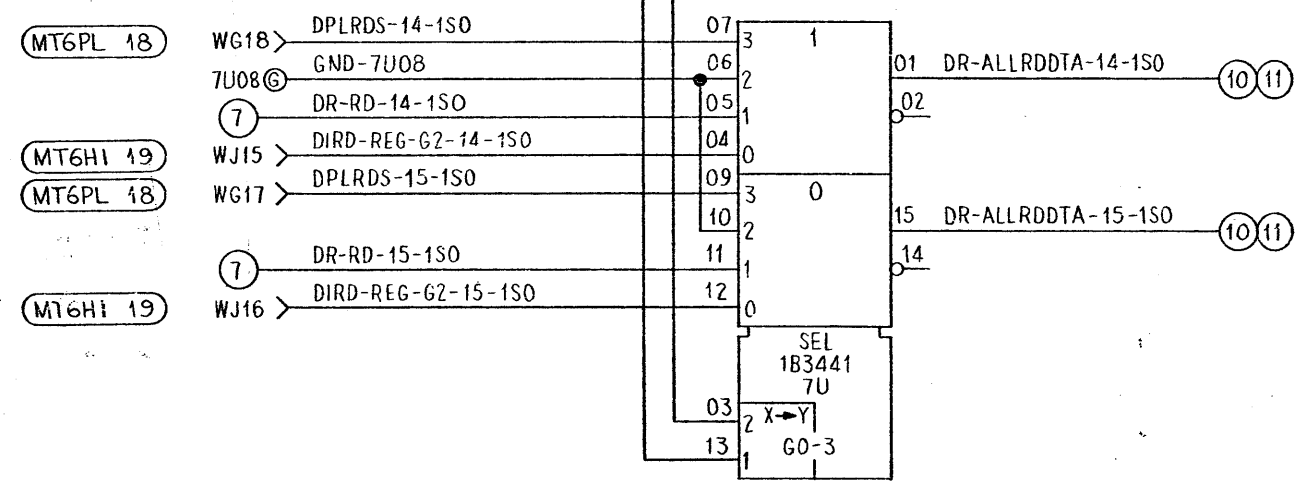
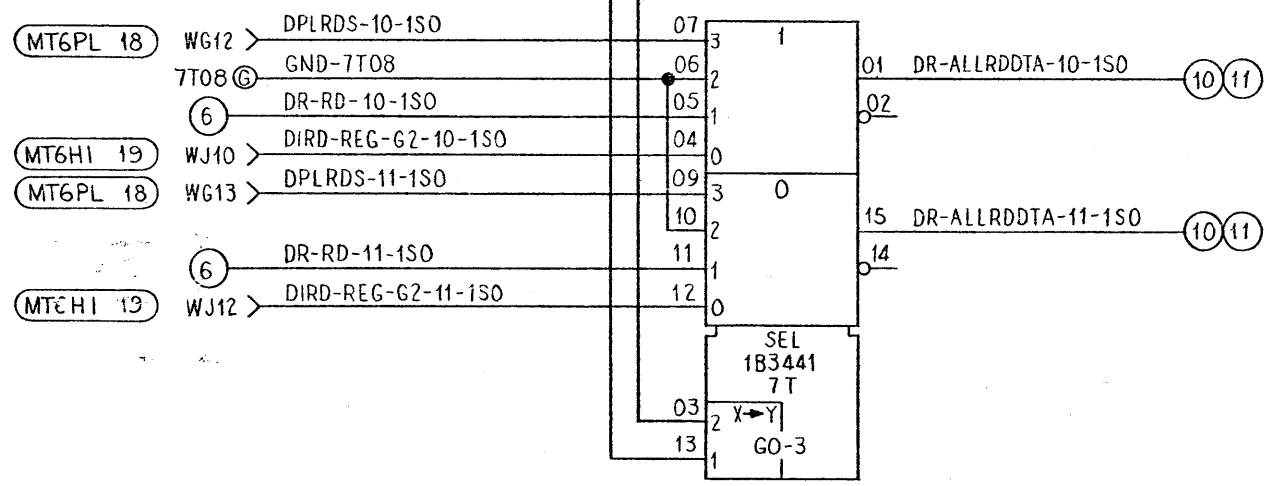
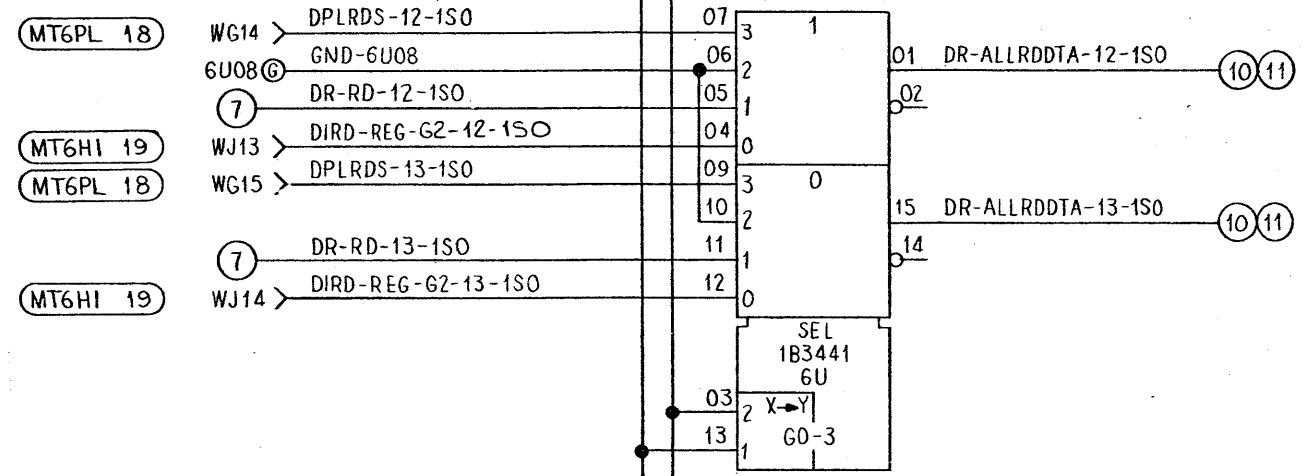
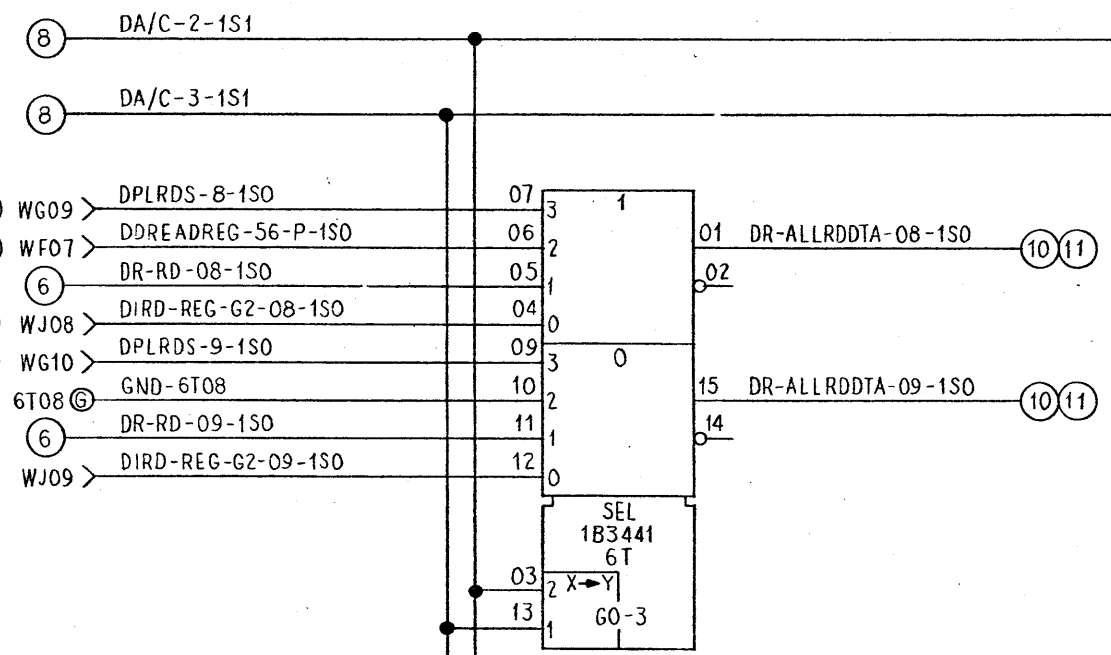


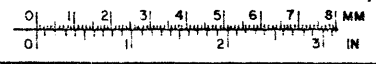


UNLESS OTHERWISE SPECIFIED		MATERIAL	
DIMENSIONS=	MILLIMETERS		
TOLERANCE OF SIZE AND FORM PER	INCHES	TREAT.	
INITIAL DESIGN		FIN.	
PROJECTION			
SCALE	CODE	DR 74 JUNE 12	SIZE
			DWG NO
			58007954
			SH
			REV
			B

58007954

REVISIONS				
REV	AUTHORITY	DATE	SIGNATURE	
		YR MO DAY		

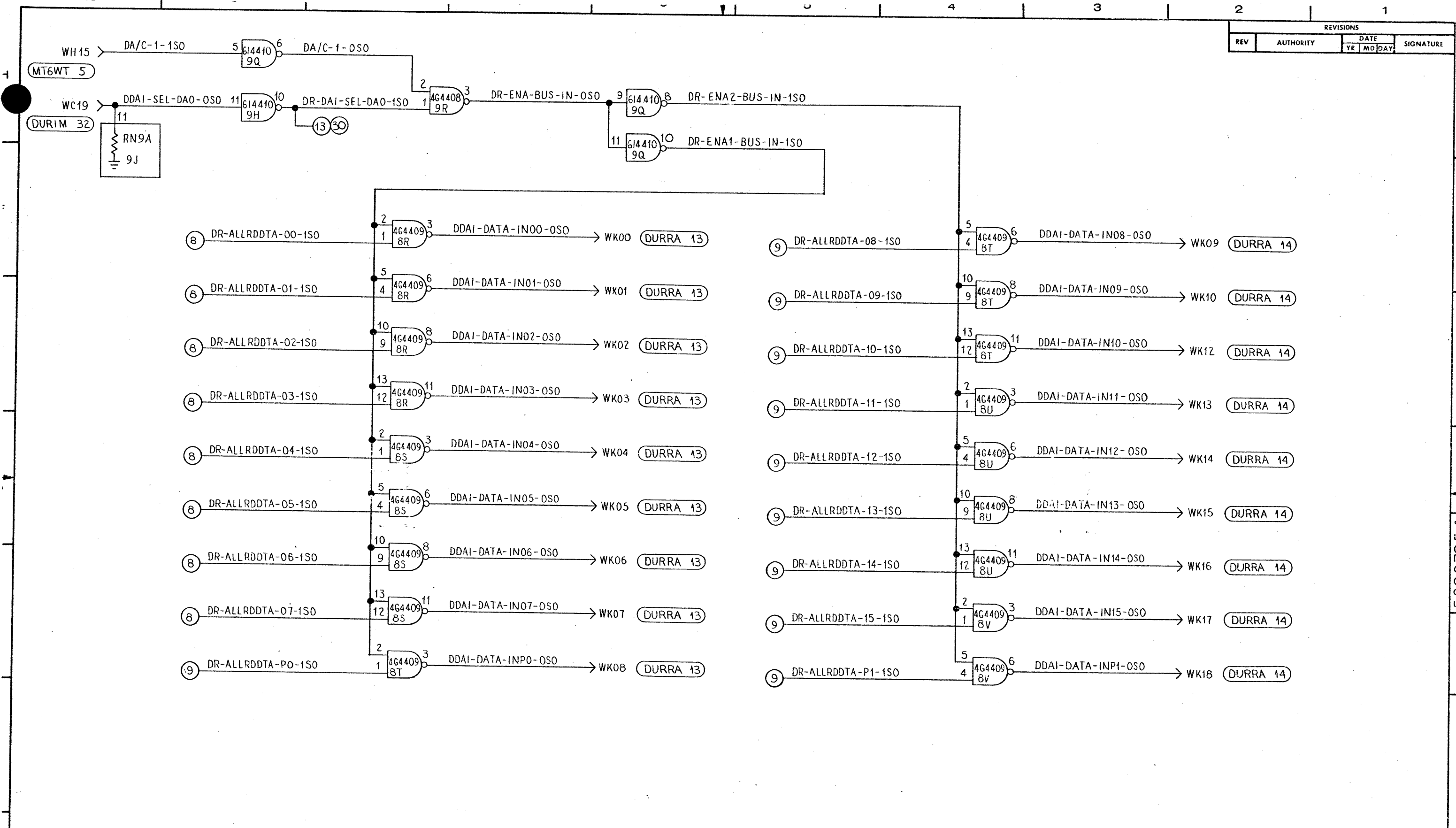


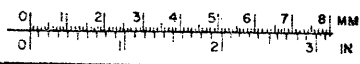


UNLESS OTHERWISE SPECIFIED		MATERIAL		Honeywell HONEYWELL INFORMATION SYSTEMS PHOENIX ARIZONA U.S.A. LOC PCØ			
DIMENSIONS = MILLIMETERS		INCHES		TREAT.		TITLE LOGIC DIAGRAM MT6RT	
TOLERANCE OF SIZE AND FORM PER INITIAL DESIGN		PROJECTION		FIN.		TCA READ ØUT SW (Ø8-15)	
SCALE	CODE	DR 74 JUNE 13		SIZE	DWG NO	SH	REV
		APPD 1975 Feb 21		D	58007954	9	A
		DISTR C-68-26, TOS, NCO, SDF					

58007954

REVISIONS				
REV	AUTHORITY	DATE		SIGNATURE
		YR	MO	DAY

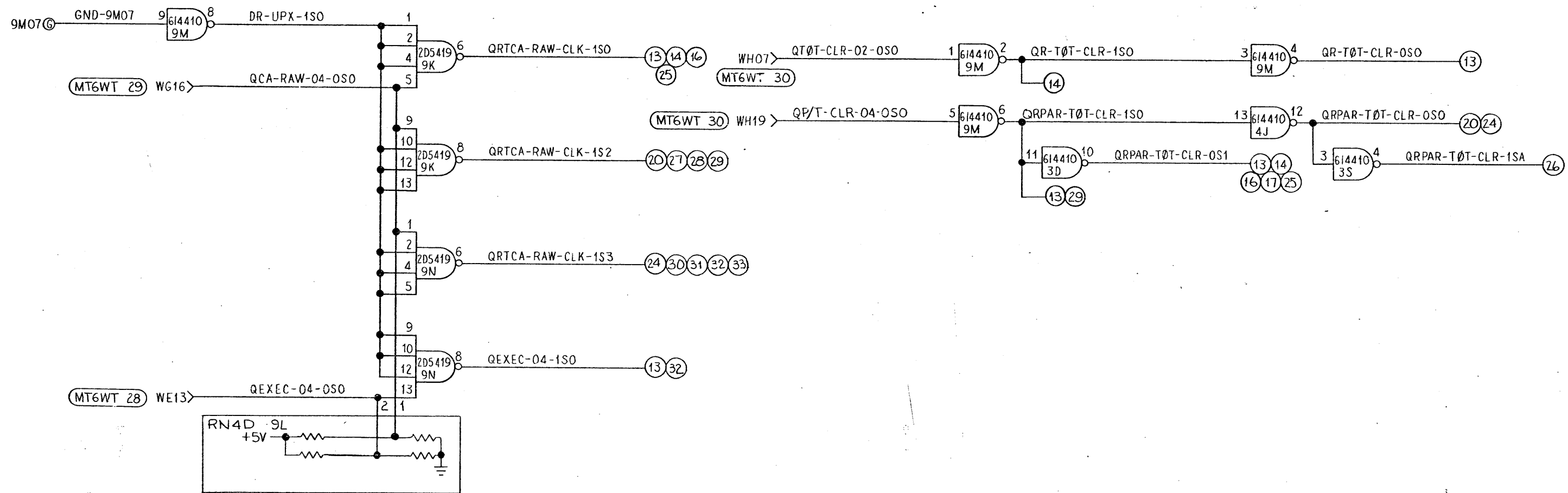


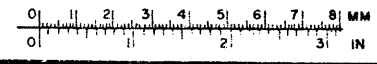


UNLESS OTHERWISE SPECIFIED		MATERIAL		Honeywell HONEYWELL INFORMATION SYSTEMS PHOENIX, ARIZONA U. S. A.	
DIMENSIONS = MILLIMETERS / INCHES		TREAT.			
TOLERANCE OF SIZE AND FORM PER INITIAL DESIGN		FIN.		TITLE LOGIC DIAGRAM MT6RT IAI DATA IN BUS	
SCALE	CODE	DR 74 JUNE 13	APPD 1975 FEB 26	SIZE D	DWG NO 58007954
		PROJECTED BY <i>Cate Ripley</i> CHECKED BY <i>J. B. King</i>		SH 11	REV A
		DISTR			

58007954

REVISIONS			
REV	AUTHORITY	DATE YR MO DAY	SIGNATURE





UNLESS OTHERWISE SPECIFIED		MATERIAL		Honeywell HONEYWELL INFORMATION SYSTEMS PHOENIX, ARIZONA U. S. A.	
DIMENSIONS = MILLIMETERS / INCHES		TREAT.			
TOLERANCE OF SIZE AND FORM PER INITIAL DESIGN		FIN.		LOC PCØ TITLE LOGIC DIAGRAM MT6RT CLOCKS & CLEARS	
SCALE	CODE	DR 74 JUNE 13 <i>Acta Ripley</i>		SIZE	REV
APPD 1976 Feb. 26 <i>J. B. ...</i>		DWG NO 58007954		SH	12
					A

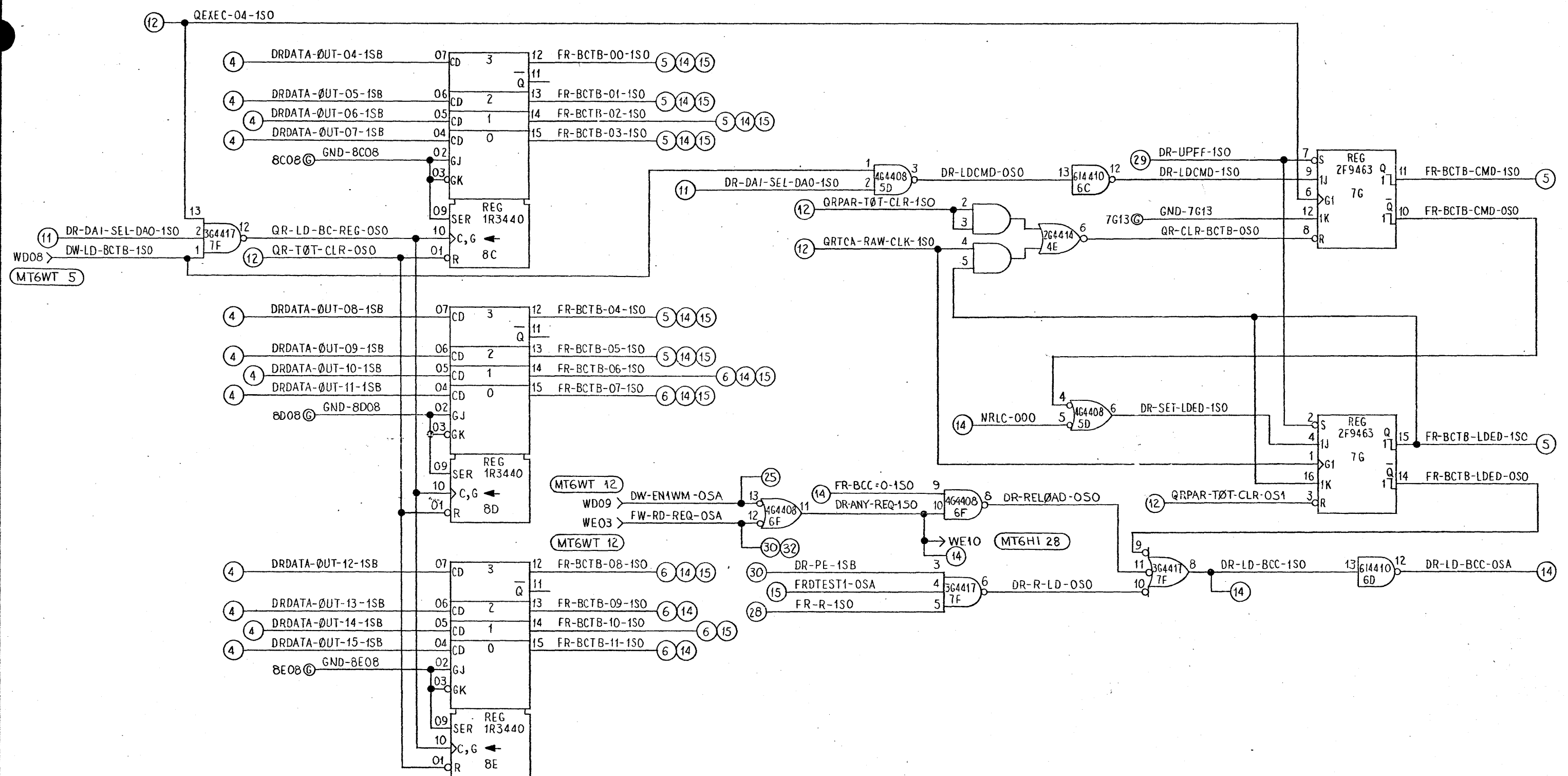
58007954

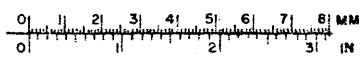
BRUNING 44 141

REF SPEC NO

DATE

REVISIONS			
REV	AUTHORITY	DATE	SIGNATURE
YR	MO	DAY	

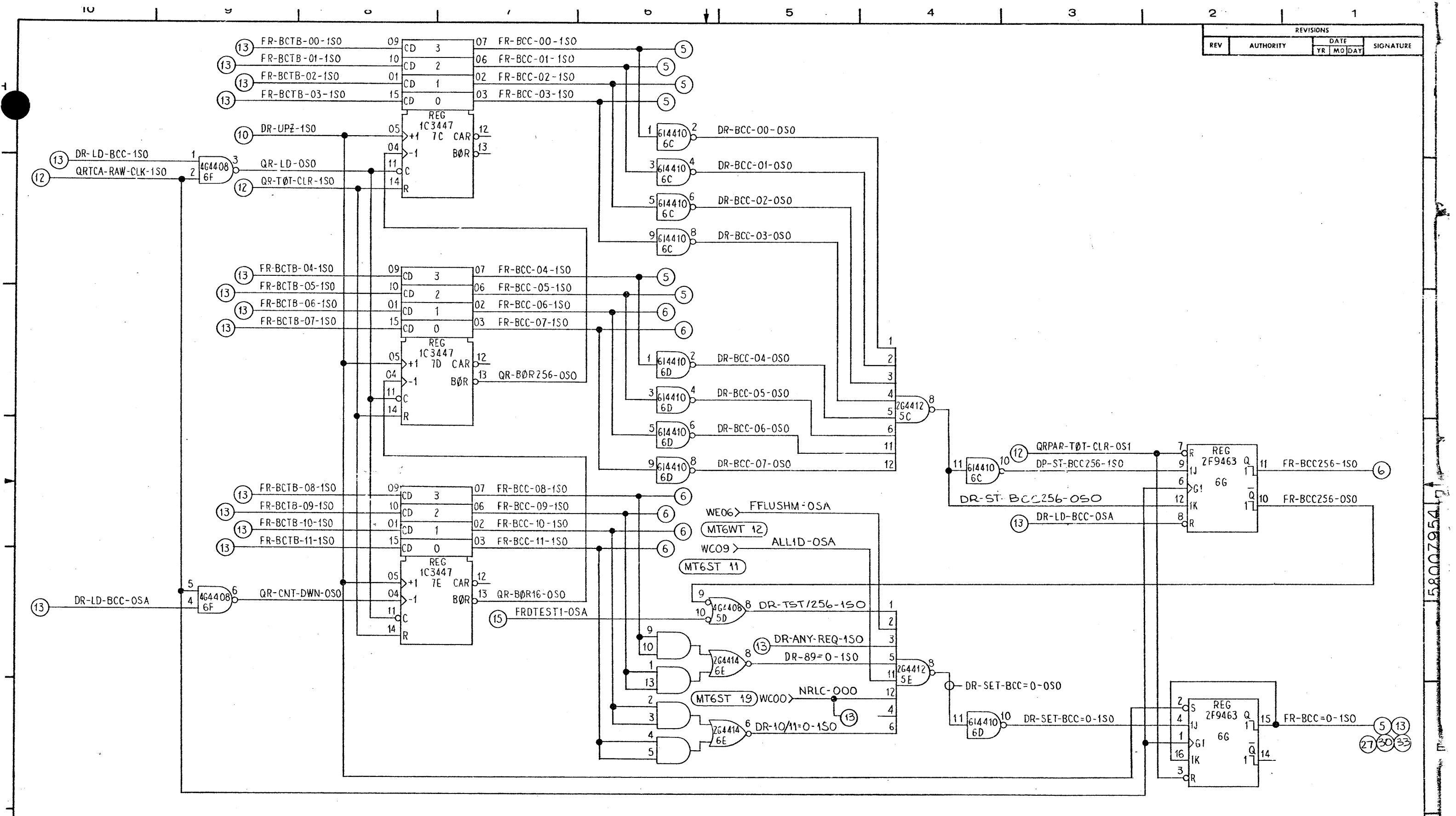


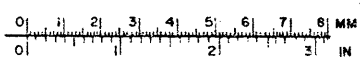


UNLESS OTHERWISE SPECIFIED		MATL		Honeywell HONEYWELL INFORMATION SYSTEMS PHOENIX, ARIZONA U. S. A.	
DIMENSIONS=	MILLIMETERS INCHES	TREAT.			
TOLERANCE OF SIZE AND FORM PER		INITIAL DESIGN		TITLE LOGIC DIAGRAM MT6RT BLANK CHAR TIME BASE	
		PROJECTION			
SCALE	CODE	DR 74 JUNE 14		SIZE	DWG NO
				D	58007954
				SH	REV
				13	A

58007954

REVISIONS				
REV	AUTHORITY	DATE		SIGNATURE
		YR	MO	DAY

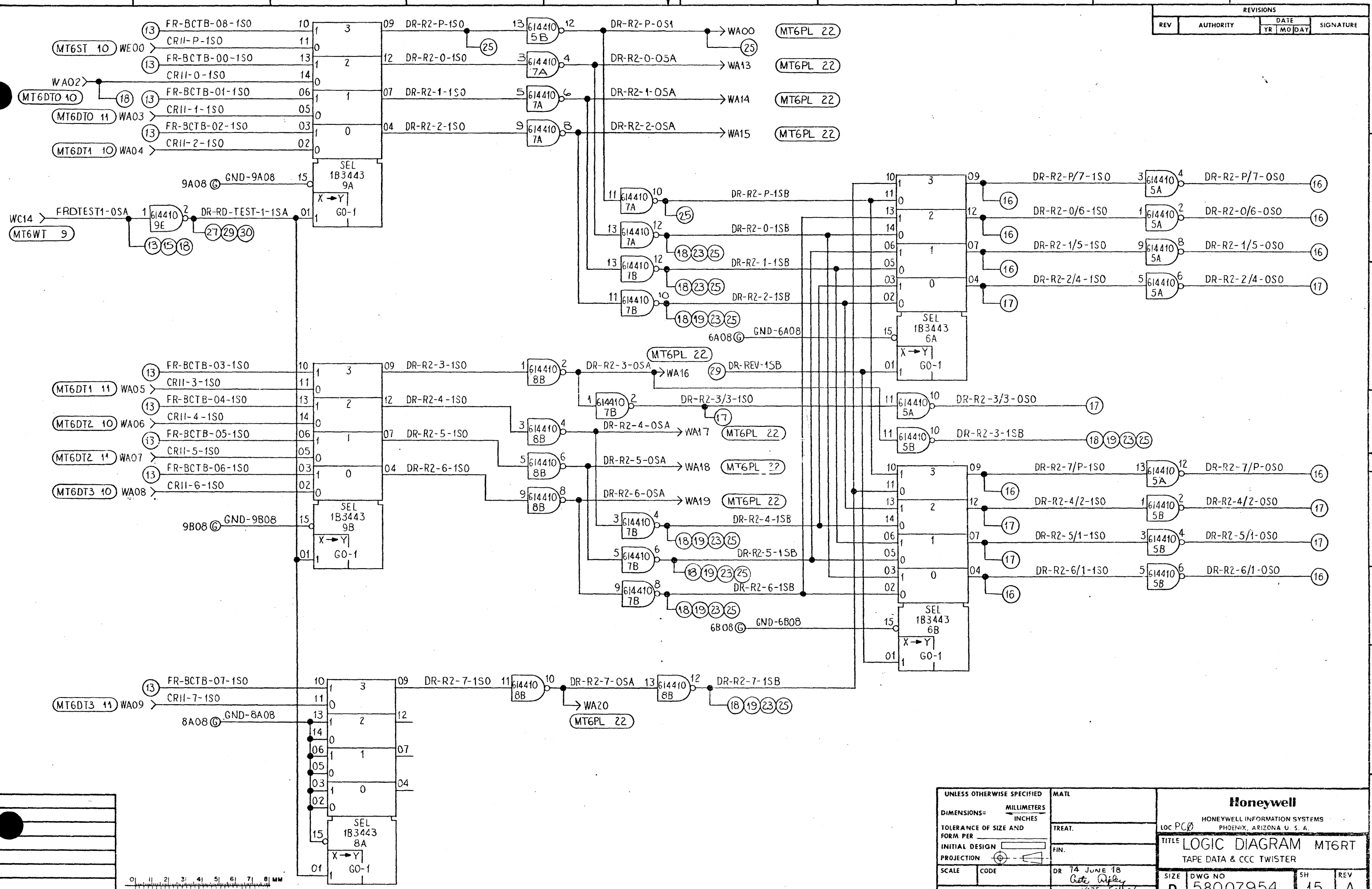




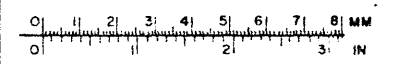
UNLESS OTHERWISE SPECIFIED		MATL	
DIMENSIONS= MILLIMETERS INCHES		TREAT.	
TOLERANCE OF SIZE AND FORM PER		FIN.	
INITIAL DESIGN		DR 14 JUNE 77	
PROJECTION		Cute Ripley	
SCALE	CODE	APPD 1475 PLS	SH
Honeywell		HONEYWELL INFORMATION SYSTEMS PHOENIX, ARIZONA U.S.A.	
TITLE LOGIC DIAGRAM MT6RT BLANK CHAR COUNTER		LOC PCØ	REV
		SIZE DWG NO	
		D 58007954	14 D

58007954

REVISIONS			
REV	AUTHORITY	DATE	SIGNATURE
		YR MO DAY	



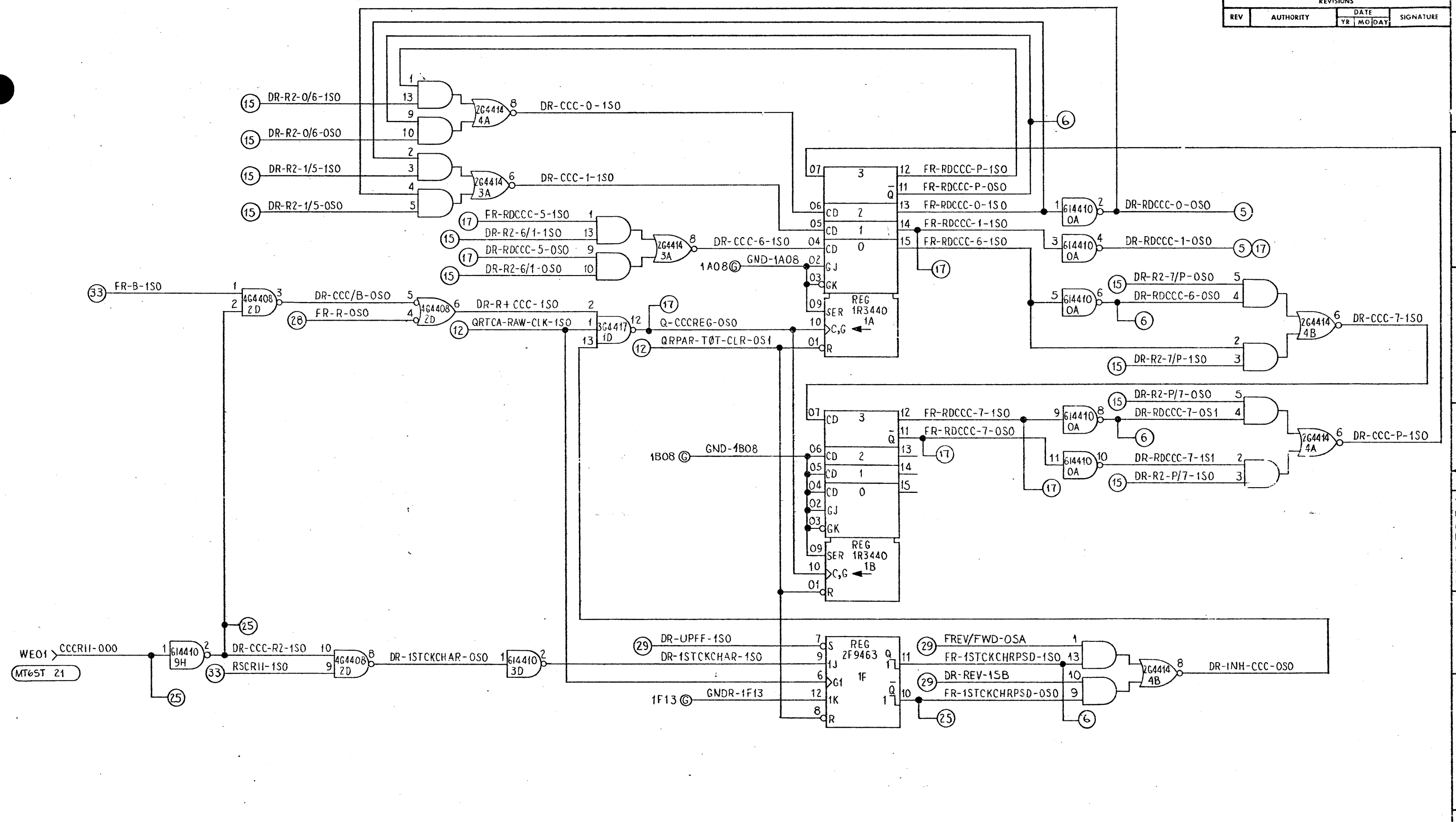
REF SPEC NO	
DATE	
BY	
CHECKED	
APPROVED	



UNLESS OTHERWISE SPECIFIED		MATERIAL		Honeywell HONEYWELL INFORMATION SYSTEMS PHOENIX, ARIZONA U. S. A.	
DIMENSIONS-	MILLIMETERS				
	INCHES	TOLERANCE OF SIZE AND	TREAT.	LOC PC0	
FORM PER		INITIAL DESIGN	FIN.	TITLE LOGIC DIAGRAM MT6RT	
PROJECTION		SCALE	CODE	TAPE DATA & CCC TWISTER	
		DR 74 JUNE 18		SIZE	DWG NO
		APPD 1975 <i>G. B. Ordway</i>		D	58007954
		DISTR C68-26, TOS, NCO, SDF		SH	REV
				15	A

58007954

REVISIONS			
REV	AUTHORITY	DATE	SIGNATURE
		YR MO DAY	



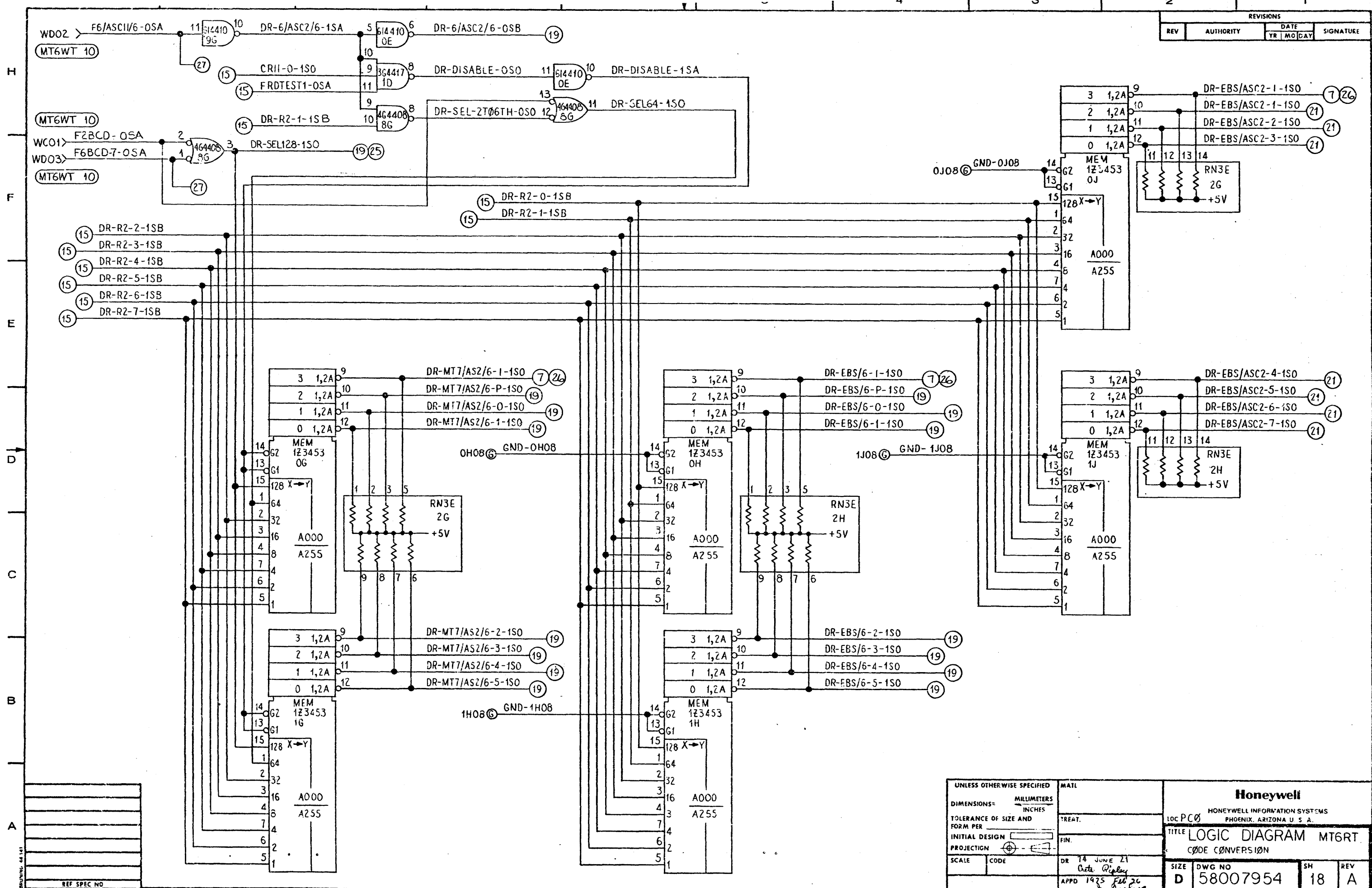
REF SPEC NO

01 11 21 31 41 51 61 71 81 MM
01 11 21 31 IN

UNLESS OTHERWISE SPECIFIED		MATERIAL		Honeywell HONEYWELL INFORMATION SYSTEMS PHOENIX, ARIZONA U.S.A.	
DIMENSIONS- MILLIMETERS					
TOLERANCE OF SIZE AND FORM PER		TREAT.		LOC PC0	
INITIAL DESIGN		FIN.		TITLE LOGIC DIAGRAM MT6RT	
PROJECTION		DR 74 JUNE 19		CCC REG	
SCALE		CODE		SIZE DWG NO	
				D 58007954	
		APPD 1975 Feb 21		SH 16	
		DISTR C-26, TOS, NCO, SDF		REV A	

58007954

REVISIONS				
REV	AUTHORITY	DATE	SIGNATURE	
YR	MO	DAY		

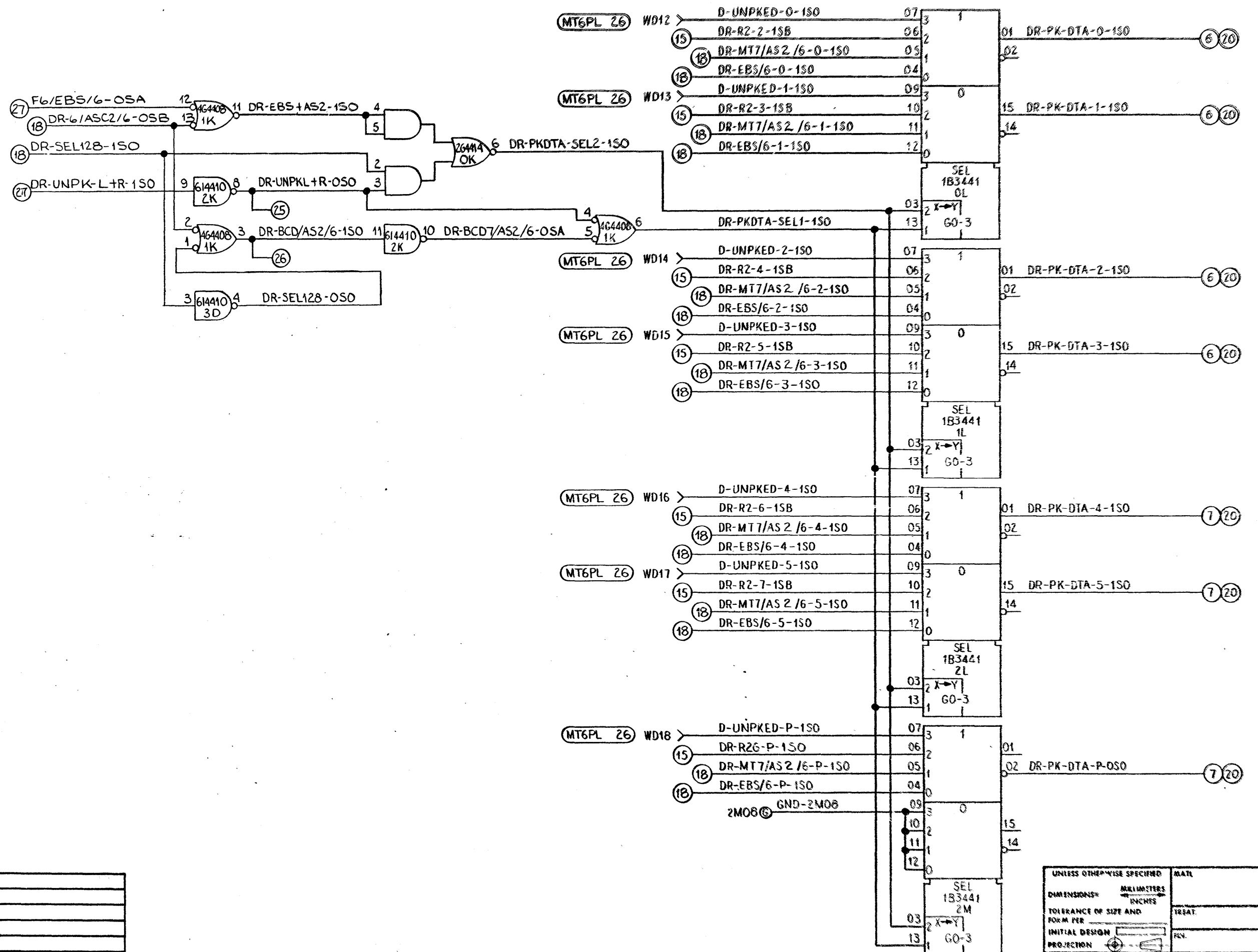


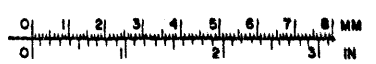
ALL INFORMATION CONTAINED IN THIS DOCUMENT IS PROPRIETARY TO HONEYWELL INFORMATION SYSTEMS AND IS INTENDED FOR INTERNAL HONEYWELL USE ONLY. IT IS NOT TO BE DISTRIBUTED TO OTHERS WITHOUT THE WRITTEN PERMISSION OF AN AUTHORIZED HONEYWELL OFFICIAL. THIS RESTRICTION DOES NOT APPLY TO INFORMATION THAT IS EITHER IN THE PUBLIC DOMAIN OR IS OTHERWISE IDENTIFIED AS NOT BEING PROPRIETARY.

UNLESS OTHERWISE SPECIFIED		MATERIAL		Honeywell HONEYWELL INFORMATION SYSTEMS PHOENIX, ARIZONA U.S.A.	
DIMENSIONS = MILLIMETERS		TREAT.			
TOLERANCE OF SIZE AND FORM PER INITIAL DESIGN		FIN.		LOC PCØ TITLE LOGIC DIAGRAM MT6RT CODE CONVERSION	
PROJECTION	SCALE	CODE	DR 14 JUNE 71 <i>Orta Ripley</i> APPD 1975 Feb 26 <i>D. S. ...</i>	SIZE DWG NO D 58007954	SH REV 18 A

REF SPEC NO

REVISIONS			
REV	AUTHORITY	DATE	SIGNATURE





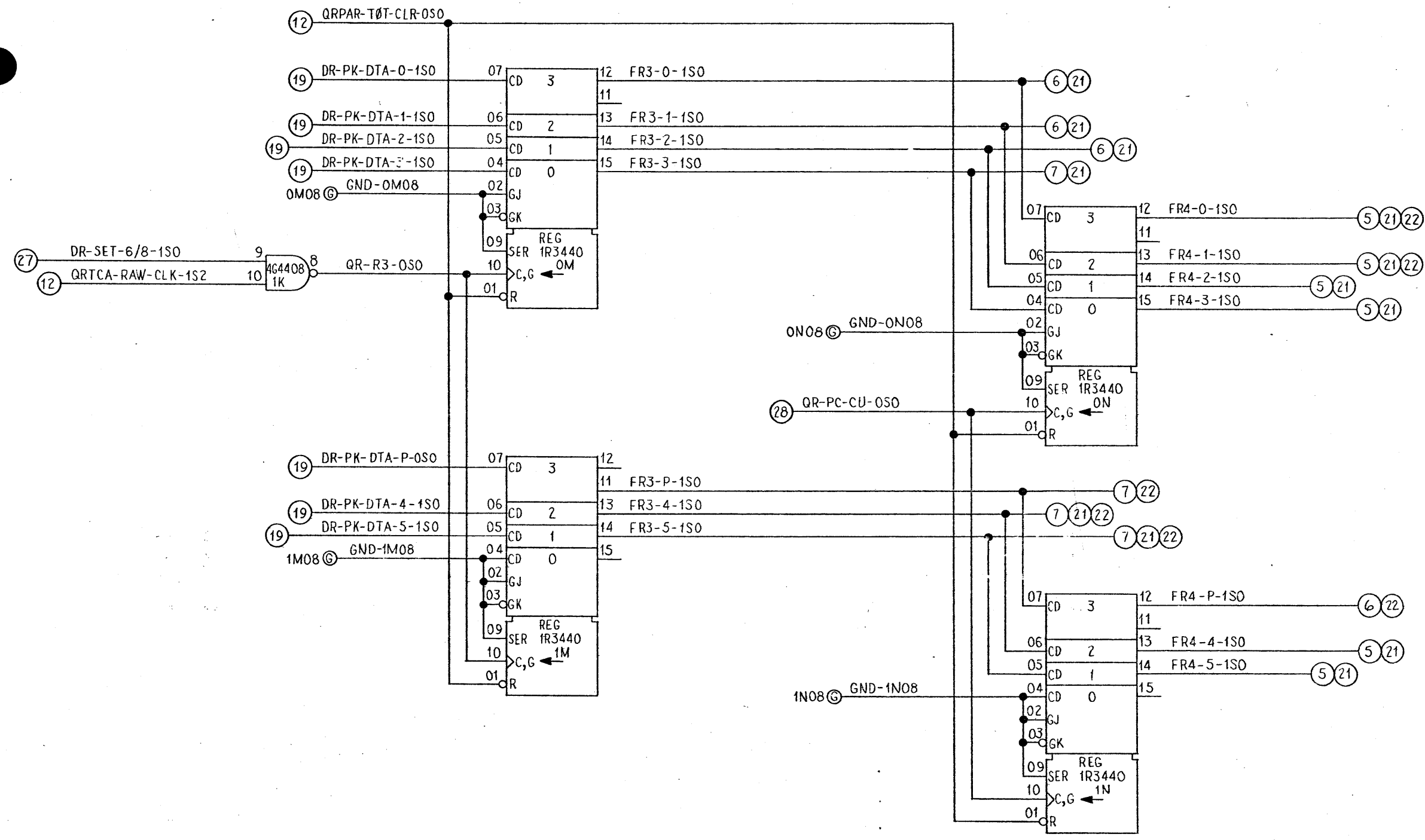
UNLESS OTHERWISE SPECIFIED		MAT.	
DIMENSIONS:	MILLIMETERS INCHES	TREAT.	LOC PC
TOLERANCE OF SIZE AND FORM PER	INITIAL DESIGN	REV.	TITLE
PROJECTION	SCALE	CODE	DR 14 JUNE 21
			APPD. <i>[Signature]</i>
			DISTR. <i>[Signature]</i>

Honeywell
HONEYWELL INFORMATION SYSTEMS
PHOENIX, ARIZONA U. S. A.

LOGIC DIAGRAM MT6RT
PACK DATA SW

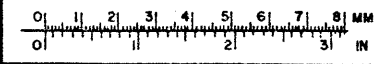
SIZE	DWG NO.	SN	REV.
D	58007954	19	A

REVISIONS				
REV	AUTHORITY	DATE	SIGNATURE	
		YR	MO	DAY



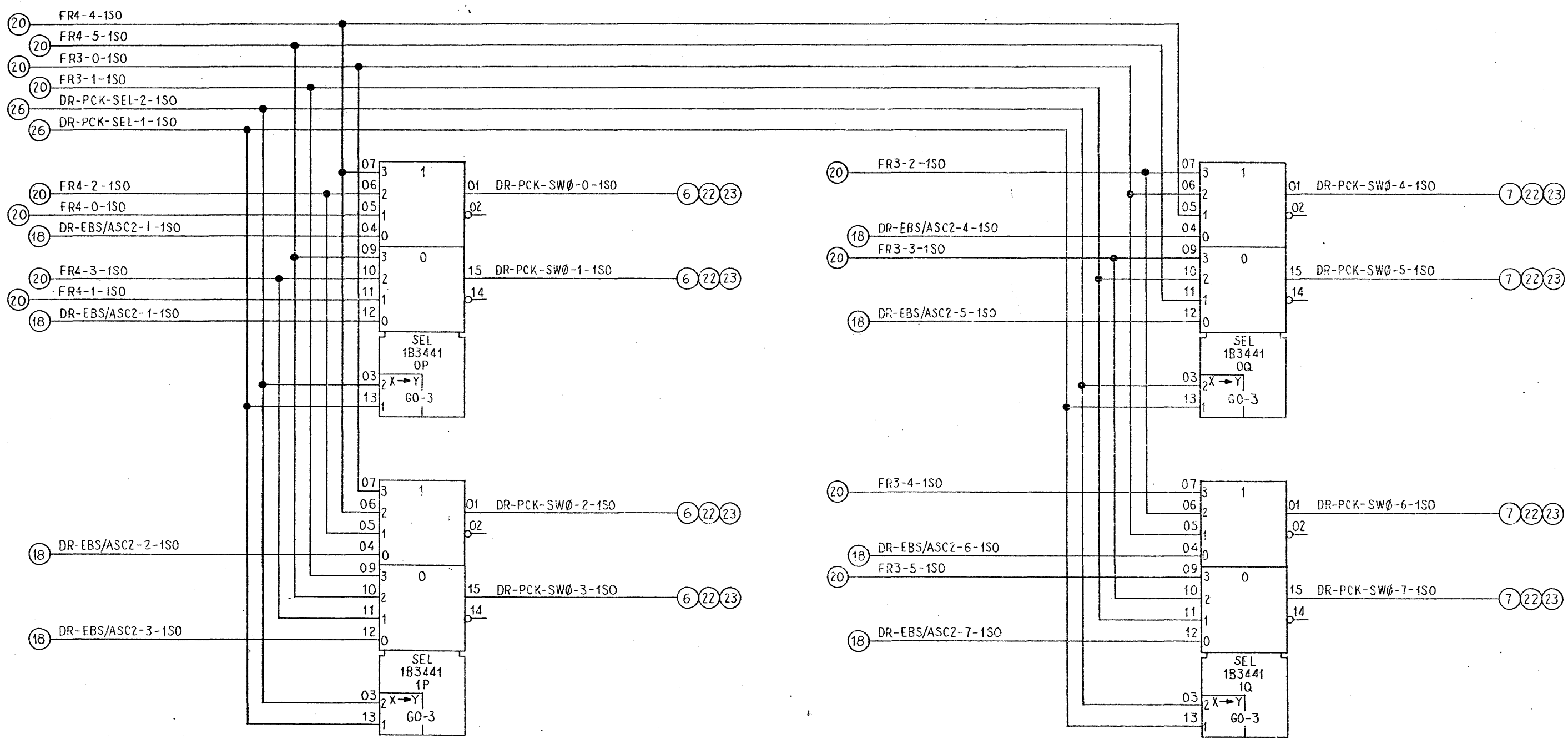
H
F
E
D
C
B
A

58007954



UNLESS OTHERWISE SPECIFIED		MATERIAL		Honeywell	
DIMENSIONS: MILLIMETERS				HONEYWELL INFORMATION SYSTEMS	
TOLERANCE OF SIZE AND FORM PER INITIAL DESIGN		TREAT.		LOC PCØ PHOENIX, ARIZONA U. S. A.	
PROJECTION		FIN.		TITLE LOGIC DIAGRAM MT6RT	
SCALE CODE		DR 74 JUNE 24		SIZE DWG NO SH REV	
		APFD 1475 Feb 86		D 58007954 20 A	
		f. B. ...			

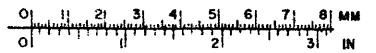
REVISIONS			
REV	AUTHORITY	DATE	SIGNATURE
YR	NO	DAY	



H
F
E
D
C
B
A

58007954

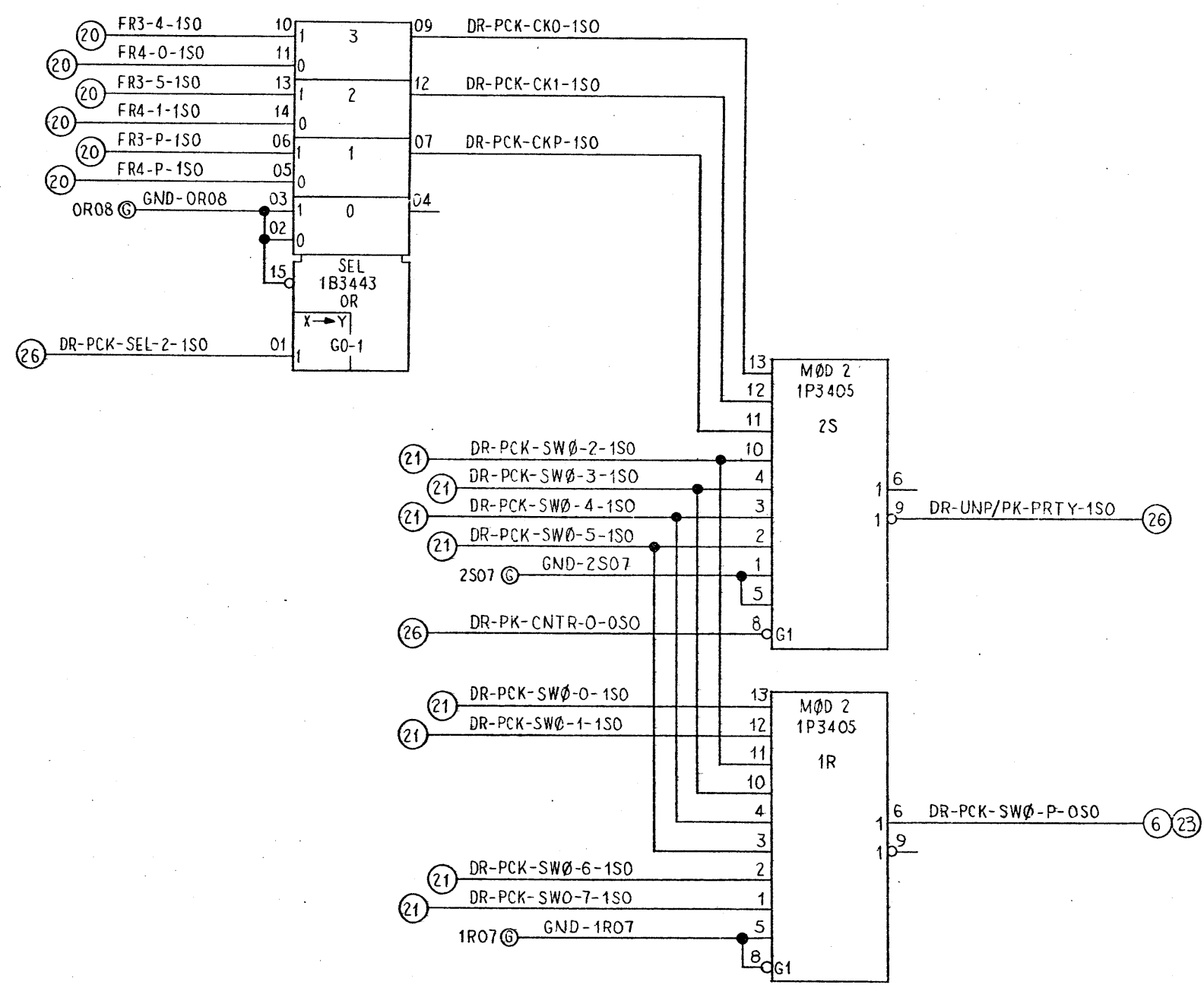
REF SPEC NO



UNLESS OTHERWISE SPECIFIED		MATERIAL		Honeywell HONEYWELL INFORMATION SYSTEMS PHOENIX, ARIZONA U. S. A.	
DIMENSIONS= MILLIMETERS / INCHES		TREAT.			
TOLERANCE OF SIZE AND FORM PER INITIAL DESIGN		FIN.		LOC PCØ TITLE LOGIC DIAGRAM MT6RT PACK SWITCH	
SCALE	CODE	DR 14 JUNE 28	SIZE D	DWG NO 58007954	SH 21
		Code Ripley APPD 1975 Feb 26 J. Hopkins	REV A		

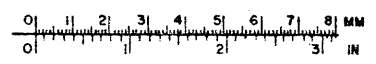
10 9 8 7 6 5 4 3 2 1

REVISIONS				
REV	AUTHORITY	DATE		SIGNATURE
		YR	MO DAY	



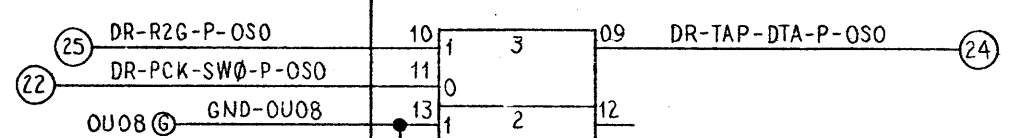
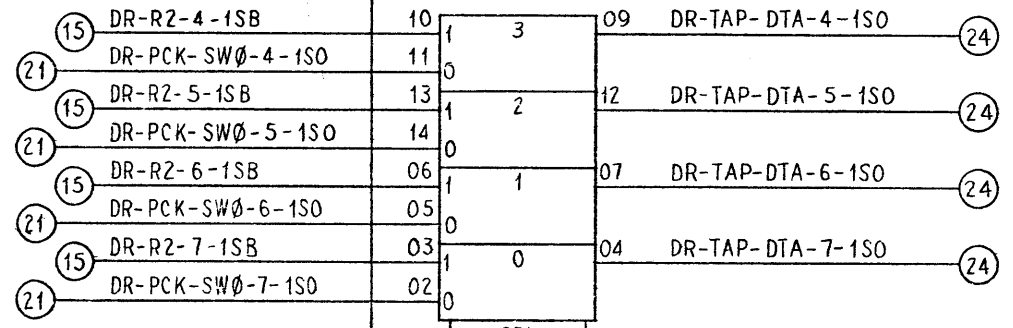
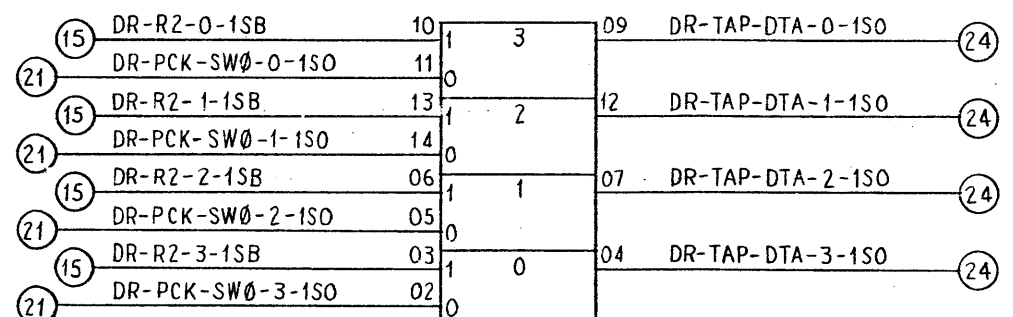
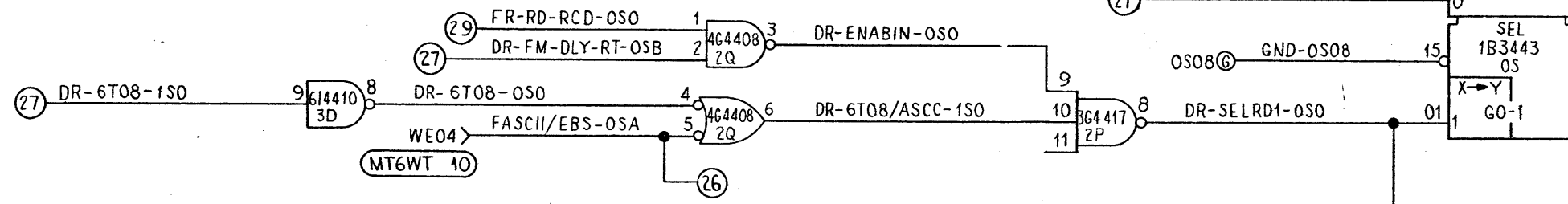
H
F
E
D
C
B
A

58007954



UNLESS OTHERWISE SPECIFIED		MATL		Honeywell HONEYWELL INFORMATION SYSTEMS PHOENIX, ARIZONA U. S. A.						
DIMENSIONS = MILLIMETERS / INCHES		TREAT.						LOC	PC0	
TOLERANCE OF SIZE AND FORM PER		FIN.						TITLE	LOGIC DIAGRAM MT6RT PACK PARTY CHECK	
SCALE	CODE	DR 74 JUNE 27 <i>C. A. Ripley</i>		SIZE	DWG NO	SH	REV			
		APPD 1975 Feb 26 <i>D. B. ...</i>		D	58007954	22	A			

REVISIONS				
REV	AUTHORITY	DATE		SIGNATURE
		YR	MO DAY	



H

F

E

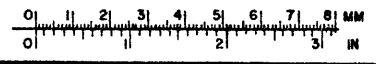
D

C

B

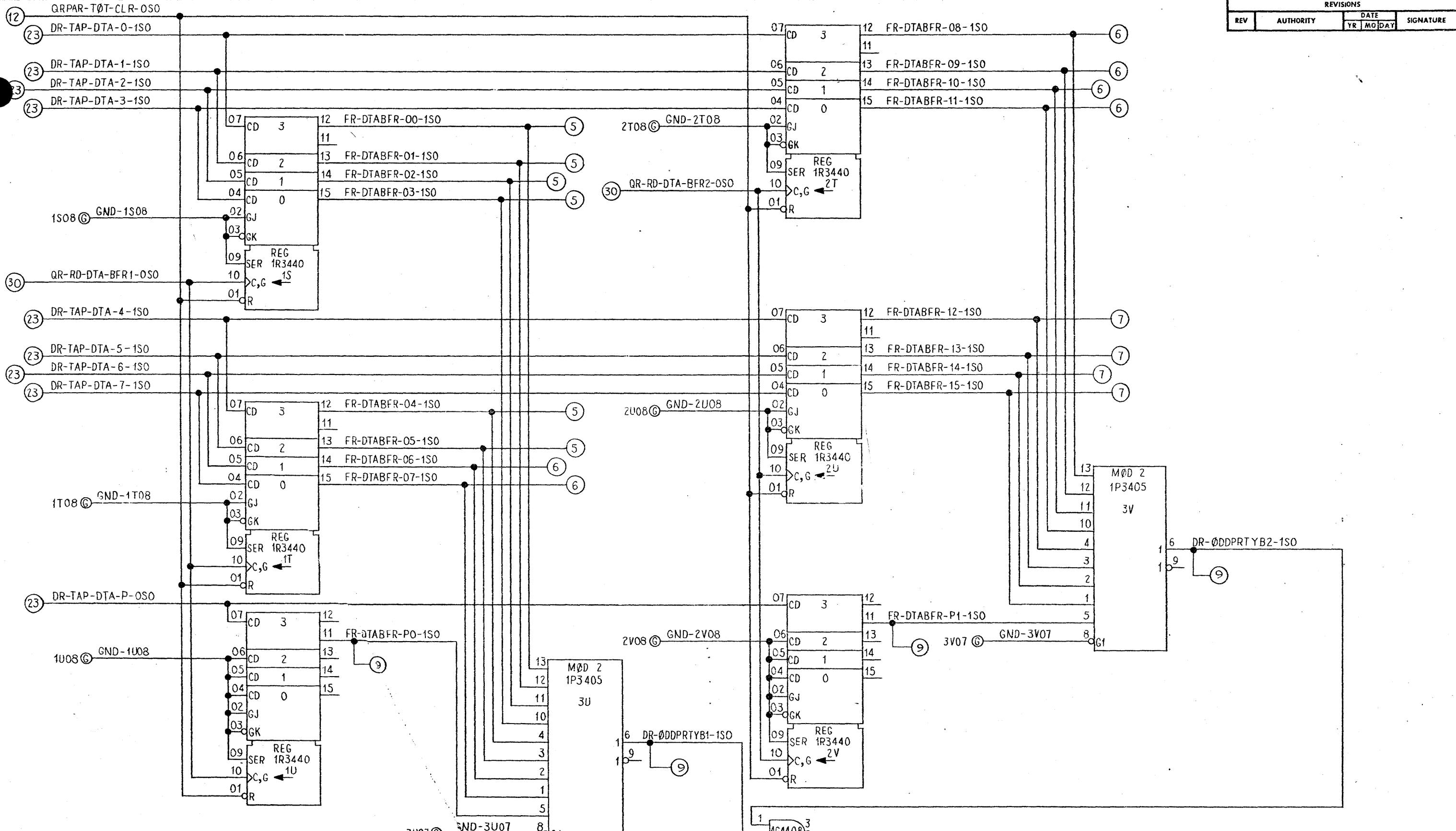
A

58007954

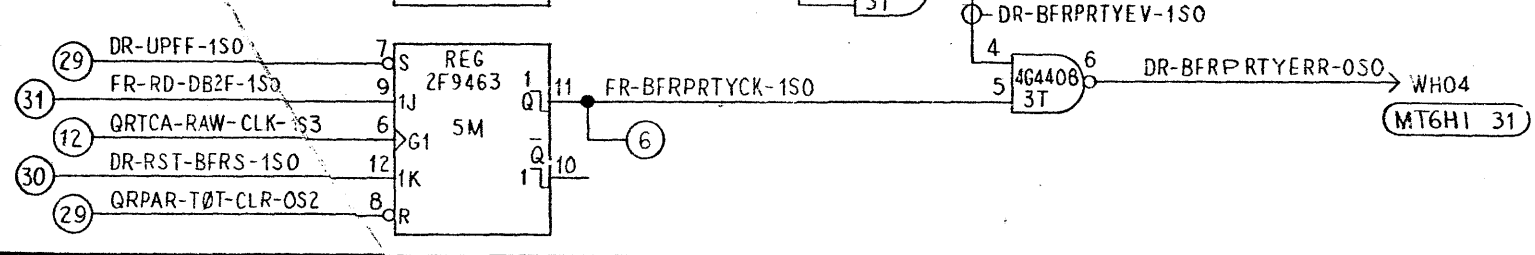
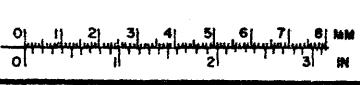


UNLESS OTHERWISE SPECIFIED			MATERIAL		
DIMENSIONS= $\frac{\text{MILLIMETERS}}{\text{INCHES}}$					
TOLERANCE OF SIZE AND FORM PER INITIAL DESIGN			TREAT.		
PROJECTION			FIN.		
SCALE			CODE		
DR 14 JUNE 25			SIZE		
Cute Ripley			DWG NO		
APPD 1975 P20 26			58007954		
DISTR 6/26/75 TOS			SH		
			23		
			REV		
			A		

REVISIONS				
REV	AUTHORITY	DATE	SIGNATURE	
		YR MO DAY		



MATL	
TREAT.	
FIN.	
DR 74 JUNE 27	
APPD 1975 Feb 26	

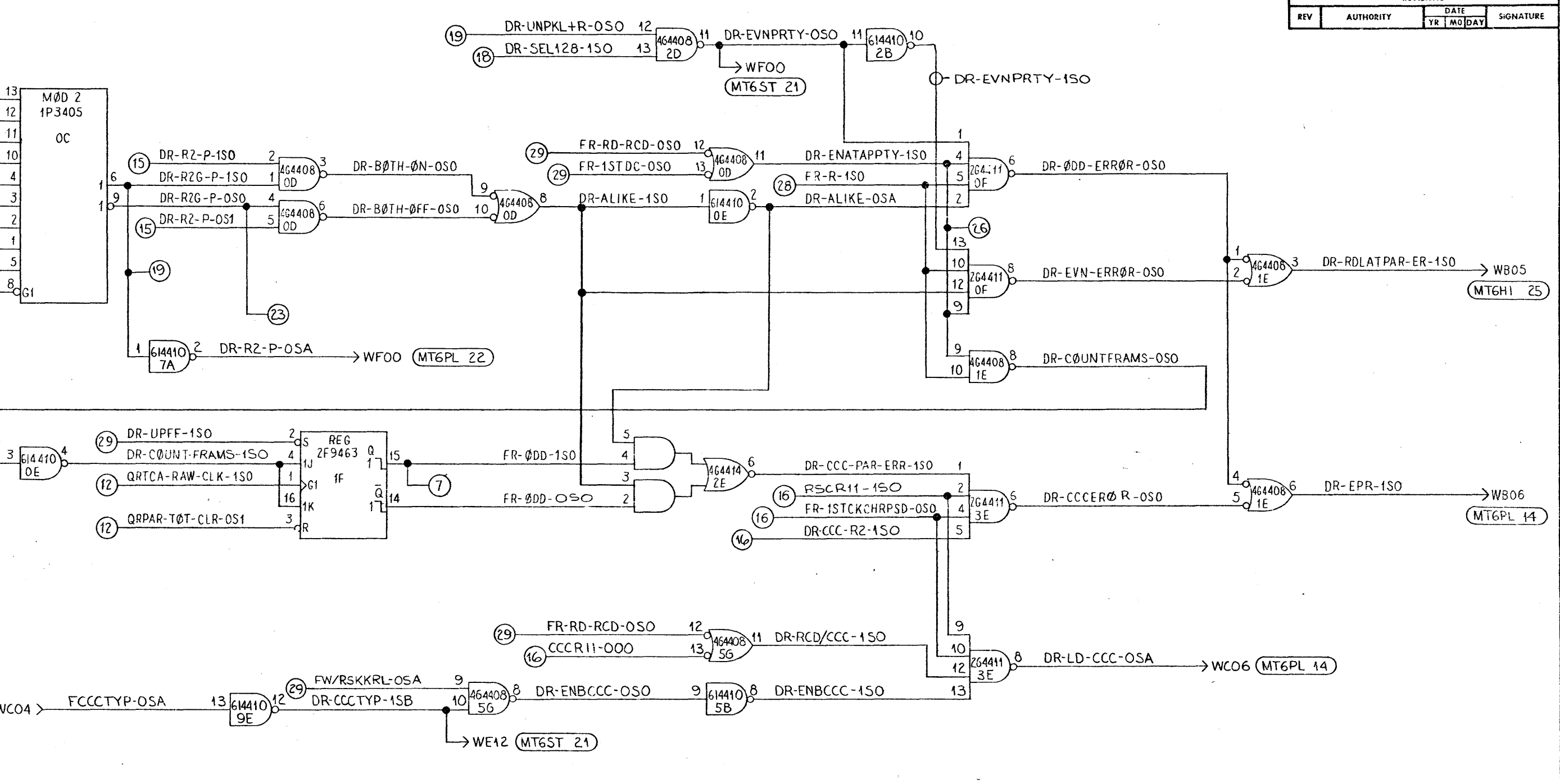


MATL		Honeywell	
TREAT.		HONEYWELL INFORMATION SYSTEMS PHOENIX, ARIZONA U. S. A.	
FIN.		TITLE LOGIC DIAGRAM MT6RT READ DTA BFRS 1 & 2	
DR 74 JUNE 27	APPD 1975 Feb 26	SIZE DWG NO	SH REV
Auto Ripley		D 58007954	24 A

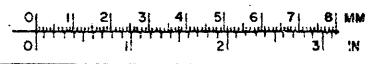
58007954

REVISIONS				
REV	AUTHORITY	DATE	SIGNATURE	
		YR MO DAY		

- 5 DR-RZ-0-1SB 13
- 15 DR-RZ-1-1SB 12
- 15 DR-RZ-2-1SB 11
- 15 DR-RZ-3-1SB 10
- 15 DR-RZ-4-1SB 4
- 15 DR-RZ-5-1SB 3
- 15 DR-RZ-6-1SB 2
- 15 DR-RZ-7-1SB 1
- 10 DR-UPZ-1SO 5
- OC07 6 GND-OC07 8



REF SPEC NO

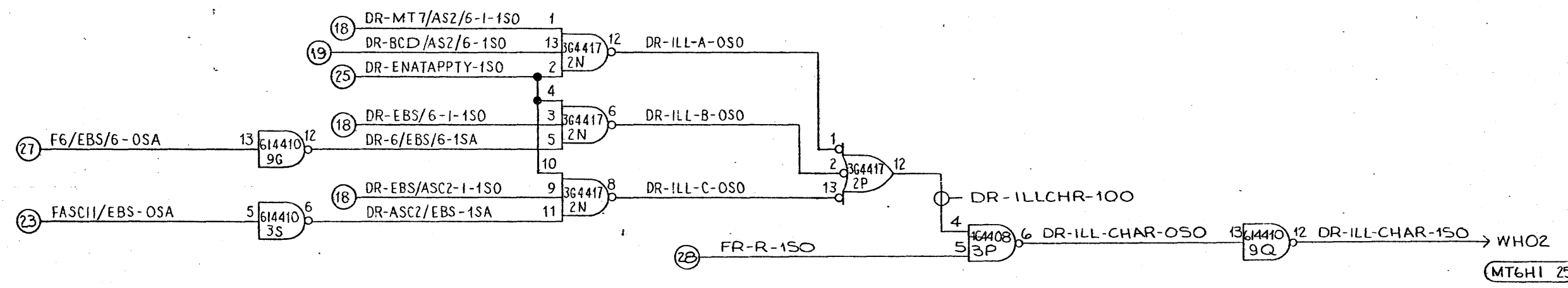
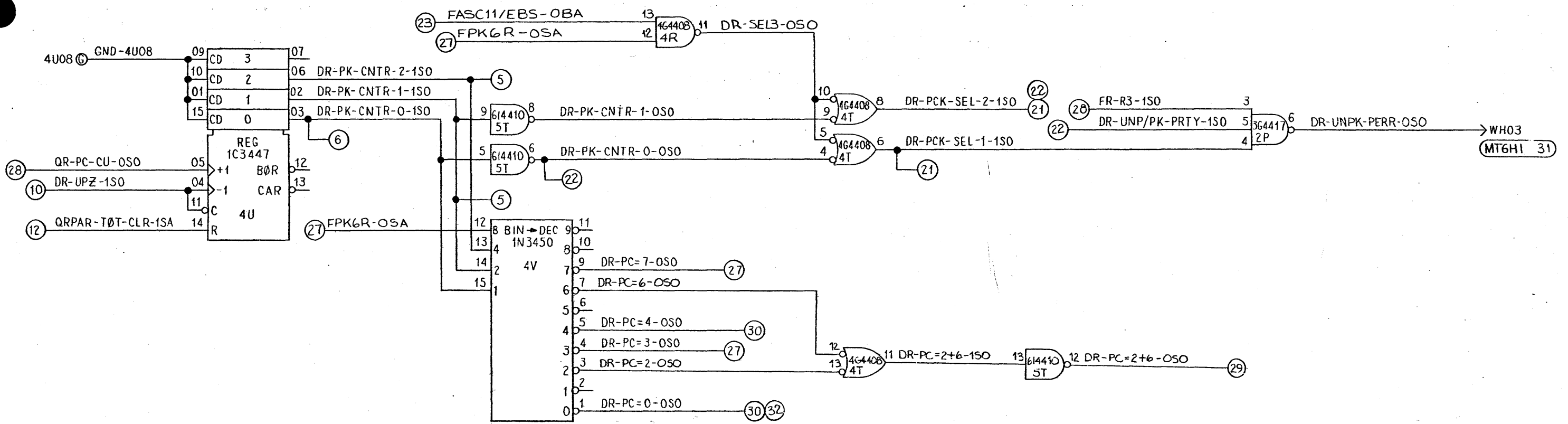


UNLESS OTHERWISE SPECIFIED		MATERIAL	
DIMENSIONS=	MILLIMETERS INCHES	TREAT.	
TOLERANCE OF SIZE AND FORM PER	INITIAL DESIGN	FIN.	
PROJECTION			
SCALE	CODE	DR 74 JUNE 27 <i>Cute Ripley</i>	SH 25
TITLE		APPD 1975 Feb 26 <i>J. Boobing</i>	REV C
Honeywell HONEYWELL INFORMATION SYSTEMS PHOENIX, ARIZONA U. S. A.		SIZE D	DWG NO 58007954
LOC PC0		TITLE LOGIC DIAGRAM MT6RT ERROR CHECKS	

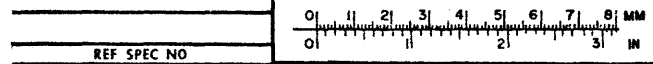
H
F
E
D
C
B
A

58007954

REVISIONS				
REV	AUTHORITY	DATE		SIGNATURE
		YR	MO DAY	



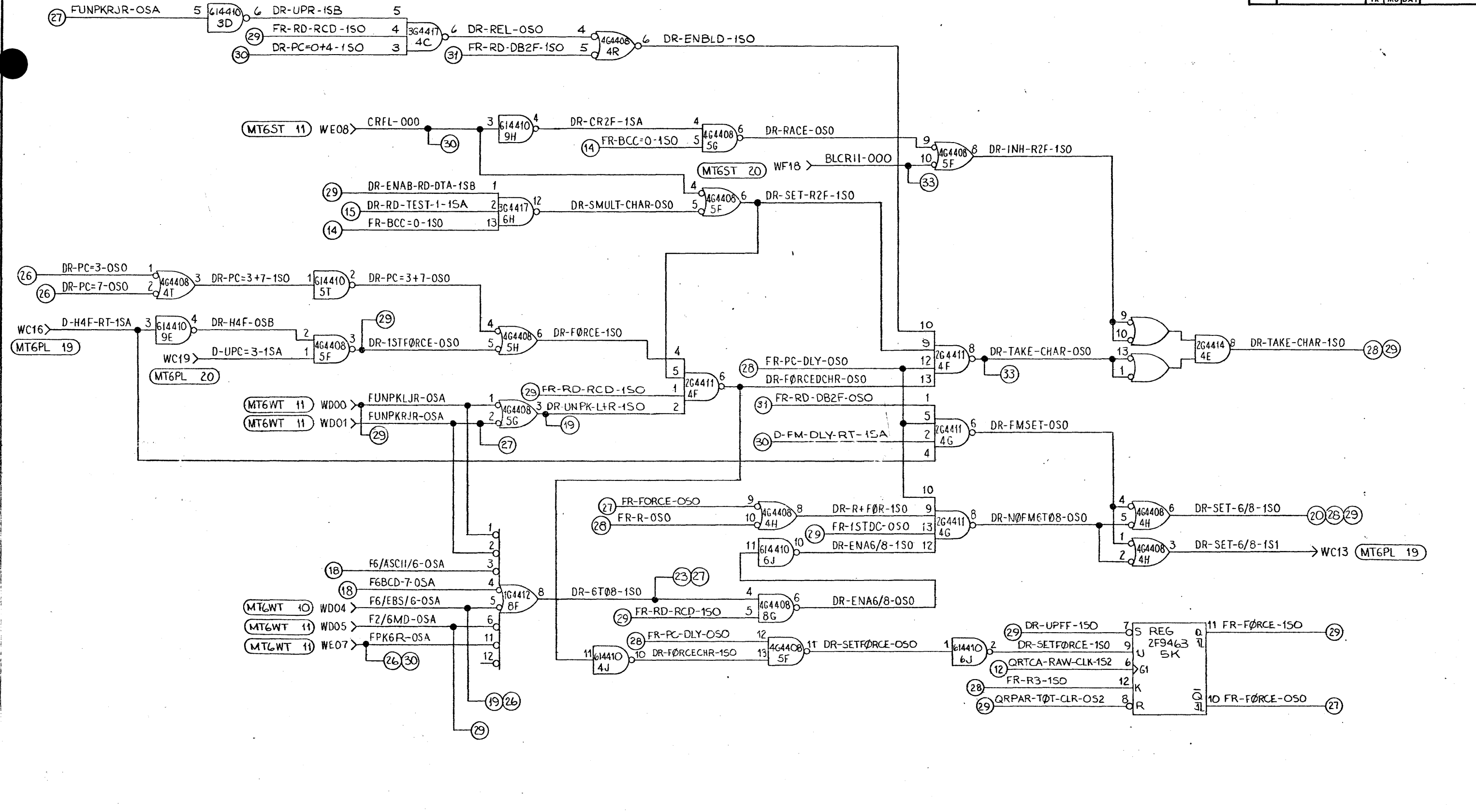
REV	AUTHORITY	DATE	SIGNATURE

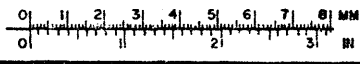


UNLESS OTHERWISE SPECIFIED		Honeywell	
DIMENSIONS—	MILLIMETERS	HONEYWELL INFORMATION SYSTEMS	
TOLERANCE OF SIZE AND	INCHES	PHOENIX, ARIZONA U. S. A.	
FORM PER		TITLE	LOGIC DIAGRAM MT6RT
INITIAL DESIGN	FIN.	PACK CNTR & ILLEGAL CHAR	
PROJECTION		SCALE	
SCALE	CODE	DATE	DR 14 JULY 1
			<i>Chris Ripley</i>
		APPD	1975 Feb 26
			<i>J. R. Becking</i>
SIZE	DWG NO	SH	REV
D	58007954	26	A

H
F
E
D
C
B
A

REVISIONS				
REV	AUTHORITY	DATE	SIGNATURE	
		YR MO DAY		

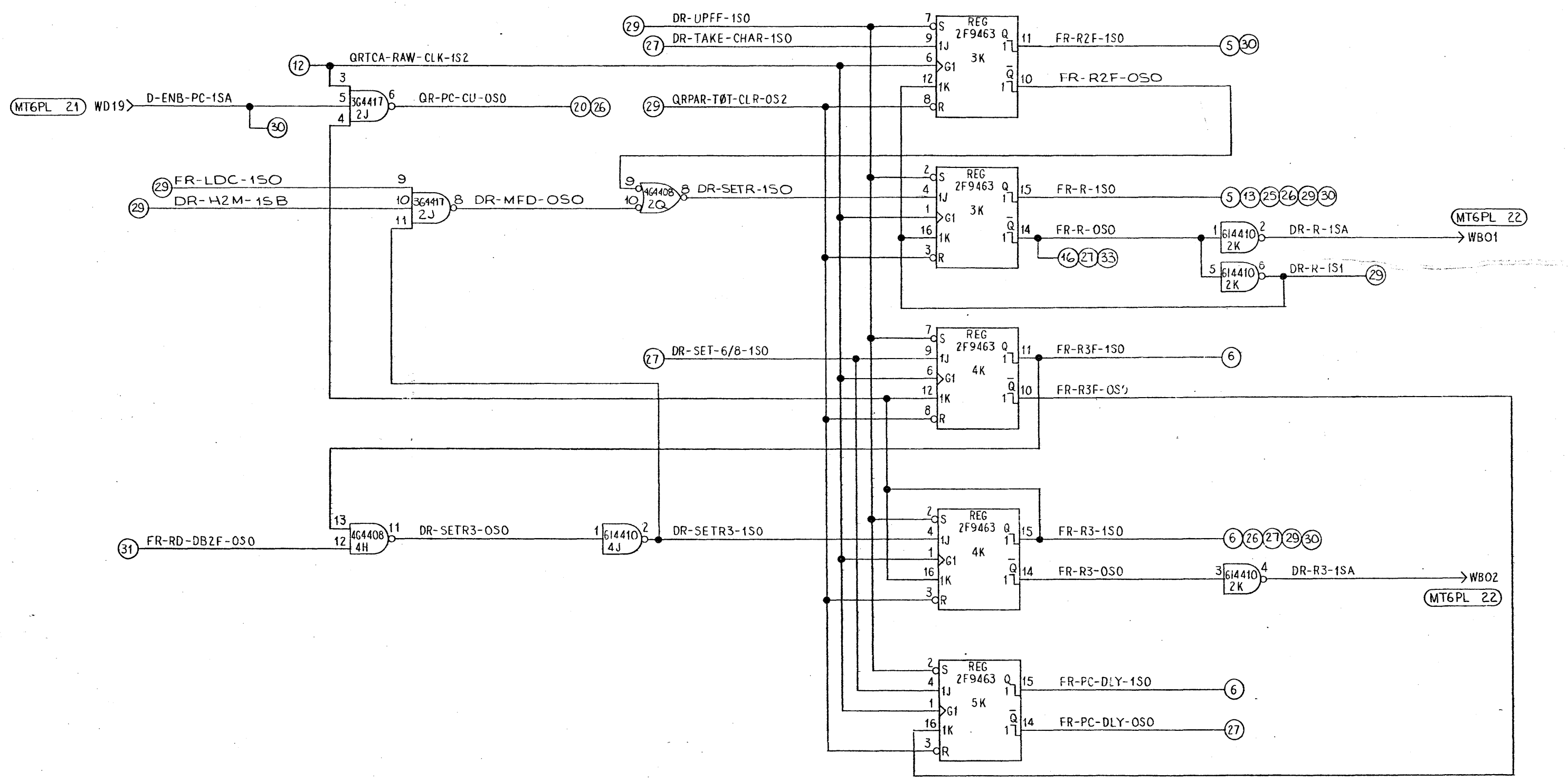


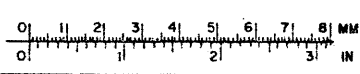


UNLESS OTHERWISE SPECIFIED		MATERIAL		Honeywell HONEYWELL INFORMATION SYSTEMS PHOENIX, ARIZONA U. S. A.	
DIMENSIONS— MILLIMETERS ← INCHES		TREAT.			
TOLERANCE OF SIZE AND FORM PER		FIN.		LOC PCØ TITLE LOGIC DIAGRAM MT6RT CHAR TIMING	
INITIAL DESIGN		DR 74 July 10		SIZE DWG NO SH REV D 58007954 27 C	
PROJECTION		<i>Cate Ripley</i> APPD 1975 Feb 26 <i>J. E. ...</i>		DISTR	
SCALE	CODE				

58007954

REVISIONS				
REV	AUTHORITY	DATE		SIGNATURE
		YR	MO DAY	

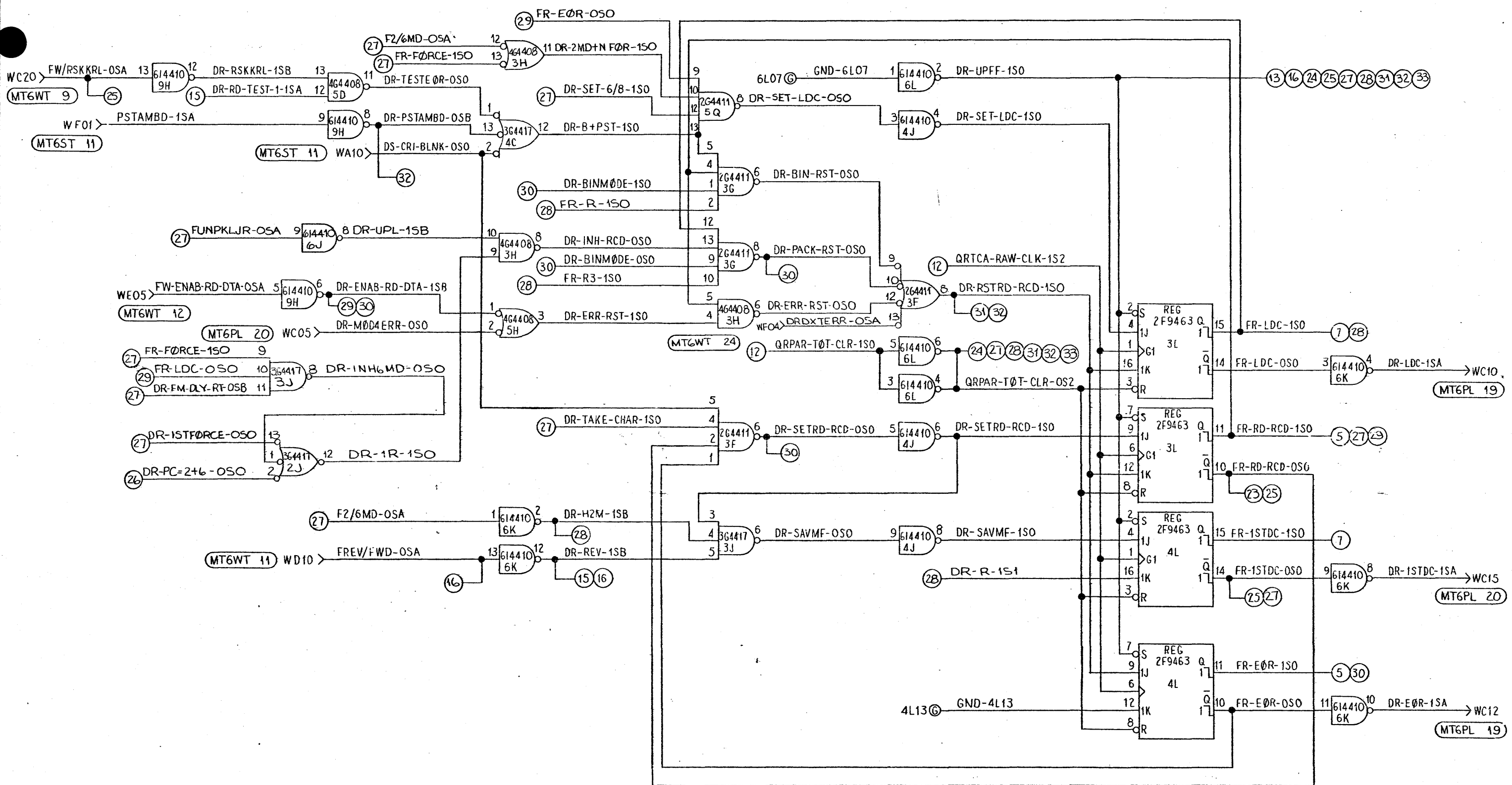




UNLESS OTHERWISE SPECIFIED		MATERIAL		Honeywell HONEYWELL INFORMATION SYSTEMS PHOENIX, ARIZONA U. S. A.			
DIMENSIONS = $\frac{\text{MILLIMETERS}}{\text{INCHES}}$		TREAT.					
TOLERANCE OF SIZE AND FORM PER INITIAL DESIGN		FIN.		TITLE LOGIC DIAGRAM MT6RT CHAR CONTROL			
SCALE	CODE	DR 74 July 10 Cete Ripley		SIZE	DWG NO	SH	REV
		APPD 1975 Feb 26 D. G. ...		D	58007954	28	A

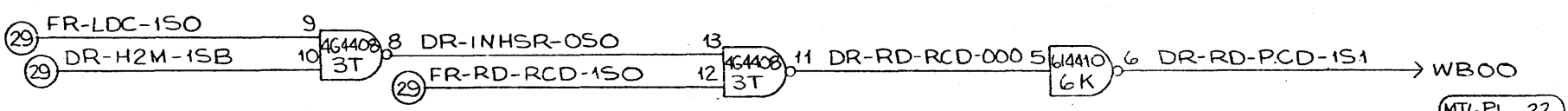
58007954

REVISION:			
REV	AUTHORITY	DATE	SIGNATURE
		YR MO DAY	

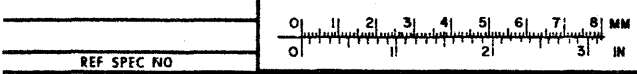


H
F
E
D
C
B
A

58007954

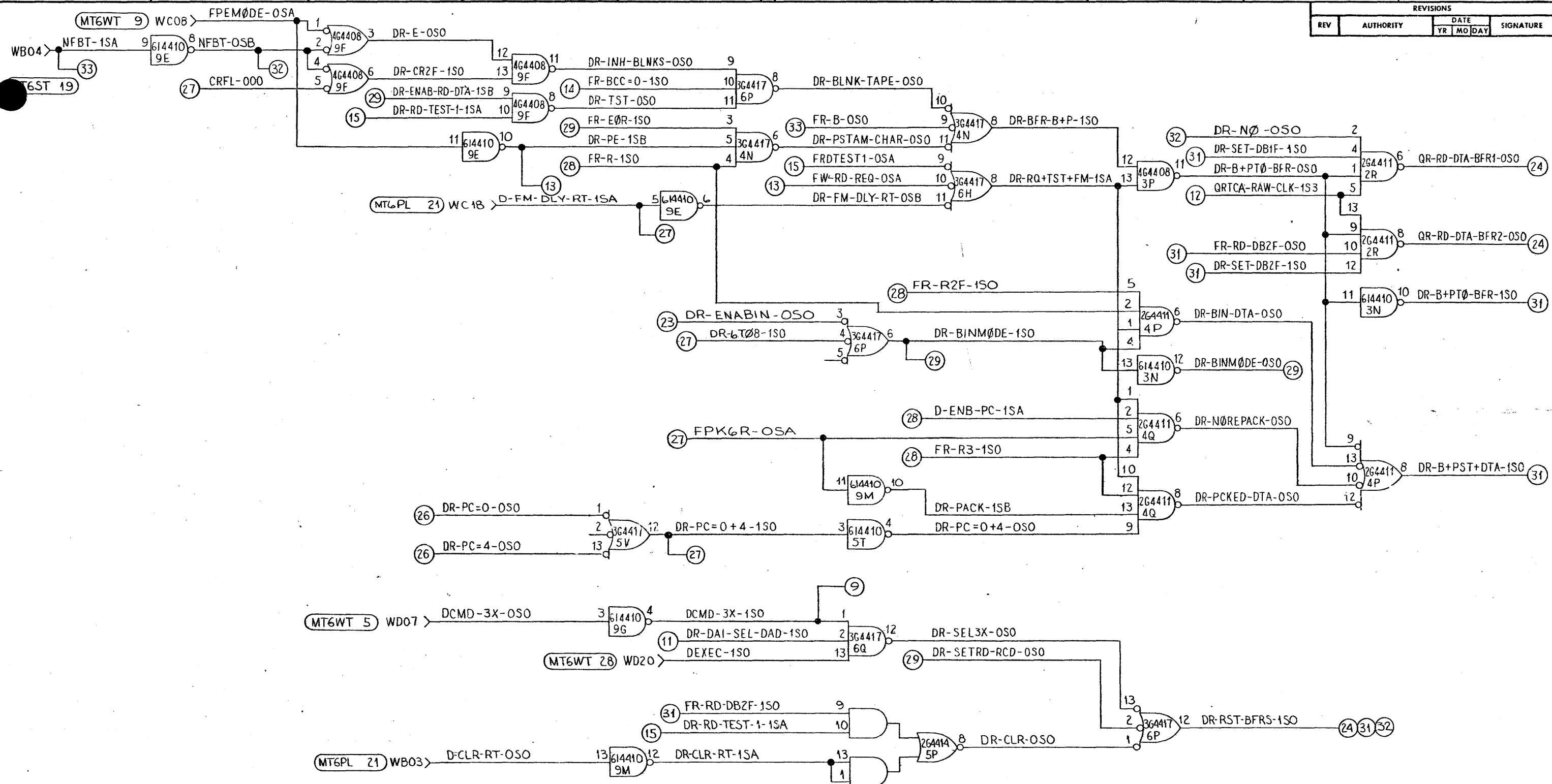


UNLESS OTHERWISE SPECIFIED		MATERIAL	
DIMENSIONS = MILLIMETERS / INCHES		TREAT.	
TOLERANCE OF SIZE AND FORM PER INITIAL DESIGN		FIN.	
PROJECTION		SCALE	
CODE		DATE	
APPD		SIGNATURE	
SIZE D		DWG NO 58007954	
SH 29		REV C	



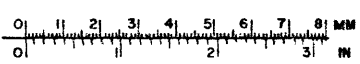
Honeywell
 HONEYWELL INFORMATION SYSTEMS
 PHOENIX, ARIZONA U. S. A.
 TITLE LOGIC DIAGRAM MT6RT
 RECORD CONTROL

REVISIONS				
REV	AUTHORITY	DATE		SIGNATURE
		YR	MO DAY	



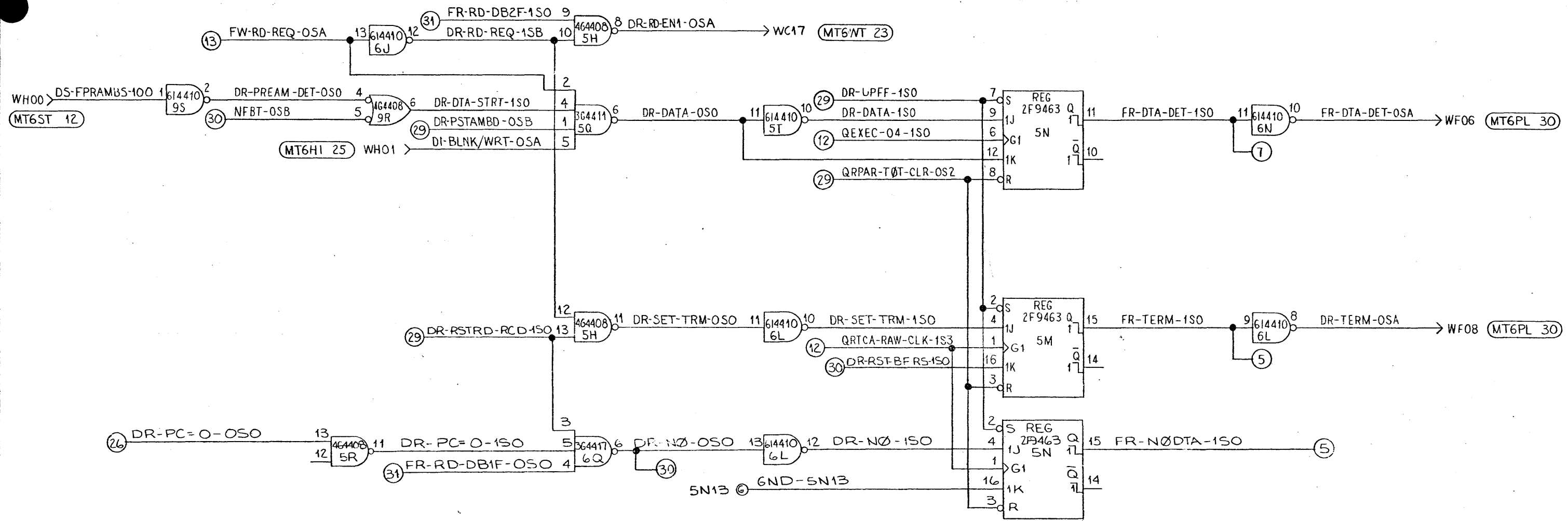
H
F
E
D
C
B
A

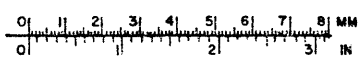
58007954 D



UNLESS OTHERWISE SPECIFIED		MATERIAL		Honeywell HONEYWELL INFORMATION SYSTEMS PHOENIX, ARIZONA U. S. A.	
DIMENSIONS = $\frac{\text{MILLIMETERS}}{\text{INCHES}}$		TREAT.			
TOLERANCE OF SIZE AND FORM PER		FIN.		TITLE LOGIC DIAGRAM MT6RT BUFFER CONTROL	
INITIAL DESIGN PROJECTION		DR 74 July 8 Cate Ripley		SIZE D DWG NO 58007954 SH 30 REV E	
SCALE CODE		APPD 1975 Feb 26 J. J. ...		DISTR ...	

REVISIONS				
REV	AUTHORITY	DATE		SIGNATURE
		YR	MO DAY	

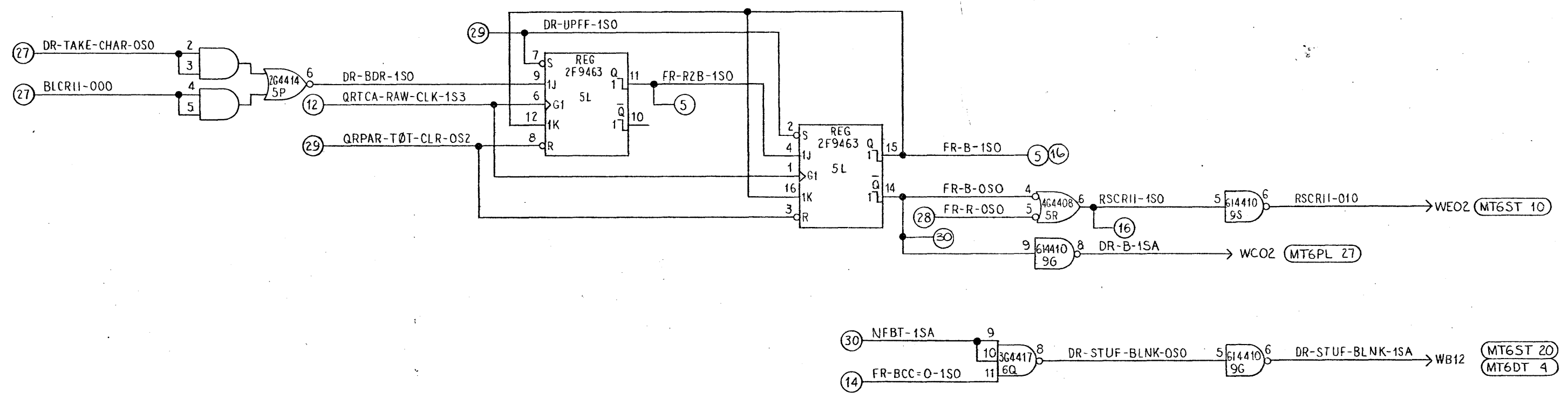




UNLESS OTHERWISE SPECIFIED		MATERIAL		<p>Honeywell</p> HONEYWELL INFORMATION SYSTEMS PHOENIX, ARIZONA U. S. A.	
DIMENSIONS= MILLIMETERS INCHES		TREAT.		LOC PCØ TITLE LOGIC DIAGRAM MT6RT ECHO READ STATUS CONTROL	
TOLERANCE OF SIZE AND FORM PER INITIAL DESIGN		FIN.		SCALE D DWG NO 58007954 SH 32 REV E	
PROJECTION		DR 74 July 9 Date Ripley		APPD 1975 Feb 26 J. Ripley	

58007954 D1

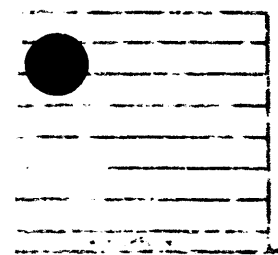
DISTR. BY THE COMPANY



58007954

A

UNLESS OTHERWISE SPECIFIED		MATERIAL	
DIMENSIONS: \leftarrow MILLIMETERS \rightarrow INCHES		TREAT.	
TOLERANCE OF SIZE AND FORM PER		FIN.	
INITIAL DESIGN		DATE	
PROJECTION		BY	
SCALE	FOOT	DATE	BY
		14 July 11	Steve Ripley
		1975 Feb 26	f. l. acking
HONEYWELL INFORMATION SYSTEMS PHOENIX, ARIZONA U.S.A.		LOC PC0	
TITLE LOGIC DIAGRAM MT6RT NRZI BLANK CONTROL			
SIZE	DWG NO	SH	REV
D	58007954	33F	D



1 2 3 4 5 6 7 8 9 10
2 3 IN

THE INFORMATION CONTAINED IN THIS DOCUMENT PROPRIETARY TO HONEYWELL INFORMATION SYSTEMS, INC. AND IS INTENDED FOR INTERNAL HONEYWELL USE ONLY. SUCH INFORMATION MAY BE DISTRIBUTED TO OTHERS BY WRITTEN PERMISSION OF AN AUTHORIZED HONEYWELL OFFICIAL. THIS RESTRICTION DOES NOT APPLY TO VENDOR PROPRIETARY THAT MAY BE DISCLOSED IN THIS DOCUMENT.

58008794

REV	AUTHORITY	DATE			SIGNATURE	DWG SHEET NUMBER																		
		YR	MO	DAY		1	2	3	31	32	33	4	5	6	7	8	9	10	11	12	13	14	15	16
A	LEVEL 3 ISSUE	75	03	10	Wayne Sedon	A		A	A	A	A	A	A	A	A	A	A	A	A	A	A	A	A	A
B	PHAOTE038	75	05	19	Wayne Sedon			B	B		B	B	B	B			B	B	B		B	B	B	B
C	PHAOTE042	75	05	19	L. Mills			C			C	C	C				C					C		C
D	PHAOTE047	75	06	09	L. Mills			D			D	D	D				D	D				D		D
E	PHAOTE054	75	Aug	05	L. Mills			E							E		E							
F	PHAOTE061	75	SEP	25	A.E. Braggell			F			F		F								F	F		
F1	PHAOTE064	75	10	14	L. Mills																			
F2	PHAOTE068	75	DEC	02	A.E. Braggell																			
F3	PHAOTE072	76	03	24	H. Halpern																			

Blank sheets
not included

* ADDED POINT SHEETS FOR CONTINUATION OF REVISION STATUS SEE SHEET

Honeywell HONEYWELL INFORMATION SYSTEMS LOC PHOENIX, ARIZONA	MADE BY: Wayne Sedon 75-2-13	TITLE: LOGIC DIAGRAM MT6ST
	APPROVED: J. B. Salinas 115 Feb 26	REVISION STATUS FOR EACH PAGE, SHEET OR GROUP IS SHOWN BY LAST ENTRY IN THE CORRESPONDING NUMBERED COLUMN
SIZE: D	REVISION STATUS FOR: 58008794	SHEET: 1/2
		REV: F3

CE 300 A-3 (12-71) BRUNING 44-141 75 MAR 6 C68-26, TOS, NCO, SDF

THE INFORMATION CONTAINED IN THIS DOCUMENT PROPRIETARY TO HONEYWELL INFORMATION SYSTEMS, INC. AND IS INTENDED FOR INTERNAL HONEYWELL USE ONLY. SUCH INFORMATION MAY BE DISTRIBUTED TO OTHERS BY WRITTEN PERMISSION OF AN AUTHORIZED HONEYWELL OFFICIAL. THIS RESTRICTION DOES NOT APPLY TO VENDOR PROPRIETARY THAT MAY BE DISCLOSED IN THIS DOCUMENT.

58008794

REV	AUTHORITY	DATE			SIGNATURE	DWG. SHEET NUMBER																		
		YR	MO	DAY		18	19	20	21	22	23													
A	LEVEL 3 ISSUE	75	03	10	Wayne Sedon	A	A	A	A	A	A													
B	PHAOTE038	75	05	19	Wayne Sedon	B	B	B			B													
C	PHAOTE042	75	05	19	L. Mills						C													
D	PHAOTE047	75	06	09	L. Mills						D													
E	PHAOTE054	75	Aug	05	L. Mills	E																		
F	PHAOTE061	75	SEP	25	A.E. Braggell	F																		
F1	PHAOTE064	75	10	14	L. Mills																			
F2	PHAOTE068	75	DEC	02	A.E. Braggell																			
F3	PHAOTE072	76	03	24	H. Halpern																			

FOR CONTINUATION OF REVISION STATUS SEE SHEET

Honeywell HONEYWELL INFORMATION SYSTEMS LOC PHOENIX, ARIZONA	MADE BY: Wayne Sedon 75-2-13	TITLE: LOGIC DIAGRAM MT6ST
	APPROVED: J. B. Salinas 115 Feb 26	REVISION STATUS FOR EACH PAGE, SHEET OR GROUP IS SHOWN BY LAST ENTRY IN THE CORRESPONDING NUMBERED COLUMN
SIZE: D	REVISION STATUS FOR: 58008794	SHEET: 2F
		REV: F3

CE 300 A-3 (12-71) BRUNING 44-141 C68-26, TOS, NCO, SDF

Honeywell

58008794

MT6ST SINGLE TRACK DR LOGIC/PAGE CROSS REFERENCE

Table with 4 columns: SIGNAL NAME, SHEET, SIGNAL NAME, SHEET. Lists various signal names and their corresponding sheet numbers.

MADE BY EDA APR 10 74 REV DATE MAR 10 76 REV F3 DWG. NO. 58008794 CONT. ON 2.01 NO. 2.00

Honeywell

58008794

MT6ST SINGLE TRACK DR LOGIC/PAGE CROSS REFERENCE

Table with 4 columns: SIGNAL NAME, SHEET, SIGNAL NAME, SHEET. Lists various signal names and their corresponding sheet numbers.

MADE BY EDA APR 10 74 REV DATE MAR 10 76 REV F3 DWG. NO. 58008794 CONT. ON 2.02 NO. 2.01

Honeywell

58008794

MT6ST SINGLE TRACK DR LOGIC/PAGE CROSS REFERENCE

Table with 4 columns: SIGNAL NAME, SHEET, SIGNAL NAME, SHEET. Lists various signal names and their corresponding sheet numbers.

MADE BY EDA APR 10 74 REV DATE MAR 10 76 REV F3 DWG. NO. 58008794 CONT. ON 2.03 NO. 2.02

Honeywell

58008794

MT6ST SINGLE TRACK DR LOGIC/PAGE CROSS REFERENCE

Table with 4 columns: SIGNAL NAME, SHEET, SIGNAL NAME, SHEET. Lists various signal names and their corresponding sheet numbers.

MADE BY EDA APR 10 74 REV DATE MAR 10 76 REV F3 DWG. NO. 58008794 CONT. ON 2.04 NO. 2.03

Honeywell

58008794

TITLE MT6ST SINGLE TRACK DR CONT. ON 3.00 NO. 2.12
PIN/PAGE CROSS REFERENCE

PIN NAME	SHEET	PIN NAME	SHEET	PIN NAME	SHEET
WB 14	06.0	WE 18	12.0	WH 17	16.0
WB 15	06.0	WE 19	12.0	WH 18	16.0
WB 17	06.0	WE 20	10.0	WH 19	16.0
WB 18	06.0	WF 00	15.0	WJ 01	15.0
WB 20	06.0	WF 02	12.0	WJ 02	15.0
WC 03	04.0	WF 03	12.0	WJ 04	04.0
WC 05	10.0	WF 04	12.0	WJ 05	13.0
WC 06	06.0	WF 05	14.0	WJ 06	13.0
WC 07	06.0	WF 06	12.0	WJ 07	13.0
WC 08	05.0	WF 07	12.0	WJ 08	09.0
WC 10	05.0	WF 08	12.0	WJ 09	15.0
WC 12	05.0	WF 09	14.0	WJ 10	13.0
WC 13	05.0	WF 10	04.0	WJ 12	13.0
WC 14	05.0	WF 12	04.0	WJ 13	13.0
WC 15	05.0	WF 13	14.0	WJ 14	13.0
WC 16	05.0	WF 14	14.0	WJ 15	15.0
WC 17	21.0	WF 15	14.0	WJ 16	23.0
WC 19	06.0	WF 16	14.0	WJ 19	15.0
WC 20	05.0	WF 17	04.0	WK 00	15.0
WD 00	06.0	WF 18	14.0	WK 02	16.0
WD 01	18.0	WF 20	23.0	WK 05	16.0
WD 02	05.0	WG 06	14.0	WK 06	23.0
WD 03	05.0	WG 07	09.0	WK 10	22.0
WD 04	05.0	WG 08	04.0	WK 12	23.0
WD 05	05.0	WG 13	12.0	WK 13	23.0
WD 06	05.0	WG 14	12.0	WK 15	23.0
WD 07	05.0	WG 15	12.0	WK 16	23.0
WD 08	05.0	WG 17	12.0	WK 17	15.0
WD 09	06.0	WG 18	12.0	WK 18	15.0
WD 10	05.0	WG 19	12.0	WK 19	21.0
WD 12	06.0	WG 20	12.0		
WD 13	18.0	WH 00	12.0		
WD 14	06.0	WH 01	15.0		
WD 15	18.0	WH 02	15.0		
WD 16	18.0	WH 03	12.0		
WD 17	06.0	WH 04	15.0		
WD 19	18.0	WH 05	12.0		
WD 20	07.0	WH 06	12.0		
WE 01	15.0	WH 07	12.0		
WE 02	15.0	WH 08	12.0		
WE 03	18.0	WH 09	15.0		
WE 04	18.0	WH 10	12.0		
WE 09	18.0	WH 12	12.0		
WE 15	10.0	WH 14	12.0		
WE 17	12.0	WH 16	16.0		

MADE BY EDA	REV. DATE APR 10,74	REV. DATE MAR 10,76	REV. DATE REV F3	DWG. NO. 58008794	CONT. ON 3.00 NO. 2.12
----------------	------------------------	------------------------	---------------------	----------------------	---------------------------

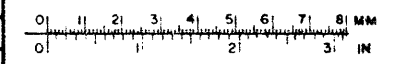
CF33A (5.10.74)

REVISIONS				
REV	AUTHORITY	DATE		SIGNATURE
		YR	MO DAY	

PIN NO.	SHEET NO.	PIN NO.	SHEET NO.	PIN NO.	SHEET NO.	PIN NO.	SHEET NO.	PIN NO.	SHEET NO.	PIN NO.	SHEET NO.	PIN NO.	SHEET NO.	PIN NO.	SHEET NO.
WA00	4	WD00	6	WG00		WK00	15	LA00		LD00		RA00		RD00	19
WA01		WD01	18	WG01		WK01	15	LA01		LD01		RA01		RD01	22
WA02	20	WD02	5	WG02	14	WK02	16	LA02		LD02		RA02		RD02	16
WA03	5	WD03	5	WG03	7	WK03	13	LA03		LD03		RA03		RD03	
WA04	19	WD04	5	WG04		WK04	4	LA04		LD04		RA04		RD04	22
WA05	19	WD05	5	WG05	8	WK05	16	LA05		LD05		RA05		RD05	
WA06	4	WD06	5	WG06	14	WK06	23	LA06		LD06		RA06	18	RD06	22
WA07	4	WD07	5	WG07	9	WK07	4	LA07		LD07		RA07		RD07	22
WA08	4	WD08	5	WG08	4	WK08		LA08		LD08		RA08		RD08	
WA09	4	WD09	6	WG09		WK09	16	LA09		LD09		RA09		RD09	
WA10	11	WD10	5	WG10	12	WK10	22	LA10		LD10		RA10		RD10	
WA11		WD11		WG11		WK11		LA11		LD11		RA11		RD11	
WA12		WD12	6	WG12	14	WK12	23	LA12		LD12		RA12		RD12	
WA13		WD13	18	WG13	12	WK13	23	LA13		LD13		RA13		RD13	
WA14		WD14	6	WG14	12	WK14	21	LA14		LD14		RA14		RD14	22
WA15	12	WD15	18	WG15	12	WK15	23	LA15		LD15		RA15		RD15	
WA16	12	WD16	18	WG16	14	WK16	23	LA16		LD16		RA16		RD16	
WA17	5	WD17	5	WG17	12	WK17	15	LA17		LD17		RA17		RD17	
WA18	4	WD18	20	WG18	12	WK18	15	LA18		LD18		RA18		RD18	
WA19	7	WD19	18	WG19	12	WK19	21	LA19		LD19		RA19		RD19	
WA20	4	WD20	7	WG20	12	WK20		LA20		LD20		RA20		RD20	
WA21		WD21		WG21		WK21		LA21		LD21		RA21		RD21	
WB00	19	WE00	5	WH00	12	WZ00		LB00		RB00					
WB01	19	WE01	15	WH01	15	WZ01		LB01		RB01					
WB02	6	WE02	15	WH02	15	WZ02		LB02		RB02					
WB03	6	WE03	18	WH03	12	WZ03		LB03		RB03					
WB04	6	WE04	18	WH04	15	WZ04		LB04		RB04					
WB05	11	WE05	20	WH05	12	WZ05		LB05		RB05					
WB06	4	WE06	12	WH06	12			LB06		RB06					
WB07	6	WE07	11	WH07	12			LB07		RB07					
WB08	6	WE08	11	WH08	12			LB08		RB08					
WB09	6	WE09	18	WH09	15			LB09		RB09					
WB10	6	WE10	6	WH10	12			LB10		RB10					
WB11		WE11		WH11				LB11		RB11					
WB12	11	WE12	10	WH12	12			LB12		RB12					
WB13	14	WE13	15	WH13	14			LB13		RB13					
WB14	6	WE14	10	WH14	12			LB14		RB14					
WB15	6	WE15	10	WH15	12			LB15		RB15					
WB16	5	WE16	6	WH16	16			LB16		RB16					
WB17	6	WE17	12	WH17	16			LB17		RB17					
WB18	6	WE18	12	WH18	16			LB18		RB18					
WB19	21	WE19	12	WH19	16			LB19		RB19					
WB20	6	WE20	10	WH20				LB20		RB20					
WB21		WE21		WH21				LB21		RB21					
WC00	5	WF00	15	WJ00	23	LC00		RC00							
WC01	14	WF01	11	WJ01	15	LC01		RC01							
WC02	6	WF02	12	WJ02	15	LC02		RC02							
WC03	4	WF03	12	WJ03	12	LC03		RC03							
WC04	21	WF04	12	WJ04	4	LC04		RC04							
WC05	10	WF05	14	WJ05	13	LC05		RC05							
WC06	6	WF06	12	WJ06	13	LC06		RC06							
WC07	6	WF07	12	WJ07	13	LC07		RC07							
WC08	5	WF08	12	WJ08	13	LC08		RC08							
WC09	11	WF09	14	WJ09	15	LC09		RC09							
WC10	5	WF10	4	WJ10	13	LC10		RC10							
WC11		WF11		WJ11		LC11		RC11							
WC12	5	WF12	4	WJ12	13	LC12		RC12							
WC13	5	WF13	14	WJ13	13	LC13		RC13							
WC14	5	WF14	14	WJ14	13	LC14		RC14							
WC15	5	WF15	14	WJ15	15	LC15		RC15							
WC16	5	WF16	14	WJ16	23	LC16		RC16							
WC17	21	WF17	4	WJ17	14	LC17		RC17							
WC18	15	WF18	14	WJ18	13	LC18		RC18							
WC19	6	WF19	20	WJ19	15	LC19		RC19							
WC20	5	WF20	23	WJ20	14	LC20		RC20							
WC21		WF21	4	WJ21		LC21		RC21							

NOTE: 1. SHEETS 1,2,3 ARE "A" SIZE
 FOR DOCUMENT STATUS, SEE REVISION STATUS SHEET
 AA4/2-SLOT 4

UNLESS OTHERWISE SPECIFIED		MATERIAL		Honeywell HONEYWELL INFORMATION SYSTEMS PHOENIX, ARIZONA U.S.A.	
DIMENSIONS= MILLIMETERS / INCHES		TREAT.			
TOLERANCE OF SIZE AND FORM PER		FIN.		LOC PC0	
INITIAL DESIGN		DR. <i>Jim Cochran</i> 74MAR16		TITLE LOGIC DIAGRAM MT6ST	
PROJECTION		APPD. <i>9.19.82</i>		SIZE D	
SCALE		CODE		DWG NO. 58008794	
REF SPEC NO.		DISTR.		SH 3.1	
				REV C	



DRAWING: 44 141

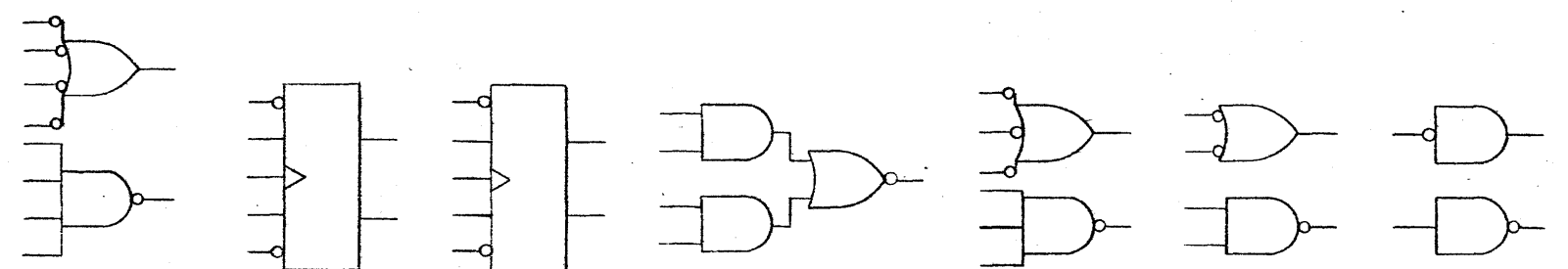
58008794

REVISIONS			
REV	AUTHORITY	DATE	SIGNATURE
		YR MO DAY	

	A	B	C	D	E	F	G	H	J	K	L	M	N	P	Q	R	S	T	U	V
0	OA 3G4417 19 20 20	OB 2F9463 19 21	OC 3G4417 18 18 18	OD 6I4410 18 18 18 11 19 19	OE 2G4411 10 10	OF 3G4417 12 12 7	OG 4G4408 21 18 18 7	OH 3G4417 9 8 21	OJ 2F4415 21 21	OK 1C3447 21	OL 2F4415 20 20	OM 6I4410 15 15 6 20 21 16	ON 1G4412 18	OP 2F9463 5 5	OQ 2G4414 6 22	OR	OS	OT	OU	OV
1	1A 6I4410 12 10 7 15 X	1B 4G4408 7 12 10 10	1C 1G4412 12	1D 1G4412 12	1E 1G4412 12	1F 1B3441 15	1G 2F9463 17 14	1H 2G4411 16 17	1J 3G4417 17 17 17	1K 1N3450 21	1L 2D4413 6 4	1M 4G4408 15 15 15 16	1N 4G4408 20 20 21 21	1P 6I4410 20 20 21 21 5 21	1Q 4G4408 10 7 6 X	1R TIEP 12,15,16 = 4 9,11,13 = 22	1S	1T	1U	1V
2	2A 1G4412 12	2B 6I4410 12 12 12 12 12 12	2C 6I4410 12 12 12 12 6 12	2D 4G4408 10 11 10 7	2E 2F4415 11	2F 6I4410 12 12 12 16 10 10	2G 2F4415 17	2H 4G4408 17 17 17 17	2J 4G4408 17 17 17 17	2K 2G4411 19 4	2L 2F4415 16 16	2M 2F4415 16	2N 2F4415 22	2P 2F4415 22	2Q 1R3448 22	2R TIEP 9,11,12,14 = 22 9,13,15,16 = 23	2S	2T	2U	2V
3	3A 4G4408 5 11 11 19	3B 3G4417 11 12 12	3C 2F4415 11 10	3D 2F4415 11	3E 6I4410 4 7 11 12 6 12	3F 2F4415 10	3G 6I4410 23 19 20 11 7 16	3H 4G4408 17 17 17 17	3J 4G4408 17 17 17 17	3K 1C3447 16	3L 1C3447 16	3M 4G4408 15 16 16 4	3N 4G4408 22 22 22 22	3P 6I4410 10 X 9 11 18 16	3Q 2F4415 18	3R TIEP 13,16=22 9,13=23	3S	3T	3U	3V
4	4A 2G4411 10 10	4B 2F4415 7 5	4C 3G4417 4 11 12	4D 2F4415 9 9	4E 2F4415 9	4F 4G4408 9 9 4 16 10 11	4G 6I4410 17 17 17 17 9 12	4H 6I4410 17 17 17 17	4J 4G4408 17 17 17 17	4K 1N3444 16	4L 3G4417 14 8 8	4M 2D4413 15 17	4N 4G4408 22 22 22 22	4P 2G4411 5 15	4Q 6I4410 22 14 22 22 10 23	4R TIEP 9,10,11,13 = 17 16=23	4S	4T	4U	4V
5	5A 2F4415 8 8	5B 2F4415 8 8	5C 6I4410 14 7 14 16 9 9	5D 2F4415 7 7	5E 2F4415 7	5F 2F4415 7	5G 4G4408 10 4 9 9	5H 4G4408 16 14 14 14	5J 4G4408 21 4 15 10	5K 4G4408 7 17 17 7	5L 4G4408 17 16 9 16	5M 4G4408 17 22 19 14	5N 6I4410 16 17 22 16 22 19	5P 2F9463 22 15	5Q 6I4410 15 15 15 15 17 17	5R TIEP 10,11,13, 14,16=15 16=17 9,12,15=23	5S	5T	5U	5V
6	6A 6I4410 8 8 8 8 7 6	6B 4G4408 8 8 8 9	6C 1P3405 6	6D 1P3405 6	6E 4G4408 6 5 12 7	6F 1N3444 6	6G 1N3444 6	6H 6I4410 5 14 14 14 14 14	6J 6I4410 6 7 11 15 15 20	6K 2F4415 10 X	6L 4G4408 15 13 13 15	6M 1G4412 13	6N 3G4417 4 10 13	6P 4G4408 10 10 10 10	6Q 2F4415 7 8	6R TIEP 10,11,12, 13,14=23	6S	6T	6U	6V
7	7A 2G4411 11 5	7B 2F4415 4 4	7C 4G4408 6 6 6 5	7D 4G4408 5 6 6 6	7E 2F4415 5 6	7F 4G4408 21 21 21 21	7G 4G4408 6 6 7 8	7H 1N3450 14	7J 4G4408 19 15 16 15	7K 1B3442 14	7L 1G4412 15	7M 3G4417 13 14 7	7N 4G4408 19 21 7 15	7P 6I4410 4 6 7 10 10 10	7Q 2G4414 4 7	7R TIEP 10,13,14 = 23	7S	7T	7U	7V
8	8A 2F4415 6 6	8B 3G4417 12 19	8C 2F4415 9 15	8D 6I4410 5 11 21 21 20 20	8E 2F4415 19 19	8F 3G4417 21 13 21	8G 6I4410 23 12 14 7 11 11	8H 6I4410 14 14 14 16 14 19	8J 1B3442 14	8K 1N3450 13	8L 2G4411 13 13	8M 2G4411 12 13	8N 4G4408 10 12 9 7	8P 2F9463 16 4	8Q 4G4408 10 5 5 5	8R	8S	8T	8U	8V
9	9A 1G4412 4	9B 4G4408 6 11 4 5	9C 4G4408 5 4 19 5	9D 6I4410 4 7 15 14 5 5	9E 2D4413 4 15	9F 1G4412 5	9G 1G4412 5	9H 2D4413 7 7	9J 2D4413 10 5	9K 1N3450 13	9L 1N3450 13	9M RN4D 5=4 1=14 2,3=16	9N 6I4410 13 13 13 23 13 13	9P 6I4410 6 15 16 22 7 4	9Q 2D4413 9 4	9R S16 X	9S S16 X	9T S16 X	9U S16 X	9V S16 X

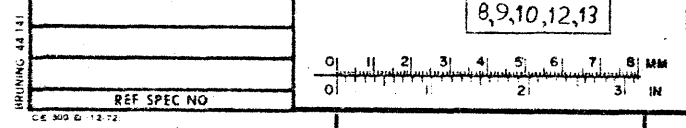
1B3441
1B3442
1C3447
1G4412

1N3444
1N3450
1P3405
1R3448
RN4D
TIEP



2D4413 2G4414	2F4415	2F9463	2G4414	3G4417	4G4408	6I4410
1,2,4,5,6 8,9,10,12,13	1,4,13,14,15 5,6,8,10,11	1,2,3,4,14 15,16 6,7,8,9,10 11,12	1,8,9,10,13 2,3,4,5,6	1,2,12,13 3,4,5,6 8,9,10,11	1,2,3 4,5,6	1,2 3,4 10,11 12,13

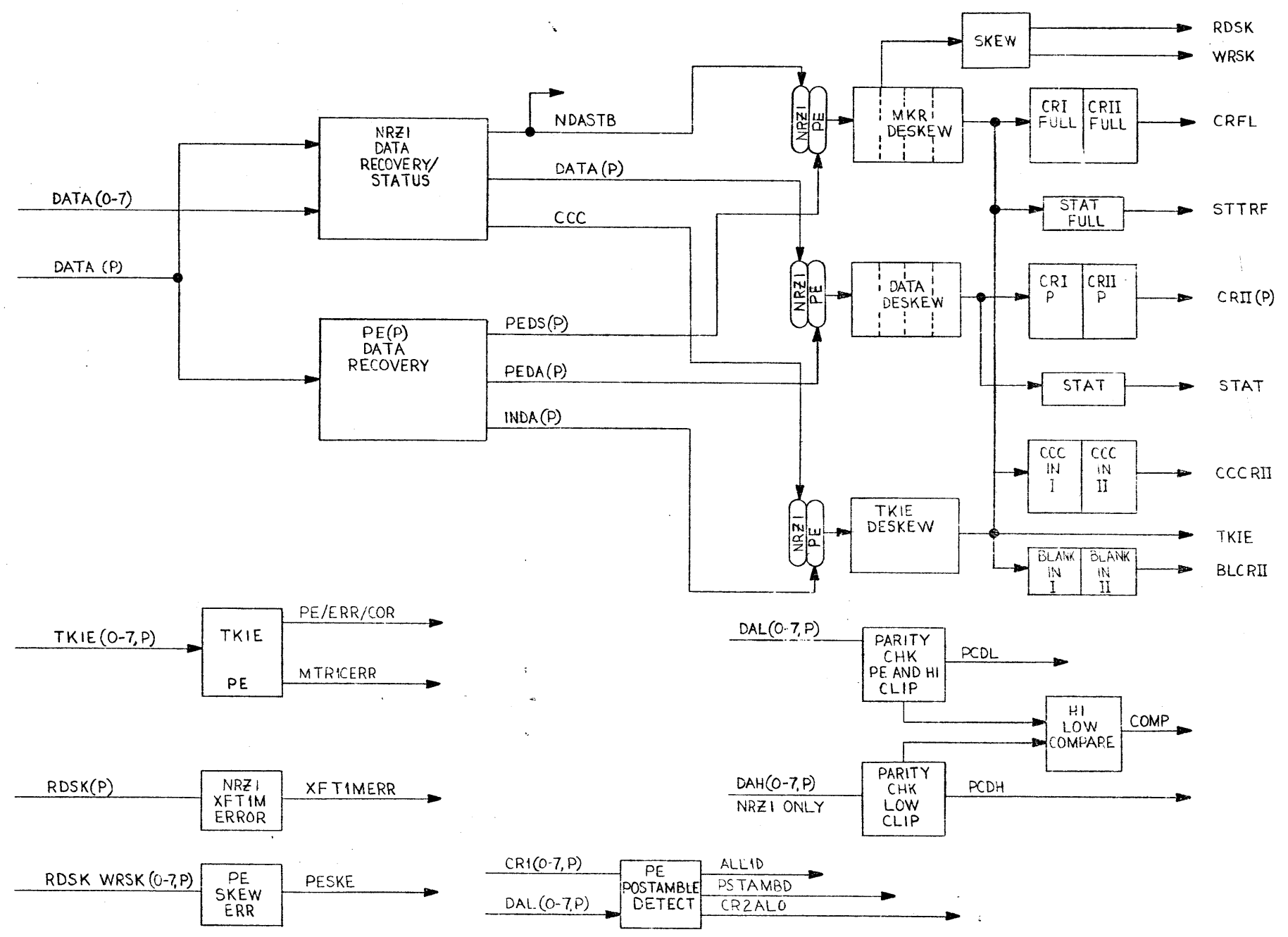
UNUSED
NOT USED



UNLESS OTHERWISE SPECIFIED		MATERIAL		Honeywell HONEYWELL INFORMATION SYSTEMS PHOENIX, ARIZONA U. S. A.	
DIMENSIONS- MILLIMETERS INCHES		TREAT.			
TOLERANCE OF SIZE AND FORM PER		FIN.		LOC PC0 TITLE LOGIC DIAGRAM MT6ST CIRCUIT LOCATOR	
INITIAL DESIGN		PROJECTION		SIZE DWG NO D 58008794	
SCALE		CODE		SH REV 3.2 F	
DR <i>[Signature]</i> 14 NOV 6		APPD <i>[Signature]</i> 1975 Feb 20		DISTR	

58008794

REVISIONS				
REV	AUTHORITY	DATE		SIGNATURE
		YR	MO DAY	



REF SPEC NO	01

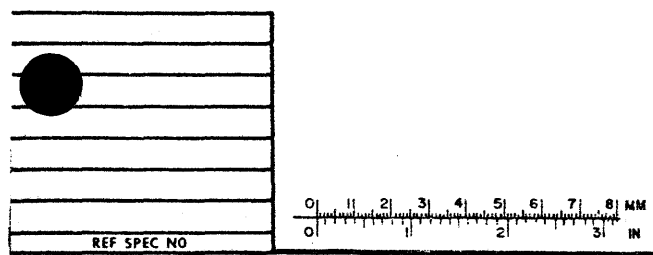
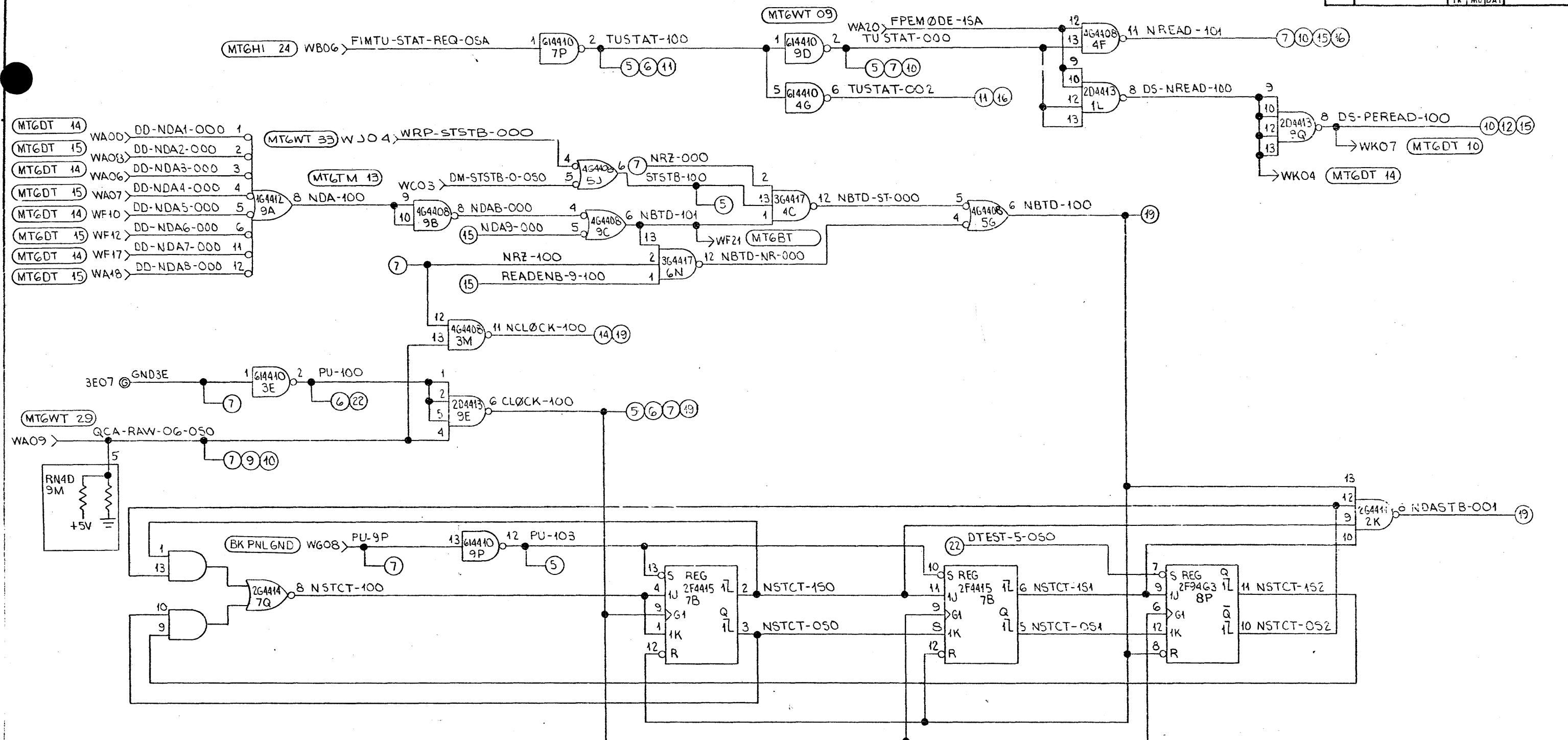
01 11 21 31 41 51 61 71 81 MM
01 11 21 31 IN

UNLESS OTHERWISE SPECIFIED		MILLIMETERS		INCHES		MATERIAL	
DIMENSIONS=		TOLERANCE OF SIZE AND FORM PER		INITIAL DESIGN		PROJECTION	
SCALE	CODE	DR	74 MAR 20	SIZE	D	DWG NO	58008794
		APPD	1975 Feb 26	SH	3.3	REV	A

Honeywell
 HONEYWELL INFORMATION SYSTEMS
 PHOENIX, ARIZONA U.S.A.
 TITLE: LOGIC DIAGRAM MT6ST BLOCK DIAGRAM
 Loc PC0

58008794

REVISIONS				
REV	AUTHORITY	DATE	SIGNATURE	
		YR	MO	DAY



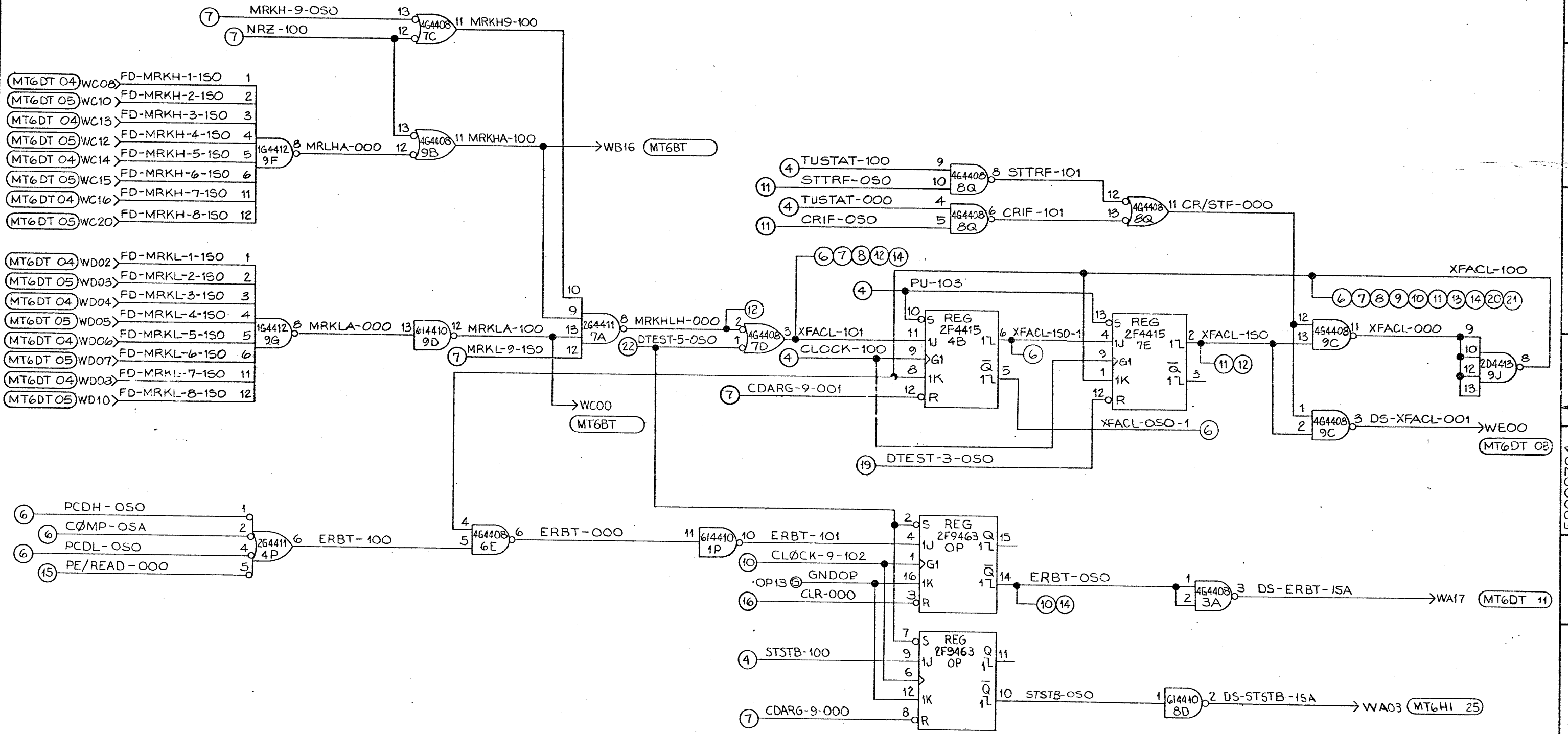
UNLESS OTHERWISE SPECIFIED		MATERIAL	
DIMENSIONS =	MILLIMETERS		
	INCHES		
TOLERANCE OF SIZE AND FORM PER		TREAT.	
INITIAL DESIGN		FIN.	
PROJECTION			
SCALE	CODE	DR 74-12-27	SIZE DWG NO
		APPD	D 58008794
		DISTR	SH 4
			REV D

Honeywell
 HONEYWELL INFORMATION SYSTEMS
 PHOENIX, ARIZONA U.S.A.
 TITLE: LOGIC DIAGRAM MT6ST
 TIMING CONTROL

H
F
E
D
C
B
A

58008794

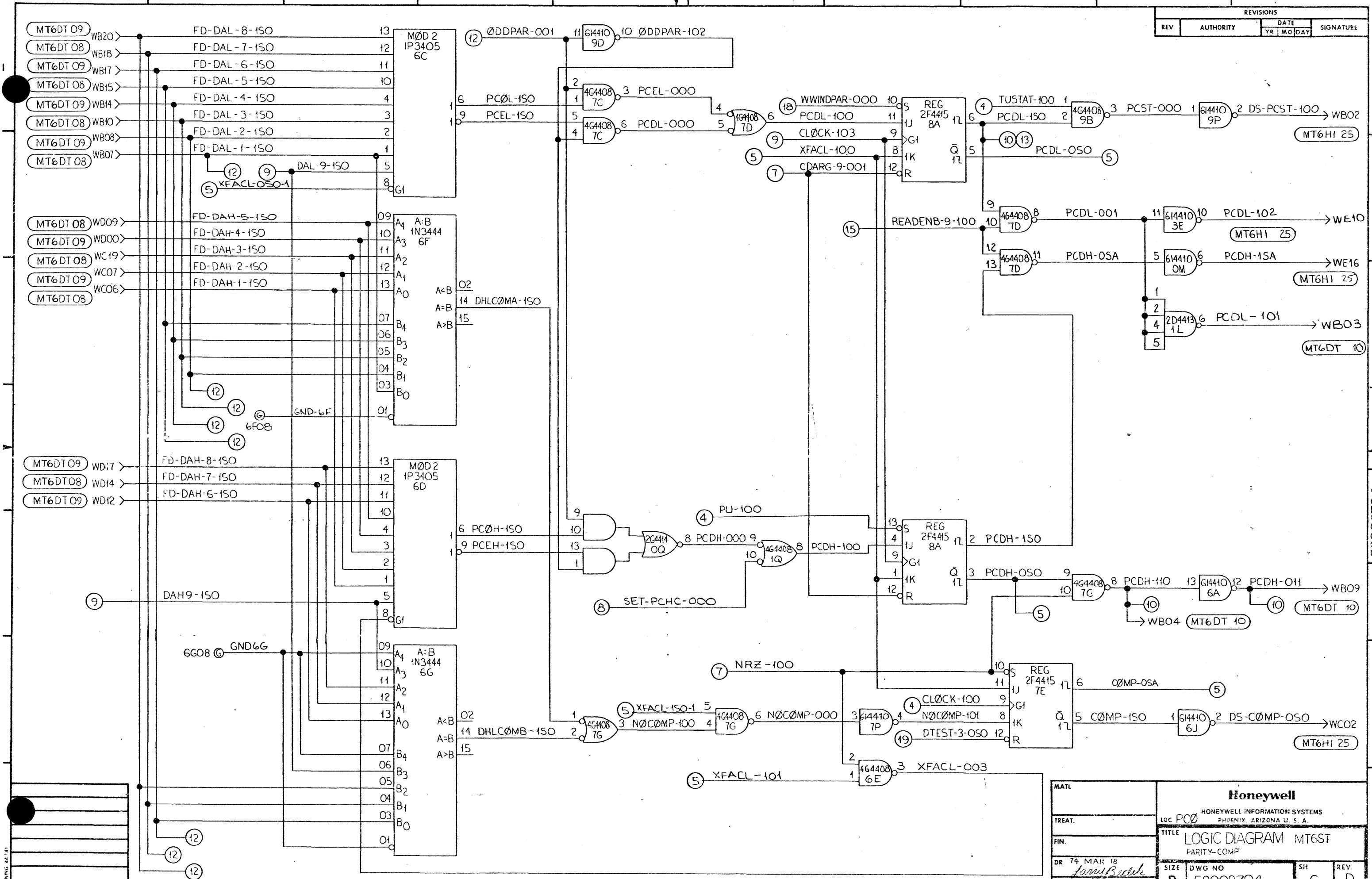
REVISIONS				
REV	AUTHORITY	DATE	SIGNATURE	
		YR MC DAY		



UNLESS OTHERWISE SPECIFIED		MATL	Honeywell HONEYWELL INFORMATION SYSTEMS PHOENIX ARIZONA U. S. A.	
DIMENSIONS =	MILLIMETERS INCHES	TREAT.		
TOLERANCE OF SIZE AND FORM PER	INITIAL DESIGN	PROJECTION	TITLE LOGIC DIAGRAM MT6ST XFER CLEAR	
SCALE	CODE	DR 74, MAR. 12 BRUCE PICKERSON	SIZE D	DWG NO 58008794
		APPD 1975 Feb 26	SH 5	RFV F

58008794

REVISIONS				
REV	AUTHORITY	DATE	SIGNATURE	
YR	MO	DAY		

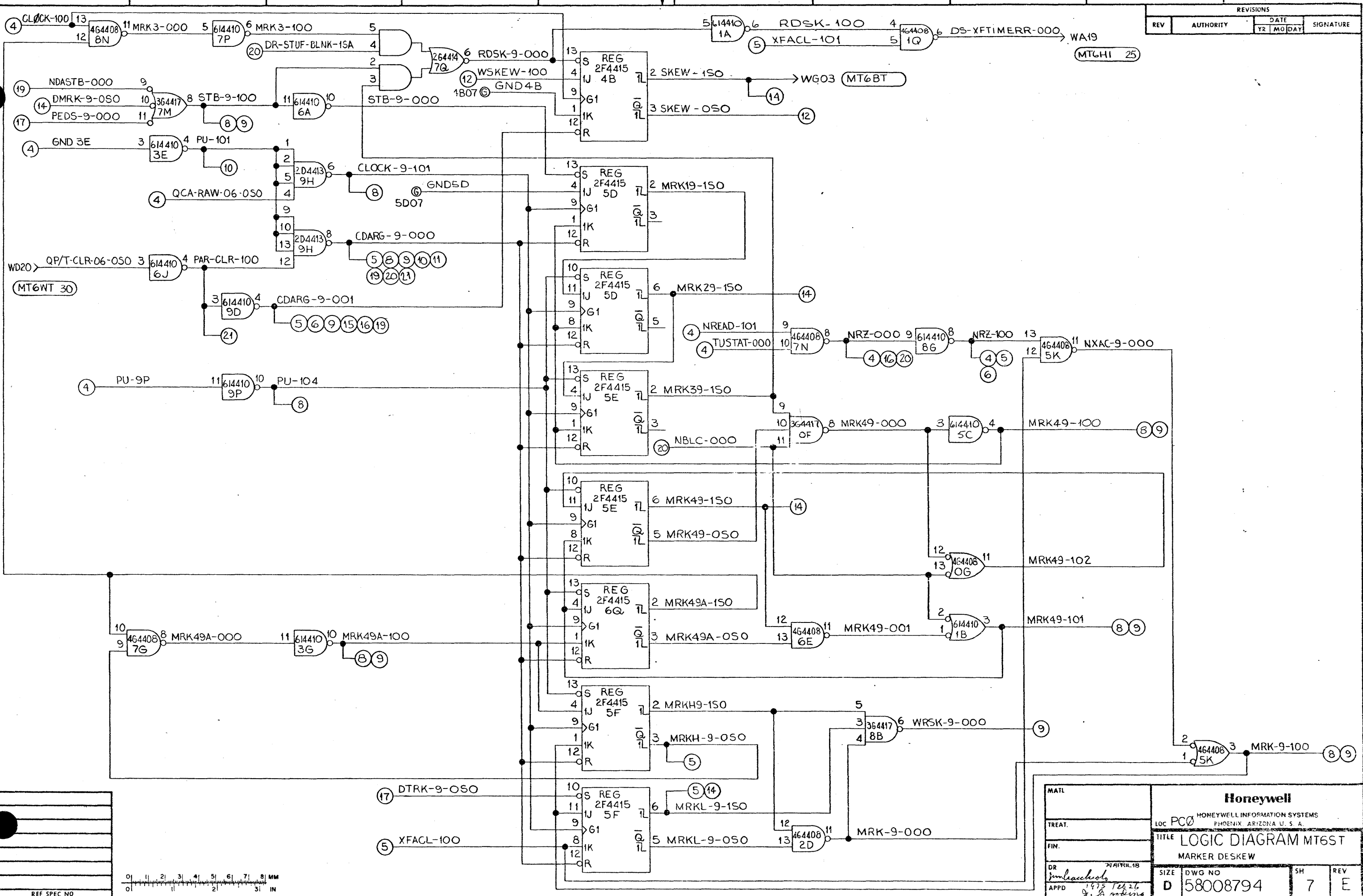


MATERIAL		Honeywell			
TREATMENT		HONEYWELL INFORMATION SYSTEMS PHOENIX, ARIZONA U. S. A.			
FINISH		LOC PCØ TITLE LOGIC DIAGRAM MT6ST PARITY-COMP			
DR 74 MAR 18	APPD 1975 Feb 26	SIZE D	DWG NO 58008794	SH 6	REV D
DISTR CL-8-26, TOS, NCO SDF					

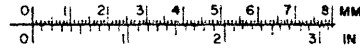
BRUNING 48141
REF SPEC NO
CE 300 D 12-72

58008794

REVISIONS			
REV	AUTHORITY	DATE	SIGNATURE
YR	MO	DAY	



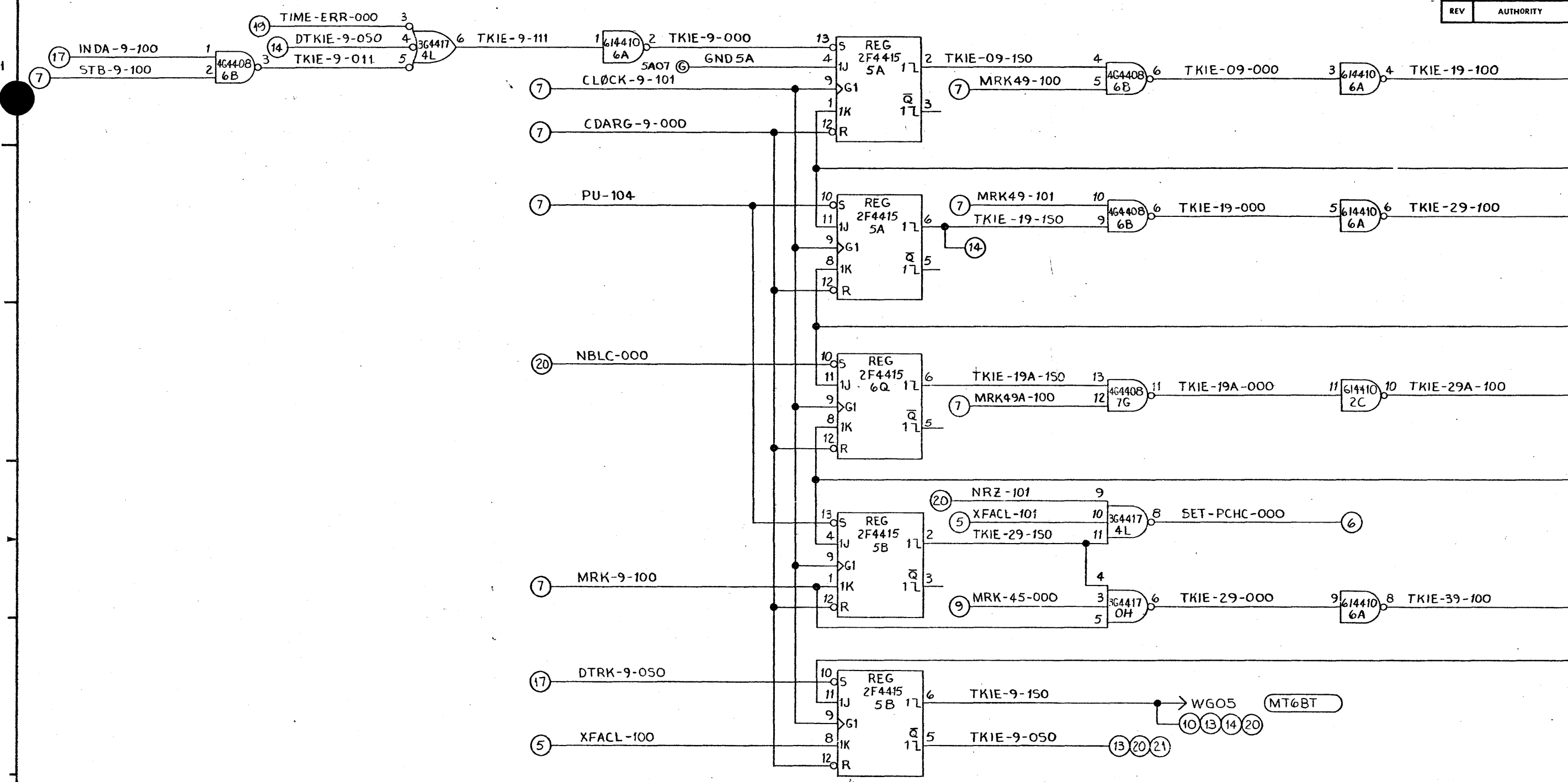
BRUNING 44 121

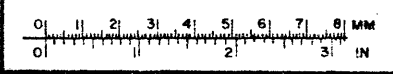


MAIL		Honeywell	
TREAT.		LOC PCØ HONEYWELL INFORMATION SYSTEMS PHOENIX, ARIZONA U. S. A.	
FIN.		TITLE LOGIC DIAGRAM MT6ST MARKER DESKEW	
DR Jmbacchich	24 APRIL 1975	SIZE D	DWG NO 58008794
APPD J. S. Gooding	1475 12426	SH 7	REV E

58008794

REVISIONS				
REV	AUTHORITY	DATE		SIGNATURE
		YR	MO	DAY

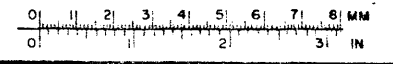
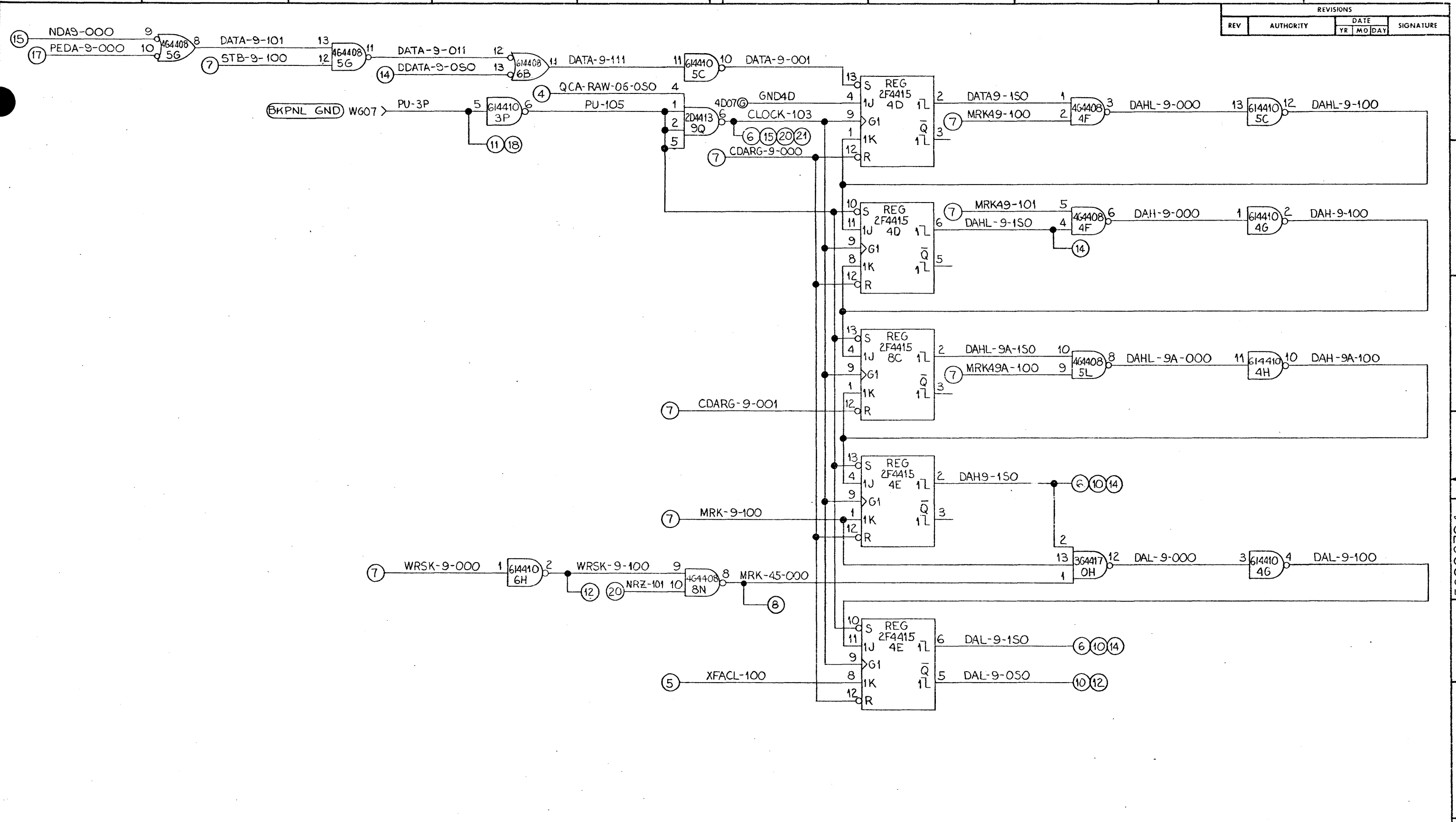




UNLESS OTHERWISE SPECIFIED		MATERIAL		Honeywell HONEYWELL INFORMATION SYSTEMS PHOENIX, ARIZONA U. S. A.	
DIMENSIONS— MILLIMETERS ← INCHES →		TREAT.			
TOLERANCE OF SIZE AND FORM PER		FIN.		LOC PC0 TITLE LOGIC DIAGRAM MT6ST TRACK IN ERROR DESKEW	
INITIAL DESIGN		DR. <i>Tom...</i> 24-APRIL-77		SIZE	REV
PROJECTION		APPD. 1975 Feb 22		D	A
SCALE	CODE	DISTR.		DWG NO.	8
				58008794	

58008794

REVISIONS			
REV	AUTHORITY	DATE	SIGNATURE
YR	MO	DAY	

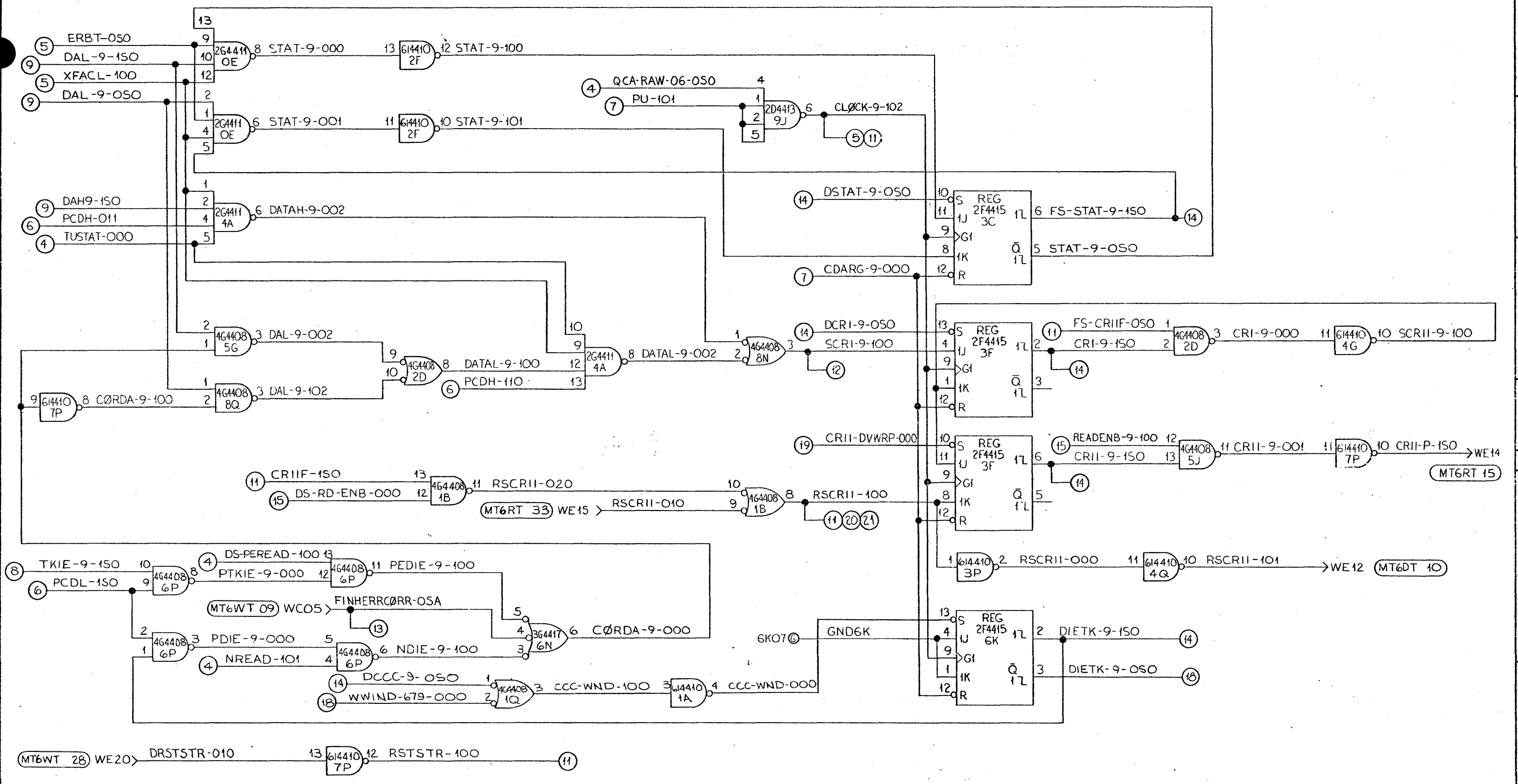


REF SPEC NO

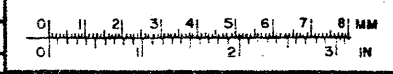
UNLESS OTHERWISE SPECIFIED		MATL		Honeywell HONEYWELL INFORMATION SYSTEMS PHOENIX, ARIZONA U. S. A. TITLE LOGIC DIAGRAM MT6ST DATA DESKEW			
DIMENSIONS= MILLIMETERS INCHES		TREAT.					
TOLERANCE OF SIZE AND FORM PER		FIN.					
INITIAL DESIGN		SCALE					
PROJECTION		DR	74-3-12	SIZE	DWG NO	SH	REV
		APPD.	Janna J. Willa 1975 Feb 26	D	58008794	9	A
DISTR C68-26, TOK, NCC, SDF							

58008794

REVISIONS					
REV	AUTHORITY	DATE	SIGNATURE		
		YR	MO	DAY	



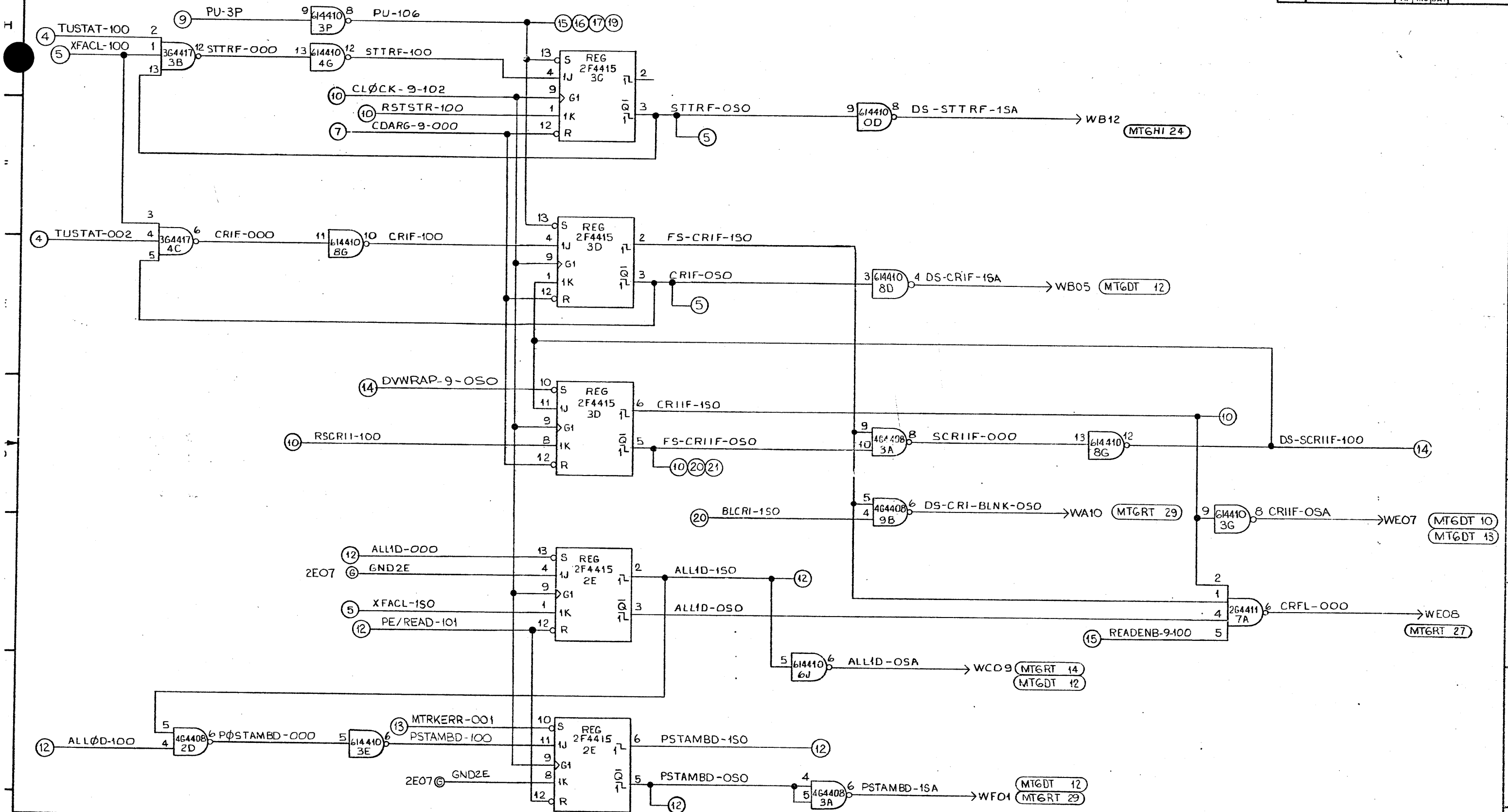
BRUNING 44 141
CE 900 D 12-72
REF SPEC NO

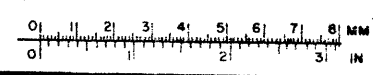


UNLESS OTHERWISE SPECIFIED			Honeywell		
DIMENSIONS-	MILLIMETERS	MATL	HONEYWELL INFORMATION SYSTEMS PHOENIX, ARIZONA U. S. A.		
	INCHES	TREAT.	LOC PCØ		
TOLERANCE OF SIZE AND FORM PER		FIN.	TITLE LOGIC DIAGRAM MT6ST		
INITIAL DESIGN			ERROR CORRECT/STATUS/CRI/CRII		
PROJECTION		DR Jim MacShane 74 MAR 12	SIZE	DWG NO	SH
SCALE	CODE	APPD 1975 Feb 26 J. B. Oshling	D	58008794	10
		DISTR 068-261 TOS. NCO. SDF			REV E

58008794

REVISIONS				
REV	AUTHORITY	DATE		SIGNATURE
		YR	MO DAY	



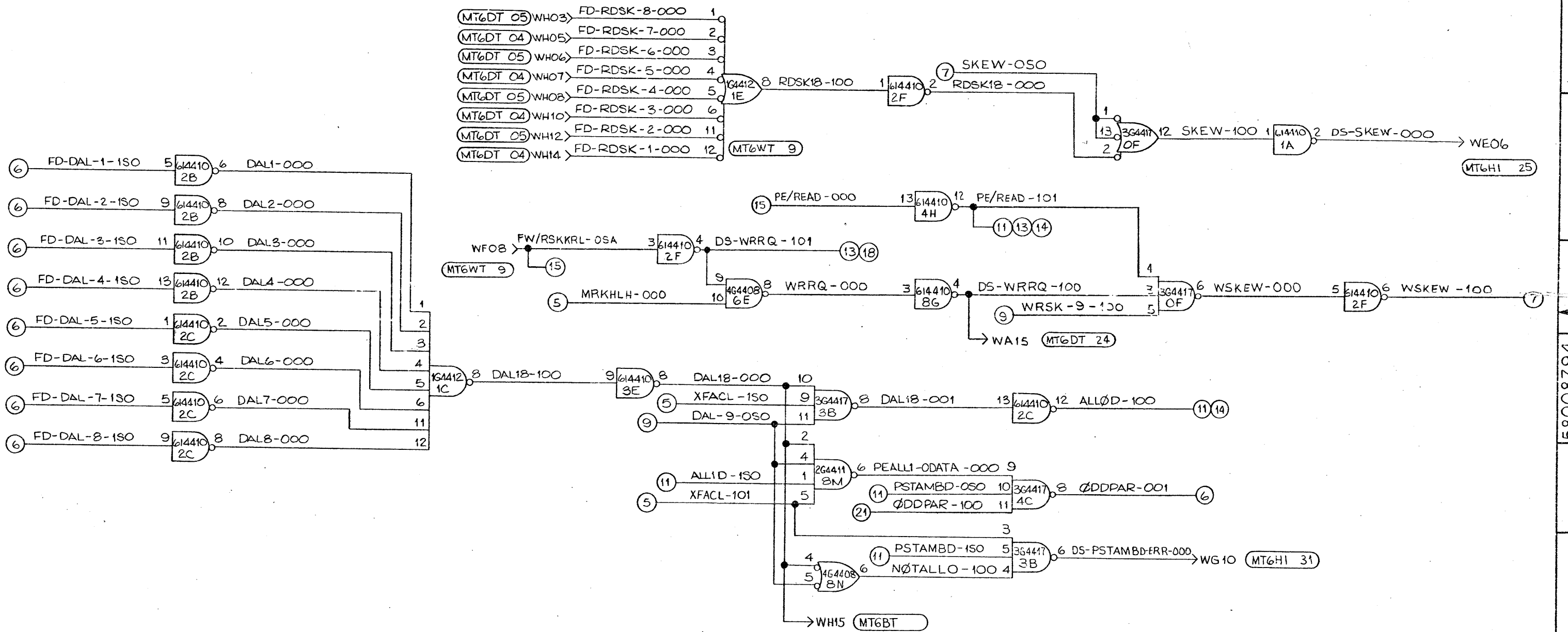


UNLESS OTHERWISE SPECIFIED		MATERIAL		Honeywell HONEYWELL INFORMATION SYSTEMS PHOENIX, ARIZONA U. S. A.	
DIMENSIONS=	MILLIMETERS	TREAT.			
TOLERANCE OF SIZE AND FORM PER	INCHES	FIN.		TITLE LOGIC DIAGRAM MT6ST STATUS FULL/CRI&CPII FULL/POST AMPL DET	
INITIAL DESIGN		DR	74 MAR 15	SIZE	DWG NO
PROJECTION		APPD	1975 Feb 20 D. Woodring	D	58008794
SCALE	CODE	DISTR	58008794	SH	11
				REV	D

MT6DT 10 WE17	DD-SCRI-1-100	1
MT6DT 11 WE18	DD-SCRI-2-100	2
MT6DT 10 WE19	DD-SCRI-3-100	3
MT6DT 11 WFO2	DD-SCRI-4-100	4
MT6DT 10 WFO3	DD-SCRI-5-100	5
MT6DT 11 WFO4	DD-SCRI-6-100	6
MT6DT 10 WFO6	DD-SCRI-7-100	11
MT6DT 11 WFO7	DD-SCRI-8-100	12

MT6DT 18 WG13	DD-PRAMBS-1-000	1
MT6DT 19 WG14	DD-PRAMBS-2-000	2
MT6DT 18 WG15	DD-PRAMBS-3-000	3
MT6DT 19 WG17	DD-PRAMBS-4-000	4
MT6DT 18 WG18	DD-PRAMBS-5-000	5
MT6DT 19 WG20	DD-PRAMBS-6-000	6
MT6DT 18 WG19	DD-PRAMBS-7-000	11
MT6DT 19 WH00	DD-PRAMBS-8-000	12

REVISIONS				
REV	AUTHORITY	DATE	SIGNATURE	
		YR	MO	DAY



BRUNING 44.141

REF SPEC NO

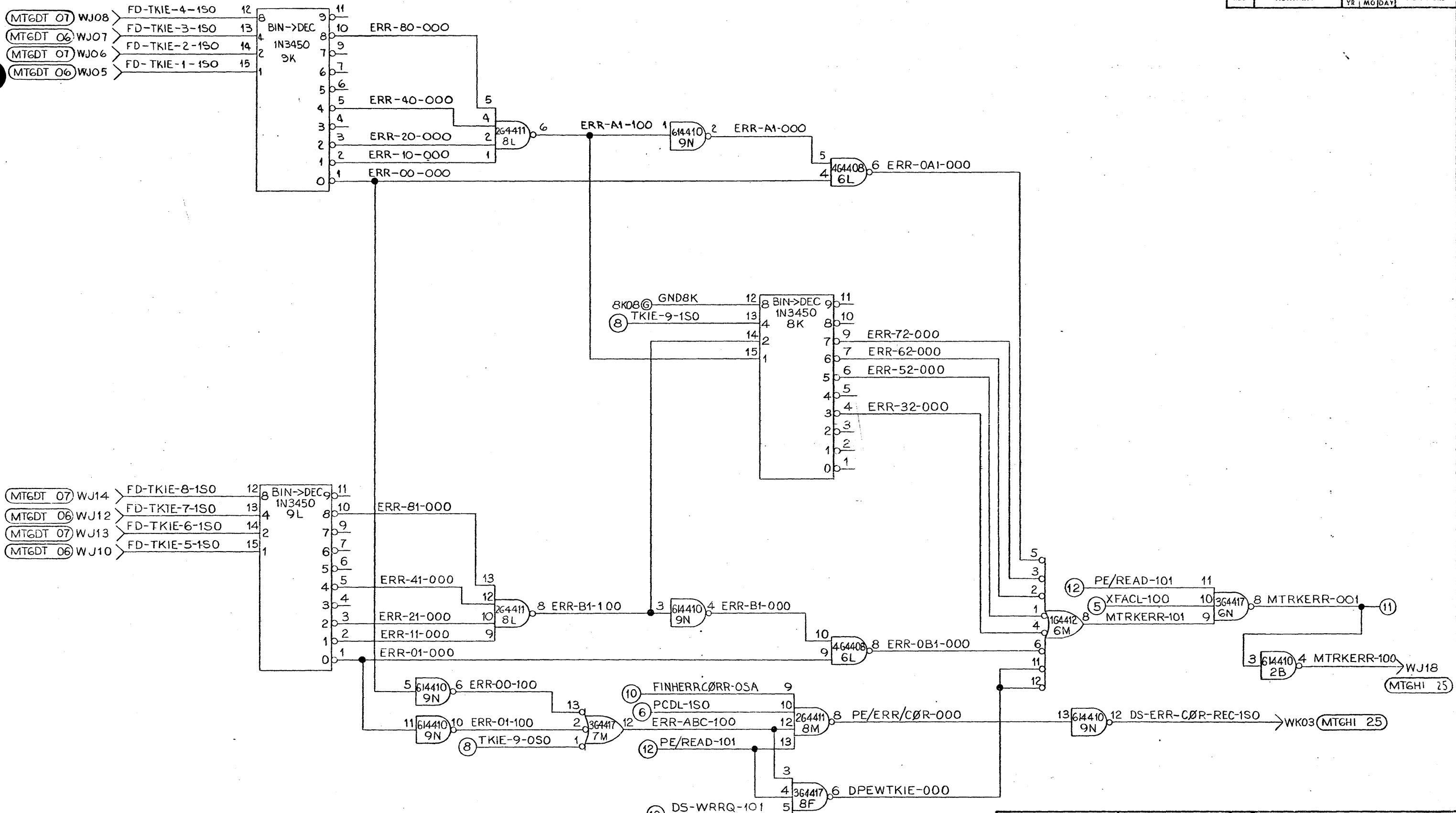
01 11 21 31 41 51 61 71 81 MM

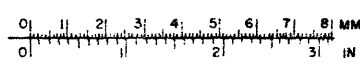
01 11 21 31 IN

UNLESS OTHERWISE SPECIFIED		MATL	Honeywell	
DIMENSIONS=	MILLIMETERS	TREAT.	HONEYWELL INFORMATION SYSTEMS	
TOLERANCE OF SIZE AND	INCHES	FIN.	PHOENIX ARIZONA U. S. A.	
FORM PER			TITLE LOGIC DIAGRAM MT6ST	
INITIAL DESIGN			ALLI'S/ALLØ'S/PE DESKW/PREAMBLE SET	
PROJECTION		DR 74-3-12	SIZE	DWG NO
SCALE	CODE	APPD Maryalice Rose	D 58008794	SH 12
		1975 Feb 26		REV F

58008794

REVISIONS				
REV	AUTHORITY	DATE		SIGNATURE
		YR	MO DAY	





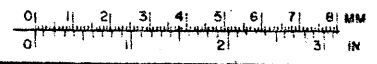
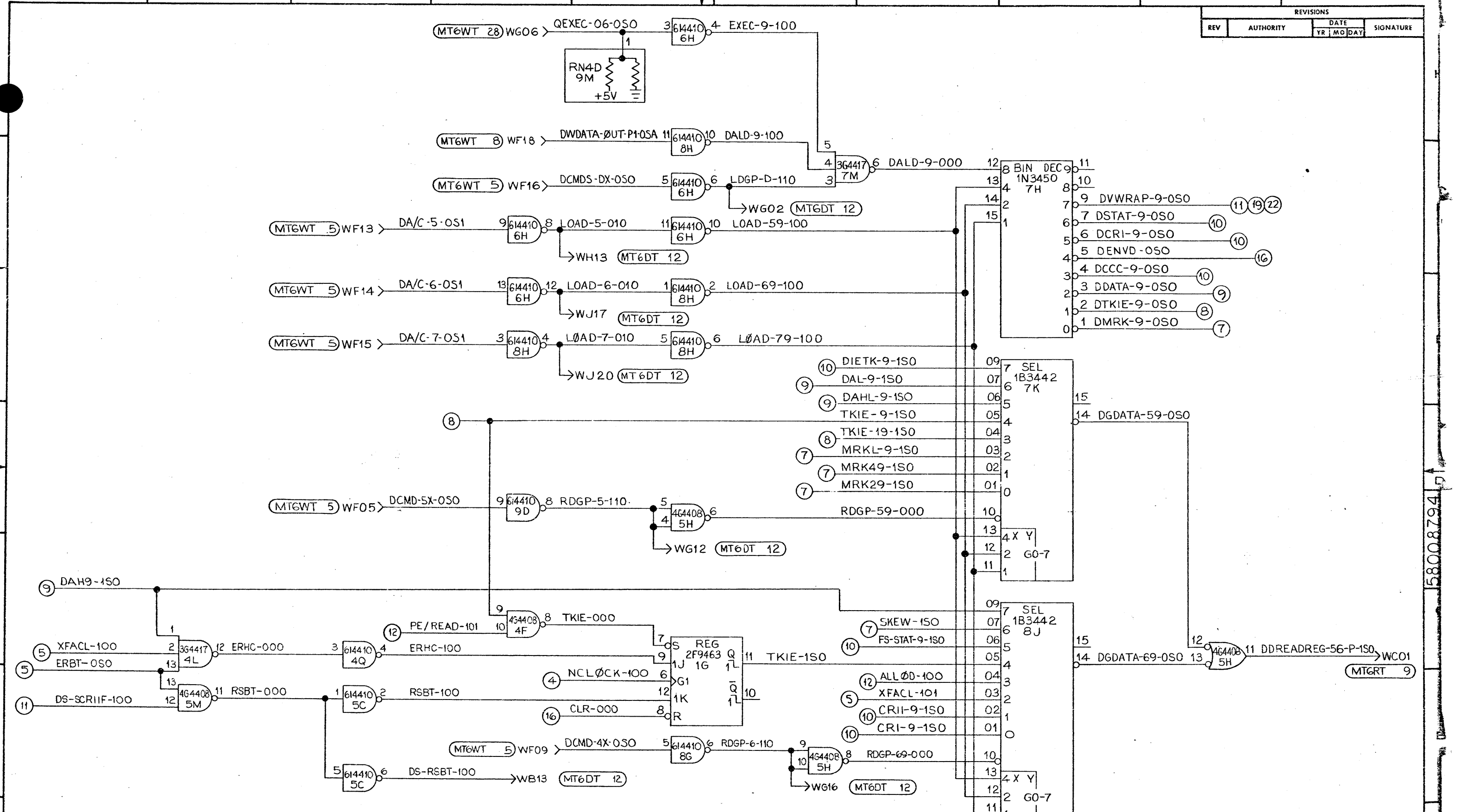
UNLESS OTHERWISE SPECIFIED		MATERIAL	
DIMENSIONS= MILLIMETERS			
TOLERANCE OF SIZE AND		TREAT.	
FORM PER			
INITIAL DESIGN		FIN.	
PROJECTION			
SCALE	CODE	DR	

Honeywell
 HONEYWELL INFORMATION SYSTEMS
 PHOENIX, ARIZONA U. S. A.

LOC PCO
 TITLE LOGIC DIAGRAM MT6ST
 TWO OR MORE ERRORS

SIZE	DWG NO	SH	REV
D	58008794	13	F

REVISIONS				
REV	AUTHORITY	DATE	SIGNATURE	
YR	MO	DAY		

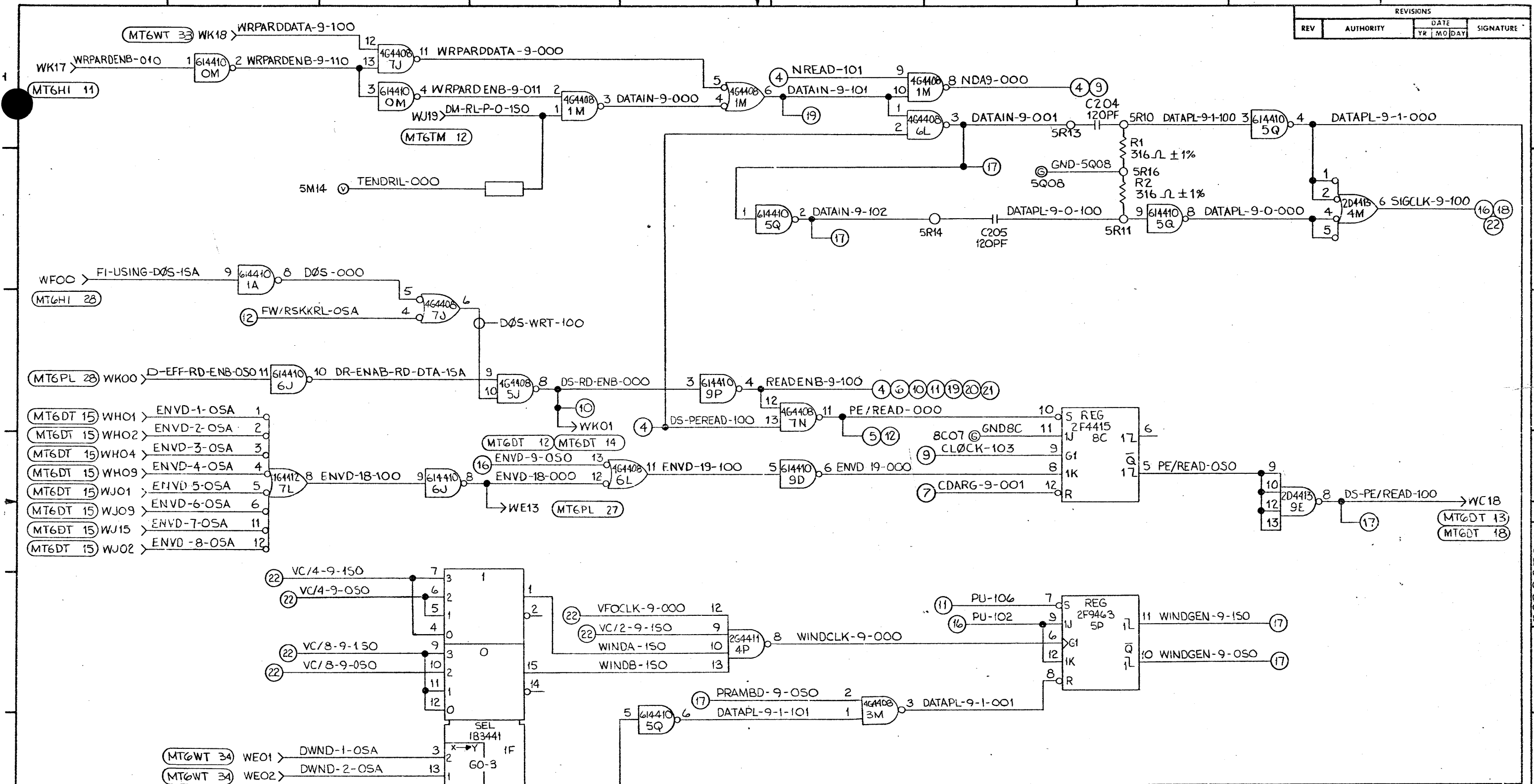


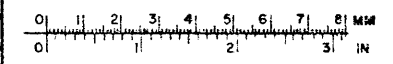
REF SPEC NO

MATERIAL		Honeywell HONEYWELL INFORMATION SYSTEMS PHOENIX, ARIZONA U. S. A.	
TREATMENT	LOC PCØ		
FINISH		TITLE LOGIC DIAGRAM MT6ST	
		DIAGNOSTICS	
DR	74 MAR 18	SIZE	DWG NO
APPD	J. J. Wills	D	58008794
DISTR		SH	REV
		14	B

58008794

REVISIONS			
REV	AUTHORITY	DATE	SIGNATURE
		YR MO DAY	

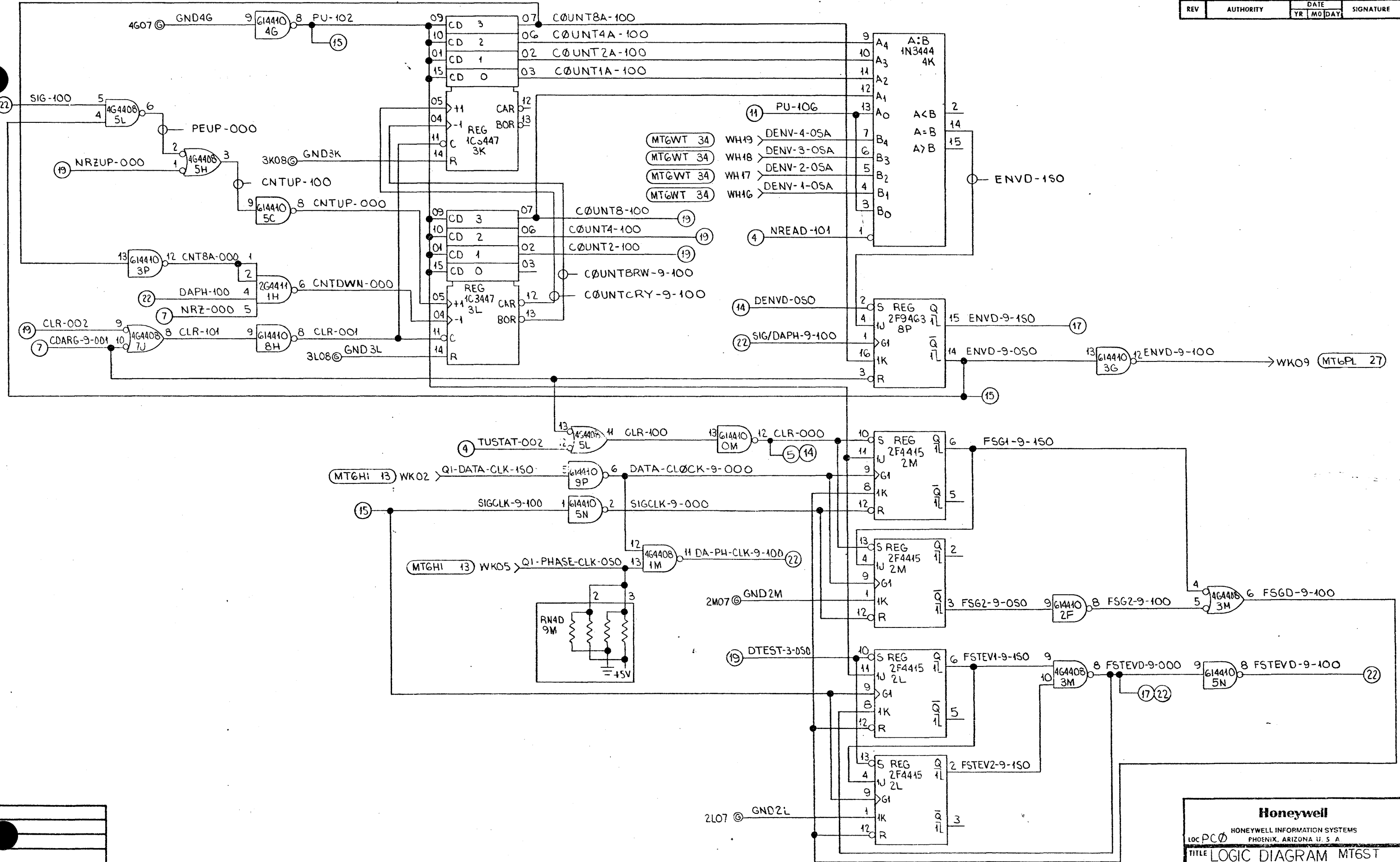




UNLESS OTHERWISE SPECIFIED		MATERIAL		Honeywell HONEYWELL INFORMATION SYSTEMS PHOENIX, ARIZONA U. S. A.					
DIMENSIONS— MILLIMETERS INCHES		TREAT.							
TOLERANCE OF SIZE AND FORM PER		FIN.		LOC PC0 TITLE LOGIC DIAGRAM MT6T6 PE DATA REC'D					
INITIAL DESIGN		DR		SCALE	CODE	SIZE	DWG NO	SH	REV
PROJECTION		APPD							
		DISTR							

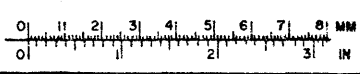
58008794

REVISIONS				
REV	AUTHORITY	DATE	SIGNATURE	
		YR	MO	DAY



H
F
E
C
B
A

58008794

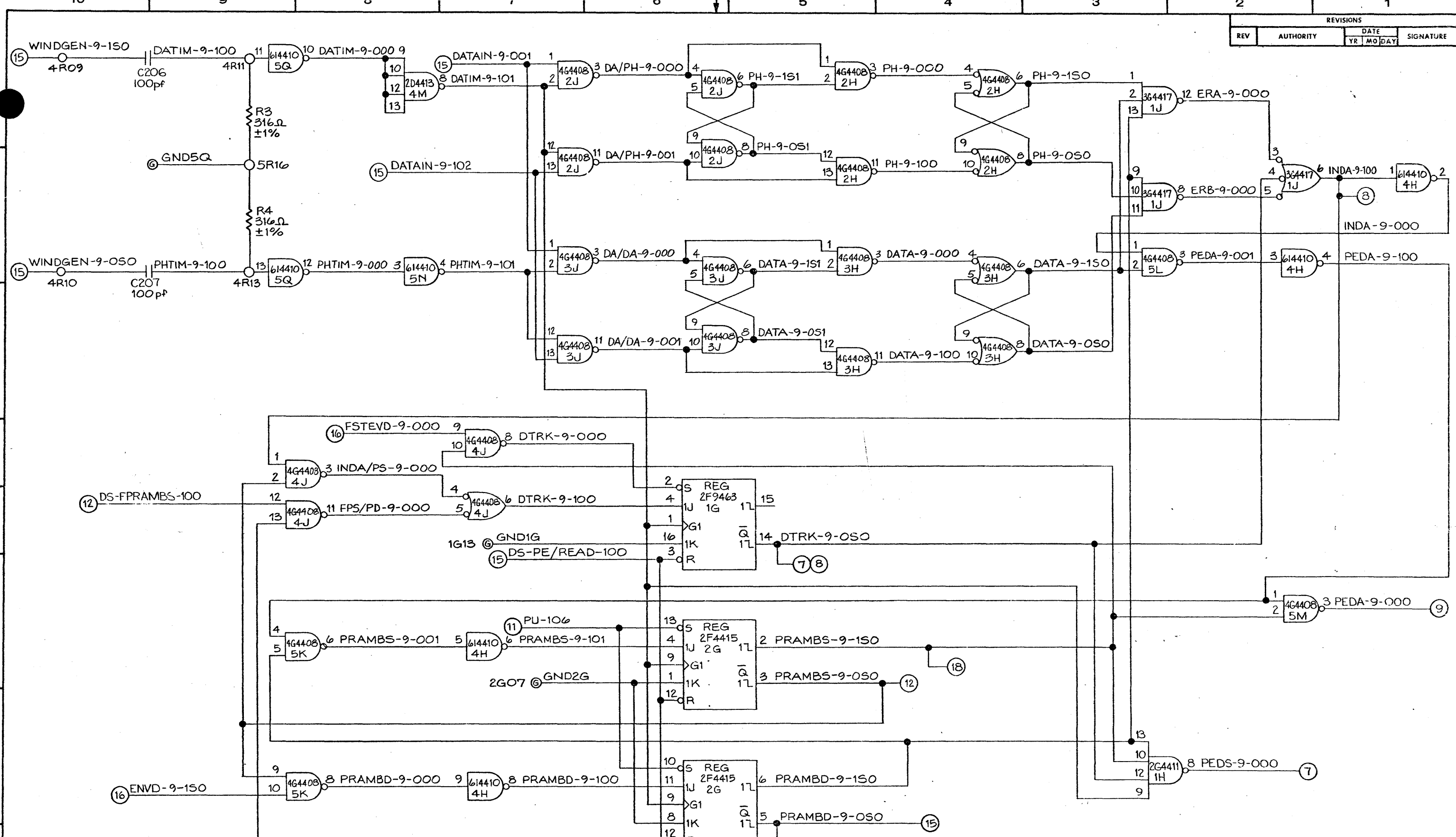


Honeywell
 HONEYWELL INFORMATION SYSTEMS
 PHOENIX, ARIZONA U.S.A.
 loc PC0
TITLE LOGIC DIAGRAM MT6ST
 PE. DATA. RECOV.

DR	75-1-9	SIZE	DWG NO	SH	REV
APPD	1975 Feb 26	D	58008794	16	B

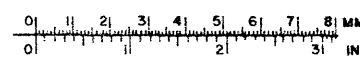
DISTR 668-263 TOS-NC0 SDF 1

REVISIONS				
REV	AUTHORITY	DATE	SIGNATURE	
		YR MO DAY		



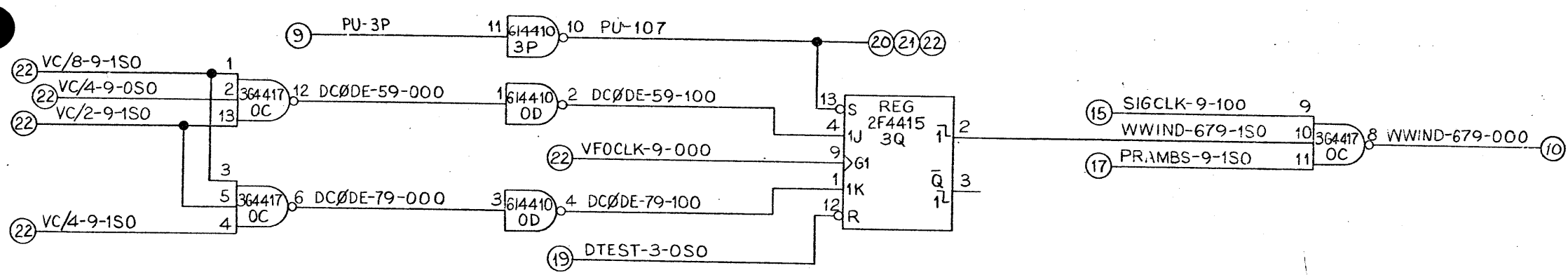
58008794 D

REF SPEC NO	

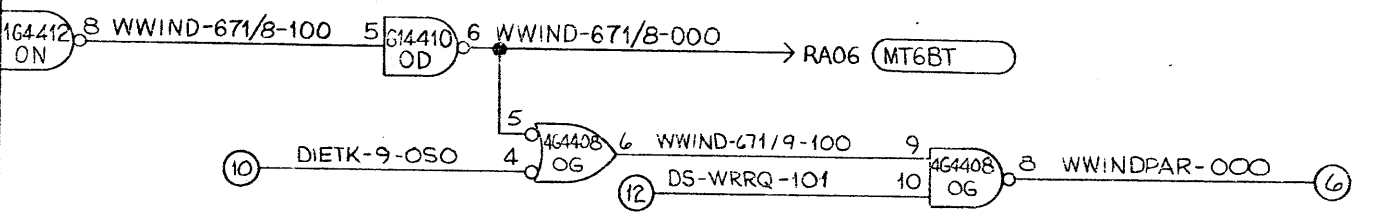


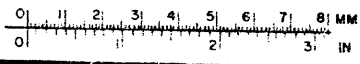
UNLESS OTHERWISE SPECIFIED		MATERIAL		Honeywell HONEYWELL INFORMATION SYSTEMS PHOENIX, ARIZONA U. S. A. TITLE LOGIC DIAGRAM MT6ST PE DATA REC II	
DIMENSIONS= MILLIMETERS / INCHES		TREAT.			
TOLERANCE OF SIZE AND FORM PER INITIAL DESIGN		FIN.		DR 74-MAR-16 Bruce Dickerson APPD 1975 Feb 26 J. S. Palmer	
SCALE	CODE	SIZE	DWG NO	SH	REV
		D	58008794	17	B
DISTR					

REVISIONS				
REV	AUTHORITY	DATE	SIGNATURE	
		YR MO DAY		



(MT6DT 24) WDO1	WWIND-671-000	1
(MT6DT 24) WD13	WWIND-672-000	2
(MT6DT 24) WD15	WWIND-673-000	3
(MT6DT 24) WD16	WWIND-674-000	4
(MT6DT 24) WD19	WWIND-675-000	5
(MT6DT 24) WE03	WWIND-676-000	6
(MT6DT 24) WE09	WWIND-677-000	11
(MT6DT 24) WE04	WWIND-678-000	12

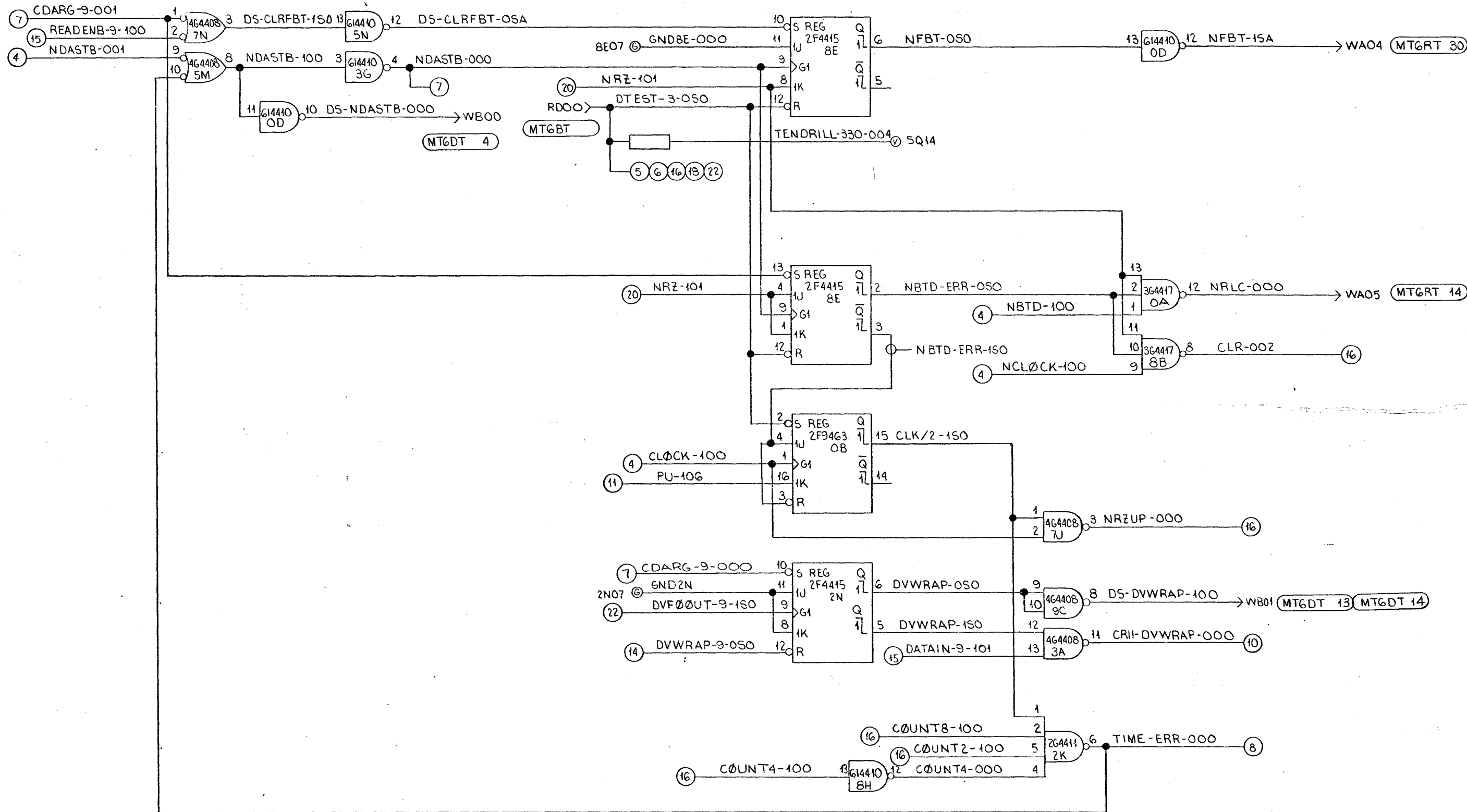




UNLESS OTHERWISE SPECIFIED		MATL		Honeywell HONEYWELL INFORMATION SYSTEMS PHOENIX, ARIZONA U.S.A.	
DIMENSIONS: MILLIMETERS / INCHES		TREAT.			
TOLERANCE OF SIZE AND FORM PER		FIN.		LOC PCØ	
INITIAL DESIGN		DR		TITLE LOGIC DIAGRAM MT6BT WRITE WINDOW	
PROJECTION		APPD		SIZE DWG NO	
SCALE CODE		74 MAR 11 <i>Al. ...</i>		D 58008794	
REF SPEC NO		APPD 1975 Feb 26		SH REV	
				18 F	

58008794

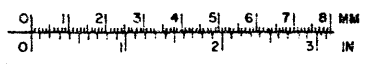
REVISIONS				
REV	AUTHORITY	DATE	SIGNATURE	
		YR MO DAY		



H
T
E
D
C
B
A

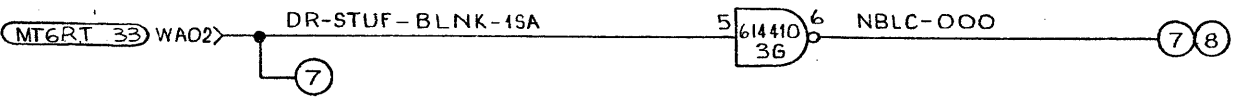
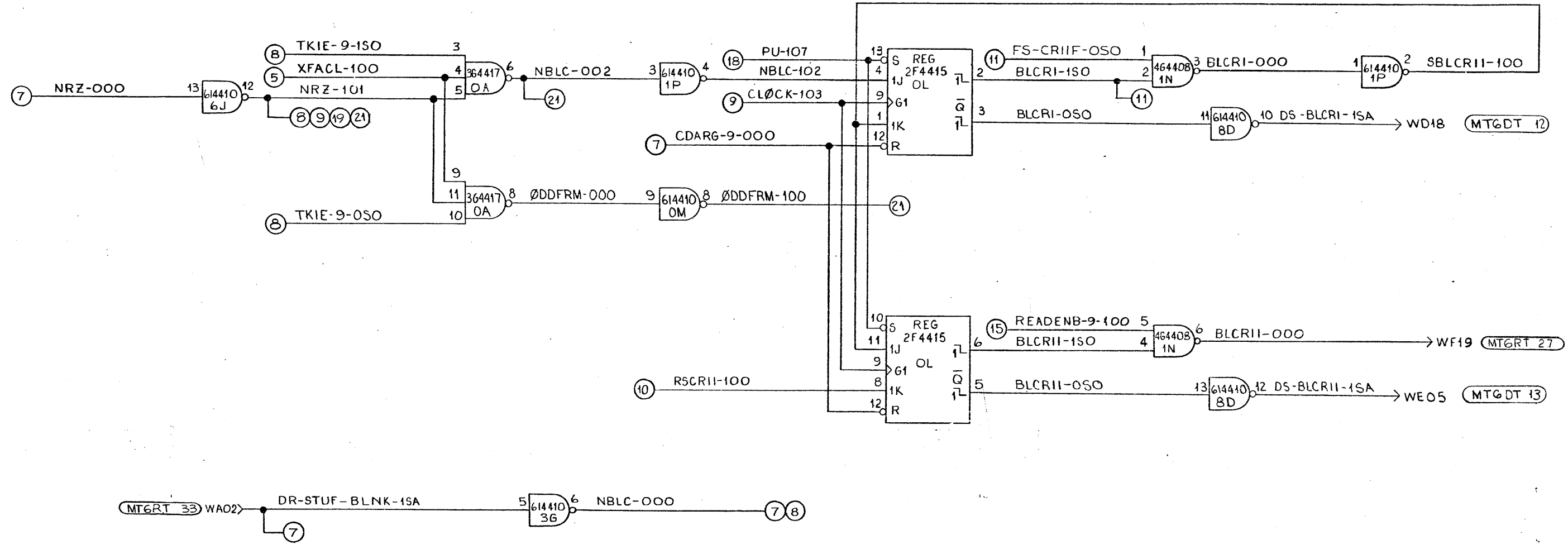
58008794

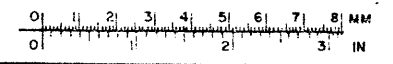
A



UNLESS OTHERWISE SPECIFIED		MATERIAL	
DIMENSIONS=	MILLIMETERS INCHES	TREAT.	
TOLERANCE OF SIZE AND FORM PER		FIN.	
INITIAL DESIGN		DR	74-1-10
PROJECTION		APPD	1975 780 26
SCALE	CODE	DR	74-1-10
		APPD	1975 780 26
Honeywell		HONEYWELL INFORMATION SYSTEMS PHOENIX, ARIZONA U. S. A.	
LOC PC0		TITLE LOGIC DIAGRAM MT6T BLANK CHARACTER / 1ST NRZ BIT / DEVICE WRAP	
SIZE	DWG NO	SH	REV
D	58008794	19	B

REVISIONS				
REV	AUTHORITY	DATE		SIGNATURE
		YR	MO DAY	

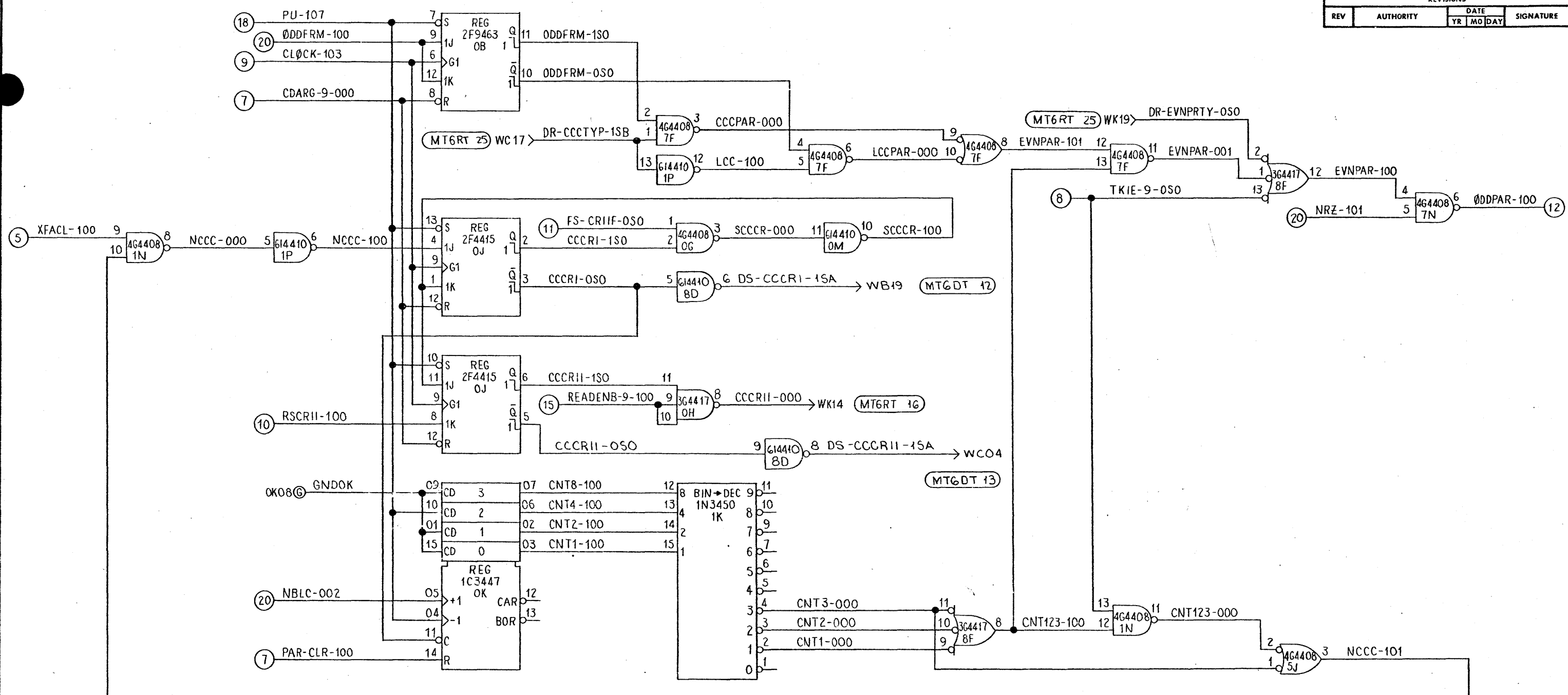




UNLESS OTHERWISE SPECIFIED		MATERIAL	
DIMENSIONS - MILLIMETERS INCHES		TREAT.	
TOLERANCE OF SIZE AND FORM PER		FIN.	
INITIAL DESIGN		DR. <i>[Signature]</i> 74 MAR 12	
PROJECTION		APPD. <i>[Signature]</i> Feb 20	
SCALE	CODE	SIZE	DWG NO.
		D	58008794
HONEYWELL		SH	REV
HONEYWELL INFORMATION SYSTEMS PHOENIX, ARIZONA U.S.A.		20	B
LOC PC0		TITLE LOGIC DIAGRAM MT6ST BLANK CHARACTER NRZ BUFFERING	

58008794

REVISIONS				
REV	AUTHORITY	DATE		SIGNATURE
		YR	MO	DAY

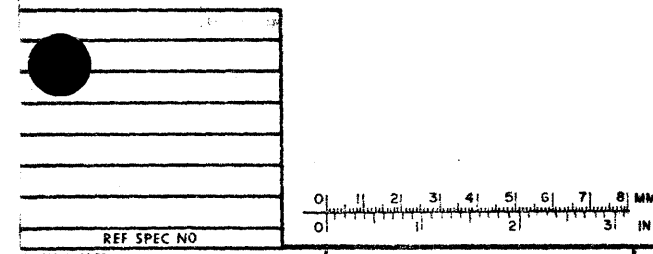
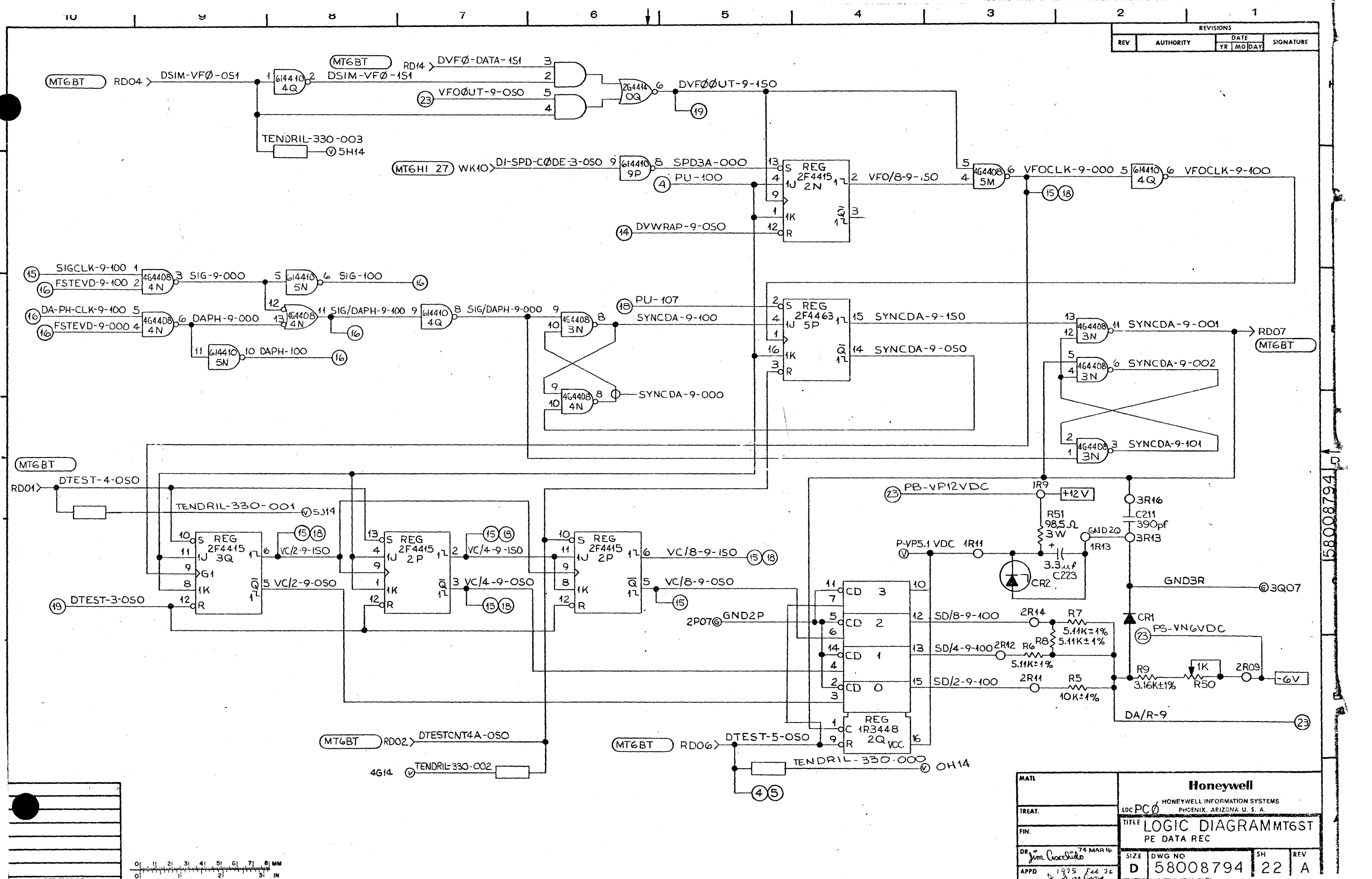


UNLESS OTHERWISE SPECIFIED DIMENSIONS= MILLIMETERS INCHES TOLERANCE OF SIZE AND FORM PER INITIAL DESIGN PROJECTION		MATL. TREAT. FIN.	
		DR 7d Nov. 4 Gate Ripley APPD J. S. O'Connell 1975 Feb 20	
REF SPEC NO.		SCALE CODE	TITLE LOGIC DIAGRAM MT6ST CCC DETECT PARITY DETECT
CE 900 D (112-72)	Honeywell HONEYWELL INFORMATION SYSTEMS PHOENIX, ARIZONA U. S. A.	SIZE D 58008794	SHEET NO. SH 21 REV REV A

H
F
E
C
B
A

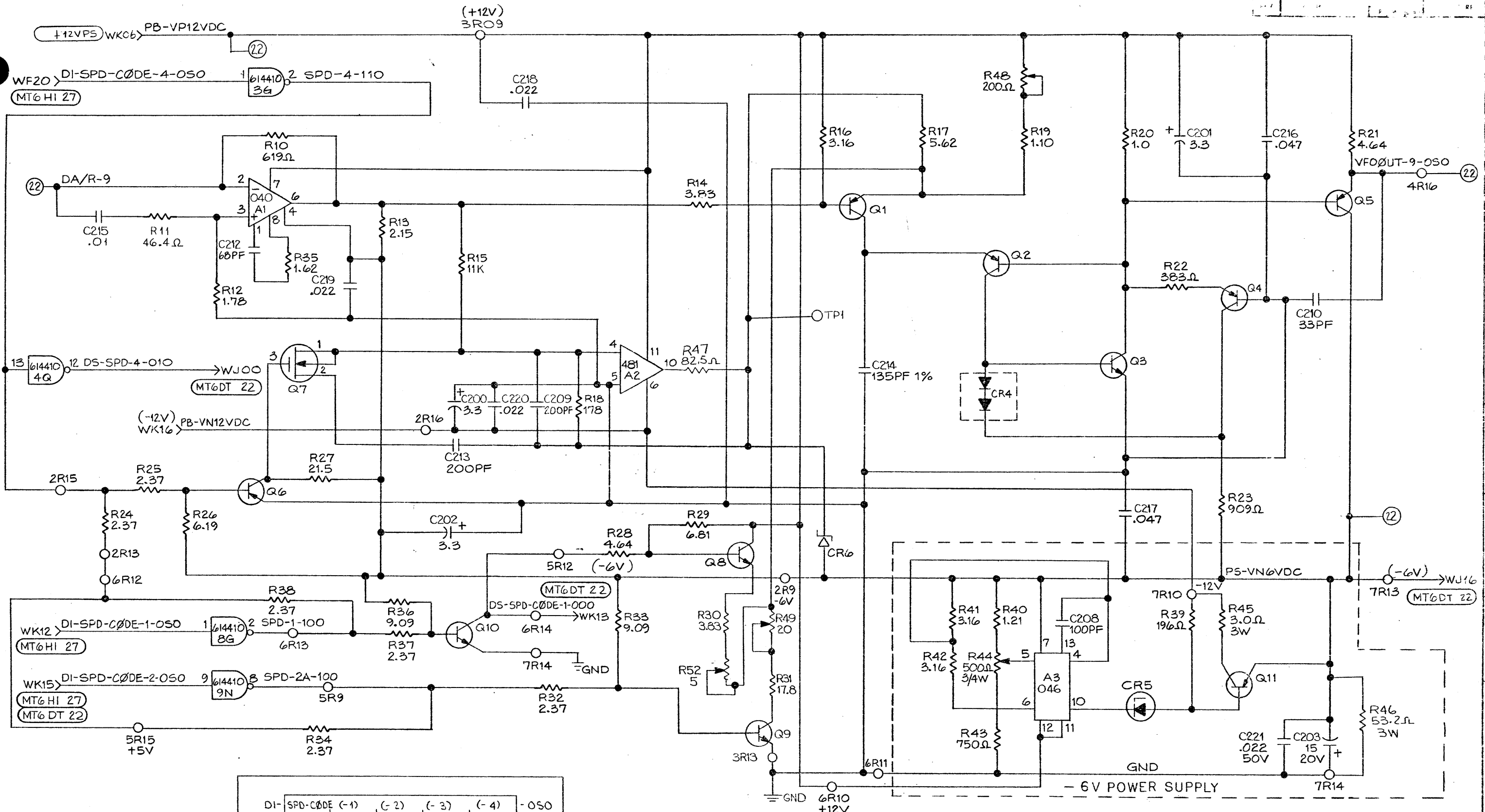
58008794

REVISIONS				
REV	AUTHORITY	DATE	SIGNATURE	
		YR	MO	DAY



MATL	Honeywell			
TREAT.	HONEYWELL INFORMATION SYSTEMS PHOENIX, ARIZONA U. S. A.			
FIN.	TITLE LOGIC DIAGRAM MT6ST PE DATA REC			
DR. <i>Jim Conclude</i>	74 MAR 16	SIZE D	DWG NO 58008794	SH 22
APPD <i>J. J. ...</i>	1975 Feb 26			REV A

58008794



DI-SPD-CODE (-1) (-2) (-3) (-4) -050	(-1)	(-2)	(-3)	(-4)
75 IPS	0	1	0	1
125 IPS	0	0	1	1
200 IPS	1	1	1	0

NOTES: (UNLESS OTHERWISE SPECIFIED).
 1. ALL RESISTORS ARE IN K-ΩHMS & 1/4W. ±1%.
 2. CAPACITOR VALUES ARE IN MICRO-FARADS.
 3. DIODES ARE INDICATED CR.

UNLESS OTHERWISE SPECIFIED		MATERIAL	
DIMENSIONS: MILLIMETERS	INCHES	TREAT.	
TOLERANCE OF SIZE AND FORM PER		FIN.	
INITIAL DESIGN		SCALE	
PROJECTION		DATE	
DR 74, MAR. 12, Bruce Peterson		SIZE	DWG NO.
APPD 1975 [Signature]		D	58008794
		REV	23F D

58008794

THE INFORMATION CONTAINED IN THIS DOCUMENT IS PROPRIETARY TO HONEYWELL INFORMATION SYSTEMS, INC. AND IS INTENDED FOR INTERNAL HONEYWELL USE ONLY. SUCH INFORMATION MAY BE DISTRIBUTED TO OTHERS BY WRITTEN PERMISSION OF AN AUTHORIZED HONEYWELL OFFICIAL. THIS RESTRICTION DOES NOT APPLY TO VENDOR PROPRIETARY THAT MAY BE DISCLOSED IN THIS DOCUMENT.

58008784

REV	AUTHORITY	DATE			SIGNATURE	DWG. SHEET NUMBERS																					
		YR	MO	DAY		1	2	3	3.1	3.2	3.3	3.4	4	5	6	7	8	9	10	11	12	13	14	15	16		
A	LEVEL 3 ISSUE	75	03	06	<i>[Signature]</i>	A	A	A	A	A	A	A	A	A	A	A	A	A	A	A	A	A	A				
B	PHADTE062	75	SEP	25	<i>[Signature]</i>	B																					
Blank Sheets not included																											

FOR CONTINUATION OF REVISION STATUS SEE SHEET

Honeywell HONEYWELL INFORMATION SYSTEMS LOC PHOENIX, ARIZONA	MADE BY <i>Wm. Saldana</i> 75 FEB 13	TITLE
	APPROVED <i>[Signature]</i> 75 FEB 26	LOGIC DIAGRAM MT6TM
CE 900 A-3 (12-71) BRUNING 44-141	REVISION STATUS FOR EACH PAGE, SHEET OR GROUP IS SHOWN BY LAST ENTRY IN THE CORRESPONDING NUMBERED COLUMN	SIZE REVISION STATUS FOR SHEET REV D 58008784 1/2 B

CE 900 A-3 (12-71) BRUNING 44-141 *[Signature]* C68-26-TOS, NCO, SDF

THE INFORMATION CONTAINED IN THIS DOCUMENT IS PROPRIETARY TO HONEYWELL INFORMATION SYSTEMS, INC. AND IS INTENDED FOR INTERNAL HONEYWELL USE ONLY. SUCH INFORMATION MAY BE DISTRIBUTED TO OTHERS BY WRITTEN PERMISSION OF AN AUTHORIZED HONEYWELL OFFICIAL. THIS RESTRICTION DOES NOT APPLY TO VENDOR PROPRIETARY THAT MAY BE DISCLOSED IN THIS DOCUMENT.

58008784

REV	AUTHORITY	DATE			SIGNATURE	DWG. SHEET NUMBERS																	
		YR	MO	DAY		17	18	19	20	21	22	23	24	25									
A	LEVEL 3 ISSUE	75	13	06	<i>[Signature]</i>	A	A	A	A	A	A	A	A										
B	PHADTE062	75	SEP	25	<i>[Signature]</i>	B																	

FOR CONTINUATION OF REVISION STATUS SEE SHEET

Honeywell HONEYWELL INFORMATION SYSTEMS LOC PHOENIX, ARIZONA	MADE BY <i>Wm. Saldana</i> 75 FEB 13	TITLE
	APPROVED <i>[Signature]</i> 75 FEB 26	LOGIC DIAGRAM MT6TM
CE 900 A-3 (12-71) BRUNING 44-141	REVISION STATUS FOR EACH PAGE, SHEET OR GROUP IS SHOWN BY LAST ENTRY IN THE CORRESPONDING NUMBERED COLUMN	SIZE REVISION STATUS FOR SHEET REV D 58008784 2F B

CE 900 A-3 (12-71) BRUNING 44-141 C68-26, TOS, NCO, SDF

REVISIONS				
REV	AUTHORITY	DATE		SIGNATURE
		YR	MO DAY	

PIN NO.	SHEET NO.	PIN NO.	SHEET NO.	PIN NO.	SHEET NO.	PIN NO.	SHEET NO.	PIN NO.	SHEET NO.	PIN NO.	SHEET NO.	PIN NO.	SHEET NO.		
WA00		WD00	12	WG00	6	WK00	16	LA00	14	LD00	6	RA00	14	RD00	6
WA01		WD01	12	WG01	6	WK01	16	LA01	15	LD01	7	RA01	15	RD01	7
WA02		WD02	12	WG02	11	WK02	16	LA02	15	LD02	7	RA02	15	RD02	7
WA03		WD03	12	WG03	11	WK03	16	LA03	15	LD03	7	RA03	15	RD03	7
WA04		WD04	12	WG04	13	WK04	17	LA04	16	LD04	8	RA04	16	RD04	8
WA05		WD05	12	WG05	13	WK05	17	LA05	16	LD05	8	RA05	16	RD05	8
WA06		WD06	13	WG06	13	WK06	17	LA06	16	LD06	8	RA06	16	RD06	8
WA07		WD07	13	WG07	13	WK07	17	LA07	17	LD07	9	RA07	17	RD07	9
WA08		WD08	13	WG08	13	WK08	18	LA08	17	LD08	9	RA08	17	RD08	9
WA09		WD09	13	WG09	18	WK09	18	LA09	17	LD09	9	RA09	17	RD09	9
WA10	5	WD10	13	WG10	6	WK10	18	LA10	18	LD10	10	RA10	18	RD10	10
WA11		WD11	13	WG11	11	WK11	18	LA11	14	LD11	6	RA11	14	RD11	6
WA12	5	WD12	13	WG12	11	WK12	18	LA12	14	LD12	6	RA12	14	RD12	6
WA13	5	WD13	9	WG13	11	WK13	21	LA13	12	LD13	5	RA13	18	RD13	5
WA14	5	WD14	9	WG14	13	WK14	21	LA14	19	LD14	5	RA14	19	RD14	5
WA15		WD15	9	WG15	13	WK15	19	LA15	23	LD15	10	RA15	21	RD15	10
WA16		WD16	7	WG16	13	WK16	19	LA16	17	LD16	5	RA16	21	RD16	4
WA17	7	WD17	7	WG17	13	WK17	19	LA17	17	LD17	4	RA17	20	RD17	4
WA18		WD18	7	WG18	13	WK18	19	LA18	19	LD18	11	RA18	19	RD18	4
WA19		WD19		WG19	25	WK19	20	LA19	19	LD19		RA19	19	RD19	11
WA20		WD20		WG20		WK20	20	LA20		LD20		RA20		RD20	
WA21		WD21		WG21		WK21		LA21		LD21		RA21		RD21	

WB00		WE00	9	WH00	6	WZ00		LB00	6	RB00	6
WB01	7	WE01	9	WH01	6	WZ01		LB01	7	RB01	7
WB02	8	WE02	13	WH02	12	WZ02		LB02	7	RB02	7
WB03		WE03	13	WH03	12	WZ03		LB03	8	RB03	8
WB04		WE04	13	WH04	12	WZ04		LB04	8	RB04	8
WB05		WE05	13	WH05	12	WZ05		LB05	8	RB05	8
WB06		WE06	10	WH06	25			LB06	8	RB06	8
WB07	5	WE07	10	WH07	6			LB07	9	RB07	9
WB08	5	WE08	10	WH08	6			LB08	9	RB08	9
WB09	5	WE09	13	WH09	12			LB09	9	RB09	9
WB10	5	WE10	13	WH10	12			LB10	10	RB10	10
WB11		WE11	13	WH11	12			LB11	6	RB11	6
WB12		WE12	13	WH12	12			LB12	6	RB12	6
WB13		WE13	13	WH13	12			LB13	5	RB13	5
WB14	8	WE14	10	WH14	25			LB14	5	RB14	5
WB15		WE15	10	WH15	7			LB15	10	RB15	10
WB16		WE16	10	WH16	7			LB16	5	RB16	4
WB17		WE17	13	WH17	12			LB17	4	RB17	4
WB18		WE18	13	WH18	12			LB18	4	RB18	4
WB19	9	WE19	13	WH19	12			LB19	11	RB19	11
WB20		WE20	13	WH20	12			LB20		RB20	
WB21		WE21	6	WH21	12			LB21		RB21	

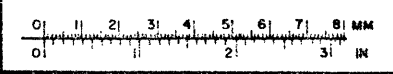
WC00		WF00	7	WJ00	21	LC00	14	RC00	14
WC01	5	WF01	7	WJ01	21	LC01	15	RC01	15
WC02	4	WF02	12	WJ02	22	LC02		RC02	15
WC03	6	WF03	12	WJ03	22	LC03	15	RC03	15
WC04	7	WF04	12	WJ04	23	LC04	16	RC04	16
WC05	10	WF05	12	WJ05	23	LC05	16	RC05	16
WC06	8	WF06	12	WJ06	24	LC06	16	RC06	16
WC07	8	WF07	8	WJ07	24	LC07	17	RC07	17
WC08	10	WF08	8	WJ08	12	LC08	17	RC08	17
WC09	10	WF09	12	WJ09	12	LC09	17	RC09	17
WC10		WF10	12	WJ10	25	LC10	18	RC10	18
WC11		WF11		WJ11		LC11	18	RC11	18
WC12		WF12	12	WJ12	18	LC12	14	RC12	14
WC13	11	WF13	12	WJ13	14	LC13	15	RC13	18
WC14		WF14	12	WJ14	14	LC14	15	RC14	18
WC15		WF15	8	WJ15	14	LC15	19	RC15	19
WC16		WF16	8	WJ16	14	LC16	24	RC16	22
WC17	11	WF17	12	WJ17	15	LC17	17	RC17	17
WC18	11	WF18	12	WJ18	15	LC18	20	RC18	20
WC19		WF19	12	WJ19	15	LC19	19	RC19	19
WC20		WF20	12	WJ20	15	LC20		RC20	
WC21		WF21		WJ21		LC21		RC21	

NOTE 1, SHEETS 1 THRU 3 ARE "A" SIZE

FOR DOCUMENT STATUS SEE REVISION STATUS SHEET

UNLESS OTHERWISE SPECIFIED		MATERIAL	
DIMENSIONS=	MILLIMETERS INCHES	HONEYWELL	
TOLERANCE OF SIZE AND FORM PER		HONEYWELL INFORMATION SYSTEMS PHOENIX, ARIZONA U. S. A.	
INITIAL DESIGN		TITLE LOGIC DIAGRAM MT6TM	
PROJECTION		PIN/SHEET CROSS REF	
SCALE	CODE	DR	74 JUNE 28
		APPD	1975 JUL 20
		SH	3.1
		REV	B
		SIZE	DWG NO 58008784
		DISTR	

AA3-SLOTS 0-3



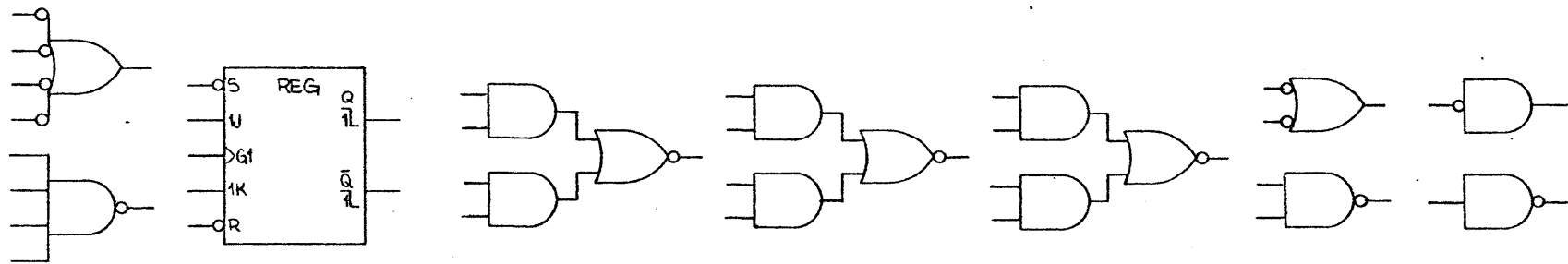
REF SPEC NO	

58008784

D

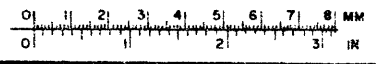
REVISIONS			
REV	AUTHORITY	DATE	SIGNATURE
		YR MO DAY	

	A	B	C	D	E	F	G	H	J	K	L	M	N	P	Q	R	S	T	U	V
0	0A S16	0B S16	0C S16	0D S16	0E S16	0F S16	0G S16	0H S16	0J S16	0K S16	0L S16	0M S16	0N S16	0P S16	0Q S16	0R S16	0S S16	0T S16	0U RN8A	0V
1	1A S16	1B S16	1C S16	1D S16	1E S16	1F S16	1G S16	1H S16	1J S16	1K S16	1L S16	1M S16	1N RN8A	1P RN8A	1Q RN8A	1R RN8A	1S RN8A	1T RN8A	1U RN8A	1V
2	2A S16	2B S16	2C S16	2D S16	2E S16	2F S16	2G S16	2H S16	2J S16	2K S16	2L S16	2M S16	2N 2T3456	2P 2T3456	2Q 2T3456	2R 2T3456	2S 2T3456	2T 2T3456	2U 3T3457	2V S16
3	3A S16	3B S16	3C S16	3D S16	3E S16	3F S16	3G S16	3H S16	3J S16	3K S16	3L S16	3M S16	3N 2T3456	3P 2T3456	3Q 2T3456	3R 2T3456	3S 2T3456	3T 2T3456	3U 3T3457	3V S16
4	4A S16	4B S16	4C S16	4D S16	4E 3T3457	4F RN8A	4G 3T3457	4H 3T3457	4J RN8A	4K 3T3457	4L 3T3457	4M RN8A	4N 2T3456	4P 2T3456	4Q 2T3456	4R 2T3456	4S 2T3456	4T 2T3456	4U 2T3456	4V S16
5	5A S16	5B S16	5C S16	5D S16	5E 3T3457	5F RN8A	5G 3T3457	5H 3T3457	5J RN8A	5K 3T3457	5L 3T3457	5M RN8A	5N 2T3456	5P 2T3456	5Q 2T3456	5R 2T3456	5S 2T3456	5T 2T3456	5U 2T3456	5V S16
6	6A S16	6B S16	6C S16	6D S16	6E 3T3457	6F RN8A	6G 3T3457	6H 3T3457	6J RN8A	6K 3T3457	6L 3T3457	6M 3T3457	6N 2D4413	6P 2D4413	6Q 2D4413	6R 2D4413	6S 6I4410	6T 6I4410	6U 4G4408	6V 4G4408
7	7A 3T3457	7B RN8A	7C 3T3457	7D 1R3440	7E 6I4410	7F 6I4410	7G 1B3441	7H 1B3441	7J 1B3441	7K 1B3441	7L 1B3441	7M 1B3441	7N 4G4408	7P 4G4408	7Q 4G4408	7R S16	7S 6I4410	7T 6I4410	7U 6I4410	7V S16
8	8A 3T3457	8B RN8A	8C 3T3457	8D 1R3440	8E 4G4408	8F 1R3440	8G 1B3441	8H 1B3441	8J 1B3441	8K 1B3441	8L 1B3441	8M 1B3441	8N 4G4408	8P 4G4408	8Q 4G4408	8R 2F4415	8S 2F4415	8T 6I4410	8U 2F4415	8V 2F4415
9	9A S16	9B 6I4410	9C S16	9D 4G4408	9E 1B3441	9F 1B3441	9G 1B3441	9H 1B3441	9J 1B3441	9K 1B3441	9L 1B3441	9M 1B3441	9N 4G4408	9P 6I4410	9Q 6I4410	9R 2G4414	9S 2G4414	9T 6I4410	9U 2G4414	9V 2G4414

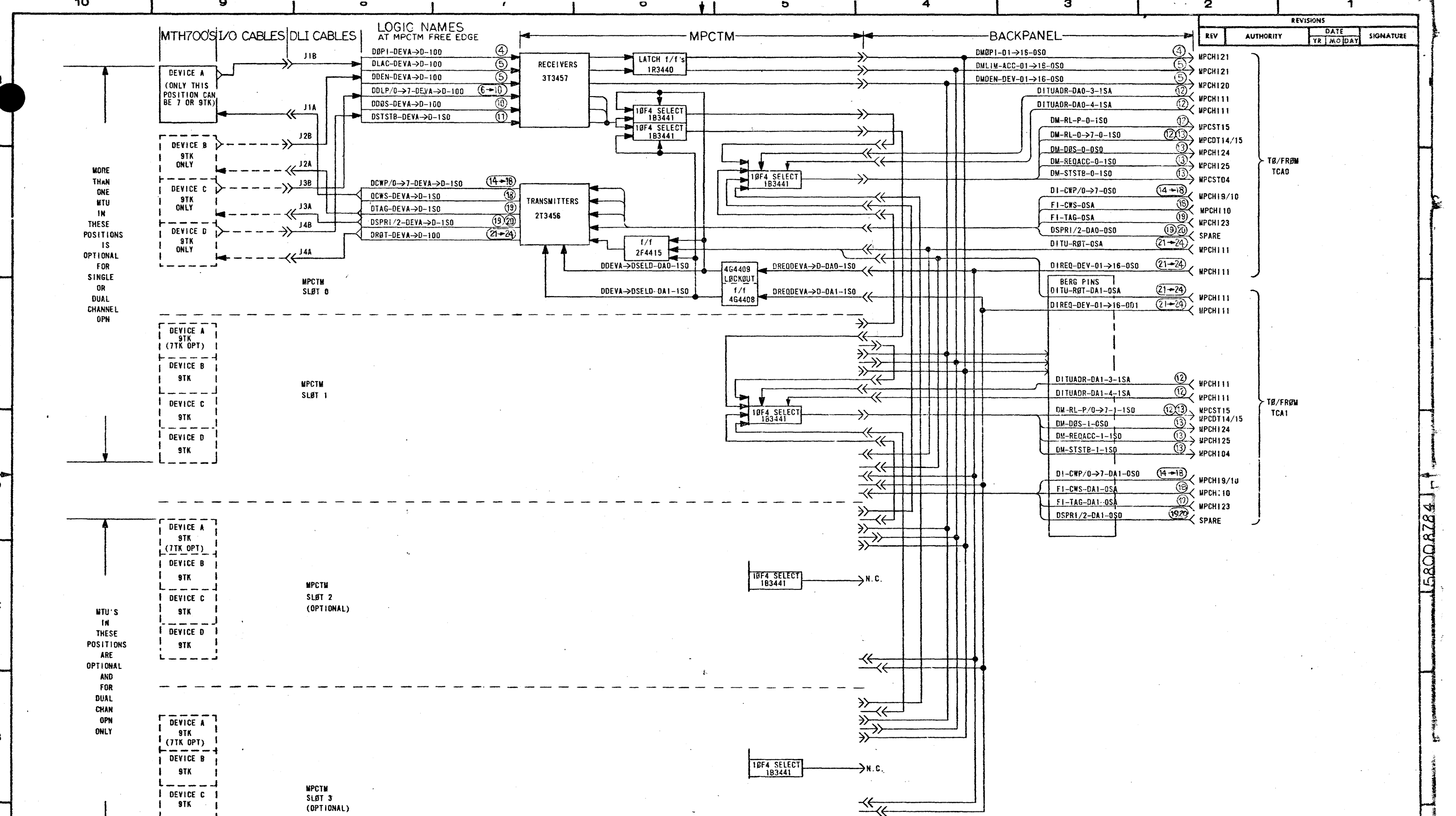


1B3440
1B3441
1R3440

2D4413	2F4415	2G4414	2T3456	3T3457	4G4408	6I4410	RN8A
1,2,4,5,6 3,9,10,12,13	1,4 13,14,15 5,6,8 10,11	1,8,9,10,13 2,3,4,5,6	1,2,3,4,5,6,7 9-13	1,13,14,15 2,3,4,5,6,7 9,10,11,12	1,2,3,4,5,6 8,9,10 11,12 13	1,2,3,4 5,6,8,9 10,11,12,13	1 5 2 6 3 7 4 8



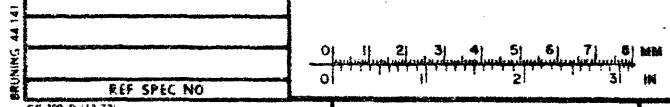
MATERIAL		Honeywell	
TREAT.		HONEYWELL INFORMATION SYSTEMS PHOENIX, ARIZONA U.S.A.	
FIN.		LOC PC0	
DR		TITLE LOGIC DIAGRAM MT6TM CIRCUIT LOCATOR	
APPD		SIZE	REV
DISTR		DWG NO	3.2 A



REVISIONS				
REV	AUTHORITY	DATE	SIGNATURE	
		YR MO DAY		
1				
2				
3				
4				
5				
6				
7				
8				
9				
10				

MORE THAN ONE MTU IN THESE POSITIONS IS OPTIONAL FOR SINGLE OR DUAL CHANNEL OPN

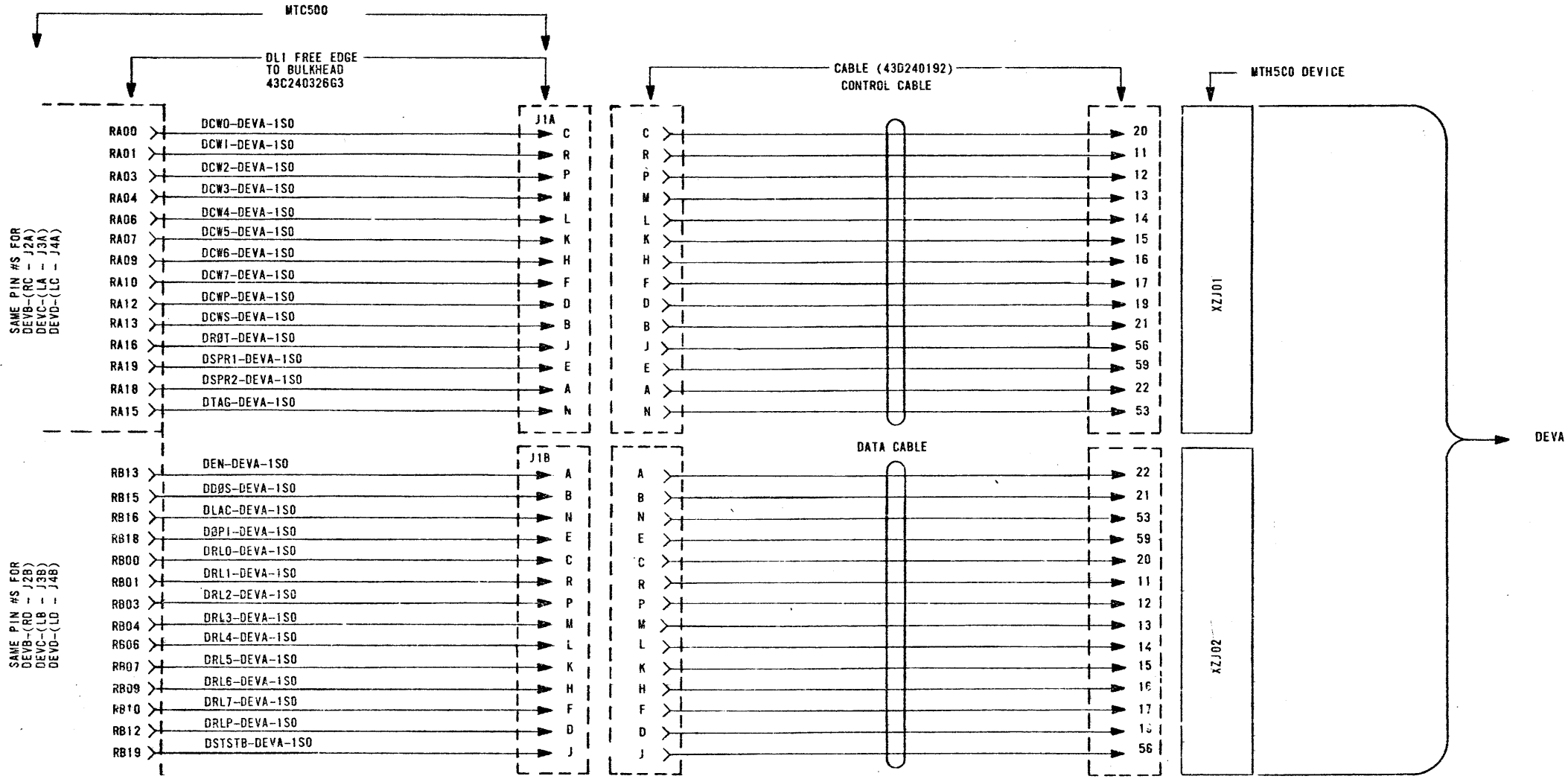
MTU'S IN THESE POSITIONS ARE OPTIONAL AND FOR DUAL CHAN OPN ONLY



UNLESS OTHERWISE SPECIFIED		MATL	Honeywell HONEYWELL INFORMATION SYSTEMS PHOENIX, ARIZONA U. S. A. TITLE: BLOCK DIAGRAM MT6TM MTC500 MATRIX
DIMENSIONS= MILLIMETERS		TREAT.	
TOLERANCE OF SIZE AND INCHES		FIN.	
FORM PER		DR: <i>79 July 76</i>	
INITIAL DESIGN		APP: <i>79 Feb 26</i>	SIZE: D
PROJECTION		DISTR: <i>CS-37-72</i>	DWG NO: 58008784
SCALE	CODE		SH: 3.3
			REV: A

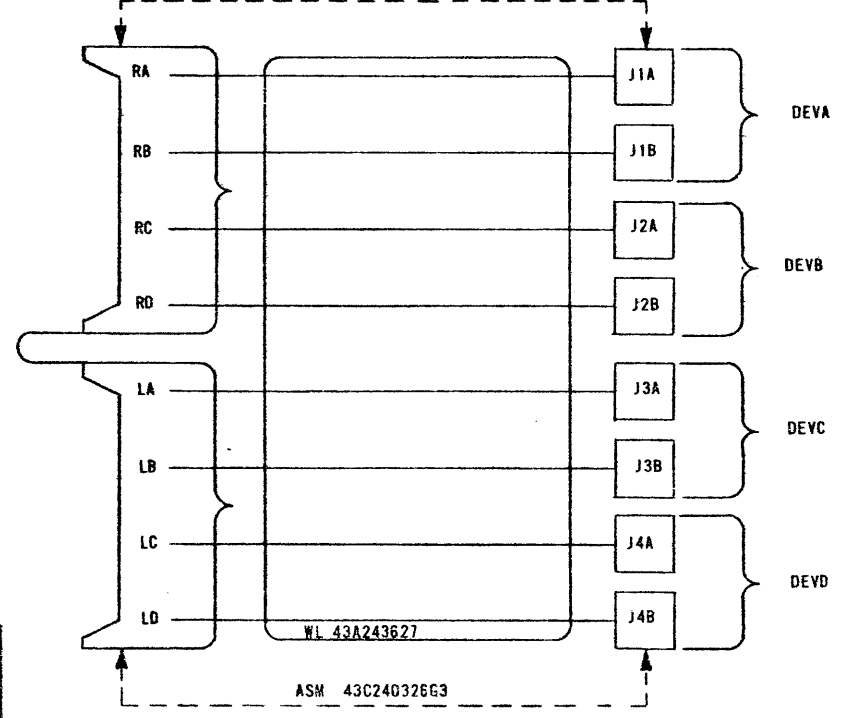
58008784

REVISIONS				
REV	AUTHORITY	DATE	SIGNATURE	
		YR MO DAY		

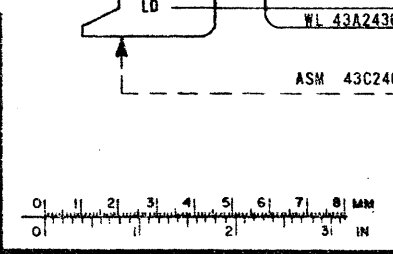


SAME PIN #S FOR
DEVB-(RC - J2A)
DEVC-(LA - J3A)
DEVD-(LC - J4A)

SAME PIN #S FOR
DEVB-(RD - J2B)
DEVC-(LB - J3B)
DEVD-(LD - J4B)

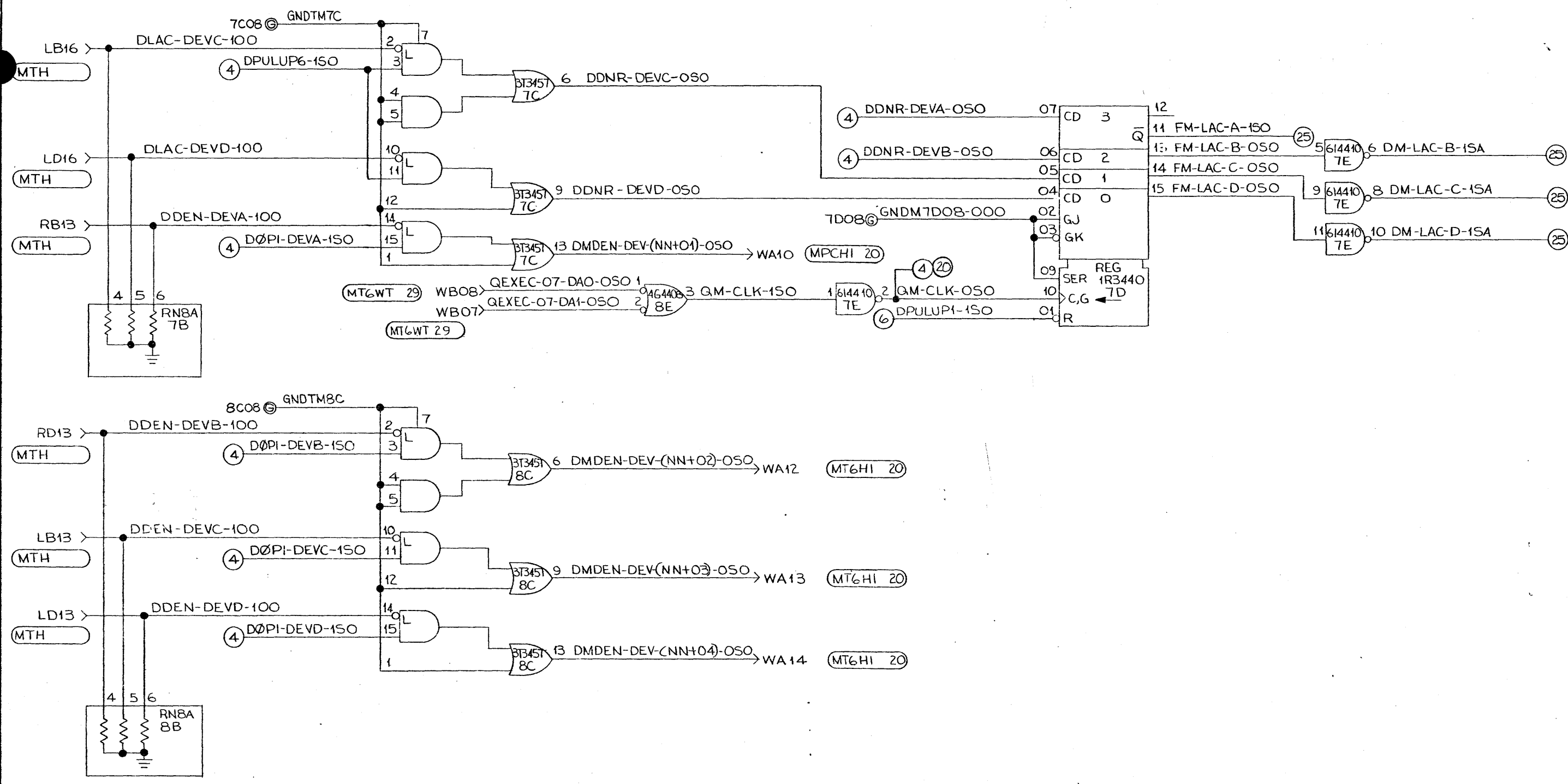


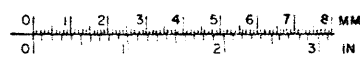
MPCTM
AA3 0-3



UNLESS OTHERWISE SPECIFIED		MATL	Honeywell HONEYWELL INFORMATION SYSTEMS PHOENIX, ARIZONA U. S. A. loc PC0	
DIMENSIONS=	MILLIMETERS INCHES	TREAT.	TITLE LOGIC DIAGRAM MT6TM DEVICE INTERFACE CABLE ROUTING	
TOLERANCE OF SIZE AND FORM PER		FIN.	SIZE DWG NO D 58008784	
INITIAL DESIGN		DR	DATE	SHT
PROJECTION		Day Penner	74 JUNE 11	3.4
SCALE	CODE	APPD	1975 Feb 26	A
		DISTR	C6B-26 TOS. NCO SDF	

REVISIONS				
REV	AUTHORITY	DATE	SIGNATURE	
		YR MO DAY		

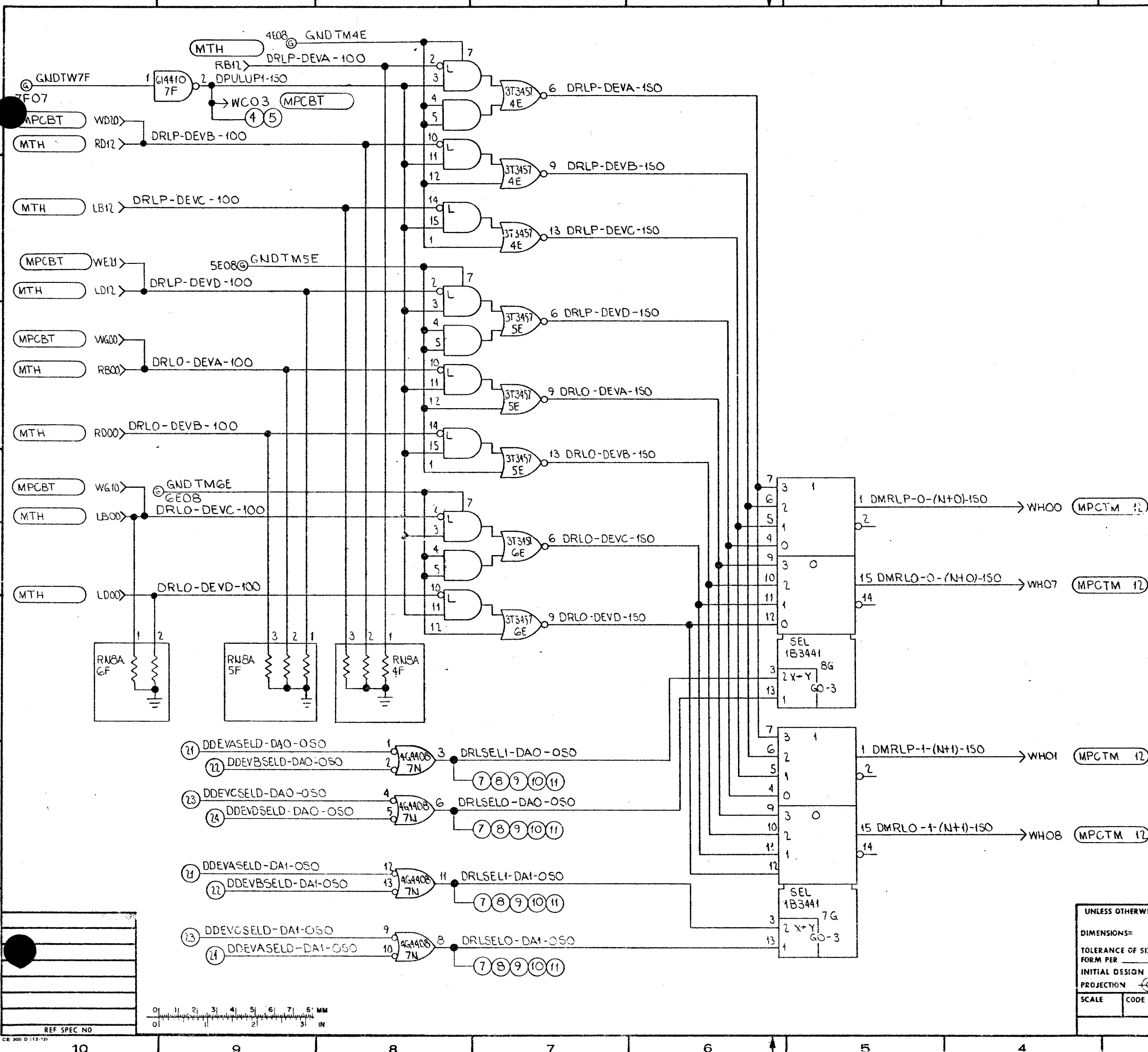




UNLESS OTHERWISE SPECIFIED		MATL		Honeywell HONEYWELL INFORMATION SYSTEMS PHOENIX, ARIZONA U.S.A.	
DIMENSIONS = MILIMETERS / INCHES		TREAT.			
TOLERANCE OF SIZE AND FORM PER		FIN.		TITLE LOGIC DIAGRAM MT6TM LIM ACC/DEN	
PROJECTION		DR		SIZE	REV
SCALE		74 JUNE 11 W. M. Sed...		D	5
CODE		APPD 1973 Feb 22 G. B. ...		DWG NO	A
		DISTR		58008784	1

58008784

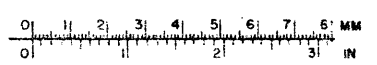
REVISIONS			
REV	AUTHORITY	DATE	SIGNATURE
		YR MO DAY	



H
F
E
D
C
B
A

58008784

UNLESS OTHERWISE SPECIFIED		MATERIAL		Honeywell HONEYWELL INFORMATION SYSTEMS PHOENIX, ARIZONA U. S. A.	
DIMENSIONS = MILLIMETERS / INCHES		TREAT.			
TOLERANCE OF SIZE AND FORM PER		FIN.		LOC PC0 TITLE LOGIC DIAGRAM MT6TM READ LINE P, 0	
INITIAL DESIGN PROJECTION		DR		SIZE DWG NO D 58008784	
SCALE CODE		APPD		Sr. REV 6 A	
		DISTR		C68-26, TOS, NCO, SDF	



REF SPEC NO

10

9

8

7

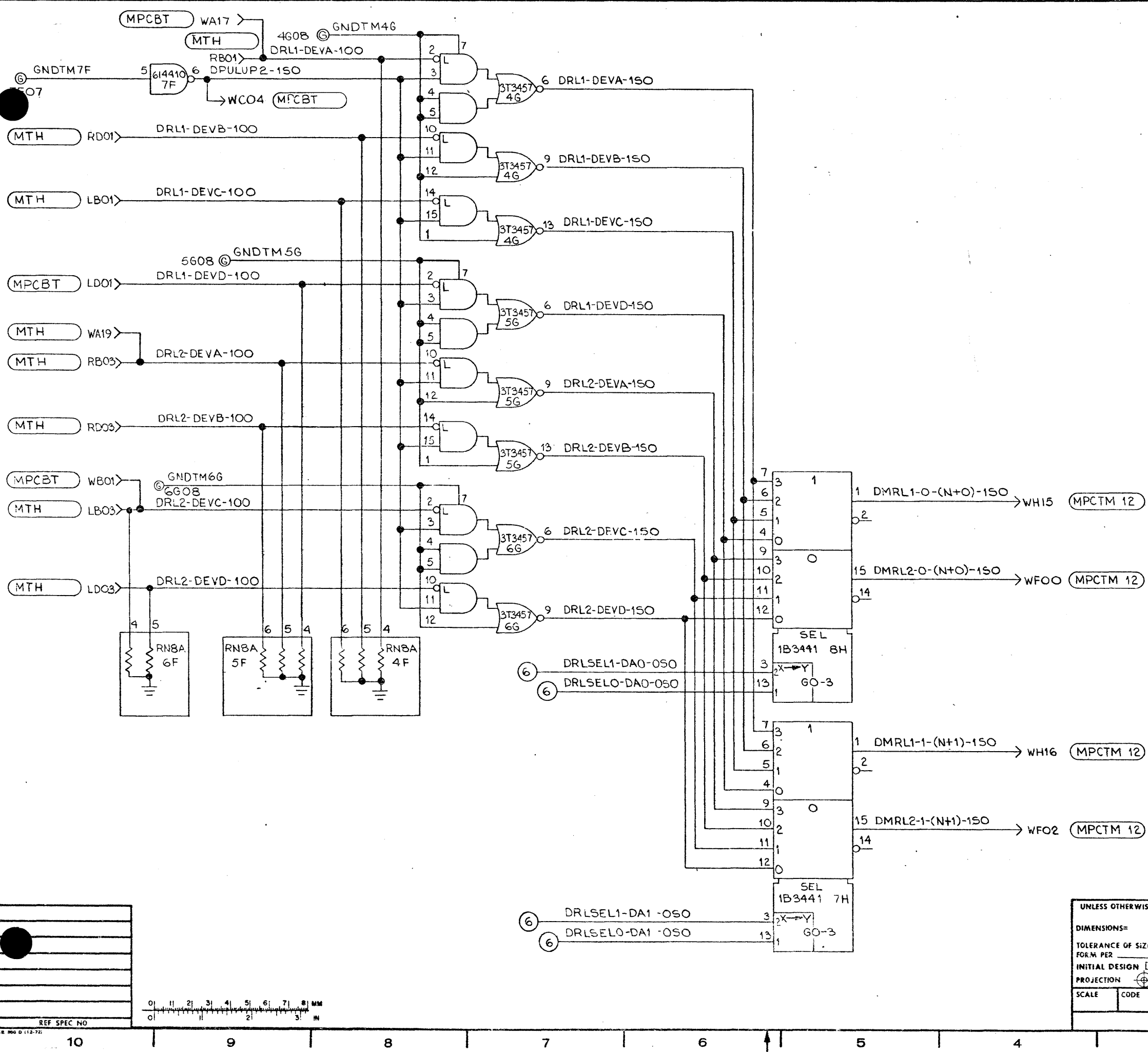
6

5

4

A

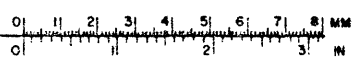
REVISIONS			
REV	AUTHORITY	DATE	SIGNATURE
		YR MO DAY	



H
F
E
D
C
B
A

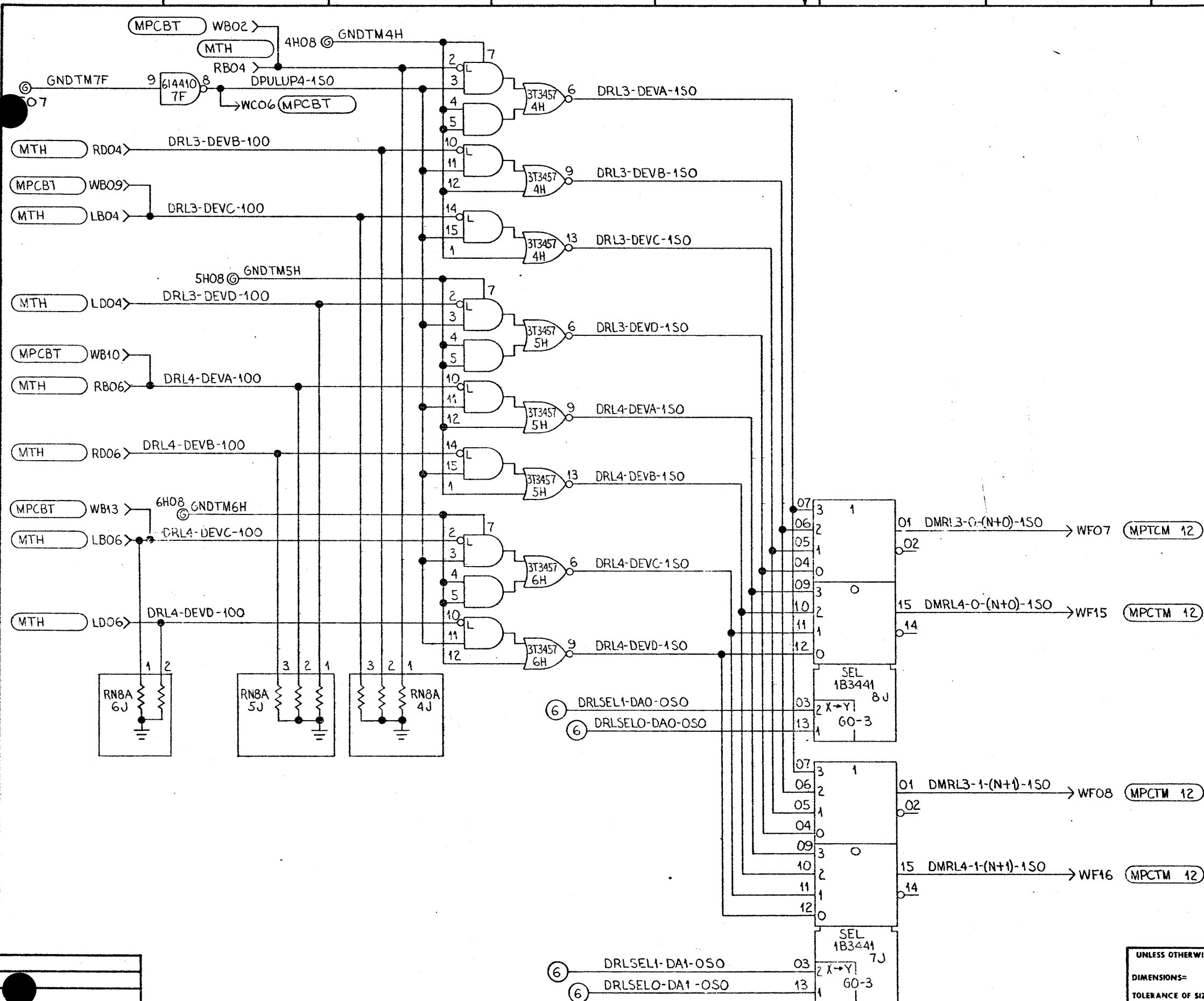
58008784

REF SPEC NO	

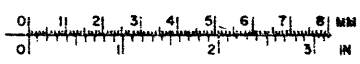


UNLESS OTHERWISE SPECIFIED		MATERIAL	
DIMENSIONS = MILLIMETERS / INCHES		TREAT.	
TOLERANCE OF SIZE AND FORM PER		FIN.	
INITIAL DESIGN		DR	
PROJECTION		APPD	
SCALE	CODE	DR	APPD
		74 JUNE 12	
HONEYWELL		HONEYWELL INFORMATION SYSTEMS	
PHOENIX, ARIZONA U.S.A.		10C PCO	
TITLE LOGIC DIAGRAM MT6TM			
READ LINE 1,2			
SIZE	DWG NO	SH	REV
D	58008784	7	A
DISTR C6B-26, TOS, NCA SDF			

REVISIONS			
REV	AUTHORITY	DATE	SIGNATURE
		YR MO DAY	



REF SPEC NO	



UNLESS OTHERWISE SPECIFIED		MATERIAL	
DIMENSIONS=	MILLIMETERS		
	INCHES		
TOLERANCE OF SIZE AND FORM PER INITIAL DESIGN		TREAT.	
PROJECTION		FIN.	
SCALE	CODE	DR	DATE
		APPD	74 JUNE 12
		DISTR	1975 FEB 26
		SIZE	DWG NO
		D	58008784
		SH	REV
		8	A

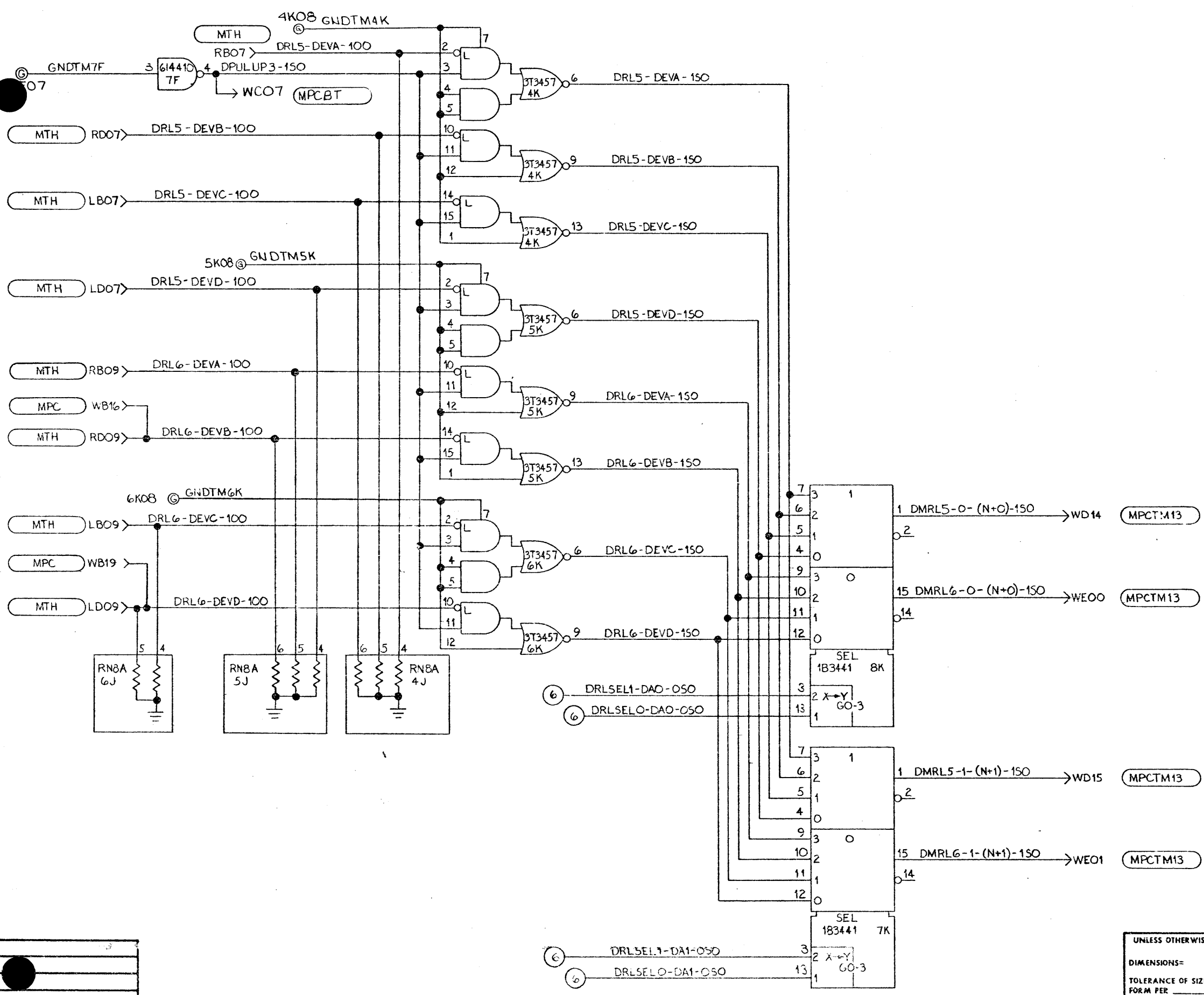
Honeywell
 HONEYWELL INFORMATION SYSTEMS
 PHOENIX, ARIZONA U. S. A.

LOC PCO

TITLE LOGIC DIAGRAM MT6TM
 READ LINE 3,4

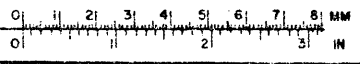
58008784

REVISIONS			
REV	AUTHORITY	DATE	SIGNATURE
		YR MO DAY	



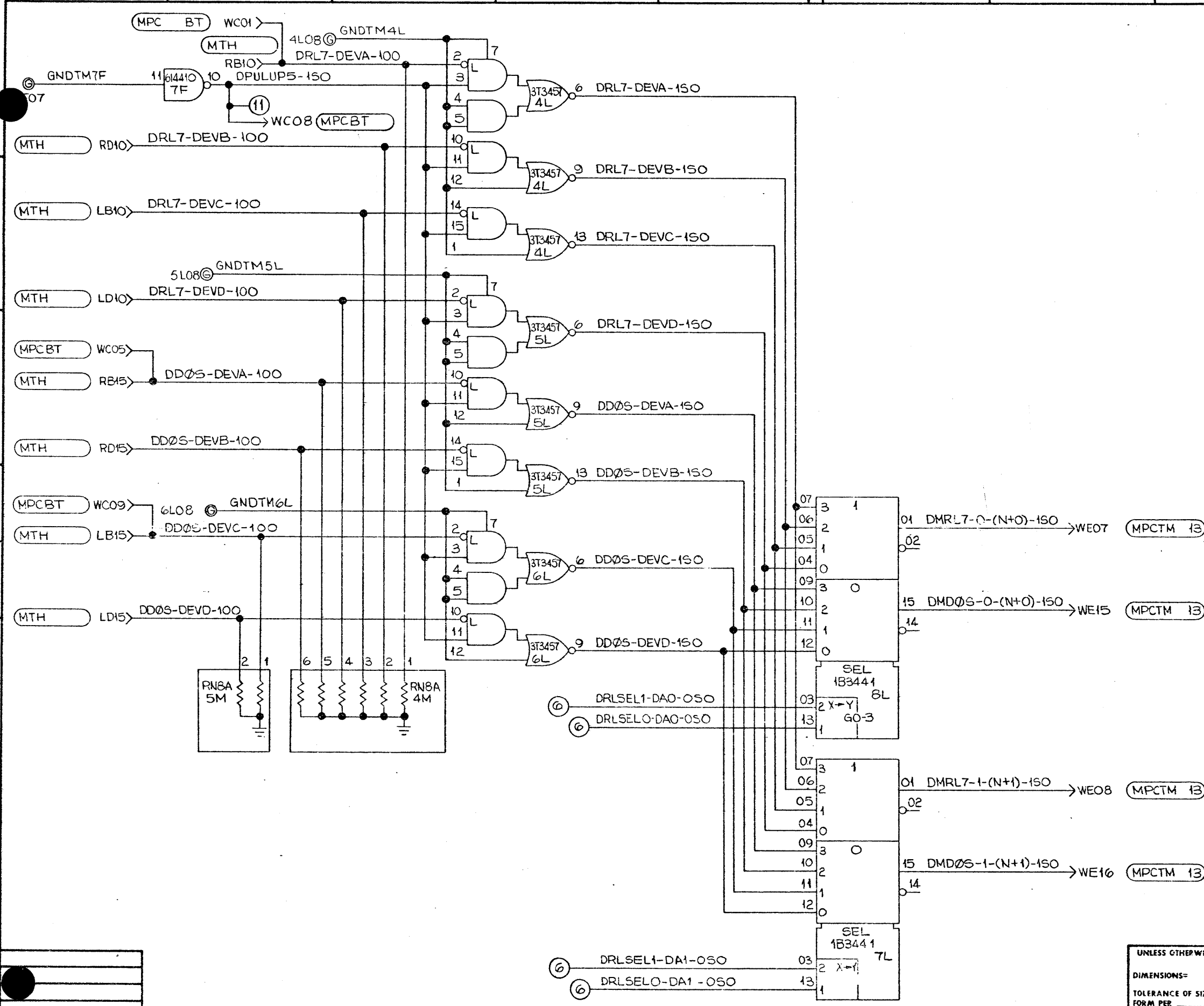
58008784

REF SPEC NO	

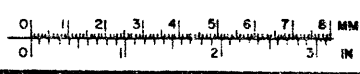


UNLESS OTHERWISE SPECIFIED		MATERIAL		Honeywell HONEYWELL INFORMATION SYSTEMS PHOENIX, ARIZONA U. S. A.	
DIMENSIONS = $\frac{\text{MILLIMETERS}}{\text{INCHES}}$		TREAT.			
TOLERANCE OF SIZE AND FORM PER INITIAL DESIGN		FIN.		Loc PCO TITLE LOGIC DIAGRAM MT6TM READ LINE 5,6	
PROJECTION		DR		SIZE DWG NO D 58008784	
SCALE		CODE		SH REV 9 A	
		DR <i>[Signature]</i> 74 JUNE 12 AFPD <i>[Signature]</i> 11:15 AM '74 DISTR CCB, ZC, TOS, NCO, SDF			

REVISIONS				
REV	AUTHORITY	DATE	SIGNATURE	
		YR MO DAY		



REF SPEC NO	



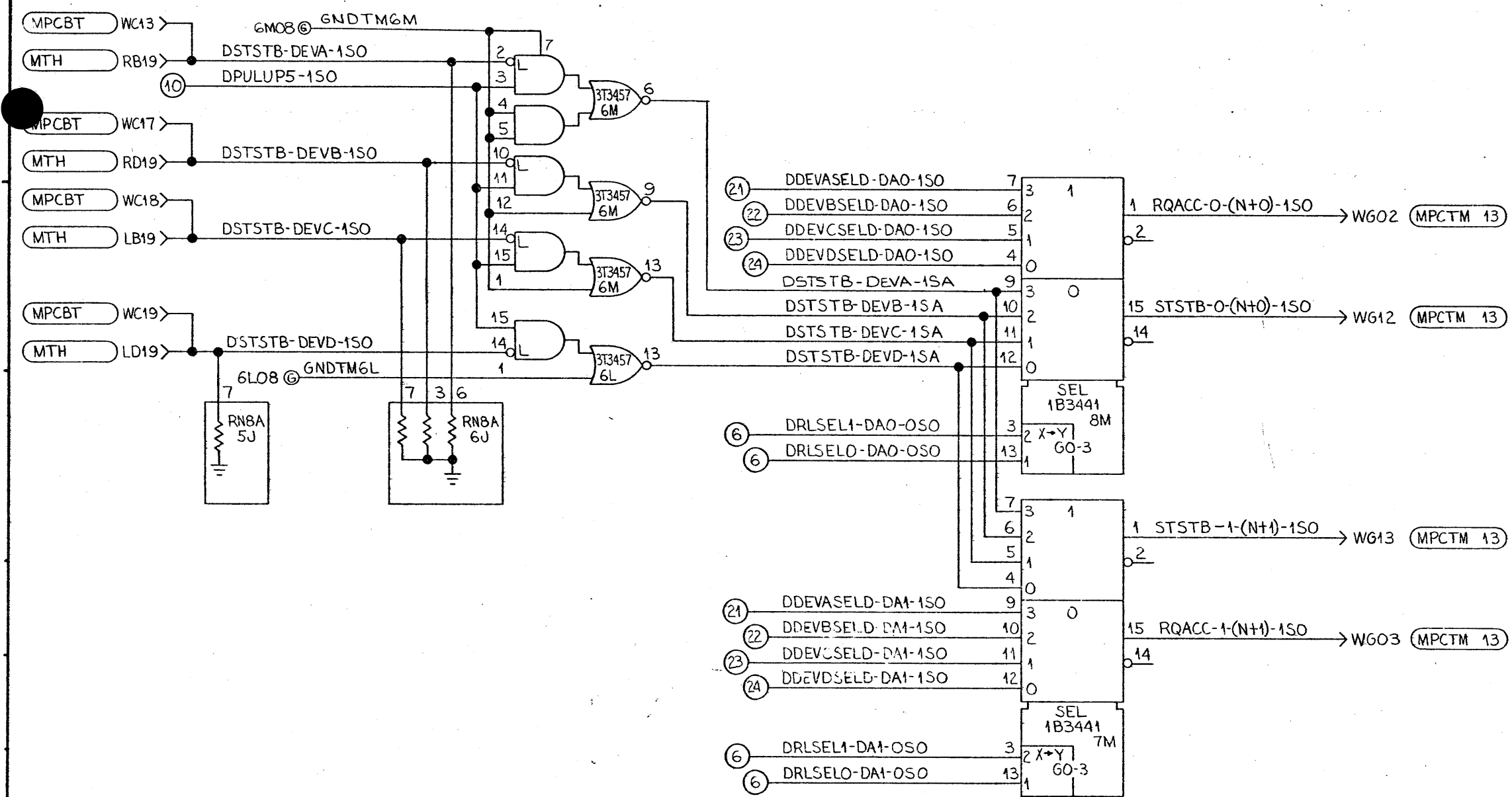
UNLESS OTHERWISE SPECIFIED		MATERIAL		Honeywell HONEYWELL INFORMATION SYSTEMS PHOENIX, ARIZONA U. S. A.	
DIMENSIONS = $\frac{\text{MILLIMETERS}}{\text{INCHES}}$		TREAT.			
TOLERANCE OF SIZE AND FORM PER		FIN.		LOC PCØ TITLE LOGIC DIAGRAM MT6TM READ LINE 7/ØS	
INITIAL DESIGN		DR		SIZE DWG NO D 58008784	
PROJECTION		APPD		SH REV 10 A	
SCALE	CODE	DISTR		C-68-70, TOS, NCO, SDF	

58008784

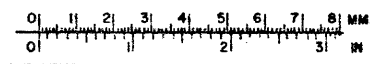
B

A

REVISIONS				
REV	AUTHORITY	DATE		SIGNATURE
		YR	MO DAY	



58008784

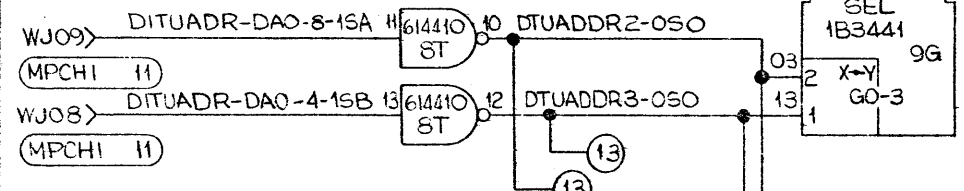


UNLESS OTHERWISE SPECIFIED		MATERIAL		Honeywell HONEYWELL INFORMATION SYSTEMS PHOENIX, ARIZONA U. S. A.	
DIMENSIONS: MILLIMETERS INCHES		TREAT.			
TOLERANCE OF SIZE AND FORM PER		FIN.		TITLE: LOGIC DIAGRAM MT6TM	
INITIAL DESIGN		DR		STATUS STROBE / DEV SELD	
PROJECTION		APPD		SIZE: D	DWG NO: 58008784
SCALE	CODE	DR	APPD	SH: 11	REV: A

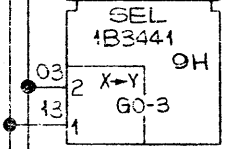
DATE: 74 JUNE 13
1975 Feb 26
J. J. [Signature]

REVISIONS				
REV	AUTHORITY	DATE		SIGNATURE
		YR	MO DAY	

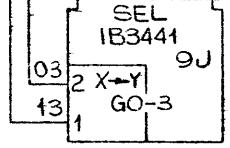
MPCTM 6	WH17	DMRLP-(N+0)-(N+0)-150	07	3	1	01 DM-RL-P-(N+0)-150	→ WDO0	(MPCST 15)
MPCTM 6	WH18	DMRLP-(N+0)-(N+1)-150	06	2				
MPCTM 6	WH19	DMRLP-(N+0)-(N+2)-150	05	1				
MPCTM 6	WH20	DMRLP-(N+0)-(N+3)-150	04	0				
MPCTM 6	WF03	DMRLO-(N+0)-(N+0)-150	09	3	0	15 DM-RL-O-(N+0)-150	→ WDO1	(MT6DT 14)
MPCTM 6	WF04	DMRLO-(N+0)-(N+1)-150	10	2				
MPCTM 6	WF05	DMRLO-(N+0)-(N+2)-150	11	1				
MPCTM 6	WF06	DMRLO-(N+0)-(N+3)-150	12	0				

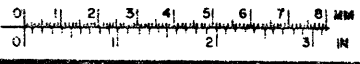


MPCTM 7	WH02	DMRL1-(N+0)-(N+0)-150	07	3	1	01 DM-RL-1-(N+0)-150	→ WDO2	(MT6DT 14)
MPCTM 7	WH03	DMRL1-(N+0)-(N+1)-150	06	2				
MPCTM 7	WH04	DMRL1-(N+0)-(N+2)-150	05	1				
MPCTM 7	WH05	DMRL1-(N+0)-(N+3)-150	04	0				
MPCTM 7	WH09	DMRL2-(N+0)-(N+0)-150	09	3	0	15 DM-RL-2-(N+0)-150	→ WDO3	(MT6DT 14)
MPCTM 7	WH10	DMRL2-(N+0)-(N+1)-150	10	2				
MPCTM 7	WH12	DMRL2-(N+0)-(N+2)-150	11	1				
MPCTM 7	WH13	DMRL2-(N+0)-(N+3)-150	12	0				



MPCTM 8	WF09	DMRL3-(N+0)-(N+0)-150	07	3	1	01 DM-RL-3-(N+0)-150	→ WDO4	(MT6DT 14)
MPCTM 8	WF10	DMRL3-(N+0)-(N+1)-150	06	2				
MPCTM 8	WF12	DMRL3-(N+0)-(N+2)-150	05	1				
MPCTM 8	WF13	DMRL3-(N+0)-(N+3)-150	04	0				
MPCTM 8	WF17	DMRL4-(N+0)-(N+0)-150	09	3	0	15 DM-RL-4-(N+0)-150	→ WDO5	(MPCDT 14)
MPCTM 8	WF18	DMRL4-(N+0)-(N+1)-150	10	2				
MPCTM 8	WF19	DMRL4-(N+0)-(N+2)-150	11	1				
MPCTM 8	WF20	DMRL4-(N+0)-(N+3)-150	12	0				



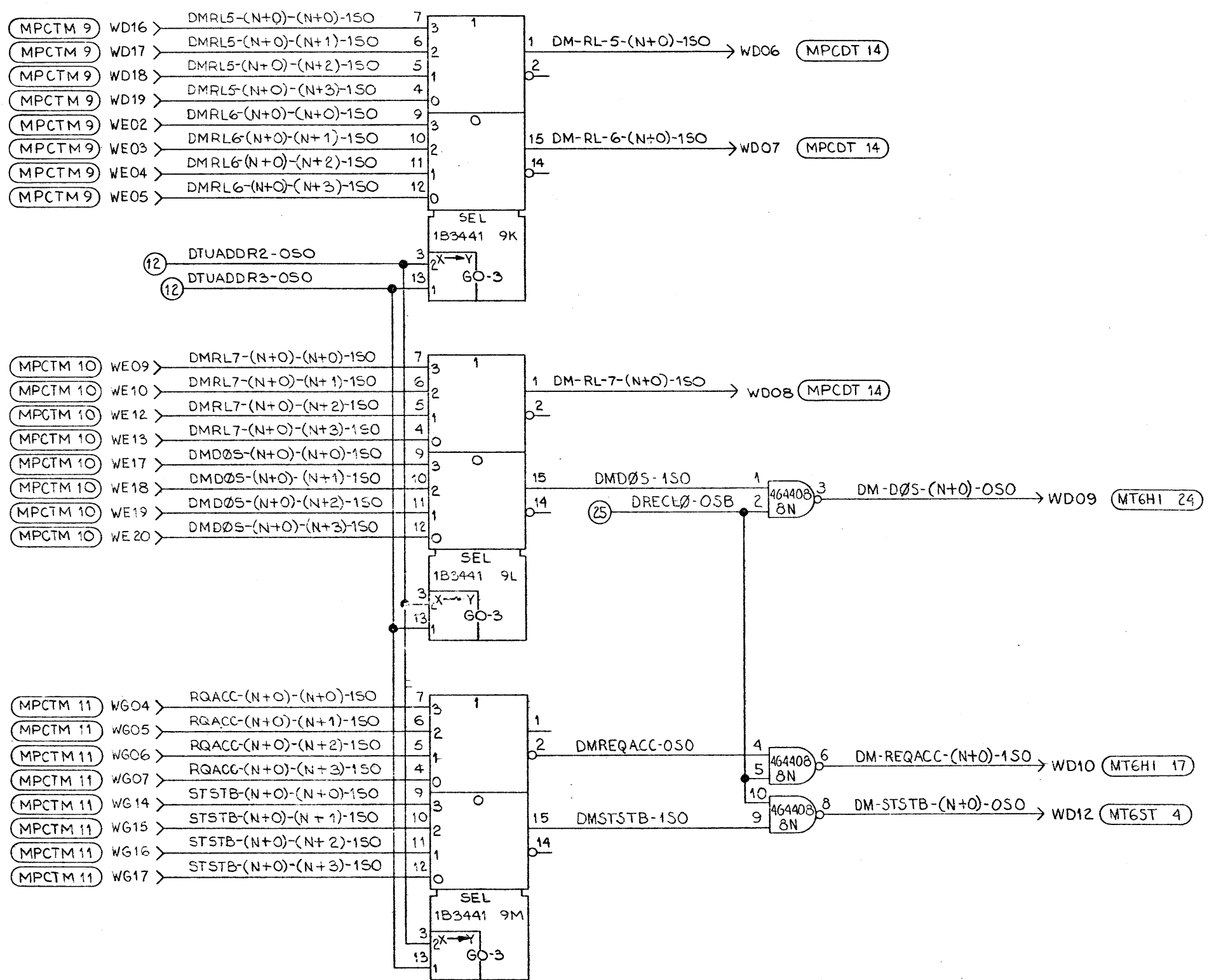


UNLESS OTHERWISE SPECIFIED		MATERIAL		Honeywell HONEYWELL INFORMATION SYSTEMS PHOENIX, ARIZONA U.S.A.	
DIMENSIONS— ← MILLIMETERS → INCHES		TREAT			
TOLERANCE OF SIZE AND FORM PER		FIN.		LOC PCO TITLE LOGIC DIAGRAM MT6TM FINAL READ LINES 0-4P	
INITIAL DESIGN		DR		SIZE D DWG NO 58008784 SH 12 REV A	
PROJECTION		APPD		74-UNSC-12 1475 Feb 26 G. B. ...	
SCALE	CODE	DISTR		C-8-26-TOS-NCS-SP	

H
F
E
D
C
B
A

58008784

REVISIONS			
REV	AUTHORITY	DATE	SIGNATURE
		YR MO DAY	



H

F

E

D

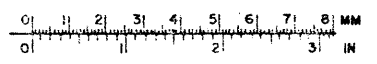
C

B

A

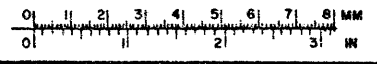
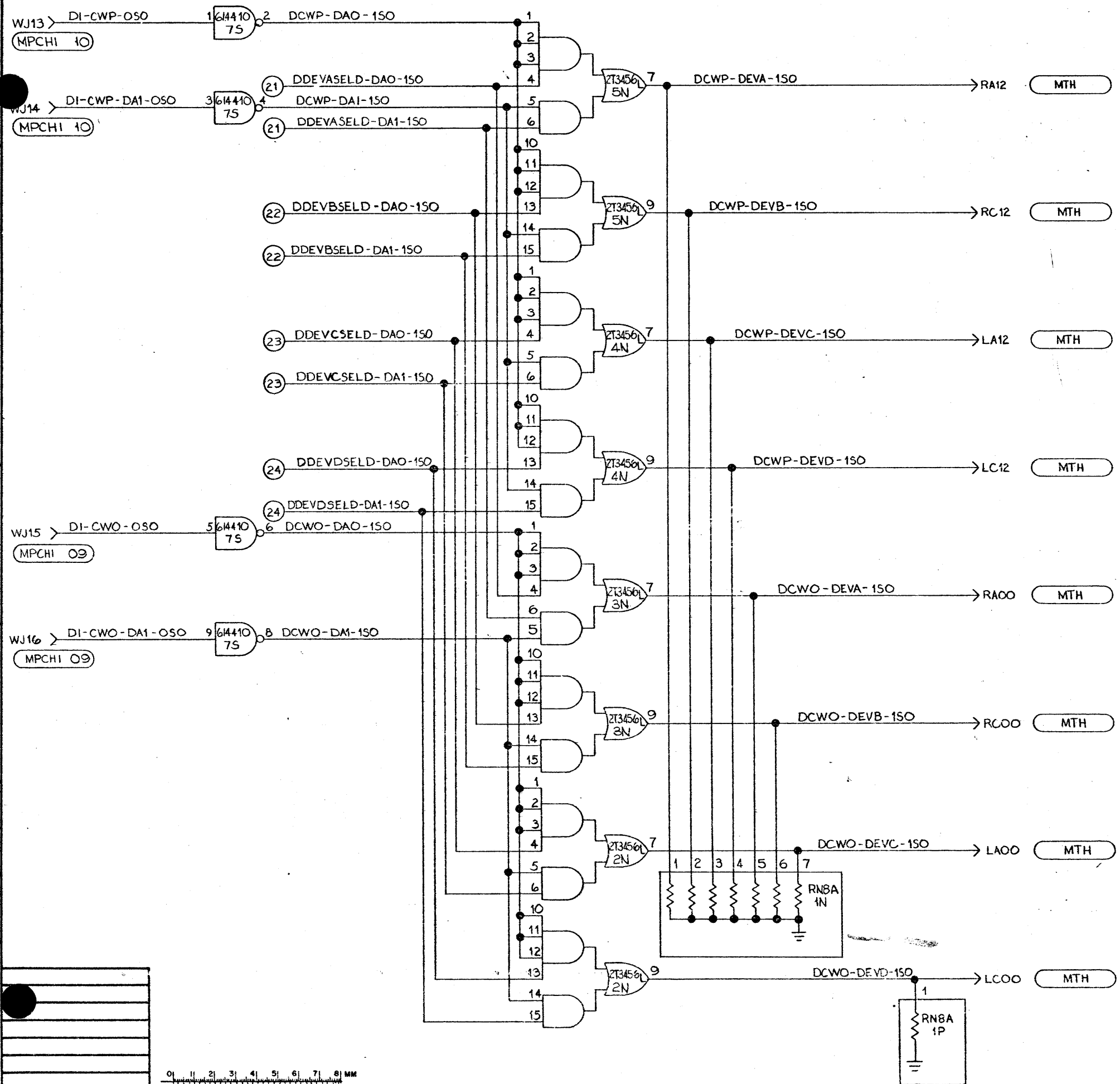
58008784

REF SPEC NO



UNLESS OTHERWISE SPECIFIED		MATERIAL		Honeywell HONEYWELL INFORMATION SYSTEMS PHOENIX, ARIZONA U.S.A.							
DIMENSIONS=	MILLIMETERS INCHES	TREAT.	LOC PCO								
TOLERANCE OF SIZE AND		FIN.	TITLE	LOGIC DIAGRAM MT6TM FINAL RD LINES 5-7 D25/REVACC/STAT ID							
FORM PER		DR	SCALE	CODE	DR	APPD	SIZE	DWG NO	SH	REV	
INITIAL DESIGN		74-JUNE-12					D	58008784	13	A	
PROJECTION											
		DISTR	CGS-26, TOS, NCO, SDF								

REVISIONS				
REV	AUTHORITY	DATE		SIGNATURE
		YR	MO DAY	

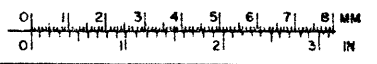
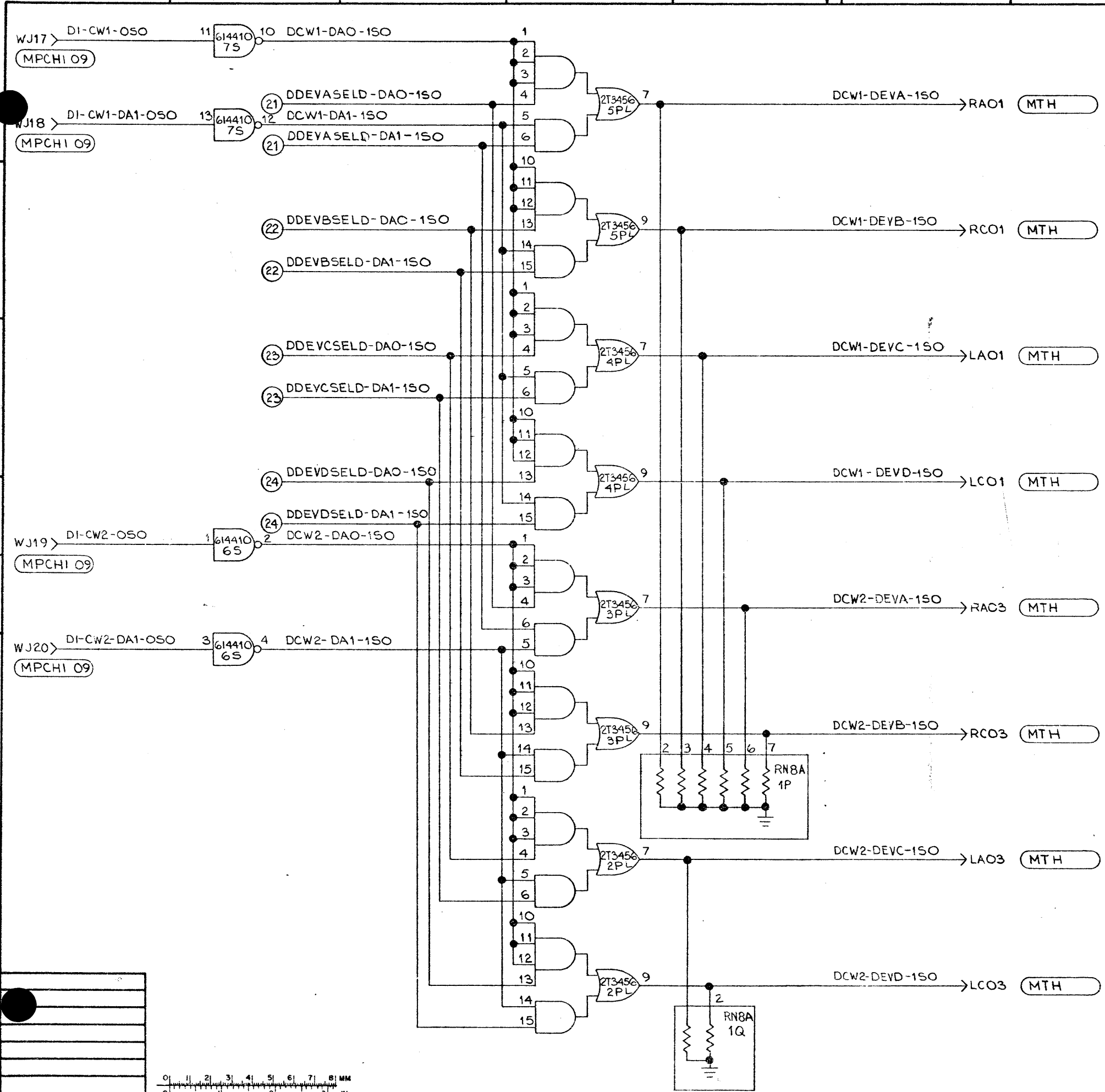


REF SPEC NO

UNLESS OTHERWISE SPECIFIED		MATERIAL		Honeywell HONEYWELL INFORMATION SYSTEMS PHOENIX, ARIZONA U.S.A.			
DIMENSIONS: MILLIMETERS		TREAT.					
TOLERANCE OF SIZE AND FORM PER INITIAL DESIGN		FIN.		SCALE	CODE	DR	SIZE D DWG NO 58008784 SH 14 REV A
PROJECTION		APPD		74 JUNE 73 1975 FEB 26 Basking		DISTR C68-26, TOS, NCO, SDF	

58008784

REVISIONS				
REV	AUTHORITY	DATE	SIGNATURE	
		YR MO DAY		

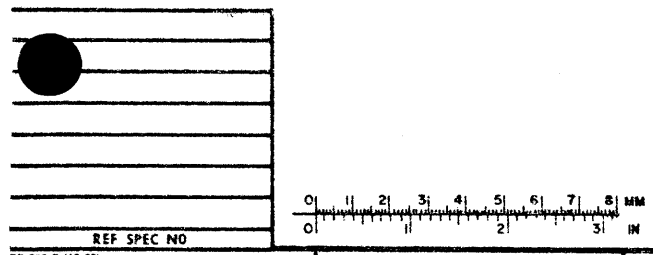
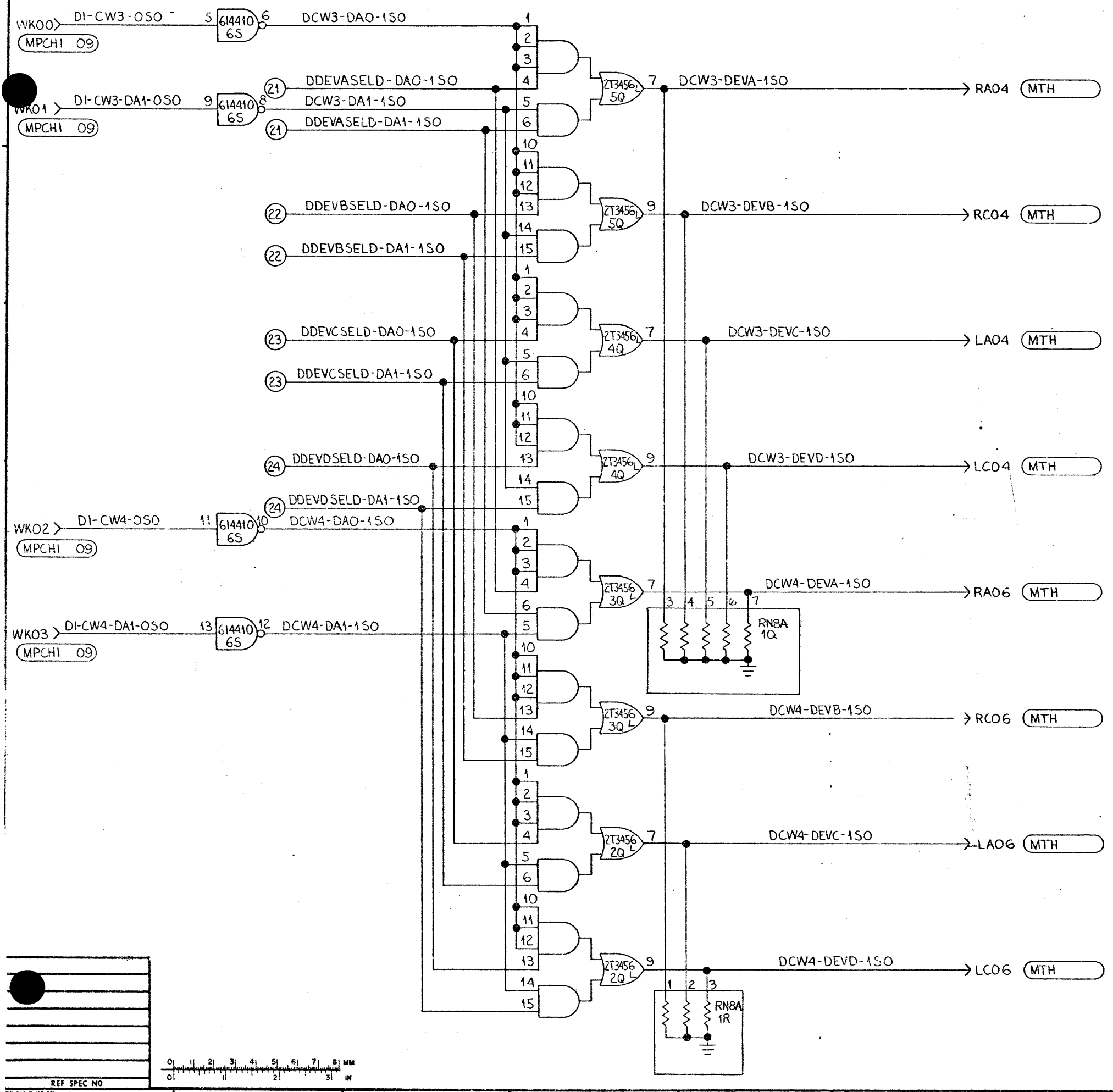


REF SPEC NO

UNLESS OTHERWISE SPECIFIED		MATERIAL		Honeywell HONEYWELL INFORMATION SYSTEMS PHOENIX, ARIZONA U.S.A.			
DIMENSIONS: MILLIMETERS		TREAT.					
TOLERANCE OF SIZE AND FORM PER		FIN.		TITLE LOGIC DIAGRAM MT6TM			
INITIAL DESIGN		PROJECTION		CMD WRT LINES			
SCALE	CODE	DR	APPD	SIZE	DWG NO	SH	REV
				D	58008784	15	A

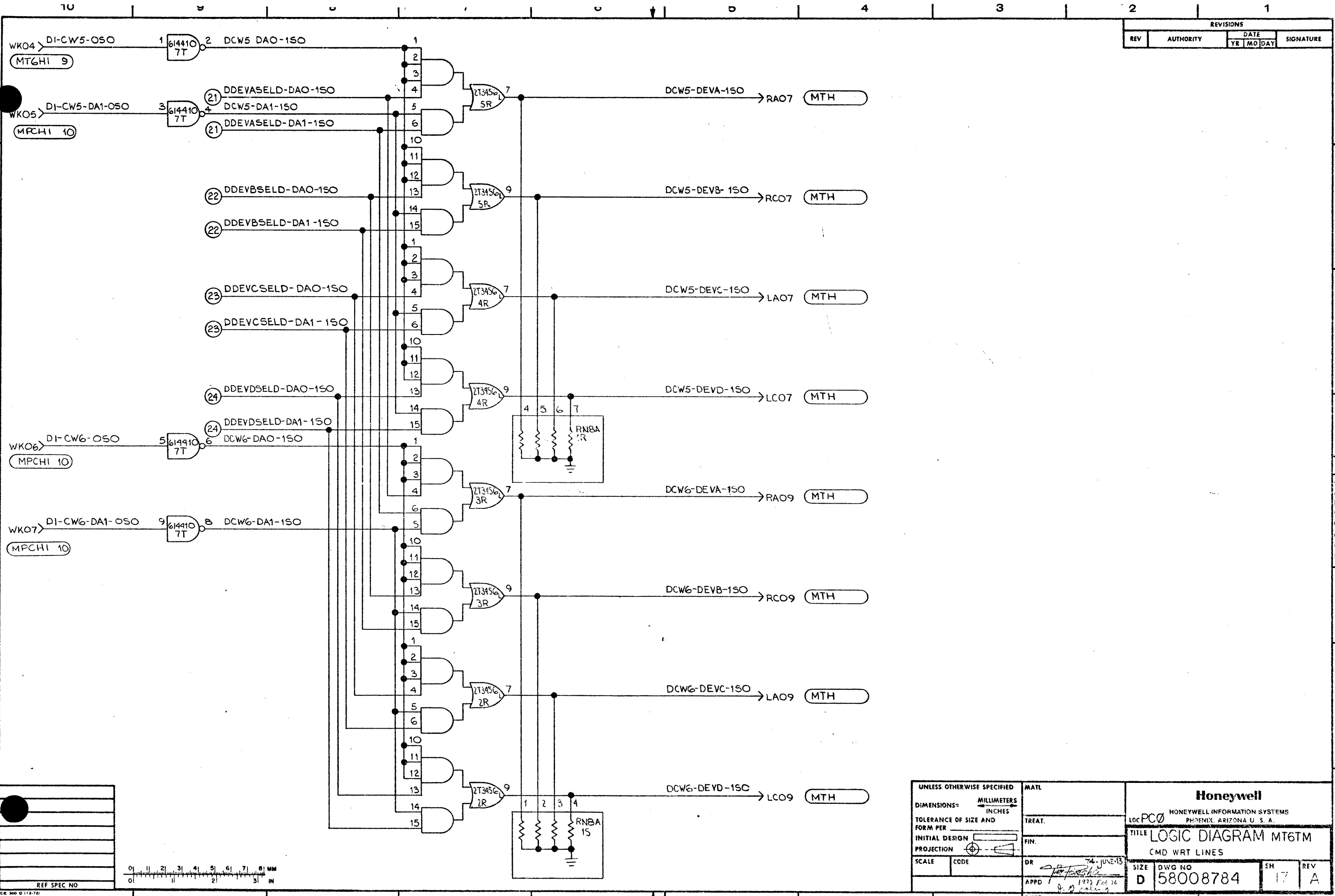
58008784

REVISIONS				
REV	AUTHORITY	DATE	SIGNATURE	
		YR MO DAY		



UNLESS OTHERWISE SPECIFIED			MATERIAL		Honeywell HONEYWELL INFORMATION SYSTEMS PHOENIX, ARIZONA U. S. A. LOGIC DIAGRAM MT6TM CMD WRT LINES
DIMENSIONS=	MILLIMETERS	TOLERANCE OF SIZE AND	TREAT.	FORM PER	
INITIAL DESIGN		PROJECTION	FIN.		
SCALE	CODE	DR	APPD	DR	
SIZE	DWG NO	REV	DR	APPD	SIZE D DWG NO 58008784 REV 16 A 74 JUN 13 1975 FEB 26 D. B. GILBY

58008784



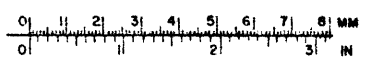
REVISIONS				
REV	AUTHORITY	DATE		SIGNATURE
		YR	MO	DAY

WKO4 DI-CW5-050
MT6HI 9

WKO5 DI-CW5-DA1-050
MPCHI 10

WKO6 DI-CW6-050
MPCHI 10

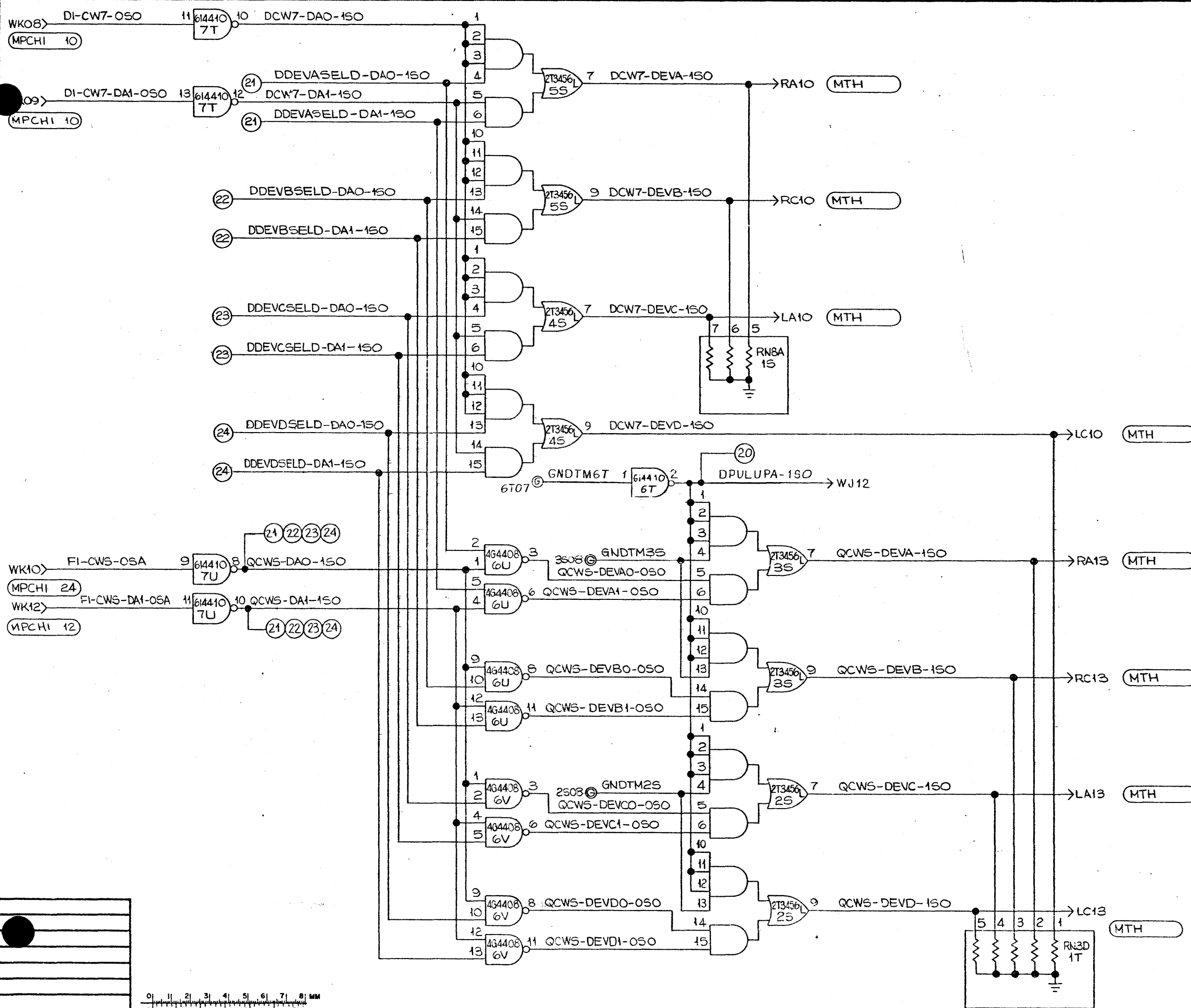
WKO7 DI-CW6-DA1-050
MPCHI 10



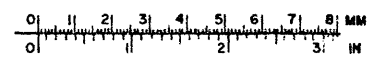
UNLESS OTHERWISE SPECIFIED		MATERIAL		Honeywell HONEYWELL INFORMATION SYSTEMS PHOENIX, ARIZONA U. S. A.	
DIMENSIONS- MILLIMETERS INCHES		TREAT.			
TOLERANCE OF SIZE AND FORM PER INITIAL DESIGN		FIN.		LOC PC0 TITLE LOGIC DIAGRAM MT6TM CMD WRT LINES	
SCALE	CODE	DR	APPD	SIZE	DWG NO
				D	58008784
				SH	REV
				17	A

58008784

REVISIONS				
REV	AUTHORITY	DATE	SIGNATURE	
		YR MO DAY		



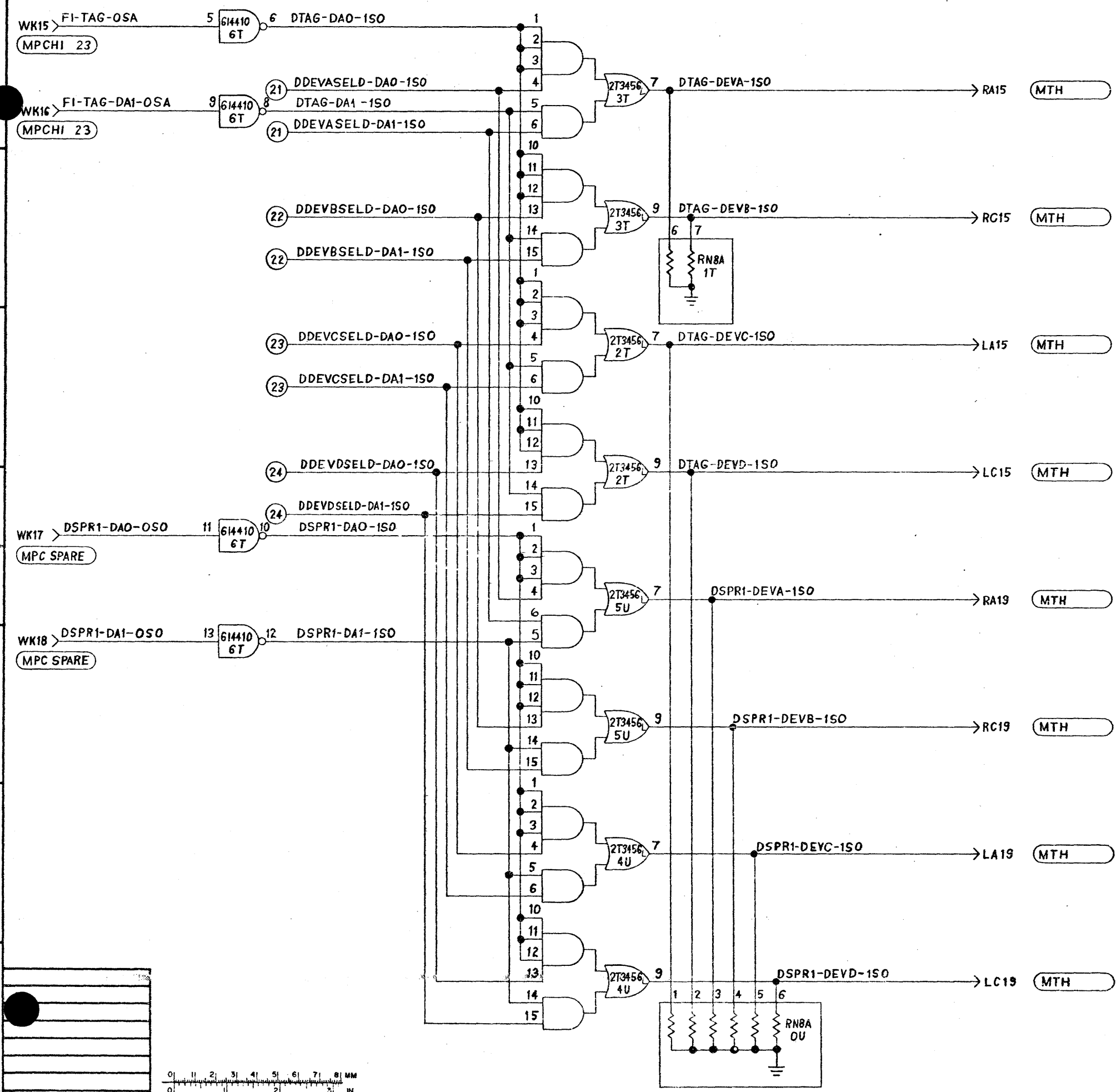
REF SPEC NO	



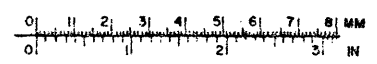
58008784

MATERIAL		Honeywell HONEYWELL INFORMATION SYSTEMS PHOENIX, ARIZONA U. S. A.	
TREATMENT			
FINISH		TITLE LOGIC DIAGRAM MT6TM CMD WRT LINE 7/STROBE	
DR	74-JUNE-70	SIZE	DWG NO
APPD	1975 FEB 26	D	58008784
DISTR		SH	REV
		18	B

REVISIONS				
REV	AUTHORITY	DATE		SIGNATURE
		YR	MO	DAY



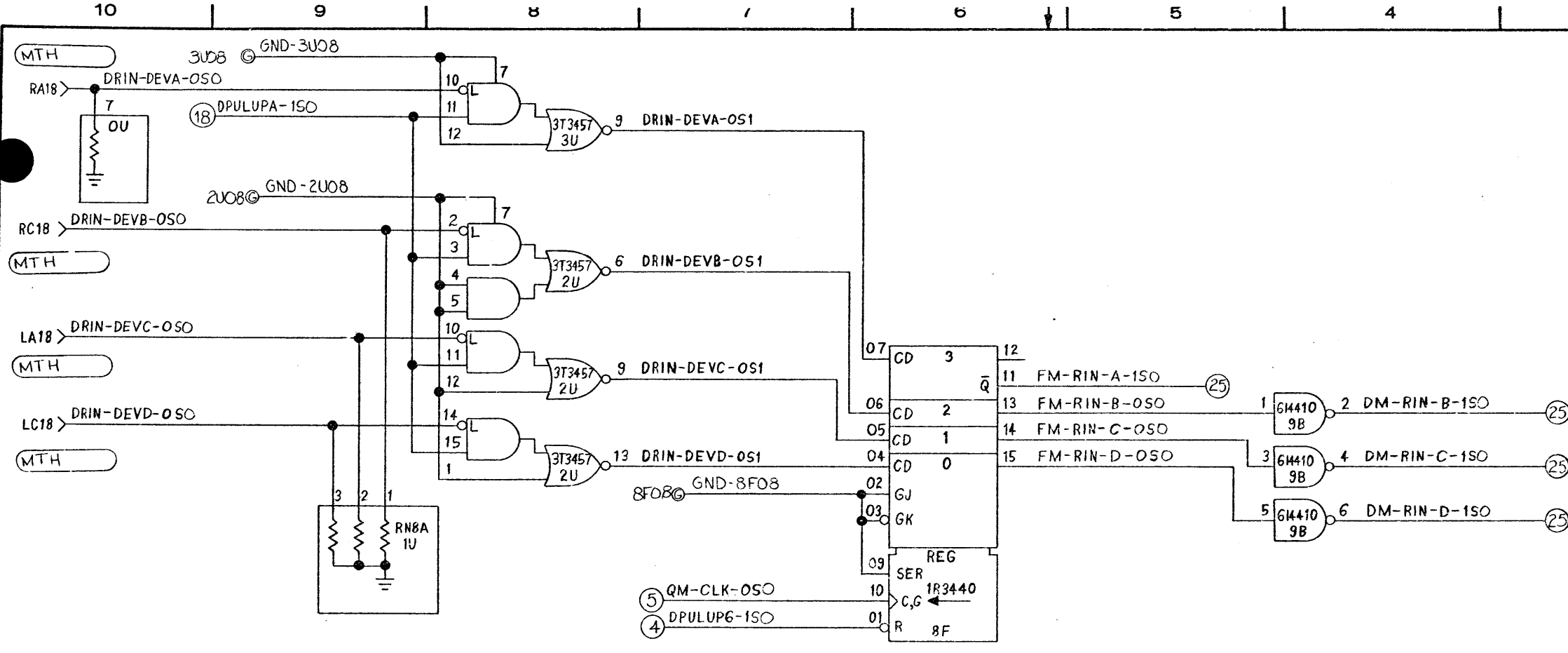
REF SPEC NO	



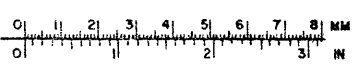
UNLESS OTHERWISE SPECIFIED		MATERIAL		Honeywell HONEYWELL INFORMATION SYSTEMS PHOENIX, ARIZONA U. S. A.			
DIMENSIONS= MILLIMETERS		TREAT.					
TOLERANCE OF SIZE AND FORM PER		FIN.		SCALE CODE DR <i>[Signature]</i> 74 JUN 13 APPD <i>[Signature]</i> 1973 FEB 23 DISTR CLEB-26, TOS, NCM, SDC			
PROJECTION		DR		SIZE	DWG NO	SH	REV
				D	58008784	19	A

58008784

REVISIONS				
REV	AUTHORITY	DATE	SIGNATURE	
		YR MO DAY		



REV	DATE	BY	CHKD

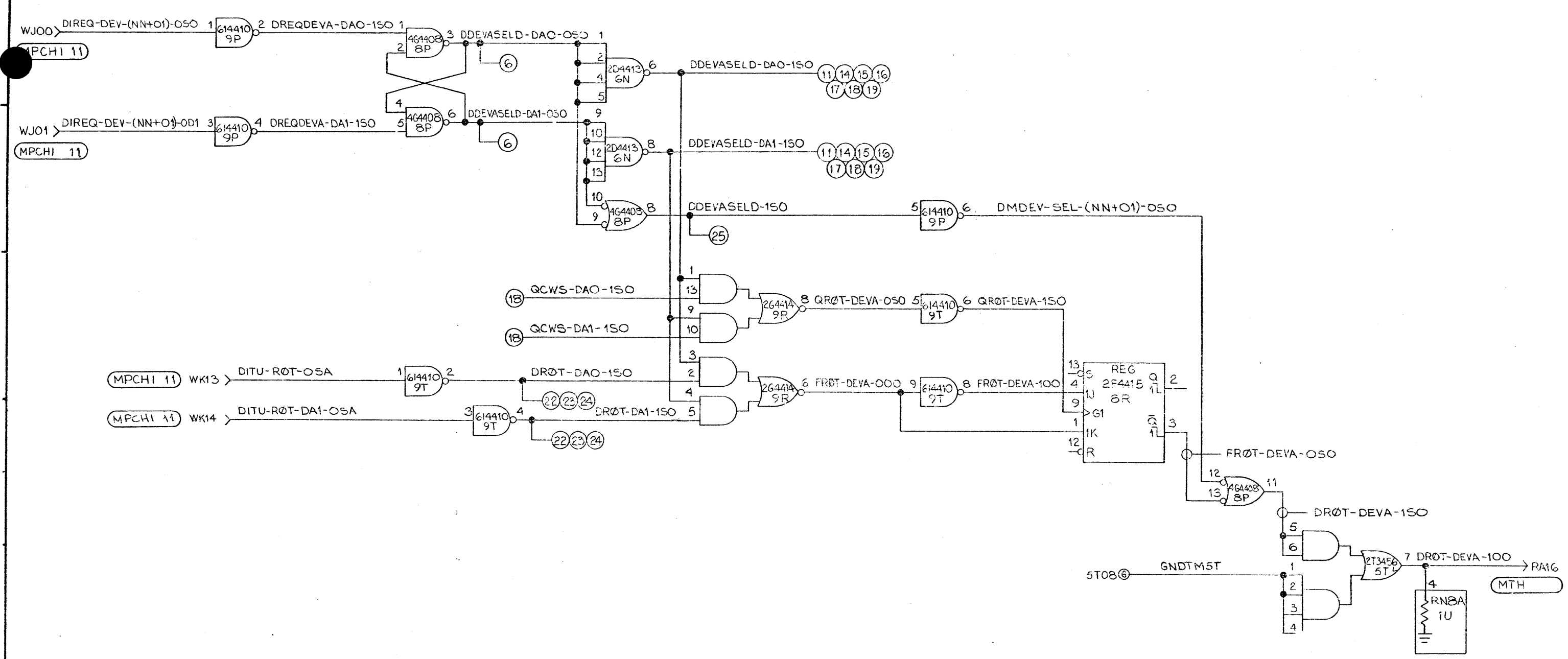


UNLESS OTHERWISE SPECIFIED		MATL	
DIMENSIONS=	MILLIMETERS		
TOLERANCE OF SIZE AND	INCHES		
FORM PER	TREAT.		
INITIAL DESIGN	FIN.		
PROJECTION			
SCALE	CODE	DR	74-JUNE-20
		APPD	1975 FEB 26

Honeywell		HONEYWELL INFORMATION SYSTEMS	
loc PCO		PHOENIX, ARIZONA U. S. A.	
TITLE: LOGIC DIAGRAM MT6TM			
SIZE	DWG NO	SH	REV
D	58008784	20	A

58008784

REVISIONS			
REV	AUTHORITY	DATE	SIGNATURE
FR	1	MO	DAY



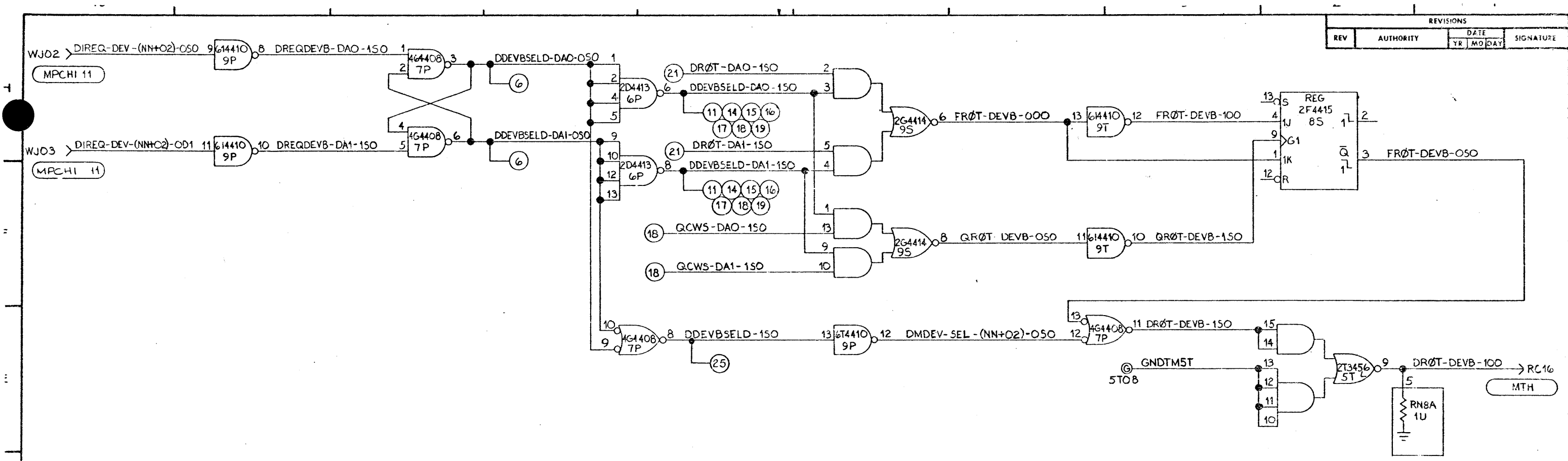
REF SPEC NO	
SCALE	
CODE	

CE 500 D (12-72)

UNLESS OTHERWISE SPECIFIED		MATERIAL	
DIMENSIONS =	MILLIMETERS		
TOLERANCE OF SIZE AND	INCHES		
FORM PER			
INITIAL DESIGN			
PROJECTION			
SCALE	CODE	OR	74 JULY 8
		APPD	<i>[Signature]</i>
		SIZE	DWG NO
		D	58008784
		SH	21
		REV	A

D 58008784

REVISIONS			
REV	AUTHORITY	DATE	SIGNATURE
		YR MO DAY	

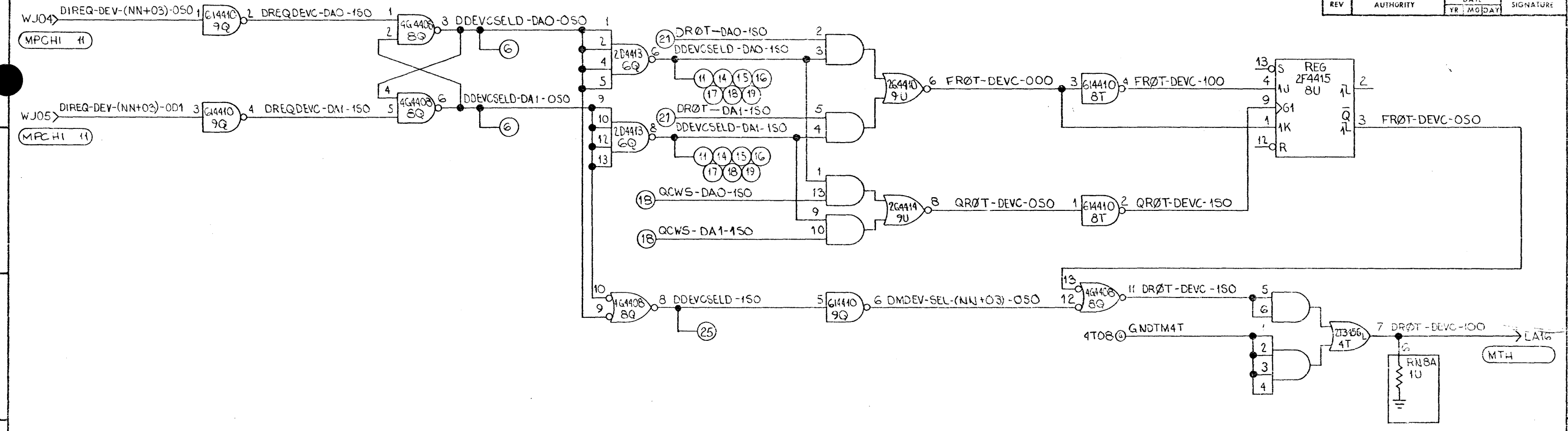


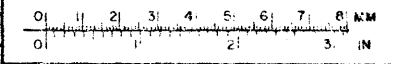


UNLESS OTHERWISE SPECIFIED		MATH		Honeywell HONEYWELL INFORMATION SYSTEMS PHOENIX, ARIZONA U.S.A.	
DIMENSIONS: MILLIMETERS INCHES		TREAT.			
TOLERANCE OF SIZE AND FORM PER		FIN.		LOC PCO	
INITIAL DESIGN		DR		TITLE LOGIC DIAGRAM MT6TM	
PROJECTION		APPD		DEV B SELD/RESERVE	
SCALE		CODE		SIZE DWG NO	
				D 58008784	
				SH 22	
				REV A	
		DISTR C68-28, TOS, NCO, SDF		1	

58008784

REVISIONS				
REV	AUTHORITY	DATE	SIGNATURE	
		YR MONTH DAY		

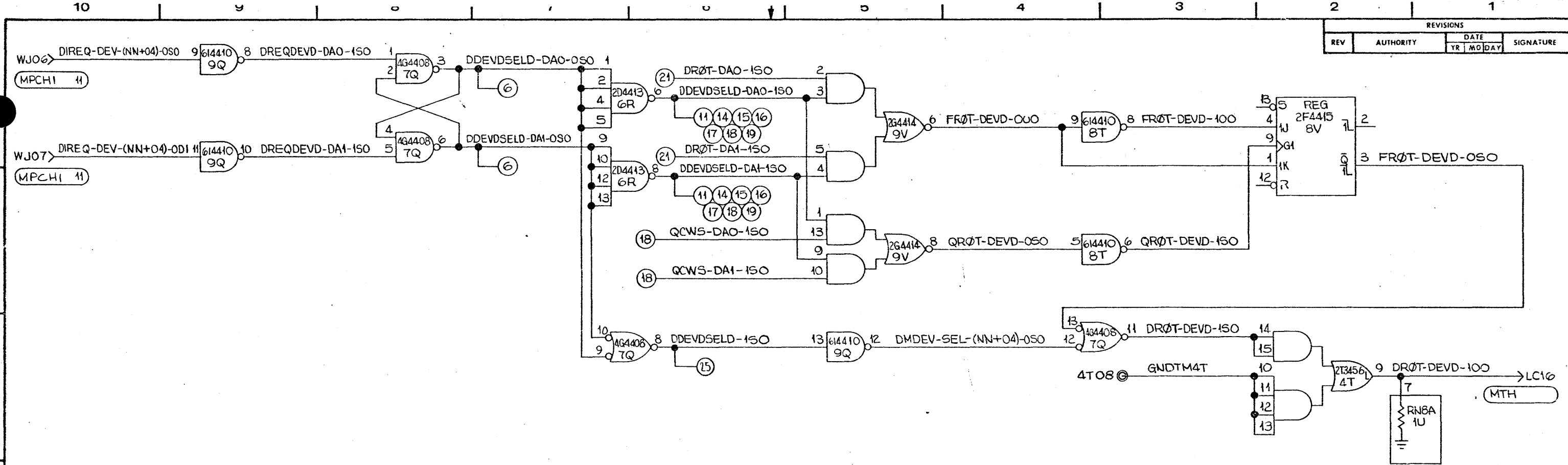




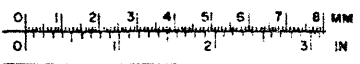
UNLESS OTHERWISE SPECIFIED		MATL		Honeywell HONEYWELL INFORMATION SYSTEMS PHOENIX, ARIZONA, U.S.A. LOC PCO	
DIMENSIONS=	MILLIMETERS	TREAT.			
	INCHES	FIN.		TITLE LOGIC DIAGRAM MT6TM	
TOLERANCE OF SIZE AND FORM PER INITIAL DESIGN		DR		DEV C SELD/RESERVE	
PROJECTION		DATE 74 JUN 15	SIZE	DWG NO.	CH
SCALE	CODE	APPD <i>[Signature]</i>	D	58008784	23
		DISTR 0128-26 TOS, NCO, SDF	REV A		

58008784

REVISIONS			
REV	AUTHORITY	DATE YR MO DAY	SIGNATURE



REF SPEC NO

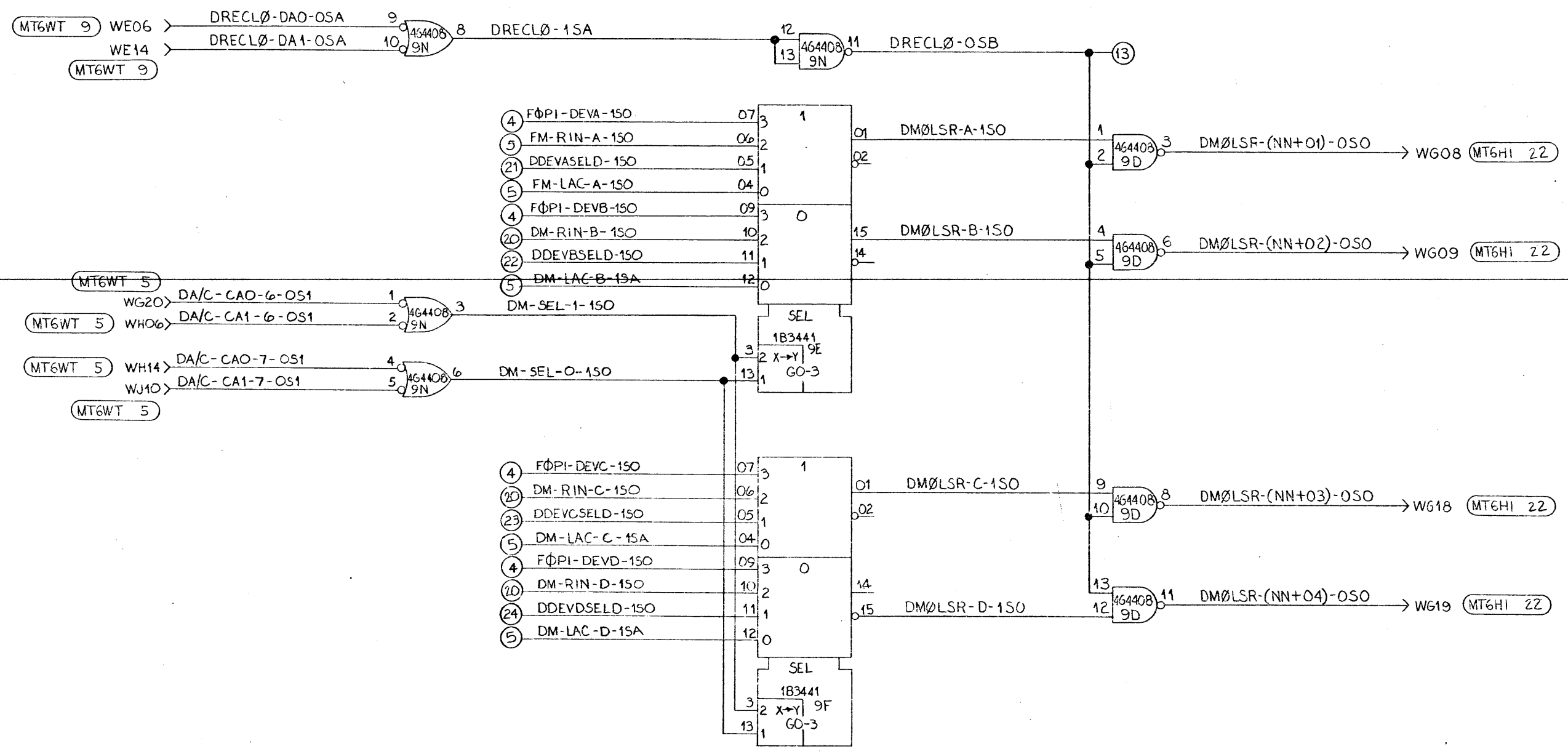


UNLESS OTHERWISE SPECIFIED		MATL
DIMENSIONS=	MILLIMETERS	TREAT.
	INCHES	
TOLERANCE OF SIZE AND FORM PER		FIN.
INITIAL DESIGN		
PROJECTION		
SCALE	CODE	DR
		APPD
		DISTR

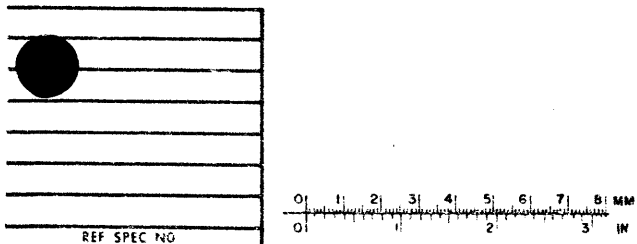
Honeywell	
HONEYWELL INFORMATION SYSTEMS PHOENIX, ARIZONA U. S. A.	
LOC PCO	
TITLE LOGIC DIAGRAM MT6TM DEV D SELD/RESERVE	
SIZE	DWG NO
D	58008784
SH	REV
24	A

58008784

REV	AUTHORITY	DATE	SIGNATURE



58008784



UNLESS OTHERWISE SPECIFIED		MATERIAL		Honeywell HONEYWELL INFORMATION SYSTEMS PHOENIX, ARIZONA U. S. A.	
DIMENSIONS= MILLIMETERS / INCHES		TREAT.			
TOLERANCE OF SIZE AND FORM PER INITIAL DESIGN		FIN.		LOC PCO TITLE LOGIC DIAGRAM MT6TM MATRIX READ OUT SW	
SCALE	CODE	DR	74 June 20 Richard Wayne Smith	SIZE	DWG NO
		APPD	1975 Feb 20 J. G. ...	D	58008784
		DISTR	PCB-26-TDS V1.0 SIDE	SH	REV
				25F	A

REVISIONS				
REV	AUTHORITY	DATE		SIGNATURE
		YR	MO DAY	

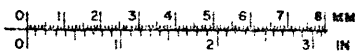
PIN NO.	SHEET NO.	PIN NO.	SHEET NO.	PIN NO.	SHEET NO.	PIN NO.	SHEET NO.	PIN NO.	SHEET NO.	PIN NO.	SHEET NO.	PIN NO.	SHEET NO.	PIN NO.	SHEET NO.
WA00	23	WD00	12	WG00	5, 29	WK00	33	LA00		LD00		RA00		RD00	
WA01		WD01	28	WG01	5	WK01	16	LA01		LD01		RA01		RD01	
WA02		WD02	10	WG02	5	WK02	33	LA02		LD02		RA02		RD02	
WA03		WD03	10	WG03	5	WK03	33	LA03		LD03		RA03		RD03	
WA04		WD04	10	WG04	5	WK04	33	LA04		LD04		RA04		RD04	
WA05		WD05	10	WG05	5	WK05	33	LA05		LD05		RA05		RD05	
WA06		WD06	40	WG06	29	WK06	33	LA06		LD06		RA06		RD06	
WA07		WD07	10	WG07	5	WK07	33	LA07		LDC7		RA07		RD07	
WA08		WD08	23	WG08	5	WK08	33	LA08		LDC8		RA08		RD08	
WA09		WD09	28	WG09	5	WK09	33	LA09		LD09		RA09		RD09	
WA10	24	WD10	28	WG10	29	WK10	33	LA10		LD10		RA10		RD10	
WA11		WD11		WG11		WK11		LA11		LD11		RA11		RD11	
WA12	24	WD12	41	WG12		WK12	20	LA12		LD12		RA12		RD12	
WA13		WD13	41	WG13	5	WK13	33	LA13		LD13		RA13		RD13	
WA14		WD14	41	WG14	5	WK14	33	LA14		LD14		RA14		RD14	
WA15		WD15	41	WG15	5	WK15	33	LA15		LD15		RA15		RD15	
WA16		WD16	41	WG16	29	WK16	33	LA16		LD16		RA16		RD16	
WA17		WD17	41	WG17	5	WK17	33	LA17		LD17		RA17		RD17	
WA18		WD18	41	WG18	5	WK18	33	LA18		LD18		RA18		RD18	
WA19	24	WD19	28	WG19	29	WK19	33	LA19		LD19		RA19		RD19	
WA20		WD20	28	WG20	5	WK20	20	LA20		LD20		RA20		RD20	
WA21		WD21		WG21		WK21		LA21		LD21		RA21		RD21	
WB00		WE00		WH00	4	WZ00		LB00				RB00			
WB01	24	WE01	12	WH01	29	WZ01		LB01				RB01			
WB02		WE02	9	WH02	5	WZ02		LB02				RB02			
WB03		WE03	12	WH03	5	WZ03		LB03				RB03			
WB04		WE04	28	WH04	29	WZ04		LB04				RB04			
WB05		WE05	12	WH05	5	WZ05		LB05				RB05			
WB06		WE06	12	WH06	5			LB06				RB06			
WB07		WE07	12	WH07	30			LB07				RB07			
WB08		WE08	12	WH08	5			LB08				RB08			
WB09		WE09	28	WH09	30			LB09				RB09			
WB10		WE10		WH10				LB10				RB10			
WB11		WE11		WH11				LB11				RB11			
WB12		WE12	22	WH12	30			LB12				RB12			
WB13		WE13	28	WH13	30			LB13				RB13			
WB14		WE14		WH14	5			LB14				RB14			
WB15		WE15		WH15				LB15				RB15			
WB16		WE16	28	WH16	5			LB16				RB16			
WB17		WE17	31	WH17	5			LB17				RB17			
WB18		WE18	31	WH18	5			LB18				RB18			
WB19		WE19	31	WH19	30			LB19				RB19			
WB20	24	WE20	31	WH20	5			LB20				RB20			
WB21		WE21	31	WH21				LB21				RB21			
WC00	23	WF00	28	WJ00		LC00		RC00							
WC01	24	WF01	31	WJ01	30	LC01		RC01							
WC02		WF02	32	WJ02		LC02		RC02							
WC03		WF03		WJ03		LC03		RC03							
WC04		WF04	32	WJ04		LC04		RC04							
WC05		WF05	28	WJ05		LC05		RC05							
WC06		WF06	32	WJ06		LC06		RC06							
WC07		WF07	32	WJ07		LC07		RC07							
WC08		WF08	32	WJ08		LC08		RC08							
WC09		WF09	28	WJ09	30	LC09		RC09							
WC10		WF10	32	WJ10		LC10		RC10							
WC11		WF11		WJ11		LC11		RC11							
WC12		WF12	32	WJ12		LC12		RC12							
WC13		WF13	29	WJ13	30	LC13		RC13							
WC14		WF14	33	WJ14		LC14		RC14							
WC15		WF15	33	WJ15		LC15		RC15							
WC16	23	WF16	28	WJ16		LC16		RC16							
WC17	27	WF17	33	WJ17		LC17		RC17							
WC18	23	WF18		WJ18		LC18		RC18							
WC19	28	WF19	5	WJ19		LC19		RC19							
WC20	23	WF20	5	WJ20		LC20		RC20							
WC21		WF21	5	WJ21		LC21		RC21							

1. SHEETS 1,2,3 ARE "A" SIZE
NOTE:

AA4/2-SLOT 7

FOR DOCUMENT STATUS, SEE REVISION STATUS SHEET

REF SPEC NO



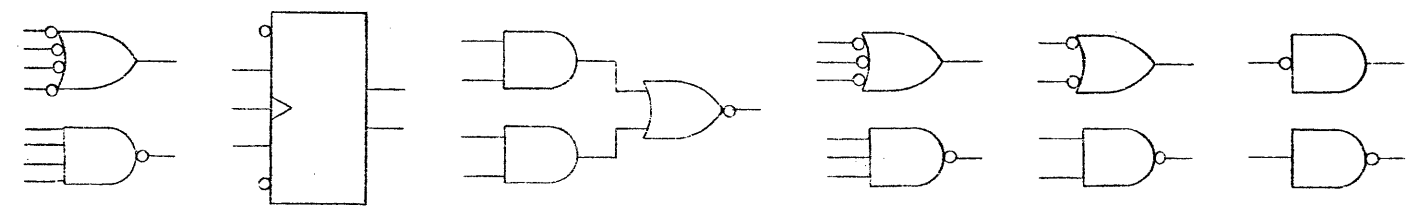
UNLESS OTHERWISE SPECIFIED		MATL	Honeywell HONEYWELL INFORMATION SYSTEMS 100 P00 PHOENIX, ARIZONA, U.S.A.	
DIMENSIONS=	MILLIMETERS INCHES	TREAT		
TOLERANCE OF SIZE AND FORM PER		FIN.	TITLE LOGIC DIAGRAM MT6WT	
INITIAL DESIGN			PIN/SHEET CROSS REF	
PROJECTION			SIZE	DWG NO
SCALE	CODE	DR	D	58007984
		APPD	SH	REV
			3.1	A

158007984

REVISIONS				
REV	AUTHORITY	DATE	SIGNATURE	
YR	MO	DAY		

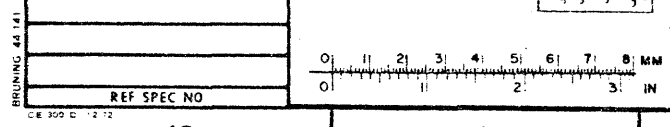
	A	B	C	D	E	F	G	H	J	K	L	M	N	P	Q	R	S	T	U	V
0	0A 2F9463 24 24	0B 6I4410 26 24 26 26 24	0C 1C3447 26	0D 4G4408 24 24 24	0E 2D5419 14 25	0F 4G4408 15 15 26 26	0G S14 X	0H S16 X	0J 6I4410 29 29 29 29 29 29	0K S16 X	0L 1R3440 13	0M 1R3440 14	0N 1B3443 15	0P 1B3443 33	0Q S16 X	0R 6I4410 34 34 34 34 34 34	0S 1R3440 34	0T 1R3440 34	0U S16 X	0V X
1	1A 3G4417 24 X	1B 4G4408 26 24 23 24	1C 3G4417 25 24 24	1D 2F9463 21 21	1E 2F9463 21 21	1F 4G4408 25 21 25 25	1G 3G4417 23 19	1H 1R3440 22	1J S14 X	1K 1R3440 22	1L 1R3440 13	1M 1R3440 14	1N 1B3443 15	1P 1B3443 33	1Q 1R3440 26	1R 1B3443 33	1S 1B3443 16	1T 1P3405 16	1U 1R3440 16	1V X
2	2A 4G4408 25 24 24	2B 2G4411 24 24	2C 2F9463 23 23	2D 6I4410 21 21 21 21 23 23	2E 2G4414 21 21	2F 2F9463 21 23	2G 6I4410 22 26 23 22 22	2H 1R3440 22	2J 6I4410 11 11 6 20 6 19	2K 1P3440 22	2L 1R3440 14	2M 1B3443 15	2N S14 X	2P 1B3441 15	2Q 1B3441 15	2R 1B3441 15	2S 1B3443 16	2T 2G4414 16 16	2U 1E-011 16	2V S16 X
3	3A 4G4408 25 25 23 23	3B 6I4410 24 24 25 24 24	3C 3G4417 23 24 24	3D 2F9463 24 24	3E 3G4417 25 26 25	3F 2F9463 23 23	3G 6I4410 12 12 12 12 12 12	3H 1R3440 12	3J 1R3440 12	3K 1B3442 31	3L 1B3442 31	3M 1B3442 31	3N 1B3442 31	3P 4G4408 19 19 34 19	3Q 2D5419 25 25	3R 1R3440 17	3S 1R3440 17	3T 1R3440 18	3U 1R3440 18	3V S16 X
4	4A 4410 24 24 23	4B 4G4408 25 23 23	4C 3G4417 23 25 23	4D 2F9463 24 25	4E 4G4408 23 24 21 25	4F 2G4411 25 X	4G 6I4410 12 12 11 11 11 11	4H 1R3440 11	4J 1R3440 11	4K 1B3442 31	4L 1B3442 31	4M 1B3442 32	4N 1B3442 32	4P 6I4410 19 19 5 5 17 16	4Q 2D5419 25 X	4R 1R3440 17	4S 1R3440 17	4T 1R3440 18	4U 1R3440 18	4V RN9A 3 = 16 1,2 = 17 4 = 34
5	5A 2G4414 23 23	5B 6I4410 6 6 6 6 6 23	5C 2G4411 10 23	5D 6I4410 10 10 10 10 10 10	5E 3G4417 20 21 10	5F 4G4408 22 21 22 12	5G 4G4408 11 9 10 12	5H 1R3440 10	5J 1R3440 10	5K 1B3442 32	5L 1B3442 32	5M 1B3442 32	5N 1B3442 33	5P 1P3405 5	5Q 6I4410 29 30 33 29 29 29	5R 1R3440 17	5S 1R3440 17	5T 1R3440 18	5U 1R3440 18	5V 1R3440 16
6	6A 2F9463 23 23	6B S16 X	6C 1N3450 6	6D 1N3450 6	6E 1N3450 6	6F 6I4410 21 24 10 6 6 6	6G 6I4410 30 24 12 30 6 30	6H 1R3440 9	6J 1R3440 9	6K 1B3442 33	6L 1B3442 33	6M 1B3442 33	6N 1B3442 33	6P 1N3450 5	6Q 6I4410 5 5 5 5 15 9	6R 1R3440 17	6S 1R3440 17	6T 1R3440 18	6U 1R3440 18	6V 1R3440 16
7	7A 2F9463 7 8	7B 6I4410 14 14 14 23 14	7C 6I4410 14 14 14 14 14 14	7D 6I4410 6 6 6 6 23 23	7E 6I4410 9 9 9 9 9 9	7F 4G4408 30 28 27 28	7G 4G4408 6 6 6 23	7H 6I4410 11 11 11 5 9	7J 2F9463 5 9	7K 2D5419 29 X	7L 2D5419 29 28	7M 6I4410 31 31 31 32 32 32	7N 6I4410 6 6 6 5 5 30	7P 1N3450 5	7Q 4G4408 30 30 30 30	7R 4G4408 30 30 5 19	7S 6I4410 30 30 30 30 30 19	7T 1P3405 16	7U 1Z3453 19	7V 1Z3453 19
8	8A 6I4410 7 7 13 13 13 13	8B 1P3405 7	8C 6I4410 6 6 8 8 6 8	8D 1P3405 8	8E 2F9463 27 X	8F 2F9463 27 27	8G RN9A 1,4 = 21 3 = 23 11,12,13 = 28 2 = 29	8H 2D5419 27	8J S14 X	8K 2D5419 29 29	8L 2D5419 29 29	8M 6I4410 30 5 5 5 20 20	8N 6I4410 5 5 5 5 5 5	8P 6I4410 5 5 5 5 5 5	8Q 6I4410 30 30 30 30 30 30	8R 1Z3453 19	8S 1Z3453 19	8T RN3E 1,2,3,5 11,12,13 14 = 19	8U RN3E 1,2,3,5 11,12,13 14 = 19	8V 2G4414 X 20
9	9A 6I4410 7 7 7 7 7 7	9B 6I4410 7 7 7 7 7 7	9C 6I4410 8 8 8 8 6 8	9D 6I4410 8 8 8 8 8 8	9E 2G4414 27 27	9F 6I4410 28 28 28 27 29	9G 2D5419 28	9H 2D5419 28	9J 2D5419 28	9K 2D5419 28	9L 2D5419 28	9M RN4D 1 = 28 11 = 29	9N 2D5419 29	9P 2D5419 29	9Q 2D5419 29	9R 1B3441 20	9S 1B3441 20	9T 1B3441 20	9U 1B3441 20	9V 1B3441 20

- 1B3441
- 1B3442
- 1B3443
- 1C3447
- 1E-011
- 1N3450
- 1P3405
- 1R3440
- 1Z3453
- RN3E
- RN4D
- RN9A



2D 5419 2G 4411	2E 9463	2G 4414	3G 4417	4G 4408	6I 4410
1,2,4,5,6 8,9,10,12,13	1,2,3,4 14,15,16 6,7,8,9 10,11,12	1,8,9,10,13 2,3,4,5,6	1,2,12,13 3,4,5,6 8,9,10,11	1,2,3,4,5,6 8,9,10,11,12,13	1,2,3,4 5,6,8,9 10,11,12,13

UNUSED
NOT
USED

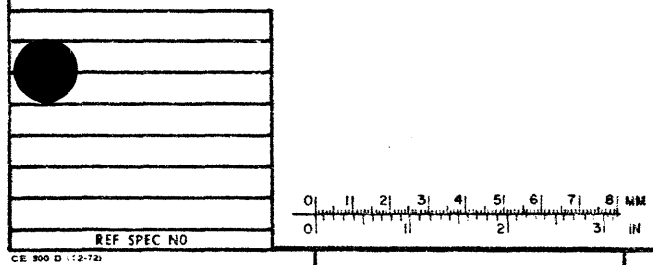
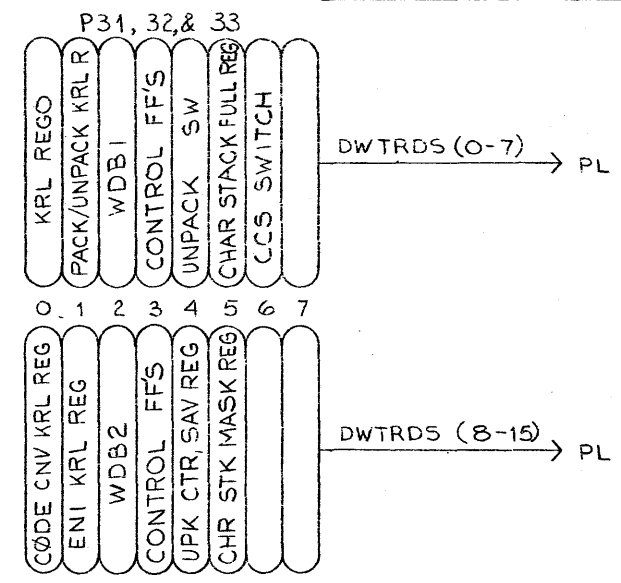
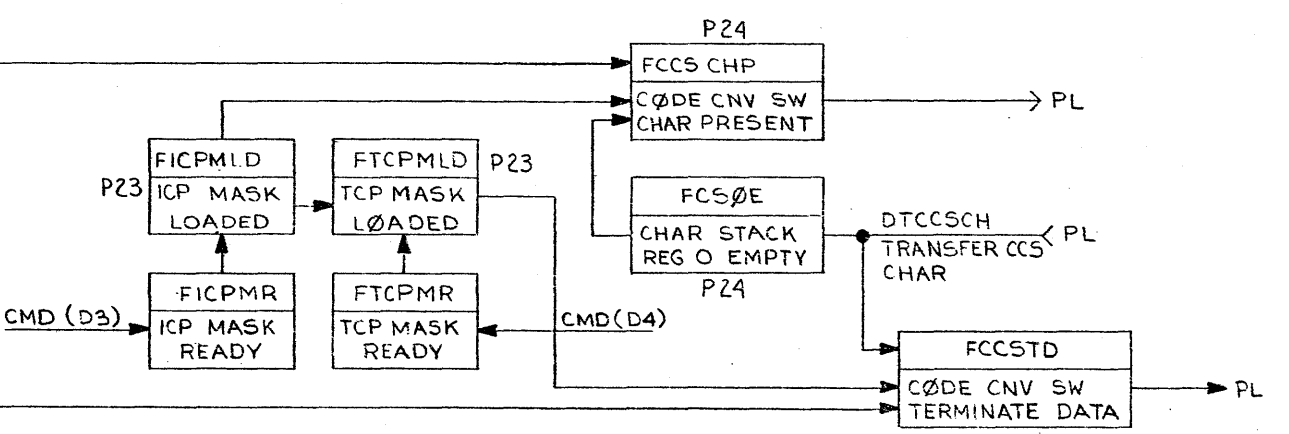
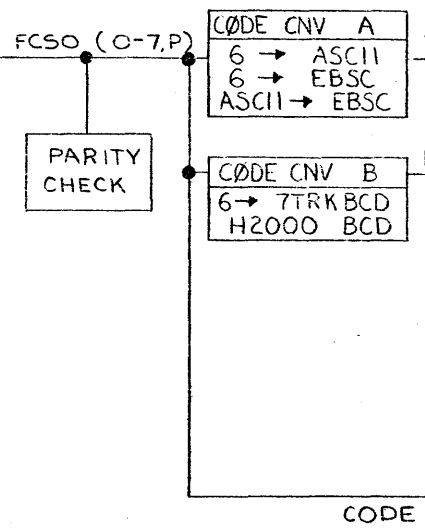
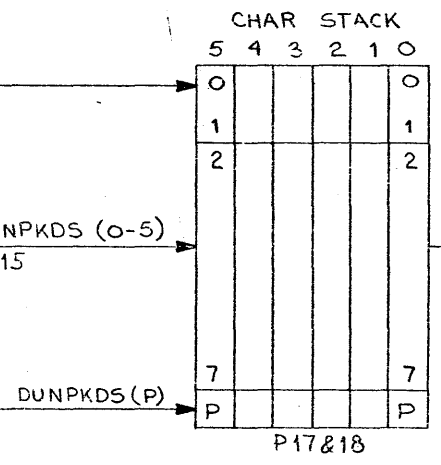
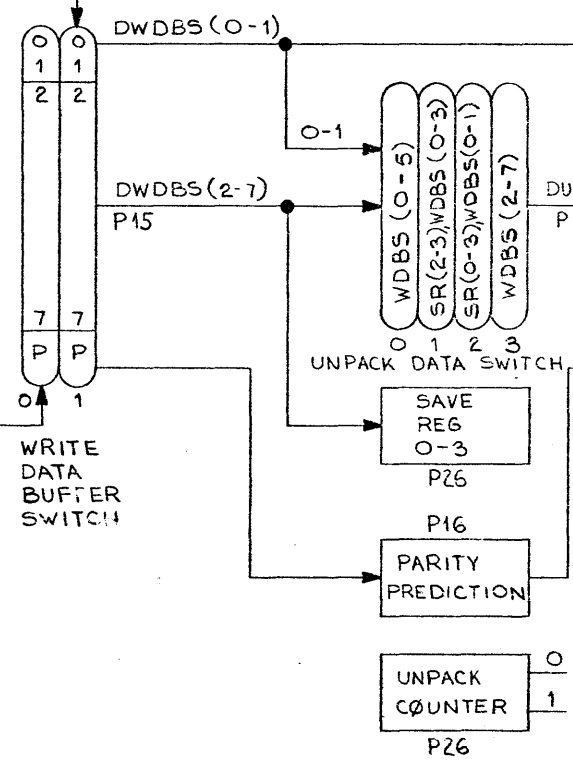
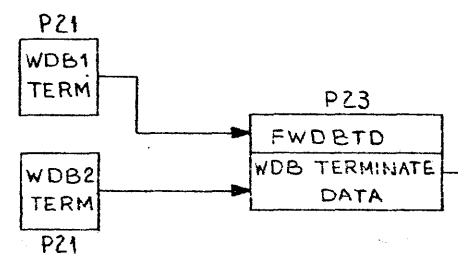
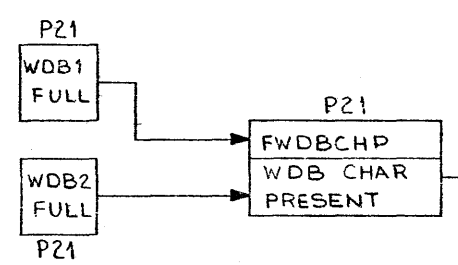
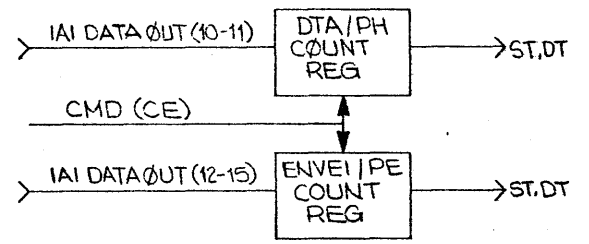
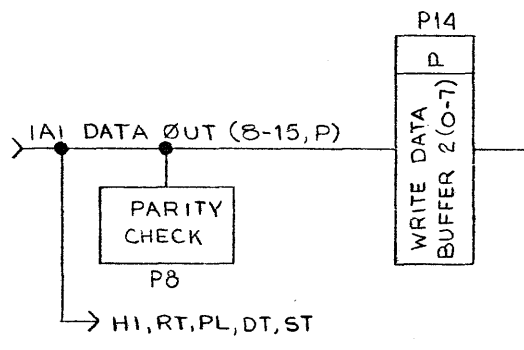
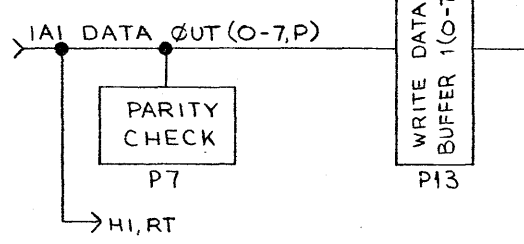
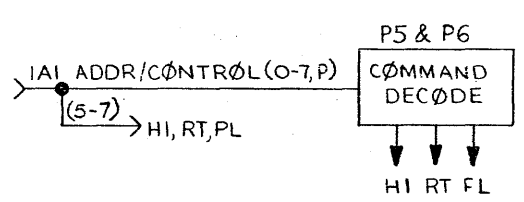


UNLESS OTHERWISE SPECIFIED		MATERIAL		Honeywell 75-1-17	
DIMENSIONS =	MILLIMETERS	TREAT.		LOC	
TOLERANCE OF SIZE AND	INCHES	FIN.		HONEYWELL INFORMATION SYSTEMS PHOENIX, ARIZONA U.S.A.	
FORM PER	INITIAL DESIGN	SCALE		TITLE	
PROJECTION	CODE	DR. <i>Mulligan</i>		LOGIC DIAGRAM MT6WT CIRCUIT LOCATOR	
74-12-5	APPD. <i>P. S. Roebig</i>	SIZE		DWG NO	
1975 FEB 26		D		58007984	
REV		SH		REV	
B		3.2		B	

58007984

REVISIONS				
REV	AUTHORITY	DATE	SIGNATURE	
		YR MO DAY		

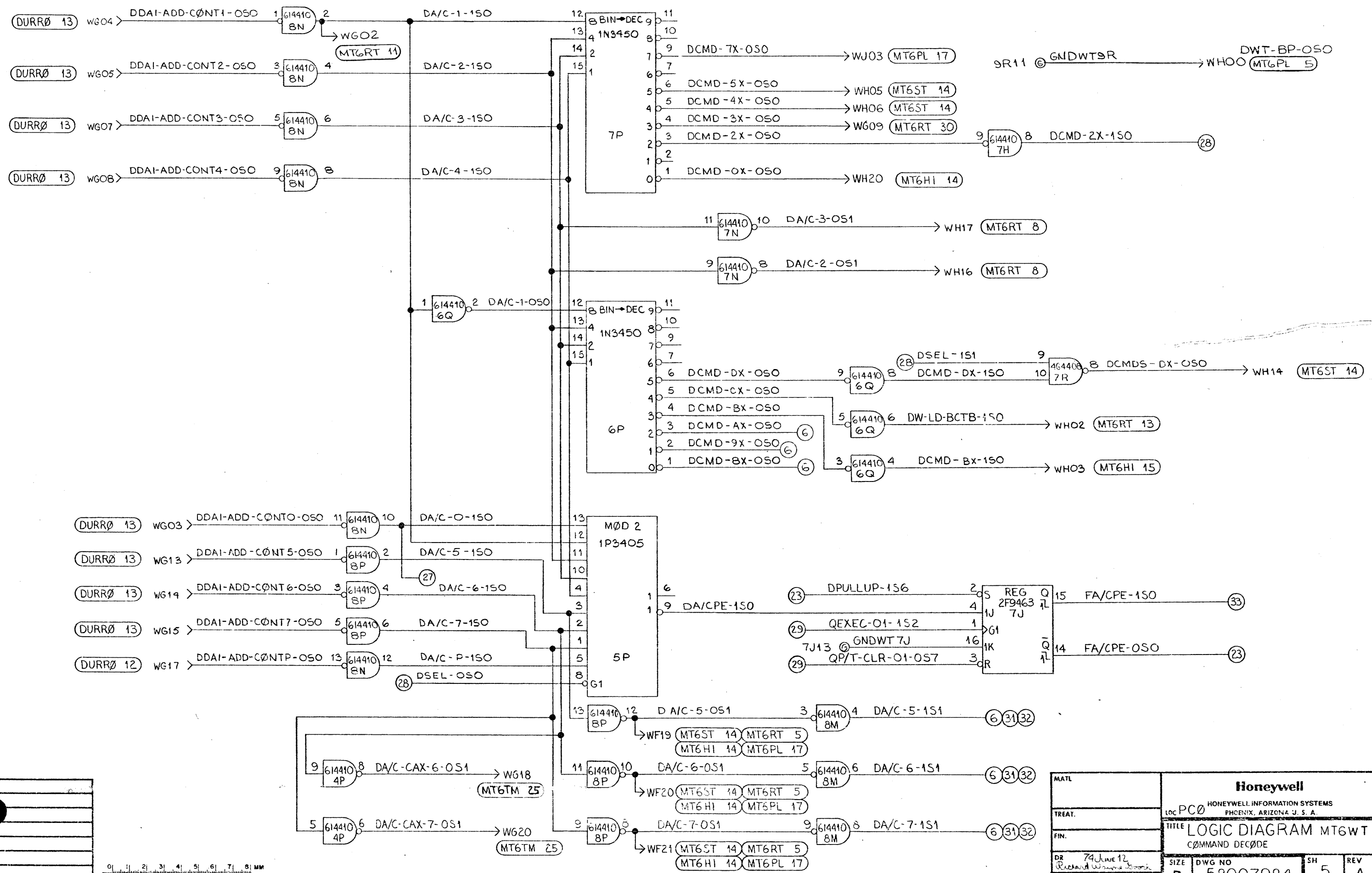
TCA CONTROL REGISTERS	0	1	2	3	4	5	6	7
P9 KRL REG 0	NRZI/PE MODE	SIMULATE D0S	WRT/RD SKEW KRL	INHIBIT ERPOR CORRECTION	READ TEST 1	DR WRAP MODE	LA AVAILABLE MODE	RECEIVER LOCK OUT
P10 CODE CNV KRL REG	6 ↔ ASCII	6 ↔ EBCDIC	ASCII ↔ EBCDIC	H6000 7TRK BCD	H2000 BCD	WRITE EVEN PARITY		
P11 PACK/UNPACK KRL REG	UNPACK LEFT JUST READ	UNPACK RIGHT JUST READ	2000/6000 MODE	PACK READ	REVERSE/FORWARD MODE	CCC TYPE RECORD	PACK WRITE	H6000 UNPACK WRITE
P12 ENI KRL REG	ENI WDB	ENI FB	READ REQUEST	ENABLE READ DATA	FLUSH MODE	WRITE P-BURST	WRITE PE EOF	WRITE DATA RECORD



UNLESS OTHERWISE SPECIFIED		MATH		Honeywell HONEYWELL INFORMATION SYSTEMS PHOENIX, ARIZONA U.S.A.	
DIMENSIONS = MILLIMETERS / INCHES		TREAT.			
TOLERANCE OF SIZE AND FORM PER INITIAL DESIGN PROJECTION		FIN.		TITLE LOGIC DIAGRAM MT&WT BLOCK DIAGRAM	
SCALE	CODE	DR 14-JUNE-11 D. J. Wills	APPD 1973 JUN 20 P. J. ...	SIZE D	DWG NO 58007984
		DISTR		SH 4	REV A

58007984

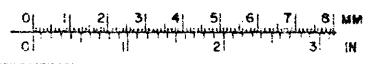
REVISIONS				
REV	AUTHORITY	DATE	SIGNATURE	
		YR	MO	DAY



H
F
E
D
C
B
A

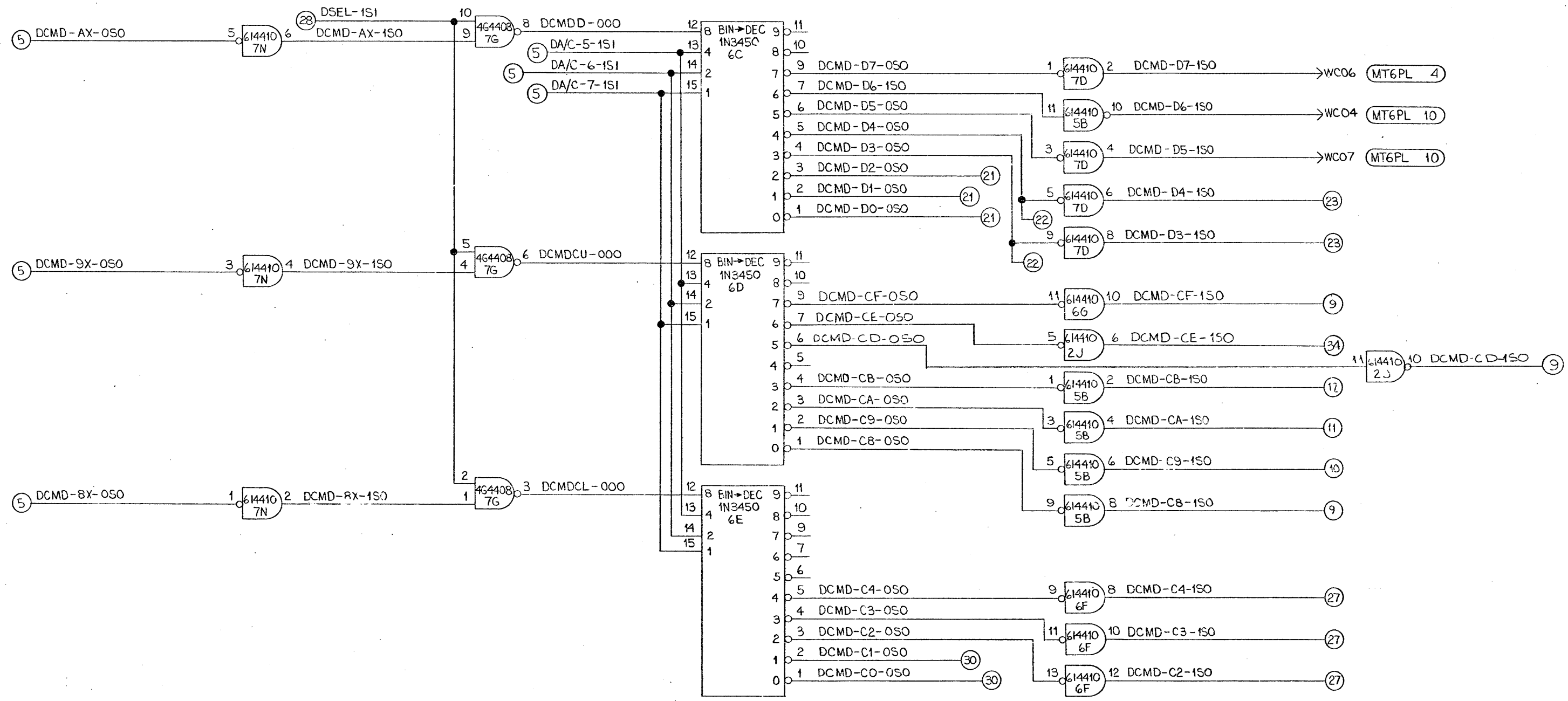
58007984

REF SPEC NO	
DATE	
APPD	
DISTR	



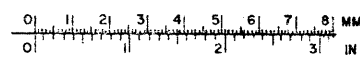
MATERIAL		Honeywell	
TREAT.		LOC PC0 HONEYWELL INFORMATION SYSTEMS PHOENIX, ARIZONA U. S. A.	
FIN.		TITLE LOGIC DIAGRAM MT6WT COMMAND DECODE	
DR 74 June 12 Richard W. ...	SIZE D	DWG NO 58007984	SH 5
APPD 1975 Feb 26 G. G. ...			REV A
DISTR C6B-26, TOS, NCO, SDF			1

REVISIONS				
REV	AUTHORITY	DATE		SIGNATURE
		YR	MO DAY	



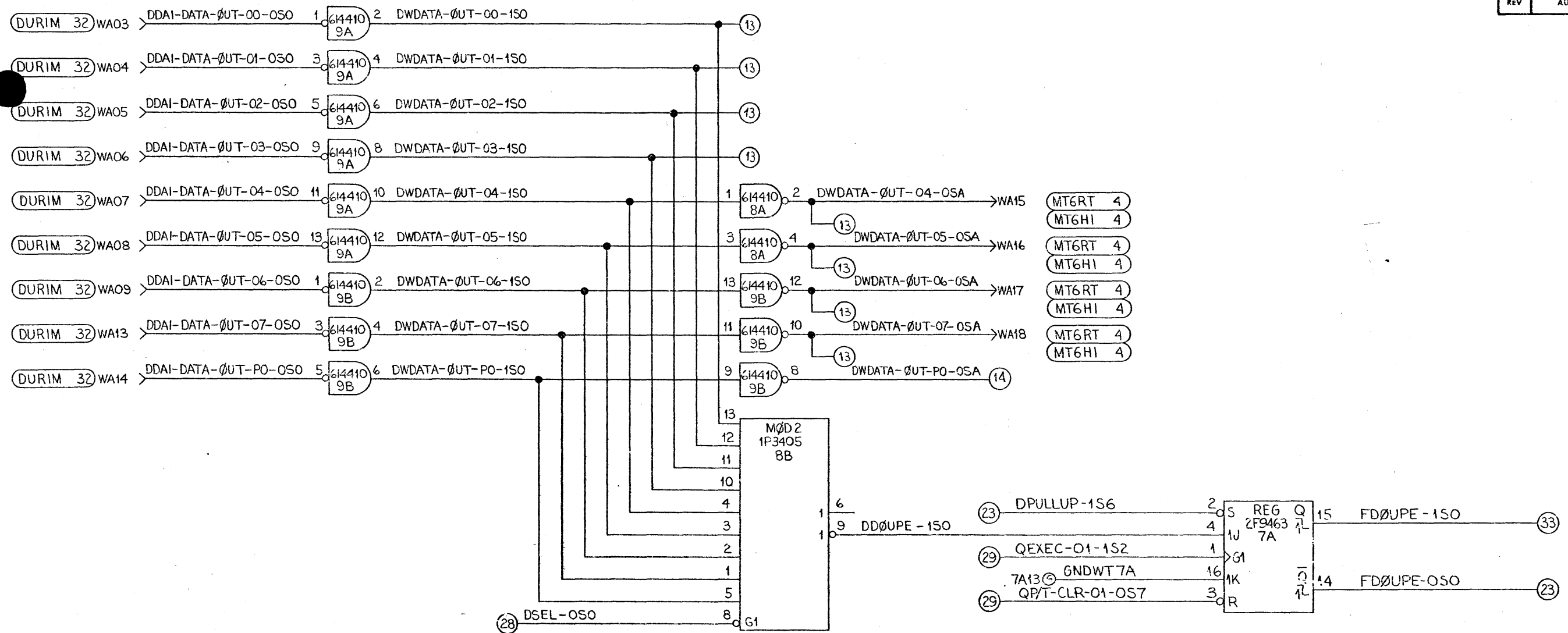
H
F
E
D
C
B
A

58007984



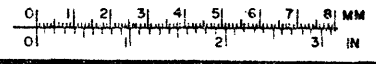
UNLESS OTHERWISE SPECIFIED		MATL	
DIMENSIONS = $\frac{\text{MILLIMETERS}}{\text{INCHES}}$		TREAT.	
TOLERANCE OF SIZE AND FORM PER		FIN.	
INITIAL DESIGN		DR 74 JUNE 10 Richard W. ...	
PROJECTION		APPD 1975 FEB 26 J. ...	
SCALE	CODE	SIZE D	DWG NO 58007984
		SH 6	REV A
DISTR C6B-26, 70S, NCO, SDF			

REVISIONS			
REV	AUTHORITY	DATE	SIGNATURE
		YR MO DAY	



MT6RT	4
MT6HI	4
MT6RT	4
MT6HI	4
MT6RT	4
MT6HI	4
MT6RT	4
MT6HI	4

REF SPEC NO	
10	
9	
8	
7	
6	
5	
4	

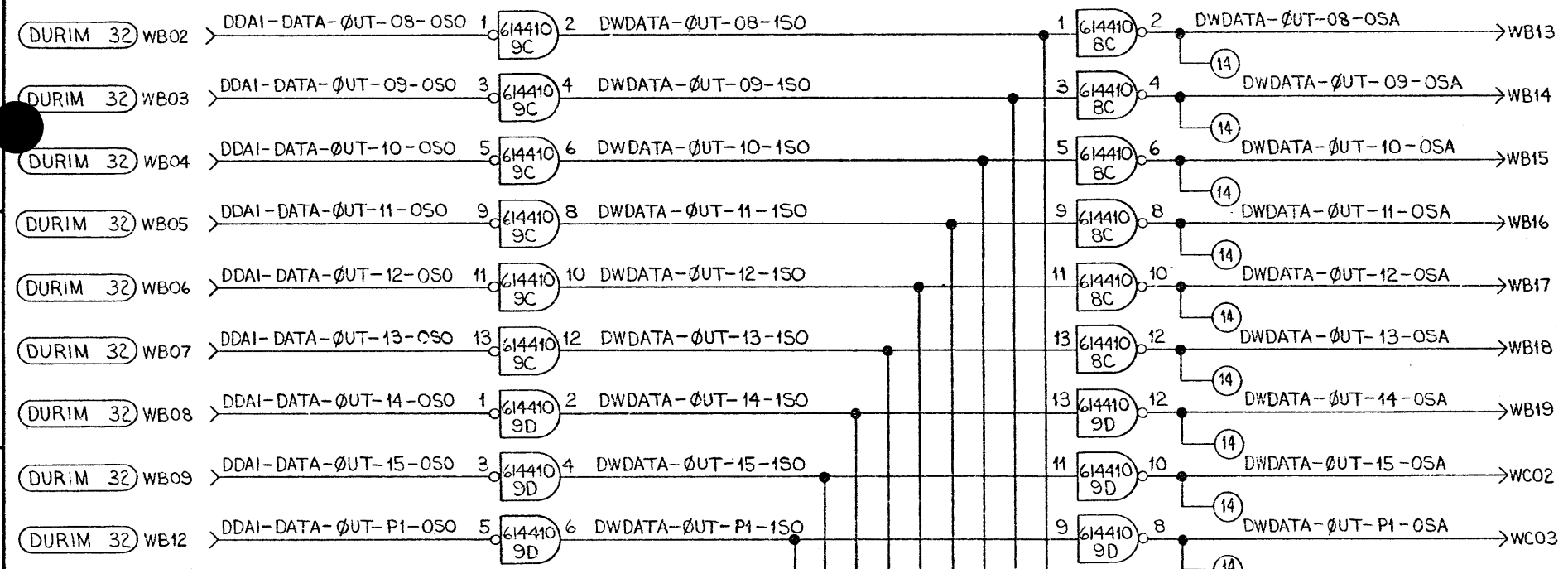


UNLESS OTHERWISE SPECIFIED		MATERIAL	
DIMENSIONS =	MILLIMETERS		
	INCHES		
TOLERANCE OF SIZE AND FORM PER		TREAT.	
INITIAL DESIGN		FIN.	
PROJECTION			
SCALE	CODE	DR 74 JUNE 11 <i>Greg Leaking</i>	SIZE DWG NO
		APPD <i>q. B. Oeding</i> 1975 Feb 20	D 58007984
		DISTR 648-26.TOS.NCO.SDC	SH 7 REV A

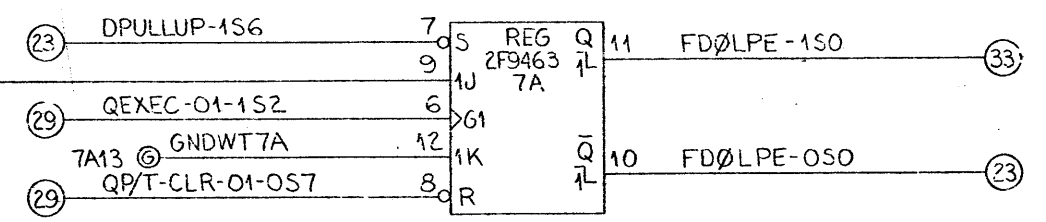
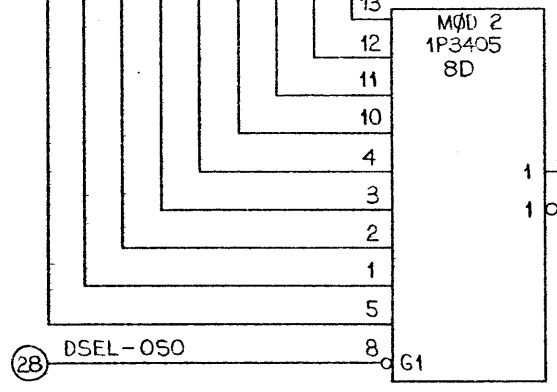
58007984

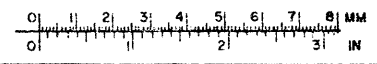
A

REVISIONS				
REV	AUTHORITY	DATE		SIGNATURE
		YR	MO/DAY	



MT6PL 4	MT6RT 4
MT6DT0 12	MT6HI 4
MT6PL 4	MT6RT 4
MT6DT0 13	MT6HI 4
MT6PL 4	MT6RT 4
MT6DT1 12	MT6HI 4
MT6PL 4	MT6RT 4
MT6DT1 13	MT6HI 4
MT6PL 4	MT6RT 4
MT6DT2 12	MT6HI 4
MT6PL 4	MT6RT 4
MT6DT2 13	MT6HI 4
MT6PL 4	MT6RT 4
MT6DT3 12	MT6HI 4
MT6PL 4	MT6RT 4
MT6DT3 13	MT6HI 4
MT6PL 4	MT6RT 4
MT6ST 14	MT6HI 4

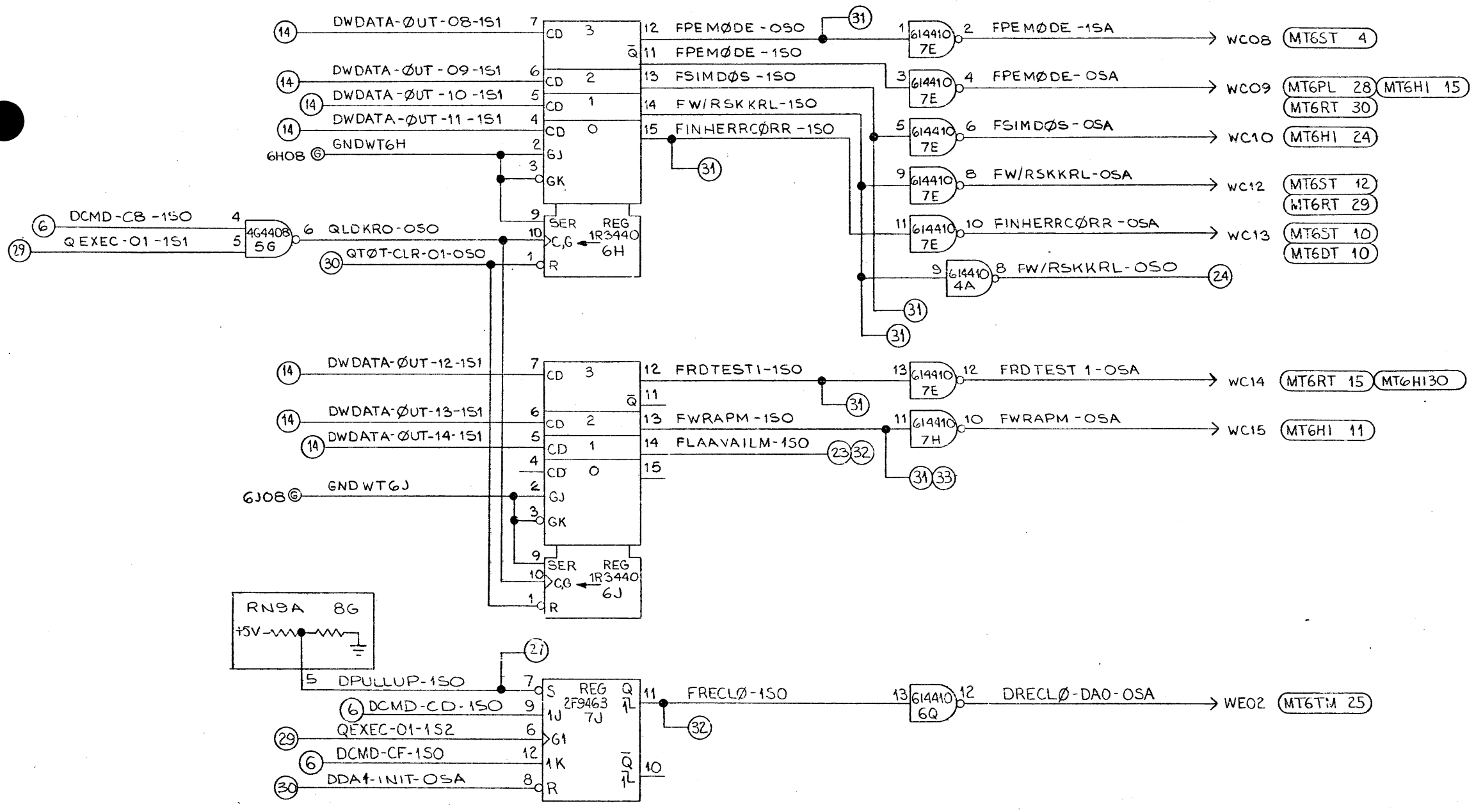




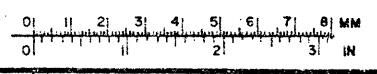
UNLESS OTHERWISE SPECIFIED		MATL		Honeywell HONEYWELL INFORMATION SYSTEMS PHOENIX, ARIZONA U. S. A.	
DIMENSIONS = MILLIMETERS / INCHES		TREAT.			
TOLERANCE OF SIZE AND FORM PER INITIAL DESIGN		FIN.		LOC PC0	
PROJECTION		SCALE		TITLE LOGIC DIAGRAM MT6WT DATA OUT DRIVERS	
CODE		DR 74 JUNE 12		SIZE DWG NO	
		APPD [Signature]		D 58007984	
		DISTR C68-26 TOS, NCO, SDF		SH 8 REV A	

58007984

REVISIONS				
REV	AUTHORITY	DATE		SIGNATURE
		YE	MO DAY	



REF SPEC NO	



UNLESS OTHERWISE SPECIFIED		MATERIAL		Honeywell			
DIMENSIONS—		MILLIMETERS		HONEYWELL INFORMATION SYSTEMS			
TOLERANCE OF SIZE AND		INCHES		PHOENIX, ARIZONA U. S. A.			
FORM PER		TREAT.		LOC PCØ			
INITIAL DESIGN		FIN.		TITLE LOGIC DIAGRAM MT6WT			
PROJECTION		DR		TCA CONTROL REG 0			
SCALE		CODE		DR		SIZE	
				DR		DWG NO	
				APPD		D	
				DISTR		58007984	
						SH	
						9	
						REV	
						A	

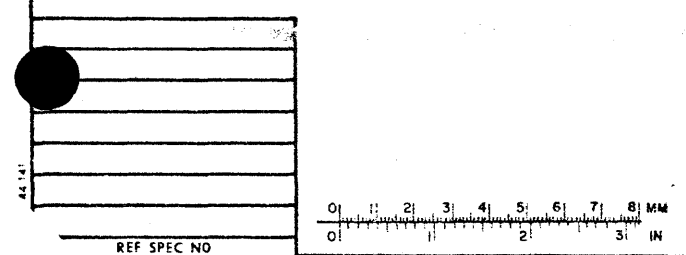
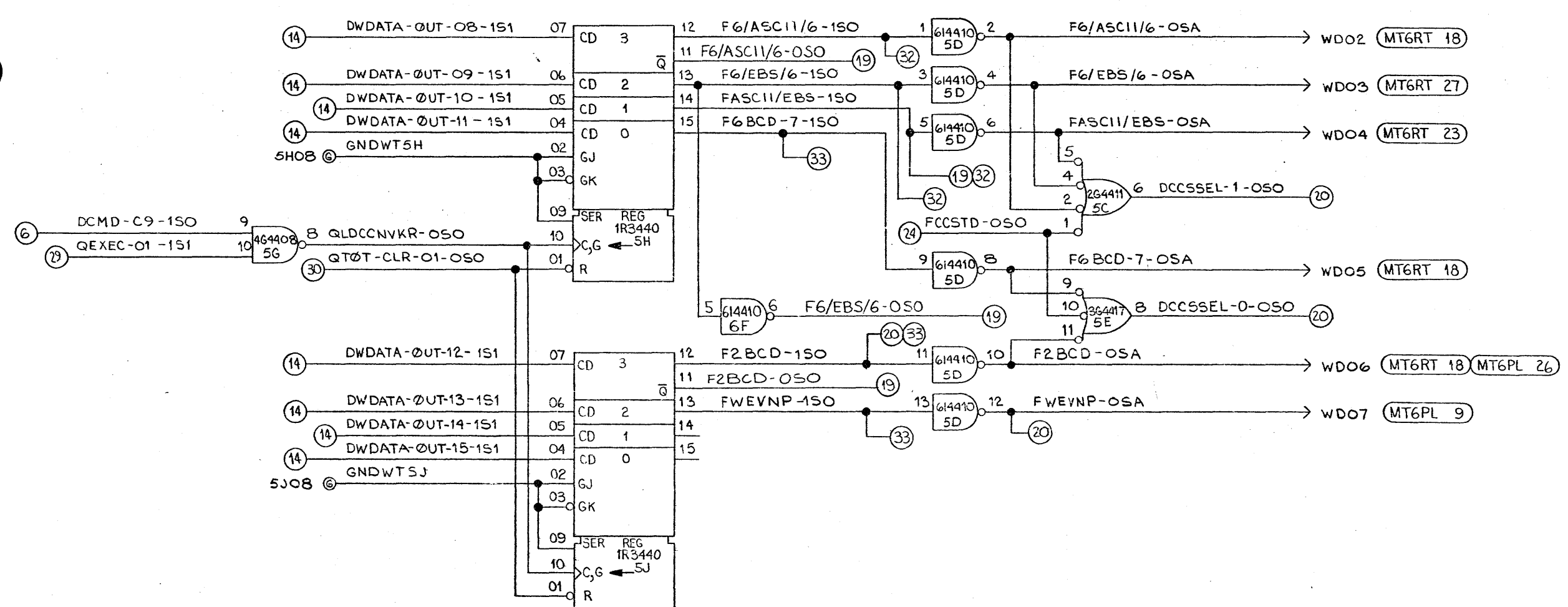
1875 Feb 26
J. J. ...

C68-26.TOS.NICO.RDF

58007984

A

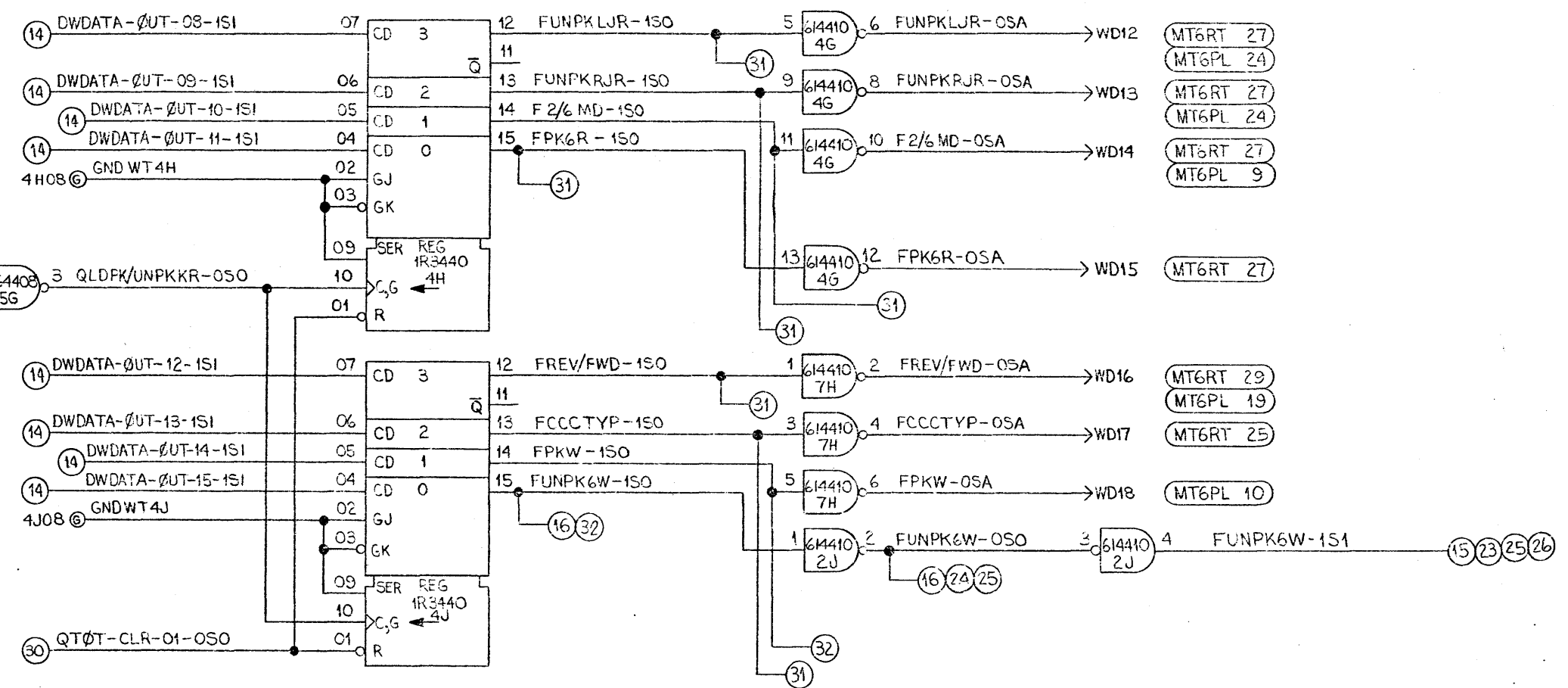
REVISIONS			
REV	AUTHORITY	DATE	SIGNATURE
		YR	MO

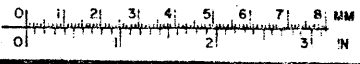


UNLESS OTHERWISE SPECIFIED		MATERIAL		Honeywell HONEYWELL INFORMATION SYSTEMS PHOENIX, ARIZONA U. S. A.	
DIMENSIONS= MILLIMETERS					
TOLERANCE OF SIZE AND FORM PER		TREAT.		LOC PCØ	
INITIAL DESIGN		FIN.		TITLE LOGIC DIAGRAM MT6WT	
PROJECTION				CODE CNV KRL REG	
SCALE	CODE	DR 74 JUNE 18		SIZE	REV
		APPD <i>1975 Feb 26</i>		DWG NO	
		DISTR C68-26 TOS, NCO, SDF		D 58007984	10 A

58007984-17

REVISIONS				
REV	AUTHORITY	DATE		SIGNATURE
		YR	MO/DAY	





REF SPEC NO

10

UNLESS OTHERWISE SPECIFIED		MATERIAL		Honeywell HONEYWELL INFORMATION SYSTEMS PHOENIX, ARIZONA U. S. A.	
DIMENSIONS: MILLIMETERS		TREAT			
TOLERANCE OF SIZE AND FORM PER		FIN.		LOC PCB TITLE LOGIC DIAGRAM MT6WT PK/UNPK KRL REG	
INITIAL DESIGN		DR		SIZE DWG NO D 58007984	
PROJECTION		APPD		SH REV II A	
SCALE	CODE	DISTR		CCB-26.TOS.NCO.SDF	

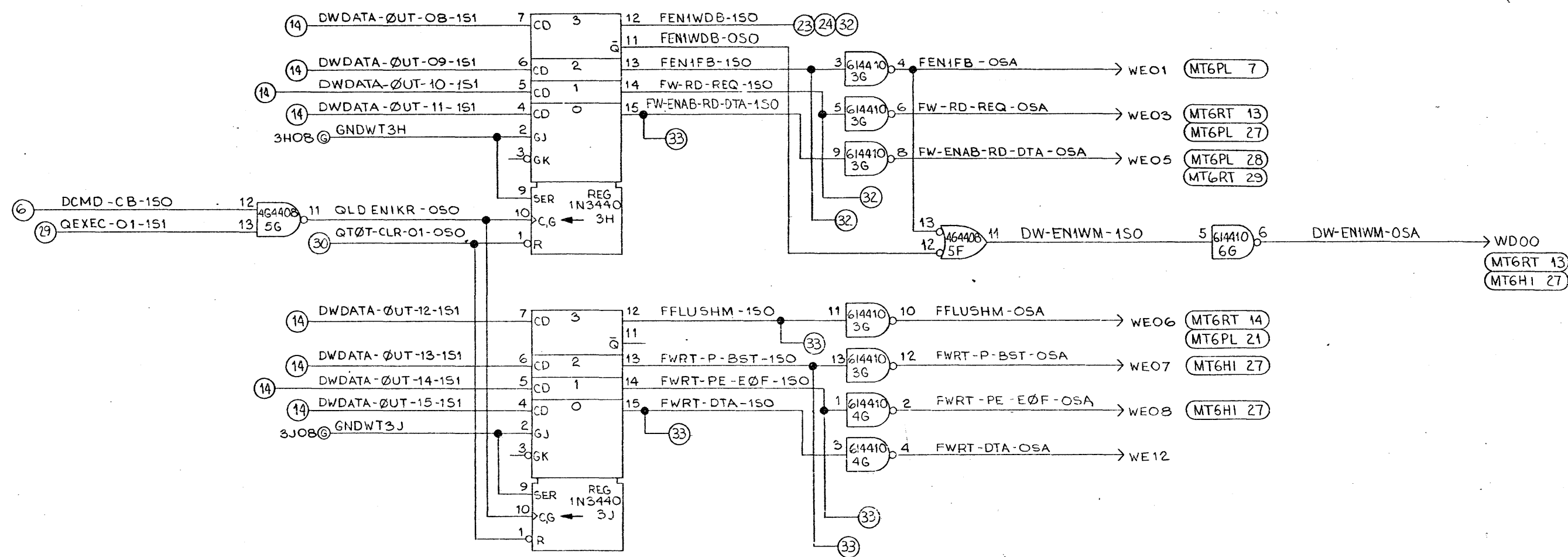
58007984 D

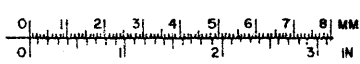
C

B

A

REVISIONS				
REV	AUTHORITY	DATE		SIGNATURE
		YR	MO DAY	

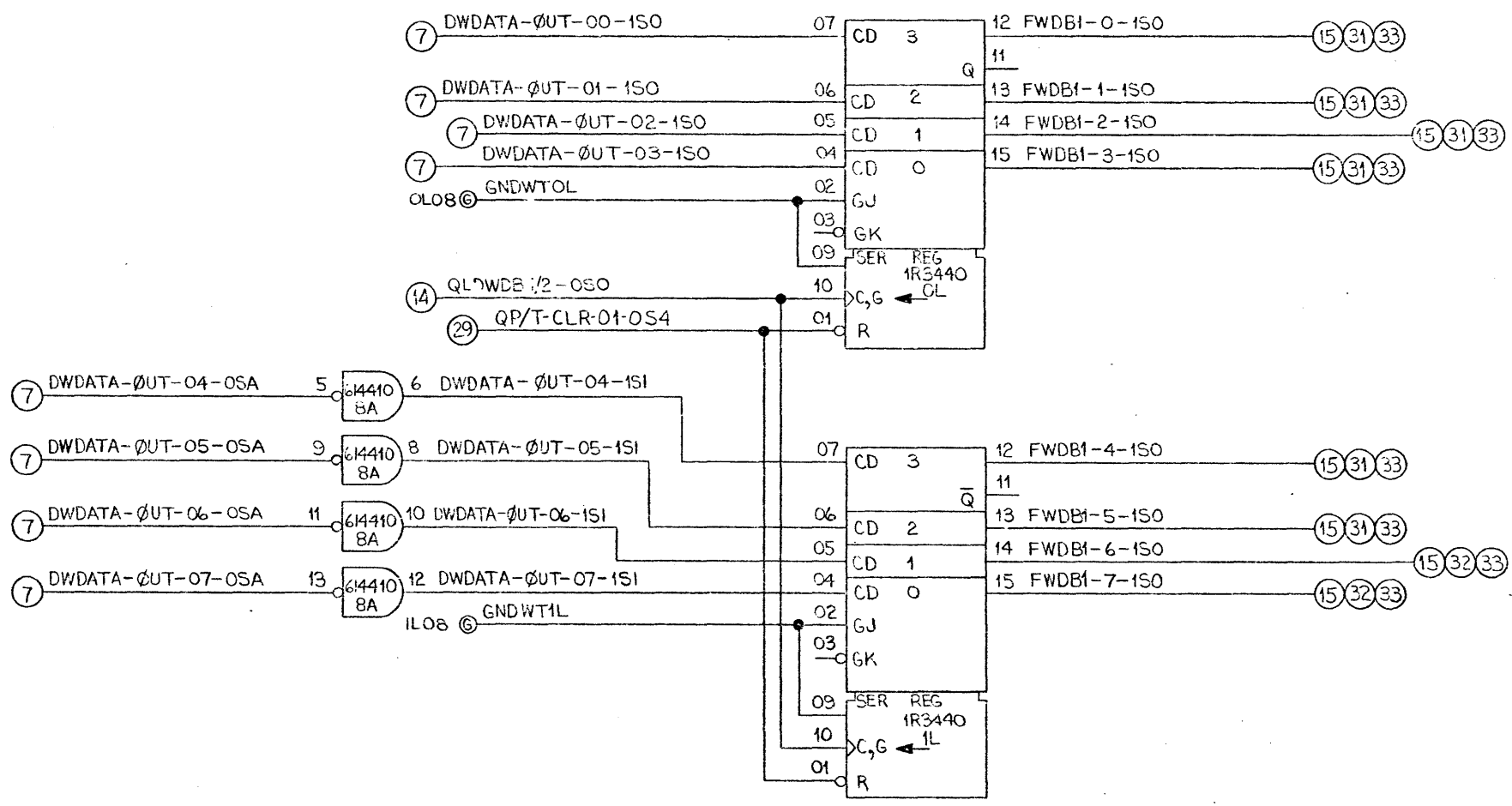




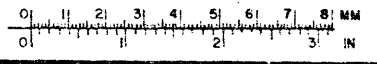
UNLESS OTHERWISE SPECIFIED		MATERIAL		Honeywell HONEYWELL INFORMATION SYSTEMS PHOENIX, ARIZONA U. S. A.			
DIMENSIONS= MILLIMETERS / INCHES		TREAT.					
TOLERANCE OF SIZE AND FORM PER INITIAL DESIGN		FIN.		TITLE LOGIC DIAGRAM MT6WT EN1 KRL REG			
PROJECTION		DR 74-JUNE-11 D.T. Willes		SIZE D	DWG NO 58007984	SH 12	REV A
SCALE		APPD J. B. ...		DISTR C68-26 TOS, NCO, SDF			

58007984

REVISIONS				
REV	AUTHORITY	DATE		SIGNATURE
		YR	MO DAY	



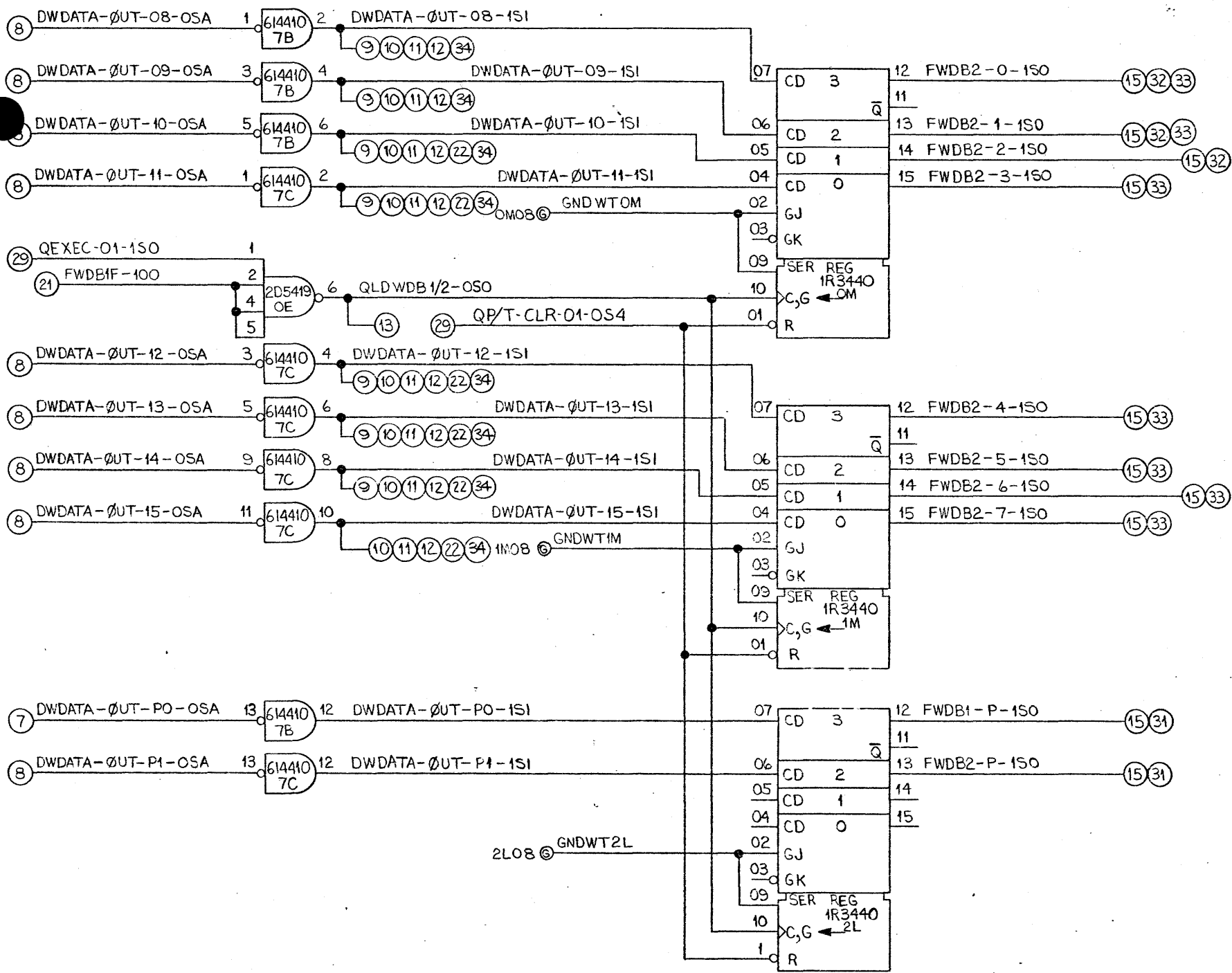
58007984



UNLESS OTHERWISE SPECIFIED		MATERIAL		Honeywell HONEYWELL INFORMATION SYSTEMS PHOENIX, ARIZONA U. S. A.	
DIMENSIONS— MILLIMETERS ← INCHES →		TREAT.			
TOLERANCE OF SIZE AND FORM PER		FIN.		LOC PCØ	
INITIAL DESIGN		PROJECTION		TITLE LOGIC DIAGRAM MT6WT WRT DATA BUFFER 1	
SCALE	CODE	DR 74 JUNE 13 <i>Ann Drilling</i>	SIZE D	DWG NO 58007984	SH 13
REF SPEC NO		APPD 7/975 Feb 16 <i>J. ...</i>	REV A		DISTR C6B-26.TOS. NCO, SDF

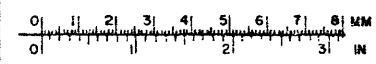
10 9 8 7 6 5 4

REVISIONS				
REV	AUTHORITY	DATE		SIGNATURE
		YR	MO DAY	



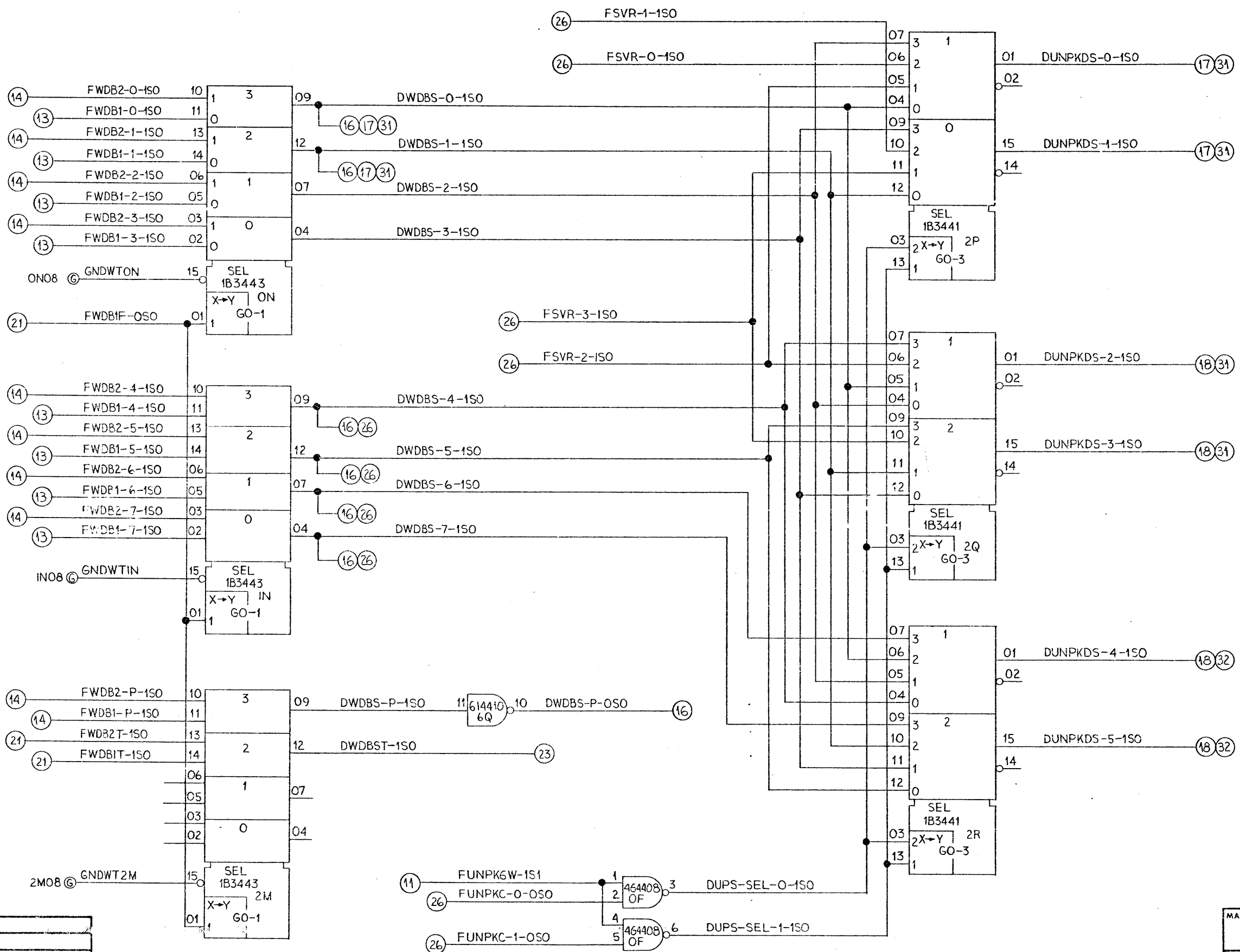
H
F
E
D
C
B
A

58007984



UNLESS OTHERWISE SPECIFIED		MATL		Honeywell HONEYWELL INFORMATION SYSTEMS PHOENIX, ARIZONA U. S. A.	
DIMENSIONS = $\frac{\text{MILLIMETERS}}{\text{INCHES}}$		TREAT.			
TOLERANCE OF SIZE AND FORM PER		FIN.		loc PC TITLE LOGIC DIAGRAM MT6WT WRITE DATA BUFFER 2	
INITIAL DESIGN		DR 74 JUNE 12		SIZE DWG NO D 58007984	
PROJECTION		APPD <i>1975 Epp 26</i> <i>4. 2 20 1974</i>		SH REV 14 A	
SCALE CODE		DISTR C68-26, TDS, NCO, SDF			

REVISIONS				
REV	AUTHORITY	DATE		SIGNATURE
		YR	MO DAY	



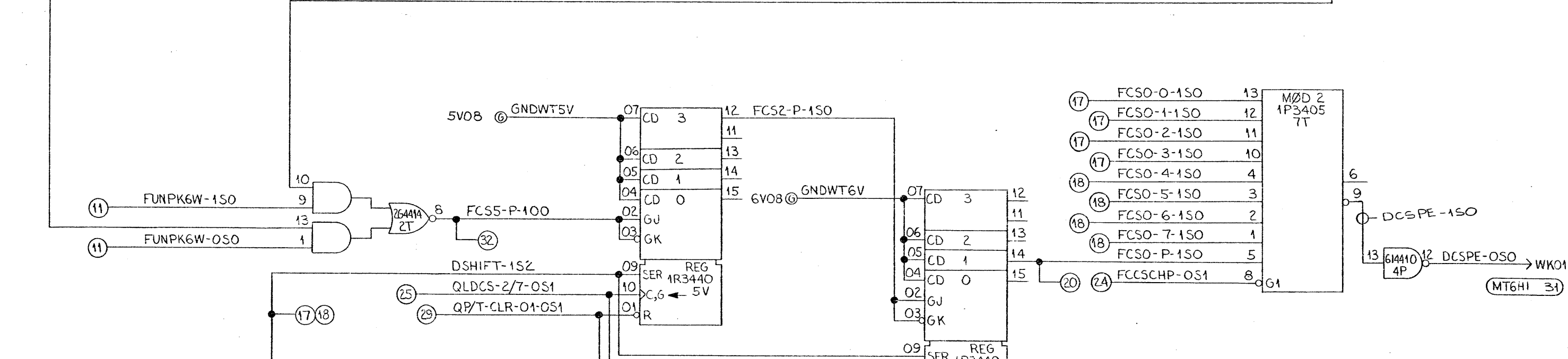
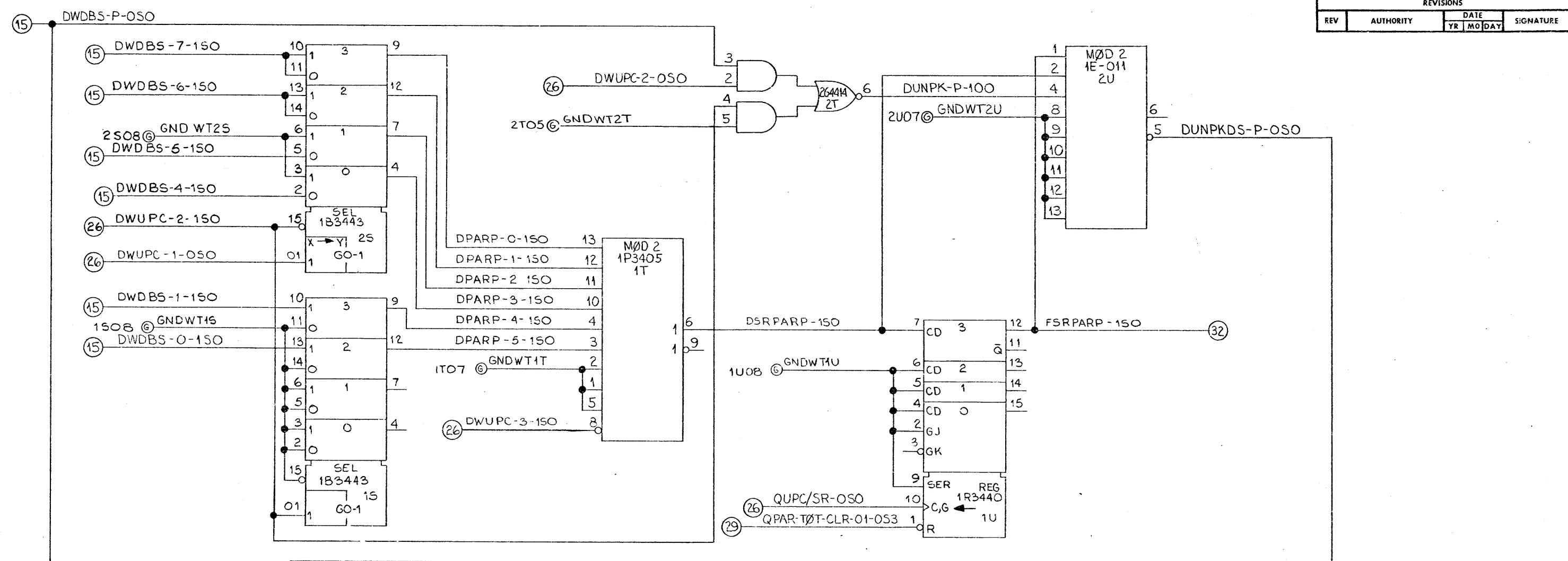
REF SPEC NO	

0 1 2 3 4 5 6 7 8 MM
0 1 2 3 IN

MATL	Honeywell		
TREAT.	HONEYWELL INFORMATION SYSTEMS LOC PCO PHOENIX ARIZONA U. S. A.		
FIN.	TITLE LOGIC DIAGRAM MT6WT UNPACK SWITCH		
DR <i>John Arney</i>	74 JUNE 11	SIZE D	DWG NO 58007984
APPD <i>H. B. ...</i>	1975 JUN 26	SH 15	REV A
DISTR C68-26 TOS NCO, SDF			

58007984

REVISIONS				
REV	AUTHORITY	DATE	SIGNATURE	
		YR	MO	DAY



REF SPEC NO

CE 900 D (12-72)

10 9 8 7 6 5 4

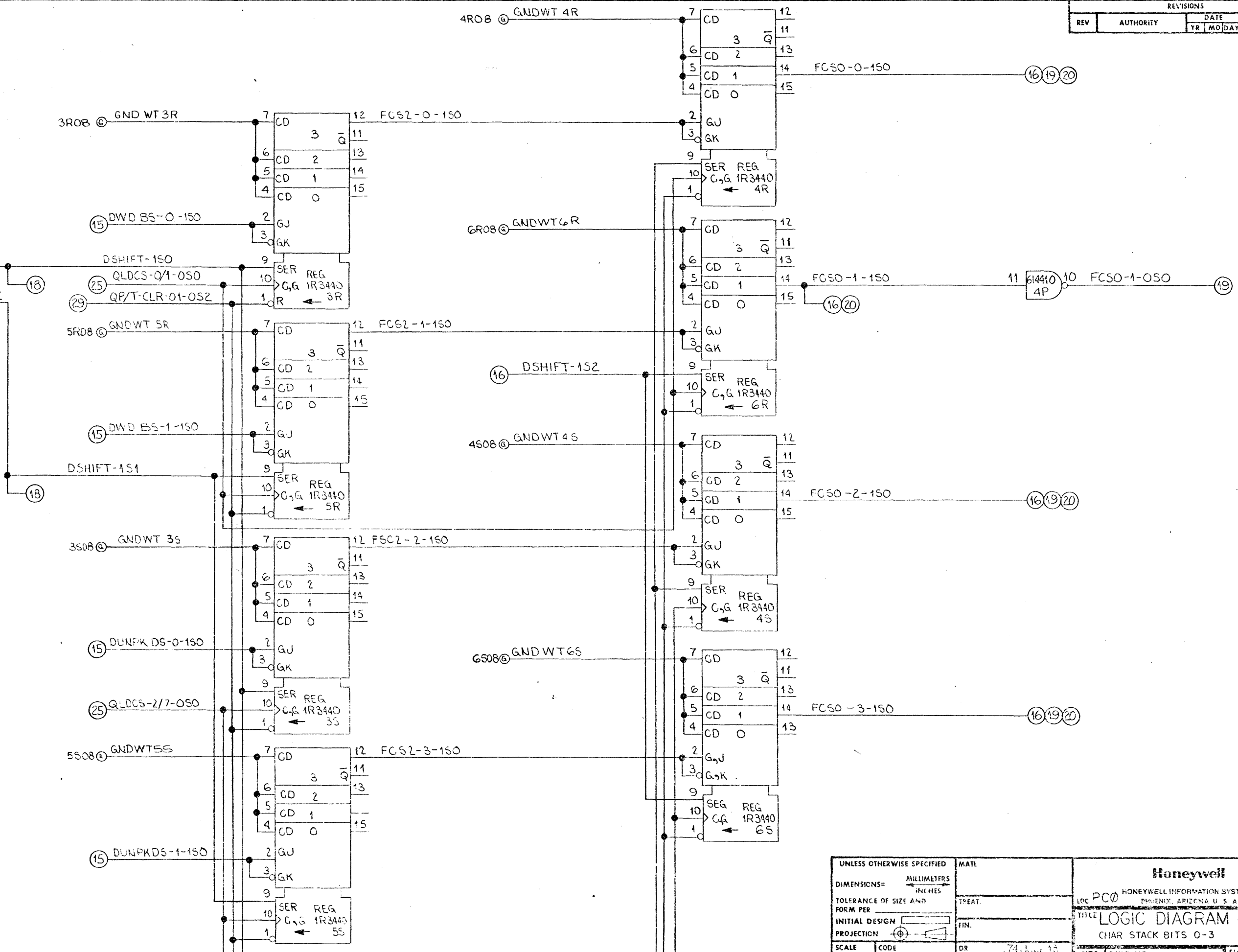
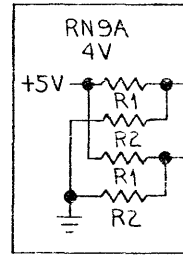
01 1 2 3 4 5 6 7 8 9 10 11 12 13 14 15 16 17 18 19 20 21 22 23 24 25 26 27 28 29 30 31 32 33 34 35 36 37 38 39 40 41 42 43 44 45 46 47 48 49 50 51 52 53 54 55 56 57 58 59 60 61 62 63 64 65 66 67 68 69 70 71 72 73 74 75 76 77 78 79 80 81 82 83 84 85 86 87 88 89 90 91 92 93 94 95 96 97 98 99 100

01 1 2 3 4 5 6 7 8 9 10 11 12 13 14 15 16 17 18 19 20 21 22 23 24 25 26 27 28 29 30 31 32 33 34 35 36 37 38 39 40 41 42 43 44 45 46 47 48 49 50 51 52 53 54 55 56 57 58 59 60 61 62 63 64 65 66 67 68 69 70 71 72 73 74 75 76 77 78 79 80 81 82 83 84 85 86 87 88 89 90 91 92 93 94 95 96 97 98 99 100

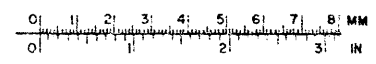
UNLESS OTHERWISE SPECIFIED		MATERIAL	
DIMENSIONS =	MILLIMETERS	HONEYWELL	
TOLERANCE OF SIZE AND	INCHES	HONEYWELL INFORMATION SYSTEMS	
FORM PER	TREAT.	PHOENIX, ARIZONA U. S. A.	
INITIAL DESIGN	FIN.	TITLE LOGIC DIAGRAM MT6WT	
PROJECTION		UNPACK PARITY LOGIC	
SCALE	CODE	DR 74-JUNE-12	SIZE DWG NO
		APPD 2.7. Wille	D 58007984
		APPD 1975 FEB 20	SH 16
		DISTR C68-26.TOS.MCA.SDC	REV A

58007984

REVISIONS				
REV	AUTHORITY	DATE		SIGNATURE
		YR	MO DAY	

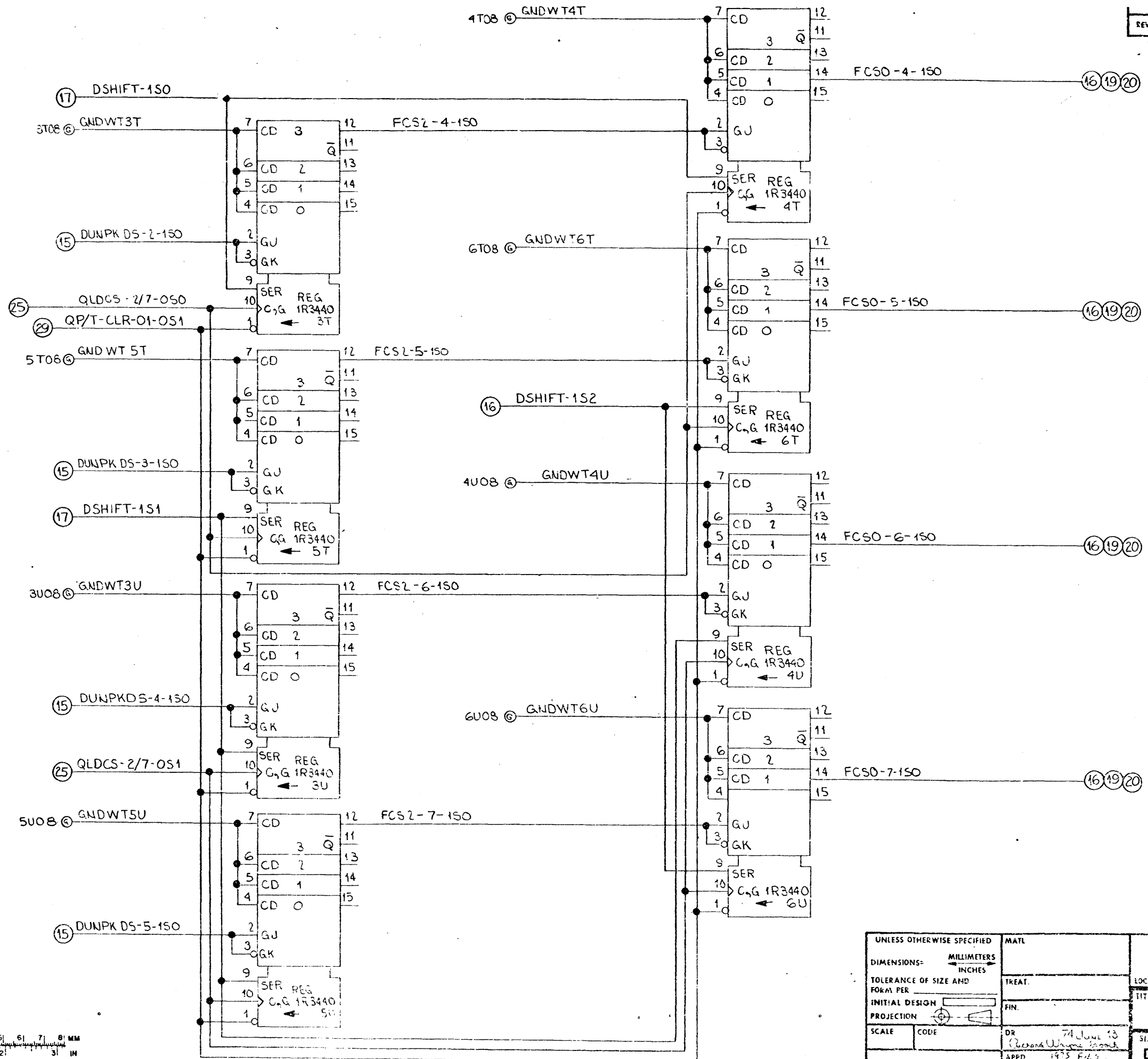


58007984

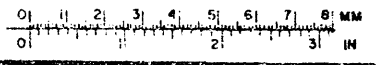


UNLESS OTHERWISE SPECIFIED		MATERIAL		Honeywell HONEYWELL INFORMATION SYSTEMS PHOENIX, ARIZONA U.S.A.	
DIMENSIONS =	MILLIMETERS INCHES	TREAT.	LOC	PCO	
TOLERANCE OF SIZE AND FORM PER		FIN.	TITLE		
INITIAL DESIGN			LOGIC DIAGRAM MT6WT		
PROJECTION			CHAR STACK BITS 0-3		
SCALE	CODE	DR	DATE	SIZE	DWG NO
		DR	74 June 15	D	58007984
		APPD	1975 Feb 25	SH	REV
					17 B
		DISTR			

REV	AUTHORITY	DATE	SIGNATURE
		YR MO DAY	



REF SPEC NO	01
	01

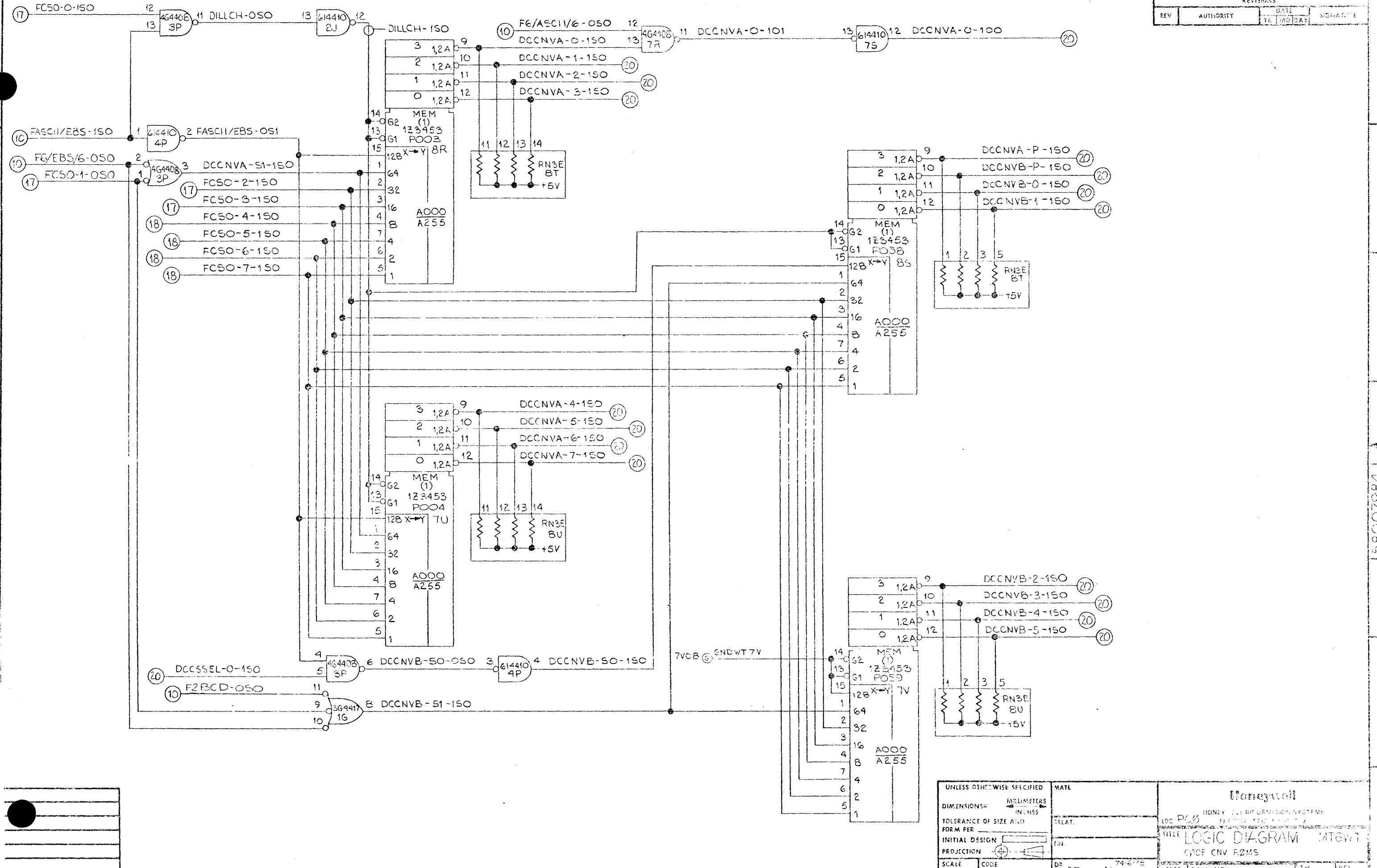


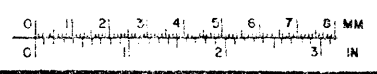
UNLESS OTHERWISE SPECIFIED		MATERIAL		Honeywell HONEYWELL INFORMATION SYSTEMS PHOENIX, ARIZONA U.S.A.	
DIMENSIONS: MILLIMETERS		TREAT.			
TOLERANCE OF SIZE AND FORM PER INITIAL DESIGN		FIN.		LOC PC TITLE LOGIC DIAGRAM MT6WT CHAR STACK BITS 4-7	
PROJECTION	SCALE	CODE	DR	SIZE	DWG NO
			74 JUNE 13 Richard Whome	D	58007984
			APPD 1975 Feb 2	SH	REV
					18 A

158007984

DISTR LG-26, TOS, NCO, SDF

REVISIONS				
REV	AUTHORITY	DATE	INITIALS	SIGNATURE

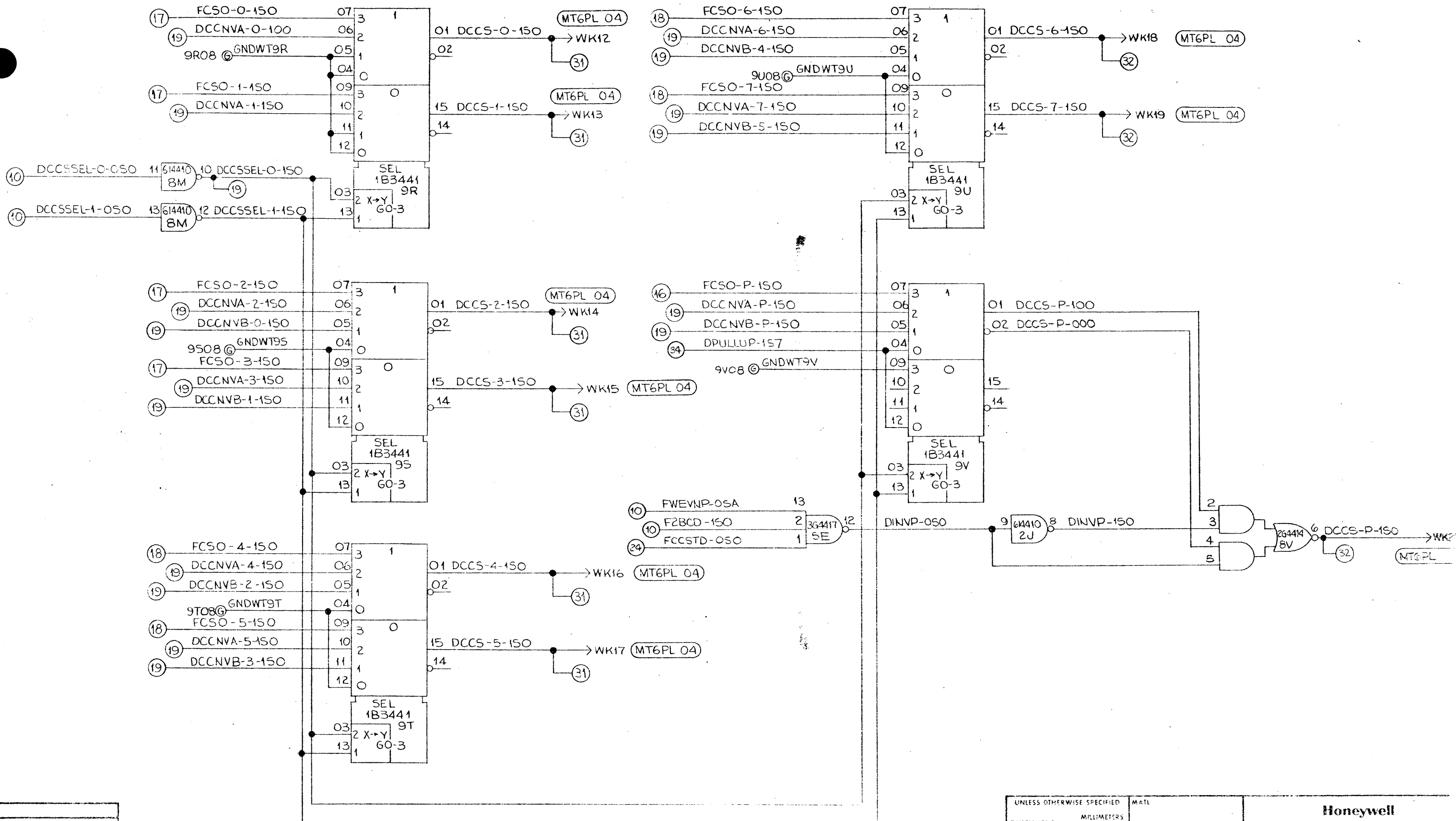


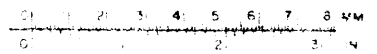


UNLESS OTHERWISE SPECIFIED		MATL
DIMENSIONS =	MILLIMETERS INCHES	
TOLERANCE OF SIZE AND FORM PER		TREAT.
INITIAL DESIGN		
PROJECTION		
SCALE	CODE	DR <i>J. J. Willis</i> 74-6-75
		APPD <i>J. J. Willis</i> 74-6-75
Honeywell		
HONEYWELL INFORMATION SYSTEMS		
LOC <i>PC5</i>		
TITLE LOGIC DIAGRAM		MTGWT
CODE CNV FORMS		
SIZE	DWG NO	SH
D	58007984	19
REV		P

58007984

REVISIONS			
REV	AUTHORITY	DATE	SIGNATURE
		YR MO DAY	



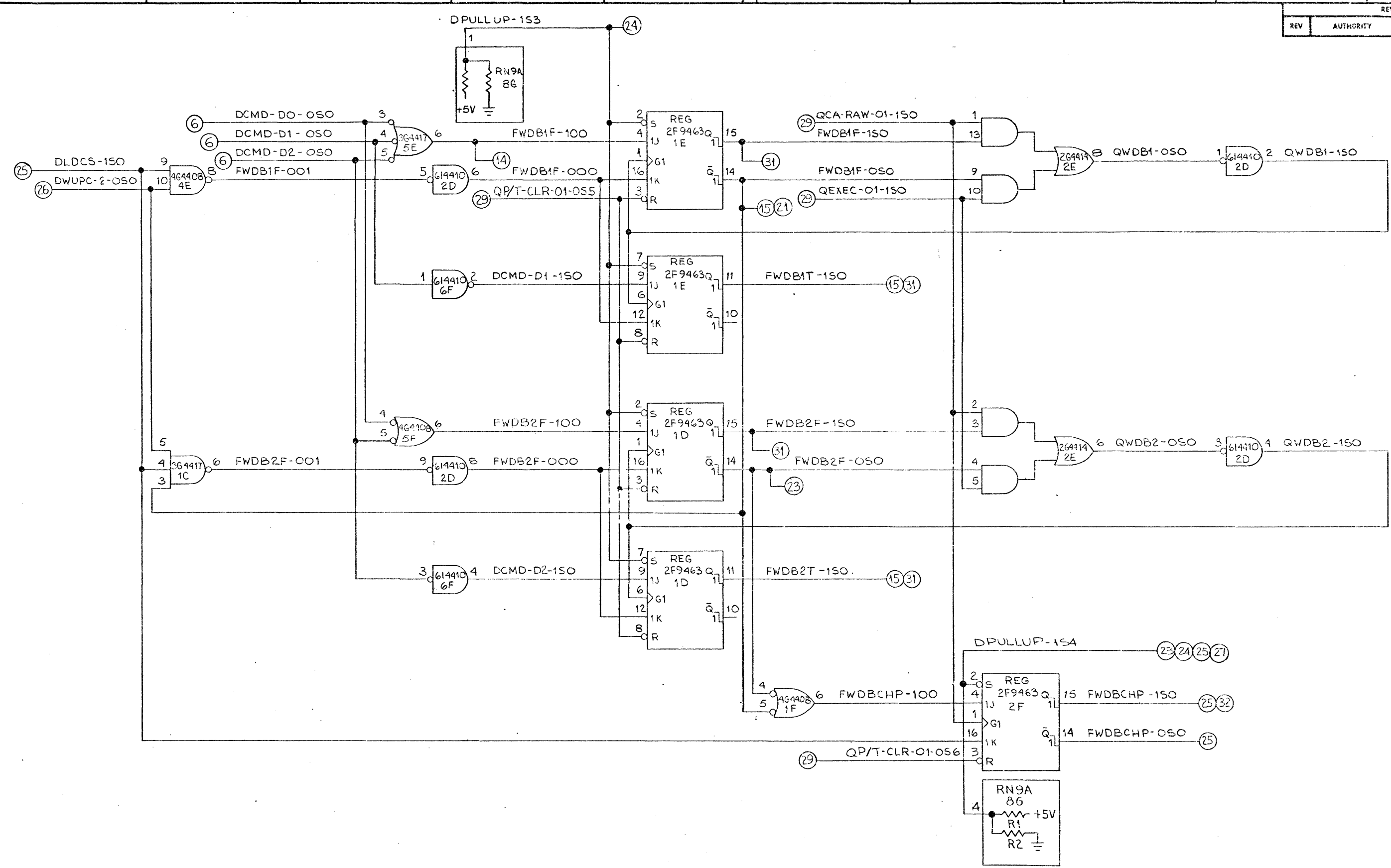


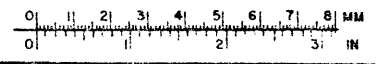
UNLESS OTHERWISE SPECIFIED		MATT	
DIMENSIONS = MILLIMETERS INCHES		Honeywell	
TOLERANCE OF SIZE AND FORM PER		TREAT	
INITIAL DESIGN		FIN.	
PROJECTION		DATE: 74 JUNE 11	
SCALE	CODE	SIZE	DWG NO
		D	58007984
APPD: [Signature]		SH	20
DRAWN: [Signature]		RE	B
Cus-26, TOS, NCO, SDF 800			

REVISIONS				
REV	AUTHORITY	DATE	SIGNATURE	
		YR	MO	DAY

H
F
E
D
C
B
A

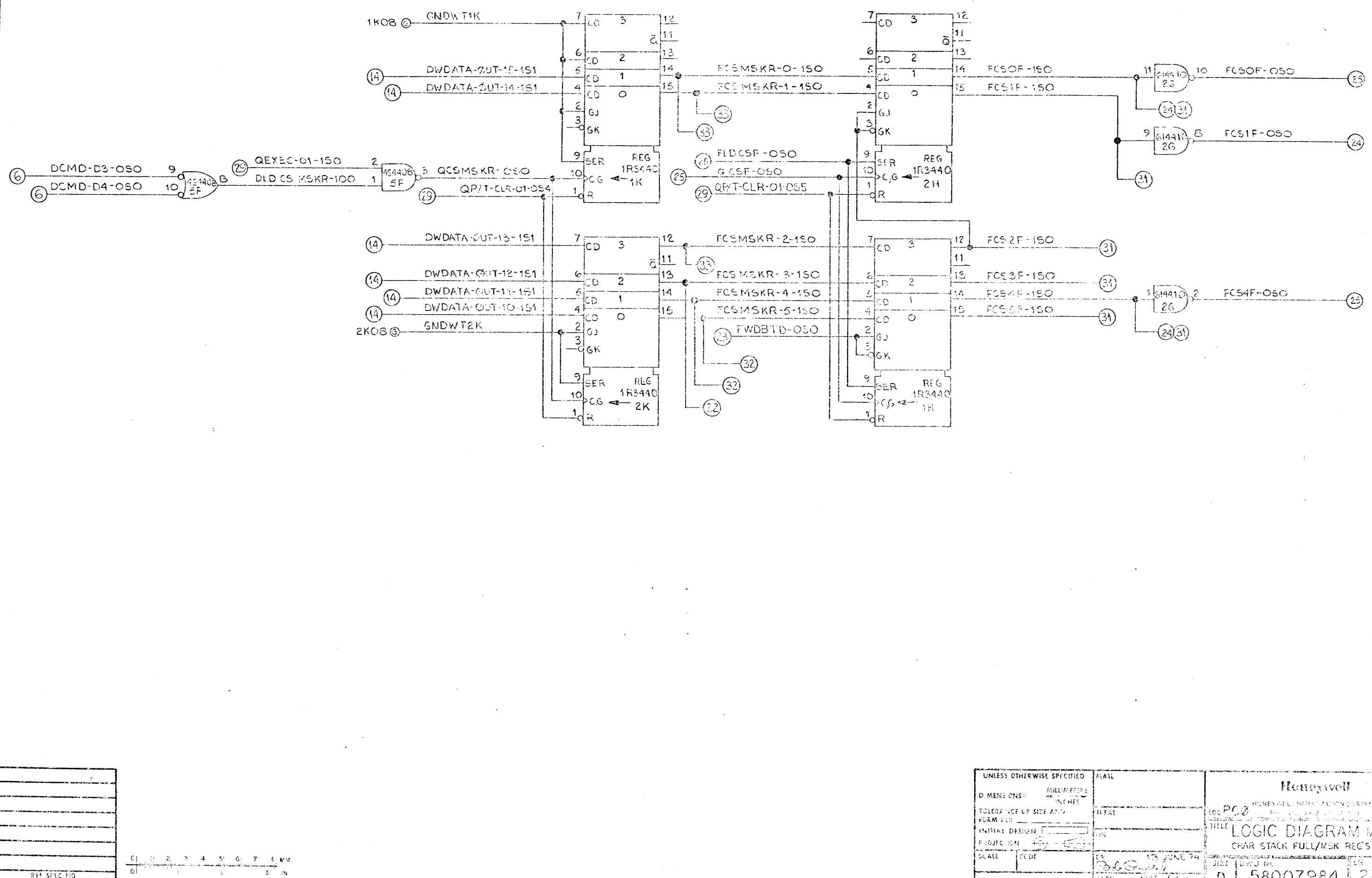
ALL INFORMATION CONTAINED IN THIS DOCUMENT IS PROPRIETARY TO HONEYWELL INFORMATION SYSTEMS AND IS INTENDED FOR INTERNAL USE ONLY. IT IS NOT TO BE DISTRIBUTED TO OTHERS WITHOUT THE WRITTEN PERMISSION OF AN AUTHORIZED HONEYWELL OFFICIAL. THIS RESTRICTION DOES NOT APPLY TO INFORMATION THAT IS DISCLOSED IN THIS DOCUMENT.





UNLESS OTHERWISE SPECIFIED		MATL	Honeywell	
DIMENSIONS=	MILLIMETERS		HONEYWELL INFORMATION SYSTEMS	
	INCHES	TREAT.	PHOENIX, ARIZONA U.S.A.	
TOLERANCE OF SIZE AND FORM PER		FIN.	TITLE LOGIC DIAGRAM MT6W	
INITIAL DESIGN			WRT DATA BUFF KRL FF'S	
PROJECTION		DR	12 JUNE 74	SIZE DWG NO
SCALE	CODE	APPD	1975 JUN 26	D 58007984
				SH 21
		DISTR	C68-26, TOS, NCO, SDF	
				REV A

H
F
E
D
C
B
A

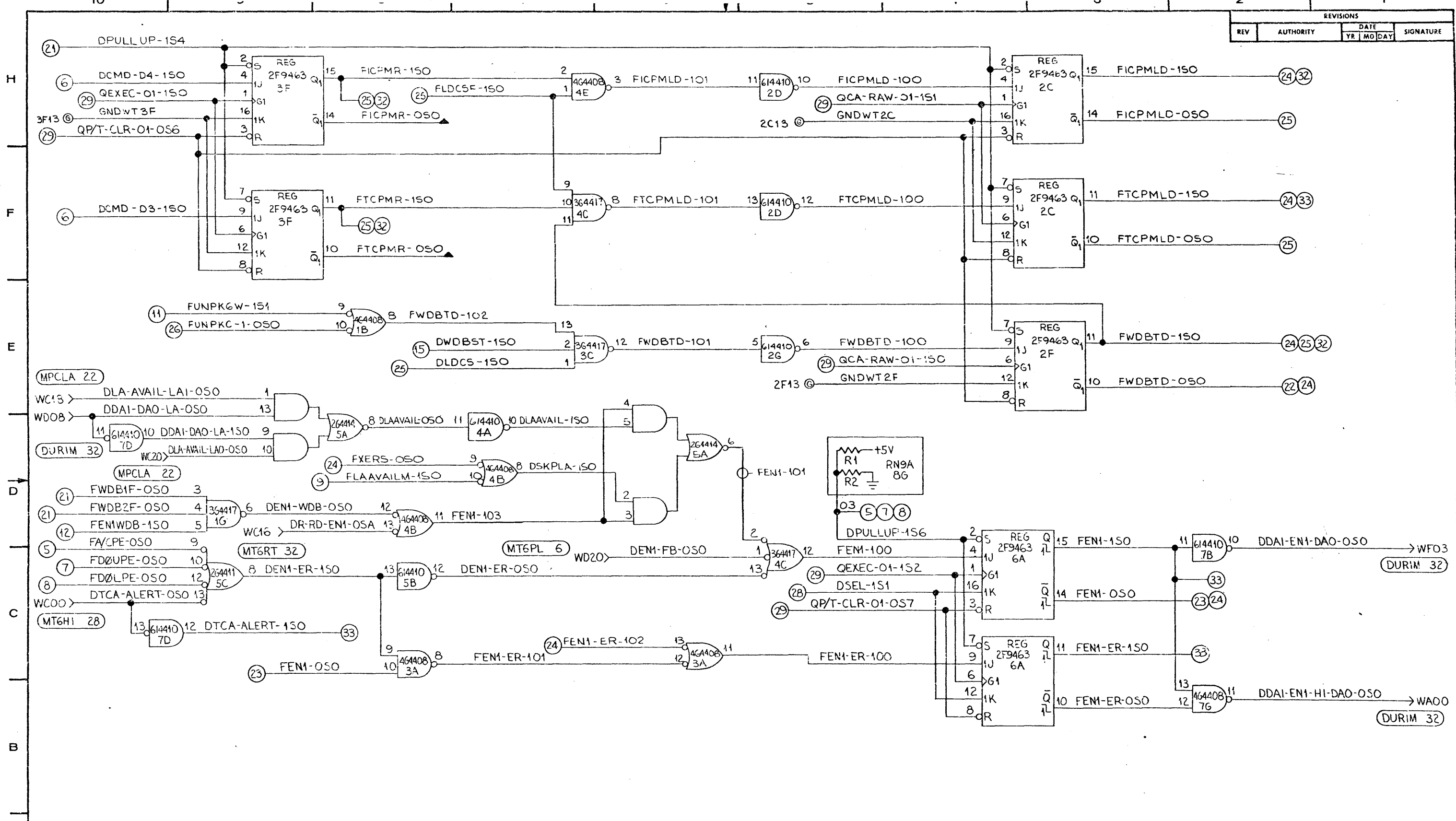


INFORMATION CONTAINED IN THIS DOCUMENT IS UNCLASSIFIED EXCEPT WHERE SHOWN OTHERWISE. IT IS INTENDED FOR INTERNAL USE ONLY. IT IS THE PROPERTY OF THE UNITED STATES GOVERNMENT AND IS LOANED TO YOU BY THE NATIONAL ARCHIVES. THE INFORMATION CONTAINED HEREIN IS UNCLASSIFIED EXCEPT WHERE SHOWN OTHERWISE.

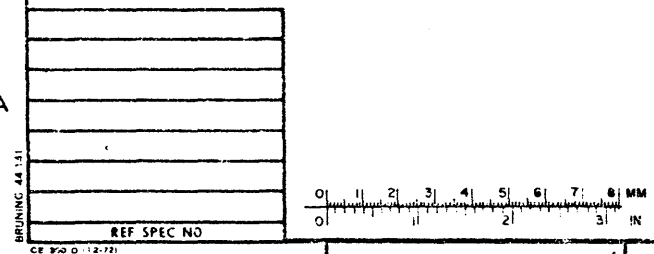
UNLESS OTHERWISE SPECIFIED		MATERIAL	
DIMENSIONS:	MILLIMETERS INCHES	TREAT	
TOLERANCE OF SIZE AND FORM:		FIN.	
INITIAL DESIGN:			
PROJECT:			
SCALE:			

Honeywell
 HONEYWELL INFORMATION SYSTEMS
 LOGIC DIAGRAM MT6W
 CHAR STACK FULL/MSK REG'S
 D 58007984 22
 CLY-21, TCS, NCO, SDF

REVISIONS				
REV	AUTHORITY	DATE	SIGNATURE	
		YR MO DAY		



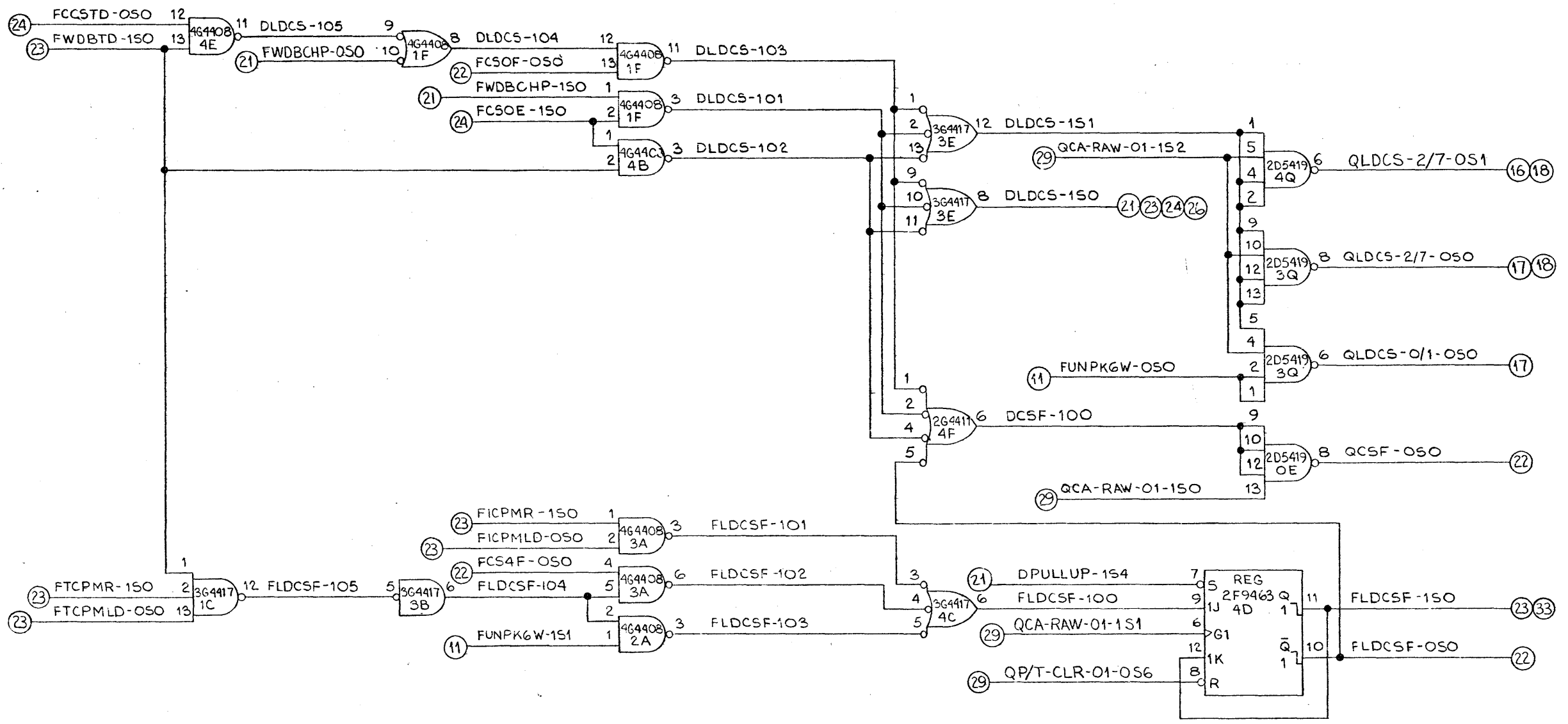
THIS DRAWING IS THE PROPERTY OF HONEYWELL INFORMATION SYSTEMS. IT IS TO BE KEPT IN CONFIDENCE AND NOT TO BE REPRODUCED OR TRANSMITTED IN ANY FORM OR BY ANY MEANS, ELECTRONIC OR MECHANICAL, INCLUDING PHOTOCOPYING, RECORDING, OR BY ANY INFORMATION STORAGE AND RETRIEVAL SYSTEM, WITHOUT THE WRITTEN PERMISSION OF AN AUTHORIZED HONEYWELL OFFICIAL. THIS RESTRICTION DOES NOT APPLY TO THE INFORMATION CONTAINED HEREIN WHICH MAY BE DISCLOSED IN THIS DOCUMENT.



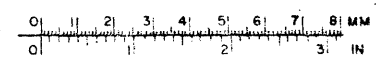
UNLESS OTHERWISE SPECIFIED		MATH		Honeywell HONEYWELL INFORMATION SYSTEMS PHOENIX, ARIZONA U. S. A.	
DIMENSIONS = $\frac{\text{MILLIMETERS}}{\text{INCHES}}$		TREAT.			
TOLERANCE OF SIZE AND FORM PER		FIN.		100 PC0 TITLE LOGIC DIAGRAM MT6WT ENI/CHAR STK MSK KRL	
INITIAL DESIGN		SCALE		DR 74 JUNE 10 Richard J. ... APPD 1975 Feb 26 G. ...	
PROJECTION		CODE		SIZE DWG NO 58007984 SH 23 REV B	
DISTR 100-71 TOP N/A SIDE 2ND					

58007984

REVISIONS				
REV	AUTHORITY	DATE	YR	SIGNATURE
			YR	MO
			DAY	



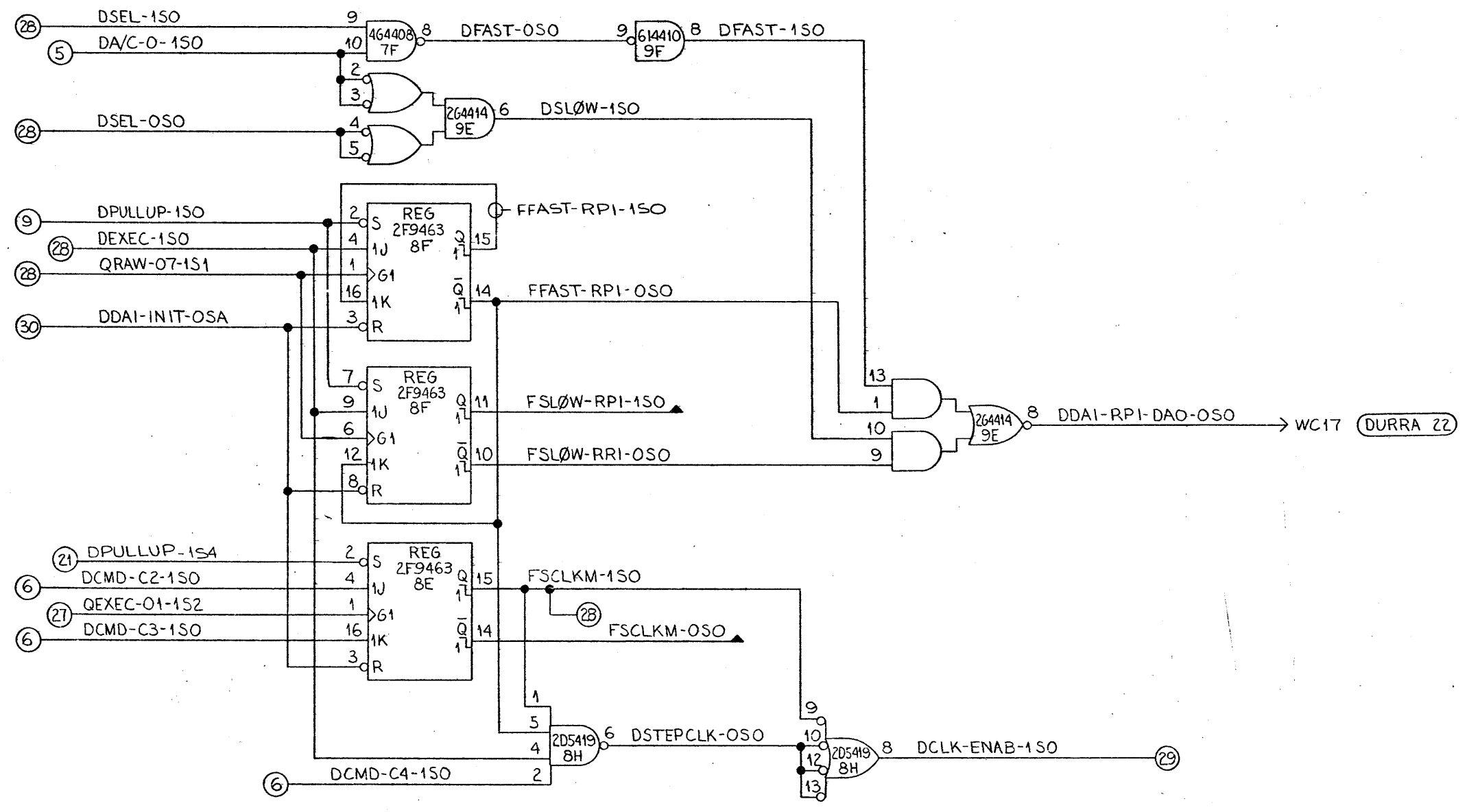
THE INFORMATION CONTAINED IN THIS DOCUMENT IS PROPRIETARY TO HONEYWELL INFORMATION SYSTEMS AND IS INTENDED FOR INTERNAL HONEYWELL USE ONLY. IT MAY BE DISTRIBUTED TO OTHERS ONLY BY WRITTEN PERMISSION OF AN AUTHORIZED HONEYWELL OFFICIAL. THIS RESTRICTION DOES NOT APPLY TO SUPPLEMENTARY PARTS THAT MAY BE DISCLOSED IN THIS DOCUMENT.



UNLESS OTHERWISE SPECIFIED		MATERIAL	
DIMENSIONS=	MILLIMETERS		
	INCHES		
TOLERANCE OF SIZE AND		TREAT.	
FORM PER		FIN.	
INITIAL DESIGN		DR 18 JUNE 74	
PROJECTION		APPD 1975 FEB 26	
SCALE	CODE	DISTR C68-26, TOS, NCO, SDF	
HONEYWELL		HONEYWELL INFORMATION SYSTEMS PHOENIX, ARIZONA U.S.A.	
TITLE LOGIC DIAGRAM MT6WT		LOC PC0	
LOAD CHAR STK KRL		SIZE D	DWG NO 58007984
		SH 25	REV A

158007984

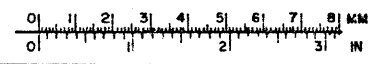
REVISIONS				
REV	AUTHORITY	DATE		SIGNATURE
		YR	MO DAY	



SUCH INFORMATION MAY BE DISTRIBUTED TO OTHERS ONLY BY WRITTEN PERMISSION OF AN AUTHORIZED HONEYWELL OFFICIAL. THIS RESTRICTION DOES NOT APPLY TO SECONDARY PARTS THAT MAY BE DISCLOSED IN THIS DOCUMENT.

H
F
E
D
C
B
A

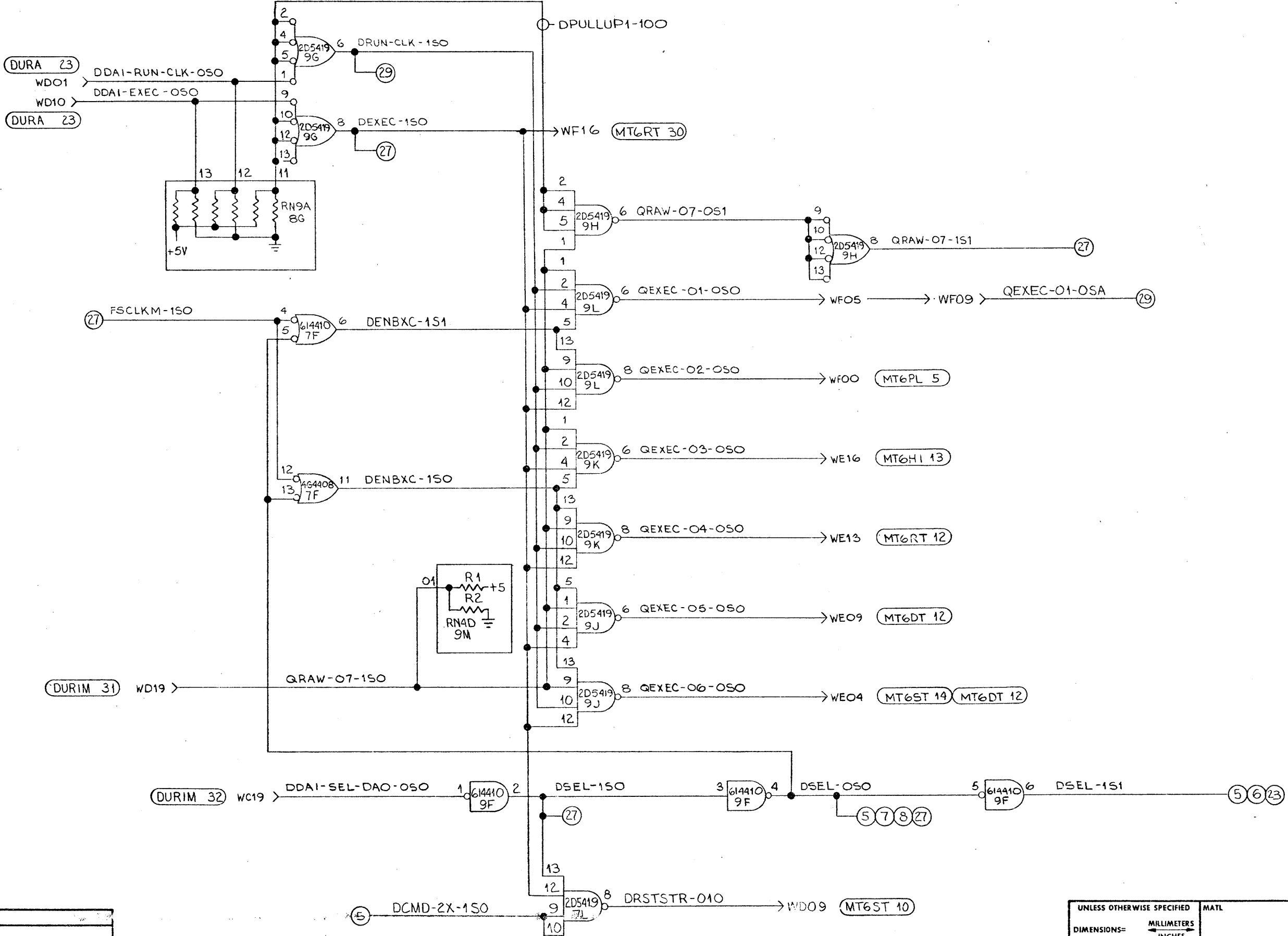
H
F
E
D
C
B
A



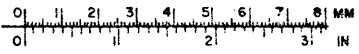
UNLESS OTHERWISE SPECIFIED		MATL		Honeywell HONEYWELL INFORMATION SYSTEMS PHOENIX, ARIZONA U. S. A.	
DIMENSIONS=		TREAT.			
TOLERANCE OF SIZE AND FORM PER		FIN.		TITLE LOGIC DIAGRAM MT6WT RPI/SINGLE CLK MODE	
INITIAL DESIGN		DR 74 JUNE 19		SIZE	DWG NO
PROJECTION		APPD <i>[Signature]</i> 1973 FEB 26		D	58007984
SCALE	CODE	DISTR		SH	REV
		C68-26, TOS, NCO, SDF		27	A

58007984

REVISIONS			
REV	AUTHORITY	DATE	SIGNATURE
		YR MO DAY	



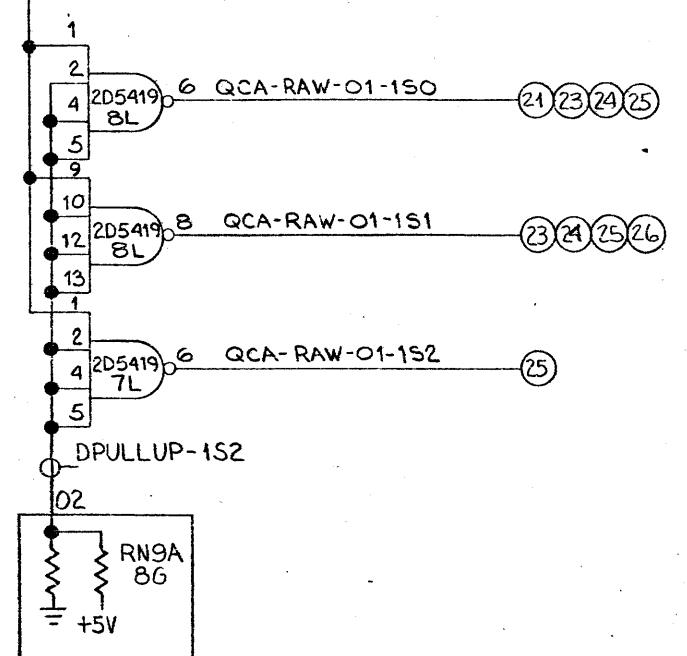
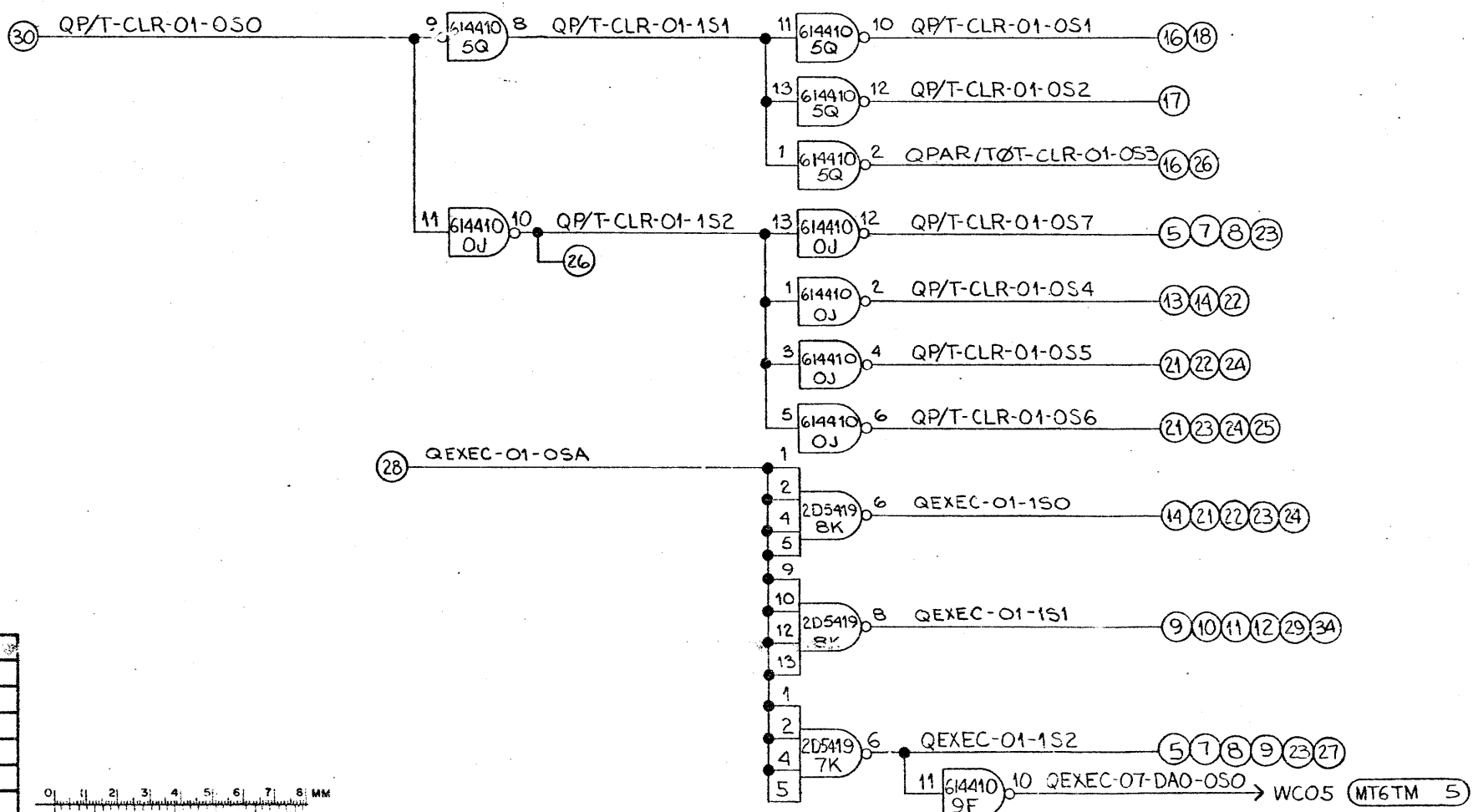
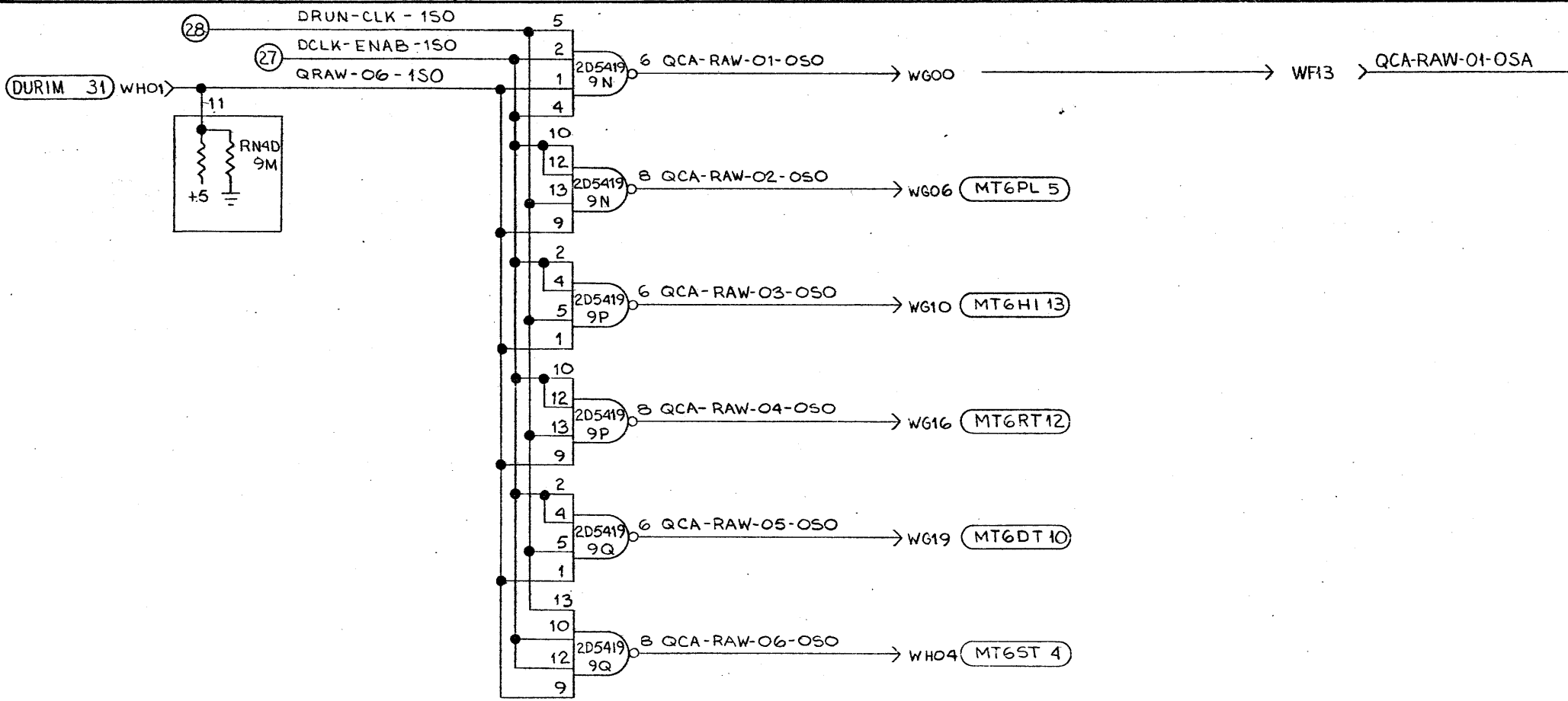
THIS DOCUMENT IS UNCLASSIFIED EXCEPT WHERE SHOWN OTHERWISE BY A CONTROLLED INFORMATION IDENTIFICATION MARKING. THIS RESTRICTION DOES NOT APPLY TO INFORMATION CONTAINED HEREIN THAT IS INDICATED OTHERWISE.



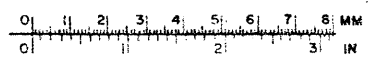
UNLESS OTHERWISE SPECIFIED		MATERIAL	
DIMENSIONS =	MILLIMETERS		
	INCHES		
TOLERANCE OF SIZE AND FORM PER		TREAT.	
INITIAL DESIGN		FIN.	
PROJECTION			
SCALE	CODE		
		DR	74 June 19
		APPD	Richard Wayne Flood
			1975 Feb 26
		DISTR	COR-26, TOS, NCOSDF
		LOC	PCO
		HONEYWELL INFORMATION SYSTEMS	
		PHOENIX, ARIZONA U. S. A.	
TITLE			
LOGIC DIAGRAM MT6WT			
EXEC CLK DISTRIBUTION			
SIZE	DWG NO	SH	REV
D	58007984	28	A

10 9 8 7 6 5 4 3 2 1

REVISIONS				
REV	AUTHORITY	DATE	SIGNATURE	
YR	MO	DAY		

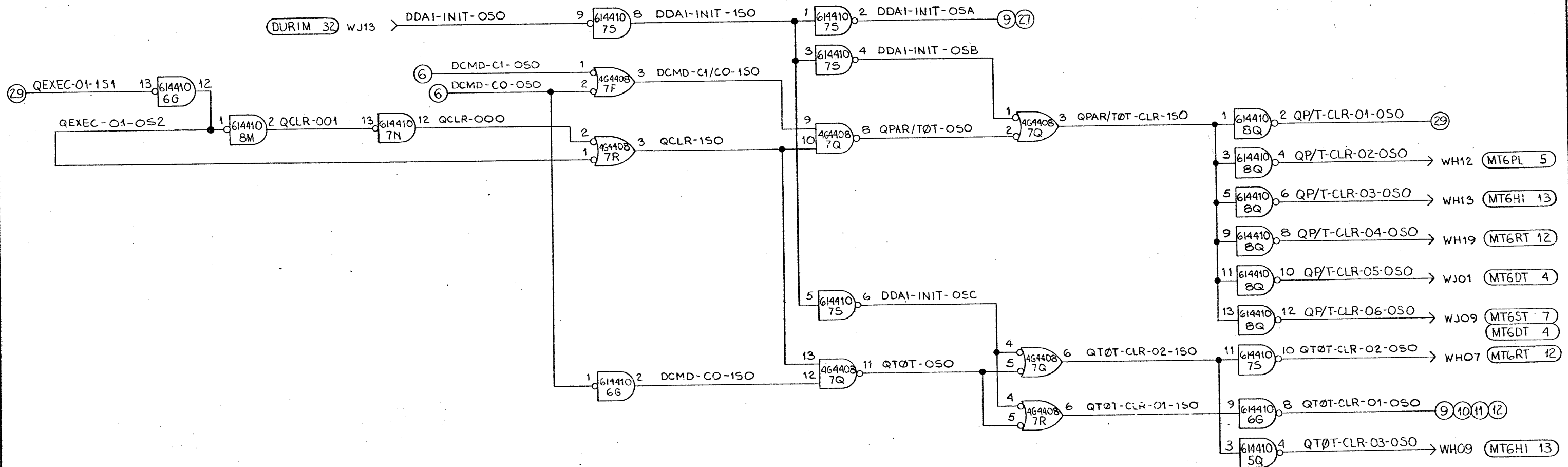


THE INFORMATION CONTAINED IN THIS DOCUMENT IS PROPRIETARY TO HONEYWELL INFORMATION SYSTEMS AND IS INTENDED FOR INTERNAL HONEYWELL USE ONLY. SUCH INFORMATION MAY BE DISTRIBUTED TO OTHERS ONLY BY WRITTEN PERMISSION OF AN AUTHORIZED HONEYWELL OFFICIAL. THIS RESTRICTION DOES NOT APPLY TO INFORMATION THAT IS EITHER IN THE PUBLIC DOMAIN OR IS PROPRIETARY TO OTHERS.

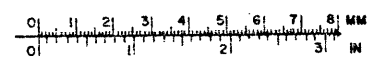


UNLESS OTHERWISE SPECIFIED		MATERIAL		Honeywell HONEYWELL INFORMATION SYSTEMS PHOENIX, ARIZONA U. S. A.			
DIMENSIONS—		TREAT.					
MILLIMETERS		FIN.		LOC PC0 TITLE LOGIC DIAGRAM MT6WT CLK/CLR DISTRIB			
INCHES		DR 74 June 18		SIZE	DWG NO	SH	REV
TOLERANCE OF SIZE AND FORM PER INITIAL DESIGN		APPD 1975 Feb 24		D	58007984	29	A
PROJECTION		DISTR					

REVISIONS				
REV	AUTHORITY	DATE		SIGNATURE
		YR	MO/DAY	



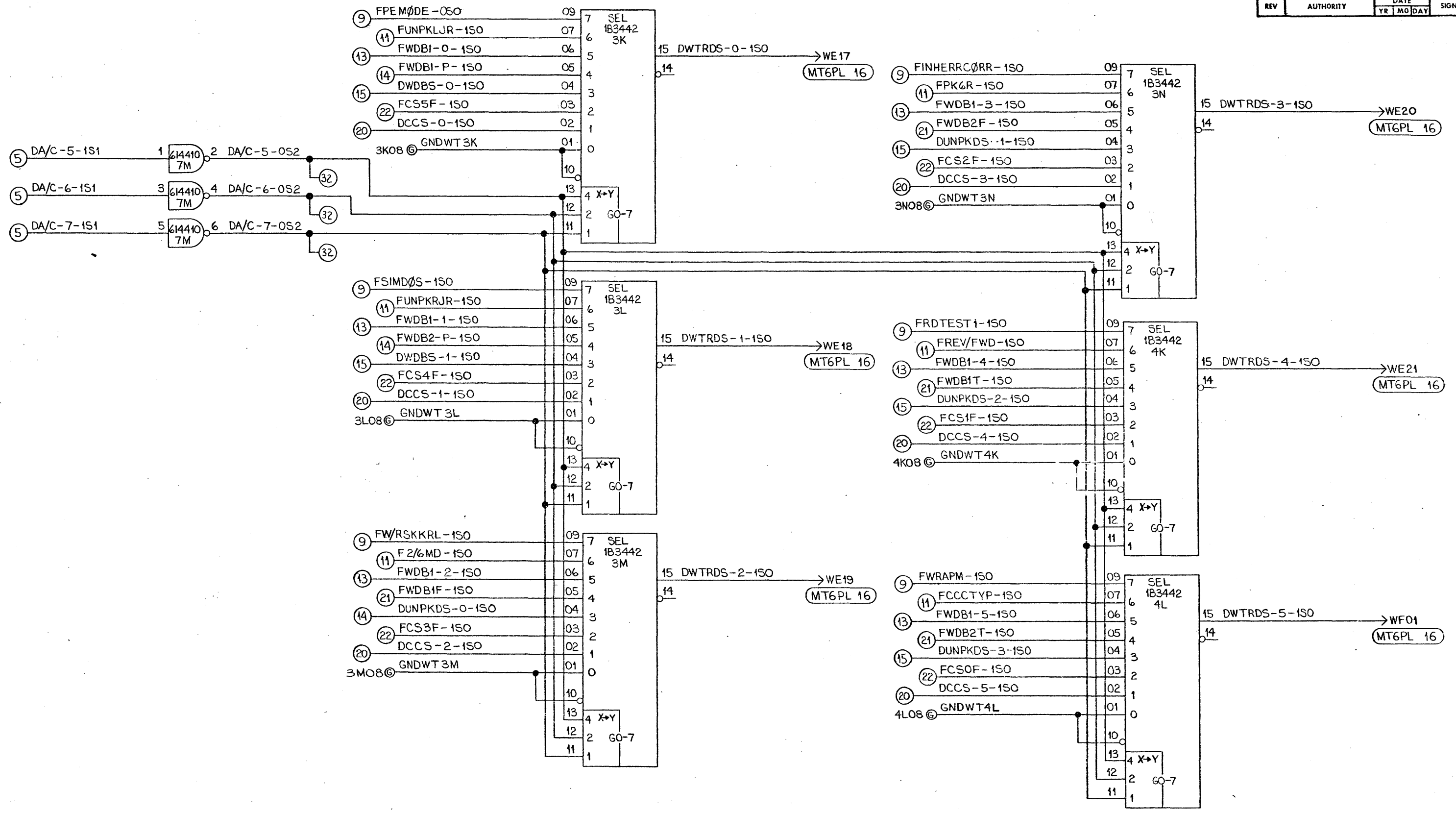
UNLESS OTHERWISE SPECIFIED, THIS RESTRICTION DOES NOT APPLY TO VLSI DEVICES WHICH MAY BE DISCLOSED IN THIS DOCUMENT.



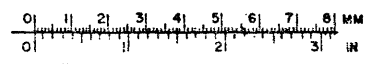
UNLESS OTHERWISE SPECIFIED		MATERIAL		Honeywell HONEYWELL INFORMATION SYSTEMS PHOENIX, ARIZONA U. S. A.	
DIMENSIONS = $\frac{\text{MILLIMETERS}}{\text{INCHES}}$		TREATMENT			
TOLERANCE OF SIZE AND FORM PER		FINISH		LOC PC0 TITLE LOGIC DIAGRAM MT6WT PARTIAL CLR LOGIC	
INITIAL DESIGN		DR		19 JUNE 74 <i>[Signature]</i>	
PROJECTION		APPD		1975 Feb 26 <i>[Signature]</i>	
SCALE	CODE	SIZE	DWG NO	SH	REV
		D	58007984	30	A
DISTR C68-26, TOS, NCO, SDF				1	

58007984 D

REVISIONS				
REV	AUTHORITY	DATE		SIGNATURE
		YR	MO DAY	



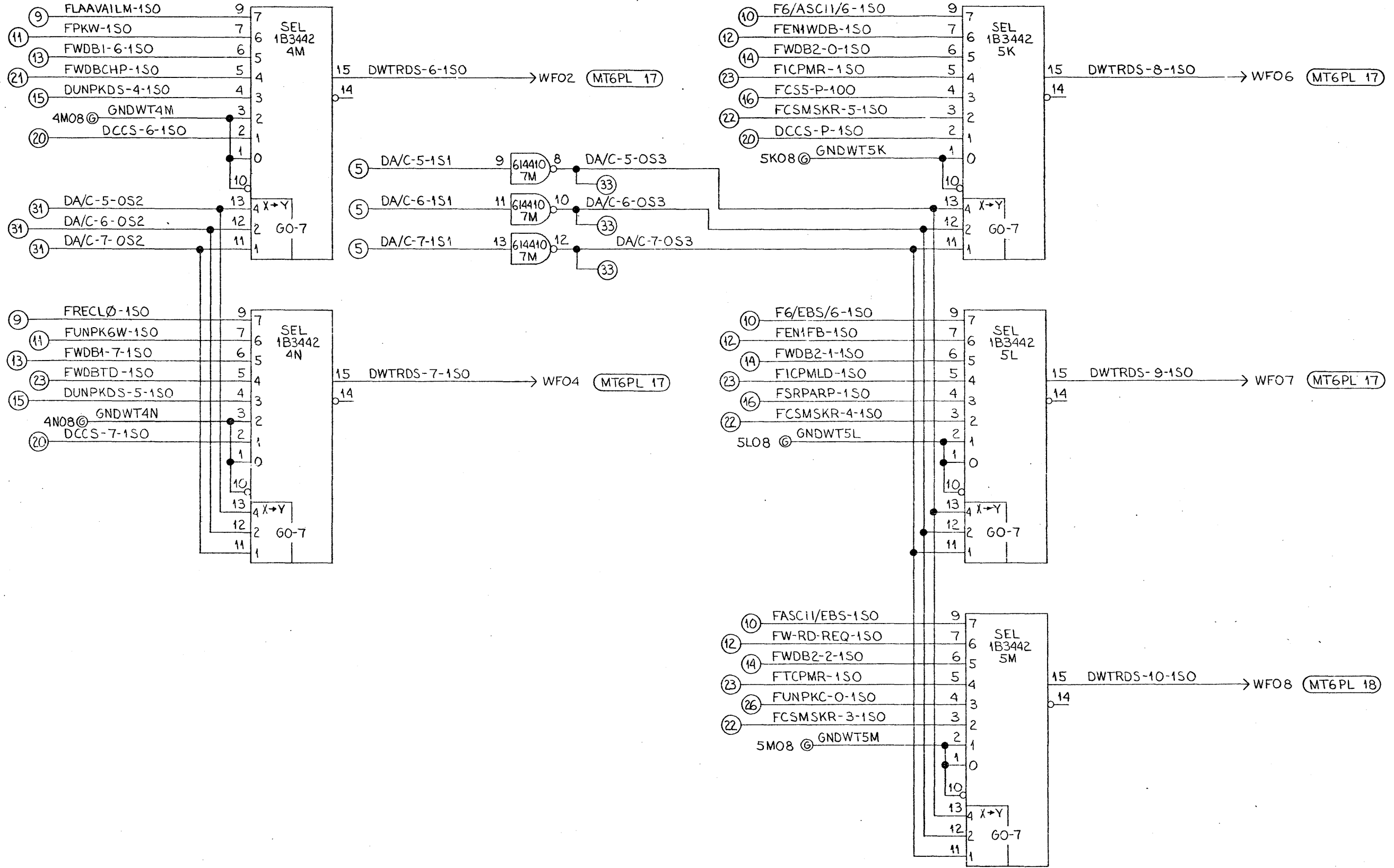
SUCH INFORMATION MAY BE DISTRIBUTED TO OTHERS ONLY BY WRITTEN PERMISSION OF AN AUTHORIZED HONEYWELL OFFICIAL. THIS RESTRICTION DOES NOT APPLY TO ACCESSORIES OR PARTS THAT MAY BE DISCLOSED IN THIS DOCUMENT.



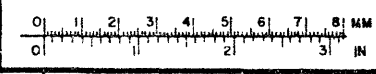
UNLESS OTHERWISE SPECIFIED		MATERIAL		Honeywell HONEYWELL INFORMATION SYSTEMS PHOENIX, ARIZONA U. S. A.			
DIMENSIONS= MILLIMETERS		INCHES					
TOLERANCE OF SIZE AND FORM PER INITIAL DESIGN		TREAT.		LOC PCØ TITLE LOGIC DIAGRAM MT6WT READ ØUT SW EITS 0-5			
PROJECTION		FIN.		DR 74 JUNE 19			
SCALE		CODE		APPD		SIZE DWG NO	
						SH REV	
						D 58007984 31 A	
				DISTR C68-26, TOS, NCO, SDF			

58007984

REVISIONS				
REV	AUTHORITY	DATE		SIGNATURE
		YR	MO/DAY	



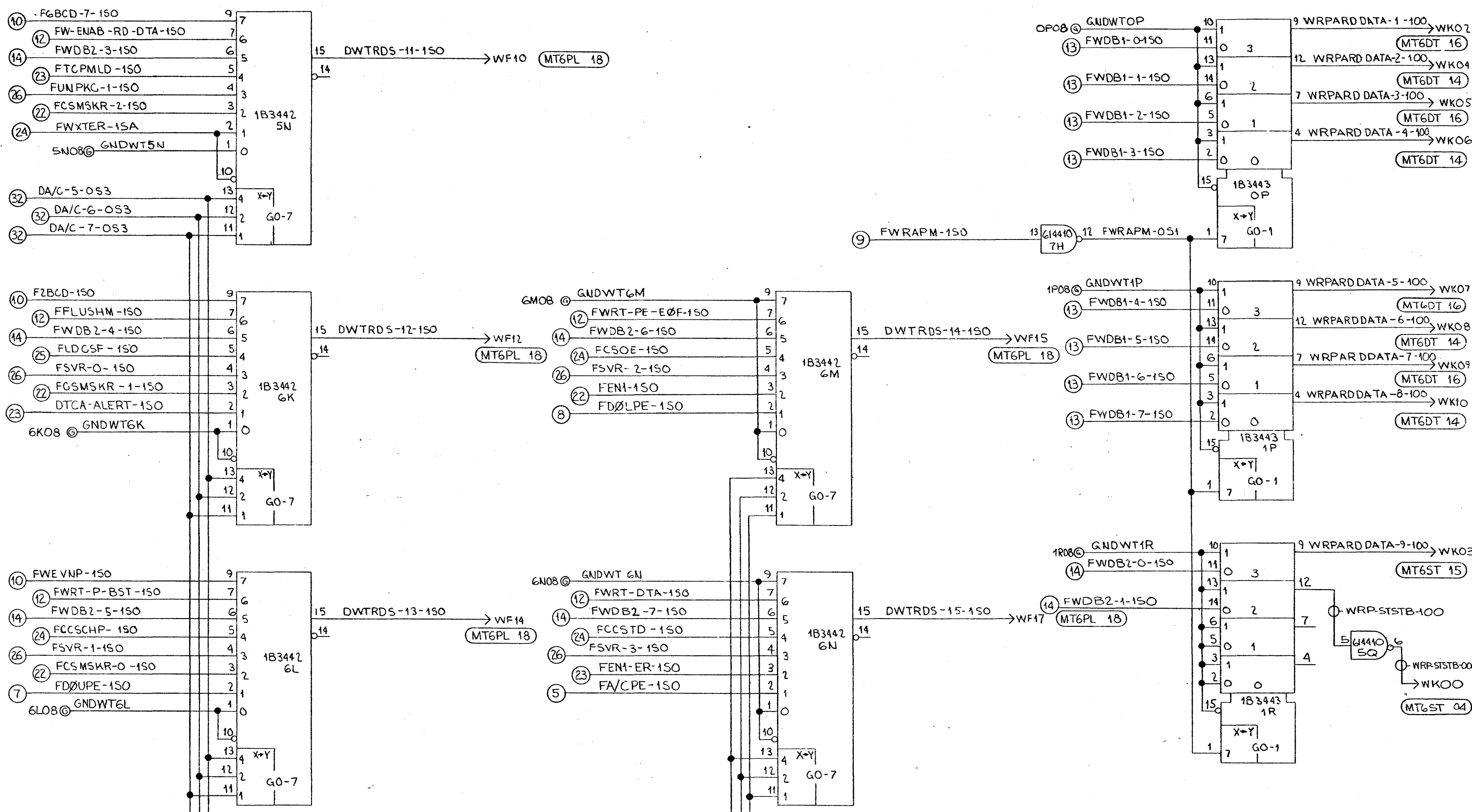
THIS DRAWING IS THE PROPERTY OF HONEYWELL INFORMATION SYSTEMS. IT IS TO BE USED ONLY FOR THE PROJECT AND FOR THE SYSTEM AND IS NOT TO BE REPRODUCED OR TRANSMITTED IN ANY FORM OR BY ANY MEANS, ELECTRONIC OR MECHANICAL, INCLUDING PHOTOCOPYING, RECORDING, OR BY ANY INFORMATION STORAGE AND RETRIEVAL SYSTEM, WITHOUT THE WRITTEN PERMISSION OF AN AUTHORIZED HONEYWELL OFFICIAL. THIS RESTRICTION DOES NOT APPLY TO VENDOR PARTS THAT MAY BE DISCLOSED IN THIS DOCUMENT.



UNLESS OTHERWISE SPECIFIED		MATERIAL		 HONEYWELL INFORMATION SYSTEMS PHOENIX, ARIZONA U. S. A.	
DIMENSIONS=	MILLIMETERS	TOLERANCE OF SIZE AND FORM PER	TREAT.	LOC PC0	
INITIAL DESIGN	INCHES	PROJECTION	FIN.	TITLE LOGIC DIAGRAM MT6WT	
SCALE	CODE	DR	APPR	READ OUT SW BITS 6-10	
		74-6-19		SIZE	DWG NO
		<i>B. J. Willis</i>		D	58007984
		<i>B. Boaling</i>	1975 Feb 26	SH	32
		DISTR		REV	A

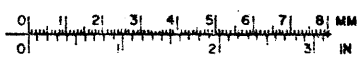
58007984

REVISIONS				
REV	AUTHORITY	DATE	SIGNATURE	
		YR MO DAY		



UNLESS OTHERWISE SPECIFIED, DIMENSIONS ARE IN MILLIMETERS. THIS RESTRICTION DOES NOT APPLY TO VENDOR-SUPPLIED PARTS THAT MAY BE DISCLOSED IN THIS DOCUMENT.

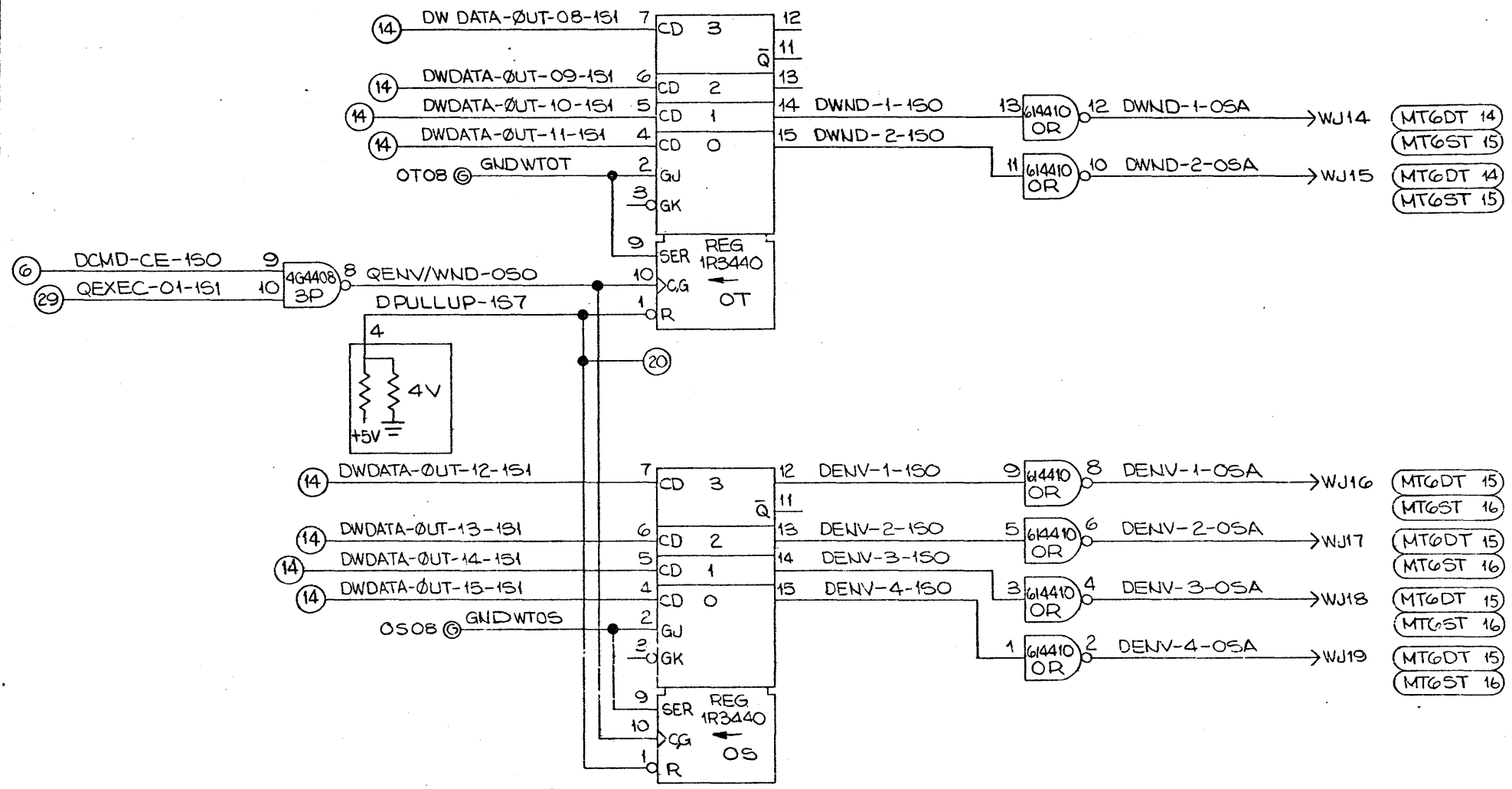
REF SPEC NO	
DATE	
BY	
CHECKED	
APPROVED	



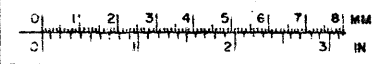
UNLESS OTHERWISE SPECIFIED		MATERIAL		Honeywell HONEYWELL INFORMATION SYSTEMS PHOENIX, ARIZONA U. S. A.			
DIMENSIONS =		TREAT.					
TOLERANCE OF SIZE AND FORM PER		FIN.		LOC PCO TITLE LOGIC DIAGRAM MT6WT READ SW/DR WRAP DATA			
INITIAL DESIGN		DR		SIZE		REV	
PROJECTION		74 June 19 Richard Wayne Booth		D		33	
SCALE		APPD		DWG NO		B	
		1975 Feb 26 J. B. ...		58007984			
CE 900 D (12-72)		DISTR		COB-26, TOS, NCO, SDF, RMD		1	

58007984

REV		AUTHORITY		DATE		SIGNATURE	
YR	MO	DAY					



OPERATING PARTS LIST
 PARTS LISTED IN THIS DOCUMENT
 ARE NOT TO BE
 REPRODUCED OR
 TRANSMITTED IN
 ANY FORM OR BY
 ANY MEANS
 WITHOUT THE
 WRITTEN
 PERMISSION OF
 HONEYWELL INFORMATION SYSTEMS



UNLESS OTHERWISE SPECIFIED		MATERIAL		Honeywell HONEYWELL INFORMATION SYSTEMS PHOENIX, ARIZONA U. S. A.	
DIMENSIONS - MILLIMETERS		TREAT.		LOC PCO	
TOLERANCE OF SIZE AND FORM PER INITIAL DESIGN PROJECTION		FIN.		TITLE LOGIC DIAGRAM MT6WT	
SCALE	CODE	DR	APPD	SIZE	DWG NO
		DR	APPD	D	58007984
				SH	REV
				34F	B
DISTR CGR-26, IOS, NCO, SDF PRO					

58007984

THE INFORMATION CONTAINED IN THIS DOCUMENT PROPRIETARY TO HONEYWELL INFORMATION SYSTEMS, INC. AND IS INTENDED FOR INTERNAL HONEYWELL USE ONLY. SUCH INFORMATION MAY BE DISTRIBUTED TO OTHERS BY WRITTEN PERMISSION OF AN AUTHORIZED HONEYWELL OFFICIAL. THIS RESTRICTION DOES NOT APPLY TO VENDOR PROPRIETARY THAT MAY BE DISCLOSED IN THIS DOCUMENT.

58032474

REV	AUTHORITY	DATE			SIGNATURE	DWG. SH. NO.																						
		YR	MO	DAY		1	2	3	4	5	6	7	8	9	10	11	12	13	14	15	16	17	18	19				
A	LEVEL 3 ISSUE	77	11	22	<i>R. P. [Signature]</i>	A	A	A	A	A	A	A	A	A	A	A	A	A	A	A	A	A	A	A	A	A	A	A

FOR CONTINUATION OF REVISION STATUS SEE SHEET 2

<p>Honeywell</p> <p>HONEYWELL INFORMATION SYSTEMS</p> <p>LOC PHOENIX, ARIZONA</p> <p><small>CE 300 A-3 (12-71) BRUNING 44-141</small></p>	<p>MADE BY <i>W. E. [Signature]</i> 76-12-27</p>	TITLE LOGIC DIAGRAM MT7ST							
	<p>APPROVED <i>R. P. [Signature]</i> 77-11-22</p> <p>REVISION STATUS FOR EACH PAGE SHEET OR GROUP IS SHOWN BY LAST ENTRY IN THE CORRESPONDING NUMBERED COLUMN</p>	<table border="1"> <tr> <td>SIZE</td> <td>REVISION STATUS FOR</td> <td>SHEET</td> <td>REV</td> </tr> <tr> <td>D</td> <td>58032474</td> <td>1/2</td> <td>A</td> </tr> </table>	SIZE	REVISION STATUS FOR	SHEET	REV	D	58032474	1/2
SIZE	REVISION STATUS FOR	SHEET	REV						
D	58032474	1/2	A						

C68-26

THE INFORMATION CONTAINED IN THIS DOCUMENT PROPRIETARY TO HONEYWELL INFORMATION SYSTEMS, INC. AND IS INTENDED FOR INTERNAL HONEYWELL USE ONLY. SUCH INFORMATION MAY BE DISTRIBUTED TO OTHERS BY WRITTEN PERMISSION OF AN AUTHORIZED HONEYWELL OFFICIAL. THIS RESTRICTION DOES NOT APPLY TO VENDOR PROPRIETARY THAT MAY BE DISCLOSED IN THIS DOCUMENT.

58032474

REV	AUTHORITY	DATE			SIGNATURE	DWG. SH. NO.										
		YR	MO	DAY		20	21	22	23	24	25					
A	LEVEL 3 ISSUE	77	11	22	<i>R. P. [Signature]</i>	A	A	A	A	A						

FOR CONTINUATION OF REVISION STATUS SEE SHEET

<p>Honeywell</p> <p>HONEYWELL INFORMATION SYSTEMS</p> <p>LOC PHOENIX, ARIZONA</p> <p><small>CE 300 A-3 (12-71) BRUNING 44-141</small></p>	<p>MADE BY <i>W. E. [Signature]</i> 76-12-27</p>	TITLE LOGIC DIAGRAM MT7ST							
	<p>APPROVED <i>R. P. [Signature]</i> 77-11-22</p> <p>REVISION STATUS FOR EACH PAGE SHEET OR GROUP IS SHOWN BY LAST ENTRY IN THE CORRESPONDING NUMBERED COLUMN</p>	<table border="1"> <tr> <td>SIZE</td> <td>REVISION STATUS FOR</td> <td>SHEET</td> <td>REV</td> </tr> <tr> <td>D</td> <td>58032474</td> <td>2F</td> <td>A</td> </tr> </table>	SIZE	REVISION STATUS FOR	SHEET	REV	D	58032474	2F
SIZE	REVISION STATUS FOR	SHEET	REV						
D	58032474	2F	A						

C68-26

Table with 4 columns: SIGNAL NAME, SHEET, SIGNAL NAME, SHEET. Lists various signal names and their corresponding sheet numbers.

FOR DOCUMENT STATUS, SEE REVISION STATUS SHEET

Honeywell

EDA OCT 04,76 FEB 18,77 REV A

1.01 58032474 1.00/38

Table with 4 columns: SIGNAL NAME, SHEET, SIGNAL NAME, SHEET. Lists various signal names and their corresponding sheet numbers.

Honeywell

EDA OCT 04,76 FEB 18,77 REV A

1.02 58032474 1.01

Table with 4 columns: SIGNAL NAME, SHEET, SIGNAL NAME, SHEET. Lists various signal names and their corresponding sheet numbers.

Honeywell

EDA OCT 04,76 FEB 18,77 REV A

1.03 58032474 1.02

Table with 4 columns: SIGNAL NAME, SHEET, SIGNAL NAME, SHEET. Lists various signal names and their corresponding sheet numbers.

Honeywell

EDA OCT 04,76 FEB 18,77 REV A

1.04 58032474 1.03

SIGNAL NAME	SHEET	SIGNAL NAME	SHEET
FD-RDSK-8-000	12.0	MRK3-100	07.0
FD-TKIE-1-150	13.0	MRK49A-000	07.0
FD-TKIE-2-150	13.0	MRK49A-050	07.0
FD-TKIE-3-150	13.0	MRK49A-100	07.0
FD-TKIE-4-150	13.0	MRK49A-150	07.0
FD-TKIE-5-150	13.0	MRK49-000	07.0
FD-TKIE-6-150	13.0	MRK49-001	07.0
FD-TKIE-7-150	13.0	MRK49-050	07.0
FD-TKIE-8-150	13.0	MRK49-100	07.0
FIMTU-STAT-REQ-OSA	04.0	MRK49-101	07.0
FINHERRCORR-OSA	10.0	MRK49-102	07.0
FI-USING-DOS-1SA	15.0	MRK49-150	07.0
FENODE-1SA	04.0	MRKH9-100	05.0
FPS/PD-9-000	17.0	MRKH9-150	07.0
FSG1-9-150	16.0	MRKHA-100	05.0
FSG2-9-050	16.0	MRKHA-000	07.0
FSG2-9-100	16.0	MRKH-9-050	05.0
FSGD-9-100	16.0	MRKLA-000	05.0
FS-CRIF-150	11.0	MRKLA-100	05.0
FS-CRIF-050	11.0	MRKL-9-050	07.0
FS-STAT-9-150	10.0	NRKL-9-150	07.0
FSTEV1-9-150	16.0	MRK-45-000	09.0
FSTEV2-9-150	16.0	MRK-9-000	07.0
FSTEVd-9-000	16.0	MRK-9-100	07.0
FSTEVd-9-100	16.0	MRLHA-000	05.0
FW/RSKRL-OSA	12.0	MTRKERR-001	13.0
INDA-9-000	17.0	MTRKERR-100	13.0
INDA-9-100	17.0	MTRKERR-101	13.0
INDA/PS-000	17.0	NBLC-000	20.0
LCCPAR-000	21.0	NBLC-002	20.0
LCC-100	21.0	NBLC-102	20.0
LDGP-D-110	14.0	NBDT-100	04.0
LOAD-150	23.0	NBDT-ERR-050	19.0
LOAD-59-100	14.0	NBDT-ERR-150	19.0
LOAD-5-010	14.0	NBDT-NR-000	04.0
LOAD-69-100	14.0	NBDT-ST-000	04.0
LOAD-6-010	14.0	NCCC-000	21.0
LOAD-79-100	14.0	NCCC-100	21.0
LOAD-7-010	14.0	NCCC-101	21.0
LOAD-RESET-000	23.0	NCLOCK-100	04.0
LOAD-ZERO-150	22.0	NDA9-000	15.0
MRK2-150	07.0	NDA-000	04.0
MRK3-150	07.0	NDA-100	19.0
MRK3-000	07.0	NDA9-100	04.0
		NDA9-150	19.0
		NDA9TB-000	04.0
		NDA9TB-001	04.0

Honeywell

SIGNAL NAME	SHEET	SIGNAL NAME	SHEET
NDA9TB-100	19.0	PCOL-150	06.0
NDIE-9-100	10.0	PCOL-150	06.0
NFBT-050	19.0	PCOL-150	06.0
NFBT-1SA	19.0	PCST-000	06.0
NOCOMP-000	06.0	PDIE-9-000	10.0
NOCOMP-100	06.0	PEALL1-0DATA-000	12.0
NOCOMP-101	06.0	PEDA-9-000	17.0
NOTALLO-100	12.0	PEDA-9-001	17.0
NREAD-101	04.0	PEDA-9-100	17.0
NRLC-000	19.0	PEDIE-9-100	17.0
NR2-000	07.0	PE/ERR/COR-000	15.0
NR2-100	20.0	PE/READ-000	15.0
NR2-101	19.0	PE/READ-050	15.0
NRZUP-000	19.0	PE/READ-101	12.0
NSTCT-050	04.0	PEUP-000	16.0
NSTCT-051	04.0	PH-9-050	17.0
NSTCT-052	04.0	PH-9-150	17.0
NSTCT-100	04.0	PH-9-150	17.0
NSTCT-150	04.0	PHIM-9-000	15.0
NSTCT-151	04.0	PHIM-9-101	17.0
NSTCT-152	04.0	POSTAMB-000	11.0
NXAC-9-000	20.0	PRABD-9-050	17.0
ODDFRM-000	20.0	PRABD-9-150	17.0
ODDFRM-050	20.0	PRABD-9-000	12.0
ODDFRM-100	20.0	PRABD-9-100	12.0
ODDFRM-150	21.0	PRABD-9-001	17.0
ODDPAR-001	12.0	PRABD-9-050	17.0
ODDPAR-100	21.0	PRABD-9-101	17.0
ODDPAR-102	06.0	PRABD-9-150	17.0
PAR-CLR-100	07.0	PSTAMB-050	11.0
PCDH-000	06.0	PSTAMB-100	11.0
PCDH-011	06.0	PSTAMB-150	11.0
PCDH-050	06.0	PSTAMB-1SA	11.0
PCDH-05A	06.0	PTKIE-9-000	10.0
PCDH-100	06.0	PU-100	04.0
PCDH-110	06.0	PU-101	07.0
PCDH-150	06.0	PU-102	16.0
PCDH-1SA	06.0	PU-103	04.0
PCDL-001	06.0	PU-104	07.0
PCDL-050	06.0	PU-105	09.0
PCDL-100	06.0	PU-106	11.0
PCDL-101	06.0	PU-107	18.0
PCDL-102	06.0	PU-3P	09.0
PCDL-150	06.0	PU-3P	04.0
PCEH-150	06.0	QCA-RAW-06-050	04.0

Honeywell

SIGNAL NAME	SHEET	SIGNAL NAME	SHEET
QEXEC-06-050	14.0	SKEW-050	07.0
QI-DATA-CLK-150	16.0	SKEW-100	12.0
QI-PHASE-CLK-050	16.0	SKEW-150	07.0
QP/T-CLR-06-050	07.0	SPD-2-000	18.0
RDGP-59-000	14.0	SPD-2-100	18.0
RDGP-5-110	14.0	SPD-4-110	18.0
RDGP-69-000	14.0	STAT-9-000	10.0
RDGP-6-110	14.0	STAT-9-001	10.0
RDSK18-000	12.0	STAT-9-050	10.0
RDSK18-100	12.0	STAT-9-100	10.0
RDSK-100	07.0	STAT-9-101	10.0
RDSK-9-000	07.0	STB-9-000	07.0
READEND-9-100	15.0	STB-9-100	07.0
REF-150	22.0	STSTB-050	05.0
REF-CLK-101	22.0	STSTB-100	04.0
RESET-050	23.0	STTRF-000	11.0
RESET-150	23.0	STTRF-050	11.0
RESET-CNTR-000	23.0	STTRF-100	11.0
RESET-CNTR-001	23.0	STTRF-101	05.0
RESET-CNTR-101	23.0	SYNC-CLR-000	15.0
RESET-FRM-000	23.0	SYNC-CLR-100	15.0
RESET-FRM-100	23.0	TIME-ERR-000	19.0
RESET-P-000	22.0	TKIE-000	14.0
RESET-P-100	22.0	TKIE-09-000	08.0
RSBT-000	14.0	TKIE-09-150	08.0
RSBT-100	14.0	TKIE-19A-000	08.0
RSCRII-000	10.0	TKIE-19A-150	08.0
RSCRII-010	10.0	TKIE-19-000	08.0
RSCRII-020	10.0	TKIE-19-100	08.0
RSCRII-100	10.0	TKIE-19-150	08.0
RSCRII-101	10.0	TKIE-150	14.0
RSTSTR-100	10.0	TKIE-29A-100	08.0
SBLCRII-100	20.0	TKIE-29-000	08.0
SCCCR-000	21.0	TKIE-29-100	08.0
SCCCR-100	21.0	TKIE-29-150	08.0
SCRII8-100	15.0	TKIE-39-100	08.0
SCRII8-100	15.0	TKIE-9-000	08.0
SCRIIF-000	11.0	TKIE-9-011	08.0
SCRII-9-100	10.0	TKIE-9-050	08.0
SCRI-9-100	10.0	TKIE-9-111	08.0
SET-PCHC-000	08.0	TKIE-9-150	08.0
SIGCLK-9-000	22.0	TUSTAT-000	04.0
SIG-100	18.0	TUSTAT-002	04.0
SIG-9-000	18.0	TUSTAT-100	04.0
SIG/DAPH-9-100	18.0	WINDCLK-9-100	23.0

Honeywell

SIGNAL NAME	SHEET	SIGNAL NAME	SHEET
WINDCLK-P-000	23.0	WRPARDDATA-9-000	15.0
WINDGEN-9-050	15.0	WRPARDDATA-9-100	15.0
WINDGEN-9-150	15.0	WRPARDEND-010	15.0
WRPARDDATA-9-000	15.0	WRPARDEND-9-011	15.0
WRPARDDATA-9-100	15.0	WRPARDEND-9-110	15.0
WRPARDEND-010	15.0	WRP-STSTB-000	04.0
WRPARDEND-9-011	15.0	WRRG-000	12.0
WRPARDEND-9-110	15.0	WRSK-9-000	07.0
WRP-STSTB-000	04.0	WRSK-9-100	09.0
WRRG-000	12.0	WSKEW-000	12.0
WRSK-9-000	07.0	WSKEW-100	12.0
WRSK-9-100	09.0	WINDPAR-000	18.0
WSKEW-000	12.0	WIND-671-000	18.0
WSKEW-100	12.0	WIND-671/8-000	18.0
WINDPAR-000	18.0	WIND-671/8-100	18.0
WIND-671-000	18.0	WIND-671/9-100	18.0
WIND-671/8-000	18.0	WIND-672-000	18.0
WIND-671/8-100	18.0	WIND-673-000	18.0
WIND-671/9-100	18.0	WIND-674-000	18.0
WIND-672-000	18.0	WIND-675-000	18.0
WIND-673-000	18.0	WIND-676-000	18.0
WIND-674-000	18.0	WIND-677-000	18.0
WIND-675-000	18.0	WIND-678-000	18.0
WIND-676-000	18.0	WIND-679-000	18.0
WIND-677-000	18.0	XFACL-000	05.0
WIND-678-000	18.0	XFACL-003	06.0
WIND-679-000	18.0	XFACL-050-1	05.0
XFACL-000	05.0	XFACL-100	05.0
XFACL-003	06.0	XFACL-101	05.0
XFACL-050-1	05.0	XFACL-150	05.0
XFACL-100	05.0	XFACL-150-1	05.0
XFACL-101	05.0		
XFACL-150	05.0		
XFACL-150-1	05.0		

Honeywell

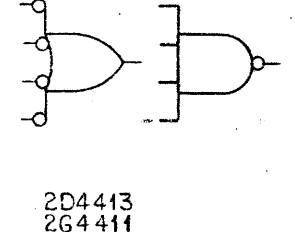
PIN NAME	SHEET	PIN NAME	SHEET	PIN NAME	SHEET
9A+08	04.0	WD 12	06.0	WH 01	15.0
9A+11	22.0	WD 13	18.0	WH 02	15.0
9A+15	22.0	WD 14	06.0	WH 03	15.0
WA 00	04.0	WD 15	18.0	WH 04	15.0
WA 02	20.0	WD 16	18.0	WH 05	15.0
WA 06	04.0	WD 17	06.0	WH 06	15.0
WA 07	04.0	WD 19	18.0	WH 07	15.0
WA 08	04.0	WD 20	07.0	WH 08	15.0
WA 09	04.0	WE 03	18.0	WH 09	15.0
WA 18	04.0	WE 04	18.0	WH 10	15.0
WA 20	04.0	WE 09	18.0	WH 12	15.0
WB 06	04.0	WE 15	10.0	WH 14	15.0
WB 07	06.0	WE 17	12.0	WH 16	15.0
WB 08	06.0	WE 18	12.0	WH 17	15.0
WB 10	06.0	WE 19	12.0	WH 18	15.0
WB 14	06.0	WE 20	10.0	WH 19	15.0
WB 15	06.0	WF 00	15.0	WJ 01	15.0
WB 17	06.0	WF 02	12.0	WJ 02	15.0
WB 18	06.0	WF 03	12.0	WJ 04	04.0
WB 20	06.0	WF 04	12.0	WJ 05	13.0
WC 03	04.0	WF 05	14.0	WJ 06	13.0
WC 05	10.0	WF 06	12.0	WJ 07	13.0
WC 06	06.0	WF 07	12.0	WJ 08	13.0
WC 07	06.0	WF 08	12.0	WJ 09	15.0
WC 08	05.0	WF 09	14.0	WJ 10	10.0
WC 10	05.0	WF 10	04.0	WJ 11	11.0
WC 12	05.0	WF 12	04.0	WJ 12	11.0
WC 13	05.0	WF 13	14.0	WJ 13	11.0
WC 14	05.0	WF 14	14.0	WJ 14	11.0
WC 15	05.0	WF 15	14.0	WJ 15	11.0
WC 16	05.0	WF 16	14.0	WK 00	15.0
WC 17	21.0	WF 17	04.0	WK 02	16.0
WC 19	06.0	WF 18	14.0	WK 05	16.0
WC 20	05.0	WF 20	18.0	WK 15	18.0
WD 00	06.0	WG 06	14.0	WK 17	15.0
WD 01	18.0	WG 07	09.0	WK 18	15.0
WD 02	05.0	WG 08	04.0	WK 19	21.0
WD 03	05.0	WG 13	12.0		
WD 04	05.0	WG 14	12.0		
WD 05	05.0	WG 15	12.0		
WD 06	05.0	WG 17	12.0		
WD 07	05.0	WG 18	12.0		
WD 08	05.0	WG 19	12.0		
WD 09	06.0	WG 20	12.0		
WD 10	05.0	WH 00	12.0		

Honeywell

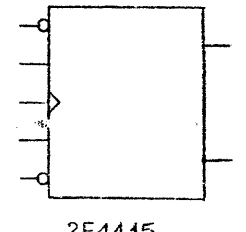
INFORMATION CONTAINED IN THIS DOCUMENT IS PROPRIETARY TO HONEYWELL INFORMATION SYSTEMS AND IS INTENDED FOR INTERNAL HONEYWELL USE ONLY.
 NO PART OF THIS DOCUMENT IS TO BE DISTRIBUTED TO OTHERS WITHOUT THE WRITTEN PERMISSION OF AN AUTHORIZED HONEYWELL OFFICIAL.

	A	B	C	D	E	F	G	H	J	K	L	M	N	P	Q	R	S	T	U	V
H	0A: 3G4417 19 20 20	0B: 2F9463 19 21	0C: 3G4417 X X 10	0D: 6I4410 17 14 18 11 19 19	0E: 2G4411 10 10	0F: 3G4417 12 12 7	0G: 4G4408 21 18 18 7	0H: 3G4417 9 8 21	0J: 2F4415 21 21	0K: 1C3447 21	0L: 2F4415 20 20	0M: 6I4410 15 15 6 20 21 16	0N: 4G4412 18	0P: 2F9463 5 5	0Q: 2G4414 6 6	0R: 3G4417 18 25 17	0S: S14 X X	0T: S16 X X	0U: S16 X X	0V: S16 X X
F	1A: 6I4410 12 10 7 15 X X	1B: 4G4408 7 12 1C 10	1C: 4G4412 12	1D: 4G4412 12	1E: 1G4412 12	1F: S16 X X	1G: 2F9463 17 14	1H: 2G4411 16 7	1J: 3G4417 17 17 17	1K: 1N3450 21	1L: 2D4413 6 4	1M: 4G4408 15 15 15 16	1N: 4G4408 20 20 21 21	1P: 6I4410 20 20 21 23 5 21	1Q: 4G4408 X 7 6 23	1R: 1C3447 24	1S: S14 X X	1T: S16 X X	1U: S16 X X	1V: S16 X X
E	2A: 1G4412 12	2B: 6I4410 12 13 12 12 12 12	2C: 6I4410 12 12 12 12 8 12	2D: 4G4408 10 11 10 7	2E: 2F4415 11 11	2F: 6I4410 12 12 12 16 10 10	2G: 2F4415 17 17	2H: 2F9463 22 X X	2J: 2F9463 17 17	2K: 2G4411 19 4	2L: 2F4415 16 16	2M: 2F4415 16 16	2N: 2F4415 X 19	2P: 2F9463 23 23	2Q: 1R9455 23 23	2R: 1C3447 24	2S: 6I4410 23 24 X 10	2T: S16 X X	2U: S16 X X	2V: S16 X X
D	3A: 4G4408 5 11 11 19	3B: 3G4417 11 12 12	3C: 2F4415 11 10	3D: 2F4415 11 11	3E: 6I4410 4 7 11 12 6 12	3F: 2F4415 10 10	3G: 6I4410 18 19 20 11 7 16	3H: 2F9463 22 22	3J: 4G4408 22 22 22 22	3K: 1C3447 16	3L: 1C3447 16	3M: 4G4408 23 16 16 14	3N: 4G4408 15 15 4 4	3P: 6I4410 10 17 9 11 18 16	3Q: 1R9455 23 23	3R: 1B3441 23	3S: 2F9463 25 25	3T: 4G4408 24 25 25 25	3U: S16 X X	3V: S16 X X
C	4A: 2G4411 10 10	4B: 2F4415 7 5	4C: 3G4417 4 11 12	4D: 2F4415 9 9	4E: 2F4415 9 9	4F: 4G4408 9 9 14 4	4G: 6I4410 9 9 4 16 10 11	4H: 6I4410 17 17 17 17 9 12	4J: 4G4408 17 17 17 17	4K: 1N3444 16	4L: 3G4417 14 8 8	4M: 2D4413 22 17	4N: 4G4408 18 18 25 18	4P: 2G4411 5 24	4Q: 2F9463 24 24	4R: 1N3450 24	4S: 6I4410 16 24 25 15 X 25	4T: S16 X X	4U: S16 X X	4V: S16 X X
B	5A: 2F4415 8 8	5B: 2F4415 8 8	5C: 6I4410 14 7 14 16 9 9	5D: 2F4415 7 7	5E: 2F4415 7 7	5F: 2F4415 7 7	5G: 4G4408 10 4 9 9 14 14	5H: 4G4408 16 14 14 14	5J: 4G4408 21 4 15 10	5K: 4G4408 7 17 X 7	5L: 4G4408 17 16 9 16	5M: 4G4408 17 22 19 14	5N: 6I4410 23 15 13 16 18 19	5P: 2F9463 X 15	5Q: 6I4410 24 25 15 18 7 7	5R: 3G4417 15	5S: 2F9463 25 16	5T: 1C3447 25	5U: S16 X X	5V: S16 X X
A	6A: 6I4410 8 8 8 8 7 6	6B: 4G4408 8 8 8 9	6C: 1P3405 6	6D: 1P3405 6	6E: 4G4408 6 5 12 7	6F: 1N3444 6	6G: 1N3444 6	6H: 6I4410 9 14 14 14 14 14	6J: 6I4410 6 7 11 15 15 20	6K: 2F4415 10 X X	6L: 4G4408 X 13 13 15	6M: 1G4412 13	6N: 3G4417 4 10 13	6P: 4G4408 10 10 10 10	6Q: 2F4415 7 8	6R: S14 X X	6S: S16 X X	6T: S16 X X	6U: S16 X X	6V: S16 X X
	7A: 2G4411 11 5	7B: 2F4415 4 4	7C: 4G4408 X X 6 5	7D: 4G4408 5 6 6 6	7E: 2F4415 5 6	7F: 4G4408 21 21 21 21	7G: 4G4408 6 6 7 8	7H: 1N3450 14	7J: 4G4408 19 15 16 15	7K: 1B3442 14	7L: 1G4412 15	7M: 3G4417 13 14 7	7N: 4G4408 19 21 7 15	7P: 6I4410 4 6 7 10 10 10	7Q: 2G4414 4 7	7R: S14 X X	7S: S16 X X	7T: S16 X X	7U: S16 X X	7V: S16 X X
	8A: 2F4415 6 6	8B: 3G4417 12 7 19	8C: 2F4415 9 15	8D: 6I4410 5 11 21 21 20 20	8E: 2F4415 19 19	8F: 3G4417 21 13 21	8G: 6I4410 18 12 14 7 11 11	8H: 6I4410 14 14 14 16 14 19	8J: 1B3442 14	8K: 1N3450 13	8L: 2G4411 13 13	8M: 2G4411 12 13 13	8N: 4G4408 10 12 9 7	8P: 2F9463 16 4	8Q: 4G4408 10 5 5 5	8R: 2F9463 22 22	8S: S16 X X	8T: S16 X X	8U: S16 X X	8V: S16 X X
	9A: 1G4412 4	9B: 4G4408 6 11 4 5	9C: 4G4408 5 4 19 5	9D: 6I4410 4 7 15 14 6 5	9E: 2D4413 4 15	9F: 1G4412 5	9G: 1G4412 5	9H: 2D4413 7 7	9J: 2D4413 10 5	9K: 1N3450 13	9L: 1N3450 13	9M: RN4D 5 = 4 1 = 14 2,3 = 16	9N: 6I4410 13 13 13 18 13 13	9P: 6I4410 6 15 16 22 7 4	9Q: 2D4413 9 4	9R: 2F9463 22 22	9S: S16 X X	9T: S16 X X	9U: S16 X X	9V: S16 X X

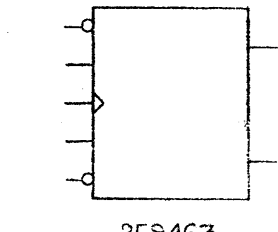
1B3441
 1B3442
 1C3447
 1G4412
 1N3444
 1N3450
 1P3405
 1R9455
 RN4D



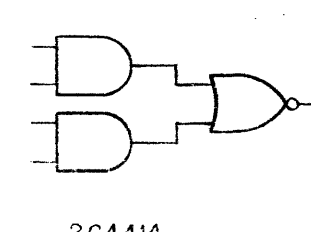
2D4413
 2G4411
 1,2,4,5,6
 8,9,10,12,13



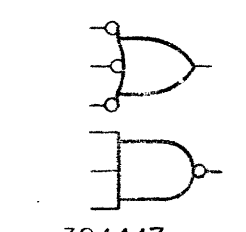
2F4415
 1,2,3,4,13
 5,6,8,10,11



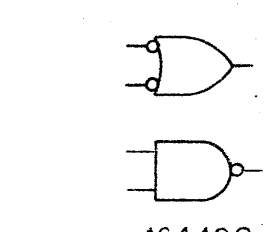
2F9463
 1,2,3,4,14,15,16
 6,7,8,9,10,11,12



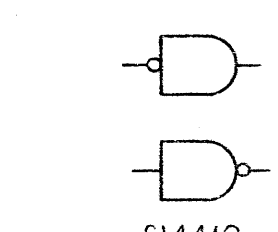
2G4414
 1,8,9,10,13
 2,3,4,5,6



3G4417
 1,2,12,13
 3,4,5,6
 8,9,10,11



4G4408
 1,2,3 4,5,6
 8,9,10 11,12,13



6I4410
 1,2 3,4
 5,6 8,9
 10,11 12,13

UNUSED

HONEYWELL
 HONEYWELL INFORMATION SYSTEMS
 PHOENIX, ARIZONA U.S.A.

TITLE LOGIC DIAGRAM MT7ST
 CIRCUIT LOCATOR

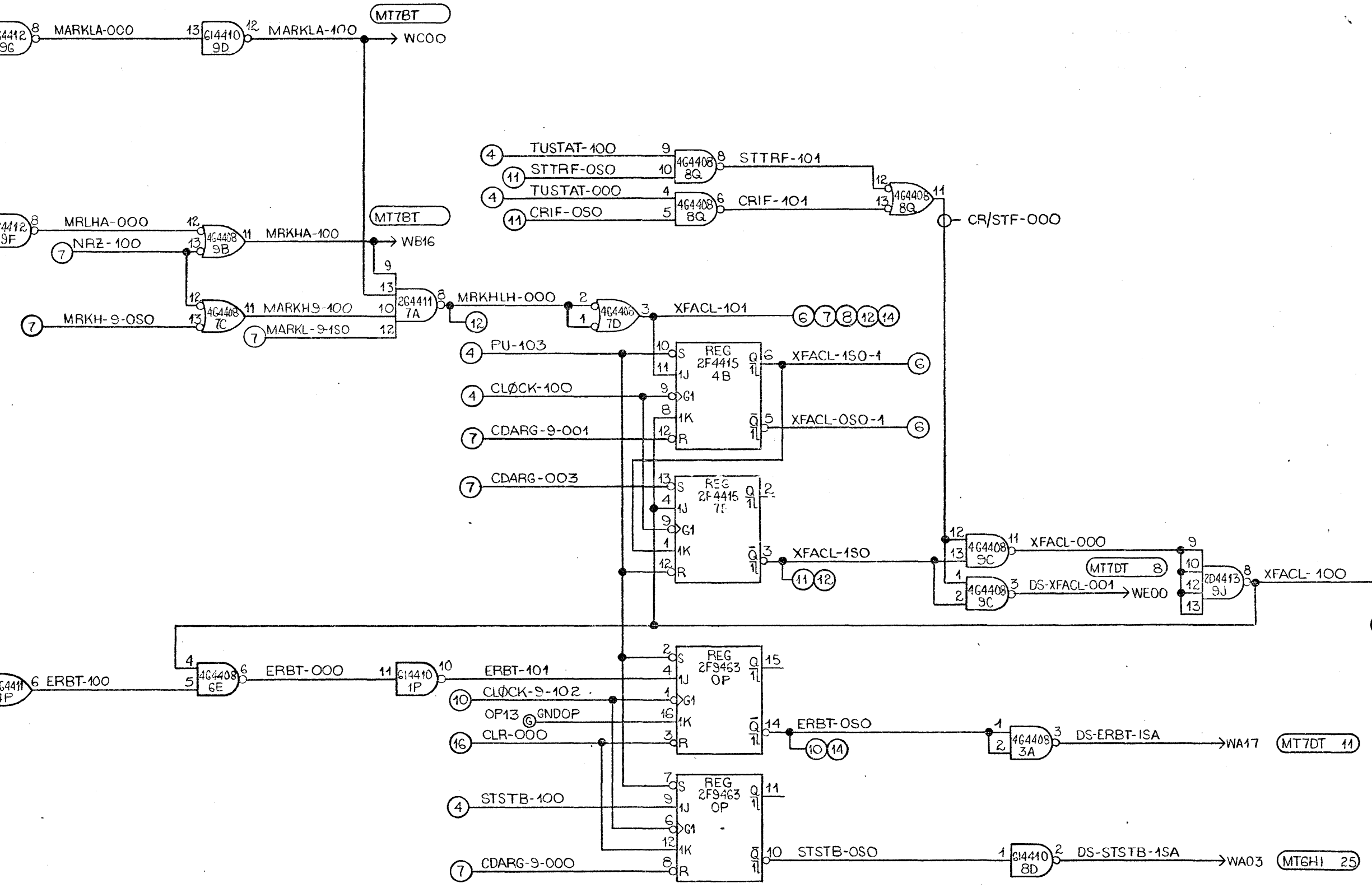
DR *Nancy Behre* 12-9-76
 APPD
 DISTR CGE-26

SIZE D 58032474
 SH 2.1
 REV A

REVISIONS				
REV	AUTHORITY	DATE	SIGNATURE	
		YR MO DAY		

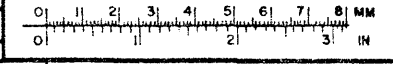
MT7DT 4	WD02	FD-MRKL-1-1S0	1
MT7DT 5	WD03		2
MT7DT 4	WD04		3
MT7DT 5	WD05		4
MT7DT 4	WD06		5
MT7DT 5	WD07		6
MT7DT 4	WD08		7
MT7DT 5	WD10	FD-MRKL-8-1S0	12

MT7DT 4	WC08	FD-MARKH-1-1S0	1
MT7DT 5	WC10		2
MT7DT 4	WC13		3
MT7DT 5	WC12		4
MT7DT 4	WC14		5
MT7DT 5	WC15		6
MT7DT 4	WC16		7
MT7DT 5	WC20	FD-MARKH-8-1S0	12



TO VERIFY DIMENSIONS THAT MAY BE DISCLOSED IN THIS DOCUMENT, THIS RESTRICTION DOES NOT APPLY.

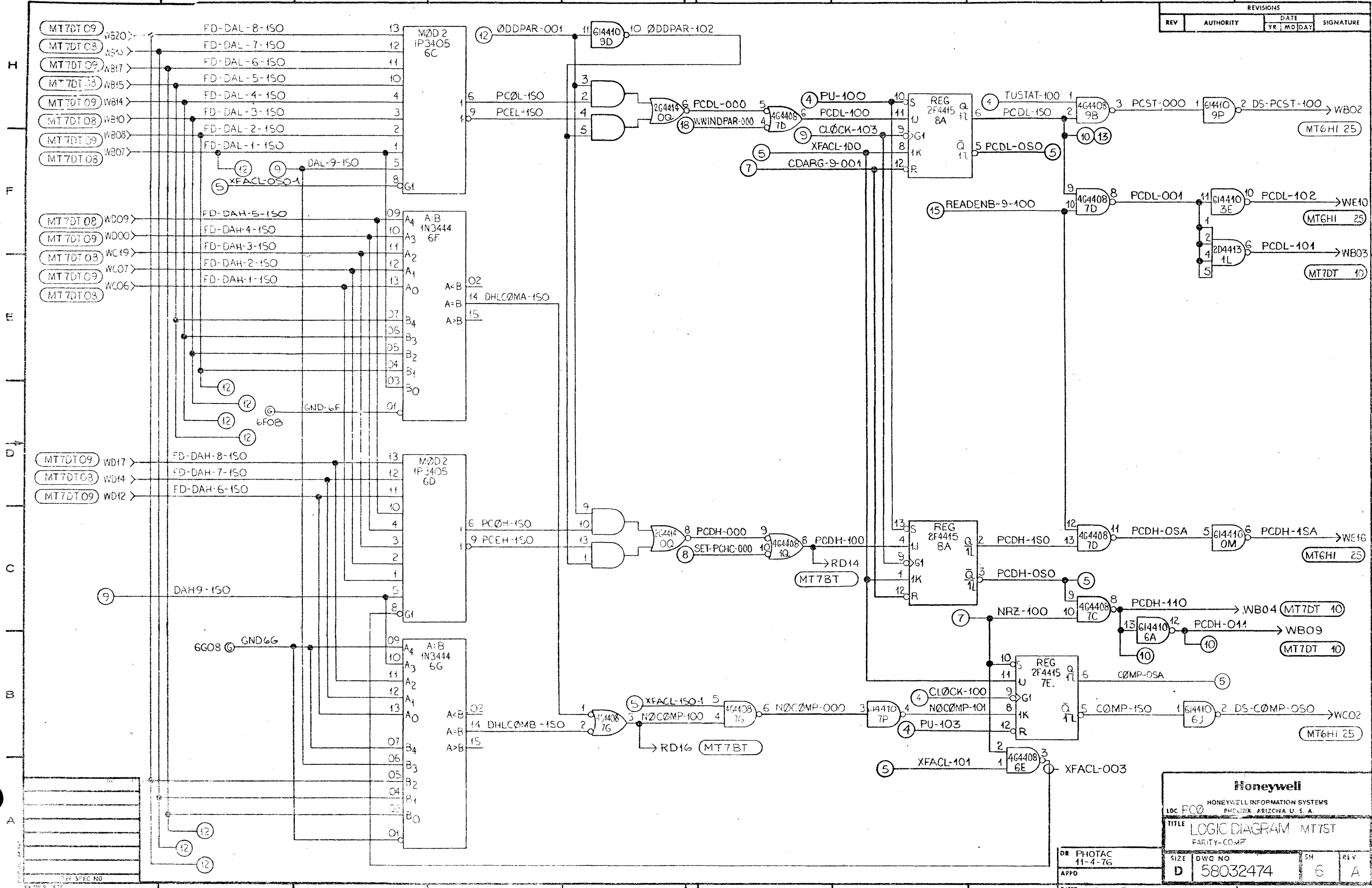
DRAWING 4411



UNLESS OTHERWISE SPECIFIED		MATERIAL		Honeywell HONEYWELL INFORMATION SYSTEMS PHOENIX, ARIZONA U.S.A.	
DIMENSIONS = MILLIMETERS / INCHES		TREAT.			
TOLERANCE OF SIZE AND FORM PER		FIN.		TITLE LOGIC DIAGRAM MT7ST	
INITIAL DESIGN		SCALE		PROJECTION	
SCALE		CODE		DR. <i>Nancy Beebe</i> 1-26-76	
APPD		DISTR		SIZE D'WG NO	
REF SPEC NO		D		58032474	
				SH 5	
				REV A	

58032474

REVISIONS				
REV	AUTHORITY	DATE	SIGNATURE	
YR	MO	DAY		



THE INFORMATION CONTAINED IN THIS DOCUMENT IS PROPRIETARY TO HONEYWELL INFORMATION SYSTEMS AND IS INTENDED FOR INTERNAL USE ONLY. IT IS NOT TO BE DISSEMINATED TO OTHERS OR BY ANY MEANS, IN ANY FORM OR BY ANY MEANS, WITHOUT THE WRITTEN PERMISSION OF HONEYWELL INFORMATION SYSTEMS. THIS RESTRICTION DOES NOT APPLY TO INFORMATION CONTAINED HEREIN THAT IS INDICATED OTHERWISE.

Honeywell

HONEYWELL INFORMATION SYSTEMS
 PHOENIX, ARIZONA U. S. A.

LOC PC0

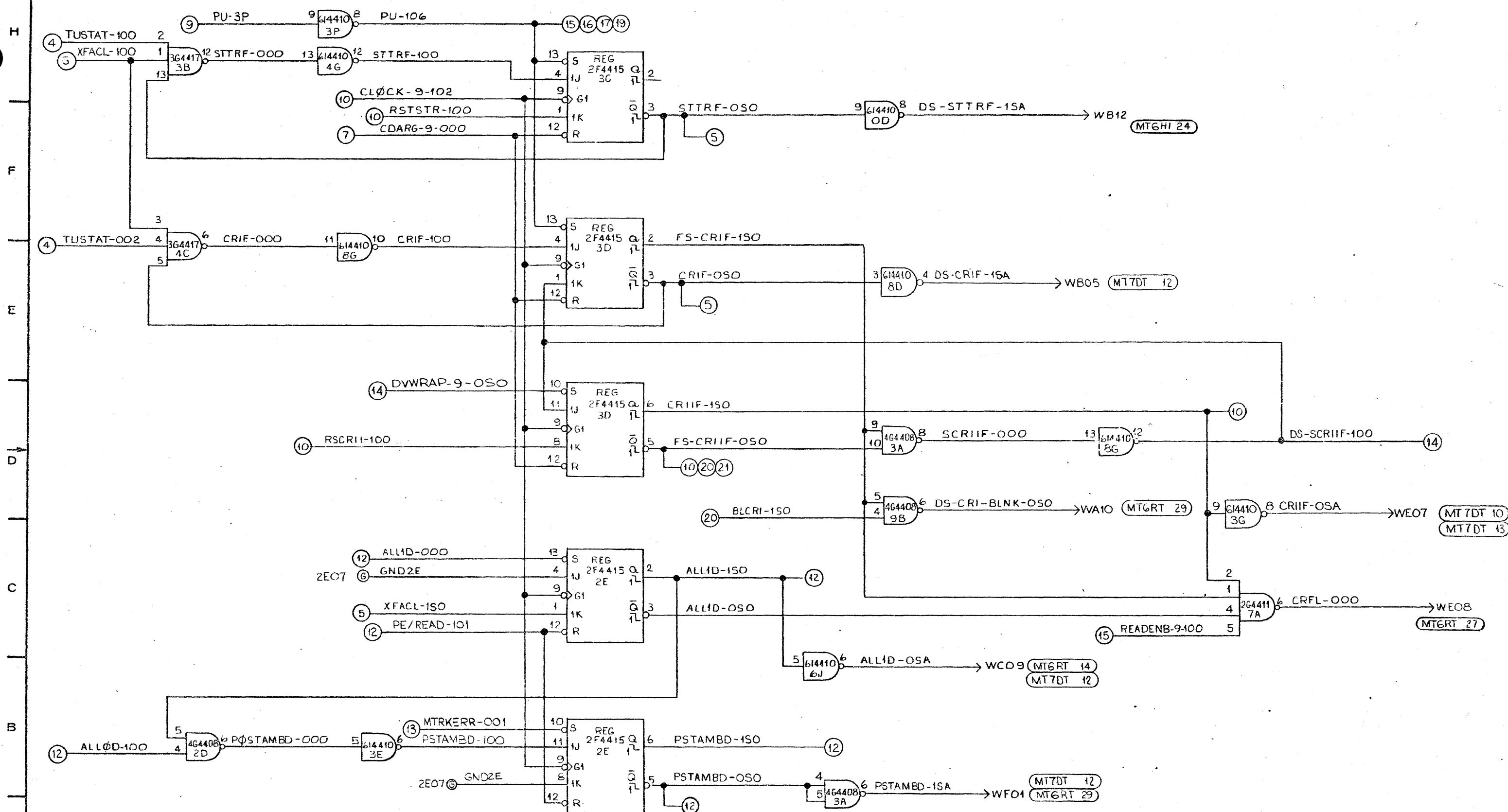
TITLE LOGIC DIAGRAM MT7ST
 PARITY-COMP

DR PHOTAC 11-4-76	SIZE DWG NO D 58032474	SH 6	REV A
----------------------	---------------------------	---------	----------

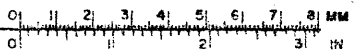
DISTR C 68-26

58032474

REVISIONS			
REV	AUTHORITY	DATE	SIGNATURE
		YR MO DAY	



THIS DOCUMENT IS UNCLASSIFIED EXCEPT WHERE SHOWN OTHERWISE. IT IS INTENDED FOR INTERNAL HONEYWELL USE ONLY. NO INFORMATION MAY BE DISTRIBUTED TO OTHERS WITHOUT THE WRITTEN PERMISSION OF AN AUTHORIZED HONEYWELL OFFICIAL. THIS RESTRICTION DOES NOT APPLY TO PROPRIETARY PARTS THAT MAY BE INCLUDED IN THIS DOCUMENT.



UNLESS OTHERWISE SPECIFIED		MATERIAL		Honeywell HONEYWELL INFORMATION SYSTEMS PHOENIX, ARIZONA U. S. A.			
DIMENSIONS =	MILLIMETERS	TREAT.	LOC PC				
FORM PER	INCHES	FIN.	TITLE	LOGIC DIAGRAM MT7ST			
INITIAL DESIGN		DR	PHOTAC	STATUS FULL/CRIF/CRIF FULL/PST AM PL DET			
PROJECTION		APPD	11-4-76	SIZE	DWG NO.	SH	REV
SCALE	CODE	DISTR		D	58032474	11	A

58032474

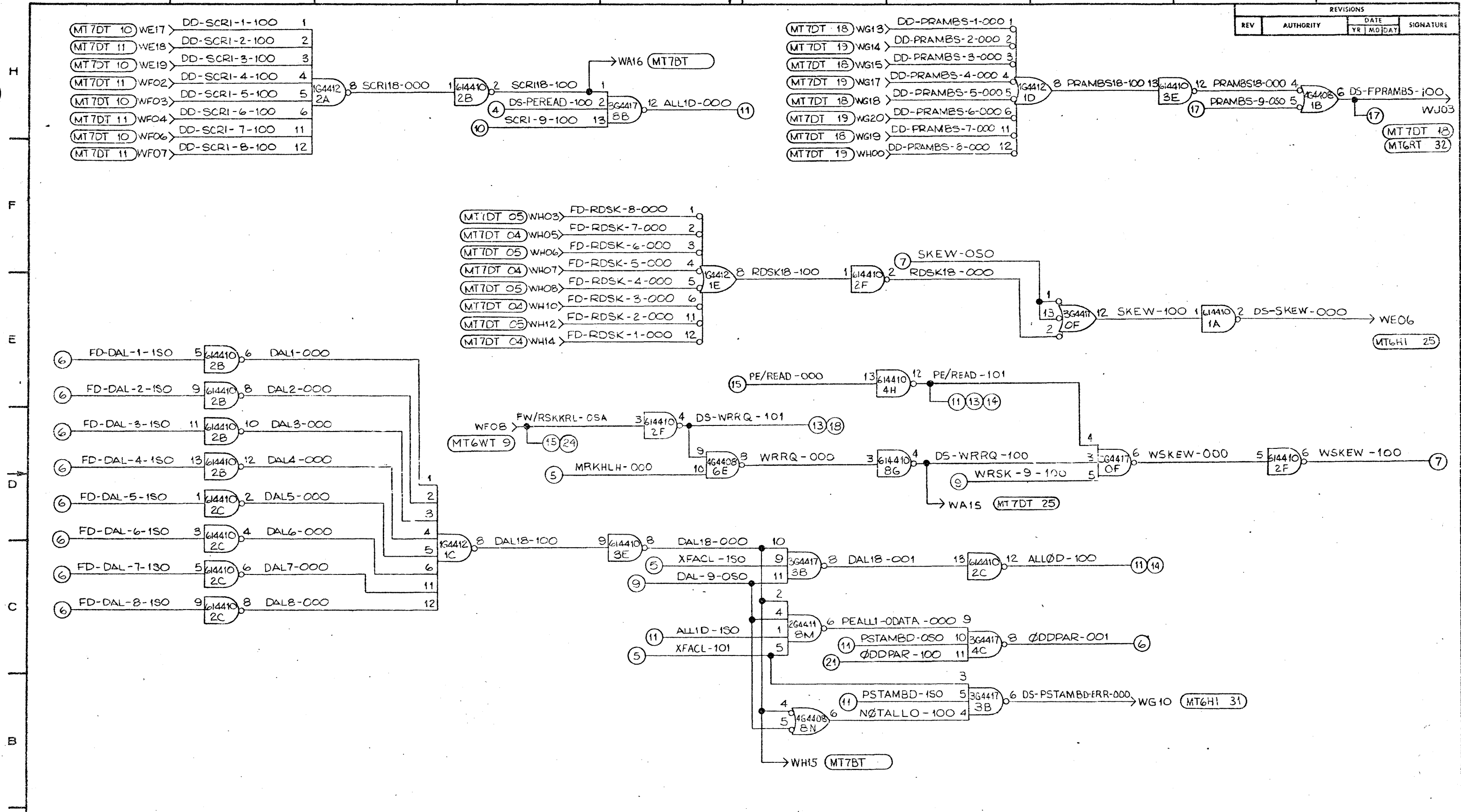
REVISIONS				
REV	AUTHORITY	DATE	SIGNATURE	
		YR MO DAY		

- MT7DT 10 WE17 DD-SCRI-1-100 1
- MT7DT 11 WE18 DD-SCRI-2-100 2
- MT7DT 10 WE19 DD-SCRI-3-100 3
- MT7DT 11 WFO2 DD-SCRI-4-100 4
- MT7DT 10 WFO3 DD-SCRI-5-100 5
- MT7DT 11 WFO4 DD-SCRI-6-100 6
- MT7DT 10 WFO6 DD-SCRI-7-100 11
- MT7DT 11 WFO7 DD-SCRI-8-100 12

- MT7DT 18 WG13 DD-PRAMBS-1-000 1
- MT7DT 19 WG14 DD-PRAMBS-2-000 2
- MT7DT 18 WG15 DD-PRAMBS-3-000 3
- MT7DT 19 WG17 DD-PRAMBS-4-000 4
- MT7DT 18 WG18 DD-PRAMBS-5-000 5
- MT7DT 19 WG20 DD-PRAMBS-6-000 6
- MT7DT 18 WG19 DD-PRAMBS-7-000 11
- MT7DT 19 WH00 DD-PRAMBS-8-000 12

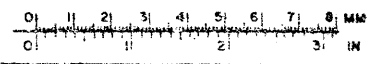
- MT7DT 05 WH03 FD-RDSK-8-000 1
- MT7DT 04 WH05 FD-RDSK-7-000 2
- MT7DT 05 WH06 FD-RDSK-6-000 3
- MT7DT 04 WH07 FD-RDSK-5-000 4
- MT7DT 05 WH08 FD-RDSK-4-000 5
- MT7DT 04 WH10 FD-RDSK-3-000 6
- MT7DT 05 WH12 FD-RDSK-2-000 11
- MT7DT 04 WH14 FD-RDSK-1-000 12

- FD-DAL-1-ISO 5 DAL1-000 6
- FD-DAL-2-ISO 9 DAL2-000 8
- FD-DAL-3-ISO 11 DAL3-000 10
- FD-DAL-4-ISO 13 DAL4-000 12
- FD-DAL-5-ISO 1 DAL5-000 2
- FD-DAL-6-ISO 3 DAL6-000 4
- FD-DAL-7-ISO 5 DAL7-000 6
- FD-DAL-8-ISO 9 DAL8-000 8



THIS DOCUMENT IS UNCLASSIFIED AND IS INTENDED FOR INTERNAL HONEYWELL USE ONLY. IT IS NOT TO BE DISTRIBUTED TO OTHERS WITHOUT THE WRITTEN PERMISSION OF AN AUTHORIZED HONEYWELL OFFICIAL. THIS RESTRICTION DOES NOT APPLY TO DERIVATIVE WORKS THAT MAY BE DISCLOSED IN THIS DOCUMENT.

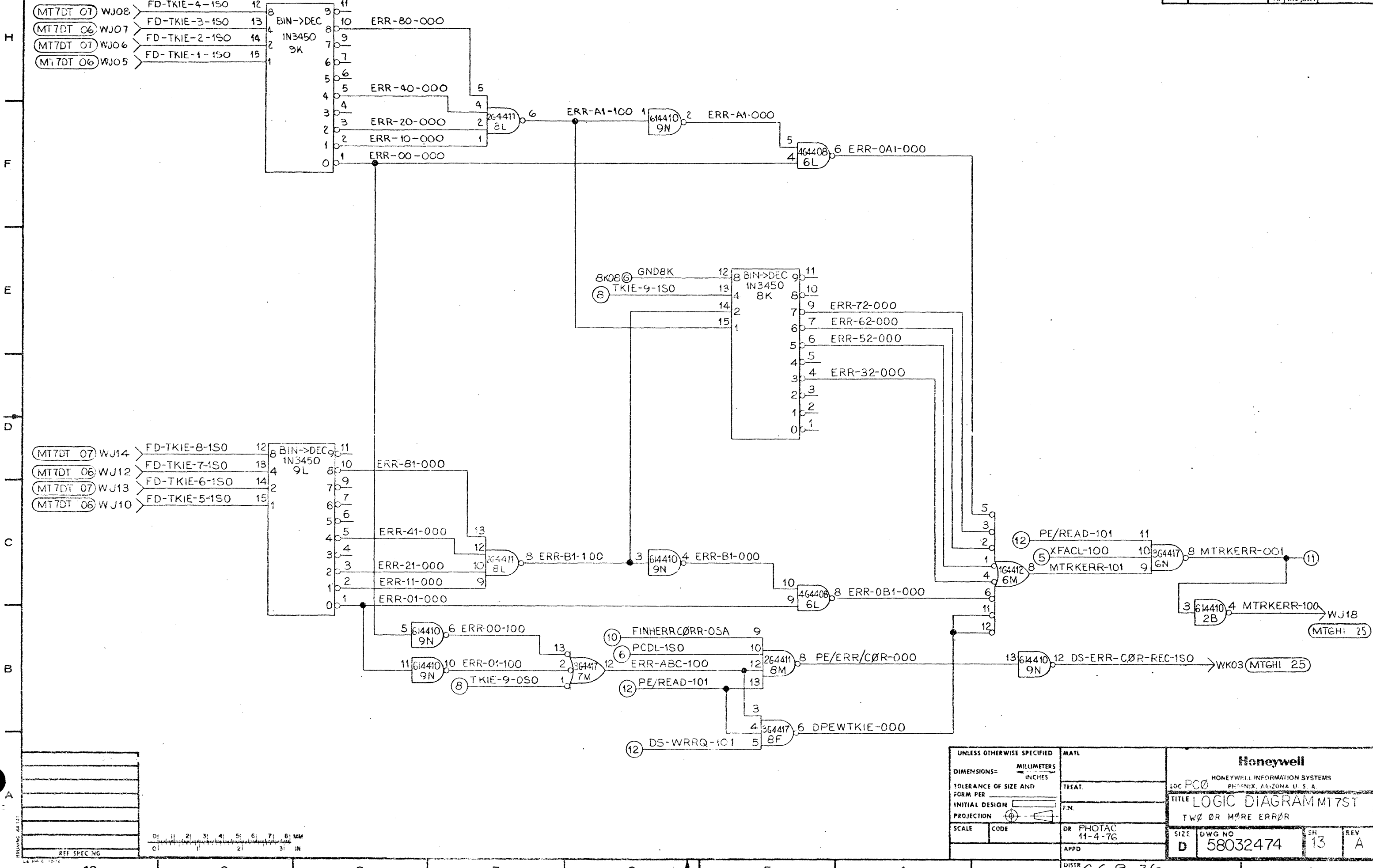
REF SPEC NO	



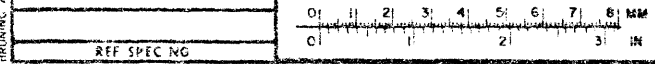
UNLESS OTHERWISE SPECIFIED		MATT		Honeywell HONEYWELL INFORMATION SYSTEMS PHOENIX, ARIZONA U.S.A.	
DIMENSIONS = MILLIMETERS / INCHES		TREAT.			
TOLERANCE OF SIZE AND FORM PER INITIAL DESIGN		FIN.		LOC PCB TITLE LOGIC DIAGRAM MT7ST ALLI'S/ALLØ'S/PE DESKW/PREAMBLE SET	
SCALE	CODE	DR	PHOTAC	SIZE	DWG NO
			11-4-76	D	58032474
APPD				SH	REV
				12	A

58032474

THE INFORMATION CONTAINED IN THIS DOCUMENT IS PROPRIETARY TO HONEYWELL INFORMATION SYSTEMS AND IS INTENDED FOR INTERNAL HONEYWELL USE ONLY.
 NO PART OF THIS DOCUMENT MAY BE DISTRIBUTED TO OTHERS ONLY BY WRITTEN PERMISSION OF AN AUTHORIZED HONEYWELL OFFICIAL. THIS RESTRICTION DOES NOT APPLY
 TO PROPRIETARY PARTS THAT MAY BE DISCLOSED IN THIS DOCUMENT.



158032474

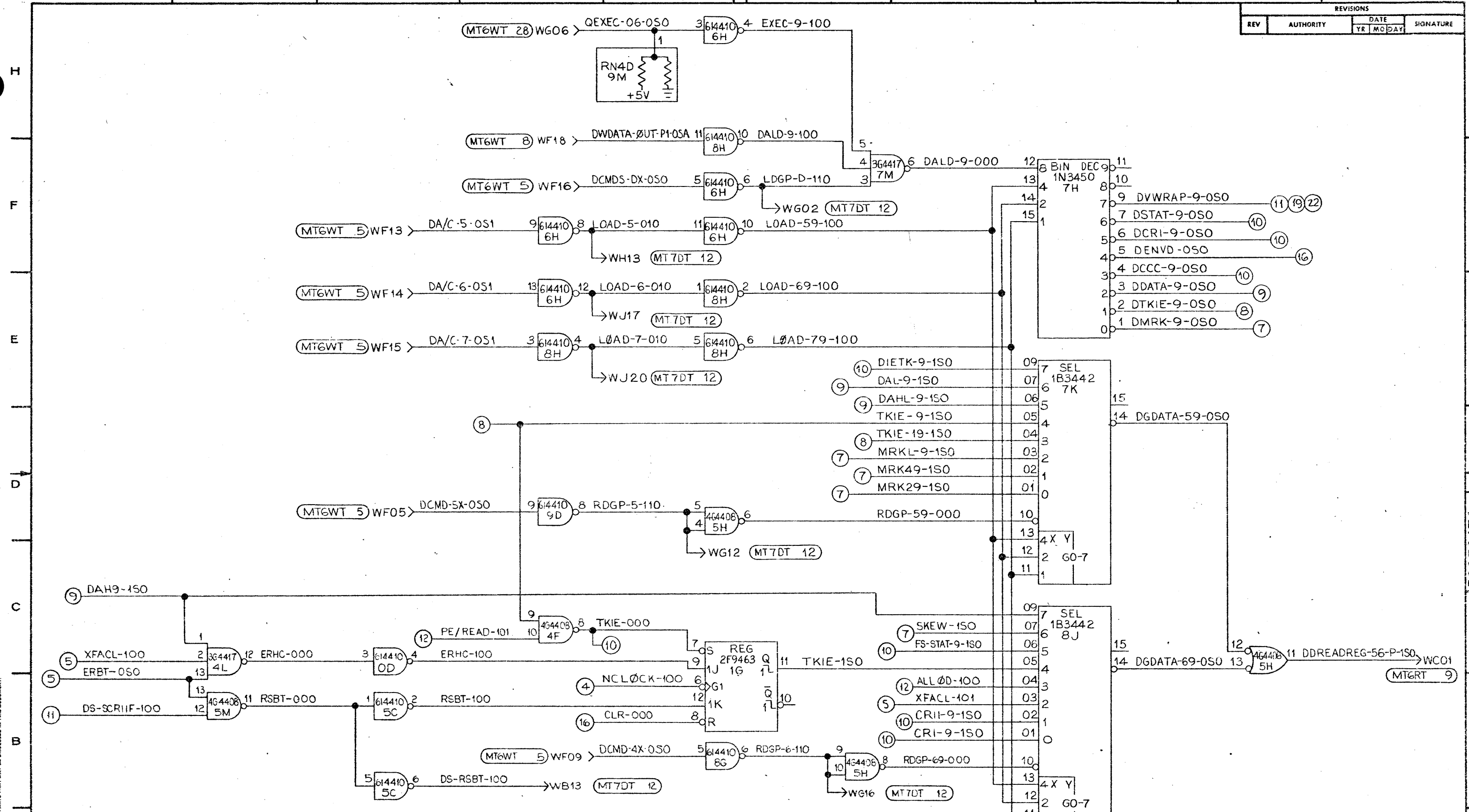


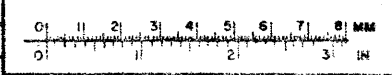
UNLESS OTHERWISE SPECIFIED		MATL	
DIMENSIONS-	MILLIMETERS		
	INCHES		
TOLERANCE OF SIZE AND	TREAT.		
FORM PER	FIN.		
INITIAL DESIGN			
PROJECTION			
SCALE	CODE	DR	PHOTAC
			11-4-76
		APPD	
DISTR C 68-26			

Honeywell			
HONEYWELL INFORMATION SYSTEMS PHOENIX, ARIZONA U.S.A.			
Loc PC0			
TITLE LOGIC DIAGRAM MT7ST			
TWO OR MORE ERRORS			
SIZE	DWG NO	SH	REV
D	58032474	13	A

THE INFORMATION CONTAINED IN THIS DOCUMENT IS PROPRIETARY TO HONEYWELL INFORMATION SYSTEMS AND IS INTENDED FOR INTERNAL HONEYWELL USE ONLY. IT IS NOT TO BE DISTRIBUTED TO OTHERS WITHOUT THE WRITTEN PERMISSION OF AN AUTHORIZED HONEYWELL OFFICIAL. THIS RESTRICTION DOES NOT APPLY TO INFORMATION CONTAINED HEREIN THAT IS INDICATED OTHERWISE.

REVISIONS				
REV	AUTHORITY	DATE	SIGNATURE	
YR	MO	DAY		

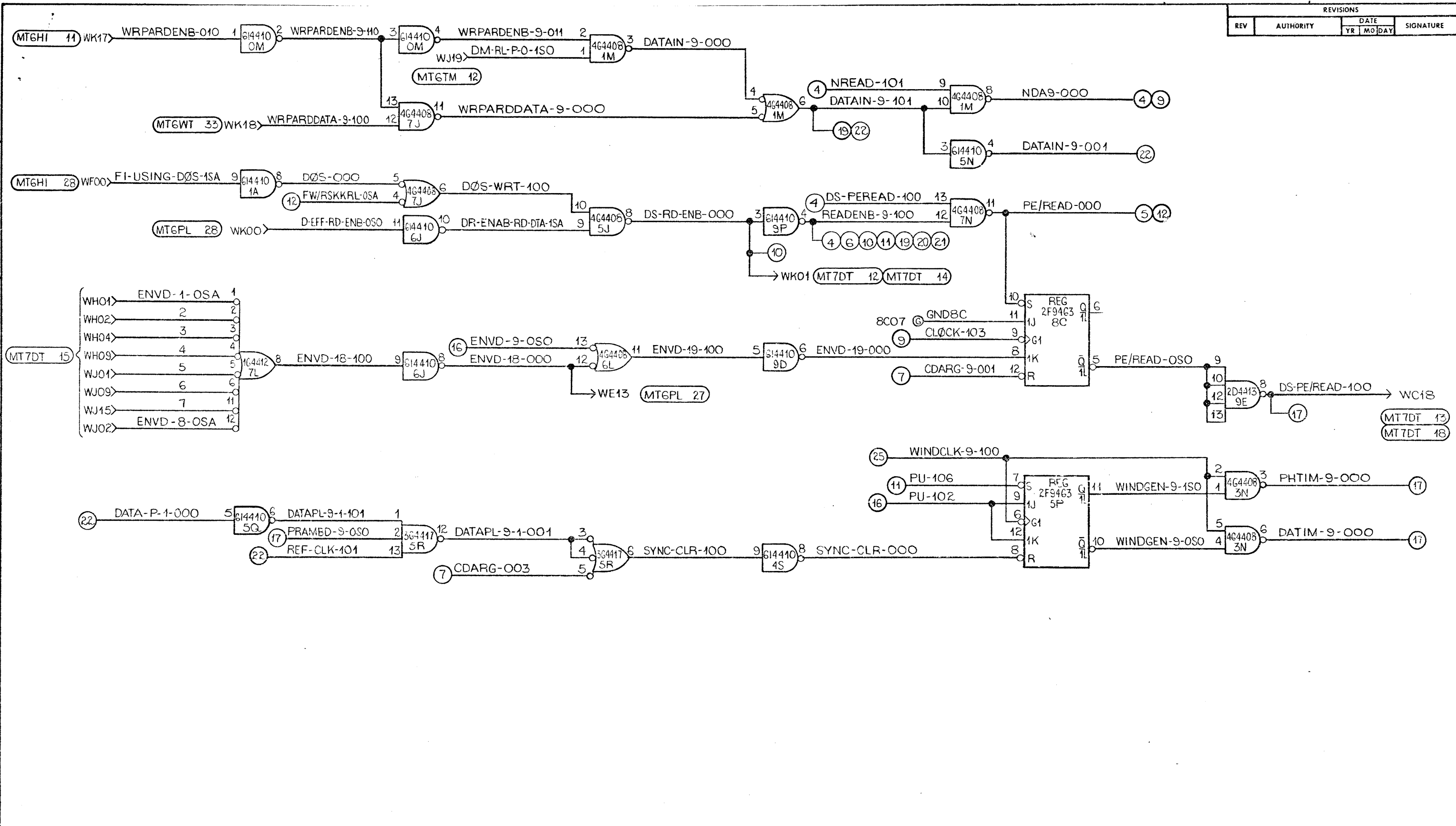




MATL	Honeywell HONEYWELL INFORMATION SYSTEMS PHOENIX, ARIZONA U.S.A. TITLE LOGIC DIAGRAM MT7ST DIAGNOSTICS			
TREAT.				
FIN.				
DR PHOTAC 11-4-76	SIZE D	DWG NO 58032474	CH 14	REV A
APPD	DISTR C68-26			

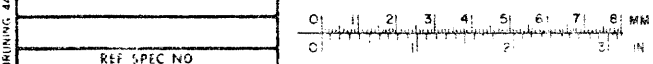
150032474

REVISIONS			
REV	AUTHORITY	DATE	SIGNATURE
		YR MO DAY	



TO VENDOR: PROPRIETARY PARTS THAT MAY BE DISCLOSED IN THIS DOCUMENT.

DRAWING 44 111

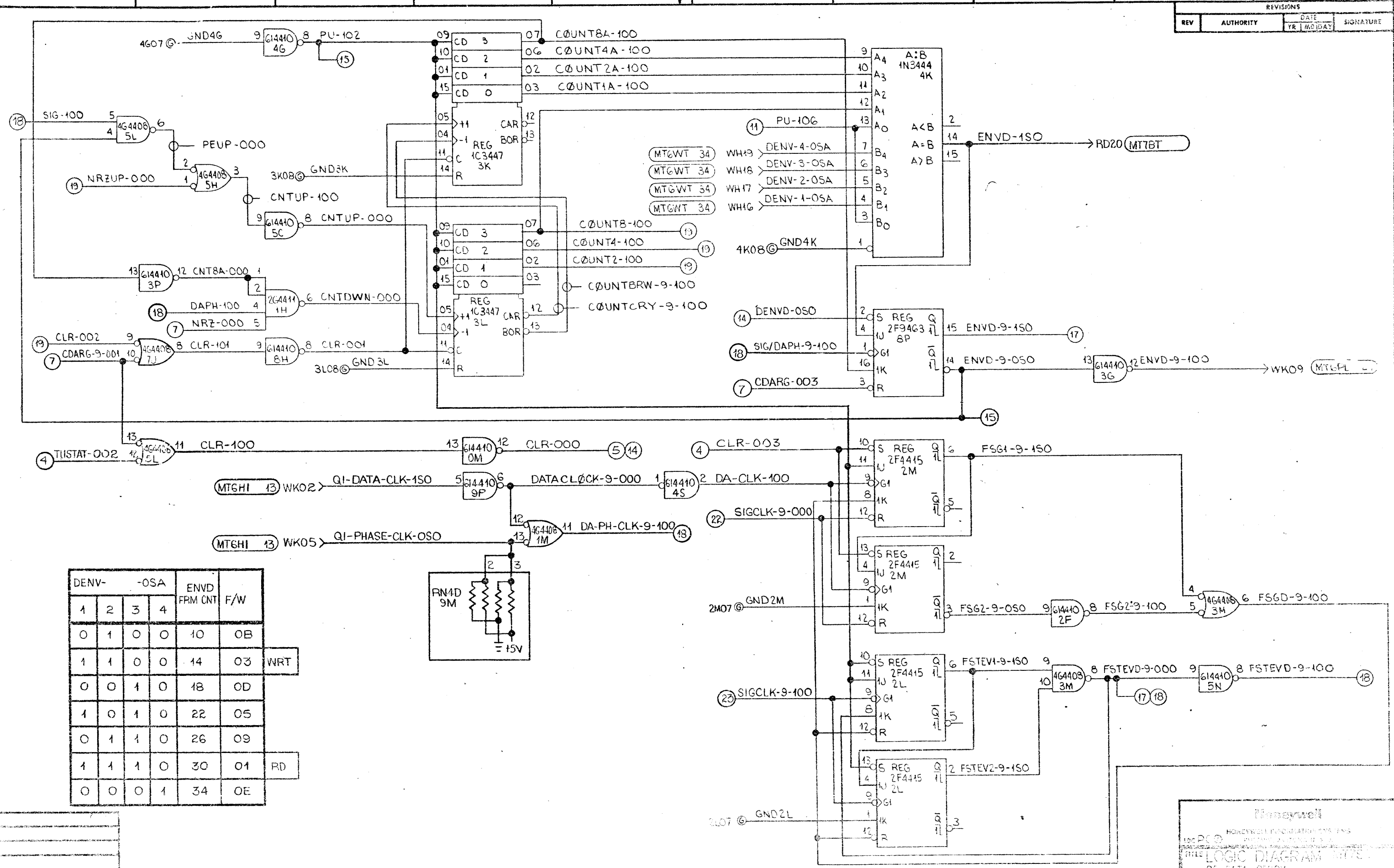


REF SPEC NO	
-------------	--

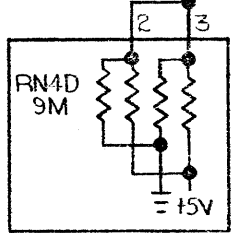
UNLESS OTHERWISE SPECIFIED		MATERIAL		Honeywell HONEYWELL INFORMATION SYSTEMS PHOENIX, ARIZONA U. S. A.	
DIMENSIONS =	MILLIMETERS INCHES	TREAT.	FIN.		
TOLERANCE OF SIZE AND FORM PER				TITLE LOGIC DIAGRAM MT7ST	
INITIAL DESIGN				PE DATA RECOV	
PROJECTION		DR	11-5-76	SIZE	DWG NO
SCALE	CODE	APPD	<i>Nancy Bahie</i>	D	58032474
		DISTR	C68-26	SH	REV
				15	A

58032474

REVISIONS				
REV	AUTHORITY	DATE	YR	SIGNATURE



DENV-	-OSA	ENVD	FRM CNT	F/W	
1	2	3	4		
0	1	0	0	10	0B
1	1	0	0	14	03 WRT
0	0	1	0	18	0D
1	0	1	0	22	05
0	1	1	0	26	09
1	1	1	0	30	01 RD
0	0	0	1	34	0E



THIS DOCUMENT IS UNCLASSIFIED EXCEPT WHERE SHOWN OTHERWISE. IT IS THE PROPERTY OF THE AIR FORCE AND IS LOANED TO YOUR AGENCY. IT AND ITS CONTENTS ARE TO BE RETURNED TO THE AIR FORCE AT THE END OF THE LOAN PERIOD. THIS RESTRICTION DOES NOT APPLY TO INFORMATION CONTAINED HEREIN WHICH IS UNCLASSIFIED EXCEPT WHERE SHOWN OTHERWISE.

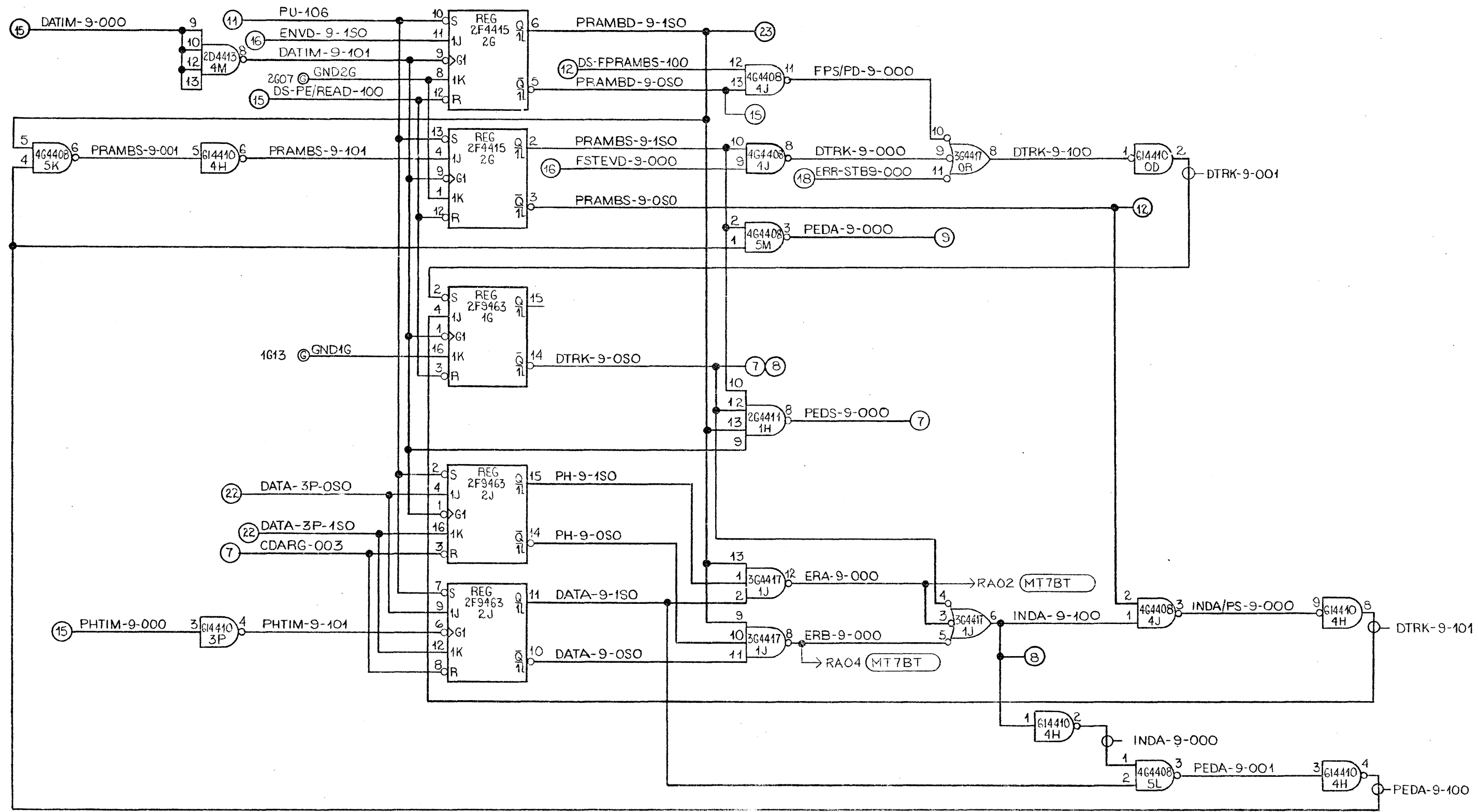
58 32474

Honeywell
 HONEYWELL INFORMATION SYSTEMS
 LOGIC DIAGRAM INTS
 PE DATA REC'D

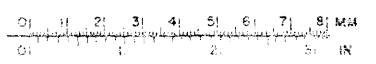
DR PHOTAC
 11-4-76

58032474

REVISIONS				
REV	AUTHORITY	DATE	SIGNATURE	
		YR MO DAY		



SUCH INFORMATION MAY BE DISTRIBUTED TO OTHERS ONLY BY WRITTEN PERMISSION OF AN AUTHORIZED HONEYWELL OFFICIAL. THIS RESTRICTION DOES NOT APPLY TO VENDOR SUPPLIERS OF HONEYWELL EQUIPMENT OR TO HONEYWELL EMPLOYEES WHOSE DUTY REQUIRES DISCLOSURE OF THIS INFORMATION.



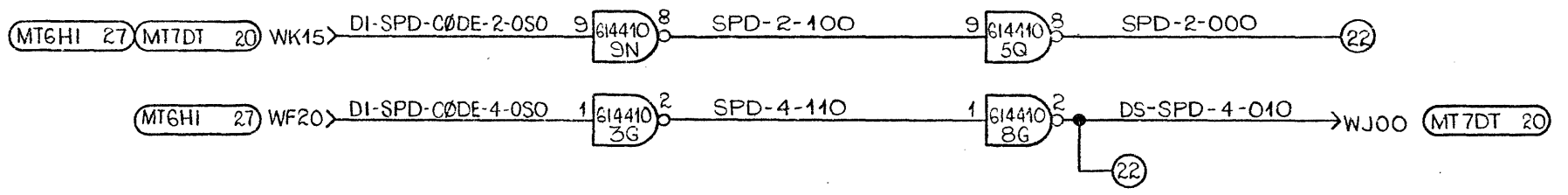
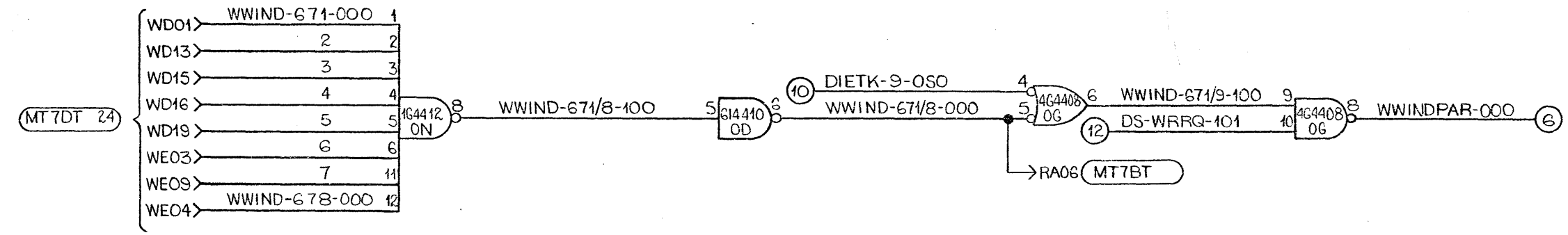
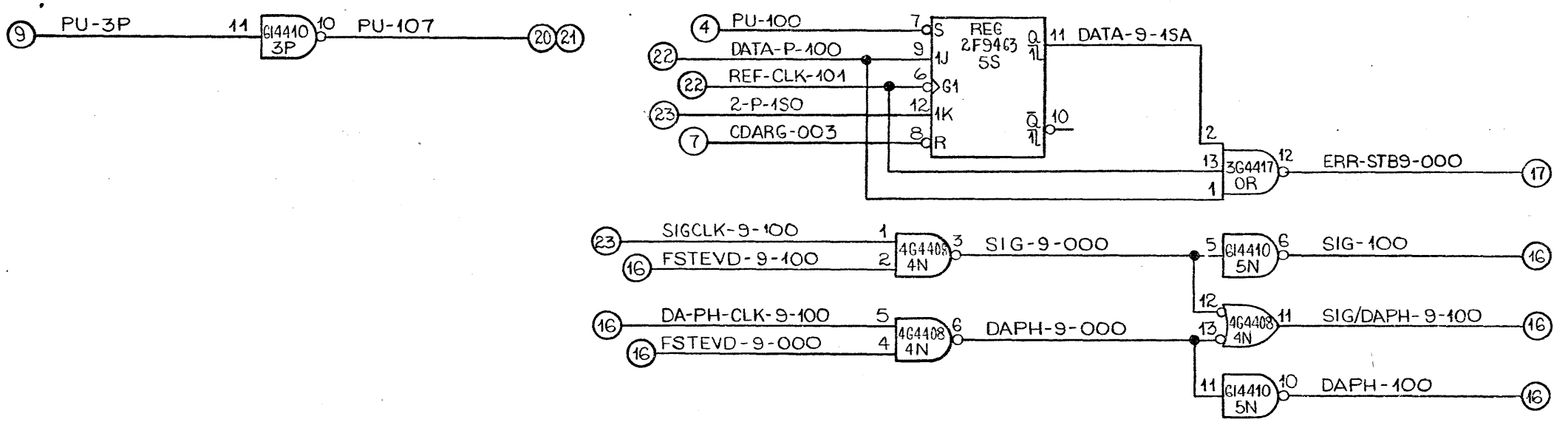
UNLESS OTHERWISE SPECIFIED		MATERIAL		Honeywell	
DIMENSIONS = $\frac{\text{MILLIMETERS}}{\text{INCHES}}$		TREAT.		HONEYWELL INFORMATION SYSTEMS PHOENIX, ARIZONA U. S. A.	
TOLERANCE OF SIZE AND FORM PER		FIN.		LOC	
INITIAL DESIGN		DR		TITLE LOGIC DIAGRAM MT7ST PE DATA REC	
PROJECTION		APPD		SIZE DWG NO	
SCALE		DR		D 58032474	
		DR		SH	
				REV	
				17 A	
		DISTR			

58032474

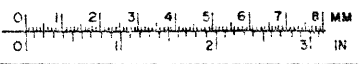
DISTR 002-26

REVISIONS					
REV	AUTHORITY	DATE		SIGNATURE	
		YR	MO DAY		

DI-SPD-CØDE	--OSO		F/W		
	SPEED	2	4	SPD	WT
751PS	1	1	AO	28	
1251PS	0	1	60	17	
2001PS	1	0	10	OE	

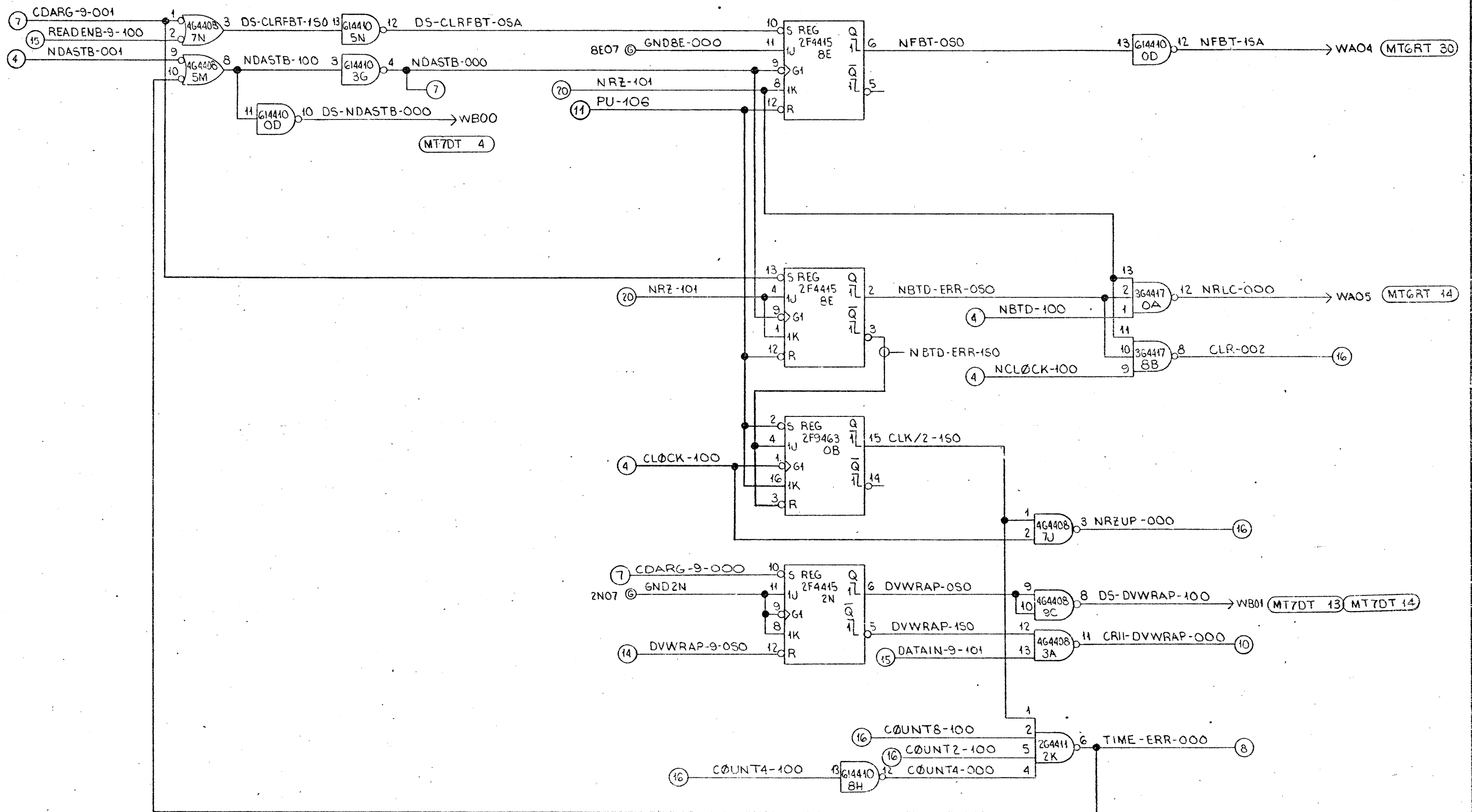


THIS INFORMATION MAY BE DISTRIBUTED TO OTHERS ONLY BY WRITTEN PERMISSION OF AN AUTHORIZED HONEYWELL OFFICIAL. THIS RESTRICTION DOES NOT APPLY TO PROPRIETARY PARTS THAT MAY BE DISCLOSED IN THIS DOCUMENT.

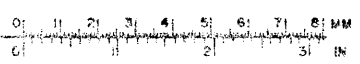


UNLESS OTHERWISE SPECIFIED		MATH		Honeywell	
DIMENSIONS= MILLIMETERS INCHES		TREAT.		HONEYWELL INFORMATION SYSTEMS PHOENIX, ARIZONA U. S. A.	
TOLERANCE OF SIZE AND FORM PER		FIN.		LOC	
INITIAL DESIGN		DR Nancy Ellis 11-5-76		TITLE LOGIC DIAGRAM MT7ST WRITE WINDOW	
PROJECTION		APPD		SIZE DWG NO SH REV	
SCALE	CODE			D	58032474 18 A
		DISTR C 68-26			

REVISIONS				
REV	AUTHORITY	DATE	YR	SIGNATURE



SUCH INFORMATION MAY BE DISTRIBUTED TO OTHERS ONLY BY WRITTEN PERMISSION OF AN AUTHORIZED HONEYWELL OFFICIAL. THIS RESTRICTION DOES NOT APPLY TO UNCLASSIFIED INFORMATION. UNLESS OTHERWISE SPECIFIED, ALL DIMENSIONS ARE IN MILLIMETERS.

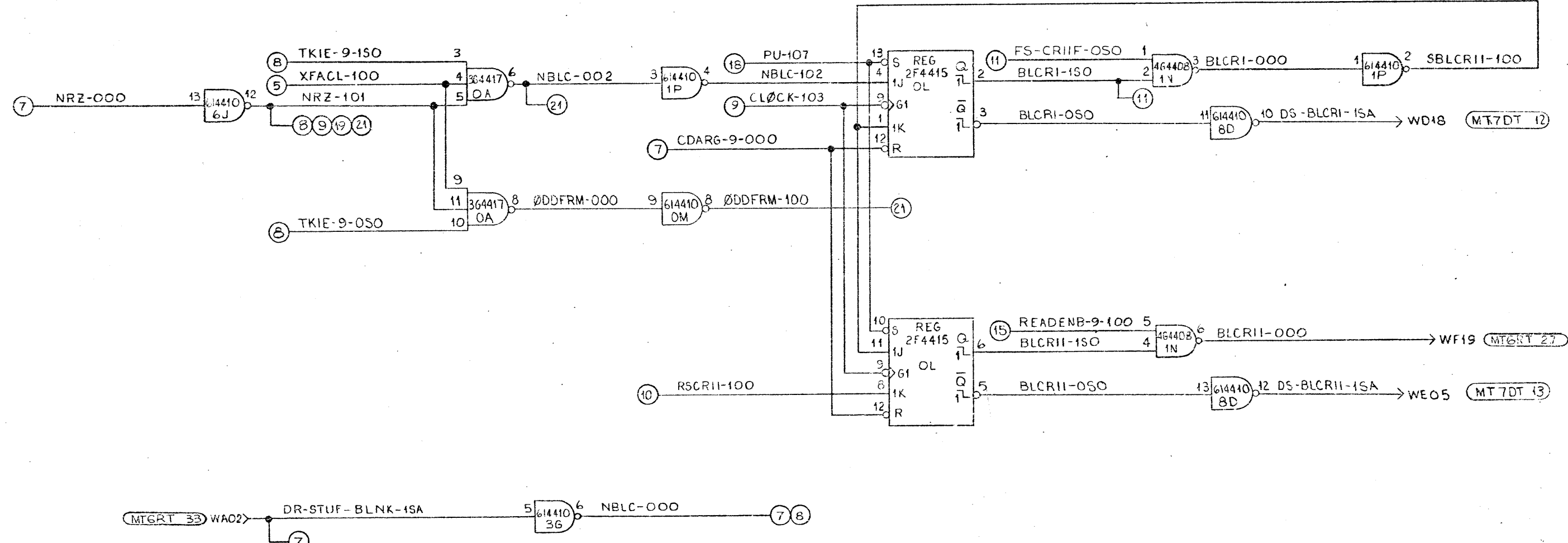


UNLESS OTHERWISE SPECIFIED		MATH	
DIMENSIONS = $\frac{\text{MILLIMETERS}}{\text{INCHES}}$		TREAT.	
TOLERANCE OF SIZE AND FORM PER		FIN.	
INITIAL DESIGN		DR PHOTAC	
PROJECTION		11-4-76	
SCALE	CODE	DR	APPD
		DISTR	

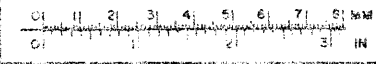
Honeywell			
HONEYWELL INFORMATION SYSTEMS			
PHOENIX, ARIZONA U.S.A.			
IDC PCO			
TITLE LOGIC DIAGRAM MT7ST			
BLANK CHARACTER, 1ST NRZ BIT / DEVICE WRAP			
SIZE	DWG NO	SH	REV
D	58032474		19 A

58032474

REVISIONS			
REV	AUTHORITY	DATE	SIGNATURE
		YR MO DAY	



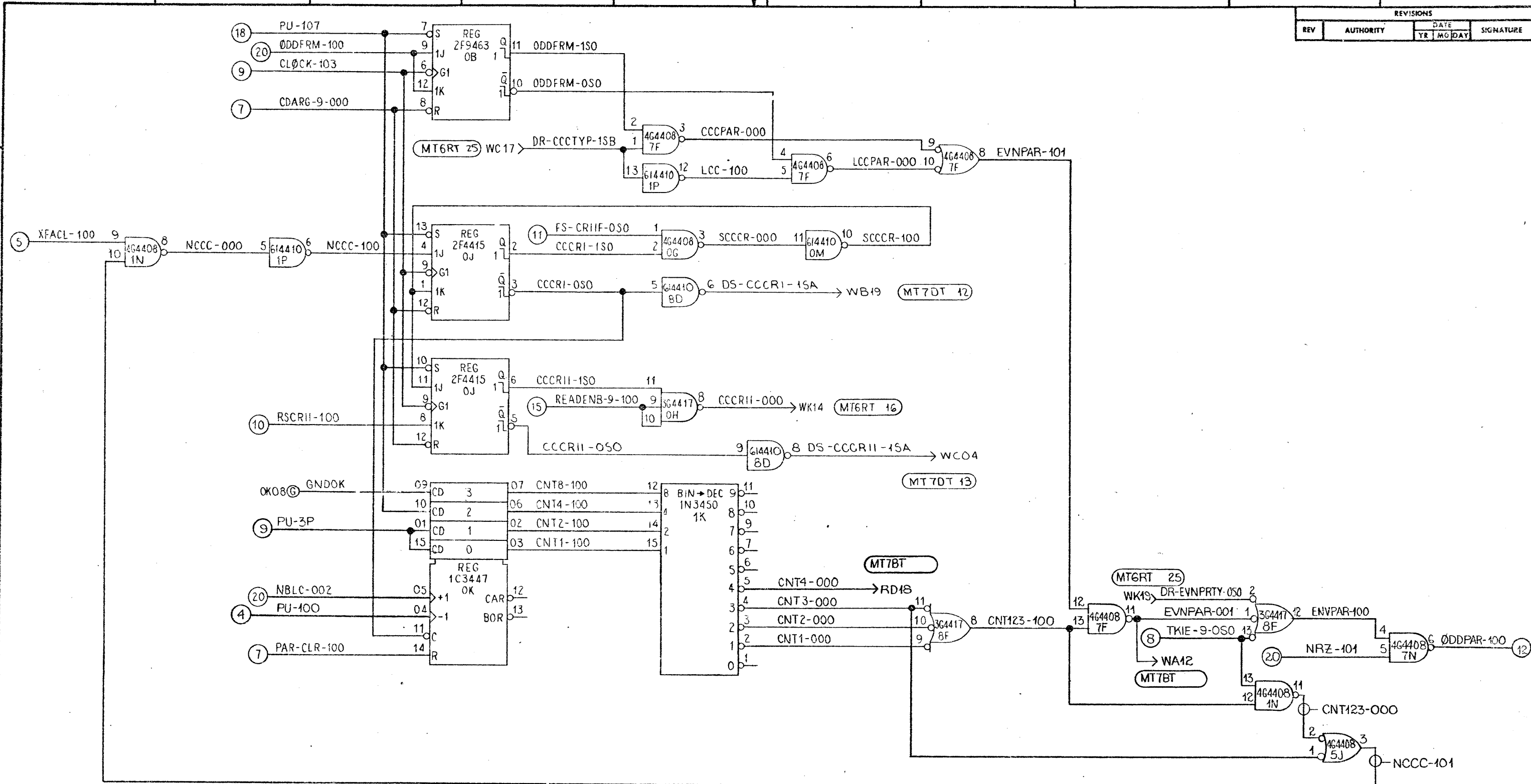
UNLESS OTHERWISE SPECIFIED IN THIS DOCUMENT, DIMENSIONS ARE IN MILLIMETERS UNLESS OTHERWISE SPECIFIED. THIS RESTRICTION DOES NOT APPLY TO DIMENSIONS OF DIMENSIONAL PARTS THAT MAY BE DISCLOSED IN THIS DOCUMENT.



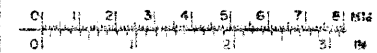
UNLESS OTHERWISE SPECIFIED		MATERIAL	
DIMENSIONS = MILLIMETERS		Honeywell	
TOLERANCE OF SIZE AND FORM PER INITIAL DESIGN PROJECTION		HONEYWELL INFORMATION SYSTEMS	
SCALE CODE		LOG PC	
DR PHOTAC 11-4-76		PHOENIX, ARIZONA U.S.A.	
APFD		TITLE LOGIC DIAGRAM MT7ST	
DISTR C68-26		BLANK CHARACTER NRZ BUFFERING	
		SIZE DWG NO. 58032474	
		REV 20 A	

58032474

REVISIONS				
REV	AUTHORITY	DATE		SIGNATURE
		YR	MO DAY	



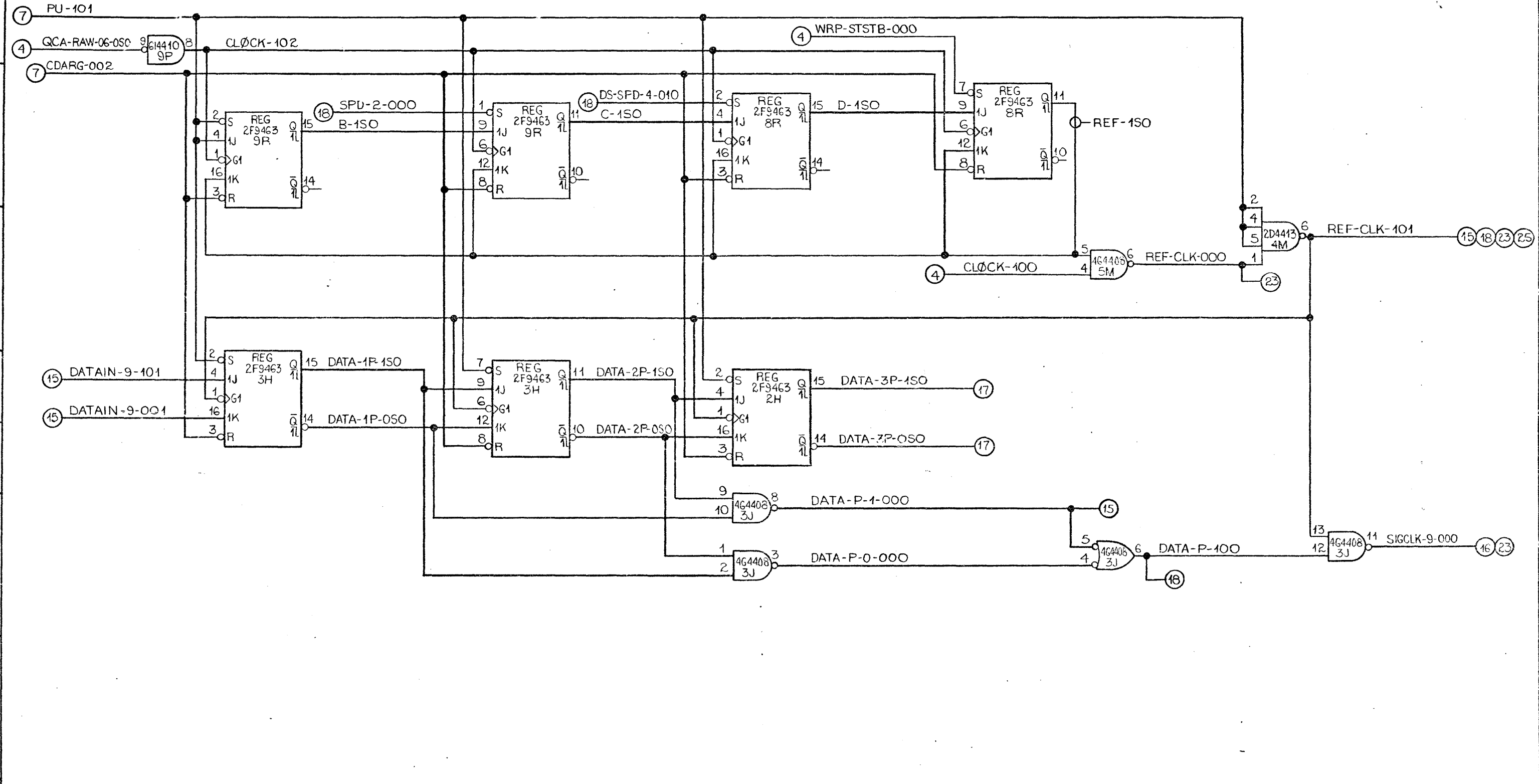
UNLESS OTHERWISE SPECIFIED, THIS INFORMATION DOES NOT APPLY TO ALL PARTS THAT MAY BE DISCLOSED IN THIS DOCUMENT.



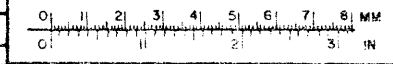
UNLESS OTHERWISE SPECIFIED		MATERIAL	
DIMENSIONS =	MILLIMETERS		
	INCHES		
TOLERANCE OF SIZE AND	TREAT.		
FORM PER	FIN.		
INITIAL DESIGN			
PROJECTION			
SCALE	CODE	DR PHOTAC	
		11-4-76	
		APPD	
		Honeywell	
		HONEYWELL INFORMATION SYSTEMS	
		PHOENIX, ARIZONA U. S. A.	
TITLE LOGIC DIAGRAM MT7ST			
CCC DETECT PARITY DETECT			
SIZE	DWG NO	SH	REV
D	58032474	21	A

58032474

REVISIONS				
REV	AUTHORITY	DATE		SIGNATURE
		YR	MO/DAY	



SUCH INFORMATION MAY BE DISTRIBUTED TO OTHERS ONLY BY WRITTEN PERMISSION OF AN AUTHORIZED HONEYWELL OFFICIAL. THIS RESTRICTION DOES NOT APPLY TO INFORMATION THAT IS EITHER PROPRIETARY OR INFORMATION THAT MAY BE DISCLOSED IN THIS DOCUMENT.



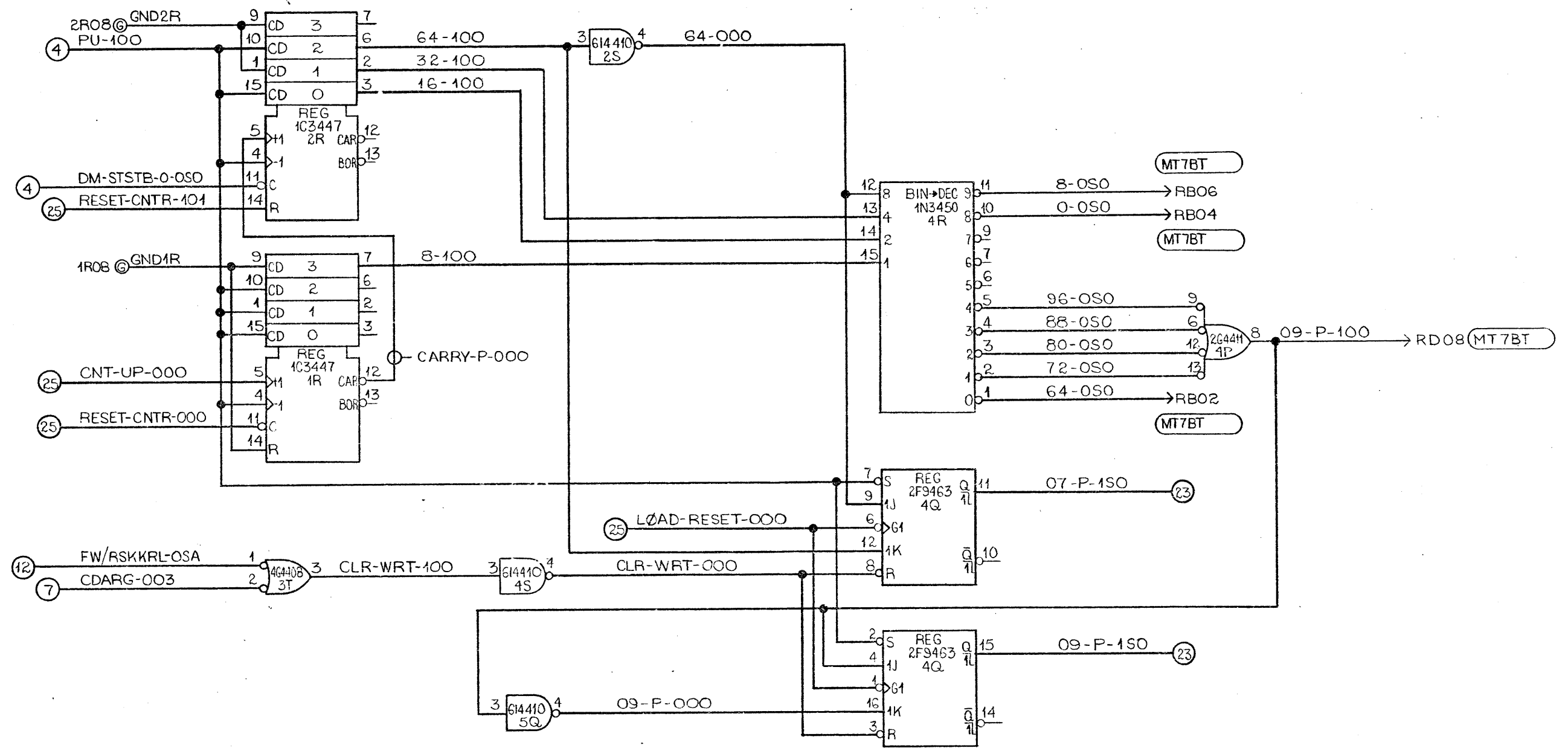
UNLESS OTHERWISE SPECIFIED		MATERIAL		Honeywell HONEYWELL INFORMATION SYSTEMS PHOENIX, ARIZONA U.S.A.	
DIMENSIONS = $\frac{\text{MILLIMETERS}}{\text{INCHES}}$		TREAT.			
TOLERANCE OF SIZE AND FORM PER		FIN.		LOC TITLE LOGIC DIAGRAM MT7ST PE DATA REC	
INITIAL DESIGN		SCALE		DR	DATE
PROJECTION		CODE		APPD	
				SIZE DWG NO 58032474 SH 22 REV A	
		DISTR C68-26			

H
F
E
D
C
B
A

H
F
E
D
C
B
A

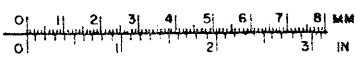
58032474

REVISIONS				
REV	AUTHORITY	DATE		SIGNATURE
		YR	MO	DAY



SUCH INFORMATION MAY BE DISTRIBUTED TO OTHERS ONLY BY WRITTEN PERMISSION OF AN AUTHORIZED HONEYWELL OFFICIAL. THIS RESTRICTION DOES NOT APPLY TO VENDOR PROPRIETARY PARTS THAT MAY BE DISCLOSED IN THIS DOCUMENT.

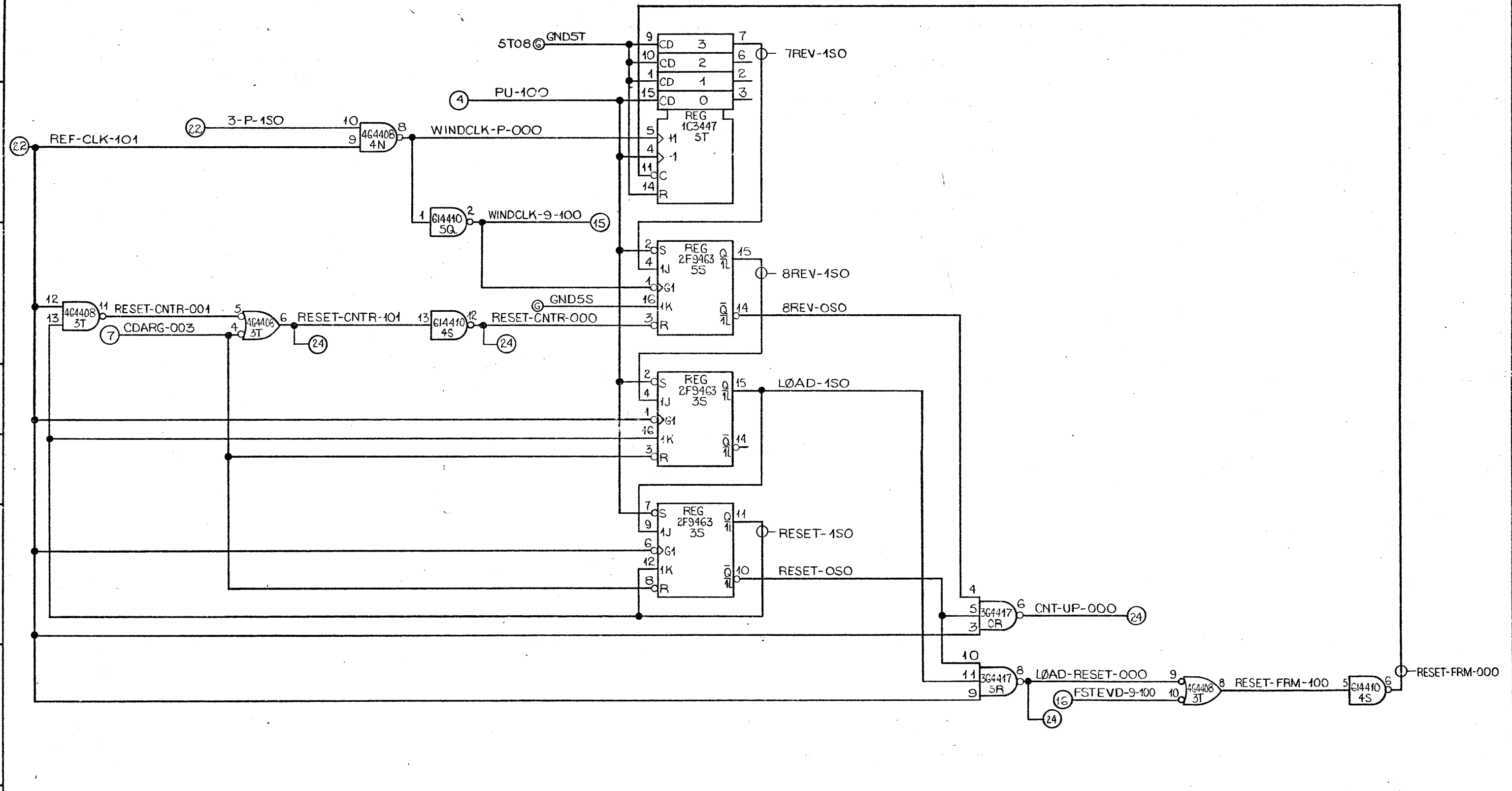
REF SPEC NO



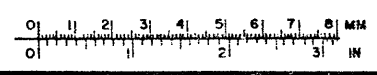
UNLESS OTHERWISE SPECIFIED		MATERIAL		Honeywell HONEYWELL INFORMATION SYSTEMS PHOENIX, ARIZONA U.S.A.	
DIMENSIONS= MILLIMETERS / INCHES		TREAT.			
TOLERANCE OF SIZE AND FORM PER INITIAL DESIGN		FIN.		TITLE LOGIC DIAGRAM MT7ST PE DATA REC	
SCALE	CODE	DR	DATE		
		DR <i>W. H. ...</i>	11-9-76	D	58032474
		APPD		SH	REV
		DISTR	C68-20	24	A

58032474

REVISIONS				
REV	AUTHORITY	DATE	SIGNATURE	
		YR MO DAY		



THIS DRAWING IS THE PROPERTY OF HONEYWELL INFORMATION SYSTEMS. IT IS UNLAWFUL TO REPRODUCE OR TRANSMIT THIS DRAWING IN ANY FORM OR BY ANY MEANS, ELECTRONIC OR MECHANICAL, INCLUDING PHOTOCOPYING, RECORDING, OR BY ANY INFORMATION STORAGE AND RETRIEVAL SYSTEM. WITHOUT THE WRITTEN PERMISSION OF AN AUTHORIZED HONEYWELL OFFICIAL, THIS RESTRICTION DOES NOT APPLY TO THE REPRODUCTION OF INFORMATION CONTAINED HEREIN FOR USE BY OTHERS ONLY.



UNLESS OTHERWISE SPECIFIED		MATERIAL		Honeywell HONEYWELL INFORMATION SYSTEMS PHOENIX, ARIZONA U. S. A.	
DIMENSIONS = MILLIMETERS / INCHES		TREAT.			
TOLERANCE OF SIZE AND FORM PER INITIAL DESIGN		FIN.		LOC	
PROJECTION		SCALE		TITLE	
C9DE		DR <i>Nancy Bekie</i> 12-9-76		PE DATA REC	
APPD		DISTR C68-26		SIZE	DWG NO
				D	58032474
				SH	REV
				25F	A

58032474

THE INFORMATION CONTAINED IN THIS DOCUMENT PROPRIETARY TO HONEYWELL INFORMATION SYSTEMS, INC. AND IS INTENDED FOR INTERNAL HONEYWELL USE ONLY. SUCH INFORMATION MAY BE DISTRIBUTED TO OTHERS BY WRITTEN PERMISSION OF AN AUTHORIZED HONEYWELL OFFICIAL. THIS RESTRICTION DOES NOT APPLY TO VENDOR PROPRIETARY THAT MAY BE DISCLOSED IN THIS DOCUMENT.

58029314

REV	AUTHORITY	DATE			SIGNATURE	DWG SHT NO																			
		YR	MO	DAY		1	2	2.1	3	4	5	6	7	8	9	10	11	12	13	14	15	16	17	18	19
A	LEVEL 3 ISSUE	77	03	23	<i>[Signature]</i> 3/21/77	A	A	A	A	A	A	A	A	A	A	A	A	A	A	A	A	A	A	A	A

FOR CONTINUATION OF REVISION STATUS SEE SHEET

Honeywell HONEYWELL INFORMATION SYSTEMS LOC PHOENIX, ARIZONA CE 900 A-3 (12-71) BRUNING 44-141		MADE BY <i>[Signature]</i> 77, JAN 4 APPROVED <i>[Signature]</i> 77 3 13 REVISION STATUS FOR EACH PAGE SHEET OR GROUP IS SHOWN BY LAST ENTRY IN THE CORRESPONDING NUMBERED COLUMN	TITLE LOGIC DIAGRAM MT7DT SIZE D 58029314 REVISION STATUS FOR SHEET 1/2 REV A
--	--	---	---

C68-26

THE INFORMATION CONTAINED IN THIS DOCUMENT PROPRIETARY TO HONEYWELL INFORMATION SYSTEMS, INC. AND IS INTENDED FOR INTERNAL HONEYWELL USE ONLY. SUCH INFORMATION MAY BE DISTRIBUTED TO OTHERS BY WRITTEN PERMISSION OF AN AUTHORIZED HONEYWELL OFFICIAL. THIS RESTRICTION DOES NOT APPLY TO VENDOR PROPRIETARY THAT MAY BE DISCLOSED IN THIS DOCUMENT.

58029314

REV	AUTHORITY	DATE			SIGNATURE	DWG SHT NO																			
		YR	MO	DAY		20	21	22	23	24	25	26	27	28											
A	LEVEL 3 ISSUE	77	03	23	<i>[Signature]</i> 3/21/77	A	A	A	A	A	A	A	A	A	A	A	A	A	A	A	A	A	A	A	A

FOR CONTINUATION OF REVISION STATUS SEE SHEET

Honeywell HONEYWELL INFORMATION SYSTEMS LOC PHOENIX, ARIZONA CE 900 A-3 (12-71) BRUNING 44-141		MADE BY <i>[Signature]</i> 77, JAN 4 APPROVED <i>[Signature]</i> 77 3 13 REVISION STATUS FOR EACH PAGE SHEET OR GROUP IS SHOWN BY LAST ENTRY IN THE CORRESPONDING NUMBERED COLUMN	TITLE LOGIC DIAGRAM MT7DT SIZE D 58029314 REVISION STATUS FOR SHEET 2F REV A
--	--	---	--

C68-26

Table with 4 columns: SIGNAL NAME, SHEET, SIGNAL NAME, SHEET. Lists various logic signals and their sheet references.

FOR DOCUMENT STATUS, SEE REVISION STATUS SHEET

Honeywell

EDA APR 28,76 MAR 08,77 REV A

1.01 58029314
1.00/40

Table with 4 columns: SIGNAL NAME, SHEET, SIGNAL NAME, SHEET. Lists various logic signals and their sheet references.

Honeywell

EDA APR 28,76 MAR 08,77 REV A

1.02 58029314
1.01

Table with 4 columns: SIGNAL NAME, SHEET, SIGNAL NAME, SHEET. Lists various logic signals and their sheet references.

Honeywell

EDA APR 28,76 MAR 08,77 REV A

1.03 58029314
1.02

Table with 4 columns: SIGNAL NAME, SHEET, SIGNAL NAME, SHEET. Lists various logic signals and their sheet references.

Honeywell

EDA APR 28,76 MAR 08,77 REV A

1.04 58029314
1.03

Table with 4 columns: SIGNAL NAME, SHEET, SIGNAL NAME, SHEET. Lists various logic signals and their corresponding sheet numbers.

Honeywell

EDA APR 28,76 MAR 08,77 REV A

58029314 1.05 1.04

Table with 4 columns: SIGNAL NAME, SHEET, SIGNAL NAME, SHEET. Lists various logic signals and their corresponding sheet numbers.

Honeywell

EDA APR 28,76 MAR 08,77 REV A

58029314 1.06 1.05

Table with 4 columns: SIGNAL NAME, SHEET, SIGNAL NAME, SHEET. Lists various logic signals and their corresponding sheet numbers.

Honeywell

EDA APR 28,76 MAR 08,77 REV A

58029314 1.07 1.06

Table with 6 columns: PIN NAME, SHEET, PIN NAME, SHEET, PIN NAME, SHEET. Lists various pin names and their corresponding sheet numbers.

Honeywell

EDA APR 28,76 MAR 08,77 REV A

58029314 1.08 1.07

PIN NAME	SHEET	PIN NAME	SHEET	PIN NAME	SHEET
2Q+10	22.0	3L+07	15.0	4E+06	05.0
2Q+11	22.0	3L+12	15.0	4E+08	05.0
2Q+14	22.0	3L+13	15.0	4F+03	09.0
2R+02	22.0	3M+03	14.0	4F+06	04.0
2R+03	22.0	3M+06	15.0	4F+08	05.0
2R+04	22.0	3M+08	15.0	4F+11	11.0
2S+02	22.0	3N+03	14.0	4G+03	10.0
2S+04	22.0	3N+08	14.0	4G+08	10.0
2S+06	24.0	3N+11	15.0	4H+02	18.0
2S+08	24.0	3P+14	15.0	4H+04	18.0
2S+12	23.0	3Q+13	22.0	4H+06	18.0
3A+02	10.0	3Q+14	22.0	4H+08	18.0
3A+03	10.0	3Q+15	22.0	4H+10	09.0
3A+06	10.0	3R+01	23.0	4H+12	15.0
3B+06	10.0	3R+02	23.0	4J+03	18.0
3B+08	10.0	3R+03	23.0	4J+08	18.0
3C+02	10.0	3R+04	23.0	4J+11	18.0
3C+06	10.0	3R+05	23.0	4K+02	14.0
3D+08	10.0	3R+10	23.0	4K+04	22.0
3E+06	10.0	3S+10	24.0	4K+08	22.0
3E+08	10.0	3S+11	24.0	4K+10	19.0
3F+03	10.0	3S+15	24.0	4K+12	19.0
3F+06	18.0	3T+06	24.0	4L+03	04.0
3F+08	18.0	3T+08	24.0	4L+08	04.0
3G+11	08.0	3T+11	24.0	4L+11	05.0
3G+02	10.0	4A+03	05.0	4M+06	21.0
3G+04	14.0	4A+06	07.0	4M+08	21.0
3G+06	15.0	4A+08	07.0	4N+03	22.0
3G+08	04.0	4A+11	07.0	4N+06	22.0
3H+08	18.0	4B+02	05.0	4N+08	22.0
3H+10	19.0	4B+04	05.0	4N+11	22.0
3H+11	10.0	4B+08	07.0	4P+14	22.0
3H+14	11.0	4B+10	07.0	4P+15	22.0
3H+15	11.0	4B+12	07.0	4Q+11	22.0
3J+06	21.0	4C+03	05.0	4Q+15	22.0
3J+08	21.0	4C+06	05.0	4R+06	22.0
3J+11	15.0	4C+08	07.0	4S+07	22.0
3K+02	15.0	4C+11	09.0	4T+06	24.0
3K+03	15.0	4D+02	07.0	4T+08	24.0
3K+06	15.0	4D+05	07.0	4T+12	18.0
3K+07	15.0	4D+06	07.0	5A+03	07.0

Honeywell

PIN NAME	SHEET	PIN NAME	SHEET	PIN NAME	SHEET
5A*06	09.0	5P+15	14.0	6K+06	14.0
5A*08	05.0	5Q+02	24.0	6K+08	14.0
5A+11	05.0	5Q+04	14.0	6L+12	17.0
5B+02	05.0	5Q+06	20.0	6L+02	17.0
5B+04	05.0	5Q+08	20.0	6L+06	17.0
5B+06	11.0	5Q+10	20.0	6M+03	17.0
5B+08	07.0	5Q+12	20.0	6M+06	17.0
5B+10	09.0	5R+07	27.0	6N+10	19.0
5B+12	09.0	5R+12	27.0	6P+11	26.0
5C+06	07.0	5S+11	25.0	6P+15	26.0
5C+08	07.0	5S+14	24.0	6Q+10	26.0
5D+02	05.0	6A+03	09.0	6Q+11	26.0
5D+06	05.0	6A+06	09.0	6Q+12	26.0
5E+02	05.0	6A+08	09.0	6R+03	22.0
5E+05	05.0	6A+11	11.0	6R+06	22.0
5E+06	05.0	6B*02	09.0	6S*02	22.0
5F+02	05.0	6B*04	09.0	6S*06	28.0
5F+03	05.0	6B*06	05.0	6S*08	28.0
5F+05	05.0	6B*08	11.0	6S+12	22.0
5F+06	05.0	6B+10	10.0	7A+02	11.0
5G+02	09.0	6B+12	10.0	7A+03	11.0
5G+06	09.0	6C+02	09.0	7A+06	11.0
5H+08	19.0	6C+06	09.0	7B+06	11.0
5H+12	19.0	6D+05	09.0	7C+08	04.0
5K+06	18.0	6D+06	09.0	7C+06	11.0
5K+11	14.0	6E*03	07.0	7D*06	11.0
5L+03	12.0	6E*06	13.0	7E*08	11.0
5L+06	15.0	6E+08	11.0	7F+03	11.0
5L+08	15.0	6E+11	13.0	7F+06	11.0
5M+03	16.0	6F*06	05.0	7F+08	11.0
5M+06	16.0	6F+08	12.0	7F+11	09.0
5M+08	16.0	6F+12	05.0	7G+02	12.0
5N+11	19.0	6G+03	19.0	7G+04	12.0
5N+04	18.0	6G+06	19.0	7G+06	12.0
5N+06	20.0	6H+14	26.0	7G+08	12.0
5N+08	15.0	6H+15	26.0	7G+10	12.0
5N+10	20.0	6J+10	19.0	7H+12	22.0
5N+12	22.0	6J+11	19.0	7H+14	22.0
5P+10	15.0	6J+14	19.0		
5P+11	15.0	6J+15	19.0		
5P+14	14.0				

Honeywell

PIN NAME	SHEET	PIN NAME	SHEET	PIN NAME	SHEET
7H+15	26.0	8E+02	12.0	9C+06	13.0
7J+03	12.0	8E+03	12.0	9C+08	13.0
7J+06	26.0	8E+04	12.0	9C+12	09.0
7J+08	26.0	8E+05	12.0	9D+02	04.0
7K+11	26.0	8E+06	12.0	9D+04	04.0
7K+02	17.0	8E+07	12.0	9D+06	04.0
7K+03	17.0	8F+02	12.0	9D+08	05.0
7K+06	17.0	8F+06	13.0	9D+10	04.0
7K+07	17.0	8G+12	21.0	9D+12	04.0
7L+07	17.0	8H+02	16.0	9E+01	13.0
7L+12	17.0	8H+04	19.0	9E+02	13.0
7L+13	17.0	8H+06	19.0	9E+03	13.0
7H+03	21.0	8H+08	19.0	9E+04	13.0
7H+06	17.0	8H+10	19.0	9E+05	13.0
7H+08	17.0	8H+12	12.0	9E+06	13.0
7H+11	26.0	8J+03	19.0	9E+07	13.0
7H+03	16.0	8J+08	19.0	9F+14	13.0
7H+06	16.0	8J+11	19.0	9G+02	05.0
7H+08	26.0	8K+11	21.0	9G+04	05.0
7H+11	26.0	8K+13	21.0	9G+06	06.0
7P+14	26.0	8L+11	22.0	9G+08	07.0
7Q+13	26.0	8L+12	22.0	9G+10	08.0
7Q+14	26.0	8M+06	26.0	9H+02	11.0
7Q+15	26.0	8M+08	26.0	9H+04	11.0
7R+01	27.0	8N+03	27.0	9H+06	11.0
7R+02	27.0	8N+06	27.0	9H+08	11.0
7R+03	27.0	8N+08	27.0	9H+10	11.0
7R+04	27.0	8N+11	20.0	9H+12	17.0
7R+05	27.0	8P+14	26.0	9J+02	17.0
7R+10	27.0	8P+15	26.0	9J+04	17.0
7R+11	27.0	8Q+11	27.0	9J+06	17.0
7S+10	28.0	8Q+15	27.0	9J+08	12.0
7S+15	28.0	8R+06	27.0	9J+10	10.0
7T+03	28.0	8S+07	28.0	9J+12	11.0
7T+06	28.0	8T+06	28.0	9K*06	19.0
7T+08	28.0	8T+08	28.0	9K+11	16.0
7T+11	28.0	8T+09	28.0	9L*03	12.0
8A+14	12.0	9A+14	13.0	9L*06	17.0
8B+14	12.0	9B*02	09.0	9L*08	17.0
8D+03	12.0	9B+04	09.0	9M+03	10.0
8D+06	12.0	9B+06	10.0	9M+04	10.0
8D+08	12.0	9B+08	11.0	9M+06	10.0
8D+11	13.0	9B+10	10.0	9N*02	19.0
8E+01	12.0	9B+12	10.0	9N*08	17.0

Honeywell

PIN NAME	SHEET	PIN NAME	SHEET	PIN NAME	SHEET
9N+10	20.0	WF 04	14.0		
9N+12	26.0	WF 06	14.0		
9P+10	17.0	WF 17	11.0		
9P+11	17.0	WF 18	14.0		
9P+14	16.0	WF 19	14.0		
9P+15	16.0	WF 20	16.0		
9Q+02	17.0	WG 03	20.0		
9Q+04	28.0	WG 06	20.0		
9Q+06	19.0	WG 12	20.0		
9Q+08	20.0	WG 18	12.0		
9Q+10	20.0	WG 19	12.0		
9Q+12	12.0	WH 16	15.0		
9S+11	25.0	WH 17	15.0		
9S+14	28.0	WH 18	15.0		
9S+15	28.0	WH 19	15.0		
WA 00	04.0				
WA 07	04.0				
WA 10	10.0				
WA 12	10.0				
WB 01	10.0				
WB 03	15.0				
WB 04	15.0				
WB 05	12.0				
WB 06	12.0				
WB 07	12.0				
WB 14	08.0				
WB 15	25.0				
WC 00	12.0				
WC 05	04.0				
WC 06	10.0				
WC 12	10.0				
WC 17	10.0				
WC 18	10.0				
WD 05	10.0				
WD 08	10.0				
WD 10	10.0				
WD 15	10.0				
WD 18	12.0				
WE 03	13.0				
WE 04	13.0				
WE 08	18.0				
WE 16	15.0				
WF 02	14.0				
WF 03	16.0				

Honeywell

REVISIONS				
REV	AUTHORITY	DATE		SIGNATURE
		YR	MO DAY	

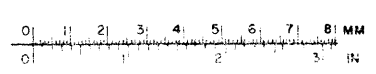
PIN NO.	SHEET NO.	PIN NO.	SHEET NO.	PIN NO.	SHEET NO.	PIN NO.	SHEET NO.	PIN NO.	SHEET NO.	PIN NO.	SHEET NO.	PIN NO.	SHEET NO.	PIN NO.	SHEET NO.
WA00	4	WB00	11	WC00	12	WD00	4	WE00	X	WF00	16	WG00	---	LW00	---
WA01	---	WB01	14	WC01	8	WD01	---	WE01	X	WF01	14	WG01	---	LD01	---
WA02	---	WB02	12	WC02	9	WD02	---	WE02	X	WF02	14	WG02	---	LD02	---
WA03	12	WB03	13	WC03	9	WD03	20	WE03	13	WF03	16	WG03	---	LD03	---
WA04	12	WB04	13	WC04	4	WD04	---	WE04	13	WF04	14	WG04	---	LD04	---
WA05	---	WB05	12	WC05	10	WD05	---	WE05	---	WF05	14	WG05	---	LD05	---
WA06	---	WB06	12	WC06	10	WD06	---	WE06	14	WF06	14	WG06	---	LD06	---
WA07	4	WB07	12	WC07	12	WD07	---	WE07	---	WF07	14	WG07	---	LD07	---
WA08	10	WB08	---	WC08	12	WD08	---	WE08	18	WF08	14	WG08	---	LD08	---
WA09	11	WB09	---	WC09	13	WD09	---	WE09	---	WF09	13	WG09	---	LD09	---
WA10	10	WB10	6	WC10	11	WD10	---	WE10	---	WF10	---	WG10	---	LD10	---
WA11	---	WB11	7	WC11	10	WD11	---	WE11	---	WF11	---	WG11	---	LD11	---
WA12	10	WB12	---	WC12	10	WD12	---	WE12	---	WF12	---	WG12	---	LD12	---
WA13	---	WB13	7	WC13	11	WD13	---	WE13	---	WF13	---	WG13	---	LD13	---
WA14	---	WB14	8	WC14	11	WD14	---	WE14	---	WF14	---	WG14	---	LD14	---
WA15	---	WB15	25	WC15	11	WD15	---	WE15	---	WF15	---	WG15	---	LD15	---
WA16	---	WB16	4	WC16	10	WD16	---	WE16	15	WF16	11	WG16	---	LD16	---
WA17	---	WB17	4	WC17	10	WD17	---	WE17	---	WF17	11	WG17	---	LD17	---
WA18	10	WB18	5	WC18	10	WD18	---	WE18	---	WF18	14	WG18	---	LD18	---
WA19	11	WB19	9	WC19	10	WD19	---	WE19	---	WF19	14	WG19	---	LD19	---
WA20	10	WB20	8	WC20	10	WD20	---	WE20	15	WF20	16	WG20	---	LD20	---
WA21	---	WB21	---	WC21	10	WD21	---	WE21	---	WF21	16	WG21	---	LD21	---

UNLESS OTHERWISE SPECIFIED, THIS DOCUMENT IS PROTECTED BY PATENT RIGHTS OF HONEYWELL INFORMATION SYSTEMS AND IS INTENDED FOR INTERNAL HONEYWELL USE ONLY. NO PART OF THIS DOCUMENT IS TO BE DISTRIBUTED TO OTHERS WITHOUT THE WRITTEN PERMISSION OF AN AUTHORIZED HONEYWELL OFFICIAL. THIS RESTRICTION DOES NOT APPLY TO VENDOR PARTS THAT MAY BE DISCLOSED IN THIS DOCUMENT.

2. SHEET 1. IS AN "A" SIZE.
1. PINS MARKED "X" RESERVED FOR MT65T/DT
NOTE:

AA4/2 SLOT 0-3 FOR DOCUMENT STATUS, SEE REVISION STATUS SHEET

REF SPEC NO	

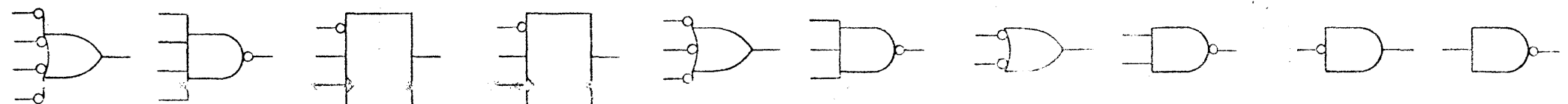


UNLESS OTHERWISE SPECIFIED DIMENSIONS - MILLIMETERS FORM PER INITIAL DESIGN PROJECTION	MATL TREAT. FIN. SCALE CODE	Honeywell HONEYWELL INFORMATION SYSTEMS PHOENIX, ARIZONA U.S.A. TITLE LOGIC DIAGRAM MT7DT DR <i>S. Gopetillo</i> 76, NOV 11 APPD	LOC SIZE DWG NO D 58029314 SH 2 REV A
--	---	--	---

58029314

	A	B	C	D	E	F	G	H	J	K	L	M	N	P	Q	R	S	T	U	V	
0	4G4408 4 6 6 6	2G4410 4 4 6 6	4G4408 4 4 6 8	2F4415 6 6	2D4413 4 4	4G4408 4 4 4 8	6I4410 25 25	4G4408 11 11 11 11	4G4408 10 10 11 11	3G4417 10 10 8	3G4417 11 11 25	S16 X	2F4415 4 4	3G4417 25 25	6I4410 25 25	S16 X	S16 X	S16 X	S16 X	S16 X	S16 X
1	4G4408 6 8 4 4	2G4410 2 4 10 6 8 8	2F4415 6 6	2F4415 4 4	2F4415 4 4	2F4415 4 4	2F4415 6 8	2G4411 10 18	3G4417 18 18 18	6I4410 18 20 20 14	S14 X	4G4408 14 14 14 15	2F4415 5 5	S14 X	4G4408 23	1C3447 23	S16 X	S16 X	S16 X	S16 X	S16 X
2	4G4408 8 8 8 25	2G4410 8 8 4 10 8 13	2F4415 8 8	2F4415 8 8	4G4408 6 14 10 16	3G4417 4 4 13	2F4415 18 18	2F9463 21 X	2F9463 18 18	6I4410 10 10 14 10 11 11	2F4415 15 15	2F4415 15 15	2F9463 25 18	2F9463 22 22	1R9455 22	1C3447 23	6I4410 23 23 24 24 X 23	S14 X	S16 X	S16 X	S16 X
3	2F4415 10 10	2D4413 10 8	2F4415 10 10	2G4411 10 10	2G4411 10 10	4G4408 10 18 18 6	6I4410 10 14 15 4 18 15	2F9463 21 21	4G4408 21 21 21 21	1C3447 15	1C3447 15	4G4408 14 15 15 21	4G4408 14 14 22 22	1N3444 15	1R9455 22	1N3450 23	2F9463 24 24	S14 X	S16 X	S16 X	S16 X
4	4G4408 5 7 7 7	6I4410 5 5 7 7 7 7	4G4408 5 5 7 9	2F4415 7 7	2D4413 5 5	4G4408 9 4 5 11	4G4408 10 10 10 10	6I4410 18 18 18 18 9 15	4G4408 18 18	6I4410 14 22 16 26 15 19	4G4408 4 4 5 5	2D4413 21 18	4G4408 20 20 24 20	1B3441 22	2F9463 23	2G4411 23	1C3447 24	3G4417 18 24 24	S16 X	S16 X	S16 X
5	4G4408 7 9 5 5	6I4410 5 5 11 7 9 9	2F4415 7 7	2F4415 5 5	2F4415 5 5	2F4415 5 5	2F4415 7 9	2G4411 X 19	3G4417 19 19	4G4408 X 18 18 14	4G4408 12 15 15 15	4G4408 16 16 16 13	6I4410 15 18 20 15 20 22	2F9463 14 15	6I4410 24 14 20 20 20 20	1C3447 27	2F9463 24 25	S14 X	S16 X	S16 X	S16 X
6	4G4408 9 9 9 11	6I4410 9 9 5 11 10 10	2F4415 9 9	2F4415 9 9	4G4408 7 13 11 13	3G4417 5 5 12	2F4415 19 19	2F9463 26 X	2F9463 19 19	3G4417 25 14 16	2F4415 17 17	2F4415 17 17	2F9463 X 19	2F9463 26 26	1R9455 26	3G4417 27	6I4410 27 28 28 X 27	S14 X	S16 X	S16 X	S16 X
7	2F4415 11 11	2D4413 11 4	2F4415 11 11	2G4411 11 11	2G4411 11 11	4G4408 11 19 19 9	6I4410 15 12 17 15 19 17	2F9463 26 26	4G4408 26 26 26 26	1C3447 17	1C3447 17	4G4408 21 17 17 26	4G4408 16 16 26 26	1N3447 17	1R9455 26	1N3450 27	2F9463 28 28	4G4408 16 28 28 28	S16 X	S16 X	S16 X
8	1B3442 12	1B3442 12	S16 X	4G4408 12 12 12 13	1N3450 12	2F4415 12 13	6I4410 X 16 21 X 16	6I4410 19 19 19 19 14 12	4G4408 19 19	2F9463 21 21	2F9463 21 21	2D4413 26 19	4G4408 20 20 28 20	1B3441 26	2F9463 27 27	2G4411 27 X	1C3447 28	3G4417 19 28 28	S16 X	S16 X	S16 X
9	1B3442 13	6I4410 9 9 10 11 10 10	3G4417 9 13	6I4410 4 4 4 5 4 4	1N3450 13	1B3442 13	6I4410 5 5 6 7 8 8	6I4410 11 11 11 10 17 17	6I4410 12 12 12 12 10 11	4G4408 X 19 X 16	4G4408 12 17 17 10	S14 X	6I4410 11 19 20 17 20 26	2F9463 16 17	6I4410 28 13 16 20 20 12	S14 X	2F9463 28 25	S16 X	S16 X	S16 X	S16 X

1B3441
1B3442
1C3447
1N3444
1N3450
1R9455



2D4413
2G4411
1,2,4,5,6
8,9,10,12,13

2F4415
1,2,3,4,13
5,6,8,10,11

2F9463
1,2,3,4,7,10,11,12,13

3G4417
1,2,3,13
4,5,6,7,8,9,10,11,12,13

4G4408
1,2,3 4,5,6
8,9,10 11,12,13

6I4410
1,2 3,4
5,6 8,9
10,11 12,13

UNUSED NOT USED

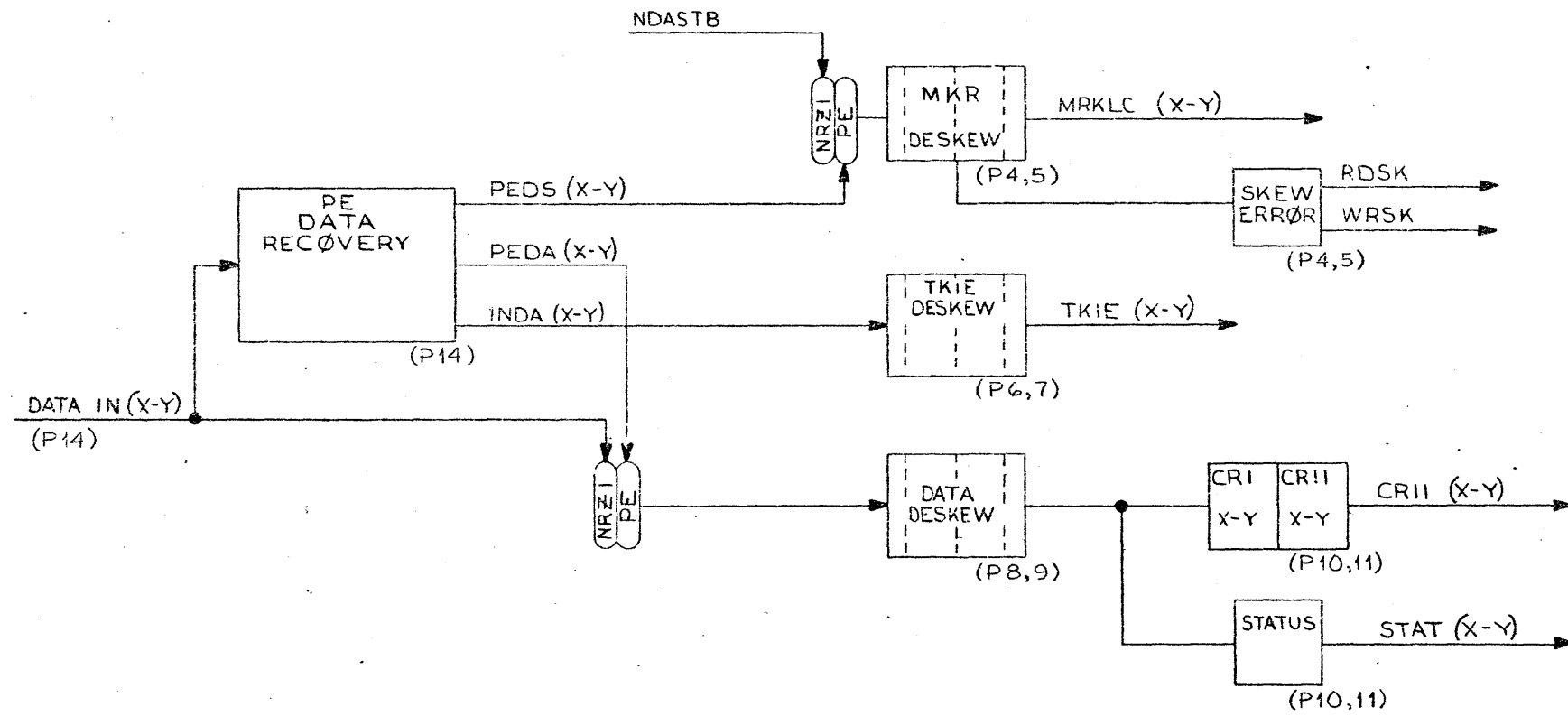
HONEYWELL
HONEYWELL INFORMATION SYSTEMS
200 WEST 10TH AVENUE
DENVER, COLORADO 80202

TITLE LOGIC DIAGRAM MT7DT
CIRCUIT LOCATOR

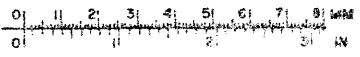
DR G. Capelle
76, NOV 11
RPPC

D 58029314 21 A

REVISIONS					
REV	AUTHORITY	DATE			SIGNATURE
		YR	MO	DAY	



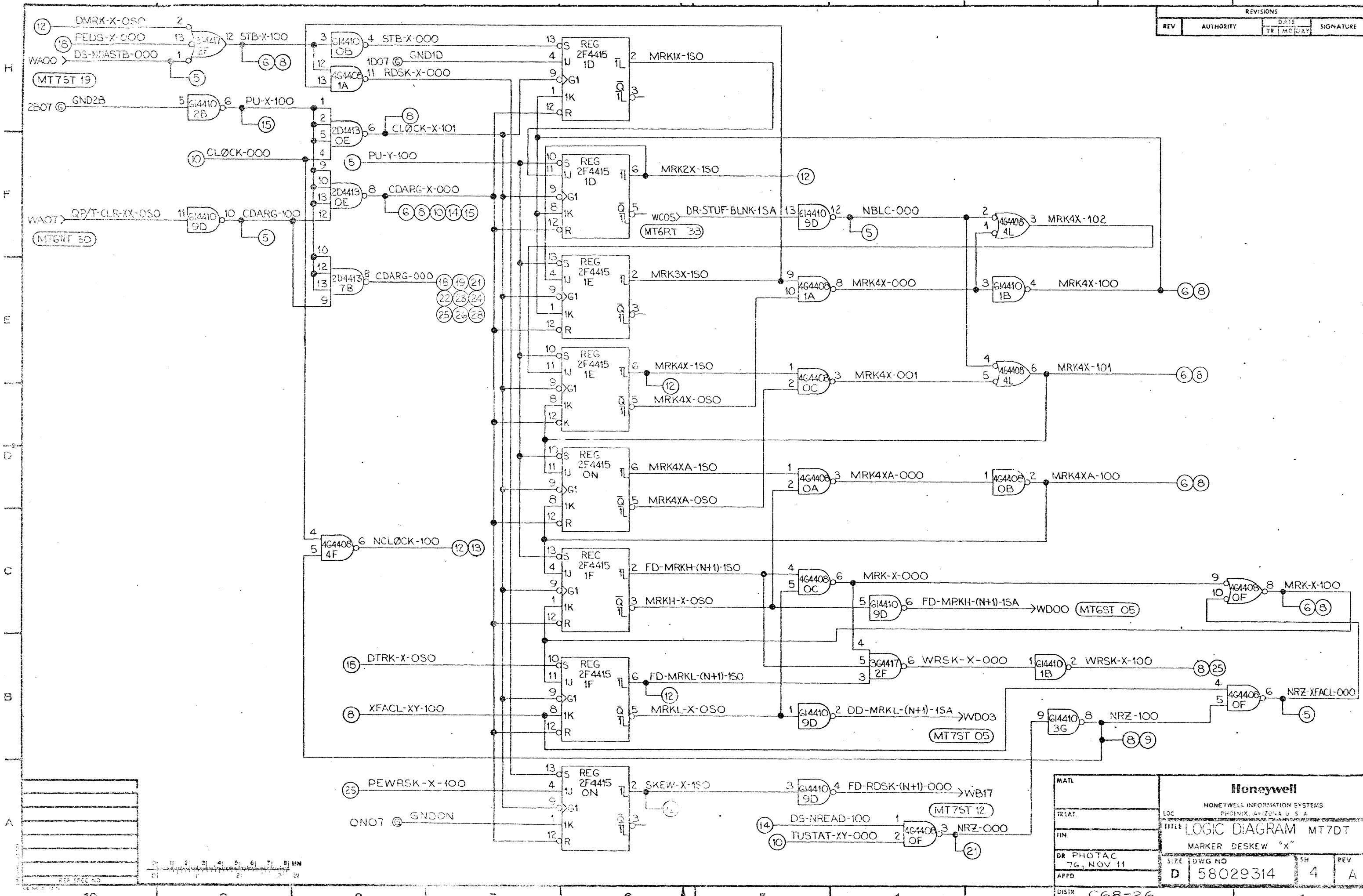
ALL INFORMATION CONTAINED IN THIS DOCUMENT IS PROPRIETARY TO HONEYWELL INFORMATION SYSTEMS AND IS INTENDED FOR INTERNAL USE ONLY. IT IS TO BE DISTRIBUTED TO OTHERS ONLY BY WRITTEN PERMISSION OF AN AUTHORIZED HONEYWELL OFFICIAL. THIS RESTRICTION DOES NOT APPLY TO INFORMATION THAT IS EITHER IN THE PUBLIC DOMAIN OR IS OTHERWISE IDENTIFIED AS NOT BEING PROPRIETARY. PROPRIETARY PARTS THAT MAY BE DISCLOSED IN THIS DOCUMENT.



UNLESS OTHERWISE SPECIFIED		MATERIAL		<p align="center">Honeywell</p> <p align="center">HONEYWELL INFORMATION SYSTEMS PHOENIX, ARIZONA U.S.A.</p> <p align="center">LOGIC DIAGRAM MT7DT BLOCK DIAGRAM</p>						
DIMENSIONS=		MILLIMETERS						FORM PER		DR PHOTAC
TOLERANCE OF SIZE AND		INCHES						INITIAL DESIGN		
PROJECTION		FIRST ANGLE						PROJECTION		A7PD
SCALE	CODE	SIZE	DWG NO	SH	REV	DISTR				
		D	58029314	3	A	C68-26	1			

158009314

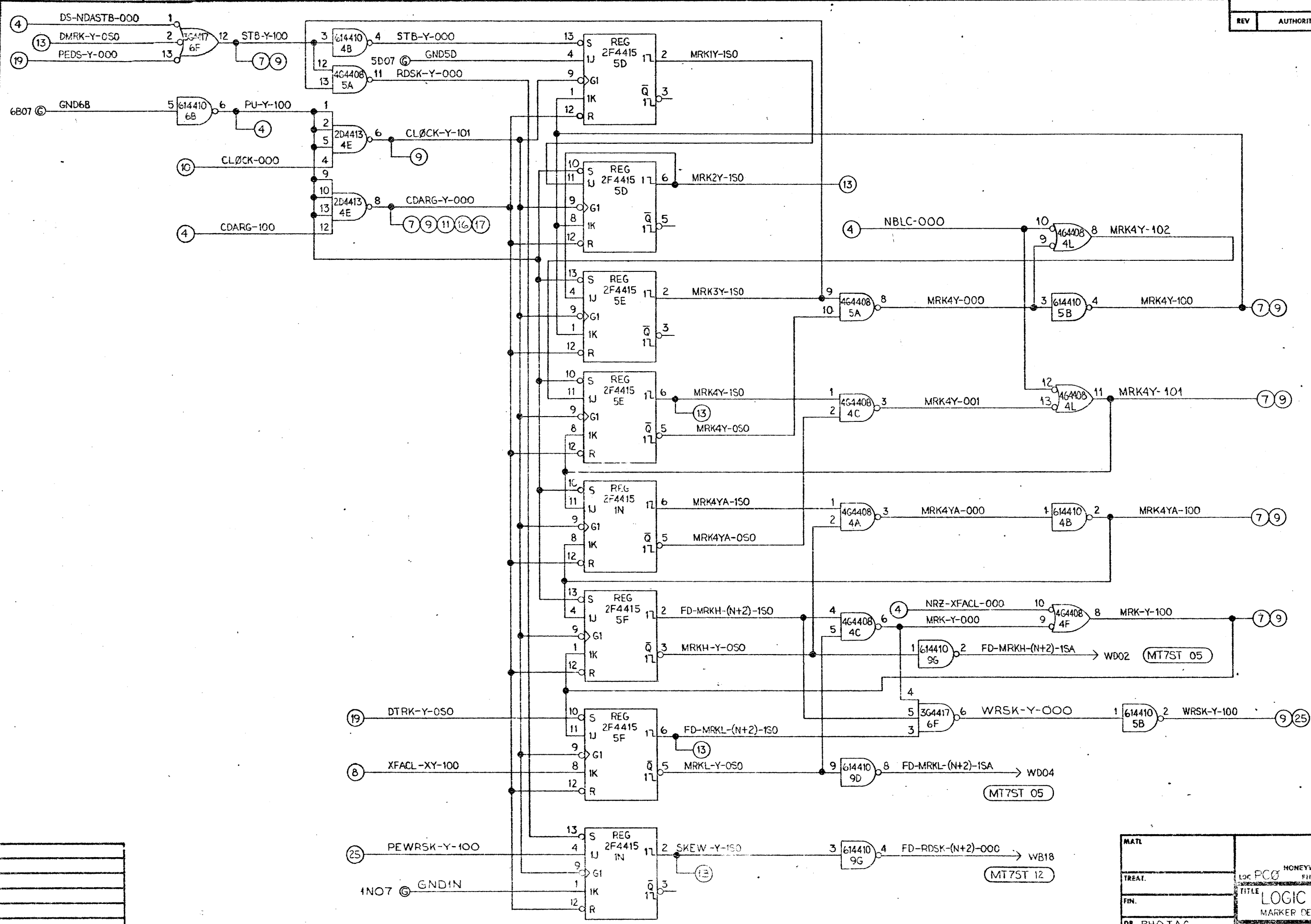
REVISIONS				
REV	AUTHORITY	DATE	SIGNATURE	
YR	MO	DAY		



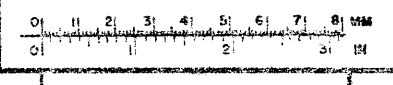
THIS INFORMATION IS PROPRIETARY TO HONEYWELL INFORMATION SYSTEMS AND IS INTENDED FOR INTERNAL HONEYWELL USE ONLY. IT IS NOT TO BE DISTRIBUTED TO OTHERS WITHOUT THE WRITTEN PERMISSION OF AN AUTHORIZED HONEYWELL OFFICIAL. THIS INFORMATION IS UNCLASSIFIED.

MATERIAL		Honeywell			
DESCRIPTION		HONEYWELL INFORMATION SYSTEMS PHOENIX, ARIZONA U.S.A.			
FINISH		TITLE LOGIC DIAGRAM MT7DT MARKER DESKEW "X"			
DRAWN BY		SIZE		REV	
DATE		DWG NO		SH	
APPD		D 58029314		4 A	
DISTR		C68-26			

REVISIONS			
REV	AUTHORITY	DATE	SIGNATURE
		YR MO DAY	



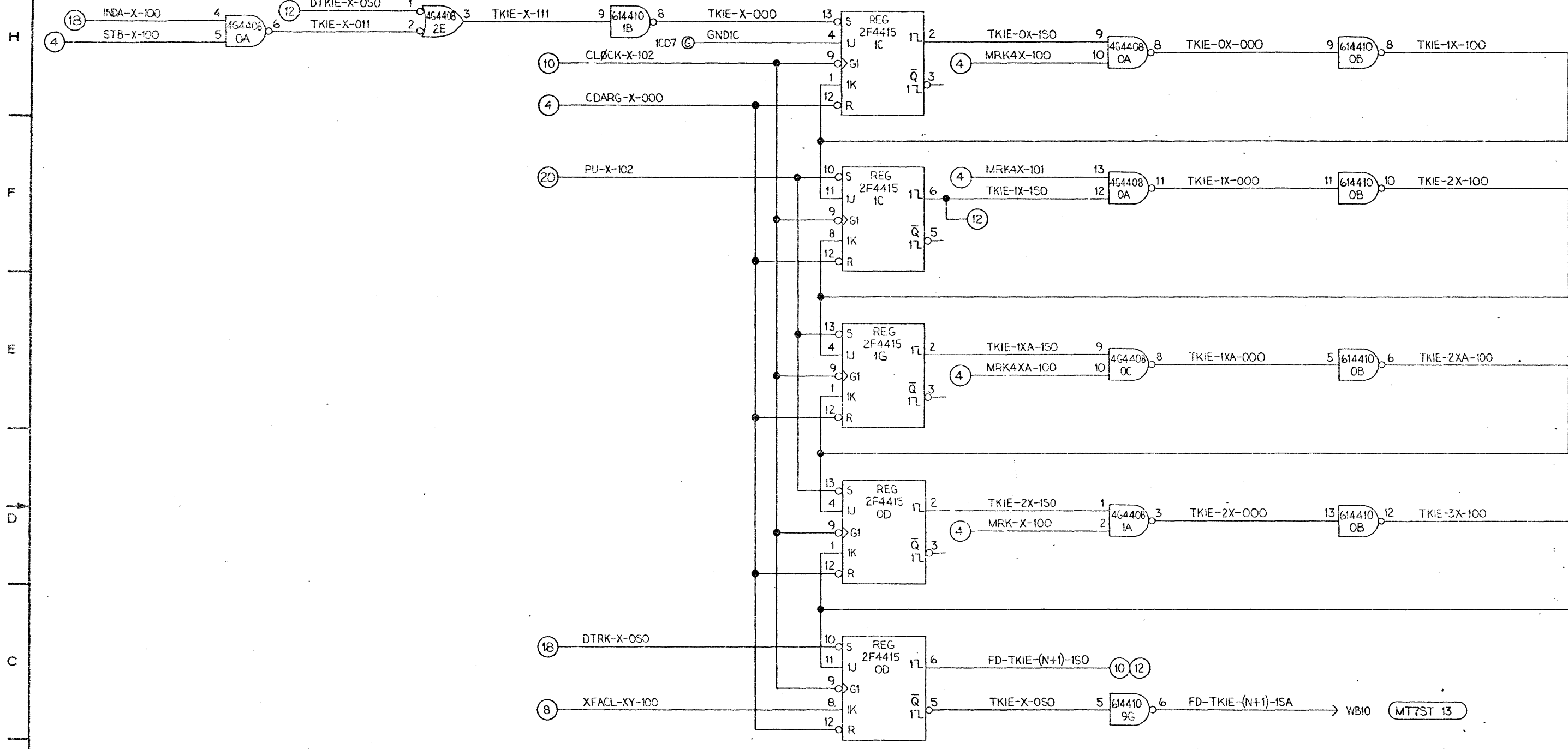
THIS DOCUMENT IS UNCLASSIFIED AND IS BEING DISTRIBUTED TO OTHERS ONLY BY WRITER PERMISSION OF AN AUTHORIZED HONEYWELL OFFICIAL. THIS RESTRICTION DOES NOT APPLY TO UNCLASSIFIED MATERIALS OR INFORMATION CONTAINED HEREIN.



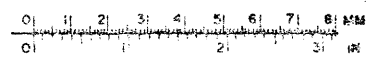
MATL	Honeywell	
TREAT.	HONEYWELL INFORMATION SYSTEMS LOC PC8 PHOENIX, ARIZONA U.S.A.	
FIN.	TITLE LOGIC DIAGRAM MT7DT MARKER DESKEW "Y"	
DR PHOTAC 76, NOV 11	SIZE D DWG NO 58029314	SH 5 REV A
APPD	DISTR C68-26	

58029314

REVISIONS				
REV	AUTHORITY	DATE	SIGNATURE	
YR	MO	DAY		

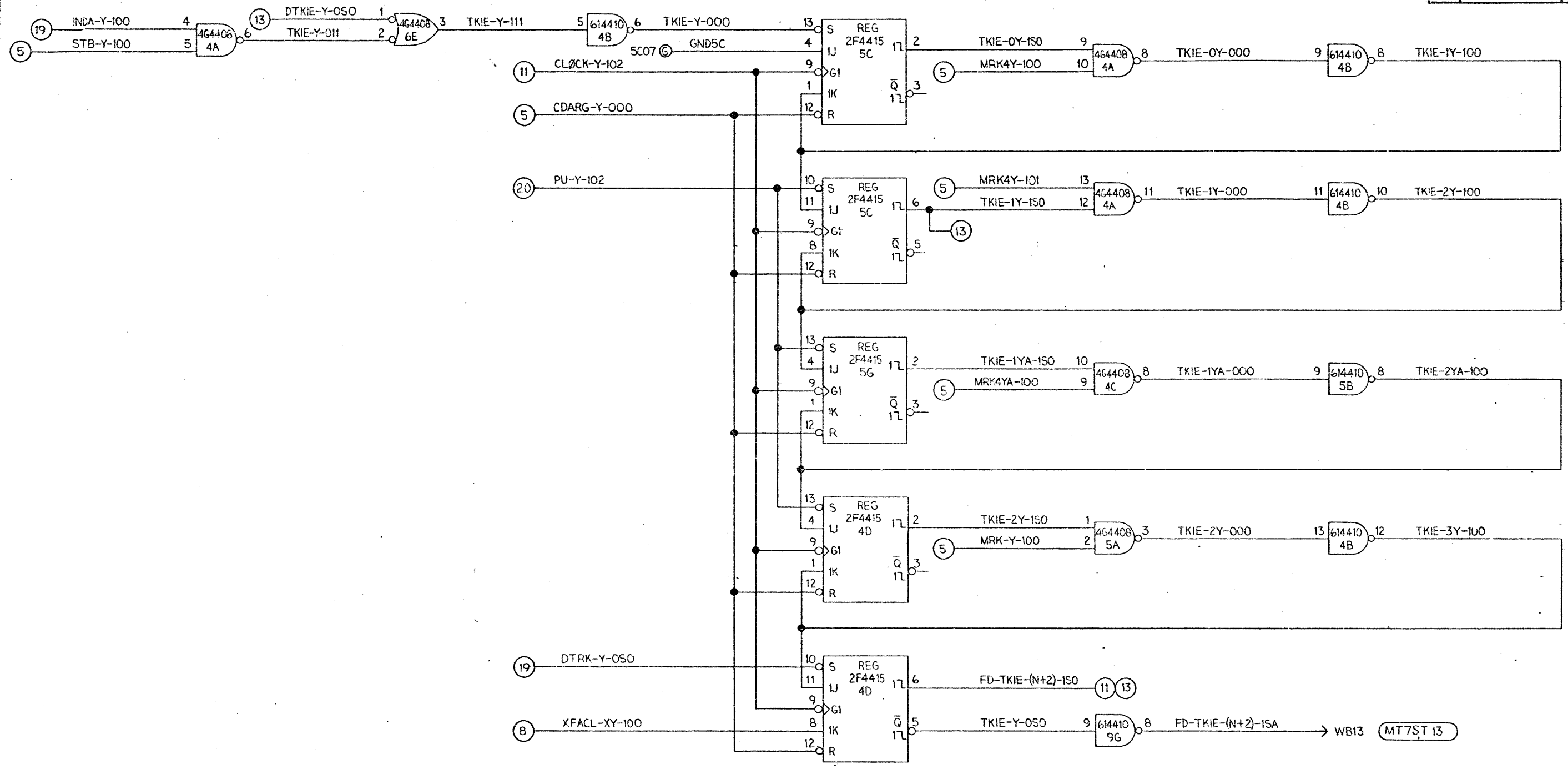


THIS DOCUMENT IS PROPRIETARY TO HONEYWELL INFORMATION SYSTEMS AND IS INTENDED FOR INTERNAL HONEYWELL USE ONLY.
 IT MAY BE DISTRIBUTED TO OTHERS ONLY BY WRITTEN PERMISSION OF AN AUTHORIZED HONEYWELL OFFICIAL. THIS RESTRICTION DOES NOT APPLY
 TO THE SOURCE PARTS THAT MAY BE DISCLOSED IN THIS DOCUMENT.

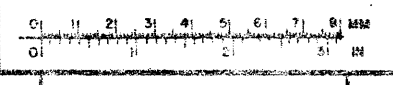


UNLESS OTHERWISE SPECIFIED		MATL	
DIMENSIONS= MILLIMETERS INCHES		TREAT.	
TOLERANCE OF SIZE AND FORM PER INITIAL DESIGN		FIN.	
PROJECTION		DR PHOTAC 76, NOV 11	
SCALE	CODE	DR PHOTAC	APPD
Honeywell			
HONEYWELL INFORMATION SYSTEMS PHOENIX, ARIZONA U.S.A.			
loc P00		TITLE	
		LOGIC DIAGRAM MT7DT TRACK IN ERROR DESKEW "X"	
SIZE	DWG NO	SH	REV
D	58029314	6	A

REVISIONS				
REV	AUTHORITY	DATE		SIGNATURE
		YR	MO DAY	



REF SPEC NO

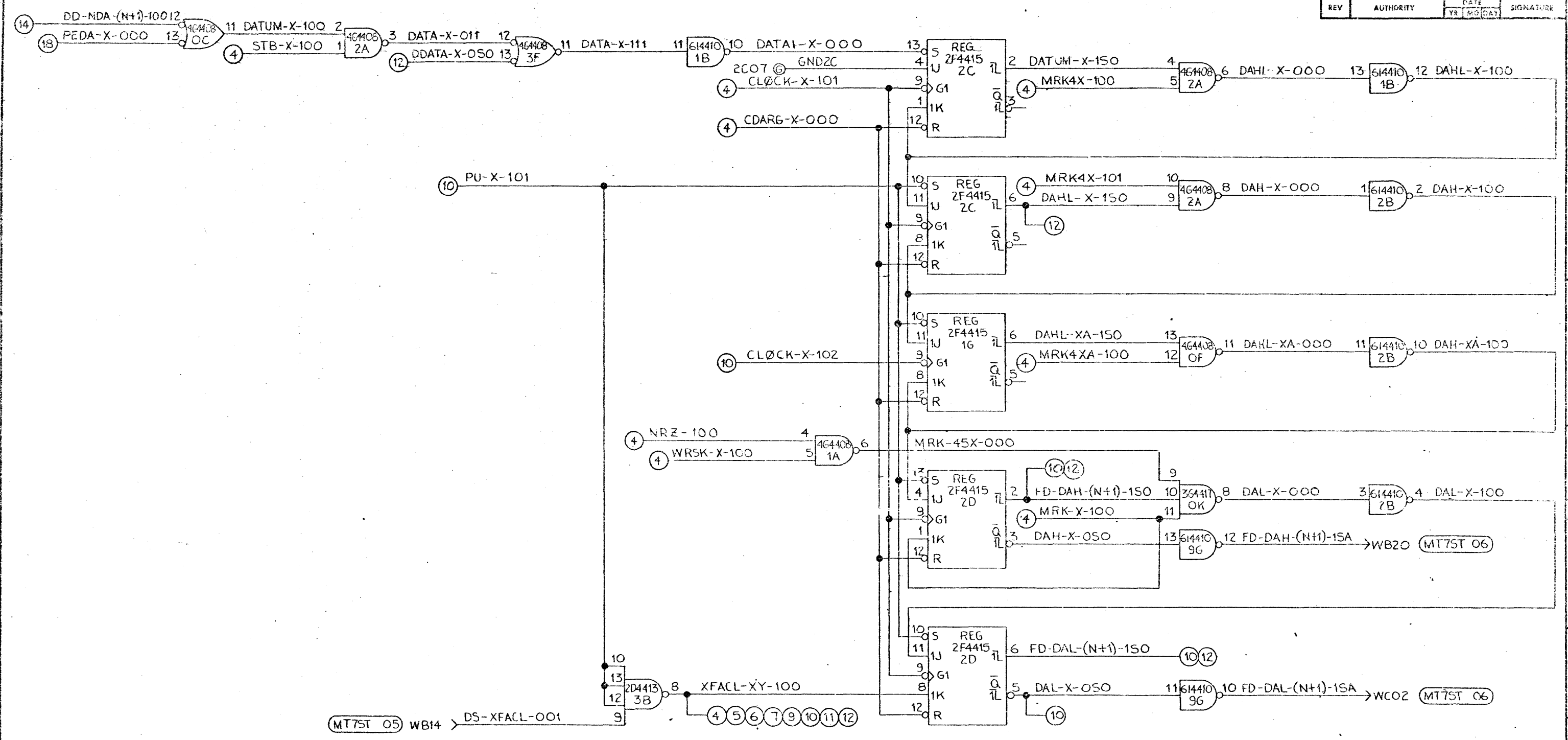


UNLESS OTHERWISE SPECIFIED		MATL		Honeywell HONEYWELL INFORMATION SYSTEMS PHOENIX, ARIZONA U.S.A.	
DIMENSIONS = $\frac{\text{MILLIMETERS}}{\text{INCHES}}$		TREAT.			
TOLERANCE OF SIZE AND FORM PER		FIN.		LOC PCO TITLE LOGIC DIAGRAM MT7DT TRACK IN ERROR DESKEW "Y"	
INITIAL DESIGN		DR PHOTAC		SIZE	REV
PROJECTION		76, NOV 11.		D	A
SCALE	CODE	APPD		DWG NO	SH
				58029314	7
		DISTR			
		C68-26			

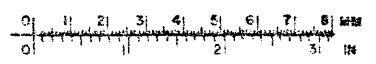
THIS DOCUMENT IS UNCLASSIFIED AND IS BEING DISTRIBUTED TO OTHERS ONLY BY WRITTEN PERMISSION OF AN AUTHORIZED HONEYWELL OFFICIAL. THIS RESTRICTION DOES NOT APPLY TO VARIANTS OR TO PARTS THAT MAY BE DISCLOSED IN THIS DOCUMENT.

58029314

REVISIONS			
REV	AUTHORITY	DATE YR MO DAY	SIGNATURE

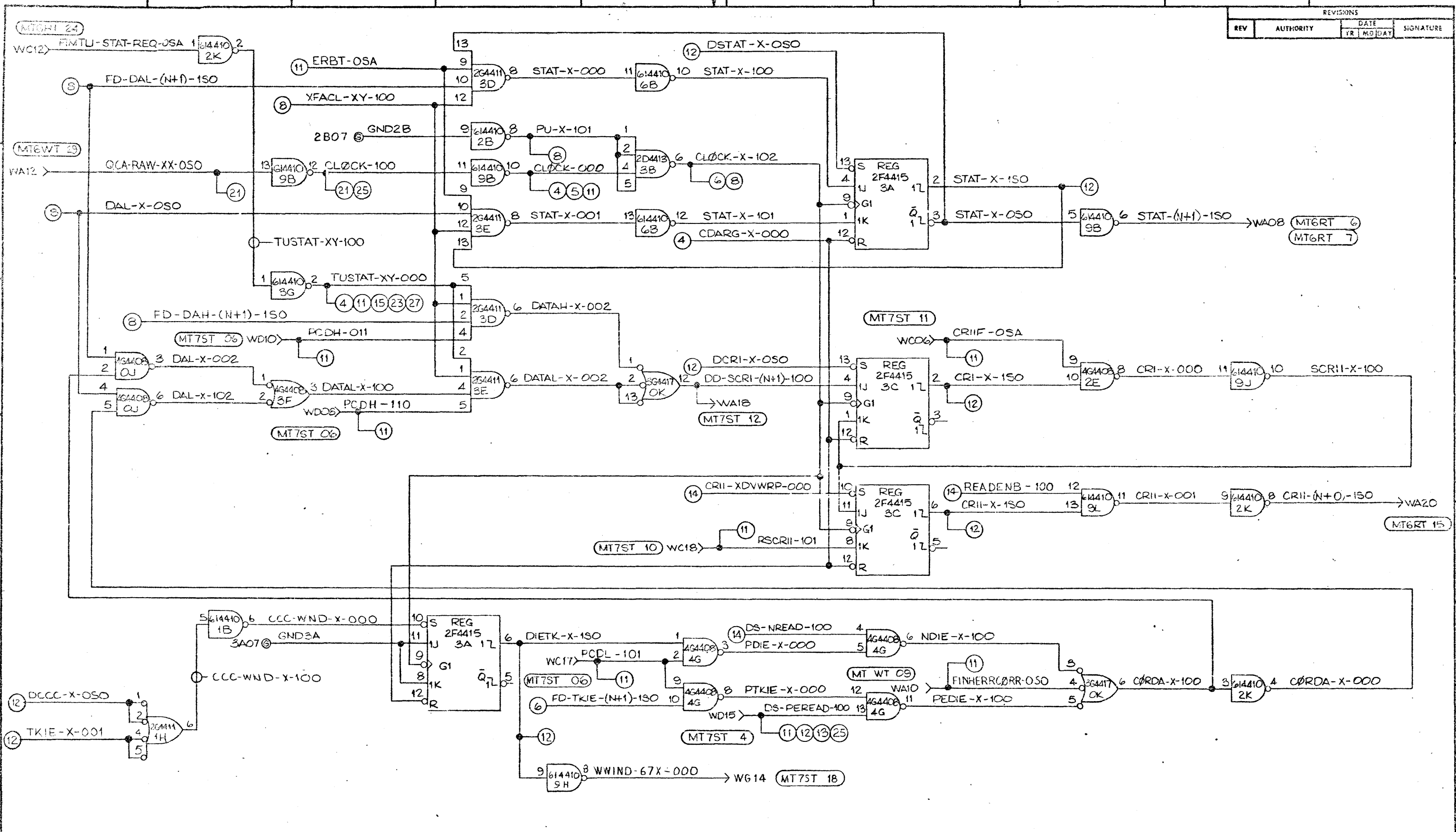


THIS DOCUMENT CONTAINS INFORMATION SPECIFICALLY DEVELOPED FOR THE AIR FORCE AND IS INTENDED FOR INTERNAL USE ONLY. IT IS NOT TO BE DISTRIBUTED TO OTHERS WITHOUT THE WRITTEN PERMISSION OF AN AUTHORIZED HONEYWELL OFFICIAL. THIS RESTRICTION DOES NOT APPLY TO PARTS THAT MAY BE OBTAINED IN THIS DOCUMENT.

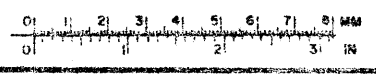


UNLESS OTHERWISE SPECIFIED		MATL		Honeywell HONEYWELL INFORMATION SYSTEMS PHOENIX, ARIZONA U.S.A.			
DIMENSIONS=		TREAT.					
MILLIMETERS		FIN.		LOC PCØ TITLE LOGIC DIAGRAM MT7ØT DATA DESKEW 'X'			
INCHES		APPD		SCALE CODE DR PHOTAC 76, NOV 11			
TOLERANCE OF SIZE AND FORM PER INITIAL DESIGN PROJECTION				SIZE DWG NO SH REV D 58029314 8 A			

REVISIONS				
REV	AUTHORITY	DATE	TR	SIGNATURE



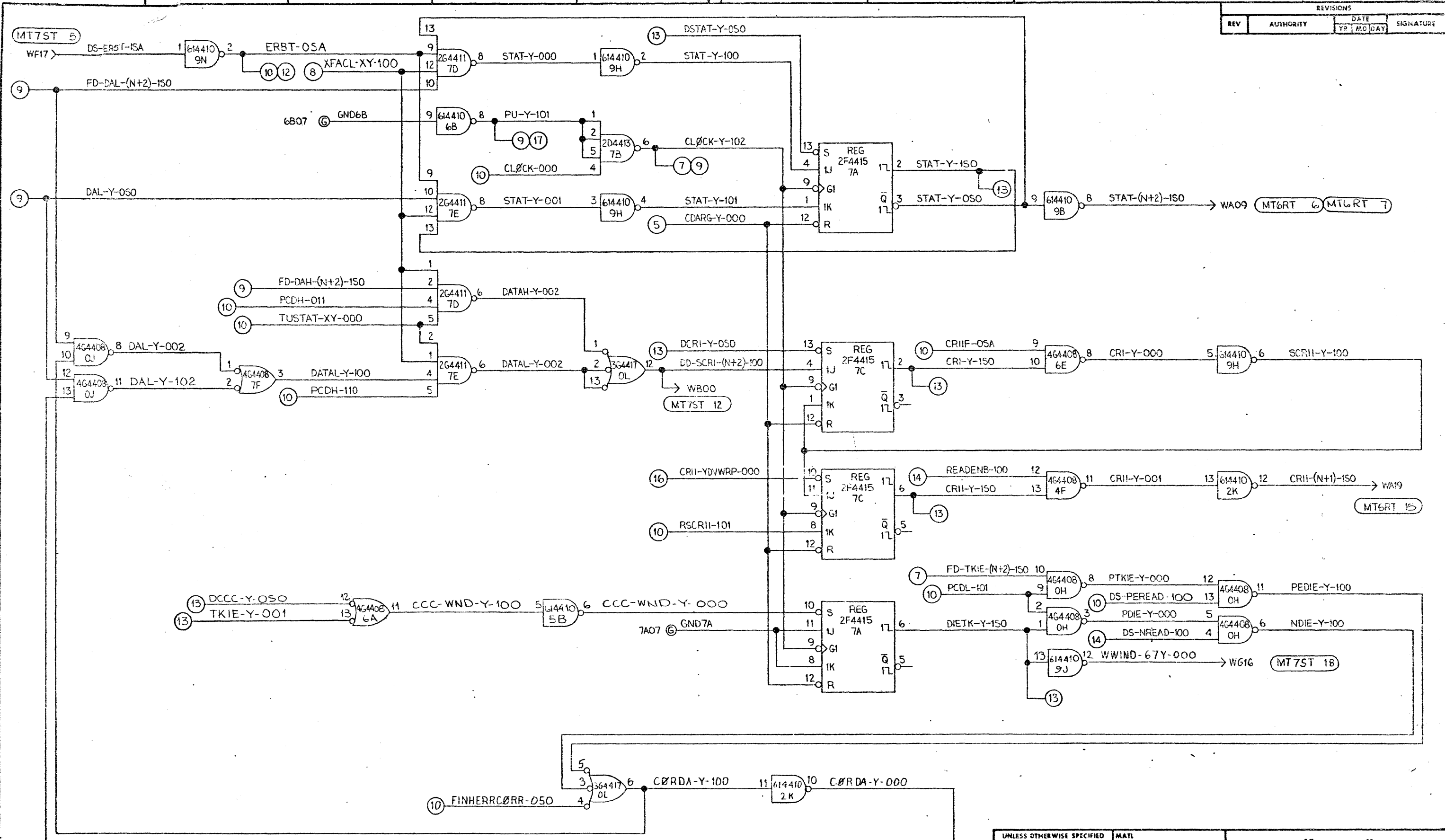
UNLESS OTHERWISE SPECIFIED, ALL DIMENSIONS ARE IN MILLIMETERS. THIS RESTRICTION DOES NOT APPLY TO METRIC PARTS THAT MAY BE INCORPORATED IN THIS DOCUMENT.



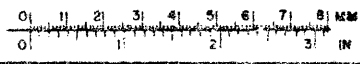
UNLESS OTHERWISE SPECIFIED		MATERIAL	
DIMENSIONS: MILLIMETERS			
TOLERANCE OF SIZE AND FORM PER INITIAL DESIGN		TREAT. FIN.	
PROJECTION		DR PHOTAC	
SCALE		76, NOV 12	
CODE		APPD	
		HONEYWELL INFORMATION SYSTEMS PHOENIX, ARIZONA U.S.A.	
		LOC PC0	
		TITLE LOGIC DIAGRAM MT7DT	
		ERROR CORRECT/STATUS/CRI/CRH "X"	
SIZE	DWG NO	SH	REV
D	58029314	10	A

58029314

REVISIONS				
REV	AUTHORITY	DATE	YR	SIGNATURE

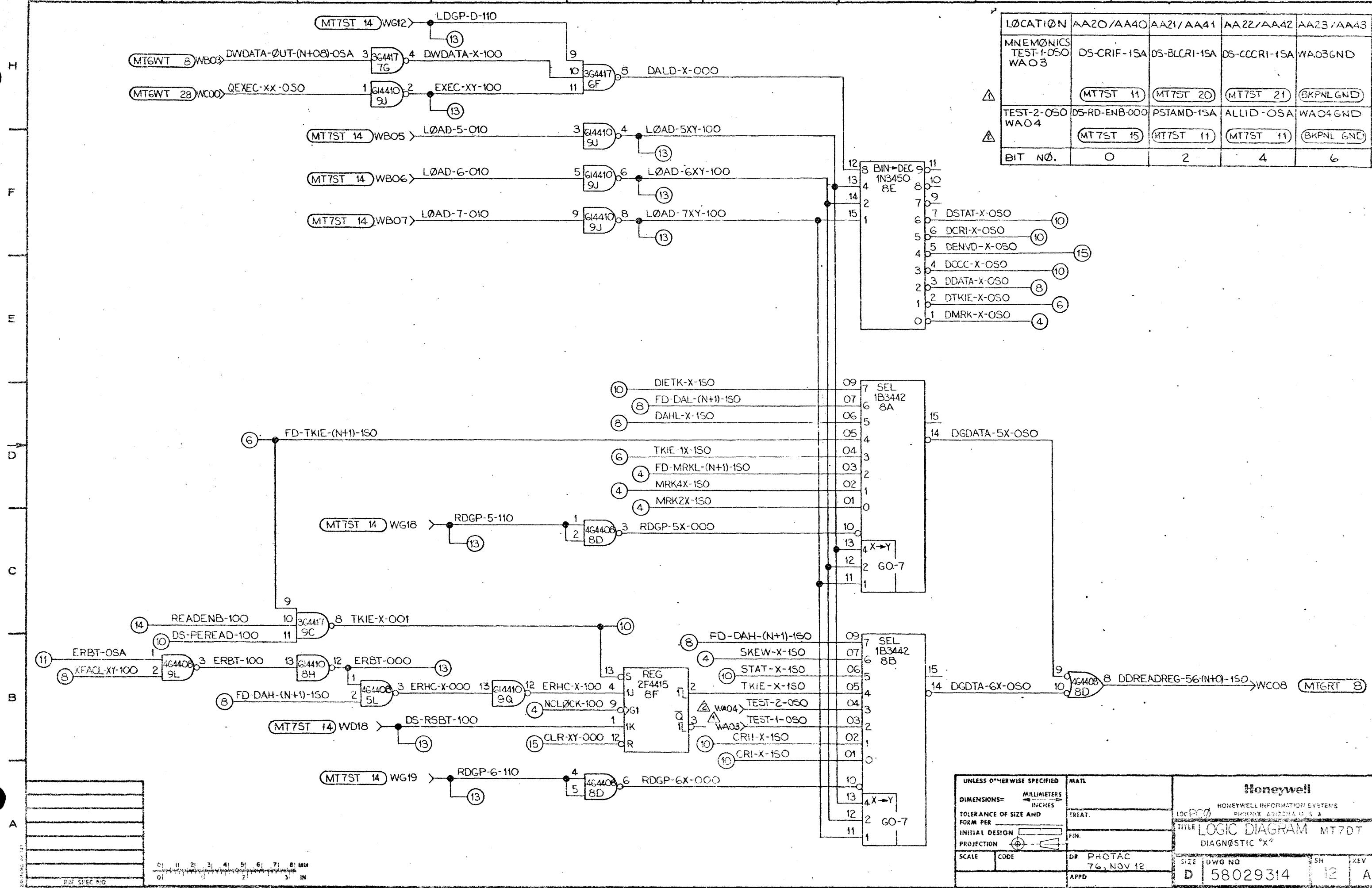


THIS DOCUMENT IS PROPRIETARY TO HONEYWELL INFORMATION SYSTEMS AND IS INTENDED FOR INTERNAL HONEYWELL USE ONLY. IT MAY BE DISTRIBUTED TO OTHERS ONLY BY WRITTEN PERMISSION OF AN AUTHORIZED HONEYWELL OFFICIAL. THIS RESTRICTION DOES NOT APPLY TO THE HONEYWELL PARTS THAT MAY BE INCLUDED IN THIS DOCUMENT.

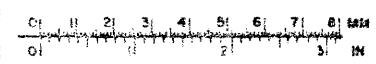
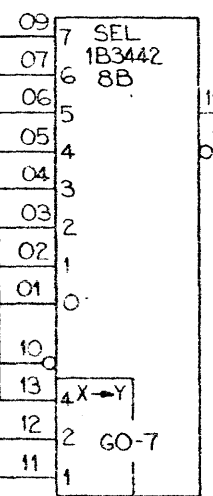
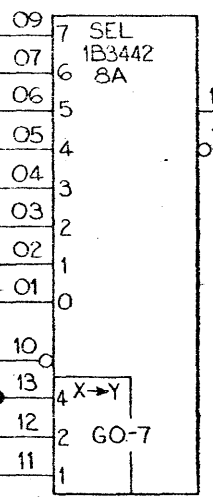
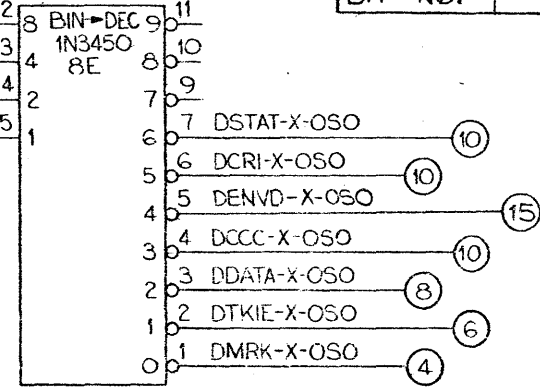


UNLESS OTHERWISE SPECIFIED		MATERIAL		Honeywell HONEYWELL INFORMATION SYSTEMS PHOENIX, ARIZONA U.S.A.	
DIMENSIONS =		MILLIMETERS INCHES			
TOLERANCE OF SIZE AND FORM PER		TREAT.		LCC PCO TITLE LOGIC DIAGRAM MT7DT ERROR CORRECT/STATUS/CRI/CRII "Y"	
INITIAL DESIGN PROJECTION		FIN.		SIZE DWG NO D 58029314	
SCALE CODE		OR PHOTAC 76, NOV 12		SH REV 11 A	
		APPD		DISTR C68-26	

THE INFORMATION CONTAINED IN THIS DOCUMENT IS PROPRIETARY TO HONEYWELL INFORMATION SYSTEMS AND IS INTENDED FOR INTERNAL HONEYWELL USE ONLY. IT MAY BE DISTRIBUTED TO OTHERS ONLY BY WRITTEN PERMISSION OF AN AUTHORIZED HONEYWELL OFFICIAL. THIS RESTRICTION DOES NOT APPLY TO INFORMATION CONTAINED HEREIN THAT IS IDENTIFIED AS UNCLASSIFIED.

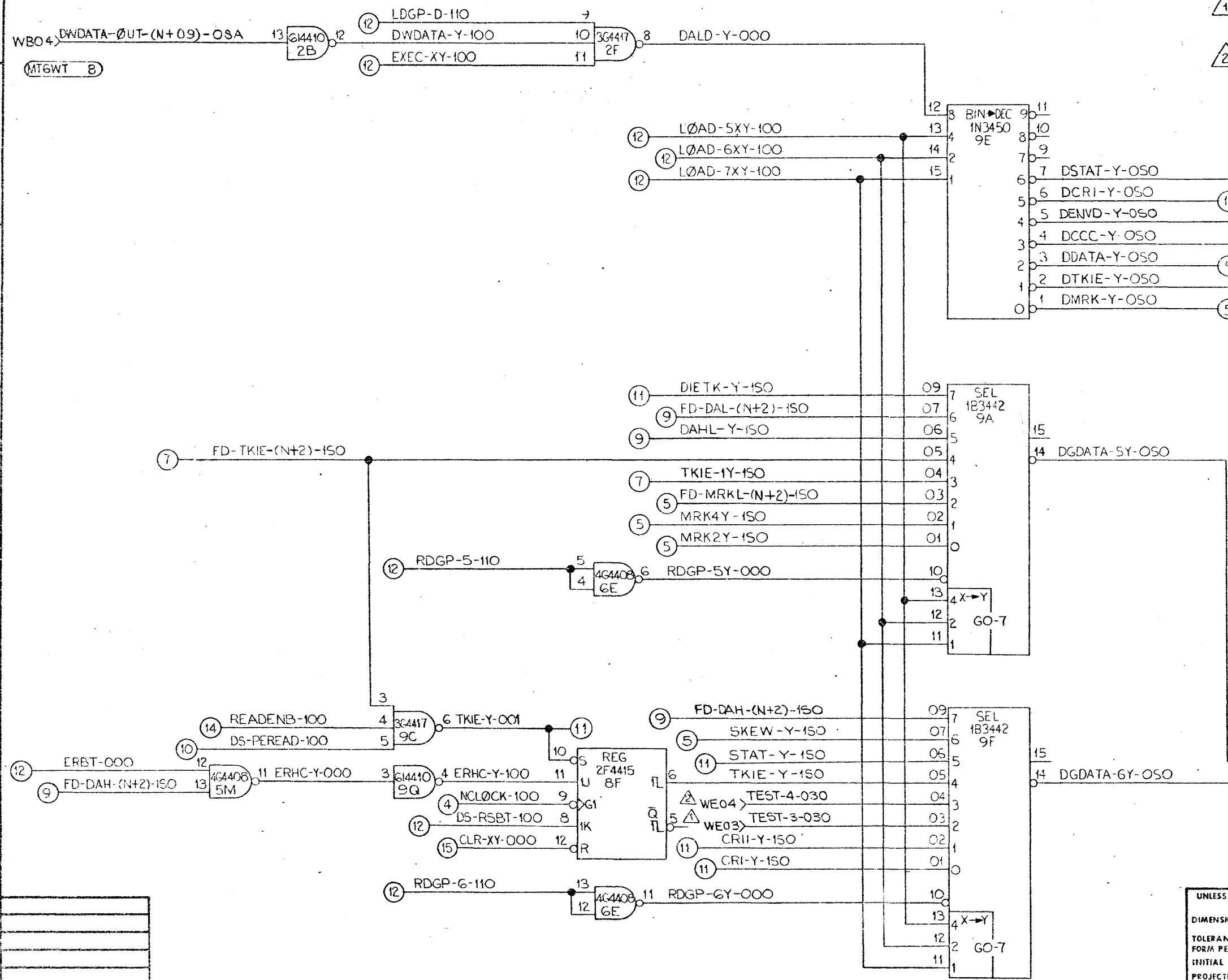


LOCATION	AA20/AA40	AA21/AA41	AA22/AA42	AA23/AA43
MNEMONICS TEST-1-050 WAO3	DS-CRIF-15A	DS-BLCRI-15A	DS-CCCRI-15A	WAO3GND
	(MT7ST 11)	(MT7ST 20)	(MT7ST 21)	(BKP NL GND)
TEST-2-050 WAO4	DS-RD-ENB-000	PSTAMD-15A	ALLID-05A	WAO4GND
	(MT7ST 15)	(MT7ST 11)	(MT7ST 11)	(BKP NL GND)
BIT NO.	0	2	4	6



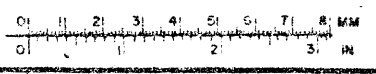
UNLESS OTHERWISE SPECIFIED		MATERIAL		Honeywell HONEYWELL INFORMATION SYSTEMS PHOENIX, ARIZONA U.S.A.	
DIMENSIONS =		TREAT.			
TOLERANCE OF SIZE AND		FIN.		TITLE: LOGIC DIAGRAM MT7DT DIAGNOSTIC "X"	
FORM PER		APPD		SIZE: D 58029314 SH: 12 REV: A	
INITIAL DESIGN		DR: PHOTAC 76, NOV 12		DISTR: C68-26	
PROJECTION					
SCALE	CODE				

THIS INFORMATION IS PROPRIETARY TO HONEYWELL INFORMATION SYSTEMS AND IS INTENDED FOR INTERNAL HONEYWELL USE ONLY. IT IS NOT TO BE DISTRIBUTED TO OTHERS WITHOUT THE WRITTEN PERMISSION OF AN AUTHORIZED HONEYWELL OFFICIAL. THIS RESTRICTION DOES NOT APPLY TO PROPRIETARY PARTS THAT MAY BE INCLUDED IN THIS DOCUMENT.



LOCATION	AA20/AA40	AA21/AA41	AA22/AA42	AA23/AA43
MNEMONIC				
TEST-3-OSO WE03	CRIIF-OSA (MT7ST 11)	DS-BLCRII-ISA (MT7ST 20)	DS-CCCRII-ISA (MT7ST 21)	WEO3GND (BKPNL GND)
TEST-4-OSO WE04	DS-PE/READ-100 (MT7ST 15)	DS-DWRAP-100 (MT7ST 19)	WEO4GND (BKPNL GND)	WEO4GND (BKPNL GND)
BIT NO.	1	3	5	7

UNLESS OTHERWISE SPECIFIED		MATERIAL		Honeywell HONEYWELL INFORMATION SYSTEMS PHOENIX, ARIZONA U. S. A.	
DIMENSIONS = MILLIMETERS		TREAT.			
TOLERANCE OF SIZE AND FORM PER INITIAL DESIGN		FIN.		LOC PCO TITLE LOGIC DIAGRAM MT7DT DIAGNOSTIC 'Y'	
PROJECTION		DR PHOTAC		SIZE	DWG NO
SCALE		76, NOV 12		D	58029314
		APPD		SH	REV
		DISTR C68-26		13	A

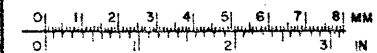
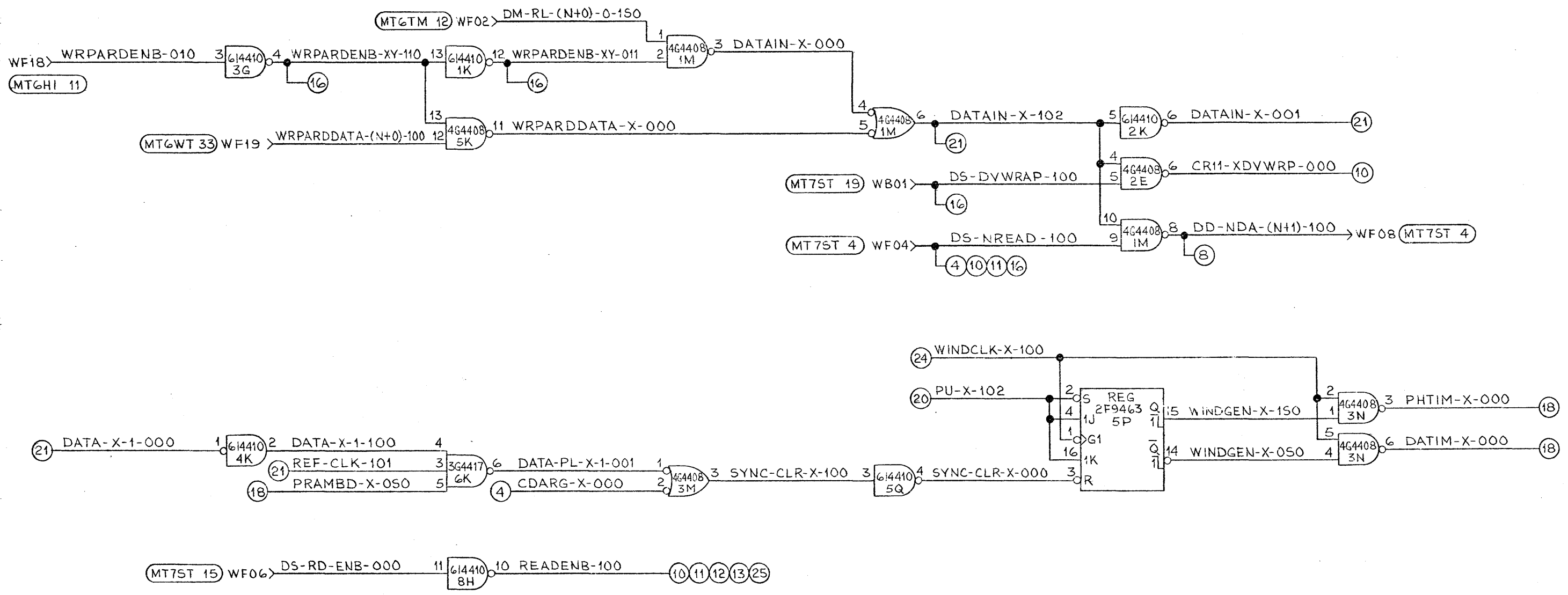


REF SPEC NO

58029314

REVISIONS			
REV	AUTHORITY	DATE	SIGNATURE
		YR MO DAY	

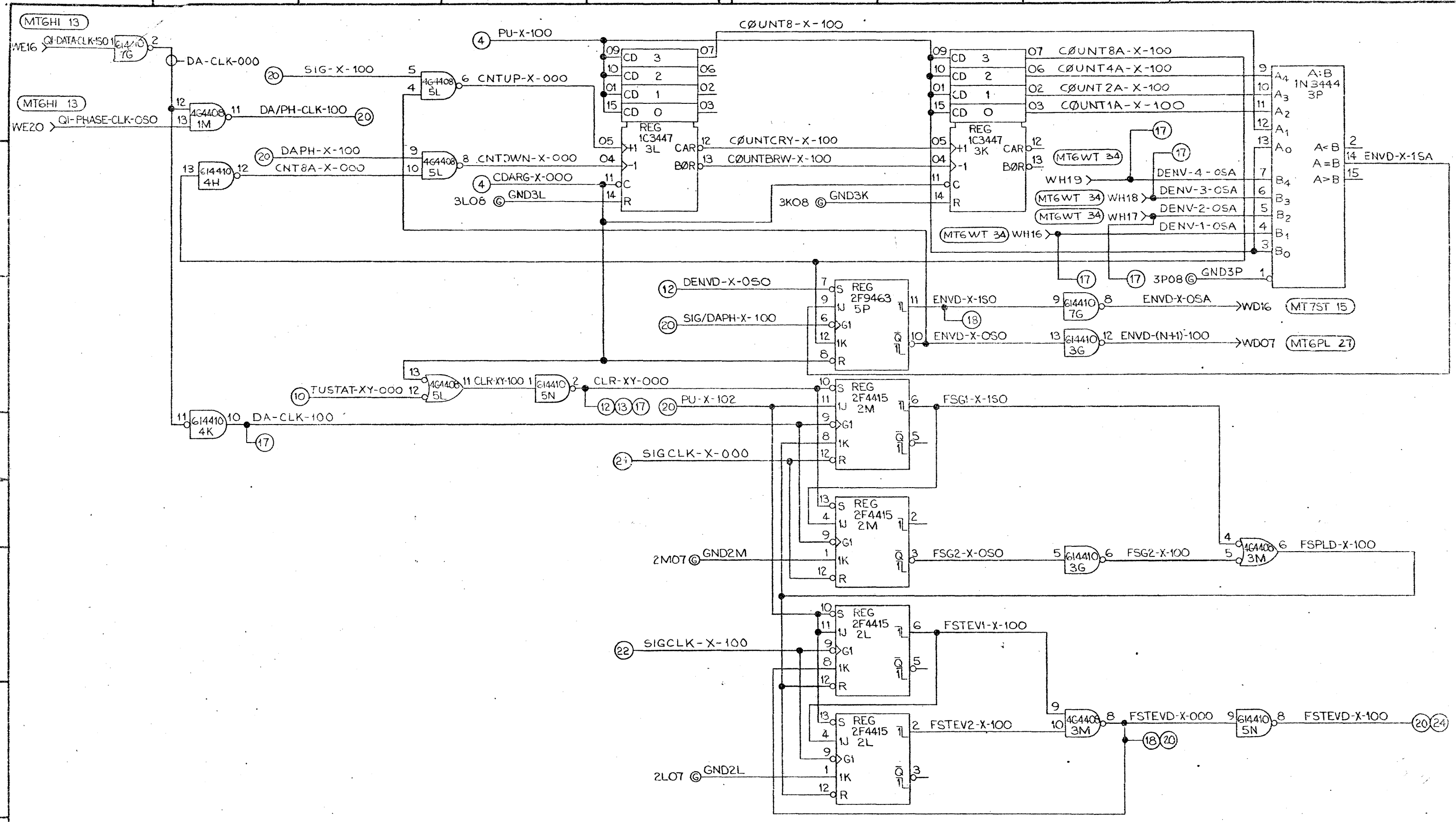
SUCH INFORMATION MAY BE DISTRIBUTED TO OTHERS ONLY BY WRITTEN PERMISSION OF AN AUTHORIZED HONEYWELL OFFICIAL. THIS RESTRICTION DOES NOT APPLY TO VENDOR SUPPLIED EQUIPMENT OR SUPPLEMENTARY PARTS THAT MAY BE INCLUDED IN THIS DOCUMENT.

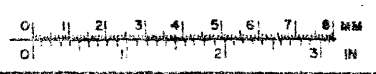


UNLESS OTHERWISE SPECIFIED		MATERIAL		Honeywell HONEYWELL INFORMATION SYSTEMS PHOENIX, ARIZONA U. S. A.	
DIMENSIONS = MILLIMETERS		TREAT.		LOC	
TOLERANCE OF SIZE AND FORM PER INITIAL DESIGN		FIN.		TITLE LOGIC DIAGRAM MT7DT PE DATA REC "X"	
SCALE	CODE	DR J. Capella 76, NOV 18		SIZE	REV
		APPD		D 58029314	14 A
DISTR C68-26					

58029314

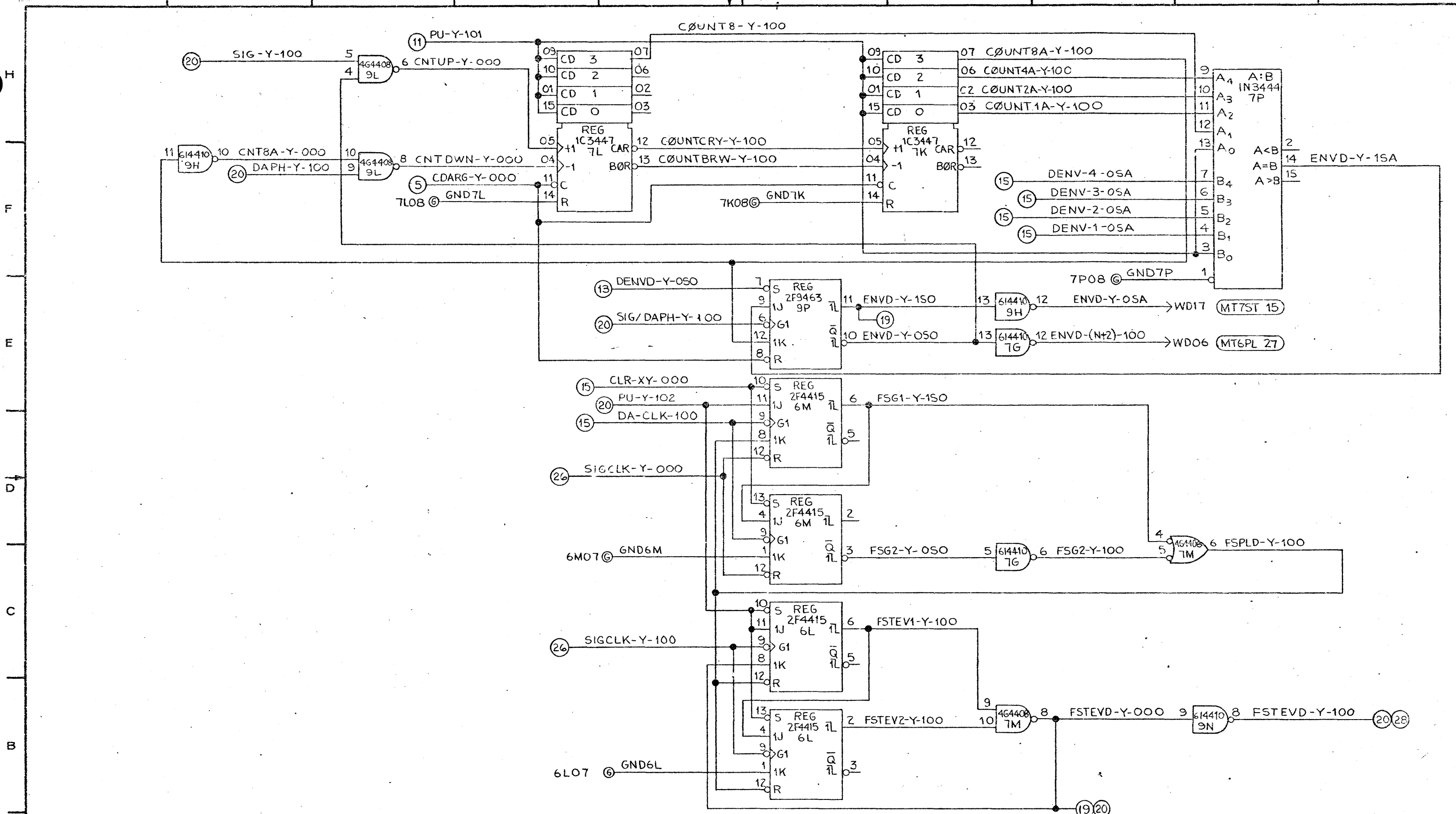
SUCH INFORMATION MAY BE DISTRIBUTED TO OTHERS ONLY BY WRITTEN PERMISSION OF AN AUTHORIZED HONEYWELL OFFICIAL. THIS RESTRICTION DOES NOT APPLY TO VENDOR SUPPLIED PARTS THAT MAY BE DISCLOSED IN THIS DOCUMENT.





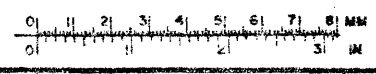
UNLESS OTHERWISE SPECIFIED		MATERIAL	
DIMENSIONS— ← MILLIMETERS ← INCHES		TREAT.	
TOLERANCE OF SIZE AND FORM FER		FIN.	
INITIAL DESIGN		DR PHOTAC 76. NOV 12	
PROJECTION		APPD	
SCALE	CODE	DR PHOTAC 76. NOV 12	SIZE DWG NO D 58029314
		REV 15 A	
		DISTR C68-26	

58029314



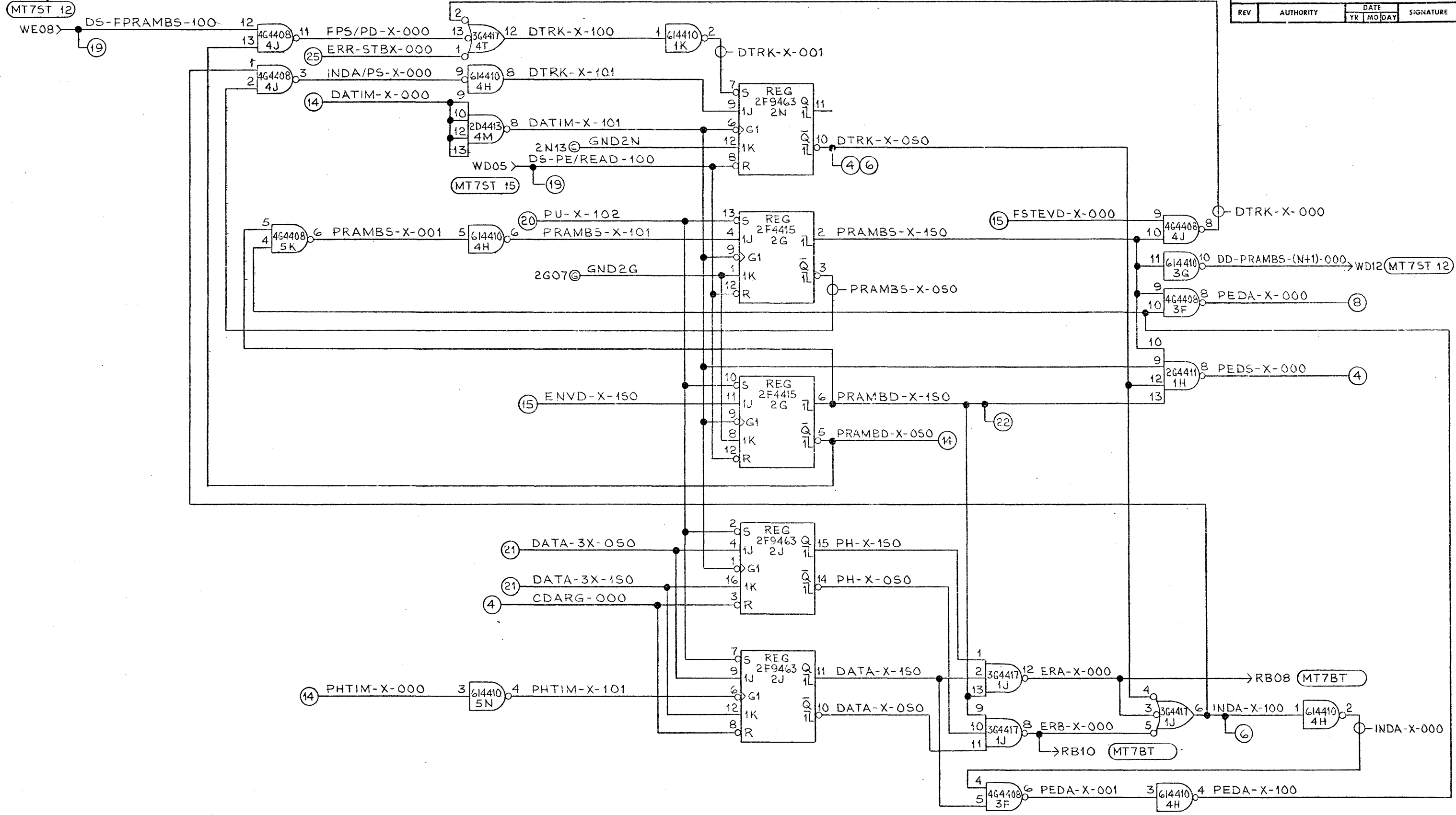
THE INFORMATION CONTAINED IN THIS DOCUMENT IS PROPRIETARY TO HONEYWELL INFORMATION SYSTEMS AND IS INTENDED FOR INTERNAL HONEYWELL USE ONLY. SUCH INFORMATION MAY BE DISTRIBUTED TO OTHERS ONLY BY WRITTEN PERMISSION OF AN AUTHORIZED HONEYWELL OFFICIAL. THIS RESTRICTION DOES NOT APPLY TO MECHANICAL PARTS THAT MAY BE DISCLOSED IN THIS DOCUMENT.

58029314



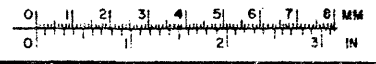
UNLESS OTHERWISE SPECIFIED		MATL		Honeywell		
DIMENSIONS = MILLIMETERS		TREAT.		HONEYWELL INFORMATION SYSTEMS		
TOLERANCE OF SIZE AND FORM PER INITIAL DESIGN		FIN.		LOC PCØ		
PROJECTION		DR PHOTAC		PHOENIX, ARIZONA U.S.A.		
SCALE		76, NOV 72		TITLE LOGIC DIAGRAM MT7DT		
APPD		APPD		PE DATA REC'Y		
DISTR C68-26		REV A		SIZE DWG NO		SH
				D 58029314		17

REVISIONS				
REV	AUTHORITY	DATE	SIGNATURE	
		YR MO DAY		



TO VENDOR PROPRIETARY PARTS THAT MAY BE DISCLOSED IN THIS DOCUMENT.

BRUNING 44 141

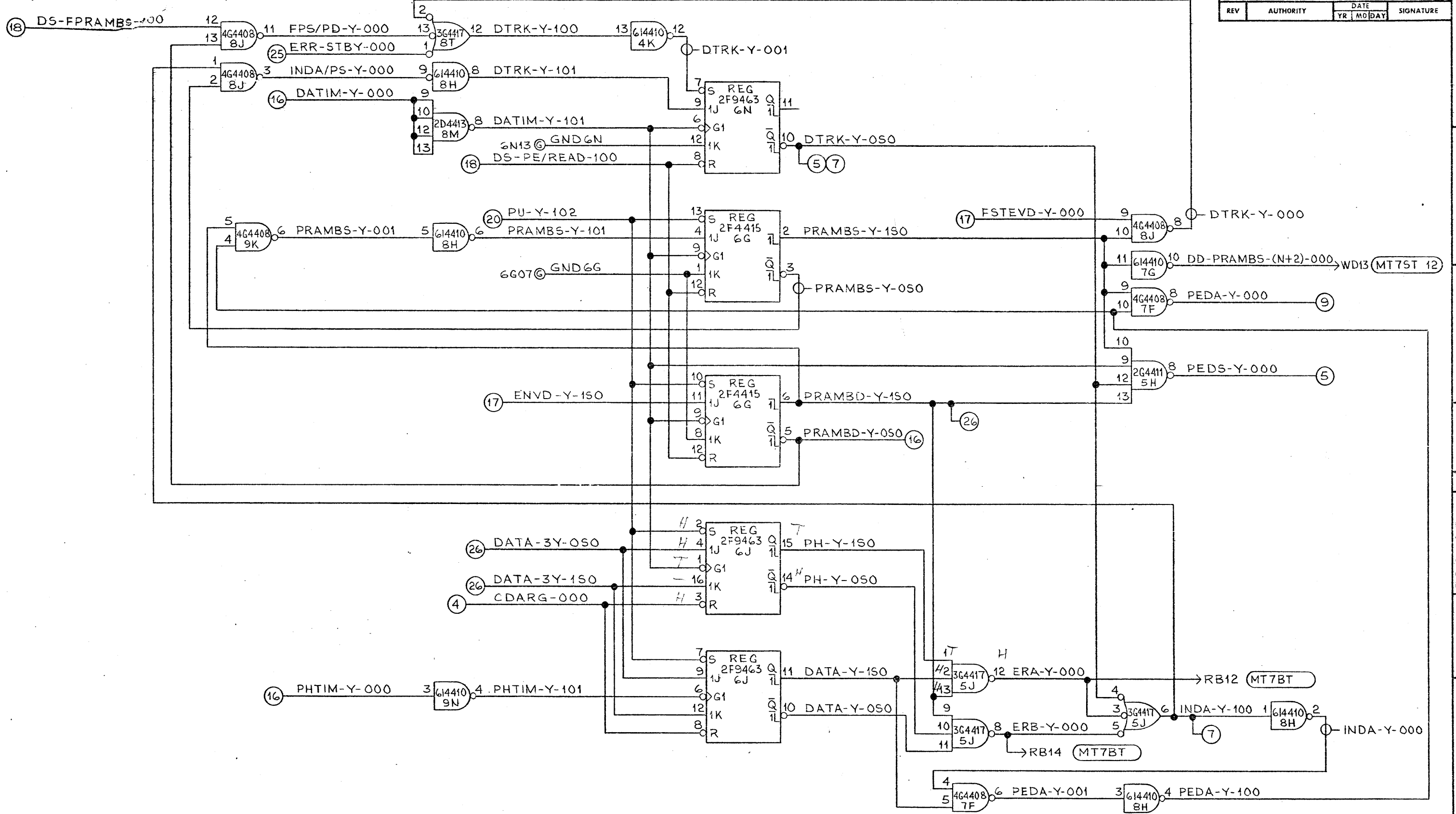


REF SPEC NO

UNLESS OTHERWISE SPECIFIED		MATERIAL		Honeywell HONEYWELL INFORMATION SYSTEMS PHOENIX, ARIZONA U. S. A.			
DIMENSIONS =		TREAT.					
MILLIMETERS		FIN.		LOC TITLE LOGIC DIAGRAM MT7DT PE DATA REC "X"			
TOLERANCE OF SIZE AND FORM PER		DR <i>J. Tapella</i>		SIZE	DWG NO	SH	REV
INITIAL DESIGN		76, NOV 23		D	58029314	18	A
PROJECTION		APPD		DISTR			

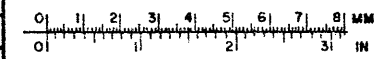
58029314

REVISIONS				
REV	AUTHORITY	DATE	SIGNATURE	
		YR MO DAY		



SUCH INFORMATION MAY BE DISTRIBUTED TO OTHERS ONLY BY WRITTEN PERMISSION OF AN AUTHORIZED HONEYWELL OFFICIAL. THIS RESTRICTION DOES NOT APPLY TO VENDOR SUPPLIED PARTS THAT MAY BE DISCLOSED IN THIS DOCUMENT.

58029314

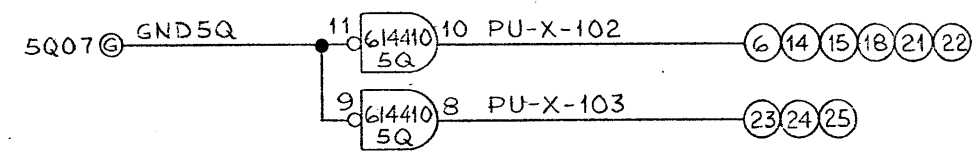
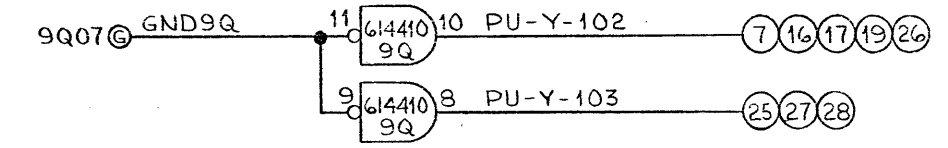
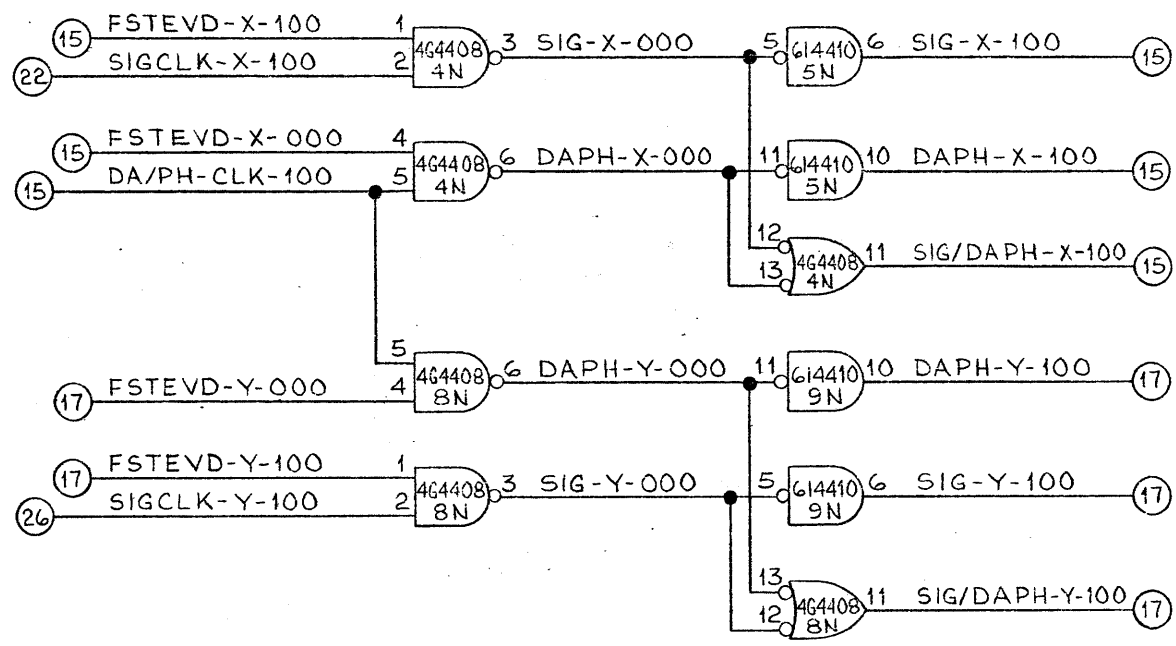
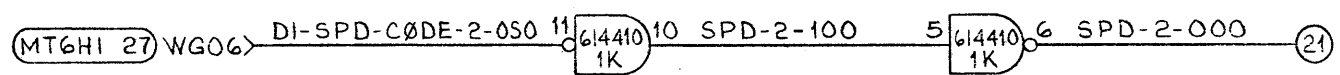
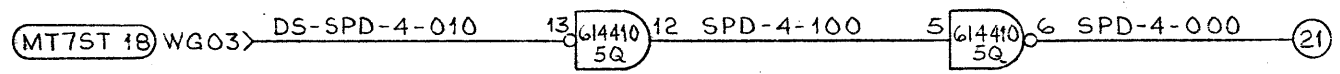


UNLESS OTHERWISE SPECIFIED		MATERIAL		Honeywell HONEYWELL INFORMATION SYSTEMS PHOENIX, ARIZONA U. S. A.	
DIMENSIONS =	MILLIMETERS	TREAT.	LOC		
TOLERANCE OF SIZE AND FORM PER	INCHES	FIN.	TITLE	LOGIC DIAGRAM MT7DT	
INITIAL DESIGN	PROJECTION	DR	TITLE		PE DATA REC "Y"
SCALE	CODE	76, NOV 23	SIZE	DWG NO	SH
		APPD	D	58029314	19
		DISTR		CG8-26	A

BRUNING 44.141

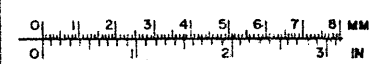
REF SPEC NO

REVISIONS				
REV	AUTHORITY	DATE		SIGNATURE
		YR	MO DAY	



TO VIEW DIMENSIONAL PARTS THAT MAY BE DISCLOSED IN THIS DOCUMENT.

BRUNING 44 1A1



REF SPEC NO	
-------------	--

UNLESS OTHERWISE SPECIFIED		MATERIAL		Honeywell HONEYWELL INFORMATION SYSTEMS, PHOENIX, ARIZONA U. S. A.	
DIMENSIONS = $\frac{\text{MILLIMETERS}}{\text{INCHES}}$		TREAT.			
TOLERANCE OF SIZE AND FORM PER		FIN.		LOC	
INITIAL DESIGN		PROJECTION		TITLE	
SCALE		CODE		LOGIC DIAGRAM MT7DT PE DATA REC "X" & "Y"	
DR <i>S. Capetillo</i> 76, NOV 23		APPD		SIZE	DWG NO
DISTR C68-26				D	58029314
				SH	REV
				20	A

58029314

10

9

8

7

6

5

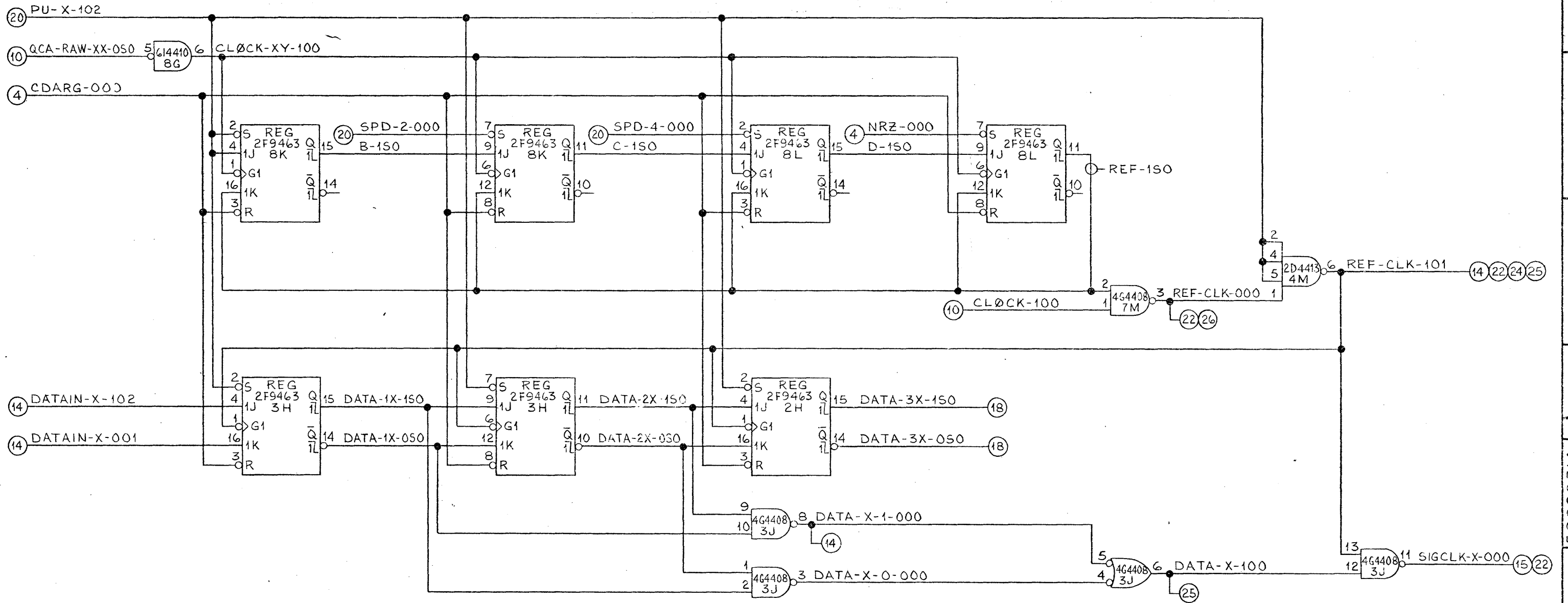
4

3

2

1

REVISIONS			
REV	AUTHORITY	DATE	SIGNATURE
		YR MO DAY	

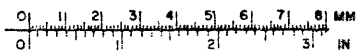


(14) DATAIN-X-102

(14) DATAIN-X-001

(15) DATA-1X-150
(14) DATA-1X-050
(11) DATA-2X-150
(10) DATA-2X-050
(15) DATA-3X-150
(18) DATA-3X-050
(14) DATA-X-1-000
(14) DATA-X-0-000
(25) DATA-X-100
(15) SIGCLK-X-000

REV	AUTHORITY	DATE	SIGNATURE
-----	-----------	------	-----------



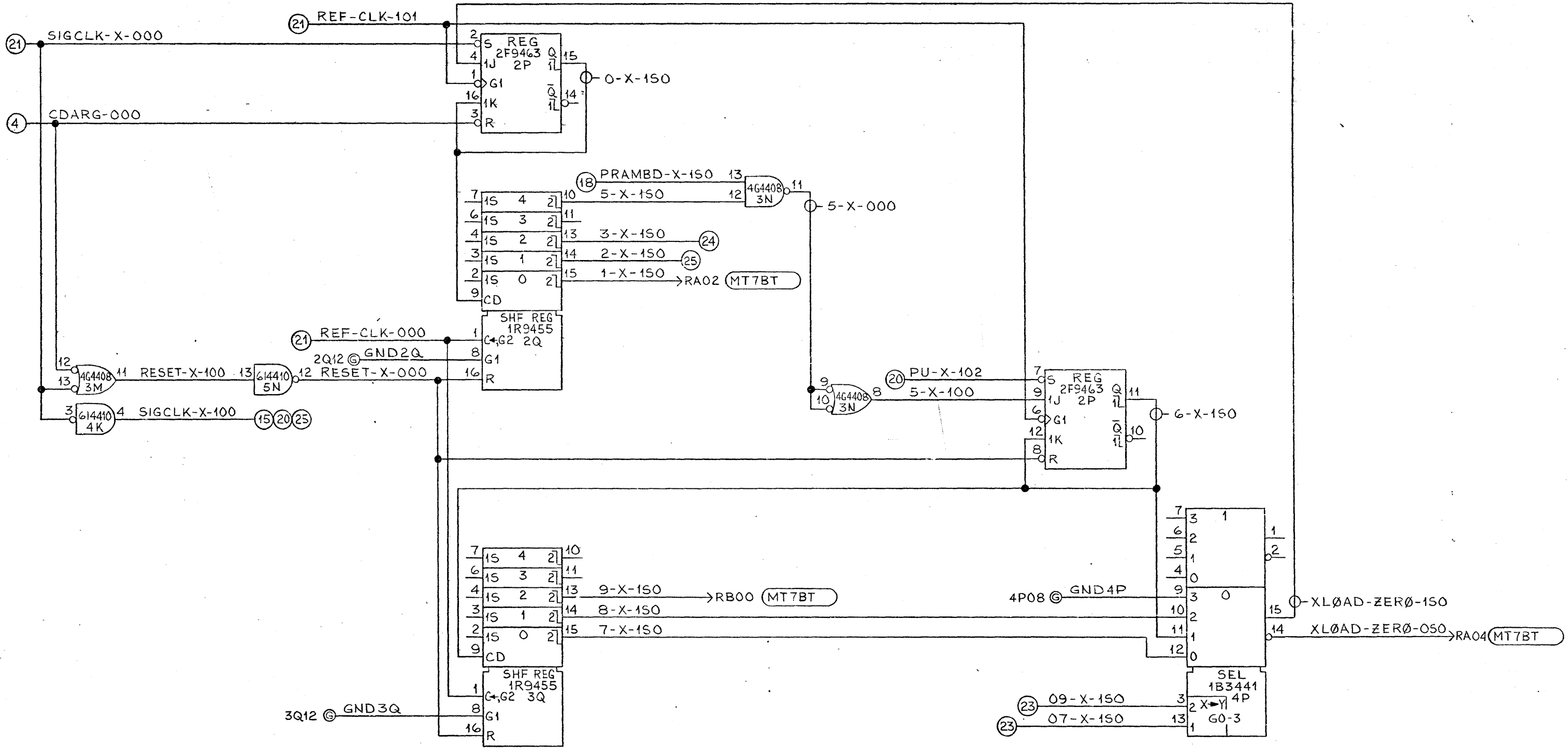
UNLESS OTHERWISE SPECIFIED		MATL	Honeywell			
DIMENSIONS = $\frac{\text{MILLIMETERS}}{\text{INCHES}}$		TREAT.	LOC HONEYWELL INFORMATION SYSTEMS PHOENIX, ARIZONA U.S.A.			
TOLERANCE OF SIZE AND		FIN.	TITLE LOGIC DIAGRAM MT7DT PE DATA REC "X"			
FORM PER			SIZE	DWG NO	SH	REV
INITIAL DESIGN			D	58029314	21	A
PROJECTION			APPD			
SCALE	CODE	DR <i>Z. Gafot. 16</i>		DEC 28, '76		
DISTR 668-26						

58029314

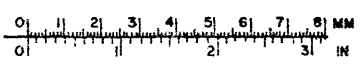
A

THIS DOCUMENT IS UNCLASSIFIED EXCEPT WHERE SHOWN OTHERWISE BY OTHERS. IT IS THE PROPERTY OF HONEYWELL INFORMATION SYSTEMS AND IS LOANED TO YOU. IT AND ITS CONTENTS ARE NOT TO BE DISTRIBUTED TO OTHERS WITHOUT THE WRITTEN PERMISSION OF AN AUTHORIZED HONEYWELL OFFICIAL. THIS RESTRICTION DOES NOT APPLY TO REPRODUCTION BY YOU FOR YOUR OWN PRIVATE USE ONLY.

REVISIONS			
REV	AUTHORITY	DATE YR MO DAY	SIGNATURE



REV	DESCRIPTION

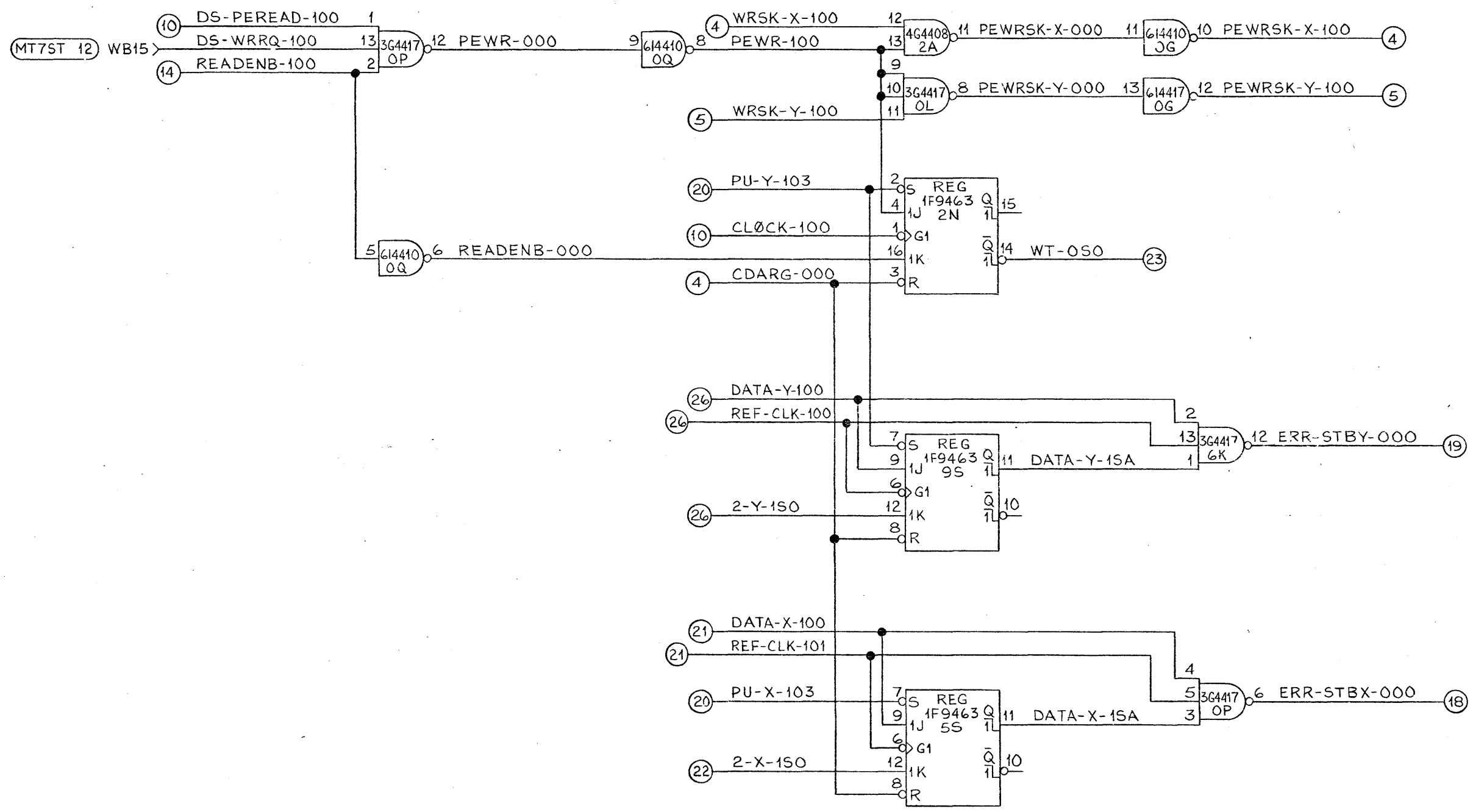


UNLESS OTHERWISE SPECIFIED		MATL	Honeywell HONEYWELL INFORMATION SYSTEMS PHOENIX, ARIZONA U. S. A.	
DIMENSIONS =		TREAT.		
TOLERANCE OF SIZE AND FORM PER		FIN.	TITLE LOGIC DIAGRAM MT7DT PE DATA REC "X"	
INITIAL DESIGN				
SCALE	CODE	DR S. Capitillo 76, DEC 28	SIZE	DWG NO 58029314
PROJECTION		APPD	SH	REV 22 A
			DISTR C68-26	

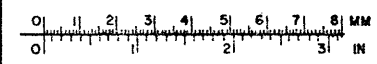
58029314

TO VERIFY DIMENSIONS THAT MAY BE DELETED IN THIS DOCUMENT, THIS SPECIFICATION DOES NOT APPLY.

REVISIONS			
REV	AUTHORITY	DATE	SIGNATURE
		YR MO DAY	



THIS DOCUMENT IS UNCLASSIFIED EXCEPT WHERE SHOWN OTHERWISE BY THIS SYMBOL AND IS INTENDED FOR INTERNAL HONEYWELL USE ONLY. IT MAY BE DISTRIBUTED TO OTHERS ONLY BY WRITTEN PERMISSION OF AN AUTHORIZED HONEYWELL OFFICIAL. THIS RESTRICTION DOES NOT APPLY TO VENDOR SUPPLIERS OR TO VENDOR PARTS THAT MAY BE DISCLOSED IN THIS DOCUMENT.



UNLESS OTHERWISE SPECIFIED		MATERIAL	
DIMENSIONS= MILLIMETERS		TREAT.	
TOLERANCE OF SIZE AND INCHES		LOC	
FORM PER		FIN.	
INITIAL DESIGN		DR <i>J. Capitella</i>	
PROJECTION		76. DEC 20	
SCALE	CODE	APPD	
DISTR C68-26			

Honeywell			
HONEYWELL INFORMATION SYSTEMS PHOENIX, ARIZONA U. S. A.			
TITLE LOGIC DIAGRAM MT7DT PE WRITE SKEW/ERR STROBE			
SIZE	DWG NO	SH	REV
D	58029314	25	A

10

9

8

7

6

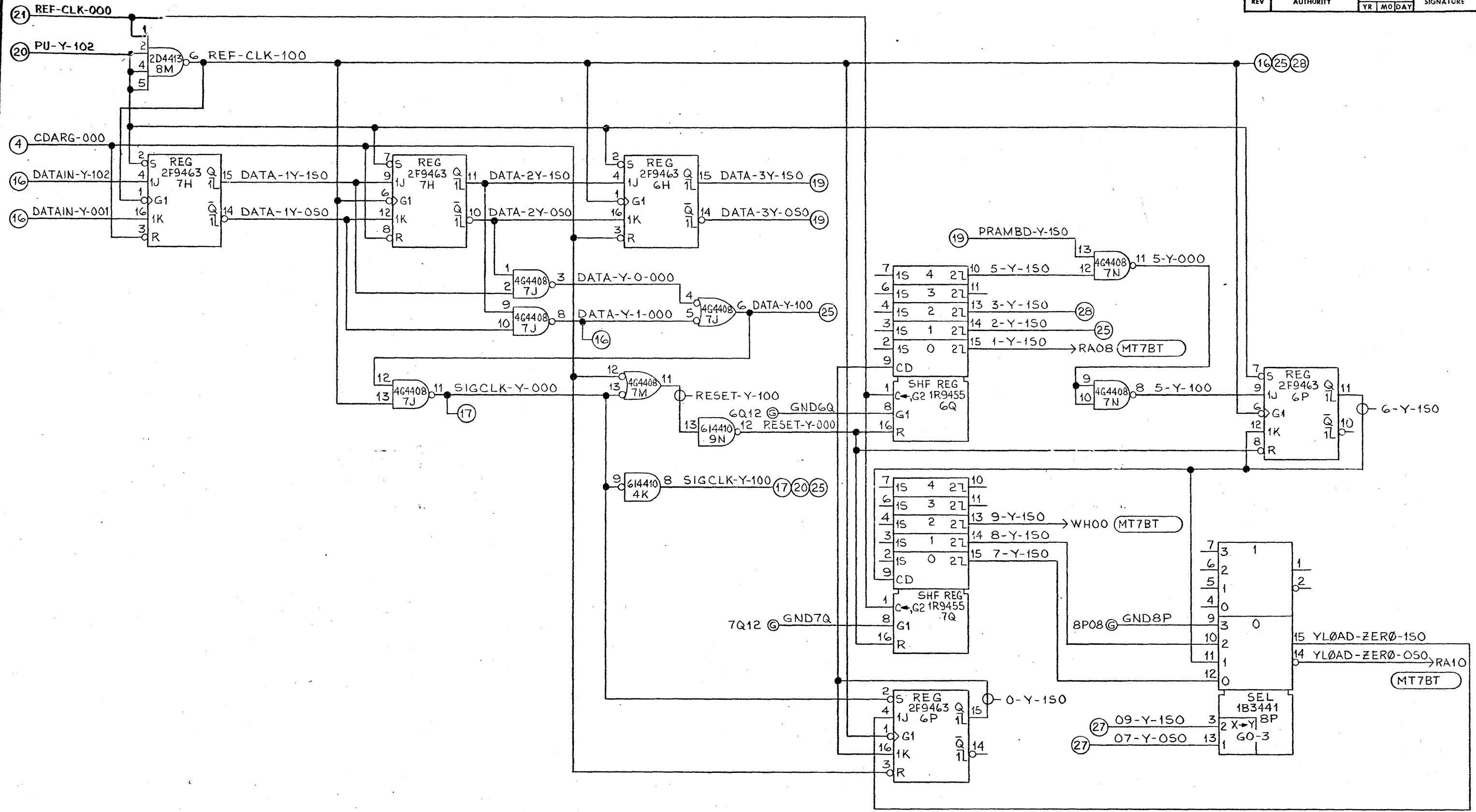
5

4

1

58029314

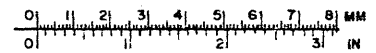
REVISIONS				
REV	AUTHORITY	DATE	SIGNATURE	
		YR MO DAY		



TO VENDOR PROPRIETARY PARTS THAT MAY BE DISCLOSED IN THIS DOCUMENT.

58029314

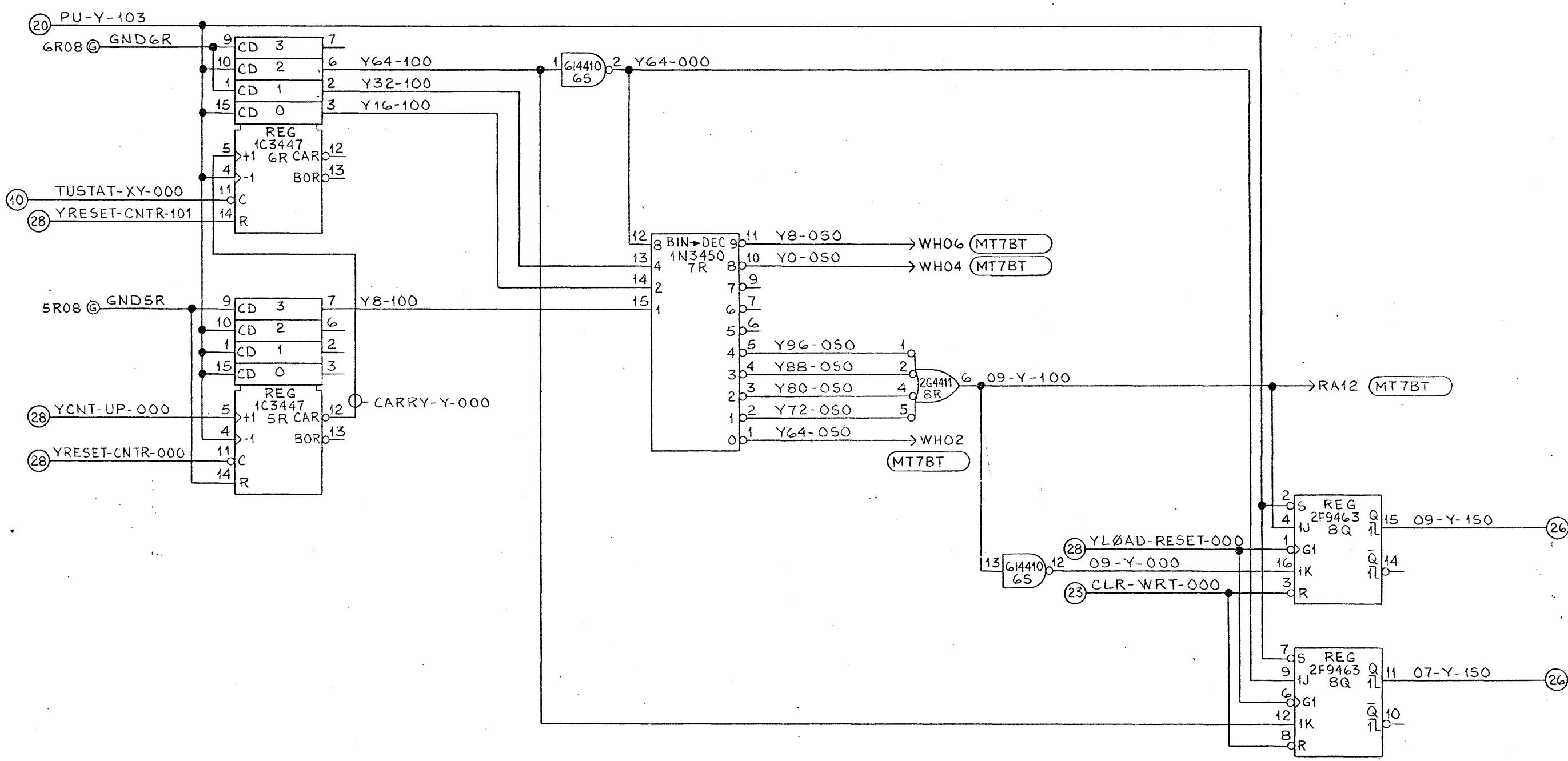
UNLESS OTHERWISE SPECIFIED		MATERIAL		Honeywell HONEYWELL INFORMATION SYSTEMS PHOENIX, ARIZONA U. S. A.	
DIMENSIONS = MILLIMETERS / INCHES		TREAT.			
TOLERANCE OF SIZE AND FORM PER INITIAL DESIGN		FIN.		LOC TITLE LOGIC DIAGRAM MT7DT PE DATA REC "Y"	
PROJECTION		DR <i>S. Capella</i> 76, DEC 3		SIZE	REV
SCALE	CODE	APPD		DWG NO	SH
		DISTR 668-26		D	26
				58029314	A



BRUNING 44 141
REF SPEC NO

REVISIONS				
REV	AUTHORITY	DATE		SIGNATURE
		YR	MO DAY	

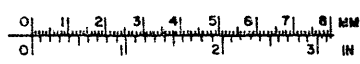
H
F
E
D
C
B
A



H
F
E
D
C
B
A

H
F
E
D
C
B
A

SUCH INFORMATION MAY BE DISTRIBUTED TO OTHERS ONLY BY WRITTEN PERMISSION OF AN AUTHORIZED HONEYWELL OFFICIAL. THIS RESTRICTION DOES NOT APPLY TO VENDOR PROPRIETARY PARTS THAT MAY BE INCLUDED IN THIS DOCUMENT.



UNLESS OTHERWISE SPECIFIED		MATERIAL		Honeywell			
DIMENSIONS = MILLIMETERS / INCHES		TREATMENT		HONEYWELL INFORMATION SYSTEMS PHOENIX, ARIZONA U. S. A.			
TOLERANCE OF SIZE AND FORM PER INITIAL DESIGN		FINISH		LOC			
PROJECTION		SCALE		TITLE LOGIC DIAGRAM MT7DT PE DATA REC "Y"			
CODE		DR S. Gaspelli 76, DEC 30		SIZE D		DWG NO 58029314	
DISTR C68-26		APPD		SH 27		REV A	

58029314

