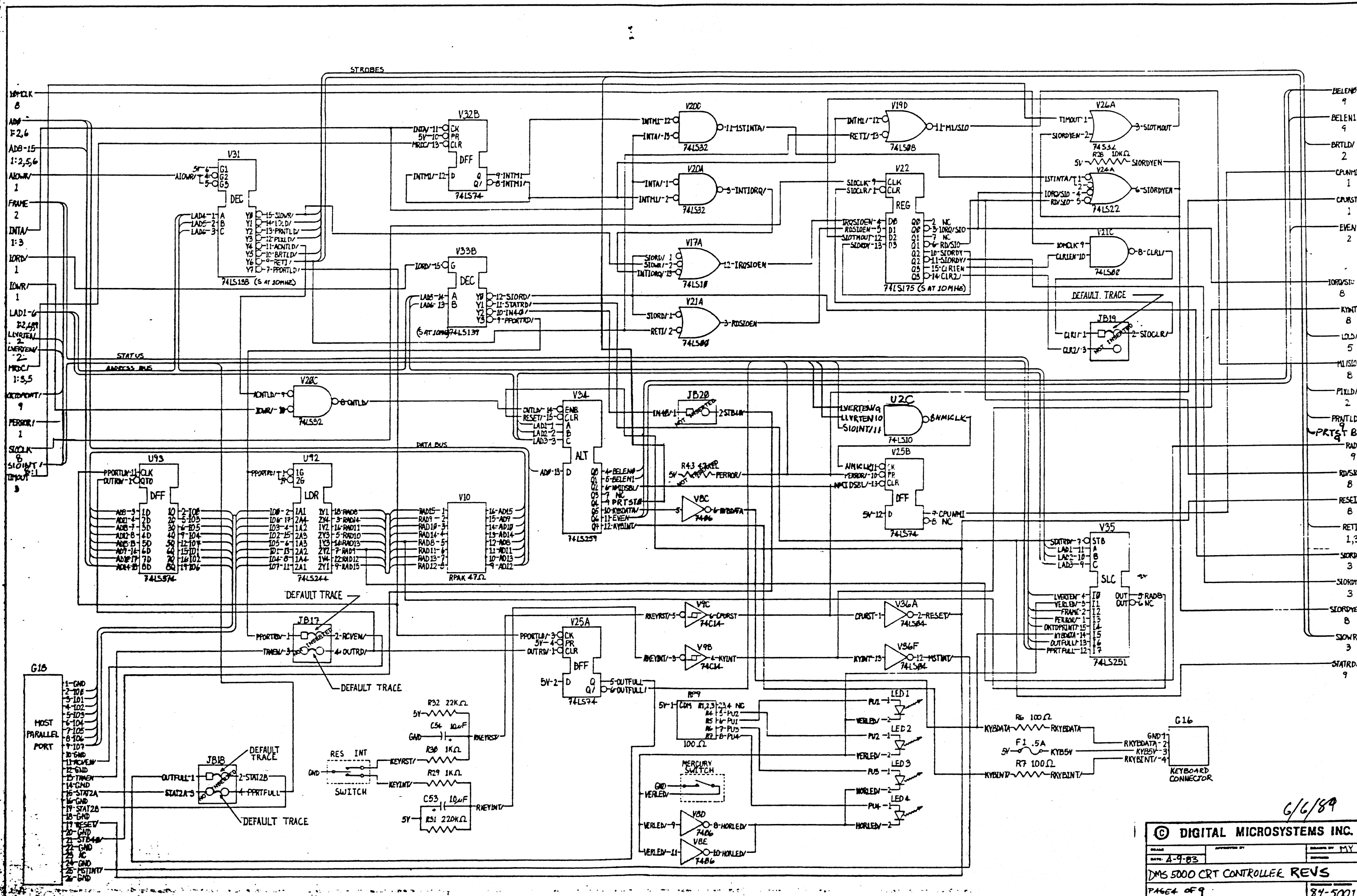
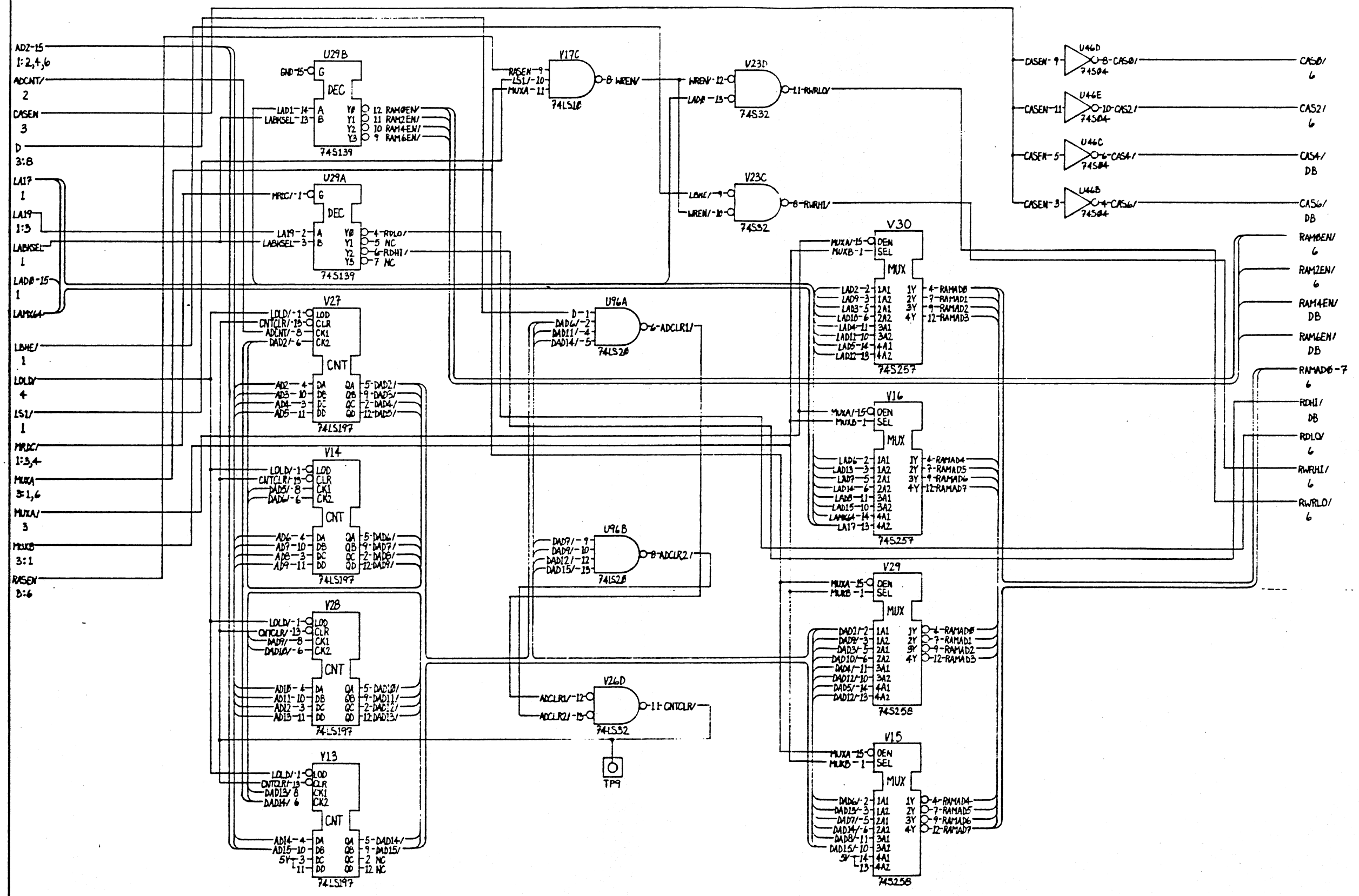


6/6/84

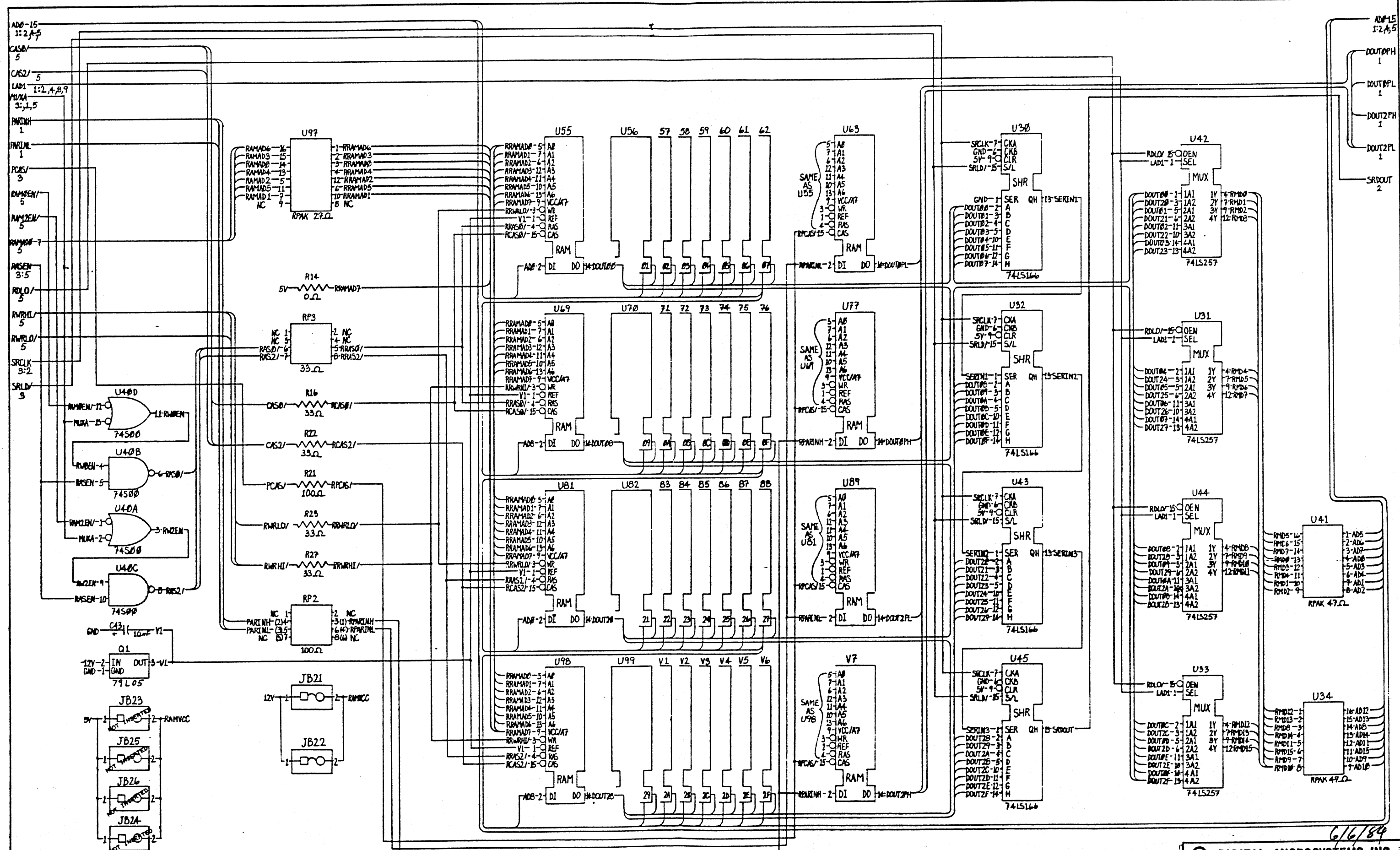


G/6/89

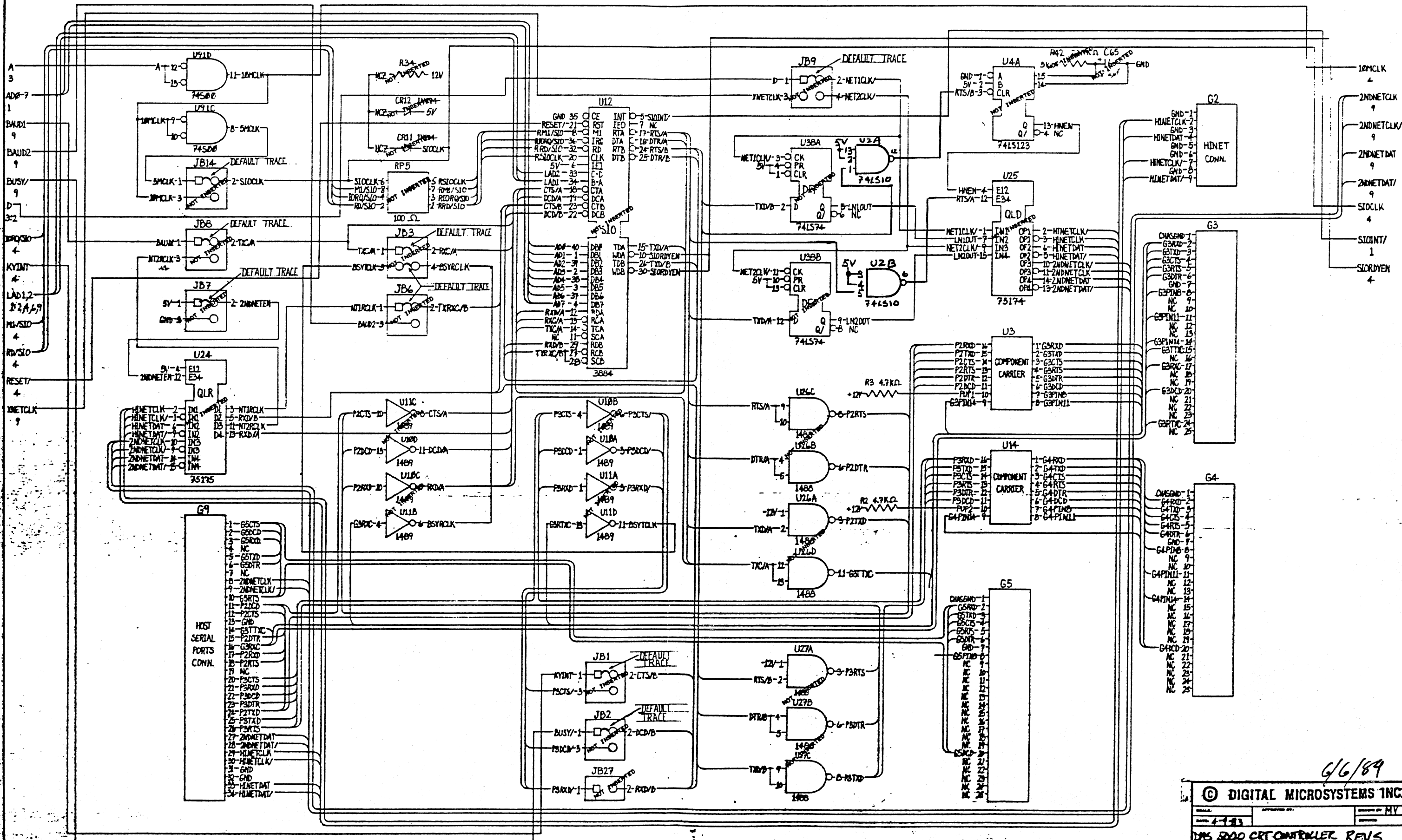
REV		DESCRIPTION	DATE	APPROVED
1234	5	NEW PCB #60-8625 REV D	2-28-84	



6/6/84



6/6/84



6/6/89

