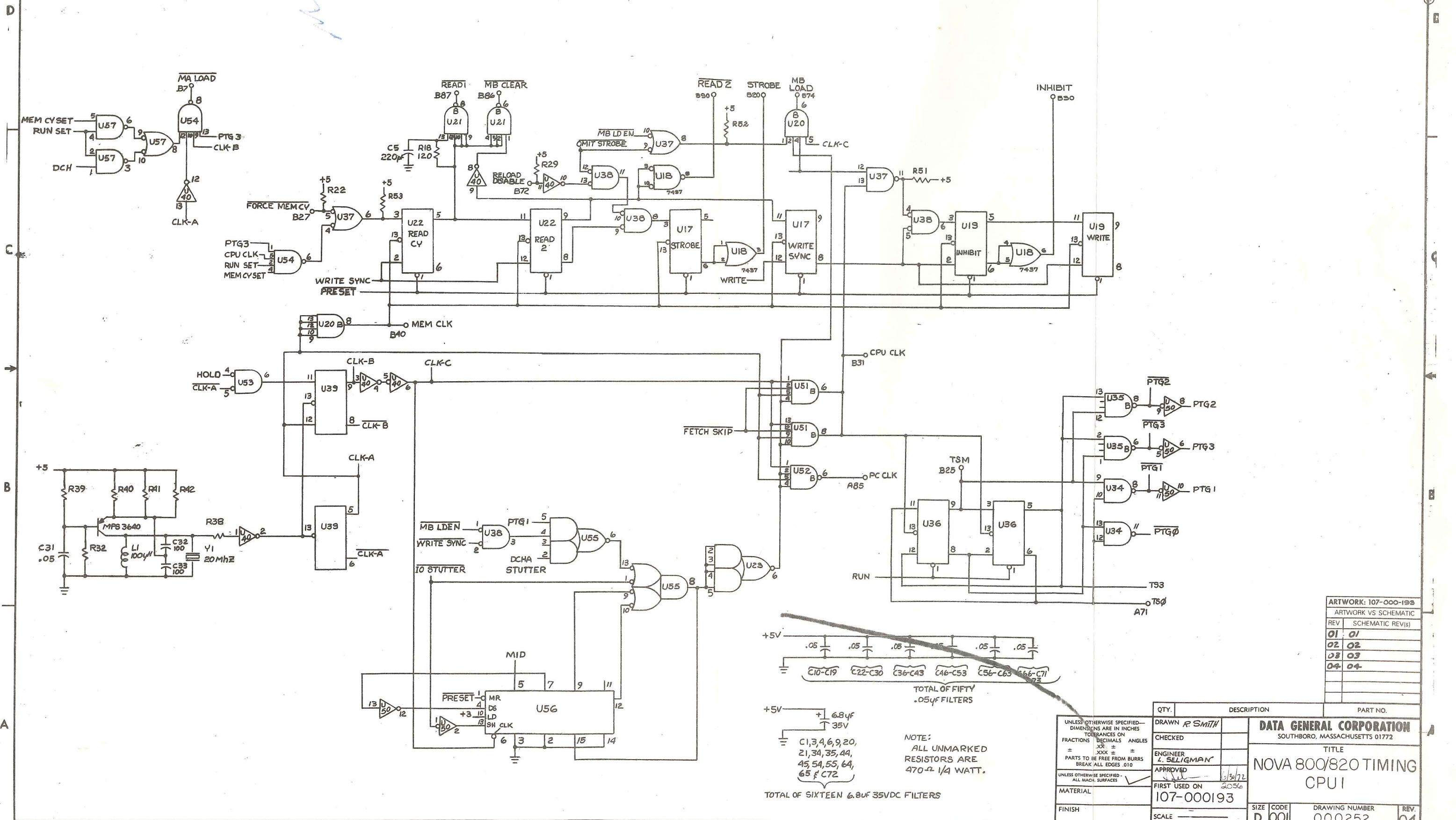


THIS DRAWING AND SPECIFICATIONS, HEREIN, ARE THE PROPERTY OF DATA GENERAL CORPORATION AND SHALL NOT BE REPRODUCED OR COPIED OR USED IN WHOLE OR IN PART AS THE BASIS FOR MANUFACTURE OR SALE OF ITEMS WITHOUT WRITTEN PERMISSION.

REVISIONS				
REV.	DESCRIPTION	DRFTG.	APP. BY	DATE
01	ECO # 1450	R.W.C.		3-9-78
02	ECO # 1558	R.W.C.		7-11-78
03	ECO # 1732	R.W.C.		7-28-78
04	ECO # 2580	D.L.F.		7-31-78



+5V — .05 — .05 — .05 — .05 — .05 — .05 —  
 C10-C19 C22-C30 C36-C43 C46-C53 C56-C63 C66-C71  
 TOTAL OF FIFTY .05µF FILTERS  
 +5V — + 6.8µF — 35V  
 C1, 3, 4, 6, 9, 20, 21, 34, 35, 44, 45, 54, 55, 64, 65 f C72  
 TOTAL OF SIXTEEN 6.8µF 35VDC FILTERS

NOTE:  
ALL UNMARKED RESISTORS ARE 470-Ω 1/4 WATT.

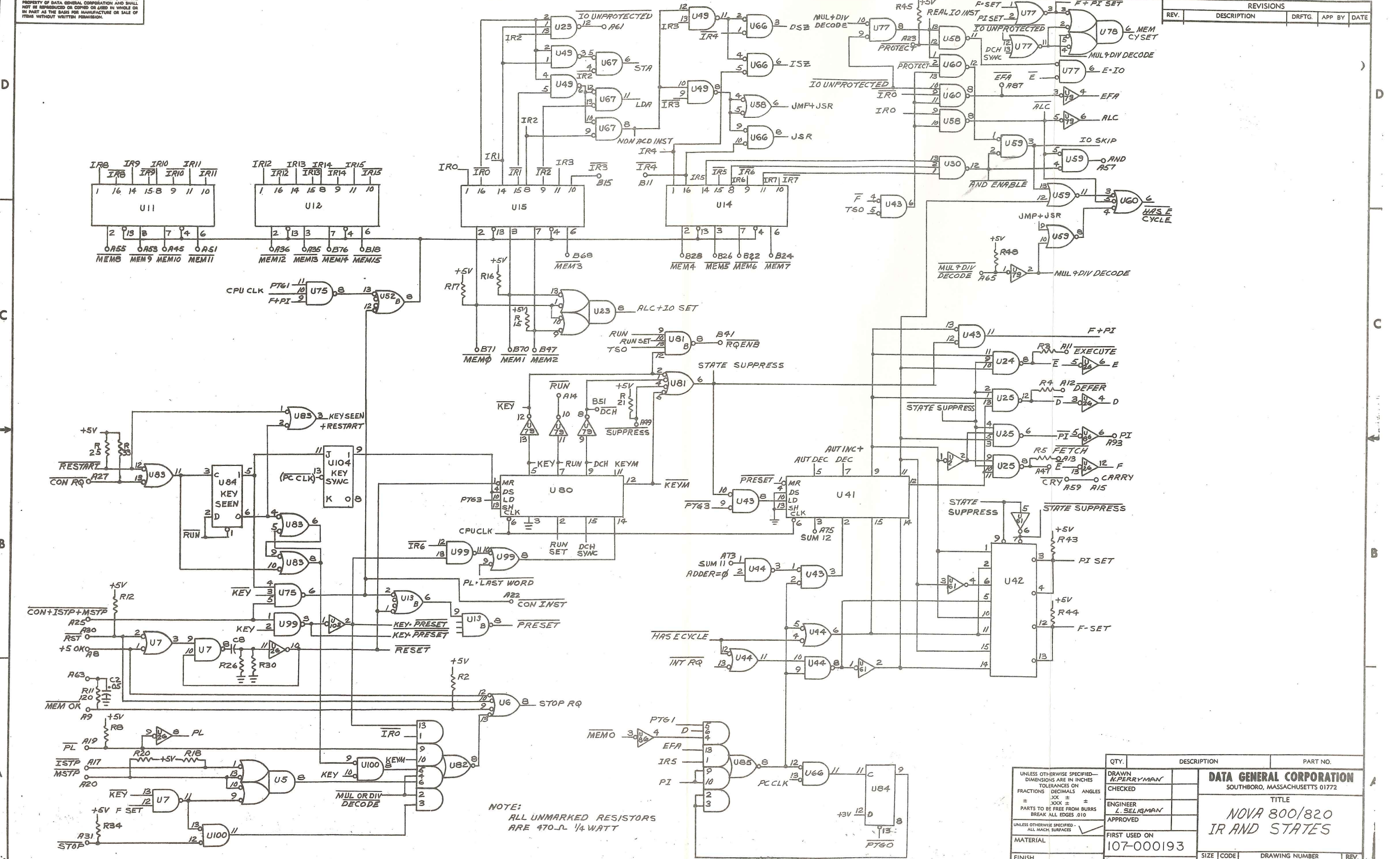
ARTWORK: 107-000-193	
ARTWORK VS SCHEMATIC	
REV	SCHEMATIC REV(S)
01	01
02	02
03	03
04	04

QTY.	DESCRIPTION	PART NO.
	DRAWN R SMITH	
	CHECKED	
	ENGINEER E SELIGMAN	
	APPROVED	
	FIRST USED ON 107-000193	
	MATERIAL	
	FINISH	
	SCALE	
<b>DATA GENERAL CORPORATION</b> SOUTHBORO, MASSACHUSETTS 01772 TITLE <b>NOVA 800/820 TIMING CPU I</b>		
SIZE	CODE	D 001
DRAWING NUMBER	REV.	000252 04



THIS DRAWING AND SPECIFICATIONS HEREIN, ARE THE PROPERTY OF DATA GENERAL CORPORATION AND SHALL NOT BE REPRODUCED OR COPIED IN WHOLE OR IN PART AS THE BASIS FOR MANUFACTURE OR SALE OF ITEMS WITHOUT WRITTEN PERMISSION.

REVISIONS				
REV.	DESCRIPTION	DRFTG.	APP BY	DATE



NOTE:  
ALL UNMARKED RESISTORS  
ARE 470-Ω 1/4 WATT

QTY.	DESCRIPTION	PART NO.

DRAWN K. PERRYMAN		CHECKED	
ENGINEER L. SELIGMAN		APPROVED	
FIRST USED ON 107-000193		SCALE	

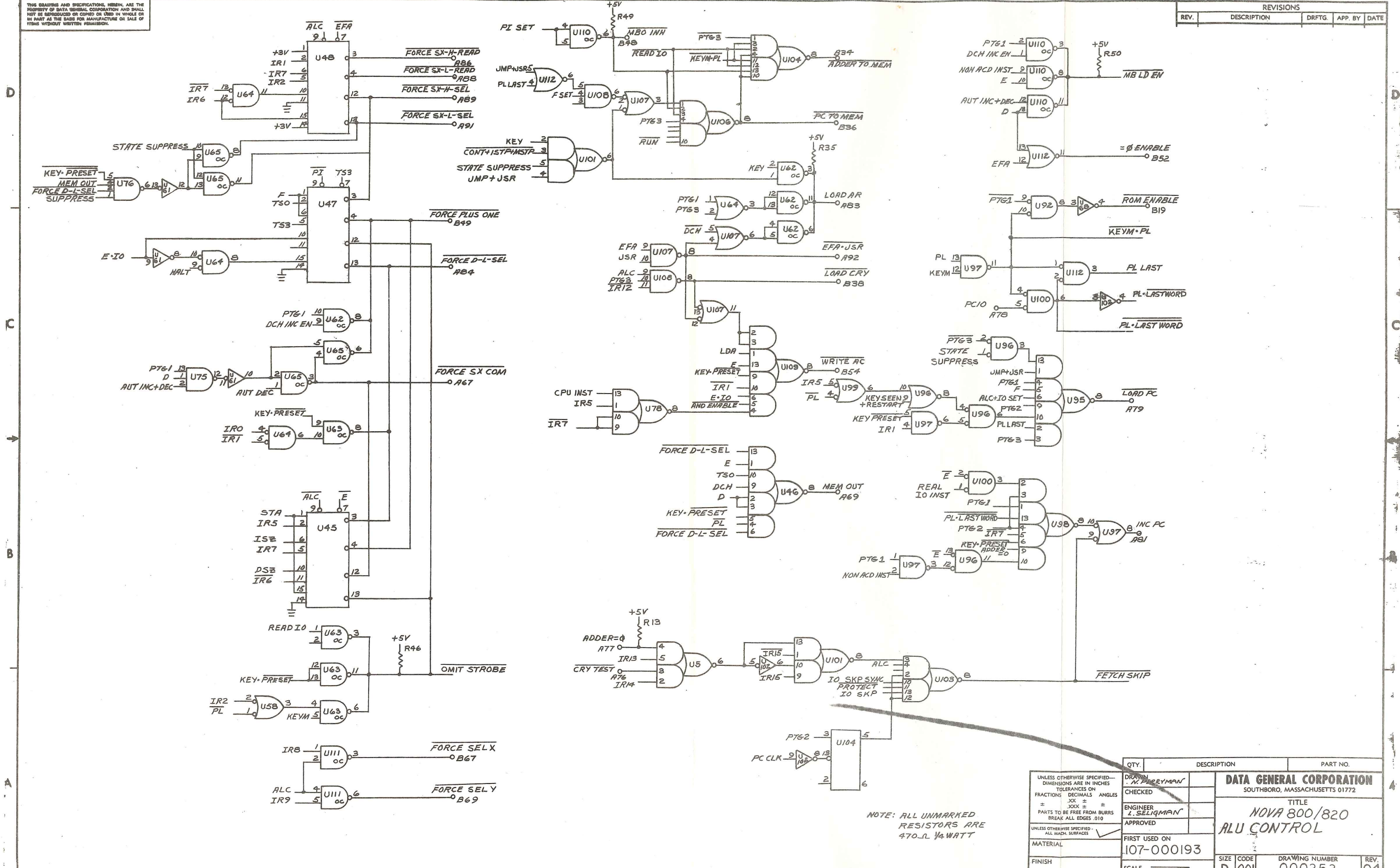
  

DATA GENERAL CORPORATION SOUTHBORO, MASSACHUSETTS 01772			
TITLE NOVA 800/820 IR AND STATES			
SIZE	CODE	DRAWING NUMBER	REV.
D	001	000252	04



THIS DRAWING AND SPECIFICATIONS, HEREIN, ARE THE PROPERTY OF DATA GENERAL CORPORATION AND SHALL NOT BE REPRODUCED OR COPIED OR USED IN WHOLE OR IN PART AS THE BASIS FOR MANUFACTURE OR SALE OF ITEMS WITHOUT WRITTEN PERMISSION.

REVISIONS				
REV.	DESCRIPTION	DRFTG.	APP. BY	DATE



NOTE: ALL UNMARKED RESISTORS ARE 470-Ω 1/4 WATT

QTY.	DESCRIPTION	PART NO.

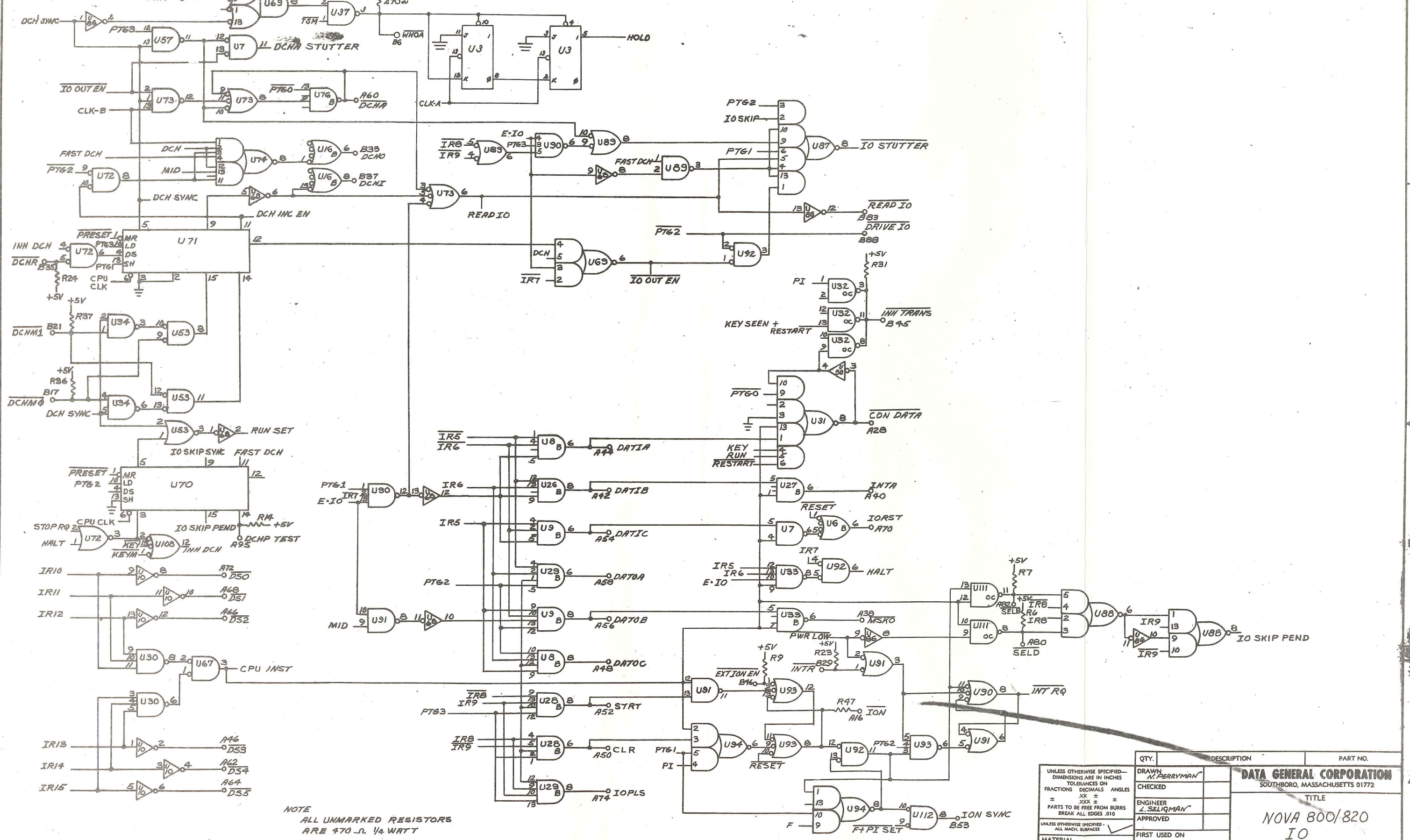
  

DRAWN N. PERRYMAN		DATA GENERAL CORPORATION SOUTHBORO, MASSACHUSETTS 01772	
CHECKED		TITLE NOVA 800/820 ALU CONTROL	
ENGINEER L. SELIGMAN		FIRST USED ON 107-000193	
APPROVED		SCALE	
MATERIAL		SIZE	CODE
FINISH		D	001
		DRAWING NUMBER	REV.
		000252	04



THIS DRAWING AND SPECIFICATIONS HEREIN ARE THE PROPERTY OF DATA GENERAL CORPORATION AND SHALL NOT BE REPRODUCED OR COPIED OR USED IN WHOLE OR IN PART AS THE BASIS FOR MANUFACTURE OR SALE OF ITEMS WITHOUT WRITTEN PERMISSION.

REVISIONS			
REV.	DESCRIPTION	DRFTG.	APP. BY DATE



NOTE  
ALL UNMARKED RESISTORS  
ARE 470-Ω 1/4 WATT

QTY.	DESCRIPTION	PART NO.
UNLESS OTHERWISE SPECIFIED— DIMENSIONS ARE IN INCHES TOLERANCES ON FRACTIONS DECIMALS ANGLES XX ± XXX ± PARTS TO BE FREE FROM BURRS BREAK ALL EDGES .010		
UNLESS OTHERWISE SPECIFIED— ALL MACH. SURFACES		
DRAWN M. PERRYMAN		
CHECKED		
ENGINEER L. SELIGMAN		
APPROVED		
FIRST USED ON		
107 000193		
SCALE	SIZE	CODE
	D	001
DRAWING NUMBER		
000252		
REV		
04		

**DATA GENERAL CORPORATION**  
SOUTHBORO, MASSACHUSETTS 01772

TITLE  
**NOVA 800/820  
IO**