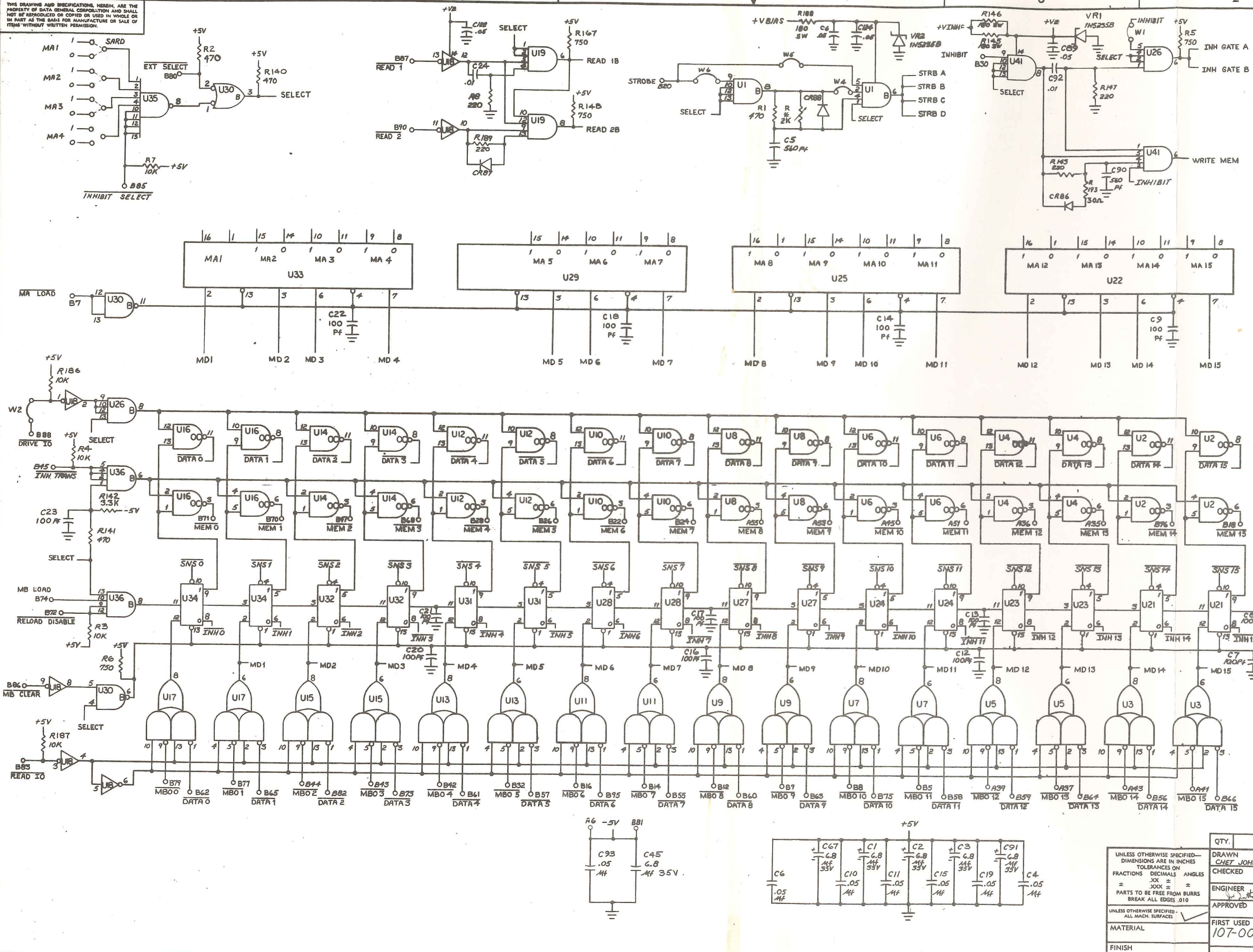


THIS DRAWING AND SPECIFICATIONS HEREIN ARE THE PROPERTY OF DATA GENERAL CORPORATION AND SHALL NOT BE REPRODUCED OR COPIED OR USED IN WHOLE OR IN PART AS THE BASIS FOR MANUFACTURE OR SALE OF ITEMS WITHOUT WRITTEN PERMISSION.

REVISIONS				
REV.	DESCRIPTION	DRFTG.	APP BY	DATE
01	ECO # 1117	R.W.C.		10-3-72
02	ECO # 1259	F.A.		12-5-72
03	ECO # 1291	F.A.		12-27-72
04	ECO # 1402	R.W.C.		4-23-73
05	ECO # 1526	R.W.C.		5-23-73



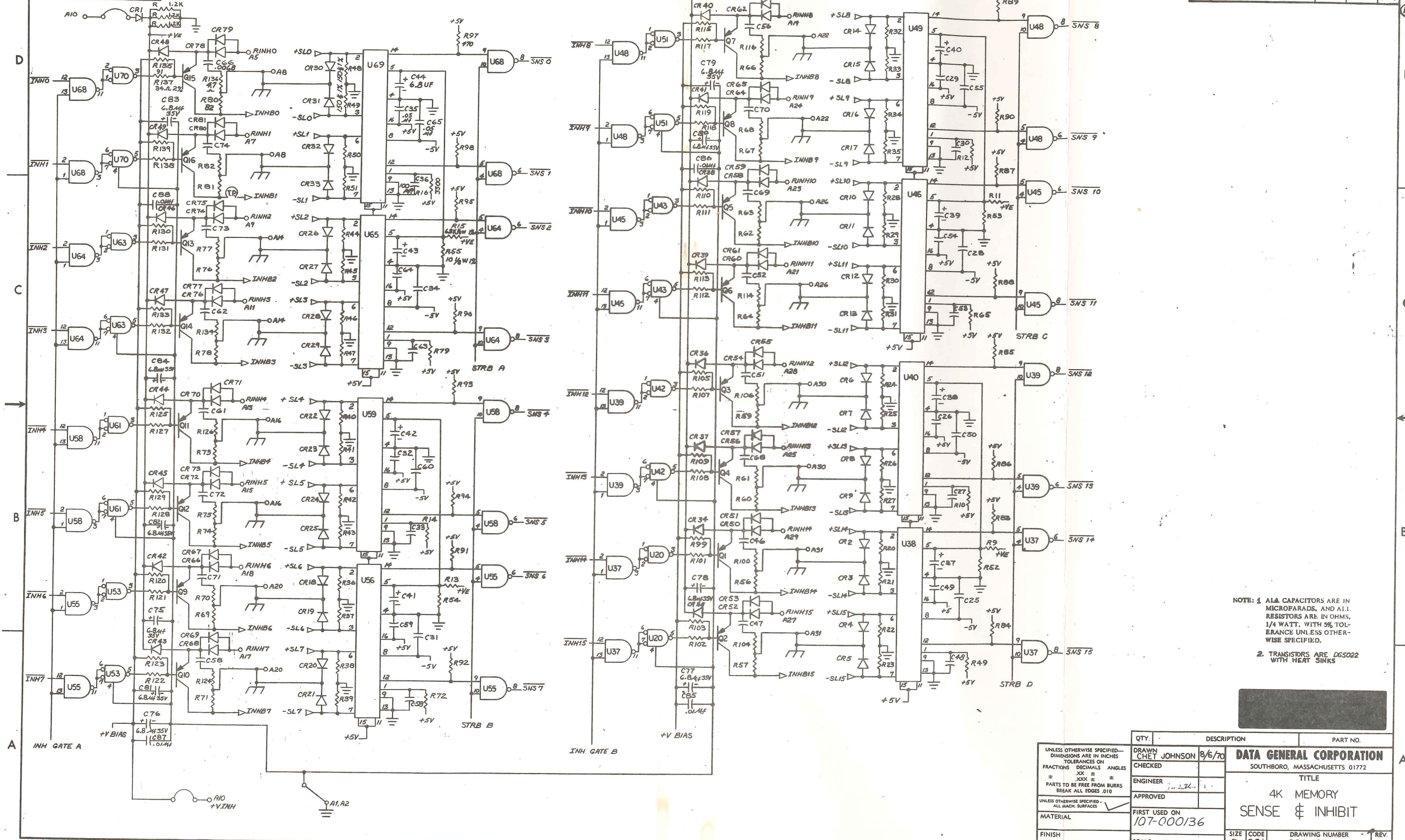
NOTE:-
R* POT. ADJUSTED AT TEST LEVEL.

NOTE: ALL CAPACITORS ARE IN MICROFARADS, AND ALL RESISTORS ARE IN OHMS, 1/4 WATT, WITH 5% TOLERANCE UNLESS OTHERWISE SPECIFIED.

QTY.	DESCRIPTION	PART NO.
	DRAWN CHET JOHNSON 9/21/70	DATA GENERAL CORPORATION SOUTHBORO, MASSACHUSETTS 01772
	CHECKED	
	ENGINEER JOK	TITLE 4K MEMORY MA & MB REGISTER & CONTROL
	APPROVED JOK	
	FIRST USED ON 107-000136 8203	SIZE CODE D 001
	MATERIAL	DRAWING NUMBER 000195
	FINISH	REV 05

THIS DRAWING AND SPECIFICATIONS, HEREIN, ARE THE PROPERTY OF DATA GENERAL CORPORATION AND SHALL NOT BE REPRODUCED OR COPIED OR USED IN WHOLE OR IN PART AS THE BASIS FOR MANUFACTURE OR SALE OF ITEMS WITHOUT WRITTEN PERMISSION.

REVISIONS				
REV.	DESCRIPTION	DRFTG.	APP. BY	DATE



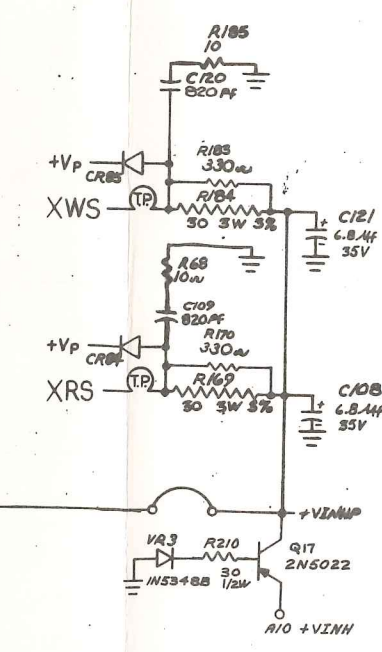
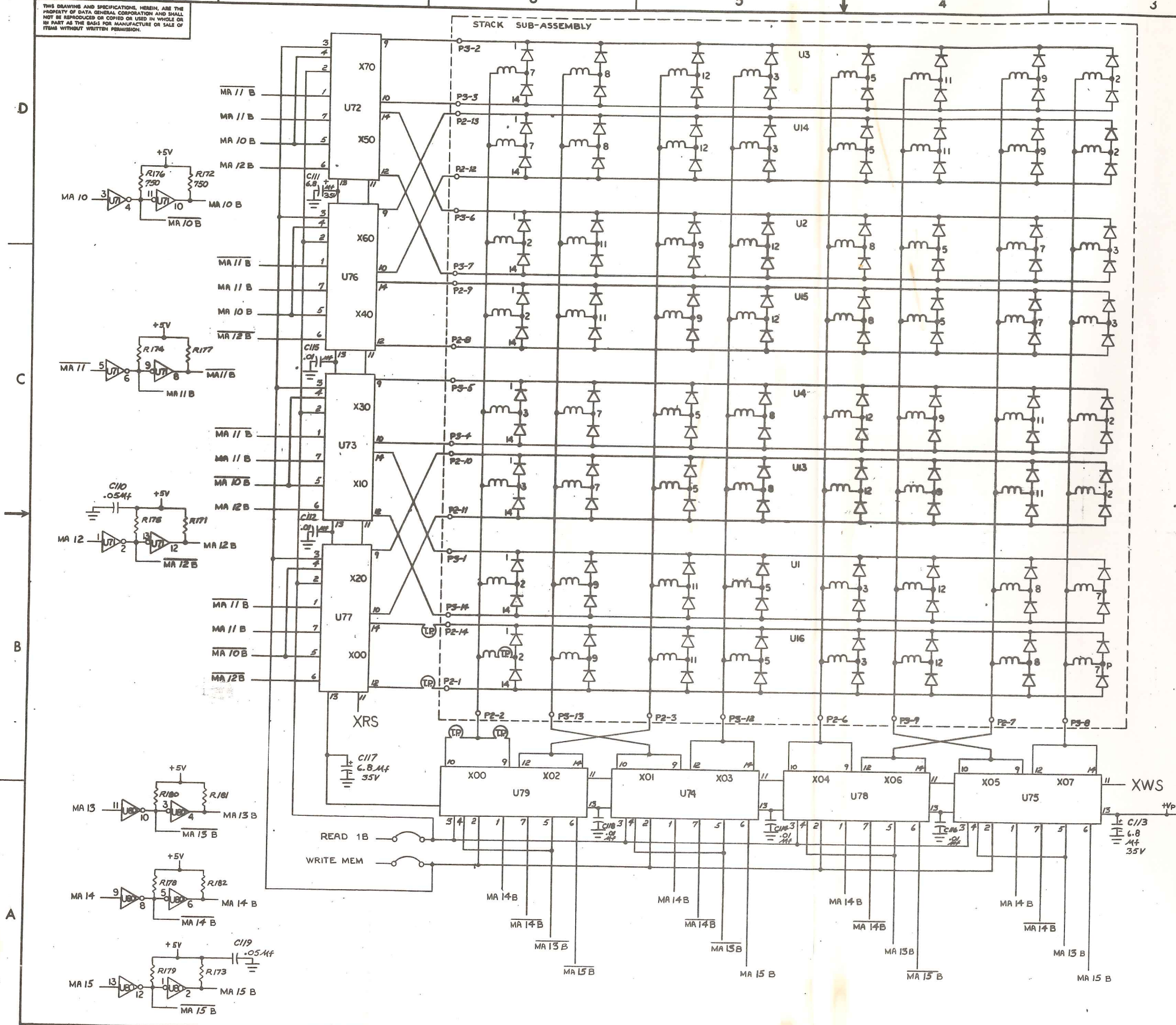
NOTE: 1 ALL CAPACITORS ARE IN MICROFARADS, AND ALL RESISTORS ARE IN OHMS, 1/4 WATT, WITH 5% TOLERANCE UNLESS OTHERWISE SPECIFIED.
2. TRANSISTORS ARE DGS022 WITH HEAT SINKS

QTY.	DESCRIPTION	PART NO.

UNLESS OTHERWISE SPECIFIED— DIMENSIONS ARE IN INCHES TOLERANCES ON FRACTIONS DECIMALS ANGLES XX ± PARTS TO BE FREE FROM BURRS BREAK ALL EDGES .010	DRAWN CHET JOHNSON 8/6/70 CHECKED ENGINEER APPROVED FIRST USED ON 107-000136 MATERIAL FINISH	DATA GENERAL CORPORATION SOUTHBORO, MASSACHUSETTS 01772 TITLE 4K MEMORY SENSE & INHIBIT SIZE CODE D 001 DRAWING NUMBER 000125 REV. 05
--	--	--

THIS DRAWING AND SPECIFICATIONS HEREIN ARE THE PROPERTY OF DATA GENERAL CORPORATION AND SHALL NOT BE REPRODUCED OR COPIED OR USED IN WHOLE OR IN PART AS THE BASIS FOR MANUFACTURE OR SALE OF ITEMS WITHOUT WRITTEN PERMISSION.

REVISIONS				
REV.	DESCRIPTION	DRFTG.	APP. BY	DATE



NOTE:-
1. R170 & R183 ARE NOMINAL VALUES AND MAY BE CHANGE AT TEST LEVEL.

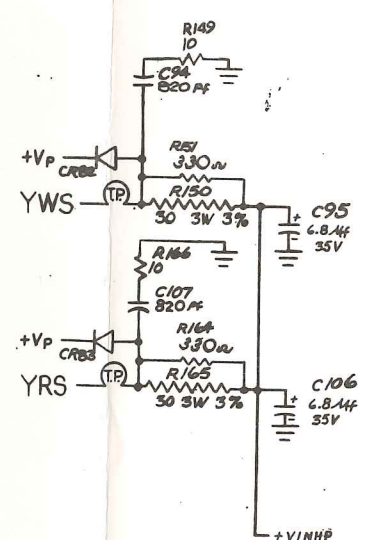
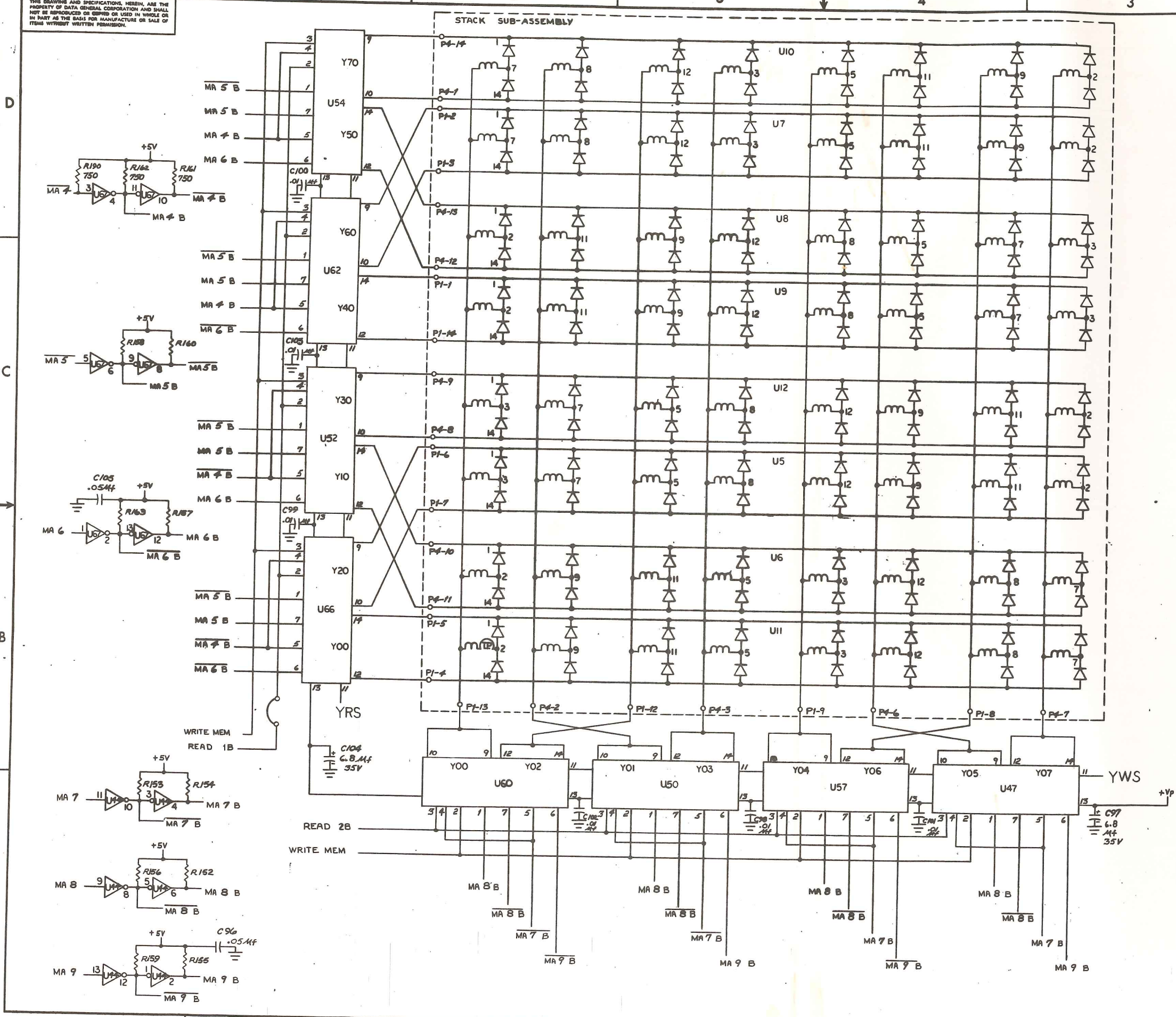
NOTE: ALL CAPACITORS ARE IN MICROFARADS, AND ALL RESISTORS ARE IN OHMS. 1/4 WATT, UNLESS SO TOLERANCE UNLESS OTHERWISE SPECIFIED.

QTY.	DESCRIPTION	PART NO.

DRAWN CHET JOHNSON 7/24/70		DATA GENERAL CORPORATION	
CHECKED		SOUTHBORO, MASSACHUSETTS 01772	
ENGINEER J. S. J.		TITLE	
APPROVED		4K MEMORY	
FIRST USED ON		X DRIVERS	
107-000136		SIZE	D
MATERIAL		CODE	001
FINISH		DRAWING NUMBER	000195
SCALE		REV.	05

THIS DRAWING AND SPECIFICATIONS, HEREIN, ARE THE PROPERTY OF DATA GENERAL CORPORATION AND SHALL NOT BE REPRODUCED OR COPIED OR USED IN WHOLE OR IN PART AS THE BASIS FOR MANUFACTURE OR SALE OF ITEMS WITHOUT WRITTEN PERMISSION.

REVISIONS			
REV.	DESCRIPTION	DRFTG	APP BY DATE



NOTE: 1. R151 & R164 ARE NOMINAL VALUES AND MAY BE CHANGED AT TEST LEVEL.

NOTE: ALL CAPACITORS ARE IN MICROFARADS, AND ALL RESISTORS ARE IN OHMS. 1/4 WATT, 5% TOLERANCE UNLESS OTHERWISE SPECIFIED.

QTY.	DESCRIPTION	PART NO.

UNLESS OTHERWISE SPECIFIED— DIMENSIONS ARE IN INCHES TOLERANCES ON FRACTIONS DECIMALS ANGLES ± .005 ± .005 ± .005 PARTS TO BE FREE FROM BURRS BREAK ALL EDGES .010	UNLESS OTHERWISE SPECIFIED— ALL MACH. SURFACES	DATA GENERAL CORPORATION SOUTHBORO, MASSACHUSETTS 01772 TITLE 4K MEMORY Y DRIVERS
DRAWN GHE T JOHNSON 7/24/70	CHECKED	FIRST USED ON 107-000136
ENGINEER J. R. TULL 2/3	APPROVED	SIZE CODE D 001
MATERIAL	SCALE	DRAWING NUMBER 000195
FINISH		REV. 05