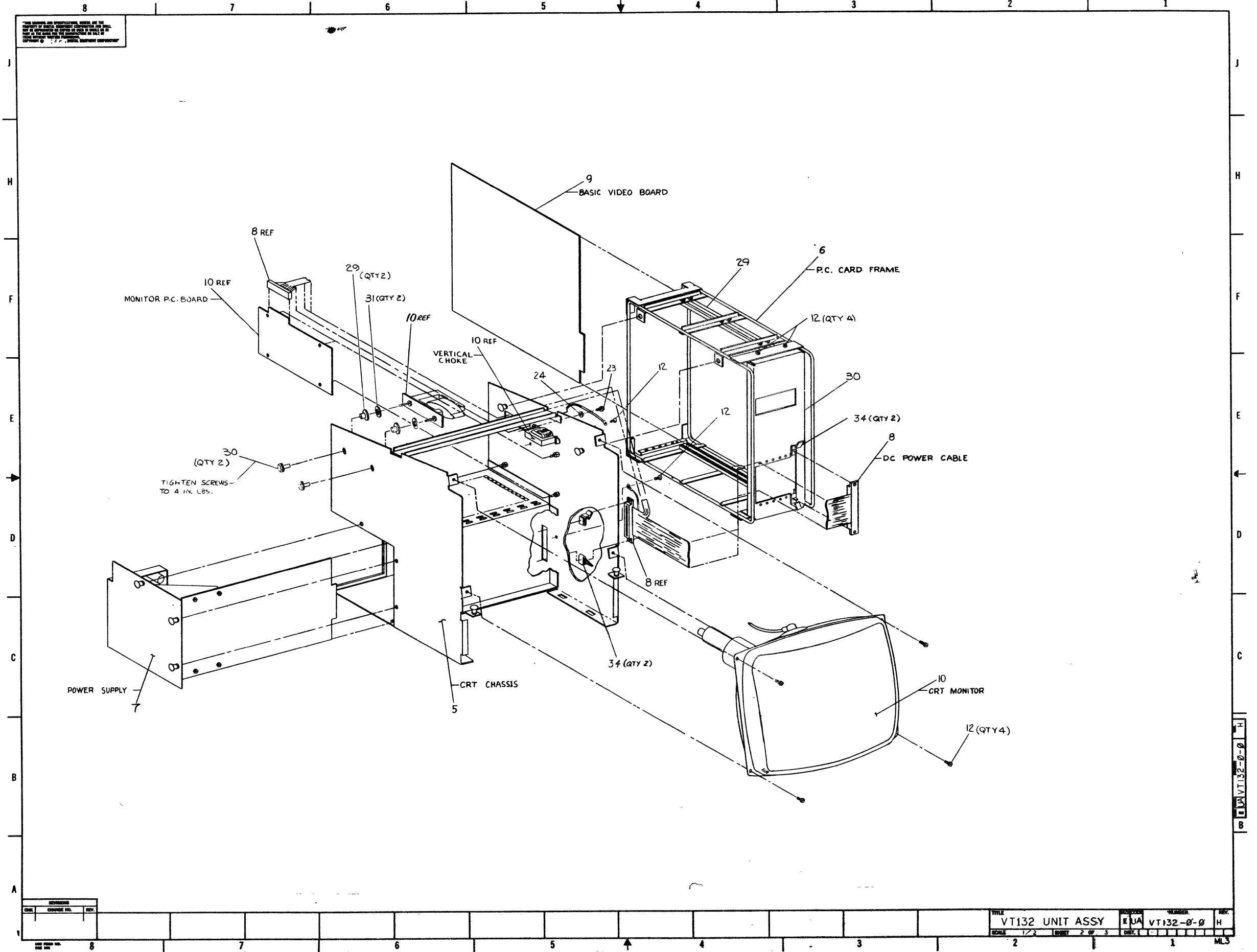






THIS DRAWING AND INFORMATION HEREON ARE THE PROPERTY OF THE UNITED STATES GOVERNMENT AND SHALL NOT BE REPRODUCED OR TRANSMITTED IN ANY FORM OR BY ANY MEANS, ELECTRONIC OR MECHANICAL, INCLUDING PHOTOCOPYING, RECORDING, OR BY ANY INFORMATION STORAGE AND RETRIEVAL SYSTEM, WITHOUT PERMISSION IN WRITING FROM THE UNITED STATES GOVERNMENT.

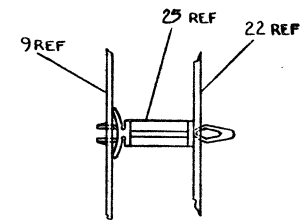
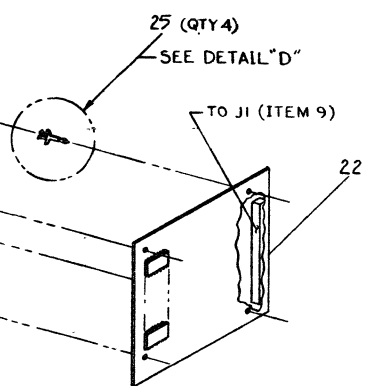
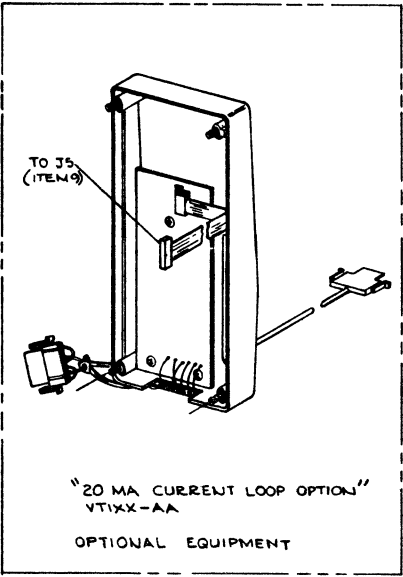
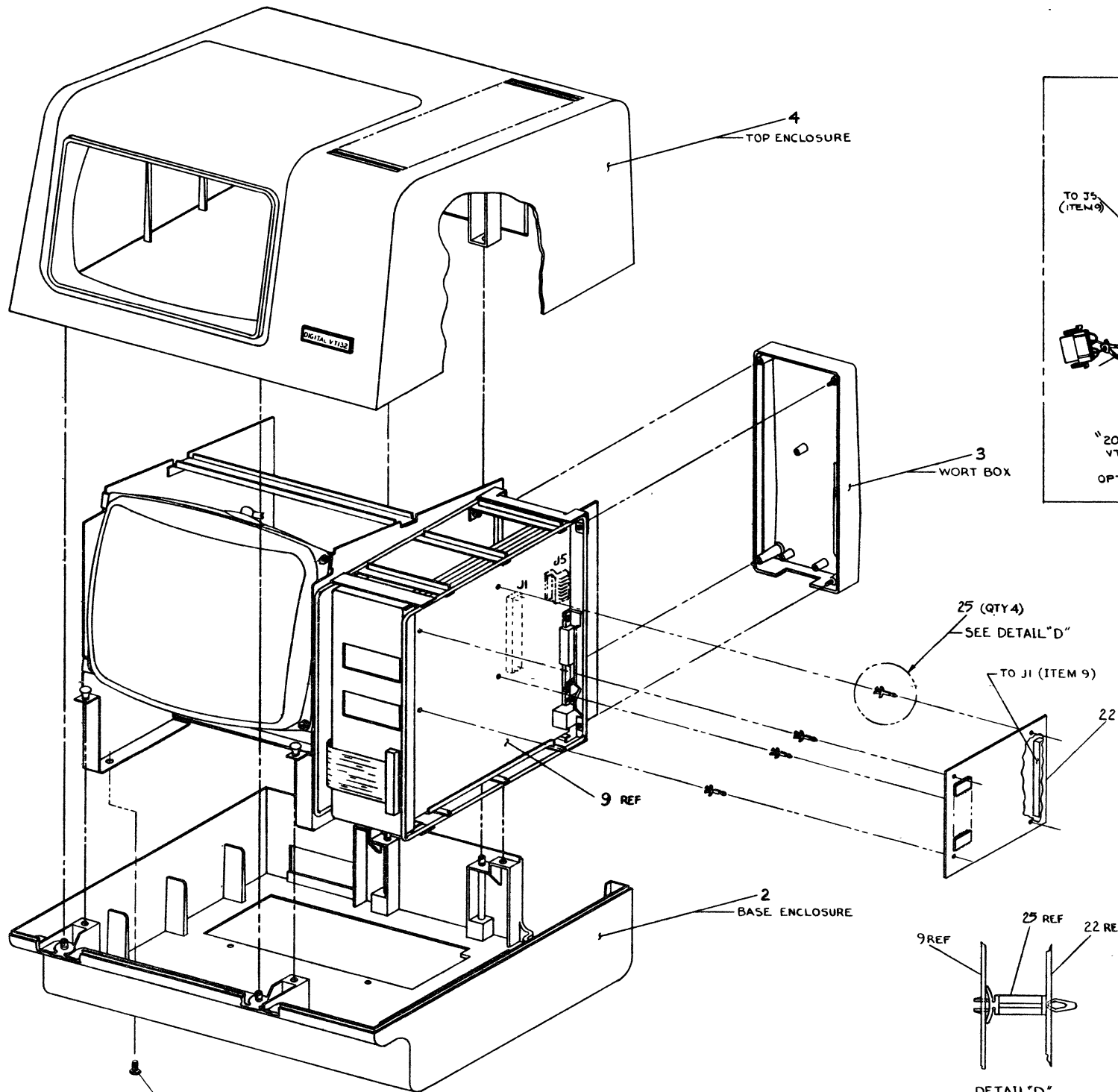


REV.	CHG. NO.	DATE

TITLE	VT132 UNIT ASSY	REV.	H
SCALE	1/2	DRY.	1
NO. OF SHEETS	2 OF 3	DATE	

VT132-0-0

ML3



DETAIL "D"  
SCALE: NONE

26 (QTY 4)  
SHIPPING SCREWS

REVISIONS  
REV. NO. DATE BY

REVISIONS  
REV. NO. DATE BY

VT132-0-B H

MLS



LINE	ITEM	DOCUMENT NUMBER	PART NUMBER	DESCRIPTION	QUANTITY PER VARIATION	
					AA	AB
1	1	D-UA-7014653-0-0	7014653-04	KEYBOARD ASSEMBLY VT132 EDITING	1	1
2	2	E-IA-7014980-0-0	7014980-00	BASE ASSY ENCLOSURE	1	1
3	3	E-IA-7014976-0-0	7014976-00	WORT BOX ASSY	1	1
4	4	E-IA-7014974-0-0	7014974-01	ENCLOSURE, CRT TOP ASSY	1	1
5	5	E-IA-7014975-0-0	7014975-00	CHASSIS ASSY CRT	1	1
6	6	D-AD-7014977-0-0	7014977-00	FRAME, P.C. CARD ASSY	1	1
7	7	D-AD-7014979-0-0	7014979-00	POWER SUPPLY ASSY	1	1
8	8	E-IA-7014978-0-0	7014978-00	POWER CABLE ASSY	1	1
9	9	E-UA-5413009-0-0	5413009-01	VT132 TERMINAL CONTROLLER	1	1
10	10		3016080-00	REPLACED BY 70-18349-00	1	1
11	11		9010007-00	RING, RETAINING, EXTERNAL FOR 7/8	4	4
12	12		9009967-00	SCREW, HEX. SLOT, SEMS 6-32X .312L	6	6
13	13		3515480-00	LABEL ADHESIVE BACK, SWITCH POSIT	1	1
14	14	A-PS-1700063-0-0	1700063-09	PWR CORD, TERM. 75IN, 18-3, 125V 10	1	-
15	15	A-PS-1700063-0-0	1700063-10	PWR CORD, TERM. 75IN, 18-3, 250V 6	-	1
16	16		7414213-00	*** THIS ITEM IS NOT USED ***	-	-
17	17		3513210-01	*** THIS ITEM IS NOT USED ***	-	-
18	18		3513210-02	*** THIS ITEM IS NOT USED ***	-	-
19	19		3513211-01	*** THIS ITEM IS NOT USED ***	-	-
20	20	A-SP-3700324-0-0	3700324-00	INSTR PKG DISPLAY VT100	1	1
21	21	E-UA-VT1XX-AA-0	VT1XX-AA	VT100 20MA CURRENT LOOP OPTION W	REF	REF
22	22	J-UA-5413097-0-0	5413097-02	VT132 ADVANCED VIDEO	1	1
23	23		9010112-00	SCREW, TAPPING, TYPE B, HEX, SLOT	1	1
24	24		9006659-00	WASHER, FLAT, .375 O.D. X .156 I	1	1
25	25		9009313-01	SUPPORT, C.BD., FLAME RET., NATURAL	4	4
26	26		9010135-00	SCREW, FLAT, SLOT 6-32X 1/2	4	4
27	27	D-PS-1216404-0-0	1216404-00	LOGO, DIGITAL MOLD FOR VT132	1	1
28	28		9009257-00	RING, RETAINING, REINFORCED, .35	2	2
29	29	E-IA-7423019-0-0	7423019-00	ISOLATION MOUNT	2	2
30	30	E-MD-7423005-0-0	7423005-00	SCREW, HEX WASHER HD, 4-40	2	2

REVISION HISTORY			BASIC PART NO:	VT132		DIGITAL				
ENG	ECO NUMBER	REV	SECTION A OF A	DRN:	ANGEL COLON	DATE:	19-MAR-79	TITLE		PARTS LIST
	INITIAL	A	SECTION: VARIATION INDEX:	CHK'D:	D. HEALY	DATE:	14-JUN-79	VT132		
JD	VT132-ML002	C	(A) AA, AB	DES. ENG.:	R. PUCCI	DATE:	14-JUN-79	DOCUMENT NUMBER		
JD	VT132-ML003	D	(B)	RESP. ENG.:	R. PUCCI	DATE:	12-APR-79	SIZE:	CODE:	NUMBER
JD	VT132-ML004	E	(C)	MFG. ENG.:	R. PUCCI	DATE:	25-JAN-80	K	PL	VT132-D-DBP
			(D)	ASSEMBLY NUMBER:	E-UA-VT132-0-0	TOP DOCUMENT NUMBER:	#B-DD-VT132-0	FILE NAME:	Z04E1E.PLS	EDIT #
			(E)							5
			(F)							

"THIS DRAWING AND SPECIFICATIONS HEREIN, ARE THE PROPERTY OF DIGITAL EQUIPMENT CORPORATION AND SHALL NOT BE REPRODUCED OR COPIED OR USED IN WHOLE OR IN PART AS THE BASIS FOR THE MANUFACTURE OR SALE OF ITEMS WITHOUT WRITTEN PERMISSION. COPYRIGHT (C) 1981, DIGITAL EQUIPMENT CORPORATION"

PARTS LIST

LINE	ITEM	DOCUMENT NUMBER	PART NUMBER	DESCRIPTION	QUANTITY PER VARIATION	
					AA	AB
31	31	A-PS-3617674-0-0	9008193-00	WASHER, NYLON, FLAT .312 X .812	2	2
32	32		3617544-00	LABEL, X-RAY RADIATION	1	1
33	33		3617674-01	LABEL, SERIAL & POWER W/UL & CSA	1	1

D	I	G	I	T	A	L	TITLE	VT132	SECTION	A	OF	A	SIZE	CODE	DOCUMENT NUMBER	REV
													K	PL	VT132-0-DBP	E



LINE	ITEM	DOCUMENT NUMBER	PART NUMBER	DESCRIPTION	QTY PER VARIATION				REFERENCE DESIGNATOR
					03	04	05	99	
1	1	D-MD-5013009-0-0	5013009-00	VT100 BASIC VIDEO	1	1	1	1	
2	2		1000005-00	6.8 MMF 100V 5%200PPM MICA	1	1	1	1	C9
3	3		1000014-00	68.0 MMF 100V 5%200PPM MICA	1	1	1	1	C11
4	4		1000016-00	100.0 MMF 100V 5%200PPM MICA	2	2	2	2	C21,C54
5	5		1000076-00	39 MFD 10V 10% S.TANT	1	1	1	1	C10
6	7		1017472-00	10 MFD 35V 150-10% AL EL	3	3	3	3	C1,C2,C3
7	8		1010274-01	.22 MFD 50V 180-20% 250 CER	13	13	13	13	C4-C6,C14,C15,C27-C29,C44,C45, CONT C55,C56,C57
8	9		1012784-00	.047 MFD 50V 180-20% CER	25	25	25	25	C7,C8,C13,C18,C19,C22,C24,C25, CONT C30-C43,C48-C50
9	10		1013466-12	2200.0 MMF 50V 10% X7R CER	1	1	1	1	C26
10	11		1100114-00	D 661 OS\75PCB PIV- 25V SP	11	11	11	11	D4-D8,D11-D16
11	12		1105796-00	1N 4004 PIV=400 I= 1A D041 SP	2	2	2	2	D9,D10
12	13		1109502-03	1N 4742A VZ= 12.0 5% 1W	1	1	1	1	D3
13	14		1110994-00	1N 751A VZ= 5.1 5% .40W	1	1	1	1	D1
14	15		1114974-00	1N 4741A VZ= 11.0 5% 1W	1	1	1	1	D2
15	16		1215006-04	SKT,IC 24PIN DIP TIN GOLD	5	5	5	5	XE9,XE10,XE15,XE52,XE56
16	17		1211666-00	SKT,IC 18PIN DIP GOLD GOLD	1	1	1	1	J2
17	18		1214063-01	PCB,HEADER 50POS(2X20).150CC STR	1	1	1	1	J1
18	19		1214828-00	CONN, 25POS RCPT	1	1	1	1	J4
19	20		1214829-00	CARD EDGE 40PIN(2X20).125CC 90D	1	1	1	1	J3
20	21		1215048-01	PCB,HEADER 07PIN(1X07).098CC 90D	1	1	1	1	J5
21	22		1300005-07	R NETWORK 15-4.7K 5.0 % 16PIN	3	3	3	3	F8,F12,E59
22	23		1300219-00	68.0 .25 W 5.0 % CC	1	1	1	1	R40
23	24		1300229-00	100.0 .25 W 5.0 % CC	1	1	1	1	R34
24	25		1300250-00	150.0 .25 W 5.0 % CC	2	2	2	-	R51,R74
			CONT		-	-	-	3	R51,R68,R74
25	26		1300271-00	220.0 .25 W 5.0 % CC	1	1	1	1	R41
26	27		1300295-00	330.0 .25 W 5.0 % CC	3	3	3	3	R1,R16,R47
27	28		1300315-00	470.0 .50 W 5.0 % CC	1	1	1	1	R11

REVISION HISTORY			BASIC PART NO: 5413009			DRN: T. SHETRAWSKI DATE: 30-MAR-78			D I G I T A L			
ENG	ECO NUMBER	REV	SECTION A OF A		CHK'D:	T. SHETRAWSKI	DATE:	11-MAR-78	TITLE	PARTS LIST		
RP	ML012	R	SECTION VARIATION INDEX		CHK'D:	T. SHETRAWSKI	DATE:	11-MAR-78	VT100 BASIC VIDEO			
CJ	5413009-ML013	S	[A] 03,04,05,99									
RP	5413009-ML014	T	[B]									
RP	5413009-ML015	U	[C]									
RP	5413009-ML016	V	[D]									
DP	5413009-ML017	W	[E]									
DP	5413009-ML018	Y	[F]									
JD	5413009-ML019	Z	[H]									
RP	5413009-ML020	AA	[J]									
NW	5413009-ML021	AB	[K]									
RP	5413009-ML023	AC	[L]									
BE	5413009-ML025	AD	[M]									
			[N]									
					ASSEMBLY NUMBER			TOP DOCUMENT NUMBER:			FILE NAME:	
					E-UA-5413009-0-0			R-DD-5413009-0-0			ML01AD.PLS	
											EDIT #	
											26	

\*THIS DRAWING AND SPECIFICATIONS HEREIN, ARE THE PROPERTY OF DIGITAL EQUIPMENT CORPORATION, AND SHALL NOT BE REPRODUCED OR COPIED OR USED IN WHOLE OR IN PART AS THE BASIS FOR THE MANUFACTURE OR SALE OF ITEMS WITHOUT WRITTEN PERMISSION. COPYRIGHT (C) 1982, DIGITAL EQUIPMENT CORPORATION \*

LINE	ITEM	DOCUMENT NUMBER	PART NUMBER	DESCRIPTION	QTY PER VARIATION				REFERENCE DESIGNATOR					
					03	04	05	99						
28	29		1300316-00	470.0	.25	W	5.0	%	CC	1	1	1	1	R21
29	30		1300365-00	1.0	K	.25	W	5.0	%	CC	2	2	2	R36,R67
30	31		1300398-00	1.80	K	.25	W	5.0	%	CC	1	1	1	R31
31	32		1300417-00	2.20	K	.25	W	5.0	%	CC	5	5	5	R18,R20,R22,R23,R27
32	33		1300426-00	2.70	K	.25	W	5.0	%	CC	1	1	1	R7
33	34		1300447-00	4.70	K	.25	W	5.0	%	CC	1	1	1	R25
34	35		1300479-00	10.0	K	.25	W	5.0	%	CC	4	4	4	R2,R6,R12,R26
35	36		1301317-00	10.0		.25	W	5.0	%	CC	1	1	1	R57
36	37		1301422-00	7.50	K	.25	W	5.0	%	CC	8	8	8	R59-R66
37	38		1301424-00	680.0		.25	W	5.0	%	CC	1	1	1	R37
38	39		1301425-00	300.0		.25	W	5.0	%	CC	1	1	1	R50
39	40		1301175-00	1.10	K	.25	W	5.0	%	CC	1	1	1	R30
40	42		1301874-00	5.60	K	.25	W	5.0	%	CC	1	1	1	R9
41	43		1301972-00	270.0		.25	W	5.0	%	CC	1	1	1	R38
42	44		1302379-00	75.0		.25	W	5.0	%	CC	5	5	5	R35,R45,R52,R54,R68
			CONT										4	R35,R45,R52,R54
43	45		1302391-00	20.0	K	.25	W	5.0	%	CC	2	2	2	R43,R48
44	47		1303178-00	620.0		.25	W	5.0	%	CC	1	1	1	R49
45	48		1303187-00	820.0	K	.25	W	5.0	%	CC	1	1	1	R8
46	49		1304833-00	1.96	K	.25	W	1.0	%	RN55II-F10	1	1	1	R15
47	51		1310580-00	360.0		.25	W	5.0	%	CC	1	1	1	R39
48	52		1314673-00	36.0		.25	W	5.0	%	CC	1	1	1	R53
49	53		1501913-00	2N 2904A	PNP	600MW	SI	60	40	Y	3	3	3	Q2,Q3,Q4
50	54		1503409-00	DEC6534D	PNP	310MW	SI	40	50		1	1	1	Q1
51	55		1505524-00	2N 7904	NPN	310MW	SI	40	40	M	1	1	1	Q5
52	56		1810694-06	XTAL	24.8832	KHZ					1	1	1	Y1
53	57		1814830-00	OSCILLATOR,	XTAL	24.073	KHZ				1	1	1	E2
54	58		1909686-00	7404	INVERTER	GATE-HEX	1I				1	1	1	E38
55	59		1909928-00	7416	INVERTER	GATE-HEX	1I				2	2	2	E14,E18
56	60		1909929-00	7417	BUFFER	GATE-HEX	1IMP				1	1	1	E29
57	61		1910236-00	DEC 7426	NAND	GATE-QUAD	2IN,0				1	1	1	E7
58	62		1910322-00	DEC 1488L	DRIVER,	LINE,QUAD,	EI				1	1	1	E39
59	63		1912647-00	LS157	MUX	1 OF 2(QUAD)					1	1	1	E1
60	64		1912697-00	LS174	FF-D	HEX W/CLEAR					2	2	2	E49,E61
61	65		1912799-00	LS00	NAND-GATE-QUAD	2IN,P					2	2	2	E23,E34
62	65		1912803-00	LS04	INVERTER	GATE,HEX					1	1	1	E19
63	67		1912815-00	LS30	NAND	GATE-SINGLE	8IN				1	1	1	E3
64	68		1912818-00	LS38	NAND	BUFFER-QUAD	2IN				1	1	1	E28
65	69		1912821-00	LS74	FF-D	DUAL,EDGE	TRIGG				2	2	2	E13,E22
66	70		1912842-00	LS138	DECODER-	THREE	INPUT,				1	1	1	E27
67	71		1912843-00	LS139	DECODER,	2 OF 4(DUAL					1	1	1	E31
68	72		1912854-00	LS193	COUNTER,	SYNCHR,ARIT,					3	3	3	E21,E25,E30
69	73		1912863-00	LS273	FF-D	OCTAL W/CLEAR					2	2	2	E16,E20
70	74		1913105-00	FB 8224C	DRIVER/GEN	CLOCK F					1	1	1	E32
71	75		1913109-00	8228	BUFFER,	DATA	BASE	FUR			1	1	1	E36
72	76		1913130-00	DEC 1489A	RECEIVER,	LINE,QUAD,					2	2	2	E37,E44
73	77		1914084-00	74S299	SHIFT	REG.,8BIT	RIGH				1	1	1	E10
74	78		1914156-00	LH 393	VOLT.	COMPARATOR	DUAL				1	1	1	E48

TITLE										SECTION A	OF A	SIZE	CODE	DOCUMENT NUMBER	REV	
D	J	G	I	T	A	L	VT100 BASIC VIDEO						K	PL	5413009-0-DPP	AD

LINE ITEM	DOCUMENT NUMBER	PART NUMBER	DESCRIPTION	QTY PER VARIATION				REFERENCE DESIGNATOR
				03	04	05	99	
75	79	1914213-00	81LS97 BUFFER GATE-OCTAL 2I	4	4	4	4	E15,E41,E42,E58
76	80	1914214-00	LS374 FF-D OCTAL EDGE TRIG	2	2	2	2	E26,E33
77	81	1914423-01	CUSTOM LSI-BIPOLAR LS	1	1	1	1	E6
78	82	1914424-01	CUSTOM LSI-BIPOLAR L	1	1	1	1	E5
79	83	211223-02	*** THIS ITEM IS NOT USED ***	-	-	-	-	
80	84	2113106-01	1K MOS RAM 250NS	2	2	2	2	E11,E17
81	85	2113107-01	P 8251A PUSART COMM. INTERFA	1	1	1	1	E43
82	86	2113108-01	8080A-1 MICROPROCESSOR UNIT	1	1	1	1	E35
83	87	2113937-00	UART 125K BAUD	1	1	1	1	E55
84	88	2114212-00	P 2114-2 RAM,1024X4,STATIC	6	6	6	6	E46,E47,E50,E51,E53,E54
85	89	2114524-01	ROM 100X14BIT,ERASABLE,	1	1	1	1	E24
86	90	23018E2-00	E2-03	1	1	1	1	E4
87	91	7424901-01	BRACKET,GROUNDING,EIA CONNECTOR	1	1	1	1	
88	92	9006732-00	EYELET,ROLLED 0.1210DX0.219	3	3	3	3	
89	93	9009185-00	JUMPER, WIRE, INSULATED, BLACK B	4	4	4	4	W1,W3,W4,W7
90	95	23061E2-00	E2-02	1	-	-	-	E56
91	96	23032E2-00	E2-02	1	-	-	-	E52
92	97	23033E2-00	E2-02	1	-	-	-	E45
93	98	23034E2-00	E2-02	1	-	-	-	E40
94	102	1001610-00	.01 MFD 50V +80-20% Z5U CER	4	4	4	4	C16,C17,C23,C51
95	103	1301320-00	1.20 K .25 W 5.0 % CC	1	1	1	1	R30
96	104	1301322-00	180.0 .25 W 5.0 % CC	1	1	1	1	R33
97	105	1301477-00	82.0 .25 W 5.0 % CC	1	1	1	1	R42
98	106	1300202-00	47.0 .25 W 5.0 % CC	1	1	1	1	R44
99	107	1303155-00	21.50 K .25 W 1.0 % RN55D-F10	1	1	1	1	R10
100	108	1309412-00	18.20 K .25 W 1.0 % RN55D-F10	1	1	1	1	R13
101	109	1609620-00	2.2 UH #RFC52.2	1	1	1	1	L1
102	110	1002608-00	18.0 MMF 100V 55200PPM MICA	1	1	1	1	C53
103	112	1013466-05	56.0 MMF 50V 5% CER	1	1	1	1	C47
104	113	23180E2-00	E2-02	-	1	1	-	E56
105	114	23191E2-00	E2-02	-	1	1	-	E52
106	115	23182E2-00	E2-02	-	1	1	-	E45
107	116	23187E2-00	E2-02	-	1	1	-	E40
108	117	1215006-07	SMT,IC 28PIN DIP TIN GOLD	1	1	1	1	XE6
109	118	23094E2-00	E2-03,E2-04	-	-	1	-	E9
110	119	A-SP-3700553-0-0	3700553-00 PKG MODULE 5413009	REF	REF	REF	REF	
111	120	A-SP-3700428-0-0	3700428-00 INSTR PKG. BULK CARTON 99-06476-	REF	REF	REF	REF	
112	121	1300005-03	R NETWORK 13-10K 5.0 % 14PIN	1	1	1	1	E57
113	123	1000021-00	220.0 MMF 100V 5%200PPM MICA	1	1	1	1	C57
114	124	9107560-01	WIRE,BUSS 22AWG TIN BARE	A/R	A/R	A/R	A/R	
115	125	1013466-21	47.0 MMF 50V 5% CER	3	3	3	3	C61,C58,C60
116	126	1013466-19	470.0 MMF 50V 5% CER	1	1	1	1	C20
117	127	1618238-02	BEAD,FERRITE .1380DX.330LD	6	6	6	6	L4-L9
118	128	1618437-00	BEAD,FERRITE .2360DX.371LG	3	3	3	3	L2,L3,L10
119	129	2118615-02	GEN. BAUD RATE,PROGKA	1	1	1	1	F60

D	I	G	I	T	A	L	TITLE	SECTION A	OF A	SIZE	CODE	DOCUMENT NUMBER	REV
							VT100 BASIC VIDEO			K	PL	5413009-0-DRP	AD

LINE ITEM DOCUMENT NUMBER PART NUMBER DESCRIPTION

QTY PER VARIATION  
03 04 05 99 REFERENCE DESIGNATOR

- 120 NOTE: FOR INDIVIDUAL FIELD SERVICE/CUSTOMER SPARES SHIPMENTS USE PACKAGING INSTRUCTION, A SF-3700553-0-0;
- 121 NOTE: FOR BULK INTERPLANT SHIPMENTS USE PACKAGING INSTRUCTION, A SF-3700428-0-0 VARIATION -02
- 122 NOTE: L2 REQUIRES THE INSERTION OF 1.5 TURNS OF 22 AWG BUSS WIRE SEE DETAIL ON E-UA-5413009-0-0.
- 123 NOTE: L3 AND L10 REQUIRES THE INSERTION OF 2.5 TURNS OF 22 AWG BUSS WIRE
- 124 NOTE: SEE DETAIL ON E-UA-5413009-0-0.

D	I	G	I	T	A	L	TITLE	SECTION A OF A	SIZE	CODE	DOCUMENT NUMBER	REV
							VT100 BASIC VIDEO		N	PL	5413009-0-DBP	AD

THIS DRAWING AND SPECIFICATIONS HEREAFTER ARE THE PROPERTY OF THE UNITED STATES GOVERNMENT AND SHALL NOT BE REPRODUCED OR COPIED, IN WHOLE OR IN PART, OR IN ANY MANNER, WITHOUT THE WRITTEN PERMISSION OF THE MANUFACTURER OR THE SALE OF THIS DRAWING TO THE PUBLIC.

ADVANCED VIDEO CONN.

- A00 H
- A01 H
- A02 H
- A03 H
- A04 H
- A05 H
- A06 H
- A07 H
- A08 H
- A09 H
- A10 H
- A11 H
- A12 H
- A13 H
- A14 H
- A15 H
- DB 00 H
- DB 01 H
- DB 02 H
- DB 03 H
- DB 04 H
- DB 05 H
- DB 06 H
- DB 07 H
- BV4 DMA ENA L
- BV4 HOLD REQ H
- BV6 MEM RD L
- BV6 MEM WR L
- BV1 MEM DISABLE L
- BV2 SEL ATT RAM L
- BV2 SEL 0-12K L
- LBA 0 H
- LBA 1 H
- LBA 2 H
- LBA 3 H
- LBA 4 H
- LBA 5 H
- LBA 6 H
- LBA 7 H
- BV4 WRITE LB L
- BV4 CHAR CLK H
- BV1 BOLD L
- BV1 BLINK L
- BV1 UNDERLINE L
- BV1 ALT CHAR SET L
- +5V
- GND
- BV1 ADVANCED VIDEO L

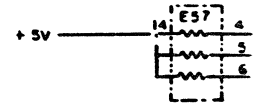
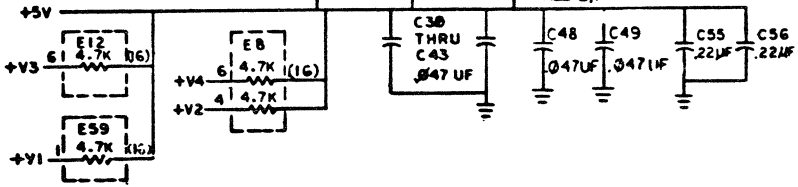
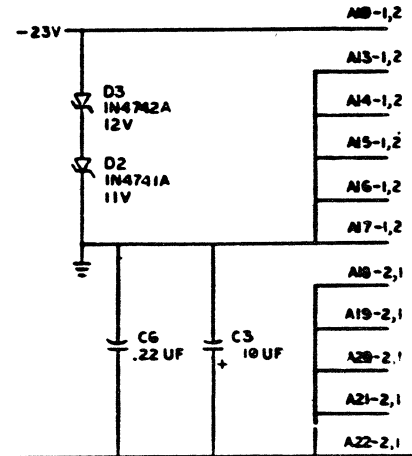
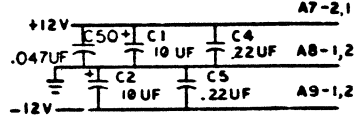
GRAPHICS CONN

- DO 07 H
- DO 06 H
- DO 05 H
- DO 04 H
- DO 03 H
- DO 02 H
- DO 01 H
- DO 00 H
- BV4 HS CLK H
- BV1 GRAPHICS FLAG L
- BV1 GRAPHICS 2 IN L
- BV4 INIT H
- BV4 HORIZ BLANK H
- BV2 GRAPHICS WR L
- BV4 VERT BLANK L
- BV1 GRAPHICS 1 IN L

EDGE CONN

- BV4 HORIZ DRIVE H A1-1,2
- A2-1,2
- DIRECT DRIVE VIDEO A3-2,1
- BV4 VERT DRIV L A4-2,1

LBA 6 H A11-1,2



REV	DESCRIPTION	DATE	BY
1	...	...	...
2	...	...	...
3	...	...	...
4	...	...	...
5	...	...	...
6	...	...	...
7	...	...	...
8	...	...	...

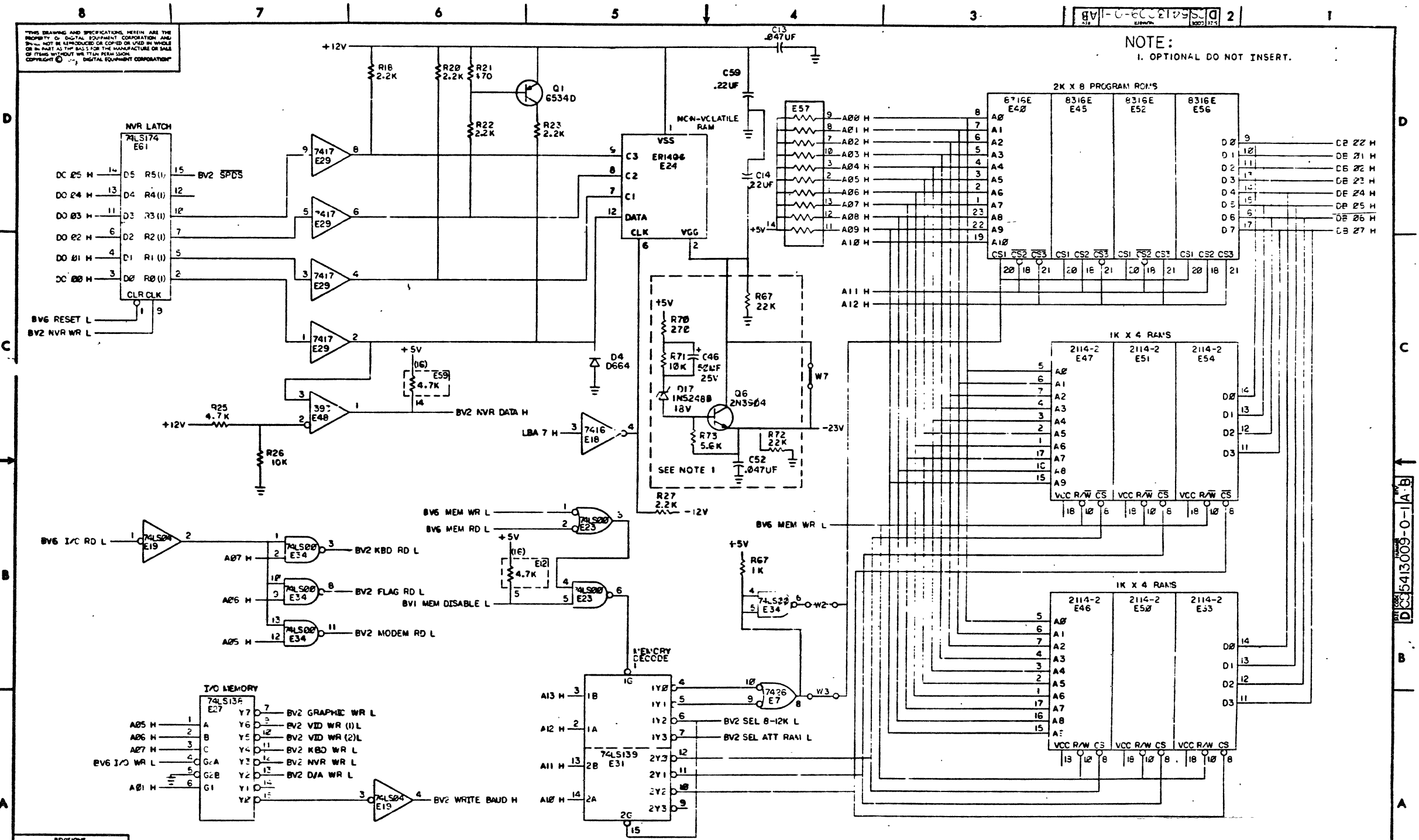
DRW	CHKD	ENG	PROG	PROD	NEXT HIGHER ASSY	E-LIA-5413009-0-0	SCALE	SHEET 1 OF 6
...	...	...	...	...	...	VT100	D	CS 5413009-0-1 AB
TITLE						VT100	REV	
BASIC VIDEO						NUMBER		1

D CS 5413009-0-1 AB



THIS DRAWING AND SPECIFICATIONS HEREIN ARE THE PROPERTY OF DIGITAL EQUIPMENT CORPORATION AND SHALL NOT BE REPRODUCED OR COPIED OR USED IN WHOLE OR IN PART AS THE BASIS FOR THE MANUFACTURE OR SALE OF ITEMS WITHOUT THE WRITTEN PERMISSION OF DIGITAL EQUIPMENT CORPORATION.

NOTE:  
1. OPTIONAL DO NOT INSERT.

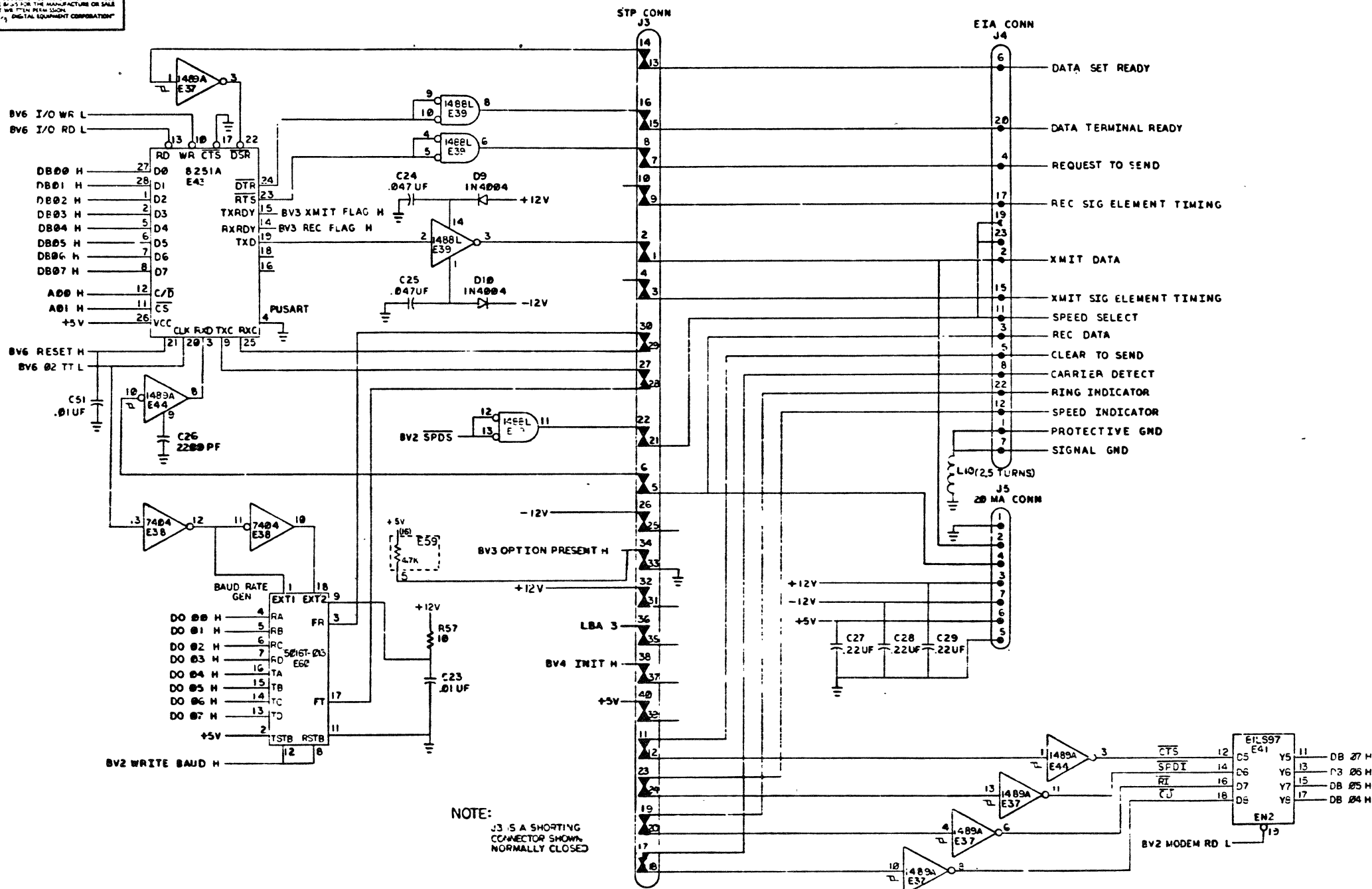


REV	NO	DATE	BY

TITLE	VT100 BASIC VIDEO	SIZE CODE	DLS	NUMBER	5413009-0-1	REV.	A B
SCALE	SHEET 2 OF 6		DIST.				

DLS 5413009-0-1A B

THIS DRAWING AND SPECIFICATIONS HEREIN ARE THE PROPERTY OF DIGITAL EQUIPMENT CORPORATION AND SHALL NOT BE REPRODUCED OR COPIED OR USED IN WHOLE OR IN PART AS THE BASIS FOR THE MANUFACTURE OR SALE OF ITEMS WITHOUT THE WRITTEN PERMISSION OF DIGITAL EQUIPMENT CORPORATION.



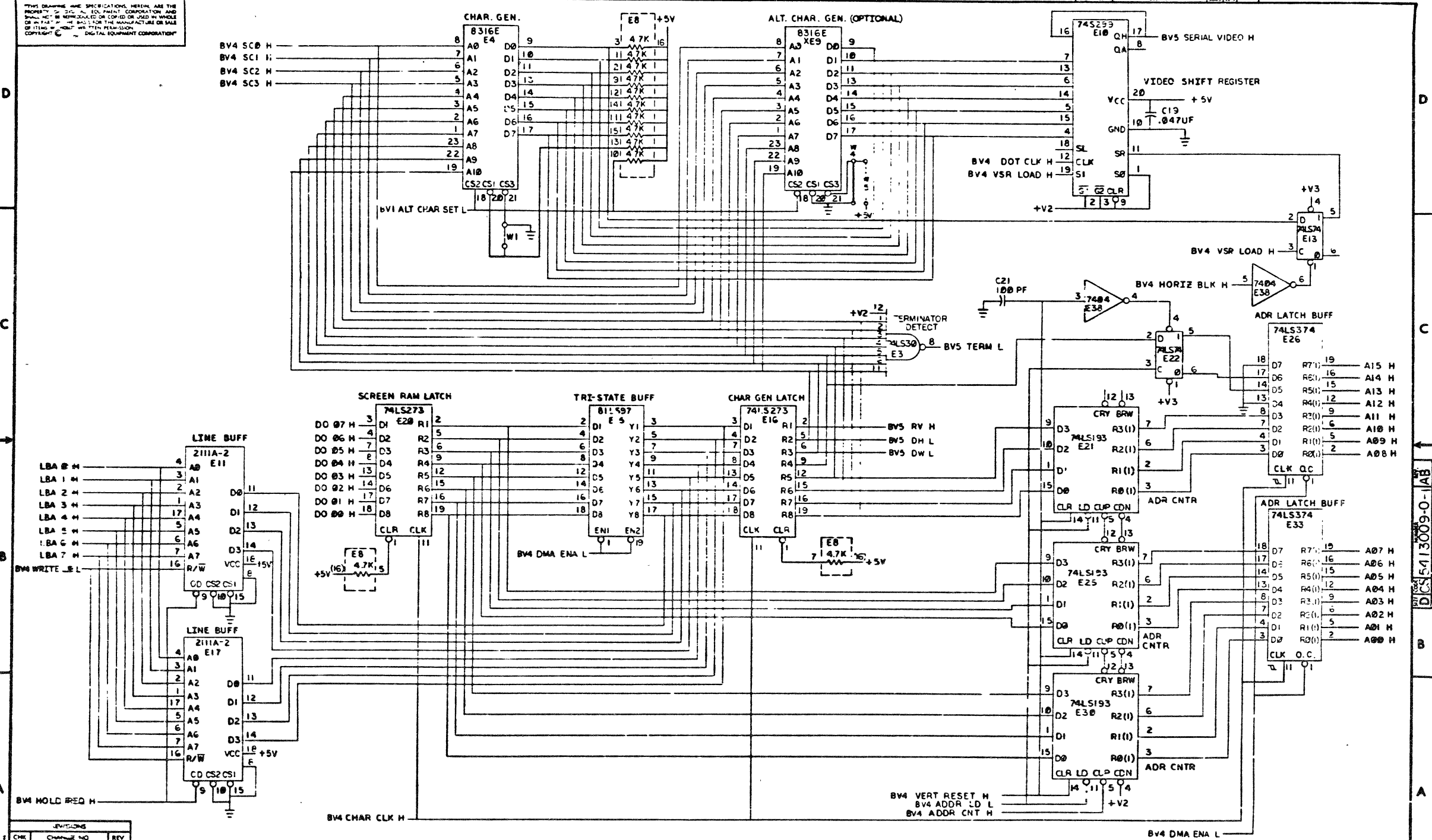
NOTE:  
J3 IS A SHORTING  
CONNECTOR SHOWN  
NORMALLY CLOSED

REVISIONS		
CHK	CHANGE NO.	REV



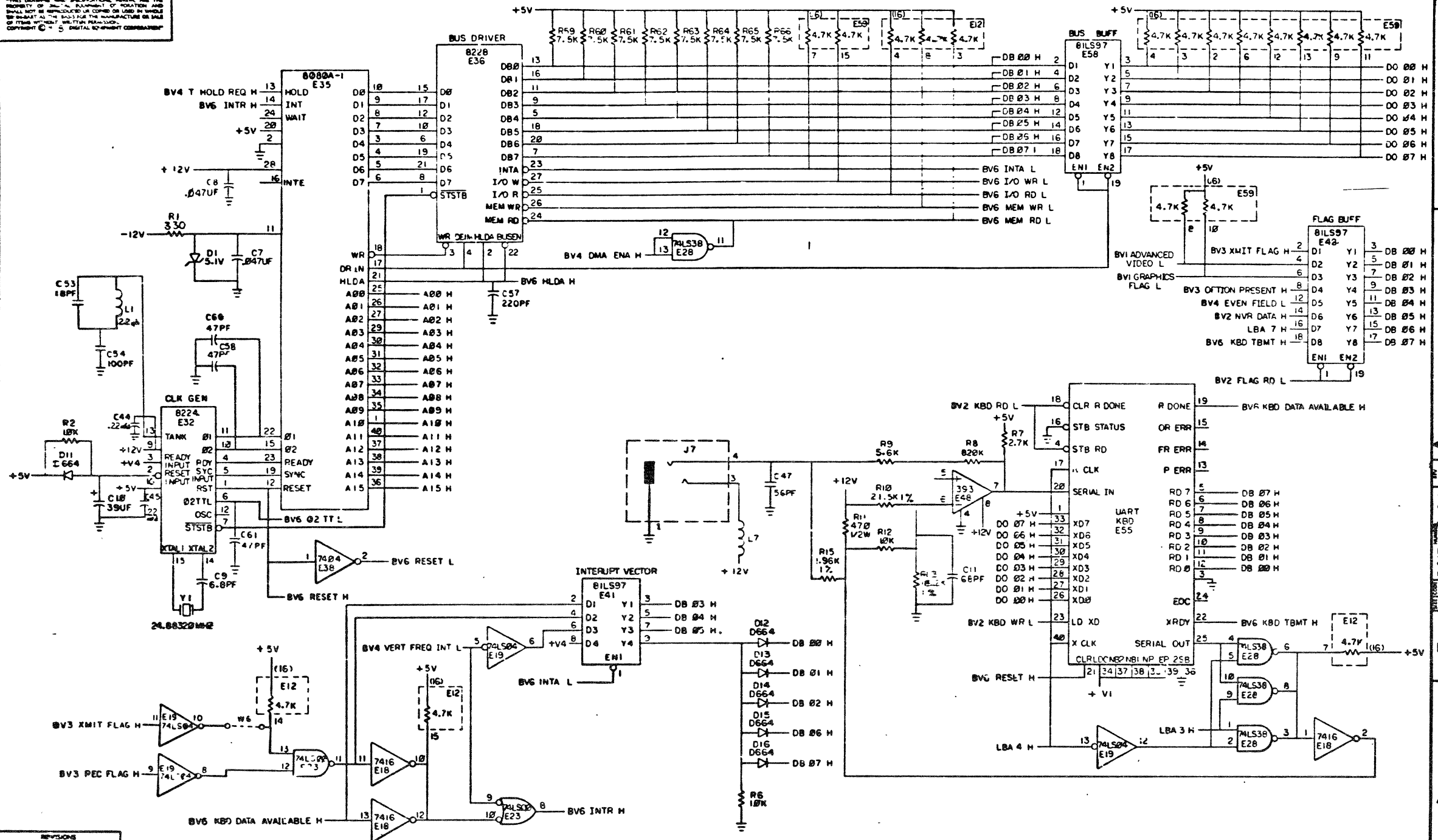


THIS DRAWING AND SPECIFICATIONS HEREIN ARE THE PROPERTY OF DIGITAL EQUIPMENT CORPORATION AND SHALL NOT BE REPRODUCED OR COPIED OR USED IN WHOLE OR IN PART WITHOUT THE WRITTEN PERMISSION OF THE MANUFACTURER OR SALE OF ITEMS HEREIN. THIS PERMISSION IS GRANTED BY COPYRIGHT © DIGITAL EQUIPMENT CORPORATION



REVISIONS		
CHK	CHANGE NO	REV

THIS DRAWING AND SPECIFICATIONS HEREIN ARE THE PROPERTY OF THE U.S. GOVERNMENT AND SHALL NOT BE REPRODUCED OR USED IN ANY MANNER EXCEPT AS AUTHORIZED BY THE SECRETARY OF THE ARMY FOR THE MANUFACTURE OR SALE OF ITEMS HEREIN BY THE U.S. GOVERNMENT. COPYRIGHT © 1975 BY DIGITAL EQUIPMENT CORPORATION



REV	CHG	NO	REV

DCS 5413009-0-1 AB

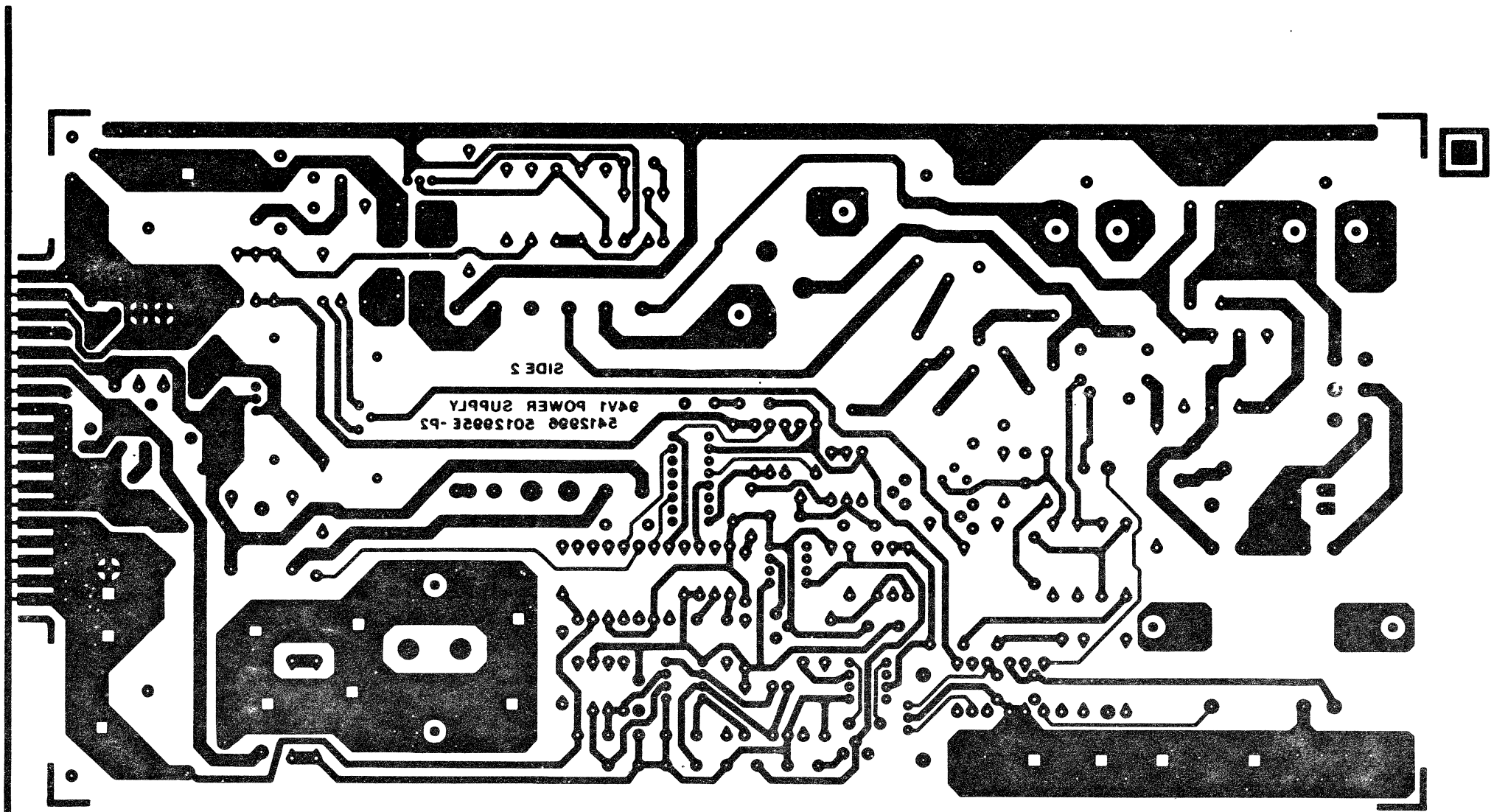


THIS DRAWING AND SPECIFICATIONS HEREIN ARE THE PROPERTY OF DIGITAL EQUIPMENT CORPORATION AND SHALL NOT BE REPRODUCED OR COPIED OR USED IN WHOLE OR IN PART AS THE BASIS FOR THE MANUFACTURE OR SALE OF ITEMS WITHOUT WRITTEN PERMISSION. COPYRIGHT © 1973 DIGITAL EQUIPMENT CORPORATION

JAVORPQA JUV

SIDE 2

94V1 POWER SUPPLY  
2412996 2012992E -P2



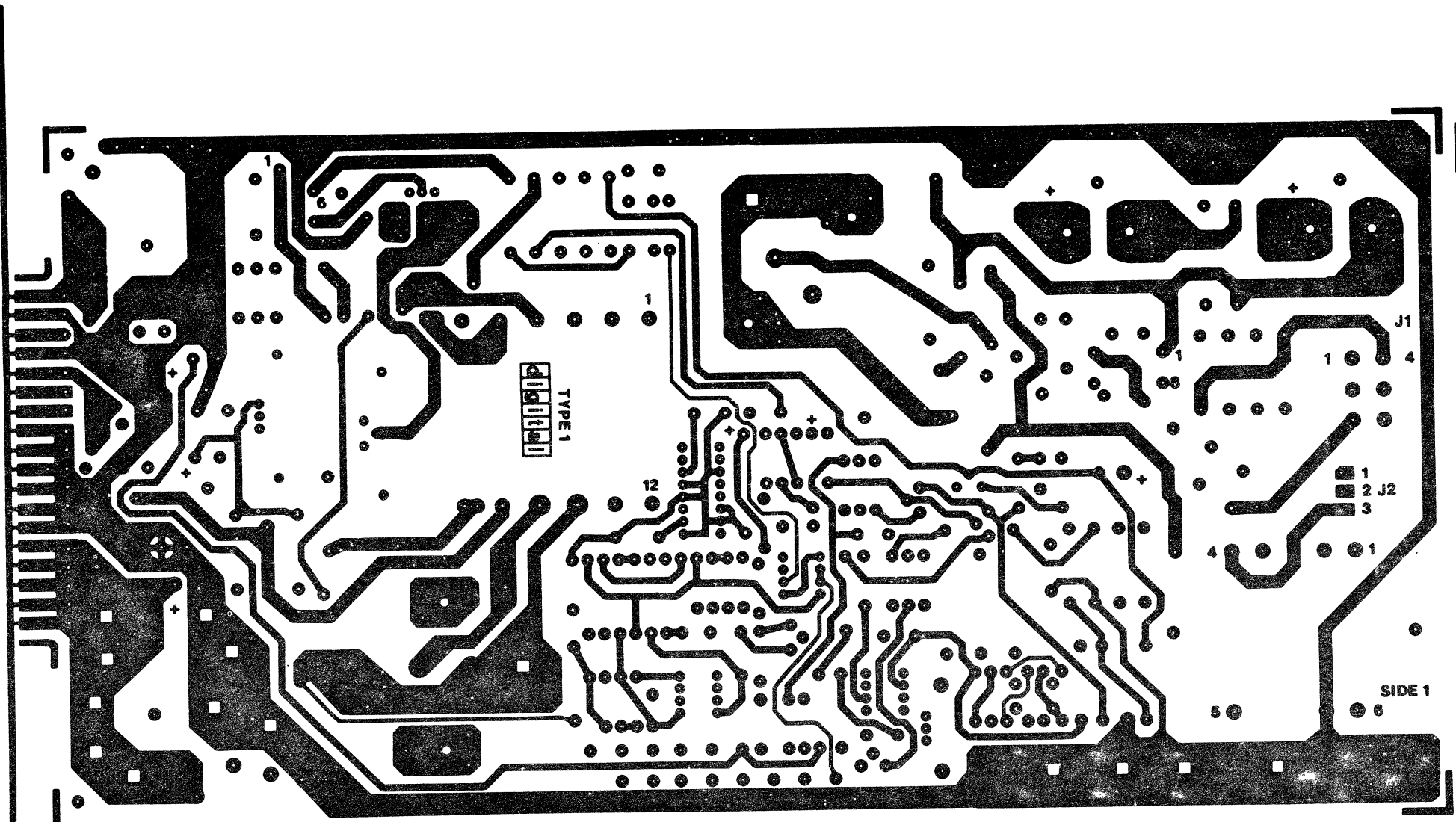
REVISIONS		
CHK	CHANGE NO	REV

TITLE	H7831 POWER SUPPLY	SIZE CODE	D U A	NUMBER	5412996-0-0	REV	R
SCALE	2/1	SHEET	2	OF	3	DIST	



THIS DRAWING AND SPECIFICATIONS, HEREIN, ARE THE PROPERTY OF DIGITAL EQUIPMENT CORPORATION AND SHALL NOT BE REPRODUCED OR COPIED OR USED IN WHOLE OR IN PART AS THE BASIS FOR THE MANUFACTURE OR SALE OF ITEMS WITHOUT WRITTEN PERMISSION. COPYRIGHT © 1979 DIGITAL EQUIPMENT CORPORATION.

0-0-96215 2



U/L APPROVAL

5412996 5012995 E-P2

SIDE 1

REVISIONS		
CHK	CHANGE NO	REV.

TITLE	H7831 POWER SUPPLY	SIZE CODE	D UA	NUMBER	5412996-0-0	REV.	R
SCALE	2/1	SHEET	3	OF		DIST.	

D UA 5412996-0-0

LINE ITEM	DOCUMENT NUMBER	PART NUMBER	DESCRIPTION	QTY	PER VARIATION	REFERENCE DESIGNATOR
				00		
1	1	E-MD-5012995-0-0	5012995-00	H7831	POWER SUPPLY	1
2	2		1000009-00	33.0 MMF	100V 5X200PPM MICA	1
3	3		1000016-00	100.0 MMF	100V 5X200PPM MICA	3
4	4		1000039-00	.056 MFD	200V 10X MYLR	1
5	5		1000042-00	1000.0 MMF	100V 5X200PPM MICA	5
6	6		1000055-00	2200.0 MMF	250V 20X Y5S DISC	2
7	7		1001610-00	.01 MFD	50V +80-20X Z5U CER	5
8	8		1004812-00	15 MFD	20V 10X S.TANT	2
9	9		1005507-00	1 MFD	100V +50-10X AL EL	1
10	10		1011847-01	.01 MFD	400V 10X POLYPROP	1
11	11		1015202-02	.0033 MFD	1600V 10X POLYPROP	1
12	12		1001776-00	1 MFD	35V 10X S.TANT	1
13	13		1010274-00	.22 MFD	50V +80-20X Z5U CER	4
14	14		1012607-00	560 MFD	20V+100-10X AL EL	1
15	15		1012607-04	270 MFD	40V+100-10X AL EL	1
16	16		1012607-05	20 MFD	200V+100-10X AL EL	1
17	17		1013466-11	.22 MFD	50V +80-20X Z5U CER	4
18	18		1014170-00	*** THIS ITEM IS NOT USED ***		
19	19		1014277-00	3800 MFD	6.3V +75-10X AL EL	1
20	20		1014861-00	590 MFD	200V +50-10X AL EL	2
21	21		1014883-00	470 MFD	50V +75-10X AL EL	2
22	22		1100114-00	D 664	QS\75PCB PIV= 25V SP	5
23	23		1105790-00	1N 4004	PIV=400 I= 1A D041 SP	8
24	24		1105873-00	4M5-1AZ1	VZ= 5.1 1X .400W	1
25	25		1109791-01	4M6.8AZ1	VZ= 6.8 1X .40W	1
26	26		1112594-01	A115B	PIV=200 I= 3A	1
27	27		1112595-00	A114F	PIV= 50 I= 1A	7
28	28		1112595-01	A114B	PIV=200 I= 1A	6
29	29		1112595-02	A114M	PIV=600 I= 1A	2
30	30		1115529-00	UES2601	PIV=50V I=30A	1

REVISION HISTORY		BASIC PART NO: 5412996		DRN:	VIN PARECHANIAN	DATE: 2-20-78	D I G I T A L			
ENG!	ECD NUMBER	REV	SECTION A OF A	CHK'D:	KENT GLEEZEN	DATE: 7-JUL-80	TITLE PARTS LIST			
JB	PN003	E	SECTION.VARIATION INDEX	DES.ENG:	BOB PEDERSEN	DATE: 7-JUN-78	DOCUMENT NUMBER			
JB	PN004	F	[A] 00	RESP.ENG.:	BOB PENDERSON	DATE: 7-JUN-78	SIZE	CODE	NUMBER	REV
EJ	PN005	H	[B]	IMFG.ENG.:	T. CORCIARI	DATE: 7-JUN-78	K	PL	5412996-0-DBP	T
CJ	5412996-ML006	J	[C]	ASSEMBLY NUMBER:		TOP DOCUMENT NUMBER:	FILE NAME:		EDIT #	
RP	ML008	K	[D]	IE-UA-5412996-0-0		B-DD-5412996-0-0	Z1085T.PLS		45	
RP	ML009-5412996	L	[E]							
GC	5412996-ML011	M	[F]							
GC	5412996-ML015	N	[H]							
GC	5412996-ML016	P	[J]							
DS	5412996-ML017	R	[K]							
DS	5412996-ML018	S	[L]							
DS	5412996-ML019	T	[M]							
			[N]							

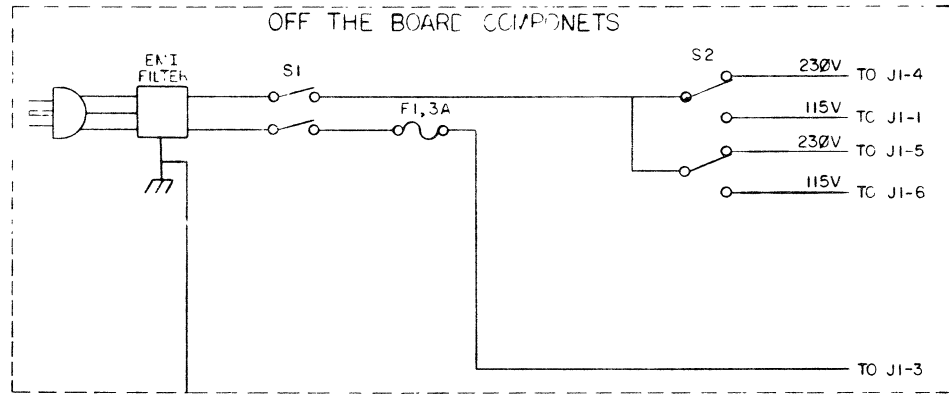
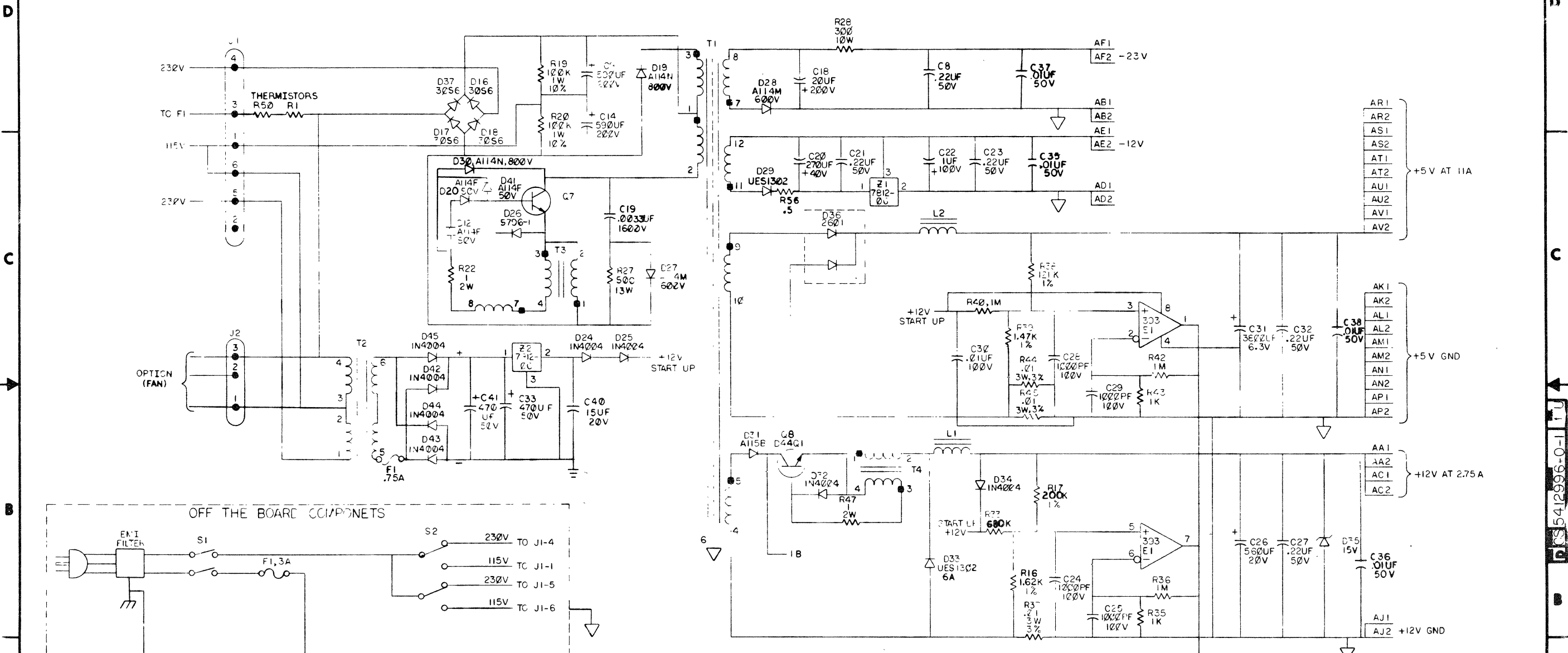
THIS DRAWING AND SPECIFICATIONS HEREIN, ARE THE PROPERTY OF DIGITAL EQUIPMENT CORPORATION AND SHALL NOT BE REPRODUCED OR COPIED OR USED IN WHOLE OR IN PART AS THE BASIS FOR THE MANUFACTURE OR SALE OF ITEMS WITHOUT WRITTEN PERMISSION. COPYRIGHT (C) 1982. DIGITAL EQUIPMENT CORPORATION

LINE ITEM	DOCUMENT NUMBER	PART NUMBER	DESCRIPTION	QTY	PER VARIATION	REFERENCE DESIGNATOR
				00		
31	31	1114602-00	UES1302 PIV=100V I= 4A	2		D29,D33
32	32	1115112-00	PIV=800V I=1A	2		D19,D30
33	33	1115182-00	1N 5626 PIV=600 I= 3A	4		D16,D17,D18,D37
34	34	1115224-00	VOLT.TRANS.SUPPRESS 12.1	1		D35
35	35	1215228-00	HEAT SINKS,TO-220 01.25X0.87	1		
36	36	1212204-10	HEADER.156 3POS RT ANGLE	1		J2
37	38	1212297-05	MATE-N-LOK 06PIN(2X03).250CC HDR	1		J1
38	39	1211987-03	HEAT SINK,TO-3 1.750X01.7	1		
39	40	1213921-03	HEAT SINK,EXTRUSION 1.380X2.50	2		
40	41	1214769-00	INSERT,THREAD	4		
41	42	1210012-04	HEAT SINKS,	1		
42	43	1300219-00	68.0 .25 W 5.0 Z CC	2		R9,R12
43	44	1300249-00	150.0 .50 W 5.0 Z CC	1		R14
44	45	1300271-00	220.0 .25 W 5.0 Z CC	1		R6
45	46	1300288-00	270.0 2.0 W10.0 Z CC	1		R10
46	47	1300316-00	470.0 .25 W 5.0 Z CC	2		R13,R46
47	48	1300365-00	1.0 K .25 W 5.0 Z CC	3		R26,R35,R43
48	49	1300417-00	2.20 K .25 W 5.0 Z CC	1		R8
49	50	1300426-00	2.70 K .25 W 5.0 Z CC	1		R23
50	51	1300488-00	12.0 K .25 W 5.0 Z CC	1		R4
51	52	1300496-00	15.0 K .25 W 5.0 Z CC	1		R24
52	53	1300536-00	100.0 K 1.0 W10.0 Z CC	2		R19,R20
53	54	1301317-00	10.0 .25 W 5.0 Z CC	3		R7,R15,R25
54	55	1302091-00	330.0 K .25 W 5.0 Z CC	2		R30,R51
55	56	1302177-00	47.0 K .25 W 5.0 Z CC	1		R31
56	57	1302388-00	2.0 K .25 W 5.0 Z CC	1		R29
57	58	1310867-00	680.0 K .25 W 5.0 Z CC	1		R33
58	59	1303187-00	820.0 K .25 W 5.0 Z CC	1		R5
59	60	1304833-00	1.96 K .25 W 1.0 Z RN55D-F10	1		R3
60	61	1304854-00	5.11 K .25 W 1.0 Z RN55D-F10	4		R32,R41,R48,R49
61	62	1304852-00	1.62 K .25 W 1.0 Z RN55D-F10	1		R16
62	63	1304868-00	2.74 K .25 W 1.0 Z RN55D-F10	1		R2
63	64	1305108-00	1.47 K .25 W 1.0 Z RN55D-F10	1		R39
64	66	1309422-00	5.10 .50 W 5.0 Z CF	1		R34
65	67	1309595-00	1.0 M .25 W 5.0 Z CC	3		R36,R40,R42
66	68	1310188-00	300.0 10.0 W 5.0 Z WW	1		R28
67	69	1311338-00	82.0 3.0 W 5.0 Z WW	2		R21,R11
68	70	1305336-00	200.0 K .25 W 1.0 Z RN55D-F10	1		R17
69	71	1313014-00	.01 3.75 W 3.0 Z WW	3		R37,R44,R45
70	72	1317917-00	500.0 13.0 W 5.0 Z WW	1		R27
71	73	1313341-00	*** THIS ITEM IS NOT USED ***	-		
72	74	1314270-00	5.0 15.0 Z NTC THERM	2		R1,R50
73	75	1314350-00	1.0 2.0 W10.0 Z FUSE	2		R22,R47
74	76	1510705-00	XA 05 NPN 500MW SI 60 50 P	2		Q3,Q6
75	77	1510706-00	XA 55 PNP 500MW SI 60 50 P	2		Q4,Q5
76	78	1517910-00	2N 6547 NPN TO-3	1		Q7
77	79	1514271-00	D 44Q1 NPN 31W SI	3		Q1,Q2,Q8
78	80	1614272-00	PULSE XFMR,4 WOUND	1		T3

D I G I T A L		TITLE	SECTION A OF A		SIZE	CODE	DOCUMENT NUMBER	REV
		H7831 POWER SUPPLY					5412996-0-DBF	T



THIS DRAWING IS THE PROPERTY OF DIGITAL EQUIPMENT CORPORATION AND SHALL NOT BE REPRODUCED OR COPIED OR USED IN WHOLE OR IN PART AS THE BASIS FOR THE MANUFACTURE OR SALE OF ITEMS WITHOUT WRITTEN PERMISSION. COPYRIGHT © 1977, DIGITAL EQUIPMENT CORPORATION

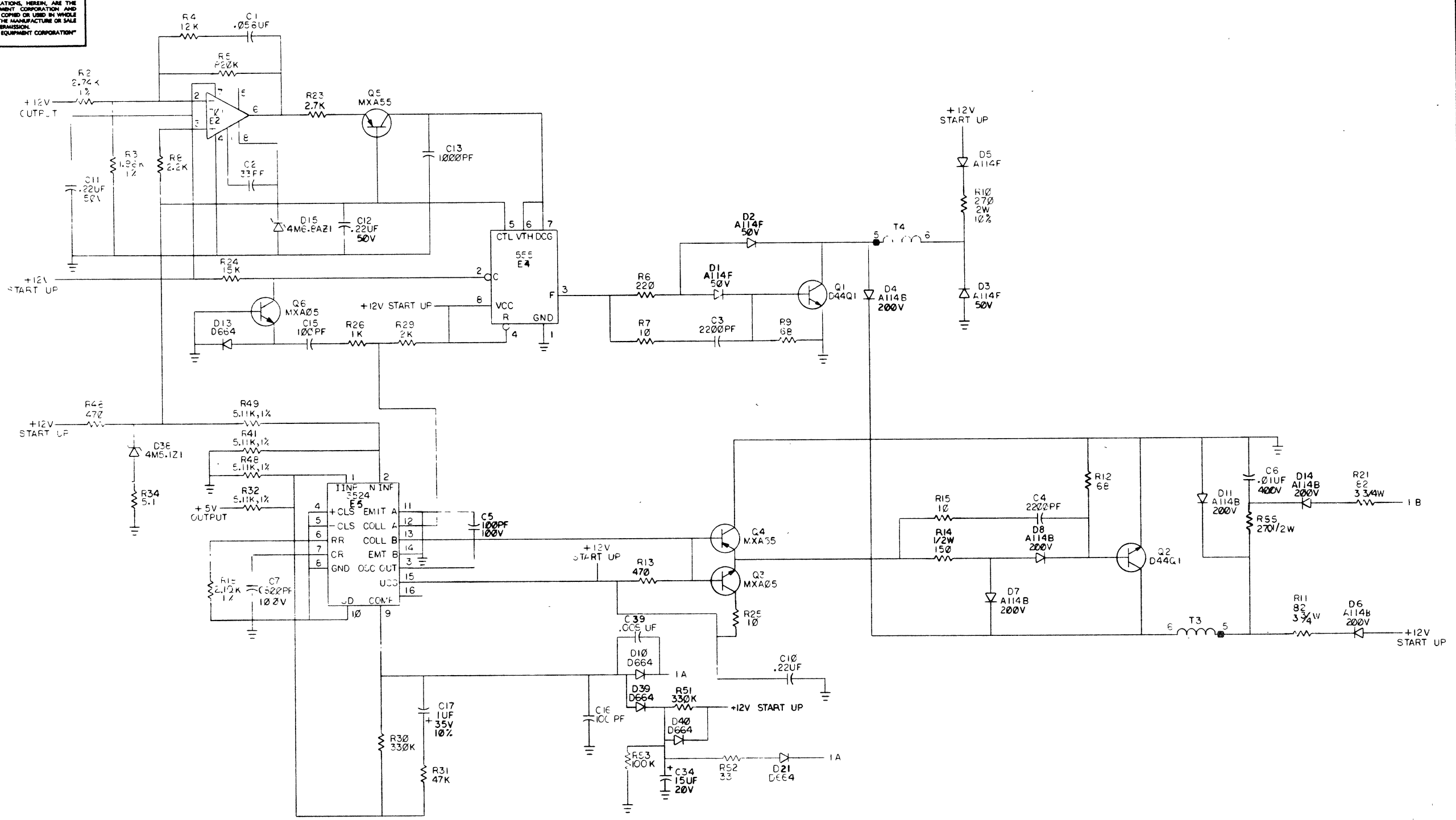


NOTE:  
1 UNLESS OTHERWISE INDICATED  
ALL RESISTORS ARE 1/4W, 5%.

REV.	DATE	BY	CHK'D	REVISION
1	11/16/77	J. BITTO	J. BITTO	REVISED
2	12/16/77	J. BITTO	J. BITTO	REVISED
3	1/16/78	J. BITTO	J. BITTO	REVISED
4	2/16/78	J. BITTO	J. BITTO	REVISED
5	3/16/78	J. BITTO	J. BITTO	REVISED
6	4/16/78	J. BITTO	J. BITTO	REVISED
7	5/16/78	J. BITTO	J. BITTO	REVISED
8	6/16/78	J. BITTO	J. BITTO	REVISED
9	7/16/78	J. BITTO	J. BITTO	REVISED
10	8/16/78	J. BITTO	J. BITTO	REVISED
11	9/16/78	J. BITTO	J. BITTO	REVISED
12	10/16/78	J. BITTO	J. BITTO	REVISED
13	11/16/78	J. BITTO	J. BITTO	REVISED
14	12/16/78	J. BITTO	J. BITTO	REVISED
15	1/16/79	J. BITTO	J. BITTO	REVISED
16	2/16/79	J. BITTO	J. BITTO	REVISED
17	3/16/79	J. BITTO	J. BITTO	REVISED
18	4/16/79	J. BITTO	J. BITTO	REVISED
19	5/16/79	J. BITTO	J. BITTO	REVISED
20	6/16/79	J. BITTO	J. BITTO	REVISED
21	7/16/79	J. BITTO	J. BITTO	REVISED
22	8/16/79	J. BITTO	J. BITTO	REVISED
23	9/16/79	J. BITTO	J. BITTO	REVISED
24	10/16/79	J. BITTO	J. BITTO	REVISED
25	11/16/79	J. BITTO	J. BITTO	REVISED
26	12/16/79	J. BITTO	J. BITTO	REVISED
27	1/16/80	J. BITTO	J. BITTO	REVISED
28	2/16/80	J. BITTO	J. BITTO	REVISED
29	3/16/80	J. BITTO	J. BITTO	REVISED
30	4/16/80	J. BITTO	J. BITTO	REVISED
31	5/16/80	J. BITTO	J. BITTO	REVISED
32	6/16/80	J. BITTO	J. BITTO	REVISED
33	7/16/80	J. BITTO	J. BITTO	REVISED
34	8/16/80	J. BITTO	J. BITTO	REVISED
35	9/16/80	J. BITTO	J. BITTO	REVISED
36	10/16/80	J. BITTO	J. BITTO	REVISED
37	11/16/80	J. BITTO	J. BITTO	REVISED
38	12/16/80	J. BITTO	J. BITTO	REVISED
39	1/16/81	J. BITTO	J. BITTO	REVISED
40	2/16/81	J. BITTO	J. BITTO	REVISED
41	3/16/81	J. BITTO	J. BITTO	REVISED
42	4/16/81	J. BITTO	J. BITTO	REVISED
43	5/16/81	J. BITTO	J. BITTO	REVISED
44	6/16/81	J. BITTO	J. BITTO	REVISED
45	7/16/81	J. BITTO	J. BITTO	REVISED
46	8/16/81	J. BITTO	J. BITTO	REVISED
47	9/16/81	J. BITTO	J. BITTO	REVISED
48	10/16/81	J. BITTO	J. BITTO	REVISED
49	11/16/81	J. BITTO	J. BITTO	REVISED
50	12/16/81	J. BITTO	J. BITTO	REVISED

DRN. 11/16/77	FIRST USED ON	H7831
CHK'D 11/16/77	TITLE	H7831 POWER SUPPLY
ENG'D 11/16/77	SCALE	1:1
PROJ. ENGR. 11/16/77	SHEET	1 OF 2
PROD. 11/16/77	SIZE CODE	D CS
NEXT HIGHER ASSY.	NUMBER	5412996-0-1 U
DD-5412996-0	REV.	

THIS DRAWING AND SPECIFICATIONS, HEREIN, ARE THE PROPERTY OF DIGITAL EQUIPMENT CORPORATION AND SHALL NOT BE REPRODUCED OR COPIED OR USED IN WHOLE OR IN PART AS THE BASIS FOR THE MANUFACTURE OR SALE OF ITEMS WITHOUT WRITTEN PERMISSION. COPYRIGHT © DIGITAL EQUIPMENT CORPORATION

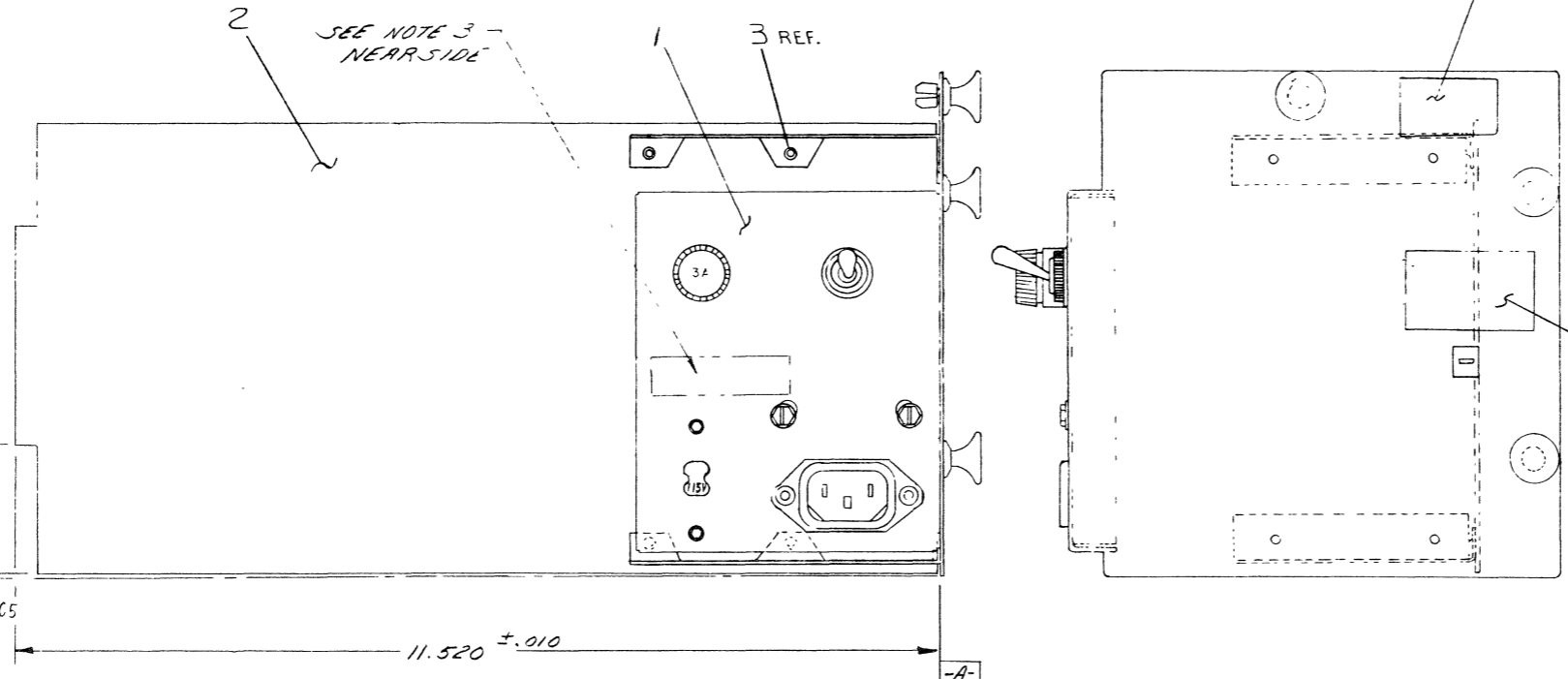
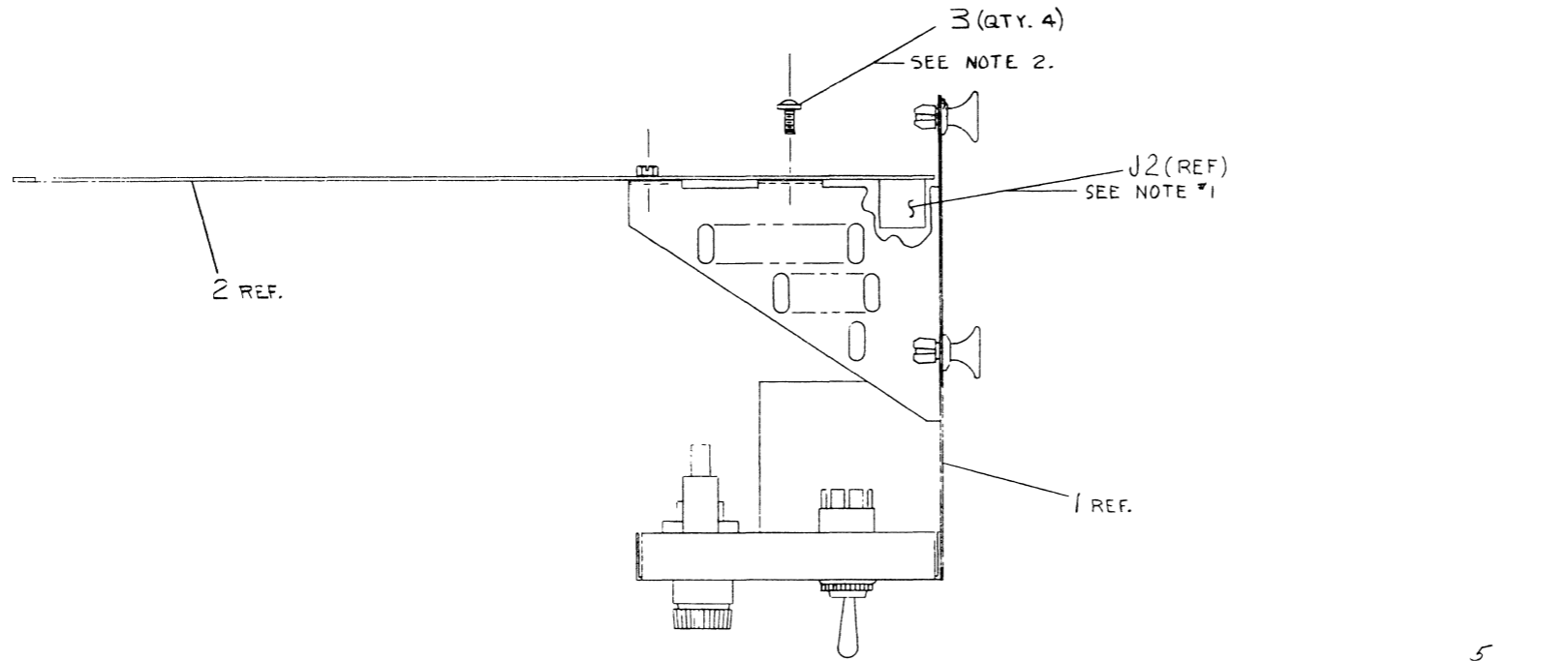


REVISIONS		
CHK	CHANGE NO.	REV.

TITLE	H7831 POWER SUPPLY	SIZE CODE	D CS	NUMBER	5412996-Q-1	REV.	U
SCALE	1:1	SHEET	2	OF	2	DIST.	

"THIS DRAWING AND SPECIFICATIONS, HEREIN, ARE THE PROPERTY OF DIGITAL EQUIPMENT CORPORATION AND SHALL NOT BE REPRODUCED OR COPIED OR USED IN WHOLE OR IN PART AS THE BASIS FOR THE MANUFACTURE OR SALE OF ITEMS WITHOUT WRITTEN PERMISSION  
 COPYRIGHT © 1977, DIGITAL EQUIPMENT CORPORATION"

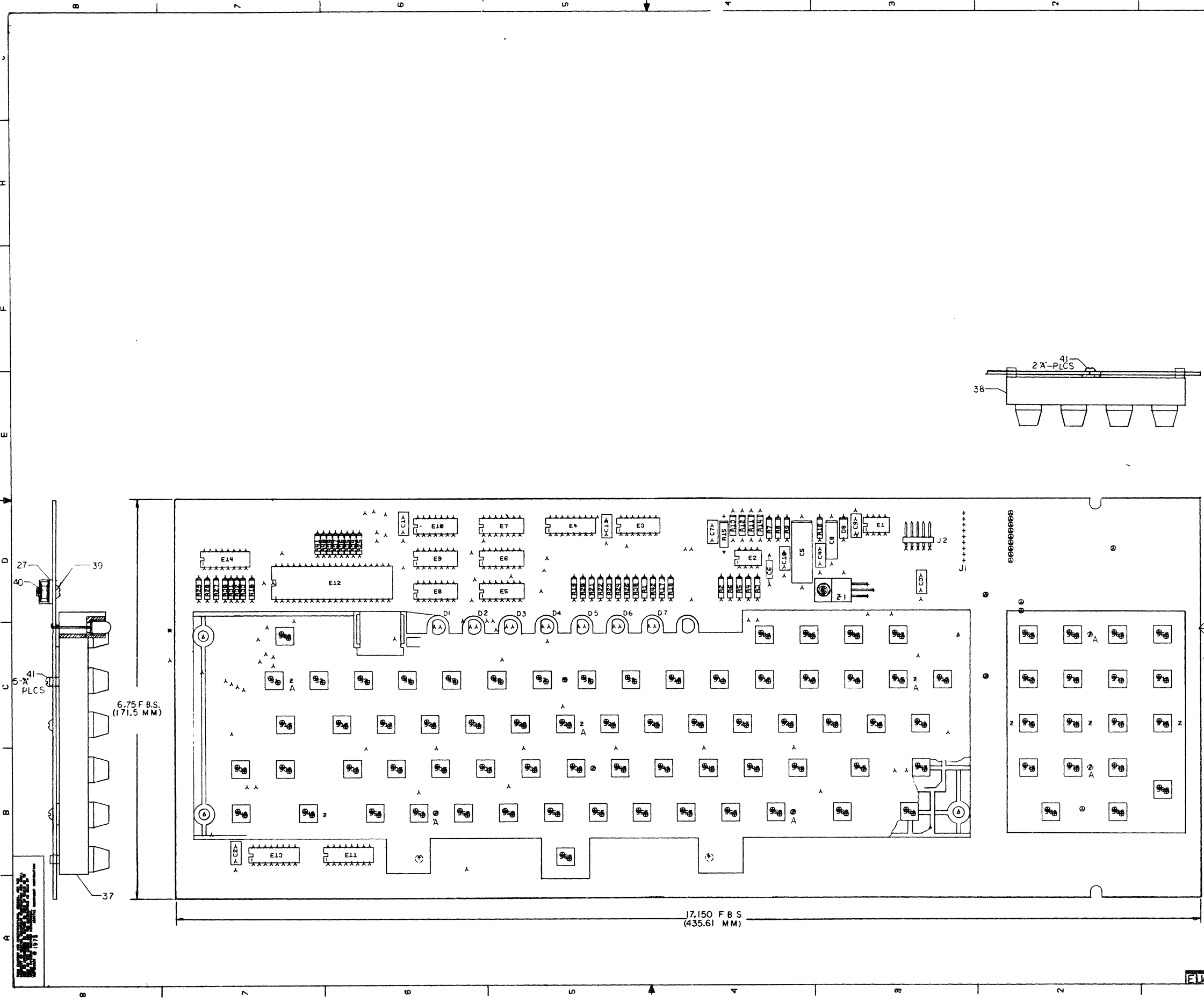
- NOTES:
- CONNECT PLUG FROM ITEM 1 (7015053-0-0) TO J2 ON ITEM 2 (5412996).
  - INSTALL ITEM 3 AS SHOWN, TYP. 4 PLACES.
  - IDENTIFICATION: STAMP USING CHARACTER HEIGHT AS INDICATED BELOW TO HIGHEST LEVEL OF SUBASSEMBLY SPECIFIED ON PURCHASE ORDER AND LOCATE APPROX. AS SHOWN ON DRAWING  
 A.) PART NUMBER  
 B.) REVISION  
 C.) VENDOR IDENTIFICATION.
  - LOCATE ITEM NO. 4 & 5 APPROX. AS SHOWN.
  - ADD CSA LABEL 3613211 01 FOR ALL FAR EAST BUILT UNITS AS DIRECTED BY CORPORATE PRODUCT SAFETY. LABEL TO BE LOCATED UNDER SERIAL LABEL.
  - FOR INDIVIDUAL FIELD SERVICE OR CUSTOMER SPARES SHIPMENTS USE PACKAGING INSTRUCTIONS A-SP-3700552-0-0; FOR BULK INTERPLANT SHIPMENTS USE PACKAGING INSTRUCTION A-SP-3700437-0-0 VARIATION - 00



CAUTION: OFF SHEET PARTS LIST EXIST.  
 REFER TO K-PL-7014979-0-DBP

REV	CHG	NO	DATE	BY	REASON
1					
2					
3					
4					
5					
6					
7					
8					

QUANTITY & VARIATION		DESCRIPTION		DWG. PART NO.	ITEM NO.
UNLESS OTHERWISE SPECIFIED DIMENSIONS ARE IN INCHES					
ANGLES 30° 30'	CLASS OF ACCURACY	NOMINAL DIMENSION RANGE INCHES			
SURFACE QUALITY	(CHECK ONE)	OVER 0 TO 0.2	OVER 0.2 TO 0.4	OVER 0.4 TO 12.0	OVER 12.0 TO 40.0
MEDIUM	<input checked="" type="checkbox"/>	±.004	±.008	±.012	±.018
PREFERRED	<input type="checkbox"/>	±.012	±.016	±.025	±.04
THIRD ANGLE PROJECTION		DRN. D. Bourne	9 SEPT 77	FIRST USED ON	
REMOVE BURRS AND BREAK SHARP CORNERS		CHK'D J. Fallon	20 DEC 77	VT100 digital	
DO NOT SCALE DWG		PROJ. ENG. J. Fallon	12 DEC 77	TITLE	
MATERIAL SEE PARTS LIST		PROD. E. H. S. 5-20-78	POWER SUPPLY ASSY.		
FINISH		SCALE 1/1	SIZE CODE	NUMBER	REV.
		SHEET 1 OF 1	D AD	7014979-0-0	H



SIGNATURES	DATE	digital
DRN. <i>[Signature]</i>	2/1/74	
CHK. D. <i>[Signature]</i>	2/1/74	
ENG. <i>[Signature]</i>	2/1/74	
PROJ. ENG. <i>[Signature]</i>	2/1/74	
SCALE <i>[Signature]</i>	2/1/74	
REV. OF 3		
EXT. NUMBER	0578.DOC-5413.404.00	
TITLE	LK07 KEYBOARD	
SIZE CODE	JA 5413404-000	

ETCH REV.	
P.L. DESIGN DATA REV.	


CHANGE NO	REV	DATE	BY	REASON
1				
2				
3				
4				
5				
6				
7				
8				
9				
10				

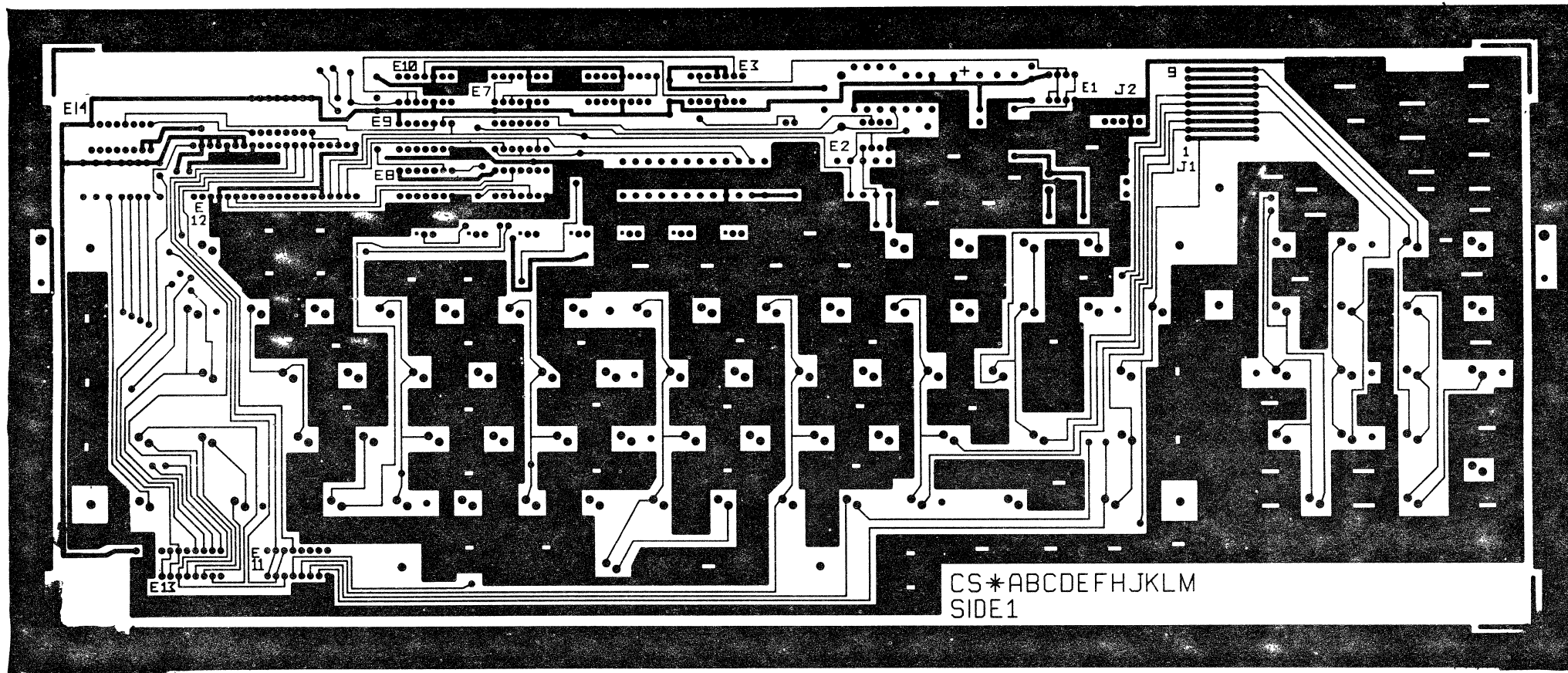
NOTES:  
 1. SCREWS SECURING KEY ARRAY TO PCB ARE FOR MFG. PURPOSES ONLY. INSTALL SCREWS AS REQUIRED. QTY OF 7 IS FOR REF. ONLY.  
 2. AT SIDE OF LED TO FACE THE FLAT SIDE IN KEY ARRAY MOUNTING HOLE.

FLW5413404-000



1979

5413404  
5013403C-PI  L1

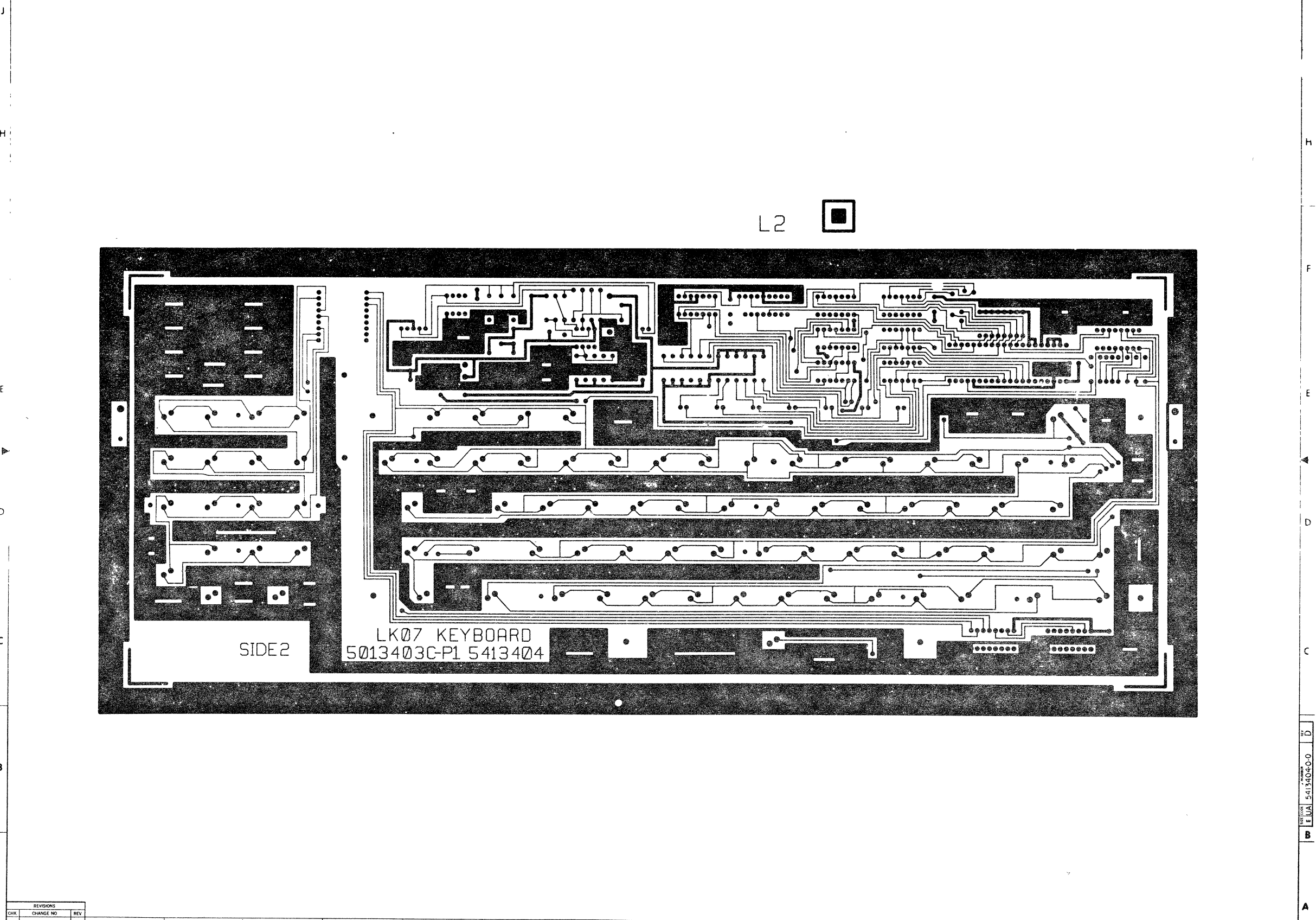


CS\*ABCDEFHJKLM  
SIDE 1

REVISIONS		
CHK	CHANGE NO	REV

TITLE	SIZE CODE	NUMBER	REV
LK07 KEYBOARD	EUA	5413404-0	D.
SCALE 2:1	SHEET 2 OF 3	DIST	1

7 6 5 4 3 2 1



SIDE 2

LK07 KEYBOARD  
5013403C-P1 5413404

L2

REVISIONS		
CHK	CHANGE NO	REV

REV D  
NUMBER 5413404-0  
EUA

LINE ITEM	DOCUMENT NUMBER	PART NUMBER	DESCRIPTION	QTY	PER VARIATION	REFERENCE DESIGNATOR
				00		
1	1	D-MD-5013403-0-0	5013403-00 DRILL & ETCH DRAWING	1		
2	2		1000014-00 68.0 MMF 100V 5%200PPM MICA	1		C7
3	3		1000075-00 25 MFD 25V +75-10% AL EL	1		C5
4	4		1001634-00 *** THIS ITEM IS NOT USED ***	-		
5	5		1005306-00 6.8MFD 35V 10% S.TANT	1		C8
6	6		1012784-00 .047 MFD 50V +80-20% CER	6		C1,C2,C4,C9-C11
7	7		1105275-00 D 672 TR= 15NS PIV= 60V SI	1		D8
8	8		1110324-01 LED 1MCD@10MA PIV=3 .750 MIN. LE	7		D1-D7
9	9		1215048-00 PCB,HEADER 05PIN(1X05).J98CC 90D	1		J2
10	10		1300309-00 390.0 .25 W 5.0 % CC	2		R16,R42
11	11		1300315-00 470.0 .50 W 5.0 % CC	1		R15
12	12		1300365-00 1.0 K .25 W 5.0 % CC	6		R10,R19,R21-R24
13	13		1300439-00 3.30 K .25 W 5.0 % CC	9		R26-R33,R38
14	14		1300479-00 10.0 K .25 W 5.0 % CC	11		R2,R3,R17,R25,R34-R37,R39-R41
15	15		1301401-00 750.0 .25 W 5.0 % CC	1		R1
16	16		1301425-00 300.0 .25 W 5.0 % CC	2		R18,R20
17	17		1301874-00 5.60 K .25 W 5.0 % CC	3		R5,R7,R9
18	18		1302391-00 20.0 K .25 W 5.0 % CC	2		R4,R6
19	19		1303155-00 21.50 K .25 W 1.0 % RN55D-F10	1		R12
20	20		1303187-00 820.0 K .25 W 5.0 % CC	1		R8
21	21		1303312-00 10.0 K .25 W 1.0 % RN55D-F10	1		R11
22	22		1304833-00 1.96 K .25 W 1.0 % RN55D-F10	1		R14
23	23		1309412-00 18.00 K .25 W 1.0 % RN55D-F10	1		R13
24	24		1909686-00 7404 INVERTER GATE-HEX 11	1		E9
25	25		1910406-00 75451 DRIVER,PERIPH,DUAL,	1		E1
26	26		1910741-00 7406 INVERTER GATE-HEX 11	1		E8
27	27		1912536-01 7805 VOLT REG,FIX +5V	1		Z1
28	28		1912649-00 LS75 LATCH 4BIT,BISTABLE	1		E4
29	29		1912799-00 LS00 NAND-GATE-QUAD 2IN,P	1		E5
30	30		1912823-00 LS73 FF-JK DUAL W/CLEAR	1		E3

REVISION HISTORY			BASIC PART NO: 5413404							
ENG	ECO NUMBER	REV	SECTION A OF A	DRN:	T SHETRAWSKI	DATE: 23-JUL-79	DIGITAL			
RP	5413404-ML001	B	SECTION VARIATION INDEX	CHK'D:	T SHETRAWSKI	DATE: 23-JUL-79	TITLE PARTS LIST			
J.D	5413404-PN002	C	[A] 00				VT100 FULL KEYBOARD			
J.B	5413404-PN003	D	[B]	DES.ENG:	M MORGESTERN	DATE: 23-JUL-79				
CJ	5413404-ML004	E	[C]				DOCUMENT NUMBER			
CJ	5413404-ML005	F	[D]							
RP	5413404-ML006	H	[E]	RESP.ENG.:	M MORGESTERN	DATE: 23-JUL-79				
AC	5413404-ML007	J	[F]				SIZE CODE NUMBER REV			
			[G]							
			[H]							
			[I]	MFG.ENG.:	T CORCIARI	DATE: 23-JUL-79	K	PL	5413404-0-DBP	J
			[J]							
			[K]							
			[L]							
			[M]	ASSEMBLY NUMBER:		TOP DOCUMENT NUMBER:	FILE NAME:		EDIT #	
			[N]	D-UA-5413404-0-0			Z0783J.PLS		13	

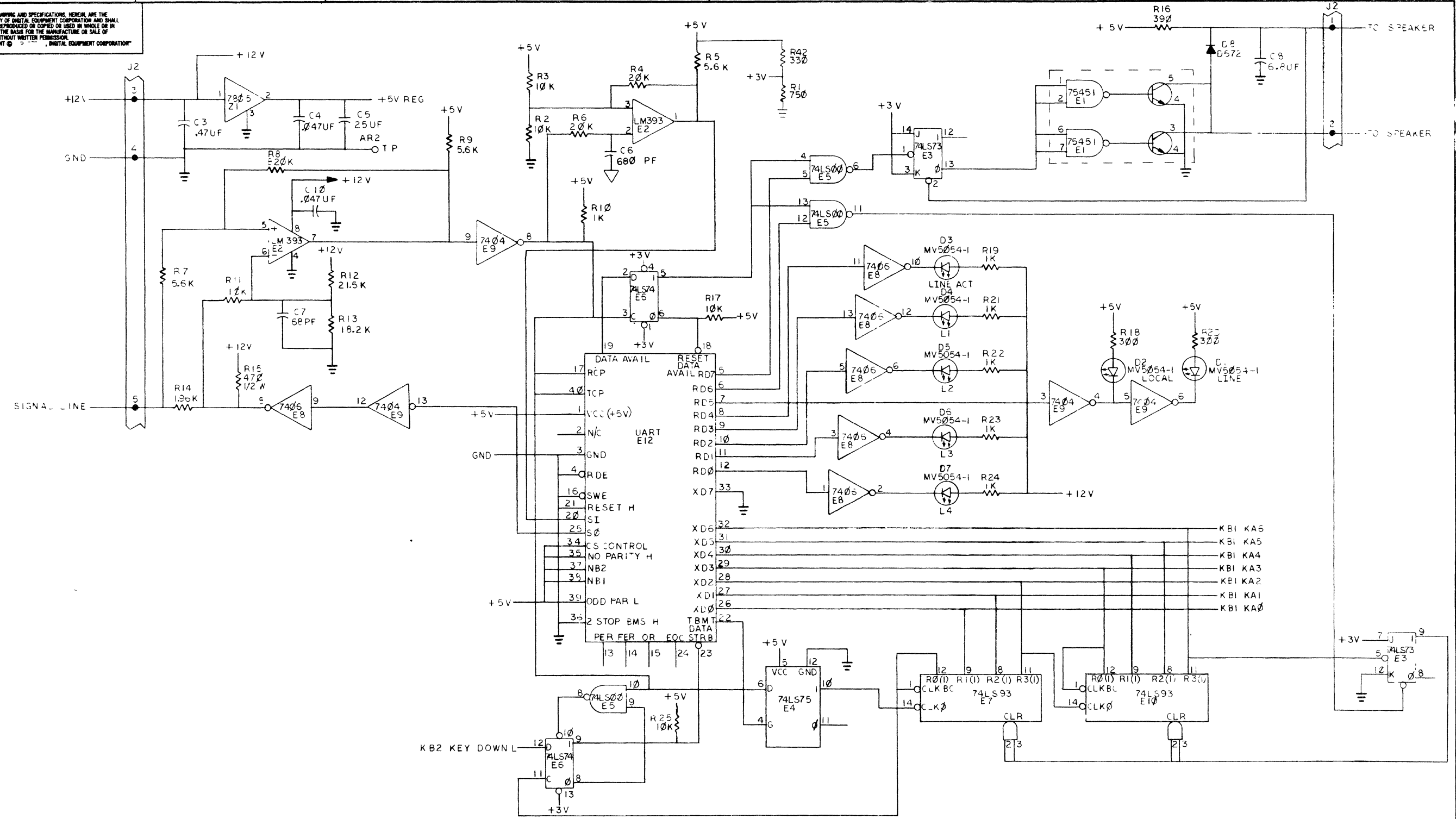
\*THIS DRAWING AND SPECIFICATIONS HEREIN, ARE THE PROPERTY OF DIGITAL EQUIPMENT CORPORATION AND SHALL NOT BE REPRODUCED OR COPIED OR USED IN WHOLE OR IN PART AS THE BASIS FOR THE MANUFACTURE OR SALE OF ITEMS WITHOUT WRITTEN PERMISSION. COPYRIGHT (C) 1982. DIGITAL EQUIPMENT CORPORATION \*

LINE ITEM	DOCUMENT NUMBER	PART NUMBER	DESCRIPTION	QTY PER VARIATION 00	REFERENCE DESIGNATOR
31	31	1912824-00	LS74 FF-D DUAL,EDGE TRIGG	1	E6
32	32	1912844-00	LS151 MUX 1 OF 8 & DATA	1	E14
33	33	1913949-00	LS93 COUNTER,DECADE,4BIT	2	E7,E10
34	34	1913950-00	LS156 DECODER,2 OF 4(DUAL)	2	E11,E13
35	35	1914156-00	LM 393 VOLT.COMPARATOR DUAL	1	E2
36	36	2114137-51	UART MOS N-CHANNEL	1	E12
37	37	7013910-00	KEYBOARD ARRAY ASSY	1	
38	38	7014561-00	18 KEY NUMERIC PAD ASSY	1	
39	39	9006020-01	SCREW,MACH PAN PHIL 6-	1	
40	40	9000185-00	NUT,KEP 6-32X 1/4 AF	1	
41	41	9010033-00	SCREW,TAP PAN PHIL THD CT 4-	7	
42	42	1012312-01	.47 MFD 50V +80-20% CER	1	C3
43	43	SEE NOTE	1000026-00 680.0 MMF 100V 5%200PPM MICA	1	C6

44 NOTE: 1013466-50 IS AN ALTERNATE PART NUMBER FOR 1000026-00

D I G I T A L										TITLE										VT100 FULL KEYBOARD										SECTION A OF A										SIZE CODE										DOCUMENT NUMBER										REV									
																																								K PL										5413404-0-DBP										J									

"THIS DRAWING AND SPECIFICATIONS, HEREIN, ARE THE PROPERTY OF DIGITAL EQUIPMENT CORPORATION AND SHALL NOT BE REPRODUCED OR COPIED OR USED IN WHOLE OR IN PART AS THE BASIS FOR THE MANUFACTURE OR SALE OF ITEMS WITHOUT WRITTEN PERMISSION. COPYRIGHT © 1978, DIGITAL EQUIPMENT CORPORATION"



REV	CHG	BY	DATE	DESCRIPTION
1		MALDOY	11/17/78	INITIAL DESIGN
2		P. MICHELLI	12/12/78	REVISED FOR MANUFACTURE
3		R. PUCCI	1/12/79	REVISED FOR MANUFACTURE
4		J. DFSUK	2/15/79	REVISED FOR MANUFACTURE
5		R. PUCCI	3/12/79	REVISED FOR MANUFACTURE
6		R. PUCCI	4/12/79	REVISED FOR MANUFACTURE
7		AL CLARK	5/12/79	REVISED FOR MANUFACTURE

DRN 296077	FIRST USED ON	VT100
CHK'D	TITLE	VT100 FULL KEYBOARD (KBI)
ENG'D	PROJ. ENG.	PROD. DATE
NEXT HIGHER ASSY.		
D-DD-5413404-0-0	SIZE CODE	NUMBER
SCALE	D CS 5413404-0-1	REV. F
SHEET OF 3	DIST.	

THIS DRAWING AND SPECIFICATIONS, HEREIN, ARE THE PROPERTY OF DIGITAL EQUIPMENT CORPORATION AND SHALL NOT BE REPRODUCED OR COPIED OR USED IN WHOLE OR IN PART AS THE BASIS FOR THE MANUFACTURE OR SALE OF ITEMS WITHOUT WRITTEN PERMISSION. COPYRIGHT © 1977 DIGITAL EQUIPMENT CORPORATION

D

D

C

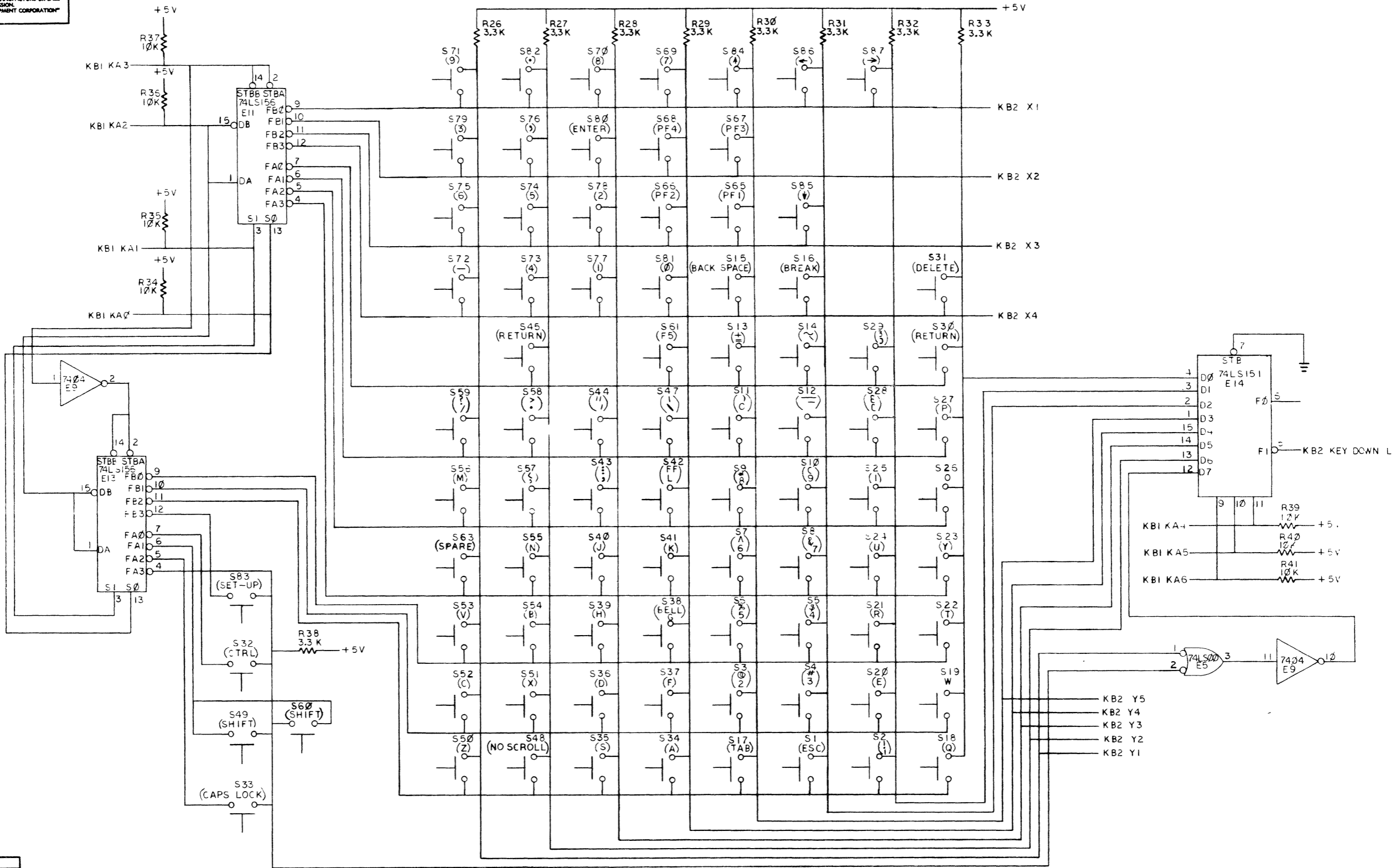
C

B

B

A

A

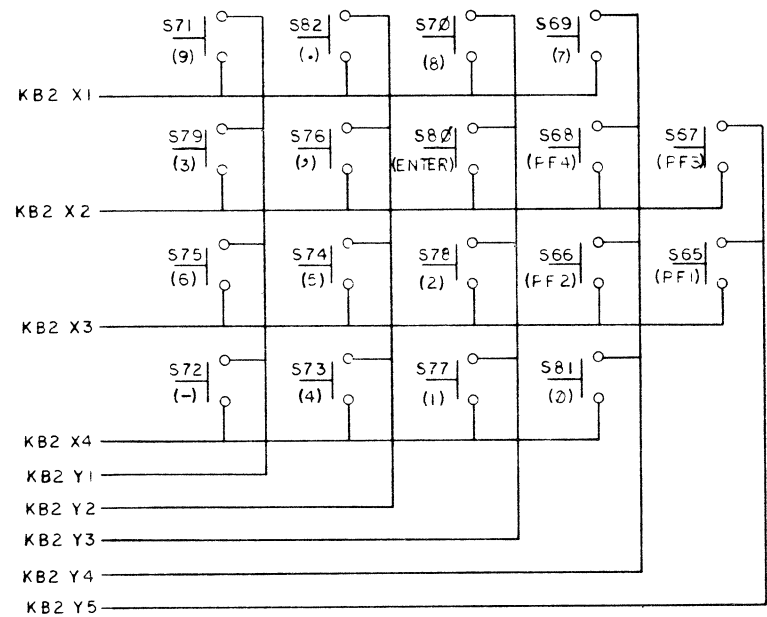


REVISIONS		
CHK	CHANGE NO.	REV.

TITLE	VT100 FULL KEYBOARD (KB2)	SIZE CODE	D	CS	NUMBER	5413404-0-1	REV.	F
SCALE	1/1	SHEET	2	OF	3	DIST.		

D5413404-0-1

"THIS DRAWING AND SPECIFICATIONS HEREIN ARE THE PROPERTY OF DIGITAL EQUIPMENT CORPORATION AND SHALL NOT BE REPRODUCED OR COPIED OR USED IN WHOLE OR IN PART AS THE BASIS FOR THE MANUFACTURE OR SALE OF ITEMS WITHOUT WRITTEN PERMISSION. COPYRIGHT © 1977, DIGITAL EQUIPMENT CORPORATION"



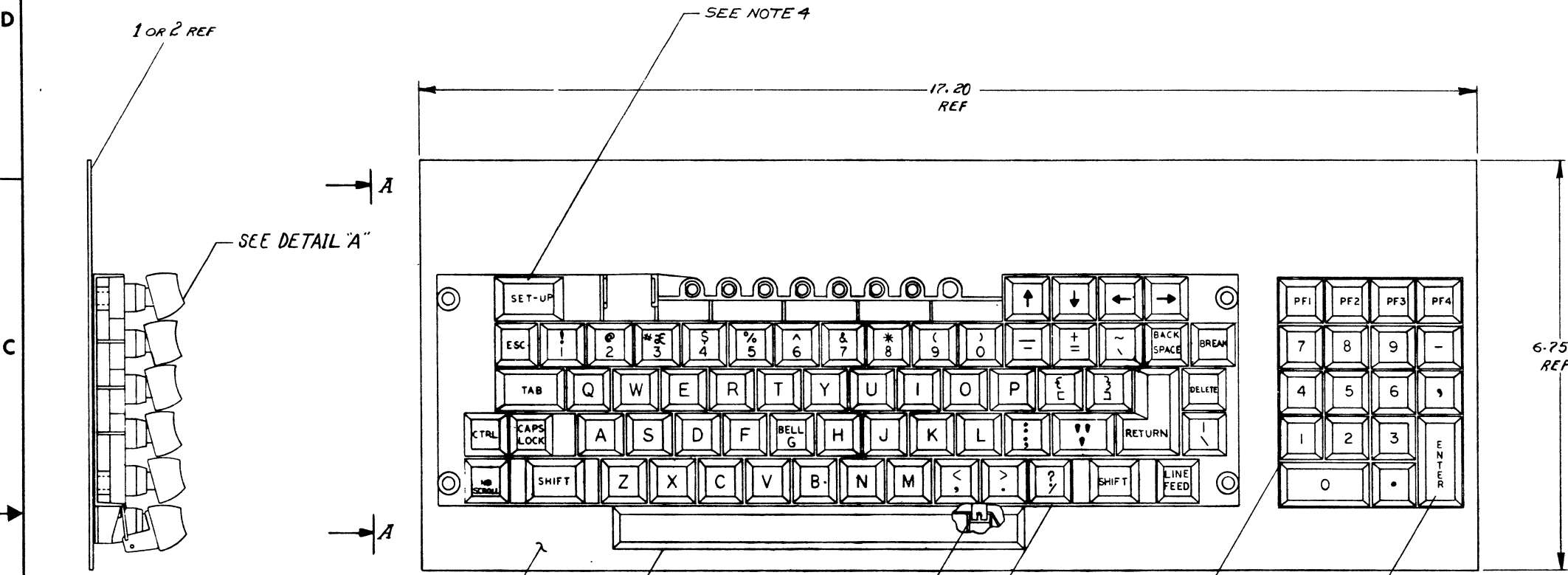
REVISIONS		
CHK	CHANGE NO.	REV.

DCS 5413404-0-1 F

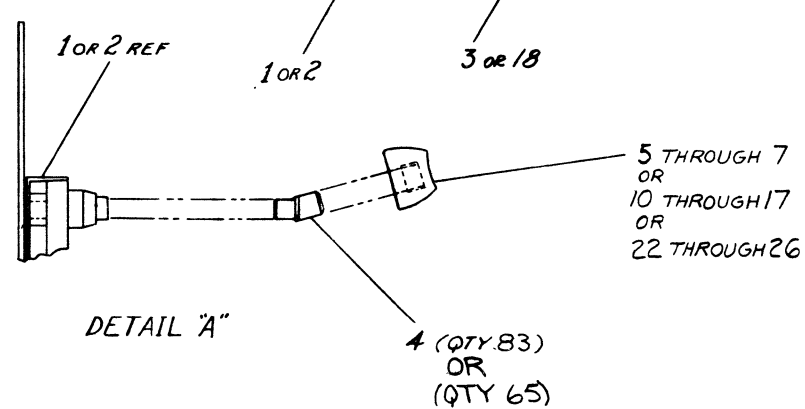


"THIS DRAWING AND SPECIFICATIONS HEREIN ARE THE PROPERTY OF DIGITAL EQUIPMENT CORPORATION AND SHALL NOT BE REPRODUCED OR COPIED OR USED IN WHOLE OR IN PART AS THE BASIS FOR THE MANUFACTURE OR SALE OF ITEMS WITHOUT WRITTEN PERMISSION.  
COPYRIGHT © 1978, DIGITAL EQUIPMENT CORPORATION"

- NOTES:
1. THE NUMERIC KEY PAD IS NOT AVAILABLE ON THE E-UA-5A1340A-0A VARIATION.
  2. STANDARD VT100 BASIC KEYCAP SET (1214333-72, ITEM 5) AND NUMERIC PAD (1214333-91, ITEM 6) SHOWN. FOR KEYCAP ARRANGEMENTS REFER TO DEC DRAWING NUMECK D-AR-7015765-0-1.
  3. FOR INDIVIDUAL FIELD SERVICE/CUSTOMER SPARES SHIPMENTS, USE PACKAGING INSTRUCTIONS A-SP-3700555-0-0; FOR BULK INTERPLANT SHIPMENTS, USE PACKAGING INSTRUCTIONS A-SP-3700439-00 VARIATION -00.
  4. INSTALL PLUNGER BELOW THIS KEY ON HOBIS KEYCAP SET 1214333-KZ, 4-50, FOR KEYCAP ARRANGEMENTS REFER TO DEC DRAWING D-AR-7015765-0-1.



VIEW A-A



DETAIL A

REV.	CHANGE NO.	REV.
1	7015765-ML001	A
2	7015765-ML002	B
3	7015765-ML003	C
4	7015765-ML004	D
5	7015765-ML005	E
6	7015765-ML006	F
7	7015765-ML007	G
8	7015765-ML008	H
9	7015765-ML009	J
10	7015765-ML010	K
11	7015765-ML011	L
12	7015765-ML012	M
13	7015765-ML013	N
14	7015765-ML014	O
15	7015765-ML015	P
16	7015765-ML016	Q
17	7015765-ML017	R
18	7015765-ML018	S
19	7015765-ML019	T
20	7015765-ML020	U
21	7015765-ML021	V
22	7015765-ML022	W
23	7015765-ML023	X
24	7015765-ML024	Y
25	7015765-ML025	Z
26	7015765-ML026	AA
27	7015765-ML027	AB
28	7015765-ML028	AC
29	7015765-ML029	AD
30	7015765-ML030	AE
31	7015765-ML031	AF
32	7015765-ML032	AG
33	7015765-ML033	AH
34	7015765-ML034	AI
35	7015765-ML035	AJ
36	7015765-ML036	AK
37	7015765-ML037	AL
38	7015765-ML038	AM
39	7015765-ML039	AN
40	7015765-ML040	AO
41	7015765-ML041	AP
42	7015765-ML042	AQ
43	7015765-ML043	AR
44	7015765-ML044	AS
45	7015765-ML045	AT
46	7015765-ML046	AU
47	7015765-ML047	AV
48	7015765-ML048	AW
49	7015765-ML049	AX
50	7015765-ML050	AY
51	7015765-ML051	AZ
52	7015765-ML052	BA
53	7015765-ML053	BB
54	7015765-ML054	BC
55	7015765-ML055	BD
56	7015765-ML056	BE
57	7015765-ML057	BF
58	7015765-ML058	BG
59	7015765-ML059	BH
60	7015765-ML060	BI
61	7015765-ML061	BJ
62	7015765-ML062	BK
63	7015765-ML063	BL
64	7015765-ML064	BM
65	7015765-ML065	BN
66	7015765-ML066	BO
67	7015765-ML067	BP
68	7015765-ML068	BQ
69	7015765-ML069	BR
70	7015765-ML070	BS
71	7015765-ML071	BT
72	7015765-ML072	BU
73	7015765-ML073	BV
74	7015765-ML074	BW
75	7015765-ML075	BX
76	7015765-ML076	BY
77	7015765-ML077	BZ
78	7015765-ML078	CA
79	7015765-ML079	CB
80	7015765-ML080	CC
81	7015765-ML081	CD
82	7015765-ML082	CE
83	7015765-ML083	CF
84	7015765-ML084	CG
85	7015765-ML085	CH
86	7015765-ML086	CI
87	7015765-ML087	CJ
88	7015765-ML088	CK
89	7015765-ML089	CL
90	7015765-ML090	CM
91	7015765-ML091	CN
92	7015765-ML092	CO
93	7015765-ML093	CP
94	7015765-ML094	CQ
95	7015765-ML095	CR
96	7015765-ML096	CS
97	7015765-ML097	CT
98	7015765-ML098	CU
99	7015765-ML099	CV
100	7015765-ML100	CW
101	7015765-ML101	CX
102	7015765-ML102	CY
103	7015765-ML103	CZ
104	7015765-ML104	DA
105	7015765-ML105	DB
106	7015765-ML106	DC
107	7015765-ML107	DD
108	7015765-ML108	DE
109	7015765-ML109	DF
110	7015765-ML110	DG
111	7015765-ML111	DH
112	7015765-ML112	DI
113	7015765-ML113	DJ
114	7015765-ML114	DK
115	7015765-ML115	DL
116	7015765-ML116	DM
117	7015765-ML117	DN
118	7015765-ML118	DO
119	7015765-ML119	DP
120	7015765-ML120	DQ
121	7015765-ML121	DR
122	7015765-ML122	DS
123	7015765-ML123	DT
124	7015765-ML124	DU
125	7015765-ML125	DV
126	7015765-ML126	DW
127	7015765-ML127	DX
128	7015765-ML128	DY
129	7015765-ML129	DZ
130	7015765-ML130	EA
131	7015765-ML131	EB
132	7015765-ML132	EC
133	7015765-ML133	ED
134	7015765-ML134	EE
135	7015765-ML135	EF
136	7015765-ML136	EG
137	7015765-ML137	EH
138	7015765-ML138	EI
139	7015765-ML139	EJ
140	7015765-ML140	EK
141	7015765-ML141	EL
142	7015765-ML142	EM
143	7015765-ML143	EN
144	7015765-ML144	EO
145	7015765-ML145	EP
146	7015765-ML146	EQ
147	7015765-ML147	ER
148	7015765-ML148	ES
149	7015765-ML149	ET
150	7015765-ML150	EU
151	7015765-ML151	EV
152	7015765-ML152	EW
153	7015765-ML153	EX
154	7015765-ML154	EY
155	7015765-ML155	EZ
156	7015765-ML156	FA
157	7015765-ML157	FB
158	7015765-ML158	FC
159	7015765-ML159	FD
160	7015765-ML160	FE
161	7015765-ML161	FF
162	7015765-ML162	FG
163	7015765-ML163	FH
164	7015765-ML164	FI
165	7015765-ML165	FJ
166	7015765-ML166	FK
167	7015765-ML167	FL
168	7015765-ML168	FM
169	7015765-ML169	FN
170	7015765-ML170	FO
171	7015765-ML171	FP
172	7015765-ML172	FQ
173	7015765-ML173	FR
174	7015765-ML174	FS
175	7015765-ML175	FT
176	7015765-ML176	FU
177	7015765-ML177	FV
178	7015765-ML178	FW
179	7015765-ML179	FX
180	7015765-ML180	FY
181	7015765-ML181	FZ
182	7015765-ML182	GA
183	7015765-ML183	GB
184	7015765-ML184	GC
185	7015765-ML185	GD
186	7015765-ML186	GE
187	7015765-ML187	GF
188	7015765-ML188	GG
189	7015765-ML189	GH
190	7015765-ML190	GI
191	7015765-ML191	GJ
192	7015765-ML192	GK
193	7015765-ML193	GL
194	7015765-ML194	GM
195	7015765-ML195	GN
196	7015765-ML196	GO
197	7015765-ML197	GP
198	7015765-ML198	GQ
199	7015765-ML199	GR
200	7015765-ML200	GS
201	7015765-ML201	GT
202	7015765-ML202	GU
203	7015765-ML203	GV
204	7015765-ML204	GW
205	7015765-ML205	GX
206	7015765-ML206	GY
207	7015765-ML207	GZ
208	7015765-ML208	HA
209	7015765-ML209	HB
210	7015765-ML210	HC
211	7015765-ML211	HD
212	7015765-ML212	HE
213	7015765-ML213	HF
214	7015765-ML214	HG
215	7015765-ML215	HH
216	7015765-ML216	HI
217	7015765-ML217	HJ
218	7015765-ML218	HK
219	7015765-ML219	HL
220	7015765-ML220	HM
221	7015765-ML221	HN
222	7015765-ML222	HO
223	7015765-ML223	HP
224	7015765-ML224	HQ
225	7015765-ML225	HR
226	7015765-ML226	HS
227	7015765-ML227	HT
228	7015765-ML228	HU
229	7015765-ML229	HV
230	7015765-ML230	HW
231	7015765-ML231	HX
232	7015765-ML232	HY
233	7015765-ML233	HZ
234	7015765-ML234	IA
235	7015765-ML235	IB
236	7015765-ML236	IC
237	7015765-ML237	ID
238	7015765-ML238	IE
239	7015765-ML239	IF
240	7015765-ML240	IG
241	7015765-ML241	IH
242	7015765-ML242	II
243	7015765-ML243	IJ
244	7015765-ML244	IK
245	7015765-ML245	IL
246	7015765-ML246	IM
247	7015765-ML247	IN
248	7015765-ML248	IO
249	7015765-ML249	IP
250	7015765-ML250	IQ
251	7015765-ML251	IR
252	7015765-ML252	IS
253	7015765-ML253	IT
254	7015765-ML254	IU
255	7015765-ML255	IV
256	7015765-ML256	IW
257	7015765-ML257	IX
258	7015765-ML258	IY
259	7015765-ML259	IZ
260	7015765-ML260	JA
261	7015765-ML261	JB
262	7015765-ML262	JC
263	7015765-ML263	JD
264	7015765-ML264	JE
265	7015765-ML265	JF
266	7015765-ML266	JG
267	7015765-ML267	JH
268	7015765-ML268	JI
269	7015765-ML269	JJ
270	7015765-ML270	JK
271	7015765-ML271	JL
272	7015765-ML272	JM
273	7015765-ML273	JN
274	7015765-ML274	JO
275	7015765-ML275	JP
276	7015765-ML276	JQ
277	7015765-ML277	JR
278	7015765-ML278	JS
279	7015765-ML279	JT
280	7015765-ML280	JU
281	7015765-ML281	



PARTS LIST

LINE	ITEM	DOCUMENT NUMBER	PART NUMBER	DESCRIPTION	QUANTITY PER VARIATION														
					00	01	02	03	04	05	06	07	08	09	10	11			
1	1	E-AD-5413404-0-0	5413404-00	VT100 FULL KEYBOARD	1	-	1	1	1	1	1	1	1	1	1	1	1	1	1
		E-AD-5413404-0-0	5413404-01	KEYBOARD ASSY (64 KEYS)	-	1	-	-	-	-	-	-	-	-	-	-	-	-	-
		C-AD-7015050-0-0	7015050-00	SPACE BAR ASSY	1	1	1	1	1	1	1	1	1	1	1	1	1	1	1
			1214332-00	SW,ARRAY CAP ADAPTER	83	83	83	83	83	83	83	83	83	83	83	83	83	83	83
			1214333-72	KEYCAP SET,VT100	1	1	-	-	-	-	-	-	-	-	-	-	-	-	-
			1214333-91	KEYCAP SET,LA120/34 VT100	18	18	-	-	-	-	-	-	-	-	-	-	-	-	-
			1214333-C0	KEYCAP SET,VT100-NA	82	82	-	-	-	-	-	-	-	-	-	-	-	-	-
			7420120-00	*** THIS ITEM IS NOT USED ***	-	-	1	-	-	-	-	-	-	-	-	-	-	-	-
		D-AR-7015765-0-1	1214333-JD	KEYBOARD/KEYCAP ASSY.	REF	REF	REF	REF	REF	REF	REF	REF	REF	REF	REF	REF	REF	REF	REF
			1214333-WP	KEYCAP SET,VT100-WA	-	-	-	1	-	-	-	-	-	-	-	-	-	-	-
			1214333-CP	KEYCAP SET,VT132	-	-	-	-	1	-	-	-	-	-	-	-	-	-	-
			1214333-CB	KEYCAP SET,VT100-WB	-	-	-	-	-	1	-	-	-	-	-	-	-	-	-
			1214333-BU	KEYCAP SET,VT100-WB	-	-	-	-	-	-	1	-	-	-	-	-	-	-	-
			1214333-FY	KEYCAP SET,VT100-WB	-	-	-	-	-	-	-	1	-	-	-	-	-	-	-
			1214333-2Y	KEYCAP SET,VT100	-	-	-	-	-	-	-	-	1	-	-	-	-	-	-
			1214333-3W	KEYCAP SET,LA120/34 VT100	-	-	-	-	-	-	-	-	-	1	-	-	-	-	-
		D-AD-7015050-0-0	7015050-01	SPACE BAR ASSY. GRAY	-	-	-	-	-	-	-	-	-	-	-	-	-	-	-
		A-SP-3700555-0-0	3700555-00	PKG KEYBOARD 7015765	1	1	1	1	1	1	1	1	1	1	1	1	1	1	1
		A-SP-3700439-0-0	3700439-00	INSTR PKG. BULK CARTON 99-06476-	1	1	1	1	1	1	1	1	1	1	1	1	1	1	1
		C-MD-7424160-0-0	7424160-00	SPACE BAR EQUALIZER CLIP	2	2	2	2	2	2	2	2	2	2	2	2	2	2	2
			1214333-WE	KEYCAP SET,VT102/131	-	-	-	-	-	-	-	-	-	-	-	-	-	1	1
			1214333-WD	KEYCAP SET,VT102	-	-	-	-	-	-	-	-	-	-	-	-	-	-	1
			1214333-WH	KEYCAP SET,VT131	-	-	-	-	-	-	-	-	-	-	-	-	-	-	1
			1214333-KZ	*** THIS ITEM IS NOT USED ***	-	-	-	-	-	-	-	-	-	-	-	-	-	-	-
			1217800-B6	*** THIS ITEM IS NOT USED ***	-	-	-	-	-	-	-	-	-	-	-	-	-	-	-

REVISION HISTORY			BASIC PART NO: 7015765		DRN: ANGEL COLON		DATE: 3 APR 78		DIGITAL			
ENG	ECO NUMBER	REV	SECTION A OF B		CHK'D: D. HEPLY		DATE: 7 APR 78		TITLE PARTS LIST			
---	INITIAL	F	SECTION. VARIATION INDEX		DATE: 10 MAY 78		DATE: 10 MAY 78		KEYBOARD/KEYCAP ASSEMBLY			
JD	7015765-MLO05	F	[A] 00,01,02,03,04,05,		DES.ENG.: E. WEDEKING		DATE: 17 MAY 7		DOCUMENT NUMBER			
JD	7015765-MLO06	H	[B] 06,07,08,09,10,11		RESP.ENG.: G. DOUMANI		DATE: 10 MAY 78		SIZE: CODE: NUMBER		REV	
GB	7014653-MLO06	J	[C]		MFG.ENG.: K. HOFFMAN		DATE: 10 MAY 78		K PL		7015765-0-DBP J	
			[D]		ASSEMBLY NUMBER:		TOP DOCUMENT NUMBER:		FILE NAME:		EDIT #	
			[E]		D-AD-7015765-0-0		#B-DD-7C15765-0		Z1933J.PLS		10	
			[F]									

"THIS DRAWING AND SPECIFICATIONS HEREIN, ARE THE PROPERTY OF DIGITAL EQUIPMENT CORPORATION AND SHALL NOT BE REPRODUCED OR COPIED OR USED IN WHOLE OR IN PART AS THE BASIS FOR THE MANUFACTURE OR SALE OF ITEMS WITHOUT WRITTEN PERMISSION. COPYRIGHT (C) 1982. DIGITAL EQUIPMENT CORPORATION"

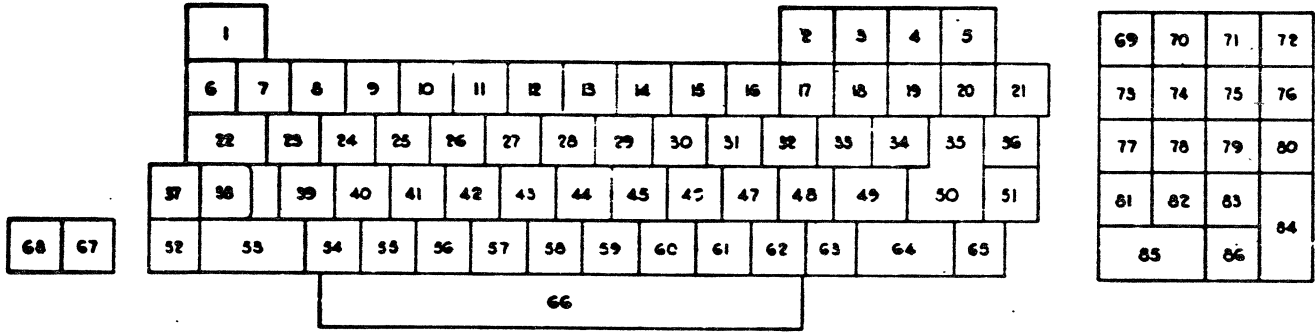
LINE	ITEM	DOCUMENT NUMBER	PART NUMBER	DESCRIPTION	QUANTITY PER VARIATION	
					12	13
1	1	E-AD-5413404-0-0	5413404-00	VT100 FULL KEYBOARD	1	1
2	2	E-AD-5413404-0-0	5413404-01	*** THIS ITEM IS NOT USED ***	-	-
3	3	C-AD-7015050-0-0	7015050-00	SPACE BAR ASSY	1	1
4	4		1214332-00	SW, ARRAY CAP ADAPTER	83	83
5	5		1214333-72	*** THIS ITEM IS NOT USED ***	-	-
6	6		1214333-91	*** THIS ITEM IS NOT USED ***	-	-
7	7		1214333-C0	*** THIS ITEM IS NOT USED ***	-	-
8	8		7420120-00	*** THIS ITEM IS NOT USED ***	-	-
9	9	D-AR-7015765-0-1		KEYBOARD/KEYCAP ASSY	REF	REF
10	10		1214333-J0	*** THIS ITEM IS NOT USED ***	-	-
11	11		1214333-W2	*** THIS ITEM IS NOT USED ***	-	-
12	12		1214333-CP	*** THIS ITEM IS NOT USED ***	-	-
13	13		1214333-CB	*** THIS ITEM IS NOT USED ***	-	-
14	14		1214333-8U	*** THIS ITEM IS NOT USED ***	-	-
15	15		1214333-EY	*** THIS ITEM IS NOT USED ***	-	-
16	16		1214333-2Y	*** THIS ITEM IS NOT USED ***	-	-
17	17		1214333-3W	*** THIS ITEM IS NOT USED ***	-	-
18	18	D-AD-7015050-0-0	7015050-01	*** THIS ITEM IS NOT USED ***	-	-
19	19	A-SP-3700555-0-0	3700555-00	PKG KEYBOARD 7015765	1	1
20	20	A-SP-3700439-0-0	3700439-00	INSTR PKG, BULK CARTON 99-05476-	1	1
21	21	C-MD-7424160-0-0	7424160-00	SPACE BAR EQUALIZER CLIP	2	2
22	22		1214333-WE	*** THIS ITEM IS NOT USED ***	-	-
23	23		1214333-W0	*** THIS ITEM IS NOT USED ***	-	-
24	24		1214333-WH	*** THIS ITEM IS NOT USED ***	-	-
25	25		1214333-KZ	KEYCAP SET,VT100	19PCS	1
26	26		1217800-B6	KEYCAP SET,VT102-WA	72PCS	1

REVISION HISTORY		BASIC PART NO: 7015765		DRN: ANGEL COLON		DATE: 3 APR 78		D I G I T A L	
ENG:	ECO NUMBER	REV	SECTION B OF B	CHK'D:	D. HEALY	DATE:	7 APR 78	TITLE	PARTS LIST
JD	7015765-ML005	F	SECTION, VARIATION INDEX	DES.ENG.:	E. WEDEKING	DATE:	10 MAY 78	DOCUMENT NUMBER	
JD	7015765-ML006	H	(A) 00,01,02,03,04,05,	RESP.ENG.:	G. DOUMANI	DATE:	17 MAY 7	SIZE CODE	NUMBER
GB	7014653-ML006	J	(B) 06,07,08,09,10,11	MFG.ENG.:	K. HOFFMAN	DATE:	10 MAY 78	K	PL
			(C)	ASSEMBLY NUMBER:	D-AD-7015765-0-0	TOP DOCUMENT NUMBER:	#B-DD-7015765-0	FILE NAME:	Z1933J.PLS
			(D)					EDIT #	10
			(E)						
			(F)						

"THIS DRAWING AND SPECIFICATIONS HEREIN, ARE THE PROPERTY OF DIGITAL EQUIPMENT CORPORATION AND SHALL NOT BE REPRODUCED OR COPIED OR USED IN WHOLE OR IN PART AS THE BASIS FOR THE MANUFACTURE OR SALE OF ITEMS WITHOUT WRITTEN PERMISSION. COPYRIGHT (C) 1982. DIGITAL EQUIPMENT CORPORATION"

THIS DRAWING AND SPECIFICATIONS HEREBY ARE THE PROPERTY OF THE COMPANY AND SHALL REMAIN THE PROPERTY OF THE COMPANY IN WHOLE OR IN PART. NO REPRODUCTION OR TRANSMISSION OF ANY KIND IS TO BE MADE WITHOUT THE WRITTEN PERMISSION OF THE COMPANY. APPROVED 1978

NOTES:  
 1. EXCEPT AS OTHERWISE NOTED, THE FOLLOWING TABLE (SHEET 2) LISTS VARIATION NUMBERS FOR 124333 (KEYCAPS) INDICATING THE SPECIFIC KEYBOARD POSITION OF EACH AS USED ON VARIOUS MODELS.



69	70	71	72
73	74	75	76
77	78	79	80
81	82	83	84
85	86		

KEYBOARD CAP POSITIONS  
 (SEE NOTE 1 & TABLE, SHEET 2)

REV. 1	DATE	BY	CHKD.
1	10/15/78	L. HING	
2	11/10/78	R. JAMES	
3	12/15/78	F. HARDEN	
4	1/15/79	J. DENARINIS	
5	2/15/79	G. BOURQUE	
6	3/15/79	J. DENARINIS	
7	4/15/79	J. DENARINIS	
8	5/15/79	J. DENARINIS	

THIRD ANGLE PROJECTION REMOVE BURRS AND BREAK SHARP CORNERS DO NOT SCALE DWG MATERIAL FINISH	DRN. MAXIMAL CHKD. BY ENGR. BY PROLE PROD. BY	DESCRIPTION UNLESS OTHERWISE SPECIFIED DIMENSIONS ARE IN INCHES CLASS OF ACCURACY CHECK ONE MEDIUM MICROFINISH PREFERRED	DWG. PART NO. ITEM NO. FIRST USED ON VT100	TITLE KEYBD CAP-POSITION ARRANGEMENT
	D-AD-70555-0-0 SCALE NONE SHEET CP 2	SIZE CODE D AR 7015765-0-1	NUMBER 1	REV. J

KEYCAP VARIATION (1214333-XX) POSITIONS (SEE NOTE 1, SHEET 1)

PLEASE CONSULT THE SPECIFICATIONS, NOTES AND THE PROPERTY OF DATA... (1214333-XX) POSITIONS (SEE NOTE 1, SHEET 1)

Table with columns for keyboard model (e.g., VT100, VT102) and key positions (1-88). Each cell contains a key label or code.

1217800-B8, 1217800-B9, 1217800-C1, 1217800-B5

Table with columns: REVISIONS, CHG, CHANGE NO., REV.

THIS DRAWING AND SPECIFICATIONS, HEREIN, ARE THE PROPERTY OF DIGITAL EQUIPMENT CORPORATION AND SHALL NOT BE REPRODUCED OR COPIED OR USED IN WHOLE OR IN PART AS THE BASIS FOR THE MANUFACTURE OR SALE OF ITEMS WITHOUT WRITTEN PERMISSION. COPYRIGHT © 1977, DIGITAL EQUIPMENT CORPORATION.

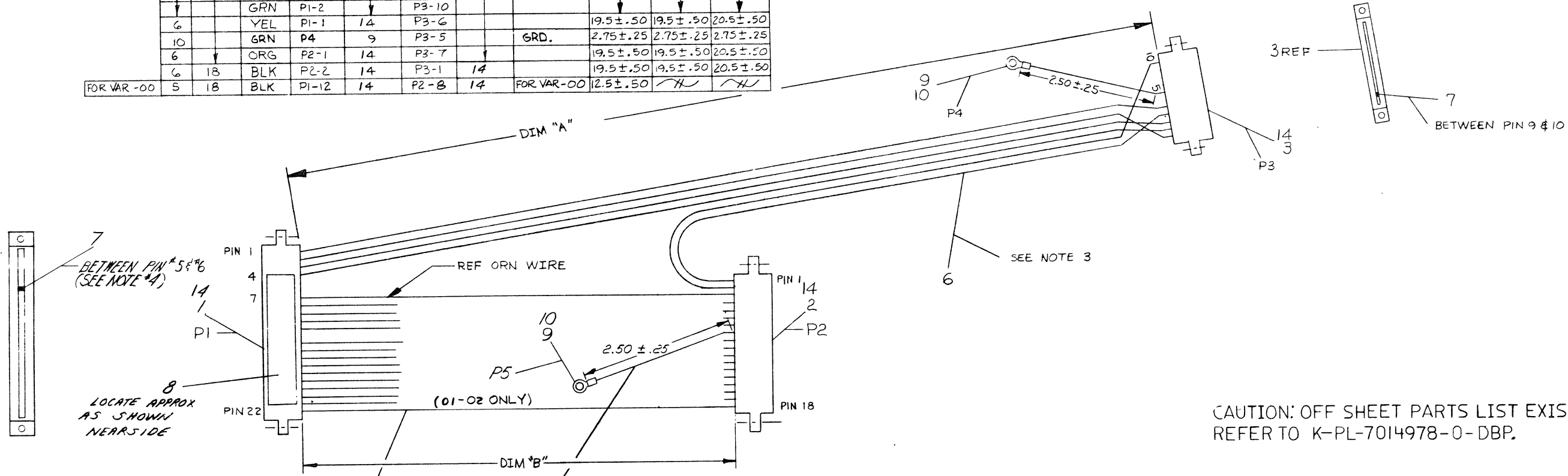
WIRE TABLE

ITEM NO	DESCRIPTION	FROM		TO		REMARKS	PRECUT WIRE LG FOR VAR-00	PRECUT WIRE LG FOR VAR-01 & -03	PRECUT WIRE LG FOR VAR-02
		CONN.	WITH	CONN.	WITH				
5	18 RED	P1-22	14	P2-18	14		12.5 ± .50	12.5 ± .50	14.5 ± .50
	RED	P1-21		P2-17					
	RED	P1-20		P2-16					
	RED	P1-19		P2-15					
	RED	P1-18		P2-14					
	BLK	P1-17		P2-13					
	BLK	P1-16		P2-12					
	BLK	P1-15		P2-11					
	BLK	P1-14		P2-10					
5	BLK	P1-13	14	P2-9			12.5 ± .50	12.5 ± .50	4.5 ± .50
FOR VAR -01, -02, -03	10	GRN	P5	9	P2-8	GRD. FOR VAR -01, -02 & -03	2.75 ± .25	2.75 ± .25	2.75 ± .25
5	YEL	P1-11	14	P2-7			12.5 ± .50	12.5 ± .50	14.5 ± .50
	RED	P1-10		P2-6					
	BLUE	P1-9		P2-5					
	BLK	P1-8		P2-4					
5	ORG	P1-7		P2-3			12.5 ± .50	12.5 ± .50	14.5 ± .50
6	WHT	P1-4		P3-9			19.5 ± .50	19.5 ± .50	20.5 ± .50
	GRY	P1-3		P3-8					
	GRN	P1-2		P3-10					
6	YEL	P1-1	14	P3-6			19.5 ± .50	19.5 ± .50	20.5 ± .50
10	GRN	P4	9	P3-5		GRD.	2.75 ± .25	2.75 ± .25	2.75 ± .25
6	ORG	P2-1	14	P3-7			19.5 ± .50	19.5 ± .50	20.5 ± .50
6	18 BLK	P2-2	14	P3-1	14		19.5 ± .50	19.5 ± .50	20.5 ± .50
FOR VAR -00	5	18 BLK	P1-12	14	P2-8	FOR VAR -00	12.5 ± .50		

OVER ALL CABLE LG.

VARIATION	DIM A	DIM B
7014978-00	19.50 ± .50	12.50 ± .50
7014978-01	19.50 ± .50	12.50 ± .50
7014978-02	20.50 ± .50	14.50 ± .50
7014978-03	19.50 ± .50	12.50 ± .50

- NOTES:
- IDENTIFICATION: DECAL USING 1/8" CHARACTER HEIGHT AS INDICATED BELOW TO HIGHEST LEVEL OF SUBASSEMBLY SPECIFIED ON PURCHASE ORDER AND LOCATE APPROX. AS SHOWN ON DRAWING.  
A.) PART NUMBER  
B.) REVISION  
C.) VENDOR IDENTIFICATION  
D.) DATE, CODE
  - ON VARIATION (-01, -02 & -03) CUT BACK BLK. WIRE FROM P2-8 TO P1-12 2.5 ± .25 IN. FROM BOTH ENDS.
  - CUT BACK ORN & BLK WIRES OF (ITEM #6) TO 12.5 ± .25 IN.
  - THE KEY PLUG IS ADDED BETWEEN PINS #5 & #6 OF P1 FOR VARIATION -03 ONLY.



REVISIONS

CHK	CHANGE NO.	REV.	DATE	DESCRIPTION
MD	7014978-MLO01	A	10-28-78	Initial Rev.
J. BITTO			12-13-79	Rev. 1
J. BITTO			12-13-79	Rev. 2
J. BITTO			12-13-79	Rev. 3
J. BITTO			12-13-79	Rev. 4
J. BITTO			12-13-79	Rev. 5
J. BITTO			12-13-79	Rev. 6
J. BITTO			12-13-79	Rev. 7
J. BITTO			12-13-79	Rev. 8
J. BITTO			12-13-79	Rev. 9
J. BITTO			12-13-79	Rev. 10

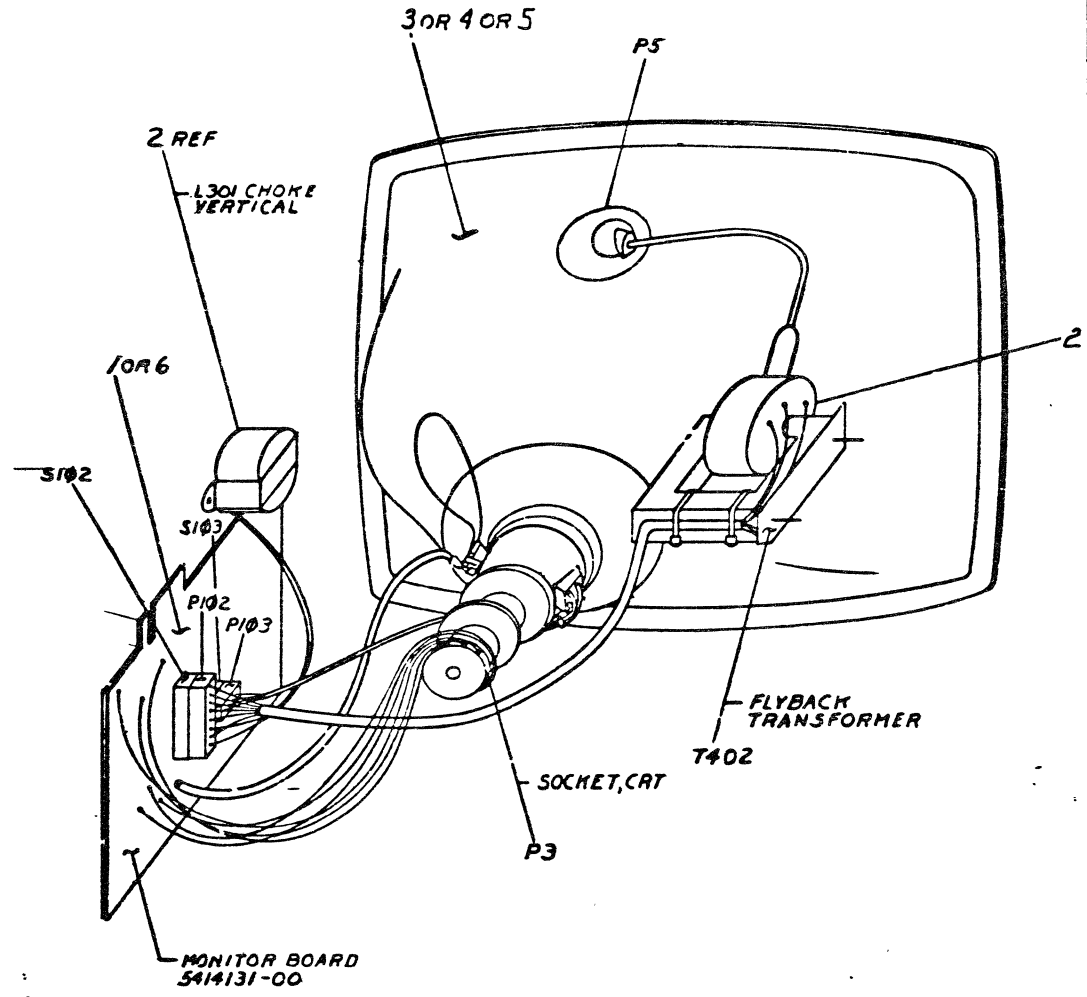
DESCRIPTION		DWG./PART NO.	ITEM NO.
UNLESS OTHERWISE SPECIFIED DIMENSIONS ARE IN INCHES			
ANGLES ±0° 30'	CLASS OF ACCURACY	NOMINAL DIMENSION RANGE INCHES	
SURFACE QUALITY IN	(CHECK ONE)	OVER 0 TO 0.2	OVER 0.2 TO 1.2
MEDIUM	PREFERRED	OVER 1.2 TO 4.0	OVER 4.0 TO 80.0
MICROINCHES		±.004 ±.008 ±.012 ±.018 ±.024 ±.04	±.012 ±.016 ±.025 ±.04 ±.063 ±.1
THIRD ANGLE PROJECTION	REMOVE BURRS AND BREAK SHARP CORNERS	FIRST USED ON	
DO NOT SCALE DWG		VT100	
MATERIAL SEE PARTS LIST		TITLE	
FINISH		POWER CABLE ASSY	
		SIZE	NUMBER
		D	7014978-0-0
		DIST.	REV. E

DIGITAL 7014978-0-0 E

1 ML3

THIS POSITION AND SPECIFICATIONS, REMAIN THE PROPERTY OF THE COMPANY. COMPONENTS AND SHALL NOT BE REPRODUCED OR USED IN WHOLE OR IN PART FOR THE MANUFACTURE OR SALE OF ANY OTHER PRODUCT WITHOUT THE WRITTEN PERMISSION OF THE COMPANY. ORIGINAL EQUIPMENT OPERATOR'S MANUAL 1981

LEGEND	
NUMBER	VARIATION
7018349-00	WITHOUT EMITTER FOLLOWER WITH STD P4 CRT
7018349-01	WITH EMITTER FOLLOWER WITH STD P4 CRT
7018349-02	WITHOUT EMITTER FOLLOWER WITH BONDED P40 CRT
7018349-03	WITHOUT EMITTER FOLLOWER WITH BONDED P4 CRT
7018349-04	WITH EMITTER FOLLOWER WITH BONDED P4 CRT
7018349-05	WITH EMITTER FOLLOWER WITH BONDED P40 CRT



CAUTION: OFF SHEET PARTS LIST EXISTS, SEE K-PL-7018349-0-DBP.

REV	DATE	BY	CHKD	DESCRIPTION
1				
2				
3				
4				
5				
6				
7				
8				

DESCRIPTION		DWG. PART NO.		ITEM NO.
UNLESS OTHERWISE SPECIFIED DIMENS ONE ARE IN INCHES				
ANGLE OF SW	CLASS OF ADDITION	SURF FINISH	CHECK ONE	FINISH
QUANTITY & VARIATION		FIRST USED ON		
		VT 100		
REMOVE BURRS AND BREAK SHARP CORNERS		TITLE		
DO NOT SCALE DWG		MONITOR ASSY CRT, DIRECT DRIVE		
MATERIAL SEE PARTS LIST		SCALE	NUMBER	REV.
		NONE	D AD17018349-0-0	C
FINISH		1/8 SET	OP	DRST.

Dwg 7018349-0-0 C

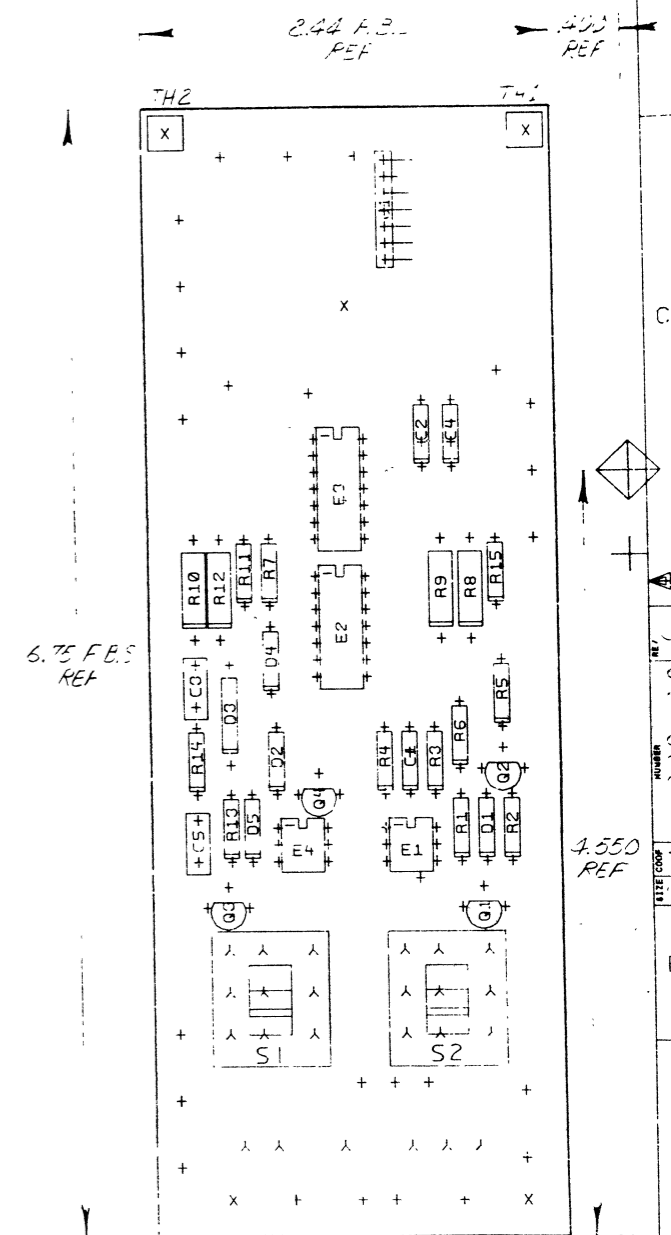
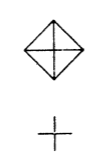


8 7 6 5 4 3 2

THIS DRAWING AND SPECIFICATIONS, HEREIN, ARE THE PROPERTY OF DIGITAL EQUIPMENT CORPORATION AND SHALL NOT BE REPRODUCED, COPIED OR USED IN WHOLE OR IN PART AS THE BASIS FOR THE MANUFACTURE OR SALE OF ITEMS WITHOUT WRITTEN PERMISSION. COPYRIGHT © 1977 DIGITAL EQUIPMENT CORPORATION

COMPONENT SIDE VIEW

D  
C  
B  
A



NOTES:

STEP E	↑ Y AXIS	STEP 0	TIMES
REPEAT	→ X AXIS	2.750	2.5 / 2.750

CHANGE NO	REV	
5413206	PN0001	C
REVISED & REDRAWN		5/8/78
J. DEMARINIS		10-78

ETCH REV. D
-------------

SIGNATURES	DATE	digital
DRN. V. PARECHANIAN	11-77	
CHK. D. M. MORTENSEN	11-77	
MECH. ENG. M. MORTENSEN	4-78	
PROJ. ENG. N. FORRESTER	5-78	
PROD. R. PUCCI	6-78	TITLE
		20 MA ADAPTER
SCALE 2	OF 1	SIZE CODE
SHT. 1	OF 1	NUMBER
NEXT HIGHER ASSY. 15-00-5413206-0		15-00-5413206-0

8 7 6 5 4 3 2 1 WO# 15-00-5413206-0



LINE	ITEM	DOCUMENT NUMBER	PART NUMBER	DESCRIPTION	QTY	PER VARIATION	REFERENCE DESIGNATOR
					00		
1	1	D-4D-5013205-0-0	5013205-00	ETCH BOARD FOR 5413206	1		
2	2		1000022-00	270.0 MMF 100V 5%200PPM MICA	2		C3,C5
3	3		1001610-00	.01 MFD 50V +80-20% 250 CER	3		C1,C2,C4
4	4		1105275-00	D 672 TR= 15NS PIV= 60V SI	3		D1,D2,D4
5	5		1105610-00	MCL1301 CL@1MA FROM10-80V	1		D3
6	6		1215048-01	CONN 7POS RT ANGLE	1		J1
7	7		1215089-00	SW,SLIDE 3P 1A DBLE THROW	2		S1,S2
8	8		1301522-00	27.0 .25 W 5.0 % CC	1		R2
9	9		1300250-00	150.0 .25 W 5.0 % CC	2		R11,R15
10	10		1300296-00	330.0 .50 W 5.0 % CC	4		R8,R9,R10,R12
11	11		1300309-00	390.0 .25 W 5.0 % CC	2		R1,R14
12	12		1300391-00	1.50 K .25 W 5.0 % CC	1		R7
13	13		1300444-00	3.90 K .25 W 5.0 % CC	1		R6
14	14		1300539-00	120.0 K .25 W 5.0 % CC	1		R4
15	15		1301327-00	68.0 K .25 W 5.0 % CC	1		R13
16	16		1301401-00	750.0 .25 W 5.0 % CC	1		R3
17	17		1301422-00	7.50 K .25 W 5.0 % CC	1		R5
18	18		1509338-00	DEC6531B NPN 310MA SI 40 90 P	2		Q1,Q2
19	19		1510705-00	XA 05 NPN 500MA SI 60 50 P	1		Q4
20	20		1510706-00	XA 55 PNP 500MA SI 60 50 P	1		Q3
21	21		1916959-00	POTOTRANSISTOR	2		E1,E4
22	22		1912817-00	LS37 NAND GATE-QUAD 2IN,P	1		E2
23	23		1913130-00	DEC 1489A RECEIVER,LINE,QUAD,	1		E3
24	24		1113003-00	IN 5282 PIV=55 I=500M D035	1		D5

REVISION HISTORY			BASIC PART NO: 5413206			DRN: T. SHETRAWSKI DATE: 30-MAR-78			D I G I T A L		
ENG	ECO NUMBER	REV	SECTION A OF A	CHK'D:	T. SHETRAWSKI	DATE:	30-MAR-78	TITLE	PARTS LIST		
---	INIT	B	SECTION VARIATION INDEX	CHK'D:	T. SHETRAWSKI	DATE:	30-MAR-78	20 MA ADAPTER			
JB	5413206-PN001	C	[A] 00	DES.ENG.:	M. MORGENSTERN	DATE:	30-MAR-78	DOCUMENT NUMBER			
			[B]	RESP.ENG.:	M. MORGENSTERN	DATE:	30-MAR-78	SIZE CODE NUMBER	REV		
			[C]	MFG.ENG.:	T. CORCIARI	DATE:	30-MAR-78	K PL 5413206-0-DBP	C		
			[D]	ASSEMBLY NUMBER:		TOP DOCUMENT NUMBER:		FILE NAME:	EDIT #		
			[E]	D-4A-5413206-0-0		IV100		13206C.PLS	6		
			[F]								
			[G]								
			[H]								
			[I]								
			[J]								
			[K]								
			[L]								
			[M]								
			[N]								

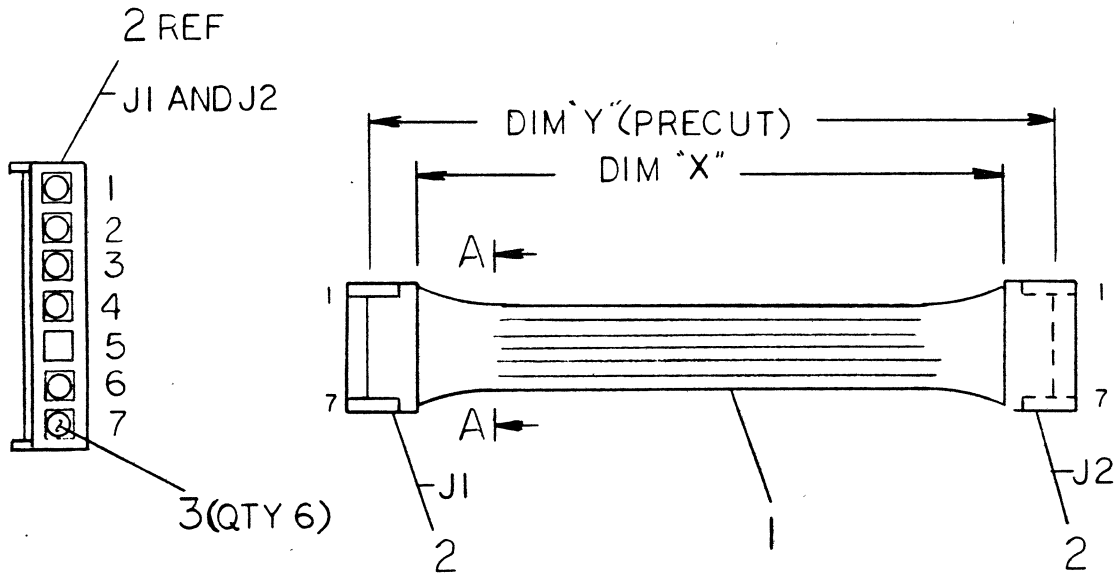
"THIS DRAWING AND SPECIFICATIONS HEREIN, ARE THE PROPERTY OF DIGITAL EQUIPMENT CORPORATION AND SHALL NOT BE REPRODUCED OR COPIED OR USED IN WHOLE OR IN PART AS THE BASIS FOR THE MANUFACTURE OR SALE OF ITEMS WITHOUT WRITTEN PERMISSION, COPYRIGHT (C) 1980, DIGITAL EQUIPMENT CORPORATION"





"THIS DRAWING AND SPECIFICATIONS, HEREIN, ARE THE PROPERTY OF DIGITAL EQUIPMENT CORPORATION AND SHALL NOT BE REPRODUCED OR COPIED OR USED IN WHOLE OR IN PART AS THE BASIS FOR THE MANUFACTURE OR SALE OF ITEMS WITHOUT WRITTEN PERMISSION. COPYRIGHT © 1978, DIGITAL EQUIPMENT CORPORATION"

ITEM NUMBER	DESCRIPTION		FROM		TO	
	AWG	COLOR	CONNECTION	WITH	CONNECTION	WITH
1	24	BLK	J1-1	3	J2-1	3
			J1-2		J2-2	
			J1-3		J2-3	
			J1-4		J2-4	
			J1-6		J2-6	
	24	BLK	J1-7	3	J2-7	3



VIEW A-A  
REAR VIEW  
2 PLACES

LEGEND		
NUMBER	DIM "X" VARIATION	DIM "Y" (PRECUT) REF
7015506-0B	2.0 IN ±.25 IN.	2.75 IN.

12	CONTACT, PIN	1214979-00	3
2	HOUSING, 7 CONN	1215047-01	2
AVR	WIRE, 24AWG, STRD (BLK)	9107450-00	1

DESCRIPTION	DWG./PART NO.	ITEM NO.					
UNLESS OTHERWISE SPECIFIED DIMENSIONS ARE IN INCHES							
ANGLES ±0° 30'	CLASS OF ACCURACY (CHECK ONE)	NOMINAL DIMENSION RANGE INCHES					
SURFACE QUALITY IN MICROINCHES	MEDIUM <input type="checkbox"/> PREFERRED <input type="checkbox"/>	OVER 0 TO 0.2	OVER 0.2 TO 1.2	OVER 1.2 TO 4.0	OVER 4.0 TO 12.0	OVER 12.0 TO 40.0	OVER 40.0 TO 80.0
		±.004	±.008	±.012	±.016	±.024	±.04
		±.012	±.016	±.025	±.04	±.063	±.1

THIRD ANGLE PROJECTION	DRN. <i>W. James</i> 5/21/78	FIRST USED ON VT100
REMOVE BURRS AND BREAK SHARP CORNERS	CHK'D <i>A. Blais</i> 7/31/78	<b>digital</b>
DO NOT SCALE DWG	ENG. <i>W. James</i> 1-23-78	TITLE CABLE, INTERNAL 20MA ADAPTOR
MATERIAL SEE PARTS LIST	PROJ. ENG. <i>W. James</i> 1-23-78	SIZE CODE C IA 7015506-0-0
FINISH	PROD. <i>L. Main</i> 1-24-78	NUMBER 7015506-0-0
	NEXT HIGHER ASSY.	REV. A
	E-UA-VTXX-AA	SHEET 1 OF 1
	SCALE NONE	DIST.

REVISIONS	CHANGE NO.	REV.
CHK	7015506-ML001	A
<i>9. Spring 28 58079</i>		
C. JAMES		
<i>Richard A. Puccia 11-7-79</i>		

REV. A  
NUMBER 7015506-0-0  
SIZE CODE CIA

This drawing and specifications, herein, are the property of Digital Equipment Corporation and shall not be reproduced or copied or used in whole or in part as the basis for the manufacture or sale of items without written permission.

### LEGEND

NUMBER	DIM "X" VARIATION	DIM "Y" (PRECUT) REF
BCØ5F-15	15 FT. ± 3 IN.	15 FT. .75 IN. ± 3 IN.
BCØ5F-9	9 FT. ± 2 IN	9 FT. .75 IN. ± 2 IN.
BCØ5F-Ø4	4 FT. ± 1 IN	4 FT. .75 IN. ± 1 IN
BCØ5F-25	25 FT. ± 3 IN	25 FT. .75 IN. ± 3 IN
BCØ5F-3Ø	30 FT. ± 2%	30 FT. .75 IN. ± 2%
BCØ5F-45	45 FT. ± 2%	45 FT. .75 IN. ± 2%
BCØ5F-5Ø	50 FT. ± 2%	50 FT. .75 IN. ± 2%
BCØ5F-9Ø	90 FT. ± 2%	90 FT. .75 IN. ± 2%
BCØ5F-BØ	200 FT. ± 2%	200 FT. .75 IN. ± 2%
BCØ5F-CØ	300 FT. ± 2%	300 FT. .75 IN. ± 2%
BCØ5F-EØ	500 FT. ± 2%	500 FT. .75 IN. ± 2%

### WIRE TABLE

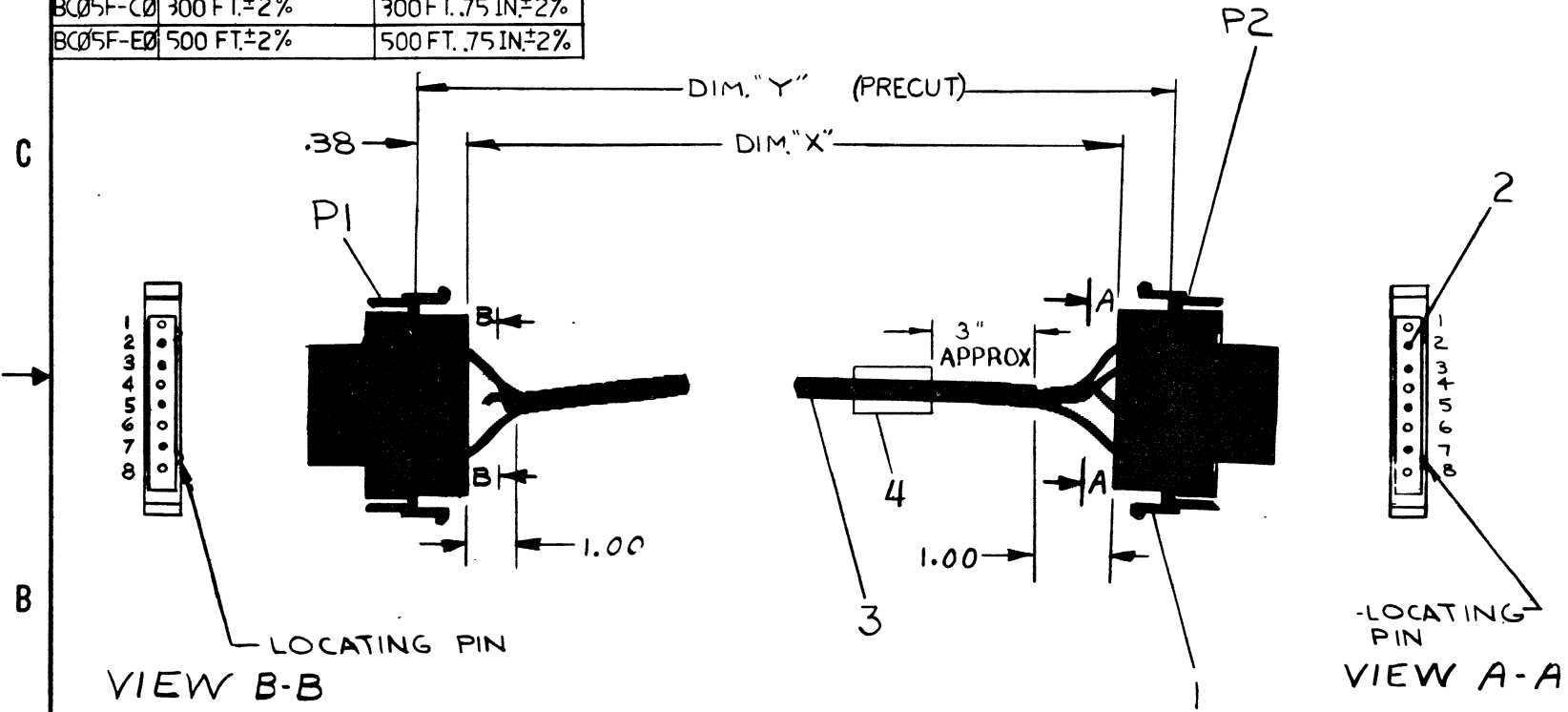
ITEM NO	DESCRIPTION	FROM CONNECTION	TO CONNECTION
3	22 BLK	P1-2	P2-3
3	22 RED	P1-3	P2-2
3	22 WHT	P1-5	P2-7
3	22 GRN	P1-7	P2-5

### NOTES:

1. ASSEMBLE CABLE I.D. LABEL TO AREA AS SHOWN BELOW.

### LEGEND CONT.

NUMBER	DIM "X"	DIM "Y" REF
BCØ5F-E5	550 FT. ± 2%	550 FT. .75 IN. ± 2%
BCØ5F-LØ	1000 FT. ± 2%	1000 FT. .75 IN. ± 2%



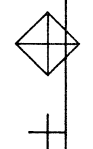
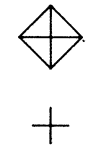
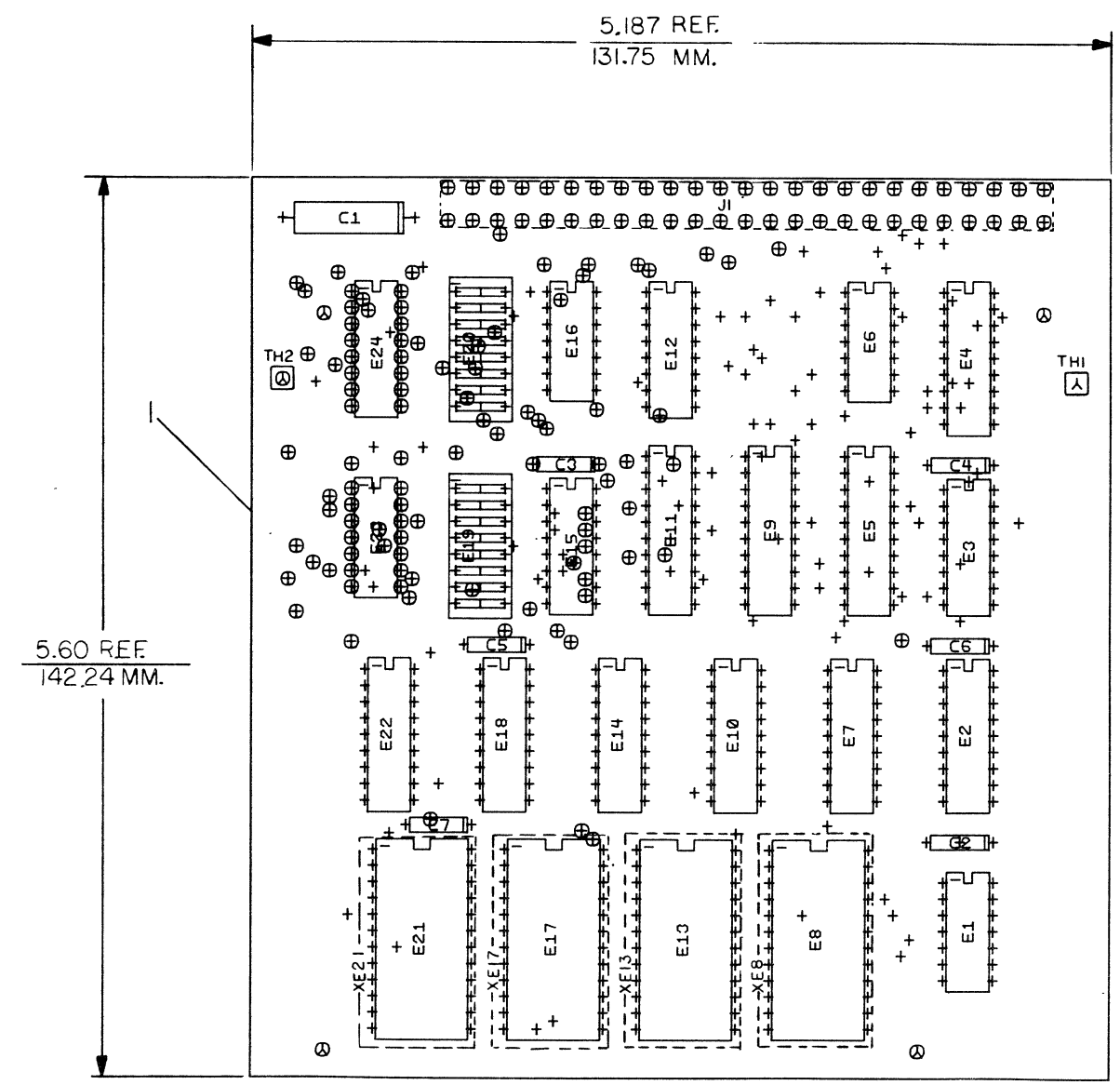
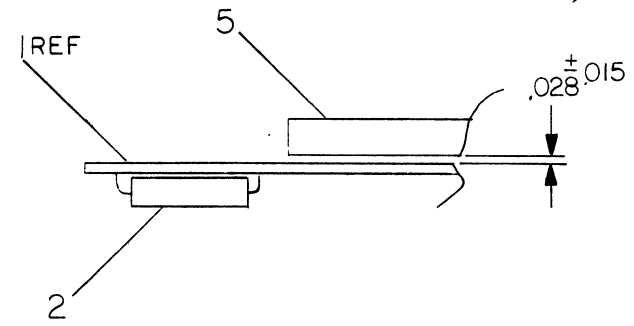
CAUTION: FOR OFF SHEET PARTS LIST SEE K-PL-BCØ5F-Ø-Ø.

REV.	CHANGE NO.	REV.
A	BCØ5F-00001	A
B	LA36-00119	B
C	BCØ5F-00002	C
D	BCØ5F-ML003	D
E	BCØ5F-MKØØ4	E

FIRST USED ON OPTION MODEL DF11	QTY.	DESCRIPTION:	PART NO.	ITEM NO.
PARTS LIST				
UNLESS OTHERWISE SPECIFIED DIMENSION IN INCHES TOLERANCES DECIMALS ± .005 FRACTIONS ± 1/64 ANGLES ± 0°30' FINAL SURFACE QUALITY REMOVE BURRS AND BREAK SHARP CORNERS	DRN <i>A. J. Landwehr</i>	DATE 10/8/71	 <b>digital</b> EQUIPMENT CORPORATION MAYNARD, MASSACHUSETTS TITLE <b>CABLE INTERFACE</b> <b>BCØ5F</b>	
MATERIAL	CHK'D. <i>P. Milan</i>	DATE 10-19-71		
FINISH	ENG. <i>Robert Fitch</i>	DATE 10-19-71		
	PROJ. ENG. <i>Robert Fitch</i>	DATE 10-26-71		
	PROP. <i>Paul Green</i>	DATE	SIZE CODE CUA	NUMBER BCØ5F-Ø-Ø
	NEXT HIGHER/ASSY		DIST. C	REV. E
	SCALE			
	SHEET 1 OF 1			

THIS DRAWING AND SPECIFICATIONS, HEREIN, ARE THE PROPERTY OF DIGITAL EQUIPMENT CORPORATION AND SHALL NOT BE REPRODUCED OR COPIED OR USED IN WHOLE OR IN PART FOR THE DESIGN FOR THE MANUFACTURE OR SALE OF ITEMS WITHOUT EXPLICIT PERMISSION. COPYRIGHT © 1978 DIGITAL EQUIPMENT CORPORATION

COMPONENT SIDE VIEW



NOTES: J1 CONN MOUNTED ON SIDE 2

CHG	NO	REV	DATE	BY
2	543097	MLO05	F	
		REDRAWN	K5	10-20-78
		R. PUCCI		
		Richard Pucci		1/15/79

STEP	↑ Y AXIS	— STEP	— TIMES	2ML 2
REPEAT	→ X AXIS	5.250	STEP	1 TIMES

ETCH REV. C-P 3
-----------------

SIGNATURES		DATE	digital
DRN. <i>[Signature]</i>		10-30-78	
CHK'D. <i>[Signature]</i>		10-30-78	
MECH. ENG. <i>[Signature]</i>		10-30-78	
PROJ. ENG. <i>[Signature]</i>		10-30-78	
PROD. <i>[Signature]</i>		10-30-78	
SCALE 2/1	SIZE CODE	NUMBER	REV
SHT. 1 OF 1	D	UA5413097-0-0	F
NEXT HIGHER ASSY. B-DD-5413097-0			

DUA 5413097-C-0 F

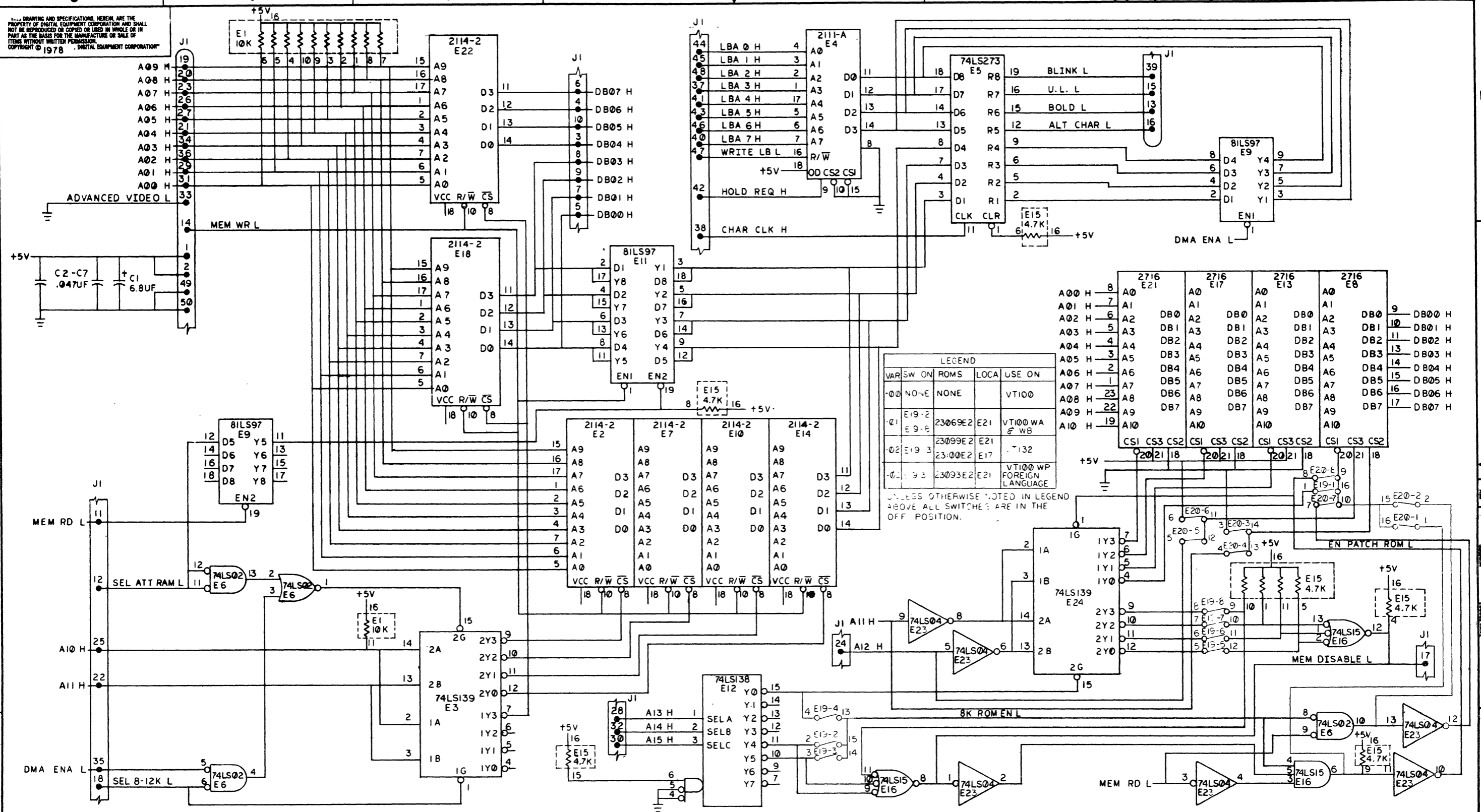
LINE	ITEM	DOCUMENT NUMBER	PART NUMBER	DESCRIPTION	QTY PER VARIATION				REFERENCE DESIGNATOR
					00	01	02	03	
1	1	D-MD-5013096-0-0	5013096-00	DRILL & ETCH DRAWING	1	1	1	1	
2	2		1005306-00	6.8MFD 35V 10% S.TANT	1	1	1	1	C1
3	3		1012784-00	.047 MFD 50V +80-20% CER	6	6	6	6	C2-C7
4	4		1215006-06	SOCKET 24PIN IC LOW PROFILE	4	4	4	4	XE8,XE13,XE17,XE21
5	5		1214060-01	HEADER.150 50POS	1	1	1	1	J1
6	6		1300005-03	R NETWORK 13-10K 5.0 % 14PIN	1	1	1	1	E1
7	7		1300005-07	R NETWORK 15-4.7K 5.0 % 16PIN	1	1	1	1	E15
8	8		1912801-00	LS02 NOR-GATE-QUAD 2IN	1	1	1	1	E6
9	9		1912803-00	.74LS04 INVERTER GATE,HEX	1	1	1	1	E23
10	10		1912809-00	LS15 NAND GATE-TRIPLE 3IN	1	1	1	1	E16
11	11		1912842-00	LS138 DECODER-THREE INPUT,	1	1	1	1	E12
12	12		1912843-00	LS139 DECODER, 2 OF 4(DUAL	2	2	2	2	E3,E24
13	13		1912863-00	LS273 FF-D OCTAL W/CLEAR	1	1	1	1	E5
14	14		1914213-00	81LS97 BUFFER GATE-OCTAL 2I	2	2	2	2	E9,E11
15	15		2113106-01	1K MOS RAM 250NS	1	1	1	1	E4
16	16		2114212-00	P 2114-2 RAM,1024X4,STATIC	6	6	6	6	E2,E7,E10,E14,E18,E22
17	18		1211164-04	SW,DIP 1P 1A 8POS	2	2	2	2	E19,E20
18	19		23069E2-00	E2-02,E2-04 RO	-	1	-	-	E21
19	20		23099E2-00	E2-02	-	-	1	-	E21
20	21		23100E2-00	E2-02	-	-	1	-	E17
21	22		23093E2-00	E2-02,E2-04	-	-	-	1	E21
22	23	A-SP-3700554-0-0	3700554-00	PKG MODULE 5413097	REF	REF	REF	REF	
23	24	A-SP-3700438-0-0	3700438-05	PKG. BULK CARTON 9906476-29	REF	REF	REF	REF	

24 NOTE: FOR INDIVIDUAL FIELD SERVICE/CUSTOMER SPARES SHIPMENT USE PACKAGING INSTRUCTION A-SP-3700554-0-0.  
 25 NOTE: FOR BULK INTERPLANT SHIPMENT USE PACKAGING INSTRUCTIONS A-SP-3700438-00.

REVISION HISTORY			BASIC PART NO: 5413097			DRN: T. SHETRAWSKI DATE: 10-MAR-78			D I G I T A L		
ENG	ECO NUMBER	REV	SECTION A OF A			CHK'D: T. SHETRAWSKI DATE: 10-MAR-78			TITLE PARTS LIST		
---	INIT	A	SECTION.VARIATION INDEX			DATE: 10-MAR-78			VT100 ADV VIDEO		
---	5413097-ML002	C	[A] 00,01,02,03			DATE: 10-MAR-78					
CJ	5413097-ML003	D	[B]			DATE: 10-MAR-78					
CJ	5413097-ML004	E	[C]			DATE: 10-MAR-78					
DP	5413097-ML005	F	[D]			DATE: 10-MAR-78					
RB	5413097-ML006	H	[E]			DATE: 10-MAR-78			DOCUMENT NUMBER		
			[F]			DATE: 10-MAR-78			SIZE CODE NUMBER REV		
			[H]			DATE: 10-MAR-78			K PL 5413097-0-DBP H		
			[J]			DATE: 10-MAR-78					
			[K]			DATE: 10-MAR-78					
			[L]			DATE: 10-MAR-78					
			[M]			DATE: 10-MAR-78					
			[N]			DATE: 10-MAR-78					
			ASSEMBLY NUMBER:			TOP DOCUMENT NUMBER:			FILE NAME: EDIT #		
			D-UA-5413097-0-0			B-DD-5413097-0-0			Z1081H.PLS 9		

"THIS DRAWING AND SPECIFICATIONS HEREIN, ARE THE PROPERTY OF DIGITAL EQUIPMENT CORPORATION AND SHALL NOT BE REPRODUCED OR COPIED OR USED IN WHOLE OR IN PART AS THE BASIS FOR THE MANUFACTURE OR SALE OF ITEMS WITHOUT WRITTEN PERMISSION.  
 COPYRIGHT (C) 1981. DIGITAL EQUIPMENT CORPORATION "

THIS DRAWING AND SPECIFICATIONS, HEREIN, ARE THE PROPERTY OF DIGITAL EQUIPMENT CORPORATION AND SHALL NOT BE REPRODUCED OR COPIED OR USED IN WHOLE OR IN PART AS THE BASIS FOR THE MANUFACTURE OR SALE OF ITEMS WITHOUT WRITTEN PERMISSION. COPYRIGHT © 1978 . DIGITAL EQUIPMENT CORPORATION



LEGEND

VAR SW ON	ROMS	LOCA	USE ON
00 NO-VE	NONE		VT100
01 E19-2	23069E2	E21	VT100 WA & WB
02 E19-3	23099E2	E21	VT100 WP FOREIGN LANGUAGE
03 E19-3	23093E2	E21	VT100 WP FOREIGN LANGUAGE

UNLESS OTHERWISE NOTED IN LEGEND ABOVE ALL SWITCHES ARE IN THE OFF POSITION.

DRN. <i>[Signature]</i>	2-14-78	FIRST USED ON	VT100	<b>digital</b>
CHK. <i>[Signature]</i>	6/13/78	TITLE	VT100 ADVANCED VIDEO	
ENG. <i>[Signature]</i>	5/14/78	PROJ. ENG.	<i>[Signature]</i>	
PROD. <i>[Signature]</i>	6/13/78	PROD.	<i>[Signature]</i>	
NEXT HIGHER ASSY.				
B-DD-5413097-0	SIZE CODE	NUMBER	5413097-0-1	#REV. F
SCALE	D	DIST.		

REVISIONS

NO.	DATE	BY	REASON
1	1-15-78	R. PUCCI	INITIAL DESIGN
2	2-14-78	R. PUCCI	REVISED FOR VT100
3	5-14-78	R. PUCCI	REVISED FOR VT100
4	6-13-78	R. PUCCI	REVISED FOR VT100



