

THIS DRAWING AND THE SPECIFICATIONS CONTAINED HEREIN ARE CONFIDENTIAL AND PROPRIETARY. THEY ARE THE PROPERTY OF DIGITAL EQUIPMENT CORPORATION AND SHALL NOT BE REPRODUCED OR COPIED OR USED IN WHOLE OR IN PART AS THE BASIS FOR MANUFACTURING OR SALE OF ITEMS WITHOUT WRITTEN PERMISSION. THIS IS AN UNPUBLISHED WORK PROTECTED UNDER THE FEDERAL COPYRIGHT LAWS.

FIELD MAINTENANCE PRINT SET

K-TC-CXY08-0-0	TABLE OF CONTENTS FIELD MAINTENANCE PRINT SET
K-DD-CXY08-0-0	CXY08 8 LINE ASYNC MUX DRG DIR
K-PL-CXY08-0-DBP	CXY08 8 LINE ASYNC MUX PARTS LIST
K-DD-M3119-0-0	M3119 DRAWING DIRECTORY
K-PL-M3119-0-DBP	M3119 PARTS LIST
K-UA-M3119-1-0	M3119 UNIT ASSEMBLY
K-CS-M3119-0-0	M3119 CIRCUIT SCHEMATIC
K-DD-5018096-0-0	ETCHED CIRCUIT BOARD DRAWING DIRECTORY
K-MD-5018096-0-0	MANUFACTURING DRAWING
K-EC-5018096-0-0	ETCH CUT DRAWING
K-PL-7024314-0-DBP	CXY08 CABLE CONC. PARTS LIST
K-PL-7024505-0-DBP	FILLER KIT PARTS LIST

VARIATIONS
COVERED BY THIS

CXY08-M
CXY08-AA
CXY08-AF

FIELD MAINTENANCE
PRINT SET

DIGITAL EQUIPMENT
CORPORATION

PRINT SET PART NUMBER MP - 02382

DRN. J.O'CALLAGHAN
DATE 30-MAR-87

CHK'D. P.DAMPIER
DATE: 30-MAR-87

DES.ENG. T. CREEDON
DATE: 30-MAR-87

RS.ENG J.O'CALLAGHAN
DATE: 30-MAR-87

FIELD SERVICE B. EDWARDS
DATE: 30-MAR-87

SIZE CODE DOCUMENT NUMBER REV
K TC CXY08-0-0 A

REV. ECO NUMBER DATE

DESIGN SITE : KLO

FILE NAME: CXY08ATC01.LST

SHEET 1 OF 1 EDIT # 2

THIS DRAWING AND THE SPECIFICATIONS CONTAINED HEREIN ARE CONFIDENTIAL AND PROPRIETARY. THEY ARE THE PROPERTY OF DIGITAL EQUIPMENT CORPORATION AND SHALL NOT BE REPRODUCED OR COPIED OR USED IN WHOLE OR IN PART AS THE BASIS FOR MANUFACTURING OR SALE OF ITEMS WITHOUT WRITTEN PERMISSION. THIS IS AN UNPUBLISHED WORK PROTECTED UNDER THE FEDERAL COPYRIGHT LAWS.

DRAWING DIRECTORY

UNIT VARIATIONS

VARIATION	TITLE
CXY08-M	M3119-YA
CXY08-AA	CXY08-M ,CABLE CONN. (70-24314-01)
CXY08-AF	CXY08-M ,CABLE CONN. (7024314-01), INSTALLATION GUIDE (EK-CXY08-IN) & FILLER KIT (70-24505-01)

REVISION HISTORY		USED ON OPTION/MODEL	DRAWN BY: J.O'CALLAGHAN	d i s i t a l				
ENG. ECO NUMBER	REV		DATE: 30-MAR-87	TITLE	DRAWING DIRECTORY			
INITIAL	A		CHECKED: P.DAMPIER DATE: 30-MAR-87	CXY08	SIZE	CODE	DOCUMENT NUMBER	REV
			DES.ENG: T.CREEDON DATE: 30-MAR-87		K	DD	CXY08-0-0	A
			RES.ENG: J.O'CALLAGHAN DATE: 30-MAR-87					EDIT #
			MFG.ENG: R.COOKE DATE: 30-MAR-87		SHEET 1 OF 2			4
DESIGN SITE : KLO			FILE NAME: CXY08ADD01.LST					

FIND #	DRAWING NUMBER	DESCRIPTION	TYPE	FIND #	DRAWING NUMBER	DESCRIPTION	TYPE
	MP-02382	PRINT SET (PART NO)	-				
	K-TC-CXY08-0-0	FIELD MAINTENENCE PRINT SET	-				
	K-PL-CXY08-0-DBP	CXY08 8 LINE ASYNC MUX	E/M				
	K-DD-M3119-0-0	CXY08 DRAWING DIRECTORY	-				
	K-PL-M3119-0-DBP	CXY08 PARTS LIST	E/M				
	K-UA-M3119-1-0	CXY08 UNIT ASSEMBLY	E/M				
	K-CS-M3119-0-0	CXY08 CIRCUIT SCHEMATICS	E				
	K-DD-5018096-0-0	ETCHED CIRCUIT BOARD (DD)	-				
	K-MD-5018096-0-0	M3119 CIRCUIT DRILL AND ETCH (MD)	M				
	K-EC-5018096-0-0	ETCH CUT DRAWING	M				
	K-PL-7024314-0-DBP	CXY08 CABLE CONC. (PL)	E/M				
	K-PL-7024505-0-DBP	FILLER KIT (PL)	E/M				
					A-SP-CXY08-0-0	CXY08 ENGINEERING SPEC.	REF
					A-SP-2126287-0-2	DC7058B SPECIFICATION	REF
					A-SP-2126288-0-1	DC7059A SPECIFICATION	REF
					A-SP-2125974-0-1	DC7044C SPECIFICATION	REF
					A-SP-1226964-0-1	PURCHASE SPEC (H3046)	REF
					A-SP-1701399-0-1	PURCHASE SPEC (BC19N-12)	REF
					EK-CXY08-IN	CXY08 INSTALLATION GUIDE	REF
					EK-CXY08-JG	CXY08 USERS GUIDE	REF
					EK-CXY08-MC	CXY08 MAINTENANCE CARD	REF
					EK-CXY08-TM	CXY08 TECHNICAL MANUAL	REF
TYPE.	E ELECTRICAL			TITLE	DRAWING DIRECTORY	SIZE!CODE!DOCUMENT NUMBER	!REV!
	M MECHANICAL	d i s t r i b u t e d			CXY08	K ! DD ! CXY08-0-0	A
	E/M ELECTRO/MECHANICAL						
	REF REFERENCE	FILE NAME: CXY08ADD02.LST				SHEET 2 OF 2	
DESIGN SITE :	KLO						

LINE ITEM	TOP DOCUMENT	PART NUMBER	MIN REV	DESCRIPTION	QUANTITY PER VARIATION/REVISION		
					AA A1	AF A1	M A1
1		CXY08-M		8-LINE ASYNC MUX,W/MC,S-BOX HANDLE	1	1	-
2		M3119-YA		8 LINE ASYNC MUX,W/MODEM CNTRL,INT	-	-	1
3	SEE NOTE # 3	37-00931-01		PKG MODULE 1 IN. HEIGHT CUS	-	-	1
4		70-24314-01		CABL CONCENTRATOR PKG FOR CXY08	1	1	-
5		70-24505-01		KIT BULKHEAD,PANEL	-	1	-
6		99-07938-03		FOL,CARTON,C,200PSI S-GRAPHICS	1	1	-
7		99-08018-01		FOL,CARTON,C,200PSI	1	1	-
8		EK-CXY08-IN		8 LINES ASYNC DATA ONLY	-	1	-

3 NOTE: 37-00931-01 TO BE USED FOR INDIVIDUAL PACKAGING 37-00931-02/03 TO BE USED FOR BULK SHIPMENTS

REVISION HISTORY			KPL MATRIX FORMAT			SECTION A OF A			DRN: C.IVE			DIGITAL		
ENG	ECO NUMBER	REV	SECTION/VARIATION INDEX			DATE: 30-MAR-87			TITLE PARTS LIST					
---	INITIAL	A	[A]	AA,AF,M	DATE: 30-MAR-87			CXY08						
			[B]		DATE: 30-MAR-87			8 LINE ASYNC MUX						
			[C]		DES.ENG: T.CREEDON			DOCUMENT NUMBER						
			[D]		DATE: 30-MAR-87			SIZE CODE NUMBER REV						
			[E]		RESP.ENG.: J.O'CALLAGHAN			K PL CXY08-0-DBP A						
			[F]		DATE: 30-MAR-87			RELEASE DATE: 01-APR-87						
			[G]		MFG.ENG: R.COOKE			RELEASE STATUS: RELEASED						
			[H]		DATE: 30-MAR-87									
			[I]											
			[J]											
			BASIC PART NUMBER: CXY08			ASSEMBLY NUMBER:			TOP DOCUMENT NUMBER: K-DD-CXY08-0-0			FILE NAME: CXY08APL.PLS		
									EDIT # 24					
<p>*THIS DRAWING AND THE SPECIFICATIONS CONTAINED HEREIN ARE CONFIDENTIAL AND PROPRIETARY. THEY ARE THE PROPERTY OF DIGITAL EQUIPMENT CORPORATION AND SHALL NOT BE REPRODUCED OR COPIED OR USED IN WHOLE OR IN PART AS THE BASIS FOR THE MANUFACTURE OR SALE OF ITEMS WITHOUT WRITTEN PERMISSION. THIS IS AN UNPUBLISHED WORK PROTECTED UNDER THE FEDERAL COPYRIGHT LAWS.*</p>														

DRAWING NO.	NO. SHTS	PART NO.	DESCRIPTION	REVISIONS																	
		M3119-YA	CXY08	A1	B1	B2	C2	D2	D2	D3	D4	D5									
K-PL-M3119-0-DBP	2		CXY08 PARTS LIST	A	B	C	D	E	F	-	-	-									
D-UA-M3119-0-0	2		CXY08 UNIT ASSEMBLY	A	A	A	B	C	C	-	-	-									
K-CS-M3119-0-0	12		CXY08 CIRCUIT SCHEMATICS	A	A	A	B	C	D	D	-	-									
K-CS-M3119-0-DBX	-		VALID DATA BASE	A	A	A	B	C	D	D	-	-									
K-PC-M3119-0-DBJ	-		PC DESIGN DATA BASE	B	B	B	B	B	B	B	-	-									
K-PL-M3119-0-DBP1	2		CXY08 PARTS LIST	-	-	-	-	-	-	A	-	-									
D-UA-M3119-0-1	2		CXY08 UNIT ASSEMBLY	-	-	-	-	-	-	A	-	-									
K-PL-M3119-0-DBP2	3		CXY08 PARTS LIST	-	-	-	-	-	-	-	A	-									
K-UA-M3119-0-2	1		CXY08 UNIT ASSEMBLY	-	-	-	-	-	-	-	A	-									
K-CS-M3119-0-2	12		CXY08 CIRCUIT SCHEMATICS	-	-	-	-	-	-	-	A	-									
K-CS-M3119-0-DBX2	-		VALID DATA BASE	-	-	-	-	-	-	-	A	-									
K-PC-M3119-0-DBV	-		PC DESIGN DATA BASE	-	-	-	-	-	-	-	A	-									
K-PL-M3119-0-DBP3	2		CXY08 PARTS LIST	-	-	-	-	-	-	-	-	A									
K-UA-M3119-0-3	3		CXY08 UNIT ASSEMBLY	-	-	-	-	-	-	-	-	A									
K-CS-M3119-0-3	11		CXY08 CIRCUIT SCHEMATICS	-	-	-	-	-	-	-	-	A									

NOTES:
C1 REVISION FOR 5018096-01 WAS DONE PER ECO 5018096-MK001
D1 REVISION FOR 5018096-01 WAS DONE PER ECO 5018096-MK002

	A	B	C	D	E	F	F	H	J
R									
E									
V									
R									
E									
V									
I									
S									
I									
O									
N									
D	0	0	0	0	0	1	1	0	1
A	2	4	4	1	3	2	2	6	2
T	/	/	/	/	/	/	/	/	/
E	8	8	8	8	8	8	8	8	8
	7	7	7	8	8	8	8	9	9

THIS DRAWING AND THE SPECIFICATIONS CONTAINED
HEREIN ARE CONFIDENTIAL AND PROPRIETARY. THEY
ARE THE PROPERTY OF DIGITAL EQUIPMENT CORPOR-
ATION AND SHALL NOT BE REPRODUCED OR COPIED
OR USED IN WHOLE OR IN PART AS THE BASIS FOR
THE MANUFACTURE OR SALE OF ITEMS WITHOUT WRIT-
TEN PERMISSION. THIS IS AN UNPUBLISHED WORK
PROTECTED UNDER THE FEDERAL COPYRIGHT LAWS.
COPYRIGHT 1989

DRN: L. IVE	DATE: 11-JAN-88	d i g i t a l	
CHK'D: P. DAMPIER	DATE: 11-JAN-88	TITLE M3119 DRAWING DIRECTORY	
DES.ENG.: T. CREEDON	DATE: 11-JAN-88	SHEET 1 OF 2	EDIT: 7
RESP.ENG.: J. O'CALLAGHAN	DATE: 11-JAN-88	DOCUMENT NUMBER	
		DD FILENAME: M3119J.DDF	
MFG.ENG.: R. COOKE	DATE: 11-JAN-88	SIZE CODE NUMBER REV	
		K DD M3119-0-0	J

DRAWING NO.	NO. SHTS	PART NO.	DESCRIPTION	REVISIONS
K-CS-M3119-0-DBX3	-		VALID DATA BASE	- - - - - A
K-PC-M3119-0-DBV3	-		PC DESIGN DATA BASE	- - - - - A
K-DD-5018096-1-0	1	5018096-01	ETCHED CIRCUIT BOARD DRAWING DIRECTORY	B1 B1 B1 B1 B1 B1 B1 C1 D1 B B B C D D D E F

LINE	ITEM	TOP DOCUMENT	PART NUMBER	MIN REV	DESCRIPTION	QTY	PER VAR/REV	REFERENCE DESIGNATORS
1	1	K-DD-M3119-0-0	50-18096-01	B	DRILL AND ETCH	1		
2	2		10-12084-01		8.0 MFD 25V +75/-10% 85	3		C61,C103,C104
3	3		10-13466-12	2200	PFD 50V +/-10% X7R C	2		C33,C63
4	4		10-13466-22		0.10 MFD 50V +80/-20% Z5U C	48		C5,C6,C9-C11,C14-C16,C18-C20, CONT C23-C25,C32,C34-C37,C46-C49, CONT C56-C58,C64-C70,C72,C75,C76, CONT C78,C79,C83,C84,C88,C191-C195, CONT C200,C201 C21,C22,C26-C31,C38-C45, CONT C50-C55,C59,C60,C71,C73,C74, CONT C77,C80-C82,C85-C87,C89-C102, CONT C105-C120
5	5		10-13466-27	820	PFD 50V +/- 5% NPO C	64		
6	6		10-13466-50	680	PFD 50V +/- 5% NPO C	1		C62
7	7		10-13466-54		0.022MFD 50V +/-10% X7R C	1		C12
8	8		10-15573-01	5600	PFD 50V +/- 5% X7R C	1		C3
9	9		10-17897-01		0.22 MFD 50V +80/-20% Z5U C	2		C1,C4
10	10		10-25078-01		22 MFD 16V +/-10% SOL	4		C2,C8,C13,C17
11	11		11-00114-00		PIV= 25 IO=135 MA	2		D1,D2
12	12		11-17373-00		LED ASSY GREEN	1		D3
13	13		11-18982-00		DIODE ARRY PIV= 150 IO=1.00A	3		D4-D6
14	14		11-26859-01		TRANS SUPP BIPOLAR 7V 5	24		U4-U27
15	15		12-10929-06		FUSE PICO 2.0 A 125V AXIAL LEA	1		F1
16	16		12-11164-04		SW,DIP 08POS/1PST 5VDC100MA F	1		E28
17	17		12-11164-06		SW,DIP 10POS/1PST 5VDC100MA F	1		E36
18	18		12-25069-02		BAIL-LOCK, D SUB 36POS(2X18)	4		
19	19		12-26615-01		PCB HEADER 90D	2		J1,J2
20	20		13-00219-00		68.0 .25 W 5.0 % CF	1		R7
21	21		13-00444-00		3.90 K .25 W 5.0 % CF	1		R16
22	22		13-00447-00		4.70 K .25 W 5.0 % CF	1		R18
23	23		13-00479-00		10.0 K .25 W 5.0 % CF	1		R10

REVISION HISTORY			KPL MODULE FORMAT		SECTION A OF A	DRN: C.IVE	DIGITAL				
ENG	ECO NUMBER	REV	SECTION/VARIATION INDEX			DATE: 27-APR-87					
---	INITIAL	A	[A]	YA	[M]	CHK'D: P.DAMPIER	TITLE PARTS LIST				
J0	M3119-KL001	B	[B]		[N]	DATE: 27-APR-87	CXY08				
J0	M3119-KL002	C	[C]		[P]	DES.ENG: J.OCALLAGHAN	8 LINE ASYNC COMMS				
J0	M3119-KL003	D	[D]		[Q]	DATE: 27-APR-87	DOCUMENT NUMBER				
J0	M3119-KL004	E	[E]		[R]	RESP.ENG.: J.OCALLAGHAN	SIZE	CODE	NUMBER	REV	
RB	M3119-MK005	F	[F]		[S]	DATE: 27-APR-87	K	PL	M3119-0-DBP	F	
			[H]		[T]	MFG.ENG: R.COOKE	RELEASE DATE: 16-DEC-88				
			[J]		[V]	DATE: 27-APR-87	RELEASE STATUS: RELEASED				
			[K]		[W]						
			[L]		[Y]						
			BASIC PART NUMBER:		ASSEMBLY NUMBER:	TOP DOCUMENT NUMBER:		EDIT #			
			M3119		D-UA-M3119-0-0	K-DD-M3119-0-0		2			
			FILE NAME: M3119F.PLS								

"THIS DRAWING AND THE SPECIFICATIONS CONTAINED HEREIN ARE CONFIDENTIAL AND PROPRIETARY. THEY ARE THE PROPERTY OF DIGITAL EQUIPMENT CORPORATION AND SHALL NOT BE REPRODUCED OR COPIED OR USED IN WHOLE OR IN PART AS THE BASIS FOR THE MANUFACTURE OR SALE OF ITEMS WITHOUT WRITTEN PERMISSION. THIS IS AN UNPUBLISHED WORK PROTECTED UNDER THE FEDERAL COPYRIGHT LAWS."

LINE ITEM	TOP DOCUMENT	PART NUMBER	MIN REV	DESCRIPTION	QTY PER VAR/REV	REFERENCE DESIGNATORS
					YA D2	
24	24	13-01320-00	1.20 K	.25 W 5.0 % CF	1	R8
25	25	13-01969-00	22.0	.25 W 5.0 % CF	1	R2
26	26	13-02391-00	20.0 K	.25 W 5.0 % CF	1	R11
27	27	13-02466-00	100.0 K	.25 W 5.0 % CF	2	R17,R19
28	28	13-03312-00	10.0 K	.25 W 1.0 % RN55D-F10	1	R15
29	29	13-04854-00	5.11 K	.25 W 1.0 % RN55D-F10	3	R4,R9,R14
30	30	13-11003-02	R. NET	330.0 -14 680.0 -14 5.0	1	E19
31	31	13-11522-00	200.0	.25 W 5.0 % CF	2	R6,R13
32	32	13-13349-00	33.0 K	.25 W 5.0 % CF	1	R12
33	33	13-13596-00	20.0 K	.25 W 1.0 % RN55D-F10	1	R5
34	34	13-19470-12	82.0	1.0 W 5.0 % M.OXIDE	1	R1
35	35	13-20421-01	R. NET	10.0K-15 5.0	1	E35
36	36	13-21509-01	.39	1.0 W 5.0 % WW	1	R3
37	37	15-10414-02	D	456C PNP 30WT SI 45V 4A B=	1	Q1
38	38	16-24190-01	50.0 UH	1.0A INDUCTOR	1	L1
39	39	18-25333-01		OSCILLATOR, XTAL 14.7456 MHZ	1	E27
40	40	19-10363-00	7496	SHIFT REG.,5BIT	1	E3
41	41	19-10537-00	74S11	AND GATE-TRIPLE 3INP	1	E16
42	42	19-12799-00	LS00	NAND-GATE-QUAD 2IN,P	1	E5
43	43	19-12805-00	LS08	AND GATE-QUAD 2IN,P0	1	E41
44	44	19-12807-00	LS10	NAND GATE-TRIPLE 3IN	1	E7
45	45	19-12813-00	LS27	NOR GATE-TRIPLE 3IN	1	E9
46	46	19-12816-00	LS32	OR GATE-QUAD 2IN,POS	3	E10,E33,E38
47	47	19-12821-00	LS54	A-0-I GATE,3-2-2-3IN	1	E39
48	48	19-12837-00	LS123	ONE SHOT-DUAL,RETRIG	1	E4
49	49	19-12849-00	LS161	COUNTER,SYNCHR,4BIT	1	E6
50	50	19-22480-01	74F164	SERIAL IN PARALLEL 0	1	E40
51	51	19-12853-00	LS175	FF-D QUAD	1	E30
52	52	19-12860-00	LS259	LATCH 8BIT	2	E31,E32
53	53	19-15758-00	LS166	SHIFT REG. 8BIT PARA	2	E29,E37
54	54	19-19015-00	DC 021	BUS TRANSCEIVER,20PI	6	E1,E2,E12,E13,E18,E22
55	55	19-21592-01	TL 494	MODULATOR,PULSE WIDT	1	E46
56	56	19-23889-01		EIA OCTAL LINE DRIVE	3	E17,E34,E47
57	57	19-23890-01		EIA OCTAL LINE RECEI	5	E11,E20,E25,E42,E44
58	58	19-25894-01		PROTECTION DEVICE-TR	5	E8,E21,E26,E43,E45
59	59	21-17872-05		RAM 2KX8 I/O MUXD 4	1	E15
60	60	21-25974-03	DC7044	OCTART GATE ARRAY	1	E24
61	61	21-26287-02	DC7053B	OCTART CONTROLLER	1	E14
62	62	21-26288-01	DC7059	OCTART CONTROLLER B	1	E23
63	63	36-26883-20		LABEL,MODULE NUMBER,S-BOX,M3119-	1	
64	64	70-23741-05		BULKHEAD RECESSED ASSY CXY08	1	
65	65	74-34160-01	A	SPACER,CONNECTOR 74-01	2	
66	66	90-00024-01		EYELET,ROLLED 0.1210DX0.192	4	
67	67	90-06011-01		SCREW,MACH PAN PHIL 4-	8	
68	68	90-09185-00		JUMPER, WIRE, INSULATED, BLACK B	2	W1,W2
69	69	90-09990-00		NUT,HEX EXT TOOTH LCKWSHR 4-40	4	
70	70	91-05740-55		WIRE(WRAP) 30AWG KYNAR UL14	40	

D	I	G	I	T	A	L	TITLE	SECTION A	OF A	SIZE	CODE	DOCUMENT NUMBER	REV
							CXY08 8 LINE ASYNC COMMS			K	PL	M3119-0-DBP	F

LINE ITEM TOP DOCUMENT

PART NUMBER MIN REV

DESCRIPTION

QTY PER VAR/REV
YA
D2

REFERENCE DESIGNATORS

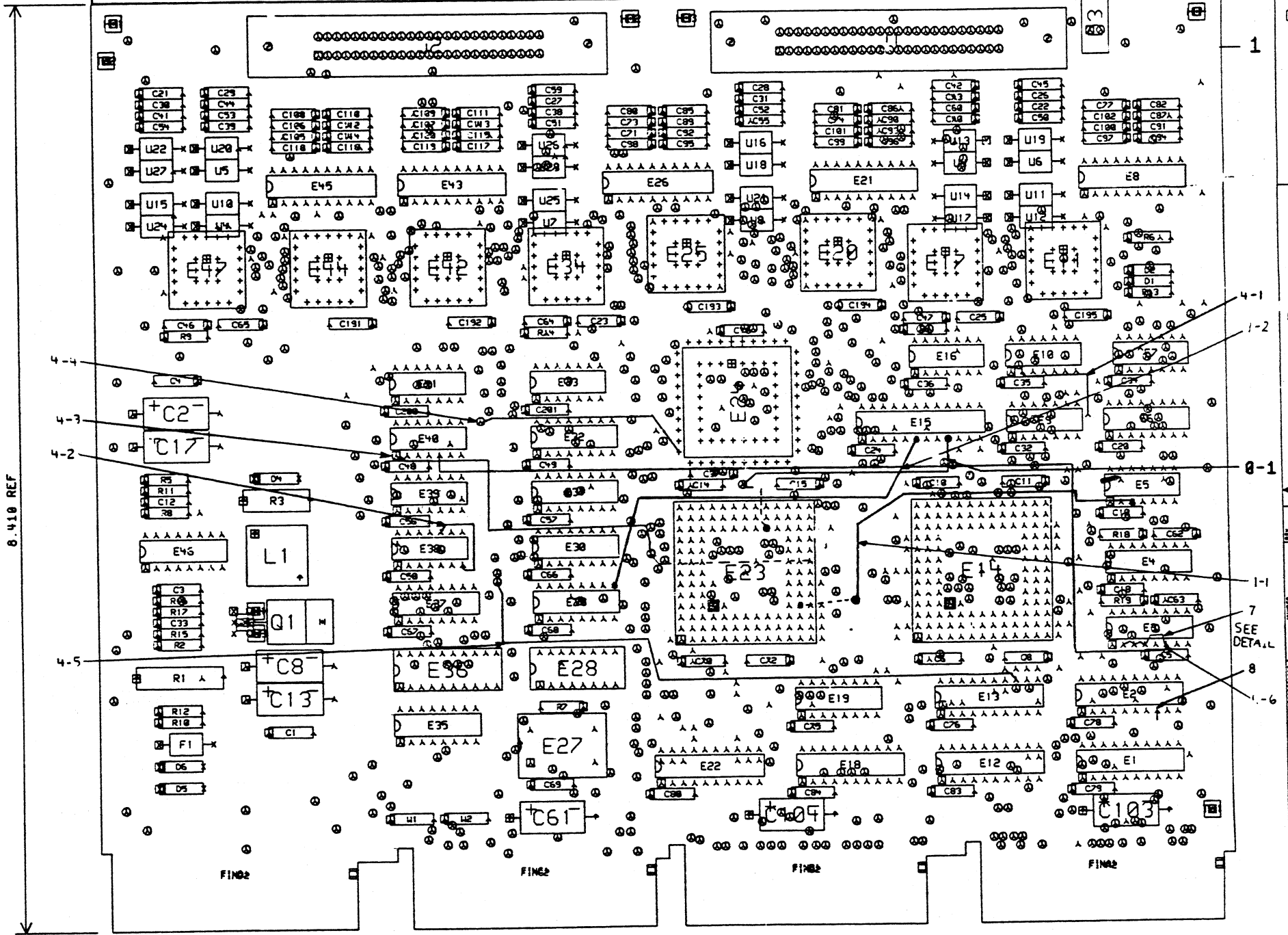
64 NOTE: ITEM #64 70-23741-05 MAY BE SUBSTITUTED WITH 70-22813-05, AT MANUFACTURER'S DISCRETION.
70 NOTE: QUANTITY REFERS TO INCHES

D	I	G	I	T	A	L	TITLE		SECTION A OF A	SIZE	CODE	DOCUMENT NUMBER	REV
							CXY08 8 LINE ASYNC COMMS			K	PL	M3119-0-DBP	F

THIS DRAWING AND SPECIFICATIONS HEREBY ARE THE PROPERTY OF DIGITAL EQUIPMENT CORPORATION AND SHALL NOT BE REPRODUCED OR COPIED IN WHOLE OR IN PART OR BE LOANED FOR THE MANUFACTURE OR SALE OF ITEMS WITHOUT WRITTEN PERMISSION.
COPYRIGHT © 1966 DIGITAL EQUIPMENT CORPORATION

COMPONENT SIDE VIEW

18.436 REF



REWORK INSTRUCTIONS

WIRE ADDS

0-1 FROM E23 - 73 TO E15 - 9

CHK	DRAWN BY	ENGINEER	CHANGE NO	DATE	REV
	D. JANUSKIEWICZ	J. NOLAN	K1693	2-19-68	B
	H. DENSMORE	J. NOLAN	K1694	3-1-68	C

CHK	DRAWN BY	ENGINEER	CHANGE NO	DATE	REV

NOTES:

IF A NON-PREFORMED TRANSISTOR IS USED
IE 15-10414-01 INSTEAD OF
15-10414-02 THEN THE FOLLOWING
PARTS ARE REQUIRED SCREW 10-06010-01
WASHER 10-06600-00 AND NUT
10-04200-00
STEP E → Y AXIS 8.310 STEP 1 TIMES
REPEAT → X AXIS 18.330 STEP 1 TIMES

ETCH REV.	B1
-----------	----

SIGNATURES	DATE
DRN. C.IVE	21-09-68
CHK D. J.NOLAN	21-09-68
MECH.ENG. J.CLAFFEY	21-09-68
PROJ.ENG. J.O'CALLAGHAN	21-09-68
PROD. J.CLAFFEY	11-09-68

digital

TITLE	CXY88
UNIT ASSEMBLY	
SIZE	CODE NUMBER
K UA	M3119-0-0
SCALE	2/1
SHT. 1 OF 2	
NEXT HIGHER ASSY.	K-00-M3119-0-0

RE2 1 WC#

THIS DRAWING AND THE SPECIFICATIONS CONTAINED HEREIN ARE CONFIDENTIAL AND PROPRIETARY. THEY ARE THE PROPERTY OF DIGITAL EQUIPMENT CORPORATION AND SHALL NOT BE REPRODUCED OR COPIED OR USED IN WHOLE OR IN PART AS THE BASIS FOR MANUFACTURE OR SALE OF ITEMS WITHOUT WRITTEN PERMISSION. THIS IS AN UNPUBLISHED WORK PROTECTED UNDER THE FEDERAL COPYRIGHT LAWS.

**REWORK INSTRUCTIONS:
FOR M3119-KL003**

WIRE ADDS

1.1 CONNECT E33-98 TO E5-3. (D12.TERST H)

NOTE: E29-9 IS RAISED UP FROM THE PTH,
AND ECO WIRE IS CONNECTED TO THE RAISED PIN.

1.2 CONNECT E29-9 TO E15-6. (D3.ADDR H)

REWORK INSTRUCTIONS: M3119-KL004.

WIRE ADDS:

4-1 CONNECT E10 PIN 2 TO GND H IE. THE VIA TO THE RIGHT
AND BELOW E9 PIN 8.

4-2 CONNECT E38 PIN 10 TO E38 PIN 7.

4-3 CONNECT E23 PIN 115 TO E40 PIN 1, WIRE FROM VIA ON LEFT OF E23 TO PIN 115 RUNS ON ETCH SIDE OF BOARD.

4-4 CONNECT E24 PIN 26 TO E40 PIN 3.

4-5 CONNECT E13 PIN 13 TO E40 PIN 9.

4-6 CONNECT E40 PIN 5 TO E3 PIN 6.

4-7 CONNECT E3 PIN 6 TO E3 PINS 2,3,4.

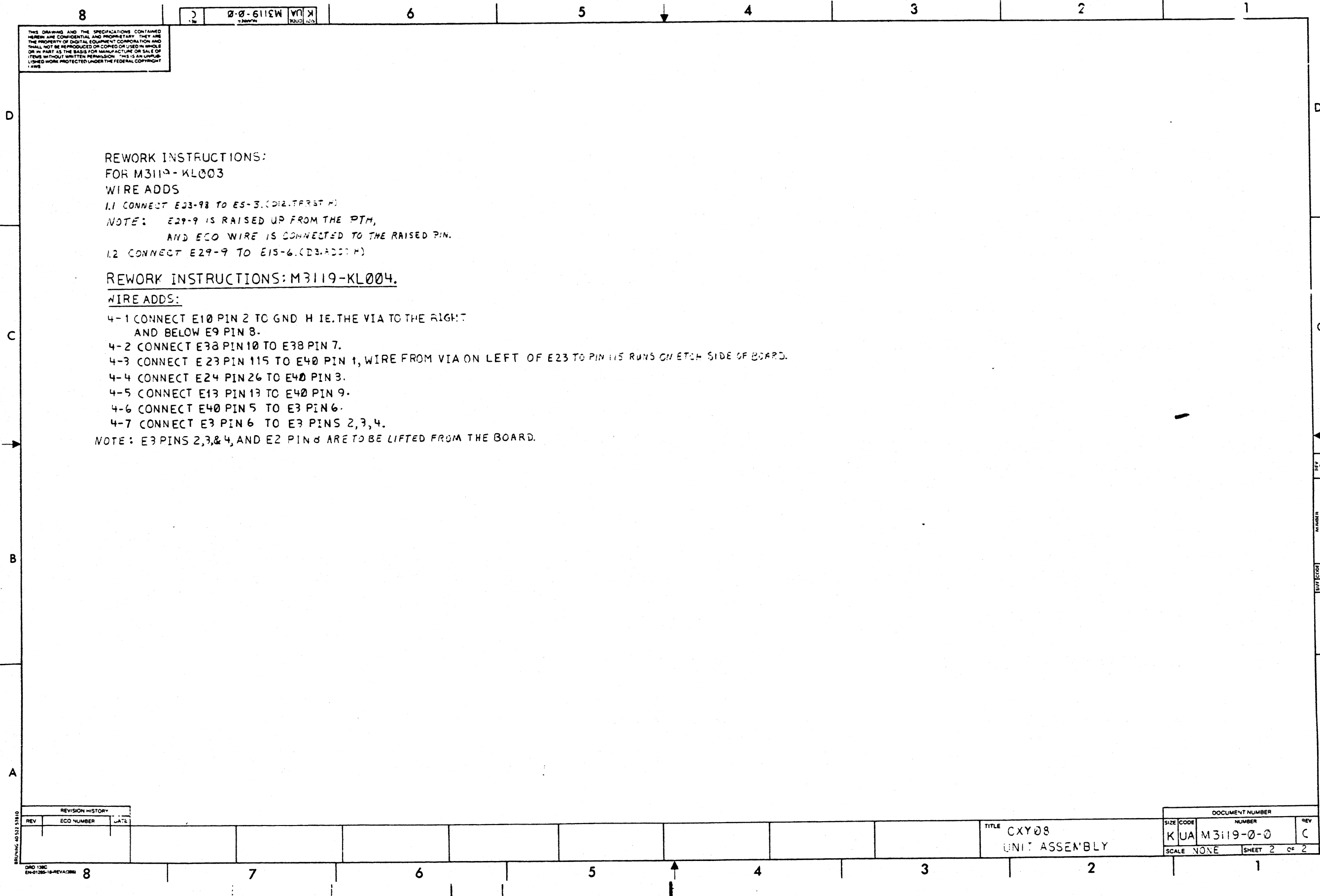
NOTE: E3 PINS 2,3,&4, AND E2 PIN 8 ARE TO BE LIFTED FROM THE BOARD.

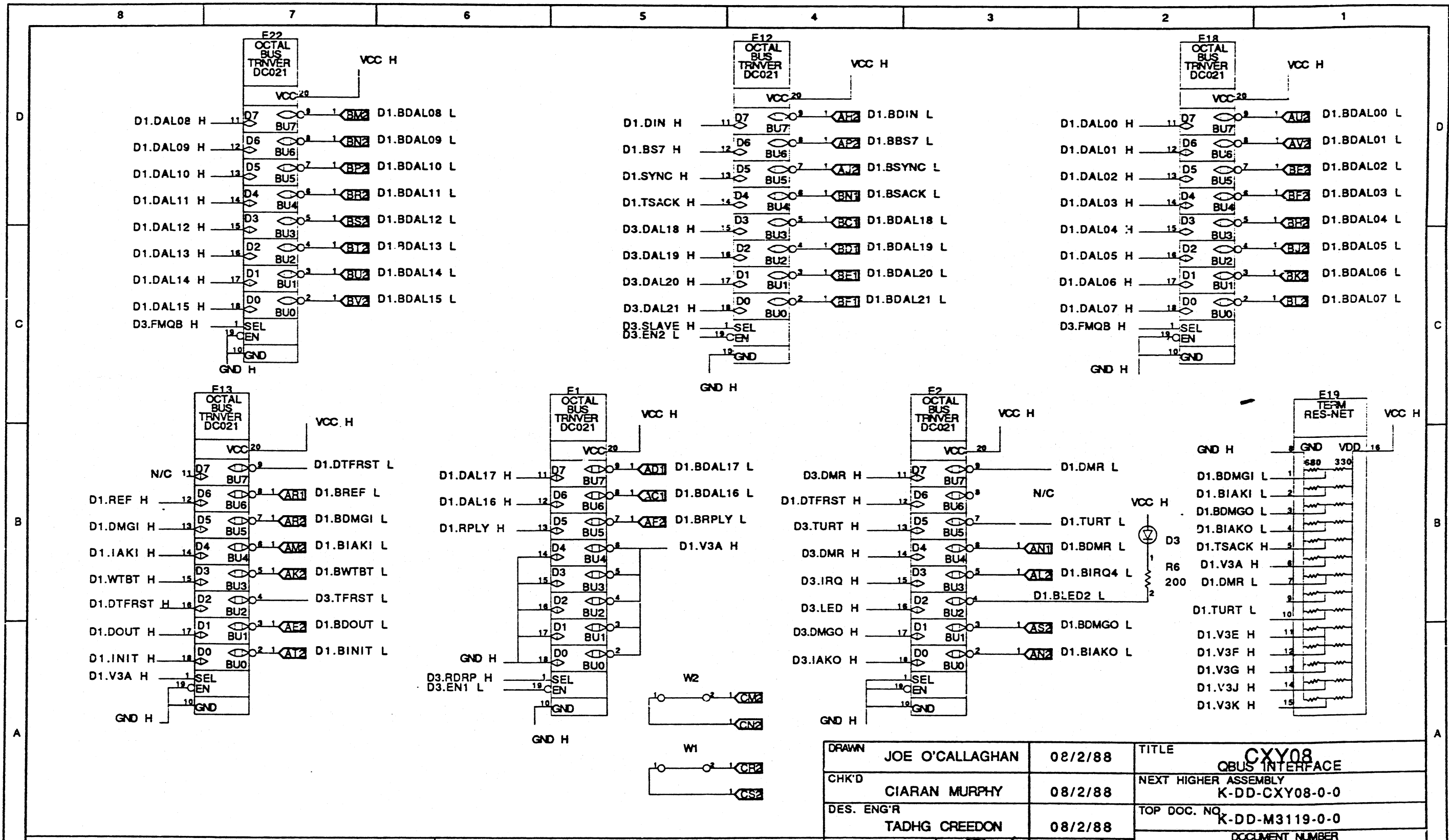
REVISION HISTORY		
REV	ECO NUMBER	DATE

DRG 138C
EN-0126-18-REV A (8)

DOCUMENT NUMBER		
SIZE CODE	NUMBER	REV
KUA	M3119-0-0	C
SCALE NONE		SHEET 2 OF 2

TITLE CXY08
UNIT ASSEMBLY



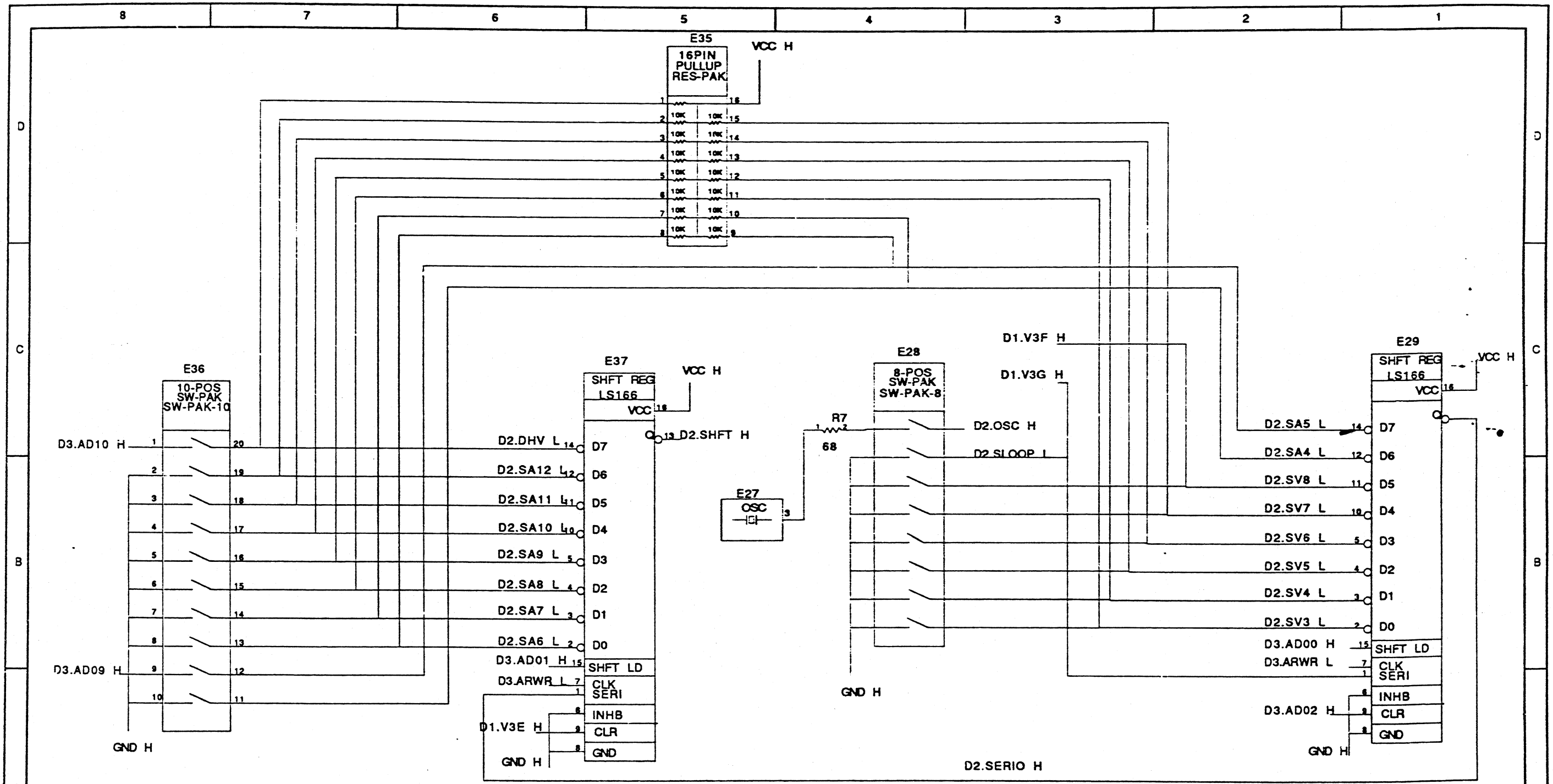


DRAWN	JOE O'CALLAGHAN	08/2/88	TITLE		
CHK'D	CIARAN MURPHY	08/2/88	CXY08 QBUS INTERFACE		
DES. ENG'R	TADHG CREEDON	08/2/88	NEXT HIGHER ASSEMBLY K-DD-CXY08-0-0		
RESP. ENG'R	<i>Martin K. Smith</i> JOE O'CALLAGHAN	01/05/89 08/2/88	TOP DOC. NO. K-DD-M3119-0-0		
MFG. ENG'R	RORY COOKE	08/2/88	DOCUMENT NUMBER		
			SIZE	CODE	NUMBER
			K	CS	M3119-0-0
			SCALE:		REV D
			SHEET 1 OF 12		

THIS DOCUMENT CONTAINS INFORMATION PROPRIETARY TO DIGITAL EQUIPMENT CORPORATION (D.E.C.). USE OR DISCLOSURE WITHOUT THE WRITTEN PERMISSION OF AN OFFICER OF DIGITAL IS EXPRESSLY FORBIDDEN. COPYRIGHT (C) DIGITAL 1985.

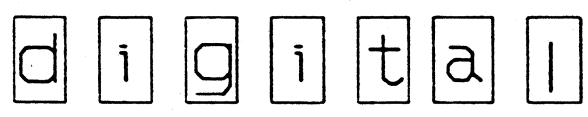
digital

MKO

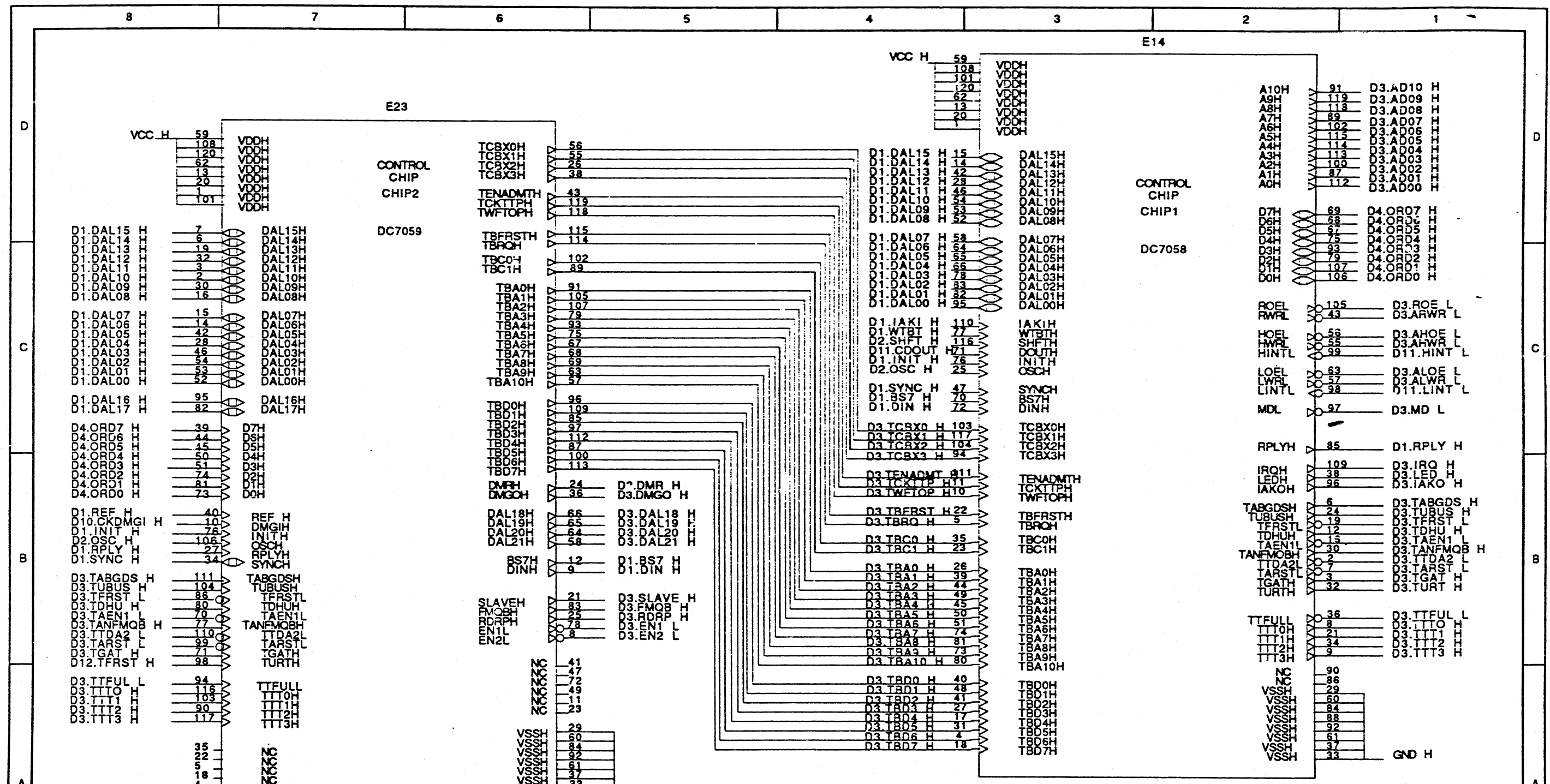


DRAWN	JOE O'CALLAGHAN	08/2/88	TITLE		
CHK'D	CIARAN MURPHY	08/2/88	SWITCHPACKS & SHFT REGISTERS		
DES. ENG'R	TADHG CREEDON	08/2/88	NEXT HIGHER ASSEMBLY		
RESP. ENG'R	JOE O'CALLAGHAN	08/2/88	K-DD-CXY08-0-0		
MFG. ENG'R	RORY COOKE	08/2/88	TOP DOC. NO.		
			K-DD-M3119-0-0		
			DOCUMENT NUMBER		
			SIZE	CODE	NUMBER
			K	CS	M3119-0-0
			SCALE:		REV
					D
			SHEET 2 OF 12		

THIS DOCUMENT CONTAINS INFORMATION PROPRIETARY TO DIGITAL EQUIPMENT CORPORATION (D.E.C.). USE OF OR DISCLOSURE WITHOUT THE WRITTEN PERMISSION OF AN OFFICER OF DIGITAL IS EXPRESSLY FORBIDDEN. COPYRIGHT (C) DIGITAL 1985 .

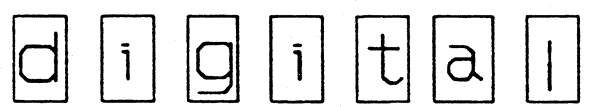


MKO

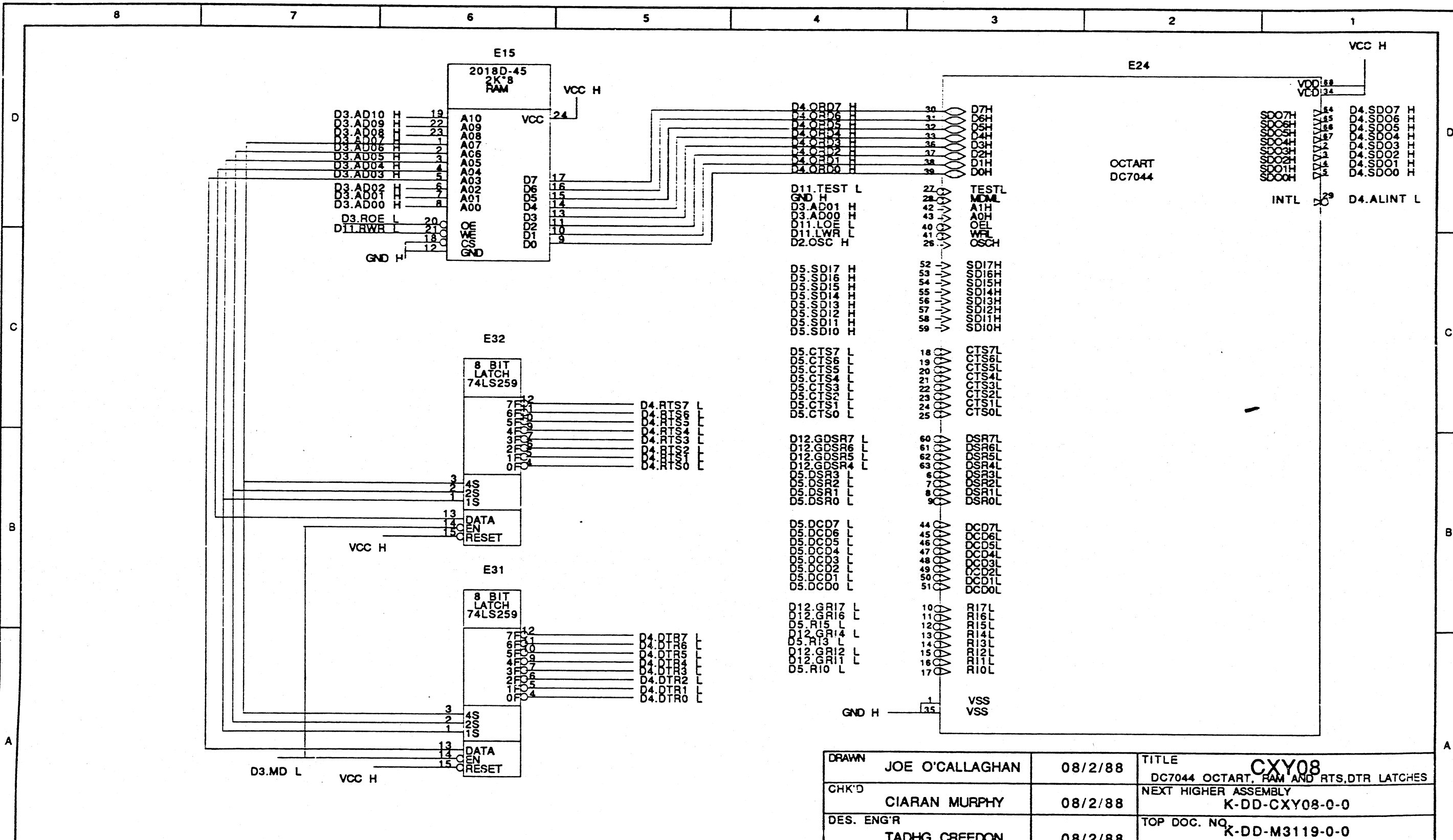


DRAWN	JOE O'CALLAGHAN	08/2/88	TITLE	CXY08 CONTROL CHIPS		
CHK'D	CIARAN MURPHY	08/2/88	NEXT HIGHER ASSEMBLY	K-DD-CXY08-0-0		
DES. ENGR	TADHG CREEDON	08/2/88	TOP DOC. NO.	K-DD-M3119-0-0		
RESP. ENGR	JOE O'CALLAGHAN	08/2/88	DOCUMENT NUMBER	M3119-0-0		
MFG. ENGR	RORY COOKE	08/2/88	SCALE:	SIZE	CODE	REV
				K	CS	D
			SHEET 3 OF 12			

THIS DOCUMENT CONTAINS INFORMATION PROPRIETARY TO DIGITAL EQUIPMENT CORPORATION (D.E.C.). USE OR DISCLOSURE WITHOUT THE WRITTEN PERMISSION OF AN OFFICER OF DIGITAL IS EXPRESSLY FORBIDDEN. COPYRIGHT (C) DIGITAL 1985.



MKO

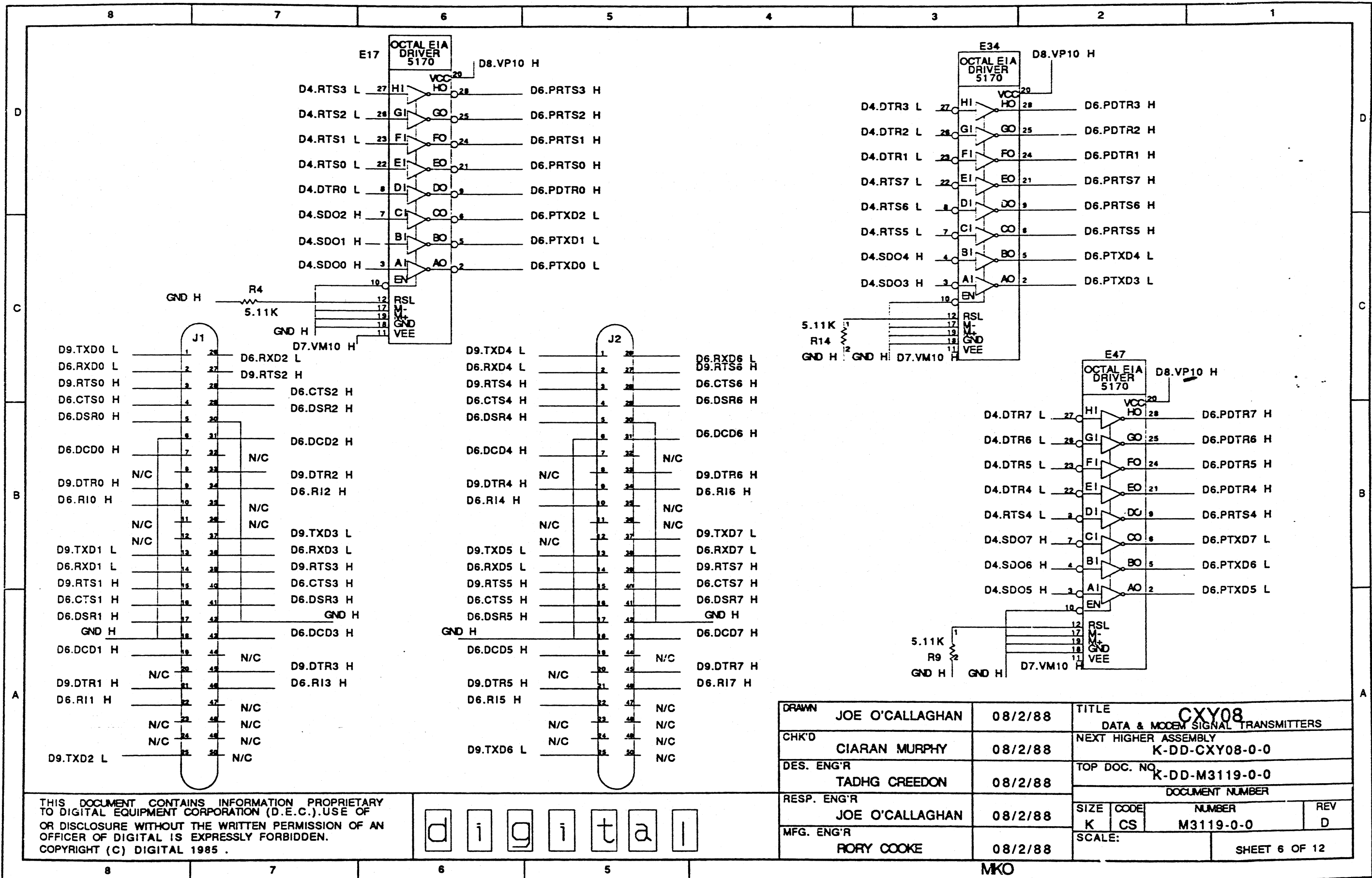


DRAWN	JOE O'CALLAGHAN	08/2/88	TITLE		
CHK'D	CIARAN MURPHY	08/2/88	DC7044 OCTART, RAM AND RTS,DTR LATCHES		
DES. ENGR	TADHG CREEDON	08/2/88	NEXT HIGHER ASSEMBLY		
RESP. ENGR	JOE O'CALLAGHAN	08/2/88	K-DD-CXY08-0-0		
MFG. ENGR	RORY COOKE	08/2/88	TOP DOC. NO		
			K-DD-M3119-0-0		
			DOCUMENT NUMBER		
			SIZE	CODE	NUMBER
			K	CS	M3119-0-0
			SCALE:		REV
					D
			SHEET 4 OF 12		

THIS DOCUMENT CONTAINS INFORMATION PROPRIETARY TO DIGITAL EQUIPMENT CORPORATION (D.E.C.). USE OF OR DISCLOSURE WITHOUT THE WRITTEN PERMISSION OF AN OFFICER OF DIGITAL IS EXPRESSLY FORBIDDEN. COPYRIGHT (C) DIGITAL 1985.



MKO

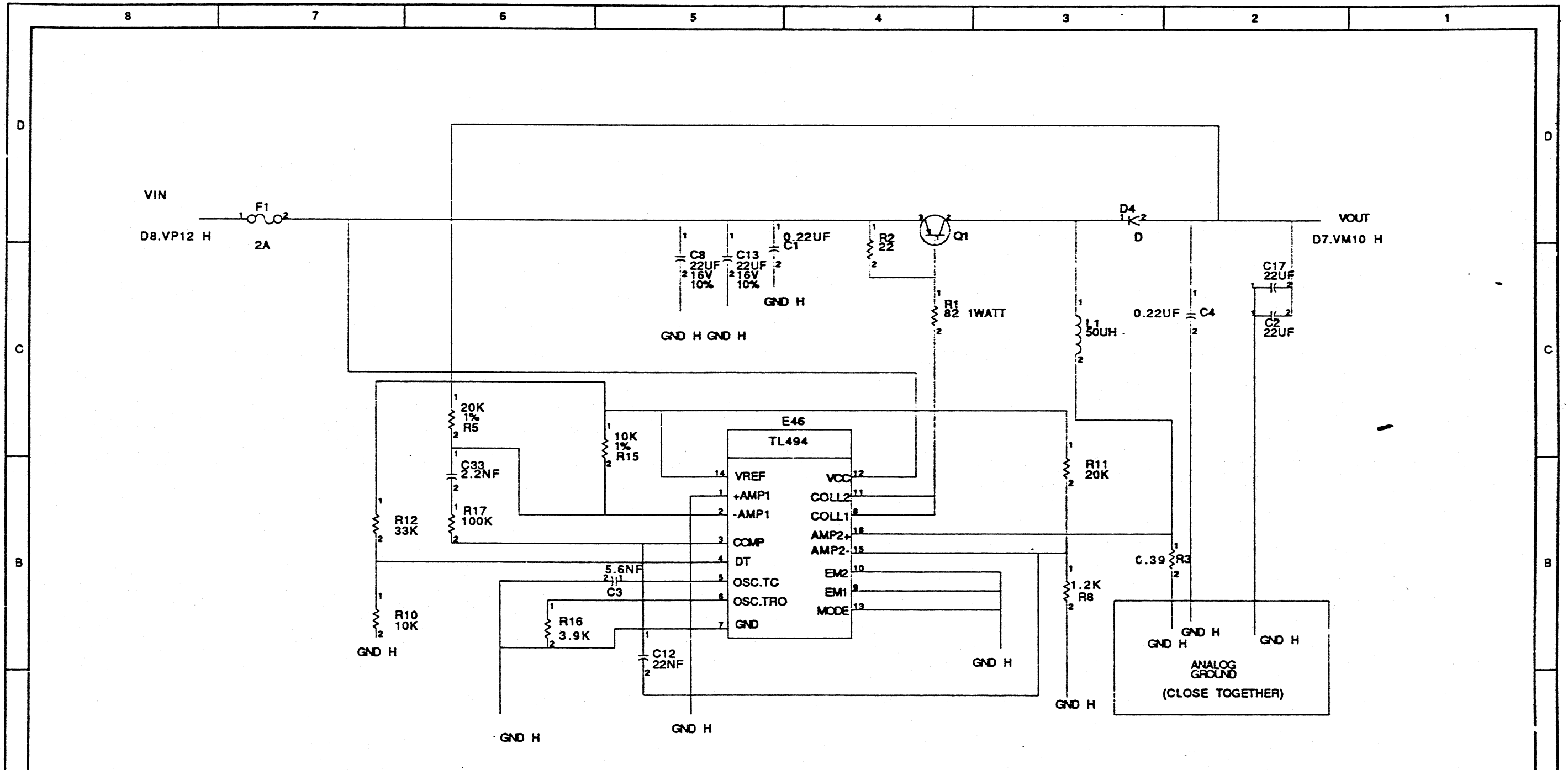


THIS DOCUMENT CONTAINS INFORMATION PROPRIETARY TO DIGITAL EQUIPMENT CORPORATION (D.E.C.). USE OF OR DISCLOSURE WITHOUT THE WRITTEN PERMISSION OF AN OFFICER OF DIGITAL IS EXPRESSLY FORBIDDEN. COPYRIGHT (C) DIGITAL 1985.

digital

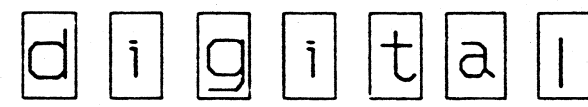
DRAWN	JOE O'CALLAGHAN	08/2/88	TITLE CXY08 DATA & MODEM SIGNAL TRANSMITTERS		
CHK'D	CIARAN MURPHY	08/2/88	NEXT HIGHER ASSEMBLY K-DD-CXY08-0-0		
DES. ENG'R	TADHG CREEDON	08/2/88	TOP DOC. NO. K-DD-M3119-0-0		
RESP. ENG'R	JOE O'CALLAGHAN	08/2/88	DOCUMENT NUMBER		
MFG. ENG'R	RORY COOKE	08/2/88	SIZE	CODE	NUMBER
			K	CS	M3119-0-0
			SCALE:		REV D
					SHEET 6 OF 12

MKO

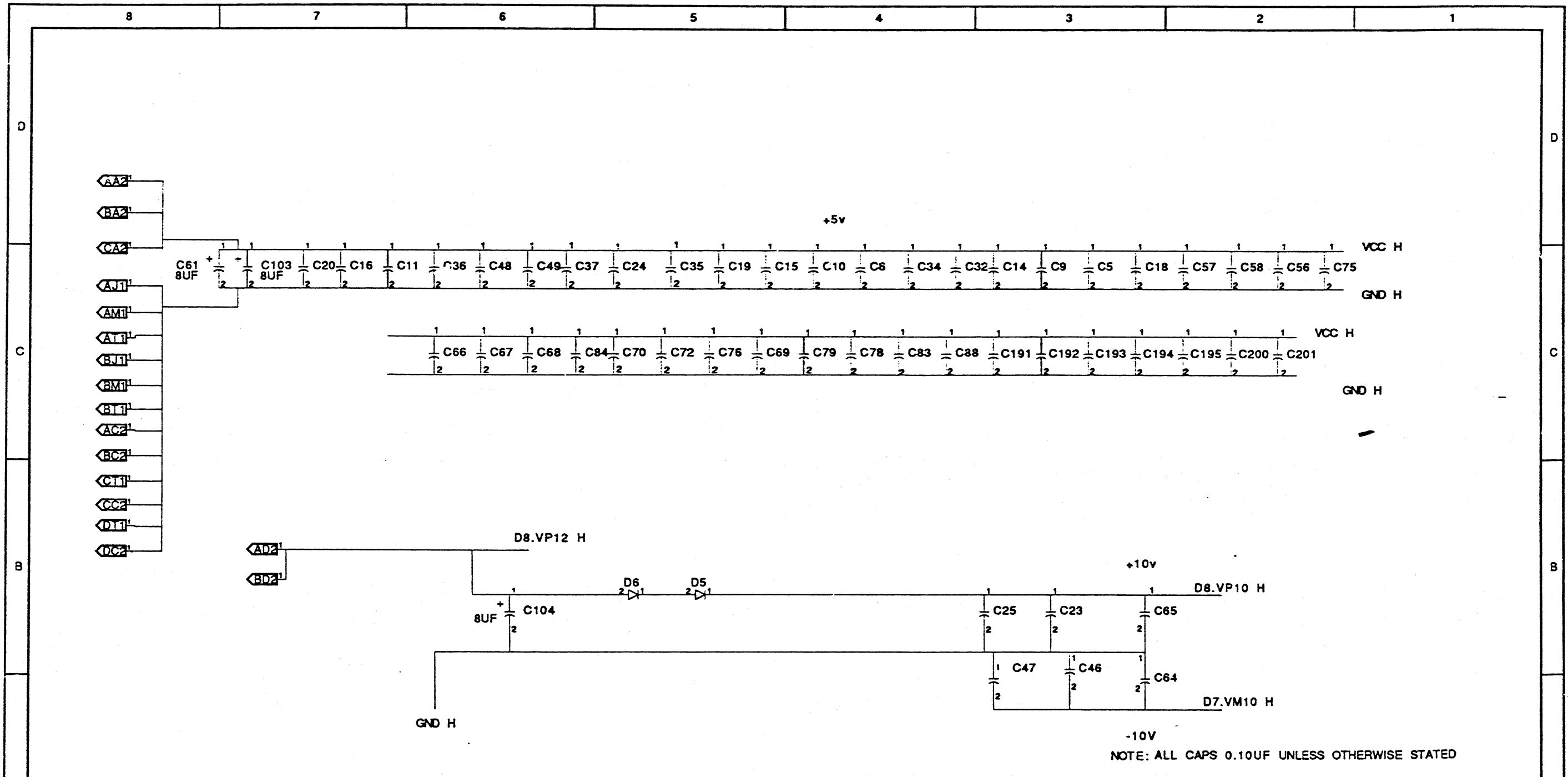


DRAWN	JOE O'CALLAGHAN	08/2/88	TITLE	CXY08 - 10 VOLTS POWER SUPPLY		
CHK'D	CIARAN MURPHY	08/2/88	NEXT HIGHER ASSEMBLY	K-DD-CXY08-0-0		
DES. ENGR	CON CREMIN	08/2/88	TOP DOC. NO.	K-DD-M3119-0-0		
			DOCUMENT NUMBER			
RESP. ENGR	JOE O'CALLAGHAN	08/2/88	SIZE	CODE	NUMBER	REV
MFG. ENGR	RORY COOKE	08/2/88	K	CS	M3119-0-0	D
			SCALE:			SHEET 7 OF 12

THIS DOCUMENT CONTAINS INFORMATION PROPRIETARY TO DIGITAL EQUIPMENT CORPORATION (D.E.C.). USE OF OR DISCLOSURE WITHOUT THE WRITTEN PERMISSION OF AN OFFICER OF DIGITAL IS EXPRESSLY FORBIDDEN. COPYRIGHT (C) DIGITAL 1985 .



MKO



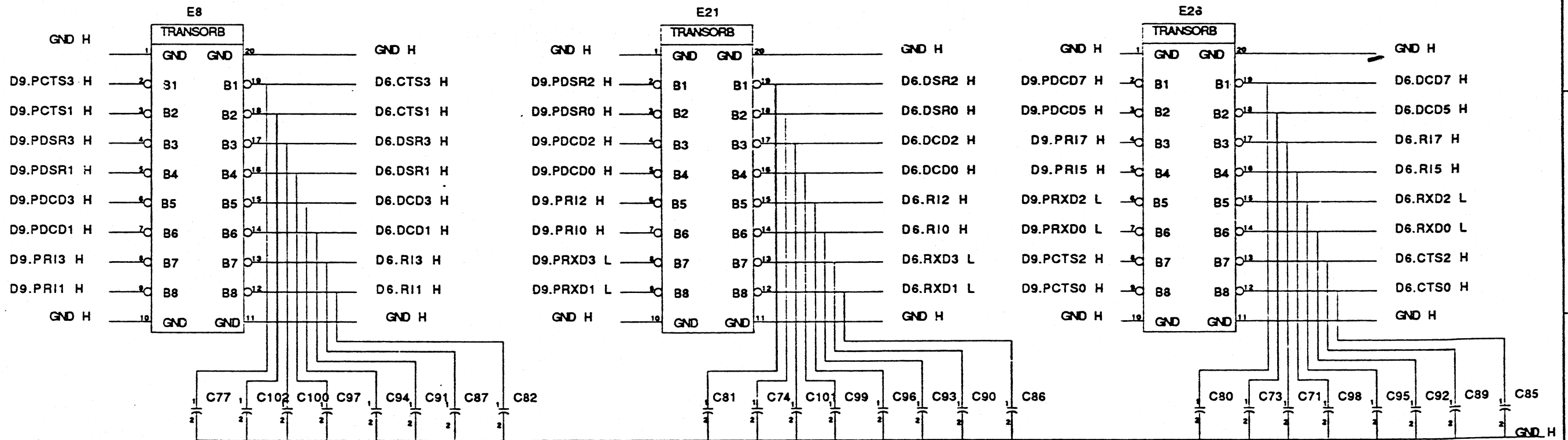
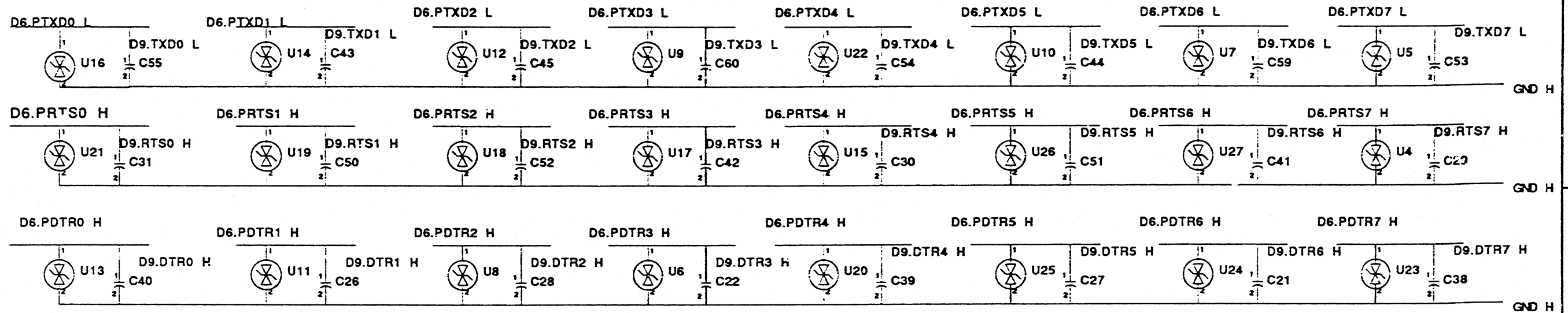
THIS DOCUMENT CONTAINS INFORMATION PROPRIETARY TO DIGITAL EQUIPMENT CORPORATION (D.E.C.). USE OF OR DISCLOSURE WITHOUT THE WRITTEN PERMISSION OF AN OFFICER OF DIGITAL IS EXPRESSLY FORBIDDEN. COPYRIGHT (C) DIGITAL 1985 .

digital

DRAWN	JOE O'CALLAGHAN	08/2/88	TITLE CXY08 DECOUPLING CAPACITORS			
CHK'D	CIARAN MURPHY	08/2/88	NEXT HIGHER ASSEMBLY K-DD-CXY08-0-0			
DES. ENG'R	TADHG CREEDON	08/2/88	TOP DOC. NO. K-DD-M3119-0-0			
RESP. ENG'R	JOE O'CALLAGHAN	08/2/88	DOCUMENT NUMBER			
MFG. ENG'R	RORY COOKE	08/2/88	SIZE K	CODE CS	NUMBER M3119-0-0	REV D
SCALE:					SHEET 8 OF 12	

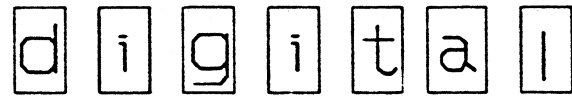
MKO

TRANSMITTER PROTECTION CIRCUITS (USE PROTECTION DEVICE NUMBER P6KE10CA)



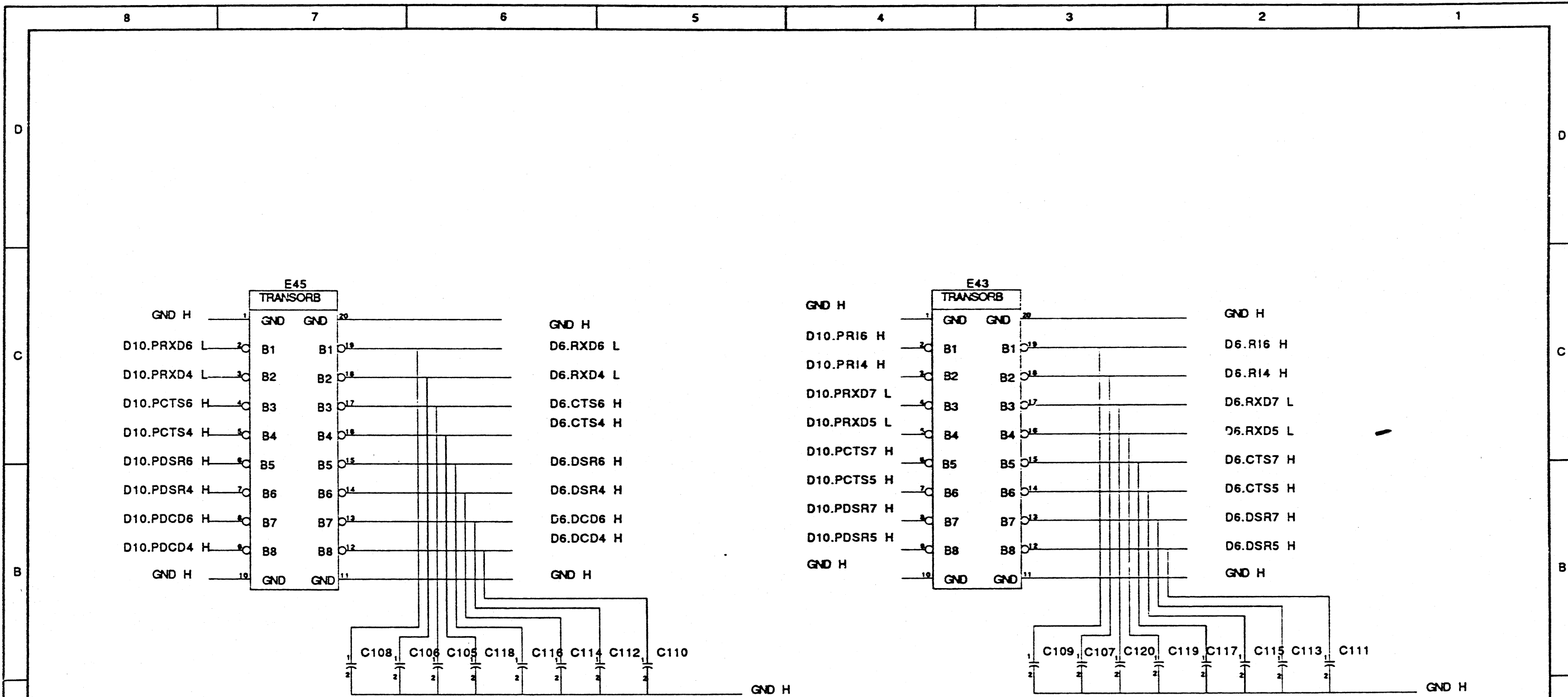
NOTE: ALL CAPACITORS ARE 820PF

THIS DOCUMENT CONTAINS INFORMATION PROPRIETARY TO DIGITAL EQUIPMENT CORPORATION (D.E.C.). USE OR DISCLOSURE WITHOUT THE WRITTEN PERMISSION OF AN OFFICER OF DIGITAL IS EXPRESSLY FORBIDDEN. COPYRIGHT (C) DIGITAL 1985.



DRAWN	JOE O'CALLAGHAN	08/2/88	TITLE CXY08 FILTERING AND PROTECTION DEVICES		
CHK'D	CIARAN MURPHY	08/2/88	NEXT HIGHER ASSEMBLY K-DD-CXY08-0-0		
DES. ENG'R	TADHG CREEDON	08/2/88	TOP DOC. NO. K-DD-M3119-0-0		
RESP. ENG'R	JOE O'CALLAGHAN	08/2/88	DOCUMENT NUMBER		
MFG. ENG'R	RORY COOKE	08/2/88	SIZE K	CODE CS	NUMBER M3119-0-0
			SCALE:		REV D
					SHEET 9 OF 12

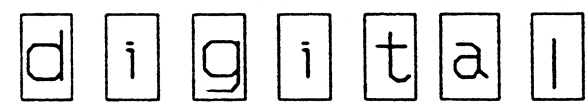
MKO



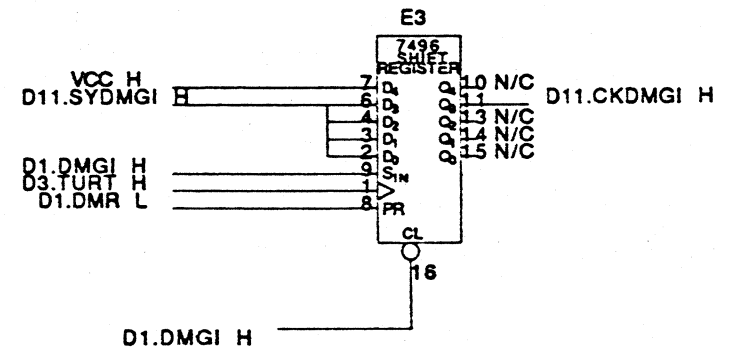
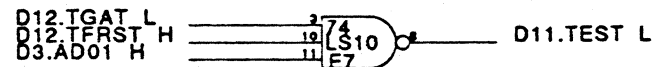
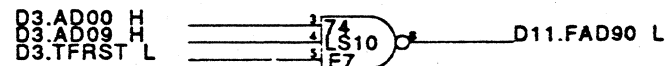
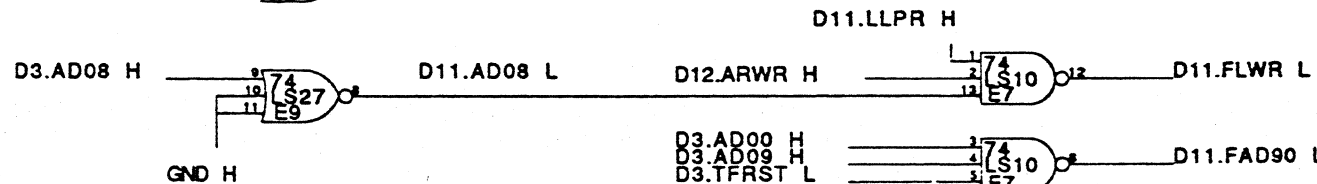
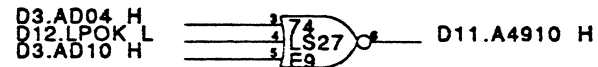
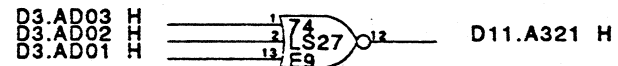
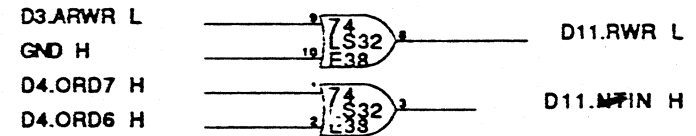
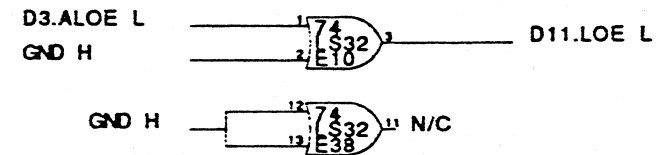
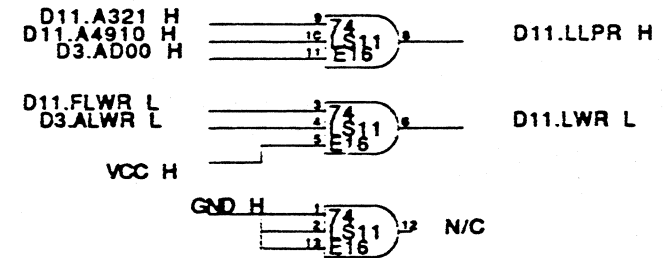
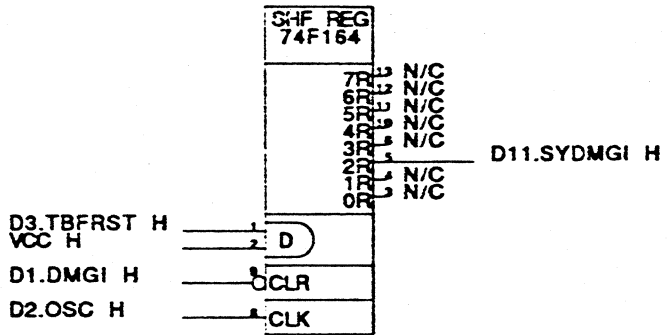
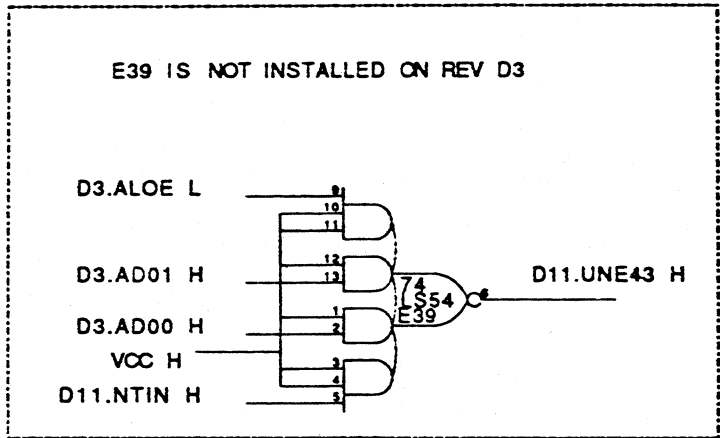
NOTE: ALL CAPACITORS 820PF

DRAWN	JOE O'CALLAGHAN	08/2/88	TITLE CXY08 FILTERING AND PROTECTION DEVICES		
CHK'D	CIARAN MURPHY	08/2/88	NEXT HIGHER ASSEMBLY K-DD-CXY08-0-0		
DES. ENG'R	TADHG CREEDON	08/2/88	TOP DOC. NO. K-DD-M3119-0-0		
RESP. ENG'R	JOE O'CALLAGHAN	08/2/88	DOCUMENT NUMBER		
MFG. ENG'R	RORY COOKE	08/2/88	SIZE K	CODE CS	NUMBER M3119-0-0
			SCALE:		REV D
					SHEET 10 OF 12

THIS DOCUMENT CONTAINS INFORMATION PROPRIETARY TO DIGITAL EQUIPMENT CORPORATION (D.E.C.). USE OF OR DISCLOSURE WITHOUT THE WRITTEN PERMISSION OF AN OFFICER OF DIGITAL IS EXPRESSLY FORBIDDEN. COPYRIGHT (C) DIGITAL 1985 .



MKO

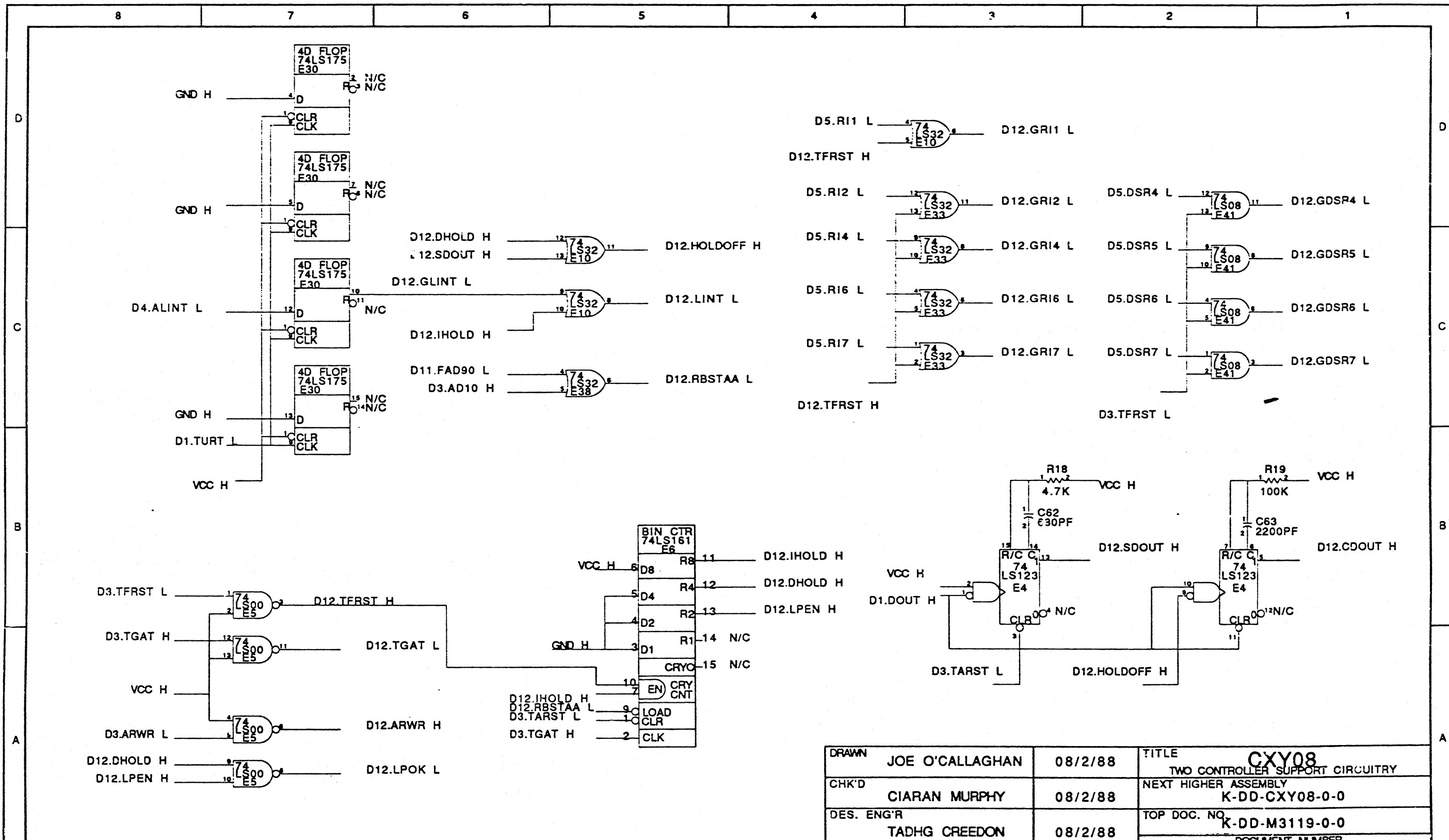


THIS DOCUMENT CONTAINS INFORMATION PROPRIETARY TO DIGITAL EQUIPMENT CORPORATION (D.E.C.). USE OF OR DISCLOSURE WITHOUT THE WRITTEN PERMISSION OF AN OFFICER OF DIGITAL IS EXPRESSLY FORBIDDEN. COPYRIGHT (C) DIGITAL 1985 .

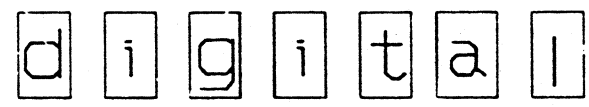
digital

DRAWN	JOE O'CALLAGHAN	08/2/88	TITLE CXY08 TWO CONTROLLER SUPPORT CIRCUITRY		
CHK'D	CIARAN MURPHY	08/2/88	NEXT HIGHER ASSEMBLY K-DD-CXY08-0-0		
DES. ENG'R	TADHG CREEDON	08/2/88	TOP DOC. NO. K-DD-M3119-0-0		
RESP. ENG'R	JOE O'CALLAGHAN	08/2/88	DOCUMENT NUMBER		
MFG. ENG'R	RORY COOKE	08/2/88	SIZE	CODE	NUMBER
			K	CS	M3119-0-0
			SCALE:		REV D
					SHEET 11 OF 12

MKO



THIS DOCUMENT CONTAINS INFORMATION PROPRIETARY TO DIGITAL EQUIPMENT CORPORATION (D.E.C.). USE OR DISCLOSURE WITHOUT THE WRITTEN PERMISSION OF AN OFFICER OF DIGITAL IS EXPRESSLY FORBIDDEN. COPYRIGHT (C) DIGITAL 1985 .



DRAWN	JOE O'CALLAGHAN	08/2/88	TITLE CXY08 TWO CONTROLLER SUPPORT CIRCUITRY		
CHK'D	CIARAN MURPHY	08/2/88	NEXT HIGHER ASSEMBLY K-DD-CXY08-0-0		
DES. ENG'R	TADHG CREEDON	08/2/88	TOP DOC. NO. K-DD-M3119-0-0		
RESP. ENG'R	JOE O'CALLAGHAN	08/2/88	DOCUMENT NUMBER		
MFG. ENG'R	RORY COOKE	08/2/88	SIZE	CODE	NUMBER
			K	CS	M3119-0-0
			SCALE:		REV D
					SHEET 12 OF 12

MKO

DRAWING NO.	NO. SHTS	PART NO.	DESCRIPTION	REVISIONS
K-MD-5018096-0-0	5	5018096-01	ETCHED CIRCUIT BOARD	B1 B1 B1 C1 D1
K-MD-5018096-0-1	5		CIRCUIT DRILL AND ETCH	B B B - -
K-MD-5018096-0-2	5		CIRCUIT DRILL AND ETCH	- - - A -
K-PC-5018096-0-DBV			CIRCUIT DRILL AND ETCH	- - - - A
K-EC-5018096-0-0	3		PC DATA BASE	- - - A B
			ETCH CUT DRAWING	B C D IN IN

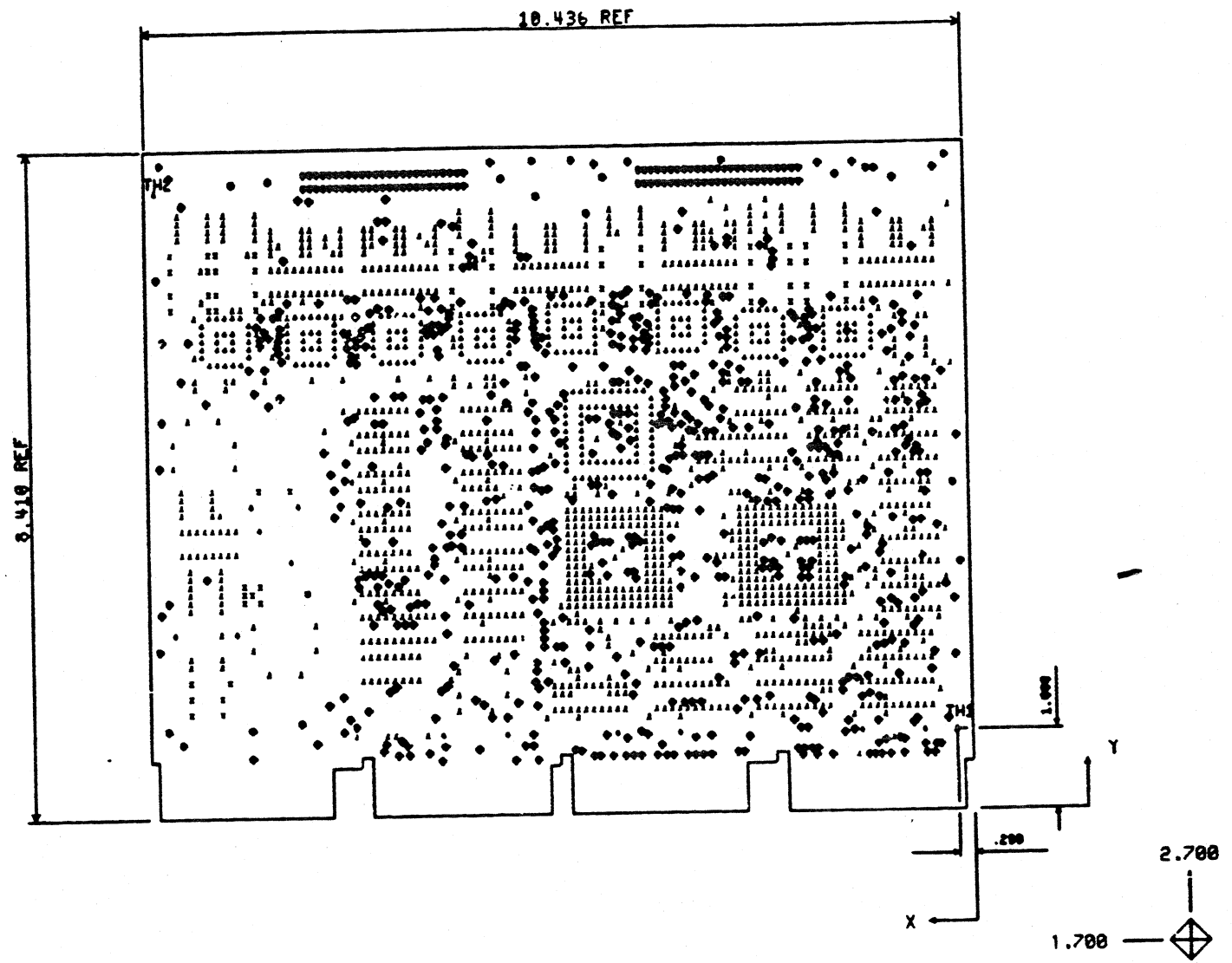
NOTES:
5018096-MK001 IS A RELAYOUT TO CREATE C1 ETCH ONLY.
5018096-MK002 IS A RELAYOUT TO CREATE D1 ETCH ONLY.

R E V I S I O N	H I S T O R Y	B C D E F					
		E C N O	I N I T O	K L O 3	K L O 4	M K O 1	M K O 2
D		1	0	0	1	1	
A		2	1	4	0	2	
T		/	/	/	/	/	
E		8	8	8	8	8	
		7	8	8	8	9	

THIS DRAWING AND THE SPECIFICATIONS CONTAINED
HEREIN ARE CONFIDENTIAL AND PROPRIETARY. THEY
ARE THE PROPERTY OF DIGITAL EQUIPMENT CORPOR-
ATION AND SHALL NOT BE REPRODUCED OR COPIED
OR USED IN WHOLE OR IN PART AS THE BASIS FOR
THE MANUFACTURE OR SALE OF ITEMS WITHOUT WRIT-
TEN PERMISSION. THIS IS AN UNPUBLISHED WORK
PROTECTED UNDER THE FEDERAL COPYRIGHT LAWS.
COPYRIGHT 1989

DRN: K. ST THOMAS	DATE: 02-NOV-89	d i g i t a l	
CHK'D: C. LO VERME	DATE: 02-NOV-89	TITLE ETCHED CIRCUIT BOARD	
DES.ENG.: J. O'CALLAGHAN	DATE: 22-FEB-88	SHEET 1 OF 1	EDIT: 11
RESP.ENG.: S. LOMBARDI	DATE: 22-FEB-88	DOCUMENT NUMBER	
MFG.ENG.: J. CATTLEY	DATE: 22-FEB-88	DD FILENAME: 5018096F.DDF	
		SIZE: K DD	CODE: NUMBER REV 5018096-1-0 F

VIEWED FROM SIDE 1
 COMPONENT SIDE

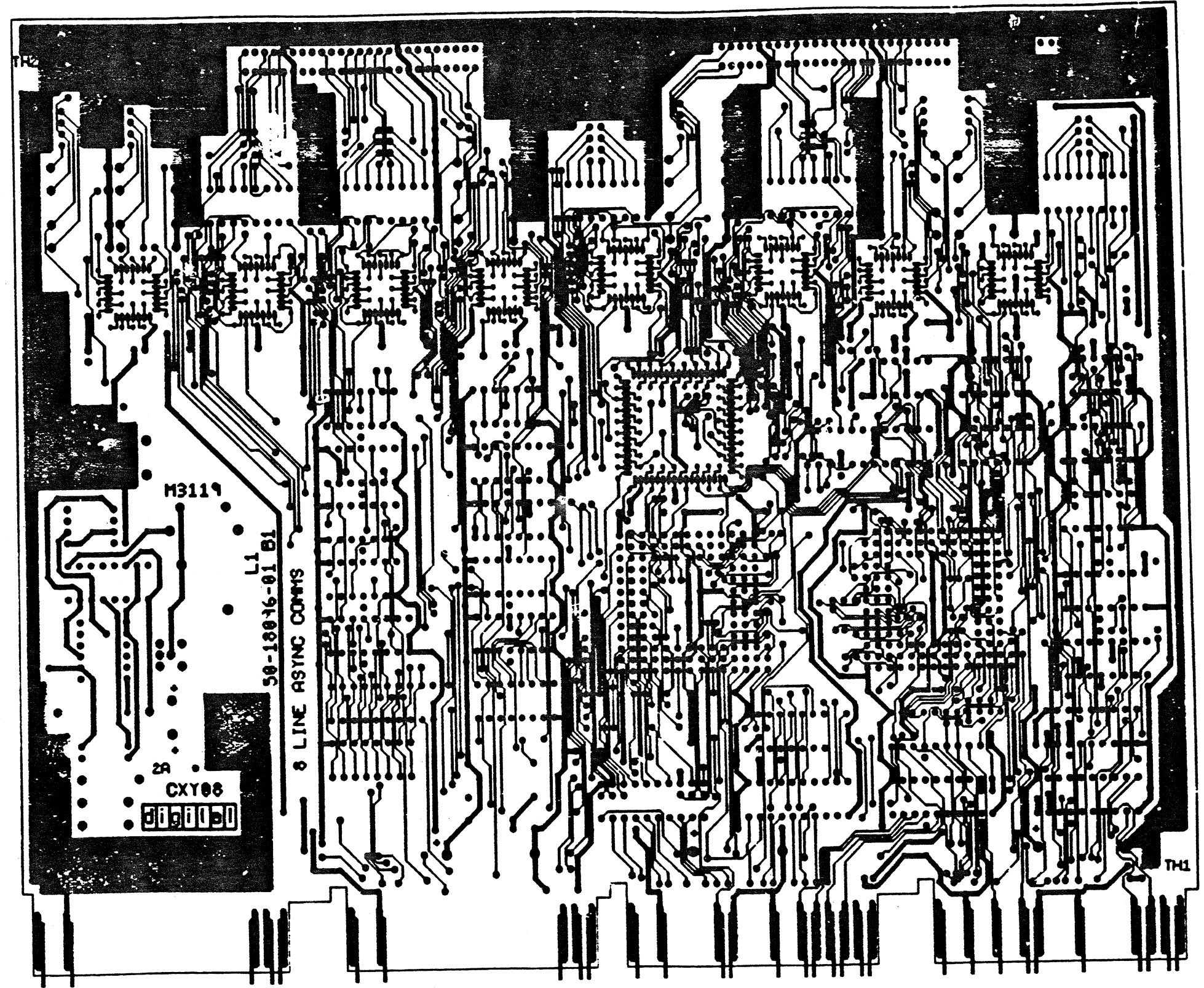


H-MASTER-REF.

FOR HOLE TOLERANCES USE DEC STD 176								DESIGN INFORMATION			FABRICATION INFORMATION			TOLERANCES		
SYMBOL	+	A	X	+	Z	M	A	CIRCUIT SIZE: X 10.436 Y 6.418 INCHES	FABRICATE BOARD PER J-STD-033-2-1	INCHES UNLESS SPECIFIED						
FIN HOLE SIZE	.028	.036	.042	.047	.125	.133	.157	CIRCUIT TYPE: PFC () PTH () ML ()	SOLDER MASK, SIDE 1 () SIDE 2 () NONE ()	.XXX ± .010	ANGLES					
PLATED	X	X	X	X				CONDUIT	IN-CIRCUIT THIEVING () YES THIEVING VOIDS () YES	.XX ± .002	45 DEG 30 MIN					
NON PLATED					X	X	X	TECHNOLOGY: 90 () HDQ2X13 () HD20 () OTHER ()	SPECIFICATIONS AND STANDARDS:	.X ± .100						
BTY.	292	2113	62	12	4	5	2	UL REQUIREMENTS	MATERIALS AND WORKMANSHIP FOR ALL FABRICATED PRINTED WIRING	SIGNATURES		DATE				
○=OFF GRID HOLE	0	791	0	0	4	4	0	CIRCUIT OUTLINE & FINGER DETAIL () NO () YES ()	BOARDS MUST MEET OR EXCEED THE REQUIREMENTS OF DEC STD 176	DRN: C.IVE		21-00-00				
DRILL SIZE								LAYER CONSTRUCTION	SPECIAL NOTES:	CHK'D: J. NOLAN		21-00-00				
NOTE: ALL HOLE LOCATIONS ARE DESIGNED ON .025 GRID INCREMENTS FROM DATUM UNLESS SYMBOL IS CIRCLED.									ARTWORK LAYOUT: MANUAL () CAD ()			21-00-00				
									ENG SPECIAL FEATURES:			MECH ENG: J. CLAFFEY	21-00-00			
									SPECIAL NOTES:			PROJ ENG: J. O'CALLAHAN	21-00-00			
												HFB ENG: B. DUBOIS	21-00-00			
												SCALE: 1/1	SIZE	CODE	NUMBER	REV
												SHEET 1 OF 3	K	MO	5018096-0-0	B
												TOP DOC. NO: K-00-5018096-0-0	SB/PART REV: 00			
												REZ 1 WOH				

1. THIS DRAWING IS THE PROPERTY OF THE U.S. GOVERNMENT AND IS TO BE REPRODUCED IN WHOLE OR IN PART BY ANYONE AT ANY TIME WITHOUT PERMISSION OF THE U.S. GOVERNMENT.

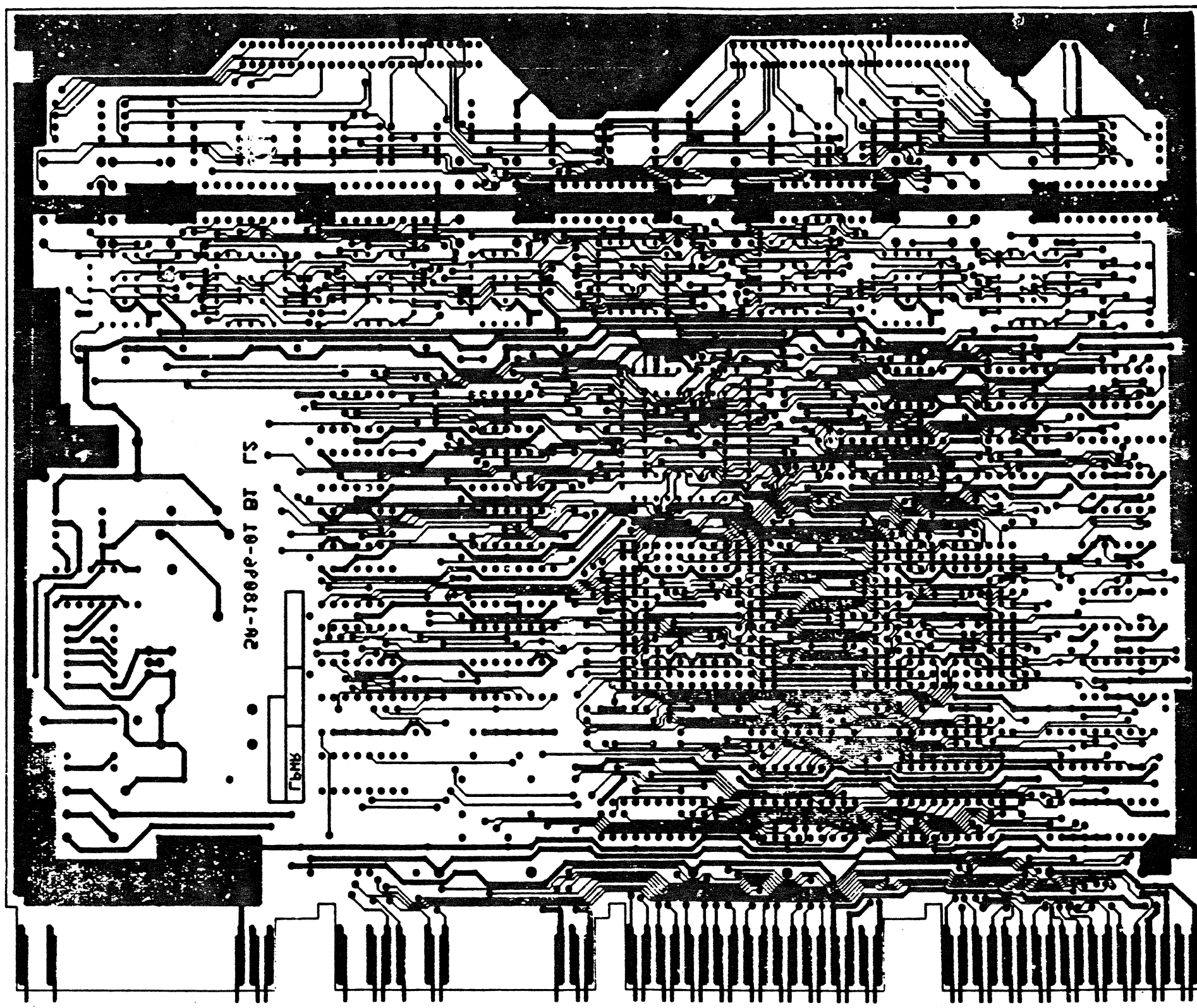
COMPONENT SIDE VIEW



REVISION HISTORY							DOCUMENT NUMBER		
ECO NUMBER	DATE						REV	REV	
						CIRCUIT DRILL AND ETCH DRAWING	K MD	5013016-0-0	B
							REV 2/1	REV 2	REV 3
								REV 1	MS#
8		7		6		3		2	

THIS DRAWING IS THE PROPERTY OF THE UNITED STATES GOVERNMENT AND IS LOANED TO YOU. IT AND ITS CONTENTS ARE NOT TO BE DISTRIBUTED OUTSIDE YOUR ORGANIZATION.

COMPONENT SIDE VIEW

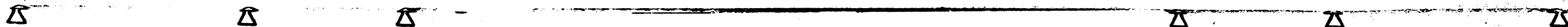


REVISION HISTORY
 ECD NUMBER DATE

8	7	6	5	4	3	2
---	---	---	---	---	---	---

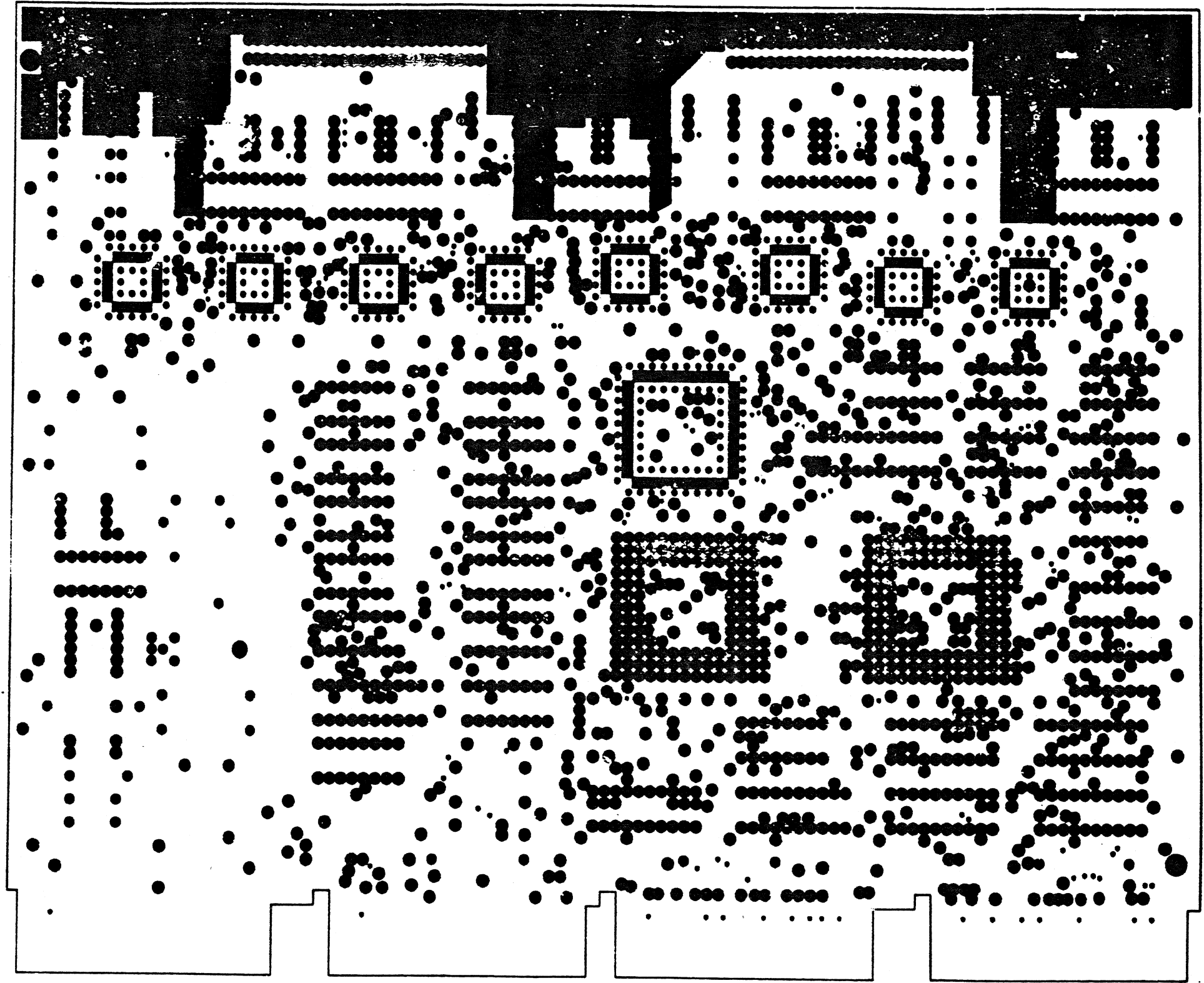
CIRCUIT DRILL AND
 ETCH DRAWING

DOCUMENT NUMBER			
REV	CODE	NUMBER	REV
K	MD	5018096-0-0	B
SHEET	2/1	SHEET	3 OF 3
REZ		1 MS#	



... AND ...
 ...
 ...
 ...

SIDE 1 SOLDERMASK

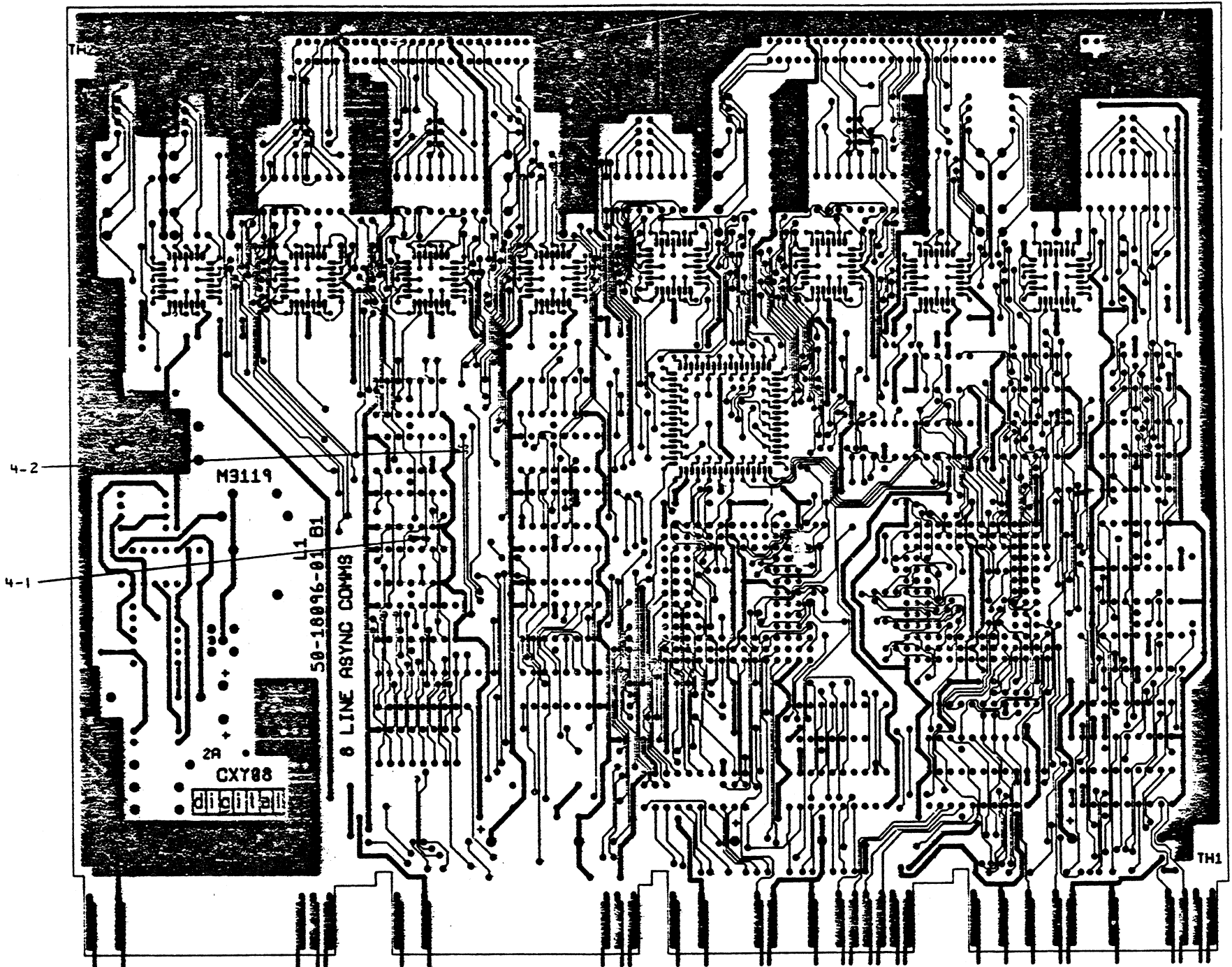


REVISION HISTORY	
ECO NUMBER	DATE

8	7	6	5	4	3	TITLE SOLDER MASK DRAWING	DOCUMENT NUMBER REV 5010096-0-0 B
						REV: BI	REV: 22

THIS DRAWING AND SPECIFICATIONS, HEREIN, ARE THE PROPERTY OF DIGITAL EQUIPMENT CORPORATION AND SHALL NOT BE REPRODUCED OR COPIED IN WHOLE OR IN PART AS THE BASIS FOR THE MANUFACTURE OR SALE OF ITEMS WITHOUT WRITTEN PERMISSION.
 COPYRIGHT © 1986 DIGITAL EQUIPMENT CORPORATION

COMPONENT SIDE VIEW



CHK	DRAWN BY	ENGINEER	CHANGE NO	DATE	REV
	D. JANUSKIEWICZ	J. NOLAN	K1503	2-19-88	C
	H. DENSMORE	J. NOLAN	K1004	3-15-88	D

CHK	DRAWN BY	ENGINEER	CHANGE NO	DATE	REV

NOTES:

STEP E → Y AXIS 1.318 STEP 1 TIMES

REPEAT → X AXIS 18.336 STEP 1 TIMES

ETCH REV. B1

SIGNATURES		DATE	digital
DRN. C. IVE		21-08-88	
CHK. D. J. NOLAN		21-08-88	
MECH. ENG. J. CLAFFEY		21-08-88	
PROJ. ENG. J. O'CALLAGHAN		21-08-88	
PROD. R. COOKE		11-08-88	
SCALE 2/1	SIZE CODE	NUMBER	REV
SMT. 1 OF 3	K EC	5018096-0-0	D
NEXT HIGHER ASSY. K-00-5018096-0-0			

8 7 6 5 4 3 2 1

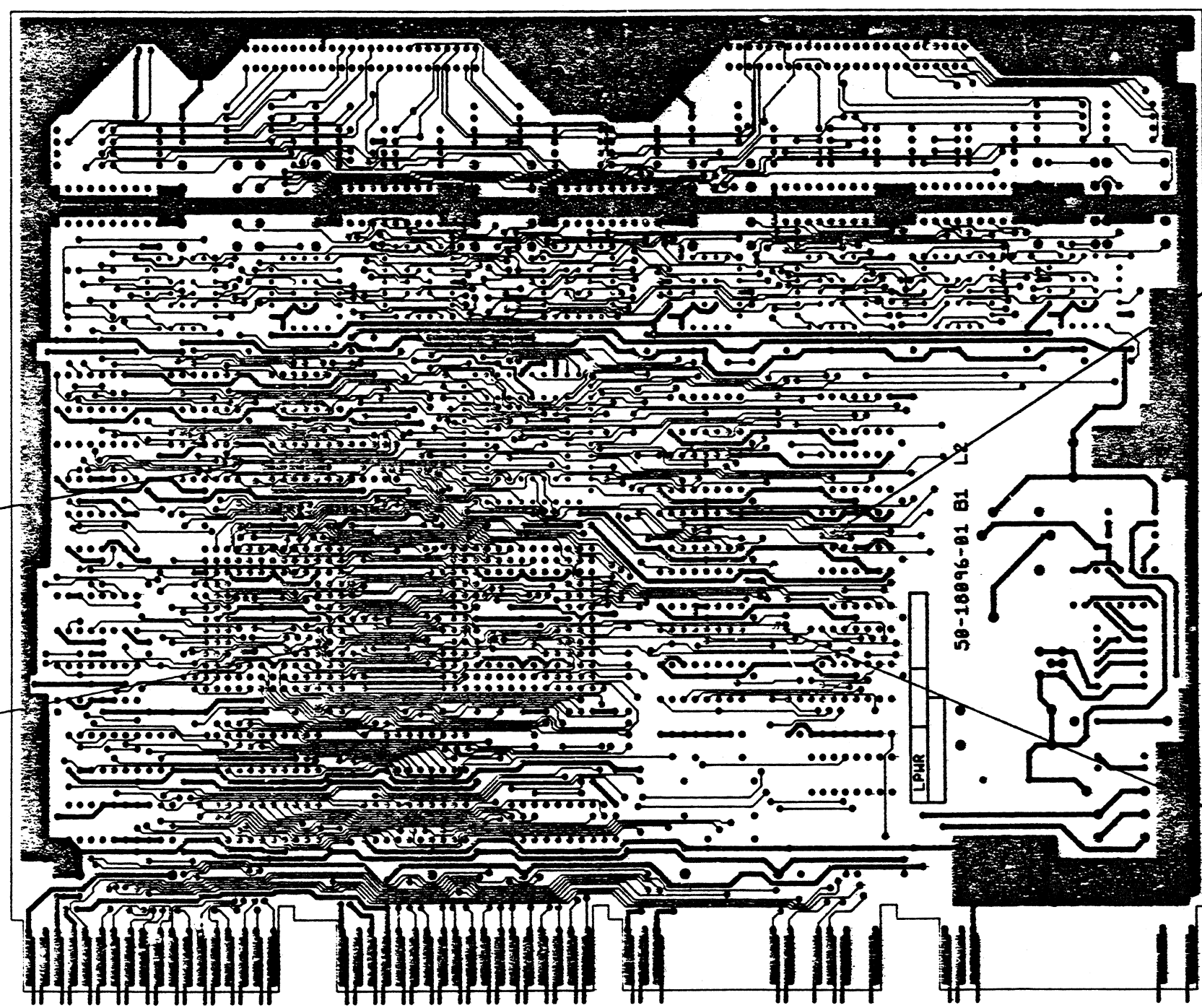
D C B A

50-18096-0-0 K EC 2

REZ 1 WC#

THIS DRAWING AND SPECIFICATIONS, HEREIN, ARE THE PROPERTY OF SPECTRA EQUIPMENT CORPORATION AND SHALL NOT BE REPRODUCED OR COPIED IN WHOLE OR IN PART FOR THE PURPOSES OF THE MANUFACTURE OR SALE OF ITEMS WITHOUT SPECTRA EQUIPMENT CORPORATION'S WRITTEN PERMISSION. SPECTRA EQUIPMENT CORPORATION © 1986

ETCH SIDE VIEW



REVISION HISTORY		
REV	ECO NUMBER	DATE

TITLE
ETCH CUT DRAWING

DOCUMENT NUMBER			
SIZE	CODE	PAPER	REV
K	EC	5010096-0-0	D
SCALE	2/1	SHEET 2	OF 3

RE2 1 WO#

0 0-0-9609T05 K EC 2 1

5010096-0-0
K EC

8

D 0-0-960809 KEC 5018096-0-0

6

5

4

3

2

1

THIS DRAWING AND THE SPECIFICATIONS CONTAINED HEREIN ARE CONFIDENTIAL AND PROPRIETARY. THEY ARE THE PROPERTY OF DIGITAL EQUIPMENT CORPORATION AND SHALL NOT BE REPRODUCED OR COPIED OR USED IN WHOLE OR IN PART AS THE BASIS FOR MANUFACTURE OR SALE OF ITEMS WITHOUT WRITTEN PERMISSION. THIS IS AN UNPUBLISHED WORK PROTECTED UNDER THE FEDERAL COPYRIGHT LAWS.

D

REWORK INSTRUCTIONS:

FOR M3119-KL003

ETCH CUT

1.1 SIDE 2, CUT TRACE BETWEEN E14-32 AND E23-98.

REWORK INSTRUCTIONS: M3119-KL004.

ETCH CUTS SIDE 1:

4-1 MAKE A CUT TO THE ETCH DISCONNECTING E40 PIN 10 FROM E38 PIN 10.

4-2 MAKE A CUT TO THE ETCH CONNECTING TO E40 PIN 8. (CUT SHOULD BE MADE NEAR PIN).

ETCH CUTS SIDE 2:

4-3 MAKE A CUT TO THE ETCH DISCONNECTING E40 PIN 6 FROM E10 PIN 2.

4-4 MAKE A CUT TO THE ETCH DISCONNECTING E39 PIN 6 FROM E40 PIN 1.

4-5 MAKE A CUT TO THE ETCH CONNECTING TO E40 PIN 9. (CUT SHOULD BE MADE NEAR PIN).

C

B

A

D

C

B

A

REV D

5018096-0-0

KEC

REV D

REVISION HISTORY		
REV	ECO NUMBER	DATE

DRD 1300 04-0285-16-REV A (8)

7

6

5

4

3

2

1

TITLE ETCH CUT DRAWING

DOCUMENT NUMBER		
SIZE CODE	NUMBER	REV
KEC	5018096-0-0	D
SCALE NONE		SHEET 3 OF 3

LINE ITEM	TOP DOCUMENT	PART NUMBER	MIN REV	DESCRIPTION	QUANTITY PER VARIATION/REVISION
1	1	BC19N-12		12FT,50P CHAMP TO 4 25P DSUB,44 WI	2

REVISION HISTORY		KPL MATRIX FORMAT		SECTION A OF A	DRN: C.IVE	DIGITAL					
ENG	ECO NUMBER	REV	SECTION/VARIATION INDEX		DATE: 04-FEB-87						
---	INITIAL	A	[A]	01	CHK'D: P.DAMPIER	TITLE PARTS LIST					
			[B]		DATE: 04-FEB-87	CXY08					
			[C]		DES.ENG: T.CREEDON	CABLE CONCENTRATOR KIT					
			[D]		DATE: 04-FEB-87	DOCUMENT NUMBER					
			[E]			SIZE	CODE	NUMBER	REV		
			[F]		RESP.ENG.: J.O'CALLAGHAN						
			[H]		DATE: 04-FEB-87	K	PL	7024314-0-DBP	A		
			[J]		MFG.ENG: R.COOKIE	RELEASE DATE: 23-APR-87					
					DATE: 04-FEB-87	RELEASE STATUS: RELEASED					
					BASIC PART NUMBER: 7024314	ASSEMBLY NUMBER:		TOP DOCUMENT NUMBER: K-PL-7024314-0-DBP		FILE NAME: 7024314A1.PLS	EDIT #: 11

THIS DRAWING AND THE SPECIFICATIONS CONTAINED HEREIN ARE CONFIDENTIAL AND PROPRIETARY. THEY ARE THE PROPERTY OF DIGITAL EQUIPMENT CORPORATION AND SHALL NOT BE REPRODUCED OR COPIED OR USED IN WHOLE OR IN PART AS THE BASIS FOR THE MANUFACTURE OR SALE OF ITEMS WITHOUT WRITTEN PERMISSION. THIS IS AN UNPUBLISHED WORK PROTECTED UNDER THE FEDERAL COPYRIGHT LAWS.

AUTOMATED BY VAXKPL (V2.1)

OWNER: BXC
MIN
REV

P A R T S L I S T

SHEET A1

OF A1

PAGE 1 OF 1

QUANTITY PER VARIATION/REVISION

LINE	ITEM	TOP DOCUMENT	PART NUMBER	DESCRIPTION	01 A02	02 A03
1	1	D-AD-7023981-0-DBU	70-23981-01	BULKHEAD FRONT ASSY	-	1
2	2	C-AD-7024071-0-DBU	70-24071-01	PANEL, GAP FILLER ASSY	2	-
3	3	A-PS-3618460-0-0	36-18460-06	*** THIS ITEM IS NOT USED ***	-	-
4	4		99-07978-01	FOL,B,200PSI S-GRAPHICS	1	1
5	5		99-06200-00	FILM,ANTISTATIC CELLULAR	A/R	A/R
6	6	SEE NOTE # 6	36-26883-01	LABEL,MODULE NUMBER,S-BOX,BLANK	-	2
7	7		99-06557-10	BAG,POLY RECLOSE 2 MIL THK CLEAR	-	1

6 NOTE: PLACE ITEM 6(36-26883-01) IN POLY BAG (ITEM 7)

1 GEN: THE SHIP'G CARTON IS REQUIRED TO HAVE NECESSARY IDENT MARK'G STD 178. METHOD OF MARK'G IS PER MFG'S DISCRETION

REVISION HISTORY			KPL MATRIX FORMAT		SECTION A OF A		DRN: PAUL GAGNE		D I G I T A L			
ENG	ECO NUMBER	REV	SECTION/VARIATION INDEX		DATE: 19-DEC-86		CHK'D: D. HEALY		TITLE PARTS LIST			
---	INITIAL	A	[A]	01,02	DATE: 01-MAY-87		DATE: 01-MAY-87		KIT, BULKHEAD PANEL			
WK	7024505-ML001	B	[B]		DES.ENG: W. KERCHNER		DATE: 01-MAY-87		DOCUMENT NUMBER			
WK	7024505-BXC002	C	[C]		RESP.ENG.: W. KERCHNER		DATE: 01-MAY-87		SIZE	CODE	NUMBER	REV
			[D]		MFG.ENG: R. MCCLAIN		DATE: 01-MAY-87		K	PL	7024505-0-DBP	C
			[E]		RELEASE DATE: 29-NOV-89		RELEASE STATUS: RELEASED					
			[F]		BASIC PART NUMBER:		ASSEMBLY NUMBER:		TOP DOCUMENT NUMBER:		EDIT #	
			[G]		7024505				K-PL-7024505-0-DBP		2	
			[H]		FILE NAME: MLA1057C.PLS							
			[J]									

"THIS DRAWING AND THE SPECIFICATIONS CONTAINED HEREIN ARE CONFIDENTIAL AND PROPRIETARY. THEY ARE THE PROPERTY OF DIGITAL EQUIPMENT CORPORATION AND SHALL NOT BE REPRODUCED OR COPIED OR USED IN WHOLE OR IN PART AS THE BASIS FOR THE MANUFACTURE OR SALE OF ITEMS WITHOUT WRITTEN PERMISSION. THIS IS AN UNPUBLISHED WORK PROTECTED UNDER THE FEDERAL COPYRIGHT LAWS."