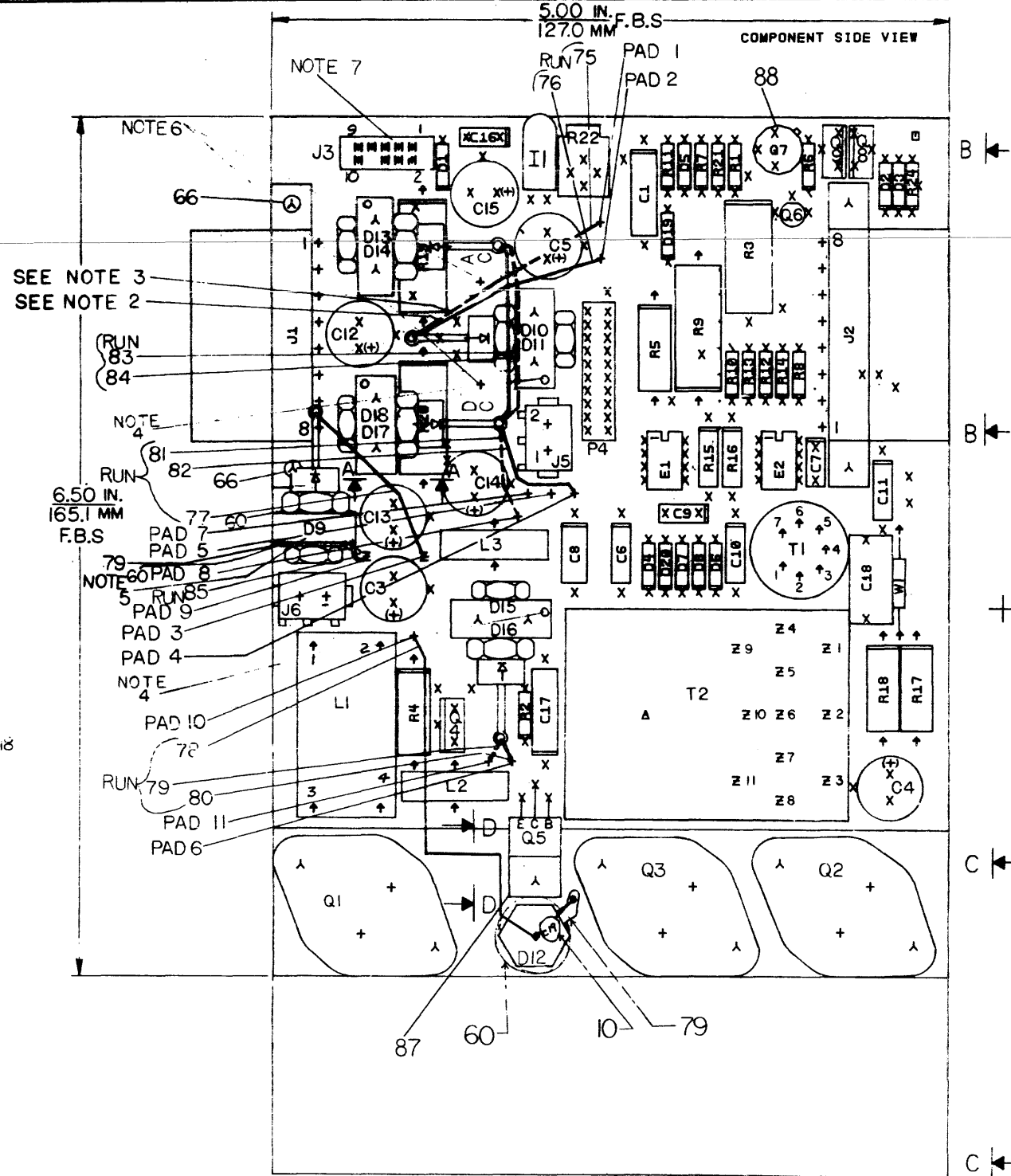
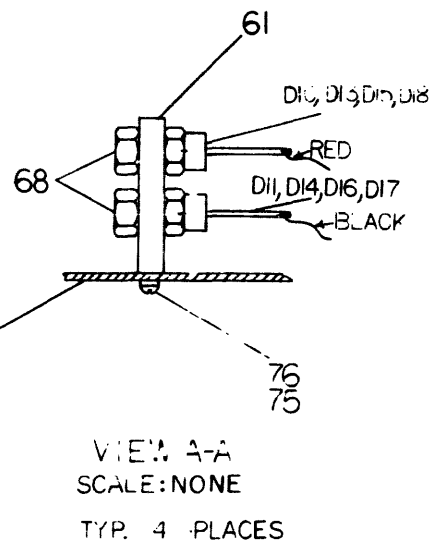
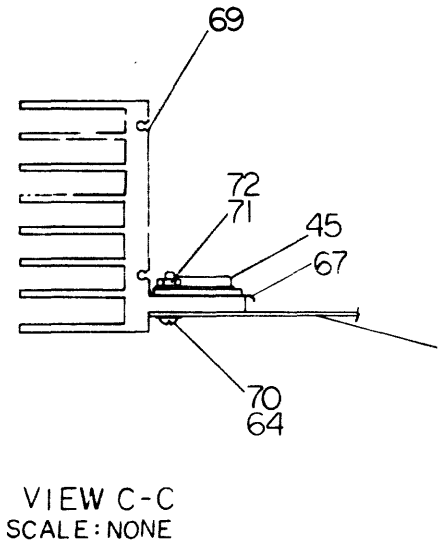
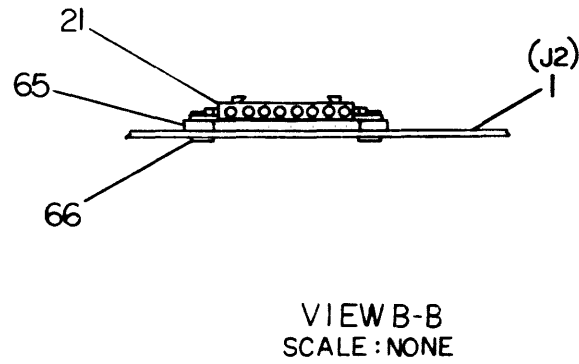
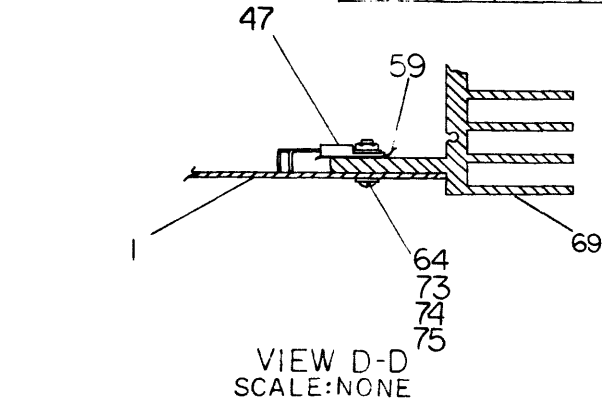




WIRE TABLE						
ITEM NO	RUN NO	DESCRIPT.	FROM	TO	LENGTH	
77	75	18TWP BLK	D 11 ANODE	PAD 1	PAD 1	4.50
	76	18 RED	D 10 ANODE	PAD 2	PAD 2	4.50
	77	18 RED	D 9 CATHODE	PAD 3	PAD 3	3.00
	78	18 RED	D 12 CATHODE	PAD 10	PAD 10	3.75
77	79	18TWP BLK	D 16 ANODE	PAD 11	PAD 11	1.50
	80	18 RED	D 15 ANODE	PAD 6	PAD 6	2.00
	81	18TWP BLK	D 17 CATHODE	PAD 8	PAD 7	2.75
	82	18 RED	D 18 CATHODE	PAD 4	PAD 5	2.75
77	83	18TWP RED	D 13 ANODE	D 18 CATHODE	D 18 CAT	3.50
	84	18TWP BLK	D 14 ANODE	D 17 CATHODE	D 17 CAT	3.50
	85	18 BLK	D 9 ANODE	PAD 9	PAD 9	3.00

UNTWIST ITEM NO. 77 AND USE PROPER CCLOR.



NOTES:
 1. SEE SHEET 4 OF 4 FOR DIODE WIRING.
 2. SOLID LINE INDICATES WIRE FROM THE TOP DIODE.
 3. DASHED LINE INDICATES WIRE FROM BOTTOM DIODE.
 4. TAPPED HOLE AT TOP OF HEATSINKS MUST FACE PROPER WAY TO ALLOW INSERTION OF CARD GUIDE.

NOTES:
 6. SOLDER ITEM NO. 55 AC, DC CABLE TO REGULATOR BOARD RED WIRE TO PTH MARKED DC, BLACK WIRE TO PTH MARKED AC.
 7. INSERT ON TO J3 ITEM NO. 58.

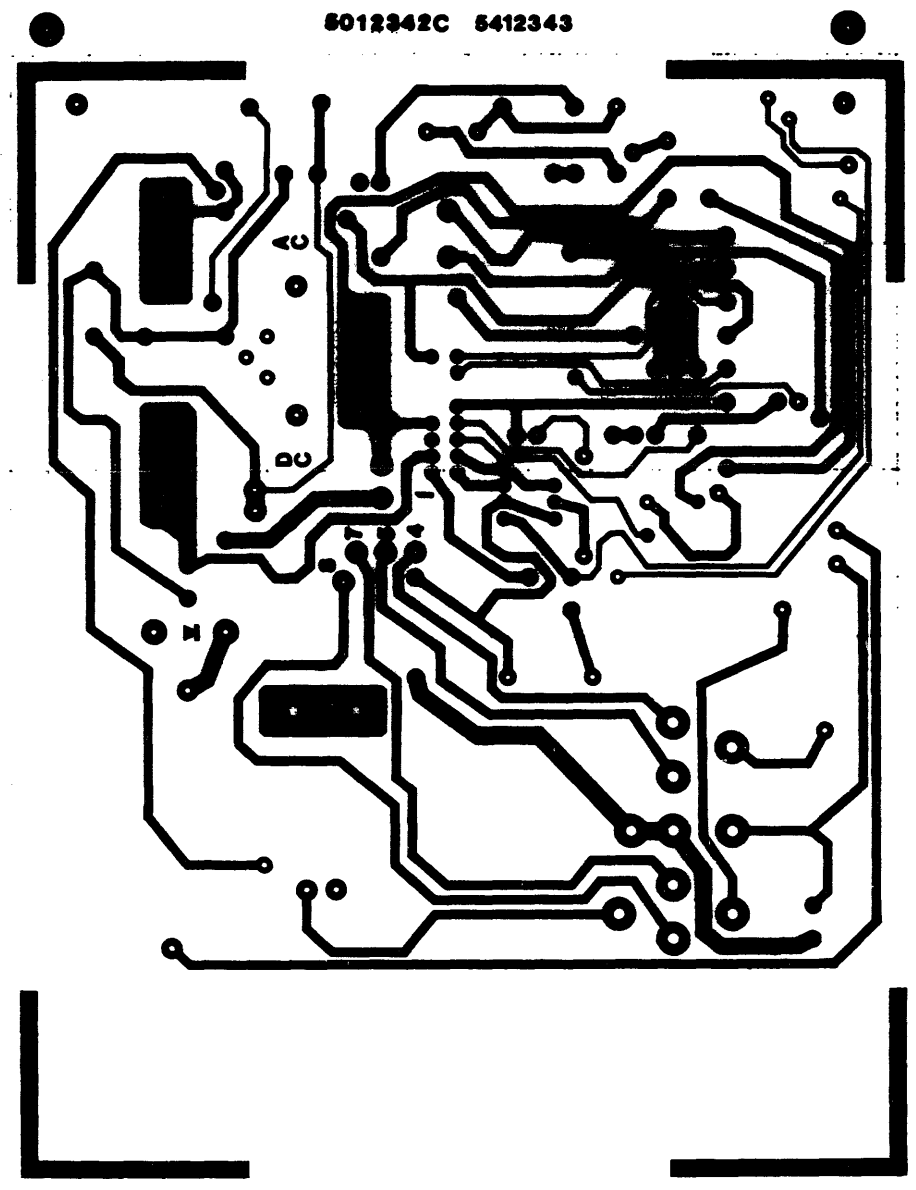
CHK	CHANGE NO.	REV
K. J. POTTER	1	C
K. J. POTTER	2	C
K. J. POTTER	3	C
K. J. POTTER	4	C
K. J. POTTER	5	C
K. J. POTTER	6	C
K. J. POTTER	7	C
K. J. POTTER	8	C
K. J. POTTER	9	C
K. J. POTTER	10	C
K. J. POTTER	11	C
K. J. POTTER	12	C
K. J. POTTER	13	C
K. J. POTTER	14	C
K. J. POTTER	15	C
K. J. POTTER	16	C
K. J. POTTER	17	C
K. J. POTTER	18	C
K. J. POTTER	19	C
K. J. POTTER	20	C
K. J. POTTER	21	C
K. J. POTTER	22	C
K. J. POTTER	23	C
K. J. POTTER	24	C
K. J. POTTER	25	C
K. J. POTTER	26	C
K. J. POTTER	27	C
K. J. POTTER	28	C
K. J. POTTER	29	C
K. J. POTTER	30	C
K. J. POTTER	31	C
K. J. POTTER	32	C
K. J. POTTER	33	C
K. J. POTTER	34	C
K. J. POTTER	35	C
K. J. POTTER	36	C
K. J. POTTER	37	C
K. J. POTTER	38	C
K. J. POTTER	39	C
K. J. POTTER	40	C
K. J. POTTER	41	C
K. J. POTTER	42	C
K. J. POTTER	43	C
K. J. POTTER	44	C
K. J. POTTER	45	C
K. J. POTTER	46	C
K. J. POTTER	47	C
K. J. POTTER	48	C
K. J. POTTER	49	C
K. J. POTTER	50	C
K. J. POTTER	51	C
K. J. POTTER	52	C
K. J. POTTER	53	C
K. J. POTTER	54	C
K. J. POTTER	55	C
K. J. POTTER	56	C
K. J. POTTER	57	C
K. J. POTTER	58	C
K. J. POTTER	59	C
K. J. POTTER	60	C
K. J. POTTER	61	C
K. J. POTTER	62	C
K. J. POTTER	63	C
K. J. POTTER	64	C
K. J. POTTER	65	C
K. J. POTTER	66	C
K. J. POTTER	67	C
K. J. POTTER	68	C
K. J. POTTER	69	C
K. J. POTTER	70	C
K. J. POTTER	71	C
K. J. POTTER	72	C
K. J. POTTER	73	C
K. J. POTTER	74	C
K. J. POTTER	75	C
K. J. POTTER	76	C
K. J. POTTER	77	C
K. J. POTTER	78	C
K. J. POTTER	79	C
K. J. POTTER	80	C
K. J. POTTER	81	C
K. J. POTTER	82	C
K. J. POTTER	83	C
K. J. POTTER	84	C
K. J. POTTER	85	C

REVISIONS	DATE	BY	REASON
1	1-3-77	K. J. POTTER	INITIAL DESIGN
2	1-3-77	K. J. POTTER	REVISED
3	2-8-76	K. J. POTTER	REVISED
4	2-8-76	K. J. POTTER	REVISED
5	2-8-76	K. J. POTTER	REVISED
6	2-8-76	K. J. POTTER	REVISED
7	2-8-76	K. J. POTTER	REVISED
8	2-8-76	K. J. POTTER	REVISED
9	2-8-76	K. J. POTTER	REVISED
10	2-8-76	K. J. POTTER	REVISED
11	2-8-76	K. J. POTTER	REVISED
12	2-8-76	K. J. POTTER	REVISED
13	2-8-76	K. J. POTTER	REVISED
14	2-8-76	K. J. POTTER	REVISED
15	2-8-76	K. J. POTTER	REVISED
16	2-8-76	K. J. POTTER	REVISED
17	2-8-76	K. J. POTTER	REVISED
18	2-8-76	K. J. POTTER	REVISED
19	2-8-76	K. J. POTTER	REVISED
20	2-8-76	K. J. POTTER	REVISED
21	2-8-76	K. J. POTTER	REVISED
22	2-8-76	K. J. POTTER	REVISED
23	2-8-76	K. J. POTTER	REVISED
24	2-8-76	K. J. POTTER	REVISED
25	2-8-76	K. J. POTTER	REVISED
26	2-8-76	K. J. POTTER	REVISED
27	2-8-76	K. J. POTTER	REVISED
28	2-8-76	K. J. POTTER	REVISED
29	2-8-76	K. J. POTTER	REVISED
30	2-8-76	K. J. POTTER	REVISED
31	2-8-76	K. J. POTTER	REVISED
32	2-8-76	K. J. POTTER	REVISED
33	2-8-76	K. J. POTTER	REVISED
34	2-8-76	K. J. POTTER	REVISED
35	2-8-76	K. J. POTTER	REVISED
36	2-8-76	K. J. POTTER	REVISED
37	2-8-76	K. J. POTTER	REVISED
38	2-8-76	K. J. POTTER	REVISED
39	2-8-76	K. J. POTTER	REVISED
40	2-8-76	K. J. POTTER	REVISED
41	2-8-76	K. J. POTTER	REVISED
42	2-8-76	K. J. POTTER	REVISED
43	2-8-76	K. J. POTTER	REVISED
44	2-8-76	K. J. POTTER	REVISED
45	2-8-76	K. J. POTTER	REVISED
46	2-8-76	K. J. POTTER	REVISED
47	2-8-76	K. J. POTTER	REVISED
48	2-8-76	K. J. POTTER	REVISED
49	2-8-76	K. J. POTTER	REVISED
50	2-8-76	K. J. POTTER	REVISED
51	2-8-76	K. J. POTTER	REVISED
52	2-8-76	K. J. POTTER	REVISED
53	2-8-76	K. J. POTTER	REVISED
54	2-8-76	K. J. POTTER	REVISED
55	2-8-76	K. J. POTTER	REVISED
56	2-8-76	K. J. POTTER	REVISED
57	2-8-76	K. J. POTTER	REVISED
58	2-8-76	K. J. POTTER	REVISED
59	2-8-76	K. J. POTTER	REVISED
60	2-8-76	K. J. POTTER	REVISED
61	2-8-76	K. J. POTTER	REVISED
62	2-8-76	K. J. POTTER	REVISED
63	2-8-76	K. J. POTTER	REVISED
64	2-8-76	K. J. POTTER	REVISED
65	2-8-76	K. J. POTTER	REVISED
66	2-8-76	K. J. POTTER	REVISED
67	2-8-76	K. J. POTTER	REVISED
68	2-8-76	K. J. POTTER	REVISED
69	2-8-76	K. J. POTTER	REVISED
70	2-8-76	K. J. POTTER	REVISED
71	2-8-76	K. J. POTTER	REVISED
72	2-8-76	K. J. POTTER	REVISED
73	2-8-76	K. J. POTTER	REVISED
74	2-8-76	K. J. POTTER	REVISED
75	2-8-76	K. J. POTTER	REVISED
76	2-8-76	K. J. POTTER	REVISED
77	2-8-76	K. J. POTTER	REVISED
78	2-8-76	K. J. POTTER	REVISED
79	2-8-76	K. J. POTTER	REVISED
80	2-8-76	K. J. POTTER	REVISED
81	2-8-76	K. J. POTTER	REVISED
82	2-8-76	K. J. POTTER	REVISED
83	2-8-76	K. J. POTTER	REVISED
84	2-8-76	K. J. POTTER	REVISED
85	2-8-76	K. J. POTTER	REVISED

SIGNATURES	DATE	TITLE
DRN <i>[Signature]</i>	2-8-76	digital
CHK'D. <i>[Signature]</i>	3-77	
ENG. <i>[Signature]</i>	1-3-77	H785 BATTERY
PROJ. ENG. <i>[Signature]</i>	1-3-77	BACKUP REGULATOR
PROD. <i>[Signature]</i>	2-8-77	
SCALE 2-1		SIZE CODE NUMBER
SHT. 1 OF 5		0 UA 5412343-0-E
NEXT HIGHER ASSY. B-DD-5412343-0		

THIS DRAWING AND SPECIFICATIONS HEREIN ARE THE PROPERTY OF DIGITAL EQUIPMENT CORPORATION AND SHALL NOT BE REPRODUCED OR COPIED OR USED IN WHOLE OR IN PART AS THE BASIS FOR THE MANUFACTURE OR SALE OF ITEMS WITHOUT WRITTEN PERMISSION. COPYRIGHT © 1977 DIGITAL EQUIPMENT CORPORATION.

8012342C 5412343

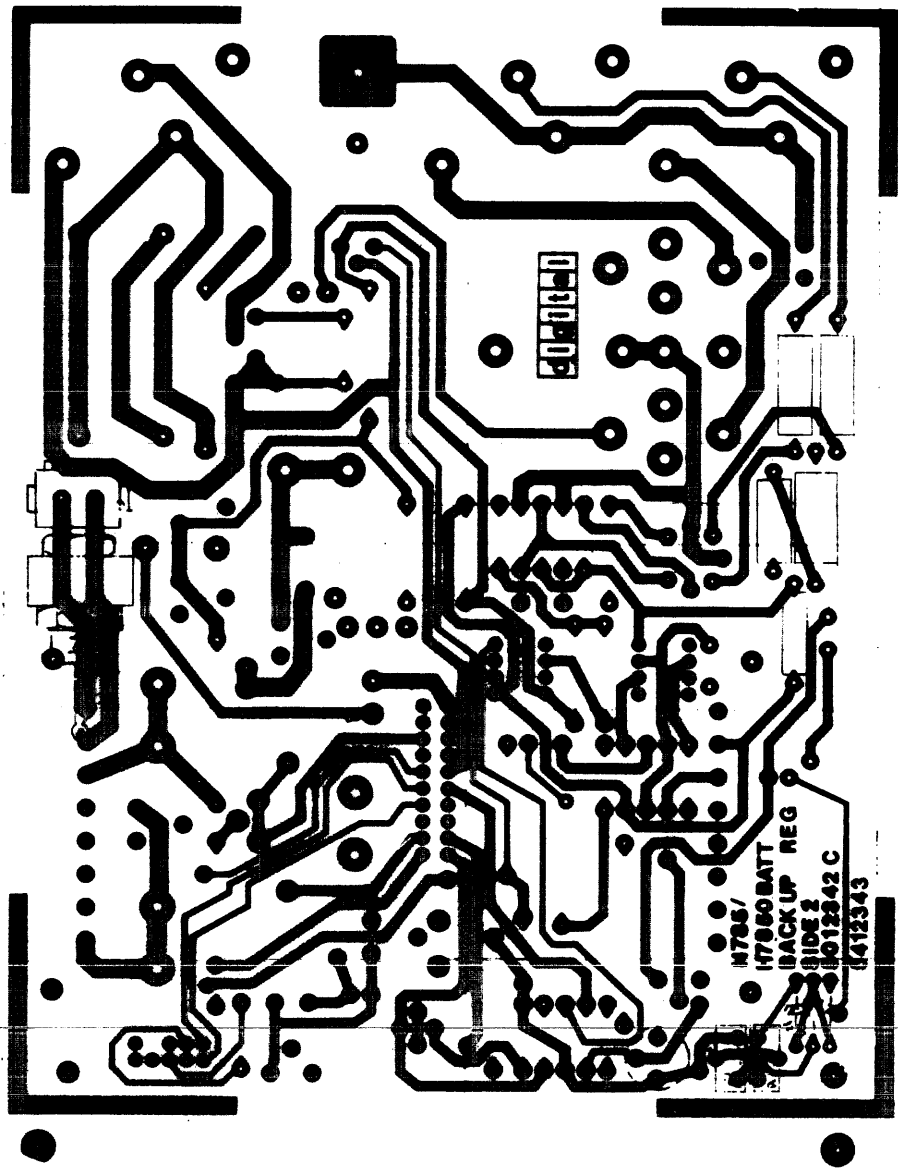


REV.	DATE	BY	CHKD.

TITLE	H785 BATTERY BACKUP REGULATOR	SIZE CODE	D LIA	NUMBER	5412343-0-0	REV.	
SCALE	2/1"	SHEET	2 OF 5	DIST.			

REV. E	NUMBER 5412343-0-0	SIZE CODE DUA	TITLE H785 BATTERY BACKUP REGULATOR	SCALE 2/1	SHEET 3 OF 5	DIST.
--------	--------------------	---------------	-------------------------------------	-----------	--------------	-------

REV.	CHANGE NO.	CHK.



THIS DRAWING AND SPECIFICATIONS ARE THE PROPERTY OF DIGITAL EQUIPMENT CORPORATION AND SHALL NOT BE REPRODUCED OR USED IN ANY MANNER WITHOUT WRITTEN PERMISSION. COPYRIGHT © 1977 DIGITAL EQUIPMENT CORPORATION.

REV. E	NUMBER 5412343-0-0	SIZE CODE DUA	TITLE H785 BATTERY BACKUP REGULATOR	SCALE 2/1	SHEET 3 OF 5	DIST.
--------	--------------------	---------------	-------------------------------------	-----------	--------------	-------

8

7

6

5

4

3

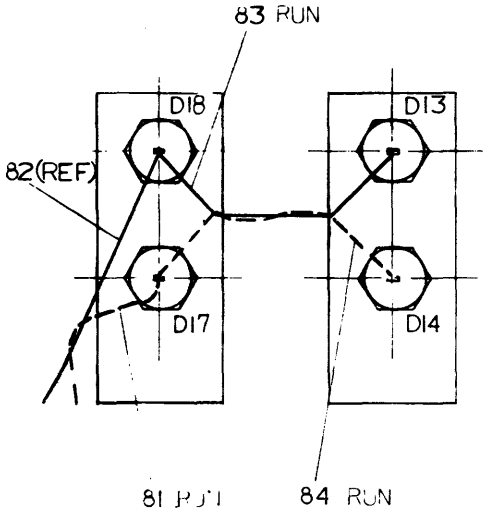
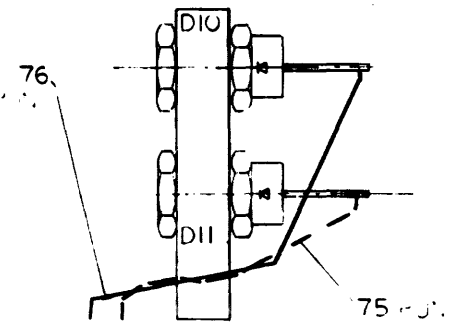
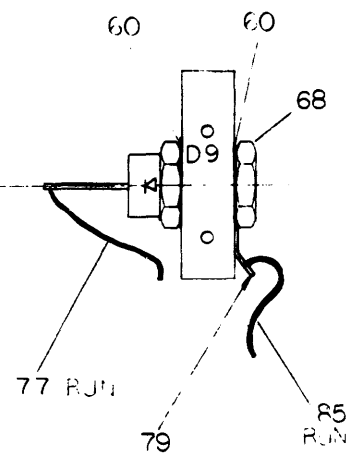
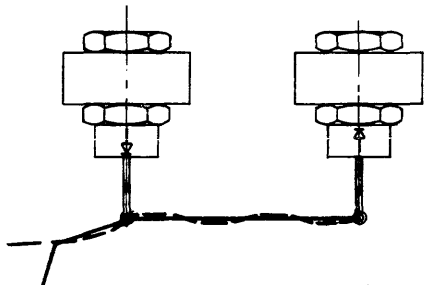
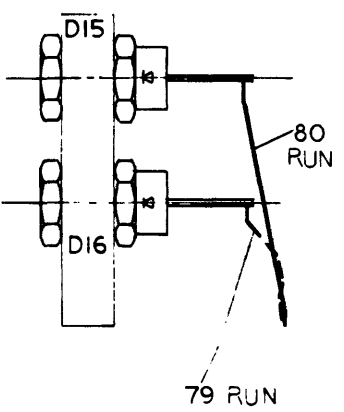
1

REV. E DUA 5412343-0-0

"THIS DRAWING AND SPECIFICATIONS HEREBY ARE THE PROPERTY OF DIGITAL EQUIPMENT CORPORATION AND SHALL NOT BE REPRODUCED OR COPIED OR USED IN WHOLE OR IN PART AS THE BASIS FOR THE MANUFACTURE OR SALE OF ITEMS WITHOUT WRITTEN PERMISSION. COPYRIGHT © 1976 DIGITAL EQUIPMENT CORPORATION"

NOTES:
1. WIRING INFORMATION IS ON SHEET 1 OF 4.

2. DIODES TO BE ASSEMBLED TO HEAT-SINKS AND WIRED AS SHOWN BEFORE INSTALLING TO BOARD.



REVISIONS		
CHK	CHANGE NO.	REV.

TITLE	H785 BATTERY BACKUP REGULATOR	SIZE CODE	DUA	NUMBER	5412343-0-0	REV.	E
SCALE	2/1	SHEET	4 OF 5	DIST.			

8

7

6

5

4

3

2

1

REV. E DUA 5412343-0-0

DIGITAL EQUIPMENT CORPORATION PARTS LIST

QUANTITY / VARIATION

NOTES:

MADE BY DATE	D. BILODEAU 6-17-76	CHECKED DATE	R. PUZZO 6-20-76	SECTION
ENG DATE		PROD DATE		ISSUED SECTION

5412343-0-0																				
-------------	--	--	--	--	--	--	--	--	--	--	--	--	--	--	--	--	--	--	--	--

ITEM NO.	DRAWING NO.	PART NO.	DESCRIPTION	QUANTITY	VARIATION	REF DESIGNATION
41		13-00391-00	RESISTOR, 1.5K, 1/4W 5% CC	1		R10
42		1300316	RESISTOR, 470, 1/4, 5% CC	1		R24
43						
45		1510969-00	TRANSISTOR, 2N5038 NPN	3		Q1, Q2, Q3
46		15-10708-00	TRANSISTOR, D45H8 PNP	2		Q4, Q8
47		1512790-00	TRANSISTOR, D44C11 NPN	2		Q5, Q9
48		1511686-00	FET, 2N5433 N.CHNNL	1		Q6
49		1510959-00	TRANSISTOR, 2N3725 NPN	1		Q7
50						
51		1612593-00	INDUCTOR, 500UH	1		L1
52		1613874-00	INDUCTOR, 15UH	2		L2, L3
53		1613876-00	TRANSFORMER BASE DRIVE	1		T1
54		1613875-00	TRANSFORMER POWER	1		T2
55		7013690	AC-DC 2 PIN CABLE	1		
56		1911944-00	IC DEC555	1		E1
57		1910282-00	IC DEC301A	1		E2
58		7013384-ID	DC ON/OFF CABLE	1		
59		1213071-06	INSULATOR TO-220	1		
60		1213071-05	INSULATOR STUD DIODE	3		

E.C.O. NO. _____

THIS DRAWING AND SPECIFICATIONS, HEREIN, ARE THE PROPERTY OF DIGITAL EQUIPMENT CORPORATION AND SHALL NOT BE REPRODUCED OR COPIED OR USED IN WHOLE OR IN PART AS THE BASIS FOR THE MANUFACTURE OR SALE OF ITEMS WITHOUT WRITTEN PERMISSION. COPYRIGHT © 1977 DIGITAL EQUIPMENT CORPORATION	TITLE H785 BATTERY BACKUP REGULATOR	ASSY NO. D-UA-5412343-0-0	SIZE B	CODE PL	NUMBER 5412343-0-0	REV. E
		SHEET 3 OF 5		INSERTION PARTS LIST DATA BASE REV		

DIGITAL EQUIPMENT CORPORATION PARTS LIST				QUANTITY / VARIATION												NOTES:			
MADE BY D. BILODEAU DATE 6-17-76		CHECKED R. PUZZO DATE 6-20-76		SECTION		5412343-0-0													
ENG DATE		PROD DATE		ISSUED SECTION															
ITEM NO.	DRAWING NO.	PART NO.	DESCRIPTION														REF DESIGNATION		
61	7417414-0-0		DIODE HEATSINK, DUPLEX	4															
62	7417413-0-0		DIODEHEATSINK	1															
63		9006655	WASHER, FLAT	1															
64		9006656	WASHER, FLAT	6															
65		9006706	WASHER, NYLON 4-40	2															
66		9006745	EYELET	4															
67		1213071-02	SILICONE PAD TO-3	3															
68		9006565-00	NUT KEP #10-32	10															
69		12-10737-04	HEATSINK	1															
70		9007793-04	SCREW, B.H. #6-32x9/16 LG	6															
71		9007649	WASHER, LOCK, EXT TOOTH #6	6															
72		9008185	NUT, HEX #6-32	6															
73		9008033-1	SCREW, B.H. #4-40x ⁹ / ₁₆ LG	1															
74		9006557	NUT, HEX#4-40	1															
75		9006632	WASHER, LOCK INT TOOTH#4	9															
76		9006010-04	SCREW, B.H. #4-40x5/16 LG	8															
77		9107430-02	WIRE #18 TWISTED, BLK, RED	A/R															
78		9009185	JUMPER	1													W1		
79		9008506	TERMINAL SOLDER	2															
80		90-09149-00	STAKED PINS	9													J3		

E.C.O. NO.

"THIS DRAWING AND SPECIFICATIONS, HEREIN, ARE THE PROPERTY OF DIGITAL EQUIPMENT CORPORATION AND SHALL NOT BE REPRODUCED OR COPIED OR USED IN WHOLE OR IN PART AS THE BASIS FOR THE MANUFACTURE OR SALE OF ITEMS WITHOUT WRITTEN PERMISSION. COPYRIGHT © 1977 DIGITAL EQUIPMENT CORPORATION"

TITLE
H785 BATTERY
BACKUP REGULATOR

ASSY NO.
D-UA-5412343-0-0
SHEET 4 OF 6

SIZE	CODE	NUMBER
B	PL	5412343-0-0

SECTION PARTS LIST DATA BASE REV

REV.
E

DIGITAL EQUIPMENT CORPORATION PARTS LIST				QUANTITY / VARIATION												NOTES:									
MADE BY D. BILODEAU DATE 6-17-76		CHECKED R. PUZZO DATE 6-20-76		SECTION		5412343-0-0																			
ENG DATE		PROD DATE		ISSUED SECTION																					
ITEM NO.	DRAWING NO.	PART NO.	DESCRIPTION																						REF DESIGNATION
81		90-08404-2	SCREW PH. FL. HD 6 - 32 x .31		2																				
82		90-09142-02	SCREW, SELF TAP 4-40 x .31		4																				
83		90-06010-01	SCREW PH. PAN HD. 4-40 x .312		2																				
84		90-08079	WASHER, FIBER		2																				
85		99-05212	PACKAGING, INNER BOX		1																				
86	D-IA-741741Ø	7417410	BRACKET, REGULATOR		1																				
87		9009769	WASHER, RECT. .405 x .225 x .060		1																				
88		9007201	TRANS. PAD		1																				

E.C.O. NO.

"THIS DRAWING AND SPECIFICATIONS, HEREIN, ARE THE PROPERTY OF DIGITAL EQUIPMENT CORPORATION AND SHALL NOT BE REPRODUCED OR COPIED OR USED IN WHOLE OR IN PART AS THE BASIS FOR THE MANUFACTURE OR SALE OF ITEMS WITHOUT WRITTEN PERMISSION. COPYRIGHT © DIGITAL EQUIPMENT CORPORATION"

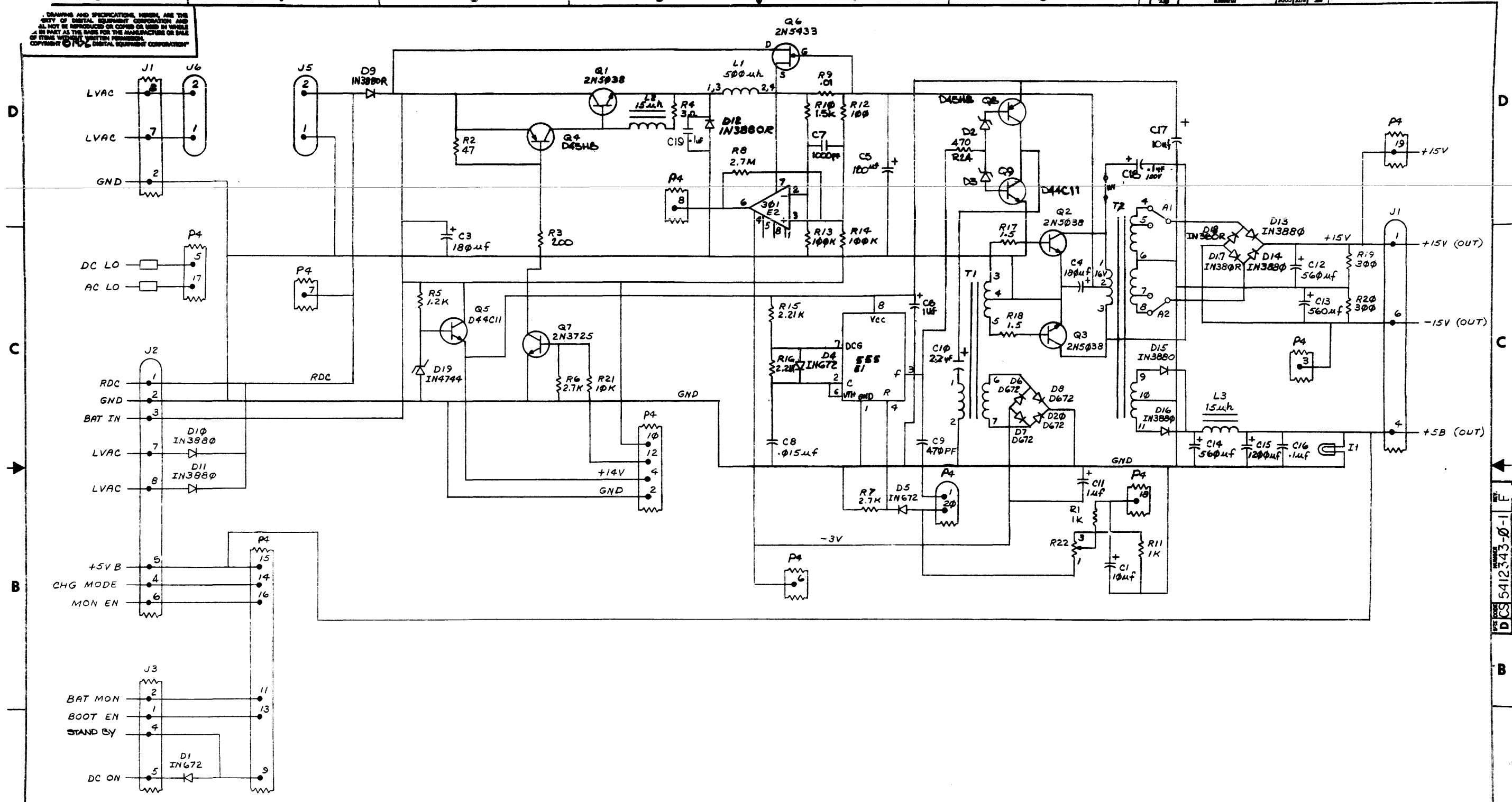
TITLE
H785 BATTERY
BACKUP REGULATOR

ASSY NO.
D-UA-5412343-0-0
SHEET 5 OF 5

SIZE B CODE PL NUMBER 5412343-0-0
INSERTION PARTS LIST DATA BASE REV

REV. E

DRAWING AND SPECIFICATIONS HEREIN ARE THE PROPERTY OF DIGITAL EQUIPMENT CORPORATION AND ARE NOT TO BE REPRODUCED OR COPIED OR USED IN WHOLE OR IN PART AS THE BASIS FOR THE MANUFACTURE OR SALE OF ITEMS WITHOUT WRITTEN PERMISSION. COPYRIGHT © 1977 DIGITAL EQUIPMENT CORPORATION



REV.	CHG.	NO.	DATE	BY	CHKD.	DATE
C		5412343-0000	7-6-77	G. POTTER		
D		5412343-00002	22 July 77	G. POTTER		
E		5412343-00003	20 DEC 77	J. MERCURI		

DRN. J. Dineen	8-20-76	FIRST USED ON	
CHK'D. J. Dineen	8-26-76	TITLE	H785 BATTERY BACKUP REGULATOR
ENG. R. Potter	2-8-77	SCALE	D
PROJ. ENG. J. Merritt	2-8-77	NUMBER	CS 5412343-0-1
PROD. R. King	2-8-77	REV.	E
NEXT HIGHER ASSY.		SHEET	1 OF 1

DCS 5412343-0-1 E

REWORK INSTRUCTIONS

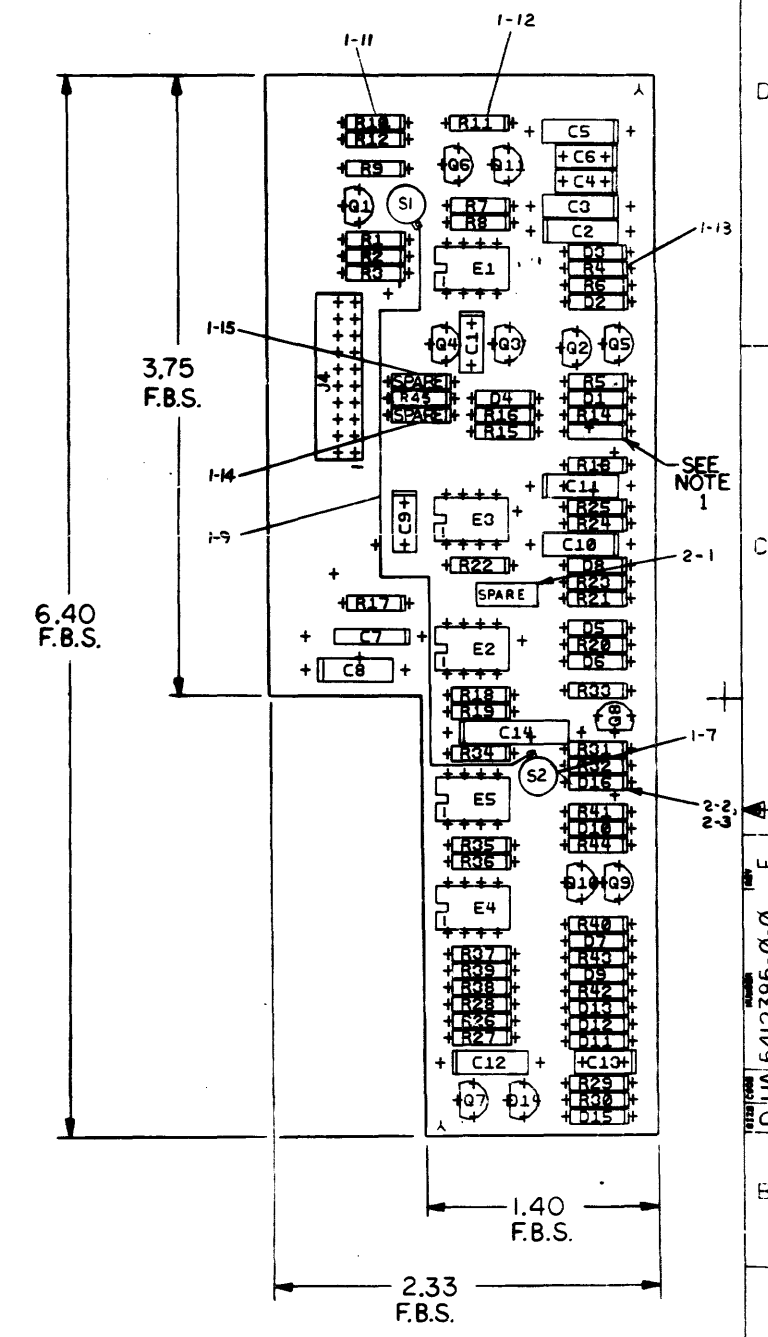
- ECO #1**
- 1-1 CUT ETCH BETWEEN R41 AND D16. (THIS ETCH LINE RUNS OVER TO THE DRAIN OF Q10) SIDE 1.
 - 1-2 CUT ETCH ON RIGHT SIDE OF C14, ON THE ETCH LINE THAT HAS PREVIOUSLY BEEN CUT, SIDE 1.
 - 1-3 INSERT ECO WIRE FROM THE DRAIN OF Q10 TO THE LEFT SIDE OF C14, TACK SOLDER TO ETCH LINE ON THE LEFT SIDE OF C14, SIDE 1. (THIS IS THE SAME ETCH LINE THAT WAS CUT ON THE RIGHT SIDE OF C14). ECO WIRE IS TO BE ROUTED TO THE TOP OF THE BOARD FROM THE DRAIN OF Q10 THEN RUN ALONG THE BOARD AND COME DOWN TO THE LAND OF ETCH THAT IT HAS TO BE SOLDERED TO THE LEFT SIDE OF C14.
 - 1-4 DRILL A .0635 DIA. HOLE (DRILL #52) BENEATH R32 (SIDE 1) MAKING SURE THE ONLY ETCH DRILLED IS THE ONE WITH BOTH ITS ENDS CUT (SEE STEPS 1 AND 2 OF REWORK INSTRUCTIONS). THIS HOLE HAS TO HOLD DEC. 12-12416-02. BE SURE OF SPACING BEFORE DRILLING.
 - 1-5 DRILL A .0635 DIA. HOLE (DRILL #52) ABOVE Q1 TO THE LEFT SIDE OF R15. BE SURE OF SPACING. THIS HOLE MUST HOLD DEC. 12-12416-02. DO NOT PIERCE ETCH ON SIDE 2.
 - 1-6 ON SIDE 2, CUT ETCH LEADING AWAY FROM PIN 9 OF J4.
 - 1-7 INSERT DEC. 12-12416-02 IN BOTH HOLES PREVIOUSLY DRILLED. DO NOT INSERT FULLY. INSERT SO THAT ENOUGH OF THE LEAD IS THROUGH THE BOARD THAT WILL PERMIT A COUPLE WRAPS OF AN ECO WIRE. THEN GLUE IN PLACE WITH DEC. 9009157. MAKE SURE THAT TABS ON DEC. 12-12416-02 ARE FACING EACH OTHER ON SIDET. (STAND 52)
 - 1-8 ON DEC PART 12-12416-02 THE ONE THAT IS LOCATED CLOSEST TO J4 ON SIDE 1, CONNECT THE LEAD THAT GOES THROUGH THE BOARD, TO PIN J4-9 ON SIDE 2. THIS IS DONE WITH AN ECO WIRE INSTALLED ON SIDE 2.
 - 1-9 WITH AN ECO WIRE, CONNECT BOTH CASE TABS OF DEC. 12-12416-02 ON SIDE 1 TOGETHER.
 - 1-10 DEC. PART 12-12416-02 THAT HAS BEEN INSTALLED BENEATH R32 ON SIDE 1. CONNECT AN ECO WIRE FROM THIS PARTS PIN ON SIDE 2 WITH THE OTHER END OF THE ECO WIRE GOING TO THE P.T.H

- BETWEEN R41 AND D16. (THIS P.T.H. HAS AN ETCH RUN CONNECTING THE ANODE OF D16 TO IT ON SIDE 2.)
- 1-11 CHANGE R10 FROM 13-13151 3.6K OHM TO 1300391 15K OHM.
 - 1-12 CHANGE R11 FROM 13-00316 470 OHM TO 13-00439 2.2K OHM.
 - 1-13 CHANGE R4 FROM 13-00309 390 OHM TO 13-01322 180 OHM.
 - 1-14 REMOVE W2 INSULATED TUMPER 90-09185.
 - 1-15 REMOVE D17, IN T38A 11-00125
 - 1-16 GLUE ALL ECO WIRES DOWN WITH DEC. 90-09157.
- ECO #2**
- COMPONENT DELETES SIDE 1:
- 2-1. C15 (P/N 1000021)
 - 2-2. D16 (P/N 1110060)
- COMPONENT ADDS SIDE 1:
- 2-3. D16 (ZENER B-DIRECTIONAL P/N 1114913-00)

NOTES:
1. COMPONENT NOT INSERTED

CHANGE NO	REV	DATE	BY	CHK'D	DESCRIPTION
1	C	12-1-74	F. GAROFALO	F. SEIDMAN	ECO #1
2	D	12-8-74	F. SEIDMAN	F. SEIDMAN	ECO #2
3	E	12-17-74	F. SEIDMAN	F. SEIDMAN	ECO #3
4	F	12-17-74	F. SEIDMAN	F. SEIDMAN	ECO #4
5	G	12-17-74	F. SEIDMAN	F. SEIDMAN	ECO #5
6	H	12-17-74	F. SEIDMAN	F. SEIDMAN	ECO #6
7	I	12-17-74	F. SEIDMAN	F. SEIDMAN	ECO #7
8	J	12-17-74	F. SEIDMAN	F. SEIDMAN	ECO #8
9	K	12-17-74	F. SEIDMAN	F. SEIDMAN	ECO #9
10	L	12-17-74	F. SEIDMAN	F. SEIDMAN	ECO #10

COMPONENT SIDE VIEW



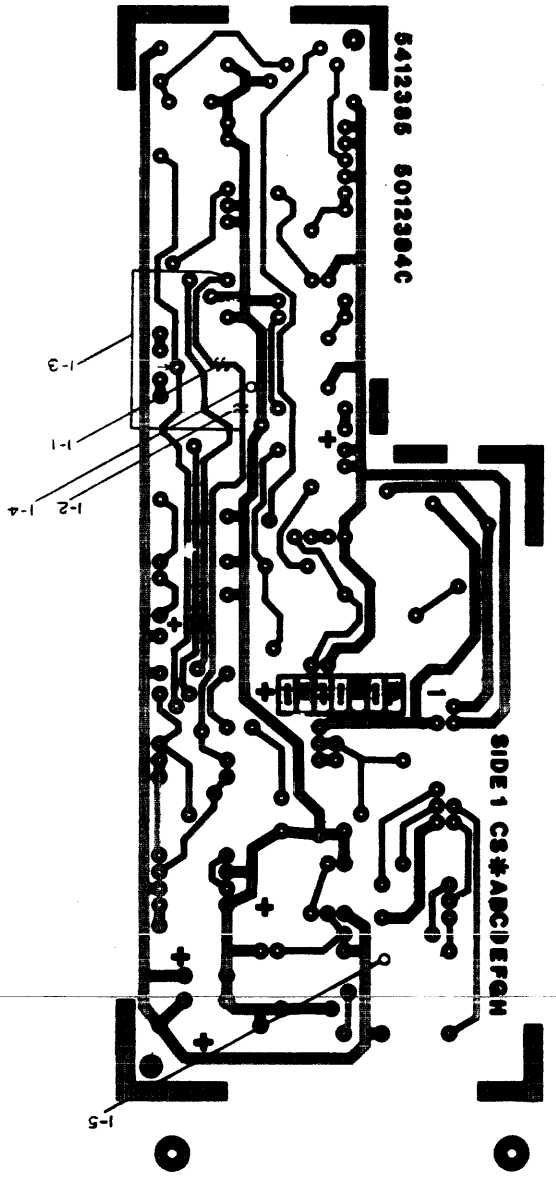
SIGNATURES	DATE
DRN. F. GAROFALO	12-1-74
CHK'D. F. SEIDMAN	12-8-74
ENG. J. MERRILL	12-17-74
PRCJ. ENG. J. MERRILL	12-17-74
PROD. R. B. KING	12-17-74
ETCH REV. C	
P.C. DESIGN DATA BASE REV. C	

TITLE	SIZE	CODE	NUMBER	REV
H785 CONTROL BD.	0	UA	5412385-0-0	E
NEXT HIGHER ASSY. B-5D-5412385-0				

D UA 5412385-0-0 E

1	2	3	4	5	6	7	8
REV	SIZE CODE	TITLE	SCALE	SHEET	DIST	REV. NO. 117	
E	D U A	H785 CONTROL PD 5412385-0-0	2/1	2 OF 3			

REVISIONS	
CHK	CHANGE NO
REV	REV

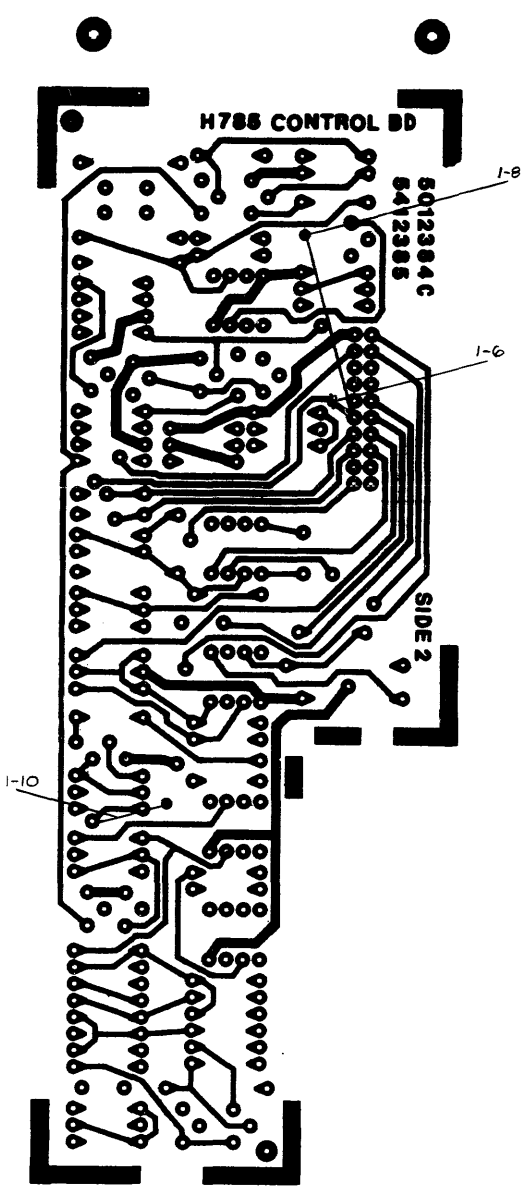


B
D U A
5412385-0-0

THIS DRAWING AND SPECIFICATIONS, HEREIN, ARE THE PROPERTY OF THE UNITED STATES GOVERNMENT AND ARE TO BE USED IN THE MANUFACTURE OF SUCH EQUIPMENT AS MAY BE REQUIRED BY THE GOVERNMENT. THE GOVERNMENT MAKES NO WARRANTY, REPRESENTATION OR ASSURANCE OF MERCHANTABILITY OR FITNESS FOR ANY PARTICULAR PURPOSE. THE GOVERNMENT WILL NOT BE RESPONSIBLE FOR ANY DAMAGE TO OR LOSS OF ANY PROPERTY OR INFORMATION OF ANY PERSON OR ORGANIZATION, INCLUDING THE GOVERNMENT, ARISING OUT OF THE USE OF THIS DRAWING OR SPECIFICATIONS.

1	2	3	4	5	6	7	8
REV	SIZE CODE	TITLE	SCALE	SHEET	DIST	REV. NO. 117	
E	D U A	H785 CONTROL PD 5412385-0-0	2/1	2 OF 3			

THE DRAWING AND SPECIFICATIONS HEREON ARE THE PROPERTY OF GENERAL ELECTRIC CORPORATION AND SHALL NOT BE REPRODUCED OR COPIED OR USED IN WHOLE OR IN PART AS THE BASIS FOR THE MANUFACTURE OR SALE OF ITEMS IDENTICAL HERETO OR FOR ANY OTHER COMMERCIAL PURPOSES WITHOUT THE WRITTEN PERMISSION OF GENERAL ELECTRIC CORPORATION.



D
C
B
A

D
C
B
A

5412385-0-0 DUA

REVISIONS		
CHK	CHANGE NO	REV

LINE	ITEM	DOCUMENT NO.	PART NO.	DESCRIPTION	QTY	REFERENCE DESIGNATORS
1	1	D-MD-5012384-0-0	5012384-00	5412385	1	
2	2		1001610-01	.01 MFD 100V OR 50V Z5U DISC/800PF MIN	4	C1,C4,C6,C13
3	3		1004813-00	10 MFD 20V 10% 150D S.TA (10-00	1	C2
4	4		1001776-00	1 MFD 35V 10% 150D S.TA (10-00	3	C3,C5,C11
5	5		1000061-00	8200.0 MMF 100V 10% 663UW MYLR (10-00	1	C7
6	6		1005965-00	.47 MFD 35V 10% 150D S.TA (10-00	2	C8,C12
7	7		1000009-00	33.0 MMF 100V 5%200PPM DM15S (10-00	1	C9
8	8		1005306-00	6.8MFD 35V 10% 150D S.TA (10-00	1	C14
9	9		1105275-00	D 672 TR= 15NS PIV= 60V SP	9	D1,D2,D3,D5,D6,D9,D10,D12,D13
10	10		1109988-00	1N 964B VZ= 13.0 5% .40W Y	1	D4
11	11		1102808-00	1N 752A VZ= 5.6 5% .40W P	2	D11,D15
12	12		1110968-00	2N 5062 SCR@100V I=.8A T092	1	D14
13	13		1110713-00	SZ710910 VZ= 5.1 2% M	1	D7
14	14		1114913-00	VZ= 18.0 10% 1W	1	D16
15	15		1300398-00	1.8 K 1/4W 5% CC (13-00	2	R32,R38
16	16		1300479-00	10 K 1/4W 5% CC (13-00	11	R1,R13,R18,R19,R20,R21,R28, CONT R31,R42-R44
17	17		1300229-00	100 1/4W 5% CC (13-00	5	R3,R5,R25,R29,R45
18	18		1301322-00	180 1/4W 5% CC (13-00	1	R4
19	19		1302177-00	47 K 1/4W 5% CC (13-00	1	R6
20	20		1302394-00	30 K 1/4W 5% CC (13-00	1	R7
21	21		1302091-00	330 K 1/4W 5% CC (13-00	1	R8
22	22		1300365-00	1 K 1/4W 5% CC (13-00	6	R2,R9,R12,R14,R37,R40
23	23		1300426-00	2.7 K 1/4W 5% CC (13-00	1	R16
24	24		1302092-00	220 K 1/4W 5% CC (13-00	1	R15
25	25		1301423-00	6.8 K 1/4W 5% CC (13-00	1	R17
26	26		1302871-00	1.21 K 1/4W 1% RN55D-F 100PPM (13-00	1	R35
27	27		1302955-00	750 1/4W 1% RN55D-F 100PPM (13-00	1	R34
28	28		1303312-00	10.0 K 1/4W 1% RN55D-F 100PPM (13-00	1	R36
29	29		1302466-00	100 K 1/4W 5% CC (13-00	3	R22,R39,R41

REVISION HISTORY			VARIATIONS FOR THIS ASSY.		FIRST USED ON:		DIGITAL EQUIPMENT CORPORATION MAYNARD, MASSACHUSETTS			
CHK	ECO NO	REV					TITLE			
W.H	00003	E		00	MADE BY:	F.MALANSON	DATE:	21-FEB-78	PARTS LIST	
					CHECKED:	F.SEIDMAN	DATE:	21-FEB-78	H785 CONTROL BOARD	
					DSN.ENG.:	J.MERCURI	DATE:	21-FEB-78	SIZE	CODE
					PROD.:	R.B.KING	DATE:	21-FEB-78	K	PL
					RESP.ENG.:	J.MERCURI	DATE:	21-FEB-78	ASSY.NO.:	D-UA-5412385-0-0
									DOCUMENT NUMBER	REV
									5412385-0-0	E
										EDIT#
										4

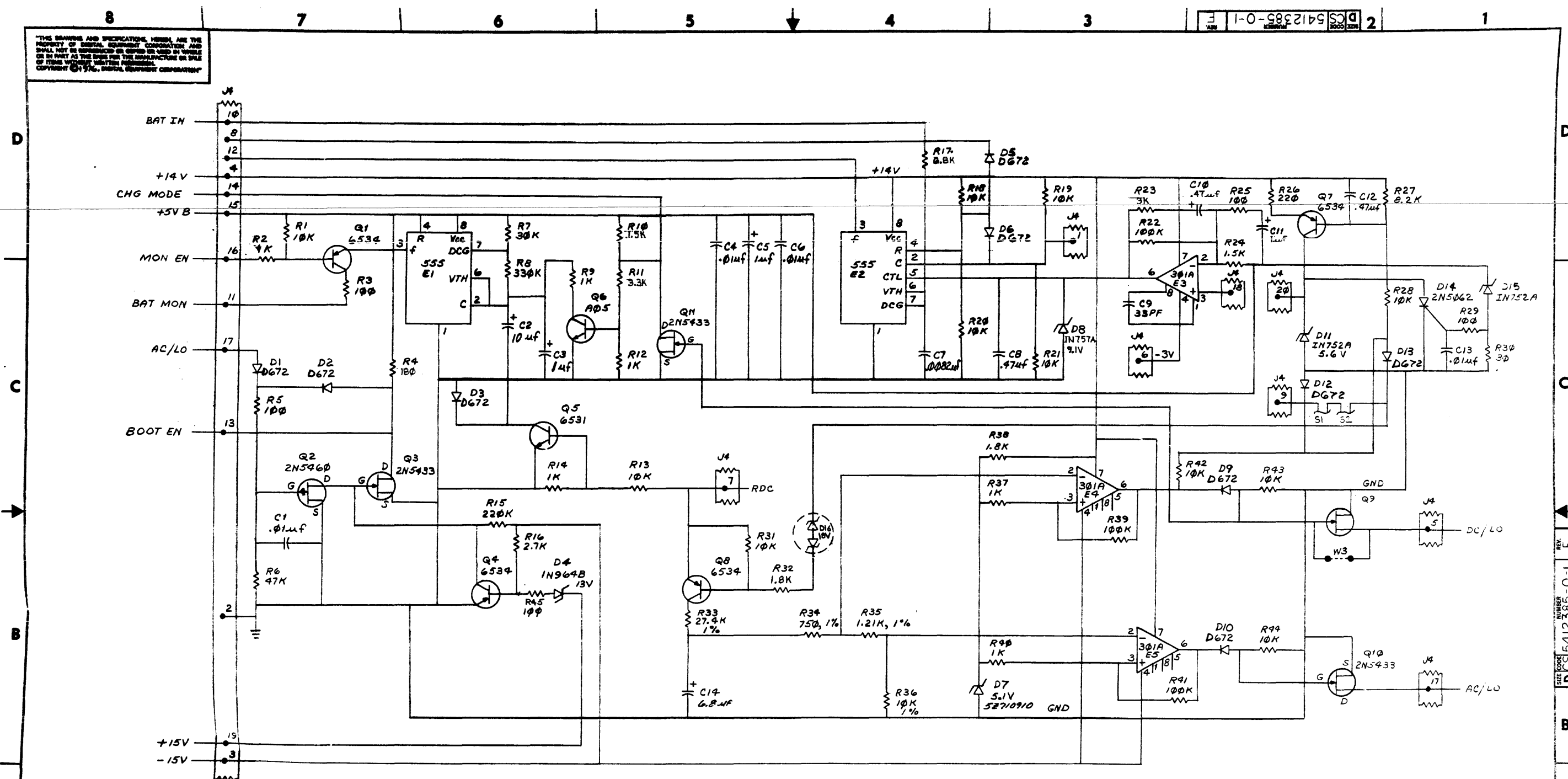
*THIS DRAWING AND SPECIFICATIONS HEREIN, ARE THE PROPERTY OF DIGITAL EQUIPMENT CORPORATION AND SHALL NOT BE REPRODUCED OR COPIED OR USED IN WHOLE OR IN PART AS THE BASIS FOR THE MANUFACTURE OR SALE OF ITEMS WITHOUT WRITTEN PERMISSION. COPYRIGHT 1978. DIGITAL EQUIPMENT CORPORATION *

LINE	ITEM	DOCUMENT NO.	PART NO.	DESCRIPTION	QTY	REFERENCE DESIGNATORS
30	30		1300271-00	220 1/4W 5% CC (13-00	1	R26
31	31		1303179-00	8.2 K 1/4W 5% CC (13-00	1	R27
32	32		1302751-00	30 1/4W 5% CC (13-00	1	R30
33	33		1309417-00	27.4 K 1/4W 1% RN55D-F 100PPH (13-00	1	R33
34	34		1503409-00	DEC6534D PNP 310MW SI 40 90 P	4	Q1,Q4,Q7,Q8
35	35		1510233-00	2N 5460 FET 310MW SIP CHNNL	1	Q2
36	36		1511686-00	DEC5433 FET N 350MW 10 25 1A 20U	4	Q3,Q9,Q10,Q11
37	37		1509338-00	DEC6531B NPN 310MW SI 40 90 P	1	Q5
38	38		1510705-00	XA 05 NPN 500MW SI 60 50 P	1	Q6
39	39		1911944-00	555CN TIMER,FUNCT.BLOCK	2	E1,E2
40	40		1910282-00	301AN OP AMP	3	E3,E4,E5
41	41		1300391-00	1.5 K 1/4W 5% CC (13-00	2	R10,R24
42	42		1213335-00	HEADER 20POS RT ANGLE FOR 12-13334	1	J4
43	43		1300439-00	3.3 K 1/4W 5% CC (13-00	1	R11
44	44		1212416-02	THERMOSTAT,0@160,N/C,SPST,AUTO RESET	2	S1,S2
45	45		1300432-00	3 K 1/4W 5% CC (13-00	1	R23
46	46		1109990-00	1N 757A VZ= 9.1 5% .40W P	1	D8
47	47		1005965-00	.47 MFD 35V 10% 150D S.TA (10-00	1	C10
48	48		9009157-00	ADHESIVE, PERMABOND #101	A/R	
49	49		9105740-55	WIRE(WRAP)30AWG UL1423 (91-00	A/R	

DIGITAL EQUIPMENT CORPORATION MAYNARD, MASSACHUSETTS	TITLE H785 CONTROL BOARD	PARTS LIST	SIZE K	CODE PL	DOCUMENT NUMBER 5412385-0-0	REV E

THE DRAWING AND SPECIFICATIONS HEREIN ARE THE PROPERTY OF DIGITAL EQUIPMENT CORPORATION AND SHALL NOT BE REPRODUCED OR COPIED IN WHOLE OR IN PART AS THE BASIS FOR THE MANUFACTURE OR SALE OF ITEMS WITHOUT WRITING PERMISSION OF DIGITAL EQUIPMENT CORPORATION.

CS 5412385-0-1 E



NOTES:
 1- H785, 15V OPERATION REMOVE JUMPER W2.
 2- H785, 12V OPERATION REMOVE JUMPER W1.
 W3 IS AN ENGINEERING OPTION TO BE DETERMINED AT A LATER DATE.

REV.	REV.
5412385-00001 C	5412385-00002 D
5412385-00003 E	5412385-00004 F
5412385-00005 G	5412385-00006 H
5412385-00007 I	5412385-00008 J
5412385-00009 K	5412385-00010 L
5412385-00011 M	5412385-00012 N
5412385-00013 O	5412385-00014 P
5412385-00015 Q	5412385-00016 R
5412385-00017 S	5412385-00018 T
5412385-00019 U	5412385-00020 V
5412385-00021 W	5412385-00022 X
5412385-00023 Y	5412385-00024 Z

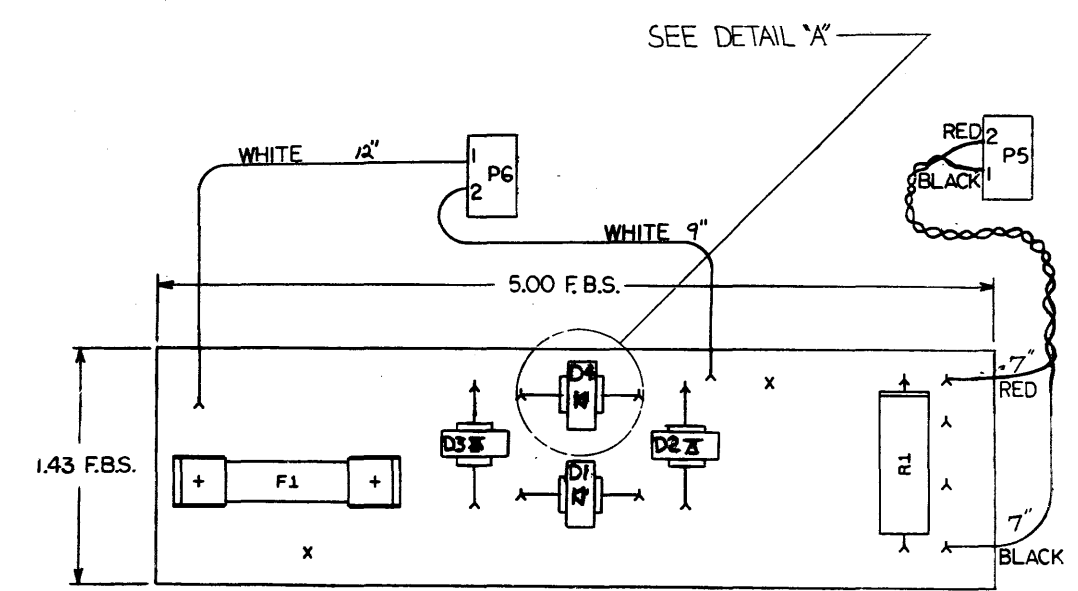
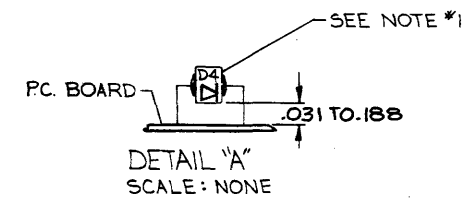
DRN. 8-7-70	FIRST USED ON	digital
CHK'D	TITLE	H785
ENG.	PROJ. ENG.	CONTROL BOARD
PROD. ENG.	NEXT HIGHER ASSY.	
SCALE	SIZE CODE	NUMBER
SHEET 1 OF 1	D CS 5412385-0-1	REV. E

THIS DRAWING AND INFORMATION HEREON ARE THE PROPERTY OF DIGITAL EQUIPMENT CORPORATION AND SHALL REMAIN THE PROPERTY OF DIGITAL EQUIPMENT CORPORATION IN THE EVENT OF ANY DISPOSITION OF THIS DRAWING OR INFORMATION HEREON TO ANY OTHER PARTY.
 © 1976 DIGITAL EQUIPMENT CORPORATION

5412411-0-0 2 1
 DUA

COMPONENT SIDE VIEW

NOTES:
 1. DIODES D1 THRU D4 MUST BE RAISED FROM THE P.C. BOARD .031 TO .188



NOTES:

CHANGE NO	REV	DATE	BY	CHK'D
5412411-1	C	9-21-76	G. POTTER	
5412411-2	D	11-5-76	G. POTTER	
5412411-3	E	11-8-76	G. POTTER	

ETCH REV. C
 P.C. DESIGN DATA BASE REV. C

SIGNATURES
 DRN. Frank J. [Signature]
 CHK'D. Frank J. [Signature]
 PROJ. ENG. [Signature]
 PROD. [Signature]
 SCALE 2/1
 SHT. 1 OF 3
 NEXT HIGHER ASSY.

DATE
 9-21-76
 9-21-76
 11-5-76
 11-8-76
 11-8-76

digital
 TITLE INPUT
 RECTIFIER BOARD
 SIZE CODE NUMBER
 DUA 5412411-0-0 E

LINE ITEM	DOCUMENT NO.	PART NO.	DESCRIPTION	QTY	REFERENCE DESIGNATORS
1	1	D-MD-5012410-0-0	5012410-00	5412411	1
2	2		1110615-00	MR 752 PIV=200 I=22A A264 SM	4 D1-D4
3	3		1210821-02	MATE-N-LOK 2PIN,HOUSING,SKT	2 P5,P6
4	4		1209379-01	MATE-N-LOK PIN 20-14AWG LOOSE	4
5	5		1302609-00	4.7 K 2W 10% CC (13-00	1 R1
6	6		9009000-00	EYELET, ROLLED FLANGE, .121 OD X .156 LG	2
7	7		9008390-00	FUSE, REG BLOW, 10.000A, 250V, CERAMIC	1
8	8		9007203-00	CLIP, FUSE, WITH STOP, SCREW MOUNTED	2
9	9		9107360-99	WIRE,STRND,18AWG,IPVC UL1429 (91-00 A/R	
10	10		9107430-02	WIRE,STRND,18AWG,IPVC (UL1429) (91-00 A/R	

11 NOTE: MS60954 ETCH REV C CS REV B

REVISION HISTORY			VARIATIONS FOR THIS ASSY.		FIRST USED ON:		DIGITAL EQUIPMENT CORPORATION MAYNARD, MASSACHUSETTS		
CHK	ECO NO	REV			MADE BY:	DATE:	TITLE		
---	00003	E	00		D.BILODEAU	08-MAR-78	PARTS LIST		
					F.GAROFALO	08-MAR-78	INPUT RECTIFIER BOARD		
					J.MERCURI	08-MAR-78			
					R.B.KING	08-MAR-78			
					J.MERCURI	08-MAR-78			
							SIZE: K	CODE: PL	DOCUMENT NUMBER: 5412411-0-0
									REV: E
									EDIT#
									3
<p>*THIS DRAWING AND SPECIFICATIONS HEREIN, ARE THE PROPERTY OF DIGITAL EQUIPMENT CORPORATION AND SHALL NOT BE REPRODUCED OR COPIED OR USED IN WHOLE OR IN PART AS THE BASIS FOR THE MANUFACTURE OR SALE OF ITEMS WITHOUT WRITTEN PERMISSION. COPYRIGHT 1978. DIGITAL EQUIPMENT CORPORATION *</p>									

