

TITLE	SHEET	SIZE	CODE	NUMBER	REV
11X44 KERNEL	2 OF 3	B	DD	11X44-Ø	A





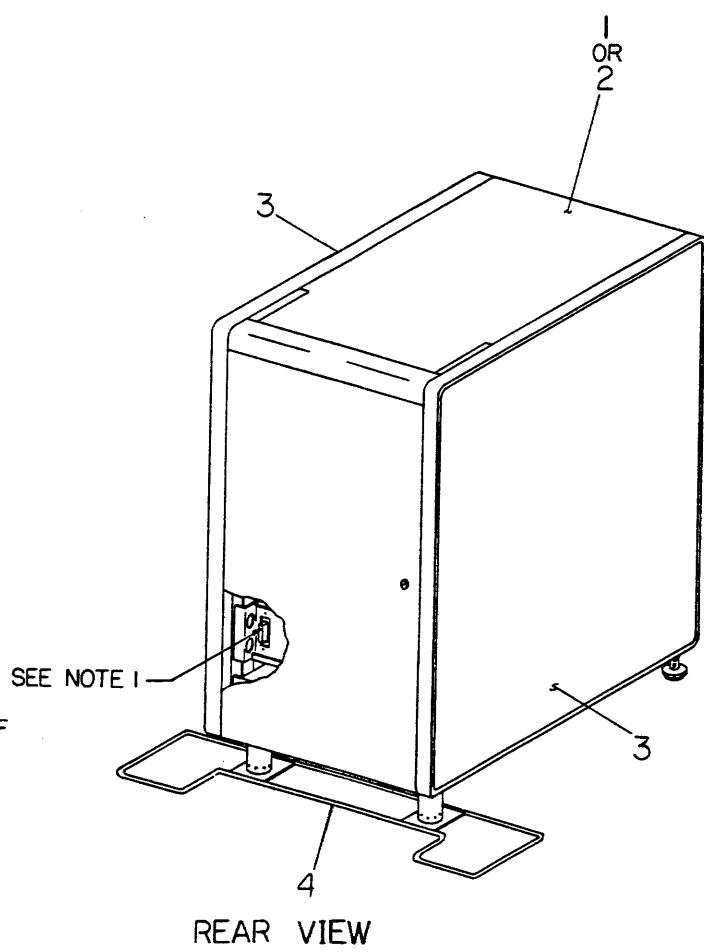
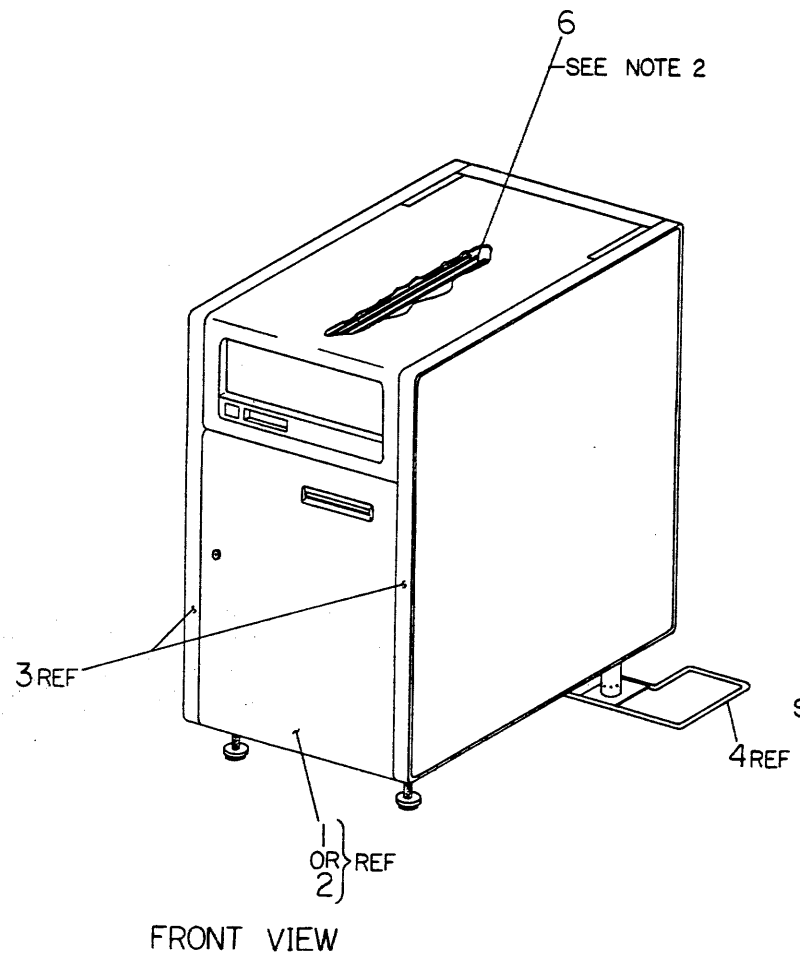
0-0-44X111 SA  
 11X44-0-0

THIS DRAWING AND SPECIFICATIONS HEREIN ARE THE PROPERTY OF DIGITAL EQUIPMENT CORPORATION AND SHALL NOT BE REPRODUCED OR COPIED OR USED IN WHOLE OR IN PART AS THE BASIS FOR THE MANUFACTURE OR SALE OF ITEMS WITHOUT WRITTEN PERMISSION.  
 COPYRIGHT © 1980 DIGITAL EQUIPMENT CORPORATION

LEGEND		
NUMBER	TITLE	VOLTS
11X44-CA	11X44	120
11X44-CB	11X44	240
11X44-XX	11X44	120
11X44-XY	11X44	240

NOTES:

1. CABLE (ITEM 5) FROM CONNECTOR SHOWN TO CONSOLE TERMINAL.
2. MEMORY MODULE (ITEM 6) PLUGS INTO SLOT 9 OF 11/44 CPU BACKPLANE.



FOR PARTS LIST SEE K-PL-11X44-0-DBP

DESCRIPTION	DRAWING NO.	PART NO.	ITEM NO.
UNLESS OTHERWISE SPECIFIED DIMENSIONS ARE IN INCHES AND THE FOLLOWING TOLERANCES APPLY (PER DEC STD 114)			
INCHES TOLERANCES	ANGLES ± 30°	APPLICABLE DIMENSION RANGE	
		SURFACE QUALITY	
X = ± .1		MICROINCHES	
XX = ± .02		± .004 ± .008 ± .012 ± .016 ± .024 ± .04	
XXX = ± .005			
THIRD ANGLE PROJECTION	DATE 31 OCT 1979	TITLE 11X44 KERNEL	
DO NOT SCALE DRAWING	DATE 27 Nov 79	DOCUMENT NUMBER DUA 11X44-0-0	
REMOVE BURRS AND BREAK SHARP CORNERS	DATE 11/19/79	REV. A	
MATERIAL SEE PARTS LIST	DATE 18 JAN 80	SCALE	
FINISH	B-DD-11X44-0		

REV.	INITIAL	DATE
A		

DUA 11X44-0-0

LINE ITEM	DOCUMENT NUMBER	PART NUMBER	DESCRIPTION	QUANTITY PER VARIATION			
				CA	CB	XX	XY
1	E-AD-7016719-0-0	7016719-00	CPU KERNEL 11/44 120V	1	-	1	-
2	E-AD-7016719-0-0	7016719-01	CPU KERNEL 11/44 220V-240V	-	1	-	1
3	E-UA-H9544-A-0	H9544-AA	40*END PANEL,GREY FRAME,DARK BRO	2	2	-	-
4	D-AD-H9544-MJ-0	H9544-MJ	STABLIZER KIT ASSY.	1	1	-	-
5	B-PL-BC22A-0-0	BC22A-25	BC22A-10 EXCEPT 25 FT	1	1	-	-
6	B-PL-MS11-M-0	OMS11-MB	256 KBYTES MOS ECC MEMORY(M8722-	1	1	-	-
7	A-SP-3700433-0-0	3700436-00	PKG CAB H9642/H9645/H9646	REF	REF	REF	REF

REVISION HISTORY		BASIC PART NO: 11X44		DRN: MARINA PANZICA <i>P.B.</i>		DATE: 21-NOV-79		DIGITALL	
ENG	ECO NUMBER	REV	SECTION A OF A	CHK'D:	F.H. KEYES JR. <i>FK P.B.</i>	DATE:	21-NOV-79	TITLE	PARTS LIST
	INITIAL	A	SECTION, VARIATION INDEX					11X44 KERNEL	
			[A] CA, CB, XX, XY						
			[B]	DES.ENG.:	KEN BANKER <i>P.B.</i>	DATE:	21-NOV-79		
			[C]						
			[D]	RESP.ENG.:	KEN BANKER <i>P.B.</i>	DATE:	21-NOV-79	DOCUMENT NUMBER	
			[E]					SIZE CODE NUMBER	REV
			[F]	MFG.ENG.:	NORM POLLITT <i>P.B.</i>	DATE:	21-NOV-79	K PL 11X44-0-DBF	A
				ASSEMBLY NUMBER:	D-UA-11X44-0-0	TOP DOCUMENT NUMBER:	#B-DD-11X44-0	FILE NAME:	Z1066A.PLS
								EDIT #	15
<p>*THIS DRAWING AND SPECIFICATIONS HEREIN, ARE THE PROPERTY OF DIGITAL EQUIPMENT CORPORATION AND SHALL NOT BE REPRODUCED OR COPIED OR USED IN WHOLE OR IN PART AS THE BASIS FOR THE MANUFACTURE OR SALE OF ITEMS WITHOUT WRITTEN PERMISSION. COPYRIGHT (C) 1980. DIGITAL EQUIPMENT CORPORATION *</p>									

**digital****PARTS LIST**

## QUANTITY / VARIATION

NOTES:

DRN. DATE	P. BARTH 29NOV79	DES. ENG. K. BANKER DATE	MFG. ENG. NORM POLLITT
-----------	---------------------	-----------------------------	---------------------------

CHK'D. DATE	F. KEYES 29NOV79	RESP. ENG. K. BANKER DATE	NEXT HIGHER DOC.
-------------	---------------------	------------------------------	------------------

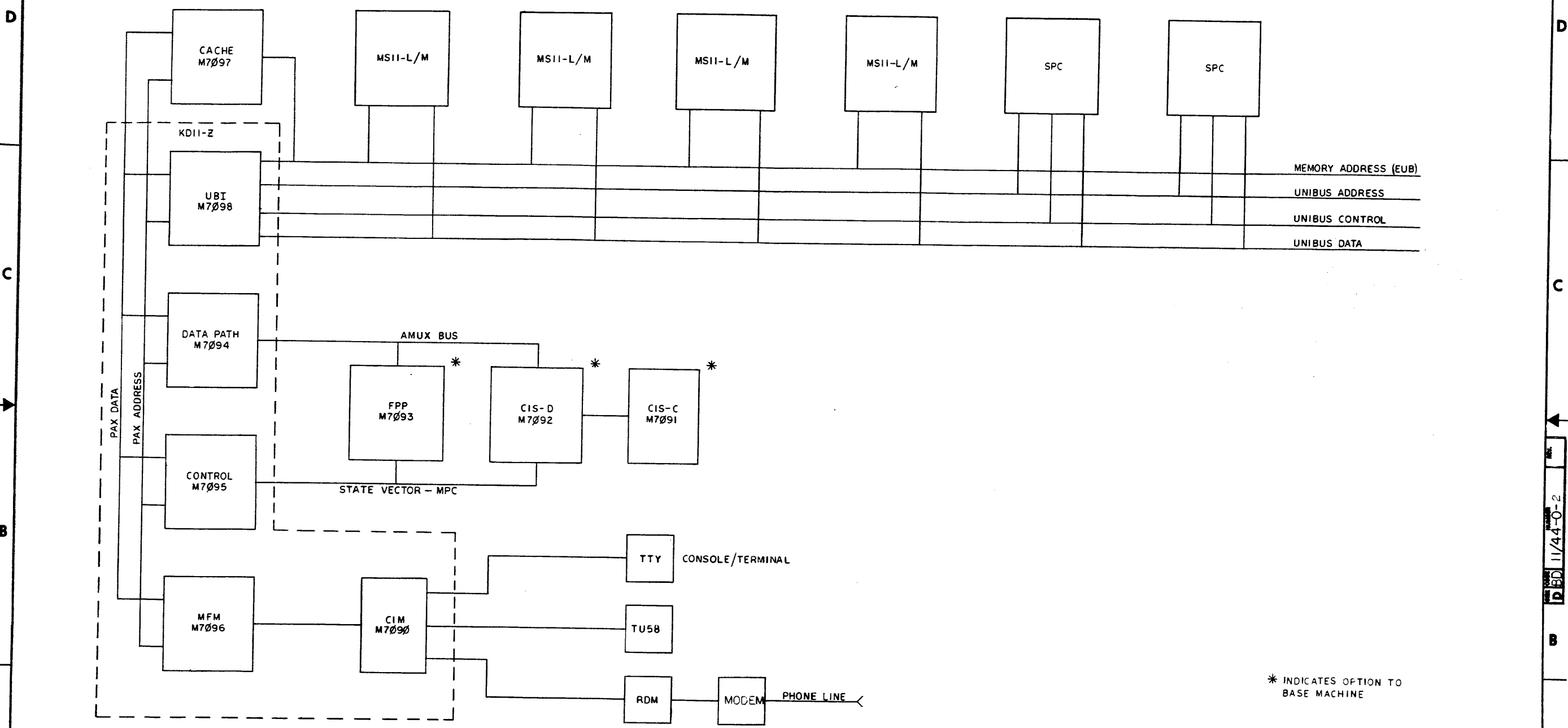
ITEM NO.	DRAWING NO.	PART NO.	DESCRIPTION	QUANTITY / VARIATION												REFERENCE DESIGNATORS	
				11X44-CA	11X44-CB	11X44-XX	11X44-XY										
1	B-TC-11X44-0-1	MP00897	11X44 KERNEL PRINT SET	1	1	1	1										
2		ZJ014-FR	11/44 BASIC CPU KIT (FICHE)	1	1	1	1										
3		EK-MS11M-UG	MS11-MB USER'S GUIDE	1	1	1	1										
4		EK-0TU58-UG	TU58 TAPE SUB-SYSTEM USER GUIDE	1	1	1	1										
5		EK-11044-UG	11/44 SYSTEM USER GUIDE	1	1	1	1										
6		ZJ014-PB	11/44 BASIC CPU KIT (PAPER TAPE)	1	1	1	1										
7		ZJ287-FR	TU58 KIT (FICHE)	1	1	1	1										
8		ZJ287-PB	TU58 KIT PAPER TAPE	1	1	1	1										

ECO NO.	
---------	--

<small>THIS DRAWING AND SPECIFICATIONS, HEREIN, ARE THE PROPERTY OF DIGITAL EQUIPMENT CORPORATION AND SHALL NOT BE REPRODUCED OR COPIED OR USED IN WHOLE OR IN PART AS THE BASIS FOR THE MANUFACTURE OR SALE OF ITEMS WITHOUT WRITTEN PERMISSION. COPYRIGHT © 1980 DIGITAL EQUIPMENT CORPORATION</small>	TITLE	ASSY. NO.	SIZE	CODE	NUMBER	REV.
	SHIPPING LIST (11X44 KERNEL)		B	PL	11X44-0	A
SECTION 1 OF 1			SHEET 1 OF 1			



"THIS DRAWING AND SPECIFICATIONS HEREIN ARE THE PROPERTY OF DIGITAL EQUIPMENT CORPORATION AND SHALL NOT BE REPRODUCED OR COPIED OR USED IN WHOLE OR IN PART AS THE BASIS FOR THE MANUFACTURE OR SALE OF ITEMS WITHOUT WRITTEN PERMISSION.  
COPYRIGHT © 1979 DIGITAL EQUIPMENT CORPORATION"



\* INDICATES OPTION TO BASE MACHINE

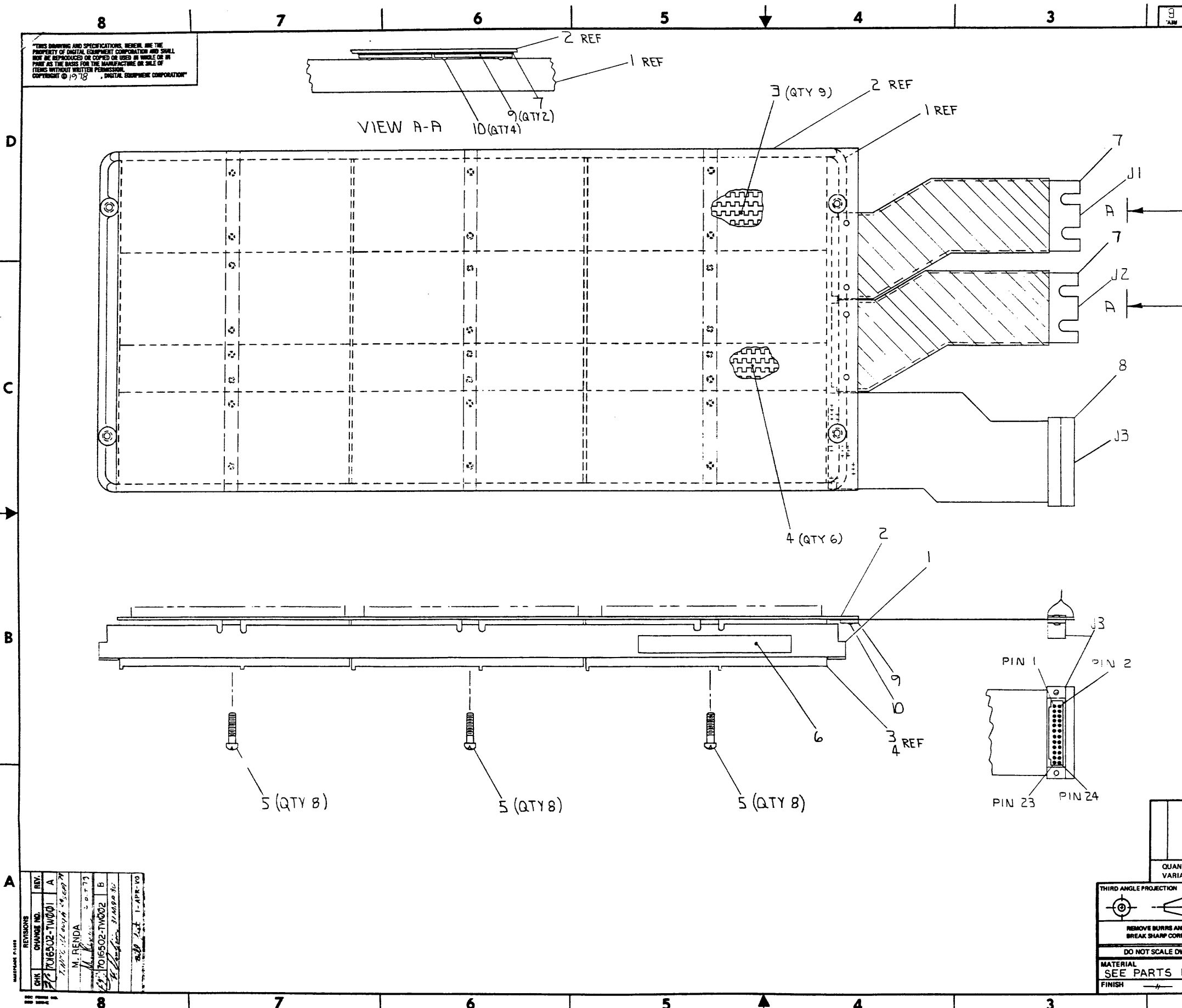
REV.	
CHK	
CHK	
CHK	
CHK	

DRN. <i>P. J. ...</i>	DATE 7/79	FIRST USED ON	<b>digital</b>
CHK'D		TITLE	11/44 SYSTEM BLOCK DIAGRAM
ENG.		SIZE CODE	D BD
PROJ. ENG.		NUMBER	11/44-0-2
PROD. <i>P. J. ...</i>	DATE 7/79	REV.	*
NEXT HIGHER ASSY.		DIST.	
SCALE ++			
SHEET 1 OF 1			



THIS DRAWING AND SPECIFICATIONS, HEREIN, ARE THE PROPERTY OF DIGITAL EQUIPMENT CORPORATION AND SHALL NOT BE REPRODUCED OR COPIED OR USED IN WHOLE OR IN PART AS THE BASIS FOR THE MANUFACTURE OR SALE OF ITEMS WITHOUT WRITTEN PERMISSION. COPYRIGHT © 1978, DIGITAL EQUIPMENT CORPORATION

NOTES:  
 1. CAUTION: ANY CHANGE TO THIS BACKPLANE ASSY WILL EFFECT THE 1144-T BACK PLANE ASSY (TEST EQUIPMENT DWG WO\*E-AD-950537-0-0 AND MUST BE CHANGED ACCORDINGLY.



REF	DESCRIPTION	QTY	PART NO.	ITEM NO.
4	EYELET	10	9000024-01	10
2	STRAIN RELIEF	9	8-MD-7423055-0-0	9
1	FLEX CABLE	8	1700167-00	8
2	POWER CABLE	7	1700171-00	7
1	DECAL	6	A-DC-7411381-0	6
24	SCREW*8-32 x .62 POSITIVE	5	9006120-06	5
6	CONN 72 PIN	4	1211425-02	4
9	CONN 288 PIN	3	1210258-01	3
1	11/44 BACK PLANE, MODULE	2	5413593-00	2
1	LOGIC FRAME	1	E-MD-7422423-01	1

DESCRIPTION		DWG./PART NO.	ITEM NO.
UNLESS OTHERWISE SPECIFIED DIMENSIONS ARE IN INCHES			
ANGLES 90° ±30'	CLASS OF ACCURACY	NOMINAL DIMENSION RANGE INCHES	
SURFACE QUALITY IN	(CHECK ONE)	OVER TO	OVER TO
		UNDER TO	UNDER TO
QUALITY	MEDIUM	±.004	±.008
MICROINCHES	PREFERRED	±.012	±.018
QUANTITY & VARIATION		±.025	±.04
THIRD ANGLE PROJECTION		±.063	±.04
REMOVE BURRS AND BREAK SHARP CORNERS		±.083	±.04
DO NOT SCALE DWG		±.125	±.04
MATERIAL SEE PARTS LIST		±.163	±.04
FINISH		±.203	±.04

REV.	CHG. NO.	DATE	BY	APP.
A	1	11/44	M. RENDA	
B	1	11/44	M. RENDA	

DRN: J. R. P. 8 DEC 78  
 CHK'D: [Signature] 1/18/79  
 ENG: M. Renda 1-28-79  
 PROJ. ENG: [Signature] 6-29-79  
 PROD: [Signature] 27 JUN 79

FIRST USED ON: 11/44 digital

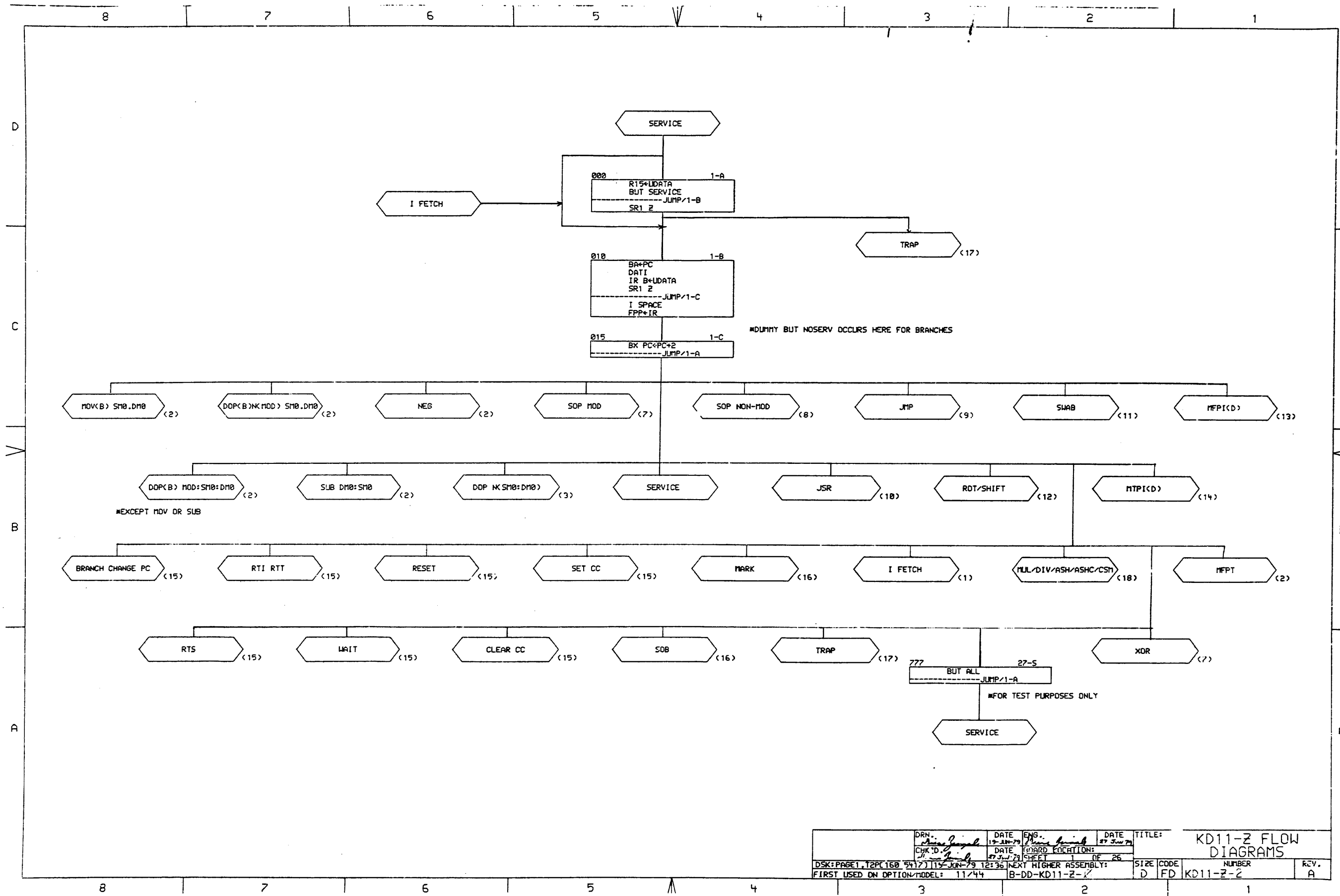
TITLE: 11/44 BACKPLANE ASSEMBLY

SIZE: 3-PL-A111-2-0  
 SCALE: 1:1  
 SHEET: TW OF 1

DRAWING NUMBER: AD 7016502-0-0

REV. B

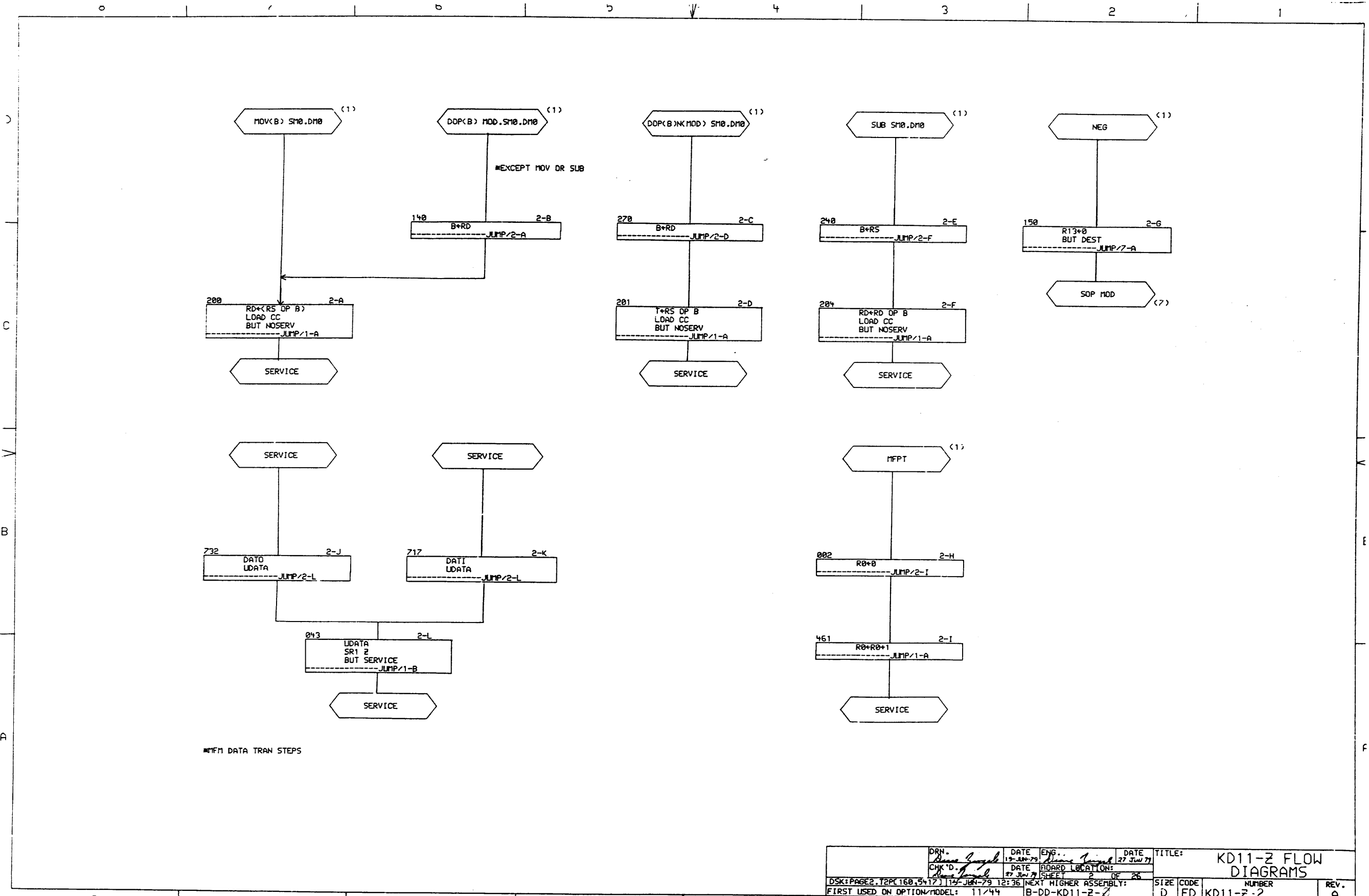
REV. B



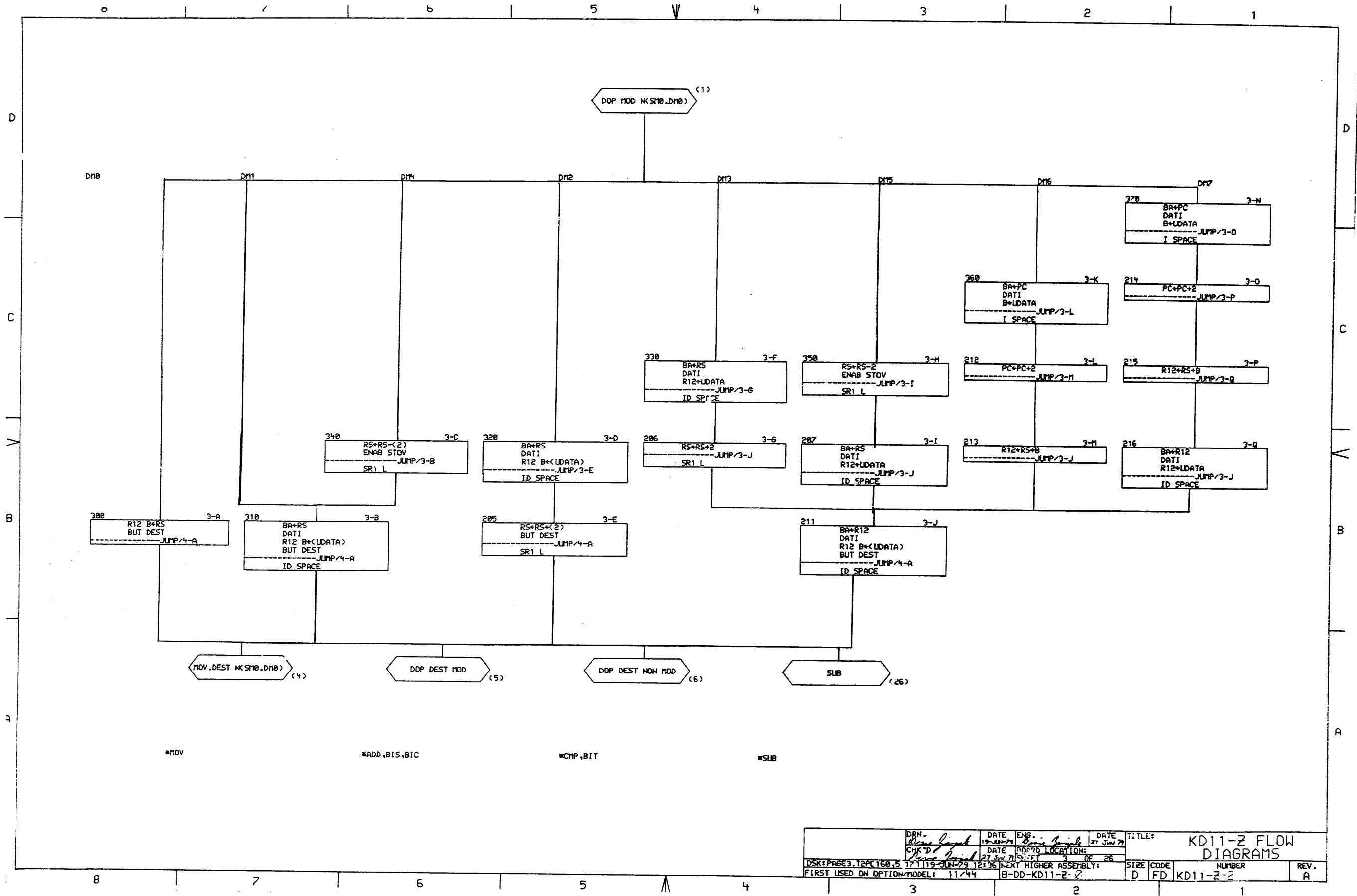
DRN.	DATE	ENG.	DATE	TITLE:
CHK'D.	DATE	FORWARD LOCATION:	DATE	
DSK: PAGE 1, 12 P. 168	5/17/79	115 JUN-79 12:35	115 JUN-79 12:35	1 OF 26
FIRST USED ON OPTION/MODEL:	11/44	B-DD-KD11-Z-1	SIZE	CODE
			D	FD
			NUMBER	REV.
			KD11-Z-2	A

KD11-Z FLOW  
DIAGRAMS

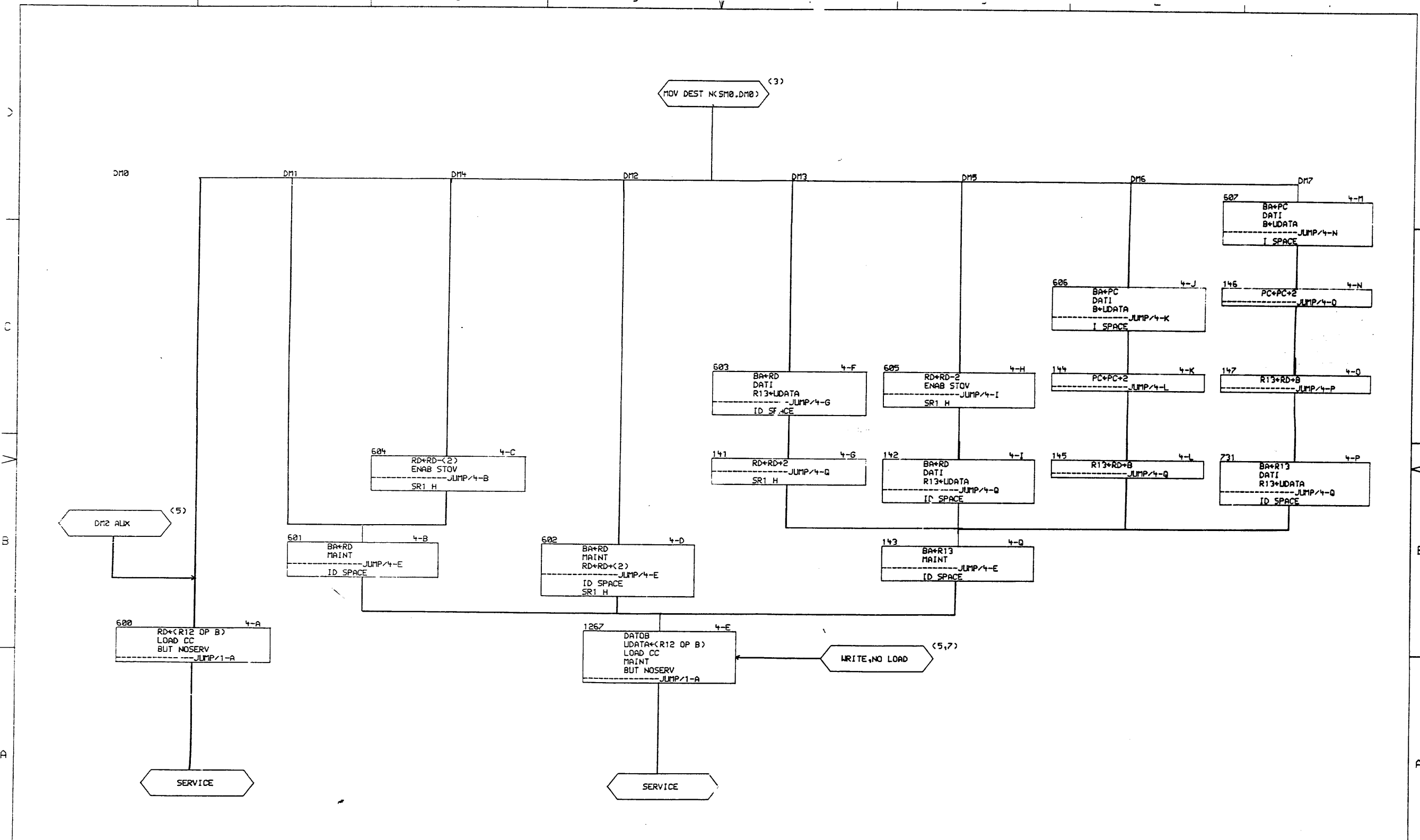




DRN. <i>David G. ...</i>	DATE 15 JAN 79	ENG. <i>David G. ...</i>	DATE 27 JUN 79	TITLE: KD11-Z FLOW DIAGRAMS
CHK'D. <i>David G. ...</i>	DATE 27 JUN 79	BOARD LOCATION: 2	SHEET 2 OF 26	SIZE CODE D FD
FIRST USED ON OPTION/MODEL: 11/44				NUMBER: KD11-Z-2
NEXT HIGHER ASSEMBLY: B-DD-KD11-2-2				REV. A

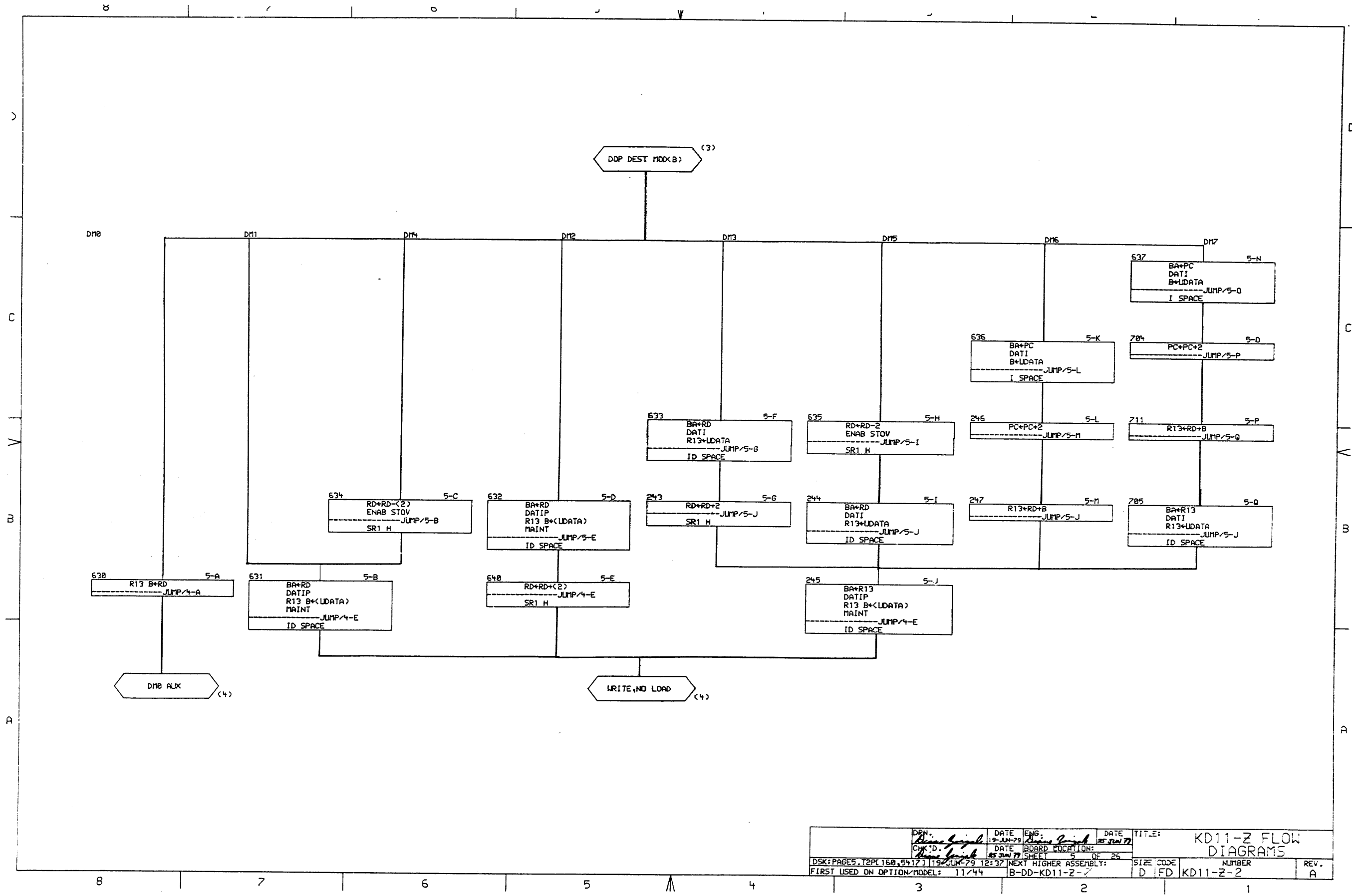


DRN: <i>[Signature]</i>	DATE: 19 JUN 79	ENG: <i>[Signature]</i>	DATE: 27 JUN 79	TITLE: KD11-Z FLOW DIAGRAMS
CHK'D: <i>[Signature]</i>	DATE: 27 JUN 79	PROJ: 11/44	LOC: 3	REV: A
DSK: PAGES 12 PC 160.5 121119 JUN 79 12136 NEXT HIGHER ASSEMBLY:				SIZE: D FD
FIRST USED ON OPTION/MODEL: 11/44 B-DD-KD11-Z-2				NUMBER: KD11-Z-2

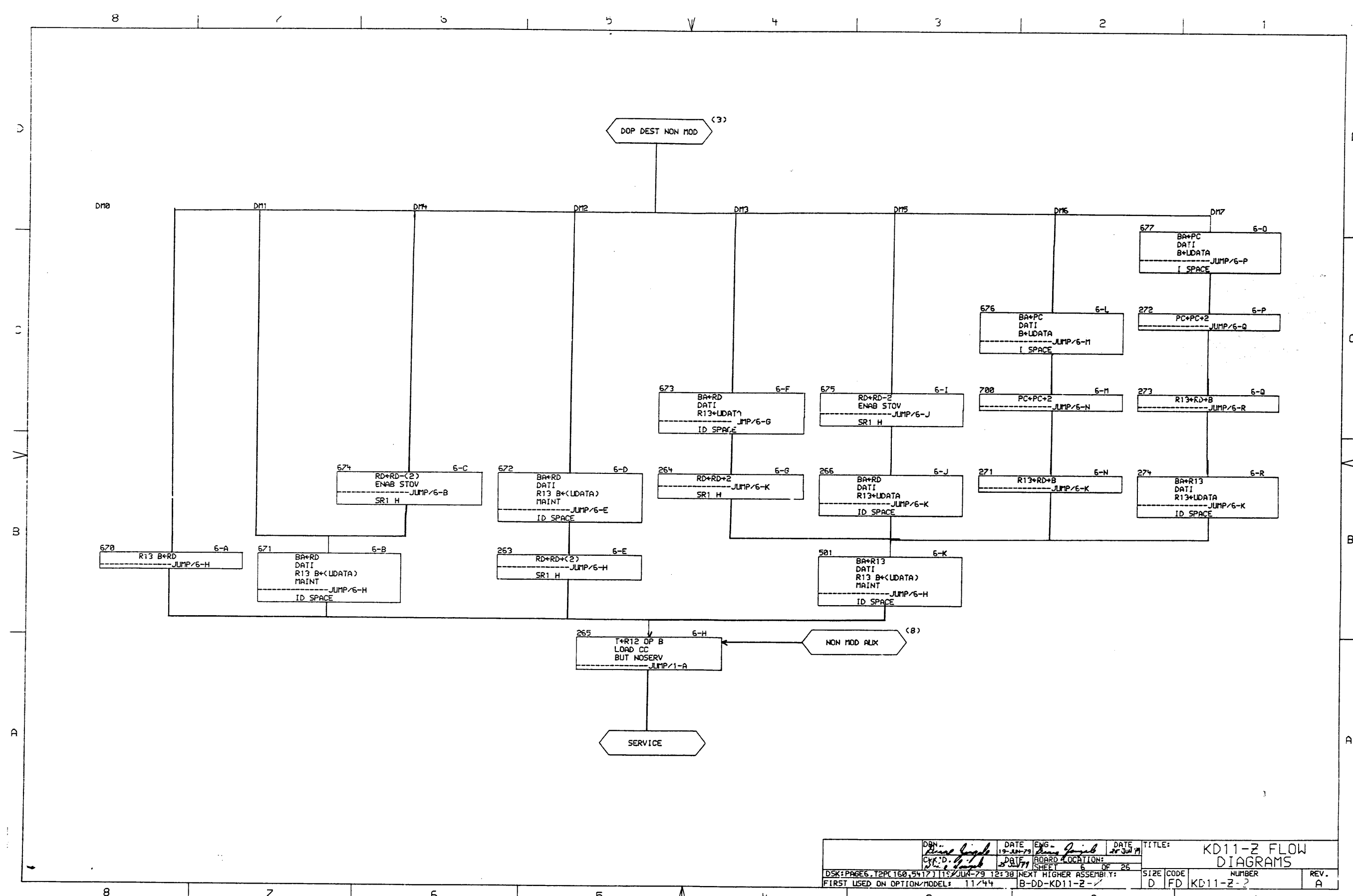


DRN. <i>Steve Fajal</i>	DATE 19-JUN-79	ENG. <i>Steve Fajal</i>	DATE 25 JUN 79	TITLE: KD11-Z FLOW DIAGRAMS
CHK'D. <i>Steve Fajal</i>	DATE 25 JUN 79	BOARD LOCATION: 4 DE 26	SHEET 4	SIZE CODE D IFD
DSK:PAGE 4, T2PC160, 5412119	FIRST USED ON OPTION/MODEL: 11/44	NEXT HIGHER ASSEMBLY: B-DD-KD11-Z-2	NUMBER KD11-Z-2	REV. A

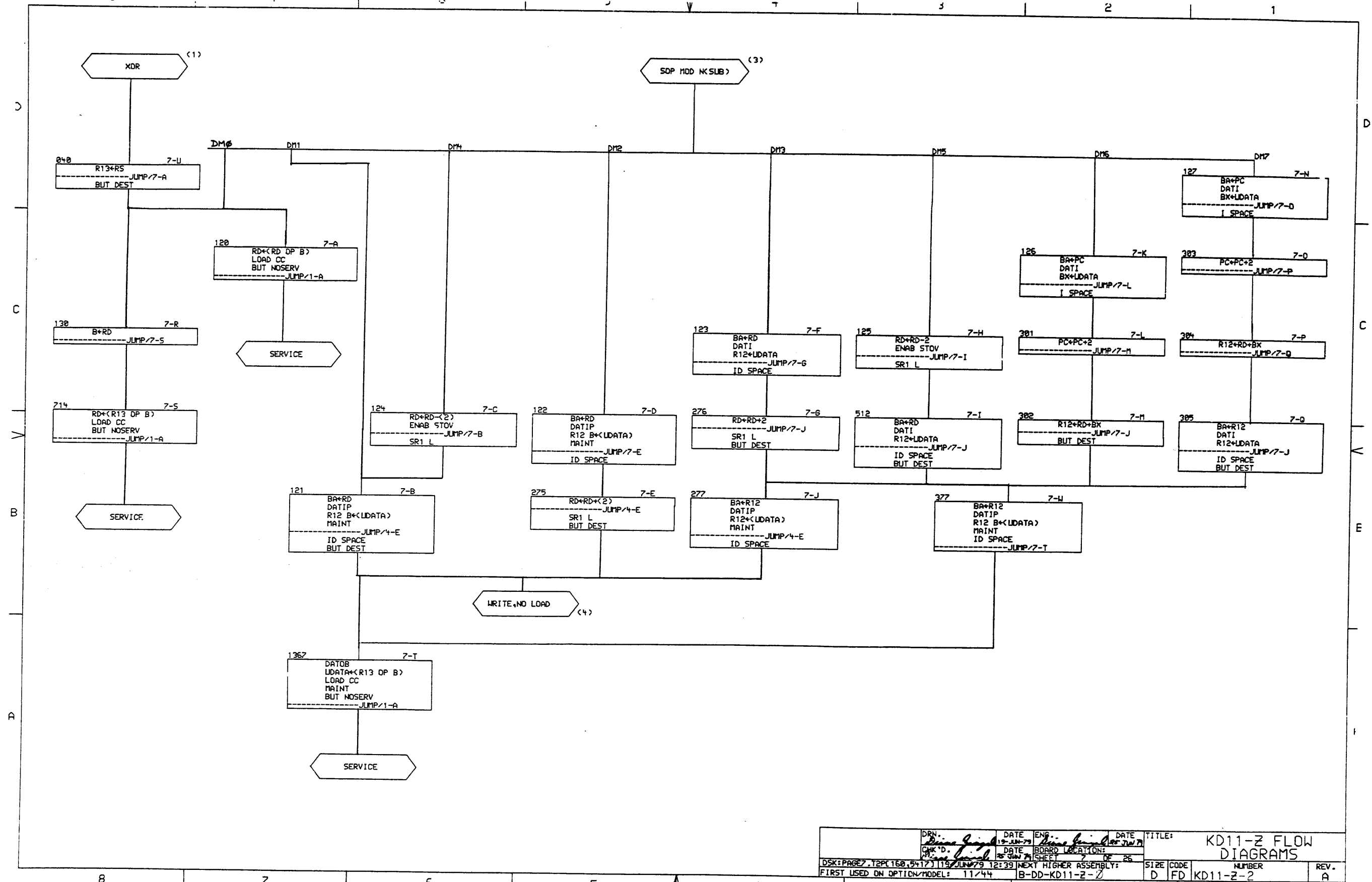
8      7      6      5      4      3      2      1



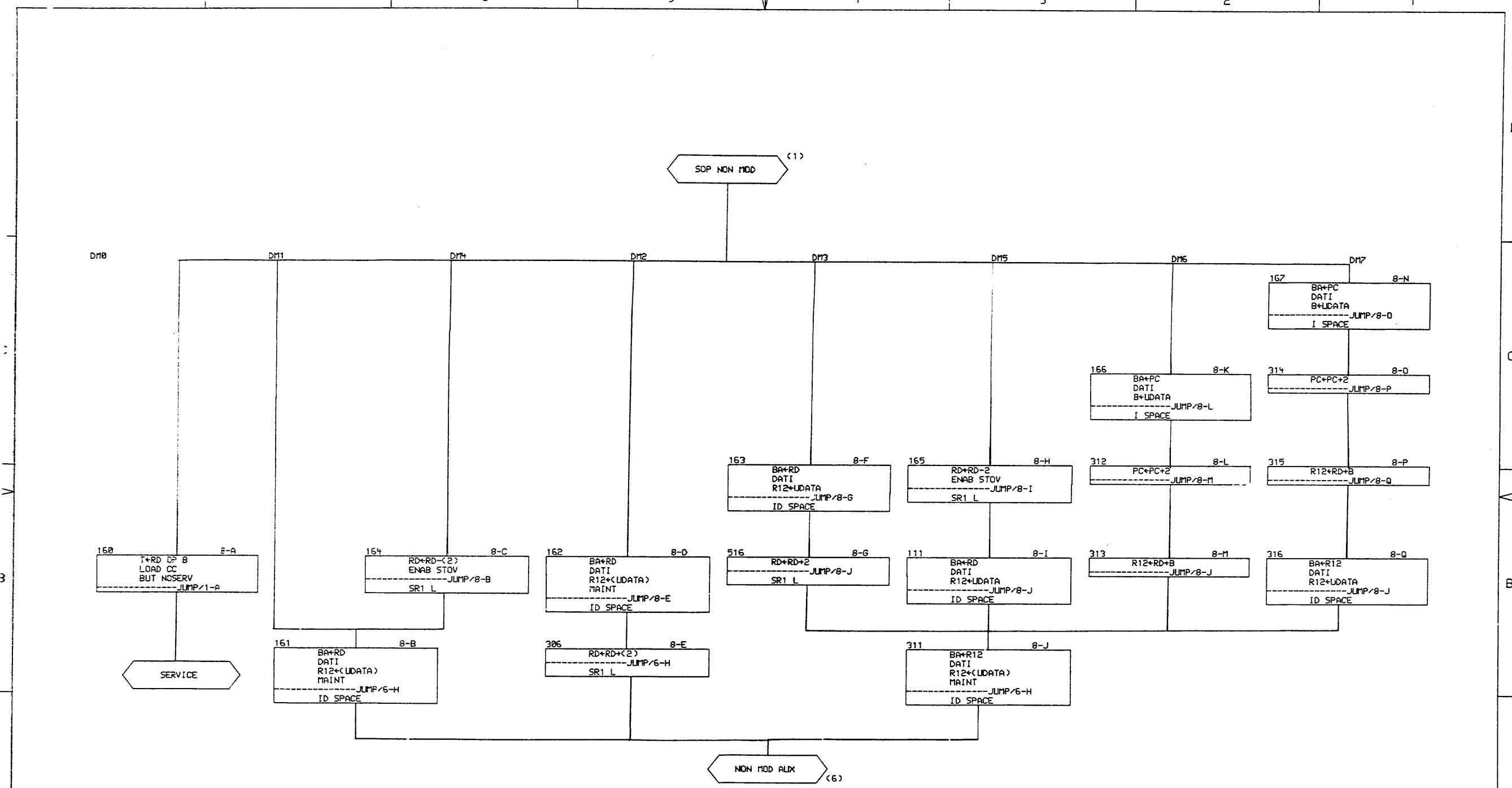
DRN. <i>James Lynch</i>	DATE 19-JAN-79	ENG. <i>James Lynch</i>	DATE 25-JAN-79	TITLE: KD11-Z FLOW DIAGRAMS
CHK'D. <i>James Lynch</i>	DATE 25-JAN-79	BOARD LOCATION: SHEET 5 OF 25	SIZE CODE D IFD	NUMBER KD11-Z-2
DSK: PAGES: 12 P. 160, 5417 J 19 JUN 79 12:37		NEXT HIGHER ASSEMBLY: B-DD-KD11-Z-2		REV. A



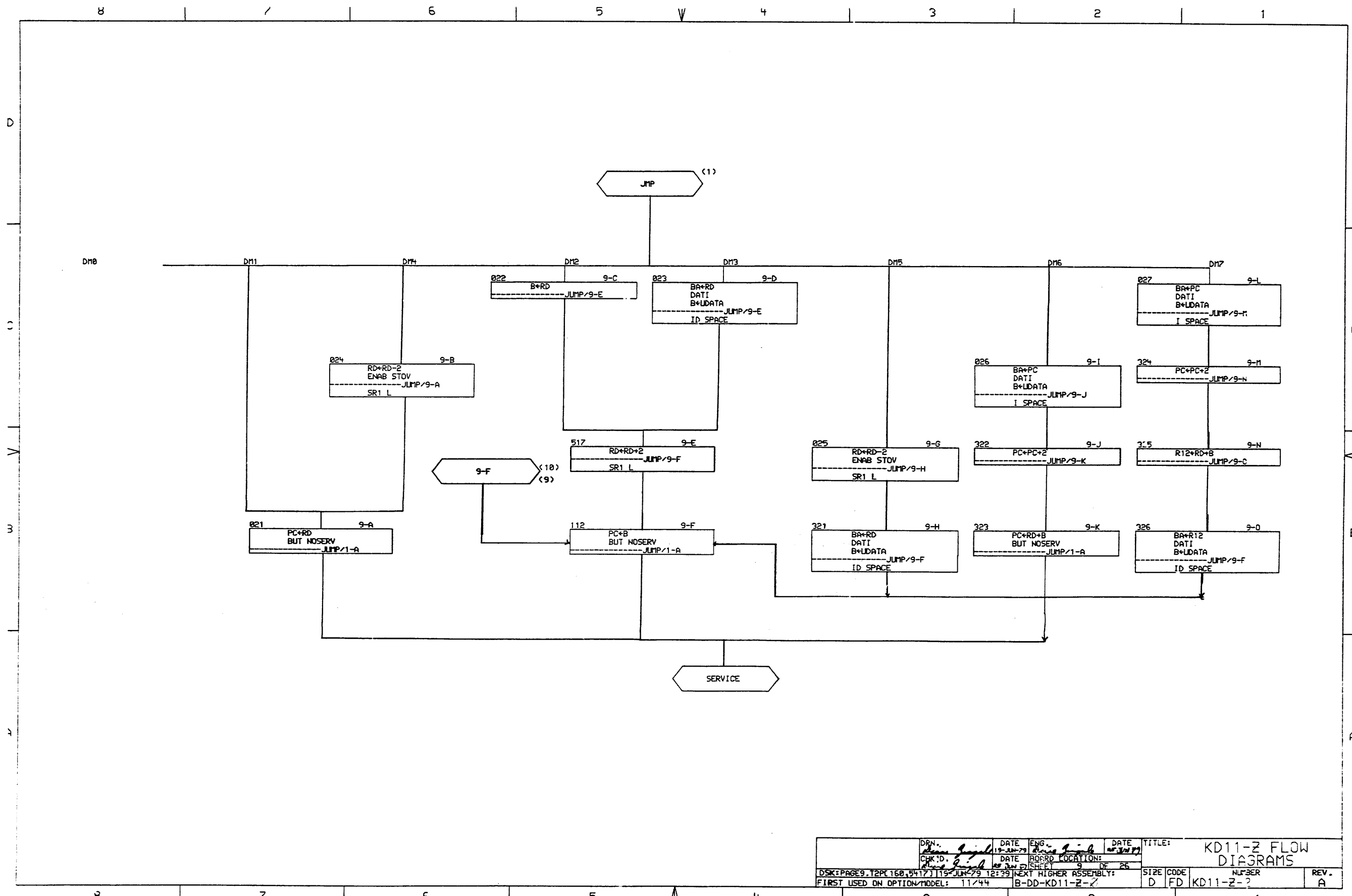
DRN: <i>Steve Smith</i>	DATE: 12-22-79	ENG: <i>Steve Smith</i>	DATE: 12-22-79	TITLE: KD11-Z FLOW DIAGRAMS
CHK'D: <i>Steve Smith</i>	DATE: 12-22-79	BOARD LOCATION: 6	OF 26	SIZE CODE: D FD
FIRST USED ON OPTION/MODEL: 11/44		NEXT HIGHER ASSEMBLY: B-DD-KD11-Z		NUMBER: KD11-Z-2
				REV. A



DRN.	DATE	ENG.	DATE	TITLE:
[Signature]	19 JUN 79	[Signature]	19 JUN 79	KD11-Z FLOW
CHK'D.	DATE	BOARD LOCATION:		DIAGRAMS
[Signature]	19 JUN 79			
DSK: PAGE 7, T2PC 160, 5417, 119 JUN 79 12:39				NEXT HIGHER ASSEMBLY:
FIRST USED ON OPTION/MODEL: 11/44				B-DD-KD11-Z-2
SIZE	CODE	NUMBER	REV.	
D	FD	KD11-Z-2	A	

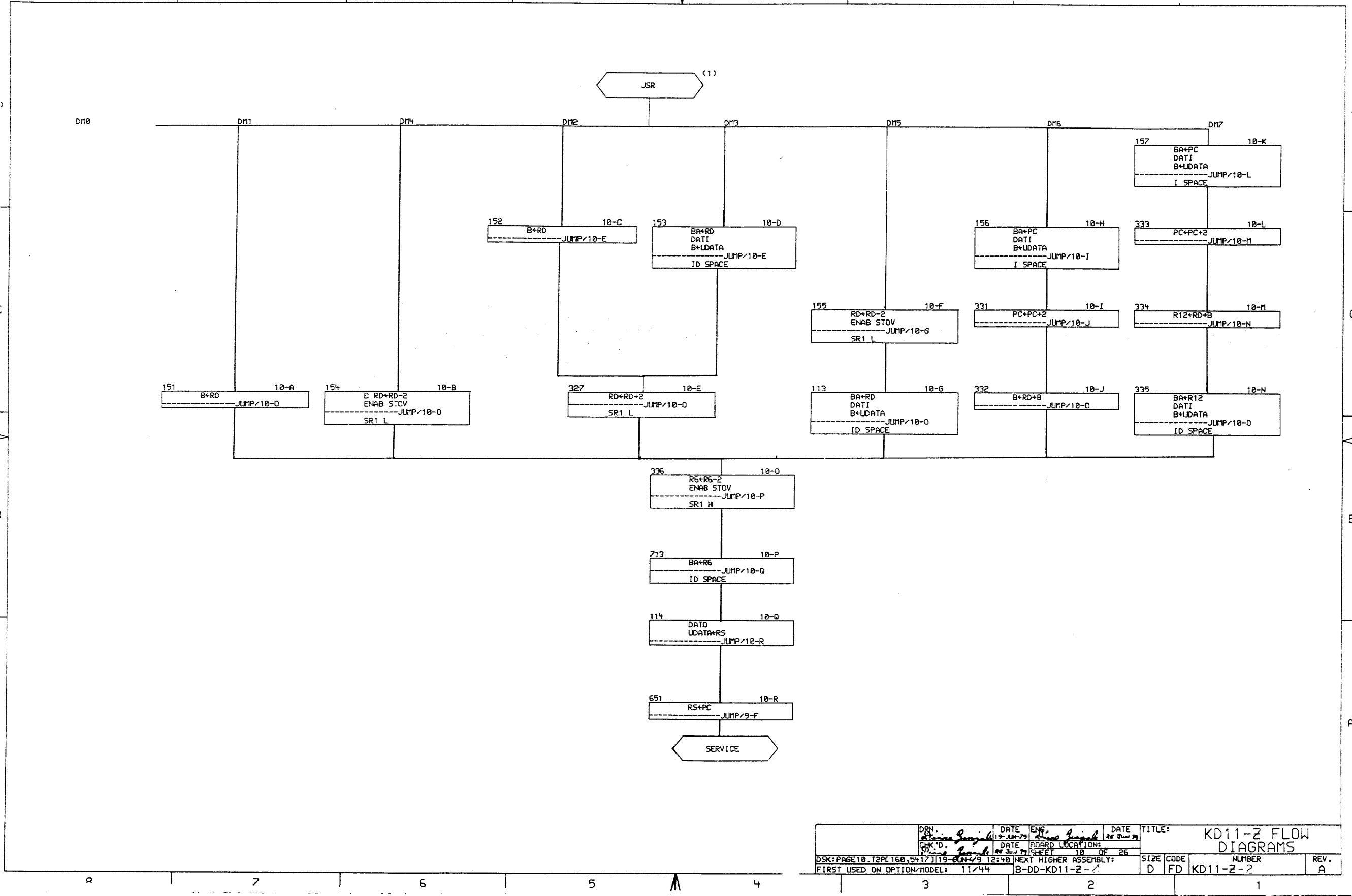


DRN. <i>David J. ...</i>	DATE <i>19-10-79</i>	ENG. <i>David J. ...</i>	DATE <i>19-10-79</i>	TITLE: KD11-Z FLOW DIAGRAMS
CHK'D. <i>David J. ...</i>	DATE <i>19-10-79</i>	ISSUED <i>8</i>	OF <i>26</i>	
DSK:PAGE8.T2PC160.54121119-JUN-79 12:39				SIZE CODE NUMBER REV. A
FIRST USED ON OPTION/MODEL: 11/44				D FD KD11-Z-2

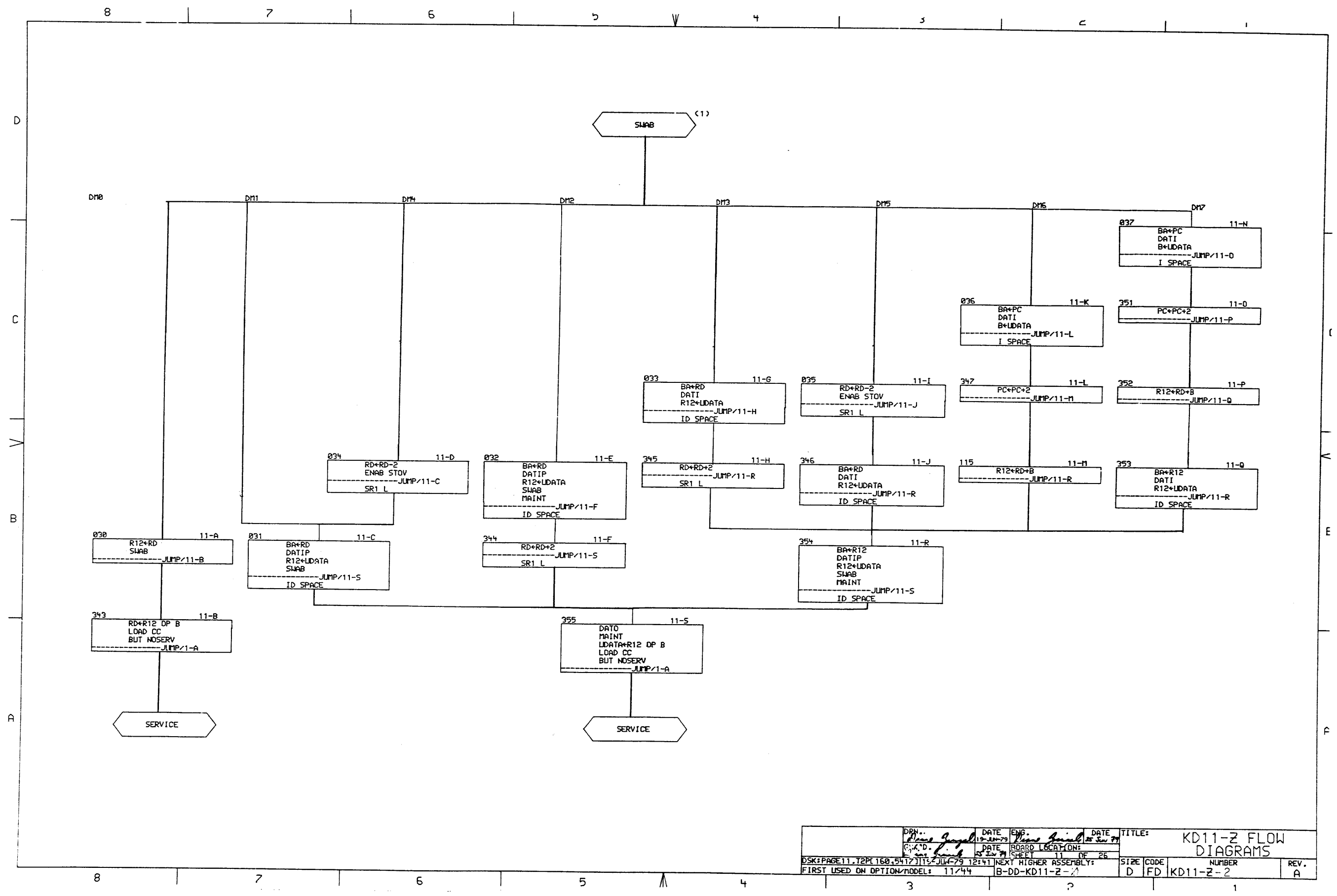


DRN.	DATE	ENG.	DATE	TITLE:
<i>John Smith</i>	19 JUN 79	<i>John Smith</i>	19 JUN 79	KD11-Z FLOW DIAGRAMS
CHK'D.	DATE	BOARD LOCATION:	SHEET	OF
<i>John Smith</i>	19 JUN 79	B-DD-KD11-Z	9	25
DSK:PAGE9.T2PC150,547J119 JUN 79 12:39 NEXT HIGHER ASSEMBLY:				SIZE
FIRST USED ON OPTION MODEL: 11/44				FD
				NUMBER
				KD11-Z-?
				REV.
				A

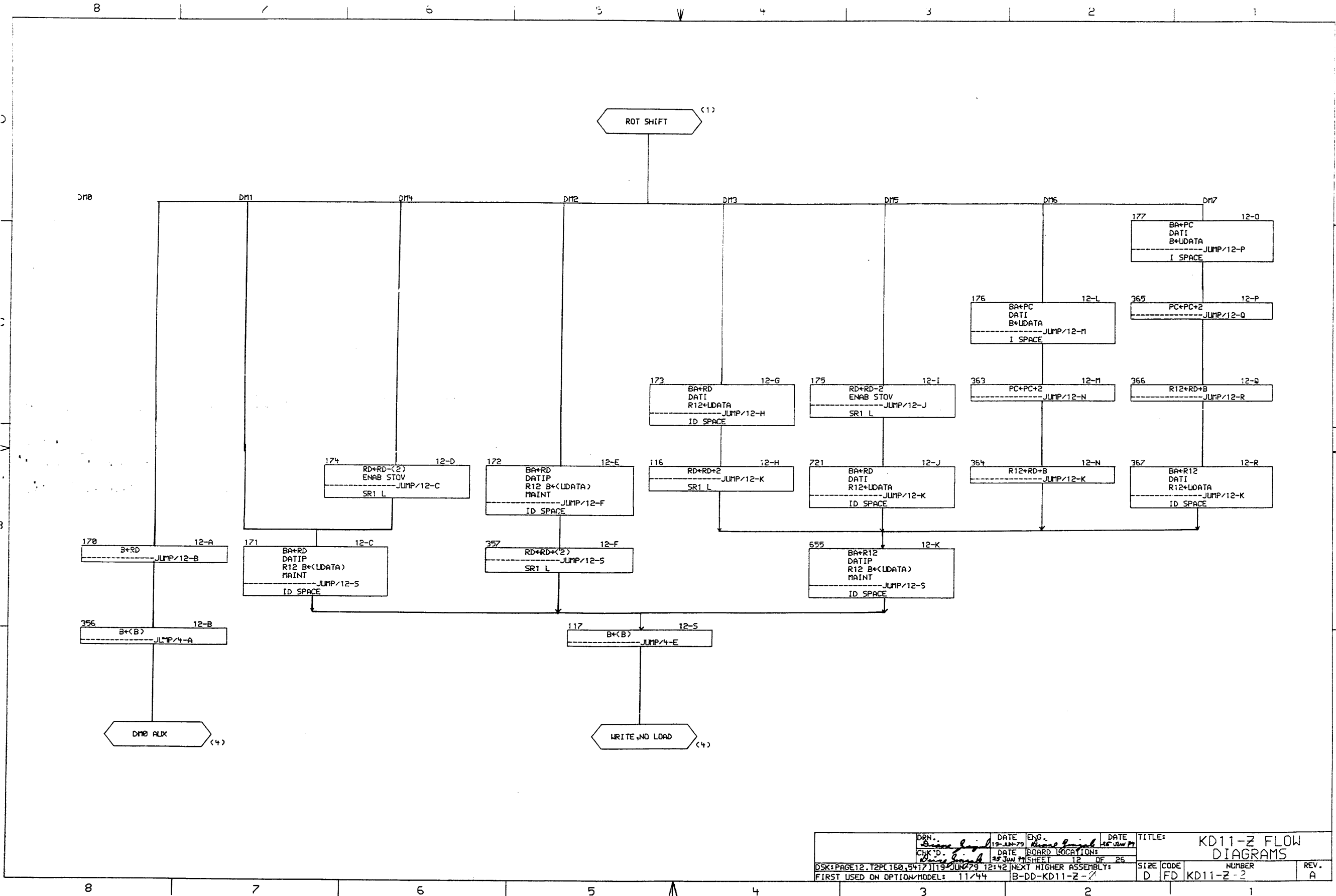




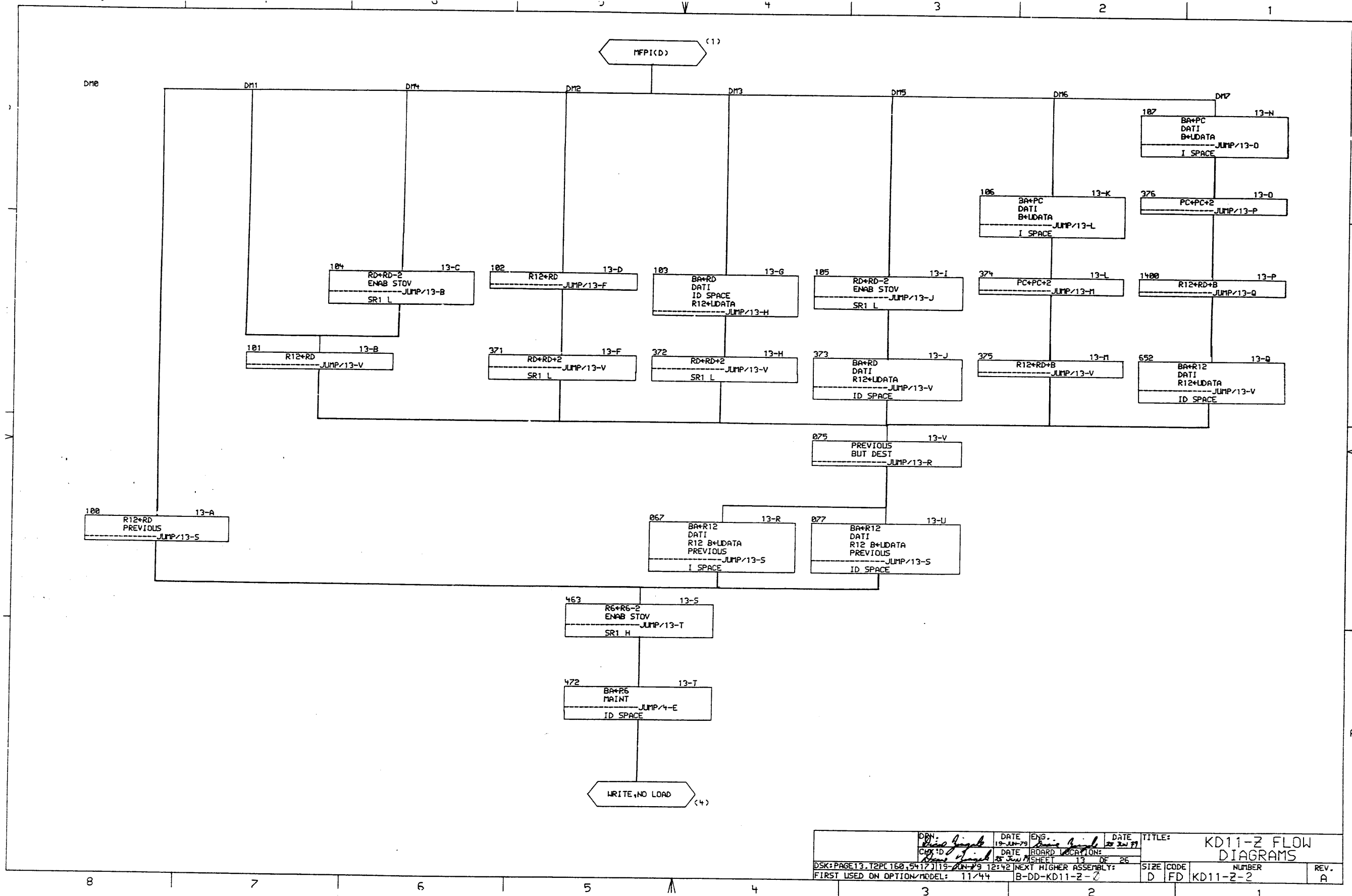
DRN. <i>James G...</i>	DATE <i>19-10-79</i>	ENG. <i>James G...</i>	DATE <i>26 Nov 79</i>	TITLE: KD11-Z FLOW DIAGRAMS
CHK'D. <i>James G...</i>	DATE <i>19-10-79</i>	BOARD LOCATION: <i>10</i>	OF <i>26</i>	SIZE CODE: <i>D FD</i>
DSK: PAGE 10, I2PC 160, 5417, 119-6, 114/3, 12:48	NEXT HIGHER ASSEMBLY: <i>B-DD-KD11-Z-1</i>	NUMBER: <i>KD11-Z-2</i>	REV.:	<i>A</i>



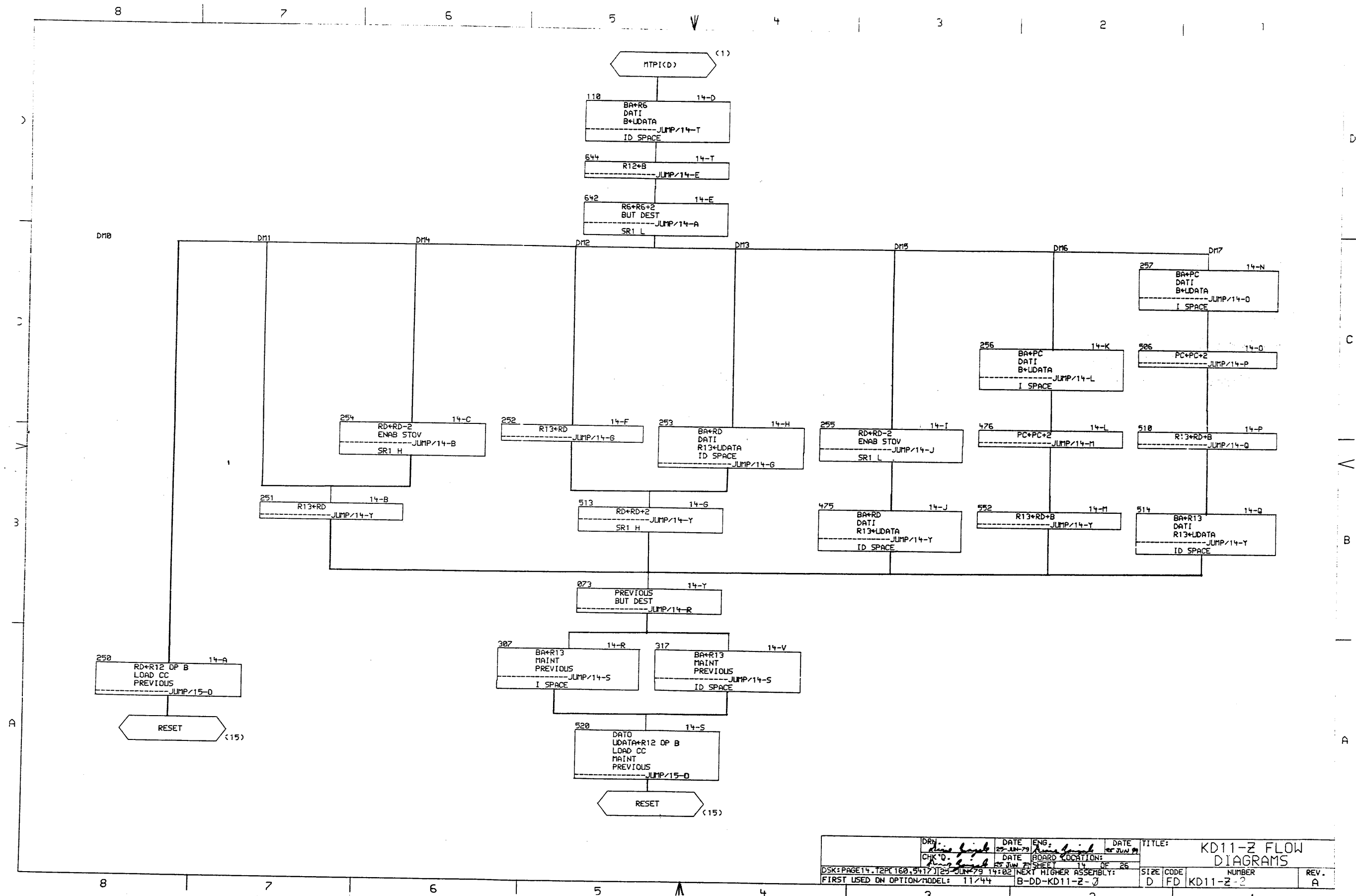
DRN. <i>Steve Jorgal</i>	DATE <i>19 JUN 79</i>	ENG. <i>Steve Jorgal</i>	DATE <i>25 Jun 79</i>	TITLE: <b>KD11-Z FLOW DIAGRAMS</b>
<i>Steve Jorgal</i>	DATE <i>25 Jun 79</i>	BOARD LOCATION: <i>11 DE 26</i>	SHEET <i>11</i>	REV. <i>A</i>
DSK: PAGE 11. T2PL 160, 5417113 JUL 79 12:41 NEXT HIGHER ASSEMBLY: B-DD-KD11-Z-2				SIZE CODE NUMBER
FIRST USED ON OPTION/MODEL: 11/44				D FD KD11-Z-2



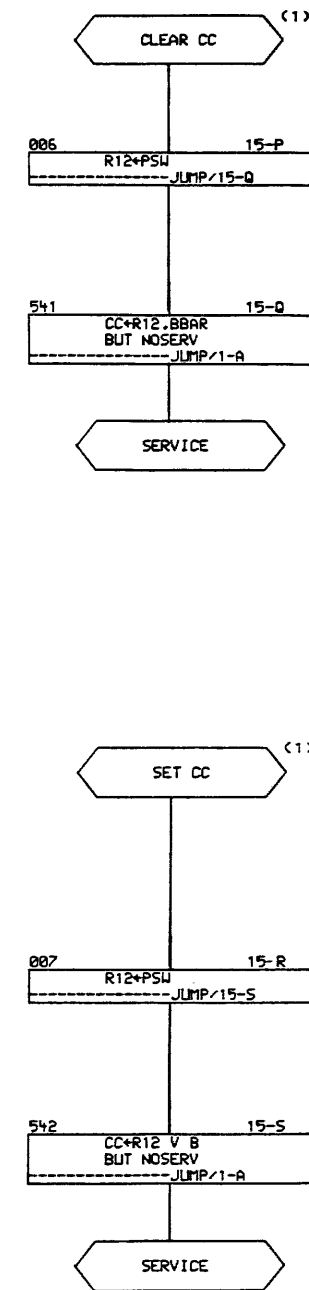
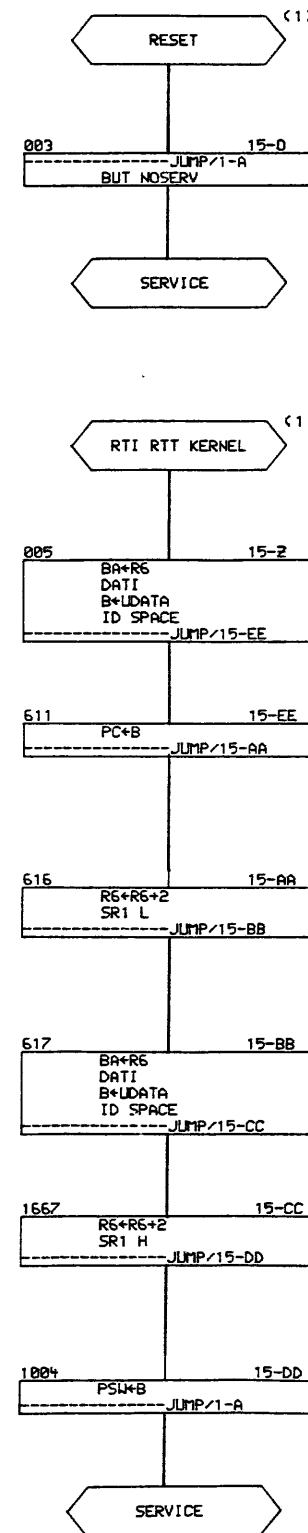
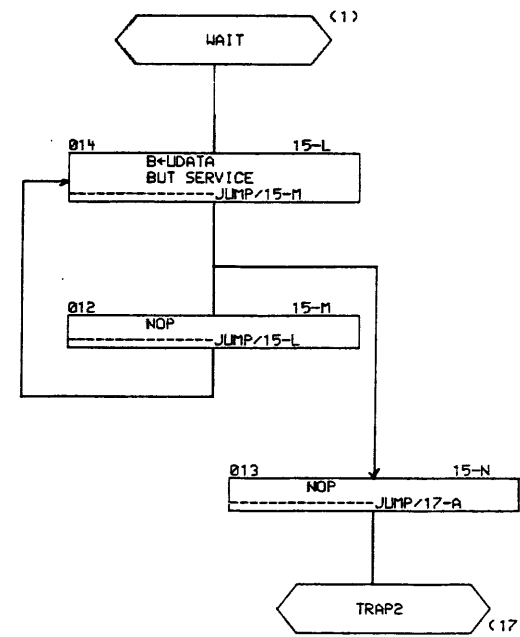
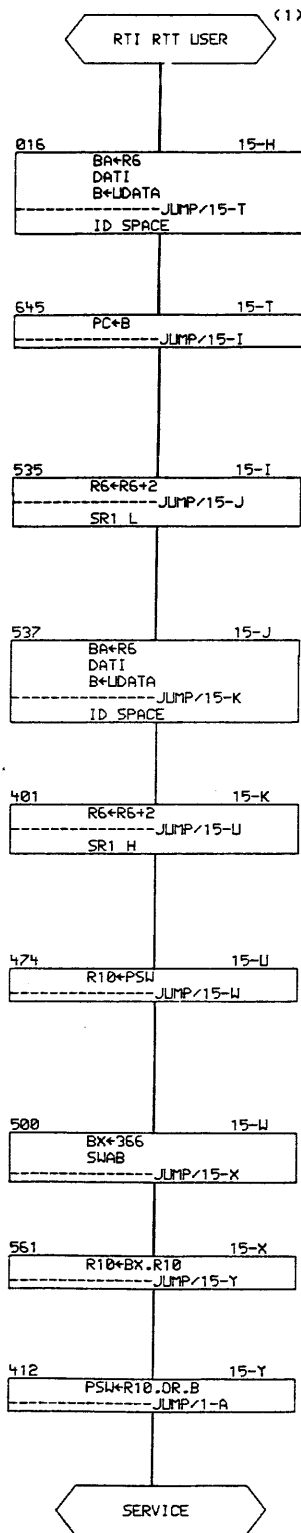
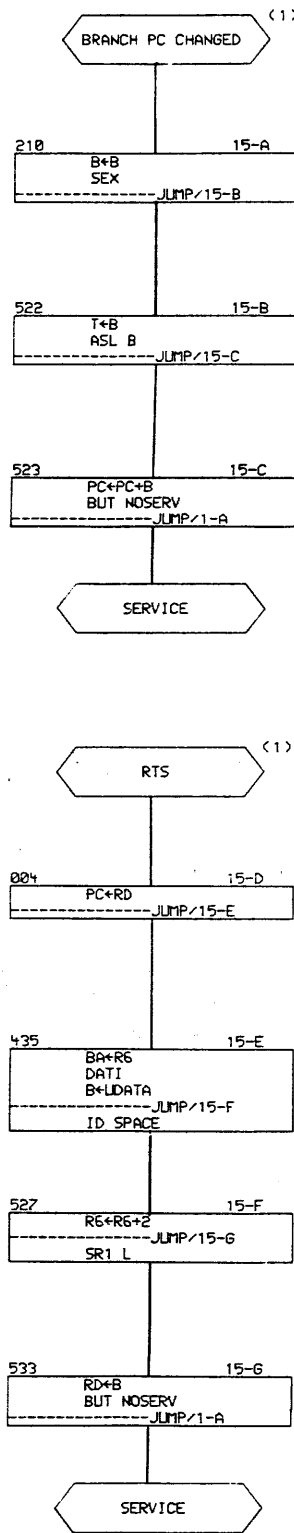
DRN. <i>[Signature]</i>	DATE 11-13-79	ENG. <i>[Signature]</i>	DATE 15-JUN-79	TITLE: KD11-Z FLOW DIAGRAMS
CHK'D. <i>[Signature]</i>	DATE 15-JUN-79	BOARD LOCATION: 12	SHEET 12 OF 25	SIZE CODE D FD
DSK: PAGE 12, 12PL 160, 5417 J119 JUN 79 12:42		NEXT HIGHER ASSEMBLY: B-DD-KD11-Z		NUMBER: KD11-Z-2
FIRST USED ON OPTION/MODEL: 11/44				REV. A



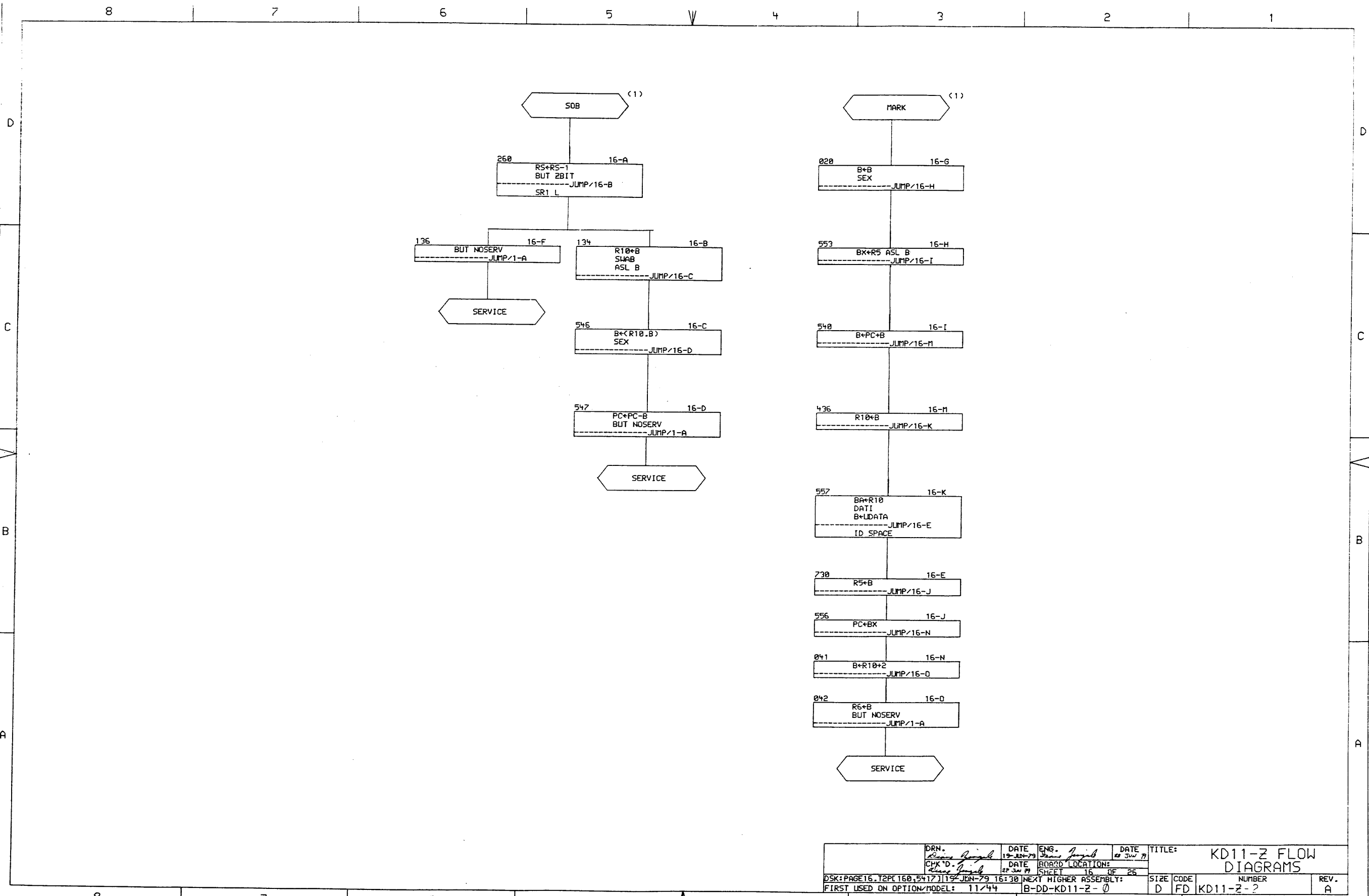
DATE	19-JUN-79	DATE	19-JUN-79	TITLE:	KD11-Z FLOW DIAGRAMS
ENGR.	David J. ...	ENGR.	David J. ...	BOARD LOCATION:	13 OF 26
CHK'D BY:	David J. ...	DATE	19-JUN-79	SHEET	13 OF 26
DSK: PAGE 13, TPC 160, 5417 J119	19-JUN-79 12:42	NEXT HIGHER ASSEMBLY:	B-DD-KD11-2-2	SIZE	CODE
FIRST USED ON OPTION/MODEL:	11/44			D	FD
				NUMBER	REV.
				KD11-2-2	A



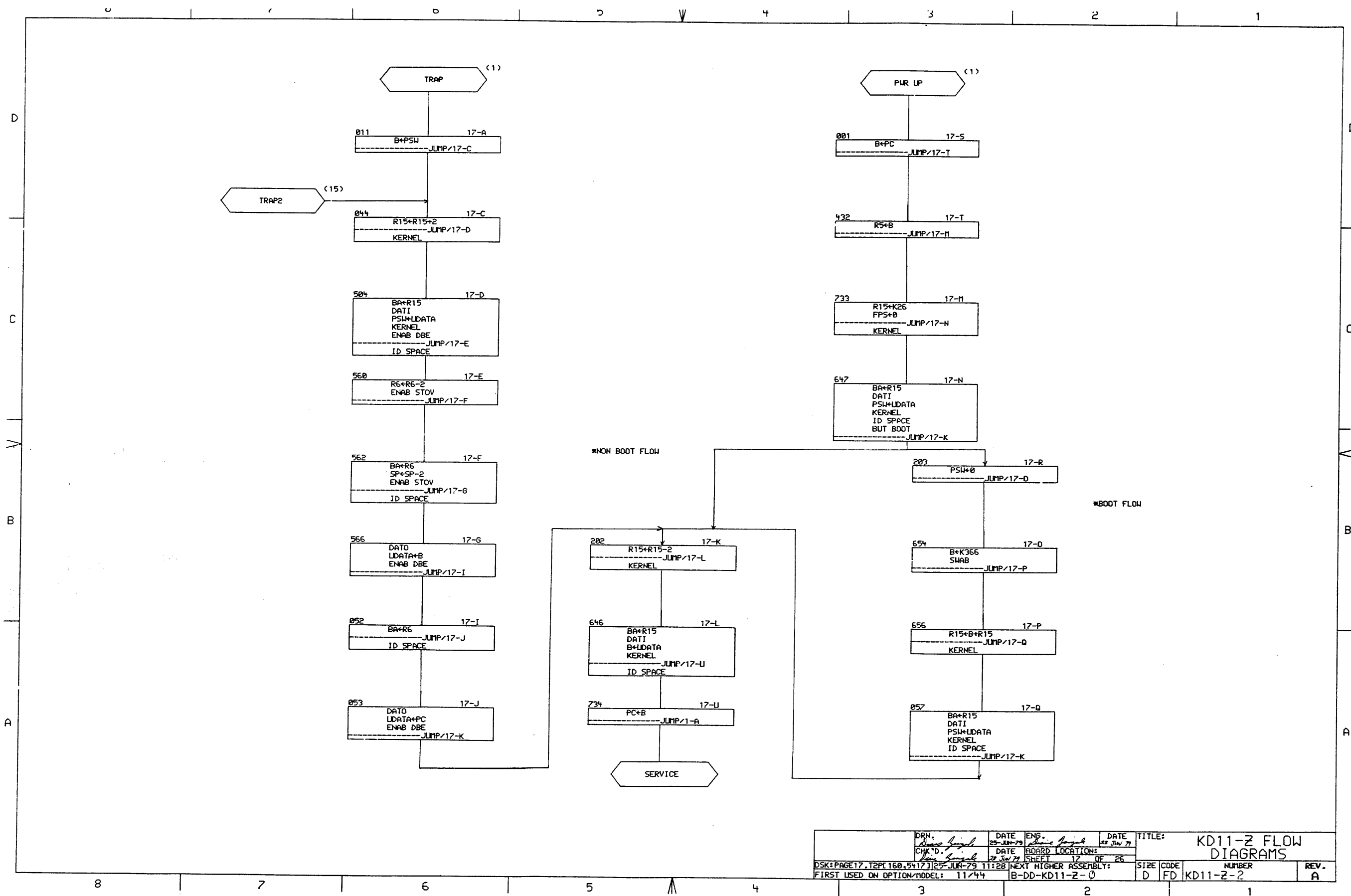
DRN:	DATE:	ENG:	DATE:	TITLE:
	25-JUN-79			KD11-Z FLOW DIAGRAMS
CHK'D:	DATE:	BOARD LOCATION:	SHEET:	OF:
		B-DD-KD11-Z-3	14	26
FIRST USED ON OPTION/MODEL: 11/44			NEXT HIGHER ASSEMBLY:	SIZE CODE:
			B-DD-KD11-Z-3	D
			NUMBER:	REV.:
			KD11-Z-2	A



DRN.	DATE	ENG.	DATE	TITLE:
<i>Steve Givels</i>	19 JUN 79	<i>Steve Givels</i>	26 JUN 79	KD11-Z FLOW DIAGRAMS
CHK'D.	DATE	BOARD LOCATION:		
<i>Steve Givels</i>	18 JUN 79	15	26	
DSK:PAGE15.T2PC160.5417J19 JUN 79 12:43 NEXT HIGHER ASSEMBLY:				SIZE CODE
FIRST USED ON OPTION/MODEL: 11/44				B-DD-KD11-Z-2
			NUMBER	REV.
			FD KD11-Z-2	A

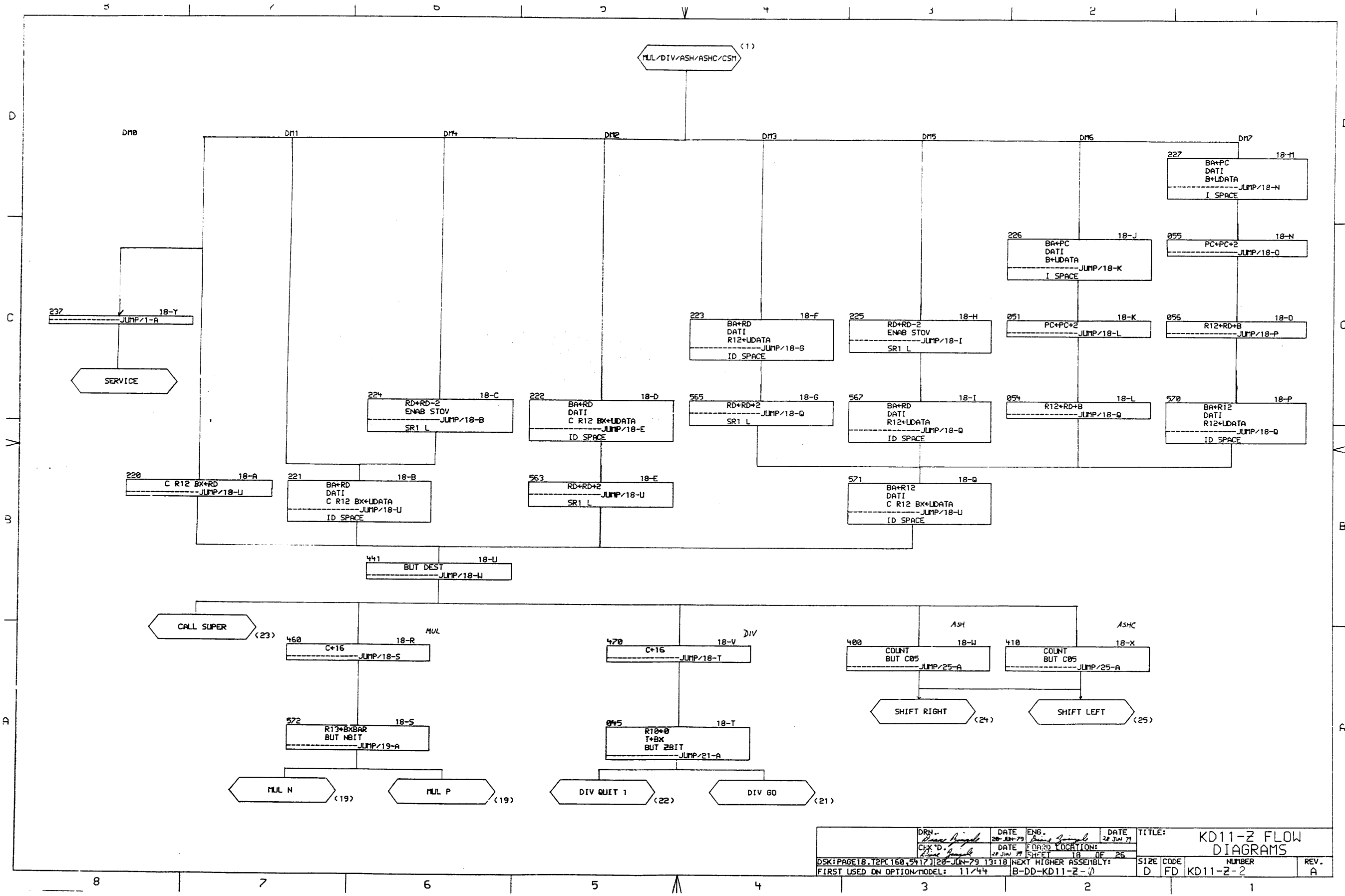


DRN. <i>Steve Pangel</i>	DATE 19-30-79	ENG. <i>Steve Pangel</i>	DATE 22 Jun 79	TITLE: KD11-Z FLOW DIAGRAMS
CHK'D. <i>Steve Pangel</i>	DATE 28 Jun 79	BOARD LOCATION: 15 OF 25	SHEET 15 OF 25	SIZE CODE D FD
DSK: PAGE 16, T2P160, 5412119 JUN-79 16:30 NEXT HIGHER ASSEMBLY: FIRST USED ON OPTION/MODEL: 11/44				NUMBER B-DD-KD11-Z-0
			REV. A	

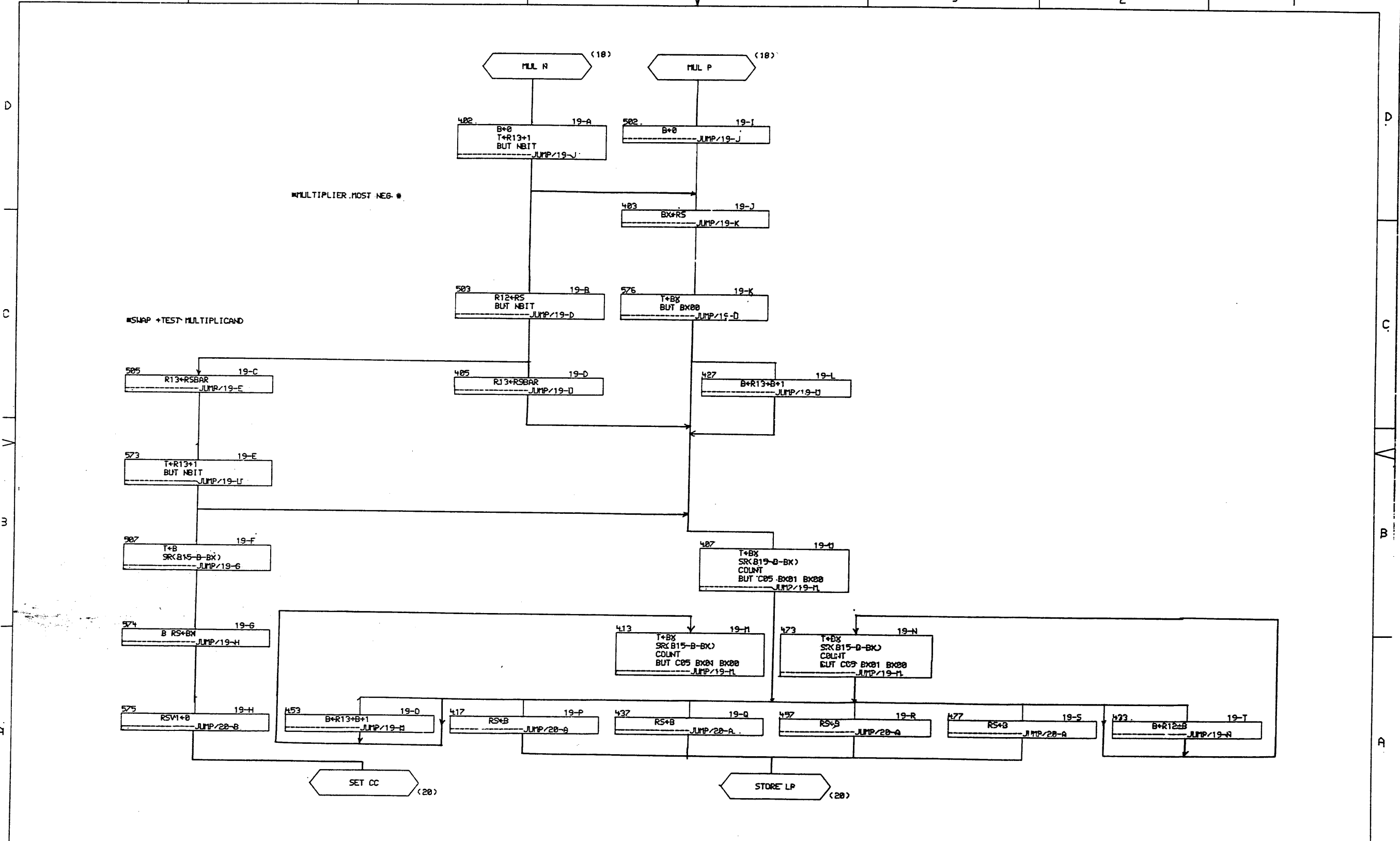


DRN. <i>James H. Smith</i>	DATE 25 JUN 79	ENG. <i>James H. Smith</i>	DATE 28 JUN 79	TITLE: KD11-Z FLOW DIAGRAMS
CHK'D. <i>James H. Smith</i>	DATE 29 JUN 79	BOARD LOCATION: SHEET 17 OF 26	SIZE D	CODE FD
DSK: PAGE 17, 12PC 160, 5417 J 25 JUN 79 11:28 NEXT HIGHER ASSEMBLY: FIRST USED ON OPTION/MODEL: 11/44			NUMBER B-DD-KD11-Z-0	REV. A



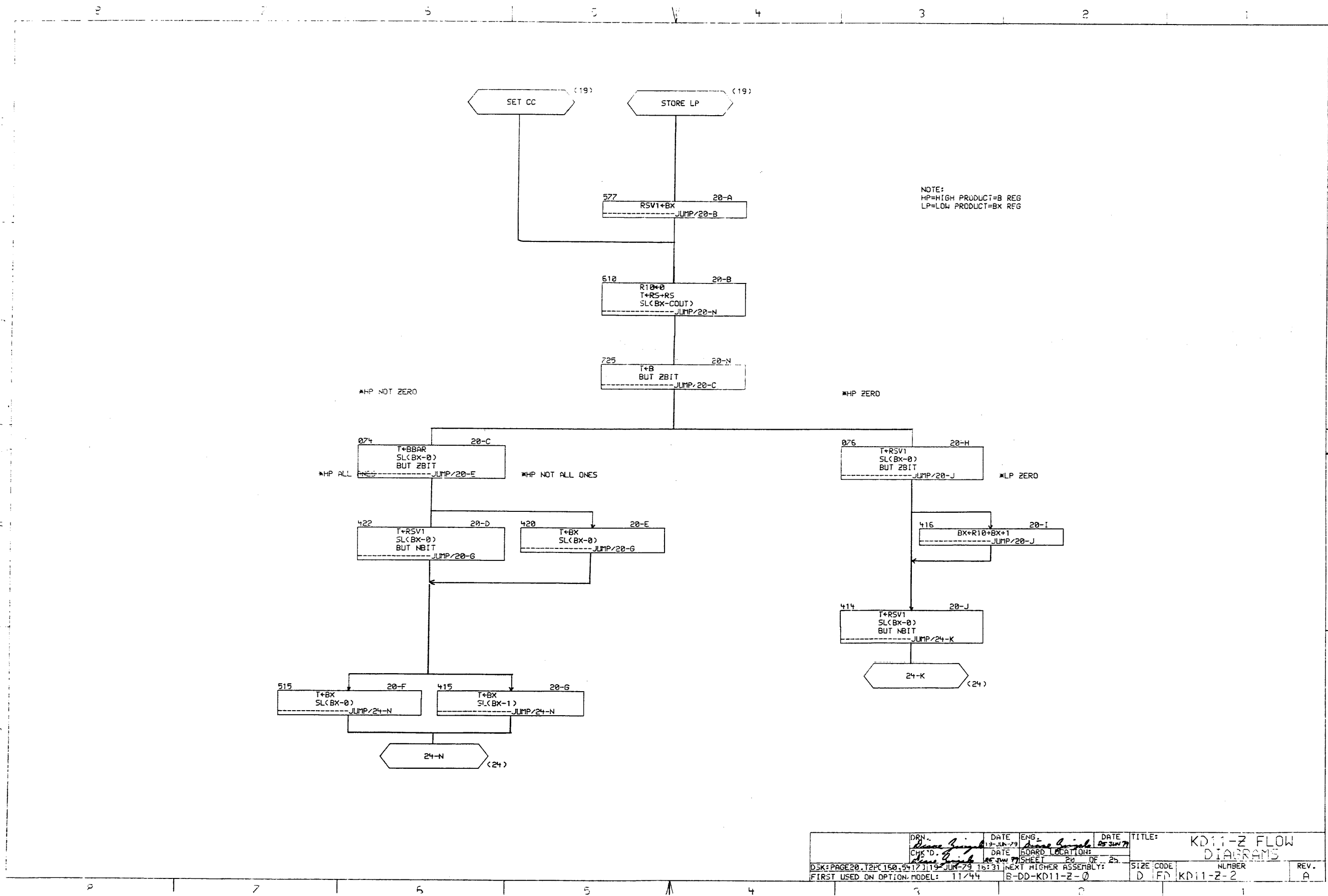


DRN: <i>David H. ...</i>	DATE: 20 JUN 79	ENG: <i>David H. ...</i>	DATE: 20 JUN 79	TITLE: KD11-Z FLOW DIAGRAMS
CHK'D: <i>David H. ...</i>	DATE: 20 JUN 79	FOR'D LOCATION: SHEET 18 OF 26	SIZE: D	CODE: FD
DSK: PAGE 18, T2PC 160, 5417 J 20 JUN 79 13:18 NEXT HIGHER ASSEMBLY: B-DD-KD11-Z-2				NUMBER: KD11-Z-2
FIRST USED ON OPTION/MODEL: 11/44				REV.: A

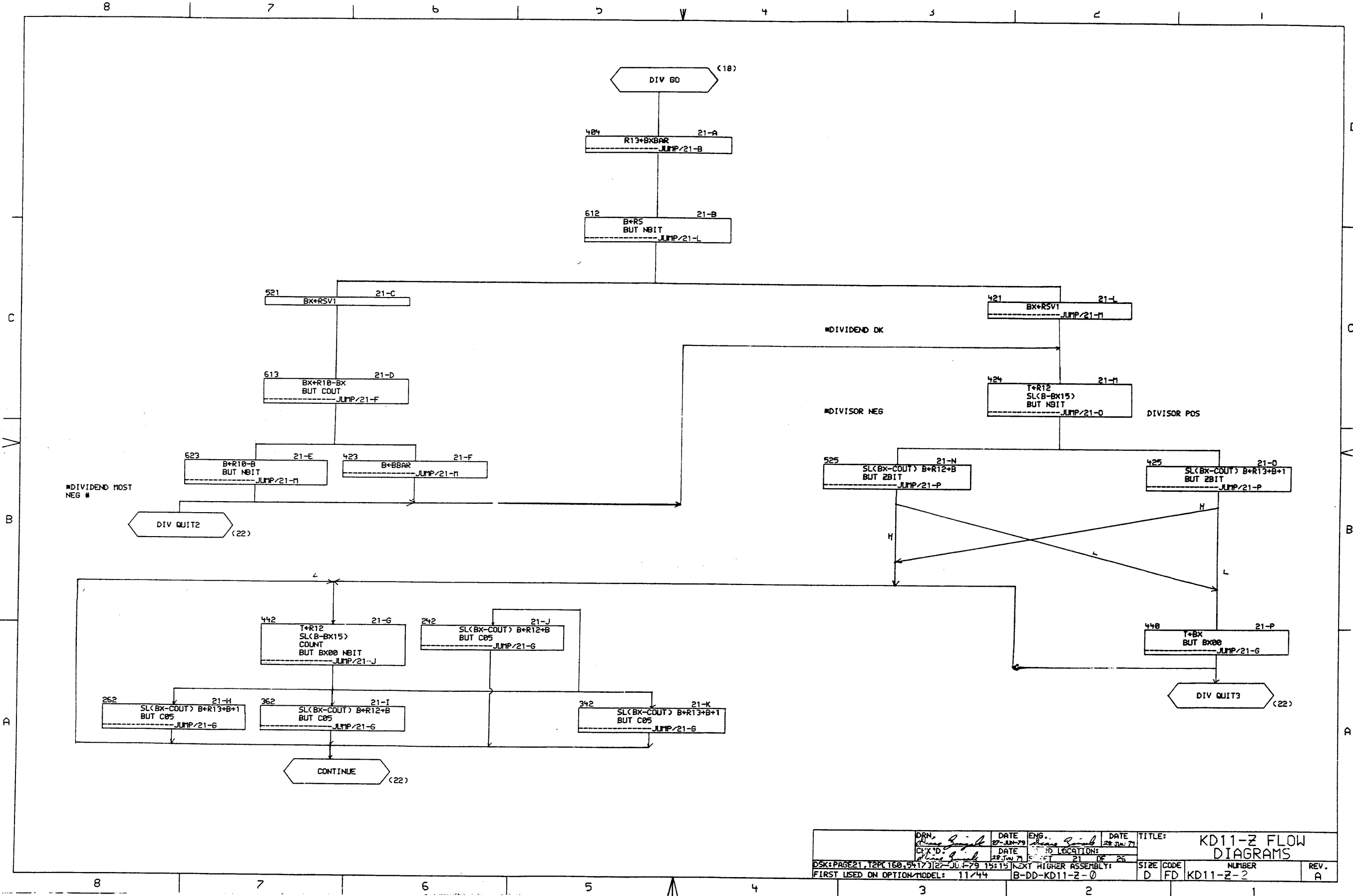


DRN. <i>James Smith</i>	DATE 19-11-79	DES. <i>James Smith</i>	DATE 19-11-79	TITLE: KD11-Z FLOW DIAGRAMS
CHKD. <i>James Smith</i>	DATE 19-11-79	CHKD. <i>James Smith</i>	DATE 19-11-79	SIZE CODE NUMBER REV. D FD KD11-Z-2 A
FIRST USED ON OPTION/MODEL: 11/44 B-DD-KD11-2-0				EXT HIGHER ASSEMBLY

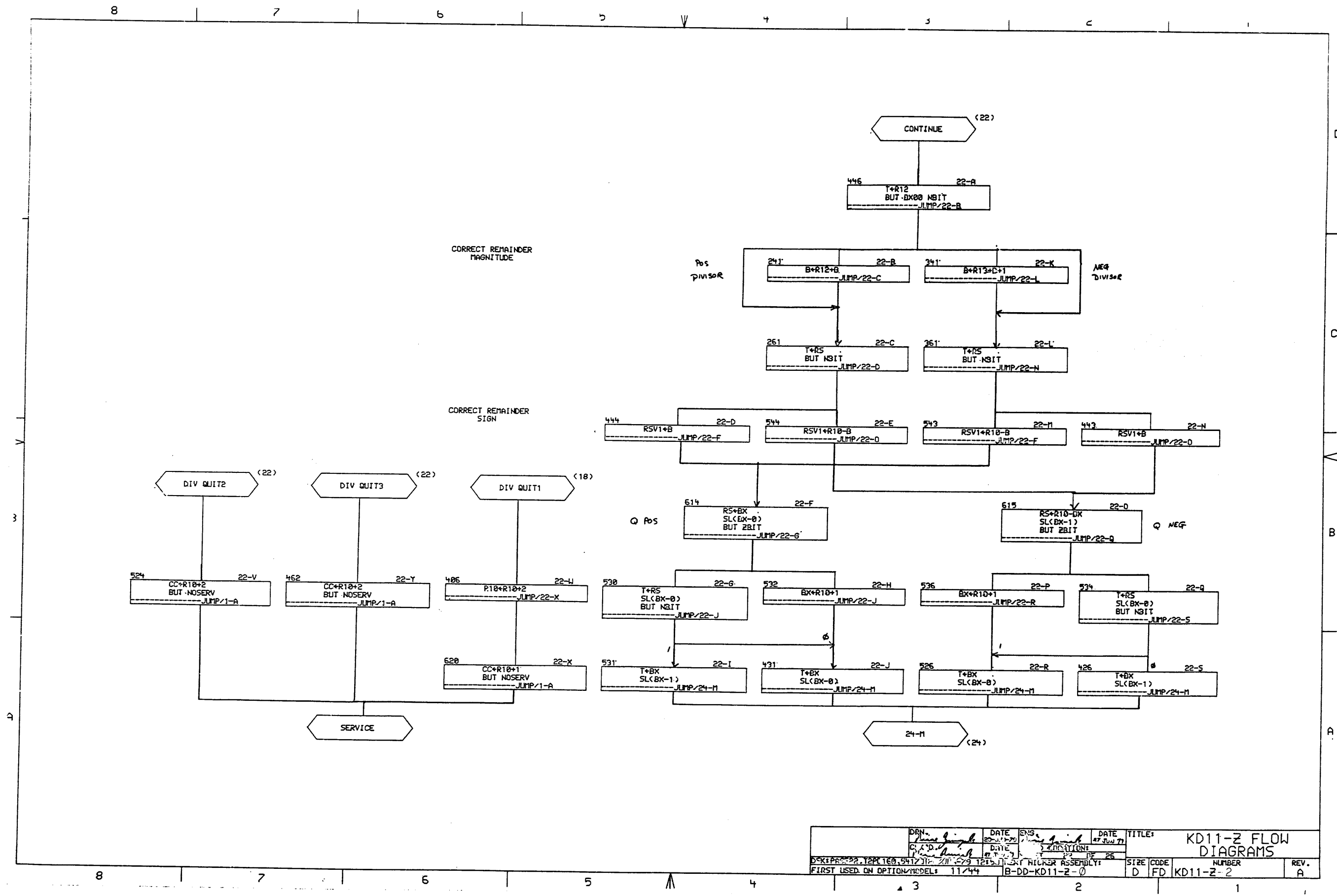
8 7 6 5 4 3 2 1



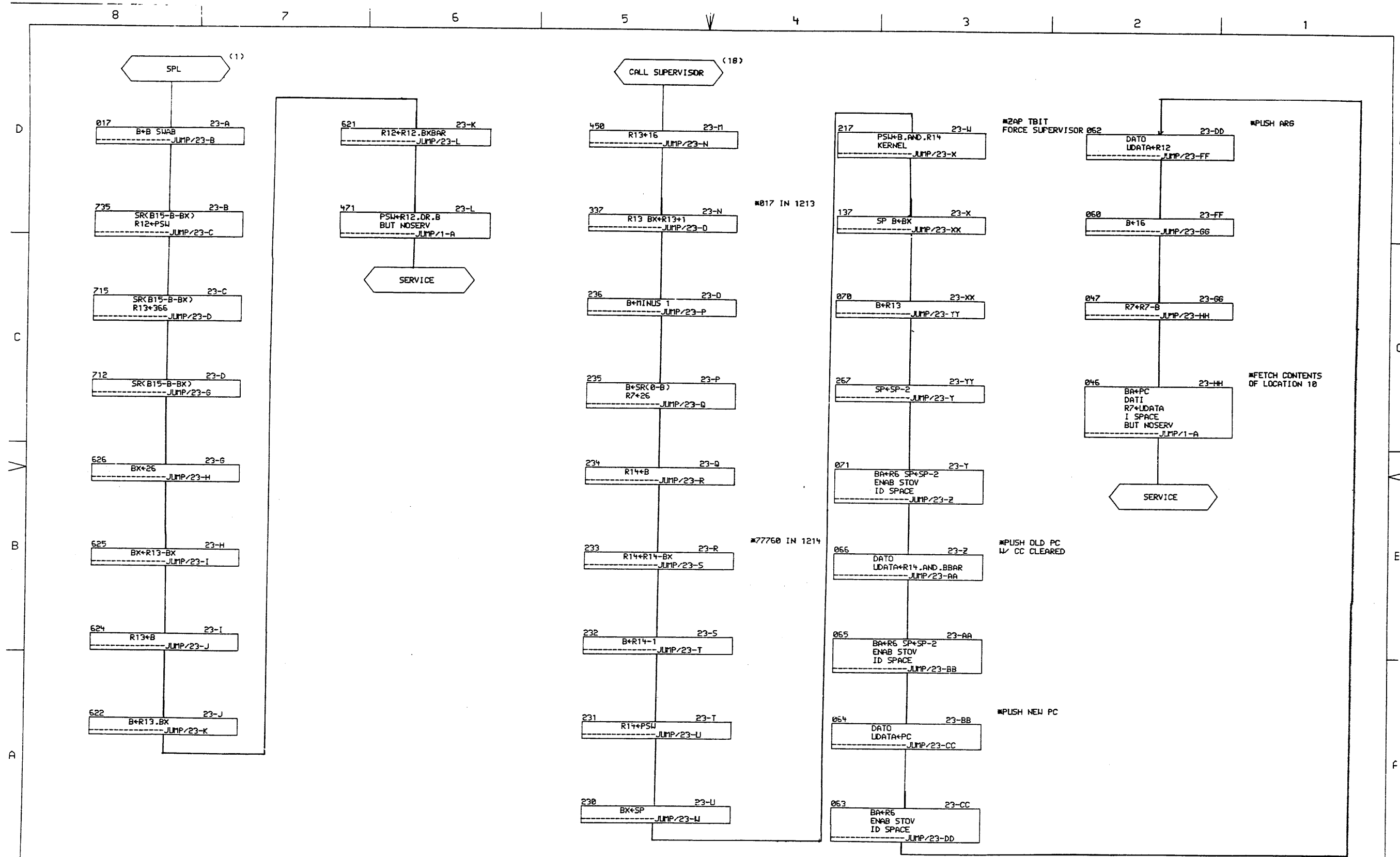
DRN. <i>James J. ...</i>	DATE 13-JUN-79	ENG. <i>James J. ...</i>	DATE 05-JUN-79	TITLE: KD11-Z FLOW DIAGRAMS
CHK'D. <i>James J. ...</i>	DATE 13-JUN-79	BOARD LOCATION: 24 OF 25	SHEET 24 OF 25	SIZE CODE D FD
FIRST USED ON OPTION MODEL: 11/44	11/15/79	NEXT HIGHER ASSEMBLY: B-DD-KD11-Z-0	NUMBER	REV. A



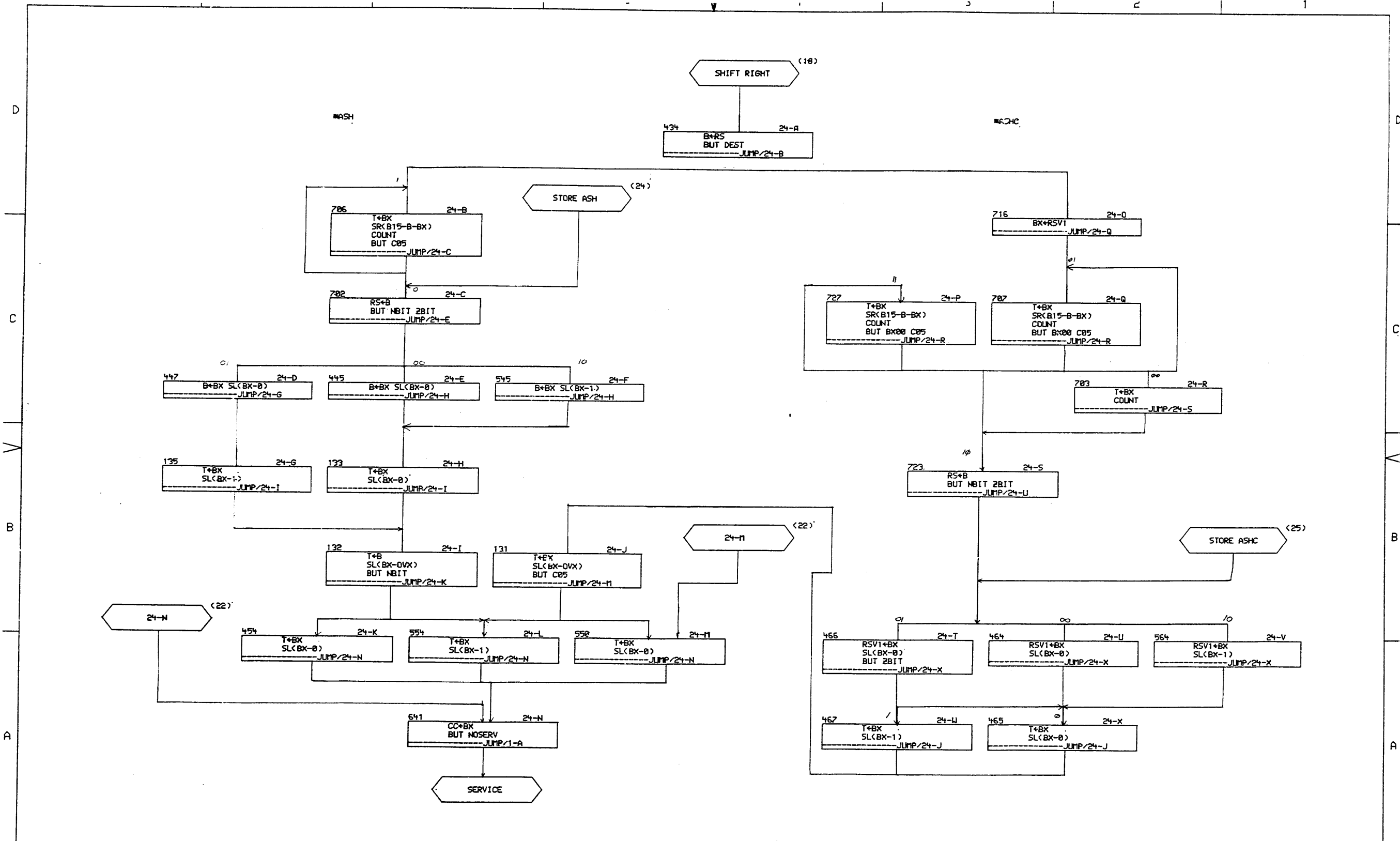
DRN <i>Steve G...</i>	DATE 27-JUN-79	ENG. <i>Steve G...</i>	DATE 28-JUN-79	TITLE: KD11-Z FLOW DIAGRAMS
CHK'D <i>Steve G...</i>	DATE 28-JUN-79	LOCATIONS 21	REV. A	
DSK:PAGE21, T2P160, 5417 J12		NEXT HIGHER ASSEMBLY: B-DD-KD11-Z-0		SIZE CODE D FD
FIRST USED ON OPTION/MODEL: 11/44		NUMBER KD11-Z-2		REV. A



DRN: <i>[Signature]</i>	DATE: 20 JUN 71	ENG: <i>[Signature]</i>	DATE: 27 JUN 71	TITLE: KD11-Z FLOW DIAGRAMS
C.A.D. <i>[Signature]</i>	DATE: 27 JUN 71	DATE: 27 JUN 71	DATE: 27 JUN 71	SIZE: D
REV. 26	REV. 26	REV. 26	REV. 26	CODE: FD
FIRST USED ON OPTION/MODEL: 11/44	REV. 26	REV. 26	REV. 26	NUMBER: KD11-Z-2
				REV. A



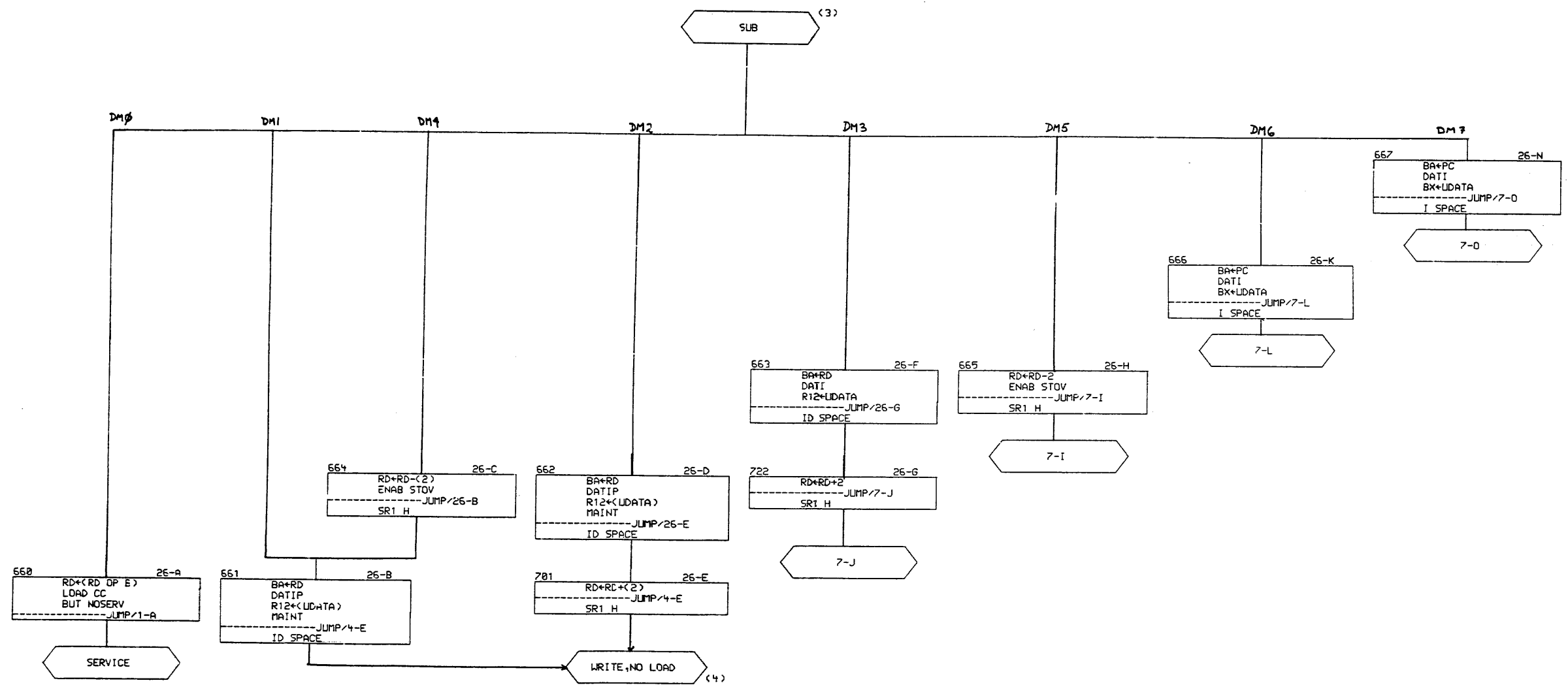
DRN: <i>James Gonzalez</i>	DATE: 28 JUN 79	ENG: <i>James Gonzalez</i>	DATE: 125 JUN 79	TITLE: KD11-Z FLOW DIAGRAMS
CHK'D: <i>James Gonzalez</i>	DATE: 25 JUN 79	BOARD LOCATION: 23	SHEET: 25	OF: 25
DSK: PAGE 23, T2PK 160, 54173128 JUN 79 12:51		NEXT HIGHER ASSEMBLY: B-DD-KD11-Z-0		SIZE CODE: D FD
FIRST USED ON OPTION/MODEL: 11/44		NUMBER: 2-2		REV. A



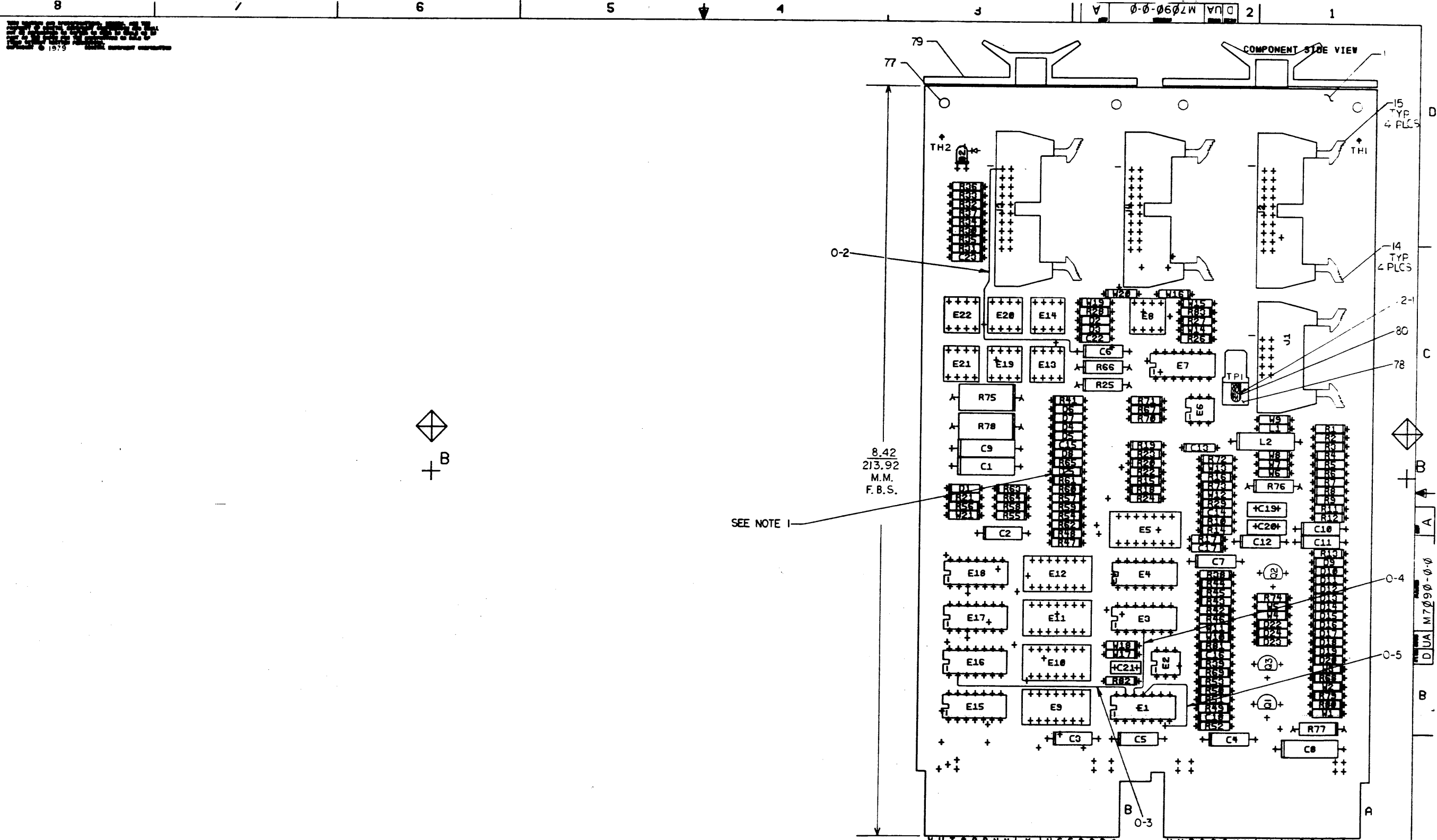
DRN. <i>Rene Jorg</i>	DATE 25 JUN 79	ENG. <i>Rene Jorg</i>	DATE 28 JUN 77	TITLE: KD11-Z FLOW DIAGRAMS
CHK'D <i>Rene Jorg</i>	DATE 28 JUN 77	BOARD LOCATION: SECRET	SIZE D	CODE FD
DSK:PAGE 24, T2PC 160, 5412 J129 JUN 79 11:29 NEXT HIGHER ASSEMBLY:				NUMBER KD11-Z-2
FIRST USED ON OPTION MODEL: 11/44				REV. A







DRN: <i>David G. Smith</i>	DATE: 28 JUN 79	ENG: <i>David G. Smith</i>	DATE: 18 JUN 79	TITLE: KD11-Z FLOW DIAGRAMS
CHK'D: <i>David G. Smith</i>	DATE: 25 JUN 79	BD+RD LOCATION: 25	SHEET: 25 OF 25	SIZE CODE: D FD
DSK: PAGE26.T2PC150.5412 J120 JUN 79 12:52		NEXT HIGHER ASSEMBLY: 1B-DD-KD11-Z-0		NUMBER: KD11-Z-2
FIRST USED ON OPTION MODEL: 11/44				REV. A



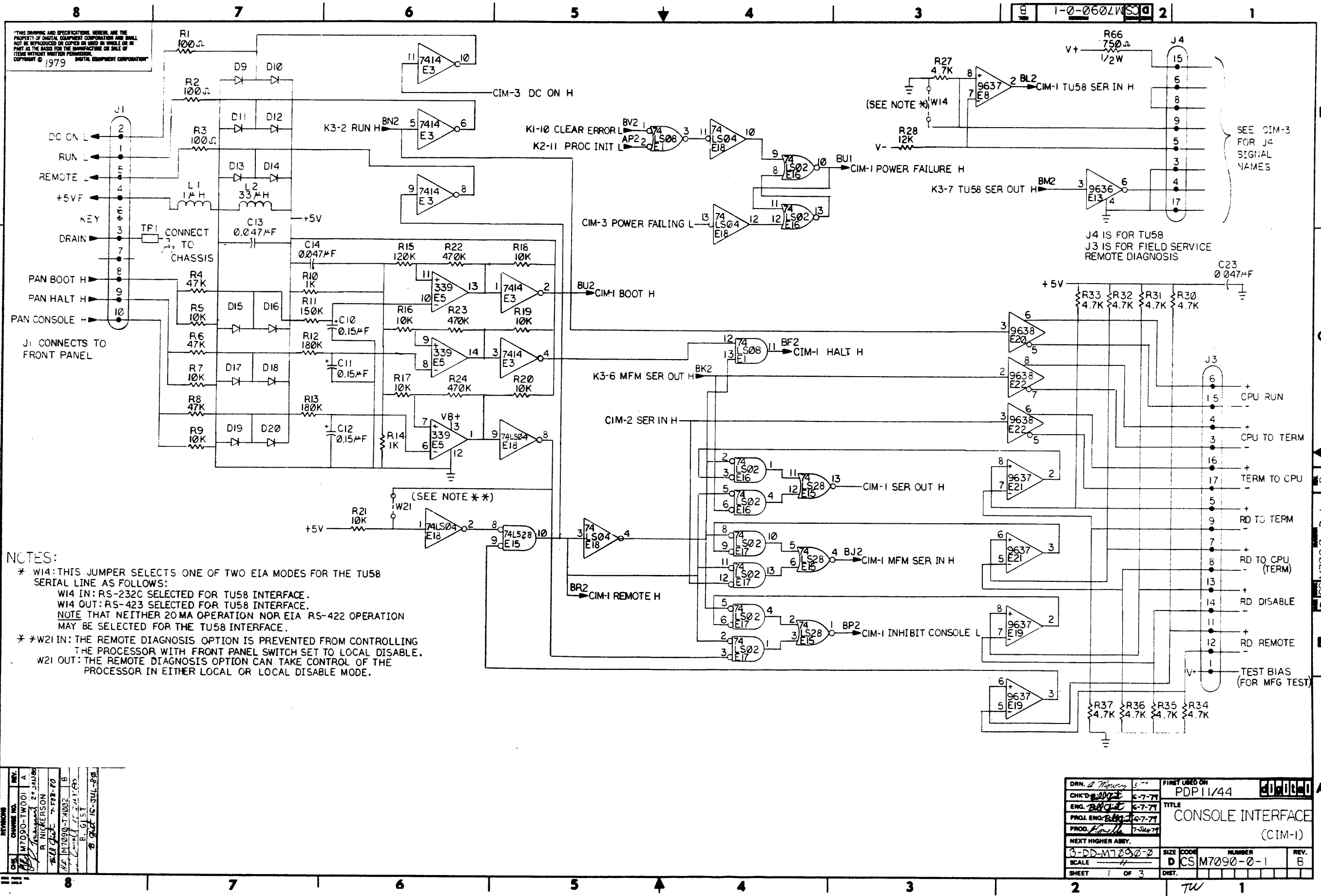
NOTES: 1. D25 MAY HAVE TO BE MANUALLY INSERTED SINCE PIN 1 IS ON RIGHT SIDE  
 2. R83, W1-W9, W13-W15, W17, W19, W21 ARE NOT INSTALLED.

CHANGE NO	REV	DATE	BY	CHK'D
1	A	1-1-77	B. GIST	
2	B	1-1-77	B. GIST	

ETCH REV.	A
P.L.C. DESIGN ORTH BRSE REV.	A

SIGNATURES	DATE	TITLE
DRN. <i>[Signature]</i>	1-1-77	digital C I M
CHK'D. <i>[Signature]</i>	1-2-77	
ENC. <i>[Signature]</i>	1-7-77	
PROJ. ENG. <i>[Signature]</i>	1-7-77	
PROD. <i>[Signature]</i>	1-7-77	
SCALE 2:1	SIZE CODE D	NUMBER M7090-0-0
SHT. 1 OF 4		REV A
NEXT HIGHER ASSY. B-DD-M7090-0		

TU 1 MS#170078A



THIS DRAWING AND SPECIFICATIONS, HEREIN, ARE THE PROPERTY OF DIGITAL EQUIPMENT CORPORATION AND SHALL NOT BE REPRODUCED OR COPIED IN WHOLE OR IN PART AS THE BASIS FOR THE MANUFACTURE OR SALE OF ITEMS WITHOUT WRITTEN PERMISSION. COPYRIGHT © 1979 DIGITAL EQUIPMENT CORPORATION

**NOTES:**

- \* W14: THIS JUMPER SELECTS ONE OF TWO EIA MODES FOR THE TU58 SERIAL LINE AS FOLLOWS:  
 W14 IN: RS-232C SELECTED FOR TU58 INTERFACE.  
 W14 OUT: RS-423 SELECTED FOR TU58 INTERFACE.  
 NOTE THAT NEITHER 20MA OPERATION NOR EIA RS-422 OPERATION MAY BE SELECTED FOR THE TU58 INTERFACE.
- \* W21 IN: THE REMOTE DIAGNOSIS OPTION IS PREVENTED FROM CONTROLLING THE PROCESSOR WITH FRONT PANEL SWITCH SET TO LOCAL DISABLE.  
 W21 OUT: THE REMOTE DIAGNOSIS OPTION CAN TAKE CONTROL OF THE PROCESSOR IN EITHER LOCAL OR LOCAL DISABLE MODE.

REV.	CHG.	BY	DATE
1			
2			
3			
4			
5			
6			
7			
8			

DRN. <i>W. Brown</i>	5-77	FIRST USED ON	PDP11/44
CHK'D <i>W. Brown</i>	6-7-77	TITLE	CONSOLE INTERFACE
ENG. <i>W. Brown</i>	6-7-77		(CIM-1)
PROJ. ENG. <i>W. Brown</i>	6-7-77		
PROD. <i>W. Brown</i>	7-5-77		
NEXT HIGHER ASSY.			
3-DD-M7090-0		SIZE	CODE
SCALE	1/1	NUMBER	REV.
SHEET	1 OF 3	DIST.	B

"THIS DRAWING AND SPECIFICATIONS HEREIN ARE THE PROPERTY OF DIGITAL EQUIPMENT CORPORATION AND SHALL NOT BE REPRODUCED OR COPIED OR USED IN WHOLE OR IN PART AS THE BASIS FOR THE MANUFACTURE OR SALE OF ITEMS WITHOUT WRITTEN PERMISSION. COPYRIGHT © 1970 DIGITAL EQUIPMENT CORPORATION"

**POWER PINNING TABLE**

IC TYPE	REF	GND	+5V	V+	V-	VB+
9636	4	-	8	5	-	-
9637	4	1	-	-	-	-
9638	4	1	-	-	-	-
324AN	-	-	-	11	4	-
339	12	-	-	-	3	-
74LS02, 74LS04, 74LS08, 74LS28, 74LS74, 7414, DEC8242	7	14	-	-	-	-

NOTE: DASH "-" MEANS NO CONNECTION

**TRANSMITTER 20 MA**

MODE	W4	W5	W6	W7	W13
ACTIVE	OUT	IN	IN	OUT	IN
PASSIVE	IN	OUT	OUT	IN	OUT
NOT IN USE	OUT	OUT	OUT	OUT	OUT

**RECEIVER 20 MA**

MODE	W1	W2	W3	W8	W9	W17	W18
ACTIVE	IN	OUT	IN	OUT	IN	IN	OUT
PASSIVE	OUT	IN	OUT	IN	OUT	IN	OUT
NOT IN USE	OUT	OUT	OUT	OUT	OUT	OUT	IN

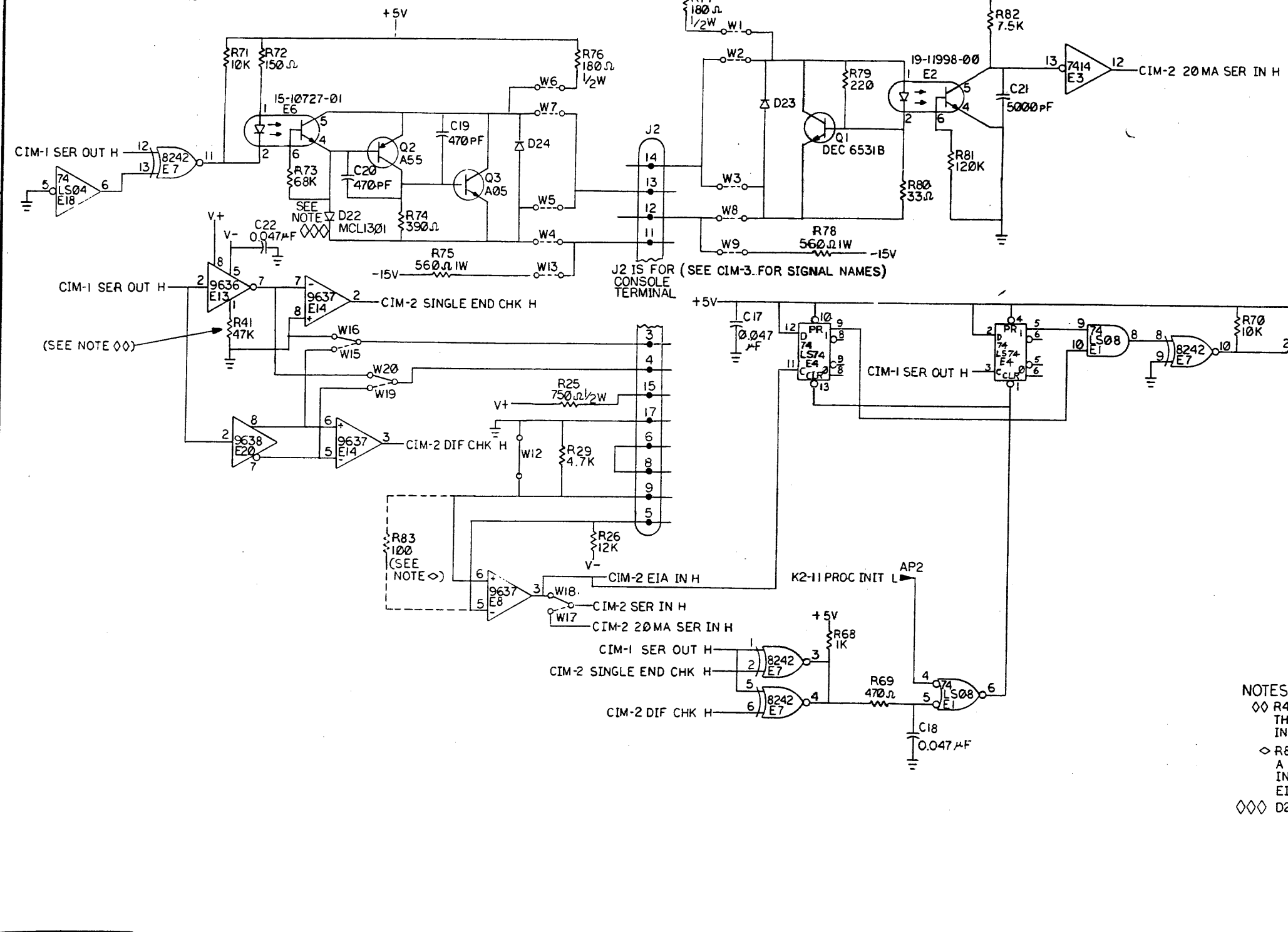
**CONSOLE TERMINAL EIA**

MODE	W12	W15	W16	W17	W18	W19	W20	W1-9, 13
RS-232C	IN	OUT	IN	OUT	IN	OUT	IN	OUT
RS-423	OUT	OUT	IN	OUT	IN	OUT	IN	OUT
RS-422	OUT	IN	OUT	OUT	IN	IN	OUT	OUT

NOTE: IF 20MA OPERATION IS USED W12, 15, 16, 19 AND 20 MAY BE LEFT IN ANY CONFIGURATION, AND W1-9, 13, 17 AND 18 MUST BE CONFIGURED ACCORDING TO THE TABLES SHOWN FOR THOSE JUMPERS.

**NOTES:**

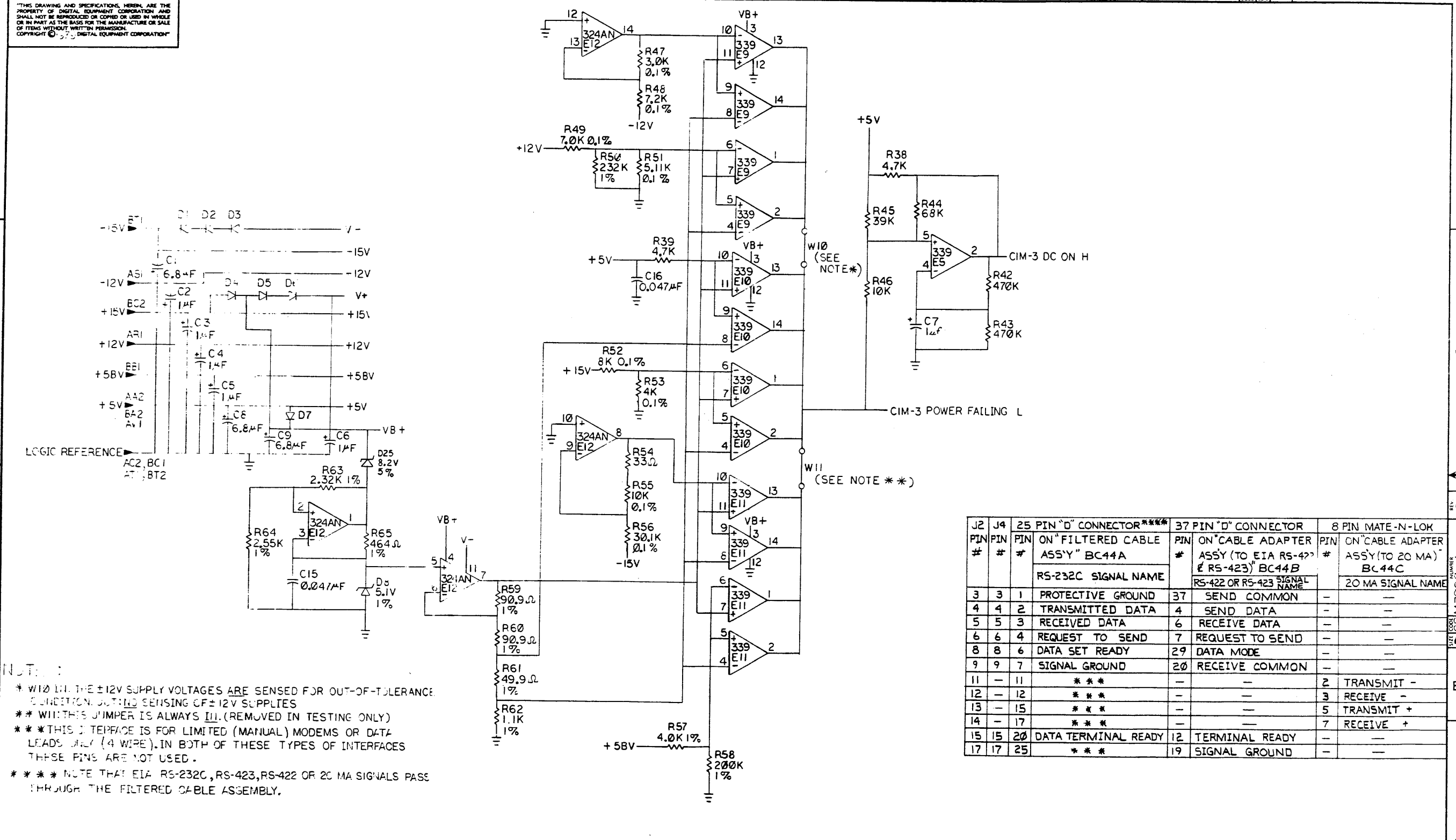
- ◇◇ R41 CONTROLS THE SLEW RATE FOR BOTH OUTPUTS OF E13. THE VALUE OF R41 MUST REMAIN AT 47KΩ FOR THE TUS8 INTERFACE TO OPERATE PROPERLY AT 38.4K BAUD.
- ◇ R83 IS OPTIONAL AND SHOULD BE INSTALLED ONLY WHEN A 100 OHM TRANSMISSION CABLE IS USED FOR SERIAL INTERCONNECT, AND W12, 15-20 ARE SET UP FOR EIA RS-422 OPERATION.
- ◇◇◇ D22 IS A 1 MA CURRENT LIMITING DIODE.



**REVISIONS**

CHK	CHANGE NO.	REV.

THIS DRAWING AND SPECIFICATIONS, HEREIN, ARE THE PROPERTY OF DIGITAL EQUIPMENT CORPORATION AND SHALL NOT BE REPRODUCED OR COPIED OR USED IN WHOLE OR IN PART AS THE BASIS FOR THE MANUFACTURE OR SALE OF ITEMS WITHOUT WRITTEN PERMISSION. COPYRIGHT © 1975 DIGITAL EQUIPMENT CORPORATION



LINE	ITEM	DOCUMENT NUMBER	PART NUMBER	DESCRIPTION	QTY	PER VARIATION	REFERENCE DESIGNATOR
					00		
1	1		5013819-00	DRILL&ETCH BOARD	1		
2	2		1000024-00	470.0 MMF 100V 5%200PPM MICA	2		C19,C20
3	3		1001765-00	.005 MFD 100V 20% Z5T DISC	1		C21
4	4		1001776-00	1 MFD 35V 10% S.TANT	6		C2-C7
5	5		1005306-00	6.8MFD 35V 10% S.TANT	3		C1,C8,C9
6	6		1011895-00	.15 MFD 35V 10% S.TANT	3		C10-C12
7	7		1012784-00	.047 MFD 50V +80-20% CER	8		C13-C18,C22,C23
8	8		1103441-00	1N 756A VZ= 8.2 5% .40W P	1		D25
9	9		1105275-00	D 672 TR= 15NS PIV= 60V SI	12		D9-D20
10	10		1105610-00	MCL1301 CL@1MA FROM10-80V	1		D22
11	11		1105796-00	1N 4004 PIV=400 I= 1A D041 SP	9		D1-D7,D23,D24
12	12		1105871-00	1/4M5.1A Z1 = 5.1 1% .25W N	1		D8
13	13		1110864-00	LED 2MCD@10MA	1		D21
14	14		1209941-03	HEADER RT ANGLE LEFT L	4		
15	15		1209941-04	HEADER RT ANGLE,RIGHT	4		
16	16		1300197-00	33.0 .25 W 5.0 % CC	2		R54,R80
17	17		1300229-00	100.0 .25 W 5.0 % CC	3		R1-R3
18	18		1300250-00	150.0 .25 W 5.0 % CC	1		R72
19	19		1300260-00	180.0 .50 W 5.0 % CC	2		R76,R77
20	20		1300271-00	220.0 .25 W 5.0 % CC	1		R79
21	21		1300309-00	390.0 .25 W 5.0 % CC	1		R74
22	22		1300316-00	470.0 .25 W 5.0 % CC	1		R69
23	23		1300354-00	750.0 .50 W 5.0 % CC	2		R25,R66
24	24		1300365-00	1.0 K .25 W 5.0 % CC	3		R10,R14,R68
25	25		1300447-00	4.70 K .25 W 5.0 % CC	12		R27,R29-R39
26	26		1300479-00	10.0 K .25 W 5.0 % CC	12		R5,R7,R9,R16-R21,R46,R70,R71
27	27		1300488-00	12.0 K .25 W 5.0 % CC	2		R26,R28
28	28		1300539-00	120.0 K .25 W 5.0 % CC	2		R15,R81
29	29		1301327-00	68.0 K .25 W 5.0 % CC	2		R44,R73
30	30		1301422-00	7.50 K .25 W 5.0 % CC	1		R82

REVISION HISTORY			BASIC PART NO: M7090		DRN: K.FRIEDGEN		DATE: 10-MAY-79		D I G I T A L	
ENG	ECO NUMBER	REV	SECTION A OF A	CHK'D:	F.GAROFALO	DATE:	7-FEB-79	TITLE	PARTS LIST	
	INITIAL	*	SECTION,VARIATION INDEX	DES.ENG:	B.GIST <td>DATE:</td> <td>7-FEB-79 <td>CONSOLE INTERFACE MODULE</td> <td colspan="2"></td> </td>	DATE:	7-FEB-79 <td>CONSOLE INTERFACE MODULE</td> <td colspan="2"></td>	CONSOLE INTERFACE MODULE		
BG	M7090-TW001	A	[A] 00	RESP.ENG.:	B.GIST <td>DATE:</td> <td>9-NOV-78 <td>DOCUMENT NUMBER</td> <td colspan="2"></td> </td>	DATE:	9-NOV-78 <td>DOCUMENT NUMBER</td> <td colspan="2"></td>	DOCUMENT NUMBER		
RN	M7090-YW002	B	[B]	MFG.ENG.:	J.COMELLA <td>DATE:</td> <td>10-MAY-79</td> <td>SIZE!CODE! NUMBER</td> <td>REV</td> <td></td>	DATE:	10-MAY-79	SIZE!CODE! NUMBER	REV	
RN	M7090-TW002	Bg	[C]	ASSEMBLY NUMBER:	D-UA-M7090-0-0 <td>TOP DOCUMENT NUMBER:</td> <td></td> <td>K ! PL ! M7090-0-DBP</td> <td>B</td> <td></td>	TOP DOCUMENT NUMBER:		K ! PL ! M7090-0-DBP	B	
			[D]	FILE NAME:	Z0394B.PLS	EDIT #:	12			
			[E]							
			[F]							
			[G]							
			[H]							
			[I]							
			[J]							
			[K]							
			[L]							
			[M]							
			[N]							

\*THIS DRAWING AND SPECIFICATIONS HEREIN, ARE THE PROPERTY OF DIGITAL EQUIPMENT CORPORATION AND SHALL NOT BE REPRODUCED OR COPIED OR USED IN WHOLE OR IN PART AS THE BASIS FOR THE MANUFACTURE OR SALE OF ITEMS WITHOUT WRITTEN PERMISSION. COPYRIGHT (C) 1980. DIGITAL EQUIPMENT CORPORATION \*

TW

LINE	ITEM	DOCUMENT NUMBER	PART NUMBER	DESCRIPTION	QTY	PER VARIATION	REFERENCE DESIGNATOR
					00		
31	31		1302177-00	47.0 K .25 W 5.0 % CC	4		R4,R6,RB,R41
32	32		1302396-00	150.0 K .25 W 5.0 % CC	1		R11
33	33		1302397-00	180.0 K .25 W 5.0 % CC	2		R12,R13
34	34		1302398-00	470.0 K .25 W 5.0 % CC	5		R22-R24,R42,R43
35	35		1302514-00	39.0 K .25 W 5.0 % CC	1		R45
36	36		1302645-00	1.10 K .25 W 1.0 % RN55D-F10	1		R62
37	37		1302676-00	3.0 K .25 W .10% RN55E-B 2	1		R47
38	38		1302931-00	49.90 .25 W 1.0 % RN55D-F10	1		R61
39	39		1303037-00	90.90 .25 W 1.0 % RN55D-F10	2		R59,R60
40	40		1303047-00	464.0 .25 W 1.0 % RN55D-F10	1		R65
41	41		1303048-00	560.0 1.0 W 5.0 % CC	2		R75,R78
42	42		1303205-00	7.20 K .25 W .10% RN55E-B 2	1		R48
43	43		1304728-00	4.0 K .25 W .10% RN55E-B 2	1		R53
44	44		1305127-00	4.0 K .25 W 1.0 % RN55D-F10	1		R57
45	45		1305336-00	200.0 K .25 W 1.0 % RN55D-F10	1		R58
46	46		1305355-00	7.0 K .25 W .10% RN55C-B 5	1		R49
47	47		1305356-00	3.0 K .25 W .10% RN55C-B 5	1		R52
48	48		1305424-00	232.0 K .25 W 1.0 % RN55D-F10	1		R50
49	49		1305431-00	10.0 K .25 W .10% RN55E-B 2	1		R55
50	50		1305432-00	5.11 K .25 W .10% RN55E-B 2	1		R51
51	51		1310248-00	30.10 K .25 W .10% RN55E-B 2	1		R56
52	52		1310633-00	2.55 K .25 W 1.0 % RN55D-F10	1		R64
53	53		1311522-00	200.0 .25 W 5.0 % CC	1		R67
54	54		1312545-00	2.32 K .25 W 1.0 % RN55D-F10	1		R63
55	55		1509338-00	DEC6531B NPN 310MW SI 40 90 P	1		Q1
56	56		1510705-00	XA 05 NPN 500MW SI 60 50 P	1		Q3
57	57		1510706-00	XA 55 PNP 500MW SI 60 50 P	1		Q2
58	58		1510727-01	OPTO COUPLED ISOLATOR	1		E6
59	59		1601562-00	1.0 UH 10% 475MA #DD1.00	1		L1
60	60		1601759-00	33 UH 5% 300MA	1		L2
61	61		1709712-00	DEC 8242 COMPARATOR-4BIT N,	1		E7
62	62		1911324-00	7414 INVERTER,HEX 1IN SCH	1		E3
63	63		1911998-00	4N26 OPTO COUPLED ISLTR	1		E2
64	64		1912107-01	324ANOP AMP,QUAD	1		E12
65	65		1912108-00	339 VOLT CMPTR,QUAD	4		E5,E9-E11
66	66		1912801-00	LS02 NOR-GATE-QUAD 2IN	2		E16,E17
67	67		1912803-00	LS04 INVERTER GATE-HEX 1I	1		E18
68	68		1912805-00	LS08 AND GATE-QUAD 2IN,PO	1		E1
69	69		1912814-00	LS28 NOR GATE-QUAD 2IN,PO	1		E15
70	70		1912824-00	LS74 FF-D DUAL,EDGE TRIGG	1		E4
71	71		1915415-00	9636 DRIVER,DUAL,EIA RS-	1		E13
72	72		1915416-00	9637 RECEIVER,DUAL,RS-42	4		E8,E14,E19,E21
73	73		1915417-00	9638 DRIVER,DUAL,EIA RS-	2		E20,E22
74	74		1209941-13	HEADER 20POS RT ANGLE	3		J2-J4
75	75		1209941-12	HEADER 10POS RT ANGLE	1		J1
76	76		7422428-00	*** THIS ITEM IS NOT USED ***	-		
77	77		9006732-00	EYELET, ROLLED FLANGE, .121 OD X	4		
78	78		9007112-00	TERM QUICK 1POS ADAPTER	1		TP1

D	I	G	I	T	A	L	TITLE	SECTION A	OF A	SIZE	CODE	DOCUMENT NUMBER	REV
							CONSOLE INTERFACE MODULE			K	PL	M7090-0-DBF	B

7/1

AUTOMATED BY PRTLST.3J(25)

PARTS LIST

SHEET A3 OF A3

LINE	ITEM	DOCUMENT NUMBER	PART NUMBER	DESCRIPTION	QTY PER VARIATION 00	REFERENCE DESIGNATOR
79	79		9008337-06	HANDLE, FLIP CHIP, MAGENTA	2	
80	80		9009000-00	EYELET, ROLLED FLANGE, .121 OD X	1	
81	81		9009157-00	ADH, LIQ. RM. TEMP CURING COLORLESS	A/R	
82	82		9009185-00	JUMPER, WIRE, INSULATED, BLACK B	6	
83	83		9105740-55	WIRE(WRAP)30AWG UL1423	1	W10-W12, W16, W18, W20
84	84		9107360-00	WIRE, STRND, 18AWG, IPVC UL1429	A/R	

85 NOTE: ITEM #84.1\* IS USED.

DIGITAIL							TITLE	CONSOLE INTERFACE MODULE		SECTION A OF A		SIZE	CODE	DOCUMENT NUMBER	REV	
													K	PL	M7090-0-DBP	B

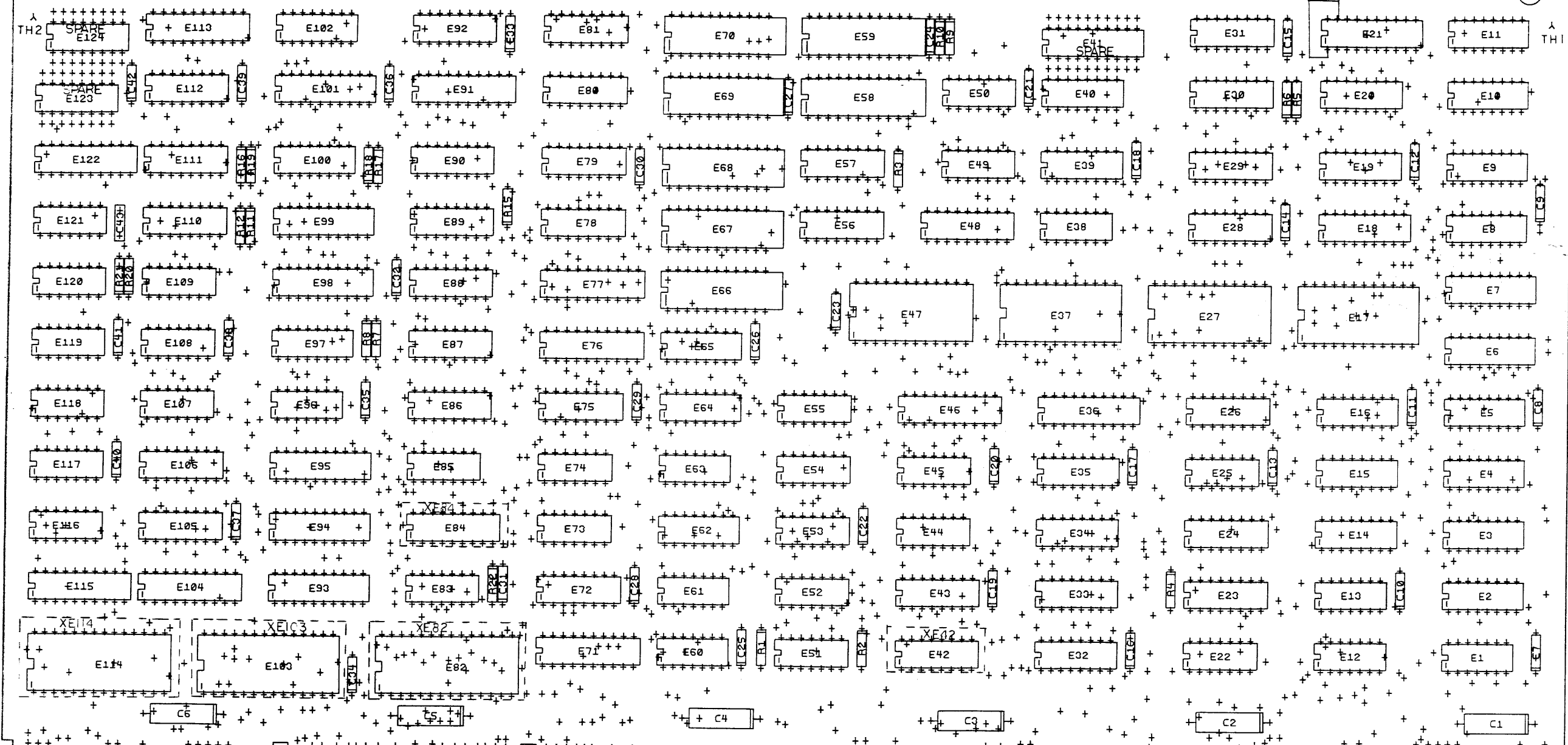
2.1



THIS DRAWING AND SPECIFICATIONS, HEREIN, ARE THE PROPERTY OF ELECTRIC EQUIPMENT CORPORATION AND SHALL NOT BE REPRODUCED OR COPIED IN WHOLE OR IN PART OR THE WHOLE OR THE SUBSTANTIAL PART THEREOF WITHOUT WRITTEN PERMISSION.  
ELECTRIC EQUIPMENT CORPORATION

2 D U A M 7 0 9 4 - 0 - 0 2

COMPONENT SIDE VIEW



8.41 REF

VUTSRPNMLKJHFEDCBA

VUTSRPNMLKJHFEDCBA

VUTSRPNMLKJHFEDCBA

VUTSRPNMLKJHFEDCBA

VUTSRPNMLKJHFEDCBA

VUTSRPNMLKJHFEDCBA

NOTES: E123 AND E124 ARE SPARE PARTS

STEP #	Y AXIS	STEP	TIMES
REPEAT	X AXIS	STEP	TIMES

CHANGE NO.	REV.
M7094-TW002-C	
REDAWN	18C

ETCH REV.	C-PI
-----------	------

SIGNATURES	DATE
DRN. [Signature]	2/2/73
CHK'D. [Signature]	2/4/73
MECH. ENG. [Signature]	2/14/73
PROJ. ENG. [Signature]	2/14/73
PROD. CONTROL [Signature]	2/14/73
SCALE	2/1
SHT. OF 2	
NEXT HIGHER ASSY.	B-DD-M7094-0

digital	TITLE	KDII-Z
	DATA PATH	
SIZE CODE	NUMBER	REV
D	U A M 7 0 9 4 - 0 - 2	C

8

7

6

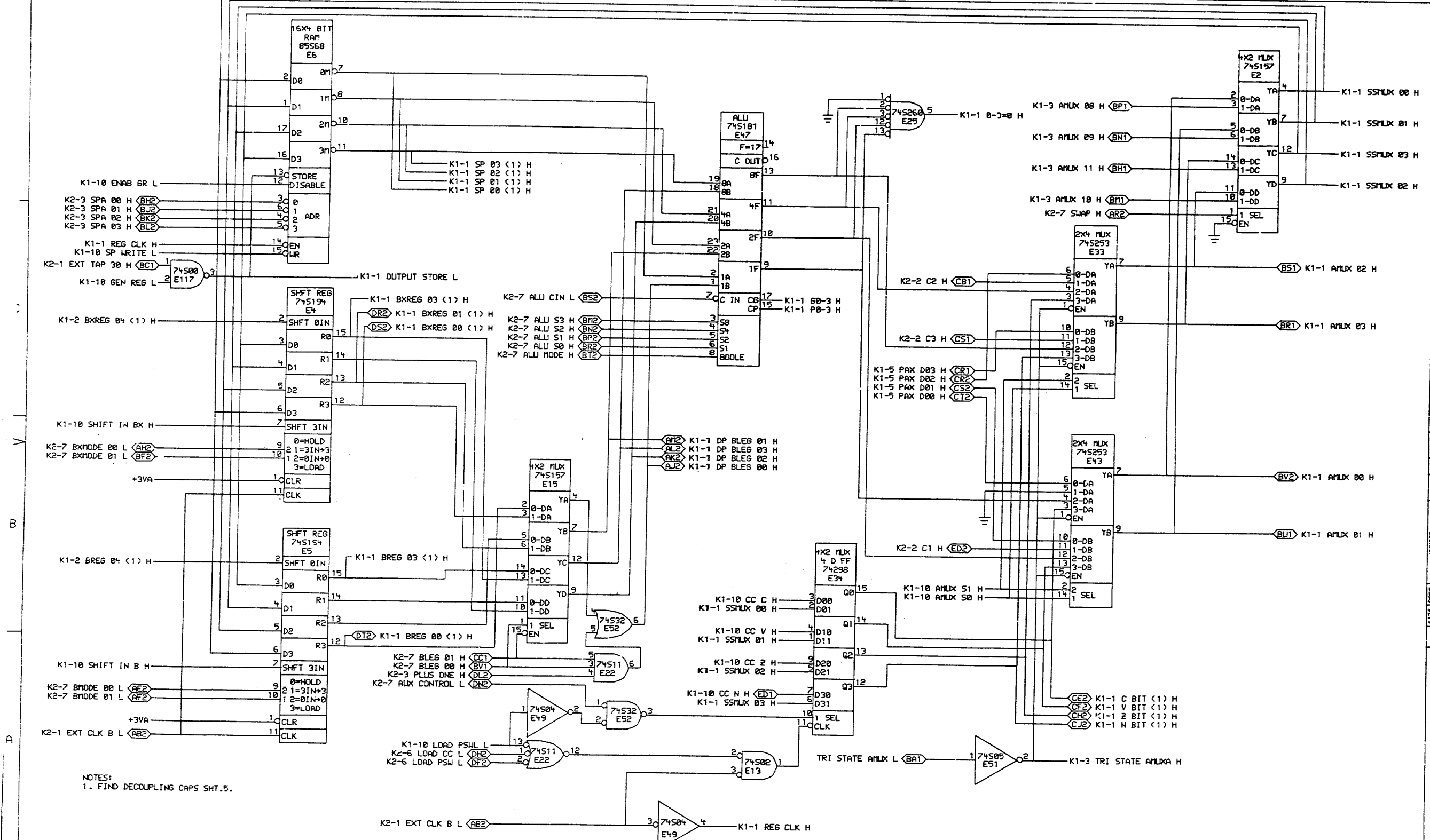
5

4

3

2

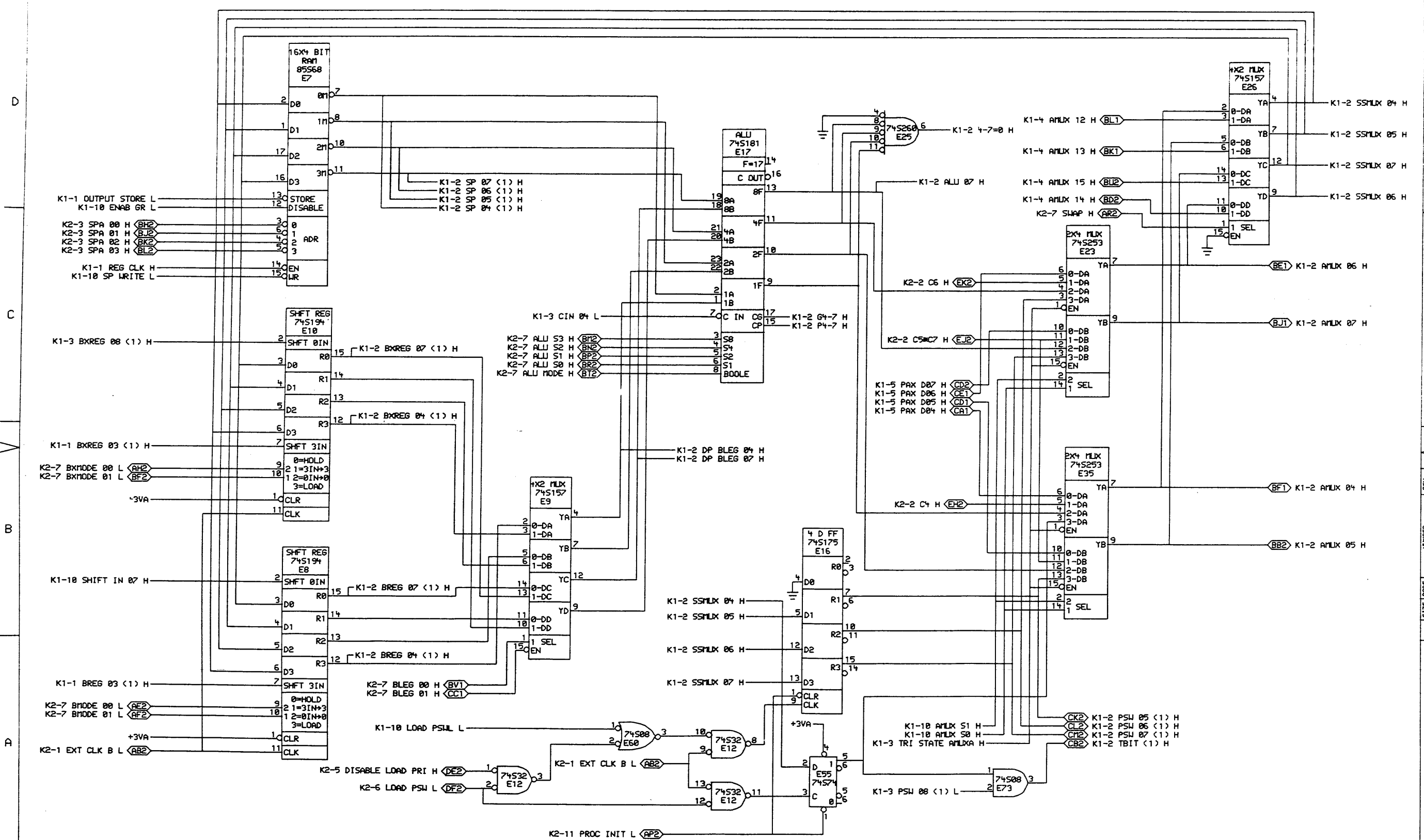
TU 1 MS#1719



NOTES:  
1. FIND DECOUPLING CAPS SHT.5.

REVISIONS		M7094-TW002   C
CHK	CHANGE NO. REV	R. DAY
REVISION	B	R. DAY
REVISION	B	R. DAY

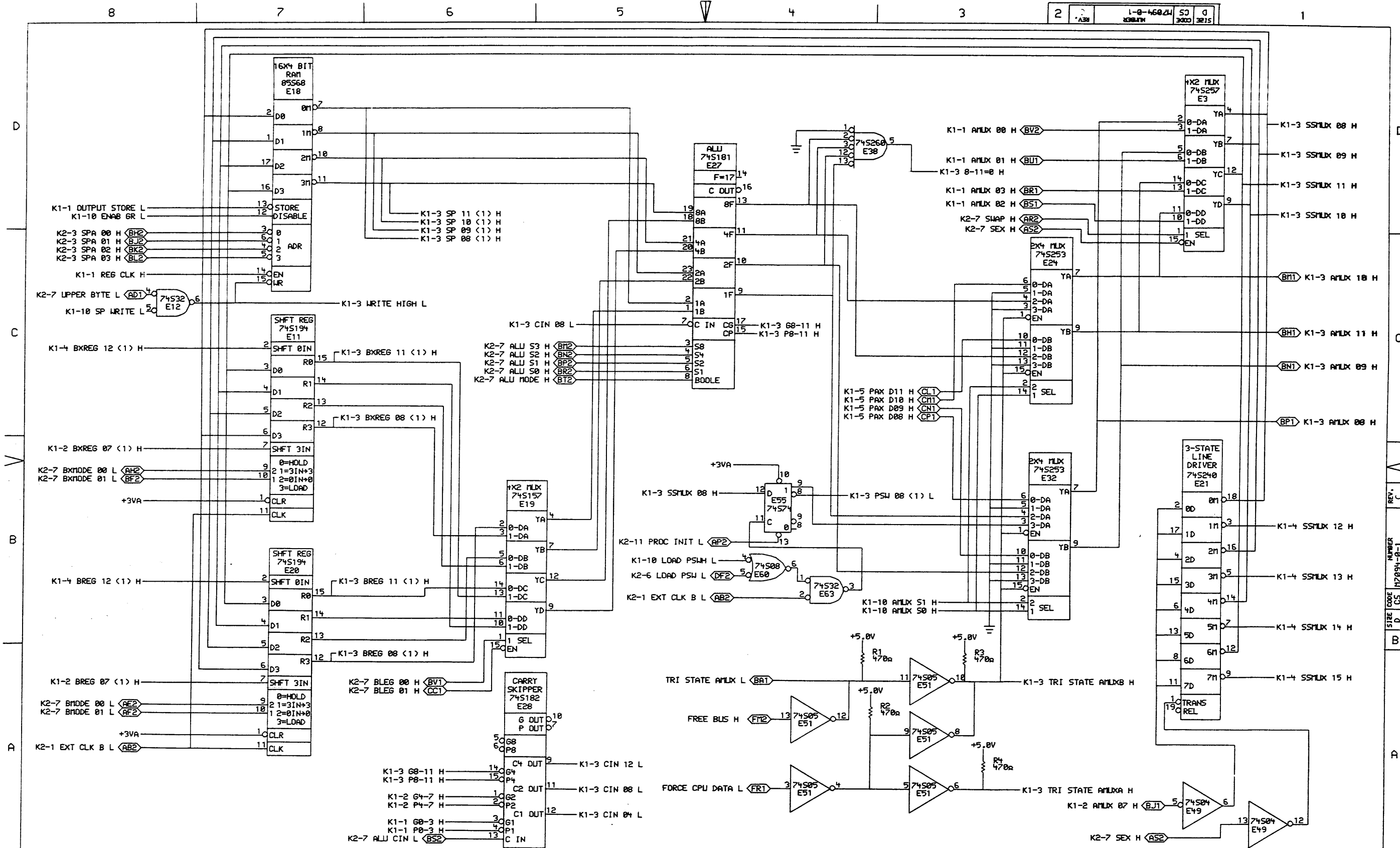
digital	DATE	18-OCT-79	ENG	R. Day (B.G.)	DATE	31-OCT-79	TITLE:	(K1-1) DATA PATH
	CHK	1	DATE	16-OCT-79	14:39	SHEET	11	(D0-D3)
FIRST USED ON OPTION/MODEL:		11/44	NEXT HIGHER ASSEMBLY:		B-DD-M7094-0		SIZE	CODE
							D	CS M7094-0-1



THIS DRAWING AND SPECIFICATIONS HEREIN ARE THE PROPERTY OF DIGITAL EQUIPMENT CORPORATION AND SHALL NOT BE REPRODUCED OR COPIED OR USED IN WHOLE OR IN PART AS THE BASIS FOR THE MANUFACTURE OR SALE OF ITEMS WITHOUT WRITTEN PERMISSION. COPYRIGHT © 1974, DIGITAL EQUIPMENT CORPORATION.

REVISIONS		
CHK	CHANGE NO.	REV

	DATE: 18-OCT-79	ENG: [Signature]	DATE: [Signature]	TITLE: (K1-2) DATA PATH (D4-D7)
	DATE: 16-OCT-79 14:42	BOARD LOCATION: [Signature]	SHEET: 2 OF 11	SIZE CODE: D CS
FIRST USED ON OPTION/MODEL: 11/44		NEXT HIGHER ASSEMBLY: B-DD-M7094-0		NUMBER: M7094-0-1
				REV. C

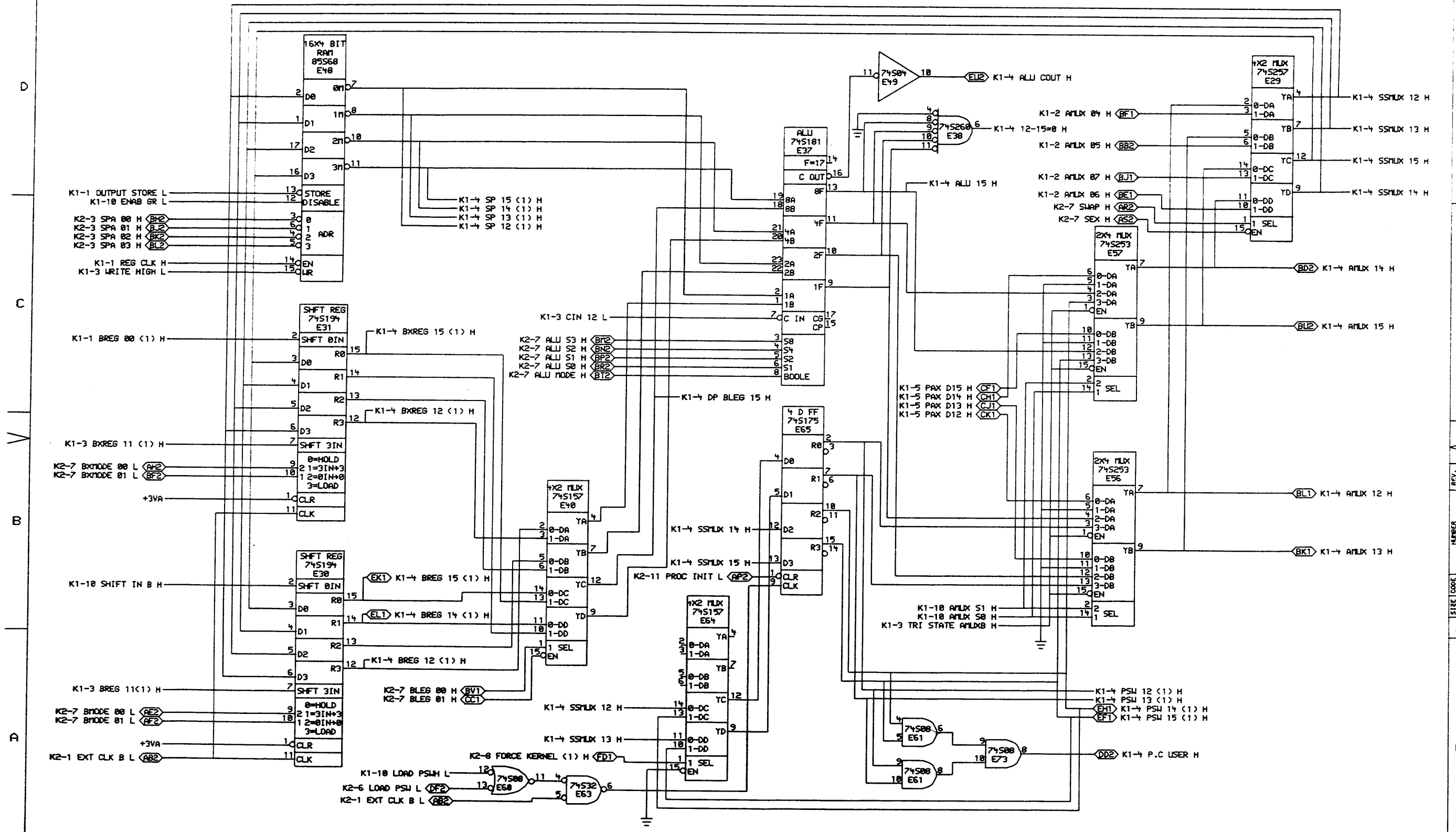


THIS DRAWING AND SPECIFICATIONS ARE THE PROPERTY OF DIGITAL EQUIPMENT CORPORATION AND SHALL NOT BE REPRODUCED OR COPIED OR USED IN WHOLE OR IN PART AS THE BASIS FOR THE MANUFACTURE OR SALE OF ITEMS WITHOUT WRITTEN PERMISSION. COPYRIGHT © 1979, DIGITAL EQUIPMENT CORPORATION.

REVISIONS	
CHK	CHANGE NO. REV

digital	DATE	18-OCT-79	DATE		TITLE: (K1-3) DATA PATH (D8-D11)
	DRW. BY	J. J. J.	DATE		
	BOARD LOCATION:	SHEET 3 OF 11			
	FIRST USED ON OPTION/MODEL:	11/44	NEXT HIGHER ASSEMBLY:	B-DD-17094-B	

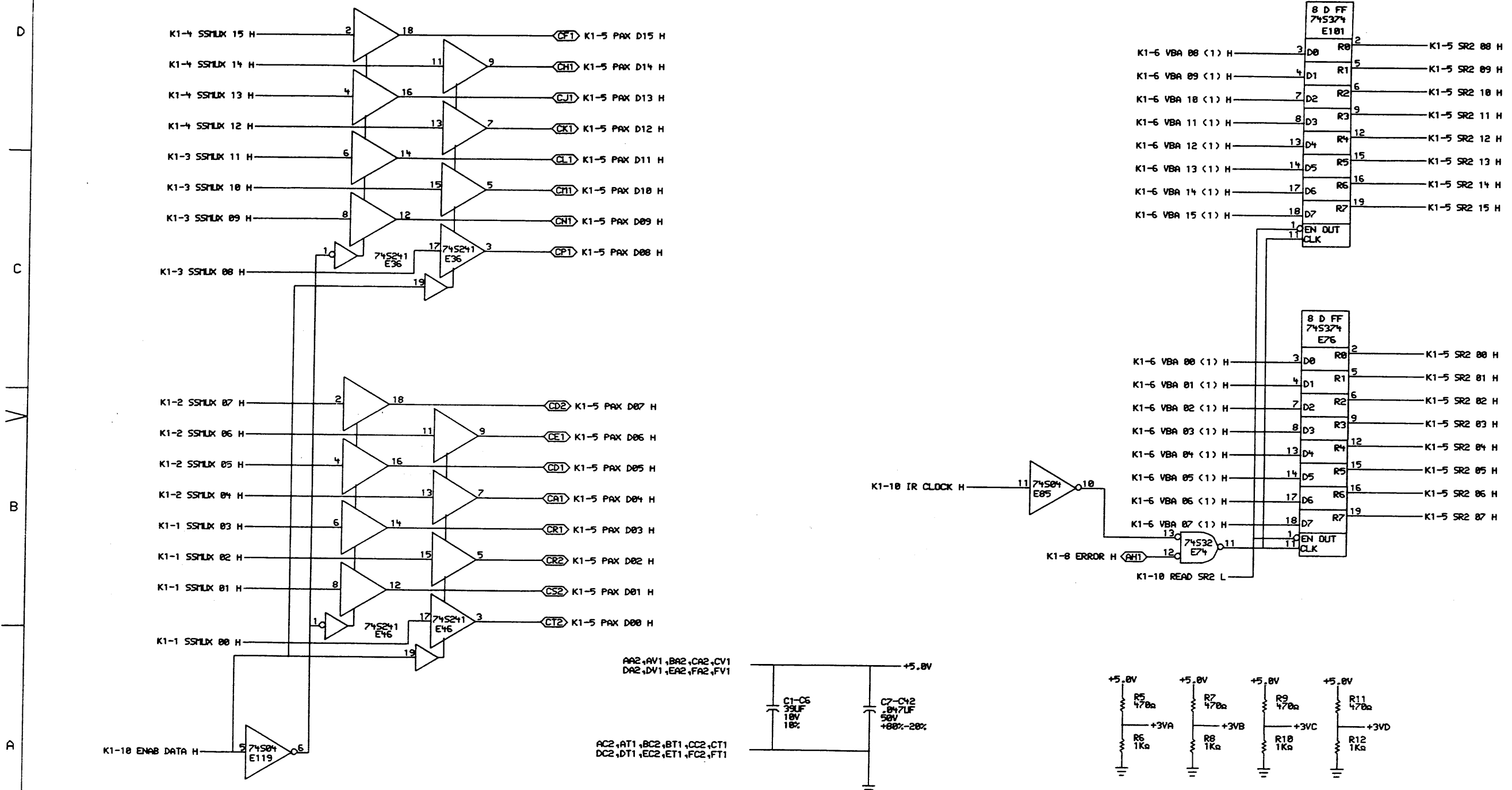
REV. C  
NUMBER M7094-0-1  
SIZE CODE CS  
D



THIS DRAWING AND SPECIFICATIONS ARE THE PROPERTY OF DIGITAL EQUIPMENT CORPORATION AND SHALL NOT BE REPRODUCED OR COPIED OR USED IN WHOLE OR IN PART AS THE BASIS FOR THE MANUFACTURE OR SALE OF ITEMS WITHOUT WRITTEN PERMISSION. COPYRIGHT © 1979, DIGITAL EQUIPMENT CORPORATION.

REVISIONS	
CHK	CHANGE NO. REV

	DATE: 18-OCT-79	ENG: [Signature]	DATE: [Signature]	TITLE: (K1-4) DATA PATH (D12-D15)
	DATE: 16-OCT-79 14:45	BOARD LOCATION: [Signature]	DE: 11	SIZE CODE: D CS M7094-0-1
FIRST USED ON OPTION/MODEL: 11/44	NEXT HIGHER ASSEMBLY: B-DD-M7094-0	NUMBER: [Signature]	REV.:	C

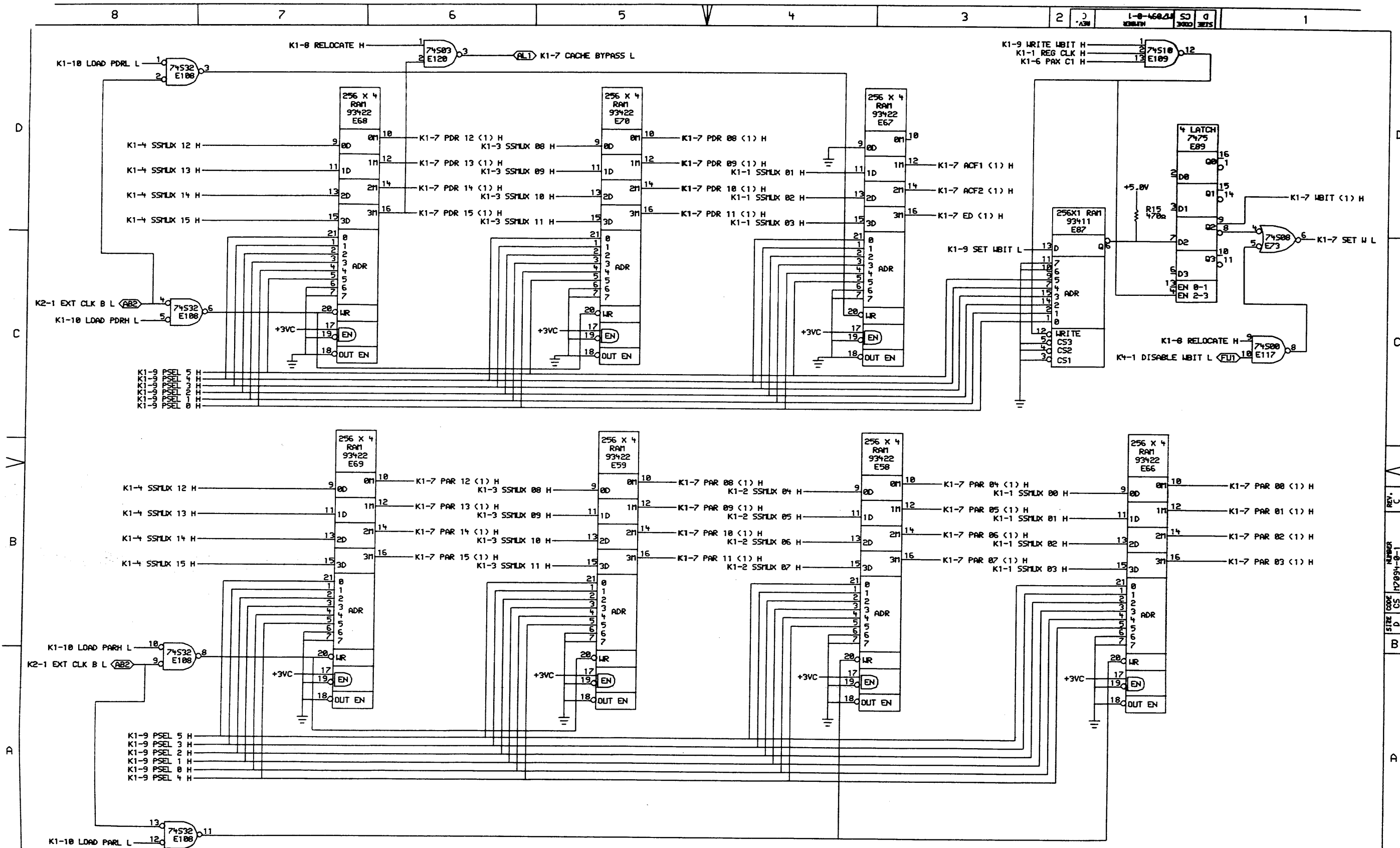


THIS DRAWING AND SPECIFICATIONS ARE THE PROPERTY OF DIGITAL EQUIPMENT CORPORATION AND SHALL NOT BE REPRODUCED OR COPIED OR USED IN WHOLE OR IN PART AS THE BASIS FOR THE MANUFACTURE OR SALE OF ITEMS WITHOUT WRITTEN PERMISSION. COPYRIGHT © 1979, DIGITAL EQUIPMENT CORPORATION.

CHK	CHANGE NO.	REV

digital	DATE	ENG.	DATE	TITLE:
	18-OCT-79			(K1-5) DATA PATH (PAX DATA, SR2)
	DATE	BOARD LOCATION	SHEET	OF
	116-OCT-79 14:46		5	11
FIRST USED ON OPTION/MODEL:		NEXT HIGHER ASSEMBLY:	SIZE CODE	NUMBER
11/44		B-DD-M7094-0	D CS	M7094-0-1





THIS DRAWING AND SPECIFICATIONS ARE THE PROPERTY OF DIGITAL EQUIPMENT CORPORATION AND SHALL NOT BE REPRODUCED OR COPIED OR USED IN WHOLE OR IN PART AS THE BASIS FOR THE MANUFACTURE OR SALE OF ITEMS WITHOUT WRITTEN PERMISSION. COPYRIGHT © 1979, DIGITAL EQUIPMENT CORPORATION.

REVISIONS	
CHK	CHANGE NO. REV

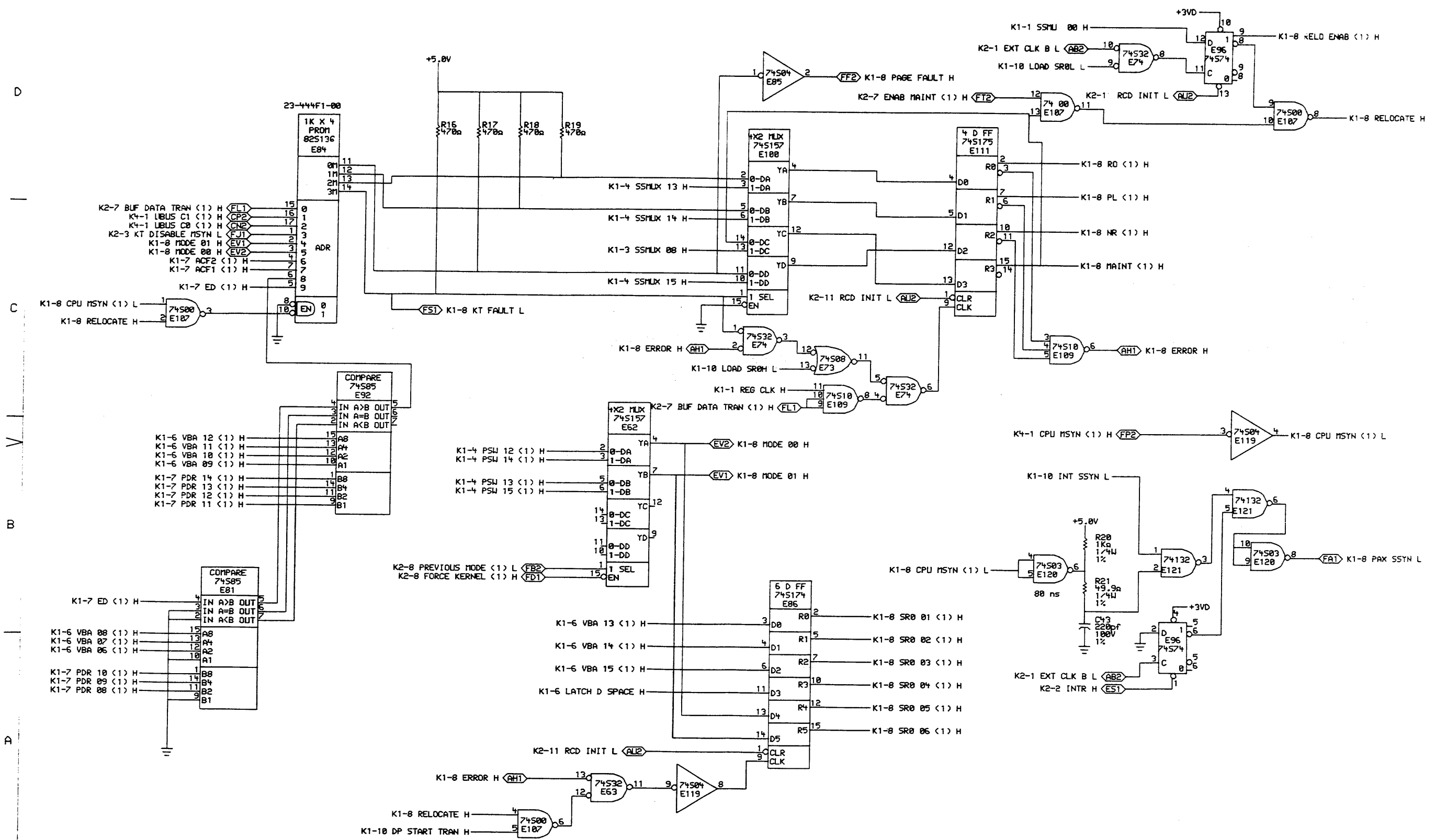


DATE 18-OCT-79  
 DATE 18-OCT-79  
 BOARD LOCATION: SHEET 7 OF 11  
 NEXT HIGHER ASSEMBLY: B-DD-M7094-0

TITLE: (K1-7) DATA PATH (PAR, PDR)  
 SIZE CODE D CS  
 NUMBER M7094-0-1  
 REV. C

REV. C  
 NUMBER M7094-0-1  
 SIZE CODE D CS

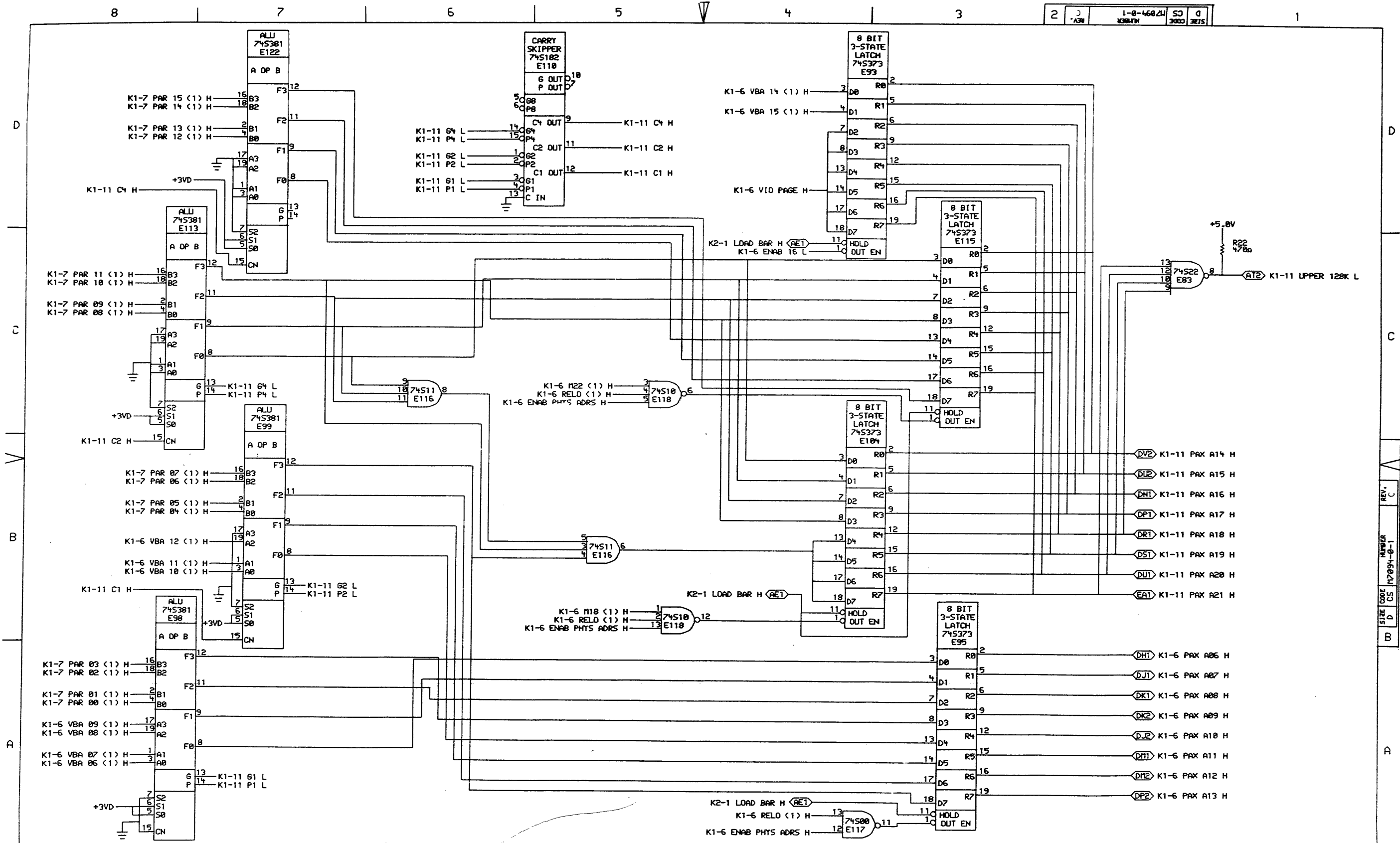




THIS DRAWING AND SPECIFICATIONS ARE THE PROPERTY OF DIGITAL EQUIPMENT CORPORATION AND SHALL NOT BE REPRODUCED OR COPIED OR USED IN WHOLE OR IN PART AS THE BASIS FOR THE MANUFACTURE OF ANY ITEMS WITHOUT WRITTEN PERMISSION. COPYRIGHT © 1974 DIGITAL EQUIPMENT CORPORATION.		<b>REVISIONS</b> CHK CHANGE NO. REV		<b>digital</b>		DATE: 26-OCT-79 DATE: 26-OCT-79 12:00 BOARD LOCATION: SHEET 8 OF 11 NEXT HIGHER ASSEMBLY: B-DD-17094-0		TITLE: (K1-8) DATA PATH (SR0)			
8	7	6	5	4	3	2	1	SIZE: D	CODE: CS	NUMBER: M7094-0-1	REV.: C







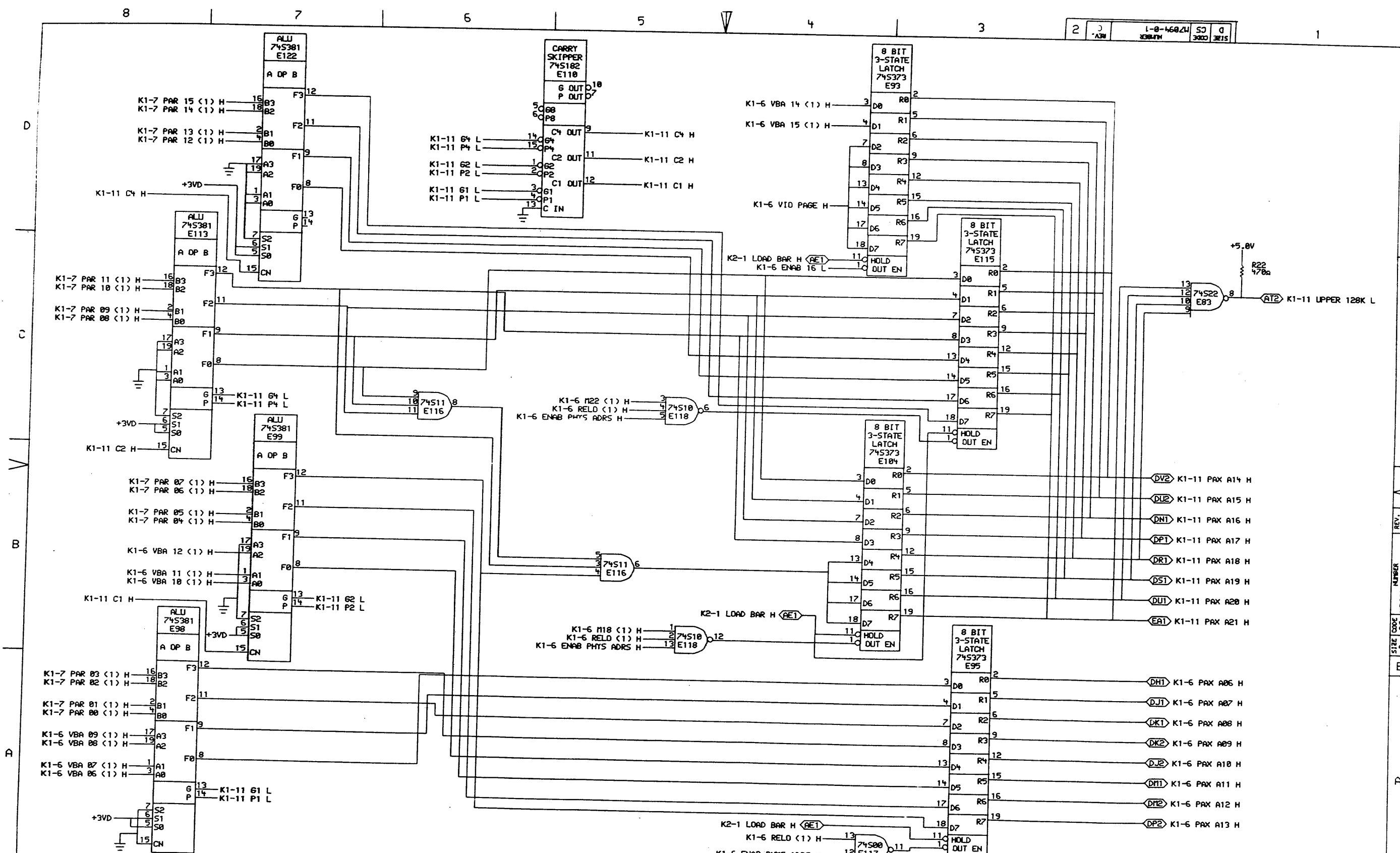
THIS DRAWING AND SPECIFICATIONS, HEREIN, ARE THE PROPERTY OF DIGITAL EQUIPMENT CORPORATION AND SHALL NOT BE REPRODUCED OR COPIED OR USED IN WHOLE OR IN PART AS THE BASIS FOR THE MANUFACTURE OR SALE OF ITEMS WITHOUT WRITTEN PERMISSION. COPYRIGHT © 1979, DIGITAL EQUIPMENT CORPORATION.

REVISIONS	CHK	CHANGE NO.	REV

**digital** DRW: J. J. Conroy  
 DATE: 18-OCT-79  
 TITLE: (K1-11) DATA PATH (KT ADDERS)  
 BOARD LOCATION: SHEET 11 OF 11  
 FIRST USED ON OPTION MODEL: 11/44  
 NEXT HIGHER ASSEMBLY: B-DD-M7094-0  
 SIZE CODE: D CS  
 NUMBER: M7094-0-1  
 REV: C

REV. C  
 NUMBER M7094-0-1  
 SIZE CODE D CS





ALLS DRAWINGS AND SPECIFICATIONS ARE THE PROPERTY OF DIGITAL EQUIPMENT CORPORATION AND SHALL NOT BE REPRODUCED OR COPIED OR USED IN WHOLE OR IN PART AS A BASIS FOR THE MANUFACTURE OR SALE OF ITEMS WITHOUT WRITTEN PERMISSION. COPYRIGHT © 1979, DIGITAL EQUIPMENT CORPORATION.

REVISIONS	
CHK	CHANGE NO. REV

	DATE	18-OCT-79	ENG.		DATE		TITLE: (K1-11) DATA PATH (KT ADDERS)
	DATE	16-OCT-79 14:51	BOARD LOCATION:		SHEET	11 OF 11	
FIRST USED ON OPTION/MODEL:	11/44	NEXT HIGHER ASSEMBLY:	B-DD-M7094-0	SIZE	D	CODE	CS M7094-0-1
				NUMBER			REV. C

REV. C  
NUMBER M7094-0-1  
SIZE CODE D CS

TW 1

LINE	ITEM	DOCUMENT NUMBER	PART NUMBER	DESCRIPTION	QTY PER VARIATION	REFERENCE DESIGNATOR
1	1		5013557-00	ETCHED CIRCUIT BOARD	1	
2	2		1000076-00	39 MFD 10V 10% 1500 S.TA	6	C1-C6
3	3		1012121-00	220.0 MFD 100V 1% 20PPM DM15S	1	C43
4	4		1012784-00	.047 MFD 50V +80-20% CER	36	C7-C42
5	5		1210711-02	HANDLE,MODULE,HEX	1	
6	6		1215006-02	SOCKET 16PIN IC LOW PROFILE	1	XE42
7	7		1215006-03	SOCKET 18PIN IC LOW PROFILE	1	XE64
8	8		1215006-07	SOCKET 28PIN IC LOW PROFILE	3	XE82, XE103, XE114
9	9		1300316-00	470.0 .25 W 5.0 % CC	14	R1-R5, R7, R9, R11, R15-R19, R22
10	10		1300365-00	1.0 K .25 W 5.0 % CC	4	R6, R8, R10, R12
11	11		1302931-00	49.90 .25 W 1.0 % RN55D-F10	1	R21
12	12		1303114-00	1.0 K .25 W 1.0 % RN55D-F10	1	R20
13	13		1909050-00	7475 LATCH 4BIT	2	ER9, E106
14	14		1910531-00	DEC 74S181 ALU-4BIT	4	E17, E27, E37, E47
15	15		1910532-00	74S00 NAND GATE-QUAD 2IN	3	E44, E107, E117
16	16		1910533-00	74S03 NAND GATE-QUAD 2IN,0	1	E120
17	17		1910534-00	74S04 INVERTER GATE-HEX 1I	3	E49, E85, E119
18	18		1910535-00	74S05 INVERTER GATE-HEX 1	1	E51
19	19		1910536-00	74S10 NAND GATE-TRIPLE 3IN	3	E53, E109, E118
20	20		1910537-00	74S11 AND GATE-TRIPLE 3INP	3	E22, E45, E116
21	21		1910540-00	74S22 NAND GATE-DUAL 4IMPU	1	ER3
22	22		1910544-00	74S74 FF-D DUAL, EDGE TRIGG	3	E54, E55, E96
23	23		1910547-00	74S153 MUX 1 OF 4 (DUAL)	1	E14
24	24		1910548-00	74S157 MUX 1 OF 2 (QUAD)	12	E2, E9, E15, E19, E26, E39, E40, E62, E64, E97, E100, E105
25	25		1910550-00	74S174 FF-D HEX	1	ER6
26	26		1910552-00	74S194 SHIFT REG., 4BIT RIGH	8	E4, E5, E8, E10, E11, E20, E30, E31
27	27		1910957-00	74S175 FF-D QUAD COMMON CLO	3	E16, E65, E111
28	28		1911271-00	74298 MUX 1 OF 4 W/STORA	1	E34
29	29		1911641-00	SN 74S257 MUX, QUAD 2 TO 1	2	E3, E29

REVISION HISTORY			BASIC PART NO: M7094		DRN: K. FRIEDGEN		DATE:		I D I G I T I A L		
ENG:	ECO NUMBER	REV	SECTION A OF A	CHK'D:	E. T. CEPRY	DATE:	23-JAN-79	TITLE	PARTS LIST		
---	INITIAL	A	SECTION VARIATION INDEX	CHK'D:	E. T. CEPRY	DATE:	23-JAN-79	KD11-Z DATA PATH			
---	INIT	A	[A] 00								
R.D.	TW001	B	[B]	DES. ENG:	R. DAY	DATE:					
RD	TW002	C	[C]								
			[D]								
			[E]								
			[F]	RESP. ENG.:	R. DAY	DATE:	23-JAN-79	DOCUMENT NUMBER			
			[H]								
			[J]					SIZE	CODE	NUMBER	REV
			[K]	MFG. ENG.:	M. LACROIX	DATE:		K	PL	M7094-0-DBP	C
			[L]								
			[M]	ASSEMBLY NUMBER:		TOP DOCUMENT NUMBER:		FILE NAME:		EDIT #	
			[N]	10-UA-M7094-0-0				Z0383C, PLS		19	

"THIS DRAWING AND SPECIFICATIONS HEREIN, ARE THE PROPERTY OF DIGITAL EQUIPMENT CORPORATION AND SHALL NOT BE REPRODUCED OR COPIED OR USED IN WHOLE OR IN PART AS THE BASIS FOR THE MANUFACTURE OR SALE OF ITEMS WITHOUT WRITTEN PERMISSION. COPYRIGHT (C) 1980, DIGITAL EQUIPMENT CORPORATION"

TW

LINE ITEM	DOCUMENT NUMBER	PART NUMBER	DESCRIPTION	QTY PER VARIATION	REFERENCE DESIGNATOR
30	30	1911983-00	74S133 NAND GATE-POSITIVE 1	1	E72
31	31	1912069-00	MEMORY READ/WRITE,25	1	E87
32	32	1912089-00	74S85 CMPRTR-4BIT MAGNITUD	2	E81,E92
33	33	1912096-00	DEC 74S86 XOR GATE,QUAD 2IN	1	E50
34	34	1912097-00	SN 74S182 LOOK AHD CARRY GEN	2	E28,E110
35	35	1912388-00	74S02 NOR GATE-QUAD 2IN,PO	2	E1,E13
36	36	1912389-00	74S08 AND GATE-QUAD 2IN,PO	3	E60,E61,E73
37	37	1912586-00	DM 85S68M REGISTER,64BIT EDGE	4	E6,E7,E18,E48
38	38	1912660-00	74S253 MUX 1 OF 4 (DUAL)	16	E23,E24,E32,E33,E35,E43,E56,E57, E75,E78-E80,E88,E90,E102,E112
39	39	1913340-00	74S32 OR GATE-QUAD 2IN	5	CONT E12,E52,E63,E74,E108
40	40	1913462-00	74S240 OCTAL BUFFER,INVERTI	1	E21
41	41	1913493-00	74S241 OCTAL BUFFER,TRI-STA	2	E36,E46
42	42	1913670-00	74S373 LATCH 8BIT TRASP TR	8	E71,E77,E91,E93-E95,E104,E115
43	43	1913671-00	74S374 FF-D OCTAL TRISTATE	2	E76,E101
44	44	1913700-00	74S381 ALU-4BIT	4	E98,E99,E113,E122
45	45	1914085-00	74S260 NOR GATE-DUAL,POS	2	E25,E38
46	46	1914558-00	*** THIS ITEM IS NOT USED ***	-	
47	47	1915697-00	RAM 256X4 TRI-STATE	7	E58,E59,E66-E70
48	48	23164A2-00	A2-05	1	E42
49	49	23023C6-00	C6-01	1	E114
50	50	23444F1-00	F1-02	1	E84
51	51	9000024-01	FYFLET, ROLLED FLANGE, .121 OD X	12	
52	52	1911637-00	74132 NAND GATE-QUAD 2 IN	1	E121
53	53	23024C6-00	C6-01	1	E103
54	54	23025C6-00	C6-01	1	E82
55	55	23000F1-01	*** THIS ITEM IS NOT USED ***	-	
56	56	9105740-55	WIRE(WPAP)30AWG UL1423	1	

D	I	G	I	T	A	L	TITLE	SECTION A OF A	SIZE	CODE	DOCUMENT NUMBER	REV
							KD11-Z DATA PATH		K	PL	M7094-0-DR2	C

*JU*





NOTES:  
 1. LOCATIONS E105 & E112 ARE SPARES.  
 2. R81 IS NOT INSTALLED.

STEP E	+ Y AXIS	STEP 0	TIMES
REPORT	+ X AXIS	STEP 0	TIMES

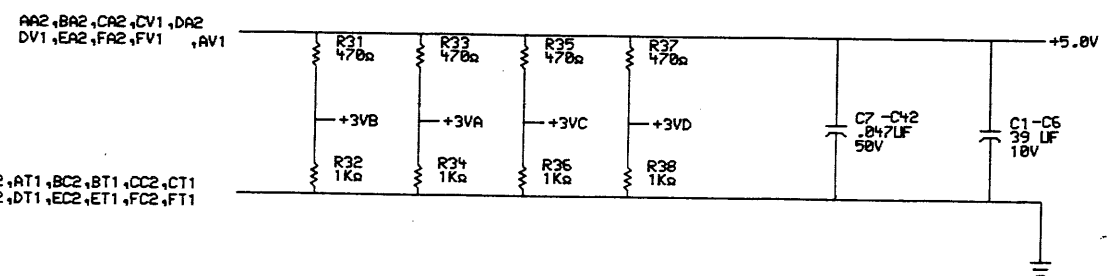
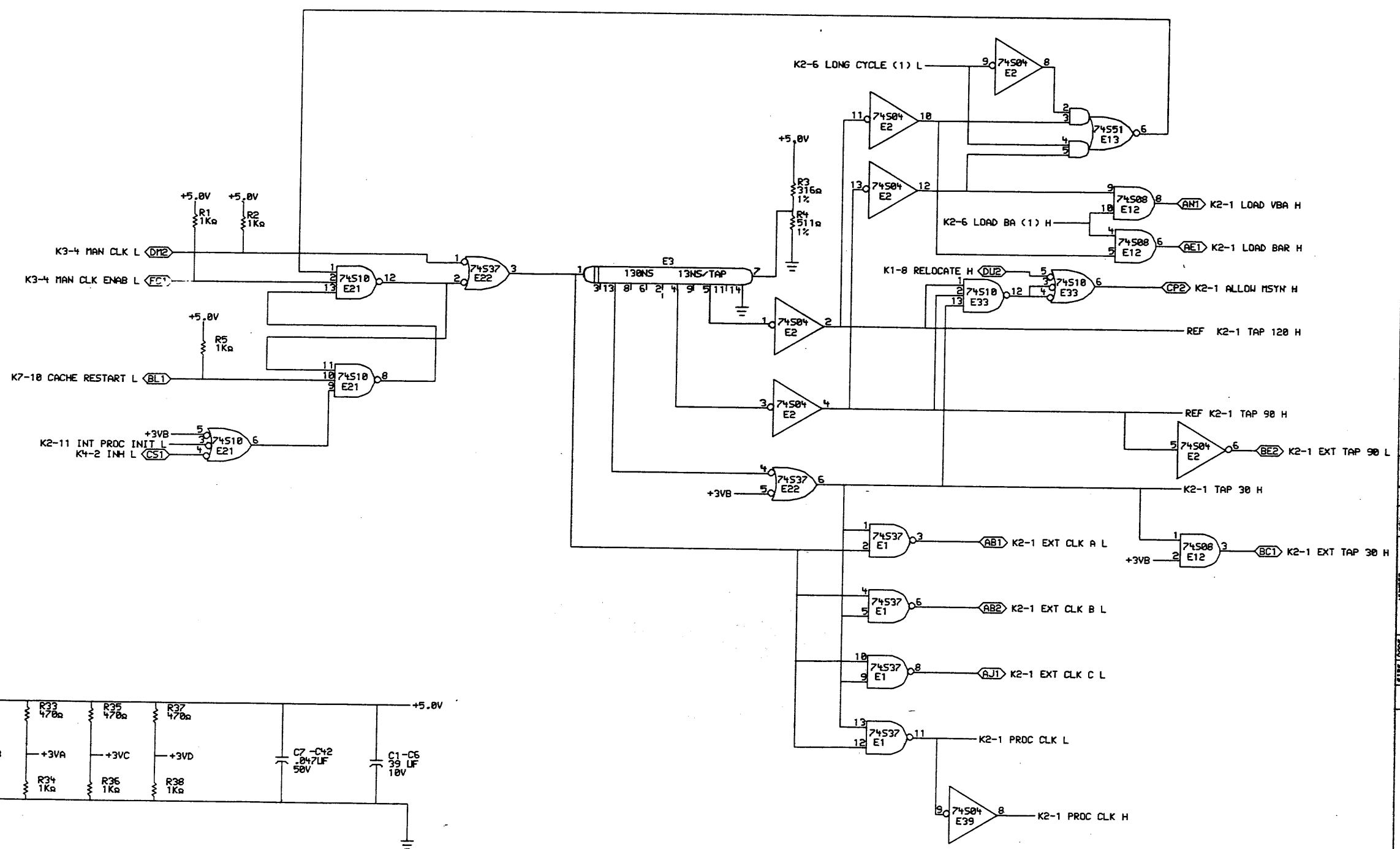
CHANGE NO	REV	BY	DATE
1	1	WOO	1/20/77
2	1	REDRAWN	1/21/77
3	1	INT955-TW006	6/1/77
4	1	B. AUFFERLEE	6/1/77
5	1	B. AUFFERLEE	6/1/77

ETCH REV. C-PI
----------------

SIGNATURES		DATE	digital
DRN. <i>[Signature]</i>		1/21/77	
CHK'D. <i>[Signature]</i>		1/21/77	TITLE KD11-Z CONTROL MODULE
MECH. ENG. <i>[Signature]</i>		6/1/77	
PROJ. ENG. <i>[Signature]</i>		6/1/77	SIZE CODE NUMBER REV D UAM7095-0-0 C
PROD. <i>[Signature]</i>		6/1/77	

D  
C  
V  
B  
A

D  
C  
B  
A



\* ALL RESISTORS ON THIS MODULE ARE 1/4W 5% UNLESS OTHERWISE NOTED

REVISIONS	CHK	CHANGE NO.	REV	CHK	CHANGE NO.	REV
1	W	1	F	W	1	H
2	E	2	F	W	2	H
3	E	3	F	W	3	H
4	E	4	F	W	4	H

**digital** *W. J. L...*

DATE: 23-APR-88  
 ENG: *Bill Gist*  
 DATE: 19-MAY-88  
 TITLE: (K2-1) CONTROL (SYS CLOCK)

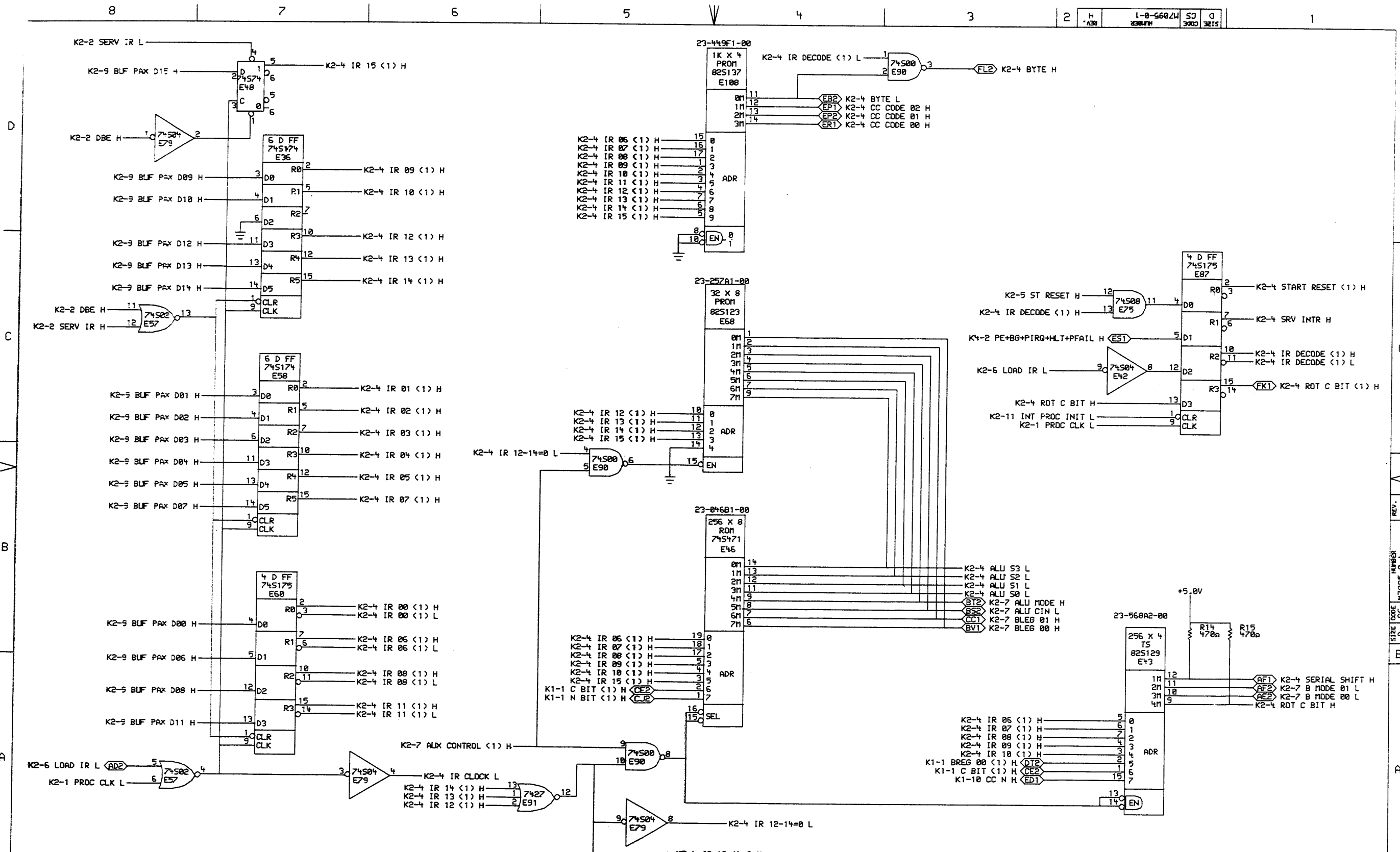
BOARD LOCATION: B-DD-M7095-0  
 SHEET: 1 OF 13

SIZE: D CODE: CS NUMBER: M7095-0-1 REV: H

FIRST USED ON OPTION/MODEL: 11/44







ALL DIMENSIONS AND SPECIFICATIONS HEREIN ARE THE PROPERTY OF DIGITAL EQUIPMENT CORPORATION AND SHALL NOT BE REPRODUCED OR COPIED OR USED IN WHOLE OR IN PART AS THE BASIS FOR THE MANUFACTURE OR SALE OF ITEMS WITHOUT WRITTEN PERMISSION. COPYRIGHT © 1980, DIGITAL EQUIPMENT CORPORATION.

REVISIONS	
CHK	CHANGE NO. REV

	DATE	ENG.	DATE	TITLE:
	20-APR-80			(K2-4) CONTROL (AUX CTL/IR/CC)
DATE	BOARD LOCATION:	SHEET	OF	13
11/44	B-DD-M7095-0	4		
FIRST USED ON OPTION/MODEL:				SIZE CODE
				D CS
				NUMBER
				M7095-0-1
				REV.
				1

8 7 6 5 4 3 2 1

REV. H

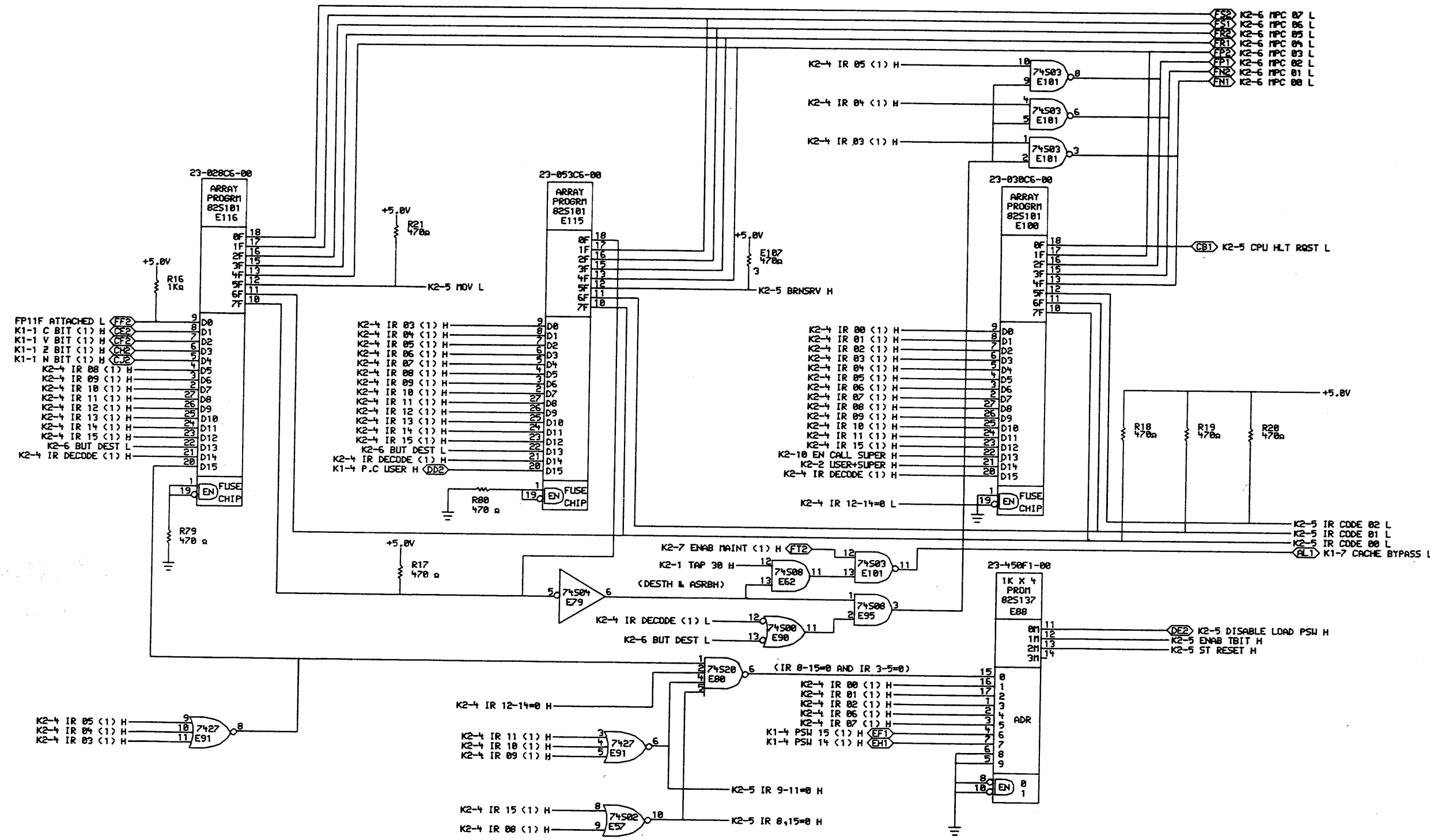
NUMBER M7095-0-1

SIZE CODE D CS

1 2 3 4 5 6 7 8

D  
C  
V  
B  
A

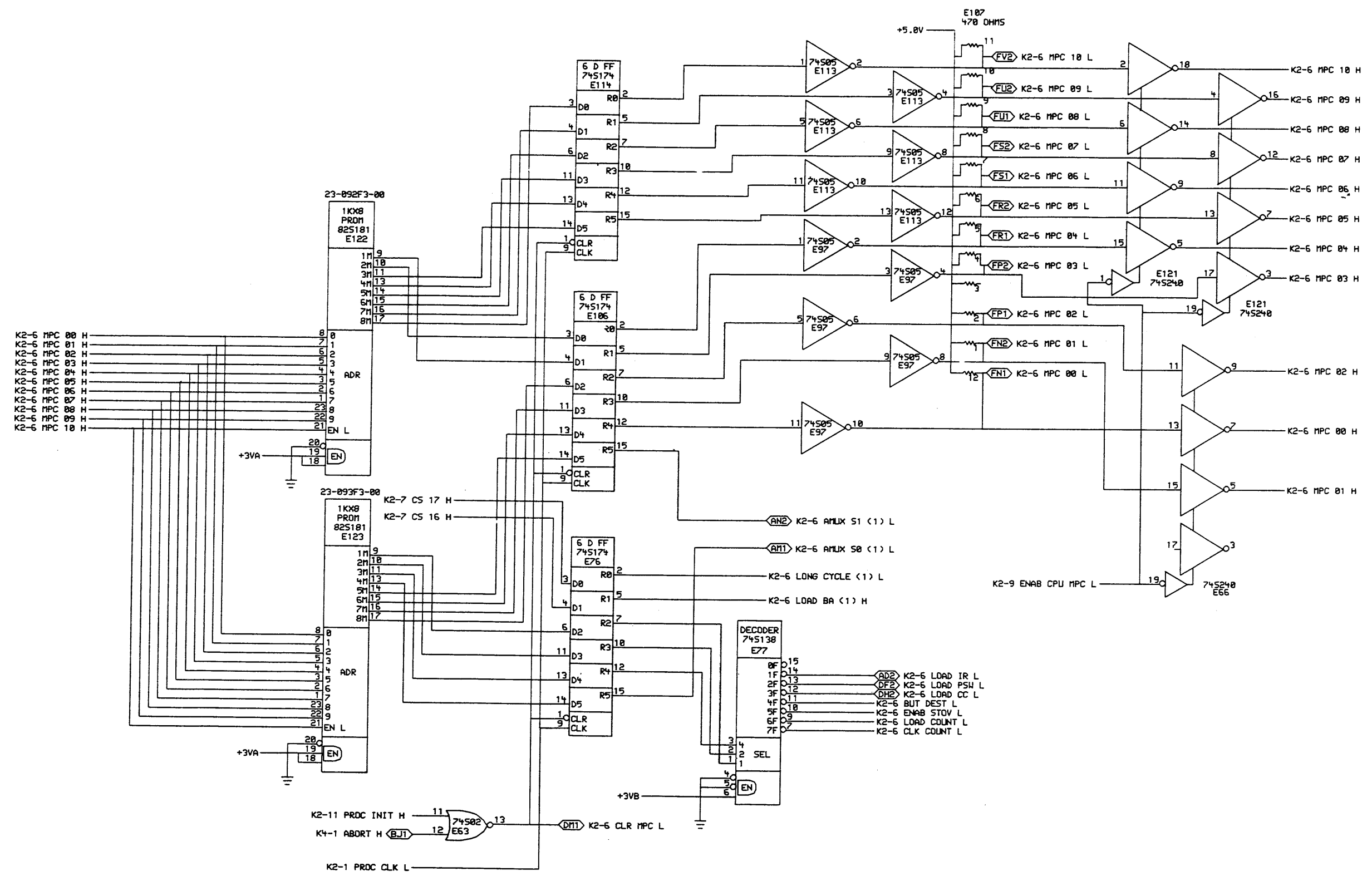
D  
C  
V  
B  
A



ALL DRAWINGS AND SPECIFICATIONS ARE THE PROPERTY OF DIGITAL EQUIPMENT CORPORATION AND SHALL NOT BE REPRODUCED OR COPIED IN ANY MANNER OR BY ANY MEANS WITHOUT THE WRITTEN PERMISSION OF DIGITAL EQUIPMENT CORPORATION.

REVISIONS	
CHK	CHANGE NO. REV

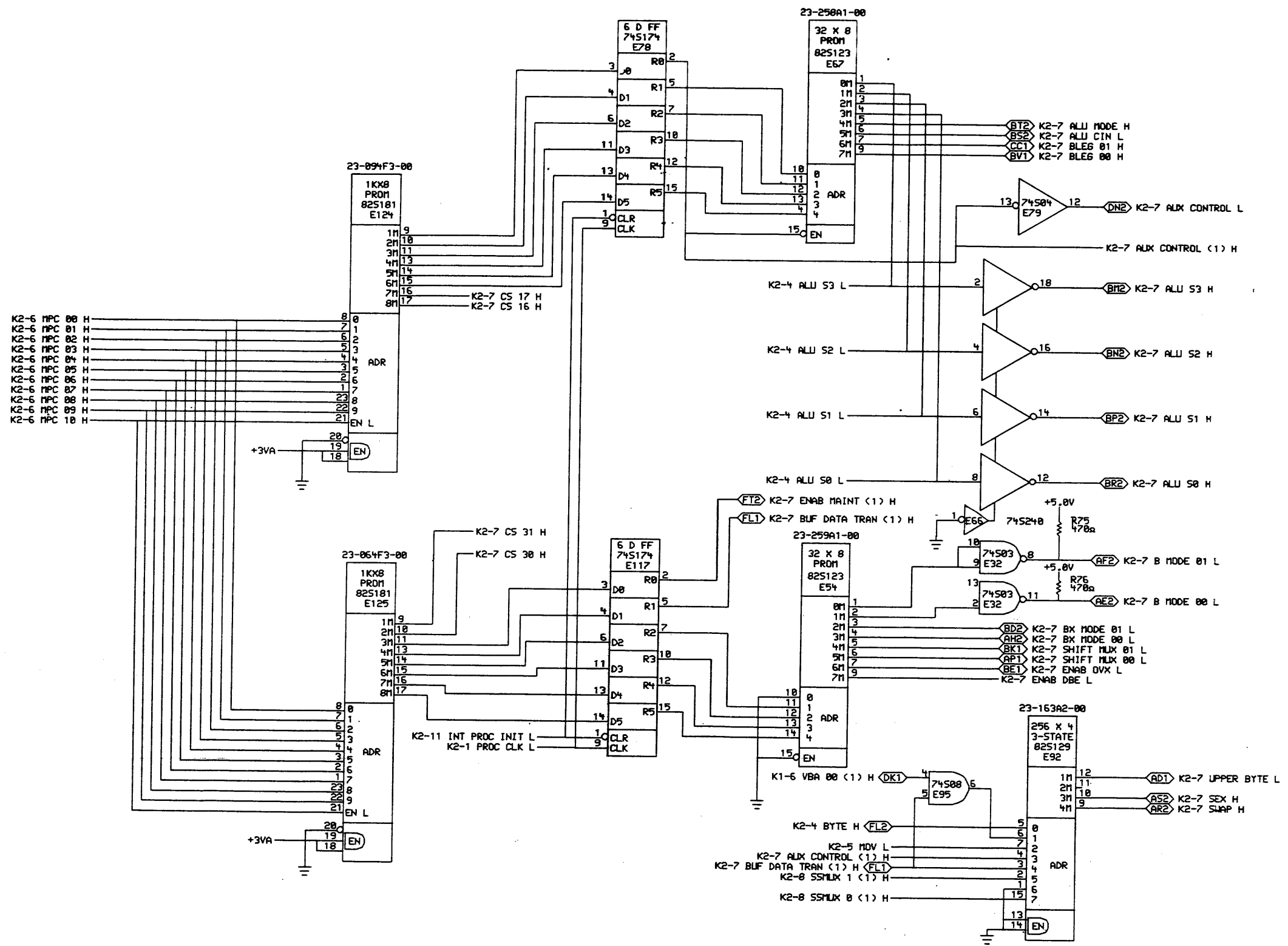
digital	DATE	25-APR-88	14:27	DATE		DATE		TITLE:	(K2-5) CONTROL (IRDEC/BRANCH)
	DRW:			ENG:		DATE		BOARD LOCATION:	B-DD-117095-0
FIRST USED ON OPTION MODEL:		11/44		NEXT HIGHER ASSEMBLY:				SIZE CODE	D CS
								NUMBER	M7095-0-1
								REV.	H



THIS DRAWING AND SPECIFICATIONS HEREIN ARE THE PROPERTY OF DIGITAL EQUIPMENT CORPORATION AND SHALL NOT BE REPRODUCED OR COPIED OR USED IN WHOLE OR IN PART AS THE BASIS FOR THE MANUFACTURE OR SALE OF ITEMS WITHOUT WRITTEN PERMISSION. COPYRIGHT © 1984, DIGITAL EQUIPMENT CORPORATION.

REVISIONS	
CHK	CHANGE NO. REV

	DATE: 28-APR-88	ENG: [Signature]	DATE: [Blank]	TITLE: (K2-6) CONTROL (MPC NEXT)
	DATE: [Blank]	BOARD LOCATION: [Blank]	SHEET: 6 OF 13	SIZE CODE: D CS
(158,257) JCL06E.DRW   25-APR-88 14:21   NEXT HIGHER ASSEMBLY: B-DD-M7095-0		NUMBER: M7095-0-1		REV: H
FIRST USED ON OPTION/MODEL: 11/44		NUMBER: M7095-0-1		



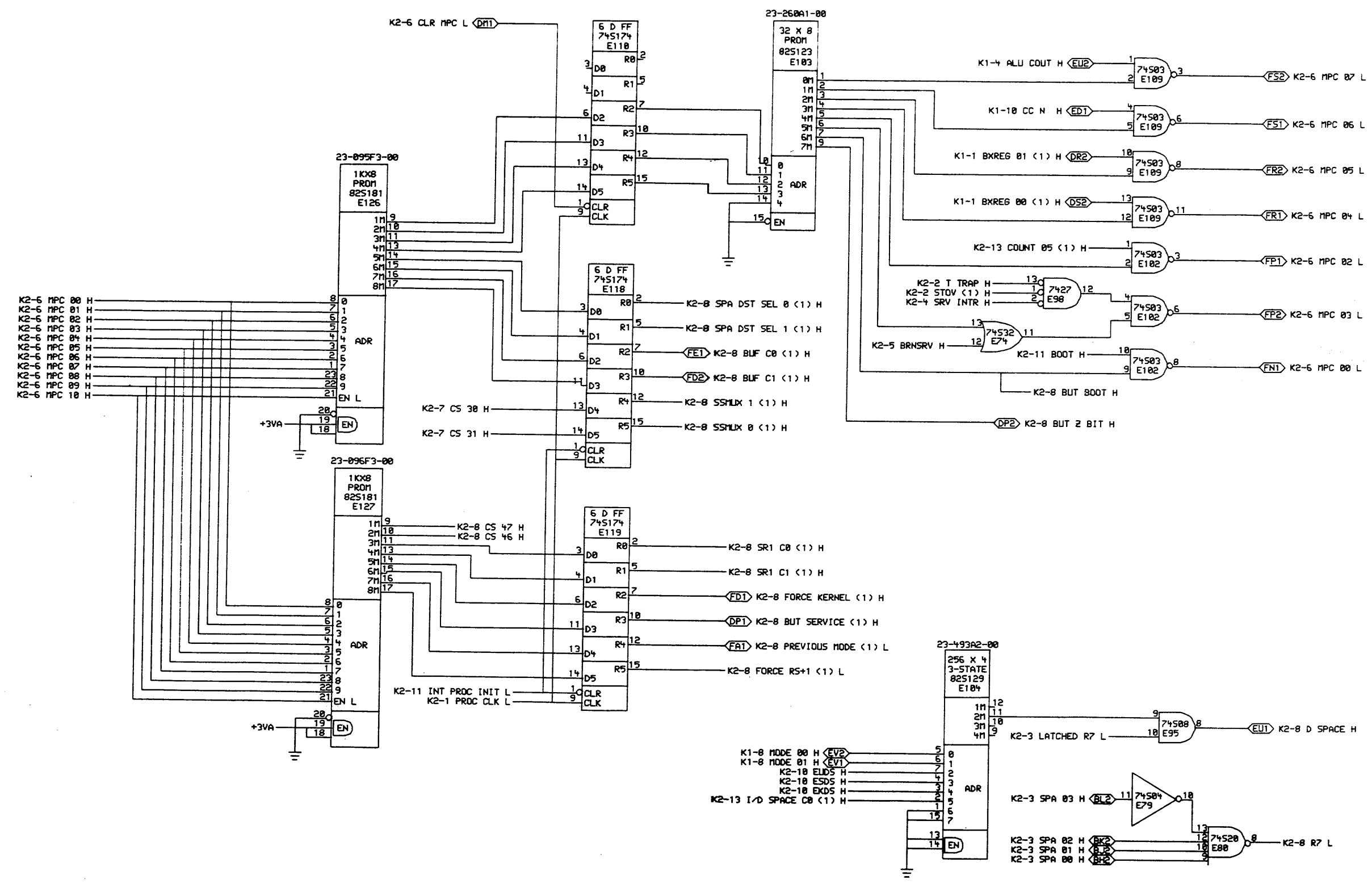
THIS DRAWING AND SPECIFICATIONS ARE THE PROPERTY OF DIGITAL EQUIPMENT CORPORATION AND SHALL NOT BE REPRODUCED OR COPIED IN ANY MANNER WITHOUT THE WRITTEN PERMISSION OF DIGITAL EQUIPMENT CORPORATION.

REVISIONS	
CHK	CHANGE NO. REV

**digital** DRW. J. J. J. DATE 28-APR-80 ENG. DATE 28-APR-80 TITLE: (K2-7) CONTROL (DATAPATH CONT)

168,257 JCTL07E.DRW 25-APR-80 14:35 NEXT HIGHER ASSEMBLY: SHEET 7 OF 13 BOARD LOCATION: SIZE CODE NUMBER REV. D CS M7095-0-1 H





REVISIONS	
CHK	CHANGE NO. REV

**digit** DESIGNED BY: DATE: 20 APR 68

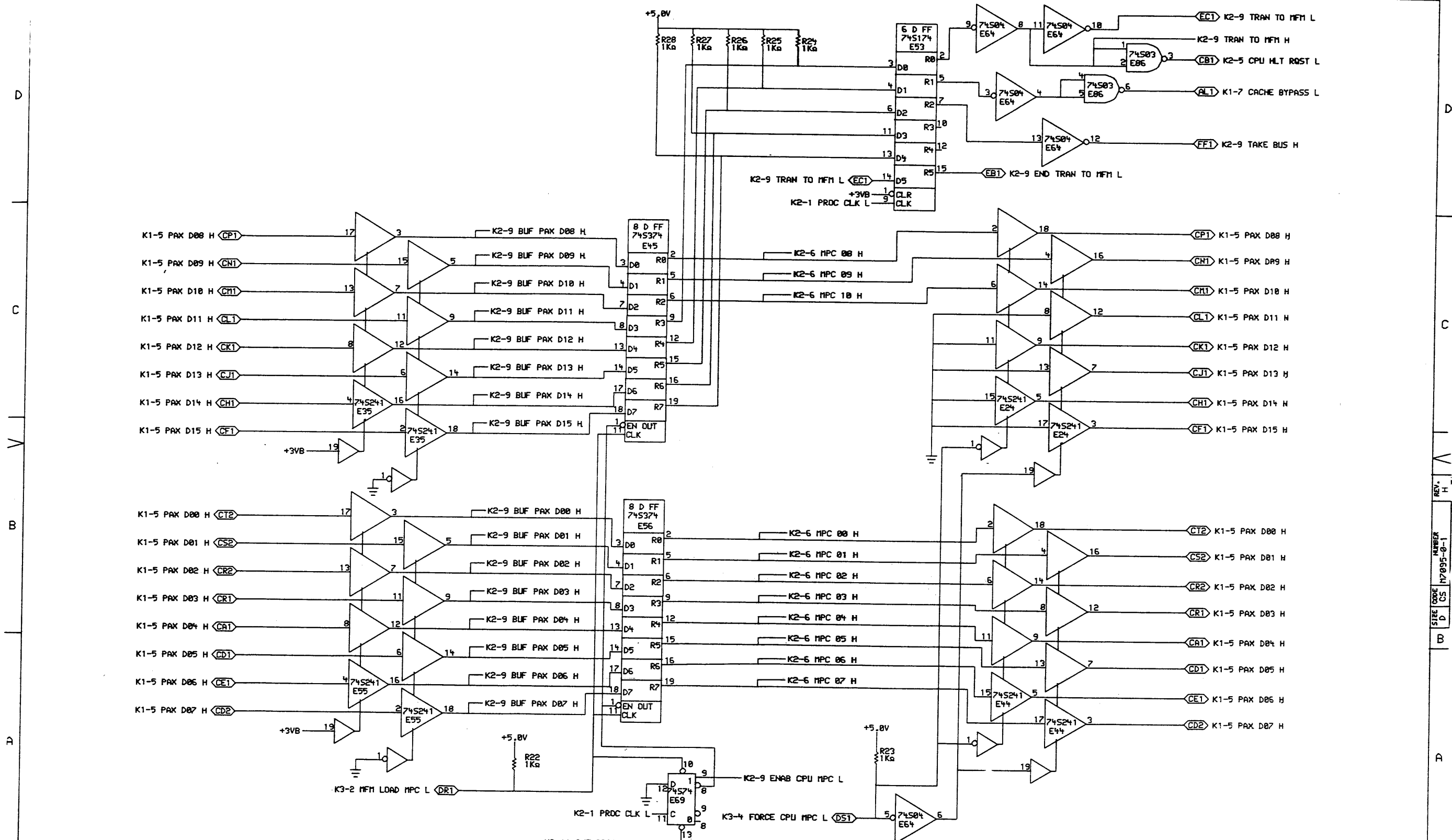
DATE: 20 APR 68 BOARD LOCATION: DE 13

TITLE: (K2-8) CONTROL (BUT/ I/D SPACE)

SIZE CODE: D CS NUMBER: M7095-0-1 REV: H

FIRST USED ON OPTION MODEL: 11/44 NEXT HIGHER ASSEMBLY: B-DD-M7095-0

REV. H  
NUMBER M7095-0-1  
SIZE CODE D CS

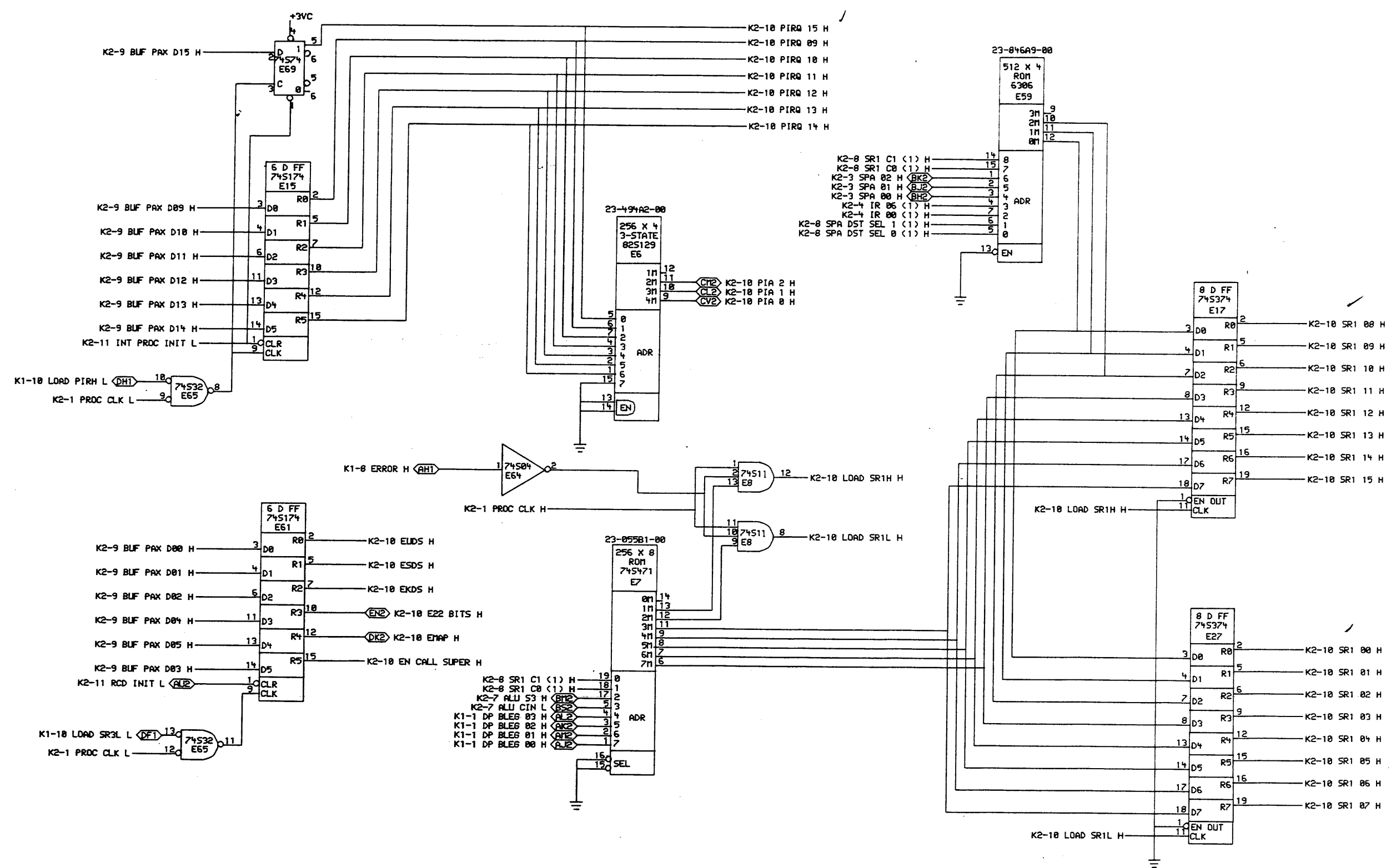


THIS DRAWING AND SPECIFICATIONS ARE THE PROPERTY OF DIGITAL EQUIPMENT CORPORATION AND ARE NOT TO BE REPRODUCED OR TRANSMITTED IN ANY FORM OR BY ANY MEANS, ELECTRONIC OR MECHANICAL, INCLUDING PHOTOCOPYING, RECORDING, OR BY ANY INFORMATION STORAGE AND RETRIEVAL SYSTEM. WITHOUT WRITTEN PERMISSION, CONFIDENTIAL © 1980 DIGITAL EQUIPMENT CORPORATION

REVISIONS		
CHK	CHANGE NO.	REV

	DATE: 25-APR-88	TIME: 14:41	DATE: 11-44	DATE: 11-44	DATE: 11-44	TITLE: (K2-9) CONTROL (PAX DATA INTFR)
	168,257 JCTL09E.DRW	25-APR-88	14:41	11/44	11/44	11/44
FIRST USED ON OPTION/MODEL: 11/44			NEXT HIGHER ASSEMBLY: B-DD-M7095-0			SIZE CODE: D CS
NUMBER: M7095-0-1			REV: -			

REV. H  
 NUMBER M7095-0-1  
 SIZE CODE D CS  
 NUMBER M7095-0-1



REVISIONS	
CHK	CHANGE NO. REV

**digital** DRW. J. J. J. DATE 25-APR-80 TITLE: (K2-10) CONTROL (PIRQ,SR1,SR3)

DATE 11-47 BOARD LOCATION: SHEET 10 OF 13

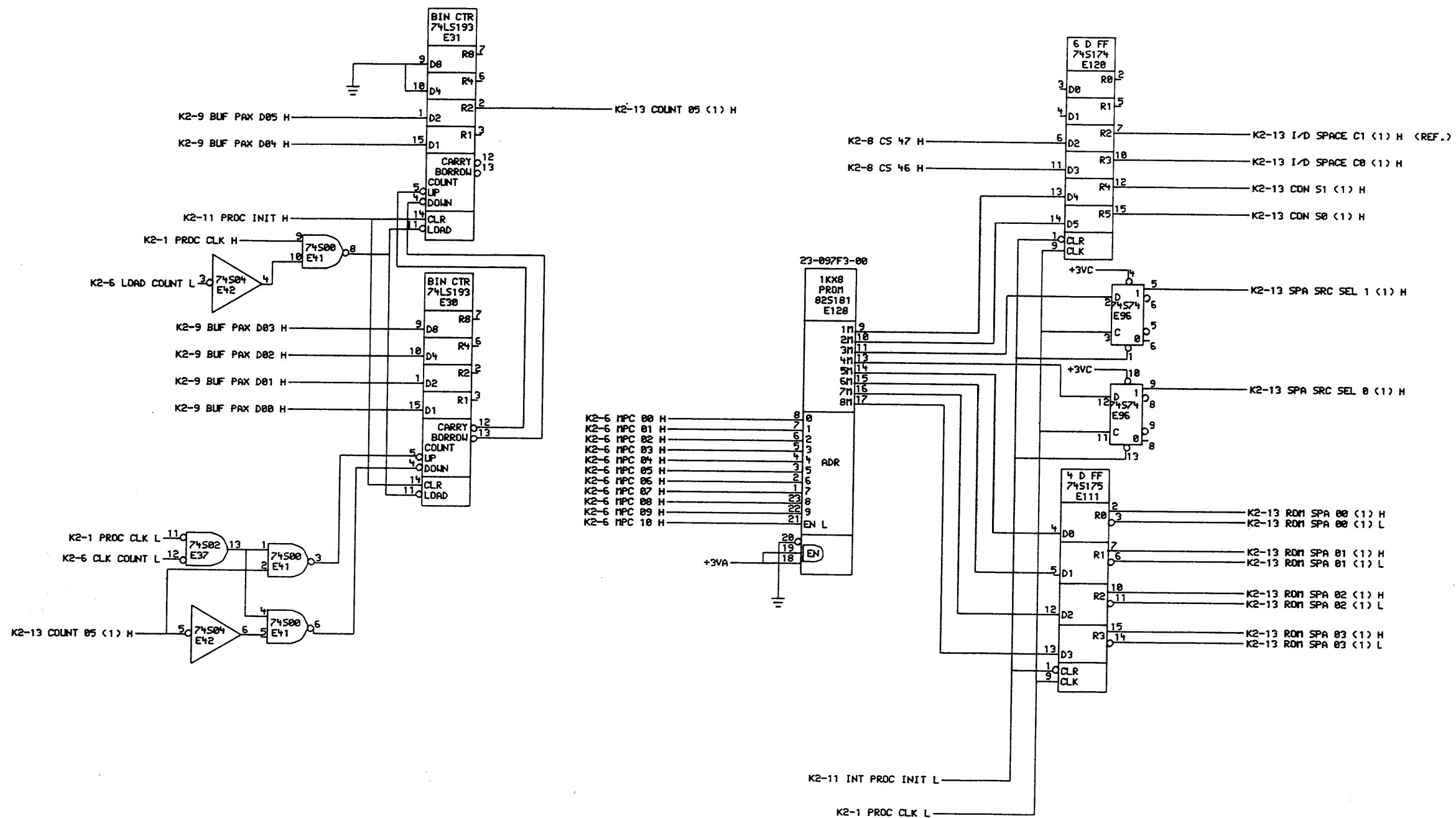
160,257 JCTL10E.DRW 25-APR-80 14:47 NEXT HIGHER ASSEMBLY: 8-DD-M7095-0

FIRST USED ON OPTION/MODEL: 11/44

SIZE CODE NUMBER REV. D CS M7095-0-1 H







THIS DRAWING AND SPECIFICATIONS ARE THE PROPERTY OF DIGITAL EQUIPMENT CORPORATION AND SHALL NOT BE REPRODUCED OR COPIED OR USED IN WHOLE OR IN PART AS THE BASIS FOR THE MANUFACTURE OR SALE OF ITEMS WITHOUT WRITTEN PERMISSION. COPYRIGHT © 1980, DIGITAL EQUIPMENT CORPORATION.

REVISIONS	
CHK	CHANGE NO. REV

digital	DRW: J. Lamb	DATE ENG: 29-APR-80	DATE	TITLE: (K2-13) CONTROL (EIS CNTR, ROM SPA)
1160.257 JCTL13E.DRW	CHK: B	DATE BOARD LOCATION: 13 OF 13	SHEET	SIZE CODE: D CS
FIRST USED ON OPTION/MODEL: 11/44	125-APR-80 14:57	NEXT HIGHER ASSEMBLY: B-DD-M7095-0	NUMBER: M7095-0-1	REV: H

8	7	6	5	4	3	2	1
---	---	---	---	---	---	---	---

REV. H  
NUMBER M7095-0-1  
SIZE CODE D CS

LINE	ITEM	DOCUMENT NUMBER	PART NUMBER	DESCRIPTION	QTY	PER VARIATION	REFERENCE DESIGNATOR
					00		
1	1		5013573-00	PRINTED CIRCUIT BOARD FOR KD11-Z	1		
2	2		1000076-00	39 MFD 10V 10% S.TANT	6		C1-C6
3	3		1001610-00	.01 MFD 50V +80-20% 25U CER	2		C48,C52
4	4		1004812-00	15 MFD 20V 10% S.TANT	1		C43
5	5		1004813-00	10 MFD 20V 10% S.TANT	1		C47
6	6		1009964-00	.68 MFD 35V 10% S.TANT	2		C44,C45
7	7		1012121-00	220.0 MMF 100V 1%200PPM MICA	1		C46
8	8		1012784-00	.047 MFD 50V +80-20% CER	36		C7-C42
9	9		1210209-00	SW,TOG,SPDT,.01A@6V,ON/ON,SUBMIN	1		S1
10	10		1210711-02	/REPLACED BY 12-16988-02	1		
11	11		1215006-02	SOCKET 16PIN IC LOW PROFILE	9		XE6,XE43,XE54,XE67,XE68,XE92, CONT XE103,XE104,XE59
12	12		1215006-03	SOCKET 18PIN IC LOW PROFILE	2		XE108,XE88
13	13		1215006-04	SOCKET 20PIN IC LOW PROFILE	2		XE46,XE7
14	14		1215006-06	SOCKET 24PIN IC LOW PROFILE	7		XE122-XE128
15	15		1215006-07	SOCKET 28PIN IC LOW PROFILE	4		XE99,XE100,XE115,XE116
16	16		1300005-04	R NETWORK 15-470 5.0 % 16PIN	1		E107
17	17		1300316-00	470.0 .25 W 5.0 % CC	16		R14,R15,R17-R21,R31,R35,R37,R75, CONT R76,R33,R77,R79,R80
18	18		1300365-00	1.0 K .25 W 5.0 % CC	18		R1,R2,R12,R16,R24-R29,R32,R34, CONT R36,R38,R50,R5,R23,R22
19	19		1302411-00	511.0 .25 W 1.0 % RN55D-F10	1		R4
20	20		1303312-00	10.0 K .25 W 1.0 % RN55D-F10	1		R10
21	21		1304863-00	316.0 .25 W 1.0 % RN55D-F10	1		R3
22	22		1305125-00	383.0 .25 W 1.0 % RN55D-F10	3		R51,R52,R54
23	23		1311594-00	30.10 K .25 W 1.0 % RN55D-F10	3		R9,R11,R30
24	24		1313583-00	150.0 .25 W 1.0 % RN55D-F10	2		R13,R78
25	25		1612463-01	DELAY= 130NS,10TAPS 14PIN DIP	1		E3
26	26		1905587-00	DEC 7473 FF-JK DUAL,MASTER SL	2		E49,E51
27	27		1910436-00	DEC 74123 ONE SHOT-DUAL,RETRIG	2		E9,E10

REVISION HISTORY		BASIC PART NO: M7095		DRN: K.FRIEDGEN		DATE: 26-JUN-79		D I G I T A L	
ENG	ECD NUMBER	REV	SECTION A OF A	CHK'D:	E.GERRY	DATE:	21-FEB-79	TITLE	PARTS LIST
---	INITIAL	A	SECTION, VARIATION INDEX	CHK'D:	E.GERRY	DATE:	21-FEB-79		
R.D	TW001	B	[A] 00						KD11-Z CONTROL MODULE
R.D	TW001	B	[B]						
R.D	TW002	C	[C]	DES.ENG:	R.DAY	DATE:	21-FEB-79		
RN	M7095-TW003	D	[D]						
BG	M7095-TW004	E	[E]						DOCUMENT NUMBER
MP	M7095-TW005	F	[F]	RESP.ENG.:	R.DAY	DATE:	27-JUN-79	SIZE	CODE
B A	TW006 <i>WJR</i>	H	[H]					NUMBER	REV
			[J]						
			[K]	MFG.ENG.:	J.COMELLA	DATE:	27-JUN-79	K	PL
			[L]						M7095-0-DBP
			[M]	ASSEMBLY NUMBER:		TOP DOCUMENT NUMBER:		FILE NAME:	EDIT #
			[N]	ID-UA-M7095-0-0				Z0398.PLS	39

\*THIS DRAWING AND SPECIFICATIONS HEREIN ARE THE PROPERTY OF DIGITAL EQUIPMENT CORPORATION AND SHALL NOT BE REPRODUCED OR COPIED OR USED IN WHOLE OR IN PART AS THE BASIS FOR THE MANUFACTURE OR SALE OF ITEMS WITHOUT WRITTEN PERMISSION. COPYRIGHT (C) 1980. DIGITAL EQUIPMENT CORPORATION \*

LINE ITEM	DOCUMENT NUMBER	PART NUMBER	DESCRIPTION	QTY PER VARIATION 00	REFERENCE DESIGNATOR
28	28	1910532-00	74S00 NAND GATE-QUAD 2IN	6	E20,E38,E41,E73,E82,E90
29	29	1910533-00	74S03 NAND GATE-QUAD 2IN,0	5	E32,E86,E101,E102,E109
30	30	1910534-00	74S04 INVERTER GATE-HEX 1I	6	E2,E39,E40,E42,E64,E79
31	31	1910535-00	74S05 INVERTER GATE-HEX 1	2	E97,E113
32	32	1910536-00	74S10 NAND GATE-TRIPLE 3IN	4	E21,E29,E33,E71
33	33	1910539-00	74S20 NAND GATE-DUAL 4INPU	4	E80,E83,E85,E94
34	34	1910544-00	74S74 FF-D DUAL,EDGE TRIGG	4	E48,E52,E69,E96
35	35	1910547-00	74S153 MUX 1 OF 4 (DUAL)	3	E70,E72,E84
36	36	1910548-00	74S157 MUX 1 OF 2 (QUAD)	1	E81
37	37	1910550-00	74S174 FF-D HEX	14	E15,E36,E53,E58,E61,E76,E78, E106,E110,E114,E117-E120
38	38	1910878-00	7427 NOR GATE-TRIPLE 3IN	2	E91,E98
39	39	1910957-00	74S175 FF-D QUAD COMMON CLO	3	E60,E87,E111
40	40	1911469-00	DEC 8640 RECEIVER,BUS,QUAD,U	1	E89
41	41	1911579-00	8641 TRANSCEIVER,BUS,QUA	1	E11
42	42	1911675-00	74S138 DECODER/DEMUX 3-8 LIN	1	E77
43	43	1911712-00	74S51 AND-OR GATE-INVERT D	1	E13
44	44	1912388-00	74S02 NOR GATE-QUAD 2IN,PO	5	E18,E37,E50,E57,E63
45	45	1912389-00	74S08 AND GATE-QUAD 2IN,PO	4	E12,E62,E75,E95
46	46	1912660-00	74S253 MUX 1 OF 4 (DUAL)	8	E4,E5,E14,E16,E23,E25,E26,E47
47	47	1912746-00	DEC 74S37 NAND GATE-QUAD 2IN	3	E1,E19,E22
48	48	1912854-00	LS193 COUNTER,SYNCHR,4BIT,	2	E30,E31
49	49	1912864-00	LS279 LATCH,QUAD-S-R	1	E28
50	50	1913340-00	74S32 OR GATE-QUAD 2IN	3	E65,E74,E93
51	51	1913462-00	74S240 OCTAL BUFFER,INVERTI	2	E66,E121
52	52	1913493-00	74S241 OCTAL BUFFER,TRI-STA	4	E24,E35,E44,E55
53	53	1913671-00	74S374 FF-D OCTAL TRISTATE	4	E17,E27,E45,E56
54	54	1914085-00	74S260 NOR GATE-DUAL,POS	1	E34
55	55	23259A1-00	A1-07	1	E54
56	56	23258A1-00	A1-07	1	E67
57	57	23257A1-00	A1-07	1	E68
58	58	23260A1-00	A1-07	1	E103
59	59	23494A2-00	A2-05	1	E6
60	60	23568A2-00	A2-05	1	E43
61	61	23163A2-00	A2-05	1	E92
62	62	23493A2-00	A2-05	1	E104
63	63	9000024-01	EYELET, ROLLED FLANGE, .121 OD X	12	
64	64	23846A9-00	A9-01	1	E59
65	65	23055B1-00	B1-01	1	E7
66	66	23046B1-00	B1-01	1	E46
67	67	23051C6-00	C6-01	1	E99
68	68	23030C6-00	C6-02	1	E100
69	69	23053C6-00	C6-02	1	E115
70	70	23028C6-00	C6-02	1	E116
71	71	23450F1-00	F1-01	1	E88
72	72	23449F1-00	F1-01	1	E108
73	73	23092F3-00	F3-03	1	E122
74	74	23093F3-00	F3-03	1	E123

CONT

! D ! I ! G ! I ! T ! A ! L !	! TITLE	! SECTION A OF A !	! SIZE ! CODE !	! DOCUMENT NUMBER !	! REV !
	KD11-Z CONTROL MODULE		K ! FL !	M7095-0-DBP	H



AUTOMATED BY PRTLST.3H(23)

P A R T S L I S T

SHEET A3 OF A3

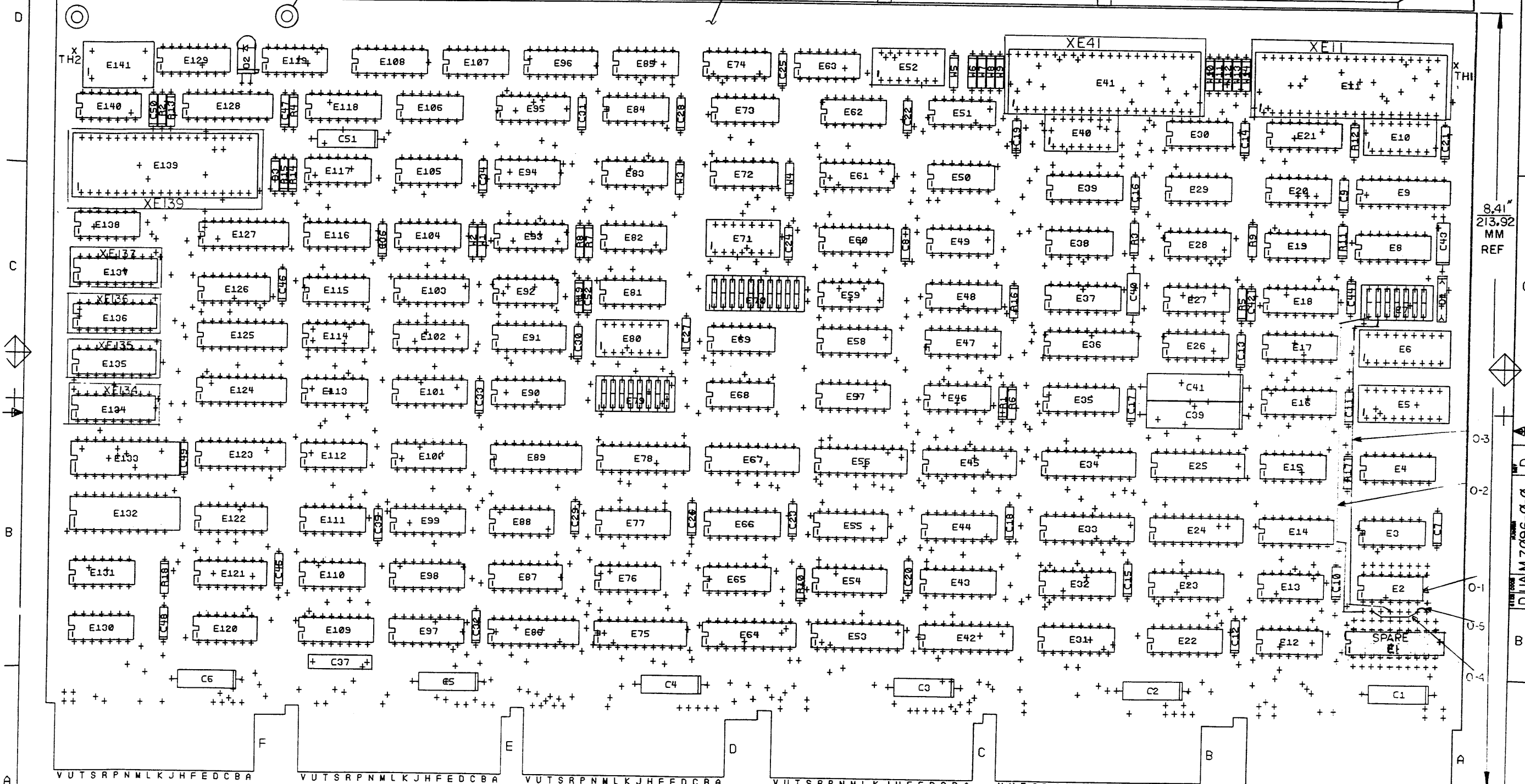
LINE ITEM	DOCUMENT NUMBER	PART NUMBER	DESCRIPTION	QTY PER VARIATION 00	REFERENCE DESIGNATOR
75	75	23094F3-00	F3-03	1	E124
76	76	23064F3-00	F3-03	1	E125
77	77	23095F3-00	F3-03	1	E126
78	78	23096F3-00	F3-03	1	E127
79	79	23097F3-00	F3-03	1	E128
80	81	1311422-00	178.0 .25 W 1.0 % RN55D-F10	1	R53
81	82	1000016-00	100.0 MMF 100V 5%200PPM MICA	1	C49
82	83	9105740-55	WIRE(WRAP)30AWG UL1423	7	
83	84	1910537-00	74S11 AND GATE-TRIPLE 3INP	1	E8

84 NOTE: (ITEM 83) LENGH IS IN FEET.

D	I	G	I	T	A	L	TITLE	SECTION A OF A	SIZE	CODE	DOCUMENT NUMBER	REV
							KD11-Z CONTROL MODULE		K	PL	M7095-0-DBP	H

THIS DRAWING AND SPECIFICATIONS, HEREIN, AND THE PROPERTY OF BENTON ELECTRONIC CORPORATION AND SHALL NOT BE REPRODUCED OR COPIED IN ANY MANNER OR IN ANY PART OF THE WORLD FOR THE MANUFACTURE OR SALE OF THIS DRAWING WITHOUT WRITTEN PERMISSION.

COMPONENT SIDE VIEW



8.41"  
213.92  
MM  
REF

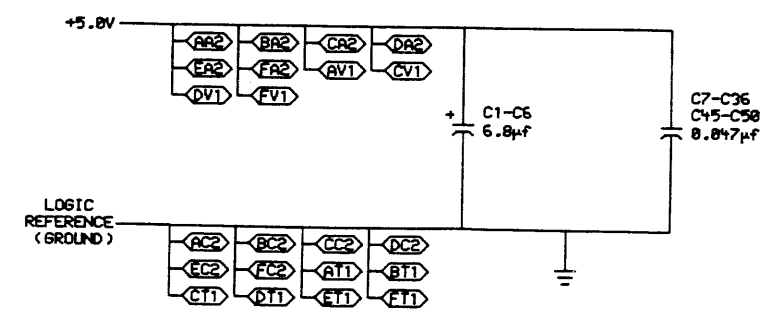
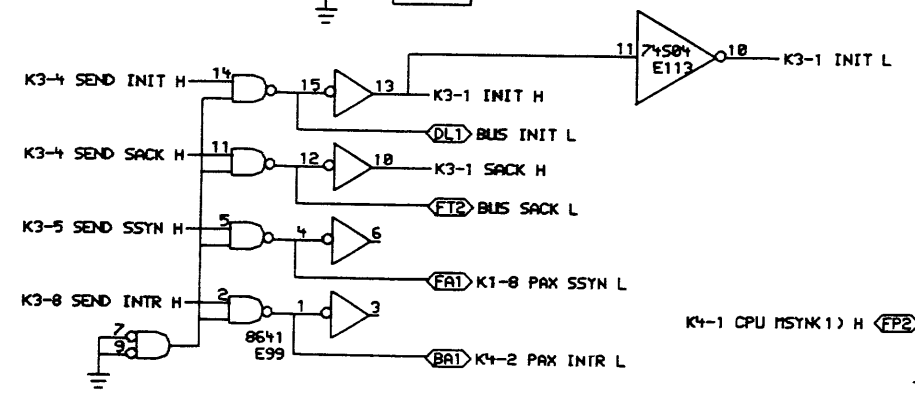
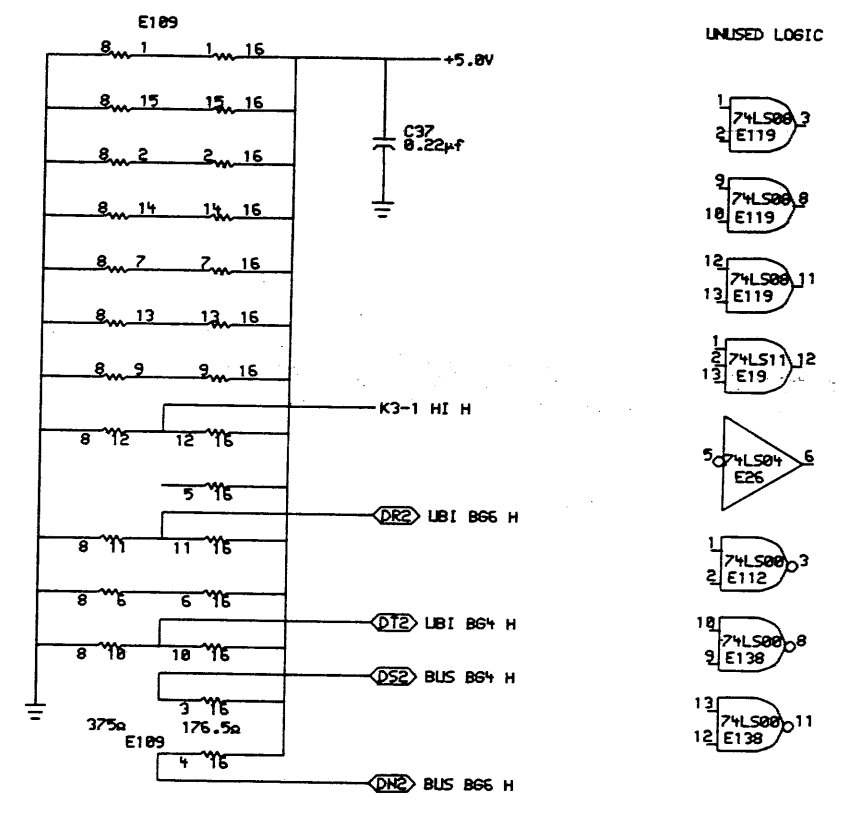
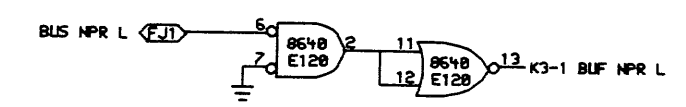
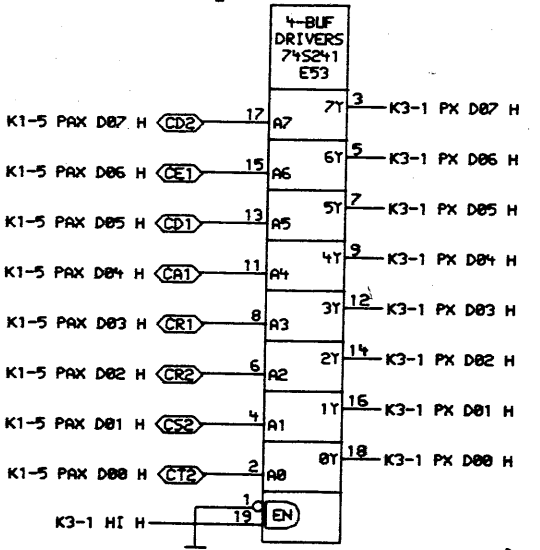
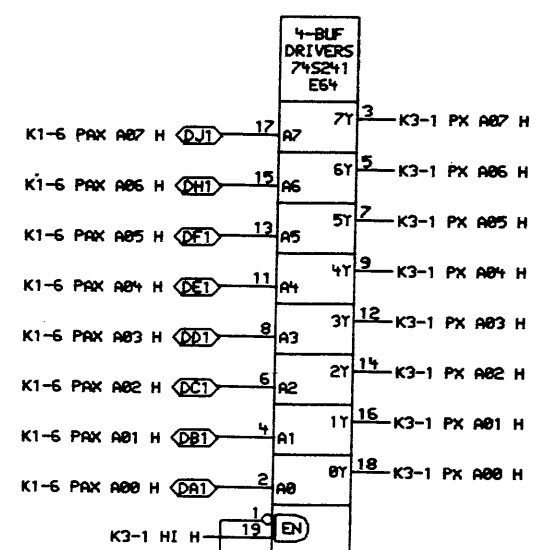
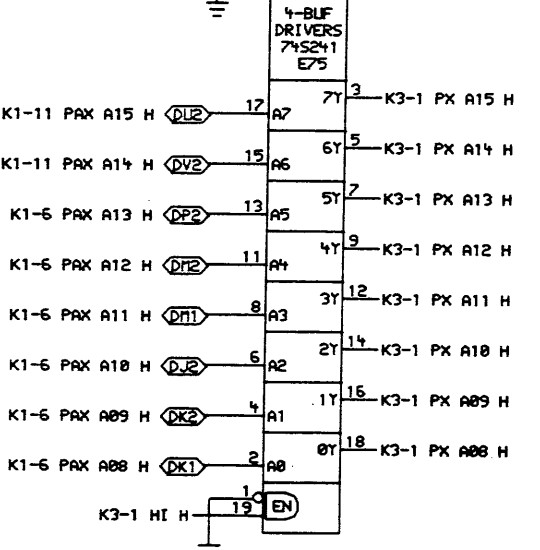
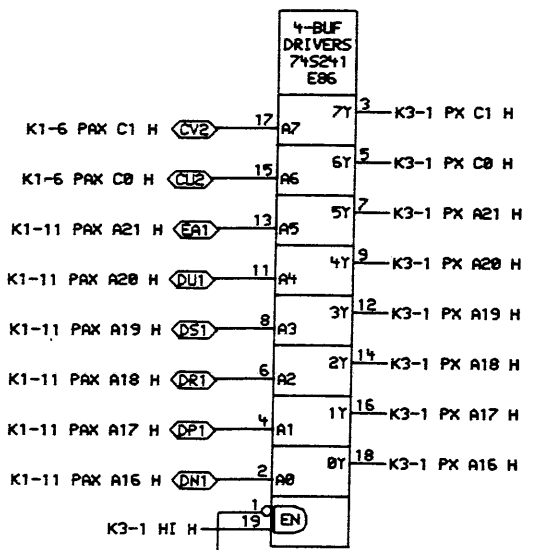
0-3  
0-2  
0-1  
0-5  
0-4

NOTES: 1. W1-W3, W11-W14 ARE NOT INSTALLED

CHG	NO	REV	DATE

SIGNATURES		DATE	digital
DRN. <i>[Signature]</i>		9/2/77	
CHK'D. <i>[Signature]</i>		8/15/77	TITLE KDI-Z
RECH. ENG. <i>[Signature]</i>		6/16/77	MULTI-FUNCTION
PROD. ENG. <i>[Signature]</i>		5/16/77	SCALE 2/1
PROD. <i>[Signature]</i>		1/1/77	SIZE CODE NUMBER
SHT. OF 2			REV
NEXT HIGHER ASSY. B-DD-M7096-0			DUALM7096-0-0

1 MS#171920



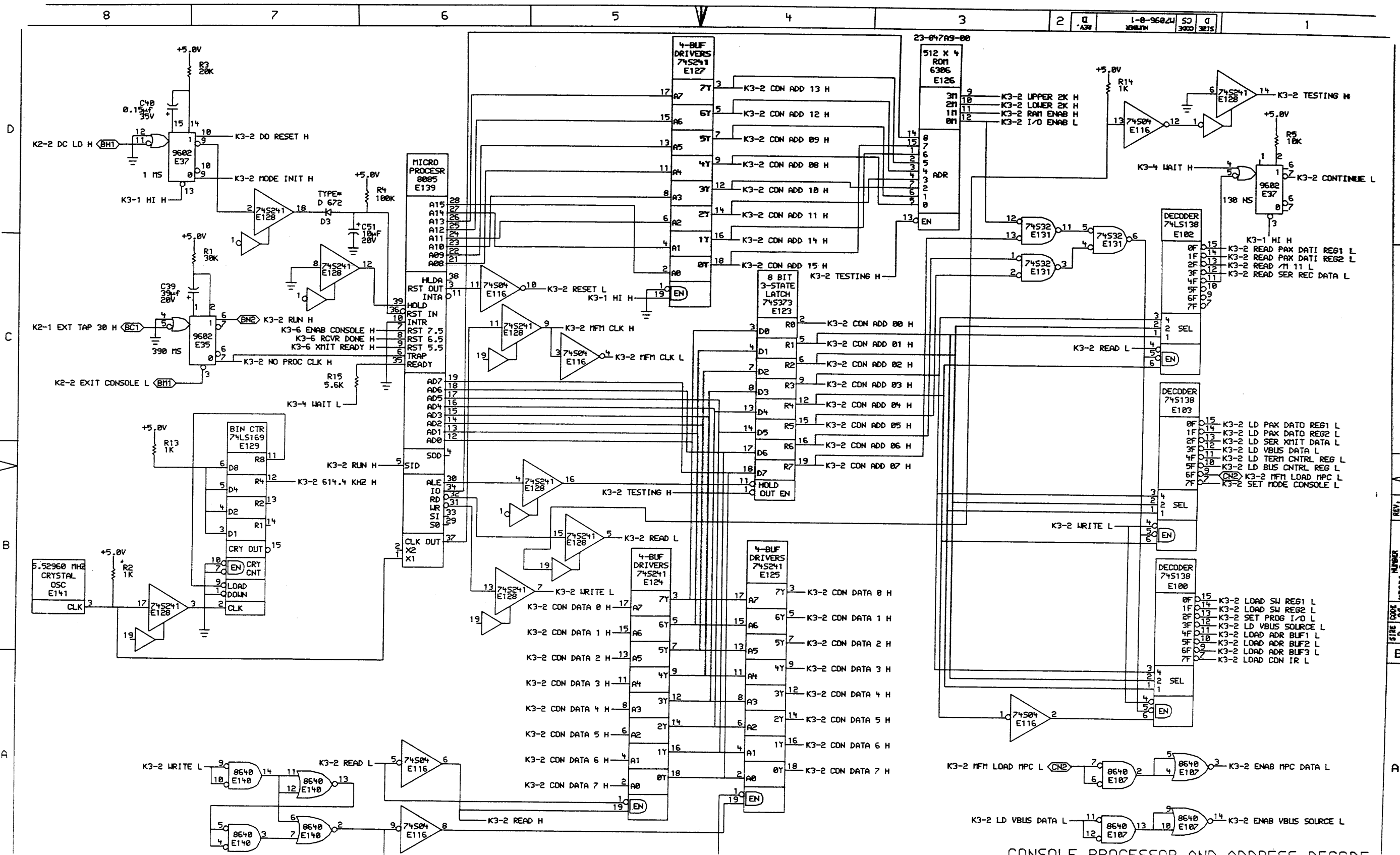
NOTE: SEE PAGES K3-5, K3-8, AND K3-10 FOR JUMPER AND SWITCH DEFINITIONS

PAX BUS RECEIVERS,  
BUS CONTROL INTERFACE

THIS DRAWING AND SPECIFICATIONS  
HEREIN ARE THE PROPERTY OF  
DIGITAL EQUIPMENT CORPORATION AND  
SHALL NOT BE REPRODUCED OR COPIED  
OR USED IN WHOLE OR IN PART AS  
THE BASIS FOR THE MANUFACTURE OR  
SALE OF ITEMS WITHOUT WRITTEN  
PERMISSION. COPYRIGHT © 1979  
DIGITAL EQUIPMENT CORPORATION

REVISIONS		
CHK	CHANGE NO.	REV
		D

digital	DATE	ENG.	DATE	TITLE:
	30-OCT-79	B. Guit	11-MAR-80	(K3-1) MULTI-FUNCTION MODULE
DATE	BOARD LOCATION:	DATE	SHEET	OF
17-OCT-79	18126	11/4/80	18	18
FIRST USED ON OPTION/MODEL:	11/44	B-DD-117096-0	SIZE	CODE
			D	CS
			NUMBER	REV.
			M7096-0-1	D

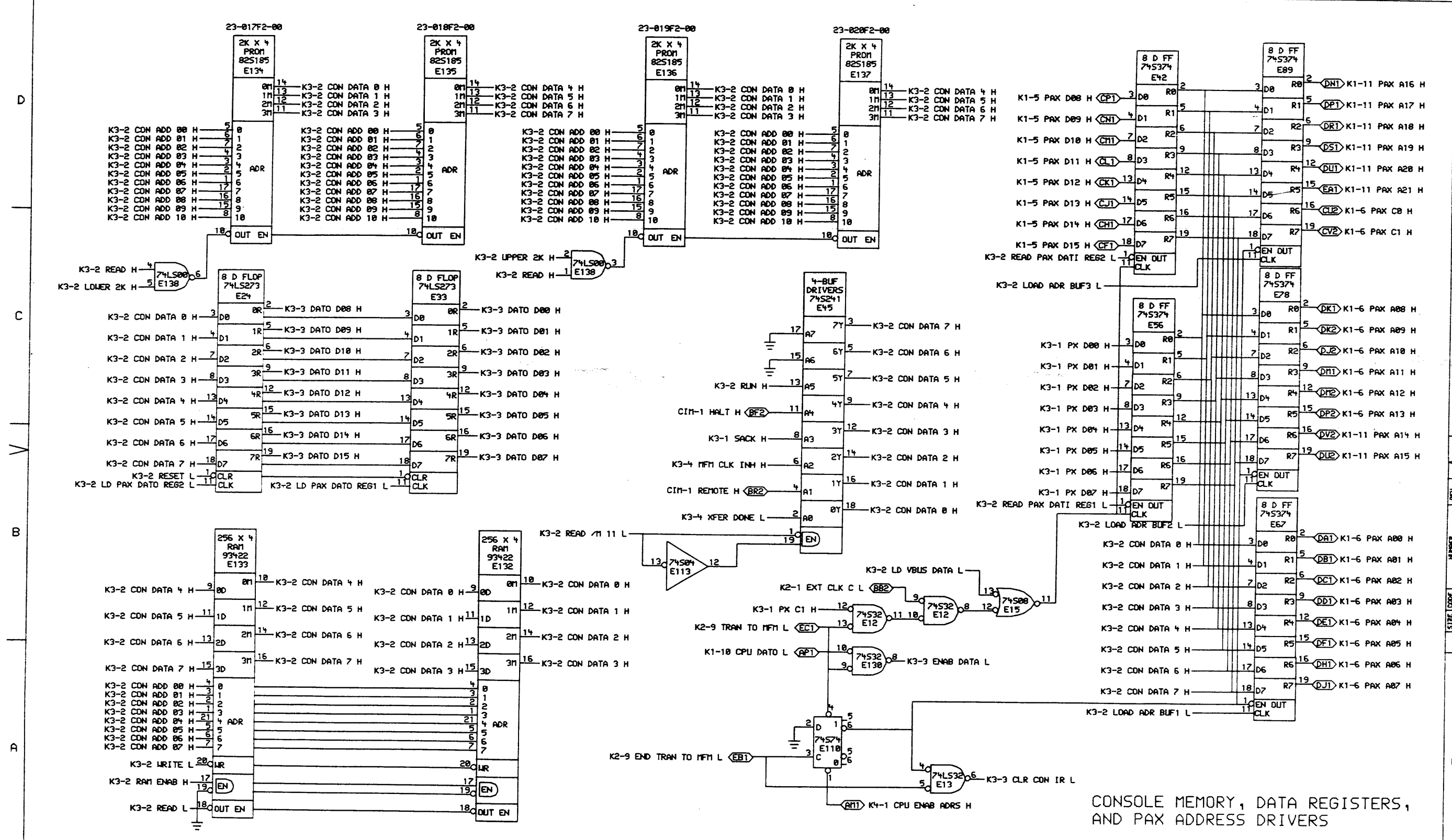


CONSOLE PROCESSOR AND ADDRESS DECODE

THIS DRAWING AND SPECIFICATIONS ARE THE PROPERTY OF DIGITAL EQUIPMENT CORPORATION AND SHALL NOT BE REPRODUCED OR COPIED OR USED IN WHOLE OR IN PART AS THE BASIS FOR THE MANUFACTURE OR SALE OF ITEMS WITHOUT WRITTEN PERMISSION. COPYRIGHT © 1979, DIGITAL EQUIPMENT CORPORATION.

REV.	CHG.	CHANGE NO.	REV.

	DATE: 28-OCT-79	DATE:	TITLE: (K3-2) MULTI-FUNCTION MODULE
	DATE: 17-OCT-79 10:28	DATE:	
FIRST USED ON OPTION MODEL: 11/44	BOARD LOCATION: B-DD-M7096-0	SHEET: 2 OF 10	SIZE CODE: D CS M7096-0-1



CONSOLE MEMORY, DATA REGISTERS, AND PAX ADDRESS DRIVERS

THIS DRAWING AND SPECIFICATIONS ARE THE PROPERTY OF DIGITAL EQUIPMENT CORPORATION AND SHALL NOT BE REPRODUCED OR COPIED OR USED IN WHOLE OR IN PART AS THE BASIS FOR THE MANUFACTURE OF ITEMS WITHOUT WRITTEN PERMISSION. COPYRIGHT © 1979, DIGITAL EQUIPMENT CORPORATION.

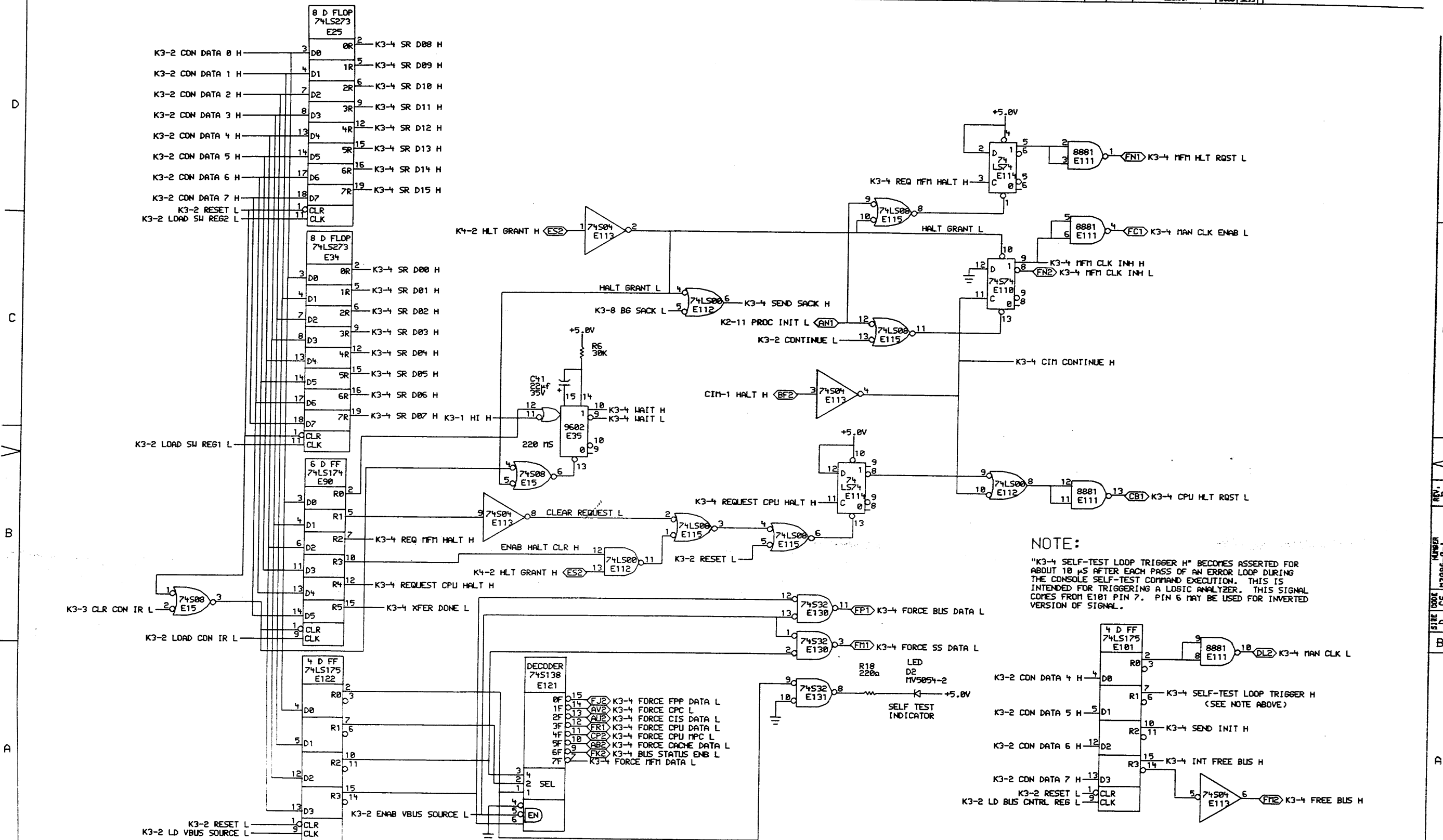
REVISIONS	CHK	CHANGE NO.	REV

**digital** DRN: *22-0000* DATE: 30-OCT-79 ENG:  DATE:  TITLE: (K3-3) MULTI-FUNCTION MODULE

DATE:  BOARD LOCATION:  SHEET:  OF:

SIZE CODE: D CS NUMBER: M7096-0-1 REV: D

FIRST USED ON OPTION MODEL: 11/44 NEXT HIGHER ASSEMBLY: B-DD-M7096-0

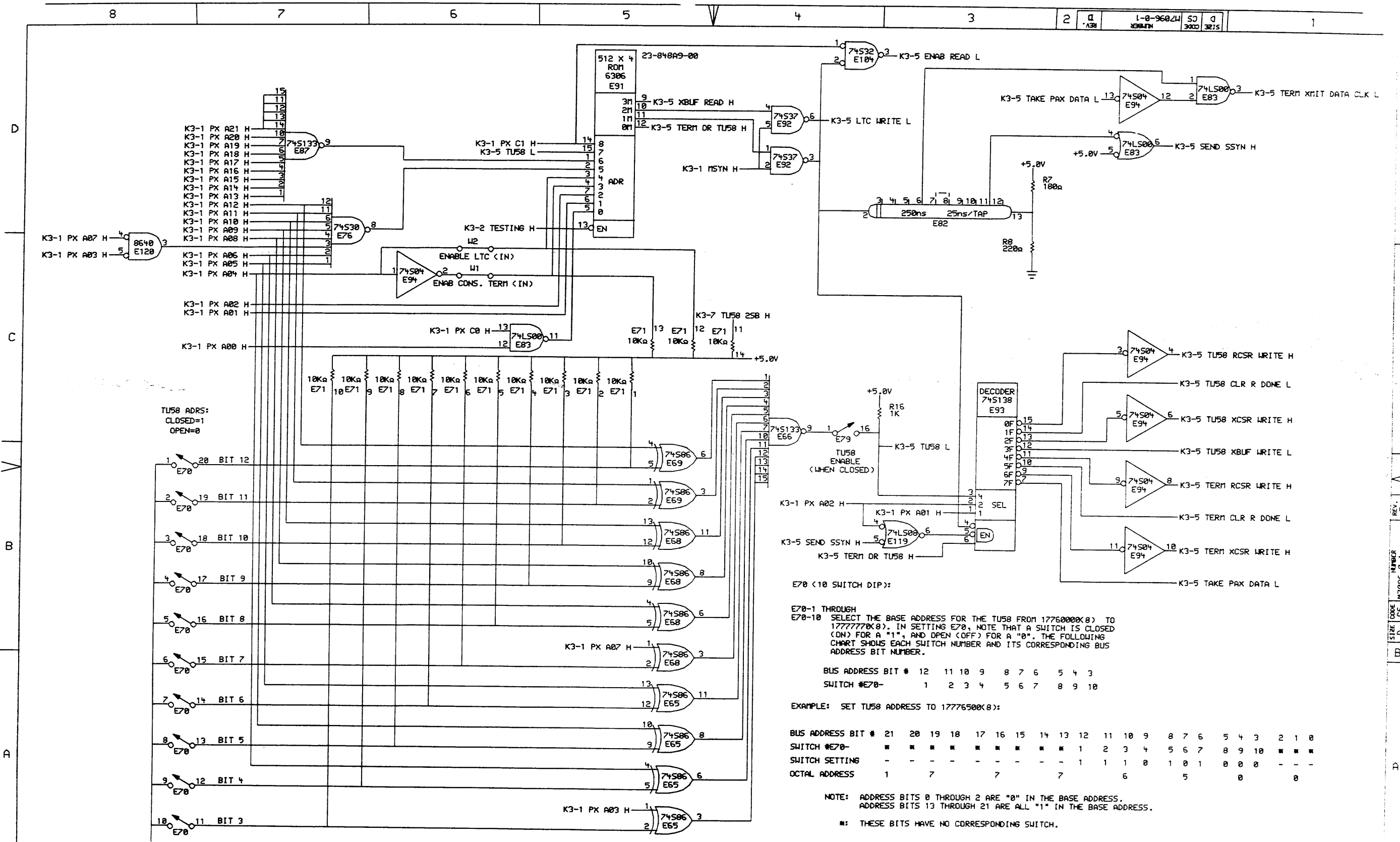


SWITCH REGISTER, CONSOLE CONTROL REGISTERS

THIS DRAWING AND SPECIFICATIONS HEREIN ARE THE PROPERTY OF DIGITAL EQUIPMENT CORPORATION AND SHALL NOT BE REPRODUCED OR COPIED OR USED IN WHOLE OR IN PART AS THE BASIS FOR THE MANUFACTURE OR SALE OF ITEMS WITHOUT WRITTEN PERMISSION. COPYRIGHT © 1974 DIGITAL EQUIPMENT CORPORATION

REVISIONS	
CHK	CHANGE NO. REV

	DATE: 28 OCT-79	ENG.:	DATE:	TITLE: (K3-4) MULTI-FUNCTION MODULE
	DATE: 11/44	BOARD LOCATION: SHEET 4 OF 10	SIZE CODE: D	NUMBER: CS M7096-0-1
FIRST USED ON OPTION MODEL: 11/44		NEXT HIGHER ASSEMBLY: B-DD-M7096-0		REV. D



TU58 ADRS:  
CLOSED=1  
OPEN=0

- 1 BIT 12
- 2 BIT 11
- 3 BIT 10
- 4 BIT 9
- 5 BIT 8
- 6 BIT 7
- 7 BIT 6
- 8 BIT 5
- 9 BIT 4
- 10 BIT 3

E70 (10 SWITCH DIP):

E70-1 THROUGH E70-10 SELECT THE BASE ADDRESS FOR THE TU58 FROM 1776000(8) TO 1777777(8). IN SETTING E70, NOTE THAT A SWITCH IS CLOSED (ON) FOR A "1", AND OPEN (OFF) FOR A "0". THE FOLLOWING CHART SHOWS EACH SWITCH NUMBER AND ITS CORRESPONDING BUS ADDRESS BIT NUMBER.

BUS ADDRESS BIT #	12	11	10	9	8	7	6	5	4	3
SWITCH #E70-	1	2	3	4	5	6	7	8	9	10

EXAMPLE: SET TU58 ADDRESS TO 17776500(8):

BUS ADDRESS BIT #	21	20	19	18	17	16	15	14	13	12	11	10	9	8	7	6	5	4	3	2	1	0
SWITCH #E70-	■	■	■	■	■	■	■	■	■	■	1	2	3	4	5	6	7	8	9	10	■	■
SWITCH SETTING	-	-	-	-	-	-	-	-	-	-	1	1	1	0	1	0	1	0	0	0	-	-
OCTAL ADDRESS	1	7			7				7		6			5				0				

NOTE: ADDRESS BITS 0 THROUGH 2 ARE "0" IN THE BASE ADDRESS. ADDRESS BITS 13 THROUGH 21 ARE ALL "1" IN THE BASE ADDRESS.

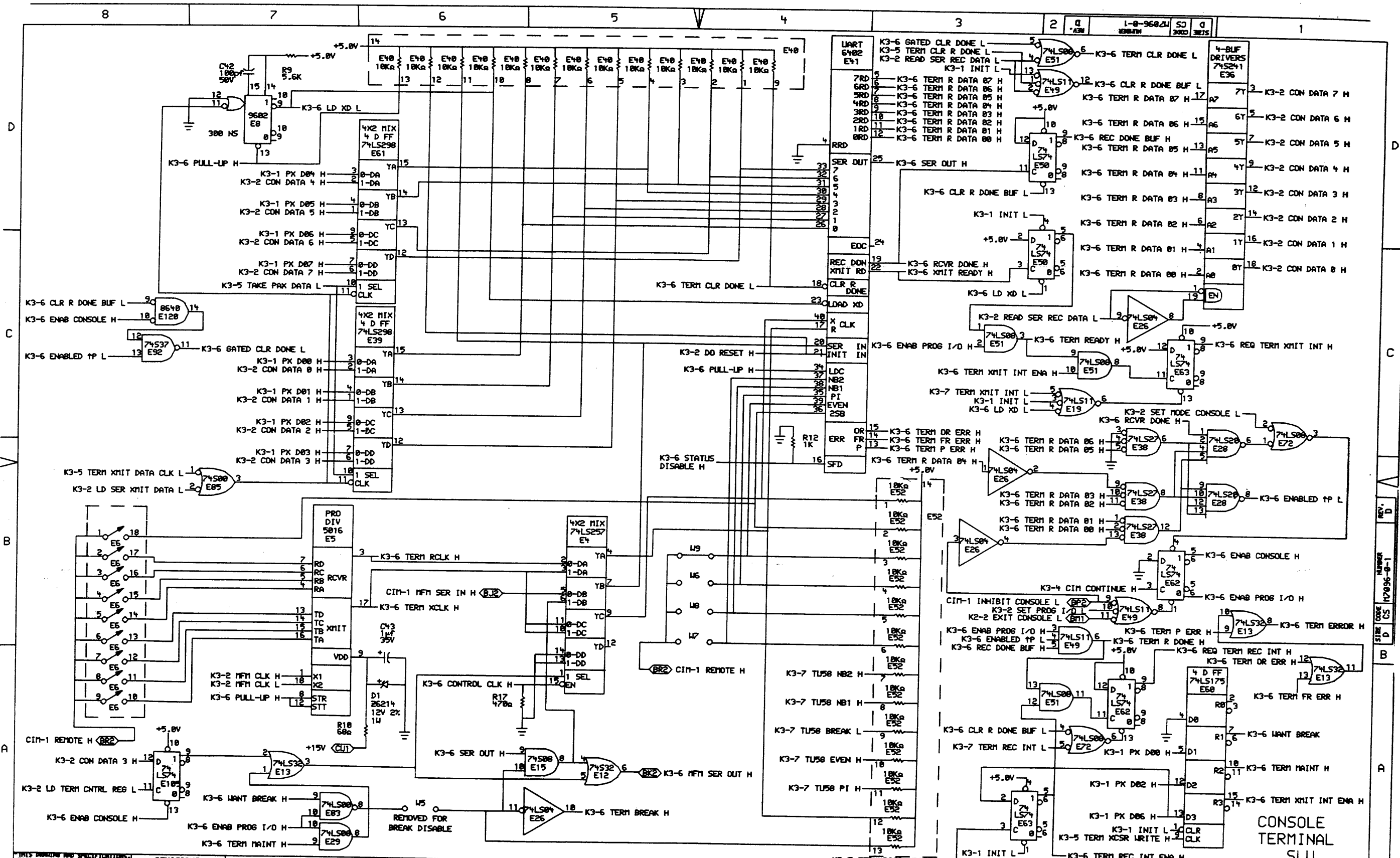
■: THESE BITS HAVE NO CORRESPONDING SWITCH.

PAX ADDRESS DECODE

REVISIONS	CHK	CHANGE NO.	REV

digital	DATE	ENG.	DATE	TITLE:
	30-OCT-79			(K3-5) MULTI-FUNCTION MODULE
	DATE	BOARD LOCATION:	SHEET	DE
	17-OCT-79 10:32		5	10
	FIRST USED ON OPTION/MODEL:	NEXT HIGHER ASSEMBLY:	SIZE	CODE
	11/44	B-DD-17096-0	D	CS
			NUMBER	REV.
			M7096-0-1	0

REV. D  
NUMBER 17096-0-1  
SIZE CODE CS



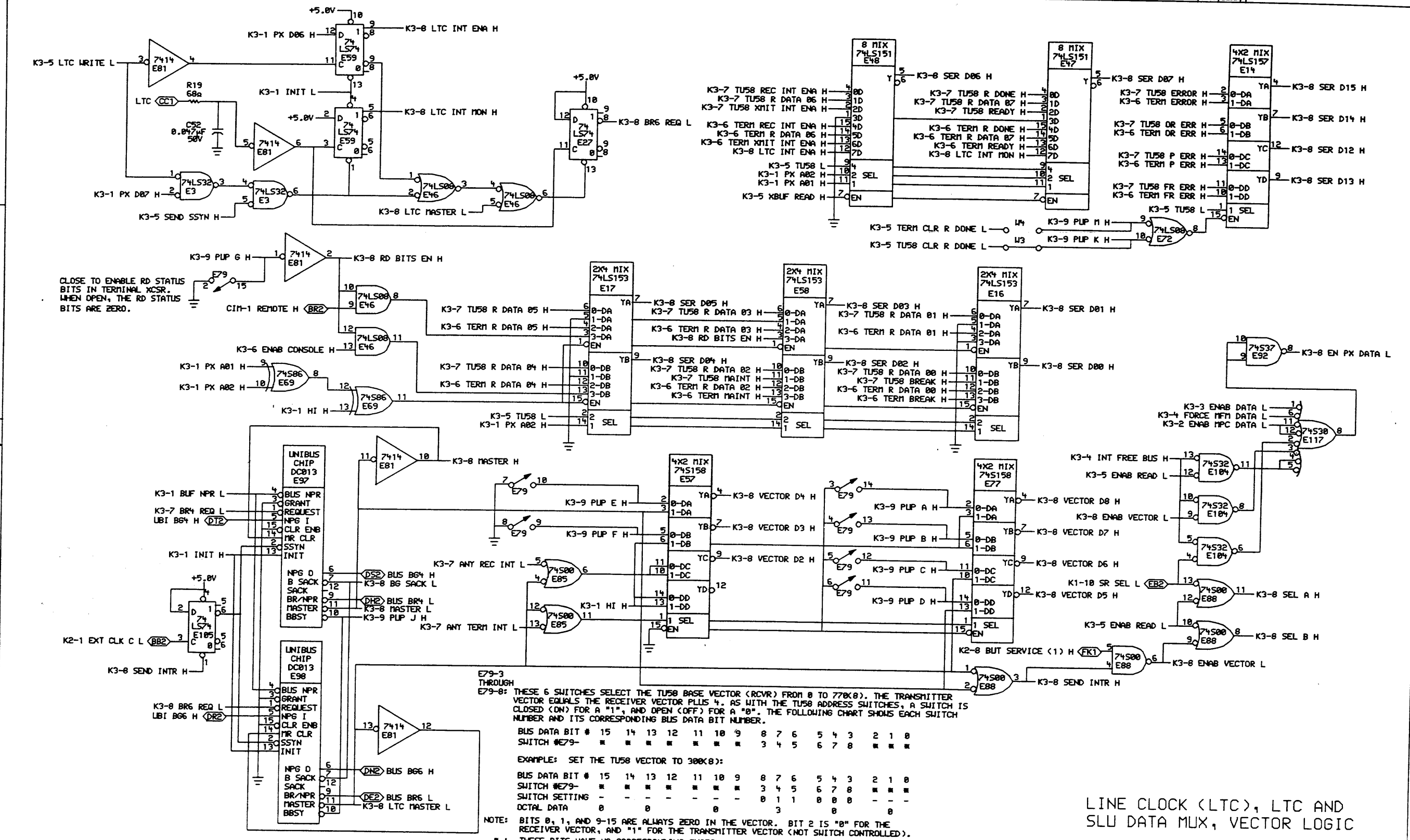
THIS DRAWING AND SPECIFICATIONS ARE THE PROPERTY OF DIGITAL EQUIPMENT CORPORATION AND SHALL NOT BE REPRODUCED OR COPIED IN ANY MANNER WITHOUT THE WRITTEN PERMISSION OF DIGITAL EQUIPMENT CORPORATION.

REV.	CHG.	NO.	REV.

DATE: 17-OCT-79  
 TIME: 10:33  
 NEXT HIGHER ASSEMBLY: B-DD-17096-0  
 TITLE: (K3-6) MULTI-FUNCTION MODULE  
 SHEET: 6 OF 18  
 SIZE: D  
 CODE: CS  
 NUMBER: M7096-0-1  
 REV.: D







CLOSE TO ENABLE RD STATUS BITS IN TERMINAL XCSR. WHEN OPEN, THE RD STATUS BITS ARE ZERO.

LINE CLOCK (LTC), LTC AND SLU DATA MUX, VECTOR LOGIC

THIS DRAWING AND SPECIFICATIONS ARE THE PROPERTY OF DIGITAL EQUIPMENT CORPORATION AND SHALL NOT BE REPRODUCED OR COPIED OR USED IN WHOLE OR IN PART AS THE BASIS FOR THE MANUFACTURE OF SALEABLE ITEMS WITHOUT WRITTEN PERMISSION. COPYRIGHT © 1979, DIGITAL EQUIPMENT CORPORATION.

REVISIONS	CHK	CHANGE NO.	REV

**digital** DRN: J. Jamby DATE: 31-OCT-79  
 DATE: 17-OCT-79 10:35 NEXT HIGHER ASSEMBLY: 11/74  
 BOARD LOCATION: SHEET 8 OF 10  
 TITLE: (K3-8) MULTI-FUNCTION MODULE  
 SIZE CODE: D CS NUMBER: M7096-0-1 REV: D



JUMPER DESCRIPTIONS (W1-W14, IN ORDER):

- W1 IN: CONSOLE TERMINAL ADDRESS DECODE IS ENABLED.  
OUT: CONSOLE TERMINAL ADDRESS DECODE IS DISABLED.
- W2 IN: LINE CLOCK (LTC) ADDRESS DECODE IS ENABLED.  
OUT: LINE CLOCK ADDRESS DECODE IS DISABLED.
- W3 IN: TU58 RECEIVER ERROR BITS ARE ENABLED IN THE TU58 RECEIVER BUFFER REGISTER (RBUF), BITS 12-15.  
OUT: TU58 RECEIVER ERROR BITS ARE DISABLED. RBUF BITS 12-15 ARE ZERO.
- W4 IN: CONSOLE TERMINAL RECEIVER ERROR BITS ARE ENABLED IN THE CONSOLE TERMINAL RECEIVER BUFFER REGISTER (RBUF), BITS 12-15.  
OUT: CONSOLE TERMINAL RECEIVER ERROR BITS ARE DISABLED. RBUF BITS 12-15 ARE ZERO.
- W5 IN: CONSOLE TERMINAL TRANSMITTER STATUS REGISTER (XCSR) BREAK BIT (BIT 0) IS ENABLED TO BE SET OR CLEARED.  
OUT: CONSOLE TERMINAL XCSR BREAK BIT IS DISABLED AND WILL REMAIN CLEARED.
- W6 IN: CONSOLE TERMINAL RECEIVER PARITY DETECTION IS ENABLED, AND PARITY WILL BE GENERATED. IF W4 IS IN, THE PARITY ERROR BIT (BIT 12 IN RBUF) WILL BE SET ON A PARITY ERROR.  
OUT: CONSOLE TERMINAL RECEIVER PARITY DETECTION AND GENERATION IS DISABLED. THE PARITY ERROR BIT WILL REMAIN CLEARED.
- W7 AND W8: THESE JUMPERS PROGRAM THE CHARACTER LENGTH FOR THE CONSOLE TERMINAL UART (E4) AS FOLLOWS:  

	5 BITS	6 BITS	7 BITS	8 BITS
W7	IN	IN	OUT	OUT
W8	IN	OUT	IN	OUT
- W9 IN: CONSOLE TERMINAL PARITY ODD/EVEN SELECT. IF W6 IS IN, ODD PARITY WILL BE GENERATED AND CHECKED.  
OUT: CONSOLE TERMINAL PARITY ODD/EVEN SELECT. IF W6 IS IN, EVEN PARITY WILL BE GENERATED AND CHECKED.
- W10 IN: TU58 TRANSMITTER STATUS REGISTER (XCSR) BREAK BIT (BIT 0) IS ENABLED TO BE SET OR CLEARED.  
OUT: TU58 XCSR BREAK BIT IS DISABLED AND WILL REMAIN CLEARED.
- W11 IN: TU58 RECEIVER PARITY DETECTION IS ENABLED, AND PARITY WILL BE GENERATED. IF W3 IS IN, THE PARITY ERROR BIT (BIT 12 IN RBUF) WILL BE SET ON A PARITY ERROR.  
OUT: TU58 RECEIVER PARITY DETECTION AND GENERATION IS DISABLED. THE PARITY ERROR BIT WILL REMAIN CLEARED.
- W12 AND W13: THESE JUMPERS PROGRAM THE CHARACTER LENGTH FOR THE TU58 UART (E11) AS FOLLOWS:  

	5 BITS	6 BITS	7 BITS	8 BITS
W12	IN	IN	OUT	OUT
W13	IN	OUT	IN	OUT
- W14 IN: TU58 PARITY ODD/EVEN SELECT. IF W11 IS IN, ODD PARITY WILL BE GENERATED AND CHECKED.  
OUT: TU58 PARITY ODD/EVEN SELECT. IF W11 IS IN, EVEN PARITY WILL BE GENERATED AND CHECKED.

SWITCH DESCRIPTIONS (E6,7, AND 79): CLOSED = ON; OPEN = OFF

- E6 (9 SWITCH DIP):
- E6-1: STOP BIT SELECT FOR CONSOLE TERMINAL. ON FOR 1 STOP BIT. OFF FOR 2 STOP BITS (OR 1.5 STOP BITS FOR 5 BIT CHARACTER LENGTH).
  - E6-2,3,4,5: CONSOLE TERMINAL RECEIVER BAUD RATE SELECT (SEE CHART BELOW). SYSTEM REMOTE MODE: 19.2 K BAUD.
  - E6-6,7,8,9: CONSOLE TERMINAL TRANSMITTER BAUD RATE SELECT. (SEE CHART BELOW). SYSTEM REMOTE MODE: 19.2 K BAUD.
- |                    |       |             |     |     |     |
|--------------------|-------|-------------|-----|-----|-----|
| RECEIVER SW.       | E6- 2 | 3           | 4   | 5   |     |
| TRANSMITTER SW.    | E6- 6 | 7           | 8   | 9   |     |
| BAUD RATE:         | 50    | DN          | DN  | DN  | DN  |
|                    | 75    | DN          | DN  | DN  | OFF |
|                    | 110   | DN          | DN  | OFF | DN  |
|                    | 134.5 | DN          | DN  | OFF | OFF |
|                    | 150   | DN          | OFF | DN  | DN  |
|                    | 200   | DN          | OFF | DN  | OFF |
|                    | 300   | DN          | OFF | OFF | DN  |
|                    | 600   | DN          | OFF | OFF | OFF |
|                    | 1200  | OFF         | DN  | DN  | DN  |
|                    | 1800  | OFF         | DN  | DN  | OFF |
|                    | 2000  | OFF         | DN  | OFF | DN  |
|                    | 2400  | OFF         | DN  | OFF | OFF |
|                    | 3600  | OFF         | OFF | DN  | DN  |
|                    | 4800  | OFF         | OFF | DN  | OFF |
|                    | 9600  | OFF         | OFF | OFF | DN  |
|                    | 19200 | OFF         | OFF | OFF | OFF |
| SYSTEM REMOTE MODE | 19200 | ANY SETTING |     |     |     |

- E79 (8 SWITCH DIP):
- E79-1: WHEN ON, TU58 ADDRESS DECODE IS ENABLED. WHEN OFF, TU58 ADDRESS DECODE IS DISABLED.
  - E79-2: WHEN ON, THE REMOTE DIAGNOSIS STATUS BITS ARE ENABLED IN BITS 3 THROUGH 5 OF THE CONSOLE TERMINAL TRANSMITTER STATUS REGISTER (XCSR). BIT 3 = "1" (E79-2 IS ON); BIT 4 = "1" WHEN IN CONSOLE MODE; BIT 5 = "1" WHEN SYSTEM IS IN REMOTE MODE. WHEN OFF, THE REMOTE DIAGNOSIS STATUS BITS ARE DISABLED, AND BITS 3 THROUGH 5 OF THE CONSOLE TERMINAL XCSR ARE ZERO.
- NOTE: E79-3 THROUGH E79-8 (TU58 VECTOR SELECT) ARE DESCRIBED ON PAGE K3-8.  
E70-1 THROUGH E70-10 (TU58 ADDRESS SELECT) ARE DESCRIBED ON PAGE K3-5.

- E7 (7 SWITCH DIP):
- E7-1,2,3: TU58 TRANSMITTER BAUD RATE SOURCE SELECT. (SEE CHART BELOW.)
  - E7-4,5,6: TU58 RECEIVER BAUD RATE SOURCE SELECT. (SEE CHART BELOW.)
  - E7-7: STOP BIT SELECT FOR TU58. ON FOR 1 STOP BIT. OFF FOR 2 STOP BITS (OR 1.5 STOP BITS FOR 5 BIT CHARACTER LENGTH).
- |                                       |       |     |     |     |
|---------------------------------------|-------|-----|-----|-----|
| TRANSMITTER SWITCH                    | E7- 1 | 2   | 3   |     |
| RECEIVER SWITCH                       | E7- 4 | 5   | 6   |     |
| BAUD RATE 30,400                      |       | DN  | OFF | OFF |
| BAUD RATE 9,600                       |       | OFF | DN  | OFF |
| CONSOLE TERMINAL RECEIVER BAUD RATE * |       | OFF | OFF | DN  |
- NOTE: NO COMBINATION OF SWITCHES E7-1 THROUGH E7-6 SHOULD BE MADE OTHER THAN AS SHOWN IN ABOVE CHART. THE BAUD RATE SOURCE FOR THE TRANSMITTER DOES NOT HAVE TO BE THE SAME AS THE BAUD RATE SOURCE FOR THE RECEIVER.
- \* : WHEN SYSTEM IS IN REMOTE MODE, THE BAUD RATE OF THE CONSOLE TERMINAL SLU IS UNCONDITIONALLY SWITCHED TO 19.2 K BAUD.

REVISIONS	
CHK	CHANGE NO. REV

**digital** DATE ENG. 15-FEB-80 DATE 19-DEC-79 14:25  
 1160.257 JHEM100.DRW 119-DEC-79 14:25 NEXT HIGHER ASSEMBLY: B-DD-M7096-0  
 FIRST USED ON OPTION/MODEL: 11/44 BOARD LOCATION: SHEET 18 OF 18  
 TITLE: (K3-10) MULTI-FUNCTION MODULE  
 SIZE CODE NUMBER REV. D CS M7096-0-1 D

LINE	IIFM	DOCUMENT NUMBER	PART NUMBER	DESCRIPTION	QTY PER VARIATION	REFERENCE DESIGNATOR
1	1		5013556-00	ETCHED CIRCUIT BOARD	1	
2	2		1001776-00	1 MFD 35V 10% S.TANT	1	C43
3	3		1002433-00	22 MFD 35V 20% S.TANT	1	C41
4	4		1005306-00	6.8MFD 35V 10% S.TANT	6	C1-C6
5	5		1005335-00	39 MFD 20V 10% S.TANT	1	C39
6	6		1011895-00	.15 MFD 35V 10% S.TANT	1	C40
7	7		1012784-00	.047 MFD 50V +80-20% CER	37	C7-C36,C45-C50,C52
8	8		1013466-00	100.0 MFD 50V 5% CER	2	C42,C44
9	9		1013466-11	.22 MFD 50V +80-20% Z5U CER	1	C37
10	10		1109502-01	Z 6214 VZ= 12.0 2% 1W	1	D1
11	11		1110864-00	LED 2MCD@10MA	1	D2
12	12		1210711-02	HANDLE,MODULE,HEX	1	
13	13		1211164-03	SW,DIP 1P 1A 7POS	1	E7
14	14		1211164-04	SW,DIP 1P 1A 8POS	1	E79
15	15		1211164-05	SW,DIP 1P 1A 9POS	1	E6
16	16		1211164-06	SW,DIP 1P 1A 10POS	1	E70
17	17		1215006-03	SOCKET 18PIN IC LOW PROFILE	4	XE134,XE135,XE136,XE137
18	18		1215006-08	SOCKET 40PIN IC LOW PROFILE	3	XE11,XE41,XE139
19	19		1300005-03	R NETWORK 13-10K 5.0% 14PIN	5	E10,E40,E52,E71,E80
20	20		1300219-00	69.0 .25 W 5.0% CC	2	R10,R19
21	21		1300271-00	220.0 .25 W 5.0% CC	2	R8,R18
22	22		1300316-00	470.0 .25 W 5.0% CC	1	R17
23	23		1300365-00	1.0 K .25 W 5.0% CC	5	R2,R12,R13,R14,R16
24	24		1300479-00	10.0 K .25 W 5.0% CC	1	R5
25	25		1301322-00	180.0 .25 W 5.0% CC	1	R7
26	26		1301874-00	5.60 K .25 W 5.0% CC	3	R9,R11,R15
27	27		1302391-00	20.0 K .25 W 5.0% CC	1	R3
28	28		1302394-00	30.0 K .25 W 5.0% CC	2	R1,R6
29	29		1312628-01	R NETWORK 14-176.5 11-375 16PIN	1	E109
30	30		1611243-00	DELAY=25-250NS,10TAPS RCL#L-183	1	E82

REVISION HISTORY		BASIC PART NO: M7096		DRN:	K.FRIEDGEN	DATE:	22-MAR-79	DIGITAL			
ENG	ECO NUMBER	REV	SECTION A OF A	CHK'D:	E.T.GERRY	DATE:	22-MAR-79	TITLE PARTS LIST			
	INITIAL	A	SECTION VARIATION INDEX					KD11-Z MULTI-FUNCTION			
BG	TW001	B	[A] 00								
BG	TW003	C	[B]								
BG	TW004	D	[C]	DES.ENG:	R.GIST	DATE:	22-MAR-79				
			[D]								
			[E]								
			[F]	RESP.ENG.:	R.GIST	DATE:	22-MAR-79	DOCUMENT NUMBER			
			[H]					SIZE	CODE	NUMBER	REV
			[J]	MFG.ENG.:	J.COMELLA	DATE:	10-MAY-79	K	PL	M7096-0-DBP	D
			[K]								
			[L]	ASSEMBLY NUMBER:		TOP DOCUMENT NUMBER:		FILE NAME:		EDIT #	
			[M]	ID-UA-M7096-0-0				Z0622D,PLS		12	
			[N]								

"THIS DRAWING AND SPECIFICATIONS HEREIN, ARE THE PROPERTY OF DIGITAL EQUIPMENT CORPORATION AND SHALL NOT BE REPRODUCED OR COPIED OR USED IN WHOLE OR IN PART AS THE BASIS FOR THE MANUFACTURE OR SALE OF ITEMS WITHOUT WRITTEN PERMISSION. COPYRIGHT (C) 1980, DIGITAL EQUIPMENT CORPORATION"

TU

LINE	ITEM	DOCUMENT NUMBER	PART NUMBER	DESCRIPTION	QTY PER VARIATION 00	REFERENCE DESIGNATOR
31	31		1811660-23	OSCILLATOR, XTAL 5.5296 MHZ	1	E141
32	32		1909705-00	DEC 8881 NAND GATE-QUAD 2IN 0	1	E111
33	33		1910532-00	74S00 NAND GATE-QUAD 2IN	2	E85,E88
34	34		1910534-00	74S04 INVERTER GATE-HEX 1I	3	E94,E113,E116
35	35		1910537-00	74S11 AND GATE-TRIPLE 3INP	1	E74
36	36		1910544-00	74S74 FF-D DUAL,EDGE TRIGG	1	E110
37	37		1910545-00	74S112 FF-JK DUAL,EDGE TRIG	1	E118
38	38		1910549-00	74S158 MUX 1 OF 2 (QUAD)	2	E57,E77
39	39		1910550-00	74S174 FF-D HEX	1	E96
40	40		1910951-00	9602 ONE SHOT-DUAL	3	E8,E35,E37
41	41		1911324-00	7414 INVERTER,HEX 1IN SCH	1	E81
42	42		1911469-00	DEC 8640 RECEIVER,BUS,QUAD,U	3	E107,E120,E140
43	43		1911579-00	8641 TRANSCEIVER,BUS,QUA	1	E99
44	44		1911675-00	74S138 DECODER/DEMUX 3-8 LIN	4	E93,E100,E103,E121
45	45		1911983-00	74S133 NAND GATE-POSITIVE 1	2	E66,E87
46	46		1912096-00	DEC 74S86 XOR GATE,QUAD 2IN	3	E65,E68,E69
47	47		1912389-00	74S08 AND GATE-QUAD 2IN,PO	1	E15
48	48		1912647-00	LS257 MUX 1 OF 2 (QUAD)	2	E4,E10
49	49		1912660-00	74S253 MUX 1 OF 4 (DUAL)	8	E22,E23,E31,E32,E43,E44,E54,E55
50	50		1912697-00	LS174 FF-D HEX W/CLEAR	1	E90
51	51		1912746-00	DEC 74S37 NAND GATE-QUAD 2IN	1	E92
52	52		1912799-00	LS00 NAND-GATE-QUAD 2IN,P	3	E83,E112,E138
53	53		1912803-00	LS04 INVERTER GATE-HEX 1I	1	E26
54	54		1912805-00	LS08 AND GATE-QUAD 2IN,PO	7	E29,E30,E46,E51,E72,E115,E119
55	55		1912808-00	LS11 AND GATE-TRIPLE 3IN	2	E49,E19
56	56		1912810-00	LS20 NAND GATE-DUAL 4IN	1	E28
57	57		1912813-00	LS27 NOR GATE-TRIPLE 3IN	1	E38
58	58		1912816-00	LS32 OR GATE-QUAD 2IN,POS	4	E3,E13,E84,E106
59	59		1912824-00	LS74 FF-D DUAL,EDGE TRIGG	8	E20,E27,E50,E59,E62,E63,E105, CONT E114
60	60		1912834-00	LS112 FF-JK DUAL,EDGE TRIG	1	E108
61	61		1912842-00	LS138 DECODER-THREE INPUT,	1	E102
62	62		1912844-00	LS151 MUX 1 OF 8 & DATA	2	E47,E48
63	63		1912845-00	LS153 MUX 1 OF 4 (DUAL)	3	E16,E17,E58
64	64		1912847-00	LS157 MUX 1 OF 2 (QUAD)	1	E14
65	65		1912851-00	LS169 COUNTER,SYNCH. UP/DO	1	E129
66	66		1912853-00	LS175 FF-D QUAD	4	E21,E50,E101,E122
67	67		1912863-00	LS273 FF-D OCTAL W/CLEAR	5	E9,E24,E25,E33,E34
68	68		1912867-00	LS298 MUX 1 OF 4,2IN W/S	2	E39,E61
69	69		1913340-00	74S32 OR GATE-QUAD 2IN	5	E12,E73,E104,E130,E131
70	70		1913493-00	74S241 OCTAL BUFFER,TRI-STA	10	E36,E45,E53,E64,E75,E86,E124, CONT E125,E127,E128
71	71		1913670-00	74S373 LATCH 8BIT TRASP TR	1	E123
72	72		1913671-00	74S374 FF-D OCTAL TRISTATE	5	E42,E56,E67,E78,E89
73	73		1914086-00	74S30 NAND GATE-POS 8IN	2	E76,E117
74	74		1914438-00	DC 013 UNIBUS INTERRUPT-BIP	2	E97,E98
75	75		1915697-00	RAM 256X4 TRI-STATE	2	E132,E133
76	76		2112623-02	DUAL BAUD RATE GEN/PROG DIVIDER	1	E5

D	I	G	I	T	A	L	TITLE	SECTION A OF A	SIZE	CODE	DOCUMENT NUMBER	REV
							KD11-Z MULTI-FUNCTION		K	PL	M7096-0-DBP	D

TW

AUTOMATED BY PRTLST.3J(25)

PARTS LIST

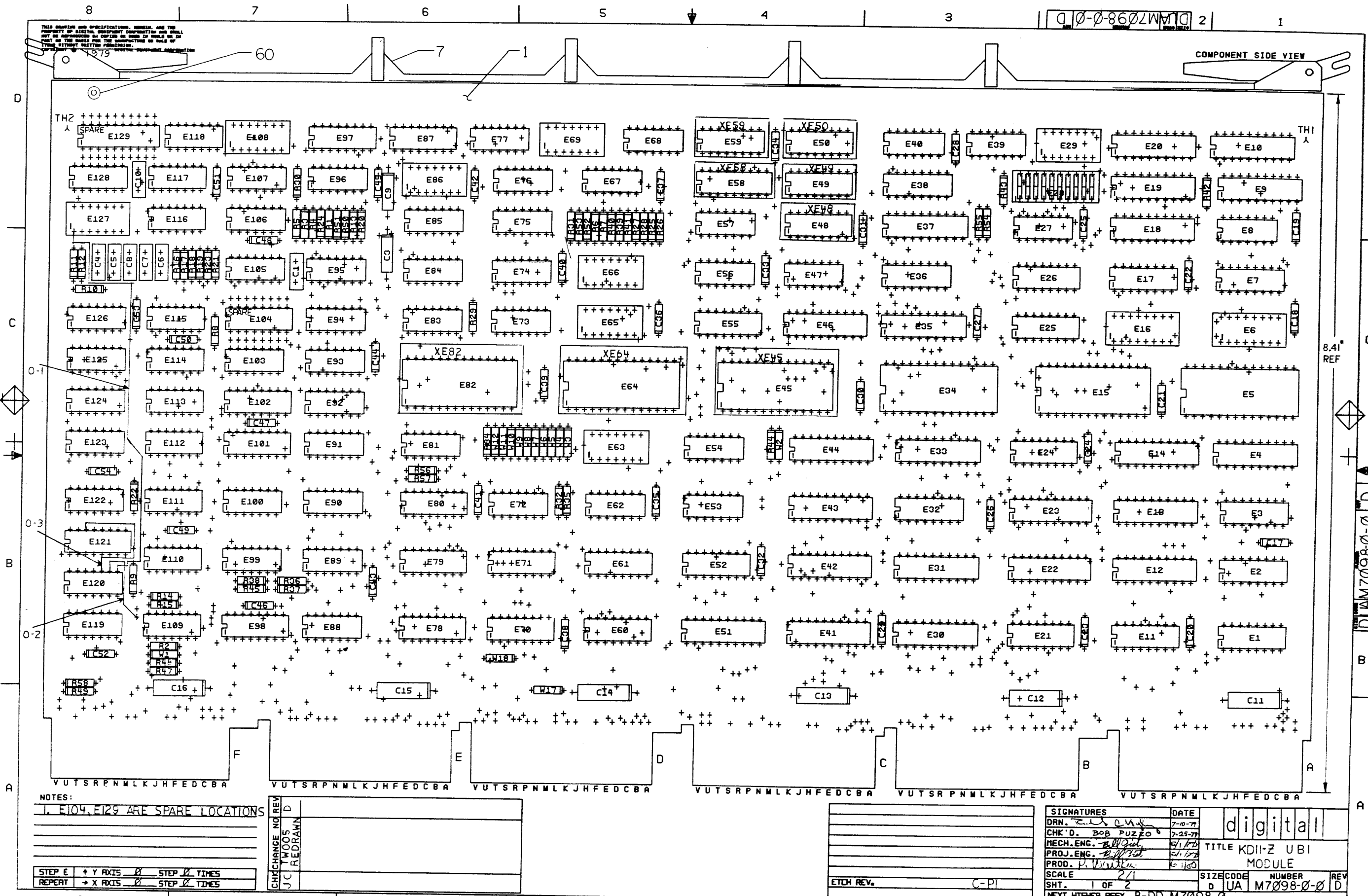
SHEET A3 OF A3

LINE	ITEM	DOCUMENT NUMBER	PART NUMBER	DESCRIPTION	QTY PER VARIATION 00	REFERENCE DESIGNATOR
77	77		2113937-00	UART 125K BUAD	2	E11,E41
78	78		2114963-00	UP,8-BIT NMOS	1	E139
79	79		23017F2-00	F2-01	1	E134
80	80		23018F2-00	F2-01	1	E135
81	81		23019F2-00	F2-01	1	E136
82	82		23261A1-00	A1-07	1	E95
83	83		23847A9-00	A9-01	1	E126
84	84		23848A9-00	A9-01	1	E91
85	85		9000024-01	EYELET, ROLLED FLANGE, .121 OD X	12	
86	86		9009157-00	ADH,LIQ.RM.TEMP CURING COLORLESS	A/R	
87	87		9009185-00	JUMPER, WIRE, INSULATED, BLACK B	5	W1-W3,W9,W10
88	88		9105740-55	WIRE(WRAP)30AWG UL1423	1	
89	89		1914451-00	74LS393 COUNTER,BINARY,4BIT	1	E2
90	90		23020F2-00	F2-01	1	E137
91	91		1004813-00	10 MFD 20V 10% S.TANT	1	C51
92	92		1105275-00	D 672 TR= 15NS PIV= 60V SI	1	D3
93	93		1302466-00	100.0 K .25 W 5.0 % CC	1	R4

D	I	G	I	T	A	L	TITLE	SECTION A OF A	SIZE	CODE	DOCUMENT NUMBER	REV
							KD11-Z MULTI-FUNCTION		K	PL	M7096-0-DBP	D

TW

COMPONENT SIDE VIEW



NOTES:  
1. E104, E129 ARE SPARE LOCATIONS

STEP E	+ Y AXIS	0	STEP 0	TIMES
REPEAT	+ X AXIS	0	STEP 0	TIMES

CHANGE NO	REV	D
W	WOODS	
J	REDRAWN	

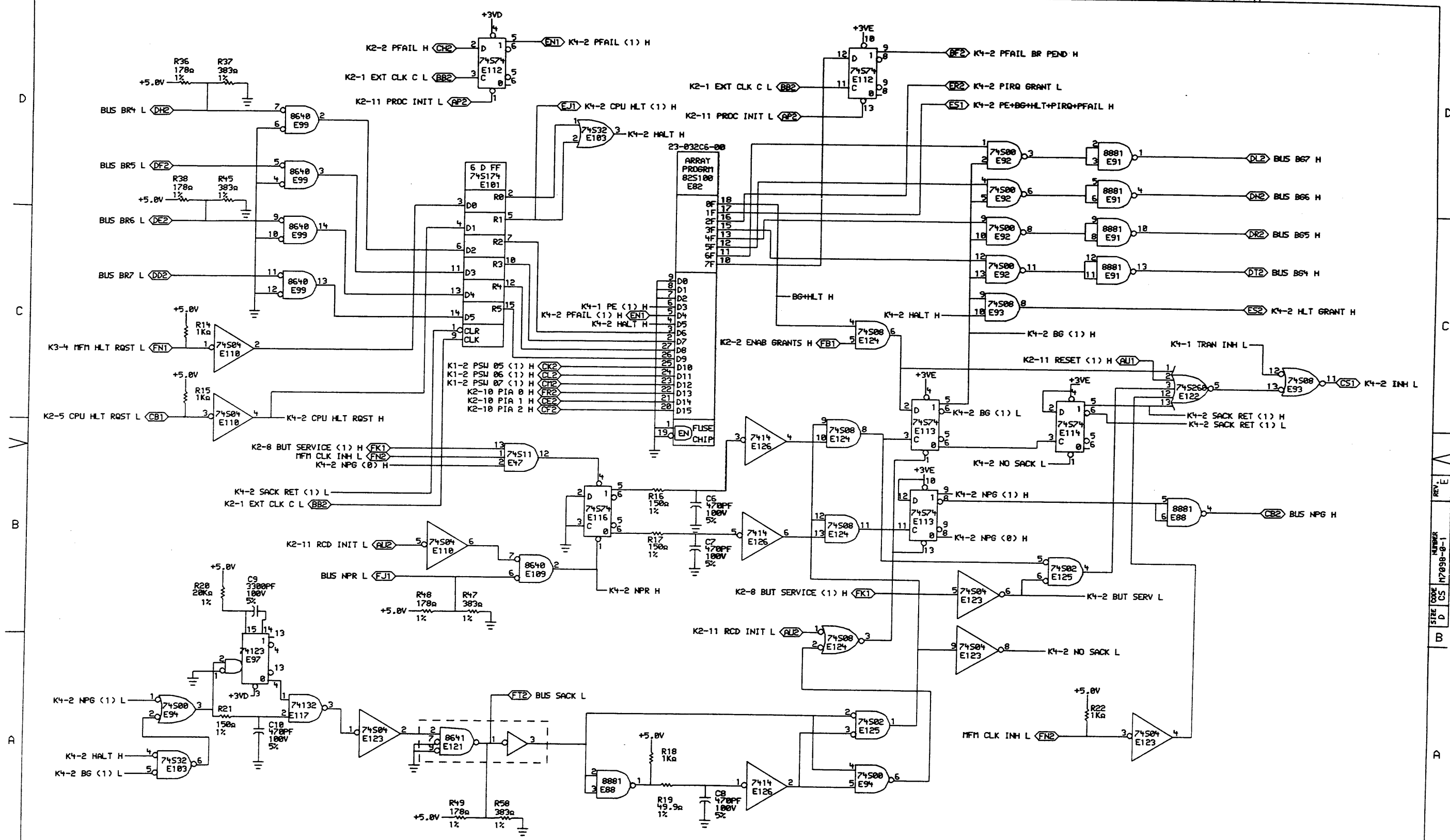
ETCH REV.	C-PI
-----------	------

SIGNATURES	DATE
DRN. <i>[Signature]</i>	7-10-77
CHK'D. BOB PUZZO	7-25-77
MECH. ENG. <i>[Signature]</i>	7/1/77
PROJ. ENG. <i>[Signature]</i>	5/1/77
PROD. P. <i>[Signature]</i>	6/1/80
SCALE	2/1
SHT.	1 OF 2
NEXT HIGHER ASSY.	B-DD-M7098-0

digital	
TITLE KDII-Z UBI MODULE	
SIZE CODE	NUMBER
UA	M7098-0-0
REV	D





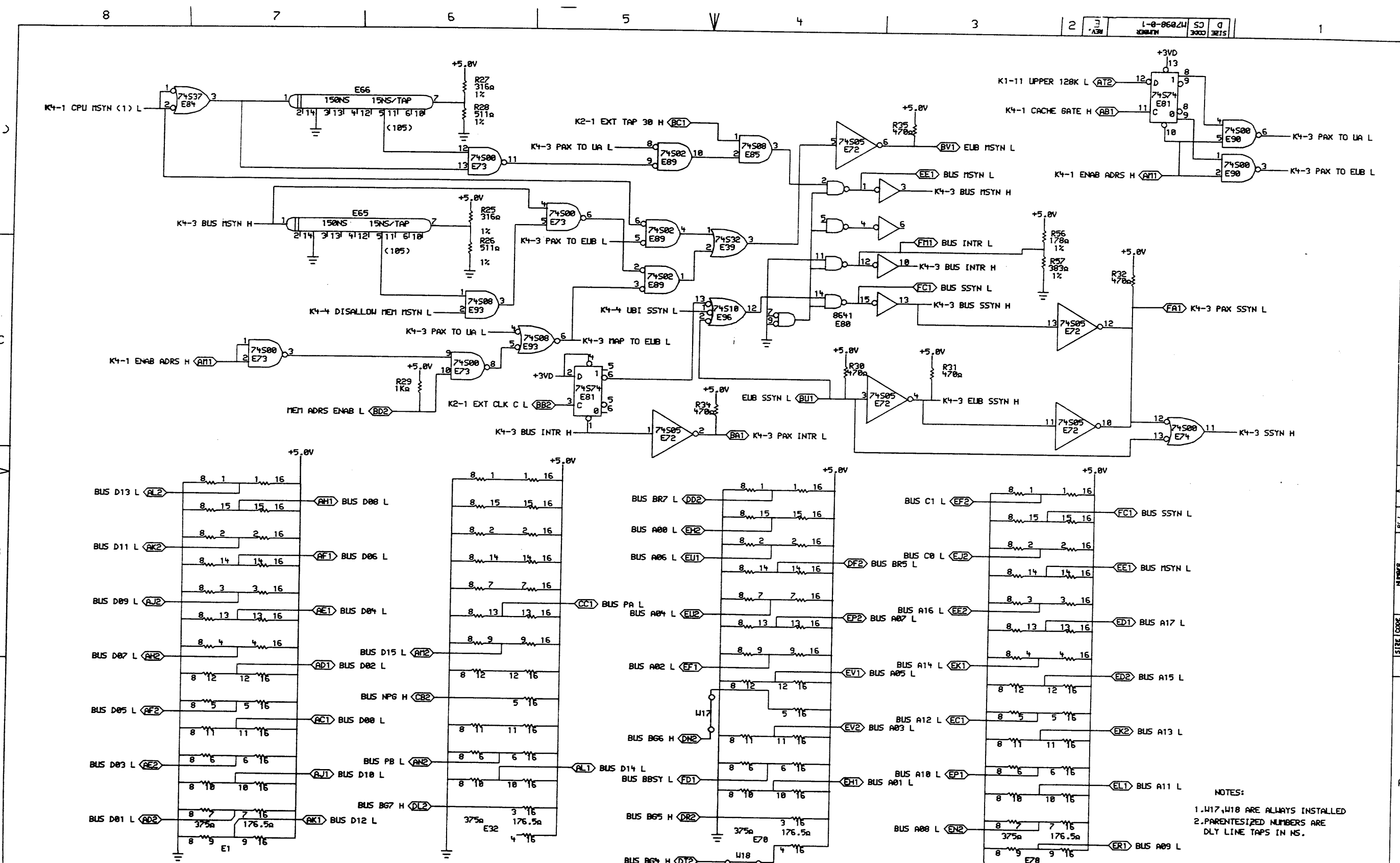


THIS DRAWING AND SPECIFICATIONS ARE THE PROPERTY OF DIGITAL EQUIPMENT CORPORATION AND SHALL NOT BE REPRODUCED OR COPIED OR USED IN WHOLE OR IN PART AS THE BASIS FOR THE MANUFACTURE OR SALE OF ITEMS WITHOUT WRITTEN PERMISSION. COPYRIGHT © 1979, DIGITAL EQUIPMENT CORPORATION.

REV.	CHG.	NO.	REV.

	DATE: 19-OCT-79	ENG.:	DATE:	TITLE: (K4-2) UBI MODULE (BUS ARBITR.)
	DATE: 16-OCT-79 15:05	BOARD LOCATION: 2 OF 11	SHEET: 2 OF 11	SIZE: D CS
FIRST USED ON OPTION MODEL: 11/44	NEXT HIGHER ASSEMBLY: B-DD-M7098-0	NUMBER: M7098-0-1	REV.:	E

REV. E  
NUMBER M7098-0-1  
SIZE D CS  
D B



THIS DRAWING AND SPECIFICATIONS ARE THE PROPERTY OF DIGITAL EQUIPMENT CORPORATION AND SHALL NOT BE REPRODUCED OR COPIED OR USED IN WHOLE OR IN PART AS THE BASIS FOR THE MANUFACTURE OR SALE OF ITEMS WITHOUT WRITTEN PERMISSION. COPYRIGHT © 1979, DIGITAL EQUIPMENT CORPORATION.

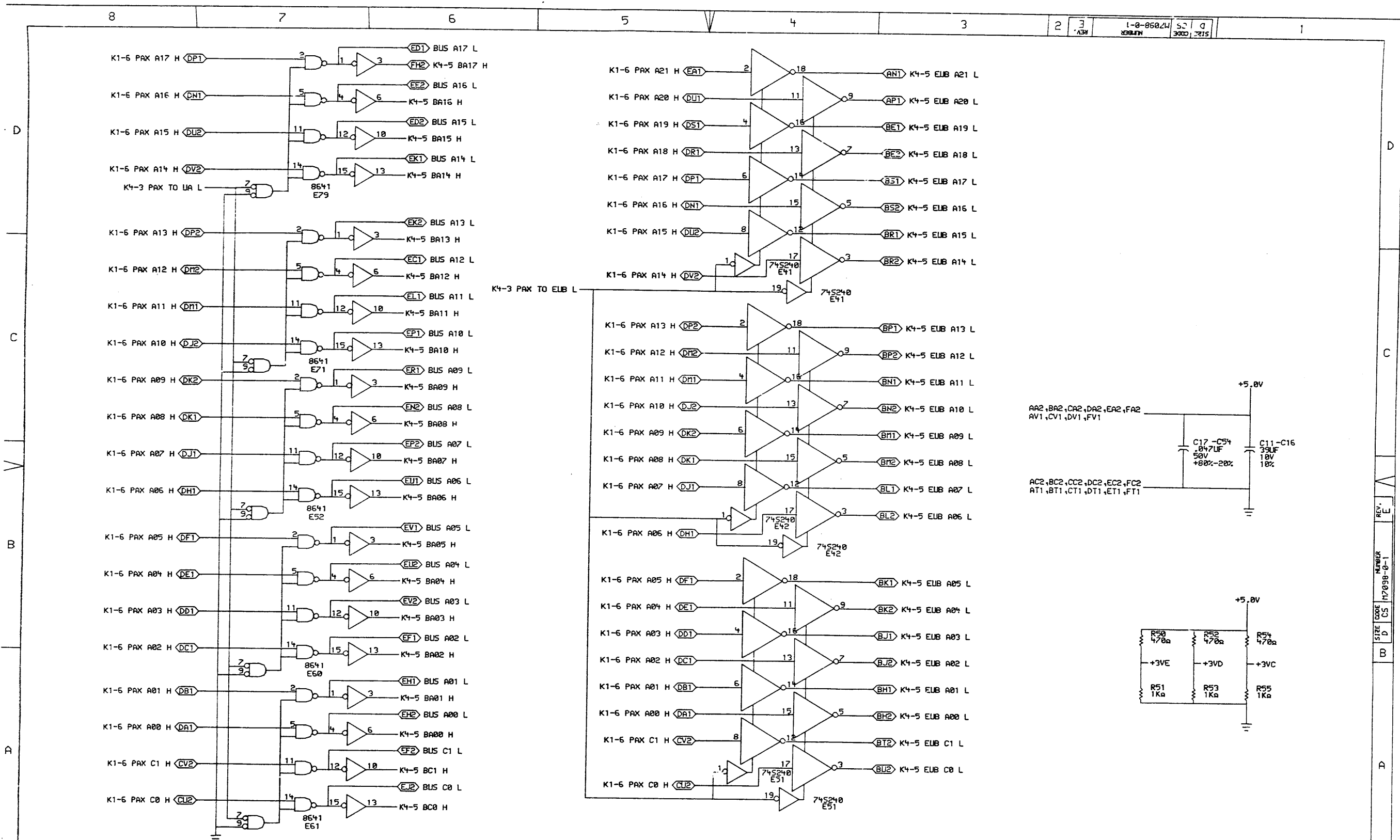
REVISIONS	
CHK	CHANGE NO. / REV

digital	DATE	15-OCT-79	ENG		DATE		
FIRST USED ON OPTION/MODEL: 11/44		NEXT HIGHER ASSEMBLY: B-DD-M7098-0		TITLE: (K4-3) UBI MODULE (MSYN STEER)		SIZE CODE	NUMBER
						D CS	M7098-0-1
						REV.	E

NOTES:  
 1. U17, U18 ARE ALWAYS INSTALLED  
 2. PARENTESIZED NUMBERS ARE DLY LINE TAPS IN NS.

REV. L  
 NUMBER  
 17098-0-1  
 CS  
 D  
 B  
 A

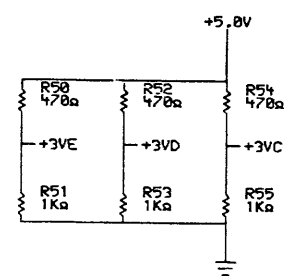
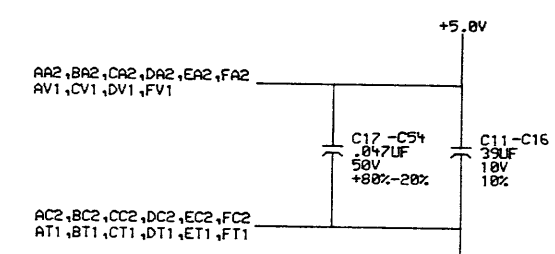




THIS DRAWING AND SPECIFICATIONS HEREIN ARE THE PROPERTY OF DIGITAL EQUIPMENT CORPORATION AND SHALL BE KEPT IN CONFIDENTIALITY. THE RIGHTS FOR THE REPRODUCTION OF THIS DRAWING WITHOUT WRITTEN PERMISSION ARE HEREBY DENIED.

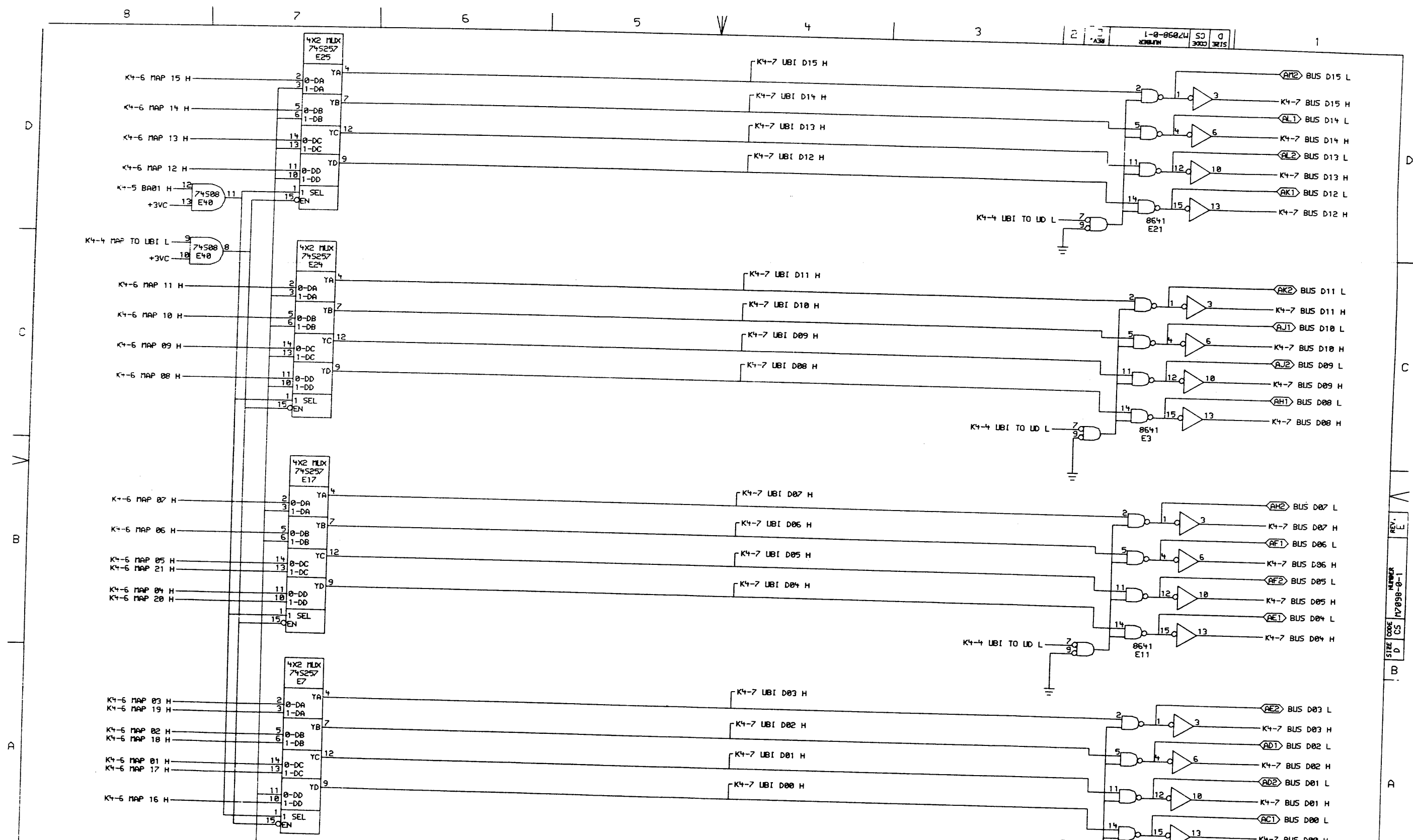
REVISIONS	
CHK	CHANGE NO. REV

	DATE: 19-OCT-79	ENG: [Signature]	DATE: [Blank]	TITLE: (K4-5) UBI MODULE (PAX TO EUB, UBI)
	DATE: 16-OCT-79 15:07	BOARD LOCATION: [Blank]	CHEET: 5 OF 11	SIZE CODE: D CS M7098-0-1
FIRST USED ON OPTION MODEL: 11/44	NEXT HIGHER ASSEMBLY: B-DD-M7098-0	NUMBER: M7098-0-1	REV: E	



REV. LU  
NUMBER M7098-0-1  
SIZE CODE D CS  
B  
A





THIS DRAWING AND SPECIFICATIONS ARE THE PROPERTY OF DIGITAL EQUIPMENT CORPORATION AND SHALL NOT BE REPRODUCED OR COPIED OR USED IN WHOLE OR IN PART AS THE BASIS FOR THE MANUFACTURE OR SALE OF ITEMS WITHOUT WRITTEN PERMISSION. COPYRIGHT © 1979, DIGITAL EQUIPMENT CORPORATION.

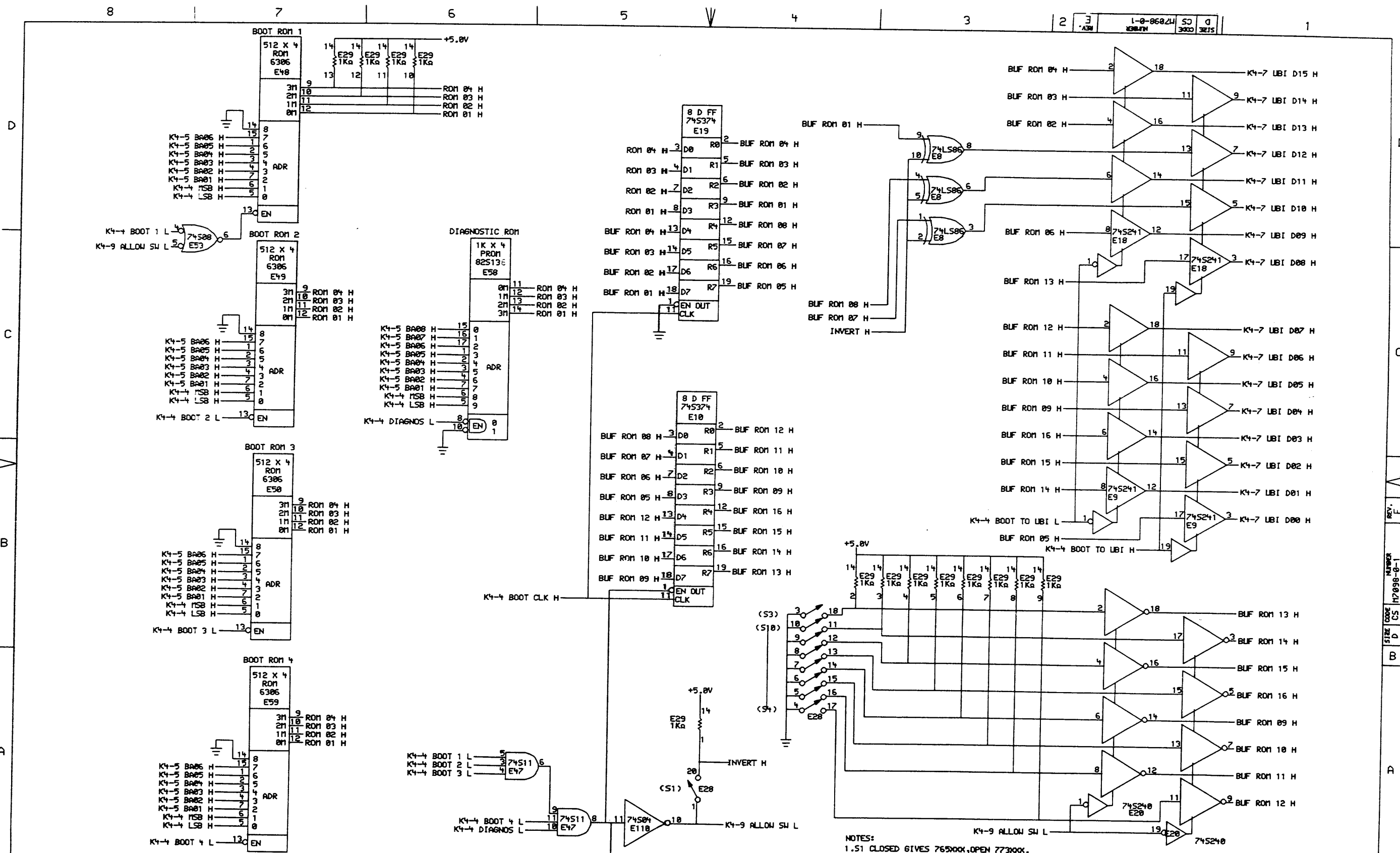
REV.	CHG.	CHANGE NO.	REV.

digital	DATE	16-OCT-79	DATE	11
	DATE	11/74	DATE	11
FIRST USED ON OPTION/MODEL:		11/74	NEXT HIGHER ASSEMBLY:	
			B-DD-17098-0	
SIZE	CODE	NUMBER	REV.	
D	CS	M7098-0-1	E	

REV. E  
NUMBER 17098-0-1  
SIZE CODE CS







UNLESS SHOWN AND SPECIFICATIONS HEREIN ARE THE PROPERTY OF DIGITAL EQUIPMENT CORPORATION AND SHALL NOT BE REPRODUCED OR COPIED OR USED IN WHOLE OR IN PART AS THE BASIS FOR THE MANUFACTURE OR SALE OF ITEMS WITHOUT WRITTEN PERMISSION. COPYRIGHT © 1979, DIGITAL EQUIPMENT CORPORATION.

REVISIONS	
CHK	CHANGE NO. REV

- NOTES:  
 1. S1 CLOSED GIVES 76500X, OPEN 77300X.  
 2. S3-S10 SUPPLY XXX, WHERE CLOSED="1".

	DATE: 21-OCT-79	ENG.:	DATE:	TITLE: (K4-9) UBI MODULE (BOOT ROMS)
	DATE: 11-4-79	DATE:	DATE:	BOARD LOCATION:
168,257 K49B.DRI	116-OCT-79 15:11	NEXT HIGHER ASSEMBLY:	SIZE CODE: D CS	NUMBER: M7098-0-1
FIRST USED ON OPTION MODEL: 11/44	B-DD-M7098-0			REV. E

D

C

B

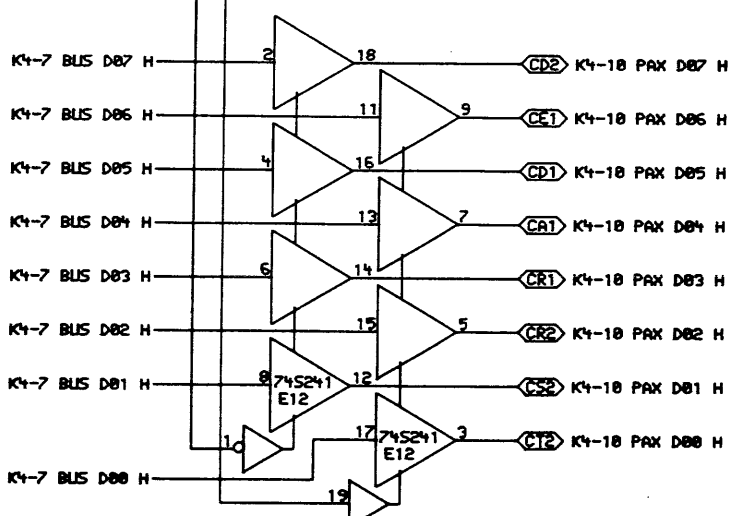
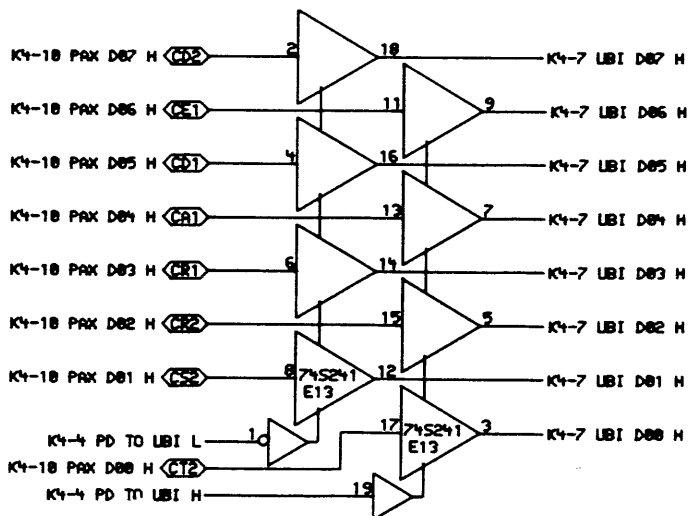
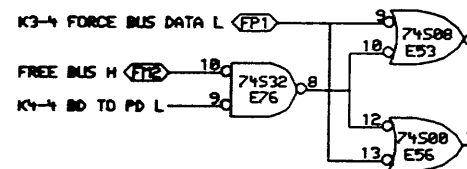
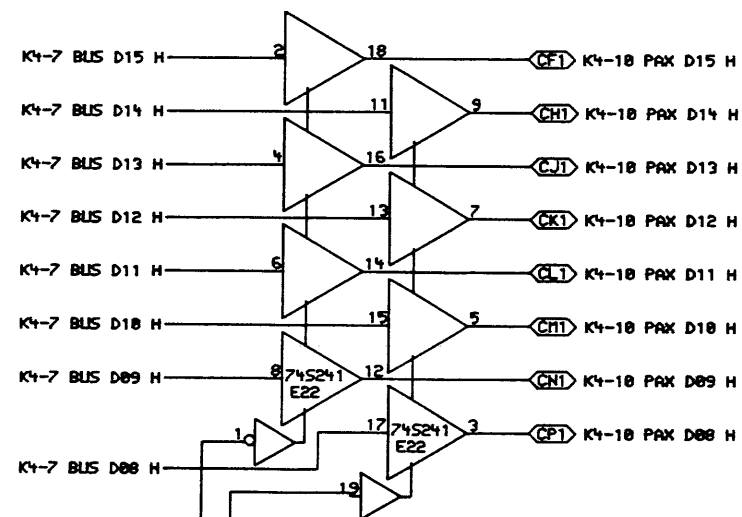
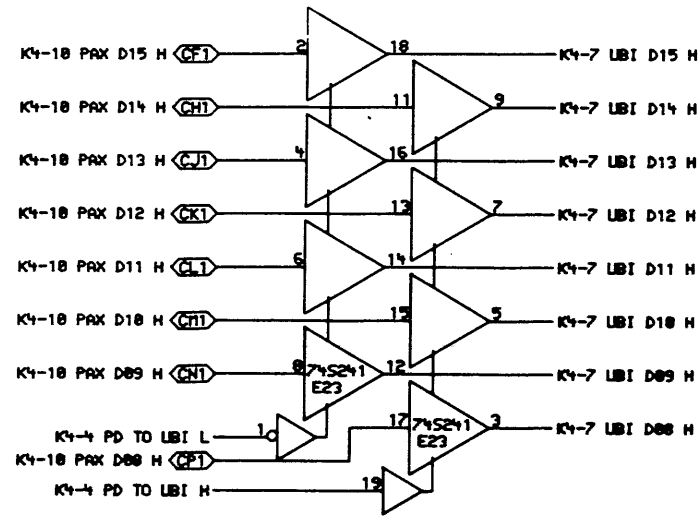
A

D

C

B

A



THIS DRAWING AND SPECIFICATIONS ARE THE PROPERTY OF DIGITAL EQUIPMENT CORPORATION AND SHALL NOT BE REPRODUCED OR COPIED OR USED IN WHOLE OR IN PART AS THE BASIS FOR THE MANUFACTURE OR SALE OF ITEMS WITHOUT WRITTEN PERMISSION. COPYRIGHT © 1979, DIGITAL EQUIPMENT CORPORATION.

REVISIONS

CHK CHANGE NO. REV



DATE: 21-OCT-79

DATE: 11-44

DATE: 11-44

DATE: 11-44

DATE: 11-44

DATE: 11-44

FIRST USED ON OPTION/MODEL: 11/44

116-OCT-79 15:12 NEXT HIGHER ASSEMBLY: B-DD-M7098-0

SIZE CODE D CS M7098-0-1

NUMBER REV. E

REV. E  
NUMBER M7098-0-1  
SIZE CODE D CS

# M7098 JUMPER AND SWITCH SETTINGS

## UNIBUS MAP ADDRESS LIMIT JUMPER TABLES

JUMPERS W12-W8 AND W7-W3 SPECIFY THE LOWER AND UPPER LIMIT, RESPECTIVELY, OF A SET OF UNIBUS ADDRESSES NOT MAPPED TO MAIN MEMORY (ASSERTED ON THE UNIBUS ONLY). EXCEPT FOR THE I/O PAGE, EVERY UNIBUS ADDRESS NOT IN THIS SET IS MAPPED TO MAIN MEMORY (ASSERTED ON THE MEMORY BUS) BY THE UNIBUS MAP. DEVICES ON THE UNIBUS SHOULD BE ADDRESSED ONLY IN UNMAPPED OR I/O PAGE ADDRESS SPACE.

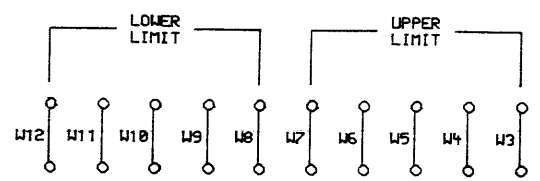
WHEN THE UPPER AND LOWER LIMITS ARE SET TO THE SAME OCTAL BANK (PAGE) NUMBER, EVERY NON- I/O PAGE ADDRESS IS MAPPED TO MAIN MEMORY (ASSERTED ON THE MEMORY BUS).

### LOWER LIMIT OF UNMAPPED SET:

THIS TABLE LISTS JUMPER SETTINGS FOR THE LOWER LIMIT OF THE SET OF UNMAPPED ADDRESSES. UNIBUS ADDRESSES (IF ANY) FROM ZERO TO JUST BELOW THIS LIMIT ARE MAPPED TO MAIN MEMORY (ASSERTED ON THE MEMORY BUS). THE OCTAL BANK NUMBER IN THIS TABLE IS THE FIRST BANK OF THE UNMAPPED SET EXCEPT WHEN THE LOWER AND UPPER LIMITS ARE SET TO THE SAME BANK NUMBER, IN WHICH CASE ONLY THE I/O PAGE IS UNMAPPED.

LOWEST ADDRESS IN UNMAPPED SET	DECIMAL KJ	OCTAL BANK	JUMPER				
			W12	W11	W10	W9	W8
NONE	124	37	OUT	OUT	OUT	OUT	OUT
740 000	120	36	IN	OUT	OUT	OUT	OUT
720 000	116	35	OUT	IN	OUT	OUT	OUT
700 000	112	34	IN	IN	OUT	OUT	OUT
660 000	108	33	OUT	OUT	IN	OUT	OUT
640 000	104	32	IN	OUT	IN	OUT	OUT
620 000	100	31	OUT	IN	IN	OUT	OUT
600 000	96	30	IN	IN	IN	OUT	OUT
560 000	92	27	OUT	OUT	OUT	IN	OUT
540 000	88	26	IN	OUT	OUT	IN	OUT
520 000	84	25	OUT	IN	OUT	IN	OUT
500 000	80	24	IN	IN	OUT	IN	OUT
460 000	76	23	OUT	OUT	IN	IN	OUT
440 000	72	22	IN	OUT	IN	IN	OUT
420 000	68	21	OUT	IN	IN	IN	OUT
400 000	64	20	IN	IN	IN	IN	OUT
360 000	60	17	OUT	OUT	OUT	OUT	IN
340 000	56	16	IN	OUT	OUT	OUT	IN
320 000	52	15	OUT	IN	OUT	OUT	IN
300 000	48	14	IN	IN	OUT	OUT	IN
260 000	44	13	OUT	OUT	IN	OUT	IN
240 000	40	12	IN	OUT	IN	OUT	IN
220 000	36	11	OUT	IN	IN	OUT	IN
200 000	32	10	IN	IN	IN	OUT	IN
160 000	28	7	OUT	OUT	OUT	IN	IN
140 000	24	6	IN	OUT	OUT	IN	IN
120 000	20	5	OUT	IN	OUT	IN	IN
100 000	16	4	IN	IN	OUT	IN	IN
60 000	12	3	OUT	OUT	IN	IN	IN
40 000	8	2	IN	OUT	IN	IN	IN
20 000	4	1	OUT	IN	IN	IN	IN
0	0	0	IN	IN	IN	IN	IN

### POSITION OF JUMPERS ON M7098:



### UPPER LIMIT OF UNMAPPED SET:

THIS TABLE LISTS JUMPER SETTINGS FOR THE UPPER LIMIT OF THE SET OF UNMAPPED ADDRESSES. UNIBUS ADDRESSES (IF ANY) ABOVE THIS LIMIT AND BELOW 760 000 ARE MAPPED TO MAIN MEMORY. THE OCTAL BANK NUMBER IN THIS TABLE IS THE FIRST MAPPED BANK AFTER THE UNMAPPED SET EXCEPT WHEN IT IS BANK 37, THE I/O PAGE (ALWAYS UNMAPPED).

HIGHEST ADDRESS IN UNMAPPED SET	DECIMAL KJ	OCTAL BANK	JUMPER				
			W7	W6	W5	W4	W3
757 777	124	37	OUT	OUT	OUT	OUT	OUT
737 777	120	36	IN	OUT	OUT	OUT	OUT
717 777	116	35	OUT	IN	OUT	OUT	OUT
677 777	112	34	IN	IN	OUT	OUT	OUT
657 777	108	33	OUT	OUT	IN	OUT	OUT
637 777	104	32	IN	OUT	IN	OUT	OUT
617 777	100	31	OUT	IN	IN	OUT	OUT
577 777	96	30	IN	IN	IN	OUT	OUT
557 777	92	27	OUT	OUT	OUT	IN	OUT
537 777	88	26	IN	OUT	OUT	IN	OUT
517 777	84	25	OUT	IN	OUT	IN	OUT
477 777	80	24	IN	IN	OUT	IN	OUT
457 777	76	23	OUT	OUT	IN	IN	OUT
437 777	72	22	IN	OUT	IN	IN	OUT
417 777	68	21	OUT	IN	IN	IN	OUT
377 777	64	20	IN	IN	IN	IN	OUT
357 777	60	17	OUT	OUT	OUT	OUT	IN
337 777	56	16	IN	OUT	OUT	OUT	IN
317 777	52	15	OUT	IN	OUT	OUT	IN
277 777	48	14	IN	IN	OUT	OUT	IN
257 777	44	13	OUT	OUT	IN	OUT	IN
237 777	40	12	IN	OUT	IN	OUT	IN
217 777	36	11	OUT	IN	IN	OUT	IN
177 777	32	10	IN	IN	IN	OUT	IN
157 777	28	7	OUT	OUT	OUT	IN	IN
137 777	24	6	IN	OUT	OUT	IN	IN
117 777	20	5	OUT	IN	OUT	IN	IN
77 777	16	4	IN	IN	OUT	IN	IN
57 777	12	3	OUT	OUT	IN	IN	IN
37 777	8	2	IN	OUT	IN	IN	IN
17 777	4	1	OUT	IN	IN	IN	IN
NONE	0	0	IN	IN	IN	IN	IN

### EXAMPLE OF LIMIT SETTING:

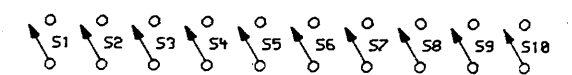
SET UP FOR 12 (DECIMAL) KJ (3 PAGES) OF UNIBUS DEVICE ADDRESSES JUST BELOW THE I/O PAGE:

- PAGE (BANK) 37 IS THE I/O PAGE. THEREFORE THE THREE PAGES TO BE UNMAPPED ARE 34, 35, AND 36.
- READ JUMPER SETTINGS FOR W12 THROUGH W8 FROM THE LOWER LIMIT TABLE AT BANK 34, THE FIRST UNMAPPED BANK: W12=IN, W11=IN, W10=OUT, W9=OUT, & W8=OUT.
- READ JUMPER SETTINGS FOR W7 THROUGH W3 FROM THE UPPER LIMIT TABLE AT BANK 37, THE NEXT BANK AFTER THE UNMAPPED SET DESIRED (34, 35, AND 36): W7=OUT, W6=OUT, W5=OUT, W4=OUT, & W3=OUT.

NOTICE THAT THE UPPER LIMIT TABLE "DECIMAL KJ" AMOUNT MINUS THE LOWER LIMIT TABLE "DECIMAL KJ" AMOUNT EQUALS 12KJ, THE SIZE AREA DESIRED.

### BOOT SWITCHES-E28, K4-9:

FOR ALL SWITCHES ON = CLOSED = LOGIC "1"



S1 DETERMINES START ADDRESS (UPPER 3 DIGITS): WHEN OPEN, 773XXX; WHEN CLOSED, 765XXX.

S2, WHEN ON, ENABLES INTERNAL BOOT.

S3-S10 ARE BITS 0-1 OF THE STARTING ADDRESS.

A CLOSED SWITCH EQUALS A "1" IN THE ADDRESS.

THE SWITCHES ARE VIEWED WITH THE BOARD COMPONENT SIDE UP, GOLD FINGERS AT THE BOTTOM.

### BOOT ROMS

THE CPU SPECIFIC DIAGNOSTIC ROM GOES INTO SOCKET E58. ROMS FOR OTHER BOOTABLE DEVICES GO INTO THE FOLLOWING SOCKETS IN ORDER:

- BT1 E48
- BT2 E49
- BT3 E50
- BT4 E59

THE M7098 HAS ETCH MARKINGS FOR EACH ROM BT1-BT4.

JUMPER W2 ENABLES THE DIAGNOSTICS ROM WHEN IN (STANDARD CONFIGURATION IS IN).

JUMPER W1 ENABLES PARITY ERROR ABORT WHEN IN (STANDARD CONFIGURATION IS IN).

JUMPERS W17 & W18 ARE ALWAYS INSTALLED.

THIS DRAWING AND SPECIFICATIONS ARE THE PROPERTY OF DIGITAL EQUIPMENT CORPORATION AND SHALL NOT BE REPRODUCED OR COPIED OR USED IN WHOLE OR IN PART AS THE BASIS FOR THE MANUFACTURE OR SALE OF ITEMS WITHOUT WRITTEN PERMISSION. COPYRIGHT © 1980 DIGITAL EQUIPMENT CORPORATION.

REVISIONS		
CHK	CHANGE NO.	REV

**digital** DATE: 11-11-80 ENG: B. G. DATE: 5-MAY-80  
 CHK'D: B. G. DATE: 11-11-80  
 (160-257) 10111D.DR1 02-MAY-80 01:42 NEXT HIGHER ASSEMBLY: 11 OF 11  
 FIRST USED ON OPTION MODEL: 11/44 B-DD-M7098-0  
 TITLE: (K4-11) UBI MODULE (SW SETTINGS)  
 SIZE CODE NUMBER REV.  
 D CS M7098-0-1 E



LINE	ITEM	DOCUMENT NUMBER	PART NUMBER	DESCRIPTION	QTY PER VARIATION	REFERENCE DESIGNATOR
					00	
29	29		1910535-00	74S05 INVERTER GATE-HEX 1	2	E68,E72
30	30		1910536-00	74S10 NAND GATE-TRIPLE 3IN	2	E83,E96
31	31		1910537-00	74S11 AND GATE-TRIPLE 3IMP	2	E47,E75
32	32		1910544-00	74S74 FF-D DUAL,EDGE TRIGG	8	E81,E95,E112-E116,E119
33	33		1910548-00	74S157 MUX 1 OF 2 (QUAD)	3	E38,E55,E102
34	34		1910550-00	74S174 FF-D HFX	1	E101
35	35		1910870-00	7427 NOR GATE-TRIPLE 3IN	1	E100
36	36		1910857-00	74S175 FF-D QUAD COMMON CLO	2	E87,E98
37	37		1911324-00	7414 INVERTER,HEX 1IN SCH	1	E126
38	38		1911469-00	DEC 8640 RECEIVER,BUS,QUAD,U	2	E99,E109
39	39		1911579-00	8641 TRANSCEIVER,BUS,QUA	11	E2,E3,E11,E21,E52,E60,E61,E71, E79,E80,E121
40	40		1911641-00	SN 74S257 MUX,QUAD 2 TO 1	4	CONT E7,E17,E24,E25
41	41		1911712-00	74S51 AND-OR GATE-INVERT D	1	E106
42	42		1912096-00	DEC 74S86 XOR GATE,QUAD 2IN	1	E27
43	43		1912297-00	SN 74S192 LOOK AND CARRY GEN	2	E26,E36
44	44		1912388-00	74S02 NOR GATE-QUAD 2IN,PO	5	E67,E89,E107,E118,E125
45	45		1912389-00	74S08 AND GATE-QUAD 2IN,PO	8	E40,E53,E54,E57,E85,E93,E120, CONT E124
46	46		1912746-00	DEC 74S37 NAND GATE-QUAD 2IN	2	E77,E84
47	47		1912820-00	LS86 X-OR GATE-QUAD 2IN	1	E8
48	48		1913340-00	74S32 OR GATE-QUAD 2IN	3	E39,E76,E103
49	49		1913462-00	74S240 OCTAL BUFFER,INVERTI	9	E4,F14,E20,E30,E31,E41-E43,E51
50	50		1913493-00	74S241 OCTAL BUFFER,TRI-STA	6	E9,E12,E13,E18,E22,E23
51	51		1913663-00	93419DC RAM 64X9 28PIN TT	3	E5,E15,E34
52	52		1913671-00	74S374 FF-D OCTAL TRISTATE	2	E10,E19
53	53		1913700-00	74S381 ALU-4BIT	5	E33,E35,E37,E44,E46
54	54		1914065-00	74S260 NOR GATE-DUAL,POS	1	E122
55	55		1914086-00	74S30 NAND GATE-POS 8IN	1	E62
56	56		1911637-00	74132 NAND GATE-QUAD 2 IN	1	E117
57	57		23000A0-01	*** THIS ITEM IS NOT USED ***	-	
58	58		23032C6-00	C6-01	1	E82
59	59		23000F1-01	*** THIS ITEM IS NOT USED ***	-	
60	60		9000024-01	RYELFT, BOILED FLANGE, .121 OD X	12	
61	61		9009185-00	JUMPER, WIRE, INSULATED, BLACK B	14	W1-W12,W17,W18
62	62		1311422-00	178.0 .25 * 1.0 % RN55D-F10	5	R36,R38,R48,R49,R56
63	63		1305125-00	383.0 .25 * 1.0 % RN55D-F10	5	R37,R45,R47,R57,R58
64	64		23054C6-00	C6-01	1	E64
65	65		23052C6-00	C6-01	1	E45
66	66		23446F1-00	F1-02	1	E58
67	67		1012121-00	220.0 MMF 100V 1%20PPM DM15S	1	C1
68	68		9009157-00	ADH,LIQ.RM.TEMP CURING COLORLESS	A/R	
69	69		9105740-55	WIRE(WRAP)30AWG UL1423	1	

DIGITAL						TITLE	SECTION A OF A		SIZE	CODE	DOCUMENT NUMBER	REV
						KD11-2 URI MODULE			K	PL	M7098-0-DBP	E

TW

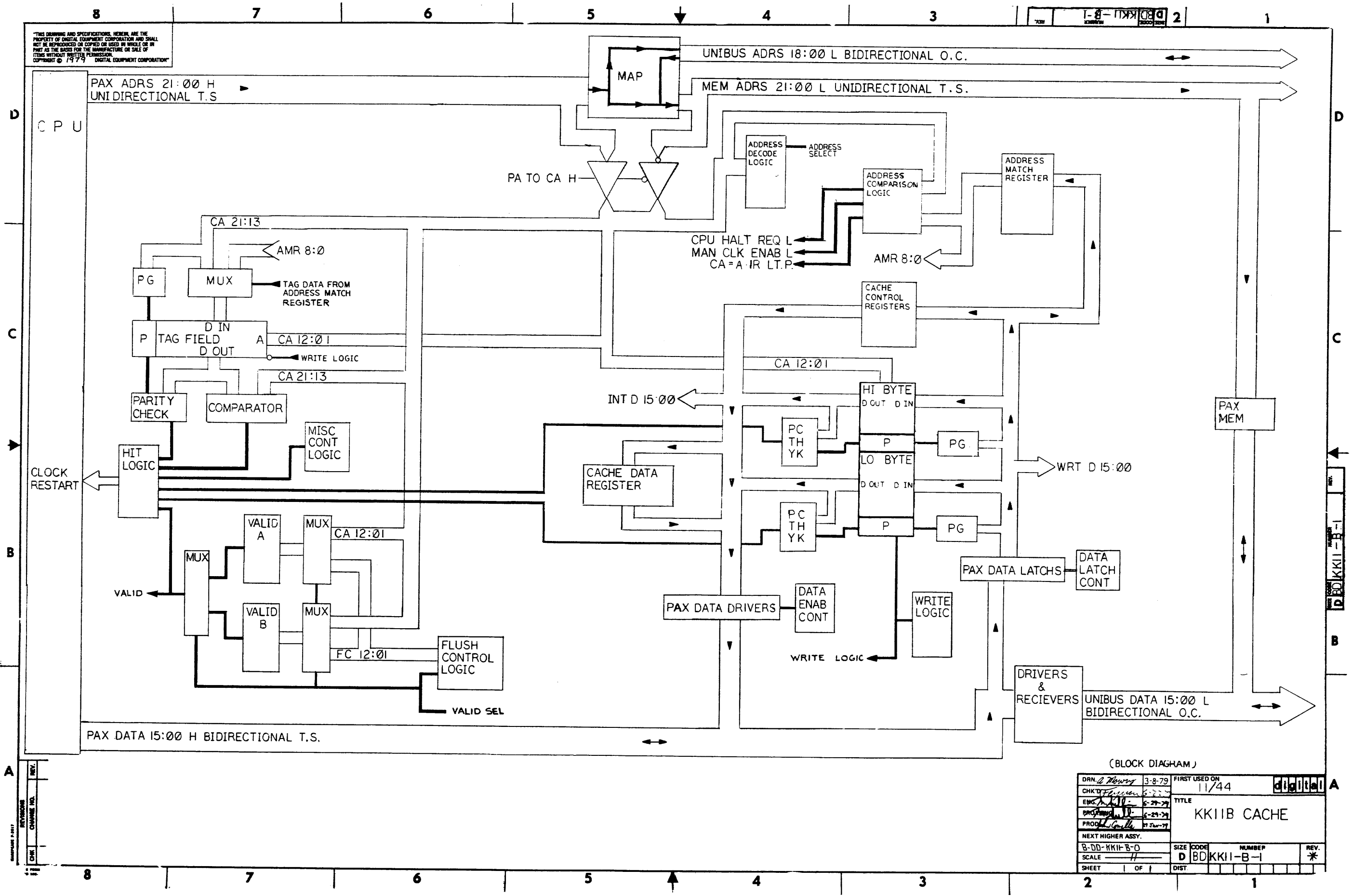








THIS DRAWING AND SPECIFICATIONS HEREIN ARE THE PROPERTY OF DIGITAL EQUIPMENT CORPORATION AND SHALL NOT BE REPRODUCED OR COPIED OR USED IN WHOLE OR IN PART AS THE BASIS FOR THE MANUFACTURE OR SALE OF ITEMS WITHOUT WRITTEN PERMISSION.  
 COPYRIGHT © 1979 DIGITAL EQUIPMENT CORPORATION



(BLOCK DIAGHAM)

DRN. <i>D. Howry</i>	3-8-79	FIRST USED ON	11/44
CHK'D <i>[Signature]</i>	6-22-79	TITLE	KKIIB CACHE
ENG. <i>[Signature]</i>	6-29-79	SIZE	D BDKK11-B-1
PROG. <i>[Signature]</i>	6-29-79	NUMBER	1
PROD. <i>[Signature]</i>	7-30-79	REV.	*
NEXT HIGHER ASSY.		SCALE	
B-DD-KKIIB-0		SHEET	1 OF 1

Digital Equipment Corporation  
 2-8-KKI-B-2

8 7 6 5 4 3 2 1

THIS DRAWING AND SPECIFICATIONS, HEREON, ARE THE PROPERTY OF DIGITAL EQUIPMENT CORPORATION AND SHALL NOT BE REPRODUCED OR COPIED OR USED IN WHOLE OR IN PART AS THE BASIS FOR THE MANUFACTURE OR SALE OF ITEMS WITHOUT WRITTEN PERMISSION. COPYRIGHT © 1979 DIGITAL EQUIPMENT CORPORATION

TD 1 READ HIT DATA ENABLE

NANOSECONDS 0 30 60 90 120 150 180 210 240 270 300

PROC CLK

START TRAN H

CACHE GATE H

STROBE CACHE H

ENAR DATA H

45 NS

45 NS

TD 2 READ MISS DATA ENABLE

NS 0 30 60 90 120 150 180 210 240 270 300

PROC CLK L

START TRAN H

CACHE GATE H

STROBE CACHE H

ENAB DATA H

45 NS

TD 3 READ MISS & WRITE HIT DATA LATCH

NS 0 30 60 90 120 150 180 210 240 270 300

PROC CLK L

START TRAN H

CACHE GATE H

LATCH DATA H

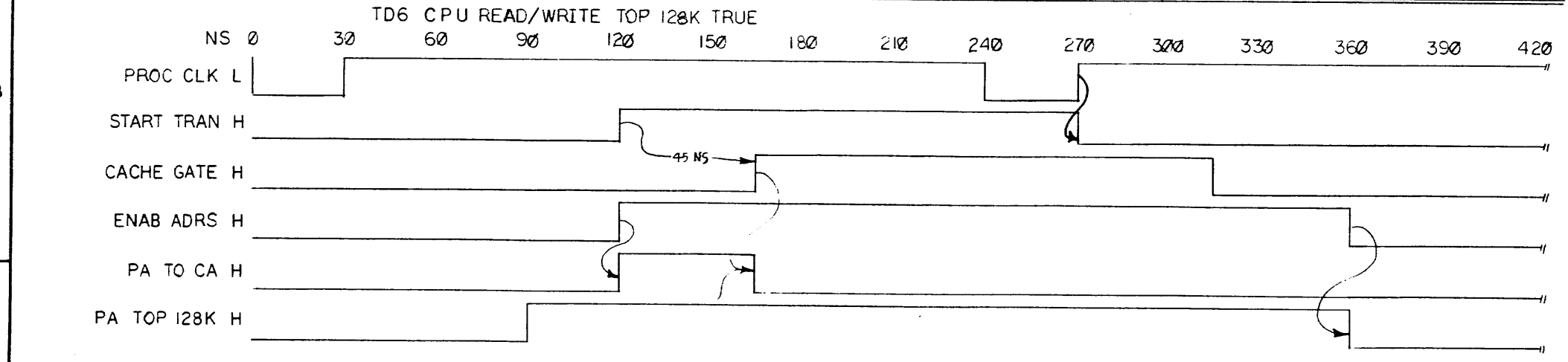
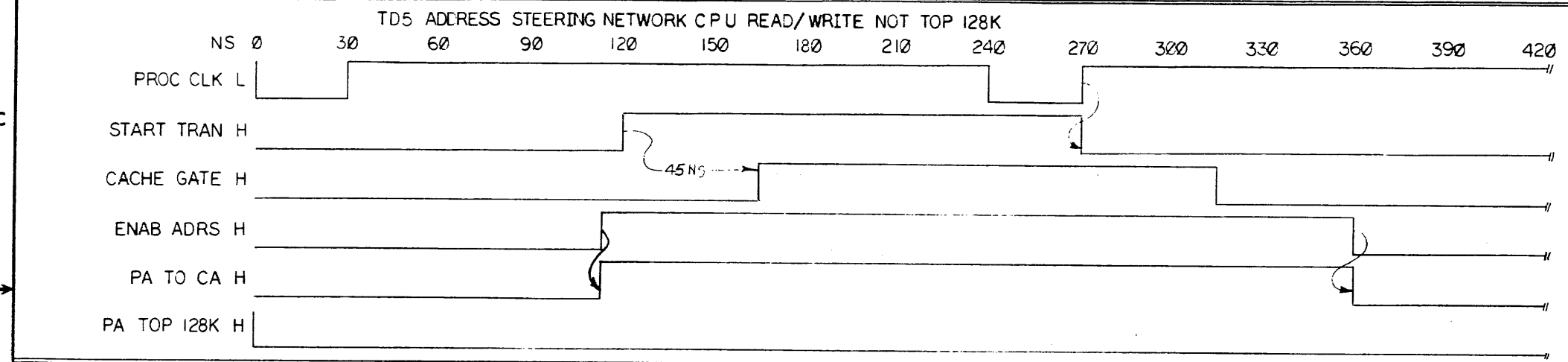
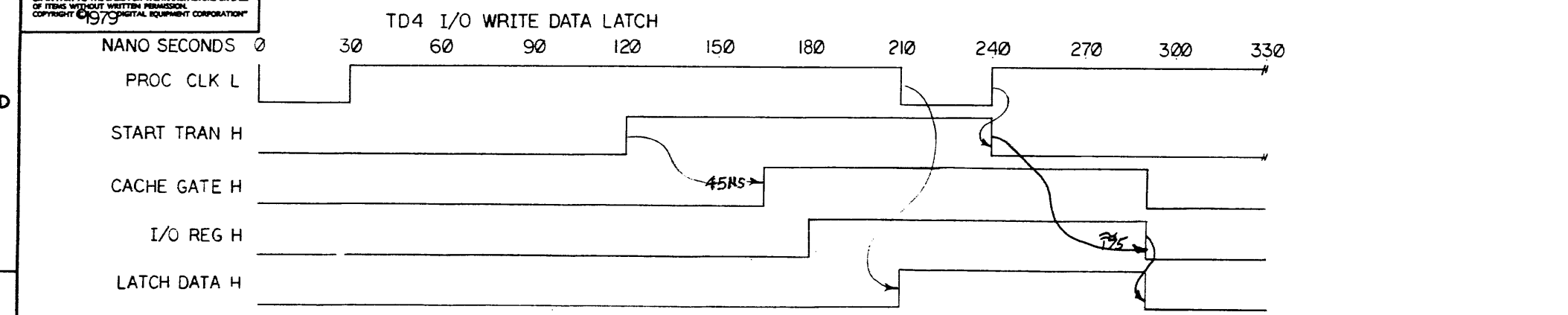
45 NS

Digital Equipment Corporation  
 2-8-KKI-B-2

(TIMING DIAGRAMS TD1, TD2, TD3)

DRN. <i>[Signature]</i>	EDM-1071	FIRST USED ON	Digital
CHK'D <i>[Signature]</i>	6-22-77	TITLE	KKIIB CACHE
DESIGNED <i>[Signature]</i>	6-29-77	NUMBER	
PROF. <i>[Signature]</i>	6-29-77	REV.	*
NEXT HIGHER ASSY.		SIZE CODE	D TD KKI-B-2
B-DD-KKI-B-0		SCALE	
SHEET 1 OF 3		DIST.	
		TW	1

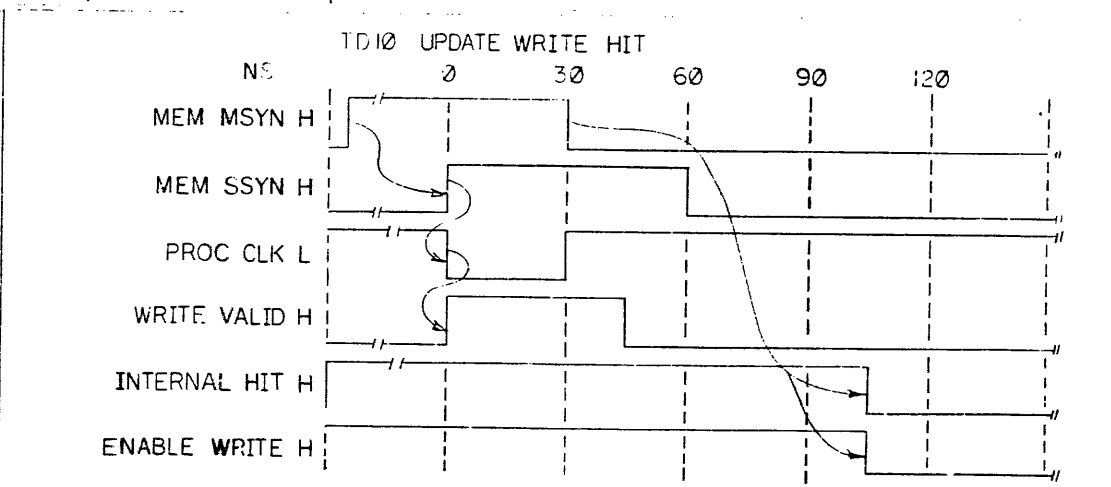
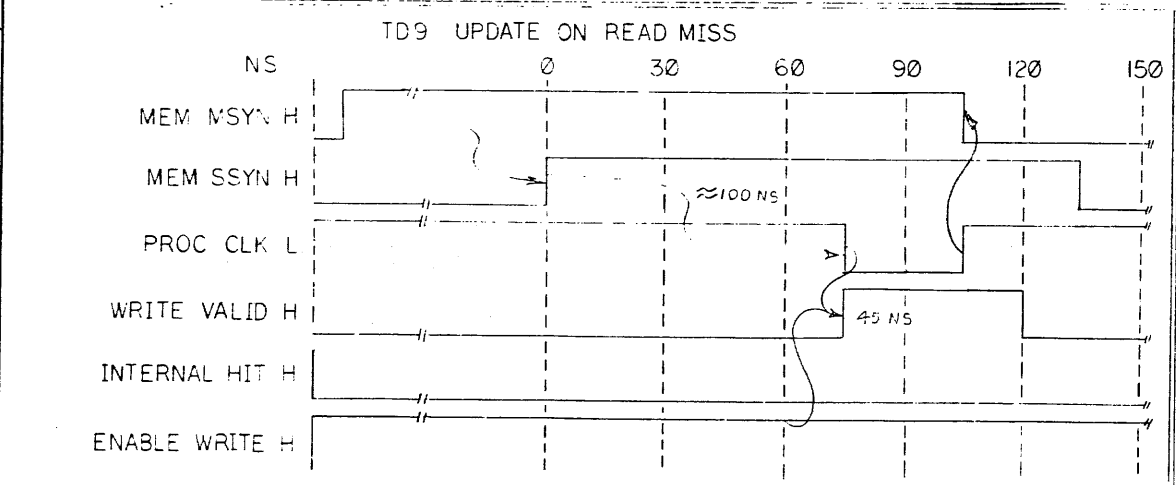
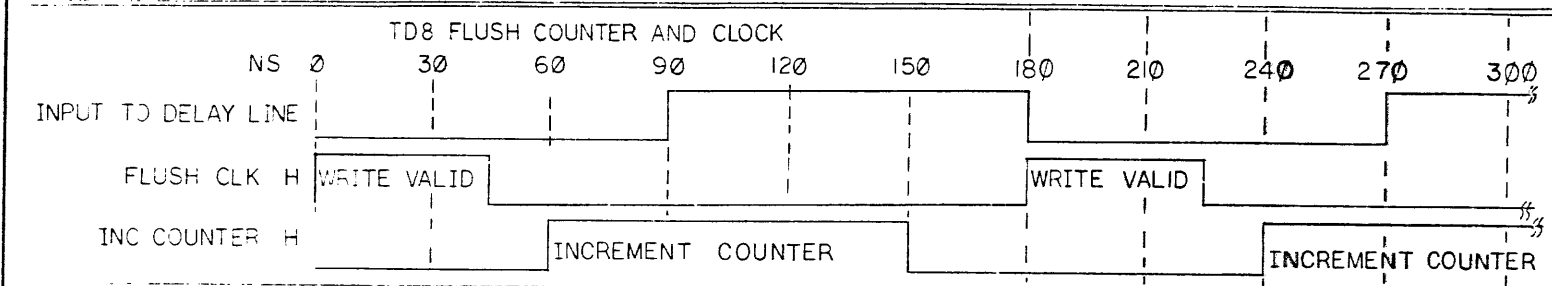
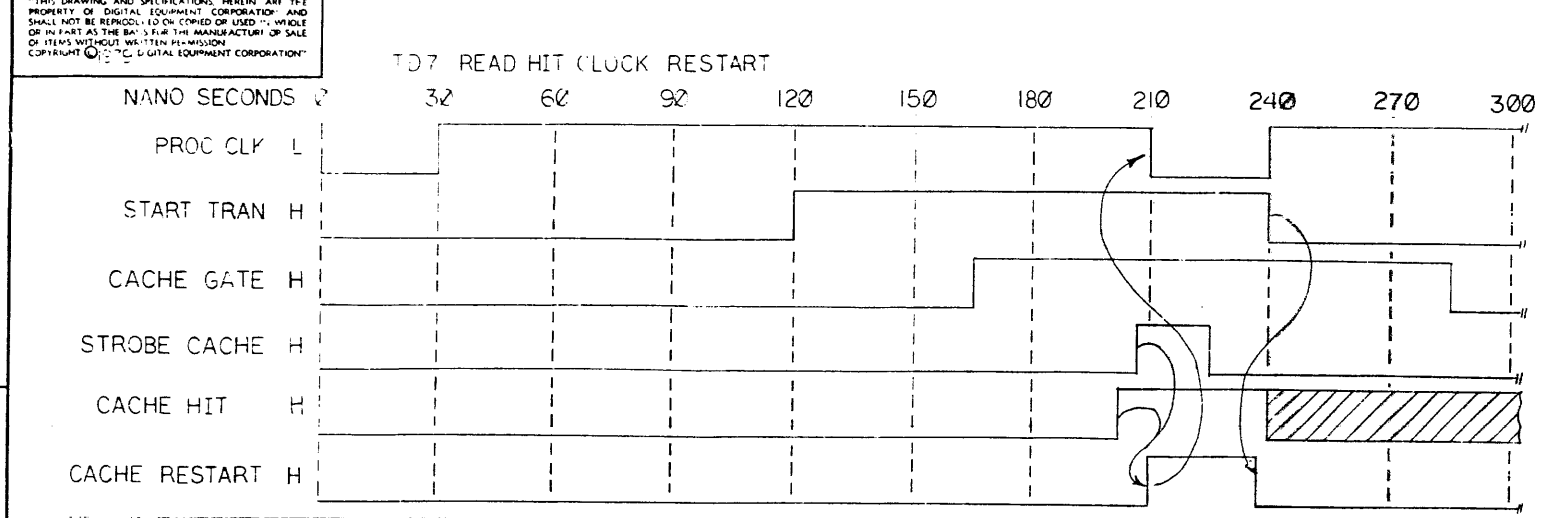
THIS DRAWING AND SPECIFICATIONS HEREIN ARE THE PROPERTY OF DIGITAL EQUIPMENT CORPORATION AND SHALL NOT BE REPRODUCED OR COPIED OR USED IN WHOLE OR IN PART AS THE BASIS FOR THE MANUFACTURE OR SALE OF ITEMS WITHOUT WRITTEN PERMISSION. COPYRIGHT © 1979 DIGITAL EQUIPMENT CORPORATION



REVISIONS		
CHK	CHANGE NO.	REV.

(TIMING DIAGRAMS TD4, TD5, TD6)

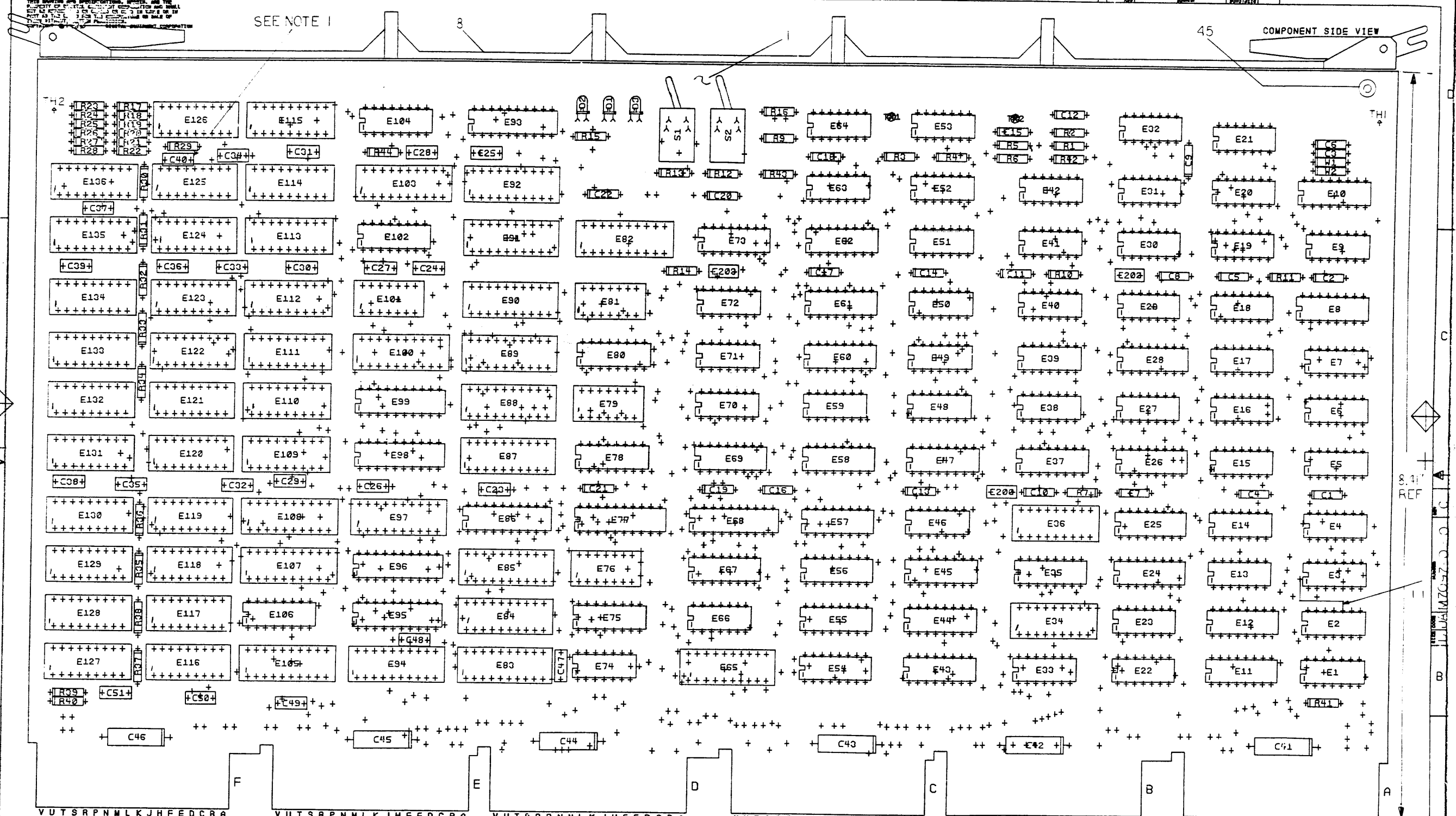
REV. 2 DTD KKIIB-2



REVISIONS		
CHK	CHANGE NO	REV

(TIMING DIAGRAMS TD7, TD8, TD9 & TD10)

TITLE	SIZE CODE	NUMBER	REV.
KKIIB CACHE	DTD	KKII-B-2	*
SCALE	SHEET 3 OF 3	DIST.	TW/



NOTES:  
 1. C40 AND W2 ARE NOT INSTALLED

STEP	Y AXIS	STEP	TIMES
1	→	1	1
2	→	2	1

CHANGE NO.	REV.	DATE	BY	CHK'D.
1	1	11/25/90		
2	1	11/25/90		

ETCH REV.	DATE	BY	CHK'D.
D-PI			

SIGNATURES	DATE	TITLE
DRAWN: <i>Sioux Jones</i>	11/25/90	digital
CHK'D: <i>Paul Galt</i>	11/25/90	
MECH. ENG. <i>Bill Galt</i>	11/25/90	KK11-B CACHE
PROD. <i>Comella, Paul</i>	11/25/90	
SCALE: 2.0		SIZE CODE: UA
SHT. 1 OF 2		NUMBER: M7-97-0
NEXT HIGH-GR ASSY: B-DD-M7097-0		REV: C

LINE	ITEM	DOCUMENT NUMBER	PART NUMBER	DESCRIPTION	QTY PER VARIATION	REFERENCE DESIGNATOR
					00	
1	1		5013560-00	ETCH CIRCUIT BOARD	1	
2	2		1000021-00	220.0 MMF 100V 5%200PPM DM15S	2	C200,C203
3	3		1000024-00	470.0 MMF 100V 5%200PPM DM15S	1	C202
4	4		1005306-00	6.8MFD 35V 10% S.TANT	6	C41-C46
5	5		1010274-01	.22 MFD 50V -20+80 Z5U CER	22	C23-C39,C47-C51
6	6		1012784-00	.047 MFD 50V +80-20% CER	22	C1-C22
7	7		1210209-00	SW,TOG,SPDT,.01A@6V,ON/ON,SUBMIN	2	S1,S2
8	8		1210711-02	HANDLE,MODULE,HEX	1	
9	9		1110864-00	LED 2MCD@10MA	3	D1-D3
10	10		1300202-00	47.0 .25 W 5.0 % CC	1	R7
11	11		1300229-00	100.0 .25 W 5.0 % CC	13	R14,R18,R20,R21,R23,R25,R27,R29, R31,R33,R35,R37,R39
12	12		1300250-00	150.0 .25 W 5.0 % CC	13	CONT R10,R17,R19,R22,R24,R26,R28,R30, R32,R34,R36,R38,R40
13	13		1300309-00	390.0 .25 W 5.0 % CC	4	CONT R1,R2,R5,R6
14	14		1300316-00	470.0 .25 W 5.0 % CC	3	R9,R15,R16
15	15		1300365-00	1.0 K .25 W 5.0 % CC	8	R3,R4,R12,R13,R41-R44
16	16		1612463-00	DELAY= 150NS,10TAPS	2	E32,E53
17	17		1910018-00	DEC 74193 COUNTER,SYNCHR. UP/D	3	E26,E43,E54
18	18		1910532-00	74S00 NAND GATE-QUAD 2IN	9	E9,E13,E17,E18,E27,E33,E46,E49
19	19		1910533-00	74S03 NAND GATE-QUAD 2IN,0	1	E21
20	20		1910534-00	74S04 INVERTER GATE-HEX 1I	5	E22,E23,E31,E41,E51
21	21		1910536-00	74S10 NAND GATE-TRIPLE 3IN	3	E16,E30,E52
22	22		1910537-00	74S11 AND GATE-TRIPLE 3INP	3	E4,E5,E15
23	23		1910539-00	74S20 NAND GATE-DUAL 4INPU	3	E20,E29,E50
24	24		1910544-00	74S74 FF-D DUAL,EDGE TRIGG	9	E1,E3,E6,E38,E39,E42,E63,E70,E71
25	25		1910548-00	74S157 MUX 1 OF 2 (QUAD)	10	E8,E10,E24,E25,E35,E37,E44,E45, E55,E56
26	26		1910550-00	74S174 FF-D HEX	1	CONT E73
27	27		1910957-00	74S175 FF-D QUAD COMMON CLO	3	E47,E78,E80

REVISION HISTORY			BASIC PART NO: M7097		DRN: M.FUNARO		DATE: 16-FEB-79		D I G I T A L			
ENG	ECO NUMBER	REV	SECTION A OF A	CHK'D:	E.T.GERRY	DATE:	16-FEB-79	TITLE PARTS LIST				
---	INITIAL	C	SECTION VARIATION INDEX	CHK'D:	E.T.GERRY	DATE:	16-FEB-79	KK11-B CACHE				
MS	TW001	C	[A] 00	DES.ENG:	M.SULLIVAN	DATE:	16-FEB-79					
			[B]	RESP.ENG.:	M.SULLIVAN	DATE:	27-JUN-79	DOCUMENT NUMBER				
			[C]	MFG.ENG.:	J.COMELLA	DATE:	27-JUN-79	SIZE	CODE	NUMBER	REV	
			[D]	ASSEMBLY NUMBER:		TOP DOCUMENT NUMBER:		K	PL	M7097-0-DBP	C	
			[E]	ID-UA-M7097-0-0		FILE NAME:		Z0620C,PLS		EDIT #	17	
			[F]									
			[G]									
			[H]									
			[I]									
			[J]									
			[K]									
			[L]									
			[M]									
			[N]									

"THIS DRAWING AND SPECIFICATIONS HEREIN, ARE THE PROPERTY OF DIGITAL EQUIPMENT CORPORATION AND SHALL NOT BE REPRODUCED OR COPIED OR USED IN WHOLE OR IN PART AS THE BASIS FOR THE MANUFACTURE OR SALE OF ITEMS WITHOUT WRITTEN PERMISSION. COPYRIGHT (C) 1980, DIGITAL EQUIPMENT CORPORATION."

TW

AUTOMATED BY PRTLST,3H(23)

PARTS LIST

SHEET A2 OF A2

LINE	ITEM	DOCUMENT NUMBER	PART NUMBER	DESCRIPTION	QTY PER VARIATION 00	REFERENCE DESIGNATOR
28	28		1911116-00	DEC 8837 RECEIVER,BUS,HEX,UN	1	E11
29	29		1911573-00	74S280 PARITY GEN/CHKR,9BIT	4	E76,E79,E81,E101
30	30		1911579-00	8641 TRANSCEIVER,BUS,QUA	1	E12
31	31		1911675-00	74S138 DECODER/DEMUX 3-8 LIN	1	E60
32	32		1911983-00	74S133 NAND GATE-POSITIVE 1	2	E20,E62
33	33		1912089-00	74S85 CMPRTR-4BIT MAGNITUD	7	E57,E61,E67,E69,E75,E104,E106
34	34		1912096-00	DEC 74S86 XOR GATE,QUAD 2IN	1	E64
35	35		1912388-00	74S02 NOR GATE-QUAD 2IN,PO	5	E19,E40,E48,E59,E72
36	36		1912389-00	74S08 AND GATE-QUAD 2IN,PO	2	E2,E14
37	37		1913462-00	74S240 OCTAL BUFFER,INVERTI	3	E65,E84,E107
38	38		1913493-00	74S241 OCTAL BUFFER,TRI-STA	8	E83,E85,E87,E94,E97,E100,E103, E105
39	39		1913670-00	74S373 LATCH 8BIT TRASP TR	2	E68,E95
40	40		1913671-00	74S374 FF-D OCTAL TRISTATE	7	E77,E86,E89,E93,E96,E98,E99
41	41		1914086-00	74S30 NAND GATE-POS 8IN	3	E7,E66,E74
42	42		1914866-00	AM 93S48PCGEN/CHECK PARITY, 4B	2	E58,E102
43	43		1915193-00	LS244 DRIVER,LINE,OCTAL,T	6	E82,E88,E90-E92,E108
44	44		2114523-00	4K MOS RAM 55NS 18PIN	30	E34,E36,E109-E136
45	45		9000024-01	EYFLET, ROLLED FLANGE, .121 OD X	12	
46	46		9008085-00	TEMP PCB 1POS SOLDER TURRET	2	TP1,TP2
47	47		9009185-00	JUMPER, WIRE, INSUIATED, BLACK B	1	W1
48	48		9105740-55	WIRE(WRAP)30AWG UL1423	1	
49	49		1300295-00	330.0 .25 W 5.0 % CC	1	R11

CONT

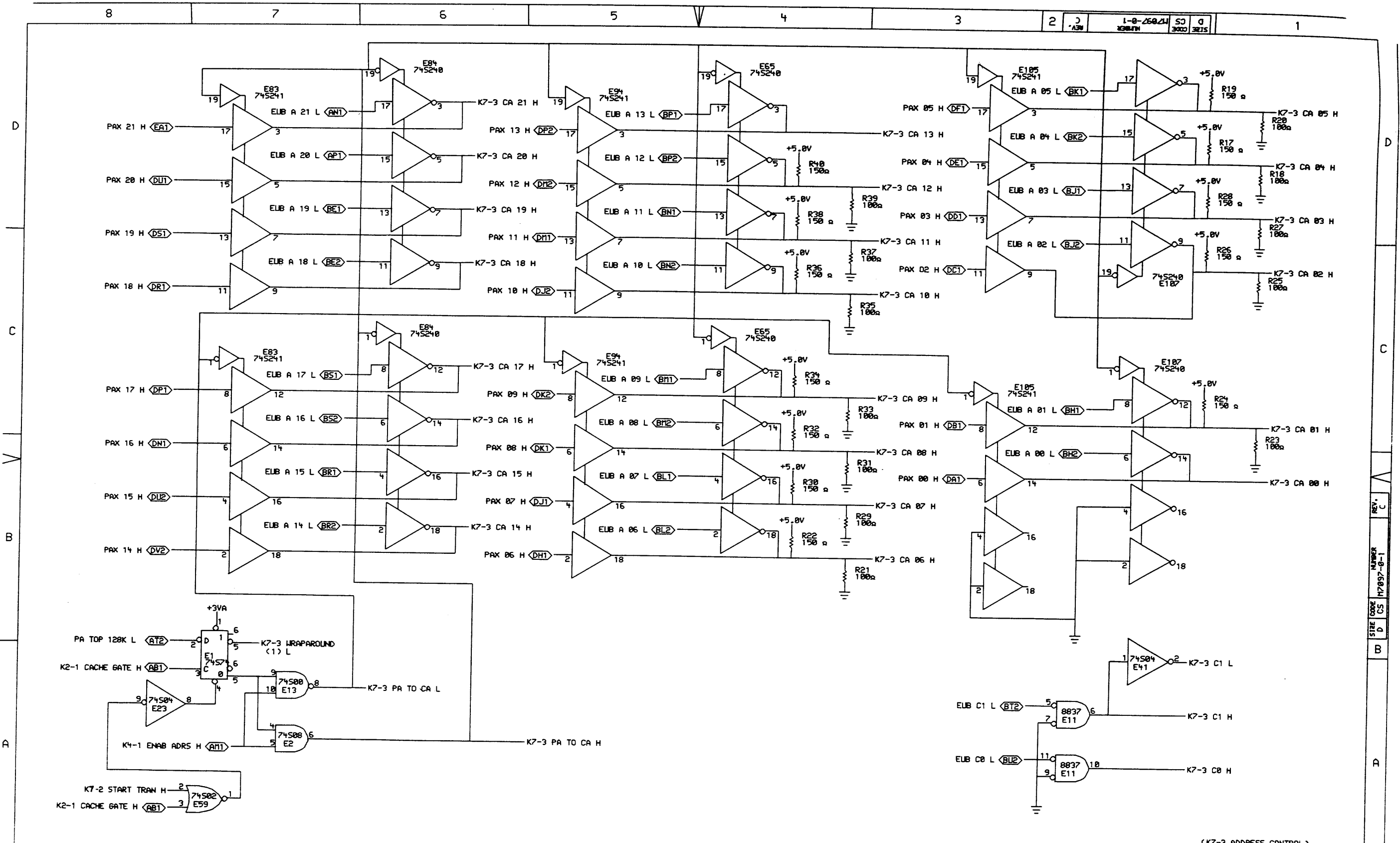
D	I	G	I	T	A	L	TITLE	SECTION A OF A	SIZE	CODE	DOCUMENT NUMBER	REV
							KK11-B CACHE		K	PL	M7097-0-DBP	C

TW







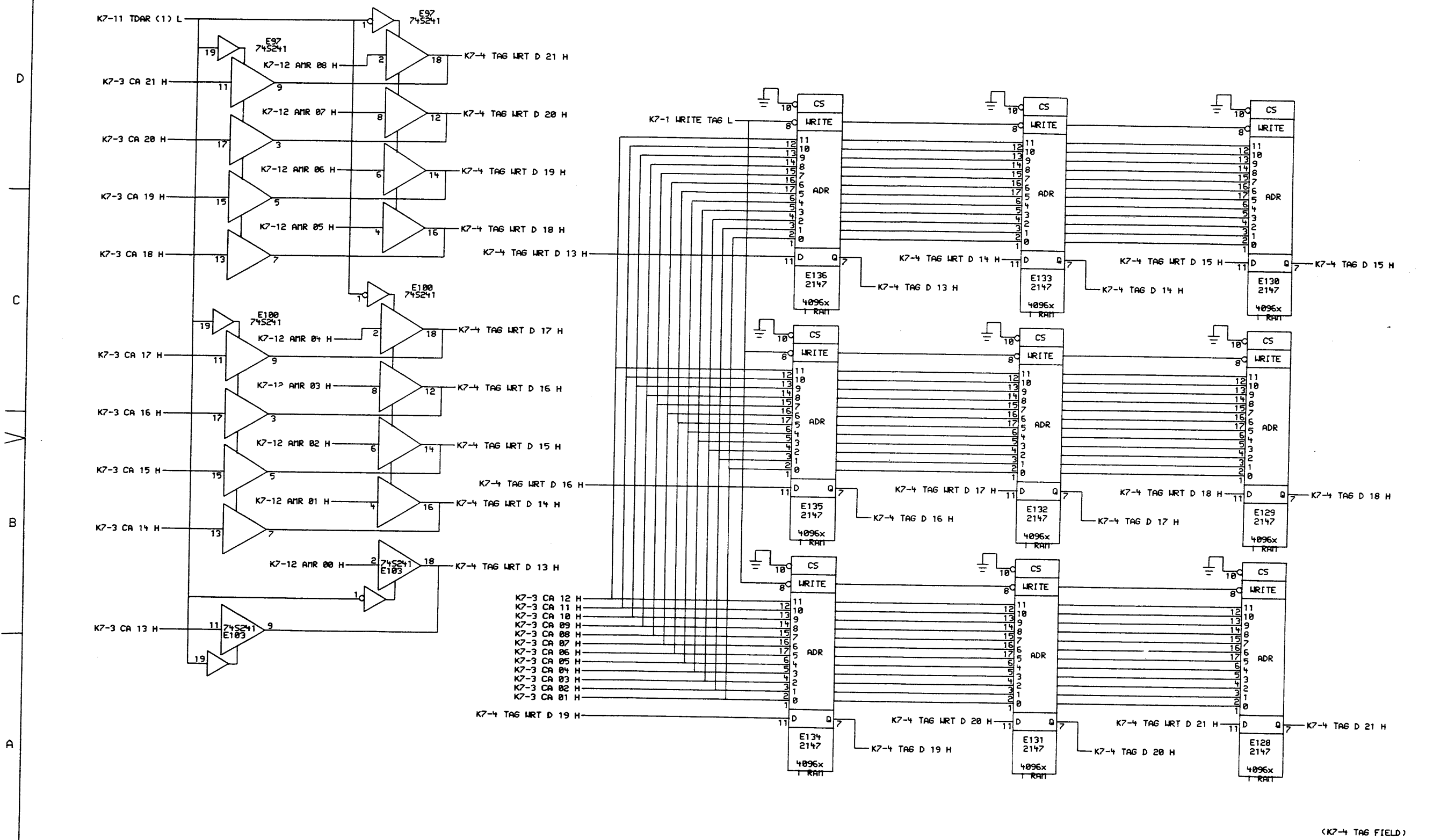


THIS DRAWING AND SPECIFICATIONS ARE THE PROPERTY OF DIGITAL EQUIPMENT CORPORATION AND SHALL NOT BE REPRODUCED OR COPIED OR USED IN WHOLE OR IN PART AS THE BASIS FOR THE MANUFACTURE OR SALE OF ITEMS WITHOUT WRITTEN PERMISSION. COPYRIGHT © 1979, DIGITAL EQUIPMENT CORPORATION.

REVISIONS	
CHK	CHANGE NO. REV

	DATE: 26-JUN-79	DATE: 29-JUN-79	TITLE: KK11B CACHE
	DATE: 11/44	DATE: B-DD-M7097-0	DATE: 3 OF 13
FIRST USED ON OPTION/MODEL: 11/44		NEXT HIGHER ASSEMBLY: B-DD-M7097-0	SIZE CODE: D CS
NUMBER: M7097-0-1		REV. C	TW 1

(K7-3 ADDRESS CONTROL)



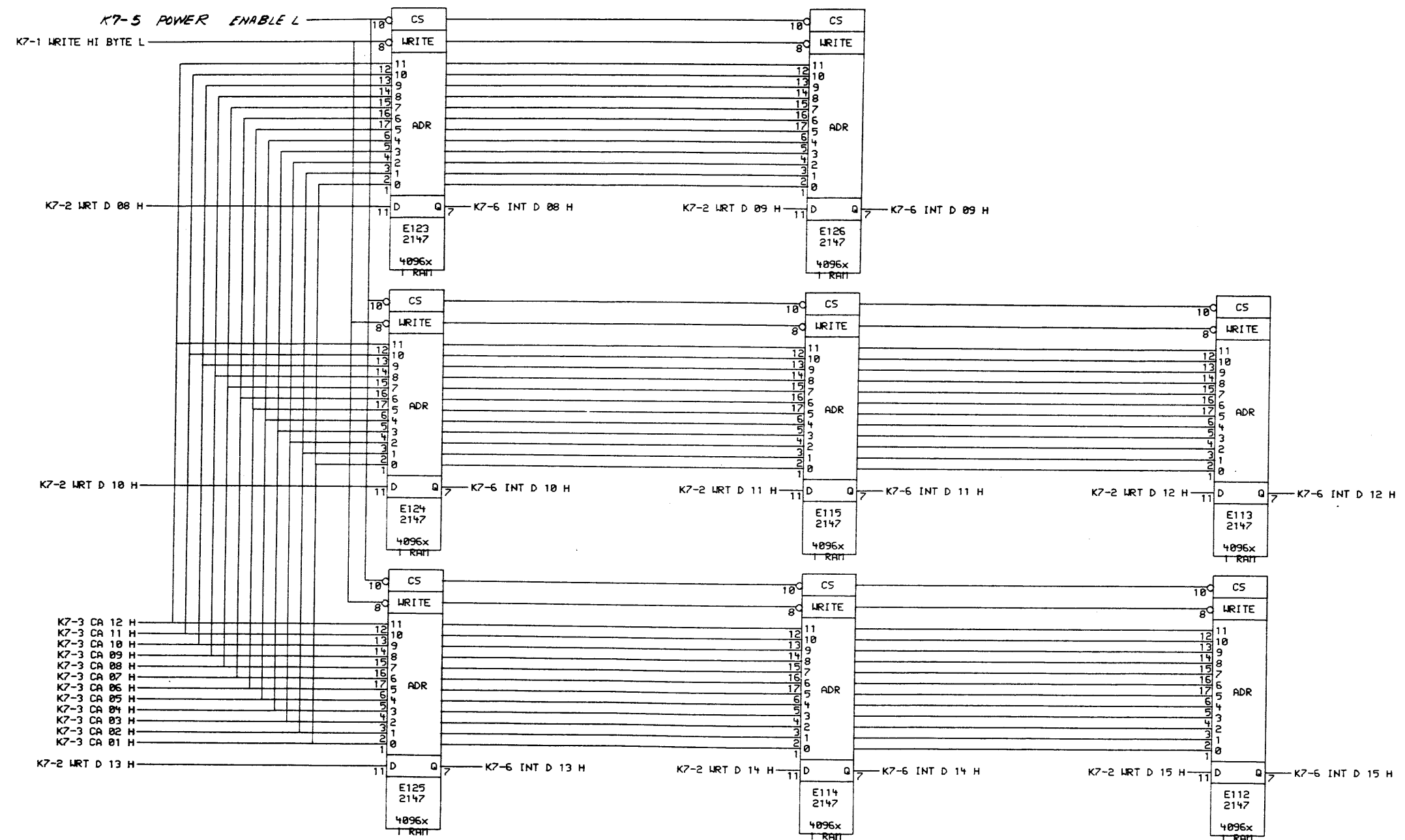
(K7-4 TAG FIELD)

THIS DRAWING AND SPECIFICATIONS HEREIN, ARE THE PROPERTY OF DIGITAL EQUIPMENT CORPORATION AND SHALL NOT BE REPRODUCED OR COPIED OR USED IN WHOLE OR IN PART AS THE BASIS FOR THE MANUFACTURE OR SALE OF ITEMS WITHOUT WRITTEN PERMISSION. COPYRIGHT © 1979, DIGITAL EQUIPMENT CORPORATION.

REVISIONS		
CHK	CHANGE NO.	REV

	DRN: <i>W. Fisher</i> DATE: 26-JUN-79 CHK: <i>W. G.</i> DATE: 27-JUN-79	ENG: <i>M. J. J.</i> DATE: 29-JUN-79 SHEET: 4 OF 13	TITLE: KK11B CACHE
	(168,5500) 709704.DRL FIRST USED ON OPTION MODEL: 11/44	26-JUN-79 19:08 B-DD-M7097-0	SIZE CODE: D CS NUMBER: M7097-0-1





<K7-6 ARRAY HI BYTE>

THIS DRAWING AND SPECIFICATIONS HEREIN ARE THE PROPERTY OF DIGITAL EQUIPMENT CORPORATION AND SHALL NOT BE REPRODUCED OR COPIED OR USED IN WHOLE OR IN PART AS THE BASIS FOR THE MANUFACTURE OR SALE OF ITEMS WITHOUT WRITTEN PERMISSION. COPYRIGHT © 1974 DIGITAL EQUIPMENT CORPORATION

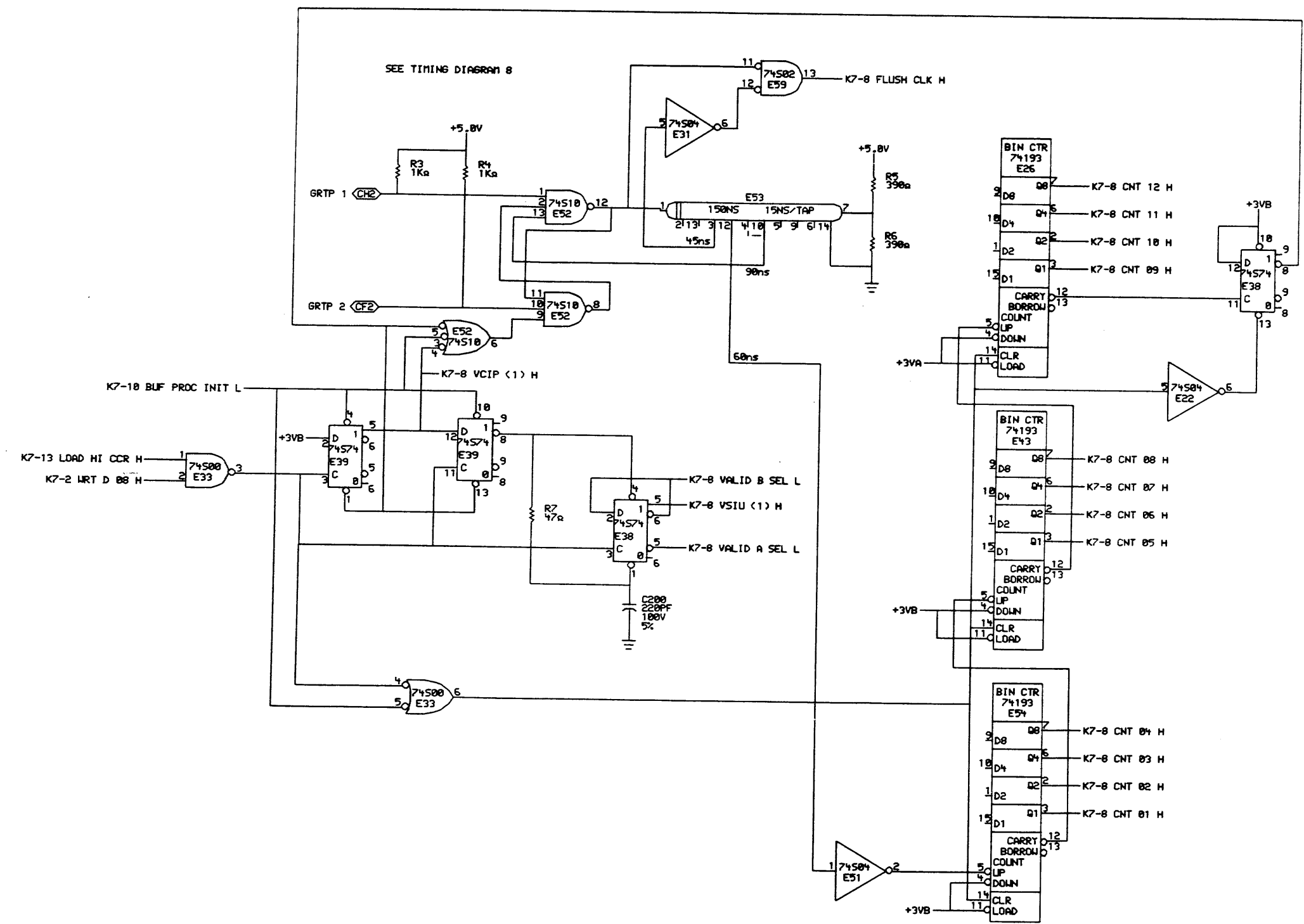
REVISIONS	
CHK	CHANGE NO. REV

	DRN: <i>W. Fisher</i>	DATE: 26-JUN-79	ENG: <i>M. Jull</i>	DATE: 27-JUN-79	TITLE: <b>KK11B CACHE</b>
	CHK: <i>M. Jull</i>	DATE: 29-JUN-79	BOARD LOCATION: 6 OF 13	SHEET: 6 OF 13	
FIRST USED ON OPTION/MODEL: 11/44		NEXT HIGHER ASSEMBLY: B-DD-M7097-0		SIZE CODE: D CS	NUMBER: M7097-0-1
				REV.:	C



D  
C  
B  
A

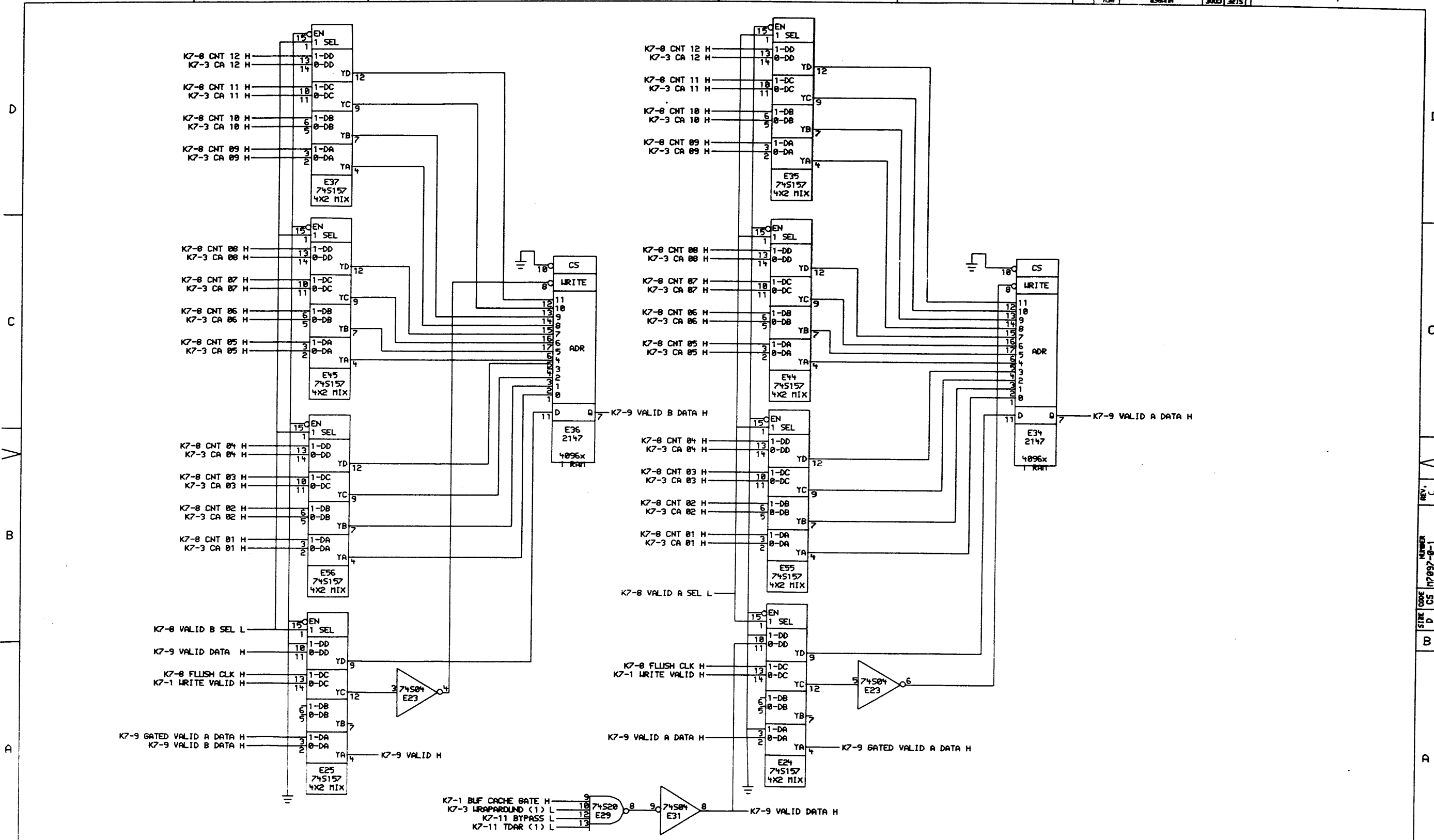
EACH FLUSH CYCLE TAKES ABOUT 800 MICRO SECONDS



(K7-8 FLUSH CONTROL)

REVISIONS	
CHK	CHANGE NO. REV

digital	DRN <i>W. Fisher</i>	DATE 25-JUN-79	ENG. <i>W. Fisher</i>	DATE 29-JUN-79	TITLE: KK11B CACHE
	CHK <i>W. Fisher</i>	DATE 24-JUN-79	BOARD LOCATION: 8 OF 13	SHEET 8 OF 13	
FIRST USED ON OPTION MODEL: 11/44					



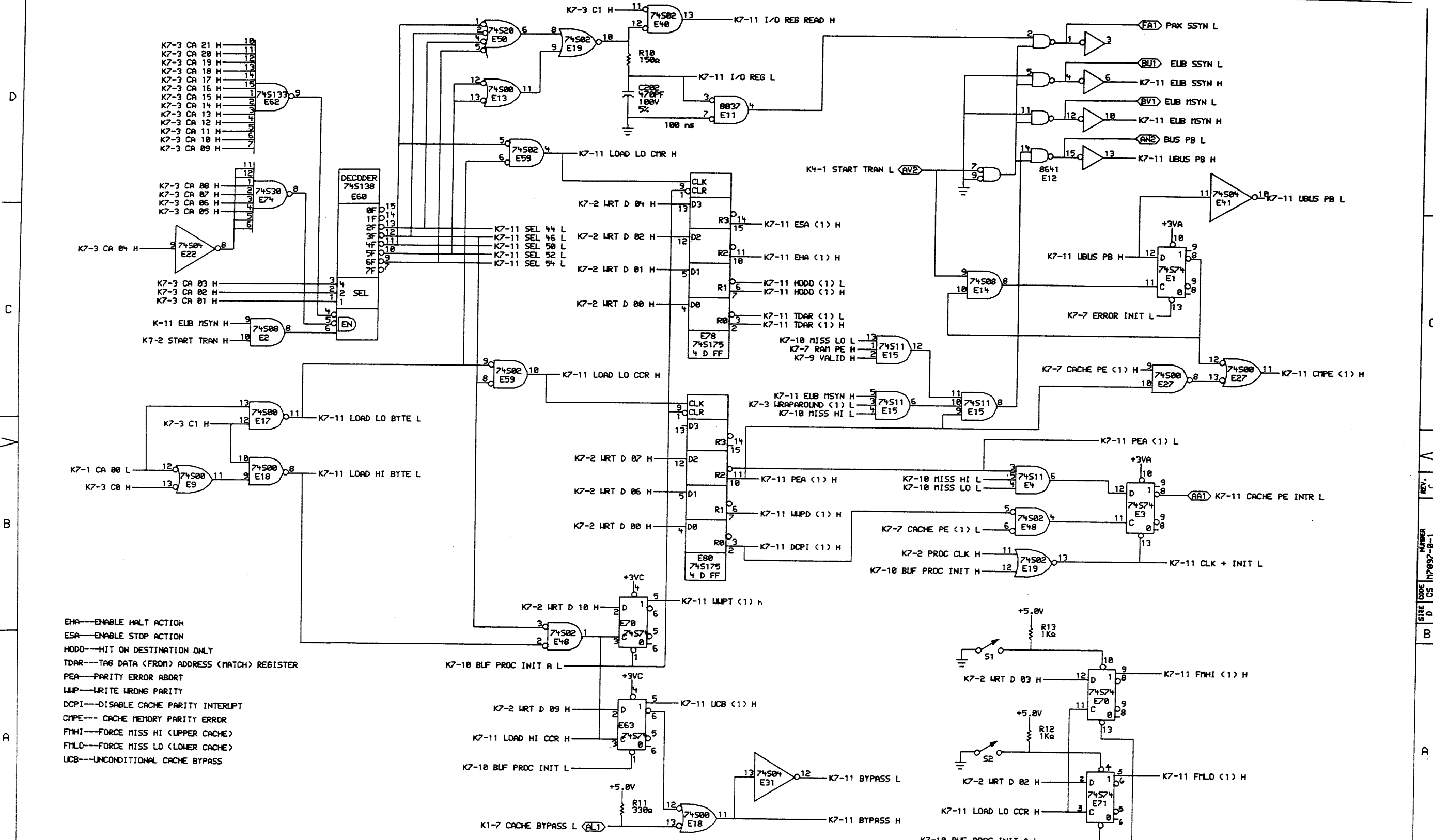
REV.	CHG	NO.	REV

digital	DRAWN	DATE	DES.	DATE	TITLE:
	<i>W. Fisher</i>	25-JUN-79	<i>M. Hill</i>	29-JUN-79	KK11B CACHE
	CHK'D	DATE	BOARD LOCATION:		
	<i>M. Hill</i>	24-JUN-79	9 DE 13		
FIRST USED ON OPTION/MODEL: 11/44				NEXT HIGHER ASSEMBLY:	
SIZE	CODE	NUMBER	REV.		
D	CS	M7097-0-1	C		

TW





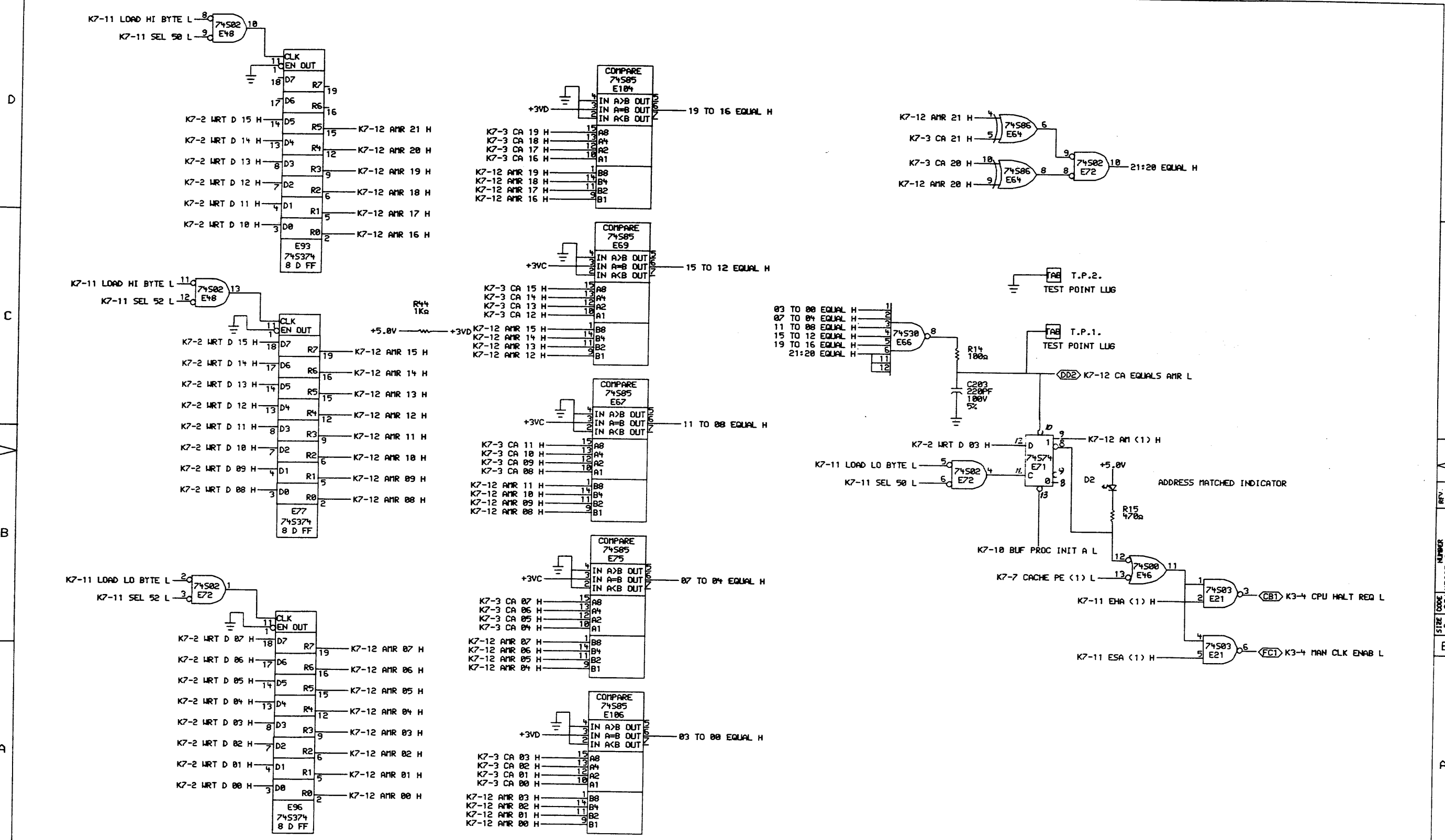


EHA---ENABLE HALT ACTION  
 ESA---ENABLE STOP ACTION  
 HODD---HIT ON DESTINATION ONLY  
 TDAR---TAG DATA (FROM) ADDRESS (MATCH) REGISTER  
 PEA---PARITY ERROR ABORT  
 WUP---WRITE WRONG PARITY  
 DCPI---DISABLE CACHE PARITY INTERRUPT  
 CMPE---CACHE MEMORY PARITY ERROR  
 FMHI---FORCE MISS HI (UPPER CACHE)  
 FMLO---FORCE MISS LO (LOWER CACHE)  
 LUCB---UNCONDITIONAL CACHE BYPASS

REVISIONS	CHK	CHANGE NO.	REV

	DATE: 25-JUN-79	DATE: 25-JUN-79	TITLE: KK11B CACHE
	DATE: 25-JUN-79	DATE: 25-JUN-79	DATE: 25-JUN-79
[160,5500]09211.DRW FIRST USED ON OPTION/MODEL: 11/44	DATE: 25-JUN-79 19:18 NEXT HIGHER ASSEMBLY: B-DD-M7097-0	SHEET: 11 OF 13 BOARD LOCATION:	SIZE CODE: D CS NUMBER: M7097-0-1 REV.: C

REV. C  
 NUMBER M7097-0-1  
 SIZE CODE D CS  
 TW

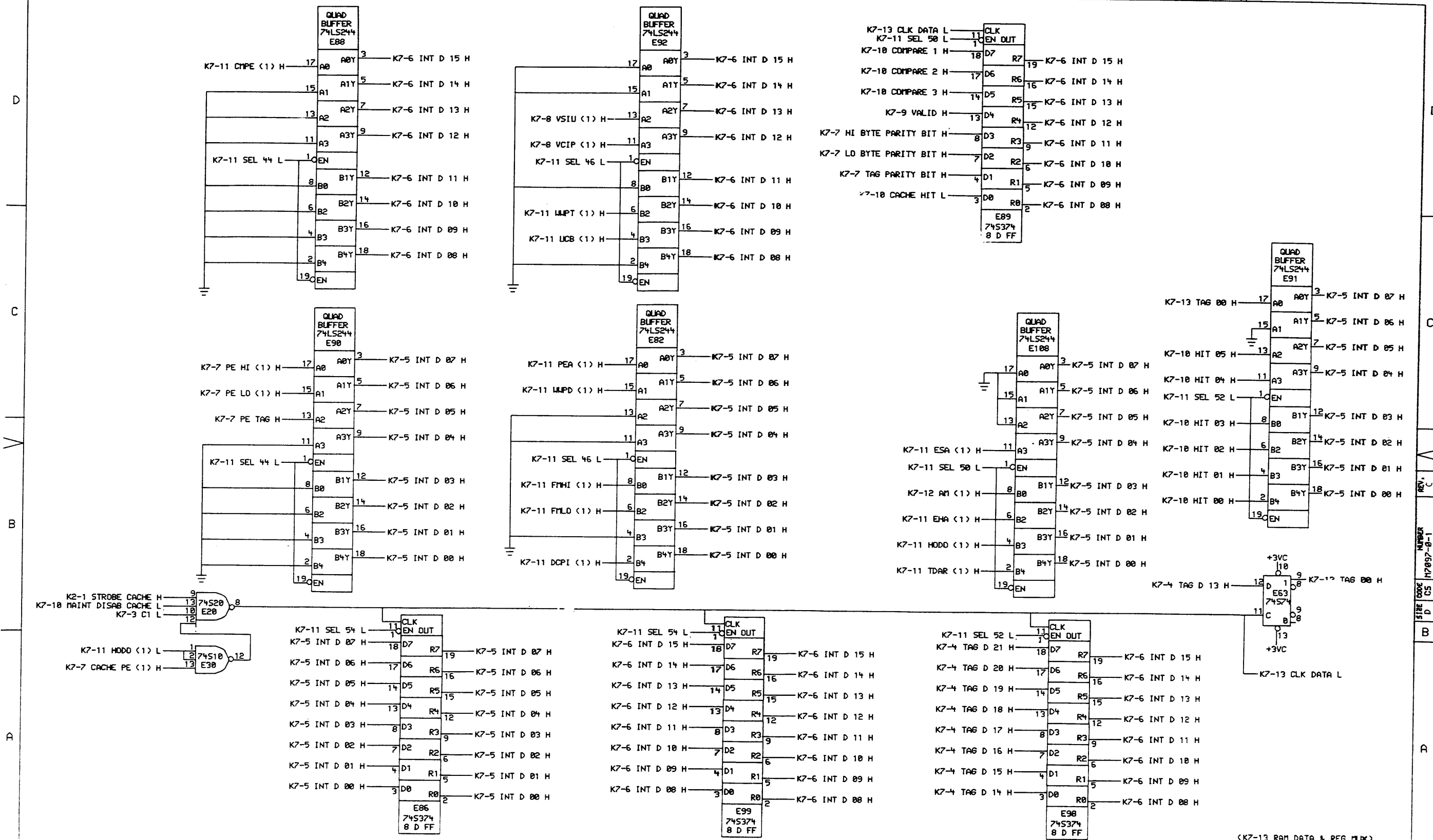


(K7-12 ADDR MATCH REGISTERS)

THIS DRAWING AND SPECIFICATIONS ARE THE PROPERTY OF DIGITAL EQUIPMENT CORPORATION AND SHALL NOT BE REPRODUCED OR COPIED OR USED IN WHOLE OR IN PART AS THE BASIS FOR THE MANUFACTURE OR SALE OF ITEMS WITHOUT WRITTEN PERMISSION. COPYRIGHT © 1974, DIGITAL EQUIPMENT CORPORATION.

REVISIONS	
CHK	CHANGE NO. REV

digital	DRN <i>W. Fisher</i>	DATE <i>26-JUN-79</i>	ENG <i>M. Bull</i>	DATE <i>29-JUN-79</i>	TITLE: <b>KK11B CACHE</b>
	CHK <i>M. Bull</i>	DATE <i>26-JUN-79</i>	BOARD LOCATION <i>12 OF 13</i>	SHEET <i>12 OF 13</i>	
FIRST USED ON OPTION/MODEL: <i>11/44</i>		NEXT HIGHER ASSEMBLY: <i>B-DD-M7097-0</i>		SIZE CODE <i>D</i>	NUMBER <i>M7097-0-1</i>
				REV. <i>C</i>	



THIS DRAWING AND SPECIFICATIONS ARE THE PROPERTY OF DIGITAL EQUIPMENT CORPORATION AND SHALL NOT BE REPRODUCED OR COPIED OR USED IN WHOLE OR IN PART AS THE BASIS FOR THE MANUFACTURE OR SALE OF ITEMS WITHOUT WRITTEN PERMISSION. COPYRIGHT © 1979, DIGITAL EQUIPMENT CORPORATION.

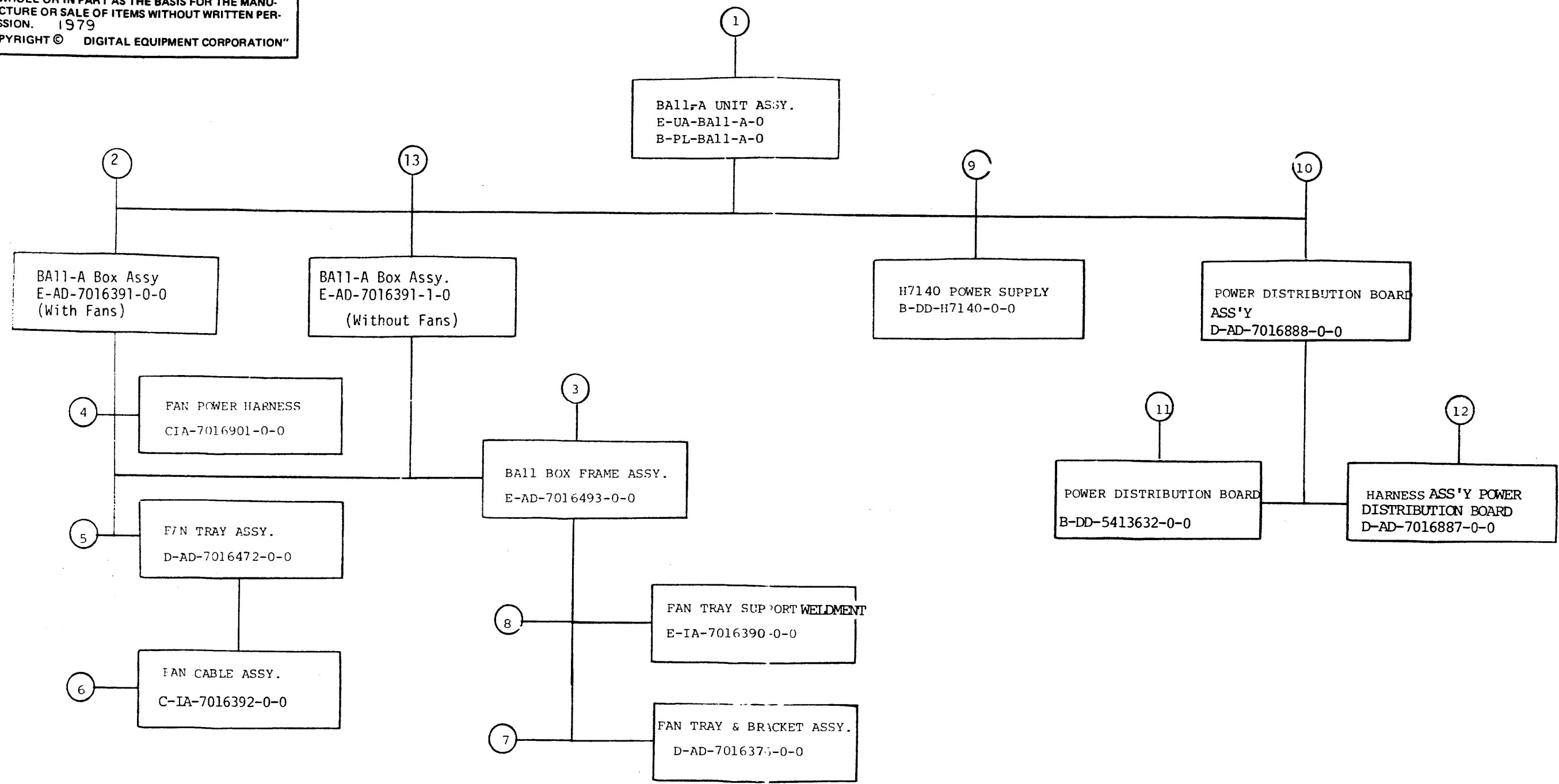
REVISIONS		
CHK	CHANGE NO.	REV.

	DATE: 26-JUN-79	DATE: 27-JUL-79	TITLE: KK11B CACHE
	DATE: 29-JUL-79	DATE: 13	DATE: 13
150,5500 J789713.DRW FIRST USED ON OPTION/MODEL: 11/44	126-JUN-79 19:11 NEXT HIGHER ASSEMBLY: B-DD-M7097-0	SIZE CODE: D CS NUMBER: M7097-0-1	REV. C





"THIS DRAWING AND SPECIFICATIONS, HEREIN, ARE THE PROPERTY OF DIGITAL EQUIPMENT CORPORATION AND SHALL NOT BE REPRODUCED OR COPIED OR USED IN WHOLE OR IN PART AS THE BASIS FOR THE MANUFACTURE OR SALE OF ITEMS WITHOUT WRITTEN PERMISSION. 1979  
 COPYRIGHT © DIGITAL EQUIPMENT CORPORATION"



TITLE	BALL-A UNIT ASSY.	SIZE CODE	NUMBER	REV
		B DD	BALL-A -0	*
SHEET 2 OF 3				

FIND NO.	DRAWING NO.	DESCRIPTION	TYPE	FIND NO.	DRAWING NO.	DESCRIPTION	TYPE
1	E-UA-Ball-A-0	Ball-A UNIT ASSY.	E/M	9	B-DD-H7140-0-0	H7140 POWER SUPPLY DRAWING DIRECTORY	REF
	B-PL-Ball-A-0	BALL-A PARTS LIST	REF				
2	E-AD-7016391-0-0	Ball-A BOX ASSY. (with fans)	E/M	10	D-AD-7016888-0-0	POWER DISTRIBUTION BOARD ASSY.	E/M
	D-PS-1216189-0-0	RETRACTOR SLIDE PAWL	M	11	B-DD-5413632-0-0	POWER DISTRIBUTION BOARD	E
	B-PS-1216190	SPRING SLIDE PAWL	M	12	D-AD-7016887	CABLE HARNESS ASS'Y POWER DISTRIBUTION BOARD	E
	B-MD-7421611-0-0	SLIDE PAWL	M				
	B-MD-7421444-0-0	PLATE SLIDE NUT	M				
	D-MD-7421613-0-0	SLIDE INDEX PLATE (2)	M				
	B-PS-1216197-0-0	PIVOT SCREW	M				
	D-PS-1215848-0-0	CARD GUIDE	M				
	B-MD-7421612-0-0	BAR GUIDE MNTING	M	13	E-AD-7016391-1-0	Ball-A Box Assy, Without fans (Reference only)	REF
3	E-MD-7016493-0-0	Ball BOX FRAME ASSY.	M				
	E-MD-7421631-0-0	SIDE PANEL LEFT	M				
	E-MD-7421441-0-0	CARD CAGE FRONT	M				
	D-MD-7421616-0-0	SPRING BOX LOCK	M				
	E-MD-7421610-0-0	SIDE PANEL RIGHT	M				
4	C-IA-7016901-0-0	FAN POWER HARNESS	E				
5	D-AD-7016472-0-0	FAN TRAY ASSY.	E/M				
6	D-IA-7016392-0-0	FAN CABLE ASSY.	E				
7	D-AD-7016376-0-0	FAN TRAY & BRACKET ASSY	M				
	D-MD-7421632-0-0	FAN TRAY	M				
	B-MD-7421387-0-0	BRACKET FAN TRAY CONN	M				
8	E-AD-7016390-0-0	FAN TRAY SUPPORT WELDMENT	M				
	E-MD-7421634-0-0	FAN TRAY SUPPORT FRONT	M				
	E-MD-7421633-0-0	FAN TRAY SUPPORT REAR	M				

TYPE: E ELECTRICAL  
M MECHANICAL  
E/M ELECTRO/MECHANICAL



TITLE

Ball-A UNIT ASSY.

SHEET 3 OF 3

SIZE CODE  
B DD

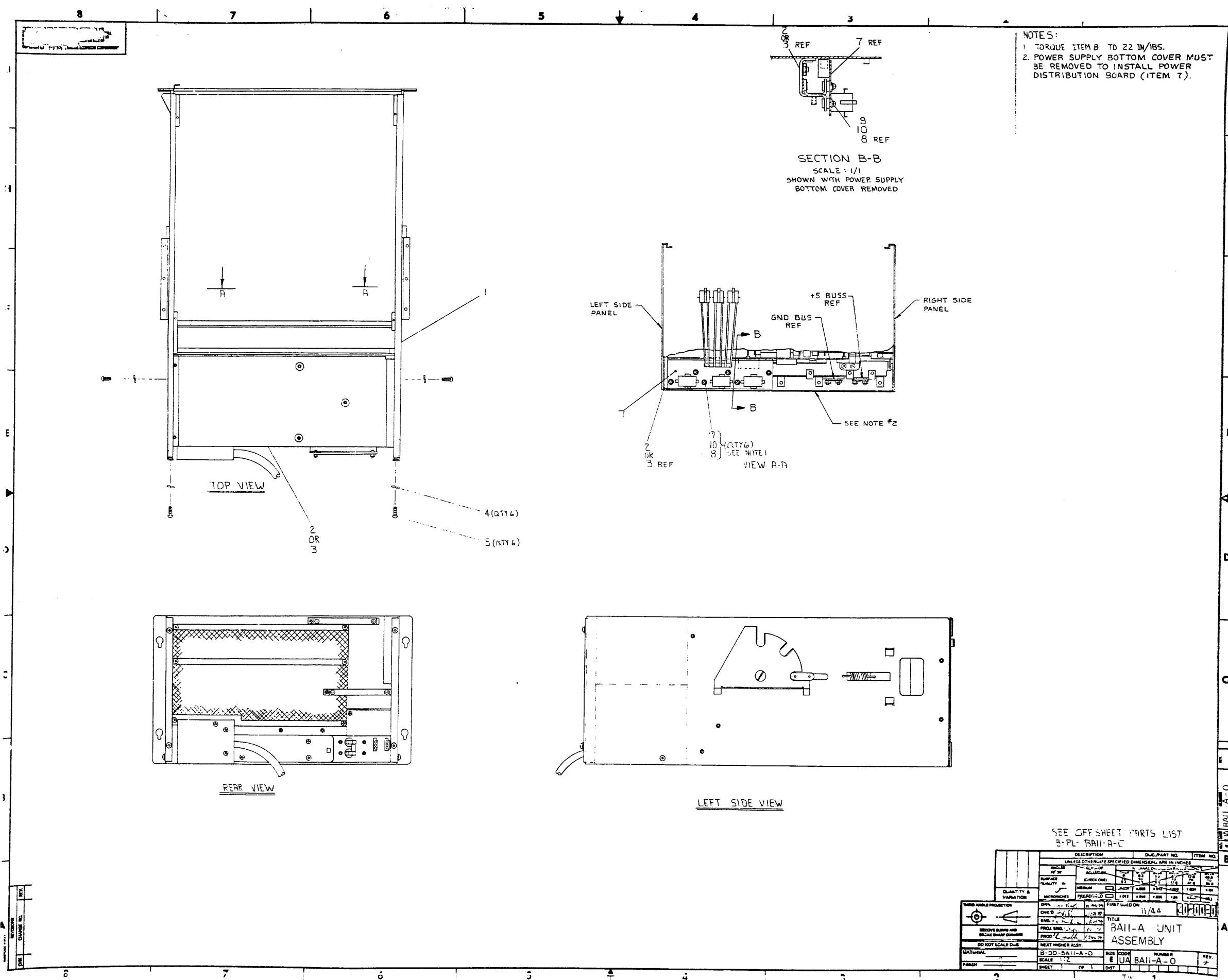
NUMBER  
Ball-A-0

REV  
\*

DRB 108A

T W/





NOTES:  
1. TORQUE ITEM 8 TO 22 IN/IBS.  
2. POWER SUPPLY BOTTOM COVER MUST BE REMOVED TO INSTALL POWER DISTRIBUTION BOARD (ITEM 7).

SEE OFF SHEET PARTS LIST  
B-PL-BAI-A-C

DESCRIPTION		DWG. PART NO.	ITEM NO.
UNLESS OTHERWISE SPECIFIED DIMENSIONS ARE IN INCHES			
ANGLE	AS SHOWN		
FINISH	AS SHOWN		
QUANTITY & VARIATION			
DATE	BY	REVISED BY	DATE
ENG. D.			
PROJ. ENG.			
PROD. ENG.			
DO NOT SCALE DIMS			
MATERIAL	B-DD-BAI-A-O	SIZE CODE	
FINISH		SCALE	1/2
SHEET	1	OF	1
TITLE		NUMBER	REV.
BAI-A UNIT ASSEMBLY		E UA BAI-A-O	7

REVISIONS  
DATE  
CHANGE NO.  
BY

B  
A  
C  
D  
E  
F  
J

# DIGITAL EQUIPMENT CORPORATION PARTS LIST

MADE BY JOHN NAGLE  
DATE 8 APRIL 1979

CHECKED *JPL*  
DATE 6/29/79

SECTION

ENG *John Bourdieu*  
DATE 6/29/79

PROD *John Conella*  
DATE 6 JUL 79

ISSUED SECTION

QUANTITY / VARIATION

NOTES:

ITEM NO.	DRAWING NO.	PART NO.	DESCRIPTION	QUANTITY / VARIATION												REF DESIGNATION	
				BAT1-AA	BAT1-AB												
1	E-AD-7016391-0-0		BAT1 BOX ASSY	1	1												
2	E-UA-H7140-0-0		H7140-AA PWR SUPPLY 120V	1	1												
3	E-UA-H7140-0-0		H7140-AB PWR SUPPLY 240V	1	1												
4	9006690-00		LOCKWASHER #8 SPLIT RING	6	6												
5	9006418-01		SCREW 8-32 X .38 TAPTITE	6	6												
6	A-SP-3700472-0-0		PACKAGING INSTRUCTIONS	REF	REF												
7	D-AD-7016888-0-0		POWER DISTRIBUTION BOARD	1	1												
8	9006039-01		SCREW #8-32 X .50 PLIPS PAN HD	6	6												
9	9006661-00		#8 FLAT WASHER	6	6												
10	9006690-00		#8 HELICAL SPLIT LOCKWASHER	6	6												

E.C.O. NO.

"THIS DRAWING AND SPECIFICATIONS, HEREIN, ARE THE PROPERTY OF DIGITAL EQUIPMENT CORPORATION AND SHALL NOT BE REPRODUCED OR COPIED OR USED IN WHOLE OR IN PART AS THE BASIS FOR THE MANUFACTURE OR SALE OF ITEMS WITHOUT WRITTEN PERMISSION. COPYRIGHT ©1979 DIGITAL EQUIPMENT CORPORATION"

TITLE  
BAT1-A UNIT  
ASSEMBLY

ASSY NO.  
E-UA-BAT1-A-0

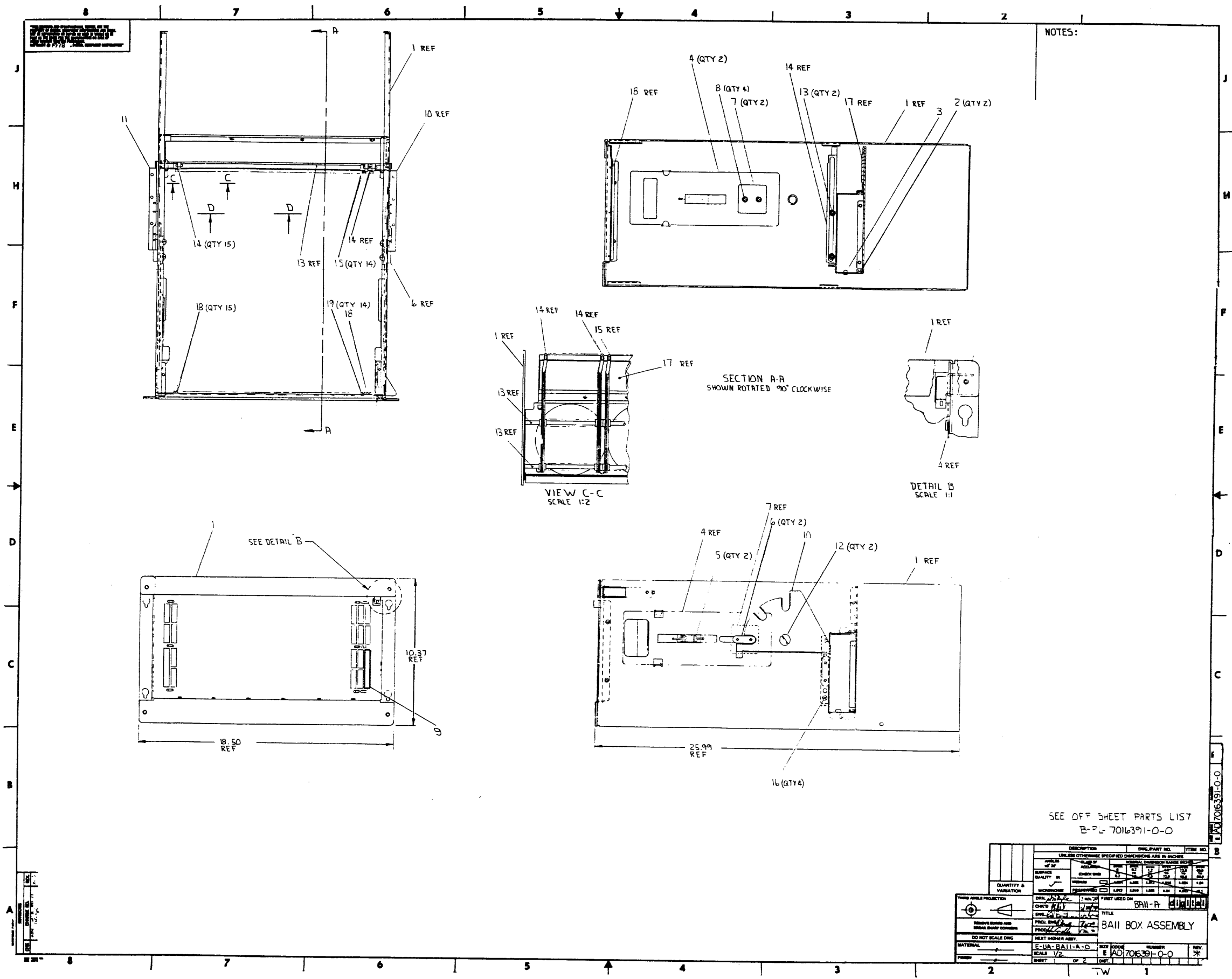
SIZE CODE  
**B PL**

NUMBER  
BAT1-A-0

REV.  
\*

SHEET 1 OF 1

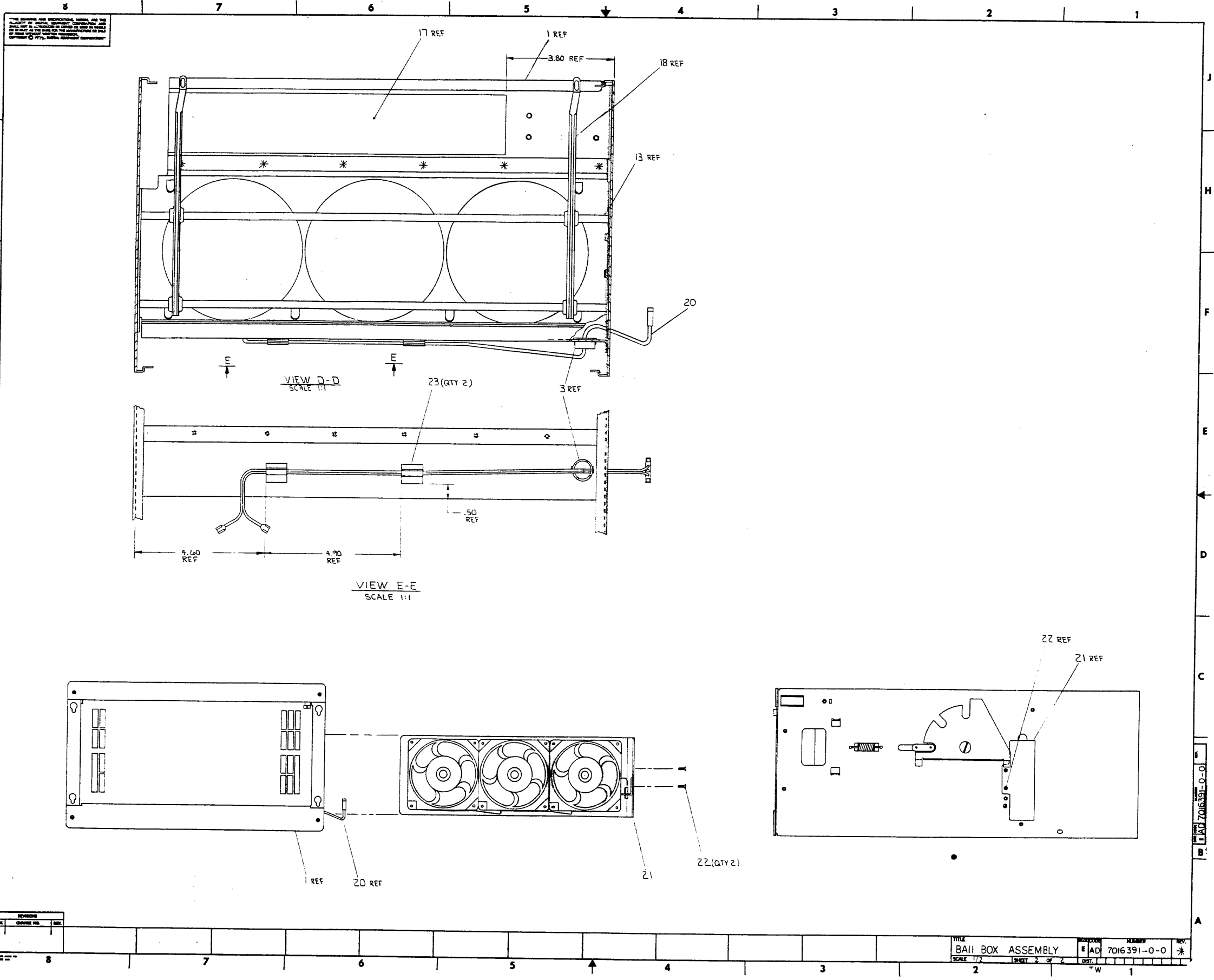
INSERTION PARTS LIST DATA BASE REV



NOTES:

SEE OFF SHEET PARTS LIST  
B-P-L 7016391-0-0

DESCRIPTION		DIM. PART NO.		ITEM NO.	
UNLESS OTHERWISE SPECIFIED DIMENSIONS ARE IN INCHES					
TOLERANCES		DIMENSION RANGES FROM			
FRAMES	±.015	0.000	0.250	0.500	1.000
HOLES	±.005	0.000	0.250	0.500	1.000
SURFACE FINISH	AS MANUFACTURED	0.000	0.250	0.500	1.000
QUANTITY & VARIATION	AS SHOWN	0.000	0.250	0.500	1.000
PROJECTION	3RD ANGLE				
DATE	1/2/54	REV.	1	FIRST USED ON	BALL BOX ASSEMBLY
DESIGNED BY	J. H. ...	CHECKED BY	J. H. ...	TITLE	BALL BOX ASSEMBLY
DRAWN BY	J. H. ...	APPROVED BY	J. H. ...	MATERIAL	E-1A-BALL-A-0
DO NOT SCALE DIMS.	NEXT HIGHER ASSY.				
MATERIAL	E-1A-BALL-A-0	SCALE	1/2	SIZE	AD 7016391-0-0
FINISH	AS MANUFACTURED	SHEET	2	OF 2	REV.



# DIGITAL EQUIPMENT CORPORATION PARTS LIST

MADE BY DATE	J. NAGLE 8 JUNE 1979	CHECKED DATE	[Signature] 6/29/79	SECTION
ENG DATE	Ron [Signature] 6/29/79	PROD DATE	John Conella 6 JUL-79	ISSUED SECTION

## QUANTITY / VARIATION

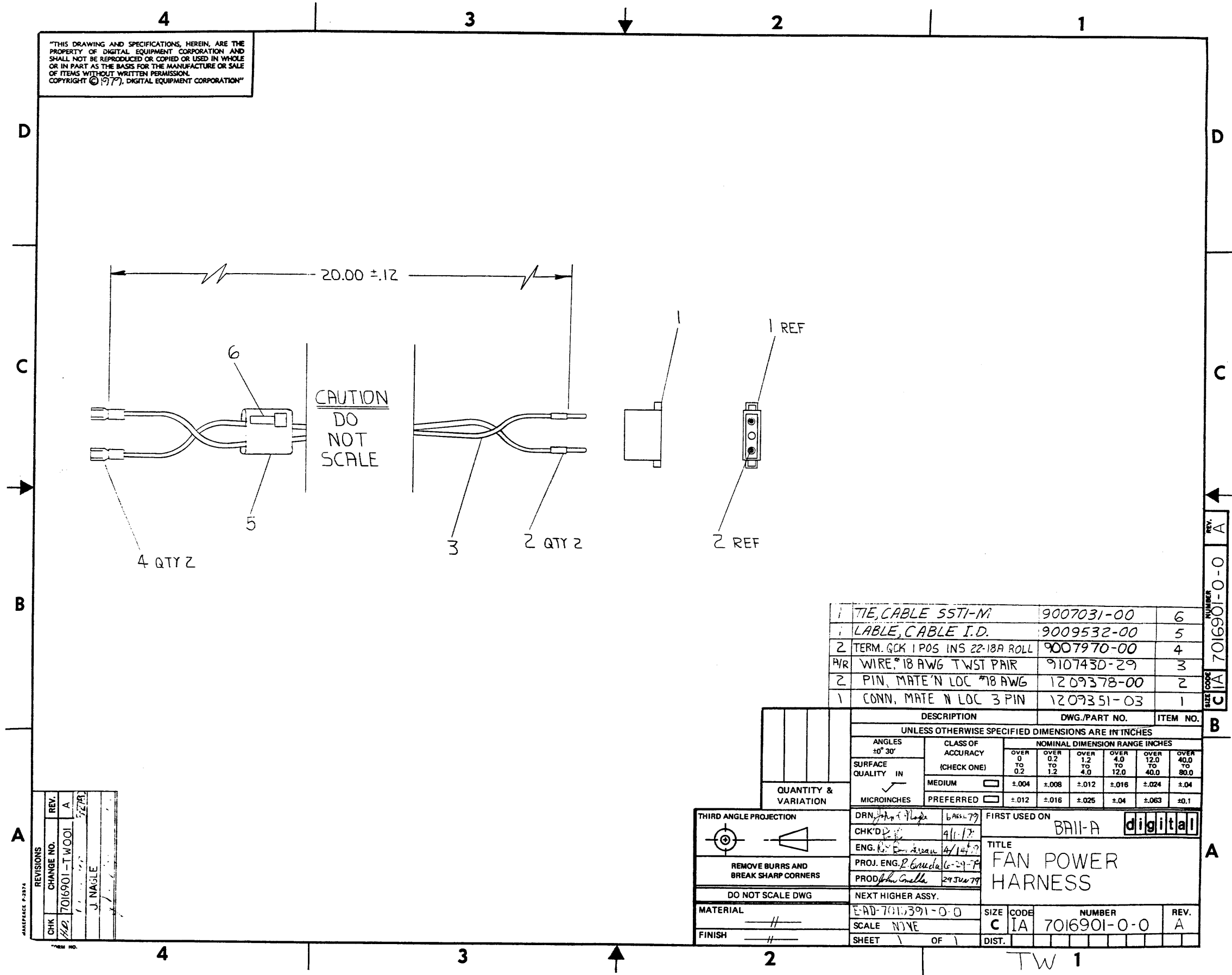
NOTES:

ITEM NO.	DRAWING NO.	PART NO.	DESCRIPTION	QUANTITY / VARIATION		REF DESIGNATION
				7016391-0-0	7016391-1-0	
1	E-MD-7016493-0-0		BA11 BOX FRAME ASSY	1	1	
2		9010107-00	CARD GUIDE (FAN TRAY)	2	2	
3		9007783-00	SNAP BUSHING	1	1	
4		1216189	RETRACTOR, SLIDE PAWL	2	2	
5		1216190	SPRING, SLIDE PAWL	2	2	
6	B-MD-7421611-0-0		SLIDE PAWL	2	2	
7	B-MD-7421444-0-0		PLATE, SLIDE NUT	2	2	
8		1216785	SEMS SCREW, PHIL TRUSS HD #10-32X.437 INT TOOTH	4	4	
9		9007035-00	GROMMET, CATAPILLER TYPE 5.70 INCHES	1	1	
10	D-MD-7421613-0-0		PLATE, SLIDE INDEX, RIGHT HAND	1	1	
11	D-MD-7421613-0-1		PLATE, SLIDE INDEX, LEFT HAND	1	1	
12		1216197	PIVOT SCREW	2	2	
13	B-MD-7421612-0-0		BAR, GUIDE MOUNTING	2	2	
14		1215848-0	CARD GUIDE (NATURAL)	15	15	
15		1215848-1	CARD GUIDE (BLACK)	14	14	
16		9010118-00	SCREW, NYLOCK 100° C SINK PHL P HD .31X#10-32	4	4	
17		9009087	FOAM TAPE, .125 X 2.10 X 12"	1	1	
18		1212405-0	CARD GUIDE (SNAP IN) WHITE	15	15	
19		1212405-10	CARD GUIDE (SNAP IN) BLACK	14	14	
20	C-IA-7016901-0-0		FAN POWER HARNESS	1	-	
21	D-AD-7016472-0-0		FAN TRAY ASSY	1	-	
22		9010120-00	SCREW 6-32 X .187 NYLOCK	2	-	
23		9009771-03	CABLE CLAMP	2	2	

E.C.O. NO. \_\_\_\_\_

THIS DRAWING AND SPECIFICATIONS, HEREIN, ARE THE PROPERTY OF DIGITAL EQUIPMENT CORPORATION AND SHALL NOT BE REPRODUCED OR COPIED OR USED IN WHOLE OR IN PART AS THE BASIS FOR THE MANUFACTURE OR SALE OF ITEMS WITHOUT WRITTEN PERMISSION. COPYRIGHT © 1979 DIGITAL EQUIPMENT CORPORATION"	TITLE BA11 BOX ASSEMBLY	ASSY NO. E-AD-7016391-0-0	SIZE <b>B</b>	CODE <b>PL</b>	NUMBER 7016391-0-0	REV. *
		SHEET 1 OF 1	INSERTION PARTS LIST DATA BASE REV			

"THIS DRAWING AND SPECIFICATIONS, HEREIN, ARE THE PROPERTY OF DIGITAL EQUIPMENT CORPORATION AND SHALL NOT BE REPRODUCED OR COPIED OR USED IN WHOLE OR IN PART AS THE BASIS FOR THE MANUFACTURE OR SALE OF ITEMS WITHOUT WRITTEN PERMISSION. COPYRIGHT © 1977, DIGITAL EQUIPMENT CORPORATION"



1	TIE, CABLE SSTI-M	9007031-00	6
1	LABE, CABLE I.D.	9009532-00	5
2	TERM. QCK 1 POS INS 22-18A ROLL	9007970-00	4
W/R	WIRE, #18 AWG TWST PAIR	910743D-29	3
2	PIN, MATE'N LOC #18 AWG	1209378-00	2
1	CONN, MATE N LOC 3 PIN	1209351-03	1

DESCRIPTION	DWG./PART NO.	ITEM NO.					
UNLESS OTHERWISE SPECIFIED DIMENSIONS ARE IN INCHES							
ANGLES ±0° 30'	CLASS OF ACCURACY (CHECK ONE)	NOMINAL DIMENSION RANGE INCHES					
SURFACE QUALITY IN	MEDIUM <input type="checkbox"/> PREFERRED <input type="checkbox"/>	OVER 0 TO 0.2	OVER 0.2 TO 1.2	OVER 1.2 TO 4.0	OVER 4.0 TO 12.0	OVER 12.0 TO 40.0	OVER 40.0 TO 80.0
		±.004	±.008	±.012	±.016	±.024	±.04
MICROINCHES		±.012	±.016	±.025	±.04	±.063	±0.1

THIRD ANGLE PROJECTION	DRN: <i>[Signature]</i> 6 APR 79	FIRST USED ON	BAIL-A digital
REMOVE BURRS AND BREAK SHARP CORNERS	CHK'D: <i>[Signature]</i> 4/11/79	ENG. <i>[Signature]</i> 4/14/79	TITLE
DO NOT SCALE DWG	PROJ. ENG. <i>[Signature]</i> 6-29-79	PROD. <i>[Signature]</i> 29 JUN 79	FAN POWER HARNESS
MATERIAL	E-AD-7016391-0-0	SIZE	CODE
FINISH	SCALE NONE	C	IA
	SHEET 1 OF 1	NUMBER	REV.
		7016901-0-0	A

REVISIONS	CHANGE NO.	REV.
CHK	7016901-TWOOL	A
	J. NAGLE	

REV. A  
NUMBER 7016901-0-0  
C/A

4 3 2 1

D C B A

4 QTY 2

5

6

20.00 ±.12

CAUTION DO NOT SCALE

3

2 QTY 2

1 REF

2 REF

4 3 2 1

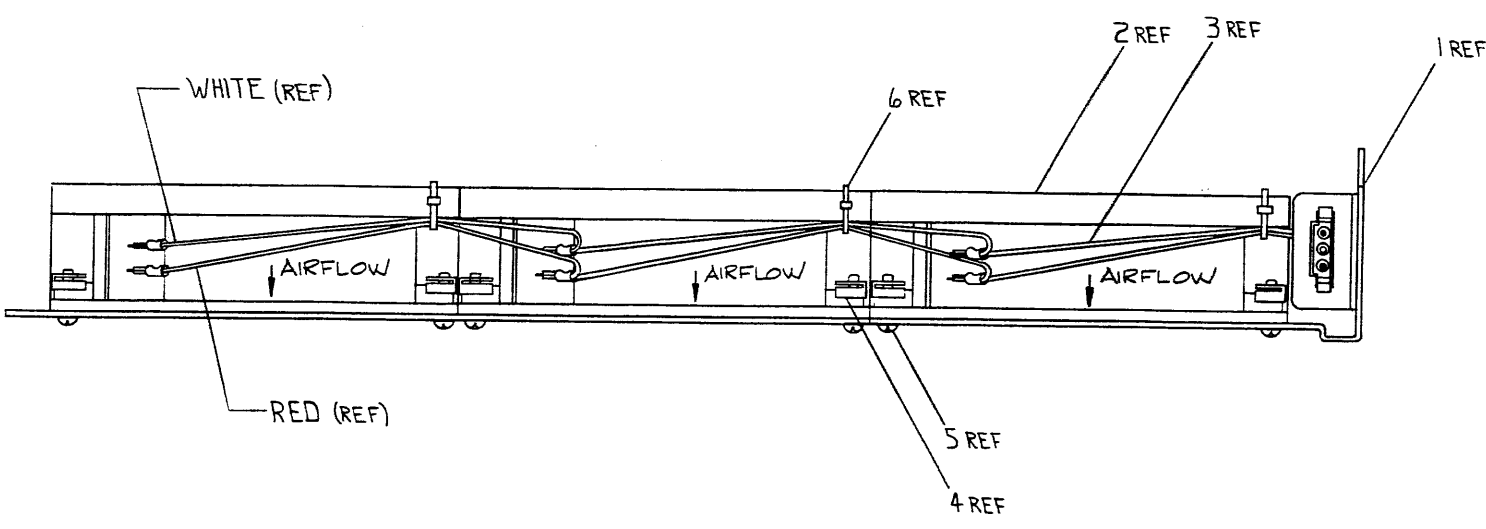
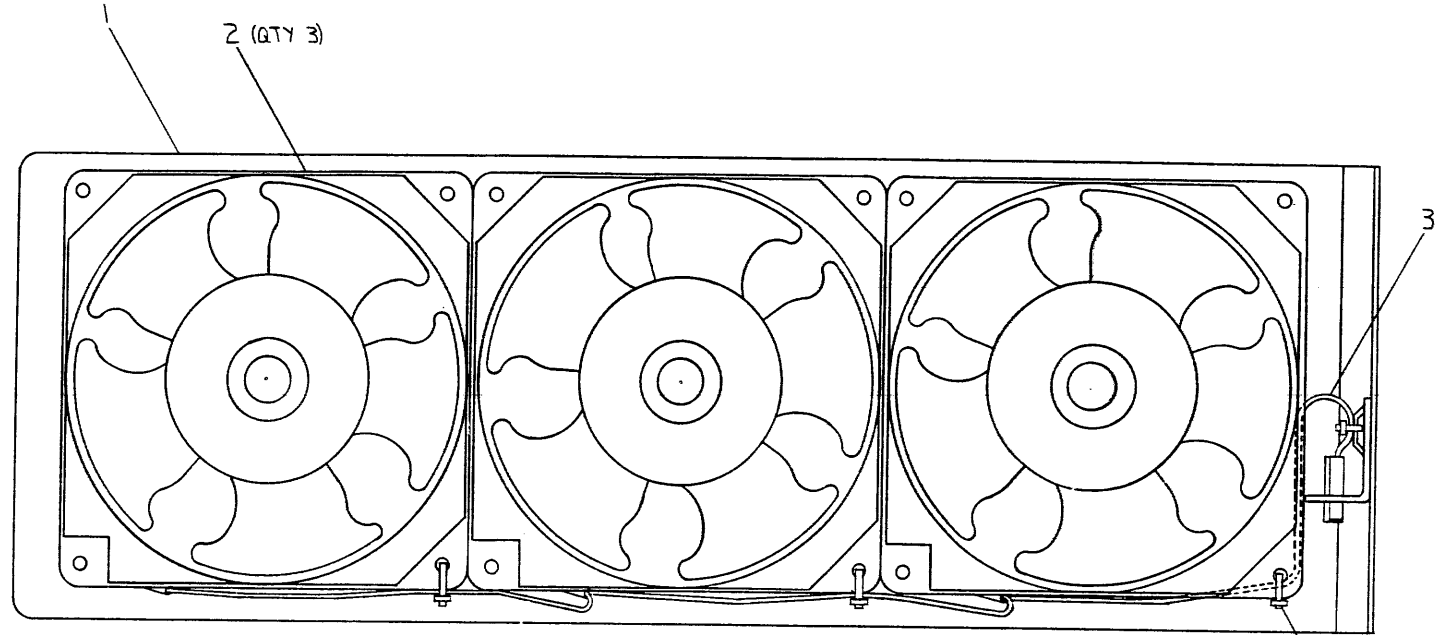
TW 1

THIS DRAWING AND SPECIFICATIONS HEREIN ARE THE PROPERTY OF DIGITAL EQUIPMENT CORPORATION AND SHALL NOT BE REPRODUCED OR COPIED OR USED IN WHOLE OR IN PART AS THE BASIS FOR THE MANUFACTURE OR SALE OF ITEMS WITHOUT WRITTEN PERMISSION.  
 COPYRIGHT © 1978, DIGITAL EQUIPMENT CORPORATION

DWG. NO. **D AD 7016472-0-0** SHEET **2** OF **2**

D  
C  
B  
A

D  
C  
B  
A



4 TIE WRAP	9007031-00	6
12 SCREW TRUSS HD#6-32x.62	9006025-03	12
12 CLIP FAN	9009165-00	4
1 CABLE FAN ASSEMBLY	D-AD-7016392-0-0	3
3 FAN, 35V .70 HZ, SQ WAVE	1216563-00	3
1 FAN TRAY & BRKT ASSY	D-AD-7016376-0-0	1

DESCRIPTION	DWG./PART NO.	ITEM NO.
UNLESS OTHERWISE SPECIFIED DIMENSIONS ARE IN INCHES		
ANGLES 30° 30'	CLASS OF ACCURACY	NOMINAL DIMENSION RANGE INCHES
SURFACE QUALITY FINISH	CHECK ONE	OVER 0 TO 0.2
		OVER 0.2 TO 1.2
MICROMETRES	PREFERRED	OVER 1.2 TO 4.0
		OVER 4.0 TO 12.0
		OVER 12.0 TO 48.0
		OVER 48.0 TO 240.0

THIRD ANGLE PROJECTION

REMOVE BURRS AND BREAK SHARP CORNERS

DO NOT SCALE DWG

MATERIAL: —H—

FINISH: —H—

QUANTITY & VARIATION

DRN. *W.R. Hall* 1/15/78

CHK'D. *J.F. Sullivan* 1/15/78

ENG. *W. R. Hall* 1/15/78

PROL. ENG. *W. R. Hall* 1/15/78

PROD. *W. R. Hall* 1/15/78

FIRST USED ON: **BAIL-A**

TITLE: **FAN TRAY ASSEMBLY**

SIZE: **D**

SCALE: 1:1

SHEET 1 OF 1

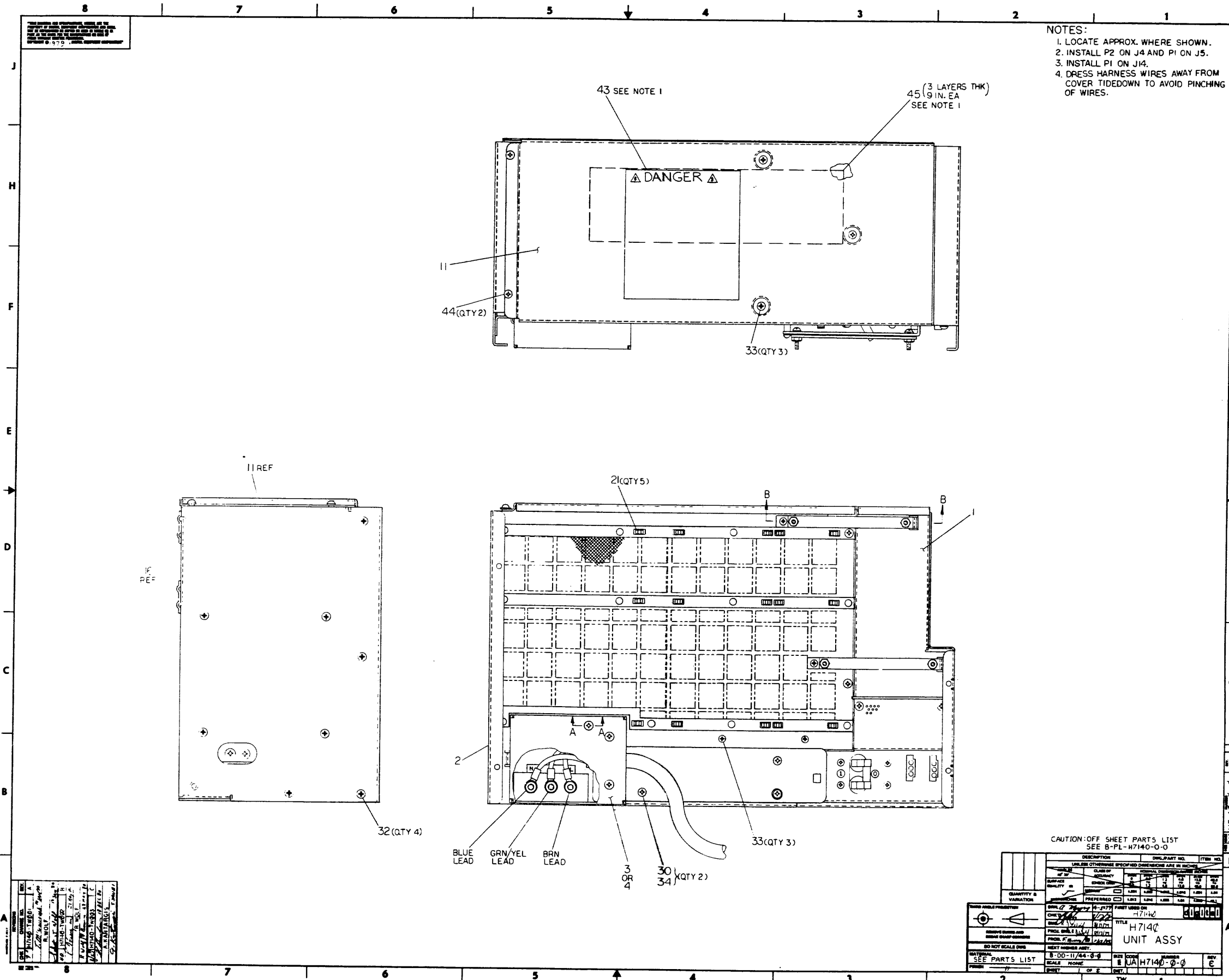
REV. **B**

REV.	DESCRIPTION	DATE
A	BAIL-A-TW001	1/15/78
B	W. R. HALL	1/15/78
C	W. R. HALL	1/15/78

8 7 6 5 4 3 2 1









# DIGITAL EQUIPMENT CORPORATION PARTS LIST

MADE BY DATE	A. MOWRY 8/15/79	CHECKED DATE	SECTION
ENG DATE	R. MOWRY 8/17/79	PROD DATE	F. MOWRY / B 8/17/79

## QUANTITY / VARIATION

NOTES:

ITEM NO.	DRAWING NO.	PART NO.	DESCRIPTION	QUANTITY / VARIATION												REF DESIGNATION		
				H7140-AA	H7140-AB	H7140-BA	H7140-BB											
1	E-AD-7016476-0-0	7016476-00	INPUT ASSY	1	1	1	1											
2	E-AD-7016054-0-0	7016054-00	OUTPUT PANEL ASSY	1	1	1	1											
3	D-AD-7016478-0-0	7016478-00	A.C. POWER CORD ASSY (120V)	1	-	1	-											
4	D-AD-7016478-1-0	7016478-01	A.C. POWER CORD ASSY (220V - 240V)	-	1	-	1											
5	E-UA-5413615-00	5413615-00	MOTHER BOARD, H7140	1	1	1	1											
6	D-UA-5413605-00	5413605-00	BIAS & INTERFACE BOARD	1	1	1	1											
7	D-UA-5413601-00	5413601-00	LOGIC INVERTER CONTROL BOARD	1	1	1	1											
8	D-UA-5413599-00	5413599-00	LOGIC INVERTER BOARD	1	1	1	1											
9	D-UA-5413607-00	5413607-00	MEMORY REGULATOR BOARD	1	1	0	0											
10	D-UA-5413603-00	5413603-00	MEMORY INVERTER BOARD	1	1	1	1											
11	D-MD-7422396-0-0	7422396-00	COVER, TOP	1	1	1	1											
12	D-MD-7421436-0-0	7421436-00	COVER, PWR SUPPLY, BOTTOM	1	1	1	1											
13	D-MD-7422042-0-0	7422042-00	BUS, +5V	1	1	1	1											
14	D-MD-7422041-0-0	7422041-00	BUS BAR, RETURN	1	1	1	1											
15	D-MD-7422044-0-0	7422044-00	INSULATOR, BUS	1	1	1	1											
16	D-MD-7421437-0-0	7421437-00	BRACKET, CARD GUIDE MTG	2	2	2	2											
17	D-MD-7422731-0-0	7422731-00	BRACKET, MOUNTING	2	2	2	2											
18	C-MD-7423066-0-0	7423066-00	BRACKET, CABLE ROUTING	2	2	2	2											
19	B-MD-7423067-0-0	7423067-00	CLAMP, CABLE	2	2	2	2											
20		1212405-11	CARD GUIDE, NYLON (SHORT)	5	5	5	5											
21		1212405-04	CARD GUIDE, NYLON (LONG)	5	5	5	5											
22		9009246-00	SPACER HEX #8-32 X .75 LG	1	1	1	1											
23		9006844-00	SPACER, HEX AL #6-32 X .375 LG	4	4	4	4											
24		9007794-01	SCR, PAN, PHIL #6-32 X 11/16 LG	4	4	4	4											
25		9008957-00	NUT, HEX #6-32 X 1/4 AF	4	4	4	4											
26		9010119-00	SCR PHL TRUSS HD #10-32 X .50 LG	2	2	2	2											
27		9009005-00	NUT, HEX #10-32	7	7	7	7											

E.C.O. NO.  
H7140-TW001  
H7140-TW002  
H7140-TWC03

THIS DRAWING AND SPECIFICATIONS, HEREIN, ARE THE PROPERTY OF DIGITAL EQUIPMENT CORPORATION AND SHALL NOT BE REPRODUCED OR COPIED OR USED IN WHOLE OR IN PART AS THE BASIS FOR THE MANUFACTURE OR SALE OF ITEMS WITHOUT WRITTEN PERMISSION. COPYRIGHT © 1979 DIGITAL EQUIPMENT CORPORATION	TITLE	ASSY NO.	SIZE	CODE	NUMBER	REV.
	H7140 UNIT ASSEMBLY	E-UA-H7140-00	B	PL	H7140-0-0	c
SHEET 1 OF 2		INSERTION PARTS LIST DATA BASE REV				

TW

# DIGITAL EQUIPMENT CORPORATION PARTS LIST

MADE BY DATE	A. MOWRY 8/15/79	CHECKED DATE	SECTION
ENG DATE	8/17/79	PROD DATE	ISSUED SECTION
		F. Muniz / R	8/17/79

## QUANTITY / VARIATION

NOTES:

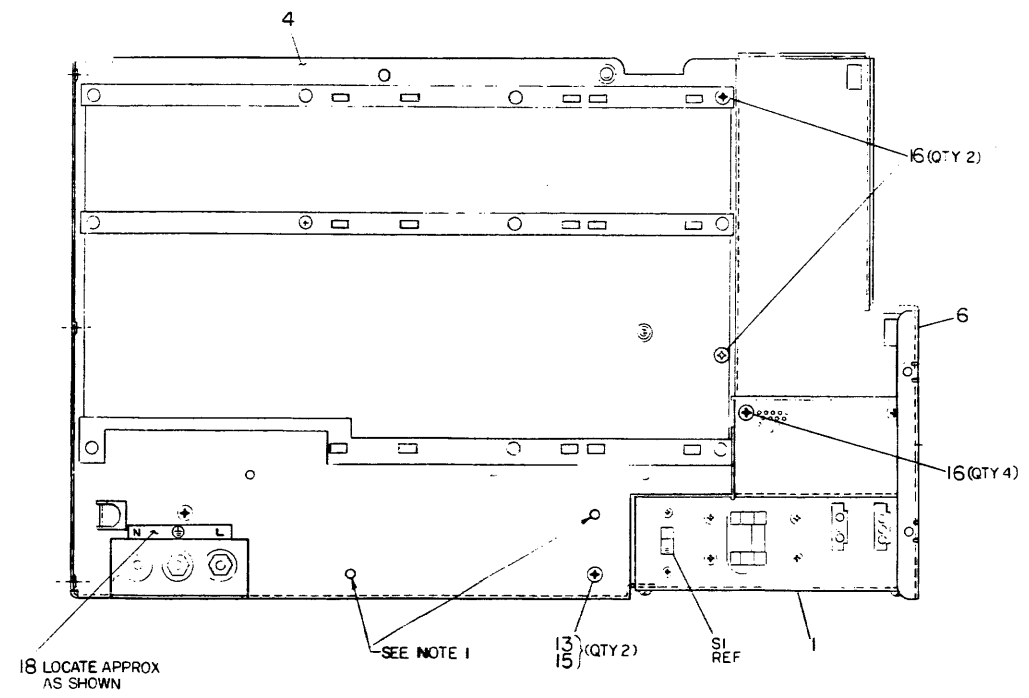
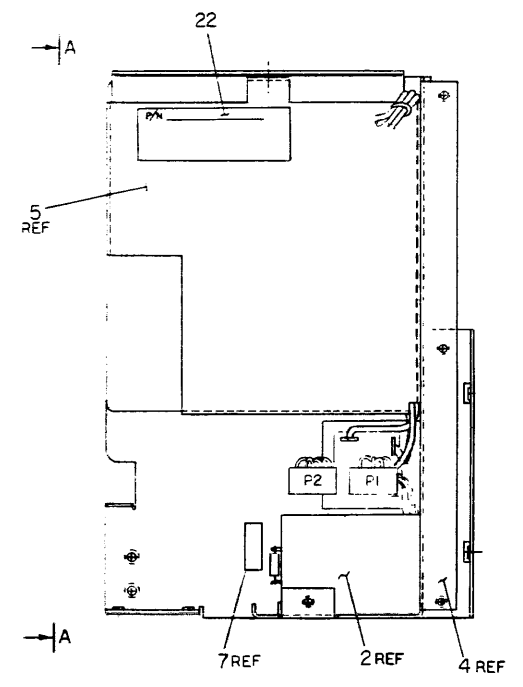
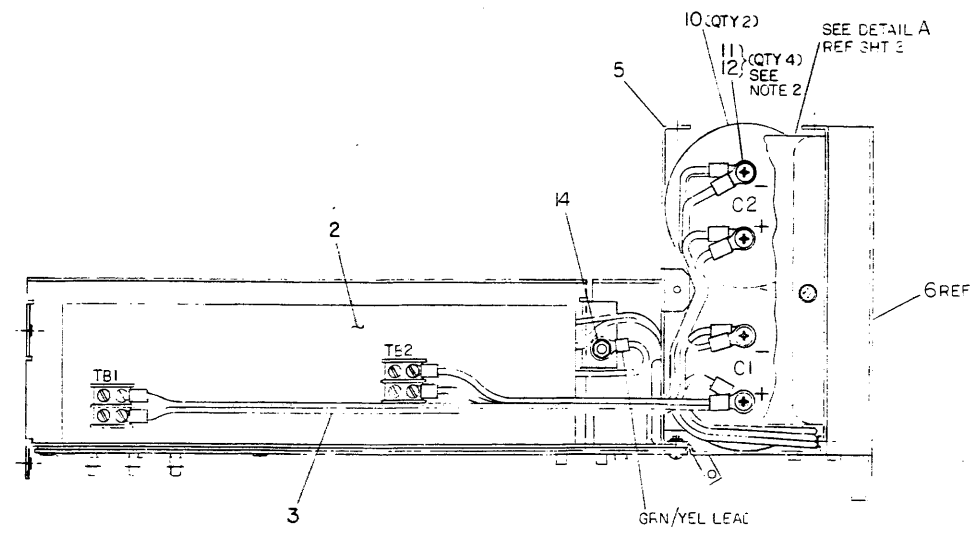
ITEM NO.	DRAWING NO.	PART NO.	DESCRIPTION	QUANTITY / VARIATION												REF DESIGNATION	
				H7140-AA	H7140-AB	H7140-BA	H7140-BB										
28		9006664-00	WASHER, FLAT #10	2	2	2	2										
29		9007906-00	WASHER, SPLIT, LOCK #10	7	7	7	7										
30		9006037-01	SCR PHL PAN HD #8-32 X .38 LG	2	2	2	2										
31		9006022-01	SCR PHL PAN HD #6-32 X .38 LG	5	5	5	5										
32		9009796-00	SCR PHL FLAT HD #6-32 X 1/4 LG SELF TAP	14	14	14	14										
33		9009798-00	SCR PHL PAN HD #6-32 X 5/16 LG SELF TAP	11	11	11	11										
34		9006690-00	WASHER, SPLIT, LOCK #8	3	3	3	3										
35		9009243-00	NUT, KEP #6-32	1	1	1	1										
36		9007801-00	WASHER, SPLIT, LOCK #6	14	14	14	14										
37		9006656-00	WASHER, FLAT #6	6	6	6	6										
38		9008212-00	SCR NYLON SLTD PAN HD #6-32 X 7/16 LG	3	3	3	3										
39		9006039-02	SCR PHL FLAT HD #8-32 X .5 LG	1	1	1	1										
40		9009537-01	SCR PHL PAN HD #6-32 X .62 SELF TAP	4	4	4	4										
41		9008957-00	NUT, HEX #6-32	4	4	4	4										
42		3615037-02	LABEL, "DANGER HIGH CURRENT"	1	1	1	1										
43		3616930-00	LABEL, DANGER STORED HIGH VOLTAGE	1	1	1	1										
44		9009791-00	SCREW, SEMS, PHL PAN HD #6-32 X 5/16 LG	4	4	4	4										
45		9009087-00	FOAM, TAPE, SINGLE SIDED 1/8 X 2.10	2.25	2.25	2.25	2.25										
46	D-UA-5413607-00	5413607-YA	MEMORY REGULATOR BOARD	0	0	1	1										
47	B-MD-7424586-0-0	7424586-00	INSULATOR, HEATSINK	1	1	1	1										

E.C.O. NO.

"THIS DRAWING AND SPECIFICATIONS, HEREIN, ARE THE PROPERTY OF DIGITAL EQUIPMENT CORPORATION AND SHALL NOT BE REPRODUCED OR COPIED OR USED IN WHOLE OR IN PART AS THE BASIS FOR THE MANUFACTURE OR SALE OF ITEMS WITHOUT WRITTEN PERMISSION. COPYRIGHT © 1979 DIGITAL EQUIPMENT CORPORATION"	TITLE H7140 UNIT ASSEMBLY	ASSY NO. E-UA-H7140-00	SIZE <b>B</b>	CODE <b>PL</b>	NUMBER H7140-0-0	REV. C
		SHEET 2 OF 2	INSERTION PARTS LIST DATA BASE REV			

1979

NOTE  
 1. DO NOT INSTALL HARDWARE IN THESE HOLES.  
 2. TORQUE TO 16 IN-LE ±10%.



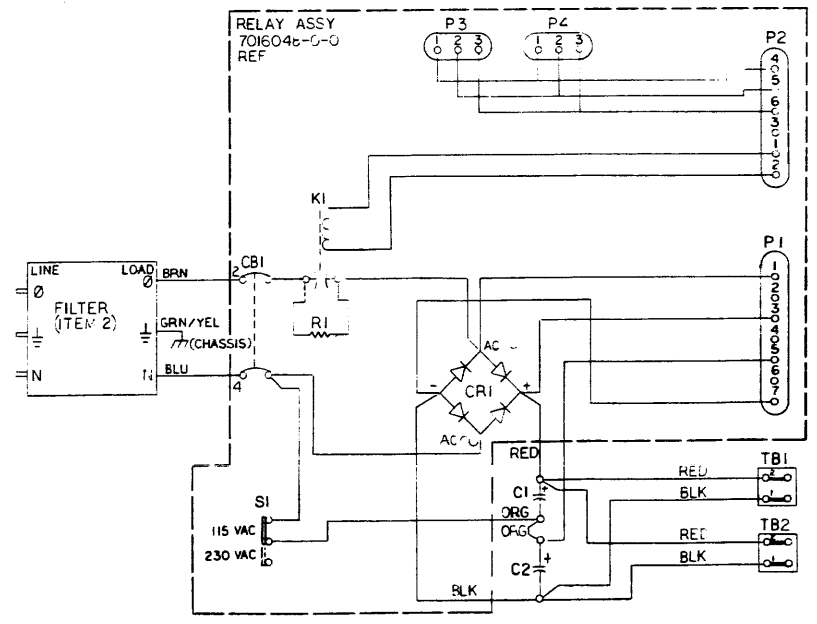
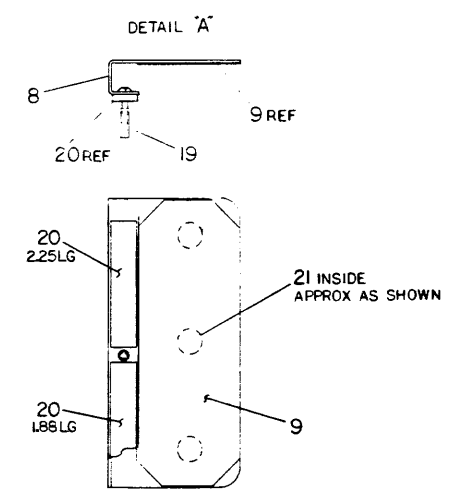
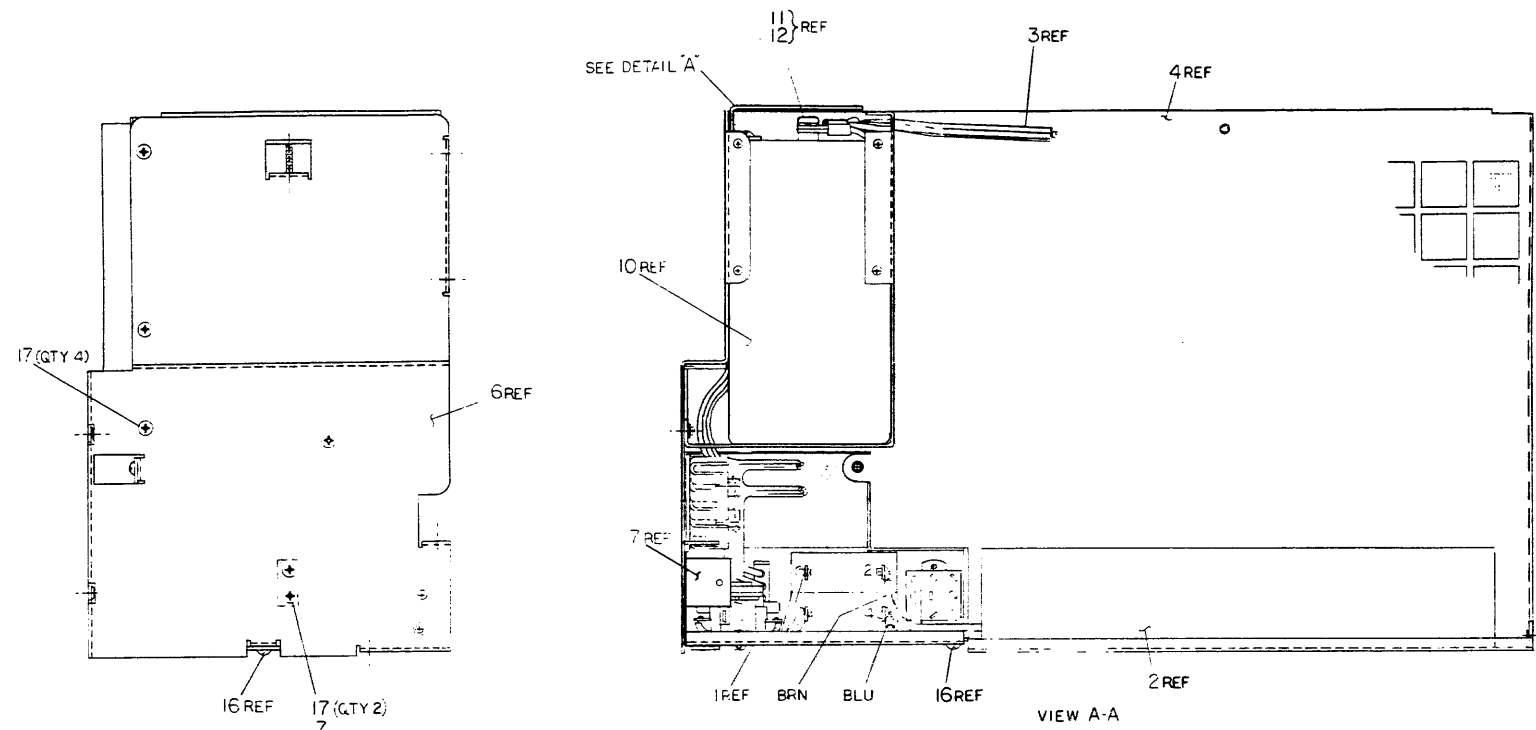
1	2	3	4	5	6	7	8
9	10	11	12	13	14	15	16

CAUTION - OFF SHEET PARTS LIST  
 SEE 9-PL-7016476-0-0

QUANTITY & VARIATION	DESCRIPTION	REF. PART NO.	TYPE
1	INPUT ASSY	H7140	20-0020
SEE PARTS LIST	EUA-H7140-0-0	AD706476-0-0	A

REV 1 OF 2 TW

THIS DRAWING IS THE PROPERTY OF THE AIR FORCE. IT IS TO BE KEPT IN THE ORIGINAL FILE. IT IS TO BE RETURNED TO THE OFFICE OF ORIGIN UPON REQUEST. IT IS NOT TO BE REPRODUCED OR TRANSMITTED IN ANY FORM OR BY ANY MEANS, ELECTRONIC OR MECHANICAL, INCLUDING PHOTOCOPYING, RECORDING, OR BY ANY INFORMATION STORAGE AND RETRIEVAL SYSTEM.



# DIGITAL EQUIPMENT CORPORATION PARTS LIST

MADE BY A. MOWRY	CHECKED <i>[Signature]</i>	SECTION
DATE 04-09-79	DATE 8/10/79	
ENG <i>Robert J. Wolf</i>	PROD <i>F. MUNIZ / a</i>	ISSUED SECTION
DATE 8-10-79	DATE 8/10/79	

## QUANTITY / VARIATION

NOTES:

ITEM NO.	DRAWING NO.	PART NO.	DESCRIPTION	QUANTITY	VARIATION	UNIT	REF DESIGNATION
1	E-AD-7016048-0-0	7016048-00	RELAY ASSY	1			
2	C-IA-7016898-0-0	7016898-00	FILTER, RFI, ASSY	1			
3	D-IA-7016477-0-0	7016477-00	HARNES, 300V	1			
4	D-IA-7016926-0-0	7016926-00	CHASSIS ASSY, REAR	1			
5	D-MD-7421433-0-0	7421433-00	BRACKET, CAPACITOR	1			
6	D-MD-7421438-0-0	7421438-00	PANEL, SIDE	1			
7	B-MD-7423546-0-0	7423546-00	BLOCK, MTG	1			
8	B-MD-7422382-0-0	7422382-00	CLAMP, CAPACITOR	1			
9	B-MD-7422401-0-0	7422401-00	INSULATOR, CAPACITOR	1			
10		1014336-00	CAPACITOR, 4500 uf/200 VDC, E%	2			
11		9006072-01	SCR, PHL PAN HD SS #10-32 x .438 LG	4			
12		9007906-00	WASHER, SPLIT, LOCK #10	4			
13		9006037-01	SCR, PHL PAN HD SS #8-32 x .375 LG	2			
14		9006565-00	NUT, KEP CS/CAD #10-32 x 3/8 AF	1			
15		9006690-00	WASHER, SPLIT, LOCK #8	2			
16		9009708-00	SCREW, PHL PAN HD SELF TAP #6-32 x .312	6			
17		9009796-00	SCR, PHL FLAT HD SELF TAP #6-32 x .250	6			
18		3617016-00	LABEL, N-GROUND-L	1			
19		9010133-00	SCREW, PHILL PAN HD #8-32 x .88 LG	1			
20		9009342-00	FOAM TAPE ADH. BACK .50 x .125	.35	FT		
21		9009157-00	ADHESIVE, PERMABOND #101	A/R			
22		9009255-00	LABEL, POWER SUPPLY	1			

E.C.O. NO.  
H7140-  
TY001

"THIS DRAWING AND SPECIFICATIONS, HEREIN, ARE THE PROPERTY OF DIGITAL EQUIPMENT CORPORATION AND SHALL NOT BE REPRODUCED OR COPIED OR USED IN WHOLE OR IN PART AS THE BASIS FOR THE MANUFACTURE OR SALE OF ITEMS WITHOUT WRITTEN PERMISSION. COPYRIGHT © 1979 DIGITAL EQUIPMENT CORPORATION"

TITLE

INPUT ASSY

ASSY NO.

E-AD-7016476-00

SIZE

B

CODE

PL

NUMBER

7016476-0-0

REV.

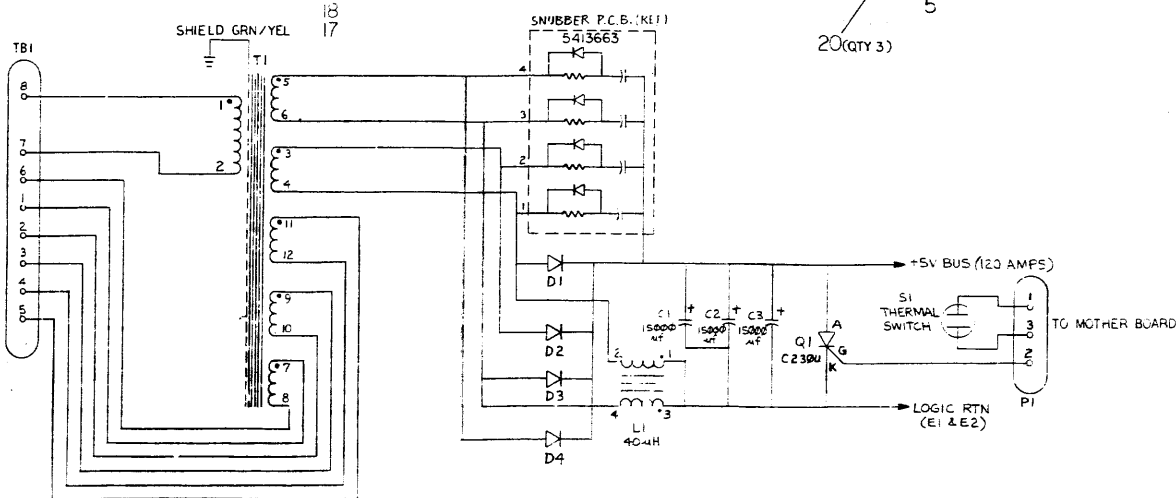
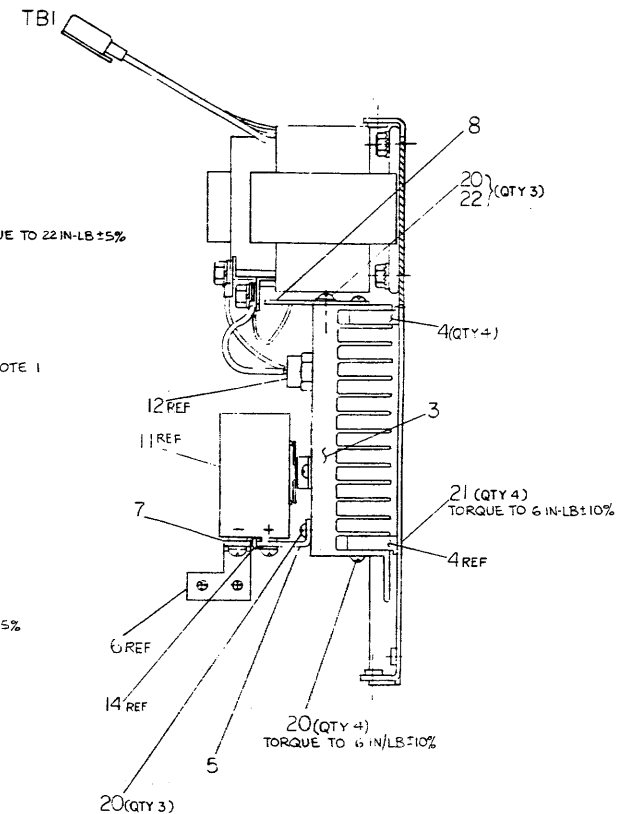
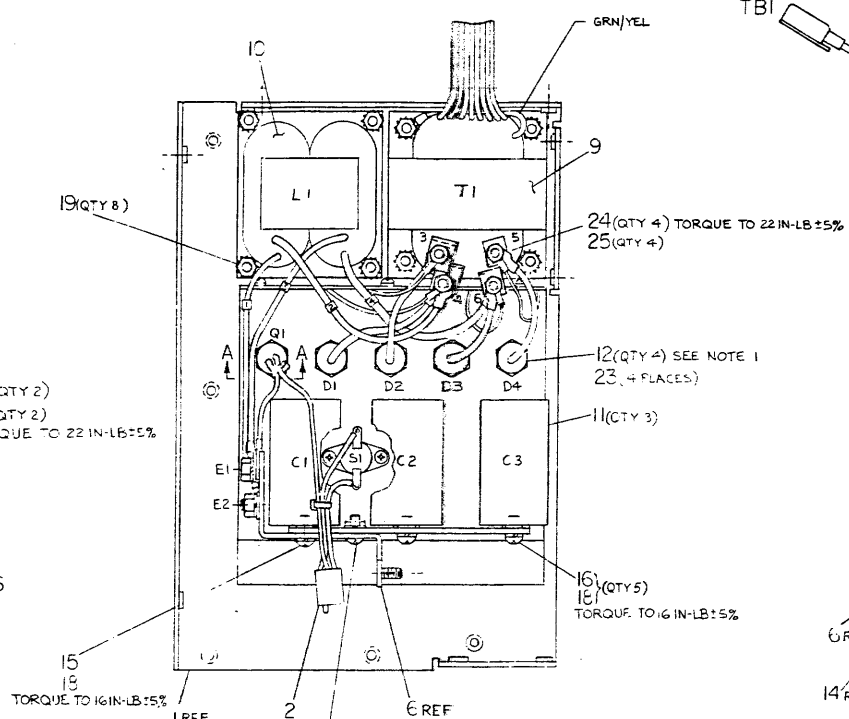
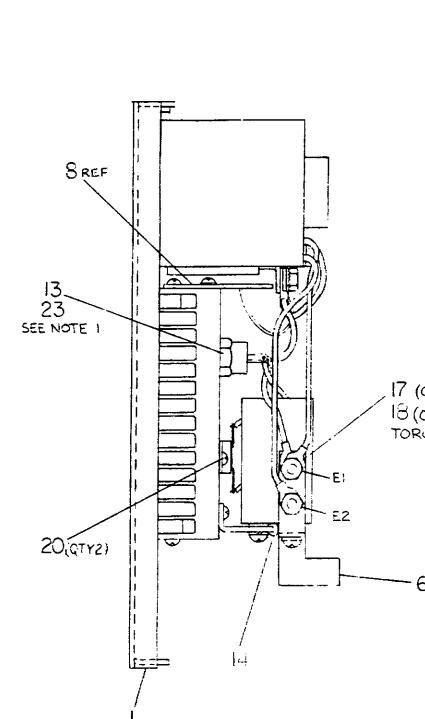
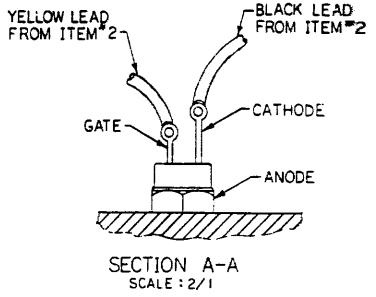
A

SHEET 1 OF 1

INSERTION PARTS LIST DATA CASE REV

INTERCONNECTION TABLE		REMARKS
FROM	TO	
D1	T1-4	
L1-2	T1-4	
WIRE #1 ITEM 8		
D2	T1-3	
WIRE #2 ITEM 8		
D3	T1-6	
L1-4	T1-6	
WIRE #3 ITEM 8		
D4	T1-5	
WIRE #4 ITEM 8		
T1-GRN/YEL	MTD STUD	
YEL LEAD ITEM 2	Q1-GATE	
BLK LEAD ITEM 2	E1	
Q1-CATHODE	E1	
L1-3	E2	
L1-1	E2	

NOTES:  
 1. ITEMS 12 & 13 (D1-D4 & Q1) MUST SEAT FLUSH ON HEAT SINK (ITEM 3). USE ITEM 23 (JOINT COMPND) UNDER ITEMS 12 & 13, TORQUE TO 25 IN-LB ± 5% UNTIL FULLY SEATED.



CAUTION: OFF SHEET PARTS LIST  
 SEE B-PL-706054-0-0

DESCRIPTION		QTY	UNIT	ITEM NO.
UNLESS OTHERWISE SPECIFIED DIMENSIONS ARE IN INCHES				
FRAGILE	AS SHOWN			
SURFACE	FINISH			
QUALITY	CONTROL			
QUANTITY & VARIATION	REMARKS			
THIRD ANGLE PROJECTION		DATE	FIRST USED ON	REV.
REVISIONS AND BREAK SHOWN		7/22/72	7/22/72	1
DO NOT SCALE DIMS		SCALE	SCALE	SCALE
SEE PARTS LIST		SCALE	SCALE	SCALE
FINISH		SCALE	SCALE	SCALE

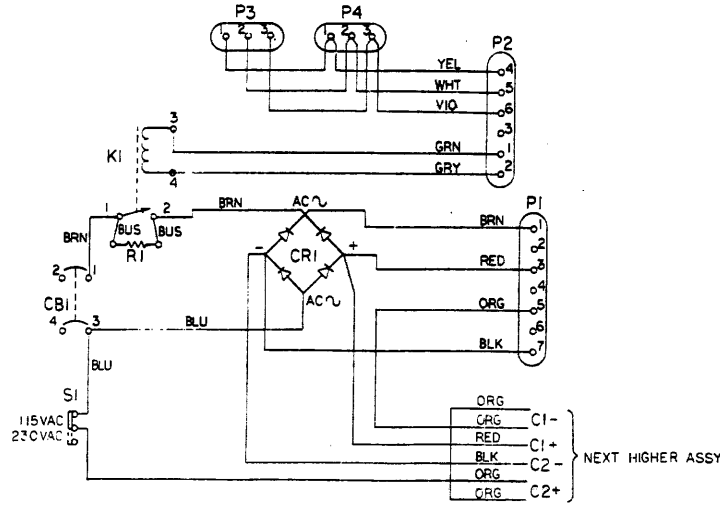
TITLE: OUTPUT PANEL ASSY  
 DRAWN: [Signature]  
 CHECKED: [Signature]  
 ENG. ENCL. 1  
 PROJ. ENCL. 1  
 PROD. 1  
 NEXT HIGHER ASSY: [Blank]  
 SIZE: 11x17  
 SHEET: 1 OF 1





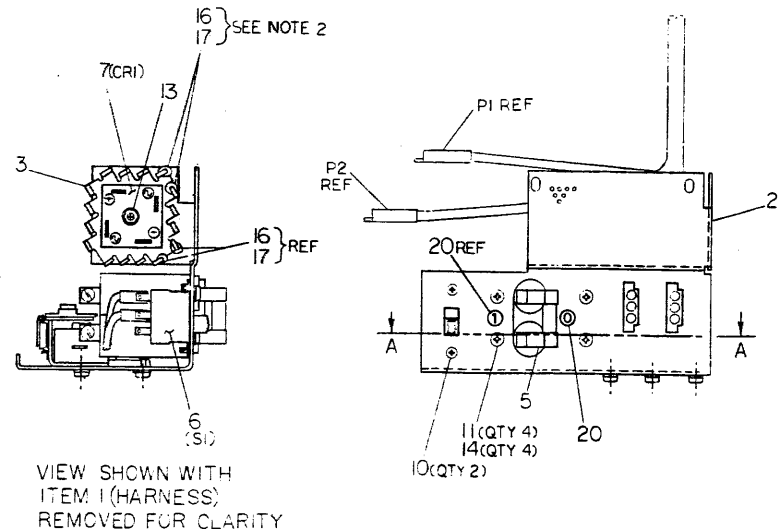
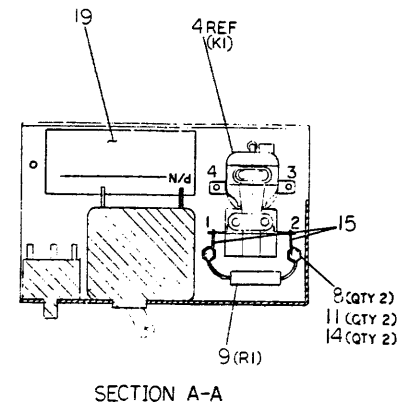
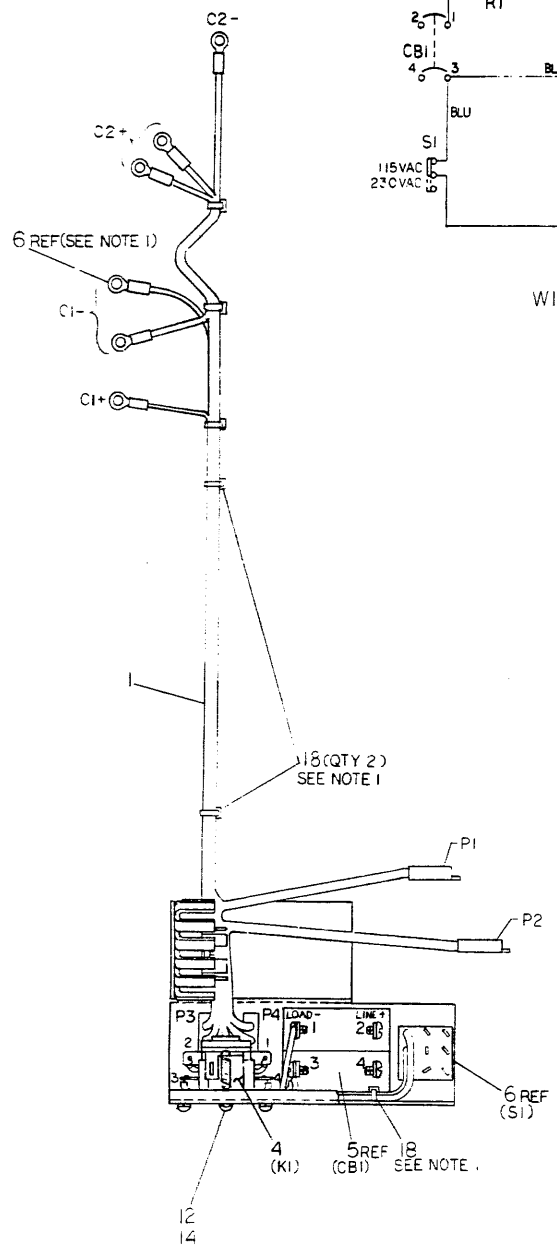
REVISIONS

NO.	DESCRIPTION	DATE
1	REVISED TO SHOW	10/10/50



NOTES:

1. DRESS ORG LEAD OF ITEM 6(S1) AROUND ITEM 2(B) AND LAY IN WITH MAIN HARNESS BODY. USE ITEM 18(CABLE TIES) APPROX. WHERE SHOWN.
2. CUT ITEM 16(CAT-RIPPLAR GROMMET) TO .70 LG. 4 PIECES. CEMENT IN PLACE WITH ITEM 17 (PERMABOND ADHESIVE) AS SHOWN.



CAUTION: OFF SHEET PARTS LIST  
SEE B-PL-7016048-0-0

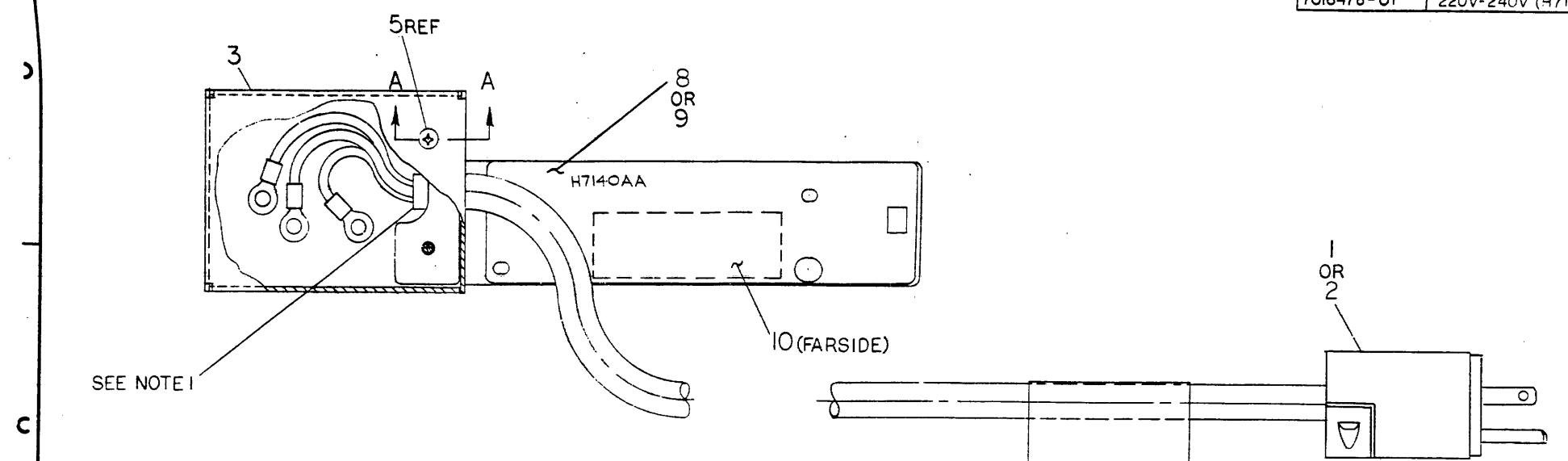
DESCRIPTION		QTY	PART NO.	TER. NO.
1	RELAY ASSY	1	AD7016048-0-0	1
2	RELAY BODY	1	AD7016048-0-1	2
3	RELAY COIL	1	AD7016048-0-2	3
4	RELAY CONTACT	4	AD7016048-0-3	4
5	RELAY CONTACT	4	AD7016048-0-4	5
6	RELAY CONTACT	2	AD7016048-0-5	6
7	RELAY CONTACT	2	AD7016048-0-6	7
8	RELAY CONTACT	2	AD7016048-0-7	8
9	RELAY CONTACT	2	AD7016048-0-8	9
10	RELAY CONTACT	2	AD7016048-0-9	10
11	RELAY CONTACT	2	AD7016048-0-10	11
12	RELAY CONTACT	2	AD7016048-0-11	12
13	RELAY CONTACT	2	AD7016048-0-12	13
14	RELAY CONTACT	2	AD7016048-0-13	14
15	RELAY CONTACT	2	AD7016048-0-14	15
16	RELAY CONTACT	2	AD7016048-0-15	16
17	RELAY CONTACT	2	AD7016048-0-16	17
18	RELAY CONTACT	2	AD7016048-0-17	18
19	RELAY CONTACT	2	AD7016048-0-18	19
20	RELAY CONTACT	2	AD7016048-0-19	20



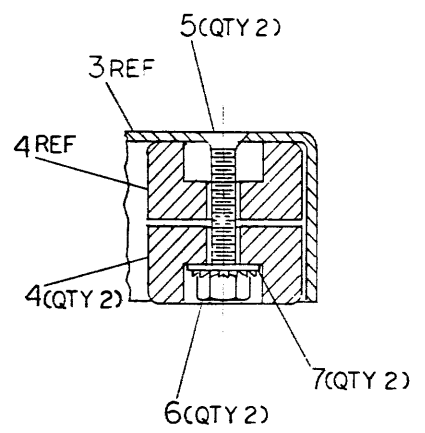
THIS DRAWING AND SPECIFICATIONS HEREBY ARE THE PROPERTY OF DIGITAL EQUIPMENT CORPORATION AND SHALL NOT BE REPRODUCED OR COPIED OR IN ANY MANNER PART OR THE WHOLE FOR THE PURPOSE OF REPRODUCTION OR TRANSMISSION IN ANY MANNER WITHOUT WRITTEN PERMISSION OF DIGITAL EQUIPMENT CORPORATION  
 COPYRIGHT © 1979

PARTS LEGEND	
PART NO.	VARIATION
7016478-00	120V (H714CAA)
7016478-01	220V-240V (H714OAB)

NOTES:  
 1. OUTSIDE JACKET OF ITEM 1 OR 2 (LINE CORD) TO EXTEND APPROX. .25 IN. BEYOND CLAMPING AREA OF ITEM 4 (CABLE CLAMP).



SEE NOTE 1



SECTION A-A  
 SCALE: 2/1

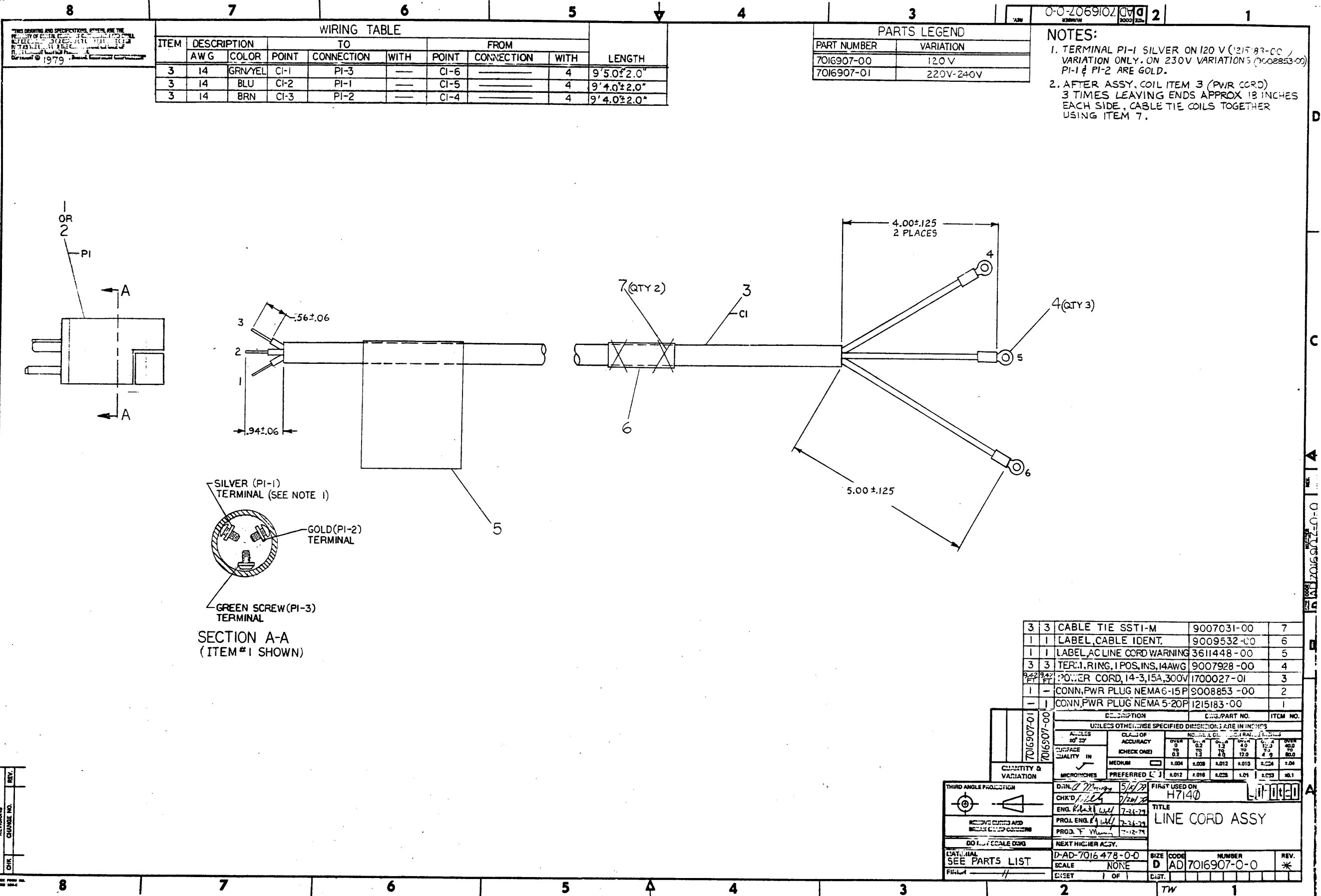
QTY	DESCRIPTION	PART NO.	ITEM NO.
1	LABEL, PWR SUPPLY	9009255-00	10
1	LABEL, H714OAB (220-240V)	3616977-01	9
1	LABEL, H714OAA (120V)	3616977-00	8
2	WASHER, FLAT #8-32X1.1875	9006660-00	7
2	NUT, KEP #8-32X1.1875 AF	9006563-00	6
2	SCR, FLAT, PHIL #8-32X1.16	9006042-02	5
2	CLAMP, CABLE	1215566-00	4
1	COVER, A.C.	D-MD-74220480-0	3
1	CORD ASSY, LINE (220-240V)	D-1A-7016907-1-0	2
1	CORD ASSY, LINE (120V)	D-1A-7016907-0-0	1

7016478-01 7016478-00	DESCRIPTION	7016478-00	ITEM NO.
	UNLESS OTHERWISE SPECIFIED DIMENSIONS ARE IN INCHES		
THIRD ANGLE PROJECTION	DRN. 5-16-79	CHKD. 7-19-79	ENG. 7-19-79
PROJ. ENGR. 7-19-79	PROJ. 7-19-79	PROJ. 7-19-79	PROJ. 7-19-79
DO NOT SCALE DWG.	NEXT HIGHER ASSY.	E-UA-H7140-0-0	SIZE CODE NUMBER
SEE PARTS LIST	SCALE 1/1	DIST. 1	REV. *
FINISH //	SHEET 1 OF 1	DIST. 1	REV. *

TITLE: POWER CORD ASSY  
 PART NO.: AD7016478-0-0

REV.	CHANGE NO.	REVISIONS

AD7016478-0-0

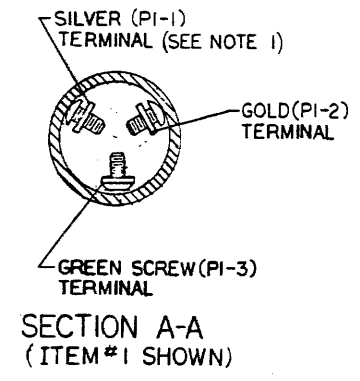


WIRING TABLE									
ITEM	DESCRIPTION	TO			FROM			LENGTH	
		AWG	COLOR	POINT	CONNECTION	WITH	POINT		CONNECTION
3	14	GRN/YEL	CI-1	PI-3	---	CI-6	---	4	9' 5.0 ± 2.0"
3	14	BLU	CI-2	PI-1	---	CI-5	---	4	9' 4.0 ± 2.0"
3	14	BRN	CI-3	PI-2	---	CI-4	---	4	9' 4.0 ± 2.0"

PARTS LEGEND	
PART NUMBER	VARIATION
70I6907-00	120 V
70I6907-01	220V-240V

**NOTES:**

1. TERMINAL PI-1 SILVER ON 120 V (215 83-00) VARIATION ONLY. ON 230V VARIATIONS (7008853-00) PI-1 & PI-2 ARE GOLD.
2. AFTER ASSY. COIL ITEM 3 (PWR CORD) 3 TIMES LEAVING ENDS APPROX 18 INCHES EACH SIDE. CABLE TIE COILS TOGETHER USING ITEM 7.



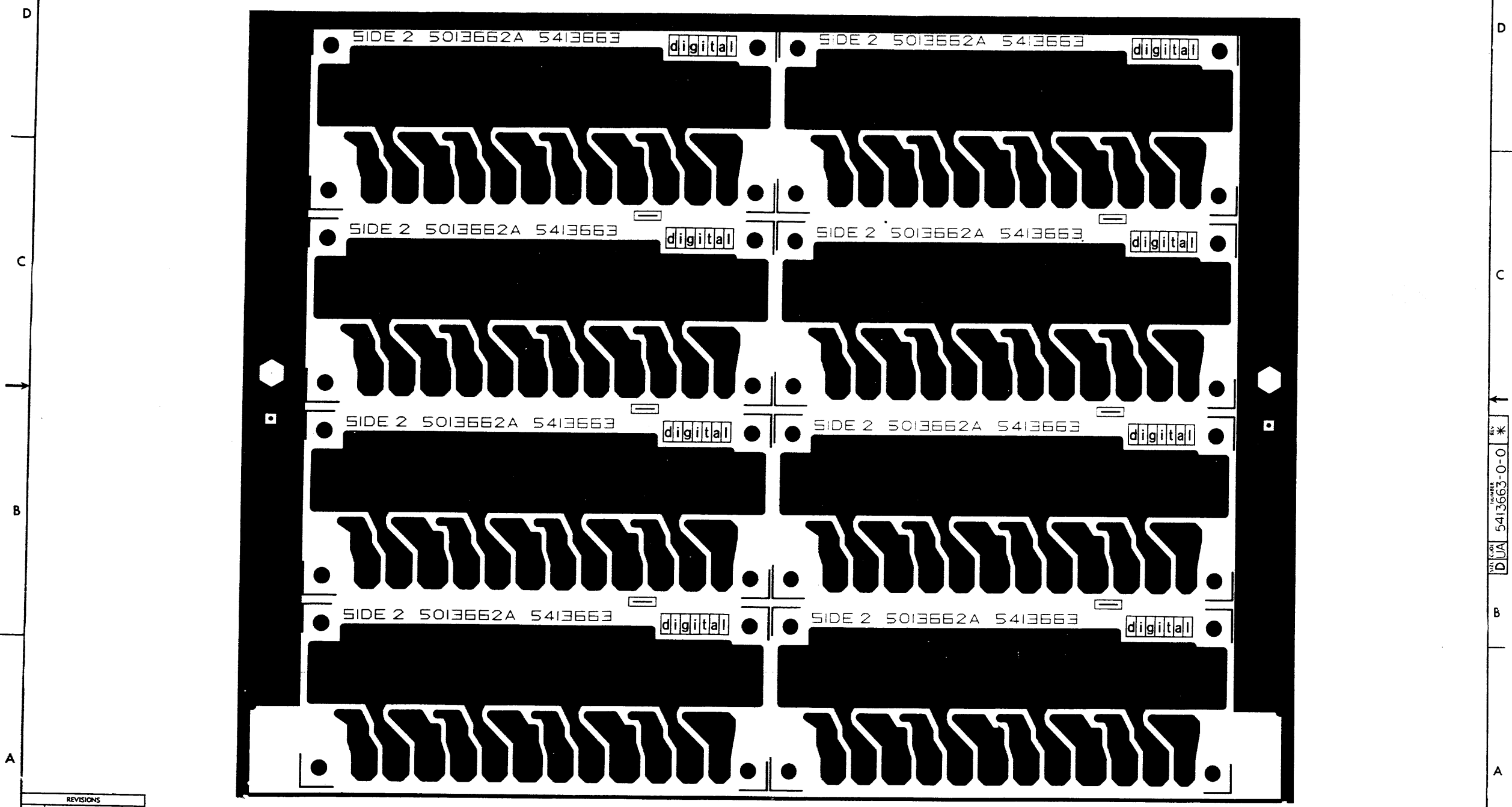
QTY	DESCRIPTION	QTY	DESCRIPTION	QTY	DESCRIPTION
3	CABLE TIE SSTI-M	9007031-00	7		
1	LABEL, CABLE IDENT.	9009532-00	6		
1	LABEL, AC LINE CORD WARNING	3611448-00	5		
3	TERMINAL RING, 1 POS, INS, 14AWG	9007928-00	4		
3	POWER CORD, 14-3, 15A, 300V	1700027-01	3		
1	CONN, PWR PLUG NEMA 6-15P	9008853-00	2		
1	CONN, PWR PLUG NEMA 5-20P	1215183-00	1		

70I6907-01	70I6907-00	70I6907-00
QUANTITY & VARIATION	DESCRIPTION	QTY. PART NO.
UNLESS OTHERWISE SPECIFIED DIMENSIONS ARE IN INCHES		
ANGLES	CLASS OF ACCURACY	NO. OF DEC. PLACES
0 TO 25	0	0.1
25 TO 40	1	0.05
40 TO 60	2	0.025
60 TO 90	3	0.0125
SURFACE QUALITY	CHECK ONE	FINISH
IN	MEDIUM	0.004
MICROMETRES	PREFERRED	0.012
THIRD ANGLE PROJECTION	DATE: 5/14/77	FIRST USED ON: H7140
REMOVE CURVED AND BREAK CIRCULAR CORNERS	CHK'D: [Signature]	TITLE: LINE CORD ASSY
DO NOT SCALE DRAWING	ENGR: [Signature]	SIZE: D
SEE PARTS LIST	PROJ. ENG: [Signature]	SCALE: NONE
	PROD. Y: [Signature]	NUMBER: AD 70I6907-0-0
	NEXT HIGHER ASSY.	REV. *
	SCALE: NONE	
	SET: 1 OF 1	
	DIST.	



THIS DRAWING AND SPECIFICATIONS HEREIN ARE THE PROPERTY OF DIGITAL EQUIPMENT CORPORATION AND SHALL NOT BE REPRODUCED OR COPIED OR USED IN WHOLE OR IN PART AS THE BASIS FOR THE MANUFACTURE OR SALE OF ITEMS WITHOUT WRITTEN PERMISSION. COPYRIGHT © 1979 DIGITAL EQUIPMENT CORPORATION.

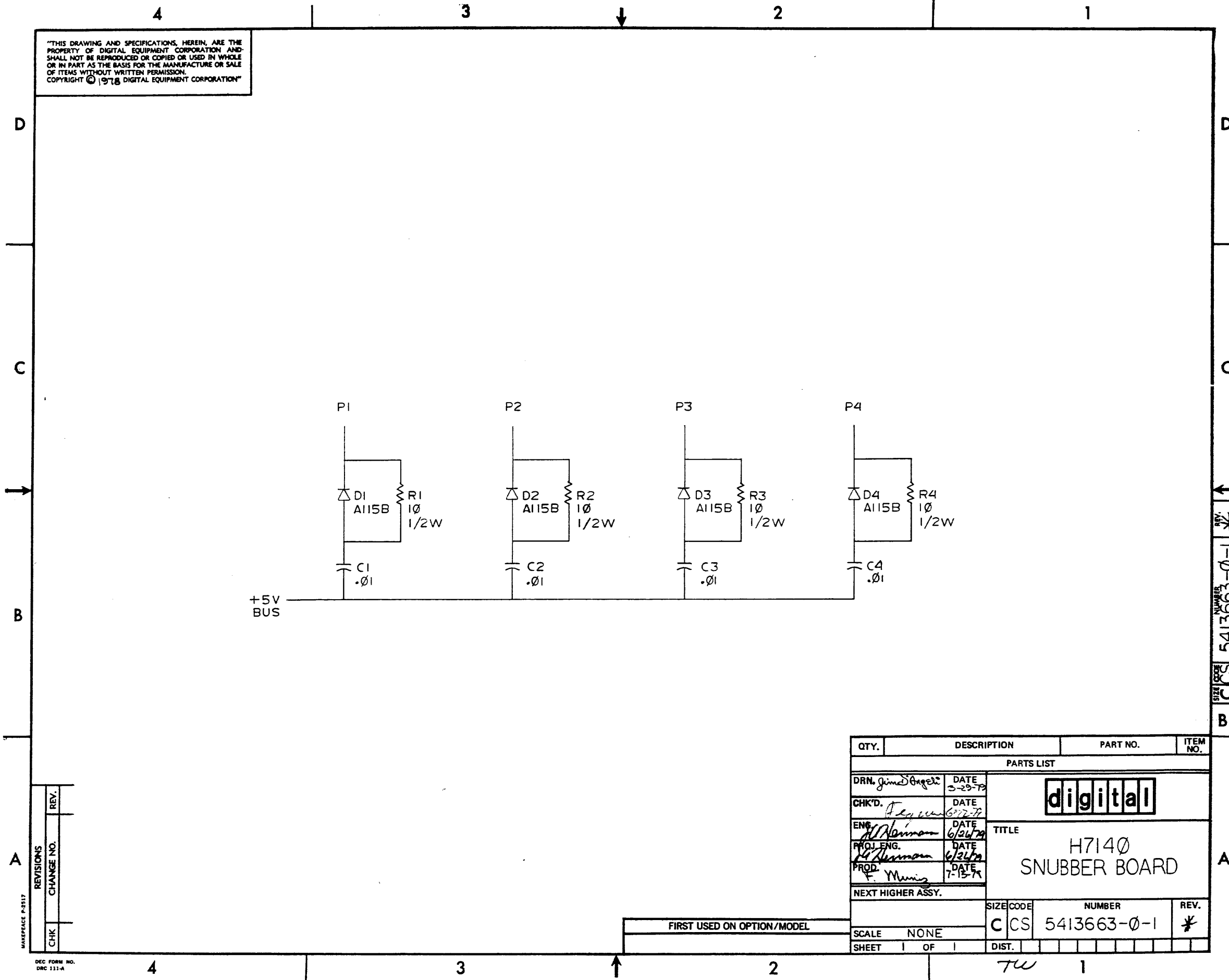
10-0-2998-79 DUA 2



REVISIONS		
CHK	CHANGE NO.	REV.

PART NO. DUA 5413663-0-0 \*

"THIS DRAWING AND SPECIFICATIONS, HEREIN, ARE THE PROPERTY OF DIGITAL EQUIPMENT CORPORATION AND SHALL NOT BE REPRODUCED OR COPIED OR USED IN WHOLE OR IN PART AS THE BASIS FOR THE MANUFACTURE OR SALE OF ITEMS WITHOUT WRITTEN PERMISSION. COPYRIGHT © 1978 DIGITAL EQUIPMENT CORPORATION"



REVISIONS	REV.
	CHANGE NO.
	CHK

QTY.	DESCRIPTION	PART NO.	ITEM NO.
PARTS LIST			
DRN. <i>Jim Stengel</i>	DATE 5-23-79	<div style="border: 2px solid black; padding: 5px; display: inline-block; font-weight: bold; font-size: 1.2em;">digital</div> TITLE H7140 SNUBBER BOARD	
CHK'D. <i>Flynn</i>	DATE 6-27-79		
ENG. <i>H. Norman</i>	DATE 6-26-79		
PROJ. ENG. <i>H. Norman</i>	DATE 6-26-79		
PROD. <i>F. Muniz</i>	DATE 7-15-79		
NEXT HIGHER ASSY.		SIZE CODE	NUMBER
FIRST USED ON OPTION/MODEL		C CS	5413663-0-1
SCALE NONE			REV. *
SHEET 1 OF 1		DIST.	

SIZE CODE C CS  
 NUMBER 5413663-0-1  
 REV. \*



PARTS LIST

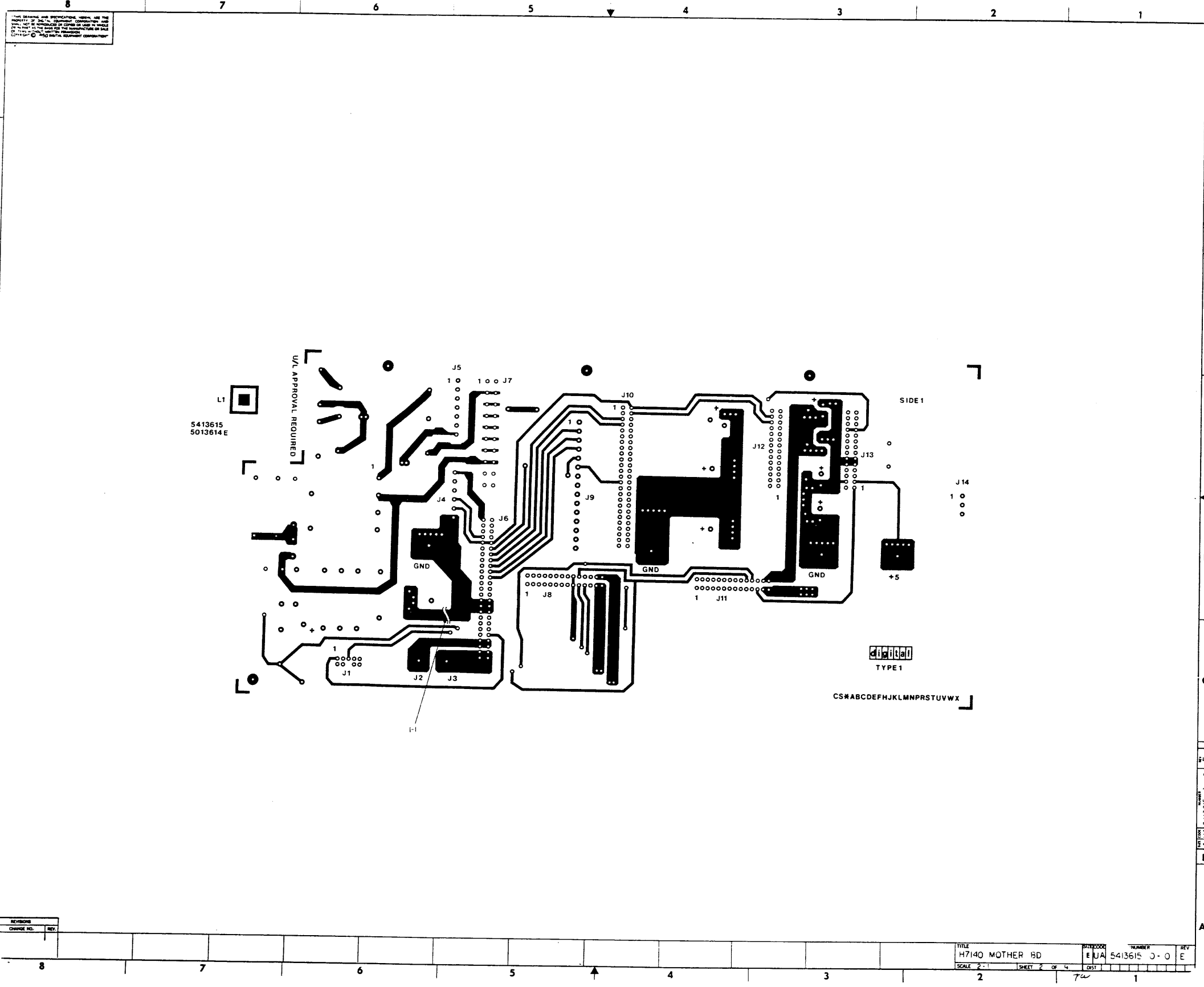
LINE	ITEM	DOCUMENT NUMBER	PART NUMBER	DESCRIPTION	QTY PER VARIATION	REFERENCE DESIGNATOR
1	1	D-MD-5413663-0-0	5413663-00	DRILL & FITCH BD	1	
2	2		1011847-01	.01 MFD 400V 10% POLYPROP	4	C1-C4
3	3		1112594-01	A115B PIV=200 I= 3A	4	D1-D4
4	4		1330168-00	10 1/2W 5% CC	4	R1-R4
5	5		9107801-33	WIPE, STAND, 20AWG IFVC UL1431	A/R	
6	6		9007930-00	TERM RING 1POS INSULATED, 22-16	4	
7	7		9008356-01	WIPE IDENTIFIER, (1-48)	1	

NOTE: ITEM #5, 1.33" IS USED.

REVISION HISTORY			BASIC PART NO: 5413663			D I G I T A L		
ENG	ECO NUMBER	REV	SECTION A OF A	DRN:	K. FRIEDGEN	DATE:	22-MAY-79	
	INITIAL	*	SECTION VARIATION INDEX	CHK'D:	J. CASEY	DATE:	19-JUL-79	TITLE PARTS LIST
			(A) 00					SNURBER BOARD ASSY
			(B)	DFS, ENG:	J. A. HERRMANN	DATE:	22-MAY-79	
			(C)	RESP, ENG.:	J. A. HERRMANN	DATE:	22-MAY-79	DOCUMENT NUMBER
			(D)					SIZE CODE NUMBER REV
			(E)	MFG, ENG.:	F. MUNIZ	DATE:	19-JUL-79	K PL 5413663-0-DBP *
			(F)	ASSEMBLY NUMBER:		TOP DOCUMENT NUMBER:		FILE NAME: EDIT #
			(G)	D-UA-5413663-0-0		D-MD-5413663-0-0		13663.PLS 8
			(H)					
			(I)					
			(J)					
			(K)					
			(L)					
			(M)					
			(N)					

THIS DRAWING AND SPECIFICATIONS HEREIN, ARE THE PROPERTY OF DIGITAL EQUIPMENT CORPORATION AND SHALL NOT BE REPRODUCED OR COPIED OR USED IN WHOLE OR IN PART AS THE BASIS FOR THE MANUFACTURE OR SALE OF ITEMS WITHOUT WRITTEN PERMISSION.  
COPYRIGHT (C) 1979, DIGITAL EQUIPMENT CORPORATION "



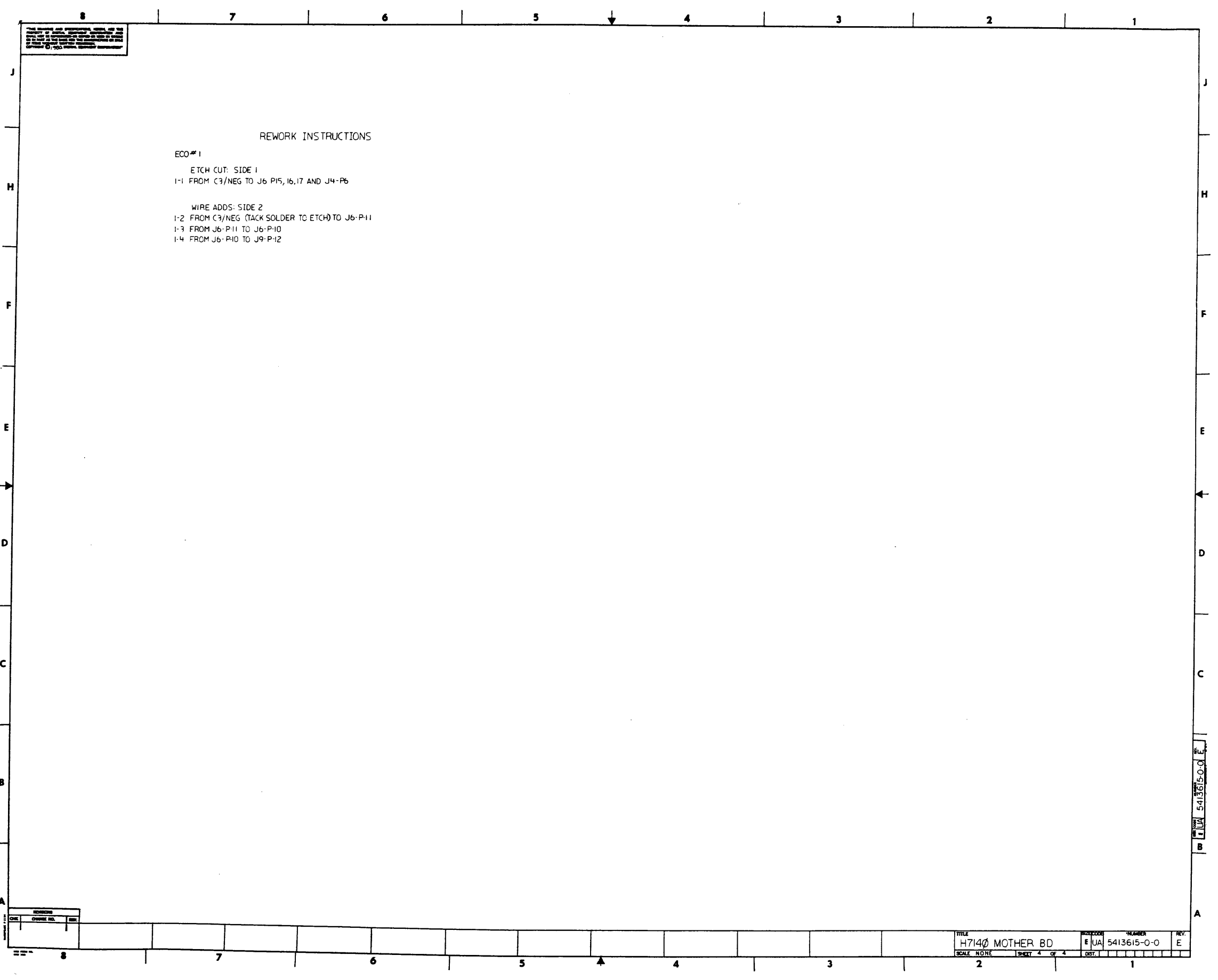


REV	DATE	BY	CHKD

TITLE	H7140 MOTHER BD	DATE		NUMBER		REV	
SCALE	2:1	SHEET	2	OF	4	DESIGNER	Tu

DRAWN BY: EJA  
 CHECKED BY: JJA  
 PART NUMBER: 5413615-0  
 REV: B





THIS DRAWING IS THE PROPERTY OF THE COMPANY AND IS NOT TO BE REPRODUCED OR COPIED IN ANY MANNER WITHOUT THE WRITTEN PERMISSION OF THE COMPANY.

REWORK INSTRUCTIONS

ECO # 1

ETCH CUT: SIDE 1

I-1 FROM C3/NEG TO J6 P15, 16, 17 AND J4-P6

WIRE ADDS: SIDE 2

I-2 FROM C3/NEG (TACK SOLDER TO ETCH) TO J6-P11

I-3 FROM J6-P11 TO J6-P10

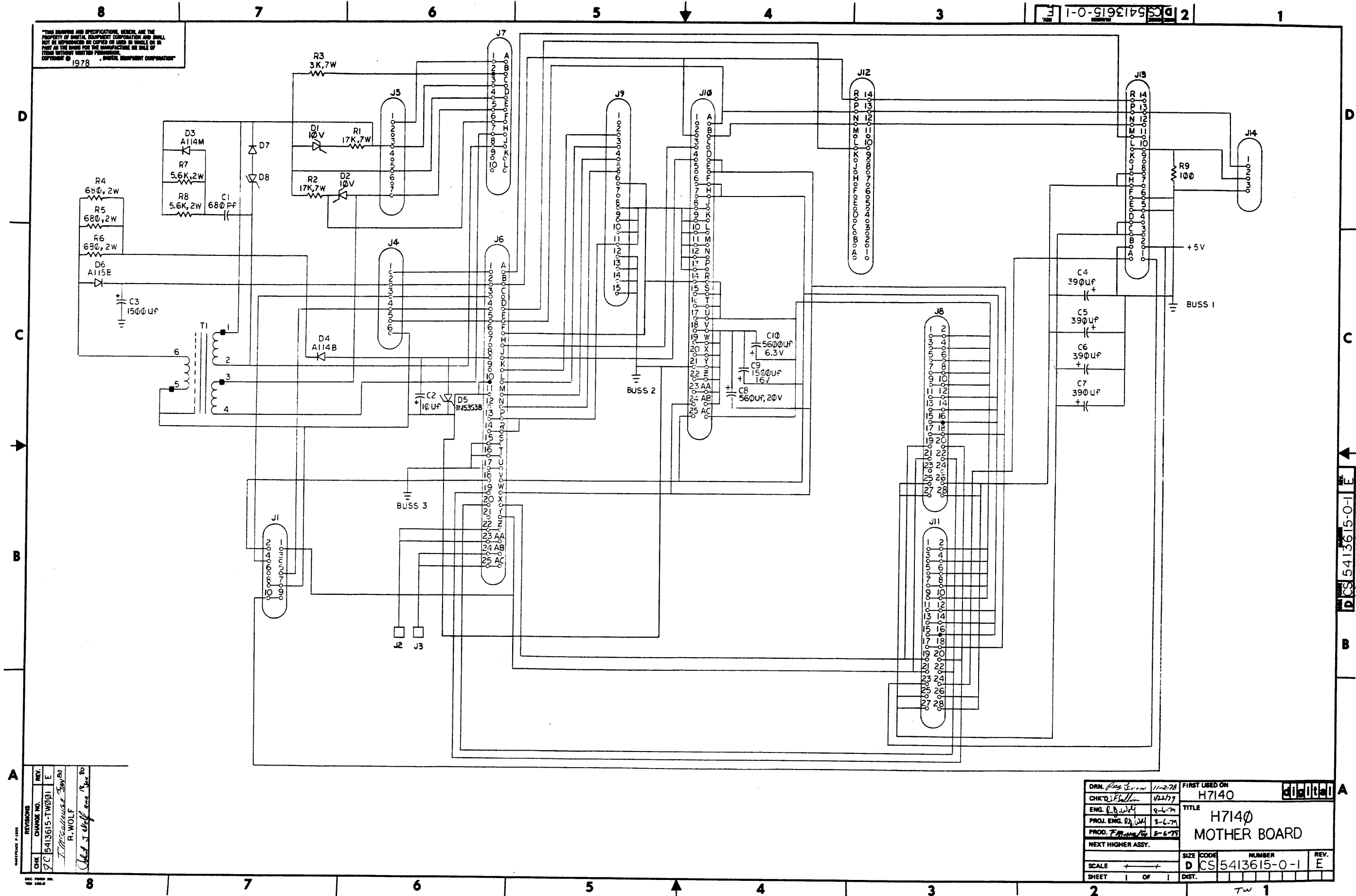
I-4 FROM J6-P10 TO J9-P12

REV	DATE	BY

FILE	H7140 MOTHER BD	PROJ CODE	EUA	NUMBER	5413615-0-0	REV.	E
SCALE	NONE	SHEET	4	OF	4	DATE	

5413615-0-0 E

THIS DRAWING AND SPECIFICATIONS HEREAFTER ARE THE PROPERTY OF DIGITAL EQUIPMENT CORPORATION AND SHALL NOT BE REPRODUCED OR COPIED OR USED IN WHOLE OR IN PART AS THE BASIS FOR THE MANUFACTURE OR SALE OF ITEMS WITHOUT WRITTEN PERMISSION.  
 COPYRIGHT © 1978 DIGITAL EQUIPMENT CORPORATION



REVISIONS	REV.
CHANGE NO.	REV.
5413615-TW001	E
F. M. Sullivan	
R. WOLF	
J. Wolf	

DRN. <i>F. M. Sullivan</i>	11-2-78	FIRST USED ON	H7140	digital
CHK'D. <i>F. M. Sullivan</i>	11-2-78	TITLE	H7140	
ENG. <i>F. M. Sullivan</i>	11-2-78	MOTHER BOARD		
PROJ. ENG. <i>F. M. Sullivan</i>	11-2-78			
PROD. <i>F. M. Sullivan</i>	11-2-78			
NEXT HIGHER ASSY.				
SCALE	+	SIZE	CODE	NUMBER
SHEET	1	D	CS	5413615-0-1
REV.	E			

TW 1

LINE	ITEM	DOCUMENT NUMBER	PART NUMBER	DESCRIPTION	QTY	PER VARIATION	REFERENCE DESIGNATOR
					00		
1	1	D-MD-5013614-0-0	5013614-00	DRILL & ETCH BD	1		
2	2		1004813-00	10 MFD 20V 10% S.TANT	1		C2
3	3		1012607-00	560 MFD 20V HQ 672D AL EL	1		C8
4	4		1012607-06	390 MFD 20V HQ 67D AL EL	4		C4-C7
5	5		1013280-00	680.0 MMF1000V 50200PPM	1		C1
6	6		1014229-00	1500 MFD 16V +75-10% AL EL	2		C9,C3
7	7		1016169-00	5600 MFD 6.3V +75,-10% AL EL	1		C10
8	8		1110054-00	1N 5353B VZ= 16.0V 5% .40W M	1		D5
9	9		1100125-00	1N 750A VZ= 10.0 5% .40W PPE	2		D1,D2
10	10		1112594-01	A115B PIV=200 I= 3A	1		D6
11	11		1112595-01	A114B PIV=200 I= 1A	1		D4
12	12		1112595-02	A114M PIV=600 I= 1A	1		D3
13	13		1215341-01	HEADER 10POS VERTICAL	1		J1
14	14		1211004-00	SOCKET.100 28POS BOTTOM MOUNT	4		J12,J13,J11,J8
15	15		1211004-04	SOCKET.100 40POS	1		J7
16	16		1211004-05	SOCKET.100 50POS	2		J6,J10
17	17		1216122-01	HEADER.156 7POS KEYED	1		J5
18	18		1216122-02	HEADER.156 15POS KEYED	1		J9
19	19		1216122-04	HEADER.156 3POS	1		J14
20	20		1216122-05	HEADER.156 6POS	1		J4
21	21		1300229-00	100.0 .25 W 5.0 % CC	1		R9
22	22		1300348-00	500.0 2.0 W 5.0 % CC	3		R4-R6
23	23		1300456-00	5.60 K 2.0 W10.0 % CC	2		R7,R8
24	24		1316207-00	3.0 K 7W+,-5% WW	1		R3
25	25		1316209-00	17.0 K 7W+,-5% WW	2		R1,R2
26	27		1616215-00	XFMR P=240/360 S=5V	1		T1
27	28		7422391-00	SUPPORT,MOTHER BOARD	1		
28	29		9000219-00	TERM QUICK 1POS ADAPTER	2		J2,J3
29	31		9009000-00	EYELET, ROLLED FLANGE, .121 OD X	5		
30	32		9107688-55	WIRE(WRAP)24AWG UL1327 A/R			

REVISION HISTORY			BASIC PART NO: 5413615			
ENG	ECO NUMBER	REV	SECTION A OF A	IDRN: M.CICCONE	DATE: 27-MAR-79	D I G I T A L
	INITIAL	D	SECTION,VARIATION INDEX	CHK'D: E.T.GERRY	DATE: 27-MAR-79	TITLE PARTS LIST
	R.W.TW001	E	(A) 00			MOTHER BOARD
			(B)	DES.ENG: R.WOLF	DATE: 27-MAR-79	
			(C)			DOCUMENT NUMBER
			(D)	RESP.ENG.: R.WOLF	DATE: 27-MAR-79	
			(E)			SIZE CODE NUMBER REV
			(F)			K PL 5413615-0-DBP E
			(G)	MFG.ENG.: P.WAITKUS	DATE: 6-AUG-79	
			(H)	ASSEMBLY NUMBER:	TOP DOCUMENT NUMBER:	FILE NAME: EDIT #
			(I)	ID-UA-5413615-0-0		Z0376E.PLS 7
			(J)			
			(K)			
			(L)			
			(M)			
			(N)			

"THIS DRAWING AND SPECIFICATIONS HEREIN, ARE THE PROPERTY OF DIGITAL EQUIPMENT CORPORATION AND SHALL NOT BE REPRODUCED OR COPIED OR USED IN WHOLE OR IN PART AS THE BASIS FOR THE MANUFACTURE OR SALE OF ITEMS WITHOUT WRITTEN PERMISSION. COPYRIGHT (C) 1980, DIGITAL EQUIPMENT CORPORATION"

TAM

AUTOMATED BY PRTLST,3J(25)

PARTS LIST

SHEET A2 OF A2

LINE ITEM DOCUMENT NUMBER

PART NUMBER

DESCRIPTION

QTY PER VARIATION  
00

REFERENCE DESIGNATOR

31 NOTE: FOR ITEM #32, 46" IS USED.

D	I	G	I	T	A	L	TITLE	MOTHER BOARD	SECTION A OF A	SIZE	CODE	DOCUMENT NUMBER	REV
										K	PL	5413615-0-DBP	E

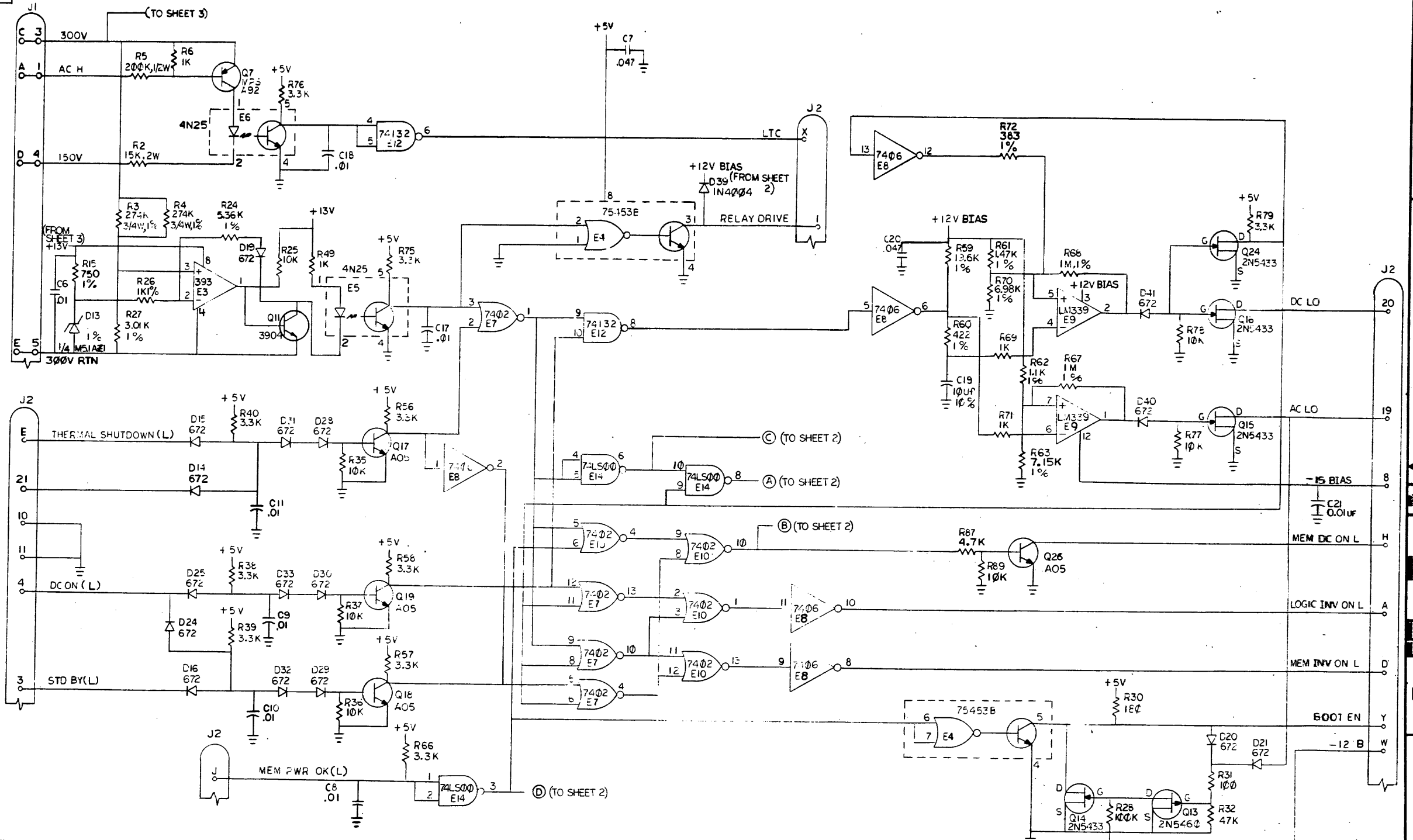
TW





THIS DRAWING AND SPECIFICATIONS HEREBY ARE THE PROPERTY OF THE UNITED STATES GOVERNMENT AND SHALL NOT BE REPRODUCED OR TRANSMITTED IN ANY FORM OR BY ANY MEANS, ELECTRONIC OR MECHANICAL, INCLUDING PHOTOCOPYING, RECORDING, OR BY ANY INFORMATION STORAGE AND RETRIEVAL SYSTEM, WITHOUT PERMISSION IN WRITING FROM THE DIRECTOR, ARPA/AFOSR.

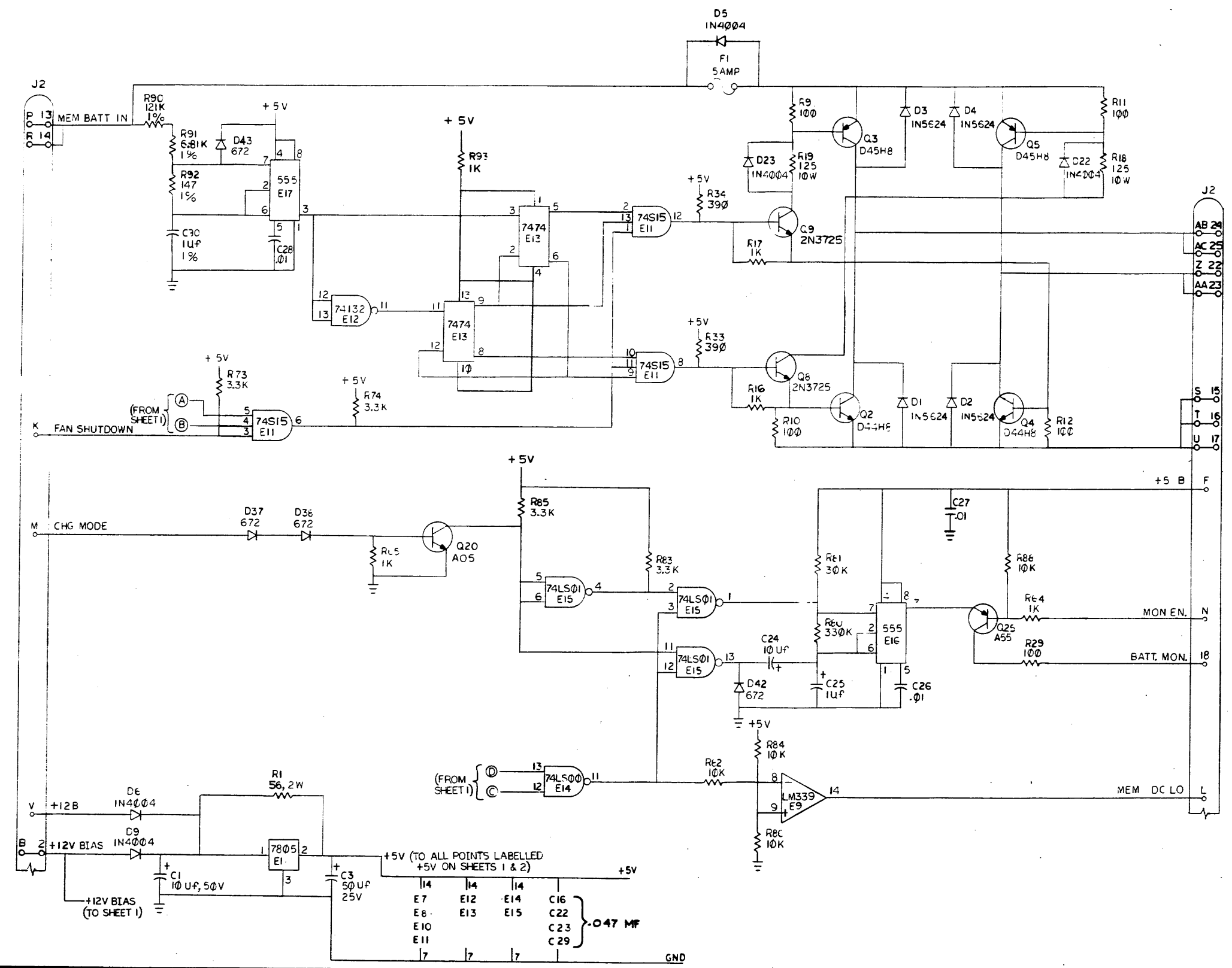
DCS 5413605-0-1 E 2



REV.	DATE	BY	CHKD.
1	15413605-TW001	B	
2	15413605-TW002	C	
3	15413605-TW003	D	
4	15413605-TW004	E	

DRN. No.	15413605	FIRST USED ON	401000
ENGR.	R. WOLF	TITLE	BIAS AND INTERFACE BOARD
PROJ. ENR.	7-15-71	SCALE	D
PROD. T.	7-15-71	NUMBER	DCS 5413605-0-1
NEXT HIGHER ASSY.		REV.	E
SHEET	1 OF 3	DATE	

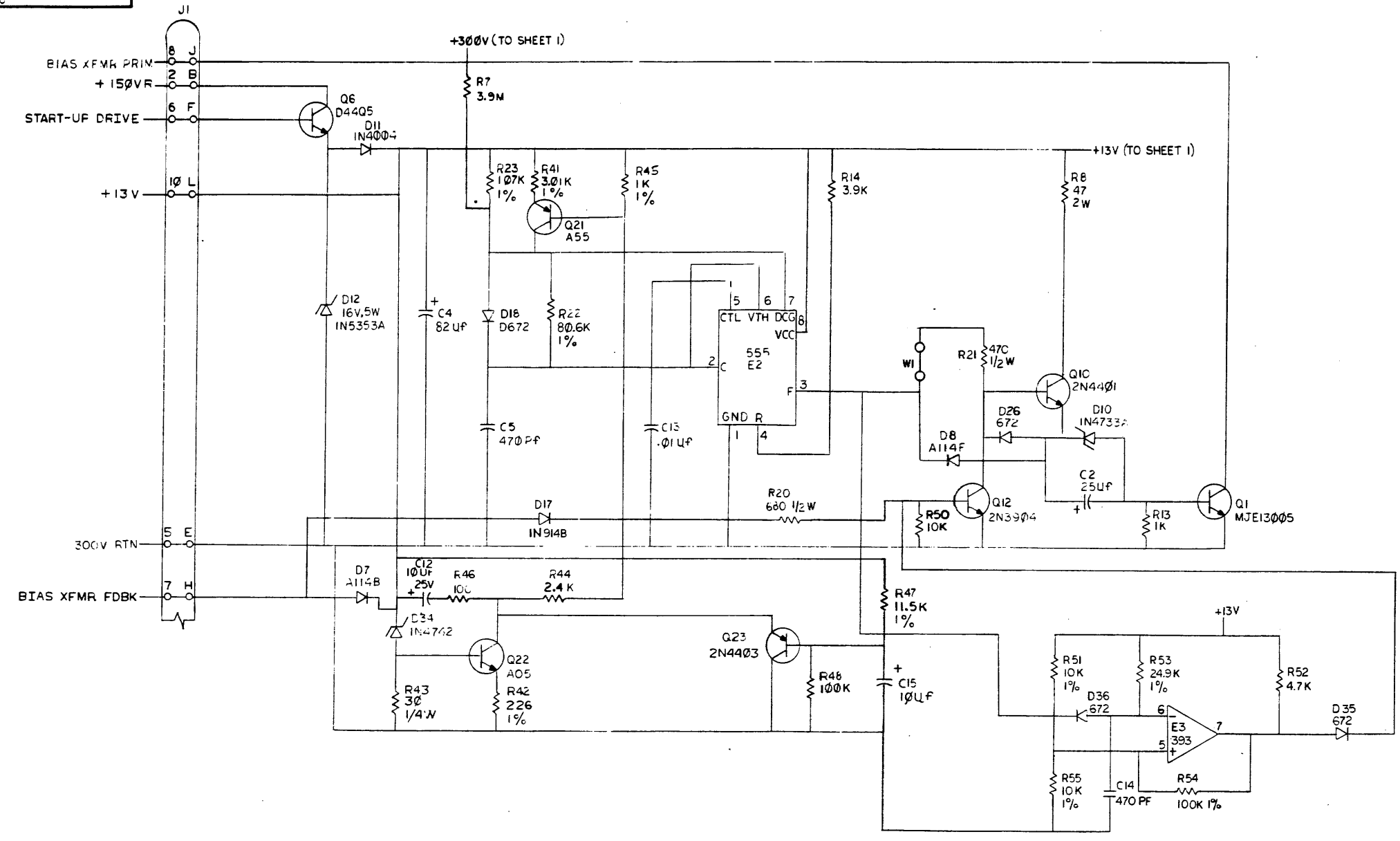
THIS DRAWING AND SPECIFICATIONS HEREIN ARE THE PROPERTY OF DIGITAL EQUIPMENT CORPORATION AND SHALL NOT BE REPRODUCED OR COPIED IN WHOLE OR IN PART AS THE BASIS FOR THE MANUFACTURE OR SALE OF ITEMS WITHOUT WRITTEN PERMISSION. DIGITAL EQUIPMENT CORPORATION 1975



- +5V (TO ALL POINTS LABELLED +5V ON SHEETS 1 & 2)
- |     |     |     |     |
|-----|-----|-----|-----|
| E7  | E12 | E14 | C16 |
| E8  | E13 | E15 | C22 |
| E10 |     |     | C23 |
| E11 |     |     | C29 |
- 0.47 MF

REVISIONS		
CHK	CHANGE NO.	REV.

THIS DRAWING AND SPECIFICATIONS HEREON ARE THE PROPERTY OF DIGITAL EQUIPMENT CORPORATION AND SHALL NOT BE REPRODUCED OR COPIED OR USED IN WHOLE OR IN PART AS THE BASIS FOR THE MANUFACTURE OR SALE OF ITEMS WITHOUT WRITTEN PERMISSION. DIGITAL EQUIPMENT CORPORATION 1978



REVISIONS		
CHK	CHANGE NO.	REV.

TITLE	BIAS AND INTERFACE BOARD	SIZE CODE	D	NUMBER	DCS 5413605-0-1	REV.	E
SCALE	1:1	SHEET	3 OF 3	DIST.			

LINE ITEM	DOCUMENT NUMBER	PART NUMBER	DESCRIPTION	QTY PER VARIATION	REFERENCE DESIGNATOR
				00	
1	1	D-MD-5013604-0-0	5013604-00 DRILL & ETCH BD	1	
2	2		1000024-00 470.0 MMF 100V 5%200PPM MICA	2	C5,C14
3	3		1000070-00 10 MFD 50V+10%-10% AL EL	1	C1
4	4		1000075-00 25 MFD 25V +75-10% AL EL	1	C2
5	5		1001610-00 .01 MFD 50V +80-20% 25U CER	12	C6,C8-C11,C13,C17,C18,C21, CONT C26-C28
6	6		1001776-00 1 MFD 35V 10% S.TANT	1	C25
7	7		1001796-00 50 MFD 25V +75-10% AL EL	1	C3
8	8		1010866-02 10 MFD 25V +50-20% S.TANT	4	C12,C15,C19,C24
9	9		1012784-00 .047 MFD 50V +80-20% CER	6	C7,C16,C20,C22,C23,C29
10	10		1013252-00 82 MFD 50V+100-10% AL EL	1	C4
11	11		1016138-00 1 MFD 50V 1% M.POLYCARB	1	C30
12	12		1105275-00 D 672 TR= 15NS PIV= 60V SI	24	D14-D16,D18-D21,D24-D26,D28-D33, CONT D35-D38,D40-D43
13	13		1105796-00 1N 4004 PIV=400 I= 1A D041 SP	7	D5,D6,D9,D11,D22,D23,D39
14	14		1105871-00 1/4MS.1AZ1 = 5.1 1% .25W N	1	D13
15	15		1109502-00 1N 4742 VZ= 12.0 10% 1W Y	1	D34
16	16		1109517-00 1N 914B TR= 4NS PIV= 75V SY	1	D17
17	17		1109943-00 1N 4733A VZ= 5.1 5% 1W Y	1	D10
18	18		1110420-00 1N 5624 PIV=200 I= 5A	4	D1-D4
19	19		1110854-00 1N 5353B VZ= 16.0V 5% .40W M	1	D12
20	20		1112595-00 A114F PIV= 50 I= 1A	1	D8
21	21		1112595-01 A114B PIV=200 I= 1A	1	D7
22	22		1205747-00 FUSE, SUB-MINI, 5.000A, 125V, A	1	F1
23	23		1216112-02 HEADER.100 40POS RT ANGLE	1	J1
24	24		1216112-03 HEADER.100 50POS RT ANGLE	1	J2
25	25		1300229-00 100.0 .25 W 5.0 % CC	7	R9-R12,R29,R31,R46
26	26		1300309-00 390.0 .25 W 5.0 % CC	2	R33,R34
27	27		1300315-00 470.0 .50 W 5.0 % CC	1	R21
28	28		1300347-00 680.0 .50 W 5.0 % CC	1	R20

REVISION HISTORY		BASIC PART NO: 5413605		DRN:	J.FERGUSON	DATE:	16-OCT-80	D I G I T A L			
ENG	ECD NUMBER	REV	SECTION A OF A	CHK'D:	F.GAROFALO	DATE:	16-OCT-80	TITLE PARTS LIST			
	INITIAL	E	SECTION.VARIATION INDEX					BIAS AND INTERFACE BD			
			[A] 00					DOCUMENT NUMBER			
			[B]					SIZE	CODE	NUMBER	REV
			[C]	DES.ENG:	R.WOLF	DATE:	16-OCT-80	K	PL	5413605-0-DBP	E
			[D]	RESP.ENG.:	R.WOLF	DATE:	16-OCT-80				
			[E]								
			[F]								
			[G]								
			[H]								
			[I]								
			[J]	MFG.ENG.:	J.COMELLA	DATE:	16-OCT-80				
			[K]	ASSEMBLY NUMBER:		TOP DOCUMENT NUMBER:		FILE NAME:		EDIT #:	
			[L]	D-UA-5413605-0-0		B-DD-5413605-0-0		Z0402.PLS		11	
			[M]								
			[N]								

\*THIS DRAWING AND SPECIFICATIONS HEREIN, ARE THE PROPERTY OF DIGITAL EQUIPMENT CORPORATION AND SHALL NOT BE REPRODUCED OR COPIED OR USED IN WHOLE OR IN PART AS THE BASIS FOR THE MANUFACTURE OR SALE OF ITEMS WITHOUT WRITTEN PERMISSION. COPYRIGHT (C) 1980. DIGITAL EQUIPMENT CORPORATION \*

TW



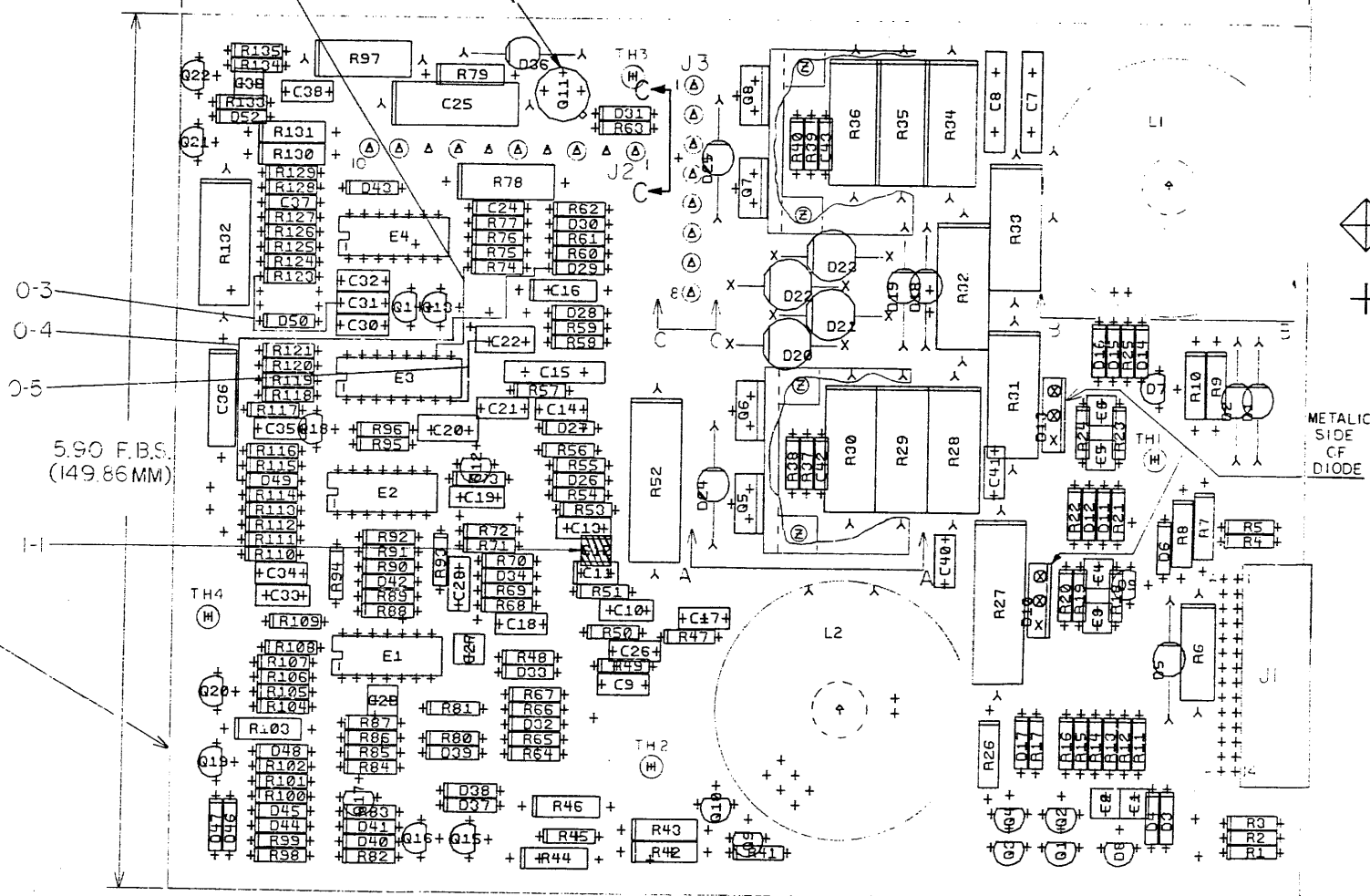
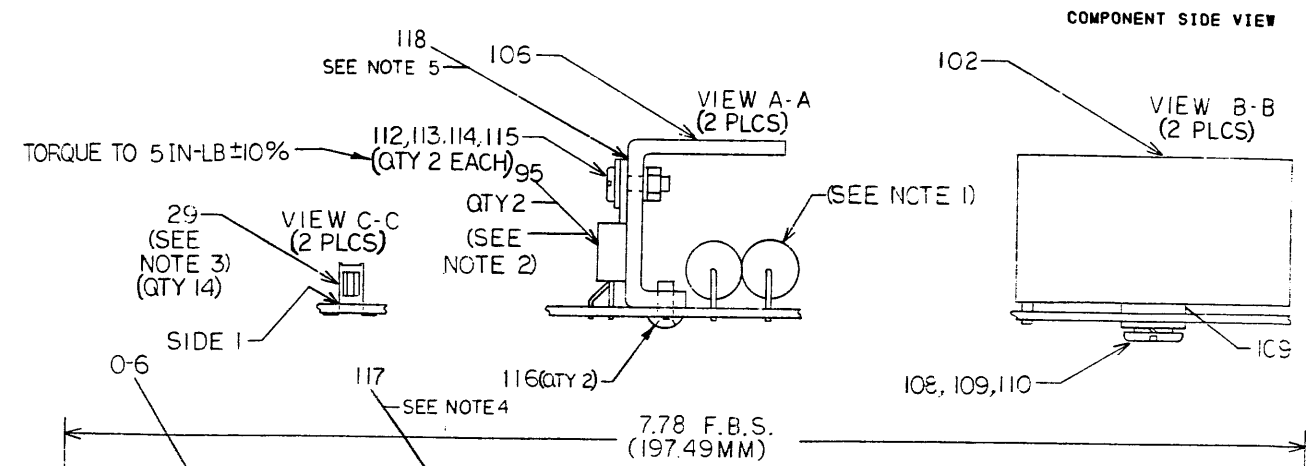
LINE ITEM	DOCUMENT NUMBER	PART NUMBER	DESCRIPTION	QTY PER VARIATION 00	REFERENCE DESIGNATOR
74	74	1510959-00	2N 3725 NPN 3.5WC SI 50 60 P	2	Q8,Q9
75	75	1511686-00	DEC5433 FET N 350MW 10 25 1A	4	Q14-Q16,Q24
76	76	1513489-00	2N 4401 NPN 350MW SI 40 20	1	Q10
77	77	1513490-00	2N 4403 PNP 350MW SI-40 30	1	Q23
78	78	1514271-01	D 44Q5 NPN 31W SI225 30	1	Q6
79	79	1516119-00	NPN 600MW SI400 40	1	Q1
80	80	1516121-00	MPS A92 PNP 625MW SI300 25	1	Q7
81	81	1905547-00	7474 FF-D DUAL,EDGE TRIGG	1	E13
82	82	1909004-00	DEC 7402 NOR GATE-QUAD 2IN	2	E7,E10
83	83	1910538-00	74S15 AND GATE-TRIPLE 3IN	1	E11
84	84	1910741-00	7406 INVERTER GATE-HEX 1I	1	E8
85	85	1911036-00	75453 DRIVER,PERIPH,DUAL,	1	E4
86	86	1911637-00	74132 NAND GATE-QUAD 2 IN	1	E12
87	87	1911944-00	555CN TIMER,FUNCT.BLOCK	3	E2,E16,E17
88	88	1912108-00	339 VOLT CMPRTR,QUAD	1	E9
89	89	1912536-01	7805 VOLT REG,FIX +5V	1	E1
90	90	1912799-00	LS00 NAND-GATE-QUAD 2IN,P	1	E14
91	91	1912800-00	LS01 NAND-GATE-QUAD 2IN,P	1	E15
92	92	1914156-00	LM 393 VOLT.COMPARATOR DUAL	1	E3
93	93	1914194-00	OPTP-COUPLED ISOLATOR	2	E5,E6
94	94	C-MD-7422046-0-0	7422046-00 HEAT SINK,SINGLE	3	
95	95	B-MD-7422047-0-0	7422047-00 HEAT SINK,DOUBLE	2	
96	96		9006011-01 SCREW,FAN,PHIL 4-40X 3/8 SS	7	
97	97		9006556-00 NUT,HEX , 4-40X1/4 AF X 3/	7	
98	98		9006688-00 WASHER, LOCK, S.S. #4	7	
99	99		9006735-00 EYELET, FUNNEL FLANGE, .059 OD X	2	
100	100		9007201-00 TRANSIPADS #10253	2	
101	101		9008268-00 COMPOUND, THERMAL JOINT	A/R	
102	102		9009185-00 JUMPER, WIRE, INSULATED, BLACK B	1	W1
103	103		9009769-00 WASHER, RECTANGULAR .405X.225X.0	7	
104	104		9010128-00 SCREW,TAPPING,TYPE PAN ,PHIL,	7	
105	105		1303312-00 10.0 K .25 W 1.0 % RN55D-F10	2	R51,R55
106	106		1303044-00 100.0 K .25 W 1.0 % RN55D-F10	1	R54

! D ! I ! G ! I ! T ! A ! L !	! TITLE	! SECTION A OF A	! SIZE ! CODE !	! DOCUMENT NUMBER	! REV !
! ! ! ! ! ! ! !	BIAS AND INTERFACE BD	! ! ! ! ! ! ! !	! K ! FL !	5413605-0-DBP	! E !

TW

THIS DRAWING AND SPECIFICATIONS, HEREIN, ARE THE PROPERTY OF DIGITAL EQUIPMENT CORPORATION AND SHALL NOT BE REPRODUCED OR COPIED IN WHOLE OR IN PART AS THE BASIS FOR THE MANUFACTURE OR SALE OF ITEMS WITHOUT WRITTEN PERMISSION.  
 COPYRIGHT © 1971 DIGITAL EQUIPMENT CORPORATION

0-0-1093114-0-0  
 DUA 5413601-0-0 2 1



- NOTES:
- D20-23, R7-7, R52, 78, 97, AND R132, TO BE RAISED .05 TO .10" OFF PCB. (SEE VIEW A-A)
  - G5-8, MUST BE MOUNTED TO HEAT SINK BEFORE BEING ATTACHED TO PCB. (SEE VIEW A-A)
  - ITEM 29 TO BE INSERTED IN J3 PINS 1-8 AND J2 PINS 1, 3, 5, 7, 9, 10. PINS 2, 4, 6, 8, ARE EMPTY. (SEE VIEW C-C)
  - USE TRANSIPAD (ITEM 117) UNDER Q 11.

CHK CHANGE NO	REV
5413601-TW01	1
R. WOLF	

- NOTES:
- USE THERMAL COMPOUND (ITEM 118) BETWEEN HEAT SINK AND G5, 6, 7, 8.

ETCH REV.	C
P.C. DESIGN DATA BASE REV.	CC

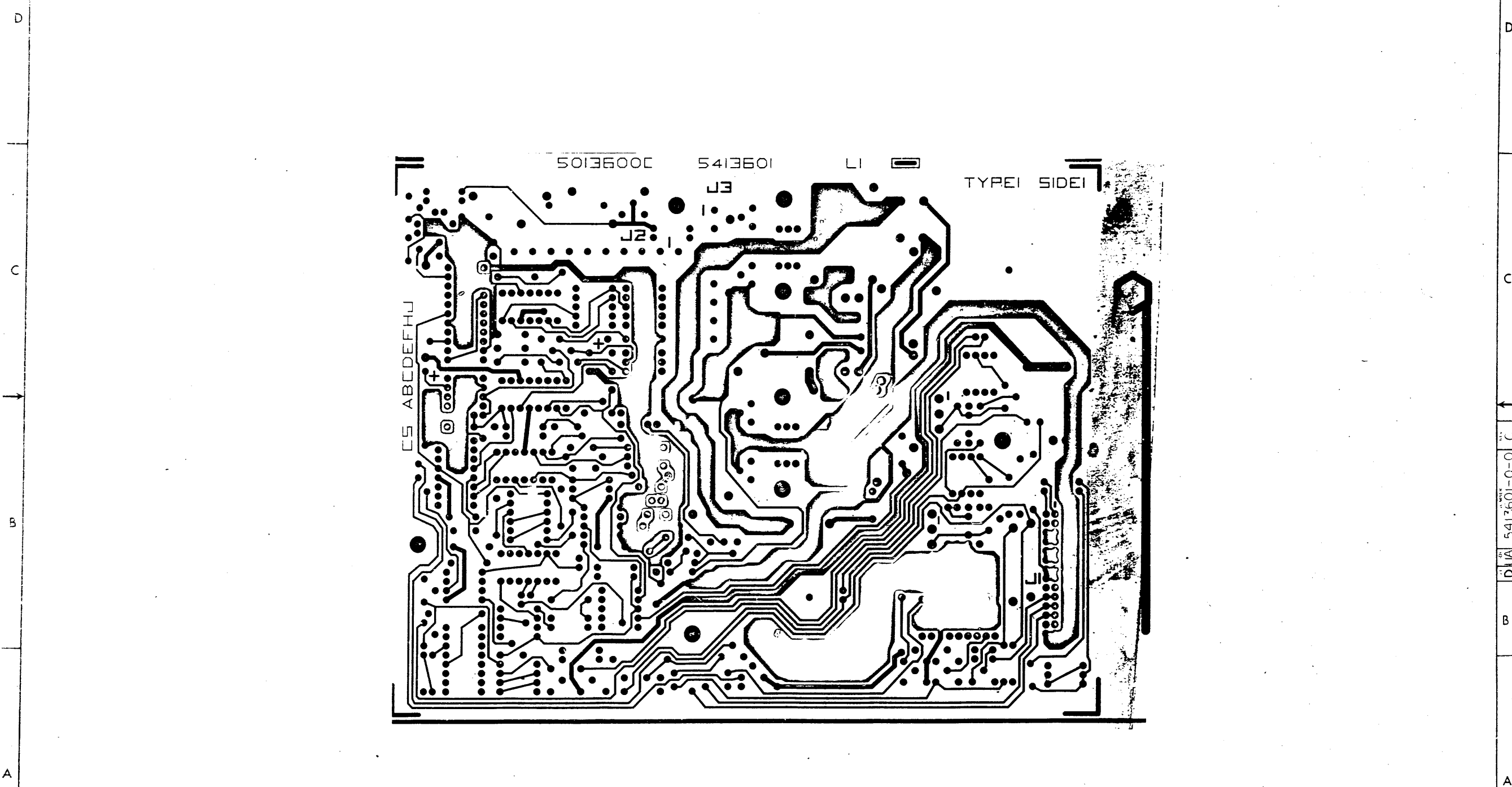
SIGNATURES	DATE	digital		
DRN.	3-5-72			
CHK'D. E. T. GERR	3-27-72	TITLE LOGIC INVERTER CONTROL BOARD		
ENG.				
PROJ. ENG.		SIZE CODE	NUMBER	REV
PROD.	7-15-72	D	UA 5413601-0-0	C
SCALE		NEXT HIGHER ASSY. B DD-5413601-0-0		

1 MS# 12566



STANDARD DRAWING PRACTICES APPLY UNLESS SPECIFIED OTHERWISE. THIS DRAWING IS THE PROPERTY OF THE U.S. GOVERNMENT AND IS TO BE RETURNED TO THE SOURCE OF ORIGIN UPON REQUEST. THIS DRAWING IS NOT TO BE REPRODUCED OR TRANSMITTED IN ANY FORM OR BY ANY MEANS, ELECTRONIC OR MECHANICAL, INCLUDING PHOTOCOPYING, RECORDING, OR BY ANY INFORMATION STORAGE AND RETRIEVAL SYSTEM, WITHOUT PERMISSION IN WRITING FROM THE U.S. GOVERNMENT PRINTING OFFICE.

DUA 5413601-0-0 2



REVISIONS		
NO.	CHANGE	BY

TITLE	LOGIC INVERTER CONTROL BOARD	SIZE CODE	DUA	NUMBER	5413601-0-0	REV.	C
SCALE	2/1	SHEET	2	OF	4	DIST	

DUA 5413601-0-0 C

8 7 6 5 4 3 2 1

D J A 5413601-0-0 C

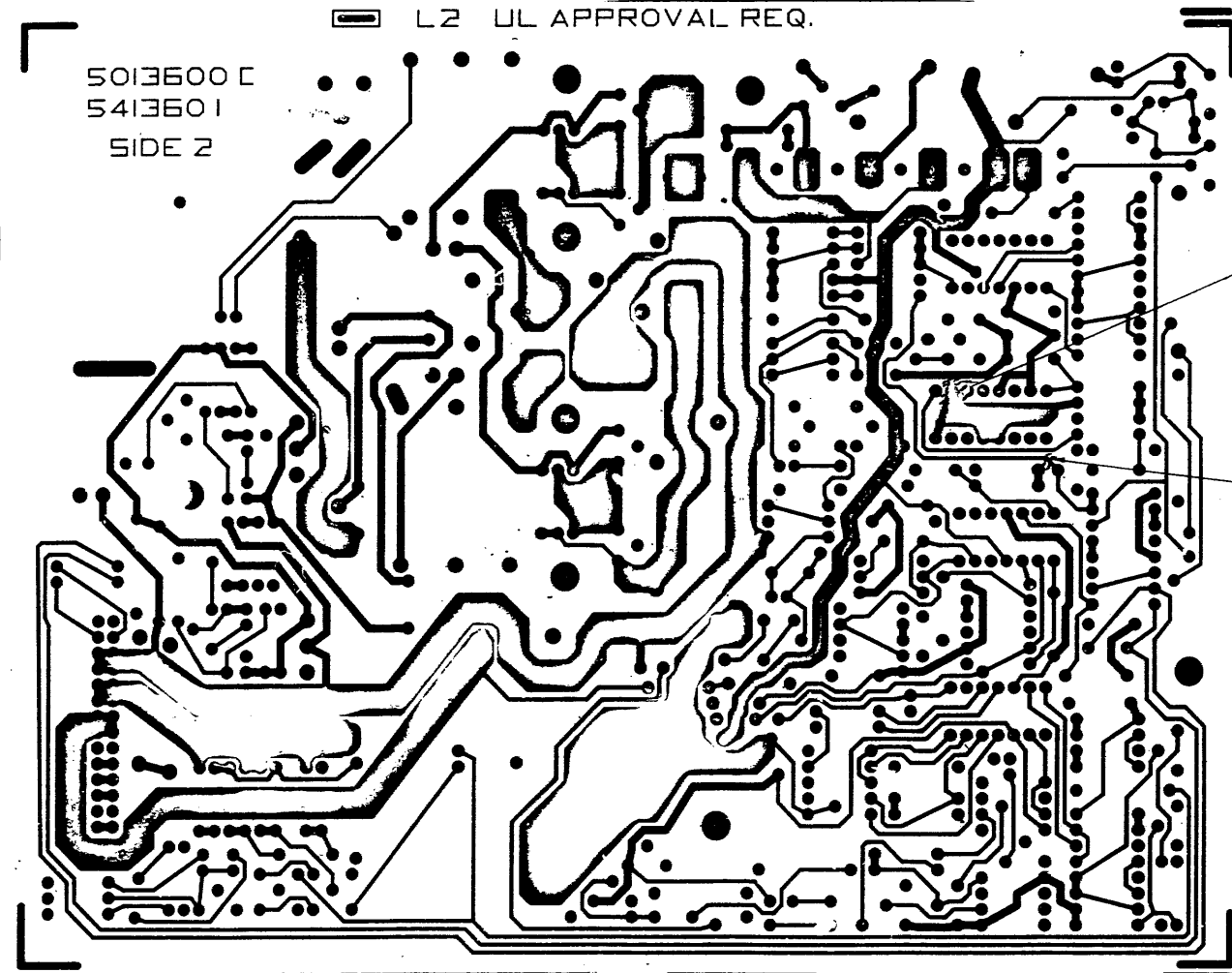
THIS DRAWING AND SPECIFICATIONS HEREIN ARE THE PROPERTY OF DIGITAL EQUIPMENT CORPORATION AND SHALL NOT BE REPRODUCED OR COPIED OR USED IN WHOLE OR IN PART AS THE BASIS FOR THE MANUFACTURE OR SALE OF ITEMS WITHOUT WRITTEN PERMISSION FROM DIGITAL EQUIPMENT CORPORATION.

D  
C  
B  
A

D  
C  
B  
A

L2 UL APPROVAL REQ.

5013600 C  
5413601  
SIDE 2



0-1

0-2

REVISIONS		
CHK	CHANGE NO.	REV.

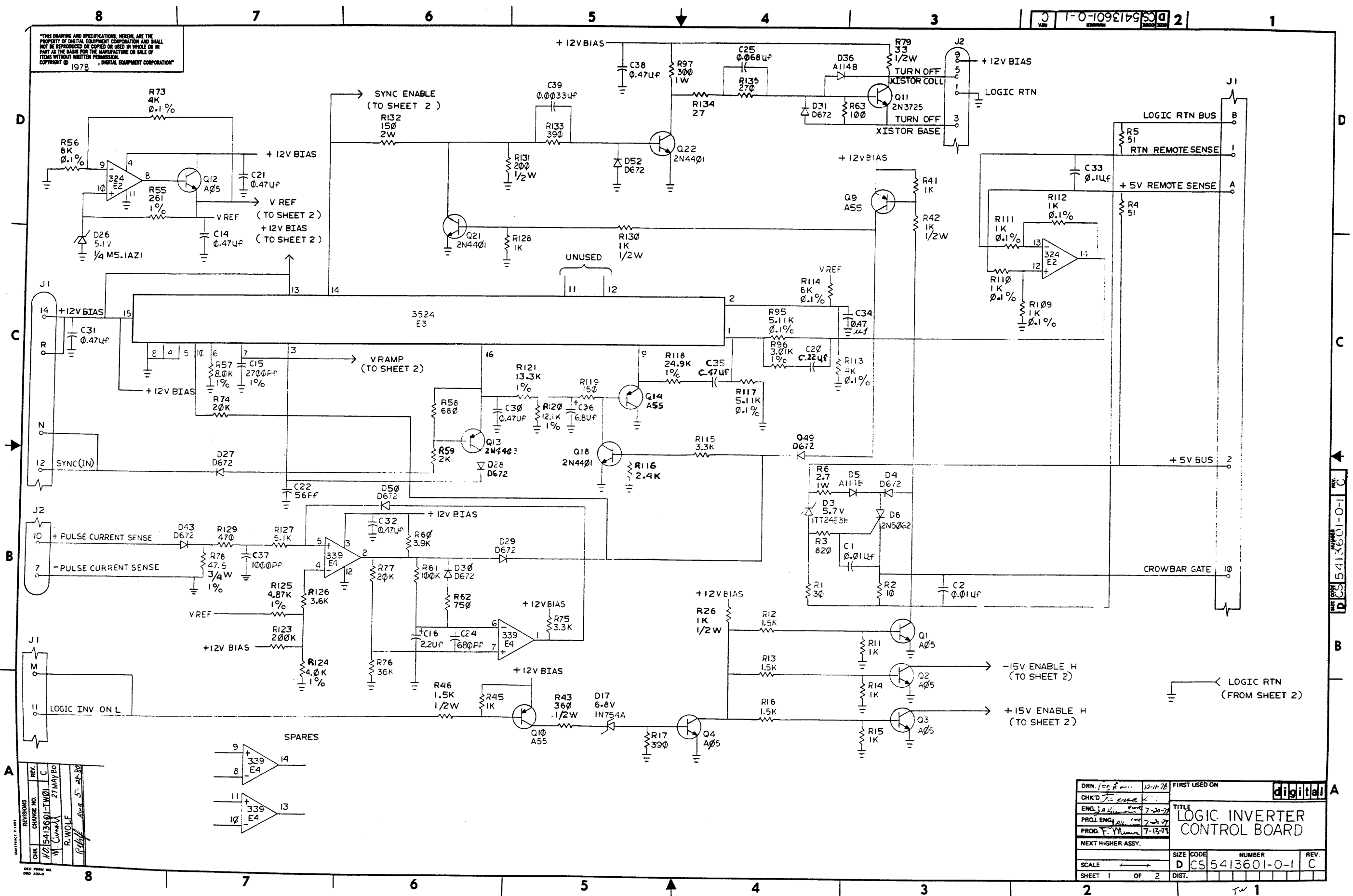
8 7 6 5 4 3 2 1

TITLE	LOGIC INVERTER CONTROL BOARD	SIZE CODE	D J A	NUMBER	5413601-0-0	REV.	C
SCALE	2/1	SHEET	3	OF	4	DIST.	

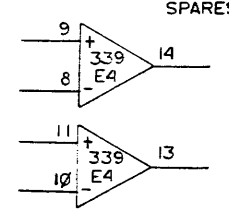
D J A 5413601-0-0 C



THIS DRAWING AND SPECIFICATIONS HEREIN ARE THE PROPERTY OF DIGITAL EQUIPMENT CORPORATION AND SHALL NOT BE REPRODUCED OR COPIED OR USED IN WHOLE OR IN PART AS THE BASIS FOR THE MANUFACTURE OR SALE OF ITEMS WITHOUT WRITTEN PERMISSION. COPYRIGHT © 1978, DIGITAL EQUIPMENT CORPORATION.



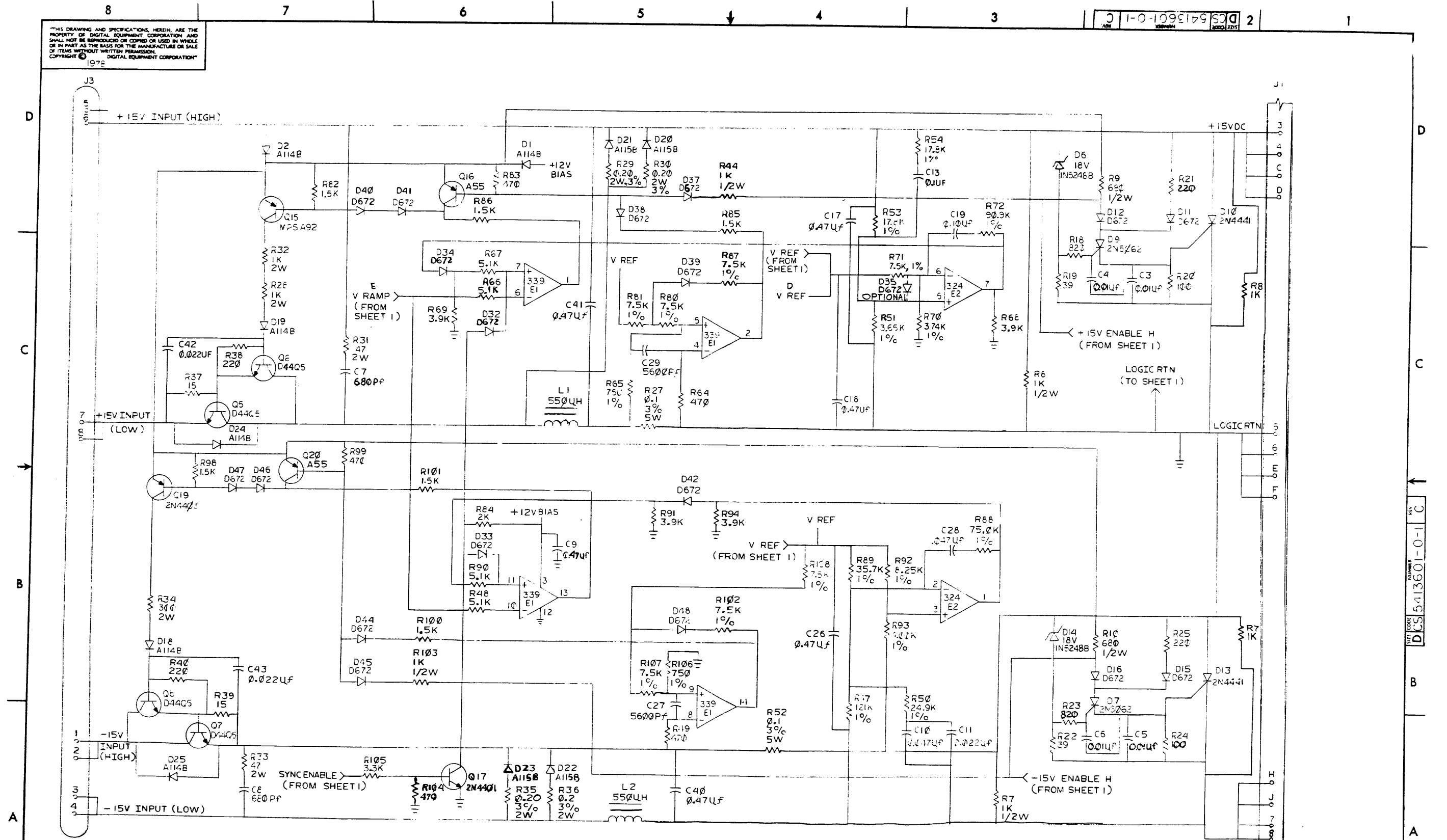
REV.	CHANGE NO.	DATE	BY	CHK'D
C	1	27 MAY 78	R. WOLF	
B	1	27 MAY 78	R. WOLF	
A	1	27 MAY 78	R. WOLF	



DRN. 100 P. 100	12-11-78	FIRST USED ON	digital
CHK'D		TITLE	LOGIC INVERTER CONTROL BOARD
ENG. 100 P. 100	7-20-77	SIZE	D
PROL. ENG. 100 P. 100	7-20-77	CODE	5413601-0-1
PROD. F. 100 P. 100	7-13-78	NUMBER	C
NEXT HIGHER ASSY.		SCALE	
		SHEET 1 OF 2	

THIS DRAWING AND SPECIFICATIONS HEREIN ARE THE PROPERTY OF DIGITAL EQUIPMENT CORPORATION AND SHALL NOT BE REPRODUCED OR COPIED OR USED IN WHOLE OR IN PART AS THE BASIS FOR THE MANUFACTURE OR SALE OF ITEMS WITHOUT WRITTEN PERMISSION. COPYRIGHT © 1978 DIGITAL EQUIPMENT CORPORATION

REV. 2  
 DCS 5413601-0-1



REVISIONS		
CHK	CHANGE NO.	REV.

TITLE LOGIC INVERTER CONTROL BOARD  
 SIZE CODE DCS 5413601-0-1  
 NUMBER 2 OF 2  
 REV. C  
 SCALE SHEET 2 OF 2 DIST.

LINE	ITEM	DOCUMENT NUMBER	PART NUMBER	DESCRIPTION	QTY	PER VARIATION	REFERENCE DESIGNATOR
1	1	D-MD-5013600-0-0	5013600-00	DRILL & ETCH BD	1		
2	2		1010978-24	.01 MFD 50V 10% 2C067 CER	6		C1-C6
3	3		1013280-00	680.0 MMF 1000V 5%200PPM	2		C7,C8
4	4		1010279-01	.47 MFD 25V 20% 2C023 CER.	14		C9,C14,C18,C21,C30-C32,C34,C35, CONT C38,C17,C26,C40,C41
5	5		1010978-32	.047 MFD 50V 10% 2C067CER.	2		C10,C28
6	6		1011683-00	.022 MFD 50V 10% 2C067 CER.	1		C11
7	7		1014170-00	2700.0 MMF 100V 1% 70PPM	1		C15
8	8		1002627-00	2.2MFD 20V 10% 150D S.TA	1		C16
9	9	BLANK		*** THIS ITEM IS NOT USED ***	-		
10	10		1010978-36	.1 MFD 50V 10% 2C067 CER	3		C19,C33,C13
11	11		1010274-00	.22 MFD 50V -20+80 Z5U CER	1		C20
12	12		1000012-00	56.0 MMF 100V 5%200PPM DM15S	1		C22
13	13		1013466-08	680.0 MMF 50V 10% X7R CER	1		C24
14	14		1000052-00	.063 MFD 100V 10% 663UW MYLR	1		C25
15	15		1012783-00	.022 MFD 50V +80-20% CER	2		C43,C42
16	16		1011740-00	5600.0 MMF 50V 10% CW15C CER.	2		C27,C29
17	17		1005306-00	6.8MFD 35V 10% S.TANT	1		C36
18	18		1013466-09	1000.0 MMF 50V 10% X7RCER	1		C37
19	19		1011740-01	3300.0 MMF 50V 10% CW15C CER.	1		C39
20	20		1112595-01	A114B PIV=200 I= 1A	8		D1,D2,D5,D18,D19,D24,D25,D36
21	21		1111205-00	SCREENED VZ= 5.7 2% .40W	1		D3
22	22		1105275-00	D 672 TR= 15NS PIV= 60V SI	28		D4,D11,D12,D15,D16,D27-D34, CONT D37-D50,D52
23	23		1110766-00	1N 5248B VZ= 18.0 5% .50W	2		D6,D14
24	24		1110968-00	2N 5062 SCR@100V I=.8A T092	3		D7-D9
25	25		1109991-00	1N 754A VZ= 6.8 5% .40W	1		D17
26	26		1112594-01	A115B PIV=200 I= 3A	4		D20-D23
27	27		1105871-00	1/4M5,1AZ1 = 5.1 1% .25W N	1		D26
28	28		1105873-00	*** THIS ITEM IS NOT USED ***	-		

REVISION HISTORY		BASIC PART NO: 5413601		DRN:	J.LENT	DATE:	3-JAN-79	DIGITAL			
ENG	ECO NUMBER	REV	SECTION A OF A	CHK'D:	F.GERRY	DATE:	19-JUL-79	PARTS LIST			
---	INITIAL	B	SECTION VARIATION INDEX					LOGIC INVERTER CONTROL BD			
---	INITIAL	B	[A] 00								
TRW	5413601-TW001	C	[B]	DES.ENG:	J.A.HERRMANN	DATE:	19-JUL-79				
			[C]					DOCUMENT NUMBER			
			[D]					SIZE	CODE	NUMBER	REV
			[E]	RESP.ENG.:	J.A.HERRMANN	DATE:	19-JUL-79				
			[F]								
			[G]								
			[H]								
			[I]	MFG.ENG.:	F.MUNIZ	DATE:	19-JUL-79	K	PL	5413601-0-DBP	C
			[J]								
			[K]								
			[L]	ASSEMBLY NUMBER:		TOP DOCUMENT NUMBER:		FILE NAME:		EDIT #	
			[M]					Z0400C.FLS		20	
			[N]	D-UA-5413601-0-0							

THIS DRAWING AND SPECIFICATIONS HEREIN, ARE THE PROPERTY OF DIGITAL EQUIPMENT CORPORATION AND SHALL NOT BE REPRODUCED OR COPIED OR USED IN WHOLE OR IN PART AS THE BASIS FOR THE MANUFACTURE OR SALE OF ITEMS WITHOUT WRITTEN PERMISSION.  
COPYRIGHT (C) 1980. DIGITAL EQUIPMENT CORPORATION

LINE	ITEM	DOCUMENT NUMBER	PART NUMBER	DESCRIPTION	QTY	PER VARIATION	REFERENCE DESIGNATOR
					00		
29	29		1211728-00	SOCKET 1POS STRIP FORM	14		J2,J3
30	30		1216112-01	HEADER.100 28POS RT ANGLE	1		J1
31	31		1302751-00	30.0 .25 W 5.0 % CC	1		R1
32	32		1301317-00	10.0 .25 W 5.0 % CC	1		R2
33	33		1301775-00	820.0 .25 W 5.0 % CC	3		R3,R18,R23
34	34		1312928-00	51.0 .25 W 5.0 % CC	2		R4,R5
35	35		1310382-00	2.70 1.0 W 5.0 % CC	1		R6
36	36		1300364-00	1.0 K .50 W 5.0 % CC	7		R7,R8,R26,R42,R44,R103,R130
37	37		1300347-00	680.0 .50 W 5.0 % CC	2		R9,R10
38	38		1300365-00	1.0 K .25 W 5.0 % CC	6		R11,R14,R15,R41,R45,R128
39	39		1300391-00	1.50 K .25 W 5.0 % CC	9		R12,R13,R16,R82,R85,R86,R98,
						CONT	R100,R101
40	40		1300309-00	390.0 .25 W 5.0 % CC	2		R17,R133
41	41		1302377-00	39.0 .25 W 5.0 % CC	2		R19,R22
42	42		1300229-00	100.0 .25 W 5.0 % CC	3		R20,R24,R63
43	43		1300271-00	220.0 .25 W 5.0 % CC	4		R21,R25,R38,R40
44	44		1305872-00	.10 5.0 W 3.0 % WW	2		R27,R52
45	45		1301952-00	1.0 K 2.0 W 5.0 % CC	2		R28,R32
46	46		1311604-00	.20 3.0 W 3.0 % WW	4		R29,R30,R35,R36
47	47		1314023-00	47.0 2.0 W 5.0 % CC	2		R31,R33
48	48		1309855-00	300.0 2.0 W 5.0 % CC	1		R34
49	49		1301421-00	15.0 .25 W 5.0 % CC	2		R37,R39
50	50		1302955-00	750.0 .25 W 1.0 % RN55D-F10	2		R106,R65
51	51		1302383-00	360.0 .50 W 5.0 % CC	1		R43
52	52		1300394-00	1.50 K .50 W 5.0 % CC	1		R46
53	53		1303438-00	121.0 K .25 W 1.0 % RN55D-F10	1		R47
54	54		1300316-00	470.0 .25 W 5.0 % CC	6		R49,R64,R83,R99,R104,R129
55	55		1305405-00	24.90 K .25 W 1.0 % RN55D-F10	2		R50,R118
56	56		1304835-00	/REPLACED BY 13-05337-00	1		R51
57	57		1312989-00	17.80 K .25 W 1.0 % RN55D-F10	2		R53,R54
58	58		1313151-00	3.60 K .25 W 5.0 % CC	1		R126
59	59		1302873-00	261.0 .25 W 1.0 % RN55D-F10	1		R55
60	60		1305356-00	8.0 K .25 W .10% RN55C-B 5	2		R56,R114
61	61		1305129-00	8.0 K .25 W 1.0 % RN55D-F10	1		R57
62	62		1312930-00	5.10 K .25 W 5.0 % CC	5		R48,R66,R67,R90,R127
63	63		1300444-00	3.90 K .25 W 5.0 % CC	5		R60,R68,R69,R91,R94
64	64		1302466-00	100.0 K .25 W 5.0 % CC	1		R61
65	65		1301401-00	750.0 .25 W 5.0 % CC	1		R62
66	66		1304693-00	*** THIS ITEM IS NOT USED ***			
67	67		1302391-00	20.0 K .25 W 5.0 % CC	2		R77,R74
68	68		1312452-00	3.74 K .25 W 1.0 % RN55D-F10	1		R70
69	69		1313344-00	75.0 K .25 W 1.0 % RN55D-F10	1		R88
70	70		1311320-00	90.90 K .25 W 1.0 % RN55D-F10	1		R72
71	71		1304728-00	4.0 K .25 W .10% RN55E-B 2	2		R73,R113
72	72		1300439-00	3.30 K .25 W 5.0 % CC	3		R75,R105,R115
73	73		1312932-00	36.0 K .25 W 5.0 % CC	1		R76
74	74		1301459-00	47.50 .75 W 1.0 % RN65D-F10	1		R78
75	75		1300195-00	33.0 .50 W 5.0 % CC	1		R79

D	I	G	I	T	A	L	TITLE	SECTION A OF A	SIZE	CODE	DOCUMENT NUMBER	REV
							LOGIC INVERTER CONTROL RD		K	PL	5413601-0-DBP	C

LINE	ITEM	DOCUMENT NUMBER	PART NUMBER	DESCRIPTION	QTY	PER VARIATION	REFERENCE DESIGNATOR
					00		
76	76		1305322-00	7.50 K .25 W 1.0 % RN55D-F10	7		R80,R81,R107,R108,R87,R102,R71
77	77		1302388-00	2.0 K .25 W 5.0 % CC	2		R59,R84
78	78		1305421-00	35.70 K .25 W 1.0 % RN55D-F10	1		R89
79	79		1305325-00	8.25 K .25 W 1.0 % RN55D-F10	1		R92
80	80		1305127-00	4.0 K .25 W 1.0 % RN55D-F10	2		R93,R124
81	81		1305432-00	5.11 K .25 W .10% RN55E-B 2	2		R95,R117
82	82		1314041-00	3.01 K .25 W 1.0 % RN55D-F10	1		R96
83	83		1300292-00	300.0 1.0 W 5.0 % CC	1		R97
84	84		1304865-00	1.0 K .25 W .10% RN55E-B 2	4		R109-R112
85	85		1300250-00	150.0 .25 W 5.0 % CC	1		R119
86	86		1303313-00	12.10 K .25 W 1.0 % RN55D-F10	1		R120
87	87		1312565-00	13.30 K .25 W 1.0 % RN55D-F10	1		R121
88	88		1300202-00	*** THIS ITEM IS NOT USED ***	-		
89	89		4810004-48	*** THIS ITEM IS NOT USED ***	-		
90	90		1302381-00	200.0 .50 W 5.0 % CC	1		R131
91	91		1300257-00	150.0 2.0 W 5.0 % CC	1		R132
92	92		1301522-00	27.0 .25 W 5.0 % CC	1		R134
93	93		1301972-00	270.0 .25 W 5.0 % CC	1		R135
94	94		1510705-00	XA 05 NPN 500MW SI 60 50 P	5		Q1-Q4,Q12
95	95		1514271-01	D 4405 NPN 31W SI225 30	4		Q5-Q8
96	96		1510706-00	XA 55 PNP 500MW SI 60 50 P	5		Q9,Q10,Q14,Q16,Q20
97	97		1510959-00	2N 3725 NPN 3.5WC SI 50 60 P	1		Q11
98	98		1513490-00	2N 4403 PNP 350MW SI-40 30	2		Q13,Q19
99	99		1516121-00	MPS A92 PNP 625MW SI300 25	1		Q15
100	100		1513489-00	2N 4401 NPN 350MW SI 40 20	4		Q17,Q18,Q21,Q22
101	101		1505867-00	2N 4441 SCR@ 50V & 8A	2		D10,D13
102	102		1616213-00	550.0 UH VARIABLE	2		L1,L2
103	103		1912108-00	339 VOLT CMPRTR,QUAD	2		E1,E4
104	104		1912107-00	324 OP AMP,QUAD	1		E2
105	105		1914250-00	3524 MODULATOR-REGULATING	1		E3
106	106		7422047-01	HEAT SINK DOUBLE	2		
107	107		1301424-00	680.0 .25 W 5.0 % CC	1		R58
108	108		9006039-01	SCREW,PAN,PHIL 8-32X 1/2 SS	2		
109	109		9006660-00	WASHER, FLAT, .375 O.D. X .187 I	4		
110	110		9006690-00	WASHER, LOCK, S.S. #8	2		
111	111		1303177-00	2.40 K .25 W 5.0 % CC	1		R116
112	112		9006011-01	SCREW,PAN,PHIL 4-40X 3/8 SS	4		
113	113		9009769-00	WASHER, RECTANGULAR .405X.225X.0	4		
114	114		9006556-00	NUT,HEX , 4-40X1/4 AF X 3/	4		
115	115		9006688-00	WASHER, LOCK, S.S. #4	4		
116	116		9010128-00	SCREW,TAPPING,TYPE PAN,PHIL,	4		
117	117		9007201-00	TRANSIPADS #10253	1		C23
118	118		9008268-00	COMPOUND, THERMAL JOINT	A/R		
119	119		1314516-00	200.0 K .25 W 5.0 % CC	1		R123
120	120		1313592-00	4.87 K .25 W 1.0 % RN55D-F10	1		R125
121	121		9105740-55	WIRE(WRAP)30AWG UL1423	A/R		
122	122		1000009-00	*** THIS ITEM IS NOT USED ***	-		
123	123		4810004-34	*** THIS ITEM IS NOT USED ***	-		

! D ! I ! G ! I ! T ! A ! L !	! T ! I ! T ! L !	! S ! I ! Z ! E ! C ! O ! D ! E !	! D ! O ! C ! U ! M ! E ! N ! T ! N ! U ! M ! B ! E ! R !	! R ! E ! V !
LOGIC INVERTER CONTROL BD		SECTION A	OF A	
		K ! P ! L !	5413601-0-DBP	C



AUTOMATED BY PRTLST.3G(17)

PARTS LIST

SHEET A4 OF A4

LINE ITEM DOCUMENT NUMBER

PART NUMBER

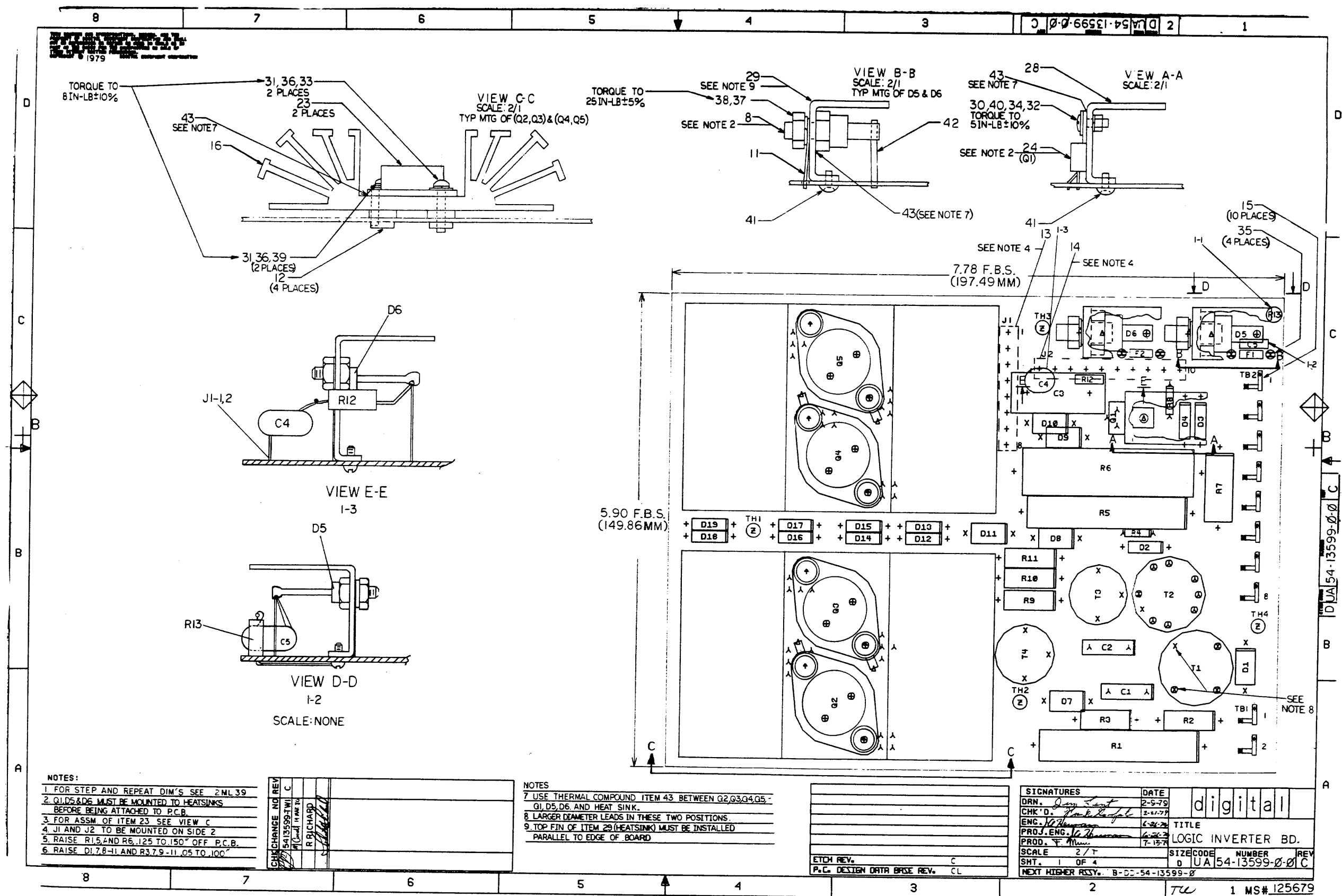
DESCRIPTION

QTY PER VARIATION  
00

REFERENCE DESIGNATOR

124 NOTE: ITEM #121; .52' IS USED.

D	I	G	I	T	A	L	TITLE	SECTION A	OF A	SIZE	CODE	DOCUMENT NUMBER	REV
							LOGIC INVERTER CONTROL BD					5413601-0-DBP	C
											K	PL	



- NOTES:
- FOR STEP AND REPEAT DIM'S SEE 2.ML.39
  - Q1, D5 & D6 MUST BE MOUNTED TO HEATSINKS BEFORE BEING ATTACHED TO P.C.B.
  - FOR ASSM. OF ITEM 23 SEE VIEW C
  - J1 AND J2 TO BE MOUNTED ON SIDE 2
  - RAISE R1, 5, AND R6, 1, 25 TO 150° OFF P.C.B.
  - RAISE D1, 7, 8-11 AND R3, 7, 9-11, 05 TO 100°

CHANGE NO	REV	DATE	BY	CHK'D
1	1	2-9-79	R. RICHARD	

- NOTES:
- USE THERMAL COMPOUND ITEM 43 BETWEEN Q2, Q3, Q4, Q5, Q1, D5, D6 AND HEAT SINK.
  - LARGER DIAMETER LEADS IN THESE TWO POSITIONS.
  - TOP FIN OF ITEM 29 (HEATSINK) MUST BE INSTALLED PARALLEL TO EDGE OF BOARD

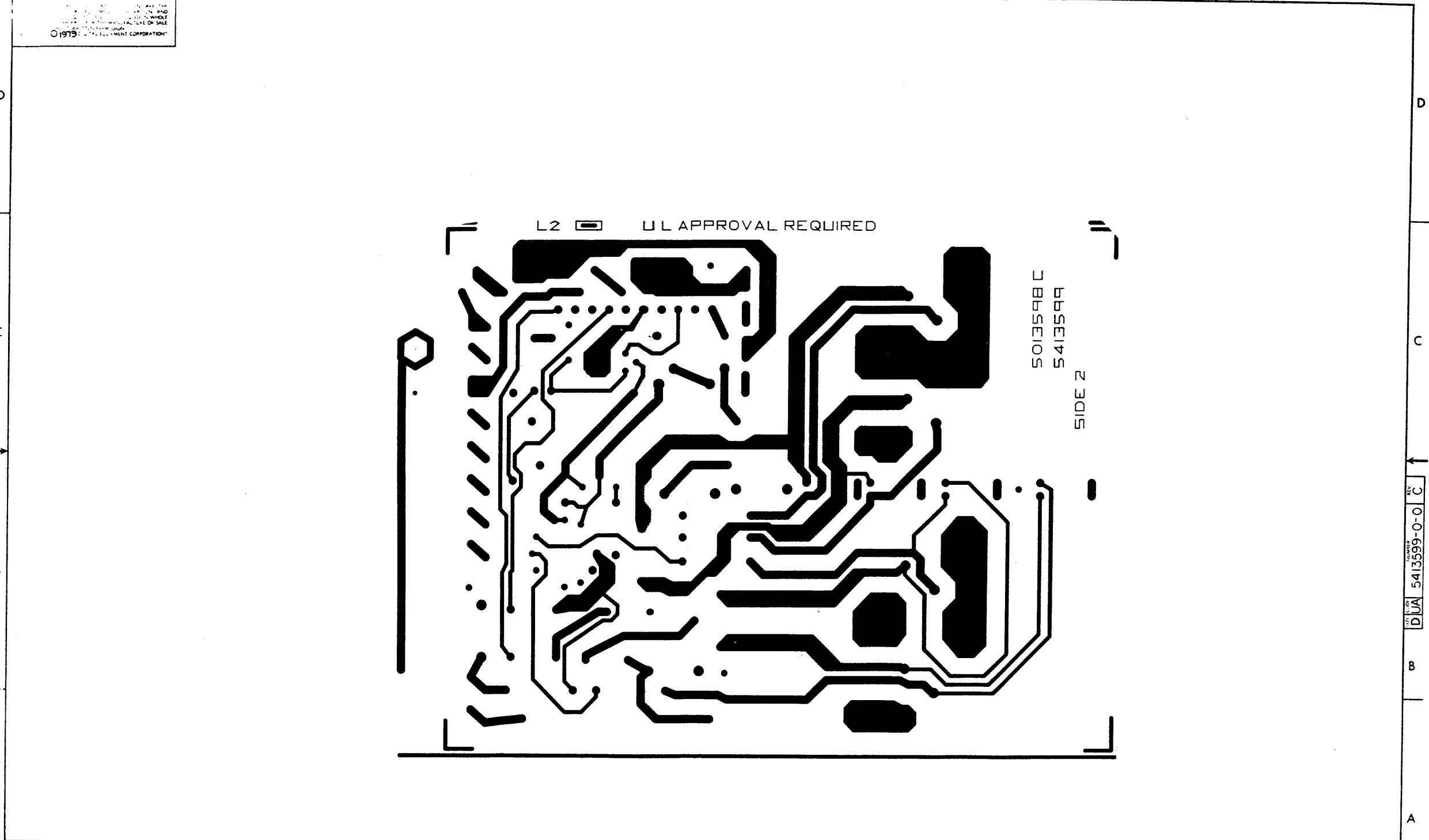
ETCH REV.	C
P.C. DESIGN DATA BASE REV.	CL

SIGNATURES	DATE	TITLE
DRN. <i>Ray Lent</i>	2-9-79	LOGIC INVERTER BD.
CHK'D. <i>Frank Ruppel</i>	2-21-79	
ENG. <i>W. Thompson</i>	6-26-79	
PROD. <i>F. Munn</i>	7-13-79	
SCALE 2/1	SIZE CODE	NUMBER
SHT. 1 OF 4	D	UA 54-13599-0-01 C
NEXT HIGHER ASSY. B-00-54-13599-0		

TCU 1 MS# 125679



8 7 6 5 4 3 2 1



ALL RIGHTS RESERVED. ALL THE RIGHTS OF INVENTION AND PATENT ARE RESERVED. THIS DRAWING IS THE PROPERTY OF THE UNITED STATES GOVERNMENT AND IS LOANED TO YOU. IT IS TO BE USED ONLY FOR THE PURPOSES SPECIFIED IN THE CONTRACT. IT IS NOT TO BE REPRODUCED OR TRANSMITTED IN ANY FORM OR BY ANY MEANS, ELECTRONIC OR MECHANICAL, INCLUDING PHOTOCOPYING, RECORDING, OR BY ANY INFORMATION STORAGE AND RETRIEVAL SYSTEM, WITHOUT PERMISSION IN WRITING FROM THE UNITED STATES GOVERNMENT. © 1979 BY THE UNITED STATES GOVERNMENT

DJA 5413599-0-0 C 2

L2  UL APPROVAL REQUIRED

5013598 C  
5413599  
SIDE 2

REVISIONS		
NO.	CHANGE NO.	REV.

8 7 6 5 4 3 2 1

TITLE	LOGIC INVERTER BOARD	SIZE/CODE	DJA	NUMBER	5413599-0-0	REV.	C
SCALE	2/1	SHEET	3	OF	4	DIST.	

TW

8

D U A 54-13599-0-0 C

6

5

4

3

2

1

THIS DRAWING AND SPECIFICATIONS HEREIN ARE THE PROPERTY OF DIGITAL EQUIPMENT CORPORATION AND SHALL NOT BE REPRODUCED OR COPIED OR USED IN WHOLE OR IN PART AS THE BASIS FOR THE MANUFACTURE OR SALE OF ITEMS WITHOUT WRITTEN PERMISSION. COPYRIGHT © 1980 DIGITAL EQUIPMENT CORPORATION

REWORK INSTRUCTION (ECO 1)

COMPONENT ADDS: SIDE 1

- 1-1 INSTALL R13 BY DRILLING ONE .055" HOLE AS SHOWN. (HOLE IS UNDERNEATH R13)
- 1-2 C5 AND R13 ARE CONNECTED BY TWISTING ONE LEAD OF R13 WITH ONE LEAD OF C5 AND SOLDERING. THE OTHER LEAD OF R13 IS TACK SOLDERED TO THE ETCH ON SIDE 2 LEADING TO THE CATHODE OF D5. THE OTHER LEAD OF C5 IS CONNECTED TO THE ANODE OF D5. (SEE VIEW D-D)
- 1-3 R12 AND C4 ARE CONNECTED BY TWISTING ONE LEAD OF R12 WITH ONE LEAD OF C4 AND SOLDERING. THE OTHER LEAD OF R12 IS CONNECTED TO THE ANODE OF D6. THE OTHER LEAD OF C4 IS TACK SOLDERED TO J1-1 AND 2. (SEE VIEW E-E)

D  
C  
B  
A

D  
C  
B  
A

REVISION HISTORY

DATE	ECO NUMBER	REV.

TITLE  
LOGIC INVERTER BOARD

DOCUMENT NUMBER  
D U A 54-13599-0-0 C

SCALE 2/1 SHEET 4 OF 4

NO 137A

R

7

6

5

4

3

2

TW 1



LINE	ITEM	DOCUMENT NUMBER	PART NUMBER	DESCRIPTION	QTY PER VARIATION 00	REFERENCE DESIGNATOR
1	1	D-MD-5013598-0-0	5013598-00	DRILL & ETCH BD	1	
2	2		1011847-03	.0047 MFD 600V 10% POLYPROP	2	C1,C2
3	3		1014430-00	.022 MFD 270V 10% M.FOLYPROP	1	C3
4	4		1112594-01	A115B PIV=200 I= 3A	1	D9
5	5		1112594-02	A115M PIV=600 I= 3A	5	D1,D7,D8,D11,D10
6	6		1112595-00	A114F PIV= 50 I= 1A	4	D12,D14,D16,D19
7	7		1112595-01	A114B PIV=200 I= 1A	3	D2-D4
8	8		1110491-20	IN 3891 PIV=200 T=12A D04 SI	2	D5,D6
9	9		1114435-00	1N 5338B VZ= 5.1 5% 5W	4	D13,D15,D17,D18
10	10		1205747-00	FUSE, SUB-MINI, 5.000A, 125V, A	2	F1,F2
11	11		1216937-00	TERMINAL,SOLDER	2	
12	12		1214789-00	INSERT,THREADED 6-32 ,BRASS,ELEC	8	
13	13		1216108-00	HEADER.200 8POS STRAIGHT	1	J1
14	14		1216108-01	HEADER.200 10POS STRAIGHT	1	J2
15	15		1216269-00	TERM SPADE 1POS SOLDER STRIP	10	
16	16		1216316-00	HEAT SINK,ALUM,YELLOW CHROM. FIN	2	
17	17		1300229-00	100.0 .25 W 5.0 % CC	1	R8
18	18		1300365-00	1.0 K .25 W 5.0 % CC	1	R4
19	19		1305380-00	270.0 2.0 W 5.0 % CC	1	R7
20	20		1314350-00	1.0 2.0 W10.0 % WW	5	R2,R3,R9-R11
21	21		1314172-01	100.0 14.0 W 5.0 % WW	1	R6
22	22		1314544-00	270.0 10.0 W 5.0 % WW	2	R1,R5
23	23		1514195-00	2N 6547 PNP 400V SI 15A	4	Q2-Q5
24	24		1514271-01	D 44Q5 NPN 31W SI225 30	1	Q1
25	25		1614202-00	XFMR,CURRENT	1	T1
26	26		1614203-00	CHOKE,BALUN-COMMON MODE	2	T3,T4
27	27		1614204-00	PULSE XFMR 20312 BASE DRIVE	1	T2
28	28		7422046-00	HEAT SINK,SINGLE	1	
29	29		7422046-01	HEAT SINK	2	
30	30		9006011-01	SCREW,PAN,PHIL 4-40X 3/8 SS	1	

REVISION HISTORY		BASIC PART NO: 5413599		DRN:	K.FRIEDGEN	DATE:	20-JUL-79	DIGITAL		
ENG	ECD NUMBER	REV	SECTION A OF A	CHK'D:	F.GERRY	DATE:	20-JUL-79	TITLE	PARTS LIST	
---	INITIAL	B	SECTION,VARIATION INDEX	CHK'D:	F.GERRY <td>DATE:</td> <td>20-JUL-79</td> <td></td> <td></td> <td></td>	DATE:	20-JUL-79			
RR	5413599-TW001	C	[A] 00					LOGIC INVERTER BD		
			[B]							
			[C]	DES.ENG:	J.A.HERRMANN	DATE:	20-JUL-79			
			[D]							
			[E]					DOCUMENT NUMBER		
			[F]	RESP.ENG.:	J.A.HERRMANN	DATE:	20-JUL-79			
			[G]					SIZE	CODE	NUMBER
			[H]							REV
			[I]							
			[J]							
			[K]	MFG.ENG.:	F.MUNIZ	DATE:	20-JUL-79	K	PL	5413599-0-DBP
			[L]							C
			[M]	ASSEMBLY NUMBER:		TOP DOCUMENT NUMBER:		FILE NAME:		EDIT #
			[N]	D-UA-5413559-0-0				Z0399C.PLS		14

\*THIS DRAWING AND SPECIFICATIONS HEREIN, ARE THE PROPERTY OF DIGITAL EQUIPMENT CORPORATION AND SHALL NOT BE REPRODUCED OR COPIED OR USED IN WHOLE OR IN PART AS THE BASIS FOR THE MANUFACTURE OR SALE OF ITEMS WITHOUT WRITTEN PERMISSION. COPYRIGHT (C) 1980, DIGITAL EQUIPMENT CORPORATION \*

AUTOMATED BY PRTLST.3H(23)

PARTS LIST

SHEET A2 OF A2

LINE ITEM	DOCUMENT NUMBER	PART NUMBER	DESCRIPTION	QTY PER VARIATION 00	REFERENCE DESIGNATOR
31	31	9006025-01	SCREW,PAN,PHIL 6-32X 5/8 SS	8	
32	32	9006556-00	NUT,HEX , 4-40X1/4 AF X 3/	1	
33	33	9006656-00	WASHER, FLAT, .312 O.D. X .156 I	4	
34	34	9006688-00	WASHER, LOCK, S.S. #4	1	
35	35	9006735-00	EYELET, FUNNEL FLANGE, .059 OD X	4	
36	36	9007801-00	WASHER, LOCK, S.S. #6	8	
37	37	9007906-00	WASHER, LOCK S.S. #10	2	
38	38	9009005-00	NUT,HEX , 10-32 X1/4 AF X 3	2	
39	39	9009676-00	TERM LUG 1POS SOLDER	4	
40	40	9009769-00	WASHER, RECTANGULAR .405X.225X.0	1	
41	41	9010128-00	SCREW,TAPPING,TYPE PAN ,PHIL,	3	
42	42	9107560-03	WIRE,BUSS,18AWG	A/R	
43	43	9008268-00	COMPOUND, THERMAL JOINT	A/R	
44	44	1013280-00	680.0 MMF1000V 5%200PPM	2	
45	45	1302199-00	47.0 1.0 5.0 % CC	2	C4,C5 R12,R13

46 NOTE: ITEM #42; .19' IS ISED.

D	I	G	I	T	A	L	TITLE	SECTION A OF A	SIZE	CODE	DOCUMENT NUMBER	REV
							LOGIC INVERTER BD		K	PL	5413599-0-DRP	C

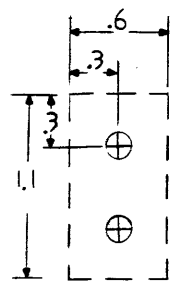


THIS DRAWING AND SPECIFICATIONS, HEREIN, AND THE PROPERTY OF SIXTAL EQUIPMENT CORPORATION AND SHALL NOT BE REPRODUCED OR COPIED IN WHOLE OR IN PART IN ANY MANNER WITHOUT THE WRITTEN PERMISSION OF SIXTAL EQUIPMENT CORPORATION. COPYRIGHT © 1975

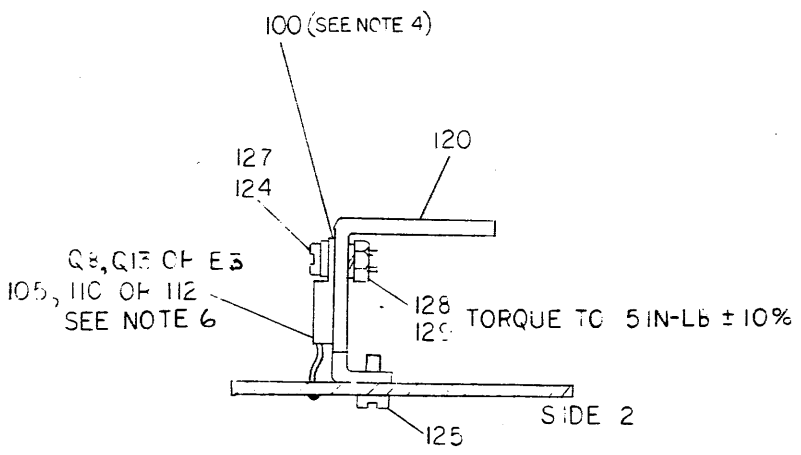
DUA 5413607-0-0 E 2 1

VIEW C-C  
SCALE 2/1  
TYP. MTG. OF L1, L2 & L3

VIEW B-B  
SCALE 2/1  
TYP. MTG. OF D4 & D6



DETAIL A  
SEE NOTE 7



SECTION A-A  
SCALE: 2/1  
TYPICAL 3 PLACES

FOR -00 DIODE IS USED  
FOR -YA JUMPER IS USED

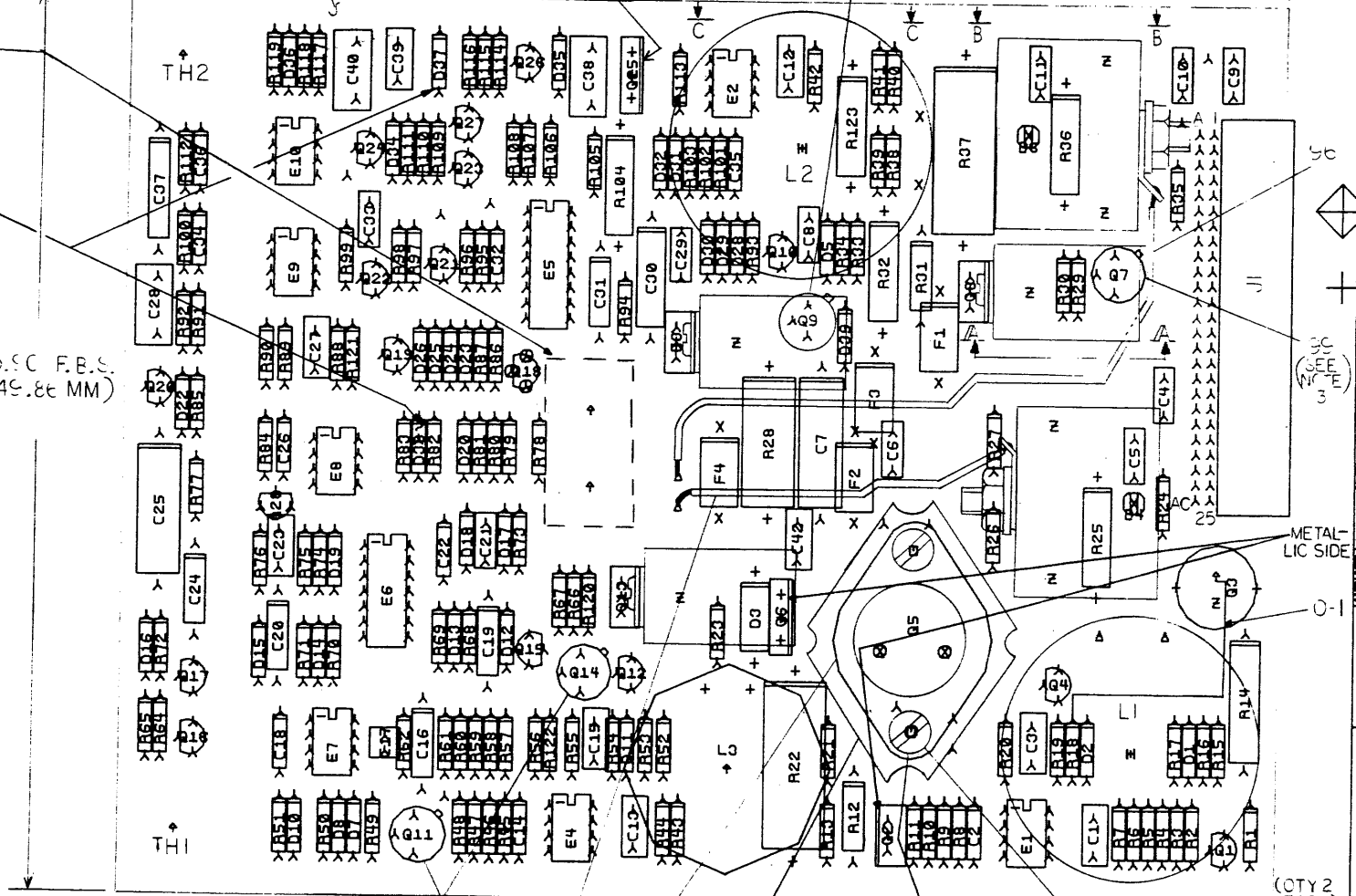
SEE  
DETAIL  
(A)

5.50 F.B.S.  
(140.86 MM)

7.78 F.B.S.  
(197.49 MM)

99 (SEE NOTE 3) 23  
(D4 OF D6)

97 TORQUE TO  
137.25 IN-LB  
136 ± 5%



- NOTES:
1. PARTS MUST BE RESEAL TO .150.
  2. D2 IS TO BE F-ED .05" TO .10".
  3. USE TRANSPADS (ITEM 99) UNDER Q7, Q9, Q11, Q14.
  4. USE THERMAL CO. 1" (ITEM 100) BETWEEN E3, G5, C8, Q13, D4, D6 & HEAT SINK.

CHK	CHANGE NO	REV	DATE	BY	APP
	5413607-TWR	E		R. WOLF	

5. TORQUE TO 6 IN LB ± 10%
6. Q8, Q13, E3, D4, D6 MUST BE MOUNTED TO HEAT SINKS BEFORE BEING ATTACHED TO P.C.B.
7. MASK THIS AREA ON SIDE 2 ONLY, KEEP FREE OF SOLDER.

ETCH REV.	D-PI
-----------	------

SIGNATURES	DATE	TITLE
DRA. P. RICHARD TELLIER	12-27-79	digital
CHK'D. <i>[Signature]</i>	2-5-80	
TECH. ENG. <i>[Signature]</i>	10-9-80	
PROJ. ENG. <i>[Signature]</i>	10-9-80	
PROD. <i>[Signature]</i>	10-9-80	
SCALE 2/1		
SHT. 1 OF 2		
NEXT HIGHER ASSY: B-DD-5413607-0		

STEP	Y AXIS	Z AXIS	STEP	TIMES
REPEAT	→	X	900	

TW 1 MS#171921D-PI

8

3 0-0-2098145 DUA 5413607-0-0

6

5

4

3

2

1

1

THIS DRAWING AND SPECIFICATIONS HEREIN ARE THE PROPERTY OF DIGITAL EQUIPMENT CORPORATION AND SHALL NOT BE REPRODUCED OR COPIED OR USED IN WHOLE OR IN PART AS THE BASIS FOR THE MANUFACTURE OR SALE OF ITEMS WITHOUT WRITTEN PERMISSION. COPYRIGHT © 1960 DIGITAL EQUIPMENT CORPORATION

D

D

REWORK INSTRUCTION

WIRE ADD SIDE 1  
Q-1 FROM R18 (WRAP WIRE AROUND COMPONENT LEAD) TO Q3 CATHODE (GND) (USE ITEM 144)

C

C

B

B

A

A

REV. E  
DUA 5413607-0-0

REVISION HISTORY		
DATE	ECCO NUMBER	REV.

TITLE  
MEMORY REGULATOR

DOCUMENT NUMBER		
SIZE CODE	NUMBER	REV.
DUA	5413607-0-0	E

SCALE  $++$  SHEET 2 OF 2

*tw*

8

7

6

5

4

3

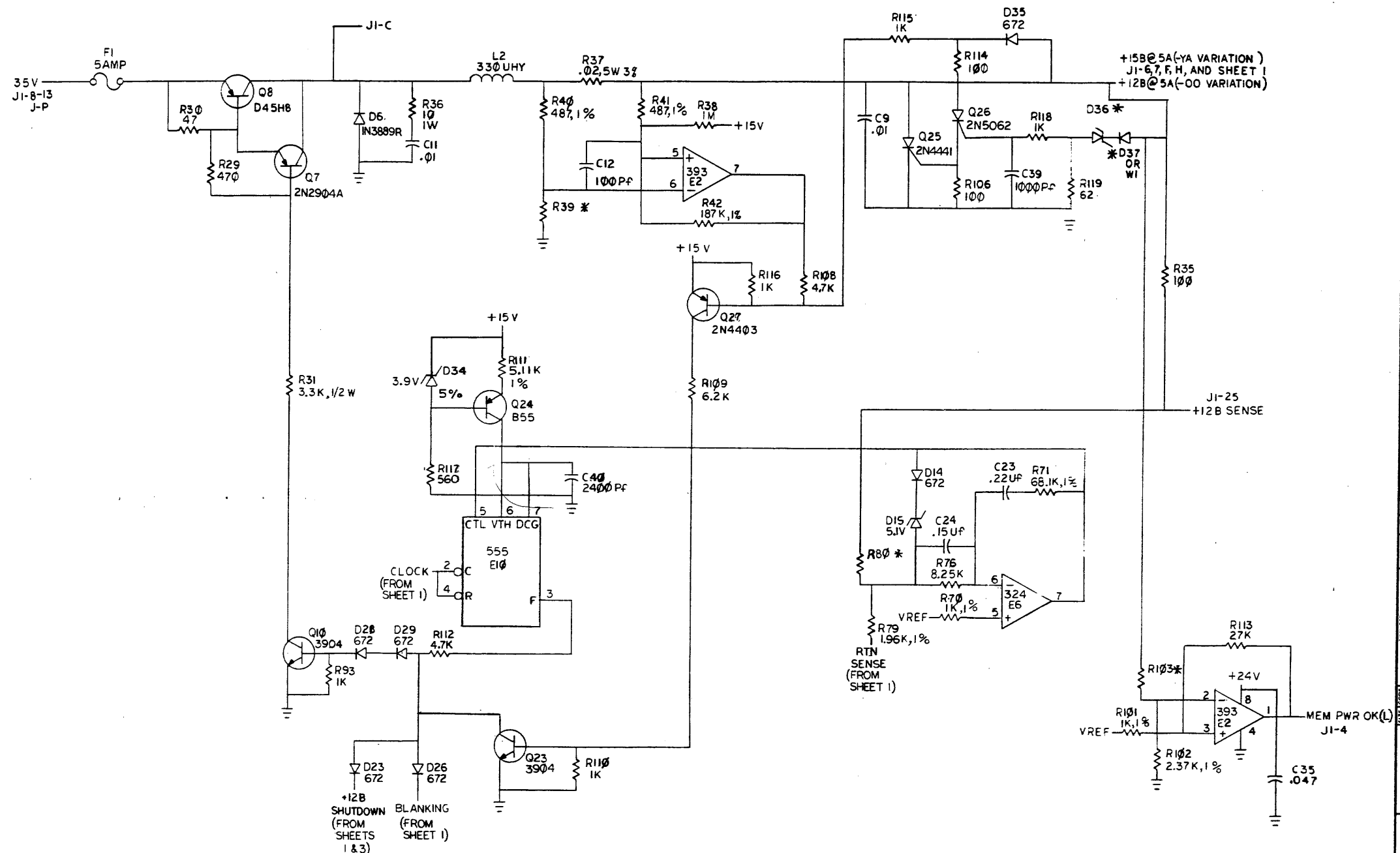
2

1

DWG 137A



"THIS DRAWING AND SPECIFICATIONS HEREIN ARE THE PROPERTY OF DIGITAL EQUIPMENT CORPORATION AND SHALL NOT BE REPRODUCED OR COPIED OR USED IN WHOLE OR IN PART AS THE BASIS FOR THE MANUFACTURE OR SALE OF ITEMS WITHOUT WRITTEN PERMISSION. COPYRIGHT © DIGITAL EQUIPMENT CORPORATION 1972"



\*

COMPONENT DESIGNATOR	-00 VARIATION	-YA VARIATION
D36	13V, 5%	18V, 5%
R39	39.2K, 1%	48.7K, 1%
R80	2.67K, 1%	3.83K, 1%
R103	2.67K, 1%	3.83K, 1%
D37	672	
W1		JUMPER

LOGIC RTN (FROM SHEET 1)

REV. 1  
DCS 5413607-0-1 E

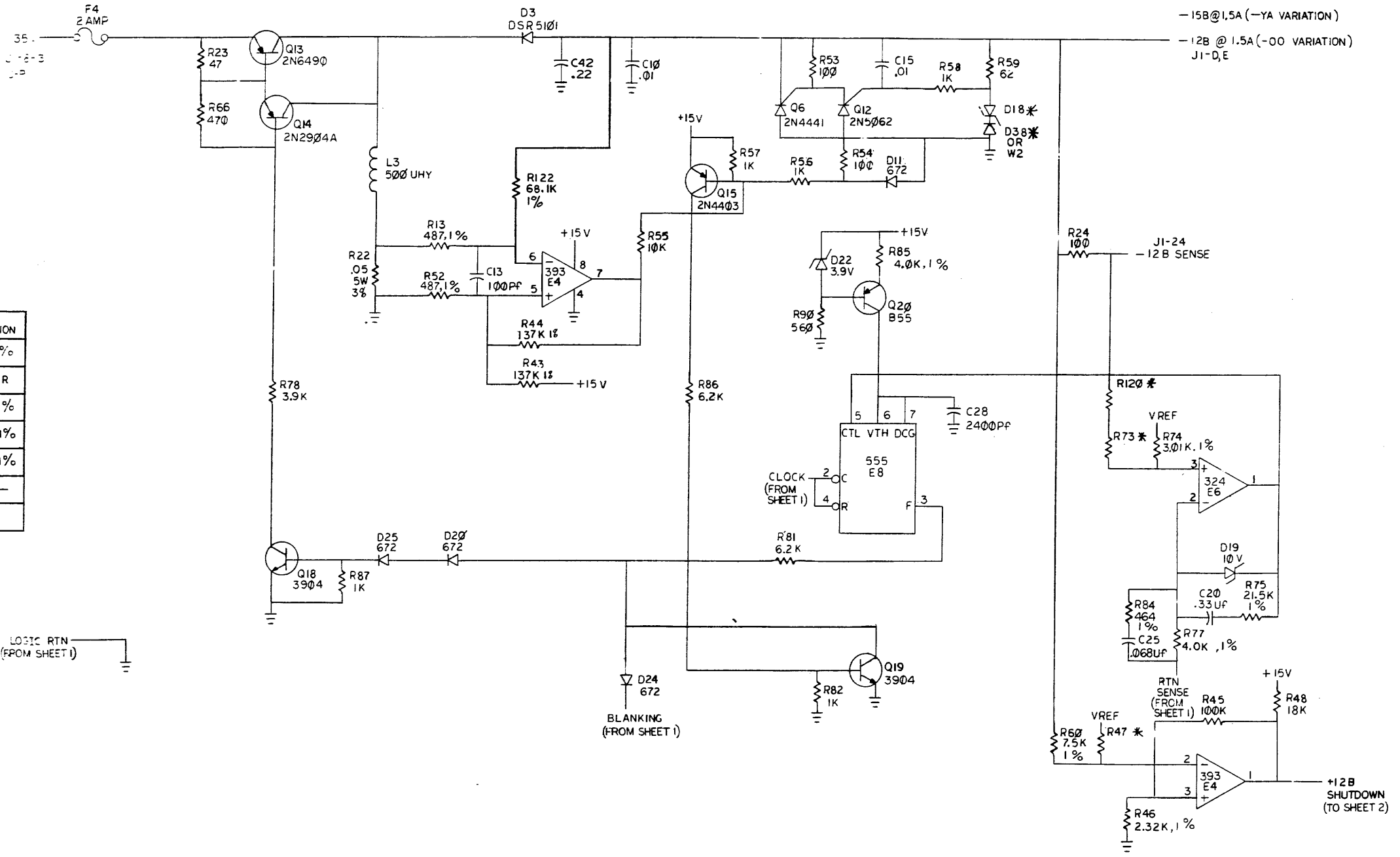
REVISIONS		
CHK	CHANGE NO.	REV.

THIS DRAWING AND SPECIFICATIONS HEREIN ARE THE PROPERTY OF DIGITAL EQUIPMENT CORPORATION AND SHALL NOT BE REPRODUCED OR COPIED OR USED IN WHOLE OR IN PART AS THE BASIS FOR THE MANUFACTURE OR SALE OF ITEMS WITHOUT WRITTEN PERMISSION. COPYRIGHT © 1975 DIGITAL EQUIPMENT CORPORATION

DCS 5413607-0-1 E 2

\*

COMPONENT DESIGNATOR	-00 VARIATION	-YA VARIATION
D18	13V, 5%	18V, 5%
W2	---	JUMPER
R47	3.48K, 1%	2.8K, 1%
R73	5.62K, 1%	5.36K, 1%
R120	1.47K, 1%	3.48K, 1%
D38	672	---



LOGIC RTN (FROM SHEET 1)

BLANKING (FROM SHEET 1)

+12B SHUTDOWN (TO SHEET 2)

REVISIONS		
CHK	CHANGE NO.	REV.

TITLE MEM REG  
 SCALE  
 SHEET 3 OF 3  
 SIZE CODE DCS 5413607-0-1 E  
 NUMBER  
 REV. E

8

7

6

5

4

3

2

TW 1

A

B

C

D

A

B

C

D

DCS 5413607-0-1 E

LINE ITEM	DOCUMENT NUMBER	PART NUMBER	DESCRIPTION	QTY PER VARIATION		REFERENCE DESIGNATOR	
				00	YA		
1	1	D-MD-5013606-0-0	5013606-00	DRILL & ETCH BD	1	1	
2	2		1004813-00	10 MFD 20V 10% S.TANT	1	1	C30
3	3		1000042-00	1000.0 MMF 100V 5%200PPM MICA	2	2	C3,C39
4	4		1000052-00	.068 MFD 100V 10% MYLR	1	1	C25
5	5		1000060-00	6800.0 MMF 200V 10% MYLR	1	1	C31
6	6		1000075-00	25 MFD 25V +75-10% AL EL	1	1	C7
7	7		1001610-01	.01 MFD50/100V +80-20% DISC	10	10	C4-C6,C8-C11,C21,C33,C15
8	8		1001776-00	1 MFD 35V 10% S.TANT	1	1	C16
9	9		1001636-00	2400.0 MMF 100V 5%200PPM MICA	2	2	C28,C40
10	10		1014170-00	2700.0 MMF 100V 1% 70PPM MICA	1	1	C38
11	11		1002627-00	2.2MFD 20V 10% S.TANT	1	1	C19
12	12		1005328-00	.33 MFD 10V 10% S.TANT	1	1	C20
13	13		1009312-00	.0047 MFD 100V 1% MYLR	1	1	C37
14	14		1010274-01	.22 MFD 50V +80-20% Z5U CER	1	1	C29
15	15		1011740-02	1800.0 MMF 50V 10% CER	1	1	C17
16	16		1011895-00	.15 MFD 35V 10% S.TANT	1	1	C24
17	17		1012784-00	.047 MFD 50V +80-20% CER	9	9	C2,C14,C18,C22,C26,C32,C34-C36
18	18		1100122-00	1N 748A VZ= 3.9 5%	3	3	D16,D22,D34
19	19		1105275-00	D 672 TR= 15NS PIV= 60V SI	19	-	D1,D7,D8,D10,D11,D13,D14,D20, D23-D26,D28,D29,D31,D32,D35,D37, D38
			CONT		-	17	CONT D1,D7,D8,D10,D11,D13,D14,D20, D23-D26,D28,D29,D31,D32,D35
20	20		1100125-00	1N 758A VZ= 10.0 5% .40W PPE	1	1	D19
21	21		1105871-00	1/4M5.1AZ1 = 5.1 1% .25W N	3	3	D17,D30,D39
22	22		1109988-00	1N 964B VZ= 13.0 5% .40W	2	-	D18,D36
23	23		1110491-01	1N 3889R PIV=50 I=12A D04	2	2	D4,D6
24	24		1110713-00	SZ710910 VZ= 5.1 2% M	2	2	D12,D15
25	25		1110856-00	1N 970B VZ= 24.0 5% .40W Y	1	1	D5
26	26		1111205-00	SCREENED VZ= 5.7 2% .40W	1	1	D2

REVISION HISTORY		BASIC PART NO: 5413607		DRN:	J.FERGUSON	DATE:	06-AUG-80	DIGITAL			
ENG	ECO NUMBER	REV	SECTION A OF A	CHK'D:	J.FERGUSON	DATE:	06-AUG-80	TITLE PARTS LIST			
	TW005	H	SECTION VARIATION INDEX					MEMORY REG			
			[A] 00, YA								
			[B]								
			[C]	DES.ENG:	B.WOLF	DATE:	06-AUG-80				
			[D]								
			[E]								
			[F]	RESP.ENG.:	B.WOLF	DATE:	06-AUG-80	DOCUMENT NUMBER			
			[G]					SIZE	CODE	NUMBER	REV
			[H]								
			[I]	MFG.ENG.:	P.WAITKUS	DATE:	06-AUG-80	K	PL	5413607-0-DBP	H
			[J]								
			[K]	ASSEMBLY NUMBER:		TOP DOCUMENT NUMBER:		FILE NAME:		EDIT #:	
			[L]	D-UA-5413607-0-0		B-DD-5413607-0-0		Z0403H.PLS		38	
			[M]								
			[N]								

\*THIS DRAWING AND SPECIFICATIONS HEREIN, ARE THE PROPERTY OF DIGITAL EQUIPMENT CORPORATION AND SHALL NOT BE REPRODUCED OR COPIED OR USED IN WHOLE OR IN PART AS THE BASIS FOR THE MANUFACTURE OR SALE OF ITEMS WITHOUT WRITTEN PERMISSION. COPYRIGHT (C) 1980. DIGITAL EQUIPMENT CORPORATION \*

TW

LINE	ITEM	DOCUMENT NUMBER	PART NUMBER	DESCRIPTION	QTY	PER	VARIATION	REFERENCE DESIGNATOR
					00	YA		
27	27		1114602-00	UES1302 PIV=100V I= 4A	1	1		D3
28	28		1110968-00	2N 5062 SCR@100V I=.8A T092	3	3		Q4,Q12,Q26
29	29		1010978-40	.22 MFD 50V 10% CER	2	2		C23,C42
30	30		1210929-02	FUSE, SUB-MINI 1.000A, 125V, A	1	1		F3
31	31		1205747-00	FUSE, SUB-MINI, 5.000A, 125V, A	2	2		F1,F2
32	32		1216112-03	HEADER.100 50POS RT ANGLE	1	1		J1
33	33		1305127-00	4.0 K .25 W 1.0 % RN55D-F10	2	2		R77,R85
34	34		1304856-00	4.64 K .25 W 1.0 % RN55D-F10	1	1		R72
35	35		1304854-00	5.11 K .25 W 1.0 % RN55D-F10	2	2		R94,R111
36	36		1300391-00	1.50 K .25 W 5.0 % CC	2	2		R34,R83
37	37		1300316-00	470.0 .25 W 5.0 % CC	3	3		R29,R49,R66
38	38		1300447-00	4.70 K .25 W 5.0 % CC	6	6		R99,R107,R112,R88,R89,R108
39	39		1300229-00	100.0 .25 W 5.0 % CC	9	9		R11,R17,R24,R26,R35,R53,R54, CONT R106,R114
40	40		1301317-00	10.0 .25 W 5.0 % CC	1	1		R21
41	41		1300364-00	1.0 K .50 W 5.0 % CC	1	1		R12
42	42		1300171-00	10.0 1.0 W 5.0 % CC	2	2		R25,R36
43	43		1313014-00	.01 3.75 W 3.0 % WW	1	1		R14
44	44		1301864-00	390.0 2.0 W 5.0 % CC	1	1		R28
45	45		1300479-00	10.0 K .25 W 5.0 % CC	5	5		R4,R33,R55,R96,R98
46	46		1309595-00	1.0 M .25 W 5.0 % CC	2	2		R7,R38
47	47		1303114-00	1.0 K .25 W 1.0 % RN55D-F10	6	6		R2,R3,R61,R69,R70,R101
48	48		1313842-00	48.70 K .25 W 1.0 % RN55D-F10	1	-		R5
			CONT		-	2		R5,R39
49	49		1300365-00	1.0 K .25 W 5.0 % CC	16	16		R1,R16,R19,R56-R58,R64,R67,R82, CONT R87,R93,R100,R110,R115,R116,R118
50	50		1301522-00	27.0 .25 W 5.0 % CC	3	3		R15,R18,R27
51	51		1305114-00	3.48 K .25 W 1.0 % RN55D-F10	1	-		R47
			CONT		-	1		R120
52	52		1301890-00	560.0 .25 W 5.0 % CC	3	3		R65,R90,R117
53	53		1300426-00	2.70 K .25 W 5.0 % CC	2	2		R50,R121
54	54		1211751-00	FUSE, SUB-MINI, 2.000A, 125V, A	1	1		F4
55	55		1305128-00	5.62 K .25 W 1.0 % RN55D-F10	2	-		R68,R73
			CONT		-	1		R68
56	56		1303044-00	100.0 K .25 W 1.0 % RN55D-F10	1	1		R45
57	57		1309787-00	249.0 .25 W 1.0 % RN55E-F 2	1	1		R62
58	58		1310876-03	.05 5.0 W 3.0 % WW	1	1		R22
59	59		1305124-00	287.0 .25 W 1.0 % RN55D-F10	2	2		R10,R20
60	60		1310631-00	2.21 K .25 W 1.0 % RN55D-F10	1	1		R9
61	61		1313341-00	5.36 K .25 W 1.0 % RN55D-F10	1	-		R105
			CONT		-	2		R105,R73
62	62		1302612-00	1.78 K .25 W 1.0 % RN55D-F10	1	1		R92
63	63		1300202-00	47.0 .25 W 5.0 % CC	2	2		R23,R30
64	64		9006801-00	SPACER, HEX, ALUM, .138 ID X .3	1	1		
65	65		1311845-00	487.0 .25 W 1.0 % RN55D-F10	4	4		R13,R40,R41,R52
66	66		1305265-00	39.20 K .25 W 1.0 % RN55D-F10	1	-		R39
67	67		1310876-00	.02 5.0 W 3.0 % WW	1	1		R37
68	68		1312984-00	187.0 K .25 W 1.0 % RN55D-F10	1	1		R42

D	I	G	I	T	A	L	TITLE	SECTION A	OF A	SIZE	CODE	DOCUMENT NUMBER	REV
							MEMORY REG			K	FL	5413607-0-DBP	H

TW

LINE	ITEM	DOCUMENT NUMBER	PART NUMBER	DESCRIPTION	QTY	PER	VARIATION	REFERENCE DESIGNATOR
					00	YA		
69	69		9006026-01	SCREW,PAN,PHIL 6-32X 3/4 SS	1	1		
70	70		1300440-00	3.30 K .50 W 5.0 % CC	1	1		R31
71	71		1312929-00	62.0 .25 W 5.0 % CC	2	2		R59,R119
72	72		1305252-00	68.10 K .25 W 1.0 % RN55D-F10	2	2		R71,R122
73	73		1305325-00	8.25 K .25 W 1.0 % RN55D-F10	1	1		R76
74	74		9006653-00	WASHER, FLAT, .375 O.D. X .156 I	1	1		
75	75		9107560-03	WIRE,BUSS,18AWG	A/R	A/R		
76	76		1305346-00	27.0 K .25 W 5.0 % CC	2	2		R8,R113
77	77		1310634-00	2.67 K .25 W 1.0 % RN55D-F10	2	-		R80,R103
78	78		1310632-00	2.37 K .25 W 1.0 % RN55D-F10	1	1		R102
79	79		1301874-00	5.60 K .25 W 5.0 % CC	2	2		R95,R97
80	80		1300444-00	3.90 K .25 W 5.0 % CC	1	1		R78
81	81	BLANK		*** THIS ITEM IS NOT USED ***	-	-		
82	82		1303155-00	21.50 K .25 W 1.0 % RN55D-F10	1	1		R75
83	83		1314041-00	3.01 K .25 W 1.0 % RN55D-F10	1	1		R74
84	84		1312931-00	6.20 K .25 W 5.0 % CC	4	4		R51,R81,R86,R109
85	85		1000016-00	100.0 MMF 100V 5%200PPM MICA	3	3		C1,C12,C13
86	86		1304833-00	1.96 K .25 W 1.0 % RN55D-F10	1	1		R79
87	87		1305322-00	7.50 K .25 W 1.0 % RN55D-F10	1	1		R60
88	88		1312545-00	2.32 K .25 W 1.0 % RN55D-F10	1	1		R46
89	89		1300433-00	3.0 K 1.0 W 5.0 % CC	1	1		R32
90	90		1302398-00	470.0 K .25 W 5.0 % CC	1	1		R6
91	91		1000023-00	330.0 MMF 100V 5%200PPM MICA	1	1		C27
92	92		1302465-00	18.0 K .25 W 5.0 % CC	1	1		R48
93	93		1303047-00	464.0 .25 W 1.0 % RN55D-F10	1	1		R84
94	94		1305422-00	137.0 K .25 W 1.0 % RN55D-F10	2	2		R43,R44
95	95		1301838-00	120.0 1.0 W 5.0 % CC	1	1		R104
96	96		9107370-00	WIRE,STRND,14AWG,IFVC UL1534	A/R	A/R		
97	97		9008150-00	TERM LUG 1FOS LOCKING,SOLDER	2	2		
98	98	BLANK		*** THIS ITEM IS NOT USED ***	-	-		
99	99		9007201-00	TRANSIFADS #10253	4	4		
100	100		9008268-00	COMPOUND, THERMAL JOINT	A/R	A/R		
101	101		1510928-00	C32AX135 SCR@100V I=25A	1	1		Q3
102	102		1505867-00	2N 4441 SCR@ 50V & 8A	2	2		Q6,Q25
103	103		1305108-00	1.47 K .25 W 1.0 % RN55D-F10	1	-		R120
104	104		1510969-00	2N 5038 NPN 140WC SI 90 50 Y	1	1		Q5
105	105		1510708-00	D 45H8 PNP 50WT SI 60 60 Y	2	2		Q2,Q8
106	106		1510959-00	2N 3725 NPN 3.5WC SI 50 60 P	1	1		Q11
107	107		1510706-01	B 55 PNP 500MW SI 60 50	3	3		Q17,Q20,Q24
108	108		1513490-00	2N 4403 PNP 350MW SI-40 30	3	3		Q1,Q15,Q27
109	109		1509524-00	2N 3904 NPN 310MW SI 40 40 M	8	8		Q10,Q16,Q18,Q19,Q21,Q22,Q23,Q28
110	110		1512652-00	2N 6490 PNP 50W SI 60 40	1	1		Q13
111	111		1501913-00	2N 2904A PNP 600MW SI 60 40 Y	2	2		Q7,Q14
112	112		1914473-02	7815A VOLT REG, FIX +15V	1	1		E3
113	113		1914156-00	LM 393 VOLT.COMPARATOR DUAL	3	3		E1,E2,E4
114	114		1912107-00	324 OP AMP,QUAD	1	1		E6
115	115		1911944-00	555CN TIMER,FUNCT.BLOCK	4	4		E7-E10
116	116		1912858-00	LS221 ONE SHOT-DUAL,SCHMIT	1	1		E5

DI	IG	IT	AL	TITLE	SECTION A OF A	SIZE	CODE	DOCUMENT NUMBER	REV
				MEMORY REG		K	PL	5413607-0-DBF	H

TW



LINE	ITEM	DOCUMENT NUMBER	PART NUMBER	DESCRIPTION	QTY PER VARIATION		REFERENCE DESIGNATOR
					00	YA	
117	117		1616212-00	80.0 UH 12.SA	1	1	L1
118	118		1616210-00	250.0 UH @ 6.5A DC,600,0 UH @	1	1	L2
119	119		1616211-00	350.0 UH 3A	1	1	L3
120	120		7422046-00	HEAT SINK,SINGLE	3	3	
121	121		7422047-01	HEAT SINK DOUBLE	2	2	
122	122		1213426-03	HEAT SINK TO-3 1"HIGH	1	1	
123	123		1214789-00	INSERT,THREADED 6-32 ,BRASS,ELEC	2	2	
124	124		9009769-00	WASHER, RECTANGULAR .405X.225X.0	3	3	
125	125		9010128-00	SCREW,TAPPING,TYPE PAN ,PHIL,	7	7	
126	126		9006024-01	SCREW,PAN,PHIL 6-32X 1/2 SS	2	2	
127	127		9006011-01	SCREW,PAN,PHIL 4-40X 3/8 SS	3	3	
128	128		9006688-00	WASHER, LOCK, S.S. #4	3	3	
129	129		9006556-00	NUT,HEX , 4-40X1/4 AF X 3/	3	3	
130	130		9006041-01	SCREW,PAN,PHIL 8-32X 3/4 SS	2	2	
131	131		9006802-00	SPACER, HEX, ALUM, .164 ID X .3	2	2	
132	132		9006656-00	WASHER, FLAT, .312 O.D. X .156 I	2	2	
133	133		9007801-00	WASHER, LOCK, S.S. #6	3	3	
134	134		9006690-00	WASHER, LOCK, S.S. #8	2	2	
135	135		9006660-00	WASHER, FLAT, .375 O.D. X .187 I	2	2	
136	136		9009005-00	NUT,HEX , 10-32 X1/4 AF X 3	2	2	
137	137		9007906-00	WASHER, LOCK S.S. #10	2	2	
138	138		9009185-00	JUMPER, WIRE, INSULATED, BLACK B	-	2	W1,W2
139	139	BLANK		*** THIS ITEM IS NOT USED ***	-	-	
140	140		1509700-00	2N 4036 PNP 7WC SI 80100 M	1	1	Q9
141	141	BLANK		*** THIS ITEM IS NOT USED ***	-	-	
142	142		1314187-00	6.19 K .25 W 1.0 % RN55D-F10	1	1	R91
143	143	BLANK		*** THIS ITEM IS NOT USED ***	-	-	
144	144		9107688-55	WIRE(WRAP)24AWG UL1327	A/R	A/R	
145	145		1110766-00	1N 5248B VZ= 18.0 5% .50W	-	2	D18,D36
146	146		1309413-00	3.83 K .25 W 1.0 % RN55D-F10	-	2	R80,R103
147	147		1305145-00	2.80 K .25 W 1.0 % RN55D-F10	-	1	R47
148	148		1312993-00	20.0 1.0 W 5.0 % CC	1	1	R123

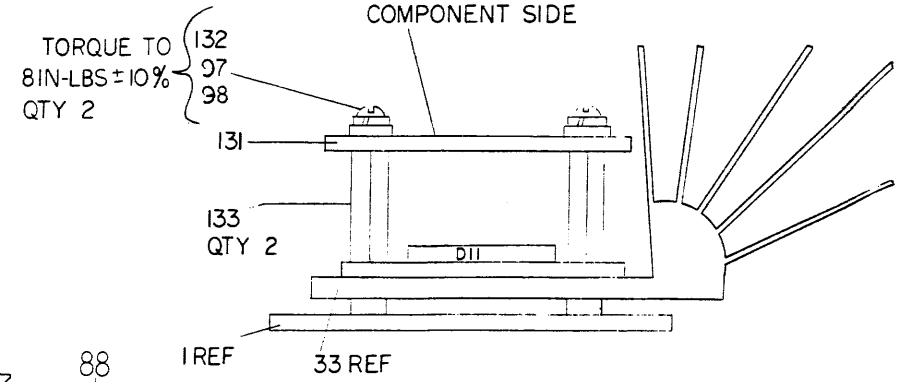
149 NOTE: ITEM #75; .17' IS USED.  
 150 NOTE: ITEM #144; .19' IS USED.  
 151 NOTE: ITEM #96; .56' IS USED.

DIGITAL										TITLE										MEMORY REG										SECTION A OF A										SIZE										CODE										DOCUMENT NUMBER										REV									
																																								K										FL										5413607-0-IBF										H									

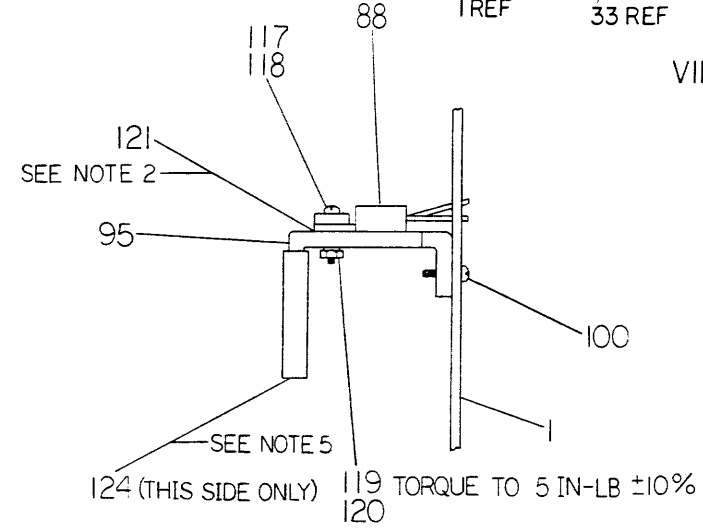
TW

THIS DRAWING AND SPECIFICATIONS, HEREIN, ARE THE PROPERTY OF ELECTRIC EQUIPMENT CORPORATION AND SHALL NOT BE REPRODUCED OR COPIED IN WHOLE OR IN PART OR THE BASIS FOR THE CONSTRUCTION OF ANY OF THEM WITHOUT WRITTEN PERMISSION. COPYRIGHT © 1979 ELECTRIC EQUIPMENT CORPORATION

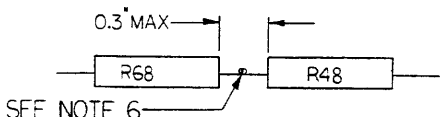
COMPONENT SIDE VIEW



VIEW F-F



VIEW C-C SCALE: 2/1

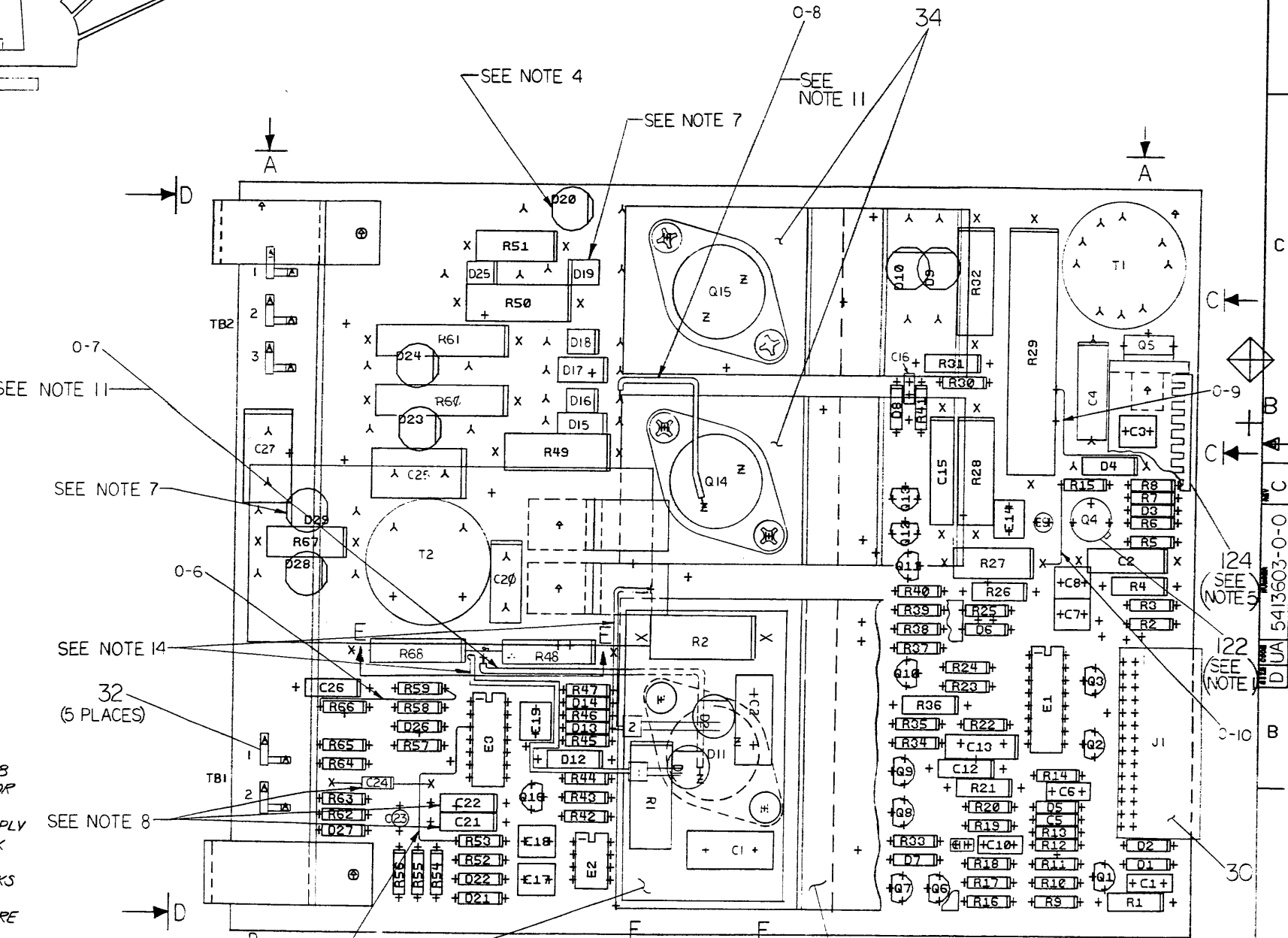


VIEW E-E SCALE: 2/1

- 5 APPLY GROMMET (ITEM 124) TO HEAT SINK (ITEM 95) USING PERMABOND (ITEM 126). (USE ONLY ON SIDE INDICATED)
- 6 R48 & R68 ARE CONNECTED BY TWISTING ONE LEAD OF R68 WITH ONE LEAD OF R48 AND SOLDERING. THE SPECIFIED SPACING BETWEEN THE BODIES OF THE RESISTORS MUST NOT BE EXCEEDED AND ALL EXTRA LEAD MATERIAL MUST BE REMOVED
- 7 D19 & D29 HAVE CATHODES IN OPPOSITE DIRECTION TO OTHER DIODES ON BOARD.
- 8 APPLY INSULATING SLEEVING (ITEM 127) TO EACH LEAD OF C24, C22 & C21.
- 9 POSITIVE TERMINAL OF CAP. C28 (ITEM 16) IS CONNECTED TO THIS CAPACITOR STRAP (ITEM 103).
- 10 NEGATIVE TERMINAL OF CAPACITOR C28 (ITEM 16) IS CONNECTED TO THIS CAPACITOR STRAP (ITEM 109).
- 11 USE 22 AWG BUS WIRE (ITEM 129) AND APPLY INSULATING SLEEVING (ITEM 127) TO REWORK INSTRUCTION \*0-7 & 0-8
- 12 REMOVE ENTIRE ETCH BETWEEN CUT MARKS FOR REWORK INSTRUCTIONS \*0-1, 0-2 & 0-4.
- 13 Q5 MUST BE MOUNTED TO HEATSINK BEFORE BEING ATTACHED TO P.C.B.

NOTES: 1. USE TRANSIPAD (ITEM 122) UNDER Q4  
 2. USE THERMAL COMPOUND (ITEM 121) BETWEEN D11, Q5, Q19, Q15 AND HEAT SINKS  
 3. APPLY GROMMET (ITEM 112) TO XFMR MTG BRKT (ITEM 107) USING PERMABOND (ITEM 126). (APPLY ONLY IN AREA INDICATED)  
 4. RAISE R29, R48, R61, R32, R49, R67, D9, R68, D20, D23, D24, D28 AND D29 .100" TO .150" OFF P.C. BOARD.

CHG	NO	REV	DATE	BY	CHK	APP
5413603	2	B	7-13-79	J. KANTARGIS		
5413603	1	A	7-13-79	J. KANTARGIS		

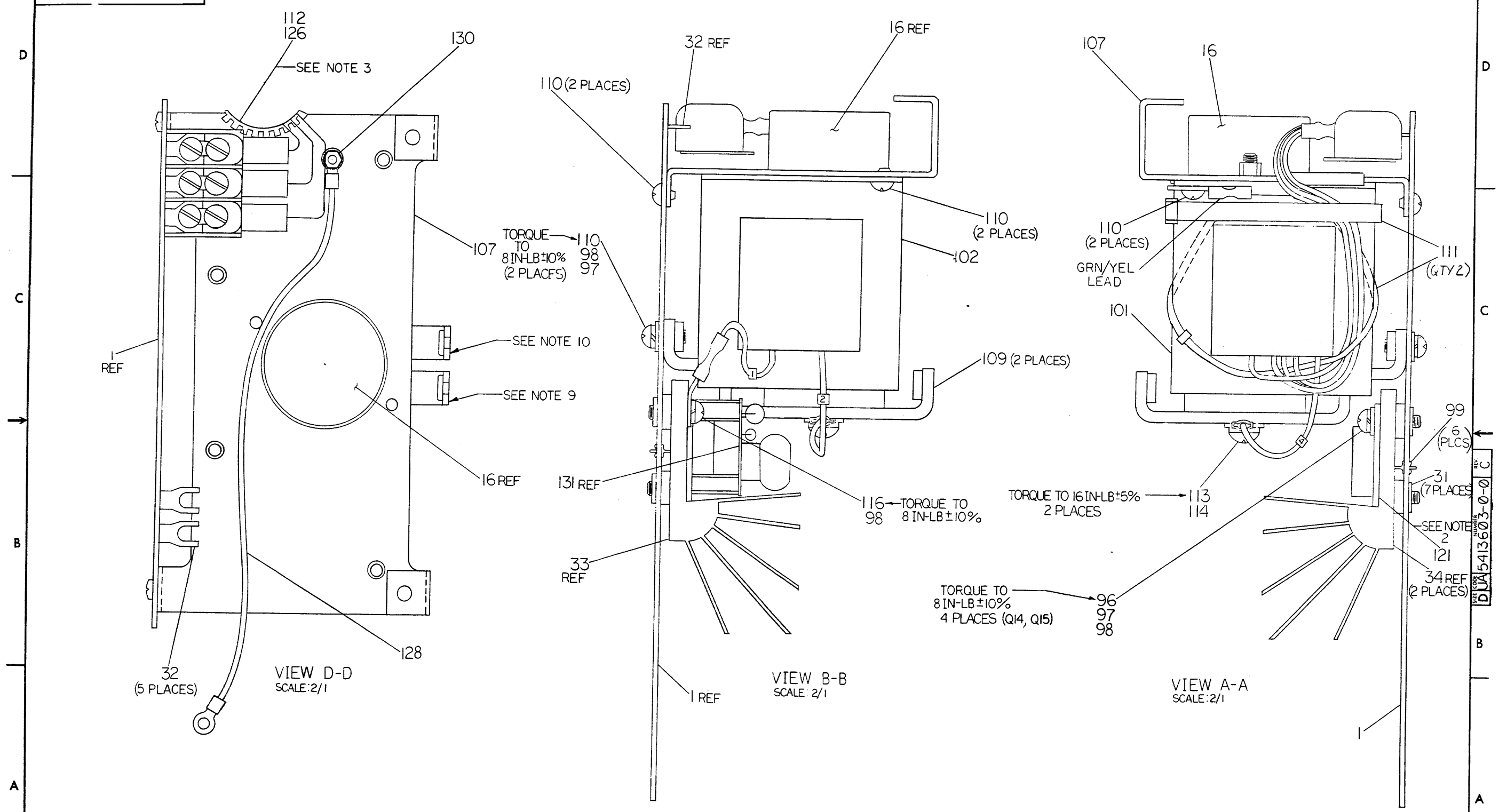


14. TACK SOLDER LEAD #1 TO ETCH UNDER R68 AND USE PTH NEAR HEATSINK (ITEM 33) FOR LEAD #2.

ETCH REV.	P.C. DESIGN DATA BASE REV.

SIGNATURES	DATE	TITLE
DRN. [Signature]	7-13-79	digital
CHK. [Signature]	7-13-79	
ENG. [Signature]	7-13-79	
PROJ. ENG. [Signature]	7-13-79	MEMORY INVERTER
PROD. [Signature]	7-13-79	
SCALE 2/1		
SHT. 1 OF 5		
NEXT HIGHER ASSY.		

"THIS DRAWING AND SPECIFICATIONS HEREIN ARE THE PROPERTY OF DIGITAL EQUIPMENT CORPORATION AND SHALL NOT BE REPRODUCED OR COPIED OR USED IN WHOLE OR IN PART AS THE BASIS FOR THE MANUFACTURE OR SALE OF ITEMS WITHOUT WRITTEN PERMISSION. COPYRIGHT © 1979 DIGITAL EQUIPMENT CORPORATION"

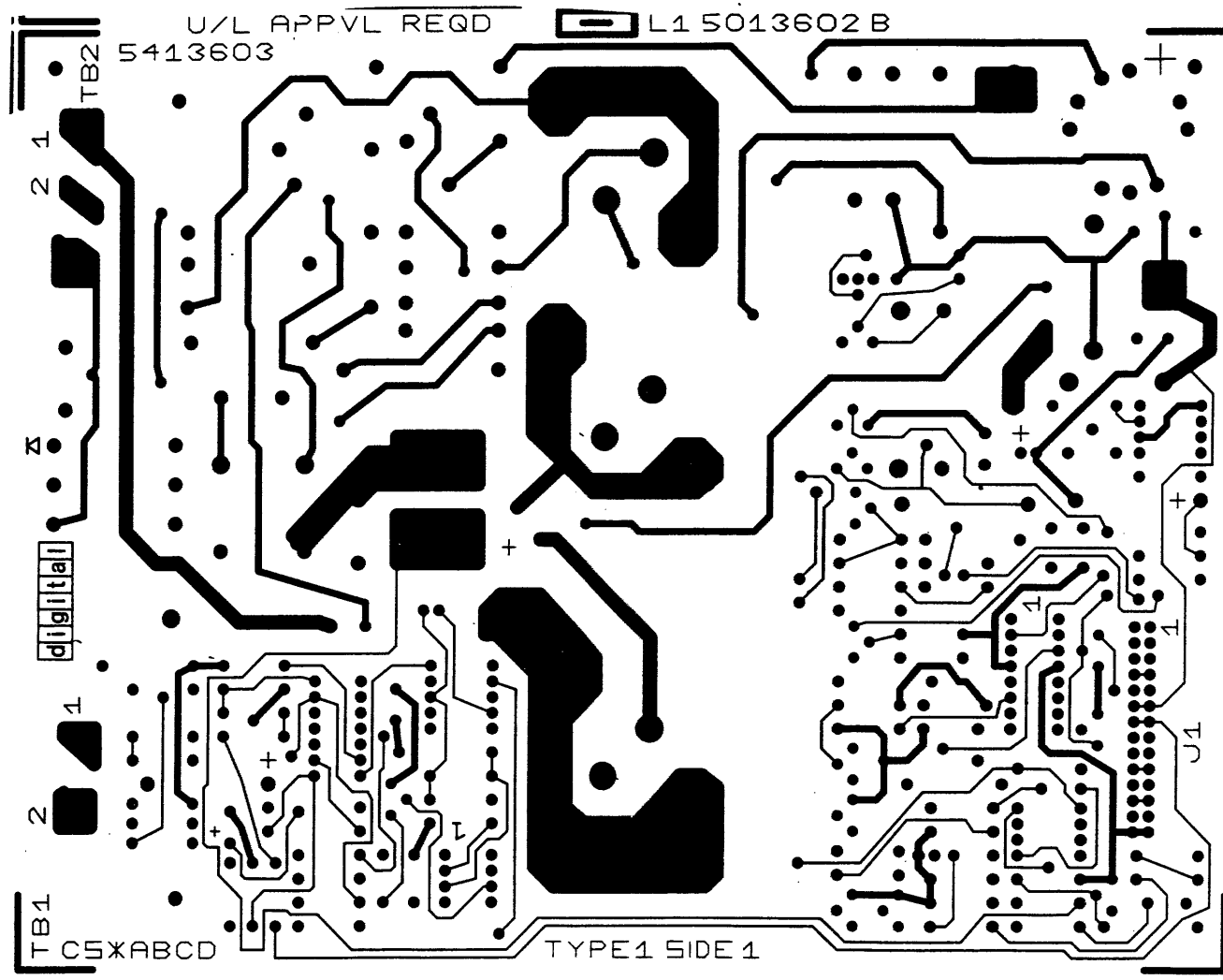


REVISIONS		
CHK	CHANGE NO.	REV.

TITLE	SIZE/CODE	NUMBER	REV.
MEMORY INVERTER	DJA	5413603-0-0	C
SCALE 2/1	SHEET 2 OF 5	DIST.	TW

DJA 5413603-0-0 C

"THIS DRAWING AND SPECIFICATIONS, HEREIN, ARE THE PROPERTY OF DIGITAL EQUIPMENT CORPORATION AND SHALL NOT BE REPRODUCED OR COPIED OR USED IN WHOLE OR IN PART AS THE BASIS FOR THE MANUFACTURE OR SALE OF ITEMS WITHOUT WRITTEN PERMISSION. COPYRIGHT © 1970 DIGITAL EQUIPMENT CORPORATION"



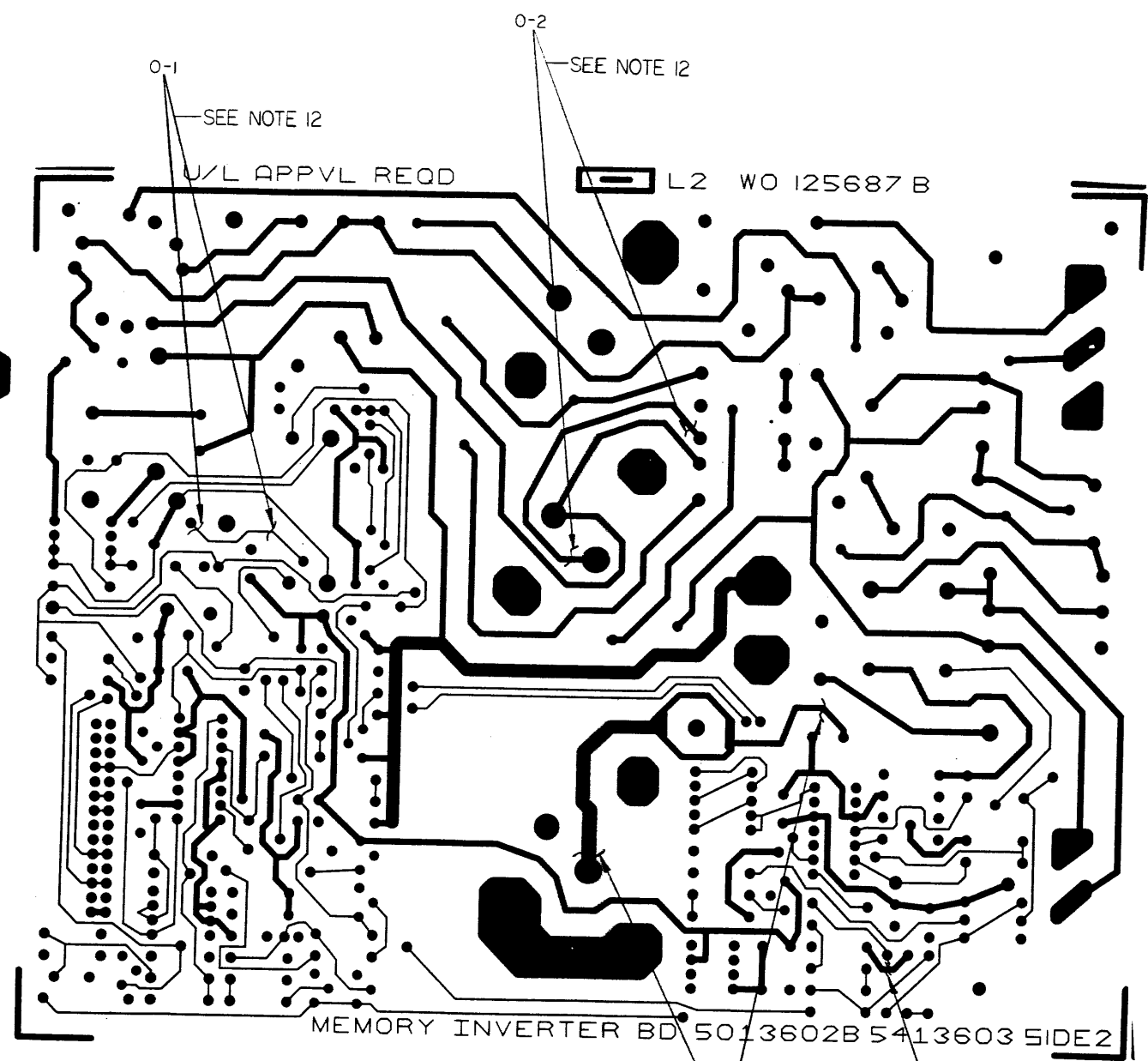
REVISIONS		
CHK	CHANGE NO.	REV.

TITLE	SIZE CODE	NUMBER	REV.
MEMORY INVERTER	D UA	5413603-0-0	C
SCALE 2/1	SHEET 3 OF 5	DIST.	

tu

THIS DRAWING AND SPECIFICATIONS HEREIN ARE THE PROPERTY OF DIGITAL EQUIPMENT CORPORATION AND SHALL NOT BE REPRODUCED OR COPIED OR USED IN WHOLE OR IN PART AS THE BASIS FOR THE MANUFACTURE OR SALE OF ITEMS WITHOUT WRITTEN PERMISSION. COPYRIGHT © 1974 DIGITAL EQUIPMENT CORPORATION

REV. C 0-0-0-093129 MFD 2 1



MEMORY INVERTER BD 5013602B 5413603 SIDE 2

REVISIONS		
CHK	CHANGE NO.	REV.

8	7	6	5	4	3	2	1	
TITLE MEMORY INVERTER						SIZE CODE D UA	NUMBER 5413603-0-0	REV. C
SCALE 2/1						SHEET 4 OF 5	DIST.	TU

REV. C 0-0-0-093129 MFD 2 1

8

REV C  
DUA 5413603-0-0  
5413603-0-0

6

5

4

3

2

1

THIS DRAWING AND SPECIFICATIONS HEREIN ARE THE PROPERTY OF DIGITAL EQUIPMENT CORPORATION AND SHALL NOT BE REPRODUCED OR COPIED OR USED IN WHOLE OR IN PART AS THE BASIS FOR THE MANUFACTURE OR SALE OF ITEMS WITHOUT WRITTEN PERMISSION. COPYRIGHT © 1975 DIGITAL EQUIPMENT CORPORATION.

### REWORK INSTRUCTIONS

#### ETCH CUTS SIDE 2:

- 0-1 FROM R15 TO PTH BETWEEN C15 & R28. (REMOVE ENTIRE ETCH BETWEEN CUT MARKS)
- 0-2 FROM Q14/BASE TO D16/CATHODE. (REMOVE ENTIRE ETCH BETWEEN CUT MARKS)
- 0-3 FROM R53 TO R55
- 0-4 FROM D11/ANODE TO PTH CONNECTING TO TB2-1. (REMOVE ENTIRE ETCH BETWEEN CUT MARKS).

#### WIRE ADDS SIDE 1:

- 0-5 FROM R53 TO E3-3
- 0-6 FROM R66 TO R59
- 0-7 FROM PTH CLOSER TO R68 TO D11/ANODE. (USE ITEMS 127 & 129)
- 0-8 FROM D16/CATHODE TO Q14/BASE. (USE ITEMS 127 & 129)
- 0-9 FROM D4/CATHODE TO PTH BETWEEN C4 & R29
- 0-10 FROM R27 TO R15

D

D

C

C

B

B

A

A

REV C  
DUA 5413603-0-0

REVISION HISTORY		
DATE	ECC NUMBER	REV

DWG 137A

8

7

6

5

4

3

2

1

TITLE  
MEMORY INVERTER

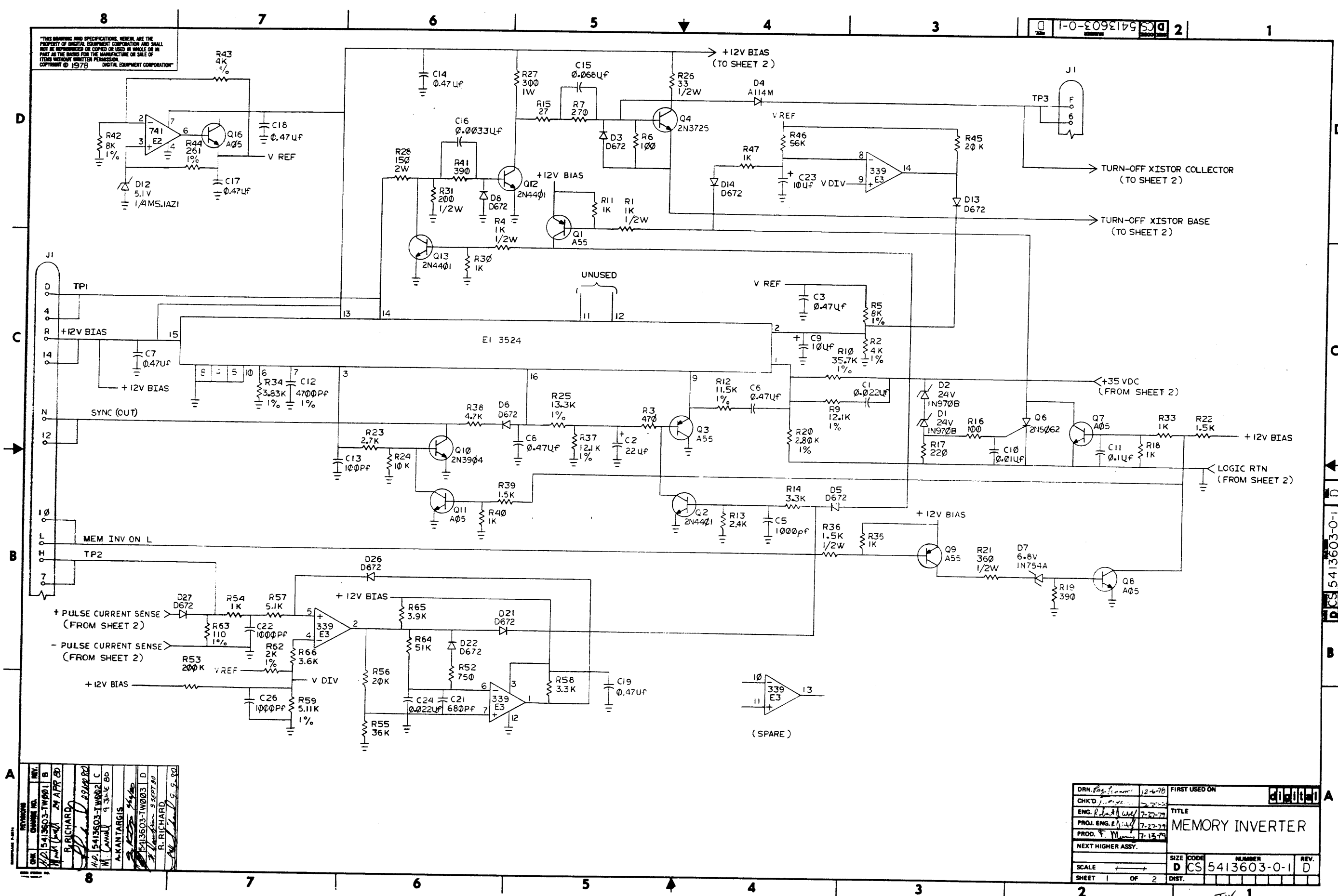
DOCUMENT NUMBER		
SIZE CODE	NUMBER	REV.
DUA	5413603-0-0	C

SCALE SHEET 5 OF 5

JW

THIS DRAWING AND SPECIFICATIONS, HEREIN, ARE THE PROPERTY OF DIGITAL EQUIPMENT CORPORATION AND SHALL NOT BE REPRODUCED OR COPIED OR USED IN WHOLE OR IN PART AS THE BASIS FOR THE MANUFACTURE OR SALE OF ITEMS WITHOUT WRITTEN PERMISSION. DIGITAL EQUIPMENT CORPORATION. COPYRIGHT © 1978

CS 5413603-0-1 2



REV.	DATE	BY	CHKD.
1	24 APR 80	R. RICHARD	
2	20 APR 80	R. RICHARD	
3	9 JUN 80	A. KANTARGIS	
4	9 SEP 80	R. RICHARD	

DRN. No. 12470	FIRST USED ON	
CHK'D		
ENG. R. RICHARD	DATE 7-27-77	TITLE
PROJ. ENG. R. RICHARD	DATE 7-27-77	MEMORY INVERTER
PROD. F. MURPHY	DATE 7-13-79	
NEXT HIGHER ASSY.		
SCALE	SIZE CODE	NUMBER
SHEET 1 OF 2	D CS 5413603-0-1	D

TW 1





LINE	ITEM	DOCUMENT NUMBER	PART NUMBER	DESCRIPTION	QTY PER VARIATION	REFERENCE DESIGNATOR
					00	
1	1	D-MD-5013602-0-0	5013602-00	DRILL & ETCH BD	1	
2	2		1000016-00	100.0 MMF 100V 5%200PPM MICA	1	C13
3	3		1000052-00	.068 MFD 100V 10% MYLR	1	C15
4	4		1012783-00	.022 MFD 50V +80-20% CER	1	C24
5	5		1005636-00	22 MFD 6V 10% S.TANT	1	C2
6	6		1009312-00	.0047 MFD 100V 1% MYLR	1	C12
7	7		1010279-00	.47 MFD 25V 20% CER	8	C7,C18,C19,C8,C14,C17,C3,C6
8	8		1010978-24	.01 MFD 50V 10% CER	1	C10
9	9		1011740-01	3300.0 MMF 50V 10% CER	1	C16
10	10		1011683-00	.022 MFD 50V 10% CER	1	C1
11	11		1013466-08	680.0 MMF 50V 10% X7R CER	1	C21
12	12		1013466-09	1000.0 MMF 50V 10% X7R CER	3	C5,C22,C26
13	13		1011847-02	.01 MFD 600V 10% POLYPROP	1	C4
14	14		1014139-00	.0022 MFD 600V 10% POLYPROP	2	C25,C27
15	15		1013397-00	3900.0 MMF 200V 10%200PPM MICA	1	C20
16	16		1016168-00	5000 MFD 55V 20% AL EL	1	C28
17	17		1010978-36	.1 MFD 50V 10% CER	1	C11
18	18		1010866-02	10 MFD 25V +50-20% S.TANT	2	C9,C23
19	19		1105275-00	D 672 TR= 15NS PIV= 60V SI	10	D26,D27,D21,D22,D8,D5,D3,D14, CONT D13,D6
20	20		1105871-00	1/4M5.1AZ1 = 5.1 1% .25W N	1	D12
21	21		1109991-00	1N 754A VZ= 6.8 5% .40W	1	D7
22	22		1110856-00	1N 970B VZ= 24.0 5% .40W Y	2	D1,D2
23	23		1112594-01	A115B PIV=200 I= 3A	1	D10
24	24		1112594-02	A115M PIV=600 I= 3A	6	D24,D20,D23,D28,D29,D9
25	25		1112595-00	A114F PIV= 50 I= 1A	2	D16,D18
26	26		1112595-02	A114M PIV=600 I= 1A	3	D25,D4,D19
27	27		1114192-00	TR=200NS COM. CATHODE	1	D11
28	28		1114435-00	1N 5338B VZ= 5.1 5% 5W	2	D15,D17
29	29		1110968-00	2N 5062 SCR@100V I=.8A T092	1	Q6

REVISION HISTORY		BASIC PART NO: 5413603		DRN:	K.SHEYTANIAN	DATE:	20-DEC-78	D I G I T A L			
ENG	ECO NUMBER	REV	SECTION A OF A	CHK'D:	F.GAROFALO	DATE:		TITLE PARTS LIST			
	INIT	A	SECTION.VARIATION INDEX					MEMORY INVERTER			
RW	5413603-TW001	B	[A] 00								
AK	5413603-TW002	C	[B]								
AK	5413603-TW002	C	[C]	DES.ENG:	J.A.HERRMANN	DATE:					
RW	5413603-TW003	D	[D]								
			[E]					DOCUMENT NUMBER			
			[F]	RESP.ENG.:	J.HERMANN	DATE:	20-DEC-78	SIZE	CODE	NUMBER	REV
			[G]					K	PL	5413603-0-DBP	D
			[H]								
			[I]	MFG.ENG.:	J.COMELLA	DATE:					
			[J]								
			[K]	ASSEMBLY NUMBER:		TOP DOCUMENT NUMBER:		FILE NAME:	EDIT #		
			[L]	D-UA-5413603-0-0				Z0401.PLS	18		
			[M]								
			[N]								

"THIS DRAWING AND SPECIFICATIONS HEREIN, ARE THE PROPERTY OF DIGITAL EQUIPMENT CORPORATION AND SHALL NOT BE REPRODUCED OR COPIED OR USED IN WHOLE OR IN PART AS THE BASIS FOR THE MANUFACTURE OR SALE OF ITEMS WITHOUT WRITTEN PERMISSION. COPYRIGHT (C) 1980. DIGITAL EQUIPMENT CORPORATION"

LINE ITEM	DOCUMENT NUMBER	PART NUMBER	DESCRIPTION	QTY PER VARIATION 00	REFERENCE DESIGNATOR
30	30	1216112-01	HEADER,100 28POS RT ANGLE	1	J1
31	31	1214789-00	INSERT,THREADED 6-32 ,BRASS,ELEC	7	
32	32	1216269-01	TERM SPADE 1POS SOLDER STRIP	5	
33	33	1216314-00	HEAT SINK	1	
34	34	1216314-01	HEAT SINK	2	
35	35	1309679-00	16.90 6.0 W 1.0 % WW	2	R48,R68
36	36	1300195-00	33.0 .50 W 5.0 % CC	1	R26
37	37	1300229-00	100.0 .25 W 5.0 % CC	3	R16,R6,R8
38	38	1300250-00	*** THIS ITEM IS NOT USED ***	-	
39	39	1300257-00	150.0 2.0 W 5.0 % CC	1	R28
40	40	1300271-00	220.0 .25 W 5.0 % CC	1	R17
41	41	1300292-00	300.0 1.0 W 5.0 % CC	1	R27
42	42	1300309-00	390.0 .25 W 5.0 % CC	2	R19,R41
43	43	1300316-00	470.0 .25 W 5.0 % CC	1	R3
44	44	1300364-00	1.0 K .50 W 5.0 % CC	2	R4,R1
45	45	1300365-00	1.0 K .25 W 5.0 % CC	8	R30,R11,R35,R18,R33,R40,R47,R54
46	46	1300394-00	1.50 K .50 W 5.0 % CC	1	R36
47	47	1300439-00	3.30 K .25 W 5.0 % CC	2	R58,R14
48	48	1300444-00	3.90 K .25 W 5.0 % CC	1	R65
49	49	1300447-00	4.70 K .25 W 5.0 % CC	1	R38
50	50	1300479-00	10.0 K .25 W 5.0 % CC	1	R24
51	51	1301401-00	750.0 .25 W 5.0 % CC	1	R52
52	52	1301522-00	27.0 .25 W 5.0 % CC	1	R15
53	53	1303169-00	500.0 5.0 W 5.0 % WW	2	R60,R61
54	54	1301972-00	270.0 .25 W 5.0 % CC	1	R7
55	55	1302873-00	261.0 .25 W 1.0 % RN55D-F10	1	R44
56	56	1302377-00	*** THIS ITEM IS NOT USED ***	-	
57	57	1302383-00	360.0 .50 W 5.0 % CC	1	R21
58	58	1302391-00	20.0 K .25 W 5.0 % CC	2	R56,R45
59	59	1304839-00	51.0 K .25 W 5.0 % CC	1	R64
60	60	1303114-00	*** THIS ITEM IS NOT USED ***	-	
61	61	1303313-00	12.10 K .25 W 1.0 % RN55D-F10	2	R37,R9
62	62	1305127-00	4.0 K .25 W 1.0 % RN55D-F10	2	R43,R2
63	63	1305129-00	8.0 K .25 W 1.0 % RN55D-F10	2	R42,R5
64	64	1305145-00	2.80 K .25 W 1.0 % RN55D-F10	1	R20
65	65	1305322-00	*** THIS ITEM IS NOT USED ***	-	
66	66	1305380-00	270.0 2.0 W 5.0 % CC	1	R50
67	67	1305421-00	33.70 K .25 W 1.0 % RN55D-F10	1	R10
68	68	1314350-00	1.0 2.0 W10.0 % FUSE	3	R32,R49,R67
69	69	1309413-00	3.83 K .25 W 1.0 % RN55D-F10	1	R34
70	70	1314172-00	270.0 14.0 W 5.0 % WW	1	R29
71	71	1300426-00	2.70 K .25 W 5.0 % CC	1	R23
72	72	1312565-00	13.30 K .25 W 1.0 % RN55D-F10	1	R25
73	73	1312923-00	*** THIS ITEM IS NOT USED ***	-	
74	74	1312930-00	5.10 K .25 W 5.0 % CC	1	R57
75	75	1312932-00	36.0 K .25 W 5.0 % CC	1	R55
76	76	1313151-00	3.60 K .25 W 5.0 % CC	1	R66
77	77	1313581-00	110.0 .25 W 1.0 % RN55D-F10	1	R63

D I G I T A L				TITLE	SECTION A OF A		SIZE	CODE	DOCUMENT NUMBER	REV
				MEMORY INVERTER			K	FL	5413603-0-DBP	D

LINE	ITEM	DOCUMENT NUMBER	PART NUMBER	DESCRIPTION	QTY PER VARIATION	REFERENCE DESIGNATOR
					00	
78	78		1300389-00	*** THIS ITEM IS NOT USED ***	-	
79	79		1302381-00	200.0 .50 W 5.0 % CC	1	R31
80	80		1300368-00	1.0 K 1.0 W 5.0 % CC	1	R51
81	81		1300391-00	1.50 K .25 W 5.0 % CC	2	R39,R22
82	82		1302395-00	56.0 K .25 W 5.0 % CC	1	R46
83	83		1510705-00	XA 05 NPN 500MW SI 60 50 P	4	Q7,Q8,Q11,Q16
84	84		1510706-00	XA 55 PNP 500MW SI 60 50 P	3	Q1,Q3,Q9
85	85		1510959-00	2N 3725 NPN 3.5WC SI 50 60 P	1	Q4
86	86		1513489-00	2N 4401 NPN 350MW SI 40 20	3	Q2,Q12,Q13
87	87		1514195-00	2N 6547 PNP 400V SI 15A	2	Q14,Q15
88	88		1514271-01	D 44Q5 NPN 31W SI225 30	1	Q5
89	89		1509524-00	2N 3904 NPN 310MW SI 40 40 M	1	Q10
90	90		1614202-00	XFMR,CURRENT	1	T2
91	91		1614204-00	PULSE XFMR 20312 BASE DRIVE	1	T1
92	92		1910298-00	741 OP AMP GEN PURP. COM	1	E2
93	93		1912108-00	339 VOLT CMPRTR,QUAD	1	E3
94	94		1914250-00	3524 MODULATOR-REGULATING	1	E1
95	95		7422046-00	HEAT SINK,SINGLE	1	
96	96		9006025-01	SCREW,PAN,PHIL 6-32X 5/8 SS	4	
97	97		9006656-00	WASHER, FLAT, .312 O.D. X .156 I	8	
98	98		9007801-00	WASHER, LOCK, S.S. #6	9	
99	99		9007836-00	EYELET, ROLLED FLANGE, .121 OD X	6	
100	100		9010128-00	SCREW,TAPPING,TYPE PAN,PHIL,	1	
101	101		7016051-00	TRANSFORMER ASSY	1	T3
102	102		7016052-00	CHOKES ASSY	1	L1
103	103		1303177-00	2.40 K .25 W 5.0 % CC	1	R13
104	104		1302860-00	11.50 K .25 W 1.0 % RN55D-F10	1	R12
105	105		1304854-00	5.11 K .25 W 1.0 % RN55D-F10	1	R59
106	106		1300411-00	2.0 K .25 W 1.0 % RN55D-F10	1	R62
107	107		7421435-00	MTG BRKT	1	
108	108		9009052-00	*** THIS ITEM IS NOT USED ***	-	
109	109		7422045-00	CAPACITOR STRAP	2	
110	110		9009708-00	SCREW,PAN,PHIL,TAP'G 6-32X	8	
111	111		9009617-00	TIE,CABLE BUNDL.DIA 0-3"TYPE=101	2	
112	112		9007035-00	GROMMET #122-37-1500	A/R	
113	113		9006070-01	SCREW,PAN,PHIL 10-32X 5/16 SS	2	
114	114		9007906-00	WASHER, LOCK S.S. #10	2	
115	115		9009243-00	*** THIS ITEM IS NOT USED ***	-	
116	116		9006024-01	SCREW,PAN,PHIL 6-32X 1/2 SS	1	
117	117		9009769-00	WASHER, RECTANGULAR .405X.225X.0	1	
118	118		9006011-01	SCREW,PAN,PHIL 4-40X 3/8 SS	1	
119	119		9006688-00	WASHER, LOCK, S.S. #4	1	
120	120		9006556-00	NUT,HEX , 4-40X1/4 AF X 3/	1	
121	121		9008268-00	COMPOUND, THERMAL JOINT	A/R	
122	122		9007201-00	TRANSIPADS #10253	1	
123	123		9105740-55	WIRE(WRAP)30AWG UL1423	A/R	
124	124		9007036-00	GROMMET #122-37-2500	A/R	
125	125		1314516-00	200.0 K .25 W 5.0 % CC	1	R53

D	I	G	I	T	A	L	TITLE	SECTION	A	OF	A	SIZE	CODE	DOCUMENT NUMBER	REV
							MEMORY INVERTER					K	PL	5413603-0-DBP	D

AUTOMATED BY PRTLST.2E(3)

P A R T S L I S T

SHEET A4 OF A4

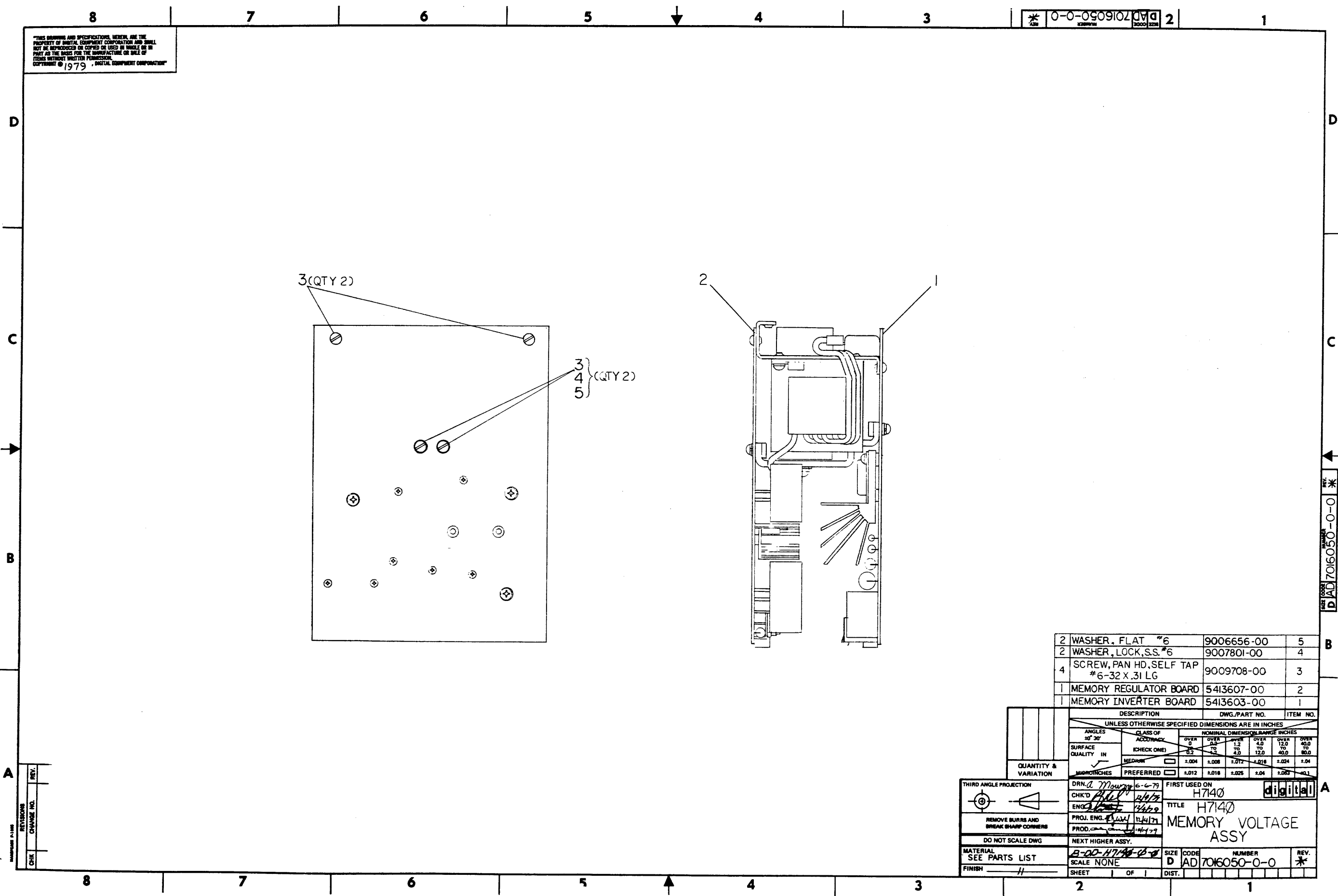
LINE ITEM	DOCUMENT NUMBER	PART NUMBER	DESCRIPTION	QTY PER VARIATION 00	REFERENCE DESIGNATOR
126	126	9009157-00	ADH, LIQ. RM. TEMP CURING COLORLESS	A/R	
127	127	9107256-11	TUBING, THIN WALL, .027ID UL	A/R	
128	128	7016920-00	JUMPER ASSY	1	
129	129	9107560-01	WIRE, BUSS, 22AWG	A/R	
130	130	9006565-00	NUT, KEP , 10-32X 3/8 AF	1	
131	131	5413882-00	SNV SNUBBER	1	
132	132	9007853-01	SCREW, PAN, PHIL 6-32X1-1/8 SS	2	
133	133	9006803-00	SPACER, HEX, ALUM, .138 ID X .5	2	

134 NOTE: ITEM #123; .52' IS USED.  
 135 NOTE: ITEM #124; .08' IS USED.  
 136 NOTE: ITEM #127; .56' IS USED.  
 137 NOTE: ITEM #129; .37' IS USED.

D	I	G	I	T	A	L	TITLE	SECTION A OF A	SIZE	CODE	DOCUMENT NUMBER	REV
							MEMORY INVERTER		K	PL	5413603-0-DBP	D

THIS DRAWING AND SPECIFICATIONS HEREIN ARE THE PROPERTY OF DIGITAL EQUIPMENT CORPORATION AND SHALL NOT BE REPRODUCED OR COPIED OR USED IN WHOLE OR IN PART AS THE BASIS FOR THE MANUFACTURE OR SALE OF ITEMS WITHOUT WRITTEN PERMISSION.  
 DEPARTMENT © 1979 DIGITAL EQUIPMENT CORPORATION

DWG NO. AD 7016050-0-0



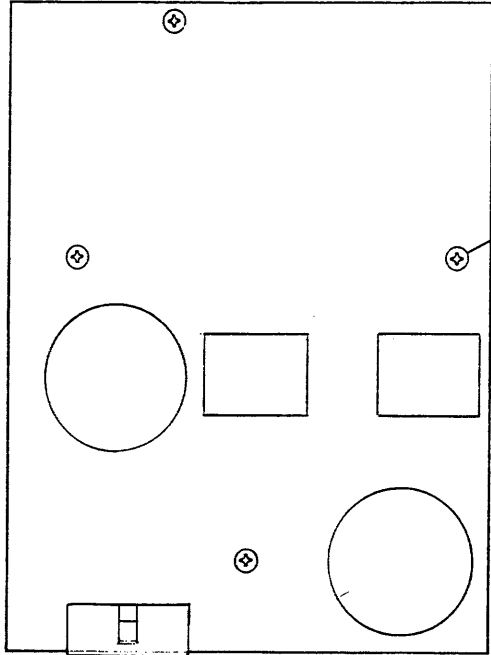
2	WASHER, FLAT #6	9006656-00	5
2	WASHER, LOCK, S.S. #6	9007801-00	4
4	SCREW, PAN HD, SELF TAP #6-32 X .31 LG	9009708-00	3
1	MEMORY REGULATOR BOARD	5413607-00	2
1	MEMORY INVERTER BOARD	5413603-00	1

DESCRIPTION	DWG./PART NO.	ITEM NO.
UNLESS OTHERWISE SPECIFIED DIMENSIONS ARE IN INCHES		
ANGLES 30° 30'	CLASS OF ACCURACY	NOMINAL DIMENSION RANGE INCHES
SURFACE QUALITY IN	MEDIUM	OVER 0 TO 0.3
QUANTITY & VARIATION	PREFERRED	0.3 TO 1.2
		1.2 TO 4.0
		4.0 TO 12.0
		12.0 TO 40.0
		40.0 TO 80.0
		80.0 TO 100.0

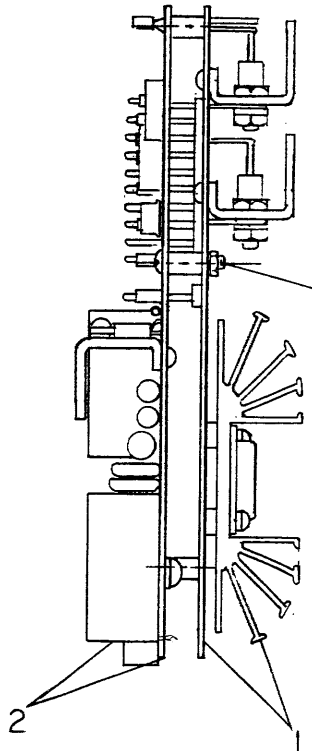
THIRD ANGLE PROJECTION	DRN. <i>A. Murphy</i> 6-6-79	FIRST USED ON	H7140
REMOVE BURRS AND BREAK SHARP CORNERS	CHK'D <i>Blair</i> 2/1/79	TITLE	H7140
DO NOT SCALE DWG	ENG. <i>Blair</i> 1/14/79	MEMORY VOLTAGE ASSY	
MATERIAL SEE PARTS LIST	PROD. <i>Blair</i> 1/14/79	SIZE	CODE
FINISH <i>H</i>	NEXT HIGHER ASSY.	SCALE	NONE
		SHEET	OF 1
		DIST.	

D AD 7016050-0-0

THIS DRAWING AND SPECIFICATIONS, WHICH ARE THE PROPERTY OF DIGITAL EQUIPMENT CORPORATION AND SHALL NOT BE REPRODUCED OR COPIED OR USED IN WHOLE OR IN PART AS THE BASIS FOR THE MANUFACTURE OR SALE OF ITEMS WITHOUT WRITTEN PERMISSION.  
COPYRIGHT © 1979, DIGITAL EQUIPMENT CORPORATION



QTY 4



REF

DESCRIPTION	DWG./PART NO.	ITEM NO.
4 NUT, HEX #6-32X.25 A.F.	9008957-00	6
4 WASHER, LOCK, SS #6	9007801-00	5
4 SCR, PHIL PAN HD #6-32X.69LG	9007794-01	4
4 SPACER, HEX, ALUM #6-32 X.38LG	9006844-00	3
1 LOGIC INVERTER CONT BD	5413601-00	2
1 LOGIC INVERTER BD	5413599-00	1

CLASS OF ACCURACY	NOMINAL DIMENSION RANGE INCHES					
	OVER 0 TO .25	OVER .25 TO .49	OVER .49 TO 1.2	OVER 1.2 TO 4.9	OVER 4.9 TO 12.0	OVER 12.0 TO 48.0
CHECK ONE	<input type="checkbox"/>	<input type="checkbox"/>	<input type="checkbox"/>	<input type="checkbox"/>	<input type="checkbox"/>	<input type="checkbox"/>
MEDIUM	<input type="checkbox"/>	<input type="checkbox"/>	<input type="checkbox"/>	<input type="checkbox"/>	<input type="checkbox"/>	<input type="checkbox"/>
PREFERRED	<input type="checkbox"/>	<input type="checkbox"/>	<input type="checkbox"/>	<input type="checkbox"/>	<input type="checkbox"/>	<input type="checkbox"/>

THIRD ANGLE PROJECTION

REMOVE BURRS AND BREAK SHARP CORNERS

DO NOT SCALE DWG

MATERIAL SEE PARTS LIST

FINISH

DRN: *W. Murphy* 6-5-79

CHK'D: *W. Murphy* 2-4-79

ENG: *W. Murphy* 1/2/79

PROJ. ENG. *W. Murphy* 11/1/78

PROD. *W. Murphy* 11/1/78

FIRST USED ON H7140

TITLE H7140 +5V INVERTER ASSY

SIZE CODE NUMBER REV. D AD 7016057-0-0 \*

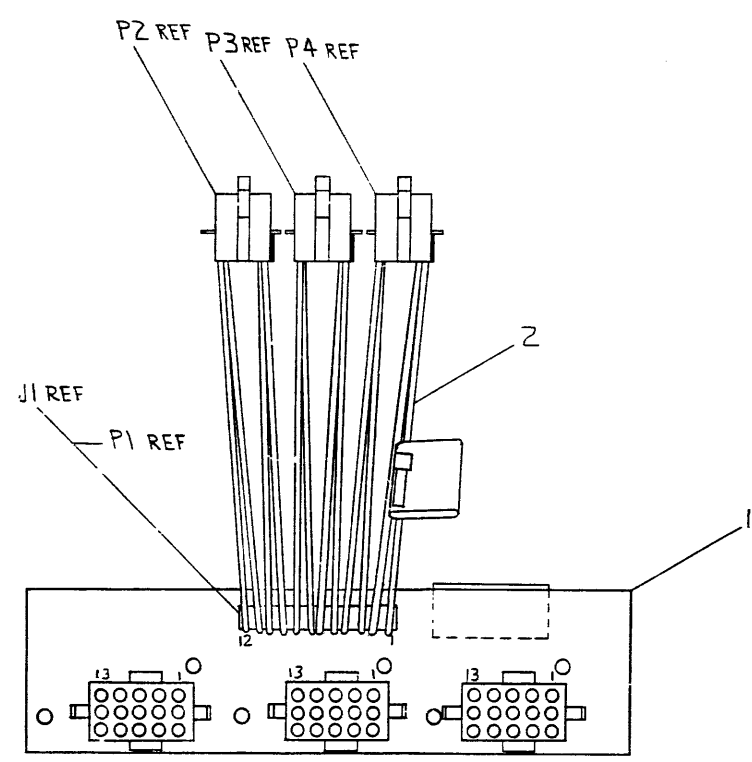
SHEET 1 OF 1

REVISIONS  
CHANGE NO.  
REV.

DWG. PART NO. 7016057-0-0

THIS DRAWING AND SPECIFICATIONS HEREIN ARE THE PROPERTY OF DIGITAL EQUIPMENT CORPORATION AND SHALL BE KEPT CONFIDENTIAL. IT IS TO BE USED ONLY FOR THE PURPOSES INTENDED AND IS NOT TO BE REPRODUCED OR TRANSMITTED IN ANY FORM OR BY ANY MEANS, ELECTRONIC OR MECHANICAL, INCLUDING PHOTOCOPYING, RECORDING, OR BY ANY INFORMATION STORAGE AND RETRIEVAL SYSTEM, WITHOUT THE WRITTEN PERMISSION OF DIGITAL EQUIPMENT CORPORATION.

0-0-8889102 DAD 2



1	CABLE JUMPER ASSY	D-1A-7016887-00	2
1	POWER DIST. BOARD	D-UA-5413632-0-0	1

DESCRIPTION		DWG./PART NO.	ITEM NO.
UNLESS OTHERWISE SPECIFIED DIMENSIONS ARE IN INCHES			
ANGLES 30°/30°	CLASS OF ACCURACY	NOMINAL DIMENSION RANGE INCHES	
SURFACE QUALITY IN	(CHECK ONE)	OVER TO	OVER TO
		OVER TO	OVER TO
QUANTITY & VARIATION	MEDIUM	±.004	±.008
MICROINCHES	PREFERRED	±.012	±.016
		±.025	±.04
		±.083	±.1

THIRD ANGLE PROJECTION	DRN. <i>John V. Long</i> 12/20/70	FIRST USED ON	BAN-A <i>digital</i>
REMOVE BURRS AND BREAK SHARP CORNERS	CHK'D <i>W. Sullivan</i> 7 MAY 71	TITLE	POWER DISTRIBUTION BOARD ASSY
DO NOT SCALE DWG	ENG. <i>JP O'Brien</i> 9 MAY 71	PROJECT	
MATERIAL	PROD. <i>W. Sullivan</i> 27 Jan 71	SCALE	1:1
FINISH	NEXT HIGHER ASSY.	SIZE	D
		CODE	AD
		NUMBER	7016888-0-0
		REV.	*
		SHEET	OF 1
		DIST.	

REV.	
CHG	
REVISE	
NO.	

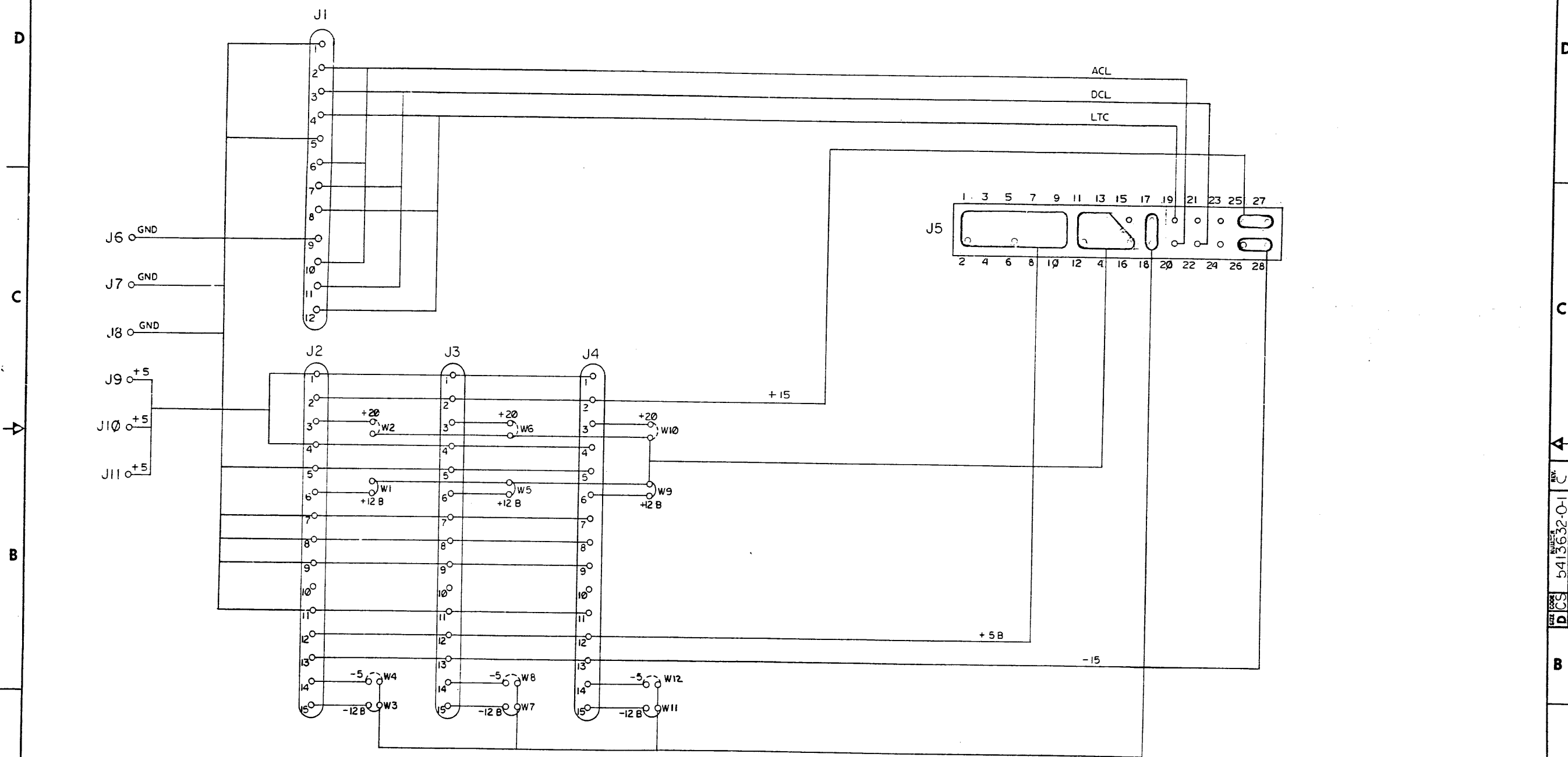
NUMBER 7016888-0-0  
 REV. A  
 SIZE CODE D  
 REV. R





"THIS DRAWING AND SPECIFICATIONS, HEREIN, ARE THE PROPERTY OF DIGITAL EQUIPMENT CORPORATION AND SHALL NOT BE REPRODUCED, COPIED OR USED IN WHOLE OR IN PART AS THE BASIS FOR THE MANUFACTURE OR SALE OF IDENTICAL OR SIMILAR PRODUCTS WITHOUT THE WRITTEN PERMISSION OF DIGITAL EQUIPMENT CORPORATION."

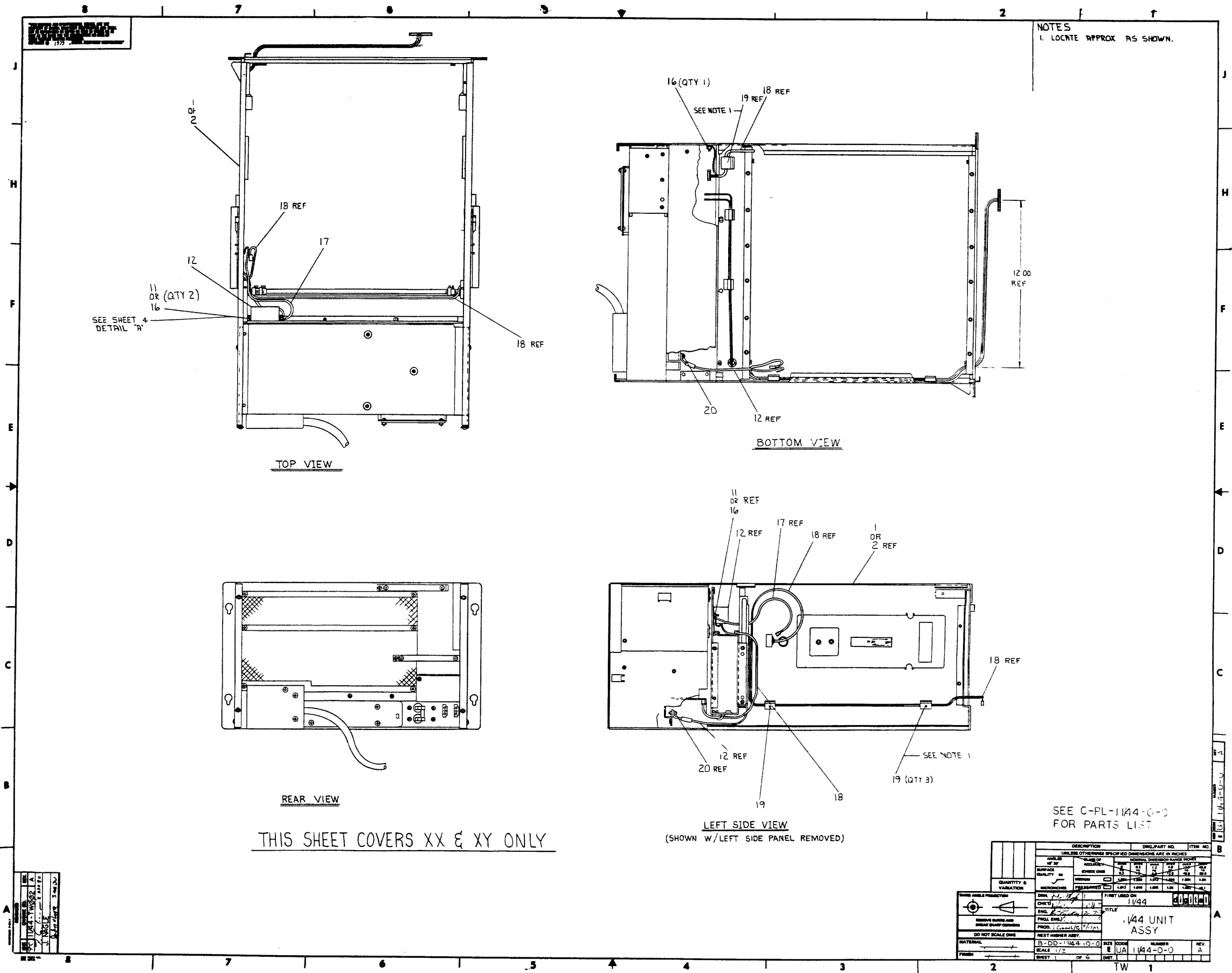
5413632-0-1



REV. C
CHANGE NO.
CHK. TW

DRN. <i>D. H. H.</i>	13-MAR-77	FIRST USED ON	<b>digital</b>
CHK'D <i>[Signature]</i>	29-MAR-77	TITLE	BALI-A POWER DISTRIBUTION BOARD
ENG. <i>[Signature]</i>	25-MAY-77	SIZE CODE	D CS
PROL. ENG. <i>[Signature]</i>	25-MAY-77	NUMBER	5413632-0-1
PROD. <i>[Signature]</i>	25-MAY-77	REV.	C
NEXT HIGHER ASSY.		SHEET	1 OF 1
SCALE		DIST.	TW





NOTES  
 1. LOCATE APPROX AS SHOWN.

SEE SHEET 4  
 DETAIL 'H'

BOTTOM VIEW

TOP VIEW

REAR VIEW

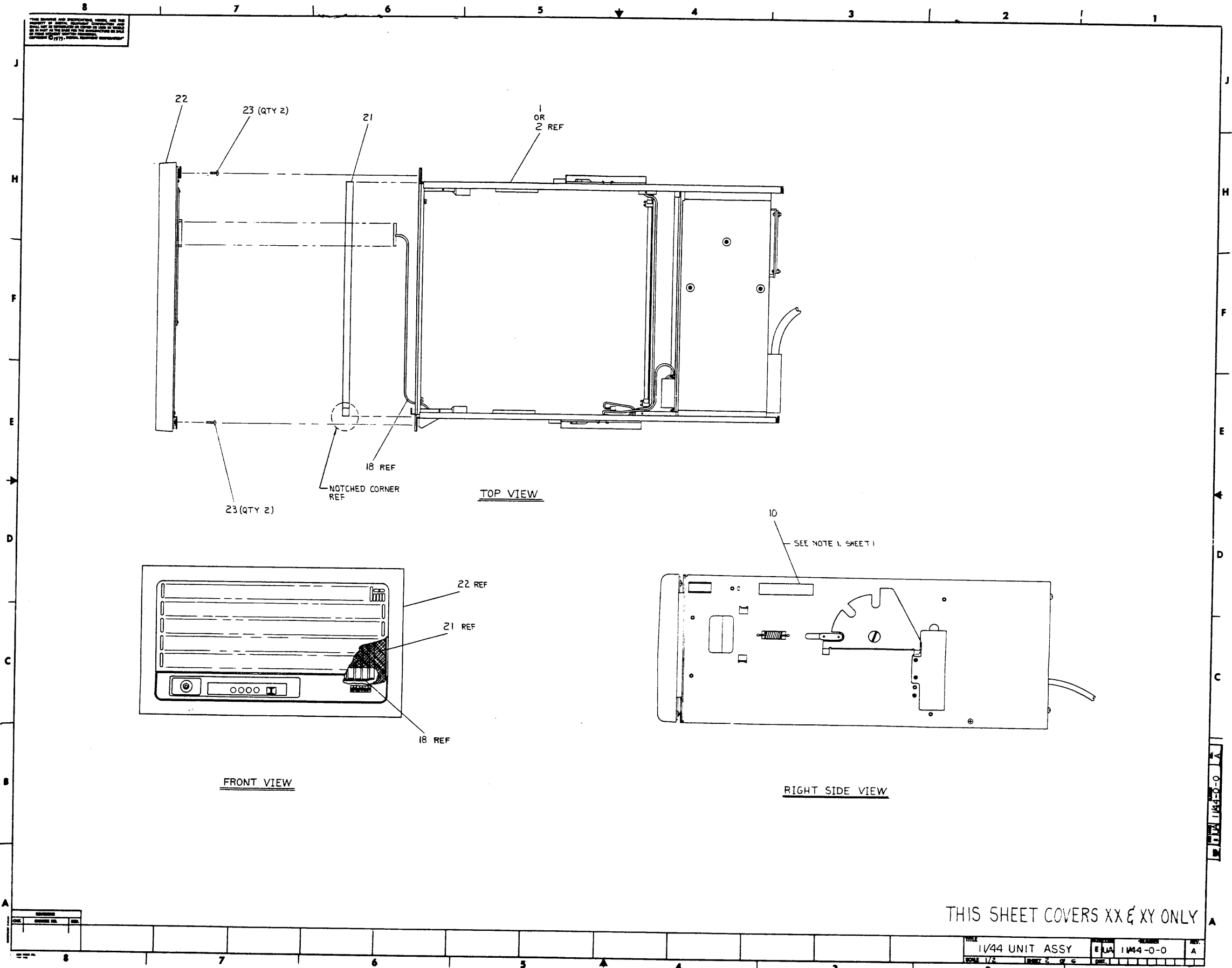
LEFT SIDE VIEW  
 (SHOWN W/LEFT SIDE PANEL REMOVED)

THIS SHEET COVERS XX & XY ONLY

SEE C-PL-1144-0-0  
 FOR PARTS LIST

1144-0-0000	1	1
1144-0-0001	1	1
1144-0-0002	1	1
1144-0-0003	1	1
1144-0-0004	1	1
1144-0-0005	1	1
1144-0-0006	1	1
1144-0-0007	1	1
1144-0-0008	1	1
1144-0-0009	1	1
1144-0-0010	1	1

DESCRIPTION		ORG. PART NO.	ITEM NO.
UNLESS OTHERWISE SPECIFIED DIMENSIONS ARE IN INCHES			
FILE NO.	DATE OF	APPROVED	DATE
1144-0-0000	1/1/44	[Signature]	1/1/44
QUANTITY & VARIATION	QUANTITY	DESCRIPTION	REVISION
1	1	1144 UNIT ASSY	1
NEXT HIGHER ASSY:		B-DD-1144-0-0	REV. A
MATERIAL:		SCALE 1/2	REV. A
FINISH:		SHEET 1	REV. A
		GP 6	REV. A
		DIST.	REV. A
		TW	REV. A
		1	REV. A



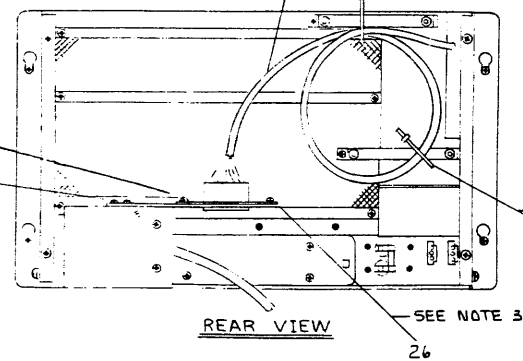
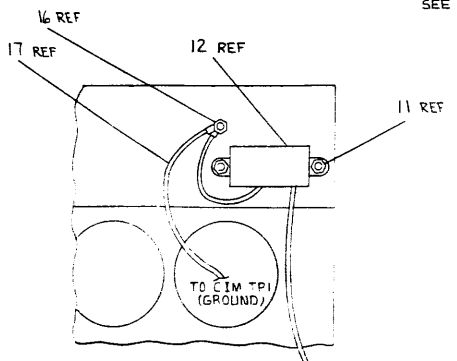
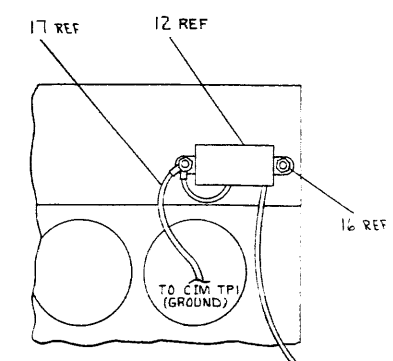
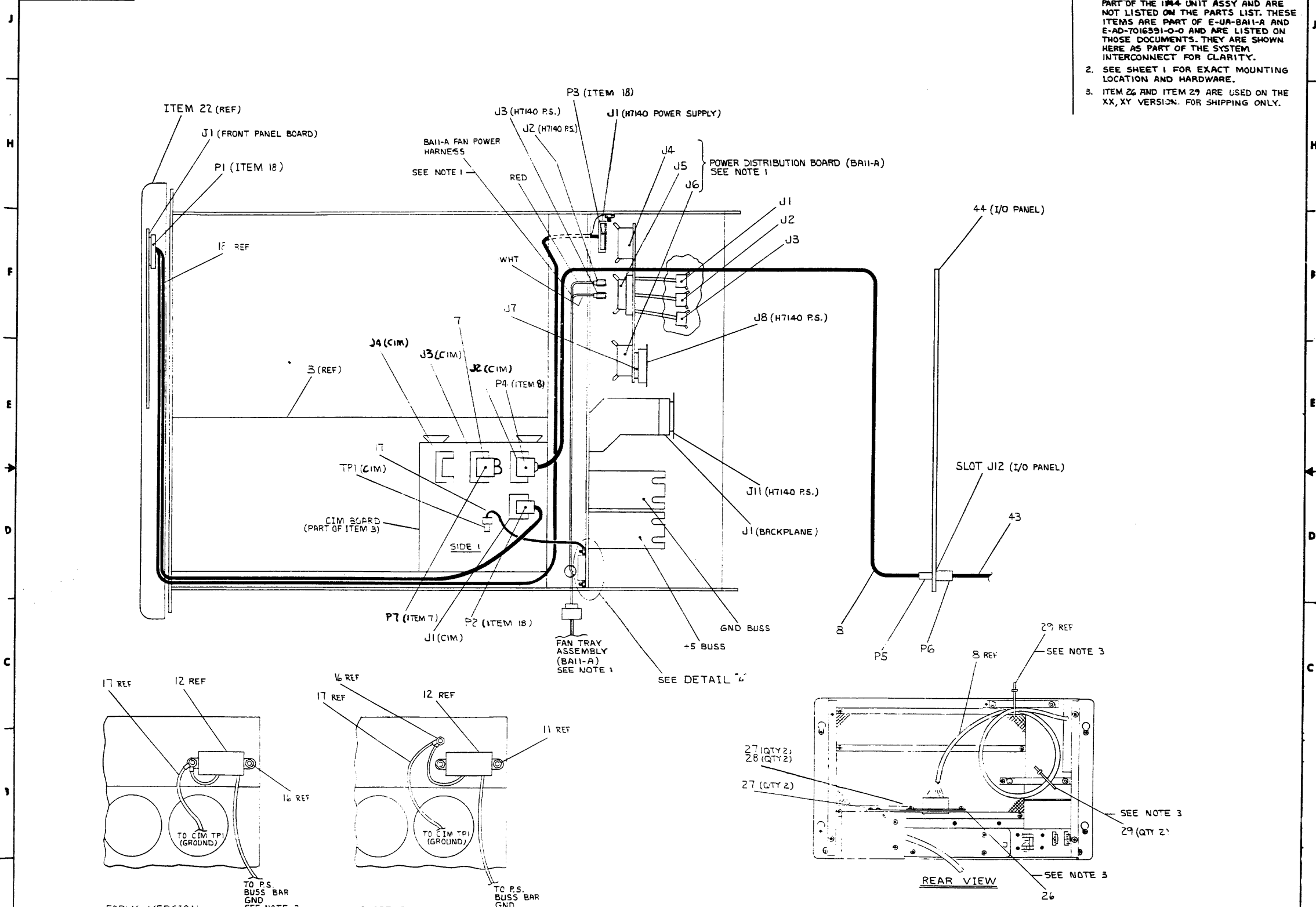
THIS SHEET COVERS XX & XY ONLY

TITLE	1/44 UNIT ASSY	DESIGNER	EUA	NUMBER	1/44-0-0	REV.	A
SCALE	1/2	SHEET	2	OF	6	DATE	TW 1

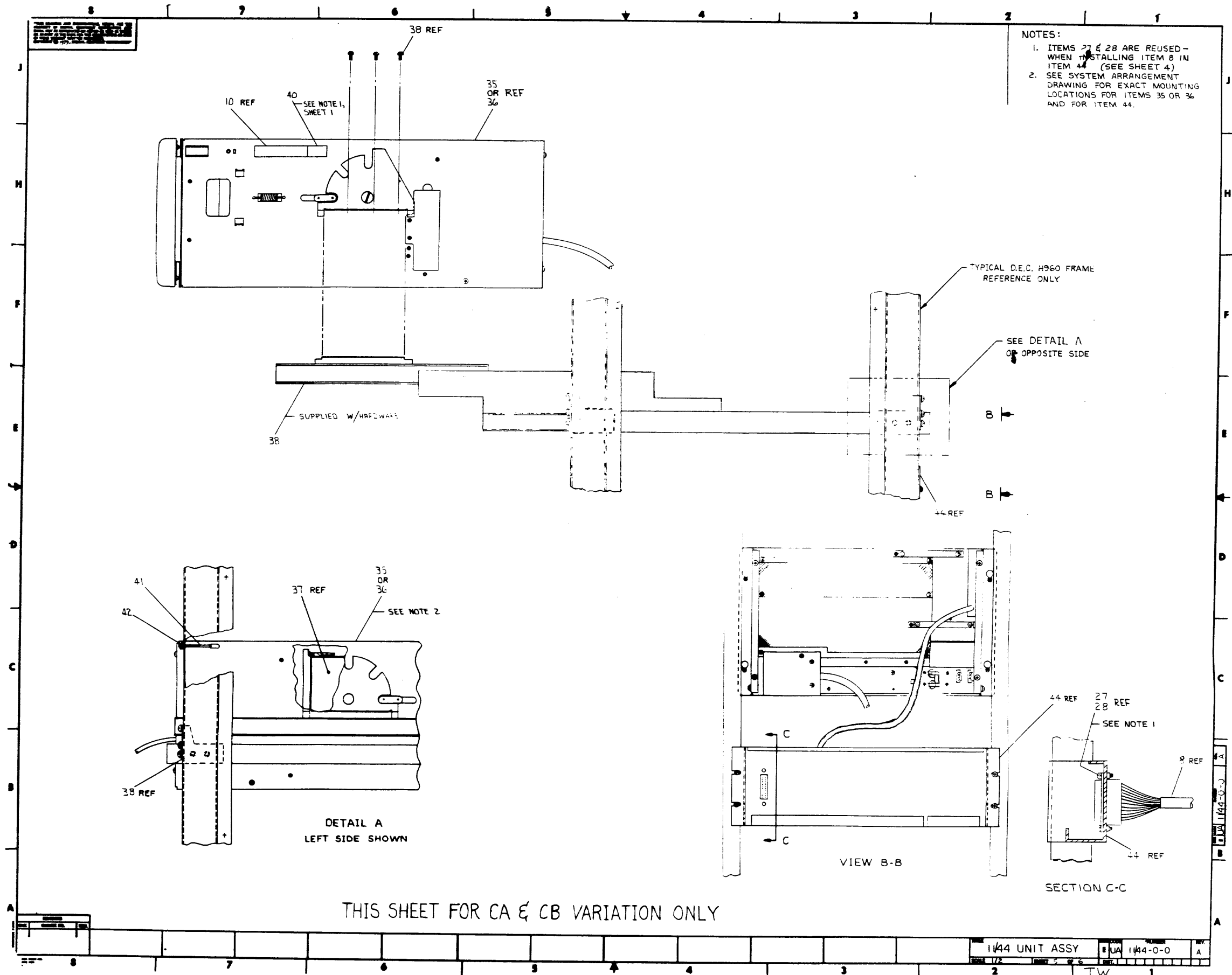


THIS DRAWING AND ASSOCIATED PARTS LIST ARE THE PROPERTY OF THE UNITED STATES GOVERNMENT AND ARE LOANED TO YOU BY THE NATIONAL BUREAU OF STANDARDS. IT IS TO BE USED FOR RESEARCH AND INFORMATIONAL PURPOSES ONLY. IT IS NOT TO BE REPRODUCED OR TRANSMITTED IN ANY FORM OR BY ANY MEANS, ELECTRONIC OR MECHANICAL, INCLUDING PHOTOCOPYING, RECORDING, OR BY ANY INFORMATION STORAGE AND RETRIEVAL SYSTEM.

- NOTES:**
1. FAN POWER HARNESS, POWER DISTRIBUTION BOARD, AND FAN TRAY ASSEMBLY ARE NOT PART OF THE 1144 UNIT ASSY AND ARE NOT LISTED ON THE PARTS LIST. THESE ITEMS ARE PART OF E-UA-B11-A AND E-AD-7016331-0-0 AND ARE LISTED ON THOSE DOCUMENTS. THEY ARE SHOWN HERE AS PART OF THE SYSTEM INTERCONNECT FOR CLARITY.
  2. SEE SHEET 1 FOR EXACT MOUNTING LOCATION AND HARDWARE.
  3. ITEM 26 AND ITEM 29 ARE USED ON THE XX, XY VERSION. FOR SHIPPING ONLY.



THIS SHEET FOR VARIATIONS XX, XY & CA, CB

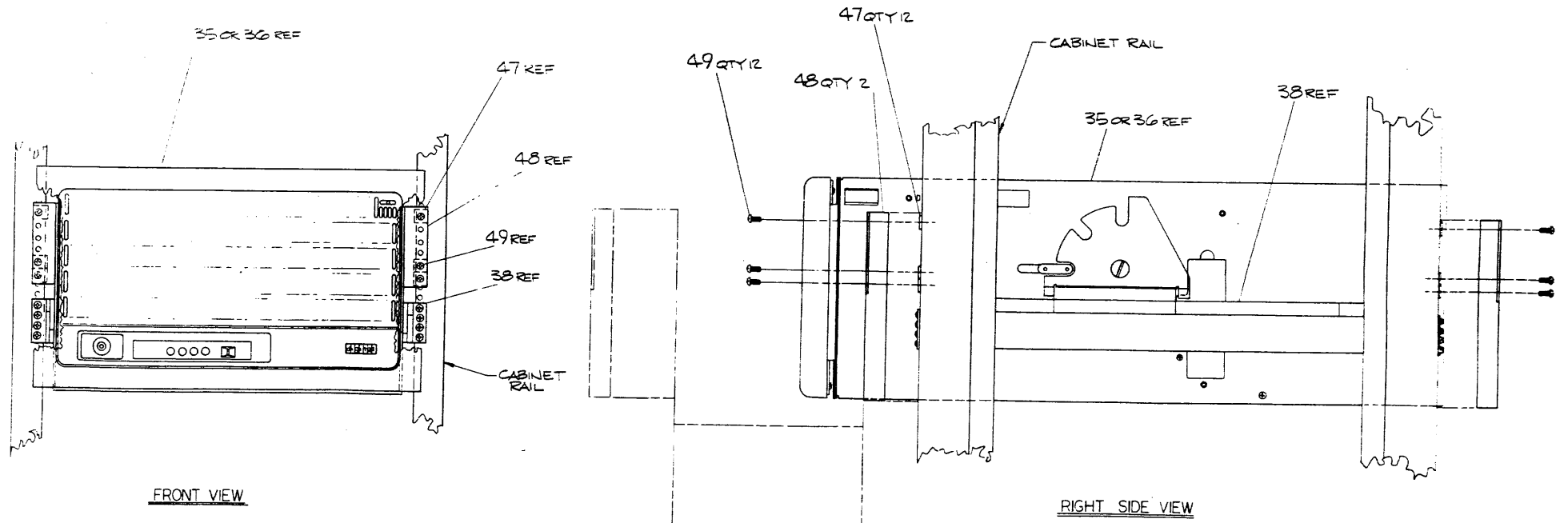


THIS DRAWING AND SPECIFICATIONS ARE THE PROPERTY OF THE UNITED STATES GOVERNMENT AND ARE NOT TO BE REPRODUCED OR TRANSMITTED IN ANY FORM OR BY ANY MEANS, ELECTRONIC OR MECHANICAL, INCLUDING PHOTOCOPYING, RECORDING, OR BY ANY INFORMATION STORAGE AND RETRIEVAL SYSTEM.

**SLIDE SHIPPING BRACKET INSTALLATION**

1. INSURE THAT ALL NEEDED INSTALLATION MATERIAL AND EQUIPMENT IS AVAILABLE BEFORE ATTEMPTING INSTALLATION OF SHIPPING BRACKETS.
  2. THE FOLLOWING IS SUPPLIED AS PART OF THE 11/44-CA, CB.
 

ITEM NR	QTY	DESCRIPTION
48	2	SLIDE SHIPPING BRACKETS
47	12	10-32 TINNERMAN NUTS
49	12	10-32 x 4 1/4 PHL TRUSS HD SCREW
41	1	BOX RETAINING SHIP. BRACKET
42	1	10-32 KEPT NUT
  3. A #2 PHILLIPS SCREW DRIVER IN EXCESS OF 8" IN LENGTH IS REQUIRED FOR INSTALLATION.
  4. IT IS RECOMMENDED THAT TWO PEOPLE TAKE PART IN THE INSTALLATION.
  5. TAKE ONE SLIDE SHIPPING BRACKET AND PULL 11/44 BOX OUT OF CABINET ABOUT 4". SLIP BRACKET UP UNDERNEATH THE FRONT OF THE BOX. LOOKING TO THE RIGHT HAND SIDE OF THE BRACKET, MARK AT LEAST 3 HOLES THAT ALIGN WITH THE SHIPPING BRACKET MOUNTING HOLES.
  6. REMOVE SHIPPING BRACKET AND INSERT 3 TINNERMAN NUTS IN HOLES MARKED ON RIGHTHAND SIDE.
  7. REPEAT STEP 5 & 6 FOR THE FRONT LEFT HAND SIDE.
  8. MOUNT FRONT SHIPPING BRACKET USING 6. 10-32 SCREWS (3 ON EITHER SIDE) TO ACCOMPLISH THIS MOUNT RIGHT HAND SIDE FIRST AND THEN LEFT HAND SIDE. NOTE: UPWARD TENSION ON THE 11/44 MAY BE REQUIRED TO MOUNT THE SECOND SIDE (A SECOND PERSON MAY BE NEEDED TO ACCOMPLISH THIS).
  9. PUSH BOX IN SO THE BOX LOCK CATCHES ON THE FRONT CABINET RAIL.
  10. INSTALL BOX RETAINING SHIPPING BRACKET (4 BOLT) IN REAR OF CAB. HOOKING IT THROUGH THE BOX AND EXTENDING THREADED END THROUGH THE CAB RAIL, THEN INSERTING THE 10-32 KEPT NUT AS SHOWN ON SHEET 5 OF 6.
  11. TAKE THE SECOND SLIDE SHIPPING BRACKET AND SLIP IT UP UNDERNEATH THE BACK OF THE BOX. LOOKING TO THE RIGHT HAND SIDE, MARK AT LEAST 3 HOLES THAT ALIGN WITH THE SHIPPING BRACKET. NOTE: TO ACCOMPLISH THIS A SECOND PERSON MAY BE NEEDED TO LIFT THE REAR OF THE BOX SO THE HOLES WILL ALIGN.
  12. LOWER SLIDE SHIPPING BRACKET AND MARK THE LEFT HAND SIDE AS PREVIOUSLY STATED IN STEP 11.
  13. NOW INSTALL 6 TINNERMAN NUTS (3 ON EITHER SIDE) IN HOLES MARKED.
  14. MOUNT REAR SLIDE SHIPPING BRACKET, USING 6. 10-32 SCREWS.
- NOTE: A SECOND PERSON MAY BE NEEDED TO LIFT THE REAR OF THE BOX TO ALIGN THE MOUNTING HOLES.



THIS SHEET FOR CA-CB VERSION ONLY

REVISION HISTORY		
DATE	ECO NUMBER	BY





THIS DRAWING AND SPECIFICATIONS, HEREIN ARE THE PROPERTY OF DIGITAL EQUIPMENT CORPORATION AND SHALL NOT BE REPRODUCED OR COPIED OR USED IN WHOLE OR IN PART AS THE BASIS FOR THE MANUFACTURE OR SALE OF ITEMS WITHOUT WRITTEN PERMISSION. COPYRIGHT © 1979 . DIGITAL EQUIPMENT CORPORATION

ITEM NO	DWG/PART NO	DESCRIPTION
44	D-AD-7017048-0-0	I/O PANEL KIT
45	A-PL-11/44-0-4	11/44 SHIPPING LIST
46	A-SP-3700505-0-0	PACKAGING INSTRUCTIONS ( DOCK MERGE)
47	9007786-00	#10 TINNED NUT
48	D-AD-7017641-0-0	BRACKET, SHIPPING
49	9006072-03	SCREW, #10 - 32 X .43 TRUSS HD

	11/44-XY	11/44-XY	11/44-CB	11/44-CB
	-	-	1	1
	-	-	ref	ref
	-	-	ref	ref
	-	-	12	12
	-	-	2	2
	-	-	12	12

REV.	CHANGE NO.

DRN. John Nagle	13 Aug	FIRST USED ON	11/44	<b>digital</b>
CHK'D		TITLE	11/44 UNIT ASSY	
ENG. <i>Ram</i>				
PROJ. ENG. <i>John Nagle</i>				
PROD. <i>J. Comm</i>	<i>6/8</i>			
NEXT HIGHER ASSY.				
E-UA-11/44-0-0	SIZE	CODE	NUMBER	REV.
SCALE <i>1/4"</i>	<b>C</b>	PL	11/44-0-0	<b>A</b>
SHEET 2 OF 2	DIST.			

MARKSPACE P-1688

A

C

B

D

4

3

2

TW 1

A

B

C

REV. A

NUMBER

11/44-0-0

PL

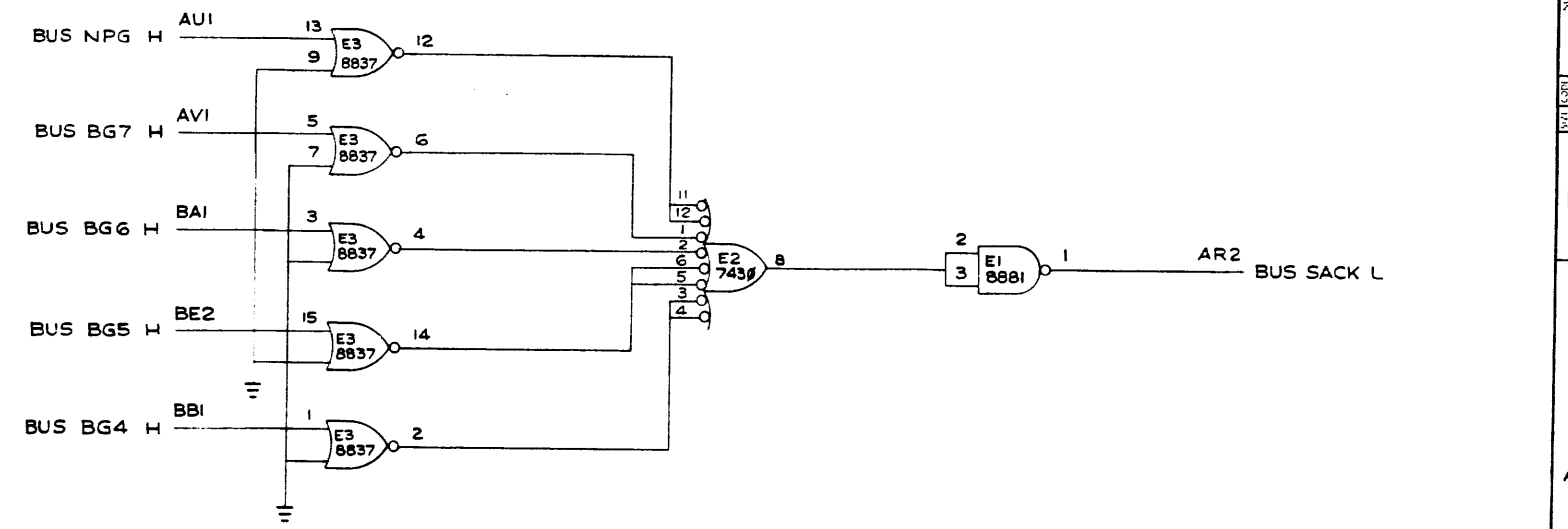
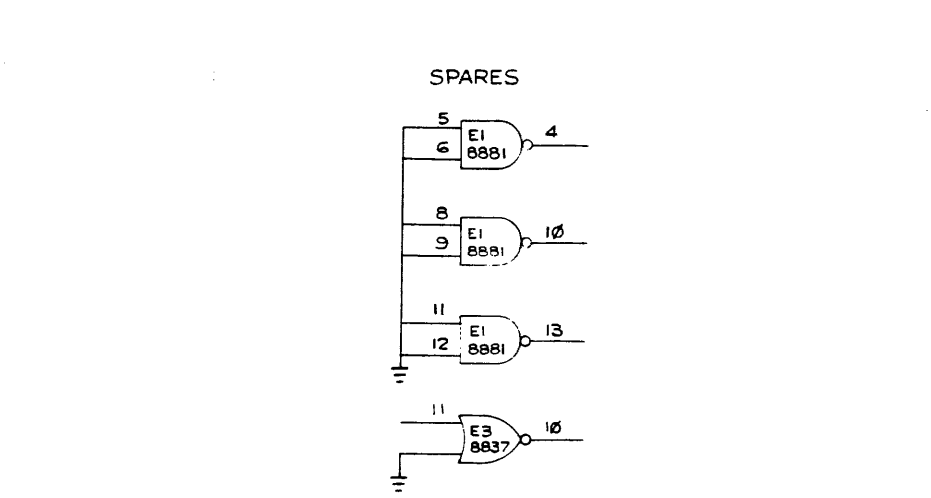
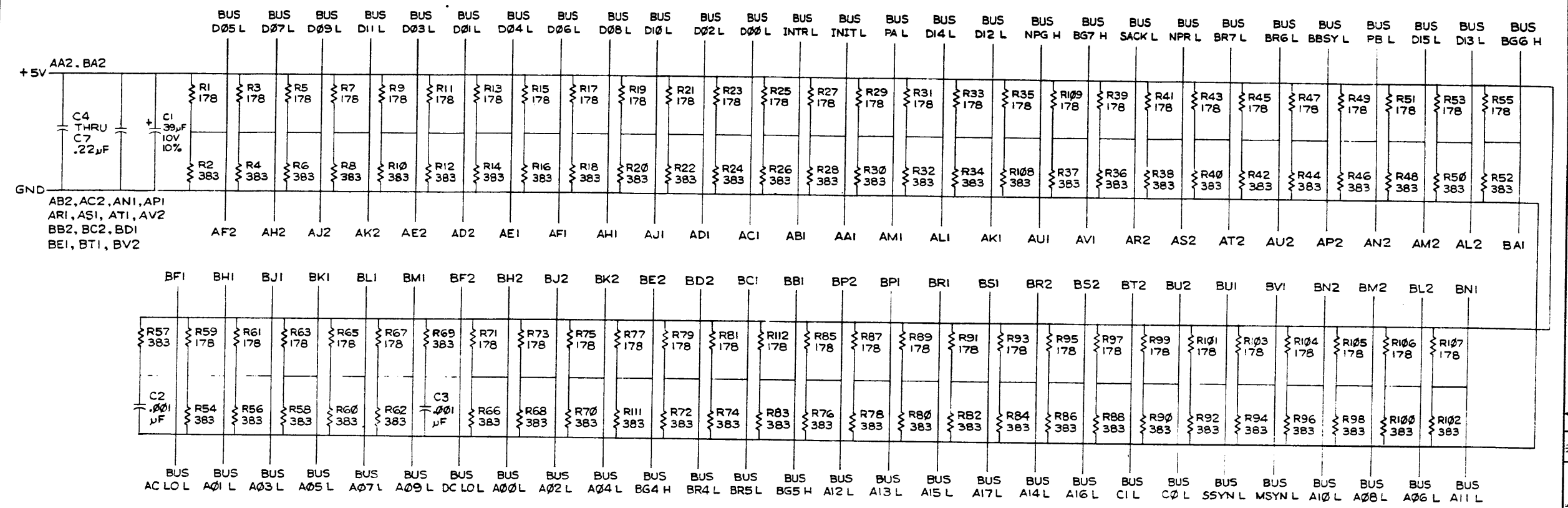
REV. A







THIS DRAWING AND SPECIFICATIONS HEREIN ARE THE PROPERTY OF DIGITAL EQUIPMENT CORPORATION AND SHALL NOT BE REPRODUCED OR COPIED OR USED IN WHOLE OR IN PART AS THE BASIS FOR THE MANUFACTURE OR SALE OF ITEMS WITHOUT WRITTEN PERMISSION. COPYRIGHT © 1975 DIGITAL EQUIPMENT CORPORATION.



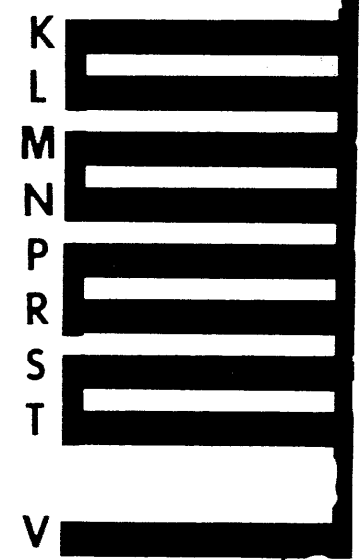
REVISIONS		
CHK	CHANGE NO	REV

This drawing and specifications herein, are the property of Digital Equipment Corporation and shall not be reproduced, copied or used in whole or in part on any basis without the written permission of Digital Equipment Corporation.

ΑΓΣΤΘ  
ΥΤΙΥΝΙΤΗΘΣ ΤΗΑΡΘ

FLIP CHIP

CHOP  
HERE



2 3/8" FINISHED CUT  
WORK HOLDER CATERPILLAR  
PR# 7818

UNLESS OTHERWISE INDICATED  
RESISTORS ARE \_\_\_\_\_  
CAPACITORS ARE \_\_\_\_\_  
DIODES ARE \_\_\_\_\_  
TRANSISTORS ARE \_\_\_\_\_  
\_\_\_\_\_  
\_\_\_\_\_  
\_\_\_\_\_

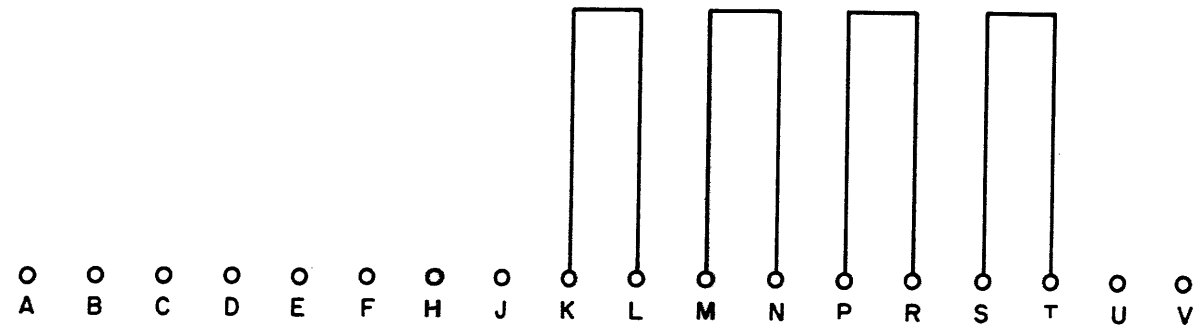
BOARD FABRICATION INFO  
BOARD SIZE NON STD. (2 3/8") STOCK CODE # 2230  
BOARD MAT'L .055 THK.; 2oz COPPER CLAD  
PLATED THRU  EYELET  SINGLE SIDED   
HOLES BEFORE PLATING \_\_\_\_\_  
UNMARKED HOLES ARE \_\_\_\_\_  
HOLES ARE \_\_\_\_\_ PLACES \_\_\_\_\_  
HOLES ARE \_\_\_\_\_ PLACES \_\_\_\_\_  
HOLES ARE \_\_\_\_\_ PLACES \_\_\_\_\_  
NOTCH BEFORE G.P.  NOTCH AFTER G.P.

QTY.	DESCRIPTION	PART NO.	ITEM NO.
PARTS LIST			
DRN. S. PATTERSON	DATE 11-6-69	<b>digital</b> EQUIPMENT CORPORATION MAYNARD, MASSACHUSETTS	
CHK'D. S. Patterson	DATE 12-16-69		
ENG. P.E. Jensen	DATE 1/28/70	TITLE ASSY/DRILLING HOLE LAYOUT	
PROB'G. P.E. Jensen	DATE 1/28/70		
PROD. S. Patterson	DATE 3/9/70	NUMBER G727-0-5	
FIRST USED ON G727	DATE		
SCALE	SIZE CODE C AH	REV. 1	
SHEET	OF	DIST. B24/K28	

2 PLINK DW

REV.	NUMBER	CS	B	SIZE
	G727-0-1			

THIS SCHEMATIC IS FURNISHED ONLY FOR TEST AND MAINTENANCE PURPOSES. THE CIRCUITS ARE PROPRIETARY IN NATURE AND SHOULD BE TREATED ACCORDINGLY. COPYRIGHT 1969 BY DIGITAL EQUIPMENT CORPORATION



REVISIONS CHK CHG NO. REV.	DRN. <b>BUTLER</b>	DATE <b>11-19-69</b>	TRANSISTOR & DIODE CONVERSION CHART				<b>digital</b> EQUIPMENT CORPORATION MAYNARD, MASSACHUSETTS	TITLE GRANT CONTINUITY G727			
	CHK'D <i>P. Jo St...</i>	DATE <b>6-FEB-70</b>	DEC	EIA	DEC	EIA		SIZE	CODE	NUMBER	REV.
	ENG. <i>P. E. Johnson</i>	DATE <b>1/28/70</b>						B	CS	G727-0-1	
	PROD.	DATE						PRINTED CIRCUIT REV.			A

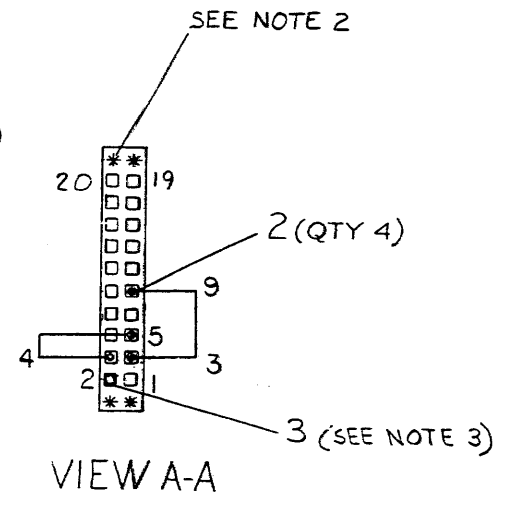
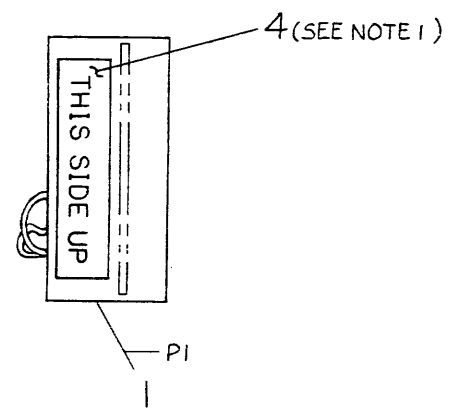
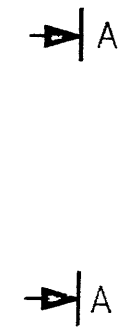
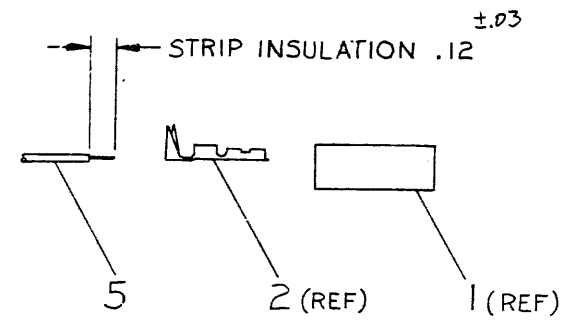




"THIS DRAWING AND SPECIFICATIONS, HEREIN, ARE THE PROPERTY OF DIGITAL EQUIPMENT CORPORATION AND SHALL NOT BE REPRODUCED OR COPIED OR USED IN WHOLE OR IN PART AS THE BASIS FOR THE MANUFACTURE OR SALE OF ITEMS WITHOUT WRITTEN PERMISSION. COPYRIGHT © 1979, DIGITAL EQUIPMENT CORPORATION"

WIRE TABLE							
ITEM NO.	DESCRIPTION		FROM		TO		REMARKS
	AWG	COLOR	CONN.	WITH	CONN.	WITH	
5	22	BLK	PI-3	ITEM 2	PI-9	ITEM 2	3.0IN.±.06
5	22	BLK	PI-4	ITEM 2	PI-5	ITEM 2	3.0IN.±.06
3	-	KEY	-	-	PI-2	ITEM 3	SEE NOTE 3

- NOTES:
- PLACE LABEL (ITEM 4) ON CONNECTOR (ITEM 1) APPROX. AS SHOWN.
  - POSITIONS MARKED "\*" ASTERIX IN VIEW A-A ARE NOT TO BE USED.
  - CONNECTOR (ITEM 1) SHALL HAVE ONE KEY (ITEM 3) INSERTED IN POSITION 2 AS SHOWN.



ITEM NO.	DESCRIPTION	DWG./PART NO.	ITEM NO.
6.0	WIRE, 22AWG, STRDUL1429	9107350-00	5
1	LABEL (THIS SIDE UP) 1.0x.25	3611567-01	4
1	CONN, PIN (DUMMY), KEY	9009190-00	3
4	SOCKET, CRIMP TYP REEL	1210089-07	2
1	TERM. 24 POS. HOUSING	1210918-25	1

UNLESS OTHERWISE SPECIFIED DIMENSIONS ARE IN INCHES	
ANGLES ±0° 30'	CLASS OF ACCURACY (CHECK ONE)
SURFACE QUALITY IN	MEDIUM <input checked="" type="checkbox"/> ±.004 ±.008 ±.012 ±.016 ±.024 ±.04
MICROINCHES	PREFERRED <input type="checkbox"/> ±.012 ±.016 ±.025 ±.04 2.133 40.1
QUANTITY & VARIATION	
THIRD ANGLE PROJECTION	DRN. B. Burkans 1 DEC 78 FIRST USED ON 11/77
REMOVE BURRS AND BREAK SHARP CORNERS	CHK'D J.F. Sullivan MAR 26 79
DO NOT SCALE DWG	ENG. R. D. G. G. 29 JUN 79
MATERIAL SEE PARTS LIST	PROJ. ENG. R. D. G. G. 29 JUN 79
FINISH	PROD. G. G. 29 JUN 79
	TITLE CONNECTOR, LOOP BACK
	SIZE CODE NUMBER REV. C IA 7422428-0-0 *
	SHEET 1 OF 1 DIST.

REV.	CHANGE NO.

DEC FORM NO. 100-C

4

3

2

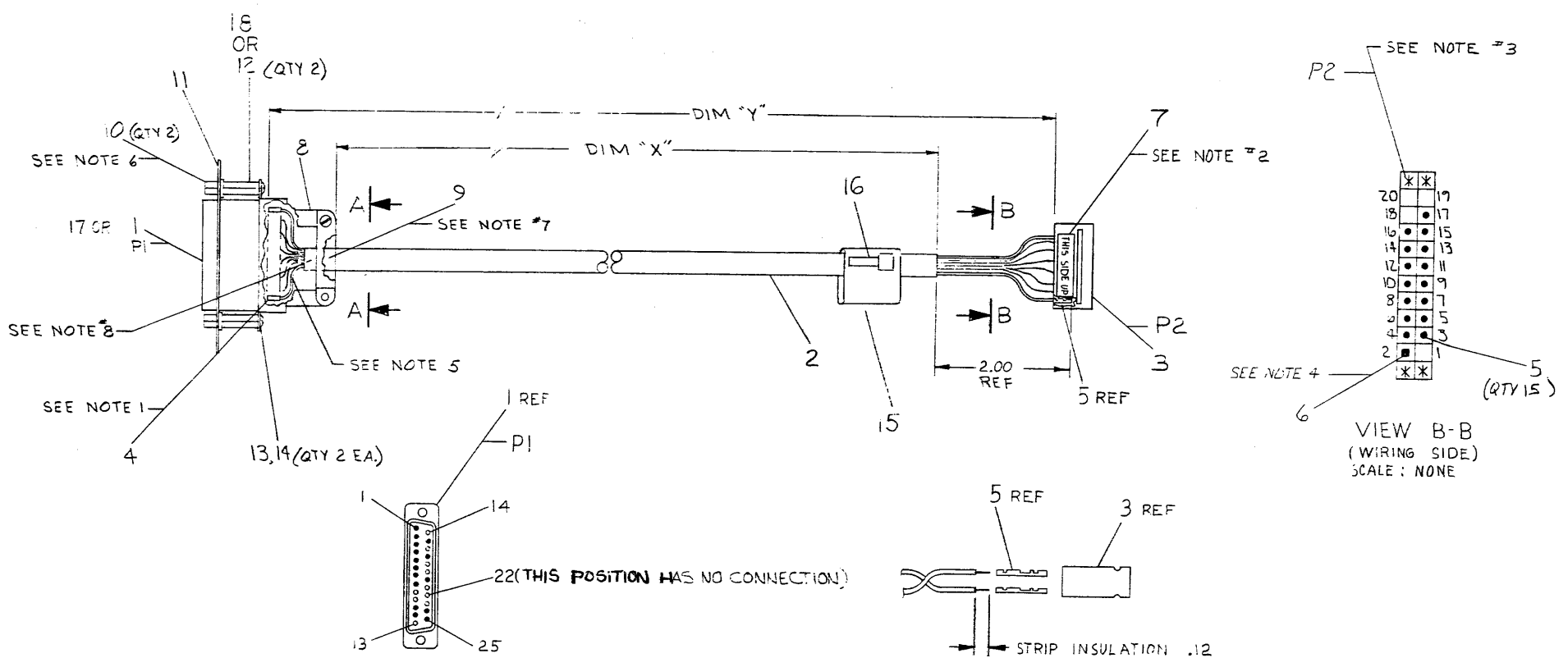
TW 1

THIS DRAWING AND SPECIFICATIONS HEREIN ARE THE PROPERTY OF DIGITAL EQUIPMENT CORPORATION AND SHALL NOT BE REPRODUCED OR COPIED OR USED IN WHOLE OR IN PART AS THE BASIS FOR THE MANUFACTURE OR SALE OF ITEMS WITHOUT WRITTEN PERMISSION.  
 COPYRIGHT © 1978, DIGITAL EQUIPMENT CORPORATION

WIRE TABLE						
ITEM NO	DESCRIPTION	FROM		TO		
		AWG	COLOR	CONN	WITH	CONN
2	22	BLU	PI-1	SOLDER	P2-3	5
		WHT/BLK	PI-2		P2-4	
		RED/BLK	PI-3		P2-5	
		GRN/BLK	PI-4		P2-6	
		BLK	PI-5		P2-7	
		WHT	PI-6		P2-8	
		ORN/BLK	PI-7		P2-9	
		BLU/BLK	PI-8		P2-10	
		BLK/WHT	PI-11		P2-11	
		RED/WHT	PI-12		P2-12	
		ORN	PI-15		P2-13	
		GRN	PI-17		P2-14	
		RED	PI-20		P2-15	
		BLU/WHT	PI-24		P2-16	
2	22	GRN/WHT	PI-25	SOLDER	P2-17	5

PART NO.	VARIATION		REMARKS
	DIM "X"	DIM "Y" PRECUT	
BC44A-10	10FT. ±2IN.	10FT. 5IN.	SEE NOTE 9
BC44A-YA	10FT. ±2IN.	10FT. 5IN.	

- NOTES:
- EACH SOLDERED CONTACT ON (PI) SHALL BE INSULATED WITH A .25 IN. PIECE OF SHRINK TUBING (ITEM #4).
  - PLACE LABEL (ITEM #7) AS SHOWN ON CONN (ITEM #3).
  - PINS MARKED (X) IN VIEW B-B ARE NOT TO BE USED.
  - CONN. P2-2 (ITEM #3) SHALL HAVE ONE KEY (ITEM #6) INSERTED AS SHOWN.
  - WIRES COMING FROM CENTER OF PLUG CONN SHOULD BE FANNED OUT INTO HOOD SO THAT THEY ARE NOT BUNCHED.
  - PLACE LOCKWASHER (SUPPLIED WITH ITEM #10) BETWEEN SPACER AND CONNECTOR FLANGE. DISCARD NUT (QTY. 2) SUPPLIED WITH ITEM #10.
  - FOR STRAIN RELIEF WRAP 2 TURNS OF TAPE (ITEM #9) AROUND CABLE (ITEM #2) AS SHOWN.
  - CABLE JACKET INSULATION (ITEM #2) SHOULD EXTEND BEYOND STRAIN RELIEF CLAMP (ITEM #8) A MIN. OF .20 INCH.
  - THE BC44A-10 AND BC44A-YA ARE THE SAME, EXCEPT FOR THE FILTERED CONNECTOR AND SPACER. THESE TWO VARIATIONS ARE INTERCHANGABLE.



QTY	DESCRIPTION	DWG./PART NO.	ITEM NO.
2	SPACER, HEX THD 4-40 X 1 3/16	9000883-05	18
1	CONN. DSUB, 25 PIN FTFD	24081-02	17
1	TIE, CABLE SSTI-M	3007031-00	16
1	LABEL, CABLE I.D.	3009532-00	15
2	WASHER, LOCK #4	9006688-00	14
2	SCR. PHL PAN HD #4-40 X .25	9002301-01	13
-	2 SPACER, THREADED, HEX, 4-40	9008883-00	12
1	PLATE, CONN. MTG	B-MD-7414-72-0-0	11
2	SCREW LOCK ASSY	9008451-00	10
A/R A/R	TAPE, DOUBLE COATED .5WD	9007834-00	9
1	HOOD, CONN. W/CLAMP ASSY	1212516-00	8
1	LABEL (THIS SIDE UP) 1.0 X .25	3611567-01	7
1	KEY, DUMMY, POLAR	9009140-00	6
15	15 SOCKET, CRIMP	120030-07	5
4	4" TUBING, SHRINK, .094 I.D.	9107714-09	4
1	1 TERM. HSG. (24 POS)	1210918-25	3
A/R A/R	CABLE, 22 AWG (15 COND) UL 2464	9107672-00	2
-	1 CONN, D SUB, 25 PIN FTFD	1214081-00	

QUANTITY & VARIATION	QUANTITY	DESCRIPTION	DWG./PART NO.	ITEM NO.
	1	BC44A-10		
THIRD ANGLE PROJECTION	ANGLES 90° 30°	CLASS OF ACCURACY (CHECK ONE)	NOMINAL DIMENSION RANGE INCHES	
		MEDIUM	OVER 0 TO 0.25	OVER 0.25 TO 0.50
DO NOT SCALE DWG	SURFACE QUALITY	FINISH	OVER 0.50 TO 1.00	OVER 1.00 TO 4.00
			OVER 4.00 TO 12.00	OVER 12.00 TO 80.00
MATERIAL SEE PARTS LIST	FINISH	DRN. E. Blodge	265072	FIRST USED ON
				digital
SCALE 1/1	PROJ. ENG. P. D. H. # 11/2/75	PROJ. ENG. P. D. H. # 11/2/75	TITLE	
			FILTERED CABLE ASSY	
SHEET 1 OF 1	SIZE D	CODE IA	NUMBER BC44A-0-0	REV. A

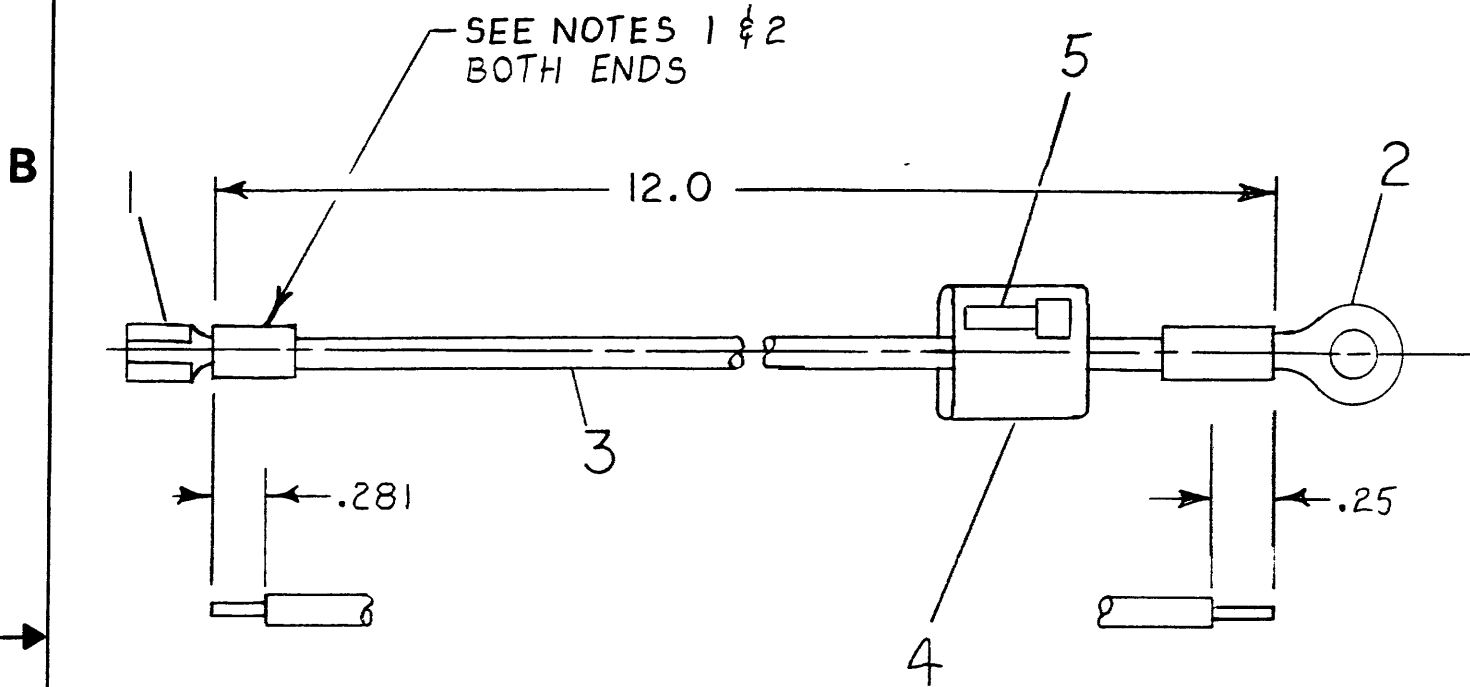
REV.	CHANGE NO.	DESCRIPTION
1	1	INITIAL DESIGN
2	1	REVISED TO ADD LABEL
3	1	REVISED TO ADD KEY

"THIS DRAWING AND SPECIFICATIONS, HEREIN, ARE THE PROPERTY OF DIGITAL EQUIPMENT CORPORATION AND SHALL NOT BE REPRODUCED OR COPIED OR USED IN WHOLE OR IN PART AS THE BASIS FOR THE MANUFACTURE OR SALE OF ITEMS WITHOUT WRITTEN PERMISSION.  
 COPYRIGHT © 1978 DIGITAL EQUIPMENT CORPORATION

REV. B I A 7422393-0-0

NOTES:

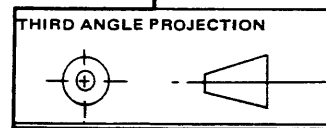
1. CRIMP PER DEC. STD. 116 SEC 3 REV B PAGE 6
2. PULL TEST, PER DEC. STD A-SP-7665267 REV B, AFTER CRIMP



1	TIE, CABLE SSTI-M	9007031-00	5
1	LABEL, CABLE I.D.	9009532-00	4
12	WIRE #20AWG STRD GRN	9107460-55	3
1	RING TERM #8 STUD	1214628-00	2
1	FASTON TERM	9007970-00	1

DESCRIPTION	DWG./PART NO.	ITEM NO.
UNLESS OTHERWISE SPECIFIED DIMENSIONS ARE IN INCHES		
ANGLES ±0° 30'	CLASS OF ACCURACY (CHECK ONE)	NOMINAL DIMENSION RANGE INCHES
SURFACE QUALITY IN	MEDIUM <input type="checkbox"/>	OVER 0 TO .12
		OVER .12 TO .40
MICROINCHES	PREFERRED <input checked="" type="checkbox"/>	±.004 ±.008 ±.012 ±.016 ±.024 ±.04
		±.012 ±.016 ±.025 ±.04 ±.063 ±.1

REV.	
CHANGE NO.	
CHK	



REMOVE BURRS AND BREAK SHARP CORNERS

DO NOT SCALE DWG

MATERIAL SEE PARTS LIST  
FINISH H

THIRD ANGLE PROJECTION  
 DRN. *A. Moore* 10-5-78  
 CHK'D. *J. Sullivan* 11/7/79  
 ENG. *R. O. ...* 1/29/79  
 PROJ. ENG. *R. O. ...* 6/27/79  
 PROD. *John Conalle* 2/17/79  
 NEXT HIGHER ASSY.

FIRST USED ON  
 11/44 **digital**  
 TITLE  
 WIRE ASSY

SCALE	NONE	SIZE CODE	B I A	NUMBER	7422393-0-0	REV.	*
SHEET	1 OF 1	DIST.					

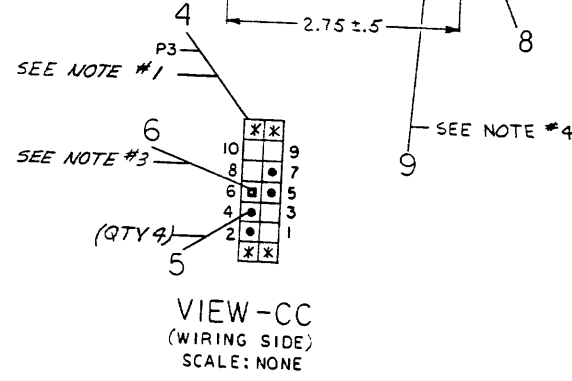
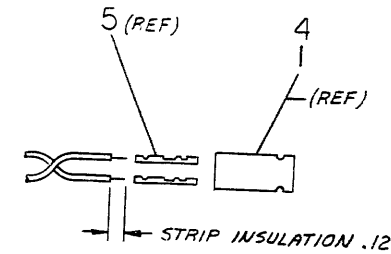
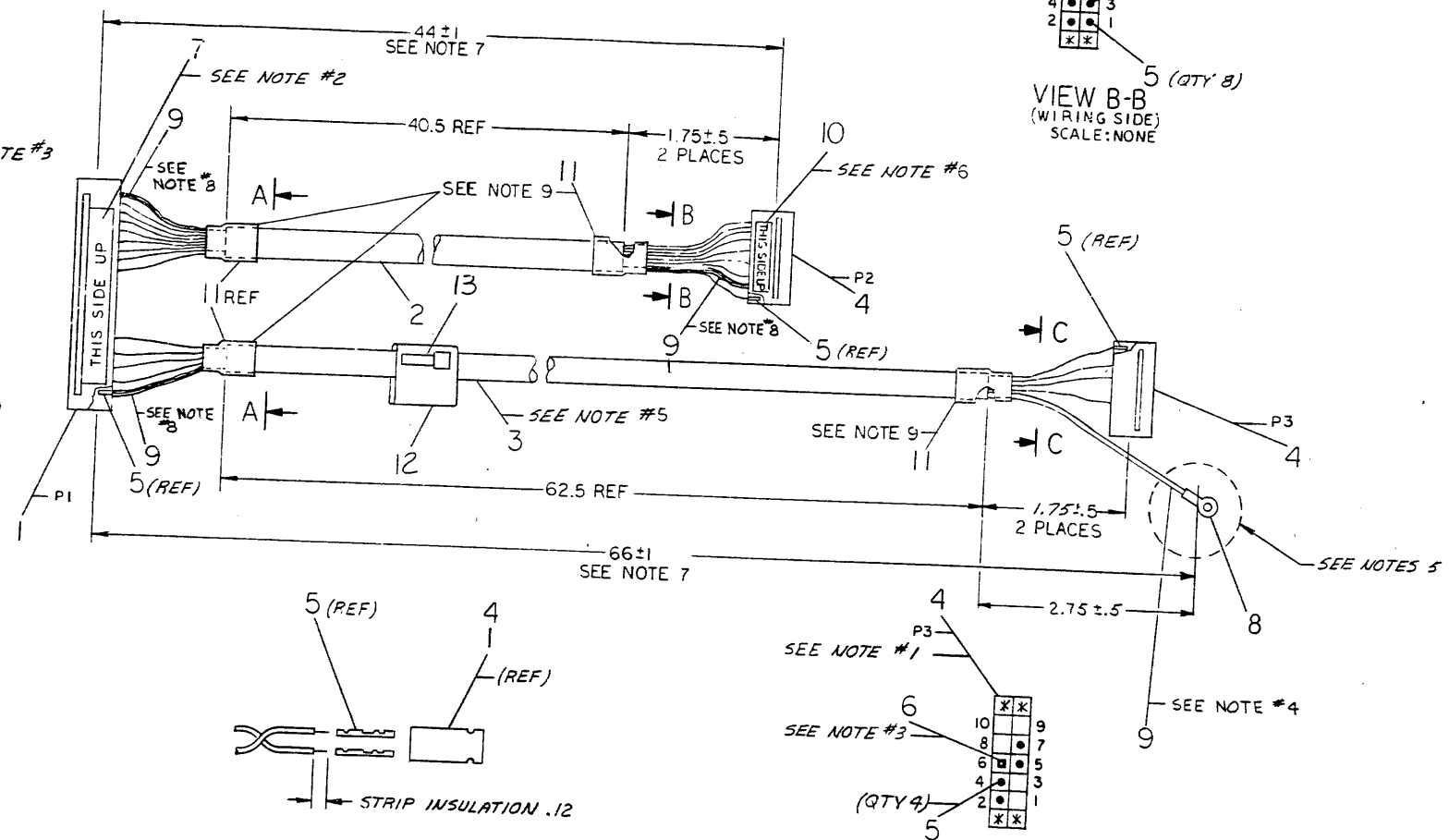
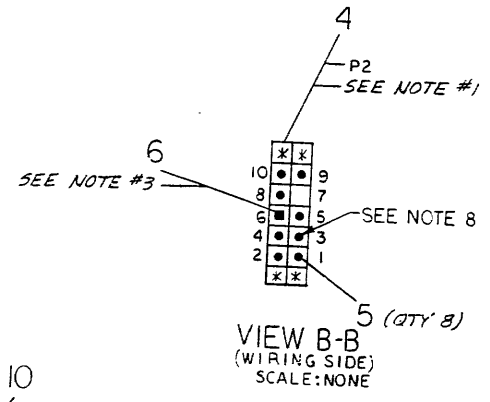
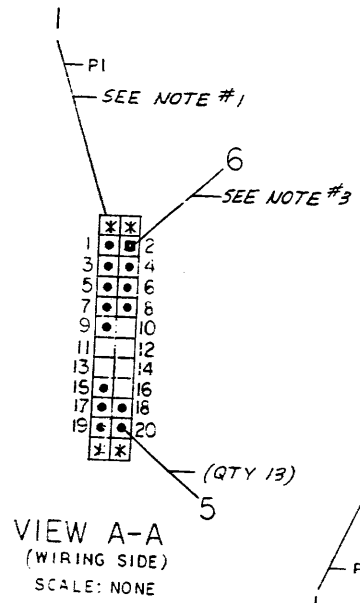
DRB 100A

THIS DRAWING AND SPECIFICATIONS HEREIN ARE THE PROPERTY OF DIGITAL EQUIPMENT CORPORATION AND SHALL NOT BE REPRODUCED OR COPIED IN WHOLE OR IN PART AS THE BASIS FOR THE PREPARATION OF ANY OTHER DRAWING WITHOUT THE WRITTEN PERMISSION OF DIGITAL EQUIPMENT CORPORATION  
 COPYRIGHT © 1978, DIGITAL EQUIPMENT CORPORATION

WIRE TABLE							
ITEM NO.	AWG	COLOR	FROM		TO		REMARKS
			CONN	WITH	CONN	WITH	
2	24	DRAIN	PI-1	ITEM 5	P2-3	ITEM 5	SEE NOTE 8
2	24	RED	PI-3	ITEM 5	P2-4	ITEM 5	
2	24	WHT	PI-4	ITEM 5	P2-5	ITEM 5	
2	24	GRN	PI-5	ITEM 5	P2-1	ITEM 5	
2	24	BLK	PI-6	ITEM 5	P2-2	ITEM 5	
2	24	BRN	PI-7	ITEM 5	P2-9	ITEM 5	
2	24	ORN	PI-8	ITEM 5	P2-8	ITEM 5	
2	24	BLU	PI-9	ITEM 5	P2-10	ITEM 5	
3	24	BLK	PI-15	ITEM 5	P3-2	ITEM 5	
3	24	GRN	PI-17	ITEM 5	P3-4	ITEM 5	
3	24	WHT	PI-18	ITEM 5	P3-5	ITEM 5	
3	24	RED	PI-19	ITEM 5	P3-7	ITEM 5	
3	24	DRAIN	PI-20	ITEM 5	ITEM 8	ITEM 9	SEE NOTES 4, 8

0-0-1849102 2

- NOTES:
- LOCATIONS MARKED (\*) IN VIEWS A-A, B-B AND C-C ARE NOT TO BE USED.
  - PLACE LABEL (ITEM #7) AS SHOWN ON CONN P1 (ITEM #1)
  - CONNS. P1-2, P2-6 AND P3-6 (ITEMS #1 AND 4) SHALL HAVE ONE KEY (ITEM #6) INSERTED AS SHOWN.
  - SLIDE EXTRUDED TUBING (ITEM #9) OVER DRAIN WIRE WHERE IT BREAKS OUT OF CABLE AS REQUIRED.
  - WIRE FROM P1-20 TO ITEM #8 SHALL BE MADE 1 INCH LONGER THAN WIRES FROM P1 TO P3.
  - LOCATE LABEL (ITEM #10) AS SHOWN ON CONNECTOR P2 (ITEM #4)
  - CUT LENGTH
  - SLIDE EXTRUDED TUBING (ITEM 9) OVER DRAIN WIRE BEFORE CRIMPING CONTACTS P2-3, P1-1, P1-20.
  - INSTALL SHRINK TUBING (ITEM #11) APPROX 1 INCH LONG, OVERLAPPING CABLE JACKET



ITEM NO.	DESCRIPTION	DWG. PART NO.	ITEM NO.
1	TIE, CABLE SSTI-M	9007031-00	13
1	LABEL, CABLE I.D.	9009532-00	12
4	TUBING, SHRINK .250 I.D.	9107253-09	11
1	LABEL (THIS SIDE UP) .50 X .25	3611567-02	10
8	TUBING EXTRUDED .22AWG .021 I.D.	9107256-00	9
1	RING TERM. INS. 1 POS. 26-20 AWG	1214628-00	8
1	LABEL 1.0 X .25 (THIS SIDE UP)	3611567-01	7
3	KEY, POLAR, DUMMIX	9009140-00	6
25	SOCKET, CRIMP, REEL	1210089-07	5
2	TERM. HSG. (14 POS)	1210918-30	4
6	CABLE, #24 AWG STRND (4 COND)	1700155-01	3
44	CABLE, #24 AWG STRND (7 COND)	1700155-00	2
1	TERM. HSG. (24 POS)	1210918-25	1

UNLESS OTHERWISE SPECIFIED DIMENSIONS ARE IN INCHES	
ANGLES 30°	CLASS OF ACCURACY (CHECK ONE)
SURFACE QUALITY IN	MEDIUM
MICRONHONEY	PREFERRED
QUANTITY & VARIATION	
THIRD ANGLE PROJECTION	
REMOVE BURRS AND BREAK SHARP CORNERS	
DO NOT SCALE DWG	
MATERIAL SEE PARTS LIST	
FINISH	
DESCRIPTION	DWG. PART NO. ITEM NO.
CLASS OF ACCURACY (CHECK ONE)	
SURFACE QUALITY IN	
MICRONHONEY	
QUANTITY & VARIATION	
THIRD ANGLE PROJECTION	
REMOVE BURRS AND BREAK SHARP CORNERS	
DO NOT SCALE DWG	
MATERIAL SEE PARTS LIST	
FINISH	
DRN	2806720
CHK'D	J. F. Cullis 1/22/79
ENG.	R. O. L. 1/22/79
PROL. ENG.	R. O. L. 1/22/79
PROD.	J. F. Cullis 1/22/79
FIRST USED ON	
TITLE	
CIM CABLE ASSY	
SIZE	CODE
D	IA
NUMBER	REV.
7016487-0-0	*
SHEET	OF
1	1
DIST.	

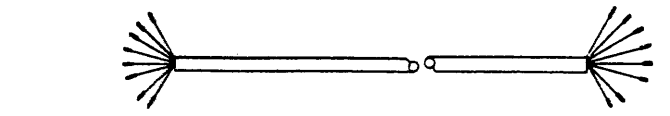
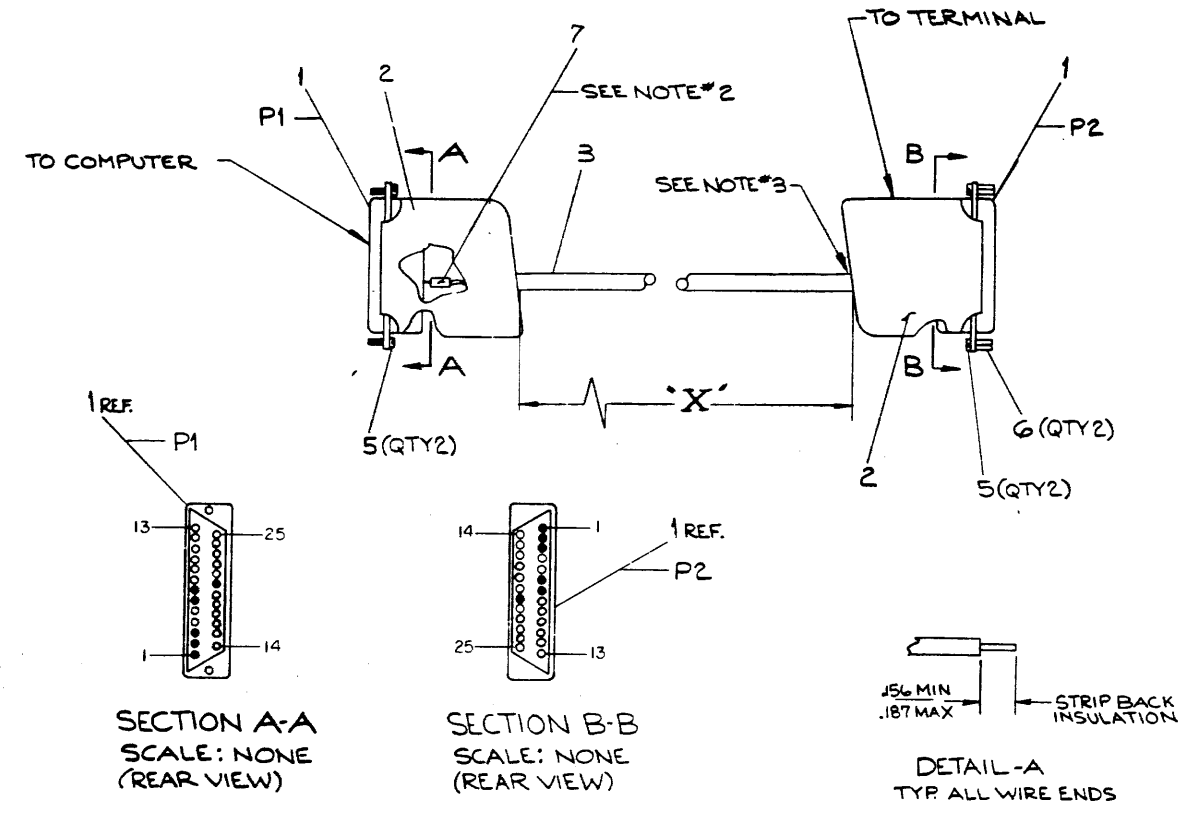
REV.	CHANGE NO.	DESCRIPTION

THIS DRAWING AND SPECIFICATIONS HEREIN ARE THE PROPERTY OF DIGITAL EQUIPMENT CORPORATION AND SHALL NOT BE REPRODUCED OR COPIED OR USED IN WHOLE OR IN PART AS THE BASIS FOR THE MANUFACTURE OR SALE OF ITEMS WITHOUT WRITTEN PERMISSION. COPYRIGHT © 1975 DIGITAL EQUIPMENT CORPORATION

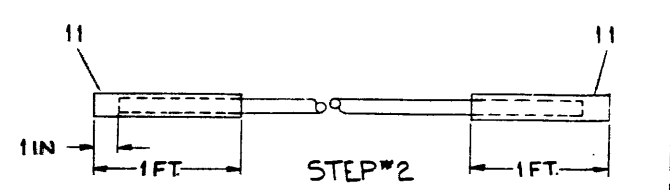
WIRE TABLE									
ITEM NO.	DESCRIPTION	FROM		TO		REMARKS			
		AWG	COLOR	CONNECTION	WITH		CONNECTION	WITH	
3	22	BLK	P1-7	NOTE #4	4	P2-7	NOTE #4	4	
3		RED	P1-2		8	P2-3		8	
3		SHIELD	P1-1	NOTE #2 & 4	4 & 7	P2-1	NOTE #2	4 & 7	
3		BLK	P1-7	NOTE #4	4	P2-7	NOTE #4	4	
3		WHT	P1-3		8	P2-2		8	
3		SHIELD	P1-1	NOTE #2 & 4	4 & 7	P2-1	NOTE #2	4 & 7	
3		BLK	P1-6		8	P2-20		8	
3		GRN	P1-20		8	P2-6		8	
3	22	SHIELD	SEE NOTE #3		-	SEE NOTE #3		-	

LEGEND		
NUMBER	VARIATION	REMARKS
BC03M-01	DIM'S X	
BC03M-01	1 FT.	PREASSEMBLED
BC03M-25	25 FT.	PREASSEMBLED
BC03M-A0	100 FT.	PREASSEMBLED
BC03M-B5	250 FT.	PARTIALLY ASSEMBLED
BC03M-E0	500 FT.	PARTIALLY ASSEMBLED
BC03M-L0	1000 FT.	PARTIALLY ASSEMBLED
BC03M-H5	750 FT.	PARTIALLY ASSEMBLED

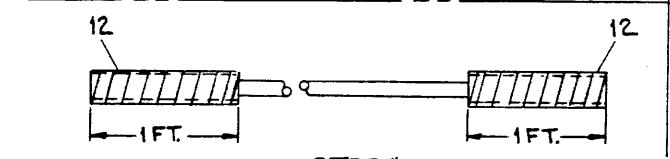
- NOTES:
- VARIATIONS AND LENGTHS SHOWN IN LEGEND ARE STANDARD AND ARE SPECIFIED BY NUMERIC DESIGNATION IN FOOT INCREMENTS, THE TOLERANCE ON DIMENSION "X" WILL BE ± 2% OF THE FOOT INCREMENT.
  - DRAIN WIRES TO BE ENCLOSED WITH ITEM #7 (TUBING) FROM END OF CABLE JACKET TO POINT WHERE THEY ENTER CONTACT.
  - CUTBACK DRAIN WIRE TO OUTER INSULATION ON BOTH ENDS.
  - THERE ARE TWO WIRES INSTALLED IN EACH #18-20 GA CONTACT (ITEM #4).
  - USE INSERTION/EXTRACTION TOOL (ITEM #9) TO CONSTRUCT CABLE. THIS PIECE IS DISCARDED AFTER USE.
  - 1 FOOT, 25 FOOT AND 100 FOOT CABLES ARE PREASSEMBLED. ALL OTHERS ARE PARTIALLY ASSEMBLED.
  - STEPS 1 THRU 4 ARE FOR CABLE LENGTHS OVER 100 FT.
- REFERENCE INFORMATION
- USE CRIMP TOOL TYPE M22520/1-01 WITH TH185 LOCATOR
- CABLES OVER 100 FT ARE TO BE STOCKED IN KIT FORM AS FOLLOWS  
 PUT ITEMS 1, 2, 5, 6, 9 AND 1 (ONE) COPY OF THIS PRINT INTO PLASTIC BAG (ITEM #10) FOLD OVER CABLE (ITEM #3) AND STAPLE TOGETHER.
- REMOVE ITEM 6 FOR CONNECTION TO UNITS WITHOUT CABLES I.E. VT05, VT10, ETC.



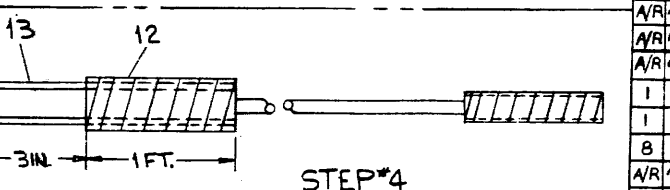
STEP #1  
 INSTALL ITEM #4, 7 AND 8 TO ITEM #3 (CABLE) PER WIRE TABLE



STEP #2  
 COVER BOTH ENDS WITH ITEM #11 (TUBING, HEAT SHRINK) PER ABOVE DIM'S



STEP #3  
 COVER BOTH ENDS WITH ITEM #12 (TAPE) PER ABOVE DIM'S



STEP #4  
 INSTALL ITEM #13 TO ITEM #3 BY USING ITEM #12 (TAPE). PER ABOVE DIM'S THE WIRE LOOP AT END OF CABLE IS USED TO PULL CABLE THRU CONDUIT PIPE, AT INSTALLATION.

QTY	DESCRIPTION	DWG./PART NO.	ITEM NO.
13	WIRE #14 AWG (2 FT 6 IN LG)	9107370-00	13
12	TAPE (ROLL)	9009507	12
11	TUBING (HEAT SHRINK)	9107252-00	11
10	BAG, PLASTIC	9905129-21	10
9	TOOL, INSERT/EXTRACT	4700024	9
8	SOCKET #22	1212583-0	8
7	TUBING #18 GA (NAT)	9107278-11	7
6	SPACER #4.40 X .25 LG.	9008496	6
5	SCR. RETAINER (MALE)	9009722	5
4	SOCKET #18-20	1212583-1	4
3	CABLE	9107723	3
2	HOOD	1210493-50	2
1	PLUG	1211354	1

CLASS OF ACCURACY	NOMINAL DIMENSION RANGE INCHES				
	OVER 0 TO 0.2	OVER 0.2 TO 0.4	OVER 0.4 TO 0.8	OVER 0.8 TO 1.2	OVER 1.2 TO 3.0
MEDIUM	±.004	±.008	±.012	±.016	±.024
PREFERRED	±.012	±.016	±.020	±.024	±.031

THIRD ANGLE PROJECTION

REMOVE BURRS AND BREAK SHARP CORNERS

DO NOT SCALE DWG

MATERIAL SEE PARTS LIST

FINISH

DRN. [Signature]

CHECKED [Signature]

PROJ. [Signature]

PROV. [Signature]

FIRST USED ON

TITLE: CORD, EXTENSION NULL MODEM

SIZE: D

CODE: JA

NUMBER: BC03M-0-0

REV. D

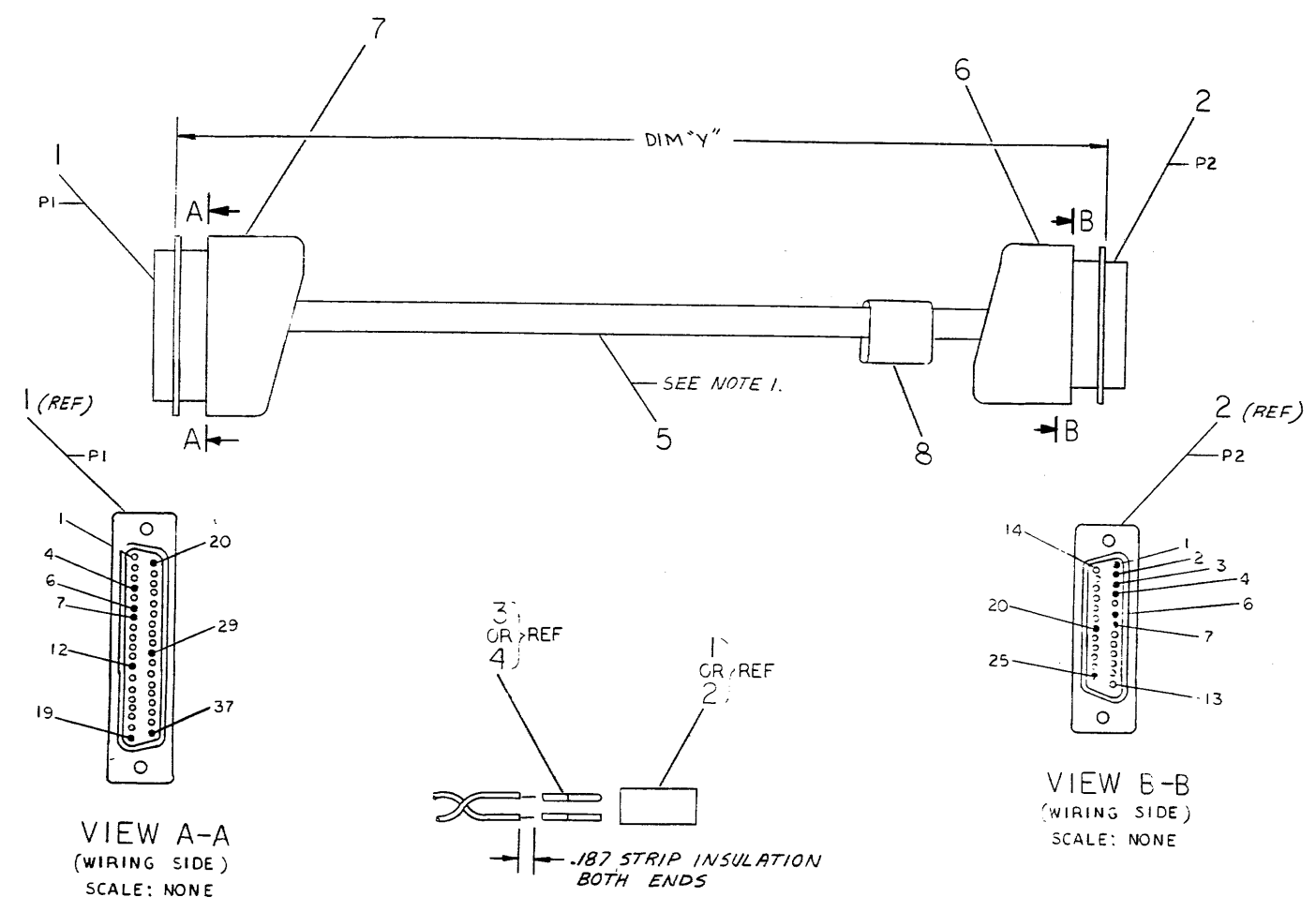
REV.	DATE	BY	CHKD	APP'D
A	10-27-75	B. SAMPSON		
B	11-17-75	B. SAMPSON		
C	12-17-75	B. SAMPSON		
D	1-17-76	B. SAMPSON		

"THIS DRAWING AND SPECIFICATIONS, HEREIN, ARE THE PROPERTY OF DIGITAL EQUIPMENT CORPORATION AND SHALL NOT BE REPRODUCED OR COPIED OR USED IN WHOLE OR IN PART AS THE BASIS FOR THE MANUFACTURE OR SALE OF ITEMS WITHOUT WRITTEN PERMISSION. COPYRIGHT © 1978, DIGITAL EQUIPMENT CORPORATION"

WIRE TABLE							
ITEM NO.	DESCRIPTION	COLOR	FROM		TO		REMARKS
			CONN	WITH	CONN	WITH	
5	22	BLK	P1-37	ITEM 3	P2-1	ITEM 4	
5	22	RED	P1-4	ITEM 3	P2-2	ITEM 4	
5	22	WHT	P1-6	ITEM 3	P2-3	ITEM 4	
5	22	GRN	P1-7	ITEM 3	P2-4	ITEM 4	
5	22	BRN	P1-29	ITEM 3	P2-6	ITEM 4	
5	22	GRY	P1-20	ITEM 3	P2-7	ITEM 4	
5	22	BLU	P1-12	ITEM 3	P2-20	ITEM 4	
5	22	ORN	P1-19	ITEM 3	P2-25	ITEM 4	

LEGEND		
PART NO.	VARIATION	REMARKS
BC44B-01	12.00 IN ± 1 IN	

NOTES:  
1. THE YELLOW AND PURPLE CONDUCTORS ARE NOT USED, AND SHOULD BE CUT NEAR CABLE JACKET ON BOTH ENDS.



VIEW A-A  
(WIRING SIDE)  
SCALE: NONE

VIEW B-B  
(WIRING SIDE)  
SCALE: NONE

DESCRIPTION	DWG./PART NO.	ITEM NO.
1 LABEL, CABLE I.D.	3616073-00	8
1 HOOD, CONN. CABLE CLAMP	1214066-30	7
1 HOOD, HOUSING	1210493-50	3
8 CABLE #22 AWG (10 COND)	9107623-00	5
8 CONTACT SOCKET, CRIMP	1210493-41	4
8 CONTACT PIN, CRIMP	1210493-39	3
1 CONN. HOUSING	1210493-32	2
1 CONN. PLUG 37 PIN	1214065-00	1

UNLESS OTHERWISE SPECIFIED DIMENSIONS ARE IN INCHES	
ANGLES 30° 30'	CLASS OF ACCURACY (CHECK ONE)
SURFACE QUALITY IN	NOMINAL DIMENSION RANGE INCHES
QUANTITY & VARIATION	MEDIUM <input type="checkbox"/> 1.004 1.008 1.012 1.016 1.024 1.04
THIRD ANGLE PROJECTION	PREFERRED <input checked="" type="checkbox"/> 1.012 1.016 1.025 1.04 1.063 1.01
DRN. J.F.S. 19 OCT 78	FIRST USED ON 11/44
CHK'D J.F.S. 1/1/79	TITLE CABLE ADAPTER ASSEMBLY (TO EIA RS422 & RS423)
ENG. R.P. 1/23/79	SIZE CODE NUMBER
PROL. ENG. R.P. 1/6/79	D IA BC44B-0-0
PROD. 1/23/79	SCALE 1/1
DO NOT SCALE DWG	NEXT HIGHER ASSY.
MATERIAL SEE PARTS LIST	B-00-11/44-0-0
FINISH	SHEET 1 OF 1

REV	CHANGE NO.	DATE	BY	APP'D
1	1	1/14/79	S. HOYLE	

MANUFACTURE PART

DIGITAL BC44B-0-0

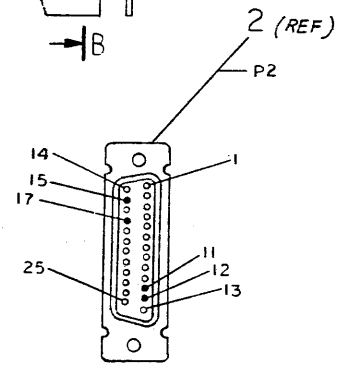
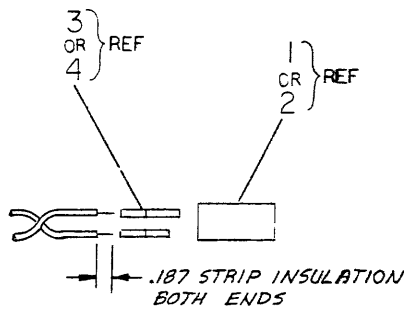
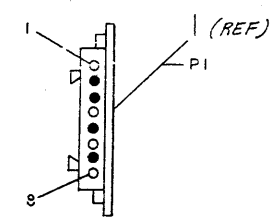
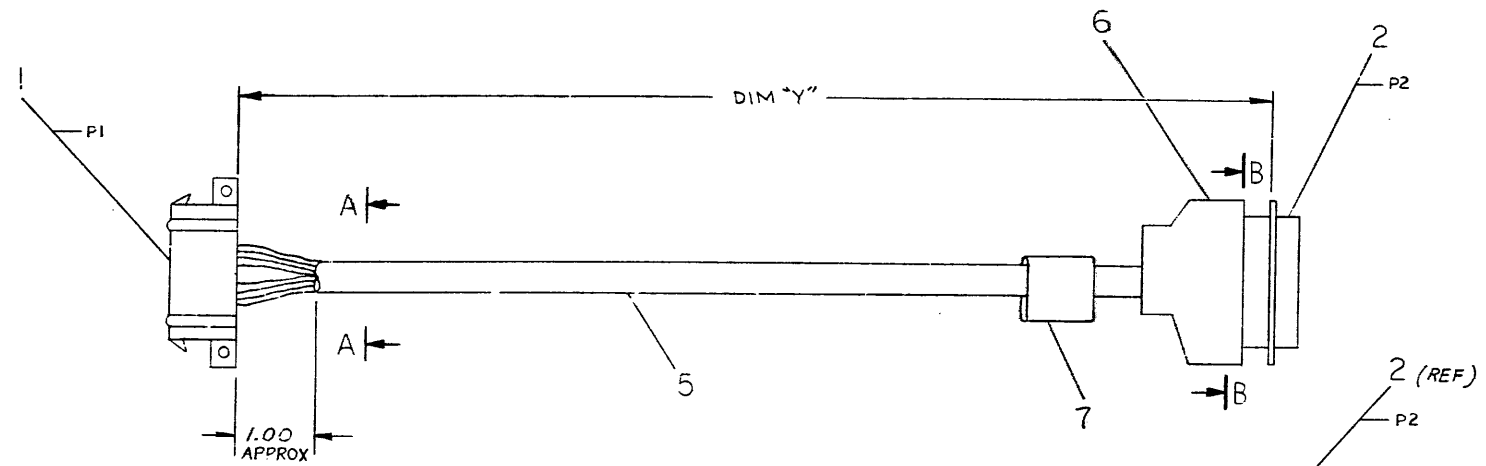
B

A

THIS DRAWING AND SPECIFICATIONS, HEREIN ARE THE PROPERTY OF DIGITAL EQUIPMENT CORPORATION AND SHALL BE RETURNED TO OR DESTROYED BY THE PURCHASER OR USER THEREOF WITHOUT NOTICE OR PAYMENT THEREFOR. COPYRIGHT © 1978, DIGITAL EQUIPMENT CORPORATION

WIRE TABLE						
ITEM NO.	DESCRIPTION	FROM		TO		REMARKS
		CONN.	WITH	CONN.	WITH	
5	22 BLK	P1-2	ITEM 3	P2-11	ITEM 4	
5	22 RED	P1-3	ITEM 3	P2-12	ITEM 4	
5	22 WHT	P1-5	ITEM 3	P2-15	ITEM 4	
5	22 GRN	P1-7	ITEM 3	P2-17	ITEM 4	

LEGEND		
PART NO.	VARIATION	REMARKS
BC44C-01	12.00 IN ± 1 IN	



DESCRIPTION	DWG./PART NO.	ITEM NO.
1 LABEL, CABLE I.D.	36 16073-00	7
1 CONN JUNCTION SHELL	1210493-50	6
4 CABLE #22AWG (4 COND)	9107706-00	5
4 CONTACT, SOCKET CRIMP	1210493-41	4
4 MIN/L PIN, SOCKET 30-22AWG	1209379-03	3
1 CONN RECPT 25 SOCKET	1210493-32	2
1 MATE-N-LCK, 6 PIN, HOUSING, SKT	1209340-00	1

UNLESS OTHERWISE SPECIFIED DIMENSIONS ARE IN INCHES	
ANGLES 10° 30'	CLASS OF ACCURACY
SURFACE QUALITY IN	(CHECK ONE)
QUANTITY & VARIATION	MEDIUM <input type="checkbox"/> PREFERRED <input checked="" type="checkbox"/>
MICROINCHES	
0 TO 0.2	0.004
0.2 TO 0.5	0.008
0.5 TO 1.2	0.012
1.2 TO 4.0	0.016
4.0 TO 12.0	0.020
12.0 TO 40.0	0.024
40.0 TO 80.0	0.028
80.0 TO 160.0	0.032
160.0 TO 320.0	0.036
320.0 TO 640.0	0.040
640.0 TO 1280.0	0.044
1280.0 TO 2560.0	0.048
2560.0 TO 5120.0	0.052
5120.0 TO 10240.0	0.056
10240.0 TO 20480.0	0.060
20480.0 TO 40960.0	0.064
40960.0 TO 81920.0	0.068
81920.0 TO 163840.0	0.072
163840.0 TO 327680.0	0.076
327680.0 TO 655360.0	0.080
655360.0 TO 1310720.0	0.084
1310720.0 TO 2621440.0	0.088
2621440.0 TO 5242880.0	0.092
5242880.0 TO 10485760.0	0.096
10485760.0 TO 20971520.0	0.100
20971520.0 TO 41943040.0	0.104
41943040.0 TO 83886080.0	0.108
83886080.0 TO 167772160.0	0.112
167772160.0 TO 335544320.0	0.116
335544320.0 TO 671088640.0	0.120
671088640.0 TO 1342177280.0	0.124
1342177280.0 TO 2684354560.0	0.128
2684354560.0 TO 5368709120.0	0.132
5368709120.0 TO 10737418240.0	0.136
10737418240.0 TO 21474836480.0	0.140
21474836480.0 TO 42949672960.0	0.144
42949672960.0 TO 85899345920.0	0.148
85899345920.0 TO 171798691840.0	0.152
171798691840.0 TO 343597383680.0	0.156
343597383680.0 TO 687194767360.0	0.160
687194767360.0 TO 1374389534720.0	0.164
1374389534720.0 TO 2748779069440.0	0.168
2748779069440.0 TO 5497558138880.0	0.172
5497558138880.0 TO 10995116277760.0	0.176
10995116277760.0 TO 21990232555520.0	0.180
21990232555520.0 TO 43980465111040.0	0.184
43980465111040.0 TO 87960930222080.0	0.188
87960930222080.0 TO 175921860444160.0	0.192
175921860444160.0 TO 351843720888320.0	0.196
351843720888320.0 TO 703687441776640.0	0.200
703687441776640.0 TO 1407374883553280.0	0.204
1407374883553280.0 TO 2814749767106560.0	0.208
2814749767106560.0 TO 5629499534213120.0	0.212
5629499534213120.0 TO 11258999068426240.0	0.216
11258999068426240.0 TO 22517998136852480.0	0.220
22517998136852480.0 TO 45035996273704960.0	0.224
45035996273704960.0 TO 90071992547409920.0	0.228
90071992547409920.0 TO 180143985094819840.0	0.232
180143985094819840.0 TO 360287970189639680.0	0.236
360287970189639680.0 TO 720575940379279360.0	0.240
720575940379279360.0 TO 1441151880758558720.0	0.244
1441151880758558720.0 TO 2882303761517117440.0	0.248
2882303761517117440.0 TO 5764607523034234880.0	0.252
5764607523034234880.0 TO 11529215046068469760.0	0.256
11529215046068469760.0 TO 23058430092136939520.0	0.260
23058430092136939520.0 TO 46116860184273879040.0	0.264
46116860184273879040.0 TO 92233720368547758080.0	0.268
92233720368547758080.0 TO 184467440737095516160.0	0.272
184467440737095516160.0 TO 368934881474191032320.0	0.276
368934881474191032320.0 TO 737869762948382064640.0	0.280
737869762948382064640.0 TO 1475739525896764129280.0	0.284
1475739525896764129280.0 TO 2951479051793528258560.0	0.288
2951479051793528258560.0 TO 5902958103587056517120.0	0.292
5902958103587056517120.0 TO 11805916207174113034240.0	0.296
11805916207174113034240.0 TO 23611832414348226068480.0	0.300
23611832414348226068480.0 TO 47223664828696452136960.0	0.304
47223664828696452136960.0 TO 94447329657392904273920.0	0.308
94447329657392904273920.0 TO 188894659314785808547840.0	0.312
188894659314785808547840.0 TO 377789318629571617095680.0	0.316
377789318629571617095680.0 TO 755578637259143234191360.0	0.320
755578637259143234191360.0 TO 1511157274518286468382720.0	0.324
1511157274518286468382720.0 TO 3022314549036572936755440.0	0.328
3022314549036572936755440.0 TO 6044629098073145873510880.0	0.332
6044629098073145873510880.0 TO 12089258196146291747021760.0	0.336
12089258196146291747021760.0 TO 2417851639229258349404320.0	0.340
2417851639229258349404320.0 TO 4835703278458516698808640.0	0.344
4835703278458516698808640.0 TO 9671406556917033397617280.0	0.348
9671406556917033397617280.0 TO 19342813113834066795234560.0	0.352
19342813113834066795234560.0 TO 38685626227668133590469120.0	0.356
38685626227668133590469120.0 TO 77371252455336267180938240.0	0.360
77371252455336267180938240.0 TO 15474250491067253436186480.0	0.364
15474250491067253436186480.0 TO 30948500982134506872372960.0	0.368
30948500982134506872372960.0 TO 61897001964269013744745920.0	0.372
61897001964269013744745920.0 TO 123794003928538027489491840.0	0.376
123794003928538027489491840.0 TO 247588007857076054978983680.0	0.380
247588007857076054978983680.0 TO 49517601571415210995797760.0	0.384
49517601571415210995797760.0 TO 99035203142830421991595520.0	0.388
99035203142830421991595520.0 TO 198070406285660843983191040.0	0.392
198070406285660843983191040.0 TO 396140812571321687966382080.0	0.396
396140812571321687966382080.0 TO 792281625142643375932764160.0	0.400
792281625142643375932764160.0 TO 1584563250285286751865528320.0	0.404
1584563250285286751865528320.0 TO 3169126500570573503731056640.0	0.408
3169126500570573503731056640.0 TO 6338253001141147007462113280.0	0.412
6338253001141147007462113280.0 TO 12676506002282294014924226560.0	0.416
12676506002282294014924226560.0 TO 25353012004564588029848453120.0	0.420
25353012004564588029848453120.0 TO 50706024009129176059696906240.0	0.424
50706024009129176059696906240.0 TO 101412048018258352119393812480.0	0.428
101412048018258352119393812480.0 TO 202824096036516704238787624960.0	0.432
202824096036516704238787624960.0 TO 405648192073033408477575249920.0	0.436
405648192073033408477575249920.0 TO 811296384146066816955150499840.0	0.440
811296384146066816955150499840.0 TO 162259276829213363391020999680.0	0.444
162259276829213363391020999680.0 TO 324518553658426726782041999360.0	0.448
324518553658426726782041999360.0 TO 649037107316853453564083998720.0	0.452
649037107316853453564083998720.0 TO 1298074214633709087128167997440.0	0.456
1298074214633709087128167997440.0 TO 2596148429267418174256335994880.0	0.460
2596148429267418174256335994880.0 TO 5192296858534836348512711989760.0	0.464
5192296858534836348512711989760.0 TO 10384593717069672697025423979520.0	0.468
10384593717069672697025423979520.0 TO 20769187434139345394050847959040.0	0.472
20769187434139345394050847959040.0 TO 41538374868278690788101695918080.0	0.476
41538374868278690788101695918080.0 TO 83076749736557381576203391836160.0	0.480
83076749736557381576203391836160.0 TO 166153499473114763152406783752320.0	0.484
166153499473114763152406783752320.0 TO 332306998946229526304813567504640.0	0.488
332306998946229526304813567504640.0 TO 664613997892459052609627135009280.0	0.492
664613997892459052609627135009280.0 TO 132922799578491810521935427001760.0	0.496
132922799578491810521935427001760.0 TO 265845599156983621043870854003520.0	0.500
265845599156983621043870854003520.0 TO 531691198313967242087741708007040.0	0.504
531691198313967242087741708007040.0 TO 1063382396627934484175483416014080.0	0.508
1063382396627934484175483416014080.0 TO 2126764793255868968350966832028160.0	0.512
2126764793255868968350966832028160.0 TO 4253529586511737936701933664056320.0	0.516
4253529586511737936701933664056320.0 TO 8507059173023475873403867328112640.0	0.520
8507059173023475873403867328112640.0 TO 1701411834604695174680773465625280.0	0.524
1701411834604695174680773465625280.0 TO 3402823669209390349361546931250560.0	0.528
3402823669209390349361546931250560.0 TO 6805647338418780698723093862501120.0	0.532
6805647338418780698723093862501120.0 TO 1361129467683756139744518725002240.0	0.536
1361129467683756139744518725002240.0 TO 272225893536751227488903745004480.0	0.540
272225893536751227488903745004480.0 TO 544451787073502454977807490008960.0	0.544
544451787073502454977807490008960.0 TO 108890357414700490995561580017920.0	0.548
108890357414700490995561580017920.0 TO 217780714829400981991123160035840.0	0.552
217780714829400981991123160035840.0 TO 435561429658801963982246320071680.0	0.556
435561429658801963982246320071680.0 TO 871122859317603927964492640143360.0	0.560
871122859317603927964492640143360.0 TO 1742245718355207855928985280286720.0	0.564
1742245718355207855928985280286720.0 TO 3484491436710415711857970560573440.0	0.568
3484491436710415711857970560573440.0 TO 69689828734208314237159411201146880.0	0.572
69689828734208314237159411201146880.0 TO 13937965746841662847431882240229360.0	0.576
13937965746841662847431882240229360.0 TO 27875931493683325694863764480458720.0	0.580
27875931493683325694863764480458720.0 TO 557518629873666513897375289609154240.0	0.584
557518629873666513897375289609154240.0 TO 11150372597473330279947505792182880.0	0.588
11150372597473330279947505792182880.0 TO 22300745194946660559895011584365760.0	0.592
22300	

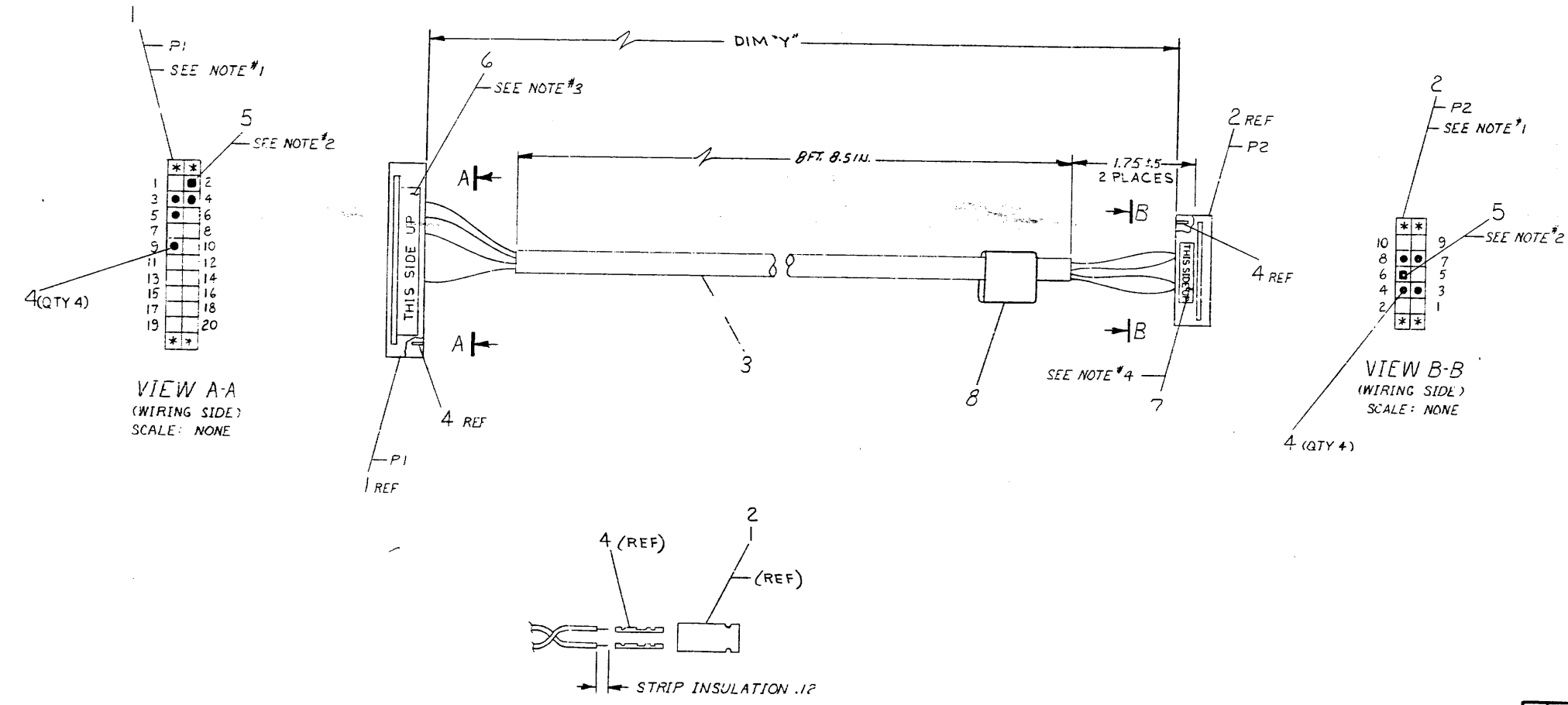


THIS DRAWING AND SPECIFICATIONS HEREIN ARE THE PROPERTY OF DIGITAL EQUIPMENT CORPORATION AND SHALL NOT BE REPRODUCED OR COPIED OR USED IN WHOLE OR IN PART AS THE BASIS FOR THE MANUFACTURE OR SALE OF ITEMS WITHOUT WRITTEN PERMISSION.  
 COPYRIGHT © 1975, DIGITAL EQUIPMENT CORPORATION

WIRE TABLE						
ITEM NO.	DESCRIPTION	FROM		TO		REMARKS
		CONN	WITH	CONN	WITH	
3	22 BLK	P1-3	ITEM 4	P2-7	ITEM 4	
3	22 RED	P1-4	↑	P2-8	↓	
3	22 WHT	P1-5	↑	P2-3	↓	
3	22 GRN	P1-9	ITEM 4	P2-4	ITEM 4	

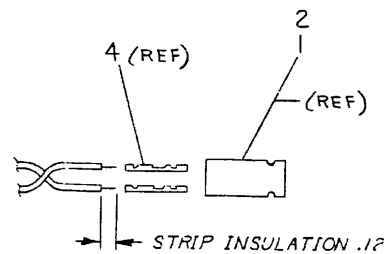
LEGEND		
PART NO.	VARIATION	REMARKS
BC44D-09	9FT. = 2IN.	

- NOTES:
- LOCATIONS MARKED (\*) IN VIEWS A-A AND B-B ARE NOT TO BE USED.
  - CONNS P1-2 AND P2-6 (ITEMS 1 AND 2) SHALL HAVE ONE KEY (ITEM 5) INSERTED AS SHOWN.
  - PLACE LABEL (ITEM #6) ON P1 CONNECTOR (ITEM #1) AS SHOWN.
  - PLACE LABEL (ITEM #7) ON P2 CONNECTOR (ITEM #2) AS SHOWN.



VIEW A-A  
(WIRING SIDE)  
SCALE: NONE

VIEW B-B  
(WIRING SIDE)  
SCALE: NONE



DESCRIPTION	DWG./PART NO.	ITEM NO.
1 LABEL, CABLE I.D.	3616073-00	8
1 LABEL (THIS SIDE UP) .50 X .25	3611567-02	7
1 LABEL (THIS SIDE UP) 1.0 X .25	3611567-01	6
2 KEY, DUMMIEY, POLAR.	9009140-00	5
8 SOCKET CRIMP CONTACT	1210089-07	4
1/8" CABLE 22 AWG (4 COND)	9107706-00	3
1 TERM. HSG (14 POS)	1210918-30	2
1 TERM. HSG (24 POS)	1210915-25	1

QUANTITY & VARIATION		DESCRIPTION		DWG./PART NO.	ITEM NO.
UNLESS OTHERWISE SPECIFIED DIMENSIONS ARE IN INCHES					
ANGLES		CLASS OF ACCURACY			
30° 30'		NOMINAL DIMENSION RANGE INCHES			
SURFACE QUALITY		OVER 0 TO 0.2	OVER 0.2 TO 1.2	OVER 1.2 TO 4.0	OVER 4.0 TO 12.0
IN		(CHECK ONE)			
MICRONCHES		MEDIUM	PREFERRED		
THIRD ANGLE PROJECTION		FIRST USED ON			
REMOVE BURRS AND BREAK SHARP CORNERS		1/44 digital			
DO NOT SCALE DWG		TITLE			
NEXT HIGHER ASSY.		CABLE ASSY FOR TU58			
MATERIAL		E-RD 7016719-(A-1)	SIZE	CODE	NUMBER
SEE PARTS LIST		SCALE	1/1	D	IA BC44D-C-0
FINISH		SHEET	OF 1	DIST.	REV.

REV.	CHANGE NO.







# DIGITAL EQUIPMENT CORPORATION PARTS LIST

MADE BY DATE	H. DARAKJIAN 31 JAN 79	CHECKED DATE	D. HEALY 26 DEC 79
ENG DATE	J. E. MANTON 1-15-80	PROD DATE	B. SCHAAP 1-15-80

SECTION 1	ISSUED SECTION 1
--------------	---------------------

### QUANTITY / VARIATION

**NOTES:**

1. QTY OF 1 DEPENDING ON VARIATION USED (MS11-MA)
2. QTY OF 1 DEPENDING ON VARIATION USED (MS11-MB)

ITEM NO.	DRAWING NO.	PART NO.	DESCRIPTION
----------	-------------	----------	-------------

MS11-MA	MS11-MB	MS11-MC	MS11-MD										
---------	---------	---------	---------	--	--	--	--	--	--	--	--	--	--

### REF DESIGNATION

1	K-PL-M8722-AA-DBP	M8722-AB	128K BYTES/MOSTEK 16K CHIPS
2	K-PL-M8722-AA-DBP	M8722-AC	128K BYTES/FUJITSU 16K CHIPS
3	K-PL-M8722-AA-DBP	M8722-AF	128K BYTES/HITACHI 16K CHIPS
4	K-PL-M8722-BA-DBP	M8722-BB	256K BYTES/MOSTEK 16K CHIPS
5	K-PL-M8722-BA-DBP	M8722-BC	256K BYTES/FUJITSU 16K CHIPS
6	K-PL-M8722-BA-DBP	M8722-BF	256K BYTES/HITACHI 16K CHIPS
7	B-PL-MS11-M		MS11-M SHIPPING LIST

NOTE 1	-	-	-	-									
	NOTE 2	NOTE 3	NOTE 4										
1	1	1	1										

- NOTES:**
3. A QTY OF 2 MS11-MB MODULES (SEE NOTE 2 FOR VARIATION)
  4. A QTY OF 3 MS11-MB MODULES (SEE NOTE 2 FOR VARIATION)

E.C.O. NO.

"THIS DRAWING AND SPECIFICATIONS, HEREIN, ARE THE PROPERTY OF DIGITAL EQUIPMENT CORPORATION AND SHALL NOT BE REPRODUCED OR COPIED OR USED IN WHOLE OR IN PART AS THE BASIS FOR THE MANUFACTURE OR SALE OF ITEMS WITHOUT WRITTEN PERMISSION. COPYRIGHT © 79 DIGITAL EQUIPMENT CORPORATION"

**TITLE**  
ECC MOS MEMORY (MS11-M)

**ASSY NO.**  
B-DD-MS11-M

SHEET 1 OF 1

SIZE	CODE	NUMBER	REV.
<b>B</b>	<b>PL</b>	MS11-M-Ø	A

THIS DRAWING AND SPECIFICATIONS, HEREIN, ARE THE PROPERTY OF DIGITAL EQUIPMENT CORPORATION AND SHALL NOT BE REPRODUCED OR COPIED OR USED IN WHOLE OR IN PART AS THE BASIS FOR THE MANUFACTURE OR SALE OF ITEMS WITHOUT WRITTEN PERMISSION  
 COPYRIGHT © 1978 DIGITAL EQUIPMENT CORPORATION

MODIFIED HAMMING CODE MATRIX

DATA BITS

SYNDROME BITS

	BYTE 0							BYTE 1							BYTE 2							BYTE 3							CHECK BITS										
	0	1	2	3	4	5	6	7	8	9	10	11	12	13	14	15	16	17	18	19	20	21	22	23	24	25	26	27	28	29	30	31	C1	C2	C4	C8	C16	C32	CT
S1	X		X		X		X		X		X		X		X		X		X		X		X		X		X		X		X		X						
S2		X	X			X	X			X	X			X	X			X	X			X	X			X	X			X	X			X					
S4				X	X	X	X					X	X	X	X					X	X	X	X					X	X	X	X			X					
S8	X	X	X	X	X	X	X	X	X	X	X	X	X	X	X	X									X	X	X	X	X	X	X	X			X				
S16	X	X	X	X	X	X	X	X									X	X	X	X	X	X	X	X	X	X	X	X	X	X	X	X				X			
S32									X	X	X	X	X	X	X	X	X	X	X	X	X	X	X	X	X	X	X	X	X	X	X	X					X		
ST	X		X		X	X			X		X		X	X			X		X		X	X			X	X		X											X

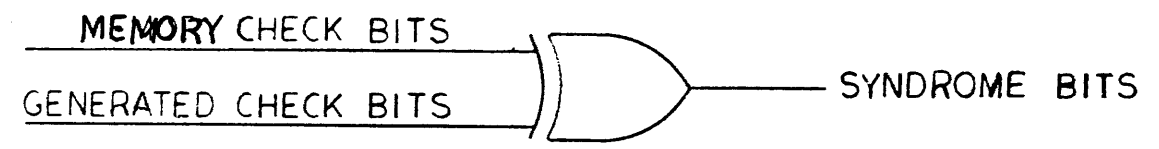
EACH CHECK BIT IS THE RESULT OF ODD PARITY GENERATED ON THE DATA BITS DESIGNATED BY X. I.E. C1 IS P(1,3,5,7,9.... 29,31). C32 IS P(8 THRU 31). THE EXCEPTION IS CT, WHICH IS THE RESULT OF EVEN PARITY.

2. SYNDROME BITS (S1 ETC.) ARE FORMED BY A COMPARISON OF THE CHECK BITS READ FROM MEMORY AND THE NEW CHECK BITS GENERATED ON THE DATA READ FROM MEMORY.

3. A SINGLE ERROR WILL CAUSE AN ODD NUMBER OF SYNDROME BITS TO GO HIGH  
 E.G. IF BIT 1 FAILS S1, S8 & S16 WILL GO HIGH.  
 IF BIT 15 FAILS S1, S2, S4, S8 & S32 WILL GO HIGH.

A DOUBLE ERROR WILL CAUSE AN EVEN NUMBER OF SYNDROME BITS TO GO HIGH.

E.G. IF BITS 0 & 1 FAIL S1 & ST WILL GO HIGH, BUT S8 & S16 WILL NOT SINCE C8 & C16 ARE COMMON TO BITS 0 & 1 AND THE PARITY REMAINS UNCHANGED.



REVISIONS	REV.	A
CHANGE NO.		
INT. RELEASE		
CHK		

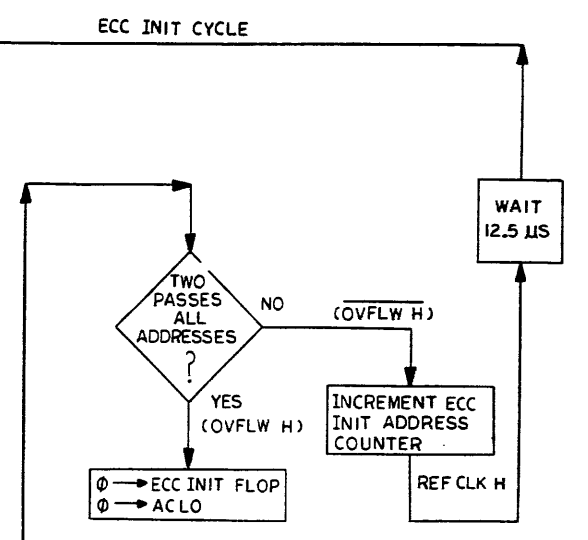
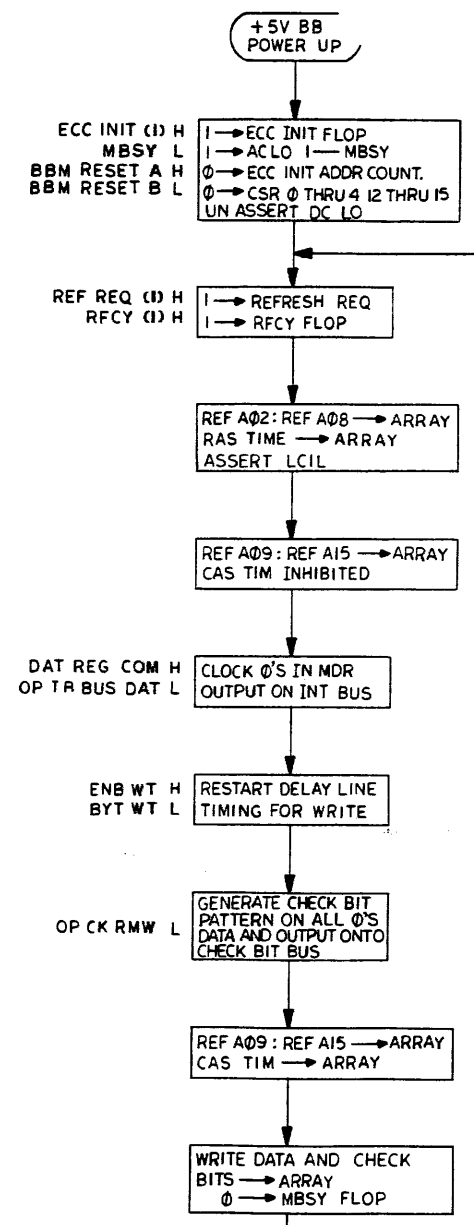
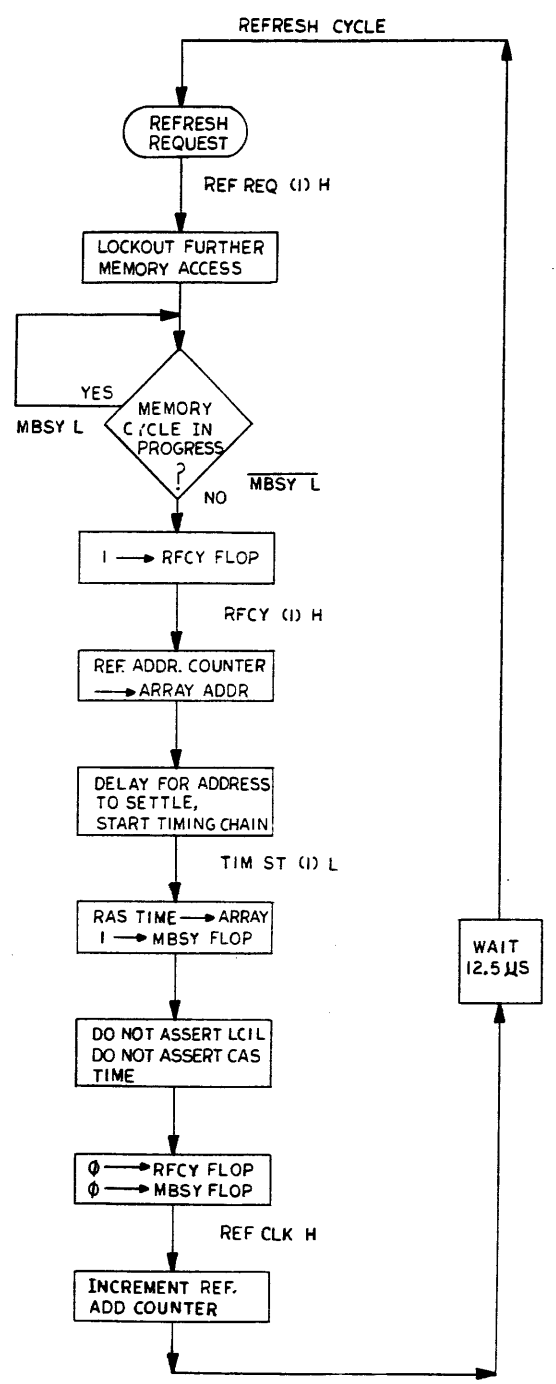
THIRD ANGLE PROJECTION		DRN. <i>Pegannon</i> 12-22-78		FIRST USED ON	
		CHK'D <i>by Dirupaul</i> 11-20-79		11/44 <b>digital</b>	
REMOVE BURRS AND BREAK SHARP CORNERS		ENG. <i>J.B. Norton</i> 12-14-79		TITLE	
DO NOT SCALE DWG		PROD. <i>B. Schaeff</i> 1/9/80		MS11-M ERROR CHECK CODE	
MATERIAL <i>++</i>		NEXT HIGHER ASSY.		SIZE CODE	
FINISH <i>++</i>		SCALE <i>++</i>		NUMBER	
SHEET		OF		DIST.	
		B-DD-MS11-M		B BS MS11-M-7	
				REV. A	

DRB 100A



THIS DRAWING AND SPECIFICATIONS HEREIN ARE THE PROPERTY OF DIGITAL EQUIPMENT CORPORATION AND SHALL NOT BE REPRODUCED OR COPIED OR USED IN WHOLE OR IN PART AS THE BASIS FOR THE MANUFACTURE OR SALE OF ITEMS WITHOUT WRITTEN PERMISSION.  
 COPYRIGHT © 1978, DIGITAL EQUIPMENT CORPORATION

2 FD MS11-M-3

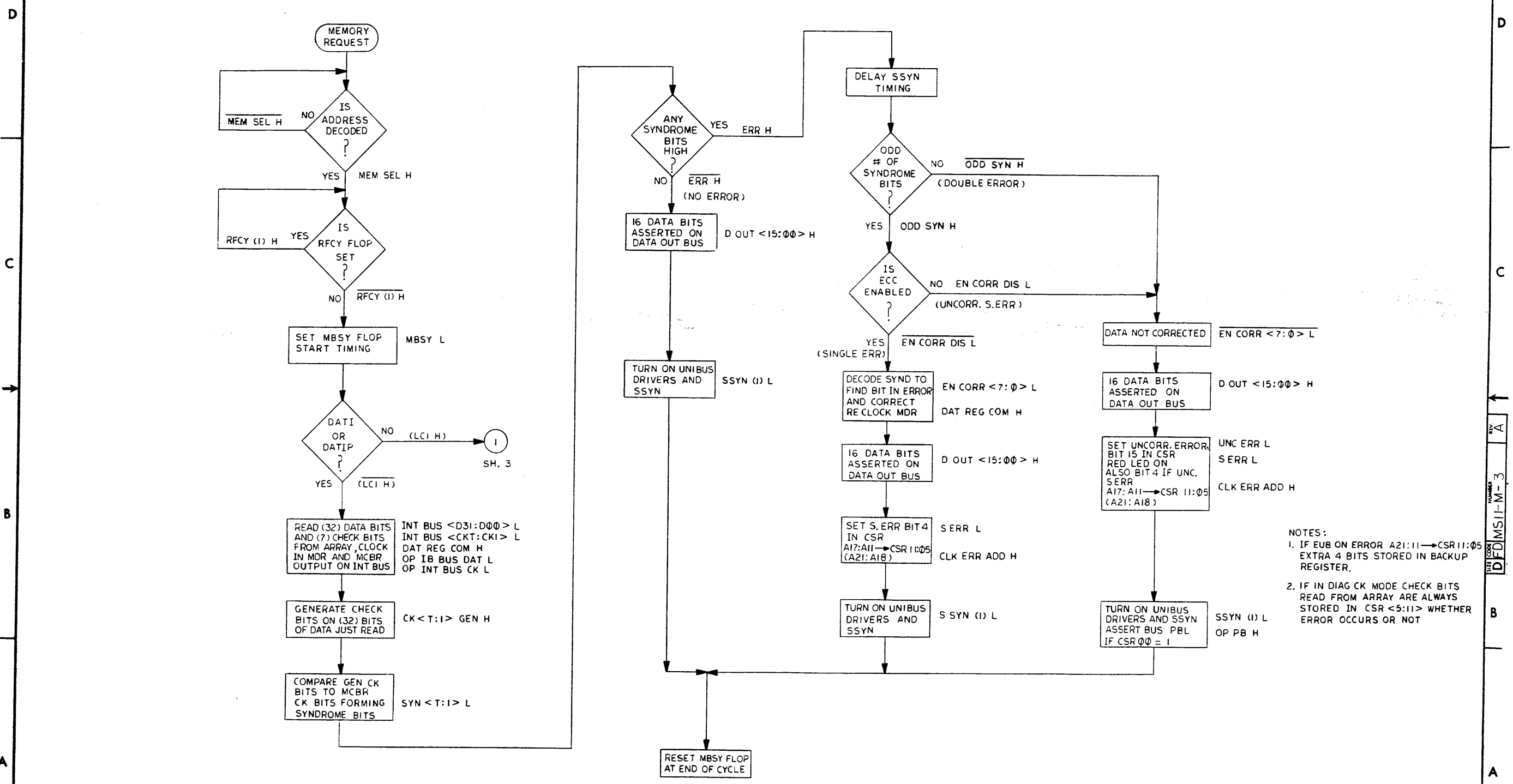


REV. A	INT. RELEASE
CHG. NO.	REV. A
REV. A	INT. RELEASE

DRN. [Signature]	12-27-78	FIRST USED ON	11/44	digital
CHK'D [Signature]	12-14-78	TITLE	MS11-M FLOW DIAGRAM	
ENG. [Signature]	12-15-78	SCALE	D	FD MS11-M-3
PROJ. ENG. [Signature]	12-19-78	SIZE	D	FD MS11-M-3
PROD. [Signature]	1/17/80	NUMBER	4	REV. A
NEXT HIGHER ASSY.		SCALE	OF 4	DIST.



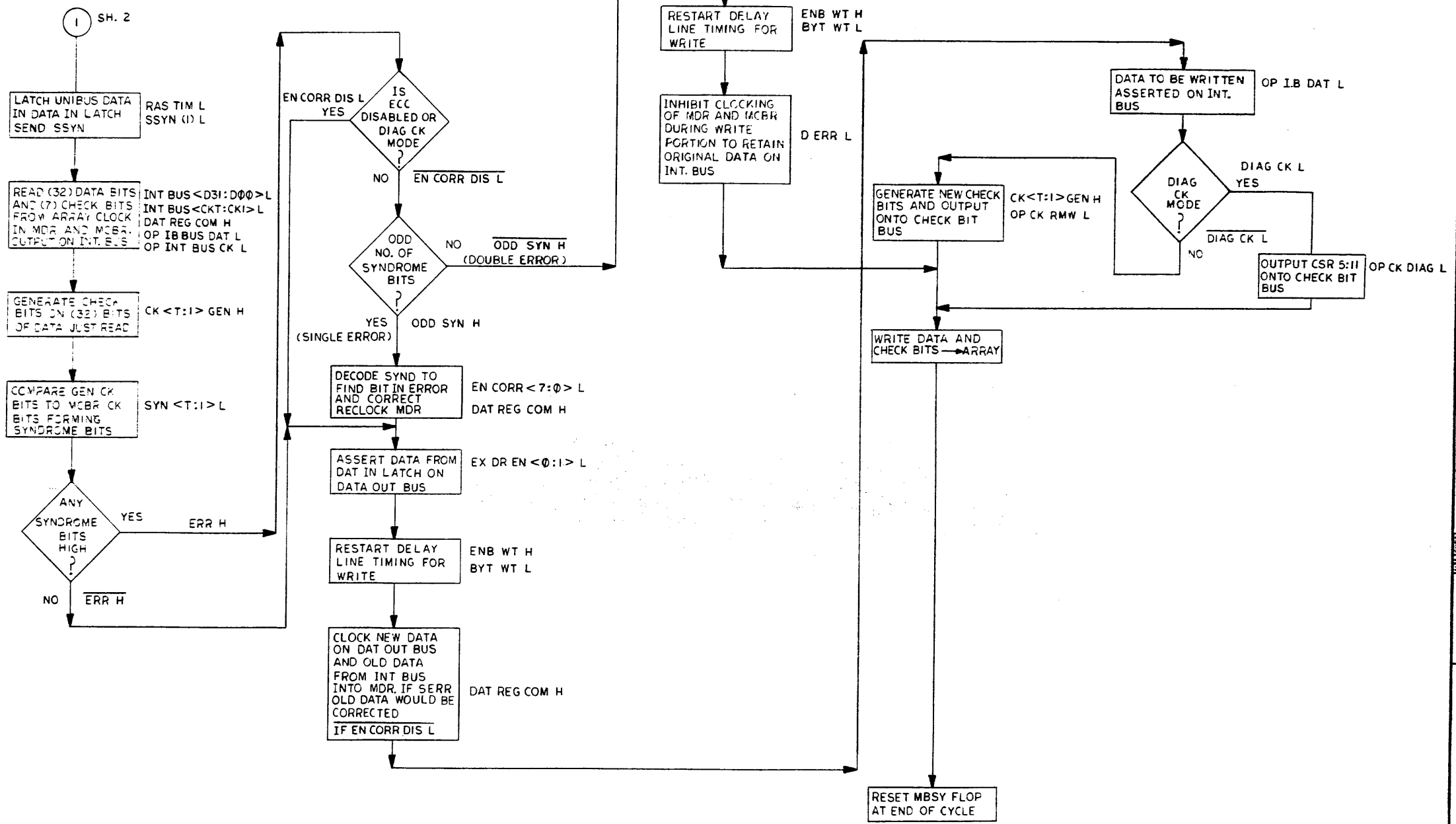
THIS DRAWING AND SPECIFICATIONS HEREIN ARE THE PROPERTY OF DIGITAL EQUIPMENT CORPORATION AND SHALL NOT BE REPRODUCED OR COPIED OR USED IN WHOLE OR IN PART AS THE BASIS FOR THE MANUFACTURE OR SALE OF ITEMS WITHOUT WRITTEN PERMISSION. COPYRIGHT © 1978 DIGITAL EQUIPMENT CORPORATION



NOTES:  
 1. IF EUB ON ERROR A21:11 -> CSR 11:05 EXTRA 4 BITS STORED IN BACKUP REGISTER.  
 2. IF IN DIAG CK MODE CHECK BITS READ FROM ARRAY ARE ALWAYS STORED IN CSR <5:11> WHETHER ERROR OCCURS OR NOT

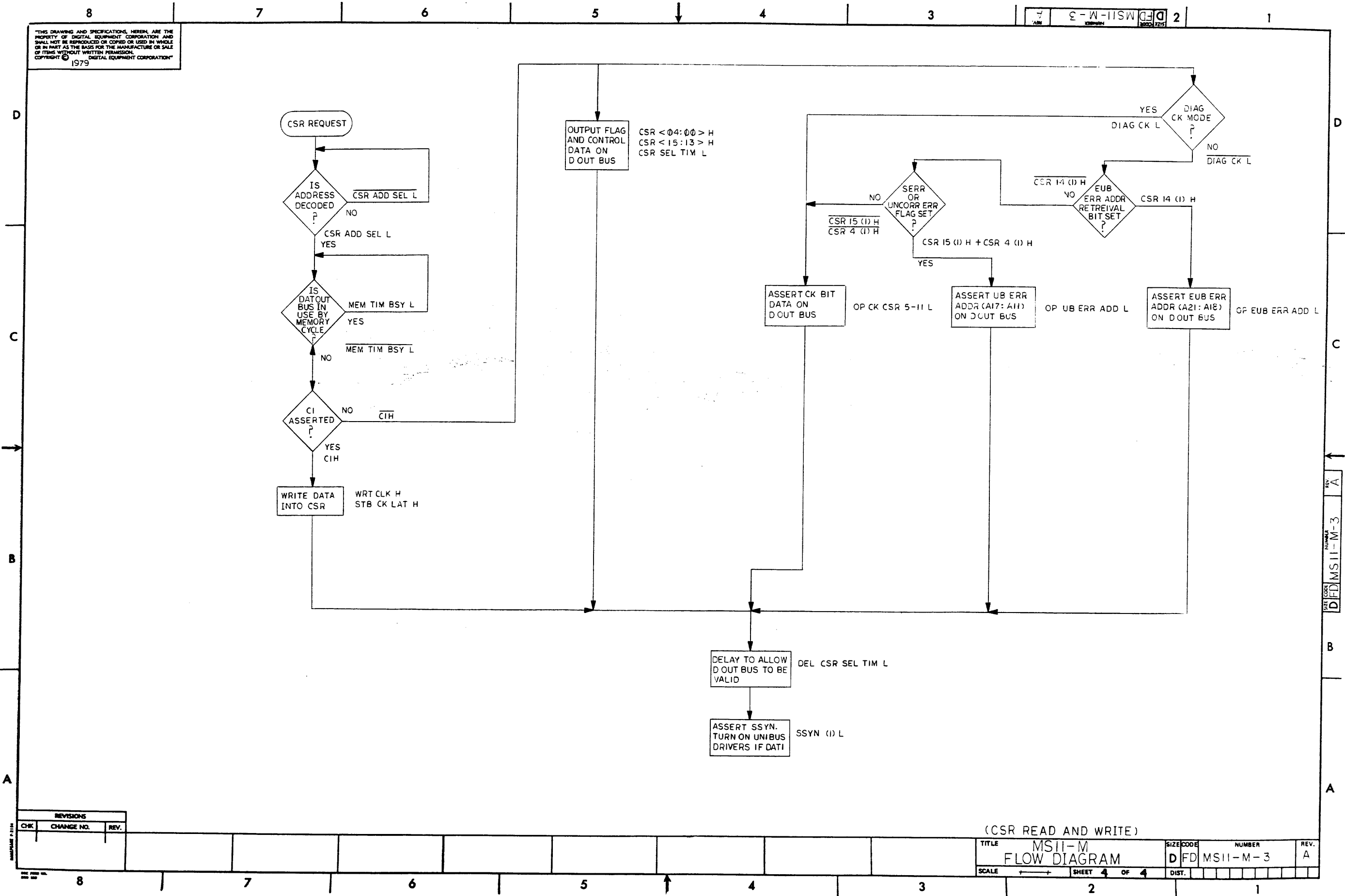
REVISIONS		
CHK	CHANGE NO.	REV.

"THE DRAWING AND SPECIFICATIONS HEREIN ARE THE PROPERTY OF DIGITAL EQUIPMENT CORPORATION AND SHALL NOT BE REPRODUCED OR COPIED OR USED IN WHOLE OR IN PART AS THE BASIS FOR THE MANUFACTURE OR SALE OF ITEMS WITHOUT WRITTEN PERMISSION. DIGITAL EQUIPMENT CORPORATION" 1978



REVISIONS		
CHK	CHANGE NO.	REV.

THIS DRAWING AND SPECIFICATIONS, HEREIN, ARE THE PROPERTY OF DIGITAL EQUIPMENT CORPORATION AND SHALL NOT BE REPRODUCED OR COPIED OR USED IN WHOLE OR IN PART AS THE BASIS FOR THE MANUFACTURE OR SALE OF ITEMS WITHOUT WRITTEN PERMISSION. COPYRIGHT © 1979 DIGITAL EQUIPMENT CORPORATION



REV. A  
NUMBER MS11-M-3  
DATE CODE DFD

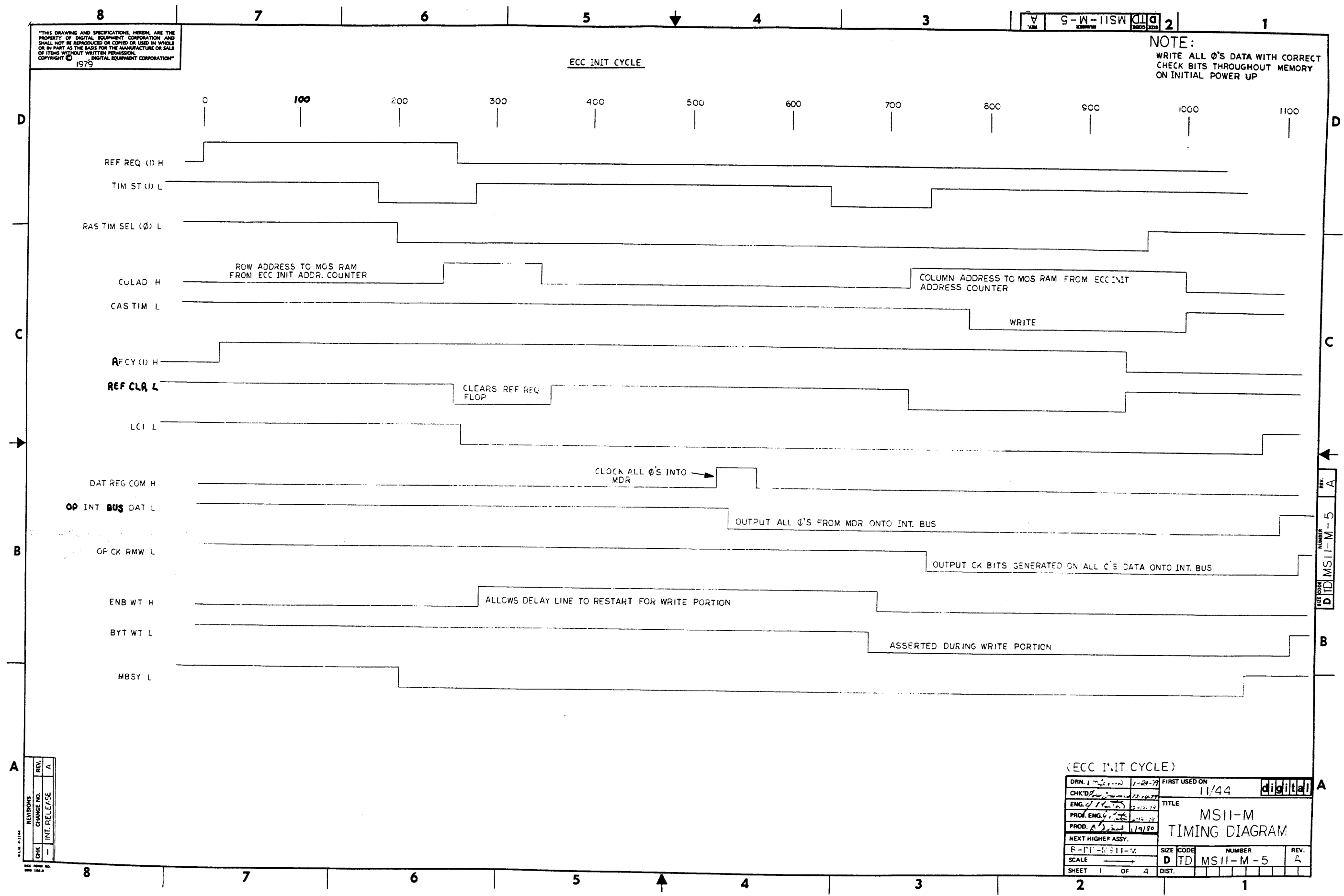
REVISIONS		
CHK	CHANGE NO.	REV.

THIS DRAWING AND SPECIFICATIONS, HEREIN, ARE THE PROPERTY OF DIGITAL EQUIPMENT CORPORATION AND SHALL NOT BE REPRODUCED OR COPIED OR USED IN WHOLE OR IN PART AS THE BASIS FOR THE MANUFACTURE OR SALE OF ITEMS WITHOUT WRITTEN PERMISSION. COPYRIGHT © 1979 DIGITAL EQUIPMENT CORPORATION

9-W-11SW 2

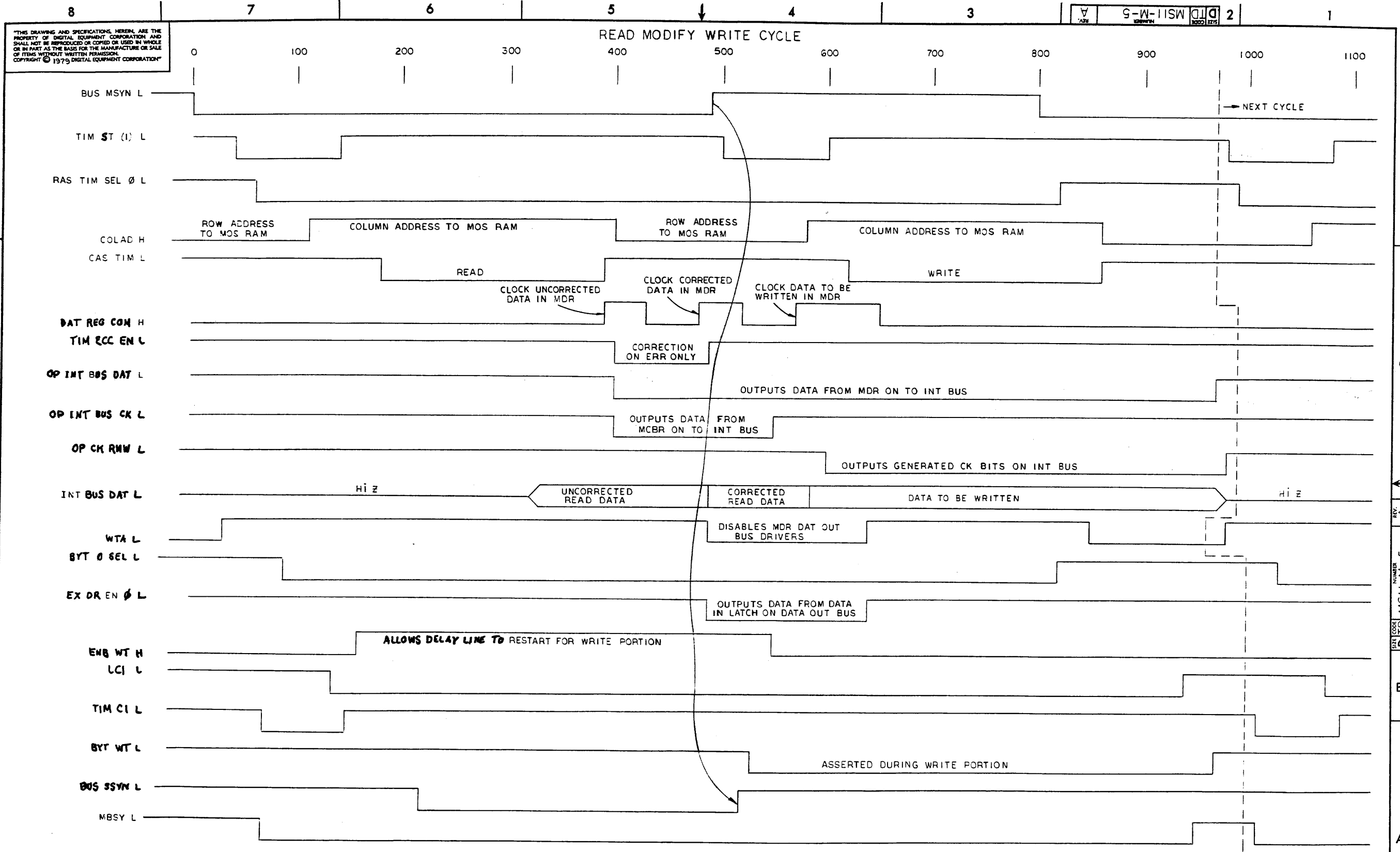
NOTE:  
WRITE ALL 0'S DATA WITH CORRECT CHECK BITS THROUGHOUT MEMORY ON INITIAL POWER UP

ECC INIT CYCLE



REV.	A
INT. RELEASE	
CHANGE NO.	
REVISIONS	

(ECC INIT CYCLE)		DRN. 1-24-79	FIRST USED ON 11/44	digital
CHK'D	12-16-79	ENG. 1-1-80	12-21-79	TITLE
PROD. ENG.	1-9-80	1-9-80	1-9-80	MS11-M
NEXT HIGHER ASSY.		R-11-MS11-M	SIZE CODE	NUMBER
SCALE		D	TD	MS11-M-5
SHEET 1 OF 4	DIST.			REV. A



"THIS DRAWING AND SPECIFICATIONS HEREIN ARE THE PROPERTY OF DIGITAL EQUIPMENT CORPORATION AND SHALL NOT BE REPRODUCED OR COPIED OR USED IN WHOLE OR IN PART AS THE BASIS FOR THE MANUFACTURE OR SALE OF ITEMS WITHOUT WRITTEN PERMISSION. COPYRIGHT © 1975 DIGITAL EQUIPMENT CORPORATION"

9-W-11SW 2

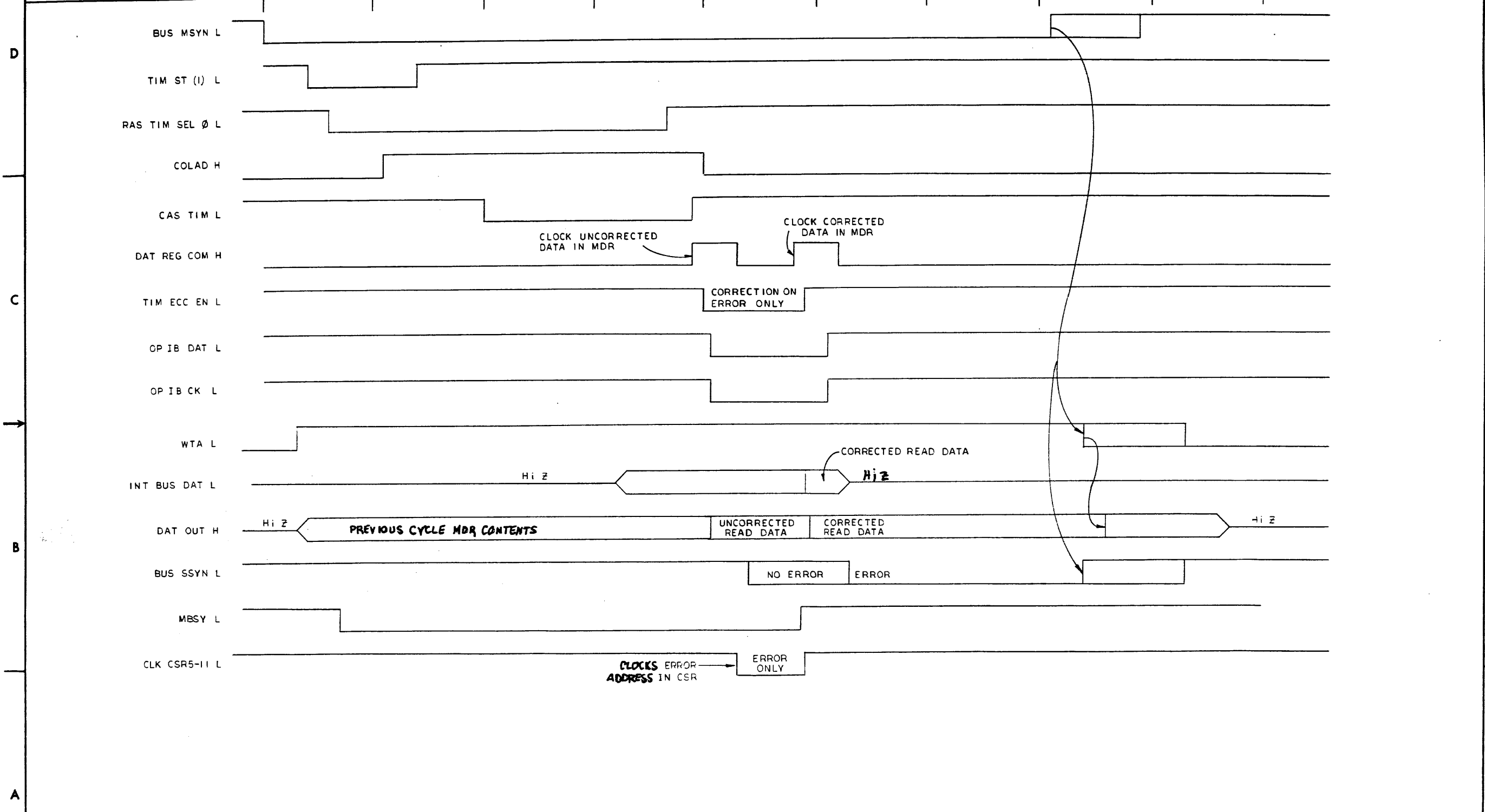
REVISIONS		
CHK	CHANGE NO.	REV.

TITLE MS11-M  
TIMING DIAGRAM  
SCALE / / SHEET 2 OF 4  
SIZE CODE DTD  
NUMBER MS11-M-5  
REV. A

REV. A  
NUMBER MS11-M-5  
SIZE CODE DTD

"THIS DRAWING AND SPECIFICATIONS HEREIN ARE THE PROPERTY OF DIGITAL EQUIPMENT CORPORATION AND SHALL NOT BE REPRODUCED OR COPIED OR USED IN WHOLE OR IN PART AS THE BASIS FOR THE MANUFACTURE OR SALE OF ITEMS WITHOUT WRITTEN PERMISSION. COPYRIGHT © 1975 DIGITAL EQUIPMENT CORPORATION"

READ CYCLE

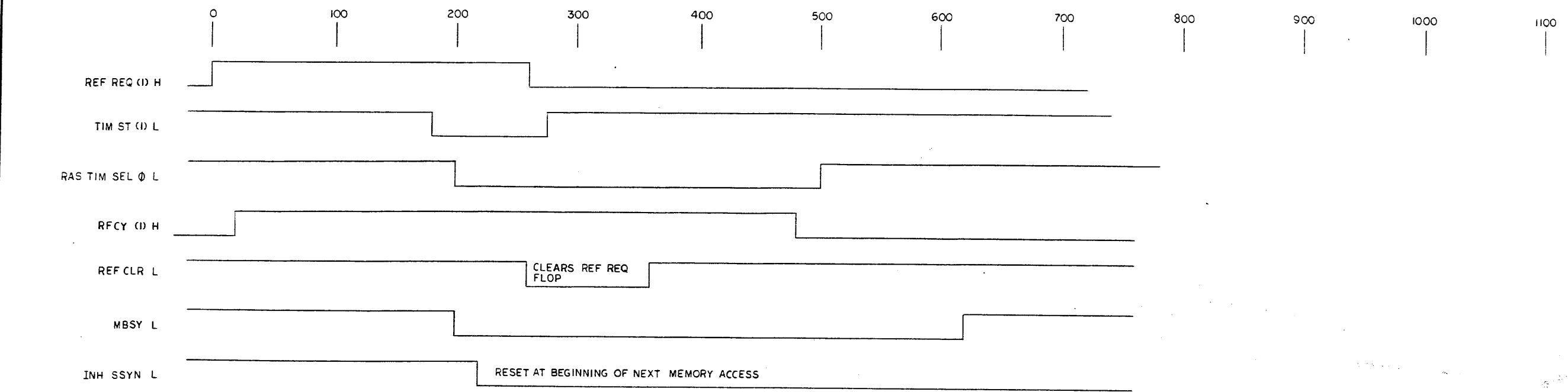


REVISIONS		
CHK	CHANGE NO.	REV.

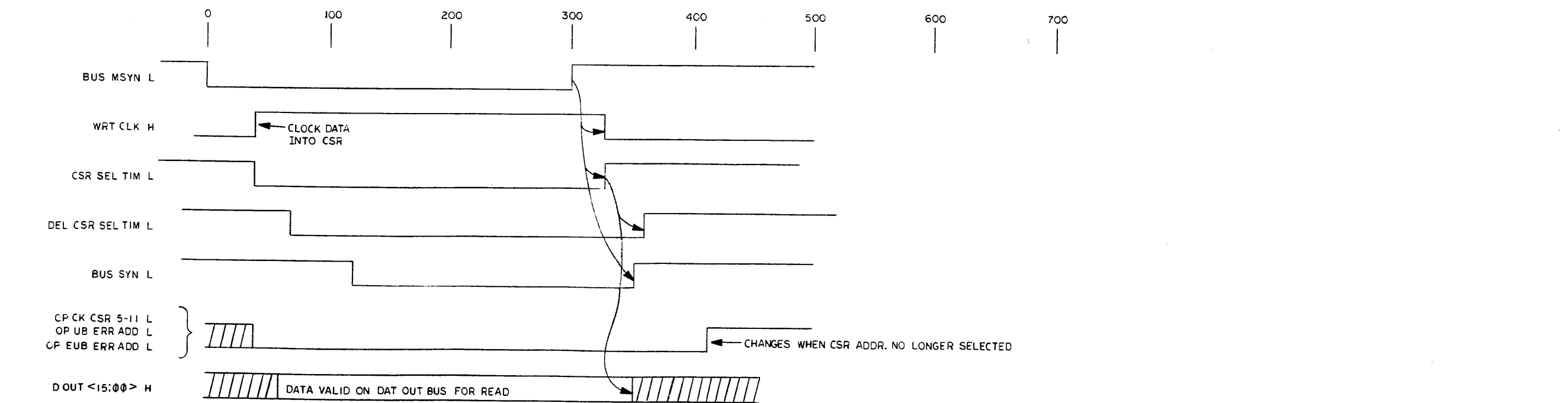
REV. A  
NUMBER MS11-M-5  
DATE CODE D TD

THIS DRAWING AND SPECIFICATIONS HEREIN ARE THE PROPERTY OF DIGITAL EQUIPMENT CORPORATION AND SHALL NOT BE REPRODUCED OR COPIED OR USED IN WHOLE OR IN PART AS THE BASIS FOR THE MANUFACTURE OR SALE OF ITEMS WITHOUT WRITTEN PERMISSION. DIGITAL EQUIPMENT CORPORATION. COPYRIGHT © 1979

REFRESH CYCLE



CSR READ AND WRITE



REV. A  
NUMBER MS11-M-5  
DATE CODE DTD

REVISIONS		
CHK	CHANGE NO.	REV.





LINE ITEM	DOCUMENT NUMBER	PART NUMBER	DESCRIPTION	QTY PER VARIATION			REFERENCE DESIGNATOR
				BB	BC	BF	
1	1	5013505-00	128K ECC UNIBUS MEM ETCH CIR. BD	1	1	1	
2	2	1012219-00	47. MFD 30V GZ 600D AL EL	2	2	2	C400,C401
3	3	1012121-00	220.0 MMF 100V 1%200PPM DM15S	4	4	4	C1,C3,C4,C7
4	4	1001610-00	.01 MFD 50V -20+80 Z5U AXIAL	33	33	33	C2,C111-C131,C220-C230
5	5	1012084-01	8 MFD 25V GZ 30D AL EL	5	5	5	C100-C103,C200
6	6	1010279-01	.47 MFD 25V 20% 2C023 CER.	101	101	101	C210-C214,C310-C357,C410-C457
7	7	1110994-00	1N 751A VZ= 5.1 5% .40W	1	1	1	D5
8	8	1109991-00	1N 754A VZ= 6.8 5% .40W	1	1	1	D4
9	9	1104860-00	*** THIS ITEM IS NOT USED ***	-	-	-	
10	10	1110324-00	LED 1MCD@10MA PIV=3	1	1	1	D2
11	11	1114384-00	LED 105MW 35MA GREEN	1	1	1	D3
12	12	1210711-02	HANDLE,MODULE,HEX	1	1	1	
13	13	1211164-04	SW,DIP 1P 1A 8POS	1	1	1	E46
14	14	1211164-00	SW,DIP 1P 1A 4POS	1	1	1	E61
15	15	1302124-00	18.0 .25 W 5.0 % CC	2	2	2	R7,R31
16	16	1301890-00	560.0 .25 W 5.0 % CC	1	1	1	R2
17	17	1304863-00	316 1/4W 1% RN55D-F 100PPM	2	2	2	R11,R12
18	18	1301424-00	*** THIS ITEM IS NOT USED ***	-	-	-	
19	19	1300447-00	4.70 K .25 W 5.0 % CC	11	11	11	R10,R13,R14,R18-R20,R22-R24,E26, R30
20	20	1300316-00	470.0 .25 W 5.0 % CC	1	1	1	R21
21	21	1300365-00	1.0 K .25 W 5.0 % CC	1	1	1	R15
22	22	1300309-00	*** THIS ITEM IS NOT USED ***	-	-	-	
23	23	1300229-00	100.0 .25 W 5.0 % CC	1	1	1	R5
24	24	1301972-00	270.0 .25 W 5.0 % CC	2	2	2	R27,R28
25	25	1300202-00	47.0 .25 W 5.0 % CC	1	1	1	R29
26	26	1300444-00	3.90 K .25 W 5.0 % CC	1	1	1	R4
27	27	1311594-00	30.1 K 1/4W 1% RN55D-F 100PPM	1	1	1	R6
28	28	1315339-00	R NETWORK 4-5K 5.0 % 5PIN	3	3	3	R100-R102
29	29	1316187-00	R NETWORK 3-18 5.0 % 6PIN	8	8	8	R200-R207

REVISION HISTORY		BASIC PART NO: M8722		DRN: J. LIZOTTE		DATE: 14-DEC-78		D I G I T A L	
ENG	ECO NUMBER	REV	SECTION A OF A	CHK'D		DATE		TITLE	PARTS LIST
	INITIAL	B	SECTION VARIATION INDEX		D. CARUSSO	14-DEC-78		ECC MOS MEMORY	
			[A] BB,BC,BF		J. MANTON	14-DEC-78		DOCUMENT NUMBER	
			[B]		R. SCHAAP	14-DEC-78		SIZE CODE NUMBER REV	
			[C]					K PL M8722-BA-DBP B	
			[D]					ASSEMBLY NUMBER: TOP DOCUMENT NUMBER: FILE NAME: EDIT #	
			[E]					D-UA-M8722-0-0 Z0472B.PLS 3	
			[F]						
			[G]						
			[H]						
			[J]						
			[K]						
			[L]						
			[M]						
			[N]						

\*THIS DRAWING AND SPECIFICATIONS HEREIN, ARE THE PROPERTY OF DIGITAL EQUIPMENT CORPORATION AND SHALL NOT BE REPRODUCED OR COPIED OR USED IN WHOLE OR IN PART AS THE BASIS FOR THE MANUFACTURE OR SALE OF ITEMS WITHOUT WRITTEN PERMISSION. COPYRIGHT (C) 1980. DIGITAL EQUIPMENT CORPORATION \*

LINE	ITEM	DOCUMENT NUMBER	PART NUMBER	DESCRIPTION	QTY PER VARIATION			REFERENCE DESIGNATOR
					BB	BC	BF	
30	30		1316186-00	R NETWORK 1-12 2-18 6PIN	8	8	8	R300-R307
31	31		1613120-00	DELAY= 200NS,10TAPS	2	2	2	E5,E21
32	32		1910532-00	74S00 NAND GATE-QUAD 2IN	1	1	1	E31
33	33		1912799-00	LS00 NAND-GATE-QUAD 2IN,P	1	1	1	E25
34	34		1912388-00	74S02 NOR GATE-QUAD 2IN,PO	1	1	1	E42
35	35		1911469-00	DEC 8640 RECEIVER,BUS,QUAD,U	1	1	1	E38
36	36		1910533-00	74S03 NAND GATE-QUAD 2IN,O	1	1	1	E22
37	37		1909705-00	DEC 8881 NAND GATE-QUAD 2IN O	1	1	1	E27
38	38		1914451-00	74LS393 COUNTER,BINARY,4BIT	2	2	2	E54,E56
39	39		1910547-00	74S153 MUX 1 OF 4 (DUAL)	5	5	5	E40,E41,E47,E49,E53
40	40		1911944-00	555CN TIMER,FUNCT.BLOCK	1	1	1	E11
41	41		1910534-00	74S04 INVERTER GATE-HEX 1I	1	1	1	E60
42	42		1910544-01	74S74-60GG-D DUAL,EDGE TRIG	1	1	1	E26
43	43		1912824-00	LS74 FF-D DUAL,EDGE TRIGG	2	2	2	E15,E43
44	44		1911116-00	DEC 8837 RECEIVER,BUS,HEX,UN	4	4	4	E23,E32,E44,E50
45	45		1915219-00	LS373 FF-D OCTAL-TRANSPARE	3	3	3	E3,E18,E39
46	46		1914214-00	LS374 FF-D OCTAL EDGE TRIG	3	3	3	E7,E28,E68
47	47		1911579-00	8641 TRANSCEIVER,BUS,QUA	4	4	4	E1,E6,E12,E17
48	48		1910539-00	74S20 NAND GATE-DUAL 4INPU	1	1	1	E37
49	49		1912828-00	LS85 COMPARATOR,4BIT MAGN	1	1	1	E65
50	50		1912697-00	LS174 FF-D HEX W/CLEAR	1	1	1	E8
51	51		1915193-00	LS244 DRIVER,LINE,OCTAL,T	1	1	1	E14
52	52		1911573-00	74S280 PARITY GEN/CHKR,9BIT	11	11	11	E48,E66,E69,E71,E72,E75,E78, CONT E81-E84
53	53		1912096-00	DEC 74S86 XOR GATE,QUAD 2IN	2	2	2	E36,E64
54	54		1914086-00	74S30 NAND GATE-POS 8IN	1	1	1	E55
55	55		1913777-00	LS240 DRIVER,LINE,OCTAL,T	1	1	1	E9
56	56		1912389-00	74S08 AND GATE-QUAD 2IN,PO	1	1	1	E24
57	57		1912125-00	74S135 XOR/NOR GATE-QUAD 2I	1	1	1	E59
58	58		1913493-00	74S241 OCTAL BUFFER,TRI-STA	5	5	5	E70,E76,E77,E79,E80
59	59		2113825-01	16K MOS RAM 200NS 1	156	-	-	E100-E138,E200-E238,E300-E338, CONT E400-E438
60	60		23259F1-00	F1-01	1	1	1	E34
61	61		23001J5-00	J5-01	1	1	1	E10
62	62		23002J5-00	J5-01	1	1	1	E19
63	63		23003J5-00	J5-01	1	1	1	E4
64	64		23004J5-00	J5-01	1	1	1	E30
65	65		23005J5-00	J5-01	1	1	1	E25
66	66		23006J5-00	J5-01	1	1	1	E33
67	67		23007J5-00	J5-01	1	1	1	E20
68	68		23008J5-00	J5-01	1	1	1	E29
69	69		23009J5-00	J5-01	1	1	1	E52
70	70		23001K3-00	K3-01	8	8	8	E45,E51,E57,E58,E62,E63,E67,E73
71	71		23002K3-00	K3-01	2	2	2	E2,E13
72	72		9009185-00	*** THIS ITEM IS NOT USED ***	-	-	-	
73	73		9000024-01	EYELET, ROLLED FLANGE, .121 OD X	12	12	12	
74	74		9009149-00	PIN, STAKING, P.C. BOARD, .025 X	2	2	2	TP1,TP2
75	75		2114408-01	16K MOS RAM 200NS 1	-	156	-	E100-E138,E200-E238,E300-E338,

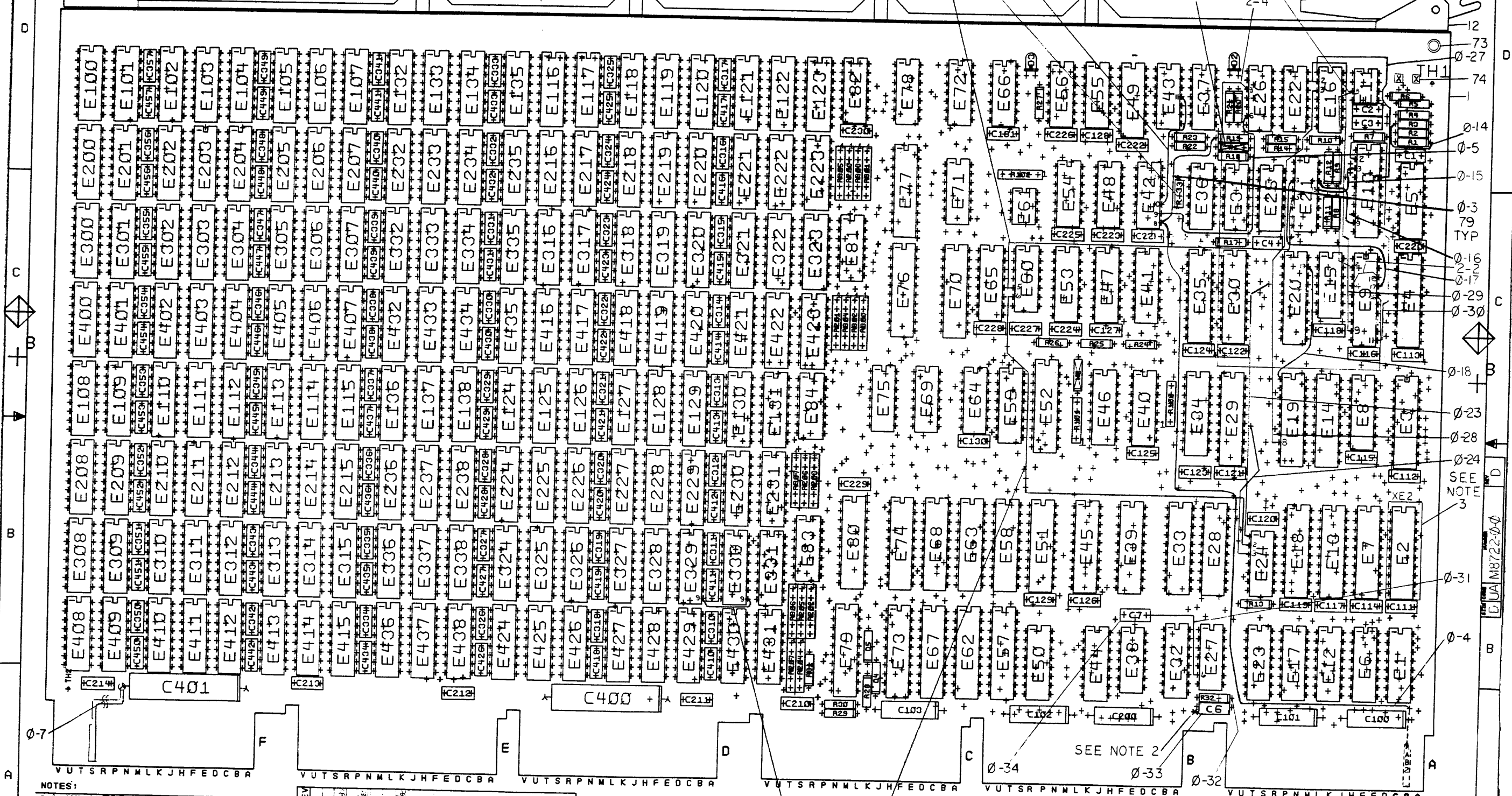
! D ! I ! G ! I ! T ! A ! L !	! TITLE	! SECTION A OF A	! SIZE ! CODE !	! DOCUMENT NUMBER	! REV
	ECC MOS MEMORY		K ! PL !	M8722-BA-DBP	B



VARIATION BA

SEE NOTE 1 2-3 2-4

COMPONENT SIDE VIEW



NOTES:  
 1. A, W, N, E, R, BUS CONFIGURATION.  
 2. \*INDICATES BUS END OF C6.  
 3. 20 PIN SOCKET: XE2, XE1, XE10, XE13, XE19, XE20, XE29, XE30, XE35, XE36, XE45, XE51, XE52, XE57, XE58, XE62, XE63, XE67, XE73.

CHANGE NO	REV	DATE	BY	CHK'D
M872-2	C	11/17/79	J. MANTON	
M872-2	D	11/17/79	J. MANTON	


4. SEE SHEET 2 FOR WIRE ADDS

ETCH C  
 PC DESIGN DATA BASE REV. CLZCM

SIGNATURES		DATE	TITLE
DRN.		11/17/79	
CHK'D.		11/17/79	
ENG.		11/17/79	SIZE CODE NUMBER REV
PROJ. ENG.		11/17/79	
SCALE	1 OF 9		D UAL M8722-0-0
SHT.			ETCH REV. C

digital

1980

LAYER 1  
M8722 5013505 C  L1

2 DIFF. REV. FIG 2

0-20

A-3 Z-0

CS\*ABCDE\*F\*H\*JKLMNPRS  
E101 E102 E103

E132 E133

E118 E119

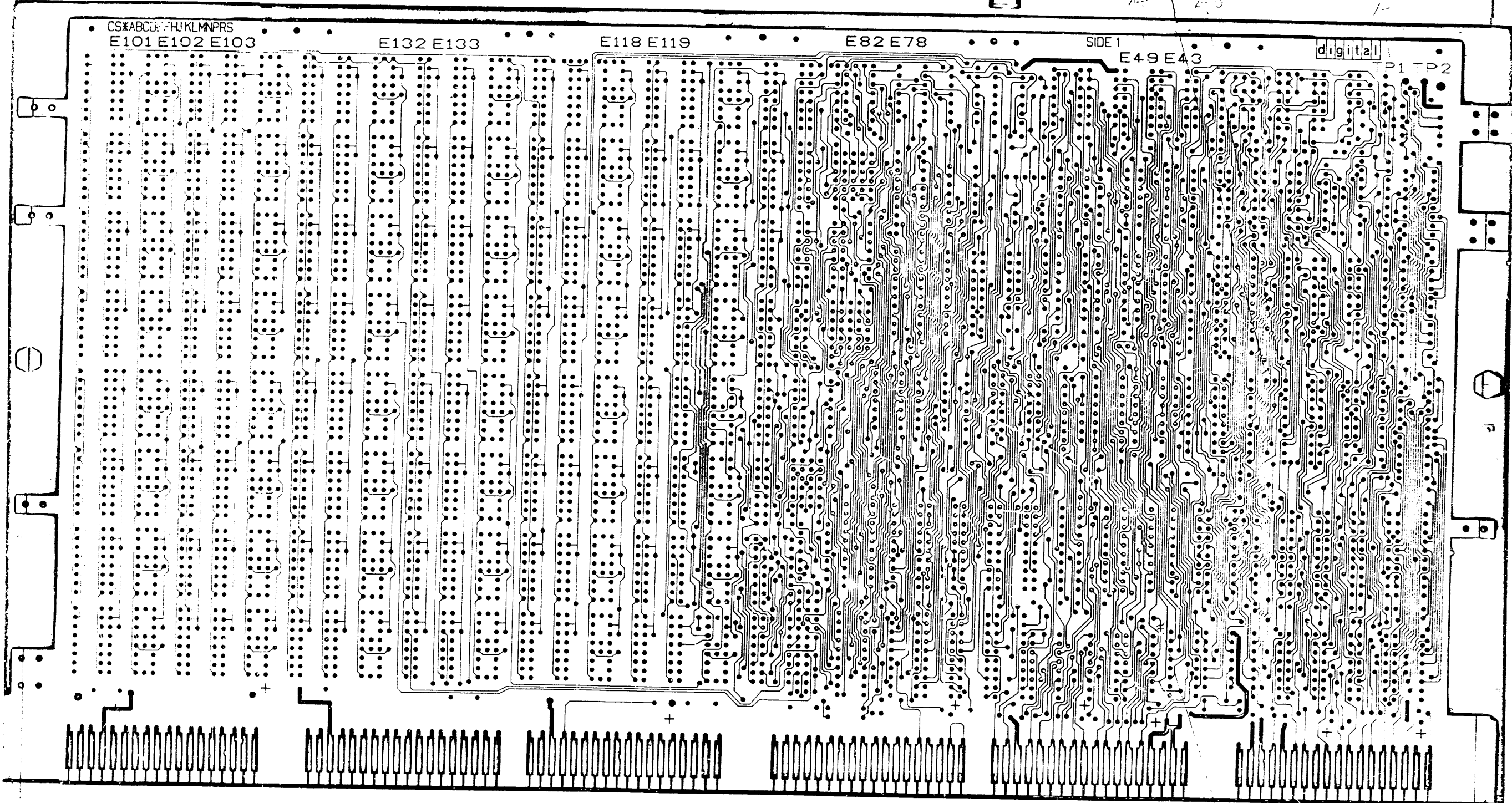
E82 E78

SIDE 1

E49 E43

digital

TP1 TP2



REVISIONS  
CHANGE NO. REV.

27

0-26



ECC MOS MEMOR D U- M8722 C C  
271 3 3

6 5 4 3



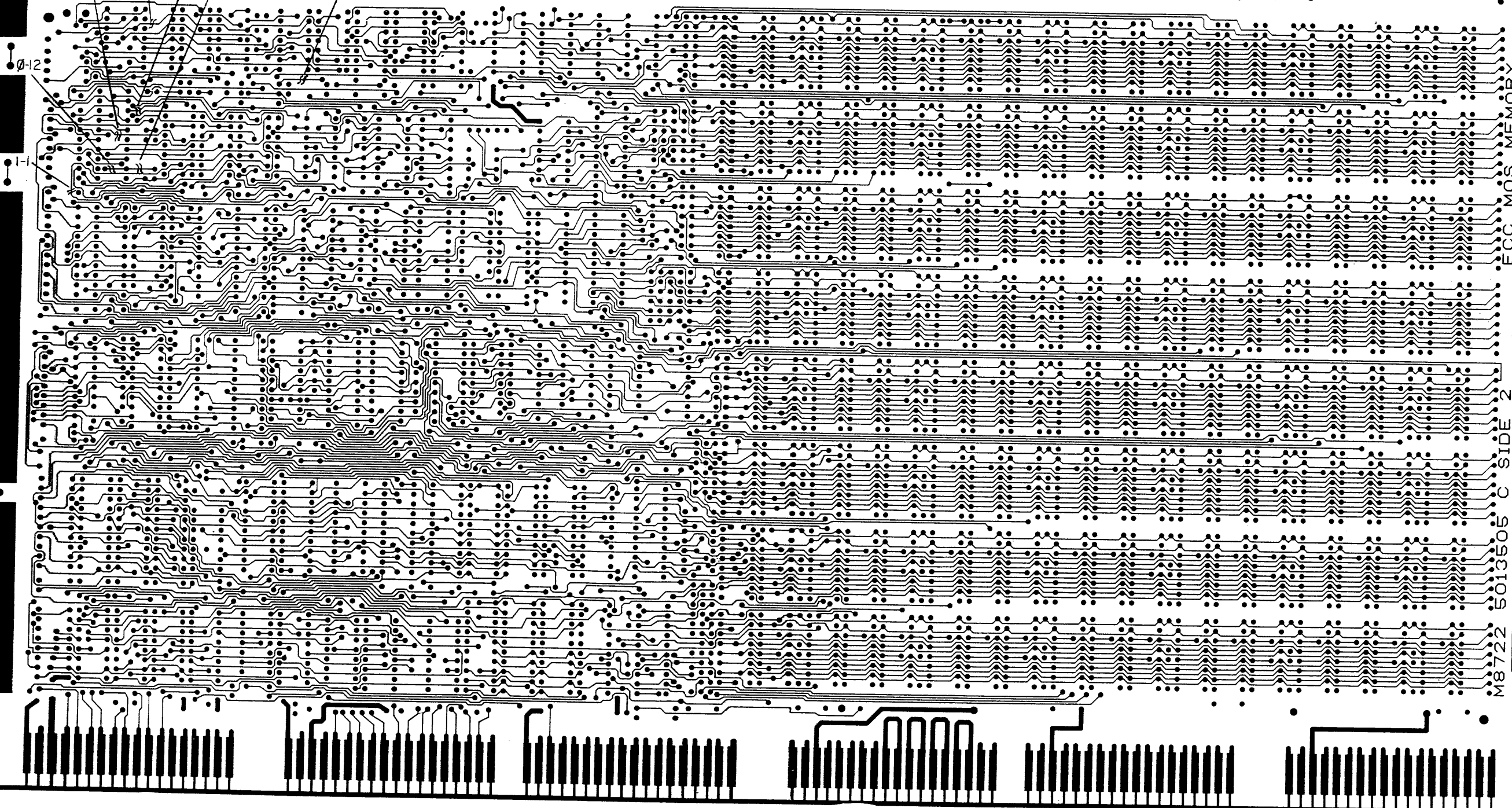
THIS DRAWING AND SPECIFICATIONS, HEREIN, ARE THE PROPERTY OF DIGITAL EQUIPMENT CORPORATION AND SHALL NOT BE REPRODUCED OR COPIED OR USED IN WHOLE OR IN PART AS THE BASIS FOR THE MANUFACTURE OR SALE OF THIS WITHOUT WRITTEN PERMISSION.  
 COPYRIGHT © 1980 DIGITAL EQUIPMENT CORPORATION

DUA M8722-0-2 2

L4  H  R3YA J

Ø-13 Ø-11 Ø-1

Ø-25 2-1



REVISIONS		
CHK	CHANGE AND	REV

ECC MOS MEMORY DUA M8722-0-2

8

7

6

5

4

3

2

1

"THIS DRAWING AND SPECIFICATIONS HEREIN ARE THE PROPERTY OF DIGITAL EQUIPMENT CORPORATION AND SHALL NOT BE REPRODUCED OR COPIED OR USED IN WHOLE OR IN PART AS THE BASIS FOR THE MANUFACTURE OR SALE OF ITEMS WITHOUT WRITTEN PERMISSION. COPYRIGHT © 1977 DIGITAL EQUIPMENT CORPORATION"

**M8722**

**FIRST RELEASE**

**ETCH CUT - SIDE 2:**

- # - 1. CUT ETCH BETWEEN E43-11 AND R18 ( TO THE LEFT OF THE FEED THRU).
- # - 11. CUT ETCH BETWEEN E10-9 AND FEED THRU (RIGHT SIDE OF PIN).
- # - 12. CUT ETCH BETWEEN E10-9 AND FEED THRU (LEFT SIDE OF PIN, ISOLATING E10-8).
- # - 13. CUT ETCH BETWEEN E10-3 AND FEED THRU (RIGHT SIDE).
- # - 25. CUT ETCH BETWEEN E10-16 AND FEED THRU (RIGHT SIDE).

**ETCH CUTS - SIDE 1:**

- # - 7. CUT ETCH BETWEEN C401 AND FINGER FS1.
- # - 8. CUT ETCH BETWEEN R1 AND R3.
- # - 9. CUT ETCH BETWEEN THE 1ST AND 2ND FEED THRU E42-13 (RIGHT SIDE).
- # - 10. CUT ETCH BETWEEN E19-1 AND E20-3.
- # - 20. CUT ETCH BETWEEN THE FIRST AND SECOND FEED THRU OF E30-18 (RIGHT SIDE).
- # - 26. CUT ETCH NO MORE THAN 1/4" FROM C7 (ZZOPF) (RIGHT SIDE) AS SHOWN.

**WIRE ADDS:**

- # - 2. ADD A WIRE FROM E42-10 TO E43-11.
- # - 3. ADD A WIRE FROM E42-8 TO R19 (LEFT SIDE).
- # - 4. ADD A WIRE FROM E42-8 THRU A FEED THRU TO FINGER AB2.
- # - 5. ADD A WIRE FROM E42-9 TO E26-6.
- # - 6. ADD A WIRE FROM E330-9 TO E329-9 FOR 'BA' VARIATIONS ONLY.
- # - 14. ADD WIRE FROM R1 TO R3 (AS SHOWN).
- # - 15. ADD WIRE FROM E10-3 TO E21-13.
- # - 16. ADD WIRE FROM E10-9 TO E21-14.
- # - 17. ADD WIRE FROM E9-17 TO E21-3.
- # - 18. ADD WIRE FROM E20-19 TO E19-1.
- # - 21. ADD WIRE FROM E60-5 TO E21-5.
- # - 22. ADD WIRE FROM E60-6 TO E24-2.
- # - 23. ADD WIRE FROM E24-1 TO FIRST FEED THRU OF E30-18 ( AS SHOWN).
- # - 24. ADD WIRE FROM E24-3 TO SECOND FEED THRU OF E30-18 (AS SHOWN).
- # - 27. ADD WIRE FROM E16-1 TO E10-17.
- # - 28. ADD WIRE FROM E16-3 TO E19-8.
- # - 29. ADD WIRE FROM E16-2 TO E9-9.
- # - 30. ADD WIRE FROM E9-11 TO E10-2.
- # - 31. ADD WIRE FROM C7 (ZZOPF) (RIGHT SIDE) TO E27-6.

**REPLACEMENT COMPONENTS:**

- # - 32. REPLACE D1 WITH R32, 24.3K, 17.
- # - 33. REPLACE R16 WITH C6, 3.9UF, 10V.
- # - 34. REPLACE C5 WITH C7, ZZOPF, 100V.

**COMPONENT ADD:**

- # - 35. ADD R33, 150 OHM, 17 AS SHOWN.

**ECO NO. 2**

**ETCH CUT - SIDE 2**

- 2-1 CUT ETCH BETWEEN E11-3 TO E26-3

**WIRE ADDS - SIDE 1**

- 2-2 ADD WIRE FROM E9-4 TO E9-18
- 2-3 ADD WIRE FROM E9-2 TO E11-3
- 2-4 ADD WIRE FROM E9-16 TO E26-3

**ECO # 1**

**ETCH CUT - SIDE 2**

- 1-1 CUT ETCH BETWEEN E10-11 AND FEEDTHRU (RIGHT SIDE)

**WIRE ADDS - SIDE 1**

- 1-2 ADD WIRE FROM E24-11 TO E10-11
- 1-3 ADD WIRE FROM E24-12 TO E9-7
- 1-4 ADD WIRE FROM E24-13 TO E29-19

REVISIONS		
CHK	CHANGE NO.	REV.

TITLE	ECC MOS MEMORY	SIZE CODE	DUA	NUMBER	M8722-0-0	REV.	D
SCALE	2/1	SHEET	9 OF 9	DIST.			

THIS DRAWING AND SPECIFICATIONS, HEREIN, ARE THE PROPERTY OF DIGITAL EQUIPMENT CORPORATION AND SHALL NOT BE REPRODUCED OR COPIED OR USED IN WHOLE OR IN PART AS THE BASIS FOR THE MANUFACTURE OR SALE OF ITEMS WITHOUT WRITTEN PERMISSION.  
 COPYRIGHT © 1980 DIGITAL EQUIPMENT CORPORATION

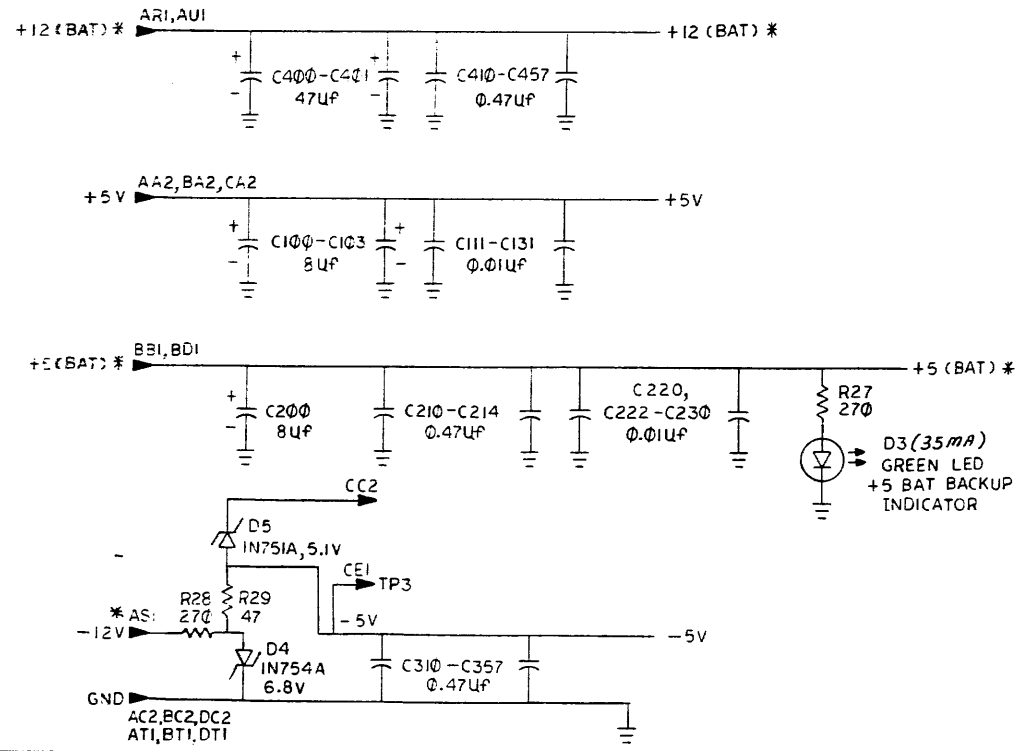
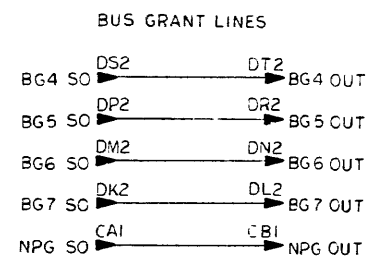
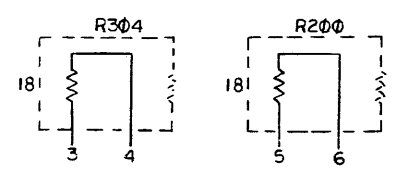
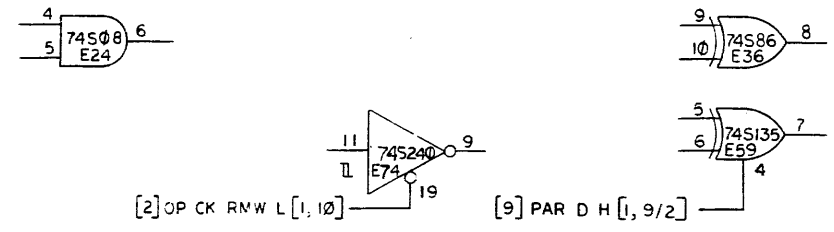
NOTES:

- SIGNAL NAMES WILL BE REFERENCED AS FOLLOWS:  
 [X/Z] SIGNAL NAME [X/Z]  
 NUMBER OF CONNECTION POINTS ON DESTINATION SHEET.  
 DESTINATION SHEET NUMBER.  
 NUMBER OF CONNECTION POINTS ON SOURCE SHEET.  
 SOURCE SHEET NUMBER.
- \* INDICATES BATTERY BACKED UP.
- GND AND +5V ARE AS FOLLOWS:  

	GND	+5V
14 PIN DIP	7	14
16 PIN DIP	8	16
18 PIN DIP	9	18
20 PIN DIP	10	20

EXCEPTIONS ARE  
 8640 1 8

SPARES

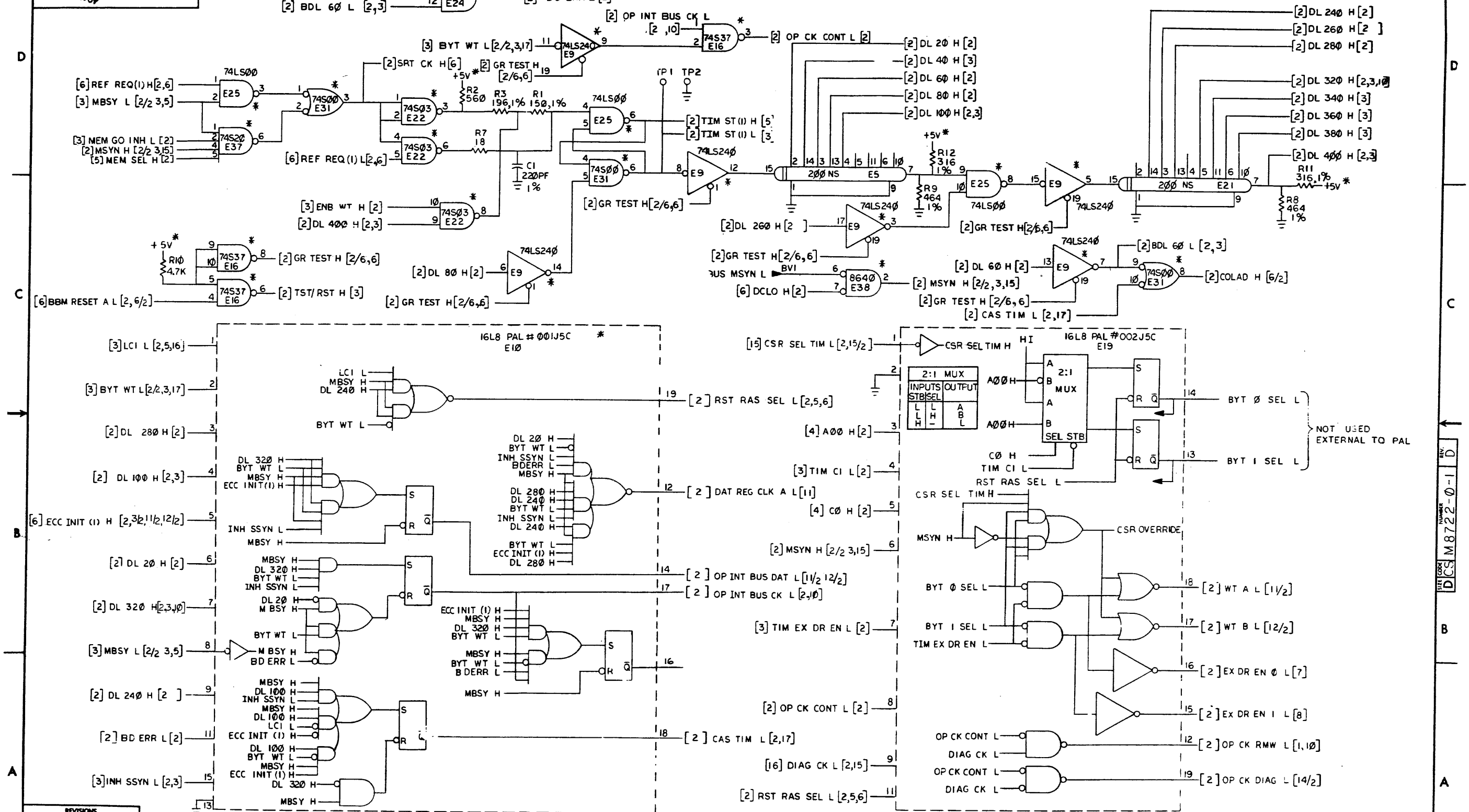


REV.	REV.
C	11/80
D	1/81
E	1/81
F	1/81
G	1/81
H	1/81
I	1/81
J	1/81
K	1/81
L	1/81
M	1/81
N	1/81
O	1/81
P	1/81
Q	1/81
R	1/81
S	1/81
T	1/81
U	1/81
V	1/81
W	1/81
X	1/81
Y	1/81
Z	1/81

DRN. <i>John Manton</i> 12-15-79	FIRST USED ON 11/44	digital
CHK'D <i>John Manton</i> 12-19-79	TITLE	
ENG. <i>John Manton</i> 12-19-79	ECC MOS MEMORY (MSIIM)	
PROD. <i>John Manton</i> 1/1/80	NEXT HIGHER ASSY.	
B-DD-M8722-0		SIZE CODE
SCALE		D CS
SHEET 1 OF 22		NUMBER
DIST.		REV. D



"THIS DRAWING AND SPECIFICATIONS, HEREIN, ARE THE PROPERTY OF DIGITAL EQUIPMENT CORPORATION AND SHALL NOT BE REPRODUCED OR COPIED OR USED IN WHOLE OR IN PART AS THE BASIS FOR THE MANUFACTURE OR SALE OF ITEMS WITHOUT WRITTEN PERMISSION. COPYRIGHT © 1980 DIGITAL EQUIPMENT CORPORATION"

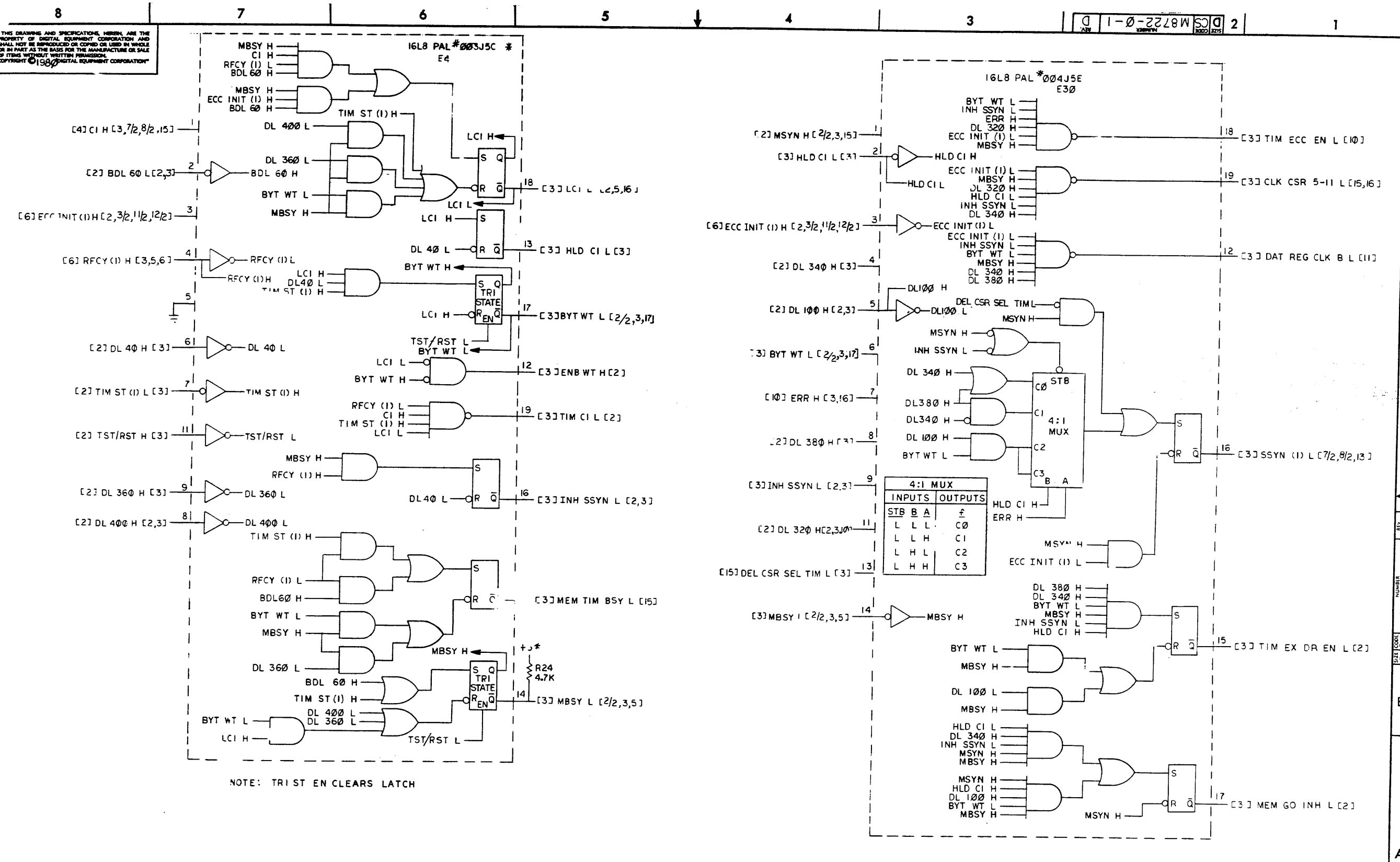


REVISIONS		
CHK	CHANGE NO.	REV.

TITLE		SIZE	CODE	NUMBER	REV.
ECC MOS MEMORY (MS11M)		D	CS	M 8722-0-1	D
SCALE	SHEET	OF	TOTAL	DIST.	
	2	22			

REV. D DCS M8722-0-1

THIS DRAWING AND SPECIFICATIONS, HEREIN, ARE THE PROPERTY OF DIGITAL EQUIPMENT CORPORATION AND SHALL NOT BE REPRODUCED OR COPIED OR USED IN WHOLE OR IN PART AS THE BASIS FOR THE MANUFACTURE OR SALE OF ITEMS WITHOUT WRITTEN PERMISSION. COPYRIGHT © 1980 DIGITAL EQUIPMENT CORPORATION



(TIMING AND CONTROL)

REVISIONS		
CHK	CHANGE NO.	REV.

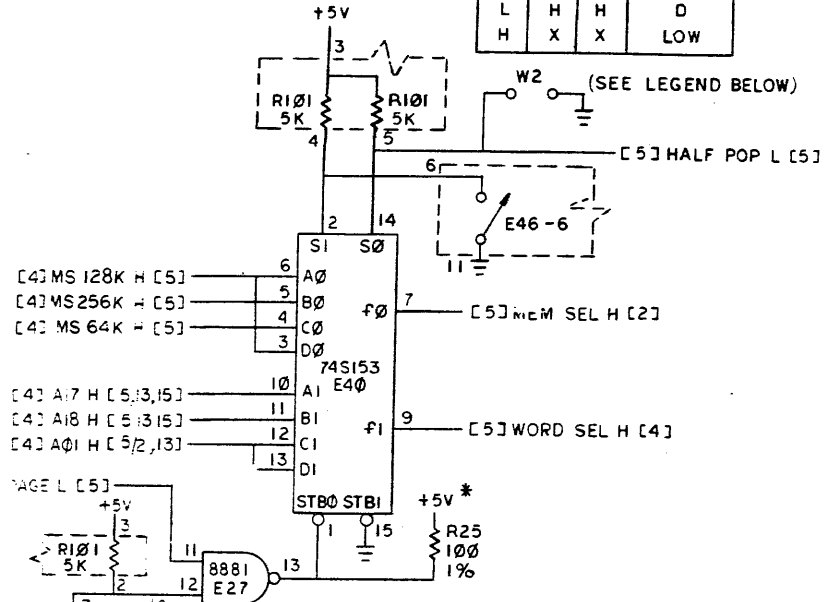
TITLE	ECC MOS MEMORY (MS11M)	SIZE CODE	D CS	NUMBER	M8722-0-1	REV.	D
SCALE	1:1	SHEET	3 OF 22	DIST.			

REV. 1 DCS M8722-0-1 D



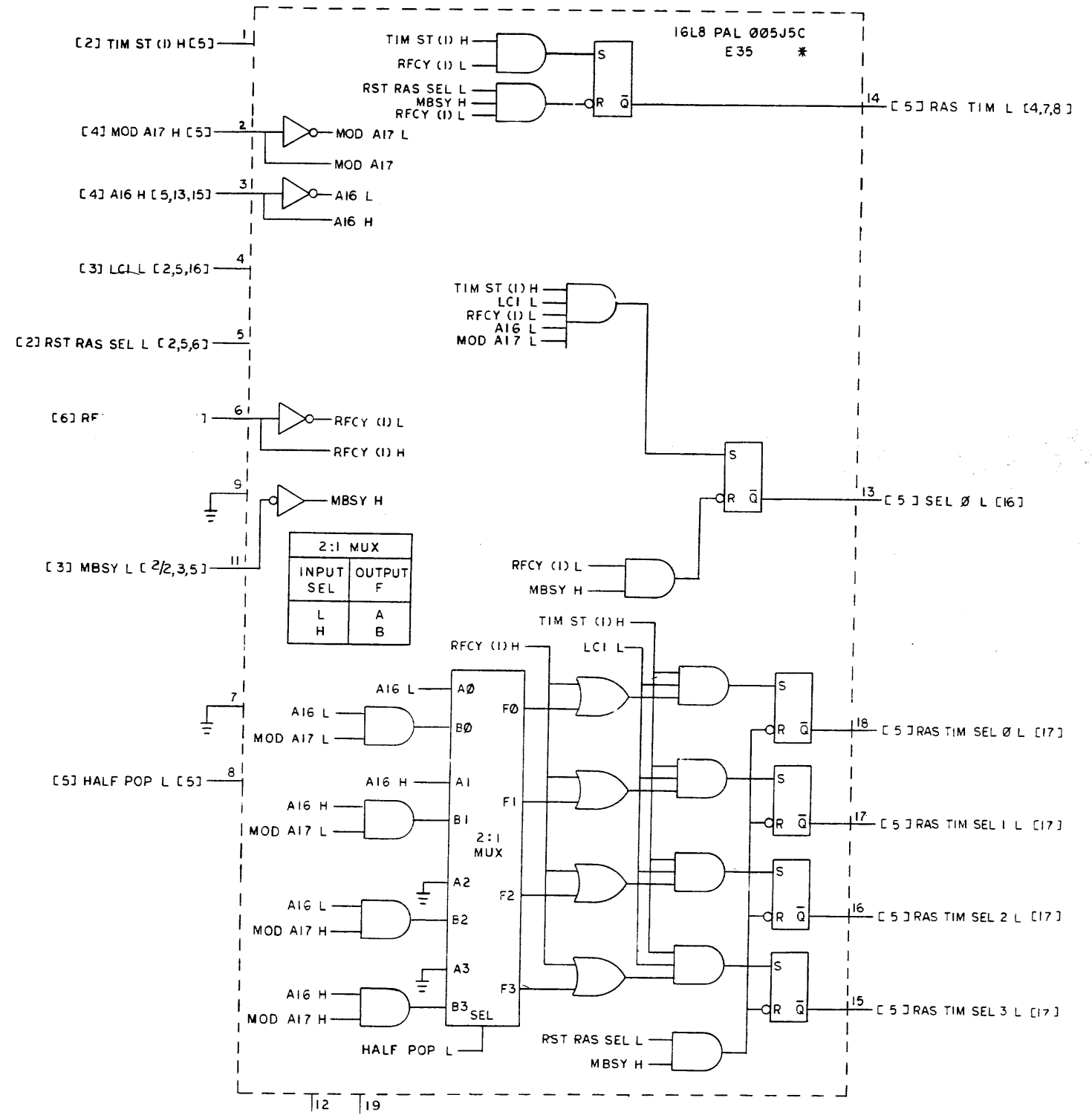
"THIS DRAWING AND SPECIFICATIONS, HEREIN, ARE THE PROPERTY OF DIGITAL EQUIPMENT CORPORATION AND SHALL NOT BE REPRODUCED OR COPIED OR USED IN WHOLE OR IN PART AS THE BASIS FOR THE MANUFACTURE OR SALE OF ITEMS WITHOUT WRITTEN PERMISSION. COPYRIGHT © 1980 DIGITAL EQUIPMENT CORPORATION"

74S153 4:1 MUX			
INPUTS			OUTPUTS
STB	SI	S0	F
L	L	L	A
L	L	H	B
L	H	L	C
L	H	H	D
H	X	X	LOW



SW POSITION		USAGE		MEMORY CAPACITY AND INTERLEAVING	
8	7	6	JUMPER W2		
OFF	OFF	OFF	IN	64K 1/2 POP NON INTERL.	
OFF	OFF	OFF	OUT	128K FULLY POP NON INTERL.	
OFF	ON	ON	IN	64K 1/2 POP INTERL RESPONDS TO A01 H NON ASSERTED	
OFF	ON	ON	OUT	128K FULLY POP INTERL RESPONDS TO A01 H NON ASSERTED	
ON	OFF	ON	IN	64K 1/2 POP INTERL RESPONDS TO A01 H ASSERTED	
ON	OFF	ON	OUT	128K FULLY POP INTERL RESPONDS TO A01 H ASSERTED	

NOTE: SW 8 & 7 MUST NOT BE ON AT THE SAME TIME

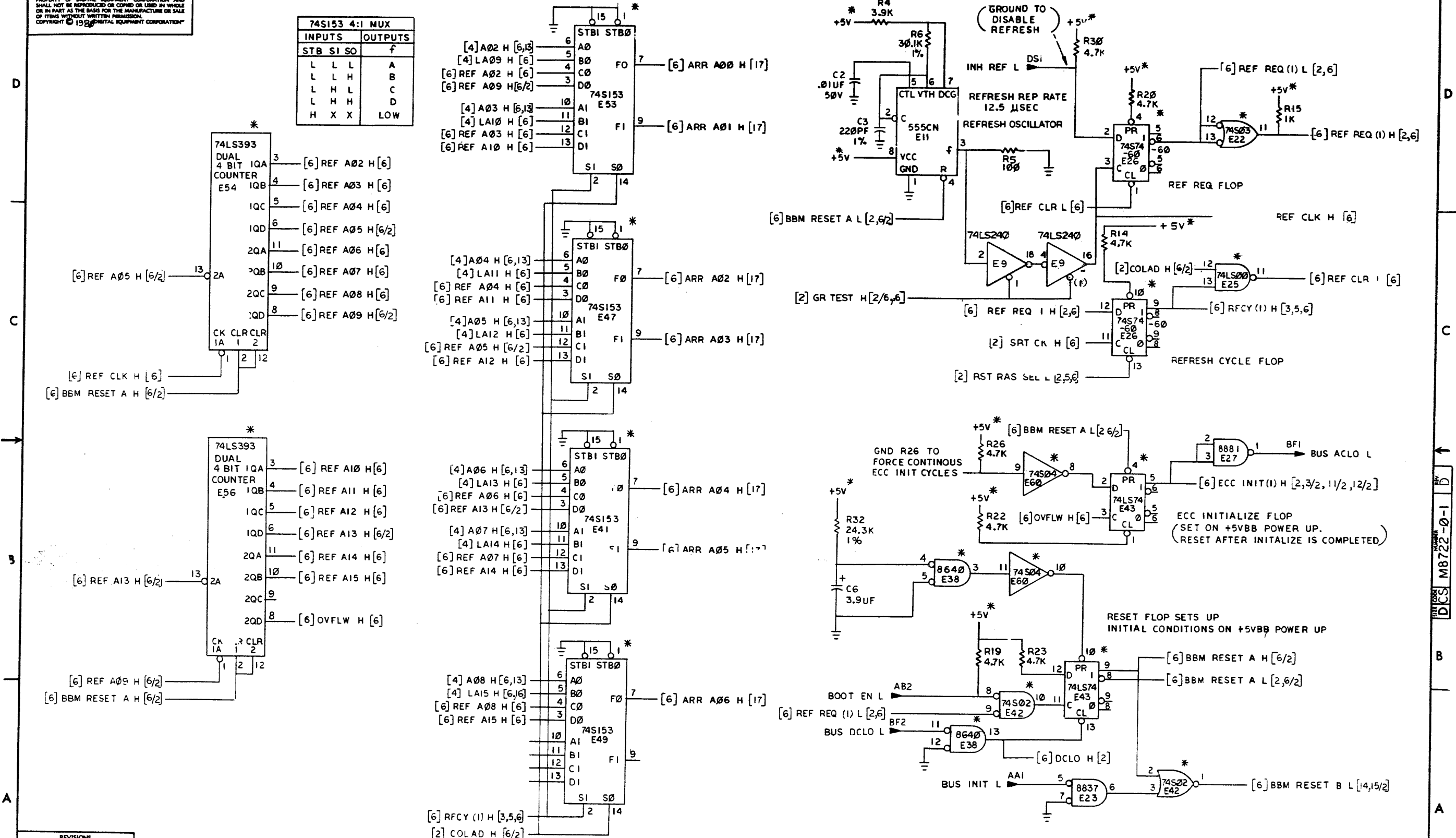


(MEMORY SELECT, INTERLEAVING RAS TIM GENERATION)

REVISIONS		
CHK	CHANGE NO.	REV.

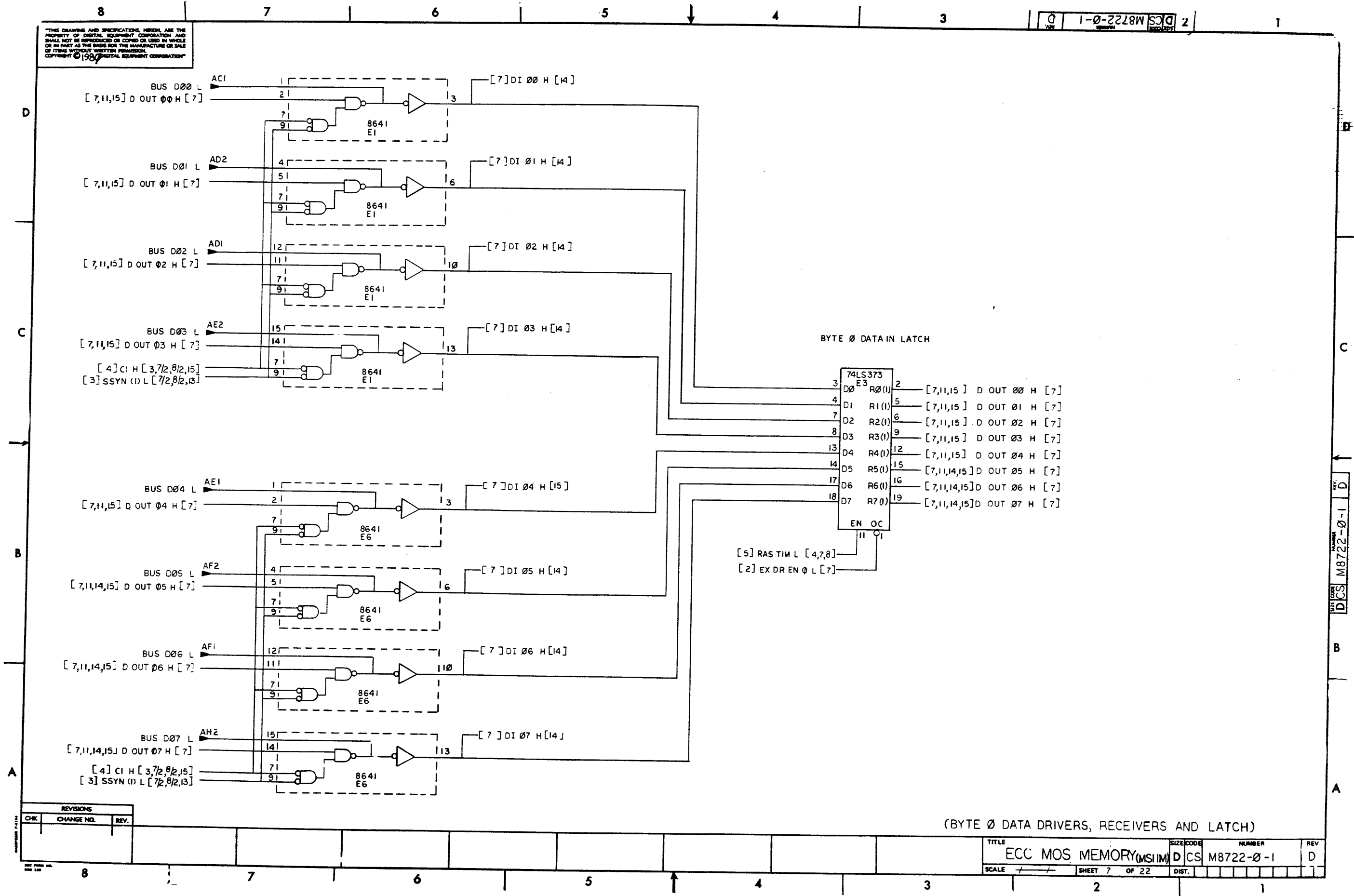
THIS DRAWING AND SPECIFICATIONS HEREIN ARE THE PROPERTY OF DIGITAL EQUIPMENT CORPORATION AND SHALL NOT BE REPRODUCED OR COPIED OR USED IN WHOLE OR IN PART AS THE BASIS FOR THE MANUFACTURE OR SALE OF ITEMS WITHOUT WRITTEN PERMISSION. COPYRIGHT © 1978 DIGITAL EQUIPMENT CORPORATION

74S153 4:1 MUX			
INPUTS		OUTPUTS	
STB	SI	SO	f
L	L	L	A
L	L	H	B
L	H	L	C
L	H	H	D
H	X	X	LOW



REVISIONS		
CHK	CHANGE NO.	REV.

THIS DRAWING AND SPECIFICATIONS HEREIN ARE THE PROPERTY OF DIGITAL EQUIPMENT CORPORATION AND SHALL NOT BE REPRODUCED OR COPIED OR USED IN WHOLE OR IN PART AS THE BASIS FOR THE MANUFACTURE OR SALE OF ITEMS WITHOUT WRITTEN PERMISSION. COPYRIGHT © 1987 DIGITAL EQUIPMENT CORPORATION



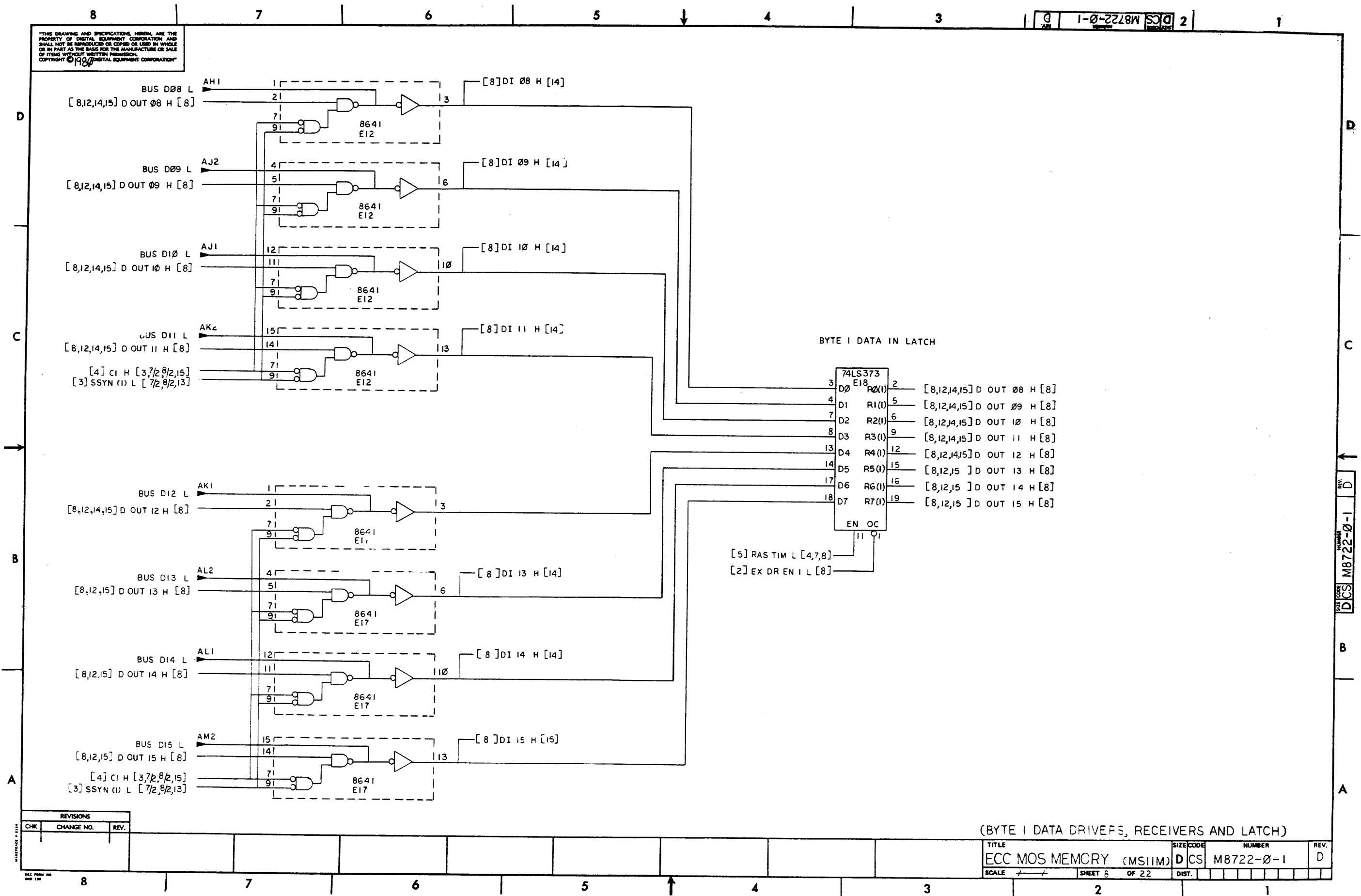
(BYTE 0 DATA DRIVERS, RECEIVERS AND LATCH)

REVISIONS		
CHK	CHANGE NO.	REV.

TITLE	SIZE CODE	NUMBER	REV
ECC MOS MEMORY (MSIM)	DCS	M8722-0-1	D
SCALE	SHEET 7 OF 22	DIST.	

DCS M8722-0-1

THIS DRAWING AND SPECIFICATIONS HEREIN ARE THE PROPERTY OF DIGITAL EQUIPMENT CORPORATION AND SHALL NOT BE REPRODUCED OR COPIED OR USED IN WHOLE OR IN PART AS THE BASIS FOR THE MANUFACTURE OR SALE OF ITEMS WITHOUT WRITTEN PERMISSION. COPYRIGHT © 1977 DIGITAL EQUIPMENT CORPORATION



REVISIONS		
CHK	CHANGE NO.	REV.

(BYTE 1 DATA DRIVERS, RECEIVERS AND LATCH)

TITLE	SIZE CODE	NUMBER	REV.
ECC MOS MEMORY (MS11M)	DCS	M8722-0-1	D
SCALE	SHEET 6	OF 22	DIST.

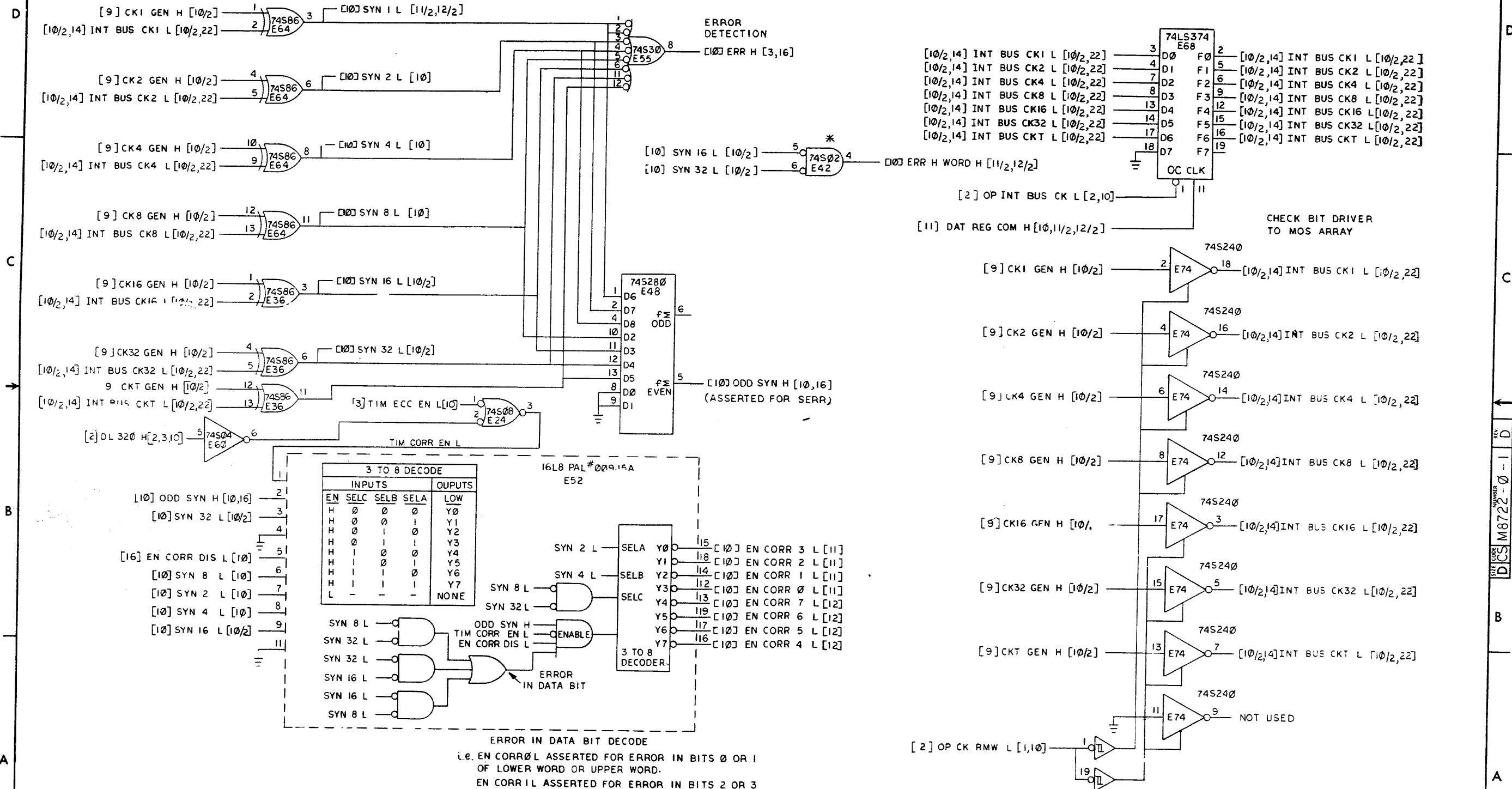




THIS DRAWING AND SPECIFICATIONS HEREIN ARE THE PROPERTY OF DIGITAL EQUIPMENT CORPORATION AND SHALL NOT BE REPRODUCED OR COPIED OR USED IN WHOLE OR IN PART AS THE BASIS FOR THE MANUFACTURE OR SALE OF ITEMS WITHOUT WRITTEN PERMISSION. COPYRIGHT © 1976 DIGITAL EQUIPMENT CORPORATION

SYNDROME GENERATION ON CHECK BIT COMPARE

CHECK BIT REGISTER

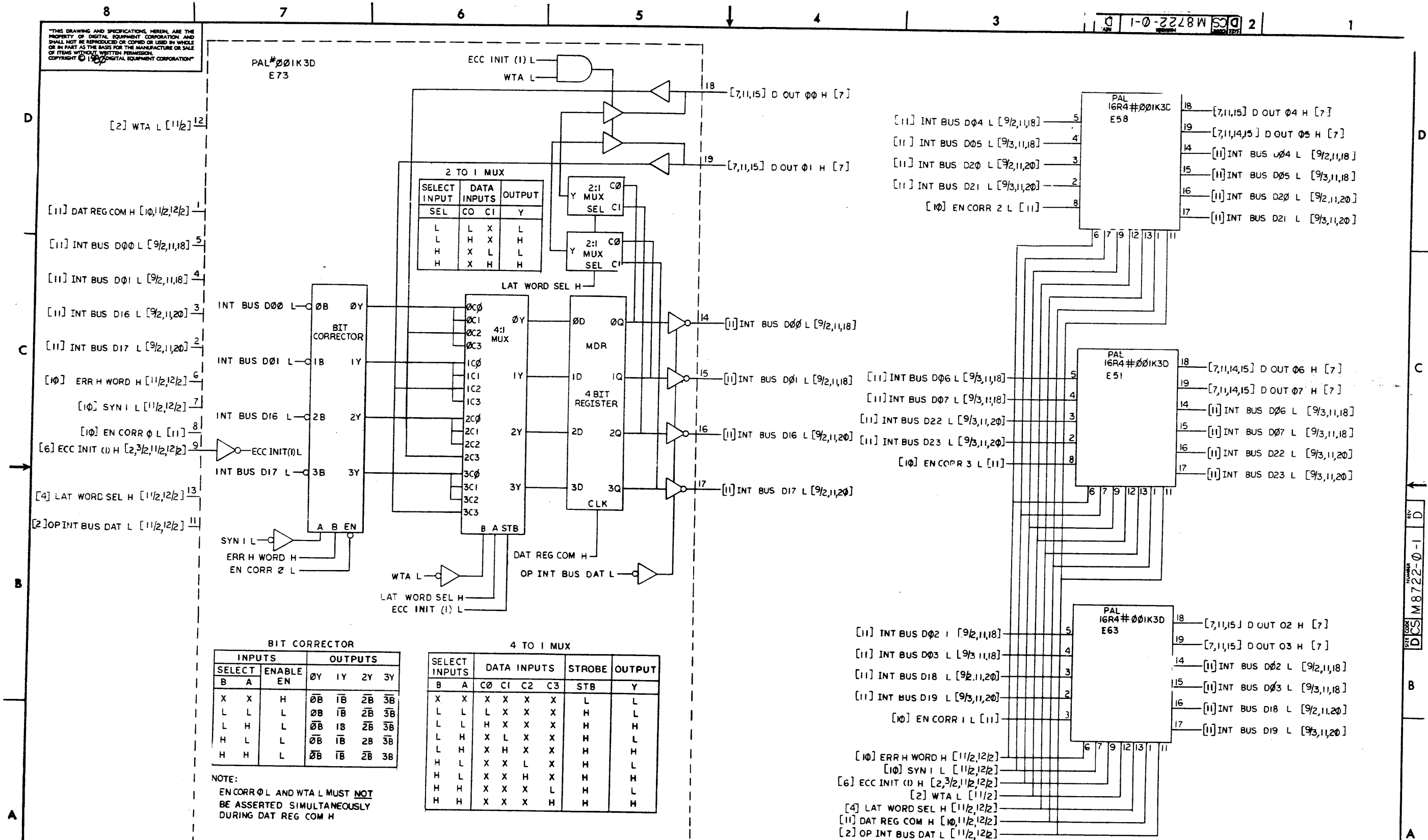


REVISIONS

CHK	CHANGE NO.	REV.

ERROR IN DATA BIT DECODE  
 i.e. EN CORR0 L ASSERTED FOR ERROR IN BITS 0 OR 1 OF LOWER WORD OR UPPER WORD.  
 EN CORR1 L ASSERTED FOR ERROR IN BITS 2 OR 3 OF LOWER WORD OR UPPER WORD ETC.  
 NO OUTPUTS ASSERTED FOR ERROR IN CHECK BIT

THIS DRAWING AND SPECIFICATIONS HEREIN ARE THE PROPERTY OF DIGITAL EQUIPMENT CORPORATION AND SHALL NOT BE REPRODUCED OR COPIED OR USED IN WHOLE OR IN PART AS THE BASIS FOR THE MANUFACTURE OR SALE OF ITEMS WITHOUT WRITTEN PERMISSION. COPYRIGHT © 1977 DIGITAL EQUIPMENT CORPORATION



**BIT CORRECTOR**

INPUTS			OUTPUTS			
SELECT	ENABLE		0Y	1Y	2Y	3Y
B	A	EN	0B	1B	2B	3B
X	X	H	0B	1B	2B	3B
L	L	L	0B	1B	2B	3B
L	H	L	0B	1B	2B	3B
H	L	L	0B	1B	2B	3B
H	H	L	0B	1B	2B	3B

**4 TO 1 MUX**

SELECT INPUTS		DATA INPUTS				STROBE	OUTPUT
B	A	C0	C1	C2	C3	STB	Y
X	X	X	X	X	X	L	L
L	L	L	X	X	X	H	L
L	L	H	X	X	X	H	H
L	H	X	L	X	X	H	L
L	H	X	X	X	X	H	H
H	L	X	X	L	X	H	L
H	L	X	X	H	X	H	H
H	H	X	X	X	L	H	L
H	H	X	X	X	H	H	H

NOTE:  
EN CORR 0 L AND WTA L MUST NOT BE ASSERTED SIMULTANEOUSLY DURING DAT REG COM H

**REVISIONS**

CHK	CHANGE NO.	REV.

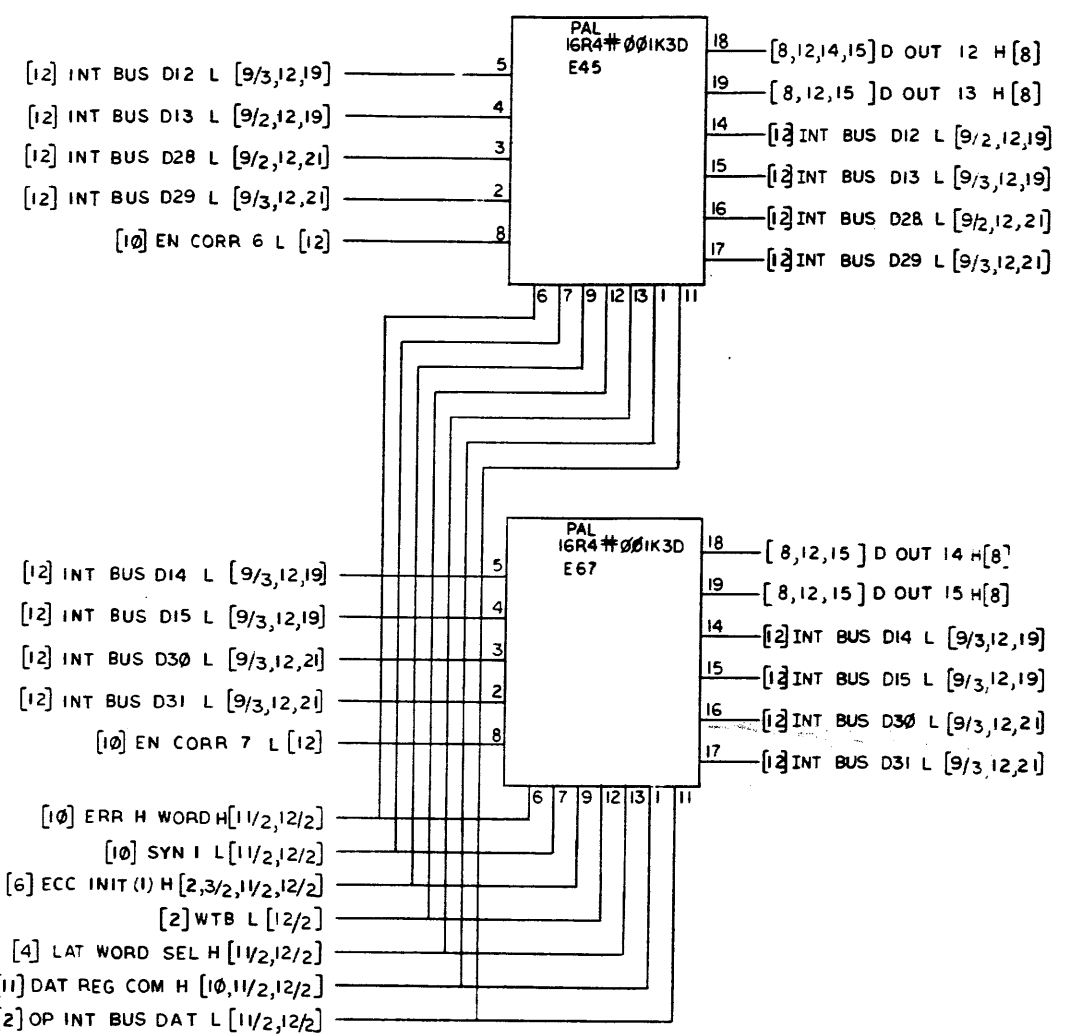
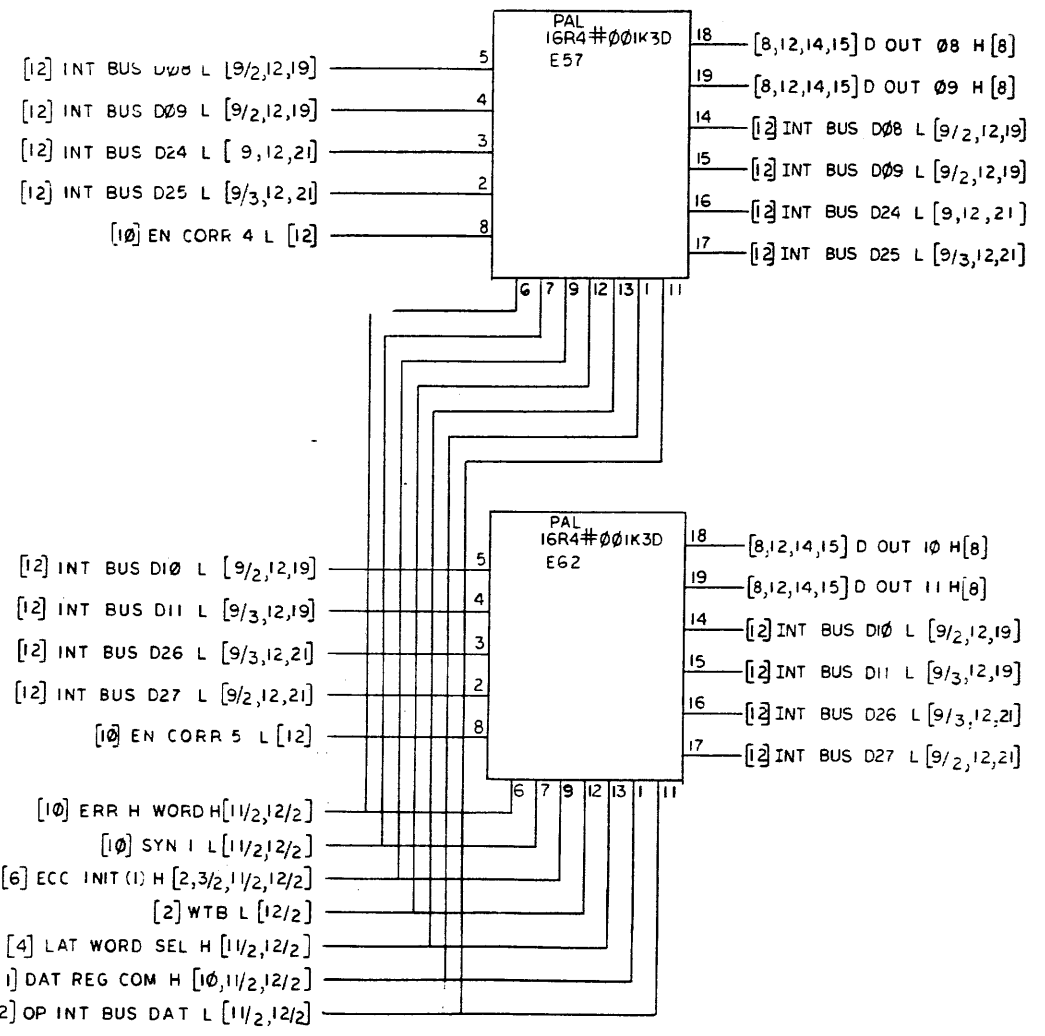
[2] DAT REG CLK A L [11] 12  
[3] DAT REG CLK B L [11] 13

(DATA CORRECTOR, MDR)

TITLE	SIZE CODE	NUMBER	REV.
ECC MOS MEMORY (MSIIM)	D CS M8722-0-1		D
SCALE	SHEET 11 OF 22	DIST.	

REV. D  
M8722-0-1  
DCS

"THIS DRAWING AND SPECIFICATIONS, HEREIN, ARE THE PROPERTY OF DIGITAL EQUIPMENT CORPORATION AND SHALL NOT BE REPRODUCED OR COPIED IN WHOLE OR IN PART AS THE BASIS FOR THE MANUFACTURE OR SALE OF ITEMS WITHOUT WRITTEN PERMISSION. COPYRIGHT © 1987, DIGITAL EQUIPMENT CORPORATION"



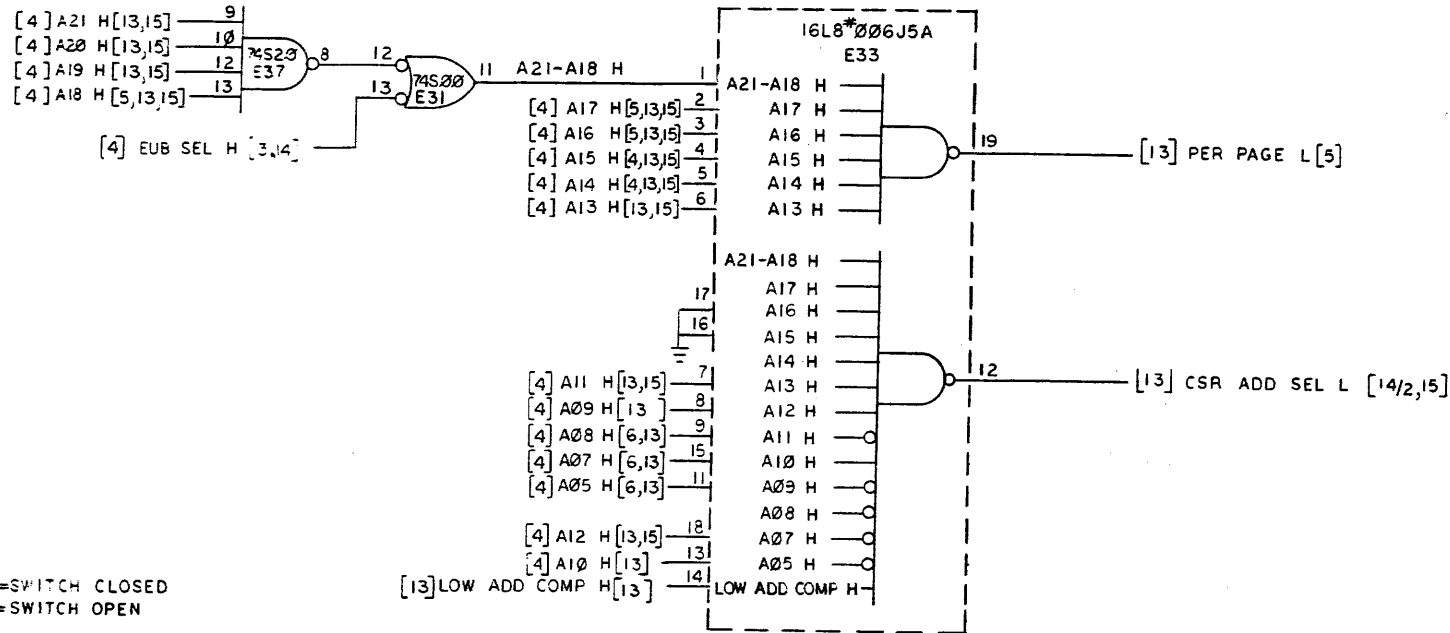
REVISIONS		
CHK	CHANGE NO.	REV.

(DATA CORRECTOR, MDR)

TITLE	SIZE CODE	NUMBER	REV.
ECC MOS MEMORY (MSIIM)	DCS	M8722-0-1	D
SCALE	SHEET	OF	DIST.
	12	22	

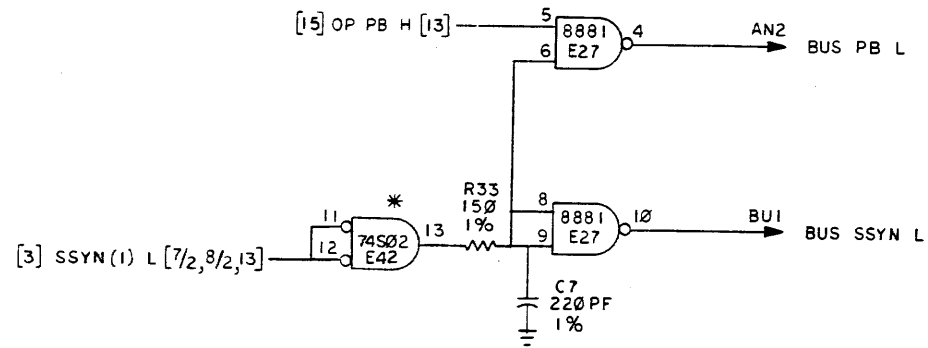
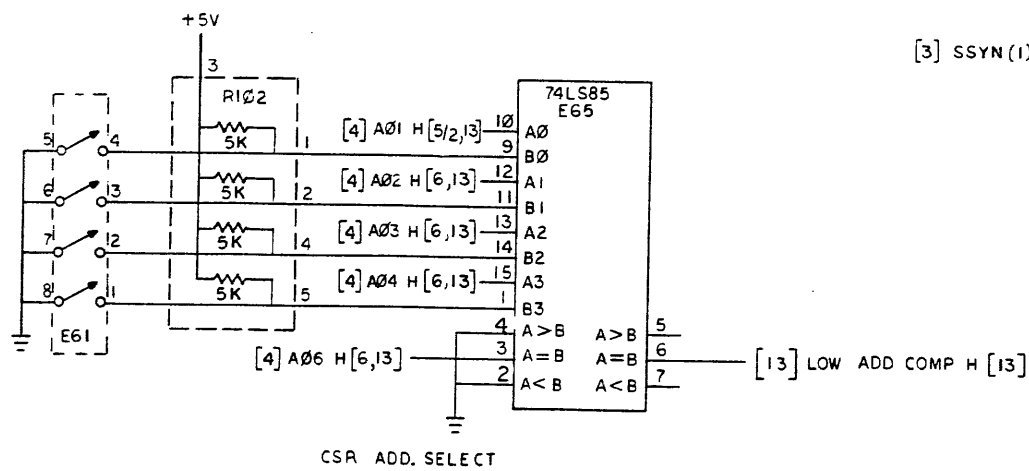
DCS M8722-0-1 D

THIS DRAWING AND SPECIFICATIONS HEREIN ARE THE PROPERTY OF DIGITAL EQUIPMENT CORPORATION AND SHALL NOT BE REPRODUCED OR COPIED OR USED IN WHOLE OR IN PART AS THE BASIS FOR THE MANUFACTURE OR SALE OF ITEMS WITHOUT WRITTEN PERMISSION. COPYRIGHT © 1972 DIGITAL EQUIPMENT CORPORATION



0=SWITCH CLOSED  
1=SWITCH OPEN

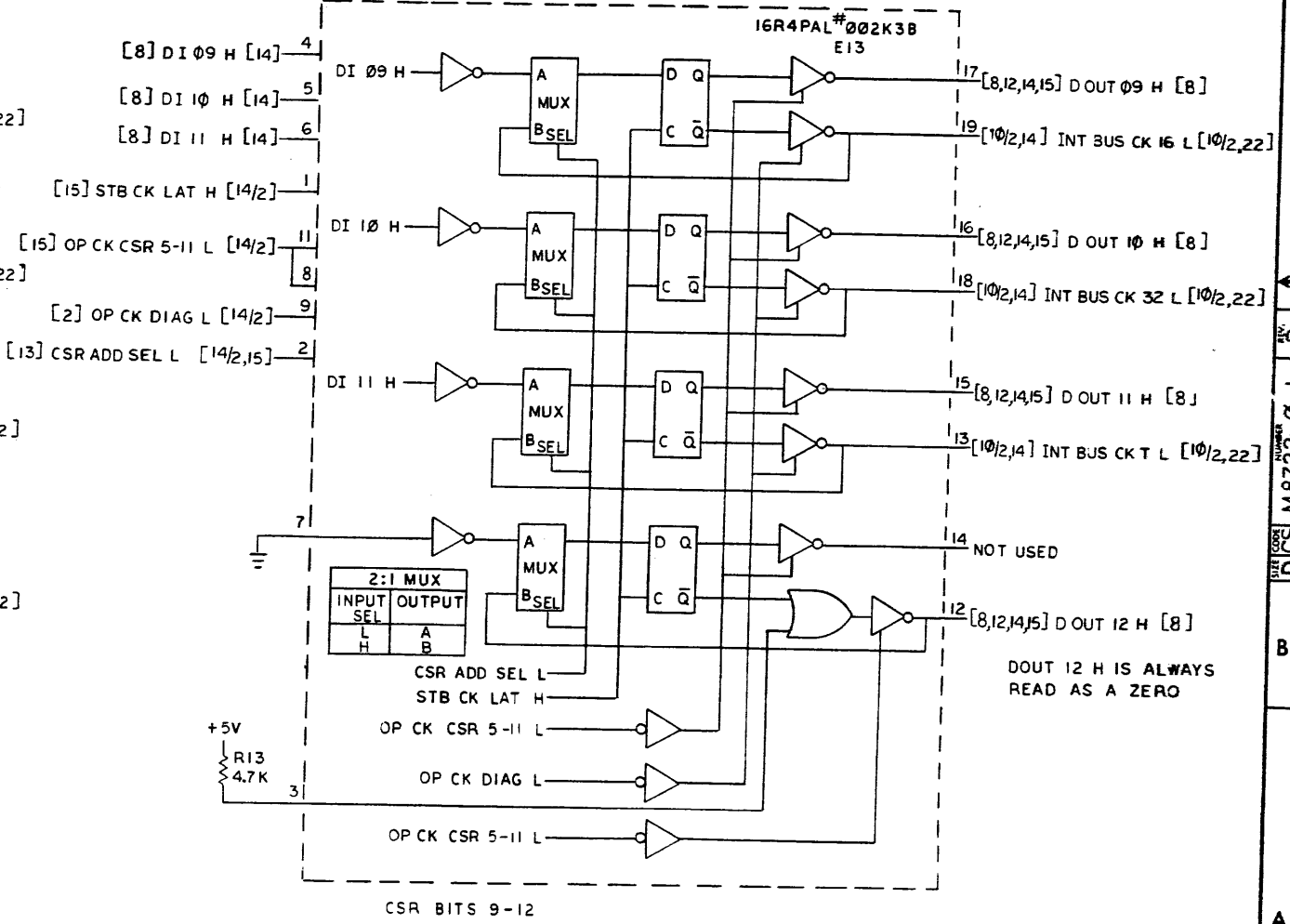
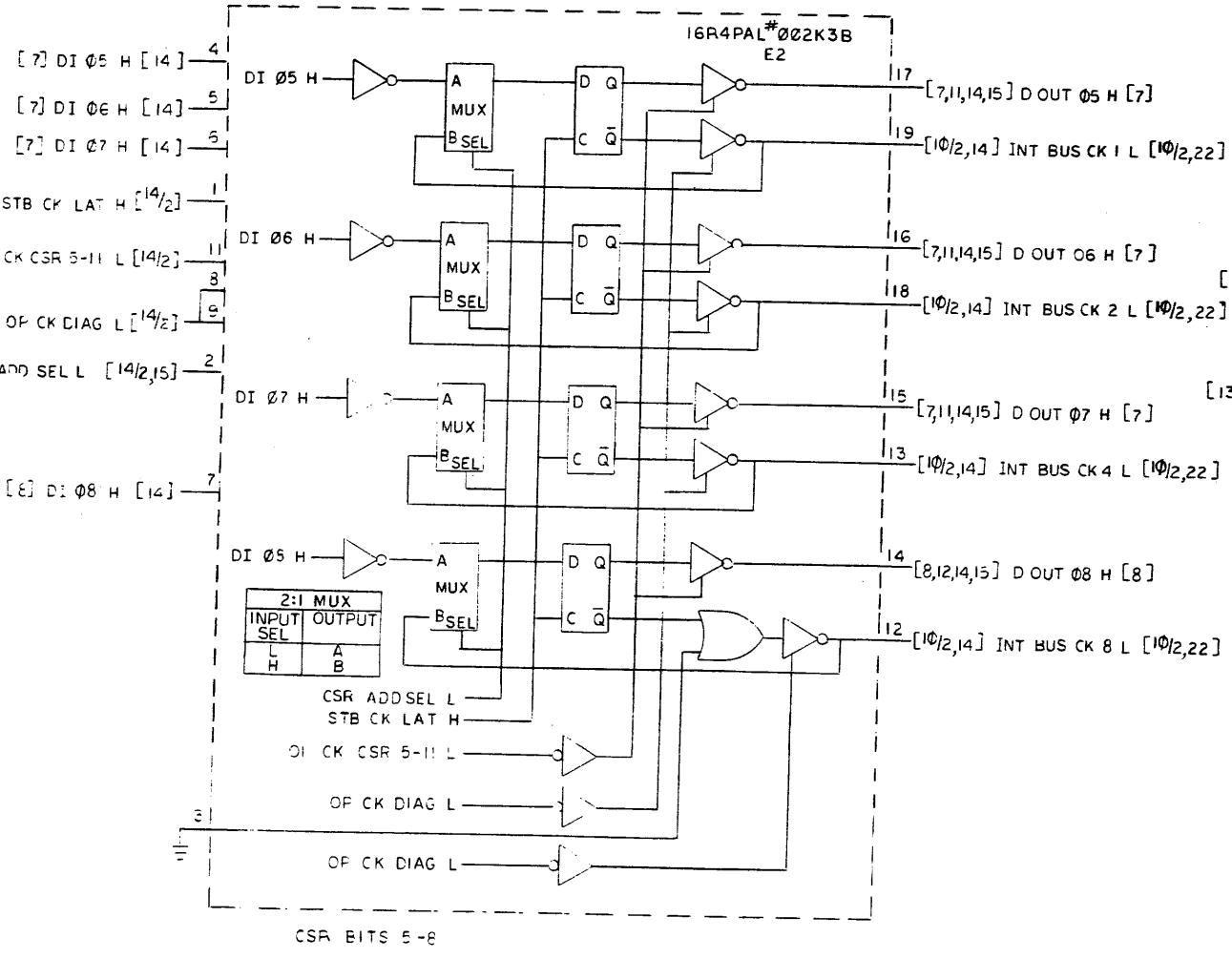
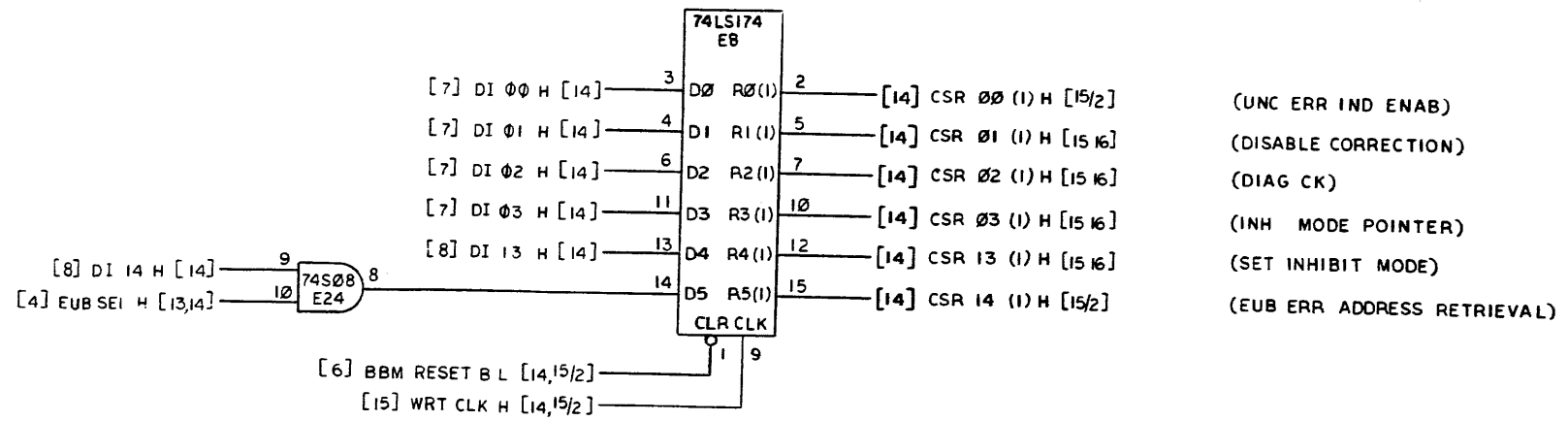
CSR ADDRESS	E61			
	AZ4	A03	A02	A01
772100	0	0	0	0
772102	0	0	0	1
772104	0	0	1	0
772106	0	0	1	1
772110	0	1	0	0
772112	0	1	0	1
772114	0	1	1	0
772116	0	1	1	1
772120	1	0	0	0
772122	1	0	0	1
772124	1	0	1	0
772126	1	0	1	1
772130	1	1	0	0
772132	1	1	0	1
772134	1	1	1	0
772136	1	1	1	1



(CSR ADDRESS SELECTION)

REVISIONS		
CHK	CHANGE NO.	REV.

"THIS DRAWING AND SPECIFICATIONS HEREIN ARE THE PROPERTY OF DIGITAL EQUIPMENT CORPORATION AND SHALL NOT BE REPRODUCED OR COPIED OR USED IN WHOLE OR IN PART AS THE BASIS FOR THE MANUFACTURE OR SALE OF ITEMS WITHOUT WRITTEN PERMISSION. COPYRIGHT © 1980 DIGITAL EQUIPMENT CORPORATION"

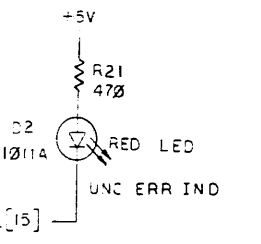
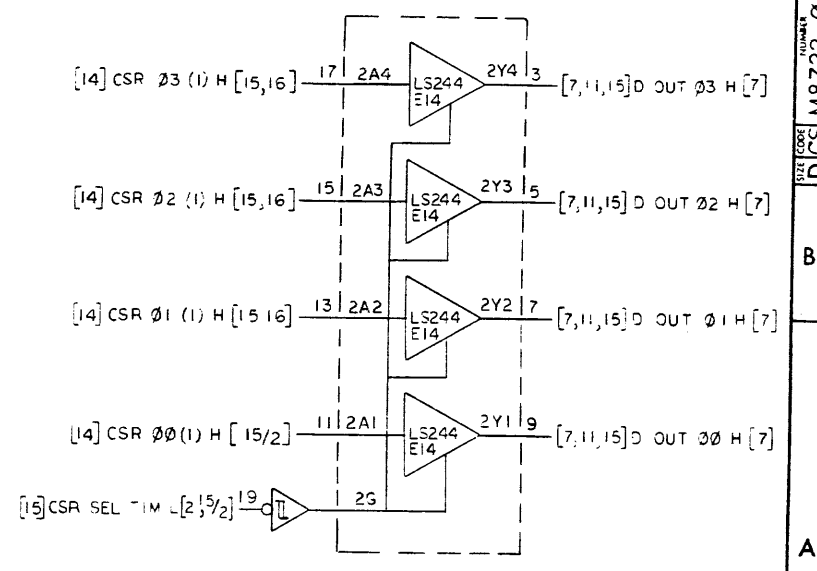
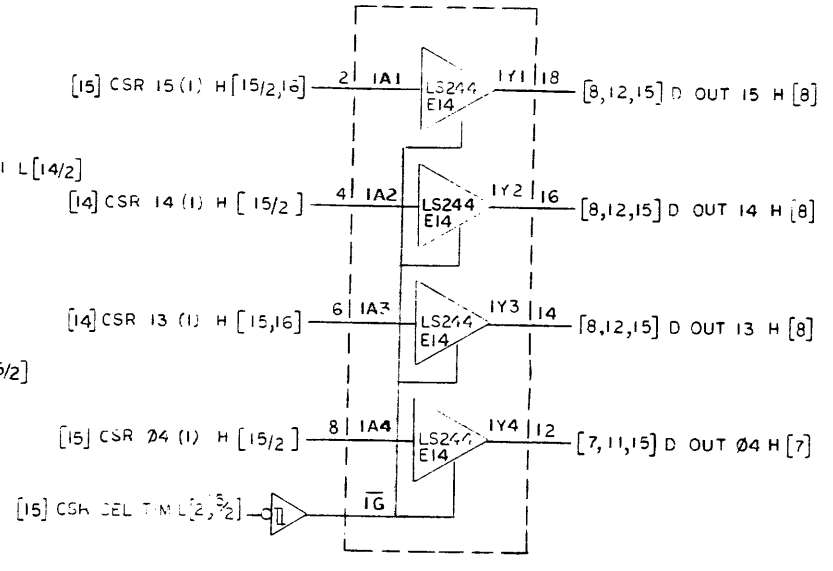
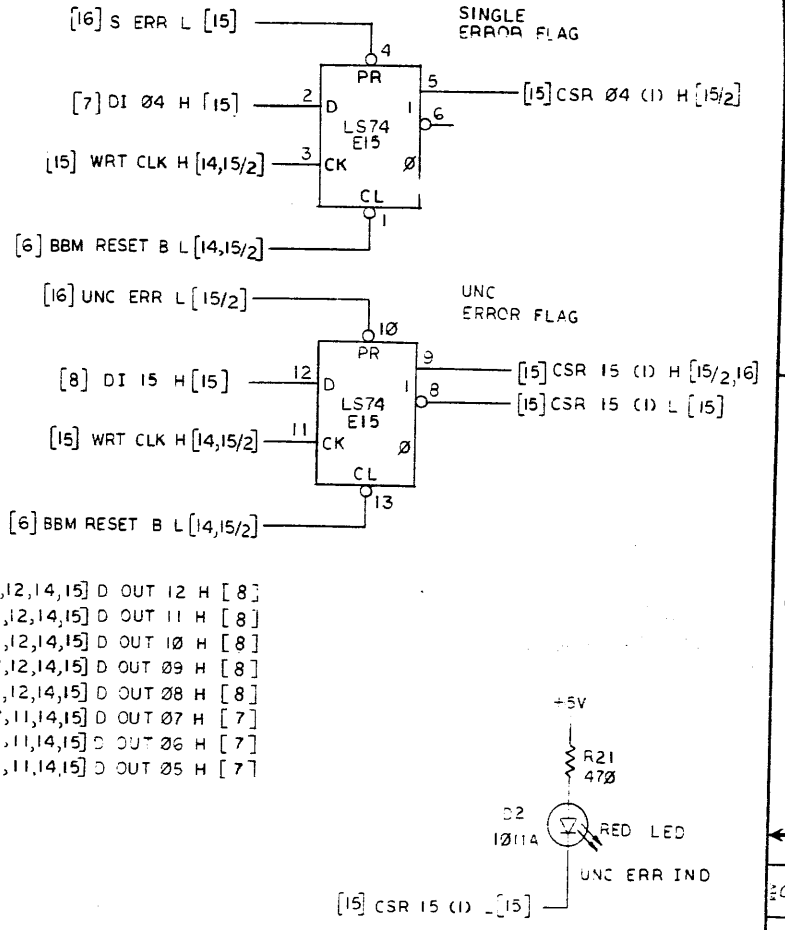
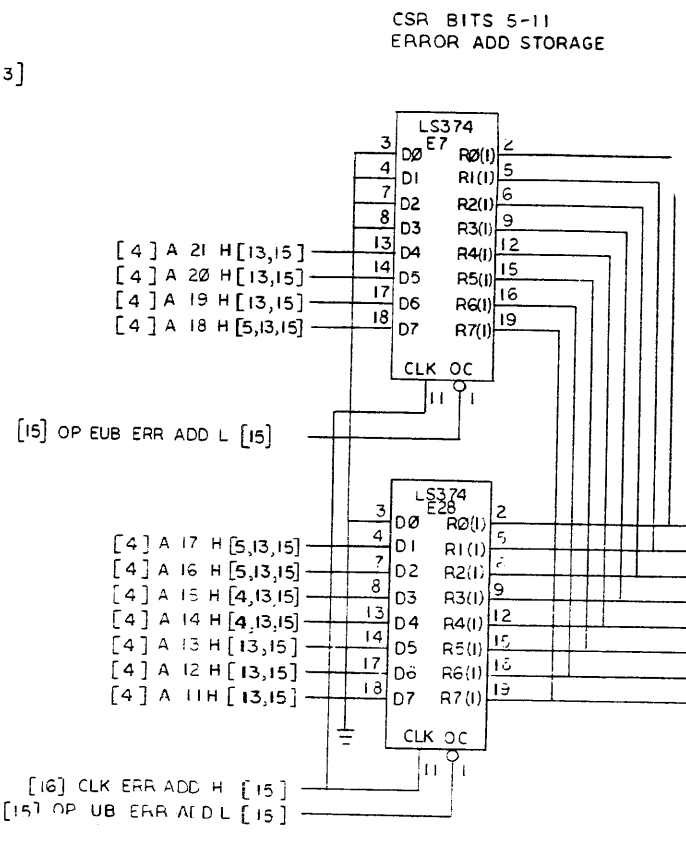
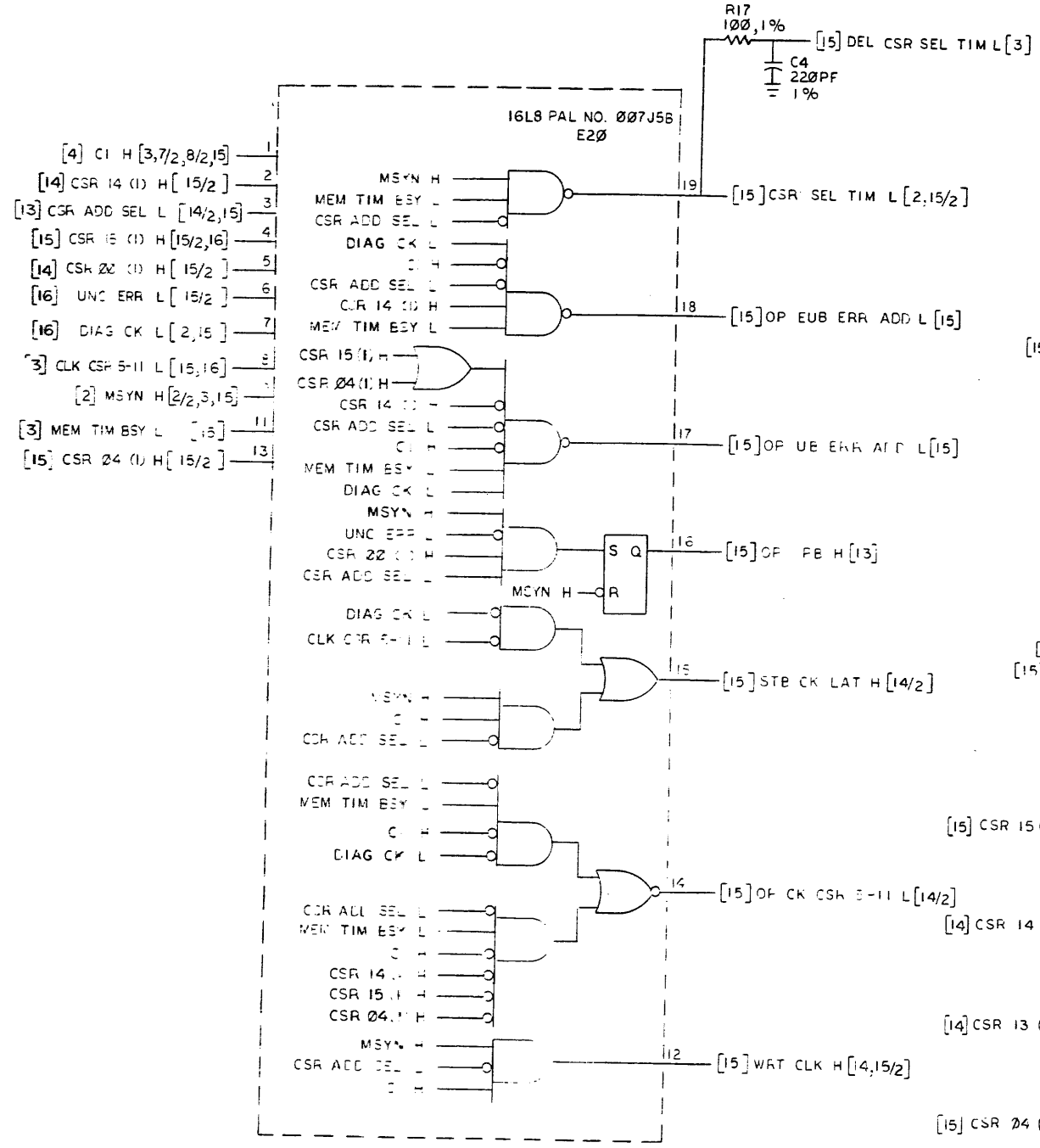


(CSR BITS 00-03, 05-12, 13, 14)

REVISIONS		
CHK	CHANGE NO.	REV.

THIS DRAWING AND SPECIFICATIONS, HEREIN, ARE THE PROPERTY OF DIGITAL EQUIPMENT CORPORATION AND SHALL NOT BE REPRODUCED OR COPIED OR USED IN WHOLE OR IN PART AS THE BASIS FOR THE MANUFACTURE OR SALE OF ITEMS WITHOUT WRITTEN PERMISSION. COPYRIGHT © 1980 DIGITAL EQUIPMENT CORPORATION

D  
C  
B  
A



REVISIONS		
CHK	CHANGE NO.	REV.

CSR CONTROL, CSR ERR ADDR STORAGE, CSR BITS 04,15

TITLE	SIZE CODE	NUMBER	REV.
ECC CMOS MEMORY (MSIIM)	DCS	M8722-0-1	D

SCALE: SHEET 15 OF 22

DCS M8722-0-1

"THIS DRAWING AND SPECIFICATIONS HEREIN ARE THE PROPERTY OF DIGITAL EQUIPMENT CORPORATION AND SHALL NOT BE REPRODUCED OR COPIED OR USED IN WHOLE OR IN PART AS THE BASIS FOR THE MANUFACTURE OR SALE OF ITEMS WITHOUT WRITTEN PERMISSION. COPYRIGHT © 1980 DIGITAL EQUIPMENT CORPORATION"

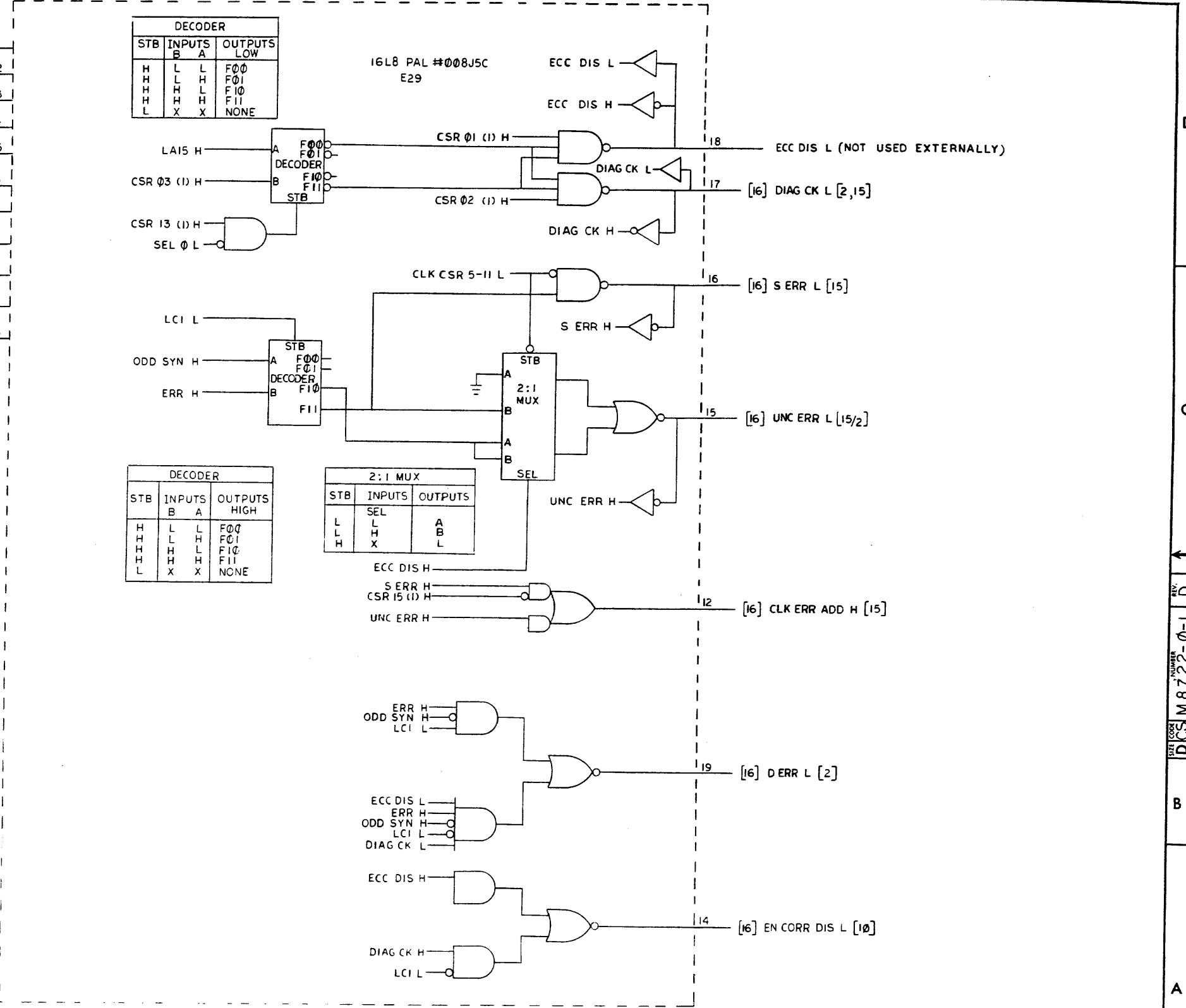
D 1-0-2228W 2

- [14] CSR 01 (1) H [15,16] 1
- [4] LA 15 H [6,16] 2
- [14] CSR 03 (1) H [15,16] 3
- [14] CSR 02 (1) H [15,16] 4
- [14] CSR 13 (1) H [15,16] 5
- [5] SEL 0 L [16] 6
- [10] ODD SYN H [10,16] 7
- [10] ERR H [3,16] 8
- [3] CLK CSR 5-11 L [15,16] 9
- [3] LCI L [2,5,16] 11
- [15] CSR 15 (1) H [15/2,16] 13

DECODER			
STB	INPUTS B	A	OUTPUTS LOW
H	L	L	F00
H	L	H	F01
H	H	L	F10
H	H	H	F11
L	X	X	NONE

DECODER			
STB	INPUTS B	A	OUTPUTS HIGH
H	L	L	F00
H	L	H	F01
H	H	L	F10
H	H	H	F11
L	X	X	NONE

2:1 MUX		
STB	INPUTS SEL	OUTPUTS A B L
L	L	A
L	H	B
H	X	L



REVISIONS		
CHK	CHANGE NO.	REV.

(ERROR CONTROL)

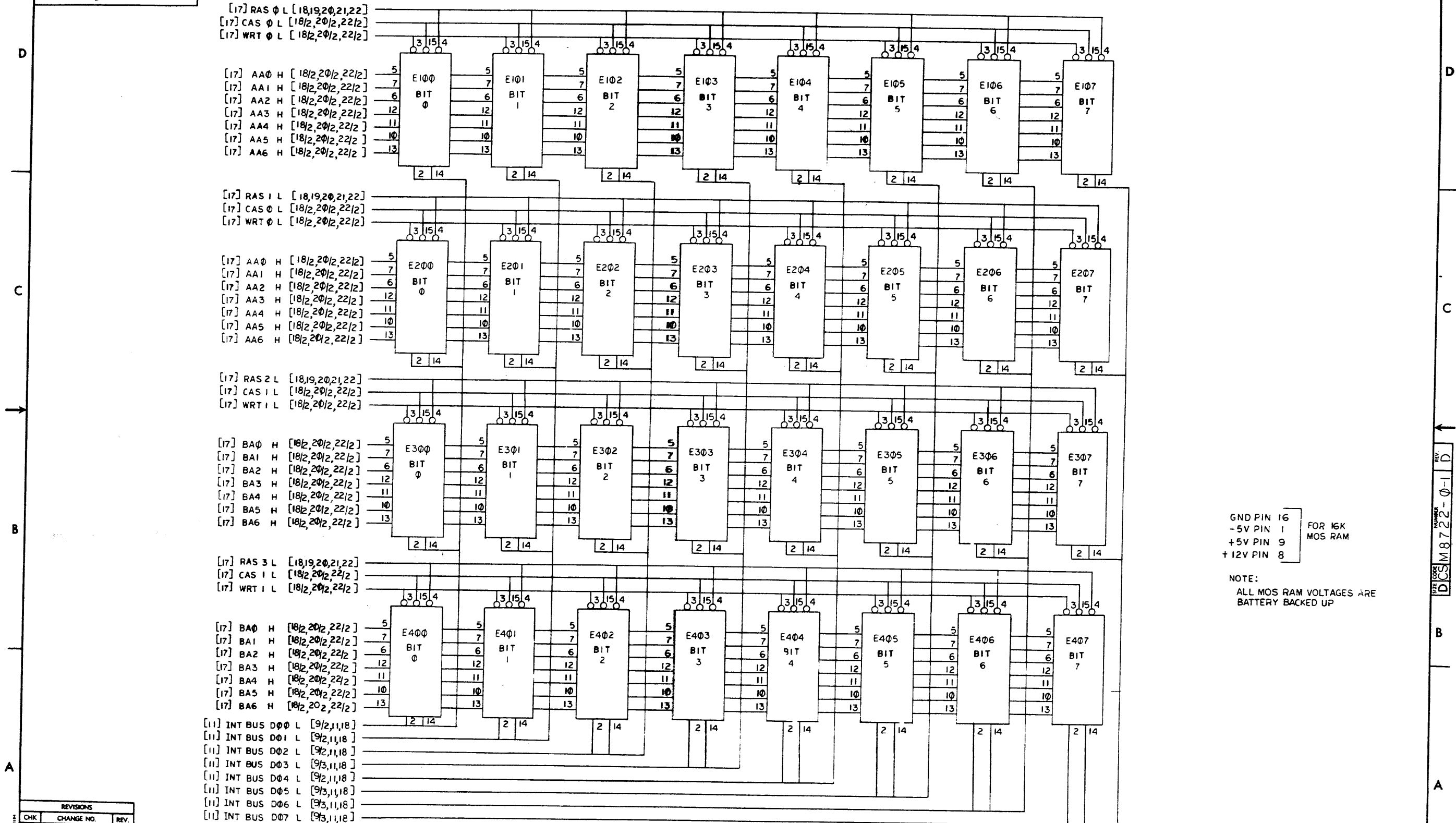
TITLE ECC MOS MEMORY(MSIIM) SIZE CODE DCS NUMBER M 8722-0-1 REV. D  
SCALE SHEET 16 OF 22 DIST.

REV. D DCS M 8722-0-1





THIS DRAWING AND SPECIFICATIONS HEREIN ARE THE PROPERTY OF DIGITAL EQUIPMENT CORPORATION AND SHALL NOT BE REPRODUCED OR COPIED OR USED IN WHOLE OR IN PART AS THE BASIS FOR THE MANUFACTURE OR SALE OF ITEMS WITHOUT WRITTEN PERMISSION.  
 COPYRIGHT © 1980 DIGITAL EQUIPMENT CORPORATION



GND PIN 16  
 -5V PIN 1  
 +5V PIN 9  
 +12V PIN 8

FOR 16K MOS RAM

NOTE:  
 ALL MOS RAM VOLTAGES ARE BATTERY BACKED UP

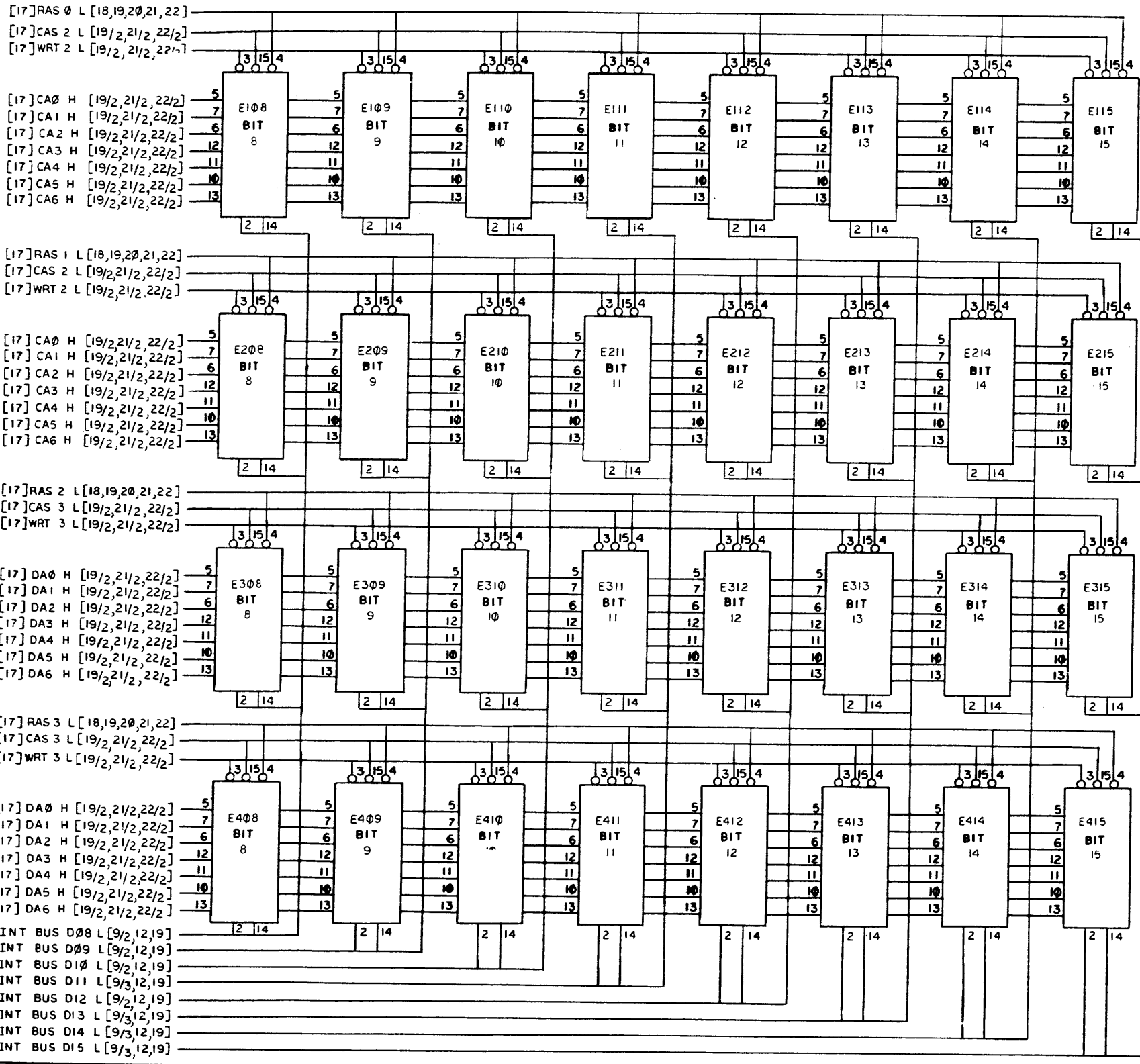
MOS ARRAY (DATA BYTE 0)

REVISIONS		
CHK	CHANGE NO.	REV.

TITLE	SIZE CODE	NUMBER	REV.
ECC MOS MEMORY (MSIIM)	D CS	M8722-0-1	D
SCALE	SHEET 18	OF 22	DIST.

REV. D CS M8722-0-1

"THE DRAWING AND SPECIFICATIONS HEREIN ARE THE PROPERTY OF SPITAL EQUIPMENT CORPORATION AND SHALL NOT BE REPRODUCED OR COPIED OR USED IN WHOLE OR IN PART AS THE BASIS FOR THE MANUFACTURE OR SALE OF ITEMS WITHOUT WRITTEN PERMISSION."  
 SPITAL EQUIPMENT CORPORATION  
 1980



GND PIN 16 FOR 16K  
 -5V PIN 1 MOS RAM  
 +5V PIN 9  
 +12V PIN 8

NOTE: ALL MOS RAM VOLTAGES ARE BATTERY BACKED UP.

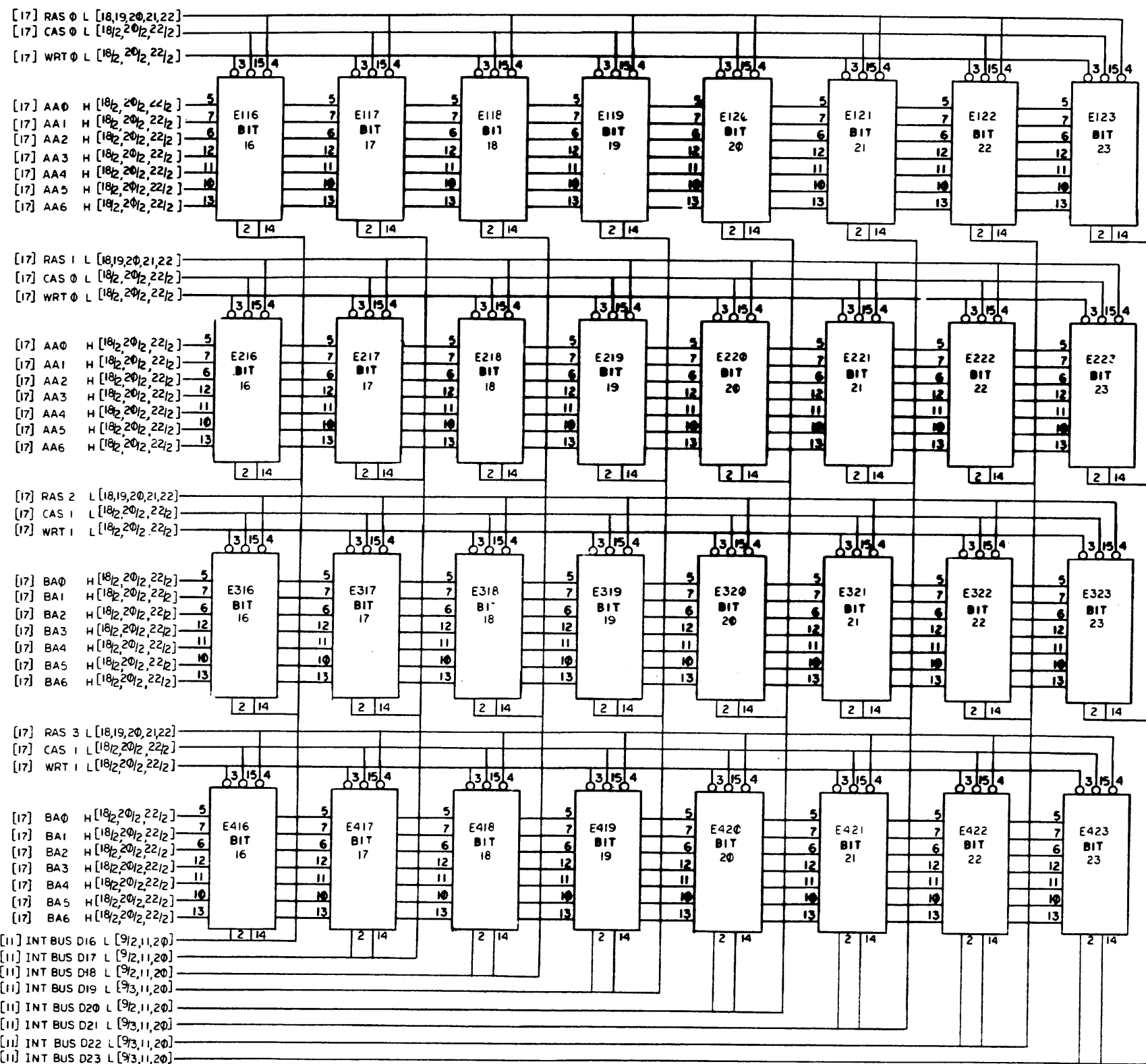
MOS ARRAY (DATA BYTE 1)

REVISIONS		
CHK	CHANGE NO.	REV.

TITLE	SIZE CODE	NUMBER	REV.
ECC MOS MEMORY (MS11M)	DCS	M8722-0-1	D
SCALE	SHEET 19 OF 22	DIST.	

DCS M8722-0-1 D

THE DRAWING AND SPECIFICATIONS HEREIN ARE THE PROPERTY OF SPITAL EQUIPMENT CORPORATION AND SHALL NOT BE REPRODUCED OR COPIED OR USED IN WHOLE OR IN PART AS THE BASIS FOR THE MANUFACTURE OR SALE OF ITEMS WITHOUT WRITTEN PERMISSION. SPITAL EQUIPMENT CORPORATION 1969



GND PIN 16  
 - 5V PIN 1  
 + 5V PIN 9  
 + 12V PIN 8

FOR 16K MOS RAM

NOTE:  
 ALL MOS RAM VOLTAGES ARE BATTERY BACKED UP

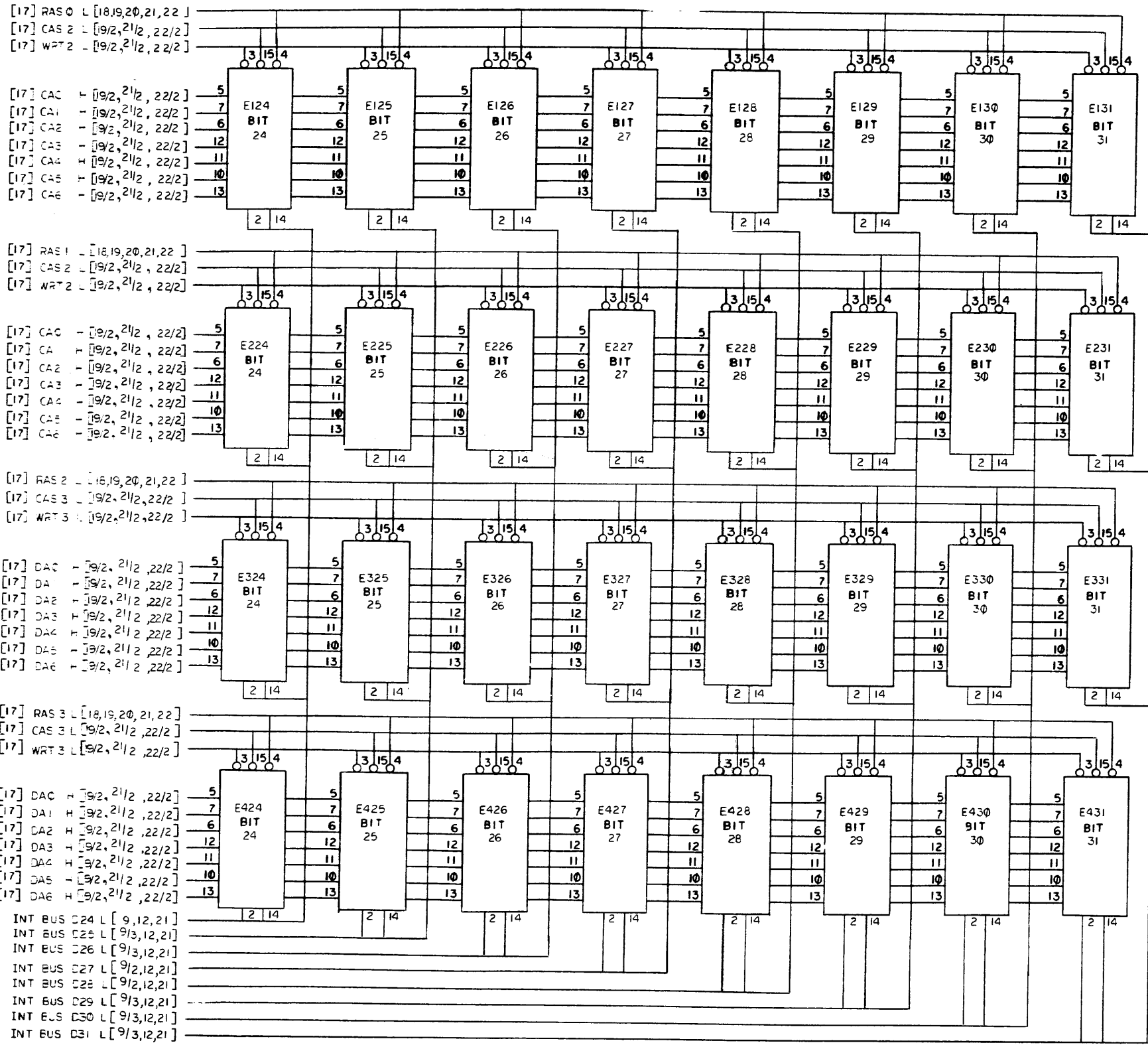
REVISIONS		
CHK	CHANGE NO.	REV.

MOS ARRAY (DATA BYTE 2)

TITLE	SIZE/COOD	NUMBER	REV.
ECC MOS MEMORY (MS11M)	DCS	M8722-0-1	D
SCALE	SHEET 20	OF 22	DIST.

DCS M8722-0-1 D

THIS DRAWING AND SPECIFICATIONS HEREIN ARE THE PROPERTY OF DIGITAL EQUIPMENT CORPORATION AND SHALL NOT BE REPRODUCED OR COPIED OR USED IN WHOLE OR IN PART AS THE BASIS FOR THE MANUFACTURE OR SALE OF ITEMS WITHOUT WRITTEN PERMISSION.  
 DIGITAL EQUIPMENT CORPORATION  
 COPYRIGHT © 1980



GND PIN 16  
 -5V PIN 1  
 +5V PIN 9  
 +12V PIN 8  
 FOR 16K MOS RAM

NOTE:  
 ALL MOS RAM VOLTAGES ARE BATTERY BACKED UP

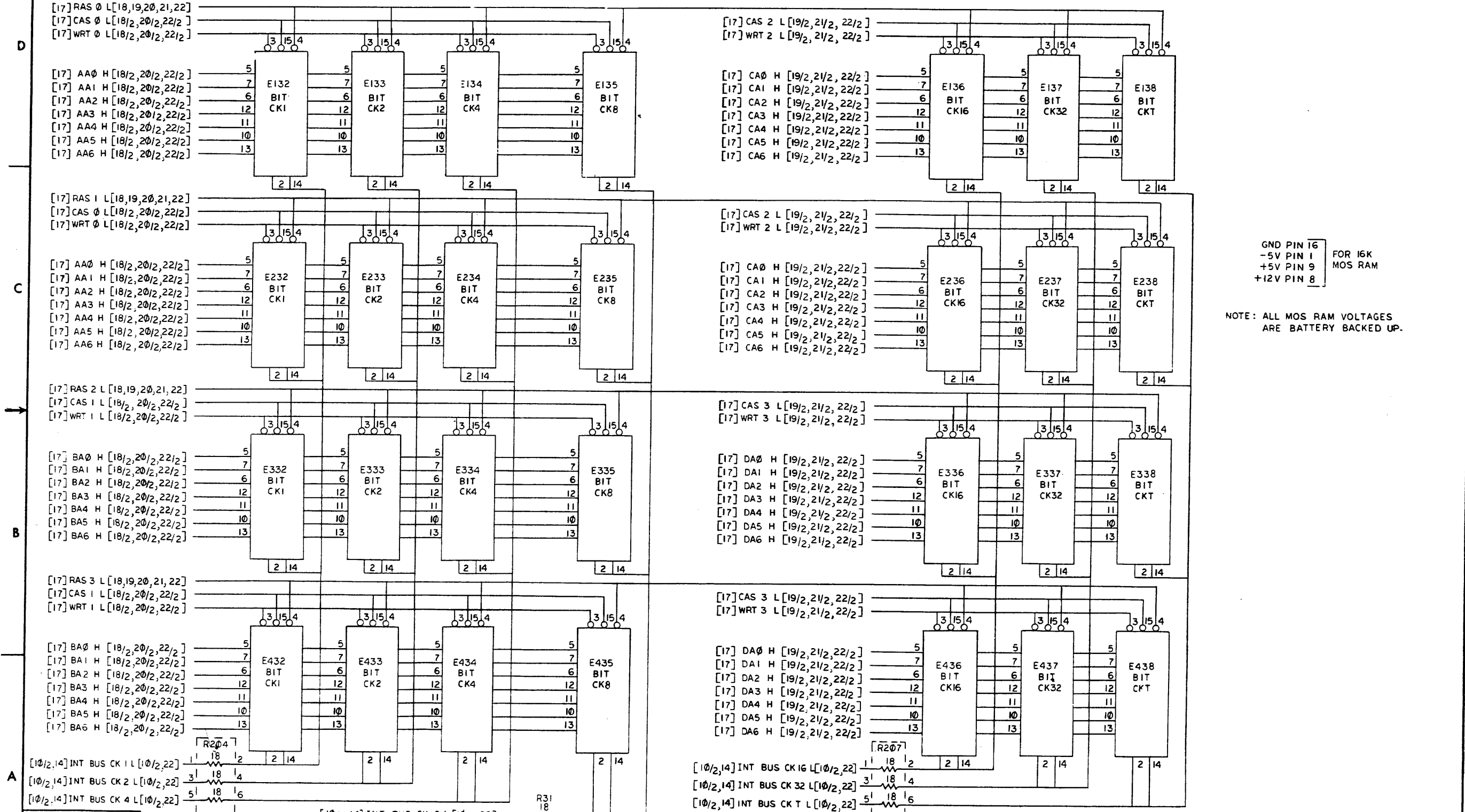
MOS ARRAY (DATA BYTE 3)

REVISIONS		
CHK	CHANGE NO.	REV.

TITLE	SIZE CODE	NUMBER	REV.
ECC MOS MEMORY (MS11M)	DCS	M8722-0-1	D
SCALE	SHEET 21	OF 22	DIST.

DCS M8722-0-1 D

THIS DRAWING AND SPECIFICATIONS HEREIN ARE THE PROPERTY OF DIGITAL EQUIPMENT CORPORATION AND SHALL NOT BE REPRODUCED OR COPIED OR USED IN WHOLE OR IN PART AS THE BASIS FOR THE MANUFACTURE OR SALE OF ITEMS WITHOUT WRITTEN PERMISSION. DIGITAL EQUIPMENT CORPORATION. COPYRIGHT © 1980



GND PIN 16  
 -5V PIN 1 FOR 16K MOS RAM  
 +5V PIN 9  
 +12V PIN 8

NOTE: ALL MOS RAM VOLTAGES ARE BATTERY BACKED UP.

REVISIONS		
CHK	CHANGE NO.	REV.

(CK BIT STORAGE)		TITLE	SIZE/NO.	NUMBER	REV.
		ECC MOS MEMORY (MSIIM)	DCS	M8722-0-1	D
SCALE	SHEET 22 OF 22	DIST.			

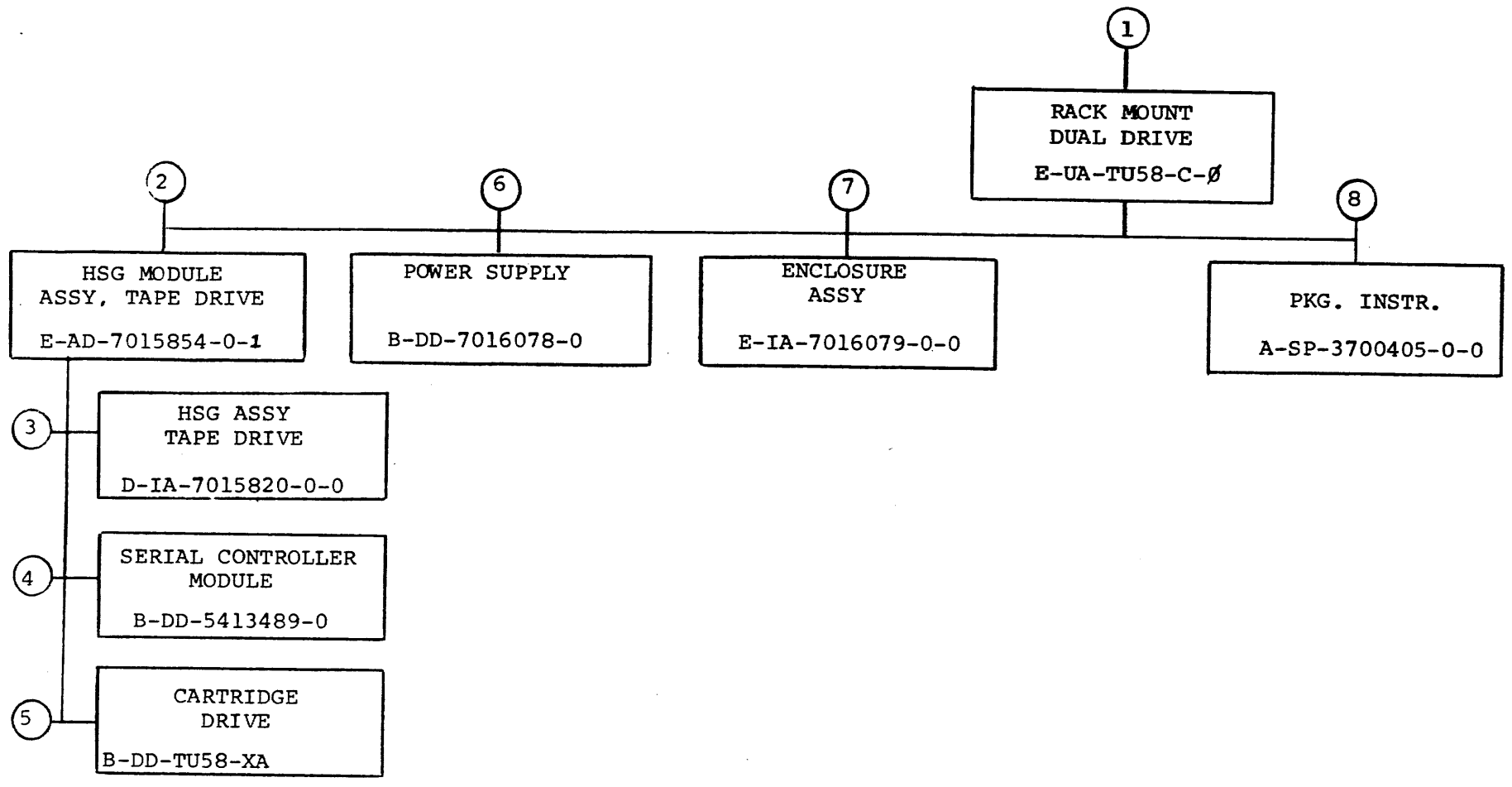
DCS M8722-0-1 D





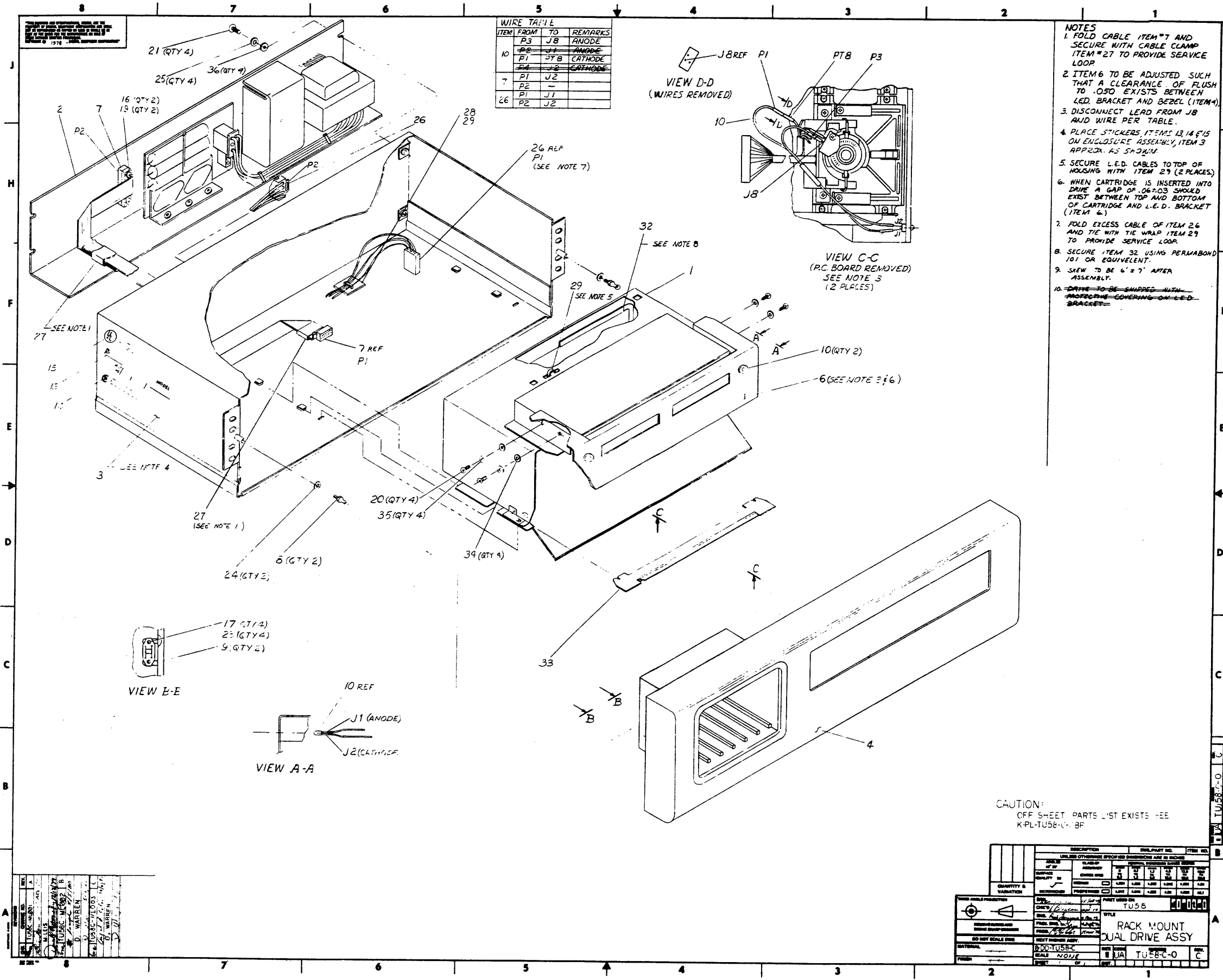






TITLE	SIZE CODE	NUMBER	REV
RACK MOUNT, DUAL DRIVE	B DD	TU58-C	A





ITEM	FROM	TO	REMARKS
10	P3	J8	ANODE
	P1	J7B	CATHODE
7	P1	J2	
	P2	J1	
	P2	J2	

- NOTES**
1. FOLD CABLE ITEM #7 AND SECURE WITH CABLE CLAMP ITEM #27 TO PROVIDE SERVICE LOOP.
  2. ITEM 6 TO BE ADJUSTED SUCH THAT A CLEARANCE OF FLUSH TO .050 EXISTS BETWEEN LED BRACKET AND BEZEL (ITEM 4).
  3. DISCONNECT LEAD FROM J8 AND WIRE PER TABLE.
  4. PLACE STICKERS ITEMS 13, 14 & 15 ON ENCLOSURE ASSEMBLY ITEM 3 APPROX AS SHOWN.
  5. SECURE L.E.D. CABLES TO TOP OF HOUSING WITH ITEM 29 (2 PLACES).
  6. WHEN CARTRIDGE IS INSERTED INTO DRIVE A GAP OF .06±.03 SHOULD EXIST BETWEEN TOP AND BOTTOM OF CARTRIDGE AND L.E.D. BRACKET (ITEM 6).
  7. FOLD EXCESS CABLE OF ITEM 26 AND TIE WITH THE WRAP ITEM 29 TO PROVIDE SERVICE LOOP.
  8. SECURE ITEM 32 USING PERMABOND 101 OR EQUIVALENT.
  9. SKEW TO BE 6' ± 7' AFTER ASSEMBLY.
  10. ~~CABLE TO BE SHIPPED WITH PROTECTIVE COVERING ON L.E.D. BRACKET.~~

CAUTION:  
OFF SHEET PARTS LIST EXISTS SEE  
K-PL-TU56-C-1-BF

REV	DATE	BY	CHKD	DESCRIPTION
1				
2				
3				
4				
5				
6				
7				
8				

QUANTITY	DESCRIPTION	UNIT	REVISION
1	TU56		01-08-60
RACK MOUNT DUAL DRIVE ASSY			
K-PL-TU56-C-1-BF		JJA TU56-C-0	

LINE	ITEM	DOCUMENT NUMBER	PART NUMBER	DESCRIPTION	QUANTITY PER VARIATION	
					CA	CX
1	1	E-AD-7015854-0-0	7015854-01	HOUSING/MODULE ASSY TAPE DRIVE(W	1	1
2	2	D-AD-7016078-0-0	7016078-00	POWER SUPPLY ASSY	1	1
3	3	E-IA-7016079-0-0	7016079-00	ENCLOSURE ASSY	1	1
4	4	C-MD-7422486-0-0	7422486-00	BEZEL,REWORK FOAM	1	1
5	5	BLANK			0	0
6	6	D-MD-7421487-0-0	7421487-00	BRKT, LED MTG, TU58	1	1
7	7	C-IA-7016305-0-0	7016305-1F	CABLE I/O	1	1
8	8		9008149-00	STUD, BALL, 6-32 X .155, .187 DI	2	2
9	9		9008487-00	RETAINER, BALL STUD	2	2
10	10		7017543-00	L.E.D. ASSY.	2	2
11	11	B-IA-7016525-0-0	7016525-00	*** THIS ITEM IS NOT USED ***	-	-
12	12	BLANK			0	0
13	13		3613209-00	LABEL,ELECTRICAL DATA	1	1
14	14		3613211-00	DECAL,CLEAR PREPRINTED CSA 1-1/4	1	1
15	15	A-DC-7416197-0-0	7416197-01	DECAL	1	1
16	16		9006557-00	NUT,KEF , 4-40X 1/4 AF	2	2
17	17		9010036-00	SCREW, SLOTTED HEX. HEAD 4 X 5/1	4	4
18	18		9008301-01	SCREW,PAN,PHIL 4-40X 1/4 SS	4	4
19	19		9008033-01	SCREW,PAN,PHIL 4-40X 9/16 SS	2	2
20	20		9006020-01	SCREW,PAN,PHIL 6-32X 1/4 SS	4	4
21	21		9006039-03	SCREW,TRUS,PHIL, 8-32X 1/2	4	4
22	22		9006656-00	*** THIS ITEM IS NOT USED ***	-	-
23	23		9006632-00	WASHER,LOCK,INT,.2600D X .120ID	4	4
24	24		9006633-00	WASHER,LOCK,INT,.2800D X .146ID	2	2
25	25		9006634-00	WASHER,LOCK,INT,.2300D X .172ID	4	4
26	26	C-IA-7016527-0-0	7016527-1F	1FT. 6 IN. +-1.0 IN.	1	1
27	27		9009636-00	CLAMP, CABLE, FOR FLAT CABLE	2	2
28	28		9008264-00	MOUNT, CABLE TIE, ADHESIVE BACKE	A/R	A/R
29	29		9007031-00	TIE,CABLE BUNDL,DIA 0- 3/4"=101	A/R	A/R
30	30	A-SP-3700405-0-0	3700405-00	INSTR PKG KIT OPTION TU58-CA	1	1

REVISION HISTORY		BASIC PART NO: OTU58		DRN: C.GEISENHAINER		DATE: 09-OCT-80		DIGITAL			
ENG	ECO NUMBER	REV	SECTION A OF A	CHK'D:	D.BRIGHAM	DATE:	09-OCT-80				
DW	TU58C-ML003	C	SECTION. VARIATION INDEX	INDEX	PARTS LIST	DATE:	09-OCT-80	RACK MOUNT DUAL DRIVE ASSY			
			[A] CA,CX		D.BRIGHAM						
			[B]		DES.ENG.: P.LORUSSO	DATE:	09-OCT-80				
			[C]		RESP.ENG.: P.LORUSSO	DATE:	09-OCT-80	DOCUMENT NUMBER			
			[D]					SIZE	CODE	NUMBER	REV
			[E]		MFG.ENG.: P.GIBBS	DATE:	09-OCT-80	K	PL	TU58-C-DBP	C
			[F]		ASSEMBLY NUMBER:	TOP DOCUMENT NUMBER:		FILE NAME:	EDIT #		
					E-UA-TU58-0-0			Z1677C.PLS			3

"THIS DRAWING AND SPECIFICATIONS HEREIN, ARE THE PROPERTY OF DIGITAL EQUIPMENT CORPORATION AND SHALL NOT BE REPRODUCED OR COPIED OR USED IN WHOLE OR IN PART AS THE BASIS FOR THE MANUFACTURE OR SALE OF ITEMS WITHOUT WRITTEN PERMISSION. COPYRIGHT (C) 1980. DIGITAL EQUIPMENT CORPORATION"

AUTOMATED BY PRTLST.3P(44)

P A R T S L I S T

SHEET A2 OF A2

LINE ITEM	DOCUMENT NUMBER	PART NUMBER	DESCRIPTION	QUANTITY PER VARIATION	
				CA	CX
31	31	B-PL-TU58-C-0	#SHIPPING LIST	1	1
32	32	9007035-00	GROMMET #122-37-1500	A/R	A/R
33	33	B-IA-7017424-0-0	7017424-00	1	1
34	34	9006655-00	RETAINING BAR ASSY.	4	4
35	35	9007801-00	WASHER, FLAT, .312 O.D. X .125 I	4	4
36	36	9006660-00	WASHER, LOCK, S.S. #6	4	4
			WASHER, FLAT, .375 O.D. X .187 I	4	4

D	I	G	I	T	A	L	TITLE	SECTION A OF A	SIZE	CODE	DOCUMENT NUMBER	REV
							RACK MOUNT DUAL DRIVE ASSY		K	PL	TU58-C-DBP	C

# DIGITAL EQUIPMENT CORPORATION PARTS LIST

## QUANTITY / VARIATION

**NOTES:**

\* ITEMS 13-16 ARE MOUNTING HARDWARE TO BE BAGGED AND SHIPPED WITH UNIT.

MADE BY DATE	D. MUTNANSKY 3/8/79	CHECKED <i>LB</i> DATE	12-3-79	SECTION
ENG DATE	Paul Ciruso 16 March 1979	PROD DATE	<i>PL</i> 15 MAR '79	ISSUED SECTION

ITEM NO.	DRAWING NO.	PART NO.	DESCRIPTION	QUANTITY / VARIATION												REF DESIGNATION
				TU58-CA	TU58-CX											
1		1700083-02	LINE CORD 115 VAC	1	1											
2		1700090-00	LINE CORD 23Ø VAC	1	1											
3		23765A9-00	BOOT STRAP CHIP	1	1											
4		9906228-00	SHIPPING BOX BOOT STRAP CHIP	1	1											
5	D-UA-BC2ØY-Ø-Ø	BC2ØY-25	40 PIN TO 1Ø PIN DATA CABLE	1	-											
6	D-UA-BC2ØZ-Ø-Ø	BC2ØZ-25	1Ø PIN TO 1Ø PIN DATA CABLE	1	-											
7		9007207-00	FUSE .38 A 25Ø VAC SB	1	1											
8		EX-ØTU58-UG-ØØ1	TU58 USER'S GUIDE (PAPER)	1	1											
9		TU58-K	TU58 MEDIA (TAPE CARTRIDGE)	2	2											
10		MPØØ747	TU58C FIELD MAINTENANCE PRINT	1	1											
11		ZJ287-RG	TU58 DIAGNOSTIC KIT	1	-											
12		* 9906077-03	BAG, COTTON, PARTS	1	-											
13		* 9006073-03	SCREW, TRUSS HD, 10-32 X .50	12	12											
14		* 9006636-00	WASHER, INTERNAL TOOTH. #10	12	12											
15		* 9006664-00	WASHER, FLAT, #10	12	12											
16		* 9007786-00	NUT, SELF-RETAINING, 10-32	12	12											
17	C-MD-7423818-0-0	7423818-00	BRACKET, SUPPORT	2	2											
18	C-MD-7423818-0-1	7423818-01	BRACKET, SUPPORT	2	2											

E.C.O. NO.  
MLØØ1  
MLØØ2

<p>"THIS DRAWING AND SPECIFICATIONS, HEREIN, ARE THE PROPERTY OF DIGITAL EQUIPMENT CORPORATION AND SHALL NOT BE REPRODUCED OR COPIED OR USED IN WHOLE OR IN PART AS THE BASIS FOR THE MANUFACTURE OR SALE OF ITEMS WITHOUT WRITTEN PERMISSION. COPYRIGHT ©1979 DIGITAL EQUIPMENT CORPORATION"</p>	<p>TITLE <b>SHIPPING LIST</b></p>	<p>ASSY NO. E-UA-TU58-C-Ø</p>	<p>SIZE <b>B</b></p>	<p>CODE <b>PL</b></p>	<p>NUMBER TU58-C</p>	<p>REV. <b>B</b></p>
		<p>SHEET <b>1</b> OF <b>1</b></p>	<p>INSERTION PARTS LIST DATA BASE REV</p>			

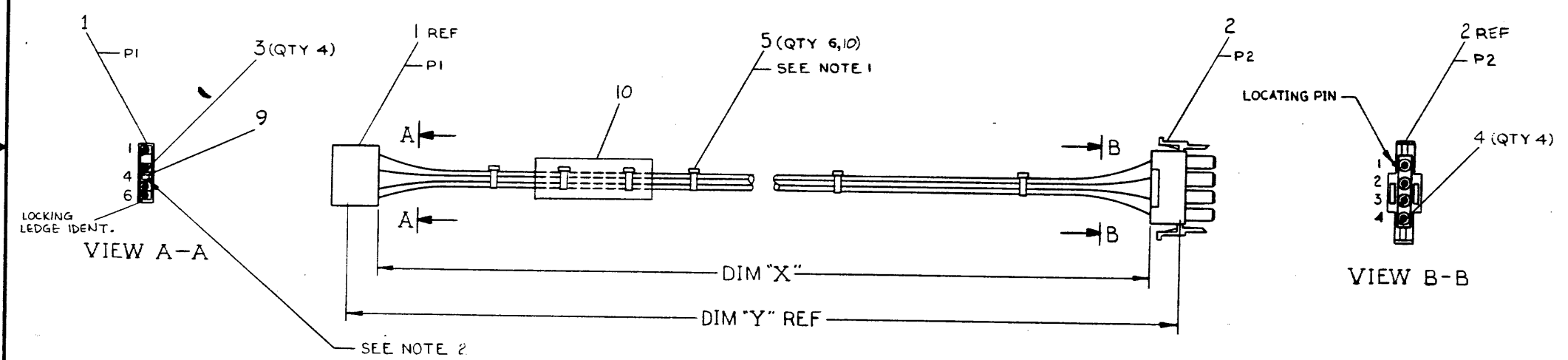
0-0-2299102 2

THIS DRAWING AND INFORMATION HEREON ARE THE PROPERTY OF THE UNITED STATES GOVERNMENT AND ARE TO BE REPRODUCED AND TRANSMITTED IN ANY FORM OR BY ANY MEANS, ELECTRONIC OR MECHANICAL, INCLUDING PHOTOCOPYING, RECORDING, OR BY ANY INFORMATION STORAGE AND RETRIEVAL SYSTEM, WITHOUT PERMISSION IN WRITING FROM THE UNITED STATES GOVERNMENT.

WIRE TABLE							
ITEM NO	DESCRIPTION	FROM	TO	REMARKS			
6	18 BLU	P1-1 1#3	P2-1 2#4	+12V			
7	18 BLK	P1-3 1#3	P2-2 2#4				
7	18 BLK	P1-6 1#3	P2-3 2#4				
8	18 RED	P1-5 1#3	P2-4 2#4	+5V			

LEGEND		
NUMBER	DIM "X" VARIATION	DIM "Y" (PRE-CUT) REF
7016527-02	2 FT - ± 1.0 IN	2 FT - 5 IN
7016527-01	1 FT - ± 1.0 IN	1 FT - 5 IN
7016527-1F	1 FT 6 IN ± 1.0 IN	1 FT - 11 IN

NOTES:  
 1. ATTACH CABLE TIE (ITEM 5) APPROXIMATELY EVERY 3" AS SHOWN.  
 2. INSERT KEY PLUG (ITEM 9) INTO POSITION 4 FROM THIS END.



CAUTION OFF SHEETS PARTS LIST EXIST B-PL-7016527-0-0

REVISIONS  
 1. CHANGE NO. 1  
 2. CHANGE NO. 2  
 3. CHANGE NO. 3  
 4. CHANGE NO. 4  
 5. CHANGE NO. 5  
 6. CHANGE NO. 6  
 7. CHANGE NO. 7  
 8. CHANGE NO. 8  
 9. CHANGE NO. 9  
 10. CHANGE NO. 10

QUANTITY & VARIATION	DESCRIPTION	DISP. PART NO.	ITEM NO.				
	UNLESS OTHERWISE SPECIFIED DIMENSIONS ARE IN INCHES						
WIRE ANGLE PROJECTION	CLASS OF ACCURACY	NORMAL DIMENSION RANGE					
	SURFACE QUALITY	0.005	0.010	0.015	0.020	0.030	0.040
REMOVE BURRS AND BREAK SHARP CORNERS	MEDIUM	0.005	0.010	0.015	0.020	0.030	0.040
	PREFERRED	0.005	0.010	0.015	0.020	0.030	0.040
DO NOT SCALE DIMS	DRN. [Signature]	DATE	2/2/78				
MATERIAL SEE PARTS LIST	FINISH	NONE					
	SCALE	1/1					
FIRST USED ON	TU58	0-0-0-0					
	TITLE	CABLE, TU58 SUPPLY OUTPUT					
NEXT HIGHER ASSY.	D-AD-7016078-0-0	SIZE	COOR				
	SCALE	1/1	NUMBER				
SHEET 1 OF 1	REV.	D IA 7016527-0-0 C					
	DIST.						



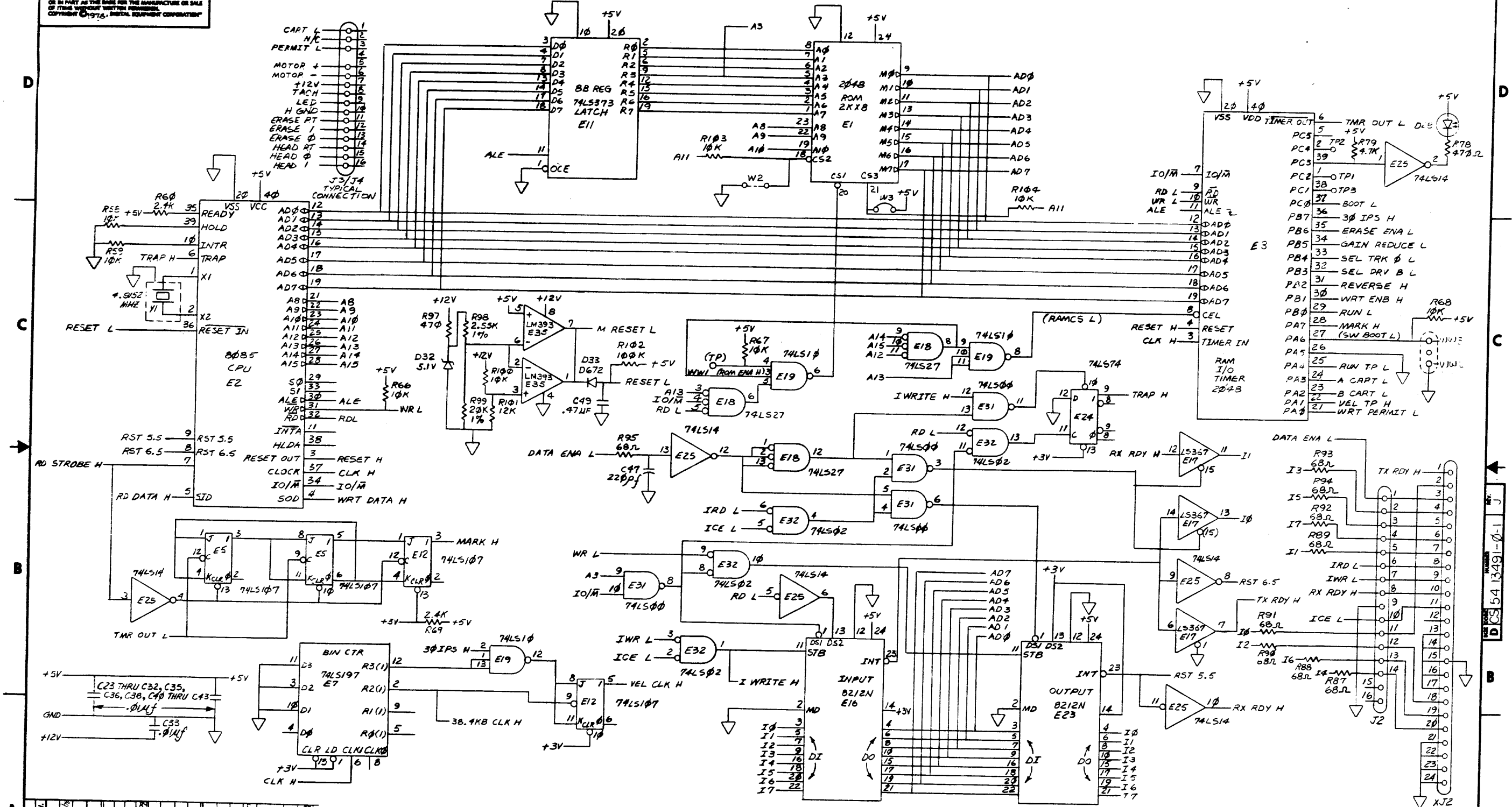








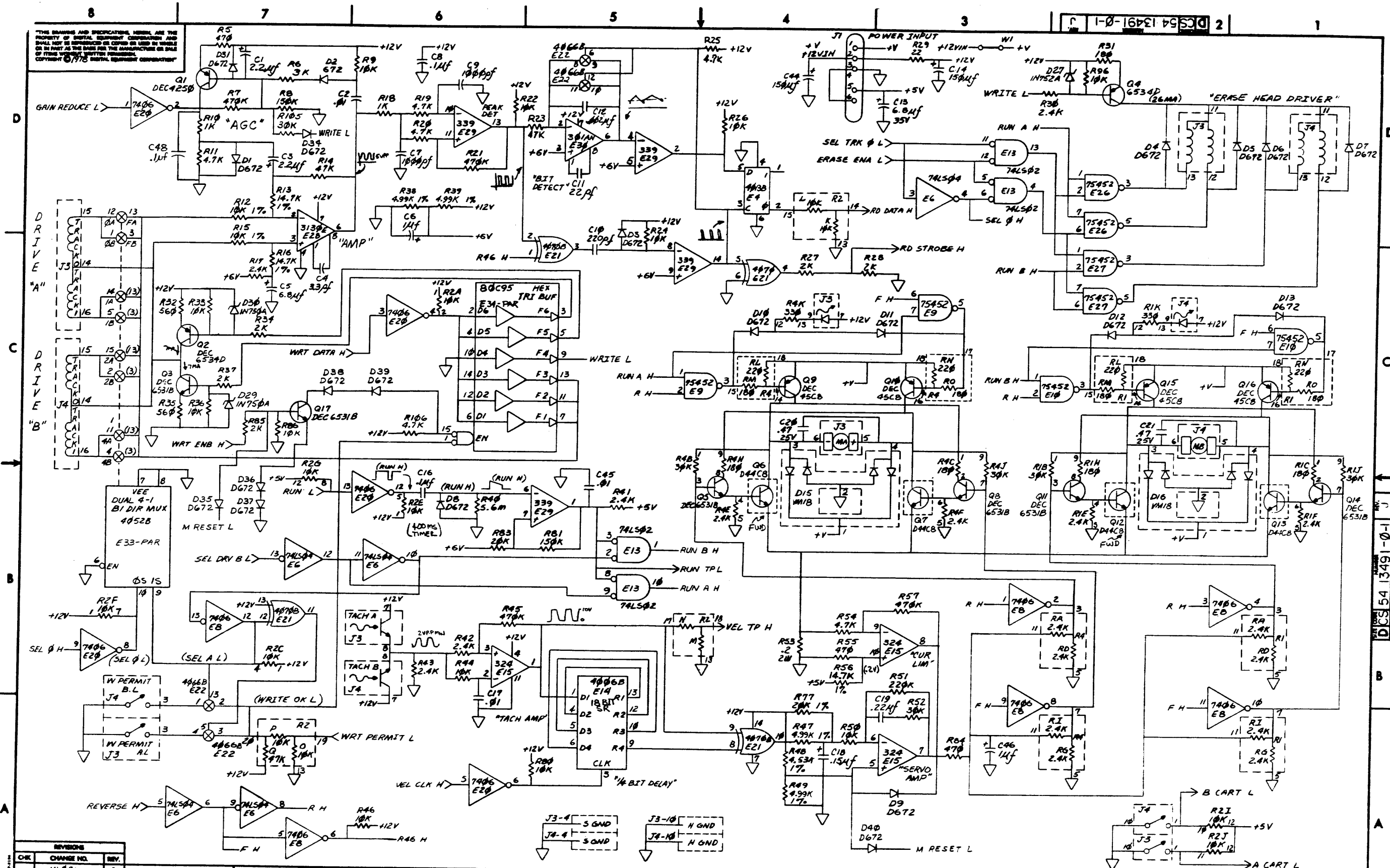
THIS DRAWING AND SPECIFICATIONS HEREIN ARE THE PROPERTY OF DIGITAL EQUIPMENT CORPORATION AND SHALL NOT BE REPRODUCED OR COPIED OR USED IN WHOLE OR IN PART AS THE BASIS FOR THE MANUFACTURE OR SALE OF ITEMS WITHOUT WRITTEN PERMISSION. COPYRIGHT © 1976, DIGITAL EQUIPMENT CORPORATION



REV.	DATE	BY	CHKD	DESCRIPTION
1	1/15/76	M. LEIS	M. LEIS	INITIAL DESIGN
2	2/10/76	M. LEIS	M. LEIS	REVISED FOR BOARD LAYOUT
3	3/10/76	M. LEIS	M. LEIS	REVISED FOR BOARD LAYOUT
4	4/10/76	M. LEIS	M. LEIS	REVISED FOR BOARD LAYOUT
5	5/10/76	M. LEIS	M. LEIS	REVISED FOR BOARD LAYOUT
6	6/10/76	M. LEIS	M. LEIS	REVISED FOR BOARD LAYOUT
7	7/10/76	M. LEIS	M. LEIS	REVISED FOR BOARD LAYOUT
8	8/10/76	M. LEIS	M. LEIS	REVISED FOR BOARD LAYOUT

DRN	7/15/76	FIRST USED ON	TU58
CHK'D	M. LEIS	DATE	6/11/76
ENGR	ROSE	DATE	8/11/76
PROJ. ENGR.	3/20/76	DATE	8/11/76
PROD. ENGR.	8/7/76	DATE	8/7/76
NEXT HIGHER ASSY.			
B-DD-5413491-0		SIZE CODE	D CS
SCALE		NUMBER	54 13491-0-1
SHEET OF 2		DIST.	J

THE BRANDS AND SPECIFICATIONS HEREIN ARE THE PROPERTY OF DIGITAL EQUIPMENT CORPORATION AND SHALL NOT BE REPRODUCED OR COPIED OR USED IN WHOLE OR IN PART AS THE BASIS FOR THE MANUFACTURE OR SALE OF THIS EQUIPMENT WITHOUT PERMISSION. COPYRIGHT © 1976 DIGITAL EQUIPMENT CORPORATION.



REV.	CHANGE NO.	REV.
1	ML001	D
2	6.0.0.1	11/3/76
	M. LEIS	

LINE	ITEM	DOCUMENT NUMBER	PART NUMBER	DESCRIPTION	QTY PER VARIATION	REFERENCE DESIGNATOR
					00	
1	1		5013488-00	TU58 ELECTRONIC SERIAL	1	
2	2		1215816-00	HEADER,100 15POS STRAIGHT	2	J3,J4
3	3		1000021-00	220.0 MMF 100V 5%200PPM MICA	1	C10
4	4		1000023-00	*** THIS ITEM IS NOT USED ***	-	
5	5		1010978-36	.1 MFD 50V 10% CER	3	C8,C16,C47
6	6		1000042-00	1000.0 MMF 100V 5%200PPM MICA	2	C9,C7
7	7		1001610-00	.01 MFD 50V +80-20% 25U CER	17	C2,C17,C27-C33,C35,C36,C38,C40, C41,C42,C43,C45
8	8		1001776-00	1 MFD 35V 10% S.TANT	2	CONT C6,C46
9	9		1002315-00	2000.0 MMF 500V 5%200PPM MICA	1	C12
10	10		1013466-21	3.3 MMF 50V+- .5PF CER	1	C4
11	11		1002431-00	2.2MFD 35V 10% S.TANT	2	C1,C3
12	12		1005306-00	6.8MFD 35V 10% S.TANT	4	C5,C13,C23,C54
13	13		1005334-00	*** THIS ITEM IS NOT USED ***	-	
14	14		1005820-00	22.0 MMF 100V 5%200PPM MICA	1	C11
15	15		1010978-40	.22 MFD 50V 10% CER	1	C19
16	16		1011895-00	.15 MFD 35V 10% S.TANT	1	C18
17	17		1012312-00	*** THIS ITEM IS NOT USED ***	-	
18	18		1100101-00	*** THIS ITEM IS NOT USED ***	-	
19	19		1102808-00	1N 752A VZ= 5.6 5% .40W	1	D27
20	20		1105275-00	D 672 TR= 15NS PIV= 60V SI	25	D1-D13,D31,D33-D43
21	21		1110324-00	LED 1MCD@10MA PIV=3	1	D28
22	22		1115369-00	VM 18 PIV=100 I=1A	2	D15,D16
23	23		1213506-04	HEADER 10POS RT ANGLE W/3 SI	1	J2
24	24		1212385-04	SOCKET 24PIN IC	1	XE1
25	25	USED FOR Q7 & Q12	1213071-06	INSULATOR,RUBBER SILICONE	2	
26	26		1213113-01	*** THIS ITEM IS NOT USED ***	-	
27	27		1213418-01	HEAT SINK,VERTICLE MNT,ALUMINUM	2	
28	28		1300247-00	120.0 .25 W 5.0 % CC	1	R75
29	29		1300274-00	*** THIS ITEM IS NOT USED ***	-	

REVISION HISTORY		BASIC PART NO: 5413487		DRN:	DATE:	DIGITAL					
ENG	ECD NUMBER	REV	SECTION A OF A			PARTS LIST					
---	INIT	C	SECTION.VARIATION INDEX	CHK'D:	P. BOSSMAN	DATE:	6-JUNE-78	TITLE			
!PB	!5413489-ML001	!D	! [A] 00					SERIAL TU58			
!M.L	!5413489-ML003	!E	! [B]								
!ML	!5413489-ML004	!F	! [C]	DES.ENG:	MIKE LEIS	DATE:	22-MAY-78				
!D.M	!5413489-ML006	!H	! [D]					DOCUMENT NUMBER			
			! [E]					SIZE	CODE	NUMBER	REV
			! [F]	RESP.ENG.:	M. LEIS	DATE:	6-JUNE-78				
			! [G]								
			! [H]	MFG.ENG.:	P. BARTON	DATE:	6-JUNE-78	K	PL	5413489-0-DBP	H
			! [I]	ASSEMBLY NUMBER:		TOP DOCUMENT NUMBER:		FILE NAME:		EDIT #	
			! [J]	!E-UA-5413489-0-0		!TU58		! Z0582H.PLS		! 38	

\*THIS DRAWING AND SPECIFICATIONS HEREIN, ARE THE PROPERTY OF DIGITAL EQUIPMENT CORPORATION AND SHALL NOT BE REPRODUCED OR COPIED OR USED IN WHOLE OR IN PART AS THE BASIS FOR THE MANUFACTURE OR SALE OF ITEMS WITHOUT WRITTEN PERMISSION. COPYRIGHT (C) 1980. DIGITAL EQUIPMENT CORPORATION \*

PARTS LIST

LINE	ITEM	DOCUMENT NUMBER	PART NUMBER	DESCRIPTION	QTY	PER VARIATION	REFERENCE DESIGNATOR
					00		
30	30		1300316-00	470.0 .25 W 5.0 % CC	5		R5,R55,R100,R78,R84
31	31		1300365-00	1.0 K .25 W 5.0 % CC	2		R10,R18
32	32		1300295-00	*** THIS ITEM IS NOT USED ***	-		
33	33		1300447-00	4.70 K .25 W 5.0 % CC	8		R11,R19,R20,R25,R54,R79,R76,R105
34	34		1300479-00	10.0 K .25 W 5.0 % CC	21		R9,R22,R24,R26,R44,R46,R50,R58, R59,R66,R67,R68,R90,R33,R36,R96, CONT R86,R73,R97-R99 CONT
35	35		1301322-00	180.0 .25 W 5.0 % CC	1		R31
36	36		1301327-00	68.0 K .25 W 5.0 % CC	1		R72
37	37		1300432-00	3.0 K .25 W 5.0 % CC	1		R6
38	38		1301969-00	22.0 .25 W 5.0 % CC	1		R29
39	39		1302092-00	220.0 K .25 W 5.0 % CC	1		R51
40	40		1302177-00	47.0 K .25 W 5.0 % CC	2		R14,R23
41	41		1302388-00	2.0 K .25 W 5.0 % CC	5		R27,R28,R34,R37,R85
42	42		1302391-00	20.0 K .25 W 5.0 % CC	1		R83
43	43		1302394-00	30.0 K .25 W 5.0 % CC	2		R52,R106
44	44		1302396-00	150.0 K .25 W 5.0 % CC	2		R8,R81
45	45		1302398-00	470.0 K .25 W 5.0 % CC	4		R7,R21,R45,R57
46	46		1302941-00	14.70 K .25 W 1.0 % RN55D-F10	3		R13,R16,R56
47	47		1303177-00	2.40 K .25 W 5.0 % CC	8		R17,R30,R41,R42,R43,R60,R69,R71
48	48		1303312-00	10.0 K .25 W 1.0 % RN55D-F10	2		R12,R15
49	49		1305324-00	4.99 K .25 W 1.0 % RN55D-F10	4		R38,R39,R47,R49
50	50		1309386-00	5.60 M .25 W 5.0 % CC	1		R40
51	51		1001610-01	*** THIS ITEM IS NOT USED ***	-		
52	52		1311466-00	.20 2.0 W 5.0 % WW	1		R53
53	53		1313596-00	20.0 K .25 W 1.0 % RN55D-F10	2		R77,R102
54	54		1315660-00	R NETWORK 16-10K 1-4.7K 20PIN	1		R2
55	55		1315661-00	R NETWORK MULTI-VALUE	2		R1,R4
56	56		1315662-00	R NETWORK 14-2.4K 10.0 % 15PIN	1		R3
57	57		1503409-00	DEC6534D PNP 310MW SI 40 90	2		Q2,Q4
58	58		1509142-00	DEC4250 PNP 200MW SI 40250	1		Q1
59	59		1509338-00	DEC6531B NPN 310MW SI 40 90 P	6		Q3,Q5,Q8,Q11,Q14,Q17
60	60		1510421-00	D 44C8 NPN 30WT SI 60 20	4		Q6,Q7,Q12,Q13
61	61		1510598-00	DEC45C8 PNP 27WT SI 60 20 Y	4		Q9,Q10,Q15,Q16
62	62		1812396-06	XTAL 4.9152 MHZ	1		Y1
63	63		1910282-00	301AN OP AMP	1		E30
64	64		1910645-00	75452 DRIVER,PERIPH,DUAL,	4		E9,E10,E26,E27
65	65		1910741-00	7406 INVERTER GATE-HEX 11	1		E8
66	66		1911242-00	*** THIS ITEM IS NOT USED ***	-		
67	67		1912107-00	324 OP AMP,QUAD	1		E15
68	68		1912108-00	339 VOLT CMPRTR,QUAD	1		E29
69	69		1912799-00	LS00 NAND-GATE-QUAD 2IN,P	2		E17,E19
70	70		1912801-00	LS02 NOR-GATE-QUAD 2IN	1		E13
71	71		1912803-00	774LS04 INVERTER GATE, HEX	2		E6,E25
72	72		1912807-00	LS10 NAND GATE-TRIPLE 3IN	1		E24
73	73		1912813-00	LS27 NOR GATE-TRIPLE 3IN	1		E18
74	74		1912832-00	LS107 FF-JK DUAL MASTER/SL	2		E5,E12
75	75		1912857-00	LS197 COUNTER,BINARY,PRESET	1		E7

D	I	G	I	T	A	L	TITLE	SECTION A	OF A	SIZE	CODE	DOCUMENT NUMBER	REV
							SERIAL TUS8			K	PL	5413489-0-DBP	H



PARTS LIST

LINE	ITEM	DOCUMENT NUMBER	PART NUMBER	DESCRIPTION	QTY PER VARIATION	REFERENCE DESIGNATOR
					00	
76	76		1914451-00	74LS393 COUNTER,BINARY,4BIT	1	E33
77	77		1914466-00	3130E OP AMP MOS/FET IN,CM	1	E28
78	78		1915219-00	LS373 FF-D OCTAL-TRANSPARE	1	E11
79	79		1915415-00	9636 DRIVER,DUAL,EIA RS-	1	E32
80	80		1915416-00	9637 RECEIVER,DUAL,RS-42	1	E34
81	81		1915417-00	9639 DRIVER,DUAL,EIA RS-	1	E31
82	82		2113605-00	4006B SHIFT REG,18 STAGE	1	E14
83	83		2113609-00	4013B FF-D DUAL W/SET/RESE	1	E4
84	84		2113630-00	4052B MULTIPLEXER 4CHAN DI	1	E35
85	85		2113632-00	4066B BILATERAL SWITCH-QUA	1	E22
86	86		2113634-00	4070B X-OR GATE-QUAD CMOS	1	E21
87	87		2113937-00	UART 125K BUAD	1	E16
88	88		2114663-00	MM 80C95 BUFFER-GATE-HEX TRIS	1	E36
89	89		2114963-00	UP,8-BIT NMOS	1	E2
90	90		2114964-00	RAM 2048 MOSJ-STATIC	1	E3
91	91		23089E2-00	E2-01	1	E1
92	92		1212619-07	HEADER.156 6POS STRAIGHT	1	J1
93	93		9009185-00	JUMPER, WIRE, INSULATED, BLACK B	2	W1,W3
94	94	USED FOR Q7 & Q12	9010057-00	WASHER, INSULATING SHOULDER FOR	2	
95	95		1215816-01	HEADER.100 3POS STRAIGHT	1	
96	96		1215816-02	HEADER.100 13POS STRAIGHT	1	
97	97		1215816-03	HEADER.100 8POS STRAIGHT	1	
98	98		9006011-01	SCREW,PAN,PHIL 4-40X 3/8 SS	2	
99	99		9006557-00	NUT,KEP , 4-40X 1/4 AF	2	
100	100		1100124-00	1N 750A VZ= 4.7 5% .40W P	2	D29,D30
101	101		1301890-00	560.0 .25 W 5.0 % CC	2	R32,R35
102	102		1313840-00	4.53 K .25 W 1.0 % RN55D-F10	1	R48
103	103		9105740-55	WIRE(WRAP)30AWG UL1423	A/R	
104	104		1012084-03	150 MFD 15V +75-10% AL EL	2	C44,C14
105	105		9107256-11	*** THIS ITEM IS NOT USED ***	-	
106	106		1910741-01	7406N BUFFER,HEX	1	E20
107	107		5414232-00	*** THIS ITEM IS NOT USED ***	-	
108	108		1310633-00	2.55 K .25 W 1.0 % RN55D-F10	1	R101
109	109		1300488-00	12.0 K .25 W 5.0 % CC	1	R103
110	110		1302466-00	100.0 K .25 W 5.0 % CC	1	R104
111	111		1105871-00	1/4M5.1A21 = 5.1 1% .25W N	1	D32
112	112		1914156-00	LM 393 VOLT.COMPARATOR DUAL	1	E37
113	113		1912098-00	0026 DRIVER,MOS CLOCK,2	1	E38
114	114		1010274-01	.22 MFD 50V +80-20% Z5U CER	4	C50-C53
115	115		1010279-00	.47 MFD 25V 20% CER	3	C20,C21,C49

D	I	G	I	T	A	L	TITLE	SECTION A OF A	SIZE	CODE	DOCUMENT NUMBER	REV
							SERIAL TU58		K	PL	5413489-0-DBP	H



LINE	ITEM	DOCUMENT NUMBER	PART NUMBER	DESCRIPTION	QTY	PER VARIATION	REFERENCE DESIGNATOR
1			5013490-00	TU58 ELECTRONICS PARALLEL	1		
2			1000021-00	220.0 MMF 100V 5%200PPM MICA	2		C10, C47
3			1010978-36	.1 MFD 50V 10% CER	3		C8, C16, C48
4			1000042-00	1000.0 MMF 100V 5%200PPM MICA	2		C9, C7
5			1001610-00	.01 MFD 50V +80-20% 25U CER	21	CONT	C2, C17, C23-C33, C35, C36, C38, C40-C43, C45
6			1001776-00	1 MFD 35V 10% S.TANT	2		C6, C46
7			1002315-00	2000.0 MMF 500V 5%200PPM MICA	1		C12
8			1013466-21	3.3 MMF 50V+- .5PF CER	1		C4
9			1002431-00	2.2MFD 35V 10% S.TANT	2		C1, C3
10			1005306-00	6.8MFD 35V 10% S.TANT	2		C5, C13
11			1005820-00	22.0 MMF 100V 5%200PPM MICA	1		C11
12			1010978-40	.22 MFD 50V 10% CER	1		C19
13			1011895-00	.15 MFD 35V 10% S.TANT	1		C18
14			1012084-03	150 MFD 15V +75-10% AL EL	2		C44, C14
15			1012312-00	*** THIS ITEM IS NOT USED ***	-		
16			1100124-00	1N 750A VZ= 4.7 5% .40W P	2		D29, D30
17			1102808-00	1N 752A VZ= 5.6 5% .40W	1		D27
18			1105275-00	D 672 TR= 15NS PIV= 60V SI	22		D1-D13, D31, D33-D40
19			1110324-00	LED 1MCD@10MA PIV=3	1		D28
20			1115369-00	VM 18 PIV=100 I=1A	2		D15, D16
21			1216106-00	SOCKET 32PIN	1		XJ2
22			1212385-04	SOCKET 24PIN IC	1		XE1
23			1212619-07	HEADER.156 6POS STRAIGHT	1		J1
24			1213071-06	INSULATOR, RUBBER SILICONE	2		
25			1213418-01	HEAT SINK, VERTICLE MNT, ALUMINUM	2		
26			1215816-00	HEADER.100 15POS STRAIGHT	2		J3, J4
27			1215816-01	HEADER.100 3POS STRAIGHT	1		
28			1300219-00	68.0 .25 W 5.0 %	9		R87-R95
29			1300316-00	470.0 .25 W 5.0 %	5		R5, R55, R78, R84, R97

REVISION HISTORY		BASIC PART NO: 5413491		DRN:	D. MUTNANSKY	DATE:	14-JUL-78	D I G I T A L			
ENG:	ECO NUMBER	REV	SECTION A OF A					TITLE PARTS LIST			
---	INIT	C	SECTION VARIATION INDEX	CHK'D:	D. MUTNANSKY	DATE:	08-AUG-78	PARALLEL TU58			
PB	MLO01	D	[A] 00								
M.L.	MLO02	E	[B]								
ML	5413491-MLO03	F	[C]	DES.ENG.:	M. LEIS	DATE:	08-AUG-78				
ML	5413491-MLO05	H	[D]								
ML	5413491-MLO06	J	[E]	RESP.ENG.:	M. LEIS	DATE:	14-JUL-78	DOCUMENT NUMBER			
			[F]					SIZE:	CODE:	NUMBER	REV
			[H]					K	PL	5413491-0-DBF	J
			[J]	MFG.ENG.:	P. BARTON	DATE:	08-AUG-78				
			[K]								
			[L]	ASSEMBLY NUMBER:	D-UA-5413491-0-0	TOP DOCUMENT NUMBER:	TU58	FILE NAME:	Z0583J.PLS	EDIT #	34
			[M]								
			[N]								

"THIS DRAWING AND SPECIFICATIONS HEREIN, ARE THE PROPERTY OF DIGITAL EQUIPMENT CORPORATION AND SHALL NOT BE REPRODUCED OR COPIED OR USED IN WHOLE OR IN PART AS THE BASIS FOR THE MANUFACTURE OR SALE OF ITEMS WITHOUT WRITTEN PERMISSION. COPYRIGHT (C) 1981. DIGITAL EQUIPMENT CORPORATION"

LINE	ITEM	DOCUMENT NUMBER	PART NUMBER	DESCRIPTION	QTY	PER VARIATION	REFERENCE DESIGNATOR
					CC		
30	33		1300365-00	1.0 K .25 W 5.0 %	CC	2	R10,R18
31	35		1300447-00	4.70 K .25 W 5.0 %	CC	7	R11,R19,R20,R25,R54,R79,R106
32	36		1300479-00	10.0 K .25 W 5.0 %	CC	20	R9,R22,R24,R26,R44,R46,R50,R58, R59,R66-R68,R80,R33,R36,R95,R86, R100,R103,R104
							CONT
							CONT
33	37		1301322-00	180.0 .25 W 5.0 %	CC	1	R31
34	38		1300432-00	3.0 K .25 W 5.0 %	CC	1	R6
35	39		1301890-00	560.0 .25 W 5.0 %	CC	2	R32,R35
36	40		1301969-00	22.0 .25 W 5.0 %	CC	1	R29
37	41		1302092-00	220.0 K .25 W 5.0 %	CC	1	R51
38	42		1302177-00	47.0 K .25 W 5.0 %	CC	2	R14,R23
39	43		1302368-00	2.0 K .25 W 5.0 %	CC	5	R27,R28,R34,R37,R85
40	44		1302391-00	20.0 K .25 W 5.0 %	CC	1	R83
41	45		1302394-00	30.0 K .25 W 5.0 %	CC	2	R52,R105
42	46		1302396-00	150.0 K .25 W 5.0 %	CC	2	R8,R81
43	47		1302398-00	470.0 K .25 W 5.0 %	CC	4	R7,R21,R45,R57
44	48		1302941-00	14.70 K .25 W 1.0 %	RN55D-F10	3	R13,R16,R56
45	49		1303177-00	2.40 K .25 W 5.0 %	CC	7	R17,R30,R41-R43,R60,R69
46	50		1303312-00	10.0 K .25 W 1.0 %	RN55D-F10	2	R12,R15
47	51		1305324-00	4.99 K .25 W 1.0 %	RN55D-F10	4	R38,R39,R47,R49
48	52		1309386-00	5.60 M .25 W 5.0 %	CC	1	R40
49	53		1311466-00	.20 2.0 W 5.0 %	WN	1	R53
50	54		1313596-00	20.0 K .25 W 1.0 %	RN55D-F10	2	R77,R99
51	55		1313840-00	4.53 K .25 W 1.0 %	RN55D-F10	1	R48
52	56		1315660-00	R NETWORK 16-10K 1-4.7K 20PIN		1	R2
53	57		1315661-00	R NETWORK MULTI-VALUE		2	R1,R4
54	58		1503409-00	DEC6534D PNP 310MW SI 40 90		2	Q2,Q4
55	59		1509142-00	DEC4250 PNP 200MW SI 40250		1	Q1
56	60		1509338-00	DEC6531B NPN 310MW SI 40 90 F		6	Q3,Q5,Q8,Q11,Q14,Q17
57	61		1510421-00	D 4408 NPN 30WT SI 60 20		4	Q6,Q7,Q12,Q13
58	62		1510598-00	DEC4508 PNP 27WT SI 60 20 Y		4	Q9,Q10,Q15,Q16
59	63		1812396-06	XTAL 4.9152 MHZ		1	Y1
60	64		1910282-00	301AN OP AMP		1	E30
61	65		1910645-00	75452 DRIVER,PERIPH,DUAL		4	E9,E10,E26,E27
62	66		1910741-00	7406 INVERTER GATE-HEX 11		1	E8
63	67		1912107-00	324 OP AMP,QUAD		1	E15
64	68		1912108-00	339 VOLT CMPRTR,QUAD		1	E29
65	69		1912799-00	LS00 NAND-GATE-QUAD 2IN,F		1	E31
66	70		1912801-00	LS02 NOR-GATE-QUAD 2IN		2	E13,E32
67	71		1912803-00	6504 INVERTER GATE,HEL		1	E6
68	72		1912813-00	LS27 NOR GATE-TRIPLE 3IN		1	E18
69	73		1912824-00	LS74 FF-D DUAL,EDGE TRIGG		1	E24
70	74		1912832-00	LS107 FF-JK DUAL MASTER/SL		2	E5,E12
71	75		1913414-00	LS14 INVERTER GATE-HEX SC		1	E25
72	76		1512857-00	LS197 COUNTER,BINARY,PRESET		1	E7
73	77		1913471-00	LS367 DRIVER,BUS,HEX,TRI-		1	E17
74	78		1913667-00	DP 8212N BUFFER 8 BIT TRISTA		2	E16,E23
75	79		1914466-00	3130E OP AMP MOS/FET IN,CM		1	E28

D	I	G	I	T	A	L	TITLE	PARALLEL TUSS	SECTION A OF A	SIZE	CODE	DOCUMENT NUMBER	REV
										K	PL	5413491-0-DBP	J

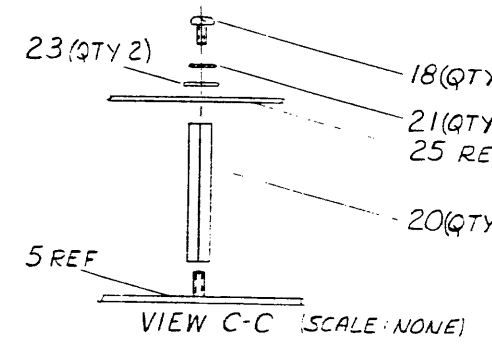
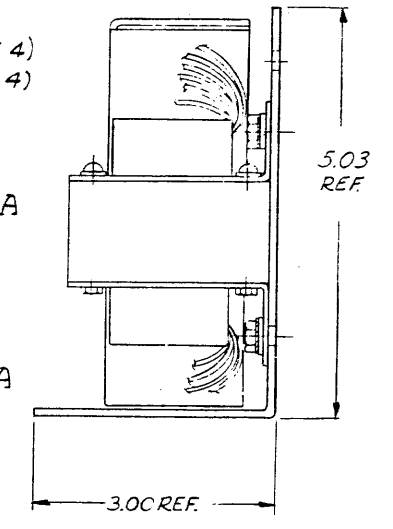
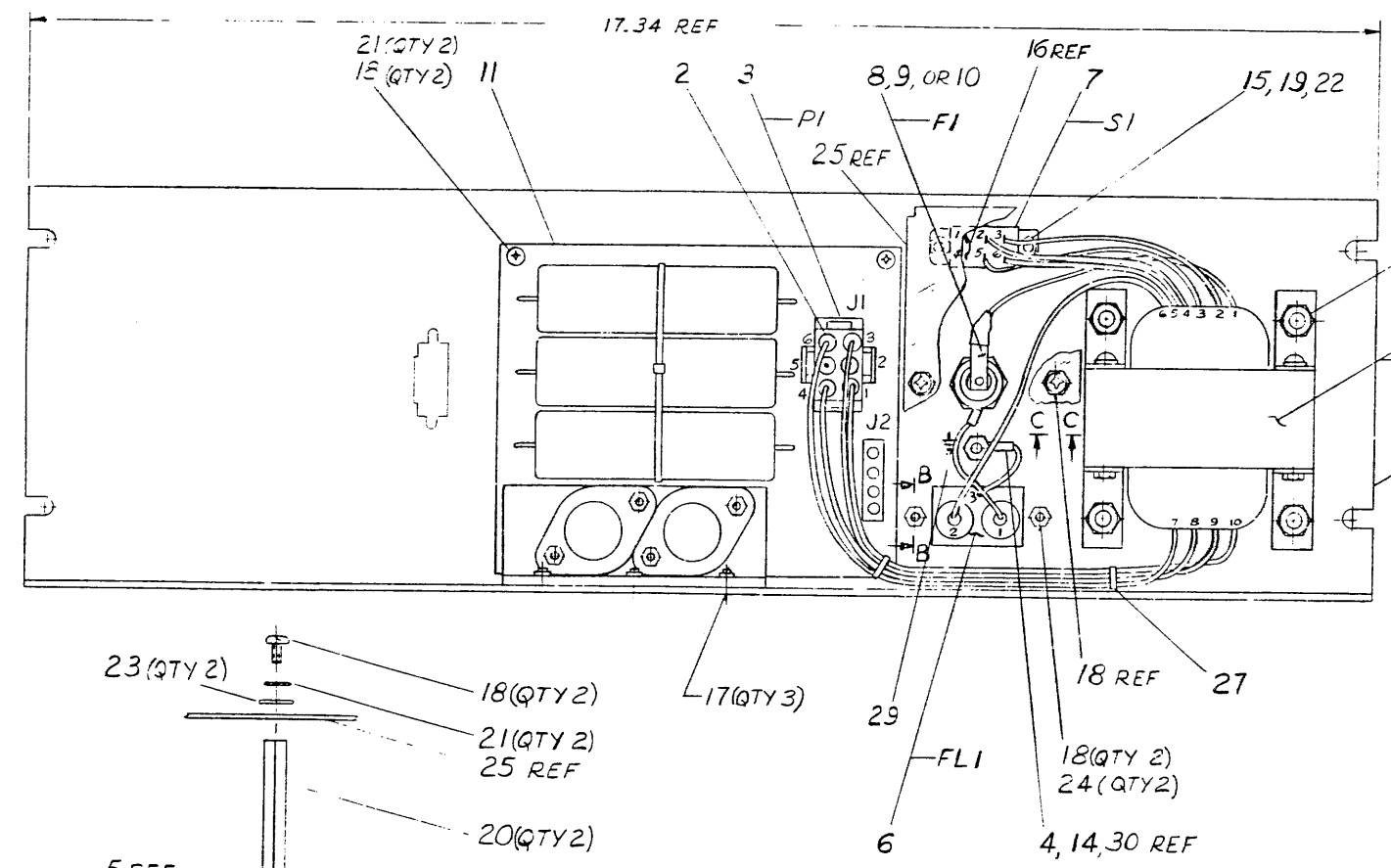
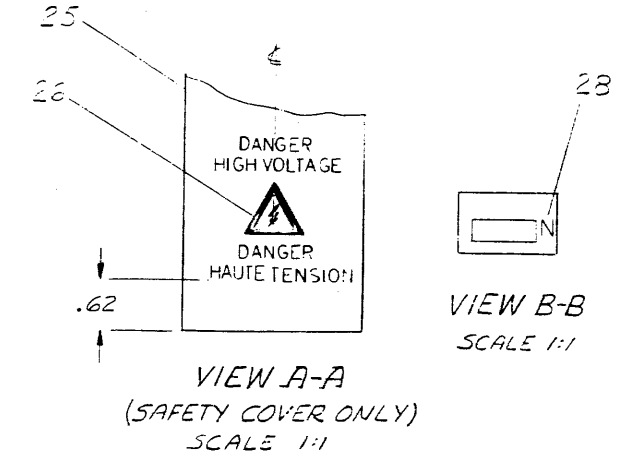
LINE	ITEM	DOCUMENT NUMBER	PART NUMBER	DESCRIPTION	QTY PER VARIATION CC	REFERENCE DESIGNATOR
76	80		1915219-00	LS373 FF-D OCTAL-TRANSPARE	1	E11
77	81		2113605-00	4006B SHIFT REG, 18 STAGE	1	E14
78	82		2113609-00	4013B FF-D DUAL W/SET/RESE	1	E4
79	83		2113630-00	4052B MULTIPLEXER 4CHAN DI	1	E33
80	84		2113632-00	4066B BILATERAL SWITCH-QUA	1	E22
81	85		2113634-00	4070B X-OR GATE-QUAD CMOS	1	E21
82	86		2114663-00	MM 80C95 BUFFER-GATE-HEX TRIS	1	E34
83	87		2114963-00	UP, 8-BIT NMOS	1	E2
84	88		2114964-00	RAM 2048 MOSJ-STATIC	1	E3
85	89		23089E2-00	E2-01	1	E1
86	90		9006011-01	SCREW, PAN, PHIL 4-40X 3/8 SS	1	
87	91		9006557-00	NUT, KEP 4-40X 1/4 AF	1	
88	92		9009185-00	JUMPER, WIRE, INSULATED, BLACK B	1	W1, W3
89	93		9010057-00	WASHER, INSULATING SHOULDER FOR	1	
90	101		9105740-55	*** THIS ITEM IS NOT USED ***	1	
91	102		5414232-YA	*** THIS ITEM IS NOT USED ***	1	
92	103		1910741-01	7406N BUFFER, HEX	1	E20
93	104		1310633-00	2.55 K .25 W 1.0 % RN55D-F10	1	R96
94	105		1300488-00	12.0 K .25 W 5.0 % CC	1	R101
95	106		1105871-00	1/4MS.1A21 = 5.1 1% .25W N	1	D32
96	107		1914156-00	LM 393 VOLT. COMPARATOR DUAL	1	E35
97	108		1010279-00	.47 MFD 25V 20% CER	1	C20, C21, C49
98	109		1302466-00	100.0 K .25 W 5.0 % CC	1	R102
99	110		1912807-00	LS10 NAND GATE-TRIPLE 3IN	1	E19
100	111	E-UA-5413491-0-0		UNIT ASSEMBLY	REF	
101	112	E-MD-5013490-0-0		DRILL AND ETCH DRAWING	REF	
102	113	U-CS-5413491-0-1		CIRCUIT SCHEMATIC	REF	
103	114	E-EC-5013490-0-0		ETCH CUT DRAWING	REF	

D	I	G	I	T	A	L	TITLE	SECTION A	OF	A	SIZE	CODE	DOCUMENT NUMBER	REV
							PARALLEL TUSB				K	PL	5413491-0-DBF	J

THIS DRAWING AND SPECIFICATIONS HEREIN ARE THE PROPERTY OF DIGITAL EQUIPMENT CORPORATION AND SHALL NOT BE REPRODUCED OR COPIED OR USED IN WHOLE OR IN PART AS THE BASIS FOR THE MANUFACTURE OR SALE OF ITEMS WITHOUT WRITTEN PERMISSION.  
 COPYRIGHT © 1978 DIGITAL EQUIPMENT CORPORATION

WIRE TABLE							
ITEM NO.	DESCRIPTION	FROM	TO	REMARKS			
1	15 BLUE	T1-7	P1-6	3.82 9.37 LG.			
1	15 BLUE	T1-8	P1-4	3.82 9.37 LG.			
1	15 BLUE	T1-9	P1-3	3.82 10.00 LG.			
1	15 BLUE	T1-10	P1-1	3.82 10.00 LG.			
3	GRN/YEL	FL1-3	GND	4.14 3.5 LG.			
3	BROWN	FL1-1	F1-1	SOLDER 4.25 LG.			
1	RED	T1-1	F1-2	SOLDER 6.5 LG.			
1	RED	T1-2	S1-3	SOLDER 4.5 LG.			
1	RED/YEL	T1-3	S1-5	↑ 5.5 LG.			
1	BLACK	T1-4	S1-2	↓ 4.5 LG.			
1	WHITE	T1-5	S1-6	↓ 4.0 LG.			
1	16 WHITE	T1-6	FL1-2	SOLDER 6.5 LG.			
16	16	S1-1	S1-4	SOLDER .5 LG.			

NOTE:  
 1. LOCATE ITEM 26 SYMMETRICALLY ON ITEM 25.



CAUTION: OFF SHEET PARTS LIST EXISTS  
 SEE B-PL-7016078-0-0

THIRD ANGLE PROJECTION	DRN. [Signature]	15/11/78	FIRST USED ON	TU 58
REMOVE BURRS AND BREAK SHARP CORNERS	CHK'D [Signature]	23/10/78	TITLE	POWER SUPPLY ASSEMBLY
DO NOT SCALE DWG	PROJ. ENC. [Signature]	10/21/78	SIZE	D
MATERIAL	PROD. [Signature]	10/26/78	CODE	AD
FINISH	SEE PARTS LIST		NUMBER	7016078-0-0
	SCALE	1/1	SHEET	1 OF 1





8

7

6

5

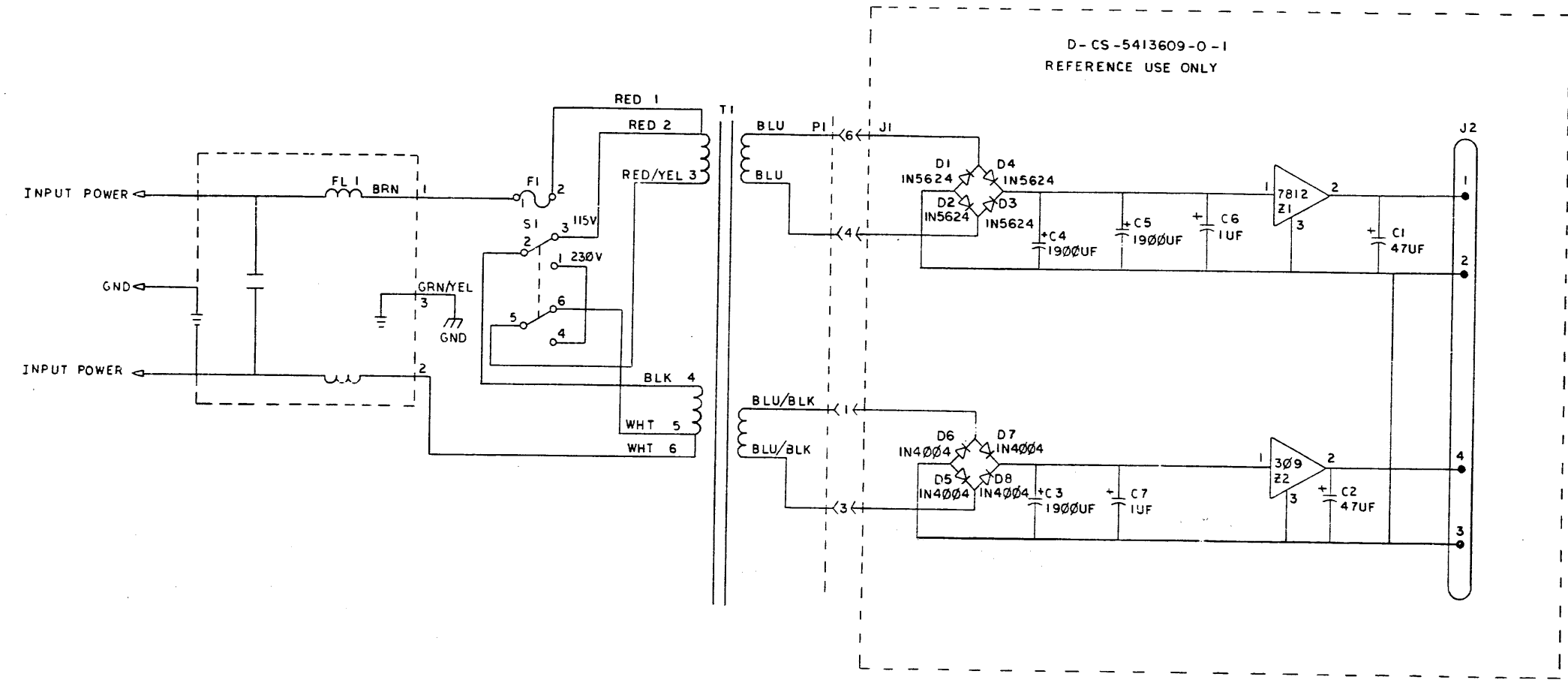
4

3

1-0-6709102 CS D 2

1

"THIS DRAWING AND SPECIFICATIONS, HEREIN ARE THE PROPERTY OF DIGITAL EQUIPMENT CORPORATION AND SHALL NOT BE REPRODUCED OR COPIED OR USED IN WHOLE OR IN PART AS THE BASIS FOR THE MANUFACTURE OR SALE OF ITEMS WITHOUT WRITTEN PERMISSION. COPYRIGHT © 1978, DIGITAL EQUIPMENT CORPORATION"



D-CS-5413609-0-1  
REFERENCE USE ONLY

REV.	
CHG.	
NO.	

DRN. <i>[Signature]</i>	SEPT 1978	FIRST USED ON	TU58	
CHK'D. <i>[Signature]</i>	SEP 78	TITLE	POWER SUPPLY SCHEMATIC	
ENG. <i>[Signature]</i>	10/1/78	PROJ. ENG. <i>[Signature]</i>	10/1/78	
PROD. <i>[Signature]</i>	10/1/78	NEXT HIGHER ASSY.		
D-40-7016078-0-0	SIZE D	CODE CS	NUMBER 7016078-0-1	REV.
SHEET 1	OF 1	DIST.		

8

7

6

5

4

3

2

1

PARTS LIST

LINE ITEM	DOCUMENT NUMBER	PART NUMBER	DESCRIPTION	QUANTITY PER VARIATION XA	
1	1	D-AD-7015510-0-0	7015510-00	CARTRIDGE DRIVE	1
2	2	A-PS-3700385-0-0	3700385-00	INSTR PKG TAPE DRIVE TU58-XA	1
3	3		9906077-03	BAG, COTTON, PARTS	1
4	4	B-MD-7424084-0-0	7424084-00	SCREW, SHOULDER	4
5	5	A-PS-1217653-0-0	1217653-00	SPRING, COMPRESSION .234 OD X .3	4
6	6	B-MD-7424101-0-0	7424101-00	WASHER	4
7	7	EK-0TU58-WS		MOUNTING INSTRUCTIONS	1
8	8	A-PS-3617416-0-0	3617416-00	LABEL, HEAD CLEANING ADVICE FOR T	1

9 NOTE: ITEMS 4-7 ARE MOUNTING HARDWARE TO BAGGED AND SHIPPED WITH UNIT

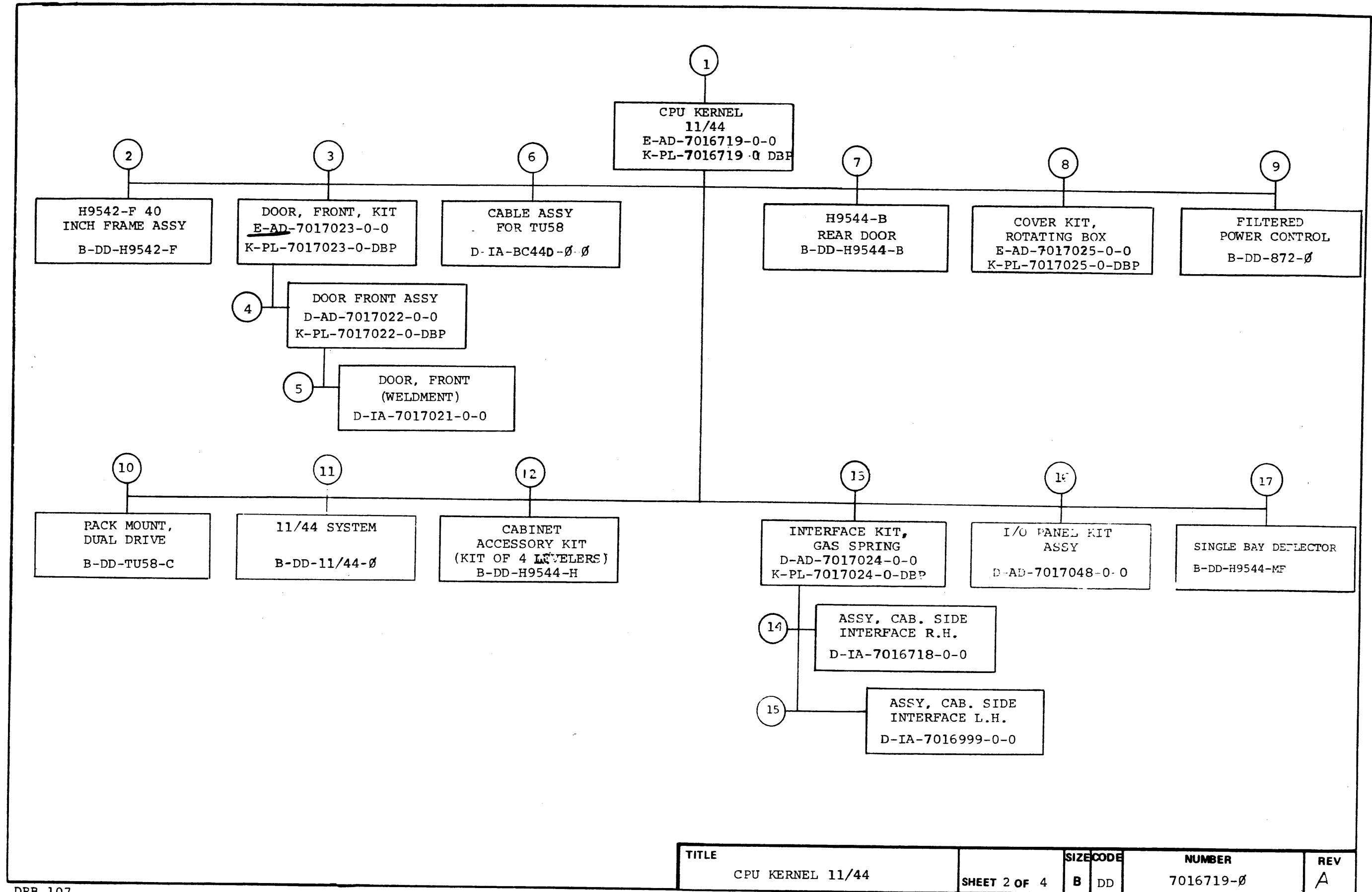
REVISION HISTORY		BASIC PART NO: OTU58		DRN: G. MARINI		DATE: 9-20-78		DIGITAL	
ENG	ECO NUMBER	REV	SECTION A OF A	CHK'D:	T. ANDREWS	DATE:	12-5-78	TITLE	PARTS LIST
D.W.	TU58XA-ML003	A	SECTION. VARIATION INDEX	DES. ENG.:	P. WAYNE	DATE:	2-2-79	DRIVE MECHANISM	(TU58-XA)
DW	TU58XA-ML004	B	[A] XA	RESP. ENG.:	P. WAYNE	DATE:	12-5-80	DOCUMENT NUMBER	
			[B]	MFG. ENG.:	R. TAYLOR	DATE:	12-5-78	SIZE CODE NUMBER	REV
			[C]	ASSEMBLY NUMBER:		TOP DOCUMENT NUMBER:		K PL TU58-XA-DBP	B
			[D]			FILE NAME:		Z1609B.PLS	EDIT #
			[E]						13
			[F]						

\*THIS DRAWING AND SPECIFICATIONS HEREIN, ARE THE PROPERTY OF DIGITAL EQUIPMENT CORPORATION AND SHALL NOT BE REPRODUCED OR COPIED OR USED IN WHOLE OR IN PART AS THE BASIS FOR THE MANUFACTURE OR SALE OF ITEMS WITHOUT WRITTEN PERMISSION. COPYRIGHT (C) 1980. DIGITAL EQUIPMENT CORPORATION \*









TITLE	SIZE	CODE	NUMBER	REV
CPU KERNEL 11/44	B	DD	7016719-0	A

TW

FIND NO.	DRAWING NO.	DESCRIPTION	TYPE	FIND NO.	DRAWING NO.	DESCRIPTION	TYPE
1	E-AD-7016719-0-0	CPU KERNEL 11/44	E/M				
	K-PL-7016719-0-DBP	CPU KERNEL 11/44 (PL)	E/M				
	D-AR-7016719-0-1	11/44 CPU KERNEL	REF				
	C-IA-7008288-0-0	CABLE ASSY	E/M	6	D-IA-BC44D-0-0	CABLE ASSY FOR TU58	E/M
	D-TA-7422997-0-0	PLATE, CABLE TIE	M				
	C-MD-7422996-0-0	BRACKET, CABLE TIE	M				
	C-MD-7422995-0-0	BRACKET, STRAIN RELIEF	M				
	A-PS-3613210-0-0	LABEL	M				
	A-DC-7416187-0-0	DECAL	M				
	A-PS-3613211-0-0	LABEL	M	7	B-DD-H9544-B	H9544-B REAR DOOR	M
	A-PS-3616928-0-0	LABEL, NU	M				
	A-PS-3617250-0-0	LABEL	M				
				8	E-AD-7017025-0-0	COVER KIT (ROTATING BOX)	M
					K-PL-7017025-0-DBP	COVER KIT (ROTATING BOX) (PL)	M
					E-IA-7422666-0-0	COVER, REMOVABLE TOP	M
					D-MD-7422645-0-0	BRACKET, TOP COVER	M
					D-IA-7422661-0-0	VENT, REAR	M
					D-MD-7422646-0-0	BRACKET, REAR VENT	M
					C-MD-7422653-0-0	BRACKET, TRIM STRIP SUPPORT	M
2	B-DD-H9542-F	H9542-F 40 INCH FRAME ASSY	M		C-IA-7422654-0-0	STRIP, TRIM	M
3	E-AD-7017023-0-0	DOOR FRONT KIT	M	9	B-DD-872-0	FILTERED POWER CONTROL	E/M
	K-PL-7017023-0-DBP	DOOR FRONT KIT (PL)	M				
	C-MD-7422262-0-0	BRACKET, FRONT DOOR PIVOT	M				
	C-MD-7422264-0-0	BRACKET, TOP PIVOT	M				
	C-MD-7422222-0-0	BRACKET, DOOR LOCK	M				
	B-AD-7016703-0-0	STOP, DOOR	M	10	B-DD-TU58-C	RACK MOUNT, DUAL DRIVE	E/M
	E-MD-7422951-0-0	BEZEL, DOOR MOUNTED	M				
	A-SS-7422951-0-1	BEZEL, DOOR MOUNTED, (ARTWORK)	M				
	C-IA-7422267-0-0	BRACKET, DOOR LOCK MOUNTING	M				
4	D-AD-7017022-0-0	DOOR FRONT ASSY	M	11	B-DD-11/44-0	11/44 SYSTEM	E/M
	K-PL-7017022-0-DBP	DOOR FRONT ASSY (PL)	M				
5	D-IA-7017021-0-0	DOOR, FRONT (WELDMENT)	M	12	B-DD-H9544-H	CABINET ACCESSORY KIT (KIT OF 4 LEVELERS)	M
	D-MD-7422922-0-0	DOOR, FRONT, WITH CUTOUT	M				
	C-MD-7422277-0-0	BRKT. HINGE, FRONT DOOR TOP	M				
	C-IA-7422263-0-0	BRACKET, FRONT DOOR MTG.	M				

TYPE E ELECTRICAL  
M MECHANICAL  
E M ELECTRO MECHANICAL

digital

TITLE

CPU KERNEL 11/44

SHEET 3 OF 4

SIZE CODE  
B DD

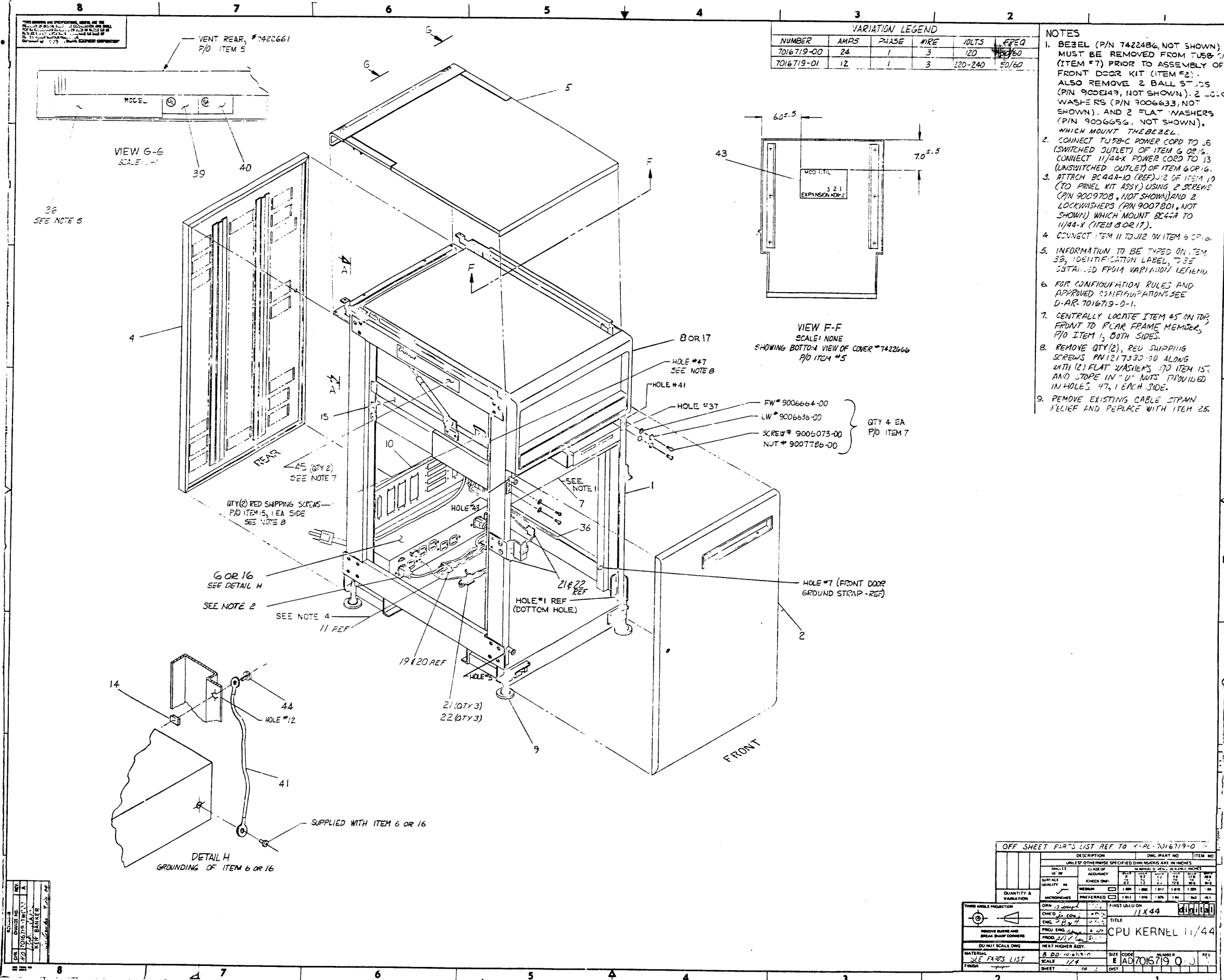
NUMBER  
7016719-0

REV  
A

DRB 108A

TW





VARIATION LEGEND					
NUMBER	AMPS	PHASE	WIRE	VOLTS	FREQ
7016719-00	24	1	3	120	60
7016719-01	12	1	3	220-240	50/60

- NOTES**
1. BEZEL (P/N 7422486, NOT SHOWN) MUST BE REMOVED FROM TUBS (ITEM #7) PRIOR TO ASSEMBLY OF FRONT DOOR KIT (ITEM #2). ALSO REMOVE 2 BALL STUDS (P/N 9006149, NOT SHOWN), 2 LOCK WASHERS (P/N 9006633, NOT SHOWN), AND 2 FLAT WASHERS (P/N 9006656, NOT SHOWN), WHICH MOUNT THE BEZEL.
  2. CONNECT TUBS-C POWER CORD TO J6 (SWITCHED OUTLET) OF ITEM 6 OR 16. CONNECT 1/44-X POWER CORD TO J3 (UNSWITCHED OUTLET) OF ITEM 6 OR 16.
  3. ATTACH BC44A-10 (REF) 1/2 OF ITEM 10 (TO PANEL KIT ASSY) USING 2 SCREWS (P/N 9009708, NOT SHOWN) AND 2 LOCKWASHERS (P/N 9007801, NOT SHOWN) WHICH MOUNT BC44A TO 1/44-X (ITEM 8 OR 17).
  4. CONNECT ITEM 11 TO J12 IN ITEM 6 OR 16.
  5. INFORMATION TO BE TYPED ON ITEM 39, IDENTIFICATION LABEL, TO BE OBTAINED FROM VARIATION LEGEND.
  6. FOR CONFIGURATION RULES AND APPROVED CONFIGURATIONS SEE D-AR-7016719-0-1.
  7. CENTRALLY LOCATE ITEM 45 ON TOP FRONT TO REAR FRAME MEMBER, P/O ITEM 1, BOTH SIDES.
  8. REMOVE QTY(2), RED SHIPPING SCREWS PN1217330-00 ALONG WITH (2) FLAT WASHERS (P/O ITEM 15, AND STAP IN "U" NUTS PROVIDED IN HOLES 47, 1 EACH SIDE.
  9. REMOVE EXISTING CABLE STRAP RELIEF AND REPLACE WITH ITEM 25.

VIEW F-F  
SCALE: NONE  
SHOWING BOTTOM VIEW OF COVER #7422466  
P/O ITEM #5

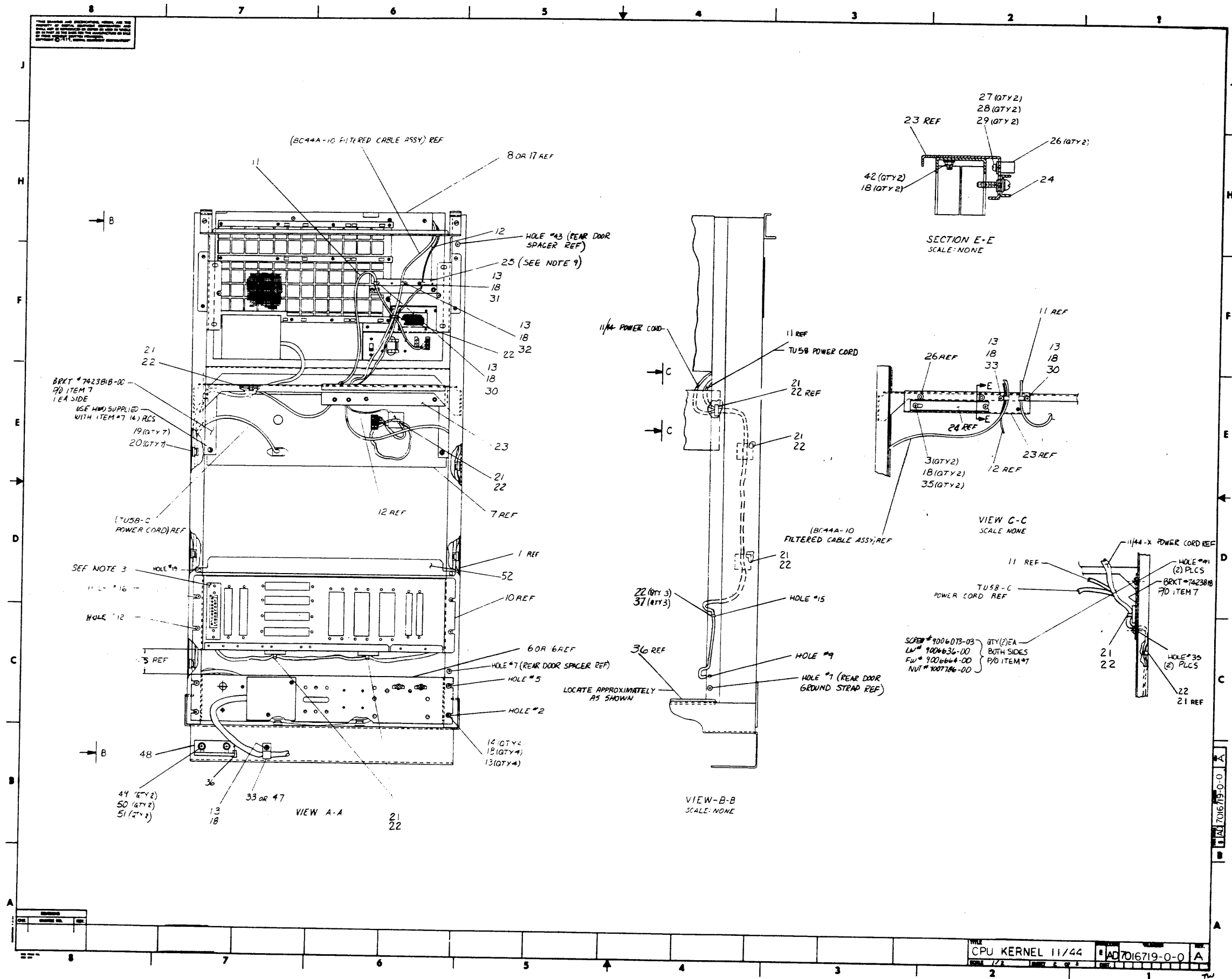
- FW # 9006664-00
  - LW # 9006636-00
  - SCREW # 9006073-00
  - NUT # 9007786-00
- QTY 4 EA  
P/O ITEM 7

DETAIL H  
GROUNDING OF ITEM 6 OR 16

OFF SHEET PARTS LIST REF TO 1-PL-7016719-0

QUANTITY & VARIATION	DESCRIPTION	QTY	PART NO.	ITEM NO.
1	FRONT DOOR KIT	1	7016719-00	1
1	REAR DOOR KIT	1	7016719-01	2
1	BEZEL	1	7422486	3
1	IDENTIFICATION LABEL	1	7422466	4
1	FRONT DOOR KIT	1	7016719-00	5
1	REAR DOOR KIT	1	7016719-01	6
1	BEZEL	1	7422486	7
1	IDENTIFICATION LABEL	1	7422466	8
1	FRONT DOOR KIT	1	7016719-00	9
1	REAR DOOR KIT	1	7016719-01	10
1	BEZEL	1	7422486	11
1	IDENTIFICATION LABEL	1	7422466	12
1	FRONT DOOR KIT	1	7016719-00	13
1	REAR DOOR KIT	1	7016719-01	14
1	BEZEL	1	7422486	15
1	IDENTIFICATION LABEL	1	7422466	16
1	FRONT DOOR KIT	1	7016719-00	17
1	REAR DOOR KIT	1	7016719-01	18
1	BEZEL	1	7422486	19
1	IDENTIFICATION LABEL	1	7422466	20
1	FRONT DOOR KIT	1	7016719-00	21
1	REAR DOOR KIT	1	7016719-01	22
1	BEZEL	1	7422486	23
1	IDENTIFICATION LABEL	1	7422466	24
1	FRONT DOOR KIT	1	7016719-00	25
1	REAR DOOR KIT	1	7016719-01	26
1	BEZEL	1	7422486	27
1	IDENTIFICATION LABEL	1	7422466	28
1	FRONT DOOR KIT	1	7016719-00	29
1	REAR DOOR KIT	1	7016719-01	30
1	BEZEL	1	7422486	31
1	IDENTIFICATION LABEL	1	7422466	32
1	FRONT DOOR KIT	1	7016719-00	33
1	REAR DOOR KIT	1	7016719-01	34
1	BEZEL	1	7422486	35
1	IDENTIFICATION LABEL	1	7422466	36
1	FRONT DOOR KIT	1	7016719-00	37
1	REAR DOOR KIT	1	7016719-01	38
1	BEZEL	1	7422486	39
1	IDENTIFICATION LABEL	1	7422466	40
1	FRONT DOOR KIT	1	7016719-00	41
1	REAR DOOR KIT	1	7016719-01	42
1	BEZEL	1	7422486	43
1	IDENTIFICATION LABEL	1	7422466	44
1	FRONT DOOR KIT	1	7016719-00	45
1	REAR DOOR KIT	1	7016719-01	46
1	BEZEL	1	7422486	47
1	IDENTIFICATION LABEL	1	7422466	48
1	FRONT DOOR KIT	1	7016719-00	49
1	REAR DOOR KIT	1	7016719-01	50
1	BEZEL	1	7422486	51
1	IDENTIFICATION LABEL	1	7422466	52
1	FRONT DOOR KIT	1	7016719-00	53
1	REAR DOOR KIT	1	7016719-01	54
1	BEZEL	1	7422486	55
1	IDENTIFICATION LABEL	1	7422466	56
1	FRONT DOOR KIT	1	7016719-00	57
1	REAR DOOR KIT	1	7016719-01	58
1	BEZEL	1	7422486	59
1	IDENTIFICATION LABEL	1	7422466	60

REV 1  
REV 2  
REV 3  
REV 4  
REV 5  
REV 6  
REV 7  
REV 8  
REV 9  
REV 10



THIS DRAWING AND SPECIFICATIONS SHALL BE THE PROPERTY OF THE GOVERNMENT AND SHALL BE LOANED TO YOU BY THE GOVERNMENT. IT IS TO BE USED ONLY FOR THE PURPOSES AUTHORIZED BY THE GOVERNMENT. IT IS TO BE RETURNED TO THE GOVERNMENT AT THE END OF THE LOAN PERIOD.

(BC44A-10 FILTERED CABLE ASSY) REF

BRKT #7423B18-00  
P/O ITEM 7  
1 EA SIDE  
USE HW SUPPLIED  
WITH ITEM #7 (4) PLCS

SEE NOTE 3

LOCATE APPROXIMATELY  
AS SHOWN

SECTION E-E  
SCALE: NONE

VIEW G-C  
SCALE NONE

VIEW-B-B  
SCALE: NONE

LINE	ITEM	DOCUMENT NUMBER	PART NUMBER	DESCRIPTION	QUANTITY PER VARIATION	
					00	01
1	1	E-UA-H9542-F-0	H9542-FE	H9542-F 40 INCH FRAME ASSY	1	1
2	2	E-AD-7017023-0-0	7017023-00	DOOR,FRONT,KIT	1	1
3	3		9009896-00	WASHER, LOCK, INT. TOOTH #10 SS	2	2
4	4	E-UA-H9544-B-0	H9544-BA	40" REAR DOOR W LOCK, FULLY LOUV	1	1
5	5	D-AD-7017025-0-0	7017025-00	COVER KIT (ROTATING BOX)	1	1
6	6	E-UA-00872-0-0	00872-D	120V 24A FILTERED POWER CONTROL	1	-
7	7	E-UA-TU58-0-0	0TU58-CX	TU58-CA W NO DATA CABLES,120V/24	1	1
8	8	E-UA-11/44-0-0	11/44-XX	KD11-Z,KK11-B,NO MEMORY,BA11-AA,	1	-
9	9	E-UA-H9544-H-0	H9544-HB	KIT OF 4 LEVELERS	1	1
10	10	D-AD-7017048-0-0	7017048-00	I/O PANEL KIT ASSY	1	1
11	11	C-IA-7008288-0-0	7008288-8F	CABLE ASSY PDP-11	1	1
12	12	D-IA-BC44D-0-0	BC44D-09	CABLE ASSY. FOR TU58	1	1
13	13		9009700-00	SCREW, SEMS, PHILLIPS TRUSS HD 1	11	11
14	14		9007786-00	RETAINER, U-NUT, 10-32	5	5
15	15	D-AD-7017024-0-0	7017024-00	GAS SPRING INTERFACE KIT	1	1
16	16	E-UA-00872-0-0	00872-B	240V 12A FILTERED POWER CONTROL	-	1
17	17	E-UA-11/44-0-0	11/44-XY	KD11-Z,KK11-B,NO MEMORY,BA11-AB,	-	1
18	18		9006664-00	WASHER, FLAT, .437 OD X .218 ID	15	15
19	19	A-PS-1215843-0-0	1215843-01	CLIP,FLAT CABLE W/ADHESIVE BK	7	7
20	20	A-PS-1213716-0-0	1213716-01	SPACER,FOAM FOR FLAT WIRE CLIP	7	7
21	21		9008264-00	MOUNT, CABLE TIE, ADHESIVE BACKE	10	10
22	22		9007032-00	TIE,CABLE BUNDL.DIA 0-1-3/4"=101	14	14
23	23	D-IA-7422997-0-0	7422997-00	PLATE CABLE TIE	1	1
24	24	C-MD-7422996-0-0	7422996-00	BRKT., CABLE TIE	1	1
25	25	C-MD-7422995-0-0	7422995-00	BRKT. STRAIN RELIEF	1	1
26	26		9007660-00	SPACER, FIBER, RND, 4-40, .250 X	2	2
27	27		9006011-01	SCREW,PAN,PHIL 4-40X 3/8 SS	2	2
28	28		9006683-00	WASHER, LOCK, S.S. #4	2	2
29	29		9006655-00	WASHER, FLAT, .312 O.D. X .125 I	2	2
30	30		9007079-00	CLAMP, CABLE, SCREW MNT, 1/8"	2	2

REVISION HISTORY		BASIC PART NO: 7016719		DRN: MICHAEL JOSEPH		DATE: 14-AUG-79		DIGITAL	
ENG	ECD NUMBER	REV	SECTION A OF A	CHK'D:	D. HEALY	DATE:	14-AUG-79	TITLE	PARTS LIST
	INITIAL	*	SECTION, VARIATION INDEX					CPU KERNEL 11/44	
	K.BITW003	A	LA3 00,01	DES.ENG.:	PHIL BARTH	DATE:	14-AUG-79	DOCUMENT NUMBER	
			[B]	RESP.ENG.:	KEN BANKER	DATE:	14-AUG-79	SIZE	CODE
			[C]	MFG.ENG.:	AL TSHUDY	DATE:	14-AUG-79	K	PL
			[D]	ASSEMBLY NUMBER:	E-AD-7016719-0-0	TOP DOCUMENT NUMBER:	#B-DD-7016719-0	NUMBER	REV
			[E]			FILE NAME:	Z0329.PLS	7016719-0-DEP	A
			[F]			EDIT #	14		

\*THIS DRAWING AND SPECIFICATIONS HEREIN, ARE THE PROPERTY OF DIGITAL EQUIPMENT CORPORATION AND SHALL NOT BE REPRODUCED OR COPIED OR USED IN WHOLE OR IN PART AS THE BASIS FOR THE MANUFACTURE OR SALE OF ITEMS WITHOUT WRITTEN PERMISSION. COPYRIGHT (C) 1980. DIGITAL EQUIPMENT CORPORATION \*



AUTOMATED BY PRTLST.3L(31)

PARTS LIST

SHEET A2 OF A2

LINE	ITEM	DOCUMENT NUMBER	PART NUMBER	DESCRIPTION	QUANTITY PER VARIATION	
					00	01
31	31		9007080-00	CLAMP,CABLE,SCREW MTD. 3/16"	1	1
32	32		9007082-00	CLAMP,CABLE,SCREW MTD. 5/16"	1	1
33	33		9007083-00	CLAMP,CABLE,SCREW MTD. 3/8"	2	3
34	34		9006564-00	NUT,HEX , 10-32X3/8 AF X 1/	1	1
35	35		9006077-01	SCREW,PAN,PHIL 10-32X1 SS	2	2
36	36		9009718-00	GROMMET, STRIP, 14"	1	1
37	37		9007867-00	MOUNT, PUSH,CABLE TIE	3	3
38	38	A-PS-3613210-0-0	3613210-00	LABEL,ELECTRICAL DATA	1	1
39	39	A-PS-7416197-0-0	7416197-01	DECAL	1	1
40	40	A-PS-3613211-0-0	3613211-01	DECAL,CLEAR PREPRINTED CSA 1-1/4	1	1
41	41	A-PS-1213756-0-0	1213756-07	GROUND STRAP	1	1
42	42		9006565-00	NUT,KEP , 10-32X 3/8 AF	2	2
43	43	A-PS-3616928-0-0	3616928-00	LABEL,MODULE UTILIZATION 11/44	1	1
44	44		9010156-00	SCREW,HEX,SLOT,SEMS10-32X 1/2,W	1	1
45	45	A-PS-3617250-0-0	3617250-00	LABEL,CAUTION,STABILITY H9542	2	2
46	46	D-AR-7016719-0-1		11/44 CPU KERNAL IN H9542 CAB	REF	REF
47	47		9007087-00	CLAMP,CABLE,SCREW MTD. 5/8"	1	0
48	48	C-MD-7422221-0-0	7422221-00	BRKT,DOOR HINGE/END PANEL LOCK	1	1
49	49		9006243-09	SCREW,HEX 1/4-20X 3/4	2	2
50	50		9006676-00	WASHER, FLAT, .625 OD X .281 ID	2	2
51	51		9007797-00	WASHER, LOCK, S.S. 1/4	2	2
52	52	D-UA-H9544-MF-0	H9544-MF	SINGLE BAY DEFLECTOR ASSY.	1	1

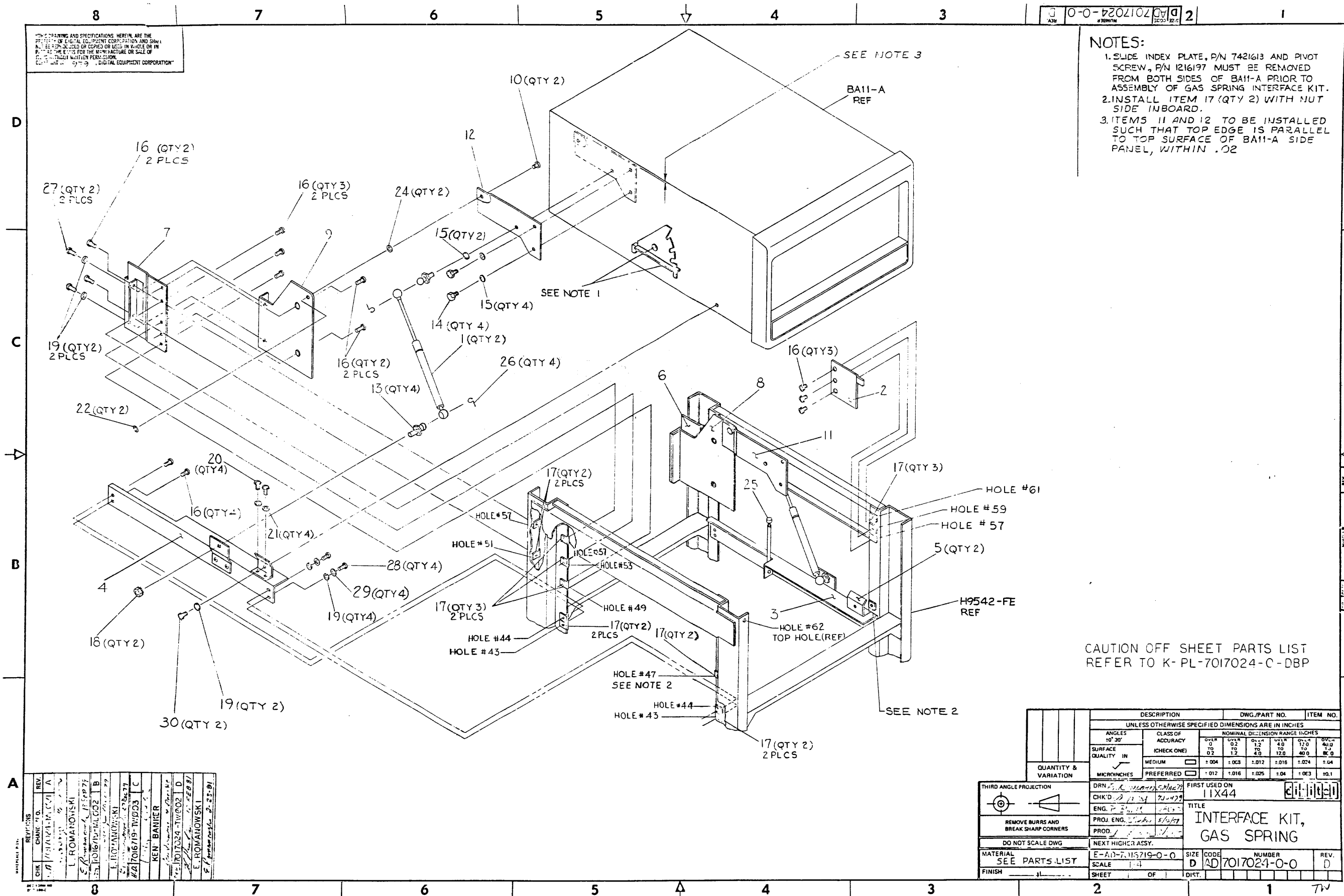
D I G I T A L				TITLE	SECTION A OF A		SIZE	CODE	DOCUMENT NUMBER	REV
				CPU KERNEL 11/44			K	PL	7016719-0-DBF	A

111

THE DRAWING AND SPECIFICATIONS HEREIN ARE THE PROPERTY OF DIGITAL EQUIPMENT CORPORATION AND SHALL NOT BE REPRODUCED OR COPIED OR USED IN WHOLE OR IN PART AS THE BASIS FOR THE MANUFACTURE OR SALE OF ANY EQUIPMENT WITHOUT THE WRITTEN PERMISSION OF DIGITAL EQUIPMENT CORPORATION.

**NOTES:**

1. SLIDE INDEX PLATE, P/N 7421613 AND PIVOT SCREW, P/N 1216197 MUST BE REMOVED FROM BOTH SIDES OF BA11-A PRIOR TO ASSEMBLY OF GAS SPRING INTERFACE KIT.
2. INSTALL ITEM 17 (QTY 2) WITH NUT SIDE INBOARD.
3. ITEMS 11 AND 12 TO BE INSTALLED SUCH THAT TOP EDGE IS PARALLEL TO TOP SURFACE OF BA11-A SIDE PANEL, WITHIN .02



CAUTION OFF SHEET PARTS LIST REFER TO K-PL-7017024-C-DBP

REV.	DATE	BY	CHK'D	DESCRIPTION
A	11/17/77	L. ROMANOWSKI		INITIAL DESIGN
B	12/15/77	L. ROMANOWSKI		REVISED TO ADD HOLE #43
C	1/10/78	L. ROMANOWSKI		REVISED TO ADD HOLE #44
D	2/23/78	L. ROMANOWSKI		REVISED TO ADD HOLE #47

QUANTITY & VARIATION	DESCRIPTION	DWG./PART NO.	ITEM NO.
1	INTERFAC KIT, GAS SPRING	E-AD-7-115719-0-0	1
1	11X44		

UNLESS OTHERWISE SPECIFIED DIMENSIONS ARE IN INCHES	
ANGLES ±0°30'	CLASS OF ACCURACY
SURFACE QUALITY IN	NOMINAL DIMENSION RANGE INCHES
MICROINCHES	OVER 0 TO 0.2
	0.2 TO 0.4
	0.4 TO 0.6
	0.6 TO 1.0
	1.0 TO 1.5
	1.5 TO 2.0
	2.0 TO 4.0
	4.0 TO 12.0
	12.0 TO 48.0
	48.0 TO 96.0
	96.0 TO 192.0
	192.0 TO 384.0
	384.0 TO 768.0
	768.0 TO 1536.0
	1536.0 TO 3072.0
	3072.0 TO 6144.0
	6144.0 TO 12288.0
	12288.0 TO 24576.0
	24576.0 TO 49152.0
	49152.0 TO 98304.0
	98304.0 TO 196608.0
	196608.0 TO 393216.0
	393216.0 TO 786432.0
	786432.0 TO 1572864.0
	1572864.0 TO 3145728.0
	3145728.0 TO 6291456.0
	6291456.0 TO 12582912.0
	12582912.0 TO 25165824.0
	25165824.0 TO 50331648.0
	50331648.0 TO 100663296.0
	100663296.0 TO 201326592.0
	201326592.0 TO 402653184.0
	402653184.0 TO 805306368.0
	805306368.0 TO 1610612736.0
	1610612736.0 TO 3221225472.0
	3221225472.0 TO 6442450944.0
	6442450944.0 TO 12884901888.0
	12884901888.0 TO 25769803776.0
	25769803776.0 TO 51539607552.0
	51539607552.0 TO 103079215104.0
	103079215104.0 TO 206158430208.0
	206158430208.0 TO 412316860416.0
	412316860416.0 TO 824633720832.0
	824633720832.0 TO 1649267441664.0
	1649267441664.0 TO 3298534883328.0
	3298534883328.0 TO 6597069766656.0
	6597069766656.0 TO 13194139533312.0
	13194139533312.0 TO 26388279066624.0
	26388279066624.0 TO 52776558133248.0
	52776558133248.0 TO 105553116266496.0
	105553116266496.0 TO 211106232532992.0
	211106232532992.0 TO 422212465065984.0
	422212465065984.0 TO 844424930131968.0
	844424930131968.0 TO 1688849860263936.0
	1688849860263936.0 TO 3377699720527872.0
	3377699720527872.0 TO 6755399441055744.0
	6755399441055744.0 TO 13510798882111488.0
	13510798882111488.0 TO 27021597764222976.0
	27021597764222976.0 TO 54043195528445952.0
	54043195528445952.0 TO 108086391056891904.0
	108086391056891904.0 TO 216172782113783808.0
	216172782113783808.0 TO 432345564227567616.0
	432345564227567616.0 TO 864691128455135232.0
	864691128455135232.0 TO 1729382256910270464.0
	1729382256910270464.0 TO 3458764513820540928.0
	3458764513820540928.0 TO 6917529027641081856.0
	6917529027641081856.0 TO 13835058055282163712.0
	13835058055282163712.0 TO 27670116110564327424.0
	27670116110564327424.0 TO 55340232221128654848.0
	55340232221128654848.0 TO 110680464442257309696.0
	110680464442257309696.0 TO 221360928884514619392.0
	221360928884514619392.0 TO 442721857769029238784.0
	442721857769029238784.0 TO 885443715538058477568.0
	885443715538058477568.0 TO 1770887431076116955136.0
	1770887431076116955136.0 TO 3541774862152233910272.0
	3541774862152233910272.0 TO 7083549724304467820544.0
	7083549724304467820544.0 TO 14167099448608936441088.0
	14167099448608936441088.0 TO 28334198897217872882176.0
	28334198897217872882176.0 TO 56668397794435745764352.0
	56668397794435745764352.0 TO 113336795588871491527072.0
	113336795588871491527072.0 TO 226673591177742983054144.0
	226673591177742983054144.0 TO 453347182355485966108288.0
	453347182355485966108288.0 TO 906694364710971932216576.0
	906694364710971932216576.0 TO 1813388729421943864433152.0
	1813388729421943864433152.0 TO 3626777458843887728866304.0
	3626777458843887728866304.0 TO 7253554917687775457732608.0
	7253554917687775457732608.0 TO 14507109835375550915465216.0
	14507109835375550915465216.0 TO 29014219670751101830930432.0
	29014219670751101830930432.0 TO 58028439341502203661860864.0
	58028439341502203661860864.0 TO 116056878683004407323721728.0
	116056878683004407323721728.0 TO 232113757366008814646743456.0
	232113757366008814646743456.0 TO 464227514732017629134886912.0
	464227514732017629134886912.0 TO 928455029464035258269773824.0
	928455029464035258269773824.0 TO 1856910058928070515395467648.0
	1856910058928070515395467648.0 TO 3713820117856141030790935296.0
	3713820117856141030790935296.0 TO 7427640235712282061578170592.0
	7427640235712282061578170592.0 TO 14855280471424564123156341184.0
	14855280471424564123156341184.0 TO 29710560942849128246312682368.0
	29710560942849128246312682368.0 TO 59421121885698256492625364736.0
	59421121885698256492625364736.0 TO 118842243771396512985250729472.0
	118842243771396512985250729472.0 TO 237684487542793025970501458944.0
	237684487542793025970501458944.0 TO 475368975085586051941002917888.0
	475368975085586051941002917888.0 TO 950737950171172103882005835776.0
	950737950171172103882005835776.0 TO 19014759003423442077640117115552.0
	19014759003423442077640117115552.0 TO 380295180068468841552802342311104.0
	380295180068468841552802342311104.0 TO 760590360136937683105604684622208.0
	760590360136937683105604684622208.0 TO 1521180720273875366211209369244416.0
	1521180720273875366211209369244416.0 TO 3042361440547750732422418738488832.0
	3042361440547750732422418738488832.0 TO 60847228810955014648448375769776.0
	60847228810955014648448375769776.0 TO 121694457621910029296896751555552.0
	121694457621910029296896751555552.0 TO 2433889152438200585937935031111104.0
	2433889152438200585937935031111104.0 TO 4867778304876401171875870062222208.0
	486777830487640117187587006222208.0 TO 9735556609752802343751740124444416.0
	9735556609752802343751740124444416.0 TO 1947111321950560468750348024888832.0
	1947111321950560468750348024888832.0 TO 38942226439011209375006960497776.0
	38942226439011209375006960497776.0 TO 778844528780224187500139209955552.0
	778844528780224187500139209955552.0 TO 1557689057560448375002784199111104.0
	1557689057560448375002784199111104.0 TO 311537811512089675000556398222208.0
	311537811512089675000556398222208.0 TO 623075623024179350001112796444416.0
	623075623024179350001112796444416.0 TO 1246151246048358700002254992888832.0
	1246151246048358700002254992888832.0 TO 24923024920967174000045099857776.0
	24923024920967174000045099857776.0 TO 498460498419343480000901997155552.0
	498460498419343480000901997155552.0 TO 9969209968386869600018039943111104.0
	9969209968386869600018039943111104.0 TO 19938419936773739200036079886222208.0
	19938419936773739200036079886222208.0 TO 39876839873547478400072159772444416.0
	39876839873547478400072159772444416.0 TO 7975367974709495680014431954488832.0
	7975367974709495680014431954488832.0 TO 159507359494189913600288690897776.0
	159507359494189913600288690897776.0 TO 3190147189883798272005773817955552.0
	3190147189883798272005773817955552.0 TO 6380294379767596544011547635911104.0
	6380294379767596544011547635911104.0 TO 12760588759535193088022952671822208.0
	12760588759535193088022952671822208.0 TO 25521177519070386176045905343644416.0
	25521177519070386176045905343644416.0 TO 51042355038140772352091810687288832.0
	51042355038140772352091810687288832.0 TO 10208471007628154710418362137555552.0
	10208471007628154710418362137555552.0 TO 2041694201525630942083672427111104.0
	2041694201525630942083672427111104.0 TO 4083388403051261884167344854222208.0
	4083388403051261884167344854222208.0 TO 8166776806102523768334689088444416.0
	8166776806102523768334689088444416.0 TO 1633355361220504753666937817688832.0
	1633355361220504753666937817688832.0 TO 326671072244100950733387563537776.0
	326671072244100950733387563537776.0 TO 6533421444882019014667751270755552.0
	6533421444882019014667751270755552.0 TO 13066842889764038029335502541511104.0
	13066842889764038029335502541511104.0 TO 26133685779528076058671005083022208.0
	26133685779528076058671005083022208.0 TO 52267371559056152117342010166044416.0
	52267371559056152117342010166044416.0 TO 104534743118112304234684020332088832.0
	104534743118112304234684020332088832.0 TO 20906948623622460846936804066417776.0
	20906948623622460846936804066417776.0 TO 41813897247244921693873608132835552.0
	41813897247244921693873608132835552.0 TO 83627794494489843387747216265671104.0
	83627794494489843387747216265671104.0 TO 16725558898897968675549443253142208.0
	16725558898897968675549443253142208.0 TO 334511177977959373510988865062844416.0
	334511177977959373510988865062844416.0 TO 669022355955918747021977730125688832.0
	669022355955918747021977730125688832.0 TO 13380447119113754404353954602537776.0
	13380447119113754404353954602537776.0 TO 26760894238227508808707909205075552.0
	26760894238227508808707909205075552.0 TO 53521788476455017617415818410151104.0
	53521788476455017617415818410151104.0 TO 107043576952910035234831636820302208.0
	107043576952910035234831636820302208.0 TO 214087153905820070469663273640604416.0
	214087153905820070469663273640604416.0 TO 428174307811640140939326547281208832.0
	428174307811640140939326547281208832.0 TO 856348615623280281878653094562417776.0
	856348615623280281878653094562417776.0 TO 1712697231246560563757306189124835552.0
	1712697231246560563757306189124835552.0 TO 3425394462493121127514612381849671104.0
	3425394462493121127514612381849671104.0 TO 6850788924986242255029224763699342208.0
	6850788924986242255029224763699342208.0 TO 137015778499724845100584495273986844416.0
	137015778499724845100584495273986844416.0 TO 27403155699944969020116899054797388832.0
	27403155699944969020116899054797388832.0 TO 548063113998899380402337981095947776.0
	548063113998899380402337981095947776.0 TO 1096126227997798760804675632191895552.0
	1096126227997798760804675632191895552.0 TO 2192252455995597521609351264383791104.0
	219

LINE	ITEM	DOCUMENT NUMBER	PART NUMBER	DESCRIPTION	QUANTITY PER VARIATION
1	1	A-PS-1216166-0-0	1216166-00	SPRING,GAS,DOUBLE DAMPED	2
2	2	C-MD-7422638-0-0	7422638-00	STOP,TIE DOWN	1
3	3	D-IA-7016718-0-0	7016718-00	ASSY,CAB SIDE INTERFACE,R.H.	1
4	4	D-IA-7016999-0-0	7016999-00	ASSY,CAB SIDE INTERFACE L.H.	1
5	5	B-MD-7422639-0-0	7422639-00	BRKT,CENTERING & TIE DOWN	2
6	6	D-MD-7422642-0-0	7422642-00	BRKT CAB REAR INTERFACE R.H.	1
7	7	D-MD-7422642-0-0	7422642-01	BRKT CAB REAR INTERFACE L.H.	1
8	8	D-MD-7422644-0-0	7422644-00	BRKT, PIVOT R.H.	1
9	9	D-MD-7422644-0-0	7422644-01	BRKT, PIVOT L.H.	1
10	10	B-MD-7422640-0-0	7422640-00	PIN,PIVOT	2
11	11	C-MD-7422641-0-0	7422641-00	BRKT. BOX INTERFACE (R.H.)	1
12	12	C-MD-7422641-0-0	7422641-01	BRKT. BOX INTERFACE (L.H.)	1
13	13	A-PS-1216627-0-0	1216627-00	STUD,BALL 10MM 1.038	4
14	14	A-PS-1216633-0-0	1216633-00	SCREW,HEX 5/16-24X 1/2	4
15	15		9007788-00	WASHER, LOCK S.S. 3/8	6
16	16		9009700-00	SCREW, SEMS, PHILLIPS TRUSS HD 1	21
17	17		9007786-00	RETAINER, U-NUT, 10-32	23
18	18		9007898-00	NUT,KEP ,5/16-24 X1/2 AF	2
19	19		9006664-00	WASHER, FLAT, .437 OD X .218 ID	10
20	20		9009545-01	SCREW, SEMS, PHILLIPS PAN HD.,8-	4
21	21		9006660-00	WASHER, FLAT, .375 O.D. X .187 I	4
22	22		9009579-00	RING, RETAINING, EXTERNAL FOR 5/	2
23	24		9000003-02	WASHER,FLAT,NYLON, .75 OD X .305	2
24	25		9007872-00	FOOT LEVELER GRY/PLAS BASE CAPS	1
25	26	A-PS-1215806-0-0	1215806-02	CLIP,SAFETY	4
26	27		9009228-10	SCREW, SEMS, PHILLIP PAN HD. 10-	4
27	28		9006074-01	SCREW,PAN,PHIL 10-32X 5/8 SS	4
28	29		9009896-00	WASHER, LOCK, INT. TOOTH #10 SS	4
29	30		1217330-00	SCREW, SEMS, PHILLIPS TRUSS HD10	2

REVISION HISTORY			BASIC PART NO: 7017024									
ENG	ECD NUMBER	REV	SECTION A OF A	DRN: MICHAEL JOSEPH	DATE: 14-AUG-79	D	I	G	I	T	A	L
---	INITIAL	*	SECTION, VARIATION INDEX	CHK'D: D. HEALY	DATE: 14-AUG-79	TITLE PARTS LIST						
---	7017024-ML001	A	[A] 00			INTERFACE KIT, GAS SPRING						
E.R.	7016719-ML002	B	[B]	DES.ENG.: PHIL BARTH	DATE: 14-AUG-79	DOCUMENT NUMBER						
K.B.	7016719-TW003	C	[C]			SIZE	CODE	NUMBER	REV			
E.R.	7017024-TW002	D	[D]	RESP.ENG.: KEN BANKER	DATE: 14-AUG-79	K	PL	7017024-0-DBP	D			
			[E]	MFG.ENG.: AL TSHUDY	DATE: 14-AUG-79	ASSEMBLY NUMBER: TOP DOCUMENT NUMBER: FILE NAME: EDIT #						
			[F]			D-AD-7017024-0-0 D-AD-7017024-0-0 Z0512.PLS 25						

"THIS DRAWING AND SPECIFICATIONS HEREIN, ARE THE PROPERTY OF DIGITAL EQUIPMENT CORPORATION AND SHALL NOT BE REPRODUCED OR COPIED OR USED IN WHOLE OR IN PART AS THE BASIS FOR THE MANUFACTURE OR SALE OF ITEMS WITHOUT WRITTEN PERMISSION. COPYRIGHT (C) 1981. DIGITAL EQUIPMENT CORPORATION"

TW/

# DIGITAL EQUIPMENT CORPORATION PARTS LIST

MADE BY S.ZYLAK	CHECKED <i>S. Zylak</i>	SECTION 1
DATE 1/11/80	DATE 11-22-80	
ENG <i>Bruce Zylak</i>	PROD <i>Bruce Zylak</i>	ISSUED SECTION 1
DATE 17 JAN 80	DATE 14 JAN 80	

QUANTITY / VARIATION

NOTES:

---

REF DESIGNATION

ITEM NO.	DRAWING NO.	PART NO.	DESCRIPTION	BC22A-10	BC22A-25								
1	A-PS-1700163-0-0	1700163-00	CABLE, NULL MODEM	1	-								
2	A-PS-1700163-0-0	1700163-01	CABLE, NULL MODEM	-	1								

E.C.O. NO.

"THIS DRAWING AND SPECIFICATIONS, HEREIN, ARE THE PROPERTY OF DIGITAL EQUIPMENT CORPORATION AND SHALL NOT BE REPRODUCED OR COPIED OR USED IN WHOLE OR IN PART AS THE BASIS FOR THE MANUFACTURE OR SALE OF ITEMS WITHOUT WRITTEN PERMISSION. COPYRIGHT © 1980 DIGITAL EQUIPMENT CORPORATION"

TITLE  
CABLE, NULL MODEM

ASSY NO.     //    

SIZE  
**B**

CODE  
**PL**

NUMBER  
BC22A-0-0

REV.  
\*

SHEET 1 OF 1

INSERTION PARTS LIST DATA BASE REV

MK



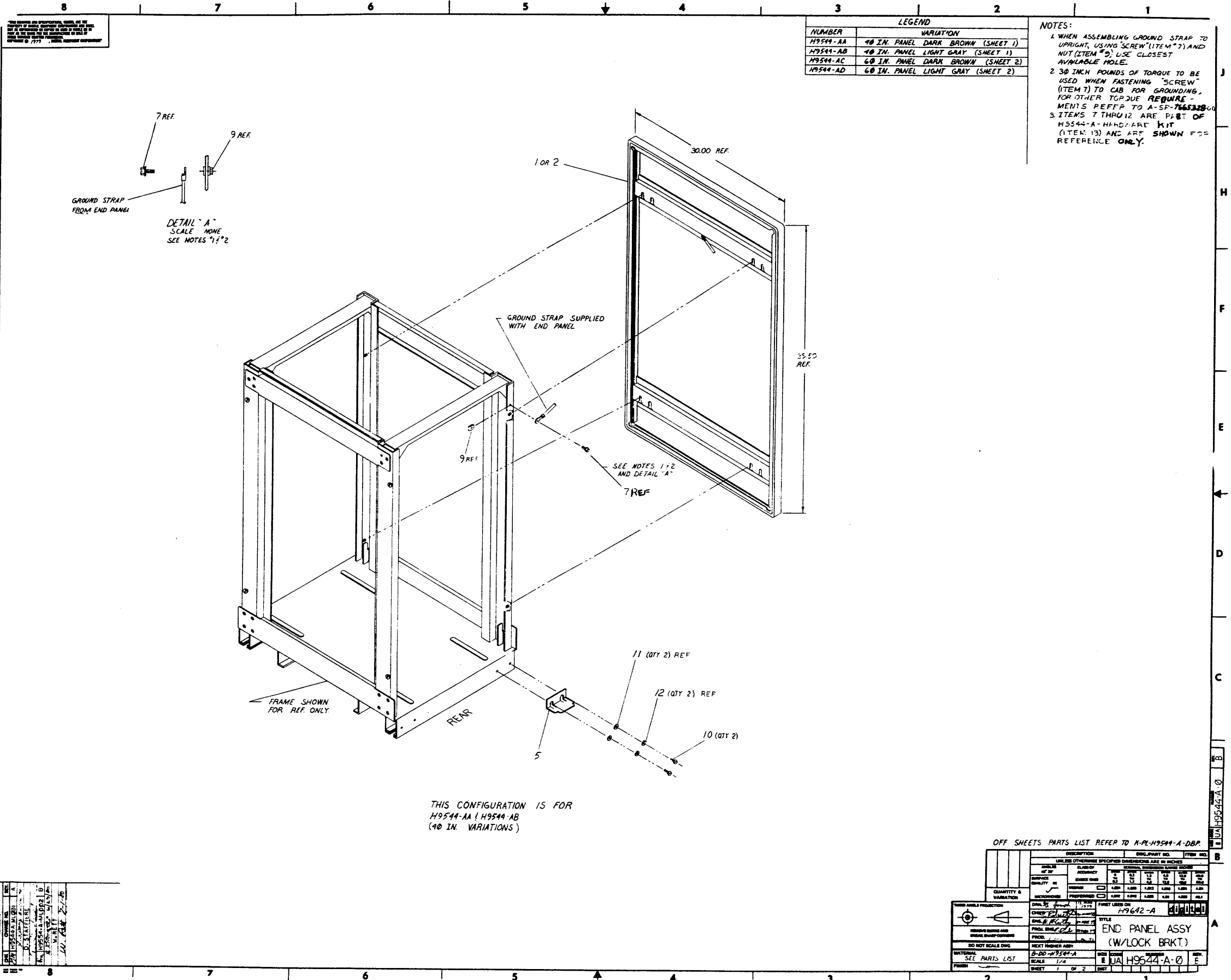
PARTS LIST

LINE ITEM	DOCUMENT NUMBER	PART NUMBER	DESCRIPTION	QUANTITY PER VARIATION
1	E-MD-7424063-0-0	7424063-00	CASTING, STABLIZER	1
2	C-MD-7424074-0-0	7424074-00	COUPLER	2
3	C-MD-7423352-0-0	7423352-00	SHIM	2
4	C-MD-7423349-0-0	7423349-00	WASHER, RECTANGULAR	2
5		9009895-00	WASHER, LOCK, SPLIT, .518 ID X .	REF
6		9000043-02	SCREW, HEX 1/2-13X 3/4	REF
7		2200032-00	HARDWARE KIT FOR H9544-MJ	1
8		9009703-00	RING, RETAINING, EXTERNAL FOR 7/	REF
9	A-SF-3700548-0-0	3700548-00	PKG KIT OPTION H9544 STABILIZER	1

10 NOTE: ITEM 5,6, & 8 ARE PART OF H9544-MJ HARDWARE KIT AND ARE LISTED FOR REF ONLY.

REVISION HISTORY			BASIC PART NO: H9544		DIGITAL			
ENG	ECD NUMBER	REV	SECTION A OF A	DRN:	D. DIPERRI	DATE:	22-AUG-79	
	INITIAL	A	SECTION, VARIATION INDEX	CHK'D:	F. KEYES	DATE:	01-OCT-79	TITLE PARTS LIST
DS	H9544-MJ-ML001	B	[A] MJ					STABILIZER KIT ASSY
TS	H9544-MJ-ML002	C	[B]	DES.ENG.:	T. STONE	DATE:	01-OCT-79	DOCUMENT NUMBER
			[C]	RESP.ENG.:	T. STONE	DATE:	01-OCT-79	SIZE CODE NUMBER REV
			[D]	MFG.ENG.:	V. ADAMETZ	DATE:	02-OCT-79	K FL H9544-MJ-DBP C
			[E]	ASSEMBLY NUMBER:		TOP DOCUMENT NUMBER:		FILE NAME: EDIT
			[F]	D-UA-H9544-MJ-0		B-DD-H9544-0-0		Z0955C.PLS 10

\*THIS DRAWING AND SPECIFICATIONS HEREIN, ARE THE PROPERTY OF DIGITAL EQUIPMENT CORPORATION AND SHALL NOT BE REPRODUCED OR COPIED OR USED IN WHOLE OR IN PART AS THE BASIS FOR THE MANUFACTURE OR SALE OF ITEMS WITHOUT WRITTEN PERMISSION. COPYRIGHT (C) 1980. DIGITAL EQUIPMENT CORPORATION \*



REV	DESCRIPTION	DATE
1	ISSUED FOR PRODUCTION	11/17/77
2	REVISED TO REFLECT CHANGES TO THE DRAWING	11/17/77
3	REVISED TO REFLECT CHANGES TO THE DRAWING	11/17/77
4	REVISED TO REFLECT CHANGES TO THE DRAWING	11/17/77
5	REVISED TO REFLECT CHANGES TO THE DRAWING	11/17/77
6	REVISED TO REFLECT CHANGES TO THE DRAWING	11/17/77
7	REVISED TO REFLECT CHANGES TO THE DRAWING	11/17/77
8	REVISED TO REFLECT CHANGES TO THE DRAWING	11/17/77

OFF SHEETS PARTS LIST REFER TO K-PL-H9544-A-DBP.

ITEM NO.	DESCRIPTION	QTY	UNIT	ITEM NO.	DESCRIPTION	QTY	UNIT
5	SCREW	1	EA	7	SCREW	1	EA
9	NUT	1	EA	10	SCREW	1	EA
10	SCREW	2	EA	11	SCREW	2	EA
11	SCREW	2	EA	12	SCREW	2	EA

**END PANEL ASSY (W/LOCK BRKT.)**

**SCALE: 1/4"**

**SHEET 1 OF 2**





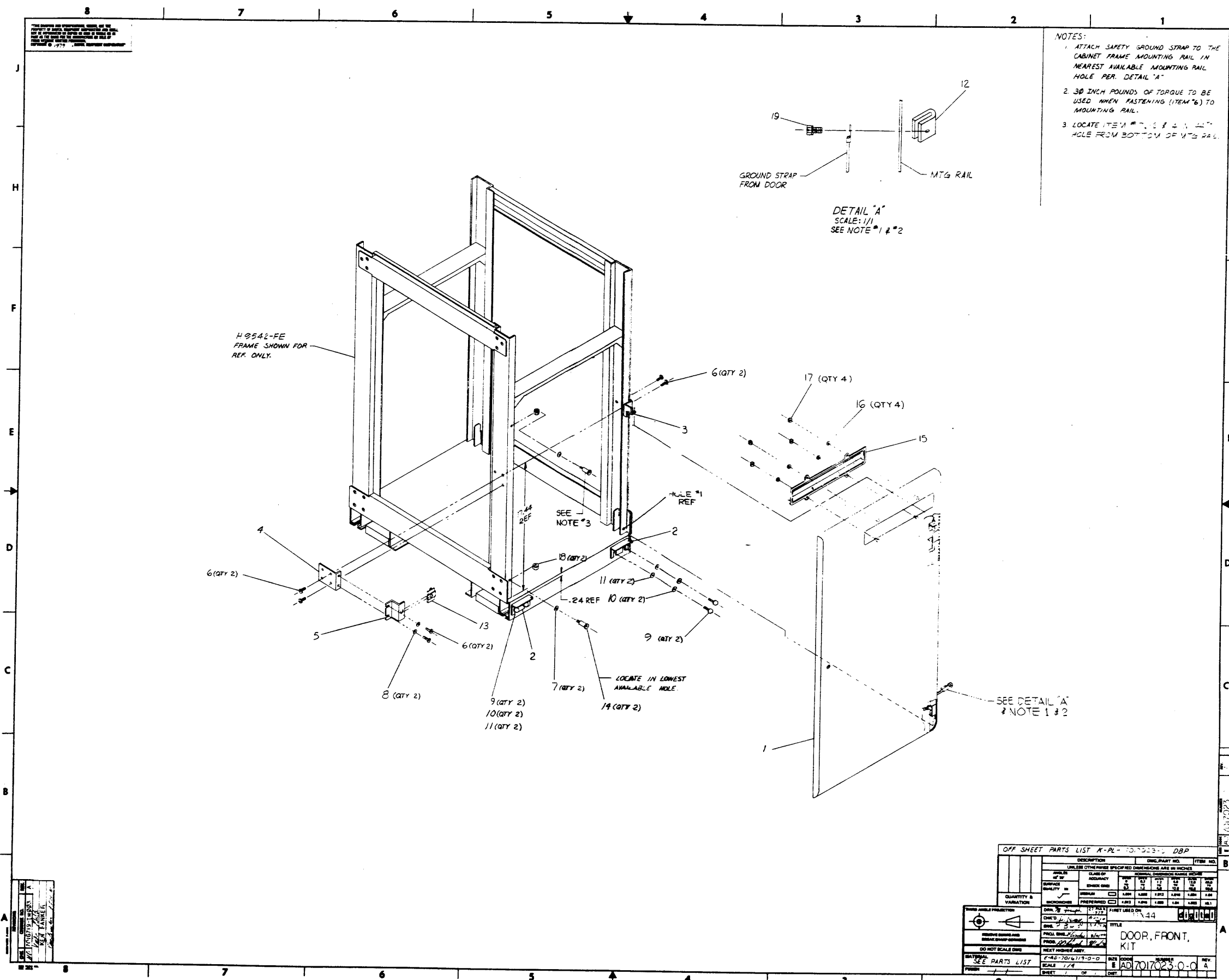
PARTS LIST

LINE ITEM	DOCUMENT NUMBER	PART NUMBER	DESCRIPTION	QUANTITY PER VARIATION			
				AA	AB	AC	AD
1	E-AD-7016534-0-0	7016534-00	END PANEL ASSY	1	-	-	-
2	E-AD-7016534-0-0	7016534-01	PANEL ASSY,END	-	1	-	-
3	E-AD-7016699-0-0	7016699-00	END PANEL ASSY 60 INCH	-	-	1	-
4	E-AD-7016699-0-0	7016699-01	END PANEL ASSY 60IN LT GREY	-	-	-	1
5	C-MD-7422221-0-0	7422221-00	BRKT,DOOR HINGE/END PANEL LOCK	1	1	1	1
6	C-MD-7414318-0-0	7414318-00	*** THIS ITEM IS NOT USED ***	-	-	-	-
7		9010156-00	SCREW,HEX,SLOT,SEMS10-32X 1/2,W	REF	REF	REF	REF
8		9007651-00	*** THIS ITEM IS NOT USED ***	-	-	-	-
9		9007786-00	RETAINER, U-NUT, 10-32	REF	REF	REF	REF
10		9006243-09	SCREW,HEX 1/4-20X 3/4	REF	REF	REF	REF
11		9006676-00	WASHER, FLAT, .625 OD X .281 ID	REF	REF	REF	REF
12		9007797-00	WASHER, LOCK, S.S. 1/4	REF	REF	REF	REF
13		2200021-00	HARDWARE KIT FOR H9544-A	1	1	1	1

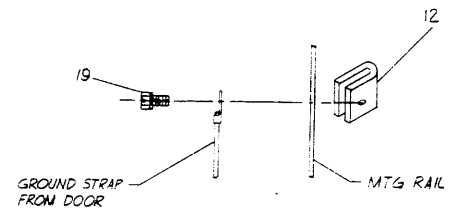
14 NOTE: ITEMS 7 THRU 12 ARE PART OF H9544-A HARDWARE KIT AND ARE ,  
 15 NOTE: LISTED FOR REFERENCE ONLY.

REVISION HISTORY			BASIC PART NO: H9544		IRN: M. JOSEPH		DATE: 16-MAR-79		DIGITAL			
ENG	ECO NUMBER	REV	SECTION A OF A	CHK'D:	S. ROBERTS	DATE:	16-MAR-79	TITLE	PARTS LIST			
	INITIAL	*	SECTION. VARIATION INDEX					END PANEL ASSY (W. LOCK BRKT)				
DS	H9544-A-ML001	A	[A] AA,AB,AC,AD									
WR	H9544-A-ML002	B	[B]									
			[C]									
			[D]									
			[E]									
			[F]									
				DES.ENG.:	W. F. MC CARTHY	DATE:	16-MAR-79					
				RESP.ENG.:	P. DUBE	DATE:	16-MAR-79					
				MFG.ENG.:	R. CARRIER	DATE:	16-MAR-79	SIZE	CODE	NUMBER	REV	
				ASSEMBLY NUMBER:	E-UA-H9544-A-0	TOP DOCUMENT NUMBER:		K	PL	H9544-A-DBP	B	
						FILE NAME:	Z0236B.PLS				EDIT	14

\*THIS DRAWING AND SPECIFICATIONS HEREIN, ARE THE PROPERTY OF DIGITAL EQUIPMENT CORPORATION AND SHALL NOT BE REPRODUCED OR COPIED OR USED IN WHOLE OR IN PART AS THE BASIS FOR THE MANUFACTURE OR SALE OF ITEMS WITHOUT WRITTEN PERMISSION. COPYRIGHT (C) 1980. DIGITAL EQUIPMENT CORPORATION \*



- NOTES:
1. ATTACH SAFETY GROUND STRAP TO THE CABINET FRAME MOUNTING RAIL IN NEAREST AVAILABLE MOUNTING RAIL HOLE PER. DETAIL "A"
  2. 30 INCH POUNDS OF TORQUE TO BE USED WHEN FASTENING (ITEM 6) TO MOUNTING RAIL.
  3. LOCATE ITEM # 7, 8 & 9 IN 2 1/2" HOLE FROM BOTTOM OF MTS RAIL.



DETAIL "A"  
SCALE: 1/1  
SEE NOTE #1 & #2

OFF SHEET PARTS LIST K-PL-13-0023-0 DBP

DESCRIPTION	QTY	UNIT	ITEM NO.
1	1	EA	1
2	2	EA	2
3	2	EA	3
4	2	EA	4
5	2	EA	5
6	2	EA	6
7	2	EA	7
8	2	EA	8
9	2	EA	9
10	2	EA	10
11	2	EA	11
12	1	EA	12
13	1	EA	13
14	2	EA	14
15	1	EA	15
16	4	EA	16
17	4	EA	17
18	2	EA	18
19	1	EA	19

DOOR, FRONT, KIT

LINE ITEM	DOCUMENT NUMBER	PART NUMBER	DESCRIPTION	QUANTITY PER VARIATION 00
1	1	D-AD-7017022-0-0	7017022-00 DOOR,FRONT,ASSY	1
2	2	C-MD-7422262-0-0	7422262-00 BRACKET,FRONT DOOR PIVOT	2
3	3	C-MD-7422264-0-0	7422264-00 BRKT, TOP PIVOT	1
4	4	C-IA-7422267-0-0	7422267-00 BRKT,DOOR LOCK MTG	1
5	5	C-MD-7422222-0-0	7422222-00 BRACKET,DOOR LOCK	1
6	6		9009700-00 SCREW, SEMS, PHILLIPS TRUSS HD 1	6
7	7		9007906-00 WASHER, LOCK S.S. #10	2
8	8		9006664-00 WASHER, FLAT, .437 OD X .218 ID	2
9	9		9006243-09 SCREW,HEX 1/4-20X 3/4	4
10	10		9007797-00 WASHER, LOCK, S.S. 1/4	4
11	11		9006676-00 WASHER, FLAT, .625 OD X .281 ID	2
12	12		9007786-00 RETAINER, U-NUT, 10-32	1
13	13		1212972-02 SPRING,RECEPTACLE FASTENER 1/4 T	1
14	14	B-AD-7016703-0-0	7016703-02 STOP DOOR 1.62	2
15	15	E-MD-7422951-0-0	7422951-00 BEZEL,DOOR MOUNTED	1
16	16		9009949-00 WASHER, FLAT, .500 OD X .156 ID	4
17	17		9008185-00 NUT,KEP , 6-32X1/4 AF	4
18	18		9006565-00 NUT,KEP , 10-32X 3/8 AF	3
19	19		9010156-00 SCREW,HEX,SLOT,SEMS10-32X 1/2,W	1

REVISION HISTORY		BASIC PART NO: 7017023		DRN:	MICHAEL JOSEPH	DATE:	14-AUG-79	D I G I T A L					
ENG	ECO NUMBER	REV	SECTION A OF A	CHK'D:	D. HEALY	DATE:	14-AUG-79	TITLE		PARTS LIST			
---	INITIAL	*	SECTION, VARIATION INDEX					DOOR, FRONT, KIT					
K.B	TW003	A	[A] 00					DOCUMENT NUMBER					
			[B]	DES.ENG.:	PHIL BARTH	DATE:	14-AUG-79	SIZE		CODE	NUMBER	REV	
			[C]	RESP.ENG.:	KEN BANKER	DATE:	14-AUG-79	K	PL	7017023-0-DBP	A		
			[D]	MFG.ENG.:	AL TSHUDY	DATE:	14-AUG-79	ASSEMBLY NUMBER:		TOP DOCUMENT NUMBER:		FILE NAME:	EDIT #
			[E]					E-AD-7017023-0-0		E-AD-7017023-0-0		Z0511.PLS	13
			[F]										

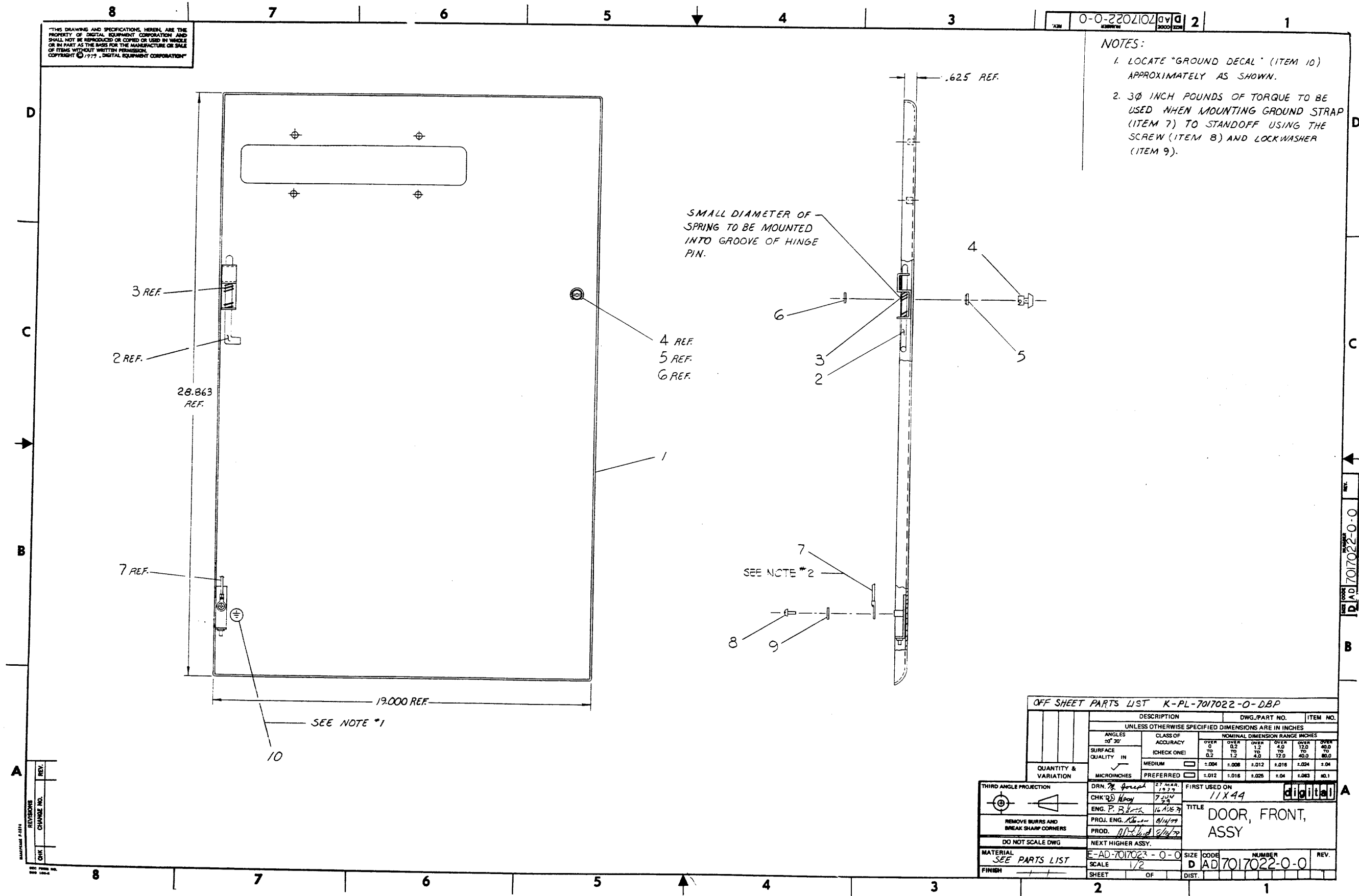
\*THIS DRAWING AND SPECIFICATIONS HEREIN, ARE THE PROPERTY OF DIGITAL EQUIPMENT CORPORATION AND SHALL NOT BE REPRODUCED OR COPIED OR USED IN WHOLE OR IN PART AS THE BASIS FOR THE MANUFACTURE OR SALE OF ITEMS WITHOUT WRITTEN PERMISSION.

COPYRIGHT (C) 1980. DIGITAL EQUIPMENT CORPORATION \*

THIS DRAWING AND SPECIFICATIONS HEREIN ARE THE PROPERTY OF DIGITAL EQUIPMENT CORPORATION AND SHALL NOT BE REPRODUCED OR COPIED OR USED IN WHOLE OR IN PART AS THE BASIS FOR THE MANUFACTURE OR SALE OF ITEMS WITHOUT WRITTEN PERMISSION. COPYRIGHT © 1977, DIGITAL EQUIPMENT CORPORATION.

NOTES:

1. LOCATE "GROUND DECAL" (ITEM 10) APPROXIMATELY AS SHOWN.
2. 30 INCH POUNDS OF TORQUE TO BE USED WHEN MOUNTING GROUND STRAP (ITEM 7) TO STANDOFF USING THE SCREW (ITEM 8) AND LOCKWASHER (ITEM 9).



OFF SHEET PARTS LIST K-PL-7017022-0-DBP

DESCRIPTION	DWG./PART NO.	ITEM NO.	UNLESS OTHERWISE SPECIFIED DIMENSIONS ARE IN INCHES						
			ANGLES 90° 30'		CLASS OF ACCURACY		NOMINAL DIMENSION RANGE INCHES		
SURFACE QUALITY IN	MICROINCHES	PREFERRED	OVER 0 TO 0.2	OVER 0.2 TO 1.2	OVER 1.2 TO 4.0	OVER 4.0 TO 12.0	OVER 12.0 TO 48.0	OVER 48.0 TO 100.0	
			QUANTITY & VARIATION	MEDIUM	<input type="checkbox"/>	±.004	±.008	±.012	±.018
		<input checked="" type="checkbox"/>	±.012	±.018	±.025	±.04	±.063	±0.1	

THIRD ANGLE PROJECTION	DRN. <i>J. Joseph</i> 2/10/77	FIRST USED ON	11X44
REMOVE BURRS AND BREAK SHARP CORNERS	CHK'D <i>R. Roy</i> 7/2/77	TITLE	DOOR, FRONT, ASSY
DO NOT SCALE DWG	ENG. P. <i>B. Jones</i> 10/10/77		
	PROJ. ENG. <i>R. Jones</i> 8/14/77		
	PROD. <i>D. Smith</i> 2/10/77		
MATERIAL SEE PARTS LIST	E-AD-7017023-0-0	SIZE	CODE
FINISH	SCALE 1/2	D	AD7017022-0-0

REV.	CHANGE NO.

AUTOMATED BY PRTLSI,31(31)

PARTS LIST

SHEET A1 OF A1

LINE	ITEM	DOCUMENT NUMBER	PART NUMBER	DESCRIPTION	QUANTITY PER VARIATION
1	1	D-1A-7-17021-0-0	7017021-00	DOOR, FRONT(WELDMENT)	1
2	2		1216223-00	PIN, DOOR HINGE	1
3	3		1216225-00	SPRING, HINGE 1.54LG	1
4	4		1212972-00	FASTENER, QUARTER TURN W/RECESSED	1
5	5		1212972-03	GROMMET HALF FOR 1/4 TURN FASTEN	1
6	6		9000500-00	RING, RETAINING .500 O.D. X.423	1
7	7		1213756-12	GROUND STRAP	1
8	8		9000007-01	SCREW, PAN, PHIL, 10-32X 1/4 S	1
9	9		9006635-00	WASHER, LOCK, INT, .31000 X .200ID	1
10	10		3613272-00	LABEL, ADH BACK, MYLAR CAP	1

REVISION HISTORY			BASIC PART NO: 7017022		DRN: MICHAEL JOSEPH DATE: 14-AUG-79		D I G I T A L				
ENG	ECO NUMBER	REV	SECTION A OF A	CHK'D:	DATE:	TITLE	PARTS LIST				
000	INITIAL	#	SECTION, VARIATION INDEX	DENNIS HEALY <i>DH</i>	14-AUG-79	DOOR, FRONT, ASSY					
			(A) <i>OK</i>	DES, ENG,:	DATE:	DOCUMENT NUMBER					
			(B)	PHIL BARIH <i>P.B.</i>	14-AUG-79	SIZE: CODE: NUMBER	REV				
			(C)	RESP, ENG,:	DATE:	K PL 7017022-0-000	*				
			(D)	KEN BANKER <i>K.B.</i>	14-AUG-79	ASSEMBLY NUMBER:	TOP DOCUMENT NUMBER:	FILE NAME:	EDIT #		
			(E)	MFG, ENG,:	DATE:	D-AD-7017022-0-0	D-AD-7017022-0-0	Y0955, PLS	0		
			(F)	AL TSHUDY <i>AT</i>	14-AUG-79						
<p>"THIS DRAWING AND SPECIFICATIONS HEREIN, ARE THE PROPERTY OF DIGITAL EQUIPMENT CORPORATION AND SHALL NOT BE REPRODUCED OR COPIED OR USED IN WHOLE OR IN PART AS THE BASIS FOR THE MANUFACTURE OR SALE OF ITEMS WITHOUT WRITTEN PERMISSION. COPYRIGHT (C) 1979, DIGITAL EQUIPMENT CORPORATION"</p>											



AUTOMATED BY PRTLST,3L(31)

PARTS LIST

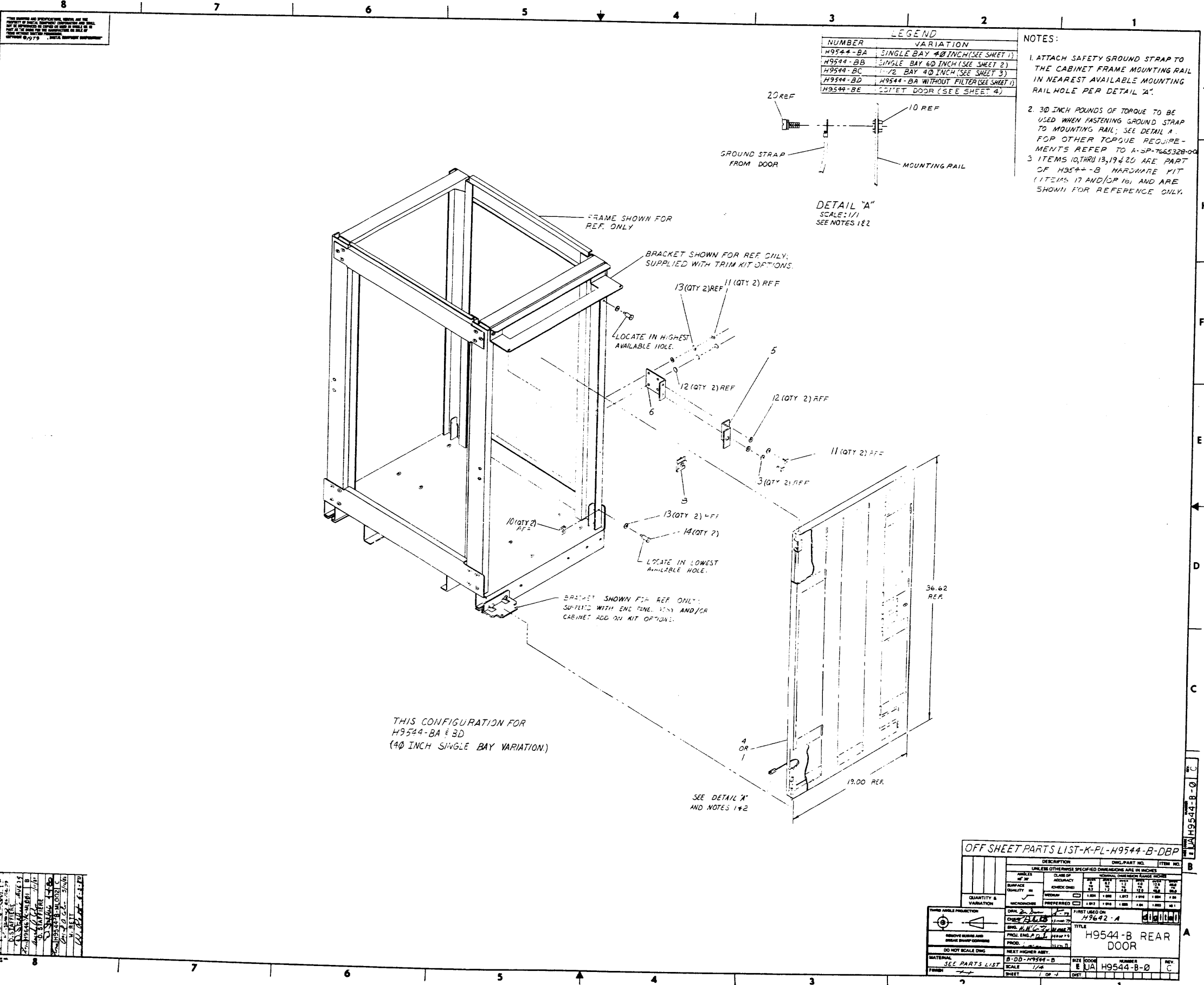
SHEET A1 OF A1

LINE ITEM	DOCUMENT NUMBER	PART NUMBER	DESCRIPTION	QUANTITY PER VARIATION
1	E-IA-7422666-0-0	7422666-00	COVER,REMOVABLE TOP	1
2	D-MD-7422645-0-0	7422645-00	BRKT, TOP COVER	2
3	D-IA-7422661-0-0	7422661-00	VENT, REAR	1
4	D-MD-7422646-0-0	7422646-00	BRACKET, REAR VENT	1
5	C-MD-7422653-0-0	7422653-00	BRKT TRIM STRIP SUPPORT R.H.	1
6	C-MD-7422653-0-0	7422653-01	BRKT TRIM STRIP SUPPORT L.H.	1
7	C-IA-7422654-0-0	7422654-00	STRIP, TRIM	2
8		9006565-00	NUT, KEP , 10-32X 3/8 AF	12
9		9009700-00	SCREW, SEMS, PHILLIPS TRIUSS HD 1	4
10		9006070-02	SCREW, FLAT, PHIL, 10-32X 5/16	2
11		9006664-00	WASHER, FLAT, .437 OD X .218 ID	14
12		9006610-00	NUT, CAP , 10-32 X7/16AF REL	4
13		9009988-05	SCREW, SEMS, SLOTTED HEX HD 10-	4

REVISION HISTORY			BASIC PART NO: 7017025		DRN: MICHAEL JOSEPH		DATE: 14-AUG-79		D I G I T A L			
ENG	ECO NUMBER	REV	SECTION A OF A	CHK'D:	D. HEALY	DATE:	14-AUG-79	TITLE	PARTS LIST			
---	INITIAL	*	SECTION, VARIATION INDEX	DES.ENG.:	PHIL BARTH	DATE:	14-AUG-79	COVER KIT, ROTATING BOX				
KB	TW003	A	[A] 00	RESP.ENG.:	KEN BANKER	DATE:	14-AUG-79	DOCUMENT NUMBER				
			[B]	MFG.ENG.:	AL TSHUDY	DATE:	14-AUG-79	SIZE	CODE	NUMBER	REV	
			[C]	ASSEMBLY NUMBER:	E-AD-7017025-0-0	TOP DOCUMENT NUMBER:	E-AD-7017025-0-0	K	PL	7017025-0-DBP	A	
			[D]	FILE NAME:	Z0513.PLS	EDIT #	9					
			[E]									
			[F]									

\*THIS DRAWING AND SPECIFICATIONS HEREIN, ARE THE PROPERTY OF DIGITAL EQUIPMENT CORPORATION AND SHALL NOT BE REPRODUCED OR COPIED OR USED IN WHOLE OR IN PART AS THE BASIS FOR THE MANUFACTURE OR SALE OF ITEMS WITHOUT WRITTEN PERMISSION. COPYRIGHT (C) 1980, DIGITAL EQUIPMENT CORPORATION \*

TW



NUMBER	VARIATION
H9544-B-A	SINGLE BAY 40 INCH (SEE SHEET 1)
H9544-B-B	SINGLE BAY 60 INCH (SEE SHEET 2)
H9544-B-C	1/2 BAY 40 INCH (SEE SHEET 3)
H9544-B-D	H9544-B-A WITHOUT FILTER (SEE SHEET 1)
H9544-B-E	DOOR (SEE SHEET 4)

- NOTES:
1. ATTACH SAFETY GROUND STRAP TO THE CABINET FRAME MOUNTING RAIL IN NEAREST AVAILABLE MOUNTING RAIL HOLE PER DETAIL 'A'.
  2. 30 INCH POUNDS OF TORQUE TO BE USED WHEN FASTENING GROUND STRAP TO MOUNTING RAIL; SEE DETAIL 'A'. FOR OTHER TORQUE REQUIREMENTS REFER TO A-SP-7665328-00.
  3. ITEMS 10, 11, 12, 13, 14, 15, 16, 17, 18, 19, 20 ARE PART OF H9544-B HARDWARE KIT (ITEMS 17 AND/OR 18) AND ARE SHOWN FOR REFERENCE ONLY.

DETAIL 'A'  
SCALE: 1/1  
SEE NOTES 1&2

THIS CONFIGURATION FOR  
H9544-B-A & B-D  
(40 INCH SINGLE BAY VARIATION)

SEE DETAIL 'A'  
AND NOTES 1&2

REV	DESCRIPTION	DATE
1	ISSUED FOR PRODUCTION	11/14/00
2	REVISED TO REFLECT CHANGES TO THE CABINET FRAME MOUNTING RAIL	11/14/00
3	REVISED TO REFLECT CHANGES TO THE CABINET FRAME MOUNTING RAIL	11/14/00
4	REVISED TO REFLECT CHANGES TO THE CABINET FRAME MOUNTING RAIL	11/14/00
5	REVISED TO REFLECT CHANGES TO THE CABINET FRAME MOUNTING RAIL	11/14/00
6	REVISED TO REFLECT CHANGES TO THE CABINET FRAME MOUNTING RAIL	11/14/00
7	REVISED TO REFLECT CHANGES TO THE CABINET FRAME MOUNTING RAIL	11/14/00
8	REVISED TO REFLECT CHANGES TO THE CABINET FRAME MOUNTING RAIL	11/14/00

OFF SHEET PARTS LIST-K-PL-H9544-B-DBP

DESCRIPTION	QTY	UNIT	ITEM NO.
1. SAFETY GROUND STRAP	1	EA	10
2. MOUNTING RAIL	1	EA	11
3. BRACKET	2	EA	12
4. SCREW	2	EA	13
5. NUT	2	EA	14
6. WASHER	2	EA	15
7. BRACKET	2	EA	16
8. SCREW	2	EA	17
9. NUT	2	EA	18
10. WASHER	2	EA	19
11. BRACKET	2	EA	20
12. SCREW	2	EA	21
13. NUT	2	EA	22
14. WASHER	2	EA	23
15. BRACKET	2	EA	24
16. SCREW	2	EA	25
17. NUT	2	EA	26
18. WASHER	2	EA	27
19. BRACKET	2	EA	28
20. SCREW	2	EA	29
21. NUT	2	EA	30
22. WASHER	2	EA	31
23. BRACKET	2	EA	32
24. SCREW	2	EA	33
25. NUT	2	EA	34
26. WASHER	2	EA	35
27. BRACKET	2	EA	36
28. SCREW	2	EA	37
29. NUT	2	EA	38
30. WASHER	2	EA	39
31. BRACKET	2	EA	40
32. SCREW	2	EA	41
33. NUT	2	EA	42
34. WASHER	2	EA	43
35. BRACKET	2	EA	44
36. SCREW	2	EA	45
37. NUT	2	EA	46
38. WASHER	2	EA	47
39. BRACKET	2	EA	48
40. SCREW	2	EA	49
41. NUT	2	EA	50
42. WASHER	2	EA	51
43. BRACKET	2	EA	52
44. SCREW	2	EA	53
45. NUT	2	EA	54
46. WASHER	2	EA	55
47. BRACKET	2	EA	56
48. SCREW	2	EA	57
49. NUT	2	EA	58
50. WASHER	2	EA	59
51. BRACKET	2	EA	60
52. SCREW	2	EA	61
53. NUT	2	EA	62
54. WASHER	2	EA	63
55. BRACKET	2	EA	64
56. SCREW	2	EA	65
57. NUT	2	EA	66
58. WASHER	2	EA	67
59. BRACKET	2	EA	68
60. SCREW	2	EA	69
61. NUT	2	EA	70
62. WASHER	2	EA	71
63. BRACKET	2	EA	72
64. SCREW	2	EA	73
65. NUT	2	EA	74
66. WASHER	2	EA	75
67. BRACKET	2	EA	76
68. SCREW	2	EA	77
69. NUT	2	EA	78
70. WASHER	2	EA	79
71. BRACKET	2	EA	80
72. SCREW	2	EA	81
73. NUT	2	EA	82
74. WASHER	2	EA	83
75. BRACKET	2	EA	84
76. SCREW	2	EA	85
77. NUT	2	EA	86
78. WASHER	2	EA	87
79. BRACKET	2	EA	88
80. SCREW	2	EA	89
81. NUT	2	EA	90
82. WASHER	2	EA	91
83. BRACKET	2	EA	92
84. SCREW	2	EA	93
85. NUT	2	EA	94
86. WASHER	2	EA	95
87. BRACKET	2	EA	96
88. SCREW	2	EA	97
89. NUT	2	EA	98
90. WASHER	2	EA	99
91. BRACKET	2	EA	100









LINE	ITEM	DOCUMENT NUMBER	PART NUMBER	DESCRIPTION	QUANTITY PER VARIATION				
					BA	BB	BC	BD	BE
1	1	E-AD-7016533-0-0	7016533-00	DOOR ASSY,REAR(SINGLE BAY,40INCH	1	-	-	-	-
2	2	E-AD-7016695-0-0	7016695-00	DOOR ASSY REAR(SINGLE BAY,60")	-	1	-	-	-
3	3	E-AD-7016697-0-0	7016697-00	DOOR ASSY REAR(1 1/2 BAY 40")	-	-	1	-	-
4	4	E-AD-7016533-0-0	7016533-01	DOOR ASSY REAR(REAR DOOR W/O FIL	-	-	-	1	-
5	5	C-MD-7422222-0-0	7422222-00	BRACKET,DOOR LOCK	1	1	1	1	1
6	6	C-IA-7422267-0-0	7422267-00	BRKT,DOOR LOCK MTG	1	-	1	1	1
7	7		4700045-00	*** THIS ITEM IS NOT USED ***	-	-	-	-	-
8	8		1212972-02	SPRING,RECEPTACLE FASTENER 1/4 T	1	1	1	1	1
9	9		9007651-00	*** THIS ITEM IS NOT USED ***	-	-	-	-	-
10	10		9007786-00	RETAINER, U-NUT, 10-32	REF	REF	REF	REF	REF
11	11		9006074-01	SCREW,PAN,PHIL 10-32X 5/8 SS	REF	REF	REF	REF	REF
12	12		9006664-00	WASHER, FLAT, .437 OD X .218 ID	REF	REF	REF	REF	REF
13	13		9007906-00	WASHER, LOCK S.S. #10	REF	REF	REF	REF	REF
14	14	B-AD-7016703-0-0	7016703-00	STOP DOOR (REAR)	2	2	2	2	2
15	15	D-AD-7016632-0-0	7016632-00	DOOR ASSY REAR(1 1/2 BAY)	-	-	-	-	1
16	16	C-MD-7422272-0-0	7422272-01	PIVOT BRKT BOTTOM REAR DOOR L.H.	-	-	-	-	1
17	17		2200024-00	HARDWARE KIT FOR H9544-3	1	1	1	1	-
18	18		2200024-01	HARDWARE KIT FOR H9544-B(COMET C	-	-	-	-	1
19	19		9009005-00	NUT,HEX 10-32 X1/4 AF X 3	REF	REF	REF	REF	REF
20	20	C-IA-7424014-0-0	7424014-00	BRKT, DOORLOCK MTG	-	1	-	-	-
21	21		9010156-00	SCREW,HEX,SLOT,SEMS10-32X 1/2,W	REF	REF	REF	REF	REF

22 NOTE: ITEM 10 THRU 13,19&21 ARE PART OF H9544-B HARDWARE KIT AND  
 23 NOTE: ARE LISTED FOR REFERENCE ONLY.

REVISION HISTORY		BASIC PART NO: H9544		DRN:	K. DAVAN	DATE:	13-MAR-79	DIGITAL		
ENG:	ECD NUMBER	REV	SECTION A OF A	CHK'D:	S. ROBERTS	DATE:	13-MAR-79	PARTS LIST		
	INITIAL	*	SECTION, VARIATION INDEX					H9544-B REAR DOOR		
DS	H9544-B-ML001	IA	[A] BA, BB, BC, BD, BE					DOCUMENT NUMBER		
DS	H9646-AC-ML001	IB						SIZE CODE NUMBER REV		
WR	H9544-B-ML002	IC	[B]	DES.ENG.:	W. F. MC CARTHY	DATE:	13-MAR-79	MFG.ENG.:		
			[C]					R. CARRIER		
			[D]	RESP.ENG.:	P. DUBE	DATE:	13-MAR-79	ASSEMBLY NUMBER:		
			[E]					TOP DOCUMENT NUMBER:		
			[F]					FILE NAME:		
								E-UA-H9544-B-0		
								Z0237C.PLS		
								EDIT #		
								17		

"THIS DRAWING AND SPECIFICATIONS HEREIN, ARE THE PROPERTY OF DIGITAL EQUIPMENT CORPORATION AND SHALL NOT BE REPRODUCED OR COPIED OR USED IN WHOLE OR IN PART AS THE BASIS FOR THE MANUFACTURE OR SALE OF ITEMS WITHOUT WRITTEN PERMISSION. COPYRIGHT (C) 1980. DIGITAL EQUIPMENT CORPORATION"

