

"THE MATERIAL HEREIN IS FOR INFORMATION PURPOSES ONLY AND IS SUBJECT TO CHANGE WITHOUT NOTICE. DIGITAL EQUIPMENT CORPORATION ASSUMES NO RESPONSIBILITY FOR ANY ERRORS WHICH MAY APPEAR HEREIN." 1980

FIELD MAINTENANCE PRINT SET

"THIS DRAWING AND SPECIFICATIONS, HEREIN, ARE THE PROPERTY OF DIGITAL EQUIPMENT CORPORATION AND SHALL NOT BE REPRODUCED OR COPIED OR USED IN WHOLE OR IN PART AS THE BASIS FOR THE MANUFACTURE OR SALE OF ITEMS WITHOUT WRITTEN PERMISSION. COPYRIGHT © DIGITAL EQUIPMENT CORPORATION."

TABLE OF CONTENTS

- E-UA-11/24-0-0 11/24 UNIT ASSY
- K-PL-11/24-0-0 11/24 UNIT ASSY P/L
- B-PL-11/24-0-2 11/24 SHIPPING LIST
- B-PL-11/24-0-3 11/24 SOFTWARE LIST
- B-PL-11/24-0-4 11/24 HARDWARE KIT LIST
- D-IC-11/24-0-5 11/24 INTERCONNECT DIAGRAM (A-BOX)
- D-IC-11/24-0-6 11/24 INTERCONNECT DIAGRAM (L-BOX)
- B-TC-H777-0-1-POWER SUPPLY

- B-TC-B11-L-1-BOX ASSY

- D-AD-7017466-0-0 SLU ASSY
- K-PL-7017466-0-0 SLU ASSY PARTS LIST
- D-IA-7016961-0-0 11/24 PWR. HARNESS
- D-AD-7016905-0-0 11/24 B/P ASSY.
- K-PL-7016905-0-0 11/24 B/P ASSY. PARTS LIST
- D-UA-5414218-0-0 SLU INTERFACE BD
- K-PL-5414218-0-0 SLU INTERFACE BD PARTS LIST
- D-AD-7012214-0-0 CABLE
- MP01028 KDF11-UA PRINT SET
- D-UA-M9312-0-0 BOOT STRAP TERM.
- K-PL-M9312-0-0 BOOT STRAP TERM. PARTS LIST
- D-UA-G7273-0-0 BUSGRANT & NORM. PROC. GRANT
- K-PL-G7273-0-0 BUSGRANT & NORM. PROC. GRANT PARTS LIST
- 23774F1-0-0 CPU BOOT PROM
- B-DD-B11-A 10.5" A-BOX ASSY
- D-AD-7011411-0-0 CABLE ASSY
- B-DD-5413815-0-0 POWER DISTRIBUTION BOARD ASSY
- B-DD-H7140-0 H7140 POWER SUPPLY
- C-UA-H3270-0-0 TEST CONNECTOR

UNIT VARIATIONS COVERED BY THIS PRINT SET	
11/24-AA	
11/24-AB	
11/24-AC	
11/24-AD	
11/24-XX	
11/24-XY	
11/24-BC	
11/24-BD	
11/24-YX	
11/24-YY	

5.25" L-BOX

10.5" A-BOX

Field Maintenance Print Set

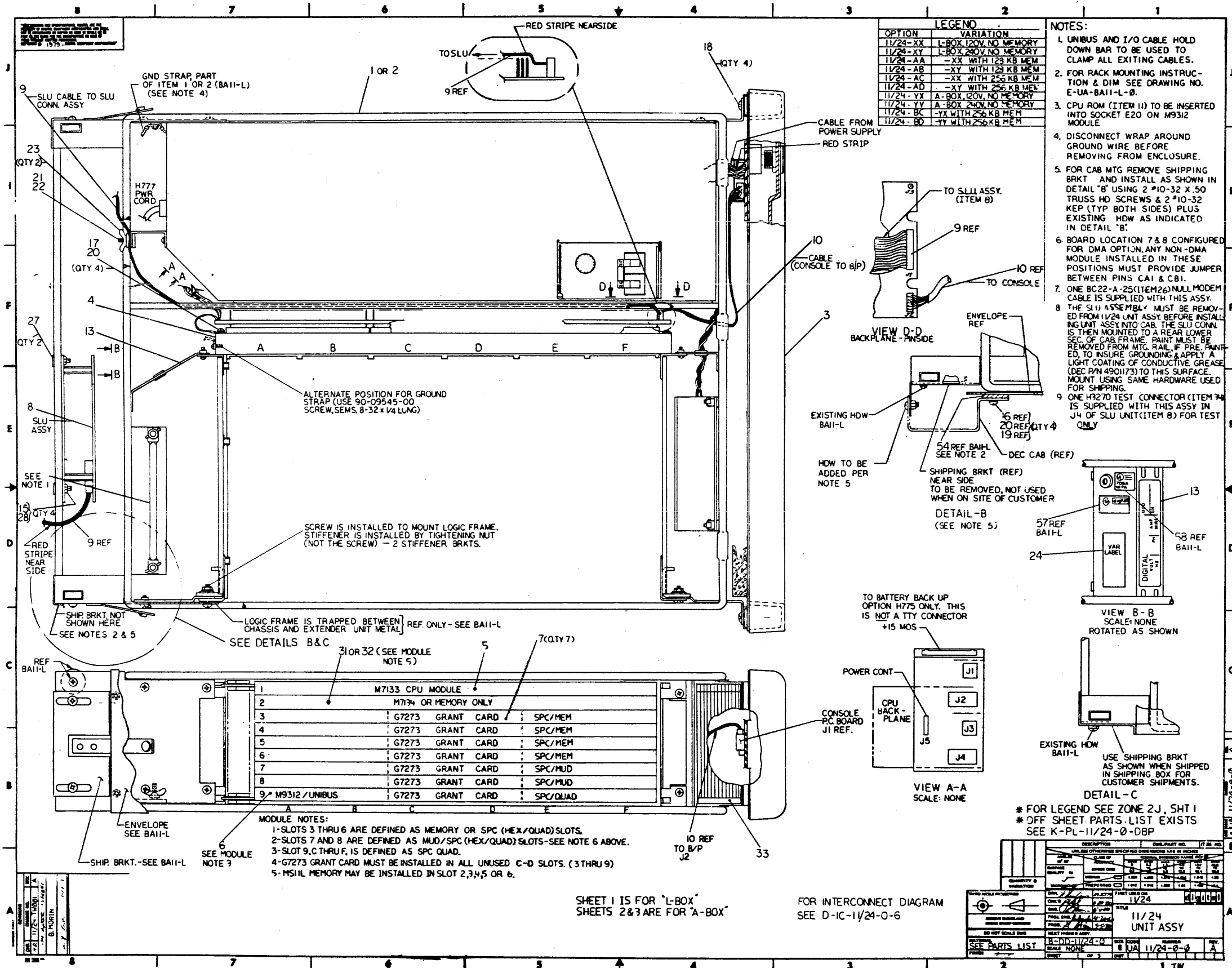
11/24

Digital Equipment Corporation

MPO1018

REV. B
NUMBER 1124-0-1
SIZE B CODE TC

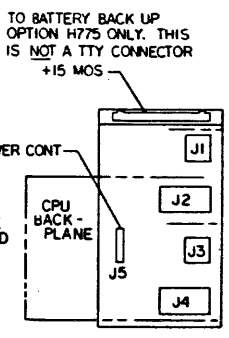
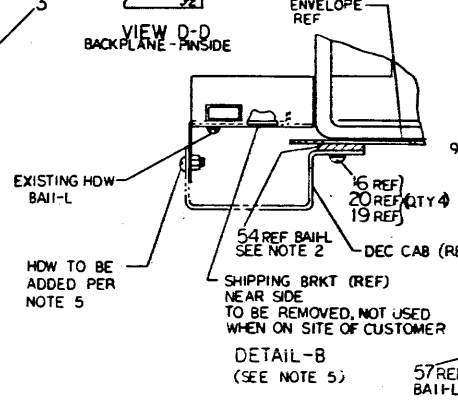
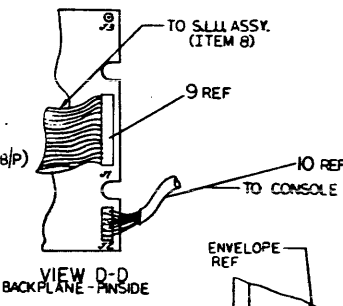
DATE	REVISIONS		USED ON OPTION/MODEL	DRN	DATE	TITLE: FIELD MAINT. PRINT SET 11/24	SIZE	CODE	NUMBER	REV.
		CHG. NO.		REV	R. J. Riley		8-9-80	B	TC	1124-0-1
	11/24 TW001 B	B	CHK'D	DATE						
	M. Byrd	B MORIN	R. J. Riley	8-9-80						
			PROV. ENG.	DATE						
			R. Gruda	2-1-80						
			FIELD SERV.	DATE						
			A. Schmidt	2-14-80						
SHEET 1 OF 1						DIST:				



LEGEND

OPTION	VARIATION
11/24-XX	L-BOX, 120V, NO MEMORY
11/24-XY	L-BOX, 240V, NO MEMORY
11/24-AA	-XX WITH 128 KB MEM
11/24-AB	-XY WITH 128 KB MEM
11/24-AC	-XX WITH 256 KB MEM
11/24-AD	-XY WITH 256 KB MEM
11/24-YX	A-BOX, 120V, NO MEMORY
11/24-YY	A-BOX, 240V, NO MEMORY
11/24-BC	-YX WITH 256 KB MEM
11/24-BD	-YY WITH 256 KB MEM

- NOTES:**
- UNIBUS AND I/O CABLE HOLD DOWN BAR TO BE USED TO CLAMP ALL EXITING CABLES.
 - FOR RACK MOUNTING INSTRUCTION & DIM SEE DRAWING NO. E-UA-B11-L-0.
 - CPU ROM (ITEM 11) TO BE INSERTED INTO SOCKET E20 ON M9312 MODULE
 - DISCONNECT WRAP AROUND GROUND WIRE BEFORE REMOVING FROM ENCLOSURE.
 - FOR CAB MTG REMOVE SHIPPING BRKT AND INSTALL AS SHOWN IN DETAIL 'B' USING 2 #10-32 X .50 TRUSS HD SCREWS & 2 #10-32 KEP (TYP BOTH SIDES) PLUS EXISTING HDW AS INDICATED IN DETAIL 'B'.
 - BOARD LOCATION 7 & 8 CONFIGURED FOR DMA OPTION. ANY NON-DMA MODULE INSTALLED IN THESE POSITIONS MUST PROVIDE JUMPER BETWEEN PINS CA1 & CBI.
 - ONE BC22-A-25 (ITEM 26) NULL MODEM CABLE IS SUPPLIED WITH THIS ASSY.
 - THE SLU ASSEMBLY MUST BE REMOVED FROM 11/24 UNIT ASSY BEFORE INSTALLING UNIT ASSY INTO CAB. THE SLU CONN. IS THEN MOUNTED TO A REAR LOWER SEC. OF CAB FRAME. PAINT MUST BE REMOVED FROM MTG. RAIL, IF PRE. PAINTED, TO INSURE GROUNDING & APPLY A LIGHT COATING OF CONDUCTIVE GREASE (DEC P/N 4901173) TO THIS SURFACE. MOUNT USING SAME HARDWARE USED FOR SHIPPING.
 - ONE H32 TO TEST CONNECTOR (ITEM 34) IS SUPPLIED WITH THIS ASSY IN J4 OF SLU UNIT (ITEM 8) FOR TEST ONLY.



Slot	Module	Part No.	Description	Notes
1	M7133 CPU MODULE			
2	M7134 OR MEMORY ONLY			
3	G7273 GRANT CARD		SPC/MEM	
4	G7273 GRANT CARD		SPC/MEM	
5	G7273 GRANT CARD		SPC/MEM	
6	G7273 GRANT CARD		SPC/MEM	
7	G7273 GRANT CARD		SPC/MUD	
8	G7273 GRANT CARD		SPC/MUD	
9	M9312/UNIBUS	G7273	GRANT CARD	SPC/QUAD

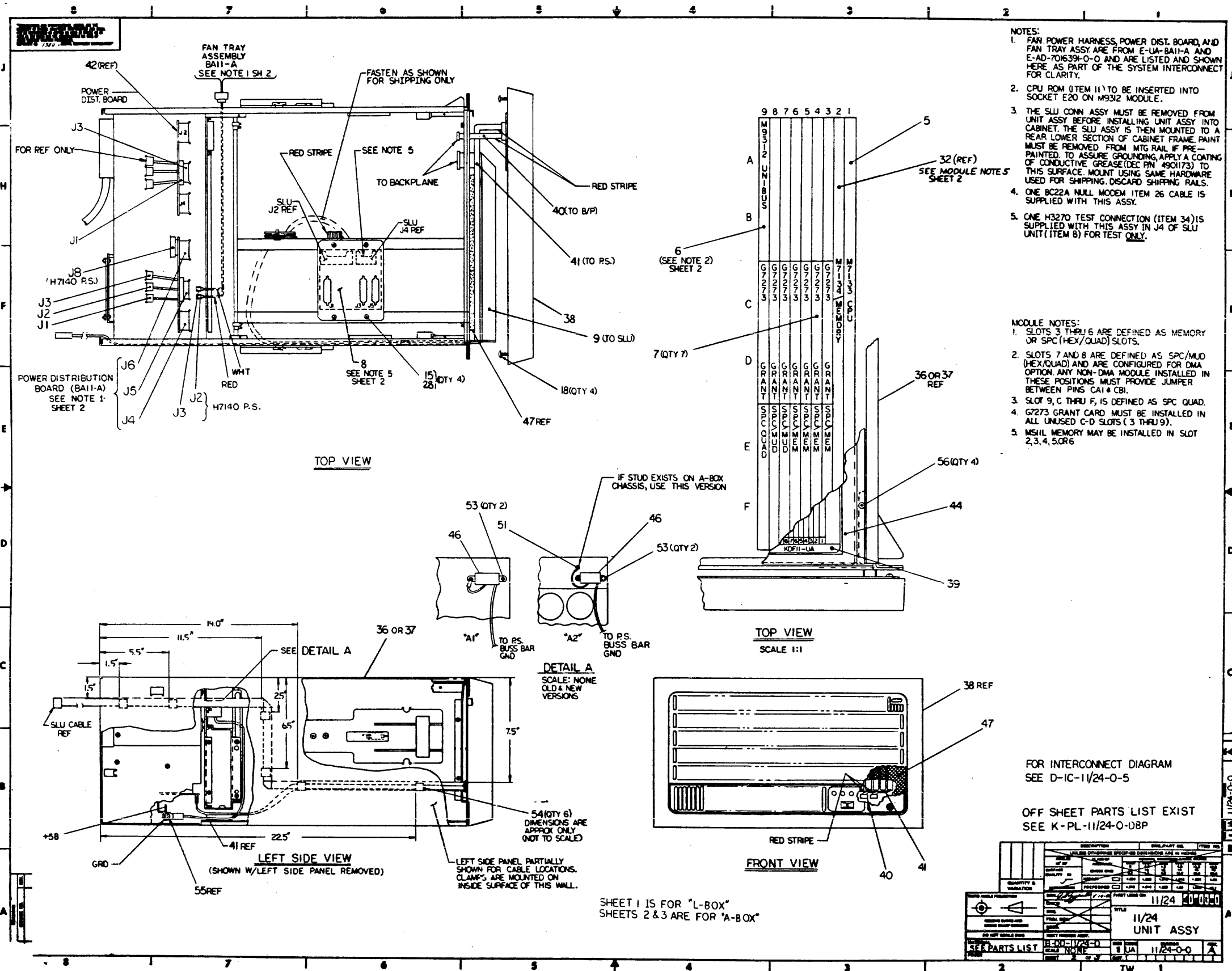
- MODULE NOTES:**
- SLOTS 3 THRU 6 ARE DEFINED AS MEMORY OR SPC (HEX/QUAD) SLOTS.
 - SLOTS 7 AND 8 ARE DEFINED AS MUD/SPC (HEX/QUAD) SLOTS-SEE NOTE 6 ABOVE.
 - SLOT 9, C THRU F, IS DEFINED AS SPC QUAD.
 - G7273 GRANT CARD MUST BE INSTALLED IN ALL UNUSED C-D SLOTS. (3 THRU 9)
 - MS11 MEMORY MAY BE INSTALLED IN SLOT 2, 3, 4, 5 OR 6.

SHEET 1 IS FOR "L-BOX" SHEETS 2 & 3 ARE FOR "A-BOX" FOR INTERCONNECT DIAGRAM SEE D-IC-11/24-0-6

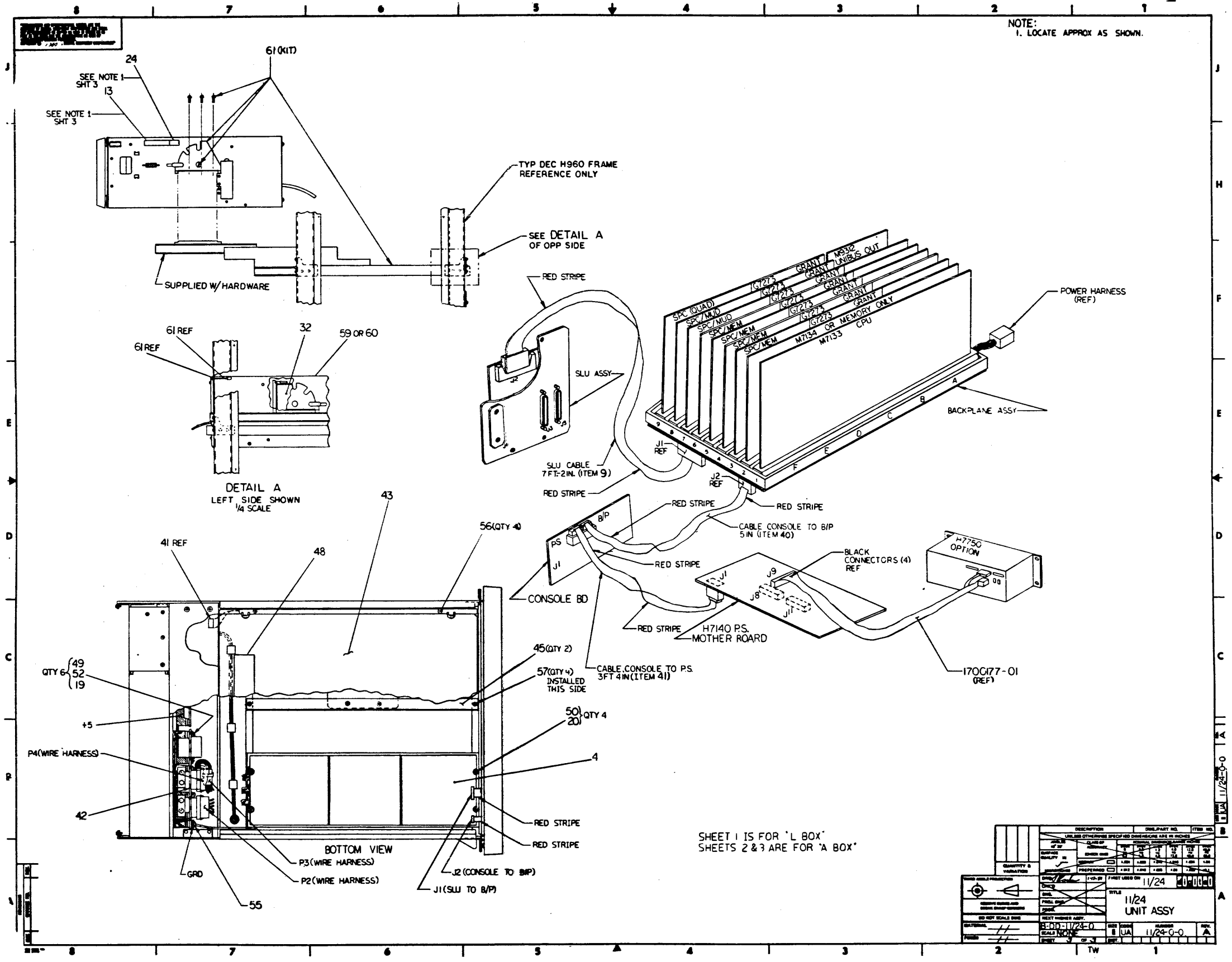
REV	DESCRIPTION	DATE	BY	CHKD
1	ISSUED	11/24		

11/24 UNIT ASSY

SEE PARTS LIST



SHEET 1 IS FOR "L-BOX"
SHEETS 2 & 3 ARE FOR "A-BOX"



NOTE:
1. LOCATE APPROX AS SHOWN.

SHEET 1 IS FOR 'L BOX'
SHEETS 2 & 3 ARE FOR 'A BOX'

DESCRIPTION	DRAWING NO.	REV
11/24 UNIT ASSY	11/24-0	0
QUANTITY & VALIDATION		
BY	11/24	0
FIRST USED ON		
REV	11/24-0	0
DATE	11/24	0
PREPARED BY		
CHECKED BY		
DRAWN BY		

LINE ITEM	DOCUMENT NUMBER	PART NUMBER	DESCRIPTION	QUANTITY PER VARIATION												
				XX	XY	AA	AB	AC	AD	YX	YY	BC	BD			
1	1	E-UA-BA11-L-0	OBA11-LX	5.25" BOX W H777-UA PS,120V	1	0	0	0	0	0	0	0	0	0	0	0
2	2	E-UA-BA11-L-0	OBA11-LY	5.25" BOX W H777-UB PS,240V	0	1	0	0	0	0	0	0	0	0	0	0
3	3	E-AD-7016958-0-0	7016958-03	11/25 5.25 CONSOLE ASSY.	1	1	0	0	0	0	0	0	0	0	0	0
4	4	D-AD-7016905-0-0	7016905-00	1124-L BACKPLANE ASSY.	1	1	0	0	0	0	1	1	0	0	0	0
5	5	D-IA-M7133-0-0	M7133-00	11/24 C.P.U.	1	1	0	0	0	0	1	1	0	0	0	0
6	6	D-UA-M9312-0-0	M9312-00	BOOTSTRAP TERMINATOR W 5 EMPTY R	1	1	0	0	0	0	1	1	0	0	0	0
7	7	D-UA-G7273-0-0	G7273-00	BUS GRANT & NON-PROCESSOR GRANT	7	7	0	0	0	0	7	7	0	0	0	0
8	8	D-AD-7017466-0-0	7017466-02	SLU ASSY. (2 SERIAL LINES)	1	1	0	0	0	0	1	1	0	0	0	0
9	9	D-IA-7012214-0-0	7012214-07	CABLE (SLU)	1	1	0	0	0	0	1	1	0	0	0	0
10	10	D-IA-7016962-0-0	7016962-00	CABLE ASSY B/P TO CONSOLE	1	1	0	0	0	0	0	0	0	0	0	0
11	11		23774F1-00	F1-01	1	1	0	0	0	0	1	1	0	0	0	0
12	13	A-DC-3615180-0-0	3615180-00	LABEL,SERIAL TAG FOR TYPEWRITER	1	1	0	0	0	0	1	1	0	0	0	0
13	14	A-PS-3700197-0-0	3700197-00	INSTR PKG COMPUTER PDF11/04 INTE	1	1	0	0	0	0	0	0	0	0	0	0
14	15		9006071-01	SCREW,PAN,PHIL 10-32X 3/8 SS	4	4	0	0	0	0	4	4	0	0	0	0
15	16		9006037-03	SCREW,TRUS,PHIL, 8-32X 3/8	0	0	REF	REF	REF	REF	0	0	0	0	0	0
16	17		9006043-01	SCREW,PAN,PHIL 8-32X1 SS	4	4	0	0	0	0	0	0	0	0	0	0
17	18		9006075-03	SCREW,TRUS,PHIL, 10-32X 3/4	4	4	0	0	0	0	4	4	0	0	0	0
18	19		9006660-00	WASHER, FLAT, .375 O.D. X .187 I	0	0	REF	REF	REF	REF	6	6	0	0	0	0
19	20		9008072-00	WASHER, LOCK, EXTERNAL TOOTH #8	4	4	REF	REF	REF	REF	4	4	0	0	0	0
20	21	B-IA-7423591-0-0	7423591-00	CABLE, CLAMP BASE	1	1	0	0	0	0	0	0	0	0	0	0
21	22	B-MD-7423592-0-0	7423592-00	BAR CABLE CLAMP	1	1	0	0	0	0	0	0	0	0	0	0
22	23		9009711-00	NUT,WING, 6-32X 1/2 AF X 7	2	2	0	0	0	0	0	0	0	0	0	0
23	24	A-DC-3615946-0-0	3615946-00	LABEL,PRODUCT VARIATION	0	0	1	1	1	1	0	0	1	1	0	0
24	25	A-PS-3700061-0-0	3700061-00	INSTR PKG COMPUTER 11/05 OLD STY	0	0	1	1	1	1	0	0	0	0	0	0
25	26	B-PL-BC22A-0-0	BC22A-25	BC22A-10 EXCEPT 25 FT	0	0	1	1	1	1	0	0	1	1	0	0
26	27	C-MD-7424589-0-0	7424589-00	BRACKET SHIPPING SLU	2	2	0	0	0	0	0	0	0	0	0	0
27	28		9006565-00	NUT,KEP, 10-32X 3/8 AF	4	4	0	0	0	0	4	4	0	0	0	0
28	29	E-UA-11/24-0-0	11/24-XX	KDF11-UA,BA11-LX,M9312,120V	0	0	1	0	1	0	0	0	0	0	0	0
29	30	E-UA-11/24-0-0	11/24-XY	KDF11-UA,BA11-LY,M9312,240V (NO	0	0	0	1	0	1	0	0	0	0	0	0
30	31	D-UA-MS11-L-0	OMS11-LB	MS11-LB 64K 18 BIT MOS MEM W PAR	0	0	1	1	0	0	0	0	0	0	0	0

REVISION HISTORY		BASIC PART NO:	11/24	DRN:	MARK CARROLL	DATE:	23-APR-80	D I G I T A L			
ENG	ECD NUMBER	REV	SECTION A OF A	CHK'D:	R. J. RILEY	DATE:	23-APR-80	TITLE PARTS LIST			
---	INITIAL	*	SECTION, VARIATION INDEX	---	INITIAL	*	[A] XX,XY,AA,AB,AC,AD,	11/24 UNIT ASSEMBLY			
---	INITIAL	*	YX,YY,BC,BD	---	INITIAL	*	[B]	DES.ENG.: R. MORIN DATE: 23-APR-80			
BM	11/24-TW001	A	[C]	---	INITIAL	*	[D]	DOCUMENT NUMBER			
BM	11/24-TW001	A	[E]	---	INITIAL	*	[E]	RESP.ENG.: R. GRUDA DATE: 23-APR-80			
			[F]	---	INITIAL	*	[F]	MFG.ENG.: G. ABREU DATE: K PL 11/24-0-DBP			
				---	INITIAL	*	[F]	ASSEMBLY NUMBER: TOP DOCUMENT NUMBER: FILE NAME: EDIT #			
				---	INITIAL	*	[F]	E-UA-11/24-0-0 B-DB-11/24-0-0 Z0699.PLS 22			

*THIS DRAWING AND SPECIFICATIONS HEREIN, ARE THE PROPERTY OF DIGITAL EQUIPMENT CORPORATION AND SHALL NOT BE REPRODUCED OR COPIED OR USED IN WHOLE OR IN PART AS THE BASIS FOR THE MANUFACTURE OR SALE OF ITEMS WITHOUT WRITTEN PERMISSION. COPYRIGHT (C) 1981. DIGITAL EQUIPMENT CORPORATION *

TW

LINE	ITEM	DOCUMENT NUMBER	PART NUMBER	DESCRIPTION	QUANTITY PER VARIATION									
					XX	XY	AA	AB	AC	AD	YX	YY	BC	BD
31	32	D-UA-MS11-L-0	OMS11-LD	MS11-LD 128K 18 BIT MOS MEM W PA	0	0	0	0	1	1	0	0	1	1
32	33	A-PS-3618175-0-0	3618175-01	LABEL-MODULE UTIL.	1	1	0	0	0	0	0	0	0	0
33	34	C-UA-H3270-0-0	H3270-00	TEST CONNECTOR	1	1	0	0	0	0	1	1	0	0
34	35	BLANK		*** THIS ITEM IS NOT USED ***	-	-	-	-	-	-	-	-	-	-
35	36	E-UA-BA11-A-0	OBA11-AA	10.5"BOX,H7140-AA PS,120V LINE C	0	0	0	0	0	0	1	0	0	0
36	37	E-UA-BA11-A-0	OBA11-AB	10.5"BOX,H7140-AB PS,240V LINE C	0	0	0	0	0	0	0	1	0	0
37	38	E-AD-7016958-0-0	7016958-01	11/24 10.25 CONSOLE ASSY.	0	0	0	0	0	0	1	1	0	0
38	39	A-PS-3618176-C-0	3618176-01	LABEL,MODULE UTIL.	0	0	0	0	0	0	1	1	0	0
39	40	D-AD-7011411-0-0	7011411-0F	CABLE CONSOLE BACKPLANE	0	0	0	0	0	0	1	1	0	0
40	41	D-AD-7011411-0-0	7011411-3D	CABLE, CONSOLE BACKPLANE	0	0	0	0	0	0	1	1	0	0
41	42	D-UA-5413815-0-0	5413815-00	POWER DIST. BOARD ASSY.	0	0	0	0	0	0	1	1	0	0
42	43	D-AD-7016479-0-0	7016479-00	BOTTOM COVER ASSY.	0	0	0	0	0	0	1	1	0	0
43	44	D-MD-7421614-0-0	7421614-00	TOP COVER	0	0	0	0	0	0	1	1	0	0
44	45	D-MD-7424842-0-0	7424842-00	RAIL,SLU,SHIPPING	0	0	0	0	0	0	2	2	0	0
45	46	C-PS-1213304-0-0	1213304-00	FILTER,LINE 100UH,1000HMS	0	0	0	0	0	0	1	1	0	0
46	47	A-PS-1216271-0-0	1216271-00	FILTER,FOAM 7.5 X 16.5	0	0	0	0	0	0	1	1	0	0
47	48	A-DC-3615087-0-0	3615087-02	LABEL,"DANGER-HIGH CURRENT"	0	0	0	0	0	0	1	1	0	0
48	49		9006039-01	SCREW,PAN,PHIL 8-32X 1/2 SS	0	0	0	0	0	0	6	6	0	0
49	50		9006043-03	SCREW,TRUS,PHIL, 8-32X 1	0	0	0	0	0	0	4	4	0	0
50	51		9006563-00	NUT,KEP , 8-32 X11/32AF	0	0	0	0	0	0	1	1	0	0
51	52		9006690-00	WASHER, LOCK, S.S. #8	0	0	0	0	0	0	6	6	0	0
52	53		9008185-00	NUT,KEP , 6-32X1/4 AF	0	0	0	0	0	0	2	2	0	0
53	54		9009636-00	CLAMP, CABLE, FOR FLAT CABLE	0	0	0	0	0	0	6	6	0	0
54	55		9009642-00	SCREW,PAN,PHIL,SEMS 8-32X 1/4	0	0	0	0	0	0	1	1	0	0
55	56		9009701-00	SCREW,PAN,PHIL,SEMS 6-32X 5/16	0	0	0	0	0	0	8	8	0	0
56	57		9009545-00	SCREW,PAN,PHIL,SEMS 8-32X 1/4	0	0	0	0	0	0	4	4	0	0
57	58	BLANK		*** THIS ITEM IS NOT USED ***	-	-	-	-	-	-	-	-	-	-
58	59	E-UA-11/24-YX-0	11/24-YX	KDF11-UA,BA11-AA,M9312,120V (NO	0	0	0	0	0	0	0	0	1	0
59	60	E-UA-11/24-YY-0	11/24-YY	KDF11-UA,BA11-AB,M9312,240V (NO	0	0	0	0	0	0	0	0	0	1
60	61	K-PL-7018133-0-DBP	7018133-00	BA11 SLIDE KIT	0	0	0	0	0	0	0	0	1	1
61	62	A-SP-3700472-0-0	3700472-00	INSTR PKG COMPUTER(BA11-A)	0	0	0	0	0	0	1	1	0	0
62	63	BLANK		*** THIS ITEM IS NOT USED ***	-	-	-	-	-	-	-	-	-	-

D I G I T A L				TITLE	11/24 UNIT ASSEMBLY	SECTION A OF A	SIZE	CODE	DOCUMENT NUMBER	REV
							K	PL	11/24-0-DBP	A

TW

DIGITAL EQUIPMENT CORPORATION PARTS LIST

QUANTITY / VARIATION

NOTES:

NEW DRAWING RELEASED AT REVISION B.
REVISION A WAS A MISNUMBER AND HAS BEEN
ASSIGNED A NEW DRAWING NUMBER.

MADE BY DATE	A. ROCHA 10-DEC-80	SECTION
ENG DATE	<i>R. P. Morin</i> 15 JAN 81	ISSUED SECTION
CHECKED DATE	<i>R. P. Morin</i> 15 JAN 81	
PROD DATE	<i>R. P. Morin</i> 1-15-81	

ITEM NO.	DRAWING NO.	PART NO.	DESCRIPTION	QUANTITY / VARIATION						REF DESIGNATION
				11/24-AA	11/24-AB	11/24-AC	11/24-AD	11/24-BC	11/24-BD	
1	E-UA-11/24-0-0	11/24-XX	BAll-LX,H777-UA P.S,W/O MEM,115V	1	-	1	-	-	-	
2	E-UA-11/24-0-0	11/24-XY	BAll-LY,H777-UB P.S.,W/O MEM,230V	-	1	-	1	-	-	
3	E-UA-11/24-0-0	11/24-YX	BAll-AA,H7140-AA P.S.,W/O MEM,115V	-	-	-	-	1	-	
4	E-UA-11/24-0-0	11/24-YY	BAll-AB,H7140-AB P.S.,W/O MEM,230V	-	-	-	-	-	1	
5	D-UA-MS11-L-0	MS11-LB	MS11-LB,64K 18 BIT MOS MEM	1	1	-	-	-	-	
6	D-UA-MS11-L-0	MS11-LD	MS11-LD, 128K 18 BIT MOS MEM	-	-	1	1	1	1	
7	B-PL-BC22A-0-0	BC22A-25	BC22A-10 EXCEPT 25 FT	1	1	1	1	1	1	
8	K-PL-7018133-0-DBP		BAll-A SLIDE KIT	-	-	-	-	1	1	
9	B-PL-11/24-0-3		11/24 SOFTWARE LIST	1	1	1	1	1	1	
10	A-PL-11/24-0-4		HARDWARE KIT LIST	1	1	1	1	-	-	
11	A-PS-3700061-0-0	3700061-00	PACK INSTRUCTIONS	1	1	1	1	-	-	
12	A-PS-3700197-0-0	3700197-00	PACK INSTRUCTIONS, INTER.	1	1	1	1	-	-	
13	A-SP-3700472-0-0	3700472-00	INSTR. PACK KIT	-	-	-	-	1	1	
14	C-UA-H3270-0-0	H3270-00,	TEST CONNECTOR	1	1	1	1	1	1	

E.C.O. NO.
11/24-
TW001

"THIS DRAWING AND SPECIFICATIONS, HEREIN, ARE THE PROPERTY OF DIGITAL EQUIPMENT CORPORATION AND SHALL NOT BE REPRODUCED OR COPIED OR USED IN WHOLE OR IN PART AS THE BASIS FOR THE MANUFACTURE OR SALE OF ITEMS WITHOUT WRITTEN PERMISSION. COPYRIGHT © 1980 DIGITAL EQUIPMENT CORPORATION"

TITLE
11/24, SHIPPING LIST

ASSY NO.
B-DD-11/24-0

SIZE
B

CODE
PL

NUMBER
11/24-0-2

REV.
B

SHEET 1 OF 1

INSERTION PARTS LIST DATA BASE REV

TW

DIGITAL EQUIPMENT CORPORATION PARTS LIST

QUANTITY / VARIATION

NOTES:

RELEASED AT A "B" REV.

MADE BY A. ROCHA
DATE 10-DEC-80

CHECKED *R. Rocha*
DATE 15 JAN 81

SECTION

ENG *R. Rocha*
DATE 15 JAN 81

PROD. *R. Rocha*
DATE 1-15-81

ISSUED SECTION

ITEM NO.	DRAWING NO.	PART NO.	DESCRIPTION	QUANTITY / VARIATION						REF DESIGNATION
				11/24-AA	11/24-AB	11/24-AC	11/24-AD	11/24-BC	11/24-BD	
1	EK-11-024-TM-001		PDP 11/24 SYSTEM TECH MANUAL	1	1	1	1	1	1	
2		MP00672	MS11-L PRINT SET	1	1	1	1	1	1	
3	EK-MS11L-UG-001		MS11-L MOS MEMORY USERS GUIDE	1	1	1	1	1	1	
4	B-TC-11/24-0-1	MP01018	FIED MAINT PRINT SET	1	1	1	1	1	1	
5	ZJ013-FR ZJ013-PB		11/24 BASIC CPU KIT (FICHE) 11/24 BASIC CPU KIT (PAPERTAPE)	1	1	1	1	1	1	
6	A-PS-1700163-00	(SHEET 6 & 7 ONLY)	BC22A-25 PRINT SET	1	1	1	1	1	1	
7	EK-M9312-TM		TECH MANUAL (M9312)	1	1	1	1	1	1	
8		MP00617	M9312 PRINT SET	1	1	1	1	1	1	
9	EK-BALL1L-MM-PRE		BALL-L MAINT. MANUAL	1	1	1	1	-	-	
10	EK-BALLA-TM-001		BALL-A USER'S GUIDE	-	-	-	-	1	1	
11	A-SP-H7750-0-3		BATTERY BACK-UP INSTALLATION	-	-	-	-	1	1	
12	A-SP-BALL-AJ-03		CONVERSION KIT (120V-240V)	-	-	-	-	1	1	

E.C.O. NO.
11/24-
TW001

"THIS DRAWING AND SPECIFICATIONS, HEREIN, ARE THE PROPERTY OF DIGITAL EQUIPMENT CORPORATION AND SHALL NOT BE REPRODUCED OR COPIED OR USED IN WHOLE OR IN PART AS THE BASIS FOR THE MANUFACTURE OR SALE OF ITEMS WITHOUT WRITTEN PERMISSION. COPYRIGHT © 1980 DIGITAL EQUIPMENT CORPORATION"

TITLE
11/24 SOFTWARE LIST

ASSY NO.
E-UA-11/24-0-0

SIZE CODE NUMBER
B PL 11/24-0-3

REV.
A

SHEET 1 OF 1

INSERTION PARTS LIST DATA BASE REV

DIGITAL EQUIPMENT CORPORATION PARTS LIST

QUANTITY / VARIATION

NOTES:

ITEMS 1 THRU 4 MOUNT L-BOX ENVELOPE TO CABINET REAR RAILS AND ITEM 5 AND 6 MOUNT ENVELOPE TO CABINET FRONT RAILS.

MADE BY DATE	A. ROCHA 10-DEC-80	CHECKED <i>R. Rocha</i> DATE <i>15 JAN 81</i>	SECTION
ENG DATE	R. MORIN <i>ROM</i> 12-NOV-80	PROD. <i>S. Luperon</i> DATE <i>1-15-81</i>	ISSUED SECTION

11/24-0-4																			
-----------	--	--	--	--	--	--	--	--	--	--	--	--	--	--	--	--	--	--	--

ITEM NO.	DRAWING NO.	PART NO.	DESCRIPTION
1	B-MD-7418259-0-0	7418259-00	SPACER ENCLOSURE
2		9006037-03	SCREW, TR HD, PN 8.32x.38LG
3		9006660-00	WASHER, FLAT NO. 8
4		9008072-00	WASHER, LOCK, EXT TH. NO. 8
5		9006071-03	SCREW, TR HD, PH, 10-32x.38LG
6		9007786-00	RETAINER, U-NUT, 10-32

REF DESIGNATION

(BAG & TAG KIT FORM)

E.C.O. NO.
11/24-
TW001

"THIS DRAWING AND SPECIFICATIONS, HEREIN, ARE THE PROPERTY OF DIGITAL EQUIPMENT CORPORATION AND SHALL NOT BE REPRODUCED OR COPIED OR USED IN WHOLE OR IN PART AS THE BASIS FOR THE MANUFACTURE OR SALE OF ITEMS WITHOUT WRITTEN PERMISSION. COPYRIGHT ©1980 DIGITAL EQUIPMENT CORPORATION"	TITLE 11/24 HARDWARE KIT LIST	ASSY NO. B-DD-11/24-0	SIZE B	CODE PL	NUMBER 11/24-0-4	REV. A
		SHEET 1 OF 1		INSERTION PARTS LIST DATA BASE REV		

TW

NOTE: J1, J2, J3, J4 OF BA11-A POWER DISTRIBUTION BD, (54-13632), AND J1 PINS 1-8 AND J2 OF 11/24 POWER DISTRIBUTION BD, (54-13815), TO BE USED FOR EXPANSION.

POWER SUPPLY
H7140
MOTHER BOARD
54-13615

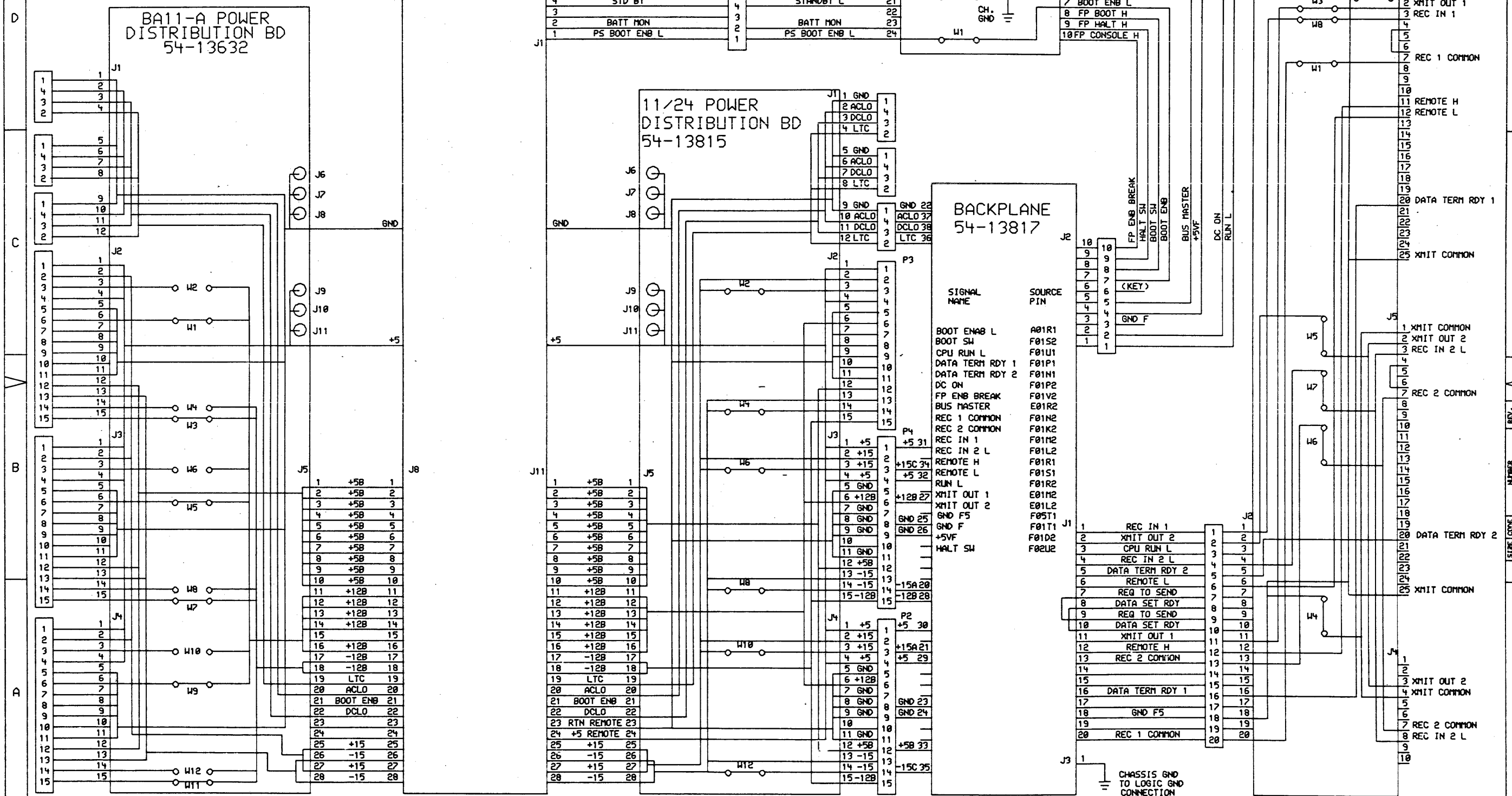
CONSOLE MODULE
54-14441

SLU INTERFACE
54-14218

BA11-A POWER
DISTRIBUTION BD
54-13632

11/24 POWER
DISTRIBUTION BD
54-13815

BACKPLANE
54-13817

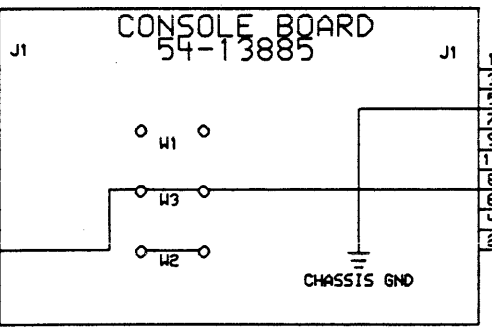
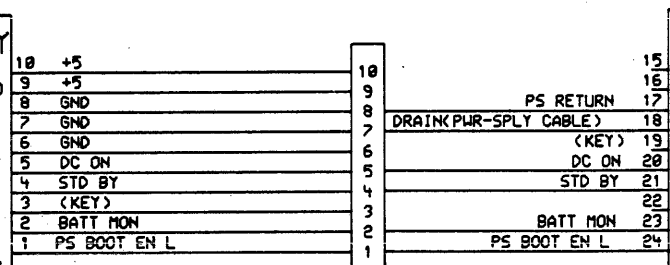


REVISIONS
CHK CHANGE NO. REV
11/24-TN/01 A
REVISED AND
REL NAVI

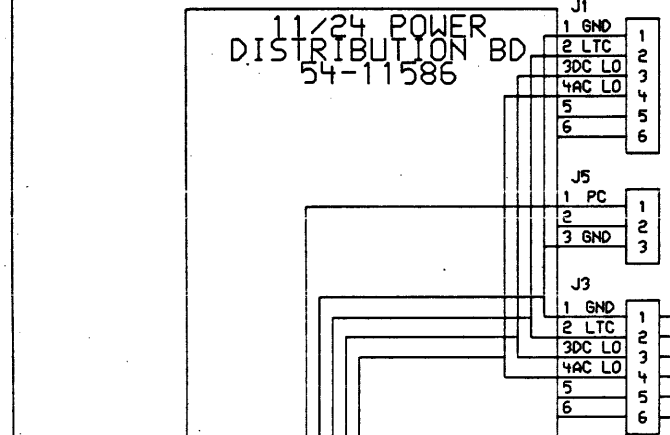
digital	DATE: 02-MAR-81	ENG: [Signature]	DATE: 02-MAR-81	TITLE: 11/24 INTER-CONNECT DRW
C156.6004 NEUKEN DRU	DATE: 02-MAR-81	BOARD LOCATION: 1	SIZE: D	CODE: IC
FIRST USED ON OPTION/MODEL: 11/24	DATE: 02-MAR-81	NEXT HIGHER ASSEMBLY:	NUMBER: 11/24-0-5	REV: A

SILVER R. C156.6004 NEUKEN DPL. SCALE 2. "0" RELEASE BOX
SILVER R. NEUKEN, PLOT 156.6004 J. 04-FEB-81 09156

POWER SUPPLY
MOTHER BOARD
54-11597

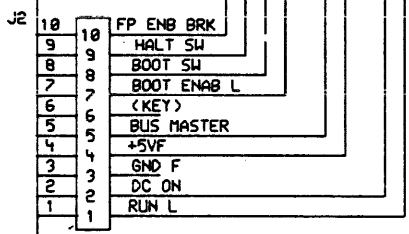


11/24 POWER DISTRIBUTION BD
54-11586

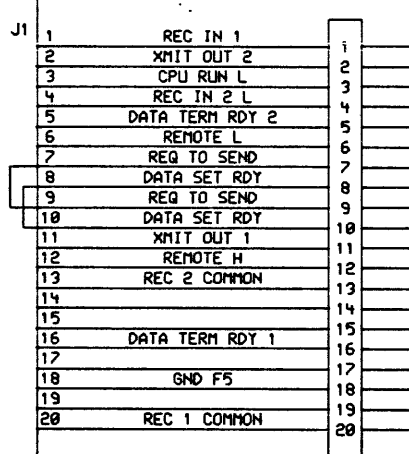
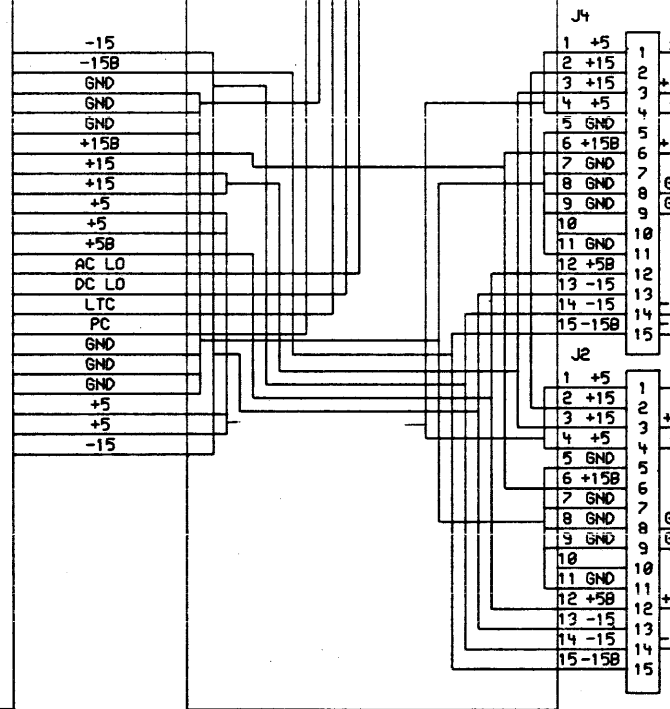
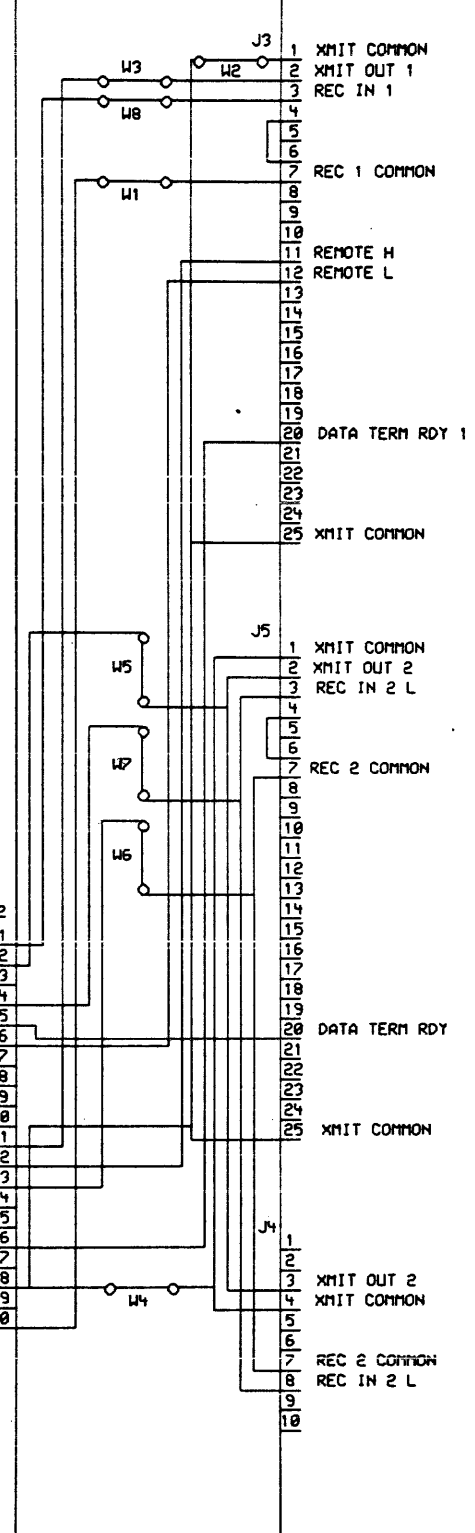


BACKPLANE
54-13817

SIGNAL NAME	SOURCE PIN
BOOT ENB L	A01R1
BOOT SW	F01S2
CPU RUN L	F01U1
DATA TERM RDY 1	F01P1
DATA TERM RDY 2	F01N1
DC ON	F01P2
FP ENB BREAK	F01V2
BUS MASTER	E01R2
REC 1 COMMON	F01N2
REC 2 COMMON	F01K2
REC IN 1	F01M2
REC IN 2 L	F01L2
REMOTE H	F01R1
REMOTE L	F01S1
RUN L	F01R2
XMIT OUT 1	E01M2
XMIT OUT 2	E01L2
GND F5	F05T1
GND F	F01T1
+5VF	F01D2
HALT SW	F02U2



SLU INTERFACE
54-14218



CHASSIS GND TO LOGIC GND CONNECTION

THIS DRAWING AND SPECIFICATIONS
HEREIN ARE THE PROPERTY OF
DIGITAL EQUIPMENT CORPORATION AND
SHALL NOT BE REPRODUCED OR
COPIED IN WHOLE OR IN PART
WITHOUT THE WRITTEN PERMISSION
OF DIGITAL EQUIPMENT CORPORATION

CHK	CHANGE NO.	REV
		A

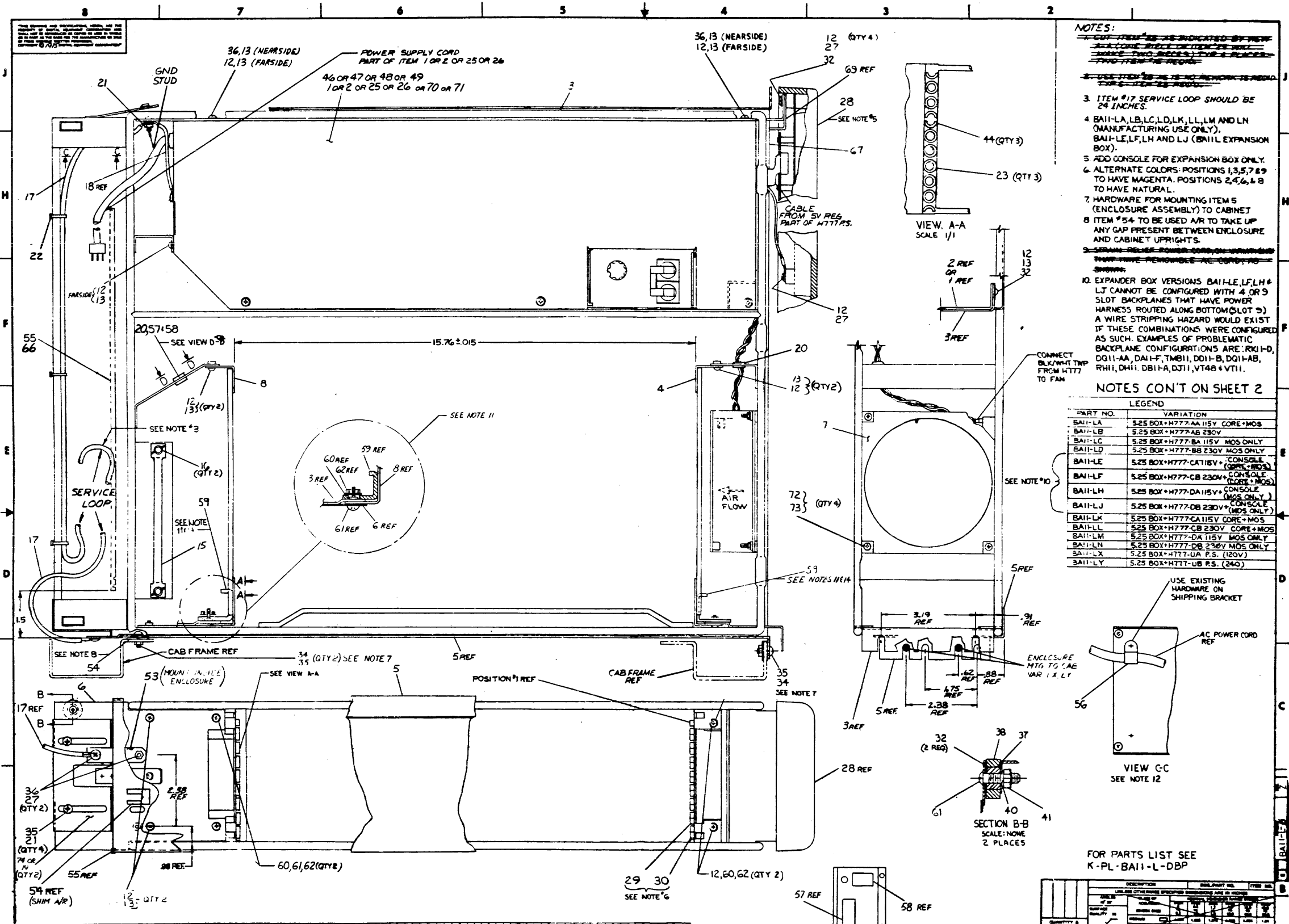
REVISED AND RECRAWN

digital
C166.600* JKENG.DRW
FIRST USED ON OPTION/MODEL: 11/24

DATE	ENG.	DATE
02-MAR-81	JK	02-MAR-81
DATE	BOARD LOCATION	SHEET
02-MAR-81	1	1

TITLE: 11/24 INTER CONNECT DRW
NUMBER: 11/24-0-6
REV: A

SILVER R. C166.600* JKENG.DRW, SCALE 2:1, "D" RELEASE BOX
SILVER R. KENG.PLOC.166.600* J. 03-MAR-81 08:12



NOTES:

1. CUT OPEN AS INDICATED BY VIEW A-A. CORE SIDE OF COVER IS TO BE MADE TWO SIDES FOR EASY ACCESS. PROVIDE REPAIR.

2. USE ITEM #17 AS NO. 17 IS REQUIRED. THIS IS A REPAIR.

3. ITEM #17 SERVICE LOOP SHOULD BE 24 INCHES.

4. BAI-LA, LB, LC, LD, LK, LL, LM AND LN (MANUFACTURING USE ONLY). BAI-LE, LF, LH AND LJ (BAI-L EXPANSION BOX).

5. ADD CONSOLE FOR EXPANSION BOX ONLY.

6. ALTERNATE COLORS: POSITIONS 1, 3, 5, 7 & 9 TO HAVE MAGENTA. POSITIONS 2, 4, 6, 8 & 10 TO HAVE NATURAL.

7. HARDWARE FOR MOUNTING ITEM 5 (ENCLOSURE ASSEMBLY) TO CABINET.

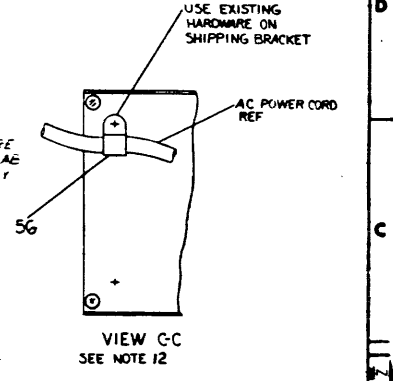
8. ITEM #54 TO BE USED A/R TO TAKE UP ANY GAP PRESENT BETWEEN ENCLOSURE AND CABINET UPRIGHTS.

9. EXPANDER BOX VERSIONS BAI-LE, LF, LH & LJ CANNOT BE CONFIGURED WITH 4 OR 9 SLOT BACKPLANE THAT HAVE POWER HARNESS ROUTED ALONG BOTTOM (SLOT 3). A WIRE STRIPPING HAZARD WOULD EXIST IF THESE COMBINATIONS WERE CONFIGURED AS SUCH. EXAMPLES OF PROBLEMATIC BACKPLANE CONFIGURATIONS ARE: R01-H-D, D011-AA, DA1-F, TMB11, D011-B, D011-AB, RH11, DH11, DB11-A, DJ11, VT48 & VT11.

NOTES CONT ON SHEET 2

LEGEND

PART NO.	VARIATION
BAI-LA	5.25 BOX+H777-AA 115V CORE+MOS
BAI-LB	5.25 BOX+H777-BA 230V
BAI-LC	5.25 BOX+H777-CA 115V MOS ONLY
BAI-LD	5.25 BOX+H777-DB 230V MOS ONLY
BAI-LE	5.25 BOX+H777-CA 115V+ CONSOLE (CORE+MOS)
BAI-LF	5.25 BOX+H777-CB 230V+ CONSOLE (CORE+MOS)
BAI-LH	5.25 BOX+H777-DA 115V+ CONSOLE (MOS ONLY)
BAI-LJ	5.25 BOX+H777-DB 230V+ CONSOLE (MOS ONLY)
BAI-LK	5.25 BOX+H777-CA 115V CORE+MOS
BAI-LL	5.25 BOX+H777-CB 230V CORE+MOS
BAI-LM	5.25 BOX+H777-DA 115V MOS ONLY
BAI-LN	5.25 BOX+H777-DB 230V MOS ONLY
BAI-LX	5.25 BOX+H777-UA P.S. (120V)
BAI-LY	5.25 BOX+H777-UB P.S. (240)



FOR PARTS LIST SEE K-PL-BAI-L-DBP

DESCRIPTION	QUANTITY	REVISION	DATE
BAI-L-DBP	1	1	11/06
BAI-L-DBP	1	1	11/06

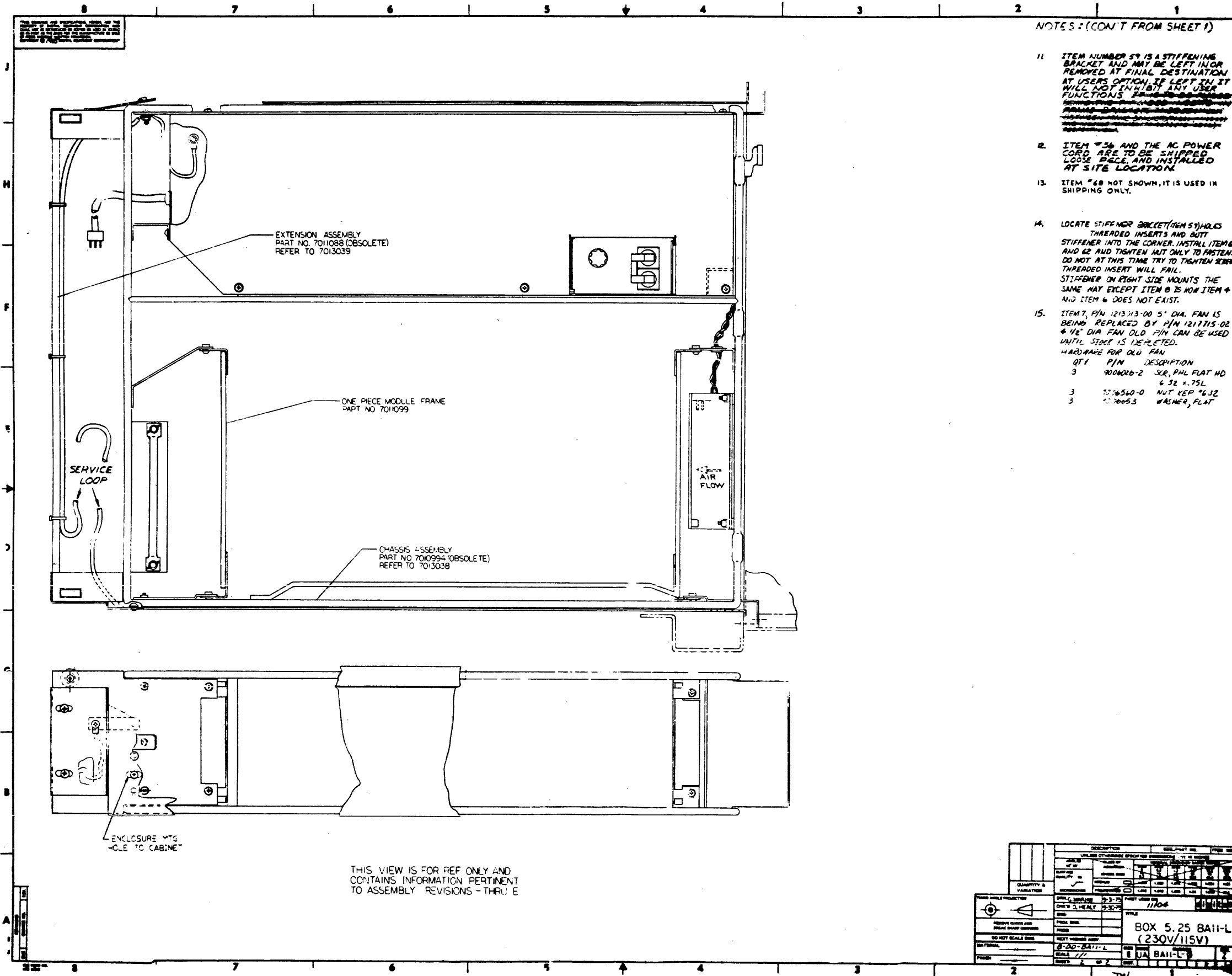
BOX 5.25 BAI-L (230V/115V)

SCALE: 1/1

DATE: 11/06

BY: TW

ITEM NO.	DESCRIPTION	QUANTITY	REVISION	DATE
1	BAI-L-DBP	1	1	11/06
2	BAI-L-DBP	1	1	11/06
3	BAI-L-DBP	1	1	11/06
4	BAI-L-DBP	1	1	11/06
5	BAI-L-DBP	1	1	11/06
6	BAI-L-DBP	1	1	11/06
7	BAI-L-DBP	1	1	11/06
8	BAI-L-DBP	1	1	11/06
9	BAI-L-DBP	1	1	11/06
10	BAI-L-DBP	1	1	11/06
11	BAI-L-DBP	1	1	11/06
12	BAI-L-DBP	1	1	11/06
13	BAI-L-DBP	1	1	11/06
14	BAI-L-DBP	1	1	11/06
15	BAI-L-DBP	1	1	11/06
16	BAI-L-DBP	1	1	11/06
17	BAI-L-DBP	1	1	11/06
18	BAI-L-DBP	1	1	11/06
19	BAI-L-DBP	1	1	11/06
20	BAI-L-DBP	1	1	11/06
21	BAI-L-DBP	1	1	11/06
22	BAI-L-DBP	1	1	11/06
23	BAI-L-DBP	1	1	11/06
24	BAI-L-DBP	1	1	11/06
25	BAI-L-DBP	1	1	11/06
26	BAI-L-DBP	1	1	11/06
27	BAI-L-DBP	1	1	11/06
28	BAI-L-DBP	1	1	11/06
29	BAI-L-DBP	1	1	11/06
30	BAI-L-DBP	1	1	11/06
31	BAI-L-DBP	1	1	11/06
32	BAI-L-DBP	1	1	11/06
33	BAI-L-DBP	1	1	11/06
34	BAI-L-DBP	1	1	11/06
35	BAI-L-DBP	1	1	11/06
36	BAI-L-DBP	1	1	11/06
37	BAI-L-DBP	1	1	11/06
38	BAI-L-DBP	1	1	11/06
39	BAI-L-DBP	1	1	11/06
40	BAI-L-DBP	1	1	11/06
41	BAI-L-DBP	1	1	11/06
42	BAI-L-DBP	1	1	11/06
43	BAI-L-DBP	1	1	11/06
44	BAI-L-DBP	1	1	11/06
45	BAI-L-DBP	1	1	11/06
46	BAI-L-DBP	1	1	11/06
47	BAI-L-DBP	1	1	11/06
48	BAI-L-DBP	1	1	11/06
49	BAI-L-DBP	1	1	11/06
50	BAI-L-DBP	1	1	11/06
51	BAI-L-DBP	1	1	11/06
52	BAI-L-DBP	1	1	11/06
53	BAI-L-DBP	1	1	11/06
54	BAI-L-DBP	1	1	11/06
55	BAI-L-DBP	1	1	11/06
56	BAI-L-DBP	1	1	11/06
57	BAI-L-DBP	1	1	11/06
58	BAI-L-DBP	1	1	11/06
59	BAI-L-DBP	1	1	11/06
60	BAI-L-DBP	1	1	11/06
61	BAI-L-DBP	1	1	11/06
62	BAI-L-DBP	1	1	11/06
63	BAI-L-DBP	1	1	11/06
64	BAI-L-DBP	1	1	11/06
65	BAI-L-DBP	1	1	11/06
66	BAI-L-DBP	1	1	11/06
67	BAI-L-DBP	1	1	11/06
68	BAI-L-DBP	1	1	11/06
69	BAI-L-DBP	1	1	11/06
70	BAI-L-DBP	1	1	11/06
71	BAI-L-DBP	1	1	11/06
72	BAI-L-DBP	1	1	11/06
73	BAI-L-DBP	1	1	11/06
74	BAI-L-DBP	1	1	11/06
75	BAI-L-DBP	1	1	11/06
76	BAI-L-DBP	1	1	11/06
77	BAI-L-DBP	1	1	11/06
78	BAI-L-DBP	1	1	11/06
79	BAI-L-DBP	1	1	11/06
80	BAI-L-DBP	1	1	11/06



NOTES: (CON'T FROM SHEET 1)

11. ITEM NUMBER 59 IS A STIFFENING BRACKET AND MAY BE LEFT IN OR REMOVED AT FINAL DESTINATION AT USER'S OPTION. IF LEFT IN IT WILL NOT INHIBIT ANY USER FUNCTIONS.
12. ITEM #56 AND THE AC POWER CORD ARE TO BE SHIPPED LOOSE PIECE AND INSTALLED AT SITE LOCATION.
13. ITEM #68 NOT SHOWN, IT IS USED IN SHIPPING ONLY.
14. LOCATE STIFFENER BRACKET (ITEM 59) HOLES THREADED INSERTS AND BUTT STIFFENER INTO THE CORNER. INSTALL ITEM 60 AND 62 AND TIGHTEN NUT ONLY TO FASTEN. DO NOT AT THIS TIME TRY TO TIGHTEN SEW. THREADED INSERT WILL FAIL. STIFFENER ON RIGHT SIDE MOUNTS THE SAME WAY EXCEPT ITEM 6 IS NOW ITEM 4 AND ITEM 6 DOES NOT EXIST.
15. ITEM 7, P/N 121313-00 5" DIA. FAN IS BEING REPLACED BY P/N 121715-02 4 1/2" DIA FAN OLD P/N CAN BE USED UNTIL STOCK IS DEPLETED.
HARDWARE FOR OLD FAN

QTY	P/N	DESCRIPTION
3	900026-2	SCR, PHL FLAT HD 6.32 x .75L
3	2276540-0	NUT KEP #6.32
3	120053	WASHER, FLAT

DRAWN BY CHECKED BY DATE	DESCRIPTION BOX 5.25 BAH-L (230V/115V)
PART NUMBER 11704	SCALE 1/1
TITLE BOX 5.25 BAH-L (230V/115V)	SHEET 2 OF 2

LINE	ITEM	DOCUMENT NUMBER	PART NUMBER	DESCRIPTION	QUANTITY PER VARIATION												
					LA	LB	LC	LD	LE	LF	LH	LJ	LK	LL	LM	LN	
1		E-UA-H777-DA-0	OH777-DA	H777-BA EXCEPT +5V 32A, 120V	0	0	0	0	0	0	1	0	0	0	1	0	
2		E-UA-H777-DB-0	OH777-DB	H777-BB EXCEPT +5V 32A, 240V	0	0	0	0	0	0	0	1	0	0	0	1	
3		E-IA-7013038-0-0	7013038-00	CHASSIS ASSY	1	1	1	1	1	1	1	1	1	1	1	1	
4		C-IA-7012653-0-0	7012653-00	RIGHT SIDE MODULE FRAME	1	1	1	1	1	1	1	1	1	1	1	1	
5		D-AD-7011132-0-0	7011132-00	ENCLOSURE ASSY	1	1	1	1	1	1	1	1	1	1	1	1	
6		D-IA-7013039-0-0	7013039-00	EXTENSION CHASSIS ASSY	1	1	1	1	1	1	1	1	1	1	1	1	
7		SEE NOTE 15 (ON UA)	1217715-02	FAN, TUBE AXIAL 110V 120CFM 4.5"	1	1	1	1	1	1	1	1	1	1	1	1	
8		C-IA-7012846-0-0	7012846-00	LEFT SIDE MODULE FRAME	1	1	1	1	1	1	1	1	1	1	1	1	
9		BLANK			0	0	0	0	0	0	0	0	0	0	0	0	
10		BLANK			0	0	0	0	0	0	0	0	0	0	0	0	
11		BLANK			0	0	0	0	0	0	0	0	0	0	0	0	
12			9006037-03	SCREW, TRUS, PHIL, 8-32X 3/8	11	11	11	11	15	15	15	15	11	11	11	11	
13			9006634-00	WASHER, LOCK, INT, .2300D X .172ID	14	14	14	14	14	14	14	14	14	14	14	14	
14		BLANK			0	0	0	0	0	0	0	0	0	0	0	0	
15		B-MD-7413846-0-0	7413846-00	BAR CABLE STRAIN RELIEF	2	2	2	2	2	2	2	2	2	2	2	2	
16			9009711-00	NUT, WING 6-32X 1/2 AF X 7	2	2	2	2	2	2	2	2	2	2	2	2	
17		C-IA-7011412-0-0	7011412-03	CHASSIS GND CABLE (BA11-L)	REF	REF	REF	REF	REF	REF	REF	REF	REF	REF	REF	REF	
18		C-IA-7011412-0-0	7011412-0F	CHASSIS GND CABLE (BA11-L)	REF	REF	REF	REF	REF	REF	REF	REF	REF	REF	REF	REF	
19		C-MD-7414963-0-0	7414963-00	BRKT SHIPPING & CAB MTG	2	2	2	2	2	2	2	2	2	2	2	2	
20			9007015-00	GROMMET, RUBBER	2	2	2	2	2	2	2	2	2	2	2	2	
21			9006565-00	NUT, KEP 10-32X 3/8 AF	7	7	7	7	7	7	7	7	7	7	7	7	
22			9007031-00	TIE, CABLE BUNDL. DIA 0- 3/4"=101	A/R	A/R	A/R	A/R	A/R	A/R	A/R	A/R	A/R	A/R	A/R	A/R	
23			1211630-00	CARD GUIDE	3	3	3	3	3	3	3	3	3	3	3	3	
24		BLANK			0	0	0	0	0	0	0	0	0	0	0	0	
25		E-UA-H777-CA-0	OH777-CA	H777-AA EXCEPT +5V 32A, 120V	0	0	0	0	0	0	0	0	0	0	0	0	
26		E-UA-H777-CB-0	OH777-CB	H777-AB EXCEPT +5V 32A, 240V	0	0	0	0	0	0	0	0	0	0	0	0	
27			9008072-00	WASHER, LOCK, EXTERNAL TOOTH #8	3	3	3	3	7	7	7	7	3	3	3	3	
28		D-AD-7012540-0-0	7012540-00	CONSOLE ASSY EXPANDER BOX	3	3	3	3	7	7	7	7	3	3	3	3	
29			1212405-04	CARD GUIDE, NYLON	4	4	4	4	4	4	4	4	4	4	4	4	
30			1212405-05	CARD GUIDE, NYLON	5	5	5	5	5	5	5	5	5	5	5	5	

REVISION HISTORY		BASIC PART NO: OBA11		DRN: G. MARINI	DATE: 3-SEP-75	DIGITAL	
ENG: ECO NUMBER	REV	SECTION A OF B	CHK'D: D. HEALY	DATE: 30-SEP-75	TITLE PARTS LIST		
INITIAL	Z	SECTION. VARIATION INDEX	DES. ENG.: R. BARRY	DATE: 2-OCT-75	BOX 5.25 BA11-L (230V/115V)		
		(A) LA, LB, LC, LD, LE, LF, LH, LJ, LK, LL, LM, LN	RESP. ENG.: R.K. PETERSON	DATE: 2-OCT-75	DOCUMENT NUMBER		
		(B) LX, LY	MFG. ENG.: R.K. PETERSON	DATE: 2-OCT-75	SIZE: K	CODE: PL	NUMBER: BA11-L-DBP
		(C)	ASSEMBLY NUMBER: E-UA-BA11-L-0	TOP DOCUMENT NUMBER:	FILE NAME: Z3025Z.PLS	REV: Z	EDIT #: 7
		(D)	"THIS DRAWING AND SPECIFICATIONS HEREIN, ARE THE PROPERTY OF DIGITAL EQUIPMENT CORPORATION AND SHALL NOT BE REPRODUCED OR COPIED OR USED IN WHOLE OR IN PART AS THE BASIS FOR THE MANUFACTURE OR SALE OF ITEMS WITHOUT WRITTEN PERMISSION. COPYRIGHT (C) 1981. DIGITAL EQUIPMENT CORPORATION"				
		(E)					
		(F)					

LINE ITEM	DOCUMENT NUMBER	PART NUMBER	DESCRIPTION	QUANTITY PER VARIATION												
				LA	LB	LC	LD	LE	LF	LH	LJ	LK	LL	LM	LN	
31	BLANK	9006666-00	WASHER, FLAT, .500 OD X .187 ID	0	0	0	0	0	0	0	0	0	0	0	0	0
	BLANK	9007786-00	RETAINER, U-NUT, 10-32	10	10	10	10	10	10	10	10	10	10	10	10	
		9006071-03	SCREW, TRUS, PHIL, 10-32X 3/8	10	10	10	10	10	10	10	10	10	10	10	10	
		9006035-03	SCREW, TRUS, PHIL, 8-32X 1/4	10	10	10	10	10	10	10	10	10	10	10	10	
	B-MD-7417606-0-0	7417606-00	SLEEVE ROLLER	10	10	10	10	10	10	10	10	10	10	10	10	
	B-MD-7417607-0-0	7417607-00	ROLLER	10	10	10	10	10	10	10	10	10	10	10	10	
	BLANK	9006690-00	WASHER, LOCK, S.S. #8	10	10	10	10	10	10	10	10	10	10	10	10	
		9006561-00	NUT, HEX 8-32 X 5/16 AF X 7	10	10	10	10	10	10	10	10	10	10	10	10	
		3700061-00	INSTR PKG COMPUTER 11/05 OLD STY	10	10	10	10	10	10	10	10	10	10	10	10	
		3700133-00	INSTR PKG COMPUTER INPLANT 1105	10	10	10	10	10	10	10	10	10	10	10	10	
	C-MD-7418077-0-0	7418077-00	3 POSITION CARD GUIDE	10	10	10	10	10	10	10	10	10	10	10	10	
	BLANK			10	10	10	10	10	10	10	10	10	10	10	10	
	-UA-H777-BA-0	0H777-BA	11/04 POWER SUPPLY, MOS ONLY, NO +	10	10	10	10	10	10	10	10	10	10	10	10	
	-UA-H777-BB-0	0H777-BB	11/04 POWER SUPPLY, MOS ONLY, NO +	10	10	10	10	10	10	10	10	10	10	10	10	
	-UA-H777-AA-0	0H777-AA	BA11-L POWER SUPPLY, +5V 25A, +20V	10	10	10	10	10	10	10	10	10	10	10	10	
	-UA-H777-AB-0	0H777-AB	240V H777-AA	10	10	10	10	10	10	10	10	10	10	10	10	
	BLANK			10	10	10	10	10	10	10	10	10	10	10	10	
	BLANK			10	10	10	10	10	10	10	10	10	10	10	10	
	BLANK			10	10	10	10	10	10	10	10	10	10	10	10	
	B-IA-7418258-0-0	7418258-00	GROUND STRAP	A/R	A/R	A/R	A/R	A/R	A/R	A/R	A/R	A/R	A/R	A/R	A/R	
	B-MD-7418259-0-0	7418259-00	SPACER INCLOSURE	A/R	A/R	A/R	A/R	A/R	A/R	A/R	A/R	A/R	A/R	A/R	A/R	
		9007035-00	GROMMET #122-37-1500	10	10	10	10	10	10	10	10	10	10	10	10	
		9007083-00	CLAMP, CABLE, SCREW MTD. 3/8 "	10	10	10	10	10	10	10	10	10	10	10	10	
	A-PS-3613211-0-0	3613211-01	DECAL, CLEAR, PREPRINTED CSA 1-1/4	10	10	10	10	10	10	10	10	10	10	10	10	
	A-DC-7416197-0-0	7416197-01	DECAL	10	10	10	10	10	10	10	10	10	10	10	10	
	C-MD-7419019-0-0	7419019-00	BRACKET, MODULE FRAME STIFFENING	10	10	10	10	10	10	10	10	10	10	10	10	
		9006668-00	WASHR, FLAT 5/8 ODX 13/64IDX.032	10	10	10	10	10	10	10	10	10	10	10	10	
		9006040-03	SCREW, TRUS, PHIL, 8-32X 5/8	10	10	10	10	10	10	10	10	10	10	10	10	
		9006563-00	NUT, KEP 8-32X 11/13AF	10	10	10	10	10	10	10	10	10	10	10	10	
	BLANK			10	10	10	10	10	10	10	10	10	10	10	10	
	BLANK			10	10	10	10	10	10	10	10	10	10	10	10	
	BLANK			10	10	10	10	10	10	10	10	10	10	10	10	
		9009157-00	ADH. LIQ. RM. TEMP CURING COLORLESS	A/R	A/R	A/R	A/R	A/R	A/R	A/R	A/R	A/R	A/R	A/R	A/R	
		1212707-00	FILTER, AIR, FOAM, 30PPI, 16.75X4.5X	10	10	10	10	10	10	10	10	10	10	10	10	
		9007032-00	TIE, CABLE BUNDL DIA 0-1-3/4"=101	10	10	10	10	10	10	10	10	10	10	10	10	
	C-MD-7414962-0-0	7414962-00	BRKT FILTER SUPPORT	10	10	10	10	10	10	10	10	10	10	10	10	
	E-UA-H777-UA-0	0H777-UA	11/24 PS: +5V 32A, +15V 3A, -15V 3	10	10	10	10	10	10	10	10	10	10	10	10	
	E-UA-H777-UB-0	0H777-UB	11/24 PS: +5V 32A, +15V 3A, -15V 3	10	10	10	10	10	10	10	10	10	10	10	10	
		9006025-02	SCREW, FLAT, PHIL, 6-32X 5/8	10	10	10	10	10	10	10	10	10	10	10	10	
		9009165-00	CLIP, FAN MOUNTING (12-05033 FAN	10	10	10	10	10	10	10	10	10	10	10	10	
	C-MD-7425811-0-0	7425811-00	BRACKET, SHIPPING, 11/24	10	10	10	10	10	10	10	10	10	10	10	10	

D	I	G	I	T	A	L	TITLE	BOX 5.25 BA11-L (230V/115V)	SECTION A OF B	SIZE	CODE	DOCUMENT NUMBER	REV
										K	PL	BA11-L-DBP	Z

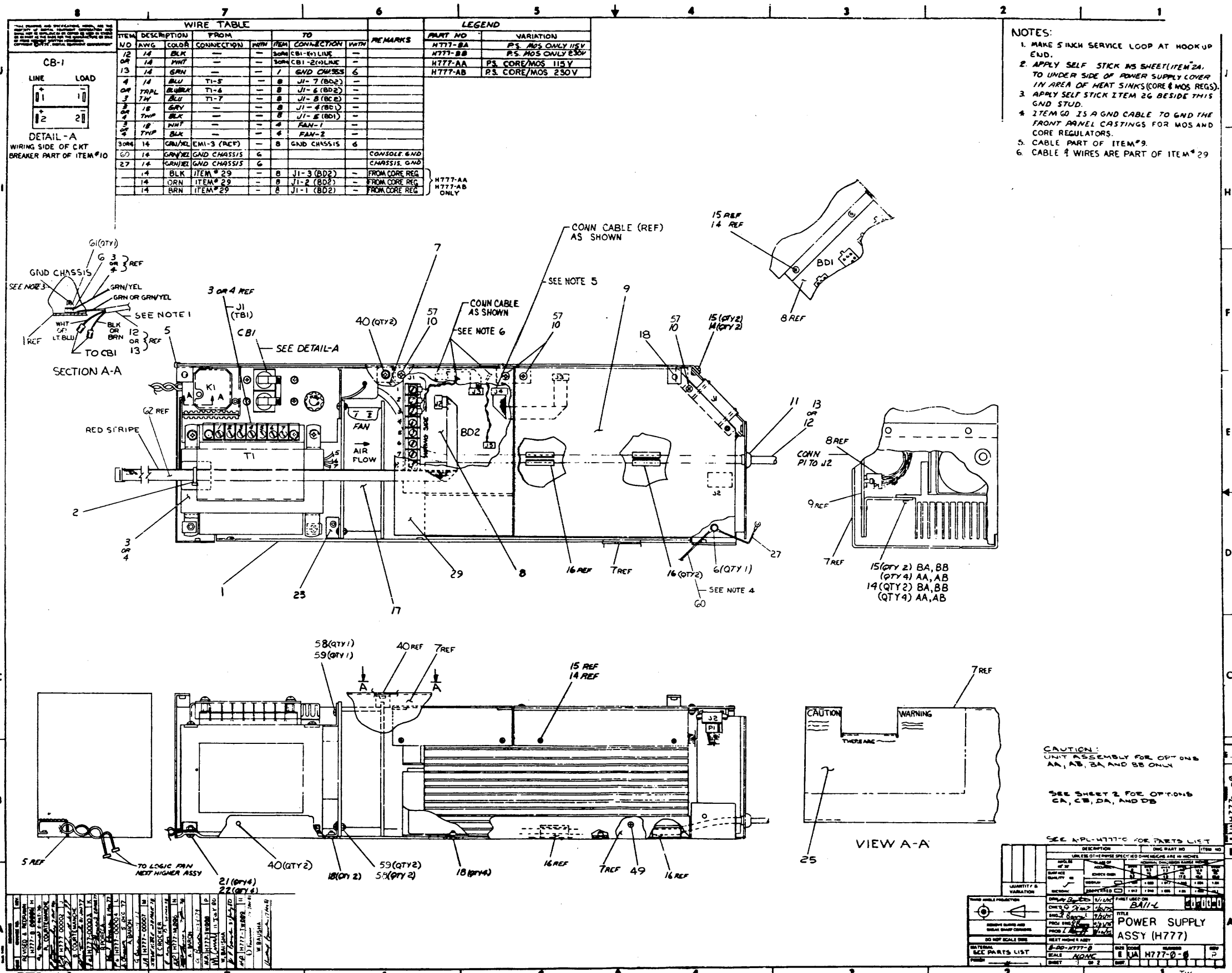
LINE	ITEM	DOCUMENT NUMBER	PART NUMBER	DESCRIPTION	QUANTITY PER VARIATION	
					LX	LY
1		E-JA-H777-DA-0	0H777-DA	H777-BA EXCEPT +5V 32A,120V	0	0
2		E-UA-H777-DB-0	0H777-DB	H777-BB EXCEPT +5V 32A,240V	0	0
3		E-IA-7013038-0-0	7013038-00	CHASSIS ASSY	1	1
4		C-IA-7012653-0-0	7012653-00	RIGHT SIDE MODULE FRAME	1	1
5		D-AD-7011132-0-0	7011132-00	ENCLOSURE ASSY	1	1
6		D-IA-7013039-0-0	7013039-00	EXTENSION CHASSIS ASSY	1	1
7		SEE NOTE 15 (ON UA)	1217715-02	FAN, TUBE AXIAL 110V 120CFM 4.5"	1	1
8		C-IA-7012846-0-0	7012846-00	LEFT SIDE MODULE FRAME	1	1
9		BLANK			0	0
10		BLANK			0	0
11		BLANK			0	0
12			9006037-03	SCREW, TRUS, PHIL, 8-32X 3/8	12	12
13			9006634-00	WASHER, LOCK, INT, .23000 X .172ID	12	12
14		BLANK			0	0
15		B-MD-7413846-0-0	7413846-00	BAR CABLE STRAIN RELIEF	1	1
16			9009711-00	NUT WING 6-32X 1/2 AF X 7	2	2
17		C-IA-7011412-0-0	7011412-03	CHASSIS GND CABLE (BA11-L)	1	1
18		C-IA-7011412-0-0	7011412-0F	CHASSIS GND CABLE (BA11-L)	REF	REF
19		C-MD-7414963-0-0	7414963-00	BRKT SHIPPING & CAB MTG	0	0
20			9007015-00	GROMMET, RUBBER	5	5
21			9006565-00	NUT, KEP 10-32X 3/8 AF	5	5
22			9007031-00	TIE, CABLE BUNDL. DIA 0- 3/4"=101	A/R	A/R
23			1211630-00	CARD GUIDE	3	3
24		BLANK			0	0
25		E-UA-H777-CA-0	0H777-CA	H777-AA EXCEPT +5V 32A,120V	0	0
26		E-UA-H777-CB-0	0H777-CB	H777-AB EXCEPT +5V 32A,240V	0	0
27			9008072-00	WASHER, LOCK, EXTERNAL TOOTH #8	3	3
28		D-AD-7012540-0-0	7012540-00	CONSOLE ASSY EXPANDER BOX	0	0
29			1212405-04	CARD GUIDE, NYLON	5	5
30			1212405-05	CARD GUIDE, NYLON	5	5

REVISION HISTORY		BASIC PART NO: 0BA11		DRN: G. MARINI	DATE: 3-SEP-75	DIGITAL	
ENG	ECO NUMBER	REV	SECTION B OF B	CHK'D: D. HEALY	DATE: 30-SEP-75	TITLE PARTS LIST	
	INITIAL	Z	SECTION. VARIATION INDEX	DES. ENG.: R. BARRY	DATE: 2-OCT-75	BOX 5.25 BA11-L (230V/115V)	
			(A) LA, LB, LC, LD, LE, LF, LH, LJ, LK, LL, LM, LN	RESP. ENG.: R.K. PETERSON	DATE: 2-OCT-75	DOCUMENT NUMBER	
			(B) LX, LY	MFG. ENG.: R.K. PETERSON	DATE: 2-OCT-75	SIZE: K	CODE: PL
			(C)	ASSEMBLY NUMBER: E-UA-BA11-L-0	TOP DOCUMENT NUMBER:	NUMBER: BA11-L-DBP	REV: Z
			(D)			FILE NAME: 230252.PLS	EDIT #: 7
			(E)				
			(F)				

"THIS DRAWING AND SPECIFICATIONS HEREIN, ARE THE PROPERTY OF DIGITAL EQUIPMENT CORPORATION AND SHALL NOT BE REPRODUCED OR COPIED OR USED IN WHOLE OR IN PART AS THE BASIS FOR THE MANUFACTURE OR SALE OF ITEMS WITHOUT WRITTEN PERMISSION. COPYRIGHT (C) 1981. DIGITAL EQUIPMENT CORPORATION"

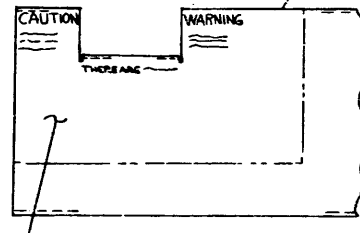
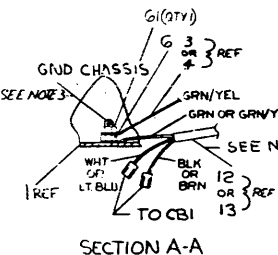
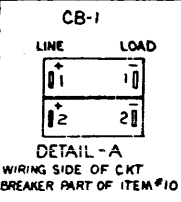
LINE	ITEM	DOCUMENT NUMBER	PART NUMBER	DESCRIPTION	QUANTITY	PER VARIATION
					LX	LY
31		BLANK	9006666-00	WASHER, FLAT, .500 OD X .187 ID	0	0
32		BLANK	9007786-00	RETAINER, U-NUT, 10-32	10	10
33			9006071-03	SCREW, TRUS, PHIL, 10-32X 3/8		
34			9006035-03	SCREW, TRUS, PHIL, 8-32X 1/4		
35		B-MD-7417606-0-0	7417606-00	SLEEVE ROLLER		
36		B-MD-7417607-0-0	7417607-00	ROLLER		
37		BLANK	9006690-00	WASHER, LOCK, S.S. #8		
38			9006561-00	NUT, HEX 8-32 X5/16AF X 7		
39			3700061-00	INSTR PKG COMPUTER 11/05 OLD STY		
40			3700133-00	INSTR PKG COMPUTER INPLANT 1105		
41		C-MD-7418077-0-0	7418077-00	3 POSITION CARD GUIDE		
42		BLANK				
43		-UA-H777-BA-0	0H777-BA	11/04 POWER SUPPLY, MOS ONLY, NO +		
44		-UA-H777-BB-0	0H777-BB	11/04 POWER SUPPLY, MOS ONLY, NO +		
45		-UA-H777-AA-0	0H777-AA	BA11-L POWER SUPPLY, +5V 25A, +20V		
46		-UA-H777-AB-0	0H777-AB	240V H777-AA		
47		BLANK				
48		BLANK				
49		BLANK				
50		B-IA-7418258-0-0	7418258-00	GROUND STRAP	A/R	A/R
51		B-MD-7418259-0-0	7418259-00	SPACER INCLOSURE	A/R	A/R
52			9007035-00	GROMMET #122-37-1500		
53			9007083-00	CLAMP, CABLE, SCREW MTD. 3/8 "		
54		A-PS-3613211-0-0	3613211-01	DECAL, CLEAR, PREPRINTED CSA 1-1/4		
55		A-DC-7416197-0-0	7416197-01	DECAL		
56		C-MD-7419019-0-0	7419019-00	BRACKET, MODULE FRAME STIFFENING		
57			9006668-00	WASHER, FLAT 5/8 ODX 13/64IDX.032		
58			9006040-03	SCREW, TRUS, PHIL, 8-32X 5/8		
59			9006563-00	NUT, KEP 8-32X 11/13AF		
60		BLANK				
61		BLANK				
62		BLANK				
63			9009157-00	ADH. LIQ. RM. TEMP CURING COLORLESS	A/R	A/R
64			1212707-00	FILTER, AIR, FOAM, 30PPI, 16.75X4.5X		
65			9007032-00	TIE, CABLE BUNDL, DIA 0-1-3/4"=101		
66			7414962-00	BRKT FILTER SUPPORT		
67		C-MD-7414962-0-0	7414962-00			
68		E-UA-H777-UA-0	0H777-UA	11/24 PS: +5V 32A, +15V 3A, -15V 3		
69		E-UA-H777-UB-0	0H777-UB	11/24 PS: +5V 32A, +15V 3A, -15V 3		
70			9006025-02	SCREW, FLAT, PHIL, 6-32X 5/8		
71			9009165-00	CLIP, FAN MOUNTING (12-05033 FAN		
72			7425811-00	BRACKET, SHIPPING, 11/24		
73		C-MD-7425811-0-0	7425811-00			
74						

D	I	G	I	T	A	L	TITLE	SECTION B OF B	SIZE	CODE	DOCUMENT NUMBER	REV
							BOX 5.25 BA11-L (230V/115V)		K	PL	BA11-L-DBP	Z



WIRE TABLE										LEGEND	
ITEM NO	DESCRIPTION	AWG	COLOR	FROM CONNECTION	W/TH	TO CONNECTION	W/TH	REMARKS	PART NO	VARIATION	
12	14	BLK		3004	CB1-K1 LINE				H777-BA	P.S. MOS ONLY 115V	
OR	14	WHT		3004	CB1-210 LINE				H777-BB	P.S. MOS ONLY 230V	
13	14	GRN		1	GND CHASSIS	6			H777-AA	P.S. CORE/MOS 115V	
	14	BLU			T1-5				H777-AB	P.S. CORE/MOS 230V	
4	TRPL	BLU/BLK			T1-4						
3	TRPL	BLU			T1-7						
18	TRPL	GRY			T1-6						
18	TRPL	BLK			T1-7						
18	TRPL	WHT			T1-6						
18	TRPL	BLK			T1-6						
3004	14	GRN/YEL			EMI-3 (REF)						
60	14	GRN/YEL			GND CHASSIS	6		CONSOLE GND			
27	14	GRN/YEL			GND CHASSIS	6		CHASSIS GND			
14	BLK				J1-3 (BD2)			FROM CORE REG	H777-AA		
14	ORN				J1-2 (BD2)			FROM CORE REG	H777-AB		
14	BRN				J1-1 (BD2)			FROM CORE REG	H777-AB ONLY		

- NOTES:
1. MAKE 5 INCH SERVICE LOOP AT HOOKUP END.
 2. APPLY SELF STICK INS SHEET (ITEM 2A) TO UNDER SIDE OF POWER SUPPLY COVER IN AREA OF HEAT SINKS (CORE & MOS REGS).
 3. APPLY SELF STICK ITEM 26 BESIDE THIS GND STUD.
 4. ITEM 60 IS A GND CABLE TO GND THE FRONT PANEL CASTINGS FOR MOS AND CORE REGULATORS.
 5. CABLE PART OF ITEM 9.
 6. CABLE 4 WIRES ARE PART OF ITEM 29



CAUTION: UNIT ASSEMBLY FOR OPTIONS AA, AB, BA, AND BB ONLY

SEE SHEET 2 FOR OPTIONS CA, CB, DA, AND DB

SEE APL-H777-C FOR PARTS LIST

QUANTITY	VARIATION	DESCRIPTION	ITEM NO
1		POWER SUPPLY ASSY (H777)	

DATE: 10/1/77

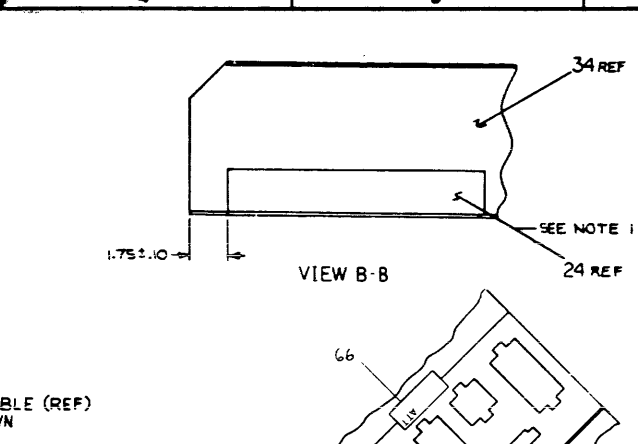
BY: [Signature]

SCALE: NONE

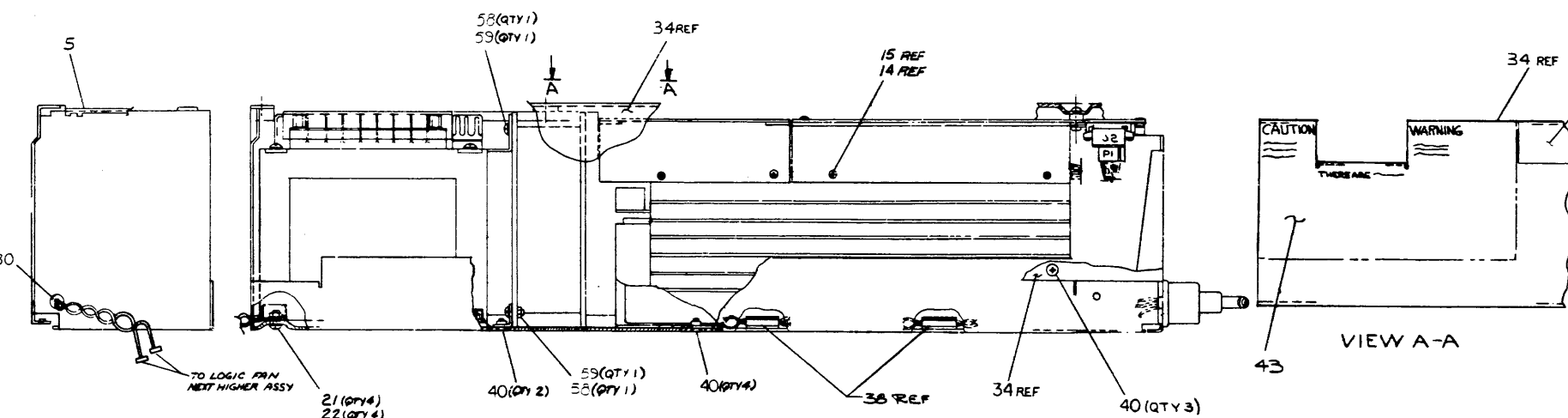
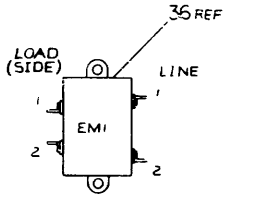
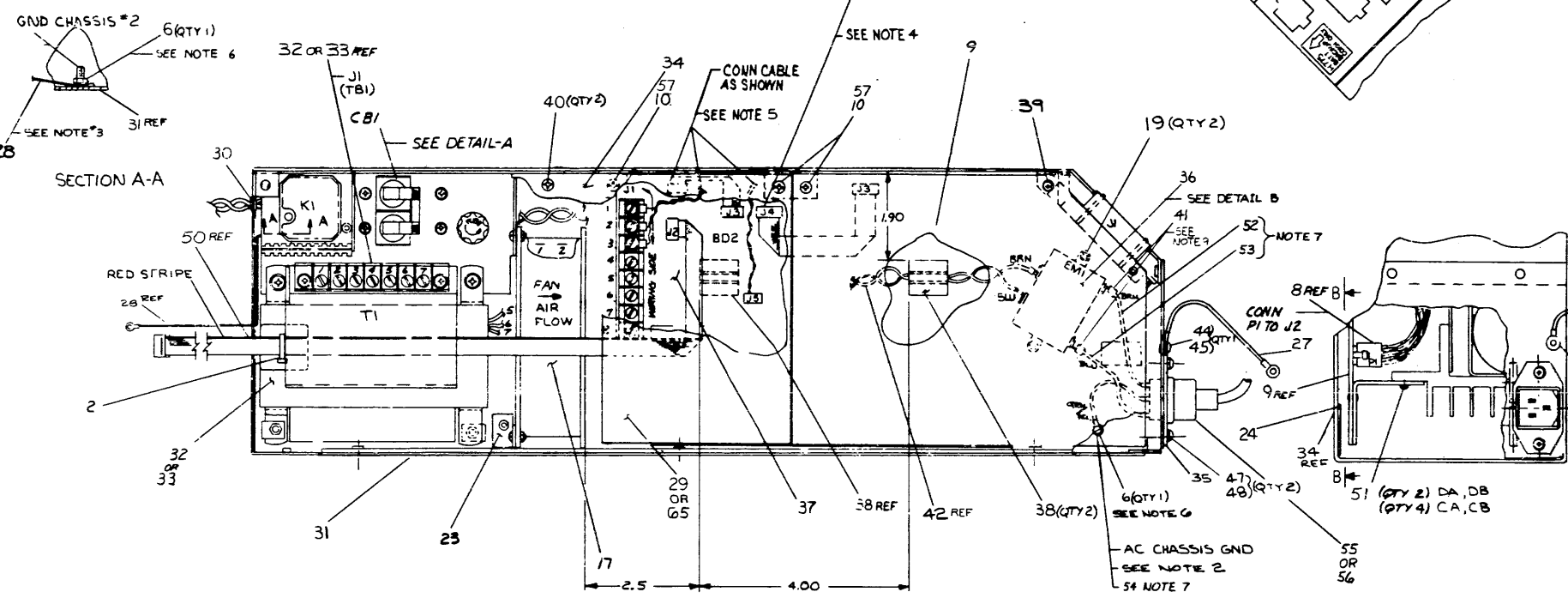
FORM: H777-0-0

ITEM NO	DESCRIPTION	QTY
1	POWER SUPPLY ASSY (H777)	1

ITEM		DESCRIPTION	FROM	TO	REMARKS	PART NO	VARIATION
33	14	BLU	ITEM 35	SLOP 36	EMI LINE - 1	H777-DR	P.S. ASS ONLY 115V
52	14	BRN	ITEM 35	SLOP 36	EMI LINE - 2	H777-DB	P.S. MOS ONLY 230V
54	14	GRN/BL	ITEM 35	SLOP 36	AC GND CHASSIS	H777-CA	P.S. CORE/MOS 115V
4	14	BLU	T1-5	37	J1-7 (BD2)	H777-CB	P.S. CORE/MOS 230V
1	14	BLU	T1-4	37	J1-6 (BD2)	H777-UA	P.S. E 115V/NOS 115V
3	14	BLU	T1-7	37	J1-8 (BC2)	H777-UB	P.S. E 115V/NOS 230V
2	14	GRY	T1-7	37	J1-8 (BD1)		
3	18	GRY	T1-7	37	J1-8 (BD1)		
4	18	WHT	T1-7	37	J1-8 (BD1)		
5	18	BLK	T1-7	37	J1-8 (BD1)		
6	18	BLK	T1-7	37	J1-8 (BD1)		
28	14	GRN/BL	GND CHASSIS 2	6	---	H777-CA	CONSOLE GND
27	14	GRN/BL	GND CHASSIS 1	6	---	H777-CB	CHASSIS GND
14	14	BLK	ITEM # 29	37	J1-3 (BD2)	H777-UA	FROM # 5
14	14	ORN	ITEM # 29	37	J1-2 (BD2)	H777-UB	FROM # 15
14	14	BRN	ITEM # 29	37	J1-1 (BD2)	H777-UB	FROM # 15
42	14	BRN	EMI-2 LOAD	41	CB#2 LINE		
42	14	TWP	EMI-1 LOAD	41	CB#1 LINE		
					55 J1-3 (BD2)		FROM # 5
					65 J1-2 (BD2)		FROM # 15
					65 J1-1 (BD2)		FROM # 15



- NOTES:**
- APPLY SELF STICK NS SHEET (ITEM #24) TO UNDER SIDE OF POWER SUPPLY COVER IN AREA OF HEAT SINKS (CORE, MOS REGS) ± 15 REGS.
 - APPLY SELF STICK ITEM 26 BESIDE THIS GND STUD.
 - ITEM 26 IS A GND CABLE TO GND THE FRONT PANEL CASTINGS FOR MOS AND CORE REGULATORS.
 - CABLE PART OF ITEM #9.
 - CABLE & WIRES ARE PART OF ITEM #20 & 25.
 - ITEM #6 (METRIC NUT M4) CAN BE USED AS A REPLACEMENT IN FIELD IF NECESSARY.
 - INSTALL ITEM #41 OVER SOLDER ENDS PRIOR TO SOLDERING.
 - POSITION ITEM #64 PARALLEL WITH AND THE TOP EDGE ON THE SAME PLANE AS THE TOP EDGE OF ITEM #43.
 - ADD SHRINK TUBING OVER EXPOSED PART OF FASTON CONNECTOR.



CAUTION
UNIT ASSEMBLY FOR OPTIONS: CA, CB, DA, AND DB, UA, AND UB ONLY.
SEE SHEET 1 FOR OPTIONS AA, AB, BA, AND BB.

OFF SHEET PARTS LIST SEE: A-P-H777-0-0

ITEM NO	DESCRIPTION	QUANTITY	VAR
1
2
3
4
5
6
7
8
9
10
11
12
13
14
15
16
17
18
19
20
21
22
23
24
25
26
27
28
29
30
31
32
33
34
35
36
37
38
39
40
41
42
43
44
45
46
47
48
49
50
51
52
53
54
55
56
57
58
59
60
61
62
63
64
65
66

POWER SUPPLY ASSY (H777)

SCALE: NONE

DATE: 08-01-68

DRAWN: BA/L

DIGITAL EQUIPMENT CORPORATION
MAYNARD, MASSACHUSETTS

PARTS LIST

MADE BY <i>R Barry</i>		CHECKED <i>D. HEALY</i>		SECTION											
DATE <i>19 July 76</i>		DATE <i>29 JUL 76</i>		1											
ENG <i>R Barry</i>		PROD <i>R Barry</i>		ISSUED SECT.											
DATE <i>26 Aug 76</i>		DATE <i>26 Aug 76</i>		1											
ITEM NO.	DWG NO. / PART NO.	DESCRIPTION				QUANTITY / VARIATION									
1	D-IA-7011248-0-0	CHASSIS ASSY P.S.				H777-AA	H777-AB	H777-BA	H777-BB	H777-CA	H777-CB	H777-DA	H777-DB	H777-UA	H777-UB
2	9007031-05	TIE WRAP				A/RA/RA/RA/RA/RA/RA/R	A/RA/R								
3	D-AD-7011075-0-0	A/C INPUT ASSY (120V)				1	1	1	1	1	1	1	1	1	1
4	D-AD-7011075-1-0	A/C INPUT ASSY (230V)				1	1	1	1	1	1	1	1	1	1
5	9007035	GROMMET CAT.				A/RA/RA/RA/RA/RA/RA/R	A/RA/R								
6	9006563	NUT, KEPS #8 - 32				2	2	2	2	2	2	2	2	2	2
7	E-MD-7413825-0-0	COVER, POWER SUPPLY				1	1	1	1	1	1	1	1	1	
8	D-AD-7011073-0-0	+5V REGULATOR ASSY				1	1	1	1	1	1	1	1	1	
9	D-CS-5411601-0-1	MOS. REG. H777				1	1	1	1	1	1	1	1	1	
10	9006021-01	SCR. PHL HD PAN #6 - 32 x .31				4	4	2	2	3	3	1	1	3	3
11	9008509	STRAIN RELIEF				1	1	1	1	1	1	1	1	1	
12	D-IA-7012320-0	POWER CORD (115V)				1	1	1	1	1	1	1	1	1	
13	D-IA-7012320-1	POWER CORD (230V)				1	1	1	1	1	1	1	1	1	
14	9006022-1	SCR. PHIL HD PAN #6-32 x .38				6	6	4	4	4	4	4	4	4	
15	9006633	WASHER, INT. TOOTH #6				10	10	6	6	3	3	1	1	3	3
16	9009771-02	CLAMP				2	2	2	2	2	2	2	2	2	
17	1217715-02	FAN, TUBE AXIAL 120V 120CFM 4.5" BALL BRG				1	1	1	1	1	1	1	1	1	
18	9006020-2	SCR. PHIL FLAT HD #6 - 32 x .25				7	7	7	7	7	7	7	7	7	
19	9008185	NUT, KEPS #6 - 32				1	1	1	1	1	1	1	1	1	
20	9006022-1	SCR. PHIL HD PAN #6 - 32 x .38				1	1	1	1	1	1	1	1	1	
21	9006074-3	SCR., PHIL TRUSS #10 - 32 x .62				4	4	4	4	4	4	4	4	4	
22	9007651	WASHER, EXT. TOOTH #10				4	4	4	4	4	4	4	4	4	
TITLE		POWER SUPPLY ASSY (H777)		ASSY NO.	E-UA-H777-0-0	SIZE CODE		A PL		NUMBER		H777-0-0		REV.	H777- TW009
				SHEET	1	OF	3	DIST.						TW	

DEC FORM DEC 16 (325)-1031-N870
DRA 110

DIGITAL EQUIPMENT CORPORATION
MAYNARD, MASSACHUSETTS

PARTS LIST

MADE BY <i>R Barry</i>		CHECKED <i>D. HEALY</i>		SECTION											
DATE <i>19 July 76</i>		DATE <i>29 JUL 76</i>		1											
ENG <i>R Barry</i>		PROD <i>R Barry</i>		ISSUED SECT.											
DATE <i>26 Aug 76</i>		DATE <i>26 Aug 76</i>		1											
ITEM NO.	DWG NO. / PART NO.	DESCRIPTION				QUANTITY / VARIATION									
23	C-IA-7413773-0-0	BRACKET, FAN				2	2	2	2	2	2	2	2	2	
24	1210984-05	INS SHEET 9.0±.1 X 1.5 ±.1				A/RA/RA/RA/RA/RA/RA/RA/R	A/RA/R								
25	B-DC-7414744-0-0	DECAL H777 P.S.				1	1	1	1	1	1	1	1	1	
26	A-PS-3612680-0-0	DECAL, CHASSIS GROUND				2	2	2	2	2	2	2	2	2	
27	C-IA-7011412-0F	CABLE, CHASSIS GROUND				1	1	1	1	1	1	1	1	1	
28	C-IA-7011412-1H	CABLE, CONSOLE GROUND				1	1	1	1	1	1	1	1	1	
29	D-CS-5411599-0-1	CORE REG. H777				1	1	1	1	1	1	1	1	1	
30	9007015	GROMMET				1	1	1	1	1	1	1	1	1	
31	D-IA-7417407-0-0	CHASSIS P.S.				1	1	1	1	1	1	1	1	1	
32	D-AD-7012910-0-0	A/C INPUT ASSY (120V)				1	1	1	1	1	1	1	1	1	
33	D-AD-7012910-1-0	A/C INPUT ASSY (230V)				1	1	1	1	1	1	1	1	1	
34	E-IA-7417018-0-0	COVER, POWER SUPPLY				1	1	1	1	1	1	1	1	1	
35	A-PS-1213773-0-0	AC RECEPTACLE				1	1	1	1	1	1	1	1	1	
36	A-PS-1212877-0-0	FILTER				1	1	1	1	1	1	1	1	1	
37	D-AD-7012909-0-0	+5V REGULATOR ASSY				1	1	1	1	1	1	1	1	1	
38	9009771-1-0	CABLE CLAMP				2	2	2	2	2	2	2	2	2	
39	9006024-01	SCREW, PAN #6 - 32 x .50				1	1	1	1	1	1	1	1	1	
40	9008404-2	SCR.PHL FLAT HD #6 - 32 x .31				4	4	4	4	4	4	4	4	4	
41	9107253-02	TUBING, SHRINK (ORN)				1	1	1	1	1	1	1	1	1	
42	C-IA-7417288-0-0	WIRE A.C. CONN. JARNNESS				1	1	1	1	1	1	1	1	1	
43	3617582-00	DECAL H777 P.S.				1	1	1	1	1	1	1	1	1	
44	9006037-1	SCR, PHIL PAN HD #8 - 32 x .38				1	1	1	1	1	1	1	1	1	
TITLE		POWER SUPPLY ASSY (H777)		ASSY NO.	E-UA-H777-0-0	SIZE CODE		A PL		NUMBER		H777-0-0		REV.	H777- TW009
				SHEET	2	OF	3	DIST.						TW	

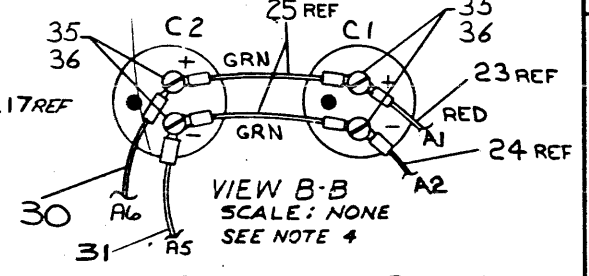
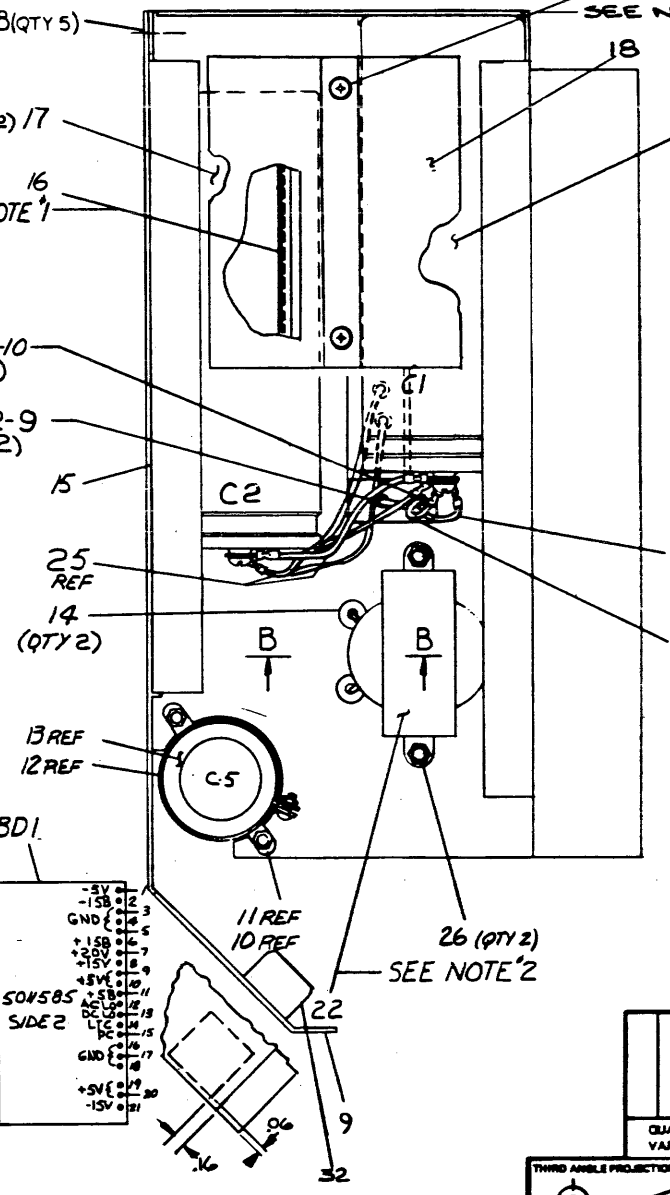
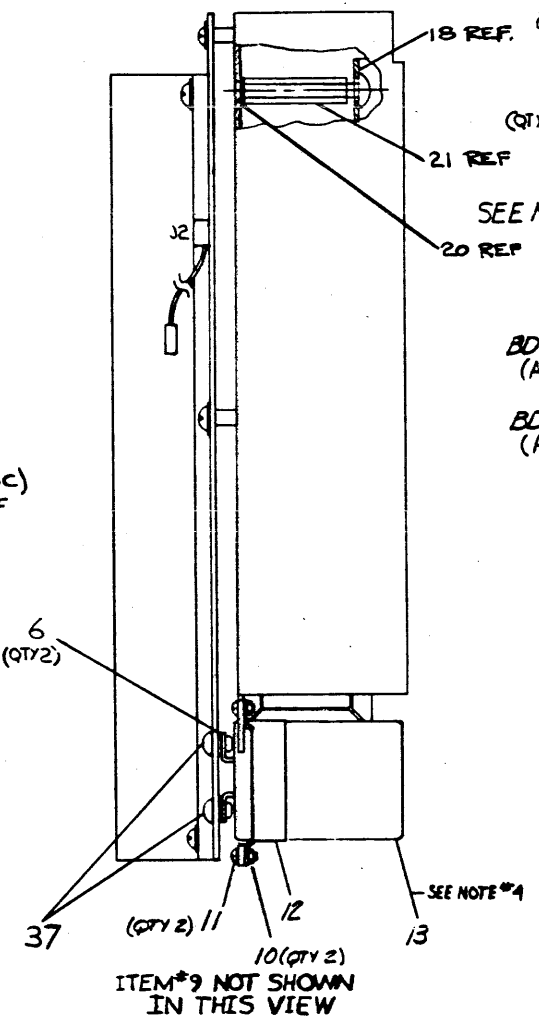
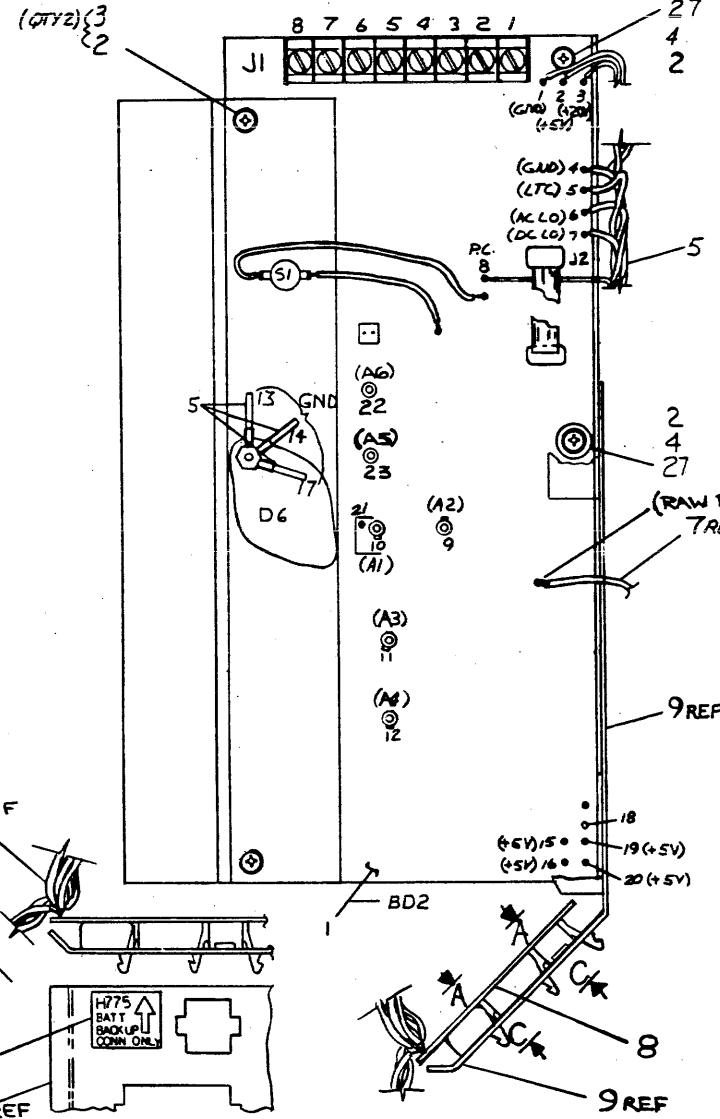
DEC FORM DEC 16 (325)-1031-N870
DRA 110

DIGITAL EQUIPMENT CORPORATION MAYNARD, MASSACHUSETTS PARTS LIST				QUANTITY / VARIATION																					
MADE BY		CHECKED D. HEALY		SECTION		H777-AA		H777-AB		H777-BA		H777-BB		H777-CA		H777-CB		H777-DA		H777-DB		H777-UA		H777-UB	
DATE		DATE 29 JUL 76		1																					
ENG R. Barry 26 Aug 76		PROD RB King		ISSUED SECT.																					
DATE		DATE 26 Aug 76		1																					
ITEM NO.	DWG NO. / PART NO.	DESCRIPTION																							
45	9006634	WASHER INT. TOOTH LOCK #8				1		1		1		1		1		1									
46	D-IA-7013315-1	AC POWER CORD ASSEMBLY 250V				1		1		1		1		1		1									
47	9006011-1	SCR PH HD PAN #4 - 40 x .38				2		2		2		2		2		2									
48	9006632	WASHER INT. TOOTH LOCK #4				2		2		2		2		2		2									
49	9008020-02	SCR, PHIL FLAT HD. #6-32 x .18				1		1		-		-		-		-									
50	7011411-1L	CABLE, CONSOLE CONTROL				REF		REF		REF		REF		REF		REF									
51	9006022-03	SCR. PHIL. TRUSS #6-32 x .38				4		4		2		2		4		4									
52	C-IA-7013938-1	CABLE JUMPER				1		1		1		1		1		1									
53	C-IA-7013938-0	CABLE JUMPER				1		1		1		1		1		1									
54	C-IA-7013939-0	CABLE GROUNDING				1		1		1		1		1		1									
55	1700083-05	AC POWER CORD (120V)				1		-		1		-		1		-									
56	1700083-04	AC POWER CORD (240V)				-		1		-		1		-		1									
57	9006656	WASHER, FLAT				4		4		2		2		3		3		1		1		3		3	
58	9006025-01	SCR, PAN PHIL #6-32 x 5/8				3		3		3		3		3		3		3		3		3		3	
59	9006560	NUT, KEP #6-32				3		3		3		3		3		3		3		3		3		3	
60	7011412-3C	CABLE ASSY				1		1		-		-		-		-									
61	9006561	NUT, HEX #8-32				1		1		-		-		-		-									
62	7011414-1F	CABLE, CONSOLE CONTROL				REF		REF		REF		REF		-		-		-		-		-		-	
63	9009255-00	LABEL				1		1		1		1		1		1		1		1		1		1	
64	3614833	LABEL, WARNING				-		-		1		1		1		1		1		1		1		1	
65	5413764	± 15V REGULATOR				-		-		-		-		-		-		1		1					
66	3617413-00	ATTENTION LABEL				-		-		-		-		-		-		1		1					
TITLE				ASSY NO.		SIZE		CODE		NUMBER				REV.		ECO NO.									
POWER SUPPLY ASSY (H777)				E-UA-H777-0-0		A		PL		H777-0-0				R											
SHEET 3 OF 3						DIST.																			

WIRE CHART

ITEM NO	DESCRIPTION	FROM	TO	ITEM NO	DESCRIPTION	FROM	TO	ITEM NO	DESCRIPTION	FROM	TO
AWG	COLOR	POINT NO	CONN	POINT NO	CONN	AWG	COLOR	POINT NO	CONN	POINT NO	CONN
20	WHT	1	BD2-8	18	BD1-15	14	BLK	28	BD2-13	11	BD1-4
14	BRN	2	2	9	1	18	RED	29	15	14	9
14	BLK	3	1	12	5	14	RED	26	19	15	10
14	ORN	4	3	13	7	14	BLK	25	14	21	17
20	BRN	5	5	19	14	14	RED	24	16	22	19
20	BLK	6	4	20	16	14	RED	27	BD2-20	23	BD1-20
20	YEL	7	6	16	12	18	BLU	1	BD1-21	*11	-
20	VIO	8	7	17	13	14	BLK	2	BD1-18	*8	-
14	BLK	30	BD2-17	10	BD1-3	18	RED	3	BD1-11	*14	-
						22	-	BARE	-	-	BD2-11
						31	14	BLK	-	BD2-23	C2(-)

- NOTES:
- USE ITEM #16 (GROMMET) TO COVER RAW METAL EDGES UNDER CAPACITORS.
 - LEADS FROM ITEMS #22, 23 & 24 ARE TO BE CUT FLUSH WITH TOP OF CLAMPS ON ITEM #1. A1, A2, A3 & A4
 - * ASTERISK INDICATES THAT THESE CONN. ALREADY HAVE BEEN MADE ON PLUG PI ON HARNESS D-IA-7011560-0-0 THEY ARE SHOWN FOR REF ONLY.
 - ITEMS #17 & #13 ARE TO HAVE THEIR ELECTRICAL CONNECTIONS TORQUED TO 12 IN-LBS (-0,+10) IN-LBS.
 - BEING SCREW TO A NO SLACK POSITION, THEN TIGHTEN WITH 1/2 TO 3/4 TURN ONLY.
 - ITEMS #33 & #34 ARE NOT SHOWN.



OFF SHEET PARTS LIST
SEE A-PL-7012909-0-0

DESCRIPTION	PART NO.	QTY
BUMPER	9009624	32
1 JUMPER, BLK	B-IA-7011802-0-0	31
1 JUMPER, RED	B-IA-7011801-0-0	30
1 DECAL, EATH BACKUP	A-DC-7416911-0-0	29
5 SCR FLAT HD #6-32 X.25	9006020-2	28
2 WASHER NYLON #8	9006708	27
2 NUT KEPS #8-32	9006564	26
2 JUMPER (GRN)	B-IA-7011800-0-0	25
1 JUMPER (BLK)	B-IA-7011802-0-0	24
1 JUMPER (RED)	B-IA-7011801-0-0	23
1 CHOKE	1612584	22
2 SPACER HEX #8-32 X 1.25	9009603	21
2 WASHER INT TOOTH LOCK #8	9006634	20
2 SCR PHIL HD TRUSS #8-32 X.384	9009836-1	19
1 CLAMP CAPACITOR	C-MD-7417406-0-0	18
2 CAPACITOR 24 KUF 50V	1010702	17
4/R GROMMET CATERPILLAR	9007035	16
1 BRACKET CAPACITOR	B-IA-7413743-1-0	15
2 GROMMET RUBBER	9007071	14
1 CAPACITOR 3700UF/16.0V(65)	1012740-00	13
1 CLAMP CAPACITOR	9009052	12
2 SCR PHIL PAN #6-32 X.25L	9006020-1	11
2 NUT KEPS #6-32	9008185	10
1 PLATE CAPACITOR CONN SIDE	D-IA-7417517-0-0	9
1 BOARD, PWR DISTR. H777	D-CS-584584-0-1	8
1 HARNESS BD NOS REG PWR DST	D-IA-7011560-0-0	7
2 WASH 1375 O.D. X.137 I.D. X.036	9006660	6
1 HARNESS H777 +5V REG	D-IA-7011415-0-0	5
2 SCR PHIL HD PAN #6-32 X.3/4	9006021-1	4
2 SCR PHIL HD PAN #6-32 X.50L	9006024-1	3
2 WASHER INT TOOTH LOCK #6	9006633	2
1 H777+5V REG (REV 2 UP)	D-CS-582667-0-1	1

REV.	DATE	BY	CHKD	DESCRIPTION
A	000006	A		
B	000007	A		
C	000008	A		
D	000009	A		
E	000010	A		

THIRD ANGLE PROJECTION

REMOVE BURRS AND BREAK SHARP CORNERS

DO NOT SCALE DWG

MATERIAL: D-44-H777-0-0

FINISH: -

UNLESS OTHERWISE SPECIFIED DIMENSIONS ARE IN INCHES

ANGLE	CLASS OF ACCURACY	TYPICAL	PRECISION	FINISH	SMOOTH	ROUGH
30°	1	0.0015	0.0010	0.0005	0.0002	0.0001
45°	2	0.0020	0.0015	0.0010	0.0005	0.0002
60°	3	0.0025	0.0020	0.0015	0.0010	0.0005
75°	4	0.0030	0.0025	0.0020	0.0015	0.0010
90°	5	0.0035	0.0030	0.0025	0.0020	0.0015
105°	6	0.0040	0.0035	0.0030	0.0025	0.0020
120°	7	0.0045	0.0040	0.0035	0.0030	0.0025
135°	8	0.0050	0.0045	0.0040	0.0035	0.0030
150°	9	0.0055	0.0050	0.0045	0.0040	0.0035
165°	10	0.0060	0.0055	0.0050	0.0045	0.0040
180°	11	0.0065	0.0060	0.0055	0.0050	0.0045

QUANTITY & VARIATION

DWG PART NO. H777-LED

ITEM NO. 401010

TITLE: +5V REG ASSY

SIZE: D

CODE: AD

NUMBER: 7012909-0-0

REV: E

SHEET 1 OF 1

DIGITAL EQUIPMENT CORPORATION
MAYNARD, MASSACHUSETTS
PARTS LIST

MADE BY S. ROCHA CHECKED D. HEALY SECTION
DATE 29 JUL 76 DATE 2 AUG 76 ISSUED SECT.
ENG R. COURTMACHE PROD R. BARRY DATE 13 SEP 76 1
DATE 13 SEP 76

ITEM NO.	DWG NO. / PART NO.	DESCRIPTION	QUANTITY / VARIATION
1	D-CS-5412667-0-1	H777 +5V REG (REV & UP)	1
2	9006633	WASHER, INT TOOTH LOCK #6	4
3	9006025-01	SCR PHIL HD PAN #6-32 x .62L	2
4	9006023-01	SCR PHIL HD PAN #6-32 x .44L	2
5	D-IA-7011415-0-0	HARNES H777 +5V REG	1
6	9006660	WASH, .375 O.D. x .137 I.D. x .036	2
7	D-IA-7011560-0-0	HARNES BD MOS REG PWR DIST	1
8	D-CS-5411586-0-1	BOARD, PWR DISTR. H777	1
9	D-IA-7417017-0-0	PLATE, CAPACITOR CONN SIDE	1
10	9008185	NUT KEPS #6-32	2
11	9006020-1	SCR PHIL PAN HD #6-32 x .25L	2
12	9009052	CLAMP CAPACITOR	1
13	1012740-00	CAPACITOR 3900uf 16.0V (65)	1
14	9007017	GROMMET RUBBER	2
15	E-IA-7413743-1-0	BRACKET CAPACITOR	1
16	9007035	GROMMET CATERPILLAR	A/R
17	1010702	CAPACITOR 24Kuf 50V	2
18	C-MD-7417408-0-0	CLAMP CAPACITOR	1
19	9009836-1	SCR PHIL HD TRUSS #8-32 x .38L	2
20	9006634	WASHER INT TOOTH LOCK #8	2
21	9008258	SPACER HEX #8-32 x 1.375	2
22	1612584	CHOKE	1

TITLE +5V REG ASSY ASSY NO. D-AD-7012909-0-0 SIZE CODE A PL NUMBER 7012909-0-0 REV. 7012909
SHEET 1 OF 2 DIST.

DEC FORM DEC 16-(325)-1031-N870
DRA 110

DIGITAL EQUIPMENT CORPORATION
MAYNARD, MASSACHUSETTS
PARTS LIST

MADE BY S. ROCHA CHECKED D. HEALY SECTION
DATE 29 JUL 76 DATE 2 AUG 76 ISSUED SECT.
ENG R. COURTMACHE PROD R. BARRY DATE 13 SEP 76 1
DATE 13 SEP 76

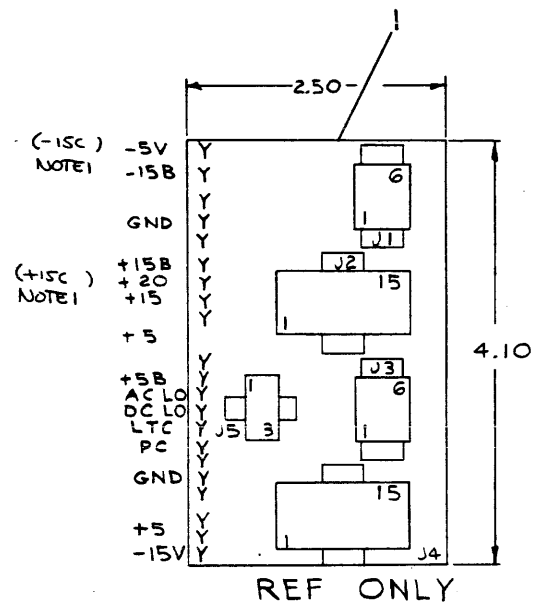
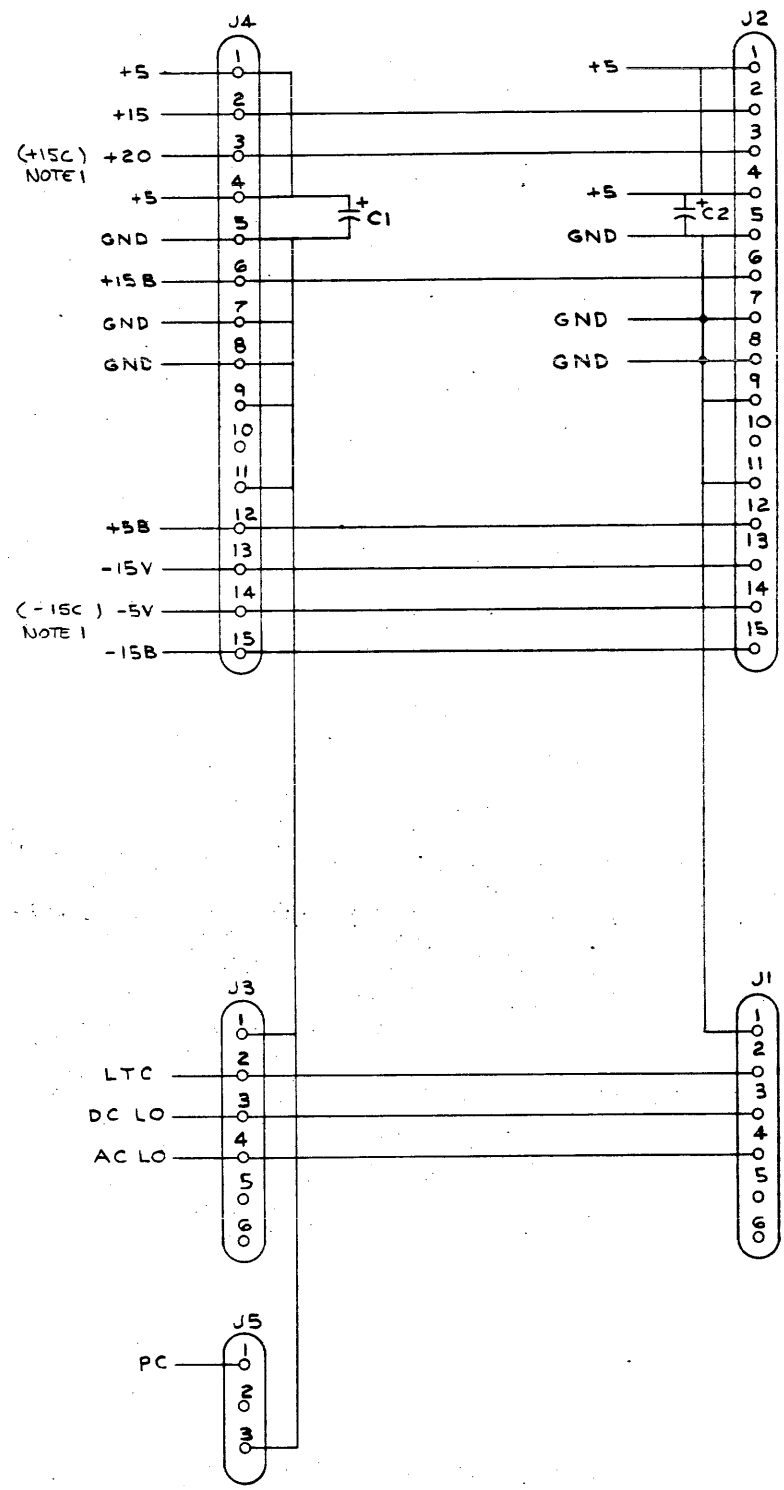
ITEM NO.	DWG NO. / PART NO.	DESCRIPTION	QUANTITY / VARIATION
23	B-IA-7011801-0-0	JUMPER (RED)	1
24	B-IA-7011802-0-0	JUMPER (BLK)	1
25	B-IA-7011800-0-0	JUMPER (GRN)	2
26	9006563	NUT KEPS #8-32	2
27	9006707	WASHER NYLON #6	2
28	9000039-07	SCR, FLAT HD #6-32 x .25	5
29	A-DC-7416911-0-0	DECAL, BATT BACKUP	1
30	B-IA-7011801-0-1	JUMPER, RED	1
31	B-IA-7011802-0-1	JUMPER, BLK	1
32	9009624	BUMPER	1
33	9009255-00	LABEL	1
34	9007031	CABLE TIE	2
35	9006071-01	SCR PAN HD #10-32 x .37	4
36	9006636	WASHER LOCK INT .380 OD x .200 ID x .022THK	4
37	9009667	SCR, SEMS, SLOTTED BINDER HD #10-32 x 5/16	2

TITLE +5V REG ASSY ASSY NO. D-AD-7012909-0-0 SIZE CODE A PL NUMBER 7012909-0-0 REV. 7012909
SHEET 2 OF 2 DIST.

DEC FORM DEC 16-(325)-1031-N870
DRA 110

NOTES:
 1. H777 UA, UB VARIATION ONLY $\pm 15C$ FROM THE 5413764 MODULE.

THIS DRAWING AND SPECIFICATIONS HEREIN ARE THE PROPERTY OF DIGITAL EQUIPMENT CORPORATION AND SHALL NOT BE REPRODUCED OR COPIED OR USED IN WHOLE OR IN PART AS THE BASIS FOR THE MANUFACTURE OR SALE OF ITEMS WITHOUT WRITTEN PERMISSION. COPYRIGHT © 1979 DIGITAL EQUIPMENT CORPORATION

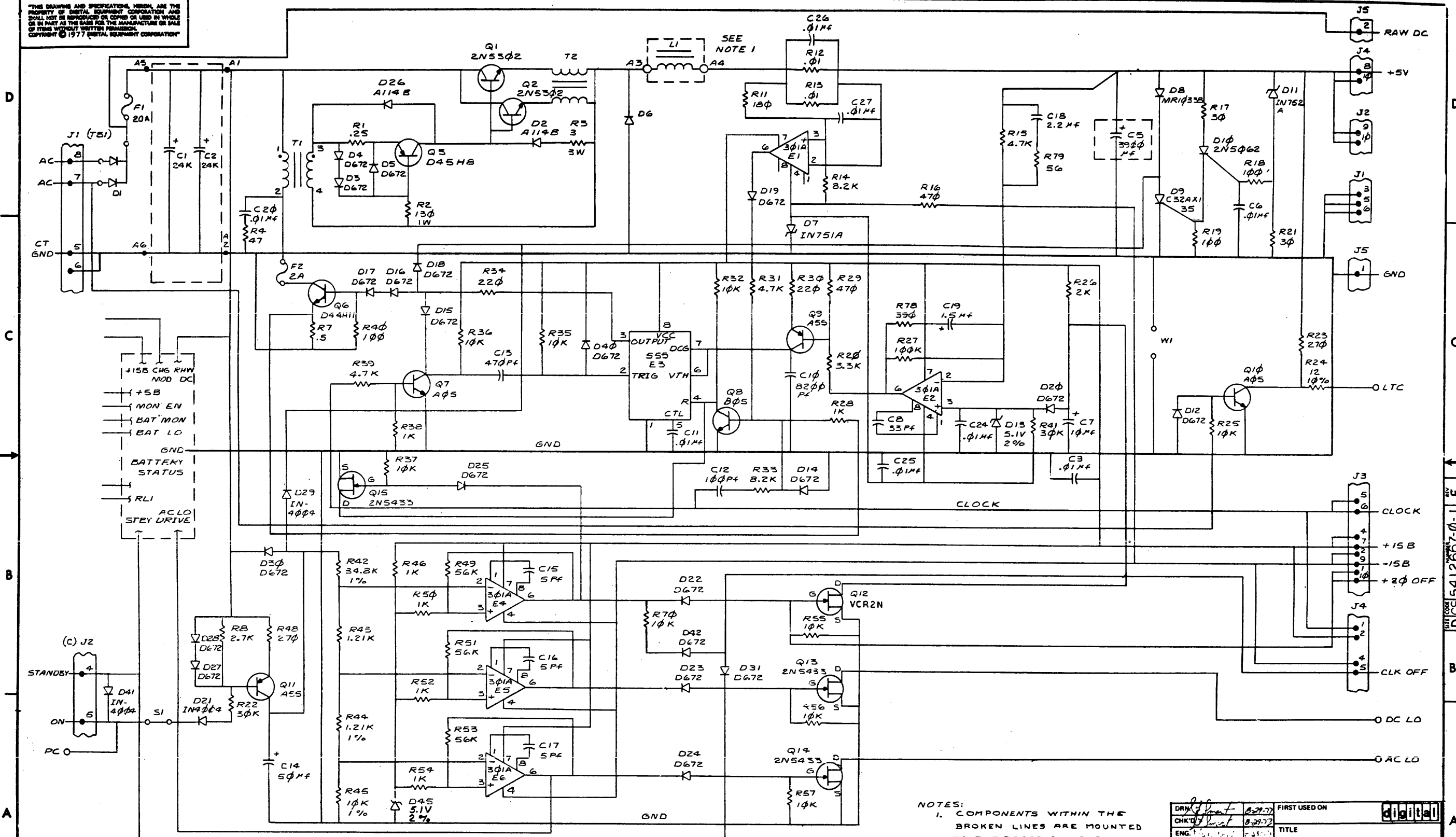


REV. 1	CHG	W. BAUSHA
REV. 2	CHG	W. BAUSHA
REV. 3	CHG	W. BAUSHA
REV. 4	CHG	W. BAUSHA
REV. 5	CHG	W. BAUSHA
REV. 6	CHG	W. BAUSHA
REV. 7	CHG	W. BAUSHA
REV. 8	CHG	W. BAUSHA

DRN. <i>F. Pagan</i> 1-29-79	FIRST USED ON	11/84 PWR SUPP	digital
CHK'D <i>F. Pagan</i> 1-29-79	TITLE	BOARD, POWER DISTRIBUTION H777	
ENG. <i>P. Pagan</i> 1-29-79	SIZE	CODE	NUMBER
PROJ. ENG. <i>P. Pagan</i> 1-29-79	D	CS	5411586-0-1
PROD. <i>A. Pagan</i> 2-12-79	SCALE	NONE	REV. E
NEXT HIGHER ASSY.	SHEET	OF	DIST.

THIS DRAWING AND SPECIFICATIONS HEREAFTER ARE THE PROPERTY OF DIGITAL EQUIPMENT CORPORATION AND SHALL NOT BE REPRODUCED OR COPIED OR USED IN WHOLE OR IN PART AS THE BASIS FOR THE MANUFACTURE OR SALE OF THIS WITHOUT WRITTEN PERMISSION. COPYRIGHT © 1977 DIGITAL EQUIPMENT CORPORATION

DCS 5412667-0-1



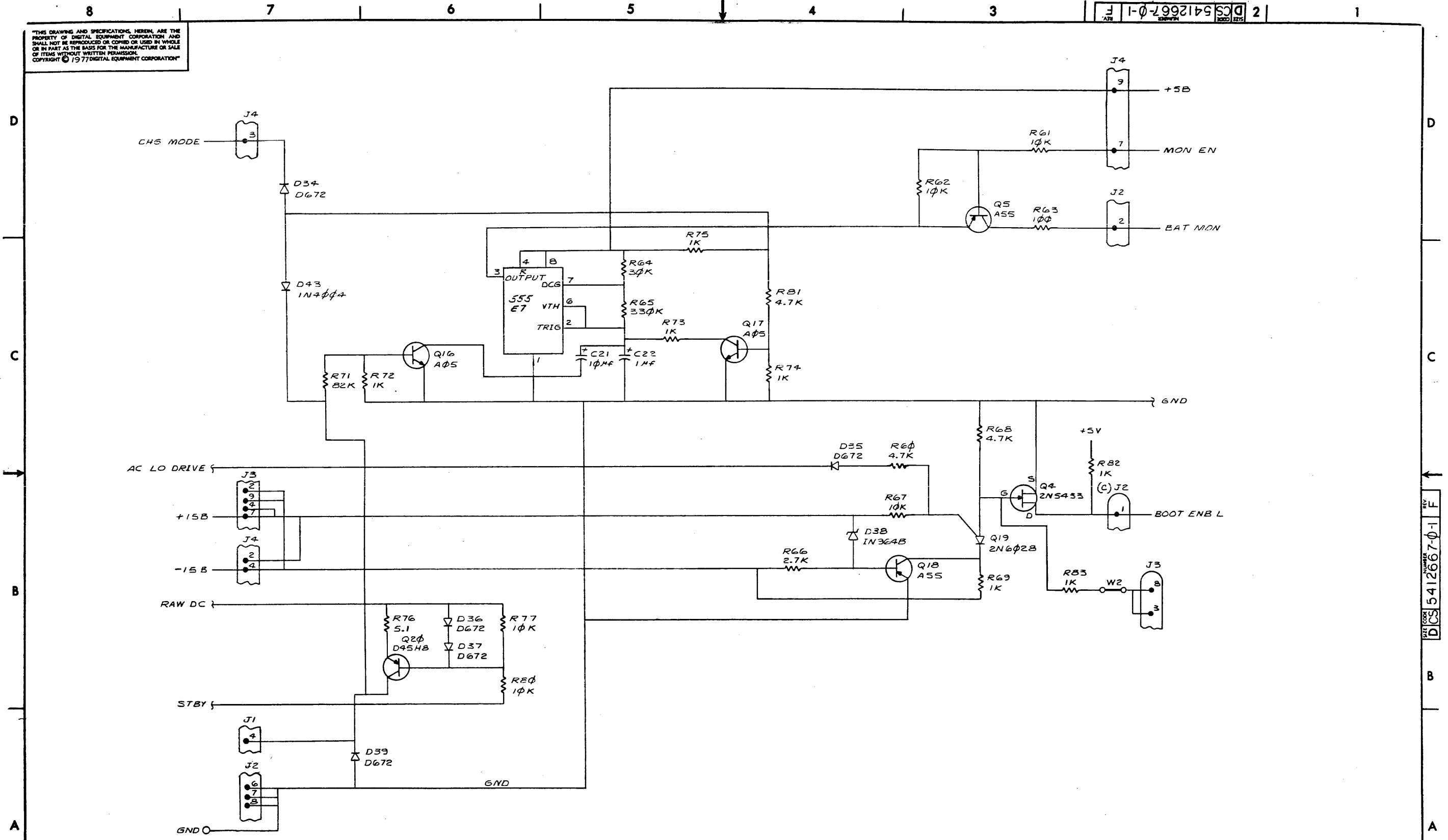
NOTES:
1. COMPONENTS WITHIN THE
BROKEN LINES ARE MOUNTED
TO THE BOARD ON NEXT
HIGHER ASS'Y.

DRAWN	8-29-77	FIRST USED ON	digital
CHKD	8-29-77	TITLE	
ENG.		H777	
PROD. ENG.		+5V REGULATOR	

CHK	CHANGE NO.	REV.	DATE	BY	DATE	BY	DATE	BY
Q1	5412667-00001	B	10-30-78	A. BARON	11-17-78	G. BARON	1-22-79	A. BARON
D	5412667-ML003	D	10-30-78	A. BARON	11-17-78	G. BARON	1-22-79	A. BARON
E	5412667-ML004	E	10-30-78	A. BARON	11-17-78	G. BARON	1-22-79	A. BARON
F	5412667-ML005	F	10-30-78	A. BARON	11-17-78	G. BARON	1-22-79	A. BARON

SCALE ---+--- SHEET 1 OF 2 DIST. M/I

"THIS DRAWING AND SPECIFICATIONS HEREIN ARE THE PROPERTY OF DIGITAL EQUIPMENT CORPORATION AND SHALL NOT BE REPRODUCED OR COPIED OR USED IN WHOLE OR IN PART AS THE BASIS FOR THE MANUFACTURE OR SALE OF ITEMS WITHOUT WRITTEN PERMISSION. COPYRIGHT © 1977 DIGITAL EQUIPMENT CORPORATION"



REVISIONS		
CHK	CHANGE NO.	REV.

(BATTERY STATUS CRKT'S)

TITLE	H777	SIZE CODE	NUMBER	REV.
	+5V REGULATOR	DCS	5412667-0-1	F
SCALE	1/1	SHEET	2 OF 2	DIST.

DCS 5412667-0-1 F

THE DRAWING AND SPECIFICATIONS HEREIN ARE THE PROPERTY OF DIGITAL EQUIPMENT CORPORATION AND SHALL NOT BE REPRODUCED OR COPIED OR USED IN WHOLE OR IN PART AS THE BASIS FOR THE MANUFACTURE OR SALE OF ITEMS WITHOUT WRITTEN PERMISSION.
 DIGITAL EQUIPMENT CORPORATION
 0170

LEGEND

PART NO	VARIATION
7012910-0	120 V
7012910-1	230 V

WIRE CHART

ITEM NO	DESCR	FROM		TO		REMARKS	ITEM NO	DESCR	FROM		TO		REMARKS
		AVG	COLOR	CONN	WITH				CONN	WITH	AVG	COLOR	
22	18 OR/WHT	K1-4	SOLD,31	*TB2-3S	SOLD	5 1/2' L	18	BLK	T1		TB2-1H		
23	18 BR/WHT	K1-6		*TB2-4S	SOLD	5' L	18	TWP BR/WHT			TB2-3H		
24	18 WH/GR	K1-7		TB2-5H	25	9' L	18	TWP RED			TB2-2H		
26	18 WH/GR	K1-9		TB2-6H	25	9' L	18	TWP RD/WH	T1		TB2-4H		
27	18 GR/Y	K1-A				13 1/2' L	47	18 GR/BL	G3	SOLD	F1-2	SOLD,31	4' L
46	18 GR/DR	G2	SOLD	*TB2-6S	SOLD	6' L	35	18 BLK	TB2-1H		TB2-2H		120V
47	18 GR/BL	F1-1	SOLD,31	*TB2-4S	SOLD	3' L	36	18 WH	TB2-3H		TB2-4H		120V
43	18 BRN	CBI(2) LOAD	28.31	*TB2-6S	SOLD	7 1/2' L	35	18 BLK	TB2-2H		TB2-3H		230V
	18 BLU	CBI(1) LOAD	28.31	*TB2-1S	SOLD	7 1/2' L	13	22 BARE	R1-A		G3	SOLD,33	
45	14 BLU	CBI(4) LINE		NOTE 6		17' L	13	22 BARE	R1-B		G2	SOLD,33	
	18 BRN	CBI(2) LINE		NOTE 6		17' L	48	18 BL/WH	K1-8	SOLD,31	TB2-1S	25	4' L
15	18 WH	*TB2-7S	SOLD	J2-2	30,32	10' L	49	18 WH/BL	K1-5	SOLD,31	TB2-7H	25	5 1/2' L
	18 TWP BLK	*TB2-5S	SOLD	J2-1	30,32	9' L							
15	18 WH	*TB2-7S	SOLD	J3-2	30,32	16' L							
	18 TWP BLK	*TB2-5S	SOLD	J3-1	30,32	15 1/2' L							

NOTES:

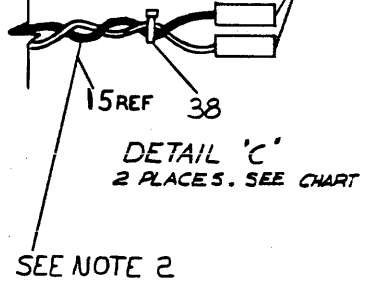
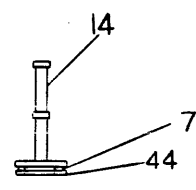
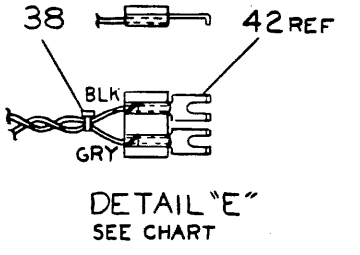
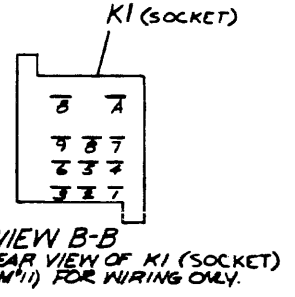
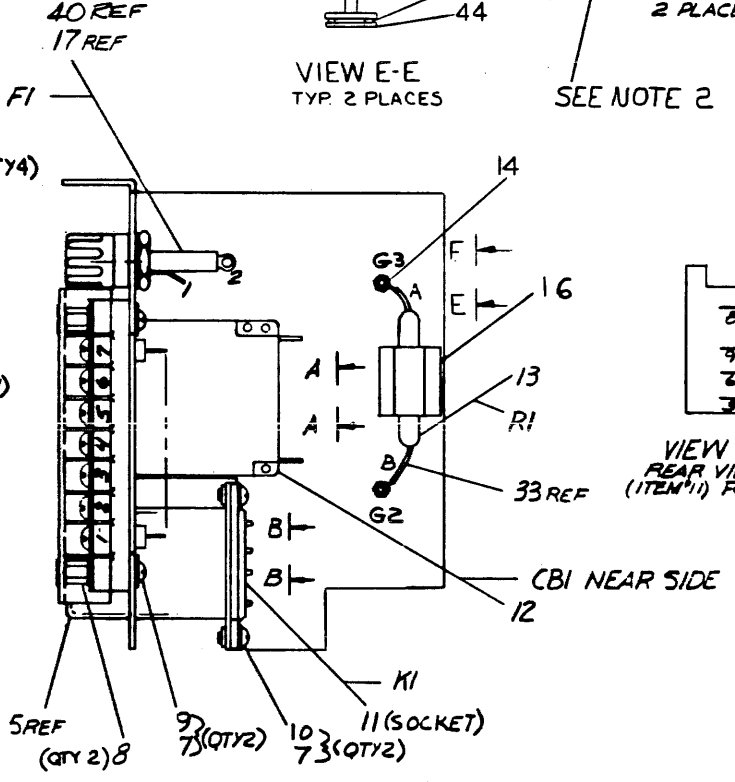
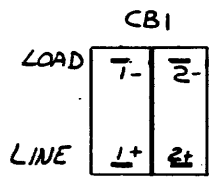
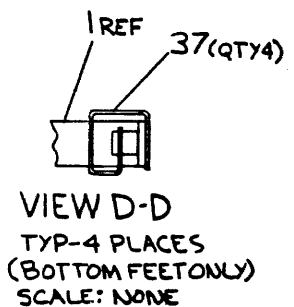
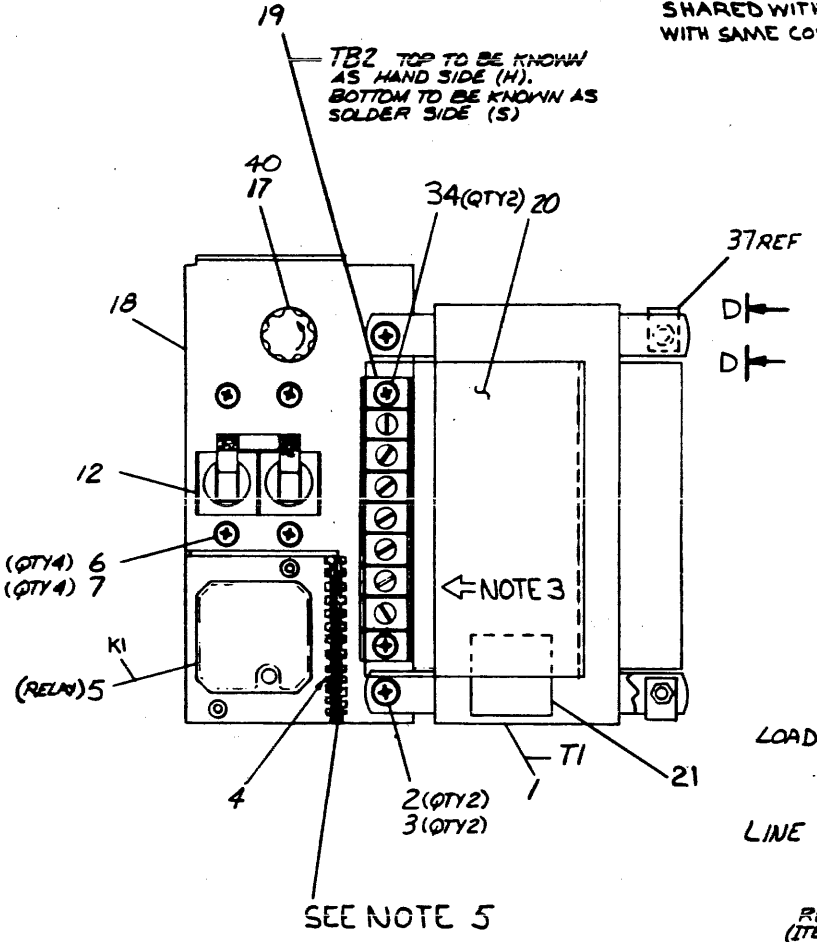
- COVER ITEM #26 WITH ITEM #31 - COVER ENTIRE CONN.
- TWISTED PAIR WIRE TO HAVE A MIN OF 8 TWIST PER FT. AS PER WIRE CHART.
- ALL CONNECTIONS TO TB2 ARE TO BE MADE FROM SIDE INDICATED BY ARROW.
- USE TIE WRAPS (ITEM 38) AS NEEDED.
- T1 PRIMARY WIRES TO TB2 MUST BE ROUTED BY ITEM 4
- NO CONNECTION IS MADE AT THIS ASSY LEVEL. REFER TO PRINT E-UA-H777-0-0

SEE NOTE 2
SEE DETAIL 'E'

SEE NOTE 2
SEE DETAIL 'C'

* INDICATES SOLDER CONN. SHARED WITH OTHER CONN. WITH SAME COMMON CONN.

TB2 TOP TO BE KNOWN AS HAND SIDE (H). BOTTOM TO BE KNOWN AS SOLDER SIDE (S)



REV.	DATE	BY	CHK'D	APP'D
1	11/22/77	R. DAY		
2	12/15/77	R. DAY		
3	1/11/78	R. DAY		
4	1/11/78	R. DAY		
5	1/11/78	R. DAY		
6	1/11/78	R. DAY		
7	1/11/78	R. DAY		
8	1/11/78	R. DAY		
9	1/11/78	R. DAY		
10	1/11/78	R. DAY		
11	1/11/78	R. DAY		
12	1/11/78	R. DAY		
13	1/11/78	R. DAY		
14	1/11/78	R. DAY		
15	1/11/78	R. DAY		
16	1/11/78	R. DAY		
17	1/11/78	R. DAY		
18	1/11/78	R. DAY		
19	1/11/78	R. DAY		
20	1/11/78	R. DAY		
21	1/11/78	R. DAY		
22	1/11/78	R. DAY		
23	1/11/78	R. DAY		
24	1/11/78	R. DAY		
25	1/11/78	R. DAY		
26	1/11/78	R. DAY		
27	1/11/78	R. DAY		
28	1/11/78	R. DAY		
29	1/11/78	R. DAY		
30	1/11/78	R. DAY		
31	1/11/78	R. DAY		
32	1/11/78	R. DAY		
33	1/11/78	R. DAY		
34	1/11/78	R. DAY		
35	1/11/78	R. DAY		
36	1/11/78	R. DAY		
37	1/11/78	R. DAY		
38	1/11/78	R. DAY		
39	1/11/78	R. DAY		
40	1/11/78	R. DAY		
41	1/11/78	R. DAY		
42	1/11/78	R. DAY		
43	1/11/78	R. DAY		
44	1/11/78	R. DAY		
45	1/11/78	R. DAY		
46	1/11/78	R. DAY		
47	1/11/78	R. DAY		
48	1/11/78	R. DAY		
49	1/11/78	R. DAY		
50	1/11/78	R. DAY		
51	1/11/78	R. DAY		
52	1/11/78	R. DAY		
53	1/11/78	R. DAY		
54	1/11/78	R. DAY		
55	1/11/78	R. DAY		
56	1/11/78	R. DAY		
57	1/11/78	R. DAY		
58	1/11/78	R. DAY		
59	1/11/78	R. DAY		
60	1/11/78	R. DAY		

OFF SHEET PARTS LIST SEE A-PL-7012910-0-0

DESCRIPTION	QTY	DRWG. PART NO.	ITEM NO.
UNLESS OTHERWISE SPECIFIED DIMENSIONS ARE IN INCHES			
ANGLES			
SURFACE QUALITY			
MICROINCHES			
THIRD ANGLE PROJECTION			
REMOVE BURRS AND BREAK SHARP CORNERS			
DO NOT SCALE DWG			
MATERIAL			
FINISH			

DRN: R. DAY 12/15/77
 CHK'D: R. DAY 12/15/77
 ENG: R. DAY 12/15/77
 PROD: R. DAY 12/15/77

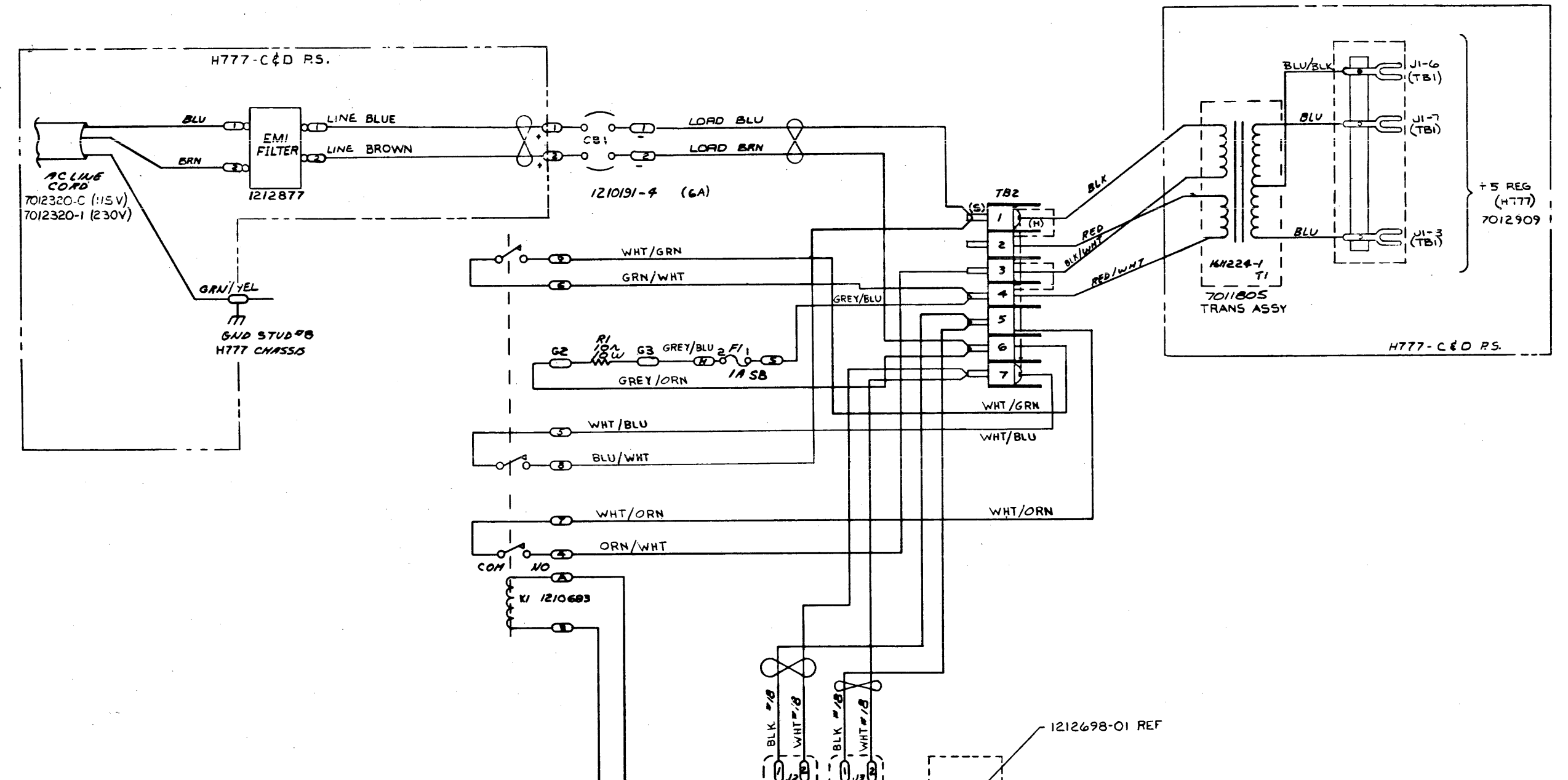
FIRST USED ON H777-C & D

TITLE: A/C INPUT ASSY (120V/230V)

SIZE CODE: D ADU
 NUMBER: 7012910-0-0
 REV. M

SHEET 1 OF 2

THIS DRAWING AND SPECIFICATIONS HEREIN ARE THE PROPERTY OF DIGITAL EQUIPMENT CORPORATION AND SHALL NOT BE REPRODUCED OR COPIED OR USED IN WHOLE OR IN PART AS THE BASIS FOR THE MANUFACTURE OR SALE OF ITEMS WITHOUT WRITTEN PERMISSION. COPYRIGHT © 1970 DIGITAL EQUIPMENT CORPORATION



REV.	
CHANGE NO.	

FIRST USED ON OPTION/MODEL	QTY.	DESCRIPTION	PART NO.	ITEM NO.
H777-C&D				
PARTS LIST				
DIMENSIONAL TOLERANCE		DRN	DATE	DIGITAL
DIMENSIONS ARE INCHES UNLESS OTHERWISE SPECIFIED		CHK'D	DATE	
INCHES	ANGLES	ENG.	DATE	TITLE
MILLIMETERS		PROJ. ENG.	DATE	
THIRD ANGLE PROJECTION		PROJ.	DATE	A/C INPUT ASSY (120V/230V)
REMOVE BURRS AND BREAK SHARP CORNERS SURFACE QUALITY				
MATERIAL			SIZE CODE	NUMBER
FINISH			D AD	7012910-0-0
			SCALE	REV.
			SHEET 2 OF 2	V.

D AD 7012910-0-0

DIGITAL EQUIPMENT CORPORATION
MAYNARD, MASSACHUSETTS
PARTS LIST

MADE BY *A. Rehan* CHECKED *D. Healy* SECTION
DATE *19 JUL 76* DATE *27 JUL 76* ISSUED SECT.
ENG *R. Barry* PROD *RBKmg* *1*
DATE *9-17-76* DATE *21 Sept 76* *1*

ITEM NO.	DWG NO. / PART NO.	DESCRIPTION
1	C-IA-7011805-0-0	TRANSFORMER ASSY
2	9006037-01	SCR PHIL PAN HD #8 - 32 x .38
3	90066634	WASHER INT. TOOTH LOCK #8
4	9007035	GROMMET CATERPILLAR
5	1210683-00	RELAY 12V 3P 10A
6	9006020-01	SCR PHIL HD PAN #6-32 x .25
7	90066633	WASHER INT. TOOTH LOCK #6
8	9006842	SPACER HEX #6 - 32 x .31
9	9007794-01	SCR PHIL HD PAN #6 - 32 x .69
10	9006021-01	SCR PHIL HD PAN #6 - 32 x .31
11	1212789	SOCKET, RELAY
12	1210191-4	CIRCUIT BREAKER, 6A
13	1300173	RESISTOR, 10 OHM, 10W
14	9006966	TERMINAL TURRET INS
15	9107430-09	WIRE #18 AWG INS TW/PR (WHT/BLK)
16	9009771-2	CLAMP (RESISTOR) 3/8 I.D. SELF ADH.
17	1212893-00	HOLDER, FUSE 20A, 300V
18	D-IA-7417219-0-0	BRACKET, COMPONENT
19	1212788	BARRIER STRIP 7 POS
20	B-IA-7414743-1-0	SHIELD, TERM.
21	9008264	MOUNT TIE WRAP
22	9107410-39	WIRE #18 AWG INS ORN/WHT

TITLE
A/C INPUT ASSY
(120V/230V)
ASSY NO.
D-AD-7012910-0-0
SIZE CODE
A PL
NUMBER
7012910-0-0
REV. ECO NO.
M
702910-005

DEC FORM DEC 16-(325)-1031-N870
DRA 110

QUANTITY / VARIATION	
7012910-0	
7012910-1	
1 1	
2 2	
2 2	
A/RA/R	
1 1	
4 4	
10 10	
2 2	
2 2	
1 1	
1 1	
1 1	
2 2	
A/RA/R	
1 1	
1 1	
1 1	
1 1	
1 1	
1 1	
A/RA/R	

DIGITAL EQUIPMENT CORPORATION
MAYNARD, MASSACHUSETTS
PARTS LIST

MADE BY *W. Rehan* CHECKED *D. Healy* SECTION
DATE *19 JUL 76* DATE *27 JUL 76* ISSUED SECT.
ENG *R. Barry* PROD *RBKmg* *1*
DATE *9-17-76* DATE *21 Sept 76* *1*

ITEM NO.	DWG NO. / PART NO.	DESCRIPTION
23	9107410-59	WIRE 18 AWG INS GRN/WHT
24	9107410-93	WIRE 18 AWG INS WHT/GRN
25	9007929	RING CRIMP (RED INS)
26	9107410-95	WIRE 18 AWG INS WHT/GRN
27	9107430-08	WIRE 18 AWG INS (GRY/BLK) TW/PR
28	9007970	CONN FASTON (RED INS.)
29	1210191-2	CIRCUIT BREAKER, 6A
30	1210820-2	HOUSING TERM. FASTAB
31	9107305-02	TUBING SHRINK (RED)
32	1210820-1	HOUSING SOCKET, FASTAB
33	9107278-02	TUBING INS (RED)
34	9008020-02	SCR, PHL, FLAT HD, 6 - 32 x .19
35	B-IA-7011797-0-0	JUMPER ASSY (BLK 2")
36	B-IA-7011798-0-0	JUMPER ASSY (WHT 2")
37	9007786	NUT #10 - 32
38	9007031	TIE WRAP
39	9107253-09	TUBING, SHRINK (WHT)
40	9007212	FUSE, 1A, 250V S.B.
41	9107253-03	TUBING, SHRINK (GRN)
42	1212698-01	STRIP, FANNING (2 POSITION)
43	9107430-16	WIRE #18 AWG INSTWP BRN, BLU
44	9006656	WASHER, FLAT

TITLE
A/C INPUT ASSY
(120V/230V)
ASSY NO.
D-AD-7012910-0-0
SIZE CODE
A PL
NUMBER
7012910-0-0
REV. ECO NO.
M
702910-005

DEC FORM DEC 16 (325) 1031 N870
DRA 110

QUANTITY / VARIATION	
7012910-0	
7012910-1	
A/RA/R	
A/RA/R	
2 2	
A/RA/R	
A/RA/R	
2 2	
1 1	
4 4	
A/RA/R	
4 4	
A/RA/R	
2 2	
1 1	
1 1	
4 4	
A/RA/R	
A/RA/R	
1 1	
1 1	
A/RA/R	
2 2	

DIGITAL EQUIPMENT CORPORATION
MAYNARD, MASSACHUSETTS
PARTS LIST

QUANTITY / VARIATION

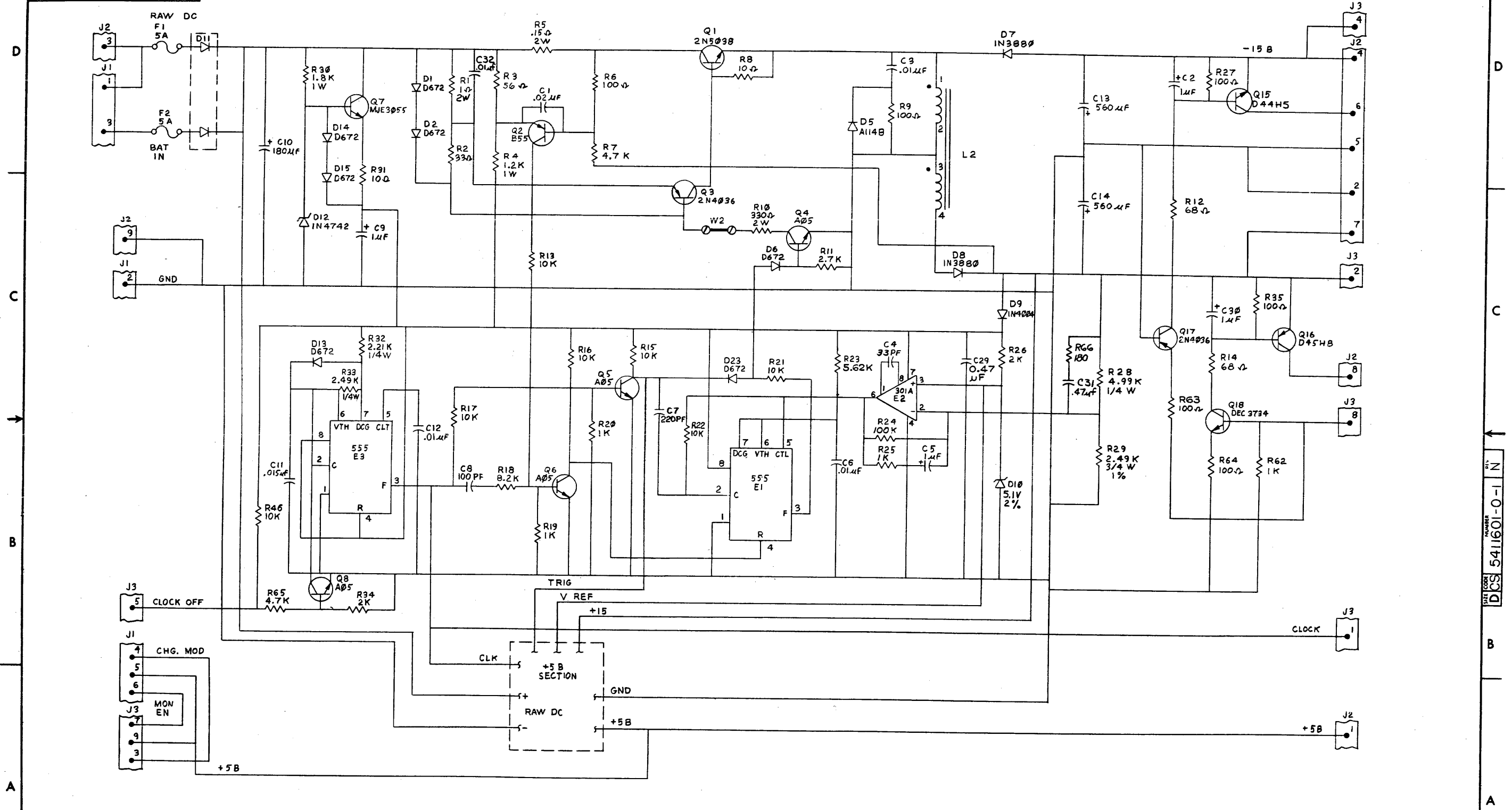
MADE BY A. ROCHA	CHECKED D HEALY	SECTION
DATE 19-JULY-76	DATE 27-JULY-76	1
ENG R. BARRY	PROD R.B. KING	ISSUED SECT.
DATE 17-SEPT-76	DATE 21-SEPT-76	1

ITEM NO.	DWG NO. / PART NO.	DESCRIPTION	QUANTITY / VARIATION																
			7012910-0	7012910-1															
45	C-IA-7417288-0-0	A/C CONN HARNESS	1	1															
46	9107410-83	WIRE #18 AWG INS GREY/ORN	A/RA/R																
47	9107410-86	WIRE #18 AWG INS GREY/BLU	A/RA/R																
48	9107410-69	WIRE #18 AWG INS BLU/WHT	A/RA/R																
49	9107410-96	WIRE #18 AWG INS WHT/BLU	A/RA/R																

TITLE A/C INPUT ASSY. (120V/230V)		ASSY NO. D-AD-7012910-0-0		SIZE CODE A PL		NUMBER 7012910-0-0				REV. M	ECO NO.
		SHEET 3 OF 3		DIST.							

DEC FORM DEC 16-(325)-1031-N870
DRA 110

THIS DRAWING AND SPECIFICATIONS HEREIN ARE THE PROPERTY OF DIGITAL EQUIPMENT CORPORATION AND SHALL NOT BE REPRODUCED OR COPIED OR USED IN WHOLE OR IN PART AS THE BASIS FOR THE MANUFACTURE OR SALE OF ITEMS WITHOUT WRITTEN PERMISSION. COPYRIGHT © 1975 DIGITAL EQUIPMENT CORPORATION

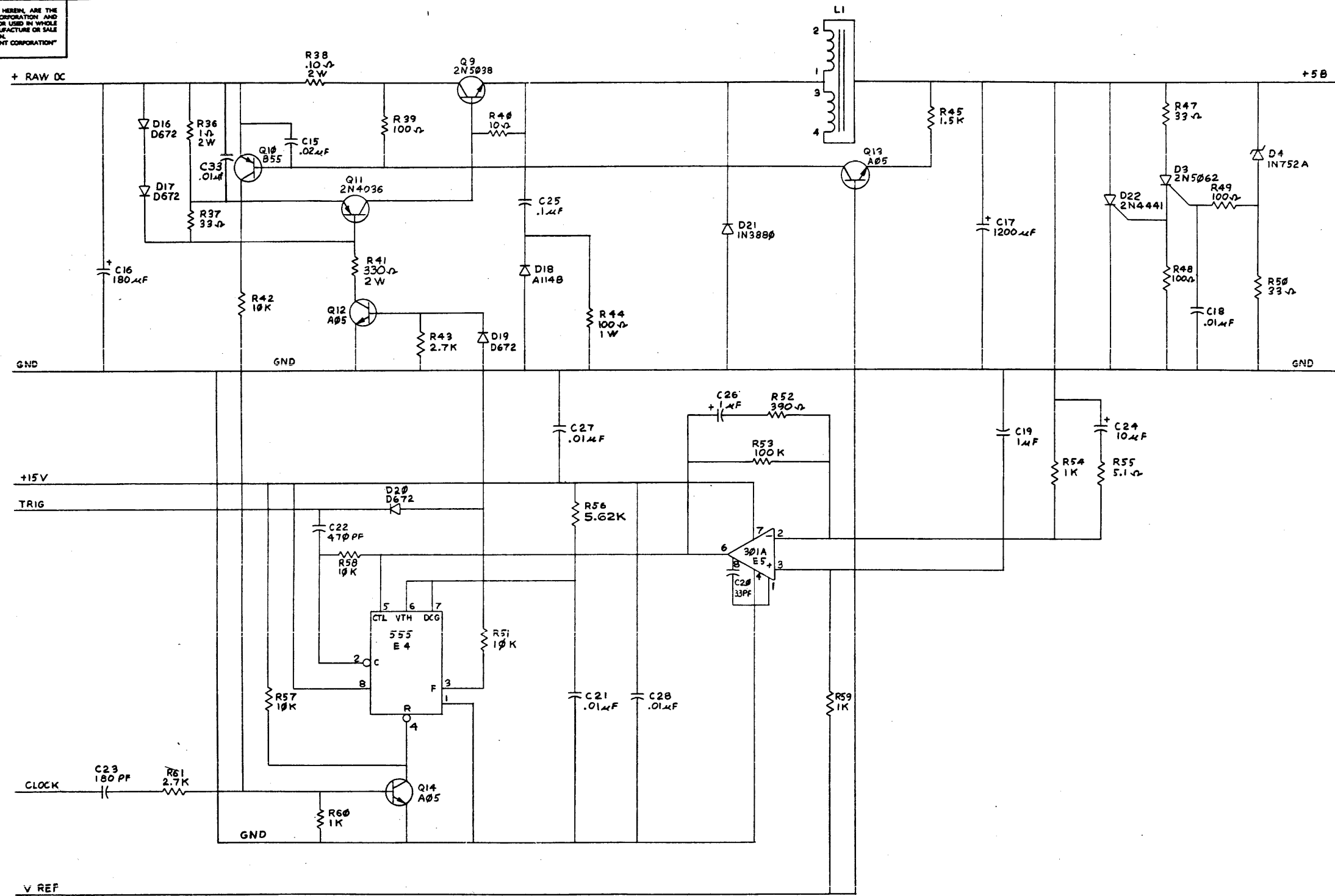


REVISIONS		
CHK	CHANGE NO.	REV.

TITLE	SIZE CODE	NUMBER	REV.
MOS REGULATOR H777	DCS	5411601-0-1	N
SCALE	SHEET	DIST.	
	2 OF 3		

REV. N 1-O-1091125 1600 320 2

THIS DRAWING AND SPECIFICATIONS HEREIN ARE THE PROPERTY OF DIGITAL EQUIPMENT CORPORATION AND SHALL NOT BE REPRODUCED OR COPIED OR USED IN WHOLE OR IN PART AS THE BASIS FOR THE MANUFACTURE OR SALE OF ITEMS WITHOUT WRITTEN PERMISSION. COPYRIGHT © 1975 DIGITAL EQUIPMENT CORPORATION



REVISIONS		
CHK	CHANGE NO.	REV.

TITLE: MOS REGULATOR H777
 SIZE CODE: DCS
 NUMBER: 5411601-0-1
 SCALE: 77
 SHEET: 3 OF 3
 DIST.:

SIZE LOCK NUMBER DCS 5411601-0-1 N

THIS DRAWING AND SPECIFICATIONS HEREIN ARE THE PROPERTY OF DIGITAL EQUIPMENT CORPORATION AND SHALL NOT BE REPRODUCED OR COPIED OR USED IN WHOLE OR IN PART AS THE BASIS FOR THE MANUFACTURE OR SALE OF ITEMS WITHOUT WRITTEN PERMISSION. COPYRIGHT © 1976 DIGITAL EQUIPMENT CORPORATION

NOTES:
USE TRANSIPAD DEC# 9007201 UNDER Q1&QB

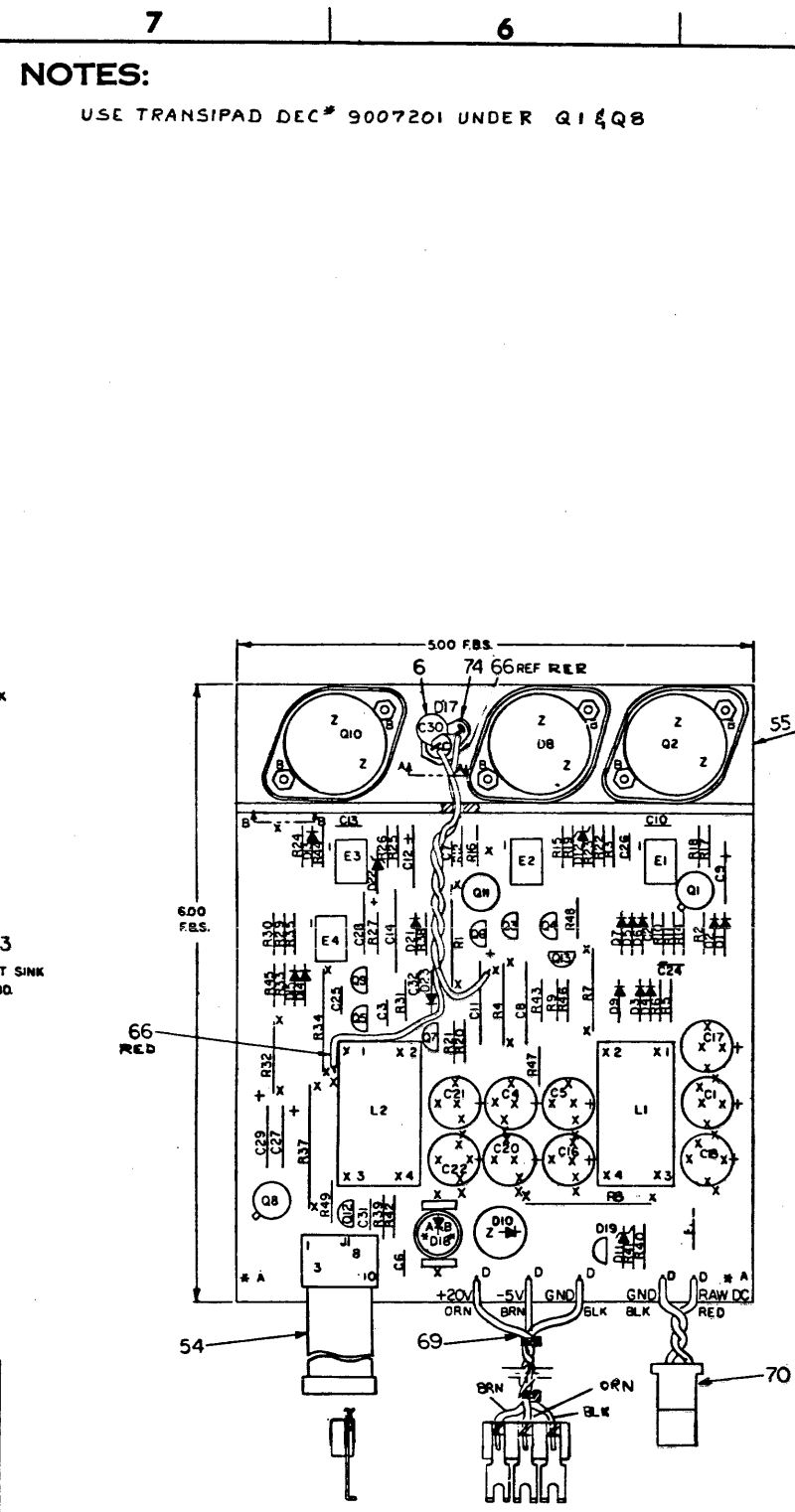
SECTION A-A
SECTION B-B

IC TYPE: GND +5V

GND AND 5V ARE USUALLY PIN 7 AND 14 RESPECTIVELY. EXCEPTIONS ARE STATED ABOVE.

IC PIN LOCATIONS

DEC FORM NO. 090 139-B



1	HEAT SINK	7416236-0-0	55	REF	
6	SCREW, #4-40 x 1/2 18 PH HD	9006013-1	56	REF	
6	NUT, KEP #4-40	9006557	57	REF	
1	NUT, HEX #10-32	9006564	58	1	
1	WASHER, FLAT	9006662	59	1	
1	BUSHING, NYLON	9008440	60	6	
6	WASHER, FLAT	9008172	61	3	
A/R	COMPOUND, THERMAL	9008268	62	2	
3	INSULATOR, TO 3	1213071-02	63	1	
2	TRANSIPAD	9007201	65	1	
A/R	WIRE #18 AWG, TWISTED PAIR	9107430-02	66	2	
1	CAPACITOR 2.2UF 20V	1002627	67	7	
1	R47	RESISTOR 200, 1/4W, 5%	1311522	68	1
1	HARNESS (THREE WIRE)	C-IA 7012547-0-0	69	1	
1	HARNESS (TWO WIRE)	C-IA 7012546-0-0	70	10	
1	C12	CAPACITOR, 10uf, 20V, 10%, TANT	1004813	71	1
1	D23	DIODE, 1N753A	1102421	72	2
1	C26	CAPACITOR, .47uf, 25V, 20%, CER	1010279	73	1
1		SOLDER, TERM, SCREW MTG.	9007315	74	1
1		SIL PAD .80D .190 I.D.	1213071-05	75	1
1	C32	CAP. 1UF 50V CER.	1010274-02	76	1

1	X-Y COORDINATE HOLE LOCATION	K-CO-5411599-0-4	1
2	ASSY/DRILLING HOLE LAYOUT	D-AH-5411599-0-5	2
3	MODULE ECO HISTORY	B-MH-5411599-0-6	3
4	ETCHED CIRCUIT BOARD	5011598	4
5	CAPACITOR, 100PF, 100V, 5%	1000016	5
6	CAPACITOR, 01uf, 100V DISC	1001610-01	6
7	CAPACITOR, 1uf, 35V, 10% TANT	1001776	7
8	CAPACITOR, 33pf, 100V DW	1000009	8
9	CAPACITOR, 1.5uf, 35V, 10% TANT	1009725	9
10	CAPACITOR, 01uf, 100V, 10% MYLAR	1005784	10
11	CAPACITOR, 220pf, 100V, 5%	1000021	11
12	CAPACITOR, 1200uf, 63V	1012607-01	12
13	CAPACITOR, 190uf, 50V	1012607-02	13
14	DIODE, 1N4742	1109502	14
15	DIODE, M10338	1103341	15
16	DIODE, D672	1109275	16
17	DIODE, 1N3880	1109440	17
18	DIODE, 1N751, 51V 2%	1110713	18
19	DIODE	1110715	19
20	DIODE, 1N978B	1110856	20
21	DIODE, 2N5862	1110968	21
22	DIODE, A1140	1112595-01	22
23	FUSE, 15A, PICO	1210529	23
24	RESISTOR, 18K, 1/4W, 5%	1302465	24
25	RESISTOR, 100, 1/4W, 5%	1300229	25
26	RESISTOR, 100, 1W, 5%	1300232	26
27	RESISTOR, 390, 1/4W, 5%	1300309	27
28	RESISTOR, 1K, 1/4W, 5%	1300365	28
29	RESISTOR, 27K, 1/4W, 5%	1300426	29
30	RESISTOR, 47K, 1/4W, 5%	1300447	30
31	RESISTOR, 1K, 1W, 5%	1300368	31
32	RESISTOR, 10K, 1/4W, 5%	1300479	32
33	RESISTOR, 10, 1/4W, 5%	1301317	33
34	RESISTOR, 470, 1/4W, 5%	1300316	34
35	RESISTOR, 27, 1/4W, 5%	1301522	35
36	RESISTOR, 330, 2W, 10%	1301961	36
37	RESISTOR, 2K, 1/4W, 5%	1302389	37
38	RESISTOR, 103K, 1/4W, 5%	1302466	38
39	RESISTOR, 2.74K, 1/4W, 1%	1304968	39
40	RESISTOR, 1, 2W, 5% WW	1305428	40
41	RESISTOR, 1.5K, 1/4W, 5%	1300391	41
42	RESISTOR, 8.25K, 1/4W, 1%	1309420	42
43	RESISTOR, 08, 5W, 3% WW	1311603	43
44	RESISTOR, 56, 1/4W, 5%	1302602	44
45	TRANSISTOR, 2N4336	1509700	45
46	TRANSISTOR, XA85	1510705	46
47	TRANSISTOR, XA55	1510705	47
48	TRANSISTOR, C32AX135	1510928	48
49	TRANSISTOR, 2N5038	1510969	49
50	TRANSISTOR, 2N5433	1511686	50
51	INDUCTOR, 500uh	1612593	51
52	I.C DEC 301A	1910282	52
53	I.C DEC 555	1911944	53
54	CABLE ASSY	7011414 -OE	54

REVISIONS

1	DATE	BY	REV.
1	11/17/77	J. SCFLO	F
2	11/17/77	J. SCFLO	F
3	11/17/77	J. SCFLO	F
4	11/17/77	J. SCFLO	F
5	11/17/77	J. SCFLO	F
6	11/17/77	J. SCFLO	F
7	11/17/77	J. SCFLO	F
8	11/17/77	J. SCFLO	F
9	11/17/77	J. SCFLO	F
10	11/17/77	J. SCFLO	F
11	11/17/77	J. SCFLO	F
12	11/17/77	J. SCFLO	F
13	11/17/77	J. SCFLO	F
14	11/17/77	J. SCFLO	F
15	11/17/77	J. SCFLO	F
16	11/17/77	J. SCFLO	F
17	11/17/77	J. SCFLO	F
18	11/17/77	J. SCFLO	F
19	11/17/77	J. SCFLO	F
20	11/17/77	J. SCFLO	F
21	11/17/77	J. SCFLO	F
22	11/17/77	J. SCFLO	F
23	11/17/77	J. SCFLO	F
24	11/17/77	J. SCFLO	F
25	11/17/77	J. SCFLO	F
26	11/17/77	J. SCFLO	F
27	11/17/77	J. SCFLO	F
28	11/17/77	J. SCFLO	F
29	11/17/77	J. SCFLO	F
30	11/17/77	J. SCFLO	F
31	11/17/77	J. SCFLO	F
32	11/17/77	J. SCFLO	F
33	11/17/77	J. SCFLO	F
34	11/17/77	J. SCFLO	F
35	11/17/77	J. SCFLO	F
36	11/17/77	J. SCFLO	F
37	11/17/77	J. SCFLO	F
38	11/17/77	J. SCFLO	F
39	11/17/77	J. SCFLO	F
40	11/17/77	J. SCFLO	F
41	11/17/77	J. SCFLO	F
42	11/17/77	J. SCFLO	F
43	11/17/77	J. SCFLO	F
44	11/17/77	J. SCFLO	F
45	11/17/77	J. SCFLO	F
46	11/17/77	J. SCFLO	F
47	11/17/77	J. SCFLO	F
48	11/17/77	J. SCFLO	F
49	11/17/77	J. SCFLO	F
50	11/17/77	J. SCFLO	F
51	11/17/77	J. SCFLO	F
52	11/17/77	J. SCFLO	F
53	11/17/77	J. SCFLO	F
54	11/17/77	J. SCFLO	F

ETCH BOARD REV. D

DATE: 11/17/77

ENG: J. SCFLO

PROJ. ENG: J. SCFLO

PPR: J. SCFLO

NEXT HIGHER ASSY: E-UA-H777-0-0

SCALE: 1/1

SHEET 1 OF 2

SEMICONDUCTOR CONVERSION CHART

digital

TITLE: +20V REGULATOR/H777

SIZE CODE: DCS 5411599-0-1

NUMBER: 5411599-0-1

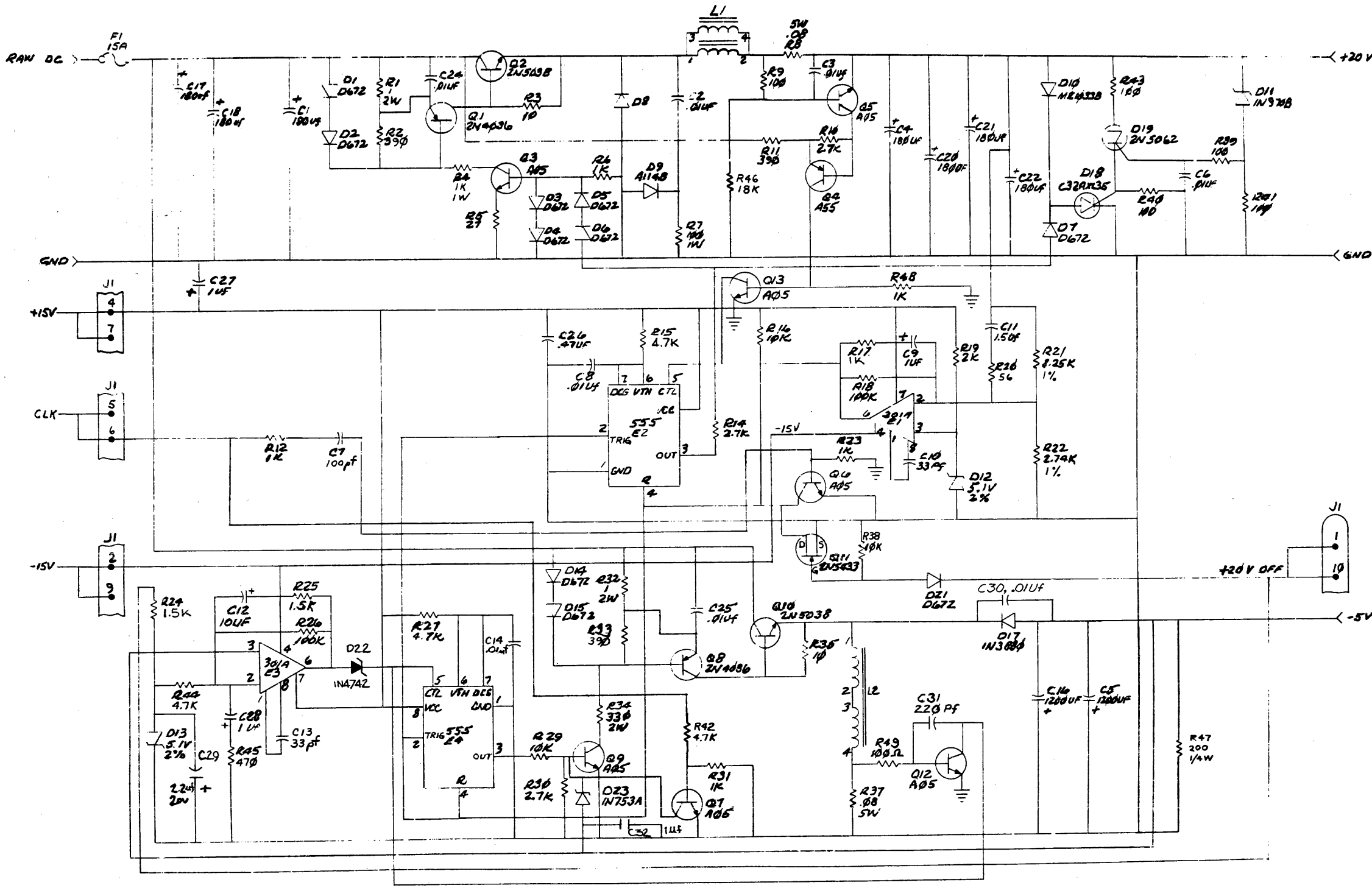
REV. J

8 7 6 5 4 3 2 1

D C B A

DCS 5411599-0-1

THIS DRAWING AND SPECIFICATIONS HEREIN ARE THE PROPERTY OF DIGITAL EQUIPMENT CORPORATION AND SHALL NOT BE REPRODUCED OR COPIED OR USED IN WHOLE OR IN PART AS THE BASIS FOR THE MANUFACTURE OR SALE OF ITEMS WITHOUT WRITTEN PERMISSION. COPYRIGHT © 1964 DIGITAL EQUIPMENT CORPORATION

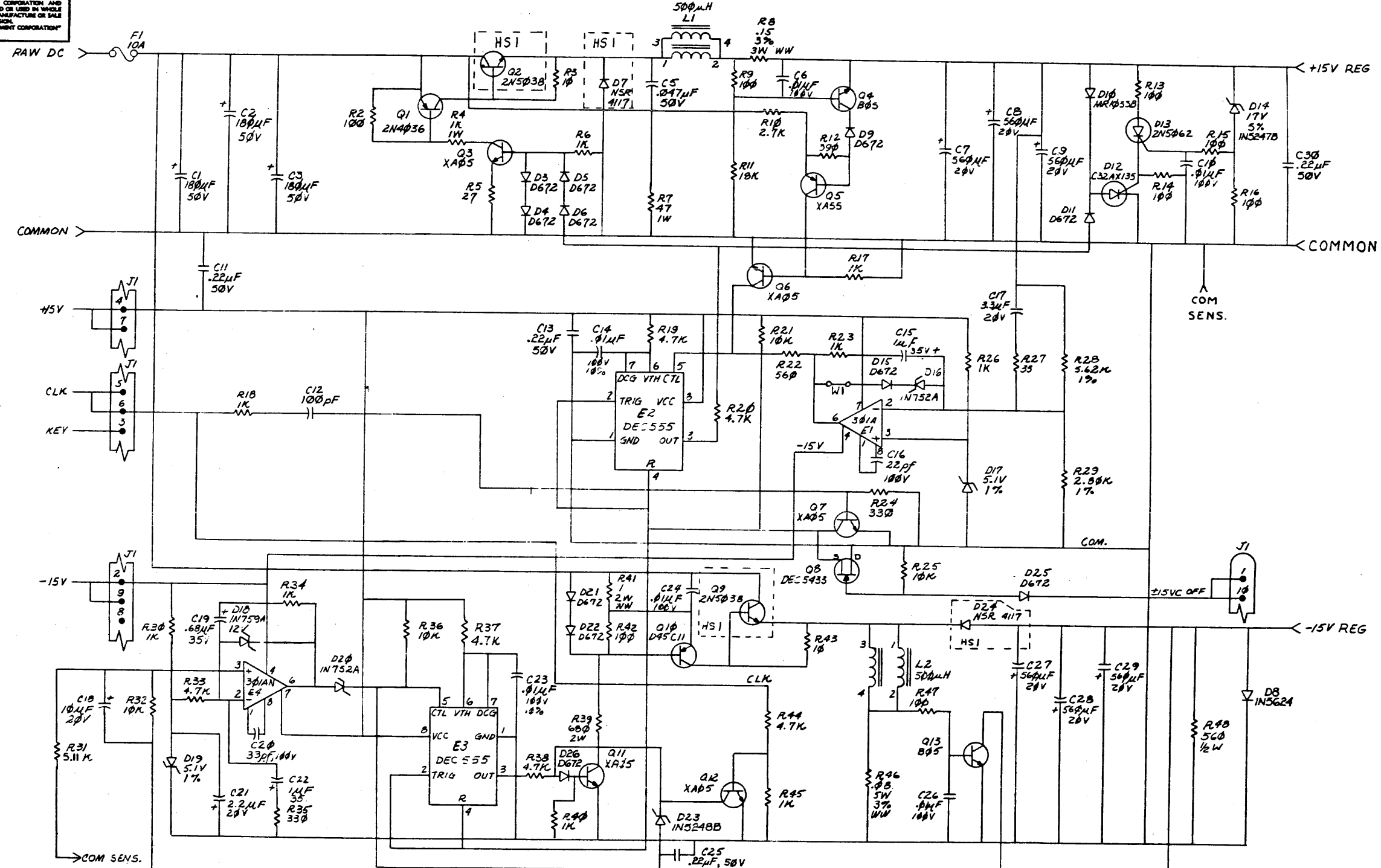


REVISIONS		
CHK	CHANGE NO.	REV.

TITLE	+20V REGULATOR/H777	SIZE CODE	NUMBER	REV.
SCALE	1:1	SHEET	2 OF 2	J
DIST.		DIST.		

THIS DRAWING AND SPECIFICATIONS HEREBY ARE THE PROPERTY OF DIGITAL EQUIPMENT CORPORATION AND SHALL NOT BE REPRODUCED OR COPIED OR USED IN WHOLE OR IN PART AS THE BASIS FOR THE MANUFACTURE OR SALE OF ITEMS WITHOUT WRITTEN PERMISSION. COPYRIGHT © 1980 DIGITAL EQUIPMENT CORPORATION

5413764-0-1 2 1



REV.	
CHG.	
ADD.	
DEL.	
REV.	

DRN. <i>[Signature]</i>	1/27/77	FIRST USED ON	H777-UA,UB
CHK'D <i>[Signature]</i>	1/27/77	TITLE	±15V
ENG. <i>[Signature]</i>	1/27/77		REGULATOR
PROJ. ENGR. <i>[Signature]</i>	1/27/77		
PROD. <i>[Signature]</i>	1/27/77		
NEXT HIGHER ASSY.		SIZE	CODE
B-DD-5413764-0		D	CS
SCALE		NUMBER	REV.
		5413764-0-1	A
SHEET	OF	DST.	
1	1		

D5413764-0-1 A

LINE	ITEM	DOCUMENT NUMBER	PART NUMBER	DESCRIPTION	QTY	PER VARIATION	REFERENCE DESIGNATOR
1		D-UA-5413764-0-0		UNIT ASSY			
2		D-CS-5413764-0-1		CKT SCHEMATIC			
3			5013763-00	DRILL & ETCH BRD	1		
4			1000009-00	33.0 MMF 100V 55200PPM MICA	1		C20
5			1000016-00	100.0 MMF 100V 5%200PPM MICA	1		C12
6			1001610-01	.01 MFD 50/100V +80-20% DISC	4		C6, C10, C24, C26
7			1001776-00	1 MFD 35V 10% S.TANT	2		C15, C22
8			1002627-00	2.2MFD 20V 10% S.TANT	1		C21
9			1004813-00	10 MFD 20V 10% S.TANT	1		C18
10			1005334-00	3.3MFD 20V 10% S.TANT	1		C17
11			1005784-00	.01 MFD 100V 10% MYLR	2		C14, C23
12			1005820-00	22.0 MMF 100V 5%200PPM MICA	1		C16
13			1009964-00	.68 MFD 35V 10% S.TANT	1		C19
14			1010274-01	.22 MFD 50V +80-20% Z5U CER	4		C25, C30, C11, C13
15			1010978-32	.047 MFD 50V 10% CER	1		C5
16			1012607-00	560 MFD 20V+100-10% AL EL	6		C7-C9, C27-C29
17			1012607-02	180 MFD 50V+100-10% AL EL	3		C1-C3
18			1102808-00	1N 752A VZ= 5.6 5% .40W	2		D16, D20
19			1103341-00	MR1033B PIV=300 I= 3A Z44 SM	1		D10
20			1105275-00	D 672 TR= 15NS PIV= 60V SI	1		D3-D6, D9, D11, D15, D21, D22, D25, D26
21			1105871-00	1/4MS.1AZ1 = 5.1 1% .25W N	2		D17, D19
22			1110420-00	1N 5624 PIV=200 I= 5A	1		D8
23			1110766-00	1N 5248B VZ= 18.0 5% .50W	1		D23
24			1110836-00	1N 759A VZ= 12.0 5% .40W	1		D18
25			1110968-00	2N 5062 SCR@100V I=.8A T092	1		D13
26			1116461-00	NSR4117 PIV=100 I=12A	2		D7, D24
27			1116805-01	1NS247B VZ= 17.0 5% 500MW	1		D14
28			1210929-01	FUSE, SUB-MINI, 10.000A, 125V, A	1		F1
29			1213071-02	INSULATOR, RUBBER SILICONE SM	2		
30			1213071-05	INSULATOR, RUBBER THERMAL	2		

REVISION HISTORY		BASIC PART NO: 5413764		D I G I T A L	
ENG:	ECO NUMBER	REV	SECTION A OF A	DRN:	PAUL NORMAN
				DATE:	07-JAN-80
	INITIAL	A	SECTION VARIATION INDEX	CHK'D:	P. BOSSMAN
			(A) 00	DATE:	08-JAN-80
			(B)	DES. ENG:	W. BAUSHA
			(C)	DATE:	08-JAN-80
			(D)	RESP. ENG.:	W. BAUSHA
			(E)	DATE:	18-MAR-80
			(F)	SIZE:	CODE:
			(H)	NUMBER:	REV
			(J)	MFG. ENG.:	JOSE OLIVENCIA
			(K)	DATE:	18-MAR-80
			(L)	K	PL
			(M)	5413764-0-DBP	A
			(N)	ASSEMBLY NUMBER:	D-UA-5413764-0-0
				TOP DOCUMENT NUMBER:	B-DD-5413764-0-0
				FILE NAME:	20234A.PLS
				EDIT #:	33

"THIS DRAWING AND SPECIFICATIONS HEREIN, ARE THE PROPERTY OF DIGITAL EQUIPMENT CORPORATION AND SHALL NOT BE REPRODUCED OR COPIED OR USED IN WHOLE OR IN PART AS THE BASIS FOR THE MANUFACTURE OR SALE OF ITEMS WITHOUT WRITTEN PERMISSION. COPYRIGHT (C) 1981. DIGITAL EQUIPMENT CORPORATION"

LINE	ITEM	DOCUMENT NUMBER	PART NUMBER	DESCRIPTION	QTY	PER VARIATION	REFERENCE DESIGNATOR
					00		
31	45		1300197-00	33.0 .25 W 5.0 % CC	1		R27
32	32		1300229-00	100.0 .25 W 5.0 % CC	8		R2, R9, R13-R16, R42, R47
33	31		1300250-00	*** THIS ITEM IS NOT USED ***	-		
34	34		1300295-00	330.0 .25 W 5.0 % CC	2		R35, R24
35	35		1300309-00	390.0 .25 W 5.0 % CC	1		R12
36	36		1300338-00	560.0 .50 W 5.0 % CC	1		R48
37	37		1300348-00	680.0 2.0 W 5.0 % CC	1		R39
38	38		1300365-00	1.0 K .25 W 5.0 % CC	9		R6, R17, R18, R23, R26, R30, R34, R40, R45
						CONT	
39	39		1300368-00	1.0 K 1.0 W 5.0 % CC	1		R4
40	40		1300426-00	2.70 K .25 W 5.0 % CC	1		R10
41	41		1300447-00	4.70 K .25 W 5.0 % CC	6		R19, R33, R37, R38, R44, R20
42	42		1300479-00	10.0 K .25 W 5.0 % CC	3		R21, R25, R36
43	43		1301317-00	10.0 .25 W 5.0 % CC	2		R3, R43
44	44		1301522-00	27.0 .25 W 5.0 % CC	1		R5
45	81		1301890-00	560.0 .25 W 5.0 % CC	1		R22
46	33		1302199-00	47.0 1.0 W 5.0 % CC	1		R7
47	46		1302465-00	18.0 K .25 W 5.0 % CC	1		R11
48	47		1305128-00	5.62 K .25 W 1.0 % RN55D-F10	1		R28
49	48		1305145-00	2.80 K .25 W 1.0 % RN55D-F10	1		R29
50	49		1305428-00	1.0 2.0 W 5.0 % WW	1		R41
51	50		1311603-00	.08 5.0 W 3.0 % WW	1		R46
52	51		1304854-00	5.11 K .25 W 1.0 % RN55D-F10	1		R31
53	52		1316597-00	.15 3.0 W 3.0 % WW	1		R8
54	53		1509700-00	2N 4036 PNP 7WC SI 80100 M	1		Q1
55	54		1510705-00	XA 05 NPN 500MW SI 60 50 P	5		Q3, Q6, Q7, Q11, Q12
56	55		1510705-01	B 05 NPN 500MW SI 60 50	2		Q4, Q13
57	56		1510706-00	XA 55 PNP 500MW SI 60 50 P	1		Q5
58	57		1510928-00	C32AX135 SCR 100V I=25A	1		D12
59	58		1510969-00	2N 5038 NPN 140WC SI 90 50 Y	2		Q2, Q9
60	59		1511686-00	DEC5433 FET N 350MW 10 25 1A	1		Q8
61	60		1514431-00	D 45C11 PNP 30W SI 80 40	1		Q10
62	61		1612593-00	500 UH 6A	2		L1, L2
63	62		1910282-00	301AN OP AMP	2		E1, E4
64	63		1911944-00	555CN TIMER, FUNCT. BLOCK	2		E2, E3
65	80	D-MD-5013763-0-0		DRILL & ETCH BRD	REF		
66	64		7011414-0E	3M CABLE H777 CORE	1		J1
67	65	C-IA-7012546-0-0	7012546-00	TWO (2) WIRE CABLE	1		
68	66	C-IA-7012547-0-0	7012547-00	THREE (3) WIRE CABLE	1		
69	67	C-IA-7422935-0-0	7422935-00	HEAT SINK	1		HS1
70	68		9006013-01	SCREW, PAN, PHIL 4-40K 1/2 SS	4		
71	69		9006557-00	NUT, KEP 4-40X 1/4 AF	4		
72	72	(FOR Q1)	9007201-00	TRANSIPADS #10253	1		
73	73		9007815-00	TERM LUG 1POS SOLDER	1		
74	71		9007906-00	WASHER, LOCK S.S. #10	2		
75	74		9008172-00	WASHER, FLAT, SS .250 OD X .125 I	4		
76	76		9008440-00	BUSHING, INSUL, NYLON .2480D .125	2		
77	70		9009005-00	NUT, HEX , 10-32 X 1/4 AF X 3	2		

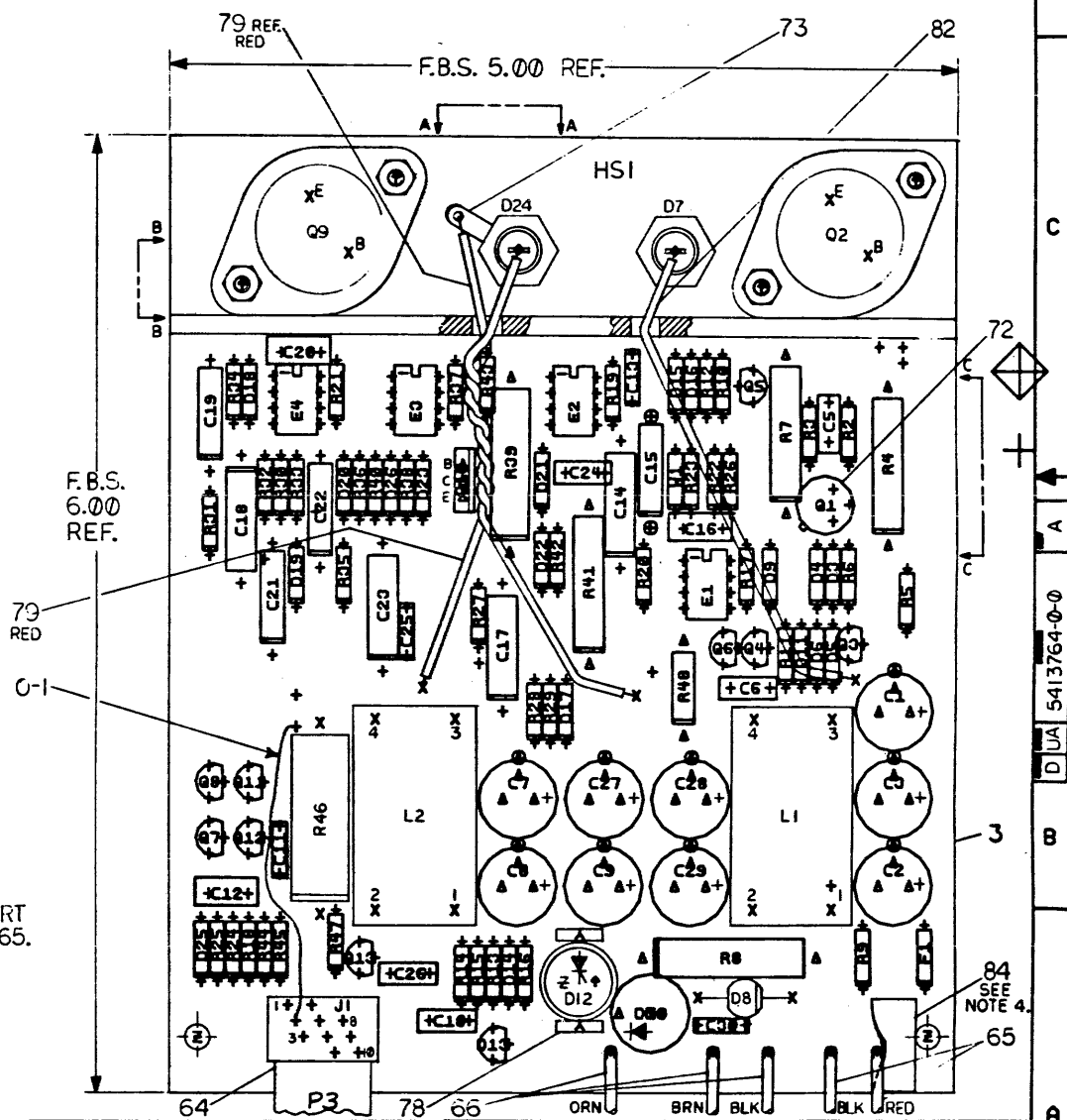
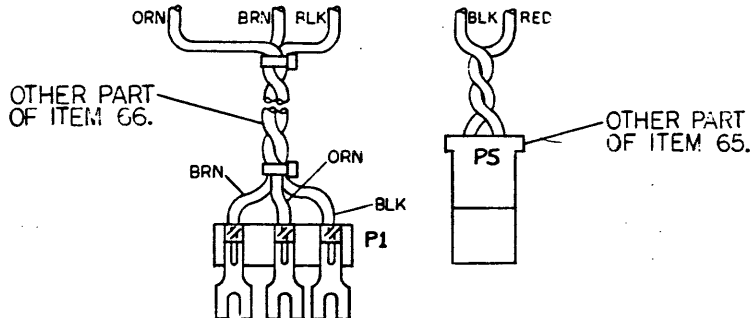
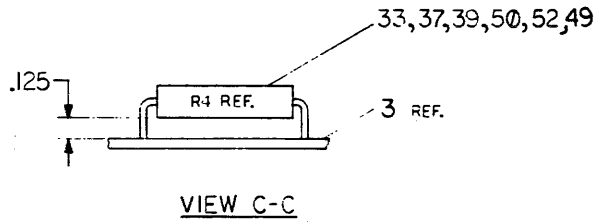
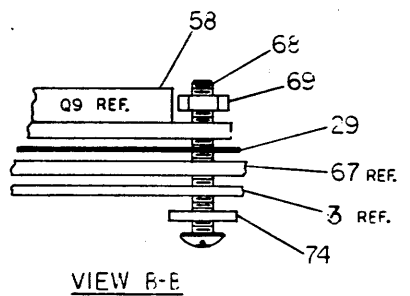
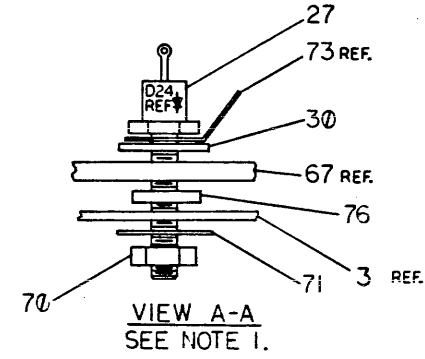
D	I	G	I	T	A	L	TITLE	PLUS/MINUS 15V REGULATOR	SECTION A OF A	SIZE	CODE	DOCUMENT NUMBER	REV
										K	PL	5413764-0-0BP	A

LINE ITEM	DOCUMENT NUMBER	PART NUMBER	DESCRIPTION	QTY PER VARIATION 00	REFERENCE DESIGNATOR
78	77	9009185-00	JUMPER, WIRE, INSULATED, BLACK B	1	W1
79	78 (USED UNDER D12)	9009222-00	CLIP, SCR, ADAPTOR	1	
80	82	9107360-22	WIRE, STRND, 18AWG, IPVC UL1429	A/R	
81	79	9107430-02	WIRE, STRND, 18AWG, IPVC (UL1429)	A/R	
82	83	1303312-00	10.0 K .25 W 1.0 % RN55D-F10	1	R32
83	84	9008880-00	TAPE, FIBER GLASS 1/2" X 66 FT.	A/R	
84	85	9105740-55	WIRE(WRAP)30AWG UL1423	A/R	

D	I	G	I	T	A	L	TITLE	PLUS/MINUS 15V REGULATOR	SECTION A OF A	SIZE	CODE	DOCUMENT NUMBER	REV
										K	PL	5413764-0-DBP	A

COMPONENT SIDE VIEW

REWORK INSTRUCTIONS
WIRE ADDS
O-1 ADD A WIRE AT J1 PIN 2 TO
FEED THRU LEFT OF R46.



- NOTES: 1. USE IDENTICAL HARDWARE FOR D7, LESS ITEM 73.
2. TORQUE RANGE FOR ITEMS 68 AND 69 IS 5 TO 6 INCH/POUNDS.
3. TORQUE RANGE FOR ITEMS 27 AND 70 IS 14 TO 16 INCH/POUNDS.
4. WIRE INSULATION MUST BE FLUSH WITH THE BOARD.
- | STEP # | Y AXIS | STEP | TIMES |
|--------|--------|------|-------|
| REPEAT | X AXIS | STEP | TIMES |

CHANGE NO.	REV.

SIGNATURES	DATE
ORN.	1/18/60
CHK'D.	1/18/60
MECH. ENG.	5/1/60
PROJ. ENG.	5/1/60
PROD.	5/1/60
SCALE 2/1	
SHT. 1 OF 1	
NEXT HIGHER ASSY. 8-DD-5413764-0-0	

TITLE	SIZE	CODE	NUMBER	REV
digital			5413764-0-0	A
±15V REGULATOR				

"THE MATERIAL HEREIN IS FOR INFORMATION PURPOSES ONLY AND IS SUBJECT TO CHANGE WITHOUT NOTICE. DIGITAL EQUIPMENT CORPORATION ASSUMES NO RESPONSIBILITY FOR ANY ERRORS WHICH MAY APPEAR HEREIN."

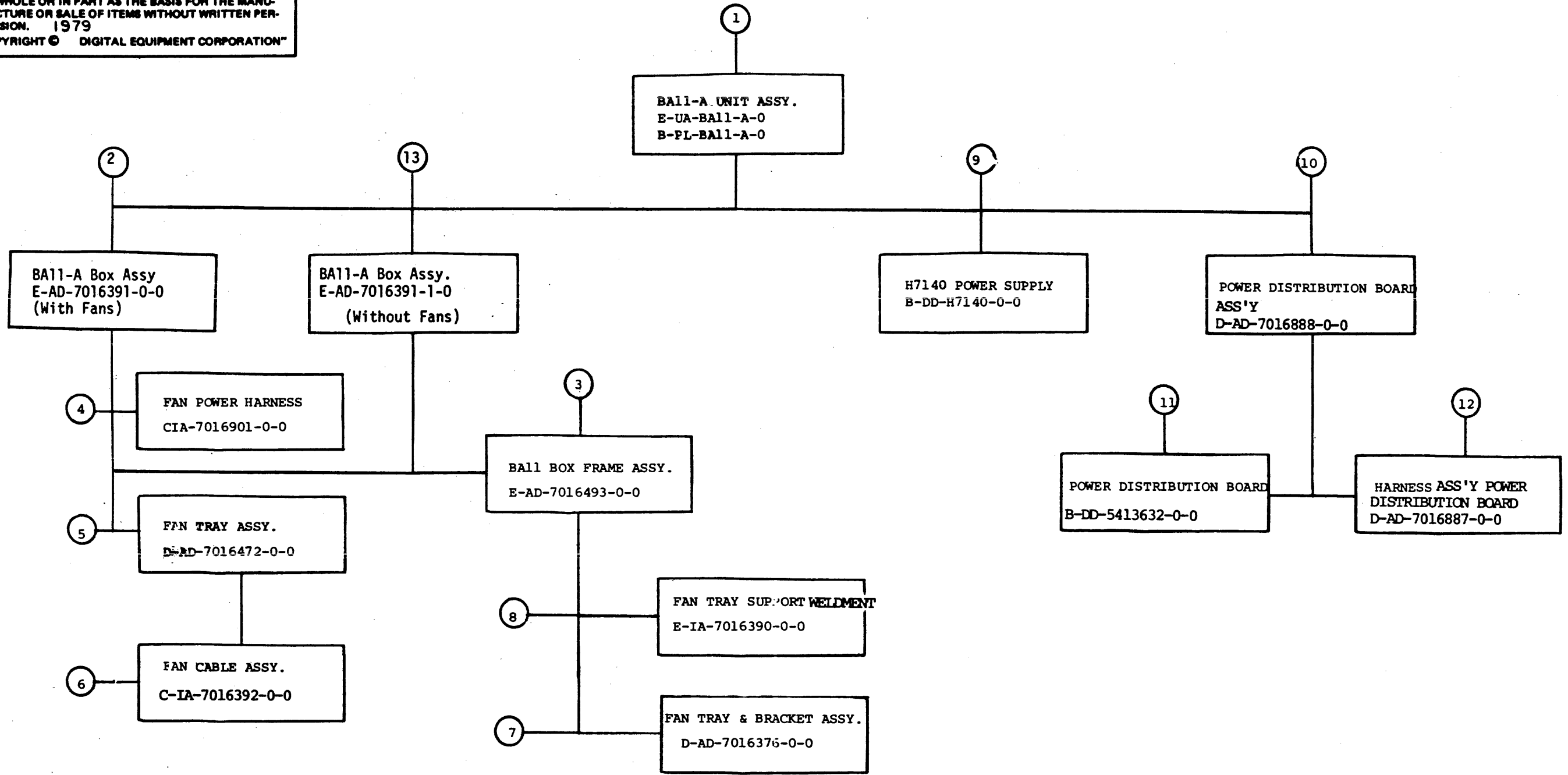
DRAWING DIRECTORY

"THIS DRAWING AND SPECIFICATIONS, HEREIN, ARE THE PROPERTY OF DIGITAL EQUIPMENT CORPORATION AND SHALL NOT BE REPRODUCED OR COPIED OR USED IN WHOLE OR IN PART AS THE BASIS FOR THE MANUFACTURE OR SALE OF ITEMS WITHOUT WRITTEN PERMISSION. COPYRIGHT © 1979 DIGITAL EQUIPMENT CORPORATION."

UNIT VARIATIONS		
VAR	TITLE	
BALL-AA	BALL BOX	H7140, 120V
BALL-AB	BALL BOX	H7140, 240V

REVISIONS	REV.			
	CHANGE NO.			
	CHK			
USED ON OPTION/MODEL	DRN.	DATE	TITLE	digital
11/44	John Nagle	1 May79		
	CHK'D.	DATE		
	<i>[Signature]</i>	7/2/79		
	PROJ. ENG.	DATE		
	<i>[Signature]</i>	7/3/79	SIZE	CODE
	PROD.	DATE	B	DD
	<i>[Signature]</i>	29 JUN 79	NUMBER	REV
SHEET 1 OF 3			BALL-A-0	*
			DIST.	

"THIS DRAWING AND SPECIFICATIONS, HEREIN, ARE THE PROPERTY OF DIGITAL EQUIPMENT CORPORATION AND SHALL NOT BE REPRODUCED OR COPIED OR USED IN WHOLE OR IN PART AS THE BASIS FOR THE MANUFACTURE OR SALE OF ITEMS WITHOUT WRITTEN PERMISSION. 1979
COPYRIGHT © DIGITAL EQUIPMENT CORPORATION"



TITLE	BALL-A UNIT ASSY.	SHEET 2 OF 3	SIZE CODE B DD	NUMBER BALL-A -0	REV *
-------	-------------------	--------------	-------------------	---------------------	----------

FIND NO.	DRAWING NO.	DESCRIPTION	TYPE	FIND NO.	DRAWING NO.	DESCRIPTION	TYPE
1	E-UA-Ball-A-0	Ball-A UNIT ASSY.	E/M	9	B-DD-H7140-0-0	H7140 POWER SUPPLY DRAWING DIRECTORY	REF
	B-PL-Ball-A-0	BALL-A PARTS LIST	REF				
2	E-AD-7016391-0-0	Ball-A BOX ASSY. (with fans)	E/M	10	D-AD-7016888-0-0	POWER DISTRIBUTION BOARD ASSY.	E/M
	D-PS-1216189-0-0	RETRACTOR SLIDE PAWL	M	11	B-DD-5413632-0-0	POWER DISTRIBUTION BOARD	E
	B-PS-1216190	SPRING SLIDE PAWL	M	12	D-AD-7016887	CABLE HARNESS ASS'Y POWER DISTRIBUTION BOARD	E
	B-MD-7421611-0-0	SLIDE PAWL	M				
	B-MD-7421444-0-0	PLATE SLIDE NUT	M				
	D-MD-7421613-0-0	SLIDE INDEX PLATE (2)	M				
	B-PS-1216197-0-0	PIVOT SCREW	M				
	D-PS-1215848-0-0	CARD GUIDE	M				
	B-MD-7421612-0-0	BAR GUIDE MNTING	M	13	E-AD-7016391-1-0	Ball-A Box Assy, Without fans (Reference only)	REF
3	E-MD-7016493-0-0	Ball BOX FRAME ASSY.	M				
	E-MD-7421631-0-0	SIDE PANEL LEFT	M				
	E-MD-7421441-0-0	CARD CAGE FRONT	M				
	D-MD-7421616-0-0	SPRING BOX LOCK	M				
	E-MD-7421610-0-0	SIDE PANEL RIGHT	M				
4	C-IA-7016901-0-0	FAN POWER HARNESS	E				
5	D-AD-7016472-0-0	FAN TRAY ASSY.	E/M				
6	D-IA-7016392-0-0	FAN CABLE ASSY.	E				
7	D-AD-7016376-0-0	FAN TRAY & BRACKET ASSY	M				
	D-MD-7421632-0-0	FAN TRAY	M				
	B-MD-7421387-0-0	BRACKET FAN TRAY CONN	M				
8	E-AD-7016390-0-0	FAN TRAY SUPPORT WELDMENT	M				
	E-MD-7421634-0-0	FAN TRAY SUPPORT FRONT	M				
	E-MD-7421633-0-0	FAN TRAY SUPPORT REAR	M				

TYPE: E ELECTRICAL
M MECHANICAL
E/M ELECTRO/MECHANICAL

digital

TITLE

Ball-A UNIT ASSY.

SHEET 3 OF 3

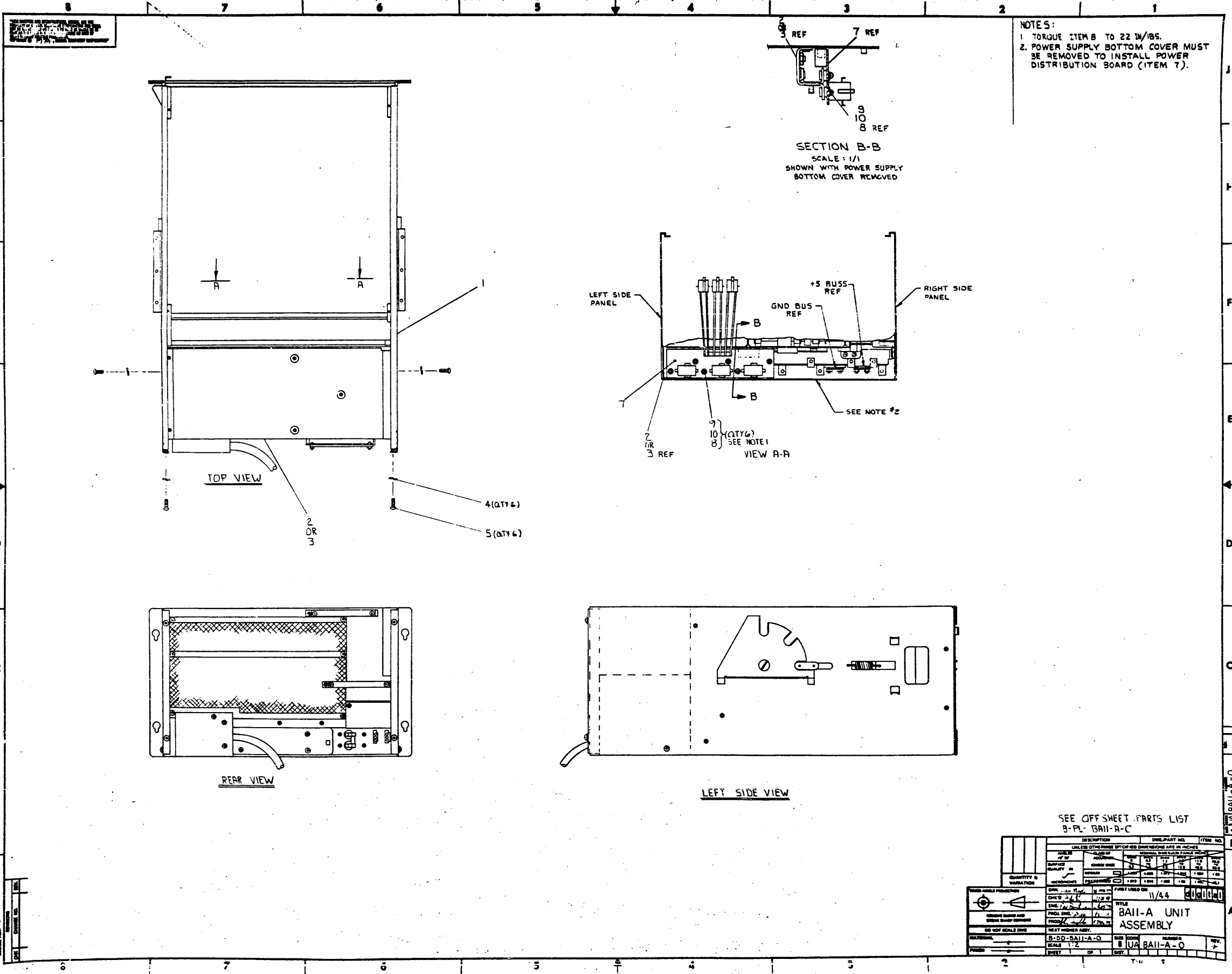
SIZE CODE
B DD

NUMBER
BALL-A-0

REV
*

DRB 108A

TW



NOTES:
 1. TORQUE ITEM 8 TO 22 IN/INBS.
 2. POWER SUPPLY BOTTOM COVER MUST BE REMOVED TO INSTALL POWER DISTRIBUTION BOARD (ITEM 7).

SEE OFF SHEET PARTS LIST
 B-PL-BAI-A-C

DESCRIPTION	QTY	PART NO.	ITEM NO.
BAI-A UNIT ASSEMBLY	1	B-00-BAI-A-0	1
POWER SUPPLY	1	7	2
POWER DISTRIBUTION BOARD	1	8	3
...

BAI-A-0

DIGITAL EQUIPMENT CORPORATION PARTS LIST

MADE BY JOHN NAGLE	CHECKED <i>JLN</i>	SECTION
DATE 8 APRIL 1979	DATE <i>6/29/79</i>	
ENG <i>Ron Boudreau</i>	PROD <i>John Conella</i>	ISSUED SECTION
DATE 6/29/79	DATE 6 JUL 79	

QUANTITY / VARIATION

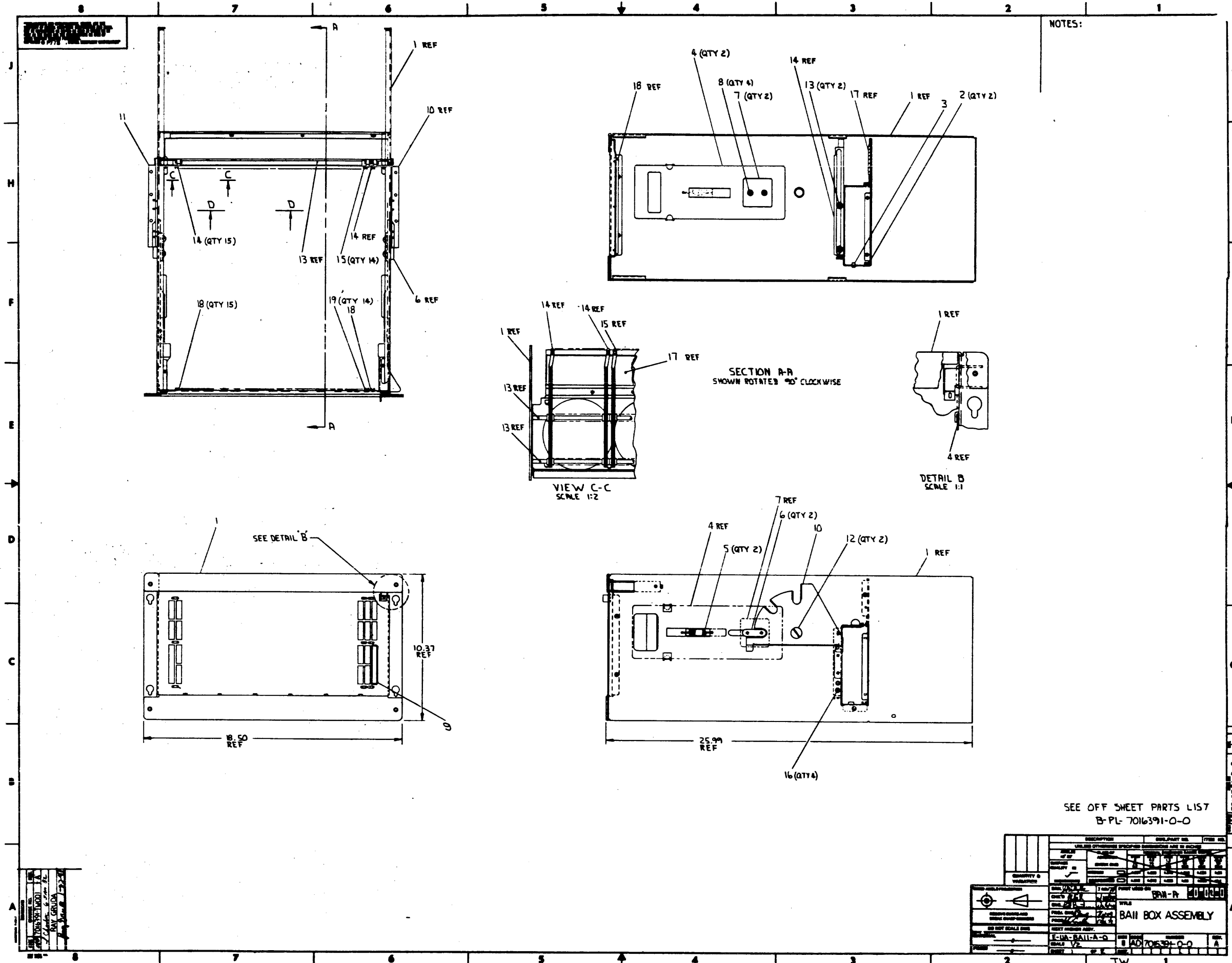
NOTES:

ITEM NO.	DRAWING NO.	PART NO.	DESCRIPTION	BATT-AA	BATT-AB											REF DESIGNATION			
1	E-AD-7016391-0-0		BATT BOX ASSY	1	1														
2	E-UA-H7140-0-0		H7140-AA PWR SUPPLY 120V	1	-														
3	E-UA-H7140-0-0		H7140-AB PWR SUPPLY 240V	-	1														
4	9006690-00		LOCKWASHER #8 SPLIT RING	6	6														
5	9006418-01		SCREW 8-32 X .38 TAPTITE	6	6														
6	A-SP-3700472-0-0		PACKAGING INSTRUCTIONS	REF	REF														
7	D-AD-7016888-0-0		POWER DISTRIBUTION BOARD	1	1														
8	9006039-01		SCREW #8-32 X .50 PLIPS PAN HD	6	6														
9	9006661-00		#8 FLAT WASHER	6	6														
10	9006690-00		#8 HELICAL SPLIT LOCKWASHER	6	6														

E.C.O. NO.

"THIS DRAWING AND SPECIFICATIONS, HEREIN, ARE THE PROPERTY OF DIGITAL EQUIPMENT CORPORATION AND SHALL NOT BE REPRODUCED OR COPIED OR USED IN WHOLE OR IN PART AS THE BASIS FOR THE MANUFACTURE OR SALE OF ITEMS WITHOUT WRITTEN PERMISSION. COPYRIGHT ©1979 DIGITAL EQUIPMENT CORPORATION"	TITLE BATT-A UNIT ASSEMBLY	ASSY NO. E-UA-BATT-A-0	SIZE B	CODE PL	NUMBER BATT-A-0	REV. *
		SHEET 1 OF 1	INSERTION PARTS LIST DATA BASE REV			

TW



NOTES:

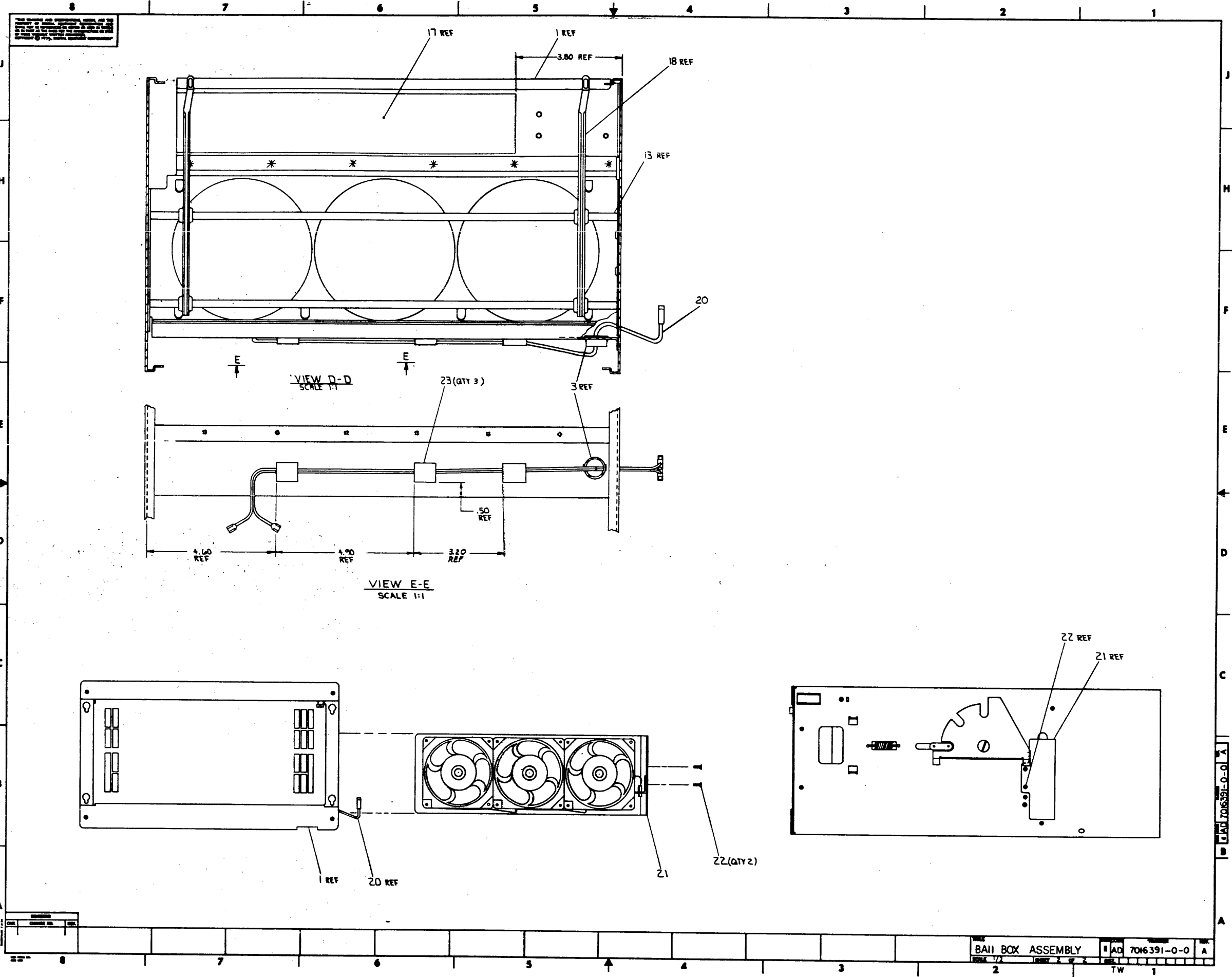
SEE OFF SHEET PARTS LIST
 B-PL-7016391-0-0

QTY	DESCRIPTION	UNIT	REF
1	1 REF
2	2 (QTY 2)
3	3 (QTY 2)
4	4 (QTY 2)
5	5 (QTY 2)
6	6 (QTY 2)
7	7 (QTY 2)
8	8 (QTY 4)
10	10 REF
12	12 (QTY 2)
13	13 (QTY 2)
14	14 (QTY 15)
15	15 (QTY 14)
16	16 (QTY 4)
18	18 (QTY 15)
19	19 (QTY 14)

BAIL BOX ASSEMBLY

E-1A-BAIL-A-0
 AD 7016391-0-0

AD 7016391-0-0
 BAIL BOX ASSEMBLY
 10/65
 1/1



1. BALL BOX ASSEMBLY
 2. BALL BOX ASSEMBLY
 3. BALL BOX ASSEMBLY
 4. BALL BOX ASSEMBLY
 5. BALL BOX ASSEMBLY
 6. BALL BOX ASSEMBLY
 7. BALL BOX ASSEMBLY
 8. BALL BOX ASSEMBLY

DIGITAL EQUIPMENT CORPORATION PARTS LIST				QUANTITY / VARIATION										NOTES:		
MADE BY J. NAGLE DATE 8 JUNE 1979		CHECKED <i>PH</i> DATE <i>6/29/79</i>														
ENG <i>Rev. For use</i> DATE <i>6/24/79</i>		PROD <i>John Comella</i> DATE <i>6 JUL-79</i>														
ITEM NO.	DRAWING NO.	PART NO.	DESCRIPTION	7016391-0-0	7016391-1-0											REF DESIGNATION
1	E-IA-7016493-0-0		BA11 BOX FRAME ASSY	1	1											
2		9010107-00	CARD GUIDE (FAN TRAY)	2	2											
3		9007783-00	SNAP BUSHING	1	1											
4		1216189	RETRACTOR, SLIDE PAWL	2	2											
5		1216190	SPRING, SLIDE PAWL	2	2											
6	B-MD-7421611-0-0		SLIDE PAWL	2	2											
7	B-MD-7421444-0-0		PLATE, SLIDE NUT	2	2											
8		1216785	SEMS SCREW, PHIL TRUSS HD #10-32X.437 INT TOOTH	4	4											
9		9007035-00	GROMMET, CATAPILLER TYPE 5.70 INCHES	1	1											
10	D-MD-7421613-0-0		PLATE, SLIDE INDEX, RIGHT HAND	1	1											
11	D-MD-7421613-0-1		PLATE, SLIDE INDEX, LEFT HAND	1	1											
12		1216197	PIVOT SCREW	2	2											
13	B-MD-7421612-0-0		BAR, GUIDE MOUNTING	2	2											
14		1215848-0	CARD GUIDE (NATURAL)	15	15											
15		1215848-1	CARD GUIDE (BLACK)	14	14											
16		9010118-00	SCREW, NYLOCK 100° C SINK PHLP HD .31X#10-32	4	4											
17		9009087	FOAM TAPE, .125 X 2.10 X 12"	1	1											
18		1212405-0	CARD GUIDE (SNAP IN) WHITE	15	15											
19		1212405-10	CARD GUIDE (SNAP IN) BLACK	14	14											
20	C-IA-7016901-0-0		FAN POWER HARNESS	1	-											
21	D-AD-7016472-0-0		FAN TRAY ASSY	1	-											
22		9010120-00	SCREW 6-32 X .187 NYLOCK	2	-											
23		9009636-00	CABLE CLAMP	3	3											

E.C.O. NO.
TWO01

"THIS DRAWING AND SPECIFICATIONS, HEREIN, ARE THE PROPERTY OF DIGITAL EQUIPMENT CORPORATION AND SHALL NOT BE REPRODUCED OR COPIED OR USED IN WHOLE OR IN PART AS THE BASIS FOR THE MANUFACTURE OR SALE OF ITEMS WITHOUT WRITTEN PERMISSION. COPYRIGHT © 1979 DIGITAL EQUIPMENT CORPORATION"

TITLE
BA11 BOX ASSEMBLY

ASSY NO.
E-AD-7016391-0-0

SIZE
B

CODE
PL

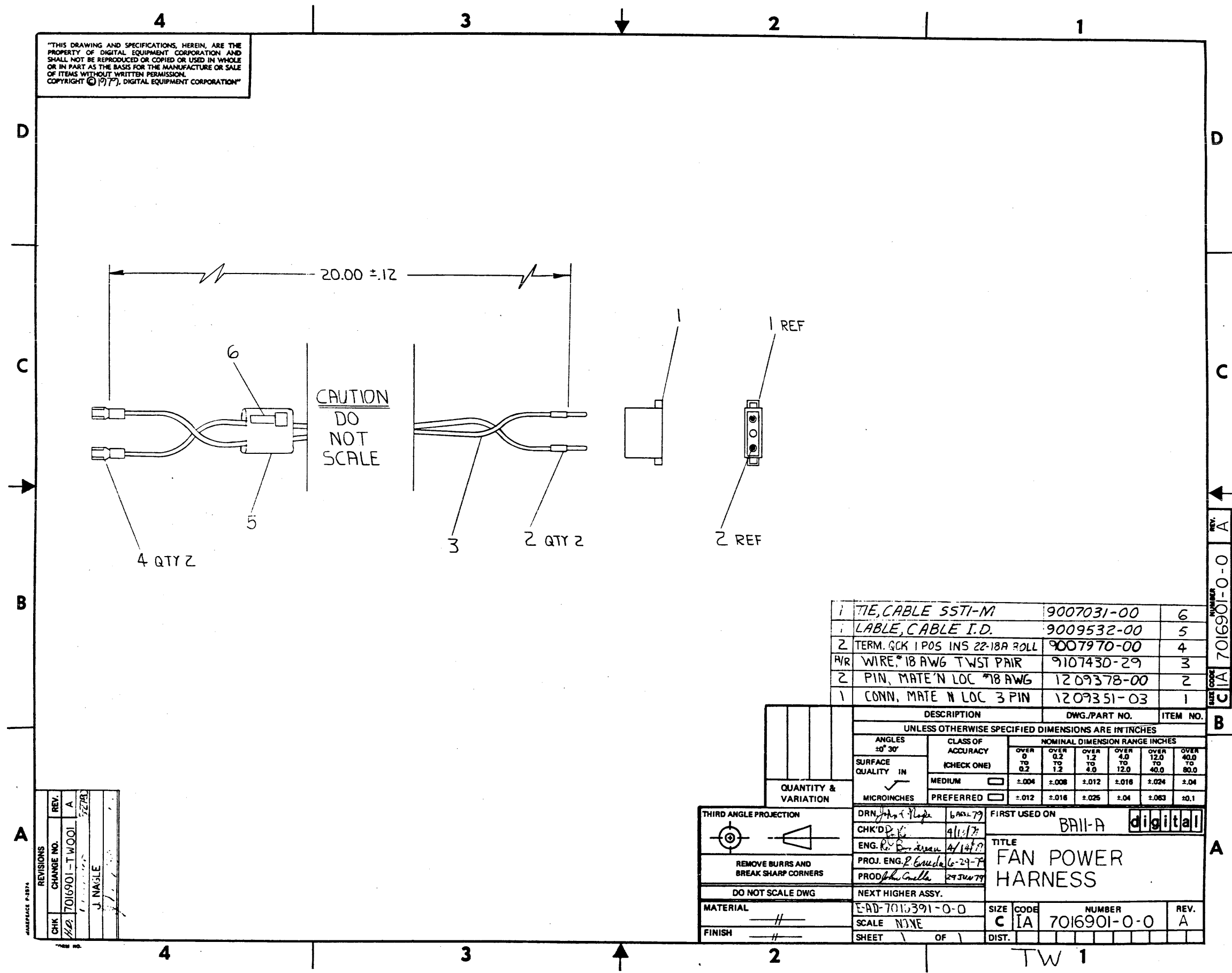
NUMBER
7016391-0-0

REV.
A

SHEET 1 OF 1

INSERTION PARTS LIST DATA BASE REV

"THIS DRAWING AND SPECIFICATIONS, HEREIN, ARE THE PROPERTY OF DIGITAL EQUIPMENT CORPORATION AND SHALL NOT BE REPRODUCED OR COPIED OR USED IN WHOLE OR IN PART AS THE BASIS FOR THE MANUFACTURE OR SALE OF ITEMS WITHOUT WRITTEN PERMISSION. COPYRIGHT © 1977, DIGITAL EQUIPMENT CORPORATION"



REV.	CHG.	NO.	BY	DATE
A			T. WOOD	5/27/78
			J. NAGLE	

ITEM NO.	DESCRIPTION	DWG./PART NO.	QTY
1	TIE, CABLE SSTI-M	9007031-00	6
1	CABLE, CABLE I.D.	9009532-00	5
2	TERM. GCK 1 POS INS 22-18A ROLL	9007970-00	4
3	WIRE, #18 AWG TWST PAIR	9107430-29	3
2	PIN, MATE'N LOC #18 AWG	1209378-00	2
1	CONN, MATE'N LOC 3 PIN	1209351-03	1

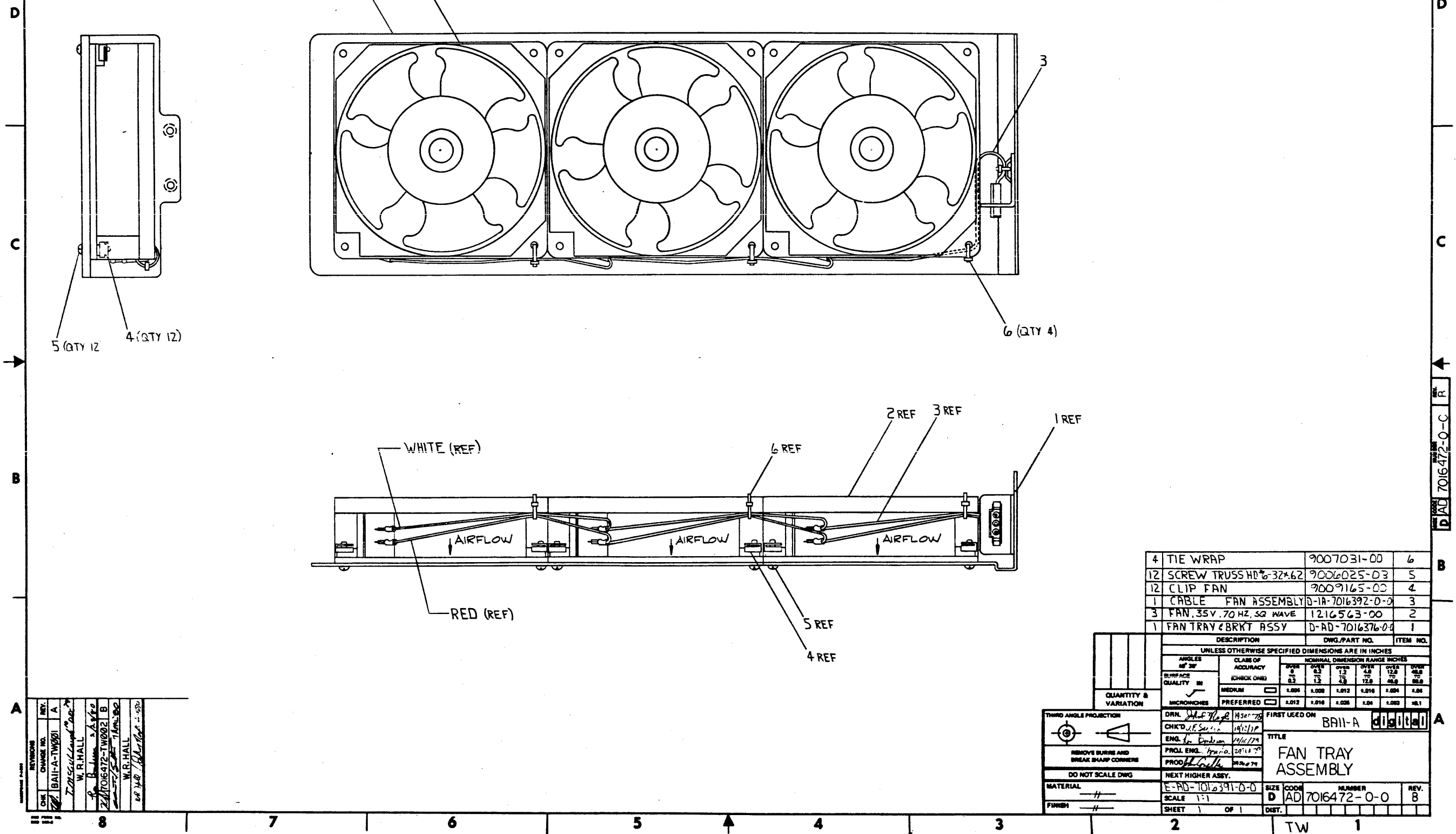
UNLESS OTHERWISE SPECIFIED DIMENSIONS ARE IN INCHES	
ANGLES ±0° 30'	CLASS OF ACCURACY (CHECK ONE)
SURFACE QUALITY IN MICROINCHES	NOMINAL DIMENSION RANGE INCHES
<input checked="" type="checkbox"/> MEDIUM	OVER 0 TO 0.2
<input type="checkbox"/> PREFERRED	OVER 0.2 TO 1.2
	OVER 1.2 TO 4.0
	OVER 4.0 TO 12.0
	OVER 12.0 TO 40.0
	OVER 40.0 TO 80.0
	±.004 ±.008 ±.012 ±.016 ±.024 ±.04
	±.012 ±.016 ±.025 ±.04 ±.063 ±0.1

THIRD ANGLE PROJECTION	DRN <i>John P. Lopez</i> 6/24/79	FIRST USED ON	BAIL-A digital
REMOVE BURRS AND BREAK SHARP CORNERS	CHK'D <i>P. G.</i> 9/16/79	TITLE	FAN POWER HARNESS
DO NOT SCALE DWG	ENG. <i>P. G.</i> 4/14/79	SIZE	C IA
MATERIAL	PROJ. ENG. <i>P. Guedes</i> 6-29-78	NUMBER	7016901-0-0
FINISH	PROD. <i>John G. Galla</i> 29 JUN 79	REV.	A
	NEXT HIGHER ASSY.	SHEET	1 OF 1
	E-AD-7016391-0-0	DIST.	

REV. A
C IA 7016901-0-0

TW 1

THIS DRAWING AND SPECIFICATIONS HEREAFTER ARE THE PROPERTY OF DIGITAL EQUIPMENT CORPORATION AND SHALL NOT BE REPRODUCED OR COPIED OR USED IN WHOLE OR IN PART AS THE BASIS FOR THE MANUFACTURE OR SALE OF ITEMS WITHOUT WRITTEN PERMISSION.
COPYRIGHT © 1978, DIGITAL EQUIPMENT CORPORATION



REV.	DATE	BY	CHKD.	DESCRIPTION
A		W.R. HALL		REVISED TO 7016472-TW002 B
B		W.R. HALL		REVISED TO 7016472-TW002 C
C		W.R. HALL		REVISED TO 7016472-TW002 D

QUANTITY	DESCRIPTION	DWG./PART NO.	ITEM NO.
4	TIE WRAP	9007031-00	6
12	SCREW TRUSS HD 6-32x.62	9006025-03	5
12	CLIP FAN	9009165-03	4
1	CABLE FAN ASSEMBLY	D-1A-7016392-0-0	3
3	FAN, 35V, 70 HZ, SQ WAVE	1216563-00	2
1	FAN TRAY & BRKT ASSY	D-AD-7016376-0-0	1

ANGLES	CLASS OF ACCURACY	NOMINAL DIMENSION RANGE INCHES					
30°		0	0.2	0.5	1.0	2.0	4.0
		0.001	0.002	0.003	0.004	0.005	0.007
		0.001	0.002	0.003	0.004	0.005	0.007

THIRD ANGLE PROJECTION

REMOVE BURRS AND BREAK SHARP CORNERS

DO NOT SCALE DWG

MATERIAL: ---

FINISH: ---

DRG: W.R. HALL 1/5/78

CHK'D: J.F. SULLIVAN 1/12/78

ENG. IN CHARGE: J.F. SULLIVAN 1/12/78

PROL. ENGR. J.F. SULLIVAN 1/12/78

PROD. ENGR. J.F. SULLIVAN 1/12/78

NEXT HIGHER ASSY: E-AD-1016391-0-0

SCALE: 1:1

SHEET 1 OF 1

FIRST USED ON: BA11-A digital

TITLE: FAN TRAY ASSEMBLY

SIZE CODE: D

NUMBER: AD 7016472-0-0

REV: B

"THE MATERIAL HEREIN IS FOR INFORMATION PURPOSES ONLY AND IS SUBJECT TO CHANGE WITHOUT NOTICE. DIGITAL EQUIPMENT CORPORATION ASSUMES NO RESPONSIBILITY FOR ANY ERRORS WHICH MAY APPEAR HEREIN."

FIELD MAINTENANCE PRINT SET

"THIS DRAWING AND SPECIFICATIONS, HEREIN, ARE THE PROPERTY OF DIGITAL EQUIPMENT CORPORATION AND SHALL NOT BE REPRODUCED OR COPIED OR USED IN WHOLE OR IN PART AS THE BASIS FOR THE MANUFACTURE OR SALE OF ITEMS WITHOUT WRITTEN PERMISSION. COPYRIGHT © 1979 DIGITAL EQUIPMENT CORPORATION."

TABLE OF CONTENTS

H7140-0-1	UNIT ASSY
E-UA-H7140-0-0	UNIT ASSY
B-PL-H7140-0-0	UNIT ASSY
E-AD-7016476-0-0	INPUT ASSY
B-PL-7016476-0-0	INPUT ASSY
E-AD-7016054-0-0	OUTPUT PANEL ASSY
B-PL-7016054-0-0	OUTPUT
E-AD-7016048-0-0	RELAY ASSY
B-PL-7016048-0-0	RELAY ASSY
D-AD-7016478-0-0	POWER CORD ASSY
D-AD-7016907-0-0	LINE CORD ASSY
D-UA-5413663-0-0	SNUBBER BOARD
D-CS-5413663-0-0	SNUBBER BOARD
E-PL-5413663-0-0	SNUBBER BOARD
E-UA-5413615-0-0	MOTHER BOARD H7140
D-CS-5413615-0-0	MOTHER BOARD H7140
B-PL-5413615-0-0	MOTHER BOARD
D-UA-5413605-0-0	BIAS & INTERFACE BOARD
D-CS-5413605-0-0	BIAS & INTERFACE BOARD
B-PL-5413605-0-0	BIAS & INTERFACE BOARD
D-UA-5413601-0-0	LOGIC INVERTER CONTROL BOARD
D-CS-5413601-0-0	LOGIC INVERTER CONTROL BOARD
B-PL-5413601-0-0	LOGIC INVERTER CONTROL BOARD
D-UA-5413599-0-0	LOGIC INVERTER BOARD
D-CS-5413599-0-0	LOGIC INVERTER BOARD
B-PL-5413599-0-0	LOGIC INVERTER BOARD
D-UA-5413607-0-0	MEM REG. BOARD
D-CS-5413607-0-0	MEM REG. BOARD
B-PL-5413607-0-0	MEM REG. BOARD
D-UA-5413603-0-0	MEM INV. BOARD
D-CS-5413603-0-0	MEM INV. BOARD
B-PL-5413603-0-0	MEM INV. BOARD
D-AD-7016050-0-0	MEM VOLTAGE ASSY
D-AD-7016057-0-0	+5V INVERTER ASSY

UNIT VARIATIONS COVERED BY THIS PRINT SET

H7140-AA
H7140-AB

Field Maintenance Print Set

H7140 UNIT ASSY

MP00837

Digital Equipment Corporation

REV. *

NUMBER
H7140-0-1

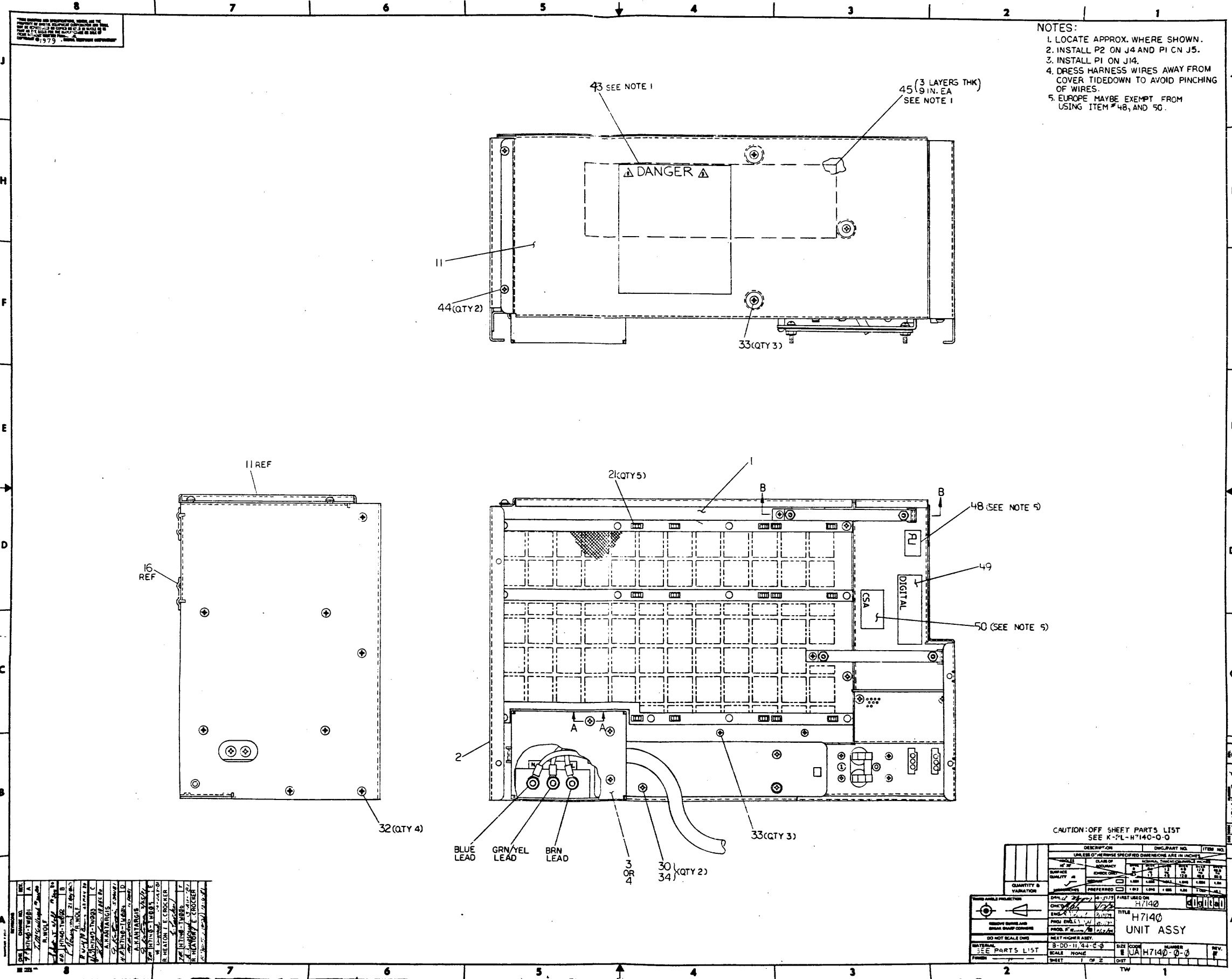
SIZE CODE
B TC

digital

REVISIONS	CHG. NO.	REV	USED ON OPTION/MODEL	DRN.	DATE	TITLE:	SIZE	CODE	NUMBER	REV.
			H7140	M. CARROLL	10/24/79	UNIT ASSEMBLY	B	TC	H7140-0-1	*
				<i>P.H.K.</i>	12-9-79					
				<i>Robert Reden</i>	12/3/79					
				<i>W. Macy</i>	11/16/79					
				<i>P.K.</i>						
			SHEET 1 OF 1							

DRB 124

TW

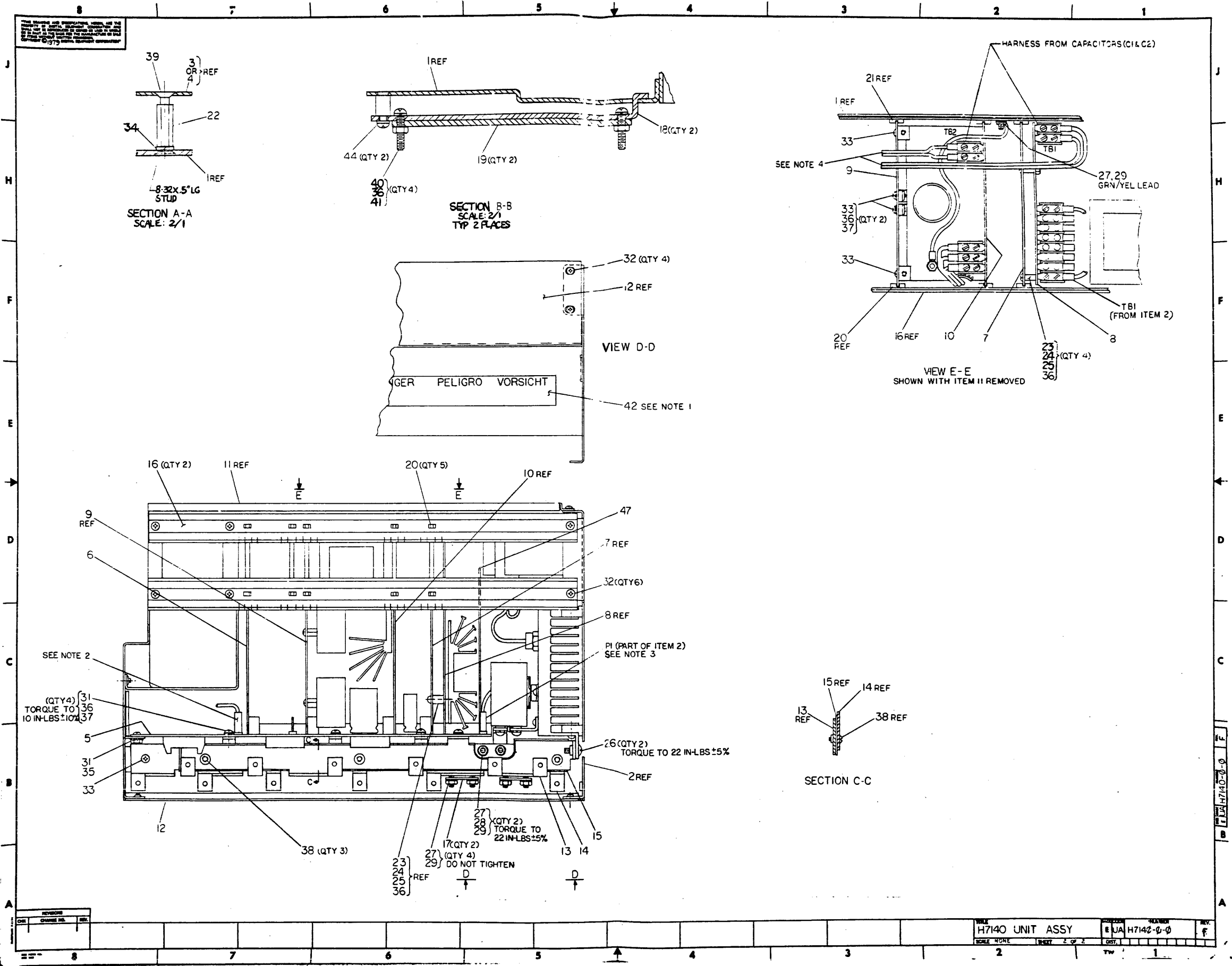


- NOTES:
1. LOCATE APPROX. WHERE SHOWN.
 2. INSTALL P2 ON J4 AND P1 ON J5.
 3. INSTALL P1 ON J14.
 4. DRESS HARNESS WIRES AWAY FROM COVER TIEDOWN TO AVOID PINCHING OF WIRES.
 5. EUROPE MAYBE EXEMPT FROM USING ITEM # 48, AND 50.

REV.	DATE	DESCRIPTION
1	11/10/68	INITIAL DESIGN
2	11/10/68	REVISED TO ADD PARTS
3	11/10/68	REVISED TO ADD PARTS
4	11/10/68	REVISED TO ADD PARTS
5	11/10/68	REVISED TO ADD PARTS
6	11/10/68	REVISED TO ADD PARTS
7	11/10/68	REVISED TO ADD PARTS
8	11/10/68	REVISED TO ADD PARTS

CAUTION: OFF SHEET PARTS LIST
SEE K-PL-H7140-0-0

QUANTITY & VARIATION	DESCRIPTION	DWG. PART NO.	ITEM NO.
1	UNIT ASSY	H7140	1
UNLESS OTHERWISE SPECIFIED DIMENSIONS ARE IN INCHES			
FINISH	CLASS OF SURFACE	FINISH	FINISH
AS SHOWN	AS SHOWN	AS SHOWN	AS SHOWN
DO NOT SCALE DIMS	SEE PARTS LIST	SCALE NONE	SIZE 8-1/2 X 11-1/2
DRAWN BY: [Signature]		FIRST USED ON: [Date]	
CHECKED BY: [Signature]		DATE: [Date]	
DESIGNED BY: [Signature]		REV. 1	
APPROVED BY: [Signature]		SHEET 1 OF 2	



THIS DRAWING AND ASSOCIATED PARTS AND MATERIALS ARE THE PROPERTY OF THE UNITED STATES GOVERNMENT AND ARE TO BE USED ONLY FOR THE PURPOSES AUTHORIZED BY THE CONTRACT UNDER WHICH THEY WERE SUPPLIED. NO PART OF THIS DRAWING IS TO BE REPRODUCED OR TRANSMITTED IN ANY FORM OR BY ANY MEANS, ELECTRONIC OR MECHANICAL, INCLUDING PHOTOCOPYING, RECORDING, OR BY ANY INFORMATION STORAGE AND RETRIEVAL SYSTEM, WITHOUT PERMISSION IN WRITING FROM THE UNITED STATES GOVERNMENT.

SECTION A-A
SCALE: 2/1

39
3 OR REF
4
22
34
1 REF
-8-32X.5" LG STUD

SECTION B-B
SCALE: 2/1
TYP 2 PLACES

1 REF
18 (QTY 2)
19 (QTY 2)
44 (QTY 2)
40 (QTY 4)
41

VIEW D-D

32 (QTY 4)
12 REF
42 SEE NOTE 1

GER PELIGRO VORSICHT

VIEW E-E
SHOWN WITH ITEM 11 REMOVED

HARNESS FROM CAPACITORS (C1L2)

21 REF
1 REF
33
9
33 (QTY 2)
36 (QTY 2)
37
33
20 REF
16 REF
10
7
23 (QTY 4)
36
27, 29 GRN/YEL LEAD
TBI
TBI (FROM ITEM 2)
8

SECTION C-C

15 REF
14 REF
13 REF
38 REF

REV	CHG	DATE	BY	CHK

H7140 UNIT ASSY		EUA	H7140-0-0	REV. F
SCALE NONE	SHEET 2 OF 2	DATE		

DIGITAL EQUIPMENT CORPORATION PARTS LIST

MADE BY DATE	A. MOWRY 8/15/79	CHECKED DATE	[Signature] 8/17/79	SECTION
ENG DATE	Robert J. Wolf 8/17/79	PROD DATE	F. Muni ¹³ 8/17/79	ISSUED SECTION

QUANTITY / VARIATION

NOTES:

ITEM NO.	DRAWING NO.	PART NO.	DESCRIPTION	QUANTITY / VARIATION												REF DESIGNATION		
				H7140-AA	H7140-AB	H7140-BA	H7140-BB											
1	E-AD-7016476-0-0	7016476-00	INPUT ASSY	1	1	1	1											
2	E-AD-7016054-0-0	7016054-00	OUTPUT PANEL ASSY	1	1	1	1											
3	D-AD-7016478-0-0	7016478-00	A.C. POWER CORD ASSY (120V)	1	-	1	-											
4	D-AD-7016478-1-0	7016478-01	A.C. POWER CORD ASSY (220V - 240V)	-	1	-	1											
5	E-UA-5413615-00	5413615-00	MOTHER BOARD, H7140	1	1	1	1											
6	D-UA-5413605-00	5413605-00	BIAS & INTERFACE BOARD	1	1	1	1											
7	D-UA-5413601-00	5413601-00	LOGIC INVERTER CONTROL BOARD	1	1	1	1											
8	D-UA-5413599-00	5413599-00	LOGIC INVERTER BOARD	1	1	1	1											
9	D-UA-5413607-00	5413607-00	MEMORY REGULATOR BOARD	1	1	0	0											
10	D-UA-5413603-00	5413603-00	MEMORY INVERTER BOARD	1	1	1	1											
11	D-MD-7422396-0-0	7422396-00	COVER, TOP	1	1	1	1											
12	D-MD-7421436-0-0	7421436-00	COVER, PWR SUPPLY, BOTTOM	1	1	1	1											
13	D-MD-7422042-0-0	7422042-00	BUS, +5V	1	1	1	1											
14	D-MD-7422041-0-0	7422041-00	BUS BAR, RETURN	1	1	1	1											
15	D-MD-7422044-0-0	7422044-00	INSULATOR, BUS	1	1	1	1											
16	D-MD-7421437-0-0	7421437-00	BRACKET, CARD GUIDE MTG	2	2	2	2											
17	D-MD-7422731-0-0	7422731-00	BRACKET, MOUNTING	2	2	2	2											
18	C-MD-7423066-0-0	7423066-00	BRACKET, CABLE ROUTING	2	2	2	2											
19	B-MD-7423067-0-0	7423067-00	CLAMP, CABLE	2	2	2	2											
20		1212405-11	CARD GUIDE, NYLON (SHORT)	5	5	5	5											
21		1212405-04	CARD GUIDE, NYLON (LONG)	5	5	5	5											
22		9009246-00	SPACER HEX #8-32 X .75 LG	1	1	1	1											
23		9006844-00	SPACER, HEX A.L. #6-32 X .375 LG	4	4	4	4											
24		9007794-01	SCR, PAN, PHIL #6-32 X 11/16 LG	4	4	4	4											
25		9008957-00	NUT, HEX #6-32 X 1/4 AF	4	4	4	4											
26		9010119-00	SCR PHL TRUSS HD #10-32 X .50 LG	2	2	2	2											
27		9009005-00	NUT, HEX #10-32	7	7	7	7											

E.C.O. NO.
H7140-TW001
H7140-TW002
H7140-TW003
H7140-TW004
H7140-TW005

"THIS DRAWING AND SPECIFICATIONS, HEREIN, ARE THE PROPERTY OF DIGITAL EQUIPMENT CORPORATION AND SHALL NOT BE REPRODUCED OR COPIED OR USED IN WHOLE OR IN PART AS THE BASIS FOR THE MANUFACTURE OR SALE OF ITEMS WITHOUT WRITTEN PERMISSION. COPYRIGHT © 1979 DIGITAL EQUIPMENT CORPORATION"	TITLE H7140 UNIT ASSEMBLY	ASSY NO. E-UA-H7140-00	SIZE B	CODE PL	NUMBER H7140-0-0	REV. E
		SHEET 1 OF 2		INSERTION PARTS LIST DATA BASE REV		

DIGITAL EQUIPMENT CORPORATION PARTS LIST				QUANTITY / VARIATION								NOTES:	
MADE BY DATE		CHECKED DATE	SECTION	H7140-AA	H7140-AB	H7140-BA	H7140-BB						
ENG DATE		PROD DATE	ISSUED SECTION										
ITEM NO.	DRAWING NO.	PART NO.	DESCRIPTION										REF DESIGNATION
28		9006664-00	WASHER, FLAT #10	2	2	2	2						
29		9007906-00	WASHER, SPLIT, LOCK #10	7	7	7	7						
30		9006037-01	SCR PHL PAN HD #8-32 X .38 LG	2	2	2	2						
31		9006022-01	SCR PHL PAN HD #6-32 X .38 LG	5	5	5	5						
32		9009796-00	SCR PHL FLAT HD #6-32 X 1/4 LG SELF TAP	14	14	14	14						
33		9009798-00	SCR PHL PAN HD #6-32 X 5/16 LG SELF TAP	11	11	11	11						
34		9006690-00	WASHER, SPLIT, LOCK #8	3	3	3	3						
35		9009243-00	NUT, KEP #6-32	1	1	1	1						
36		9007801-00	WASHER, SPLIT, LOCK #6	14	14	14	14						
37		9006656-00	WASHER, FLAT #6	6	6	6	6						
38		9008212-00	SCR NYLON SLTD PAN HD #6-32 X 7/16 LG	3	3	3	3						
39		9006039-02	SCR PHL FLAT HD #8-32 X .5 LG	1	1	1	1						
40		9009587-01	SCR PHL PAN HD #6-32 X .62 SELF TAP	4	4	4	4						
41		9008957-00	NUT, HEX #6-32	4	4	4	4						
42		3615037-02	LABEL, "DANGER HIGH CURRENT"	1	1	1	1						
43		3616930-00	LABEL, DANGER STORED HIGH VOLTAGE	1	1	1	1						
44		9009791-00	SCREW, SEMS, PHL PAN HD #6-32 X 5/16 LG	4	4	4	4						
45		9009087-00	FOAM, TAPE, SINGLE SIDED 1/8 X 2.10	2.25	2.25	2.25	2.25						
46	D-UA-5413607-00	5413607-YA	MEMORY REGULATOR BOARD	0	0	1	1						
47	B-MD-7424586-0-0	7424586-00	INSULATOR, HEATSINK	1	1	1	1						

E.C.O. NO.

"THIS DRAWING AND SPECIFICATIONS, HEREIN, ARE THE PROPERTY OF DIGITAL EQUIPMENT CORPORATION AND SHALL NOT BE REPRODUCED OR COPIED OR USED IN WHOLE OR IN PART AS THE BASIS FOR THE MANUFACTURE OR SALE OF ITEMS WITHOUT WRITTEN PERMISSION. COPYRIGHT © 1979 DIGITAL EQUIPMENT CORPORATION"

TITLE
H7140 UNIT ASSEMBLY

ASSY NO.
E-UA-H7140-00

SIZE CODE
B PL

NUMBER
H7140-0-0

REV.
E

SHEET 2 OF 2

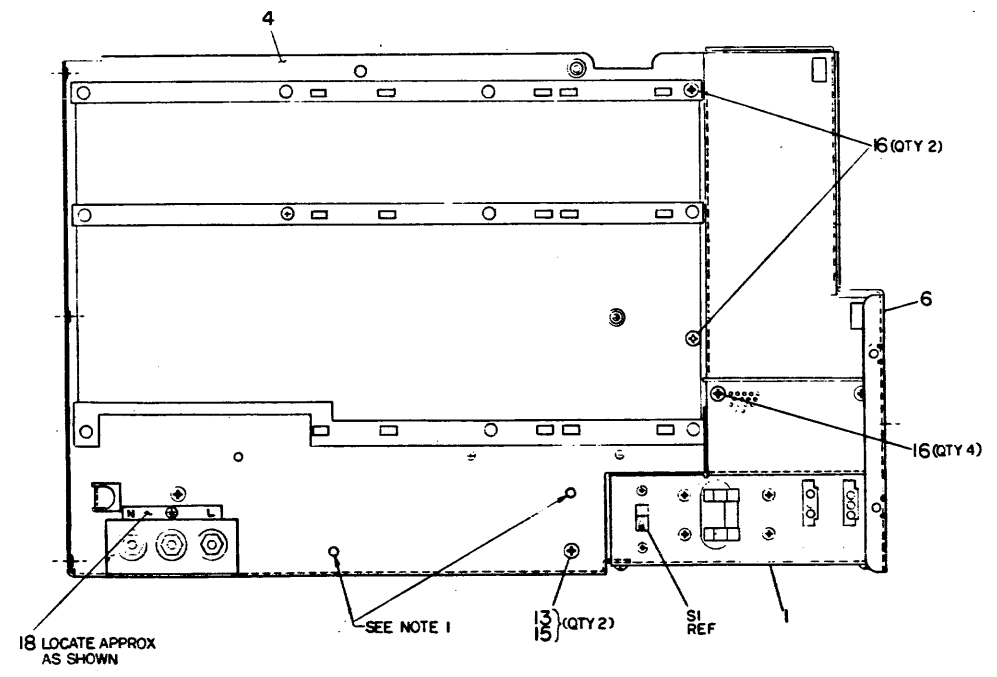
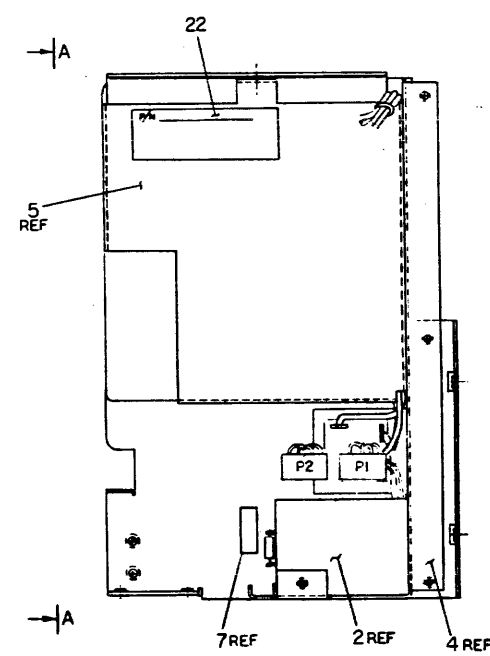
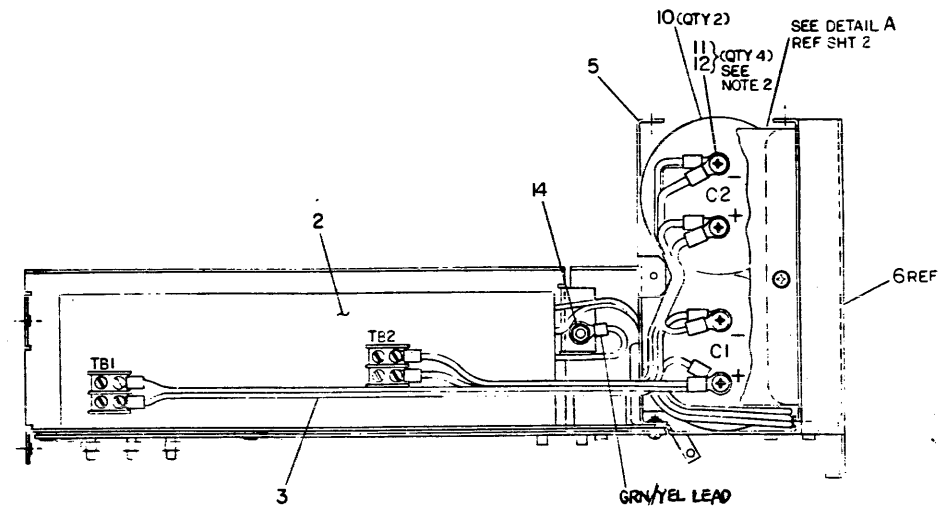
INSERTION PARTS LIST DATA BASE REV

DRB 126

TW

1373

NOTE
 1. DO NOT INSTALL HARDWARE IN THESE HOLES.
 2. TORQUE TO 16 IN-LB ± 10%.



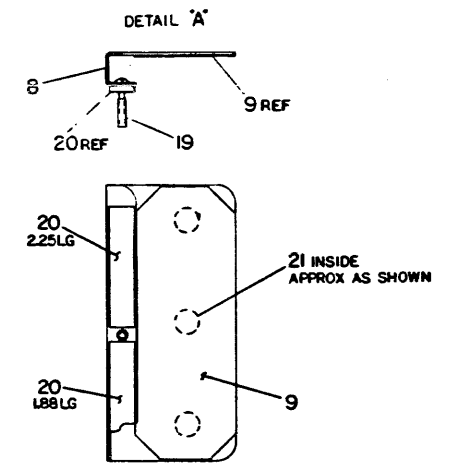
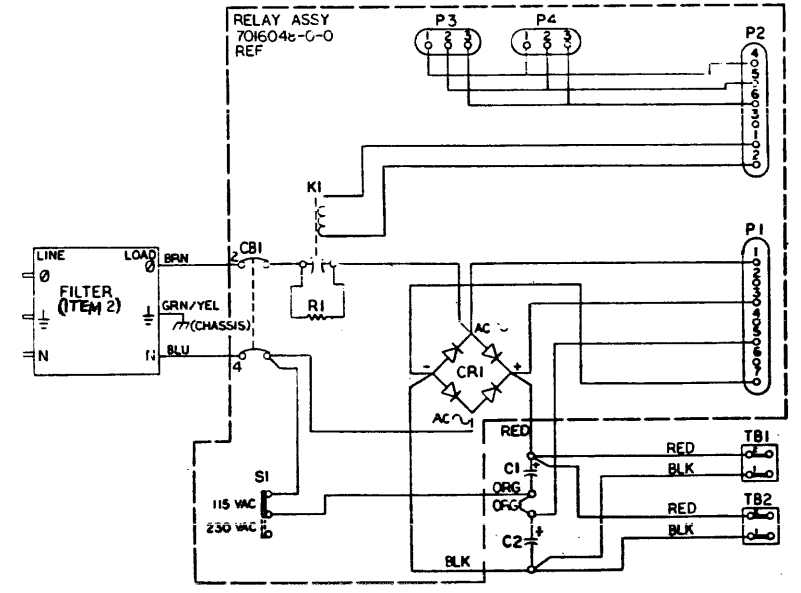
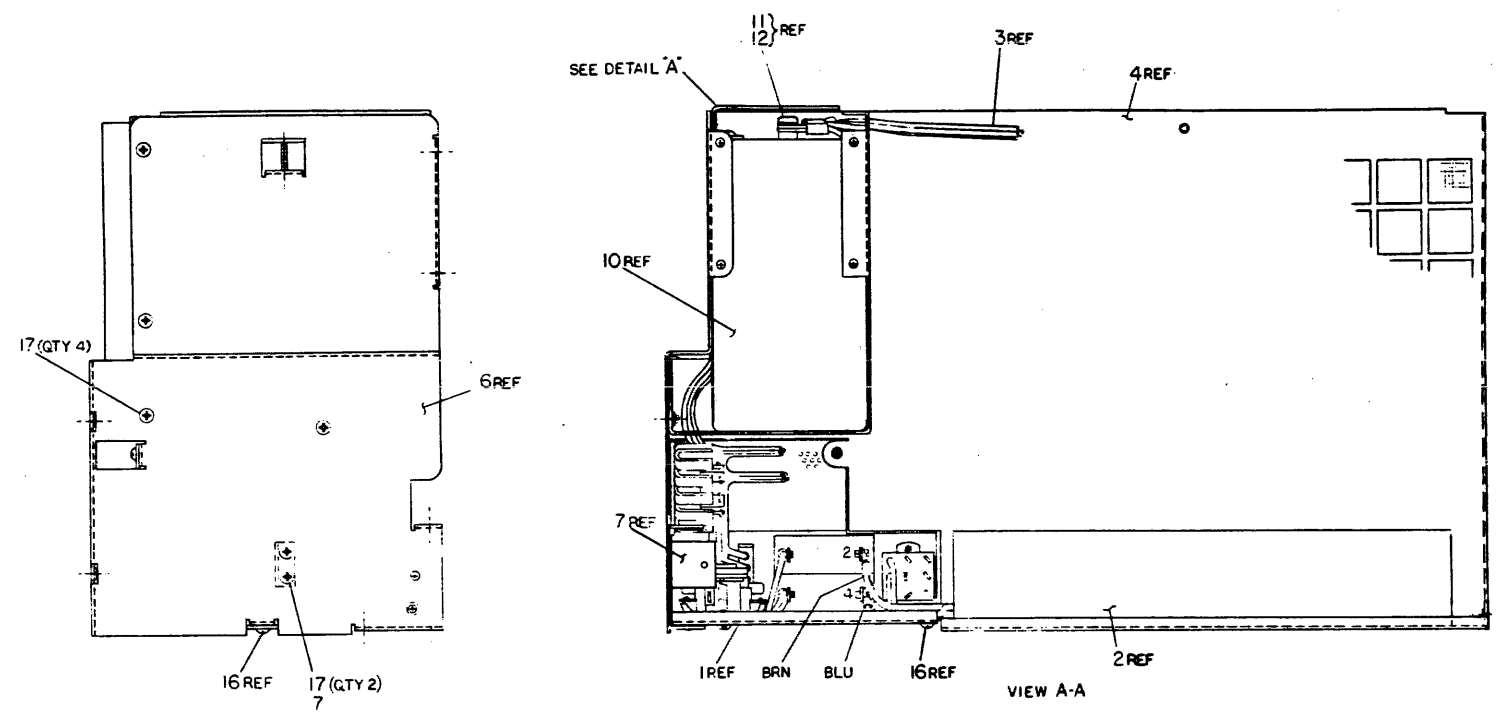
1	2	3	4	5	6	7	8
9	10	11	12	13	14	15	16
17	18	19	20	21	22	23	24

CAUTION: OFF SHEET PARTS LIST
 SEE B-PL-706476-0-0

QUANTITY	DESCRIPTION	UNIT
1	INPUT ASSY	
1	AD 706476-0-0	

SEE PARTS LIST

77



INPUT ASSY AD7016478-0-0 A

DIGITAL EQUIPMENT CORPORATION PARTS LIST

MADE BY DATE	A. MOWRY 04-09-79	CHECKED DATE	SECTION
ENG DATE	Robert J. Wolf 8-10-79	PROD DATE	ISSUED SECTION
		F. MUNIZ 8/10/79	

QUANTITY / VARIATION

NOTES:

ITEM NO.	DRAWING NO.	PART NO.	DESCRIPTION	QUANTITY	VARIATION	UNIT	REF DESIGNATION
1	E-AD-7016048-0-0	7016048-00	RELAY ASSY	1			
2	C-IA-7016898-0-0	7016898-00	FILTER, RFI, ASSY	1			
3	D-IA-7016477-0-0	7016477-00	HARNESS, 300V	1			
4	D-IA-7016926-0-0	7016926-00	CHASSIS ASSY, REAR	1			
5	D-MD-7421433-0-0	7421433-00	BRACKET, CAPACITOR	1			
6	D-MD-7421438-0-0	7421438-00	PANEL, SIDE	1			
7	B-MD-7423546-0-0	7423546-00	BLOCK, MTG	1			
8	B-MD-7422382-0-0	7422382-00	CLAMP, CAPACITOR	1			
9	B-MD-7422401-0-0	7422401-00	INSULATOR, CAPACITOR	1			
10		1014336-00	CAPACITOR, 4500 uf/200 VDC, E	2			
11		9006072-01	SCR, PHL PAN HD SS #10-32 x .438 LG	4			
12		9007906-00	WASHER, SPLIT, LOCK #10	4			
13		9006037-01	SCR, PHL PAN HD SS #8-32 x .375 LG	2			
14		9006565-00	NUT, KEP CS/CAD #10-32 x 3/8 AF	1			
15		9006690-00	WASHER, SPLIT, LOCK #8	2			
16		9009708-00	SCREW, PHL PAN HD SELF TAP #6-32 x .312	6			
17		9009796-00	SCR, PHL FLAT HD SELF TAP #6-32 x .250	6			
18		3617016-00	LABEL, N-GROUND-L	1			
19		9010133-00	SCREW, PHILL PAN HD #8-32 x .88 LG	1			
20		9009342-00	FOAM TAPE ADH. BACK .50 x .125	.35	FT		
21		9009157-00	ADHESIVE, PERMABOND #101	A/R			
22		9009255-00	LABEL, POWER SUPPLY	1			

E.C.O. NO.
H7140-1
TW001

"THIS DRAWING AND SPECIFICATIONS, HEREIN, ARE THE PROPERTY OF DIGITAL EQUIPMENT CORPORATION AND SHALL NOT BE REPRODUCED OR COPIED OR USED IN WHOLE OR IN PART AS THE BASIS FOR THE MANUFACTURE OR SALE OF ITEMS WITHOUT WRITTEN PERMISSION. COPYRIGHT © 1979 DIGITAL EQUIPMENT CORPORATION"

TITLE

INPUT ASSY

ASSY NO.

E-AD-7016476-00

SHEET 1 OF 1

SIZE

B

CODE

PL

NUMBER

7016476-0-0

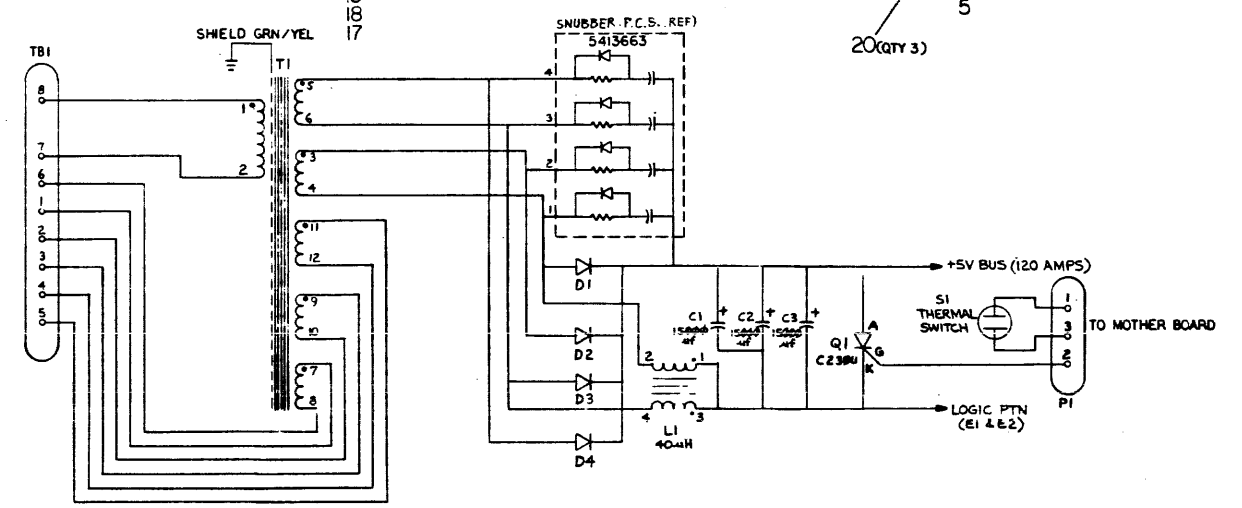
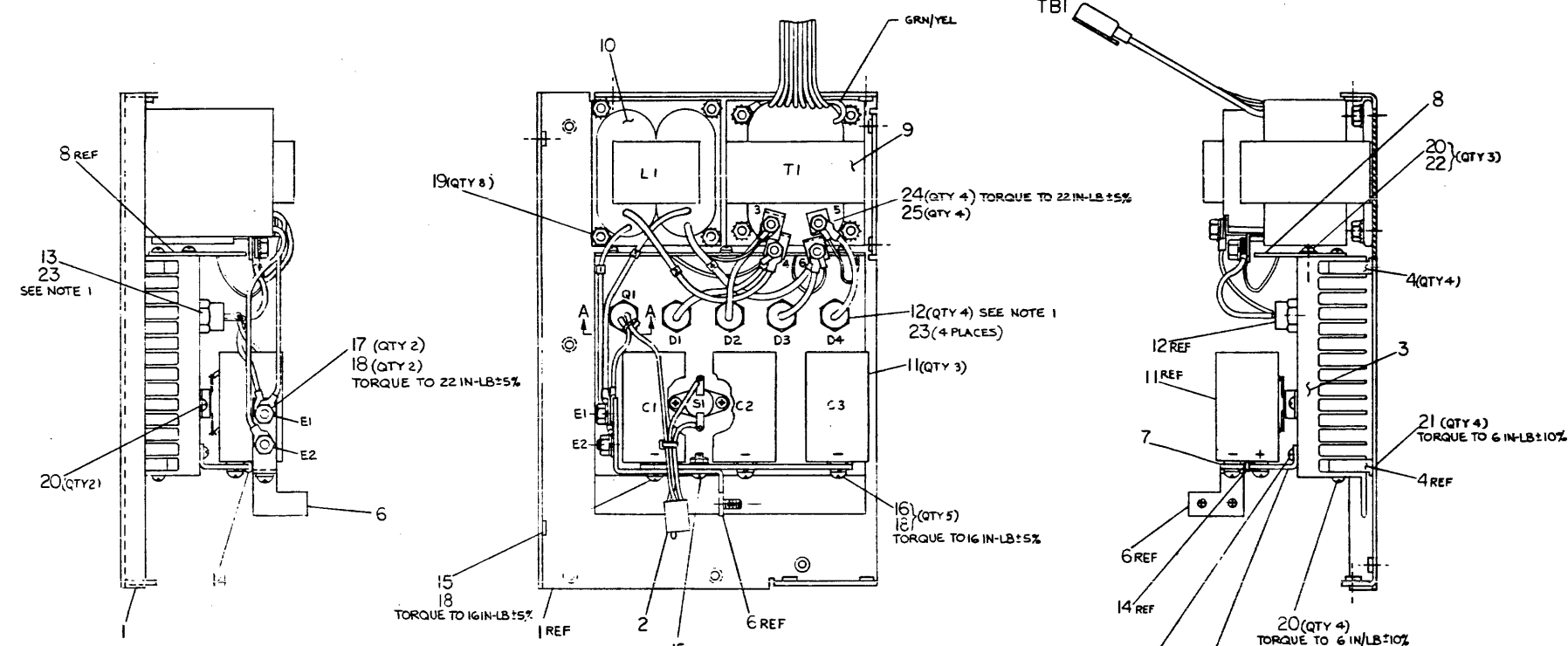
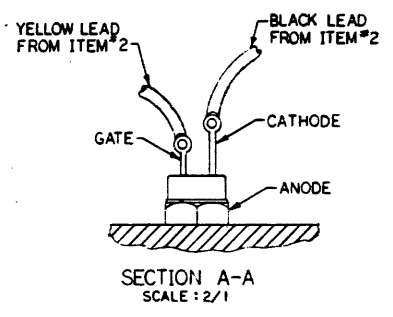
INSERTION PARTS LIST DATA BASE REV

REV.

A

INTERCONNECTION TABLE		REMARKS
FROM	TO	
D1	T1-4	
L1-2	T1-4	
WIRE #1 ITEM 8		
D2	T1-3	
WIRE #2 ITEM 8		
D3	T1-6	
L1-4	T1-6	
WIRE #3 ITEM 8		
D4	T1-5	
WIRE #4 ITEM 8		
T1-GRN/YEL	MTD STUD	
YEL LEAD ITEM 2	Q1-GATE	
BLK LEAD ITEM 2	E1	
Q1-CATHODE	E1	
L1-3	E2	
L1-1	E2	

NOTES:
 1. ITEMS 12 & 13 (D1-D4 & Q1) MUST SEAT FLUSH ON HEATSINK (ITEM 3). USE ITEM 23 (JOINT CHMOD) UNDER ITEMS 12 & 13. TORQUE TO 25 IN-LBS MIN. UNTIL FULLY SEATED.



CAUTION: OFF SHEET PARTS LIST
SEE B-PL-706054-0-0

DESCRIPTION	QUANTITY	UNIT	ITEM NO.
OUTPUT PANEL ASSY	1	PCB	20-00-00
RESISTOR	1	RES	1
CAPACITOR	1	CAP	2
DIODE	4	DI	3
INDUCTOR	1	IND	4
SWITCH	1	SW	5
WIRE	4	WIR	6
SCREW	4	SCR	7
WASHER	4	WAS	8
SPACER	4	SPC	9
WASHER	4	WAS	10
SCREW	4	SCR	11
WASHER	4	WAS	12
SCREW	4	SCR	13
WASHER	4	WAS	14
SCREW	4	SCR	15
WASHER	4	WAS	16
SCREW	4	SCR	17
WASHER	4	WAS	18
SCREW	4	SCR	19
WASHER	4	WAS	20
SCREW	4	SCR	21
WASHER	4	WAS	22
SCREW	4	SCR	23
WASHER	4	WAS	24
SCREW	4	SCR	25

DIGITAL EQUIPMENT CORPORATION PARTS LIST

MADE BY DATE	A. Mowly 07/02/79	CHECKED DATE	SECTION
ENG DATE	Robert J. Wolf 7-26-79	PROD DATE	ISSUED SECTION
		Manuel Hidalgo (R.J.W.) 7-31-79	

QUANTITY / VARIATION									
7016054-00	REF DESIGNATION	REF DESIGNATION	REF DESIGNATION	REF DESIGNATION					

NOTES:

ITEM NO.	DRAWING NO.	PART NO.	DESCRIPTION	7016054-00	REF DESIGNATION	REF DESIGNATION	REF DESIGNATION	REF DESIGNATION	REF DESIGNATION	REF DESIGNATION	REF DESIGNATION	REF DESIGNATION	REF DESIGNATION
1	D-MD-7421434-0-0	7421434-00	CHASSIS, SIDE	1									
2	D-IA-7016511-0-0	7016511-00	OVERTEMP CABLE & SWITCH ASSY	1									
3		1216648-00	HEAT SINK	1									
4		1216965-00	MTG BLOCK, INSULATED	4									
5	B-MD-7422038-0-0	7422038-00	CAP., BRKT POS.	1									
6	B-MD-7422037-0-0	7422037-00	BRKT, RETURN BUS	1									
7	B-MD-7422036-0-0	7422036-00	BRKT, CAP NEG.	1									
8	D-UA-5413663-0-0	5413663-00	SNUBBER P.C.B.	1									
9	C-IA-7016056-0-0	7016056-00	XFORMER, PWR, HIGH FREQ ASSY	1	T1								
10	C-IA-7016055-0-0	7016055-00	CHOKE, OUTPUT DOUBLE SECTION ASSY	1	L1								
11		1014338-00	CAPACITOR, 15,000 MFD 7.5V ± 20%	3	C1	C2	C3						
12		1114197-00	RECTIFIER PLU=45 I=60	4	D1	D2	D3	D4					
13		1109978-00	RECTIFIER, C230V SCR @ 25V I = 25A	1	Q1								
14		9007036-00	GROMMET, CATERPILLAR	.33	FT								
15		9006071-01	SCR PHL PAN HD #10-32 X .38	2									
16		9006070-01	SCR PHL PAN HD #10-32 X .31	5									
17		9009005-00	NUT, HEX #10-32 X 1/4 AF	3									
18		9007906-00	WASHER, SPLIT LOCK #10	9									
19		9006563-00	NUT, KEP #8-32 X 1 1/32 AF	8									
20		9009708-00	SCR, PHL PAN HD SELF TAP #6-32 X .31	12									
21		9009796-00	SCR PHL (FLT) HD SELF TAP #6-32 X .25	4									
22		9009882-00	WASHER, LOCK INT TOOTH #6	3									
23		9008268-00	COMPOUND, THERMAL JOINT	A/R									
24		9006561-00	NUT, HEX #8-32 x 5/16 AF	4									
25		9006690-00	WASHER, LOCK, S.S. #8	4									

E.C.O. NO.

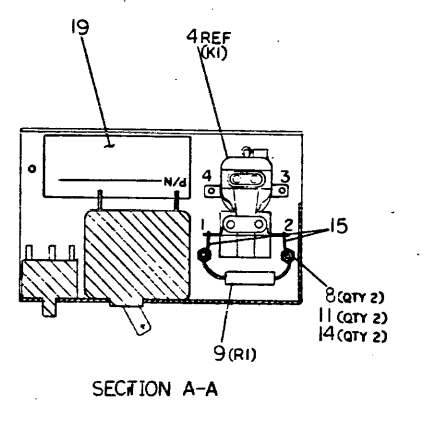
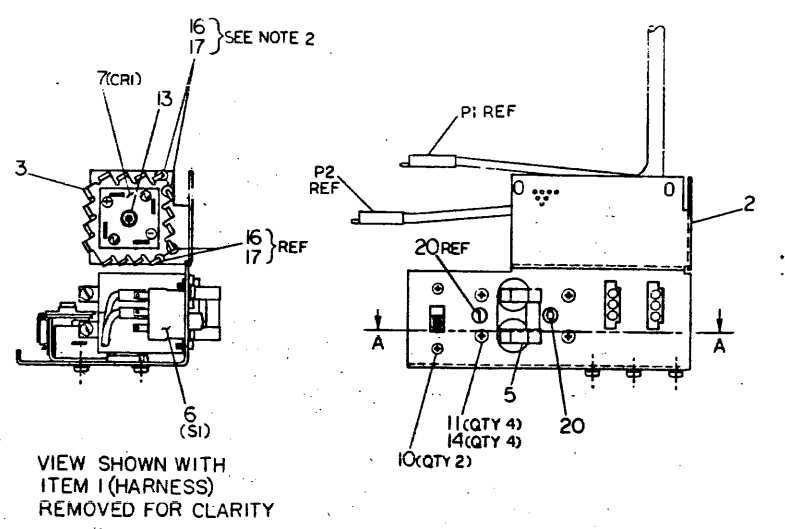
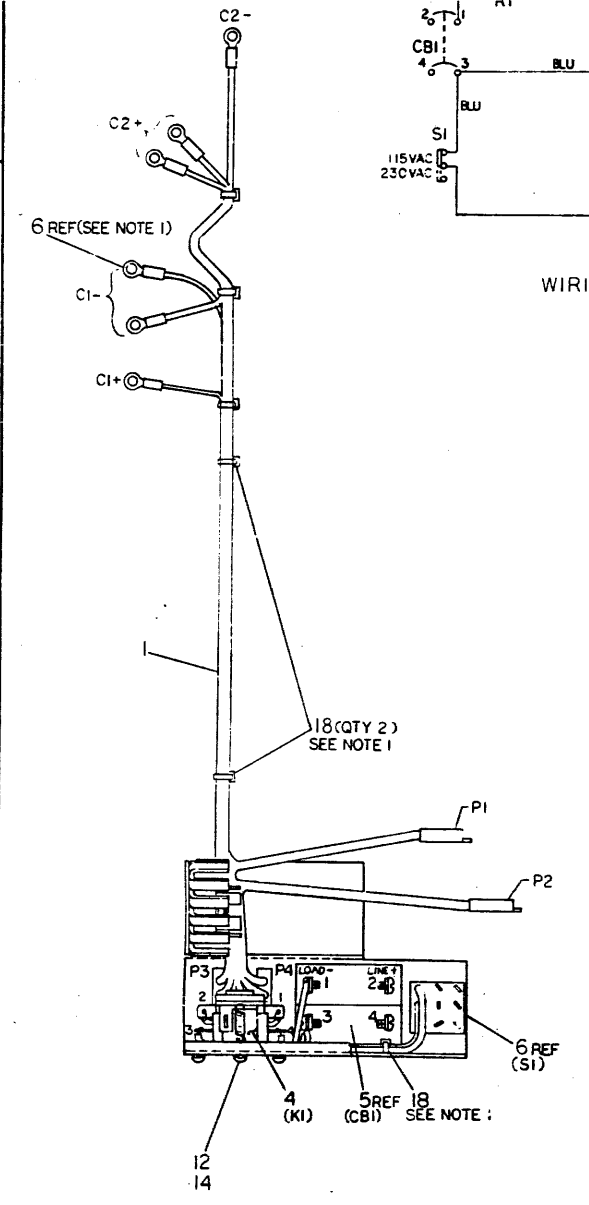
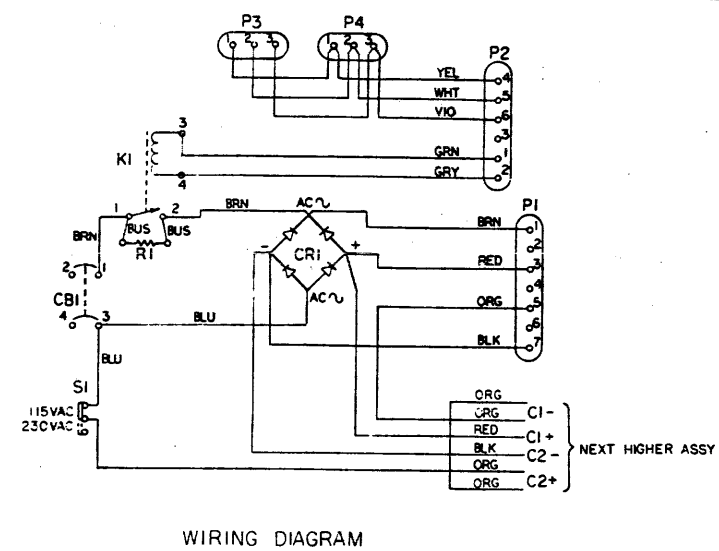
THIS DRAWING AND SPECIFICATIONS, HEREIN, ARE THE PROPERTY OF DIGITAL EQUIPMENT CORPORATION AND SHALL NOT BE REPRODUCED OR COPIED OR USED IN WHOLE OR IN PART AS THE BASIS FOR THE MANUFACTURE OR SALE OF ITEMS WITHOUT WRITTEN PERMISSION. COPYRIGHT © 1979 DIGITAL EQUIPMENT CORPORATION	TITLE OUTPUT PANEL ASSEMBLY	ASSY NO. E-AD-7016054-0-0	SIZE B	CODE PL	NUMBER 7016054-0-0	REV. *
		SHEET 1 OF 1	INSERTION PARTS LIST DATA BASE REV			

TW

THIS DRAWING AND ANY PARTS LIST, OR CHANGES THEREON, ARE THE PROPERTY OF THE UNITED STATES GOVERNMENT AND ARE NOT TO BE REPRODUCED OR TRANSMITTED IN ANY FORM OR BY ANY MEANS, ELECTRONIC OR MECHANICAL, INCLUDING PHOTOCOPYING, RECORDING, OR BY ANY INFORMATION STORAGE AND RETRIEVAL SYSTEM.

8 7 6 5 4 3 2 1

NOTES:
1. DRESS ORG LEAD OF ITEM 6(SI) AROUND ITEM 5(CR1) AND LAY IN WITH MAIN HARNESS BODY. USE ITEM 18 (CABLE TIE) APPROX WHERE SHOWN.
2. CUT ITEM 16 (CATERPILLAR GROMMET) TO 70 LG. 4 PIECES CEMENT IN PLACE WITH ITEM 17 (PERMANENT ADHESIVE) AS SHOWN.



**CAUTION: OFF SHEET PARTS LIST
SEE B-PL-7016048-0-0**

ITEM NO.	DESCRIPTION	QUANTITY	UNIT
1	RELAY ASSY	1	ASSEMBLY

QTY	DESCRIPTION	UNIT
1	RELAY ASSY	ASSEMBLY

RELAY ASSY

AD 7016048-0-0

SHEET 1 OF 1

DIGITAL EQUIPMENT CORPORATION PARTS LIST				QUANTITY / VARIATION											NOTES:								
MADE BY DATE A. MOWRY 03/27/79		CHECKED DATE <i>[Signature]</i> 7/27/79		SECTION											REF DESIGNATION								
ENG DATE Robert J. Wref 7-27-79		PROD DATE Manuel Hitzler (R.J.W.) 7-31-79		ISSUED SECTION																			
ITEM NO.	DRAWING NO.	PART NO.	DESCRIPTION																				
1	D-IA-7016049-0-0	7016049-00	HARNESS, A.C. INPUT	1																			
2	D-MD-7422040-0-0	7422040-00	BRACKET, INPUT	1																			
3		1216688-00	HEAT SINK	1																			
4		1216206-00	RELAY, PWR 12V COIL. SPST 30A	1																			
5		1212124-01	CKT BKR, 2 P SERIES TRIP, 20A 240V	1																			
6	C-IA-7016923-0-0	7016923-00	SWITCH ASSY	1																			
7		1116216-00	BRIDGE RECTIFIER IF = 30A, 600V VR	1																			
8		9006966-00	TERMINAL, P.C.B. 2 POS INS, TURRET	2																			
9		1314848-00	RESISTOR 3 OHM 5% 7 WATT	1																			
10		9000039-06	SCR, PHIL, FLAT HD #4-40 x .187	2																			
11		9006020-01	SCR, PHIL, PAN HD #6-32 x .250	6																			
12		9006021-01	SCR, PHIL, PAN HD #6-32 x .312	1																			
13		9009243-00	NUT, KEP #6-32 x 5/16 AF S.S.	1																			
14		9007801-00	WASHER, LOCK SS #6	7																			
15		9107560-03	WIRE BUSS #18 AWG	.21																		FT	
16		9007036-00	GROMMET, CATERPILLAR	.25																		FT	
17		9009157-00	ADHESIVE, PERMABOND	A/R																			
18		9007031-00	TIE, CABLE SST1-M	3																			
19		9009255-00	LABEL, POWER SUPPLY	1																			
20		3615680-00	LABEL, SWITCH POSITION, ADH BACK	1																			

E.C.O. NO.

"THIS DRAWING AND SPECIFICATIONS, HEREIN, ARE THE PROPERTY OF DIGITAL EQUIPMENT CORPORATION AND SHALL NOT BE REPRODUCED OR COPIED OR USED IN WHOLE OR IN PART AS THE BASIS FOR THE MANUFACTURE OR SALE OF ITEMS WITHOUT WRITTEN PERMISSION. COPYRIGHT © 1979 DIGITAL EQUIPMENT CORPORATION"	TITLE	ASSY NO.	SIZE	CODE	NUMBER	REV.
	RELAY ASSY	E-AD-7016048-0-0	B	PL	7016048-0-0	*
		SHEET 1 OF 1	INSERTION PARTS LIST DATA BASE REV			

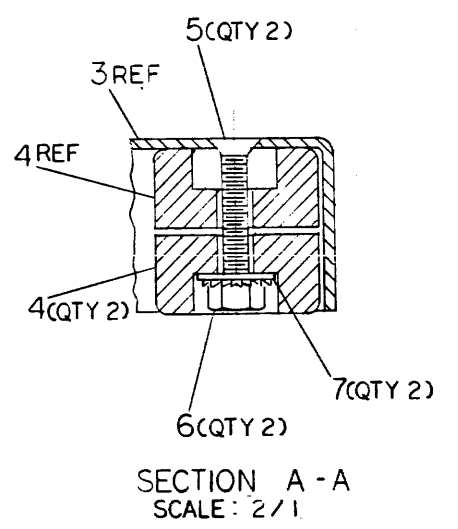
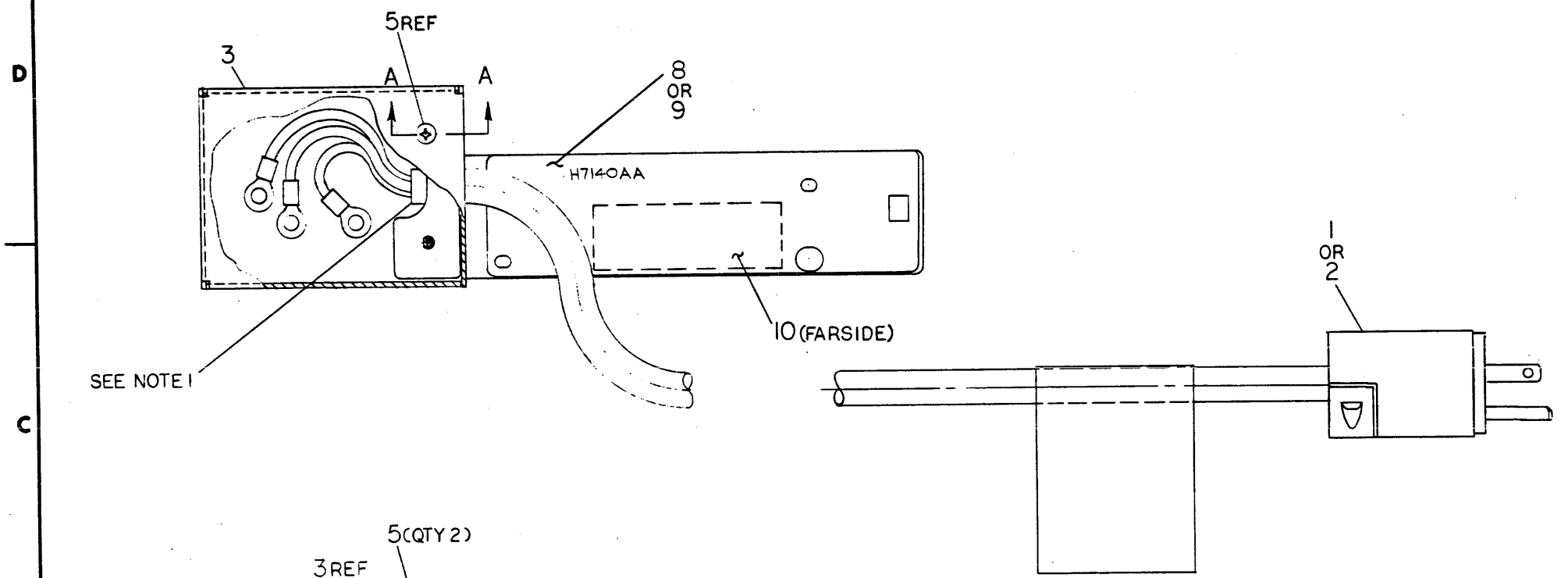
TW

* 0-0-8259102 090 2

PARTS LEGEND	
PART NO.	VARIATION
7016478-00	120V (H7140AA)
7016478-01	220V-240V (H7140AB)

NOTES:
 1. OUTSIDE JACKET OF ITEM 1 OR 2 (LINE CORD) TO EXTEND APPROX .25 IN. BEYOND CLAMPING AREA OF ITEM 4 (CABLE CLAMP).

THE DIMENSIONS AND SPECIFICATIONS SHOWN ARE THE PROPERTY OF BUNGE. EQUIPMENT COMPONENTS AND SHALL NOT BE REPRODUCED OR COPIED IN WHOLE OR IN PART AS THE BASIS FOR THE MANUFACTURE OR SALE OF ITEMS WITHOUT THE WRITTEN PERMISSION OF BUNGE © 1979. BUNGE, EQUIPMENT COMPONENTS



QTY	DESCRIPTION	DWG/PART NO.	ITEM NO.
1	LABEL, PWR SUPPLY	9009255-00	10
1	LABEL, H7140AB (220-240V)	3616977-01	9
1	LABEL, H7140AA (120V)	3616977-00	8
2	WASHER, FLAT #8-32 X .1875	9006660-00	7
2	NUT, KEP #8-32 X 1/32 AF	9006563-00	6
2	SCR, FLAT, PHIL #8-32 X 1 1/2 LG	9006042-02	5
2	CLAMP, CABLE	1215566-00	4
1	COVER, A.C.	D-MD-74220480-0	3
1	CORD ASSY, LINE (220-240V)	D-1A-7016907-1-0	2
1	CORD ASSY, LINE (120V)	D-1A-7016907-0-0	1

UNLESS OTHERWISE SPECIFIED DIMENSIONS ARE IN INCHES	
ANGLE	CLASS OF ACCURACY
SURFACE QUALITY	FINISH
QUANTITY & VARIATION	PREFERRED
THIRD ANGLE PROJECTION	REMOVE BURRS AND BREAK SHARP CORNERS
DO NOT SCALE DWG	NEXT HIGHER ASSY.
MATERIAL SEE PARTS LIST	SCALE
FINISH	SHEET

DRN. <i>[Signature]</i> 5-16-79	FIRST USED ON H7140
CHKD. <i>[Signature]</i> 2-10-79	
ENGR. <i>[Signature]</i> 2-10-79	
PROL. ENGR. <i>[Signature]</i> 2-10-79	
PROD. T. <i>[Signature]</i>	

TITLE	POWER CORD ASSY
SIZE	D
CODE	AD
NUMBER	7016478-0-0
REV.	*

REVISIONS
 CHANGE NO.
 CHK

D AD 7016478-0-0 *

A

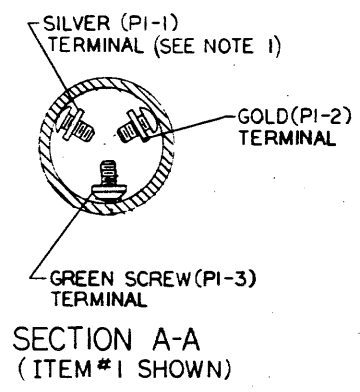
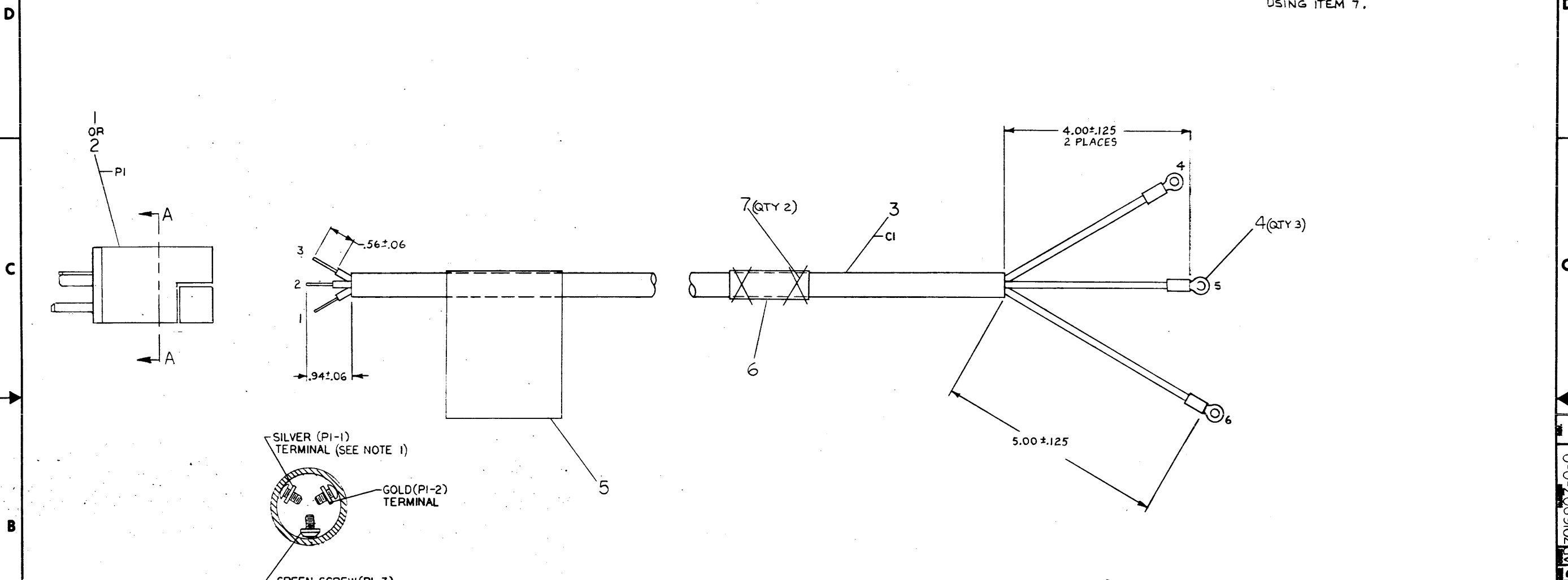
"THIS DRAWING AND SPECIFICATIONS HEREAFTER ARE THE PROPERTY OF DIGITAL EQUIPMENT CORPORATION AND SHALL NOT BE REPRODUCED OR COPIED OR USED IN WHOLE OR IN PART AS THE BASIS FOR THE MANUFACTURE OR SALE OF ITEMS WITHOUT WRITTEN PERMISSION. COPYRIGHT © 1979 - DIGITAL EQUIPMENT CORPORATION"

ITEM	DESCRIPTION		TO			FROM			LENGTH
	AWG	COLOR	POINT	CONNECTION	WITH	POINT	CONNECTION	WITH	
3	14	GRN/YEL	CI-1	PI-3	---	CI-6	---	4	9'5.0±2.0"
3	14	BLU	CI-2	PI-1	---	CI-5	---	4	9'4.0±2.0"
3	14	BRN	CI-3	PI-2	---	CI-4	---	4	9'4.0±2.0"

PARTS LEGEND	
PART NUMBER	VARIATION
7016907-00	120 V
7016907-01	220V-240V

NOTES:

- TERMINAL PI-1 SILVER ON 120 V (1215183-00) VARIATION ONLY. ON 230V VARIATIONS (9008853-00) PI-1 & PI-2 ARE GOLD.
- AFTER ASSY, COIL ITEM 3 (PWR CORD) 3 TIMES LEAVING ENDS APPROX 18 INCHES EACH SIDE. CABLE TIE COILS TOGETHER USING ITEM 7.



QTY	ITEM NO.	DESCRIPTION	DRWG. PART NO.	ITEM NO.
3	3	CABLE TIE SSTI-M	9007031-00	7
1	1	LABEL, CABLE IDENT.	9009532-00	6
1	1	LABEL, AC LINE CORD WARNING	3611448-00	5
3	3	TERM. RING, 1 POS, INS, 14AWG	9007928-00	4
3	3	POWER CORD, 14-3, 15A, 300V	1700027-01	3
1	-	CCNN, PWR PLUG NEMA 6-15P	9008853-00	2
1	-	CONN, PWR PLUG NEMA 5-20P	1215183-00	1

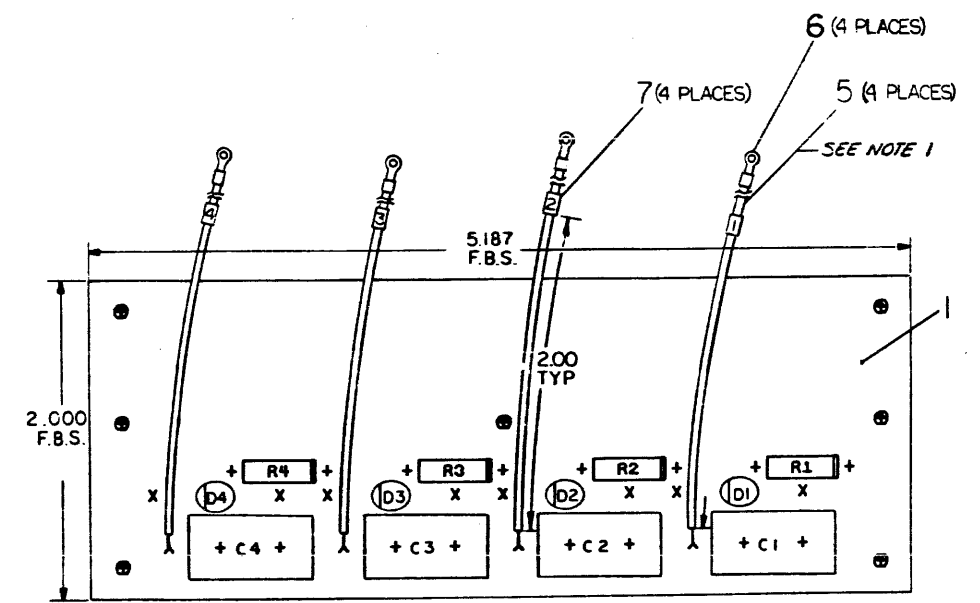
7016907-01	7016907-00	DESCRIPTION	DRWG. PART NO.	ITEM NO.
UNLESS OTHERWISE SPECIFIED DIMENSIONS ARE IN INCHES				
ANGLES 45° 30'	CLASS OF ACCURACY	NOMINAL DIMENSION RANGE INCHES		
SURFACE QUALITY IN MICRONS	CHECK ONE	FROM 0 TO 1.25	OVER 1.25 TO 4.0	OVER 4.0 TO 12.5
		FROM 1.25 TO 2.5	OVER 2.5 TO 7.5	OVER 7.5 TO 25.0
QUANTITY & VARIATION	MEDIUM	1.004	1.005	1.012
	PREFERRED	1.012	1.016	1.025
THIRD ANGLE PROJECTION	DRN. J. M... 5/17/79	FIRST USED ON	H7140	
REMOVE BURRS AND BREAK SHARP CORNERS	CHKD. J. M... 7/26/79	TITLE	LINE CORD ASSY	
DO NOT SCALE DRG	ENGR. R. A. J. 7-26-79	SIZE	D AD 7016907-0-0	
MATERIAL SEE PARTS LIST	PROD. F. W... 7-26-79	SCALE	NONE	
FINISH	NEXT HIGHER ASSY.	SHEET	1 OF 1	

REV.	
CHG.	
REVISED	

D AD 7016907-0-0

COMPONENT SIDE VIEW

THIS DRAWING IS UNCLASSIFIED UNLESS THE
PROPERTY OF AGENCY IS SHOWN BY THIS
DRAWING IS UNCLASSIFIED UNLESS THE
PROPERTY OF AGENCY IS SHOWN BY THIS
DRAWING IS UNCLASSIFIED UNLESS THE
PROPERTY OF AGENCY IS SHOWN BY THIS



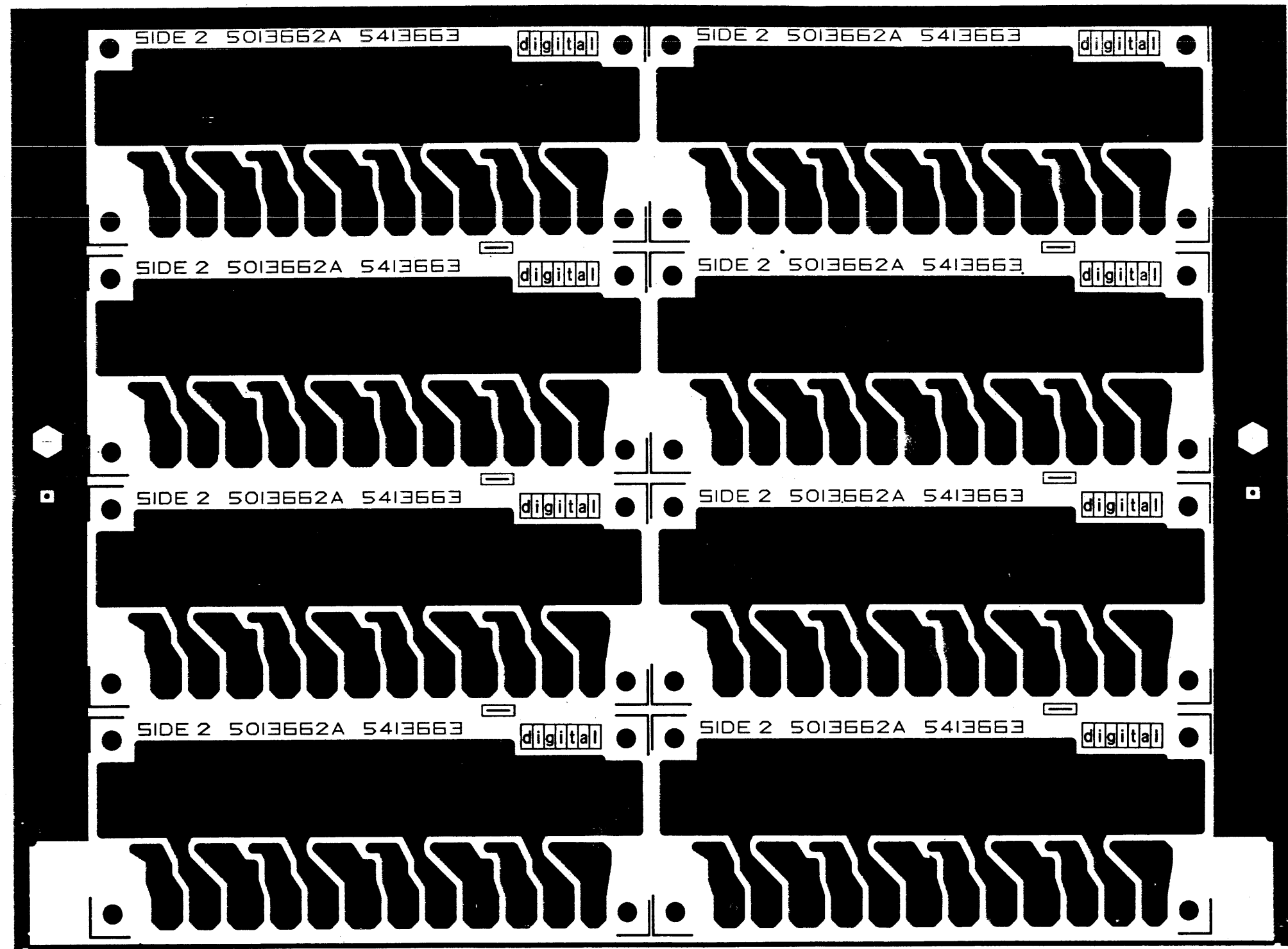
NOTES: 1. WIRE (ITEM 5) SHOULD BE PRECUT
TO 4" LENGTHS (4 PIECES REQUIRED)

CHG	NO	REV

ETCH REV.	A
P.C. DESIGN DATA BRSE REV.	A

SIGNATURES		DATE	digital
DRN.	<i>[Signature]</i>	7-7-78	
CHK'D.	<i>[Signature]</i>	7-14-78	TITLE H7140 SNUBBER BOARD
ENG.	<i>[Signature]</i>	6-28-78	
PROJ. ENG.	<i>[Signature]</i>	6-28-78	SIZE CODE NUMBER D UA 5413663-0-0 *
PROD. F. Y.	<i>[Signature]</i>	7-15-78	
SCALE	2/1		REV
SHT.	1 OF 2		
NEXT HIGHER ASSY. B-DD-5413663-0			

THIS DRAWING AND SPECIFICATIONS HEREIN ARE THE PROPERTY OF DIGITAL EQUIPMENT CORPORATION AND SHALL NOT BE REPRODUCED OR COPIED OR USED IN WHOLE OR IN PART AS THE BASIS FOR THE MANUFACTURE OR SALE OF ITEMS WITHOUT WRITTEN PERMISSION. COPYRIGHT © 1979 DIGITAL EQUIPMENT CORPORATION



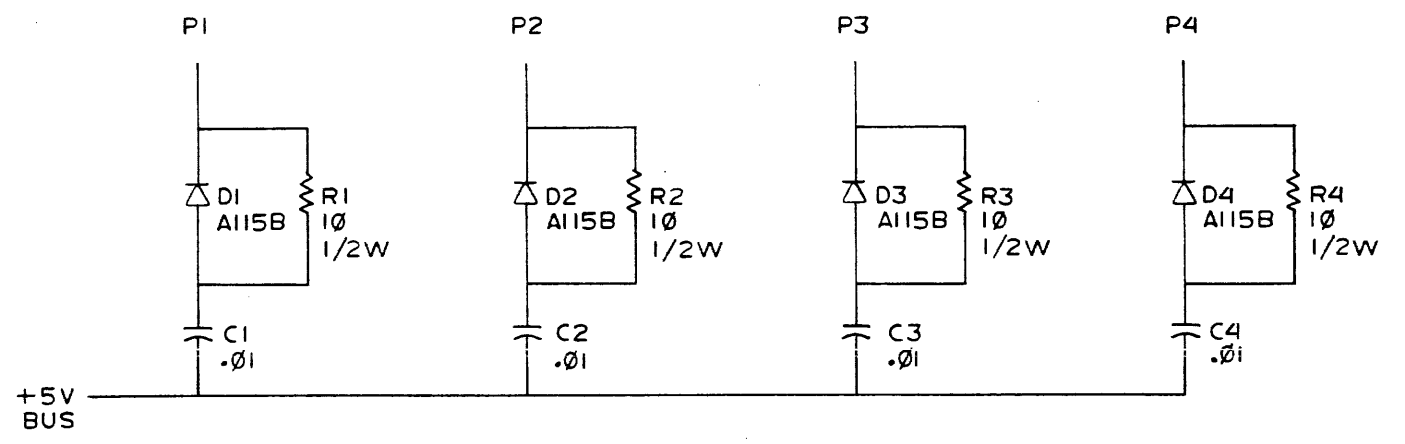
D
C
B
A

D
C
B
A

REVISIONS		
CHK	CHANGE NO.	REV.


TITLE	SIZE CODE	NUMBER	REV.
H7140 SNUBBER BOARD	D UA	5413663-0-0	*
SCALE 2/1	SHEET 2 OF 2	DIST.	

"THIS DRAWING AND SPECIFICATIONS, HEREIN, ARE THE PROPERTY OF DIGITAL EQUIPMENT CORPORATION AND SHALL NOT BE REPRODUCED OR COPIED OR USED IN WHOLE OR IN PART AS THE BASIS FOR THE MANUFACTURE OR SALE OF ITEMS WITHOUT WRITTEN PERMISSION. COPYRIGHT © 1978 DIGITAL EQUIPMENT CORPORATION"

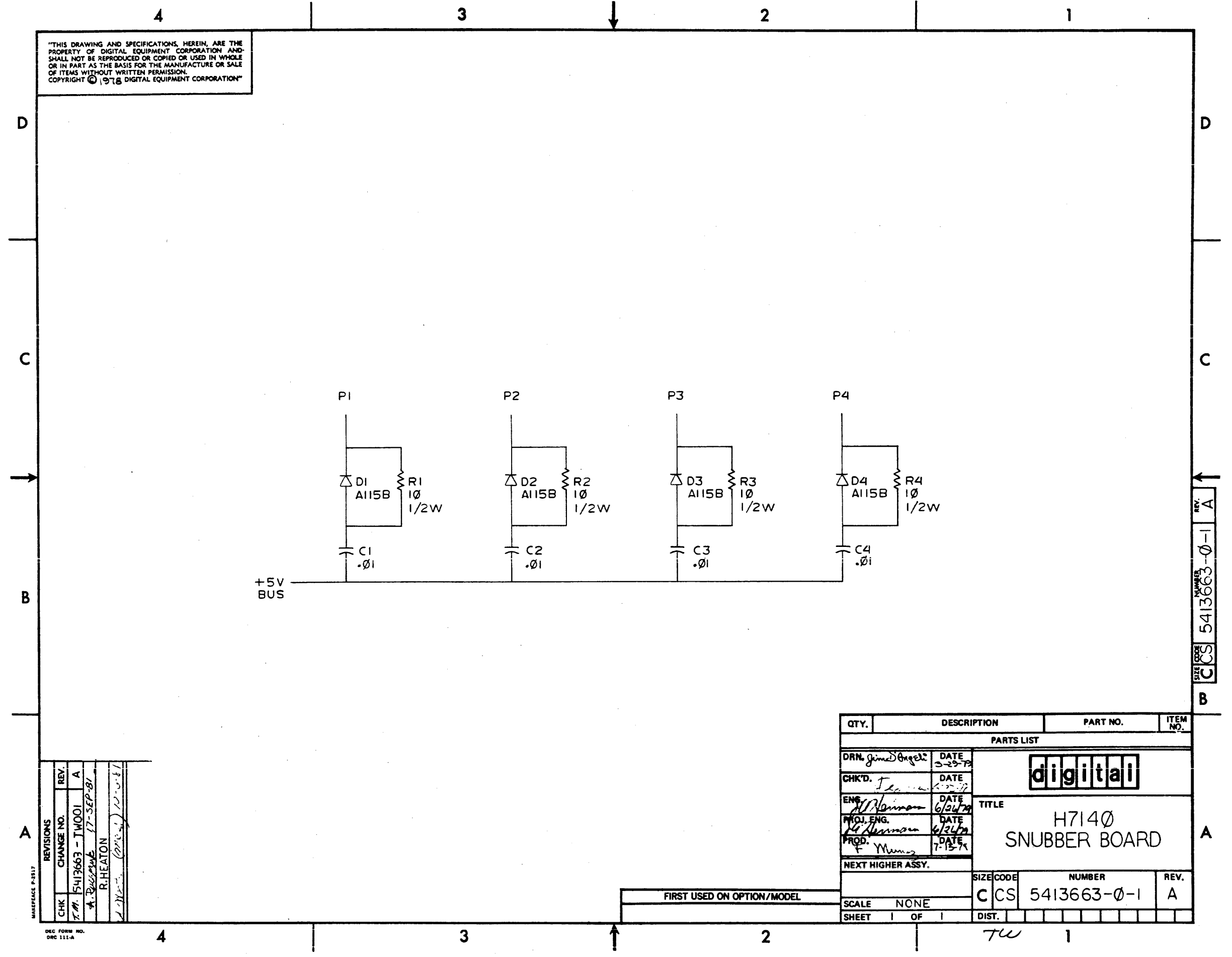


REVISIONS	
CHK	CHANGE NO. - REV.
	5413663 - TW001 - A
A. B...	17-SEP-81
R. HEATON	
	(Date) 12-3-81

DEC FORM NO. 09C 111-A

QTY.	DESCRIPTION	PART NO.	ITEM NO.
PARTS LIST			
DRN. <i>James Angel</i>	DATE 5-29-79	 TITLE H7140 SNUBBER BOARD	
CHK'D. <i>J...</i>	DATE 6-2-79		
ENG. <i>H. Hannan</i>	DATE 6/20/79		
PROJ. ENG. <i>H. Hannan</i>	DATE 6/21/79		
PROD. <i>F. Munoz</i>	DATE 7-13-79		
NEXT HIGHER ASSY.		SIZE CODE C CS	NUMBER 5413663-0-1
FIRST USED ON OPTION/MODEL		SCALE NONE	REV. A
SHEET 1	OF 1	DIST.	

REV. A
 NUMBER 5413663-0-1
 SIZE CODE C CS

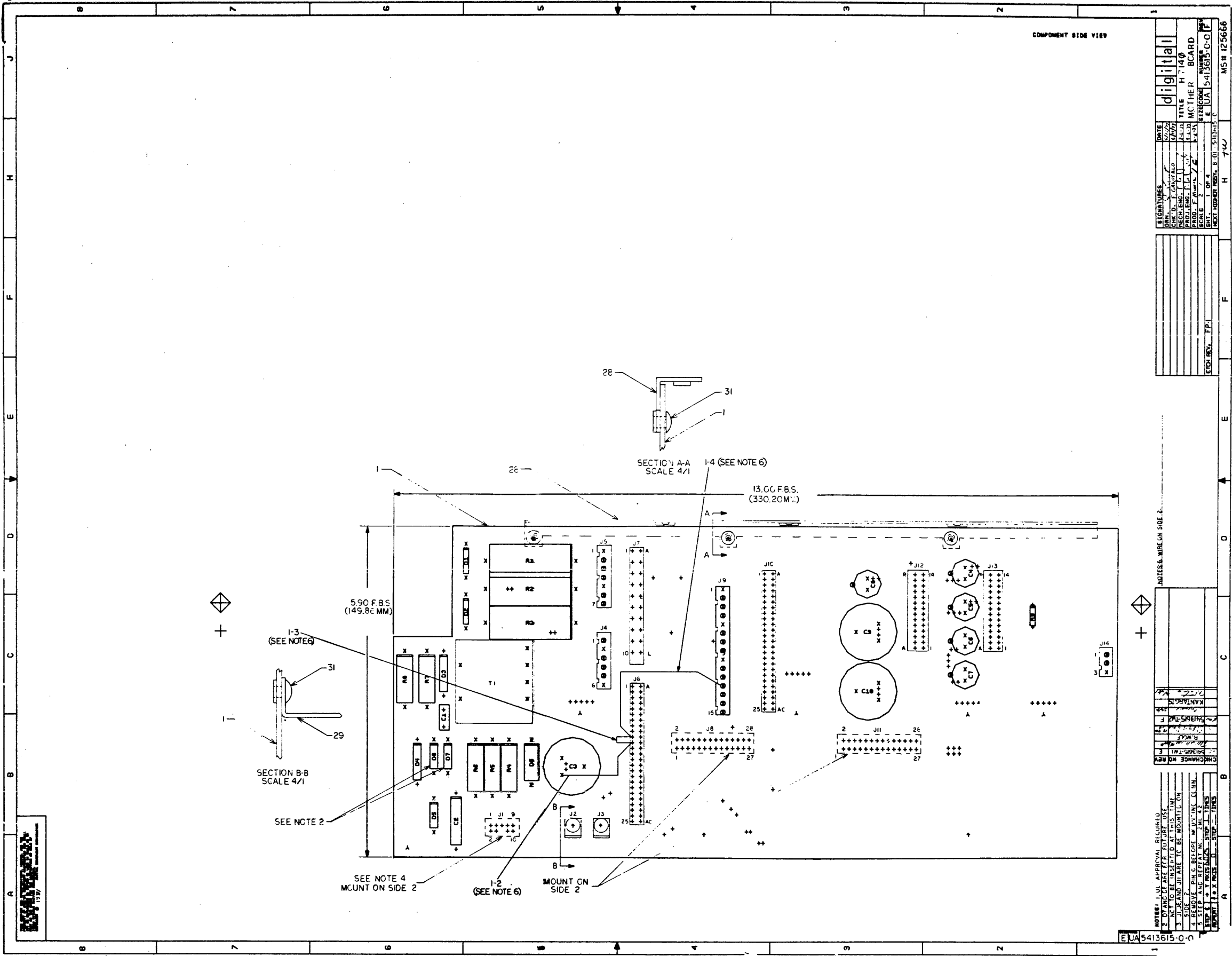


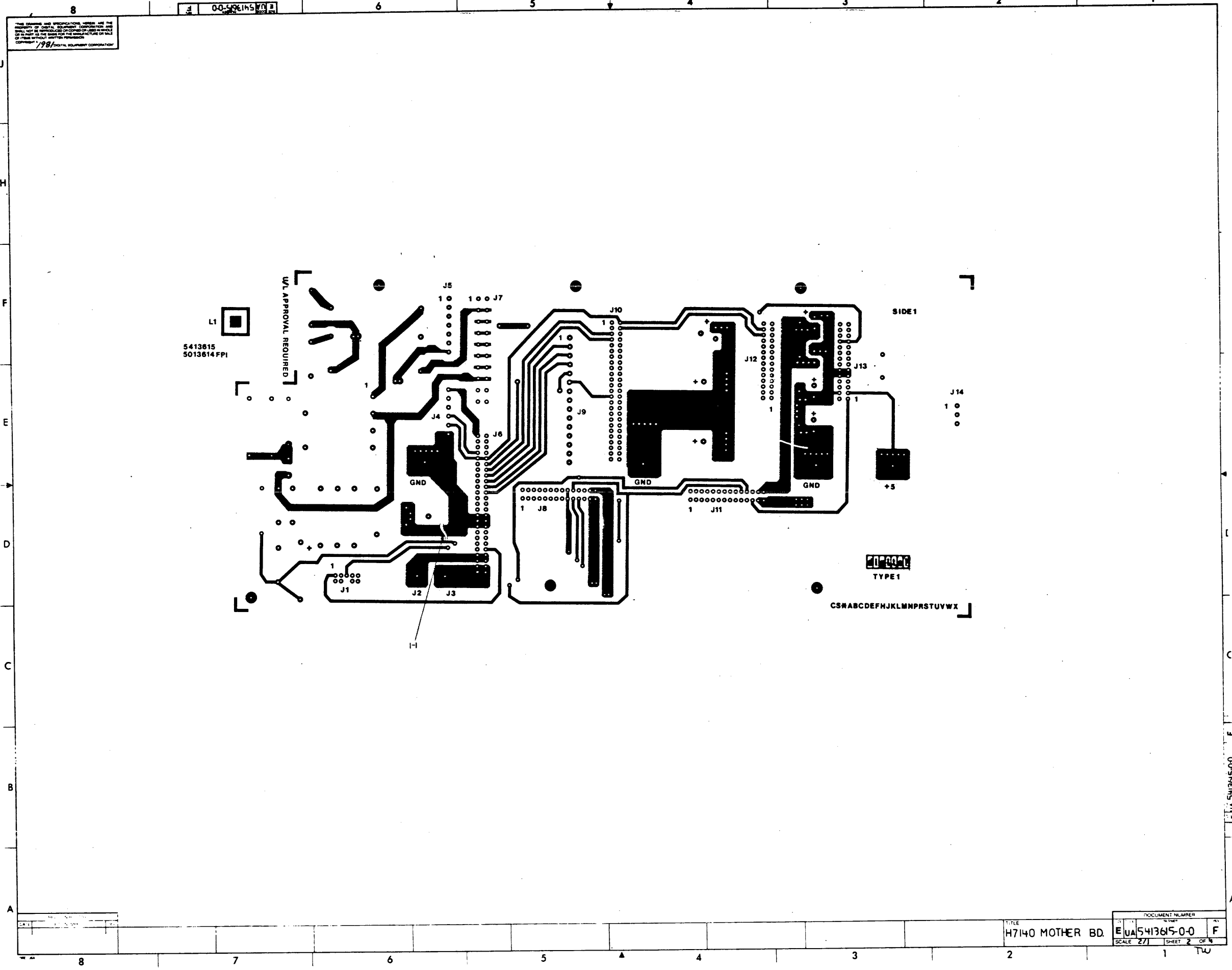
LINE	ITEM	DOCUMENT NUMBER	PART NUMBER	DESCRIPTION	QTY PER VARIATION 00	REFERENCE DESIGNATOR
1	1	D-MD-5013662-0-0	5013662-00	DRILL & ETCH BD	1	
2	2		1011847-01	.01 MFD 400V 10% POLYPROP	4	C1-C4
3	3		1112594-01	A115B PIV=200 I= 3A	4	D1-D4
4	4		1300168-00	10 1/2W 5% CC	4	R1-R4
5	5		9107801-33	WIRE,STRND,20AWG IPVC UL1431	A/R	
6	6		9007930-00	TERM RING 1POS INSULATED,22-16	4	
7	7		9008356-01	WIRE IDENTIFIER,(1-48)	1	

Ø NOTE: ITEM #5, 1.33' IS USED.

REVISION HISTORY		BASIC PART NO: 5413663		DRN:	K.FRIEDGEN	DATE:	22-MAY-79	D I G I T A L			
ENG	ECO NUMBER	REV	SECTION A OF A	CHK'D:	J.CASEY	DATE:	19-JUL-79	TITLE PARTS LIST			
---	INITIAL	*	SECTION VARIATION INDEX					SNUBBER BOARD ASSY			
			[A] 00	DES.ENG:	J.A.HERRMANN	DATE:	22-MAY-79	DOCUMENT NUMBER			
			[B]					SIZE	CODE	NUMBER	REV
			[C]	RESP.ENG.:	J.A.HERRMANN	DATE:	22-MAY-79				
			[D]								
			[E]	MFG.ENG.:	F.MUNIZ	DATE:	19-JUL-79	K	PL	5413663-0-DBP	*
			[F]	ASSEMBLY NUMBER:		TOP DOCUMENT NUMBER:				FILE NAME:	EDIT #
			[G]	D-UA-5413663-0-0		D-MD-5413663-0-0				13663.PLS	8
			[H]								
			[I]								
			[J]								
			[K]								
			[L]								
			[M]								
			[N]								

"THIS DRAWING AND SPECIFICATIONS HEREIN, ARE THE PROPERTY OF DIGITAL EQUIPMENT CORPORATION AND SHALL NOT BE REPRODUCED OR COPIED OR USED IN WHOLE OR IN PART AS THE BASIS FOR THE MANUFACTURE OR SALE OF ITEMS WITHOUT WRITTEN PERMISSION. COPYRIGHT (C) 1979, DIGITAL EQUIPMENT CORPORATION "





THIS DRAWING AND SPECIFICATIONS HEREBY ARE THE PROPERTY OF GEACAL EQUIPMENT CORPORATION AND SHALL NOT BE REPRODUCED OR COPIED IN WHOLE OR IN PART WITHOUT THE WRITTEN PERMISSION OF GEACAL EQUIPMENT CORPORATION.
 1981 GEACAL EQUIPMENT CORPORATION

L1
 5413615
 5013614 FPI

U/L APPROVAL REQUIRED

SIDE 1

TYPE 1

CSRABCDEFHJKLMNPRSTUVWX

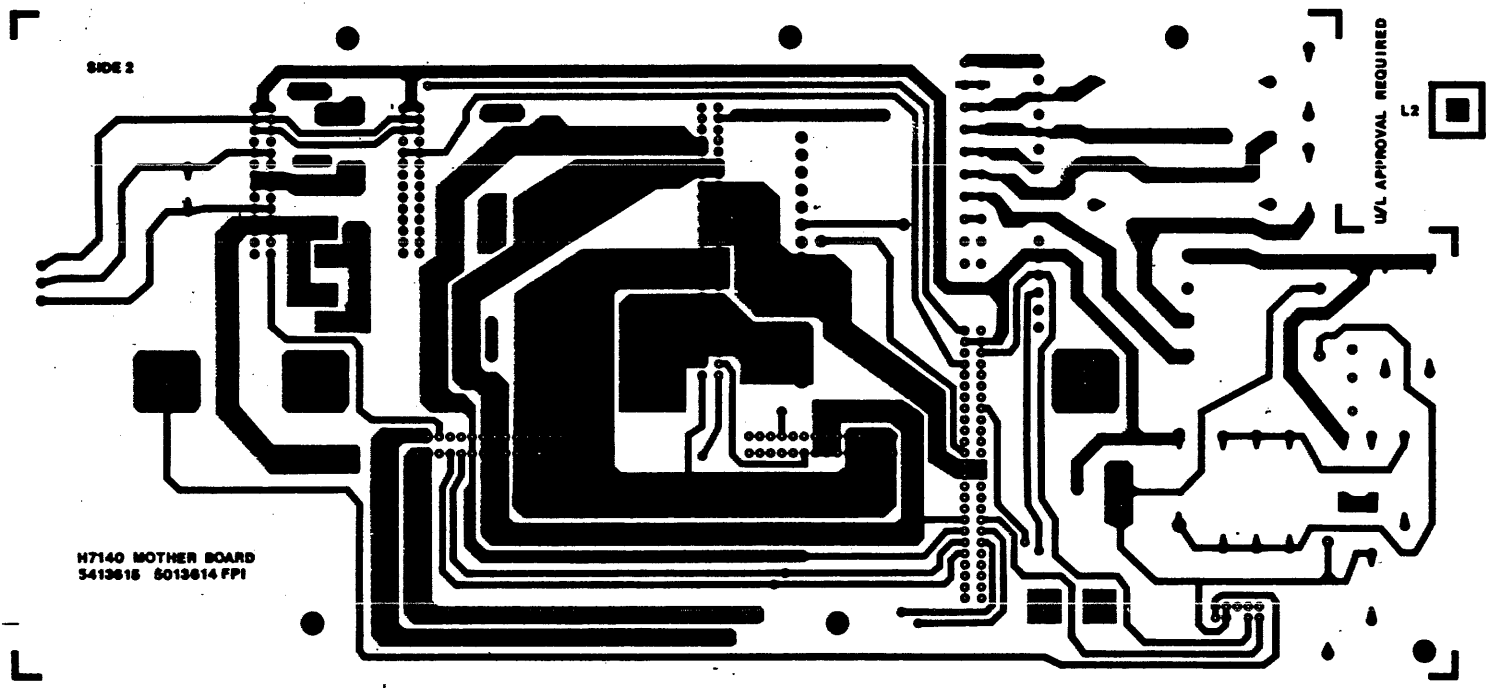
EUA 5413615-0-0

THIS DRAWING IS THE PROPERTY OF THE U.S. GOVERNMENT AND IS TO BE REPRODUCED AND TRANSMITTED IN ANY FORM AND BY ANY MEANS, ELECTRONIC OR MECHANICAL, INCLUDING PHOTOCOPYING, RECORDING, OR BY ANY INFORMATION STORAGE AND RETRIEVAL SYSTEM, WITHOUT PERMISSION IN WRITING FROM THE U.S. GOVERNMENT PRINTING OFFICE.

0-0-543615-0-0

J
H
F
E
D
C
B
A

J
H
F
E
D
C
B
A



H7140 MOTHER BOARD
5413615 5013614 FPI

SIDE 2

W/L APPROVAL REQUIRED

REVISION HISTORY		
DATE	ECO NUMBER	BY

TITLE
H7140 MOTHER BD

DOCUMENT NUMBER	
REV	DATE
EUA	5413615-0-0
SCALE	2/1
SHEET	3 OF 3

8 7 6 5 4 3 2 1 TW

5413615-0-0

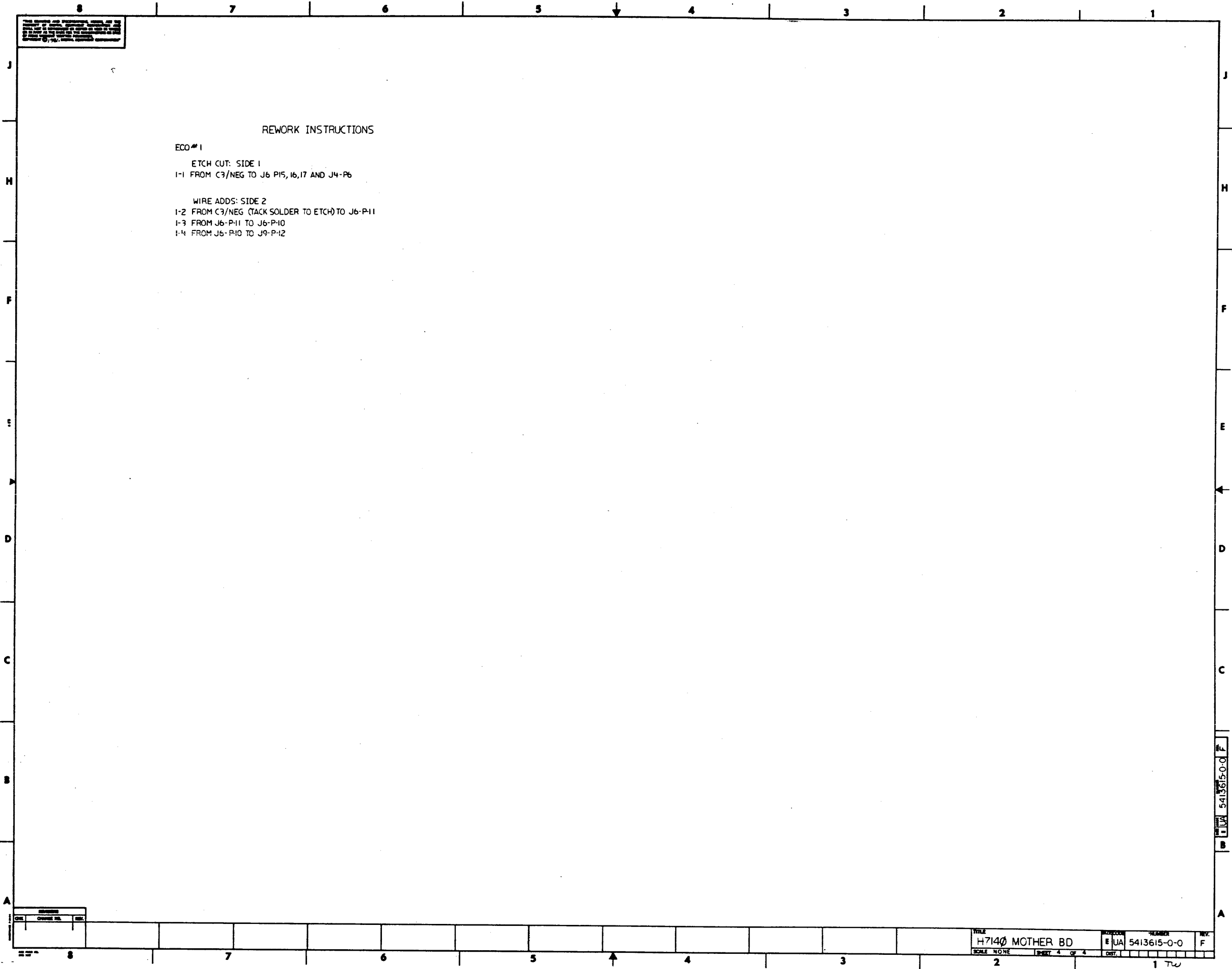
THIS DRAWING IS THE PROPERTY OF THE
UNITED STATES GOVERNMENT AND IS
LOANED TO YOU BY THE NATIONAL BUREAU
OF STANDARDS. IT IS TO BE REPRODUCED
AND TRANSMITTED IN ANY FORM AND BY
ANY MEANS, ELECTRONIC OR MECHANICAL,
INCLUDING PHOTOCOPYING, RECORDING,
OR BY ANY INFORMATION STORAGE AND
RETRIEVAL SYSTEM, WITHOUT PERMISSION
FROM THE NATIONAL BUREAU OF STANDARDS.

REWORK INSTRUCTIONS

ECO# 1

ETCH CUT: SIDE 1
1-1 FROM C3/NEG TO J6-P15,16,17 AND J4-P6

WIRE ADDS: SIDE 2
1-2 FROM C3/NEG (TACK SOLDER TO ETCH) TO J6-P11
1-3 FROM J6-P11 TO J6-P10
1-4 FROM J6-P10 TO J9-P12

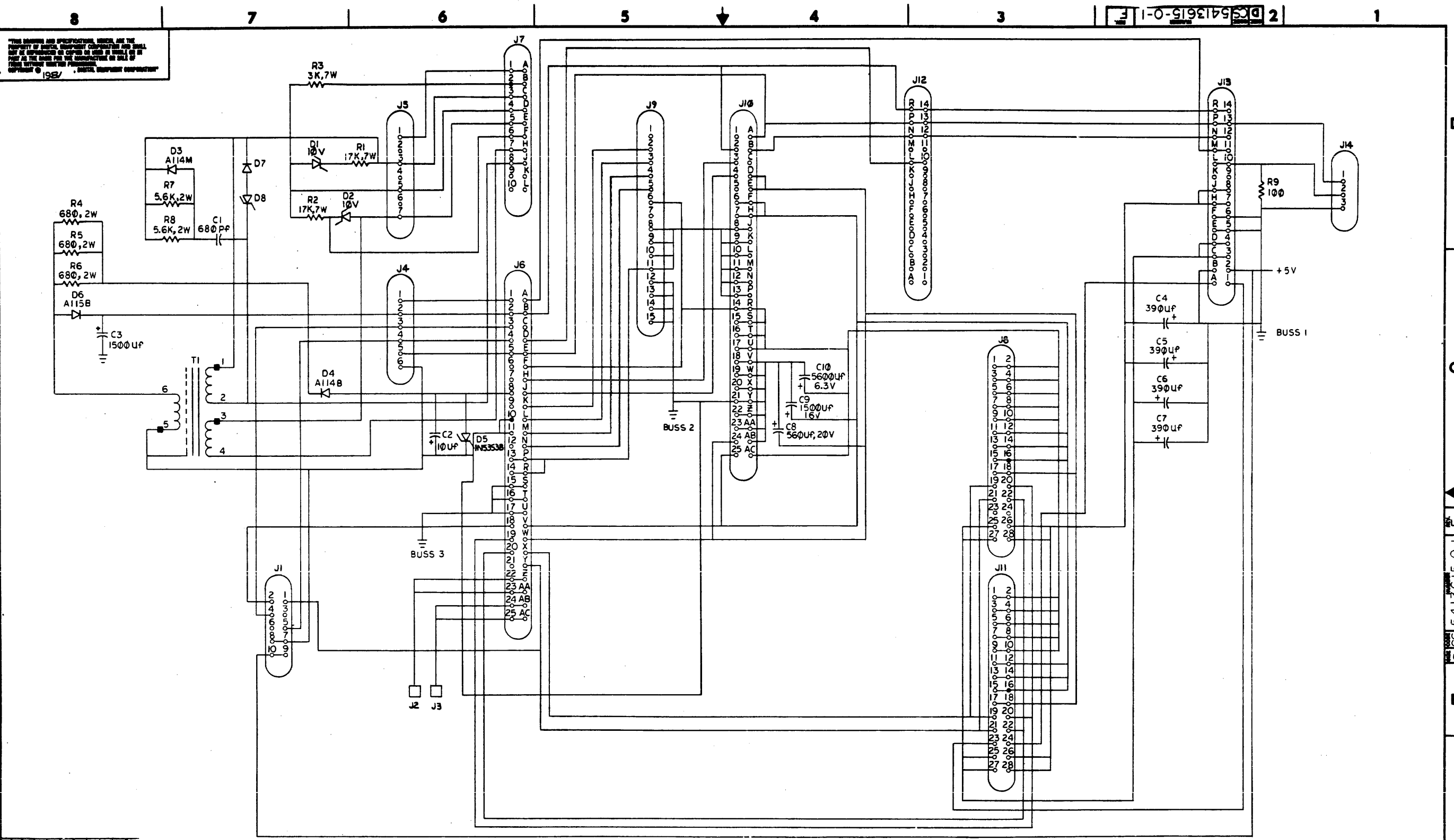


REVISION		
REV.	CHANGE NO.	DATE

TITLE		DRAWN		REV.	
H7140 MOTHER BD		E UA		F	
SCALE NONE		SHEET 4 OF 4		DATE	

5413615-0-0 F

THIS DRAWING AND SPECIFICATIONS HEREIN ARE THE PROPERTY OF DIGITAL EQUIPMENT CORPORATION AND SHALL NOT BE REPRODUCED OR COPIED IN WHOLE OR IN PART WITHOUT THE WRITTEN PERMISSION OF DIGITAL EQUIPMENT CORPORATION.



REV.	CHG.	BY	DATE
1		R. WOLF	11-2-78
2		A. MANTANGIS	11-2-78
3			
4			
5			
6			
7			
8			

DRN. <i>[Signature]</i>	11-2-78	FIRST USED ON	H7140
CHK'D <i>[Signature]</i>	11-2-78	TITLE	H7140 MOTHER BOARD
ENG. <i>[Signature]</i>	9-6-78		
PROJ. ENG. <i>[Signature]</i>	8-6-78		
PROD. <i>[Signature]</i>	5-6-78		
NEXT HIGHER ASSY.			
SCALE		SIZE CODE	D CS 5413615-0-1
SHEET 1 OF 1		NUMBER	5413615-0-1
		REV.	F

D CS 5413615-0-1 F

TW 1

LINE	ITEM	DOCUMENT NUMBER	PART NUMBER	DESCRIPTION	QTY PER VARIATION	REFERENCE DESIGNATOR
1	1	D-MD-5013614-0-0	5013614-00	DRILL & ETCH BD	1	
2	2		1004813-00	10 MFD 20V 10% S.TANT	1	C2
3	3		1012607-00	560 MFD 20V H% 672D AL EL	1	CP
4	4		1012607-00	390 MFD 20V H% 67D AL EL	4	C4-C7
5	5		1013280-00	680.0 MMF1000V 5%200PPM	1	C1
6	6		1014229-00	1500 MFD 16V +75-10% AL EL	2	C9,C3
7	7		1016169-00	5600 MFD 6.3V +75,-10% AL EL	1	C10
8	8		1110854-00	1N 5353B VZ= 16.0V 5% .40W M	1	D5
9	9		1100125-00	1N 758A VZ= 10.0 5% .40W PPE	2	D1,D2
10	10		1112594-01	A115B PIV=200 I= 3A	1	D6
11	11		1112595-01	A114B PIV=200 I= 1A	1	D4
12	12		1112595-02	A114M PIV=600 I= 1A	1	D3
13	13		1215341-01	HEADER 10POS VERTICAL	1	J1
14	14		1211004-00	SOCKET,100 28POS BOTTOM MOUNT	4	J12,J13,J11,J8
15	15		1211004-04	SOCKET,100 40POS	1	J7
16	16		1211004-05	SOCKET,100 50POS	2	J6,J10
17	17		1216122-01	HEADER,156 7POS KEYED	1	J5
18	18		1216122-02	HEADER,156 15POS KEYED	1	J9
19	19		1216122-04	HEADER,156 3POS	1	J14
20	20		1216122-05	HEADER,156 6POS	1	J4
21	21		1300229-00	100.0 .25 W 5.0 % CC	1	R9
22	22		1300348-00	580.0 2.0 W 5.0 % CC	3	R4-R6
23	23		1300456-00	5.60 K 2.0 W10.0 % CC	2	R7,R8
24	24		1316207-00	3.0 K 7W+,-5% WW	1	R3
25	25		1316209-00	17.0 K 7W+,-5% WW	2	R1,R2
26	27		1616215-00	XFMR P=240/360 S=5V	1	T1
27	28		7422391-00	SUPPORT,MOTHER BOARD	1	
28	29		9008219-00	TERM QUICK 1POS ADAPTER	2	J2,J3
29	31		9009000-00	FYELET, ROLLED FLANGE, .121 OD X	5	
30	32		9107688-55	WIRE(WRAP)24AWG UL1327 A/R		

REVISION HISTORY		BASIC PART NO: 5413615		OPN:	M.CICCONE	DATE:	27-MAR-79	DIGITAL			
ENG	ECO NUMBER	REV	SECTION A OF A	CHK'D:	E.T.GERRY	DATE:	27-MAR-79	TITLE PARTS LIST			
	INITIAL	D	SECTION VARIATION INDEX					MOTHER BOARD			
	R.WITW001	E	(A) 00					DOCUMENT NUMBER			
			(B)					SIZE	CODE	NUMBER	REV
			(C)	DES.ENG:	R.WOLF	DATE:	27-MAR-79	K	PL	5413615-0-DBP	E
			(D)					ASSEMBLY NUMBER: TOP DOCUMENT NUMBER: FILE NAME: EDIT #			
			(E)	RESP.ENG.:	R.WOLF	DATE:	27-MAR-79	Z0376E,PLS 7			
			(F)								
			(G)								
			(H)								
			(I)								
			(J)								
			(K)	MFG.ENG.:	P.WAITKUS	DATE:	6-AUG-79				
			(L)								
			(M)								
			(N)								

"THIS DRAWING AND SPECIFICATIONS HEREIN, ARE THE PROPERTY OF DIGITAL EQUIPMENT CORPORATION AND SHALL NOT BE REPRODUCED OR COPIED OR USED IN WHOLE OR IN PART AS THE BASIS FOR THE MANUFACTURE OR SALE OF ITEMS WITHOUT WRITTEN PERMISSION. COPYRIGHT (C) 1980, DIGITAL EQUIPMENT CORPORATION"

TW

LINE ITEM DOCUMENT NUMBER

PART NUMBER

DESCRIPTION

QTY PER VARIATION
00

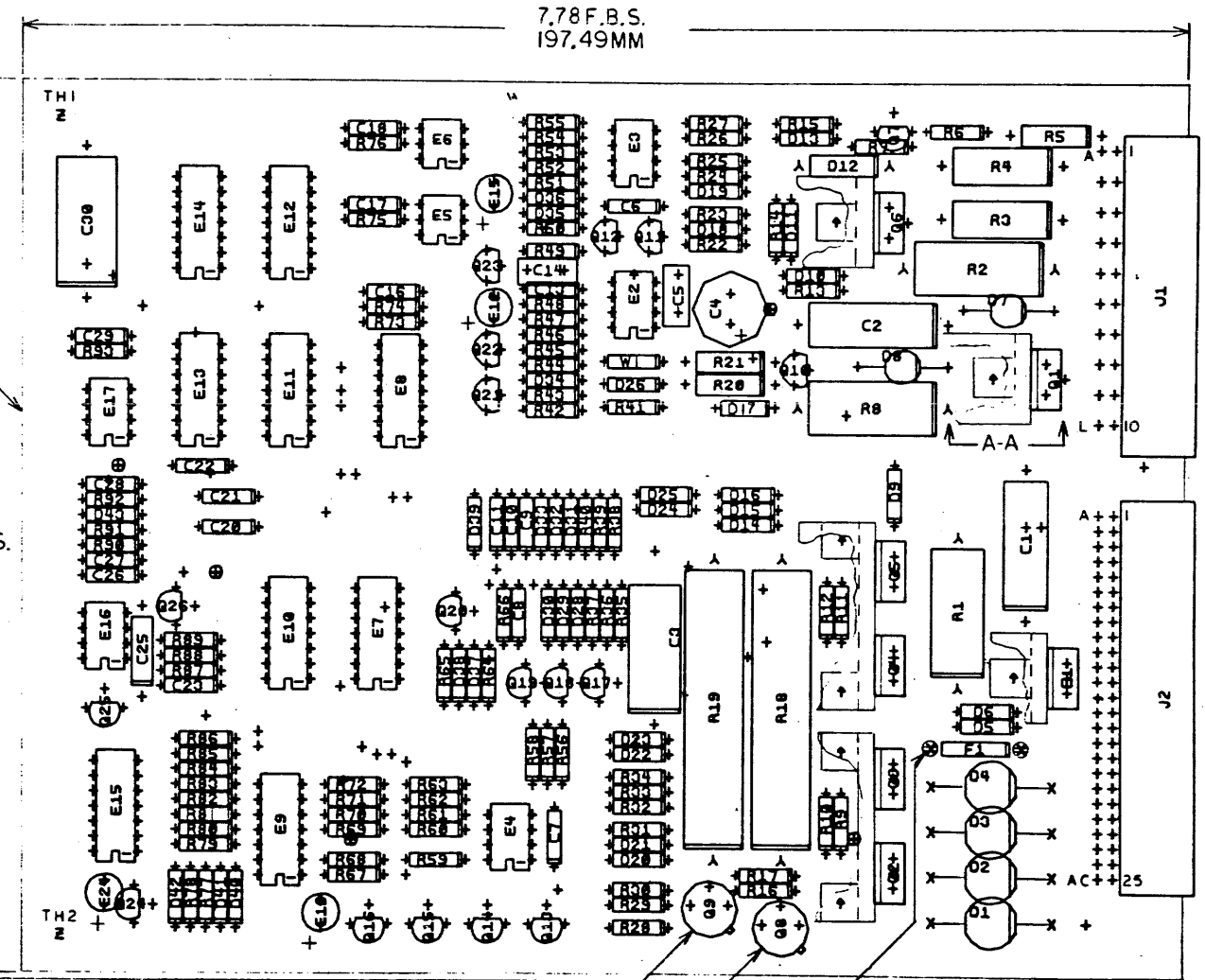
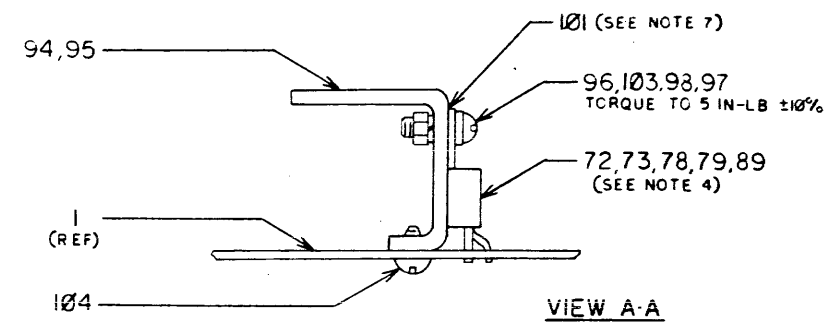
REFERENCE DESIGNATOR

31 NOTE: FOR ITEM #32, 46" IS USED.

D	I	G	I	T	A	L	TITLE	MOTHER BOARD	SECTION A OF A	SIZE	CODE	DOCUMENT NUMBER	REV
										K	PL	5413615-0-DBP	E

TW

1988



- NOTES:
1. STEP AND REPEAT CODE 2ML 39
 2. R18, R19 MUST BE RAISED .125" TO .150"
 3. D1-D4, R1, R2, R8 MUST BE RAISED .05" TO .10"
 4. E1 AND Q1-Q6, MUST BE MOUNTED TO HEAT SINK BEFORE BEING ATTACHED TO PCB. SEE VIEW A-A.
 5. EYELET, ITEM NO. 99, USED IN MOUNTING HOLES OF F1.
 6. USE TRANSIPADS, ITEM NO. 100, UNDER Q8, Q9.
 7. USE THERMAL COMPOUND, ITEM NO. 101, BETWEEN E1, Q1-Q6, AND HEAT SINK'S.

100 (SEE NOTE 6)

99 (SEE NOTE 5)

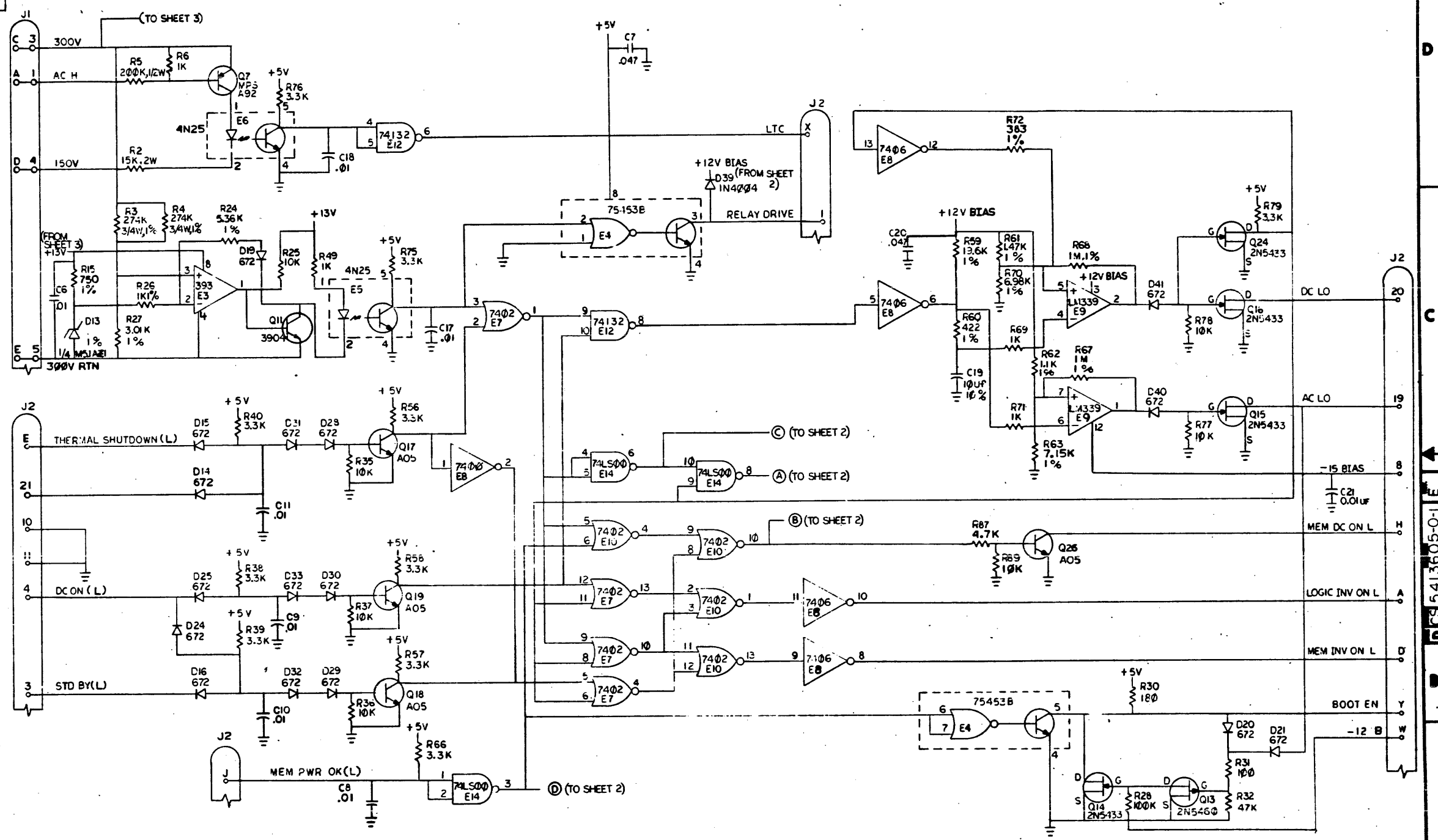
STEP #	+ Y	ROCKS 5.025	STEP	TIMES
REPORT	+ X	ROCKS 7.920	STEP	TIMES

CHECK CHANGE NO	REV	DATE	BY
1	1	1-17-80	R. WOLF

ETCH REV.	CPI
-----------	-----

SIGNATURES	DATE	digital
DRN. <i>[Signature]</i>	1-4-80	
CHK'D. <i>[Signature]</i>	1-17-80	
RECH. ENG. <i>[Signature]</i>	1-17-80	
PROJ. ENG. <i>[Signature]</i>	1-17-80	TITLE BIAS AND
PROD. <i>[Signature]</i>	1-17-80	INTERFACE BOARD
SCALE		SIZE CODE
SHT. 1 OF 1		NUMBER
NEXT HIGHER REV. B-DD-5413605-0		REV

THIS DRAWING AND SPECIFICATIONS ARE THE PROPERTY OF BELL TELEPHONE CORPORATION AND WILL BE KEPT CONFIDENTIAL AND NOT TO BE REPRODUCED OR TRANSMITTED IN ANY FORM OR BY ANY MEANS, ELECTRONIC OR MECHANICAL, INCLUDING PHOTOCOPYING, RECORDING, OR BY ANY INFORMATION STORAGE AND RETRIEVAL SYSTEM. © 1978 BELL TELEPHONE CORPORATION

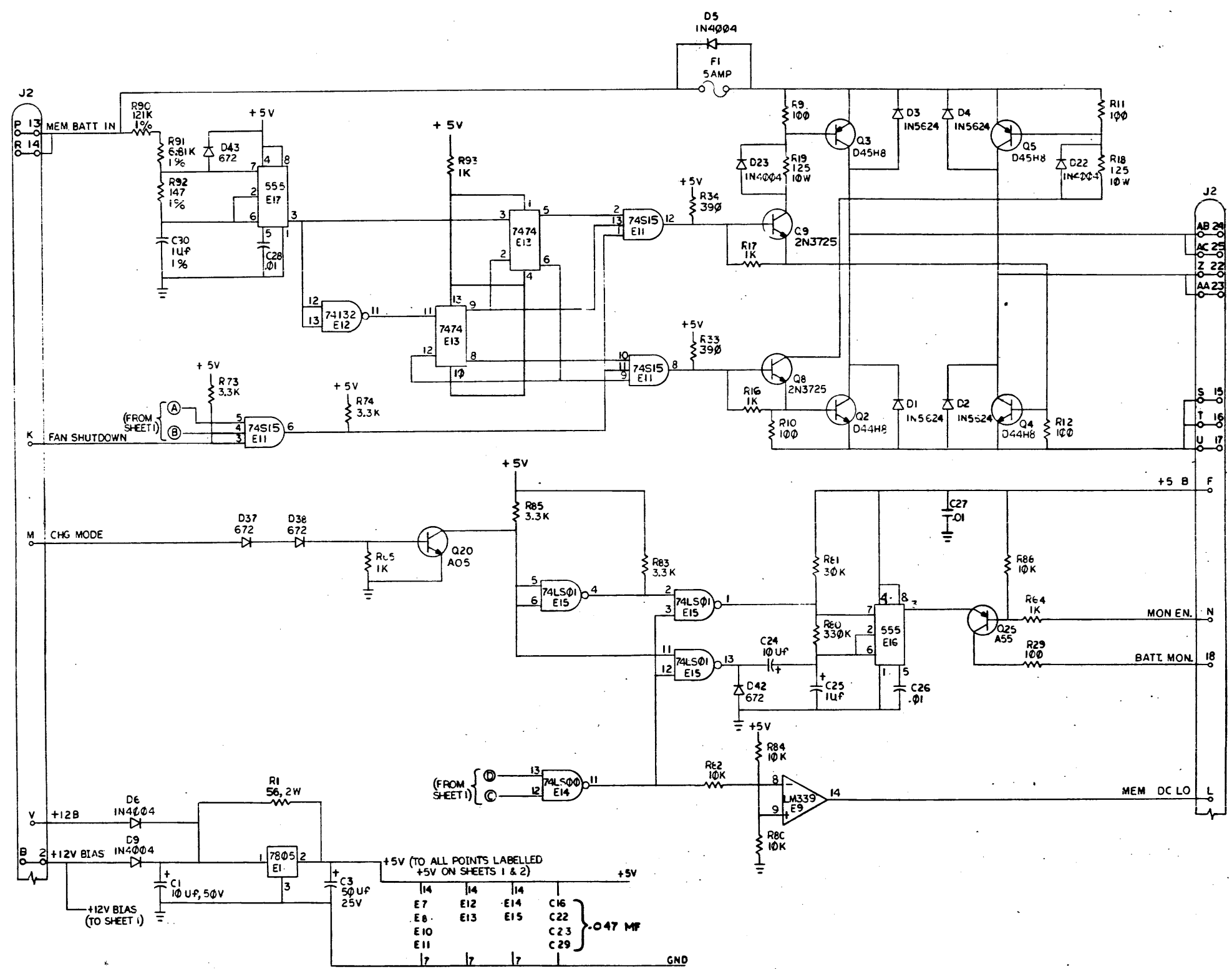


REV.	DATE	BY	CHK'D
1	10/11/78	R. WOLF	R. WOLF
2	11/15/78	R. WOLF	R. WOLF
3	12/15/78	R. WOLF	R. WOLF
4	1/15/79	R. WOLF	R. WOLF
5	2/15/79	R. WOLF	R. WOLF
6	3/15/79	R. WOLF	R. WOLF
7	4/15/79	R. WOLF	R. WOLF
8	5/15/79	R. WOLF	R. WOLF
9	6/15/79	R. WOLF	R. WOLF
10	7/15/79	R. WOLF	R. WOLF
11	8/15/79	R. WOLF	R. WOLF
12	9/15/79	R. WOLF	R. WOLF
13	10/15/79	R. WOLF	R. WOLF
14	11/15/79	R. WOLF	R. WOLF
15	12/15/79	R. WOLF	R. WOLF

DRW. NO.	11-778	FIRST USED ON	20-00-0
CHK'D			
ENGR.	7-22-78	TITLE	BIAS AND INTERFACE BOARD
PROJ. ENGR.	7-22-78	SIZE	D
PROJ. Y. M.	7-15-78	CODE	CS 5413605-0-1
NEXT NUMBER ASSY.		NUMBER	E
SCALE		REV.	
SHEET	1 OF 3	DRW.	

THIS DRAWING AND SPECIFICATIONS HEREIN ARE THE PROPERTY OF DIGITAL EQUIPMENT CORPORATION AND SHALL NOT BE REPRODUCED OR COPIED OR USED IN WHOLE OR IN PART AS THE BASIS FOR THE MANUFACTURE OR SALE OF ITEMS WITHOUT WRITTEN PERMISSION.
 DIGITAL EQUIPMENT CORPORATION
 COPYRIGHT © 1976

DCS 5413605-0-1 E 2



REVISIONS		
CHK	CHANGE NO.	REV.

TITLE: BIAS AND INTERFACE BOARD
 NUMBER: DCS 5413605-0-1 E
 SHEET 2 OF 3
 SCALE: TW 1

DCS 5413605-0-1 E

LINE ITEM	DOCUMENT NUMBER	PART NUMBER	DESCRIPTION	QTY PER VARIATION	REFERENCE DESIGNATOR
				00	
1	D-MD-5013604-0-0	5013604-00	DRILL & ETCH BD	1	
2		1000024-00	470.0 MMF 100V 5%200PFM MICA	2	C5,C14
3		1000070-00	10 MFD 50V+100-10% AL EL	1	C1
4		1000075-00	25 MFD 25V +75-10% AL EL	1	C2
5		1001610-00	.01 MFD 50V +80-20% 25U CER	12	C6,C8-C11,C13,C17,C18,C21, C26-C28
6		1001776-00	1 MFD 35V 10% S.TANT	1	CONT C25
7		1001796-00	50 MFD 25V +75-10% AL EL	1	C3
8		1010866-02	10 MFD 25V +50-20% S.TANT	4	C12,C15,C19,C24
9		1012784-00	.047 MFD 50V +80-20% CER	6	C7,C16,C20,C22,C23,C29
10		1013252-00	82 MFD 50V+100-10% AL EL	1	C4
11		1016138-00	1 MFD 50V 1% M.POLYCARB	1	C30
12		1105275-00	D 672 TR= 15NS PIV= 60V SI	24	D14-D16,D18-D21,D24-D26,D28-D33, CONT D35-D38,D40-D43
13		1105796-00	1N 4004 PIV=400 I= 1A D041 SP	7	D5,D6,D9,D11,D22,D23,D39
14		1105871-00	1/4M5.1AZ1 = 5.1 1% .25W N	1	D13
15		1109502-00	1N 4742 VZ= 12.0 10% 1W Y	1	D34
16		1109517-00	1N 914B TR= 4NS PIV= 75V SY	1	D17
17		1109943-00	1N 4733A VZ= 5.1 5% 1W Y	1	D10
18		1110420-00	1N 5624 PIV=200 I= 5A	4	D1-D4
19		1110854-00	1N 5353B VZ= 16.0V 5% .40W M	1	D12
20		1112595-00	A114F PIV= 50 I= 1A	1	D8
21		1112595-01	A114B PIV=200 I= 1A	1	D7
22		1205747-00	FUSE, SUB-MINI, 5.000A, 125V, A	1	F1
23		1216112-02	HEADER.100 40POS RT ANGLE	1	J1
24		1216112-03	HEADER.100 50POS RT ANGLE	1	J2
25		1300229-00	100.0 .25 W 5.0 % CC	7	R9-R12,R29,R31,R46
26		1300309-00	390.0 .25 W 5.0 % CC	2	R33,R34
27		1300315-00	470.0 .50 W 5.0 % CC	1	R21
28		1300347-00	680.0 .50 W 5.0 % CC	1	R20

REVISION HISTORY		BASIC PART NO: 5413605		DRN:	J.FERGUSON	DATE:	16-OCT-80	D I G I T A L			
ENG!	ECD NUMBER	REV	SECTION A OF A	CHK'D:	F.GAROFALO	DATE:	16-OCT-80	TITLE PARTS LIST			
	INITIAL	E	SECTION VARIATION INDEX					BIAS AND INTERFACE BD			
			[A] 00					DOCUMENT NUMBER			
			[B]					SIZE	CODE	NUMBER	REV
			[C]	DES.ENG:	R.WOLF	DATE:	16-OCT-80	K	PL	5413605-0-DBP	E
			[D]	RESP.ENG.:	R.WOLF	DATE:	16-OCT-80				
			[E]								
			[F]	MFG.ENG.:	J.COMELLA	DATE:	16-OCT-80				
			[G]	ASSEMBLY NUMBER:		TOP DOCUMENT NUMBER:		FILE NAME:			
			[H]	D-UA-5413605-0-0		B-DD-5413605-0-0		Z0402.PLS			
			[I]					EDIT #			
			[J]					11			

*THIS DRAWING AND SPECIFICATIONS HEREIN, ARE THE PROPERTY OF DIGITAL EQUIPMENT CORPORATION AND SHALL NOT BE REPRODUCED OR COPIED OR USED IN WHOLE OR IN PART AS THE BASIS FOR THE MANUFACTURE OR SALE OF ITEMS WITHOUT WRITTEN PERMISSION. COPYRIGHT (C) 1980. DIGITAL EQUIPMENT CORPORATION *

TW

LINE ITEM	DOCUMENT NUMBER	PART NUMBER	DESCRIPTION	QTY PER VARIATION	REFERENCE DESIGNATOR
				00	
29	29	1300365-00	1.0 K .25 W 5.0 % CC	10	
30	30	1300439-00	3.30 K .25 W 5.0 % CC	14	CONT R6,R13,R16,R17,R49,R64,R65,R69, R71,R93
31	31	1300444-00	3.90 K .25 W 5.0 % CC	1	CONT R38-R40,R56-R58,R66,R73-R76,R79, R83,R85
32	32	1300447-00	4.70 K .25 W 5.0 % CC	2	R14
33	33	1300479-00	10.0 K .25 W 5.0 % CC	12	R52,R87
34	34	1301322-00	180.0 .25 W 5.0 % CC	1	CONT R25,R35-R37,R50,R77,R78,R82,R84, R86,R88,R89
35	35	1302091-00	330.0 K .25 W 5.0 % CC	1	R30
36	36	1302177-00	47.0 K .25 W 5.0 % CC	1	R80
37	37	1302334-00	15.0 K 2.0 W 5.0 % CC	1	R32
38	38	1302394-00	30.0 K .25 W 5.0 % CC	1	R2
39	39	1302466-00	100.0 K .25 W 5.0 % CC	1	R81
40	40	1302479-00	200.0 K .50 W 5.0 % CC	2	R28,R48
41	41	1302644-00	226.0 .25 W 1.0 % RN55D-F10	1	R5
42	42	1302645-00	1.10 K .25 W 1.0 % RN55D-F10	1	R42
43	43	1302748-00	1.0 K .25 W 1.0 % RN55C-F 5	2	R62
44	44	1302751-00	30.0 .25 W 5.0 % CC	1	R26,R45
45	45	1302836-00	56.0 2.0 W 5.0 % CC	1	R43
46	46	1302860-00	11.50 K .25 W 1.0 % RN55D-F10	1	R1
47	47	1302874-00	147.0 .25 W 1.0 % RN55D-F10	1	R47
48	48	1302955-00	750.0 .25 W 1.0 % RN55D-F10	1	R92
49	49	1303067-00	422.0 .25 W 1.0 % RN55D-F10	1	R15
50	50	1303177-00	2.40 K .25 W 5.0 % CC	1	R60
51	51	1303305-00	6.98 K .25 W 1.0 % RN55D-F10	1	R44
52	52	1303322-00	274.0 K .75 W 1.0 % RN65D-F10	2	R70
53	53	1303438-00	121.0 K .25 W 1.0 % RN55D-F10	1	R3,R4
54	54	1304870-00	6.81 K .25 W 1.0 % RN55D-F10	1	R90
55	55	1305108-00	1.47 K .25 W 1.0 % RN55D-F10	1	R91
56	56	1305125-00	383.0 .25 W 1.0 % RN55D-F10	1	R61
57	57	1305253-00	7.15 K .25 W 1.0 % RN55D-F10	1	R72
58	58	1305357-00	125.0 10.0 W 5.0 % WW	2	R63
59	59	1309419-00	19.60 K .25 W 1.0 % RN55D-F10	1	R18,R19
60	60	1305405-00	24.90 K .25 W 1.0 % RN55D-F10	1	R59
61	61	1313341-00	5.36 K .25 W 1.0 % RN55D-F10	1	R53
62	62	1313775-00	80.60 K .25 W 1.0 % RN55D-F10	1	R24
63	63	1313843-00	107.0 K .25 W 1.0 % RN55D-F10	1	R22
64	64	1314023-00	47.0 2.0 W 5.0 % CC	1	R23
65	65	1314041-00	3.01 K .25 W 1.0 % RN55D-F10	2	R8
66	66	1314121-00	1.0 M .25 W 1.0 % RN55D-F10	2	R27,R41
67	67	1314387-00	3.90 M .25 W 5.0 % CC	1	R67,R68
68	68	1509524-00	2N 3904 NPN 310MW SI 40 40 M	2	R7
69	69	1510233-00	2N 5460 FET 310MW SIP CHNNL	1	Q11,Q12
70	70	1510705-00	XA 05 NPN 500MW SI 60 50 P	6	Q13
71	71	1510706-00	XA 55 PNP 500MW SI 60 50 P	2	Q17-Q20,Q22,Q26
72	72	1510707-00	D 44H8 NPN 25W SI 60@2A	2	Q21,Q25
73	73	1510708-00	D 45H8 PNP 50WT SI 60 60 Y	2	Q2,Q4 Q3,Q5

D	I	G	I	T	A	L	TITLE	SECTION A OF A	SIZE	CODE	DOCUMENT NUMBER	REV
							BIAS AND INTERFACE BD		K	PL	5413605-0-DBP	E

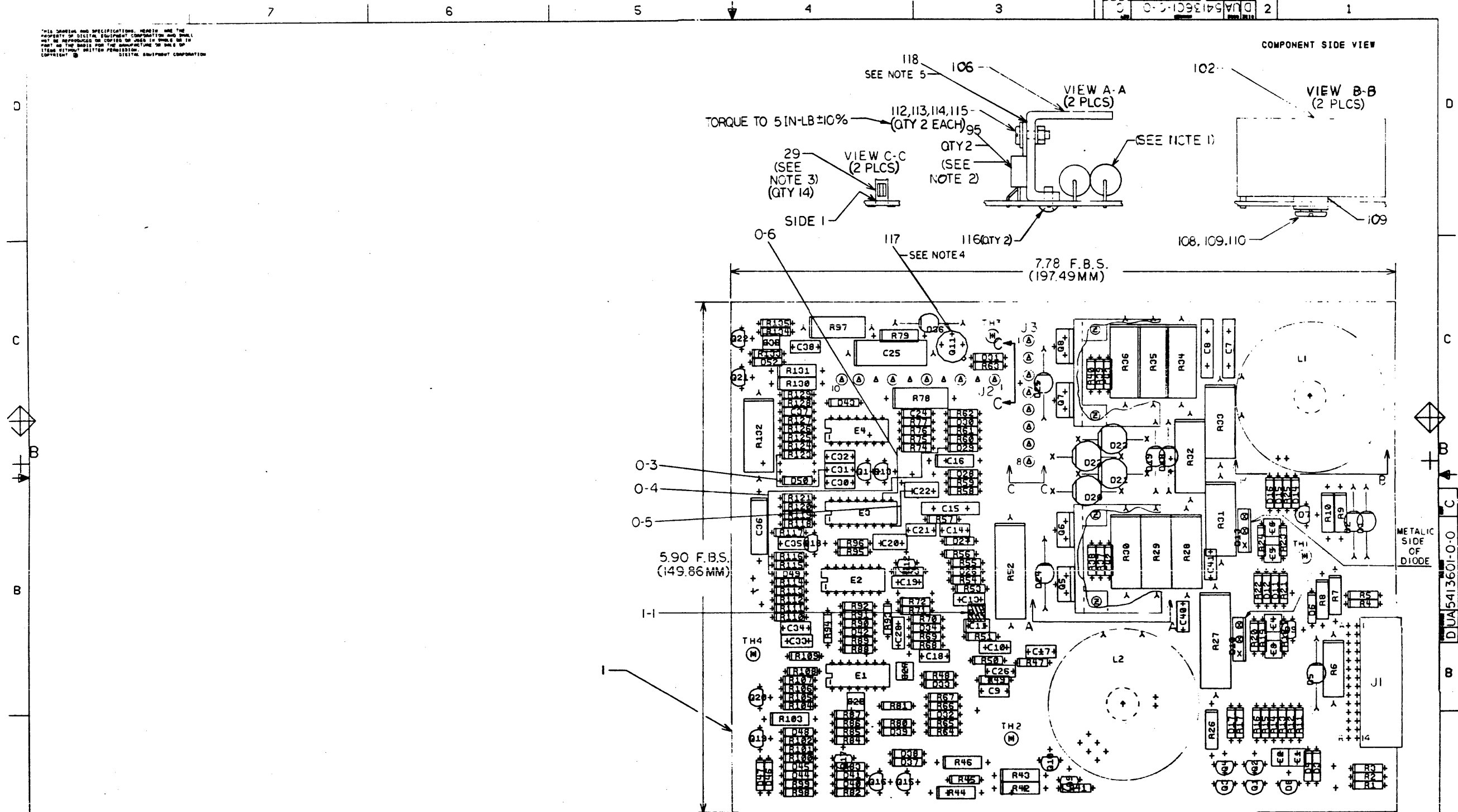
TW

LINE ITEM	DOCUMENT NUMBER	PART NUMBER	DESCRIPTION	QTY PER VARIATION 00	REFERENCE DESIGNATOR
74	74	1510959-00	2N 3725 NFN 3.5WC SI 50 60 P	2	Q8,Q9
75	75	1511686-00	DEC5433 FET N 350MW 10 25 1A	4	Q14-Q16,Q24
76	76	1513489-00	2N 4401 NFN 350MW SI 40 20	1	Q10
77	77	1513490-00	2N 4403 FNF 350MW SI-40 30	1	Q23
78	78	1514271-01	D 44Q5 NFN 31W SI225 30	1	Q6
79	79	1516119-00	NFN 600MW SI400 40	1	Q1
80	80	1516121-00	MPS A92 FNF 625MW SI300 25	1	Q7
81	81	1905547-00	7474 FF-D DUAL,EDGE TRIGG	1	E13
82	82	1909004-00	DEC 7402 NOR GATE-QUAD 2IN	2	E7,E10
83	83	1910538-00	74S15 AND GATE-TRIPLE 3IN	1	E11
84	84	1910741-00	7406 INVERTER GATE-HEX 1I	1	E8
85	85	1911036-00	75453 DRIVER,PERIPH,DUAL,	1	E4
86	86	1911637-00	74132 NAND GATE-QUAD 2 IN	1	E12
87	87	1911944-00	555CN TIMER,FUNCT.BLOCK	3	E2,E16,E17
88	88	1912108-00	339 VOLT CMPRTR,QUAD	1	E9
89	89	1912536-01	7805 VOLT REG,FIX +5V	1	E1
90	90	1912799-00	LS00 NAND-GATE-QUAD 2IN,P	1	E14
91	91	1912800-00	LS01 NAND-GATE-QUAD 2IN,P	1	E15
92	92	1914156-00	LM 393 VOLT.COMPARATOR DUAL	1	E3
93	93	1914194-00	OPTP-COUPLED ISOLATOR	2	E5,E6
94	94	C-MD-7422046-0-0	7422046-00 HEAT SINK,SINGLE	3	
95	95	B-MD-7422047-0-0	7422047-00 HEAT SINK,DOUBLE	2	
96	96	9006011-01	SCREW,PAN,PHIL 4-40X 3/8 SS	7	
97	97	9006556-00	NUT,HEX , 4-40X1/4 AF X 3/	7	
98	98	9006688-00	WASHER, LOCK, S.S. #4	7	
99	99	9006735-00	EYELET, FUNNEL FLANGE, .059 OD X	2	
100	100	9007201-00	TRANSIPADS #10253	2	
101	101	9008268-00	COMPOUND, THERMAL JOINT	A/R	
102	102	9009185-00	JUMPER, WIRE, INSULATED, BLACK B	1	W1
103	103	9009769-00	WASHER, RECTANGULAR .405X.225X.0	7	
104	104	9010128-00	SCREW,TAPPING,TYPE PAN ,PHIL,	7	
105	105	1303312-00	10.0 K .25 W 1.0 % RN55D-F10	2	R51,R55
106	106	1303044-00	100.0 K .25 W 1.0 % RN55D-F10	1	R54

D	I	G	I	T	A	L	TITLE	SECTION A OF A	SIZE	CODE	DOCUMENT NUMBER	REV
							BIAS AND INTERFACE BD		K	PL	5413605-0-DBP	E

TW

ALL DIMENSIONS AND SPECIFICATIONS, HEREIN AND THE PROPERTIES OF DESIGN, EQUIPMENT COMPONENTS AND SHALL NOT BE APPROVED OR COPIED OR USED IN WHOLE OR IN PART AS THE BASIS FOR THE MANUFACTURE OF THIS ITEM WITHOUT WRITTEN PERMISSION. DIGITAL EQUIPMENT CORPORATION



NOTES:

1. D20, 23, R27-36, R52, 78, 97 AND R132 TO BE PAISED C5 TO C OFF PCB. (SEE VIEW A-A)
2. Q5-B MUST BE MOUNTED TO HEAT SINK BEFORE BEING ATTACHED TO PCB. (SEE VIEW A-A)
3. ITEM 29 TO BE INSERTED IN J3 PINS 1-B AND J2 PINS 1, 3, 5, 7, 9, 10. PINS 2, 4, 6, 8 ARE EMPTY. (SEE VIEW C-C)
4. USE TRANSIPAD (ITEM 117) UNDER Q 11.

CHG. NO.	REV.	DATE	BY	CHK.
5413601-TW8	1/0	7/14/70	R. WOLF	5/10/70

NOTES:

5. USE THERMAL COMPOUND (ITEM 118) BETWEEN HEAT SINK AND Q5, 6, 7, 8.

ETCH REV.	C
P.L.C. DESIGN DATA BRD REV.	C L

SIGNATURES	DATE
DRN. <i>[Signature]</i>	3-5-79
CHK'D. E. TERRY	9-27-79
ENC. <i>[Signature]</i>	7-20-77
PROJ. ENG. <i>[Signature]</i>	7-20-77
PROD. <i>[Signature]</i>	7-15-77
SCALE 2/1	
SHT. 1 OF 4	
NEXT MEMBER ASSY. B-DD-5413601-0	

digital	
TITLE LOGIC INVERTER CONTROL BOARD	
SIZE CODE	NUMBER
D U A 5413601-0-0 C	
REV	

8

7

6

5

4

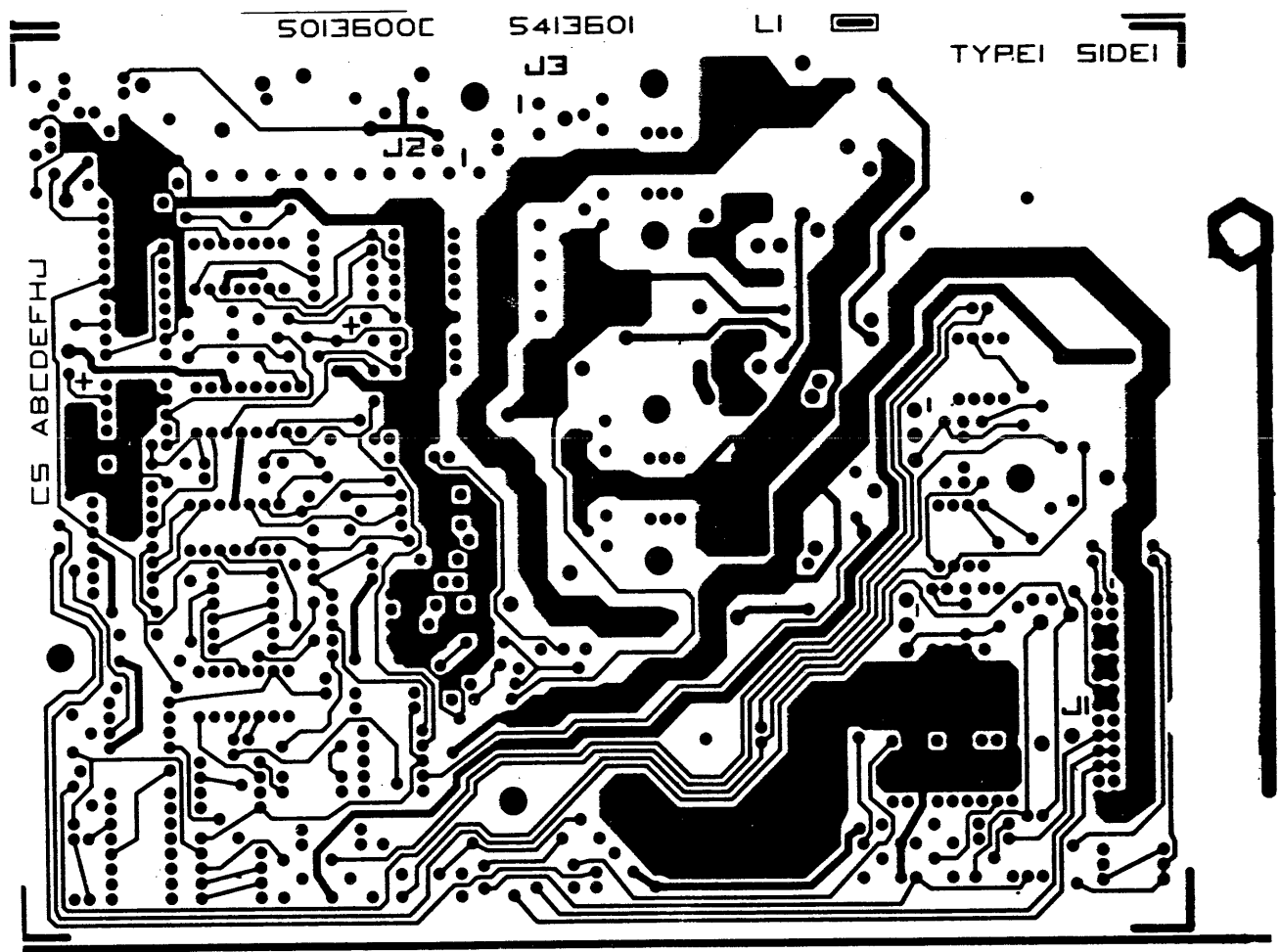
3

2

1 MS#125686

THIS DRAWING AND SPECIFICATIONS HEREIN ARE THE PROPERTY OF DIGITAL EQUIPMENT CORPORATION AND SHALL NOT BE REPRODUCED OR COPIED OR USED IN WHOLE OR IN PART AS THE BASIS FOR THE MANUFACTURE OR SALE OF ITEMS WITHOUT WRITTEN PERMISSION. COPYRIGHT © 1974 DIGITAL EQUIPMENT CORPORATION.

DUA 5413601-0-0 2 C



REVISIONS		
CHK	CHANGE NO	REV

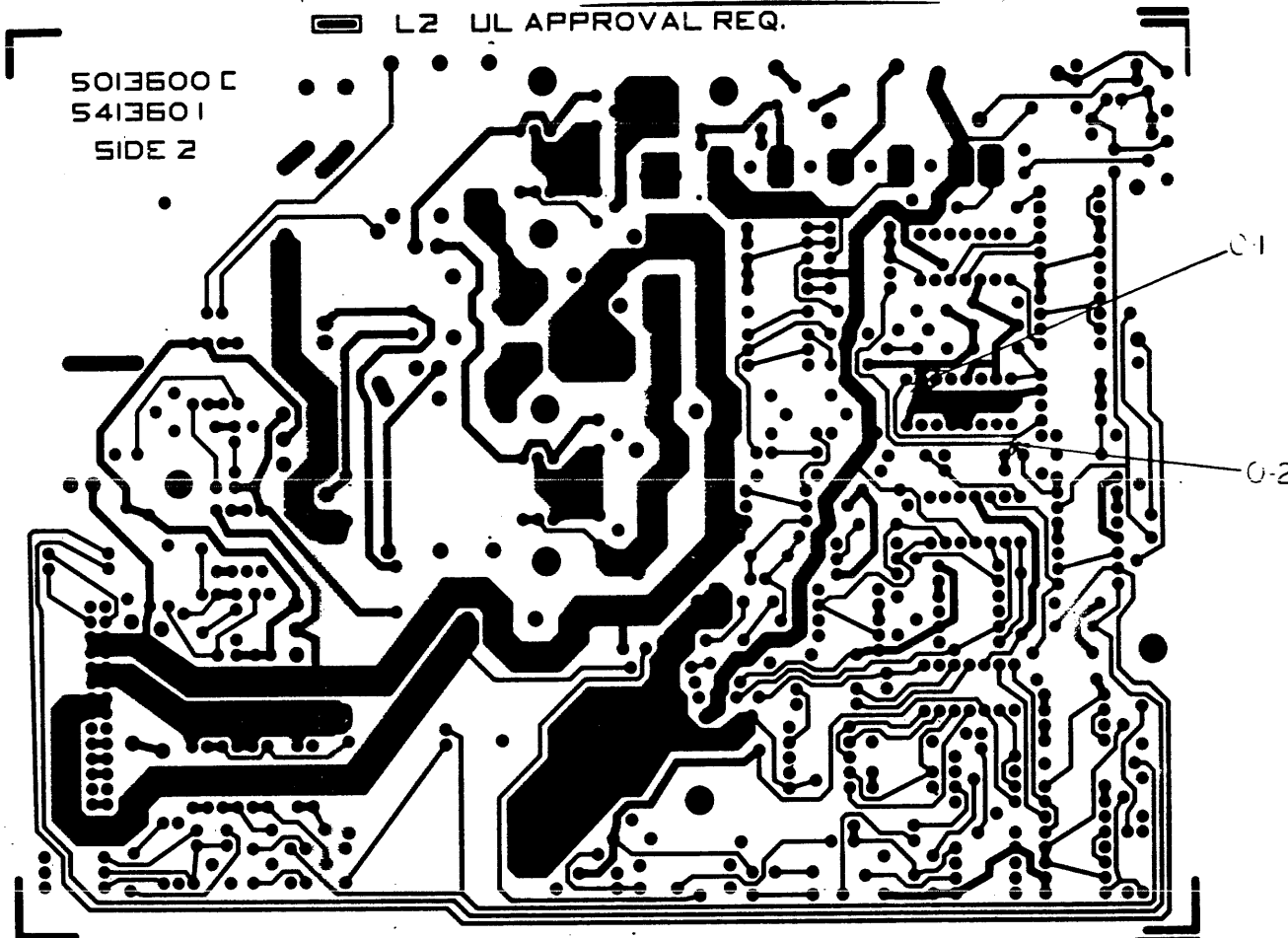
TITLE	LOGIC INVERTER CONTROL BOARD	SIZE CODE	D UA	NUMBER	5413601-0-0	REV.	C
SCALE	2/1	SHEET	2	OF	4	DIST.	

DUA 5413601-0-0 C

TU

"THIS DRAWING AND SPECIFICATIONS HEREIN ARE THE PROPERTY OF DIGITAL EQUIPMENT CORPORATION AND SHALL NOT BE REPRODUCED OR COPIED OR USED IN WHOLE OR IN PART AS THE BASIS FOR THE MANUFACTURE OR SALE OF ITEMS WITHOUT WRITTEN PERMISSION. COPYRIGHT © 1973 DIGITAL EQUIPMENT CORPORATION"

DJA 5413601-0-0 MJD.2



5013600 C
5413601
SIDE 2

█ L2 UL APPROVAL REQ.

0-1

0-2

D
C
B
A

D
C
B
A

DJA 5413601-0-0 C

REVISIONS		
CHK	CHANGE NO	REV

TITLE	LOGIC INVERTER CONTROL BOARD	SIZE CODE	DJA	NUMBER	5413601-0-0	REV.	C
SCALE	2/1	SHEET	3	OF	4	DIST.	TU

8 7 6 5 4 3 2 1

8 6 5 4 3 2 1

THIS DRAWING AND SPECIFICATIONS HEREIN ARE THE PROPERTY OF DIGITAL EQUIPMENT CORPORATION AND SHALL NOT BE REPRODUCED OR COPIED OR USED IN WHOLE OR IN PART AS THE BASIS FOR THE MANUFACTURE OR SALE OF ITEMS WITHOUT WRITTEN PERMISSION.
 COPYRIGHT © 1979 DIGITAL EQUIPMENT CORPORATION

REWORK INSTRUCTIONS:

ETCH CUTS SIDE 2

- 0-1 CUT ETCH ON BOTH SIDES OF E3-10 (2 CUTS)
- 0-2 FROM R74 TO Q18/BASE (CUT NEAR BASE)

WIRE ADD SIDE 1

- 0-3 FROM R23 TO C31
- 0-4 FROM D49/CATHODE TO D29, CATHODE
- 0-5 FROM E3-5 TO C22
- 0-6 FROM E3-10 TO R74.

REWORK INSTRUCTIONS: (ECO#)

- COMPONENT DELETE SIDE 1
- 1-1 DELETE C12

D
C
B
A

D
C
B
A

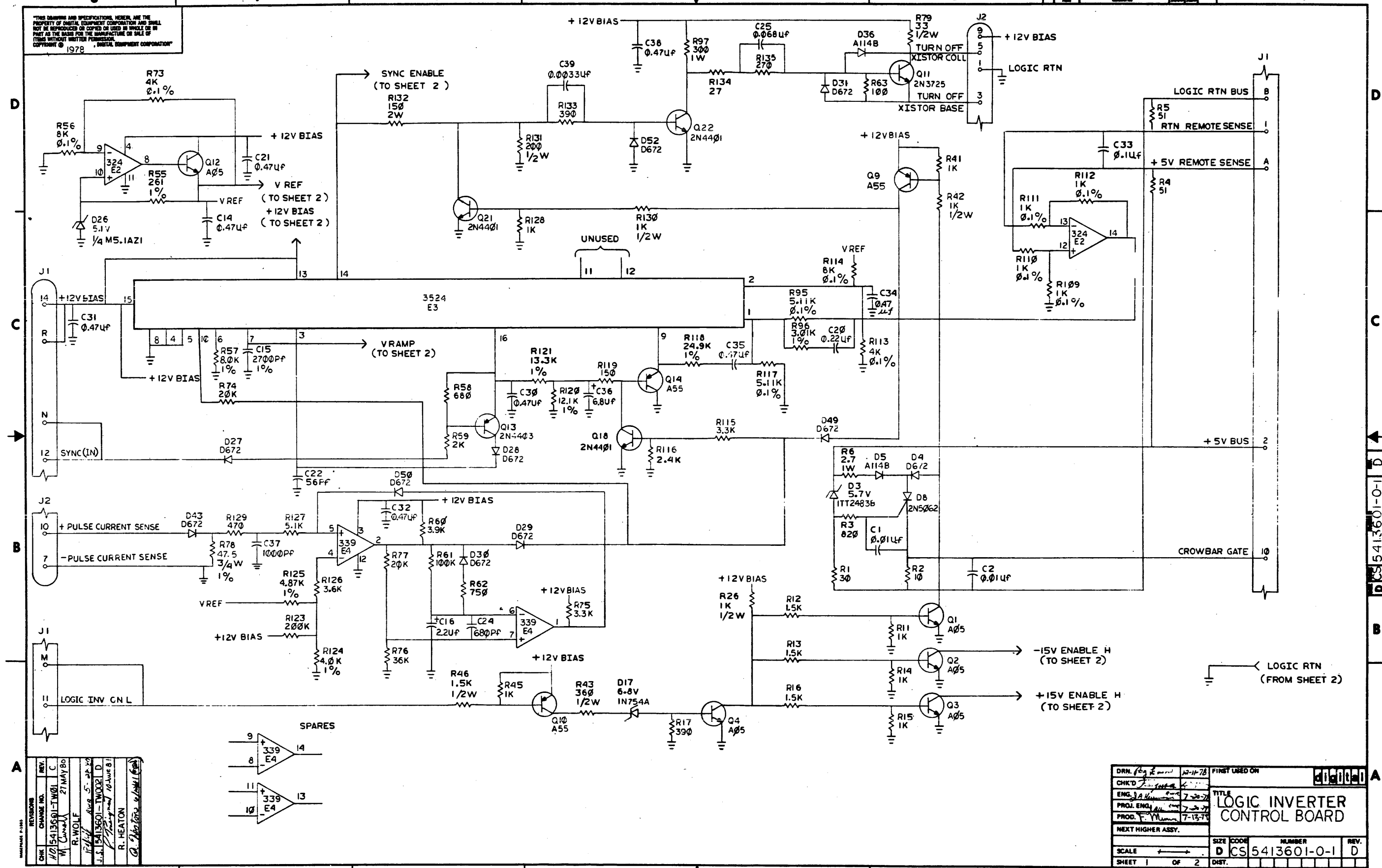
REVISION HISTORY		
DATE	ECO NUMBER	REV.

8 7 6 5 4 3 2 1

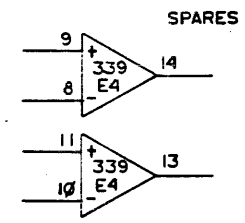
TITLE		DOCUMENT NUMBER	
LOGIC INVERTER CONTROL BOARD		DJA	541360I-0-0
SCALE	NONE	SHEET	4 OF 4
TU		1	

DJA 541360I-0-0 C

"THIS DRAWING AND SPECIFICATIONS, HEREIN, ARE THE PROPERTY OF DIGITAL EQUIPMENT CORPORATION AND SHALL NOT BE REPRODUCED OR COPIED OR USED IN WHOLE OR IN PART AS THE BASIS FOR THE MANUFACTURE OR SALE OF THIS WITHOUT WRITTEN PERMISSION. COPYRIGHT © 1978, DIGITAL EQUIPMENT CORPORATION"



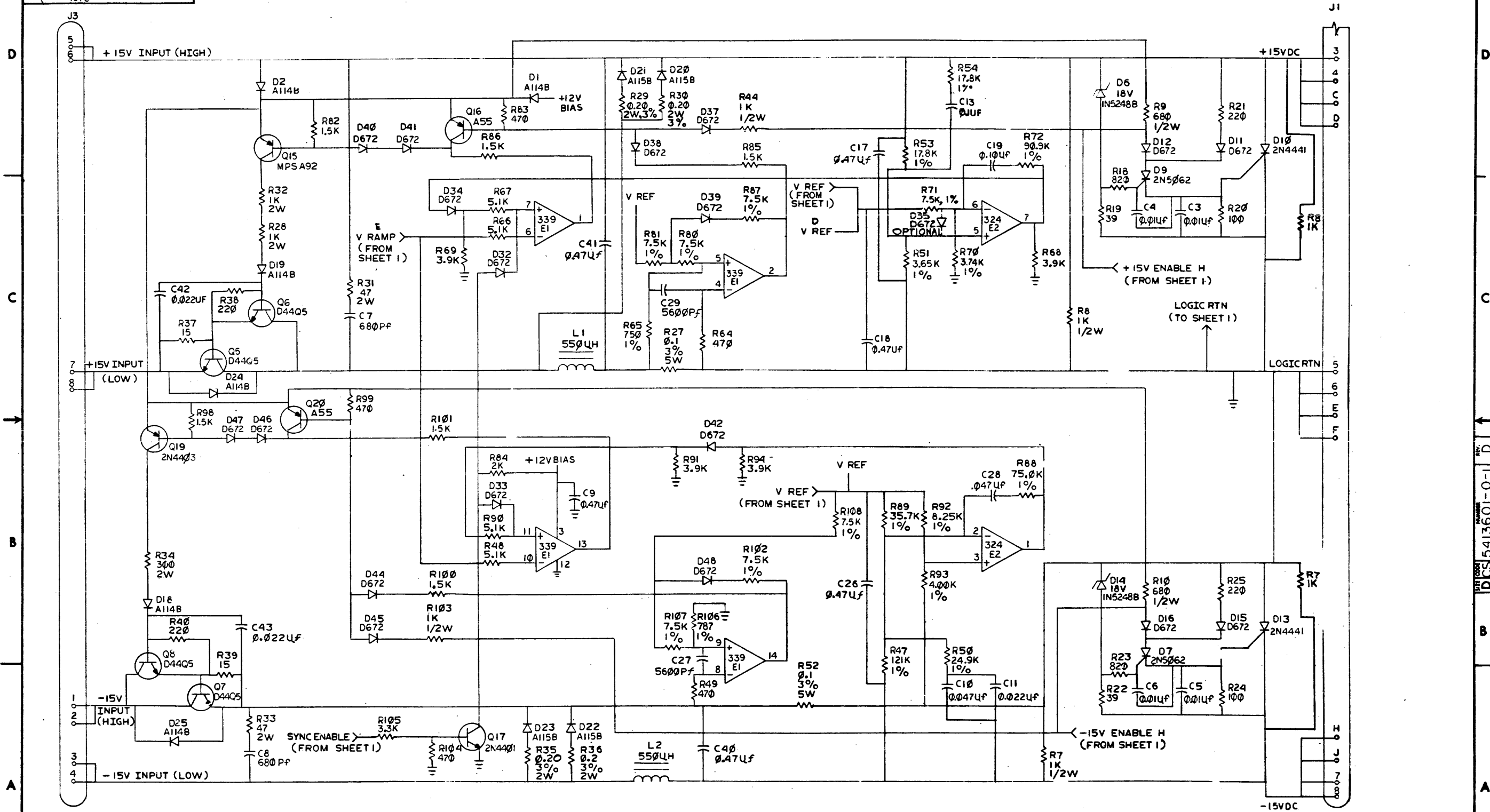
REV.	CHANGE NO.	DATE	BY	CHK'D
1	1	10-11-78	R. WOLF	
2	1	12-11-78	R. WOLF	
3	1	1-10-79	R. WOLF	
4	1	7-20-79	R. WOLF	
5	1	7-13-79	R. WOLF	



DRN. 10-11-78	FIRST USED ON	
CHK'D		
ENG. 12-11-78		
PROJ. ENG. 7-20-79		
PROD. 7-13-79		
NEXT HIGHER ASSY.		
SCALE	SIZE CODE	NUMBER
SHEET 1 OF 2	D	CS 5413601-0-1
	DIST.	

D CS 5413601-0-1 D

THIS DRAWING AND SPECIFICATIONS HEREIN ARE THE PROPERTY OF DIGITAL EQUIPMENT CORPORATION AND SHALL NOT BE REPRODUCED OR COPIED OR USED IN WHOLE OR IN PART AS THE BASIS FOR THE MANUFACTURE OR SALE OF ITEMS WITHOUT WRITTEN PERMISSION. DIGITAL EQUIPMENT CORPORATION. COPYRIGHT © 1978



REVISIONS		
CHK	CHANGE NO.	REV.

TITLE LOGIC INVERTER CONTROL BOARD
 NUMBER DCS 5413601-0-1
 SHEET 2 OF 2
 SCALE TW

LINE	ITEM	DOCUMENT NUMBER	PART NUMBER	DESCRIPTION	QTY	PER VARIATION	REFERENCE DESIGNATOR
					00		
1	1	D-MD-5013600-0-0	5013600-00	DRILL & ETCH BD	1		
2	2		1010978-24	.01 MFD 50V 10%	6		C1-C6
3	3		1013280-00	680.0 MMF 100V 5%200PPM MICA	2		C7,C8
4	4		1010279-01	.47 MFD 25V 20%	14		C9,C14,C18,C21,C30-C32,C34,C35,
						CONT	C38,C17,C26,C40,C41
5	5		1010978-32	.047 MFD 50V 10%	2		C10,C28
6	6		1011683-00	.022 MFD 50V 10%	1		C11
7	7		1014170-00	2700.0 MMF 100V 1% 70PPM MICA	1		C15
8	8		1002627-00	2.2MFD 20V 10% S.TANT	1		C16
9	9	BLANK		*** THIS ITEM IS NOT USED ***	-		
10	10		1010978-36	.1 MFD 50V 10%	3		C19,C33,C13
11	11		1010274-00	.22 MFD 50V +80-20% Z5U CER	1		C20
12	12		1000012-00	56.0 MMF 100V 5%200PPM MICA	1		C22
13	13		1013466-08	680.0 MMF 50V 10% X7R CER	1		C24
14	14		1000052-00	.068 MFD 100V 10% MYLR	1		C25
15	15		1012783-00	.022 MFD 50V +80-20% CER	2		C43,C42
16	16		1011740-00	5600.0 MMF 50V 10% CER	2		C27,C29
17	17		1005306-00	6.8MFD 35V 10% S.TANT	1		C36
18	18		1013466-09	1000.0 MMF 50V 10% X7R CER	1		C37
19	19		1011740-01	3300.0 MMF 50V 10% CER	1		C39
20	20		1112595-01	A114B PIV=200 I= 1A	8		D1,D2,D5,D18,D19,D24,D25,D36
21	21		1111205-00	SCREENED VZ= 5.7 2% .40W	1		D3
22	22		1105275-00	D 672 TR= 15NS PIV= 60V SI	28		D4,D11,D12,D15,D16,D27-D34,
						CONT	D37-D50,D52
23	23		1110766-00	1N 5248B VZ= 18.0 5% .50W	2		D6,D14
24	24		1110968-00	2N 5062 SCRA100V I=.8A T092	3		D7-D9
25	25		1109991-00	1N 754A VZ= 6.8 5% .40W	1		D17
26	26		1112594-01	A115B PIV=200 I= 3A	4		D20-D23
27	27		1105871-00	1/4M5,1AZ1 = 5.1 1% .25W N	1		D26
28	28		1105873-00	*** THIS ITEM IS NOT USED ***	-		

REVISION HISTORY			BASIC PART NO: 5413601			DRN: J.LENT			DATE: 3-JAN-79			DIGITAL		
ENG	ECO NUMBER	REV	SECTION A OF A	CHK'D:	F.GERRY	DATE:	19-JUL-79	TITLE	PARTS LIST					
---	INITIAL	B	SECTION VARIATION INDEX	CHK'D:	F.GERRY	DATE:	19-JUL-79	LOGIC INVERTER CONTROL BD						
---	INITIAL	B	[A] 00											
RW	5413601-TW001	IC	[B]	DES.ENG:	J.A.HERRMANN	DATE:	19-JUL-79	DOCUMENT NUMBER						
RH	5413601-TW002	D	[C]											
			[D]											
			[E]											
			[F]	RESP.ENG.:	J.A.HERRMANN	DATE:	19-JUL-79	SIZE	CODE	NUMBER	REV			
			[H]											
			[J]											
			[K]	MFG.ENG.:	F.MUNIZ	DATE:	19-JUL-79	K	PL	5413601-0-DBP	D			
			[L]											
			[M]	ASSEMBLY NUMBER:		TOP DOCUMENT NUMBER:		FILE NAME:		EDIT #				
			[N]	D-UA-5413601-0-0				Z0400.PLS		22				

"THIS DRAWING AND SPECIFICATIONS HEREIN, ARE THE PROPERTY OF DIGITAL EQUIPMENT CORPORATION AND SHALL NOT BE REPRODUCED OR COPIED OR USED IN WHOLE OR IN PART AS THE BASIS FOR THE MANUFACTURE OR SALE OF ITEMS WITHOUT WRITTEN PERMISSION. COPYRIGHT (C) 1981, DIGITAL EQUIPMENT CORPORATION."

TW

LINE	ITEM	DOCUMENT NUMBER	PART NUMBER	DESCRIPTION	QTY	PER VARIATION	REFERENCE DESIGNATOR
					00		
29	29		121172R-00	SOCKET 1POS STRIP FORM	14		J2, J3
30	30		1216112-01	HEADER, 100 29POS RT ANGLE	1		J1
31	31		1302751-00	30.0 .25 W 5.0 % CC	1		R1
32	32		1301317-00	10.0 .25 W 5.0 % CC	1		R2
33	33		1301775-00	820.0 .25 W 5.0 % CC	3		R3, R18, R23
34	34		1312928-00	51.0 .25 W 5.0 % CC	2		R4, R5
35	35		1310382-00	2.70 1.0 W 5.0 % CC	1		R6
36	36		1300364-00	1.0 K .50 W 5.0 % CC	7		R7, R8, R26, R42, R44, R103, R130
37	37		1300347-00	680.0 .50 W 5.0 % CC	2		R9, R10
38	38		1300365-00	1.0 K .25 W 5.0 % CC	6		R11, R14, R15, R41, R45, R128
39	39		1300391-00	1.50 K .25 W 5.0 % CC	9		R12, R13, R16, R82, R85, R86, R98, R100, R101
40	40		1300309-00	390.0 .25 W 5.0 % CC	2		CONT R17, R133
41	41		1302377-00	39.0 .25 W 5.0 % CC	2		R19, R22
42	42		1300229-00	100.0 .25 W 5.0 % CC	3		R20, R24, R63
43	43		1300271-00	220.0 .25 W 5.0 % CC	4		R21, R25, R38, R40
44	44		1305872-00	.10 5.0 W 3.0 % WW	2		R27, R52
45	45		1301952-00	1.0 K 2.0 W 5.0 % CC	2		R28, R32
46	46		1311604-00	.20 3.0 W 3.0 % WW	4		R29, R30, R35, R36
47	47		1314023-00	47.0 2.0 W 5.0 % CC	2		R31, R33
48	48		1309855-00	300.0 2.0 W 5.0 % CC	1		R34
49	49		1301421-00	15.0 .25 W 5.0 % CC	2		R37, R39
50	50		1302955-00	750.0 .25 W 1.0 % RN55D-F10	1		R65
51	51		1302323-00	360.0 .50 W 5.0 % CC	1		R43
52	52		1300394-00	1.50 K .50 W 5.0 % CC	1		R46
53	53		1303438-00	121.0 K .25 W 1.0 % RN55D-F10	1		R47
54	54		1300316-00	470.0 .25 W 5.0 % CC	6		R49, R64, R83, R99, R104, R129
55	55		1305405-00	24.90 K .25 W 1.0 % RN55D-F10	2		R50, R118
56	56		1304835-00	/REPLACED BY 13-05337-00	1		R51
57	57		1312989-00	17.80 K .25 W 1.0 % RN55D-F10	2		R53, R54
58	58		1313151-00	3.60 K .25 W 5.0 % CC	1		R126
59	59		1302873-00	261.0 .25 W 1.0 % RN55D-F10	1		R55
60	60		1305356-00	8.0 K .25 W .10 % RN55C-B 5	2		R56, R114
61	61		1305129-00	8.0 K .25 W 1.0 % RN55D-F10	1		R57
62	62		1312930-00	5.10 K .25 W 5.0 % CC	5		R48, R66, R67, R90, R127
63	63		1300444-00	3.90 K .25 W 5.0 % CC	5		R60, R68, R69, R91, R94
64	64		1302466-00	100.0 K .25 W 5.0 % CC	1		R61
65	65		1301401-00	750.0 .25 W 5.0 % CC	1		R62
66	66		1304693-00	*** THIS ITEM IS NOT USED ***	-		
67	67		1302391-00	20.0 K .25 W 5.0 % CC	2		R77, R74
68	68		1312452-00	3.74 K .25 W 1.0 % RN55D-F10	1		R70
69	69		1313344-00	75.0 K .25 W 1.0 % RN55D-F10	1		R88
70	70		1311320-00	90.90 K .25 W 1.0 % RN55D-F10	1		R72
71	71		1304728-00	4.0 K .25 W .10 % RN55E-B 2	2		R73, R113
72	72		1300439-00	1.30 K .25 W 5.0 % CC	3		R75, R105, R115
73	73		1312932-00	36.0 K .25 W 5.0 % CC	1		R76
74	74		1301459-00	47.50 .75 W 1.0 % RN65D-F10	1		R78
75	75		1300195-00	33.0 .50 W 5.0 % CC	1		R79

D	I	G	I	T	A	L	TITLE	LOGIC INVERTER CONTROL BD	SECTION A OF A	SIZE	CODE	DOCUMENT NUMBER	REV
										K	PL	5413601-0-DBP	D

TW

LINE	ITEM	DOCUMENT NUMBER	PART NUMBER	DESCRIPTION	QTY	PER VARIATION	REFERENCE DESIGNATOR
					ØØ		
76	76		1305322-00	7.50 K .25 W 1.0 % RN55D-F10	7		R80,R81,R107,R108,R87,R102,R71
77	77		1302388-00	2.0 K .25 W 5.0 % CC	2		R59,R84
78	78		1305421-00	35.70 K .25 W 1.0 % RN55D-F10	1		R89
79	79		1305325-00	8.25 K .25 W 1.0 % RN55D-F10	1		R92
80	80		1305127-00	4.0 K .25 W 1.0 % RN55D-F10	2		R93,R124
81	81		1305432-00	5.11 K .25 W .10% RN55E-B 2	2		R95,R117
82	82		1314041-00	3.01 K .25 W 1.0 % RN55D-F10	1		R96
83	83		1300292-00	300.0 1.0 W 5.0 % CC	1		R97
84	84		1304865-00	1.0 K .25 W .10% RN55E-B 2	4		R109-R112
85	85		1300250-00	150.0 .25 W 5.0 % CC	1		R119
86	86		1303313-00	12.10 K .25 W 1.0 % RN55D-F10	1		R120
87	87		1312565-00	13.30 K .25 W 1.0 % RN55D-F10	1		R121
88	88		1300202-00	*** THIS ITEM IS NOT USED ***	-		
89	89		4810004-48	*** THIS ITEM IS NOT USED ***	-		
90	90		1302381-00	200.0 .50 W 5.0 % CC	1		R131
91	91		1300257-00	150.0 2.0 W 5.0 % CC	1		R132
92	92		1301522-00	27.0 .25 W 5.0 % CC	1		R134
93	93		1301972-00	270.0 .25 W 5.0 % CC	1		R135
94	94		1510705-00	XA 05 NPN 500MW SI 60 50 P	5		Q1-Q4,Q12
95	95		1514271-01	D 4405 NPN 31W SI225 30	4		Q5-Q8
96	96		1510706-00	XA 55 PNP 500MW SI 60 50 P	5		Q9,Q10,Q14,Q16,Q20
97	97		1510959-00	2N 3725 NPN 3.5WC SI 50 60 P	1		Q11
98	98		1513490-00	2N 4403 PNP 350MW SI-40 30	2		Q13,Q19
99	99		1516121-00	MPS A92 PNP 625MW SI300 25	1		Q15
100	100		1513489-00	2N 4401 NPN 350MW SI 40 20	4		Q17,Q18,Q21,Q22
101	101		1505867-00	2N 4441 SCRD 50V & 8A	2		D10,D13
102	102		1616213-00	450.0 UH 4 A	2		L1,L2
103	103		1912108-00	339 VOLT CMPRTR,QUAD	2		E1,E4
104	104		1912107-00	324 OP AMP,QUAD	1		E2
105	105		1914250-00	3524 MODULATOR-REGULATING	1		E3
106	106		7422047-01	HEAT SINK DOUBLE	2		
107	107		1301424-00	600.0 .25 W 5.0 % CC	1		R58
108	108		9006039-01	SCREW,PAN,PHIL 8-32X 1/2 SS	2		
109	109		9006660-00	WASHER, FLAT, .375 O.D. X .187 I	4		
110	110		9006690-00	WASHER, LOCK, S.S. #8	2		
111	111		1303177-00	2.40 K .25 W 5.0 % CC	1		R116
112	112		9006011-01	SCREW,PAN,PHIL 4-40X 3/8 SS	4		
113	113		9009769-00	WASHER, RECTANGULAR .405X.225X.0	4		
114	114		9006556-00	NUT,HEX , 4-40X1/4 AF X 3/	4		
115	115		9006688-00	WASHER, LOCK, S.S. #4	4		
116	116		9010120-00	SCREW,TAPPING,TYPE PAN ,PHIL,	4		
117	117		9007201-00	TRANSIPADS #10253	1		C23
118	118		9008260-00	COMPOUND, THERMAL JOINT	A/R		
119	119		1314516-00	200.0 K .25 W 5.0 % CC	1		R123
120	120		1313592-00	4.87 K .25 W 1.0 % RN55D-F10	1		R125
121	121		9105740-55	WIRE(WRAP)30AWG UL1423	A/R		
122	122		1000009-00	*** THIS ITEM IS NOT USED ***	-		
123	123		4810004-34	*** THIS ITEM IS NOT USED ***	-		

D	I	G	I	T	A	L	TITLE	LOGIC INVERIFR CONTROL BD	SECTION A OF A	SIZE	CODE	DOCUMENT NUMBER	REV
										K	PL	5413601-0-DBP	D

TW

AUTOMATED BY PRTLST,3G(17)

PARTS LIST

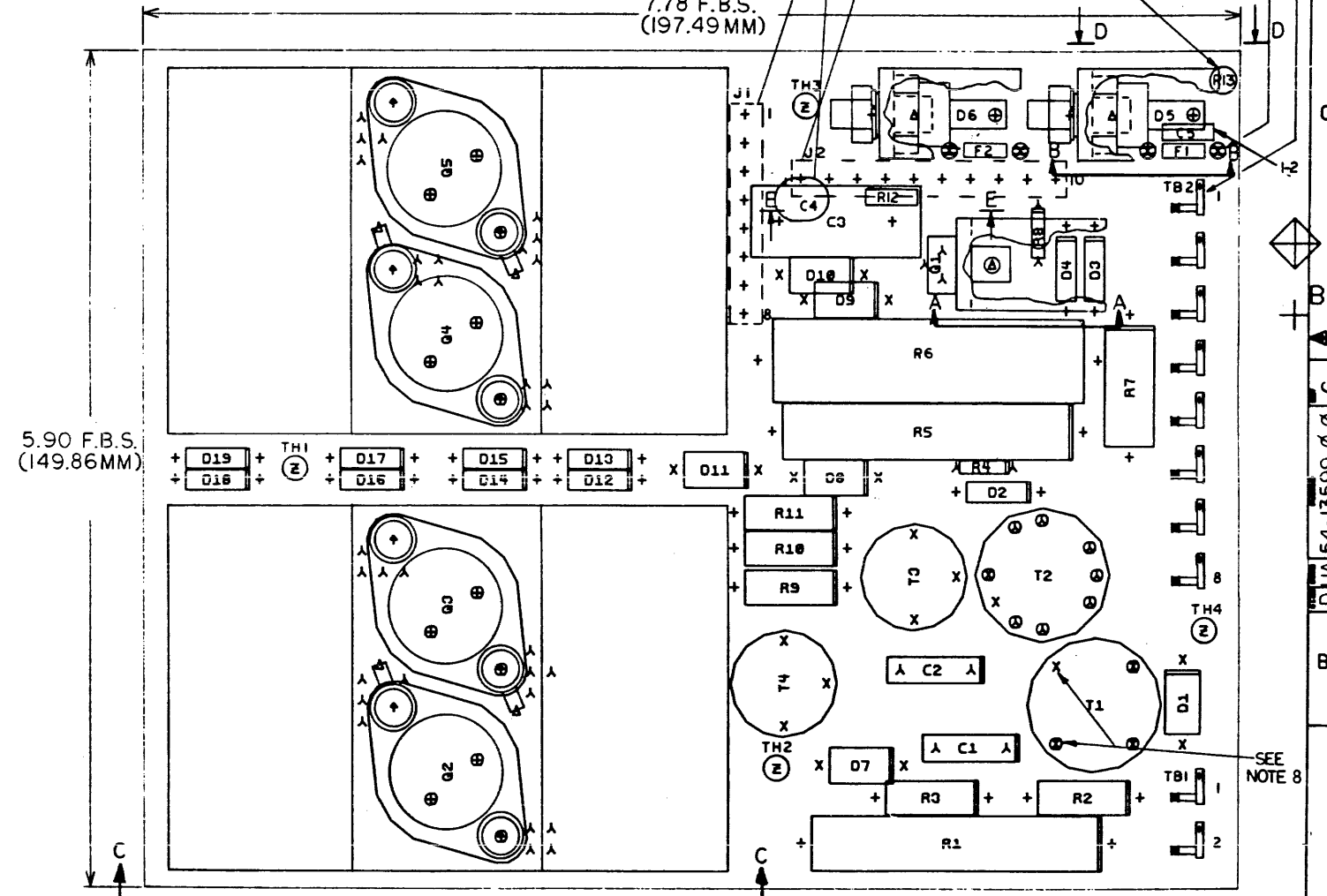
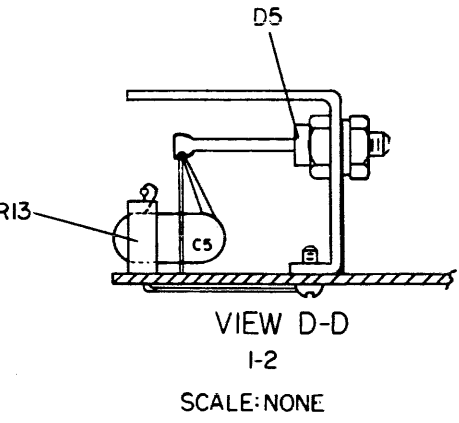
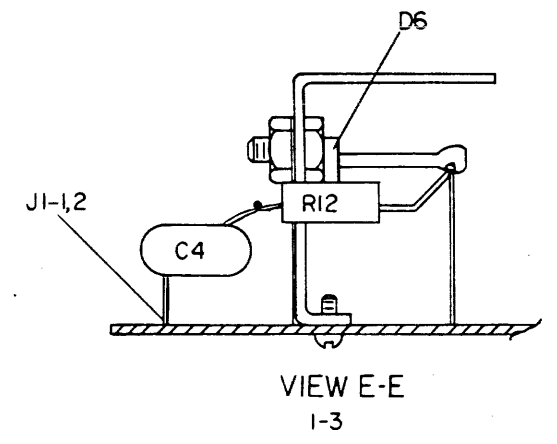
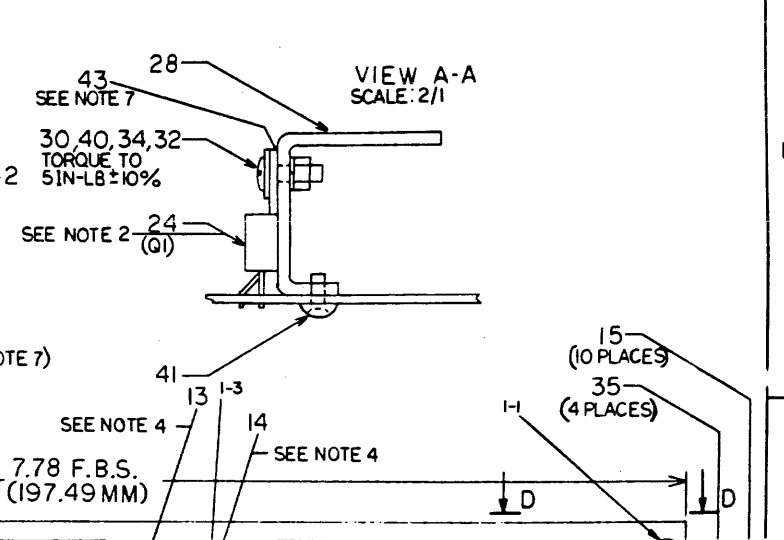
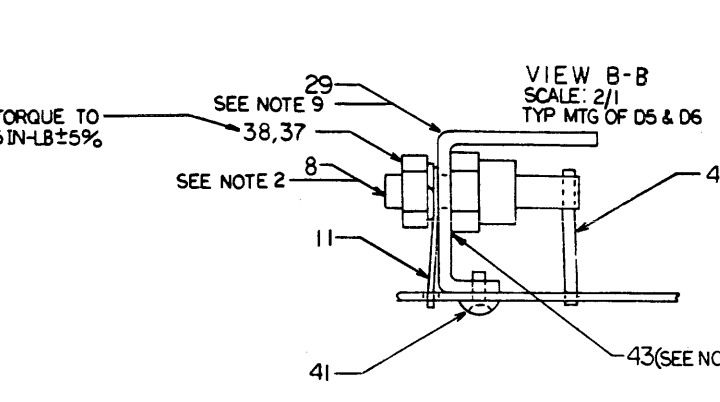
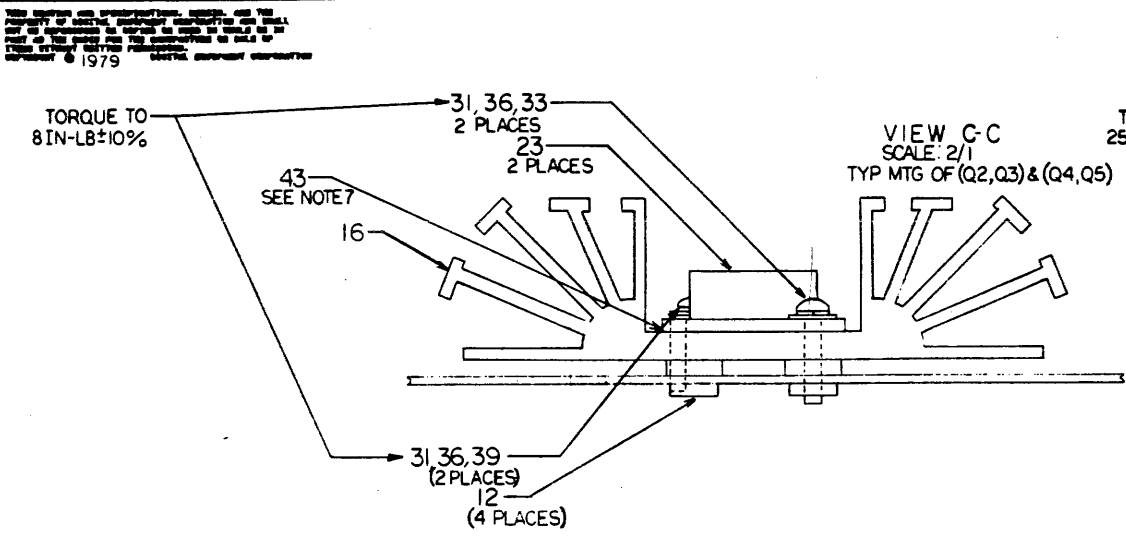
SHEET A4 OF A4

LINE	ITEM	DOCUMENT NUMBER	PART NUMBER	DESCRIPTION	QTY PER VARIATION	REFERENCE DESIGNATOR
124	124		1313794-00	787.0 .25 W 1.0 & RNS5D-F10	1	R106

125 NOTE: ITEM #121; .52" IS USED.

D	I	G	I	T	A	L	TITLE	LOGIC INVERTER CONTROL BD	SECTION A OF A	SIZE	CODE	DOCUMENT NUMBER	REV
										K	PL	5413601-0-DBP	D

TW



- NOTES:
- FOR STEP AND REPEAT DIM'S SEE 2 ML 39
 - Q1, D5 & D6 MUST BE MOUNTED TO HEATSINKS BEFORE BEING ATTACHED TO P.C.B.
 - FOR ASSM OF ITEM 23 SEE VIEW C
 - J1 AND J2 TO BE MOUNTED ON SIDE 2
 - RAISE R1, 5 AND R6, 125 TO .150" OFF P.C.B.
 - RAISE D1, 7, 8-11 AND R3, 7, 9-11, .05 TO .100"

CHANGE NO	REV	DATE	BY	CHK'D
1	1	7-15-77	R. RICHARD	

- NOTES:
- USE THERMAL COMPOUND ITEM 43 BETWEEN Q2, Q3, Q4, Q5 - Q1, D5, D6, AND HEAT SINK.
 - LARGER DIAMETER LEADS IN THESE TWO POSITIONS.
 - TOP FIN OF ITEM 29 (HEATSINK) MUST BE INSTALLED PARALLEL TO EDGE OF BOARD

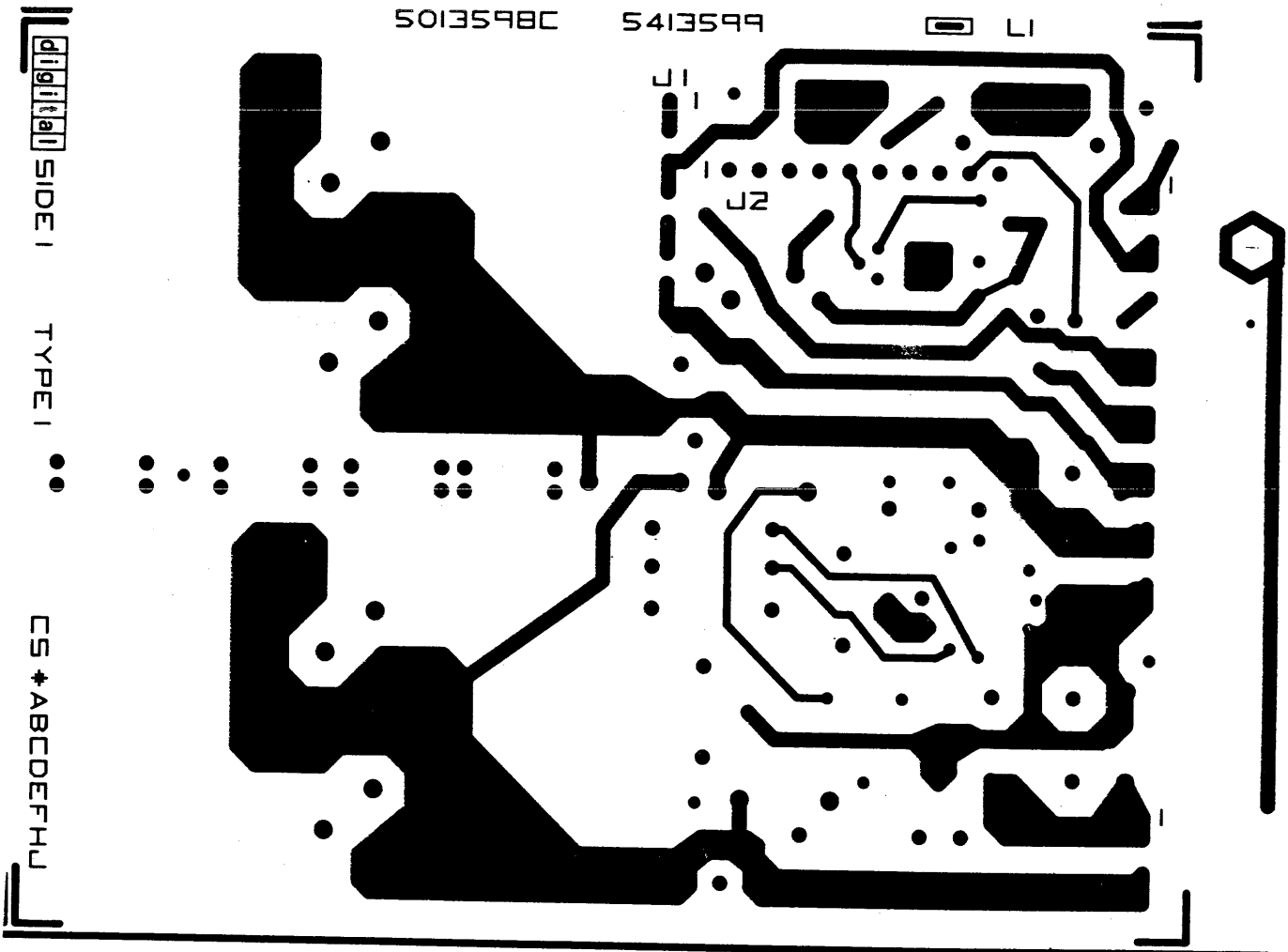
ETCH REV.	C
P.C. DESIGN DATA BRSE REV.	CL

SIGNATURES	DATE	REV
DRN. <i>[Signature]</i>	2-9-79	1
CHK'D. <i>[Signature]</i>	2-11-77	2
ENC. <i>[Signature]</i>	6-21-77	3
PROJ. ENG. <i>[Signature]</i>	6-21-77	4
PROD. <i>[Signature]</i>	7-15-77	5

TITLE: LOGIC INVERTER BD.
 SCALE: 2/T
 SHT. 1 OF 4
 NEXT HIGHER ASSY. B-DD-54-13599-0

THIS DRAWING AND SPECIFICATIONS HEREIN ARE THE PROPERTY OF DIGITAL EQUIPMENT CORPORATION AND SHALL NOT BE REPRODUCED OR COPIED OR USED IN WHOLE OR IN PART AS THE BASIS FOR THE MANUFACTURE OR SALE OF ITEMS WITHOUT WRITTEN PERMISSION. COPYRIGHT © 1973 DIGITAL EQUIPMENT CORPORATION

REV. C
 NUMBER 5413599-0-0
 SIZE CODE DUA



digital SIDE 1 TYPE 1
 CS + ABCDEFHJ

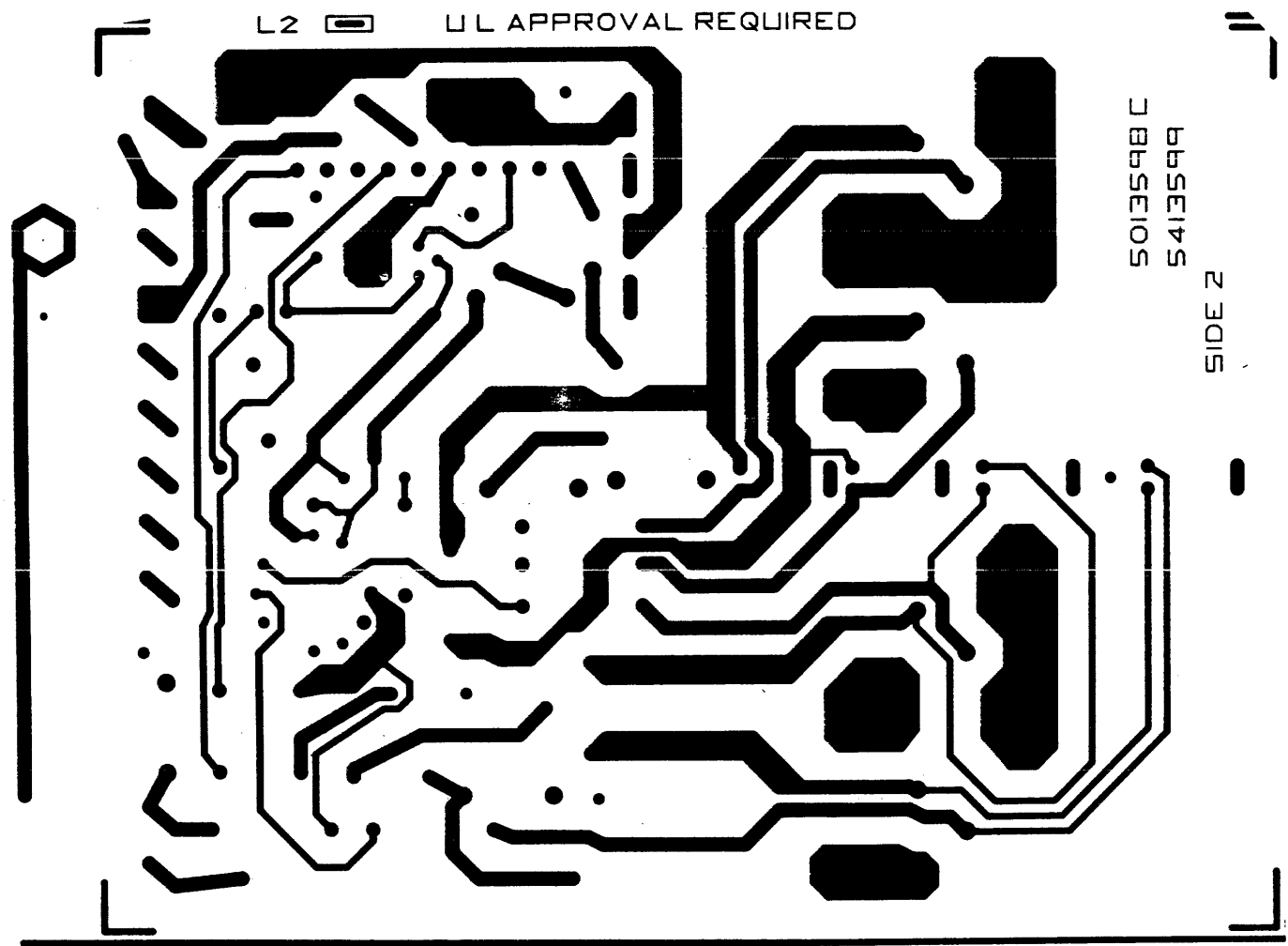
REV. C
 NUMBER 5413599-0-0
 SIZE CODE DUA

REVISIONS		
CHK	CHANGE NO.	REV.

TITLE LOGIC INVERTER BOARD
 SCALE 1/1 SHEET 2 OF 4 DIST. 1
 SIZE CODE DUA NUMBER 5413599-0-0 REV. C
 TW

ALL RIGHTS RESERVED AND THE
 DESIGN IS UNCLASSIFIED IN WHOLE
 OR IN PART BY THE NATIONAL ARCHIVE
 ON 05-14-2014 UNDER E.O. 13526
 © 1979 - RAYTHEON CORPORATION

8 7 6 5 4 3 2 1
 C 0-0-6653175 M D 2
 DUA 5413599-0-0



5013598 C
 5413599

SIDE 2

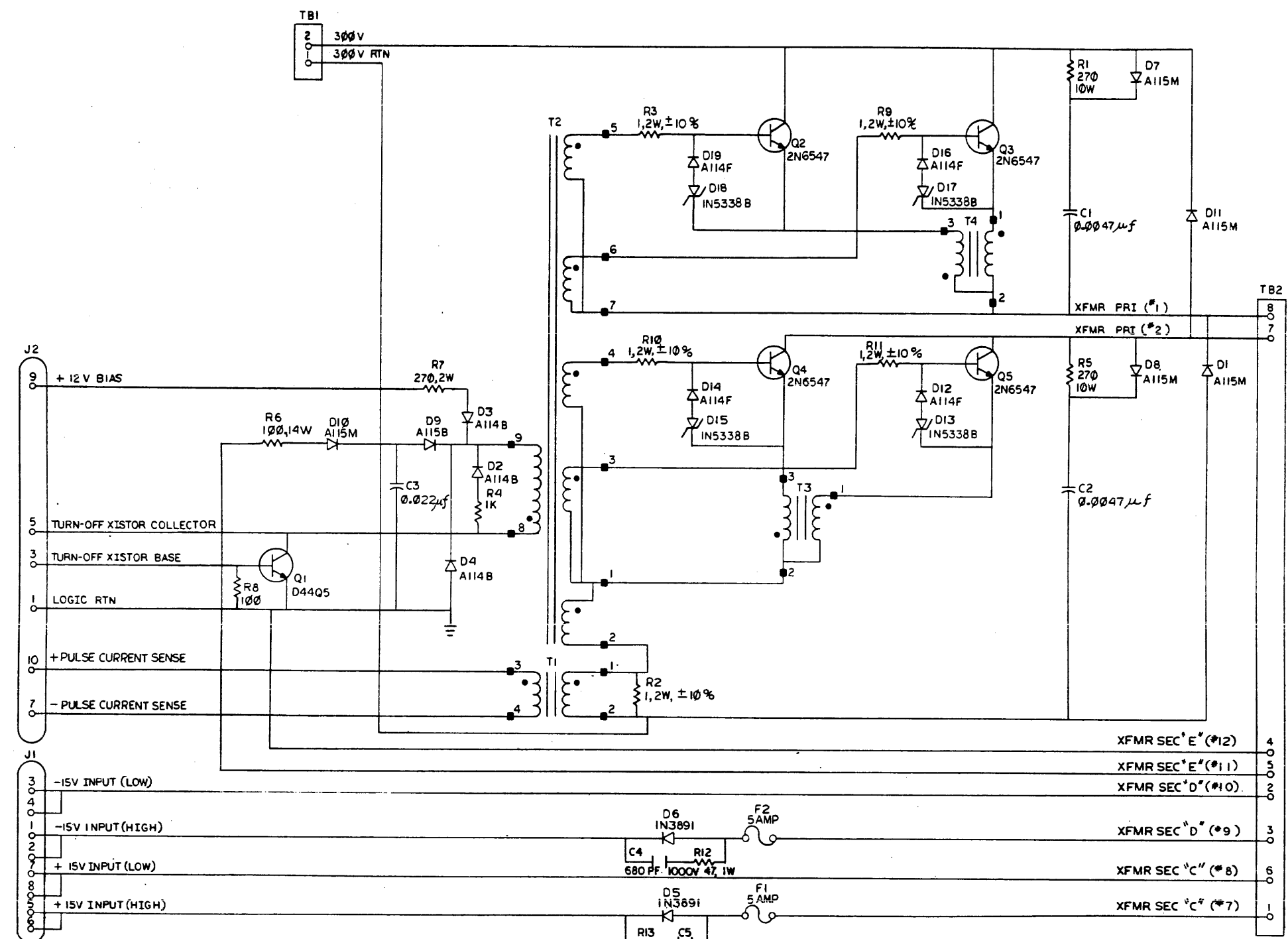
REVISIONS		
NO.	CHANGE NO.	REV.

TITLE: LOGIC INVERTER BOARD
 SCALE: 2/1
 SHEET 3 OF 4
 SIZE CODE: DUA
 NUMBER: 5413599-0-0
 REV.: C
 DIST.:

8 7 6 5 4 3 2 1
 tu

DUA 5413599-0-0 C

"THIS DRAWING AND SPECIFICATIONS, HEREIN, ARE THE PROPERTY OF DIGITAL EQUIPMENT CORPORATION AND SHALL NOT BE REPRODUCED OR COPIED OR USED IN WHOLE OR IN PART AS THE BASIS FOR THE MANUFACTURE OR SALE OF ITEMS WITHOUT WRITTEN PERMISSION. COPYRIGHT © 1978, DIGITAL EQUIPMENT CORPORATION"



- 9 + 12 V BIAS
- 5 TURN-OFF XISTOR COLLECTOR
- 3 TURN-OFF XISTOR BASE
- 1 LOGIC RTN
- 10 + PULSE CURRENT SENSE
- 7 - PULSE CURRENT SENSE

- 3 -15V INPUT (LOW)
- 4 -15V INPUT (HIGH)
- 1 -15V INPUT (HIGH)
- 2 + 15V INPUT (LOW)
- 8 + 15V INPUT (HIGH)

- 4 XFMR SEC 'E' (#12)
- 5 XFMR SEC 'E' (#11)
- 2 XFMR SEC 'D' (#10)
- 3 XFMR SEC 'D' (#9)
- 6 XFMR SEC 'C' (#8)
- 1 XFMR SEC 'C' (#7)

REV.	C
CHANGE NO.	5413599-1W001
DATE	26 FEB 80
BY	R. WOLF
CHK'D	R. HEATON
ENG.	R. HEATON
PROJ. ENGR.	R. HEATON
PROD. ENGR.	R. HEATON
DATE	7-15-79

DRN. <i>R. Wolf</i>	10-3178	FIRST USED ON	digital
CHK'D <i>R. Wolf</i>	6-27	TITLE	LOGIC INVERTER BOARD
ENG. <i>R. Wolf</i>	6-27	SIZE	D CS 5413599-0-1
PROJ. ENGR. <i>R. Wolf</i>	6-27	NUMBER	D
PROD. ENGR. <i>R. Wolf</i>	7-15-79	REV.	D
NEXT HIGHER ASSY.		SCALE	
		SHEET	1 OF 1
		DIST.	

D CS 5413599-0-1 D

TW 1

LINE ITEM	DOCUMENT NUMBER	PART NUMBER	DESCRIPTION	QTY PER VARIATION 00	REFERENCE DESIGNATOR
1	D-MD-5013598-0-0	5013598-00	DRILL & ETCH BD	1	
2		1011847-03	.0047 MFD 600V 10% POLYPROP	2	C1,C2
3		1017913-00	.022 MFD 400V 20% M.POLYPROP	1	C3
4		1112594-01	A115B PIV=200 I= 3A	1	D9
5		1112594-02	A115M PIV=600 I= 3A	5	D1,D7,D8,D11,D10
6		1112595-00	A114F PIV= 50 I= 1A	4	D12,D14,D16,D19
7		1112595-01	A114B PIV=200 I= 1A	3	D2-D4
8		1110491-20	IN 3891 PIV=200 T=12A D04 SI	2	D5,D6
9		1114435-00	1N 5338B VZ= 5.1 5% 5W	4	D13,D15,D17,D18
10		1205747-00	FUSE, SUB-MINI, 5.000A, 125V, A	2	F1,F2
11		1216937-00	TERMINAL,SOLDER	2	
12		1214789-00	INSERT,THREADED 6-32 ,BRASS,ELEC	8	
13		1216108-00	HEADER,200 8POS STRAIGHT	1	J1
14		1216108-01	HEADER,200 10POS STRAIGHT	1	J2
15		1216269-00	TERM SPADE 1POS SOLDER STRIP	10	
16		1216316-00	HEAT SINK,ALUM,YELLOW CHROM. FIN	2	
17		1300229-00	100.0 .25 W 5.0 % CC	1	R8
18		1300365-00	1.0 K .25 W 5.0 % CC	1	R4
19		1305380-00	270.0 2.0 W 5.0 % CC	1	R7
20		1314350-00	1.0 2.0 W10.0 % FUSE	5	R2,R3,R9-R11
21		1314172-01	100.0 14.0 W 5.0 % WW	1	R6
22		1314544-00	270.0 10.0 W 5.0 % WW	2	R1,R5
23		1514195-00	2N 6547 NFN 400V SI 15A	4	Q2-Q5
24		1514271-01	D 44Q5 NFN 31W SI225 30	1	Q1
25		1614202-00	XFMR,CURRENT	1	T1
26		1614203-00	CHOKER,BALUN-COMMON MODE	2	T3,T4
27		1614204-00	PULSE XFMR 20312 BASE DRIVE	1	T2
28		7422046-00	HEAT SINK,SINGLE	1	
29		7422046-01	HEAT SINK	2	
30		9006011-01	SCREW,PAN,PHIL 4-40X 3/8 SS	1	

REVISION HISTORY			BASIC PART NO: 5413599			DRN: K.FRIEDGEN			DATE: 20-JUL-79			D I G I T A L		
ENG	ECO NUMBER	REV	SECTION A OF A			CHK'D:	F.GERRY	DATE:	20-JUL-79	TITLE PARTS LIST				
	INITIAL	B	SECTION.VARIATION INDEX			CHK'D:	F.GERRY <td>DATE:</td> <td>20-JUL-79 <td colspan="3">TITLE PARTS LIST</td> </td>	DATE:	20-JUL-79 <td colspan="3">TITLE PARTS LIST</td>	TITLE PARTS LIST				
RR	5413599-TW001	C	[A]	00						LOGIC INVERTER BD				
RH	5413599-TW002	D	[B]											
RH	5413599-TW002	D	[C]		DES.ENG:	J.A.HERRMANN	DATE:	20-JUL-79	DOCUMENT NUMBER					
			[D]		RESP.ENG.:	J.A.HERRMANN	DATE:	20-JUL-79	SIZE	CODE	NUMBER	REV		
			[E]						K	PL	5413599-0-DBP	D		
			[F]		MFG.ENG.:	F.MUNIZ	DATE:	20-JUL-79	TOP DOCUMENT NUMBER:			FILE NAME:	EDIT #	
			[G]		ASSEMBLY NUMBER:	D-UA-5413559-0-0				Z0399.PLS			18	
			[H]											
			[I]											
			[J]											
			[K]											
			[L]											
			[M]											
			[N]											

"THIS DRAWING AND SPECIFICATIONS HEREIN, ARE THE PROPERTY OF DIGITAL EQUIPMENT CORPORATION AND SHALL NOT BE REPRODUCED OR COPIED OR USED IN WHOLE OR IN PART AS THE BASIS FOR THE MANUFACTURE OR SALE OF ITEMS WITHOUT WRITTEN PERMISSION. COPYRIGHT (C) 1981. DIGITAL EQUIPMENT CORPORATION"

TW

LINE	ITEM	DOCUMENT NUMBER	PART NUMBER	DESCRIPTION	QTY PER VARIATION	REFERENCE DESIGNATOR
					00	
31	31		9006025-01	SCREW,PAN,PHIL 6-32X 5/8 SS	8	
32	32		9006556-00	NUT,HEX , 4-40X1/4 AF X 3/	1	
33	33		9006656-00	WASHER, FLAT, .312 O.D. X .156 I	4	
34	34		9006688-00	WASHER, LOCK, S.S. #4	1	
35	35		9006735-00	EYELET, FUNNEL FLANGE, .059 OD X	4	
36	36		9007801-00	WASHER, LOCK, S.S. #6	8	
37	37		9007906-00	WASHER, LOCK S.S. #10	2	
38	38		9009005-00	NUT,HEX , 10-32 X1/4 AF X 3	2	
39	39		9009676-00	TERM LUG 1POS SOLDER	4	
40	40		9009769-00	WASHER, RECTANGULAR .405X.225X.0	1	
41	41		9010128-00	SCREW,TAPPING,TYPE PAN,PHIL,	3	
42	42		9107560-03	WIRE,BUSS,18AWG	A/R	
43	43		9008268-00	COMPOUND, THERMAL JOINT	A/R	
44	44		1013280-00	680.0 MMF 1000V 5%200PPM MICA	2	C4,C5
45	45		1302199-00	47.0 1.0 W 5.0 % CC	2	R12,R13

46 NOTE: ITEM #42; .19' IS USED.

D	I	G	I	T	A	L	TITLE	SECTION A OF A	SIZE	CODE	DOCUMENT NUMBER	REV
							LOGIC INVERTER BD		K	PL	5413599-0-DBF	D

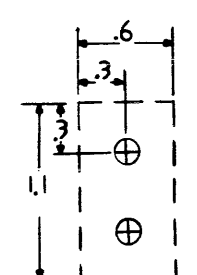
TW

THIS DRAWING IS UNCLASSIFIED, EXCEPT FOR THE PORTION OF THE DRAWING IDENTIFIED AS "SECRET" OR "CONFIDENTIAL" BY THE NATIONAL SECURITY AGENCY. DATE 08-14-2013 BY 60322 UCBAW/STP/STP

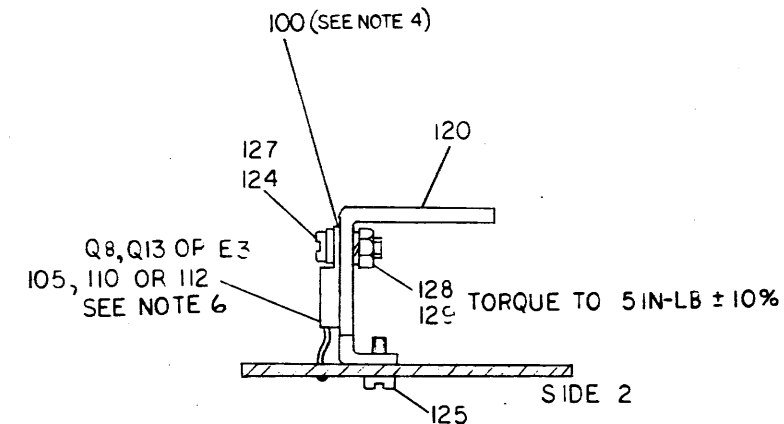
8 7 6 5 4 3 2 1

VIEW C-C
SCALE 2/1
TYP. MTG. OF L1, L2 / L3

VIEW B-B
SCALE 2/1
TYP. MTG. OF D4 / D6

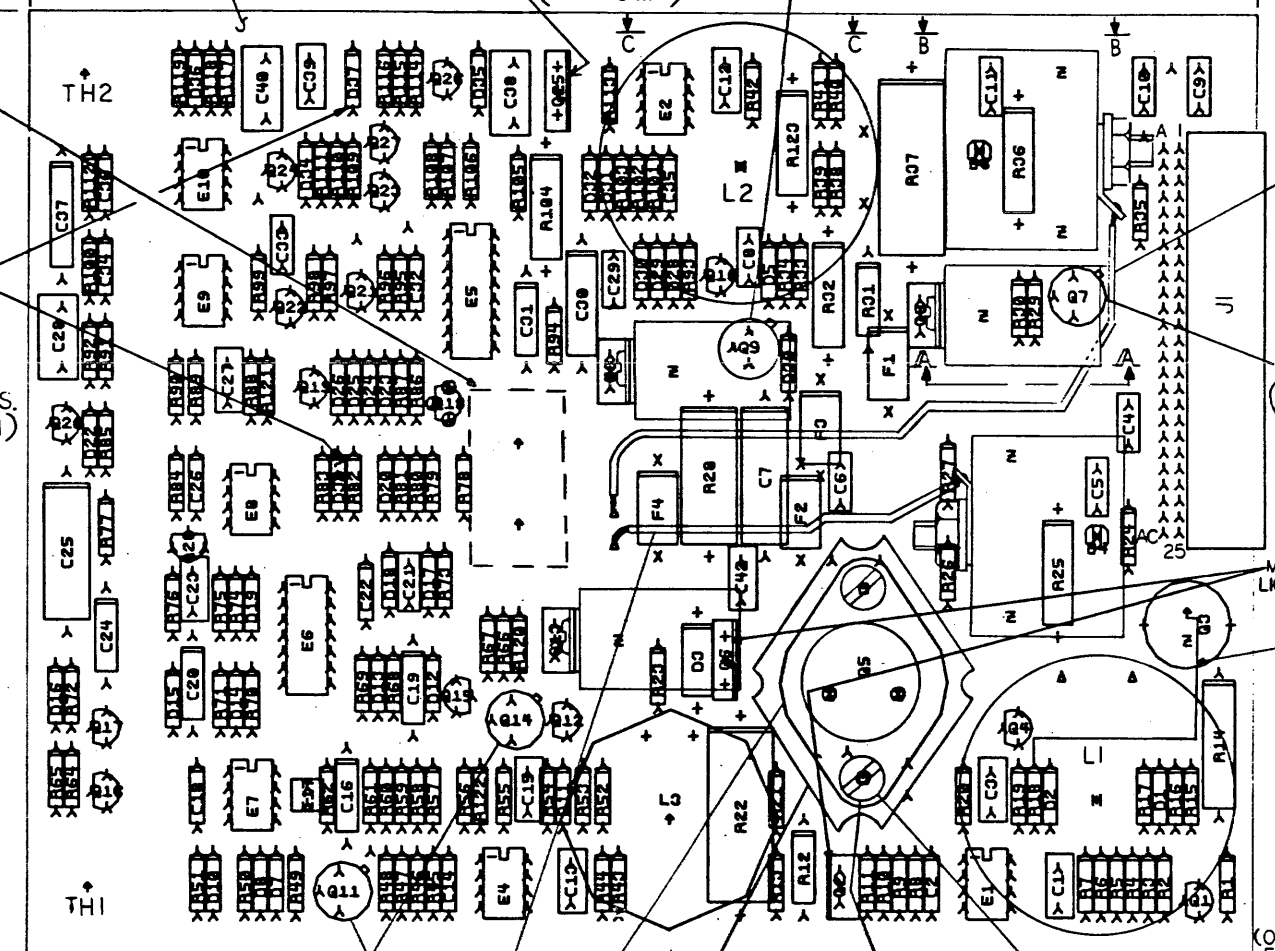


DETAIL A
SEE NOTE 7



SECTION A-A
SCALE: 2/1
TYPICAL 3 PLACES

FOR -00 DIODE IS USED
FOR -YA JUMPER IS USED



- NOTES:
- R4, R37 MUST BE PAISED .125" TO .150"
 - D3 MUST BE PAISED .05" TO .10"
 - USE TRANSPADS (ITEM 99) UNDER Q7, Q9, Q11 / Q14
 - USE THERMAL CONDUCT. PD (ITEM 100) BETWEEN E3, Q5, Q8, Q13, D4, D6 / HEAT SINK.

- TORQUE TO 8 IN LB ± 10%
- Q8, Q13, E3, D4, D6 MUST BE MOUNTED TO HEAT SINKS BEFORE BEING ATTACHED TO P.C.B.
- MASK THIS AREA ON SIDE 2 ONLY, KEEP FREE OF SOLDER.

STEP 6	+ Y AXIS 5.025 STEP	L TIMES
REPORT	+ X AXIS 7.900 STEP	L TIMES

CHANGE NO	REV	DATE	BY	CHK'D
5413607	1		R.WOLF	

ETCH REV.	D-PI
-----------	------

SIGNATURES	DATE
DRN. P. RICHARD TELLIER	12-27-79
CHK'D. <i>[Signature]</i>	2-5-80
MECH. ENG. <i>[Signature]</i>	10-5-80
PROJ. ENG. <i>[Signature]</i>	11-5-80
PROD. <i>[Signature]</i>	12-7-80

digital	TITLE
	MEMORY REGULATOR
SCALE	2/1
SHT.	1 OF 2
NEXT HIGHER REV.	B-00-5413607-0

8 7 6 5 4 3 2 1

TW 1 MS#171921D-PI

8

3 0-0-2096145 DUA 5413607-0-0

6

5

4

3

2

1

THIS DRAWING AND SPECIFICATIONS HEREON ARE THE PROPERTY OF DIGITAL EQUIPMENT CORPORATION AND SHALL NOT BE REPRODUCED OR COPIED OR USED IN WHOLE OR IN PART AS THE BASIS FOR THE MANUFACTURE OR SALE OF ITEMS WITHOUT WRITTEN PERMISSION. COPYRIGHT © 1980 DIGITAL EQUIPMENT CORPORATION

REWORK INSTRUCTION

WIRE ADD SIDE 1

0-1 FROM R18 (WRAP WIRE AROUND COMPONENT LEAD) TO Q3 CATHODE (GND) (USE ITEM 144)

D

D

C

C

B

B

A

A

DUA 5413607-0-0

REVISION HISTORY		
DATE	ECO NUMBER	REV.

TITLE
MEMORY REGULATOR

SIZE CODE	DOCUMENT NUMBER	REV.
D UA	5413607-0-0	E
SCALE	SHEET 2 OF 2	

8

7

6

5

4

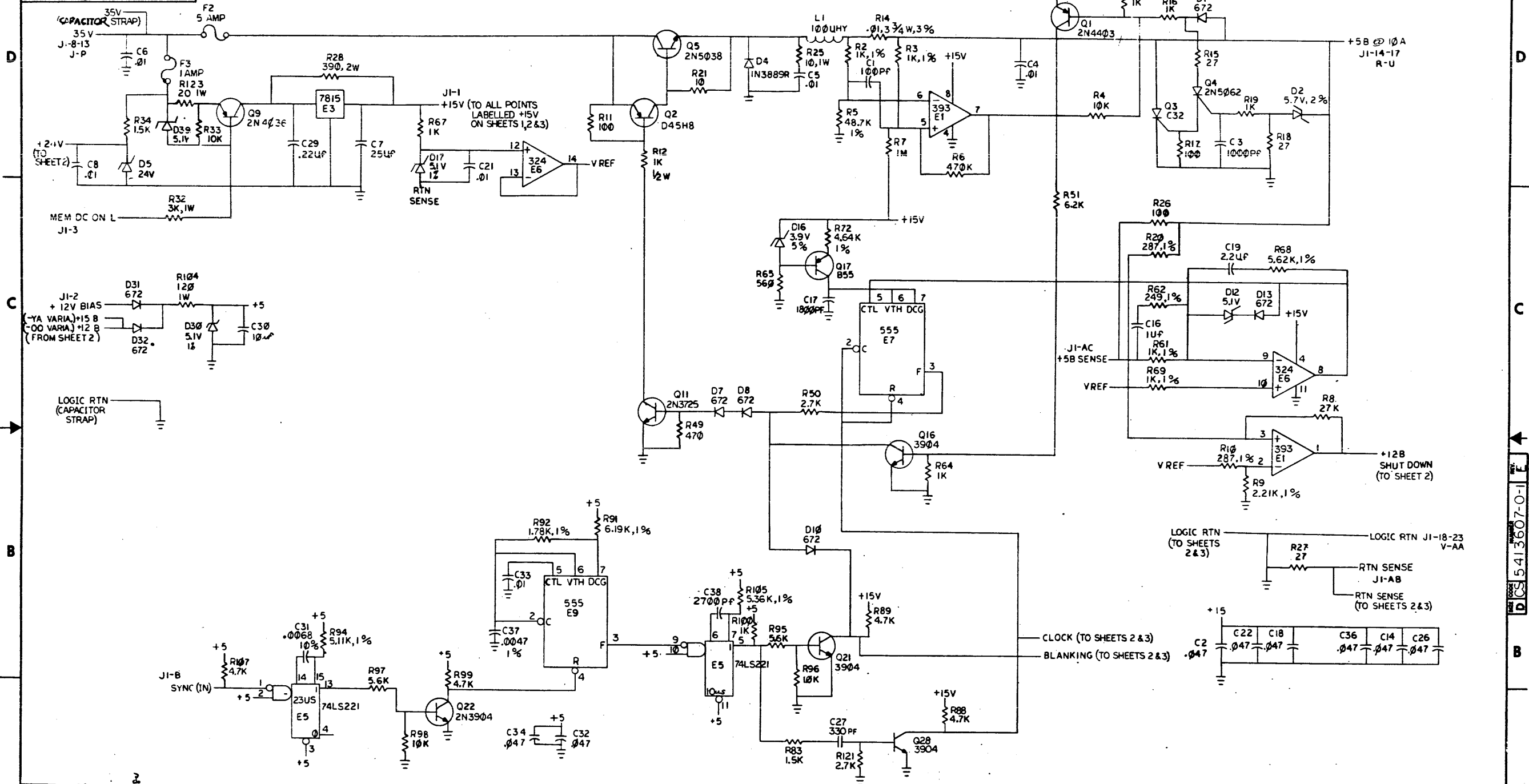
3

2

1

TW

THIS DRAWING AND SPECIFICATIONS HEREBY ARE THE PROPERTY OF DIGITAL EQUIPMENT CORPORATION AND SHALL NOT BE REPRODUCED OR COPIED OR USED IN WHOLE OR IN PART AS THE BASIS FOR THE MANUFACTURE OR SALE OF ITEMS WITHOUT WRITTEN PERMISSION.
 COPYRIGHT © 1976 DIGITAL EQUIPMENT CORPORATION

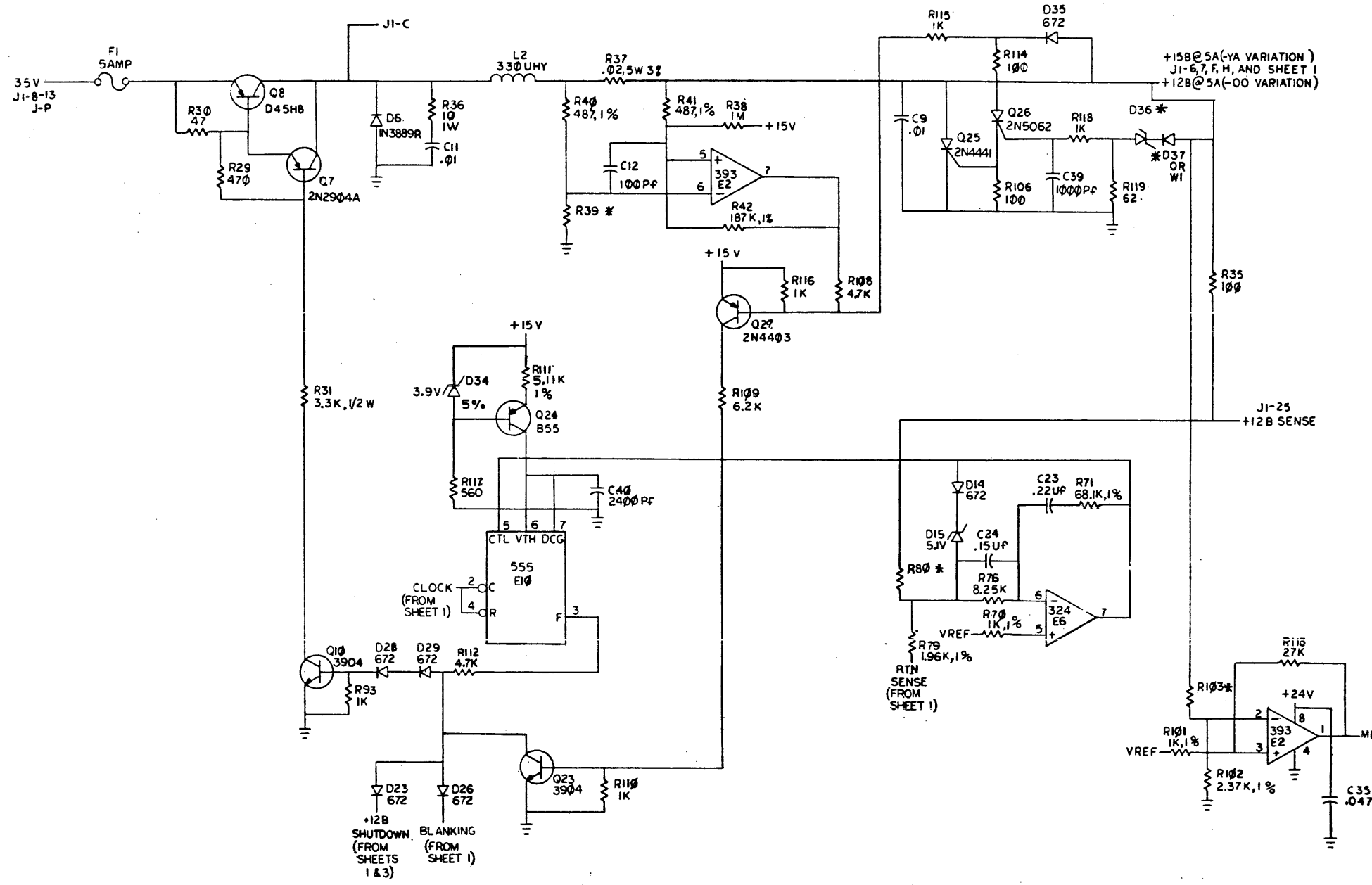


REV.	CHG.	BY	DATE
1			
2			
3			
4			
5			
6			
7			
8			

DRM. Pkg. Error	10-2078	FIRST USED ON	H7140
CHK'D J.F. Sullivan	7/21/79	TITLE	MEM REG
ENG. P. J. O'Neil	8/16/79	SIZE	D
PROJ. ENG. P. J. O'Neil	8/16/79	NUMBER	CS 5413607-0-1
PROD. F. M. ...	8/16/79	REV.	E
NEXT HIGHER ASSY.		SCALE	1 OF 3
SHEET		DIST.	

THIS DRAWING AND SPECIFICATIONS HEREIN ARE THE PROPERTY OF DIGITAL EQUIPMENT CORPORATION AND SHALL NOT BE REPRODUCED OR COPIED OR USED IN WHOLE OR IN PART AS THE BASIS FOR THE MANUFACTURE OR SALE OF ITEMS WITHOUT WRITTEN PERMISSION. DIGITAL EQUIPMENT CORPORATION. COPYRIGHT © 1970

COMPONENT DESIGNATOR	-00 VARIATION	-YA VARIATION
D36	13V, 5%	18V, 5%
R39	39.2K, 1%	48.7K, 1%
R80	2.67K, 1%	3.83K, 1%
R103	2.67K, 1%	3.83K, 1%
D37	672	---
W1	---	JUMPER

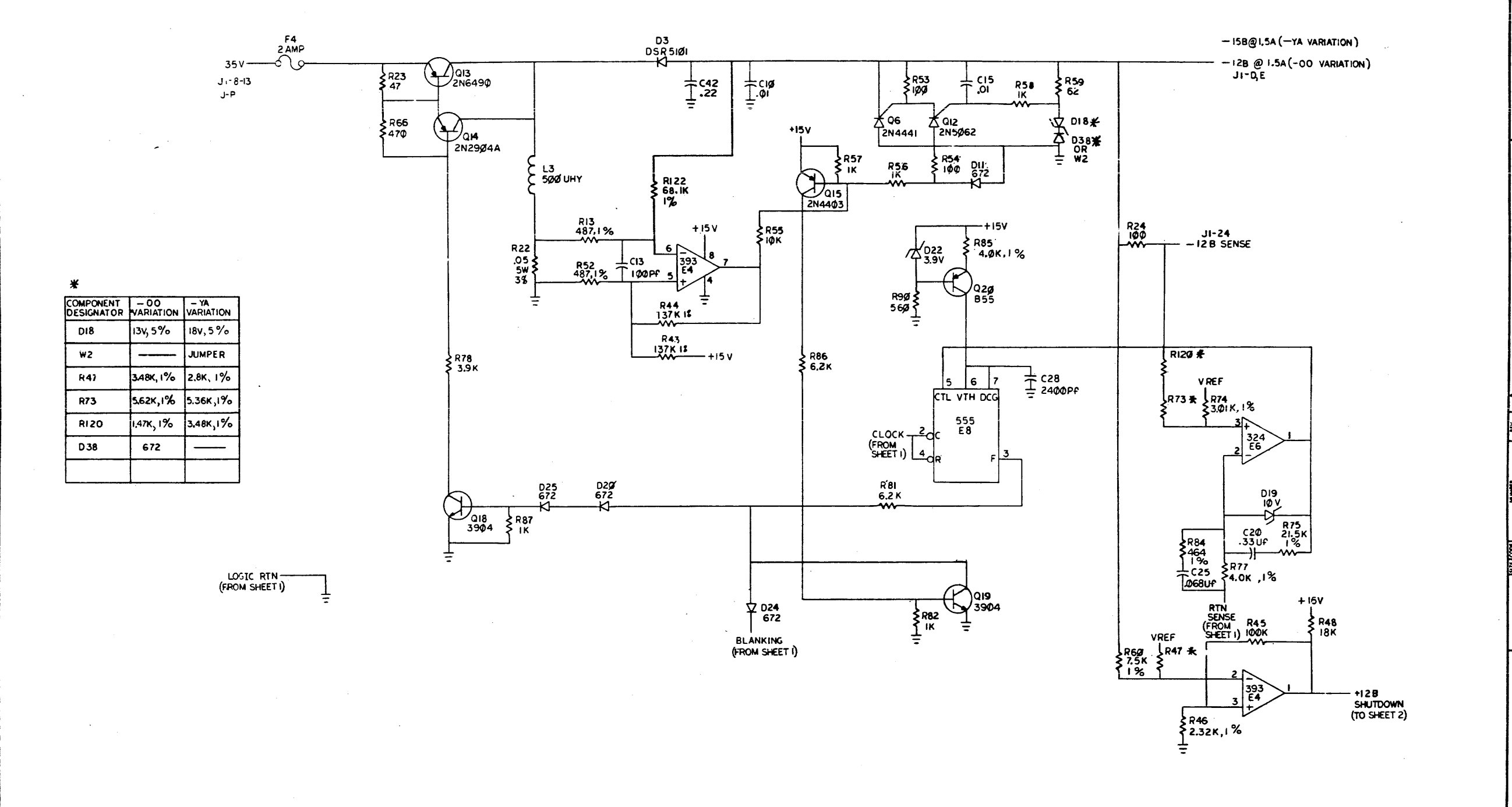


LOGIC RTN (FROM SHEET 1)

+12B SHUTDOWN (FROM SHEETS 1 & 3)
BLANKING (FROM SHEET 1)

REVISIONS		
CHK	CHANGE NO.	REV.

THIS DRAWING AND SPECIFICATIONS HEREIN ARE THE PROPERTY OF DIGITAL EQUIPMENT CORPORATION AND SHALL NOT BE REPRODUCED OR COPIED OR USED IN WHOLE OR IN PART AS THE BASIS FOR THE MANUFACTURE OR SALE OF ITEMS WITHOUT WRITTEN PERMISSION. DIGITAL EQUIPMENT CORPORATION COPYRIGHT © 1975



*

COMPONENT DESIGNATOR	- 00 VARIATION	- YA VARIATION
D18	13V, 5%	18V, 5%
W2	—	JUMPER
R47	3.48K, 1%	2.8K, 1%
R73	5.62K, 1%	5.36K, 1%
R120	1.47K, 1%	3.48K, 1%
D38	672	—

LOGIC RTN (FROM SHEET 1)

BLANKING (FROM SHEET 1)

+12B SHUTDOWN (TO SHEET 2)

REVISIONS		
CHK	CHANGE NO.	REV.

LINE ITEM	DOCUMENT NUMBER	PART NUMBER	DESCRIPTION	QTY PER VARIATION		REFERENCE DESIGNATOR	
				00	YA		
1	1	D-MD-5013606-0-0	5013606-00	DRILL & ETCH BD	1	1	
2	2		1004813-00	10 MFD 20V 10% S.TANT	1	1	C30
3	3		1000042-00	1000.0 MMF 100V 5%200PPM MICA	2	2	C3,C39
4	4		1000052-00	.068 MFD 100V 10% MYLR	1	1	C25
5	5		1000060-00	6800.0 MMF 200V 10% MYLR	1	1	C31
6	6		1000075-00	25 MFD 25V +75-10% AL EL	1	1	C7
7	7		1001610-01	.01 MFD50/100V +80-20% DISC	10	10	C4-C6,C8-C11,C21,C33,C15
8	8		1001776-00	1 MFD 35V 10% S.TANT	1	1	C16
9	9		1001636-00	2400.0 MMF 100V 5%200PPM MICA	2	2	C28,C40
10	10		1014170-00	2700.0 MMF 100V 1% 70PPM MICA	1	1	C38
11	11		1002627-00	2.2MFD 20V 10% S.TANT	1	1	C19
12	12		1005328-00	.33 MFD 10V 10% S.TANT	1	1	C20
13	13		1009312-00	.0047 MFD 100V 1% MYLR	1	1	C37
14	14		1010274-01	.22 MFD 50V +80-20% Z5U CER	1	1	C29
15	15		1011740-02	1800.0 MMF 50V 10% CER	1	1	C17
16	16		1011895-00	.15 MFD 35V 10% S.TANT	1	1	C24
17	17		1012784-00	.047 MFD 50V +80-20% CER	9	9	C2,C14,C18,C22,C26,C32,C34-C36
18	18		1100122-00	1N 748A VZ= 3.9 5%	3	3	D16,D22,D34
19	19		1105275-00	D 672 TR= 15NS PIV= 60V SI	19	-	D1,D7,D8,D10,D11,D13,D14,D20, D23-D26,D28,D29,D31,D32,D35,D37, D38
			CONT		-	17	CONT D1,D7,D8,D10,D11,D13,D14,D20, D23-D26,D28,D29,D31,D32,D35
20	20		1100125-00	1N 758A VZ= 10.0 5% .40W PPE	1	1	D19
21	21		1105871-00	1/4M5.1AZ1 = 5.1 1% .25W N	3	3	D17,D30,D39
22	22		1109988-00	1N 964B VZ= 13.0 5% .40W	2	-	D18,D36
23	23		1110491-01	1N 3889R PIV=50 I=12A D04	2	2	D4,D6
24	24		1110713-00	SZ710910 VZ= 5.1 2% M	2	2	D12,D15
25	25		1110836-00	1N 970B VZ= 24.0 5% .40W Y	1	1	D5
26	26		1111205-00	SCREENED VZ= 5.7 2% .40W	1	1	D2

REVISION HISTORY		BASIC PART NO: 5413607		DRN:	J.FERGUSON	DATE:	06-AUG-80	D I G I T A L			
ENG	ECO NUMBER	REV	SECTION A OF A	CHK'D:	J.FERGUSON	DATE:	06-AUG-80	TITLE PARTS LIST			
	TW005	H	SECTION VARIATION INDEX	CHK'D:	J.FERGUSON	DATE:	06-AUG-80	MEMORY REG			
			[A] 00, YA								
			[B]								
			[C]	DES.ENG:	B.WOLF	DATE:	06-AUG-80				
			[D]								
			[E]					DOCUMENT NUMBER			
			[F]	RESP.ENG.:	B.WOLF	DATE:	06-AUG-80				
			[G]								
			[H]								
			[J]					SIZE	CODE	NUMBER	REV
			[K]	MFG.ENG.:	P.WAITKUS	DATE:	06-AUG-80	K	PL	5413607-0-DBP	H
			[L]								
			[M]	ASSEMBLY NUMBER:		TOP DOCUMENT NUMBER:		FILE NAME:	EDIT #		
			[N]	D-UA-5413607-0-0		R-DD-5413607-0-0		Z0403H.PLS	38		

"THIS DRAWING AND SPECIFICATIONS HEREIN, ARE THE PROPERTY OF DIGITAL EQUIPMENT CORPORATION AND SHALL NOT BE REPRODUCED OR COPIED OR USED IN WHOLE OR IN PART AS THE BASIS FOR THE MANUFACTURE OR SALE OF ITEMS WITHOUT WRITTEN PERMISSION. COPYRIGHT (C) 1980, DIGITAL EQUIPMENT CORPORATION"

TW

LINE	ITEM	DOCUMENT NUMBER	PART NUMBER	DESCRIPTION	QTY	PER	VARIATION	REFERENCE DESIGNATOR
					00	YA		
27	27		1114602-00	UES1302 FIV=100V I= 4A	1	1		D3
28	28		1110968-00	2N 5062 SCR@100V I=.8A T092	3	3		Q4,Q12,Q26
29	29		1010978-40	.22 MFD 50V 10% CER	2	2		C23,C42
30	30		1210929-02	FUSE, SUB-MINI 1.000A, 125V, A	1	1		F3
31	31		1205747-00	FUSE, SUB-MINI, 5.000A, 125V, A	2	2		F1,F2
32	32		1216112-03	HEADER,100 50POS RT ANGLE	1	1		J1
33	33		1305127-00	4.0 K .25 W 1.0 % RN55D-F10	2	2		R77,R85
34	34		1304856-00	4.64 K .25 W 1.0 % RN55D-F10	1	1		R72
35	35		1304854-00	5.11 K .25 W 1.0 % RN55D-F10	2	2		R94,R111
36	36		1300391-00	1.50 K .25 W 5.0 % CC	2	2		R34,R83
37	37		1300316-00	470.0 .25 W 5.0 % CC	3	3		R29,R49,R66
38	38		1300447-00	4.70 K .25 W 5.0 % CC	6	6		R99,R107,R112,R88,R89,R108
39	39		1300229-00	100.0 .25 W 5.0 % CC	9	9		R11,R17,R24,R26,R35,R53,R54, R106,R114
40	40		1301317-00	10.0 .25 W 5.0 % CC	1	1	CONT	R21
41	41		1300364-00	1.0 K .50 W 5.0 % CC	1	1		R12
42	42		1300171-00	10.0 1.0 W 5.0 % CC	2	2		R25,R36
43	43		1313014-00	.01 3.75 W 3.0 % WW	1	1		R14
44	44		1301864-00	390.0 2.0 W 5.0 % CC	1	1		R28
45	45		1300479-00	10.0 K .25 W 5.0 % CC	5	5		R4,R33,R55,R96,R98
46	46		1309595-00	1.0 M .25 W 5.0 % CC	2	2		R7,R38
47	47		1303114-00	1.0 K .25 W 1.0 % RN55D-F10	6	6		R2,R3,R61,R69,R70,R101
48	48		1313842-00	48.70 K .25 W 1.0 % RN55D-F10	1	-		R5
49	49		1300365-00	1.0 K .25 W 5.0 % CC	16	16	CONT	R5,R39 R1,R16,R19,R56-R58,R64,R67,R82, R87,R93,R100,R110,R115,R116,R118
50	50		1301528-00	27.0 .25 W 5.0 % CC	3	3	CONT	R15,R18,R27
51	51		1305114-00	3.48 K .25 W 1.0 % RN55D-F10	1	-		R47
52	52		1301890-00	560.0 .25 W 5.0 % CC	-	1		R120
53	53		1300426-00	2.70 K .25 W 5.0 % CC	3	3		R65,R90,R117
54	54		1211751-00	FUSE, SUB-MINI, 2.000A, 125V, A	2	2		R50,R121
55	55		1305128-00	5.62 K .25 W 1.0 % RN55D-F10	1	1		F4
56	56		1303044-00	100.0 K .25 W 1.0 % RN55D-F10	2	-		R68,R73
57	57		1309787-00	249.0 .25 W 1.0 % RN55E-F 2	-	1		R68
58	58		1310876-03	.05 5.0 W 3.0 % WW	1	1		R45
59	59		1305124-00	287.0 .25 W 1.0 % RN55D-F10	1	1		R62
60	60		1310631-00	2.21 K .25 W 1.0 % RN55D-F10	1	1		R22
61	61		1313341-00	5.36 K .25 W 1.0 % RN55D-F10	2	2		R10,R20
62	62		1302612-00	1.78 K .25 W 1.0 % RN55D-F10	1	-		R9
63	63		1300202-00	47.0 .25 W 5.0 % CC	1	2		R105
64	64		9006801-00	SPACER, HEX, ALUM, .138 ID X .3	-	2		R105,R73
65	65		1311845-00	487.0 .25 W 1.0 % RN55D-F10	1	1		R92
66	66		1305265-00	39.20 K .25 W 1.0 % RN55D-F10	2	2		R23,R30
67	67		1310876-00	.02 5.0 W 3.0 % WW	1	1		R13,R40,R41,R52
68	68		1312984-00	187.0 K .25 W 1.0 % RN55D-F10	1	-		R39
					1	1		R37
								R42

D	I	G	I	T	A	L	TITLE	SECTION A	OF A	SIZE	CODE	DOCUMENT NUMBER	REV
							MEMORY REG			K	PL	5413607-0-DBP	H

TW

LINE	ITEM	DOCUMENT NUMBER	PART NUMBER	DESCRIPTION	QTY	PER	VARIATION	REFERENCE DESIGNATOR
					00	YA		
69	69		9006026-01	SCREW,PAN,PHIL 6-32X 3/4 SS	1	1		
70	70		1300440-00	3.30 K .50 W 5.0 % CC	1	1		R31
71	71		1312929-00	62.0 .25 W 5.0 % CC	2	2		R59,R119
72	72		1305252-00	68.10 K .25 W 1.0 % RN55D-F10	2	2		R71,R122
73	73		1305325-00	8.25 K .25 W 1.0 % RN55D-F10	1	1		R76
74	74		9006653-00	WASHER, FLAT, .375 O.D. X .156 I	1	1		
75	75		9107560-03	WIRE,BUSS,18AWG	A/R	A/R		
76	76		1305346-00	27.0 K .25 W 5.0 % CC	2	2		R8,R113
77	77		1310634-00	2.67 K .25 W 1.0 % RN55D-F10	2	-		R80,R103
78	78		1310632-00	2.37 K .25 W 1.0 % RN55D-F10	1	1		R102
79	79		1301874-00	5.60 K .25 W 5.0 % CC	2	2		R95,R97
80	80		1300444-00	3.90 K .25 W 5.0 % CC	1	1		R78
81	81	BLANK		*** THIS ITEM IS NOT USED ***	-	-		
82	82		1303155-00	21.50 K .25 W 1.0 % RN55D-F10	1	1		R75
83	83		1314041-00	3.01 K .25 W 1.0 % RN55D-F10	1	1		R74
84	84		1312931-00	6.20 K .25 W 5.0 % CC	4	4		R51,R81,R86,R109
85	85		1000016-00	100.0 MMF 100V 5%200PPM MICA	3	3		C1,C12,C13
86	86		1304833-00	1.96 K .25 W 1.0 % RN55D-F10	1	1		R79
87	87		1305322-00	7.50 K .25 W 1.0 % RN55D-F10	1	1		R60
88	88		1312545-00	2.32 K .25 W 1.0 % RN55D-F10	1	1		R46
89	89		1300433-00	3.0 K 1.0 W 5.0 % CC	1	1		R32
90	90		1302398-00	470.0 K .25 W 5.0 % CC	1	1		R6
91	91		1000023-00	330.0 MMF 100V 5%200PPM MICA	1	1		C27
92	92		1302465-00	18.0 K .25 W 5.0 % CC	1	1		R48
93	93		1303047-00	464.0 .25 W 1.0 % RN55D-F10	1	1		R84
94	94		1305422-00	137.0 K .25 W 1.0 % RN55D-F10	2	2		R43,R44
95	95		1301838-00	120.0 1.0 W 5.0 % CC	1	1		R104
96	96		9107370-00	WIRE,STRND,14AWG,IPVC UL1534	A/R	A/R		
97	97		9008150-00	TERM LUG 1POS LOCKING-SOLDER	2	2		
98	98	BLANK		*** THIS ITEM IS NOT USED ***	-	-		
99	99		9007201-00	TRANSIPADS #10253	4	4		
100	100		9008268-00	COMPOUND, THERMAL JOINT	A/R	A/R		
101	101		1510928-00	C32AX135 SCR@100V I=25A	1	1		Q3
102	102		1505867-00	2N 4441 SCR@ 50V & 8A	2	2		Q6,Q25
103	103		1305108-00	1.47 K .25 W 1.0 % RN55D-F10	1	-		R120
104	104		1510969-00	2N 5038 NPN 140WC SI 90 50 Y	1	1		Q5
105	105		1510708-00	D 45H8 PNP 50WT SI 60 60 Y	2	2		Q2,Q8
106	106		1510959-00	2N 3725 NPN 3.5WC SI 50 60 P	1	1		Q11
107	107		1510706-01	B 55 PNP 500MW SI 60 50	3	3		Q17,Q20,Q24
108	108		1513490-00	2N 4403 PNP 350MW SI-40 30	3	3		Q1,Q15,Q27
109	109		1509524-00	2N 3904 NPN 310MW SI 40 40 M	8	8		Q10,Q16,Q18,Q19,Q21,Q22,Q23,Q28
110	110		1512652-00	2N 6490 PNP 50W SI 60 40	1	1		Q13
111	111		1501913-00	2N 2904A PNP 600MW SI 60 40 Y	2	2		Q7,Q14
112	112		1914473-02	7815A VOLT REG, FIX +15V	1	1		E3
113	113		1914156-00	LM 393 VOLT. COMPARATOR DUAL	3	3		E1,E2,E4
114	114		1912107-00	324 OP AMP, QUAD	1	1		E6
115	115		1911944-00	555CN TIMER, FUNCT. BLOCK	4	4		E7-E10
116	116		1912858-00	LS221 ONE SHOT-DUAL, SCHMIT	1	1		E5

D	I	G	I	T	A	L	TITLE	MEMORY REG	SECTION A OF A	SIZE	CODE	DOCUMENT NUMBER	REV
										K	FL	5413607-0-DBP	H

TW

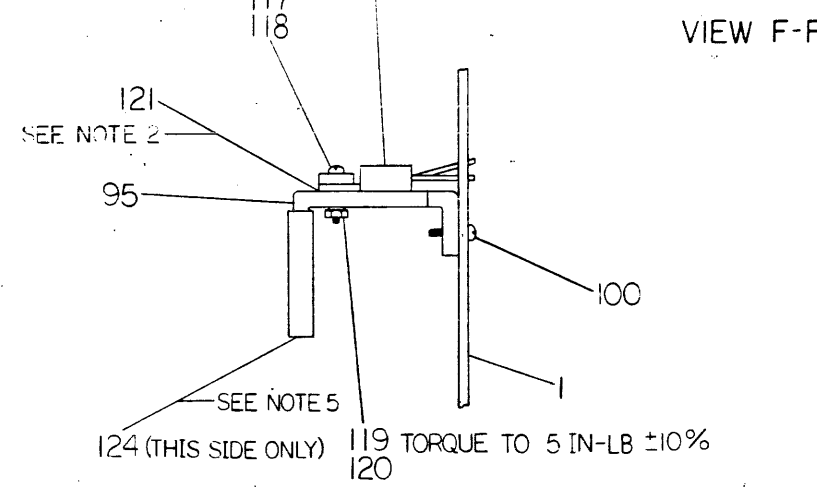
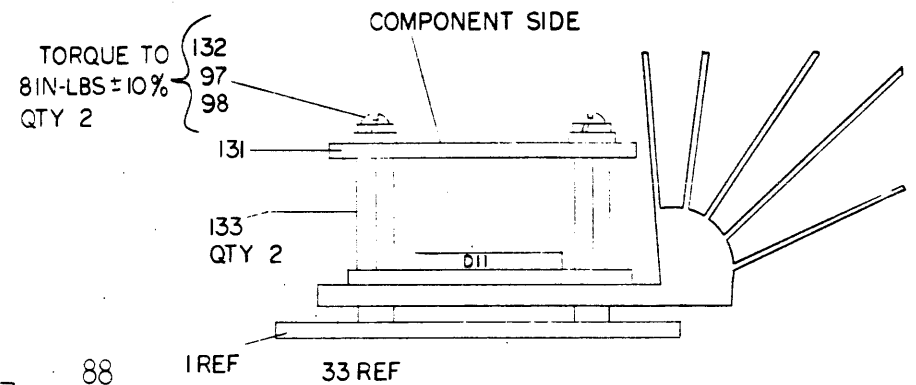
LINE	ITEM	DOCUMENT NUMBER	PART NUMBER	DESCRIPTION	QTY	PER	VARIATION	REFERENCE DESIGNATOR
					00	YA		
117	117		1616212-00	80.0 UH 12.SA	1	1		L1
118	118		1616210-00	250.0 UH @ 6.5A DC,600,0 UH @	1	1		L2
119	119		1616211-00	350.0 UH 3A	1	1		L3
120	120		7422046-00	HEAT SINK,SINGLE	3	3		
121	121		7422047-01	HEAT SINK DOUBLE	2	2		
122	122		1213426-03	HEAT SINK TO-3 1"HIGH	1	1		
123	123		1214789-00	INSERT,THREADED 6-32 ,BRASS,ELEC	2	2		
124	124		9009769-00	WASHER, RECTANGULAR .405X.225X.0	3	3		
125	125		9010128-00	SCREW,TAPPING,TYPE PAN ,PHIL,	7	7		
126	126		9006024-01	SCREW,PAN,PHIL 6-32X 1/2 SS	2	2		
127	127		9006011-01	SCREW,PAN,PHIL 4-40X 3/8 SS	3	3		
128	128		9006688-00	WASHER, LOCK, S.S. #4	3	3		
129	129		9006556-00	NUT,HEX , 4-40X1/4 AF X 3/	3	3		
130	130		9006041-01	SCREW,PAN,PHIL 8-32X 3/4 SS	2	2		
131	131		9006802-00	SPACER, HEX, ALUM, .164 ID X .3	2	2		
132	132		9006656-00	WASHER, FLAT, .312 O.D. X .156 I	2	2		
133	133		9007801-00	WASHER, LOCK, S.S. #6	3	3		
134	134		9006690-00	WASHER, LOCK, S.S. #8	2	2		
135	135		9006660-00	WASHER, FLAT, .375 O.D. X .187 I	2	2		
136	136		9009005-00	NUT,HEX , 10-32 X1/4 AF X 3	2	2		
137	137		9007906-00	WASHER, LOCK S.S. #10	2	2		
138	138		9009185-00	JUMPER, WIRE, INSULATED, BLACK B.	-	2		W1,W2
139	139	BLANK		*** THIS ITEM IS NOT USED ***	-	-		
140	140		1509700-00	2N 4036 PNP 7WC SI 80100 M	1	1		Q9
141	141	BLANK		*** THIS ITEM IS NOT USED ***	-	-		
142	142		1314187-00	6.19 K .25 W 1.0 % RN55D-F10	1	1		R91
143	143	BLANK		*** THIS ITEM IS NOT USED ***	-	-		
144	144		9107688-55	WIRE(WRAP)24AWG UL1327	A/R	A/R		
145	145		1110766-00	1N 5248B VZ= 18.0 5% .50W	-	2		D18,D36
146	146		1309413-00	3.83 K .25 W 1.0 % RN55D-F10	-	2		R80,R103
147	147		1305145-00	2.80 K .25 W 1.0 % RN55D-F10	-	1		R47
148	148		1312993-00	20.0 1.0 W 5.0 % CC	1	1		R123

149 NOTE: ITEM #75; .17' IS USED.
 150 NOTE: ITEM #144; .19' IS USED.
 151 NOTE: ITEM #96; .56' IS USED.

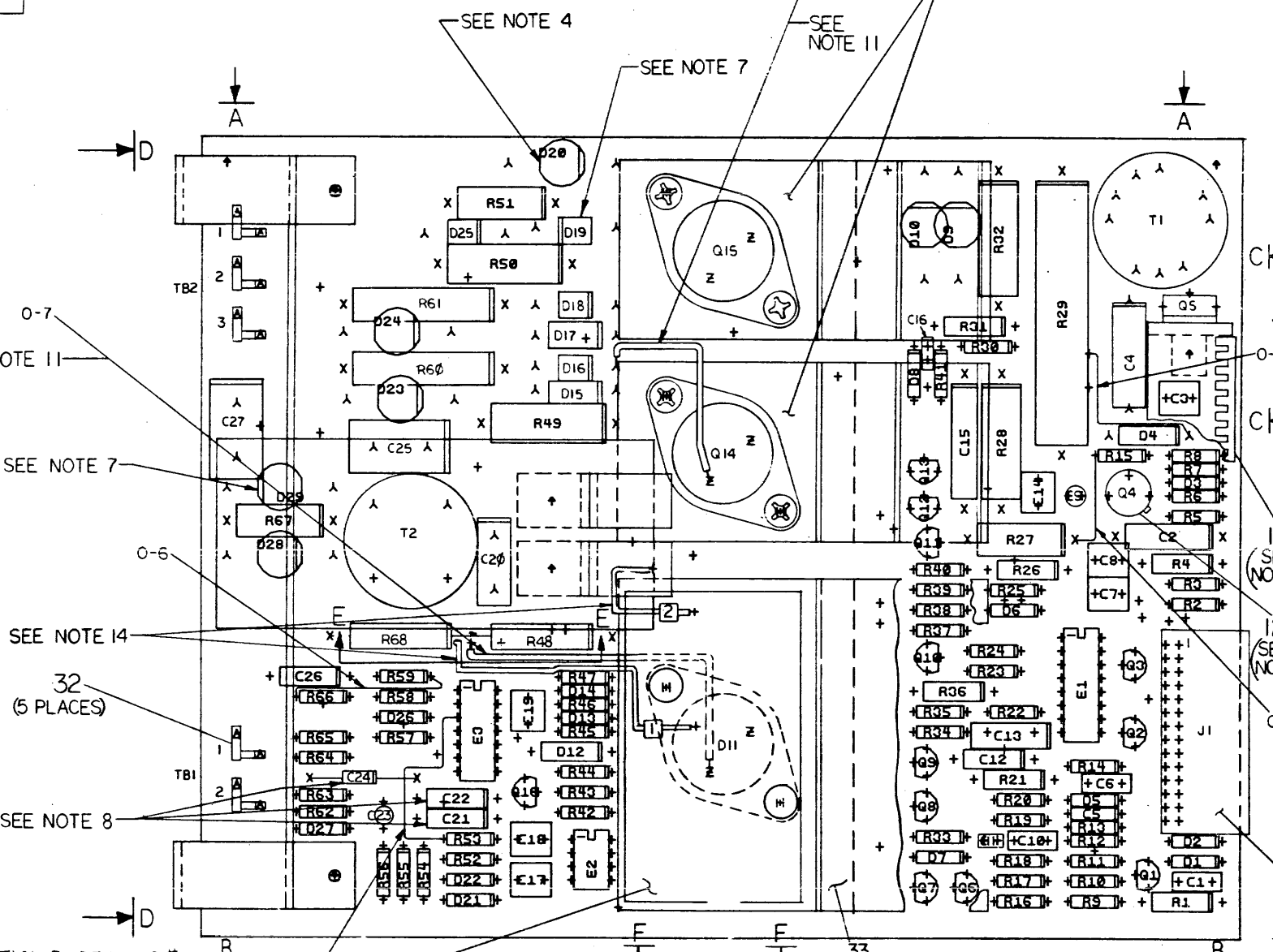
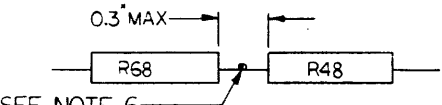
DIGITAL										TITLE										MEMORY REG										SECTION A OF A										SIZE CODE										DOCUMENT NUMBER										REV									
																																								K PL										5413607-0-DBP										H									

TW

THIS DRAWING AND SPECIFICATIONS, HEREON, ARE THE PROPERTY OF TEXAS INSTRUMENTS CORPORATION AND SHALL NOT BE REPRODUCED OR TRANSMITTED IN ANY FORM OR BY ANY MEANS, ELECTRONIC OR MECHANICAL, INCLUDING PHOTOCOPYING, RECORDING, OR BY ANY INFORMATION STORAGE AND RETRIEVAL SYSTEM. © 1970 TEXAS INSTRUMENTS CORPORATION



VIEW C-C SCALE: 2/1



- 5. APPLY GROMMET (ITEM 124) TO HEAT SINK (ITEM 95) USING PERMABOND (ITEM 126). (USE ONLY ON SIDE INDICATED)
- 6. R48 & R68 ARE CONNECTED BY TWISTING ONE LEAD OF R68 WITH ONE LEAD OF R48 AND SOLDERING. THE SPECIFIED SPACING BETWEEN THE BODIES OF THE RESISTORS MUST NOT BE EXCEEDED AND ALL EXTRA LEAD MATERIAL MUST BE REMOVED.
- 7. D19 & D29 HAVE CATHODES IN OPPOSITE DIRECTION TO OTHER DIODES ON BOARD.
- 8. APPLY INSULATING SLEEVING (ITEM 127) TO EACH LEAD OF C24, C22 & C21
- 9. POSITIVE TERMINAL OF CAP. C28 (ITEM 16) IS CONNECTED TO THIS CAPACITOR STRAP (ITEM 109).

- 10. NEGATIVE TERMINAL OF CAPACITOR C28 (ITEM 16) IS CONNECTED TO THIS CAPACITOR STRAP (ITEM 109).
- 11. USE 22 AWG BUS WIRE (ITEM 129) AND APPLY INSULATING SLEEVING (ITEM 127) TO REWORK INSTRUCTION *0-7 & 0-8
- 12. REMOVE ENTIRE ETCH BETWEEN CUT MARKS FOR REWORK INSTRUCTIONS *0-1, 0-2 & 0-4.
- 13. Q5 MUST BE MOUNTED TO HEATSINK BEFORE BEING ATTACHED TO P.C.B.

- 14. TACK SOLDER LEAD #1 TO ETCH UNDER R68 AND USE PTH NEAR HEAT SINK (ITEM 33) FOR LEAD #2.

NOTES: 1. USE TRANSIPAD (ITEM 122) UNDER Q4
 2. USE THERMAL COMPOUND (ITEM 121) BETWEEN D11, Q5, D19, D15 AND HEAT SINKS
 3. APPLY GROMMET (ITEM 112) TO XFMR MOUNTING (ITEM 107) USING PERMABOND (ITEM 126). (APPLY ONLY IN AREA INDICATED)
 4. RAISE P23, R48, R61, R62, R32, R49, R67, D9, R68, D10, D23, D24, D28 AND D29 .100" TO .150" OFF P.C. BOARD.

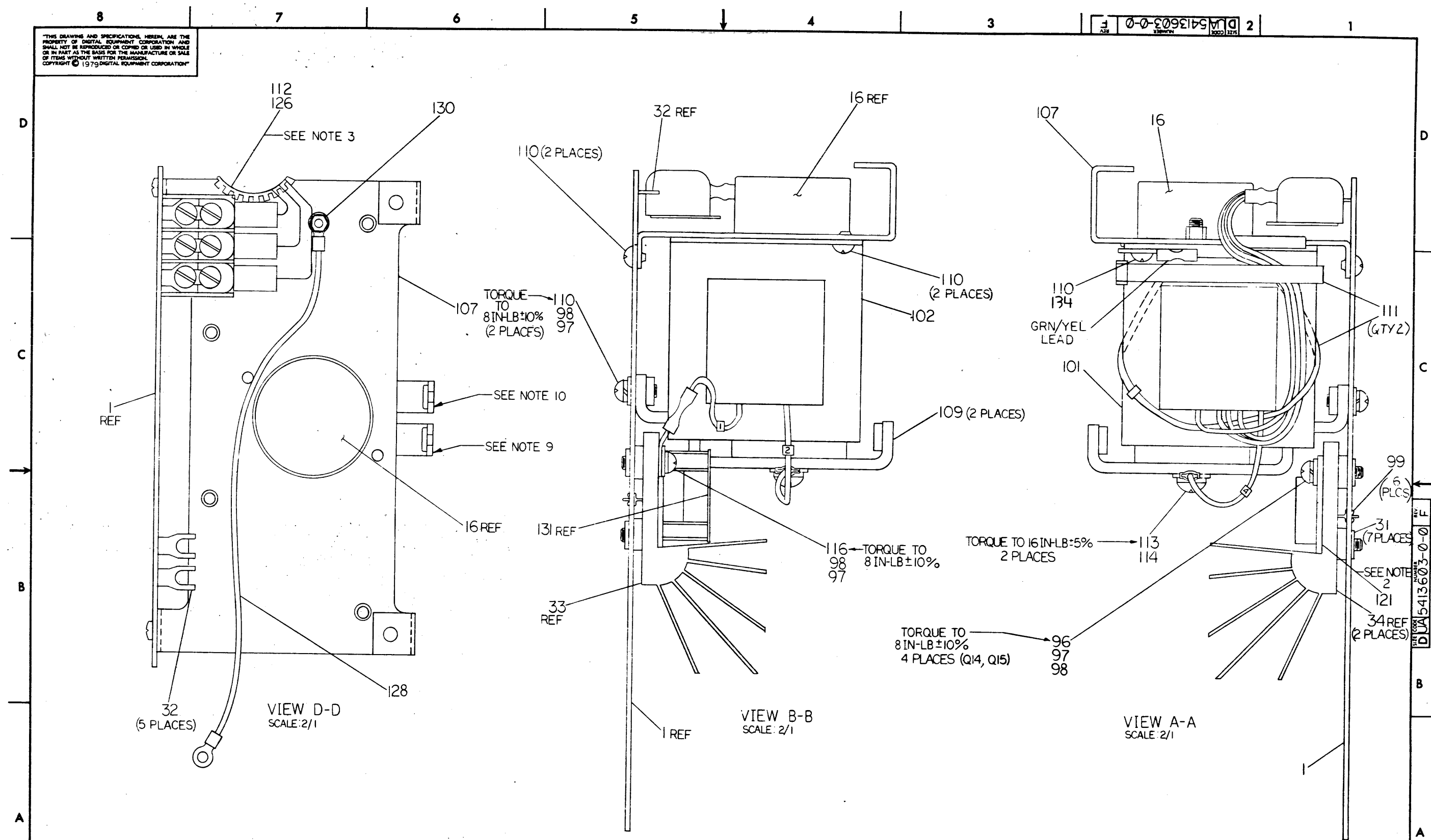
CH	REV	NO	DATE	BY	CHKD	APP'D	REASON
5413603-TW-0	B	1	11 APR 80	W. RICHARD			
5413603-TW-1	C	1	10 APR 80	A. KANTARGIS			
5413603-TW-2	D	1	10 APR 80	A. KANTARGIS			
5413603-TW-3	E	1	10 APR 80	R. HEATON			
5413603-TW-4	F	1	10 APR 80	R. HEATON			

ETCH REV.	
P.C. DESIGN DATA BRSE REV.	

SIGNATURES	DATE	digital
DRN. <i>[Signature]</i>	7-27-73	
CHK. <i>[Signature]</i>	7-27-73	
ENG. <i>[Signature]</i>	7-27-73	
PROD. <i>[Signature]</i>	7-15-74	
TITLE		MEMORY INVERTER
SCALE 2/1	SHT. 1 OF 5	SIZE CODE NUMBER REV. 0 UA 5413603-0-0 F
NEXT HIGHER ASSY.		

TU 1 MS#

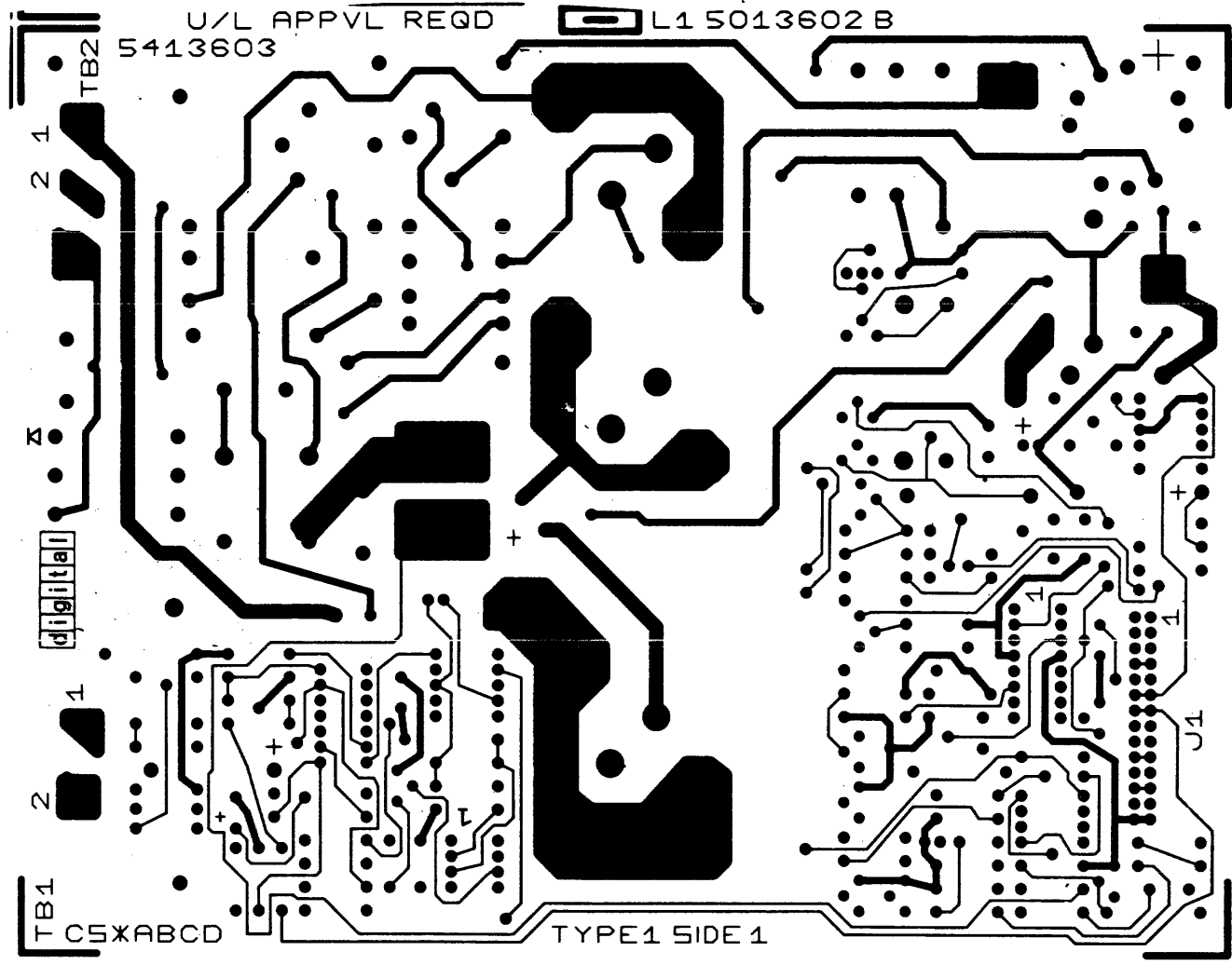
THIS DRAWING AND SPECIFICATIONS HEREIN ARE THE PROPERTY OF DIGITAL EQUIPMENT CORPORATION AND SHALL NOT BE REPRODUCED OR COPIED OR USED IN WHOLE OR IN PART AS THE BASIS FOR THE MANUFACTURE OR SALE OF ITEMS WITHOUT WRITTEN PERMISSION. COPYRIGHT © 1979 DIGITAL EQUIPMENT CORPORATION



REVISIONS		
CHK	CHANGE NO.	REV.

TITLE	SIZE CODE	NUMBER	REV.
MEMORY INVERTER	DUA	5413603-0-0	F
SCALE 2/1	SHEET 2 OF 5	DIST.	TW

THIS DRAWING AND SPECIFICATIONS, HEREIN, ARE THE PROPERTY OF DIGITAL EQUIPMENT CORPORATION AND SHALL NOT BE REPRODUCED OR COPIED OR USED IN WHOLE OR IN PART AS THE BASIS FOR THE MANUFACTURE OR SALE OF ITEMS WITHOUT WRITTEN PERMISSION. COPYRIGHT © 1970 DIGITAL EQUIPMENT CORPORATION

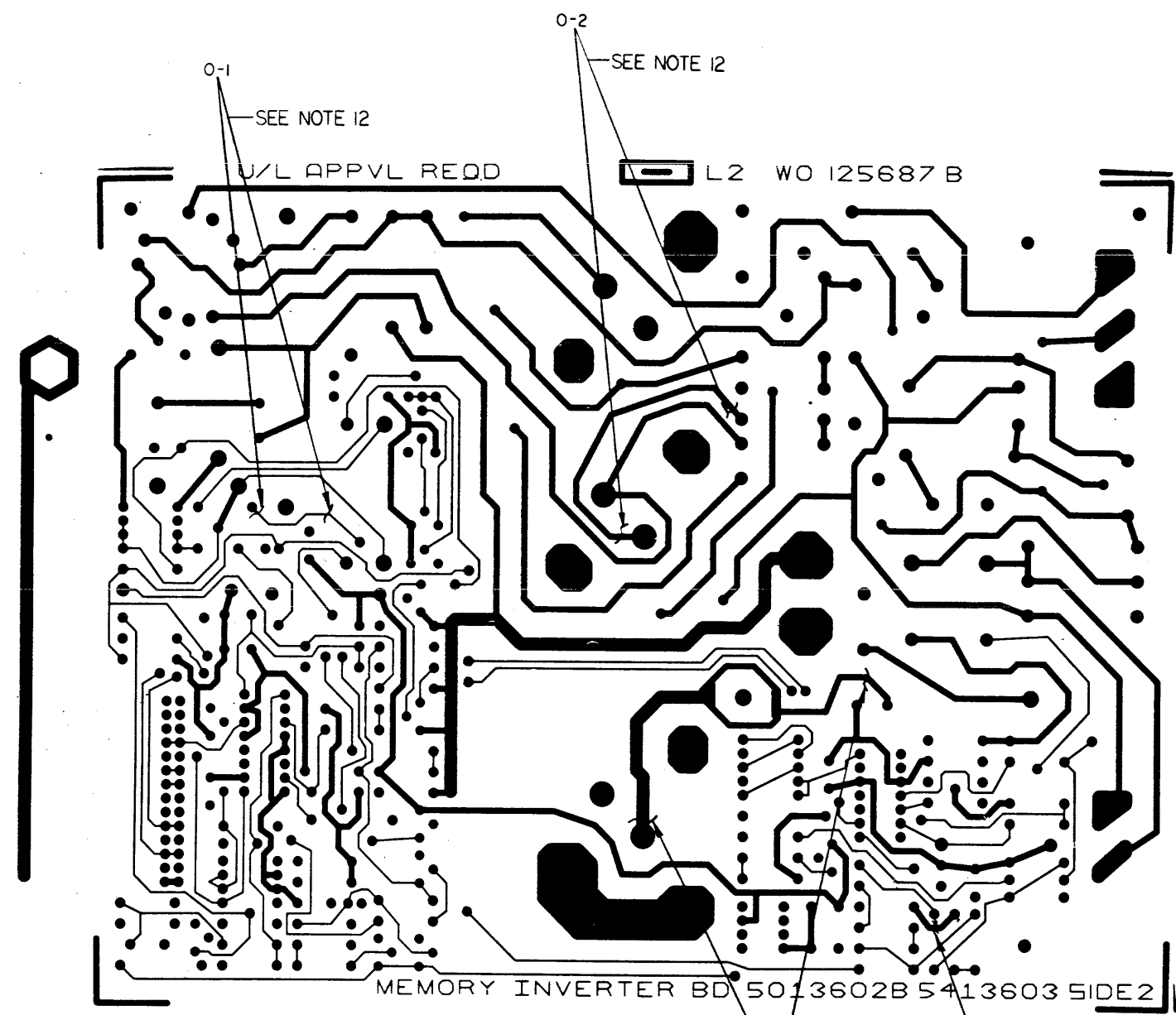


REVISIONS		
CHK	CHANGE NO.	REV.

TITLE	SIZE CODE	NUMBER	REV.
MEMORY INVERTER	D UA	5413603-0-0	F
SCALE 2/1	SHEET 3 OF 5	DIST.	

tu

"THIS DRAWING AND SPECIFICATIONS, HEREIN, ARE THE PROPERTY OF DIGITAL EQUIPMENT CORPORATION AND SHALL NOT BE REPRODUCED OR COPIED OR USED IN WHOLE OR IN PART AS THE BASIS FOR THE MANUFACTURE OR SALE OF ITEMS WITHOUT WRITTEN PERMISSION. COPYRIGHT © 1974 DIGITAL EQUIPMENT CORPORATION"



MEMORY INVERTER BD 5013602B 5413603 SIDE 2

REVISIONS		
CHK	CHANGE NO	REV

TITLE	SIZE CODE	NUMBER	REV.
MEMORY INVERTER	DUA	5413603-0-0	F
SCALE 2/1	SHEET 4 OF 5	DIST	

tu

THIS DRAWING AND SPECIFICATIONS HEREBY ARE THE PROPERTY OF DIGITAL EQUIPMENT CORPORATION AND SHALL NOT BE REPRODUCED OR COPIED OR USED IN WHOLE OR IN PART AS THE BASIS FOR THE MANUFACTURE OR SALE OF ITEMS WITHOUT WRITTEN PERMISSION.
 COPYRIGHT © 1975 DIGITAL EQUIPMENT CORPORATION

REWORK INSTRUCTIONS

ETCH CUTS SIDE 2:

- 0-1 FROM R15 TO PTH BETWEEN C15 & R28. (REMOVE ENTIRE ETCH BETWEEN CUT MARKS)
- 0-2 FROM Q14/BASE TO D16/CATHODE (REMOVE ENTIRE ETCH BETWEEN CUT MARKS)
- 0-3 FROM R53 TO R55
- 0-4 FROM D11/ANODE TO PTH CONNECTING TO T62-1. (REMOVE ENTIRE ETCH BETWEEN CUT MARKS)

WIRE ADDS SIDE 1:

- 0-5 FROM R53 TO E3-3
- 0-6 FROM R66 TO R55
- 0-7 FROM PTH CLOSER TO R68 TO D11/ANODE. (USE ITEMS 127 & 129)
- 0-8 FROM D16/CATHODE TO Q14/BASE (USE ITEMS 127 & 129)
- 0-9 FROM D4/CATHODE TO PTH BETWEEN C4 & R29
- 0-10 FROM R27 TO R15

D

D

C

C

B

B

A

A

DJA 5413603-0-0 F
 DJA 5413603-0-0 F

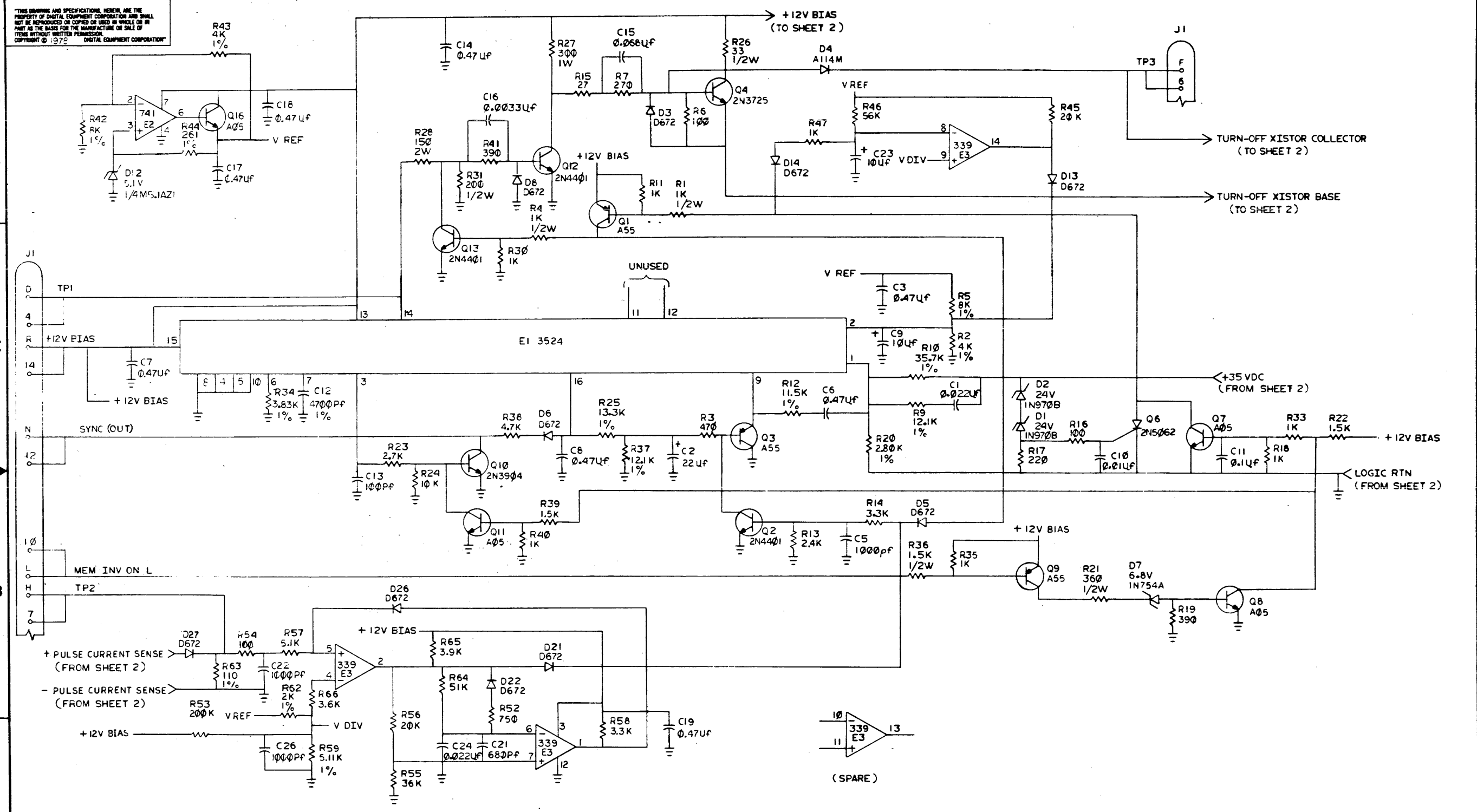
REVISION HISTORY

DATE	ECO NUMBER	REV.

DOCUMENT NUMBER		
SIZE CODE	NUMBER	REV.
DJA	5413603-0-0	F
SCALE 2/1		SHEET 5 OF 5

TITLE
MEMORY INVERTER

SCALE 2/1
SHEET 5 OF 5
TW 1



THIS DRAWING AND SPECIFICATIONS HEREIN ARE THE PROPERTY OF DIGITAL EQUIPMENT CORPORATION AND SHALL NOT BE REPRODUCED OR COPIED OR USED IN WHOLE OR IN PART AS THE BASIS FOR THE MANUFACTURE OR SALE OF ITEMS WITHOUT WRITTEN PERMISSION. COPYRIGHT © 1974 DIGITAL EQUIPMENT CORPORATION

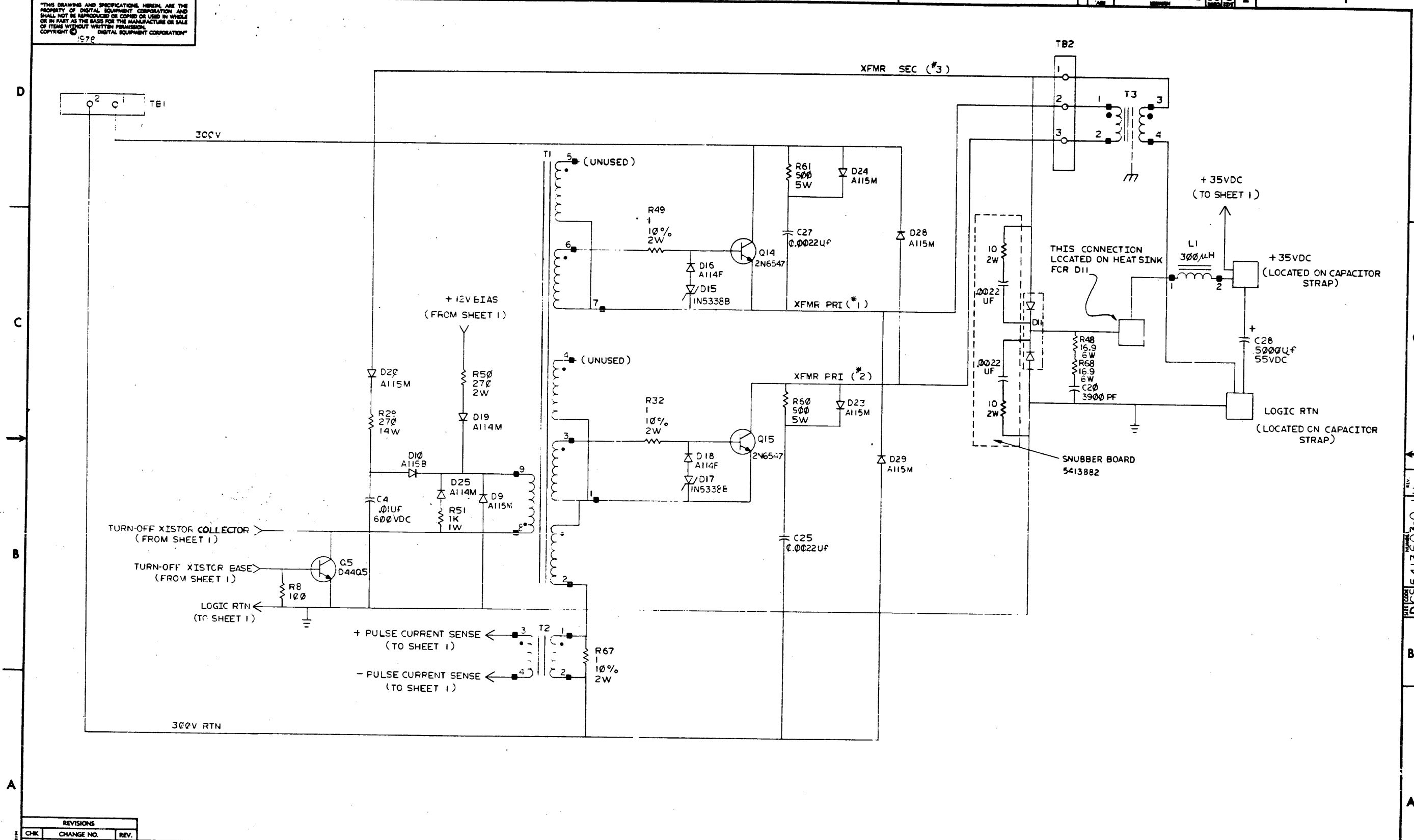
REV.	DATE	BY	CHKD.
1	29 APR 80	B. RICHARD	
2	27 APR 80	A. KANTARGIS	
3	9 JUN 80	A. KANTARGIS	
4	5 SEPT 80	R. RICHARD	
5	17 FEB 81	A. KANTARGIS	
6	17 SEP 81	R. HEATON	
7	10 NOV 81	R. HEATON	
8	10 NOV 81	R. HEATON	

DRN. 12470	FIRST USED ON	80-00-01
CHK'D. 7-27-77	TITLE	MEMORY INVERTER
ENR. 7-27-77	PROG. ENR. 7-27-77	
PROG. F. 7-13-79		
NEXT HIGHER ARMY.		
SCALE	SIZE CODE	NUMBER
SHEET 1 OF 2	D CS 5413603-0-1	H

D CS 5413603-0-1 H

THIS DRAWING AND SPECIFICATIONS HEREIN ARE THE PROPERTY OF DIGITAL EQUIPMENT CORPORATION AND SHALL NOT BE REPRODUCED OR COPIED OR USED IN WHOLE OR IN PART AS THE BASIS FOR THE MANUFACTURE OR SALE OF ITEMS WITHOUT WRITTEN PERMISSION. COPYRIGHT © 1970 DIGITAL EQUIPMENT CORPORATION

DCS 5413603-0-1 H 2



REVISIONS		
CHK	CHANGE NO.	REV.

TITLE	MEMORY INVERTER	SIZE CODE	DCS	NUMBER	5413603-0-1	REV.	H
SCALE	←→	SHEET	2	OF	2	DIST.	

DCS 5413603-0-1 H

LINE	ITEM	DOCUMENT NUMBER	PART NUMBER	DESCRIPTION	QTY PER VARIATION	REFERENCE DESIGNATOR
					00	
1	1	D-MD-5013602-0-0	5013602-00	DRILL & ETCH BD	1	
2	2		1000016-00	100.0 MMF 100V 5%200PPM MICA	1	C13
3	3		1000052-00	.068 MFD 100V 10% MYLR	1	C15
4	4		1012783-00	.022 MFD 50V +80-20% CER	1	C24
5	5		1005636-00	22 MFD 6V 10% S.TANT	1	C2
6	6		1009312-00	.0047 MFD 100V 1% MYLR	1	C12
7	7		1010279-00	.47 MFD 25V 20% CER	8	C7,C18,C19,C8,C14,C17,C3,C6
8	8		1010978-24	.01 MFD 50V 10% CER	1	C10
9	9		1011740-01	3300.0 MMF 50V 10% CER	1	C16
10	10		1011683-00	.022 MFD 50V 10% CER	1	C1
11	11		1013466-08	680.0 MMF 50V 10% X7R CER	1	C21
12	12		1013466-09	1000.0 MMF 50V 10% X7R CER	3	C5,C22,C26
13	13		1011847-02	.01 MFD 600V 10% POLYPROP	1	C4
14	14		1014139-00	.0022 MFD 600V 10% POLYPROP	2	C25,C27
15	15		1013397-00	3900.0 MMF 200V 10%200PPM MICA	1	C20
16	16		1016168-00	5000 MFD 55V 20% AL EL	1	C28
17	17		1010978-36	.1 MFD 50V 10% CER	1	C11
18	18		1010866-02	10 MFD 25V +50-20% S.TANT	2	C9,C23
19	19		1105275-00	D 672 TR= 15NS PIV= 60V SI	10	D26,D27,D21,D22,D8,D5,D3,D14, D13,D6
20	20		1105871-00	1/4MS.1A21 = 5.1 1% .25W N	1	CONT D13,D6
21	21		1109991-00	1N 754A VZ= 6.8 5% .40W	1	D12
22	22		1110556-00	1N 970B VZ= 24.0 5% .40W Y	2	D7
23	23		1112594-01	A115B PIV=200 I= 3A	1	D1,D2
24	24		1112594-02	A115M PIV=600 I= 3A	1	D10
25	25		1112595-00	A114F PIV= 50 I= 1A	6	D24,D20,D23,D28,D29,D9
26	26		1112595-02	A114M PIV=600 I= 1A	2	D16,D18
27	27		1114192-00	TR=200NS COM. CATHODE	3	D25,D4,D19
28	28		1114435-00	1N 5338B VZ= 5.1 5% SW	1	D11
29	29		1110968-00	2N 5062 SCR@100V I=.8A T092	2	D15,D17
					1	Q6

REVISION HISTORY			BASIC PART NO: 5413603			DRN: K.SHEYTANIAN			DATE: 20-DEC-78			D I G I T A L		
ENG	ECD NUMBER	REV	SECTION A OF A			CHK'D:	F.GAROFALO	DATE:	TITLE			PARTS LIST		
	INIT	A	SECTION VARIATION INDEX						MEMORY INVERTER					
IRW	5413603-TW001	B	[A] 00											
IAK	5413603-TW002	C	[B]											
IAK	5413603-TW002	C	[C]			DES.ENG:	J.A.HERRMANN	DATE:						
IRW	5413603-TW003	D	[D]											
IRW	5413603-TW004	E	[E]			RESP.ENG.:	J.HERMANN	DATE: 20-DEC-78	DOCUMENT NUMBER					
			[F]						SIZE	CODE	NUMBER	REV		
			[H]						K	PL	5413603-0-DBP	E		
			[J]			MFG.ENG.:	J.COMELLA	DATE:						
			[K]											
			[L]											
			[M]			ASSEMBLY NUMBER:		TOP DOCUMENT NUMBER:	FILE NAME:			EDIT #		
			[N]			D-UA-5413603-0-0			Z0401.PLS			22		

"THIS DRAWING AND SPECIFICATIONS HEREIN, ARE THE PROPERTY OF DIGITAL EQUIPMENT CORPORATION AND SHALL NOT BE REPRODUCED OR COPIED OR USED IN WHOLE OR IN PART AS THE BASIS FOR THE MANUFACTURE OR SALE OF ITEMS WITHOUT WRITTEN PERMISSION. COPYRIGHT (C) 1981, DIGITAL EQUIPMENT CORPORATION"

TW

LINE	ITEM	DOCUMENT NUMBER	PART NUMBER	DESCRIPTION	QTY	PER VARIATION	REFERENCE DESIGNATOR
					00		
30	30		1216112-01	HEADER,100 28POS RT ANGLE	1		J1
31	31		1214789-00	INSERT,THREADED 6-32 ,BRASS,ELEC	7		
32	32		1216269-01	TERM SPADE 1POS SOLDER STRIP	5		
33	33		1216314-00	HEAT SINK	1		
34	34		1216314-01	HEAT SINK	2		
35	35		1309679-00	16.90 6.0 W 1.0 % WW	2		R48,R68
36	36		1300195-00	33.0 .50 W 5.0 % CC	1		R26
37	37		1300229-00	100.0 .25 W 5.0 % CC	3		R16,R6,R8
38	38		1300250-00	*** THIS ITEM IS NOT USED ***	-		
39	39		1300257-00	150.0 2.0 W 5.0 % CC	1		R28
40	40		1300271-00	220.0 .25 W 5.0 % CC	1		R17
41	41		1300292-00	300.0 1.0 W 5.0 % CC	1		R27
42	42		1300309-00	390.0 .25 W 5.0 % CC	2		R19,R41
43	43		1300316-00	470.0 .25 W 5.0 % CC	1		R3
44	44		1300364-00	1.0 K .50 W 5.0 % CC	2		R4,R1
45	45		1300365-00	1.0 K .25 W 5.0 % CC	8		R30,R11,R35,R18,R33,R40,R47,R54
46	46		1300394-00	1.50 K .50 W 5.0 % CC	1		R36
47	47		1300439-00	3.30 K .25 W 5.0 % CC	2		R58,R14
48	48		1300444-00	3.90 K .25 W 5.0 % CC	1		R65
49	49		1300447-00	4.70 K .25 W 5.0 % CC	1		R38
50	50		1300479-00	10.0 K .25 W 5.0 % CC	1		R24
51	51		1301401-00	750.0 .25 W 5.0 % CC	1		R52
52	52		1301522-00	27.0 .25 W 5.0 % CC	1		R15
53	53		1303169-00	500.0 5.0 W 5.0 % WW	2		R60,R61
54	54		1301972-00	270.0 .25 W 5.0 % CC	1		R7
55	55		1302873-00	261.0 .25 W 1.0 % RN55D-F10	1		R44
56	56		1302377-00	*** THIS ITEM IS NOT USED ***	-		
57	57		1302383-00	360.0 .50 W 5.0 % CC	1		R21
58	58		1302391-00	20.0 K .25 W 5.0 % CC	2		R56,R45
59	59		1304839-00	51.0 K .25 W 5.0 % CC	1		R64
60	60		1303114-00	*** THIS ITEM IS NOT USED ***	-		
61	61		1303313-00	12.10 K .25 W 1.0 % RN55D-F10	2		R37,R9
62	62		1305127-00	4.0 K .25 W 1.0 % RN55D-F10	2		R43,R2
63	63		1305129-00	8.0 K .25 W 1.0 % RN55D-F10	2		R42,R5
64	64		1305145-00	2.80 K .25 W 1.0 % RN55D-F10	1		R20
65	65		1305322-00	*** THIS ITEM IS NOT USED ***	-		
66	66		1305380-00	270.0 2.0 W 5.0 % CC	1		R50
67	67		1305421-00	35.70 K .25 W 1.0 % RN55D-F10	1		R10
68	68		1314350-00	1.0 2.0 W10.0 % FUSE	3		R32,R49,R67
69	69		1309413-00	3.83 K .25 W 1.0 % RN55D-F10	1		R34
70	70		1314172-00	270.0 14.0 W 5.0 % WW	1		R29
71	71		1300426-00	2.70 K .25 W 5.0 % CC	1		R23
72	72		1312565-00	13.30 K .25 W 1.0 % RN55D-F10	1		R25
73	73		1312923-00	*** THIS ITEM IS NOT USED ***	-		
74	74		1312930-00	5.10 K .25 W 5.0 % CC	1		R57
75	75		1312932-00	36.0 K .25 W 5.0 % CC	1		R55
76	76		1313151-00	3.60 K .25 W 5.0 % CC	1		R66
77	77		1313581-00	110.0 .25 W 1.0 % RN55D-F10	1		R63

DIGITAL		TITLE	SECTION A OF A	SIZE	CODE	DOCUMENT NUMBER	REV
		MEMORY INVERTER		K	PL	5413603-0-DBP	E

TW

LINE	ITEM	DOCUMENT NUMBER	PART NUMBER	DESCRIPTION	QTY	PER VARIATION	REFERENCE DESIGNATOR
					00		
78	78		1300389-00	*** THIS ITEM IS NOT USED ***	-		
79	79		1302381-00	200.0 .50 W 5.0 % CC	1		R31
80	80		1300368-00	1.0 K 1.0 W 5.0 % CC	1		R51
81	81		1300391-00	1.50 K .25 W 5.0 % CC	2		R39,R22
82	82		1302395-00	56.0 K .25 W 5.0 % CC	1		R46
83	83		1510705-00	XA 05 NPN 500MW SI 60 50 P	4		Q7,Q8,Q11,Q16
84	84		1510706-00	XA 55 PNP 500MW SI 60 50 P	3		Q1,Q3,Q9
85	85		1510959-00	2N 3725 NPN 3.5WC SI 50 60 P	1		Q4
86	86		1513489-00	2N 4401 NPN 350MW SI 40 20	3		Q2,Q12,Q13
87	87		1514195-00	2N 6547 PNP 400V SI 15A	2		Q14,Q15
88	88		1514271-01	D 44Q5 NPN 31W SI225 30	1		Q5
89	89		1509524-00	2N 3904 NPN 310MW SI 40 40 M	1		Q10
90	90		1614202-00	XFMR,CURRENT	1		T2
91	91		1614204-00	PULSE XFMR 20312 BASE DRIVE	1		T1
92	92		1910298-00	741 OP AMP GEN PURP. COM	1		E2
93	93		1912108-00	339 VOLT CMPRTR,QUAD	1		E3
94	94		1914250-00	3524 MODULATOR-REGULATING	1		E1
95	95		7422046-00	HEAT SINK,SINGLE	1		
96	96		9006025-01	SCREW,PAN,PHIL 6-32X 5/8 SS	4		
97	97		9006656-00	WASHER, FLAT, .312 O.D. X .156 I	8		
98	98		9007801-00	WASHER, LOCK, S.S. #6	9		
99	99		9007836-00	EYELET, ROLLED FLANGE, .121 OD X	6		
100	100		901012E-00	SCREW,TAPPING,TYPE PAN,PHIL,	1		
101	101		7016051-00	TRANSFORMER ASSY	1		T3
102	102		7016052-00	CHOKE ASSY	1		L1
103	103		1303177-00	2.40 K .25 W 5.0 % CC	1		R13
104	104		1302860-00	11.50 K .25 W 1.0 % RN55D-F10	1		R12
105	105		1304854-00	5.11 K .25 W 1.0 % RN55D-F10	1		R59
106	106		1300411-00	2.0 K .25 W 1.0 % RN55D-F10	1		R62
107	107		7421435-00	MTG BRKT	1		
108	108		9009052-00	*** THIS ITEM IS NOT USED ***	-		
109	109		7422045-00	CAPACITOR STRAP	2		
110	110		9009708-00	SCREW,PAN,PHIL,TAP'G 6-32X	8		
111	111		9009617-00	TIE,CABLE BUNDL,DIA 0-3"TYPE=101	2		
112	112		9007035-00	GROMMET #122-37-1500	A/R		
113	113		9006071-01	SCREW,PAN,PHIL 10-32X 3/8 SS	2		
114	114		9007906-00	WASHER, LOCK S.S. #10	2		
115	115		9009243-00	*** THIS ITEM IS NOT USED ***	-		
116	116		9006024-01	SCREW,PAN,PHIL 6-32X 1/2 SS	1		
117	117		9009769-00	WASHER, RECTANGULAR .405X.225X.0	1		
118	118		9006011-01	SCREW,PAN,PHIL 4-40X 3/8 SS	1		
119	119		9006688-00	WASHER, LOCK, S.S. #4	1		
120	120		9006556-00	NUT,HEX , 4-40X1/4 AF X 3/	1		
121	121		9008268-00	COMPOUND, THERMAL JOINT	A/R		
122	122		9007201-00	TRANSIPADS #10253	1		
123	123		9105740-55	WIRE(WRAP)30AWG UL1423	A/R		
124	124		9007036-00	GROMMET #122-37-2500	A/R		
125	125		1314516-00	200.0 K .25 W 5.0 % CC	1		R53

D	I	G	I	T	A	L	TITLE	SECTION A OF A	SIZE	CODE	DOCUMENT NUMBER	REV
							MEMORY INVERTER		K	FL	5413603-0-DBP	E

TW

PARTS LIST

LINE ITEM	DOCUMENT NUMBER	PART NUMBER	DESCRIPTION	QTY PER VARIATION	REFERENCE DESIGNATOR
126	126	9009157-00	ADH, LIQ. RM. TEMP CURING COLORLESS	A/R	
127	127	9107256-11	TUBING, THIN WALL, .027ID	UL A/R	
128	128	7016920-00	JUMPER ASSY	1	
129	129	9107560-01	WIRE, BUSS, 22AWG	A/R	
130	130	9006565-00	NUT, KEP , 10-32X 3/8 AF	1	
131	131	5413882-00	SNV SNUBBER	1	
132	132	9007853-01	SCREW, PAN, PHIL 6-32X1-1/8 SS	2	
133	133	9006803-00	SPACER, HEX, ALUM, .138 ID X .5	2	

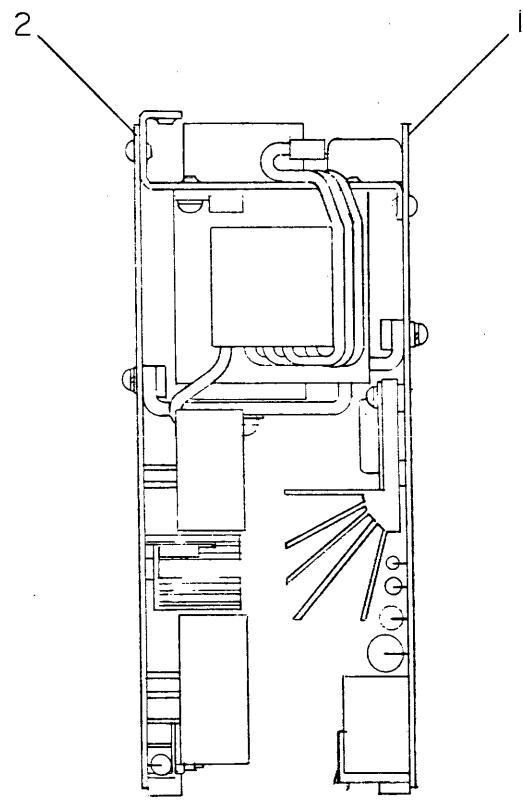
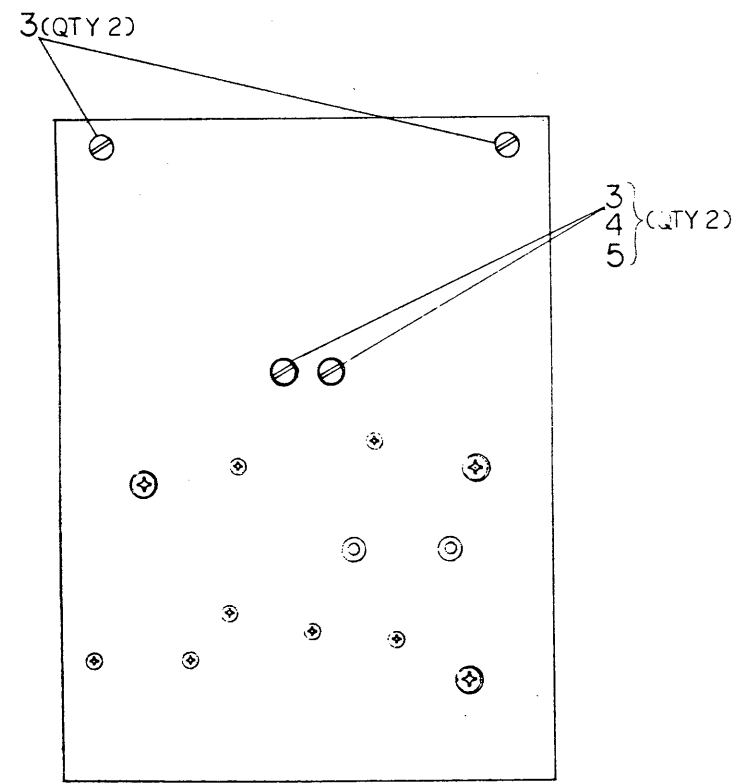
- 134 NOTE: ITEM #123; .52' IS USED.
- 135 NOTE: ITEM #124; .08' IS USED.
- 136 NOTE: ITEM #127; .56' IS USED.
- 137 NOTE: ITEM #129; .37' IS USED.

D	I	G	I	T	A	L	TITLE	SECTION A OF A	SIZE	CODE	DOCUMENT NUMBER	REV
							MEMORY INVERTER				5413603-0-DBP	E
									K	PL		

TW

"THIS DRAWING AND SPECIFICATIONS, HEREIN, ARE THE PROPERTY OF DIGITAL EQUIPMENT CORPORATION AND SHALL NOT BE REPRODUCED OR COPIED OR USED IN WHOLE OR IN PART AS THE BASIS FOR THE MANUFACTURE OR SALE OF ITEMS WITHOUT WRITTEN PERMISSION. COPYRIGHT © 1979, DIGITAL EQUIPMENT CORPORATION"

DWG NO. 0-0-0909107
REV. 2



2	WASHER, FLAT #6	9006656-00	5
2	WASHER, LOCK, S.S. #6	9007801-00	4
4	SCREW, PAN HD. SELF TAP #6-32 X .31 LG	9009708-00	3
1	MEMORY REGULATOR BOARD	5413607-00	2
1	MEMORY INVERTER BOARD	5413603-00	1

DESCRIPTION	DWG./PART NO.	ITEM NO.
UNLESS OTHERWISE SPECIFIED DIMENSIONS ARE IN INCHES		
ANGLES 20°-30°	CLASS OF ACCURACY	NOMINAL DIMENSIONS RANGE INCHES
SURFACE QUALITY IN	(CHECK ONE)	OVER 0 TO 0.2
MEDIUM	<input checked="" type="checkbox"/>	OVER 0.2 TO 0.5
MICROFINISHES	PREFERRED	OVER 0.5 TO 1.0
		OVER 1.0 TO 4.0
		OVER 4.0 TO 80.0

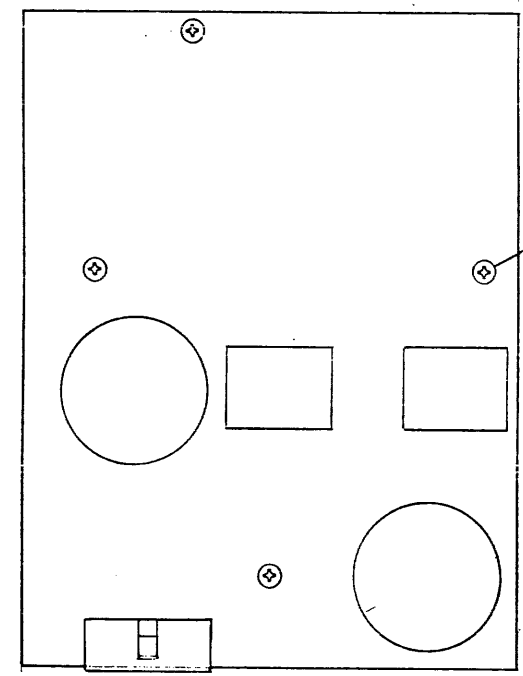
THIRD ANGLE PROJECTION	DRN. <i>A. Mowry</i> 6-6-79	FIRST USED ON	H7140
REMOVE BURRS AND BREAK SHARP CORNERS	CHK'D <i>[Signature]</i> 12/1/79	TITLE	H7140
DO NOT SCALE DWG	PROJ. ENG. <i>[Signature]</i> 12/4/79	MEMORY VOLTAGE ASSY	
MATERIAL SEE PARTS LIST	PROD. <i>[Signature]</i> 12/4/79	SIZE CODE	D
FINISH <i>H</i>	SCALE NONE	NUMBER	AD 7016050-0-0
	SHEET NONE	DIST.	

REV.	
CHANGE NO.	
CHK	

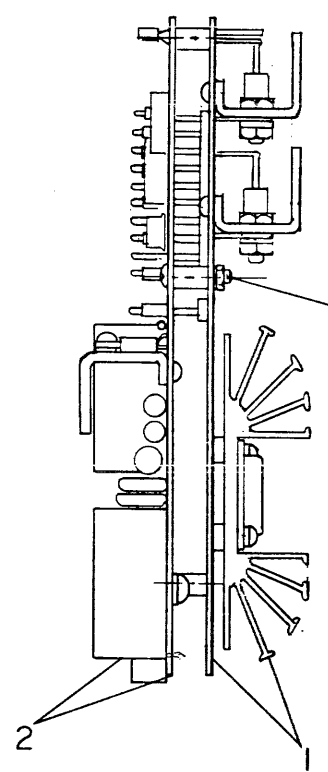
D AD 7016050-0-0

THIS DRAWING AND SPECIFICATIONS HEREIN ARE THE PROPERTY OF DIGITAL EQUIPMENT CORPORATION AND SHALL NOT BE REPRODUCED OR COPIED OR USED IN WHOLE OR IN PART AS THE BASIS FOR THE MANUFACTURE OR SALE OF ITEMS WITHOUT WRITTEN PERMISSION.
 COPYRIGHT © 1979, DIGITAL EQUIPMENT CORPORATION

* 0-0-7010107000 2



4
3
3
0 } QTY 4



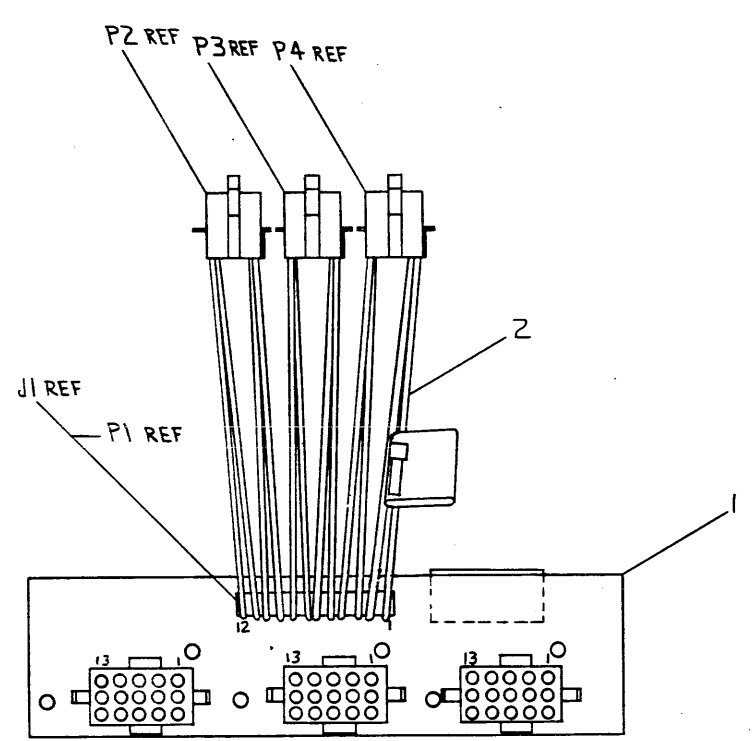
4
3
3
0 } REF

4	NUT, HEX #6-32X.25 A.F.	9008957-00	6
4	WASHER, LOCK, SS. #6	9007801-00	5
4	SCR, PHIL PAN HD #6-32X.69LG	9007794-01	4
4	SPACER, HEX, ALUM #6-32 X.38LG	9006844-00	3
1	LOGIC INVERTER CONT BD	5413601-00	2
1	LOGIC INVERTER BD	5413599-00	1

THIRD ANGLE PROJECTION		DRN. <i>A. Mayrey</i> 6-5-79	FIRST USED ON	<i>digital</i>
REMOVE BURRS AND BREAK SHARP CORNERS		CHK'D <i>AK</i> 2-4-77	H7140	
DO NOT SCALE DWG		ENGR. <i>AK</i> 12/6/76	TITLE	H7140 +5V INVERTER ASSY
MATERIAL SEE PARTS LIST		PROJ. ENGR. <i>D.M.</i> 11/2/76	SIZE	CODE
FINISH <i>11</i>		PROD. <i>AK</i> 4/1/77	D	AD 7016057-0-0
		NEXT HIGHER ASSY.	NUMBER	REV.
		SCALE NONE	1	*
		SHEET 1 OF 1	DIST.	

* 0-0-7016057-0-0

THIS DRAWING AND SPECIFICATIONS, HEREIN, ARE THE PROPERTY OF DIGITAL EQUIPMENT CORPORATION AND SHALL NOT BE REPRODUCED OR COPIED OR USED IN WHOLE OR IN PART AS THE BASIS FOR THE MANUFACTURE OR SALE OF ITEMS WITHOUT WRITTEN PERMISSION.
 COPYRIGHT © 1977, DIGITAL EQUIPMENT CORPORATION



REV.	
CHANGE NO.	
REVISIONS	

1	CABLE JUMPER ASSY	D-1A-7016887-00	2
1	POWER DIST. BOARD	D-UA-5413632-0	1
DESCRIPTION		DWG./PART NO.	ITEM NO.
UNLESS OTHERWISE SPECIFIED DIMENSIONS ARE IN INCHES			
ANGLES OF 30°	CLASS OF ACCURACY	NOMINAL DIMENSION RANGE INCHES	
SURFACE QUALITY IN	MICRONS	OVER 0 TO 0.3	OVER 0.3 TO 1.2
		OVER 1.2 TO 4.9	OVER 4.9 TO 12.9
MEDIUM	PREFERRED	0.004	0.008
		0.012	0.016
MICRONS		0.025	0.050
QUANTITY & VARIATION		0.100	0.200
THIRD ANGLE PROJECTION		0.300	0.600
REMOVE BURRS AND BREAK SHARP CORNERS		0.800	1.600
DO NOT SCALE DWG		2.000	4.000
MATERIAL		4.000	8.000
FINISH		16.000	32.000
NEXT HIGHER ASSY.		64.000	128.000
E-UA-BAI-A-D		512.000	1024.000
SCALE 1:1		2048.000	4096.000
SHEET 1 OF 1		8192.000	16384.000

DRN. *J. R. [unclear]* 12/19/79
 CHK'D. *[unclear]* 7/MAY/77
 ENGR. *P. [unclear]* 9/MAY/77
 PROJ. ENGR. *P. [unclear]* 1/10/77
 PROJ. ENGR. *[unclear]* 27/JUN/77

FIRST USED ON BAI-A

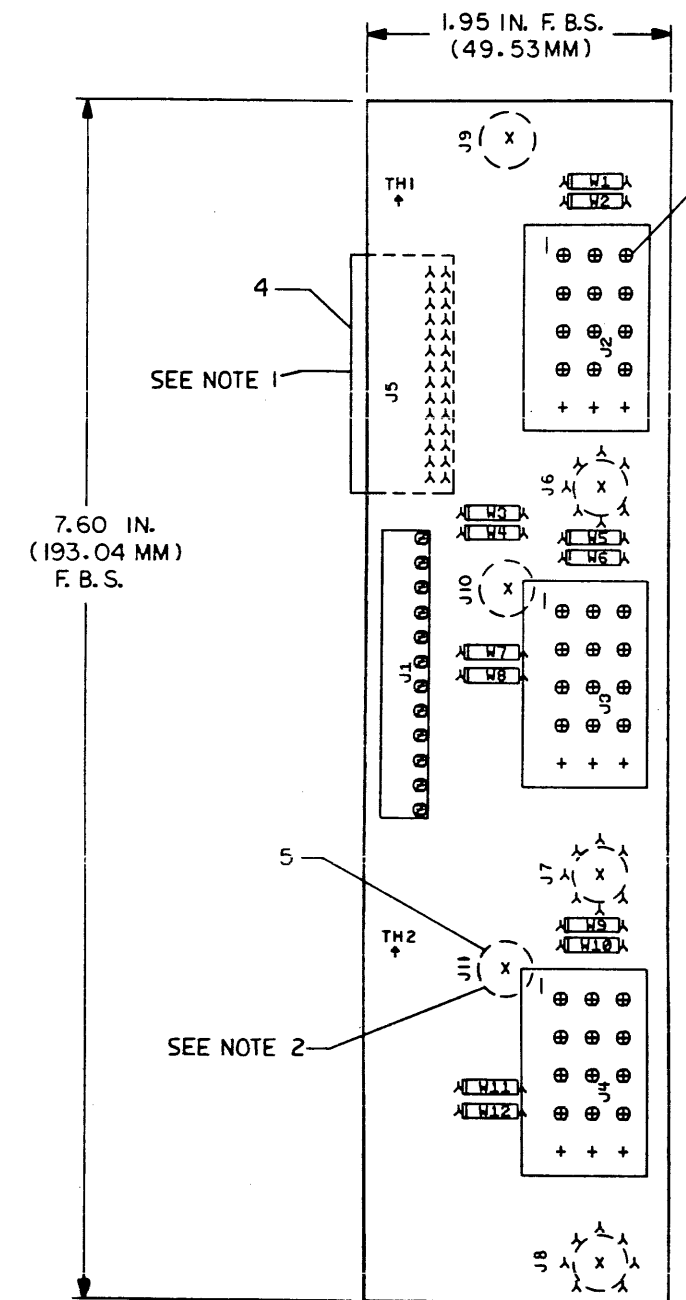
TITLE POWER DISTRIBUTION BOARD ASSY

SIZE CODE D AD 7016888-0-0

REV. *

TW 1

COMPONENT SIDE VIEW



THIS DRAWING AND SPECIFICATIONS, WHETHER AND THE PROPERTY OF DIGITAL, INCORPORATED, OR NOT, SHALL NOT BE REPRODUCED OR TRANSMITTED IN ANY FORM OR BY ANY MEANS, ELECTRONIC OR MECHANICAL, INCLUDING PHOTOCOPYING, RECORDING, OR BY ANY INFORMATION STORAGE AND RETRIEVAL SYSTEM, WITHOUT THE WRITTEN PERMISSION OF DIGITAL CORPORATION © 1979

NOTES:
 1. ITEM 4 (J5) MOUNT ON SIDE 2.
 2. ITEM 5 MOUNT ON SIDE 2.

STEP 6 → Y AXIS 0.000 STEP 0 TIMES
 REPEAT → X AXIS 2.075 STEP 4 TIMES

CHANGE NO	REV
	C

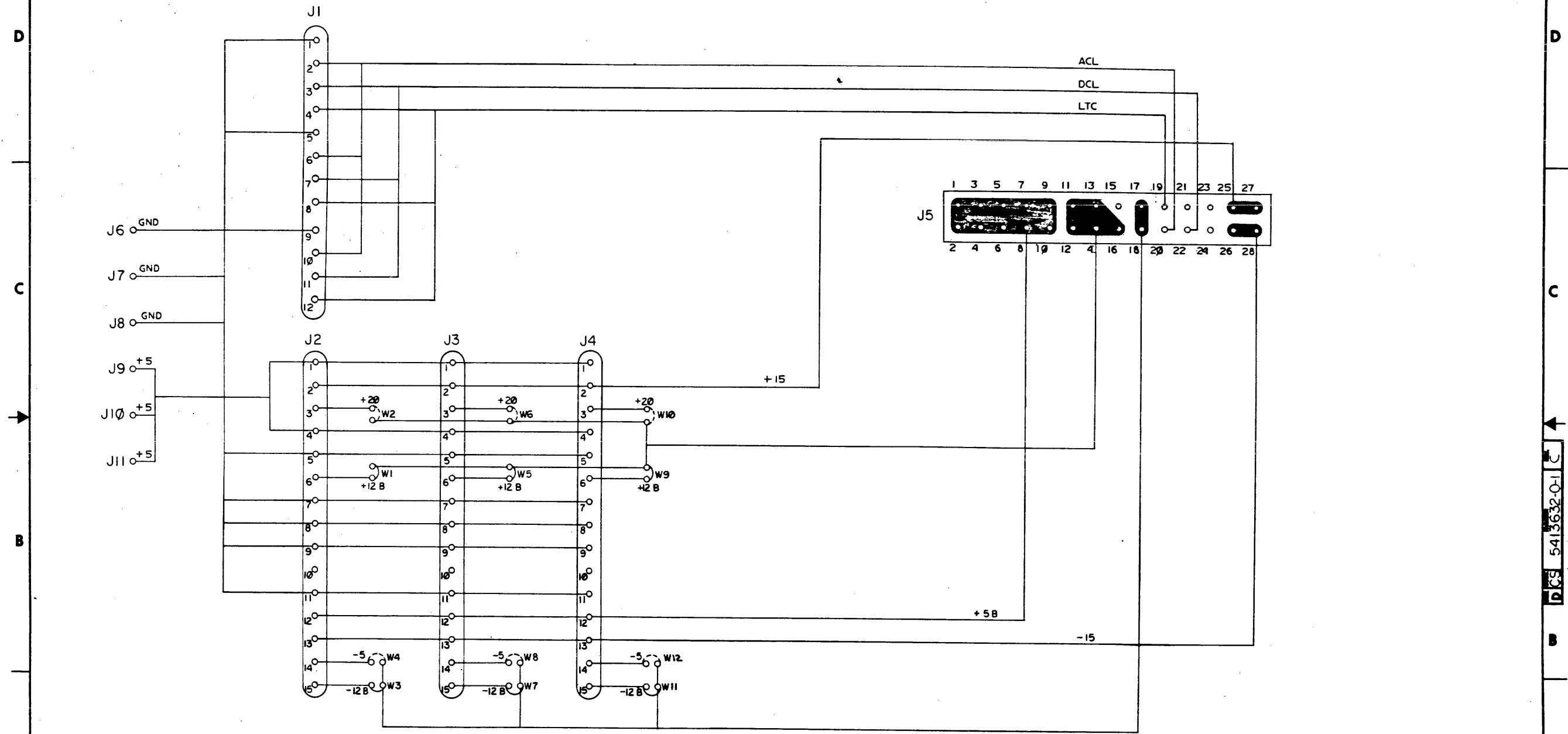
ETCH REV.	D-PI

SIGNATURES	DATE
DRN. P. A. Teller	10-24-79
CHK'D. E. T. GERRY	12-13-79
RECH. ENG. John D. [Signature]	1-17-81
PROJ. ENG. John D. [Signature]	1-22-81
PROD. [Signature]	1-22-81
SCALE 2/1	
SHT. 1 OF 1	
NEXT HIGHER REVISION B-DD-5413632-0	

digital	TITLE BAI A POWER DISTRIBUTION
SIZE CODE	NUMBER REV
D UA 5413632-0-0 C	

THIS DRAWING AND SPECIFICATIONS, HEREIN, ARE THE PROPERTY OF DIGITAL EQUIPMENT CORPORATION AND SHALL NOT BE REPRODUCED OR COPIED OR USED IN WHOLE OR IN PART AS THE BASIS FOR THE MANUFACTURE OR SALE OF ITEMS WITHOUT WRITTEN PERMISSION.
 COPYRIGHT © 1975 DIGITAL EQUIPMENT CORPORATION

DIGITAL 5413632-0-1 C 2

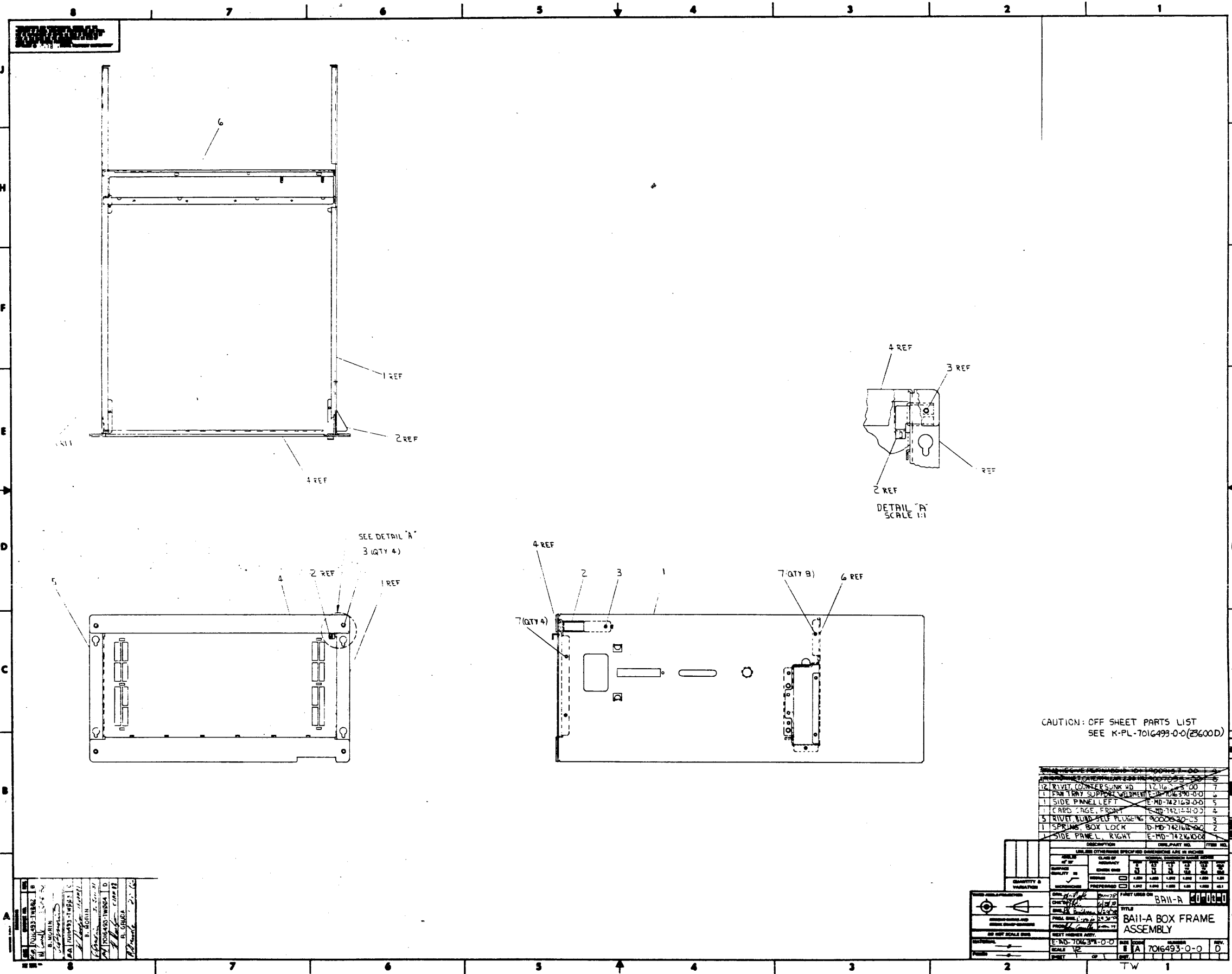


REV. C
CHANGE NO. 1
DATE 7/1/75
CHK'D [Signature]
APP'D [Signature]

DRN. [Signature]	DATE 7/1/75	FIRST USED ON	DIGITAL
CHK'D [Signature]	DATE 7/1/75	TITLE	BALI-A POWER DISTRIBUTION BOARD
ENGL. [Signature]	DATE 7/1/75	SIZE	D CS
PROJ. ENG. [Signature]	DATE 7/1/75	NUMBER	5413632-0-1 C
PROD. [Signature]	DATE 7/1/75	REV.	C
NEXT HIGHER ASSY.	SCALE	SHEET 1 OF 1	DIST.

DIGITAL 5413632-0-1 C

TW 1



CAUTION: OFF SHEET PARTS LIST
SEE K-PL-7016493-0-0(23600D)

DESIGNED BY	DATE
DRAWN BY	DATE
CHECKED BY	DATE
APPROVED BY	DATE
REVISIONS	

QTY	DESCRIPTION	COMP. PART NO.	ITER NO.
12	RIVET CORNERS, AW 40	12-16	2-00
1	FRONT TRAY SUPPORT WELDMENT	E-MD-74216-0-0	6
1	SIDE PANEL LEFT	E-MD-74216-0-0	5
1	FRONT RING, FRONT	E-MD-74216-0-0	4
5	RIVET END SELF PLUGGING	9-0006-0-0-05	3
1	SPRING BOX LOCK	D-MD-74216-0-0	2
1	SIDE PANEL RIGHT	E-MD-74216-0-0	1

DATE	BY	REV.
12/10/70	WJW	1
12/10/70	WJW	2
12/10/70	WJW	3
12/10/70	WJW	4
12/10/70	WJW	5
12/10/70	WJW	6
12/10/70	WJW	7
12/10/70	WJW	8
12/10/70	WJW	9
12/10/70	WJW	10
12/10/70	WJW	11
12/10/70	WJW	12
12/10/70	WJW	13
12/10/70	WJW	14
12/10/70	WJW	15
12/10/70	WJW	16
12/10/70	WJW	17
12/10/70	WJW	18
12/10/70	WJW	19
12/10/70	WJW	20
12/10/70	WJW	21
12/10/70	WJW	22
12/10/70	WJW	23
12/10/70	WJW	24
12/10/70	WJW	25
12/10/70	WJW	26
12/10/70	WJW	27
12/10/70	WJW	28
12/10/70	WJW	29
12/10/70	WJW	30
12/10/70	WJW	31
12/10/70	WJW	32
12/10/70	WJW	33
12/10/70	WJW	34
12/10/70	WJW	35
12/10/70	WJW	36
12/10/70	WJW	37
12/10/70	WJW	38
12/10/70	WJW	39
12/10/70	WJW	40
12/10/70	WJW	41
12/10/70	WJW	42
12/10/70	WJW	43
12/10/70	WJW	44
12/10/70	WJW	45
12/10/70	WJW	46
12/10/70	WJW	47
12/10/70	WJW	48
12/10/70	WJW	49
12/10/70	WJW	50

TW 1

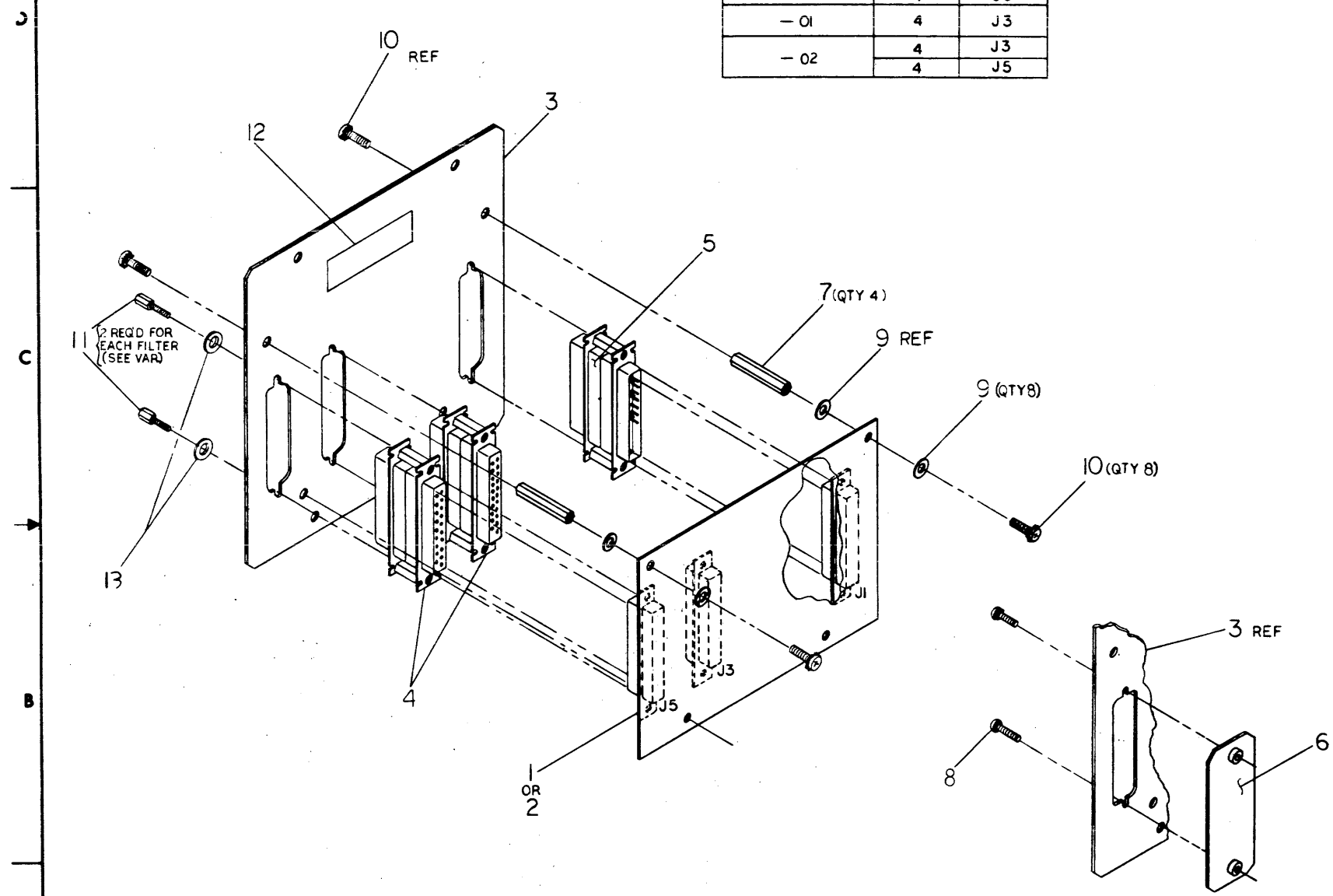
DMD 7017466-0-0 A

THIS DRAWING AND SPECIFICATIONS HEREIN ARE THE PROPERTY OF DIGITAL EQUIPMENT CORPORATION AND SHALL NOT BE REPRODUCED OR COPIED OR USED IN WHOLE OR IN PART AS THE BASIS FOR THE MANUFACTURE OR SALE OF ITEMS WITHOUT WRITTEN PERMISSION.
 COPYRIGHT © 1980 DIGITAL EQUIPMENT CORPORATION

INTERCONNECT LIST SEE NOTE 1		
VARIATION	USE ITEM NO.	CONNECT TO
-00	5	J1
	4	J3
	4	J5
-01	4	J3
	4	J5
-02	4	J3
	4	J5

LEGEND	
NUMBER	VARIATION
7017466-00	WITH REMOTE DIAGNOSTIC
7017466-01	WITH ONE SERIAL LINE
7017466-02	WITH TWO SERIAL LINES

NOTES:
 1. IN THOSE POSITIONS (J1 OR J3) WHICH HAVE NO FILTER, (ITEM 4 OR 5) INSTALL COVER PLATE (ITEM 6) TO BRKT, MTG (ITEM 3) SEE DETAIL 'A'.
 2. IDENT. LABEL REQ'D AFTER ASSY DENOTING P/N, VAR. AND REV. (ITEM 12)



DETAIL 'A'
SCALE: 1/1

CAUTION OFF SHEET PARTS LIST EXISTS ON
K-PL-7017466-0-DBP

REV.	DATE	BY	APP'D	DESCRIPTION
A	7/21/80	R. GRUDA	[Signature]	REVISED TO ADD SERIAL LINES

DESCRIPTION	DRAWING NO.	PART NO.	ITEM NO.					
UNLESS OTHERWISE SPECIFIED DIMENSIONS ARE IN INCHES AND THE FOLLOWING TOLERANCES APPLY (PER DEC STD 114)								
INCHES TOLERANCES	ANGLES ± 0° 30'	APPLICABLE DIMENSION RANGE	DIMENSION RANGE IN INCHES					
			OVER TO	OVER 0.2 TO	OVER 1.2 TO	OVER 3.0 TO	OVER 12.0 TO	OVER 48.0 TO
X = ± 0.1 XX = ± 0.05 XXX = ± 0.02	SURFACE QUALITY MICROINCHES	CHECK ONE	± 0.2	± 0.1	± 0.05	± 0.02	± 0.01	± 0.005
THIRD ANGLE PROJECTION	DATE 25/Jan/80	TITLE	SLU digital CONNECTOR ASSY					
DO NOT SCALE DRAWING	DATE 5-1-80	DOCUMENT NUMBER	D AD 7017466-0-0 A					
REMOVE BURRS AND BREAK SHARP CORNERS	DATE 6 MAY 80	SCALE	1/1					
MATERIAL SEE PARTS LIST	DATE 5-5-80	SHEET	7/1					
FINISH NONE	DATE E-UA-11/24-0-0	OF	1					

DMD 7017466-0-0 A

LINE ITEM	DOCUMENT NUMBER	PART NUMBER	DESCRIPTION	QUANTITY PER VARIATION		
				00	01	02
1	E-UA-5414218-0-0	5414218-00	SLV INTERFACE	1	0	0
10	E-UA-5414218-0-0	5414218-01	EIA SERIAL LINE INTERFACE	0	1	1
11	D-MD-7424022-0-0	7424022-00	BRKT, MTG SLU	1	1	1
12	D-PS-1217431-0-0	1217431-02	CONN, D SUB 25PIN ASSY STRAIGHT W	2	1	2
13	D-PS-1217431-0-0	1217431-00	CONN, D SUB 25PIN ASSY STRAIGHT W	1	0	0
	B-IA-7424023-0-0	7424023-00	CONNECTOR, COVER SLU	0	2	4
		9006862-00	SPACER, HEX, THD'D, ALUM 6-32X1	4	4	4
		9009546-00	SCREW, PAN, PHIL, SEMS 4-40X .375L	0	4	2
		9006707-00	WASHER, NYLON, FLAT #6 .312 OD	8	8	8
		9010174-00	SCREW, PAN, PHIL, SEMS 6-32X .25 L	6	2	1
		9008451-01	SCREW LOCK, STANDOFF ONLY	6	1	1
		9009255-00	LABEL, POWER SUPPLY, 2-15/16 " L	1	2	4
		9006655-00	WASHER, FLAT, .312 O.D. X .125 I	6	2	4

REVISION HISTORY		BASIC PART NO: 7017466		DRN: A. COLON	DATE: 29-APR-80	D I G I T A L		
ENG: ECO NUMBER	REV	SECTION A OF A	CHK'D: R.J. RILEY	DATE: 29-APR-80	TITLE PARTS LIST			
INITIAL	X0-2	SECTION. VARIATION INDEX	DES. ENG.: P. BARTH	DATE: 29-APR-80	SLU ASSEMBLY			
INITIAL	*	[A] 00,01,02	RESP. ENG.: D. CARLSON	DATE: 29-APR-80	DOCUMENT NUMBER			
R G: 7017466-TW001	A	[B]	MFG. ENG.: G. ABREU	DATE: 29-APR-80	SIZE: K	CODE: PL	NUMBER: 7017466-0-D8P	REV: A
		[C]	ASSEMBLY NUMBER: D-AD-7017466-0-0	TOP DOCUMENT NUMBER: D-AD-7017466-0-0	FILE NAME: Z1175A.PLS		EDIT #: 8	
		[D]	"THIS DRAWING AND SPECIFICATIONS HEREIN, ARE THE PROPERTY OF DIGITAL EQUIPMENT CORPORATION AND SHALL NOT BE REPRODUCED OR COPIED OR USED IN WHOLE OR IN PART AS THE BASIS FOR THE MANUFACTURE OR SALE OF ITEMS WITHOUT WRITTEN PERMISSION. COPYRIGHT (C) 1981. DIGITAL EQUIPMENT CORPORATION"					
		[E]						
		[F]						

DRAWING NO.	NO. OF SHTS.	PART NO.	DESCRIPTION	REV.	REVISIONS																				
		5414218	MODULE REVISION	D																					
B-DD-5414218-0	1		SLU INTERFACE	D																					
E-UA-5414218-0-0	1		SLU INTERFACE	D																					
E-UA-5414218-01	1		SLU INTERFACE	D																					
K-PL-5414218-0-DBP	1		SLU INTERFACE	D																					
D-CS-5414218-0-1	1		SLU INTERFACE	D																					
EEC-5014217-0-0	2		ETCH CUT DRAWING	D																					
EMD-5014217-0-0	3		DRILL AND ETCH DRAWING	D																					
		5014217	ETCHED BOARD	E																					
K-PC-5414218-0-DBG			PC DESIGN DATA BASE	E																					

NOTES:

REVISIONS		DATE	CHG NO.	REV.

"THIS DRAWING AND SPECIFICATIONS, HEREIN, ARE THE PROPERTY OF DIGITAL EQUIPMENT CORPORATION AND SHALL NOT BE REPRODUCED OR COPIED OR USED IN WHOLE OR IN PART AS THE BASIS FOR THE MANUFACTURE OR SALE OF ITEMS WITHOUT WRITTEN PERMISSION.

COPYRIGHT© 1980 DIGITAL EQUIPMENT CORPORATION



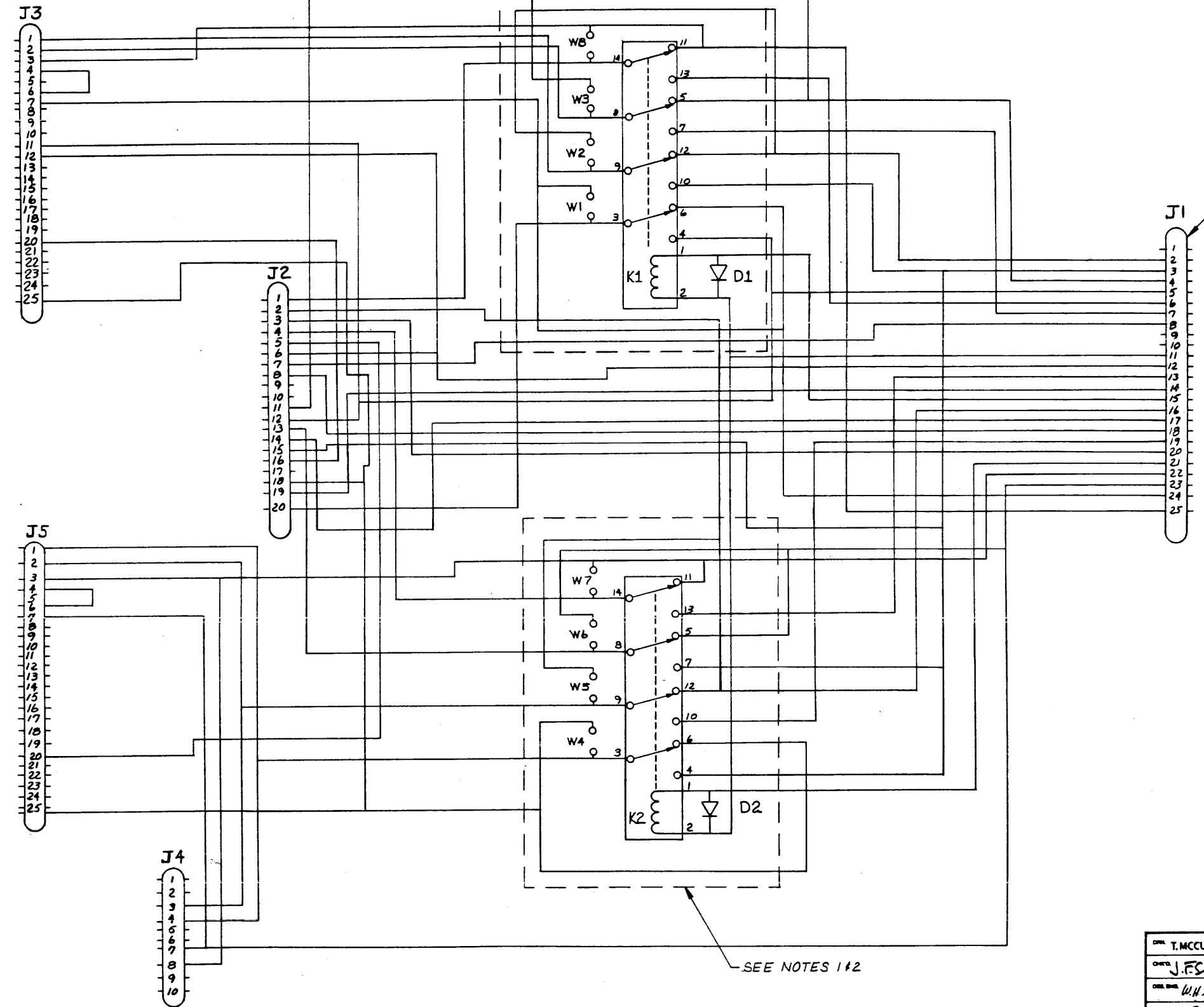
USED ON OPTION/MODEL		DRN	<i>J. Casey</i>	4/30/80	TITLE SLU INTERFACE	SIZE	CODE	NUMBER	REV.
		CHK	<i>J. Casey</i>	4/30/80		B	DD	5414218-0	D
		ENG	<i>R. Boudart</i>	5/7/80		SHEET		OF	
		PROF	<i>A. Allen</i>	5/7/80					

TW

THIS DRAWING AND SPECIFICATIONS HEREIN ARE THE PROPERTY OF DIGITAL EQUIPMENT CORPORATION AND SHALL NOT BE REPRODUCED OR COPIED OR USED IN WHOLE OR IN PART AS THE BASIS FOR THE MANUFACTURE OR SALE OF ITEMS WITHOUT WRITTEN PERMISSION.
 COPYRIGHT © 1980 DIGITAL EQUIPMENT CORPORATION

DCS 5414218-0-1

- NOTES:
1. RELAYS K1, K2
 DIODES D1, D2
 CONNECTOR J1
 USED IN -00 VARIATION ONLY
 2. JUMPERS W1-W8
 USED IN -01 VARIATION ONLY
 3. CONNECTORS J2, J3, J4 & J5
 USED IN ALL VARIATIONS



DESIGNER: T. MCCULLOUGH	DATE: 2-5-80	TITLE: digital
CHECKED BY: J.F. Sullivan	DATE: 4/13/80	SLU INTERFACE
DESIGNED BY: W.H. Lytle	DATE: 6-22-80	DOCUMENT NUMBER
PREPARED BY: J.P. Boudreau	DATE: 5/7/80	D CS 5414218-0-1 D
APPROVED BY: A. Spin	DATE: 5/7/80	SCALE: TW 1
PART NUMBER: B-DD-5414218-0		

REV.	
ECO NUMBER	
DATE	

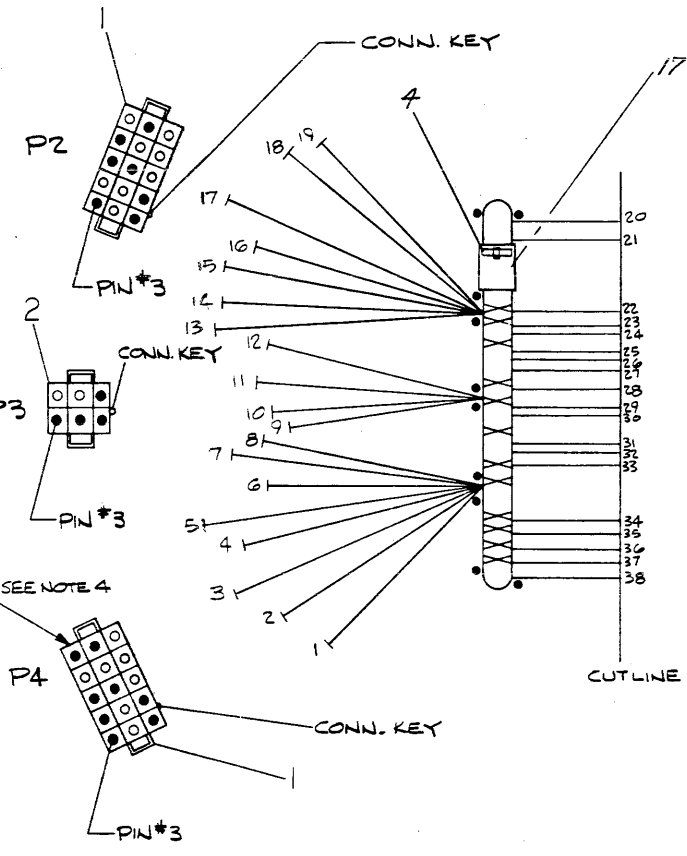
DCS 5414218-0-1

THIS DRAWING AND SPECIFICATIONS HEREIN ARE THE PROPERTY OF DIGITAL EQUIPMENT CORPORATION AND SHALL NOT BE REPRODUCED OR COPIED OR USED IN WHOLE OR IN PART AS THE BASIS FOR THE MANUFACTURE OR SALE OF ITEMS WITHOUT WRITTEN PERMISSION. COPYRIGHT © 1980, DIGITAL EQUIPMENT CORPORATION.

- NOTES:
1. USE TIE WRAPS (X) ITEM #4 AT BREAKOUT POINTS SHOWN
 2. DOT (•) INDICATES NAIL LOCATION FOR ASS'Y USE ONLY. COVER NAILS WITH SHRINK TUBING TO PREVENT CUTTING HARNESS.
 3. WIRE LENGTH TOL. WILL BE +1/8, - 0 IN.
 4. ALL CONN. SHOWN FROM WIRING SIDE.
 5. HARNESS TO BE IDENTIFIED WITH PART NO. AND REV. LEVEL AFTER FAB. (ITEM 17)
 6. ITEM #3 CAN BE SUBSTITUTED BY P/N 12-09378-00 FOR MACHINE CRIMPING.

WIRING TABLE

ITEM NO.	DESCRIPTION		FROM			TO		SIGNAL	LENGTH
	AWG	COLOR	POINT	CONNECTION	WITH	POINT	CONNECTION		
9	#18	BLUE	1	P4-14	3	20	SOLDER	-15A	7.00
5	14	RED	2	P4-4		32		+5V	4.88
5	14	RED	3	P4-1		31		+5V	4.88
6	14	BLK	4	P4-8		25		GND	5.63
6	14	BLK	6	P4-9		26		GND	5.63
13	18	WHT	7	P4-6		27		+15B	5.63
14	18	GRN	8	P4-15		28		-15B	5.28
12	18	YEL	9	P3-4		37		AC	6.38
6	14	BLK	10	P3-1		22		GND	5.75
10	18	BRN	11	P3-2		36		LTC	5.88
11	18	VIO	12	P3-3		38		DC	6.38
5	14	RED	13	P2-4		29		+5V	5.50
5	14	RED	14	P2-1		30		+5V	5.50
9	18	BLUE	15	P2-14		35		-15C	5.38
6	14	BLK	16	P2-8		23		GND	4.75
8	18	GRAY	17	P2-3		21		+15A	5.38
7	14	GRAY	5	P4-3		34		+15C	5.00
6	14	BLK	18	P2-9		24		GND	4.75
16	18	RED/WHT	19	P2-12	3	33	SOLDER	+5B	6.88



DO NOT REDUCE SCALE

FOR MANUFACTURING PURPOSES ONLY

TABLE CABLE ID	QTY	ITEM NO.
WIRE #18 AWG, RED/VH	9107910-29	16
POWER HARNESS DECALS	7409872-02	15
WIRE #18 AWG, GRN	9107360-55	14
WIRE #18 AWG, WHT	9107360-99	13
WIRE #18 AWG, YEL	9107360-44	12
WIRE #18 AWG, VIO	9107360-77	11
WIRE #18 AWG, BRN	9107360-11	10
WIRE #18 AWG, BLUE	9107360-66	9
WIRE #18 AWG, GRAY	9107360-88	8
WIRE #14 AWG, GRAY	9107370-88	7
WIRE #14 AWG, BLK	9107370-00	6
WIRE #14 AWG, RED	9107370-22	5
TIE WRAP	9007031	4
PIN, MALE	1209378-01	3
CONN. 6 PIN HOUSING	1209351-06	2
CONN. 15 PIN HOUSING	1209351-15	1

FOR WIRE LENGTHS SEE WIRING TABLE

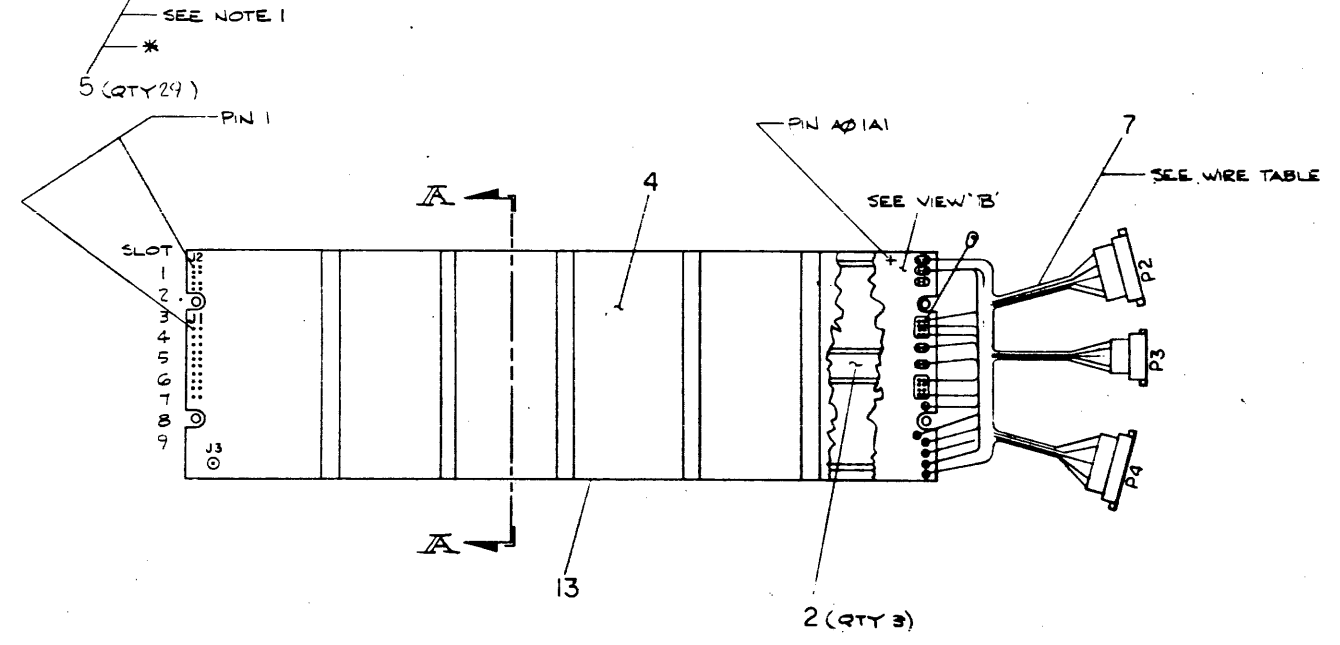
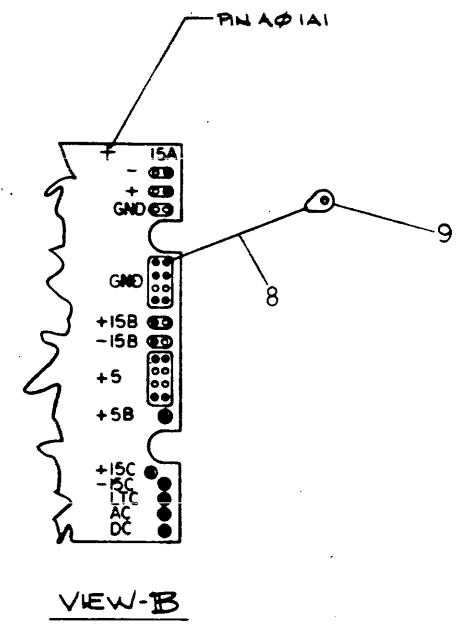
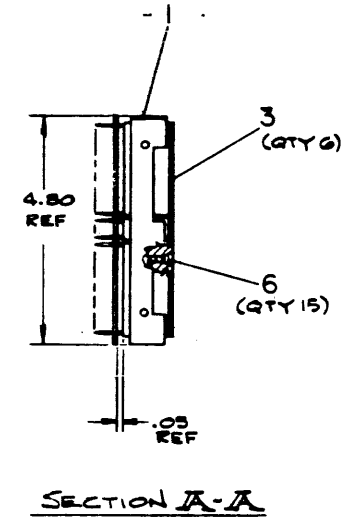
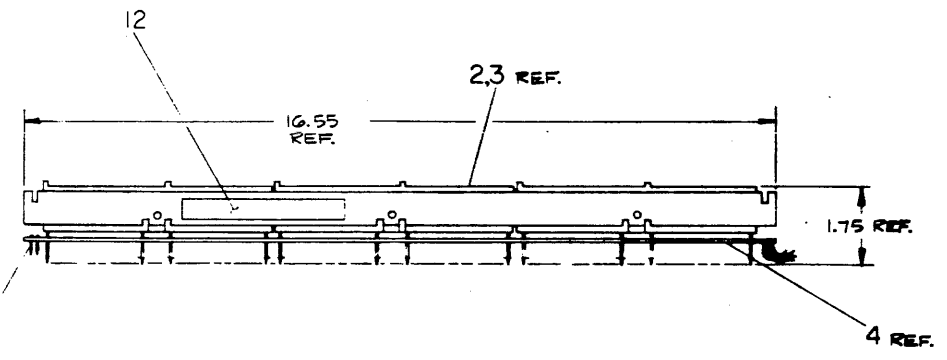
REV.	CHANGE NO.	DATE	BY	CHKD.
B		11/24/80	B. MORIN	
A		11/24/80	B. MORIN	

THIRD ANGLE PROJECTION	QUANTITY & VARIATION	DESCRIPTION	DWG./PART NO.	ITEM NO.																																										
REMOVE BURRS AND BREAK SHARP CORNERS	DO NOT SCALE DWG	UNLESS OTHERWISE SPECIFIED DIMENSIONS ARE IN INCHES																																												
MATERIAL SEE PARTS LIST	FINISH	<table border="1"> <thead> <tr> <th>ANGLES 20° 30°</th> <th>SURFACE QUALITY IN MICROINCHES</th> <th>CLASS OF ACCURACY (CHECK ONE)</th> <th colspan="6">NOMINAL DIMENSION RANGE INCHES</th> </tr> <tr> <td></td> <td></td> <td></td> <th>OVER 0 TO 0.2</th> <th>OVER 0.2 TO 0.5</th> <th>OVER 0.5 TO 1.2</th> <th>OVER 1.2 TO 2.0</th> <th>OVER 2.0 TO 4.0</th> <th>OVER 4.0 TO 12.0</th> <th>OVER 12.0 TO 48.0</th> <th>OVER 48.0 TO 80.0</th> </tr> </thead> <tbody> <tr> <td></td> <td></td> <td>MEDIUM</td> <td>±.004</td> <td>±.008</td> <td>±.012</td> <td>±.016</td> <td>±.024</td> <td>±.048</td> <td>±.096</td> <td>±.192</td> </tr> <tr> <td></td> <td></td> <td>PREFERRED</td> <td>±.012</td> <td>±.016</td> <td>±.024</td> <td>±.048</td> <td>±.096</td> <td>±.192</td> <td>±.384</td> <td>±.768</td> </tr> </tbody> </table>			ANGLES 20° 30°	SURFACE QUALITY IN MICROINCHES	CLASS OF ACCURACY (CHECK ONE)	NOMINAL DIMENSION RANGE INCHES									OVER 0 TO 0.2	OVER 0.2 TO 0.5	OVER 0.5 TO 1.2	OVER 1.2 TO 2.0	OVER 2.0 TO 4.0	OVER 4.0 TO 12.0	OVER 12.0 TO 48.0	OVER 48.0 TO 80.0			MEDIUM	±.004	±.008	±.012	±.016	±.024	±.048	±.096	±.192			PREFERRED	±.012	±.016	±.024	±.048	±.096	±.192	±.384	±.768
ANGLES 20° 30°	SURFACE QUALITY IN MICROINCHES	CLASS OF ACCURACY (CHECK ONE)	NOMINAL DIMENSION RANGE INCHES																																											
			OVER 0 TO 0.2	OVER 0.2 TO 0.5	OVER 0.5 TO 1.2	OVER 1.2 TO 2.0	OVER 2.0 TO 4.0	OVER 4.0 TO 12.0	OVER 12.0 TO 48.0	OVER 48.0 TO 80.0																																				
		MEDIUM	±.004	±.008	±.012	±.016	±.024	±.048	±.096	±.192																																				
		PREFERRED	±.012	±.016	±.024	±.048	±.096	±.192	±.384	±.768																																				
DRN. C.V. SWETT 10/17/80		FIRST USED ON 11/24 digital																																												
CHK'D B.K. 11/24/80		TITLE POWER HARNESS																																												
ENG. B. MORIN 11/24/80		11/24																																												
PROJ. ENG. B. MORIN 11/24/80		D-AD-7016961-0-0																																												
PROD. J. MORIN 11/24/80		SCALE 1/1																																												
NEXT HIGHER ASSY.		SIZE CODE D																																												
		NUMBER IA 7016961-0-0																																												
		REV. 3																																												
		SHEET 1 OF 1																																												
		DIST. TW																																												

THIS DRAWING AND SPECIFICATIONS, HEREIN, ARE THE PROPERTY OF DIGITAL EQUIPMENT CORPORATION AND SHALL NOT BE REPRODUCED OR COPIED OR USED IN WHOLE OR IN PART AS THE BASIS FOR THE MANUFACTURE OR SALE OF ITEMS WITHOUT WRITTEN PERMISSION. COPYRIGHT © 1980 DIGITAL EQUIPMENT CORPORATION

WIRE TABLE							
FROM		TO		FROM		TO	
COLOR	POINT	CONNECTION	SIGNAL	COLOR	POINT	CONNECTION	SIGNAL
BLUE	P4-4	SOLDER	-15A	RED	P2-4	SOLDER	+5V
RED	P4-4		+5V	RED	P2-1		+5V
RED	P4-1		+5V	BLK	P2-14		-15C
BLK	P4-8		GND	BLK	P2-8		GND
BLK	P4-9		GND	GRAY	P2-3		+15A
WHT	P4-6		+15B	GRAY	P4-3		+15C
GRN	P4-18		-15B	BLK	P2-9		GND
YEL	P3-4		AC	GRN	P2-12	SOLDER	+5B
BLK	P3-1		GND	ITEM#	SOLDER	ITEM#	ITEM#
BRN	P3-2		LTC				
VIO	P3-3	SOLDER	DC				

NOTES:
 1. PRIOR TO ASSEMBLING ETCH CKT BD (ITEM#4) TO PINS ON BACK PLANE, INSERT PINS DESIGNATED BY ASTERISK (*) ITEM#5.



CAUTION: OFF SHEET PARTS LIST
 REFER TO K-PL-7016905-0-DBP

REF	AWT	REV	STATUS	QTY	ITEM NO.
	AWT-7016905-0-2			15	
	WIRE LIST			14	
	CIRCUIT SCHEMATIC			13	
	LABEL AWT REV STATUS			12	
	WIRE #26 AWG VIO			11	
	WIRE #30 GRAY/VIO TW/PR			10	
	TERMINAL SOLDER			9	
	WIRE BLK STRD #14			8	
	POWER HARNESS			7	
	SCR FL HD #8-32 X.02 LONG			6	
	PIN STAKING P.C. BD			5	
	ETCH CIRCUIT BOARD			4	
	BLOCK, CONN. 288 PIN			3	
	BLOCK, CONN. 72 PIN			2	
	FRAME, LOGIC			1	

INCHES TOLERANCES	ANGLES ± 90°	APPLICABLE DIMENSION RANGE (CHECK ONE)	DIMENSION RANGE IN INCHES					
X ± .1	SURFACE QUALITY	<input type="checkbox"/> 0.2 <input type="checkbox"/> 0.5 <input type="checkbox"/> 1.2	OVER	OVER	OVER	OVER	OVER	OVER
XX ± .05			TO	TO	TO	TO	TO	TO
XXX ± .01			± .02	± .05	± .08	± .10	± .12	± .15

THIRD ANGLE PROJECTION	DATE 15 JAN 80	TITLE 11/24 digital
DO NOT SCALE DRAWING	DATE 5-1-80	BACKPLANE ASS'Y
REMOVE BURRS AND BREAK SHARP CORNERS	DATE 4-30-80	
MATERIAL SEE PARTS LIST	DATE 4-30-80	DOCUMENT NUMBER
FINISH	DATE 5-5-80	DAD7016905-0-0 B

DATE	REV	DESCRIPTION
11/24	A	RAY GRUDA
11/24	B	RAY GRUDA

DAD7016905-0-0

A

TW

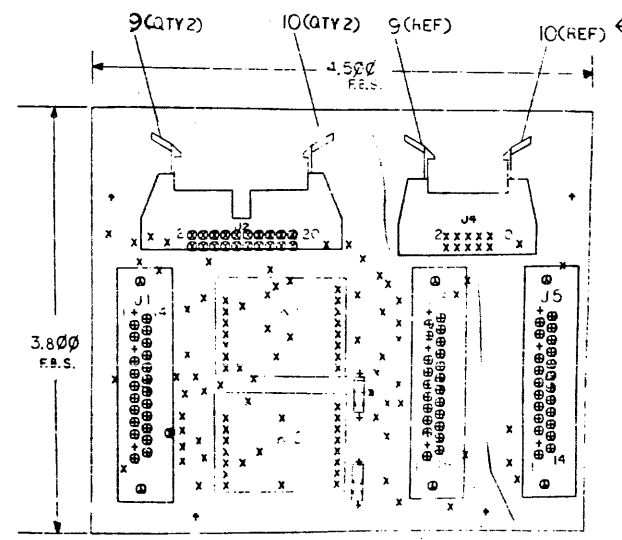
LINE	ITEM	DOCUMENT NUMBER	PART NUMBER	DESCRIPTION	QUANTITY PER VARIATION
1	1		1211439-00	CASING, LOGIC FRAME FOR 1105	1
2	2		1211425-02	CONN,CARD 72PIN SLOTTED OPEN EN	3
3	3		1210258-01	CONN,CARD 288PIN SLOTTED OPEN EN	6
4	4	D-UA-5013816-0-0	5013816-00	11/24 BACK PLANE	1
5	5		9009149-00	PIN, STAKING, P.C. BOARD, .025 X	29
6	6		9006120-00	SCREW, POZIDRIVE FILLISTER HD SW	15
7	7	D-IA-7016905-0-0	7016905-00	POWER HAPNESS (11/24)	1
8	8	SEE NOTE 1	9107370-00	WIRE,STRND,14AWG,IPVC UL1534	2
9	9		9008150-00	TERM LUG 1POS LOCKING,SOLDER	1
10	10		9107773-87	WIRE(WRAP)30AWG,TWP (UL1558)	A/R
11	11		9105740-44	WIPE(WRAP)30AWG UL1423	A/R
12	12	A-DC-7411801-0-0	7411801-00	DECAL BACKPLANE REV STATUS	1
13	13	BLANK			0
14	14	K-WL-7016905-0-1		WIRE LIST	REF
15	15	A-WT-7016905-0-2		AWT REV STATUS	REF

16 NOTE: NOTE 1: ITEM 8 LENGTH IS IN INCHES

REVISION HISTORY		BASIC PART NO: 7016905		DRN:	H. DARAKJIAN	DATE:	28-APR-81	DIGITAL				
ENG	ECO NUMBER	REV	SECTION A OF A	CHK'D:	W. FISHER	DATE:	28-APR-81	TITLE				PARTS LIST
---	INITIAL	1-	SECTION, VARIATION INDEX					11/24 BACKPLANE ASSY				
RG	7016905-TW001	1A	[A] 00	DES.ENG.:	R. GRUDA	DATE:	28-APR-81	DOCUMENT NUMBER				
WB	11/24-TW01A	1B	[B]	RESP.ENG.:	R. GRUDA	DATE:	28-APR-81	SIZE	CODE	NUMBER	REV	
			[C]	MFG.ENG.:	J. AVILES	DATE:	28-APR-81	K	PL	7016905-0-DBP	B	
			[D]	ASSEMBLY NUMBER:		TOP DOCUMENT NUMBER:		FILE NAME:		EDIT		
			[E]	D-AD-7016905-0-0		E-UA-11/24-0-0		Z2443.PLS		7		
			[F]	"THIS DRAWING AND SPECIFICATIONS HEREIN, ARE THE PROPERTY OF DIGITAL EQUIPMENT CORPORATION AND SHALL NOT BE REPRODUCED OR COPIED OR USED IN WHOLE OR IN PART AS THE BASIS FOR THE MANUFACTURE OR SALE OF ITEMS WITHOUT WRITTEN PERMISSION. COPYRIGHT (C) 1981. DIGITAL EQUIPMENT CORPORATION"								

TW

1. THIS DRAWING IS THE PROPERTY OF THE AIR FORCE AND IS TO BE KEPT IN CONFIDENCE.
2. IT IS TO BE USED ONLY FOR THE PURPOSES AUTHORIZED BY THE ISSUING OFFICE.
3. IT IS TO BE RETURNED TO THE ISSUING OFFICE WHEN NO LONGER REQUIRED.
4. IT IS TO BE DESTROYED WHEN NO LONGER REQUIRED.
5. IT IS TO BE KEPT IN A SAFE PLACE.
6. IT IS TO BE KEPT IN A CLEAN AND UNCLUTTERED MANNER.
7. IT IS TO BE KEPT IN A PROPER MANNER.
8. IT IS TO BE KEPT IN A PROPER MANNER.
9. IT IS TO BE KEPT IN A PROPER MANNER.
10. IT IS TO BE KEPT IN A PROPER MANNER.



NOTES:

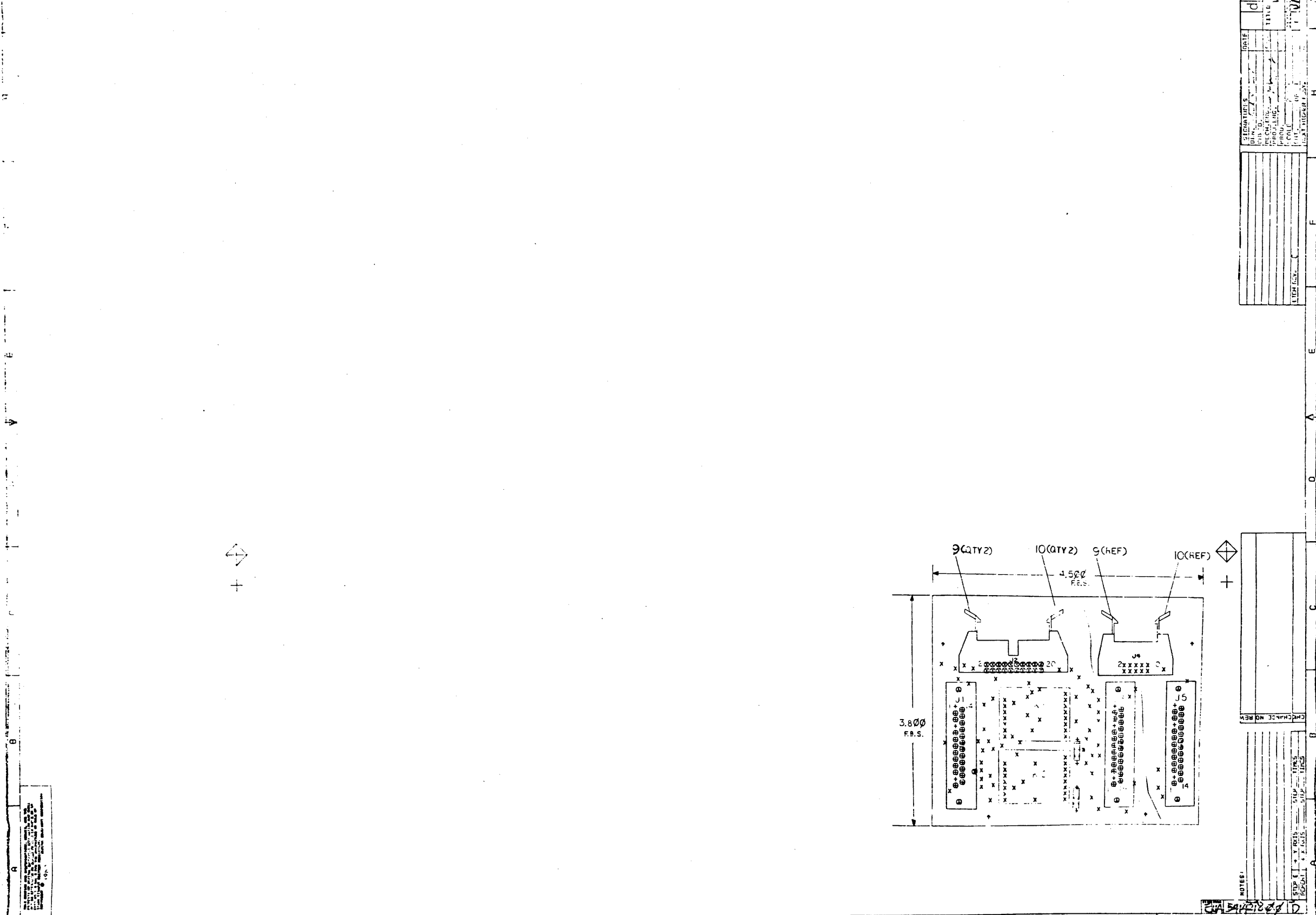
STEP	NO.	DESCRIPTION	DATE	BY	CHKD.
1	1	ISSUED FOR FABRICATION			

CHANGE NUMBER

DESIGNER	
CHECKED	
DATE	
SCALE	
QUANTITY	
REVISIONS	
DATE	
BY	
CHKD.	
DATE	

digital
INTERFACE
VA 54216010

A B C D E F H



LINE	ITEM	DOCUMENT NUMBER	PART NUMBER	DESCRIPTION	QTY PER VARIATION		REFERENCE DESIGNATOR
					00	01	
1	1	F-MD-5014217-D-0	5014217-00	PCH BRD	1	1	
2	2		1216296-02	CONN, D SUB 25PIN	1	0	J1
3	3		1209941-12	HEADER 10POS RT ANGLE	1	1	J4
4	4		1209941-06	HEADER,100 20POS RT ANGLE	1	1	J2
5	5		1210972-00	PLY,REED, 5V COTL,4PDT,.25A,15P	2	0	K1,K2
6	6		1105796-00	IN 4004 PIV=400 I= 1A D041 SP	2	0	D1,D2
7	7		1217536-01	CONN,D SUB 25PIN PC MIG W/PINS	2	2	J3,J5
8	8		9009185-00	JUMPER, WIRE, INSULATED, BLACK B	0	8	W1-W8
9	9		1209941-03	HEADER RT ANGLE LEFT L	2	2	
10	10		1209941-04	HEADER RT ANGLE,RIGHT	2	2	

REVISION HISTORY		BASIC PART NO: 5414216		DRN: F.SMART		DATE: 3-MAR-80		D I G I T A L	
ENG	ECO NUMBER	REV	SECTION A OF A	CHK'D:	E.T,GERRY	DATE:	3-MAR-80	TITLE	PARTS LIST
---	INITIAL	D	SECTION,VARIATION INDEX	DES,ENG:	R.ROUDROT	DATE:	7-MAY-80	SLU INTERFACE	
			(A) 00,01	RESP,ENG.:	R.ROUDROT	DATE:	7-MAY-80	DOCUMENT NUMBER	
			(B)	MFG,ENG.:	G.ABPEU	DATE:	7-MAY-80	SIZE CODE NUMBER	REV
			(C)	ASSEMBLY NUMBER:		TOP DOCUMENT NUMBER:		K PL 5414218-0-DBP	D
			(D)	E-UA-5414218-0-0		B-DD-5414218-0-0		FILE NAME:	EDIT #
			(E)					212630,PLS	18
			(F)						
			(H)						
			(J)						
			(K)						
			(L)						
			(M)						
			(N)						

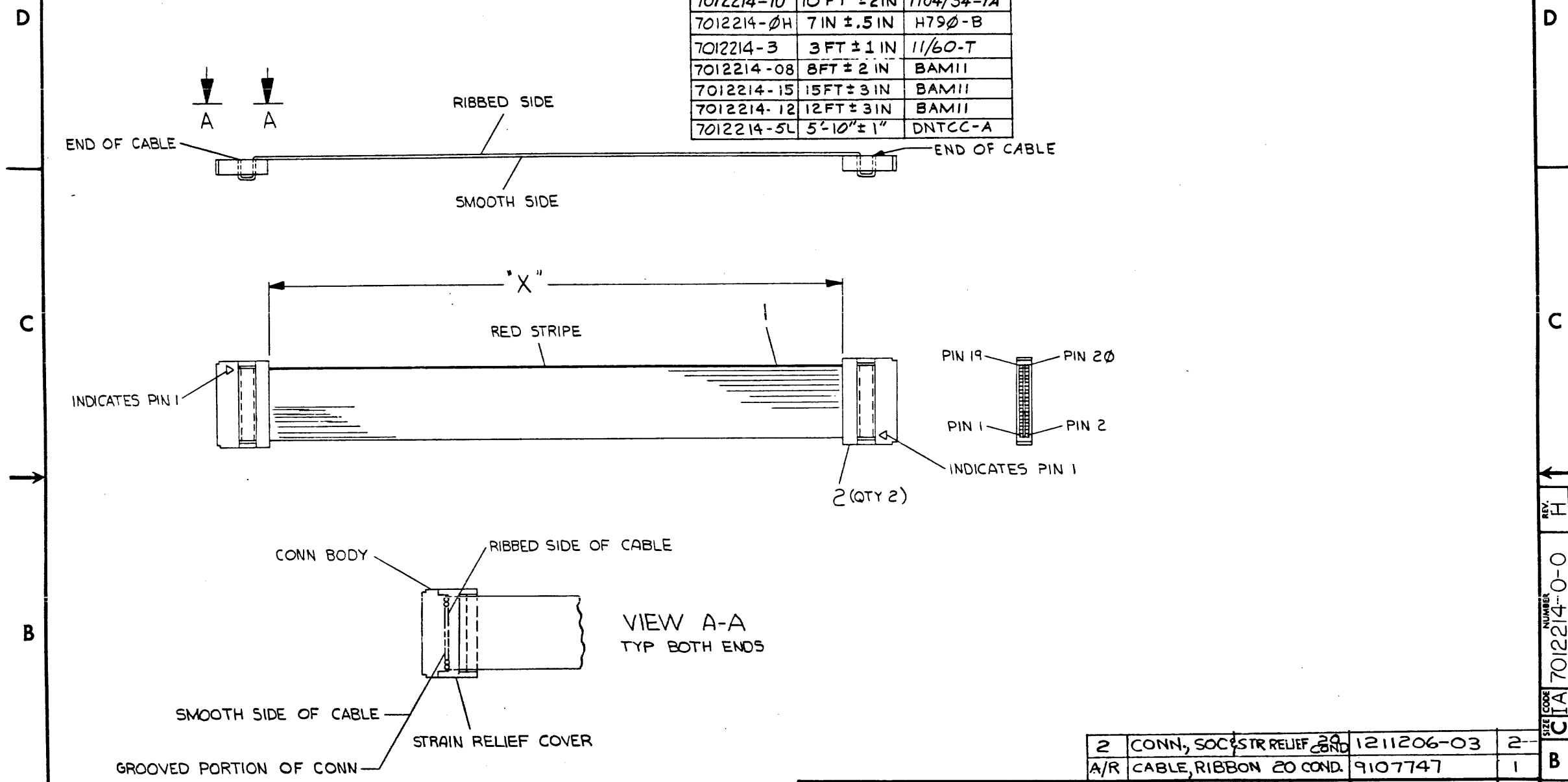
"THIS DRAWING AND SPECIFICATIONS HEREIN, ARE THE PROPERTY OF DIGITAL EQUIPMENT CORPORATION AND SHALL NOT BE REPRODUCED OR COPIED OR USED IN WHOLE OR IN PART AS THE BASIS FOR THE MANUFACTURE OR SALE OF ITEMS WITHOUT WRITTEN PERMISSION. COPYRIGHT (C) 1980, DIGITAL EQUIPMENT CORPORATION"

TL

"THIS DRAWING AND SPECIFICATIONS, HEREIN, ARE THE PROPERTY OF DIGITAL EQUIPMENT CORPORATION AND SHALL NOT BE REPRODUCED OR COPIED OR USED IN WHOLE OR IN PART AS THE BASIS FOR THE MANUFACTURE OR SALE OF ITEMS WITHOUT WRITTEN PERMISSION. COPYRIGHT © 1975 DIGITAL EQUIPMENT CORPORATION"

LEGEND		
NUMBER	DIM X VARIATION	USED ON
7012214-2D	2 FT 4 IN ± 1 IN	KY11-LB
7012214-7	7 FT ± 2 IN	KY11-LB
7012214-10	10 FT ± 2 IN	1104/34-TA
7012214-ØH	7 IN ± .5 IN	H79Ø-B
7012214-3	3 FT ± 1 IN	11/60-T
7012214-08	8 FT ± 2 IN	BAM11
7012214-15	15 FT ± 3 IN	BAM11
7012214-12	12 FT ± 3 IN	BAM11
7012214-5L	5'-10" ± 1"	DNTCC-A

LEGEND		
NUMBER	DIM X VARIATION	USED ON
7012214-0D	4.0" ± 0.2"	H7183



REV.	CHG NO.	DATE	BY
A	7012214-00001	29 JULY 76	R. PRATT
B	7012214-00002	11 AUG 76	D. BARRY
C	7012214-00003	8 SEPT 76	R. PRATT
D	7012214-00004	17 FEB 77	R. PRATT
E	7012214-00005	18 JAN 78	R. DIETER
F	7012214-00006	18 JAN 78	R. DIETER
G	7012214-00007	18 JAN 78	R. DIETER
H	7012214-ML005	18 JAN 78	R. DIETER
I	7012214-ML006	18 JAN 78	R. DIETER
J	7012214-ML007	18 JAN 78	R. DIETER
K	7012214-ML008	18 JAN 78	R. DIETER
L	7012214-ML009	18 JAN 78	R. DIETER
M	7012214-ML010	18 JAN 78	R. DIETER
N	7012214-ML011	18 JAN 78	R. DIETER
O	7012214-ML012	18 JAN 78	R. DIETER
P	7012214-ML013	18 JAN 78	R. DIETER
Q	7012214-ML014	18 JAN 78	R. DIETER
R	7012214-ML015	18 JAN 78	R. DIETER
S	7012214-ML016	18 JAN 78	R. DIETER
T	7012214-ML017	18 JAN 78	R. DIETER
U	7012214-ML018	18 JAN 78	R. DIETER
V	7012214-ML019	18 JAN 78	R. DIETER
W	7012214-ML020	18 JAN 78	R. DIETER
X	7012214-ML021	18 JAN 78	R. DIETER
Y	7012214-ML022	18 JAN 78	R. DIETER
Z	7012214-ML023	18 JAN 78	R. DIETER

FIRST USED ON OPTION/MODEL		QTY.	DESCRIPTION	PART NO.	ITEM NO.
KY11-LB		2	CONN, SOCR STR RELIEF	1211206-03	2
A/R CABLE, RIBBON 20 COND.				9107747	1

PARTS LIST			
QTY.	DESCRIPTION	PART NO.	ITEM NO.
2	CONN, SOCR STR RELIEF	1211206-03	2
A/R	CABLE, RIBBON 20 COND.	9107747	1

DIMENSIONAL TOLERANCE		DATE	
DIMENSIONS ARE $\frac{\text{MILLIMETERS}}{\text{INCHES}}$ UNLESS OTHERWISE SPECIFIED		11/24/75	
MILLIMETERS	INCHES	DATE	DATE
X,XX = ±0.10	XXX = ±0.005	11/24/75	11/24/75
XX = ±0.5	XX = ±0.02	12/11/75	12/11/75
X = ±.2	X = ±.1		
THIRD ANGLE PROJECTION		TITLE	
REMOVE BURRS AND BREAK SHARP CORNERS SURFACE QUALITY ✓		CABLE, CONSOLE TO M7859 (KY11-LB)	
MATERIAL SEE PARTS LIST		D-U-KY11-LB-Ø	
FINISH + + +		SCALE NONE	
		SHEET 1 OF 1	

SIZE CODE	NUMBER	REV.
CIA	7012214-0-0	H

REV. H
NUMBER 7012214-0-0
SIZE CODE CIA

DIGITAL EQUIPMENT CORPORATION PARTS LIST

MADE BY DATE	A. ROCHA 11 DECEMBER 80	CHECKED DATE	Ray Gruda 2/81	SECTION
ENG DATE	Ray Gruda 1/81	PROD DATE	Ray Gruda 1/81	ISSUED SECTION

QUANTITY / VARIATION									
KDF11-UA									

NOTES:
REF DESIGNATION

ITEM NO.	DRAWING NO.	PART NO.	DESCRIPTION
1.		M7133	CPU MODULE
2.	B-PL-KDF11-UA-4		SHIPPING LIST

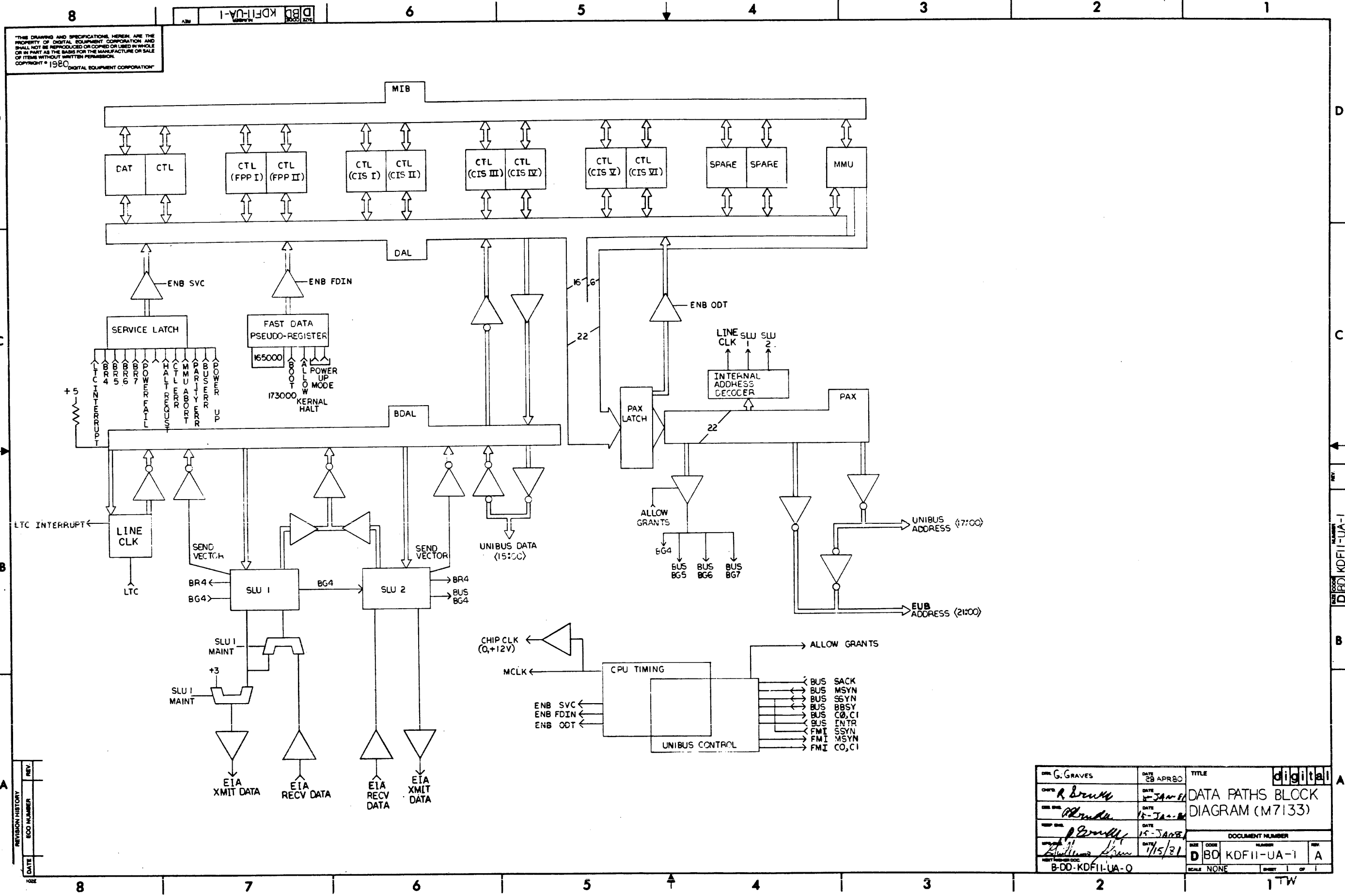
KDF11-UA	I	REF								
----------	---	-----	--	--	--	--	--	--	--	--

--

E.C.O. NO. "THIS DRAWING AND SPECIFICATIONS, HEREIN, ARE THE PROPERTY OF DIGITAL EQUIPMENT CORPORATION AND SHALL NOT BE REPRODUCED OR COPIED OR USED IN WHOLE OR IN PART AS THE BASIS FOR THE MANUFACTURE OR SALE OF ITEMS WITHOUT WRITTEN PERMISSION. COPYRIGHT © 1980 DIGITAL EQUIPMENT CORPORATION"	TITLE PARTS LIST	ASSY NO. SHEET 1 OF 1	SIZE B	CODE PL	NUMBER KDF11-UA-0	REV. A
			INSERTION PARTS LIST DATA BASE REV			

TW

THIS DRAWING AND SPECIFICATIONS HEREIN ARE THE PROPERTY OF DIGITAL EQUIPMENT CORPORATION AND SHALL NOT BE REPRODUCED OR COPIED OR USED IN WHOLE OR IN PART AS THE BASIS FOR THE MANUFACTURE OR SALE OF ITEMS WITHOUT WRITTEN PERMISSION.
 COPYRIGHT © 1980 DIGITAL EQUIPMENT CORPORATION



DATE	ECO NUMBER	REV.

DESIGNED BY: G. GRAVES	DATE: 28 APR 80	TITLE: digital
CHECKED BY: R. Brown	DATE: 15-JAN-81	DATA PATHS BLOCK DIAGRAM (M7133)
DESIGNED BY: R. Brown	DATE: 15-JAN-81	DOCUMENT NUMBER: D BD KDF11-UA-1 A
DESIGNED BY: R. Brown	DATE: 1/15/81	SCALE: NONE
B-00-KDF11-UA-0		SHEET 1 OF 1

REV. 1
D BD KDF11-UA-1

A

TW

**DIGITAL EQUIPMENT CORPORATION
PARTS LIST**

MADE BY DATE	A. ROCHA 11 DECEMBER 80	CHECKED DATE	<i>R. Sunda</i> <i>1-15-81</i>	SECTION
ENG DATE	<i>R. Sunda</i> <i>1-15-81</i>	PROD DATE	<i>R. Sunda</i> <i>1-15-81</i>	ISSUED SECTION

QUANTITY / VARIATION

NOTES:

ITEM NO.	DRAWING NO.	PART NO.	DESCRIPTION	KDF11-UA															REF DESIGNATION
1	D-BD-KDF11-UA-1	KDF11-UA-1	BLOCK DIA KDF11	1															
2	D-UA-M7133-0-0	M7133	CPU Module	1															
3	K-GL-KDF11-UA-2	KDF11-UA-2	OPTION.TXT	1															
4		ZJ013	LIBKIT (CPU 11/24)	REF															

E.C.O. NO.

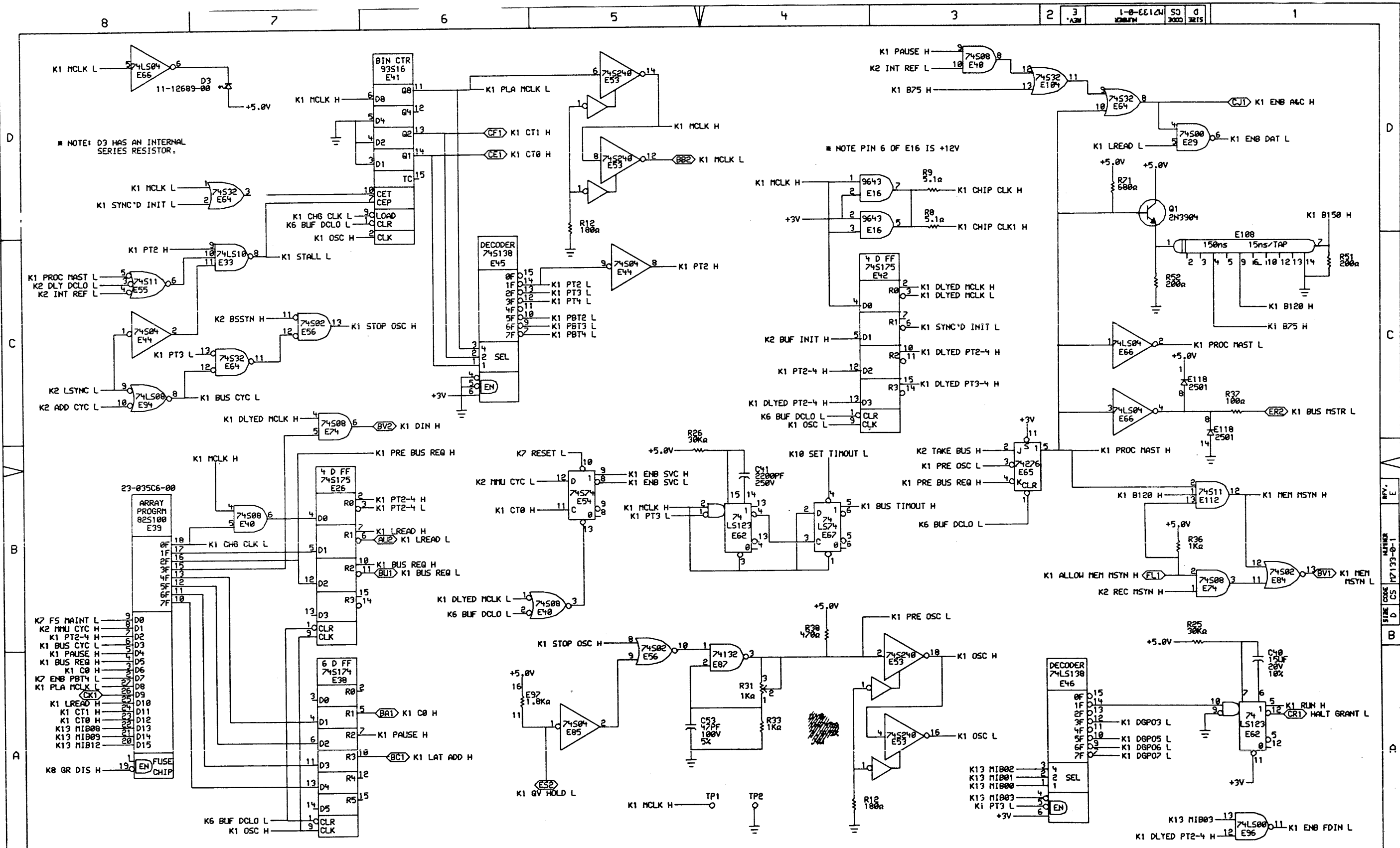
"THIS DRAWING AND SPECIFICATIONS, HEREIN, ARE THE PROPERTY OF DIGITAL EQUIPMENT CORPORATION AND SHALL NOT BE REPRODUCED OR COPIED OR USED IN WHOLE OR IN PART AS THE BASIS FOR THE MANUFACTURE OR SALE OF ITEMS WITHOUT WRITTEN PERMISSION. COPYRIGHT © 1980 DIGITAL EQUIPMENT CORPORATION"

TITLE
16 BIT F11 UBUS
PROC. (M7133) SHIP LIST

ASSY NO.
B-DD-KDF11-UA-0
SHEET 1 OF 1

SIZE B	CODE PL	NUMBER KDF11-UA-4
INSERTION PARTS LIST DATA BASE REV		

REV.
A



NOTE: D3 HAS AN INTERNAL SERIES RESISTOR.

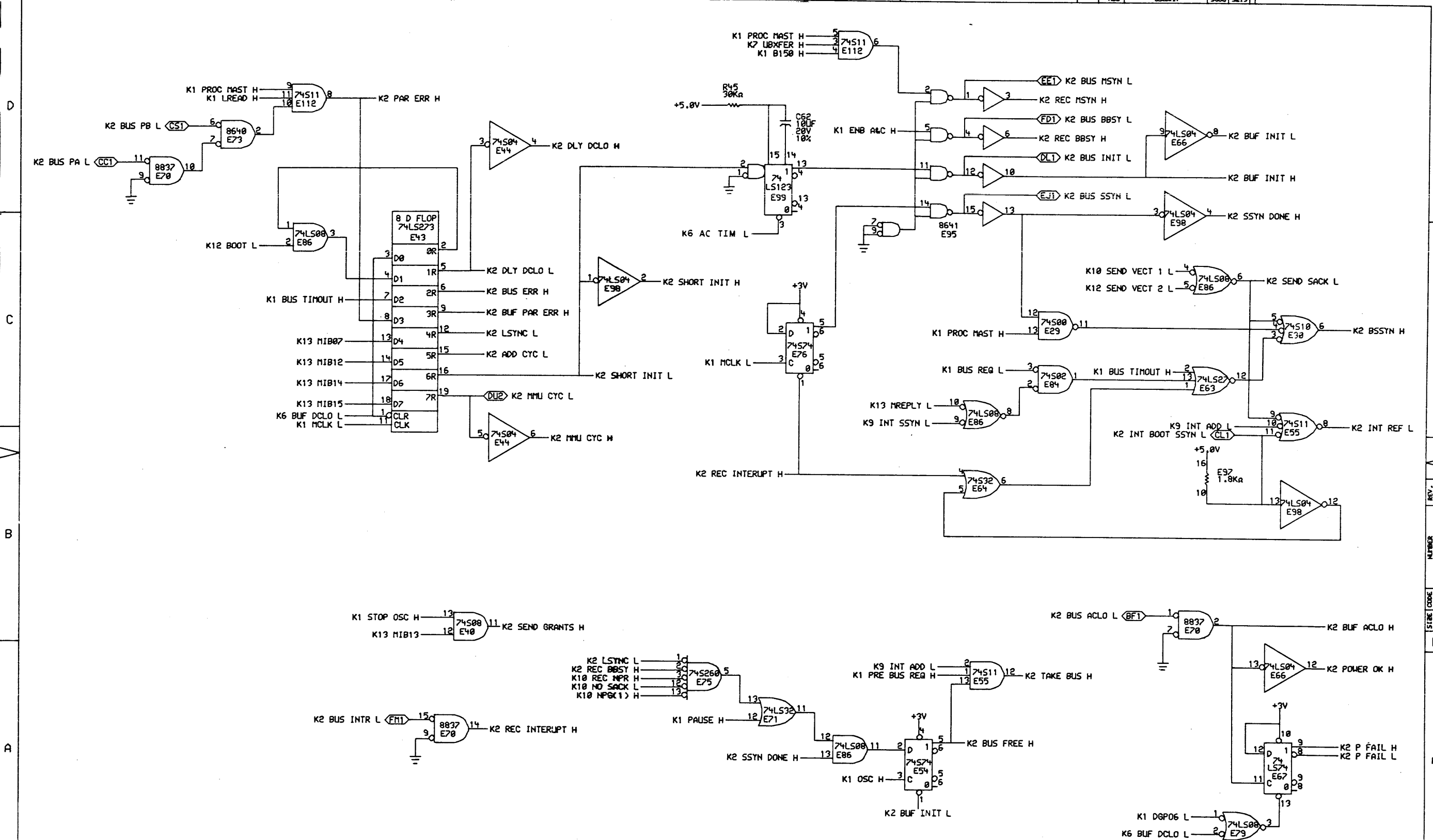
NOTE PIN 6 OF E16 IS +12V

REV	CHK CHANGE NO.	REV	CHK CHANGE NO.
1	M7133-TW002	D	M7133-TW003
2	M7133-TW003	E	
3	M7133-TW004	F	
4	M7133-TW005	G	
5	M7133-TW006	H	
6	M7133-TW007	I	
7	M7133-TW008	J	
8	M7133-TW009	K	
9	M7133-TW010	L	
10	M7133-TW011	M	
11	M7133-TW012	N	
12	M7133-TW013	O	
13	M7133-TW014	P	
14	M7133-TW015	Q	
15	M7133-TW016	R	
16	M7133-TW017	S	
17	M7133-TW018	T	
18	M7133-TW019	U	
19	M7133-TW020	V	
20	M7133-TW021	W	
21	M7133-TW022	X	
22	M7133-TW023	Y	
23	M7133-TW024	Z	

REV	CHK CHANGE NO.	REV	CHK CHANGE NO.
1	M7133-TW002	D	M7133-TW003
2	M7133-TW003	E	
3	M7133-TW004	F	
4	M7133-TW005	G	
5	M7133-TW006	H	
6	M7133-TW007	I	
7	M7133-TW008	J	
8	M7133-TW009	K	
9	M7133-TW010	L	
10	M7133-TW011	M	
11	M7133-TW012	N	
12	M7133-TW013	O	
13	M7133-TW014	P	
14	M7133-TW015	Q	
15	M7133-TW016	R	
16	M7133-TW017	S	
17	M7133-TW018	T	
18	M7133-TW019	U	
19	M7133-TW020	V	
20	M7133-TW021	W	
21	M7133-TW022	X	
22	M7133-TW023	Y	
23	M7133-TW024	Z	

TITLE: CLK STATE DECODE (K1)
 DATE: 11/24/81
 ENG: J. B. BERRY
 DATE: 11/24/81
 BOARD LOCATION: 1000
 SHEET: 1 OF 1
 SIZE: D CS M7133-0-1
 NUMBER: 1
 REV: E

FIRST USED ON OPTION/MODEL: 11/24
 NEXT HIGHER ASSEMBLY: KDF11-UA

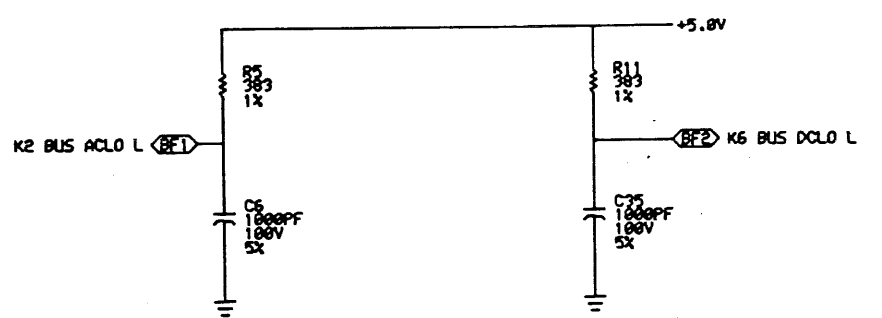
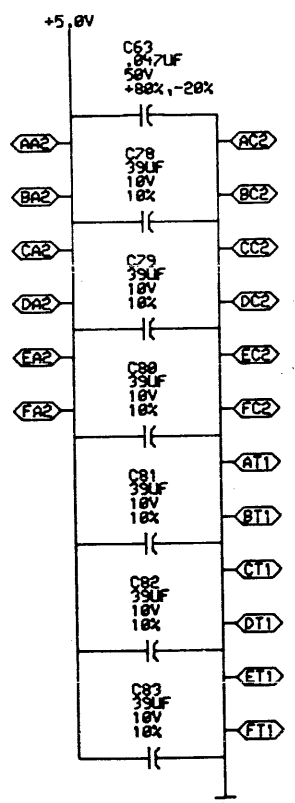
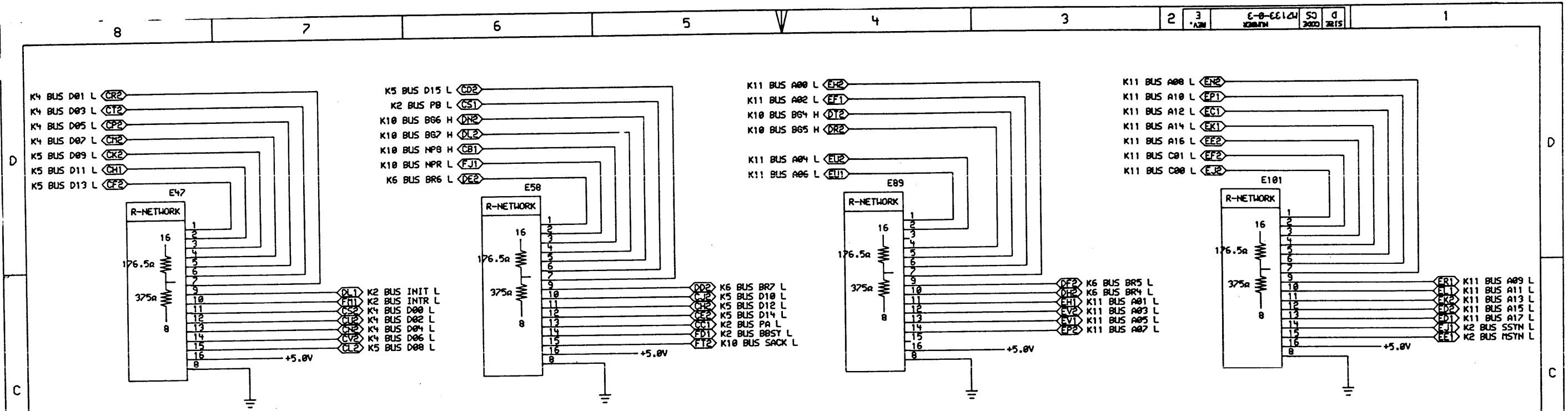


REVISIONS	CHK	CHANGE NO.	REV	CHK	CHANGE NO.	REV
1		M7133-TW002	D		M7133-TW002	E
2		M7133-TW002	C		M7133-TW002	D
3		M7133-TW002	B		M7133-TW002	C
4		M7133-TW002	A		M7133-TW002	B

REVISIONS	CHK	CHANGE NO.	REV	CHK	CHANGE NO.	REV
1		M7133-TW002	D		M7133-TW002	E
2		M7133-TW002	C		M7133-TW002	D
3		M7133-TW002	B		M7133-TW002	C
4		M7133-TW002	A		M7133-TW002	B

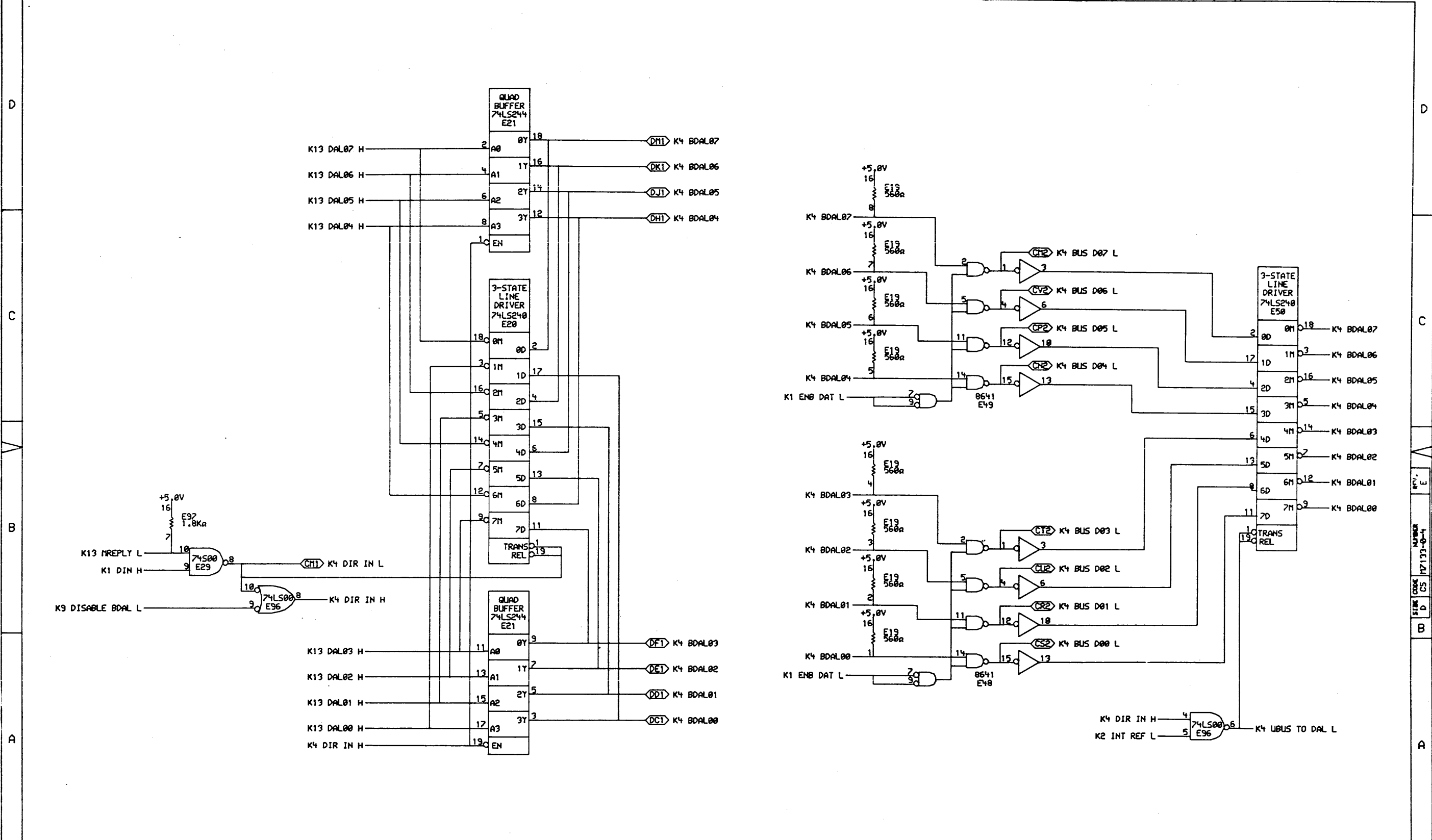
	DATE	10-10-81	ENG.	R. GRUDA	DATE	10-10-81	TITLE:	(K2)	
	DATE	11-24-81	CHK'D.	R. GRUDA	DATE	11-24-81	BOARD LOCATION:	BUS CTL	
I 155.6804 213322.DRW 110-MAR-81 09126 NEXT HIGHER ASSEMBLY:		DATE	11/24	REV.	1	SIZE	D	CODE	CS
FIRST USED ON OPTION/MODEL: 11/24		DATE	11/24	REV.	1	NUMBER	M7133-0-2	REV.	E

REV. 3
 NUMBER M7133-0-2
 CS
 D
 B
 A

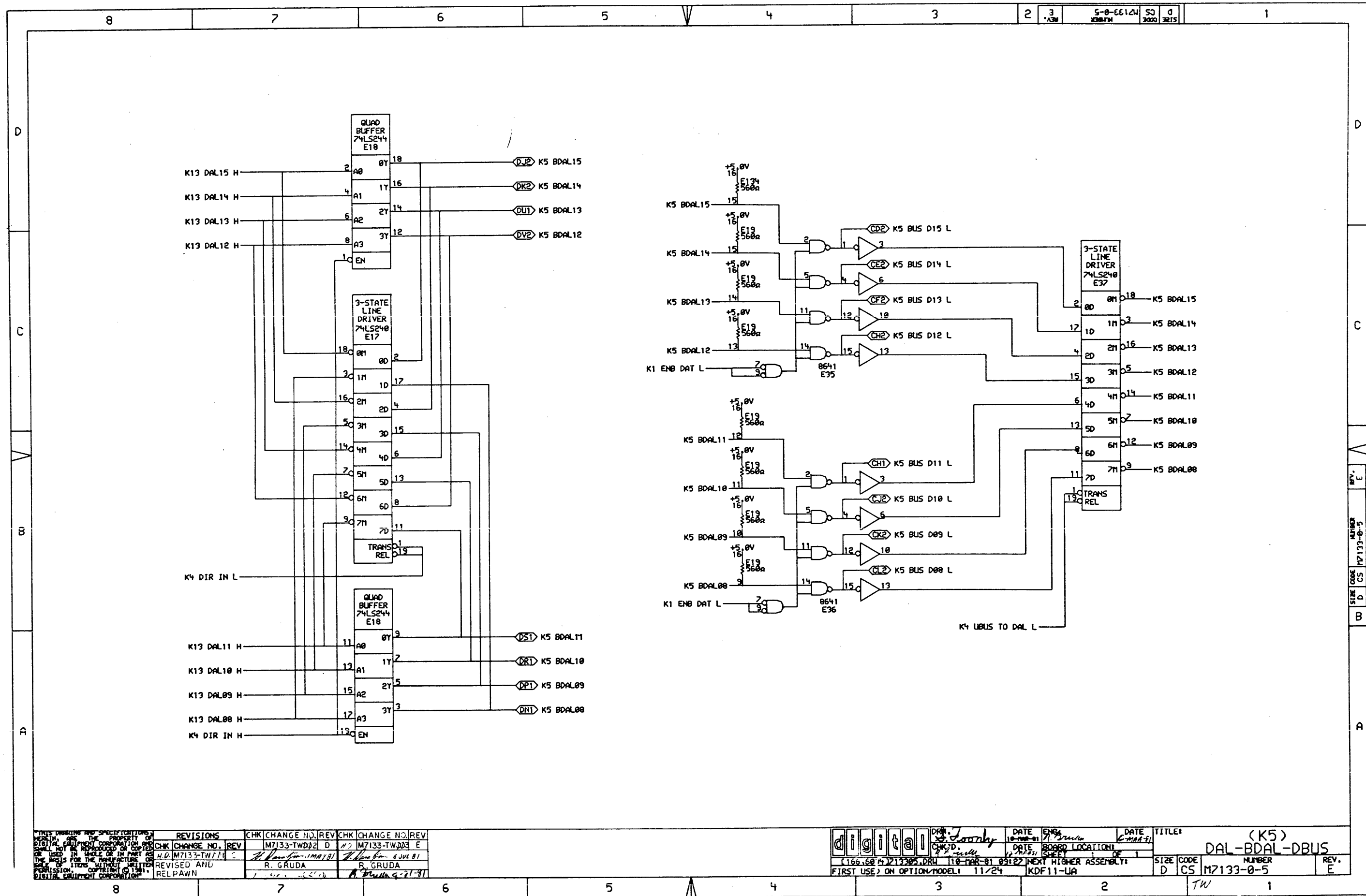


REVISIONS CHK CHANGE NO. REV M7133-TW001 C R. GRUDA REVISED AND REPAWN		CHK CHANGE NO. REV M7133-TW002 D R. GRUDA CHK CHANGE NO. REV M7133-TW003 E R. GRUDA		DATE ENG. 10-19-81 DATE BOARD LOCATION 118-DRR-81 FIRST USED ON OPTION/MODEL 11/24		DATE 12-20-81 DATE NEXT HIGHER ASSEMBLY KDF11-UA		TITLE (K3) BUS TERM		SIZE CODE D CS		NUMBER M7133-0-3		REV. E	
---	--	--	--	---	--	---	--	---------------------------	--	-------------------	--	---------------------	--	-----------	--

REV. E
 NUMBER M7133-0-3
 SIZE CODE CS
 D



REVISIONS CHK CHANGE NO. REV M7133-TW003 D M7133-TW003 E		CHK CHANGE NO. REV M7133-TW003 D M7133-TW003 E		DATE 10-NOV-91		ENG. R. GRUDA		DATE 2-20-92		TITLE DAL (K4) DAL-BDAL-DBUS	
CHK CHANGE NO. REV M7133-TW003 C R. GRUDA		CHK CHANGE NO. REV M7133-TW003 D R. GRUDA		DATE 11-24-91		DATE 11-24-91		BOARD LOCATION 1 OF 1		SIZE CODE D CS	
REVISED AND REDRAWN		R. GRUDA		NEXT HIGHER ASSEMBLY KDF11-UA		NUMBER M7133-0-4		REV. E		TW	



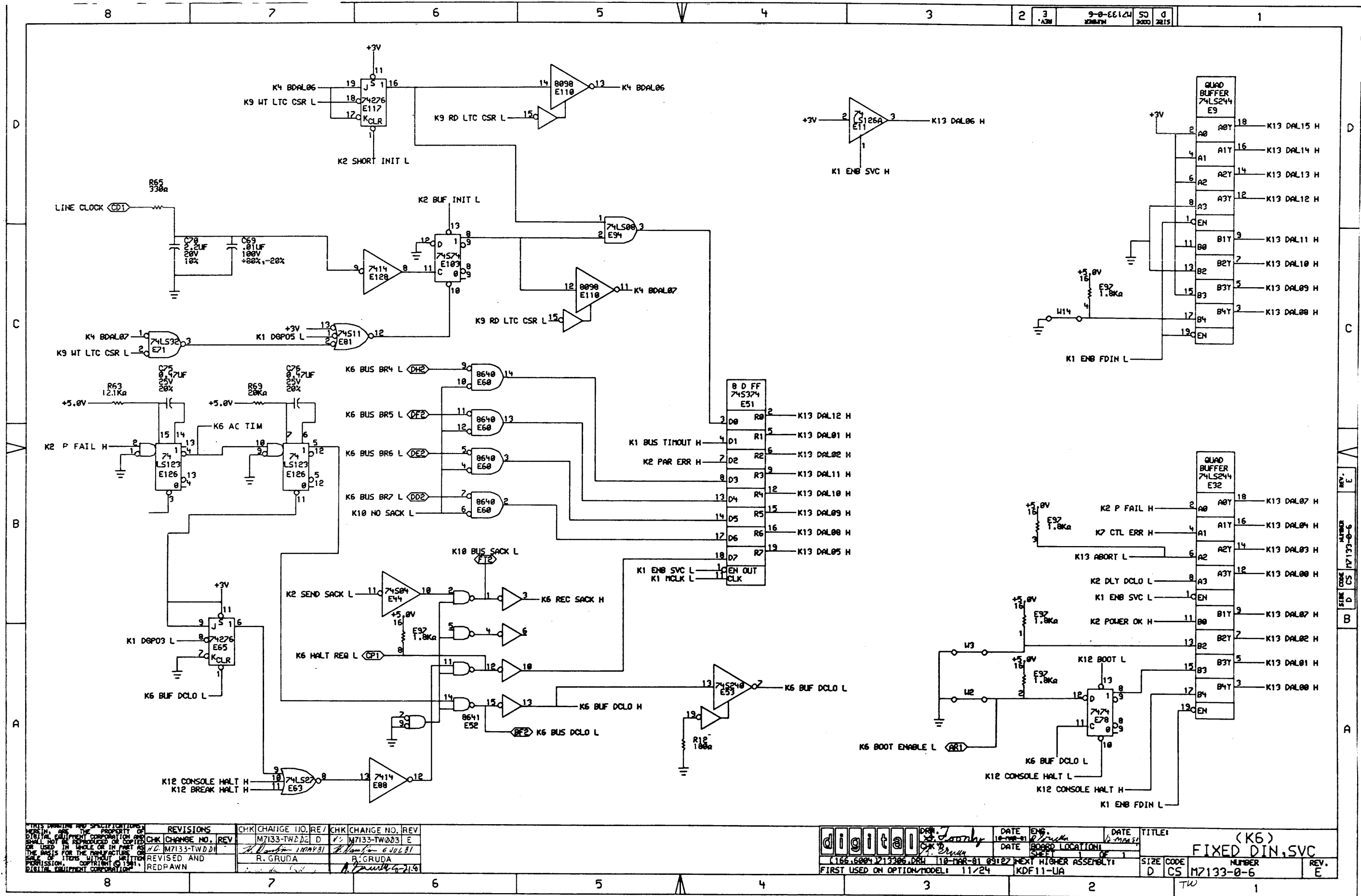
REVISIONS		CHK	CHANGE NO.	REV	CHK	CHANGE NO.	REV
1			M7133-TW002	D		M7133-TW003	E
2			M7133-TW111				
3							
4							
5							
6							
7							
8							

DATE	ENGR	DATE	BOSS	LOCATION	DATE	BOSS	LOCATION
10-28-81	A. Bruck	6-24-81					
10-28-81							
10-28-81							
10-28-81							
10-28-81							
10-28-81							
10-28-81							
10-28-81							

digital		DATE 10-28-81		ENGR A. Bruck		DATE 6-24-81		TITLE (K5) DAL-DBUS	
1166.68 M713305.DRL		10-MAR-81 09:22		NEXT HIGHER ASSEMBLY: KDF11-LIA		SIZE CODE D CS		NUMBER M7133-0-5	
FIRST USE ON OPTION/MODEL: 11/24								REV. E	

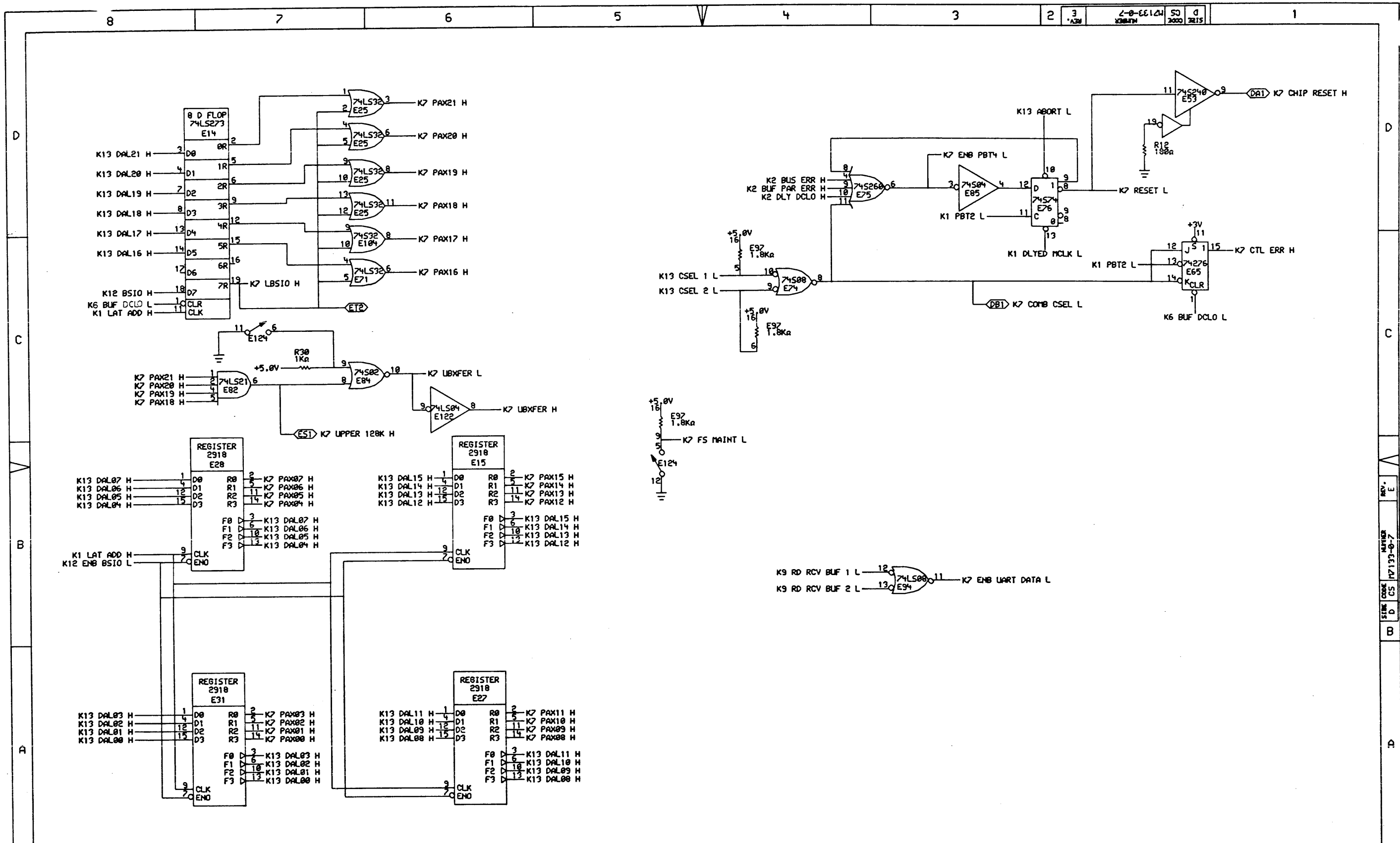
REV. E
 NUMBER M7133-0-5
 CS D CS
 SIZE CODE

TW



REV	DESCRIPTION	CHK	CHANGE NO.	REV	CHK	CHANGE NO.	REV
1	INITIAL	R. GRUDA	M7133-TW001	D	R. GRUDA	M7133-TW001	D
2	REVISED AND REDRAWN	R. GRUDA	M7133-TW001	E	R. GRUDA	M7133-TW001	E

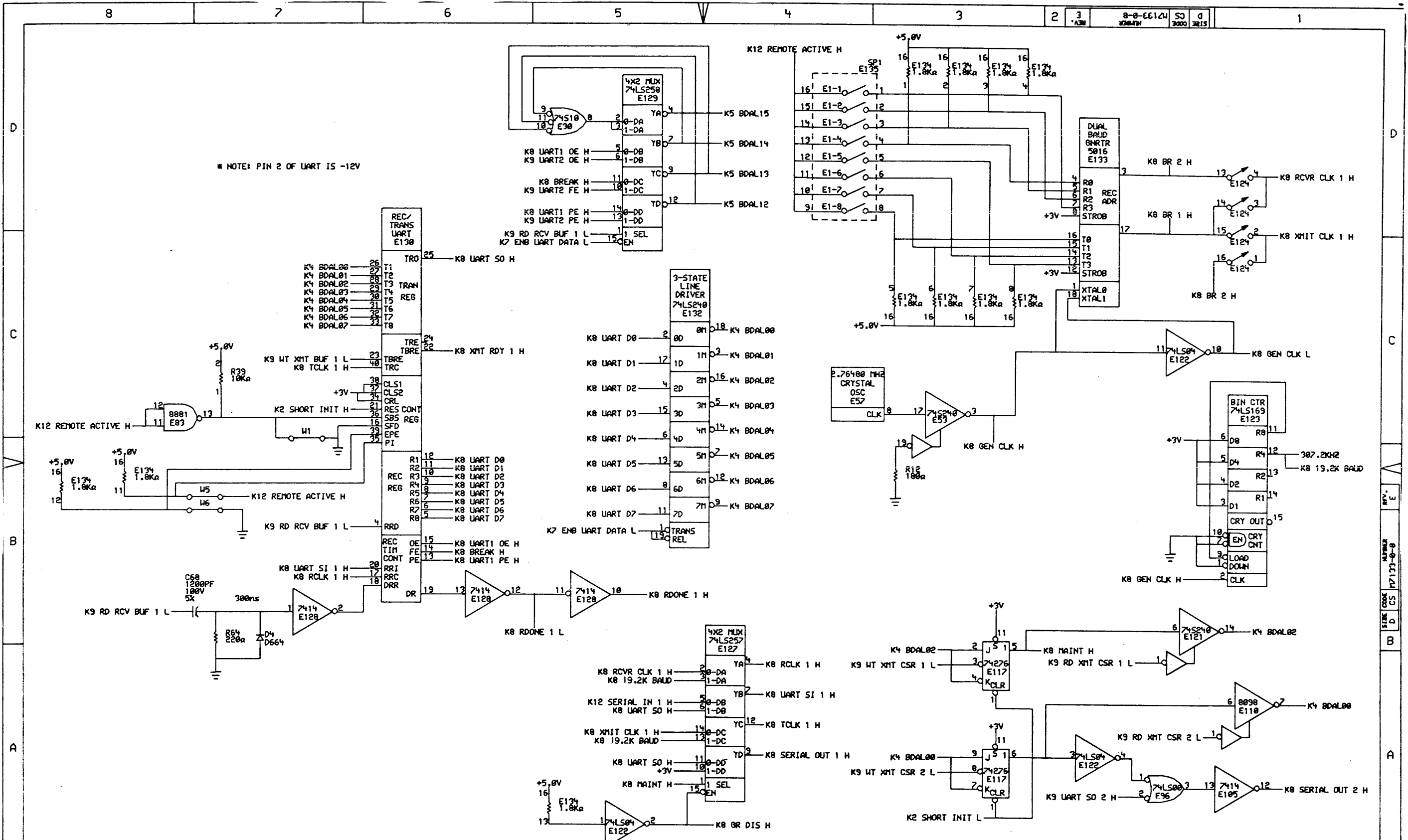
	DATE	ENG.	DATE	TITLE
	11/24	R. Gruda	11/24	(K6) FIXED DIN, SVC
FIRST USED ON OPTION MODEL: 11/24		DATE	BOARD LOCATION	SIZE
		11/24	KDF11-UA	D CS M7133-0-6
				NUMBER
				1
				REV.
				E



REVISIONS	CHK CHANGE NO.	REV	CHK CHANGE NO.	REV
	M7133-TW002	D	M7133-TW003	E
	M7133-TW001	C		
REVISED AND REDPAWN	R. GRUDA		R. GRUDA	

	DATE	10-20-91	ENG.	R. Gruda	DATE	12-11-91	TITLE	(K7) PAX
	DATE	11-24-91	BOSS LOCATION		DATE			
FIRST USED ON OPTION MODEL		110-TWR-01	93127	NEXT HIGHER ASSEMBLY:	SIZE CODE	D CS	NUMBER	M7133-0-7
		11/24	KDF11-UA		REV.			E

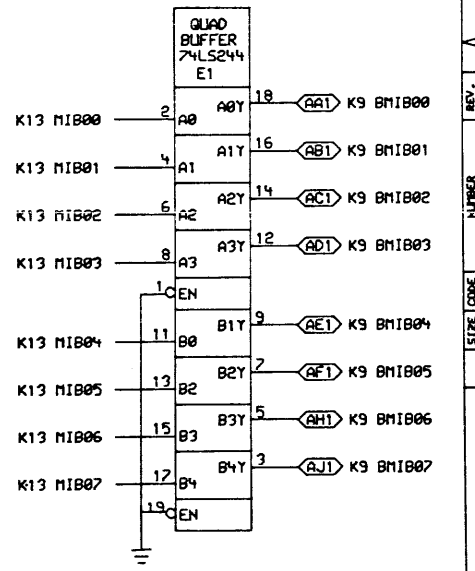
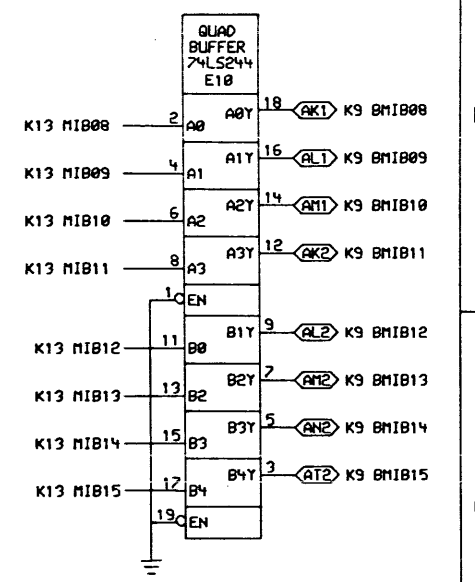
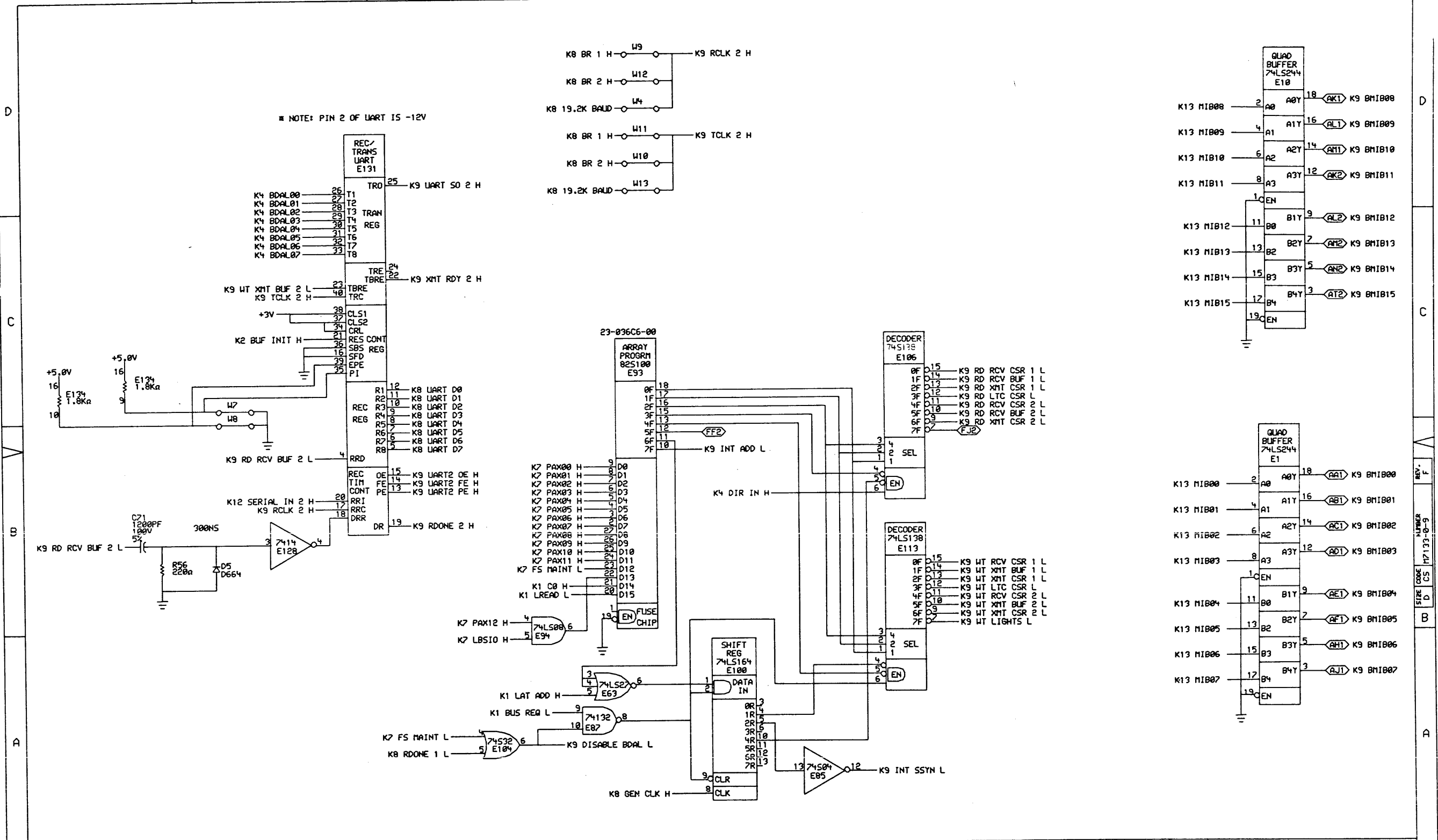
REV. E
 M7133-0-7
 CS
 D
 CS
 M7133-0-7
 A



THIS DRAWING AND SPECIFICATIONS HEREIN ARE THE PROPERTY OF DIGITAL EQUIPMENT CORPORATION AND SHALL NOT BE REPRODUCED OR COPIED OR USED IN WHOLE OR IN PART AS THE BASIS FOR THE MANUFACTURE OR SALE OF ITEMS WITHOUT WRITTEN PERMISSION. COPYRIGHT © 1981 DIGITAL EQUIPMENT CORPORATION

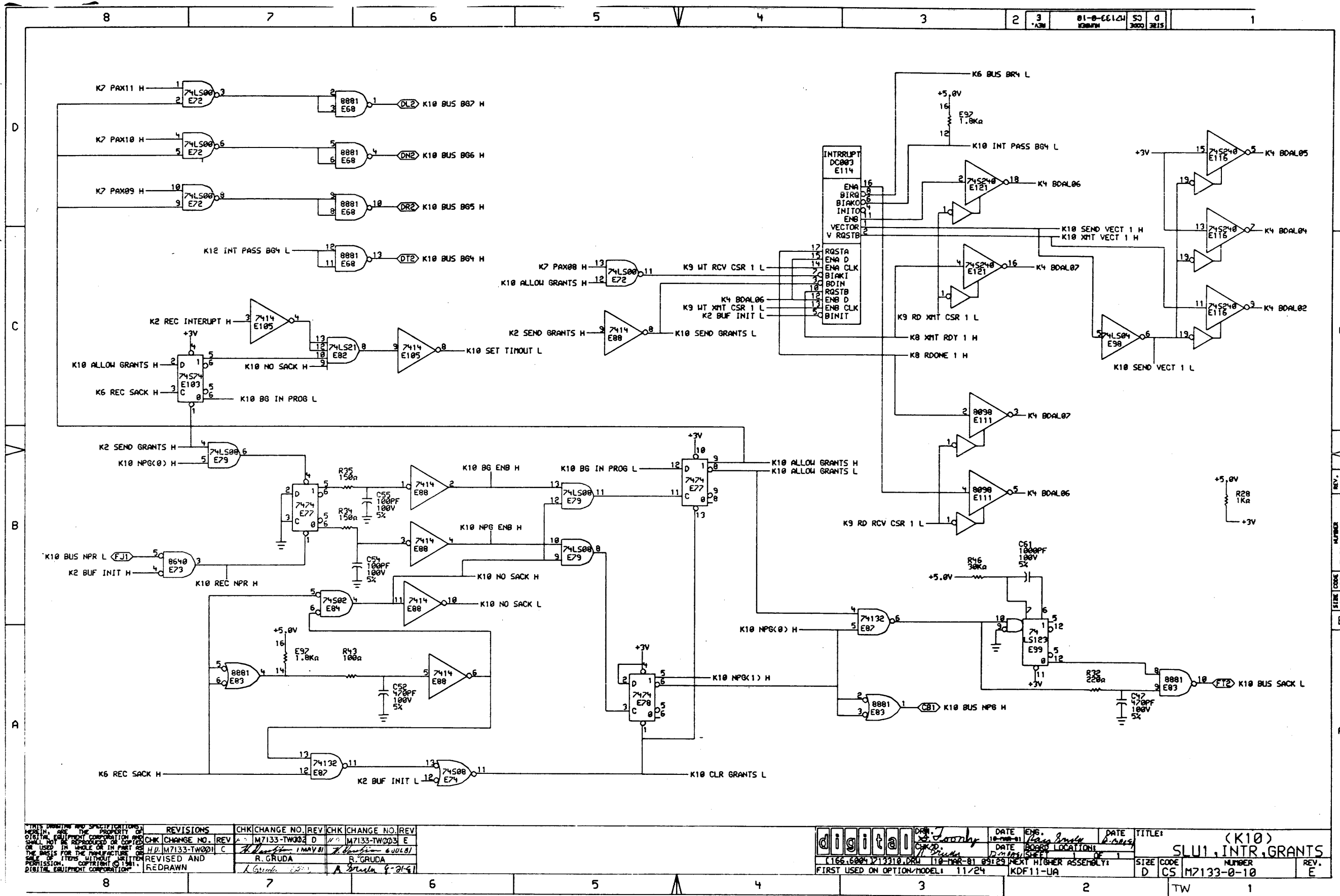
REVISIONS			CHK CHANGE NO. REV		
CHK	CHANGE NO.	REV	CHK	CHANGE NO.	REV
	M7133-TW002	D		M7133-TW003	E
H.D. M7133-TW001 C			R. GRUDA (MAY 81) R. GRUDA (JUL 81)		
REV: E1 AND REDRAWN			F. GIUTA		

	DATE 10/11/81 DATE BOARDS LOCATED DATE 11/11/81	ENG	DATE	TITLE: (K8) SLU1, BAUD
		DR	DATE	
1165.6004 121308.DRW 116-000-81 09128	NEXT HIGHER ASSEMBLY KDF11-UA	SIZE D CODE CS	NUMBER M7133-0-8	REV. E



CHK	CHANGE NO.	REV	CHK	CHANGE NO.	REV	CHK	CHANGE NO.	REF
	M7133-TW002	D		M7133-TW003	E		M7133-TW004	F
	M7133-TW004							

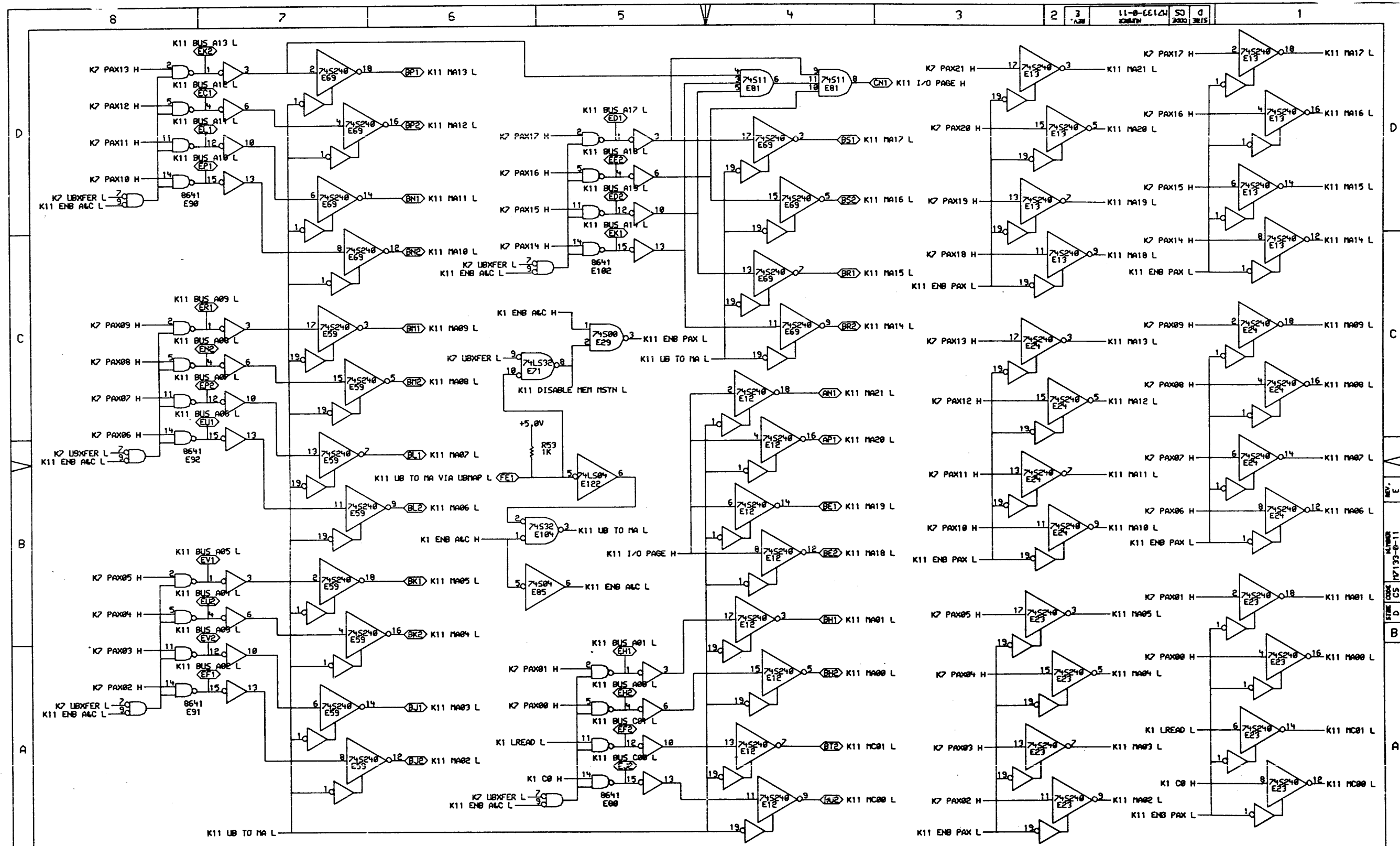
DATE	10-10-81	ENG.	R. GRUDA	DATE		TITLE:	(K9)
DATE		DATE		DATE		ADR DEC. MIBBUF. SLU2	
SIZE	D	CODE	CS	NUMBER	M7133-0-9	REV.	F
FIRST USED ON OPTION/MODEL:	11/24	NEXT HIGHER ASSEMBLY:	KDF11-UA	TV	1		



REVISIONS		CHK	CHANGE NO.	REV	CHK	CHANGE NO.	REV
			M7133-TW003	D		M7133-TW003	E
			M7133-TW001	C		M7133-TW001	B

REVISIONS		CHK	CHANGE NO.	REV	CHK	CHANGE NO.	REV
			M7133-TW003	D		M7133-TW003	E
			M7133-TW001	C		M7133-TW001	B

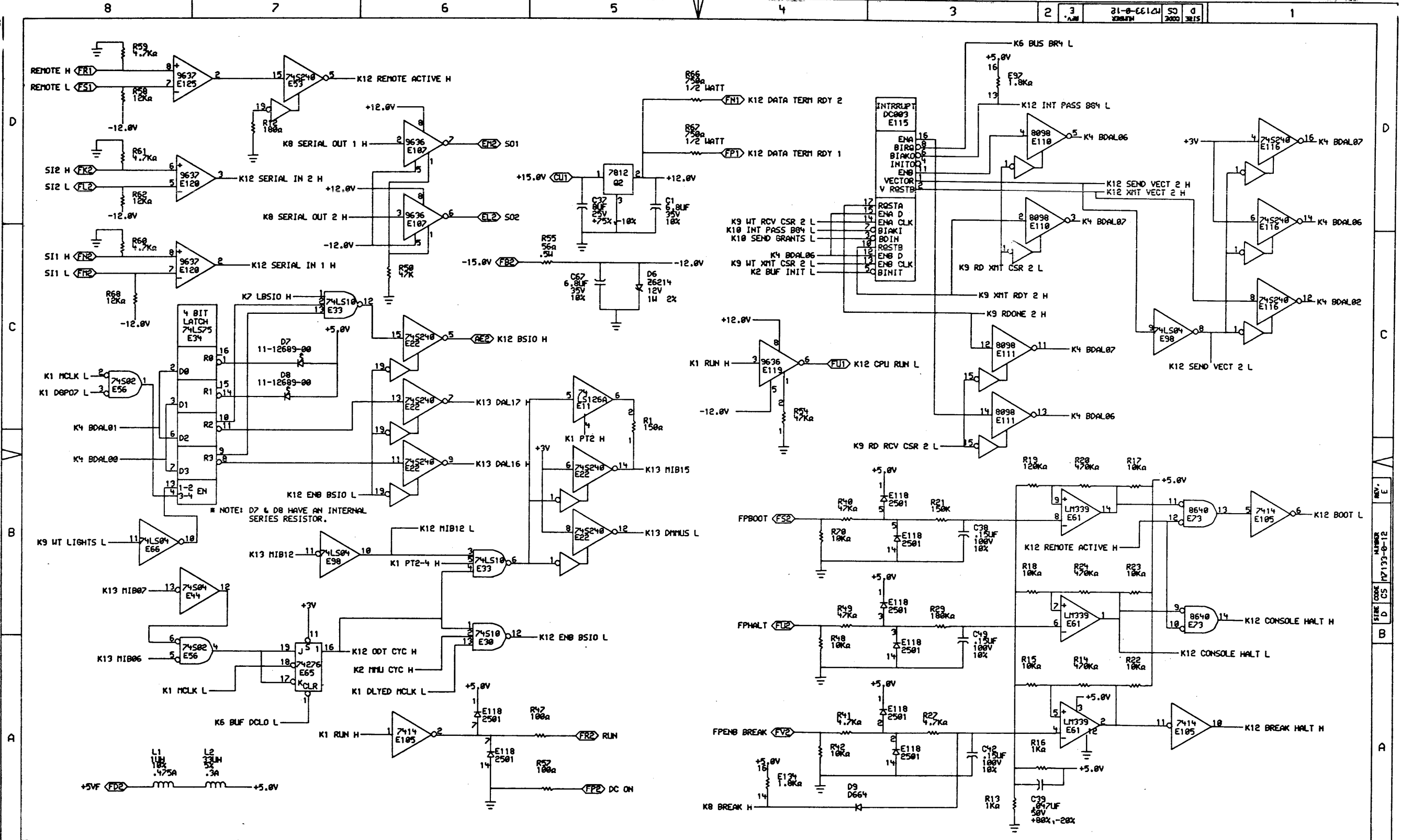
digital	DATE	ENG.	DATE	TITLE
	11/24	R. GRUDA	11/24	(K10) SLUI, INTR, GRANTS
FIRST USED ON OPTION/MODEL		NEXT HIGHER ASSEMBLY		SIZE
11/24		KDF11-UA		D
				CODE
				CS
				NUMBER
				M7133-0-10
				REV.
				E



REV.	CHG.	NO.	DATE	BY
1				
2				
3				
4				
5				
6				
7				
8				

REV.	CHG.	NO.	DATE	BY
1				
2				
3				
4				
5				
6				
7				
8				

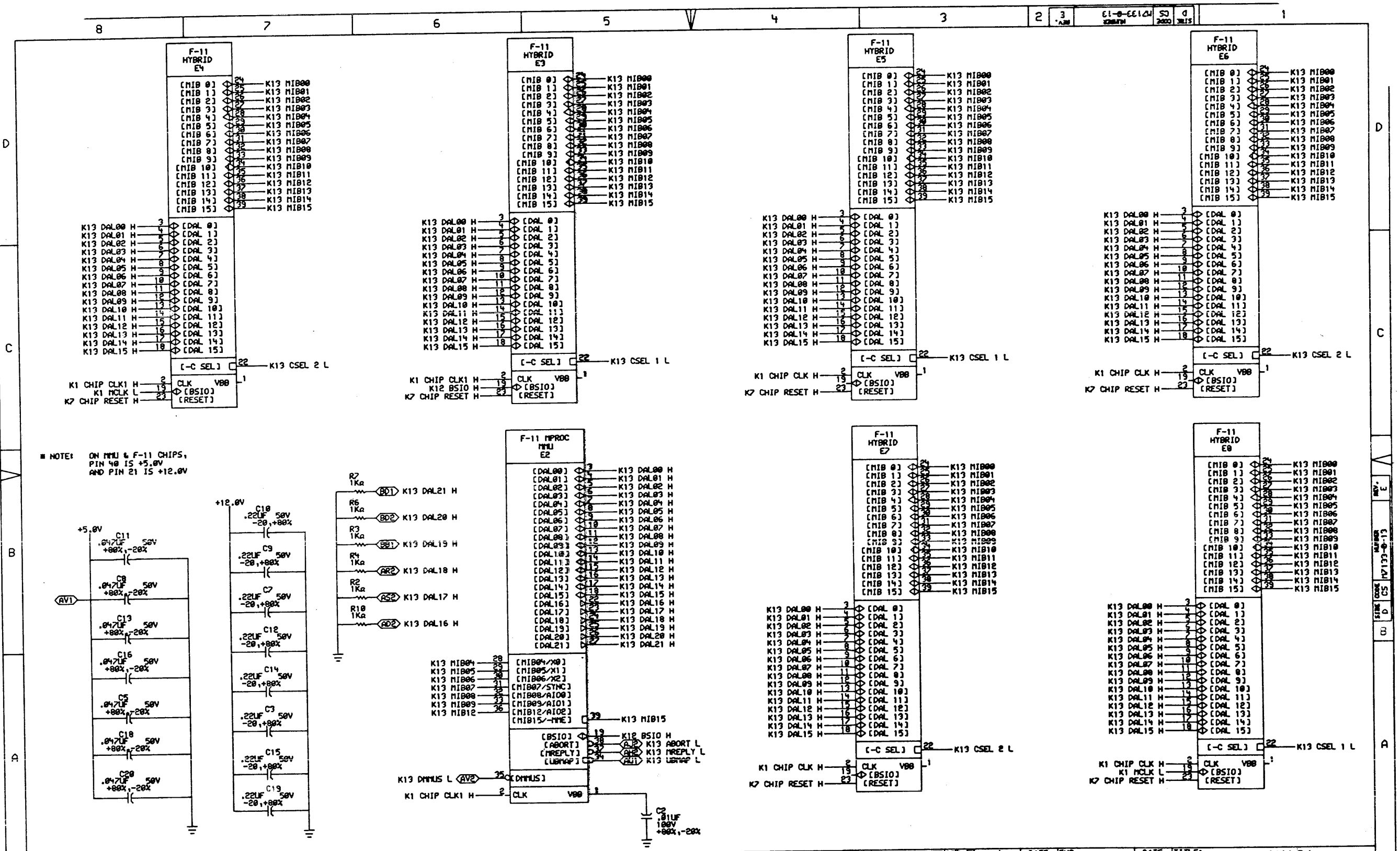
11-8-EE1.41
 JOURNAL
 3000
 3E15
 REV. 3
 CS M7133-0-11
 B
 A



REV	DESCRIPTION	CHK	CHANGE NO.	REV	CHK	CHANGE NO.	REV
1	REVISED AND REDRAWN	R. GRUDA	M7133-TW002	D	R. GRUDA	M7133-TW003	E
2		R. GRUDA	M7133-TW001	C	R. GRUDA	M7133-TW001	B

REV	DESCRIPTION	CHK	CHANGE NO.	REV	CHK	CHANGE NO.	REV
1	REVISED AND REDRAWN	R. GRUDA	M7133-TW002	D	R. GRUDA	M7133-TW003	E
2		R. GRUDA	M7133-TW001	C	R. GRUDA	M7133-TW001	B

digit@ll	DATE: 12-21-81	DATE: 12-21-81	TITLE: (K12) SC, INTR, VREG, FPNL
	DATE: 11-24-81	DATE: 11-24-81	DATE: 11-24-81
K166, 6004 121312, DRU 110-MAR-81 09123 NEXT HIGHER ASSEMBLY:		SIZE CODE: D CS	NUMBER: M7133-0-12
FIRST USED ON OPTION MODEL: 11/24		KDF11-UA	REV: E



REVISIONS	CHK	CHANGE NO.	REV	CHK	CHANGE NO.	REV
1	R. GRUDA	M7133-TWO01	D	R. GRUDA	M7133-TWO03	E
2	R. GRUDA	M7133-TWO01	C	R. GRUDA	M7133-TWO01	C
3	R. GRUDA	M7133-TWO01	B	R. GRUDA	M7133-TWO01	B
4	R. GRUDA	M7133-TWO01	A	R. GRUDA	M7133-TWO01	A

	DATE	10-28-91	ENG	R. GRUDA	DATE	12-20-91	TITLE	(K13) FONZ CHIPS
	DATE	11-20-91	DATE	11-20-91	DATE	11-20-91	DATE	11-20-91
156-6004-21313.DWG		110-110-01		051-30		NEXT HIGHER ASSEMBLY		SIZE CODE NUMBER REV. D CS M7133-0-13 E
FIRST USED ON OPTION/MODEL: 11/24		KDF11-UA		TW		1		1

BAUD RATES

THERE ARE TWO SIMULTANEOUS BAUD RATES AVAILABLE.
 BAUD RATE 1 IS SELECTED USING SWITCHES 5,6,7,& 8 OF E135.
 BAUD RATE 2 IS SELECTED USING SWITCHES 1,2,3,& 4 OF E135.
 BOTH ARE ACCORDING TO THE SWITCH SETTINGS PATTERN SHOWN BELOW.

		SWITCH E135			
		5	6	7	8
BAUD RATE 1 (KB BR1)		5	6	7	8
BAUD RATE 2 (KB BR2)		1	2	3	4
BAUD RATES:		50	ON	ON	ON
		75	ON	ON	ON
		110	ON	ON	OFF
		134.5	ON	ON	OFF
		150	ON	OFF	ON
		200	ON	OFF	ON
		300	ON	OFF	ON
		600	ON	OFF	OFF
		1200	OFF	ON	ON
		1800	OFF	ON	OFF
		2000	OFF	ON	OFF
		2400	OFF	ON	OFF
		3600	OFF	OFF	ON
		4800	OFF	OFF	ON
		9600	OFF	OFF	ON
		19200	OFF	OFF	OFF

(IF REMOTE ACTIVE H IS ASSERTED, THEN 19200 IS ANY SETTINGS.)

SLU 1/SLU 2 BAUD RATE SELECTION

SLU 1

		SWITCH E124			
		1	2	3	4
XMIT RATE (KB XMIT CLK 1)					
BAUD RATE 1		OFF	ON	---	---
BAUD RATE 2		ON	OFF	---	---
RCVR RATE (KB RCVR CLK 1)					
BAUD RATE 1		---	---	ON	OFF
BAUD RATE 2		---	---	OFF	ON

SLU 2

		JUMPERS					
		W4	W9	W10	W11	W12	W13
XMIT RATE (KB TCLK 2)							
BAUD RATE 1		---	---	OUT	IN	---	OUT
BAUD RATE 2		---	---	IN	OUT	---	OUT
19.2K BAUD		---	---	OUT	OUT	---	IN
RCVR RATE (KB RCLK 2)							
BAUD RATE 1		OUT	IN	---	---	OUT	---
BAUD RATE 2		OUT	OUT	---	---	IN	---
19.2K BAUD		IN	OUT	---	---	OUT	---

ODD/EVEN PARITY; STOP BITS

	SLU 1		SLU 2	
	W5	W6	W7	W8
ODD PARITY	---	IN	---	IN
EVEN PARITY	---	OUT	---	OUT
PARITY ENABLED	IN	---	IN	---
PARITY DISABLED	OUT	---	OUT	---
	W1			
ONE STOP BIT	IN			
TWO STOP BIT	OUT			

(REMOTE ACTIVE H DEFAULTS TO ONE STOP BIT)

= NOTE: IF M9312 IS PRESENT,
M9312 S1-2 MUST BE OFF.

CLOCK SETUP PROCEDURE

1. PUT PROBE ON K1 NCLK L AT PIN B82
2. PUT MACHINE IN WAIT LOOP.
3. ADJUST POTENTIOMETER R31 WITH SCREWDRIVER UNTIL K1 NCLK L HAS A PERIOD OF 300ns.

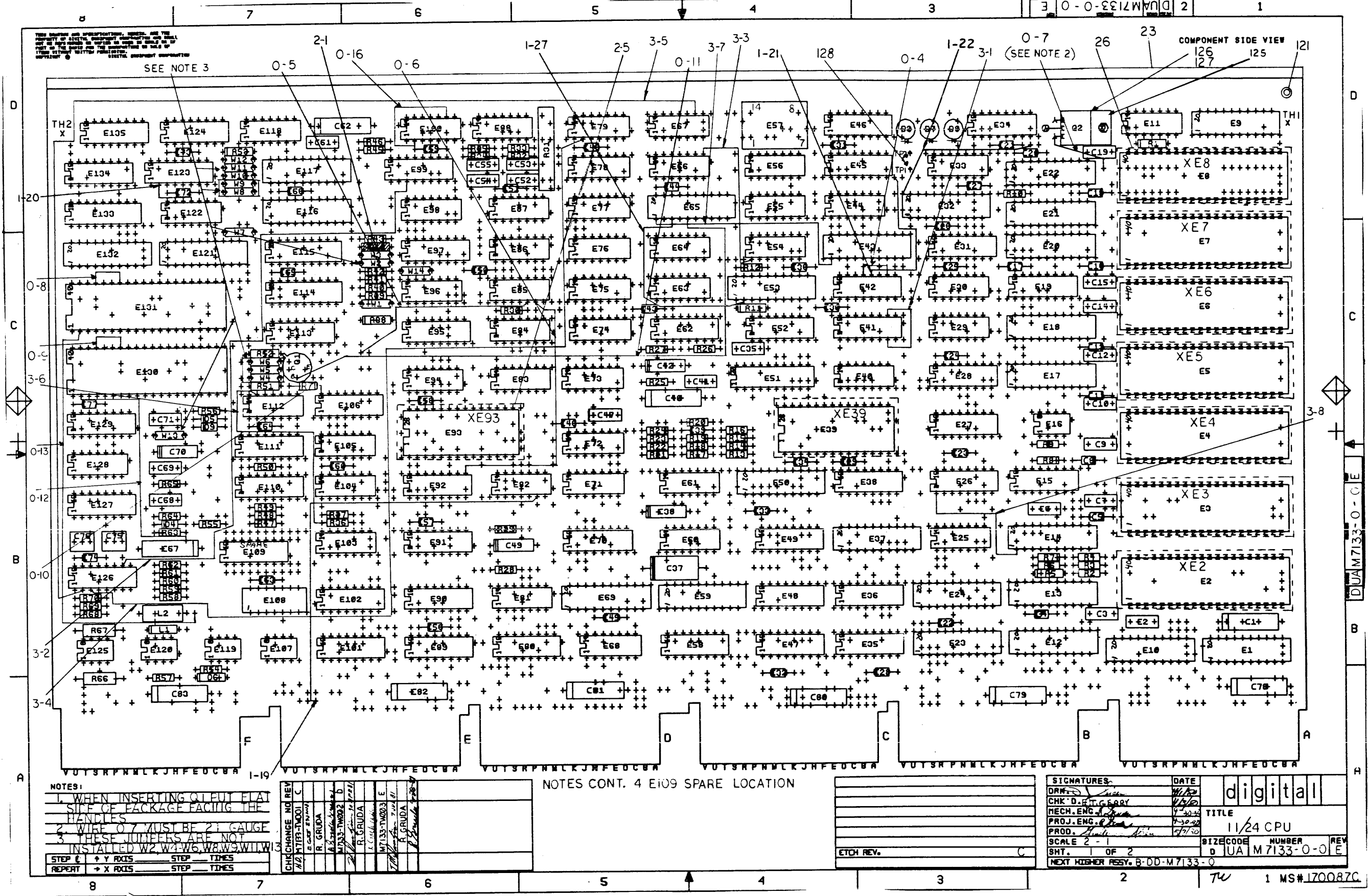
SWITCH				
E124	5	ON	ENABLE FIELD SERVICE MAINT L	
		OFF	NO FS MAINT	
E124	6	ON	NO EFFECT ON UBXFER	
		OFF	FORCES UBXFER L	

		JUMPERS	
POWER UP TO:		W14	
165000		IN	
173000		OUT	
		W3	
ALLOW HALTS		IN	
KERNEL HALT TRAPS TO 10		OUT	
		W2	
BOOT ON POWER UP		IN	
POWER UP VIA 24		OUT	

REV.	CHK CHANGE NO.	REV.	CHK CHANGE NO.
1	M7133-TW001	1	M7133-TW002
2	M7133-TW001	2	M7133-TW003

digital	DATE: 10-19-81	ENG. NAME: [Signature]	DATE: 12-20-82	TITLE: (K14) SW, JMPR, CLK SETTINGS
C155,6004,21314,DRU	DATE: 12-20-82	CHK'D: [Signature]	DATE: 12-20-82	NO. OF SHEETS: 1 OF 1
FIRST USED ON OPTION/MODEL: 11/24	DATE: 10-19-81	CHK'D: [Signature]	DATE: 12-20-82	SIZE: D CS
	DATE: 10-19-81	CHK'D: [Signature]	DATE: 12-20-82	NUMBER: M7133-0-14
	DATE: 10-19-81	CHK'D: [Signature]	DATE: 12-20-82	REV. E

THIS DRAWING AND SPECIFICATIONS, HEREIN, ARE THE PROPERTY OF ANALOG ELECTRONIC CORPORATION AND SHALL NOT BE REPRODUCED OR TRANSMITTED IN ANY FORM OR BY ANY MEANS, WITHOUT THE WRITTEN PERMISSION OF ANALOG ELECTRONIC CORPORATION.



NOTES:
 1. WHEN INSERTING OUTPUT PLAT SIDE OF PACKAGE FACING THE HANDLES
 2. WIRE 0-7 MUST BE 21 GAUGE
 3. THESE JUMPEERS ARE NOT INSTALLED W2, W4-W6, W8, W9, W11, W13

CHANGE NO	REV	DATE	BY	CHKD
1				
2				
3				
4				
5				
6				
7				
8				
9				
10				

NOTES CONT. 4 EI09 SPARE LOCATION

ETCH REV.	DATE	BY	CHKD
1			
2			
3			
4			
5			
6			
7			
8			
9			
10			

SIGNATURES	DATE	TITLE
DRAWN: <i>[Signature]</i>	11/20	digital
CHK'D: <i>[Signature]</i>	11/20	
MECH. ENG. <i>[Signature]</i>	11/20	
PROJ. ENG. <i>[Signature]</i>	11/20	
PROD. <i>[Signature]</i>	11/20	
SCALE 2-1		
BHT. 1 OF 2		
NEXT HIGHER ASSY. B-DD-M7133-0		

THIS DRAWING AND SPECIFICATIONS HEREIN ARE THE PROPERTY OF DIGITAL EQUIPMENT CORPORATION AND SHALL NOT BE REPRODUCED OR COPIED OR USED IN WHOLE OR IN PART AS THE BASIS FOR THE MANUFACTURE OR SALE OF ITEMS WITHOUT WRITTEN PERMISSION.
 COPYRIGHT © DIGITAL EQUIPMENT CORPORATION

REWORK INSTRUCTIONS

WIRE ADDS SIDE 1:

- ~~0-3 FROM PTH BELOW LEFT PAD OF C80 TO PTH LEFT OF E61-14~~
- 0-4 FROM E42-10 TO E42-13
- 0-5 FROM E85-5 TO SECOND PTH BELOW R38
- 0-6 FROM E85-6 TO E92-9
- 0-7 FROM Q2 EMITTER TO PTH BELOW C19 USE 24 GAUGE WIRE
- 0-8 FROM E131-37 TO E131-34
- 0-9 FROM E130-37 TO E130-34

COMPONENT ADD SIDE 1:

- 0-10 R71 FROM PTH ABOVE E112-9 TO E106-16

WIRE ADD SIDE 1:

- Ø-11 FROM E65-5 TO Q1 BASE
- Ø-12 FROM PTH TOP OF C67 TO E130-2
- Ø-13 FROM PTH RIGHT OF L2 TO E131-2
- ~~Ø-14 FROM E17-13 TO E53-3~~
- ~~Ø-15 FROM E17-15 TO E100-8~~
- Ø-16 FROM E100-2 TO E100-9

ADD WIRES ECO #1

- 1-19 FROM E82-6 TO PTH ABOVE FINGER E51.
- 1-20 FROM E123-2 TO E122-11.
- 1-21 FROM E42-12 TO SECOND PTH TO THE RIGHT OF E45-8.
- 1-22 FROM PTH TO THE LEFT OF E32-20 TO THE PTH BELOW E34-8.
- 1-27 FROM E65-3 TO E53-2.

ECO #TW002

COMPONENT DELETE SIDE 1:

- 2-1 DELETE DIØ

WIRE ADDS ECO #TW003:

- 3-1 FROM E41-7 TO E41-10
- 3-2 FROM E99-3 TO E126-10
- 3-3 FROM E54-1 TO E66-8
- 3-4 FROM E79-2 TO E126-3
- 3-5 FROM E67-9 TO E126-2
- 3-6 FROM E112-13 TO THE LEFT END OF R36
- 3-7 FROM E43-1 TO E65-1
- 3-8 FROM E14-1 TO E26-1

REVISION HISTORY		
DATE	ECO NUMBER	REV.

TITLE
11/24 CPU

DOCUMENT NUMBER		
SIZE CODE	NUMBER	REV.
D	UAM7133-0-0	E
SCALE	SHEET 2 OF 2	
2-1		

LINE ITEM	DOCUMENT NUMBER	PART NUMBER	DESCRIPTION	QTY PER VARIATION	REFERENCE DESIGNATOR
1		5013838-00	DRILL & ETCH BD	1	
1		1000011-00	47.0 MMF 100V 5%200PPM MICA	1	C53
1		1000016-00	100.0 MMF 100V 5%200PPM MICA	1	C54, C55
1		1002424-00	1200.0 MMF 100V 5%200PPM MICA	1	C68, C71
1		1000024-00	470.0 MMF 100V 5%200PPM MICA	1	C47, C52
1		1000042-00	1000.0 MMF 100V 5%200PPM MICA	1	C6, C35, C61
1		1000055-00	2200.0 MMF 250V 20% YSS DISC	1	C41
1		1000076-00	39 MFD 10V 10% S.TANT	1	C78-C83
1		1001610-01	.01 MFD50/100V +80-20% DISC	1	C2, C69
1		1002627-00	2.2MFD 20V 10% S.TANT	1	C70
1		1004812-00	15 MFD 20V 10% S.TANT	1	C40
1		1004813-00	10 MFD 20V 10% S.TANT	1	C62
1		1005306-00	6.8MFD 35V 10% S.TANT	1	C1, C67
1		1010274-01	.22 MFD 50V +90-20% Z5U CER	1	C3, C7, C9, C10, C12, C14, C19, C15
1		1010279-00	.47 MFD 25V 20% CER	1	C75, C76
1		1011895-00	.15 MFD 35V 10% S.TANT	1	C38, C42, C49
1		1012084-01	8 MFD 25V +75-10% AL EL	1	C37
1		1012784-00	.047 MFD 50V +80-20% CER	45	C4, C5, C8, C11, C13, C16-C18, C20-C34, C36, C39, C43-C46, C48, C50, C51, C56-C59, C60, C63-C66, C72-C74, C77
19		1100114-00	D 664 QS\75PCB PIV= 25V SP	3	D4, D5, D9
19	BLANK	1109502-01	Z 6214 VZ= 12.0 2% 1W	3	D6
19		1112689-00	LED .8MCD@16MA VF=5V	3	D3, D7, D8
19		1210711-02	/REPLACED BY 12-16988-02		
19		1211164-04	SW DIP 1P 1A 8POS		E124, E135
19		1215006-07	SKT, IC 28PIN DIP TIN PLATE		XE39, XE93
19		1216116-00	SKT, IC 40PIN DIP GOLD PLATE		XE2-XE8
19		1300005-11	R NETWORK 15-1.8K 5.0% 16PIN		E97, E134

REVISION HISTORY		BASIC PART NO: M7133		DRN: K.FRIEDGEN	DATE: 04-SEP-79	D I G I T A L	
ENG	ECO NUMBER	REV	SECTION A OF A	CHK'D: E.T.GERRY	DATE: 04-SEP-79	TITLE PARTS LIST	
	INITIAL	B	SECTION VARIATION INDEX	DES.ENG: J.COOKIE	DATE: 04-SEP-79	11/24 CPU	
RG	M7133-TW001	[A]	00	RESP.ENG.: J.COOKIE	DATE: 04-SEP-79	DOCUMENT NUMBER	
RG	M7133-TW002	[B]		MFG.ENG.: G.ABREN	DATE: 7-MAY-80	K	PL M7133-0-DBP
RG	M7133-TW003	[C]		ASSEMBLY NUMBER: D-UA-M7133-0-0	TOP DOCUMENT NUMBER: B-DD-M7133-0-0	FILE NAME: Z1265F.PLS	EDIT #: 39
RG	M7133-TW004	[D]					
		[E]					
		[F]					
		[H]					
		[J]					
		[K]					
		[L]					
		[M]					
		[N]					

"THIS DRAWING AND SPECIFICATIONS HEREIN, ARE THE PROPERTY OF DIGITAL EQUIPMENT CORPORATION AND SHALL NOT BE REPRODUCED OR COPIED OR USED IN WHOLE OR IN PART AS THE BASIS FOR THE MANUFACTURE OR SALE OF ITEMS WITHOUT WRITTEN PERMISSION. COPYRIGHT (C) 1981. DIGITAL EQUIPMENT CORPORATION"

LINE	ITEM	DOCUMENT NUMBER	PART NUMBER	DESCRIPTION	QTY	PER VARIATION	REFERENCE DESIGNATOR
33	33		1300229-00	100.0 .25 W 5.0 % CC	5		R37, R43, R47, R57, R65
33	33		1300250-00	150.0 .25 W 5.0 % CC	5		R1, R34, R35
33	33		1300271-00	220.0 .25 W 5.0 % CC	3		R32, R56, R64
33	33		1300295-00	*** THIS ITEM IS NOT USED ***			
33	33		1300316-00	470.0 .25 W 5.0 % CC	1		R38
33	33		1300354-00	750.0 .50 W 5.0 % CC	2		R66, R67
33	33		1300365-00	1.0 K .25 W 5.0 % CC	12	CONT	R2, R4, R6, R7, R10, R13, R16, R28, R30, R33, R53
35	35		1300447-00	4.70 K .25 W 5.0 % CC	5		R59, R61, R27, R41
36	36		1300479-00	10.0 K .25 W 5.0 % CC	9	CONT	R15, R17, R18, R22, R23, R39, R42, R48, R70
37	37		1300488-00	12.0 K .25 W 5.0 % CC	3		R58, R62, R68
37	37		1300539-00	120.0 K .25 W 5.0 % CC	1		R19
37	37		1301322-00	180.0 .25 W 5.0 % CC	1		R12
37	37		1301424-00	680.0 .25 W 5.0 % CC	2		R36, R71
37	37		1302177-00	47.0 K .25 W 5.0 % CC	4		R40, R49, R50, R54
37	37		1302388-00	*** THIS ITEM IS NOT USED ***			
37	37		1302391-00	20.0 K .25 W 5.0 % CC	1		R69
37	37		1302394-00	30.0 K .25 W 5.0 % CC	4		R25, R26, R45, R46
37	37		1302396-00	150.0 K .25 W 5.0 % CC	1		R21
37	37		1302397-00	180.0 K .25 W 5.0 % CC	1		R29
37	37		1302398-00	470.0 K .25 W 5.0 % CC	3		R14, R20, R24
37	37		1303313-00	12.10 K .25 W 1.0 % RN55D-F10	1		R63
37	37		1305125-00	383.0 .25 W 1.0 % RN55D-F10	2		R5, R11
37	37		1309143-07	1.0 K .75 W 10.0 % POT	1		R31
37	37		1309422-00	5.10 .25 W 5.0 % CC	2		R8, R9
37	37		1311522-00	200.0 .25 W 5.0 % CC	2		R51, R52
37	37		1312628-00	R NETWORK 14-176.5 14-375 16PIN	2		E47, E101
37	37		1312628-01	R NETWORK 14-176.5 14-375 16PIN	2		E58, E89
37	37		1509524-00	2N 3904 NPN 310MW SI 40 40 M	1		Q1
37	37		1601562-00	1.0 UH 10% 475MA #001.00	1		L1
37	37		1601759-00	33 UH 5% 300MA	1		L2
37	37		1612463-00	DELAY= 150NS 10TAPS	1		F108
37	37		1811660-33	OSCILLATOR, XTAL 2.7648 MHZ	1		E57
37	37		1905547-00	7474 FF-D DUAL, EDGE TRIGG	2		E77, E78
37	37		1909705-00	DEC 8881 NAND GATE-QUAD 2IN 0	2		E68, E83
37	37		1910010-00	DEC 2501 16 DIODE ARRAY, CORE	1		E118
37	37		1912811-00	LS21 AND GATE-DUAL 4IN, PO	1		E82
37	37		1910532-00	74500 NAND GATE-QUAD 2IN	1		E29
37	37		1910534-00	74504 INVERTER GATE-HEX 1I	2		E44, E85
37	37		1910536-00	74510 NAND GATE-TRIPLE 3IN	1		E30
37	37		1910537-00	74511 AND GATE-TRIPLE 3INP	3		E55, E81, E112
37	37		1910544-00	74574 FF-D DUAL, EDGE TRIGG	3		E54, E76, E103
37	37		1910550-00	745174 FF-D HEX	1		E38
37	37		1910957-00	745175 FF-D QUAD COMMON CLO	1		E26, E42
37	37		1911116-00	DEC 8837 RECEIVER, BUS, HEX UN	1		E70
37	37		1911324-00	7414 INVERTER, HEX 1IN SCH	3		E88, E105, E128
37	37		1911469-00	DEC 8640 RECEIVER, BUS, QUAD, U	2		E60, E73

D	I	G	I	T	A	L	TITLE	11/24 CPU	SECTION A	OF A	SIZE	CODE	DOCUMENT NUMBER	REV
											K	PL	M7133-0-DBP	F

LINE ITEM	DOCUMENT NUMBER	PART NUMBER	DESCRIPTION	QTY PER VARIATION	REFERENCE DESIGNATOR
				00	
74	74	1911579-00	8641 TRANSCEIVER, BUS, QUA	11	E35, E36, E48, E49, E52, E90, E90-E92, E95, E102
75	75	1911637-00	74132 NAND GATE-QUAD 2 IN	1	E87
76	76	1911675-00	745138 DECODER/DEMUX 3-8 LIN	2	E45, E106
77	77	1912048-05	7812 VOLT REG. FIX +12V	1	Q2
78	78	1912108-00	339 VOLT CMPRTR, QUAD	1	E61
79	79	1912388-00	74502 NOR GATE-QUAD 2IN, PO	1	E56, E84
80	80	1912388-00	74506 AND GATE-QUAD 2IN, PO	2	E40, E74
81	81	1912389-00	LS257 MUX 1 OF 2 (QUAD)	1	E127
82	82	1912647-00	LS75 LATCH 4BIT, BISTABLE	1	E34
83	83	1912649-00	LS75 LATCH 4BIT, BISTABLE	1	E114, E115
84	84	1912730-00	DC 003 INTERRUPT, 2 CIRCUIT	2	E72, E96
85	85	1912799-00	LS00 NAND-GATE-QUAD 2IN, P	2	E66, E98, E122
86	86	1912803-00	74LS04 INVERTER GATE, HEX	3	E79, E86, E94
87	87	1912805-00	LS08 AND GATE-QUAD 2IN, PO	3	E33
88	88	1912807-00	LS10 NAND GATE-TRIPLE 3IN	1	E63
89	89	1912813-00	LS27 NOR GATE-TRIPLE 3IN	1	E25, E71
90	90	1912816-00	LS32 OR GATE-QUAD 2IN, POS	2	E67
91	91	1912824-00	LS74 FF-D DUAL EDGE TRIGG	1	E62, E99, E126
92	92	1912837-00	LS123 ONE SHOT-DUAL, RETRIG	2	E46, E113
93	93	1912842-00	LS138 DECODER-THREE INPUT	1	E100
94	94	1912850-00	LS164 SHIFT REG. 8BIT SERI	1	E123
95	95	1912851-00	LS169 COUNTER, SYNCH. UP/DO	1	E129
96	96	1912859-00	LS258 MUX 1 OF 2 (DUAL)	2	E14, E43
97	97	1912863-00	LS273 FF-D OCTAL W/CLEAR	1	E41
98	98	1913294-00	93S16 COUNTER, SYNCH UP BIN	2	E64, E104
99	99	1913340-00	74S32 OR GATE-QUAD 2IN	10	E12, E13, E22-E24, E53, E69, E116, E121, E59
		1913462-00	74S240 OCTAL BUFFER, INVERTI		CONT E51
100	100	1913671-00	745374 FF-D OCTAL TRISTATE	1	E17, E20, E37, E50, E132
101	101	1913777-00	LS240 DRIVER, LINE, OCTAL, T	5	E75
102	102	1914085-00	74S260 NOR GATE-DUAL, POS	2	E110, E111
103	103	1914087-00	8098 BUFFER GATE-HEX 2IN,	4	E15, E27, E28, E31
104	104	1914845-00	2918 FF-D QUAD TRI-STATE	6	E18, E21, E1, E9, E10, E32
105	105	1915193-00	LS244 DRIVER, LINE, OCTAL, T	6	E65, E117
106	106	1915367-00	74276 FF-JK QUAD	2	E107, E119
107	107	1915415-00	9636 DRIVER, DUAL EIA RS-	2	E120, E125
108	108	1915416-00	9637 RECEIVER, DUAL, RS-42	2	E16
109	109	1916028-01	9643 DRIVER, TTL TO MOS, D	1	E11
110	110	1916139-00	74LS126A DRIVER, BUS, QUAD	1	E133
111	111	2112623-02	DUAL BAUD RATE GEN/PROG DIVIDER	1	E130, E131
112	112	2111450-00	UART 40K BAUD VARIATION OF 19-10	2	E2
113	113	2115542-01	DC 304 F11 MMU, FLOAT PT REG	1	E39
114	114	2306406-00	C6-01	1	E93
115	115	2305506-00	C6-01	1	E3
116	116	5700000-01	DAT/CTL HYBRID ASSY W/FP, DCF11-A	1	
117	121	9000024-01	EYELET, ROLL FLANGE 1210DX.192	12	
118	122	9009185-00	JUMPER, WIRE, INSULATED, BLACK B	5	W1, W3, W10, W12, W14
119	124	1300005-10	R NETWORK 15-560 5.0 % 16PIN	1	E19

D	I	G	I	T	A	L	TITLE	11/24 CPU	SECTION A OF A	SIZE	CODE	DOCUMENT NUMBER	REV
										K	PL	M7133-0-DBP	F

AUTOMATED BY PRTLST.3L(36)

PARTS LIST

SHEET A4 OF A4

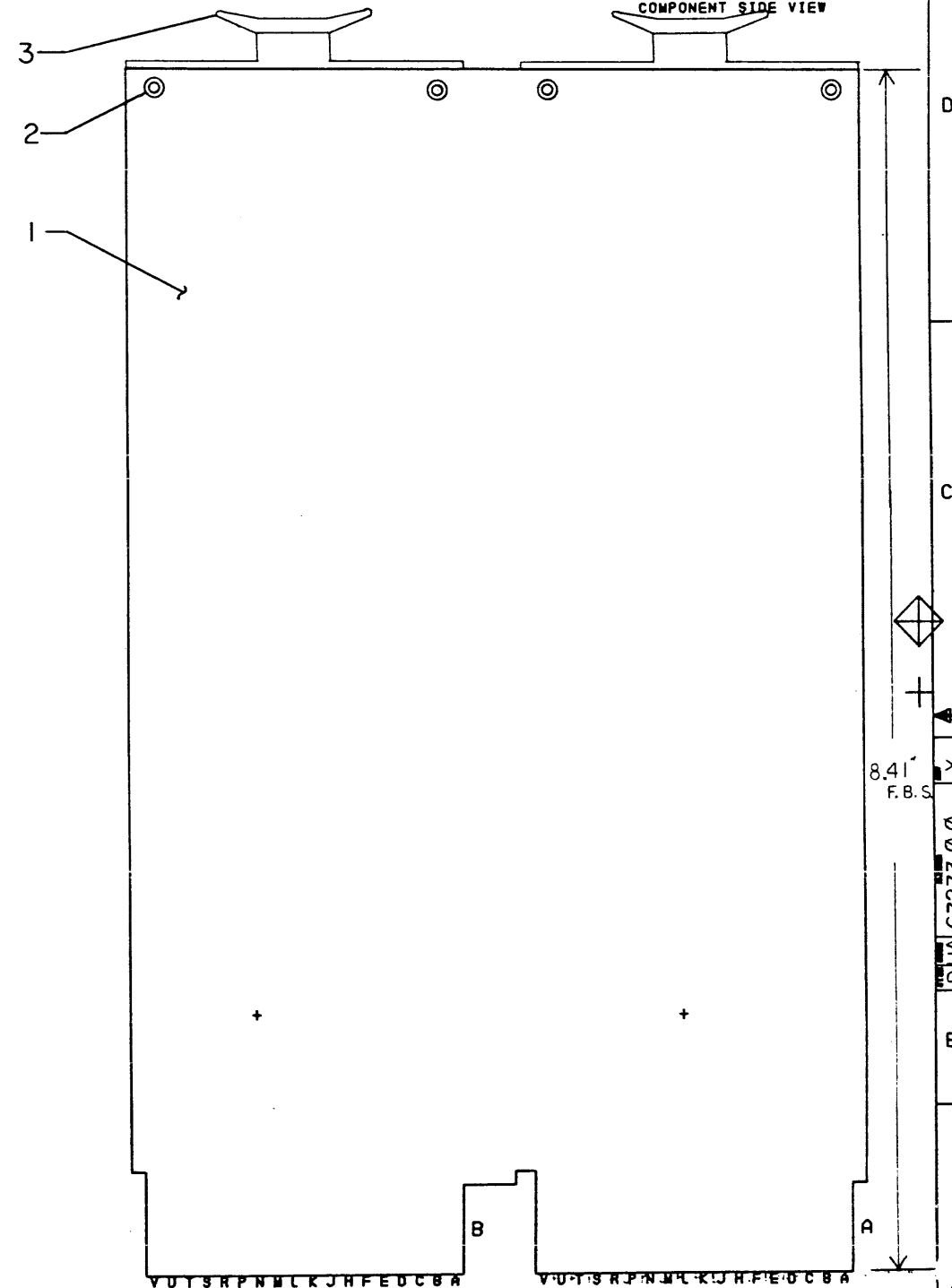
LINE	ITEM	DOCUMENT NUMBER	PART NUMBER	DESCRIPTION	QTY PER VARIATION	REFERENCE DESIGNATOR
					00	
120	125		7414765-00	HEATSINK	1	
121	126		9006010-01	SCREW,PAN,PHIL 4-40X 5/16 SS	1	
122	127		9008268-00	COMPOUND, THERMAL JOINT	1	
123	128		9009149-00	PIN, STAKING, P.C. BOARD, .025 X	2	TP1, TP2
124	129		9105740-55	WIRE(WRAP)30AWG UL1423	A/R	
125	130		9107688-55	WIRE(WRAP)24AWG UL1327	A/R	
126	131		1309995-00	56.0 .50 W 5.0 % CC	1	R55

D	I	G	I	T	A	L	TITLE	11/24 CPU	SECTION A OF A	SIZE	CODE	DOCUMENT NUMBER	REV
										K	PL	M7133-0-DBP	F

* 08-2729 MD 2

THIS DRAWING AND SPECIFICATIONS, HEREIN, ARE THE PROPERTY OF AVCO AIRCRAFT CORPORATION AND SHALL NOT BE LOANED, REPRODUCED, COPIED, REPRODUCED, OR IN ANY MANNER BE MADE PUBLIC IN WHOLE OR IN PART WITHOUT THE WRITTEN PERMISSION OF AVCO AIRCRAFT CORPORATION. 1979

COMPONENT SIDE VIEW



8.41" F.B.S

DJA G7273-0-0

NOTES:

1. STEP 7 REPEAT - 2 ML 2

STEP #	+ Y AXIS	STEP #	TIMES
REPEAT	+ X AXIS	5250	STEP # L TIMES

CHG	CHANGE NO	REV

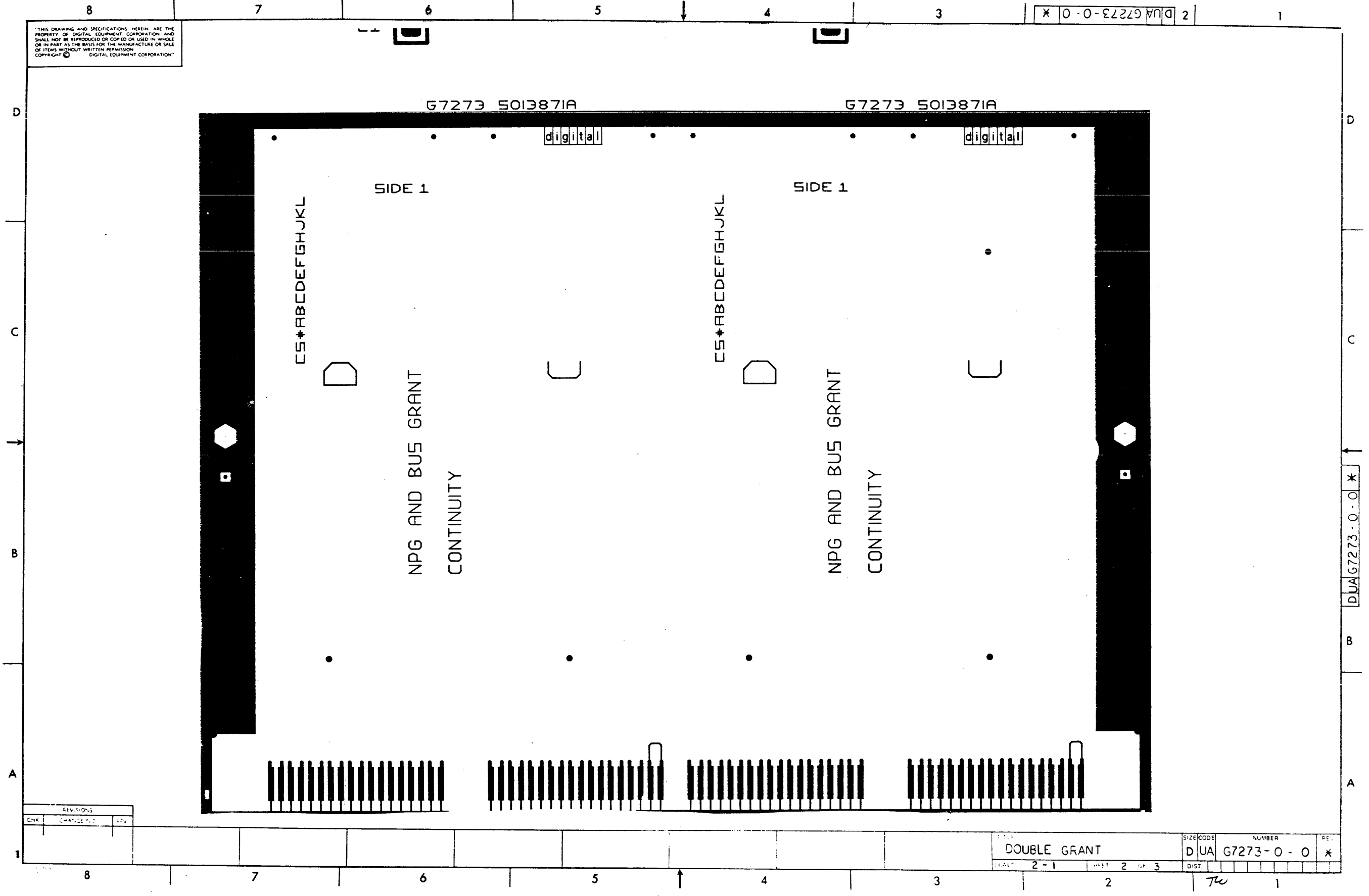
ETCH REV.	A

SIGNATURES	DATE	digital
DRW. Frank Grant	7-16-79	
CHK'D. M. [Signature]	7-22-79	TITLE DOUBLE GRANT
RECH. ENG. [Signature]		
PROJ. ENG. [Signature]	5-5-80	
PROD. [Signature]		SIZE CODE NUMBER REV 0 UA G7273-0-0 *
SCALE 2/1		
SHT. 1 OF 3		
NEXT HIGHER REVISION: 8-DD-G7273-0		

TU 1 MS# 170164A

THIS DRAWING AND SPECIFICATIONS HEREIN ARE THE PROPERTY OF DIGITAL EQUIPMENT CORPORATION AND SHALL NOT BE REPRODUCED OR COPIED OR USED IN WHOLE OR IN PART AS THE BASIS FOR THE MANUFACTURE OR SALE OF ITEMS WITHOUT WRITTEN PERMISSION. COPYRIGHT © DIGITAL EQUIPMENT CORPORATION.

DUA G7273-0-0 *

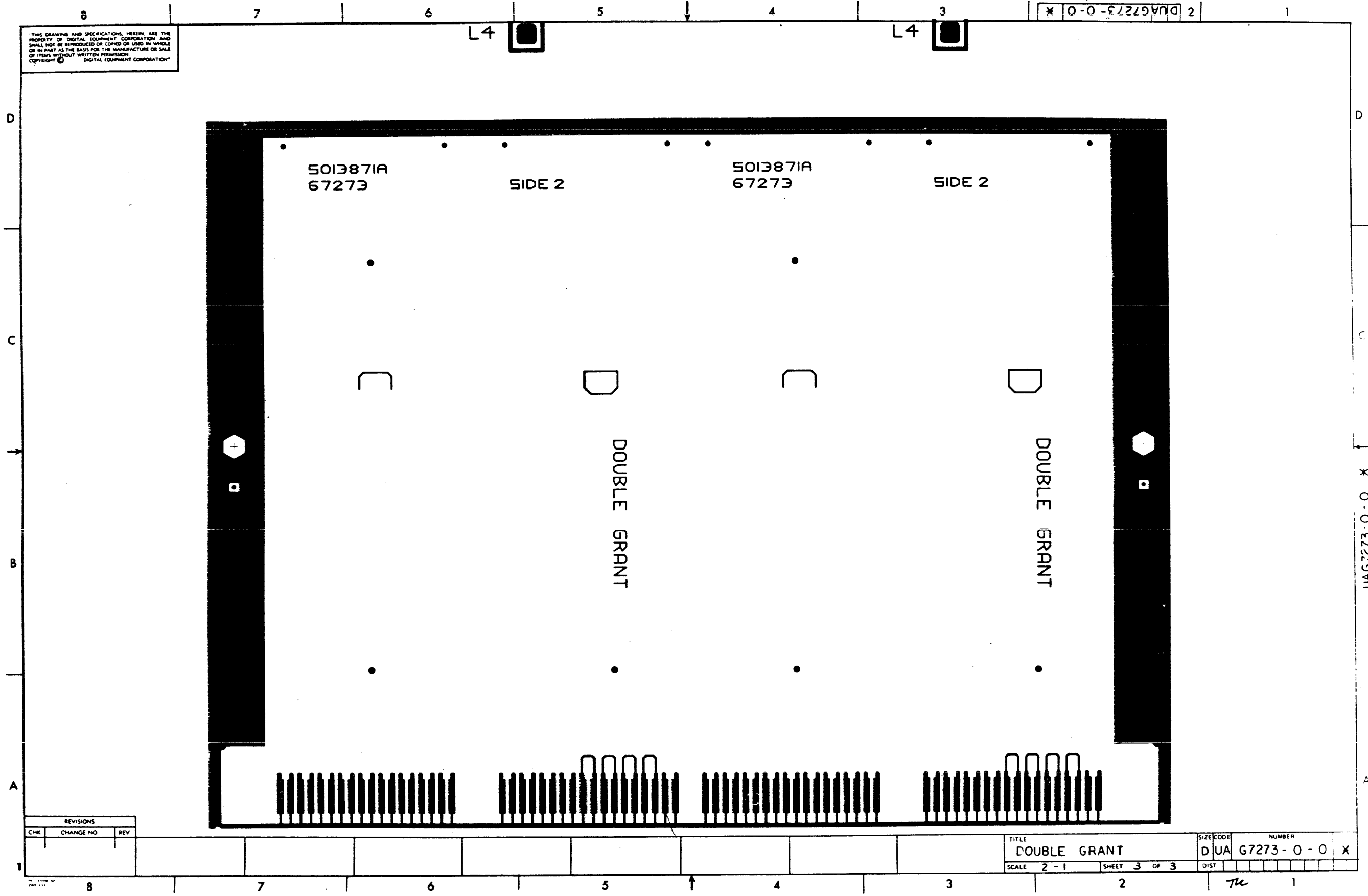


REVISIONS		
CHK	CHANGE NO.	REV.

DOUBLE GRANT
 SCALE 2-1 SHEET 2 OF 3
 SIZE CODE DUA NUMBER G7273-0-0 *
 DIST. Tlw

2 DUA G7273-0-0 *

THIS DRAWING AND SPECIFICATIONS HEREIN ARE THE PROPERTY OF DIGITAL EQUIPMENT CORPORATION AND SHALL NOT BE REPRODUCED OR COPIED OR USED IN WHOLE OR IN PART AS THE BASIS FOR THE MANUFACTURE OR SALE OF ITEMS WITHOUT WRITTEN PERMISSION. COPYRIGHT © DIGITAL EQUIPMENT CORPORATION



REVISIONS		
CHK	CHANGE NO	REV

TITLE		SIZE CODE	NUMBER
DOUBLE GRANT		D UA	G7273-0-0 *
SCALE	SHEET	OF	DIST
2-1	3	3	

8 7 6 5 4 3 2 1

UAG7273-0-0 *

LINE	ITEM	DOCUMENT NUMBER	PART NUMBER	DESCRIPTION	QUANTITY	PFR VARIATION
1	1	D-MD-5013871-0-0	5013871-00	(11/24) BOARD FOR G7273	1	
2	2		9006732-00	FYFLET, ROLLED FLANGE, .121 OD X	4	
3	3		9008337-01	HANDLE, FLIP CHIP, GREEN	2	

REVISION HISTORY		BASIC PART NO: G7273		DRN: F.SMART	DATE: 18-JUL-79	DIGITAL				
ENG	ECO NUMBER	REV	SECTION A OF A	CHK'D: F.GAFOFALO	DATE: 18-JUL-79	TITLE		PARTS LIST		
---	INITIAL	*	SECTION, VARIATION INDEX			DOUBLE GRANT				
			[A] 00			DOCUMENT NUMBER				
			[B]	DES.ENG.: P.GRUDA	DATE: 5-MAY-80	SIZE	CODE	NUMBER	REV	
			[C]	RESP.ENG.: P.GRUDA	DATE: 5-MAY-80	K	PL	G7273-0-DBP	*	
			[D]			ASSEMBLY NUMBER:		TOP DOCUMENT NUMBER:		FILE NAME:
			[E]	MFG.ENG.: G.ABREU	DATE: 5-MAY-80	D-UA-G7273-0-0		B-DD-G7273-0-0		Z1264.PLS
			[F]							EDIT #
										4

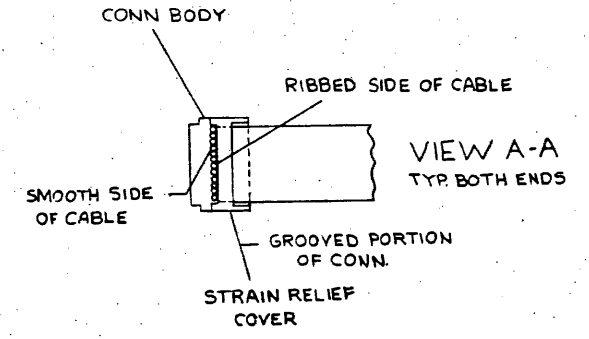
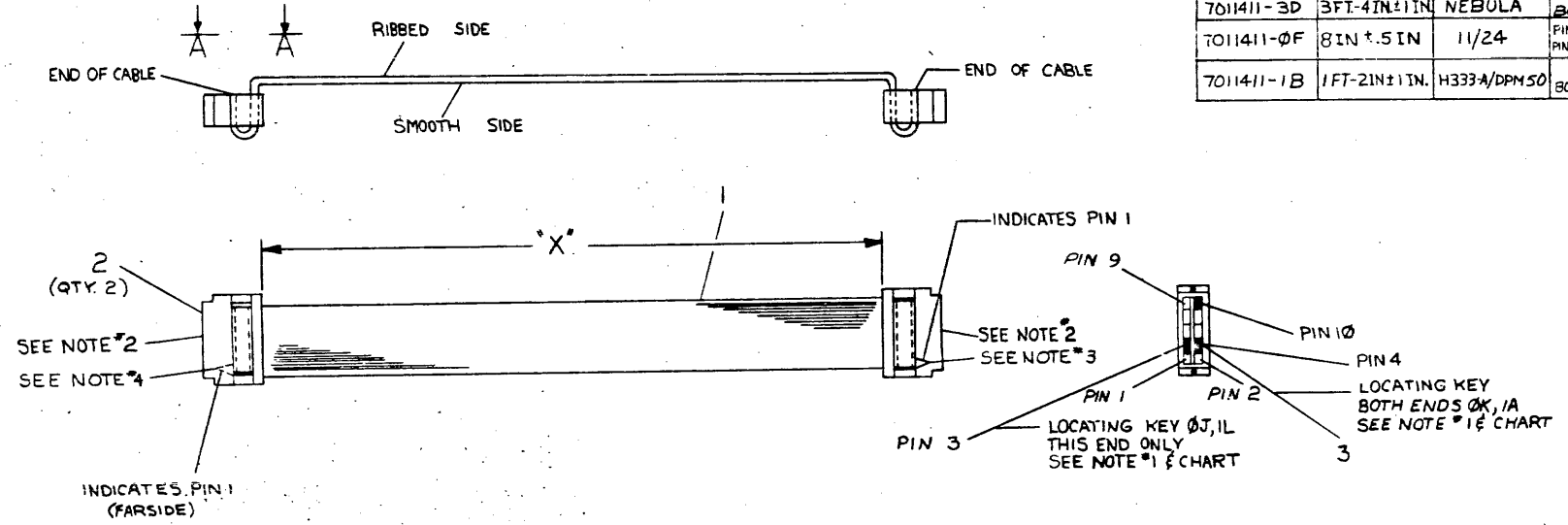
"THIS DRAWING AND SPECIFICATIONS HEREIN, ARE THE PROPERTY OF DIGITAL EQUIPMENT CORPORATION AND SHALL NOT BE REPRODUCED OR COPIED OR USED IN WHOLE OR IN PART AS THE BASIS FOR THE MANUFACTURE OR SALE OF ITEMS WITHOUT WRITTEN PERMISSION. COPYRIGHT (C) 1980, DIGITAL EQUIPMENT CORPORATION"

TW

THIS DRAWING AND SPECIFICATIONS HEREIN ARE THE PROPERTY OF DIGITAL EQUIPMENT CORPORATION AND SHALL NOT BE REPRODUCED OR COPIED OR USED IN WHOLE OR IN PART AS THE BASIS FOR THE MANUFACTURE OR SALE OF ITEMS WITHOUT WRITTEN PERMISSION.
COPYRIGHT © 1975, DIGITAL EQUIPMENT CORPORATION

LEGEND			
NUMBER	DIM. X VARIATION	USED ON	KEY PIN
7011411-0J	8 IN ± .5 IN.	BA11-L OR K	10 ONE END
7011411-0K	9 IN ± .5 IN.	LS1-11	BOTH ENDS
7011411-1D	1 FT. 4 IN ± 1 IN.	KY11-LB	70 ONE END
7011411-2D	2 FT. 4 IN ± 1 IN.	BA11-F/DO/PPF	70 ONE END
7011411-0H	7 IN ± .5 IN.	H790, 1, 2, 3	
7011411-1J	1 FT. 8 IN ± 1 IN.	1104/34-7A	
7011411-1L	1 FT. 10 IN ± 1 IN.	BA11-L, H777	PIN 3 1 END
7011411-1A	1 FT. 1 IN ± 1 IN.	H787	BOTH ENDS
7011411-3J	3 FT. 8 IN ± 1 IN.	BA11-K, H785	
7011411-2J	2 FT. 8 IN ± 1 IN.	BA11-K-H785	NO KEY
7011411-5F	5 FT. 6 IN ± 1 IN.	1160	8 ONE END
7011411-12	12 FT. ± 3 IN.	KA570	
7011411-7	7 FT. ± 2 IN.	11780	
7011411-1C	1 FT. 3 IN ± 1 IN.	VT103	SEE NOTES 3 AND 4
7011411-2	2 FT. ± 1 IN.	VT103	SEE NOTES 3 AND 4
7011411-0E	5 IN ± .5 IN.	NEBULA	BOTH ENDS
7011411-3D	3 FT. 4 IN ± 1 IN.	NEBULA	BOTH ENDS
7011411-0F	8 IN ± .5 IN.	11/24	PIN 3 ONE END PIN 6 ONE END
7011411-1B	1 FT. 2 IN ± 1 IN.	H333-A/DPH50	4 BOTH ENDS

NOTES:
 1. INSERT KEY IN PROPER CONNECTOR PIN AND BREAK OFF TAB.
 2. FOR ITEM (2) DRAWING IS SHOWING 3M CONNECTOR.
 3. FOR -1C AND -2 VARIATIONS, KEY PIN 6.
 4. FOR -1C AND -2 VARIATIONS, KEY PIN 5.



DESCRIPTION	DWG./PART NO.	ITEM NO.
1 TIE, CABLE	9007031	5
1 LABEL, CABLE IDENT	9009532	4
AR KEY	9009707	3
2 CONN. CRIMP	1211206-02	2
AR CABLE, 10 CONDUCT	9107747-02	1

THIRD ANGLE PROJECTION

REMOVE BURRS AND BREAK SHARP CORNERS

DO NOT SCALE DWG

MATERIAL SEE PARTS LIST

FINISH

UNLESS OTHERWISE SPECIFIED DIMENSIONS ARE IN INCHES

ANGLES	CLASS OF ACCURACY	NOMINAL DIMENSION RANGE INCHES				
		OVER .01	OVER .02	OVER .03	OVER .04	OVER .05
SURFACE QUALITY	(CHECK ONE)	1.008	1.008	1.008	1.008	1.008
MICROINCHES	PREFERRED	±.012	±.018	±.025	±.034	±.043

QUANTITY & VARIATION

DRN. M. BAPTIST 5-20-75

CHK. D. HEALY 6-13-75

ENG. R. BARRY 6-12-75

PROD. R. PETERS 6-9-75

FIRST USED ON SEE LEGEND

TITLE CABLE CONSOLE BACKPLANE

SIZE CODE D 1A

NUMBER 7011411-0-0

REV. V

SHEET 1 OF 1

REV.	CHANGE NO.	BY	DATE
1	7011411-00011	M	
2	7011411-00012	N	
3	7011411-12013	P	
4	7011411-12014	R	
5	7011411-12015	S	
6	7011411-12016	T	
7	7011411-12017	U	
8	7011411-12018	V	
9	7011411-12019	W	
10	7011411-12020	X	
11	7011411-12021	Y	
12	7011411-12022	Z	

DIA 7011411-0-0

A

TW 1

DRAWING NO.	NO. OF SHTS.	PART NO.	DESCRIPTION	REVISIONS
B-DD-5413815-0	1		POWER DIST. BOARD	A
D-UA-5413815-0-0	1		PCWER DIST. BOARD	A
K-PI-5413815-0-DBP	1		POWER DIST. BOARD	A
D-CS-5413815-0-1	1		POWER DIST. BOARD	A
D-MD5013814-0-0	5		DRILL & ETCH DRAWING	A
D-EC-5013814-0-0	2		ETCH CUT DRAWING	A
		5013814	ETCHED BOARD	E
K-PC-5413815-0-DBG			P/C DATA BASE	E

NOTES:

REVISIONS	DATE	CHG NO.	REV.
	11/80	ORGIN	A

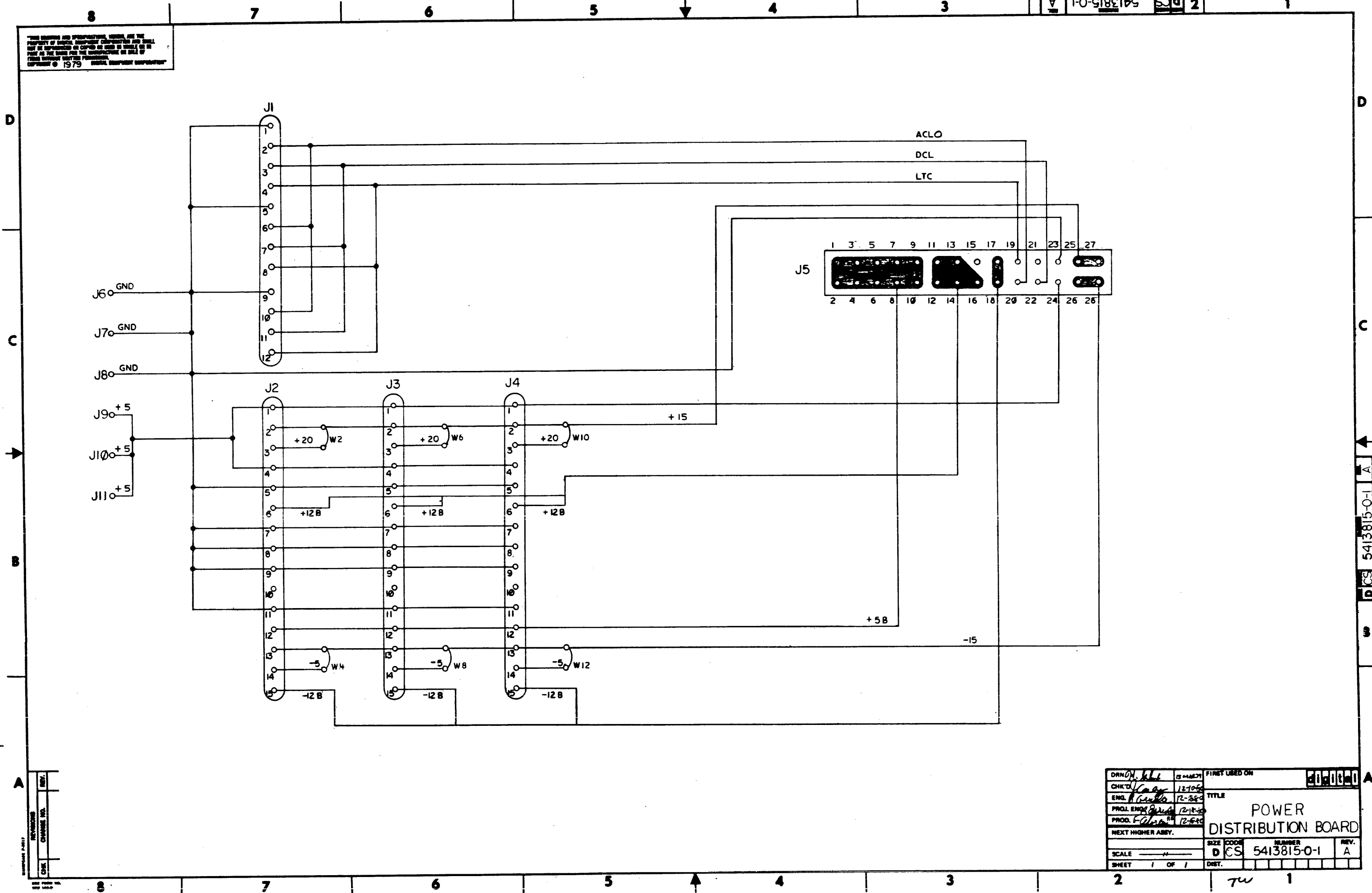
"THIS DRAWING AND SPECIFICATIONS, HEREIN, ARE THE PROPERTY OF DIGITAL EQUIPMENT CORPORATION AND SHALL NOT BE REPRODUCED OR COPIED OR USED IN WHOLE OR IN PART AS THE BASIS FOR THE MANUFACTURE OR SALE OF ITEMS WITHOUT WRITTEN PERMISSION.
 COPYRIGHT © 1980 DIGITAL EQUIPMENT CORPORATION



USED ON OPTION/MODEL	DRN <i>Cashy</i> 11/19/80	TITLE POWER DIST BOARD
	CHK'G <i>Cashy</i> 11/19/80	SIZE CODE NUMBER B DD 5413815-0
	ENG <i>R. Brown</i> 12-5-80	REV. A
	PROD <i>R. Brown</i> 12-15-80	SHEET OF

tw

THIS DRAWING AND SPECIFICATIONS HEREON ARE THE PROPERTY OF MILITARY AIRCRAFT CORPORATION AND SHALL NOT BE REPRODUCED OR COPIED IN WHOLE OR IN PART FOR THE UNITED STATES GOVERNMENT OR ANY OF ITS AGENCIES WITHOUT WRITTEN PERMISSION.
 COPYRIGHT © 1979 MILITARY AIRCRAFT CORPORATION



DRN'D <i>hbl</i>	13-MAR-79	FIRST USED ON	21-00-00
CHK'D <i>Caan</i>	12-10-80	TITLE	POWER DISTRIBUTION BOARD
ENGR <i>Caan</i>	12-25-80	SIZE CODE	D CS
PROJ ENGR <i>Caan</i>	12-18-80	NUMBER	5413815-0-1
PROD. <i>Edison</i>	12-25-80	REV.	A
NEXT HIGHER ASBY.		SCALE	1 OF 1
		SHEET	1

TW 1

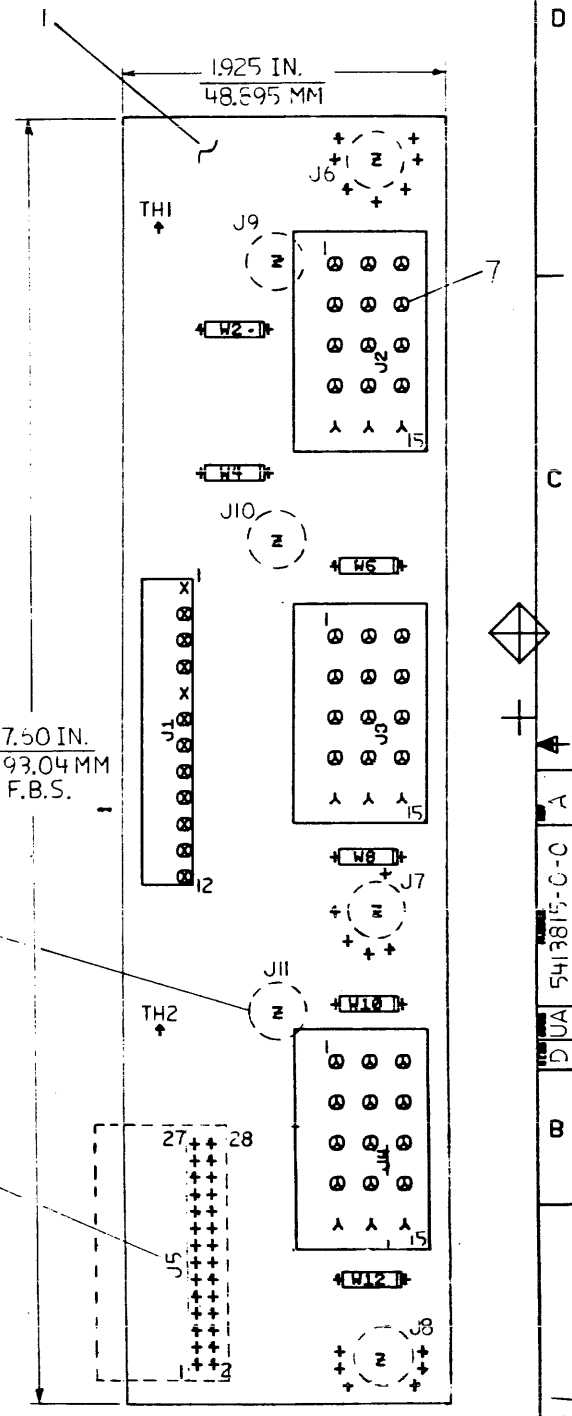
LINE ITEM	DOCUMENT NUMBER	PART NUMBER	DESCRIPTION	QTY PER VARIATION	REFERENCE DESIGNATOR
1	1	5013814-00	EXPANSION DIST BOARD	1	
2	2	1209350-15	MATE-N-LOK 15POS COMM HSG,SKT	3	J2,J3,J4
3	3	1209350-06	*** THIS ITEM IS NOT USED ***	-	
4	4	1216112-01	HEADER,100 28POS RT ANGLE	1	J5
5	5	1214809-01	INSERT,W/O INTERNAL THREADS,THRU	6	J6-J11
6	6	9009185-00	JUMPER, WIRE, INSULATED, BLACK B	6	W2,W4,W6,W8,W10,W12
7	7	1209456-01	MATE-N-LOK SKT COMM PC MTG LOOSE	45	
8	8	9107786-00	*** THIS ITFM IS NOT USED ***	-	
9	9	1216652-00	CONN 12POS STRAIGHT	1	J1

REVISION HISTORY		BASIC PART NO: 5413815		DRN: J.CASEY	DATE: 18-DEC-80	DIGITAL	
ENG	ECO NUMBER	REV	SECTION A OF A	CHK'D: J.FERGUSON	DATE: 18-DEC-80	TITLE PARTS LIST	
	INITIAL	A	SECTION VARIATION INDEX	DES.ENG: P.SILVER	DATE: 18-DEC-80	POWER DISTRIBUTION BOARD	
			[A] 00	RESP.ENG.: P.GRUDA	DATE: 18-DEC-80	DOCUMENT NUMBER	
			[B]	IMFG.ENG.: G.ABFEU	DATE: 18-DEC-80	SIZE	CODE
			[C]	ASSEMBLY NUMBER:	TOP DOCUMENT NUMBER:	NUMBER	REV
			[D]	ID-UA-5413815-0		K PL	5413815-0-DBP
			[E]				A
			[F]			FILE NAME:	EDIT #
			[G]			Z1274A,PLS	11
			[H]				
			[J]				
			[K]				
			[L]				
			[M]				
			[N]				

"THIS DRAWING AND SPECIFICATIONS HEREIN, ARE THE PROPERTY OF DIGITAL EQUIPMENT CORPORATION AND SHALL NOT BE REPRODUCED OR COPIED OR USED IN WHOLE OR IN PART AS THE BASIS FOR THE MANUFACTURE OR SALE OF ITEMS WITHOUT WRITTEN PERMISSION. COPYRIGHT (C) 1980, DIGITAL EQUIPMENT CORPORATION"

TW

COMPONENT SIDE VIEW



THIS DRAWING AND SPECIFICATIONS, WHETHER MADE BY THE CONTRACTOR OR THE USER, ARE TO BE USED ONLY IN CONNECTION WITH THE CONTRACT OR ORDER OF THE USER. THE CONTRACTOR SHALL BE RESPONSIBLE FOR THE DESIGN AND CONSTRUCTION OF THE DRAWING AND SPECIFICATIONS. 1970

NOTES:
 1. ITEM 4 MOUNTED FAR SIDE.(J5)
 ITEM 5 MOUNTED FAR SIDE.(J6-11)

STEP 2	→ Y AXIS	0	STEP 0 TIMES
REPEAT	→ X AXIS	2.750	STEP 3 TIMES

CHANGE NO.	REV.

ETCH REV. E

SIGNATURES		DATE	digital	TITLE POWER DIST. BOARD
DRN. P. J. ...		7-25-70		
CHK. D. E. T. GERRY			SIZE CODE NUMBER D UA 5413815-0-0	REV A
MECH. ENG. ...				
PROJ. ENG. ...			NEXT HIGHER REV. B-DD-5413815-0	

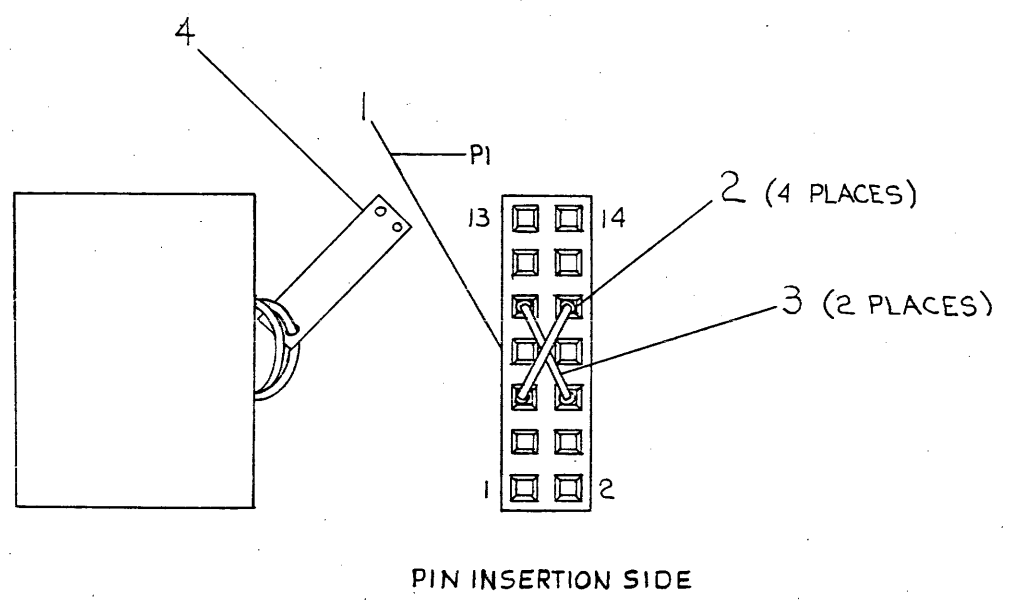
D UA 5413815-C-C

tu 1 MS# 170 JOE

"THIS DRAWING AND SPECIFICATIONS, HEREIN, ARE THE PROPERTY OF DIGITAL EQUIPMENT CORPORATION AND SHALL NOT BE REPRODUCED OR COPIED OR USED IN WHOLE OR IN PART AS THE BASIS FOR THE MANUFACTURE OR SALE OF ITEMS WITHOUT WRITTEN PERMISSION. COPYRIGHT © 1978, DIGITAL EQUIPMENT CORPORATION"

WIRE TABLE							
ITEM NO.	DISCUPTION		FROM		TO		WIRE LENGTH
	AWG	COLOR	CONNECTION	WITH	CONNECTION	WITH	
3	22	YEL	PI-5	2	PI-10	2	2"
3	22	YEL	PI-6	2	PI-9	2	2"

NOTES:
 1. 12-10089-06 MAY BE SUBSTITUTED FOR ITEM #2.



PIN INSERTION SIDE

ITEM NO.	DESCRIPTION	DWG./PART NO.	ITEM NO.
1	LABEL, CABLE	9009532	4
A/R	WIRE 22AWG STRANDED YEL	9107350-44	3
4	CONN, SKT CRIMP	1210089-07	2
1	TERMINATOR, HSG 14 POS	1210918-30	1

DESCRIPTION		DWG./PART NO.	ITEM NO.				
UNLESS OTHERWISE SPECIFIED DIMENSIONS ARE IN INCHES							
ANGLES ±0° 30'	CLASS OF ACCURACY (CHECK ONE)	NOMINAL DIMENSION RANGE INCHES					
		OVER 0 TO 0.2	OVER 0.2 TO 1.2	OVER 1.2 TO 4.0	OVER 4.0 TO 12.0	OVER 12.0 TO 40.0	OVER 40.0 TO 80.0
SURFACE QUALITY IN MICROMICHES	MEDIUM	±.004	±.008	±.012	±.016	±.024	±.04
	PREFERRED	±.012	±.016	±.025	±.04	±.065	±.1
THIRD ANGLE PROJECTION	DRN. <i>David Hill</i> 22 MAR 78	FIRST USED ON	DLVII-J digital				
REMOVE BURRS AND BREAK SHARP CORNERS	CHK'D <i>[Signature]</i> 5 MAY 78	TITLE CONNECTOR, TEST					
DO NOT SCALE DWG	ENG. <i>[Signature]</i> 12 MAY 78	NEXT HIGHER ASSY.					
MATERIAL SEE PARTS LIST	PROJ. ENG. <i>[Signature]</i> 12 MAY 78	MATERIAL	A-PL-H3270-A-0				
FINISH NONE	PROD. <i>Ralph Hamilton</i> 12 MAY 78	SCALE	4/1				
		SIZE CODE	C UA				
		NUMBER	H3270-0-0				
		REV.					
		SHEET	1 OF 1				
		DIST.					

REV.	CHANGE NO.	CHK

DEC FORM NO. DDC 100-C

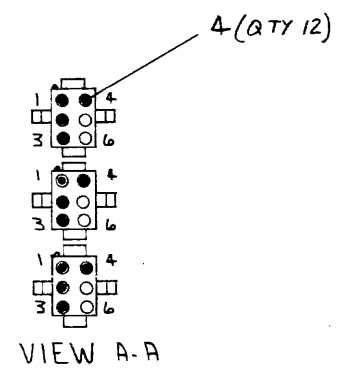
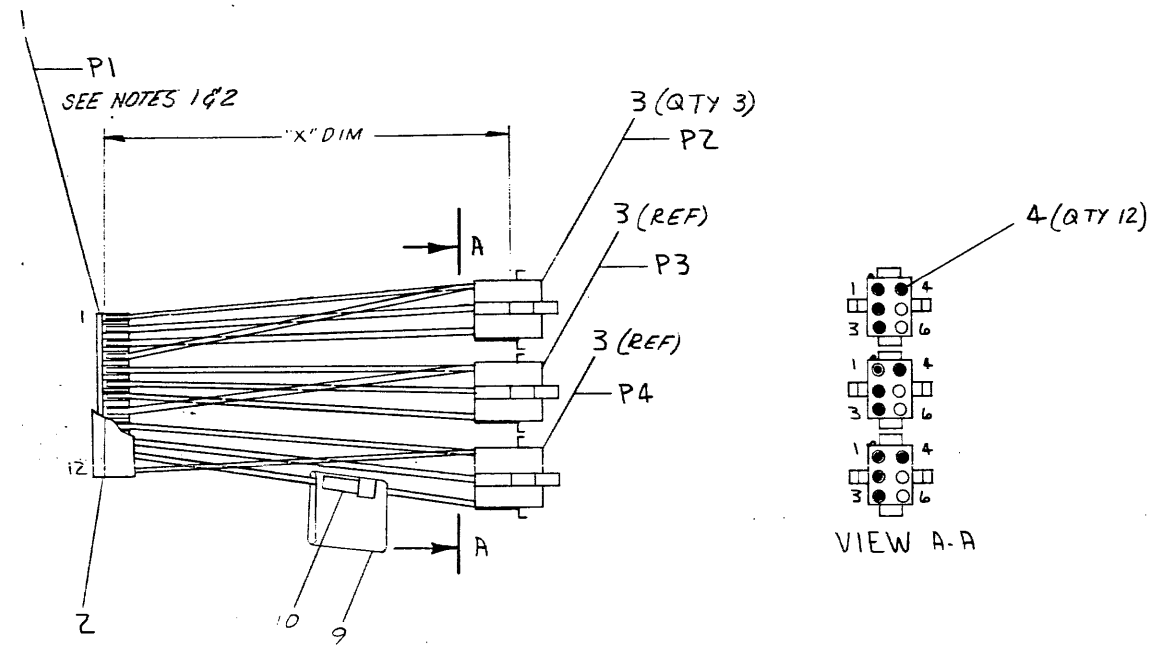
D
C
A
REV. 0
NUMBER H3270-0-0
C UA
B
A
PN

THIS DRAWING AND SPECIFICATIONS HEREON ARE THE PROPERTY OF DIGITAL EQUIPMENT CORPORATION AND SHALL NOT BE REPRODUCED OR COPIED OR USED IN WHOLE OR IN PART AS THE BASIS FOR THE MANUFACTURE OR SALE OF ITEMS WITHOUT WRITTEN PERMISSION.
 COPYRIGHT © 1977, DIGITAL EQUIPMENT CORPORATION

WIRE TABLE						
ITEM NO	DESCRIPTION	FROM		TO		NOTES
		AWG	COLOR	CONN	TERM	
5	18	BLK	P1-1	P2-1	4	5.00IN ± 0.06
6		YEL	P1-2	P2-4		
7		VIO	P1-3	P2-3		
8		BRN	P1-4	P2-2		
5		BLK	P1-5	P3-1		
6		YEL	P1-6	P3-4		
7		VIO	P1-7	P3-3		
8		BRN	P1-8	P3-2		
5		B_K	P1-9	P4-1		
6		YEL	P1-10	P4-4		
7		VIO	P1-11	P4-3		
8	18	BRN	P1-12	P4-2	4	5.00IN ± 0.06

LEGEND	
NUMBER	"X" DIM
7016887-0E	5.0 ± .5 IN

- NOTES**
1. WIRES TERMINATING TO P1 MUST NOT BE STRIPPED.
 2. PLACE COVER ITEM #2 OVER CONN HOUSING, ITEM #3, AFTER WIRES HAVE BEEN TERMINATED.
 3. STRIP WIRES ONLY ON P3, P3-4, P4 ENDS .187 BEFORE CRIMPING CONTACTS.
 4. ITEM #4 CAN BE SUBSTITUTED BY PIN 12-09379-00 FOR MACHINE CRIMPING.



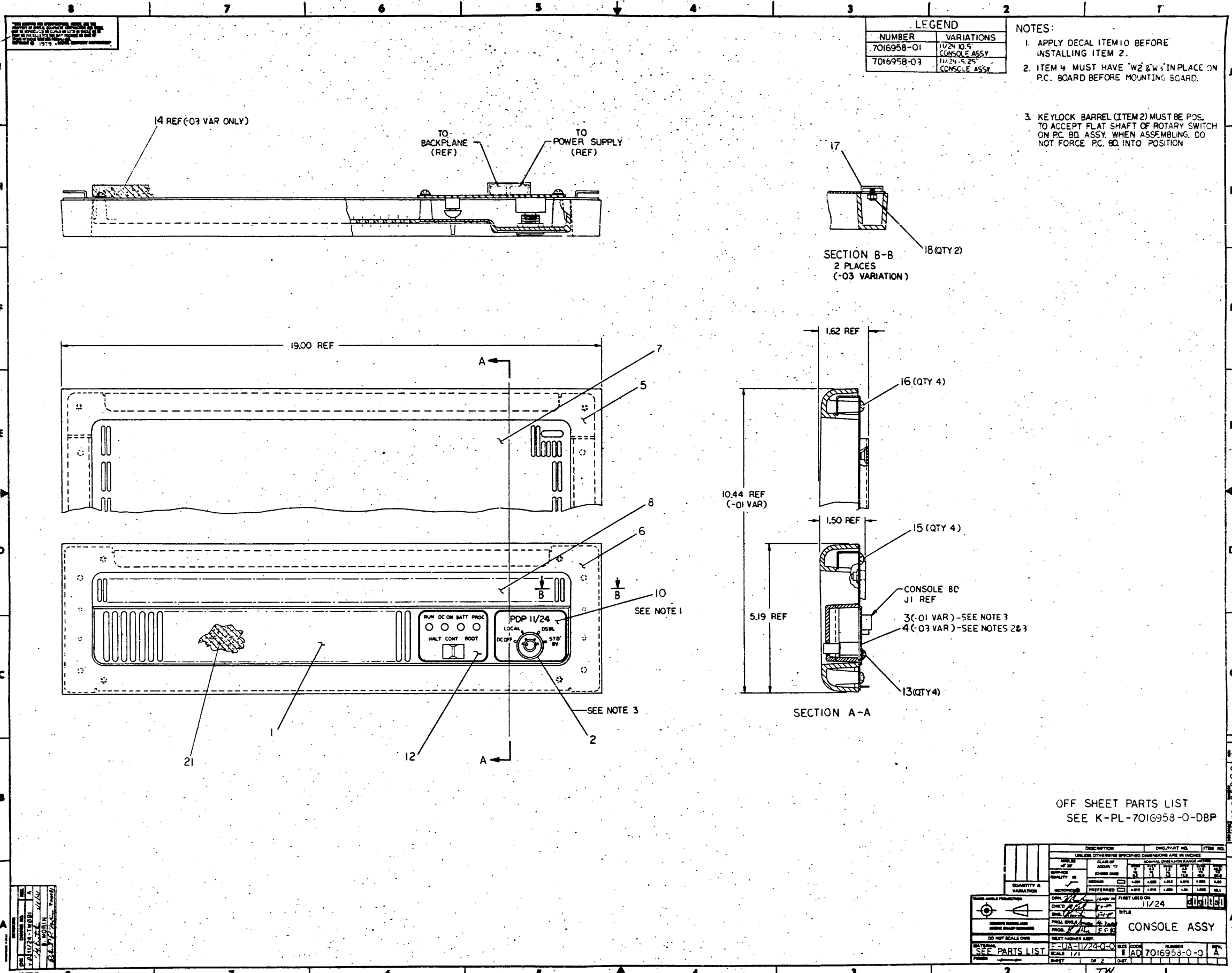
DESCRIPTION	DWG./PART NO.	ITEM NO.
1 TIE, CABLE SST1-M	9007031-00	10
1 LABEL, CABLE IDENTIFICATION	9009532-00	9
15" WIRE, 18 AWG, BRN, UL1430	9107786-11	8
15" WIRE, 18 AWG, VIO, UL1430	9107786-77	7
15" WIRE, 18 AWG, YEL, UL1430	9107786-44	6
5" WIRE, 18 AWG, BLK, UL1430	9107786-00	5
12 SKT, MATE-N-LOK, 20-14 AWG	1209379-D1	4
3 CONN, 6 PIN MATE N LDC	1209350-06	3
1 COVER, 12 PIN MTA CONN	1216650-00	2
1 CONN, HOUSING 12 POS MTA	1216651-00	1

ANGLES	CLASS OF ACCURACY	NOMINAL DIMENSION RANGE INCHES				
		OVER 0 TO 0.2	OVER 0.2 TO 0.4	OVER 0.4 TO 0.7	OVER 0.7 TO 1.0	OVER 1.0 TO 10.0
15° 30'	MEDIUM	±.004	±.008	±.012	±.018	±.024
SURFACE QUALITY		±.012	±.018	±.025	±.04	±.063

THIRD ANGLE PROJECTION	FIRST USED ON	BALL-A digital
REMOVE BURRS AND BREAK SHARP CORNERS	TITLE	CABLE JUMPER ASSEMBLY
DO NOT SCALE DWG	NEXT HIGHER ASSY.	
MATERIAL	SCALE	1/1
FINISH	SHEET	OF 1
SIZE CODE		NUMBER
D AD		7016887-0-0
REV.		A

REV.	CHANGE NO.	BY	DATE
1		J. AMADOR	11/17/77

DATE 12/12/77
 DRAWN BY J. AMADOR
 NUMBER 7016887-0-0
 REV. A



LEGEND	
NUMBER	VARIATIONS
7016958-01	11/24 10.5 CONSOLE ASSY
7016958-03	11/24-4-25 CONSOLE ASSY

- NOTES:
1. APPLY DECAL ITEM 10 BEFORE INSTALLING ITEM 2.
 2. ITEM 4 MUST HAVE 'W2 & W3' IN PLACE ON P.C. BOARD BEFORE MOUNTING BOARD.
 3. KEYLOCK BARREL (ITEM 2) MUST BE POS. TO ACCEPT FLAT SHAFT OF ROTARY SWITCH ON P.C. BD ASSY. WHEN ASSEMBLING, DO NOT FORCE P.C. BD INTO POSITION.

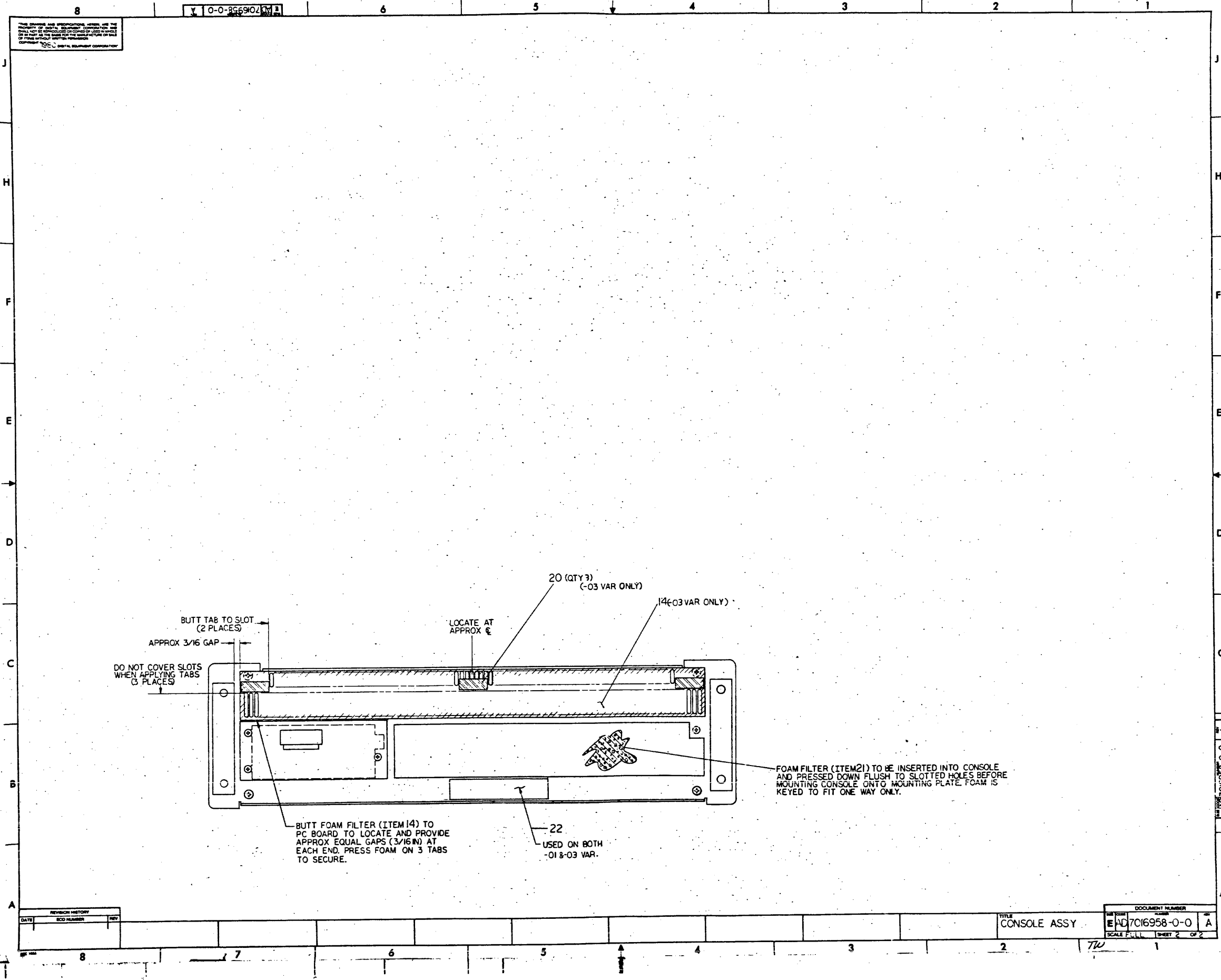
OFF SHEET PARTS LIST
SEE K-PL-7016958-0-DBP

DESCRIPTION	QTY	UNIT	ITEM NO.
CONSOLE ASSY	1		1

DATE	11/24	BY	AW
SCALE	1/1	SHEET	2

THIS DRAWING AND SPECIFICATIONS HEREBY ARE THE PROPERTY OF AEGION ELECTRONIC CORPORATION AND SHALL NOT BE REPRODUCED OR COPIED OR USED IN WHOLE OR IN PART AS THE BASIS FOR THE MANUFACTURE OR SALE OF ITEMS WITHOUT WRITTEN PERMISSION OF AEGION ELECTRONIC CORPORATION

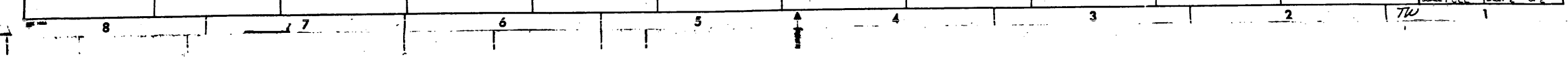
0-0-866902



REVISION HISTORY		
DATE	ECO NUMBER	BY

TITLE	DOCUMENT NUMBER
CONSOLE ASSY	EAC7016958-0-0 A
SCALE FULL	SHEET 2 OF 2

EAC7016958-0-0 A



LINE ITEM	DOCUMENT NUMBER	PART NUMBER	DESCRIPTION	QUANTITY PER VARIATION	
				01	03
1	1	E-IA-7424269-0-0	7424269-00	CONSOLE INSERT	1 1
2	2	A-PS-1216178-0-0	1216178-00	LOCK,PLASTIC 4POS ASSY	1 1
3	3	D-UA-5414441-0-0	5414441-00	11/24 CONSOLE	1 0
4	4	D-UA-5413885-0-0	5413885-02	CONSOLE MODULE, 2 JUMPERS	0 1
5	5	E-PS-1217094-0-0	1217094-00	BEZEL,PLASTIC 11-44	1 0
6	6	E-IA-7424270-0-0	7424270-00	BEZEL	0 1
7	7	E-IA-7423578-0-0	7423578-00	PLATE, MOUNTING 10.5	1 0
8	8	E-IA-7423577-0-0	7423577-00	PLATE MTG 5.25	0 1
9	9	BLANK		*** THIS ITEM IS NOT USED ***	- -
10	10	A-PS-3617320-0-0	3617320-00	LABEL,LEGEND STRIP KE	1 1
11	11	BLANK		*** THIS ITEM IS NOT USED ***	- -
12	12	A-PS-3617324-0-0	3617324-00	LABEL,LEGEND STRIP PDP 11/24 LED	1 1
13	13		9009984-02	SCREW, SEMS, PHILLIPS PAN HD. 6-	4 4
14	14	A-PS-1217665-0-0	1217665-02	FILTER,FOAM 5PPI 16.60 X 1.85 X	0 1
15	15		9009545-01	SCREW,PAN,PHIL,SEMS 8-32X 1/2	0 4
16	16		9010119-00	SCREW, PHILLIPS TRUSS HD, 10-32	4 4
17	17	B-IA-7423576-0-0	7423576-00	BAR ADPT.	0 2
18	18		9006560-00	NUT,KEP , 6-32 X5/16AF	0 4
19	19	BLANK		*** THIS ITEM IS NOT USED ***	- -
20	20	B-MD-7424246-0-0	7424246-00	TAPE HOOK ADHESIVE BACK	0 3
21	21		1217665-01	FILTER,FOAM 11.5X1.85X1/2 5PPI	1 1
22	22		9009255-00	LABEL, POWER SUPPLY, 2-15/16 " L	1 1

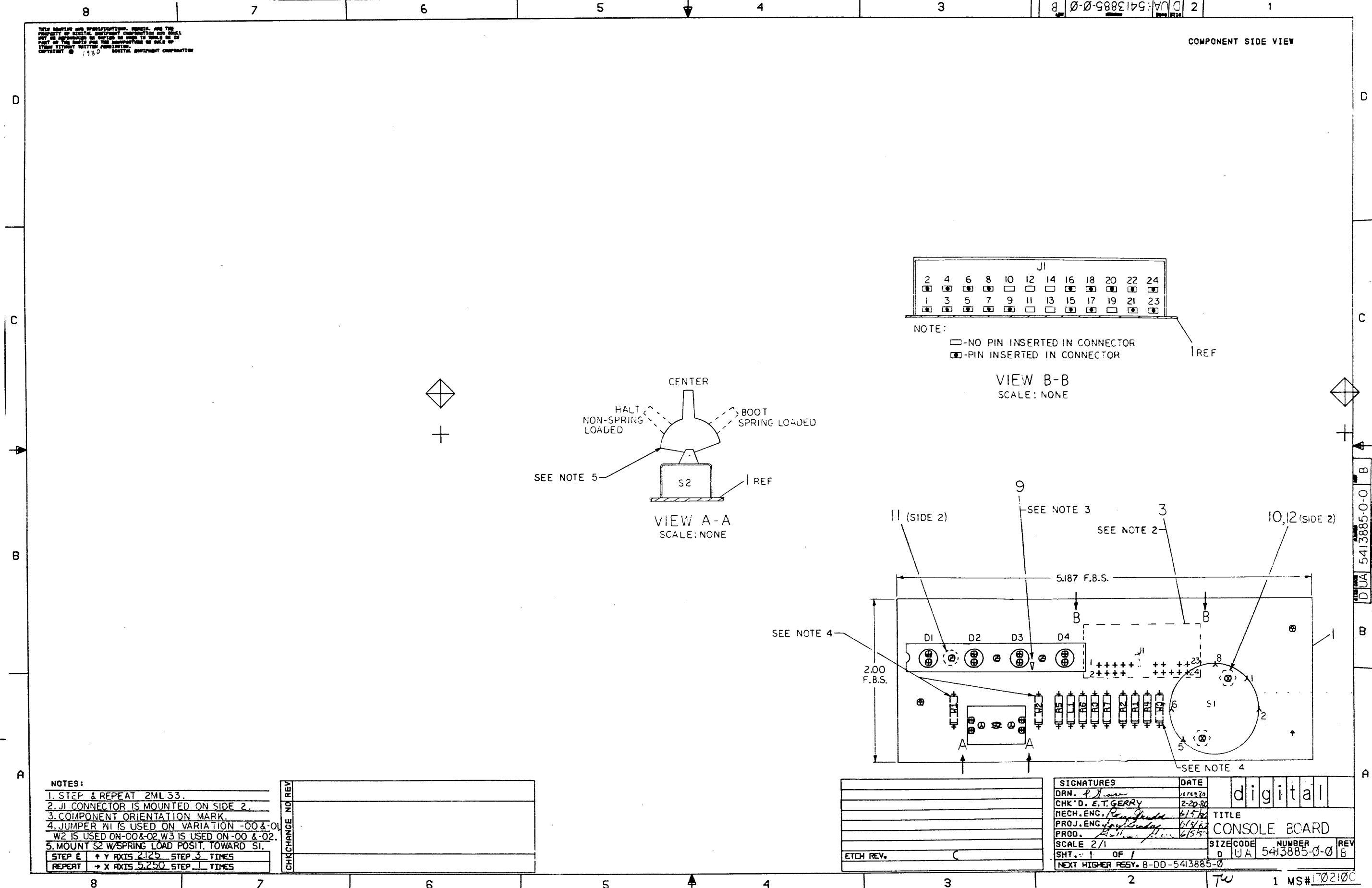
REVISION HISTORY		BASIC PART NO: 7016958		DRN: M. BAPTISTE		DATE: 11-FEB-81		D I G I T A L	
ENG	ECD NUMBER	REV	SECTION A OF A	CHK'D:	R. J. RILEY	DATE:	11-FEB-81	TITLE	PARTS LIST
---	INITIAL	A	SECTION, VARIATION INDEX						
---	INITIAL	A	[A] 01,03					CONSOLE ASSEMBLY	
IRM	11/24-TW001	A	[B]	DES.ENG.:	R. MORIN	DATE:	11-FEB-81		
IRM	11/24-TW001	A	[C]					DOCUMENT NUMBER	
			[D]	RESP.ENG.:	R. MORIN	DATE:	11-FEB-81	SIZE	CODE
			[E]					NUMBER	REV
			[F]	MFC.ENG.:	R. GRUDA	DATE:	11-FEB-81	K	PL
				ASSEMBLY NUMBER:		TOP DOCUMENT NUMBER:		FILE NAME:	EDIT #
				E-AD-7016958-0-0		E-UA-1124-0-0		Z0700.PLS	45

*THIS DRAWING AND SPECIFICATIONS HEREIN, ARE THE PROPERTY OF DIGITAL EQUIPMENT CORPORATION AND SHALL NOT BE REPRODUCED OR COPIED OR USED IN WHOLE OR IN PART AS THE BASIS FOR THE MANUFACTURE OR SALE OF ITEMS WITHOUT WRITTEN PERMISSION. COPYRIGHT (C) 1981, DIGITAL EQUIPMENT CORPORATION *

TW

THIS DRAWING AND SPECIFICATIONS, HEREIN, ARE THE PROPERTY OF NORTON AERONAUTICAL CORPORATION AND SHALL NOT BE REPRODUCED OR TRANSMITTED IN ANY MANNER OR IN PART OR THE WHOLE FOR THE DISSEMINATION OR SALE OF THIS DRAWING OR THE INFORMATION CONTAINED THEREIN WITHOUT WRITTEN PERMISSION. © 1960 NORTON AERONAUTICAL CORPORATION

COMPONENT SIDE VIEW



- NOTES:
1. STEP & REPEAT 2ML 33.
 2. J1 CONNECTOR IS MOUNTED ON SIDE 2.
 3. COMPONENT ORIENTATION MARK.
 4. JUMPER W1 IS USED ON VARIATION -00 & -01.
W2 IS USED ON -00 & -02. W3 IS USED ON -00 & -02.
 5. MOUNT S2 W/SPRING LOAD POSIT. TOWARD S1.
- STEP E → Y AXIS 2.125 STEP 3 TIMES
 REPEAT → X AXIS 5.250 STEP 1 TIMES

CH	CHANGE NO	REV

SIGNATURES	DATE
DRN. P. [signature]	11 FEB 60
CHK'D. E. T. GERRY	2-20-60
MECH. ENG. [signature]	6/15/60
PROJ. ENG. [signature]	6/14/60
PROD. [signature]	6/15/60

TITLE	digital
TITLE	CONSOLE BOARD
SCALE 2/1	SIZE CODE
SHT. 1 OF 1	NUMBER DUA 5413885-0-0
NEXT HIGHER ASSY. B-DD-5413885-0	REV B

1 MS# 170210C

LINE ITEM	DOCUMENT NUMBER	PART NUMBER	DESCRIPTION	QTY PER VARIATION			REFERENCE DESIGNATOR	
				00	01	02		
1	1	D-MD-5013884-0-0	5013884-00	DRILL AND ETCH BRD	1	1	1	
2	2		1110884-00	LED 2MCD@10MA	4	4	4	D1-D4
3	3		1213506-06	HEADER 6POS RT ANGLE	1	1	1	J1
4	4		1216180-00	SW,ROT 2P 4POS,45DEG. TH	1	1	1	S1
5	5		1216179-00	SW,LEVER 1P ON/OFF/ON	1	1	1	S2
6	6		1300229-00	100.0 .25 W 5.0 % CC	3	3	3	R1,R2,R7
7	7		1300316-00	470.0 .25 W 5.0 % CC	4	4	4	R6,R3-R5
8	8		1601562-00	1.0 UH 10% 475MA #DD1.00	1	1	1	L1
9	9		7413127-00	HOLDER REWORK LED (11/70)	1	1	1	
10	10		9006555-00	NUT,HEX , 2-56X3/16AF X 1/	2	2	2	
11	11		9009236-01	SCREW,TAPPING,TYPE F,PAN ,PHIL,	3	3	3	
12	12		9009321-00	LOCK TITE, SCREW LOCK, 10CC PER	A/R	A/R	A/R	
13	13		9009185-00	JUMPER, WIRE, INSULATED, BLACK B	3	-	-	W1-W3
			CONT		-	1	-	W1
			CONT		-	-	2	W2,W3

REVISION HISTORY		BASIC PART NO: 5413885		DRN: J,CASEY	DATE: 20-FEB-80	DIGITAL		
ENG	ECO NUMBER	REV	SECTION A OF A	CHK'D: E,T,GERRY	DATE: 20-FEB-80	TITLE PARTS LIST		
---	INITIAL	B	SECTION,VARIATION INDEX	DES,ENG: D,LANDRY	DATE: 3-20-80	DOCUMENT NUMBER		
			(A) 00,01,02	RESP,ENG: P,GRUDA	DATE: 5-JUNE-80	SIZE	CODE	NUMBER
			(B)	MFG,ENG: G,ABREU	DATE: 5-JUNE-80	K	PL	5413885-0-DBP
			(C)	ASSEMBLY NUMBER:	TOP DOCUMENT NUMBER:	FILE NAME:		EDIT #
			(D)	ID-UA-5413885-0-0		Z1267B,PLS		9
			(E)	"THIS DRAWING AND SPECIFICATIONS HEREIN, ARE THE PROPERTY OF DIGITAL EQUIPMENT CORPORATION AND SHALL NOT BE REPRODUCED OR COPIED OR USED IN WHOLE OR IN PART AS THE BASIS FOR THE MANUFACTURE OR SALE OF ITEMS WITHOUT WRITTEN PERMISSION. COPYRIGHT (C) 1980, DIGITAL EQUIPMENT CORPORATION."				
			(F)					
			(G)					
			(H)					
			(I)					
			(J)					
			(K)					
			(L)					
			(M)					
			(N)					

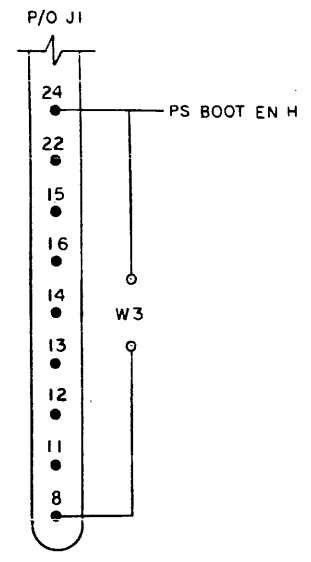
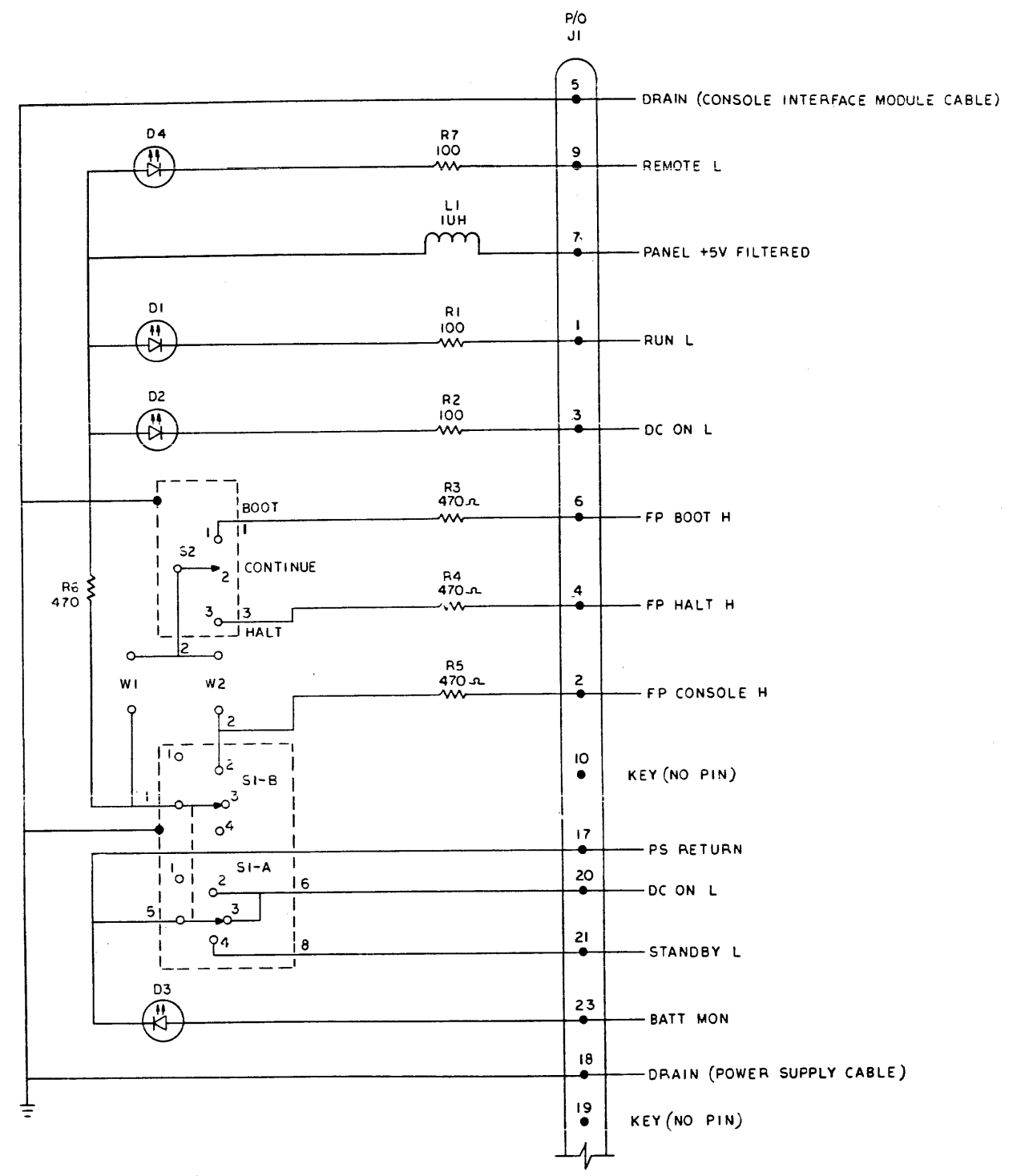
TW

THIS DRAWING AND SPECIFICATIONS HEREIN ARE THE PROPERTY OF DIGITAL EQUIPMENT CORPORATION AND SHALL NOT BE REPRODUCED OR COPIED OR USED IN WHOLE OR IN PART AS THE BASIS FOR THE MANUFACTURE OR SALE OF ITEMS WITHOUT WRITTEN PERMISSION. COPYRIGHT © 1979 DIGITAL EQUIPMENT CORPORATION

W3	W2	W1	VARIATION
IN	IN	IN	CONSOLE MODULE 5413885-00
OUT	OUT	IN	CONSOLE MODULE 5413885-01
IN	IN	OUT	11/24 5413885-02

NOTE: THESE ARE THE ONLY CONFIGURATIONS OF THIS MODULE.

SI-	FUNCTION
A1	DC OFF
B1	NONE
A2	DC ON
B2	LOCAL
A3	DC ON
B3	LOCAL DISABLE
A4	STANDBY
B4	NONE



DRN. <i>[Signature]</i>	13 NOV 79	FIRST USED ON	11/24	digital
CHK'D <i>[Signature]</i>	4/7/80	TITLE	CONSOLE MODULE	
ENG. <i>[Signature]</i>	5-10-80	SIZE	CODE	NUMBER
PROJ. ENG. <i>[Signature]</i>	4/4/82	D	CS	5413885-0-1
PROD. <i>[Signature]</i>	6/5/82	SCALE	++	REV. B
NEXT HIGHER ASSY.	D-UA-541-331-0-0	SHEET	1	OF 1
SCALE	++	DIST.		

REVISIONS
CHANGE NO.
REV.

CS 5413885-0-1 B

A REV.
 0-144441-0 NUMBER
 DD CODE
 B SIZE

DRAWING NO.	NO. OF SHTS.	PART NO.	DESCRIPTION	REVISIONS
B-DD-5414441-0	1		CONSOLE MODULE	A
D-UA-5414441-0-0	1		CONSOLE MODULE	A
K-PL-5414441-0-DBP	1		CONSOLE MODULE	A
D-CS-5414441-0-1	1		CONSOLE MODULE	A
D-MD-5014440-0-0	3		DRILL & ETCH DRAWING	A
		5014440	ETCHED BOARD	A
K-PC-5414441-0-DBS			P.C. DESIGN DATA BASE	A
D-EC-5014440-0-0	2		ETCH CUT DRAWING	A

NOTES:

REVISIONS	DATE	CHG NO.	REV.

"THIS DRAWING AND SPECIFICATIONS, HEREIN, ARE THE PROPERTY OF DIGITAL EQUIPMENT CORPORATION AND SHALL NOT BE REPRODUCED OR COPIED OR USED IN WHOLE OR IN PART AS THE BASIS FOR THE MANUFACTURE OR SALE OF ITEMS WITHOUT WRITTEN PERMISSION.

COPYRIGHT © 1980 DIGITAL EQUIPMENT CORPORATION



USED ON OPTION/MODEL	DRN. <i>P. Grove</i>	21 JUL 80	TITLE	
	CHK'D <i>P. Garofalo</i>	28 JUL 80	CONSOLE MODULE	
	ENG. <i>P. Grove</i>	12-19-80	SIZE	CODE
	PROD. <i>P. Grove</i>	12-18-80	B	DD
			NUMBER	REV.
			5414441-0	A
			SHEET	OF
			1	1

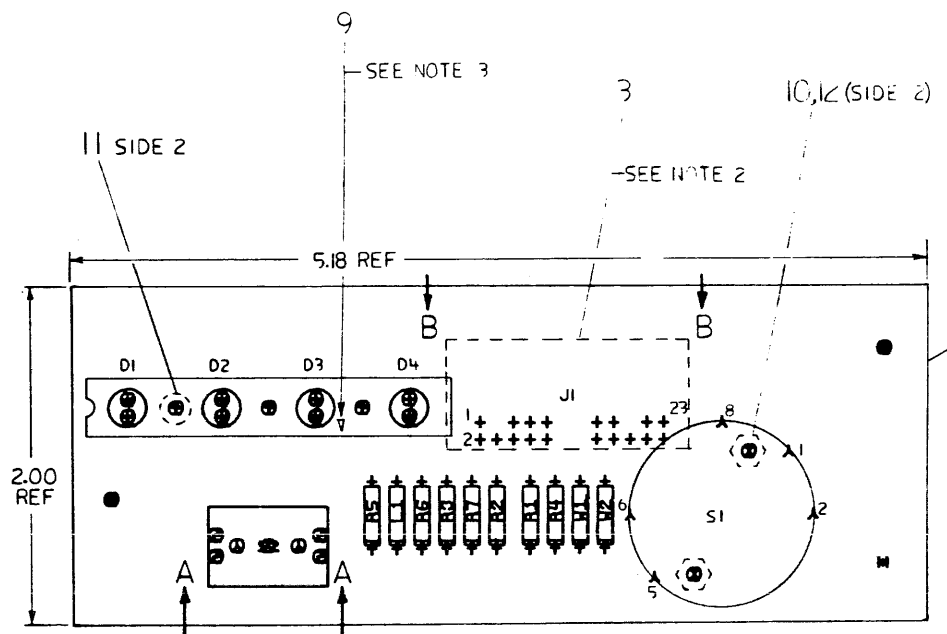
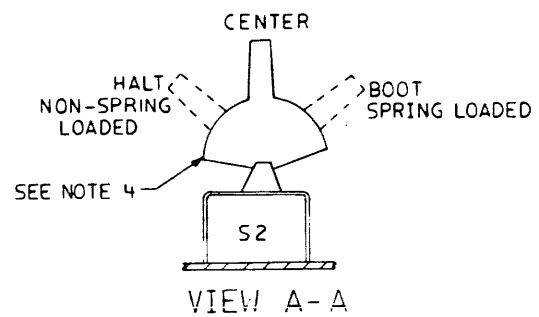
THIS DRAWING AND SPECIFICATIONS, HEREIN, AND THE PROPERTY OF AECOM, INCORPORATED, CHARLOTTE, NC, USA. IT IS HEREBY AGREED TO BE LOANED TO THE USER OF THIS DRAWING FOR THE PURPOSES OF THE PROJECT ONLY. IT IS NOT TO BE REPRODUCED OR TRANSMITTED IN ANY FORM OR BY ANY MEANS, ELECTRONIC OR MECHANICAL, INCLUDING PHOTOCOPYING, RECORDING, OR BY ANY INFORMATION STORAGE AND RETRIEVAL SYSTEM. WITHOUT THE WRITTEN PERMISSION OF AECOM, INCORPORATED.

COMPONENT SIDE VIEW

J1											
2	4	6	8	10	12	14	16	18	20	22	24
<input type="checkbox"/>	<input type="checkbox"/>	<input type="checkbox"/>	<input type="checkbox"/>	<input type="checkbox"/>	<input type="checkbox"/>	<input type="checkbox"/>	<input type="checkbox"/>	<input type="checkbox"/>	<input type="checkbox"/>	<input type="checkbox"/>	<input type="checkbox"/>
1	3	5	7	9	11	13	15	17	19	21	23
<input type="checkbox"/>	<input type="checkbox"/>	<input type="checkbox"/>	<input type="checkbox"/>	<input type="checkbox"/>	<input type="checkbox"/>	<input type="checkbox"/>	<input type="checkbox"/>	<input type="checkbox"/>	<input type="checkbox"/>	<input type="checkbox"/>	<input type="checkbox"/>

NOTE:
 - NO PIN INSERTED IN CONNECTOR
 - PIN INSERTED IN CONNECTOR

VIEW B-B
 SCALE: NONE



NOTES:
 1. STEP 3 REPEAT 2ML33.
 2. J1 COIN IS MOUNTED ON SIDE 2.
 3. COMPONENT ORIENTATION MARK.
 4. MOUNT S2 W/SPRING LOAD POSITION TOWARD S1.

STEP 1	↑ Y AXIS 2.125	STEP 3	TIMES
REPEAT	→ X AXIS 5.250	STEP 1	TIMES

CHG	NO	REV

ETCH REV.	A
-----------	---

SIGNATURES		DATE	digital
DRN. P. Lane		2 JUL 80	
CHK'D. P. Hight		27 JUL 80	TITLE 11/24 CONSOLE
MECH. ENG. P. Hight		2-80	
PROJ. ENG. P. Hight		2-80	
PROD. P. Hight		2-80	SIZE CODE NUMBER REV D UA 541441-0-0 A
SCALE 2:1			
SHT. 1 OF 1			
NEXT HIGHER ASSY. 8-DD-541441-0			

D UA 541441-0-0

PARTS LIST

LINE	ITEM	DOCUMENT NUMBER	PART NUMBER	DESCRIPTION	QTY PER VARIATION	REFERENCE DESIGNATOR
1	1	D-MD-541441-0-0	541441-00	DRILL AND ETCH BRD 11/24 CONSOLE	1	
2	2		1110864-00	LED 2MCD@10MA	4	D1-D4
3	3		1213506-09	HEADER 24POS RT ANGLE	1	J1
4	4		1216180-00	SW,ROT 2P 4POS,45DEG. TH	1	S1
5	5		1216179-00	SW,LEVER 1P ON/OFF/ON	1	S2
6	6		1300229-00	100.0 .25 W 5.0 % CC	3	R1,R2,R7
7	7		1300316-00	470.0 .25 W 5.0 % CC	4	R3-R5,R6
8	8		1601562-00	1.0 UH 10% 475MA #DD1.00	1	L1
9	9		7413127-00	HOLDER REWORK LED (11/70)	1	
10	10		9006555-00	NUT,HEX , 2-56X3/16AF X 1/2	2	
11	11		9009236-01	SCREW,TAPPING,TYPE F,PAN ,PHIL,	3	
12	12		9009321-00	LOCK TITE, SCREW LOCK, 10CC PER	A/R	
13	13		9009185-00	JUMPER, WIRE, INSULATED, BLACK B	2	W1,W2

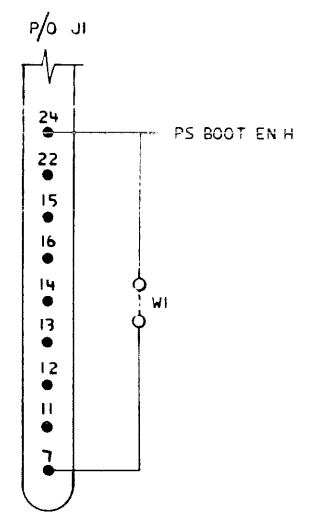
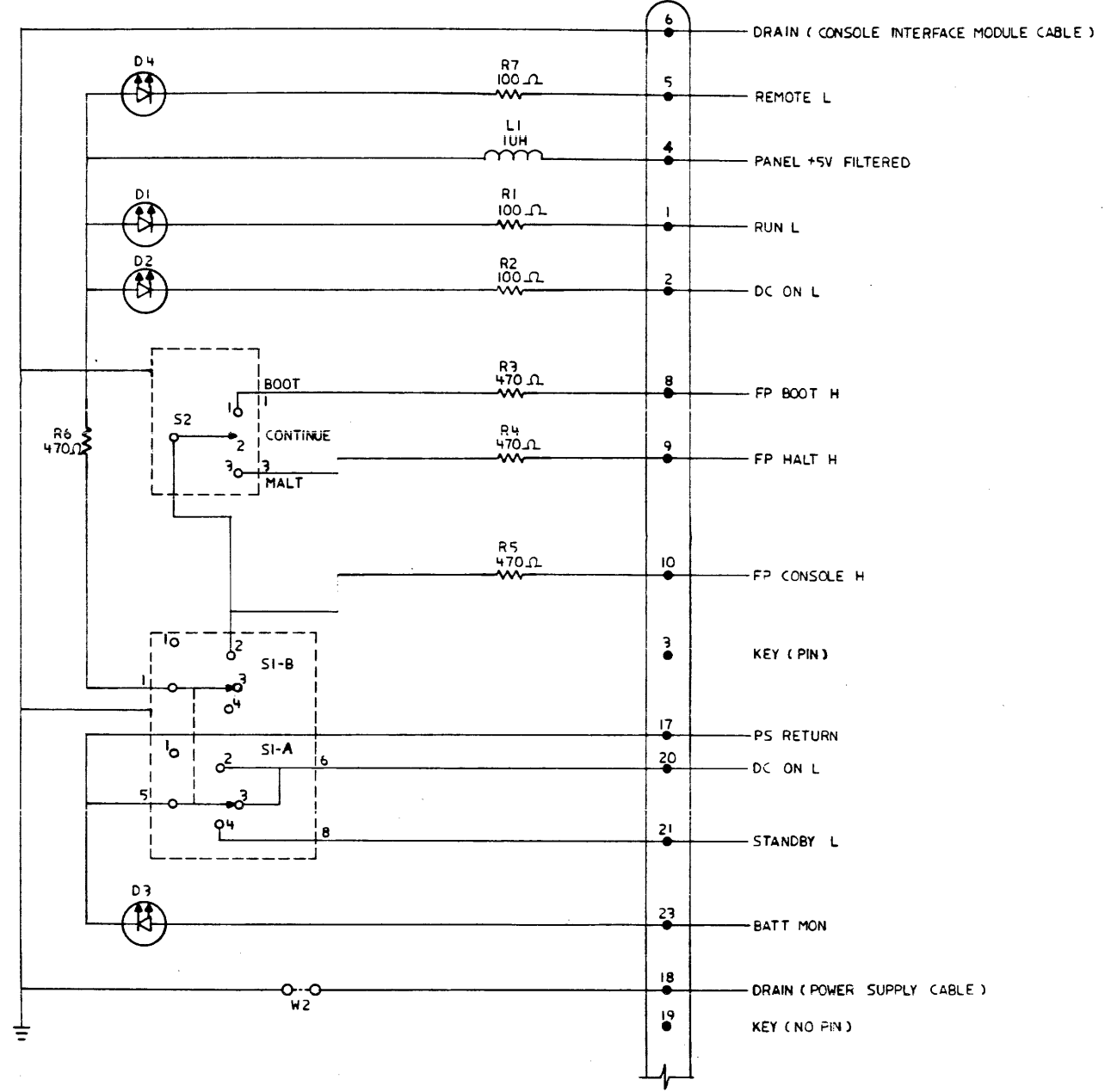
REVISION HISTORY		BASIC PART NO: 541441		DPN:	J.CASEY	DATE:	18-DEC-80	DIGITAL			
ENG:	ECO NUMBER	REV	SECTION A OF A	CHK'D:	E.T.GERRY	DATE:	18-DEC-80	PARTS LIST			
	INITIAL	A	SECTION VARIATION INDEX					11/24 CONSOLE MODULE			
			(A) 00					DOCUMENT NUMBER			
			(B)					SIZE	CODE	NUMBER	REV
			(C)	DES.ENG:	R.SILVER	DATE:	18-DEC-80	K	PL	541441-0-DBP	A
			(D)	RESP.ENG.:	R.GRUDA	DATE:	18-DEC-80				
			(E)								
			(F)								
			(H)								
			(J)								
			(K)	MFG.ENG.:	G.ABRUE	DATE:	18-DEC-80				
			(L)	ASSEMBLY NUMBER:		TOP DOCUMENT NUMBER:					
			(M)	ID-DA-541441-0-0						FILE NAME:	EDIT #
			(N)							21275A.PLS	4

"THIS DRAWING AND SPECIFICATIONS HEREIN, ARE THE PROPERTY OF DIGITAL EQUIPMENT CORPORATION AND SHALL NOT BE REPRODUCED OR COPIED OR USED IN WHOLE OR IN PART AS THE BASIS FOR THE MANUFACTURE OR SALE OF ITEMS WITHOUT WRITTEN PERMISSION. COPYRIGHT (C) 1980, DIGITAL EQUIPMENT CORPORATION."

TW

THIS DRAWING AND SPECIFICATIONS HEREIN ARE THE PROPERTY OF DIGITAL EQUIPMENT CORPORATION AND SHALL NOT BE REPRODUCED OR COPIED OR USED IN WHOLE OR IN PART AS THE BASIS FOR THE MANUFACTURE OR SALE OF ITEMS WITHOUT WRITTEN PERMISSION.
 COPYRIGHT © 1980 DIGITAL EQUIPMENT CORPORATION

SL	FUNCTION
A1	DC OFF
B1	NONE
A2	DC ON
B2	LOCAL
A3	DC ON
B3	LOCAL DISABLE
A4	STANDBY
B4	NONE



REVISION HISTORY	REV.

DATE: 6-18-80	DATE: 6-29-80	DATE: 12-18-80	DATE: 12-18-80	DATE: 12-18-80
DESIGNER: <i>B. J. Jones</i>	DESIGNER: <i>B. J. Jones</i>	DESIGNER: <i>B. J. Jones</i>	DESIGNER: <i>B. J. Jones</i>	DESIGNER: <i>B. J. Jones</i>
CHECKED: <i>B. J. Jones</i>	CHECKED: <i>B. J. Jones</i>	CHECKED: <i>B. J. Jones</i>	CHECKED: <i>B. J. Jones</i>	CHECKED: <i>B. J. Jones</i>
DATE: 6-18-80	DATE: 6-29-80	DATE: 12-18-80	DATE: 12-18-80	DATE: 12-18-80
TITLE: digital	TITLE: digital	TITLE: digital	TITLE: digital	TITLE: digital
DOCUMENT NUMBER				REV. A
D	CS	5414441-0-1	A	
D-UA-5414441-0-0				

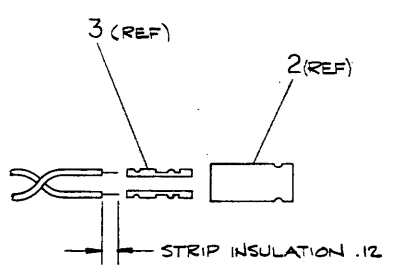
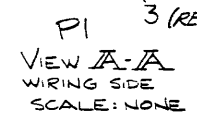
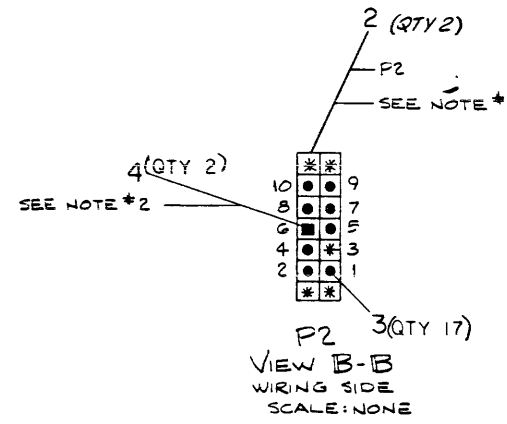
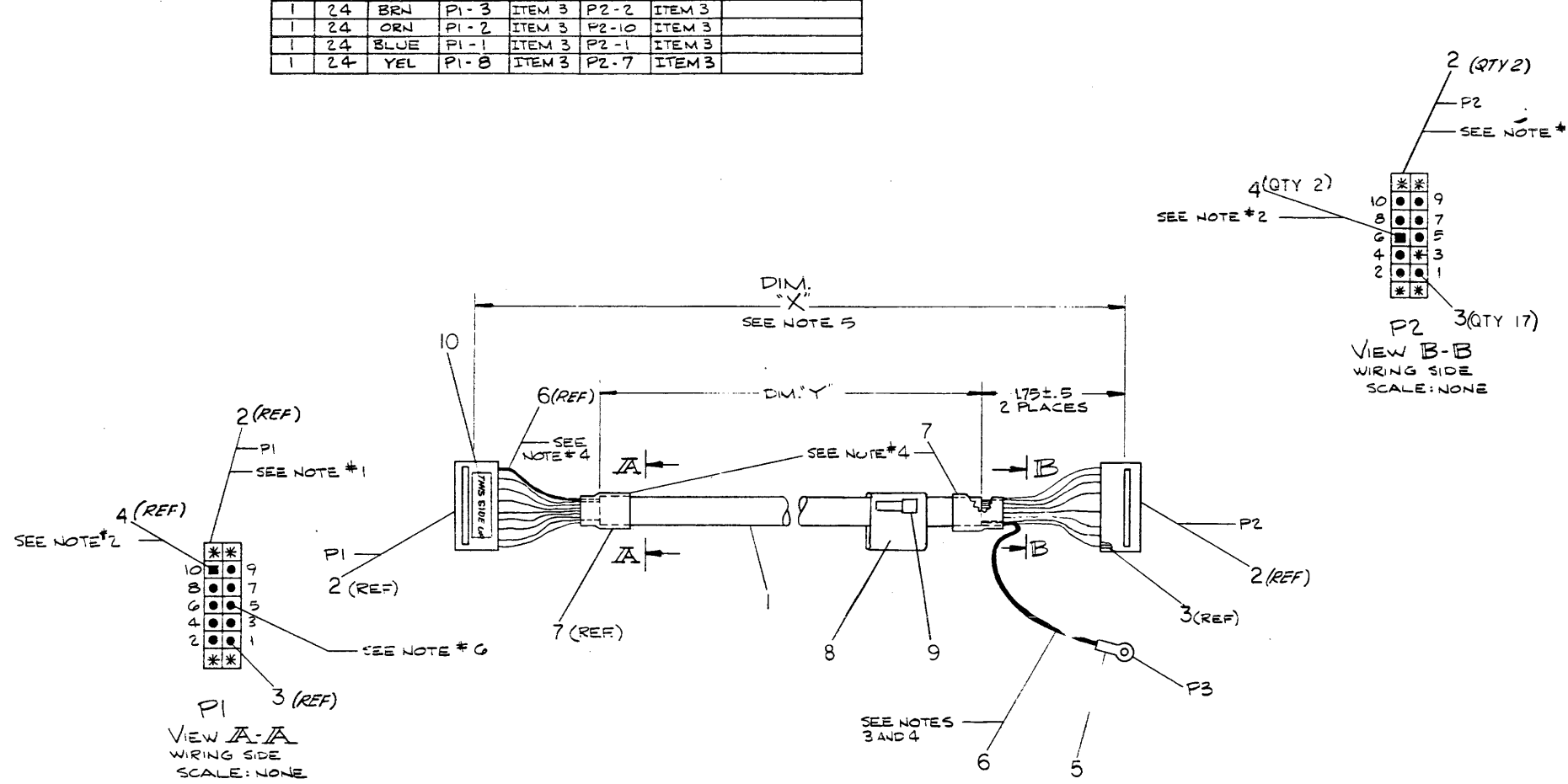
DCS 5414441-0-1
 REV. A

0-0-296910-0

WIRE TABLE						
ITEM	DESCRIPTION	FROM	TO		REMARKS	
Nº	AWG	COLOR	CONN	WITH	CONN	WITH
1	24	DRAIN	P1-8	ITEM 3	P3	ITEM 5
1	24	RED	P1-9	ITEM 3	P2-5	ITEM 3
1	24	WHT	P1-7	ITEM 3	P2-4	ITEM 3
1	24	GRN	P1-6	ITEM 3	P2-8	ITEM 3
1	24	BLK	P1-4	ITEM 3	P2-9	ITEM 3
1	24	BRN	P1-3	ITEM 3	P2-2	ITEM 3
1	24	ORN	P1-2	ITEM 3	P2-10	ITEM 3
1	24	BLUE	P1-1	ITEM 3	P2-1	ITEM 3
1	24	YEL	P1-8	ITEM 3	P2-7	ITEM 3

LEGEND		
P/N	DIM. "X"	DIM. "Y"
-00	9 IN.	6 IN.
-01	8 FT.	7 FT. 9 IN.

- NOTES:
1. LOCATIONS MARKED (*) IN VIEWS A-A & B-B ARE NOT TO BE USED.
 2. CONNS P1-10 & P2-6 SHALL HAVE ONE KEY (ITEM #4) INSERTED AS SHOWN.
 3. WIRE FROM P1-5 TO ITEM #5 SHALL BE 1 IN. LONGER THAN WIRES FROM P2 TO P1.
 4. CUT EXTRUDED TUBING (ITEM #6) TO FIT LENGTH OF DRAIN WIRE AT EACH END. APPLY TUBING AND BUT TO CABLE JACKET. CUT SHRINK TUBING TO 1 IN. LG. PIECES AND INSTALL AS SHOWN AT EACH END BEFORE INSTALLING CONNECTORS P1 & P2.
 5. CUT LENGTH (EXCEPT FOR DRAIN AT P3 END).
 6. SLIDE EXTRUDED TUBING (ITEM #6) OVER DRAIN WIRE BEFORE CRIMPING CONTACTS P3 & P15



QTY	DESCRIPTION	DRAWING NO.	PART NO.	ITEM NO.
1	LABEL, (THIS SIDE UP)		3611567-02	10
1	TIE, CABLE SST1-M		9007531-05	9
1	LABEL, CABLE I.D.		9009532-05	8
2	2" TUBING, SHRINK .250 I.D.		9107253-09	7
5	5" TUBING EXTRUDED 22AWG .027 I.D.		9107256-00	6
1	RING TERMIN, POS. 26-20AWG		1214623-05	5
2	KEY, POLAR, DUMMY		9009400-00	4
17	17 SOCKET, CRIMP, REEL		1210289-07	3
2	2 TERM. HSG (14 POS)		1210918-30	2
96	10" CABLE, #24 AWG STRND (8 COND)		1700153-02	1

QUANTITY & VARIATION	DESCRIPTION	DRAWING NO.	PART NO.	ITEM NO.																																															
7016962-01	UNLESS OTHERWISE SPECIFIED DIMENSIONS ARE IN INCHES AND THE FOLLOWING TOLERANCES APPLY (PER DEC STD 114)																																																		
7016962-00	<table border="1"> <thead> <tr> <th rowspan="2">INCHES TOLERANCES</th> <th rowspan="2">ANGLES ± 0° 30'</th> <th rowspan="2">SURFACE QUALITY</th> <th colspan="7">DIMENSION RANGE IN INCHES</th> </tr> <tr> <th>APPLICABLE DIMENSION RANGE (CHECK ONE)</th> <th>OVER TO</th> <th>OVER TO</th> <th>OVER TO</th> <th>OVER TO</th> <th>OVER TO</th> <th>OVER TO</th> </tr> </thead> <tbody> <tr> <td>X = ± .1</td> <td rowspan="3">✓</td> <td rowspan="3">MICROINCHES</td> <td><input type="checkbox"/> TO .125</td> <td>0.2</td> <td>0.2</td> <td>0.2</td> <td>0.2</td> <td>0.2</td> <td>0.2</td> <td>0.2</td> </tr> <tr> <td>JX = ± .02</td> <td><input type="checkbox"/> .125 TO .250</td> <td>0.2</td> <td>0.2</td> <td>0.2</td> <td>0.2</td> <td>0.2</td> <td>0.2</td> <td>0.2</td> </tr> <tr> <td>J00X = ± .005</td> <td><input type="checkbox"/> .250 TO .500</td> <td>0.2</td> <td>0.2</td> <td>0.2</td> <td>0.2</td> <td>0.2</td> <td>0.2</td> <td>0.2</td> <td>0.2</td> </tr> </tbody> </table>				INCHES TOLERANCES	ANGLES ± 0° 30'	SURFACE QUALITY	DIMENSION RANGE IN INCHES							APPLICABLE DIMENSION RANGE (CHECK ONE)	OVER TO	OVER TO	OVER TO	OVER TO	OVER TO	OVER TO	X = ± .1	✓	MICROINCHES	<input type="checkbox"/> TO .125	0.2	0.2	0.2	0.2	0.2	0.2	0.2	JX = ± .02	<input type="checkbox"/> .125 TO .250	0.2	0.2	0.2	0.2	0.2	0.2	0.2	J00X = ± .005	<input type="checkbox"/> .250 TO .500	0.2	0.2	0.2	0.2	0.2	0.2	0.2	0.2
INCHES TOLERANCES	ANGLES ± 0° 30'	SURFACE QUALITY	DIMENSION RANGE IN INCHES																																																
			APPLICABLE DIMENSION RANGE (CHECK ONE)	OVER TO	OVER TO	OVER TO	OVER TO	OVER TO	OVER TO																																										
X = ± .1	✓	MICROINCHES	<input type="checkbox"/> TO .125	0.2	0.2	0.2	0.2	0.2	0.2	0.2																																									
JX = ± .02			<input type="checkbox"/> .125 TO .250	0.2	0.2	0.2	0.2	0.2	0.2	0.2																																									
J00X = ± .005			<input type="checkbox"/> .250 TO .500	0.2	0.2	0.2	0.2	0.2	0.2	0.2	0.2																																								
THIRD ANGLE PROJECTION	DRN C.V. SCHEITNO	DATE 23 JAN 80	TITLE digital																																																
DO NOT SCALE DRAWING	DATE 5-1-80	CABLE, CONSOLE TO BACKPLANE																																																	
REMOVE BURRS AND BREAK SHARP CORNERS	DATE 4-30-80	DOCUMENT NUMBER																																																	
MATERIAL SEE PARTS LIST	DATE 4-30-80	DIA 7016962-0-0																																																	
FINISH	DATE 5-5-80	SCALE NONE SHEET 1 OF 1																																																	

REV.	ECO NUMBER	DATE

DRAWING NUMBER DIA 7016962-0-0