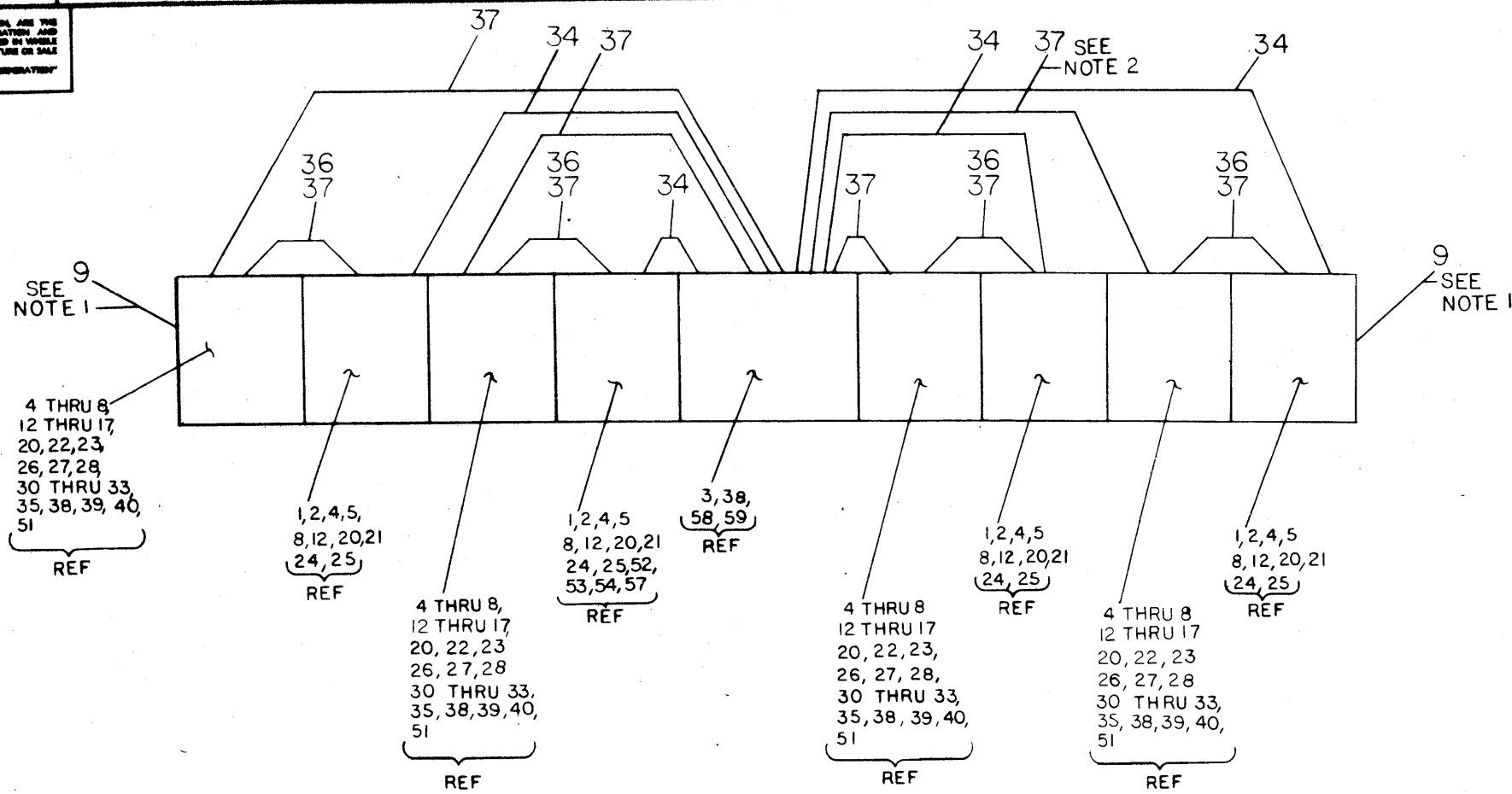


THE DRAWING AND SPECIFICATIONS HEREIN ARE THE PROPERTY OF DIGITAL EQUIPMENT CORPORATION AND SHALL NOT BE REPRODUCED OR COPIED OR USED IN WHOLE OR IN PART AS THE BASIS FOR THE MANUFACTURE OR SALE OF ITEMS WITHOUT WRITTEN PERMISSION. COPYRIGHT © 1975 DIGITAL EQUIPMENT CORPORATION

NOTES

- SUPPLY AND INSTALL END PANELS AS REQUIRED FOR SPECIFIC CUSTOMER INSTALLATION.
- THIS EQUIPMENT CONFIGURATION IS RECOMMENDED FOR ASYNC MODE OPERATION. IT MAY BE CHANGED PROVIDED DN87-D AND DN81-EA/EB CABINETS ARE ALWAYS BOLTED TOGETHER AS A CABINET PAIR ASSEMBLY, AND COMBINED UNIBUS CABLE LENGTHS DO NOT EXCEED 35 FEET. (SEE NOTE 1 OF C-PL-DN87-0-0.)
- BASIC ASYNC CONFIGURATION MUST CONSIST OF DLI0-A, DN87-D, DN81-EA/EB CABINETS BOLTED TOGETHER IN AN INTEGRAL ASSEMBLY



PART OF: DN81-EA/EB (DH11-0) (DM11-BB-0)		PDP 10 11/40 A ASSY		PART OF: DN81-EA/EB (DH11-0) (DM11-BB-0)		PDP 10 11/40 A ASSY		DLI0 A DATA LINK UNIBUS PORT 0		PART OF: DN81-EA/EB (DH11-0) (DM11-BB-0)		PDP 10 11/40 A ASSY	
DN81-EC/ED #1	D-AD-7009711-0-0	DN81-EC/ED #1	D-AD-7009711-0-0	DN81-EC/ED #1	D-AD-7009711-0-0	DN81-EC/ED #1	D-AD-7009711-0-0	DN81-EC/ED #1	D-AD-7009711-0-0	DN81-EC/ED #1	D-AD-7009711-0-0	DN81-EC/ED #1	D-AD-7009711-0-0
DN81-EC/ED #2	KG11-A	DN81-EC/ED #2	KG11-A	DN81-EC/ED #2	KG11-A	DN81-EC/ED #2	KG11-A	DLI0-C PORT 1 PART OF DN87-A #1	DN81-EC/ED #2	DN81-EC/ED #2	KG11-A	DN81-EC/ED #2	KG11-A
DN81-EC/ED #3		DN81 EC/ED #3		DN81 EC/ED #3		DN81 EC/ED #3		DLI0-C PORT 2 PART OF DN87-A #2	DN81 EC/ED #3	DN81-EC/ED #3		DN81-EC/ED #3	
								DLI0-C PORT 3 PART OF DN87-A #3					

DN81-EA/EB DN87-DA/DB (CAB ASSY) (CAB ASSY) DN81-EA/EB DN87-DA/DB (CAB ASSY) (CAB ASSY) DN81-EA/EB DN87-DA/DB (CAB ASSY) (CAB ASSY) DN81-EA/EB DN87-DA/DB (CAB ASSY) (CAB ASSY)

BASIC ASYNC SYSTEM CONFIGURATION

CAUTION OFF SHEET PARTS LIST C-PL-DN87-0-0

RECOMMENDED (ASYNC CONFIGURATION)

FIRST USED ON OPTION/MODEL	QTY.	DESCRIPTION	PART NO.	ITEM NO.
DN87		PARTS LIST		
DIMENSIONAL TOLERANCE		DRN. E. De Vries	DATE 1/22/75	digital
DIMENSIONS ARE MILLIMETERS INCHES UNLESS OTHERWISE SPECIFIED		CHK/D. [Signature]	DATE 1/22/75	
MILLIMETERS INCHES ANGLES		ENG. [Signature]	DATE 3/10/76	
XXX = ±0.10 .XXX = ±.006 XX = ±0.5 .XX = ±.02 X = ±2. X = ±.1		PROJ. ENG. [Signature]	DATE 3/10/76	
THIRD ANGLE PROJECTION		REMOVE BURRS AND BREAK SHARP CORNERS SURFACE QUALITY	NEXT HIGHER ASSY.	TITLE UNIVERSAL COMM. SYSTEM FRONT END
MATERIAL		SCALE	SIZE CODE	NUMBER
FINISH		SHEET 1 OF 19	DUA DN87-0-0	REV. A

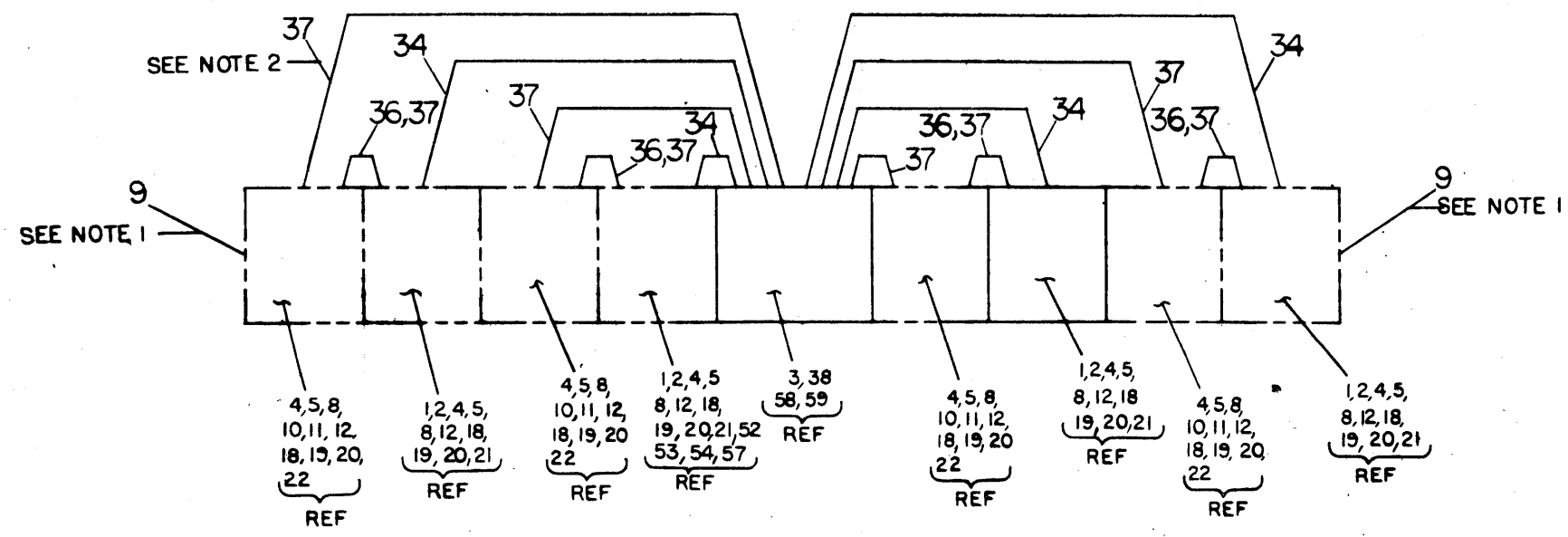
REV.	CHG. NO.	DATE	BY
1	DN87-00001	7 MAR 77	M. DRUM

THIS DRAWING AND SPECIFICATIONS HEREIN, ARE THE PROPERTY OF DIGITAL EQUIPMENT CORPORATION AND SHALL NOT BE REPRODUCED OR COPIED OR USED IN WHOLE OR IN PART AS THE BASIS FOR THE MANUFACTURE OR SALE OF ITEMS WITHOUT WRITTEN PERMISSION. COPYRIGHT © 1975, DIGITAL EQUIPMENT CORPORATION

0 - 0 - 28NDM 2

NOTES

- SUPPLY AND INSTALL END PANELS AS REQUIRED FOR SPECIFIC CUSTOMER INSTALLATION.
- THIS EQUIPMENT CONFIGURATION IS RECOMMENDED FOR SYNC MODE OPERATION. IT MAY BE CHANGED PROVIDED THAT DN87-D AND DN81 EE/EF CABINETS ARE ALWAYS BOLTED TOGETHER AS A CABINET ASSEMBLY PAIR, AND COMBINED UNIBUS CABLE LENGTHS DO NOT EXCEED 35 FEET. (SEE NOTE 12 C-PL-DN87-0-0.)
- BASIC SYNC CONFIGURATION MUST CONSIST OF DLI0-A, DN87-D BOLTED TOGETHER AS AN INTEGRAL ASSEMBLY WHEN UP TO 4 SYNC LINES ARE INCLUDED IN CUSTOMER ORDER. IF MORE THAN 4 LINES ARE INCLUDED THEN DN81-EE/EF CABINET SHOULD BE MADE PART OF DLI0-A, DN87-D CABINET ASSEMBLY, (LINE EXPANSION BASIC SYSTEM).



DN87-AA/AB
BASIC ASSY

PR. SYNC LINE CONT. SYSTEM (EXP. CAB)	POP I/O 1/40 A ASSY	PR. SYNC LINE CONT. SYSTEM (EXP. CAB)	POP I/O 1/40 A ASSY	DLI0-A DATA LINK W/PORT 0	PR. SYNC LINE CONT. SYSTEM (EXP. CAB)	POP I/O 1/40 A ASSY	PR. SYNC LINE CONT. SYSTEM (EXP. CAB)	POP I/O 1/40 A ASSY
DN81-H/J #4	D-AD-	DN81-H/J #4	D-AD-		DN81-H/J #4	D-AD-	DN81-H/J #4	D-AD-
DN81-H/J #5	7009711-0-0 PORT 2	DN81-H/J #5	7009711-0-0 PORT 0		DN81-H/J #5	7009711-0-0 PORT 1	DN81-H/J #5	7009711-0-0 PORT 3
DN81-H/J #6		DN81-H/J #6			DN81-H/J #6		DN81-H/J #6	
DN81-H/J #7	KG11-A	DN81-H/J #7	KG11-A		DN81-H/J #7	KG11-A	DN81-H/J #7	KG11-A
DN81-H/J #8		DN81-H/J #8			DN81-H/J #8		DN81-H/J #8	
DN81-H/J #9		DN81-H/J #9			DN81-H/J #9		DN81-H/J #9	
DN81-H/J #10		DN81-H/J #10			DN81-H/J #10		DN81-H/J #10	
DN81-H/J #11		DN81-H/J #11		DLI0-C PORT-1	DN81-H/J #11		DN81-H/J #11	
DN81-H/J #12		DN81-H/J #12		DLI0-C PORT-2	DN81-H/J #12		DN81-H/J #12	
DN81-H/J #13		DN81-H/J #13		DLI0-C PORT-3	DN81-H/J #13		DN81-H/J #13	

DN81-EE/EF (CAB ASSY) DN87 DA/DB (CAB ASSY) DN81-EE/EF (CAB ASSY) BASIC SYNC CONFIG. DN81-EE/EF (CAB ASSY) DN87-DA/DB (CAB ASSY) DN81-EE/EF (CAB ASSY) DN87 DA/DB (CAB ASSY)

CAUTION OFF
SHEET PARTS LIST
C-PL-DN87-0-0

RECOMMENDED (SYNC CONFIGURATION)

DESCRIPTION	DWG./PART NO.	ITEM NO.					
UNLESS OTHERWISE SPECIFIED DIMENSIONS ARE IN INCHES							
ANGLES ±0° 30'	CLASS OF ACCURACY	NOMINAL DIMENSION RANGE INCHES					
SURFACE QUALITY IN	(CHECK ONE)	0 TO 0.2	0.2 TO 1.2	1.2 TO 4.0	4.0 TO 12.0	12.0 TO 40.0	40.0 TO 80.0
		±.004	±.008	±.012	±.016	±.024	±.04
QUANTITY & VARIATION	MICROINCHES	PREFERRED					
	±.012	±.016	±.020	±.04	±.063	±.1	
THIRD ANGLE PROJECTION	DRN: P. [Signature] 9.8.75	FIRST USED ON					
REMOVE BURRS AND BREAK SHARP CORNERS	CHK'D: [Signature]	DN87					
DO NOT SCALE DWG	ENG: [Signature] 3/24/76	TITLE					
MATERIAL	PROJ. ENG: [Signature] 3/24/76	UNIVERSAL COMM SYSTEM FRONT END					
SCALE	DO NOT SCALE DWG	SIZE CODE					
FINISH	NEXT HIGHER ASSY:	B-DD-DN87-0					
		SCALE					
		D UA DN87-0-0					
		SHEET 2 OF 19					
		DIST.					

REV. NO.	REV.

THIS DRAWING AND SPECIFICATIONS HEREIN ARE THE PROPERTY OF DIGITAL EQUIPMENT CORPORATION AND SHALL NOT BE REPRODUCED OR COPIED OR USED IN WHOLE OR IN PART AS THE BASIS FOR THE MANUFACTURE OR SALE OF ITEMS WITHOUT WRITTEN PERMISSION. COPYRIGHT © 1977 DIGITAL EQUIPMENT CORPORATION

NOTES

- SUPPLY AND INSTALL END PANELS AS REQUIRED FOR SPECIFIC CUSTOMER INSTALLATION.
- THIS EQUIPMENT CONFIGURATION IS RECOMMENDED FOR SYNC/ASYNC MODE OPERATION. IT MAY BE CHANGED. PROVIDED DN87-D AND DN81-EA/EB CABINETS ARE ALWAYS BOLTED TOGETHER AS A CABINET PAIR ASSEMBLY. COMBINED UNIBUS CABLE LENGTHS DO NOT EXCEED 35 FEET.

SEE NOTE 1

SEE NOTE 1

4 THRU 8,
12 THRU 17,
20, 22, 23,
26 THRU 28,
30 THRU 33,
35, 38, 39, 40,
51
REF

1, 2, 4, 5, 8, 12,
18 THRU 21,
24, 25
REF

4 THRU 8,
12 THRU 17,
20, 22, 23,
26 THRU 28,
30 THRU 33,
35, 38, 39, 40,
51
REF

1, 2, 4, 5, 8, 12,
18 THRU 21,
24, 25, 52, 53,
54, 57
REF

4 THRU 8,
12 THRU 17,
20, 22, 23,
26 THRU 28,
30 THRU 33,
35, 38, 39, 40,
51
REF

1, 2, 4, 5, 8, 12,
18 THRU 21,
24, 25
REF

4 THRU 8,
12 THRU 17,
20, 22, 23,
26 THRU 28,
30 THRU 33,
35, 38, 39, 40,
51
REF

1, 2, 4, 5, 8, 12,
18 THRU 21,
24, 25
REF

DN87-AA/AB							
PART OF DN81-EA/EB (DH11-#0) DM11-EB-#0	POP11 11/40A ASSY	PART OF DN81-EA/EB (DH11-#0) DM11-EB-#0	POP11 11/40A ASSY	DL10A DATA LINK UNIBUS AND PORT 0	PART OF DN81-EA/EB (DH11-#0) DM11-EB-#0	POP11 11/40A ASSY	PART OF DN81-EA/EB (DH11-#0) DM11-EB-#0
DN81-EC/ED #1	D-AD-7009711-0-0 (PORT 2)	DN81-EC/ED #1	D-AD-7009711-0-0 (PORT 0)		DN81-EC/ED #1	D-AD-7009711-0-0 PORT 1	DN81-EC/ED #1
DN81-EC/ED #2	KG11-A	DN81-EC/ED #2	KG11-A		DN81-EC/ED #2	KG11-A	DN81-EC/ED #2
	DN81-H/J #0		DN81-H/J #0	DL10-C PORT 1		DN81-H/J #1	DN81-H/J #1
	DN81-H/J #1		DN81-H/J #1	DL10-C PORT 2		DN81-H/J #2	DN81-H/J #2
DN81-EC/ED #3	DN81-H/J #2	DN81-EC/ED #3	DN81-H/J #2	DL10-C PORT 3	DN81-EC/ED #3	DN81-H/J #2	DN81-EC/ED #3
	DN81-H/J #3		DN81-H/J #3			DN81-H/J #3	DN81-H/J #3

DN81-EA/EB (CAB ASSY) DN87-DA/DB (CAB ASSY) DN81-EA/EB (CAB ASSY) DN81-EA/EB (CAB ASSY) DN87-DA/DB (CAB ASSY) DN81-EA/EB (CAB ASSY) DN87-DA/DB (CAB ASSY)

BASIC SYNC/ASYNC (UNIVERSAL) CONFIGURATION

CAUTION OFF SHEET PARTS LIST C-FL-DN87-0-0

RECOMMENDED (SYNC/ASYNC CONFIGURATION)

DESCRIPTION		DWG./PART NO.		ITEM NO.
UNLESS OTHERWISE SPECIFIED DIMENSIONS ARE IN INCHES				
ANGLES 10' 30'	CLASS OF ACCURACY (CHECK ONE)	NOMINAL DIMENSION RANGE INCHES		
SURFACE QUALITY IN MICROINCHES	MEDIUM	OVER 0 TO 0.2	OVER 0.2 TO 1.2	OVER 1.2 TO 4.0
	PREFERRED	OVER 4.0 TO 12.0	OVER 12.0 TO 40.0	OVER 40.0 TO 80.0
QUANTITY & VARIATION		±.004	±.008	±.012
		±.016	±.024	±.04
		±.012	±.016	±.025
		±.04	±.063	±.1
THIRD ANGLE PROJECTION	DRN: <i>[Signature]</i> 8-76	FIRST USED ON DN87		
REMOVE BURRS AND BREAK SHARP CORNERS	CHK'D: <i>[Signature]</i> 2-11-76	TITLE UNIVERSAL COMM SYSTEM FRONT END		
DO NOT SCALE DWG	ENG: <i>[Signature]</i> 3-24-76	PROJECT: 374476		
	PROD. R: <i>[Signature]</i> 3-24-76	NEXT HIGHER ASSY.		
MATERIAL	B-DD-DN87-0	SIZE	CODE	NUMBER
FINISH	SCALE	D	UA	DN87-0-0
	SHEET 3 OF 19	DIST.		REV. A

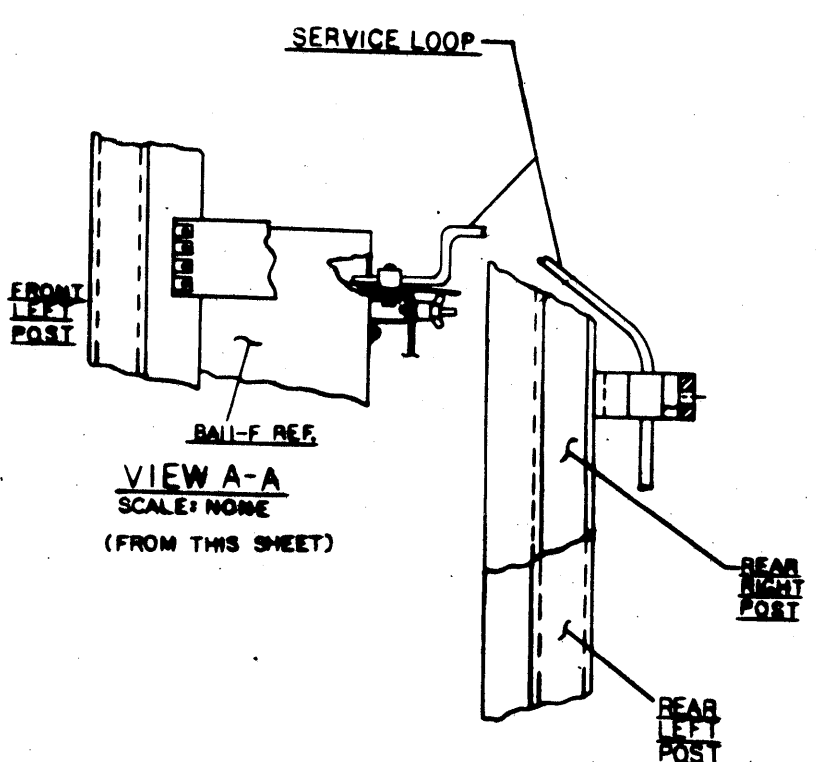
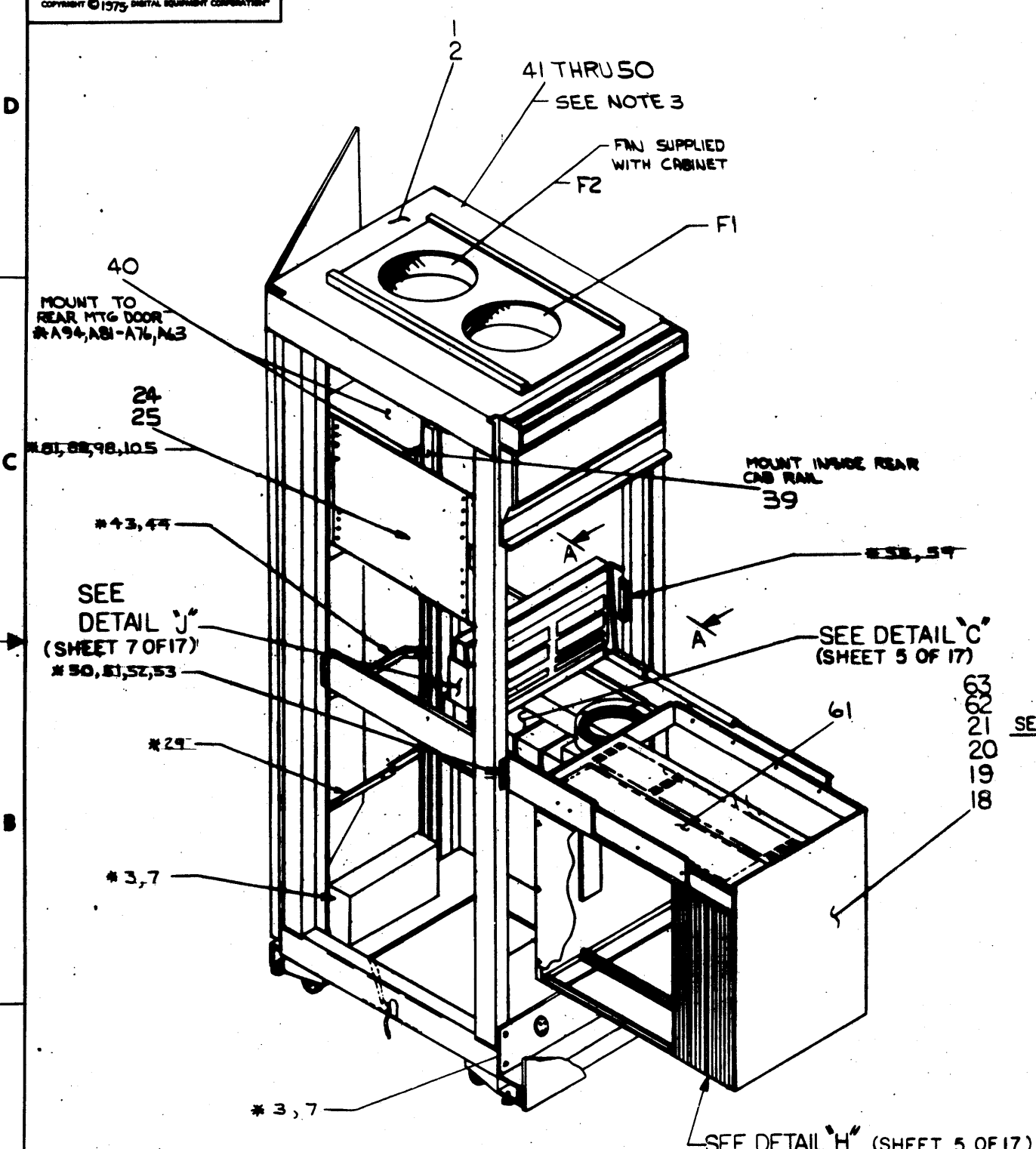
REV.	
CHANGE NO.	
CHK	

THIS DRAWING AND SPECIFICATIONS, HEREON, ARE THE PROPERTY OF DIGITAL EQUIPMENT CORPORATION AND SHALL NOT BE REPRODUCED OR COPIED OR USED IN WHOLE OR IN PART AS THE BASIS FOR THE MANUFACTURE OR SALE OF ITEMS WITHOUT WRITTEN PERMISSION. COPYRIGHT © 1975, DIGITAL EQUIPMENT CORPORATION

DN87-0-0

NOTES:

1. INCLUDE ITEM 21 (KG11-A) WHEN DN87 IS EXPANDED FOR SYNCHRONOUS OR UNIVERSAL USE.
2. * DENOTES TINNERMAN NUT LOCATIONS.
3. ITEMS 41 THRU 50 ARE MTG TYPE HARDWARE (NUTS, SCREWS, TIE WRAPS ETC.)



SEE NOTE 1

CAUTION OFF SHEET PARTS LIST

SEE C-PL-DN87-0-0

CPU AND NPR. SYNC. LINE CONTROL CAB.

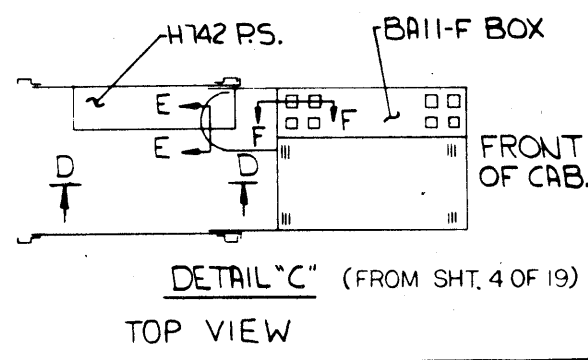
QUANTITY & VARIATION	DESCRIPTION	DWG. PART NO.	ITEM NO.	UNLESS OTHERWISE SPECIFIED DIMENSIONS ARE IN INCHES						
				ANGLES '0' '30'		CLASS OF ACCURACY				
✓	MEDIUM	PREFERRED	0.004	0.008	0.012	0.018	0.024	0.04	0.083	±0.1
				15	15	15	15	15	15	15
				0.2	1.2	4.0	12.0	40.0	80.0	

THIRD ANGLE PROJECTION	DRN: E. DeRiso 12 Dec 75	FIRST USED ON	DN87	digital
REMOVE BURRS AND BREAK SHARP CORNERS	CHK'D: [Signature]	TITLE	UNIVERSAL COMM SYSTEM FRONT END	
DO NOT SCALE DWG	ENG: [Signature]	PROJ. ENG:	[Signature]	
	PROD: [Signature]	NEXT HIGHER ASSY:		
MATERIAL: //	B-DD-DN87-0	SIZE CODE	D	UA
FINISH: //	SCALE: //	NUMBER	DN87-0-0	REV. A
	SHEET 4 OF 12	DIST.		

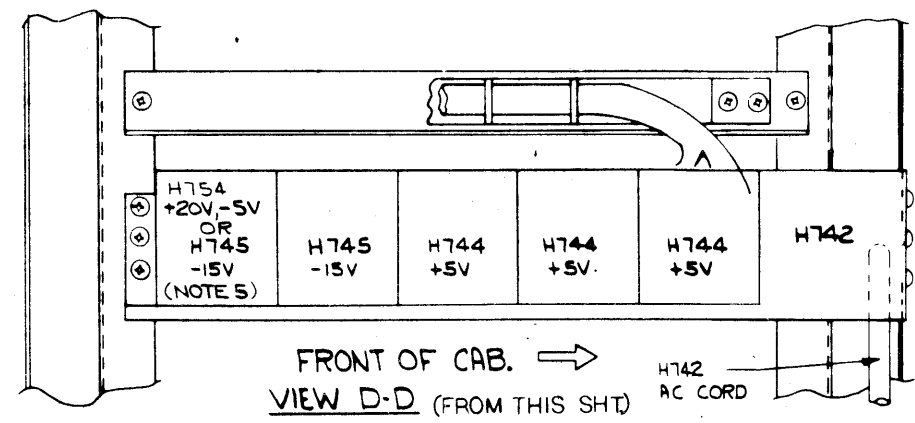
REV.	CHANGE NO.	REVISIONS

DEC FORM NO. DRG 100-C

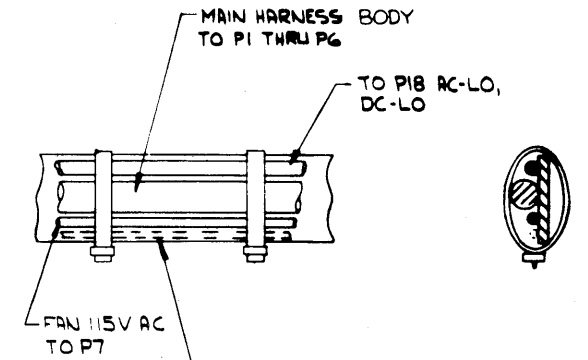
THIS DRAWING AND SPECIFICATIONS HEREIN ARE THE PROPERTY OF DIGITAL EQUIPMENT CORPORATION AND SHALL NOT BE REPRODUCED OR COPIED OR USED IN WHOLE OR IN PART AS THE BASIS FOR THE MANUFACTURE OF SALE OR ITEMS WITHOUT WRITTEN PERMISSION. COPYRIGHT © 1975 DIGITAL EQUIPMENT CORPORATION.



DETAIL "C" (FROM SHT. 4 OF 19)
TOP VIEW

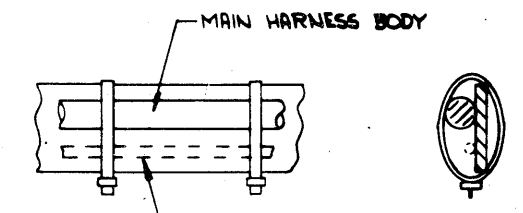


FRONT OF CAB. →
VIEW D-D (FROM THIS SHT.)



*861 TO CONSOLE CABLE 7009053 IN PDP11 11/40 CONFIGURATIONS. NOT LOCATED HERE IN DEC-SYSTEM-10 11/40 CONFIGURATIONS.

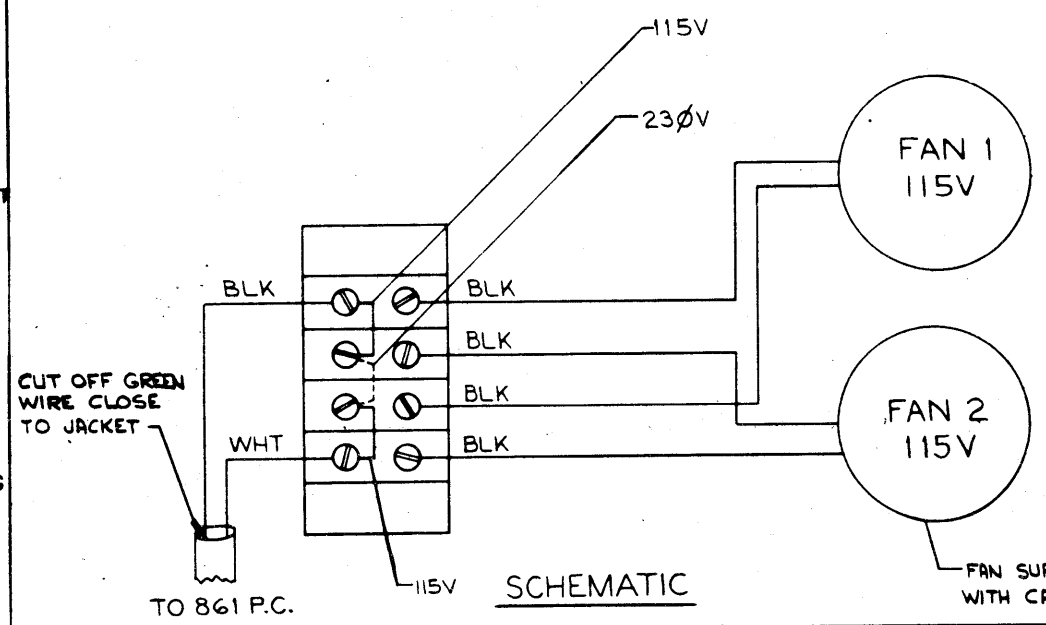
SECTION E-E (FROM THIS SHT.)



SECTION E-E (FROM THIS SHT.)

NOTES:

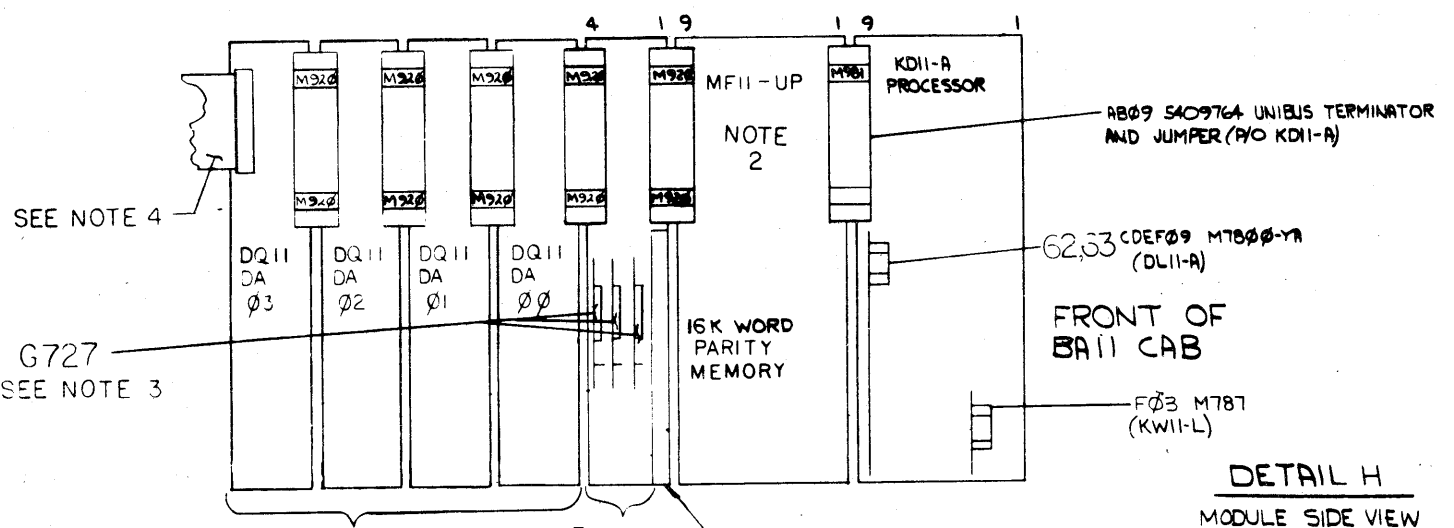
- EQUIPMENT SHOWN IN THIS DWG IS FOR EITHER SYNC OR SYNC/ASYNCH CONFIGURATIONS.
- REMOVE M930 UNIBUS TERMINATOR FROM AB09 OF THE MF11-UP. INSTALL AT THE END OF THE UNIBUS. UNIBUS ENDS AT DL10-C PORT LOGIC CAN BE IN DL10 SLOTS-AB CD, EFHJ-42 OR 43 (SEE DL10 DWG5 - DL10-MUAD, DL10-MUEJ (PART OF DL10 SCHEMATIC / CUSTOMER DWG SET.))
- GRANT CONTINUITY 6727 INSTALLED IN SLOTS D02, D03 AND D04 OF SPC. PANEL DD11-B. FOR ALL CONFIG. REPL. 6727 IN D01 SLOT W/KG11-A.
- BC11-A-XX CABLE ASSY TO BE USED FOR CONNECTION TO DL10 UNIBUS PORT LOGIC OR OTHER PDP11 TYPE DEVICES INTERFACED TO UNIBUS. DEVICE LOADING MAY NOT EXCEED 15 UNIT LOADS. REPLACE WITH M930 IF NOT CONNECTED TO DEVICE ON UNIBUS OUTSIDE THIS CABINET ASSY. (FOR TESTING CHECK OUT PURPOSES ONLY.)
- H745 USED ONLY WHEN MF11-LP MEMORY IS USED IN PLACE OF MF11-UP MEMORY.



SCHEMATIC

IDENTIFY ENDS OF WIRE WITH BRADY MARKERS BEFORE PUTTING ON SLEEVING, FOR EASE OF WIRING.

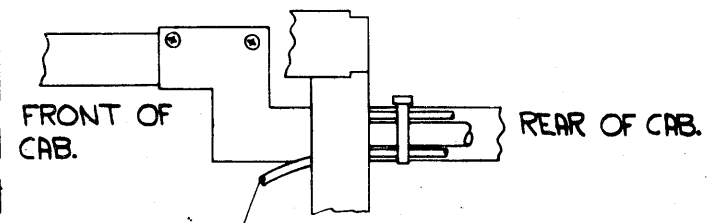
DETAIL "B" (FROM SHT. 4 OF 17)



DETAIL H
MODULE SIDE VIEW (FROM SHT. 4 OF 17)

SEE NOTE 4
G727
SEE NOTE 3

SPACE & PWR FOR UP TO 3 ADDITIONAL BASIC DQ11 - DA/EA
3 SPARE SPC SPACES



SECTION F-F (FROM THIS SHT.)

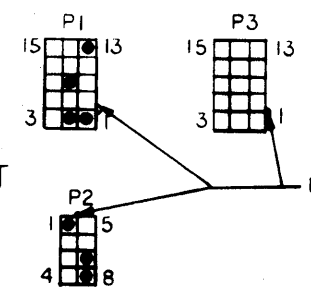
PDP10-11/40 CABINET ASSY (PWR. HARNESS AND MOD. PLACEMENT DETAILS)

CHK	CHANGING
-----	----------

TITLE	UNIVERSAL COMM SYSTEM FRONT END	SIZE CODE	DUA	NUMBER	DN87-0-0	REV.	A
SCALE	1/1	SHEET	5 OF 19	DIST			

This drawing and specifications herein are the property of Digital Equipment Corporation and shall not be reproduced or copied in whole or in part or the basis for the manufacture of any product without permission. COPYRIGHT © 1975 DIGITAL EQUIP. CORP.

KD11 POWER HARNESS PLUGS



KD11 POWER HARNESS

- 1. 1.5 TO 7.5A - RED P1-1
- 2. 1.5 TO 3.0A - GRY P1-2
- 3. 1.5 TO 7.5A - GRY P3-1
- 4. GND - BLK P1-8
- 5. -15V - BLU P1-13
- 6. LTC - BRN P2-2
- 7. GND - BLK P3-9
- 8. AC-LO - YEL P2-4
- 9. DC-LO - VIO P2-3

NOTE (STD SYSTEMS)
 1. MAIN HARNESS HAS TWO (2) UNUSED 8-PIN PLUGS (P15 & P16). TO PREVENT DAMAGE TO REGULATORS INSERT AN EMPTY MATING CONNECTOR INTO THEM AND TIE THEM OUT OF THE WAY.
 2. WHEN USING AN HT54 IN SLOT E USE P17 TRANSFER RED & WHT AC Wires FROM P15 TO P17 AND INSTALL OR REMOVE JUMPERS PER DWS # D-7A-7009566-0-1

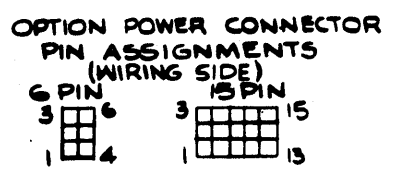
POWER DISTRIBUTION PNL
D-MD-7411220-0-0

SYSTEM UNIT PWR. DISTRIBUTION 5410590

MF11-UP 1st MEMORY HARNESS
D-1A-7009535-0-0

DD11-B & DQ11 PWR HARNESS
D-1A-7009663-0-0

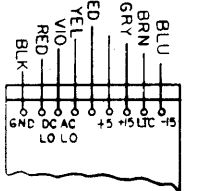
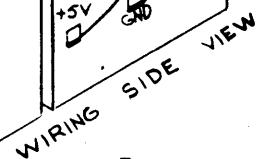
KD11-A PWR DIST HARNESS
D-1A-7009994-0-0



- 1. LO GND-BLK
- 2. LINE CLOCK-BRN
- 3. DC LO-VIO
- 4. AC LO-YEL
- 5. SPARE 4
- 6. SPARE 5
- 7. GROUND - BLK
- 8. GROUND - BLK
- 9. GROUND - BLK
- 10. SPARE #2
- 11. GROUND - BLK
- 12. SPARE #3
- 13. -15V TO 10A-BLU
- 14. -5V TO 8A-BRN
- 15. SPARE #3
- 1. +5V TO 7.5A-RED
- 2. +5V TO 3.0A-GRY
- 3. +20V TO 8A-ORN
- 4. +5V TO 7.5A-RED
- 5. GROUND - BLK
- 6. SPARE #1

USE #14 WIRE FOR +5, GROUND, ALL OTHERS CAN BE #18. (EXCEPT ON MEMORIES)

FRONT OF BAIL-FI BOX



TYP 4 PLACES DC PWR HARNESS FOR DQ11-DA, -EA, (D-1A-7009563-0-0)

ROUTE CABLE IN SPACE BETWEEN SYSTEM UNITS

VIEW K-K (FROM THIS SHT.)

NEW PWR DISTRIBUTION VERSION FOR 11/40 SYSTEM SERIAL NUMBERS 6,000 AND GREATER

FAN PWR SOCKET

P17, P16 NOT USED IN 11/40 CPU

2. WHEN USING AN HT54 IN SLOT E USE P17 TRANSFER RED & WHT AC Wires FROM P15 TO P17 AND INSTALL OR REMOVE JUMPERS PER DWS # D-7A-7009566-0-1

BAIL-FI BOX HARNESS
E-1A-7009566-0-0

ADHESIVE TIE MOUNTS & CABLE TIES

G772 LOCATION MAY VARY DEPENDING ON OPTION

G772 HARNESS LOOP TO BE BELOW B'ROW OF SYSTEM UNIT (TO CLEAR UNIBUS CABLE)

LINE 1 SWITCHED OUTLET OF 861 POWER CONTROL

11/40 CAB & NPR SYNC CONTROL POWER HARNESS ASSY

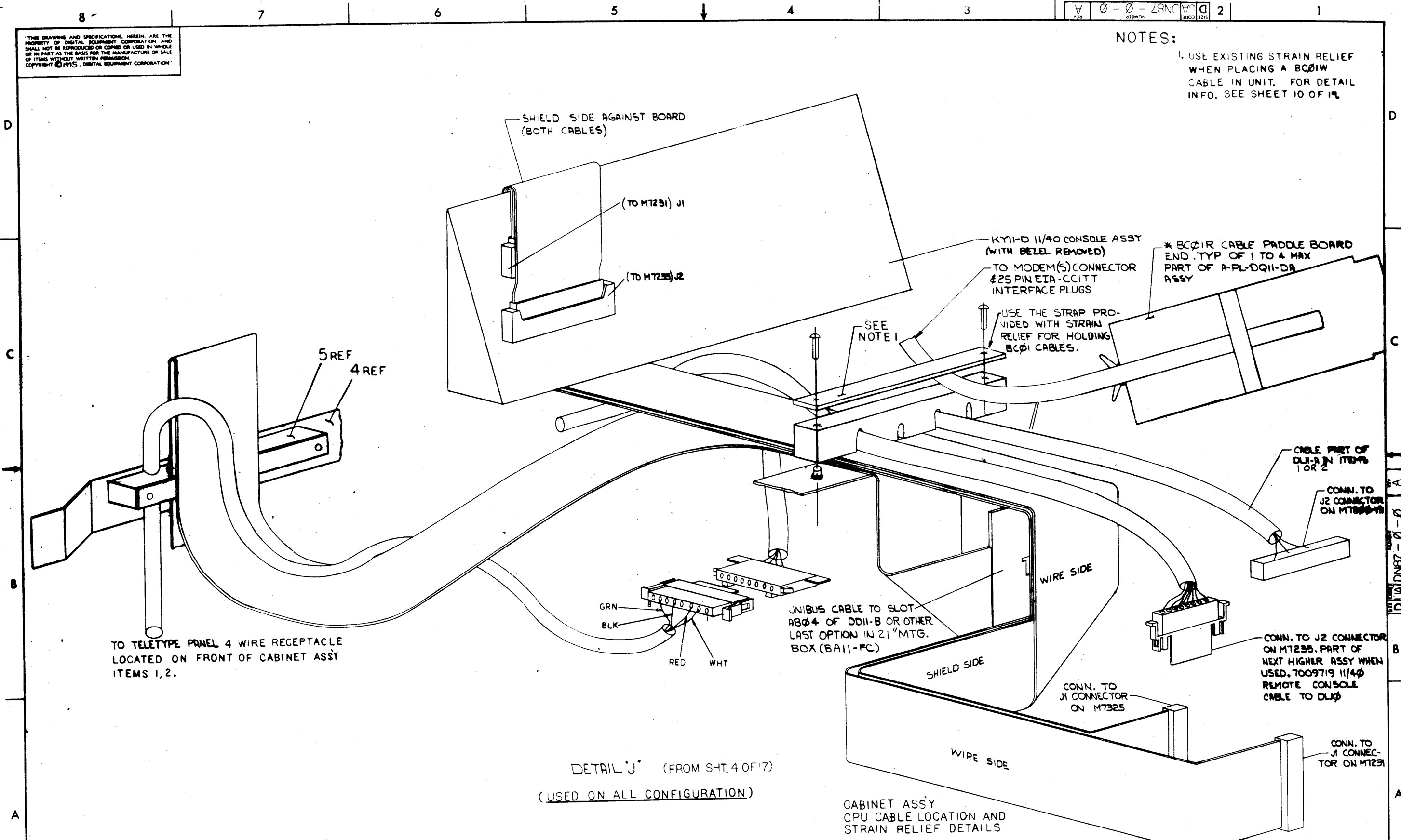
FIRST USED ON OPTION/MODEL	QTY.	DESCRIPTION	PART NO.	ITEM NO.
DN87				
PARTS LIST				
UNLESS OTHERWISE SPECIFIED DIMENSION IN INCHES. TOLERANCES				
DECIMALS	ANGLES	DATE		
.XXX - .008	2° 30'	1/28/75		
.XX - .02		DATE		
.X - .1		1/28/75		
REMOVE BURRS AND BREAK SHARP CORNERS SURFACE QUALITY				
MATERIAL				
NEXT HIGHER ASSY				
FINISH				
B-DD-DN87-0		SIZE CODE	NUMBER	REV.
		DUA	DN87-0-0	A
SHEET 6 OF 19		DIST.		

REVISIONS
 CHANGE NO.
 CHK

"THIS DRAWING AND SPECIFICATIONS HEREIN ARE THE PROPERTY OF DIGITAL EQUIPMENT CORPORATION AND SHALL NOT BE REPRODUCED OR COPIED OR USED IN WHOLE OR IN PART AS THE BASIS FOR THE MANUFACTURE OR SALE OF ITEMS WITHOUT WRITTEN PERMISSION. COPYRIGHT © 1975, DIGITAL EQUIPMENT CORPORATION."

NOTES:

1. USE EXISTING STRAIN RELIEF WHEN PLACING A BCØIW CABLE IN UNIT. FOR DETAIL INFO. SEE SHEET 10 OF 19.



TO TELETYPE PANEL 4 WIRE RECEPTACLE LOCATED ON FRONT OF CABINET ASSY ITEMS 1,2.

DETAIL 'J' (FROM SHT. 4 OF 17)
(USED ON ALL CONFIGURATION)

CABINET ASSY
CPU CABLE LOCATION AND
STRAIN RELIEF DETAILS

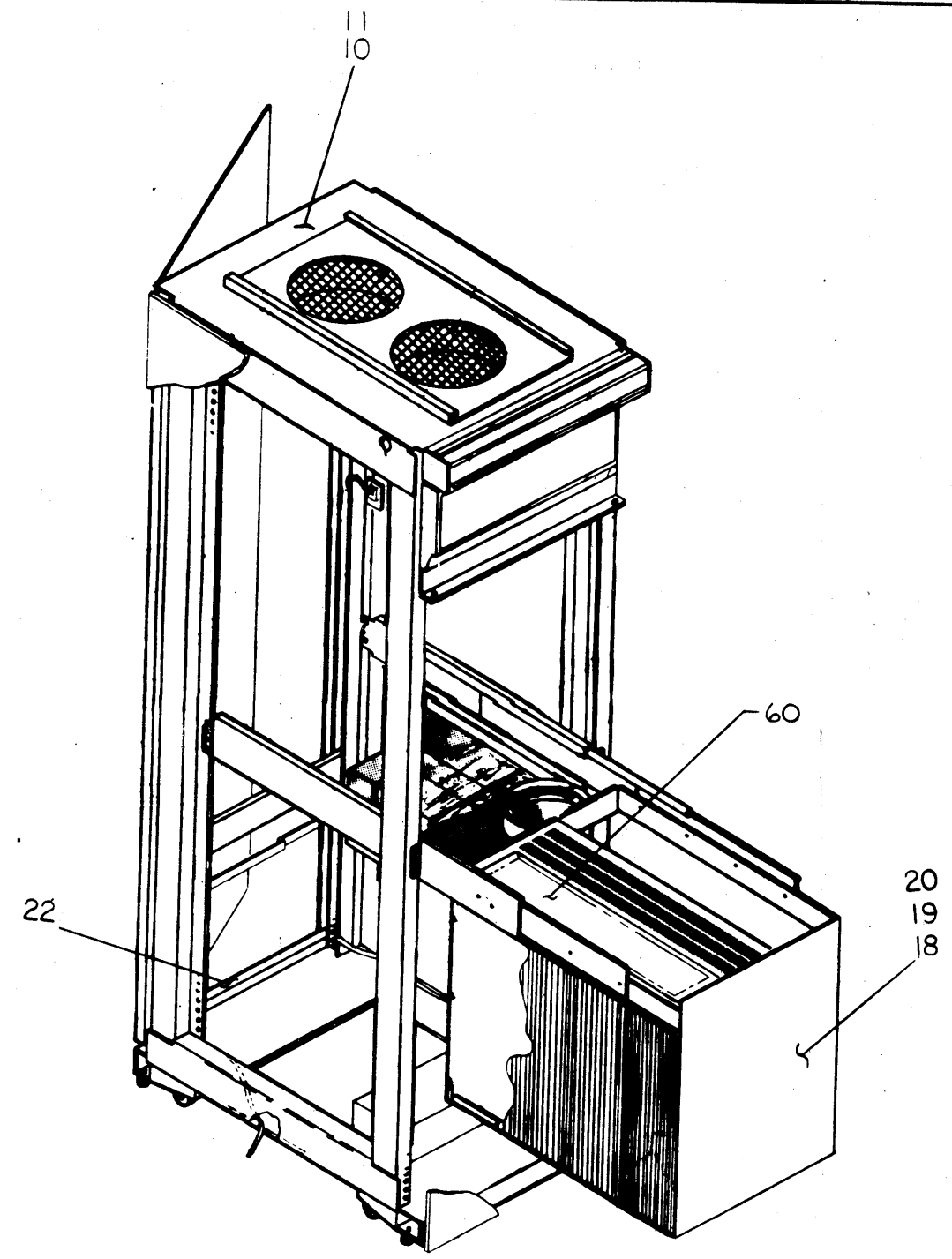
REVISIONS		
CHK	CHANGE NO.	REV.
		427

TITLE	UNIVERSAL COMM SYSTEM FRONT END	SIZE CODE	D JUA	NUMBER	DN87 - Ø - Ø	REV.	A
SCALE		SHEET	7 OF 19	DIST.			

"THE DRAWING AND SPECIFICATIONS HEREIN ARE THE PROPERTY OF DIGITAL EQUIPMENT CORPORATION AND SHALL NOT BE REPRODUCED OR COPIED OR USED IN WHOLE OR IN PART AS THE BASIS FOR THE MANUFACTURE OR SALE OF ITEMS WITHOUT WRITTEN PERMISSION. COPYRIGHT © 1975 DIGITAL EQUIPMENT CORPORATION"

DN87-0-0 2

NOTES:
 1. THIS ASSY MADE FROM D-AD-7606874-0-0. SEE ASSY DETAILS ON THIS REF. DWG.



CAUTION OFF SHEET PARTS LIST C-PL-DN87-0-0

SYNCHRONOUS CONFIG.

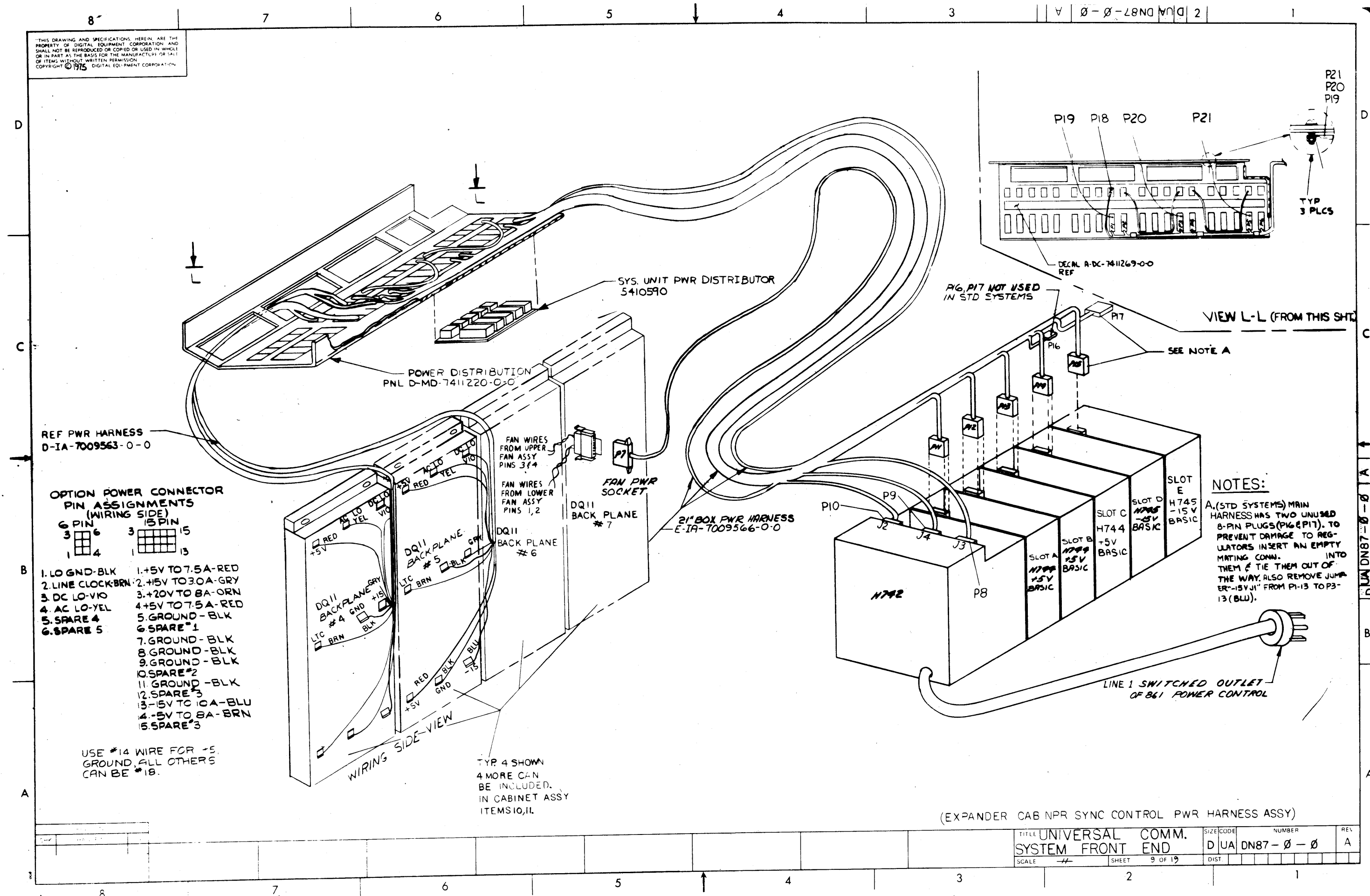
NPR SYNC LINE CONT EXPANSION CAB ASSY

DESCRIPTION	DWG./PART NO.	ITEM NO.						
UNLESS OTHERWISE SPECIFIED DIMENSIONS ARE IN INCHES								
ANGLES 10°-30°	CLASS OF ACCURACY	NOMINAL DIMENSION RANGE INCHES						
SURFACE QUALITY IN	(CHECK ONE)	OVER 0 TO 0.2	OVER 0.2 TO 1.2	OVER 1.2 TO 4.0	OVER 4.0 TO 12.0	OVER 12.0 TO 40.0	OVER 40.0 TO 80.0	
		±.004	±.008	±.012	±.016	±.024	±.04	
QUANTITY & VARIATION	MICROINCHES	PREFERRED	±.012	±.016	±.025	±.04	±.063	±0.1
THIRD ANGLE PROJECTION	DRNE, D. V. RAO 2 Dec 75	FIRST USED ON DN87						
REMOVE BURRS AND BREAK SHARP CORNERS	CHK'D <i>[Signature]</i>	TITLE UNIVERSAL COMM. SYSTEM FRONT END						
DO NOT SCALE DWG	PROJ. ENG. <i>[Signature]</i>	SIZE CODE D UA						
MATERIAL	PROD. R. Yeager 3 Mar 76	NUMBER DN87-0-0						
FINISH	NEXT HIGHER ASSY.	REV. A						
	SCALE	SHEET 8 OF 19						
		DIST.						

REV. CHANGE NO. DATE

8 7 6 5 4 3 2 1

THIS DRAWING AND SPECIFICATIONS HEREIN ARE THE PROPERTY OF DIGITAL EQUIPMENT CORPORATION, AND SHALL NOT BE REPRODUCED OR COPIED OR USED IN WHOLE OR IN PART AS THE BASIS FOR THE MANUFACTURE OR SALE OF ITEMS WITHOUT WRITTEN PERMISSION. COPYRIGHT © 1975 DIGITAL EQUIPMENT CORPORATION.

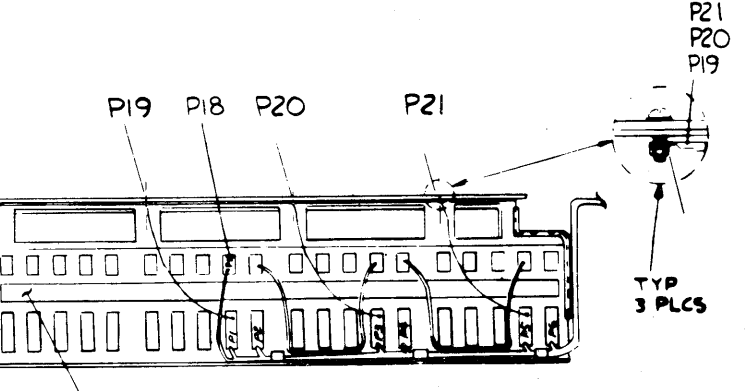


- OPTION POWER CONNECTOR PIN ASSIGNMENTS (WIRING SIDE)**
- | 6 PIN | 15 PIN | | | | | | | | | | | | |
|---|--------|---|---|---|---|---|--|---|----|---|----|---|----|
| <table border="1"> <tr><td>6</td><td>6</td></tr> <tr><td>3</td><td>4</td></tr> <tr><td>1</td><td>4</td></tr> </table> | 6 | 6 | 3 | 4 | 1 | 4 | <table border="1"> <tr><td>3</td><td>15</td></tr> <tr><td>1</td><td>13</td></tr> <tr><td>1</td><td>13</td></tr> </table> | 3 | 15 | 1 | 13 | 1 | 13 |
| 6 | 6 | | | | | | | | | | | | |
| 3 | 4 | | | | | | | | | | | | |
| 1 | 4 | | | | | | | | | | | | |
| 3 | 15 | | | | | | | | | | | | |
| 1 | 13 | | | | | | | | | | | | |
| 1 | 13 | | | | | | | | | | | | |
1. LOGND-BLK
 2. LINE CLOCK-BRN
 3. DC LO-VIO
 4. AC LO-YEL
 5. SPARE 4
 6. SPARE 5
 1. +5V TO 7.5A-RED
 2. +5V TO 3.0A-GRY
 3. +20V TO 8A-ORN
 4. +5V TO 7.5A-RED
 5. GROUND-BLK
 6. SPARE #1
 7. GROUND-BLK
 8. GROUND-BLK
 9. GROUND-BLK
 10. SPARE #2
 11. GROUND-BLK
 12. SPARE #3
 13. -5V TO 10A-BLU
 14. -5V TO 8A-BRN
 15. SPARE #3

USE #14 WIRE FOR -5. GROUND, ALL OTHERS CAN BE #18.

TYP 4 SHOWN 4 MORE CAN BE INCLUDED. IN CABINET ASSY ITEMS 10, 11

NOTES:
 A. (STD SYSTEMS) MAIN HARNESS HAS TWO UNUSED 8-PIN PLUGS (P16 & P17). TO PREVENT DAMAGE TO REGULATORS INSERT AN EMPTY MATING CONN. INTO THEM & TIE THEM OUT OF THE WAY. ALSO REMOVE JUMPER "-15V J1" FROM P1-13 TO P3-13 (BLU).



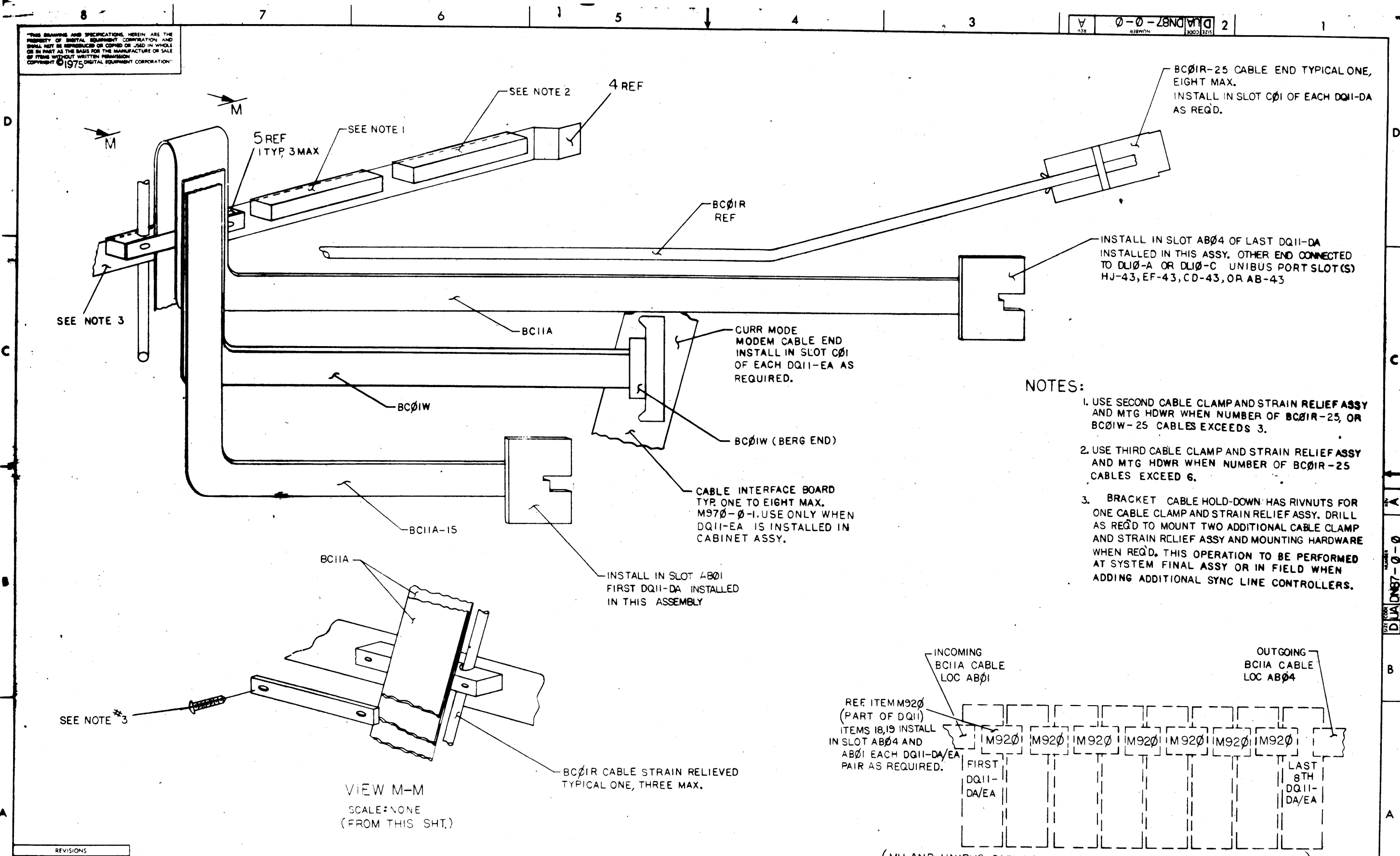
DECAL A-DC-7411269-0-0 REF
 P16, P17 NOT USED IN STD SYSTEMS
 VIEW L-L (FROM THIS SHG)
 SEE NOTE A

(EXPANDER CAB NPR SYNC CONTROL PWR HARNESS ASSY)

TITLE	UNIVERSAL COMM. SYSTEM FRONT END	SIZE CODE	D UA DN87-0-0	NUMBER	9 OF 19	REV	A
SCALE	---	SHEET	9 OF 19	DIST			

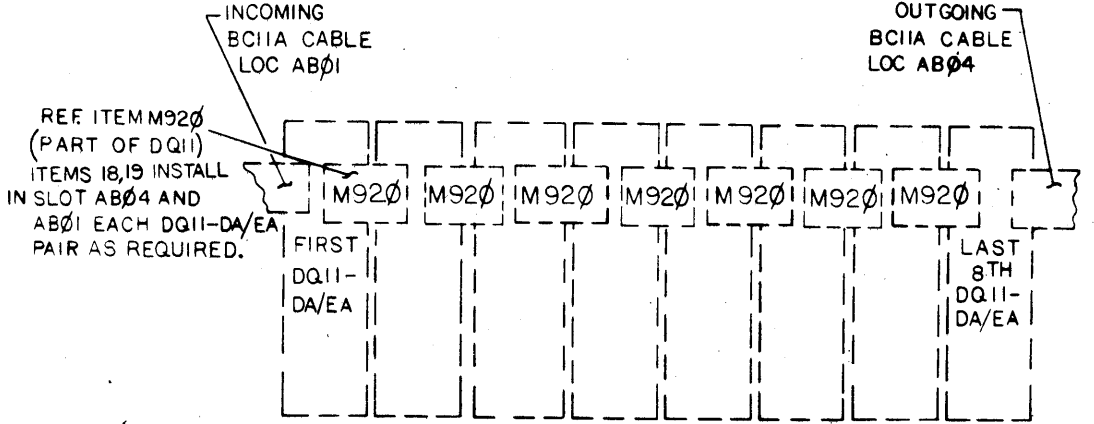
THIS DRAWING AND SPECIFICATIONS HEREIN ARE THE PROPERTY OF DIGITAL EQUIPMENT CORPORATION AND SHALL NOT BE REPRODUCED OR COPIED OR USED IN WHOLE OR IN PART AS THE BASIS FOR THE MANUFACTURE OR SALE OF ITEMS WITHOUT WRITTEN PERMISSION. COPYRIGHT © 1975 DIGITAL EQUIPMENT CORPORATION.

0-0-28ND111D 2



SEE NOTE 3

VIEW M-M
SCALE: NONE
(FROM THIS SHT.)



(MU AND UNIBUS CABLING NPR SYNC LINE CONT EXP. CAB. BACK PLANE)

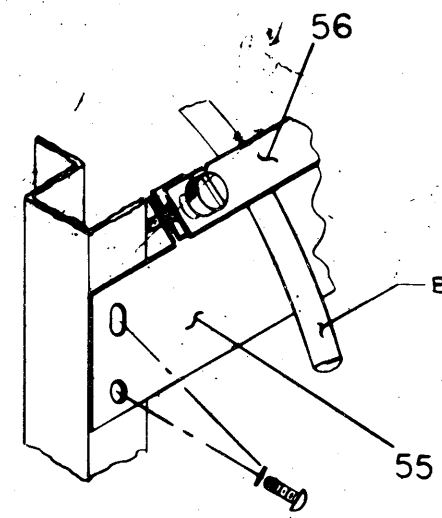
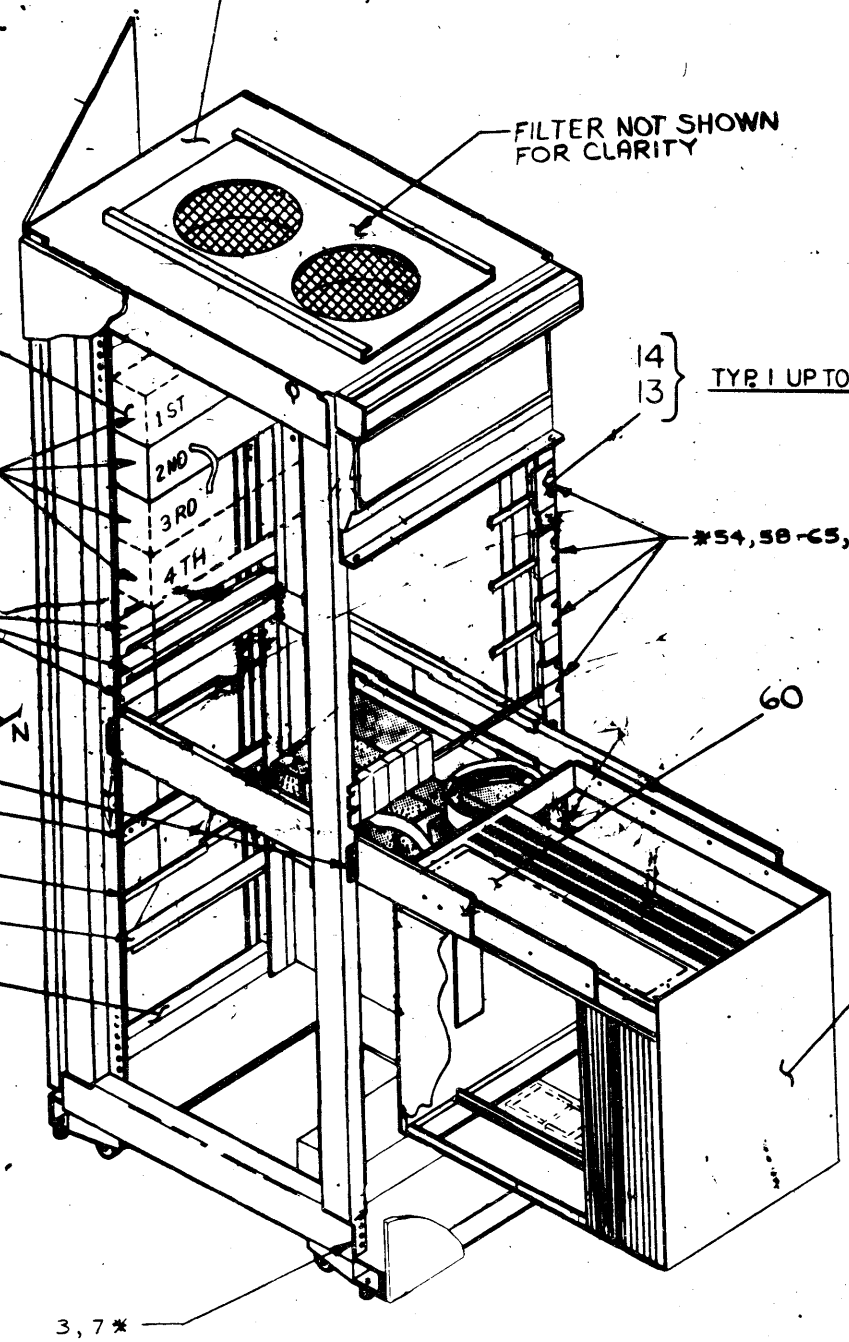
REVISIONS		
CHK	CHANGE NO	REV

TITLE	UNIVERSAL COMM. SYSTEM FRONT END	SIZE CODE	NUMBER	REV.
SCALE	NONE	SHEET	1 OF 19	A
DUA DN87-0-0		DIST.		

DUA DN87-0-0

THIS DRAWING AND SPECIFICATIONS HEREIN ARE THE PROPERTY OF DIGITAL EQUIPMENT CORPORATION AND SHALL NOT BE REPRODUCED OR COPIED OR USED IN WHOLE OR IN PART AS THE BASIS FOR THE MANUFACTURE OR SALE OF ITEMS WITHOUT WRITTEN PERMISSION. COPYRIGHT © 1975 DIGITAL EQUIPMENT CORPORATION

*DENOTES TINNEMAN NUT LOCATIONS.



VIEW N-N
SCALE: NONE
(FROM THIS SHT.)

14
13
TYPICAL 1 TO 4
MAXIMUM

FILTER NOT SHOWN
FOR CLARITY

14
13
TYP. 1 UP TO 4 MAX.

#54, 58-65, 69-76, 80-87, 91

51
35
33
20
15
14
13
TYP. 1 UP TO 4 MAX.

ASYNC LINE EXPANSION CAB
EQUIPMENT LOCATION DETAILS

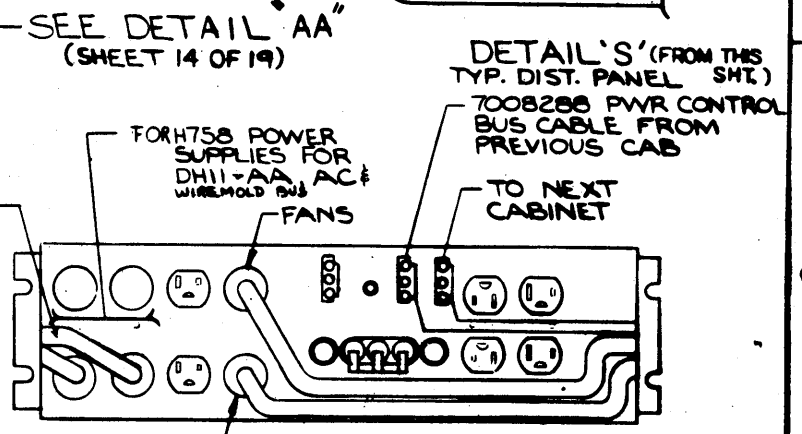
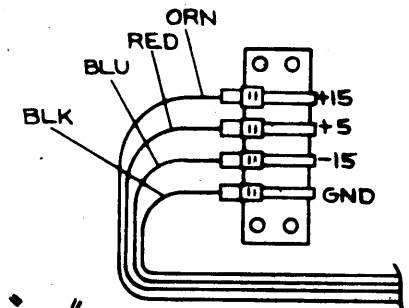
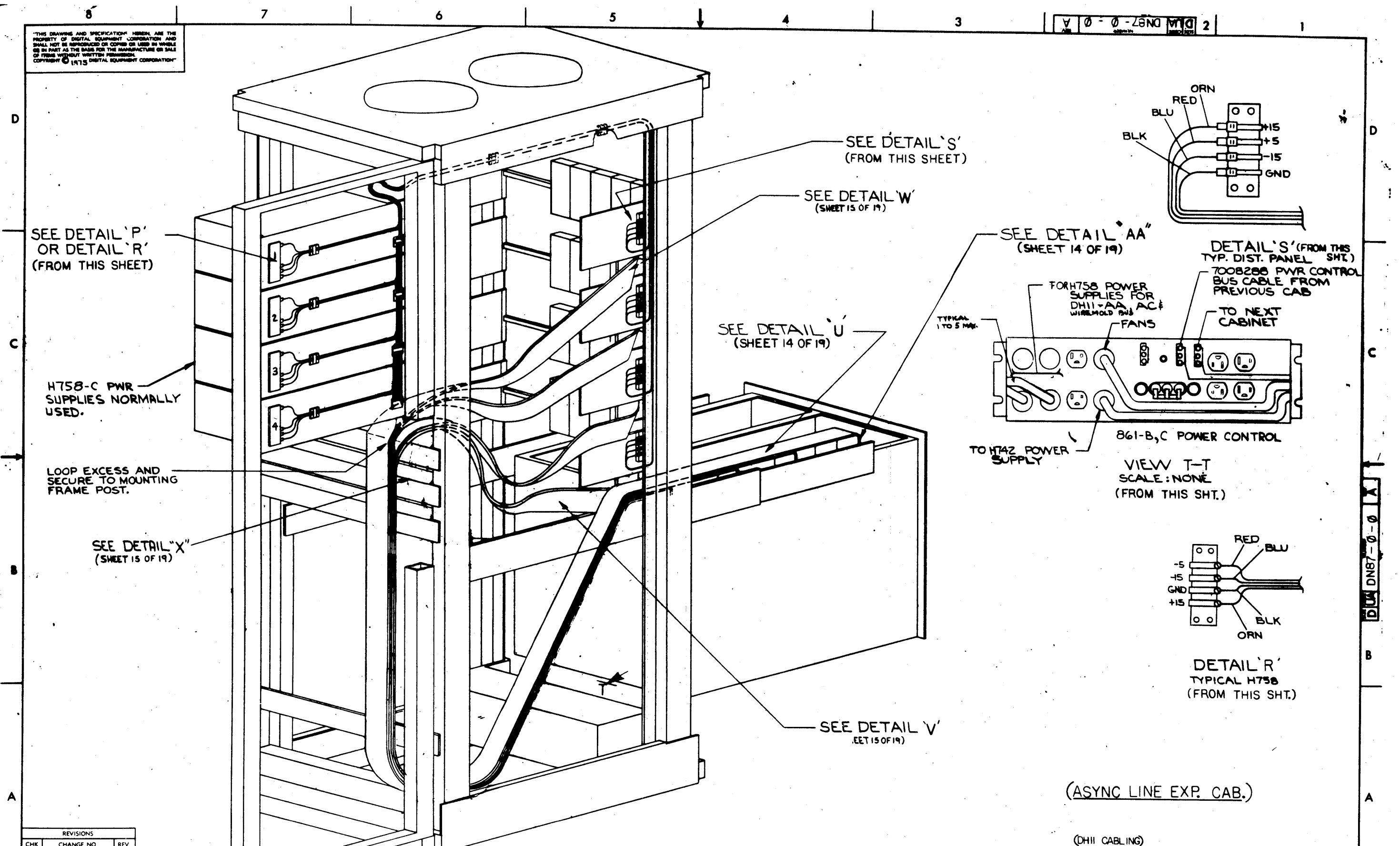
REVISIONS		
CHK	CHANGE NO.	REV.

TITLE	UNIVERSAL COMM. SYSTEM FRONT END	SIZE CODE	DUA	NUMBER	DN87-0-0	REV.	A
SCALE	#	SHEET	11 OF 19	DIST.			

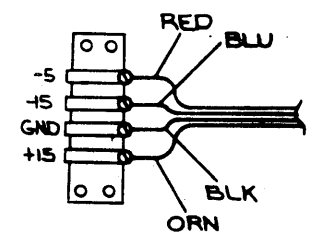
DUA DN87-0-0-0

"THIS DRAWING AND SPECIFICATION" HEREIN ARE THE PROPERTY OF DIGITAL EQUIPMENT CORPORATION AND SHALL NOT BE REPRODUCED OR COPIED OR USED IN WHOLE OR IN PART AS THE BASIS FOR THE MANUFACTURE OR SALE OF ITEMS WITHOUT WRITTEN PERMISSION. COPYRIGHT © 1973 DIGITAL EQUIPMENT CORPORATION

0-0-28ND 110 2



VIEW T-T
SCALE: NONE
(FROM THIS SHT.)



DETAIL R
TYPICAL HT58
(FROM THIS SHT.)

(ASYNC LINE EXP. CAB.)

(DH11 CABLING)

REVISIONS		
CHK	CHANGE NO	REV

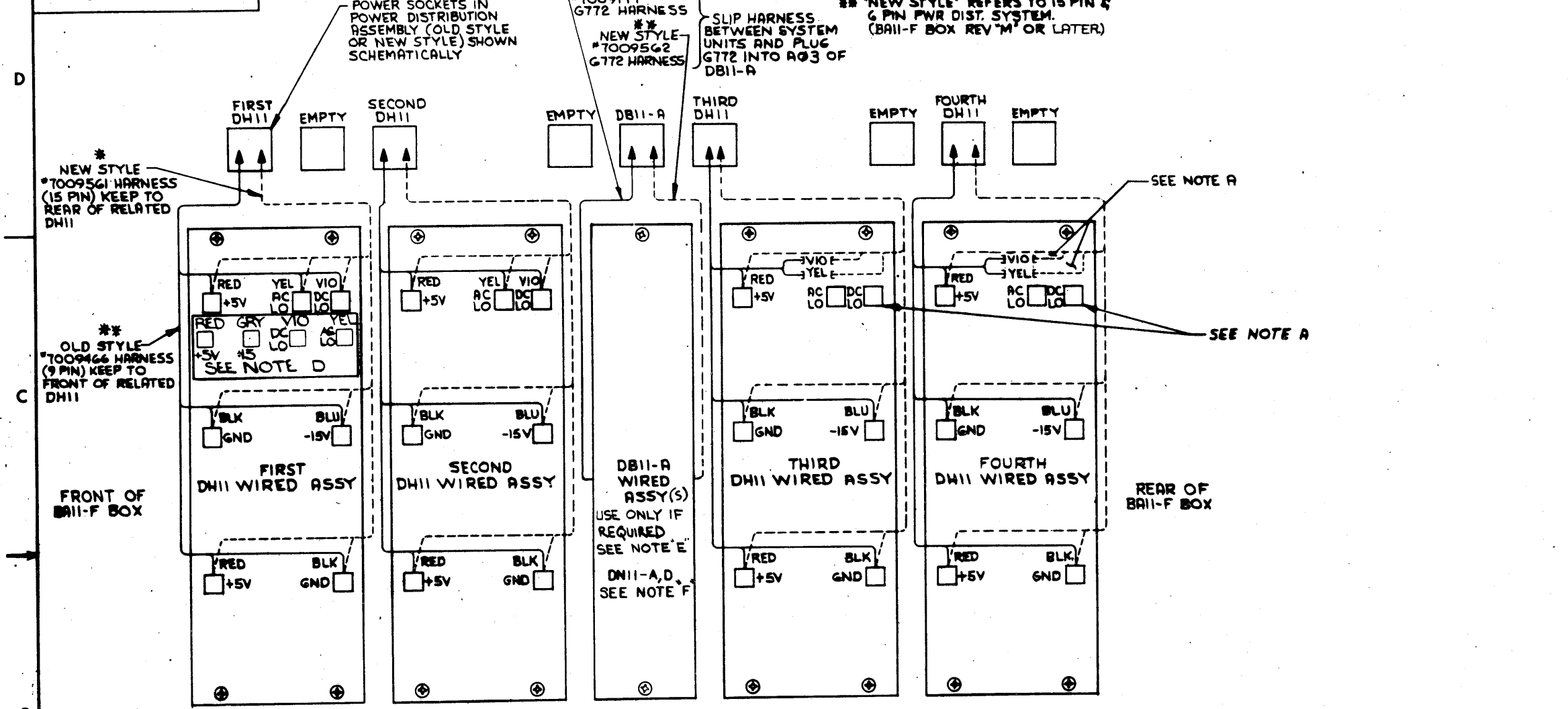
TITLE	UNIVERSAL COMM SYSTEM FRONT END	STK CODE	DUA	NUMBER	DN87-0-0	REV.	A
SCALE	NONE	SHEET	12 OF 19	DIST.			

THIS DRAWING AND SPECIFICATIONS, HEREIN, ARE THE PROPERTY OF DIGITAL EQUIPMENT CORPORATION AND SHALL NOT BE REPRODUCED OR COPIED OR USED IN WHOLE OR IN PART AS THE BASIS FOR THE MANUFACTURE OR SALE OF ITEMS WITHOUT WRITTEN PERMISSION. COPYRIGHT © 1975, DIGITAL EQUIPMENT CORPORATION.

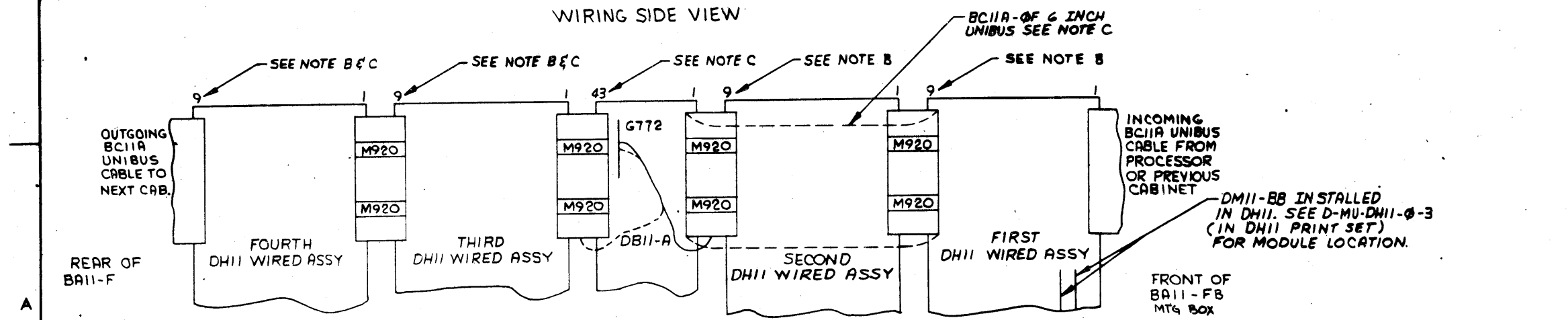
- NOTES:**
- A. ON THE THIRD & FOURTH DH11'S ONLY, DO NOT CONNECT AC LO (YEL) OR DC LO (VIO) WIRE. SLEEVE EACH WIRE WITH SHRINK SLEEVING
 - B. INSTALL UNIBUS TERMINATOR M930 (SUPPLIED WITH PROCESSOR) IN SLOT AB09 OF LAST DH11 IF THE UNIBUS ENDS IN THIS CABINET.
 - C. INSTALL OUTGOING UNIBUS CABLE BC11A IN SLOT AB09 OF THE THIRD OR FOURTH (LAST) DH11 OR SLOT AB04 OF THE DB11-A IF THE UNIBUS CONTINUES BEYOND THE CABINET. PROVIDE THE BC11A-OF UNIBUS JUMPER IF ONLY THE FIRST DH11 IS PROVIDED AND THE UNIBUS CONTINUES BEYOND THIS CABINET TO NEXT CABINET ASSY. (DN81-BA/EB)
 - D. ETCH ENCLPLANE 5410333 REV A OR LATER HAVE 4 TERMINALS IN TOP ROW,

+5	+15	DC LO	AC LO
----	-----	-------	-------

 NOTE NEW ARRANGMENT AND CONNECT HARNESS ACCORDINGLY IF REQUIRED.
 - E. USE DB11-A UNIBUS REPEATER IF MORE THAN 2 DH11-AA, AC'S ARE REQUIRED. OTHERWISE LEAVE SPACE BLANK.
 - F. INSTALL DN11-A (WIRED ASSY) IF REQUIRED. DN11-A IS USED IN NON-STANDARD SYSTEMS ONLY (OPTION CODES DN81-FF FG) IN THIS LOCATION IF DB11-A NOT USED, OTHERWISE LOCATE IN REMAINING SPACE OF BA11-FB MT6 BOX. (PART OF ITEMS 6,7).



WIRING SIDE VIEW



MODULE SIDE VIEW

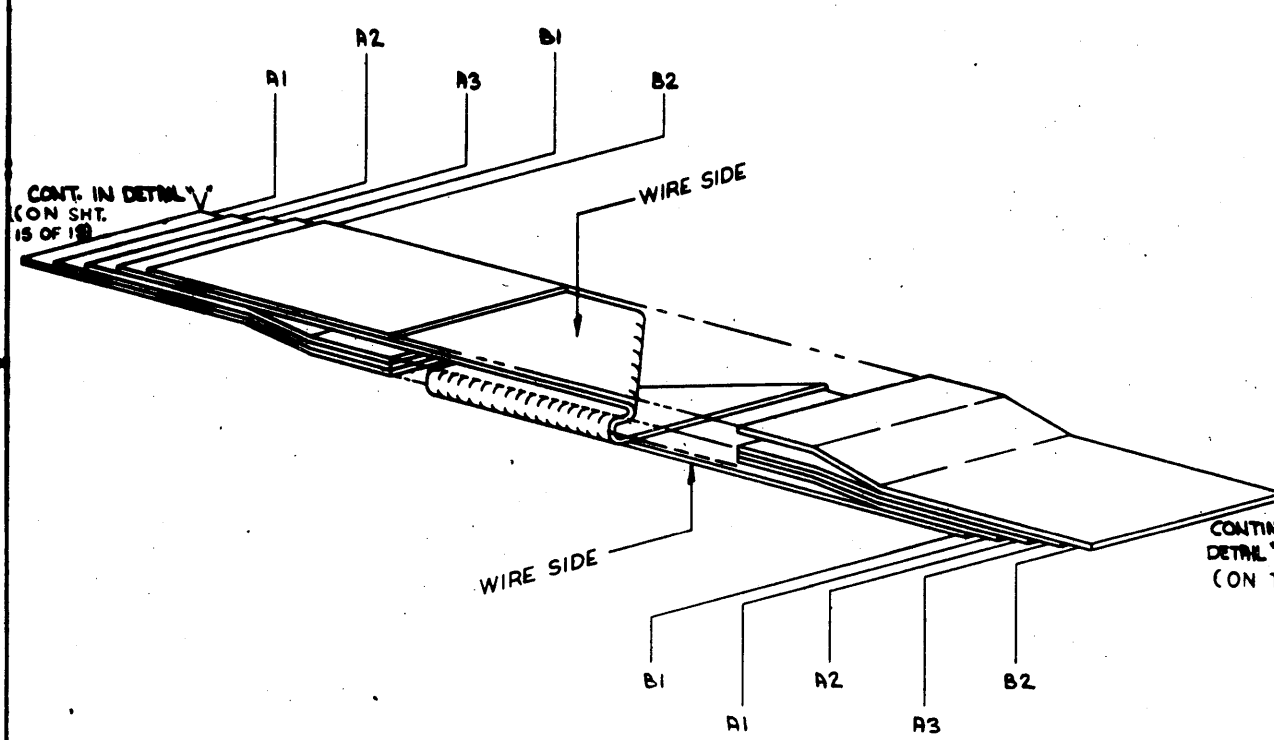
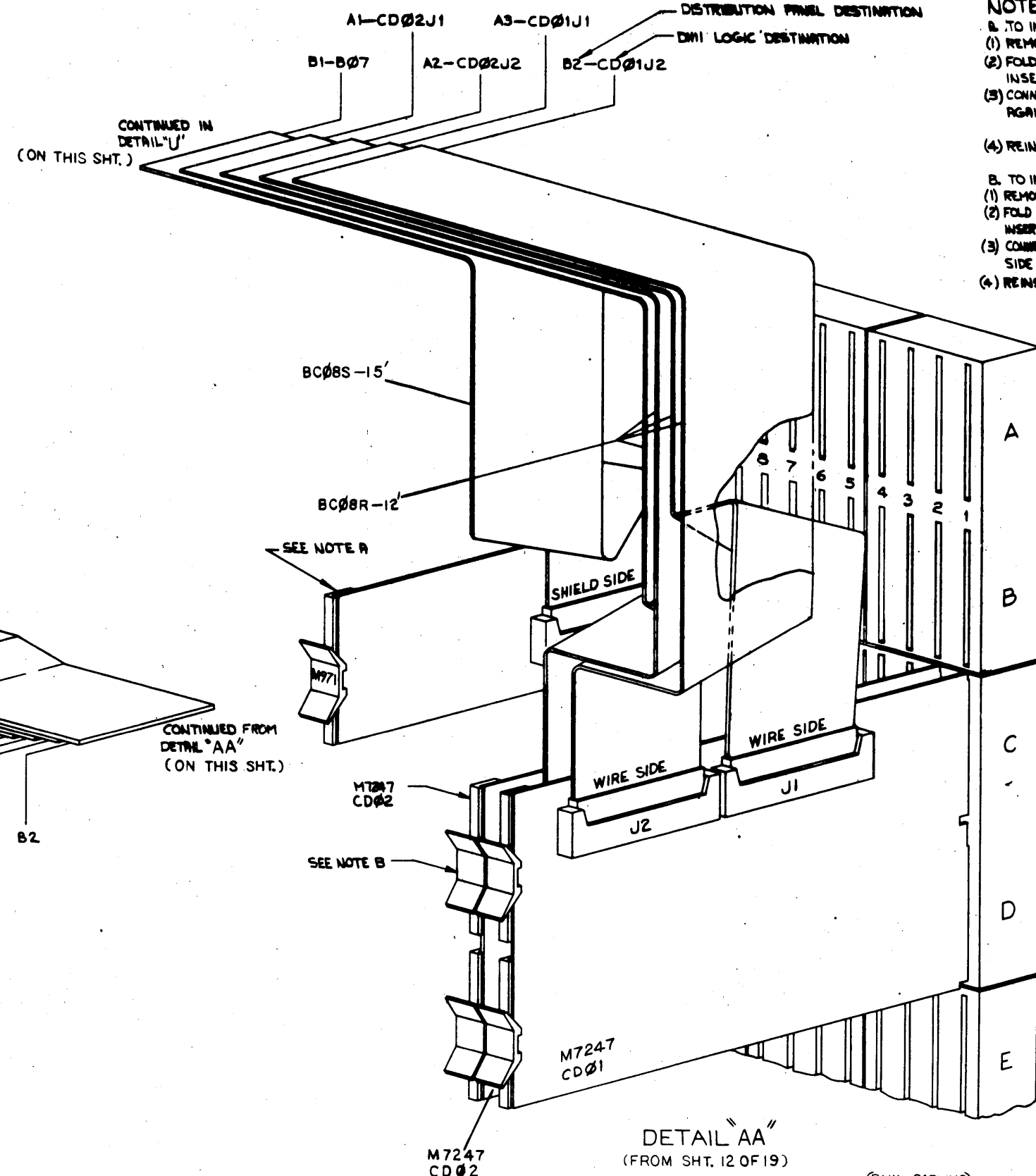
(ASYNC LINE EXP. CAB. BACK PLANE)

REVISIONS			TITLE	SIZE CODE	NUMBER	REV.
CHK	CHANGE NO	REV				
			UNIVERSAL COMM. SYSTEM FRONT END	DUA	DN87-0-0	A
			SCALE	SHEET	13 OF 19	DIST.

"THE DRAWING AND SPECIFICATIONS HEREIN ARE THE PROPERTY OF DIGITAL EQUIPMENT CORPORATION AND SHALL NOT BE REPRODUCED OR COPIED OR USED IN WHOLE OR IN PART AS THE BASIS FOR THE MANUFACTURE OR SALE OF ITEMS WITHOUT WRITTEN PERMISSION. COPYRIGHT © 1975 DIGITAL EQUIPMENT CORPORATION"

0-0-28ND 17D 2

- NOTES:**
- A. TO INSTALL CABLE TO M771-B07:**
- (1) REMOVE G7360-A07 AND M7821-A06.
 - (2) FOLD CABLE AS SHOWN IN DETAIL "AA" INSERT DOWN THRU MODULES.
 - (3) CONNECT CABLE TO MODULE WIRE SIDE AGAINST BOARD.
 - (4) REINSTALL MODULES REMOVED.
- B. TO INSTALL CABLES TO M7247'S CD01 & CD02:**
- (1) REMOVE M7821-A02 & M796-B02.
 - (2) FOLD CABLES AS SHOWN IN DETAIL "AA" INSERT THRU MODULES.
 - (3) CONNECT CABLES TO MODULES, SHIELD SIDE AGAINST BOARD.
 - (4) REINSTALL MODULES REMOVED.



CONTINUED FROM DETAIL "AA" (ON THIS SHT.)

CONTINUED IN DETAIL "U" (ON THIS SHT.)

SEE NOTE B

SEE NOTE A

DETAIL "AA" (FROM SHT. 12 OF 19)

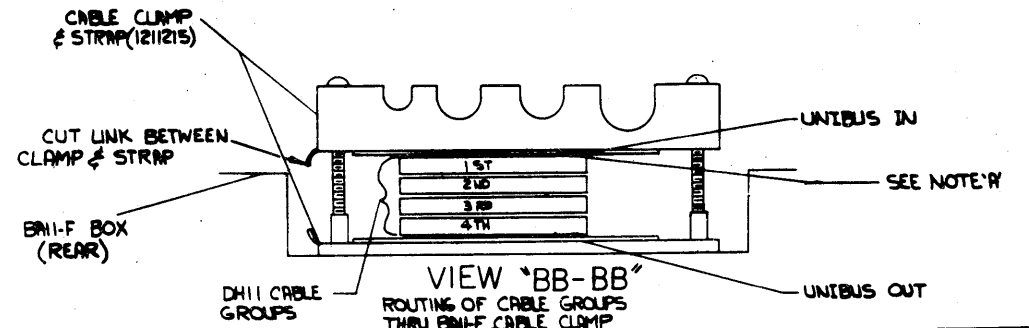
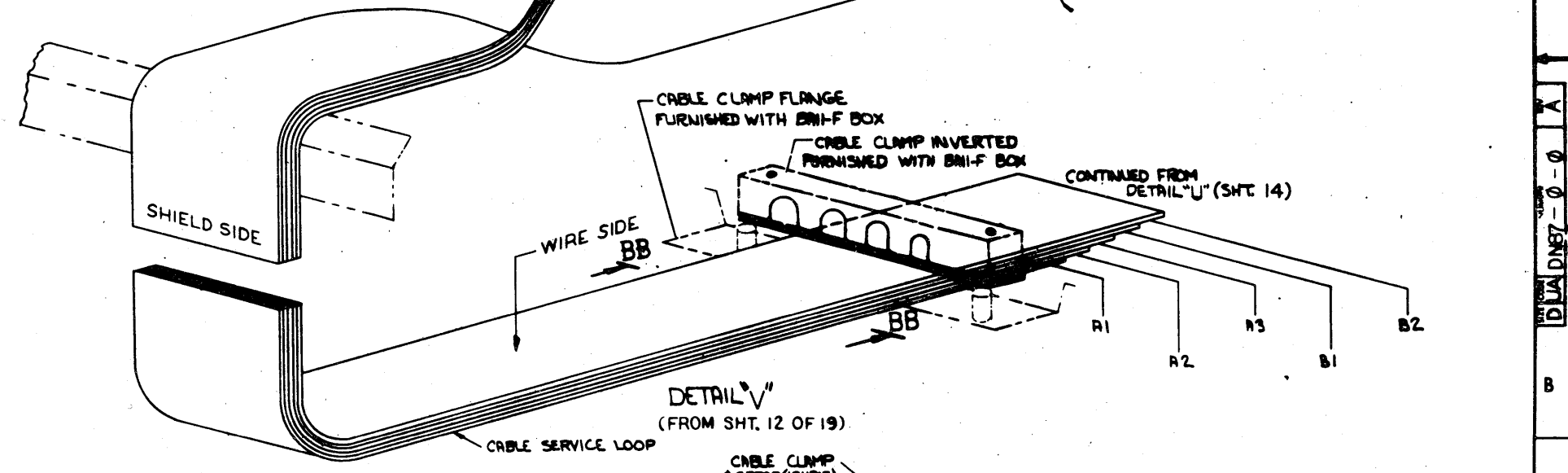
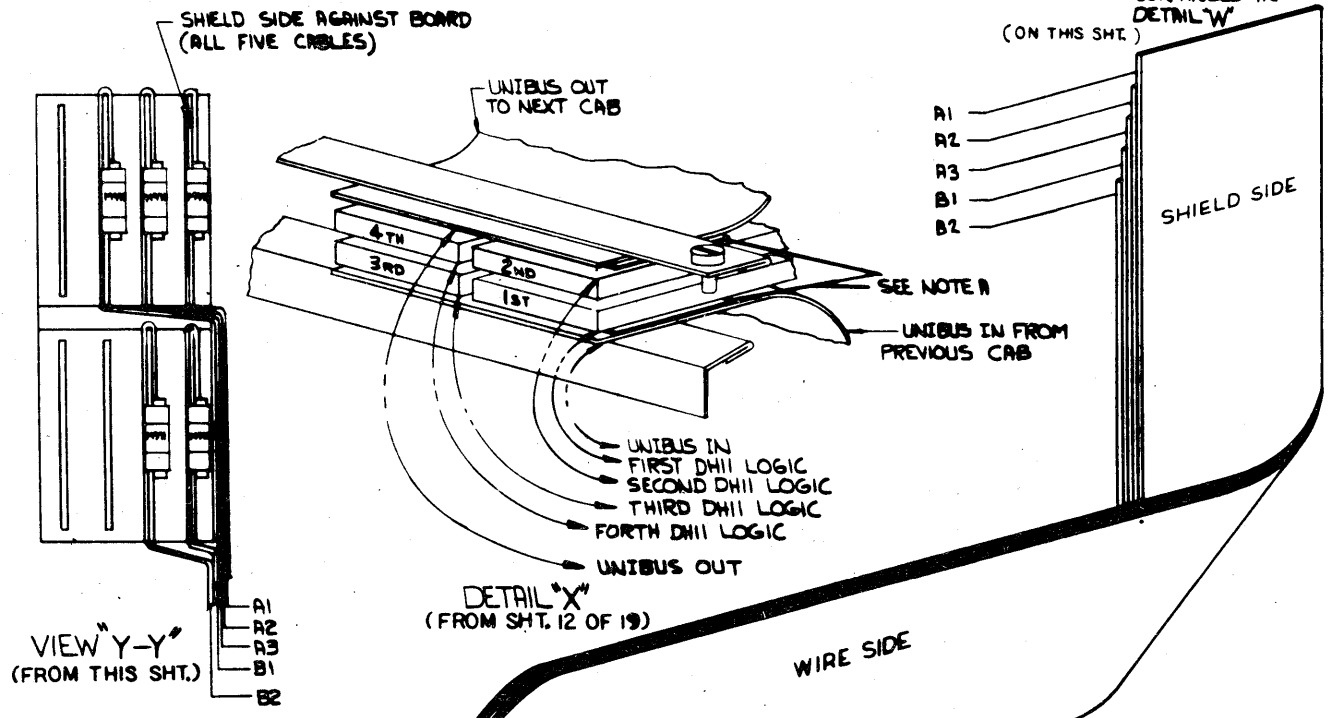
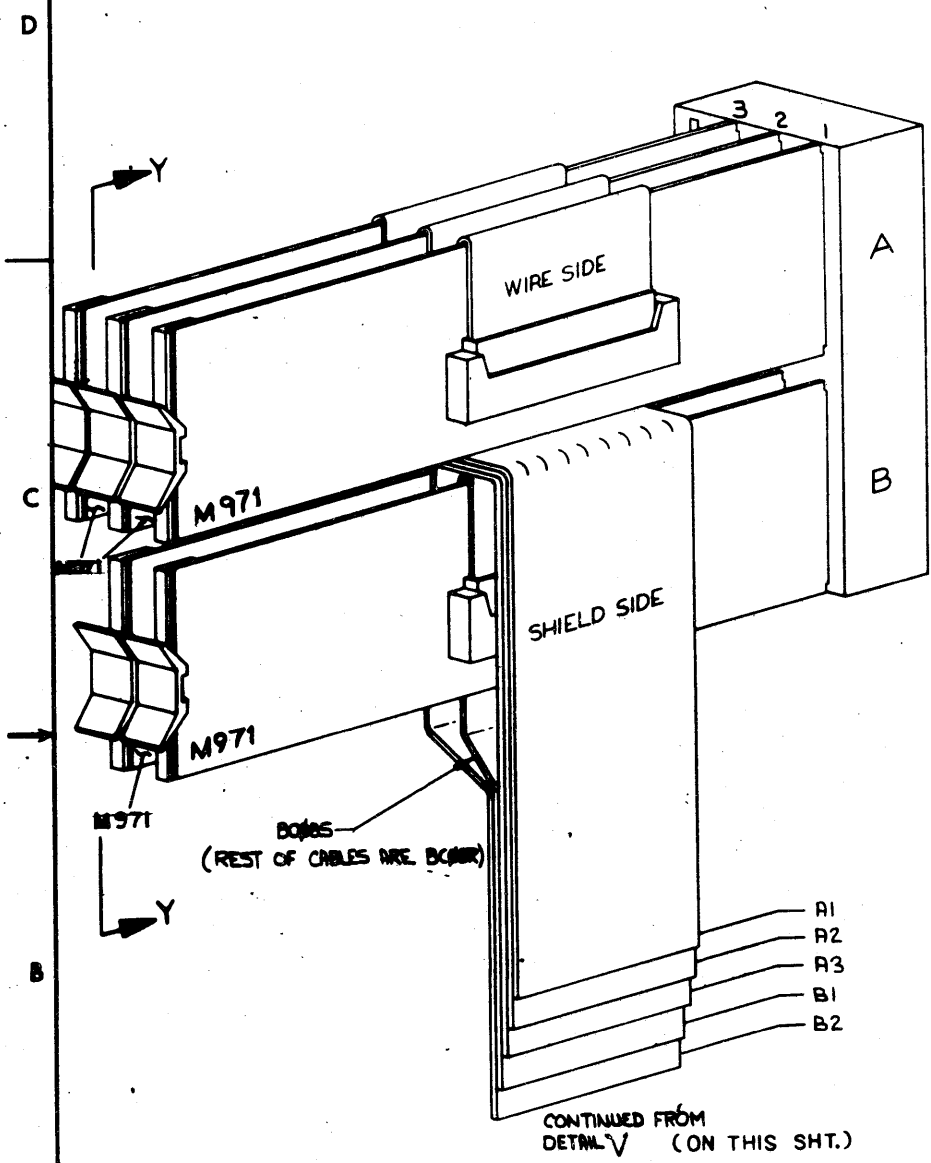
DETAIL "U" (FROM SHT. 12 OF 19)

REVISIONS		
CHK	CHANGE NO	REV

TITLE UNIVERSAL COMM SYSTEM FRONT END		SIZE CODE DUA	NUMBER DN87-0-0	REV. A
SCALE NONE	SHEET 14 OF 19	DIST.		

"THIS DRAWING AND SPECIFICATIONS HEREIN ARE THE PROPERTY OF DIGITAL EQUIPMENT CORPORATION AND SHALL NOT BE REPRODUCED OR COPIED OR USED IN WHOLE OR IN PART AS THE BASIS FOR THE MANUFACTURE OR SALE OF ITEMS WITHOUT WRITTEN PERMISSION. COPYRIGHT © 1975 DIGITAL EQUIPMENT CORPORATION"

NOTES:
A. INSTALL VINYL FORM BETWEEN UNIBUS & OTHER CABLES WHERE UNIBUS GOES THRU CABLE CLAMPS.



REVISIONS		
CHK	CHANGE NO	REV

TITLE	UNIVERSAL COMM SYSTEM	SIZE CODE	D UA	NUMBER	DN87-0-0	REV.	A
SCALE	NONE	SHEET	15 OF 19	DIST.			

THIS DRAWING AND SPECIFICATIONS HEREIN ARE THE PROPERTY OF DIGITAL EQUIPMENT CORPORATION AND SHALL NOT BE REPRODUCED OR COPIED OR USED IN WHOLE OR IN PART AS THE BASIS FOR THE MANUFACTURE OR SALE OF ITEMS WITHOUT WRITTEN PERMISSION. COPYRIGHT © 1975, DIGITAL EQUIPMENT CORPORATION.

0-0-28NC MDC 2

M971	M971	M971	M594	M594																	M594	M594
CABLE DATA SET CNTRL LINES	CABLE DATA SET CNTRL LINES	CABLE DATA SET CNTRL LINES	** LINE 11	** LINE 15	LINE 0	LINE 1	LINE 2	LINE 3	LINE 4	LINE 5	LINE 6	LINE 7	LINE 8	LINE 9	LINE 10	LINE 11	LINE 12	LINE 13	LINE 14	LINE 15	*** LINE 8	*** LINE 12
THRU 03	THRU 07	THRU 11	THRU 'C' SLOT	THRU 'C' SLOT	SLOT 'A'	SLOT 'A'	SLOT 'A'	SLOT 'A'	SLOT 'A'	SLOT 'A'	SLOT 'A'	SLOT 'A'	SLOT 'A'	SLOT 'A'	SLOT 'A'	SLOT 'A'	SLOT 'A'	SLOT 'A'	SLOT 'A'	SLOT 'A'	THRU 'D' SLOT	THRU 'D' SLOT
M971	M971	M974	M594	M594																	M594	M594
CABLE DATA SET CNTRL LINES	CABLE DATA SET CNTRL LINES	▲▲ LOOP BACK TEST LINES	** LINE 3	** LINE 7	LINE 0	LINE 1	LINE 2	LINE 3	LINE 4	LINE 5	LINE 6	LINE 7	LINE 8	LINE 9	LINE 10	LINE 11	LINE 12	LINE 13	LINE 14	LINE 15	*** LINE 0	*** LINE 4
THRU 15	THRU 15	THRU 15	THRU 'C' SLOT	THRU 'C' SLOT	SLOT 'B'	SLOT 'B'	SLOT 'B'	SLOT 'B'	SLOT 'B'	SLOT 'B'	SLOT 'B'	SLOT 'B'	SLOT 'B'	SLOT 'B'	SLOT 'B'	SLOT 'B'	SLOT 'B'	SLOT 'B'	SLOT 'B'	SLOT 'B'	THRU 'D' SLOT	THRU 'D' SLOT

WIRING SIDE VIEW OF DISTRIBUTION PANEL (MODULE UTILIZATION)

- USED WHEN DF11-BB, DM11-DC (EIA FULL CONTROL) OR DF11-BA IS IMPLEMENTED
- DATA CABLE FROM DH11-A LOGIC
- ▲▲ LOOP BACK TEST CARD FOR DIAGNOSTICS REMOVE FOR NORMAL OPERATION
- X CAN USE M973 IN PLACE OF M973
- ** EIA LEVEL CONVERSION FOR DATA LEADS ONLY (SEE CHART)
- *** ACTIVE 20mA LEVEL CONVERSION (SEE CHART)

USAGE OF LINE	OPTION FOR 8 LINES EXC. AS NOTED	ORIG OPTION	NOTES:
0 LOOP BACK TEST			EMPTY DONT CARE EMPTY EMPTY — M974 IN B03. ALL LINES (0 THRU 15) AFFECTED.
1 20mA ACTIVE LOCAL	DN81-FA	DM11-DA	EMPTY M973 ‡ EMPTY M594 OR ITEM*23 — ALL 4 SLOTS IN EACH GROUP (0-3, 4-7, 8-11, 12-15) MUST BE IN THIS MODE, IF ANY ARE.
2 EIA LOCAL (DATA ONLY) ‡	DN81-FB	DM11-DB	W404 BC01R-25 M594 ITEM*23 ITEM*23 — ALL 4 SLOTS IN EACH GROUP (0-3, 4-7, 8-11, 12-15) MUST BE IN THIS MODE, IF ANY ARE.
3 EIA FULL CONTROL ‡	DN81-FC	DM11-DC (EIA)	M594 BC01R-25 EMPTY EMPTY — 4 SLOTS OF EACH 'A' GROUP (0-3, 4-7, 8-11, 12-15) MUST BE IN THIS MODE, IF ANY ARE.
4 INTEGRAL MODEM (ANS ONLY) ‡	DN81-FD	DF11-BB	M587 M587 EMPTY EMPTY — INCLUDES BC11-E CABLE AS PART OF OPTION. 4 SLOTS OF EACH 'A' GROUP (0-3, 4-7, 8-11, 12-15) MUST BE IN THIS MODE IF ANY ARE. CAN ONLY BE USED IN U.S. INSTALLATIONS W/ BELL SYSTEM, DAA CBS, CDT OR EQUIV.
5 FLOATING 20mA LOCAL (1 LINE)	SPECIAL (1 LINE)	DF11-K	M598 M973 ‡ EMPTY EMPTY — INCLUDES M973 CARD FOR LINES CONNECTIONS. 4 SLOTS OF EACH 'A' GROUP (0-3, 4-7, 8-11, 12-15) MUST BE IN THIS MODE IF ANY ARE.
6 INTEGRAL MODEM (ORIG ONLY) DN81-FE (2 LINES)		DF11-BA	M586 M586 EMPTY EMPTY — 4 SLOTS OF EACH 'A' GROUP (0-3, 4-7, 8-11, 12-15) MUST BE IN THIS MODE IF ANY ARE. INCLUDES BC11-E CABLE

‡ AN-H312 NULL MODEM (ITEM*37) IS ALSO SUPPLIED FOR EACH LINE.
 SEE DWG NO D-ES-DN87-0-LFB FOR STRAP CONNECTIONS ON H312 NULL MODEM P.C. CARD
 † FOR CONNECTIONS TO COMM FACILITIES IN UNITED KINGDOM/GPO (DATEL SERVICE)
 † USE BC99-XX IN PLACE OF BC01R-25 NORMALLY SUPPLIED FOR U.S. & CANADA

DM11-DH11 DISTRIBUTION PNL. MU.
 (ASYNC LINE EXP. CAB ASSY)

REVISIONS		
CHK	CHANGE NO.	REV

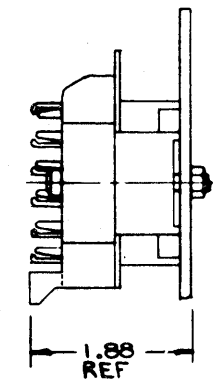
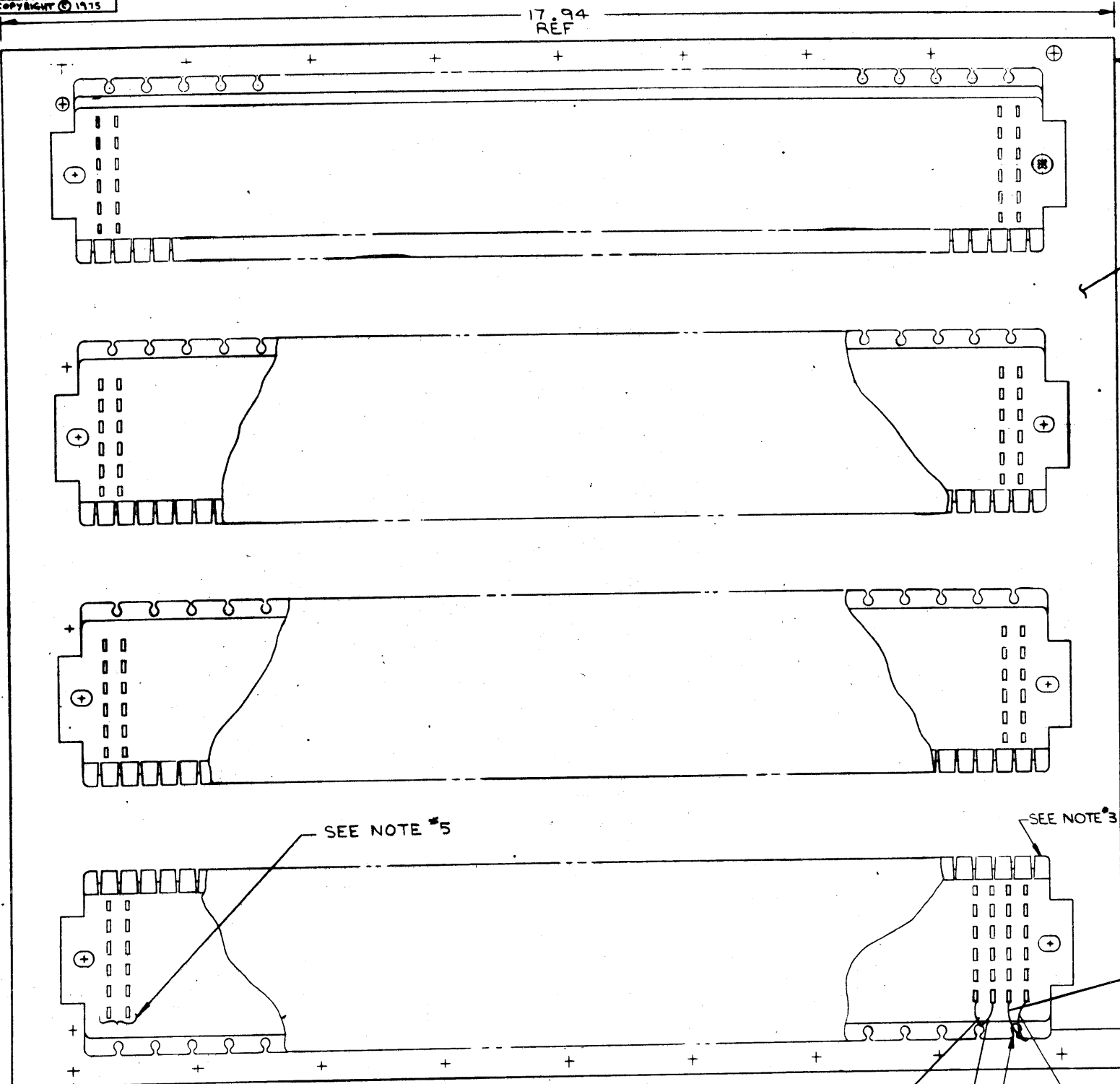
TITLE	UNIVERSAL COMM. SYSTEM FRONT END	SIZE CODE	DJA	NUMBER	DN87-0-0	REV.	A.
SCALE	---	SHEET	16 OF 19	DIST.			

THE DESIGN AND CONSTRUCTION, HEREIN, ARE THE PROPERTY OF DIGITAL EQUIP. CORP. and shall not be reproduced or copied or used in whole or in part in any manner without the written consent of DIGITAL EQUIP. CORP. COPYRIGHT © 1975

DIGITAL EQUIP. CORP.

NOTES:

- M908 MAY BE USED IN PLACE OF M973, 1209340-01 AND 1209378-01.
- SEE DWG NO. D-AD-7005498-0-0 FOR MECH DETAILS OF MAT'L USED.
- STENCIL LINE NO. OR OTHER APPROPRIATE LEGEND ON TERM BLOCK WHEN EQUIPMENT IS INSTALLED AT CUSTOMER SITE.
- TIN SOLDER STRD WIRE ENDS BEFORE CONN IS MADE W/TOOL. THEN SOLDER WIRE TO TERMS ON BLOCK. (PART NUMBER 1205854-01.)
- DO NOT USE 24 TH & 25 TH ROW ON ER. 66A325 BLOCK. KEEP EACH SEND/RCV PAIR FOR ER. FD LOOP NEXT TO EACH OTHER.
- CONNECT REMOTE TERMINALS WITH 4 CONDUCTOR STATION WIRE, SIMILAR TO DEC P/N 9105856-04, OR WESTERN ELECTRIC D TYPE STATION WIRE AT-8378 OR EQUAL FOR FIELD INSTALLATION/TEST PURPOSES.



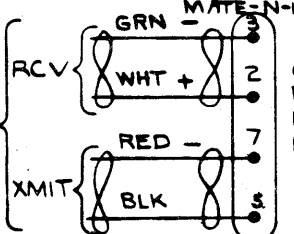
25
24

16.62
REF

M973 BOARD
CONN.

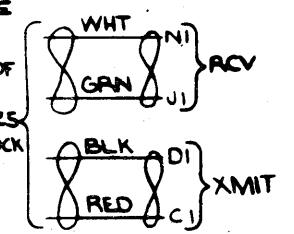
PI
INSERT IN M973
MATE-N-LOK RECEPTACLE

CONN TO #1 OF
EACH 6 PIN
ROW ON 66A325
RELIABLE BLOCK

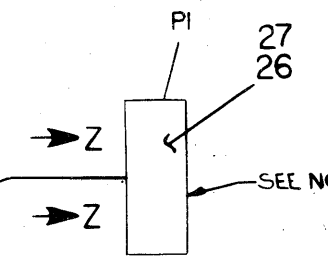


CONN TO #1 OF
EACH 6 PIN
ROW ON 66A325
RELIABLE BLOCK

M908
BOARD CONN



20 MA LINE DISTRIBUTION
PANEL MECH. DETAILS OF
DN81-FA OPTION/LINE WIRING
ASYNC LINE EXP. CAB. ASSY



1 TYPICAL OF
UP TO 96 MAX.
LOOPS

- 1 - WHITE
- 2 - GREEN
- 3 - GREEN
- 4 - BLACK
- 5 - BLACK
- 6 - RED
- 7 - RED
- 8

VIEW Z-Z
(PIN INSERTION SIDE) DN81-FA
(20 MA FD WIRING)

QTY.	DESCRIPTION	PART NO.	REV.
PARTS LIST			
UNLESS OTHERWISE SPECIFIED		EQUIPMENT CORPORATION	
DIMENSIONS IN INCHES		MATTAPAN, MASSACHUSETTS	
TOLERANCES		TITLE	
DECIMALS	FRACTIONS	ANGLES	UNIVERSAL COMM.
± .005	± 1/64	± .015	
FINAL SURFACE QUALITY		SYSTEM FRONT END	
REMOVE BURRS AND BREAK SHARP CORNERS		REVISIONS	
MATERIAL		SEE LIST	NUMBER
SEE PARTS LIST		C-PL-DN87-0-0	DN87
FINISH		SCALE	1/1
		SHEET	17 OF 19
		DIST.	

REV.	CHANGE NO.

DEC FORM NO. 100

DIA DN87-0-0

"THIS DRAWING AND SPECIFICATIONS, HEREIN, ARE THE PROPERTY OF DIGITAL EQUIPMENT CORPORATION AND SHALL NOT BE REPRODUCED OR COPIED OR USED IN WHOLE OR IN PART AS THE BASIS FOR THE MANUFACTURE OR SALE OF ITEMS WITHOUT WRITTEN PERMISSION. COPYRIGHT © 1976 DIGITAL EQUIPMENT CORPORATION"

SYNC. CONFIGURATION
FLOATING ADDRESS & FLOATING VECTOR VALUES FOR M105 (LOC F01) & M7021 (LOC G04)
 ASSUMES NO DP11'S, DN11'S, DL11'S (EXCEPT CTY), DC11'S, DM11-A'S, DM11-BB'S, DJ11'S, LPS11'S, GT40'S & DN11'S EXCEPT AS NOTED BELOW*

NUMBER OF DQ11'S		DQ11 CSR ADDRESSES & VECTOR VALUES											
		1	2	3	4	5	6	7	8	9	10	11	12
DQ11-DA #1		780030 300	780030 300	780030 300	780030 300	780030 300	780030 300	780030 300	780030 300	780030 300	780030 300	780030 300	780030 300
2			780040 310	780040 310	780040 310	780040 310	780040 310	780040 310	780040 310	780040 310	780040 310	780040 310	780040 310
3				780050 320	780050 320	780050 320	780050 320	780050 320	780050 320	780050 320	780050 320	780050 320	780050 320
4					780060 330	780060 330	780060 330	780060 330	780060 330	780060 330	780060 330	780060 330	780060 330
5						780070 340	780070 340	780070 340	780070 340	780070 340	780070 340	780070 340	780070 340
6							780100 350	780100 350	780100 350	780100 350	780100 350	780100 350	780100 350
7								780110 360	780110 360	780110 360	780110 360	780110 360	780110 360
8									780120 370	780120 370	780120 370	780120 370	780120 370
9										780130 400	780130 400	780130 400	780130 400
10											780140 410	780140 410	780140 410
11												780150 420	780150 420
12													780160 430

* IF A DM11-A OPTION IS INSTALLED ON UNIBUS, THEN INCREASE ALL ABOVE VECTOR VALUES BY (+10)_B

CSR ADDRESS & VECTOR VALUES, JUMPER MODIFICATIONS; ASYNC & SYNC/ASYNC CONFIGURATIONS
 FOR DM11-AA, DM11-BB; 115V, W/CAB OR DM11-AC, DM11-BB; 230V, W/CAB AND/OR ADDITIONAL DM11-AA, DM11-BB OR DM11-AC, DM11-BB ASYNC LINE MUX EXPANSIONS.
 VECTOR & ADDRESS VALUES ASSUME THAT THERE ARE NO DP11'S, PAG11'S, DJ11'S, DV11-S DL11'S (EXCEPT CTY), DC11'S, DM11-A'S, DR11'S, DT11'S, DX11'S CONNECTED TO POP11 UNIBUS.

NUMBER OF DM11-A'S & DM11-BB'S

DM11, DM11-BB ADDRESS & VECTOR VALUES

NUMBER OF DM11-A'S & DM11-BB'S		DM11, DM11-BB ADDRESS & VECTOR VALUES							
		1	2	3	4	5	6	7	8
DM11-A #1		780 020 310	780 020 310	780 020 320	780 020 320	780 020 330	780 020 330	780 020 340	780 020 340
#2			780 040 320	780 040 330	780 040 330	780 040 340	780 040 340	780 040 350	780 040 350
ASYNC & SYNC/ASYNC CONFIGURATIONS ONLY									
#3				780 060 340	780 060 340	780 060 350	780 060 350	780 060 360	780 060 360
#4					780 100 350	780 100 360	780 100 360	780 100 370	780 100 370
#5						780 120 370	780 120 370	780 120 400	780 120 400
#6							780 140 400	780 140 410	780 140 410
#7								780 160 420	780 160 420
#8									780 200 430

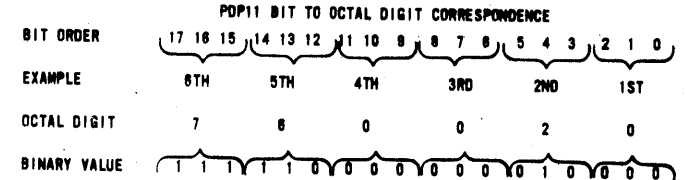
ASYNC CONFIGURATIONS ONLY

NUMBER OF DM11-A'S & DM11-BB'S

DM11, DM11-BB ADDRESS & VECTOR VALUES CONTINUED

NUMBER OF DM11-A'S & DM11-BB'S		DM11, DM11-BB ADDRESS & VECTOR VALUES CONTINUED							
		1	2	3	4	5	6	7	8
DM11-BB #1		770 500 300	770 500 300	770 500 300	770 500 300	770 500 300	770 500 300	770 500 300	770 500 300
#2			770 510 304	770 510 304	770 510 304	770 510 304	770 510 304	770 510 304	770 510 304
ASYNC & SYNC/ASYNC CONFIGURATIONS ONLY									
#3				770 520 310	770 520 310	770 520 310	770 520 310	770 520 310	770 520 310
#4					770 530 314	770 530 314	770 530 314	770 530 314	770 530 314
#5						770 540 320	770 540 320	770 540 320	770 540 320
#6							770 550 324	770 550 324	770 550 324
#7								770 560 330	770 560 330
#8									770 570 334

ASYNC CONFIGURATION ONLY



NOTES ON ADDRESS/VECTOR STRAPPING

- DQ11 STRAPPING FOR ADDRESS/VECTOR ASSIGNMENTS ARE BASED ON THE NUMBER OF DM11'S INSTALLED. SEE SHEET FOR STANDARD ADDRESSES, VECTORS AND STRAPPING OF DQ11 FOR SYNC/ASYNC CONFIGURATIONS.
- DM11-BB VECTOR ADDRESSES SHOWN ARE FOR THOSE ORDER CONFIGURATIONS WITHOUT DM11'S INSTALLED. NOTE: IF ONE OR TWO DM11 OPTIONS ARE INSTALLED, THEN VECTOR ADDRESS VALUES SHOWN ABOVE (DM11, DM11-BB, DQ11) SHOULD BE INCREASED BY (+10)_B FOR EACH DM11-AA OPTION INSTALLED.
- IN AN ASYNC CONFIGURATION, THE TOTAL NUMBER OF DM11-A & DM11-BB'S THAT CAN BE INSTALLED CAN NEVER EXCEED EIGHT (128 LINES).
- THE TOTAL NUMBER OF DQ11-DA OPTIONS THAT CAN BE INSTALLED IN A SYNC/ASYNC SYSTEM CAN NEVER EXCEED FOUR.
- THE TOTAL NUMBER OF DM11-A & DM11-BB OPTIONS THAT CAN BE INSTALLED IN A SYNC/ASYNC SYSTEM CAN NEVER EXCEED TWO (32 LINES).
- FOR CSR & VECTOR ADDRESS STRAPPING FOR DM11-A & DM11-BB, SEE SHEET

DL11-A CONSOLE TERMINAL INTERFACE (M7800-YA) CDEF09 KD11 BACKPLANE

JUMPER	STATE	JUMPER	STATE	2 STOP BITS	OPERATING SPEED
J1	EITHER	N1	IN	NO HARDWARE PARITY	110 BAUD TX
J2	OUT	N3	IN	EIGHT DATABITS	110 BAUD RX
J3	EITHER	A4	OUT	ADDRESS 777560	PRIORITY PLUG
J4	EITHER	A5	OUT	VECTOR 60	BR4
J5	OUT	A6	OUT		
J6	OUT	A7	IN		
J7	OUT	A8	OUT		
J8	OUT	A9	OUT		
J9	OUT	A10	OUT		
J10	IN	V3	OUT		
J11	OUT	V4	IN		
2SB	OUT	V5	IN		
NP	OUT	V6	OUT		
EPS	OUT	V7	OUT		
NP1	OUT	V8	OUT		
NP2	OUT				

THIRD ANGLE PROJECTION	DESCRIPTION	DWG./PART NO.	ITEM NO.
	UNLESS OTHERWISE SPECIFIED DIMENSIONS ARE IN INCHES		
REMOVE BURRS AND BREAK SHARP CORNERS	ANGLES 45° 30°	CLASS OF ACCURACY (CHECK ONE)	NOMINAL DIMENSION RANGE INCHES
	SURFACE QUALITY IN	MEDIUM	OVER 0 TO 0.25
DO NOT SCALE DWG	QUANTITY & VARIATION	PREFERRED	0.004 0.008 0.012 0.016 0.024 0.04
MATERIAL	DRN. E. De... 27-3-76	FIRST USED ON	DN87
FINISH	CHK'D... 1/24/76	TITLE	UNIVERSAL COMM. SYSTEM FRONT END
	PROJ. ENG... 1/24/76	SIZE CODE	D UA DN87-0-0
	PROD. V... 1/24/76	SCALE	18 OF 19
		SHEET	DIST.

REVISIONS
 CHANGE NO.
 CHK

DUA DN87-0-0

THIS DRAWING AND SPECIFICATIONS HEREIN ARE THE PROPERTY OF DIGITAL EQUIPMENT CORPORATION AND SHALL NOT BE REPRODUCED OR COPIED OR USED IN WHOLE OR IN PART AS THE BASIS FOR THE MANUFACTURE OR SALE OF ITEMS WITHOUT WRITTEN PERMISSION. COPYRIGHT © 1976, DIGITAL EQUIPMENT CORPORATION

DQ11 ADDRESS & VECTOR VALUES FOR UNIVERSAL (SYNC/ASYNC) CONFIGURATIONS ONLY

OF DQ11-A'S & DQ11-B'S

NOTES:	1	2	3	4	5	6	7	8
W/O DQ11 INSTALLED	DQ11-DA/EA #1 760 050 320	760 070 330	760 110 350	760 130 360	760 150 400	760 170 410	760 210 430	760 230 440
	#2 760 060 330	760 100 340	760 120 360	760 140 370	760 180 410	760 200 420	760 220 440	760 240 450
	#3 760 070 340	760 110 350	760 130 370	760 150 400	760 170 420	760 210 440	760 230 450	760 250 460
	#4 760 100 350	760 120 360	760 140 400	760 160 410	760 200 430	760 220 440	760 240 460	760 260 470
NOT NORMALLY INSTALLED SEE NOTE 2	DQ11 #1 775 200 300	775 200 300	775 200 300	775 200 300	775 200 300	775 200 300	775 200 300	775 200 300

OCTAL TO JUMPER CONVERSIONS FOR DQ11 AND DQ11-BB

M7021 INTERRUPT MODULE

FOR DQ11-BB & DQ11-AA, AC

MU LOC FOR DQ11-BB = F01; FOR DQ11-AA, AC = A00

JUMPER ETCH MARKS

W6	W7	W8	W5	W4	W3	W2
300	OUT	IN	IN	OUT	OUT	OUT
304	OUT	IN	IN	OUT	OUT	IN
310	OUT	IN	IN	OUT	OUT	IN
314	OUT	IN	IN	OUT	OUT	IN
320	OUT	IN	IN	OUT	IN	OUT
324	OUT	IN	IN	OUT	IN	OUT
330	OUT	IN	IN	OUT	IN	OUT
334	OUT	IN	IN	OUT	IN	OUT
340	OUT	IN	IN	OUT	IN	OUT
350	OUT	IN	IN	OUT	IN	OUT
360	OUT	IN	IN	OUT	IN	OUT
370	OUT	IN	IN	OUT	IN	OUT
400	IN	OUT	OUT	OUT	OUT	OUT
410	IN	OUT	OUT	OUT	OUT	IN
420	IN	OUT	OUT	OUT	IN	OUT
430	IN	OUT	OUT	OUT	IN	IN

SEE SHEET FOR DQ11-BB & DQ11-AA, AC VECTOR VALUES
OUT = 1
IN = 0

* ALWAYS IN FOR M7021; PART OF DQ11-AA, AC IN MU LOC AND

M7R CONTROL

ALL JUMPERS ARE "DON'T CARE" (IN OR OUT)

M7R SPEED UP

W0: IN

M7277: MU LOC ABCDEF04

DQ11-A: ADDRESS; OUT = 1 IN = 0

BITS 0, 9, 10, 11, 12 ARE ALL "ONES"

JUMPER ETCH MARKS

	Z7	Z6	Z5	Z4
760 020	IN	IN	IN	OUT
040	IN	IN	OUT	IN
060	IN	IN	OUT	OUT
100	IN	OUT	IN	IN
120	IN	OUT	IN	OUT
140	IN	OUT	OUT	IN
160	IN	OUT	OUT	OUT
200	OUT	IN	IN	IN

SYNC/ASYNC ADDRESS RANGE

ASYNC ADDRESS RANGE

DQ11-A: G7360 PRIORITY SEL BOARD: LOC A07

BR LEVEL SEL PLUGS SHOULD BE P/N 540977A (LEVEL 5).

M705: MU LOC E01

DQ11-BB ADDRESS: OUT = 1 IN = 0

BITS 0, 8 & 12 ARE ALL OUT
BITS 7, 9, 10 & 11 ARE ALL IN

JUMPER ETCH MARKS

	W5	W4	W3
770 500	IN	IN	IN
510	IN	IN	OUT
520	IN	OUT	IN
530	IN	OUT	OUT
540	OUT	IN	IN
550	OUT	IN	OUT
560	OUT	OUT	IN
570	OUT	OUT	OUT

SYNC/ASYNC ADDRESS RANGE

ASYNC ADDRESS RANGE

DQ11-DA OCTAL TO JUMPER CONVERSION, VECTOR VALUES (SYNC/ASYNC CONFIG).

M7021 (LOC C04) W0-NPR LATENCY ALWAYS IN

JUMPER ETCH MARKS: OUT = 0 IN = 1

W6	W7	W8	W5	W4	W3	W2	DQ11 VECTOR VALUE SEE NOTE 1
OUT	IN	IN	OUT	IN	OUT	IN	320
OUT	IN	IN	OUT	IN	IN	IN	340
OUT	IN	IN	IN	OUT	OUT	IN	360
OUT	IN	IN	IN	OUT	IN	IN	380
OUT	IN	IN	IN	IN	OUT	IN	400
OUT	IN	IN	IN	IN	IN	IN	420
IN	OUT	OUT	OUT	OUT	OUT	IN	440
IN	OUT	OUT	OUT	OUT	IN	IN	460
IN	OUT	OUT	OUT	IN	OUT	IN	480
IN	OUT	OUT	IN	OUT	IN	IN	500
IN	OUT	OUT	IN	IN	OUT	IN	520
IN	OUT	OUT	IN	IN	IN	IN	540

DQ11-DA/EA SWITCH/STRAP

PROTOCOL & INTERFACE OPTIONS SELECTION SYNC, SYNC/ASYNC CONFIGURATION

(SYNC/ASYNC CONFIGURATIONS)

M7012 MODULE (MU LOC ABCDEF02) (CSR BUS SELECTORS & SHIFT REGISTERS (DQ11 DWG D4-3))

SWITCH PACKAGE S1

- SW1 → ON (EXT CLOCK TO MPMEN INTERFACE)
- SW2 → OFF (SET → 6CTE) ("ON" IF COMM. TO BELL 300 T1 CARRIER IS USED)
- SW3 → OFF (-10; USE WITH DQ11-KA OR DQ03 SYNC NULL MODEM; THEN SET TO ON)
- SW4 → OFF (-2; USE WITH DQ11-KA OR DQ03 SYNC NULL MODEM; THEN SET TO ON)
- SW5 → OFF (IF EXT CLOCK DQ11-KA OR DQ03 IS INSTALLED)
- SW5 → ON (IF EXT CLOCK DQ11-KA OR DQ03 IS INSTALLED)

- SET SW5 → OFF IF DQ11-DA IS CONNECTED TO BELL 201 A/B MODE
- SET SW5 → ON WHEN USING FOR ALL OTHER CONDITIONS. MUST BE SET TO ON WHEN EXECUTING DIAGNOSTICS, M011-DZ00A THRU M011-DZ00F.
- SET SW4 → OFF OR ON: VRC NOT CHECKED FOR ODD/EVEN BITS/BYTES.

M7013 MODULE (MU LOC ABCDEF03) (CC/BA & SHIFT CONTROL (DQ11-DWG D5-7))

- SW1 → ON (TWO OR MORE SYNC CHAR FOR FRAMING)
- SW2 → ON (RCVR ACTIVE AFTER FRAME)
- SW4 → OFF (ODD VRC CHAR)
- SW4 → ON (EVEN VRC CHAR)

INSTALL BR5 PRIORITY PLUG P/N 540977A

M7015 MODULE (MU LOC E01) (DATSET CONTROL (DQ11 DWG D2-1))

- W1 → W4 NO CUTS
- NO INTERRUPTS ON U013, U014
- INHIBIT INIT RS AND DTR
- INHIBIT INTERRUPTION RING APPEARANCE

M7019 MODULE (LOC EF04) (8 BIT ASCII, CHAR DETECT & INTERRUPT TRIGGER LOGIC (DQ11-DWG D6-1))

- S1 SW1 → SW9 → ON (CHAR 0, LO BYTE)
- S2 SW9 → SW16 → ON (CHAR 1, LO BYTE)
- S3 SW17 → SW24 → ON (CHAR 2, LO BYTE)
- S4 SW25 → SW32 → OFF, ON, OFF, ON, ON, ON, ON, ON (CHAR 0, HI BYTE, ENQ #05)
- S6 SW49 → SW56 → ON, ON, ON, ON, OFF, ON, ON, OFF (CHAR 1, HI BYTE, OLE 220)
- S7 SW41 → SW48 → OFF, ON, ON, ON, ON, ON, ON, OFF (CHAR 2, HI BYTE, SOH 201)
- S5 SW33 → ON ENABLES HI BYTE CHAR 0
- SW34 → ON ENABLES HI BYTE CHAR 1
- SW35 → ON ENABLES HI BYTE CHAR 2
- SW36 → OFF DISABLES LO BYTE CHAR 0
- SW37 → OFF DISABLES LO BYTE CHAR 1
- SW38 → OFF DISABLES LO BYTE CHAR 2
- SW39 → OFF DISABLES SYNC COMPARE WHEN OFF
- SW40 → ON ALLOWS SPEC. CHAR AND SYNC COMPARE INTERRUPTS WHEN ON

HI BYTE CHAR SELECTION & DETECTION FOR DDCMP COMPATIBILITY

NOTES:

- M7021 MODULE LOCATED IN SLOT C04 OF EACH DQ11 MAY BE MOVED IF ADDITIONAL DQ11'S ARE ADDED TO SYSTEM CONFIGURATION.
- IF DQ11 INSTALLED, INCREASE ALL DQ11 & DQ11 VECTORS BY (+10)₈.

MODULE JUMPER SHEETS SYNC/ASYNC OR ASYNC CONFIGURATIONS

QUANTITY & VARIATION	DESCRIPTION	DWG./PART NO.	ITEM NO.
	UNLESS OTHERWISE SPECIFIED DIMENSIONS ARE IN INCHES		
	ANGLES ±0° 30'	CLASS OF ACCURACY (CHECK ONE)	NOMINAL DIMENSION RANGE TOLERANCES
	SURFACE QUALITY IN	MEDIUM	OVER 0 TO 0.2 ±.004 ±.008 ±.012 ±.016 ±.024 ±.04
	MICROINCHES	PREFERRED	0.2 TO 0.4 ±.004 ±.008 ±.012 ±.016 ±.024 ±.04
	THIRD ANGLE PROJECTION	DRN. E. JAMES 1/27/76	FIRST USED ON DNB87
	REMOVE BURRS AND BREAK SHARP CORNERS	CHK'D [Signature]	TITLE UNIVERSAL COMM. SYSTEM FRONT END
	DO NOT SCALE DWG	PROJ. ENGR. [Signature]	SIZE CODE D U A D N 8 7 - 0 - 0
	MATERIAL	PROD. P. [Signature]	NUMBER
	FINISH	NEXT HIGHER ASSY.	REV. A
		SCALE	SHEET 15 OF 15
			DIST.

REV.	CHG	NO.

DUA DNB87-0-0

THIS DRAWING AND SPECIFICATIONS, HEREIN ARE THE PROPERTY OF DIGITAL EQUIPMENT CORPORATION AND SHALL NOT BE REPRODUCED OR COPIED OR USED IN WHOLE OR IN PART AS THE BASIS FOR THE MANUFACTURE OR SALE OF ITEMS WITHOUT WRITTEN PERMISSION. COPYRIGHT © 1976, DIGITAL EQUIPMENT CORPORATION

ITEM NO.	PART NO.	DESCRIPTION	DN87-AA		DN87-AB		DN87-DA		DN87-DB		DN81-EA		DN81-EB		DN81-EC		DN81-ED		DN81-EE		DN81-EF		DN81-H		DN81-J		DN81-FA		DN81-FB		DN81-FC		DN81-FD		DN81-FE		DN81-FF		DN81-FG			
1	D-AD-7009711-1-0	BASIC ASSY 11/4#AK-PDP1# 115V	1	-	-	-	1	-	-	-	-	-	-	-	-	-	-	-	-	-	-	-	-	-	-	-	-	-	-	-	-	-	-	-	-	-	-	-	-	-	-	
2	D-AD-7009711-2-0	BASIC ASSY 11/4#AL-PDP1# 23#V	-	1	-	-	1	1	-	-	-	-	-	-	-	-	-	-	-	-	-	-	-	-	-	-	-	-	-	-	-	-	-	-	-	-	-	-	-	-	-	-
3	A-PL-DL1#-MUAR	UNIBUS PORT LOGIC (DL1#-C OPTION)	-	-	-	-	1	1	-	-	-	-	-	-	-	-	-	-	-	-	-	-	-	-	-	-	-	-	-	-	-	-	-	-	-	-	-	-	-	-	-	-
4	C-IA-7410581-0-0	BRKT. CABLE HOLD-DOWN	-	-	-	-	-	-	-	-	1	1	-	-	-	-	-	-	-	-	-	-	-	-	-	-	-	-	-	-	-	-	-	-	-	-	-	-	-	-	-	-
5	C-PS-1211215-0-0	CABLE CLAMP & STRAP	1	1	-	-	1	1	-	-	1	1	-	-	-	-	-	-	-	-	-	-	-	-	-	-	-	-	-	-	-	-	-	-	-	-	-	-	-	-	-	-
6	D-AD-7009722-1-0	PDP1#,11 OPTION MTG CAB 115V	-	-	-	-	-	-	-	-	1	-	-	-	-	-	-	-	-	-	-	-	-	-	-	-	-	-	-	-	-	-	-	-	-	-	-	-	-	-	-	
7	D-AD-7009722-2-0	PDP1#,11 OPTION MTG CAB 23#V	-	-	-	-	-	-	-	-	-	1	-	-	-	-	-	-	-	-	-	-	-	-	-	-	-	-	-	-	-	-	-	-	-	-	-	-	-	-	-	
8	D-UA-H95#-BC-#	H95#-B FULL LENGTH DOOR R.H. (BLAZI BLUE)	1	1	-	-	1	1	-	-	1	1	-	-	-	-	-	-	-	-	-	-	-	-	-	-	-	-	-	-	-	-	-	-	-	-	-	-	-	-	-	-
9	D-UA-H952-AC-#	H952-A END PANEL (#68 GREY) (SEE NOTE 2)	1	1	-	-	1	1	-	-	1	1	-	-	-	-	-	-	-	-	-	-	-	-	-	-	-	-	-	-	-	-	-	-	-	-	-	-	-	-	-	-
10	D-AD-7606874-1-0	NPR-SYNC LINE CONT. SYSTEM 115V	-	-	-	-	-	-	-	-	-	-	-	-	-	-	-	-	-	-	-	-	-	-	-	-	-	-	-	-	-	-	-	-	-	-	-	-	-	-	-	-
11	D-AD-7606874-2-0	NPR-SYNC LINE CONT. SYSTEM 23#V	-	-	-	-	-	-	-	-	-	-	-	-	-	-	-	-	-	-	-	-	-	-	-	-	-	-	-	-	-	-	-	-	-	-	-	-	-	-	-	-
12	D-UA-H956-HJ-#	H956-H SHORT DOOR 57.75" HIGH (BLAZI BLUE)	1	1	-	-	1	1	-	-	1	1	-	-	-	-	-	-	-	-	-	-	-	-	-	-	-	-	-	-	-	-	-	-	-	-	-	-	-	-	-	-
13	D-UA-DH11-AA-#	16 LINE MULTIPLEXOR 115V INCL. DIST. PNL	-	-	-	-	-	-	-	-	1	-	1	-	-	-	-	-	-	-	-	-	-	-	-	-	-	-	-	-	-	-	-	-	-	-	-	-	-	-	-	-
14	D-UA-DH11-AC-#	16 LINE MULTIPLEXOR 23#V INCL. DIST. PNL	-	-	-	-	-	-	-	-	-	1	-	1	-	-	-	-	-	-	-	-	-	-	-	-	-	-	-	-	-	-	-	-	-	-	-	-	-	-	-	
15	A-PL-DM11-BB-#	16 LINE MULTIPLEXOR	-	-	-	-	-	-	-	-	1	1	1	1	-	-	-	-	-	-	-	-	-	-	-	-	-	-	-	-	-	-	-	-	-	-	-	-	-	-	-	-
16	C-IA-BC#8S-XX-#	CABLE SHIELDED RIBBON (SEE NOTE 3)	-	-	-	-	-	-	-	-	REF	REF	REF	REF	-	-	-	-	-	-	-	-	-	-	-	-	-	-	-	-	-	-	-	-	-	-	-	-	-	-	-	-
17	C-IA-BC#8R-XX-#	CABLE SHIELDED RIBBON (SEE NOTE 3)	-	-	-	-	-	-	-	-	REF	REF	REF	REF	-	-	-	-	-	-	-	-	-	-	-	-	-	-	-	-	-	-	-	-	-	-	-	-	-	-	-	-
18	A-PL-DQ11-DA-#	NPR SYNC LINE CONT. (EIA/CCITT < 10KB)	-	-	-	-	-	-	-	-	-	-	-	-	-	-	-	-	-	-	-	-	1	-	-	-	-	-	-	-	-	-	-	-	-	-	-	-	-	-	-	
19	A-PL-DQ11-EA-#	NPR SYNC LINE CONT. (BELL 303 INTERFACE ONLY) (SEE NOTE 8)	-	-	-	-	-	-	-	-	-	-	-	-	-	-	-	-	-	-	-	-	-	1	-	-	-	-	-	-	-	-	-	-	-	-	-	-	-	-	-	
20	C-CS-M92#-#-#	UNIBUS JUMPER (SEE NOTE 4)	REF	REF	-	-	REF	REF	-	-	REF	REF	-	-	-	-	-	-	-	-	-	-	-	-	-	-	-	-	-	-	-	-	-	-	-	-	-	-	-	-	-	
21	A-PL-KG11A-#	X-OR & CRC OPTION	1	1	-	-	1	1	-	-	-	-	-	-	-	-	-	-	-	-	-	-	-	-	-	-	-	-	-	-	-	-	-	-	-	-	-	-	-	-	-	
22	7413732-0-0	COUNTER WEIGHT (SEE NOTE 5)	-	-	-	-	-	-	-	-	1	1	-	-	-	-	-	-	-	-	-	-	-	-	-	-	-	-	-	-	-	-	-	-	-	-	-	-	-	-	-	
23	A-PL-DM11-DA-#	16 LINE MULTIPLEXOR (2#MA F.D. LINE INTERFACE)	-	-	-	-	-	-	-	-	-	-	-	-	-	-	-	-	-	-	-	-	-	-	-	-	-	-	-	-	-	-	-	-	-	-	-	-	-	-	-	
24	D-AD-7005498-0-0	PANEL TELEPHONE COMM BLOCK (PLAIN)	-	-	-	-	-	-	-	-	-	-	-	-	-	-	-	-	-	-	-	-	-	-	-	-	-	-	-	-	-	-	-	-	-	-	-	-	-	-	-	
25	B-MD-7406831-0-0	BRACKET EXTENSION	-	-	-	-	-	-	-	-	-	-	-	-	-	-	-	-	-	-	-	-	-	-	-	-	-	-	-	-	-	-	-	-	-	-	-	-	-	-	-	
26	1209340-01	MATE-N-LOK (MALE PLUG)	-	-	-	-	-	-	-	-	-	-	-	-	-	-	-	-	-	-	-	-	-	-	-	-	-	-	-	-	-	-	-	-	-	-	-	-	-	-	-	
27	1209378-01	PIN, MALE	-	-	-	-	-	-	-	-	-	-	-	-	-	-	-	-	-	-	-	-	-	-	-	-	-	-	-	-	-	-	-	-	-	-	-	-	-	-	-	
28	A-PL-DM11-DB-#	16 LINE MULTIPLEXOR (EIA/CCITT DATA ONLY)	-	-	-	-	-	-	-	-	-	-	-	-	-	-	-	-	-	-	-	-	-	-	-	-	-	-	-	-	-	-	-	-	-	-	-	-	-	-	-	
29	D-UA-H312A-#	NULL MODEM	-	-	-	-	-	-	-	-	-	-	-	-	-	-	-	-	-	-	-	-	-	-	-	-	-	-	-	-	-	-	-	-	-	-	-	-	-	-	-	
30	A-PL-DM11-DC-#	16 LINE MULTIPLEXOR (EIA/CCITT FULL MODEM CONT.)	-	-	-	-	-	-	-	-	-	-	-	-	-	-	-	-	-	-	-	-	-	-	-	-	-	-	-	-	-	-	-	-	-	-	-	-	-	-	-	
31	C-PL-DF11-BB-#	ASYNCH ANSWER MODEM (M587 & BC11-E DAA CABLE)	-	-	-	-	-	-	-	-	-	-	-	-	-	-	-	-	-	-	-	-	-	-	-	-	-	-	-	-	-	-	-	-	-	-	-	-	-	-	-	
32	C-PL-DF11-BA-#	ASYNCH ORIGINATE MODEM (M586 & BC11-E DAA CABLE)	-	-	-	-	-	-	-	-	-	-	-	-	-	-	-	-	-	-	-	-	-	-	-	-	-	-	-	-	-	-	-	-	-	-	-	-	-	-	-	
33	DN11-AA	AUTO DIAL CONTROL (BASIC) (NOTE 6)	-	-	-	-	-	-	-	-	-	-	-	-	-	-	-	-	-	-	-	-	-	-	-	-	-	-	-	-	-	-	-	-	-	-	-	-	-	-	-	
34	D-IA-7009719-0-0	DL1#-11/4# REMOTE CABLE (SEE NOTE 1)	1	1	-	-	1	1	-	-	-	-	-	-	-	-	-	-	-	-	-	-	-	-	-	-	-	-	-	-	-	-	-	-	-	-	-	-	-	-	-	
35	DN11-DA	AUTO DIAL CHAN MOD SET (1 CHAN) (SEE NOTE 6)	-	-	-	-	-	-	-	-	-	-	-	-	-	-	-	-	-	-	-	-	-	-	-	-	-	-	-	-	-	-	-	-	-	-	-	-	-	-	-	
36	C-IA-7008288-8F-#	POWER CONTROL BUS CABLE	-	-	-	-	-	-	-	-	1	1	-	-	-	-	-	-	-	-	-	-	-	-	-	-	-	-	-	-	-	-	-	-	-	-	-	-	-	-	-	

CHK	CHANGE NO.	REV.
1	DN87-00001	A
2	7 MAR 77	
3	M. DRUMM	
4	16 MAR 77	

DRN. E. DEVRIES	2 Jan 76	FIRST USED ON	DN87	digital
CHK'D	25 FEB 76	TITLE	UNIVERSAL COMM. SYSTEM FRONT END	
ENG. R. B. BROWN	3 MAR 76	SIZE	C	PL
PROJ. ENG. R. B. BROWN	3 MAR 76	NUMBER	DN87-0-0	REV. A
PROD. R. B. BROWN	3 MAR 76	SCALE	---	
NEXT HIGHER ASSY.		SHEET	1	OF 3
D-UA-DN87-0-0		DIST.		

THIS DRAWING AND SPECIFICATIONS HEREIN ARE THE PROPERTY OF DIGITAL EQUIPMENT CORPORATION AND SHALL NOT BE REPRODUCED OR COPIED OR USED IN WHOLE OR IN PART AS THE BASIS FOR THE MANUFACTURE OR SALE OF ITEMS WITHOUT WRITTEN PERMISSION. COPYRIGHT © 1976 . DIGITAL EQUIPMENT CORPORATION

ITEM NO.	PART NO.	DESCRIPTION	DN87-AA		DN87-DA		DN87-EA		DN87-H		DN87-PA		DN87-FA		DN87-GA	
			DN87-AA	DN87-AB	DN87-DA	DN87-DB	DN87-EA	DN87-EB	DN87-H	DN87-J	DN87-PA	DN87-PB	DN87-PC	DN87-PD	DN87-PF	DN87-PG
37	D-UA-DC11A-XK- 8	UNIBUS CABLE (SEE NOTE 1)	1	1	1	1	1	1								
38	C-CS-W93 8 - 8	UNIBUS TERMINATOR ASSY (SEE NOTE 7)	-	-	-	-	REF	REF								
39	D-AD-7008853-1-0	AC RECEPTACLE STRIP ASSY (SEE NOTE 8)	-	-	-	-	-	-					1	1	1	1
40	7402027-0-0	STANDARD PANEL (10 X 7/16 X 19) (SEE NOTE 9)	-	-	-	-	-	-					2	2	2	2
41	9007786	NUT, TINNEDMAN #10-32	125	125	125	125	-	-	60	60						
42	9006074-1	SCREW, PHL PAN HD #10-32 X .62 LG	125	125	125	125	-	-	60	60						
43	9007651	WASHER, EXT. TOOTH LOCK #10	125	125	125	125	-	-	60	60						
44	9008264	MOUNT, CABLE TIE ADHESIVE BACK	30	30	30	30	-	-	15	15						
45	9007880	CABLE TIES SST 1.5M	200	200	200	200	-	-	100	100						
46	9006077-1	SCREW, PHL PAN HD #10-32 X 1.0 LG	6	6	6	6	-	-	6							
47	9107685-09	WRT 1/2" SHRINK SLEEVING	-	-	-	-	-	-	1FT	1FT						
48	9006051-1	SCREW, PHL PAN HD #8-32 X 3.0 LG	2	2	2	2	-	-	2							
49	9007036	GROMMET CATERPILLAR	1FT	1FT	1FT	1FT	-	-	1FT							
50	9107253-09	SLEEVING WRT SHRINKABLE 1/4"	1FT	1FT	1FT	1FT	-	-	1FT							
51	DB11-A	UNIBUS REPEATER (SEE NOTE 10)	-	-	-	-	-	-	1	1						
52	A-PL-KM11- 8	MAINTENANCE BOARD (SEE NOTE 11)	1	1	-	-	-	-								
53	B-CS-W982- 8 -1	MODULE EXTENDER (SINGLE HEIGHT) (SEE NOTE 11)	2	2	-	-	-	-								
54	C-CS-W988- 8 -1	MODULE EXTENDER (DOUBLE HEIGHT) (SEE NOTE 11)	3	3	-	-	-	-								
55	C-IA-7411632-0-0	STRAIN RELIEF	-	-	-	-	4	4								
56	C-IA-7411633-0-0	STRAIN RELIEF CLAMP	-	-	-	-	4	4								
57	C-88-5509081-12	PANEL LIGHT (KD11-A) (SEE NOTE 11)	1	1	-	-	-	-								
58	D-UA-DL18-AA	PDPI8, PDPI1 DATA LINE (115V, 60HZ)	1	-	-	-	-	-								
59	D-UA-DL18-AB	PDPI8, PDPI1 DATA LINE (230V, 50HZ)	-	1	-	-	-	-								
60	DEC3(378)1657 N673	STICKER (2.4" EXP. BOX CONFIG.)	-	-	-	-	1	1								
61	DEC3(378)1638 N573	STICKER (1.1/4" PROC. BOX CONFIG.)	1	1	1	1	-	-								
62	DL11-A	ASYNC. INTERFACE (CONSOLE)	1	1	1	1	-	-								
63	A-PS-1810246-01	CRYSTAL 844.8KHZ.	1	1	1	1	-	-								

REV.	
CHG	

DRN. E. DEVRIES	9 Jan 76	FIRST USED ON	DN87	digital
CHK'D	<i>[Signature]</i>	25 Feb 76	TITLE	
ENG.	<i>[Signature]</i>	5 Mar 76	UNIVERSAL COMM	
PROJ. ENG.	<i>[Signature]</i>	3 Mar 76	SYSTEM FRONT END	
PROD.	<i>[Signature]</i>	3 Mar 76	NEXT HIGHER ASSY.	
D-UA-DN87-0-0		SIZE	CODE	NUMBER
SCALE		C	PL	DN87-0-0
SHEET 2 OF 3		DIST.		REV. A

D
 C
 A
 B
 C
 PL DN87-0-0
 A
 B

"THIS DRAWING AND SPECIFICATIONS, HEREIN, ARE THE PROPERTY OF DIGITAL EQUIPMENT CORPORATION AND SHALL NOT BE REPRODUCED OR COPIED OR USED IN WHOLE OR IN PART AS THE BASIS FOR THE MANUFACTURE OR SALE OF ITEMS WITHOUT WRITTEN PERMISSION. COPYRIGHT ©1978 DIGITAL EQUIPMENT CORPORATION"

NOTES:


1. UNIBUS CABLE LENGTHS FOR ITEMS #34 & 37 SHOULD BE USED IN ACCORDANCE WITH THE FOLLOWING TABLE AND SITE LAYOUTS:
 - A. BETWEEN DN07-AA/AB AND DN01-EA/EB (ASYNC UNIVERSAL MODE) AND DN01-EE/EF (SYNC MODE) CABINET ASSEMBLIES, USE BC11A-15 (ITEM 37).
 - B. BETWEEN DN07-AA CAB ASSY EQUIPPED WITH DA01-H/J SYNC LINE CONTROL EXPANSION IS BOLTED TO DL10-A CABINET, USE BC11A-15 UNIBUS CABLE AND 10 FT. LENGTH OF ITEM 34.
 - C. IF DN07-AA, DN01-EA/EB, DN01-EE/EF CABINET ASSEMBLIES ARE NOT BOLTED TO DL10-A CABINET ASSEMBLY, THEN USE APPROPRIATE UNIBUS AND DL10-11/40 REMOTE CABLE OF FOLLOWING LENGTHS, IF USING LAYOUTS SHOWN IN SHEETS 1, 2 OR 3 OF D-UA-DN07-0-0:

	D-1A-7009719-0-0 (ITEM 34) DL10-11/40 REMOTE CABLE	BC11A-XX (ITEM 37) UNIBUS CABLE
UNIBUS PORT 0	10 FEET	15 FEET
UNIBUS PORT 1	16 FEET	20 FEET
UNIBUS PORT 2	10 FEET	15 FEET
UNIBUS PORT 3	16 FEET	20 FEET

IF NOT USING LAYOUTS SHOWN IN SHEETS 1 THRU 3 OF D-UA-DN07-0-0, THEN ANY LENGTH OF EITHER ITEMS 34 OR 37 MAY BE USED PROVIDED THAT THE TOTAL UNIBUS CABLE LENGTH (ITEM 37) DOES NOT EXCEED 35 FEET AND DL10-11/40 REMOTE CABLE ITEM 34 DOES NOT EXCEED 25 FEET.

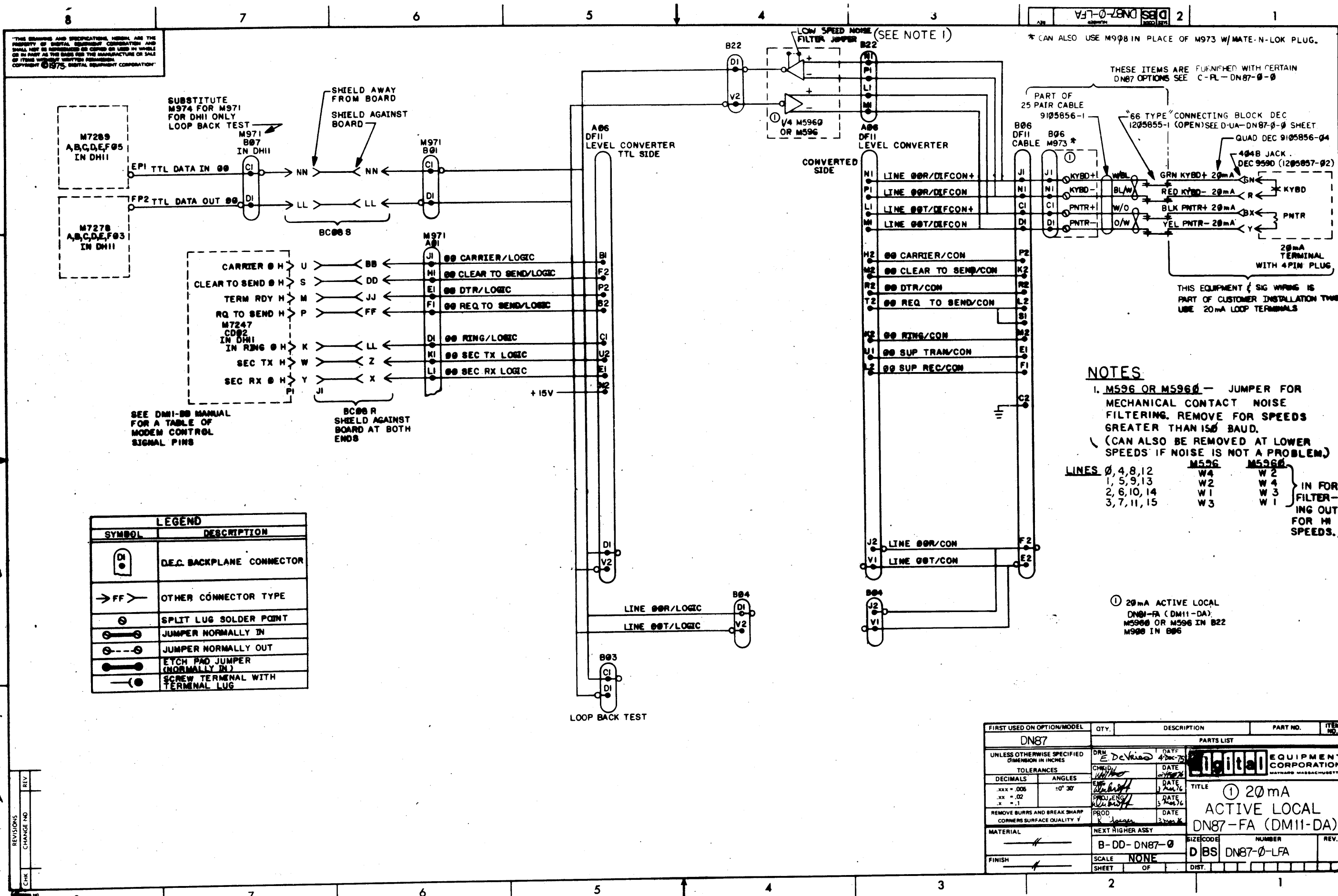
2. DO NOT SHIP ITEM 9 WHEN CUSTOMER SITE PLAN SHOWS DN07 BOLTED/ATTACHED TO EITHER A DL10-A, AN EXISTING DC76, DC75, DAS85, DC75 -A OR -D EQUIPMENT CONFIG. USE ITEM 9 ONLY WHEN FLOOR PLAN SHOWS THAT LAYOUT OF DELIVERED EQUIPMENT WILL REQUIRE AN ADDITIONAL PANEL.
3. PART OF DN01-EA/EB OR DN01-EC/ED ASYNCHRONOUS LINE MULTIPLEXORS (ITEMS 6,13 OR 7,14). FOLD AND TIE CABLES AS SHOWN IN DETAIL A ON SHEET 14 OF D-UA-DN07-0-0.
4. NORMALLY PROVIDED WITH POP11 OPTIONS THAT USE DD11-B MOUNTING PANEL. IF NOT INCLUDED WITH RECEIVED EQUIPMENT OPTION, THEN ORDER AND INSTALL AS REQUIRED AS SHOWN ON SHEETS 5 AND/OR 6 OF D-UA-DN07-0-0.
5. USE ITEM 22 WHEN DN01-EA/EB OR DN01-EE/EF CABINET ASSEMBLIES ARE NOT BOLTED TO A DL10-A CABINET ASSY THROUGH A DN07-D CABINET ASSEMBLY.
6. USEABLE IN CONTINENTAL U.S. AND CANADA ONLY. INTERFACE IS COMPATIBLE WITH BELL 801 AUTO CALLING UNIT (ACU) OR EQUIVALENT. MUST BE USED WITH TELEPHONE COMPANY SUPPLIED MODEMS OR DATA TRANSMISSION EQUIPMENT. CAN ONLY BE USED WITH DATA ACCESS ARRANGEMENTS, CBS CUSTOMER, OR DEC FURNISHED MODEMS (DN01-FE, (DF11-BA)) OR DN01-FD (DF11-BB).
7. NORMALLY SUPPLIED WITH ITEMS 1 OR 3. LOCATE AT LAST AB SLOT OF UNIBUS CABLING RUN. THIS WOULD BE EITHER SLOTS AB, CD, EF, OR HJ-42 OF DL10-A.
8. USED WHEN CUSTOMER PROVIDES 115 VOLTS, 60HZ POWER FOR TELCO INSTALLED, DATA ACCESS ARRANGEMENT (DAA). USED FOR MOUNTING AND POWERING (115V, 60HZ) BELL TELEPHONE POWER UNITS KS-20159-L8 OR EQUIVALENT FOR 1001-D, -F (DAA).
9. USED FOR MOUNTING TELEPHONE COMPANY 1001 DAA ASSEMBLIES WHERE LOCAL TELCO INSTALLATION PRACTICES PERMIT. DRILL HOLES FOR MOUNTING "DAA" IN ACCORDANCE WITH TELCO INSTALLER'S GUIDANCE. UP TO 8 DAA'S MAY BE MOUNTED IN PANEL SPACE AVAILABLE.
10. INCLUDE ITEM 51 (DB11-A) WHEN NUMBER OF DB11-A ASSEMBLIES INSTALLED IN EACH DN01-EA/EB CABINET EXCEEDS 2.
11. FURNISH ITEMS 52, 53, & 57 WHEN A DL10-A IS INCLUDED IN DN07 ORDER OR WHEN A DL10-A, ALREADY OWNED BY CUSTOMER FOR A DC75 SYSTEM, IS TO BE EXCHANGED OR MODIFIED TO OPERATE WITH A POP11/40-AK, -AL OR EQUIVALENT.

REV.	76/
CHANGE NO.	
CHK	

FIRST USED ON OPTION/MODEL DN87		QTY.	DESCRIPTION	PART NO.	ITEM NO.
DIMENSIONAL TOLERANCE		PARTS LIST			
DIMENSIONS ARE MILLIMETERS INCHES UNLESS OTHERWISE SPECIFIED		DRN. E. DEVRIES	DATE 9 JAN 76	 TITLE UNIVERSAL COMM SYSTEM FRONT END	
		CHK'D. [Signature]	DATE 25 FEB 76		
		ENG. [Signature]	DATE 3 MAR 76		
		PROJ. ENG. [Signature]	DATE MAR 76		
MILLIMETERS	INCHES	ANGLES	PROD. R. [Signature]	DATE 3 MAR 76	
X,XX ±0.10	.XXX ±.006	±0° 30'			
X,X ±0.5	.XX ±.02				
X ±2	.X ±.1				
THIRD ANGLE PROJECTION	REMOVE BURRS AND BREAK SHARP CORNERS SURFACE QUALITY ✓		NEXT HIGHER ASSY.		
MATERIAL	//		D-UA-DN87-0-0	SIZE CODE C PL	NUMBER DN87-0-0
FINISH	//		SCALE		REV. A
			SHEET 3 OF 3	DIST.	

REV. A
 NUMBER
 C PL DN87-0-0
 SIZE CODE
 B

THIS DRAWING AND SPECIFICATIONS HEREIN ARE THE PROPERTY OF DIGITAL EQUIPMENT CORPORATION AND SHALL NOT BE REPRODUCED OR COPIED IN WHOLE OR IN PART AS THE BASIS FOR THE MANUFACTURE OR SALE OF ITEMS UNLESS WRITTEN PERMISSION IS OBTAINED FROM DIGITAL EQUIPMENT CORPORATION. COPYRIGHT © 1975, DIGITAL EQUIPMENT CORPORATION.



M7289
A,B,C,D,E,F05
IN DH11

M7278
A,B,C,D,E,F03
IN DH11

SUBSTITUTE
M974 FOR M971
FOR DH11 ONLY
LOOP BACK TEST

CARRIER 0 H U
CLEAR TO SEND 0 H S
TERM RDY H M
RQ TO SEND H P
M7247
IN DH11
IN RING 0 H K
SEC TX H W
SEC RX 0 H Y

SEE DM11-00 MANUAL
FOR A TABLE OF
MODEM CONTROL
SIGNAL PINS

BC008
SHIELD AGAINST
BOARD AT BOTH
ENDS

LEGEND	
SYMBOL	DESCRIPTION
	D.E.C. BACKPLANE CONNECTOR
	OTHER CONNECTOR TYPE
	SPLIT LUG SOLDER POINT
	JUMPER NORMALLY IN
	JUMPER NORMALLY OUT
	ETCH PAD JUMPER (NORMALLY IN)
	SCREW TERMINAL WITH TERMINAL LUG

NOTES

- M596 OR M5960 - JUMPER FOR MECHANICAL CONTACT NOISE FILTERING. REMOVE FOR SPEEDS GREATER THAN 150 BAUD. (CAN ALSO BE REMOVED AT LOWER SPEEDS IF NOISE IS NOT A PROBLEM.)
- | | | | |
|-------------------|------|-------|--------------------------------------|
| LINES 0, 4, 8, 12 | M596 | M5960 | |
| 1, 5, 9, 13 | W4 | W2 | } IN FOR FILTERING OUT FOR H SPEEDS. |
| 2, 6, 10, 14 | W2 | W4 | |
| 3, 7, 11, 15 | W1 | W3 | |
| | W3 | W1 | |

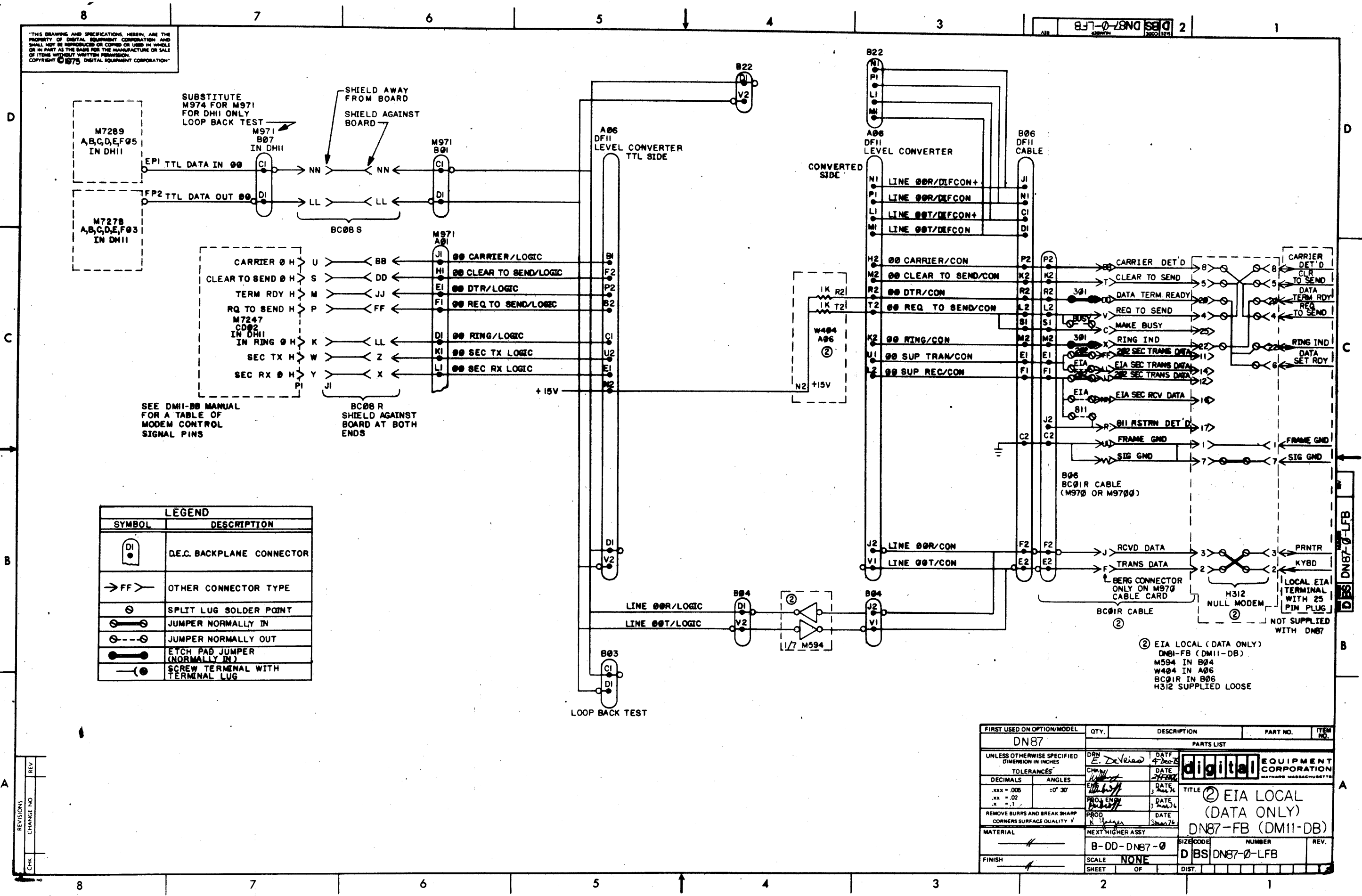
① 20mA ACTIVE LOCAL
DN87-FA (DM11-DA)
M5960 OR M596 IN B22
M998 IN B06

FIRST USED ON OPTION/MODEL	QTY.	DESCRIPTION	PART NO.	ITEM NO.
DN87				
UNLESS OTHERWISE SPECIFIED DIMENSION IN INCHES				
TOLERANCES				
DECIMALS	ANGLES	DATE		
.xxx = .005	∠ = .30°	DATE	DATE	
.xx = .02		DATE	DATE	
.x = .1		DATE	DATE	
REMOVE BURRS AND BREAK SHARP CORNERS SURFACE QUALITY V				
MATERIAL				
NEXT HIGHER ASSY				
FINISH				
SCALE NONE				
SHEET OF				
PARTS LIST		EQUIPMENT CORPORATION MAYNARD MASSACHUSETTS		
TITLE ① 20mA ACTIVE LOCAL DN87-FA (DM11-DA)				
MATERIAL		SIZE/CODE	NUMBER	REV.
B-DD-DN87-0		D BS	DN87-0-LFA	

REV	CHANGE NO

THIS DRAWING AND SPECIFICATIONS HEREIN ARE THE PROPERTY OF DIGITAL EQUIPMENT CORPORATION AND SHALL NOT BE REPRODUCED OR COPIED OR USED IN WHOLE OR IN PART AS THE BASIS FOR THE MANUFACTURE OR SALE OF ITEMS WITHOUT WRITTEN PERMISSION. COPYRIGHT © 1975 DIGITAL EQUIPMENT CORPORATION.

DN87-0-LFB 2



LEGEND	
SYMBOL	DESCRIPTION
DI	D.E.C. BACKPLANE CONNECTOR
→ FF	OTHER CONNECTOR TYPE
⊙	SPLIT LUG SOLDER POINT
⊖	JUMPER NORMALLY IN
⊕	JUMPER NORMALLY OUT
—●—	ETCH PAD JUMPER (NORMALLY IN)
—○—	SCREW TERMINAL WITH TERMINAL LUG

FIRST USED ON OPTION/MODEL	QTY.	DESCRIPTION	PART NO.	ITEM NO.
DN87				
UNLESS OTHERWISE SPECIFIED DIMENSION IN INCHES				
TOLERANCES				
DECIMALS	ANGLES			
.xxx = .005	∠ = 30°			
.xx = .02				
.x = .1				
REMOVE BURRS AND BREAK SHARP CORNERS SURFACE QUALITY Y				
MATERIAL				
NEXT HIGHER ASSY				
FINISH				
SCALE NONE				
SHEET OF				

PARTS LIST		REV.
DRN	E. DeVries	4-Dec-76
CHK		
EST		
PROJ. ENG.		
PROD.		

digital EQUIPMENT CORPORATION	
TITLE ② EIA LOCAL (DATA ONLY)	
DN87-FB (DM11-DB)	
SIZE CODE	NUMBER
B-DD-DN87-0	D BS DN87-0-LFB
SCALE	REV.
NONE	
DIST.	

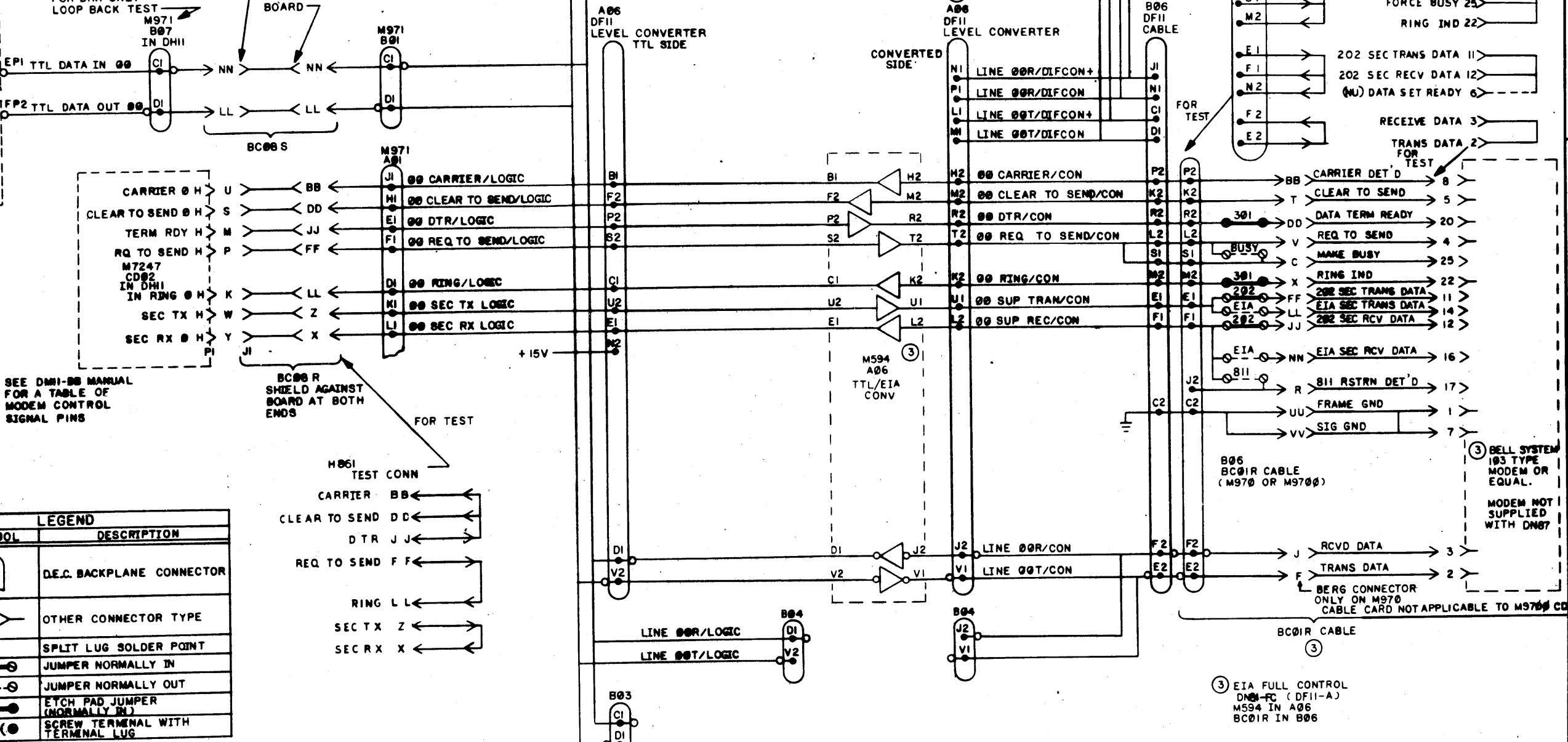
THIS DRAWING AND SPECIFICATIONS HEREIN ARE THE PROPERTY OF DIGITAL EQUIPMENT CORPORATION AND SHALL NOT BE REPRODUCED OR COPIED OR USED IN WHOLE OR IN PART AS THE BASIS FOR THE MANUFACTURE OR SALE OF ITEMS WITHOUT WRITTEN PERMISSION. COPYRIGHT © 1975 DIGITAL EQUIPMENT CORPORATION.

M7289
A,B,C,D,E,F,G5
IN DH11

M7278
A,B,C,D,E,F,G3
IN DH11

SUBSTITUTE M974 FOR M971 FOR DH11 ONLY LOOP BACK TEST

SHIELD AWAY FROM BOARD
SHIELD AGAINST BOARD

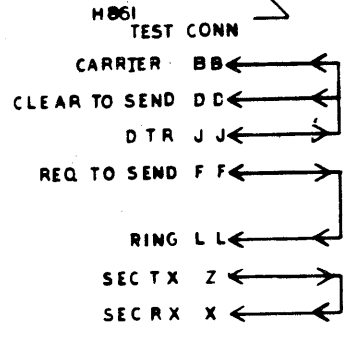


SEE DMI-88 MANUAL FOR A TABLE OF MODEM CONTROL SIGNAL PINS

BC08R SHIELD AGAINST BOARD AT BOTH ENDS

FOR TEST

LEGEND	
SYMBOL	DESCRIPTION
	D.E.C. BACKPLANE CONNECTOR
	OTHER CONNECTOR TYPE
	SPLIT LUG SOLDER POINT
	JUMPER NORMALLY IN
	JUMPER NORMALLY OUT
	ETCH PAD JUMPER (NORMALLY IN)
	SCREW TERMINAL WITH TERMINAL LUG



LOOP BACK TEST

NOTE: H315 TEST CONN (WITH DASHED LINES) OR 7408925 TEST CONN (WITHOUT DASHED LINES)

③ EIA FULL CONTROL DN87-FC (DF11-A) M594 IN A06 BC08R IN B06

FIRST USED ON OPTION/MODEL	QTY.	DESCRIPTION	PART NO.	ITEM NO.
DN87		PARTS LIST		
UNLESS OTHERWISE SPECIFIED DIMENSION IN INCHES				
TOLERANCES		TITLE ③ EIA FULL CONTROL DN87-FC (DF11-A)		
DECIMALS	ANGLES	SIZE/CODE NUMBER REV.		
.xxx = .006	±0° 30'	D BS DN87-0-LFC		
.xx = .02		SCALE NONE		
.x = .1		SHEET OF DIST		
REMOVE BURRS AND BREAK SHARP CORNERS SURFACE QUALITY V		NEXT HIGHER ASSY		
MATERIAL		B-DD-DN87-0		
FINISH		SCALE NONE		

③ BELL SYSTEM 103 TYPE MODEM OR EQUAL. MODEM NOT SUPPLIED WITH DN87

③ B06 BC08R CABLE (M970 OR M9700)

③ BERG CONNECTOR ONLY ON M970 CABLE CARD NOT APPLICABLE TO M9700

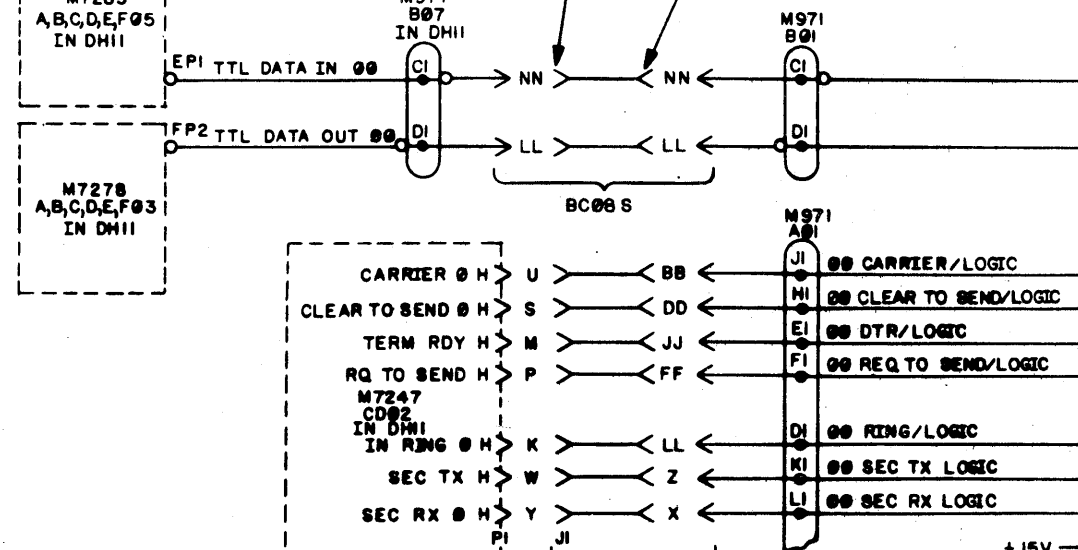
REVISIONS
 REV. NO.
 CHANGE NO.

THIS DRAWING AND SPECIFICATIONS HEREIN ARE THE PROPERTY OF DIGITAL EQUIPMENT CORPORATION AND SHALL NOT BE REPRODUCED OR COPIED OR USED IN WHOLE OR IN PART AS THE BASIS FOR THE MANUFACTURE OR SALE OF ITEMS WITHOUT WRITTEN PERMISSION. COPYRIGHT © 1975 DIGITAL EQUIPMENT CORPORATION.

8 7 6 5 4 3 2 1

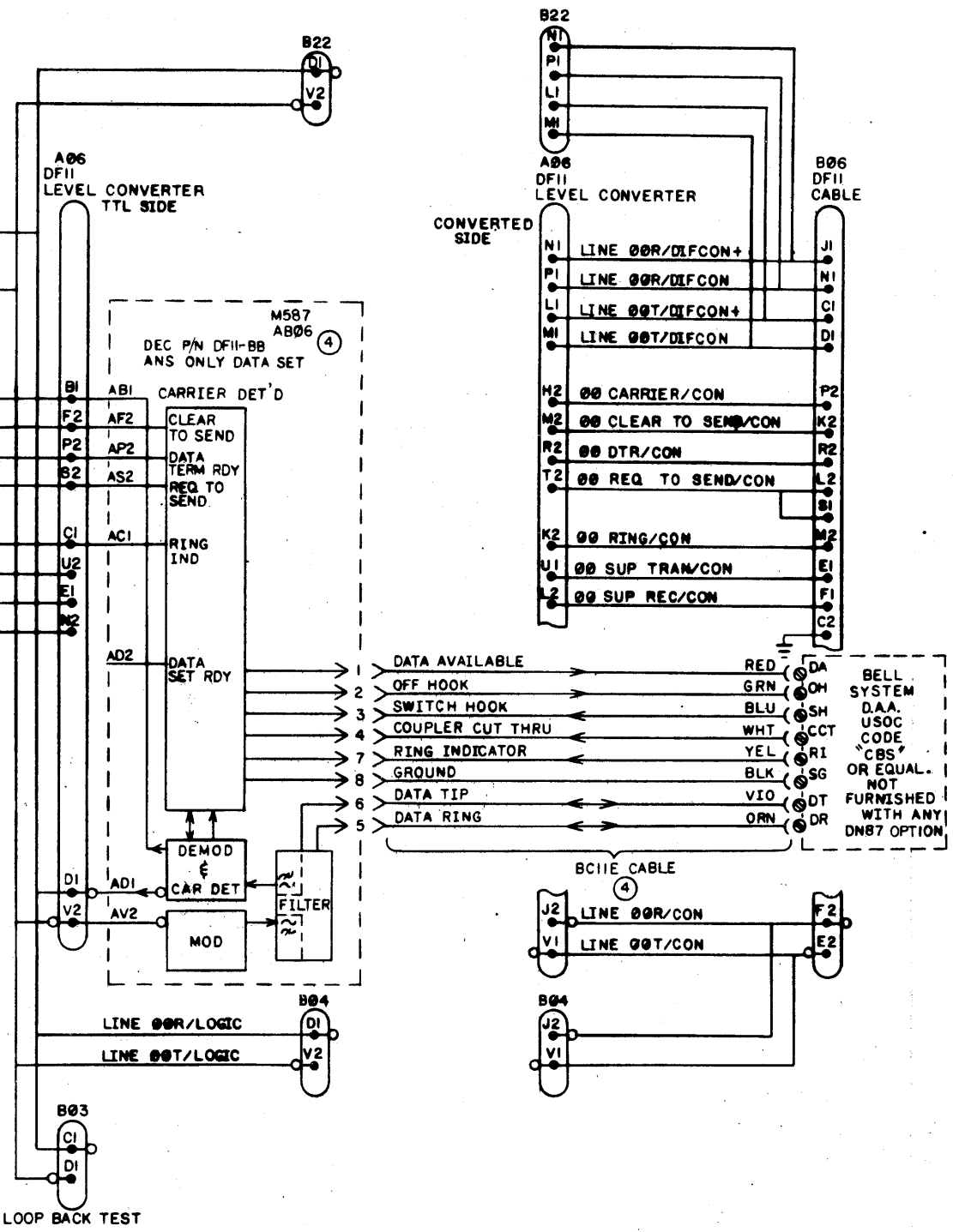
SUBSTITUTE M974 FOR M971 FOR DH11 ONLY LOOP BACK TEST

SHIELD AWAY FROM BOARD
SHIELD AGAINST BOARD



SEE DMI-BB MANUAL FOR A TABLE OF MODEM CONTROL SIGNAL PINS

LEGEND	
SYMBOL	DESCRIPTION
	D.E.C. BACKPLANE CONNECTOR
	OTHER CONNECTOR TYPE
	SPLIT LUG SOLDER POINT
	JUMPER NORMALLY IN
	JUMPER NORMALLY OUT
	ETCH PAD JUMPER (NORMALLY IN)
	SCREW TERMINAL WITH TERMINAL LUG



④ INTEGRAL MODEM (ANSWER ONLY)
DN87-FD (DF11-BB)
M587 IN A806
BC11E CONN. TO M587

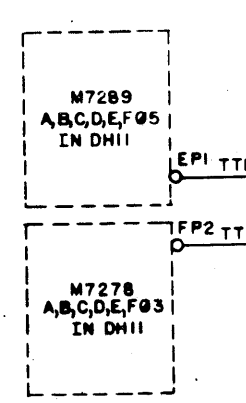
REVISIONS	NO.	REV.
CHK	CHANGE NO.	

FIRST USED ON OPTION/MODEL	QTY.	DESCRIPTION	PART NO.	ITEM NO.
DN87				
PARTS LIST				
UNLESS OTHERWISE SPECIFIED DIMENSION IN INCHES		DATE	DATE	
TOLERANCES		DATE	DATE	
DECIMALS	ANGLES	DATE	DATE	
.xxx = .006	:0° 30'	DATE	DATE	
.xx = .02		DATE	DATE	
.x = .1		DATE	DATE	
REMOVE BURRS AND BREAK SHARP CORNERS SURFACE QUALITY 1				
MATERIAL	NEXT HIGHER ASSY.	TITLE		
	B-DD-DN87-0	④ INTEGRAL MODEM (ANSWER ONLY)		
FINISH	SCALE NONE	DN87-FD (DF11-BB)		
SHEET	OF	DIST.	NUMBER	REV.
			D BS DN87-0-LFD	

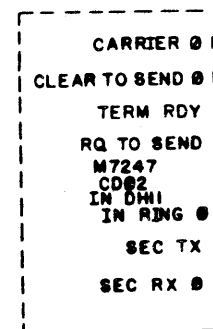
8 7 6 5 4 3 2 1

D BS DN87-0-LFD

"THIS DRAWING AND SPECIFICATIONS, HEREIN, ARE THE PROPERTY OF DIGITAL EQUIPMENT CORPORATION AND SHALL NOT BE REPRODUCED OR COPIED IN WHOLE OR IN PART AS THE BASIS FOR THE MANUFACTURE OR SALE OF ITEMS WITHOUT WRITTEN PERMISSION. COPYRIGHT © 1975 DIGITAL EQUIPMENT CORPORATION"



SUBSTITUTE M974 FOR M971 FOR DH11 ONLY LOOP BACK TEST

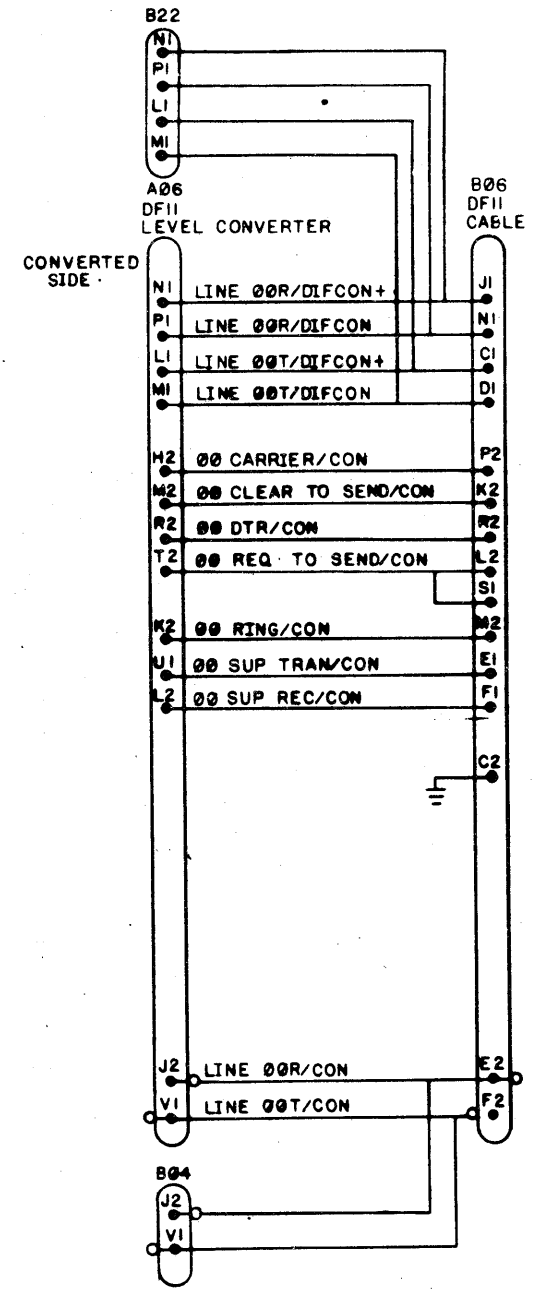


SEE DMI-00 MANUAL FOR A TABLE OF MODEM CONTROL SIGNAL PINS

BC00 R SHIELD AGAINST BOARD AT BOTH ENDS

LEGEND	
SYMBOL	DESCRIPTION
	D.E.C. BACKPLANE CONNECTOR
	OTHER CONNECTOR TYPE
	SPLIT LUG SOLDER POINT
	JUMPER NORMALLY IN
	JUMPER NORMALLY OUT
	ETCH PAD JUMPER (NORMALLY IN)
	SCREW TERMINAL WITH TERMINAL LUG

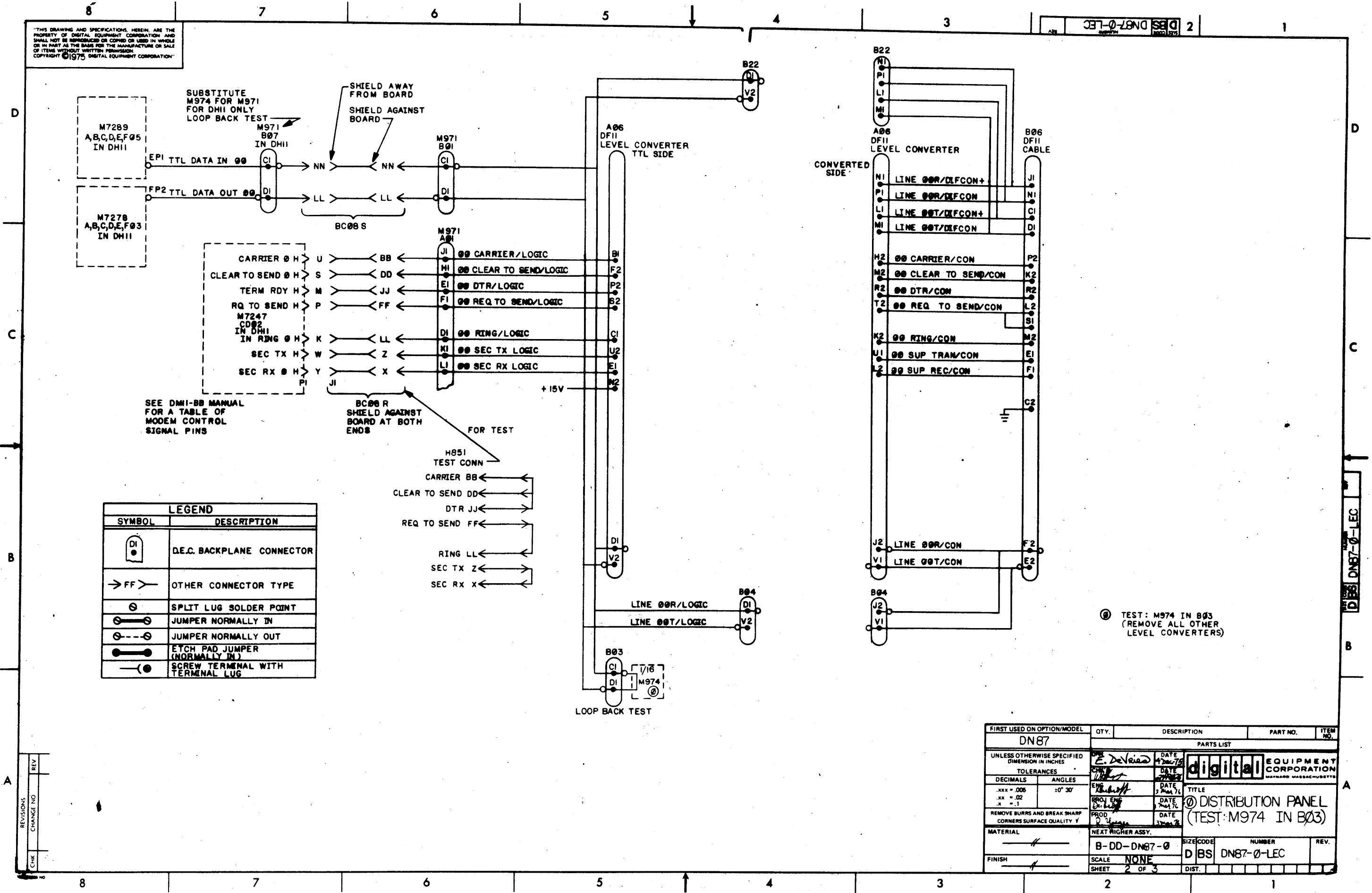
LOOP BACK TEST



FIRST USED ON OPTION/MODEL	QTY.	DESCRIPTION	PART NO.	ITEM NO.
DN87				
UNLESS OTHERWISE SPECIFIED, DIMENSION IN INCHES				
TOLERANCES				
DECIMALS	ANGLES	DATE	PARTS LIST	
.xxx = .005	+0° 30'	4-22-75		
.xx = .02		DATE		
.x = .1		DATE	TITLE	
REMOVE BURRS AND BREAK SHARP CORNERS SURFACE QUALITY V	PROD. R. Y...	DATE	(DM11) DISTRIBUTION PANEL (BASIC)	
MATERIAL	NEXT HIGHER ASSY	SCALE	SIZE CODE	NUMBER
	B-DD-DN87-0	NONE	D BS	DN87-0-LEC
FINISH		SHEET	OF	REV.
		3	1	

REV	CHG	NO

"THIS DRAWING AND SPECIFICATIONS, HEREIN, ARE THE PROPERTY OF DIGITAL EQUIPMENT CORPORATION AND SHALL NOT BE REPRODUCED OR COPIED OR USED IN WHOLE OR IN PART AS THE BASIS FOR THE MANUFACTURE OR SALE OF ITEMS WITHOUT WRITTEN PERMISSION. COPYRIGHT © 1975 DIGITAL EQUIPMENT CORPORATION"

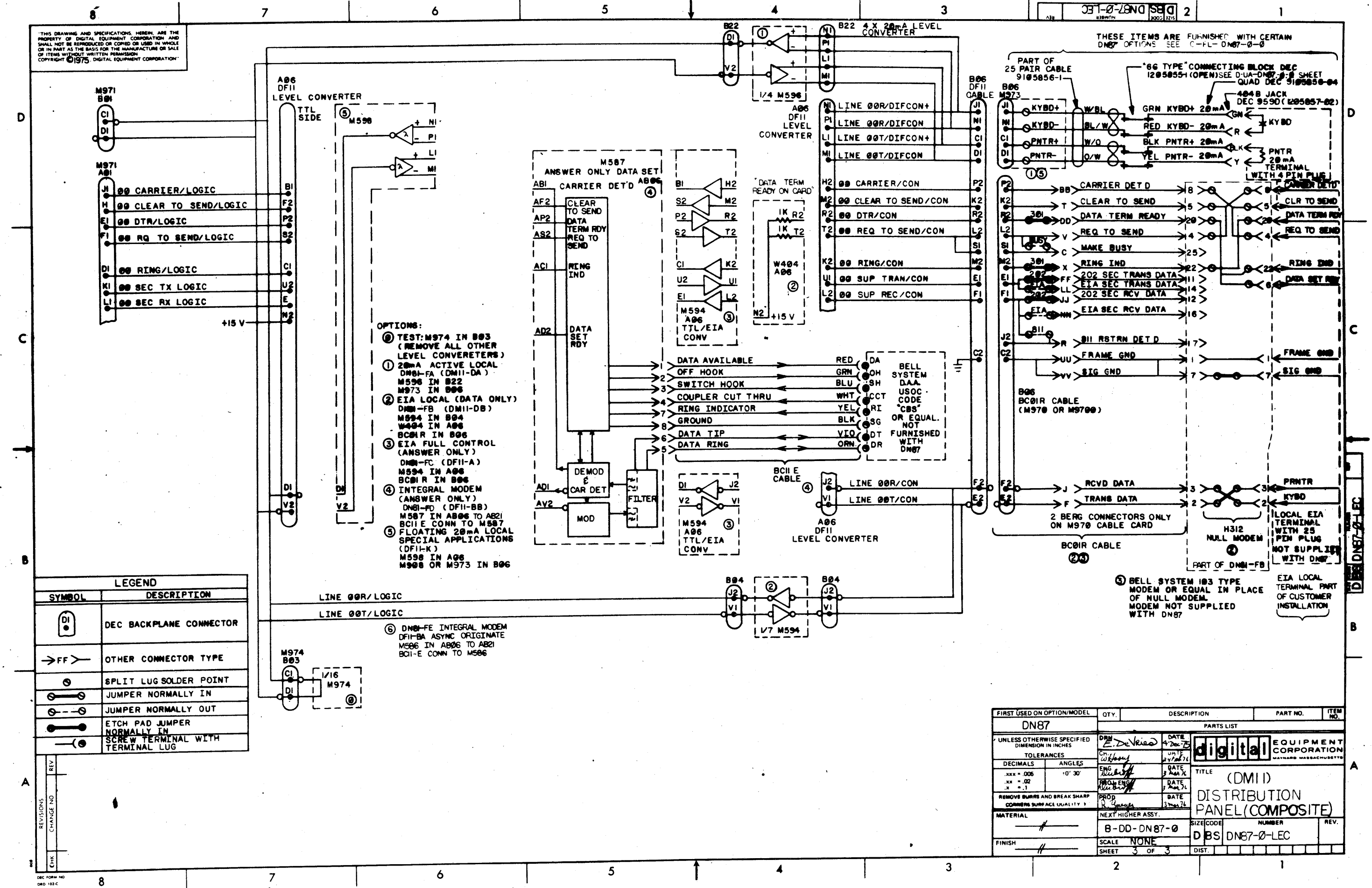


LEGEND	
SYMBOL	DESCRIPTION
	D.E.C. BACKPLANE CONNECTOR
	OTHER CONNECTOR TYPE
	SPLIT LUG SOLDER POINT
	JUMPER NORMALLY IN
	JUMPER NORMALLY OUT
	ETCH PAD JUMPER (NORMALLY IN)
	SCREW TERMINAL WITH TERMINAL LUG

FIRST USED ON OPTION/MODEL	QTY.	DESCRIPTION	PART NO.	ITEM NO.
DN87				
UNLESS OTHERWISE SPECIFIED DIMENSION IN INCHES				
TOLERANCES				
DECIMALS	ANGLES	DATE		
.XXX = .005	±0° 30'	E. DeVries		
.XX = .02		DATE		
.X = .1		3 Mar 76		
REMOVE BURRS AND BREAK SHARP CORNERS SURFACE QUALITY V				
MATERIAL				
NEXT HIGHER ASSY.				
FINISH				
B-DD-DN87-0		SIZE CODE	NUMBER	REV.
SCALE NONE		D BS	DN87-0-LEC	
SHEET 2 OF 3		DIST.		

Ⓢ TEST: M974 IN B03 (REMOVE ALL OTHER LEVEL CONVERTERS)

THIS DRAWING AND SPECIFICATIONS HEREIN ARE THE PROPERTY OF DIGITAL EQUIPMENT CORPORATION AND SHALL NOT BE REPRODUCED OR COPIED OR USED IN WHOLE OR IN PART AS THE BASIS FOR THE MANUFACTURE OR SALE OF ITEMS WITHOUT WRITTEN PERMISSION. COPYRIGHT © 1975, DIGITAL EQUIPMENT CORPORATION.



- OPTIONS:
- ① TEST: M974 IN B03 (REMOVE ALL OTHER LEVEL CONVERTERS)
 - ② 20mA ACTIVE LOCAL DMS-FA (DM11-DA) M596 IN B22 M973 IN B06
 - ③ EIA LOCAL (DATA ONLY) DM11-FB (DM11-DB) M594 IN B04 W404 IN A06 BC01R IN B06
 - ④ EIA FULL CONTROL (ANSWER ONLY) DM11-FC (DF11-A) M594 IN A06 BC01R IN B06
 - ⑤ INTEGRAL MODEM (ANSWER ONLY) DN87-FD (DF11-BB) M587 IN A06 TO A021 BC11-E CONN TO M587 FLOATING 20mA LOCAL SPECIAL APPLICATIONS (DF11-K) M598 IN A06 M908 OR M973 IN B06
 - ⑥ DN87-FE INTEGRAL MODEM DF11-BA ASYNC ORIGINATE M586 IN A06 TO A021 BC11-E CONN TO M586

LEGEND	
SYMBOL	DESCRIPTION
DI	DEC BACKPLANE CONNECTOR
→ FF	OTHER CONNECTOR TYPE
⊙	SPLIT LUG SOLDER POINT
⊙	JUMPER NORMALLY IN
⊙	JUMPER NORMALLY OUT
⊙	ETCH PAD JUMPER NORMALLY IN
⊙	SCREW TERMINAL WITH TERMINAL LUG

FIRST USED ON OPTION/MODEL	QTY.	DESCRIPTION	PART NO.	ITEM NO.
DN87				
UNLESS OTHERWISE SPECIFIED DIMENSION IN INCHES				
TOLERANCES		DATE		
DECIMALS	ANGLES	E. DeVries 4/20/75		
.xxx = .006	10' 30'	DATE 3/27/76		
.xx = .02		DATE 3/27/76		
.x = .1		DATE 3/27/76		
REMOVE BURRS AND BREAK SHARP CORNERS SURFACE QUALITY 1				
NEXT HIGHER ASSY.				
MATERIAL		SIZE CODE		
FINISH		NUMBER		
B-DD-DN87-0		REV.		
SCALE NONE		DBS DN87-0-LEC		
SHEET 3 OF 3		DIST.		

TITLE (DM11) DISTRIBUTION PANEL (COMPOSITE)
 digital EQUIPMENT CORPORATION
 MAYNARD MASSACHUSETTS

THIS DRAWING AND SPECIFICATIONS, HEREIN ARE THE PROPERTY OF DIGITAL EQUIPMENT CORPORATION AND SHALL NOT BE REPRODUCED OR COPIED OR USED IN WHOLE OR IN PART AS THE BASIS FOR THE MANUFACTURE OR SALE OF ITEMS WITHOUT WRITTEN PERMISSION. COPYRIGHT © 1976 . DIGITAL EQUIPMENT CORPORATION

ITEM NO.	PART NO.	DESCRIPTION	DN87-AA		DN87-AB		DN87-DA		DN87-DB		DN81-EA		DN81-EB		DN81-EC		DN81-ED		DN81-EE		DN81-EF		DN81-FA		DN81-FB		DN81-FC		DN81-FD		DN81-FE		DN81-FF		DN81-FG		DN81-H		DN81-J		
1	EK-11/40-TM-002	PDP-11/40 SYSTEMS MANUAL	1	1			1	1																																	
2	EK-DQ11-MM-002	DQ11 NPR SYNC LINE MAINTENANCE MANUAL	-	-																																					
3	EB-00973-2908	PDP11 PERIPHERALS HANDBOOK	1	1			1	1																																	
4	EK-KD11A-MM-001	KD11 PROCESSOR MAINTENANCE MANUAL	1	1			1	1																																	
5	EK-861AB-MM-002	861 POWER CONTROLLER MANUAL	1	1			1	1																																	
6	EK-KG11A-TM-002	KG11A MAINTENANCE MANUAL	1	1			1	1																																	
7	EK-MF11U-MM-003	MF11-U/UP MAINTENANCE MANUAL	1	1			1	1																																	
8	B-DD-11/48-8	PDP-11/48 SYSTEM ENGINEERING DRAWINGS	1	1			1	1																																	
9	B-DD-KD11-A	KD11-A ENGINEERING DRAWINGS	1	1			1	1																																	
10	D-CS-M7251-8-1	KG11-A DRAWINGS	1	1			1	1																																	
11	B-DD-DQ11-8	DQ11 DRAWINGS (CUSTOMER)	-	-																																					
12	B-DD-7009711-0	BASIC ASSY (11/48-A) PDP-11	1	1			1	1																																	
13	B-DD-7009722-0	PDP-11 OPT. MTG. CAB.	-	-																																					
14	B-DD-7606874-0	NPR-SYSC LINE CONF. SYS. (EXP. CAB)	-	-																																					
15	B-DD-DN87-8	UNIVERSAL COMM. SYSTEM FRONT END	1	1			1	1																																	
16	B-DD-MF11-U/UP	MF11-U/UP DRAWINGS	1	1			1	1																																	
17	ZP81-RB	PDP-11/40 BASIC LIB KIT	1	1			1	1																																	
18	DF-11-DCKBR-8-D	11/40, 11/45 CPU PARITY TEST (LISTING)	1	1			1	1																																	
19	DF-11-DCKBR-8-PB	11/40, 11/45 CPU PARITY TEST (BINARY TAPE)	1	1			1	1																																	
20	DF-11-DZKWA-8-D	KW11-L LINE FREQ. CLOCK TEST (LISTING)	1	1			1	1																																	
21	DF-11-DZKWA-8-PB	KW11-L LINE FREQ. CLOCK TEST (BINARY TAPE)	1	1			1	1																																	
22	DF-11-DGKA-8-D	KG11-A COMM CRC TEST (LISTING)	1	1			1	1																																	
23	DF-11-DGKA-8-PB	KG11-A COMM CRC TEST (BINARY TAPE)	1	1			1	1																																	
24	ZJ122-RB	DQ11 BASIC LIB KIT	-	-																																					
25	G727	GRANT CONTINUITY CARD (NOTE A)	3	3			3	3																																	
26	H315	MODEM TEST CONNECTOR (NOTE B)	-	-																																					
27	DF-11-DCMFA-8-D	PARITY TEST MEMORY (LISTING)	1	1			1	1																																	
28	DF-11-DCMFA-8-PB	PARITY TEST MEMORY (BINARY TAPE)	1	1			1	1																																	
29	DF-11-DBQEA-8-D	PDP11/48 CPU DIAG. (LISTING)	1	1			1	1																																	
30	DF-11-DBQEA-8-PB	PDP11/48 CPU DIAG. (BINARY TAPE)	1	1			1	1																																	
31	DF-11-DZQMC-8-D	8-28K PARITY MEM. TEST (LISTING)	1	1			1	1																																	
32	DF-11-DZQMC-8-PB	8-28K PARITY MEM. TEST (BINARY TAPE)	1	1			1	1																																	
33	B-DD-DD11-B	SMALL PERIPHERAL MTG. PANEL DRAWING SET	1	1			1	1																																	
34	EK-861-IP-002	ILLUSTRATED PARTS BREAK (861 POWER CONTROLLER)	1	1			1	1																																	
35	EK-KW11-L-TM-002	KW11-L LINE FREQ. MAINTENANCE MANUAL	1	1			1	1																																	
36	EK-DL11-TM-002	DL11-A MAINTENANCE MANUAL	1	1			1	1																																	
37	B-DD-DH11-8	DH11 CUSTOMER PRINT SET	-	-																																					
38	EK-DH11-MM-002	DH11 ASYNC. 16 LINE MULTIPLEXER MAINT. MANUAL	-	-																																					
39	ZJ114-RB	DH11 LIB KIT	-	-																																					
40	B-DD-DF11-8	DF11 CUSTOMER PRINT SET	-	-																																					
41	EK-DF11B-MM-002	DF11-BA, DF11-BB MODEM MAINZ. MANUAL	-	-																																					

REV.	CHANGE NO.
	CHK

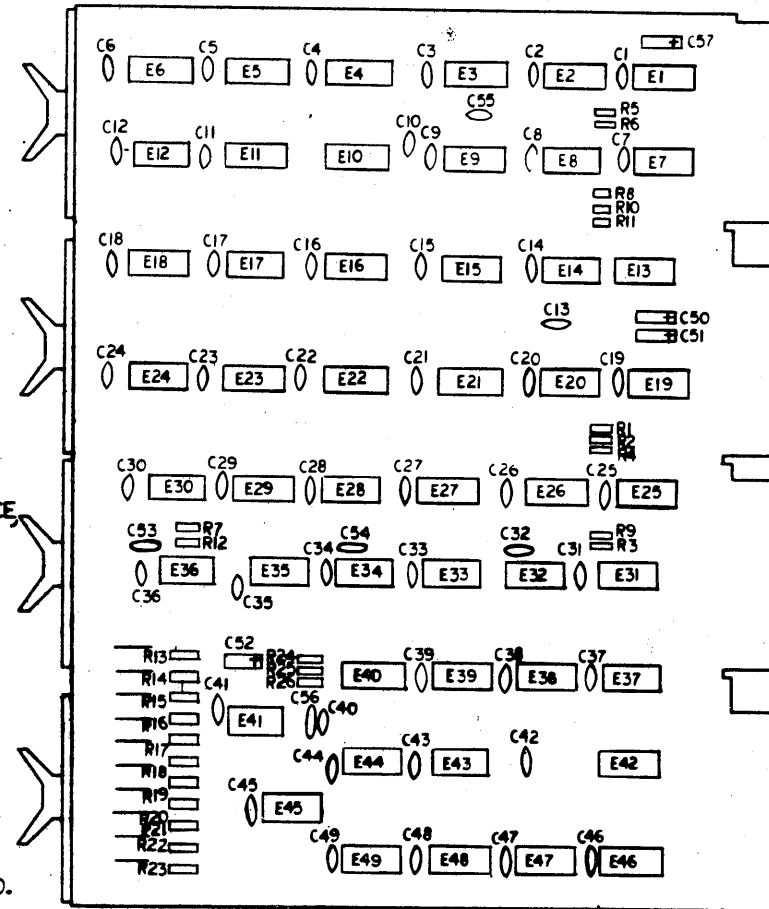
DRN. E. DEVRIS	1/22/76	FIRST USED ON	DN87	digital
CHK'D	2/25/76	TITLE	DN87 ACCESSORY SHIP LIST	
ENG. P. BISHOP	3/24/76	SIZE	C	CODE
PROJ. ENG. P. BISHOP	3/24/76	NUMBER	DN87-0-3	
PROD. P. YOUNG	3/24/76	REV.		
NEXT HIGHER ASSY.		SCALE	11	
B-DD-DN87-0		SHEET	1	OF 2
		DIST.		

PARTS REFERENCE

ITEM NO	DRAWING REFERENCE	DESCRIPTION	PART NUMBER	QUANTITY
1	E6, E23, E34	IC DEC 74H50	1909060	3
2	E1, E4, E9, E10, E15, E16, E18, E19, E20, E21, E22, E27	IC DEC 8640	19-11469	10
3	E3	IC DEC 8271	1909615	9
4	E1, E7, E13, E19, E23, E26, E41	IC DEC 74H74	1909262	1
5	E40, E43, E49	IC DEC 8881	1909705	7
6	E24	IC DEC 8242	1909712	3
7	E25	IC DEC 8815	1909713	2
8	E2	IC DEC 7416	1909321	2
9	E5, E17, E23, E35	IC DEC 74H04	1909394	4
10	E11	IC DEC 8265	1909394	4
11	E12, E28	IC DEC 7488	9100011	2
12	E32	IC DEC 74197	9100015	1
13	E28	IC DEC 7482	1909394	1
14	E18, E31, E32	IC DEC 7416	1909321	3
15	E18	IC DEC 7416	1909321	1
16	C50, C54	CAP 100PF 100V 5%	1000018	2
17	C56	CAP 470PF 100V 5%	1000024	1
18	C50-C52, C57	CAP 5.1M 35V 20%	1000087	4
19	C1-C49, C55	CAP .01 MF 100V 20%	1001610	50
20	R5	RES 100 1/4W 5%	1300229	1
21	R7, R8	RES 220 1/4W 5%	1300271	2
22	R9, R5	RES 330 1/4W 5%	1300285	2
23	R14-R25	RES 1K 1/4W 5%	1300365	13
24	R1-R3, R8, R10, R11	RES 750 1/4W 5%	1301401	8

COMPONENT PLACEMENT

PIN NOMENCLATURE



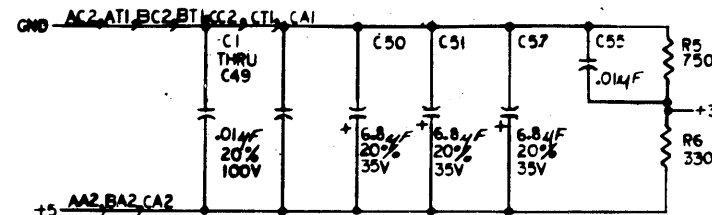
MODULE	LOGIC LOCATION
A	
B	
C	
D	

NOTES:

1. DETAILS ON COMPONENTS ARE NOTED IN THE PARTS REFERENCE. PLACEMENT IS NOTED IN THE COMPONENT PLACEMENT DIAGRAM.
2. GND AND +5V ARE USUALLY PIN 7 AND PIN 14, RESPECTIVELY. EXCEPTIONS ARE:

IC TYPE	GND	+5V
DEC 74H74	PIN 11	PIN 4
DEC 74H50	PIN 11	PIN 4
DEC 74H04	PIN 11	PIN 4
DEC 8271	PIN 8	PIN 16
DEC 8640	PIN 1	PIN 8

3. UNLESS OTHERWISE NOTED : RESISTANCE IS IN OHMS, CAPACITANCE IS IN PICO FARADS. CAPACITORS WITHOUT ANY NOTED VALUES ARE .01 MFD.
4. DEC 8640 REPLACES OBSOLETE DEC 380



REV	DATE	BY	CHKD
D	6/28/73	R. LISEE	R. LISEE
E	7/8/73	R. LISEE	R. LISEE
F	10-29-73	R. LISEE	R. LISEE

FIRST USED ON OPTION/MODEL KG11-A	QTY.	DESCRIPTION	PART NO.	ITEM NO.
PARTS LIST				
UNLESS OTHERWISE SPECIFIED DIMENSIONS IN INCHES TOLERANCES DECIMALS FRACTIONS ANGLES ± .005 ± 1/64 ± .020 FINAL SURFACE QUALITY REMOVE BURRS AND BREAK SHARP CORNERS	DATE 10-29-71	DATE 10-29-71	EQUIPMENT CORPORATION MAYNARD, MASSACHUSETTS	
MATERIAL	SCALE NONE	TITLE X-OR & CRC BLOCK CHECK OPTION		
FINISH	SHEET 1 OF 4	DATE 10-29-71	NUMBER DCS M7251-0-1	REV

NOTES:

1. FUNCTION (FUNCTION REG) DATA BITS

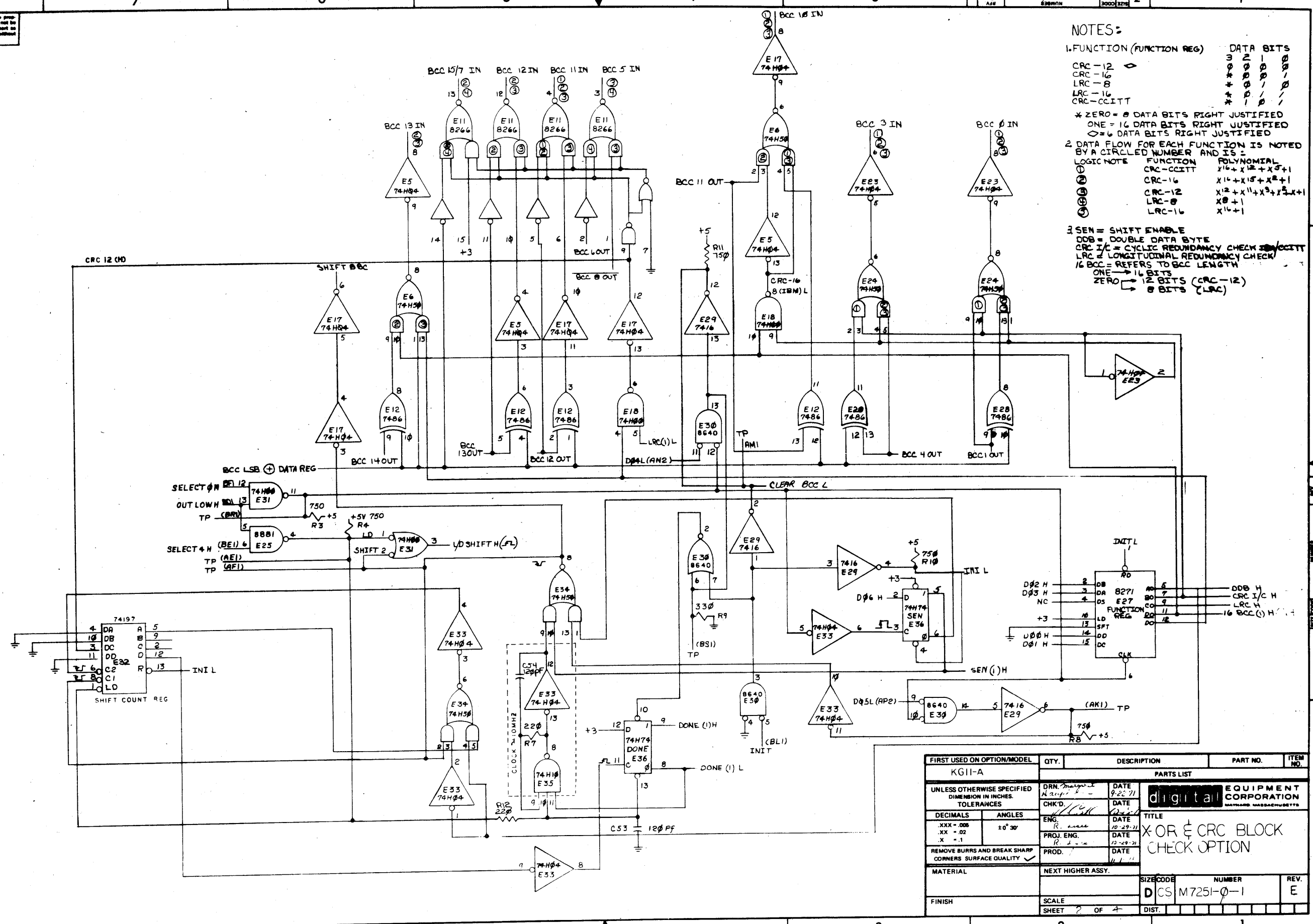
CRC-12	3	2	1	0
CRC-16	*	*	*	*
LRC-8	*	*	*	*
LRC-16	*	*	*	*
CRC-CCITT	*	*	*	*

* ZERO = 0 DATA BITS RIGHT JUSTIFIED
 ONE = 16 DATA BITS RIGHT JUSTIFIED
 ◊ = 6 DATA BITS RIGHT JUSTIFIED

2. DATA FLOW FOR EACH FUNCTION IS NOTED BY A CIRCLED NUMBER AND IS:

LOGIC NOTE	FUNCTION	POLYNOMIAL
①	CRC-CCITT	$x^{16} + x^{12} + x^5 + 1$
②	CRC-16	$x^{16} + x^{15} + x^2 + 1$
③	CRC-12	$x^{12} + x^{11} + x^3 + x^2 + 1$
④	LRC-8	$x^8 + 1$
⑤	LRC-16	$x^{16} + 1$

3. SEN = SHIFT ENABLE
 DOB = DOUBLE DATA BYTE
 CRC I/C = CYCLIC REDUNDANCY CHECK I/CCITT
 LRC = LONGITUDINAL REDUNDANCY CHECK
 16 BCC = REFERS TO BCC LENGTH
 ONE → 16 BITS
 ZERO → 12 BITS (CRC-12)
 → 8 BITS (LRC)



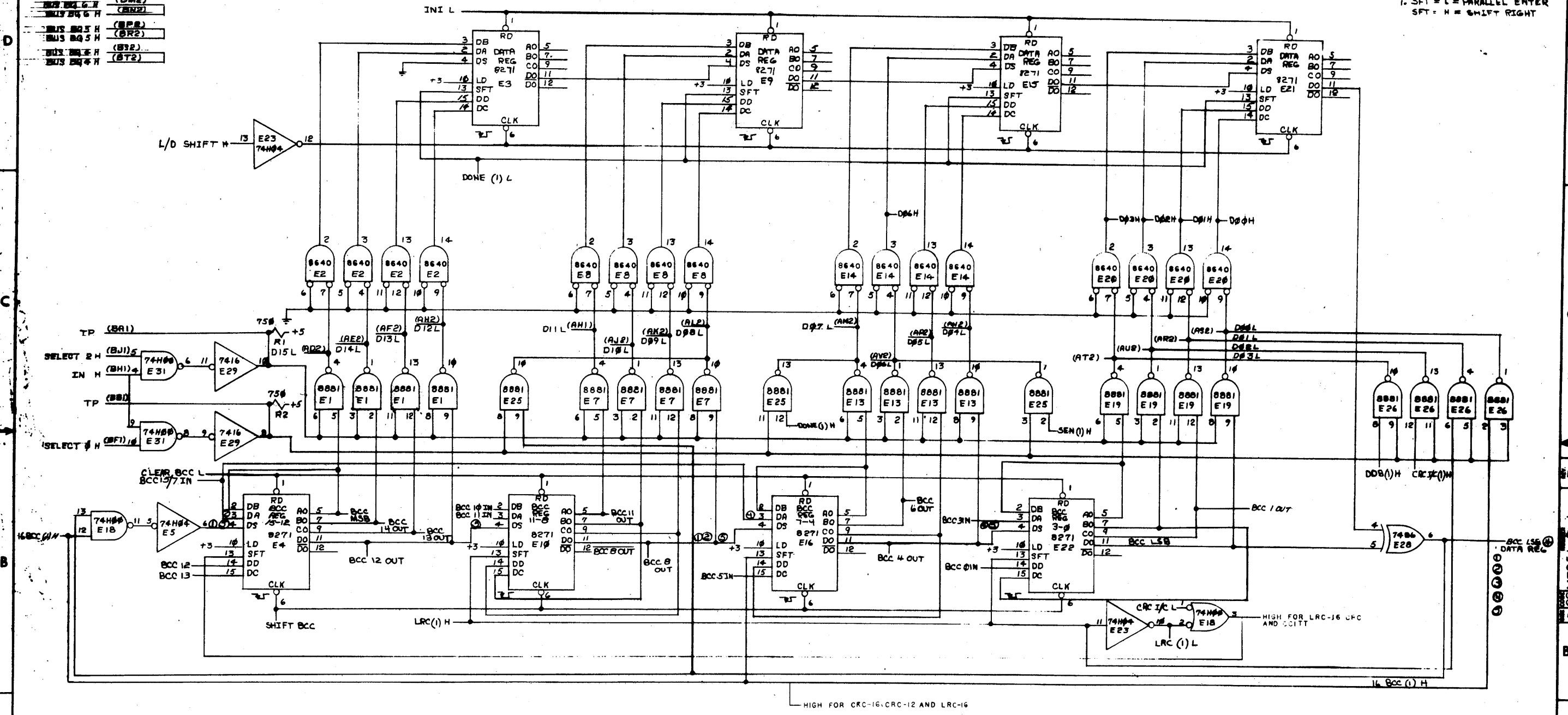
FIRST USED ON OPTION/MODEL	QTY.	DESCRIPTION	PART NO.	ITEM NO.
KG11-A				
PARTS LIST				
UNLESS OTHERWISE SPECIFIED DIMENSION IN INCHES TOLERANCES	DRN: <i>[Signature]</i> DATE: 9-22-71	DATE: 9-22-71	digital EQUIPMENT CORPORATION MILWAUKEE, WISCONSIN	
DECIMALS	CHK'D: <i>[Signature]</i> DATE: 10-29-71	DATE: 10-29-71		
.XXX - .005	ENG: <i>[Signature]</i> DATE: 10-29-71	DATE: 10-29-71		
.XX - .02	PROJ. ENG. <i>[Signature]</i> DATE: 10-29-71	DATE: 10-29-71		
.X - .1	PROD. <i>[Signature]</i> DATE: 11-1-71	DATE: 11-1-71	TITLE X-OR & CRC BLOCK CHECK OPTION	
REMOVE BURRS AND BREAK SHARP CORNERS SURFACE QUALITY				
MATERIAL	NEXT HIGHER ASSY.	SIZE CODE	NUMBER	REV.
FINISH	SCALE	D	CS M7251-0-1	E
	SHEET ? OF 4	DIST.		

REV	
CHANGE NO.	
CHK	

This drawing and specifications, herein, are the property of Digital Equipment Corporation and shall not be reproduced or copied in whole or in part for any purpose other than that for which it was prepared without the written permission of Digital Equipment Corporation.

- 7416 7416 (BK2)
- 7416 7416 (BL2)
- 7416 7416 (BM2)
- 7416 7416 (BN2)
- 7416 7416 (BP2)
- 7416 7416 (BR2)
- 7416 7416 (BS2)
- 7416 7416 (BT2)

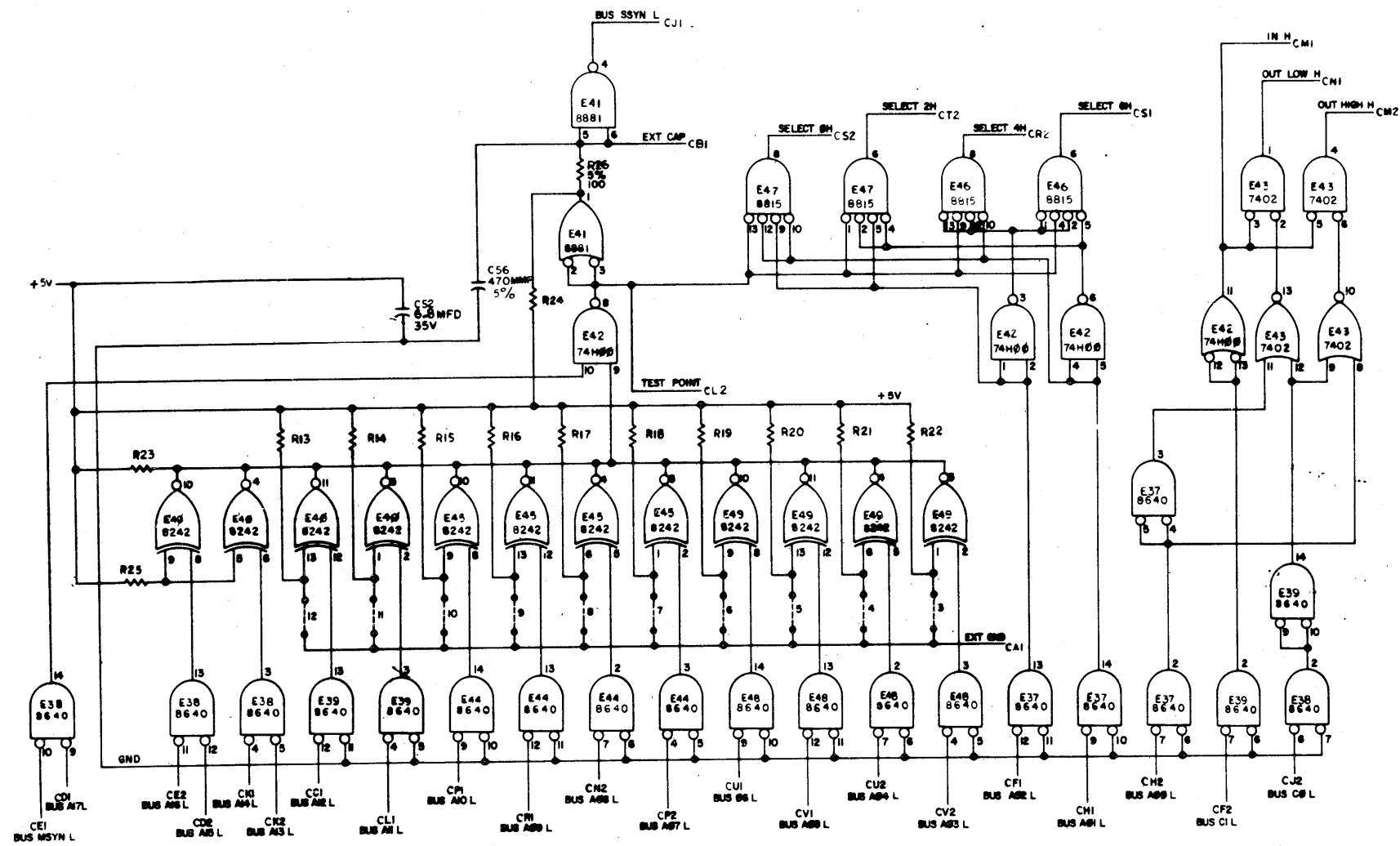
NOTES:
 1. SFT = L = PARALLEL ENTER
 SFT = H = SHIFT RIGHT



REV.	
CHG.	
NO.	

FIRST USED ON OPTION/MODEL	QTY.	DESCRIPTION	PART NO.	ITEM NO.
KG 11-A		PARTS LIST		
UNLESS OTHERWISE SPECIFIED DIMENSION IN INCHES TOLERANCES	DRN. DATE 9-22-71	DATE 9-22-71		
DECIMALS	CHKD. DATE 9-22-71	DATE 9-22-71		
ANGLES	ENG. DATE 9-22-71	DATE 9-22-71		
.XXX = .008 .XX = .02 .X = .1	PROJ. ENG. DATE 9-22-71	DATE 9-22-71		
REMOVE BURRS AND BREAK SHARP CORNERS SURFACE QUALITY	PROD. DATE	DATE	TITLE X-OR & CRC BLOCK CHECK OPTION	
MATERIAL	NEXT HIGHER ASSY.	SIZE CODE	NUMBER	REV.
FINISH	SCALE	DCS M7251-0-1		E
DEC FORM NO. DRD 100-A	SHEET 3 OF 4	DIST.		

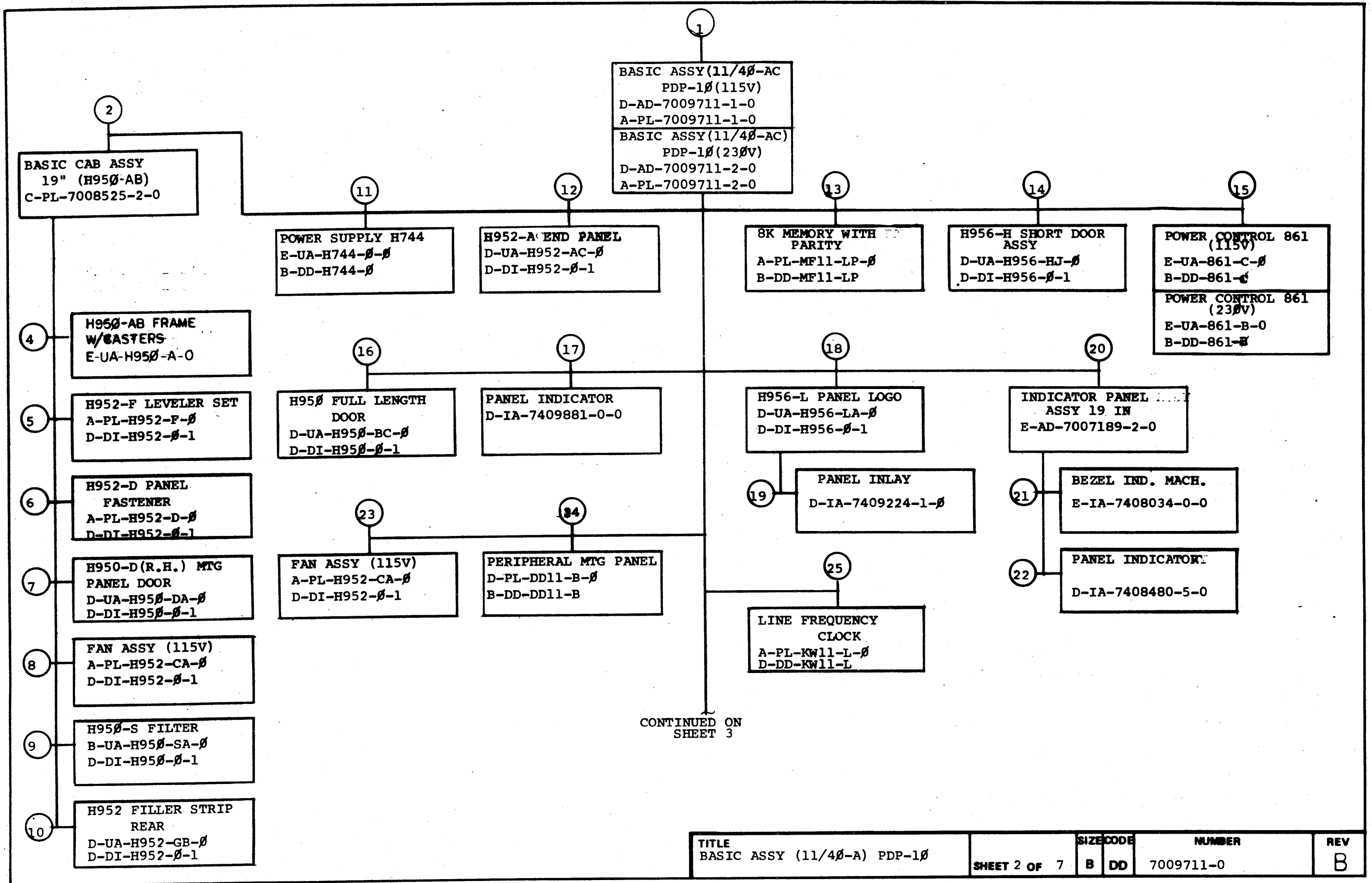
See drawing and specifications. Refer to the parts list for complete description and check for changes or updates or work in whole or in part on the basis for the manufacturer's data on the latest revision.



REV. NO.	REV.
CHK	

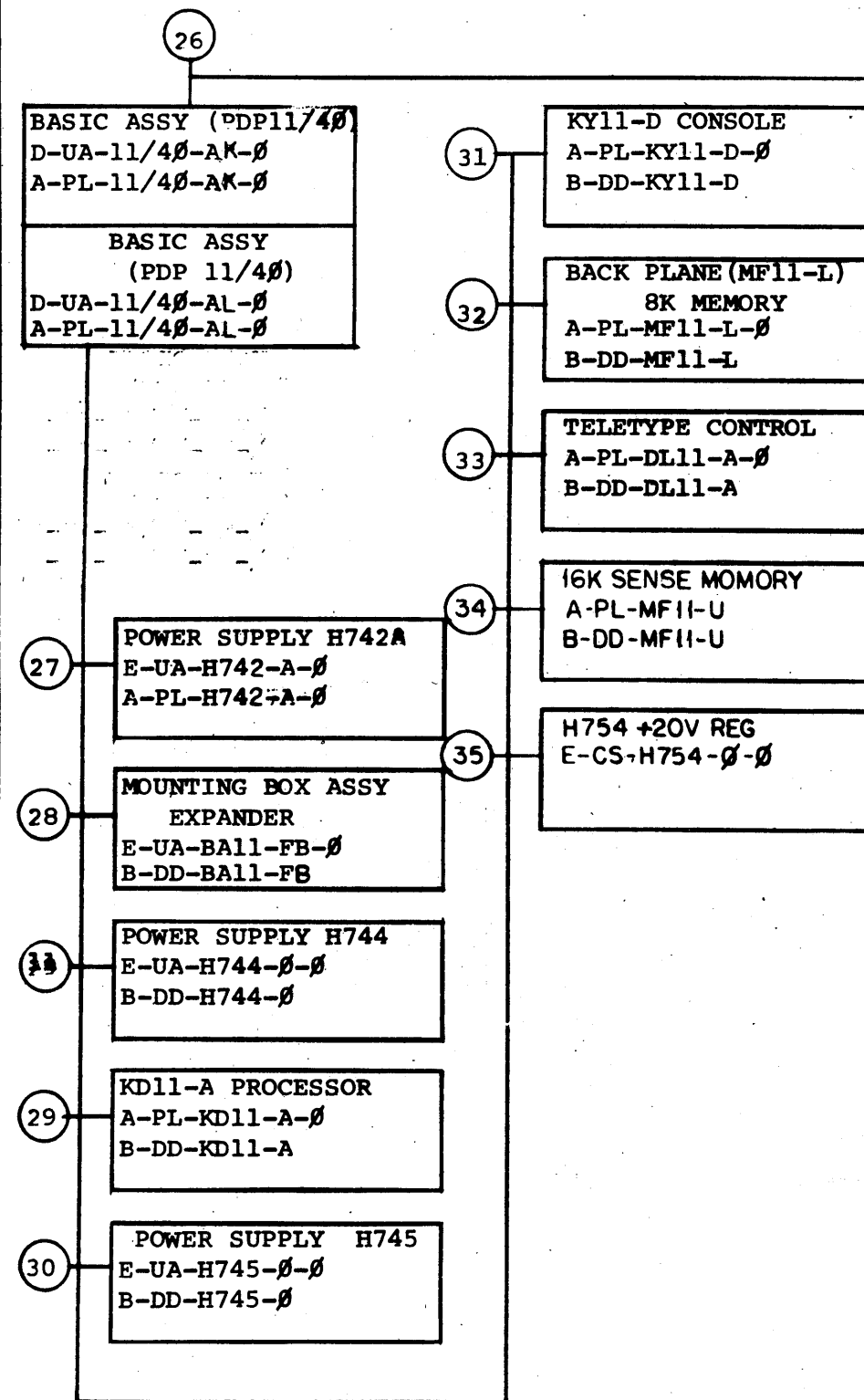
FIRST USED ON OPTION/MODEL KG11-A	QTY.	DESCRIPTION	PART NO.	ITEM NO.
DO NOT SCALE DIMENSIONS	PARTS LIST			
UNLESS OTHERWISE SPECIFIED	DATE	DATE	EQUIPMENT CORPORATION	
DRAWN BY: <i>McRae</i>	10/21/71	10/21/71	MIDDLETOWN, MARYLAND	
CHECKED BY: <i>Lock</i>	DATE	DATE	TITLE	
DESIGNED BY: <i>R. H. H.</i>	10/21/71	10/21/71	X-OR = CRC CLOCK	
PROJ. ENGR. <i>R. H. H.</i>	DATE	DATE	CHECK OPTION	
FINAL SURFACE QUALITY	10/21/71	10/21/71	DICS M7251-0-1	
REMOVE BURRS AND BREAK SHARP CORNERS	DATE	DATE	REV.	
MATERIAL	NEXT HIGHER ASSY			
FINISH	SCALE			
	SHEET 5 OF 5			

ECS M7251-0-1



TITLE BASIC ASSY (11/4 ϕ -A) PDP-1 ϕ	SHEET 2 OF 7	SIZE CODE B DD	NUMBER 7009711-0	REV B
---	--------------	-------------------	---------------------	----------

CONTINUED FROM SHEET 2



TITLE	SHEET	OF	SIZE	CODE	NUMBER	REV
BASIC ASSY (11/40-A) PDP-10	3	7	B	DD	7009711-0	B

CUSTOMER PRINT SET		ELECTRICAL					CUSTOMER PRINT SET		ELECTRICAL								
1	MFG. SET	FIND NO.	DRAWING NO.	REV	NO OF SHT	DESCRIPTION	OPTION NO./FILE DATE	1	MFG. SET	FIND NO.	DRAWING NO.	REV	NO OF SHT	DESCRIPTION	OPTION NO./FILE DATE		
		1	D-AD-7009711-1-0		4	BASIC ASSY(11/4ØA) PDP-10 115V				30	B-DD-H745-Ø		2	H745 DRAWING DIRECTORY			
			D-AD-7009711-2-0		4	BASIC ASSY(11/4ØA) PDP-10 230V											
		11	B-DD-H744-0		2	H744 DRAWING DIRECTORY				31	B-DD-KY11-D		3	KY11-D DRAWING DIRECTORY			
		13	B-DD-MF11-LP-Ø		3	MF11-LP DRAWING DIRECTORY				32	B-DD-MF11-L		3	MF11-L DRAWING DIRECTORY			
		15	B-DD-861-Ø		3	861 DRAWING DIRECTORY				33	B-DD-DL11-A		3	DL11-A DRAWING DIRECTORY			
		24	B-DD-DD11-B		3	DD11-B DRAWING DIRECTORY				34	B-DD-MF11-U		3	16K SENSE MEMORY			
		25	B-DD-KW11-L		3	KW11-L DRAWING DIRECTORY				35	E-CS-H754-Ø-Ø		2	H754-2ØV REGULATOR			
		26	D-UA-11/40-AC-Ø		6	BASIC ASSY 11/40 115V											
			D-UA-11/40-AD-Ø		6	BASIC ASSY 11/40 230V											
			D-UA-11/40-AE-Ø		6	BASIC ASSY 11/40 115V											
			D-UA-11/40-AF-Ø		6	BASIC ASSY 11/40 230V											
		27	C-CS-H742-Ø-1		1	CIRCUIT SCHEMATIC											
		28	B-DD-BA11-FB		3	BA11-F DRAWING DIRECTORY											
		29	B-DD-KD11-A		3	KD11-A DRAWING DIRECTORY											
CUSTOMER PRINT SET CODES	X = PRINT OF DOCUMENT INCLUDED IN PRINT SET C = INCLUDES ALL PRINTS INDICATED ON DOCUMENT S = CONFIDENTIAL AUTHORIZED SIGNATURE REQUIRED						TITLE	BASIC ASSY(11/4Ø-A) PDP-1Ø		SIZE CODE	B DD		NUMBER	7009711-0		REV	B
										SHEET 4 OF 7							

DRB 108

DEC 16 (325)-1062-28-R972

CUSTOMER PRINT SET		MECHANICAL					CUSTOMER PRINT SET		MECHANICAL				
1		NO. OF SHEETS	REV.	DRAWING NO.	OPTION NO./FILE DATE	1		NO. OF SHEETS	REV.	DRAWING NO.	OPTION NO./FILE DATE		
X		4	*	D-AD-7009711-1-0	BASIC ASSY(11/4 ϕ -A) PDP-10 115V								
X		4	*	A-PL-7009711-1-0	BASIC ASSY(11/4 ϕ -A) PDP-10(PL)								
		4		D-AD-7009711-2-0	BASIC ASSY(11/4 ϕ -A) PDP-10 230V			4		E-UA-H95 ϕ -AB- ϕ	H95 ϕ -AB FRAME W/CASTERS		
		4		A-PL-7009711-2-0	BASIC ASSY(11/4 ϕ -A) PDP-10(PL)								
		1		D-7411583-0-0	BEZEL MTG BRKT								
		1		E-IA-7409305-0-0	BEZEL REWORK								
X		1	*	D-IA-7009717-0-0	CABLE TTY ADAPTER								
		1		C-MD-7409312-0-0	BRKT. SHIPPING(BALL-F)								
		1		C-IA-7409870-0-0	BRKT. SHIPPING(IND PNL)			5		A-PL-H952-F- ϕ	H952-F LEVELER SET		
		1		C-IA-7410581-0-0	BRKT. CABLE HOLD DOWN					D-DI-H952- ϕ -1	H952 DRAWING INDEX LIST		
		1		D-IA-7409446-0-0	SUPPORT HARNESS								
		1		B-MD-7409447-0-0	PLATE, SUPPORT								
		1		D-MD-7409445-0-0	BRKT. HARNESS SUPPORT								
		1		E-IA-7009754-0-0	HARNESS POWER EXPANDER								
		1		E-IA-7009566-0-0	POWER HARNESS BOX 21 IN			6		A-PL-H952-D- ϕ	H952-D PANEL FAST(PL)		
		1		C-MD-7406707-0-0	PLATE TERM STRIP MTG					D-DI-H952- ϕ -1	H952 DRAWING INDEX LIST		
		1		C-MD-7408463-4-0	COVER TERM STRIP								
		1		C-UA-BC08R- ϕ 6-0	BC08R-6 FEET								
								7		D-UA-H950-DA- ϕ	H950-D MTG PANEL DOOR		
										A-PL-H950-DA- ϕ	H950-D MTG PANEL DOOR (PL)		
										D-DI-H950- ϕ -1	H950 DRAWING INDEX LIST		
								8		A-PL-H952-CA- ϕ	H952-C FAN (PL)		
										D-DI-H952- ϕ -1	H952 DRAWING INDEX LIST		
								9		B-UA-H950-SA- ϕ	H950-S FILTER		
										D-DI-H950- ϕ -1	H950 DRAWING INDEX LIST		
		1		C-PL-7008525-2-0	BASIC CAB ASSY 19IN(H95 ϕ -AB)								
								10		D-UA-H952-GB- ϕ	H952-G FILLER STRIP REAR		
										A-PL-H952-GB- ϕ	H952-G FILLER STRIP REAR(PL)		
										D-DI-H952- ϕ -1	H952 DRAWING INDEX LIST		

CUSTOMER PRINT SET CODES
 X = PRINT OF DOCUMENT INCLUDED IN PRINT SET
 C = INCLUDES ALL PRINTS INDICATED ON DOCUMENT
 S = CONFIDENTIAL AUTHORIZED SIGNATURE REQUIRED

TITLE: BASIC ASSY(11/4 ϕ -A) PDP-1 ϕ
 SHEET 5 OF 7
 SIZE CODE: B DD
 NUMBER: 7009711-0
 REV: B

CUSTOMER PRINT SET		MECHANICAL					CUSTOMER PRINT SET		MECHANICAL						
	MFG. SET	FIND NO.	DRAWING NO.	REV	NO OF SHT	DESCRIPTION	OPTION NO./FILE DATE		MFG. SET	FIND NO.	DRAWING NO.	REV	NO OF SHT	DESCRIPTION	OPTION NO./FILE DATE
		23	A-PL-H952-CA-Ø		1	H952-C FAN (PL)				30	E-UA-H745-Ø-Ø		1	H745 POWER SUPPLY	
			D-DI-H952-Ø-1		1	H952 DRAWING INDEX LIST					B-DD-H745-Ø		2	H745 DRAWING DIRECTORY	
											A-SP-H745-Ø-8		2	MFG SPEC	
		24	A-PL-DD11-B-Ø		1	DD11-B PERIPHERAL MTG PANEL				31	A-PL-KY11-D-Ø		1	KY11-D CONSOLE (PL)	
			B-DD-DD11-B		3	DD11-B DRAWING DIRECTORY					B-DD-KY11-D		3	KY11-D DRAWING DIRECTORY	
		25	A-PL-KW11-L-Ø		1	LINE FREQ. CLOCK (PL)				32	D-UA-MF11-L-Ø		1	MF11-L MEMORY	
			B-DD-KW11-L		3	DRAWING DIRECTORY					A-PL-MF11-L-Ø		1	MF11-L BK. PLANE 8K MEM. PL	
											B-DD-MF11-L		3	MF11-L DRAWING DIRECTORY	
		26	E-IA-7008754-0-0		1	HARNESS POWER (EXPANDER)				33	A-PL-DL11-A-Ø		1	TELETYPE CONTROL (PL)	
			D-IA-7009103-0-0		1	FIRST MEMORY 11/4Ø POWER HARNESS					B-DD-DL11-A		3	DRAWING DIRECTORY	
			D-IA-7009046-0-0		1	11/4Ø PROC POWER HARNESS				34	D-MU-MF11-U		1	MODULE UTILIZATION (MF11-U)	
			C-IA-7009053-0-0		1	CONS TO POWER CONTROL HARNESS					B-DD-MF11-U		3	DRAWING DIRECTORY	
			D-UA-11/4Ø-AK-Ø		2	BASIC ASSY 11/4Ø 115V				35	E-CS-H754		2	+20V REGULATOR	
			A-PL-11/4Ø-AK-Ø		4	BASIC ASSY 11/4Ø (PL)									
			D-UA-11/4Ø-AL-Ø		6	BASIC ASSY 11/4Ø 230V									
			A-PL-11/4Ø-AL-Ø		4	BASIC ASSY 11/4Ø (PL)									
		27	E-UA-H742-A-Ø		3	H742-A POWER SUPPLY 115V									
			A-PL-H742-A-Ø		3	H742-A POWER SUPPLY (PL)									
		28	E-UA-BALL-FB-Ø			MTG BOX EXPANDER									
			B-DD-BALL-F		3	BALL-F DRAWING DIRECTORY									
		29	A-PL-KD11-A		1	KD11-A PROCESSOR (PL)									
			B-DD-KD11-A		3	KD11-A DRAWING DIRECTORY									

CUSTOMER PRINT SET CODES
X = PRINT OF DOCUMENT INCLUDED IN PRINT SET
C = INCLUDES ALL PRINTS INDICATED ON DOCUMENT
S = CONFIDENTIAL AUTHORIZED SIGNATURE REQUIRED

TITLE
BASIC ASSY (11/4Ø-A) PDP-1Ø
SHEET 7 OF 7
SIZE CODE
B DD
NUMBER
7009711-0
REV
B

DRAWING DIRECTORY

"THIS DRAWING AND SPECIFICATIONS, HEREIN, ARE THE PROPERTY OF DIGITAL EQUIPMENT CORPORATION AND SHALL NOT BE REPRODUCED OR COPIED OR USED IN WHOLE OR IN PART AS THE BASIS FOR THE MANUFACTURE OR SALE OF ITEMS WITHOUT WRITTEN PERMISSION. COPYRIGHT © 1974, DIGITAL EQUIPMENT CORPORATION"

CUSTOMER PRINT SET INDEX

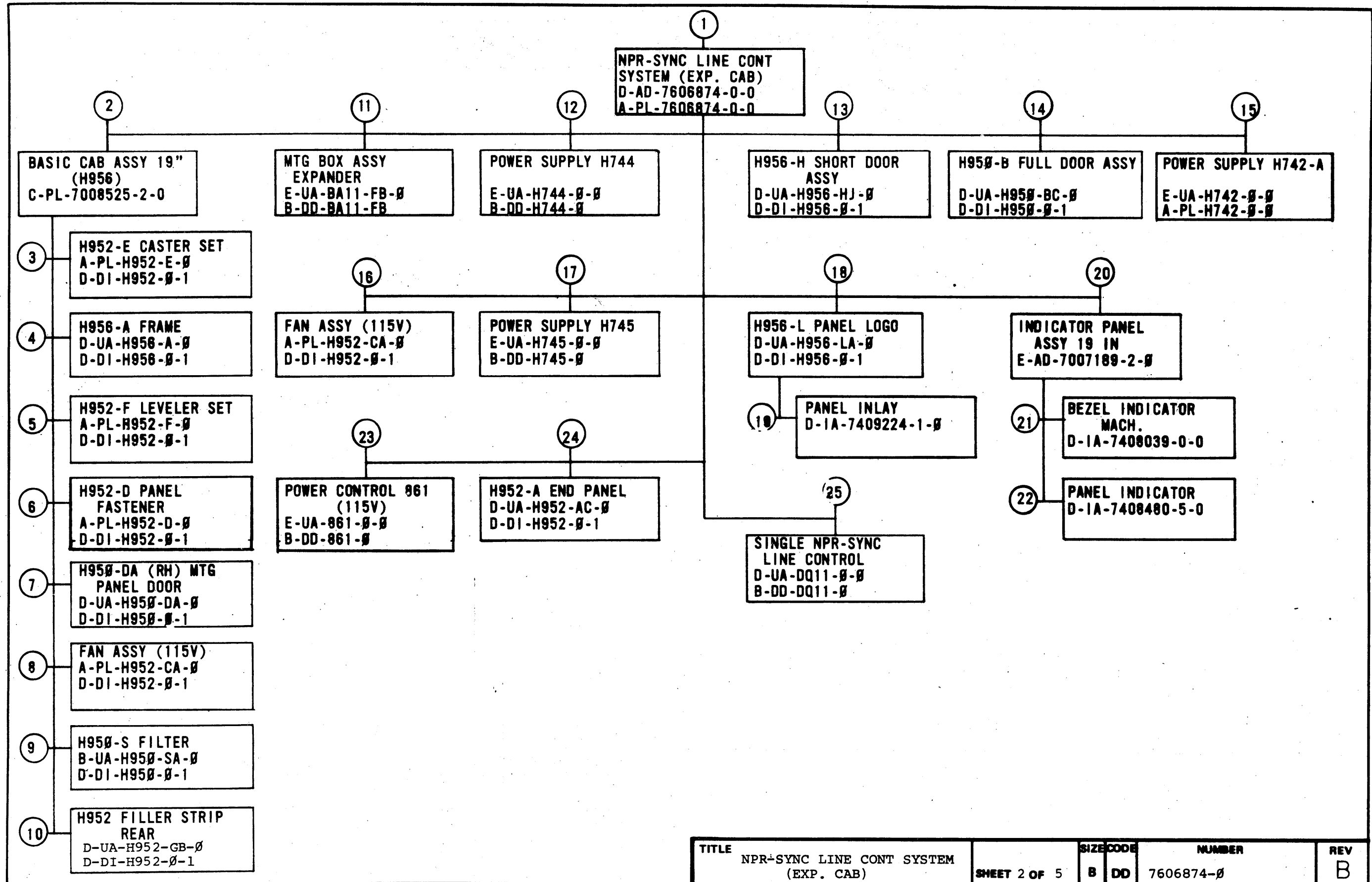
THIS IS PRINT SET

SEQUENCE	SEQUENCE
NPR-SYNC LINE CONT SYSTEM (EXP. CAB)	D-AD-7606874-0-0
MTG BOX ASSY EXPANDER	B-DD-BA11-FB
H744 DRAWING DIRECTORY	B-DD-H744-0
H742-A P.S. (115)	E-UA-H742-0-0
H742 CIRCUIT SCHEMATIC	D-CS-H742-0-0
H745 DRAWING DIRECTORY	B-DD-H745-0
861 DRAWING DIRECTORY	B-DD-861-0
DQ11 DRAWING DIRECTORY	B-DD-DQ11-0
ACCESSORY LIST	A-PL-7606847-0-1

UNIT VARIATIONS		PRINT SET			
VAR	TITLE				
7606874-1-0	NPR-SYNC LINE CONT SYSTEM (EXP. CAB) 115V	X			
7606874-2-0	NPR-SYNC LINE CONT SYSTEM (EXP. CAB) 230V	X			

DEC 15-113251-106E-1A-R97Z

REVISIONS		USED ON OPTION/MODEL		DRN	DATE	TITLE				
DATE	CHG. NO.	REV		E. DCVnes	10/29/74	NPR-SYNC LINE CONT SYSTEM (EXP. CAB)				
		A		<i>Phil Reed</i>	11/19/74					
		B		<i>Shubert</i>	11/18/74					



ELECTRICAL					MECHANICAL										
CUSTOMER PRINT SET					CUSTOMER PRINT SET										
MFG. SET	FIND NO.	DRAWING NO.	REV	NO OF SHT	DESCRIPTION	OPTION NO./FILE DATE	MFG SET	FIND NO.	DRAWING NO.	REV	NO OF SHT	DESCRIPTION	OPTION NO./FILE DATE		
		D-AD-7606874-0-B	B	6	NPR-SYNC LINE CONT SYSTEM (EXP. CAB)		X	1	D-AD-7606874-0-B	B	6	NPR-SYNC LINE CONT SYSTEM (EXP. CAB)			
									A-PL-7606874-0-B	B	5	NPR-SYNC LINE CONT SYSTEM (EXP. CAB) (PL)			
C		B-DD-BA11-FB	#	4	MTG BOX ASSY EXPANDER										
									C-IA-7409870-0-0	#	1	BRKT SHIPPING IND. PANEL			
									C-MD-7409312-0-0		1	BRKT SHIPPING (BA11-F)			
C		B-DD-H744-0	#	2	H744 DRAWING DIRECTORY				C-MD-7407607-0-0		1	PLATE TERM STRIP MTG			
									C-MD-7408463		1	COVER TERM STRIP			
									D-MD-7409445-0-0		1	BRKT HARNESS SUPPORT			
X		E-UA-H742-0-0	#	3	H742-A P.S. (115V)				E-IA-7008754-0-0		1	HARNESS POWER EXPANDER			
X		D-CS-H742-0-0	#	1	CIRCUIT SCHEMATIC				E-IA-7009566-0-0		1	BOX, PWR HARN. 21 IN			
									D-IA-7409446-0-0		1	SUPPORT HARNESS			
									B-MD-7409447-0-0		1	PLATE SUPPORT			
C		B-DD-H745-0	#	2	H745 DRAWING DIRECTORY		X		D-IA-7009573-0-0		1	6 PIN JUMPER HARNESS			
									C-IA-7411632-0-0		1	STRAIN RELIEF			
									C-IA-7411633-0-0		1	STRAIN RELIEF CLAMP			
							X		A-SP-DAS78-0-ATP	#	58	BISYNC LINE CONT SYS (ATP)			
									D-UA-BC11A-8F-0		1	CABLE ASSY (BC11-A)			
							X		A-PL-7606847-0-1		5	ACCESSORY LIST			
C		B-DD-861-0	#	3	861 DRAWING DIRECTORY		X		A-SP-DAS85-0-ATP	#	58	DDCMP LINE CONT SYS (ATP)			
									2	C-PL-7008525-2-0		1	BASIC CAB ASSY 19 IN (H956)		
C		B-DD-DQ11-0	#	4	DQ11 DRAWING DIRECTORY										
									3	A-PL-H952-E-0		1	H952-E CASTER SET (PL)		
									D-DI-H952-0-1		1	H952 DWG INDEX LIST			
									4	D-UA-H956-AA-0		4	H956-A FRAME		
									D-DI-H956-0-1		1	H956 DWG INDEX LIST			
									5	A-PL-H952-F-0		1	H952-F LEVELER SET		
									D-DI-H952-0-1		1	H952 DWG INDEX LIST			
CUSTOMER PRINT SET CODES							TITLE				SIZE CODE		NUMBER		REV
X = PRINT OF DOCUMENT INCLUDED IN PRINT SET C = INCLUDES ALL PRINTS INDICATED ON DOCUMENT S = CONFIDENTIAL AUTHORIZED SIGNATURE REQUIRED							NPR-SYNC LINE CONT SYSTEM (EXP. CAB)				SHEET 3 OF 5		B DD 7606874-0		B

CUSTOMER PRINT SET		MECHANICAL					CUSTOMER PRINT SET		MECHANICAL						
1	SET	FIND NO.	DRAWING NO.	REV	NO OF SHT	DESCRIPTION	OPTION NO./FILE DATE	1	SET	FIND NO.	DRAWING NO.	REV	NO OF SHT	DESCRIPTION	OPTION NO./FILE DATE
		6	A-PL-H952-D-0 D-DI-H952-0-1		1 1	H952-D PANEL FASTENER (PL) H952 DWG INDEX LIST				14	D-UA-H950-BC-0 A-PL-H950-BC-0 D-DI-H950-0-1		1 1 1	H950-B FULL LENGTH DOOR H950-B FULL LENGTH DOOR (PL) H950 DWG INDEX LIST	
		7	D-UA-H950-DA-0 A-PL-H950-DA-0 D-DI-H950-0-1		1 1 1	H950-D MTG PANEL DOOR H950-D MTG PANEL DOOR (PL) H950 DWG INDEX LIST				15	E-UA-H742-0-0 A-PL-H742-0-0	#	3 3	H742-A POWER SUPPLY H742-A POWER SUPPLY (PL)	
		8	A-PL-H952-CA-0 D-DI-H952-0-1		1 1	H952-C FAN (PL) H952 DWG INDEX LIST				16	A-PL-H952-CA-0 D-DI-H952-0-1		1 1	H952-C FAN (PL) H952 DWG INDEX LIST	
		9	B-UA-H950-SA-0 D-DI-H950-0-1		1 1	H950-S FILTER H950 DWG INDEX LIST				17	E-UA-H745-0-0 B-DD-H745-0 A-SP-H745-0-0	#	1 2 2	H745 POWER SUPPLY H745 DWG DIRECTORY H745 MFG SPEC	
		10	D-UA-H952-GB-0 A-PL-H952-GB-0 D-DI-H952-0-1		1 1 1	H952-G FILLER STRIP REAR H952-G FILLER STRIP REAR (PL) H952 DWG INDEX LIST				18	D-UA-H956-LA-0 D-DI-H956-0-1		1 1	H956-L PANEL LOGO H956 DWG INDEX LIST	
		11	E-UA-BA11-FB-0 B-DD-BA11-FB	#	4	MTG BOX ASSY EXPANDER BA11-F DWG DIRECTORY				19	D-IA-7409224-1-0 C-SS-7409224-0-1	#	1 1	PANEL INLAY SILK SCREEN (BLUE)	
		12	E-UA-H744-0-0 B-DD-H744-0 A-SP-H744-0-B	#	1 2 2	H744 POWER SUPPLY H744 DWG DIRECTORY MFG SPEC				20	E-AD-7007189-2-0 A-PL-7007189-2-0 E-IA-7408429-0-0 C-MD-7407807-0-0 C-MD-7407820-2-0 D-MD-7408538-0-0	#	1 1 1 1 1 1	IND. PANEL ASSY 19 IN IND. PANEL ASSY 19 IN (PL) PLATE BEZEL MTG SLIDE SUPPORT SLIDE SUPPORT IND. PNL.	
		13	D-UA-H956-HJ-0 A-PL-H956-HJ-0 D-DI-H956-0-1		4 1 1	H956-H SHORT DOOR ASSY H956-H SHORT DOOR ASSY (PL) H956 DWG DIRECTORY									

CUSTOMER PRINT SET CODES
X = PRINT OF DOCUMENT INCLUDED IN PRINT SET
C = INCLUDES ALL PRINTS INDICATED ON DOCUMENT
S = CONFIDENTIAL AUTHORIZED SIGNATURE REQUIRED

TITLE
NPR-SYNC LINE CONT SYSTEM
(EXP. CAB)

SHEET 4 OF 5
SIZE CODE B DD
NUMBER 7606874-0

REV
B

CUSTOMER PRINT SET					MECHANICAL					CUSTOMER PRINT SET					
1	MFG. SET	FIND NO.	DRAWING NO.	REV	NO OF SHT	DESCRIPTION	OPTION NO./FILE DATE		MFG. SET	FIND NO.	DRAWING NO.	REV	NO OF SHT	DESCRIPTION	OPTION NO./FILE DATE
		21	D-1A-7408034-0-0		1	BEZEL IND MACH									
			B-MD-7408028-0-0		1	HINGE IND BEZEL									
			D-SC-1209836-0-0		1	BEZEL IND CASTING									
		22	D-1A-7408480-5-0		1	PANEL INDICATOR									
			D-SS-7408480-0-5		1	SILK SCREEN (BLK)									
		23	E-UA-861-Ø-Ø		1	861 PWR CONTROL									
			B-DD-861-C		3	861 DWG DIRECTORY									
		24	D-UA-H952-AC-Ø		2	H952-A END PANEL									
			A-PL-H952-AC-Ø		1	H952-A END PANEL (PL)									
			D-DI-H952-Ø-1		1	H952 DWG INDEX LIST									
		25	D-UA-DQ11-Ø-Ø		1	NPR-SYNC LINE CONTROL									
			B-DD-DQ11-Ø		4	DWG DIRECTORY									

CUSTOMER PRINT SET CODES
X = PRINT OF DOCUMENT INCLUDED IN PRINT SET
C = INCLUDES ALL PRINTS INDICATED ON DOCUMENT
S = CONFIDENTIAL AUTHORIZED SIGNATURE REQUIRED

TITLE NPR-SYNC LINE CONT SYSTEM
(EXP. CAB)

SHEET 5 OF 5
SIZE CODE B DD
NUMBER 7606874-Ø

REV B

DRAWING DIRECTORY

THIS DRAWING AND SPECIFICATIONS, HEREIN, ARE THE PROPERTY OF DIGITAL EQUIPMENT CORPORATION AND SHALL NOT BE REPRODUCED OR COPIED OR USED IN WHOLE OR IN PART AS THE BASIS FOR THE MANUFACTURE OR SALE OF ITEMS WITHOUT WRITTEN PERMISSION. COPYRIGHT © 1974 . DIGITAL EQUIPMENT CORPORATION

CUSTOMER PRINT SET INDEX

SEQUENCE SEQUENCE

PDP-10'11 OPT MTG CAB B-DD-7009722-0
 PDP-10'11 OPT MTG CAB D-AD-7009722-0-0
 PDP-10'11 OPT MTG CAB (PL) A-PL-7009722-0-0

THIS IS PRINT SET

--	--	--	--

UNIT VARIATIONS		PRINT SET	
VAR	TITLE	1	
7009722-1	PDP-10-11 OPT MTG CAB 115V	X	
7009722-2	PDP-10-11 OPT MTG CAB 230V	X	

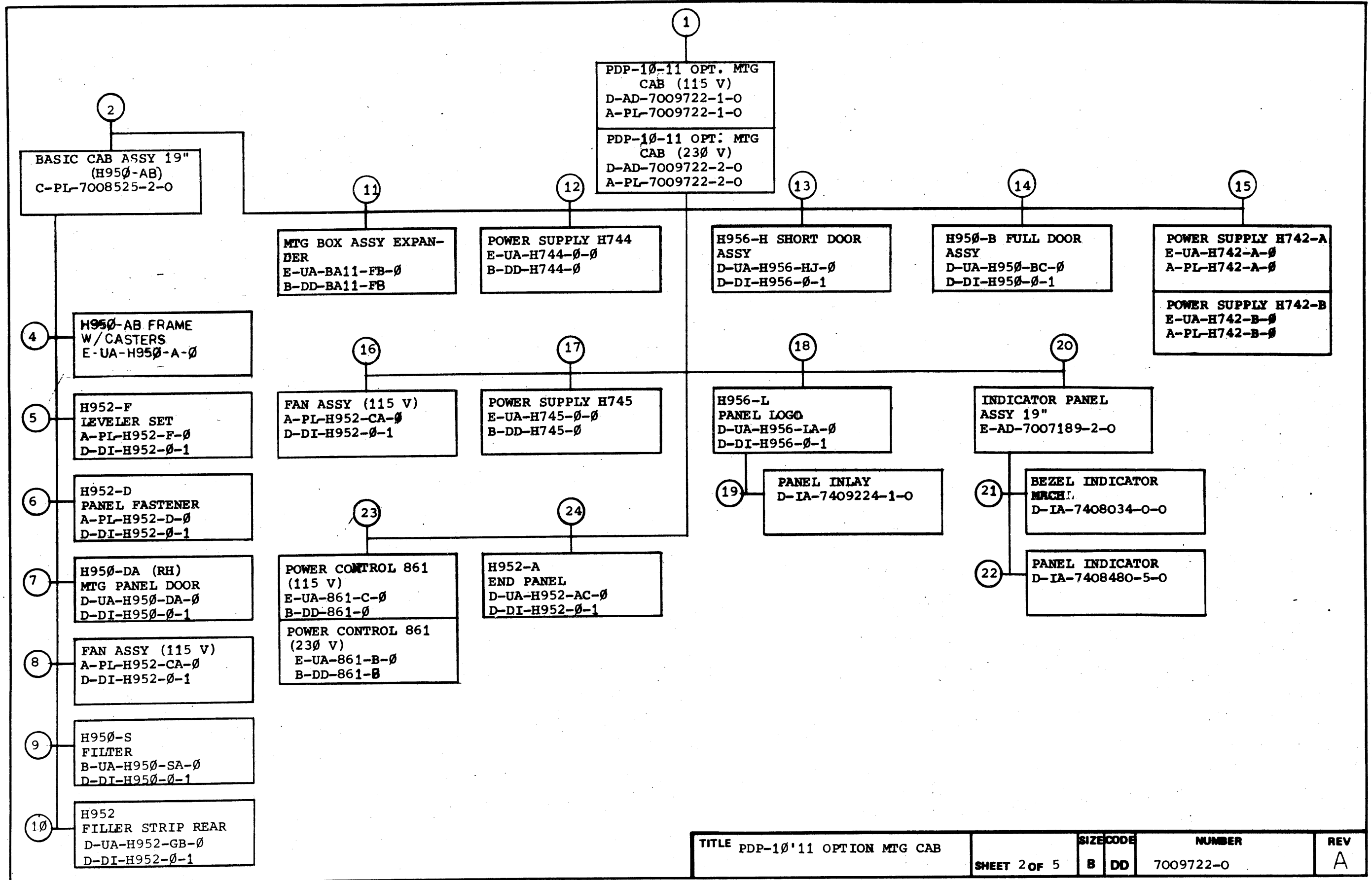
NOTE: PRINT SETS AND MANUALS FOR THE OPTIONS WHICH ARE CALLED OUT HEREIN ARE PROVIDED WITH THE NEXT HIGHER ASSEMBLY

REVISIONS	CHG. NO.	REV
	DC76-2	A
DATE	4-23-75	

Allen Kent 28 APR 75

USED ON OPTION/MODEL	DRN.	DATE	TITLE
DC76-A TYPE	W. HOVEY	3-11-74	
DC76-D TYPE	CHR'D.	DATE	
DC76-E TYPE	D. HEALY	3/11-74	
	PROJ ENG.	DATE	PDP-10'11 OPT MTG CAB
	<i>Allen Kent</i>	<i>15 Mar 74</i>	
	PROJ	DATE	SIZE CODE NUMBER REV
	<i>J.V. Welch</i>	<i>3-15-74</i>	
	FIELD SERV.	DATE	B DD 7009722-0 A
	<i>M. Angeri</i>		
SHEET 1 OF 5			DIST

DEC 16-13251-1062-1A-R97Z



TITLE PDP-10'11 OPTION MTG CAB	SHEET 2 OF 5	SIZE CODE B DD	NUMBER 7009722-0	REV A
--------------------------------	--------------	----------------	------------------	-------

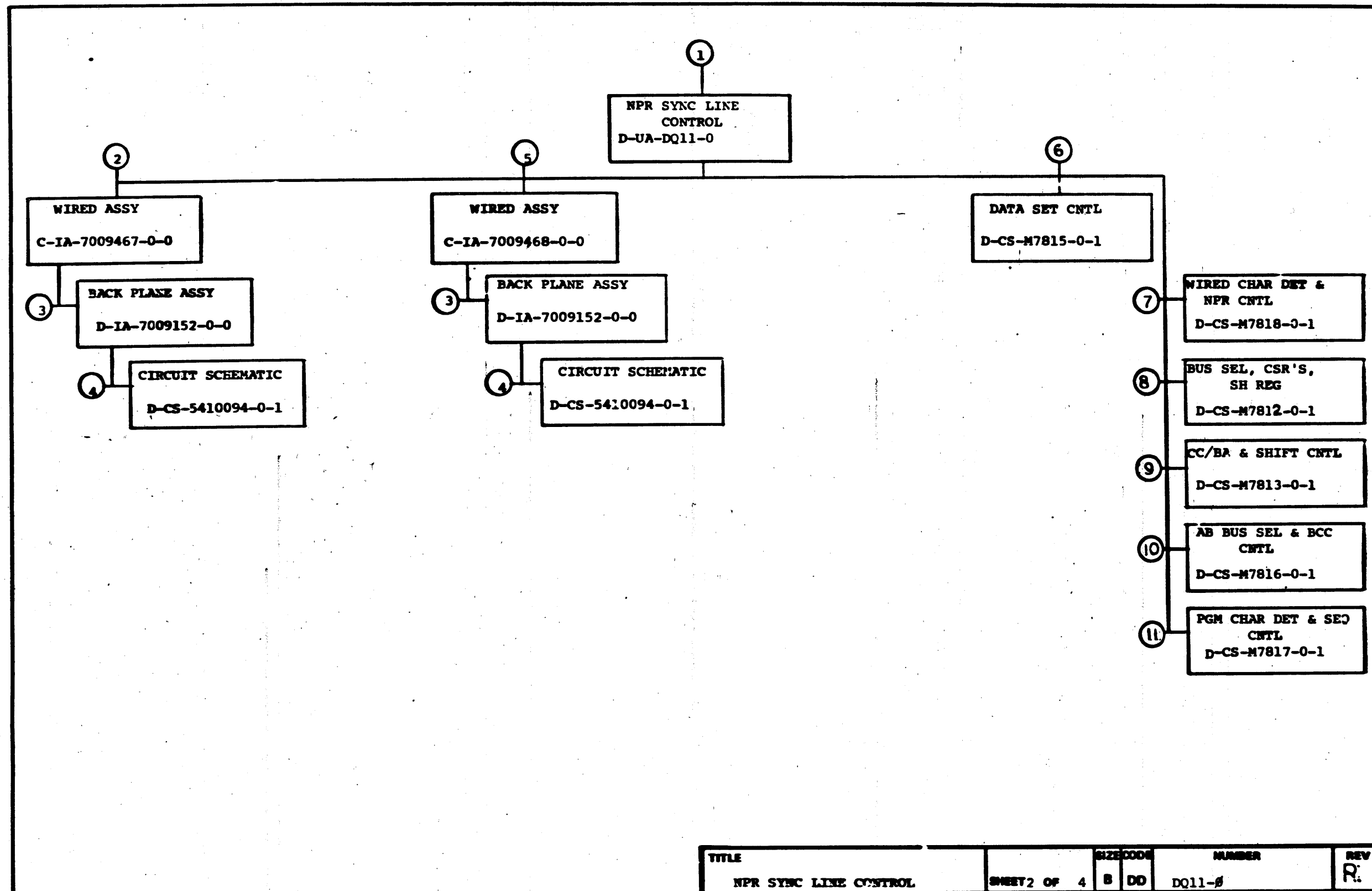
CUSTOMER PRINT SET		ELECTRICAL					CUSTOMER PRINT SET		MECHANICAL								
1	MFG. SET	FIND NO.	DRAWING NO.	REV	NO OF SHT	DESCRIPTION	OPTION NO./FILE DATE	1	MFG. SET	FIND NO.	DRAWING NO.	REV	NO OF SHT	DESCRIPTION	OPTION NO./FILE DATE		
		1	D-AD-7009722-0-0		4	PDP-10-11 OPT MTG CAB 115/230V		X		1	D-AD-7009722-1-0	*	4	PDP-10-11 OPT MTG CAB 115V			
								X			A-PL-7009722-1-0	*	4	PDP-10-11 OPT MTG CAB (PL)			
											D-AD-7009722-2-0		4	PDP-10-11 OPT MTG CAB 230V			
											A-PL-7009722-2-0		4	PDP-10-11 OPT MTG CAB (PL)			
		11	B-DD-BA11-FB-0		4	MTG BOX ASSY EXPANDER					C-IA-7409870-0-0		1	BRKT SHIPPING IND PANEL			
											C-MD-7409312-0-0		1	BRKT SHIPPING (BA11-F)			
											C-MD-7407607-0-0		1	PLATE TERM STRIP MTG			
											C-MD-7408463-4-0		1	COVER TERM STRIP			
		12	B-DD-H744-0		2	H744 DWG DIRECTORY					D-MD-7409445-0-0		1	BRKT HARNESS SUPPORT			
											E-IA-7008754-0-0		1	HARNESS POWER EXPANDER			
		15	E-UA-H742-A-0		3	H742-A P.S. (115V)					E-IA-7009566-0-0		1	BOX, PWR HARN. 21"			
			D-CS-H742-A-0		1	CIRCUIT SCHEMATIC					D-IA-7409446-0-0		1	SUPPORT HARNESS			
											B-MD-7409447-0-0		1	PLATE SUPPORT			
											D-IA-7009573-0-0		1	6 PIN JUMPER HARNESS			
		15	E-UA-H742-B-0		3	H742-B P.S. (230V)											
			D-CS-H742-B-0		1	CIRCUIT SCHEMATIC											
		17	B-DD-H745-0		2	H745 DWG DIRECTORY											
		23	B-DD-861-C		3	861 DWG DIRECTORY (115V)				2	C-PL-7008525-2-0		1	BASIC CAB ASSY 19" (h956)			
		23	B-DD-861-B		3	861 DWG DIRECTORY (230V)											
										4	E-UA-H950-AB-0			H950-AB FRAME W/CASTERS			
										5	A-PL-H952-F-0		1	H952-F LEVELER SET			
											D-DI-H952-0-1		1	H952 DWG INDEX LIST			
CUSTOMER PRINT SET CODES	X = PRINT OF DOCUMENT INCLUDED IN PRINT SET C = INCLUDES ALL PRINTS INDICATED ON DOCUMENT S = CONFIDENTIAL AUTHORIZED SIGNATURE REQUIRED						TITLE	PDP-10'11 OPTION MTG CAB		SIZE CODE	B DD		NUMBER	7009722-0		REV	A

CUSTOMER PRINT SET					MECHANICAL					CUSTOMER PRINT SET					MECHANICAL						
1	MFG. SET	FIND NO.	DRAWING NO.	REV	NO OF SHT	DESCRIPTION	OPTION NO./FILE DATE	1	MFG. SET	FIND NO.	DRAWING NO.	REV	NO OF SHT	DESCRIPTION	OPTION NO./FILE DATE						
		6	A-PL-H952-D-0		1	H952-D PANEL FASTENER (PL)				13	D-UA-H956-HJ-0		4	H956-H SHORT DOOR ASSY							
			D-DI-H952-0-1		1	H952 DWG INDEX LIST					A-PL-H956-HJ-0		1	H956-H SHORT DOOR ASSY (PL)							
											D-DI-H956-0-1		1	H956 DWG INDEX LIST							
		7	D-UA-H950-DA-0		1	H950-D MTG PANEL DOOR				14	D-UA-H950-BC-0		1	H950-B FULL LENGTH DOOR							
			A-PL-H950-DA-0		1	H950-D MTG PANEL DOOR (PL)					A-PL-H950-BC-0		1	H950-B FULL LENGTH DOOR (PL)							
			D-DI-H950-0-1		1	H950 DWG INDEX LIST					D-DI-H950-0-1		1	H950 DWG INDEX LIST							
		8	A-PL-H952-CA-0		1	H952-C FAN (PL)				15	E-UA-H742-A-0		3	H742-A POWER SUPPLY (115 V)							
			D-DI-H952-0-1		1	H952 DWG INDEX LIST					A-PL-H742-A-0		3	H742-A POWER SUPPLY (PL)							
		9	B-UA-H950-SA-0		1	H950-S FILTER					E-UA-H742-B-0		3	H742-B POWER SUPPLY (230 V)							
			D-DI-H950-0-1		1	H950 DWG INDEX LIST					A-PL-H742-B-0		3	H742-B POWER SUPPLY (PL)							
		10	D-UA-H952-GB-0		1	H952-G FILLER STRIP REAR				16	A-PL-H952-CA-0		1	H952-C FAN (PL)							
			A-PL-H952-GB-0		1	H952-G FILLER STRIP REAR (PL)					D-DI-H952-0-1		1	H952 DWG INDEX LIST							
			D-DI-H952-0-1		1	H952 DWG INDEX LIST															
		11	E-UA-BA11-FB-0			MTG BOX ASSY EXPANDER				17	E-UA-H745-0-0		1	H745 POWER SUPPLY							
			B-DD-BA11-FB		4	BA11-F DWG DIRECTORY					B-DD-H745-0		2	H745 DWG DIRECTORY							
											A-SP-H745-0-8		2	H745 MFG SPEC							
		12	E-UA-H744-0-0		1	H744 POWER SUPPLY				18	D-UA-H956-LA-0		1	H956-L PANEL LOGO							
			B-DD-H744-0		2	H744 DWG DIRECTORY					D-DI-H956-0-1		1	H956 DWG DIRECTORY							
			A-SP-H744-0-8		2	MFG SPEC															
										19	D-IA-7409224-1-0		1	PANEL INLAY							
											C-SS-7409224-0-1		1	SILK SCREEN (BLUE)							
CUSTOMER PRINT SET CODES							X = PRINT OF DOCUMENT INCLUDED IN PRINT SET C = INCLUDES ALL PRINTS INDICATED ON DOCUMENT S = CONFIDENTIAL AUTHORIZED SIGNATURE REQUIRED							TITLE		SIZE CODE		NUMBER		REV	
							PDP-10'11 OPTION MTG CAB							SHEET 4 OF 5		B DD 7009722-0		A			

CUSTOMER PRINT SET		MECHANICAL					CUSTOMER PRINT SET								
1	MFG. SET	FIND NO.	DRAWING NO.	REV	NO OF SHT	DESCRIPTION	OPTION NO./FILE DATE	1	MFG. SET	FIND NO.	DRAWING NO.	REV	NO OF SHT	DESCRIPTION	OPTION NO./FILE DATE
		20	E-AD-7007189-2-0		1	IND. PNL ASSY 19IN									
			A-PL-7007189-2-0		1	IND. PNL ASSY 19IN (PL)									
			E-IA-7408429-0-0		1	PLATE BEZEL MTG									
			C-MD-7407807-0-0		1	SLIDE									
			C-MD-7407820-2-0		1	SUPPORT, SLIDE									
			D-MD-7408538-0-0		1	SUPPORT, IND PNL									
		21	D-IA-7408034-0-0		1	BEZEL IND MACH.									
			B-MD-7408028-0-0		1	HINGE IND. BEZEL									
			D-SC-1209836-0-0		1	BEZEL, IND. CASTING									
		22	D-IA-7408480-5-0		1	PANEL, INDICATOR									
			D-SS-7408480-0-5		1	SILK SCREEN (BLK)									
		23	E-UA-861-C-0		1	861 PWR CONTROL (115V)									
			B-DD-861-C		3	861 DWG DIRECTORY									
			E-UA-861-B-0		1	861 PWR CONTROL (230V)									
			B-DD-861-B		3	861 DWG DIRECTORY									
		24	D-UA-H952-AC-0		2	H952-A END PANEL									
			A-PL-H952-AC-0		1	H952-A END PANEL (PL)									
			D-DI-H952-0-1		1	H952 DWG INDEX LIST									
CUSTOMER PRINT SET CODES	X = PRINT OF DOCUMENT INCLUDED IN PRINT SET C = INCLUDES ALL PRINTS INDICATED ON DOCUMENT S = CONFIDENTIAL AUTHORIZED SIGNATURE REQUIRED						TITLE	SHEET 5 OF 5		SIZE CODE	NUMBER		REV		
							PDP-10'11 OPTION MTG CAB	B DD		7009722-0		A			

DRB 108

DEC 16-(325)-1062-2B-R972



TITLE	SHEET	OF	SIZE	CODE	NUMBER	REV
NPR SYNC LINE CONTROL	2	4	B	DD	DQ11-0	R

CUSTOMER PRINT SET		ELECTRICAL				CUSTOMER PRINT SET		ELECTRICAL										
DQ11-0	DQ11-MA	MFG. SET	FIND NO.	DRAWING NO.	REV. SHT	NO OF	DESCRIPTION	OPTION NO / FILE DATE	DQ11-0	DQ11-MA	MFG. SET	FIND NO.	DRAWING NO.	REV. SHT	NO OF	DESCRIPTION	OPTION NO / FILE DATE	
X			1	D-UA-DQ11-C-0	A	1	NPR SYNC LINE CONTROL		X			5	C-IA-7009468-0-0	A	1	WIRED ASSY (DQ11-A5)		
X				A-PL-DQ11-E-0	A	1	NPR SYNC LINE CONTROL		C				K-WL-DQ11-0-14	H	1	WIRE LIST (DQ11-AB)		
X				D-MU-DQ11-0-1	*	1	MODULE UTILIZATION (AA)		X				A-WT-7009468-0	#	1	AWT STATUS REV		
X				D-MU-DQ11-0-2	*	1	MODULE UTILIZATION (AB)											
X				A-AL-DQ11-0-3	A	1	DQ11 ACCESSORY LIST											
C				B-DD-DF11-0	#	1	LEVEL CONVERTERS + CABLES											
X				D-BD-DQ11-0-4	*	1	DF11 CONV/CABLE											
X				D-E5-DQ11-E-5	*	1	ADDRESS INTERRUPT CLOCK											
X				D-IC-DQ11-V-6	*	1	UNIBUS CONNECTORS											
X				D-IC-DQ11-0-7	A	1	DQ11-AA/DQ11-AB CONNECTORS		X			6	D-CS-M7815-0-1	#	2	DATA SET CNTL		
				A-S2-DQ11-0-8	*	1	ENGINEERING SPEC						K-CO-M7815-0-4	1	1	X-Y COORDINATE HOLE LOCATION		
				A-S2-DQ11-0-9	*	1	TEST PROCEDURE						D-AH-M7815-0-5	1	1	ASSY/HOLE LOCATION		
				A-S2-DQ11-0-10	*	1	ACCEPTANCE PROCEDURE						B-MH-M7815-0-6	1	1	MODULE ECO HISTORY		
X				D-CS-M022-0-1	#	1	INTERNAL BUS CONN											
X				D-CS-M105-0-1	#	1	ADDRESS SELECTOR											
X				D-CS-M7821-0-1	#	2	INTERRUPT CONTROL MODULE		X			7	D-CS-M7818-0-1	#	4	WIRED CHAR DET & NPR CNTL		
X	X			D-CS-M4050-0-1	#	1	CRYSTAL CLOCK						K-CO-M7818-0-4	1	1	X-Y COORDINATE HOLE LOCATION		
X				D-CS-M315-0-1	#	1	MODEM TEST CONN						D-AH-M7818-0-5	1	1	ASSY/DRILLING HOLE LAYOUT		
													B-MH-M7818-0-6	1	1	MODULE ECO HISTORY		
									X			8	D-CS-M7812-0-1	#	10	BUS SEL CSR'S, SH REG		
X				C-IA-BC06S-0-0	#	1	I/O CABLE ASSY						K-CO-M7812-0-4	1	1	X-Y COORDINATE HOLE LOCATION		
X				D-IA-7009553-0-0	#	1	DATA/DF11-B OPTION HARNESS						D-AH-M7812-0-5	1	1	ASSY/DRILLING HOLE LAYOUT		
X				D-CS-M971-0-1	#	1	CABLE CONNECTOR						B-MH-M7812-0-6	1	1	MODULE ECO HISTORY		
				A-SI-DQ11-0-11	*	1	SOFTWARE LIST											
				A-9P-DQ11-0-13	*	1	MODULE TEST PROCEDURE		X			9	D-CS-M7813-0-1	#	10	CC/BA & SHIFT CNTL		
													K-CO-M7813-0-4	1	1	X-Y COORDINATE HOLE LOCATION		
X				2	C-IA-7009467-0-0	C	1	WIRED ASSY (DQ11-AA)					D-AH-M7813-0-5	1	1	ASSY/DRILLING HOLE LAYOUT		
C					K-WL-DQ11-0-12	E	1	WIRE LIST (DQ11-AA)					B-MH-M7813-0-6	1	1	MODULE ECO HISTORY		
					A-WT-7009467-0	#	1	AWT STATUS REV										
									X			10	D-CS-M7816-0-1	#	7	AB BUS SEL & BCC CNTL		
X				3	D-IA-7009152-0-0	#	1	BACK PLANE ASSY					K-CO-M7816-0-4	1	1	X-Y COORDINATE HOLE LOCATION		
					C-SC-1209583-0-1	1	1	CASTING, THREE BLOCK					D-AH-M7816-0-5	1	1	ASSY/DRILLING HOLE LAYOUT		
													B-MH-M7816-0-6	1	1	MODULE ECO HISTORY		
				4	D-CS-5410094-0-1	1	1	CIRCUIT SCHEMATIC		X		11	D-CS-M7817-0-1	#	7	PGM CHAR DET & SEQ CNTL		
					K-CO-5410094-0-4	1	1	X-Y COORDINATE HOLE LOCATION					K-CO-M7817-0-4	1	1	X-Y COORDINATE HOLE LOCATION		
					E-AH-5410094-0-5	1	1	ASSY/DRILLING HOLE LAYOUT					D-AH-M7817-0-5	1	1	ASSY/DRILLING HOLE LAYOUT		
					B-MH-5410094-C-6	1	1	MODULE ECO HISTORY					B-MH-M7817-0-6	1	1	MODULE ECO HISTORY		

CUSTOMER PRINT SET
 X = PRINT OF DOCUMENT INCLUDED IN PRINT SET
 C = INCLUDES ALL PRINTS INDICATED ON DOCUMENT
 S = CONFIDENTIAL AUTHORIZED SIGNATURE REQUIRED

TITLE
 NPR-SYNC LINE CONTROL
 SHEET 3 OF 4
 SIZE CODE B DD
 NUMBER DQ11-0
 REV R

CUSTOMER PRINT SET				MECHANICAL				CUSTOMER PRINT SET							
DQ11-6	DQ11-KA	MFG. SET	FIND NO.	DRAWING NO.	REV	NO. OF SHY	DESCRIPTION	OPTION NO./FILE DATE	MFG. SET	FIND NO.	DRAWING NO.	REV	NO. OF SHY	DESCRIPTION	OPTION NO./FILE DATE
			1	D-UA-DQ11-3-3	A	1	NPR SYNC LINE CONTROL								
				A-PL-DQ11-3-2	A	1	NPR SYNC LINE CONTROL (PL)								
				D-UA-BC01R-0-2			MODEM CABLE								
				D-UA-BC01W-25-2			MODEM CABLE (301/303)								
			2	C-IA-7009467-0-0	C	1	WIRED ASSY (DQ11-AA)								
			3	D-IA-7009152-1-0	#	1	BACK PLANE ASSY								
				C-SC-1209583-0-1		1	CASTING THREE BLOCK								
			4	C-IA-7009468-0-0	A	1	WIRED ASSY (DQ11-AB)								

CUSTOMER PRINT SET CODES
 X = PRINT OF DOCUMENT INCLUDED IN PRINT SET
 C = INCLUDES ALL PRINTS INDICATED ON DOCUMENT
 S = CONFIDENTIAL AUTHORIZED SIGNATURE REQUIRED

TITLE	SIZE	CODE	NUMBER	REV
NPR - SYNC LINE CONTROL	8	DD	DQ11-3	R
SHEET 4 OF 4				

MASTER DRAWING LIST

MAINTENANCE MANUALS		UNIT VARIATIONS																						
NO.	TITLE																							
KM11-0	MAINTENANCE PANEL	X																						

REVISIONS

APP'D.	CHG. NO.	DATE	DESCRIPTION	DATE	CHK'D.	DATE
	MISC-86			11-70	PFYFFER	11-70
	8/71			11-70	PFYFFER	11-70
				5-4-70	LAUGHUN	5-4-70
				5-4-70	LAUGHUN	5-4-70
				5-5-70	MACDONALD	5-5-70

digital EQUIPMENT CORPORATION
MAYNARD, MASSACHUSETTS

TITLE
MAINTENANCE PANEL

DATE	SIZE	CODE	NUMBER	REV.
8/71	A	ML	KM11-0	A
REV.	SHEET	SCALE	FIRST USED ON	OPTION NO.
	1 OF 2	NONE	KAL1	

DRA 131

Dec 16-(325)-1048-N471

PRINT SET		DWG. NO.	REV. NO. OF LET. SHEETS	TITLE	OPTION NO.
X	KM11-0	A-PL-KM11-0-0	1	MAINTENANCE BOARDS	
X		D-BS-KM11-0-MB	3	MAINTENANCE BOARD (1&2) KM	

DRA 132

DEC 16-(325)-1048-1-N471

MASTER DRAWING LIST

MAINTENANCE MANUALS		UNIT VARIATIONS										
NO.	TITLE	DN11-AA	DN11-AB	DN11-AC	DN11-AD	DN11-AE	DN11-AF	DN11-AG	DN11-AH	DN11-AI	DN11-AJ	DN11-AK
	DN11-Ø AUTO DIAL CONTROL	X			X							

USED ON OPTIONS

REV.	DATE	CHG. NO.	APPD.	REV.	DATE	CHG. NO.	APPD.

REVISIONS											
REV.	DATE	CHG. NO.	APPD.	REV.	DATE	CHG. NO.	APPD.	REV.	DATE	CHG. NO.	APPD.
L	10-71	0001	AV	F	12-71	0002	SS	T	1/74	0006	SS
				F	6/73	0005	SS	I	1/75	708513-0001	W
				J	7/75	0008	W	K	1/76	0009	W
				L	4/76	0010	W	M	5/76	0011	W
				C	5/72	0003	SS	D	8/72	0004	SS
				E	12-71	0002	SS	G	1/74	0006	SS
				H	1/75	0001	W	J	7/75	0008	W
				K	1/76	0009	W	M	5/76	0011	W
				N	5/76	0011	W	O	7/76	0012	W

DRA 131

Dec 16 (325) 1048 N471

PRINT SET		DWG. NO.	REV. NO. OF LET. SHEETS	TITLE	OPTION NO.
NO.	REV.				
DN11-0	X	A-PL-DN11-Ø-Ø	C 1	AUTO DIAL CONTROL	
	X	D-ØD-DN11-Ø-Ø1	B 1	BLOCK DIAG	
	X	D-IC-DN11-Ø-Ø2	1	UNIBUS CONNECTOR	
	X	D-CS-M7226-Ø-1	# 3	ACU CONTROL	
	X	B-CS-G8000-Ø-1	# 1	FILTER NETWORK G8000	
	X	D-MØ-DN11-Ø-Ø3	B 1	MODULE UTILIZATION	
	X	A-PL-DN11-Ø-Ø1	B 1	MODULE UTILIZATION	
	X	D-AD-7008513-0-0	F 2	WIRED ASSY	
	X	A-PL-7008513-0-0	F 1	WIRED ASSY	
	X	D-UA-BC01R-0-0	# 1	CABLE	
	X	C-CS-M105-0-1	# 1	ADDRESS SELECT MODULE	
	X	D-CS-M7821-0-1	# 2	INTERRUPT CONTROL MODULE	
	X	B-CS-M002-0-1	# 1	LOGIC 1 SOURCE MODULE	
	X	B-CS-M117-0-1	# 1	NAND GATES MODULE	
	X	C-CS-M920-0-1	# 1	UNIBUS CONNECTOR	
	C	K-WL-DN11-0-4	Ø	WIRED ASSY	
	-	A-SP-DN11-0-6	2	CHECKOUT PROCEDURE	
	-	A-SP-DN11-0-7	A 2	ACCEPTANCE PROCEDURE	
	X	A-AL-DN11-0-5	A 1	ACCESSORY LIST	
	X	A-WT-7008513-0	# 1	AWT REVISION STATUS	
	X	E-IA-7009562-0-0	# 1	G772 SYS UNIT PWR HARNESS	

DRA 132

DEC 16 (325) 1048 1 N471

DRAWING DIRECTORY

"THIS DRAWING AND SPECIFICATIONS, HEREIN, ARE THE PROPERTY OF DIGITAL EQUIPMENT CORPORATION AND SHALL NOT BE REPRODUCED OR COPIED OR USED IN WHOLE OR IN PART AS THE BASIS FOR THE MANUFACTURE OR SALE OF ITEMS WITHOUT WRITTEN PERMISSION. COPYRIGHT © 1973, DIGITAL EQUIPMENT CORPORATION"

CUSTOMER PRINT SET INDEX

THIS IS PRINT SET

SEQUENCE

DRAWING DIRECTORY
CURRENT ADDR & ADDR SELECT
REG & BYTE CNT
FIFO BUFFER
DH11 LINE PARAMETER CONTROL
SYSTEM CNTL & RCV SCAN
PRIORITY SELECTOR
DH11 DC11 CLOCK
INTERRUPT CONTROL
UNIBUS MASTER CONTROL M796
INTERNAL BUS CONN M920
CABLE INTERFACE
M CONNECTOR MODULE
VARIABLE CLOCK M401
DTR JUMPER
CRYSTAL CLOCK M405
EIA LEVEL CONVERTER
TTY 20 MA CONVERTER
POWER HARNESS
DM11 MAINTENANCE JUMPER
CIRCUIT SCHEMATIC (BACK PANEL)
MULTIPLE UART CARD LINES 0-7
MULTIPLE UART CARD LINES 8-15
ENGINEERING SPEC
WIRE LIST
MODULE UTILIZATION
DM11-BB BLOCK DIAGRAM
DM11-DB TRANSMIT & RECEIVE
DM11-DA CONNECTOR CARDS
MODULE UTILIZATION (DIST PNL)
WIRE LIST (DIST PNL)
SOFTWARE LIST
ACCESSORY LIST
I/O CABLE ASSY
INTERCONNECTION DH11
H758 POWER SUPPLY
MODULE UTILIZATION (PL)
UNIT ASSY (DH11)
DH11 UNIBUS INTERFACE
GRANT CONTINUITY CARD
DH11 MODULE TEST PROCEDURE
WIRED ASSY (DH11)
CABLE CARD ASSY

SEQUENCE

B-DD-DH11-0
D-CS-M7277-0-1
D-CS-M7278-0-1
D-CS-M7279-0-1
D-CS-M7288-0-1
D-CS-M7289-0-1
D-CS-G7360-0-1
D-CS-M4540-0-1
D-CS-M7821-0-1
D-CS-M796-0-1
C-CS-M920-0-1
D-CS-M971-0-1
C-CS-M973-0-1
B-CS-M401-0-1
C-CS-W404-0-1
B-CS-M405-0-1
C-CS-M594-0-1
D-CS-M596-0-1
D-IA-7008493-0-0
B-CS-M974-0-1
D-CS-5410333-0-1
D-BS-DH11-0-8
D-BS-DH11-0-9
A-SP-DH11-0-5
K-WL-DH11-0-2
D-MU-DH11-0-3
D-BD-DH11-0-4
D-BS-DM11-A-08
D-IC-DM11-A-09
D-MU-DM11-A-3
K-WL-DM11-A-5
A-SL-DH11-0-7
A-AL-DH11-0-6
C-IA-BC08s-0-0
C-IC-DH11-0-13
E-UA-H758-0-0
A-PL-DH11-0-3
D-UA-DH11-0-0
D-BD-DH11-0-12
D-CS-G727-0-1
A-SP-DH11-0-11
D-IA-7009180-0-0
D-UA-BC01R-0-0

SEQUENCE

INTERCONNECTION (DM11)
LOGIC ASSY
FIFO BUFFER (M7279)
DH11 OPTION HARNESS
MODEM CONTROL (LINES 0-07)
MODEM CONTROL (LINES 8-15)
EIA DATA LINE CONVERSION &
PRIORITY
H317-B CABLE BOX ASSY
DJ11 EIA DIST PANEL
MODEM CONTROL BLOCK DIAGRAM
MODEM I/O CABLE ASSY
H315 MODEM TEST CONNECTOR
H816 TEST CONNECTOR
H8611 TEST CONNECTOR
CLOCK INSTALLATION PROCEDURE
20MA TO TTL CONVERTER
CASSETTE POWER SUPPLY

SEQUENCE

C-IC-DM11-A-4
C-IA-7008456-0-0
D-BS-DH11-0-15
D-IA-7009561-0-0
D-CS-M7808-0-1
D-CS-M7807-0-1

D-CS-M5906-0-1
D-UA-H317-0-0
D-CS-5410260-0-1
D-BD-DH11-0-16
C-IA-BC08R-0-0
D-CS-H315-0-1
D-CS-H861-0-1
C-UA-H8611-0-0
A-SP-DH11-0-17
D-CS-M5960-0-1
D-CS-5410131-0-1

MFG. PRINT SET

DH11 TEST PROCEDURE
ACCEPTANCE PROCEDURE

A-SP-DH11-0-10
A-AP-DH11-0-14

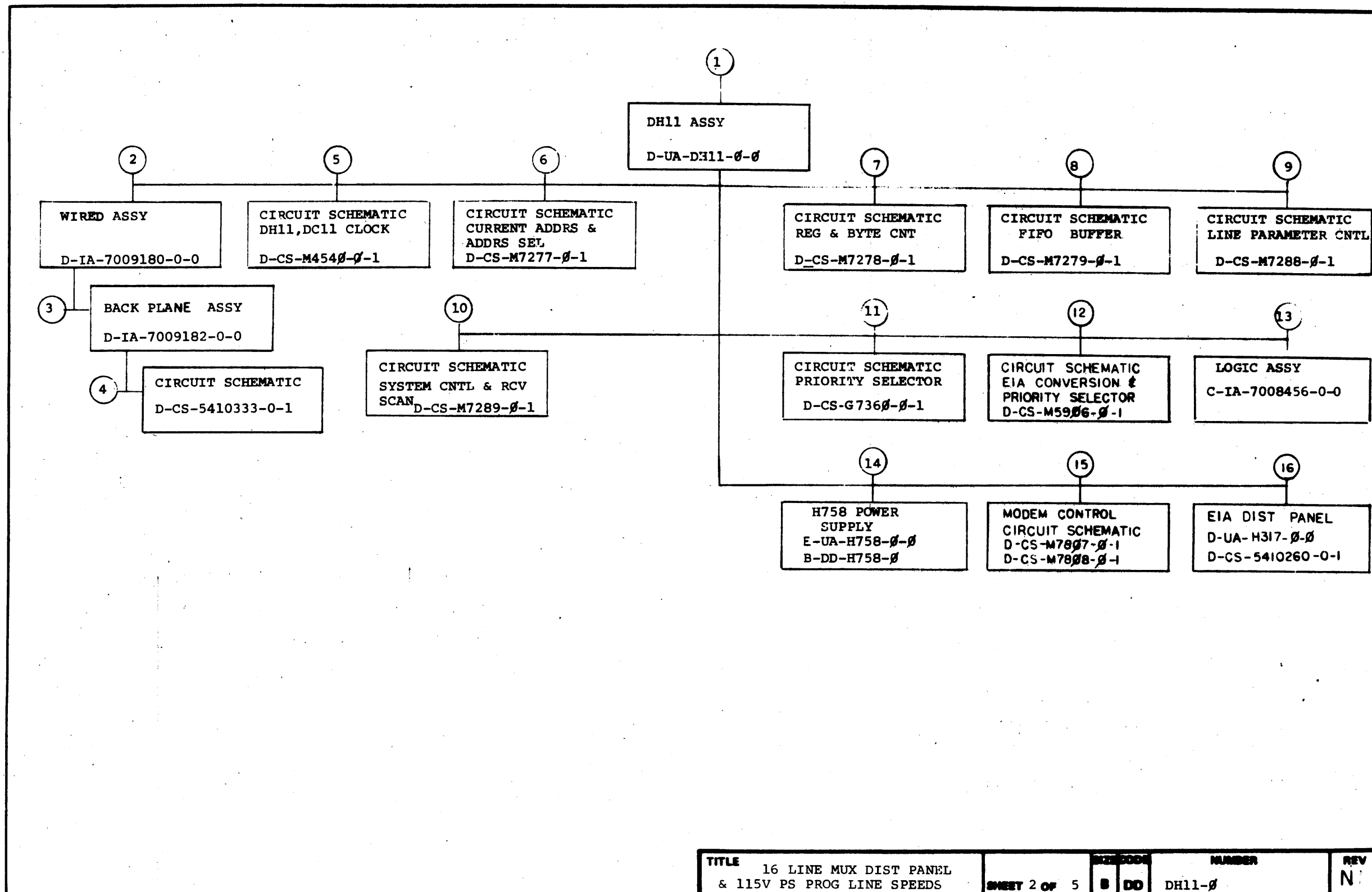
NOTE: CASSETTE POWER SUPPLY 5410131 IS USED IN H758 POWER SUPPLY.

UNIT VARIATIONS

VAR	TITLE	PRINT SET	
		A	B
DH11-AA	16 LINE MUX DIST PANEL & 115V PS PROG LINE SPEEDS	X	
DH11-AB	16 LINE MUX	X	
DH11-AC	230V DH11 AA	X	
DH11-AD	16 LINE MUX. EIA DIST PANEL, MODEM CONTROL EIA LEVEL CONVERSION	X	
DH11-AE	DH11-AD WITHOUT MODEM CONTROL	X	

REVISIONS	CHG. NO.	REV																		
		A	B	C	D	E	F	G	H	J	K	L	M	N						
DATE	4/73																			
	7/73																			
	12/73																			
	2/74																			
	3/74																			
	6/74																			
	10/74																			
	12/74																			
	1/75																			
	2/75																			
	10/75																			
	7/76																			

USED ON OPTION/MODEL	DRW. R. PUDELKO	DATE 2-9-73	TITLE
	CHK'D. K GLEEZEN	DATE 2-22-73	16 LINE MUX DIST PANEL & 115V PS PROG LINE SPEEDS
	PROJ ENG. J. MCNAMARA	DATE 2-22-73	
	PROD. B. DIGREGORI	DATE 02-23-73	SIZE CODE NUMBER REV B DD DH11-0 N
	FIELD SERV. R. EVANS	DATE 2-23	DIST



TITLE	16 LINE MUX DIST PANEL & 115V PS PROG LINE SPEEDS	SHEET 2 OF 5	SIZE CODE B DO	NUMBER DH11-0	REV N
-------	--	--------------	-------------------	------------------	----------

CUSTOMER PRINT SET		ELECTRICAL					CUSTOMER PRINT SET		ELECTRICAL						
A	B	MFG SET	DWG NO.	REV	NO OF SHT	DESCRIPTION	OPTION NO / FILE DATE	A	B	MFG SET	DWG NO.	REV	NO OF SHT	DESCRIPTION	OPTION NO / FILE DATE
X	X		1	D-UA-DH11-0-0	E	14	UNIT ASSY (DH11)				3	D-IA-7009182-0-0	1	BACK PLANE ASSY	
X	X			D-BD-DH11-0-16	*	2	MODEM CONTROL BLOCK DIAGRAM								
X	X			D-MU-DH11-0-3	D	1	MODULE UTILAZATION								
X	X			A-PL-DH11-0-3	D	1	MODULE UTILIZATION (PL)								
X	X			D-BD-DH11-0-4	*	1	DM11-BB BLOCK DIAGRAM								
X	X			A-SP-DH11-0-5	B	25	ENGINEERING SPEC		X	X	4	D-CS-5410333-0-1	# 1	CIRCUIT SCHEMATIC (BACK PNL)	
X	X			A-AL-DH11-0-6	D	1	ACCESSORY LIST								
X	X			A-SL-DH11-0-7	A	2	SOFTWARE LIST								
X	X			D-BS-DH11-0-8	A	5	MULTIPLE UART CARD LINE 0-7								
X	X			D-BS-DH11-0-9	A	5	MULTIPLE UART CARD LINE 8-15								
X	X			D-MU-DM11-A-3	#	1	MODULE UTILIZATION (DIST PNL)								
X	X			C-IC-DM11-A-4	#	1	INTERCONNECTION (DM11)								
X	X			K-WL-DM11-A-5	#	1	WIRE LIST (DIST PNL)								
X	X			D-BS-DM11-A-8	#	2	DM11-DB TRANSMIT & RECEIVE								
X	X			D-IC-DM11-A-9	#	2	DM11-DA CONNECTOR CARDS		X	X	6	D-CS-M7277-0-1	# 6	CIRCUIT SCHEMATIC (CURRENT ADDR)	
X	X			C-IA-BC08S-0-0	#	1	I/O CABLE ASSY								
X	X			D-IA-7008493-0-0	#	1	POWER HARNESS								
X	X			C-IA-BC08R-0-0	#	1	MODEM I/O CABLE ASSY.								
X	X			B-CS-M401-0-1	#	1	VARIABLE CLOCK (M401)								
X	X			C-CS-M404-0-1	#	1	DTR JUMPER								
X	X			B-CS-M405-0-1	#	1	CRYSTAL CLOCK (M405)								
X	X			C-CS-M594-0-1	#	1	EIA LEVEL CONVERTER								
X	X			D-CS-M596-0-1	#	2	TTY 20 MA CONVERTER		X	X	7	D-CS-M7278-0-1	# 8	CIRCUIT SCHEMATIC (REG&BYTE CNT)	
X	X			D-CS-M782I-0-1	#	1	INTERRUPT CONTROL								
X	X			D-CS-M796-0-1	#	1	UNIVUS MASTER CONTROL (M796)								
X	X			C-CS-M920-0-1	#	1	INTERNAL BUS CONN (M920)								
X	X			D-CS-M971-0-1	#	1	CABLE INTERFACE								
X	X			C-CS-M973-0-1	#	1	TTY CABLE CONNECTOR								
X	X			B-CS-M974-0-1	#	1	DM11 MAINTENANCE JUMPER								
X	X			D-CS-H861-0-1	#	1	H861 TEST CONNECTOR								
X	X		X	A-SP-DH11-0-10	B	40	DH11 TEST PROCEDURE								
X	X			A-SP-DH11-0-11	A	28	DH11 MODULE TEST PROCEDURE		X	X	8	D-CS-M7279-0-1	# 3	CIRCUIT SCHEMATIC (FIFO BUFFER)	
X	X			D-BD-DH11-0-12	C	3	DH11 UNIBUS INTERFACE								
X	X			C-IC-DH11-0-13	B	2	INTERCONNECTION DH11								
X	X			D-UA-BC01R-0-0	#	1	CABLE CARD ASSY								
X	X			D-CS-G727-0-1	#	1	GRANT CONTINUITY CARD								
X	X		X	A-AP-DH11-0-14	B	7	ACCEPTANCE PROCEDURE								
X	X			D-BS-DH11-0-15	*	2	FIFO BUFFER (M7279)								
X	X			D-IA-7009561-0-0	#	1	DH11 PWR HARNESS								
X	X			D-CS-H315-0-1	#	1	H315 MODEM TEST CONNECTOR								
X	X			C-AU-H861I	#	1	M5906 TEST CONNECTOR								
X	X		2	D-IA-7009180-0-0	#	1	WIRED ASSY (DH11)								
C	C			K-WL-DH11-0-2	C	1	WIRE LIST								
				A-WT-7009180-0	#	1	AWT REVISION STATUS								

CUSTOMER PRINT SET CODES	X = PRINT OF DOCUMENT INCLUDED IN PRINT SET C = INCLUDES ALL PRINTS INDICATED ON DOCUMENT S = CONFIDENTIAL AUTHORIZED SIGNATURE REQUIRED	TITLE	16 LINE MUX DIST PANEL & 115V PS PROG LINE SPEEDS	SHEET	3 OF 5	SIZE	CODE	8	DD	NUMBER	DH11-0	REV	N
--------------------------	--	-------	---	-------	--------	------	------	---	----	--------	--------	-----	---

CUSTOMER PRINT SET		ELECTRICAL					CUSTOMER PRINT SET										
A	E	MFG. SET	FIG. NO.	DRAWING NO.	REV	NO OF SHY	DESCRIPTION	OPTION NO / FILE DATE	A	B	MFG. SET	FIG. NO.	DRAWING NO.	REV	NO OF SHY	DESCRIPTION	OPTION NO / FILE DATE
X	X		9	D-CS-M7288- 0 -1	#	11	CIRCUIT SCHEMATIC (LINE PARAM)		X			15	D-CS-M7887- 0 -1	#	7	CIRCUIT SCHEMATIC (BUS CONTROL MUX)	
				K-CO-M7288- 0 -4		1	X-Y COORDINATE HOLE LOCATION						K-CO-M7887- 0 -4		1	X-Y COORDINATE HOLE LOCATION	
				D-AH-M7288- 0 -5		1	ASSY DRILLING HOLE LOCATION						D-AH-M7887- 0 -5		1	ASSY DRILLING HOLE LAYOUT	
				B-MH-M7288- 0 -6		1	MODULE ECO HISTORY						B-MH-M7887- 0 -6		1	MODULE HISTORY	
X	X		10	D-CS-M7289- 0 -1	#	6	CIRCUIT SCHEMATIC (SYSTEM CNTL)		X				D-CS-M7888- 0 -1	#	7	CIRCUIT SCHEMATIC (MODEM CONTROL)	
				K-CO-M7289- 0 -4		1	X-Y COORDINATE HOLE LOCATION						K-CO-M7888- 0 -4		1	X-Y COORDINATE HOLE LOCATION	
				D-AH-M7289- 0 -5		1	ASSY DRILLING HOLE LOCATION						D-AH-M7888- 0 -5		1	ASSY DRILLING HOLE LAYOUT	
				B-MH-M7289- 0 -6		1	MODULE ECO HISTORY		X				B-MH-M7888- 0 -6		1	MODULE HISTORY	
X			11	D-CS-G736 0 - 0 -1	#	1	CIRCUIT SCHEMATIC (PRIORITY SEL)		X	X			A-SP-DH11-0-17			INSTALLATION OF ADDITIONAL DM CLOCK	
				K-CO-G736 0 - 0 -4		1	X-Y COORDINATE HOLE LOCATION		X				D-CS-M5960-0-1	#	2	20 MA TC TTL CONVERTER	
				D-AH-G736 0 - 0 -5		1	ASSY DRILLING HOLE LOCATION										
				B-MH-G736 0 - 0 -6		1	MODULE ECO HISTORY										
X			12	D-CS-M59 0 6- 0 -1	#	3	CIRCUIT SCHEMATIC (EIA LEVEL CONVERSION + PRIORITY SEL)										
				K-CO-M59 0 6- 0 -4	#	1	X-Y COORDINATE HOLE LOCATION										
				D-AH-M59 0 6- 0 -5	#	1	ASSY DRILLING HOLE										
				B-MH-M59 0 6- 0 -6	#	1	MODULE HISTORY										
				B-DD-9305931-0	#	2	M59 0 6 TESTER										
X			13	C-IA-7008456-0-0	#	1	LOGIC ASSY (DM11 PNL)										
				D-AD-7008443-0-0		1	WIRED ASSY (DM11)										
				A-PL-7008443-0-0		1	WIRED ASSY (DM11 PL)										
X			14	B-DD-H758-0		1	DRAWING DIRECTORY										
				E-UA-H758-0-0	#	2	UNIT ASSY (H758)										
X				D-CS-5410131-0-1	#	2	CASSETTE POWER SUPPLY										

CUSTOMER PRINT SET
 X = PRINT OF DOCUMENT INCLUDED IN PRINT SET
 C = INCLUDES ALL PRINTS INDICATED ON DOCUMENT
 S = CONFIDENTIAL AUTHORIZED SIGNATURE REQUIRED

TITLE 16 LINE MUX DIST PANEL & 115V PS PROG LINE SPEEDS

SHEET 4 OF 5

SIZE CODE B DD

NUMBER DH11-~~0~~

REV N

CUSTOMER PRINT SET		MECHANICAL				CUSTOMER PRINT SET		MECHANICAL						
A	B	MFG. SET FIG. NO.	DRAWING NO.	REV. NO OF SHT	DESCRIPTION	OPTION NO / FILE DATE	MFG. SET FIG. NO.	DRAWING NO.	REV. NO OF SHT	DESCRIPTION	OPTION NO / FILE DATE			
		1	D-UA-DH11-β-β	E 14	UNIT ASSY (DH11)		8	D-CS-M7279-β-1 K-CO-M7279-β-4 D-AH-M7279-β-5 B-MH-M7279-β-6	# 3 1 1 1	CIRCUIT SCHEMATIC (PIPO BUFFER) X-Y COORDINATE HOLE LOCATION ASSY DRILLING HOLE LOCATION MODULE ECO HISTORY				
		2	D-IA-7009180-0-0	* 1	WIRED ASSY (DH11)									
		3	D-IA-7009182-0-0	1	BACK PLANE ASSY		9	D-CS-M7288-β-1 K-CO-M7288-β-4 D-AH-M7288-β-5 B-MH-M7288-β-6	# 11 1 1 1	CIRCUIT SCHEMATIC (LINE PARA) X-Y COORDINATE HOLE LOCATION ASSY DRILLING HOLE LOCATION MODULE ECO HISTORY				
		4	D-CS-5410333-0-1 K-CO-5410333-0-4 D-AH-5410333-0-5 B-MH-5410333-0-6	* 1 1 1 1	CIRCUIT SCHEMATIC (BACK PANEL) X-Y COORDINATE HOLE LOCATION ASSY DRILLING HOLE LOCATION MODULE ECO HISTORY		10	D-CS-M7289-β-1 K-CO-M7289-β-4 D-AH-M7289-β-5 B-MH-M7289-β-6	# 6 1 1 1	CIRCUIT SCHEMATIC (SYSTEM CNTL) X-Y COORDINATE HOLE LOCATION ASSY DRILLING HOLE LOCATION MODULE ECO HISTORY				
X	X	5	D-CS-M454β-β-1 K-CO-M454β-β-4 D-AH-M454β-β-5 B-MH-M454β-β-6	* 2 1 1 1	CIRCUIT SCHEMATIC (DH11,DC11 CLOCK) X-Y COORDINATE HOLE LOCATION ASSY DRILLING HOLE LOCATION MODULE ECO HISTORY		11	D-CS-G7360-β-1 K-CO-G7360-β-4 D-AH-G7360-β-5 B-MH-G7360-β-6	# 1 1 1 1	CIRCUIT SCHEMATIC (PRIORITY SEL) X-Y COORDINATE HOLE LOCATION ASSY DRILLING HOLE LOCATION MODULE ECO HISTORY				
		6	D-CS-M7277-β-1 K-CO-M7277-β-4 D-AH-M7277-β-5 B-MH-M7277-β-6	* 6 1 1 1	CIRCUIT SCHEMATIC (CURRENT ADDRS) X-Y COORDINATE HOLE LOCATION ASSY DRILLING HOLE LOCATION MODULE ECO HISTORY		13	C-IA-7008456-0-0 D-AD-7008443-0-C A-PL-7008443-0-C	# 1 1 1	LOGIC ASSY (DM11 PNL) WIRE ASSY (DM11) WIRED ASSY (DM11 PL)				
		7	D-CS-M7278-β-1 K-CO-M7278-β-4 D-AH-M7278-β-5 B-MH-M7278-β-6	* 8 1 1 1	CIRCUIT SCHEMATIC (REG&BYTE CNT) X-Y COORDINATE HOLE LOCATION ASSY DRILLING HOLE LOCATION MODULE ECO HISTORY		14	B-CD-M758-0 E-UA-M758-0-0	1 # 2	DRAWING DIRECTORY UNIT ASSY (M758)				
							16D-UA-H317-0-0		1	H317 CABLE BOX ASSY				
CUSTOMER PRINT SET CODES		X = PRINT OF DOCUMENT INCLUDED IN PRINT SET C = INCLUDES ALL PRINTS INDICATED ON DOCUMENT S = CONFIDENTIAL AUTHORIZED SIGNATURE REQUIRED				TITLE		16 LINE MUX DIST PANEL & 115V PS PROG LINE SPEEDS		SHEET 5 OF 5		SIZE CODE B DD	NUMBER DH11-β	REV N

MASTER DRAWING LIST

MAINTENANCE MANUALS		UNIT VARIATIONS											
NO.	TITLE	DM11-A	DM11-AB	DM11-AC									
	DM11-A 16 LINE MULTIPLEXER	X	X	X									

USED ON OPTIONS

PDP11					

REV. NO.	AE	DATE	FEB-76	CHG. NO.	00025
APP'D.	V.B.	DATE	12-74	CHG. NO.	00024
REV.	AD	DATE	12-75	CHG. NO.	00002
REV.	AE	DATE	FEB-76	CHG. NO.	00025

DRN.	FLANDEKS	DATE	5-71
CHK'D.	R. COOK	DATE	6-71
ENG.	V. BASTIANI	DATE	6-71
PRO. ENG.	V. BASTIANI	DATE	6-71
PROD.	P. FAZIO	DATE	6-71
FIRST USED ON			
PDP11			
SCALE	1:1		
SHEET	1	OF	3

SIZE CODE	A	ML	NUMBER	DM11-A	REV.	AE
-----------	---	----	--------	--------	------	----

TITLE	16 LINE MULTIPLEXER					
-------	---------------------	--	--	--	--	--



EQUIPMENT CORPORATION
MAYNARD, MASSACHUSETTS

DRA 131
Dec 16-(325)-1048-N471

PRINT SET	DWG. NO.	REV. NO. OF LET.	NO. OF SHEETS	TITLE	OPTION NO.
X	D-DI-DM11-A-1	F	1	DRAWING INDEX LIST	
X	D-BS-DM11-A-07	A	2	DM11-DA TRANSMIT & RECEIVER	
X	D-BS-DM11-A-08		2	DM11-DB TRANSMIT & RECEIVER	
X	D-CS-M7240-0-1	#	4	DM11 CONTROL A	
X	D-CS-M7241-0-1	#	4	DM11 CONTROL B	
X	D-CS-M7242-0-1	#	3	DM11 CONTROL C	
X	D-CS-M7243-0-1	#	4	DM11 TRANSMITTER CARD	
X	D-CS-M7244-0-1	#	4	DM11 TRANSMITTER E	
X	D-CS-M7245-0-1	#	5	DM11 RECEIVER	
X	C-CS-M105-0-1	#	1	ADDRESS SELECTOR	
X	D-CS-M4050-0-1	#	1	CRYSTAL CLOCK	
X	C-CS-M920-0-1	#	1	UNIUS CONNECTOR MODULE	
X	D-CS-M7821-0-1	#	1	INTERRUPT CONTROL	
X	C-CS-714-0-1	#	1	POWER SUPPLY	
X	D-CS-M971-0-1	#	1	CABLE INTERFACE BOARD	
X	D-MU-DM11-A-2	H	1	MODULE UTILIZATION (CONTROL)	
X	D-MU-DM11-A-3	B	1	MODULE UTILIZATION (DISTRIBUTION PANEL)	
X	C-IC-DM11-A-4	C	1	INTERCONNECTION DM11	
X	D-IC-DM11-A-9	A	2	DM11-DA CONNECTOR CARDS	
X	D-IC-DM11-A-10		2	DM11-DB CONNECTOR CARDS	
X	C-IA-RC088-0-0	#	1	I/O CABLE ASSEMBLY	
X	D-IA-7008493-0-0	#	1	POWER HARNESS	
X	A-PL-DM11-A-2	H	1	MODULE UTILIZATION (CONTROL) (PL)	
X	A-AL-DM11-A-13	E	1	ACCESSORY LIST	
X	D-UA-DM11-A-0	D	1	16 LINE MULTIPLEXER	
X	A-PL-DM11-A-0	D	1	16 LINE MULTIPLEXER (PL)	

TITLE	16 LINE MULTIPLEXER			SHEET	2	OF	3	SIZE CODE	A	ML	NUMBER	DM11-A	REV.	AE
-------	---------------------	--	--	-------	---	----	---	-----------	---	----	--------	--------	------	----

DRA 132
DEC 16 (325)-1048-1-N471

PRINT SET					DWG. NO.	REV. LET.	NO. OF SHEETS	TITLE	OPTION NO.		
DM11-A											
X					D-AD-7008443-0-0	A	1	WIRED ASSY (DM11)			
X					A-PL-7008443-0-0	A	1	WIRED ASSY (DM11) (PL)			
X					D-AD-7008444-0-0	E	2	WIRED ASSY (CONTROL)			
X					A-PL-7008444-0-0	E	1	WIRED ASSY (CONTROL) (PL)			
					A-WT-7008444-0	#	1	AWT REVISION STATUS			
X					C-IA-7008456-0-0	#	1	LOGIC ASSY			
C					K-WL-DM11-A-5	E	1	WIRE LIST DISTRIBUTION PANEL			
C					K-WL-DM11-A-6	L	1	WIRE LIST CONTROL			
X					A-WT-7008443-0	#	1	AWT REVISION STATUS SHEET			
X					A-ML-DM11-D	#	2	LINE MODULE SET			
X					E-UA-H758-0-0	#	1	H758 POWER SUPPLY ASSY			
X					B-DD-H758-0	#	3	H758 POWER SUPPLY ASSY			
X					D-CS-5410131-0-1	#	2	CASSETTE POWER SUPPLY			
X					D-IA-7008423-0-0	#	1	CABLE ASSY (M972 TO 2 W077'S)			
X					A-PI-3700III-I-0	#	2	PACKAGING INSTRUCTIONS			
TITLE					16 LINE MULTIPLEXER		SHEET 3 OF 3		SIZE CODE A ML	NUMBER DM11-A	REV. AE

DRA 132
 DEC 16-(325)-1048-1-N471

MASTER DRAWING LIST

This drawing and specifications, herein, are the property of Digital Equipment Corporation and shall not be reproduced or copied or used in whole or in part as the basis for the manufacture or sale of items without written permission.

DWG. NO.	REV. LET.	NO. OF SHEETS	TITLE
E-IA-5409119-0-0		1	NULL MODEM M Ø

REVISIONS			
REV.	DATE	CHG. NO.	APP'D.

DRN. McCARTHY	DATE 2/18/71	digital EQUIPMENT CORPORATION MAYNARD, MASSACHUSETTS	
CHK'D. <i>Q. Fleming</i>	DATE 2-23-71		
ENG. <i>John R. R...</i>	DATE 2-23-71		
PROJ. ENG. <i>John R. R...</i>	DATE 2-23-71		
PROD. <i>A. Hirsch</i>	DATE 2-24-71		
FIRST USED ON H312-A		TITLE NULL MODEM (H312-A)	REV.
SCALE NONE		SIZE CODE A ML	NUMBER H312-A
SHEET 1 OF 1		DIST.	

This drawing and specifications herein, are the property of Digital Equipment Corporation and shall not be reproduced or copied or used in whole or in part as the basis for the manufacture or sale of items without written permission.

MASTER DRAWING LIST

DWG. NO.	REV. LET.	NO. OF SHEETS	TITLE
A-PL-DB11-A-0	E	1	DB11-A UA PL
D-AD-7009612-0-0	E	2	WIRED ASSY
A-WT-7009612-0	#	1	AWT REVISION STATUS
D-MU-DB11-A-01	E	1	MODULE UTILIZATION
A-PL-DB11-A-01	C	1	MODULE UTILIZATION PL
D-BS-DB11-A-02	B	1	BUS REPEATER DB11 UNIDIR LINES
D-BS-DB11-A-03	A	1	BUS REPEATER DATA LINES
D-IC-DB11-A-04	B	1	BUS AND POWER CONNECTIONS
D-BD-DB11-A-05	D	1	DB11 INTER CONNECTION DIAGRAM
K-WL-DB11-A-06	L	2	WIRE LIST (DB11-A) (COMPLETE)
A-SP-DB11-A-7	D	4	BUS REPEATER SPECIFICATION
A-AL-DB11-A-10		1	ACCESSORY LIST
D-IA-7009563-0-0	#	1	POWER HARNESS (DA11-F/DD11-B)
A-SP-DB11-A-8	REF	2	TEST PROCEDURE
A-SP-DB11-A-9	REF	2	IN HOUSE ACCEPTANCE TEST

REVISIONS				DRN. BISSONNETTE	DATE 2/23/71	digital	EQUIPMENT CORPORATION MAYNARD, MASSACHUSETTS
REV.	DATE	CHG. NO.	APP'D.	CHK'D.	DATE		
A	5/71	DB11A-1	V.B.	MACKENZIE	3/3/71	TITLE DB11-A BUS REPEATER NUMBER DB11-A W	
B	6/71	DB11A-2	V.B.				
C	9/71	DB11A-3	A.V.				
D	1/72	DB11A-4	V.B.				
E	2/72	DB11A-5	V.B.				
F	7-73	DB11A-6	V.B.				
H	10-73	DB11A-7	V.B.				
J	10-73	DB11A-8	T.R.				
K	12-73	DB11A-9	T.R.				
L	1-74	DB11A-10	V.B.				
M	1-74	DB11A-11	T.R.				
N	10-74	DB11A-12	V.P.				

FIRST USED ON PDP11
 SCALE 1 OF 2
 SHEET 1 OF 2

DEC FORM NO.16-1033
DRA 103

ADDITIONAL CUSTOMER PRINTS DB11-A

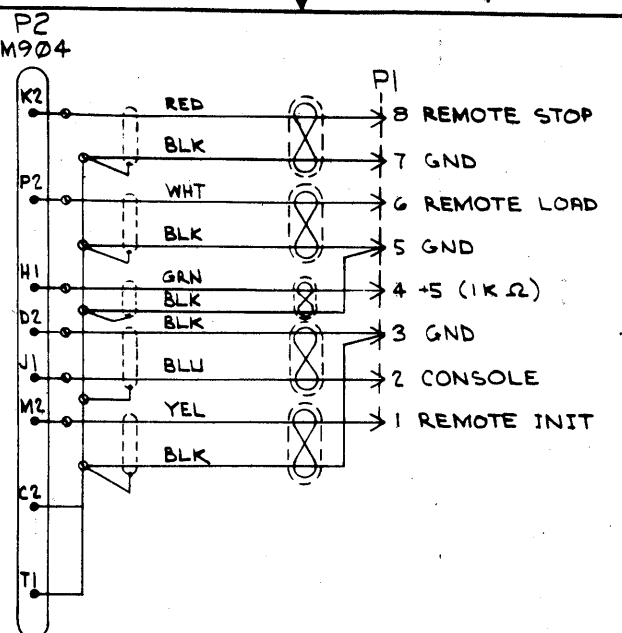
Drawing Number	Rev. Let.	Title
D-CS-M7212-0-1	#	A LINE REPEATER
D-CS-M7213-0-1	#	MASTER REPEATER
B-CS-M783-0-1	#	UNIBUS DRIVERS
B-CS-M784-0-1	#	UNIBUS RECEIVERS
B-CS-M785-0-1	#	UNIBUS TRANCEIVERS
C-CS-M930-0-1	#	BUS TERMINATOR
D-CS-M7248-0-1	#	UNIBUS REPEATER CARD

Rev.	Date	Change Number	
P	11-74	DB11A-00013	V. BISSONNETTE 2/23/71 Requested by _____ Date _____ <i>[Signature]</i> Authorized by _____ Date _____ A-ML-DB11-A SHEET 2 OF 2
R	3-75	DB11A-00014	
S	1-76	DB11A-00015	
T	2-76	DB11A-00016	
U	2-76	DB11A-00017	
V	7-76	DB11A-00018	
W	6-77	DB11A-00019	

REV W

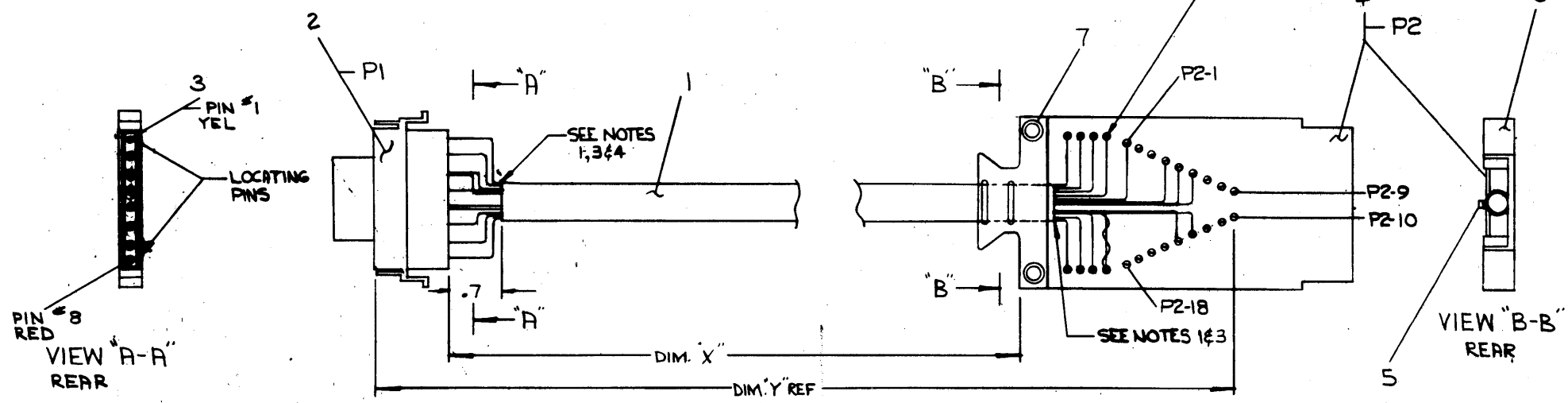
This drawing and specifications, herein, are the property of Digital Equipment Corporation and shall not be reproduced or copied or used in whole or in part as the basis for the manufacture or sale of items without written permission. COPYRIGHT © 1973 DIGITAL EQUIP. CORP.

WIRE TABLE						
ITEM NO.	DESCRIPTION	FROM	TO	CONNECTION WITH	CONNECTION WITH	REMARKS
1	#22 YEL	P1-1	3	P2-5	SOLD.	REMOTE INIT L
	TWP BLK	P1-3	8	P2-GND		GND
	#22 BLK	P1-2	3	P2-14		CONSOLE H
	#22 GRN	P1-4	3	P2-13		+5 (1K 1/2)
	#22 BLK	P1-5	8	P2-GND		GND
	TWP WHT	P1-6	3	P2-6		REMOTE LOAD L
	#22 BLK	P1-7	3	P2-GND		GND
	TWP RED	P1-8	3	P2-4		REMOTE STOP L
	SHIELD			P2-GND		SHIELD GND
	SHIELD			P2-GND		SHIELD GND
	SHIELD			P2-GND		SHIELD GND
	SHIELD			P2-GND		SHIELD GND
	SHIELD			P2-GND	SOLD.	SHIELD GND



LEGEND		
NUMBER	VARIATION	
	DIM. 'X'	DIM. 'Y' REF
7009719-7	7 FEET	8 FEET
-10	10	11
-12	12	13
-14	14	15
-16	16	17
-20	20	21
7009719-25	25 FEET	26 FEET

- NOTES:
1. TERMINATE SHIELDS AS CLOSE TO CONNECTOR AS POSSIBLE WITHOUT CAUSING DANGER OF SHORT.
 2. ALL EIGHT SPLIT LUGS SHOWN AS ② ARE GROUND AND WIRES SHOWN CAN BE ON ANY OF THEM.
 3. CUT OFF BRN/BLK PAIR CLOSE TO JACKET AT BOTH ENDS.
 4. CUT OFF DRAIN WIRES AS CLOSE AS POSSIBLE TO JACKET.



QTY.	DESCRIPTION	PART NO.	ITEM NO.
2	TERMINAL, PIN CONTACT (MALE)	1209378-01	8
2	EYELET	9007659	7
1	CLAMP	1202790	6
2	TIE WRAP, SST 1M 3/32 W.	9007031	5
1	MODULE	M904	4
6	TERMINAL, PIN CONTACT (MALE)	1209378-03	3
1	CONN, HSG 8 PIN	1209340-01	2
R/R	BELDEN CABLE	1700010	1

FIRST USED ON OPTION/MODEL DCT6 (DLIΦ)		PARTS LIST	
UNLESS OTHERWISE SPECIFIED DIMENSION IN INCHES. TOLERANCES	DATE 12-13-77	DIGITAL EQUIPMENT CORPORATION	
DECIMALS .005	DATE 12-13-77	TITLE DLIΦ-11/40 REMOTE CONSOLE CABLE	
ANGLES ±0°30'	DATE 12-13-77	SIZE CODE DIA 7009719-0-0	
REMOVE BURRS AND BREAK SHARP CORNERS SURFACE QUALITY	DATE 12-13-77	REV.	
MATERIAL	NEXT HIGHER ASSY.	SCALE	
FINISH	SCALE	SHEET OF	

REVISIONS
REV. NO. CHANGE NO.
CHK. DATE

The design and manufacturing herein are the property of Digital Equipment Corporation and shall not be reproduced or copied or used in whole or in part as the basis for the manufacture or sale of items without written permission.

WIRE TABLE

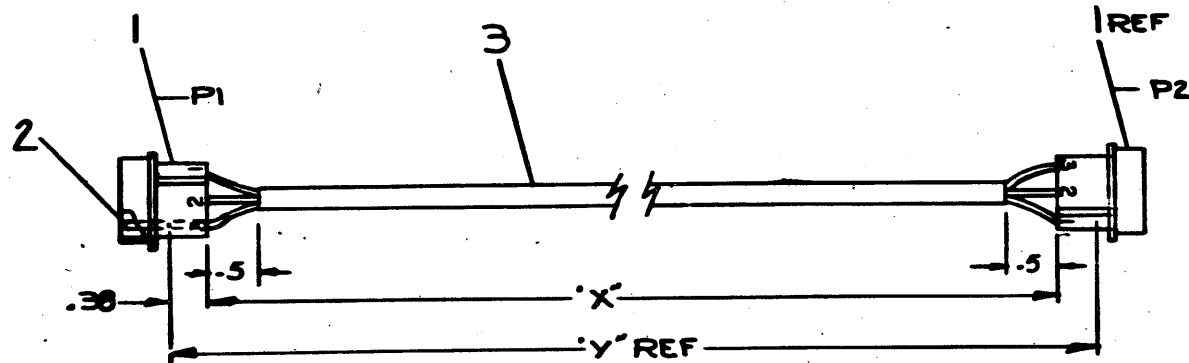
ITEM NO	DESCRIPTION	FROM		TO	
		AWG	COLOR CONNECTION	WITH CONNECTION	WITH CONNECTION
3	22	RED	P1-1	2	P2-1
3	22	BLK	P1-2	2	P2-2
3	22	GRN	P1-3	2	P2-3

LEGEND

NUMBER	DIM X VARIATION	DIM Y (PRECUT) REF
7008288-3F	3FT. 6IN ± 1IN.	3FT. 6.8IN ± 1IN.
7008288-8F	8FT. 6IN ± 2IN.	8FT. 6.8IN ± 2IN.
7008288-06	6FT. ± 2IN.	6FT. 0.8IN ± 2IN.
7008288-12	12FT. ± 3IN.	12FT. 0.8IN ± 3IN.
7008288-05	5FT. ± 1IN.	5FT. 0.8IN ± 2IN.
7008288-10	10FT. ± 2IN.	10FT. 0.8IN ± 3IN.
7008288-15	15FT. ± 3IN.	15FT. 0.8IN ± 3IN.
7008288-08	8FT. ± 2IN.	8FT. 0.8IN ± 2IN.
7008288-30	30FT. ± 7IN.	30FT. 0.8IN ± 7IN.
7008288-40	40FT. ± 10IN.	40FT. 0.8IN ± 10IN.

NOTES:

~~THE REMAINING CABLES TO BE CUT BACK AT JACKET (BOTH ENDS)~~



REV.	CHANGE NO.	REV.
A	00001	7/3/71
B	00002	8-15-71
C	00003	9-1-71
D	00004	3-28-75
E	00005	5-18-75
F	00006	5-MAR-76
H	00003	23-APR-76
		23-MAY-77
		29-MAY-77

PDP/11		UNLESS OTHERWISE SPECIFIED	
UNLESS OTHERWISE SPECIFIED		UNLESS OTHERWISE SPECIFIED	
TOLERANCES		TOLERANCES	
FINISH		FINISH	
MATERIAL		MATERIAL	
SEE PARTS LIST		SEE PARTS LIST	
D-11A-RK02-00		D-11A-RK02-00	
SCALE		SCALE	
SHEET 1 OF 1		SHEET 1 OF 1	
DATE 3/24/71		DATE 3-21-71	
CHKD. J.P. [Signature]		CHKD. J.P. [Signature]	
ENGR. E.R. [Signature]		ENGR. E.R. [Signature]	
PROL. ENGR. E.R. [Signature]		PROL. ENGR. E.R. [Signature]	
PROD. H. [Signature]		PROD. H. [Signature]	
TITLE		TITLE	
CABLE ASSY		CABLE ASSY	
EQUIPMENT CORPORATION		EQUIPMENT CORPORATION	
MASSACHUSETTS		MASSACHUSETTS	
PARTS LIST		PARTS LIST	
QTY.	DESCRIPTION	PART NO.	ITEM NO.
3	WIRE, 3 COND #22AWG	9107756	3
2	PIN MALE #G0620-1	1209378-03	2
1	PIN HOUSING #1-480305-0	1209351-03	1
SIDE CODE		NUMBER	
C1A		7008288-0-0	
REV.		REV.	
H		H	

C1A7008288-0-0 H



CUSTOMER PRINT SET INDEX

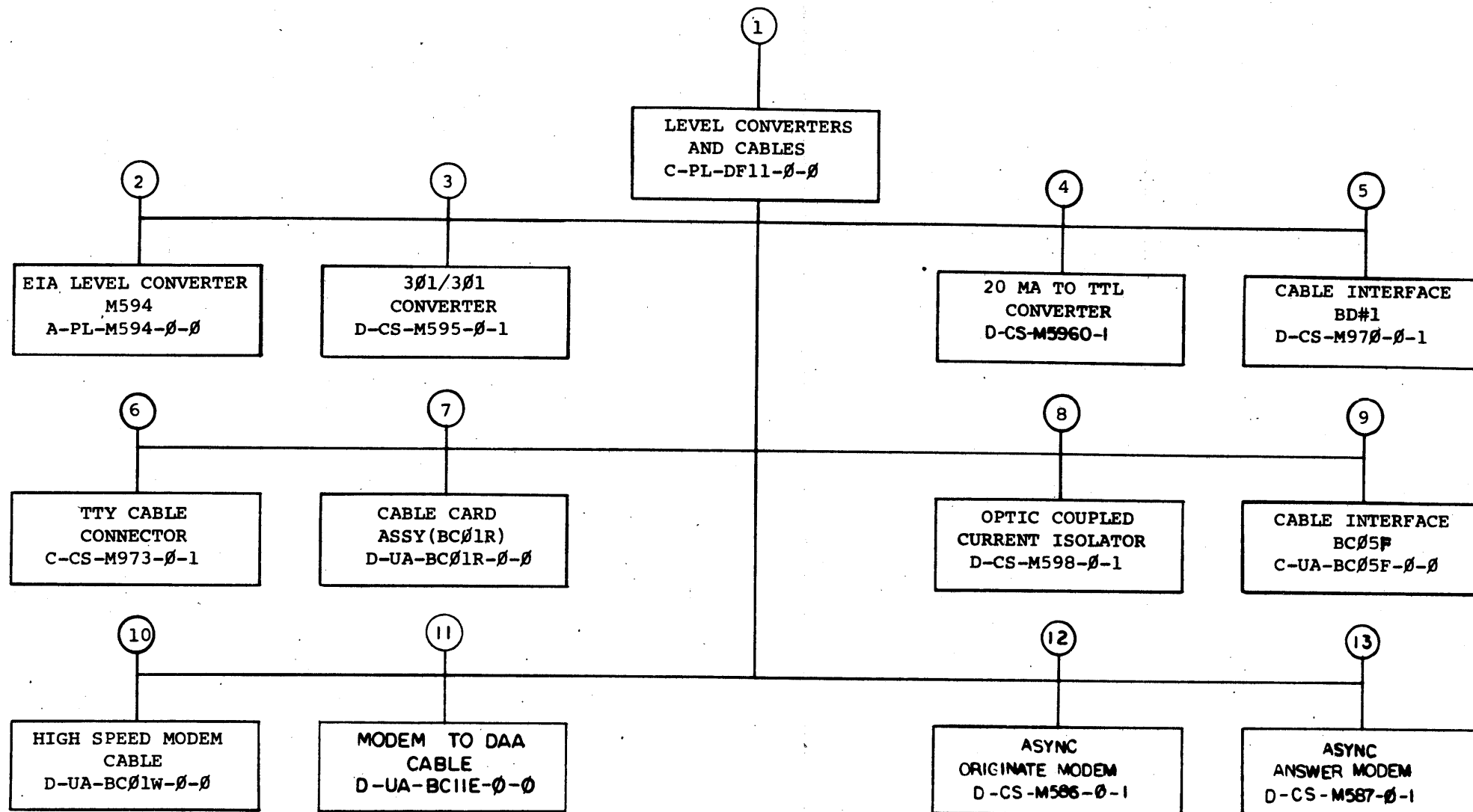
THIS IS PRINT SET

PRINT SET #1	SEQUENCE
DRAWING DIRECTORY	B-DD-DF11- β
ENGINEERING SPEC	A-SP-DF11- β -1
EIA/LEVEL CONVERTER	A-PL-M594- β - β
EIA/LEVEL CONVERTER	C-CS-M594- β -1
3 β 1/3 β 3 CONVERTER	D-CS-M595- β -1
20 MA TO TTL CONVERTER	D-CS-M596- β -1
OPTIC COUPLED CURRENT ISOLATOR	D-CS-M598- β -1
CABLE CARD ASSY (BC β 1R)	D-UA-BC β 1R- β - β
CABLE INTERFACE (BC β 5F)	C-UA-BC β 5F- β - β
HIGH SPEED MODEM CABLE	D-UA-BC β 1W- β - β
TTY CABLE CONNECTOR	C-CS-M973- β -1
CABLE INTERFACE BD #1	D-CS-M97 β - β -1
LEVEL CONVERTERS & CABLES	C-PL-DF11- β - β
MODEM TO DAA CABLE	D-UA-BC11E- β - β
ASYNC ORIGINATE MODEM	D-CS-M586- β -1
ASYNC ANSWER MODEM	D-CS-M587- β -1

UNIT VARIATIONS		PRINT SET	
VAR	TITLE	DF11-1	
DF11-A	TTL TO EIA RS-232-C/CCITT V24	x	
DF11-BA	TTL TO AUDIO-ORIGINATE FREQ MODEM	x	
DF11-BB	TTL TO AUDIO-ANSWER FREQ MODEM	x	
DF11-F	TTL TO ACTIVE 20MA LOCAL TELEPRINTER	x	
DF11-G	TTL TO BELL SYSTEM 301 & 303	x	
DF11-K	TTL TO OPTICAL COUPLED 20 MA	x	

REVISIONS	DATE	CHG. NO.	REV
	3-73	DF11-6	A
	5-73	DF11-7	B
	9-73	DF11-8	C
	5-74	DF11-9	D
	9-75	DF11-10	E

USED ON OPTION/MODEL	DRN. G. FLANDERS	DATE 9/11/72	TITLE			
	CHK'D. J. CAHILL <td>DATE 10/13/72 <td colspan="4">LEVEL CONVERTERS AND CABLES</td> </td>	DATE 10/13/72 <td colspan="4">LEVEL CONVERTERS AND CABLES</td>	LEVEL CONVERTERS AND CABLES			
	PROJ. ENG. <i>[Signature]</i> <td>DATE 1-2-73 <td>SIZE</td> <td>CODE</td> <td>NUMBER</td> <td>REV</td> </td>	DATE 1-2-73 <td>SIZE</td> <td>CODE</td> <td>NUMBER</td> <td>REV</td>	SIZE	CODE	NUMBER	REV
	PRG. <i>[Signature]</i> <td>DATE 1-3-72 <td>B</td> <td>DD</td> <td>DF11-β</td> <td>E</td> </td>	DATE 1-3-72 <td>B</td> <td>DD</td> <td>DF11-β</td> <td>E</td>	B	DD	DF11- β	E
	FIELD <i>[Signature]</i> <td>DATE 1-3-72 <td>QST</td> <td></td> <td></td> <td></td> </td>	DATE 1-3-72 <td>QST</td> <td></td> <td></td> <td></td>	QST			
SHEET 1 OF 4						



TITLE	SIZE	CODE	NUMBER	REV
LEVEL CONVERTERS AND CABLES	B	DD	DF11-Ø	E
SHEET 2 OF 4				

CUSTOMER PRINT SET		ELECTRICAL					CUSTOMER PRINT SET		ELECTRICAL						
DF11-1	MFG. SET	FIND NO.	DRAWING NO.	REV	NO OF SHT	DESCRIPTION	OPTION NO./FILE DATE	DF11-1	MFG. SET	FIND NO.	DRAWING NO.	REV	NO OF SHT	DESCRIPTION	OPTION NO./FILE DATE
X		1	C-PL-DF11-0-0	F	1	LEVEL CONVERTERS AND CABLES					D-AH-M973-0-5	1	1	ASSY/DRILLING HOLE LAYOUT	
X			A-SP-DF11-0-1	B	10	ENGINEERING SPEC					B-MH-M973-0-6	1	1	MODULE ECO HISTORY	
			A-SP-DF11-0-2	C	16	ACCEPTANCE PROCEDURE									
			A-SP-DF11-0-3	*	2	OPTION TEST PROCEDURE		X		7	D-UA-BC01R-0-0	#	1	CABLE CARD ASSY (BC01R)	
											C-CS-BC01R-0-2	1	1	BC01R-25	
											B-SP-BC01R-0-3	1	1	TEST PROCEDURE	
X		2	A-PL-M594-0-0	#	1	EIA LEVEL CONVERTER M594									
X			C-CS-M594-0-1	#	1	EIA LEVEL CONVERTER M594		X		8	D-CS-M598-0-1	#	1	OPTIC COUPLED CURRENT ISOLATOR	
			K-CO-M594-0-4		1	X-Y COORDINATE HOLE LOCATION					K-CO-M598-0-4	1	1	X-Y COORDINATE HOLE LOCATION	
			D-AH-M594-0-5		1	ASSY/DRILLING HOLE LAYOUT					D-AH-M598-0-5	1	1	ASSY/DRILLING HOLE LAYOUT	
			B-MH-M594-0-6		1	MODULE ECO HISTORY					B-MH-M598-0-6	1	1	MODULE ECO HISTORY	
			A-ML-M594-T		1	M594 TESTER					5009823	1	1	ETCHED CIRCUIT BOARD	
											A-ML-M598-T	1	1	M598 TESTER	
											A-SP-M598-0-8	9	9	M598 SPECIFICATIONS	
X		3	D-CS-M595-0-1	#	2	301/303 CONVERTER					B-CS-M598-0-2	1	1	M598 TESTER	
			K-CO-M595-0-4		1	X-Y COORDINATE HOLE LOCATION									
			D-AH-M595-0-5		1	ASSY/DRILLING HOLE LOCATION									
			B-MH-M595-0-6		1	MODULE ECO HISTORY									
			B-SP-M595-0-7		3	TEST PROCEDURE		X		9	C-UA-BC05F-0-0	#	1	CABLE INTERFACE BC05F	
											B-CS-BC05F-0-2	1	1	CIRCUIT SCHEMATIC	
											B-SP-BC05F-0-3	1	1	TEST PROCEDURE	
X		4	D-CS-M5960-0-1	#	2	20 MA TO TTL CONVERTER									
			K-CO-M5960-0-4		1	X-Y COORDINATE HOLE LOCATION									
			D-AH-M5960-0-5		1	ASSY/DRILLING HOLE LAYOUT		X		10	D-UA-BC01W-0-0	#	1	HIGH SPEED MODEM CABLE	
			B-MH-M5960-0-6		1	MODULE ECO HISTORY									
X		5	D-CS-M970-0-1	#	1	CABLE INTERFACE BD #1		X		11	D-UA-BC11E-0-0	#	1	MODEM TO DAA CABLE	
			K-CO-M970-0-4		1	X-Y COORDINATE HOLE LOCATION									
			D-AH-M970-0-5		1	ASSY/DRILLING HOLE LAYOUT									
			B-MH-M970-0-6		1	MODULE ECO HISTORY									
X		6	C-CS-M973-0-1	#	1	TTY CABLE CONNECTOR									
			K-CO-M973-0-4		1	X-Y COORDINATE HOLE LOCATION									

DRB 108
 DEC 16-(325)-1062-2B-R972

CUSTOMER PRINT SET CODES	X = PRINT OF DOCUMENT INCLUDED IN PRINT SET	TITLE	SIZE	CODE	NUMBER	REV
	C = INCLUDES ALL PRINTS INDICATED ON DOCUMENT	LEVEL CONVERTERS AND CABLES	B	DU	DF11-0	E
	S = CONFIDENTIAL AUTHORIZED SIGNATURE REQUIRED	SHEET 3 OF 4				

CUSTOMER PRINT SET		ELECTRICAL					CUSTOMER PRINT SET							
DF11-1	MPG. SET	FIND NO.	DRAWING NO.	REV	NO OF SHT	DESCRIPTION	OPTION NO./FILE DATE	MPG. SET	FIND NO.	DRAWING NO.	REV	NO OF SHT	DESCRIPTION	OPTION NO./FILE DATE
		12	A-PS-20M586-g-g		11	ORIGINATE FREQ MODEM								
			A-II-20M586-g-g		8	INCOMING INSPECTION PROCEDURE								
X			D-CS-M586-g-1	#	2	ASYNC ORIGINATE MODEM								
			B-MH-M586-g		1	MODULE HISTORY								
		13	A-PS-20M587-g-g		11	ANSWER FREQ MODEM								
			A-II-20M587-g-g		8	INCOMING INSPECTION PROCEDURE								
X			D-CS-M587-g-1	#	2	ASYNC ANSWER MODEM								
			B-MH-M587-g		1	MODULE HISTORY								
CUSTOMER PRINT SET CODES		X = PRINT OF DOCUMENT INCLUDED IN PRINT SET C = INCLUDES ALL PRINTS INDICATED ON DOCUMENT S = CONFIDENTIAL AUTHORIZED SIGNATURE REQUIRED					TITLE		SIZE CODE		NUMBER		REV	
							LEVEL CONVERTERS AND CABLES		SHEET 4 of 4		B DD		DF11-g E	

DRB 108

DEC 16-1328-1062-28-R072

This drawing and specifications, herein, are the property of Digital Equipment Corporation and shall not be reproduced or copied or used in whole or in part as the basis for the manufacture or sale of items without written permission.

DIGITAL EQUIPMENT CORPORATION						
MAYNARD, MASSACHUSETTS						
ENGINEERING SPECIFICATION					DATE June 30, 1972	
TITLE DF11 Serial Line Signal Conditioning Options						
REVISIONS						
REV	DESCRIPTION	CHG NO	ORIG	DATE	APPD BY	DATE
A	ECO CHANGE	DF11-00005	McNAMARA	8/72	J. M. Namara	9/5/72
B	ECO CHANGE	DF11-00009	DIETER	4/74	J. M. Namara	6/5/74
ENG	APPD	SIZE	CODE	NUMBER	REV	
		A	SP	DF11-0-1	B	

DEC FORM NO. DRA 107

SHEET 1 OF 10

ENGINEERING SPECIFICATION

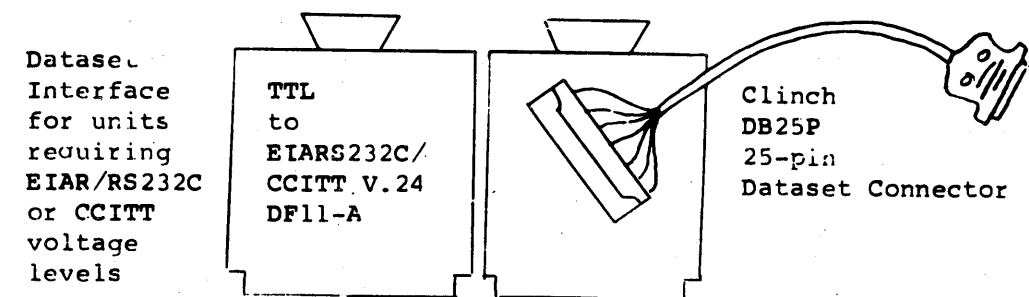
CONTINUATION SHEET

TITLE DF11 Serial Line Signal Conditioning Options

I. General

Modern digital computers handle almost all data signals as Transistor-Transistor Logic (TTL) levels. These levels must then be converted to other voltage levels or current values to prepare them for application to communications media so that they can be transmitted to a distant processor or terminal. In addition to the need for level conversion, there is a requirement to have cables of various lengths equipped with a variety of specialized fittings for each communications medium serviced.

A DF11 unit will normally consist of two single height (8-1/2" by 3") modules. One module performs the electrical signal conditioning function of converting from TTL signal levels to the external signal levels required (e.g. EIA RS-232-C, 20 milliamper current loop, Bell System CBS or CDT Data Access Arrangements, etc.). The second module performs the physical interface function; i.e. furnishes a cable to connect the level-converted signals produced by the first module to the desired device or channel. In the case of the DF11-A RS-232-C/CCITT Recommendation V24 Interface, the second module provides a 25-conductor cable and plug to connect the level-converted signals on the back panel wires to the dataset.



DEC FORM NO. DEC 16-(381)-1022-N370
DRA 108

SIZE	CODE	NUMBER	REV
A	SP	DF11-0-1	B

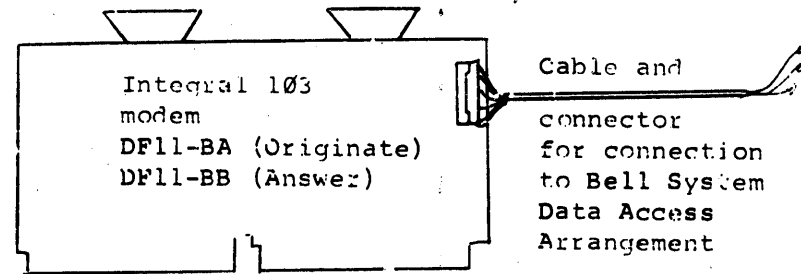
SHEET 2 OF 10

ENGINEERING SPECIFICATION

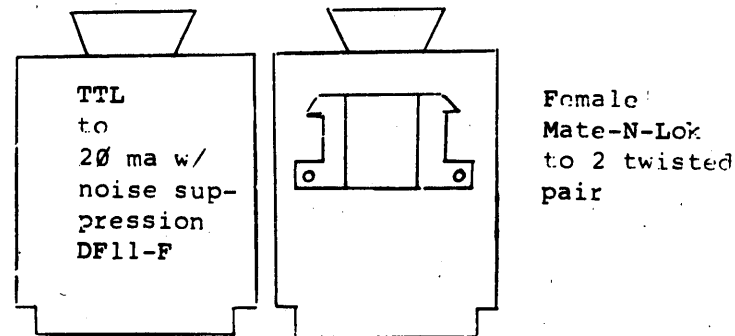
CONTINUATION SHEET

TITLE DF11 Serial Line Signal Conditioning Options

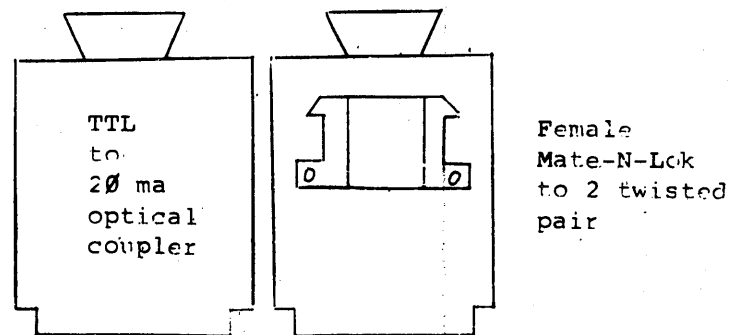
Integral Modem converts TTL to tone signals for transmission on voice-grade lines.



20 ma, local teleprinter (mechanical distributor, such as Teletype® Model 33, 35



20 ma optical coupler active or passive mode



® "Teletype" is a registered trademark of Teletype Corporation, Skokie, Illinois

SIZE	CODE	NUMBER	REV
A	SP	DF11-0-1	B

ENGINEERING SPECIFICATION

CONTINUATION SHEET

TITLE DF11 Serial Line Signal Conditioning Options

II. Variations

DF11-A TTL to EIA RS-232-C/CCITT V24

This option consists of an M594 module and a BC01R cable assembly. (A BC05C cable and M971 module may be supplied as equivalent to a BC01R).

DF11-BA TTL to audio frequency shift keyed tone signals.

This option consists of an M586 module (integral 103-type modem in the Originate-Only mode). Twenty-five foot cable and connector provided for connection with Bell System Data Access arrangement CDT or private wireline channels.

DF11-BB TTL to audio frequency shift keyed tone signals.

This option consists of an M587 module (integral 103-type modem in the Answer-Only mode). Twenty-five foot cable and connector provided for connection with Bell System Data Access arrangements CBS or CDT.

DF11-F TTL to 20 milliamper active local Teletype® loop.

This option consists of an M596 module and an M973. The M973 has an Amp Mate-N-Lok connector mounted on it for connection with customer supplied 22 AWG, 2 twisted pair cable to a local or remote Model 33 or 35 Teletype®. Reader Run control leads are not provided.

DF11-G TTL to Bell System 301/303 Dataset Interface. Signal levels, cable connector, and signal pinning compatible with the Bell 301/303 Datasets.

This option consists of an M595 module and a twenty-five foot coaxial cable.

DF11-K TTL to active or passive 4-wire current mode (20 ma) loop.

This option consists of an M598 optical coupler module and an M973 Mate-N-Lok module.

SIZE	CODE	NUMBER	REV
A	SF	DF11-0-1	B

ENGINEERING SPECIFICATION

CONTINUATION SHEET

TITLE DF11 Serial Line Signal Conditioning Options

III. Specifications

Temperature: All DF11 modules will operate from 10°C to 50°C with relative humidity from 20% to 95% (without condensation).

Speed & Distance:

DF11-A 9600 baud at 50 feet with DEC supplied cable.

DF11-BA 300 baud with 0 dbm to -50 dbm received signal level when used with CDT data access arrangement, 300 baud with 0 dbm to -50 dbm received signal level when used on private wires. Transmit level is 0 to -12 dbm pot adjustable.

DF11-BB 300 baud with 0 dbm to -50 dbm received signal level when used either with CBS, CDT,

SIZE	CODE	NUMBER	REV
A	SP	DF11-0-1	B

ENGINEERING SPECIFICATION

CONTINUATION SHEET

TITLE DF11 Serial Line Signal Conditioning Options

or private wires. Transmit level is 0 to -12 dbm pot adjustable.

DF11-F 110 baud at 5000 feet 22 AWG twisted pair telephone cable when inserted jumpers are in place (TTY noise filter). 2400 baud at 3000 feet with 22 AWG "QUAD" wire (DEC PN 9105856-4) and using the DF11-K (Passive transmit and receive) at the other end.

DF11-G 250K baud with DEC-supplied 25 foot cable.

DF11-K 2400 baud at 1500 feet of 22 AWG twisted pair telephone cable.

NOTE: The data rates and distances cited above are those warranted by Digital. They are applicable in electrically quiet environments and do not necessarily represent limiting values. Jumpers on M5960 (DF11-F) must be cut for speeds above 110 baud.

IV. Applications:

	DC11	DL11*	DM11	DP11	LA30S
DF11-A	YES	2	YES	YES	YES
DF11-BA	1	1	3	NO	YES
DF11-BB	1	1	YES	NO	3
DF11-F	YES	2	YES	4	5
DF11-G	NO	NO	NO	YES	NO
DF11-K	YES	YES	YES	4	YES

* DL11 refers to DL11 in DD11B system unit or 11/05.

NOTES: 1. The DF11-BA and DF11-BB require +15 volts and -15 volts. They may be used with the DC11 and DL11 only if these voltages are available.

2. The DL11 contains its own active 20 ma and EIA interface circuits. While the DF11-A or DF11-F could be used, it would be a duplication of equipment.

SIZE	CODE	NUMBER	REV
A	SP	DF11-0-1	B

ENGINEERING SPECIFICATION

CONTINUATION SHEET

TITLE DF11 Serial Line Signal Conditioning Options

3. It is anticipated that the DF11-BA will be used in terminals such as the LA30S and the DF11-BB will be used in processor options such as the DM11. Technically, they could be used in the reverse order, but this would not be recommended, since the DF11-BA does not have auto-answer capability.
4. No applications have been found for the DF11-F and DF11-K with synchronous controls due to clocking problems.
5. The DF11-F is "active" only and hence would not typically be used in a terminal.

V. Connectivity:

	DF11-A	DF11-BA	DF11-BB	DF11-F	DF11-G	DF11-K
DF11-A	1	NO	NO	NO	NO	NO
DF11-BA	NO	NO	YES	NO	NO	NO
DF11-BB	NO	YES	NO	NO	NO	NO
DF11-F	NO	NO	NO	NO	NO	YES
DF11-G	NO	NO	NO	NO	NO	NO
DF11-K	NO	NO	NO	2	NO	2

- NOTES: 1. Null modem required (H312A)
 2. See "Active" vs. "Passive"

VI. "Active" vs. "Passive"

In 20 ma transmission, information is transmitted by means of switching on and off a current flow. To do this, a current source is used; a switch is used; and a current flow detector is required.

In the classical 20 ma device, the Model 33 or 35 Teletype[®], the keyboard encoding mechanism contains the "switch" and the printer driver mechanism includes a "current detector". The typical computer console Teletype[®] control contains a source plus current detector in its receiver circuitry and a source plus switch in its transmitter circuitry. Since the receiver

SIZE A CODE SP NUMBER DF11-0-1 REV B

ENGINEERING SPECIFICATION

CONTINUATION SHEET

TITLE DF11 Serial Line Signal Conditioning Options

contains the source, it is referred to as an "active" receiver. Since the transmitter contains a source, it too is referred to as "active". All DEC console teletype controls, and the DF11-F are "active" 20 ma interfaces.

The DF11-K, however, has its greatest volume of use in the LA30S, where it is necessary to simulate a Teletype[®] interface: i.e., a switch on the transmit leg and a detector on the receive leg. Since there are no sources, the DF11-K is referred to as a "passive" 20 ma interface. Jumpers are provided to connect sources into the receiver circuitry, the transmit circuitry, or both.

When used with a console teletype control or a DF11-F, the DF11-K should be left in passive transmit/passive receive mode. When two DF11-K's talk to each other, the active transmit/passive receive mode is recommended. Be sure to arrange the leads so that the receiver of one is connected to the transmitter of the other, etc.

VII. Pinning Assignments

The following pinning assignments apply to the DF11 series, although individual DF11 options may not use them all:

Cable Slot ("A" slot in DC11, 11/05) ("B" slot in(LA30,DM1,DMH)

- A1 Do Not Use
- B1 Do Not Use
- C1 Transmitted Data +
- D1 Transmitted Data -
- E1 Secondary Transmitted Data EIA
- F1 Secondary Received Data EIA
- H1 Transmit Signal Element Timing DTE EIA
- J1 Received Data +
- K1 Secondary Clear To Send*
- L1 Secondary Request To Send*
- M1 Signal Quality Detector*
- N1 Received Data -
- P1 Secondary Receive Line Signal Detector*
- R1
- S1 Force Busy EIA
- T1 Ground
- U1
- V1 UK Special Systems

SIZE A CODE SP NUMBER DF11-0-1 REV B

ENGINEERING SPECIFICATION

CONTINUATION SHEET

TITLE DF11 Serial Line Signal Conditioning Options

- A2 Do Not Use
- B2 Do Not Use
- C2 Ground
- D2 DO NOT USE
- E2 Transmitted Data EIA
- F2 Received Data EIA
- H2 Transmit Signal Element Timing DCE EIA
- J2 Receive Signal Element Timing EIA
- K2 Clear To Send EIA
- L2 Request To Send EIA
- M2 Ring Indicator EIA
- N2 Data Set Ready EIA
- P2 Received Line Signal Detect EIA
- R2 Data Terminal Ready EIA
- S2 Data Signalling Rate Selector*
- T2 Ground
- U2 Select Standby*
- V2 UK Special Systems

* Signals shown with an asterisk have no level conversion module pin assignments. If implemented, these signals would have to be level converted elsewhere.

Converter Slot ("B" slot in DC11, 11/05) ("A" slot in LA30, DM11, DM11)

- A1 Response Control for EIA Receivers
- B1 Carrier Detect TTL
- C1 Ring Indicator TTL
- D1 Received Data TTL
- E1 Secondary Received Data TTL
- F1 Received Signal Element Timing EIA
- H1 Receive Signal Element Timing TTL
- J1 Transmit Signal Element Timing DCE EIA
- K1 Transmit Signal Element Timing DCE TTL
- L1 Transmitted Data +
- M1 Transmitted Data -
- N1 Received Data +
- P1 Received Data -
- R1 Transmit Signal Element Timing DTE TTL
- S1 Transmit Signal Element Timing DTE EIA
- T1 Ground
- U1 Secondary Transmitted Data EIA
- V1 Transmitted Data EIA
- A2 +5 (250MA MAX)

SIZE	CODE	NUMBER	REV
A	SP	DF11-0-1	B

ENGINEERING SPECIFICATION

CONTINUATION SHEET

TITLE DF11 Serial Line Signal Conditioning Options

- B2 -15 (155MA MAX)
- C2 Ground
- D2 Data Set Ready TTL
- E2 Data Set Ready EIA
- F2 Clear To Send TTL
- H2 Carrier Detect EIA
- J2 Receive Data EIA
- K2 Ring Indicator EIA
- L2 Secondary Receive Data EIA
- M2 Clear To Send EIA
- N2 +15 (140MA MAX)
- P2 Data Terminal Ready TTL
- R2 Data Terminal Ready EIA
- S2 Request To Send TTL
- T2 Request To Send EIA
- U2 Secondary Transmitted Data TTL
- V2 Transmitted Data TTL

VIII. Notes:

- Caution should be exercised in ordering DF11 options as add-on's to systems using the DM11 distribution panel. In systems where the customer uses 20 ma or EIA without modem control, a single level conversion module serves four lines. If the customer desires some other type of level conversion, and orders a DF11 series device to do it, that DF11 device must be added in a four-line group for which level conversion is presently not implemented, or the four-line group into which it is introduced must be converted to per-line level conversion. This is necessary to prevent the new level converter and the old "one-per-four-lines" converter from trying to level convert the same line.

- The DF11 modules are located in the following locations in the following options:

Option	Converter Slot	Cable Slot
DC11 Line Unit 1	D01	C01
Line Unit 2	D04	C04
DP11	D04	C04
DM11 Distribution		
Line 00 - 15	A06 - A21	B06 - B21
LA30	A18	B18
11/05	B01	A01
DD11B	B02	A02
	B03	A03

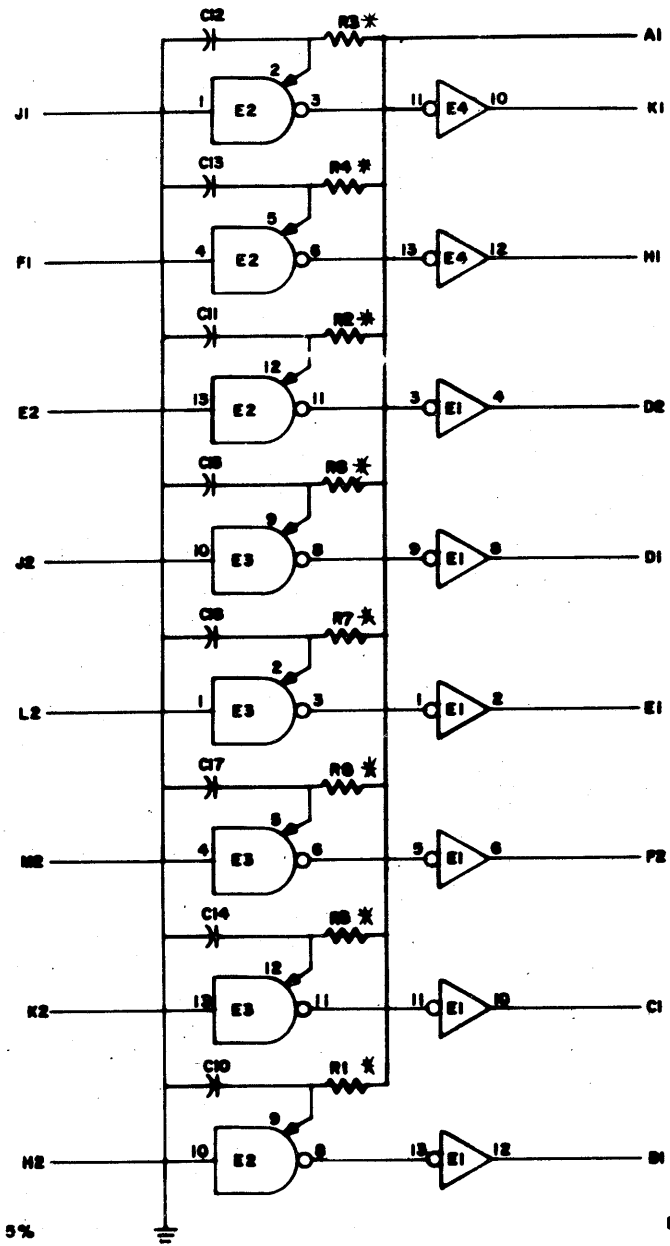
SIZE	CODE	NUMBER	REV
A	SP	DF11-0-1	B

DIGITAL EQUIPMENT CORPORATION MAYNARD, MASSACHUSETTS PARTS LIST					QUANTITY / VARIATION																			
MADE BY M.A. Gilbert		CHECKED R. Wald		SECTION	M594	M594-YB																		
DATE 3/12/71		DATE 3/12/71																						
ENG R. Lisie		PROD R. Silverman		ISSUED SECT.																				
DATE 3/16/71		DATE 6/14/71																						
ITEM NO.	DWG NO. / PART NO.	DESCRIPTION																						
1	C-CS-M594-0-1	CIRCUIT SCHEMATIC																						
2	K-CO-M594-0-4	X-Y COORDINATE HOLE LOCATION																						
3	D-AH-M594-0-5	ASSY/DRILLING HOLE LAYOUT																						
4	B-MH-M594-0-6	MODULE ECO HISTORY																						
5	5009443	ETCHED CIRCUIT BOARD			1	1																		
6	1000024	CAP. 470PF 100v 5% D.M.			8	8	C10	C11	C12	C13	C14	C15	C16	C17										
7	1001610	CAP. .01UF 100v 20% DISC			11	11	C1	C2	C3	C4	C5	C6	C7	C8	C9	C18								C19
9	1210244-0	GRIPLET																						
10	1300510	RES. 33K 1/4W 10%			0	8	R1	R2	R3	R4	R5	R6	R7	R8										
11	1909686	I.C. DEC 7404			3	3	E1	E4	E6															
12	1910322	I.C. DEC 1488L			2	2	E5	E7																
13	1910323	I.C. DEC 1489L			2	2	E2	E3																
14	9006732	EYELET #GS4-7			2	2																		
15	9008337-06	HANDLE FLIP CHIP - MAGENTA			1	1																		
16	1100125	1N758A ZENER DIODE			2	2	D1	D2																
17	1300295	RES 330 1/4w 5%			2	2			R9	R10														
18	1002433	CAP. 22UF 35v 20% S.TANT			2	2	C20	C21																
19	15-1913	TRANSISTOR 2N2904A			1	1	Q1																	
20	15-1881	TRANSISTOR DEC 2219			1	1	Q2																	
21	9008351-0	TRANSISTOR CAP			2	2																		
TITLE		ASSY NO.			SIZE	CODE	NUMBER			REV.	ECO NO.													
EIA LEVEL CONVERTER M594					A	PL	M594-C-0			D	20004													
SHEET 1 OF 1		DIST.			324	434	435	2																

DEC FORM NO.16-1031
DRA 110

④

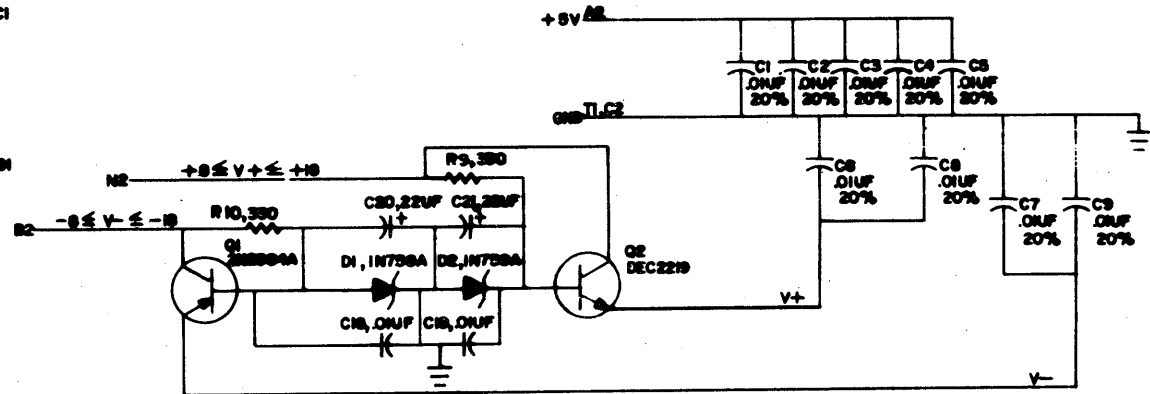
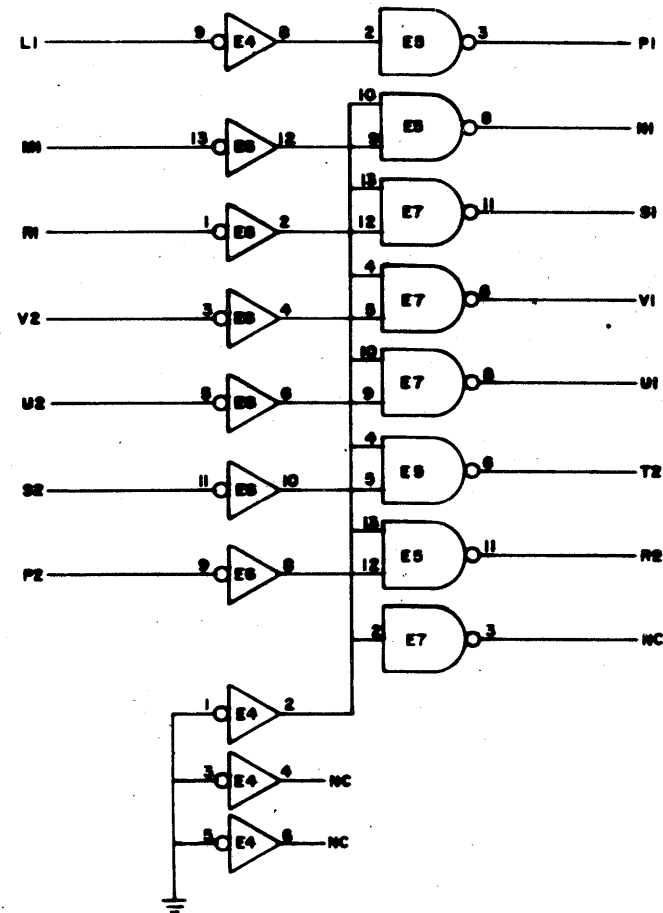
THIS SCHEMATIC IS FURNISHED ONLY FOR TEST AND MAINTENANCE PURPOSES. THE CIRCUITS ARE PROPRIETARY IN NATURE AND SHOULD BE TREATED ACCORDINGLY. COPYRIGHT 1971 BY DIGITAL EQUIPMENT CORPORATION



UNLESS OTHERWISE INDICATED:
CAPACITORS ARE 470 PF, 100V, 5%

E1, E4, E6 = DEC7404
E5, E7 = DEC1488L
E2, E3 = DEC1489L
PIN 7 = GND ON E1-E4, E6
PIN 14 = +5V ON E1-E4, E6
PIN 1 = -V
PIN 7 = GND ON E5, E7
PIN 14 = +V

* NOTE
R1 → R6 INSERTED FOR YB VAR.
A1 MUST BE TIED TO -15V FOR
3V HYSTERESIS.



REV	CHG	NO.	REV.	BY	DATE
1	7	00001	A		
2	7	00001	B		
3	7	00001	C		
4	7	00001	D		
5	7	00001	E		
6	7	00001	F		
7	7	00001	G		
8	7	00001	H		
9	7	00001	I		
10	7	00001	J		
11	7	00001	K		
12	7	00001	L		
13	7	00001	M		
14	7	00001	N		
15	7	00001	O		
16	7	00001	P		
17	7	00001	Q		
18	7	00001	R		
19	7	00001	S		
20	7	00001	T		
21	7	00001	U		
22	7	00001	V		
23	7	00001	W		
24	7	00001	X		
25	7	00001	Y		
26	7	00001	Z		

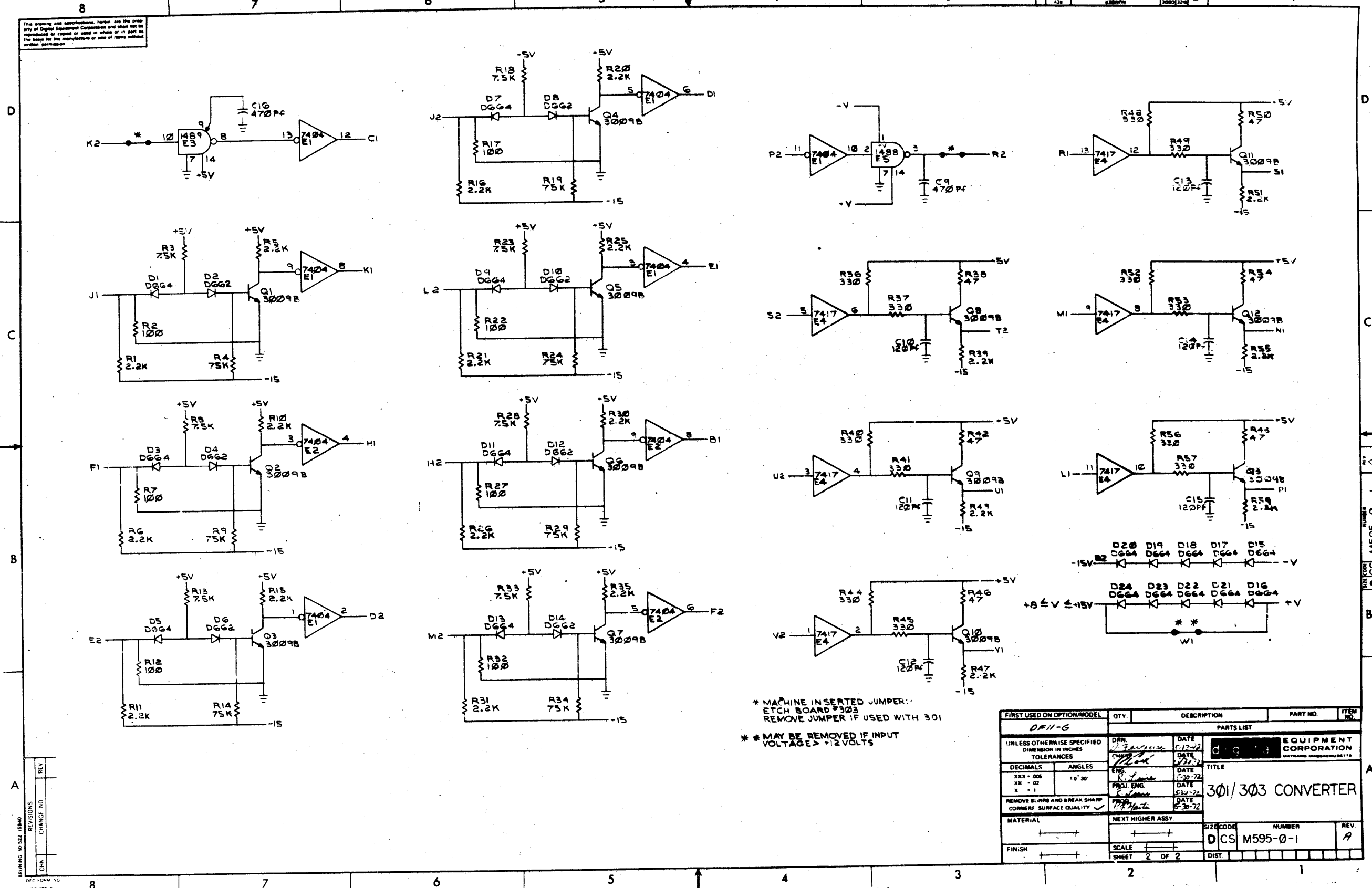
DRW	DATE	TRANSISTOR & DIODE CONVERSION CHART			
CHKD	DATE	DEC	EIA	DEC	EIA
ENG	DATE	IN750A	9A8E		
PRD	DATE	IN750A	9A8E		

EQUIPMENT CORPORATION
MAYFARL, MASSACHUSETTS

TITLE E1A LEVEL CONVERTER M594			
SIZE	CODE	NUMBER	REV.
C	CS	M594-0-1	D
PRINTED CIRCUIT REV.			

PART NO. M594-0-1

This drawing and specifications, herein, are the property of Digital Equipment Corporation and shall not be reproduced for use in whole or in part as a basis for the manufacture or sale of items without written permission.



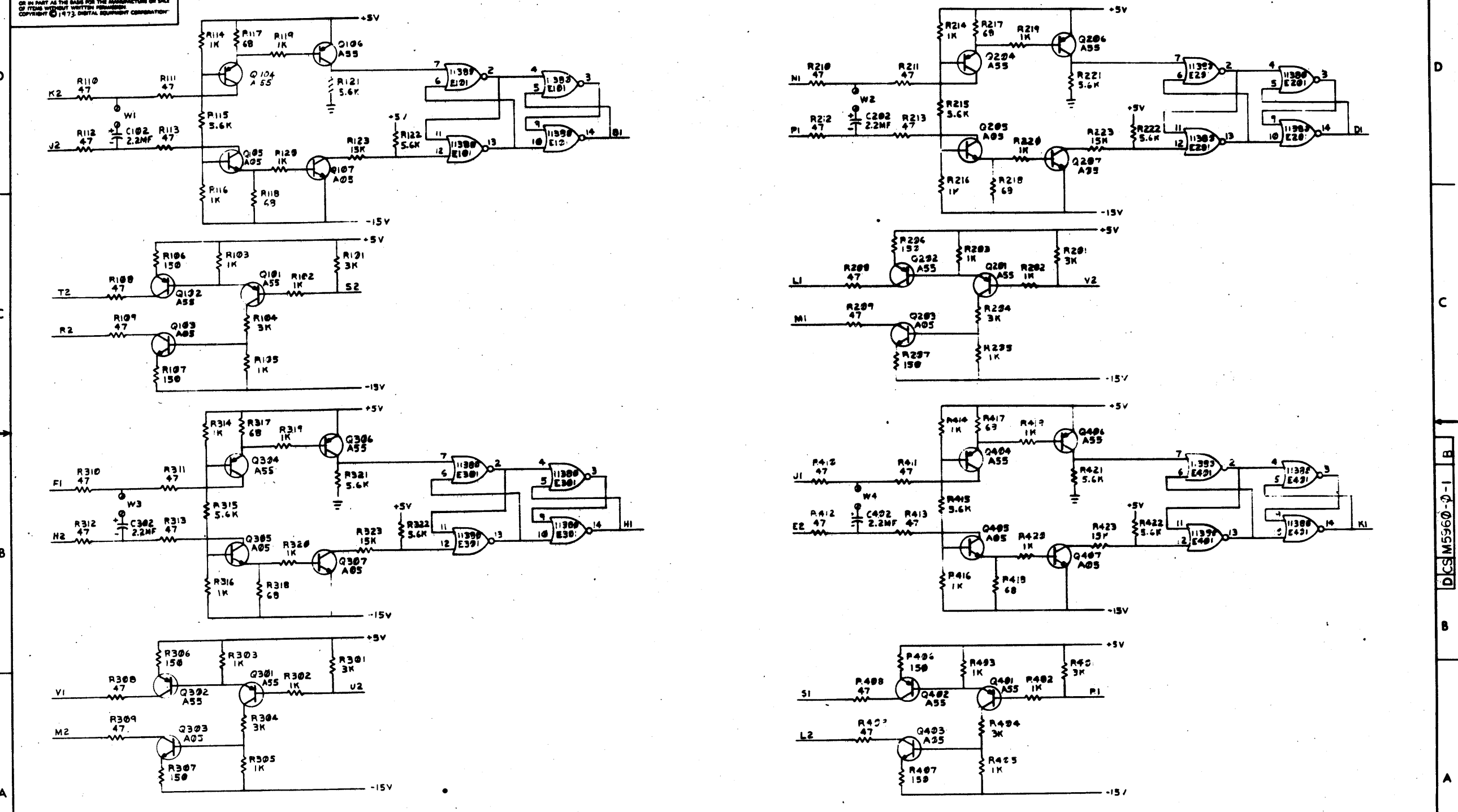
* MACHINE INSERTED JUMPER: ETCH BOARD #303 REMOVE JUMPER IF USED WITH 301
 ** MAY BE REMOVED IF INPUT VOLTAGE > +12 VOLTS

FIRST USED ON OPTION/MODEL	QTY.	DESCRIPTION	PART NO.	ITEM NO.
0E11-G		PARTS LIST		
UNLESS OTHERWISE SPECIFIED DIMENSION IN INCHES TOLERANCES		DATE 6-12-72	EQUIPMENT CORPORATION	
DECIMALS	ANGLES	DATE 7-27-72	TITLE	
XXX - 008	± 0° 30'	DATE 8-30-72	301/303 CONVERTER	
XX - 02		DATE 8-30-72	SIZE CODE	
X - 1		DATE 8-30-72	NUMBER	
REMOVE BURRS AND BREAK SHARP CORNERS SURFACE QUALITY		DATE 8-30-72	REV	
MATERIAL	NEXT HIGHER ASSY.	SIZE CODE	NUMBER	
FINISH	SCALE	DIST.	REV	
	SHEET 2 OF 2		A	

BRUNING 90 522 18840
 DEC 1970 REV. NO. RD 102-R
 REVISIONS
 CHANGE NO. REV.

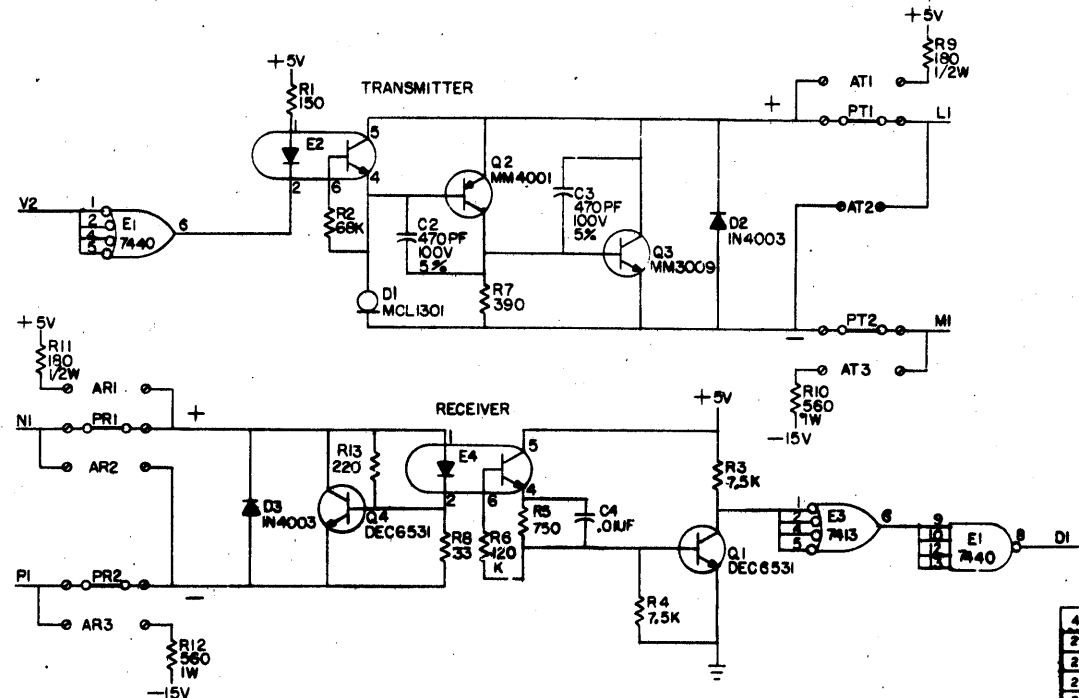
REV. A
 M595-0-1
 DCS

THIS DRAWING AND SPECIFICATIONS HEREIN ARE THE PROPERTY OF DIGITAL EQUIPMENT CORPORATION AND SHALL NOT BE REPRODUCED OR COPIED OR USED IN WHOLE OR IN PART AS THE BASIS FOR THE MANUFACTURE OR SALE OF ITEMS WITHOUT THE WRITTEN PERMISSION. COPYRIGHT © 1973 DIGITAL EQUIPMENT CORPORATION

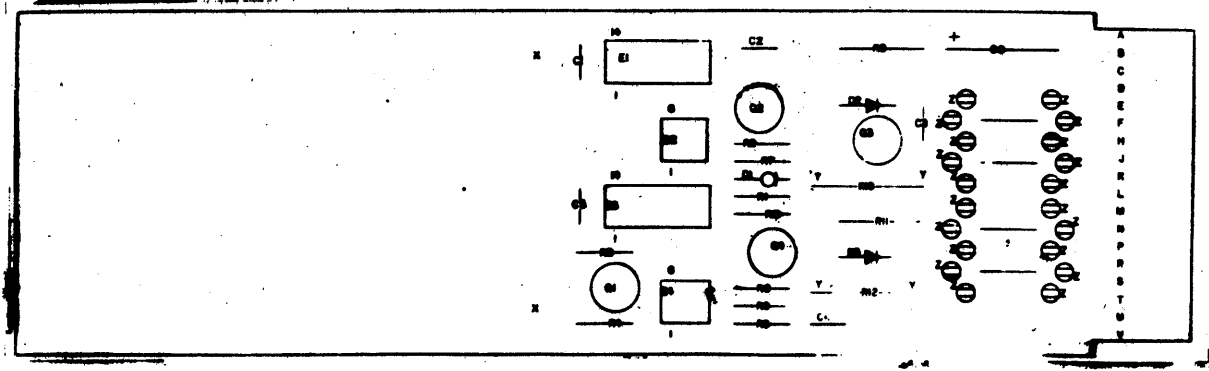
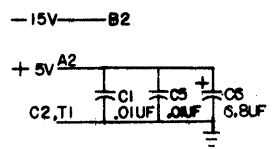


REVISIONS		
CHK	CHANGE NO	REV

Design and construction notes, on the part of Digital Equipment Corporation, shall not be reproduced or used in whole or in part as the basis for the construction of any other similar electronic equipment.



UNLESS OTHERWISE INDICATED:
RESISTORS ARE 1/4W 5%
PIN 14 = GND ON E1, E3
PIN 7 = +5V
NOTE:
D1 IS A 1.0mA CONSTANT CURRENT DIODE



QTY	REF DESIGNATION	DESCRIPTION	PART NO.	ITEM NO.
4	PT1, PT2, PR1, PR2	WIRE, BUSS, #22 AWG	9107560-01	34
2		WIRE, BUSS #20 x 1/8	9008201	33
2		REINFORC SPACER #40 x 3/8	9008208	32
2		TRANSI PAD	9007200	31
2		PLASTIC TRANS CAP.	9008351-0	30
1	R6	RES, 120K 1/4W 5%	1300537	29
1	R5	RES, 750 OHM 5%	1301101	28
1	R3	I.C. 7413	1909989	27
1	R1	I.C. 7440	1909979	26
1		HANDLE, PLASTIC, MAGENTA	9008332-06	25
20		SPLITTING	9008215	24
2		STRIP	9008219	23
2	R2, R4	ISOLATOR OPTIC	1510721	22
1	Q1	TRANS, MN 3000	1510662	21
1	Q2	TRANS, MN 4001	1510581	20
2	Q1, Q2	TRANS, DEC 6531	1509332	19
2	R10, R12	RES, 560 OHM 5%	1303008	18
1	R13	RES, 220 OHM 5%	1300271	17
1	R2	RES, 68K OHM 5%	1301327	16
2	R3, R4	RES, 7.5K OHM 5%	1301122	15
1	R7	RES, 300 OHM 5%	1300302	14
2	R9, R11	RES, 180 OHM 5%	1300260	13
1	R1	RES, 150 OHM 5%	1300250	12
1	R8	RES, 33 OHM 5%	1300187	11
N/A		DRIFLET	1220000	10
2	D1	DIODE MCL 1301	1188610	9
2	D2, D3	DIODE IN4003	1103660	8
1	C6	CAP, 6.8UF 35V 10%	1005306	7
3	C1, C4, C5	CAP, 0.01UF 100V 20% TANT	1001610	6
2	C2, C3	CAP, 470PF, 100V, 5% DM	1000028	5
1		ETCHED CIRCUIT BOARD	5009823	4
		ROUTER BDO HISTORY	D-M-8598-0-6	3
		ASSY/DRILLING HOLE LAYOUT	D-M-8598-0-5	2
		V-V COORDINATE HOLE LOCATION	E-CO-8598-0-1	1

REV	DATE	BY	CHKD	APP'D
1	11-12-71	W. F. FITCH		
2	11-12-71	W. F. FITCH		
3	11-12-71	W. F. FITCH		
4	11-12-71	W. F. FITCH		

REV	DATE	BY	CHKD	APP'D
1	11-12-71	W. F. FITCH		
2	11-12-71	W. F. FITCH		
3	11-12-71	W. F. FITCH		
4	11-12-71	W. F. FITCH		

REV	DATE	BY	CHKD	APP'D
1	11-12-71	W. F. FITCH		
2	11-12-71	W. F. FITCH		
3	11-12-71	W. F. FITCH		
4	11-12-71	W. F. FITCH		

REV	DATE	BY	CHKD	APP'D
1	11-12-71	W. F. FITCH		
2	11-12-71	W. F. FITCH		
3	11-12-71	W. F. FITCH		
4	11-12-71	W. F. FITCH		

REV	DATE	BY	CHKD	APP'D
1	11-12-71	W. F. FITCH		
2	11-12-71	W. F. FITCH		
3	11-12-71	W. F. FITCH		
4	11-12-71	W. F. FITCH		

THIS DRAWING AND SPECIFICATIONS HEREON ARE THE PROPERTY OF DIGITAL EQUIPMENT CORPORATION AND SHALL NOT BE REPRODUCED OR COPIED OR USED IN WHOLE OR IN PART AS THE BASIS FOR THE MANUFACTURE OR SALE OF ITEMS WITHOUT WRITTEN PERMISSION. DIGITAL EQUIPMENT CORPORATION 1973

M9700 JUMPER FUNCTIONS

- FUNCTIONS OF BONDED JUMPERS WHEN INSTALLED:**
- A. EIA - SECONDARY TRANSMIT AND RECEIVE DATA LINES TO EIA PINS 14 AND 15
 - B. 202 - SECONDARY TRANSMIT AND RECEIVE DATA LINES TO EIA PINS 11 & 12
 - C. BII - BELL 81B RESTRAINT FUNCTION IS MONITORED BY SECONDARY RECEIVE
 - D. BUSY - BELL 103E FORCE BUSY FUNCTION DRIVEN BY REQUEST TO SEND

LEGEND

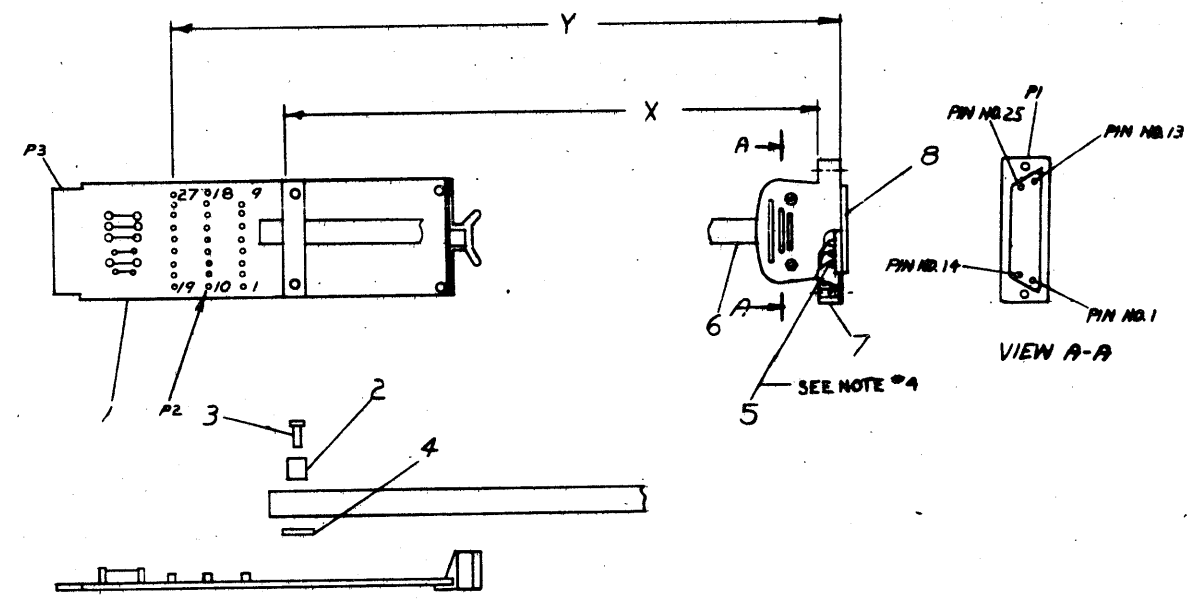
NUMBER	VARIATION	PI-PIN	P2-LUG
BCQIA-25	25'±3"	25'±3"	
BCQIA-50	50'±2%	50'±3"	

BCQIR WIRE TABLE

COLOR	PI-PIN	P2-LUG	SIGNAL NAME	P3-PIN
BLU - WHT	1	6	GROUND	C2
WHT - BLU	2	1	TRANSMITTED DATA	E2
ORN - WHT	3	2	RECEIVED DATA	F2
WHT - ORN	4	24	REQUEST TO SEND	L2
GRN - WHT	5	14	CLEAR TO SEND	K2
WHT - GRN	6	26	DATA SET READY	M2
BRN - WHT	7	7	GROUND	C2
WHT - BRN	8	18	CARRIER	P2
SLA - WHT	9	15	+POWER (NOT USED)	
WHT - SLA	10	16	-POWER (NOT USED)	
BLU - RED	11	19	BELL 202 SEC. TRANS. DATA	E1
RED - BLU	12	21	BELL 202 SEC. REC. DATA	F1
ORN - RED	13	11	SEC CLEAR TO SEND	K1
SLA - RED	14	20	EIA SECONDARY TRANS. DATA	E1
SLA - GRN	15	3	SERIAL CLOCK TRANS.	M2
RED - BRN	16	23	EIA SECONDARY REC. DATA	F1
SLA -	17	22	SERIAL CLOCK REC. DATA	J2
RED - SLA	18	17	UNASSIGNED NOT USED	
BLU - BLK	19	12	SECONDARY REQUEST TO SEND	L1
ORN - BLK	20	7	DATA TERMINAL READY	R2
BLK - ORN	21	13	SIGNAL QUANTITY DETECT	M1
BLK - GRN	22	25	RING	M2
GRN - BLK	23	8	SIGNAL RATE SELECT	S2
BRN - RED	24	10	EXTERNAL CLOCK	H1
RED - ORN	25	27	FORCE BUSY	S1
SPECIAL				
SHIELD A	CUT	4	SHIELD A (GROUND)	C2
SHIELD B	CUT	5	SHIELD B (GROUND)	C2

NOTES:

1. IF USED FOR FOLLOWING OPTIONS CUT ALL JUMPER EXCEPT (DC1, DP11, DM11-DB, DS10, DG11 AND DS11) (2) 202 JUMPERS
- REF. NOTE #6
- DN11 - (2) EIA JUMPERS
- DM11-BC (DM11-BB12) 202 AND (7) 202 JUMPERS. FOR OTHER APPLICATIONS REFER TO CHART ON LEFT FOR M9700 JUMPER FUNCTIONS.
2. CIRCLED LETTERS ON RIGHT OF WIRE TABLE INDICATE THOSE PINS WHICH ARE DEPENDENT ON M9700 JUMPER FUNCTIONS AT LEFT.
3. BII JUMPER CONNECTS J2 TO F1
4. SOLDER #6 (CABLE) TO #1 (CONN. CARD), APPLY #4 (TAPE) AROUND #6 (CABLE), ASSEMBLE #2 (CABLE CLAMP) AND #3 (EYELETS) TO #1 (CONN. CARD) AFTER SOLDERING
5. EACH SOLDERED CONNECTION ON P1 SHALL BE INSULATED WITH A 1/4 INCH PIECE OF ITEM #5 (TUBING)
6. P1-15 AND P1-17 ARE SHIELDED LEADS
7. OLDER REV. BCQIR CABLES HAD 202 JUMPERS (M9700+BCQ5C-25). NEW REV. CABLES (M9700) HAVE THESE CONNECTIONS IN THE ETCH. DO NOT REMOVE BII JUMPERS ON OLD REV. CABLES.



QTY.	DESCRIPTION	PART NO.	USED
1	CONN PLUG* DB25-P	1205886	8
1	HOOD, CINCH* DB51226-1	1205885	7
	AIR CABLE, 25 CONDUCTOR	9107736	6
	AIR SHRINKABLE TUBING	9107255	5
	AIR TAPE, DOUBLE SIDED 1/2"	9007834	4
2	EYELET A-94	9006741	3
1	CLAMP, CABLE	1202790-01	2
1	M9700 CABLE CONNECTOR	M9700	1

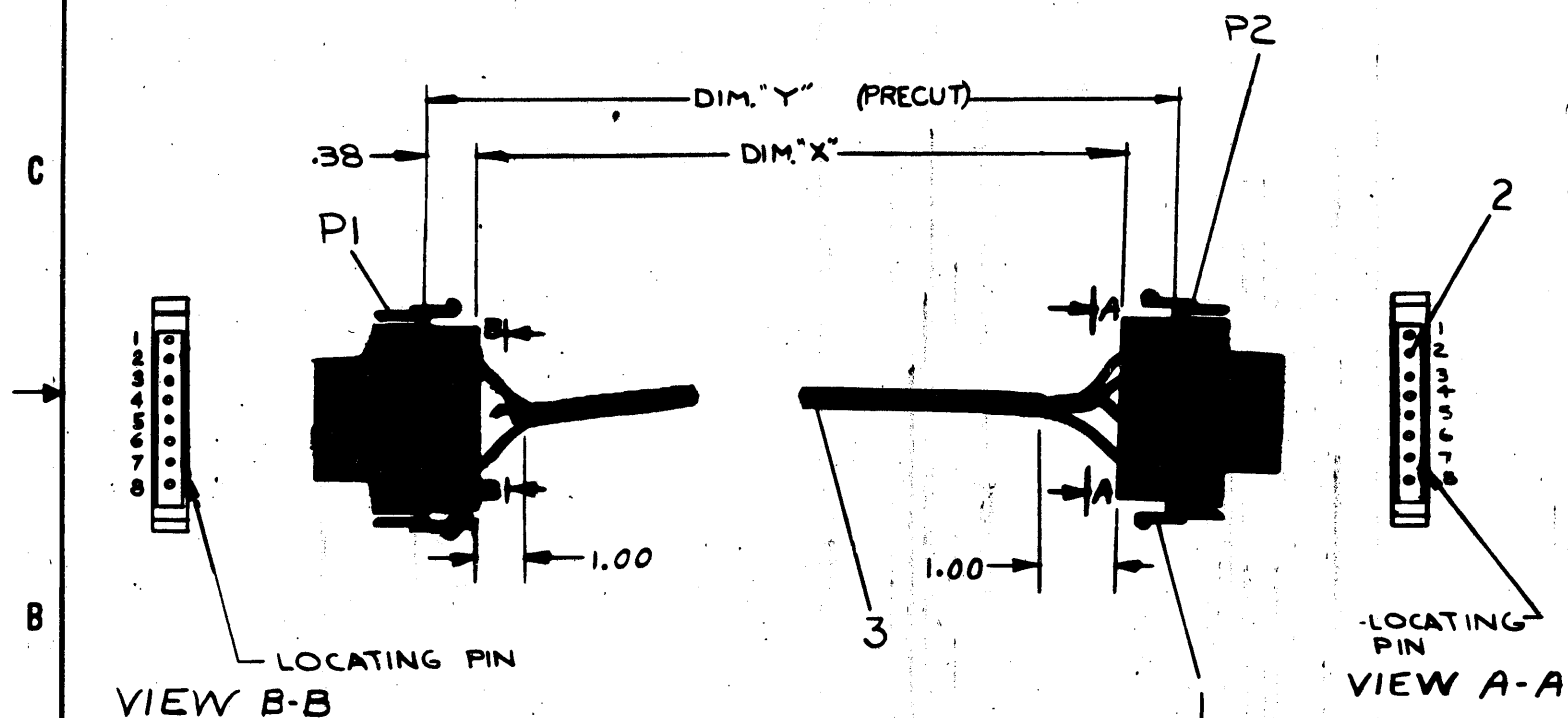
FIRST USED ON OPTION/MODEL		DATE	
PDP 11		10-12-73	
UNLESS OTHERWISE SPECIFIED DIMENSION IN INCHES		DATE	
TOLERANCES		10-30-70	
DECIMALS	ANGLES	DATE	
.XXX ± .005	± 30'	10-16-73	
.XX ± .02		DATE	
.X ± .1		10-29-70	
REMOVE BURRS AND BREAK SHARP CORNERS SURFACE QUALITY 1		DATE	
MATERIAL		10-16-70	
FINISH		DATE	
		10-16-70	
NEXT HIGHER ASSY.		DATE	
A-PL-DC11-DA-0		10-16-70	
SCALE		DATE	
1/1		10-16-70	
SHEET		DATE	
1 OF 1		10-16-70	

REV.	CHANGE NO.	BY	DATE
1	00003	D	
2	00004	D	
3	00005	D	
4	00006	D	
5	00007	D	
6	00008	D	
7	00009	D	
8	00010	D	
9	00011	D	
10	00012	D	
11	00013	D	
12	00014	D	
13	00015	D	
14	00016	D	
15	00017	D	
16	00018	D	
17	00019	D	
18	00020	D	
19	00021	D	
20	00022	D	
21	00023	D	
22	00024	D	
23	00025	D	
24	00026	D	
25	00027	D	
26	00028	D	
27	00029	D	
28	00030	D	
29	00031	D	
30	00032	D	
31	00033	D	
32	00034	D	
33	00035	D	
34	00036	D	
35	00037	D	
36	00038	D	
37	00039	D	
38	00040	D	
39	00041	D	
40	00042	D	
41	00043	D	
42	00044	D	
43	00045	D	
44	00046	D	
45	00047	D	
46	00048	D	
47	00049	D	
48	00050	D	
49	00051	D	
50	00052	D	
51	00053	D	
52	00054	D	
53	00055	D	
54	00056	D	
55	00057	D	
56	00058	D	
57	00059	D	
58	00060	D	
59	00061	D	
60	00062	D	
61	00063	D	
62	00064	D	
63	00065	D	
64	00066	D	
65	00067	D	
66	00068	D	
67	00069	D	
68	00070	D	
69	00071	D	
70	00072	D	
71	00073	D	
72	00074	D	
73	00075	D	
74	00076	D	
75	00077	D	
76	00078	D	
77	00079	D	
78	00080	D	
79	00081	D	
80	00082	D	
81	00083	D	
82	00084	D	
83	00085	D	
84	00086	D	
85	00087	D	
86	00088	D	
87	00089	D	
88	00090	D	
89	00091	D	
90	00092	D	
91	00093	D	
92	00094	D	
93	00095	D	
94	00096	D	
95	00097	D	
96	00098	D	
97	00099	D	
98	00100	D	
99	00101	D	
100	00102	D	

This drawing and specifications, herein, are the property of Digital Equipment Corporation and shall not be reproduced or copied or used in whole or in part as the basis for the manufacture or sale of items without written permission.

LEGEND		
NUMBER	DIM "X" VARIATION	DIM "Y" (PRECUT) REF
BC05F-15	15 FT. ± 3 IN.	15 FT. .75 IN. ± 3 IN.
BC05F-9	9 FT. ± 3 IN.	9 FT. .75 IN. ± 3 IN.

WIRE TABLE				
ITEM NO	AWG	COLOR	FROM CONNECTION	TO CONNECTION
3	22	BLK	P1-2	P2-3
3	22	RED	P1-3	P2-2
3	22	WHT	P1-5	P2-7
3	22	GRN	P1-7	P2-5



QTY.	DESCRIPTION	PART NO.	ITEM NO.
3	CABLE 4 CONDUCTOR	9107706	3
2	SOCKET (MALE)	1209378-03	2
1	MATE-N-LOCK (MALE)	1209340-01	1

REV.	CHANGE NO.	DATE	BY	CHKD.
A	BC05F-00001	11-8-71	R. FITCH	
B	LA36-00119	11-9-71	Robert Fitch	
C	BC05F-00002	7/18/75	J. BITTO	
			J. BITTO	
			R. FITCH	
			R. FITCH	

FIRST USED ON OPTION MODEL DF11		DATE: 10/28/71		EQUIPMENT CORPORATION MAYNARD, MASSACHUSETTS	
UNLESS OTHERWISE SPECIFIED DIMENSION IN INCHES TOLERANCES DECIMALS ± .005 FRACTIONS ± 1/32 ANGLES ± 0°30'		DATE: 10/28/71	DATE: 10/28/71	TITLE CABLE INTERFACE BC05F	
MATERIAL		DATE: 10/28/71	DATE: 10/28/71	REV. C	
FINISH		DATE: 10/28/71	DATE: 10/28/71	SIZE CODE: CUAB05F-0-0	
NEXT HIGHER ASSY		SCALE		DIST. C	
SHEET 1 OF 1		SHEET 1 OF 1		REV. C	

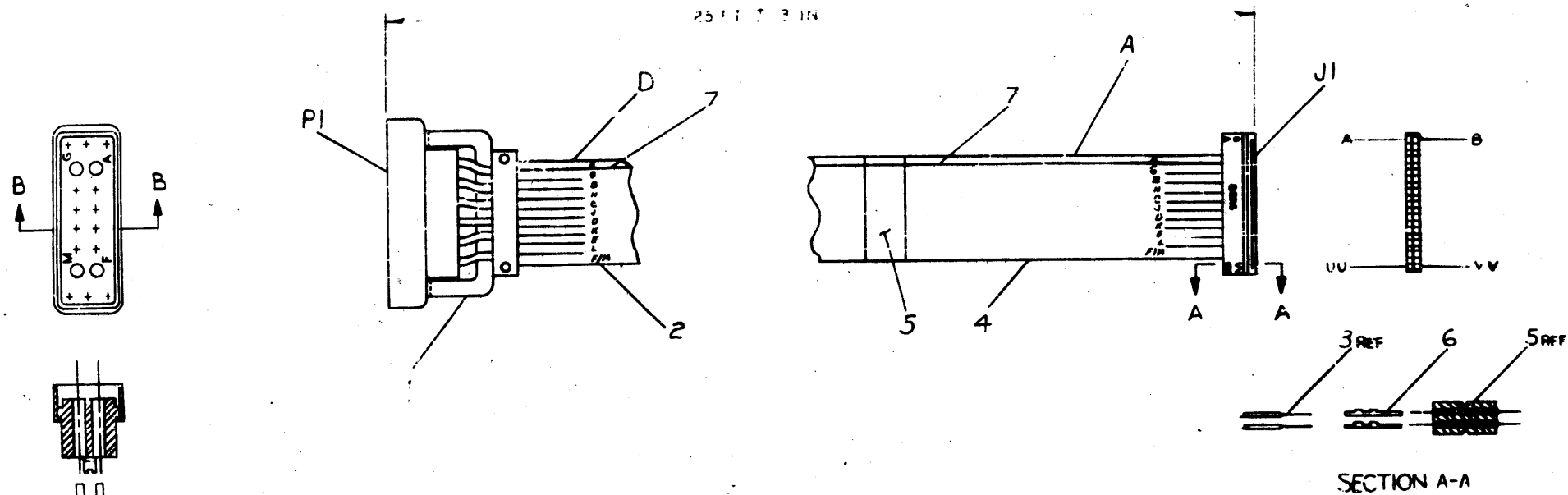
This drawing and specifications, herein, are the property of the U.S. Government and shall not be reproduced or copied in whole or in part, or the name for the manufacturer or sale of same, without written permission.

0-0-MIO0010 2

FUNCTION		WIRE	CONNECTION	
			FROM	TO
CLEAR TO SEND (CS)	C COND	PI-C	J1-T	
SEND REQUEST (SR)	D COND	PI-D	J1-V	
SEND DATA (SD)	E COND	PI-E	J1-F	
DATA SET READY (DSR)	F COND	PI-F	J1-Z	
RING INDICATOR (RI)	F SHIELD	PI-F	J1-X	
LOCAL TEST (LT)	G COND	PI-G	J1-FF	
SERIAL CLOCK TRANSMIT (SCT)	H COND	PI-H	J1-L	
SERIAL CLOCK TRANSMIT (SC)	J COND	PI-J	J1-N	
RECEIVE DATA (RD)	K COND	PI-K	J1-U	
SERIAL CLOCK RECEIVE (SCR)	L COND	PI-L	J1-R	
AGC LOCK (AGC)	M COND	PI-M	J1-BB	
DATA TERMINAL READY (DTR)	M SHIELD	PI-M	J1-DD	
	C SHIELD	PI-C	J1-A	
	D SHIELD	PI-D	J1-B	
	E SHIELD	PI-E	J1-B	
	G SHIELD	PI-G	J1-B	
	H SHIELD	PI-H	J1-VV	
	J SHIELD	PI-J	J1-VV	
	K SHIELD	PI-K	J1-VU	
	L SHIELD	PI-L	J1-VU	
	A	PI-A	NC	
	B	PI-B	NC	

WIRE REFERENCE TABLE	
A TRACER	LOCATION OF WIRES IN WOVEN CABLE
G	
B	
H	
C	
J	
D	
K	
E	
L	
F	
M	

- NOTES:
- A. A TWISTED PAIR WIRE CABLES WILL BE ATTACHED TO EACH CONDUCTOR OF EACH WIRE (1 WIRE TO INNER CONDUCTOR, 1 WIRE TO THE SHIELD). THE WIRES WILL THEN BE CRIMPED TO THE BERG PINS AS INDICATED.
 - B. WHEN SUPPLIED BY A VENDOR THIS CABLE WILL BE FULLY TESTED BY VENDOR, TESTED AND INSPECTED BY INCOMING INSPECTION PRIOR TO ACCEPTANCE.
 - C. THIS IS THE CABLE DESCRIBED BY PURCHASE SPECIFICATION 11-0001. A COLORED TRACER WILL BE WOVEN INTO THE CABLE BETWEEN WIRES W AND S.
 - E. RG195 AU CAN BE USED TO DIRECTLY REPLACE RG 180U.
 - F. NO SUBSTITUTIONS, OTHER THAN THOSE SPECIFIED IN THIS PRINT, MAY BE MADE WITHOUT PRIOR APPROVAL.



SECTION B-B

SECTION A-A

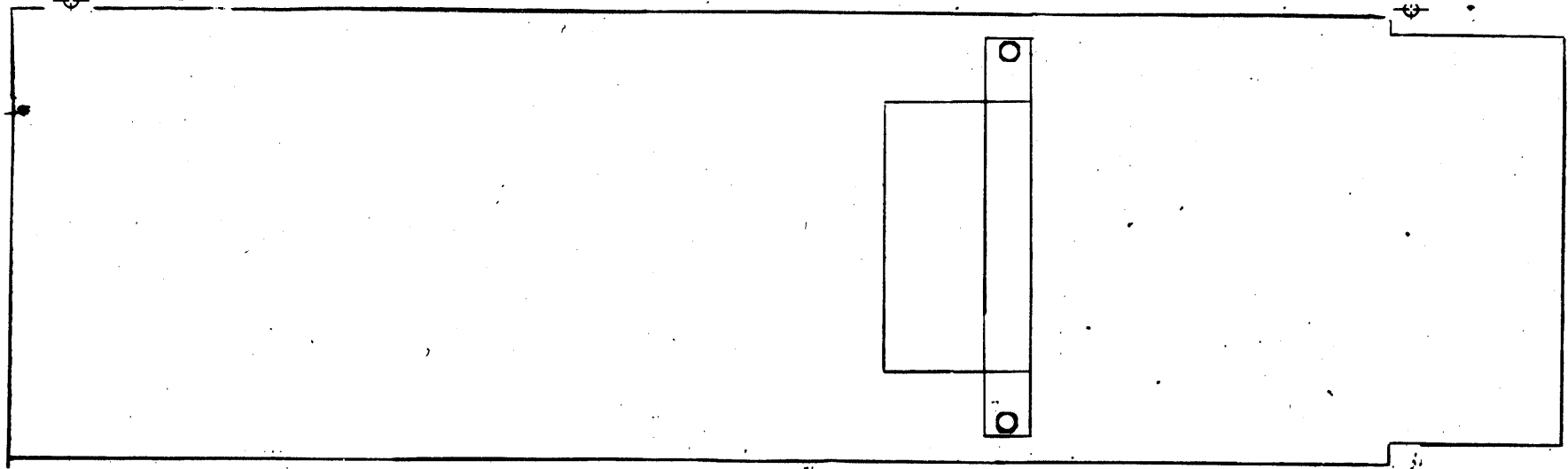
QTY.	DESCRIPTION	PART NO.	REV.
A/R	COLOR TRACER		7
A/R	BERG PINS	12-10037-	6
A/R	INSULATION		5
A/R	WIRE 26/25 AWG TWP		4
1	CONN BERG	12-10090-00	3
A/R	CABLE COAX RG180 3/U		2
1	BURNDY MG12 MXP-17TC		1

REV.	CHG.	NO.	DATE	BY	CHK.
1	1	1	7-11-72	SMITH	

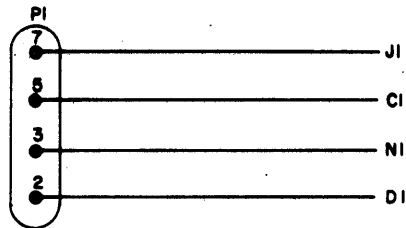
UNLESS OTHERWISE SPECIFIED DIMENSIONS IN FIGURES TOLERANCES		EQUIPMENT CORPORATION	
DECIMALS	ANGLES	TITLE	
±.001	±.001	HIGH SPEED MODEM CABLE	
REMOVE BURRS AND BREAK SHARP EDGES SURFACE QUAL. 10		MATERIAL	
NEXT NUMBER ASSY.		NUMBER	
FINISH		REV.	
SCALE		DUA BCOIW-0-0	
SHEET 1 OF 1		REV. A	

DUA BCOIW-0-0

THIS SCHEMATIC IS FURNISHED ONLY FOR TEST AND MAINTENANCE PURPOSES. THE CIRCUITS ARE PROPRIETARY IN NATURE AND SHOULD BE TREATED ACCORDINGLY. COPYRIGHT [97] BY DIGITAL EQUIPMENT CORPORATION



A
B
C
D
E
F
H
J
K
L
M
N
P
R
S
T
U
V



QTY.	REV DESIGNATION	DESCRIPTION	DEC PART NO.	QTY
2		KEYS	9007866	33
2		ROCKER	9006003	11
2		ROCKER	9006003	11
1		ROCKER	9006003	9
1		ROCKER FLIP CHIP - MAGENTA	900617-06	8
2		ROCKER	9006732	7
4		PIES	1200456-01	6
1		PIE MOUNTING	1200340-0-0	5
1		ETCHED CIRCUIT BOARD	5000007	4
		MODULE ECO HISTORY	B-AM-M973-0-6	3
		ASSY/DRILLING HOLE LAYOUT	B-AM-M973-0-5	2
		X-Y COORDINATE HOLE LOCATION	K-CO-M973-0-4	1
				1
				1
				1
				1
				1

REV	DATE	BY	CHKD
A	10/1/73
B	10/1/73

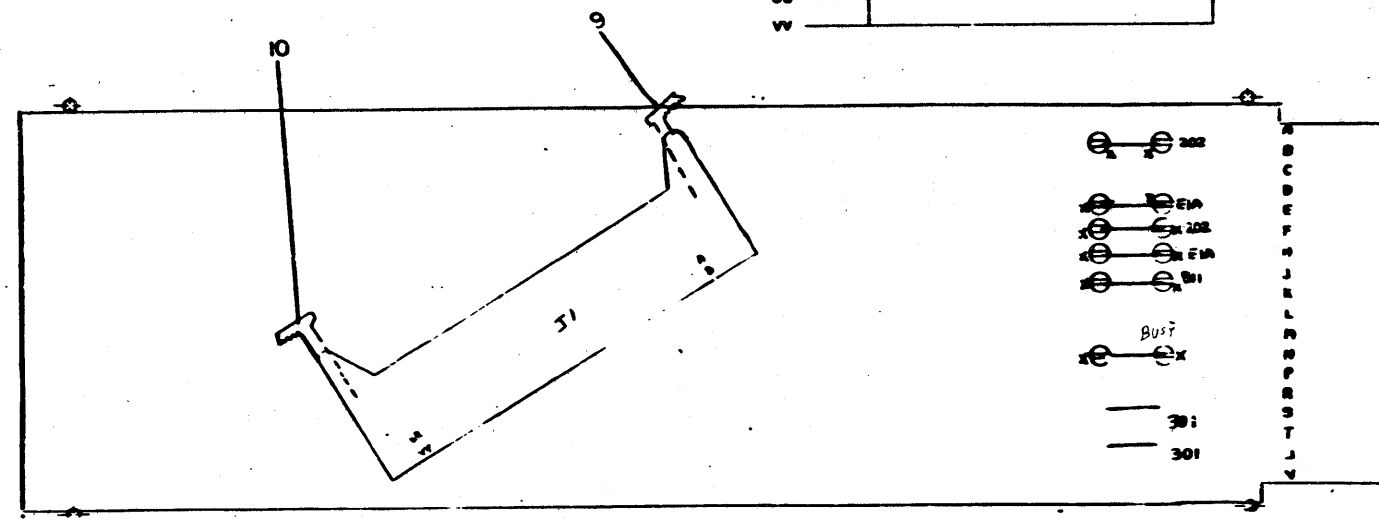
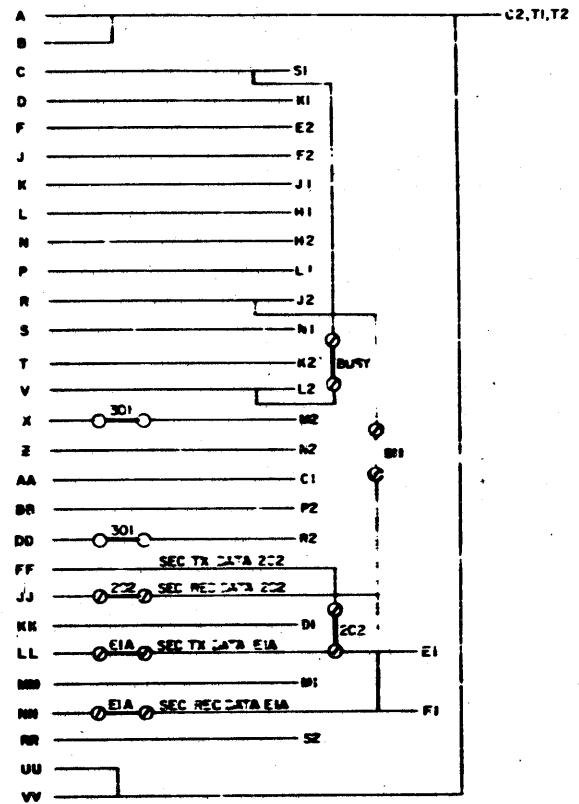
MSI347

EQUIPMENT CORPORATION		TITLE TTY CABLE CONNECTOR	
SIZE C	CODE CS	NUMBER M973-0-1	REV B
PRINTED CIRCUIT REV. A			

DIST. 324, 434, 435

THIS SCHEMATIC IS UNCLASSIFIED EXCEPT WHERE SHOWN OTHERWISE. THE CLASSIFICATION AND CONTROL INSTRUCTIONS ARE TO BE TREATED ACCORDINGLY. COPYRIGHT 1977 BY DIGITAL EQUIPMENT CORPORATION

- I. FUNCTIONS OF MODEM JUMPERS (WHEN INSTALLED)**
- A. EIA** — SECONDARY TRANSMIT & RECEIVE DATA LINES TO EIA PINS 14 & 16
 - B. 202** — SECONDARY TRANSMIT & RECEIVE DATA LINES TO EIA PIN 11 & 12
 - C. 301** — ALLOW OPERATION OF RING AND DATA TERMINAL READY FUNCTIONS WITH BELL 303 SERIES
 - D. B11** — BELL B11B RESTRAINT FUNCTION IS MONITORED BY SECONDARY RECEIVE
 - E. BUSY** — BELL B11B FORCE BUSY FUNCTION ANCED WITH REQUEST TO SEND
- 2. 301 — REMOVE FOR BELL 301 USE ONLY**



1	LEFT LATCH	1209941-03	10
1	RIGHT LATCH	1209941-04	9
1	HANDLE, PLEP CHIP - MATHEA	9006736	8
12	SPLIT LUGS	9006736	7
2	KEY-TECS	9006732	6
1	CONN HDZ RT AND READER	1209941	5
1	ETCHED CIRCUIT BOARD	9007152	4
	NOTES AND HISTORY	0-98-9570-0-6	3
	ASSY/DRILLING HOLE LAYOUT	0-98-9570-0-5	2
	A-Y COORDINATE HOLE LOCATION	0-98-9570-0-4	1
QTY	REP. DESIGNATION		REF. PAGE NO.

REVISIONS 1 2 3 4 5 6 7 8 9 10	TRANSISTOR & DIODE CONVERSION CHART DEC EA EA EA	CABLE INTERFACE BD. # 1 EQUIPMENT CORPORATION M970-0-1 1
--	---	---

This drawing and specifications, herein, are the property of Digital Equipment Corporation and shall not be reproduced or copied or used in whole or in part as the basis for the manufacture or sale of items without written permission.

ITEM NO.	PART NO.	DESCRIPTION	DF11-A	DF11-BA	DF11-BB	DF11-F	DF11-G	DF11-K
1	A-PL-M584-0-0	EIA/CCITT CONVERTER	-	-	-	-	-	-
2	B-SS-M585-0-1	CURRENT MODE CONVERTER BELL 301, 303	-	-	-	-	-	-
3	D-CS-M5960-0-1	20 MA TO TTL CONVERTER	-	-	-	-	-	-
4	A-PL-M970-0-0	85 FLIP CHIP/40 PIN HEADER	-	-	-	-	-	-
5	A-PL-M973-0-0	85 FLIP CHIP/MATE-N-LOCK	-	-	-	-	-	-
6	D-UA-BC01R-25-0	BCOIR CABLE ASSEMBLY	1	-	-	-	-	-
7	A-PL-M598-0-0	PASSIVE 20MA TO TTL	-	-	-	-	-	-
8	C-UA-BC05F-15-0	CABLE INTERFACE, BC05F-15	-	-	-	-	-	-
9	D-UA-BC01W-25-0	HIGH SPEED MODEM CABLE	-	-	-	-	-	-
10	A-PS-20M586-0-0	ASYNCH MODEM 300 BAUD ORIG	-	-	-	-	-	-
11	A-PS-20M587-0-0	ASYNCH MODEM 300 BAUD ANS	-	-	-	-	-	-
12	D-UA-BC11E-0-0	MODEM TO DAA CABLE	-	-	-	-	-	-

FIRST USED ON

DF11-BA
LA30
DF11/05
DM11
DF11-08
LA30

REV.	CHANGE NO.	DESCRIPTION
A	DF11-00001	M'NAMARA
B	DF11-00002	MC NAMARA
C	DF11-00003	J. MCNAMARA
D	DF11-00004	J. MCNAMARA
E	DF11-00006	J. MCNAMARA
F	DF11-00005	J. MCNAMARA

FIRST USED ON OPTION/MODEL
++

UNLESS OTHERWISE SPECIFIED
DIMENSION IN INCHES
TOLERANCES
DECIMALS ± .008
FRACTIONS ± 1/64
ANGLES ± 0°30'

MATERIAL: + + +
FINISH: + + +

CHK'D: K. RUSS
DATE: 3/18/71
ENG: A. RAYMOND
DATE: 3-22-71
PROJ. ENG: [Signature]
DATE: 3-25-71
FRONT: [Signature]
DATE: 3-26-71

DATE: 3/18/71
DATE: 3-22-71
DATE: 3-25-71
DATE: 3-26-71

NEXT HIGHER ASSY. + +

SCALE: + + +
SHEET 1 OF 1

digital EQUIPMENT CORPORATION
MAYNARD, MASSACHUSETTS

TITLE: LEVEL CONVERTERS AND CABLES

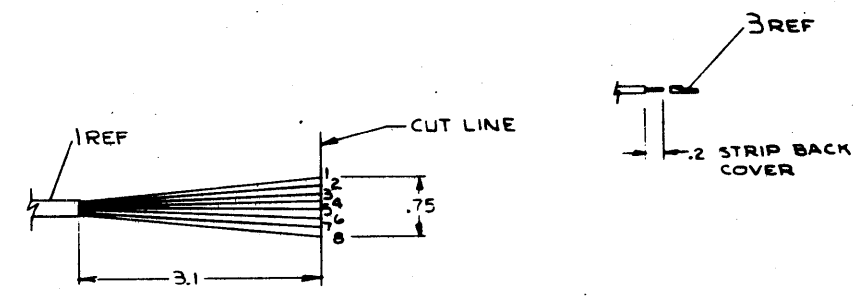
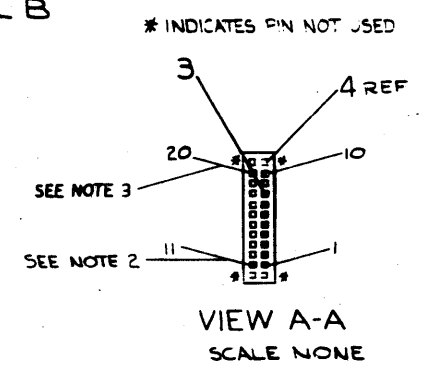
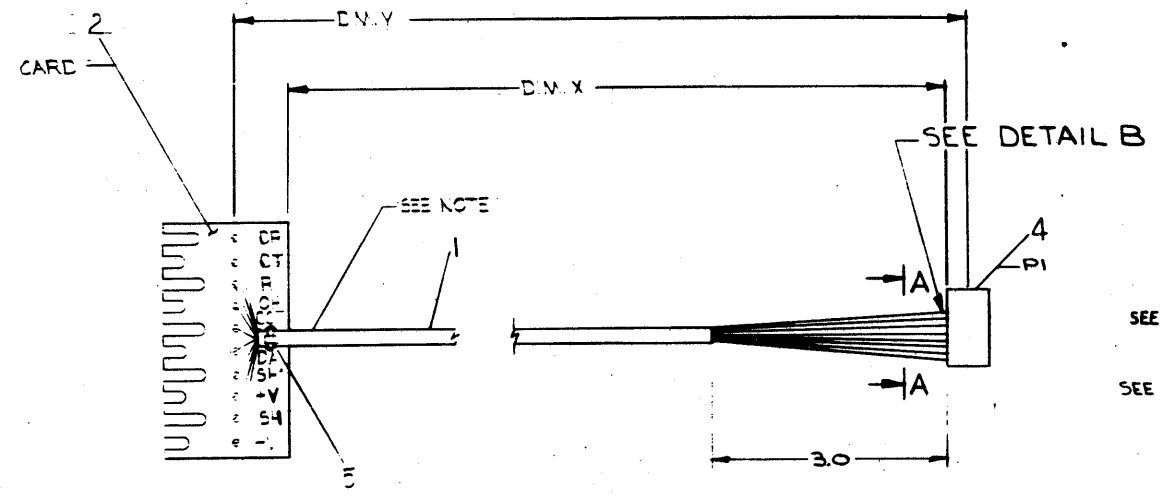
SIZE CODE: CPL
NUMBER: DF11-0-0
REV.: F

8 7 6 5 4 3 2 1

WIRE TABLE							
ITEM NO	DESCRIPTION	FROM		TO		SIGNAL NAME	
		CONNECTION WITH	CONNECTION WITH	CONNECTION WITH	CONNECTION WITH		
1	#22 RED	PI-1	#223	CARD-DA	SOLDER	DA	
	GRN	PI-2		CARD-OH		OH	
	BLU	PI-3		CARD-SH		SH	
	WHT	PI-4		CARD-CC		CCT	
	CRN	PI-5		CARD-DR		DR	
	VIC	PI-6		CARD-D		DT	
	YEL	PI-7		CARD-R1		R1	
	#22 BLK	PI-8	#223	CARD-SH		SH	

LEGEND		
NUMBER	DIM X	DIM Y (PRELUT)
BC11E-25	25' ± 3"	28' 3" ± 3"

- NOTES:
- TWO WIRES (GRY, BRN) ARE TO BE CUT BACK AT INSULATION BOTH ENDS.
 - PI-11 IS A DUMMY PIN, USED FOR REFERENCE ONLY.
 - PI-20 IS TO BE NEXT TO ARROW ON CONNECTOR HOUSING ON MODEM WHEN PI IS PLUGGED IN.



REV	CHANGE NO.	DATE	BY	CHK
A	00001	11-27-72	W. SMITH	W. SMITH
B	00002	1-7-73	W. SMITH	W. SMITH
C	00003	1-7-73	W. SMITH	W. SMITH

FIRST USED ON OPTION/ MODEL
DF11-BA#-BB

UNLESS OTHERWISE SPECIFIED
TOLERANCES
FRACTIONS
DECIMALS
ANGLES
SPACES
FINISH

QTY.	DESCRIPTION	PART NO.	ITEM NO.
7	CABLE	3007031-20	5
1	RECEPTACLE 24 PIN	21093-15	4
9	MINI-TERMINAL #4785 BERG	1210089-6	3
1	CABLE TERMINATOR	5412775-0	2
1	CABLE 10 CONDUCTOR	9107623	1

EQUIPMENT CORPORATION

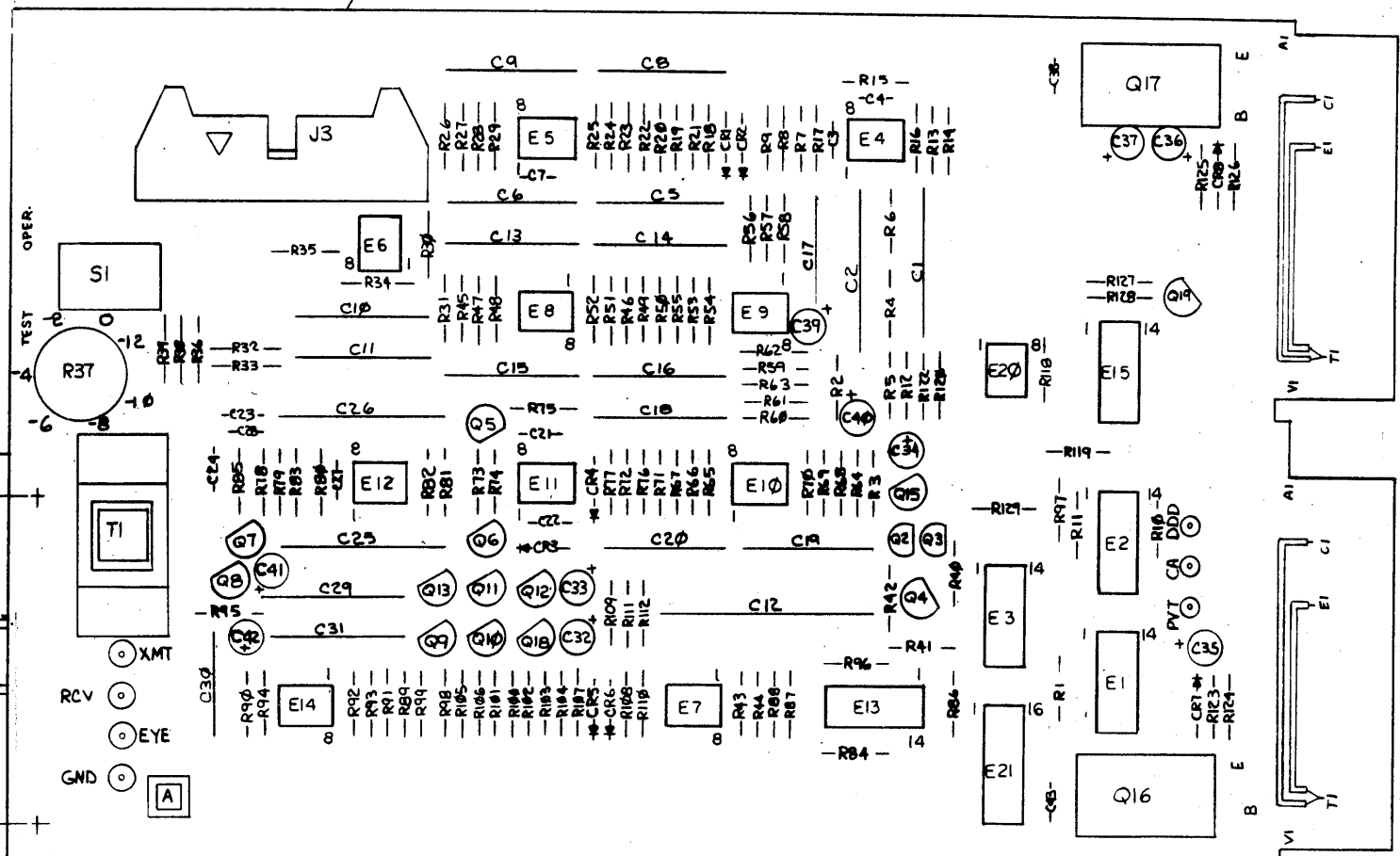
MODEM TO DAA CABLE (BC11E)

SCALE 1/1

SHEET 1 OF 1

This drawing and specifications, herein, are the property of Digital Equipment Corporation and shall not be reproduced or copied or used in whole or in part as the basis for the manufacture or sale of items without written permission. COPYRIGHT © 1973 DIGITAL EQUIPMENT CORPORATION

NOTES:



1	ASYNC ORIGINATE MODEM (INTEL)	20M586	1
1	HANDLE FLIP-CHIP MAGENTA	9008337-06	2
2	EYELET	9006742	3

QTY	REF DESIGNATION	DESCRIPTION	PART NO.	ITEM NO.
PARTS LIST				
	DF11 - BA	ETCH BOARD REV A		

REV	CHG	NO.	DATE	BY
B	ORIGINATED	A		

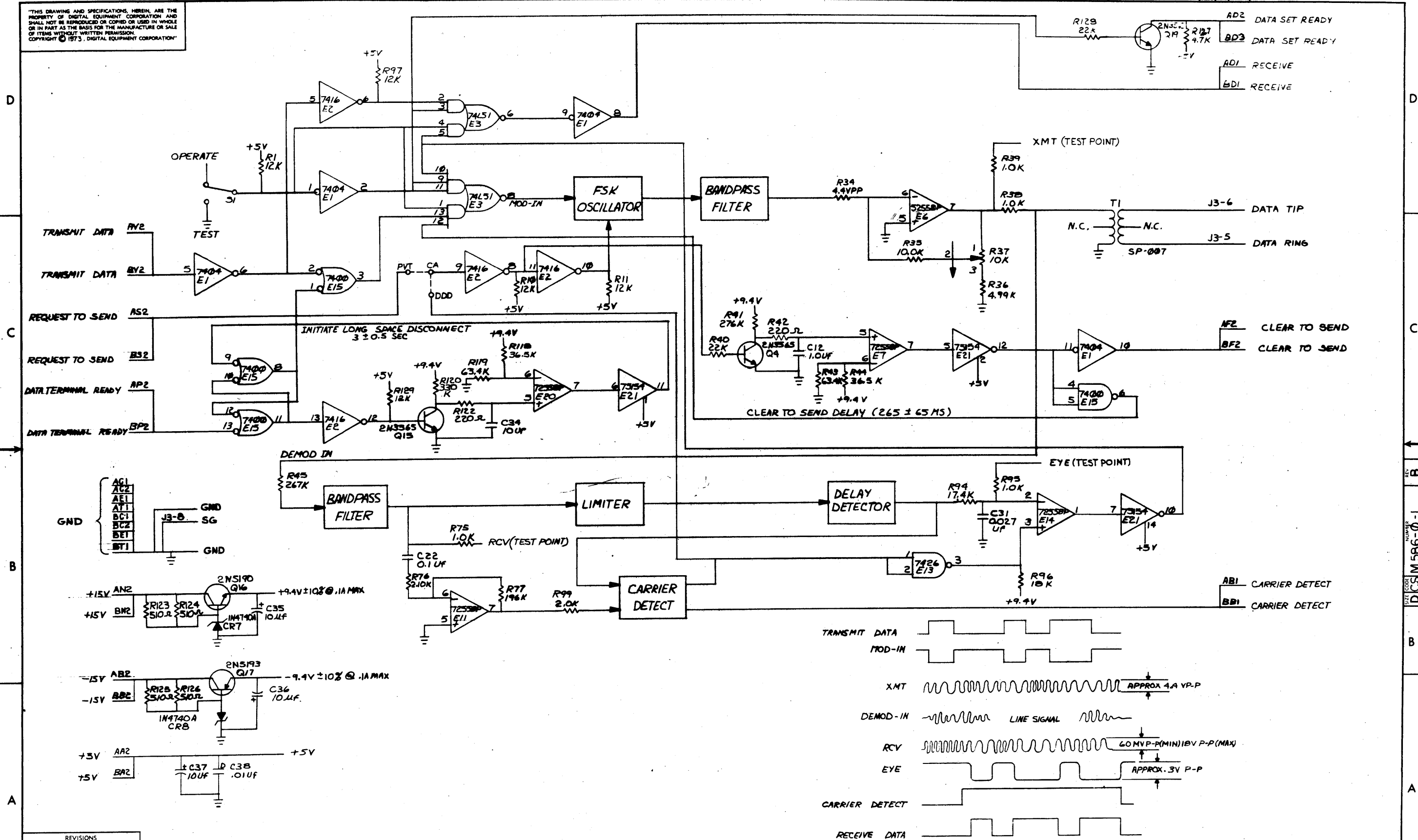
DATE	7/14/73
DATE	8/14/73
DATE	8/14/73
DATE	8/14/73
DATE	8/14/73
DATE	8/14/73

DIGITAL EQUIPMENT CORPORATION MAYNARD, MASSACHUSETTS	
TITLE ASYNC ORIGINATE MODEM	
SIZE/REV	NUMBER
D/CS	M586-0-1
DIST.	REV. B

IC TYPE	GND	+5V
GND AND 5V ARE USUALLY PIN 7 AND 14 RESPECTIVELY. EXCEPTIONS ARE STATED ABOVE.		
IC PIN LOCATIONS		

D/CS M586-0-1

"THIS DRAWING AND SPECIFICATIONS, HEREIN, ARE THE PROPERTY OF DIGITAL EQUIPMENT CORPORATION AND SHALL NOT BE REPRODUCED OR COPIED IN WHOLE OR IN PART AS THE BASIS FOR THE MANUFACTURE OR SALE OF ITEMS WITHOUT WRITTEN PERMISSION. COPYRIGHT © 1973, DIGITAL EQUIPMENT CORPORATION"



REVISIONS		
CHK	CHANGE NO.	REV.

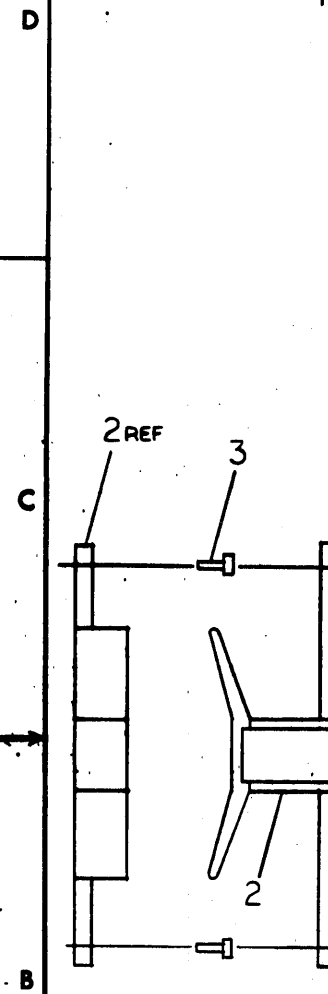
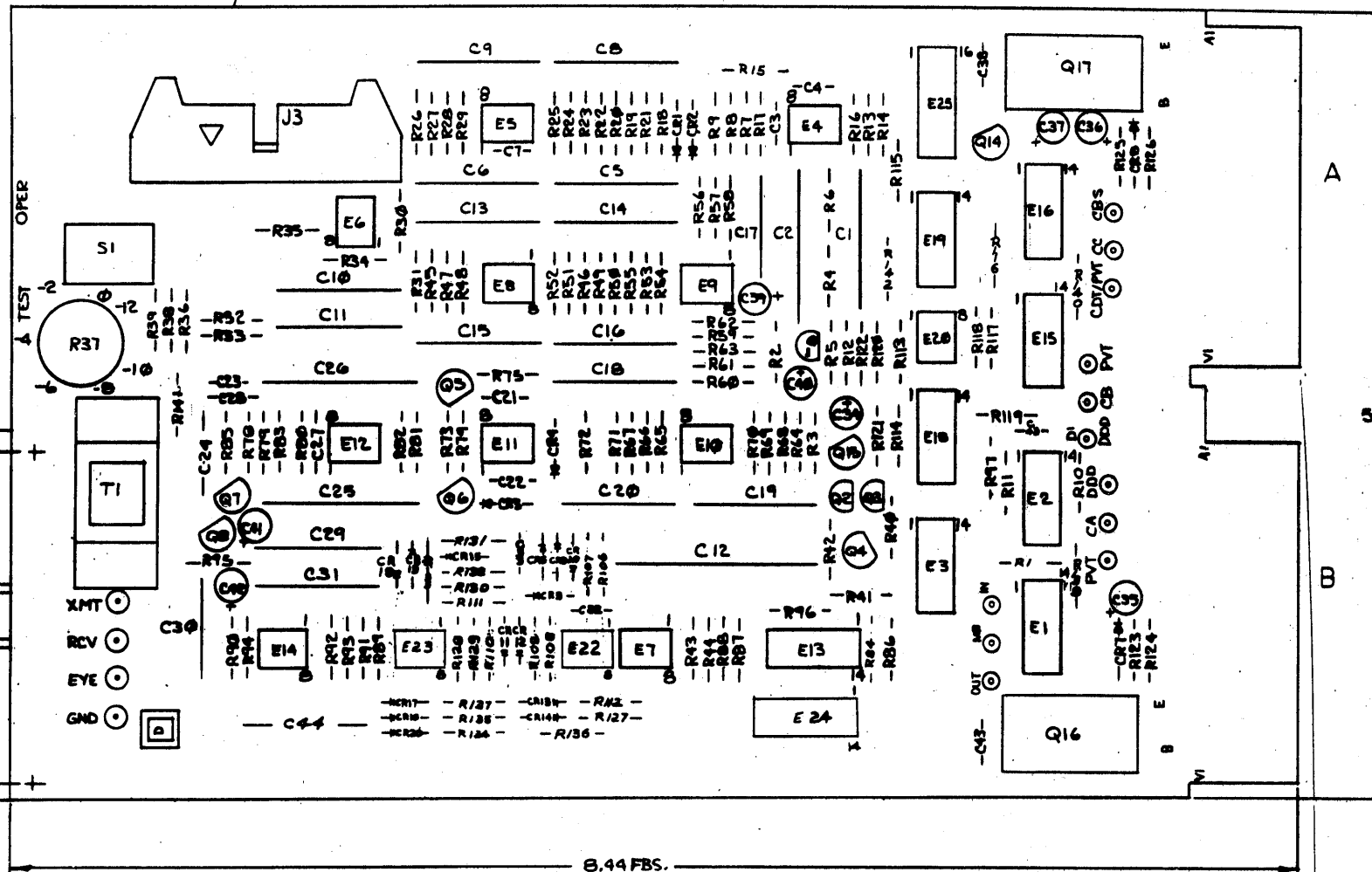
TITLE	ASYNC ORIGINATE MODEM	SIZE CODE	D CS	NUMBER	M586-0-1	REV.	B
SCALE	+	SHEET	2	OF	2	DIST.	

REV. B
NUMBER DCS M586-0-1
SHEET 2 OF 2

This drawing and specifications herein are the property of Digital Equipment Corporation and shall not be reproduced or copied or used in whole or in part as the basis for the manufacture or sale of items without written permission. COPYRIGHT © 1973 DIGITAL EQUIPMENT CORPORATION

NOTES:

2	1-0-289W	2	
1		1	



IC TYPE	GND	+ 5V

GND AND 5V ARE USUALLY PIN 7 AND 14 RESPECTIVELY. EXCEPTIONS ARE STATED ABOVE.

IC PIN LOCATIONS

1	ANSWER MODEM (INTEL)	20M587	1
1	HANDL FLIPCHIP MAGENTA	9008337-06	2
2	EYELET	9006742	3

QTY	REF DESIGNATION	DESCRIPTION	PART NO.	ITEM NO.
	DF11-BB	ETCH BOARD REV A		

DATE	7/23/73	DESIGNED BY	J. McNamara
DATE	8/14/73	CHECKED BY	R. Vargas
DATE	8/14/73	DATE	8/14/73
DATE	8/14/73	DATE	8/14/73
DATE	8/14/73	DATE	8/14/73
DATE	8/14/73	DATE	8/14/73
DATE	8/14/73	DATE	8/14/73

ORIGINAL	A
CHANGE NO.	
REV.	

SEMICONDUCTOR CONVERSION CHART

DEC NO.	EIA NO.	DEC NO.	EIA NO.

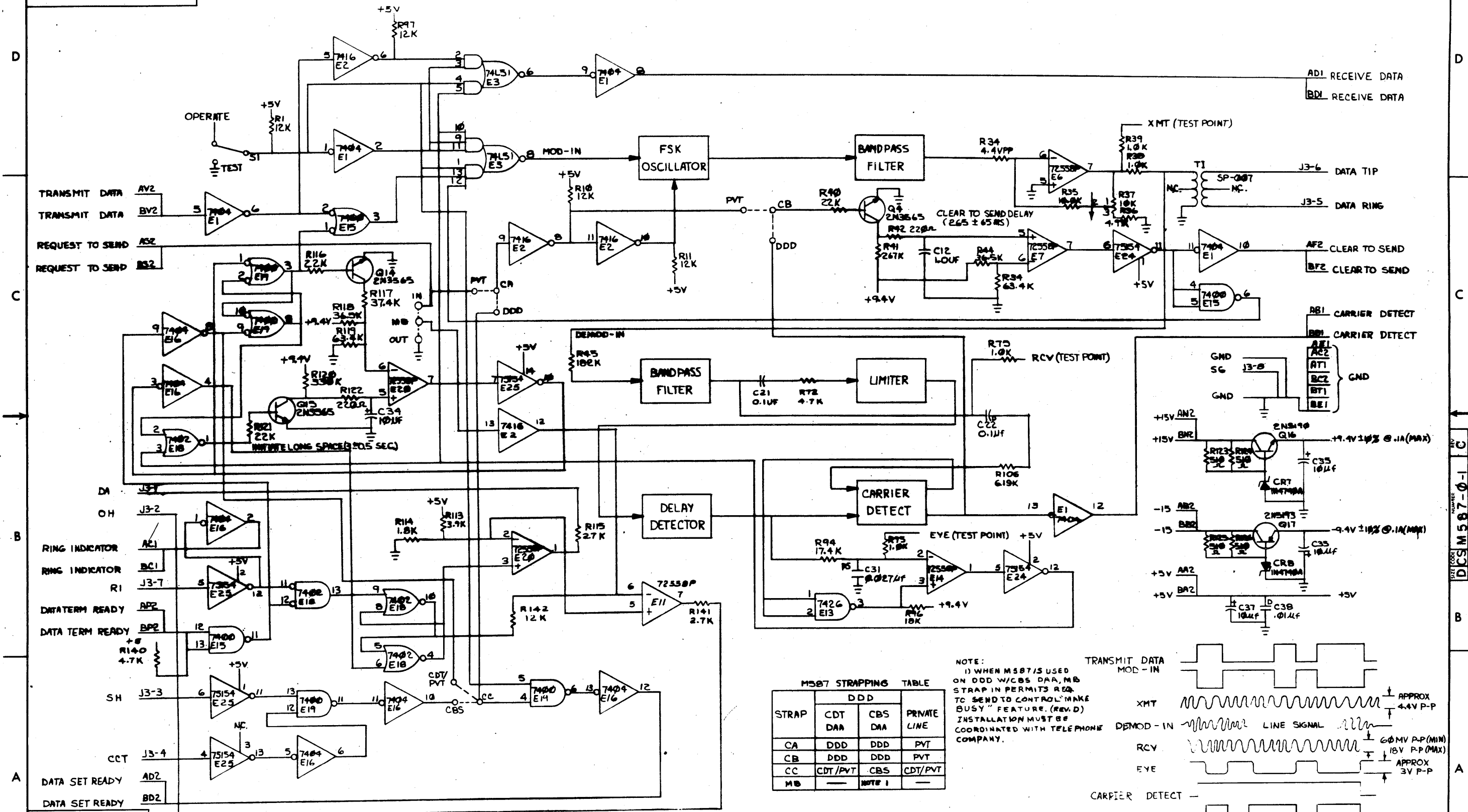
SCALE		SHEET	1	OF 2
-------	--	-------	---	------

digital EQUIPMENT CORPORATION
MAYFARL, MASSACHUSETTS

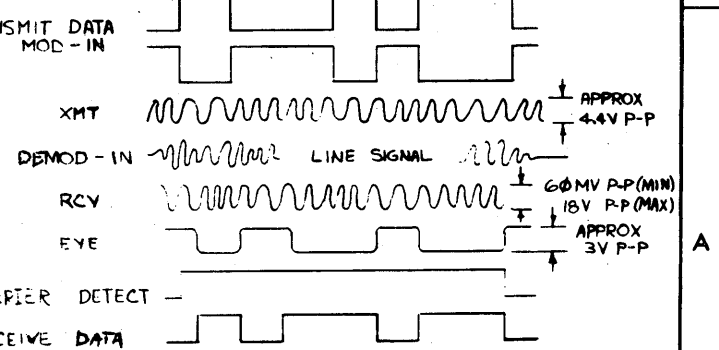
TITLE
ASYNC ANSWER MODEM

SIZE CODE	NUMBER	REV.
DCS M587-0-1	C	

THIS DRAWING AND SPECIFICATIONS HEREIN ARE THE PROPERTY OF DIGITAL EQUIPMENT CORPORATION AND SHALL NOT BE REPRODUCED OR COPIED OR USED IN WHOLE OR IN PART AS THE BASIS FOR THE MANUFACTURE OR SALE OF ITEMS WITHOUT WRITTEN PERMISSION. COPYRIGHT © 1973, DIGITAL EQUIPMENT CORPORATION.



NOTE:
 1) WHEN M587/S USED ON ODD W/CBS DAA, MB STRAP IN PERMITS REQ. TO SEND TO CONTROL "MAKE BUSY" FEATURE. (REV.D) INSTALLATION MUST BE COORDINATED WITH TELEPHONE COMPANY.



MASTER DRAWING LIST

NO.	TITLE	UNIT VARIATIONS									
DL10	BASIC DR10-A	X									

USED ON OPTIONS

NOTES: REFER ALSO TO

1. THE DL10 MAINTENANCE MANUAL DEC-10-HOLA-D

2. THE COMPLETE DL10 WIRELIST WRP4PIN LISTINGS (BOTH FURNISHED SEPARATELY WITH THE DL10)

3. THE PDP10 MODULE PRINT SETS: B-MN-PDP10-0-MOD1 AND B-MN-PDP10-0-MOD2

REV. CHG. NO.	DATE	REV.	DESCRIPTION	BY	DATE	REV.	DESCRIPTION	BY	DATE
APPD.	2-72	0001							
	5/72	0002							
	7/72	0003							
	8/72	0004							
	10/72	0005							
	2/73	0006	V. K.						
	5/73	0007	T. E.						
	3/74	0008	A. K.						
	5/74	DL10A-9	J. P.						
	3/75	DL10A-10	L. K.						
	4/75	KI10-49	A. S.						
	6-75	DL10A-11	A. S.						
	6-75	DL10A-12	A. S.						
	4-76	DL10A-13	A. S.						
	9-76	DL10A-14	A. S.						
	11-76	DL10A-15	A. S.						
	7-77	DL10A-16	A. S.						
	8-77	DL10A-17	A. S.						

digital EQUIPMENT CORPORATION
MAYNARD, MASSACHUSETTS

TITLE: PDP10, PDP-11, DATA LINK
DL10

SIZE CODE: A ML DL10-A
NUMBER: DL10-A
REV: V

DATE: 910711
DRAWN BY: HOVEY
CHECKED BY: HEALY
DATE: 921711

DATE: 11/10/71
DATE: 11/10/71

SCALE: #
SHEET 1 OF 5

DRA 131
Dec 16-(325)-1048-N471

PRINT SET	DWG. NO.	REV. NO. OF LET.	REV. SHEETS	TITLE	OPTION NO.
X	D-FD-DL10-A-CLKF	*	1	CLOCK FLOW	
X	D-FD-DL10-A-DPFL	*	1	DATA PATTERNS DPM DATA	
X	D-FD-DL10-A-DPFL	*	1	DATA PATTERNS 10 MEMORY DATA	
X	D-FD-DL10-A-INTF	*	1	PDP-10 INTERRUPT FLOW	
X	D-FD-DL10-A-IOBF	*	1	I/O BUS INTERFACE FLOW	
X	D-FD-DL10-A-MDM	*	1	MEMORY BUFFER & DATA MIXER	
X	D-FD-DL10-A-MCF	*	1	MEMORY CONTROL FLOW	
X	D-FD-DL10-A-RMG	B	1	REGISTER INTERCONNECTIONS	
X	D-FD-DL10-A-RSTF	*	1	RESET FLOW	
X	D-FD-DL10-A-TF1	*	1	TUNING FLOW #1	
X	D-FD-DL10-A-TF2	*	1	TUNING FLOW #2	
X	D-FD-DL10-A-TF3	*	1	TUNING FLOW #3	
X	D-FD-DL10-A-UBF	*	1	UNIBUS INTERFACE FLOW	
X	D-BB-DL10-A-ADR		1	ADDRESS REGISTER	
X	D-BB-DL10-A-BAG1		1	BASE & MASK REGISTER # & 1	
X	D-BB-DL10-A-BA23		1	BASE & MASK REGISTER 2 & 3	
X	D-BB-DL10-A-CLKC	C	1	CLOCK	
X	D-BB-DL10-A-COM		1	PDP-11 REMOTE CONSOLE COMMON LOGIC &c	
X	D-BB-DL10-A-COM1	C	1	PDP-11 #1 CONSOLE CONTROL	
X	D-BB-DL10-A-COM2	B	1	PDP-11 #2 CONSOLE CONTROL	
X	D-BB-DL10-A-COM3		1	PDP-11 #3 CONSOLE CONTROL	
X	D-BB-DL10-A-DIAG		1	DIAGNOSTIC CONTROL BITS	
X	D-BB-DL10-A-FF1		1	PORT # CONTROL FLIP FLOP	
X	D-BB-DL10-A-FF1		1	PORT 1 CONTROL FLIP FLOP	
X	D-BB-DL10-A-FF2		1	PORT 2 CONTROL FLIP FLOP	
X	D-BB-DL10-A-FF3		1	PORT 3 CONTROL FLIP FLOP	
X	D-BB-DL10-A-IOB	A	1	IOB SELECTION & CONTROL MIXER (WITHOUT DL10A ECO)	
X	D-BB-DL10-A-IOBF	A	1	IOB INTERFACE #	
X	D-BB-DL10-A-IOB1	A	1	IOB INTERFACE 1	
TITLE					REV
			SHEET 2 OF 5	SIZE CODE A ML	NUMBER DL10-A
					V

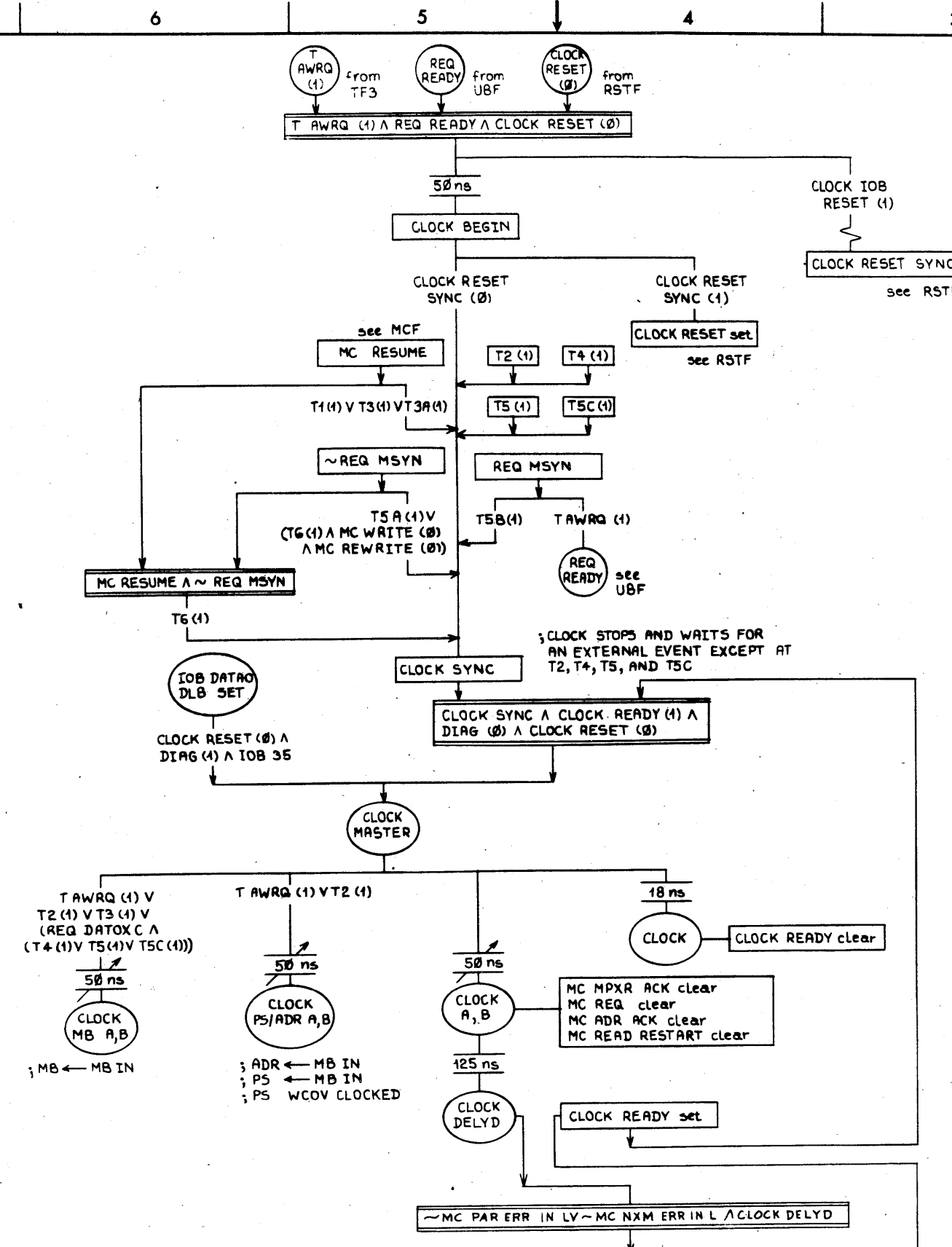
DRA 132
DEC 16 (325)-1048-1-N471

PRINT SET					DWG. NO.	REV. LET.	NO. OF SHEETS	TITLE	OPTION NO.	
DL10										
X					D-MU-DL10-A-MUAD	A	1	MODULE UTILIZATION A-D		
X					D-MU-DL10-A-MUEJ	D	1	MODULE UTILIZATION E-J		
X					D-MU-DL10-A-MIKN	F	1	MODULE UTILIZATION K-N		
X					D-MU-DL10-A-MUPR	A	1	MODULE UTILIZATION P-R		
X					A-PL-DL10-A-MUAB	E	3	MODULE UTILIZATION (PL)		
X					E-IC-DL10-A-02	C	1	POWER WIRING AC-DC (DL10)		
X					E-AD-7006585-0-0	#	1	SERIES PASS ELEMENT ASSY		
					A-SP-DL10-A-MTP	D	13	MANUFACTURING TEST PROCEDURE		
X					A-SP-DL10-A-SAS	A	2	SYSTEM ACCEPTANCE SPECIFICATION		
X					A-PL-DL10-A-SHIP	A	1	DL10 SHIPPING LIST		
					A-WT-7008437-0	M	1	AWT REVISION STATUS		
X					K-WL-DL10-A-WL	K		WIRE LIST DL10-A (FACE SHEET) (SEE NOTE 2 ON SHEET 1)		
X					A-WL-DL10-A-SENS		1	DL10 REGULATOR SENSING		
					A-WL-DL10-A-WLB		5	GENERAL WIRING SHEETS DL10-B ECO		
X					D-UA-DL10-A-0	J	2	DL10 UNIT ASSY		
X					A-PL-DL10-A-0	J	3	DL10 UNIT ASSY (PL)		
X					D-DI-DL10-A-1	D	3	DRAWING INDEX LIST		
					C-AD-7013988-0-0			POWER CORD ASSY.	AA-AB	
					A-DC-7417095-0-0			CAUTION DECAL	AB	
X					D-AD-7008358-0-0	A	1	GROUND PLANE ASSY		
X					A-PL-7008358-0-0	A	1	GROUND PLANE ASSY (PL)		
X					E-AD-7008437-0-0	*	1	LOGIC ASSY		
X					K-AD-7008472-0-0	*	1	CABLE SET (DL10)		
X					A-PL-7008472-0-0	*	1	CABLE SET (DL10) (PL)		
X					D-UA-BC08J-0-0	#	1	I/O CABLE (BC08J)		
X					D-IA-7009719-0-0	#	1	11/40 REMOTE CONSOLE CABLE		
X					D-IA-7011900-0-0		1	DL10-B CONTROL PANEL		
					D-IA-7012783-0-0		1	MAINT. PANEL ASSY		
TITLE					DL10	SHEET 5 OF 5		SIZE CODE A ML	NUMBER DL10-A	REV. V

DRA 132

DEC 16-(325)-1048-1-N471

THIS DRAWING AND SPECIFICATIONS HEREIN ARE THE PROPERTY OF DIGITAL EQUIPMENT CORPORATION AND SHALL NOT BE REPRODUCED OR COPIED OR USED IN WHOLE OR IN PART AS THE BASIS FOR THE MANUFACTURE OR SALE OF ITEMS WITHOUT WRITTEN PERMISSION. COPYRIGHT © 1973, DIGITAL EQUIPMENT CORPORATION.

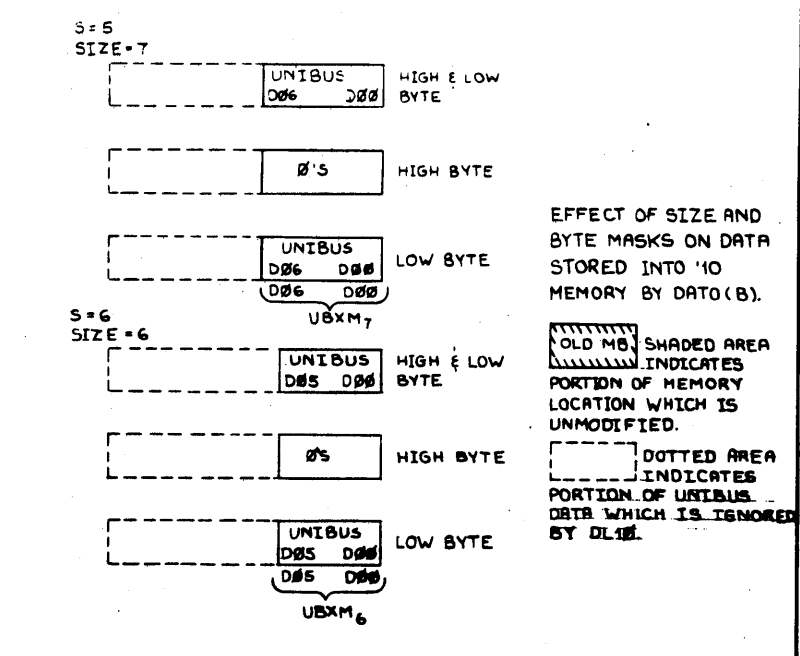
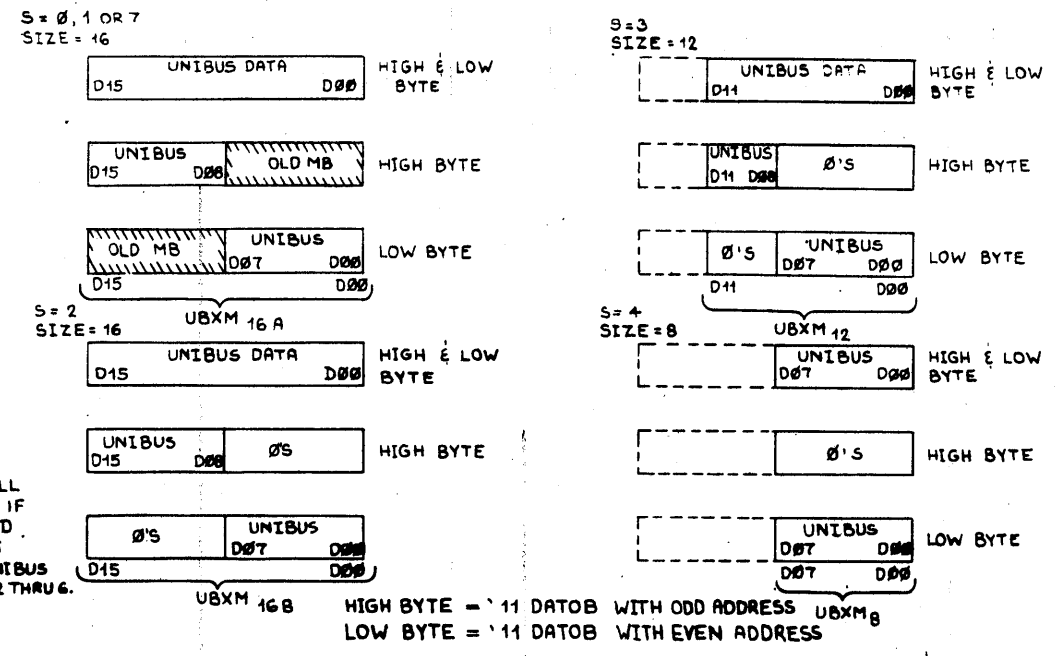
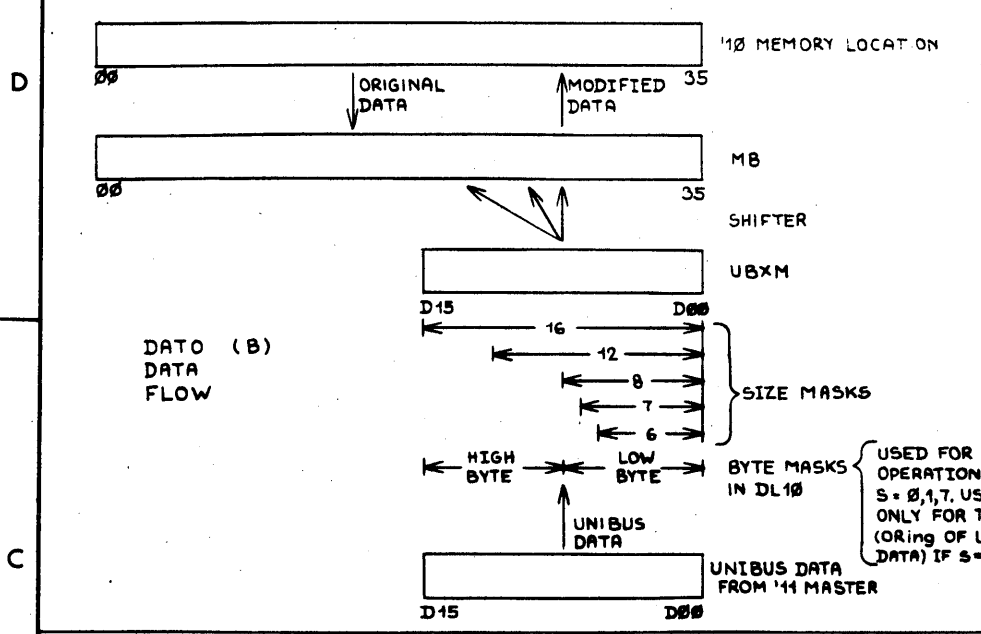


REV	CHG	NO	DATE	BY
1	DL10A-00008	ORIGINATED		
2	DL10A-00014		27 SEPT 76	S. HOLMES
3				

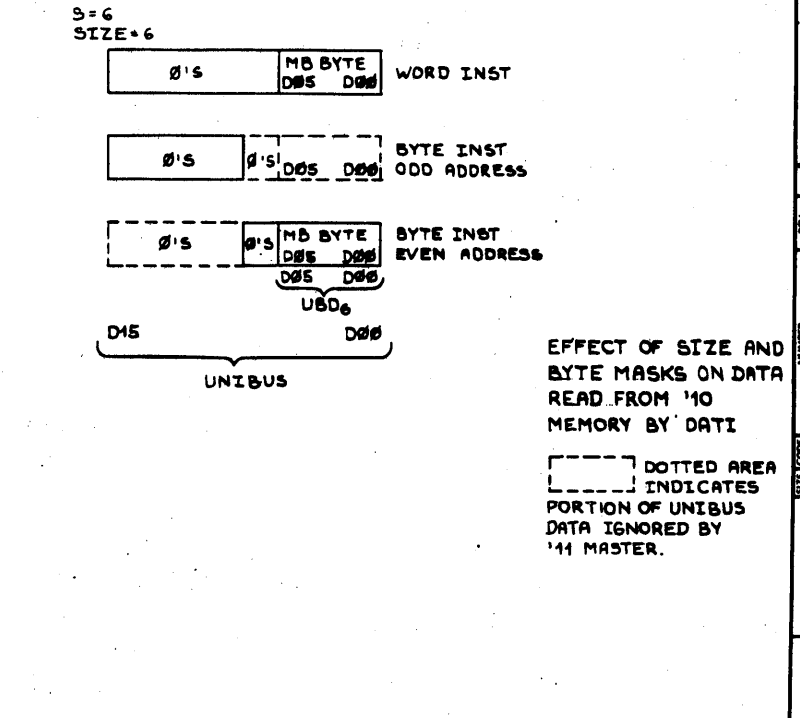
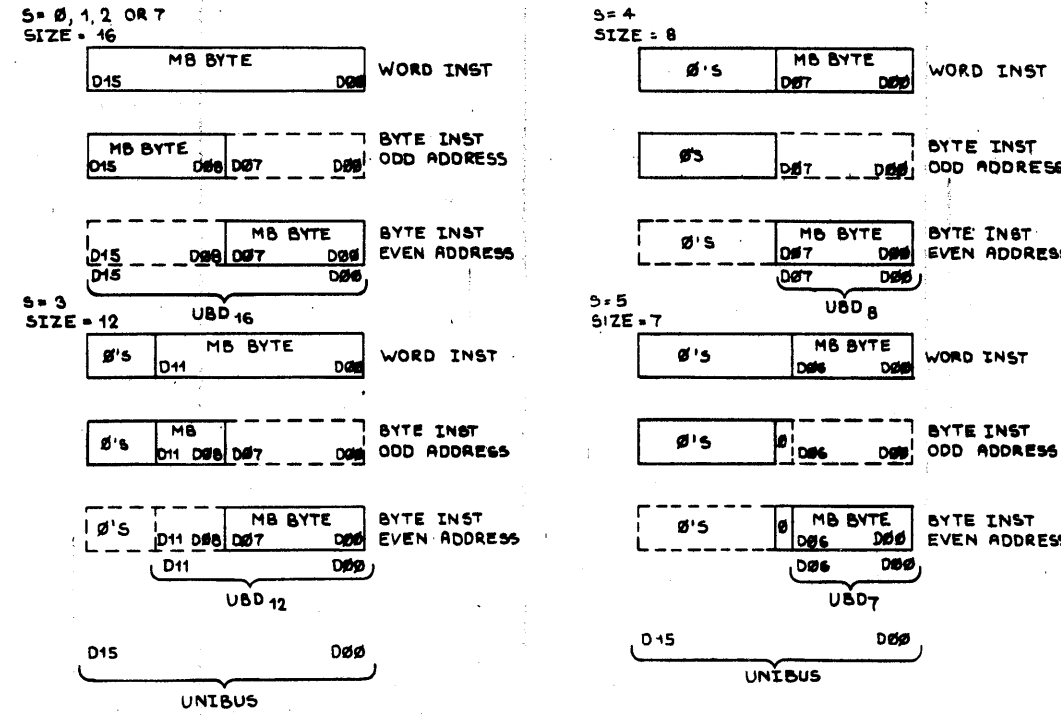
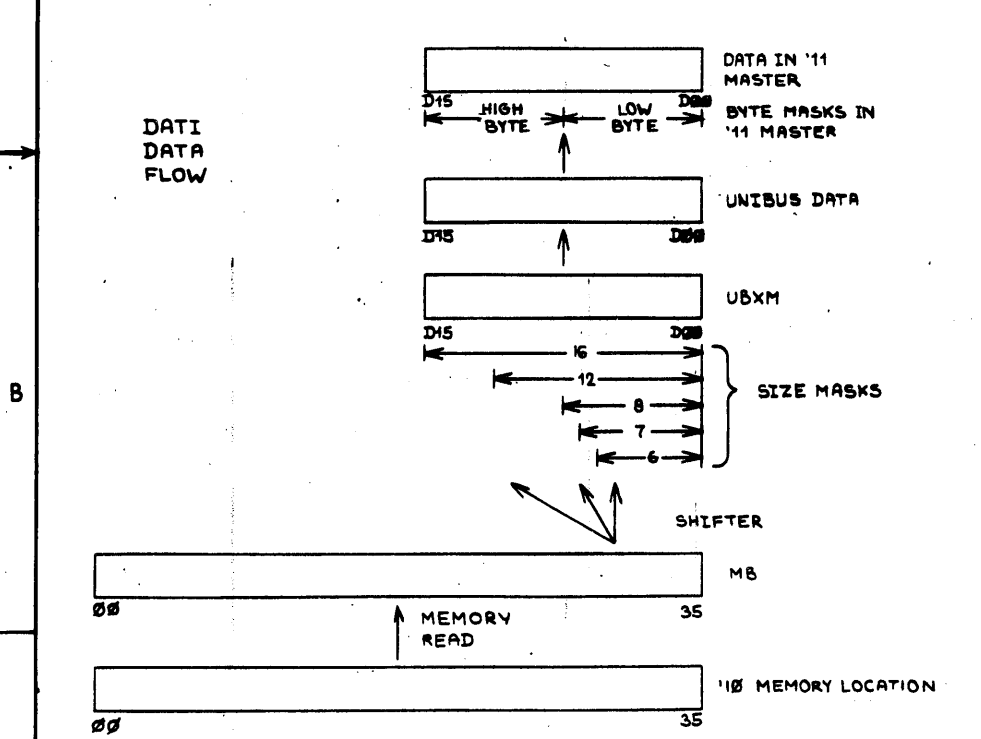
FIRST USED ON OPTION/MODEL	QTY.	DESCRIPTION	PART NO.	ITEM NO.
DL10-A				
PARTS LIST				
UNLESS OTHERWISE SPECIFIED DIMENSION IN INCHES		DRN. R.F. Beasley	DATE 12-4-73	 digital EQUIPMENT CORPORATION <small>MAYNARD MASSACHUSETTS</small>
TOLERANCES		CHK'D. Alan Kent	DATE	
DECIMALS	ANGLES	ENG. Alan Kent	DATE	
.xxx = .005	±0' 30"	PROJ. ENG. Alan Kent	DATE	
.xx = .02		PROD. Alan Kent	DATE	
REMOVE BURRS AND BREAK SHARP CORNERS SURFACE QUALITY Y		PROOF. Alan Kent	DATE	TITLE CLOCK FLOW
MATERIAL	NEXT HIGHER ASSY.			
FINISH	B-DD-DL10-A	SIZE CODE	NUMBER	REV.
	SCALE NONE	DFD	DL10-A-CLKF	A
	SHEET 1 OF 1	DIST.		

DL10-A-CLKF A

THIS DRAWING AND SPECIFICATIONS HEREIN ARE THE PROPERTY OF DIGITAL EQUIPMENT CORPORATION AND SHALL NOT BE REPRODUCED OR COPIED OR USED IN WHOLE OR IN PART AS THE BASIS FOR THE MANUFACTURE OR SALE OF ITEMS WITHOUT WRITTEN PERMISSION. COPYRIGHT © 1973, DIGITAL EQUIPMENT CORPORATION.



EFFECT OF SIZE AND BYTE MASKS ON DATA STORED INTO '10 MEMORY BY DATO(B).
 OLD MB SHADED AREA INDICATES PORTION OF MEMORY LOCATION WHICH IS UNMODIFIED.
 DOTTED AREA INDICATES PORTION OF UNIBUS DATA WHICH IS IGNORED BY DL10.

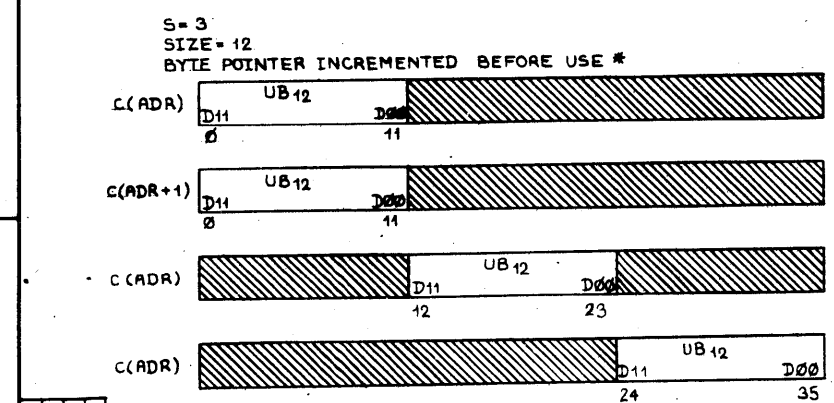
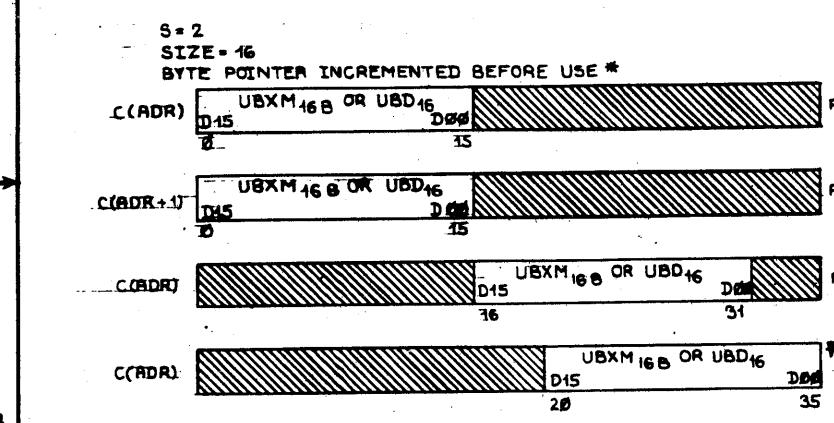
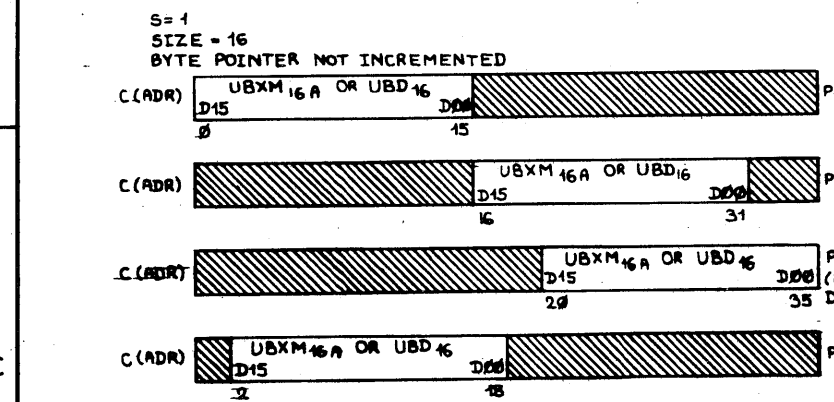
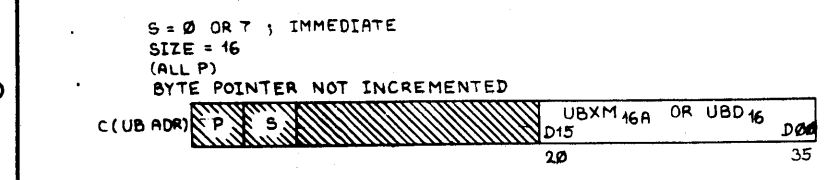


EFFECT OF SIZE AND BYTE MASKS ON DATA READ FROM '10 MEMORY BY DATI
 DOTTED AREA INDICATES PORTION OF UNIBUS DATA IGNORED BY '11 MASTER.

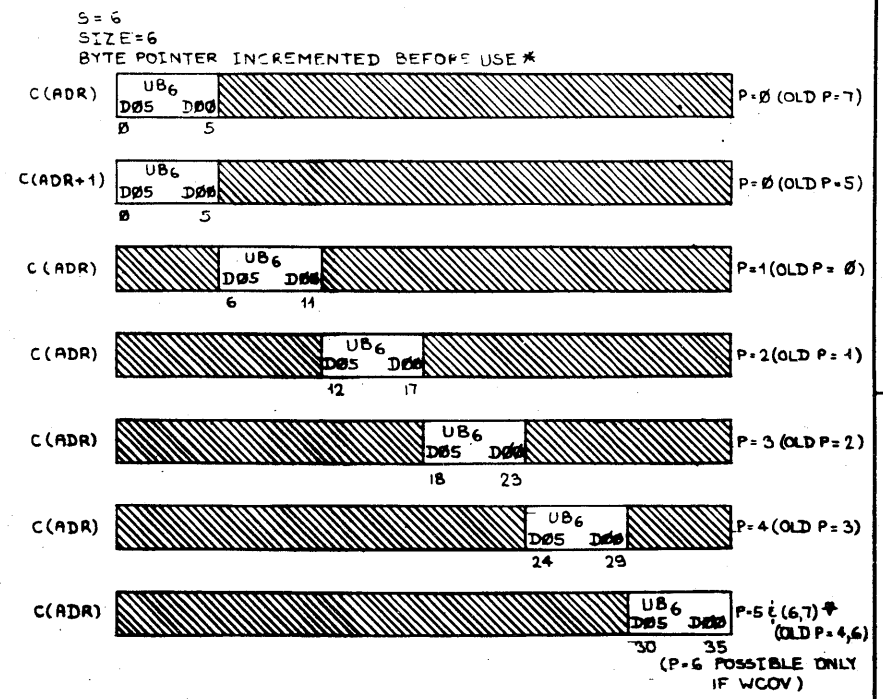
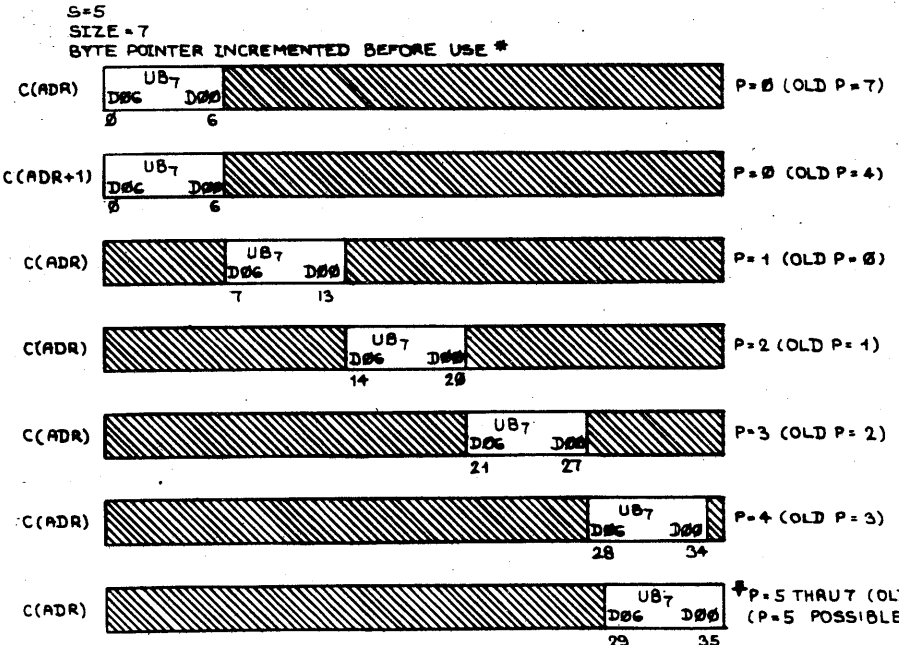
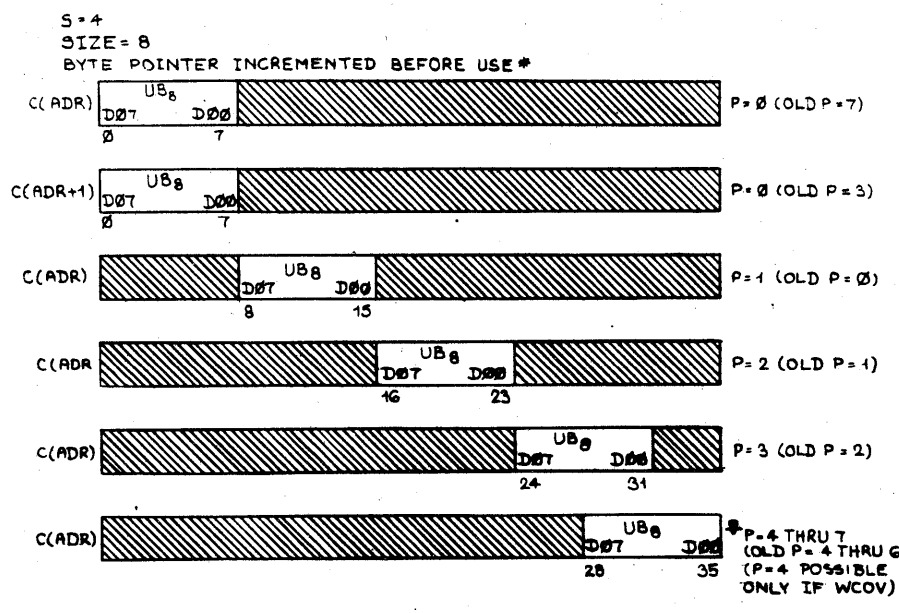
REV	CHANGE NO	ORIGINATED
1	DL10A-0000B	

FIRST USED ON OPTION/MODEL DL10-A	QTY.	DESCRIPTION	PART NO.	ITEM NO.
PARTS LIST				
UNLESS OTHERWISE SPECIFIED DIMENSION IN INCHES	DRN. R. Sorsby	DATE 11/12/73	digital EQUIPMENT CORPORATION MAYNARD MASSACHUSETTS	
TOLERANCES	CHK'D. Alan Kent	DATE 4/26/74		
DECIMALS .XXX = .006	ENG. Alan Kent	DATE 4/26/74	TITLE DATA PATTERNS UBXM DATA	
ANGLES ±0° 30'	PROJ. ENG. Alan Kent	DATE 4/26/74		
REMOVE BURRS AND BREAK SHARP CORNERS SURFACE QUALITY Y	PRD. Alan Kent	DATE 4/26/74	MATERIAL NEXT HIGHER ASSY.	
MATERIAL	++	B-DD-DL10-A	SIZE CODE DFD	NUMBER DL10-A-DPF1
FINISH	++	SCALE NONE	SHEET	REV. -
		SHEET OF	DIST.	

THIS DRAWING AND SPECIFICATIONS, HEREIN, ARE THE PROPERTY OF DIGITAL EQUIPMENT CORPORATION AND SHALL NOT BE REPRODUCED OR COPIED OR USED IN WHOLE OR IN PART AS THE BASIS FOR THE MANUFACTURE OR SALE OF ITEMS WITHOUT WRITTEN PERMISSION. COPYRIGHT © 1973, DIGITAL EQUIPMENT CORPORATION.



REV	CHG	NO	ORIGINATED
1	DL10-A-0008		

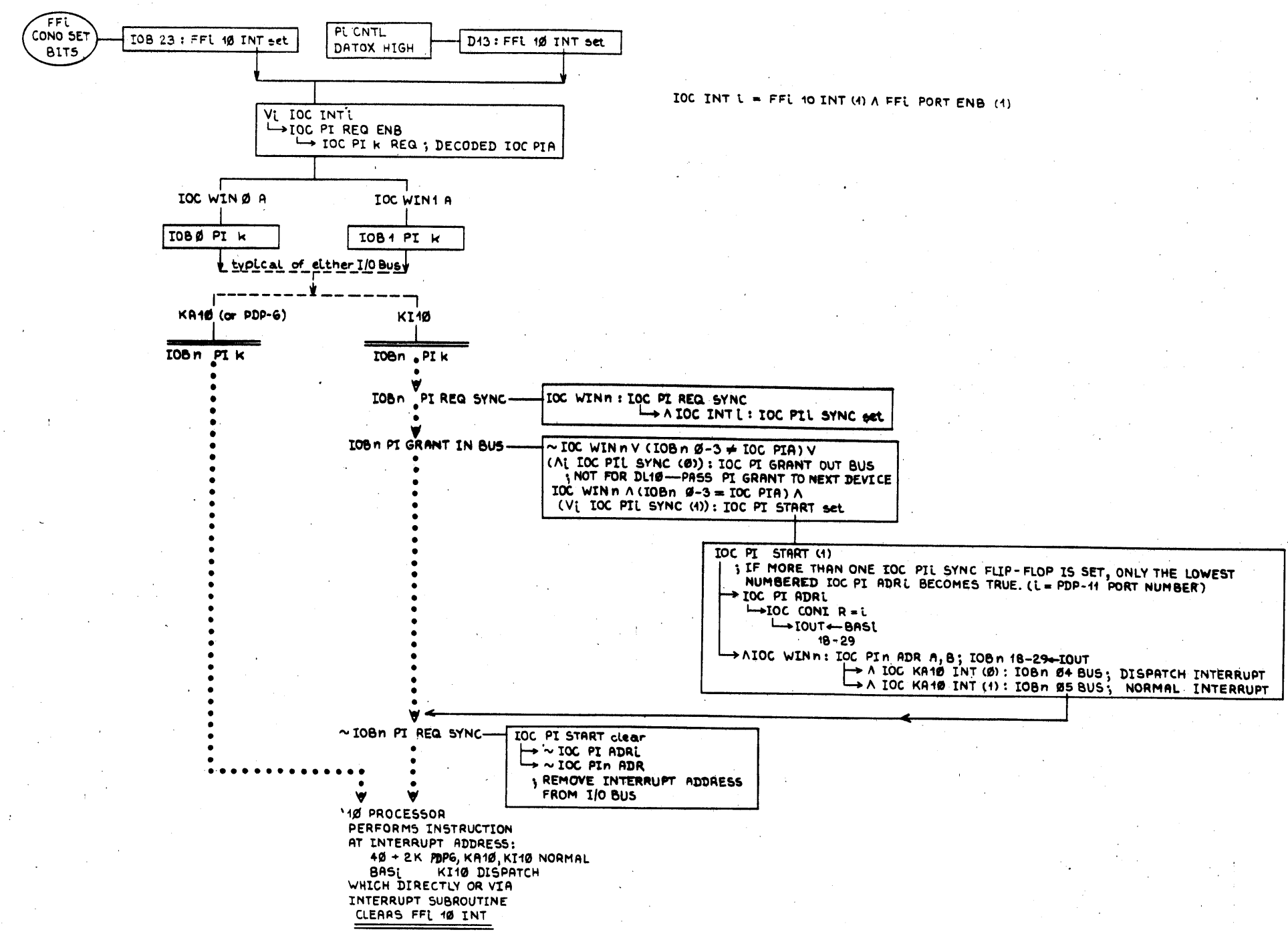


* EXCEPT THAT ON WCOV, BYTE POINTER IS NOT CHANGED.
 WCOV = (P - S - 1) AND WC - 1)
 † NOT GUARANTEED, SUBJECT TO CHANGE WITHOUT NOTICE.
 UBADR = BAS₁ + UNIBUS <A17: A00> AS DETERMINED BY BAM₁
 ADR = C(UBADR)_{RH}

P	S	-WC	ADR
0	2 3	5 6	11 18 35

UB_n = UBXM_n (DATO (B)) OR UBD_n (DATI)
 SHADED AREA INDICATES PORTION OF MEMORY LOCATION WHICH IS UNMODIFIED BY DATO (B) AND UNREAD BY DATI.
 SEE DPF1 FOR DETAILS OF UBXM_n AND UBD_n.

FIRST USED ON OPTION/MODEL	QTY.	DESCRIPTION	PART NO.	ITEM NO.
DL10-A				
PARTS LIST				
UNLESS OTHERWISE SPECIFIED DIMENSION IN INCHES	DRN. R. Beasley	DATE 11/14/73	digital EQUIPMENT CORPORATION MAYNARD, MASSACHUSETTS	
TOLERANCES	CHKD. Allen Kent	DATE 11/21/73		
DECIMALS .xxx = .005	PROJ. ENG. Allen Kent	DATE 11/21/73	TITLE DATA PATTERNS 10 MEMORY DATA	
ANGLES '0' 30'	PROJ. ENGR. Allen Kent	DATE 11/21/73		
REMOVE BURRS AND BREAK SHARP CORNERS SURFACE QUALITY V	PROJ. ENGR. B.W. Wells	DATE 11/21/73	MATERIAL ++	
FINISH ++	NEXT HIGHER ASSY.	B-0D-DL10-A	SIZE CODE D10	NUMBER DL10-A-DPF2
	SCALE NONE	SHEET 1	OF 1	DIST.



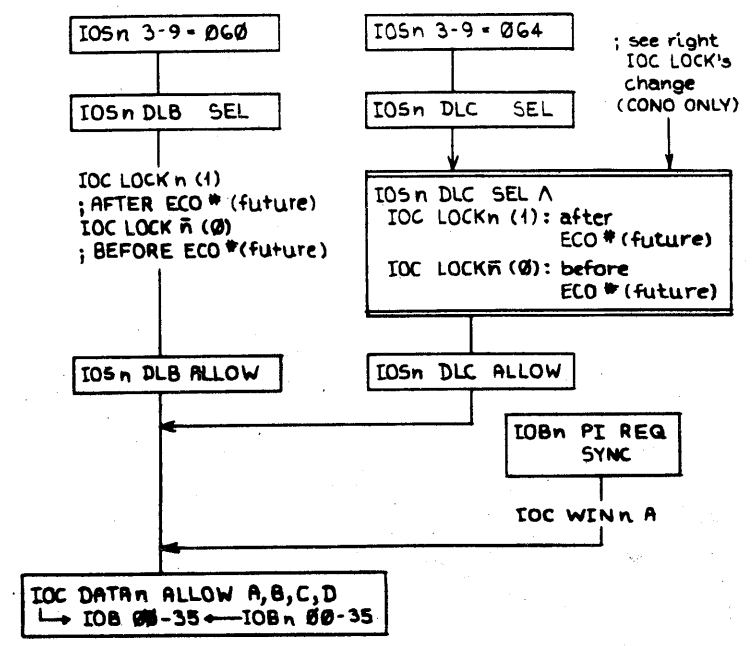
REVISIONS

REV	CHANGE NO
1	
2	DL10A-00008
ORIGINATED	

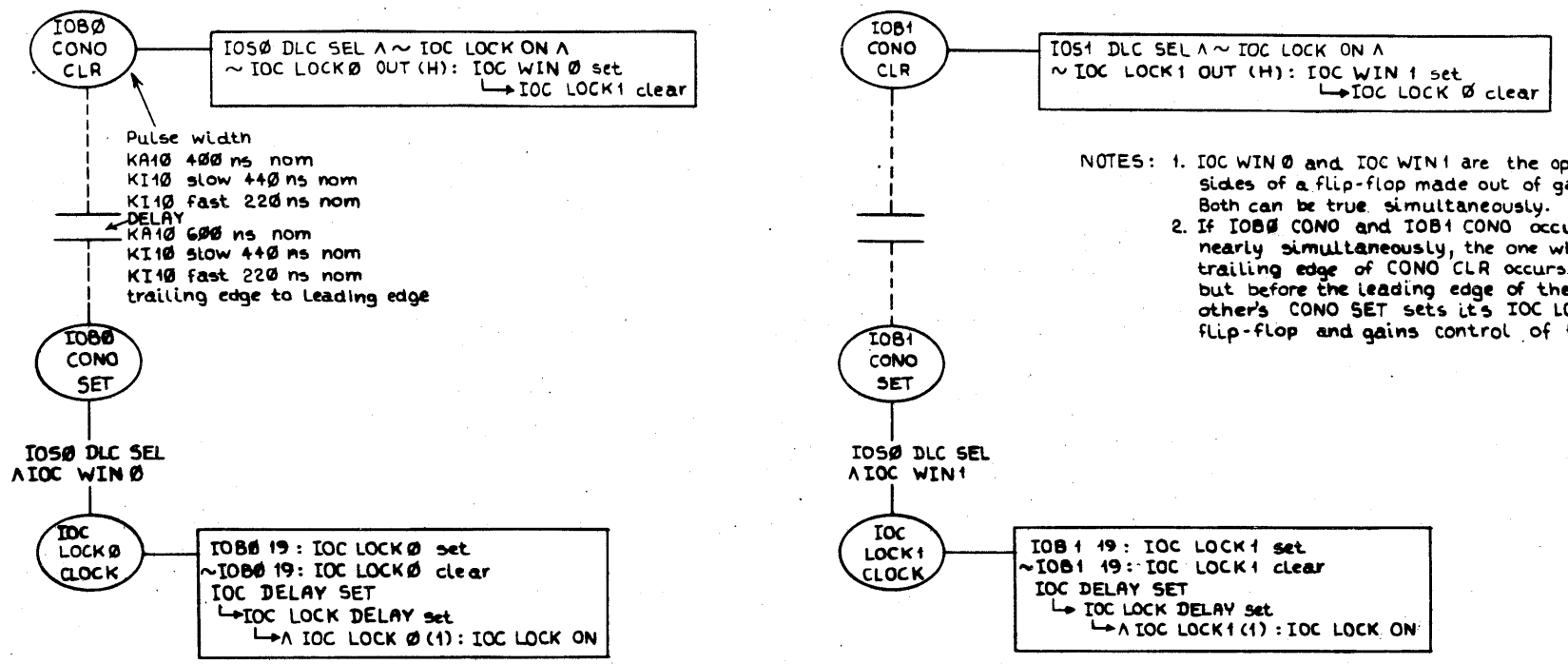
FIRST USED ON OPTION/MODEL	QTY.	DESCRIPTION	PART NO.	ITEM NO.
DL10-A				
PARTS LIST				
UNLESS OTHERWISE SPECIFIED DIMENSION IN INCHES	DRN P.T. 3-2-73	DATE 12-4-73	digital EQUIPMENT CORPORATION MAYNARD, MASSACHUSETTS	
TOLERANCES	CHK'D. Alan Kent	DATE 4/2/74		
DECIMALS .XXX = .006	ENG Alan Kent	DATE 4/2/74		
ANGLES .XX = .02	PROJ. ENG. Alan Kent	DATE 4/2/74		
REMOVE BURRS AND BREAK SHARP CORNERS SURFACE QUALITY Y	DATE 4/2/74	DATE	TITLE PDP-10 INTERRUPT FLOW	
MATERIAL	NEXT HIGHER ASSY.		SIZE CODE	NUMBER
FINISH	B-DD-DL10-A		DFD	DL10-A-INTF
	SCALE NONE			REV.
	SHEET 1 OF 1			-

"THIS DRAWING AND SPECIFICATIONS, HEREIN, ARE THE PROPERTY OF DIGITAL EQUIPMENT CORPORATION AND SHALL NOT BE REPRODUCED OR COPIED OR USED IN WHOLE OR IN PART AS THE BASIS FOR THE MANUFACTURE OR SALE OF ITEMS WITHOUT WRITTEN PERMISSION. COPYRIGHT © 1974, DIGITAL EQUIPMENT CORPORATION"

DEVICE SELECTION

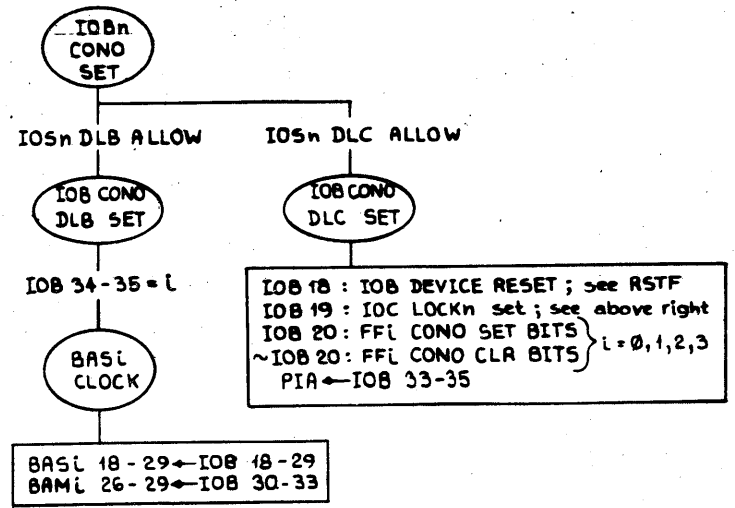
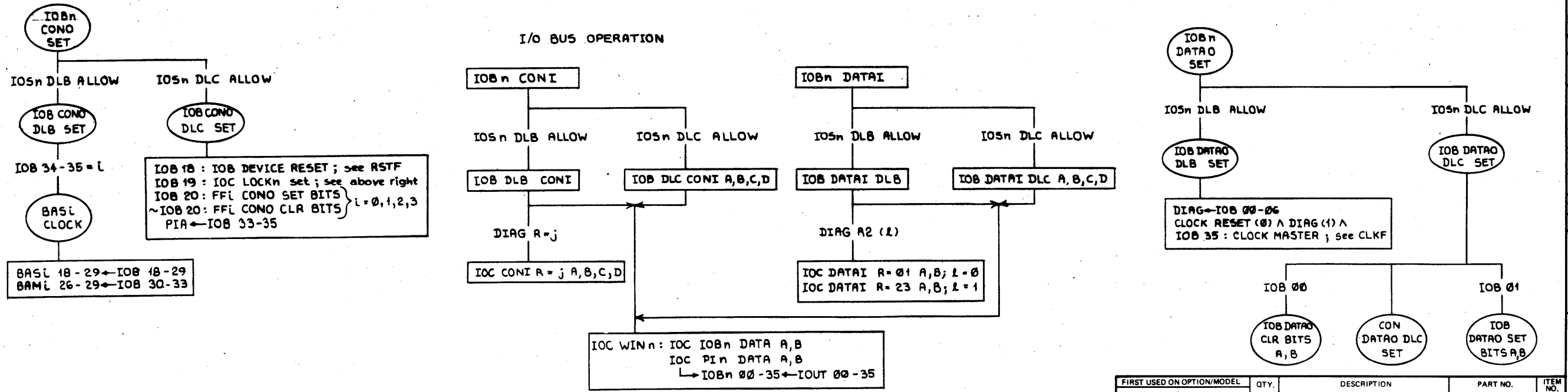


I/O BUS CONTENTION



NOTES: 1. IOC WIN 0 and IOC WIN 1 are the opposite sides of a flip-flop made out of gates. Both can be true simultaneously.
2. If IOB0 CONO and IOB1 CONO occur nearly simultaneously, the one whose trailing edge of CONO CLR occurs last but before the leading edge of the other's CONO SET sets its IOC LOCK flip-flop and gains control of the DL10.

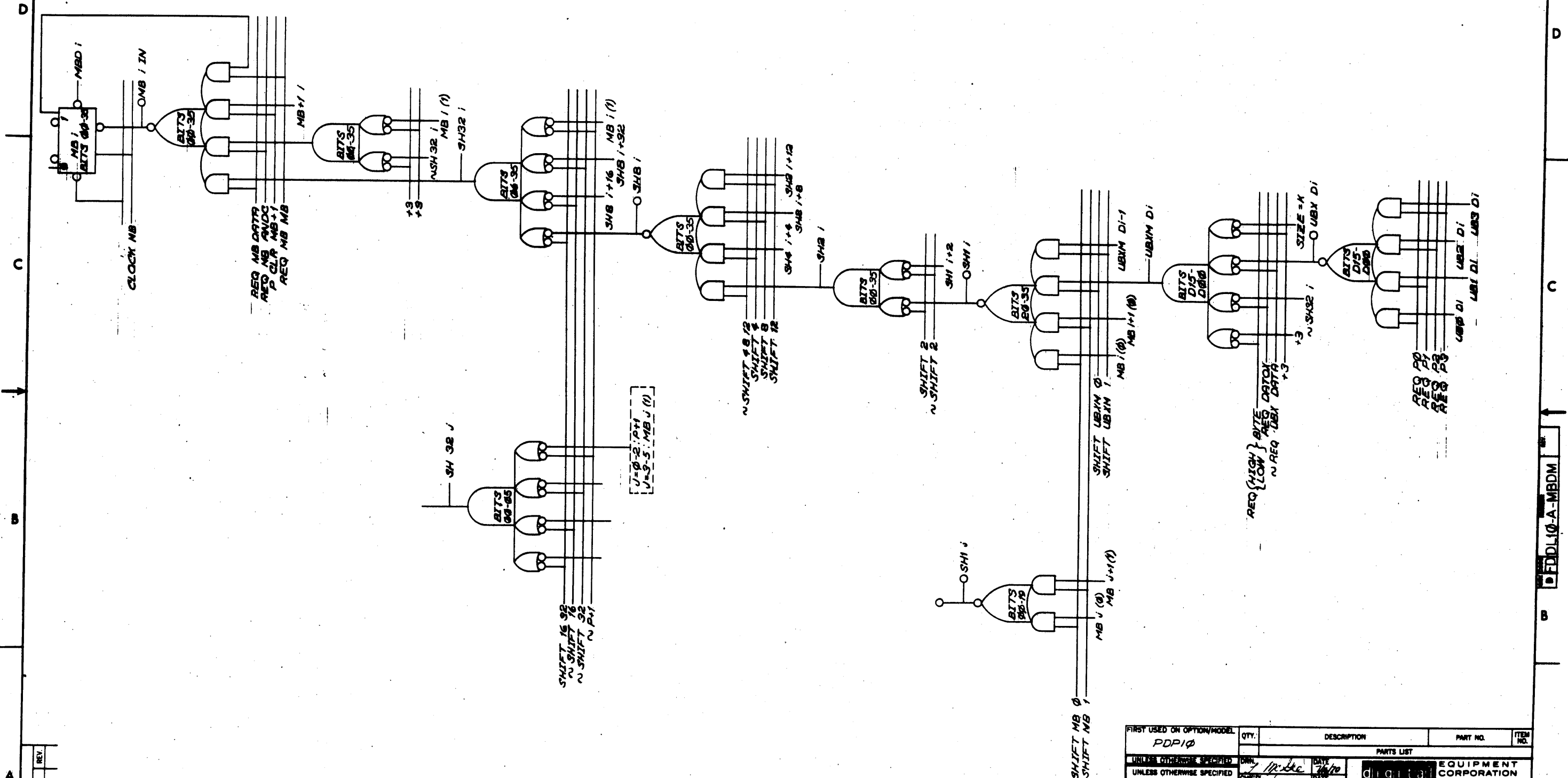
I/O BUS OPERATION



REV	CHG	NO	DATE
1		DL10-A-00008	DISSEMINATED

FIRST USED ON OPTION/MODEL	QTY.	DESCRIPTION	PART NO.	ITEM NO.
DL10-A				
PARTS LIST				
UNLESS OTHERWISE SPECIFIED DIMENSION IN INCHES		DRN: P.F. Beasley	DATE: 2-4-74	<p>digital EQUIPMENT CORPORATION MAYNARD MASSACHUSETTS</p>
TOLERANCES		CHK'D: [Signature]	DATE: 1/26/71	
DECIMALS	ANGLES	ENG: [Signature]	DATE: 4/22/74	
.XX = .02	±0° 30'	PROJ. ENG: [Signature]	DATE: 11/21/74	
.X = .1		PROV: [Signature]	DATE: [Signature]	
REMOVE BURRS AND BREAK SHARP CORNERS SURFACE QUALITY Y				
MATERIAL		NEXT HIGHER ASSY.		
FINISH		B-DD-DL10-A		REV.
		SCALE: NONE	D FD DL10-A-IOBF	-
SHEET OF		DIST.		

This drawing and specifications herein, are the property of Digital Equipment Corporation and shall not be reproduced or used in whole or in part in any form for the manufacture of any of items without written permission.

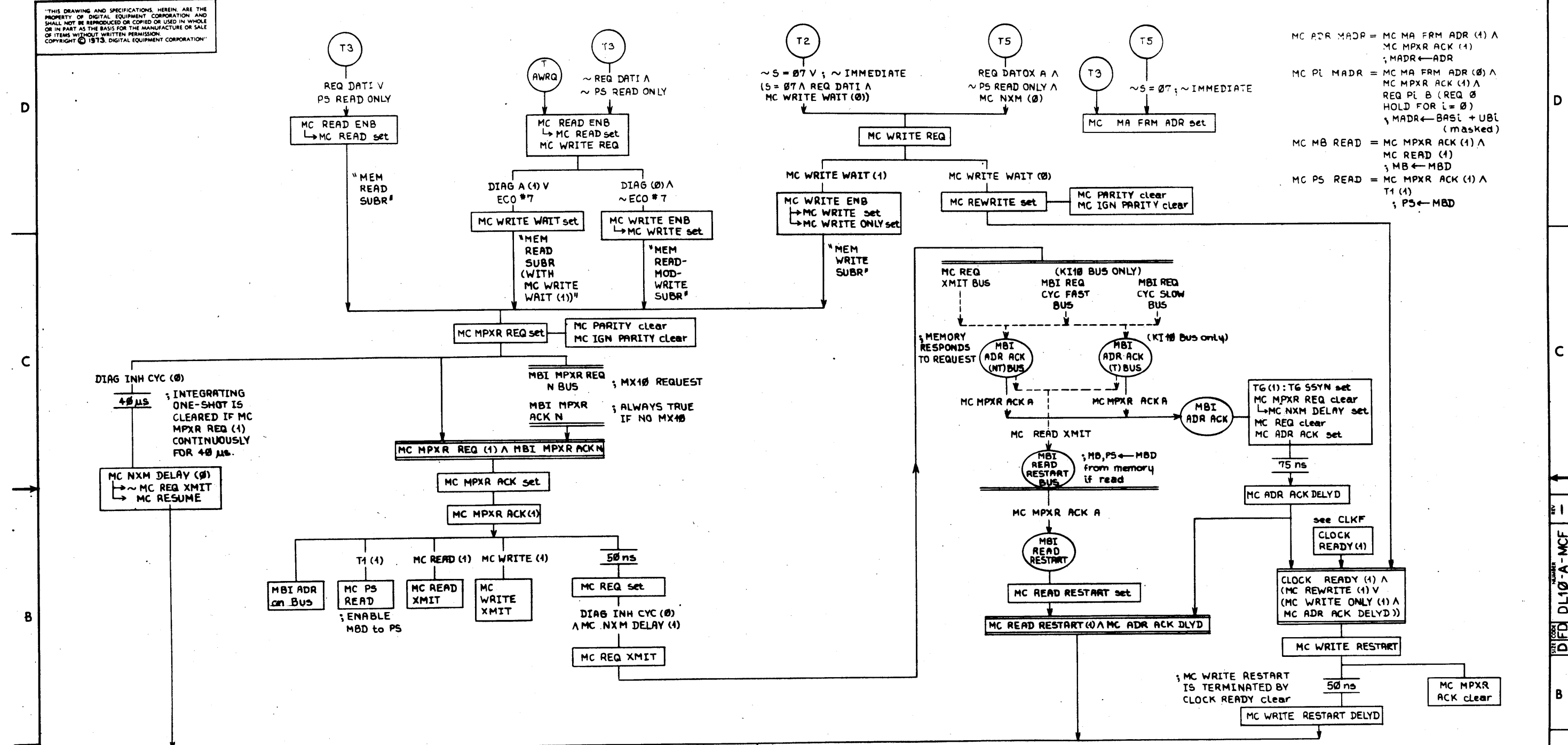


NOTE
 ALL SIGNAL NAMES ON THIS SHEET CONNECTED TO LOW ASSERTION DESIGNATION CIRCLES "0" ARE AS IF SUFFIXED WITH "L". ALL SIGNAL NAMES ON THIS SHEET NOT CONNECTED TO LOW ASSERTION DESIGNATION CIRCLES ARE AS IF SUFFIXED WITH "H".

FIRST USED ON OPTION/MODEL PDP10	QTY.	DESCRIPTION	PART NO.	ITEM NO.
UNLESS OTHERWISE SPECIFIED DIMENSIONS IN INCHES	DATE 11/19/71	DATE 11/19/71	PARTS LIST	
TOLERANCES DECIMALS FRACTIONS ANGLES ± .005 ± 1/64 ± 0°	DATE 11/19/71	DATE 11/19/71	digital EQUIPMENT CORPORATION MAYNARD, MASSACHUSETTS	
FINAL SURFACE QUALITY REMOVE BURRS AND BREAK SHARP CORNERS	DATE 11/19/71	DATE 11/19/71	TITLE MEMORY BUFFER & DATA MIXER	
MATERIAL	DATE 11/19/71	DATE 11/19/71	NEXT HIGHER ASSY A-ML-DL10-A	
FINISH	SCALE N/A/N/A	SCALE N/A/N/A	NUMBER DFDL10-A-MBDM	REV.
	SHEET 1 OF 1	DIST.		

REVISIONS	REV.
CHANGE NO.	
CHK	

"THIS DRAWING AND SPECIFICATIONS, HEREIN, ARE THE PROPERTY OF DIGITAL EQUIPMENT CORPORATION AND SHALL NOT BE REPRODUCED OR COPIED OR USED IN WHOLE OR IN PART AS THE BASIS FOR THE MANUFACTURE OR SALE OF ITEMS WITHOUT WRITTEN PERMISSION. COPYRIGHT © 1973, DIGITAL EQUIPMENT CORPORATION"



MC ADR MADR = MC MA FRM ADR (1) A
 MC MPXR ACK (1)
 ; MADR ← ADR
 MC PL MADR = MC MA FRM ADR (0) A
 MC MPXR ACK (1) A
 REG PL B (REQ 0
 HOLD FOR i = 0)
 ; MADR ← BASI + UBI
 (masked)
 MC MB READ = MC MPXR ACK (1) A
 MC READ (1)
 ; MB ← MBD
 MC PS READ = MC MPXR ACK (1) A
 T1 (4)
 ; PS ← MBD

DIAG INH CYC (0)
 40 μs ; INTEGRATING ONE-SHOT IS CLEARED IF MC MPXR REQ (1) CONTINUOUSLY FOR 40 μs.

MC RESUME
 see CLKF & main flows

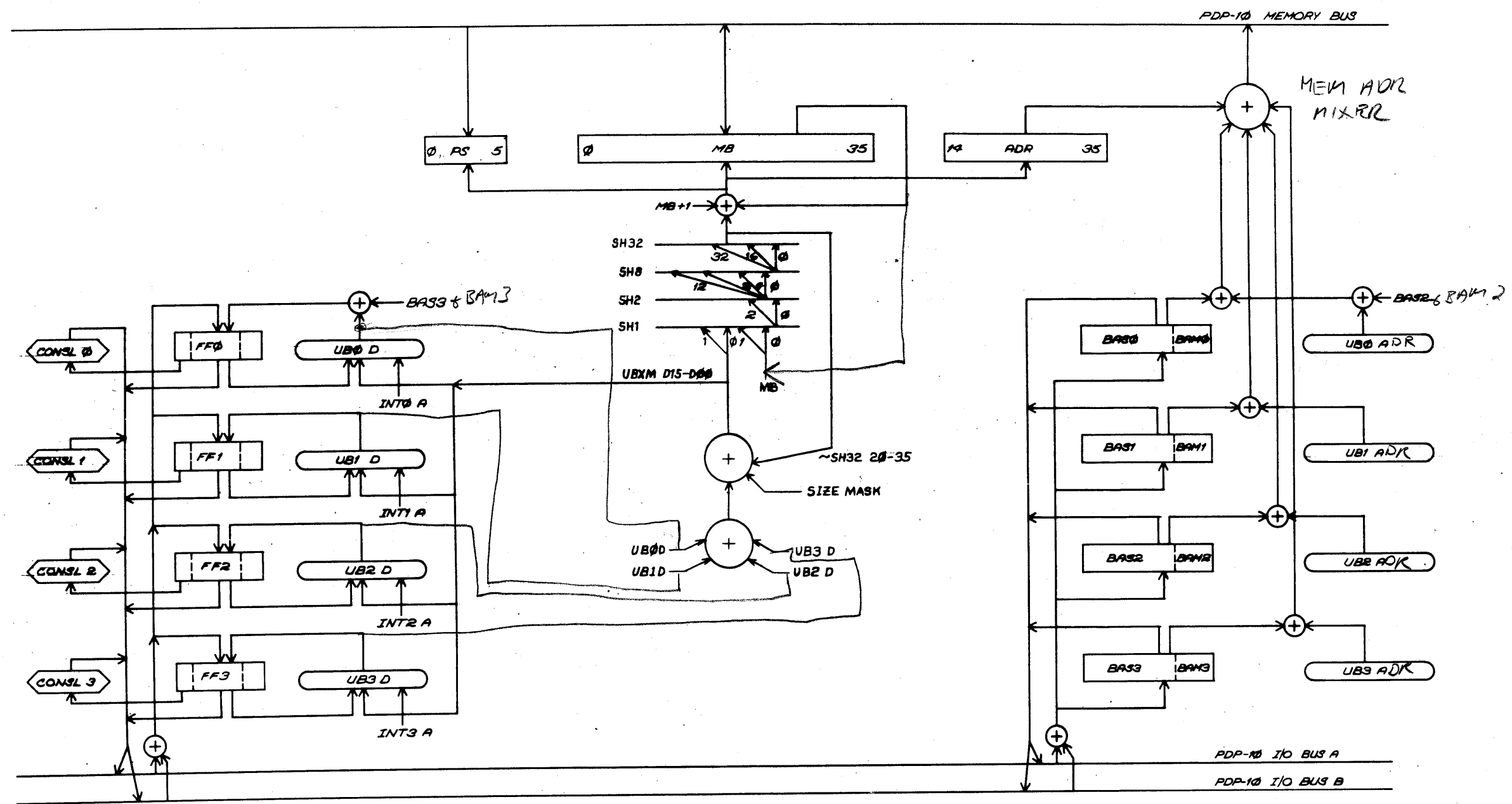
CLOCK A, B

MC NXM DELAY (0) A
 MC MPXR REQ (1) : MC NXM set
 MC REQ clear
 MC MPXR ACK clear
 ~MC READ ENB A ~MC WRITE ENB
 MC MPXR REQ clear
 MC ADR ACK clear
 MC READ RESTART clear

REV.	CHANGE NO.	ORIGINATED
1	DL10A-0008	ORIGINATED

FIRST USED ON OPTION/MODEL	QTY.	DESCRIPTION	PART NO.	ITEM NO.
DL10-A				
PARTS LIST				
UNLESS OTHERWISE SPECIFIED DIMENSION IN INCHES				
TOLERANCES ANGLES				
DECIMALS .xxx = .006		ANGLES °' "		
.xx = .02		°' "		
.x = .1				
REMOVE BURRS AND BREAK SHARP CORNERS SURFACE QUALITY				
MATERIAL				
FINISH				
NEXT HIGHER ASSY.				
SCALE NONE				
SHEET 1 OF 1				
DIGITAL EQUIPMENT CORPORATION		TITLE		
MEMORY CONTROL FLOW		SIZE CODE NUMBER REV.		
B-DD-DL10-A		DFD DL10-A-MCF		
SCALE NONE		DIST.		
SHEET 1 OF 1				

This drawing and specifications, herein, are the property of Digital Equipment Corporation and shall not be reproduced or copied in whole or in part for the manufacture or sale of items without written permission.



REV	CHANGE NO.	DATE	BY
A	0003	7-24-72	J.M. DL10A
B	0008	4-19-74	A. KENT

B. WATSH
 C. 9/20/74
 A. KENT
 2 May 77

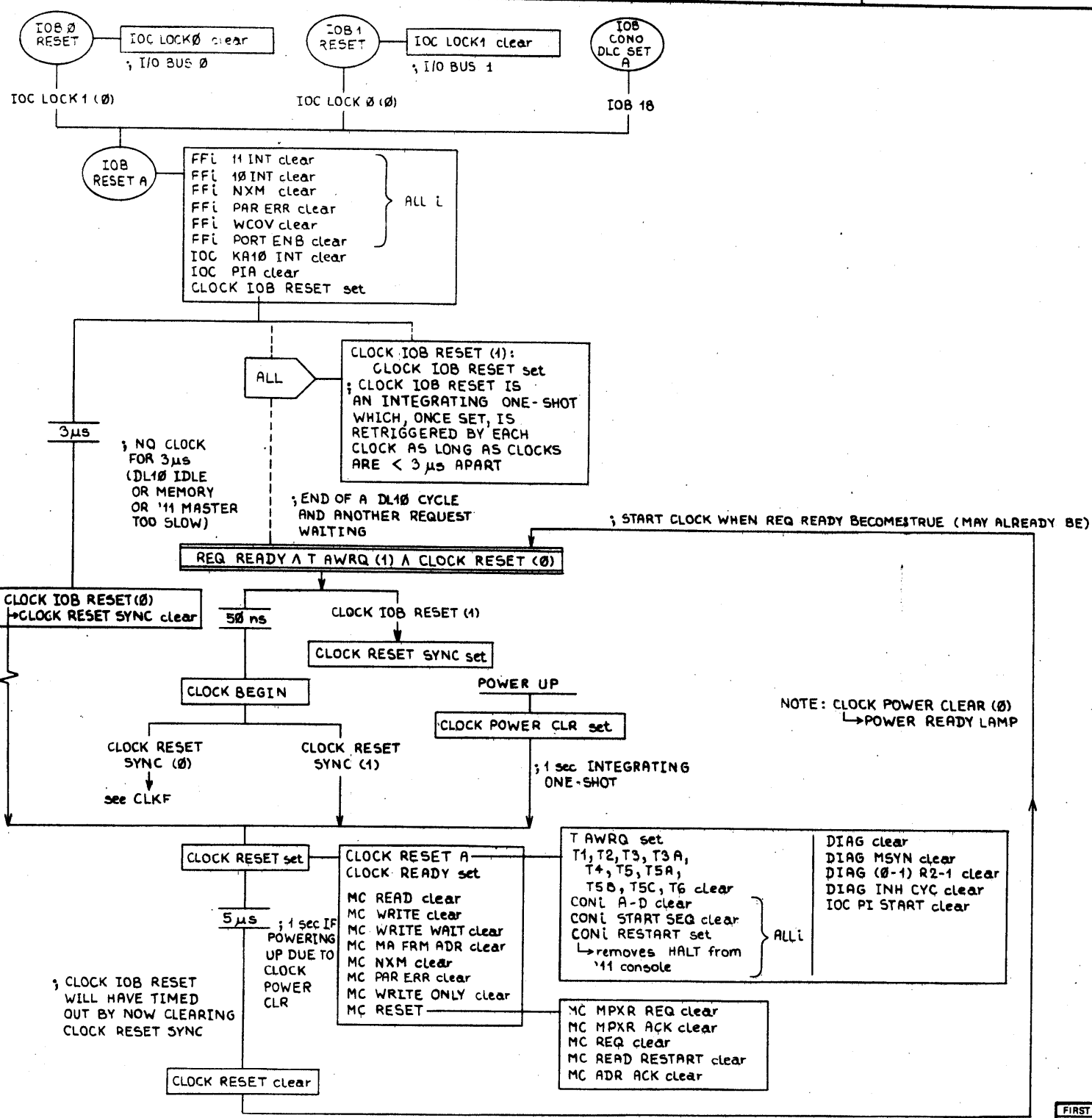
FIRST USED ON OPTION/MODEL	QTY.	DESCRIPTION	PART NO.	ITEM NO.
PDP10				
UNLESS OTHERWISE SPECIFIED				
UNLESS OTHERWISE SPECIFIED				
TOLERANCES				
DECIMALS FRACTIONS ANGLES				
FINAL SURFACE QUALITY				
REMOVE BURRS AND BREAK SHARP CORNERS				
MATERIAL				
FINISH				
NEXT HIGHER ASSY.				
SCALE				
SHEET				

DATE	11/17/71	DATE	11/17/71
DATE	11/17/71	DATE	11/17/71
DATE	11/17/71	DATE	11/17/71
DATE	11/17/71	DATE	11/17/71

PARTS LIST		TITLE	
digit		REGISTER INTERCONNECTIONS	
EQUIPMENT CORPORATION		D.F.D. DL10-A-REG	
MAYNARD, MASSACHUSETTS		REV B	

"THIS DRAWING AND SPECIFICATIONS, HEREIN, ARE THE PROPERTY OF DIGITAL EQUIPMENT CORPORATION AND SHALL NOT BE REPRODUCED OR COPIED OR USED IN WHOLE OR IN PART AS THE BASIS FOR THE MANUFACTURE OR SALE OF ITEMS WITHOUT WRITTEN PERMISSION. COPYRIGHT © 1973, DIGITAL EQUIPMENT CORPORATION"

DL10-A-RSTF 2



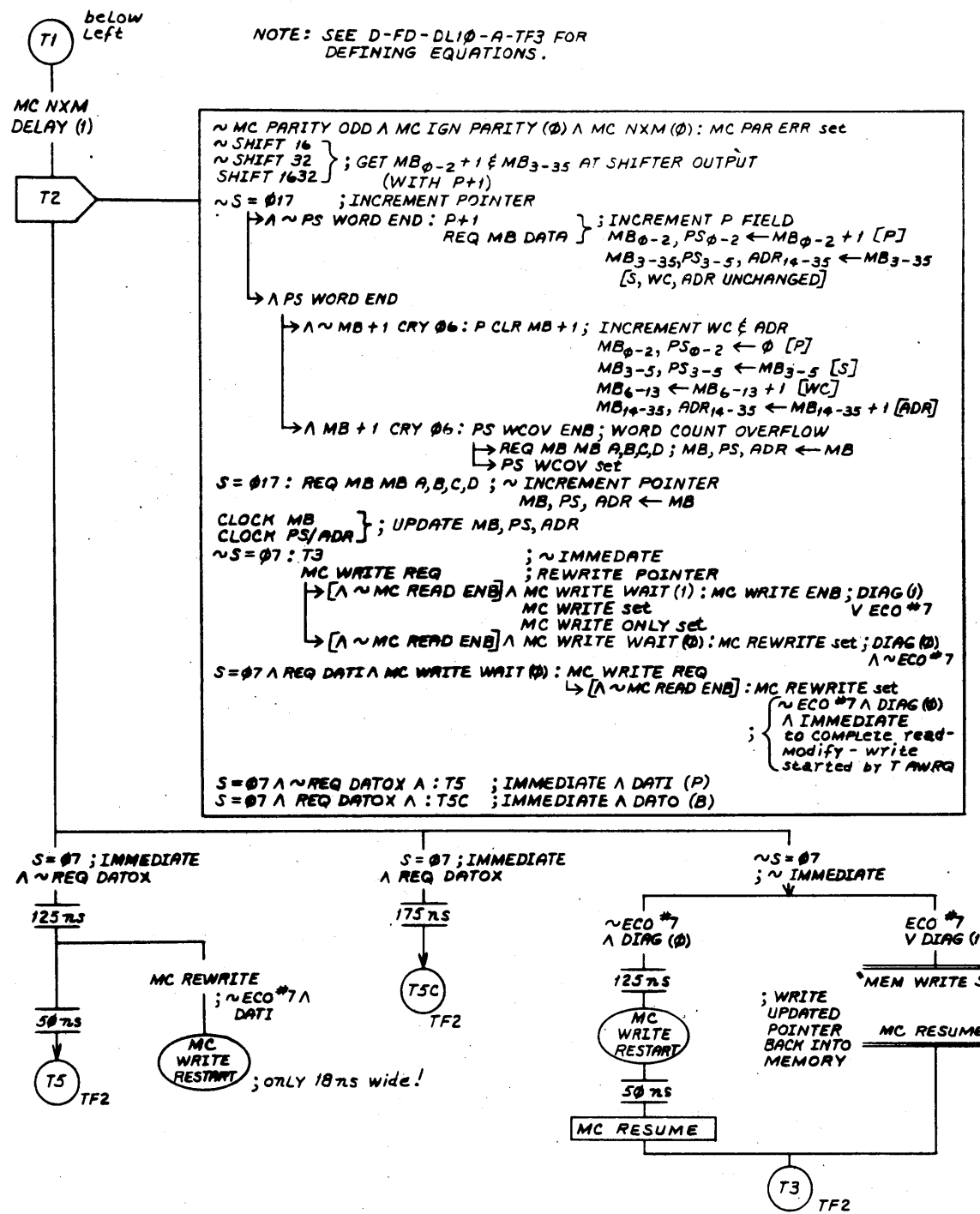
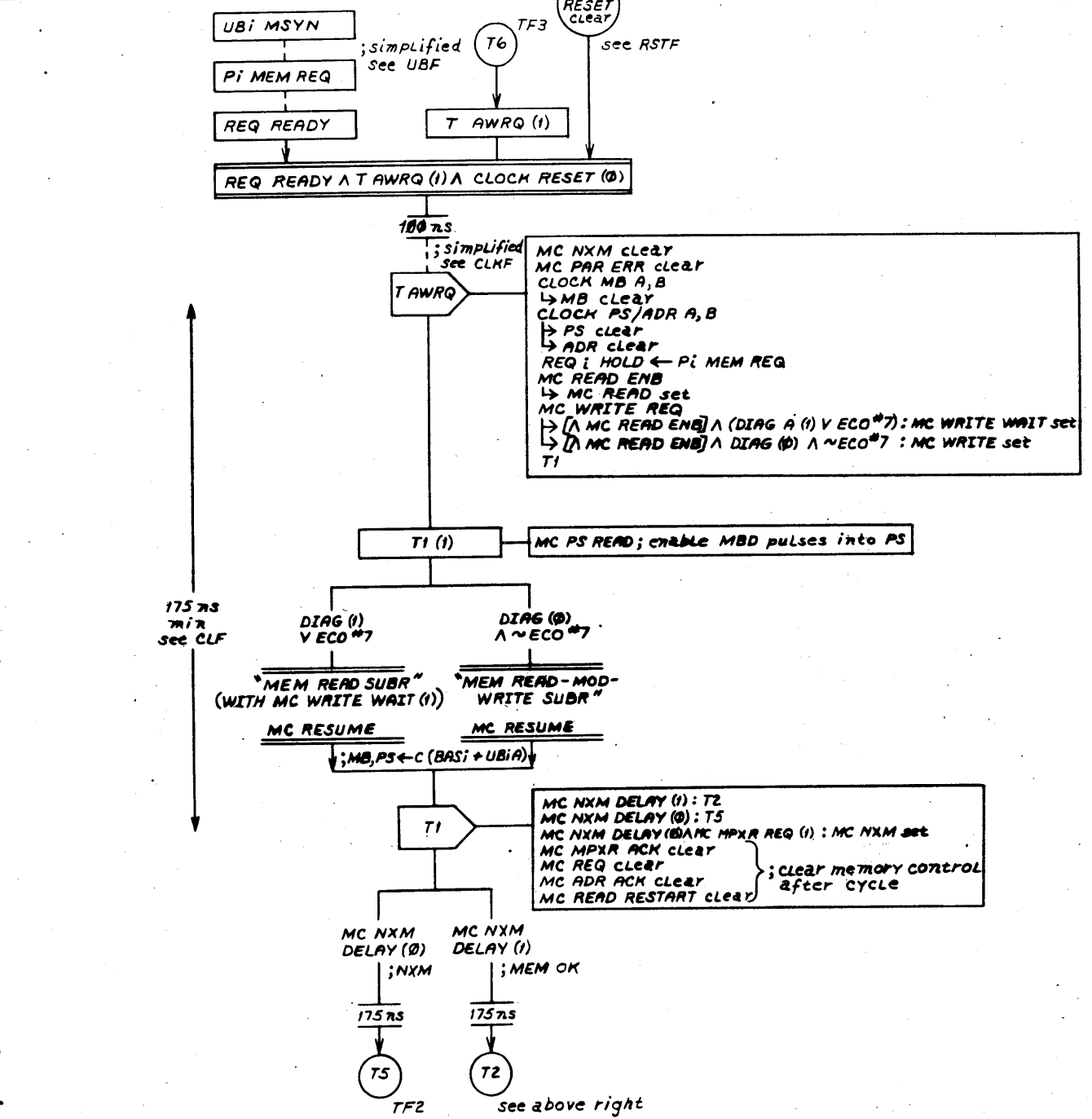
NOTE: CLOCK POWER CLEAR (0) → POWER READY LAMP

REV	CHG	NO	DATE
1		DL10A-0000B	
ORIGINATED			

FIRST USED ON OPTION/MODEL DL10-A	QTY.	DESCRIPTION	PART NO.	ITEM NO.
PARTS LIST				
UNLESS OTHERWISE SPECIFIED DIMENSION IN INCHES		DRN: R F Beasley	DATE: 12-4-73	
TOLERANCES		CHK'D: <i>Allen Kent</i>	DATE: 1/16/74	
DECIMALS .xxx = .006 .xx = .02 .x = .1	ANGLES ±0° 30'	ENG: <i>Allen Kent</i>	DATE: 1/16/74	TITLE RESET FLOW
REMOVE BURRS AND BREAK SHARP CORNERS SURFACE QUALITY Y		PROJ. ENG: <i>Allen Kent</i>	DATE: 1/16/74	
MATERIAL	NEXT HIGHER ASSY.	DRW: <i>R. D. Weber</i>	DATE: 1/16/74	
FINISH	SCALE NONE	SIZE CODE: B-DD-DL10-A		NUMBER: DL10-A-RSTF
SHEET 1 OF 4		DIST.		REV. -

DL10-A-RSTF

THIS DRAWING AND SPECIFICATIONS, HEREIN, ARE THE PROPERTY OF DIGITAL EQUIPMENT CORPORATION AND SHALL NOT BE REPRODUCED OR COPIED OR USED IN WHOLE OR IN PART AS THE BASIS FOR THE MANUFACTURE OR SALE OF ITEMS WITHOUT WRITTEN PERMISSION. COPYRIGHT © 1973, DIGITAL EQUIPMENT CORPORATION.

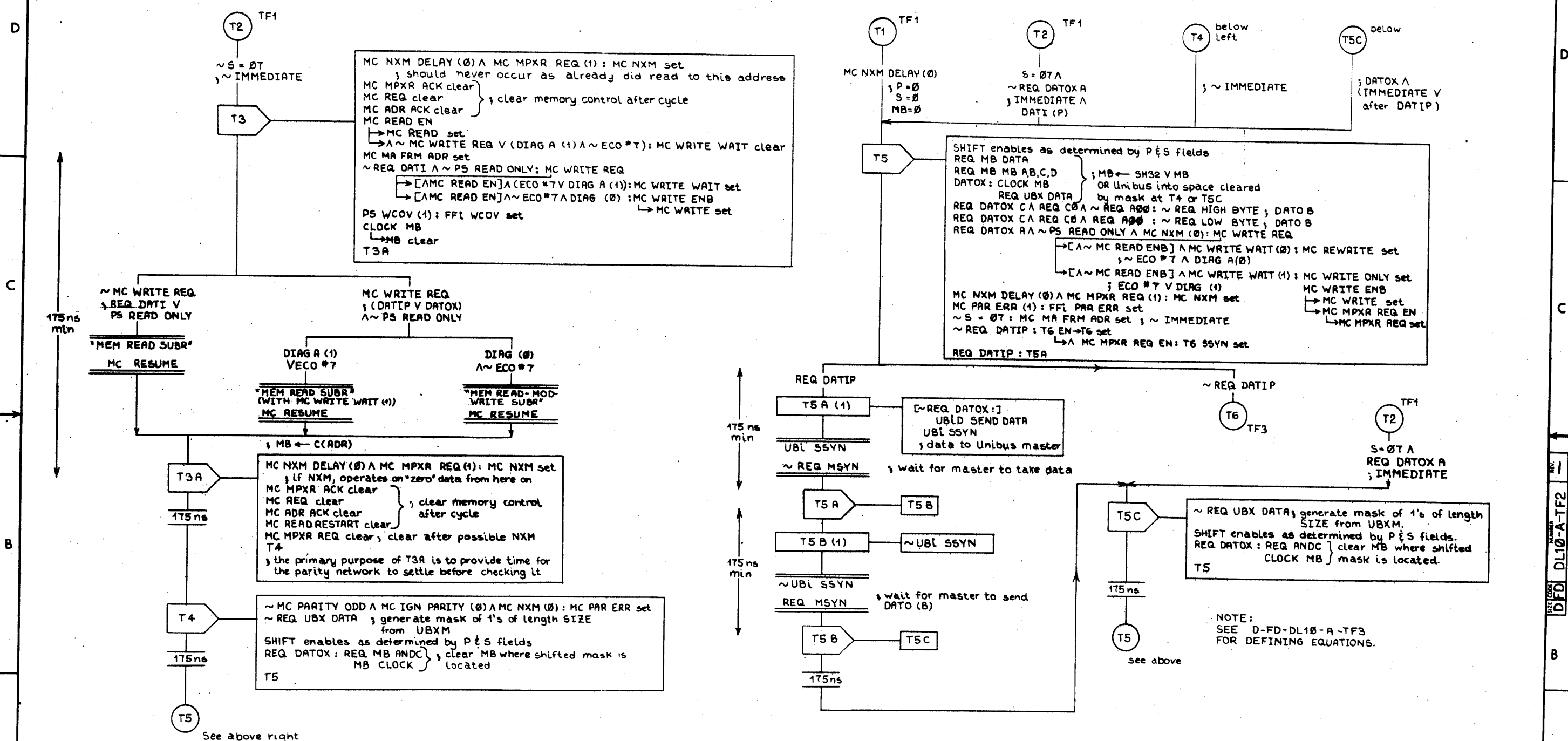


REV	1
CHANGE NO	DL10A-0000B
ORIGINATED	

FIRST USED ON OPTION/MODEL	QTY.	DESCRIPTION	PART NO.	ITEM NO.
DL10-A				
PARTS LIST				
UNLESS OTHERWISE SPECIFIED DIMENSION IN INCHES	DRAWN J. Vincent	DATE 11-5-73	digital EQUIPMENT CORPORATION MAYNARD MASSACHUSETTS	
TOLERANCES	CHK'D. Allen Kent	DATE 11/27/74	TITLE	
DECIMALS .xxx = .005	ENG. Allen Kent	DATE 11/26/74	TIMING FLOW #1	
ANGLES .xx = .02	PROJ. ENG. Allen Kent	DATE 11/27/74	NEXT HIGHER ASSY.	
.x = .1	PROD. Bill W. Ho	DATE 11/27/74	MATERIAL ++	
REMOVE BURRS AND BREAK SHARP CORNERS SURFACE QUALITY Y			FINISH ++	
			SCALE NONE	
			SHEET 1 OF 1	
			SIZE CODE B-DD-DL10-A	
			NUMBER DFD DL10-A-TF1	
			REV. -	
			DIST.	

THIS DRAWING AND SPECIFICATIONS HEREIN ARE THE PROPERTY OF DIGITAL EQUIPMENT CORPORATION AND SHALL NOT BE REPRODUCED OR COPIED OR USED IN WHOLE OR IN PART AS THE BASIS FOR THE MANUFACTURE OR SALE OF ITEMS WITHOUT WRITTEN PERMISSION. COPYRIGHT © 1973, DIGITAL EQUIPMENT CORPORATION.

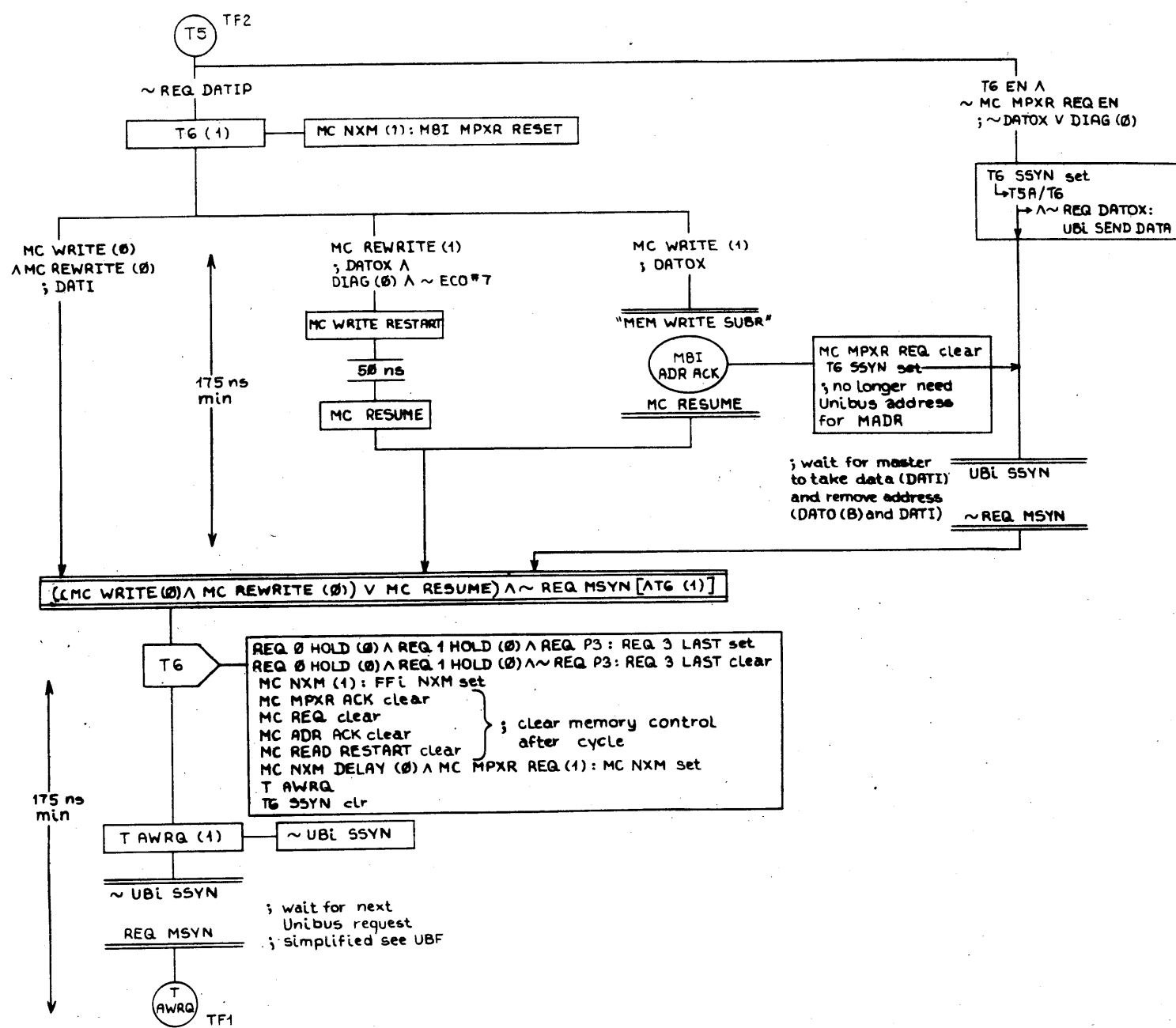
DL10-A-TF2 2



REV	1
CHANGE NO	DL10-A-0008
ORIGINATED	

FIRST USED ON OPTION/MODEL	DL10-A	QTY.		DESCRIPTION		PART NO.		ITEM NO.	
PARTS LIST									
UNLESS OTHERWISE SPECIFIED DIMENSION IN INCHES	DRN	P. F. Brasley	DATE	11-16-73					
TOLERANCES	CHK'D	Allen Kent	DATE	11/17/73					
DECIMALS .xxx = .005	ANGLES	ENG.	DATE	11/17/73					
.xx = .02		PROJ. ENG.	DATE	11/17/73					
.x = .1		PROB.	DATE	11/17/73					
REMOVE BURRS AND BREAK SHARP CORNERS SURFACE QUALITY V	PROB.	Allen Kent	DATE	11/17/73	TITLE				
MATERIAL	++	NEXT HIGHER ASSY.	TIMING FLOW #2						
FINISH	++	B-DD-DL10-A	SCALE	NONE	SIZE CODE	D	NUMBER	DL10-A-TF2	REV.
			SHEET	1	OF	1	DIST.		

THIS DRAWING AND SPECIFICATIONS HEREIN ARE THE PROPERTY OF DIGITAL EQUIPMENT CORPORATION AND SHALL NOT BE REPRODUCED OR COPIED OR USED IN WHOLE OR IN PART AS THE BASIS FOR THE MANUFACTURE OR SALE OF ITEMS WITHOUT WRITTEN PERMISSION. COPYRIGHT © 1978 DIGITAL EQUIPMENT CORPORATION



P CLR MB + 1 = T2 (1) ^ S = 017 ^ PS WORD ENDA ~ MB + 1 CRY 06
 P + 1 = T2 (1) ^ S = 017 ^ PS WORD END
 PS WCOV = T2 (1) ^ S = 017 ^ PS WORD END ^ MB + 1 CRY 06
 PS WORD END = (S = P + 1)
 PL MEM REQ = PL ADR OK ^ ~ PL ADR = 0 ^ UBI MSYN ^ FFL PORT ENB (1)
 ~REQ HIGH BYTE = ~REQ A00 ^ REQ C0 ^ REQ DATOX CA (T5 (1) V S = 017)
 ; DATOB
 ~REQ LOW BYTE = REQ A00 ^ REQ C0 ^ REQ DATOX CA (T5 (1) V S = 017)
 ; DATOB
 REQ DATOX A, B, C, D, E = V_i (REQ PL B ^ UBI C1)
 REQ MB ANDC = (T4 (1) V T5C (1)) ^ REQ DATOX A
 REQ MB DATA = T5 (1) B V P + 1
 REQ MB MB A, B, C, D = T5 (1) B V PS WCOV ENB V REQ MB MB
 REQ MB MB = T2 (1) ^ S = 017
 REQ UBX DATA = REQ DATOX ^ T4 (0) ^ T5 C (0)
 REQ_i = (T AWRQ (1) ^ PL MEM REQ) V
 (~T AWRQ (1) B ^ REQ L HOLD (1))
 T5A/T6 = T5A (1) V (T6 (1) ^ MC MPXR REQ (0))
 UBLD SEND DATA = T5A/T6 ^ REQ PL ^ ~REQ DATOX
 UBI SSYN = PL CNTL V (REQ PL ^ T5A/T6)

T6

- REQ 0 HOLD (0) ^ REQ 1 HOLD (0) ^ REQ P3: REQ 3 LAST set
- REQ 0 HOLD (0) ^ REQ 1 HOLD (0) ^ ~REQ P3: REQ 3 LAST clear
- MC NXM (1): FFL NXM set
- MC MPXR ACK clear
- MC REQ clear
- MC ADR ACK clear
- MC READ RESTART clear
- MC NXM DELAY (0) ^ MC MPXR REQ (1): MC NXM set
- T AWRQ
- T6 SSYN clr

; clear memory control after cycle

T AWRQ (1) ~ UBI SSYN

~ UBI SSYN

REQ MSYN

T AWRQ TF1

; wait for next Unibus request ; simplified see UBF

REV	1
CHANGE NO	DL10A-0000B
CHK	DL10A-0000B
ORIGINATED	

FIRST USED ON OPTION/MODEL DL10-A	QTY.	DESCRIPTION	PART NO.	ITEM NO.
PARTS LIST				
UNLESS OTHERWISE SPECIFIED DIMENSION IN INCHES				
TOLERANCES				
DECIMALS	ANGLES	DATE		
.xxx = .005	:0' 30'	DRN	R Beasley	4/12/78
.xx = .02		CHK'D	Allen Kent	4/12/78
.x = .1		ENG	Allen Kent	4/12/78
		PROJ. ENG	Allen Kent	4/12/78
		PROB	R. C. Webb	4/12/78
REMOVE BURRS AND BREAK SHARP CORNERS SURFACE QUALITY V				
MATERIAL	NEXT HIGHER ASSY.	TITLE		
FINISH	B-DD-DL10-A	TIMING FLOW #3		
SCALE NONE	D FD	SIZE CODE	NUMBER	REV.
SHEET 1 OF 1	DIST.	DL10-A-TF3		-

"THIS DRAWING AND SPECIFICATIONS, HEREIN, ARE THE PROPERTY OF DIGITAL EQUIPMENT CORPORATION AND SHALL NOT BE REPRODUCED OR COPIED OR USED IN WHOLE OR IN PART AS THE BASIS FOR THE MANUFACTURE OR SALE OF ITEMS WITHOUT WRITTEN PERMISSION. COPYRIGHT © 1973, DIGITAL EQUIPMENT CORPORATION"

DL10-A-UBF 2

PDP-11 *L INTERRUPT CYCLE

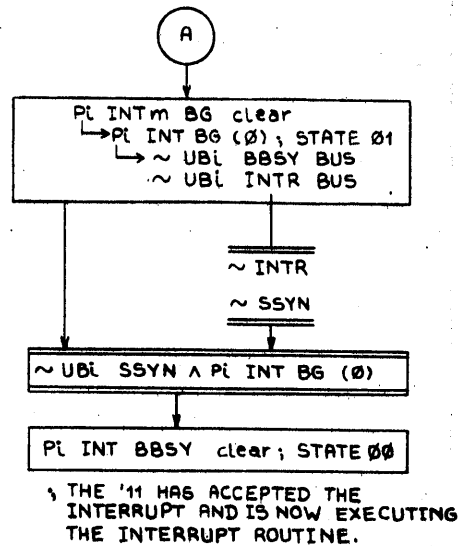
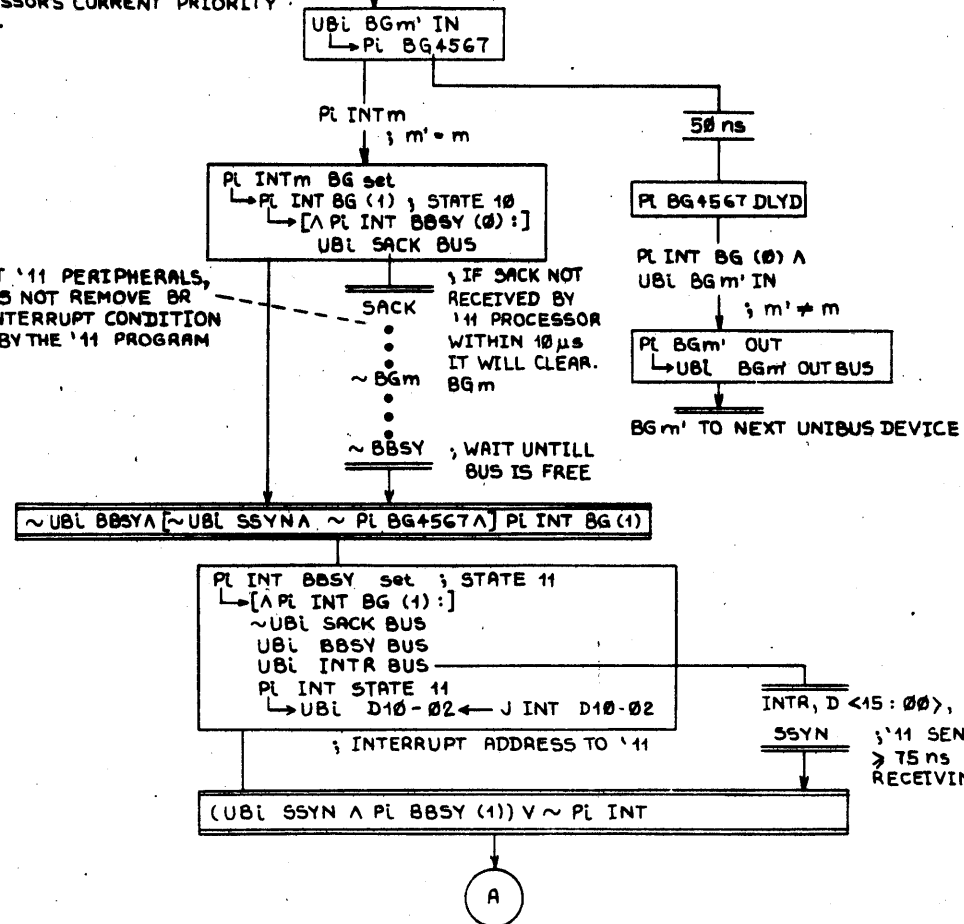
[FFL 11 INT (1) A FFL 11 INT ENB (1)] V
 [(FFL NXM (1) V FFL PAR ERR (1) V
 FFL WCOV (1) A FFL ERR ENB (1)] :
 PL INT

; ERROR CONDITION WHICH INITIATES INTERRUPT

PL INT A FFL PIA 0-1 : PL INT m	
PIA 1 0 'm'	UBI BRm BUS
0 0 4	
0 1 5	
1 0 6	
1 1 7	

; BUS REQUESTER A PRIORITY ARBITRATION SYSTEM IN THE '11 PROCESSOR WHICH COMPARES BR NUMBERS WITH THE '11 PROCESSOR'S CURRENT PRIORITY LEVEL.

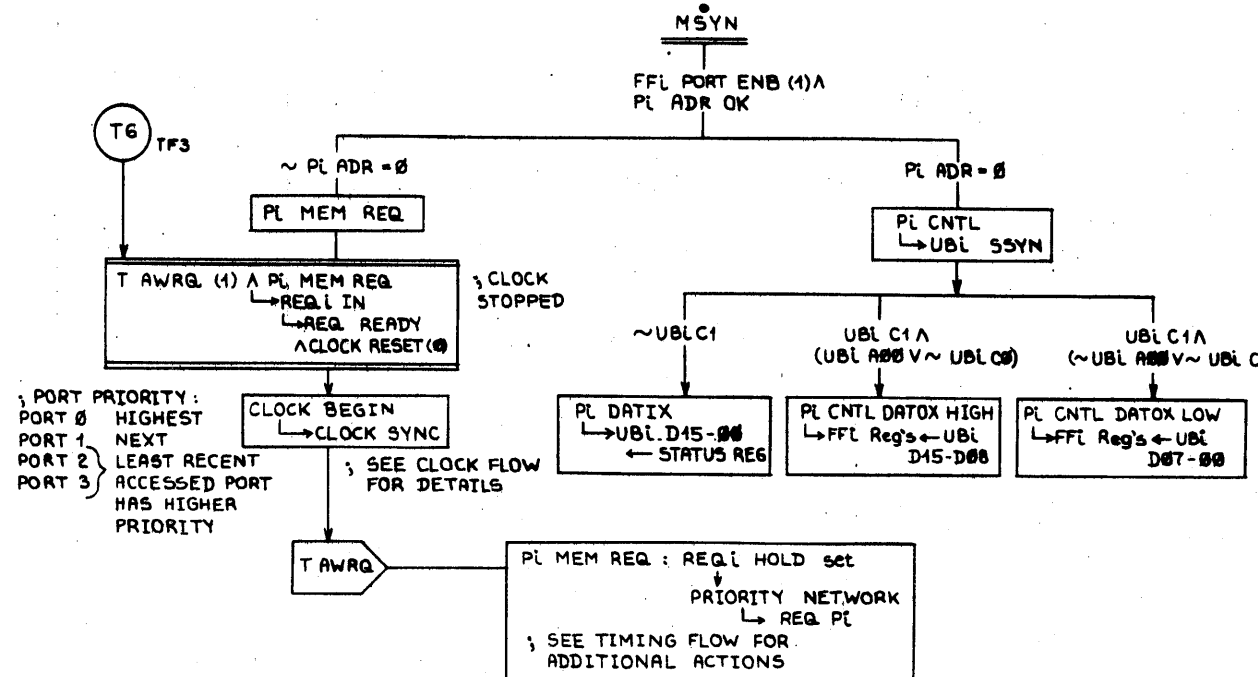
NOTE: UNLIKE MOST '11 PERIPHERALS, THE DL10 DOES NOT REMOVE BR UNTIL THE INTERRUPT CONDITION IS SERVICED BY THE '11 PROGRAM



NOTE: SEE D-BS-DL10-A-CON FOR PDP-11 REMOTE CONSOLE TIMING

PDP-11 *L DATA CYCLES

A < 17:00 >, C < 1:0 >

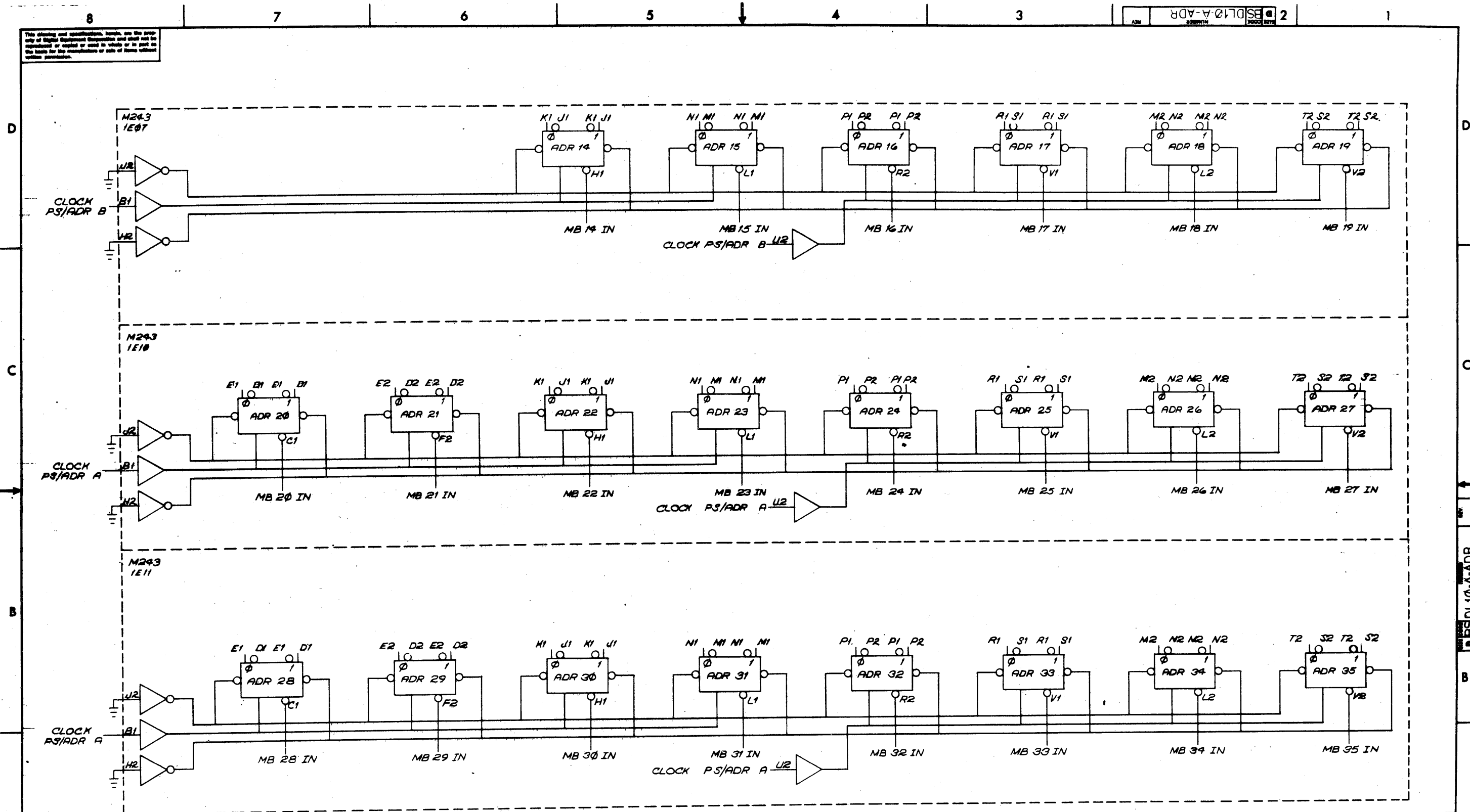


PL MEM REQ : REQ HOLD set
 ↓
 PRIORITY NETWORK
 ↓
 REQ PL
 ; SEE TIMING FLOW FOR ADDITIONAL ACTIONS

REV	1
CHANGE NO	DL10-A-0008
ORIGINATED	

FIRST USED ON OPTION/MODEL	DL10-A	QTY.	DESCRIPTION	PART NO.	ITEM NO.
PARTS LIST					
UNLESS OTHERWISE SPECIFIED DIMENSION IN INCHES	DRN. R. Donnelly	DATE 11/26/73	digital EQUIPMENT CORPORATION MAYNARD MASSACHUSETTS		
TOLERANCES	CHKD. Blankenship	DATE 11/26/74	TITLE UNIBUS INTERFACE FLOW		
DECIMALS ANGLES	ENG. Allen Kent	DATE 11/26/74	SIZE CODE NUMBER REV. D FD DL10-A-UBF -		
.xxx = .005 .xx = .02 .x = .1	PROJ. ENG. Allen Kent	DATE 11/26/74	SCALE NONE		
REMOVE BURRS AND BREAK SHARP CORNERS SURFACE QUALITY Y	DRW. P. Walker	DATE 11/26/74	SHEET 1 OF 1		
MATERIAL	NEXT HIGHER ASSY.		DIST.		
FINISH					

This drawing and specifications herein are the property of Digital Equipment Corporation and shall not be reproduced or copied or used in whole or in part as the basis for the manufacture of any of these units without permission.



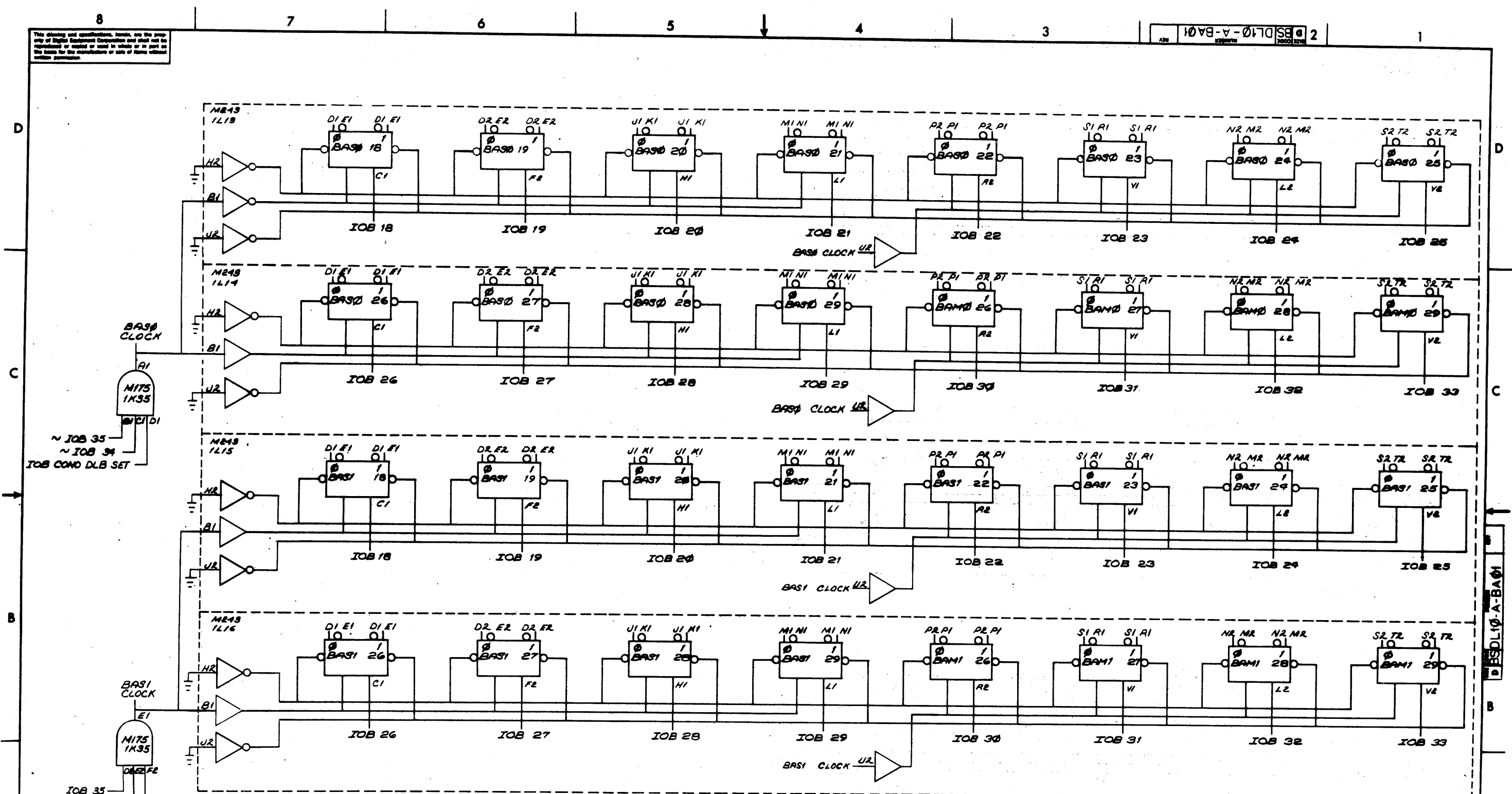
REV.	CHANGE NO.	REVISIONS

NOTE
 ALL SIGNAL NAMES ON THIS SHEET CONNECTED TO LOW ASSERTION DESIGNATION CIRCLES "O" ARE AS IF SUFFIXED WITH "L". ALL SIGNAL NAMES ON THIS SHEET NOT CONNECTED TO LOW ASSERTION DESIGNATION CIRCLES ARE AS IF SUFFIXED WITH "H".

FIRST USED ON OPTION/MODEL PDP10	UNLESS OTHERWISE SPECIFIED DIMENSION IN INCHES TOLERANCES DECIMALS FRACTIONS ANGLES $\pm .008$ $\pm 1/64$ $\pm 0^{\circ}30'$ FINAL SURFACE QUALITY / REMOVE BLURS AND BREAK SHARP CORNERS	DATE 7/23/70 DATE 4/27/71 DATE 11/29/72 DATE 11/19/72 DATE 12/15/71	digital EQUIPMENT CORPORATION MAYNARD MASSACHUSETTS TITLE ADDRESS REGISTER
FINISH	MATERIAL	NEXT HIGHER ASSY A-ML-DL10-A	SCALE NONE SHEET 1 OF 1

This drawing and specifications, herein, are the property of Digital Equipment Corporation and shall not be reproduced or copied or used in whole or in part as the basis for the manufacture or sale of items without written permission.

DBSIDL10-A-BA01

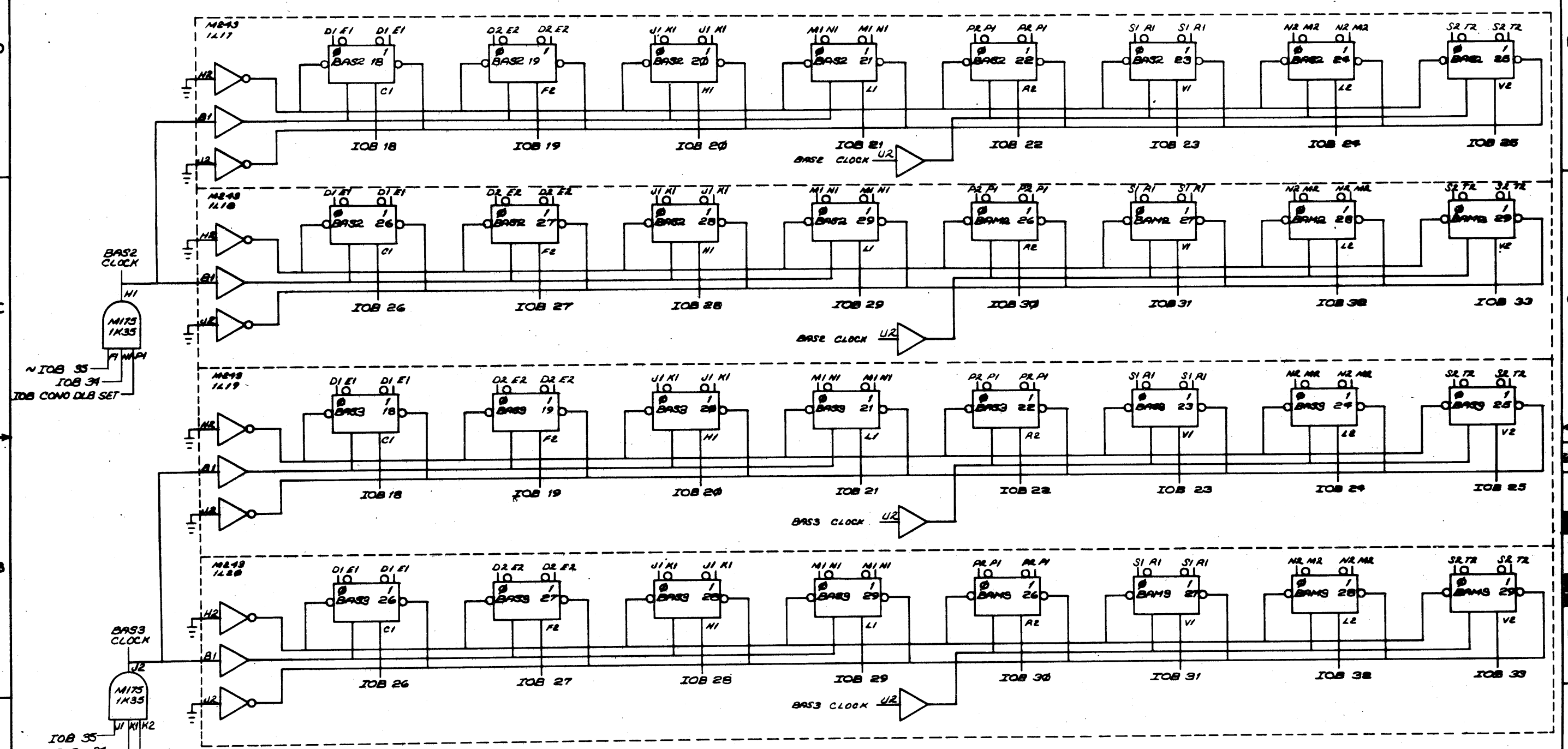


REV	
CHG	
NO.	

NOTE
 ALL SIGNAL NAMES ON THIS SHEET CONNECTED TO LOW ASSERTION DESIGNATION CIRCLES "O" ARE AS IF SUFFIXED WITH "L". ALL SIGNAL NAMES ON THIS SHEET NOT CONNECTED TO LOW ASSERTION DESIGNATION CIRCLES ARE AS IF SUFFIXED WITH "H".

FIRST USED ON OPTION/MODEL PDP10	QTY.	DESCRIPTION	PART NO.	ITEM NO.
PARTS LIST				
UNLESS OTHERWISE SPECIFIED DIMENSIONS IN INCHES TOLERANCES DECIMALS FRACTIONS ANGLES ± .005 ± .010 ± .015 FINAL SURFACE QUALITY REMOVE BURRS AND BREAK SHARP CORNERS	DATE 6/19/70	DATE 6/19/70	DIGITAL EQUIPMENT CORPORATION MAYNARD, MASSACHUSETTS	
MATERIAL //	DATE 11/19/71	DATE 12/19/71	TITLE BASE AND MASK REGISTERS 0 AND 1	
FINISH //	SCALE 1/1	SCALE 1/1	SIZE CODE DBSIDL10-A-BA01	NUMBER 1
	SHEET 1 OF 1	DIST.		

This drawing and specifications, herein, are the property of Digital Equipment Corporation and shall not be reproduced or copied or used in whole or in part as the basis for the manufacture or sale of items without written permission.



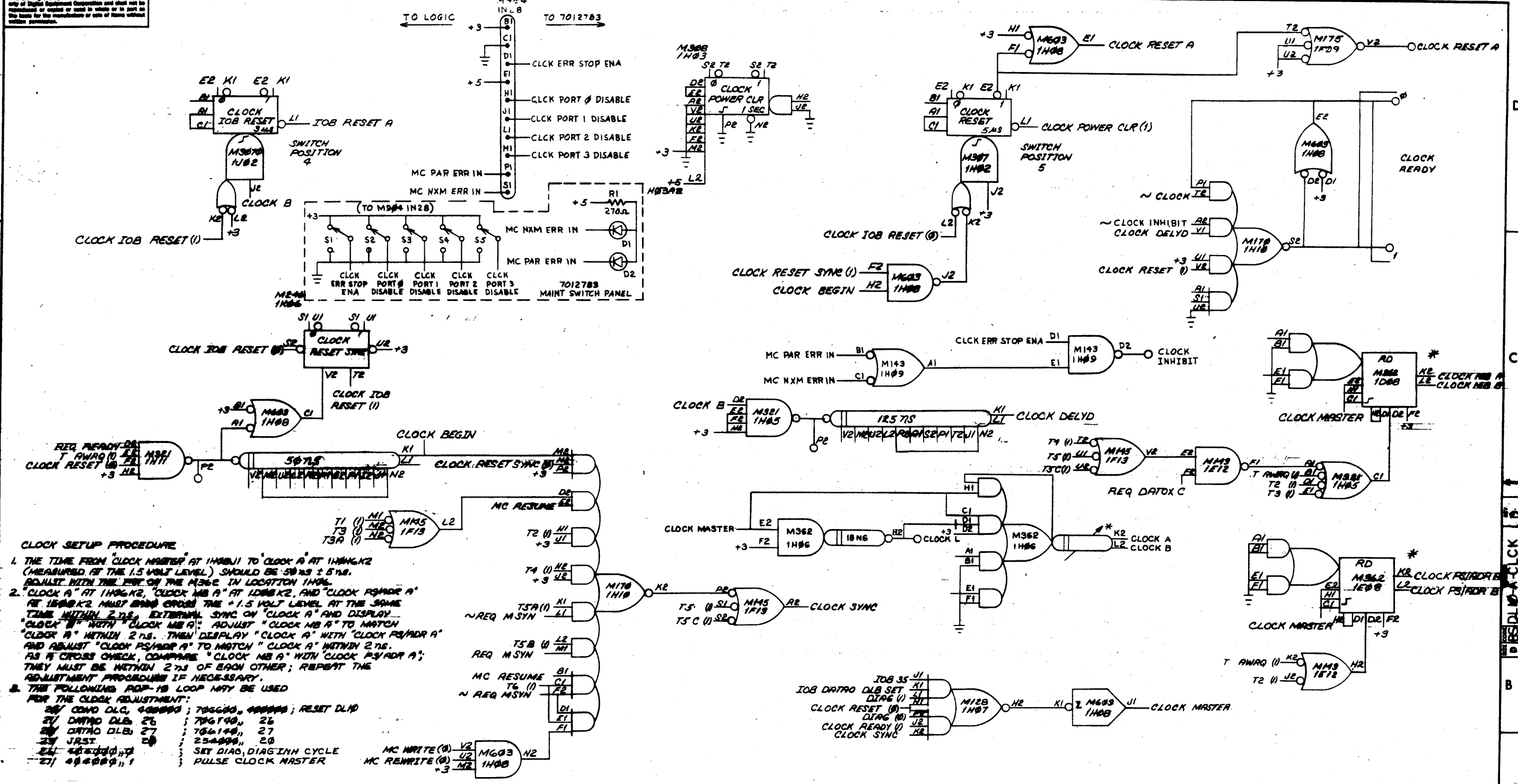
REV	
CHG	
REV	
CHG	

NOTE
ALL SIGNAL NAMES ON THIS SHEET CONNECTED TO LOW ASSERTION DESIGNATION CIRCLES "0" ARE AS IF SUFFIXED WITH "L". ALL SIGNAL NAMES ON THIS SHEET NOT CONNECTED TO LOW ASSERTION DESIGNATION CIRCLES ARE AS IF SUFFIXED WITH "H".

FIRST USED ON OPTION/MODEL PDP10	QTY	DESCRIPTION	PART NO.	ITEM NO.
UNLESS OTHERWISE SPECIFIED	DATE	DATE	PARTS LIST	
UNLESS OTHERWISE SPECIFIED	DATE	DATE	EQUIPMENT CORPORATION	
UNLESS OTHERWISE SPECIFIED	DATE	DATE	MAYNARD MASSACHUSETTS	
TOLERANCES	DATE	DATE	TITLE	
DECIMALS FRACTIONS ANGLES	DATE	DATE	BASE AND MASK	
± 0.05 ± 0.002 ± 0.005	DATE	DATE	REGISTERS	
FINAL SURFACE QUALITY	DATE	DATE	2 AND 3	
REMOVE BURRS AND BREAK SHARP CORNERS	DATE	DATE	NEXT HIGHER ASSY.	
MATERIAL	DATE	DATE	A-ML-DL10-A	
FINISH	DATE	DATE	SCALE	
	DATE	DATE	SHEET 1 OF 1	
	DATE	DATE	DISTR.	

This drawing and specifications, herein, are the property of Digital Equipment Corporation and shall not be reproduced or used in whole or in part on any other drawing or specification without the written permission of Digital Equipment Corporation.

D 140-A-CLCK 2



CLOCK SETUP PROCEDURE

- THE TIME FROM CLOCK MASTER AT 1H48J1 TO CLOCK A AT 1H48K2 (MEASURED AT THE 1.5 VOLT LEVEL) SHOULD BE 50 NS ± 5 NS. ADJUST WITH THE POT ON THE M362 IN LOCATION 1H48.
- CLOCK A AT 1H48K2, CLOCK MB A AT 1H48K2, AND "CLOCK POWER A" AT 1H48K2 MUST BE ADJUSTED TO THE 1.5 VOLT LEVEL AT THE SAME TIME WITHIN 2 NS. EXTERNAL SYNC ON "CLOCK A" AND DISPLAY "CLOCK B" WITH "CLOCK MB A". ADJUST "CLOCK MB A" TO MATCH "CLOCK A" WITHIN 2 NS. THEN DISPLAY "CLOCK A" WITH "CLOCK POWER A" AND ADJUST "CLOCK POWER A" TO MATCH "CLOCK A" WITHIN 2 NS. AS A CROSS CHECK, COMPARE "CLOCK MB A" WITH "CLOCK POWER A"; THEY MUST BE WITHIN 2 NS OF EACH OTHER; REPEAT THE ADJUSTMENT PROCEDURE IF NECESSARY.

THE FOLLOWING PDP-10 LOOP MAY BE USED FOR THE CLOCK ADJUSTMENT:

25/ 0000 D.L.C. 400000	706600 400000	RESET D.L.D
26/ DATA D.L.B. 26	706700 26	
27/ DATA D.L.B. 27	706800 27	
28/ J.A.S.T. 28	25-0000 20	
29/ 000000 00		SET DIAG, DIAG INH CYCLE
27/ 000000 01		PULSE CLOCK MASTER

REV.	DATE	BY	CHK
A	11/17/71	VIC KU	
B	11/17/71	GG [illegible]	
C	11/17/71	B. WALSH	
D	2 May 74	A. KENT	
	21 SEPT 76	S. HOLMES	

DEC FORM NO. 1022

* ALL REGISTER DRIVER OUTPUTS MUST COINCIDE (± 2 NS) AT THE +1.5V OUTPUT LEVEL.

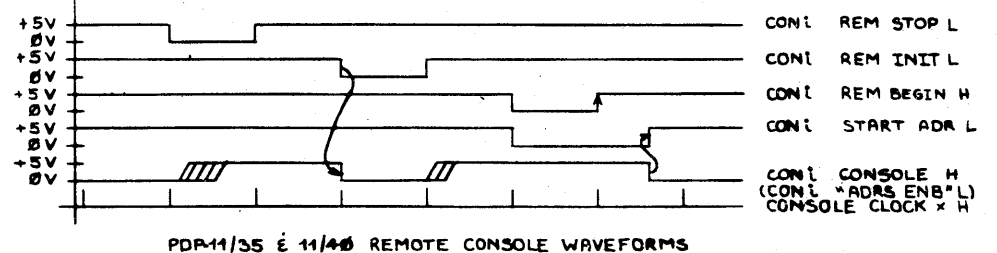
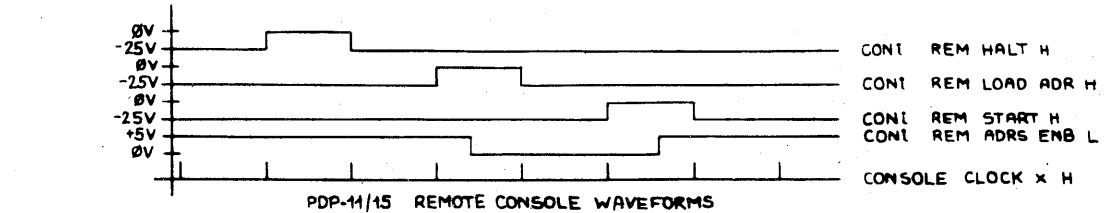
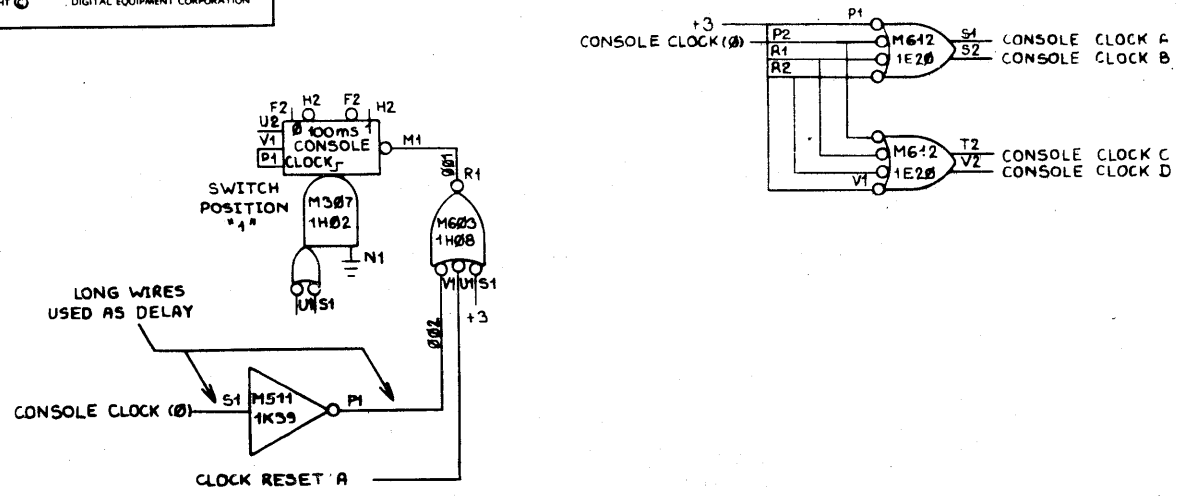
NOTE: ALL SIGNAL NAMES ON THIS SHEET CONNECTED TO LOW ASSERTION DESIGNATION CIRCLES "0" ARE AS IF SUFFIXED WITH "L". ALL SIGNAL NAMES ON THIS SHEET NOT CONNECTED TO LOW ASSERTION DESIGNATION CIRCLES ARE AS IF SUFFIXED WITH "H".

FIRST USED OPTION/MODEL	QTY.	DESCRIPTION	PART NO.	ITEM NO.
PDP10				
UNLESS OTHERWISE SPECIFIED				
DIMENSION IN INCHES				
TOLERANCES				
DECIMALS FRACTIONS ANGLES				
± .005 ± .1/64 ± .075				
REMOVE BURRS AND BREAK SHARP CORNERS				
MATERIAL				
FINISH				
SCALE NONE				
SHEET 1 OF 1				

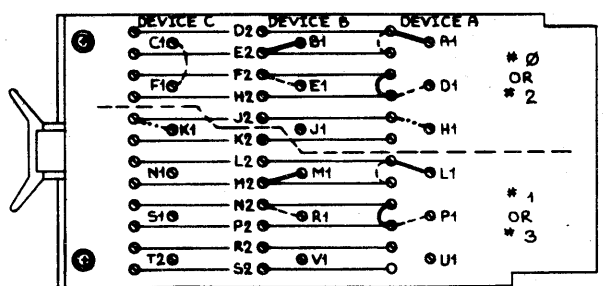
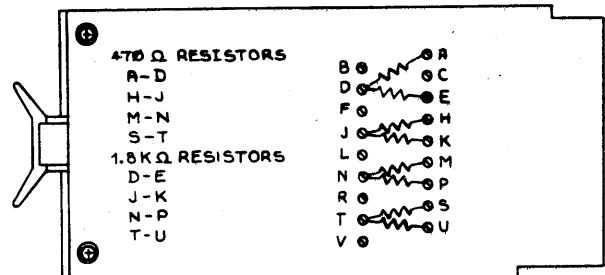
DATE	BY	CHK	TITLE
11/17/71	VIC KU		CLOCK

SIZE CODE	NUMBER	REV.
D15	DL10-A-CLCK	D1

THIS DRAWING AND SPECIFICATIONS HEREIN ARE THE PROPERTY OF DIGITAL EQUIPMENT CORPORATION AND SHALL NOT BE REPRODUCED OR COPIED OR USED IN WHOLE OR IN PART AS THE BASIS FOR THE MANUFACTURE OR SALE OF ITEMS WITHOUT WRITTEN PERMISSION. COPYRIGHT © DIGITAL EQUIPMENT CORPORATION



STATE TABLE CON L				11/15 FUNCTION	11/35 & 11/40 FUNCTION
A	B	C	D		
0	0	0	0	IDLE	IDLE
1	0	0	0	SYNC	SYNC
1	1	0	0	HALT	STOP
1	1	1	0	DELAY	DELAY
1	1	1	1	LOAD ADDRESS	INIT
0	1	1	1	DELAY	DELAY
0	0	1	1	START	START
0	0	0	1	DELAY	DELAY
0	0	0	0	IDLE	IDLE



- M921
- PDP-11 *Ø & *1: 1L4Ø ○--○ INSTALL FOR PDP-11/15 CONSOLE
 - PDP-11 *2 & *3: 1L33 ○--○ INSTALL FOR PDP-11/35 & 11/40 CONSOLE
 - INSTALL WHEN NO REMOTE CONSOLE IS AVAILABLE (11/05-11/10-11/15) OR IS NOT CONNECTED

- NOTES:
- ON KY11-C CONSOLE (11/15'S & SPECIAL 11/20'S) JUMPER J1 MUST BE REMOVED TO PREVENT THE CONSOLE SWITCHES FROM ORING WITH THE DL10-PROVIDED START ADDRESS.
 - KY11-C CONSOLE MUST HAVE ECO 5409235-00005 INSTALLED FOR RELIABLE OPERATION.
 - TO USE AN KY11-C CONSOLE ON AN 11/20 THE FOLLOWING WIRES MUST BE ADDED TO THE 11/20:
F06N2 TO E01V1 K13-2 INIT H
F01S1 TO E06J2 K13-4 CONSF (Ø) H
A01E2 TO E01Ø1 -25V

REV	1
CHANGE NO	DL10A-00008
ORIGINATED	

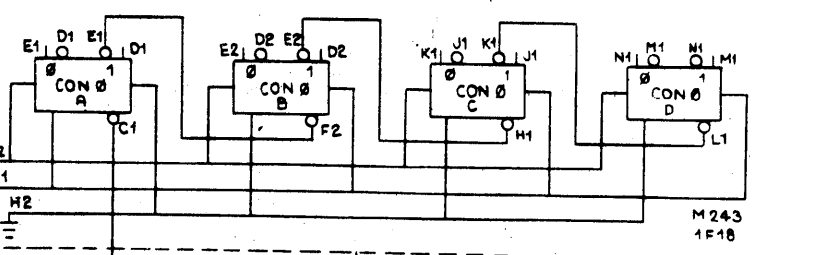
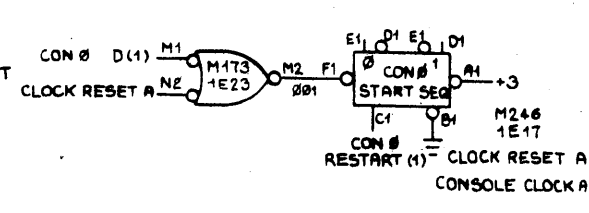
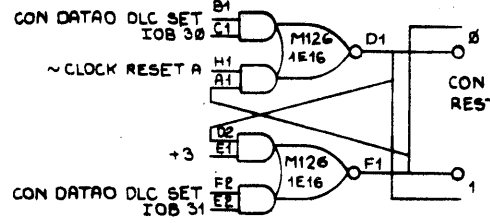
FIRST USED ON OPTION/MODEL	QTY	DESCRIPTION	PART NO.	ITEM NO.
DL10-A		PARTS LIST		
UNLESS OTHERWISE SPECIFIED DIMENSION IN INCHES	DRN. R. Beasley	DATE 11/12/70		
TOLERANCES	CHKD. Allen Kent	DATE 11/27/70		
DECIMALS .xxx = .005	ENG. Allen Kent	DATE 11/27/70		
ANGLES :0' 30'	PROL ENG. Allen Kent	DATE 11/27/70		
REMOVE BURRS AND BREAK SHARP CORNERS SURFACE QUALITY Y	PRD. Allen Kent	DATE 11/27/70	TITLE PDP-11 REMOTE CONSOLE COMMON LOGIC & C.	
MATERIAL	NEXT HIGHER ASSY.		SIZE CODE	NUMBER
FINISH	B-DD-DL10-A		D BS	DL10-A-CON
	SCALE	NONE		
	SHEET	OF	DIST.	

NOTE: ALL SIGNAL NAMES ON THIS SHEET CONNECTED TO LOW ASSERTION DESIGNATION CIRCLES "Ø" ARE AS IF SUFFIXED WITH "L". ALL SIGNAL NAMES ON THIS SHEET NOT CONNECTED TO LOW ASSERTION DESIGNATION CIRCLES ARE AS IF SUFFIXED WITH "H".

"THIS DRAWING AND SPECIFICATIONS HEREIN ARE THE PROPERTY OF DIGITAL EQUIPMENT CORPORATION AND SHALL NOT BE REPRODUCED OR COPIED OR USED IN WHOLE OR IN PART AS THE BASIS FOR THE MANUFACTURE OR SALE OF ITEMS WITHOUT WRITTEN PERMISSION. COPYRIGHT © 1973, DIGITAL EQUIPMENT CORPORATION"

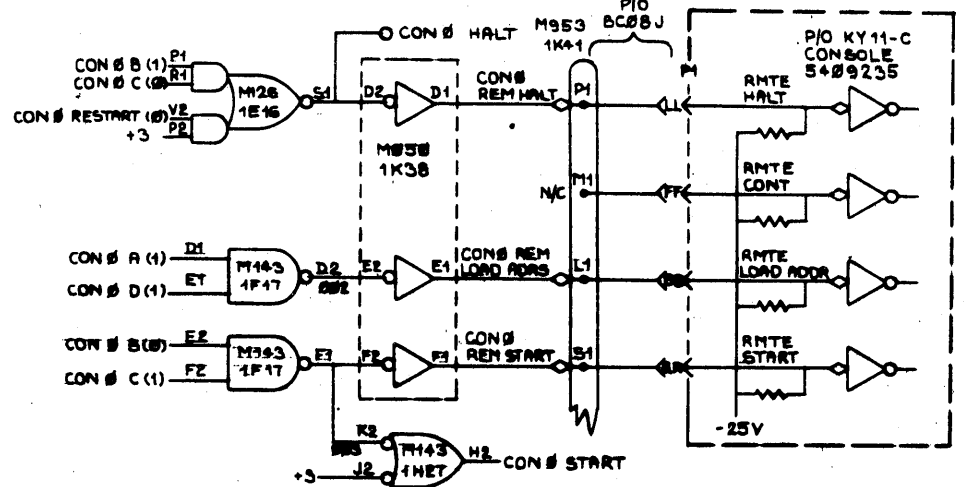
DL10-A-CON0

8 7 6 5 4 3 2 1

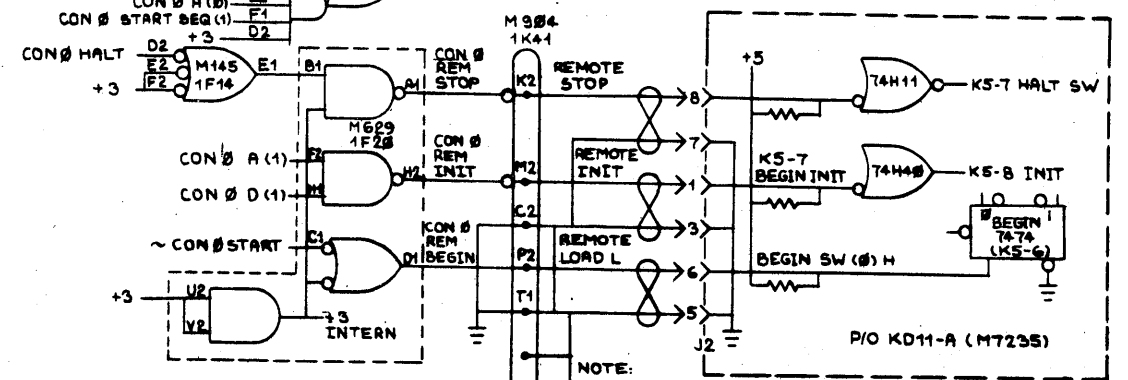


NOTE:
N/C = NO CONNECTION
Ø = SPLIT LUG

PDP-11/15 REMOTE CONSOLE INTERFACE



PDP-11/35 & -11/40 REMOTE CONSOLE INTERFACE



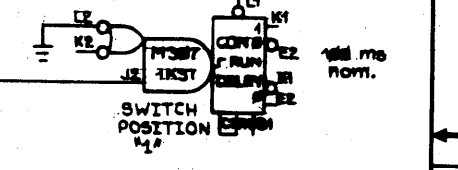
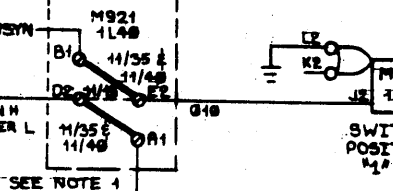
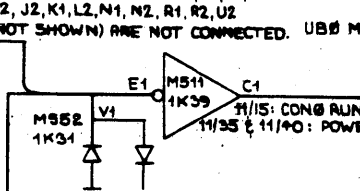
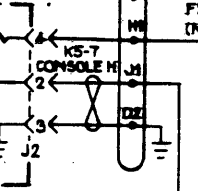
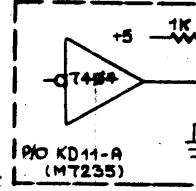
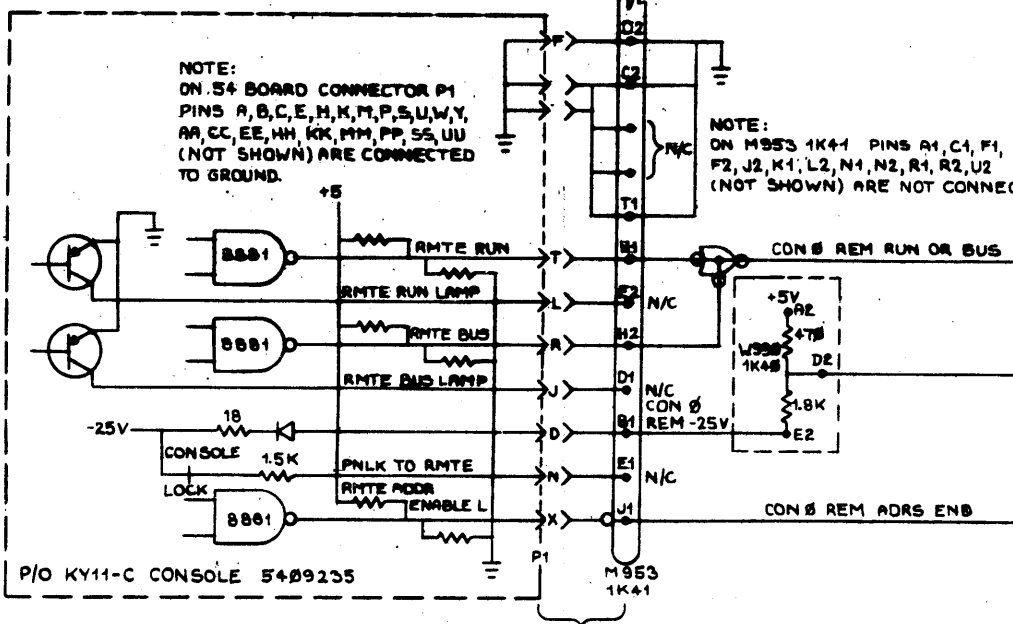
NOTE:
ON M953 1K41 PINS A1, C1, F1, F2, J2, K1, L2, N1, N2, R1, R2, U2 (NOT SHOWN) ARE NOT CONNECTED.

ADJUST SO THAT REPEATED "INIT" INSTRUCTIONS IN THE POP-11 WILL KEEP THE DELAY IN THE "1" STATE.

NOTE:
ON 54 BOARD CONNECTOR P1 PINS A, B, C, E, H, K, M, P, S, U, W, Y, AA, CC, EE, HH, KK, MM, PP, SS, UU (NOT SHOWN) ARE CONNECTED TO GROUND.

NOTE:
ON M953 1K41 PINS A1, C1, F1, F2, J2, K1, L2, N1, N2, R1, R2, U2 (NOT SHOWN) ARE NOT CONNECTED.

NOTE:
PINS H1, J1 AND D2 ARE DUPLICATED AT LEFT.



CON 0 REM POWER

NOTE 1:
FOR JUMPER CARDS PHYSICAL LAYOUT SEE D-85-DL10-A-CON0

NOTE 4:
NO REMOTE CONSOLE (11/35-11/45)

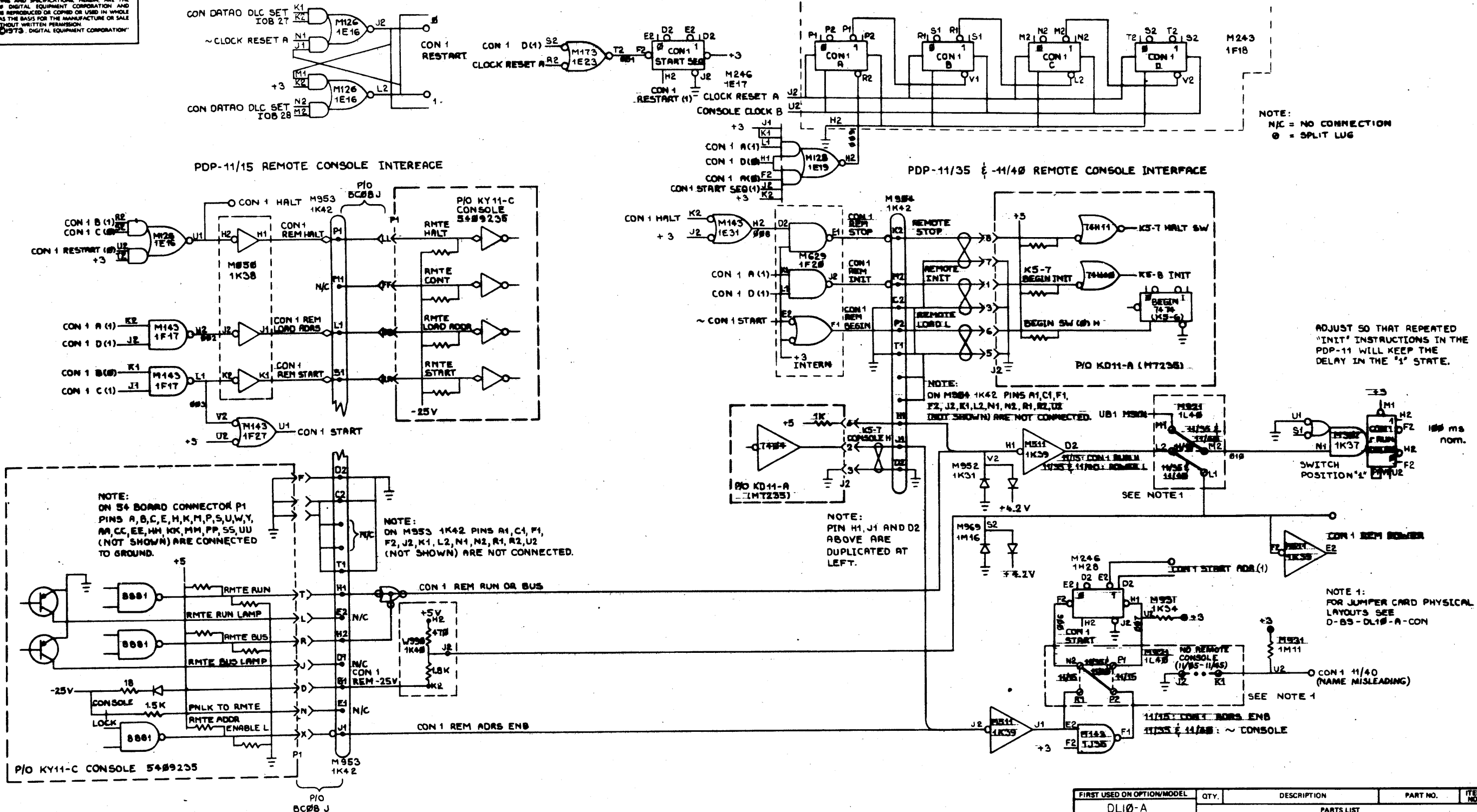
REV	DATE	BY
1		
2		
3		
4		
5		
6		
7		
8		

NOTE
ALL SIGNAL NAMES ON THIS SHEET CONNECTED TO LOW ASSERTION DESIGNATION CIRCLES "O" ARE AS IF SUFFIXED WITH "L".
ALL SIGNAL NAMES ON THIS SHEET NOT CONNECTED TO LOW ASSERTION DESIGNATION CIRCLES ARE AS IF SUFFIXED WITH "H".

FIRST USED ON OPTION/MODEL	QTY.	DESCRIPTION	PART NO.	ITEM NO.
DL10-A				
PARTS LIST				
UNLESS OTHERWISE SPECIFIED DIMENSION IN INCHES		DRN. P. Besslin	DATE 11-5-73	digital EQUIPMENT CORPORATION MAYFELD MASSACHUSETTS
TOLERANCES		CHK'D. Allen Kent	DATE 11/26/74	
DECIMALS	ANGLES	ENG. Allen Kent	DATE 11/26/74	TITLE PDP-11 # 0 CONSOLE CONTROL
.xxx = .005	10° 30'	PROJ. ENG. Allen Kent	DATE 11/26/74	
.xx = .02		PROD. Allen Kent	DATE 11/26/74	MATERIAL NEXT HIGHER ASSY. B-DD-DL10-A
.x = .1				
REMOVE BURS AND BREAK SHARP CORNERS SURFACE QUALITY Y				
FINISH	SCALE	SHEET	OF	REV.
	NONE	1	1	-
DISTRIBUTION				

8 7 6 5 4 3 2 1

THIS DRAWING AND SPECIFICATIONS HEREIN ARE THE PROPERTY OF DIGITAL EQUIPMENT CORPORATION AND SHALL NOT BE REPRODUCED OR COPIED OR USED IN WHOLE OR IN PART AS THE BASIS FOR THE MANUFACTURE OR SALE OF ITEMS WITHOUT WRITTEN PERMISSION. COPYRIGHT © 1973, DIGITAL EQUIPMENT CORPORATION.



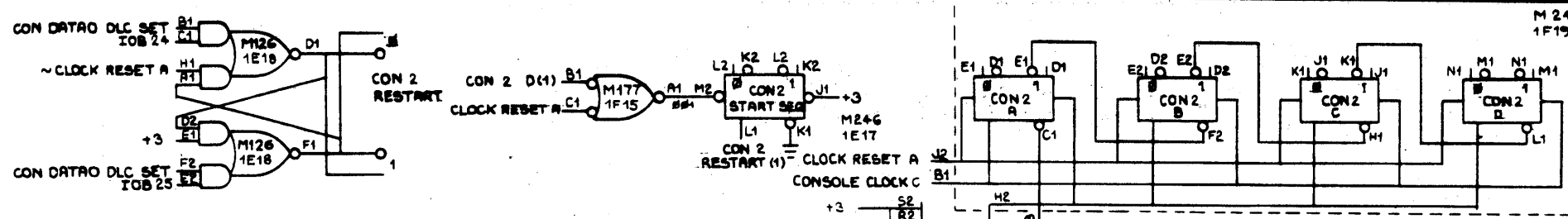
REV	DATE	BY	CHK
1	4-17-73	A. KENT	
2	4-17-73	A. KENT	
3	4-17-73	A. KENT	

NOTE
ALL SIGNAL NAMES ON THIS SHEET CONNECTED TO LOW ASSERTION DESIGNATION CIRCLES "0" ARE AS IF SUFFIXED WITH "L". ALL SIGNAL NAMES NOT CONNECTED TO LOW ASSERTION DESIGNATION CIRCLES ARE AS IF SUFFIXED WITH "H".

FIRST USED ON OPTION/MODEL	QTY.	DESCRIPTION	PART NO.	ITEM NO.
DL10-A		PARTS LIST		
UNLESS OTHERWISE SPECIFIED DIMENSION IN INCHES	DRN. P. Borden	DATE 4-5-73		
TOLERANCES	CHK'D. Allen Kent	DATE 4/21/74		
DECIMALS .005	ENG. Allen Kent	DATE 4/21/74		
ANGLES 10' 30"	PROJ. ENG. Allen Kent	DATE 4/21/74		
REMOVE BURRS AND BREAK SHARP CORNERS SURFACE QUALITY 1	PROD. Allen Kent	DATE 4/21/74	TITLE	
MATERIAL	NEXT HIGHER ASSY.	PDP-11 # 1		
FINISH	BDD-DL10-A	SCALE NONE	NUMBER	REV.
		SHEET 1 OF 1	DL10-A-CON1	C

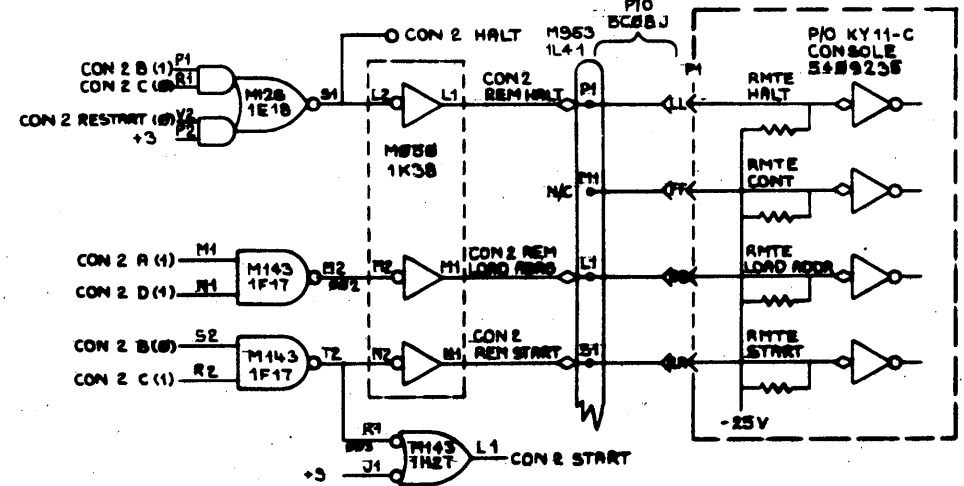
THIS DRAWING AND SPECIFICATIONS HEREIN ARE THE PROPERTY OF DIGITAL EQUIPMENT CORPORATION AND SHALL NOT BE REPRODUCED OR COPIED OR USED IN WHOLE OR IN PART AS THE BASIS FOR THE MANUFACTURE OR SALE OF ITEMS WITHOUT WRITTEN PERMISSION. COPYRIGHT © 1970, DIGITAL EQUIPMENT CORPORATION.

DL10-A-CON2

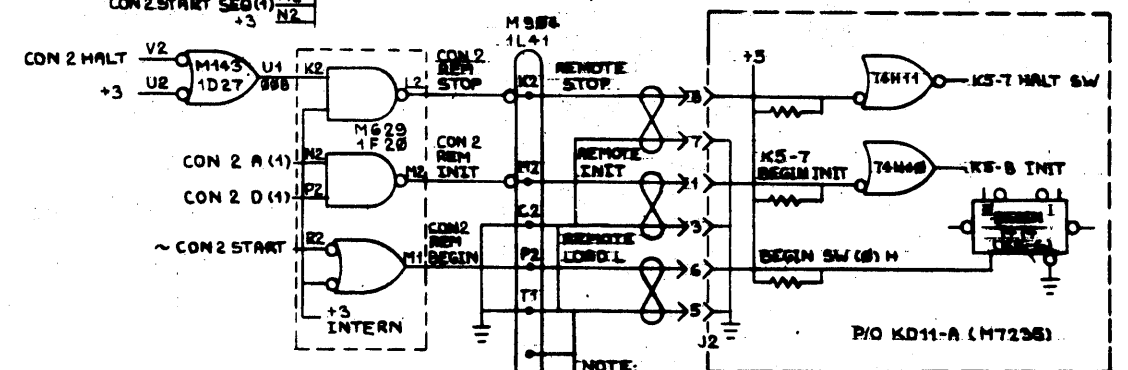


NOTE:
.N/C = NO CONNECTION
@ = SPLIT LUG

PDP-11/15 REMOTE CONSOLE INTERFACE



PDP-11/35 & -11/40 REMOTE CONSOLE INTERFACE

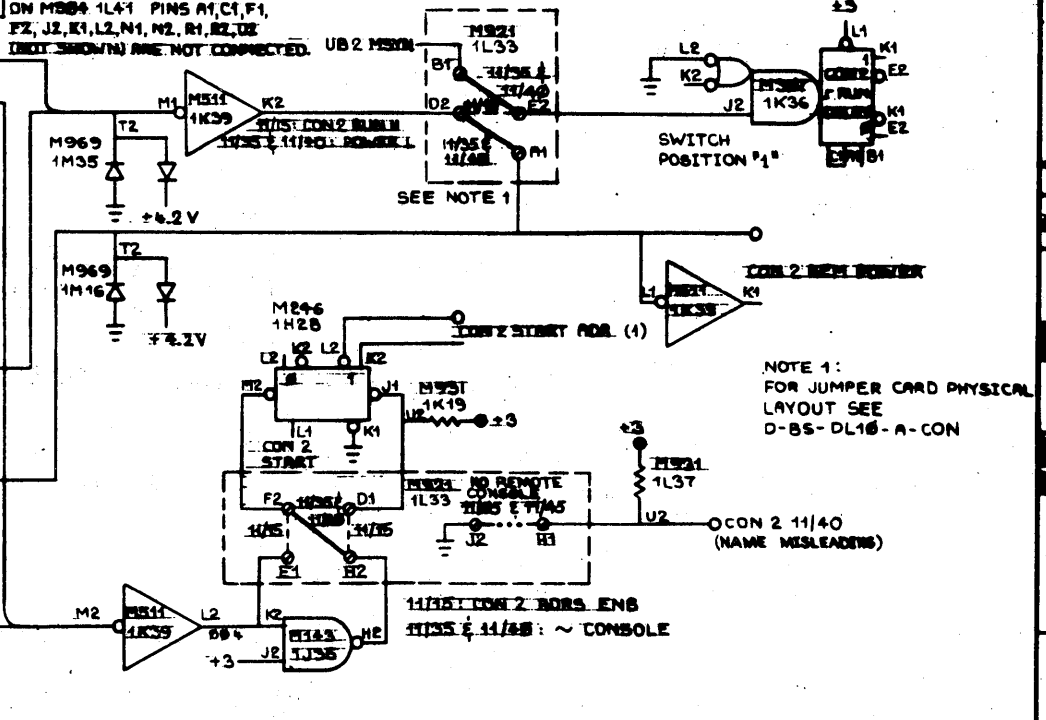
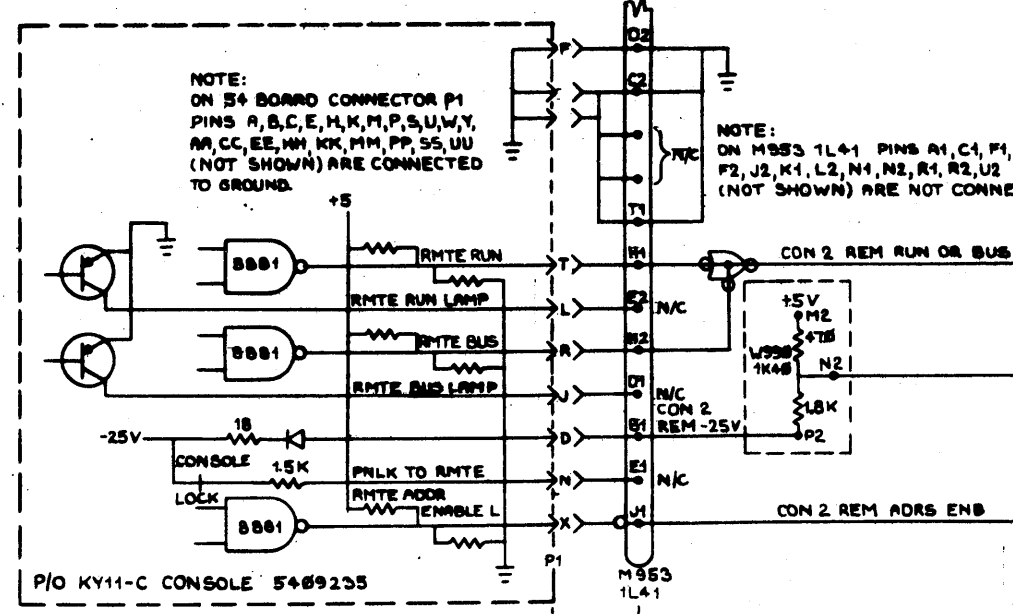


ADJUST SO THAT REPEATED "INIT" INSTRUCTIONS IN THE PDP-11 WILL KEEP THE DELAY IN THE "1" STATE.

NOTE:
ON S4 BOARD CONNECTOR P1 PINS A, B, C, E, H, K, M, P, S, U, W, Y, AA, CC, EE, HH, KK, MM, PP, SS, UU (NOT SHOWN) ARE CONNECTED TO GROUND.

NOTE:
ON M953 1L41 PINS A1, C1, F1, P2, J2, K1, L2, N1, N2, R1, R2, U2 (NOT SHOWN) ARE NOT CONNECTED.

NOTE:
PINS H1, J1 AND D2 ABOVE ARE DUPLICATED AT LEFT.



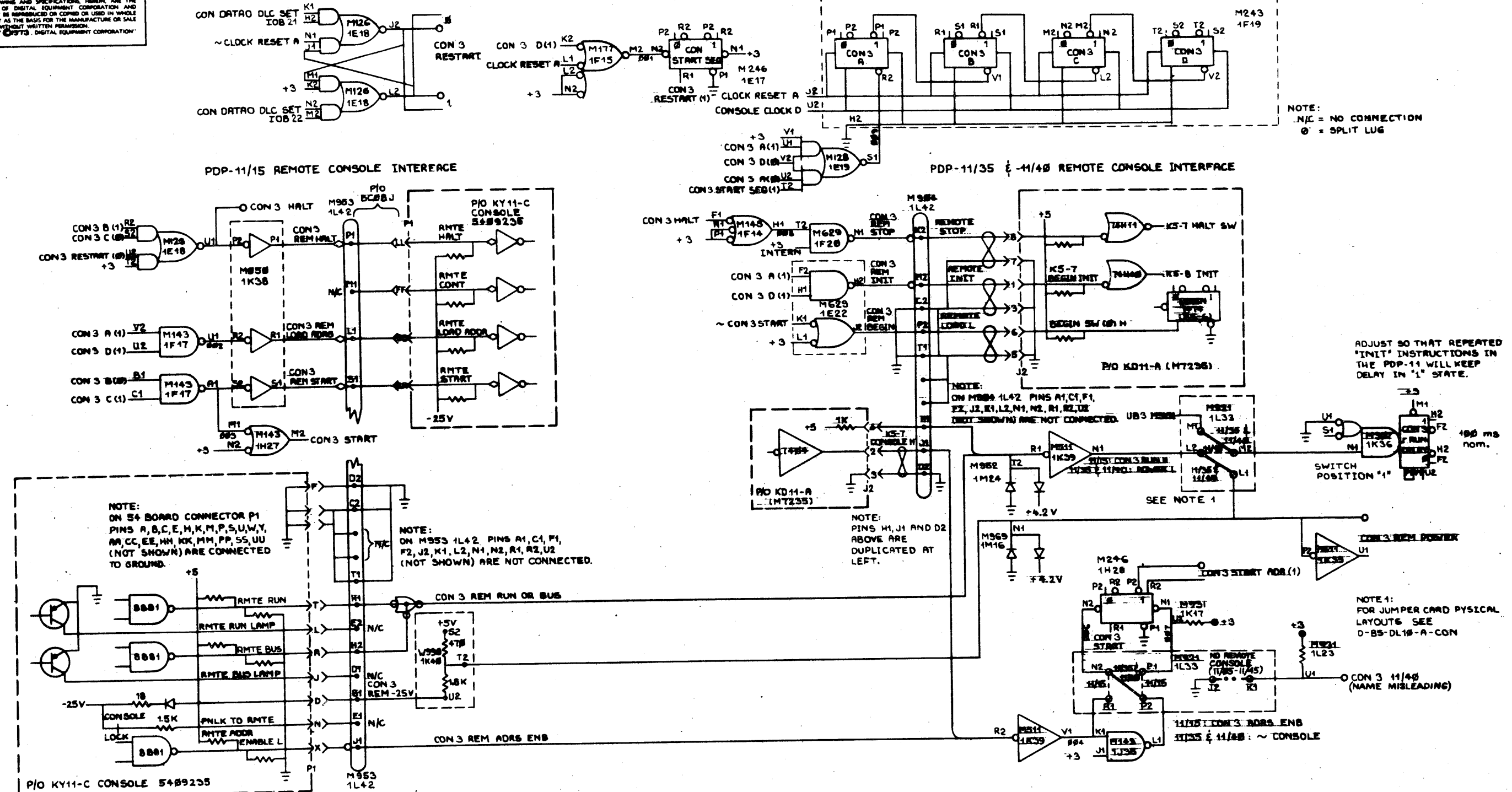
NOTE 1:
FOR JUMPER CARD PHYSICAL LAYOUT SEE D-B5-DL10-A-CON

REV	CHANGE NO	DATE	BY
B	DL10A-0000B		
A	REVISED & REDRAWN	1-17-78	A. KENT
			Allen Kent 2 May 79

FIRST USED ON OPTION/MODEL	QTY.	DESCRIPTION	PART NO.	ITEM NO.
DL10-A				
PARTS LIST				
UNLESS OTHERWISE SPECIFIED DIMENSION IN INCHES	DRN. E. B...	DATE 11-5-75		
TOLERANCES	CHK'D. Allen Kent	DATE 11/5/79		
DECIMALS ANGLES	ENG. Allen Kent	DATE 11/5/79		
.001 - .005 .01 - .02 .3 - 1	PROJ. ENG. Allen Kent	DATE 11/5/79		
REMOVE BURRS AND BREAK SHARP CORNERS SURFACE QUALITY V	DATE 11/5/79		TITLE	
			PDP-11 # 2	
			CONSOLE CONTROL	
MATERIAL	NEXT HIGHER ASSY.	SIZE CODE	NUMBER	REV.
FINISH	B-DD-DL10-A	D BS	DL10-A-CON2	B
	SCALE NONE	SHEET	OF	DIST.

NOTE
ALL SIGNAL NAMES ON THIS SHEET CONNECTED TO LOW ASSERTION DESIGNATION CIRCLES "O" ARE AS IF SUFFIXED WITH "L". ALL SIGNAL NAMES ON THIS SHEET NOT CONNECTED TO LOW ASSERTION DESIGNATION CIRCLES ARE AS IF SUFFIXED WITH "H".

THIS DRAWING AND SPECIFICATIONS HEREIN ARE THE PROPERTY OF DIGITAL EQUIPMENT CORPORATION AND SHALL NOT BE REPRODUCED OR COPIED OR USED IN WHOLE OR IN PART AS THE BASIS FOR THE MANUFACTURE OR SALE OF ITEMS WITHOUT WRITTEN PERMISSION. COPYRIGHT © 1973, DIGITAL EQUIPMENT CORPORATION.



NOTE:
.N/C = NO CONNECTION
Ø = SPLIT LUG

ADJUST SO THAT REPEATED 'INIT' INSTRUCTIONS IN THE PDP-11 WILL KEEP DELAY IN '1' STATE.

NOTE:
ON S4 BOARD CONNECTOR P1 PINS A, B, C, E, H, K, M, P, S, U, W, Y, AA, CC, EE, HH, KK, MM, PP, SS, UU (NOT SHOWN) ARE CONNECTED TO GROUND.

NOTE:
ON M953 1L42 PINS A1, C1, F1, F2, J2, K1, L2, N1, N2, R1, R2, U2 (NOT SHOWN) ARE NOT CONNECTED.

NOTE:
PINS H1, J1 AND D2 ABOVE ARE DUPLICATED AT LEFT.

SEE NOTE 1

NOTE 1:
FOR JUMPER CARD PHYSICAL LAYOUTS SEE D-85-DL10-A-CON

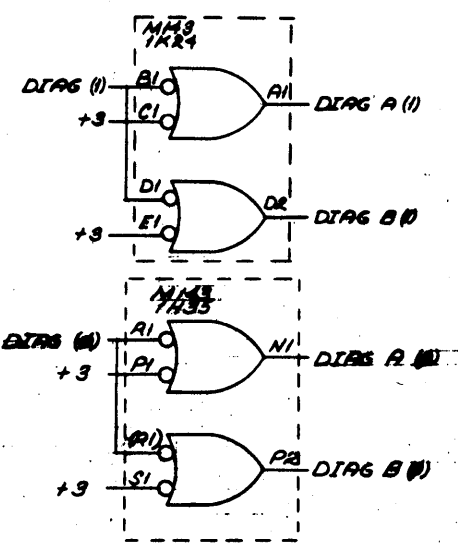
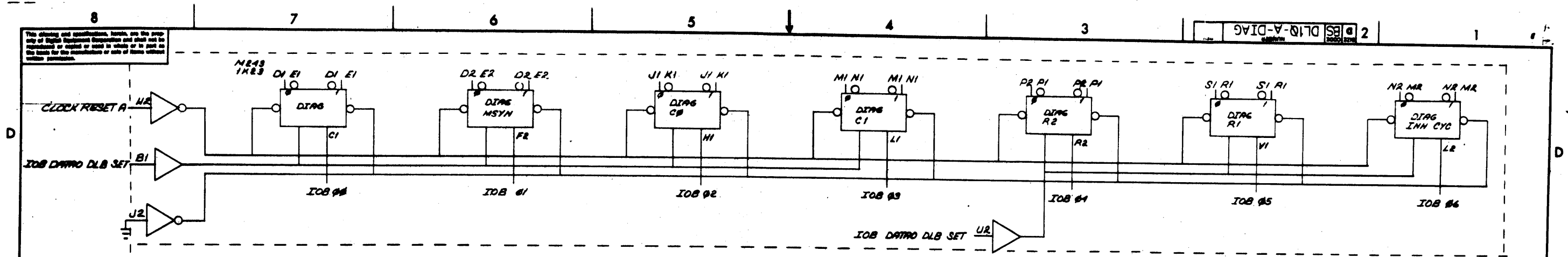
REVISIONS	NO.	REV.	DATE
CHANGE NO.	1		
ORIGINATED			

NOTE
ALL SIGNAL NAMES ON THIS SHEET CONNECTED TO LOW ASSERTION DESIGNATION CIRCLES "0" ARE AS IF SUFFIXED WITH "L". ALL SIGNAL NAMES ON THIS SHEET NOT CONNECTED TO LOW ASSERTION DESIGNATION CIRCLES ARE AS IF SUFFIXED WITH "H".

FIRST USED ON OPTION/MODEL	QTY.	DESCRIPTION	PART NO.	ITEM NO.
DL10-A				
UNLESS OTHERWISE SPECIFIED DIMENSION IN INCHES				
TOLERANCES				
DECIMALS	ANGLES	DATE 11-5-73		
.XXX = .005	±0° 30'	CHK'D. Alan Kent	DATE 11 Feb 74	
.XX = .02		ENG. Alan Kent	DATE 11 Feb 74	
.X = .1		PROJ. ENG. Alan Kent	DATE 11 Feb 74	
REMOVE BURRS AND BREAK SHARP CORNERS SURFACE QUALITY 1		PROOF. Alan Kent	DATE 11 Feb 74	
MATERIAL	NEXT HIGHER ASSY.	TITLE		
FINISH	B-DD-DL10-A	PDP-11 #3		
	SCALE NONE	CONSOLE CONTROL		
	SHEET OF	SIZE CODE	NUMBER	REV.
		D BS	DL10-A-CON3	-

The drawing and specifications herein are the property of Digital Equipment Corporation and shall not be reproduced or copied or used in whole or in part as the basis for the manufacture or sale of items without written permission.

DL10-A-DIAG 2

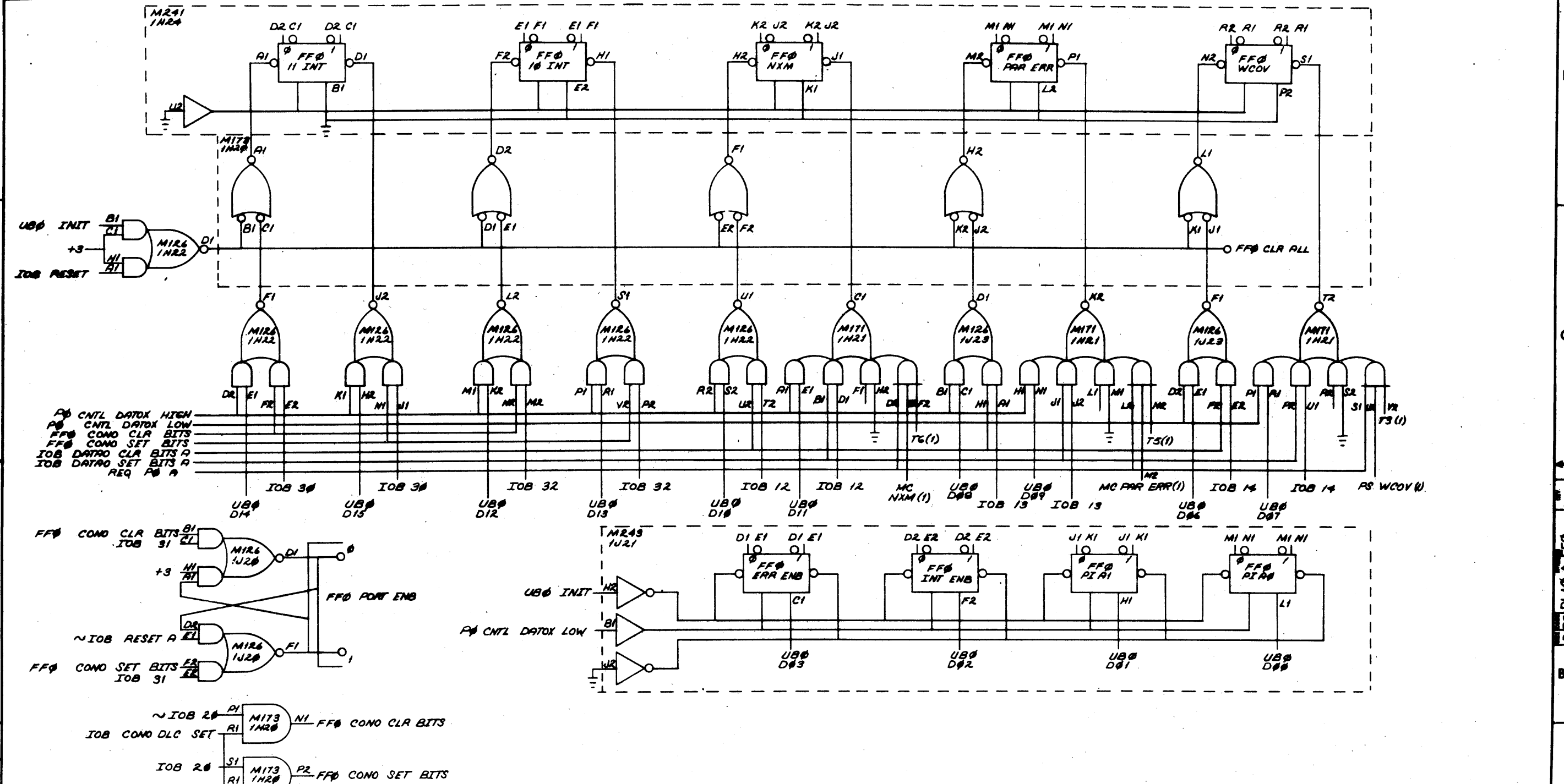


NOTE
 ALL SIGNAL NAMES ON THIS SHEET CONNECTED TO LOW ASSERTION DESIGNATION CIRCLES "O" ARE AS IF SUFFIXED WITH "L". ALL SIGNAL NAMES ON THIS SHEET NOT CONNECTED TO LOW ASSERTION DESIGNATION CIRCLES ARE AS IF SUFFIXED WITH "H".

FIRST USED ON DPM/MODEL	QTY.	DESCRIPTION	PART NO.	ITEM NO.
PDP10				
PARTS LIST				
UNLESS OTHERWISE SPECIFIED	DRN	DATE	digital EQUIPMENT CORPORATION MAYNARD, MASSACHUSETTS	
UNLESS OTHERWISE SPECIFIED	CHK'D	DATE	TITLE DIAGNOSTIC CONTROL BITS	
DIMENSIONS IN INCHES	ENG	DATE		
TOLERANCES	PROL ENG	DATE		
DECIMALS FRACTIONS ANGLES	PROD	DATE		
± .008 ± 1/64 ± 0°30'			SIZE CODE NUMBER REV	
FINAL SURFACE QUALITY / REMOVE BURRS AND BREAK SHARP CORNERS			D/BS DL10-A-DIAG	
MATERIAL	NEXT HIGHER ASSY		SCALE NONE	
FINISH	A-ML-DL10-A		SHEET 1 OF 1	

REV	
CHANGE NO.	
CHK	

The drawing and specifications herein are the property of Digital Equipment Corporation and shall not be reproduced or copied or used in whole or in part on any form for the manufacture or sale of items without written permission.

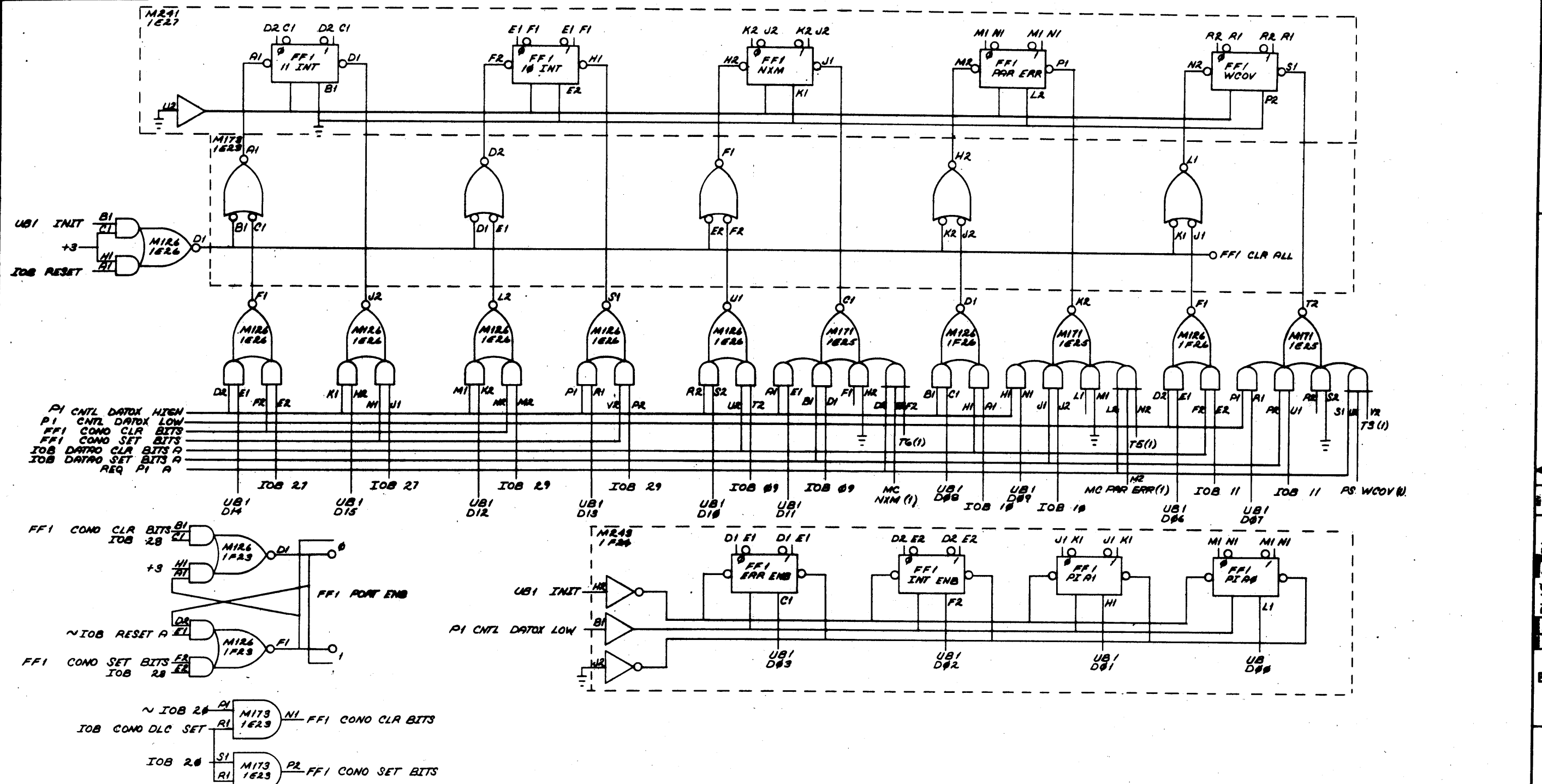


REV	NO
CHG	NO
CHK	NO

NOTE
 ALL SIGNAL NAMES ON THIS SHEET CONNECTED TO LOW ASSERTION DESIGNATION CIRCLES "0" ARE AS IF SUFFIXED WITH "L". ALL SIGNAL NAMES ON THIS SHEET NOT CONNECTED TO LOW ASSERTION DESIGNATION CIRCLES ARE AS IF SUFFIXED WITH "H".

FIRST USED ON OPTION MODEL PDP/0	QTY.	DESCRIPTION	PART NO.	ITEM NO.
UNLESS OTHERWISE SPECIFIED DIMENSIONS IN INCHES TOLERANCES DECIMALS FRACTIONS ANGLES ± 0.005 ± 1/64 ± 0°	DATE 11/19/71	DATE 11/19/71	EQUIPMENT CORPORATION MAYNARD MASSACHUSETTS	
MATERIAL	SCALE	TITLE PORT 0 CONTROL FLIP FLOP	SUBCODE DBS DLI0-A-FF0	NUMBER
FINISH	SHEET 1 OF 1	DATE 12/17/71	DIST.	REV

This drawing and specifications, herein, are the property of Digital Equipment Corporation and shall not be reproduced or copied in whole or in part for the manufacture of any of items without written permission.

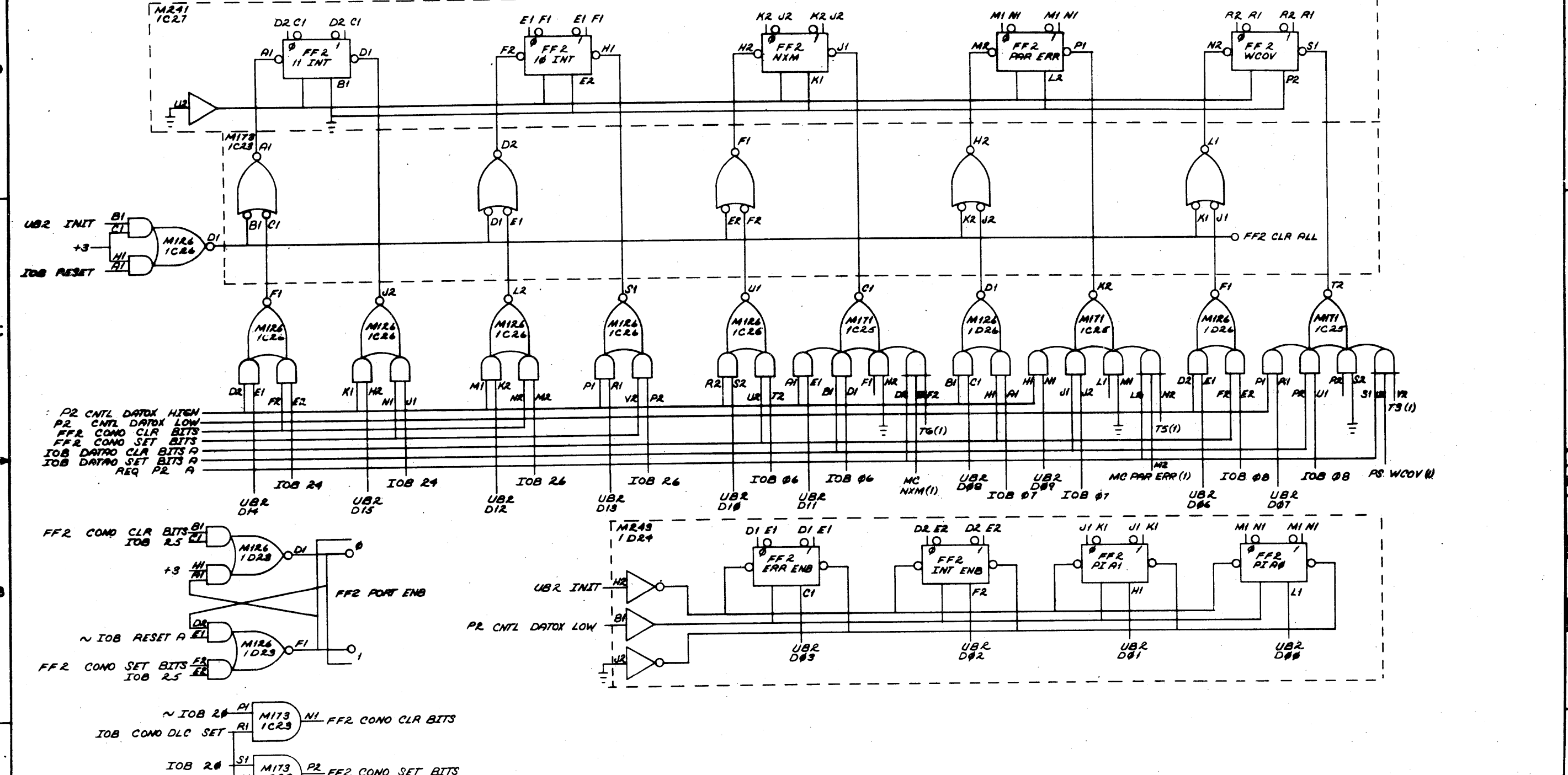


REV	
CHG	
CHK	
DEC FORM NO	098 102 A

NOTE
 ALL SIGNAL NAMES ON THIS SHEET CONNECTED TO LOW ASSERTION DESIGNATION CIRCLES "O" ARE AS IF SUFFIXED WITH "L". ALL SIGNAL NAMES ON THIS SHEET NOT CONNECTED TO LOW ASSERTION DESIGNATION CIRCLES ARE AS IF SUFFIXED WITH "H".

FIRST USED ON OPTION MODEL PDP10	QTY.	DESCRIPTION	PART NO.	ITEM NO.
UNLESS OTHERWISE SPECIFIED DIMENSIONS IN INCHES	PARTS LIST			
UNLESS OTHERWISE SPECIFIED TOLERANCES	EQUIPMENT CORPORATION MAYNARD, MASSACHUSETTS			
DECIMALS FRACTIONS ANGLES ± .005 ± .004 ± .03°	TITLE PORT 1 CONTROL FLIP FLOP			
FINAL SURFACE QUALITY REMOVE BURRS AND BREAK SHARP CORNERS	DATE 11/19/71			
MATERIAL	DATE 12/17/71			
FINISH	NEXT HIGHER ASSY A-ML-DL10-A			
	SCALE	SIZE/CODE NUMBER D BS DL10-A-FF1		
	SHEET 1 OF 1	DST.		

This drawing and specifications herein are the property of Digital Equipment Corporation and shall not be reproduced or copied or used in whole or in part, in any form, for the manufacture or sale of items without written permission.



P2 CNTL DATOX HIGH
P2 CNTL DATOX LOW
FF2 CONO CLR BITS
FF2 CONO SET BITS
IOB DATRO CLR BITS A
IOB DATRO SET BITS A
REQ P2 A

FF2 CONO CLR BITS BI
IOB 25 EI
+3 HI
MI
FI
FF2 PORT ENB
~ IOB RESET A EI
FF2 CONO SET BITS EI
IOB 25 EI

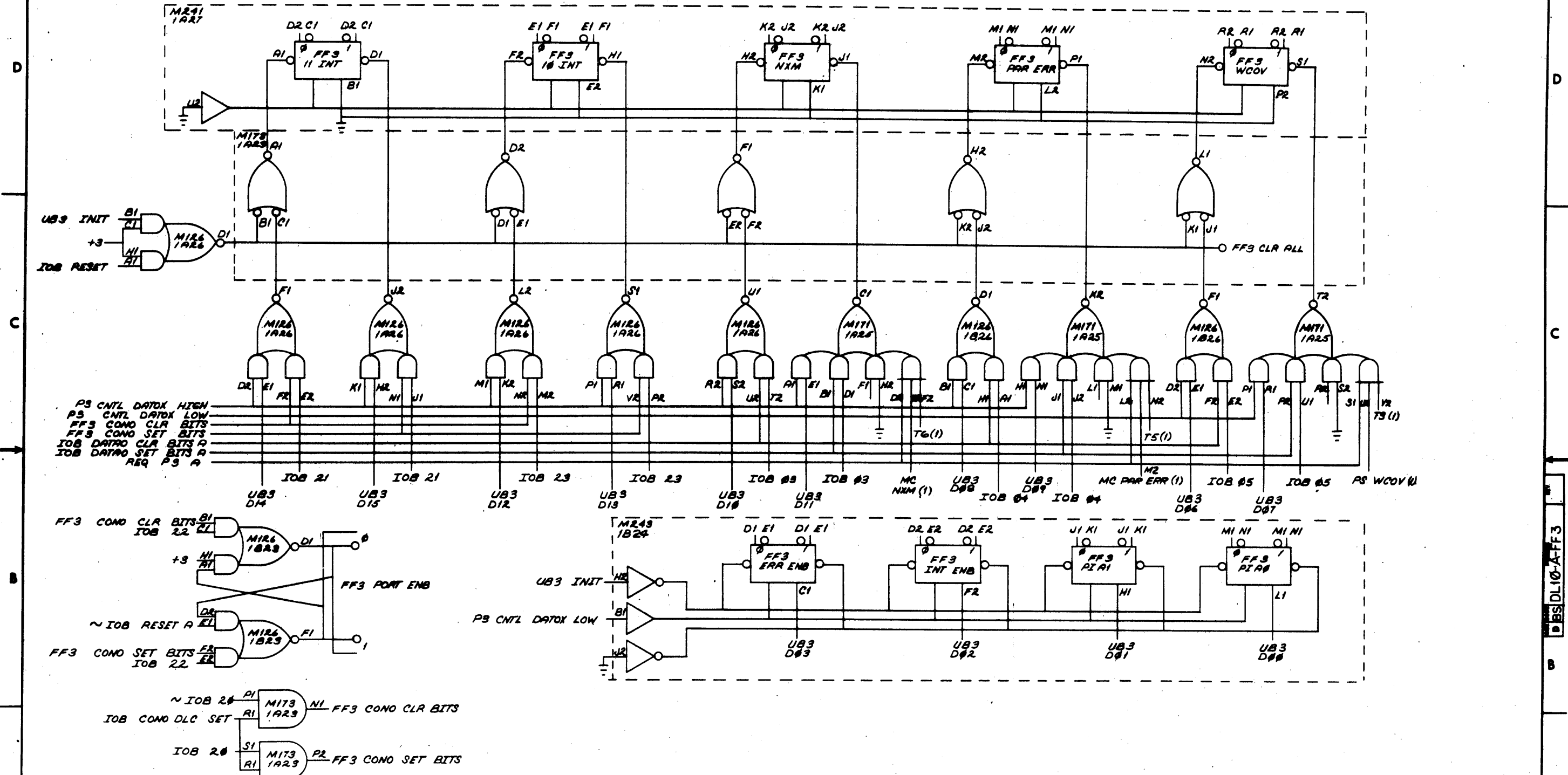
~ IOB 26 PI
IOB CONO DLO SET RI
IOB 26 EI
IOB 26 EI
PI
RI
FI
PR
FF2 CONO CLR BITS
FF2 CONO SET BITS

NOTE
ALL SIGNAL NAMES ON THIS SHEET CONNECTED TO LOW ASSERTION DESIGNATION CIRCLES "O" ARE AS IF SUFFIXED WITH "L". ALL SIGNAL NAMES ON THIS SHEET NOT CONNECTED TO LOW ASSERTION DESIGNATION CIRCLES ARE AS IF SUFFIXED WITH "H".

FIRST USED ON OPTION MODEL PDP10	QTY.	DESCRIPTION	PART NO.	ITEM NO.
UNLESS OTHERWISE SPECIFIED DIMENSION IN INCHES TOLERANCES DECIMALS FRACTIONS ANGLES ± 0.005 ± 1/64 ± 0°30'	DRN C. Wallace	DATE 2-2-71	PARTS LIST	
MATERIAL	CHKD D. Stephenson	DATE 11/17/71	TITLE PORT 2 CONTROL FLIP FLOP	
FINISH	ENG I. W. E.	DATE 11/17/71	DRAWN BY C. Wallace	
	PROJ. ENG. Tommy	DATE 12/7/71	EQUIPMENT CORPORATION MAYNARD, MASSACHUSETTS	
	PROD. K. It...	DATE 12/7/71	SCALE 1 OF 1	
	NEXT HIGHER ASSY A-ML-DL10-A		SHEET 1 OF 1	
			DIBS DL10-A-FF2	

REV.	NO.
1	
2	
3	
4	
5	
6	
7	
8	

The drawing and specifications herein are the property of Digital Equipment Corporation and shall not be reproduced or copied in whole or in part or the basis for the manufacture of any of them without written permission.



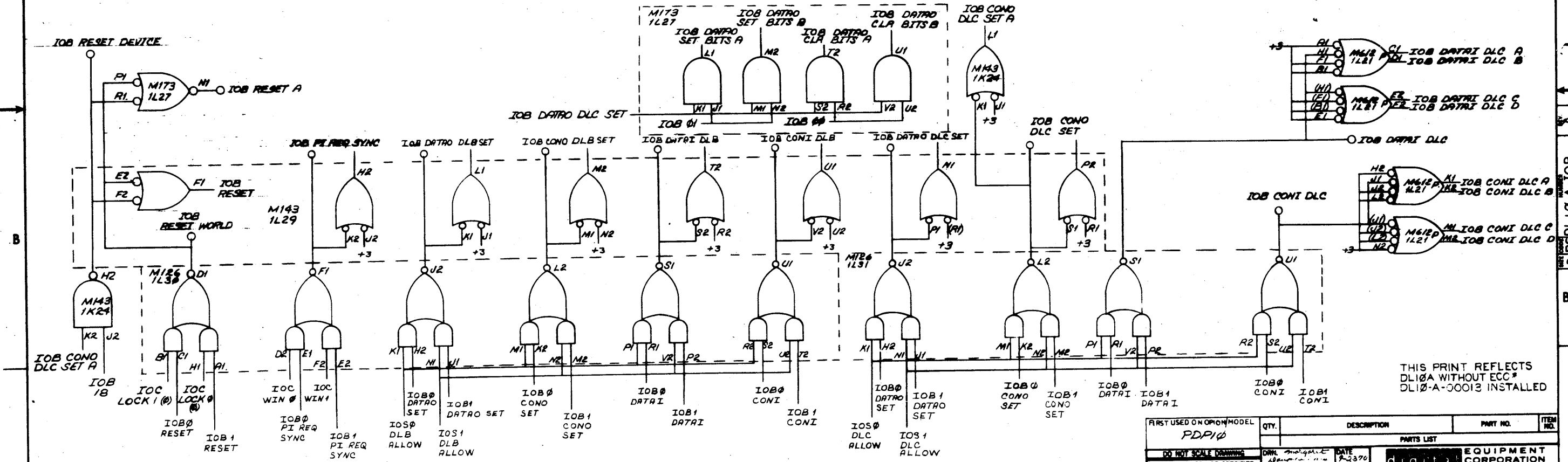
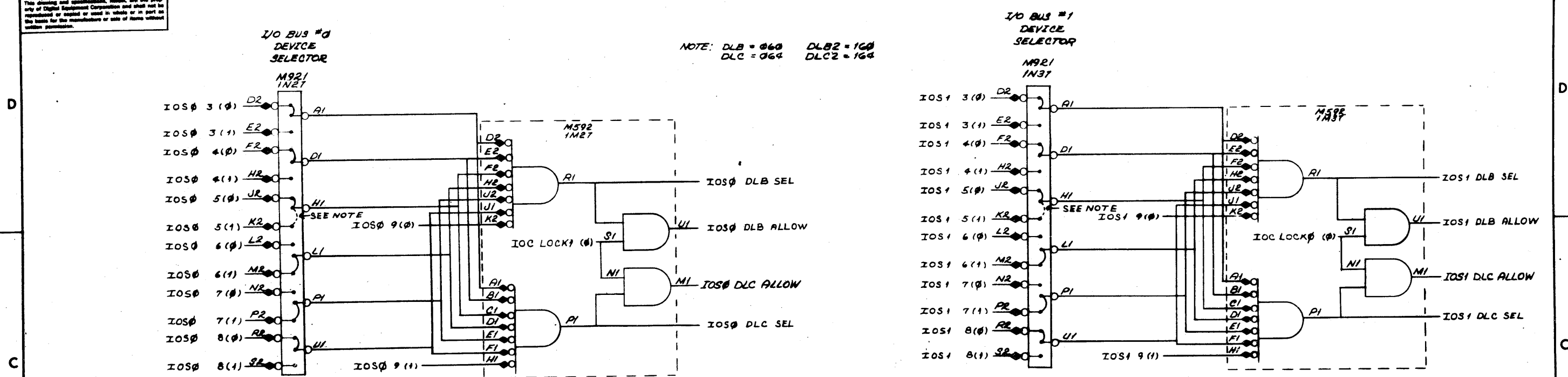
REV.	CHG.	NO.	DATE

NOTE
ALL SIGNAL NAMES ON THIS SHEET CONNECTED TO LOW ASSERTION DESIGNATION CIRCLES "0" ARE AS IF SUFFIXED WITH "L". ALL SIGNAL NAMES ON THIS SHEET NOT CONNECTED TO LOW ASSERTION DESIGNATION CIRCLES ARE AS IF SUFFIXED WITH "H".

FIRST USED OR OPTION MODEL PDP10	QTY.	DESCRIPTION	PART NO.	ITEM NO.
UNLESS OTHERWISE SPECIFIED DIMENSIONS IN INCHES TOLERANCES DECIMALS FRACTIONS ANGLES ± .005 ± .125 ± .005 FINAL SURFACE QUALITY REMOVE BURRS AND BREAK SHARP CORNERS	DATE 2-2-77	DATE 11/17/71	PARTS LIST	
DRAWN <i>C. Wallace</i>		DATE 2-2-77	DIGITAL EQUIPMENT CORPORATION MAYNARD, MASSACHUSETTS	
CHECKED <i>C. Thompson</i>		DATE 11/17/71	TITLE PORT 3 CONTROL FLIP FLOP	
ENGR <i>Tue</i>		DATE 11/17/71	SIZE CODE D	
PROJ ENGR <i>T. J. ...</i>		DATE 12/17/71	NUMBER DL10-A-FF3	
MATERIAL		NEXT HIGHER ASSY A-ML-DL10-A	REV.	
FINISH	SCALE	SHEET	OF	DIST.

This drawing and specifications herein are the property of Digital Equipment Corporation and shall not be reproduced or used in whole or in part in any form for the manufacture or sale of items without written permission.

NOTE: DLB = 060 DLB2 = 160
DLC = 064 DLC2 = 164



THIS PRINT REFLECTS DL10A WITHOUT ECC* DL10-A-00013 INSTALLED

REV	CHG	NO.	DATE
A	DL10A-00013	1	12/17/71
B	DL10A-00013	2	12/17/71
C	DL10A-00013	3	12/17/71
D	DL10A-00013	4	12/17/71

NOTE: ALL SIGNAL NAMES ON THIS SHEET CONNECTED TO LOW ASSERTION DESIGNATION CIRCLES "0" ARE AS IF SUFFIXED WITH "L". ALL SIGNAL NAMES ON THIS SHEET NOT CONNECTED TO LOW ASSERTION DESIGNATION CIRCLES ARE AS IF SUFFIXED WITH "H".

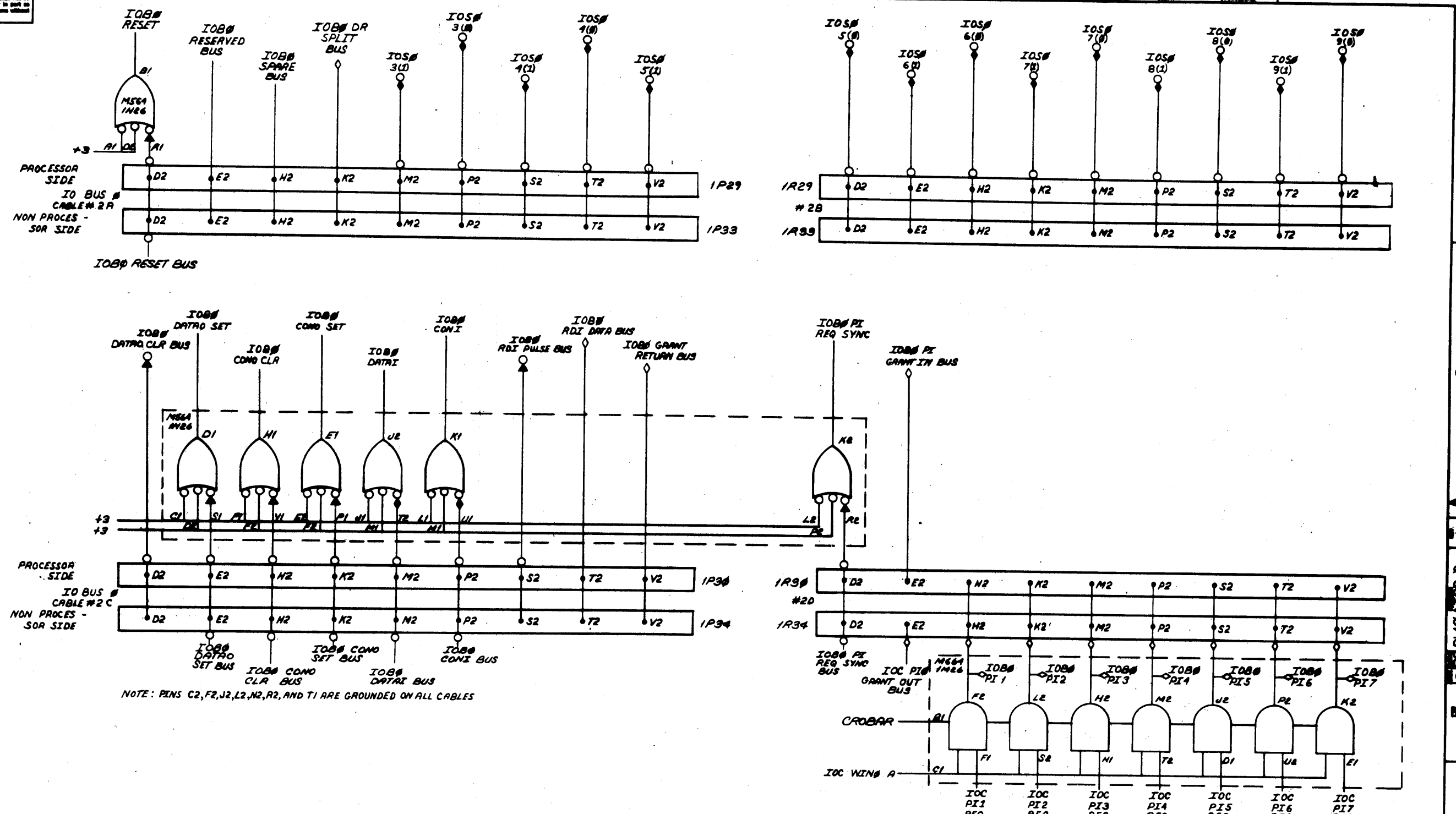
REV	CHG	NO.	DATE
A	DL10A-00013	1	12/17/71
B	DL10A-00013	2	12/17/71
C	DL10A-00013	3	12/17/71
D	DL10A-00013	4	12/17/71

FIRST USED ON OPTION MODEL	QTY.	DESCRIPTION	PART NO.	ITEM NO.
PDPI0				
DO NOT SCALE DRAWING				
UNLESS OTHERWISE SPECIFIED DIMENSIONS IN INCHES				
TOLERANCES				
DECIMALS	FRACTIONS	ANGLES		
± .005	± 1/64	± 0°30'		
FINAL SURFACE QUALITY				
REMOVE BURRS AND BREAK SHARP CORNERS				
MATERIAL				
NEXT HIGHER ASSY				
A ML-DL10-A				
SCALE NONE				
SHEET 1 OF 1				

PARTS LIST		TITLE	
DIGITAL EQUIPMENT CORPORATION		IOB SELECTION & CONTROL MIXER (WITHOUT DL10-B ECO)	
MAYFORD, MASSACHUSETTS		DL10-A-00013	
REV		REV	
A		A	

This drawing and specifications herein are the property of Digital Equipment Corporation and shall not be reproduced or copied or used in whole or in part in any manner without the written permission of Digital Equipment Corporation.

Y 0 801-A-10B 2

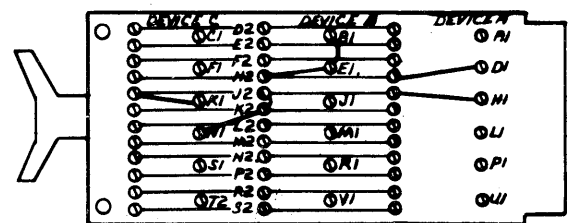
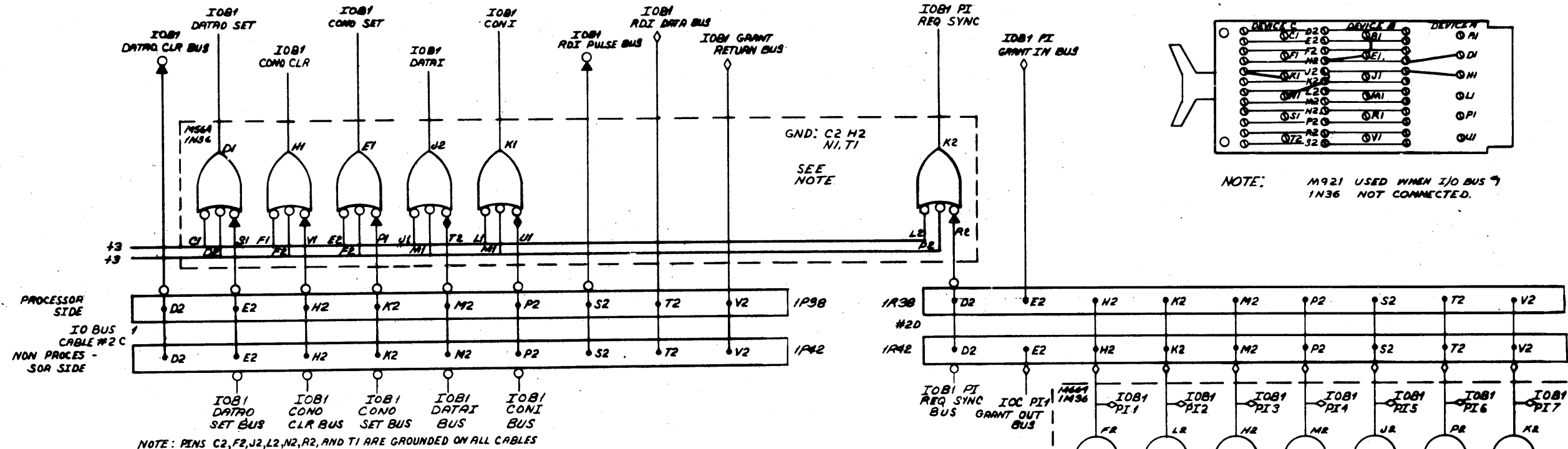
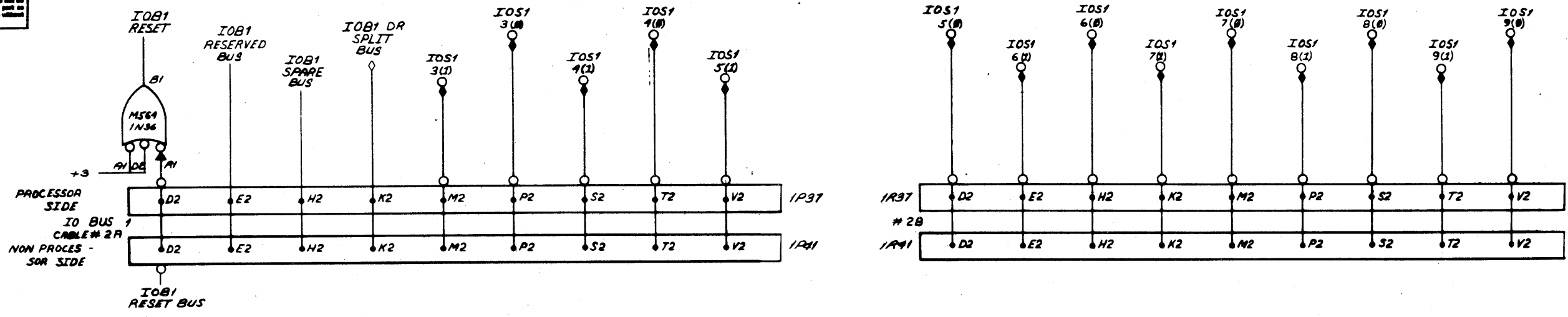


REV	A
CHANGE NO.	4-18-72
BY	A. KENT
CHK	C. J. BARKER
DATE	11/19/71

NOTE
ALL SIGNAL NAMES ON THIS SHEET CONNECTED TO LOW ASSERTION DESIGNATION CIRCLES "O" ARE AS IF SUFFIXED WITH "L". ALL SIGNAL NAMES ON THIS SHEET NOT CONNECTED TO LOW ASSERTION DESIGNATION CIRCLES ARE AS IF SUFFIXED WITH "H".

FIRST USED ON OPTION MODEL PDP10	QTY.	DESCRIPTION	PART NO.	ITEM NO.
UNLESS OTHERWISE SPECIFIED				
DIMENSIONS IN INCHES				
TOLERANCES				
DECIMALS FRACTIONS ANGLES				
± .005 ± 1/64 ± 0°				
FINISH SURFACE QUALITY / REMOVE BURRS AND BREAK SHARP CORNERS				
MATERIAL				
FINISH				
SCALE				
SHEET 1 OF 1				
PARTS LIST			EQUIPMENT CORPORATION MAYNARD, MASSACHUSETTS	
TITLE IOB INTERFACE 0			DATE 9-7-70	
DRAWN A. WALLACE			DATE 11/19/71	
CHECKED C. J. BARKER			DATE 11/19/71	
ENGR T. W. E.			DATE 11/19/71	
PROJ. ENGR C. J. BARKER			DATE 11/19/71	
NEXT REVISION			DATE	
A-ML-DL10-A			DATE	
DDBS DL10-A-10B0			DATE	

This drawing and specifications, taken on the part of Buyer, represent the minimum requirements and shall not be interpreted as a warranty or used in whole or in part as the basis for the construction of any of these without written permission.



NOTE: M921 USED WHEN I/O BUS 7 IN36 NOT CONNECTED.

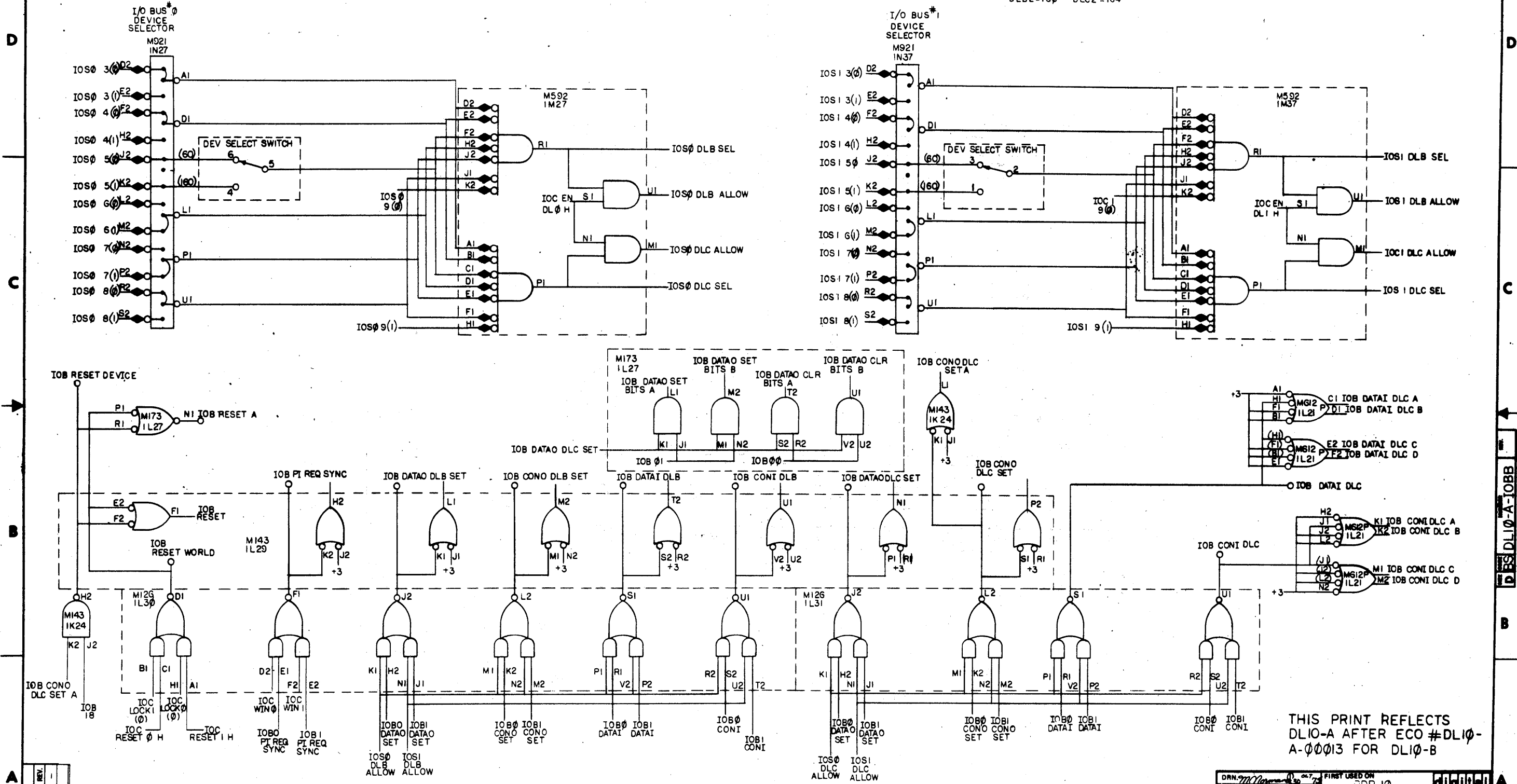
NOTE
ALL SIGNAL NAMES ON THIS SHEET CONNECTED TO LOW ASSERTION DESIGNATION CIRCLES "O" ARE AS IF SUFFIXED WITH "L". ALL SIGNAL NAMES ON THIS SHEET NOT CONNECTED TO LOW ASSERTION DESIGNATION CIRCLES ARE AS IF SUFFIXED WITH "H".

REV	CHG	NO	DATE	BY	CHK
1	A	00008	11/17/70	KENT	
2	A	00008	11/17/70	KENT	

FIRST USED ON OPTIUM MODEL	QTY.	DESCRIPTION	PART NO.	ITEM NO.
PDP10				
UNLESS OTHERWISE SPECIFIED				
DIMENSIONS IN INCHES				
TOLERANCES				
DECIMALS FRACTIONS ANGLES				
± .005 ± 1/64 ± .030				
FINAL SURFACE QUALITY				
REMOVE BURRS AND BREAK SHARP CORNERS				
MATERIAL				
FINISH				
DATE 9-7-70				
DATE 11/21/70				
DATE 11/17/71				
DATE 12/17/71				
NEXT HIGHER ASSY				
A-ML-DL10-A				
SCALE				
SHEET 1 OF 1				
PARTS LIST				
EQUIPMENT CORPORATION				
TITLE				
IOB INTERFACE 1				
SIZE CODE				
DBS DL10-A-IOB1				
REV				
NO.				

THIS DRAWING AND SPECIFICATIONS HEREIN ARE THE PROPERTY OF DIGITAL EQUIPMENT CORPORATION AND SHALL NOT BE REPRODUCED OR COPIED IN WHOLE OR IN PART AS THE BASIS FOR THE MANUFACTURE OR SALE OF ITEMS WITHOUT WRITTEN PERMISSION. COPYRIGHT © 1975, DIGITAL EQUIPMENT CORPORATION.

- NOTES:
1. DEVICE SELECT SWITCH IS DPDT MOUNTED ON FRONT PANEL.
 2. SWITCH IS SHOWN 060/064 POSITION.
 3. DLB=060 DLC=064
DLB2=160 DLC2=164



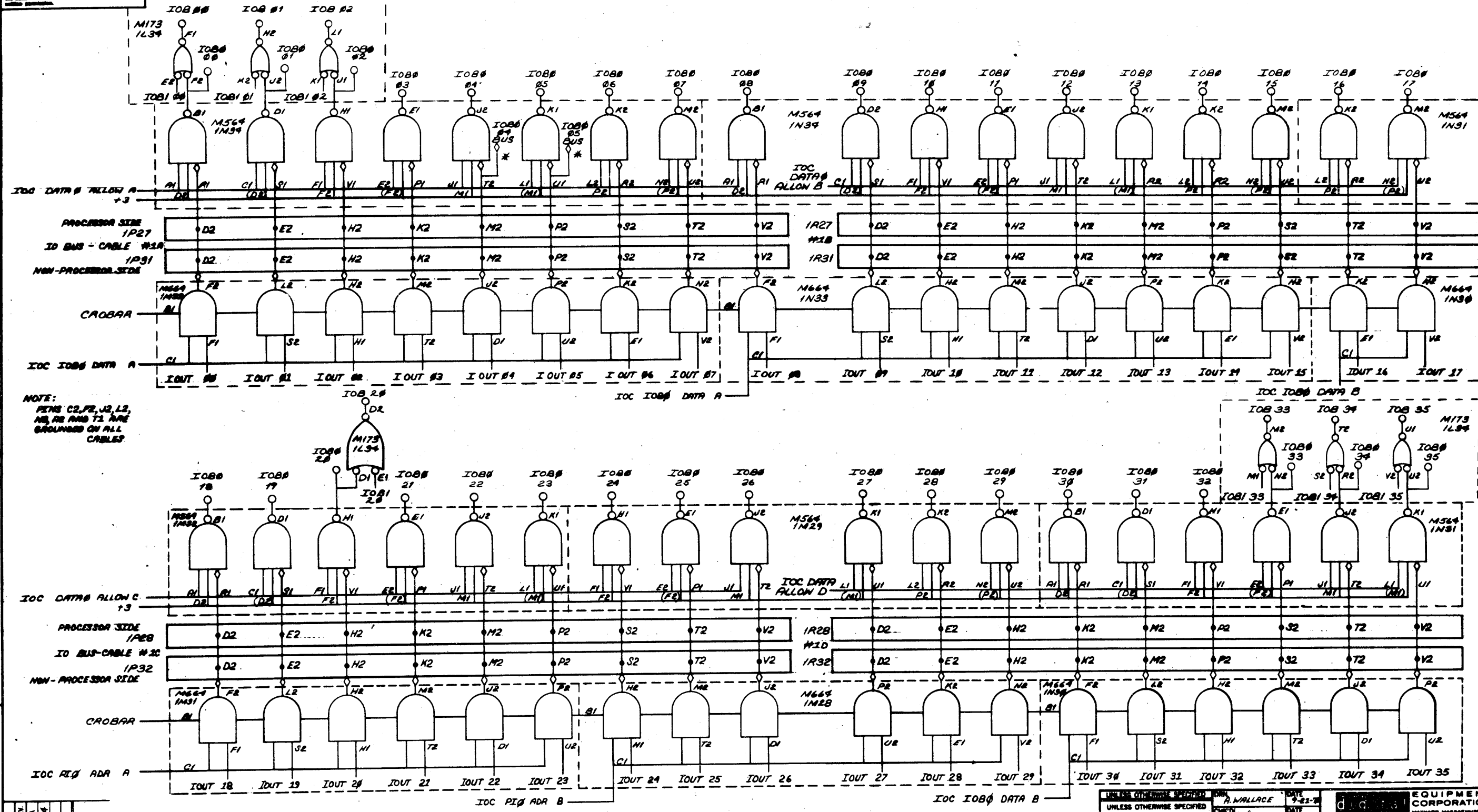
THIS PRINT REFLECTS DL10-A AFTER ECO #DL10-A-00013 FOR DL10-B

NOTE: ALL SIGNAL NAMES ON THIS SHEET CONNECTED TO LOW ASSERTION DESIGNATION CIRCLES 'O' ARE AS IF SUFFIXED WITH 'L'. ALL SIGNAL NAMES ON THIS SHEET NOT CONNECTED TO LOW ASSERTION DESIGNATION CIRCLES ARE AS IF SUFFIXED WITH 'H'.

REV.	CHG.	DATE
1	DL10A-00013	
ORIGINATED		

DRN: <i>[Signature]</i>	FIRST USED ON: PDP 10	DATE: 10/75
CHK'D: <i>[Signature]</i>	TITLE: IOB SELECTION & CONTROL (WITH DL10-B ECO)	REV.:
ENG: <i>[Signature]</i>	PROJECT: <i>[Signature]</i>	PROJ. NO.: <i>[Signature]</i>
PROD. <i>[Signature]</i>	SCALE: <i>[Signature]</i>	SHEET OF: <i>[Signature]</i>
NEXT HIGHER ASSY:	A-ML-DL10-A	SIZE CODE: D BS DL10-A-IOBB
		NUMBER: <i>[Signature]</i>
		DIST.:

This drawing and specifications, taken as the primary of Digital Equipment Corporation and shall not be reproduced or used in whole or in part as the basis for the manufacture of any of these without written permission.



NOTE:
PINS C2, F2, J2, L2,
M2, R2 AND T2 ARE
GROUNDED ON ALL
CABLES.

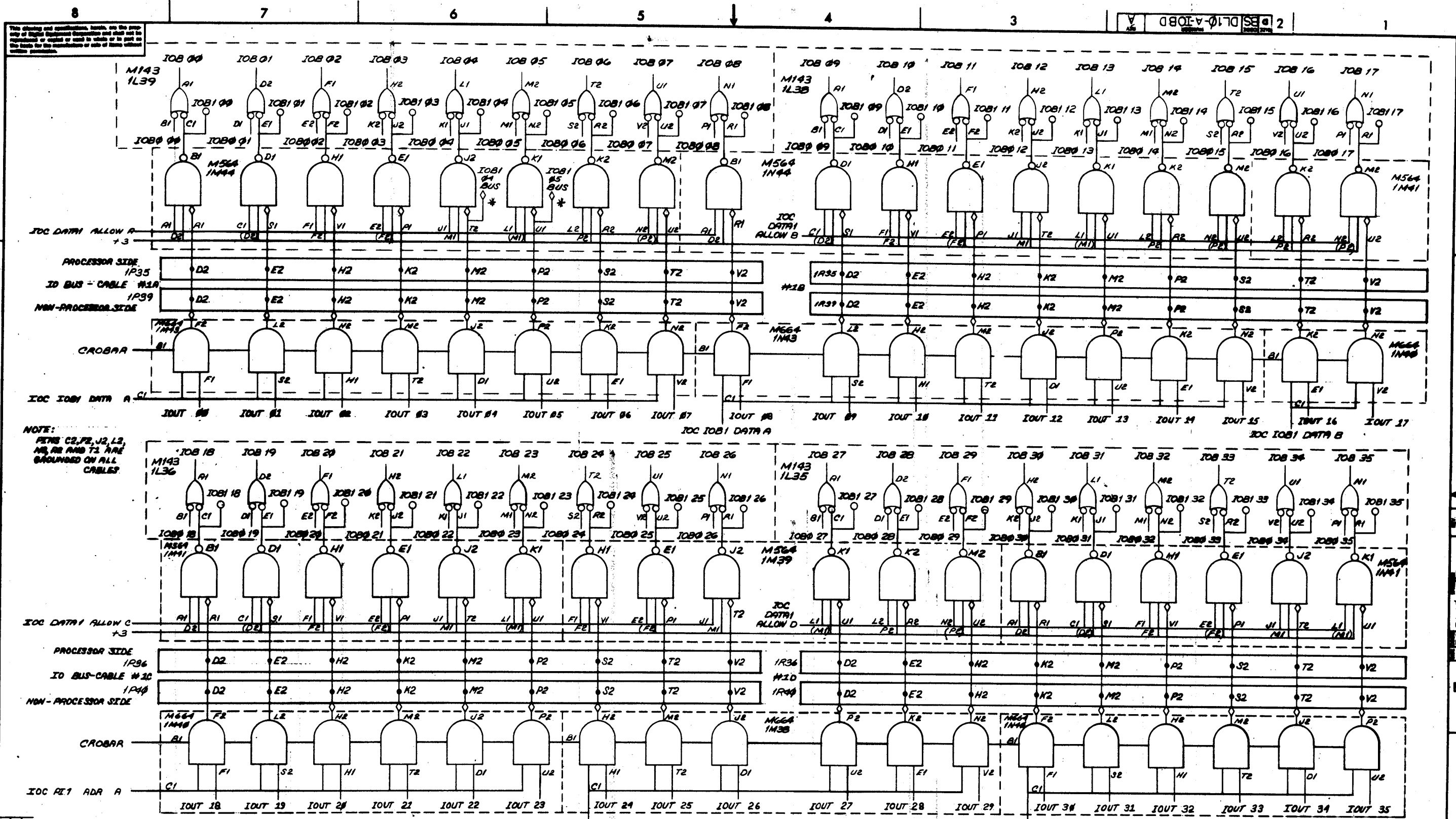
NOTE
ALL SIGNAL NAMES ON THIS SHEET CONNECTED TO LOW ASSERTION
DESIGNATION CIRCLES "O" ARE AS IF SUFFIXED WITH "L". ALL SIGNAL
NAMES ON THIS SHEET NOT CONNECTED TO LOW ASSERTION
DESIGNATION CIRCLES ARE AS IF SUFFIXED WITH "H".

* ALSO GENERATED ON
PRINT IOC2

FIRST USED ON OPTION MODEL
PDP10

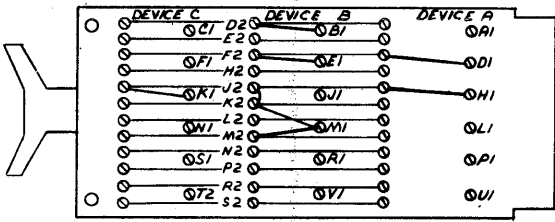
UNLESS OTHERWISE SPECIFIED DIMENSIONS IN INCHES TOLERANCES DECIMALS FRACTIONS ANGLES ± 0.05 ± 1/64 ± 0.007 FINAL SURFACE QUALITY 7 REMOVE BURRS AND BREAK SHARP CORNERS	DATE 9-21-70 DATE 11/17/71 DATE 11/17/71 DATE 12/17/71 NEXT HIGHER ASSY	EQUIPMENT CORPORATION MATTHEW MASSACHUSETTS TITLE I/O BUS DATA INTERFACE SIZE CODE NUMBER DIST.
MATERIAL	A-ML-DL10-A	DL10-A-IOB-D
FINISH	SCALE 1	SHEET 1 OF 2

REV	DATE	BY	CHK
A	4-18-74	A KENT	
B			
C			
D			



NOTE:
PINS C2, F2, J2, L2,
M2, R2 AND T2 ARE
GROUNDED ON ALL
CABLES

M921
1M39, 1M41
1N44, 1N41
USED
WHEN I/O BUS
*1 NOT CONNECTED



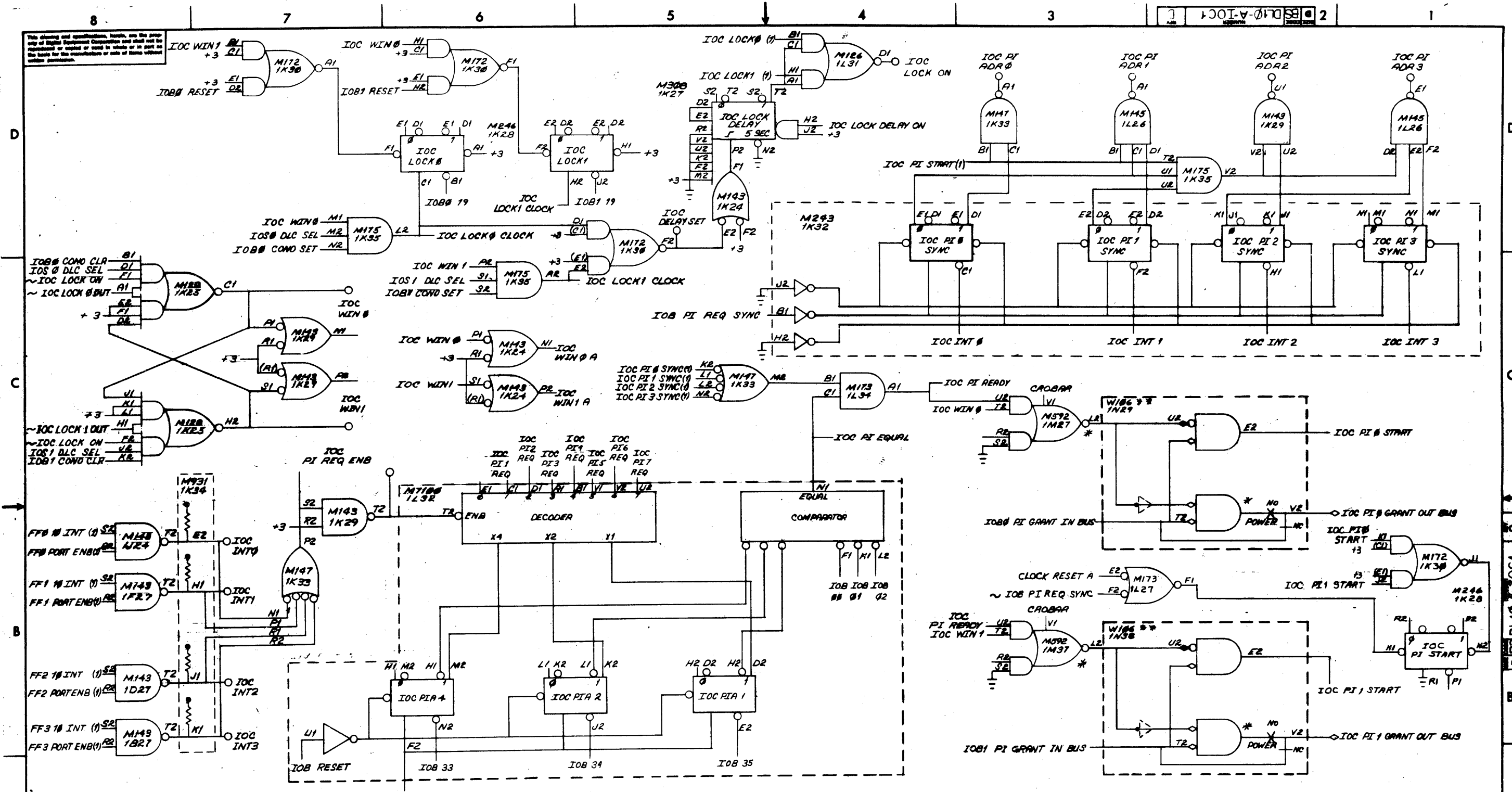
NOTE
ALL SIGNAL NAMES ON THIS SHEET CONNECTED TO LOW ASSERTION
DESIGNATION CIRCLES "O" ARE AS IF SUFFIXED WITH "L". ALL SIGNAL
NAMES ON THIS SHEET NOT CONNECTED TO LOW ASSERTION
DESIGNATION CIRCLES ARE AS IF SUFFIXED WITH "H".

* ALSO GENERATED ON
PRINT IOC2

FIRST USED ON OPTORY MODEL
PDP10

UNLESS OTHERWISE SPECIFIED DIMENSION IN INCHES TOLERANCES DECIMALS FRACTIONS ± .005 ± 1/32 ± .010 FINAL SURFACE QUALITY REMOVE BURRS AND BREAK SHARP CORNERS	DATE 9-21-70 A. WALLACE DATE 11/19/71 TWC DATE 11/19/71 Tom Eggers DATE 12/10/71 R. Stenowski NEXT HIGHER ASSY	DATE 9-21-70 A. WALLACE DATE 11/19/71 TWC DATE 11/19/71 Tom Eggers DATE 12/10/71 R. Stenowski NEXT HIGHER ASSY
MATERIAL	A-ML-DL10-A	NUMBER DL10-A-IOB-D
FINISH	SCALE NONE	SHEET 2 OF 2

REV.	
CHG	
NO.	



REV	CHANGE NO.	DATE	BY	CHKD
A	0001	1/17/72	W. WALLACE	
B	0004	4/19/72	W. WALLACE	
C	0005	11/19/72	W. WALLACE	
D	0003	10-23-72	W. WALLACE	

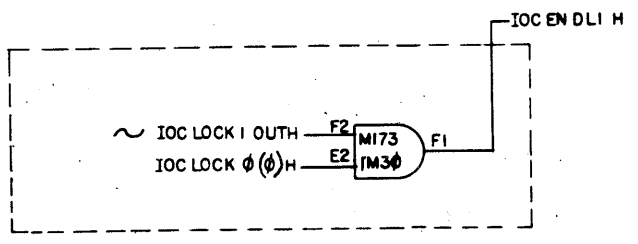
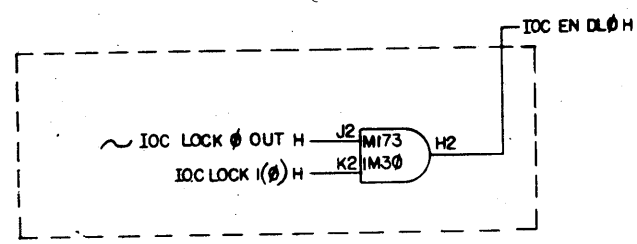
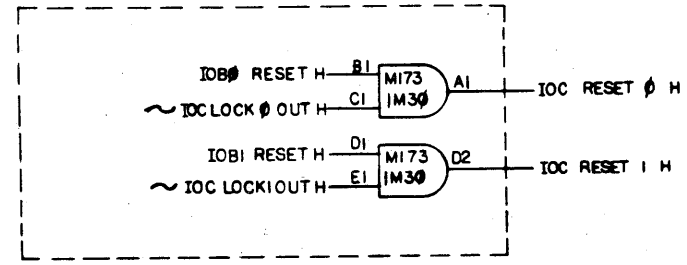
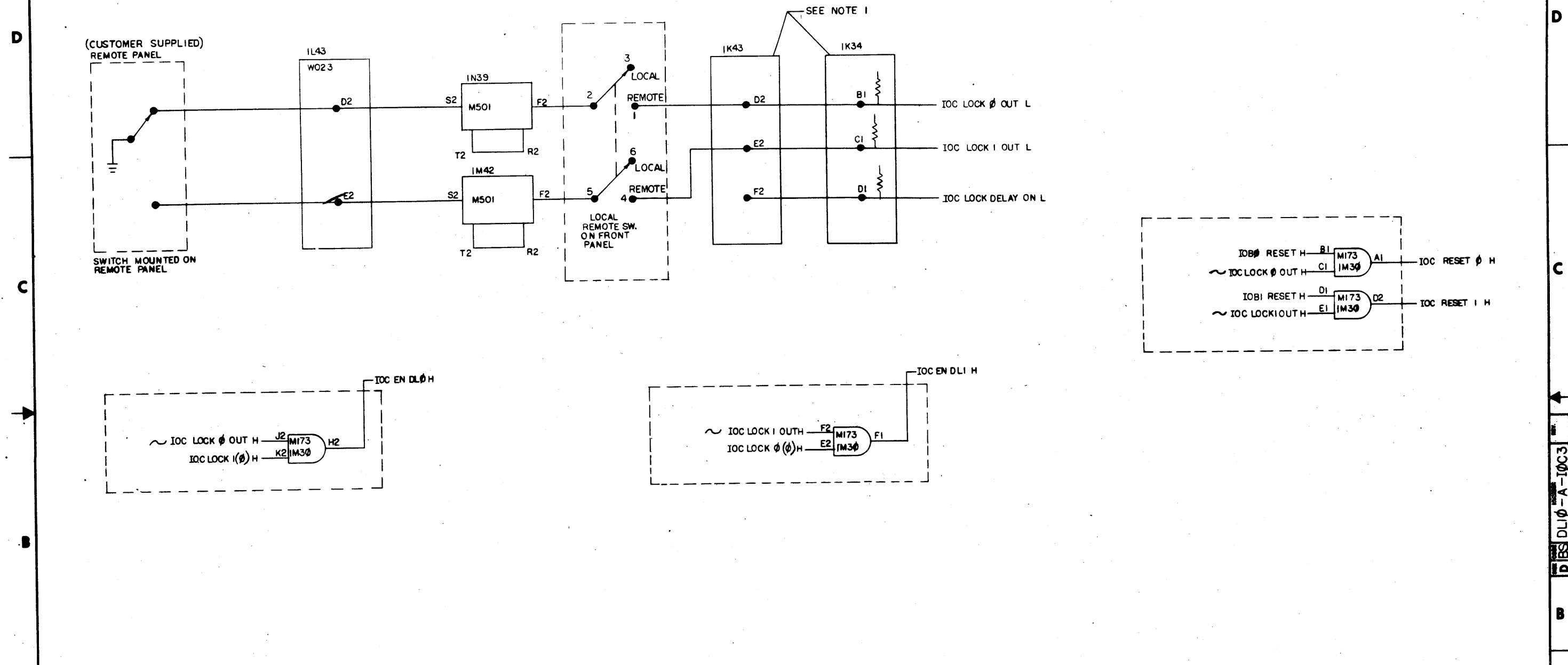
NOTE: * OUTPUTS 0V AND -3V
 ** THE W106 MUST BE REVISION "D" OR HIGHER.

NOTE
 ALL SIGNAL NAMES ON THIS SHEET CONNECTED TO LOW ASSERTION DESIGNATION CIRCLES "O" ARE AS IF SUFFIXED WITH "L". ALL SIGNAL NAMES ON THIS SHEET NOT CONNECTED TO LOW ASSERTION DESIGNATION CIRCLES ARE AS IF SUFFIXED WITH "H".

FIRST USED ON OPTION MODEL	QTY.	DESCRIPTION	PART NO.	ITEM NO.
PPDI0				
PARTS LIST				
UNLESS OTHERWISE SPECIFIED		EQUIPMENT CORPORATION		
DIMENSION IN INCHES		MAYNARD, MASSACHUSETTS		
TOLERANCES		TITLE		
DECIMALS FRACTIONS ANGLES		I/O CONTROL		
± .008 ± .124 ± .075		SCALE		
FINAL SURFACE QUALITY		SHEET		
REMOVE BURRS AND BREAK SHARP CORNERS		1 OF 1		
MATERIAL		D.B.S. DL10-A-I0C1		
FINISH		REV		
		D		

"THIS DRAWING AND SPECIFICATIONS, HEREIN, ARE THE PROPERTY OF DIGITAL EQUIPMENT CORPORATION AND SHALL NOT BE REPRODUCED OR COPIED OR USED IN WHOLE OR IN PART AS THE BASIS FOR THE MANUFACTURE OR SALE OF ITEMS WITHOUT WRITTEN PERMISSION. COPYRIGHT © 1975, DIGITAL EQUIPMENT CORPORATION"

NOTE:
 1. THESE ITEMS PART OF DL10-A MOVED TO THIS PRINT & DELETED FROM PRINT D-BS-DL10-A-I0C1. ALL OTHER ITEMS ON THIS PRINT PART OF DL10-B ECO # DL10-A-00013.



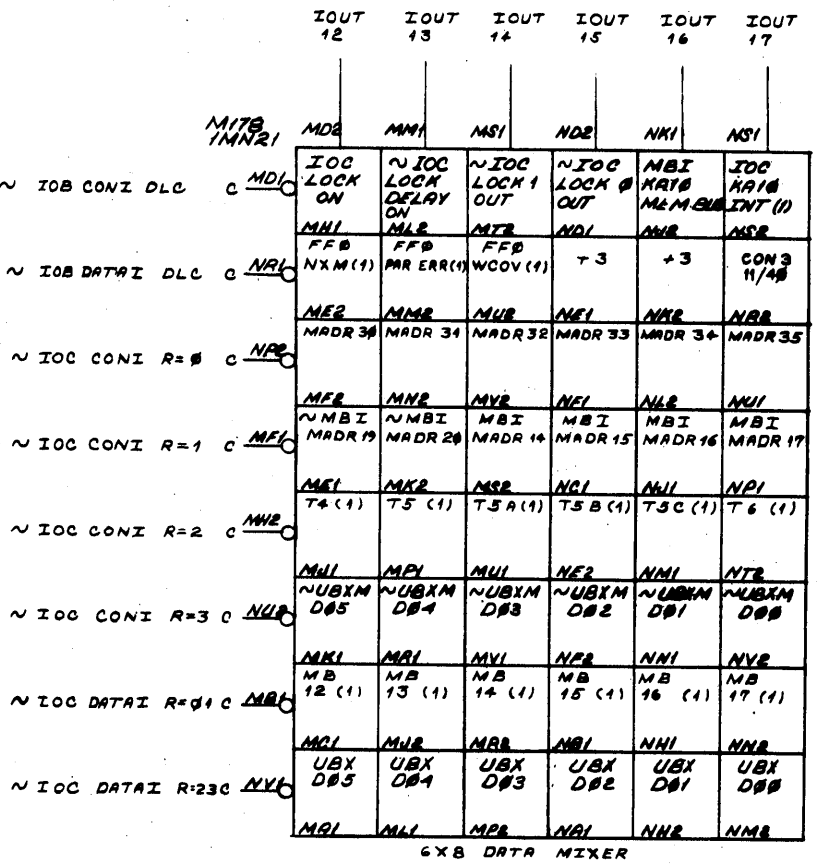
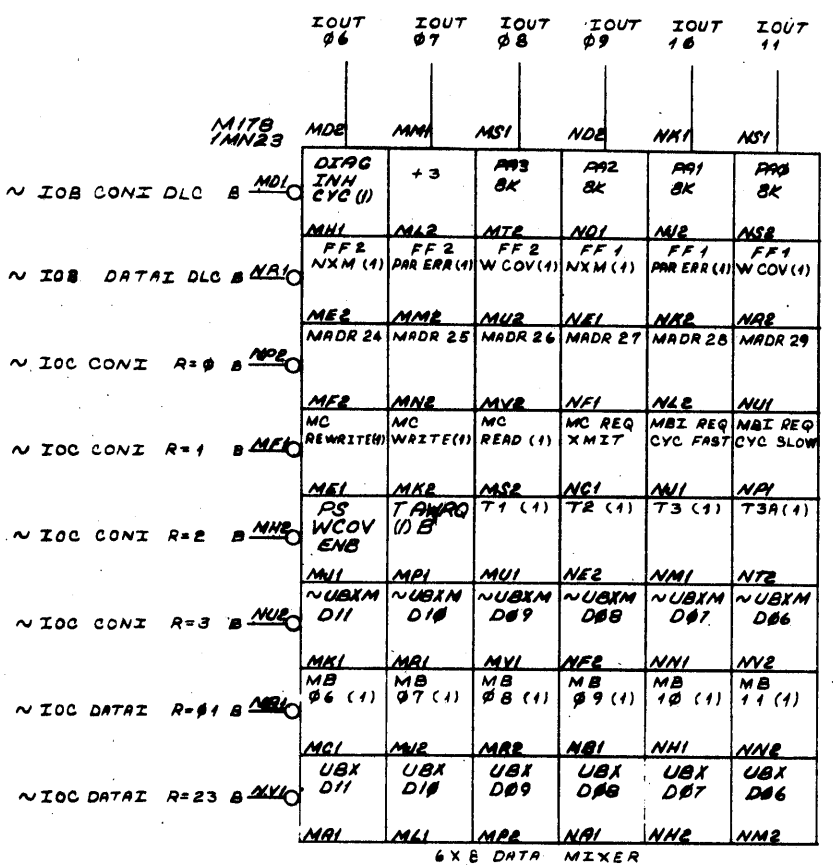
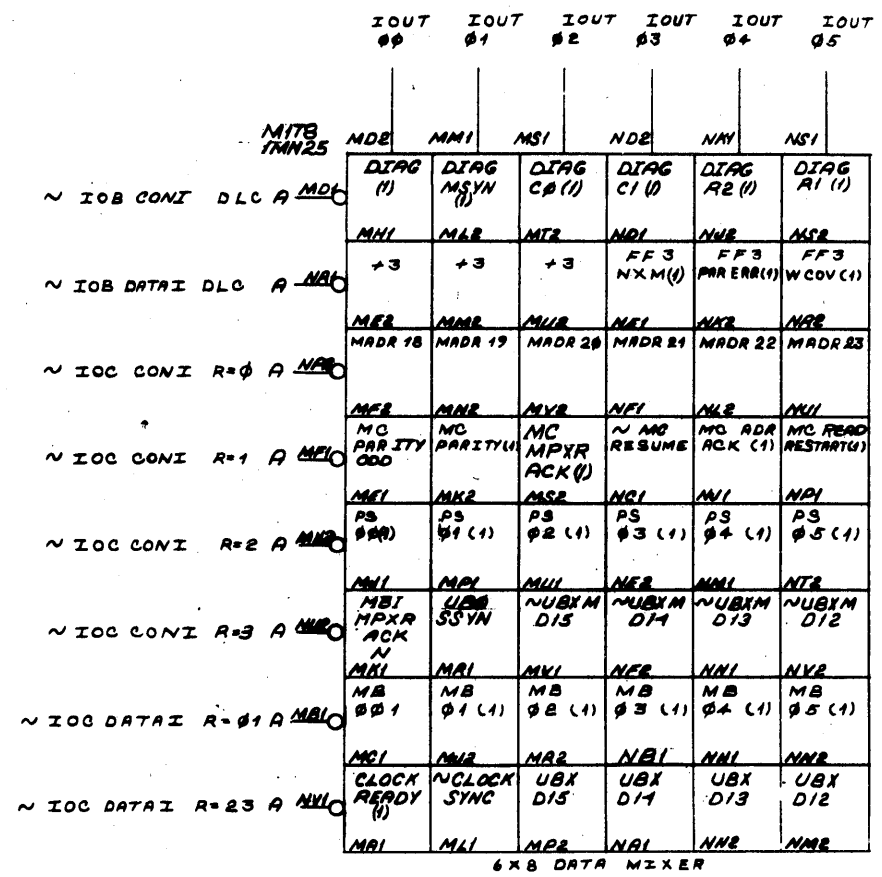
REV.	CHANGE NO.	REVISIONS
1	DL10A-00013	ORIGINATED

DEC FORM NO. 102-D

THIS PRINT GENERATED BY DL10-A
 ECO # DL10-A-00013 FOR THE
 DL10-B

DRN: <i>10/10/75</i>	FIRST USED ON: PDP 10	TITLE: I/O PORT CONTROL
CHK'D: <i>[Signature]</i>	DATE: <i>4/29/76</i>	
ENG: <i>[Signature]</i>	DATE: <i>3/10/76</i>	NEXT HIGHER ASSY:
PROJ: <i>[Signature]</i>	DATE: <i>2/1/76</i>	
SCALE: <i>---</i>	SIZE: D	CODE: BS
SHEET: 1	OF: 1	NUMBER: DL10-A-I0C3
		REV.:

The drawings and specifications, herein, are the property of Digital Equipment Corporation and shall not be reproduced or copied or used in whole or in part as a basis for the manufacture of any item without written permission.



NOTE: ALL DATA INPUT SIGNALS (INSIDE THE BOXES) ARE ASSERTED AT LOW.

REV.	DATE	BY	CHK
1	7-24-72	B. WALSH	
2	8-18-74	A. KENT	
3	2 May 77		

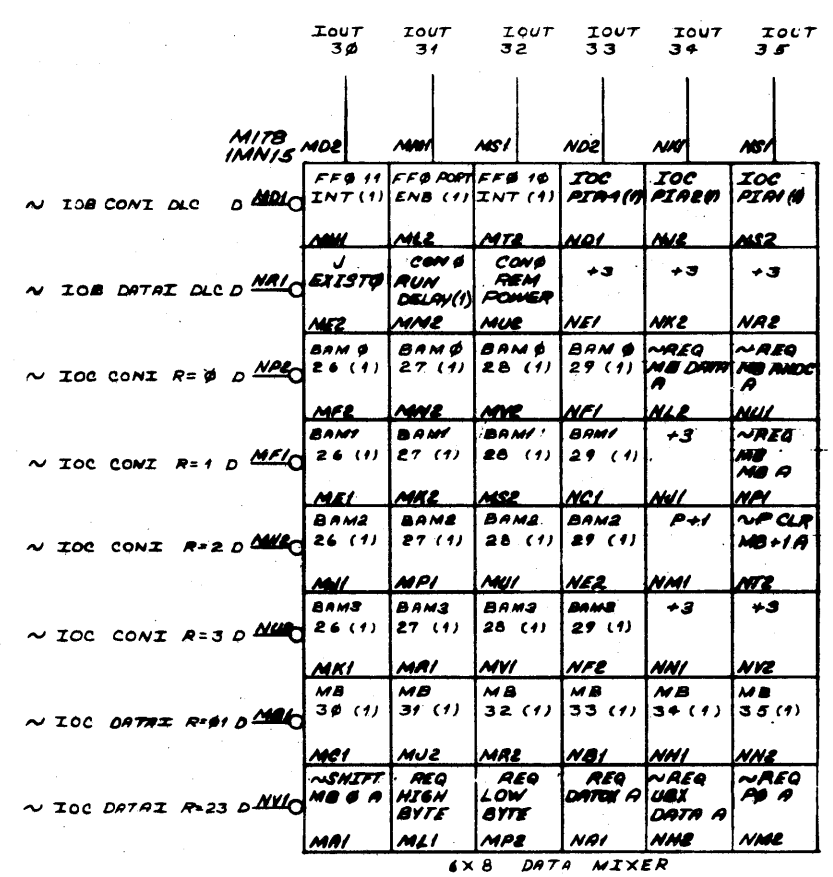
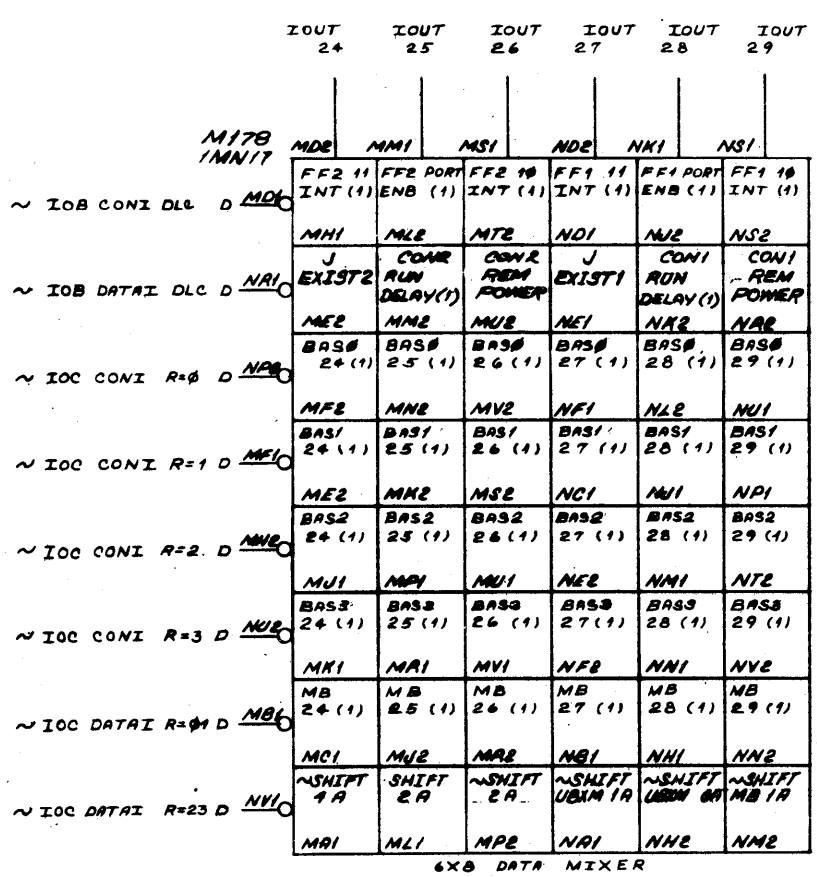
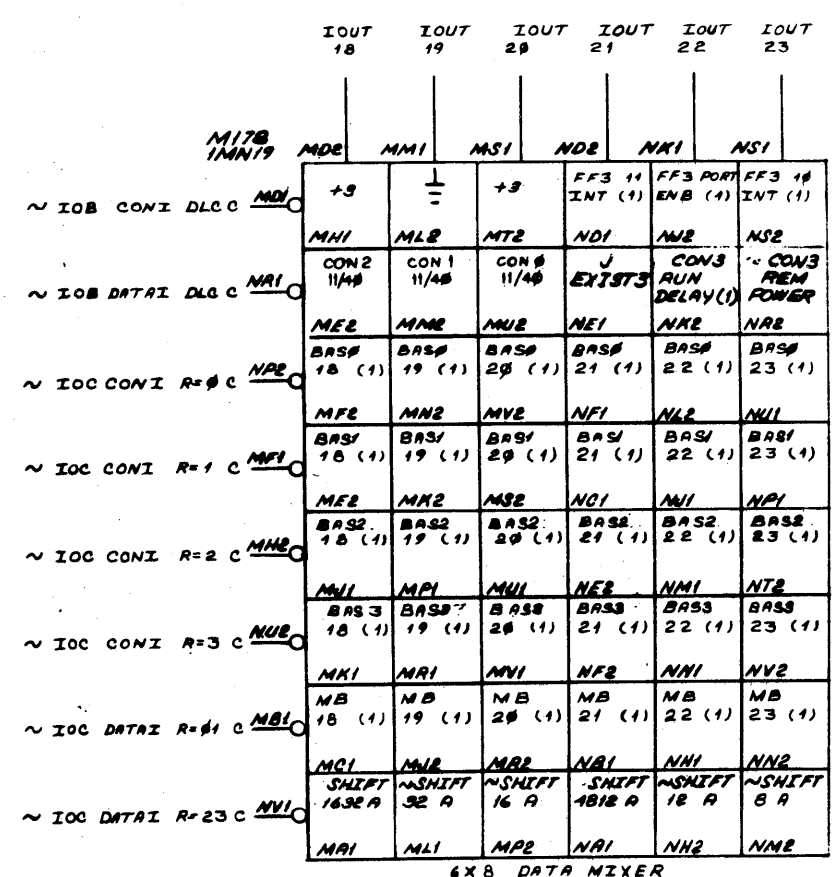
FIRST USED ON OPTION/MODEL PDPIØ

DO NOT SCALE DRAWING
UNLESS OTHERWISE SPECIFIED
DIMENSION IN INCHES
TOLERANCES
DECIMALS FRACTIONS ANGLES
±.005 ±.004 ±.030
FINAL SURFACE QUALITY
REMOVE BURRS AND BREAK SHARP CORNERS

QTY.	DESCRIPTION	PART NO.	ITEM NO.
	PARTS LIST		
	digital EQUIPMENT CORPORATION MAYFARL, MASSACHUSETTS		
	TITLE: I/O BUS OUTPUT DATA		
	NEXT HIGHER ASSY: A-ML-DLIØ-A		
	SCALE: 1 OF 2	SIZE CODE: DES DLIØ-A-IOUT	NUMBER: B.
	SHEET: 1 OF 2	DIST.	

NOTE: ALL SIGNAL NAMES ON THIS SHEET CONNECTED TO LOW ASSERTION DESIGNATION CIRCLES "O" ARE AS IF SUFFIXED WITH "L". ALL SIGNAL NAMES ON THIS SHEET NOT CONNECTED TO LOW ASSERTION DESIGNATION CIRCLES ARE AS IF SUFFIXED WITH "H".

This drawing and specifications, herein, are the property of Digital Equipment Corporation and shall not be reproduced or copied or used in whole or in part as the basis for the manufacture or sale of items without written permission.



NOTE: ALL DATA INPUT SIGNALS (INSIDE THE BOXES) ARE ASSERTED AT LOW.

REVISIONS
CHANGE NO.
REV.
CHK

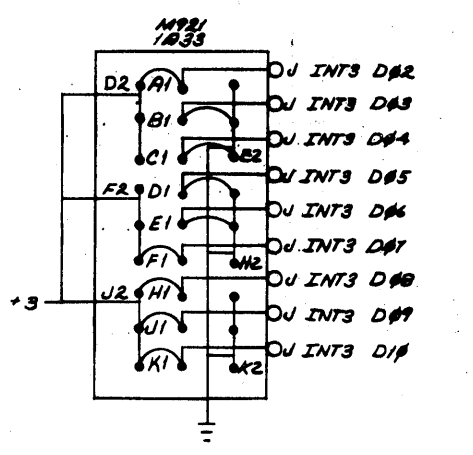
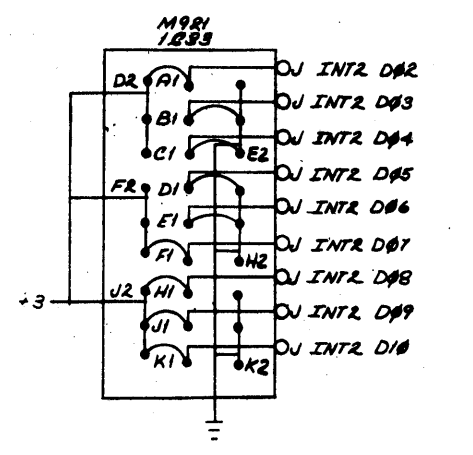
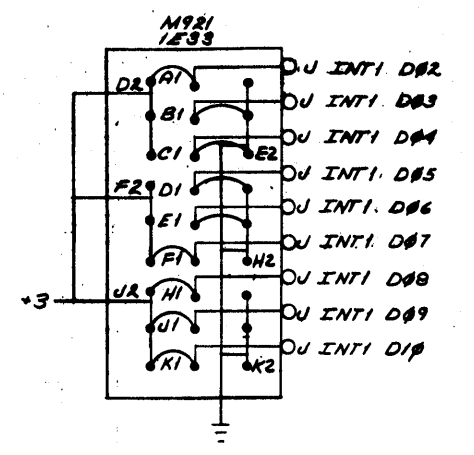
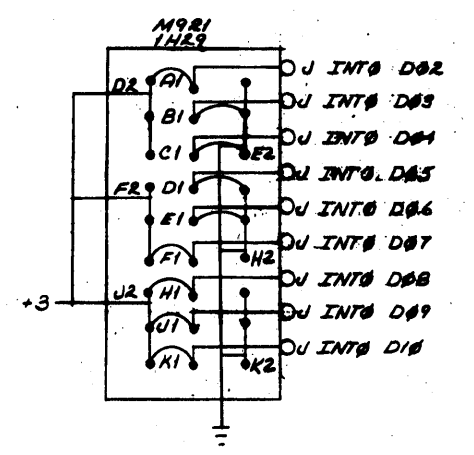
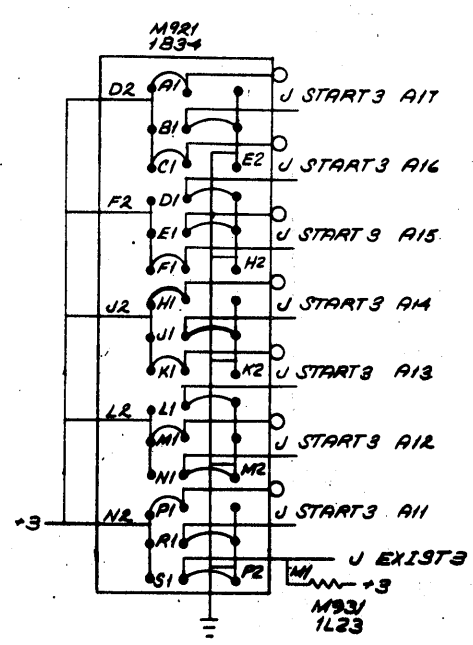
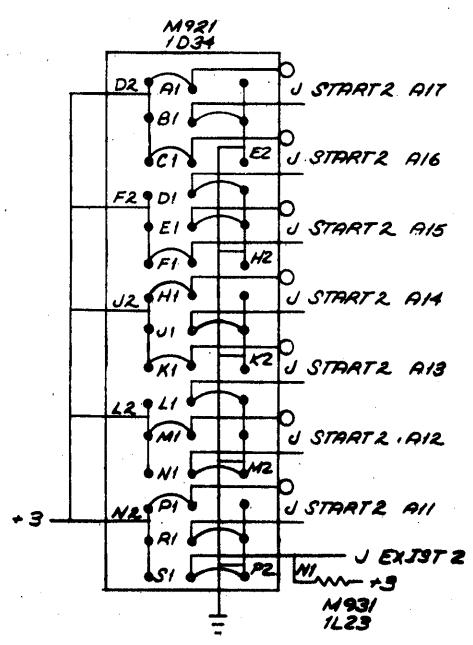
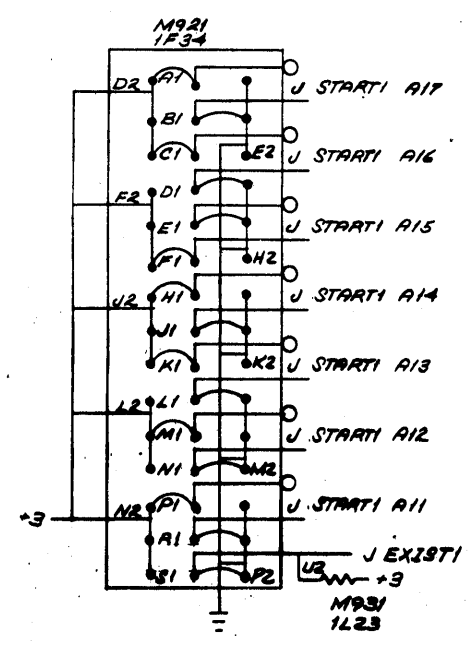
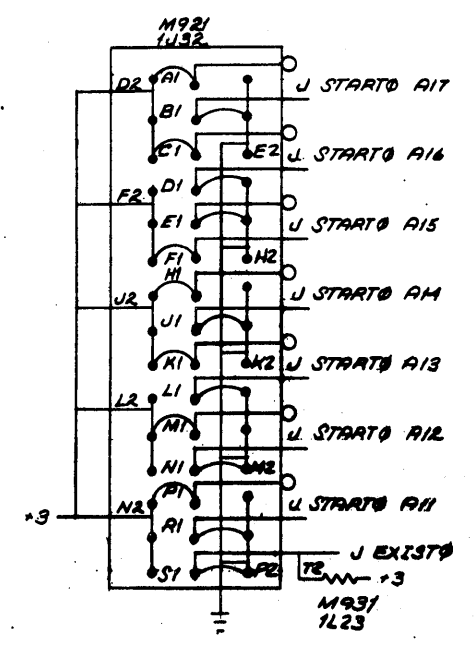
FIRST USED ON OPTION MODEL PDP10	QTY.	DESCRIPTION	PART NO.	ITEM NO.
PARTS LIST				
DO NOT SCALE DRAWING	DRAWN DATE	DATE	EQUIPMENT CORPORATION BOSTON, MASSACHUSETTS	
UNLESS OTHERWISE SPECIFIED DIMENSIONS IN INCHES	CHKD. DATE	DATE	TITLE I/O BUS OUTPUT DATA	
TOLERANCES	ENG. DATE	DATE	NEXT HIGHER ASSY A-ML-DLIQ-A	
DIGITALS FRACTIONS 2/32 2/16 2/8	PROL. ENG. DATE	DATE	SCALE SHEET 2 OF 2	
FINAL SURFACE QUALITY REMOVE BURRS AND BREAK SHARP CORNERS	PROD. DATE	DATE	PART CODE DES-DLIQ-A-IOUT	
MATERIAL	FINISH		NUMBER	REV.
SCALE		SHEET		DATE

NOTE
ALL SIGNAL NAMES ON THIS SHEET CONNECTED TO LOW ASSERTION DESIGNATION CIRCLES "O" ARE AS IF SUFFIXED WITH "L". ALL SIGNAL NAMES ON THIS SHEET NOT CONNECTED TO LOW ASSERTION DESIGNATION CIRCLES ARE AS IF SUFFIXED WITH "H".

This drawing and specifications herein are the property of Digital Equipment Corporation and shall not be reproduced or copied in whole or in part on the basis of the manufacture or sale of items without written permission.

DL10-A-JUMP

- NOTES:**
- THE STANDARD ADDRESS IN PDP-11 MEMORY FOR THE DL10 CONTROL WORD IS 100000. THIS IMPLIES JUMPER:
 J START A17: A1-D2 B1-E2
 J START A16: C1-D2 D1-H2
 J START A15: E1-H2 F1-F2
 J START A14: H1-J2 J1-K2
 J START A13: K1-J2 L1-M2
 J START A12: M1-L2 N1-M2
 J START A11: P1-N2 P1-P2
 - THE ADDRESS MUST BE A MULTIPLE OF 8K WORDS IF THE "8K" OPTION IS BEING USED. THIS IMPLIES BITS A13-A11 MUST BE 0 FOR THE 8K OPTION.
 - THE S1-P2 JUMPER GIVES A BIT TO THE PDP-10 PROGRAM THAT A PDP-11 PORT EXISTS. IF THE PORT DOES NOT EXIST, EITHER REMOVE THE M921 MODULE OR JUMPER S1-N2 INSTEAD.
 - THE STANDARD PDP-11 INTERRUPT VECTOR ADDRESS FOR THE DL10 IS LOCATION 170. THIS MEANS JUMPERS:
 J INT D02: A1-D2
 J INT D03: B1-E2
 J INT D04: C1-E2
 J INT D05: D1-A2
 J INT D06: E1-M2
 J INT D07: F1-M2
 J INT D08: H1-J2
 J INT D09: J1-J2
 J INT D10: K1-J2
 - TO DISABLE AN UNUSED UNIBUS PORT, INSERT THE FOLLOWING JUMPERS ON THE M921 IN 1H29:
 PORT 1: L1-M2
 PORT 2: M1-M2
 PORT 3: N1-M2
- SEE ALSO PR1, PR2, AND PR3.



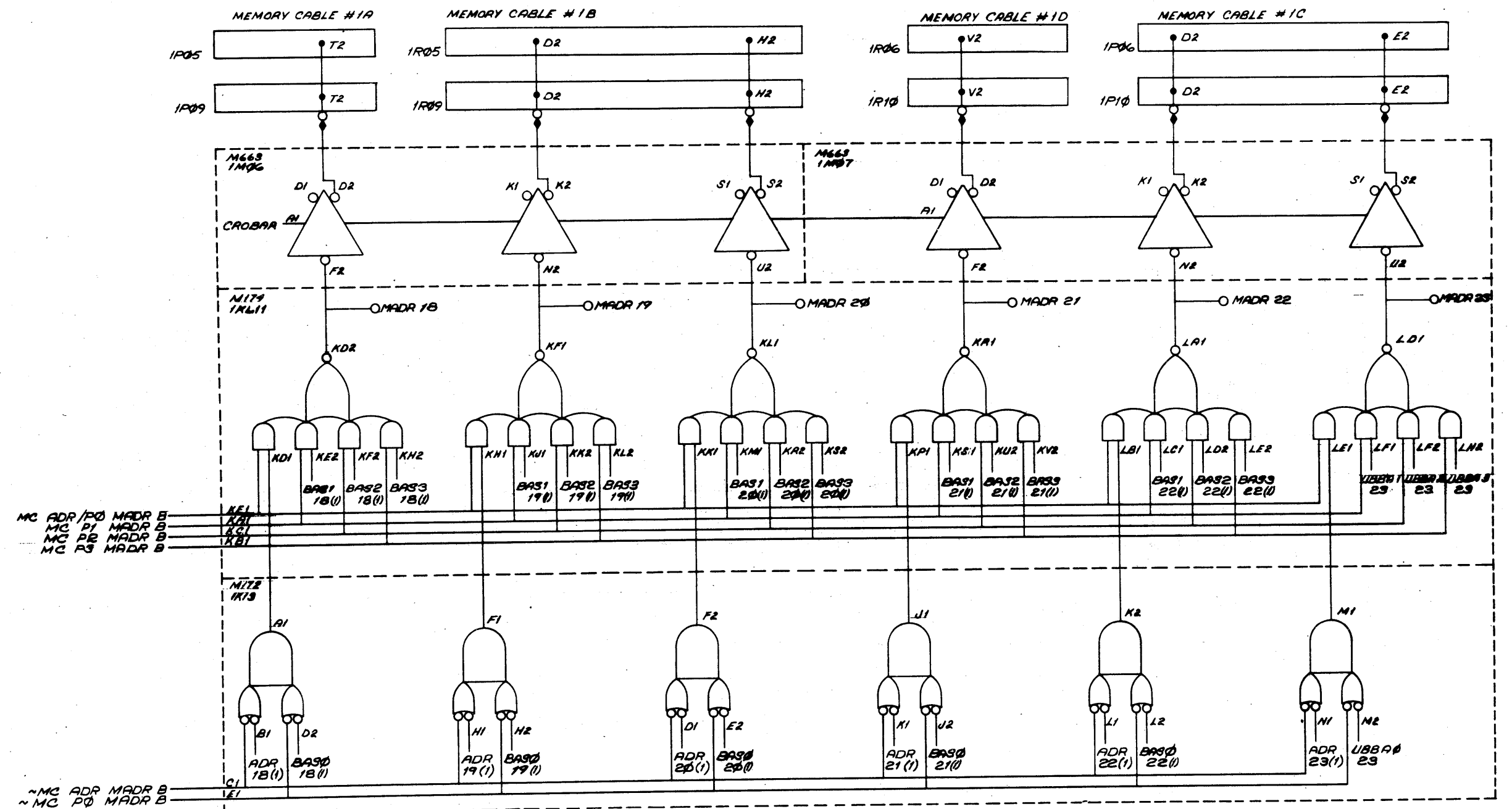
SEE NOTE 4.

REV	CHANGE NO.	DATE
1	DL10A-00001	1-19-71
2	DL10A-00003	11/19/71
3	DL10A-00004	12/17/71

NOTE
 ALL SIGNAL NAMES ON THIS SHEET CONNECTED TO LOW ASSERTION DESIGNATION CIRCLES "O" ARE AS IF SUFFIXED WITH "L". ALL SIGNAL NAMES ON THIS SHEET NOT CONNECTED TO LOW ASSERTION DESIGNATION CIRCLES ARE AS IF SUFFIXED WITH "H".

FIRST USED ON OPTION/MODEL PDP10	QTY.	DESCRIPTION	PART NO.	ITEM NO.
PARTS LIST				
UNLESS OTHERWISE SPECIFIED DIMENSION IN INCHES TOLERANCES DECIMALS FRACTIONS ANGLES ± .008 ± 1/64 ± 0°30'	ORL C. Wallace	DATE 1-19-71	EQUIPMENT CORPORATION MAYNARD, MASSACHUSETTS	
FINAL SURFACE QUALITY / REMOVE BURRS AND BREAK SHARP CORNERS	CHK'D M. Stephens	DATE 1/19/71	TITLE JUMPERS	
MATERIAL	ENG. TUE	DATE	SCALE NONE	
FINISH	PROJ. ENG. Tom yarr	DATE 11/19/71	SIZE CODE DL10-A-JUMP	REV B
	PROD. NO. A-ML-DL10-A	DATE 12/17/71	SHEET 1	OF 1

This drawing and specifications herein are the property of Digital Equipment Corporation and shall not be used, copied, or reproduced in whole or in part, or by any means, for the manufacture of parts or assemblies without written permission.



MC ADR/P0 MADR B
 MC P1 MADR B
 MC P2 MADR B
 MC P3 MADR B

~MC ADR MADR B
 ~MC P0 MADR B

NOTE: PINS C2, F2, J2, L2, N2, R2, U2, AND T1 ARE GROUNDED ON ALL CABLES

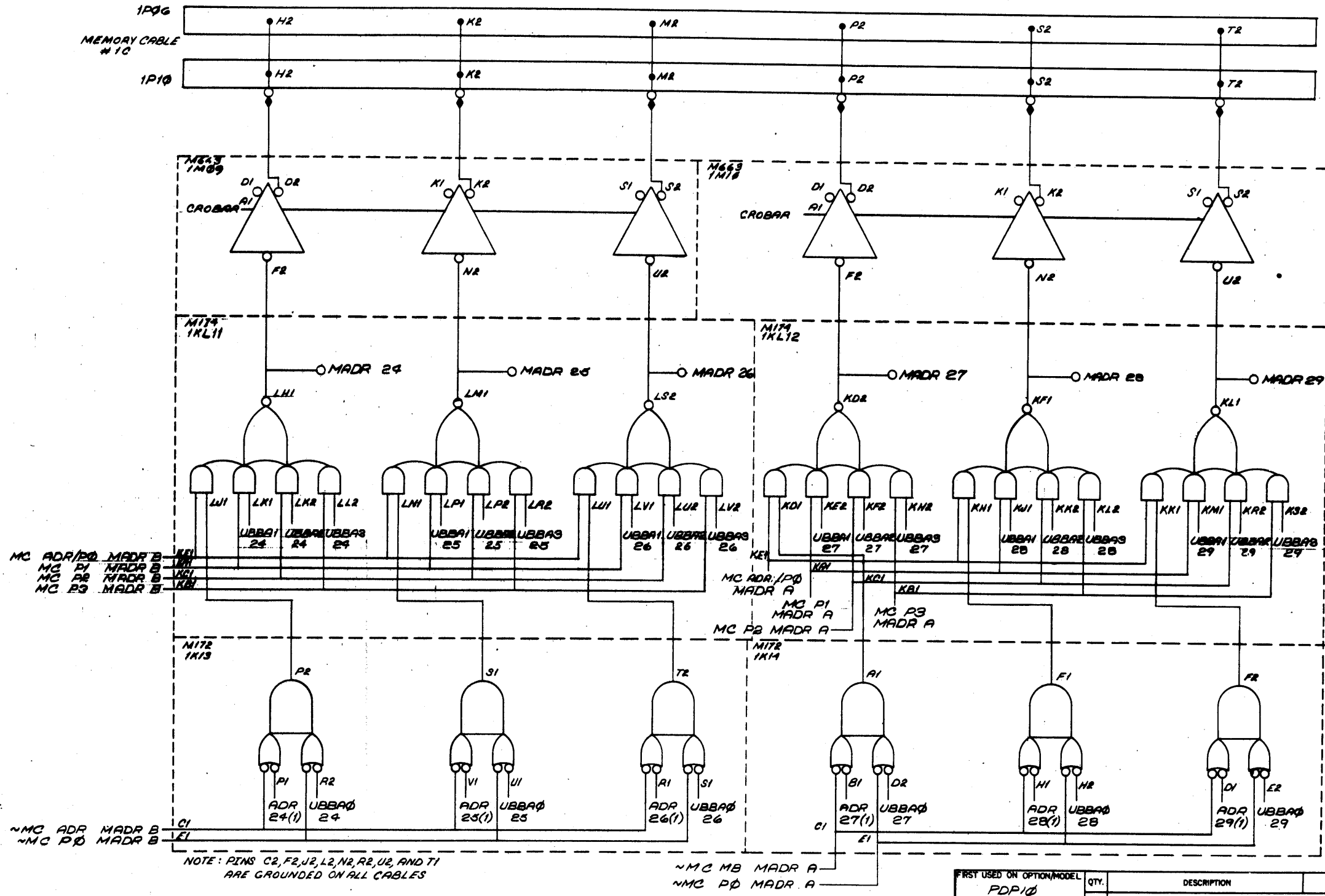
NOTE
 ALL SIGNAL NAMES ON THIS SHEET CONNECTED TO LOW ASSERTION DESIGNATION CIRCLES "O" ARE AS IF SUFFIXED WITH "L". ALL SIGNAL NAMES ON THIS SHEET NOT CONNECTED TO LOW ASSERTION DESIGNATION CIRCLES ARE AS IF SUFFIXED WITH "H".

FIRST USED ON OPTION/MODEL	QTY.	DESCRIPTION	PART NO.	ITEM NO.
PDP10				
UNLESS OTHERWISE SPECIFIED				
DIMENSION IN INCHES				
TOLERANCES				
DECIMALS FRACTIONS ANGLES				
0.005 ± 0.005 ± 0.005				
FINAL SURFACE QUALITY				
REMOVE BURRS AND BREAK SHARP CORNERS				
MATERIAL				
FINISH				
UNLESS OTHERWISE SPECIFIED				
DRN	DATE	DATE	PARTS LIST	
CHVD	DATE	DATE	digital EQUIPMENT CORPORATION	
ENG.	DATE	DATE	MAYNARD MASSACHUSETTS	
PROL. ENG.	DATE	DATE	TITLE	
PROD.	DATE	DATE	MEMORY ADDRESS	
NEXT HIGHER ASSY.			MIXER	
A-ML-DL10-A			(BITS 18-23)	
SCALE			SIZE/CODE	NUMBER
SHEET 1 OF 3			DIST.	REV

REV.	CHANGE NO.

This drawing and specifications herein are the property of Digital Equipment Corporation and shall not be reproduced or copied in whole or in part on any basis for the manufacture or sale of items without permission.

BS DL10-A-MADR 2



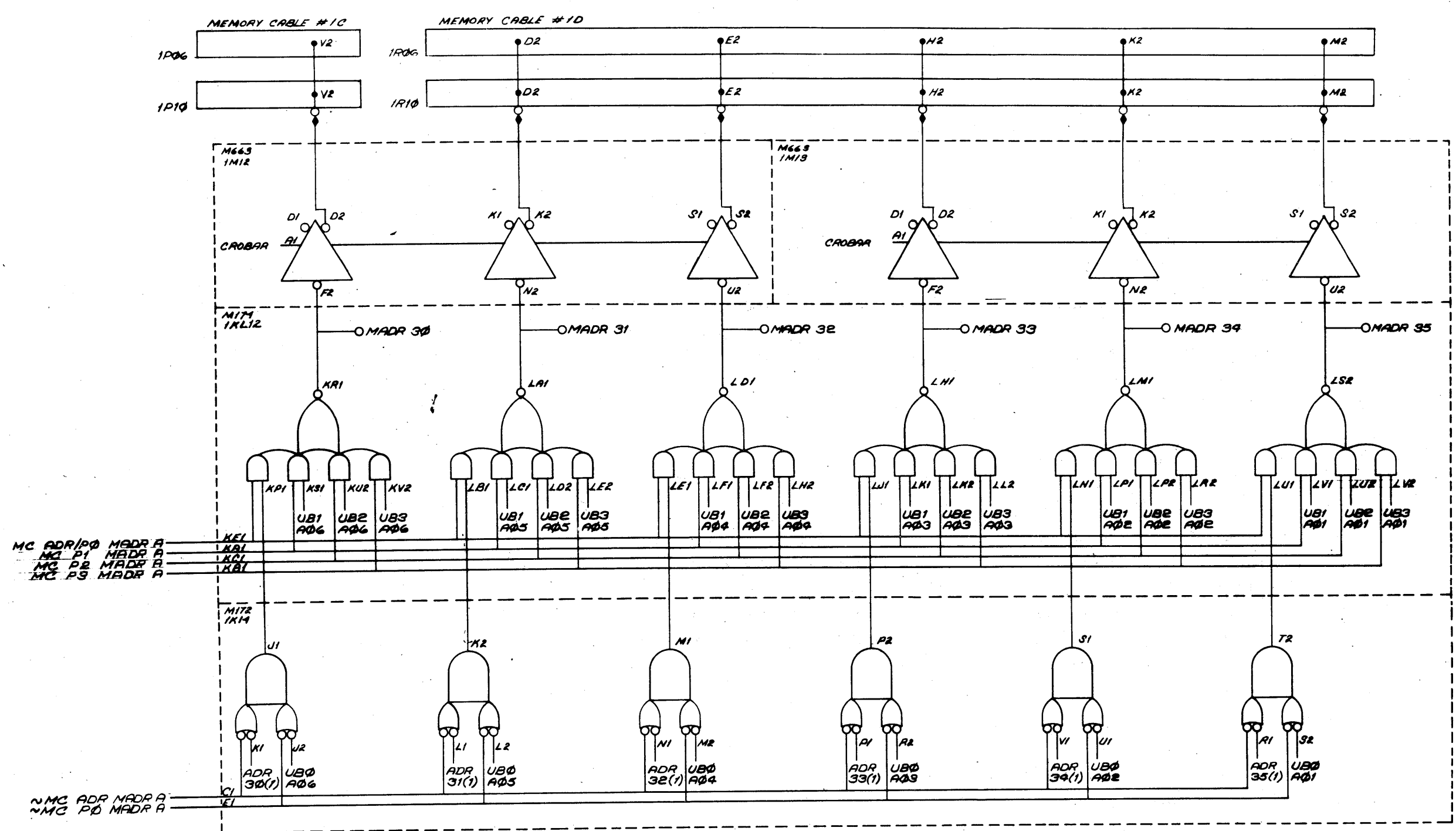
NOTE: PINS C2, F2, J2, L2, N2, R2, U2, AND T1 ARE GROUNDED ON ALL CABLES

NOTE
ALL SIGNAL NAMES ON THIS SHEET CONNECTED TO LOW ASSERTION DESIGNATION CIRCLES "0" ARE AS IF SUFFIXED WITH "L". ALL SIGNAL NAMES ON THIS SHEET NOT CONNECTED TO LOW ASSERTION DESIGNATION CIRCLES ARE AS IF SUFFIXED WITH "H".

REV.	DATE	DESCRIPTION	PART NO.	ITEM NO.
1	11/19/71	MEMORY ADDRESS MIXER (BITS 24-29)	D/BS DL10-A-MADR	
2	12/10/71			
3				
4				
5				
6				
7				
8				

REV.	DATE
1	11/19/71
2	12/10/71
3	
4	
5	
6	
7	
8	

This drawing and specifications, herein, are the property of Digital Equipment Corporation and shall not be reproduced or used in whole or in part in any manner without the written permission of Digital Equipment Corporation.



MC ADR/P0 MADR A
 MC P1 MADR A
 MC P2 MADR A
 MC P3 MADR A

~MC ADR MADR A
 ~MC P0 MADR A

NOTE: PINS C2, F2, J2, L2, N2, R2, U2, AND T1, ARE GROUNDED ON ALL CABLES

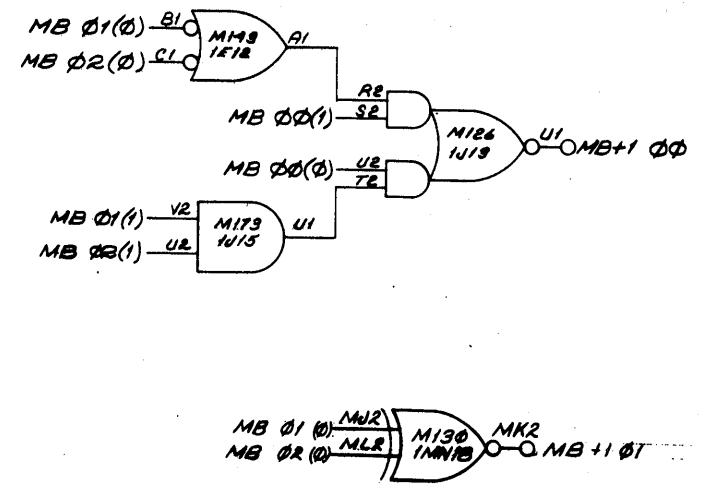
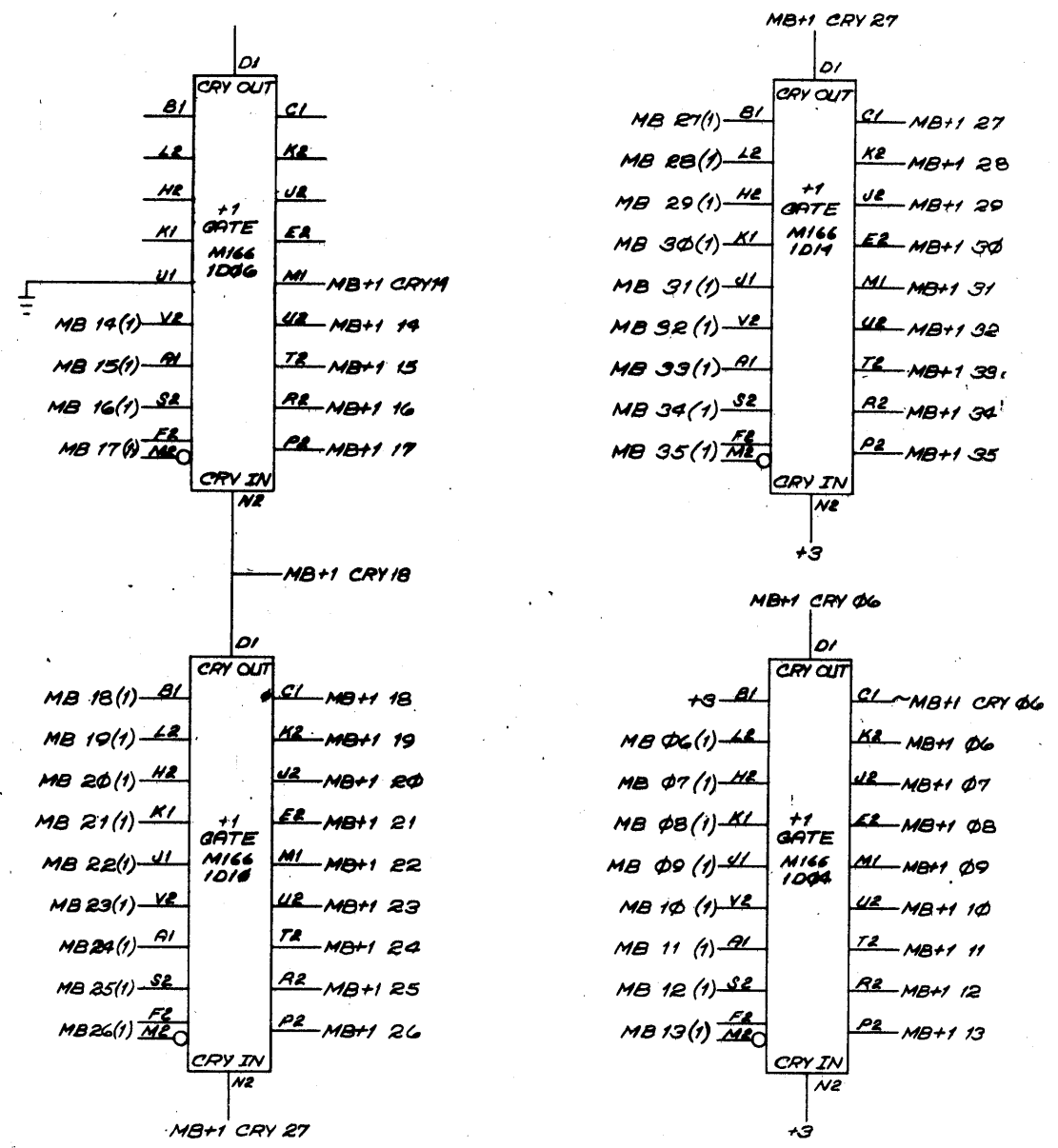
NOTE
 ALL SIGNAL NAMES ON THIS SHEET CONNECTED TO LOW ASSERTION DESIGNATION CIRCLES "O" ARE AS IF SUFFIXED WITH "L". ALL SIGNAL NAMES ON THIS SHEET NOT CONNECTED TO LOW ASSERTION DESIGNATION CIRCLES ARE AS IF SUFFIXED WITH "H".

FIRST USED ON OPTION/MODEL	QTY.	DESCRIPTION	PART NO.	ITEM NO.
PDP10				
PARTS LIST				
UNLESS OTHERWISE SPECIFIED				
DRN	DATE	digital EQUIPMENT CORPORATION		
CH'D	DATE	MAYNARD, MASSACHUSETTS		
ENG	DATE	TITLE		
PROJ. ENG.	DATE	MEMORY ADDRESS MIXER		
PROD.	DATE	(BITS 30-35)		
MATERIAL				
NEXT HIGHER ASSY.				
FINISH				
SCALE				
SHEET 3 OF 3				
SIZE CODE		NUMBER		REV.
D BS		DL10-A-MADR		
DIST.				

REV.	CHG.	NO.

This drawing and specifications, herein, are the property of Digital Equipment Corporation and shall not be reproduced or copied or used in whole or in part as the basis for the manufacture or sale of items without written permission.

DBS DL10-A-MB+1 2



NOTES:
MB 02(0) = MB+1 02

NOTE
ALL SIGNAL NAMES ON THIS SHEET CONNECTED TO LOW ASSERTION DESIGNATION CIRCLES "O" ARE AS IF SUFFIXED WITH "L". ALL SIGNAL NAMES ON THIS SHEET NOT CONNECTED TO LOW ASSERTION DESIGNATION CIRCLES ARE AS IF SUFFIXED WITH "H".

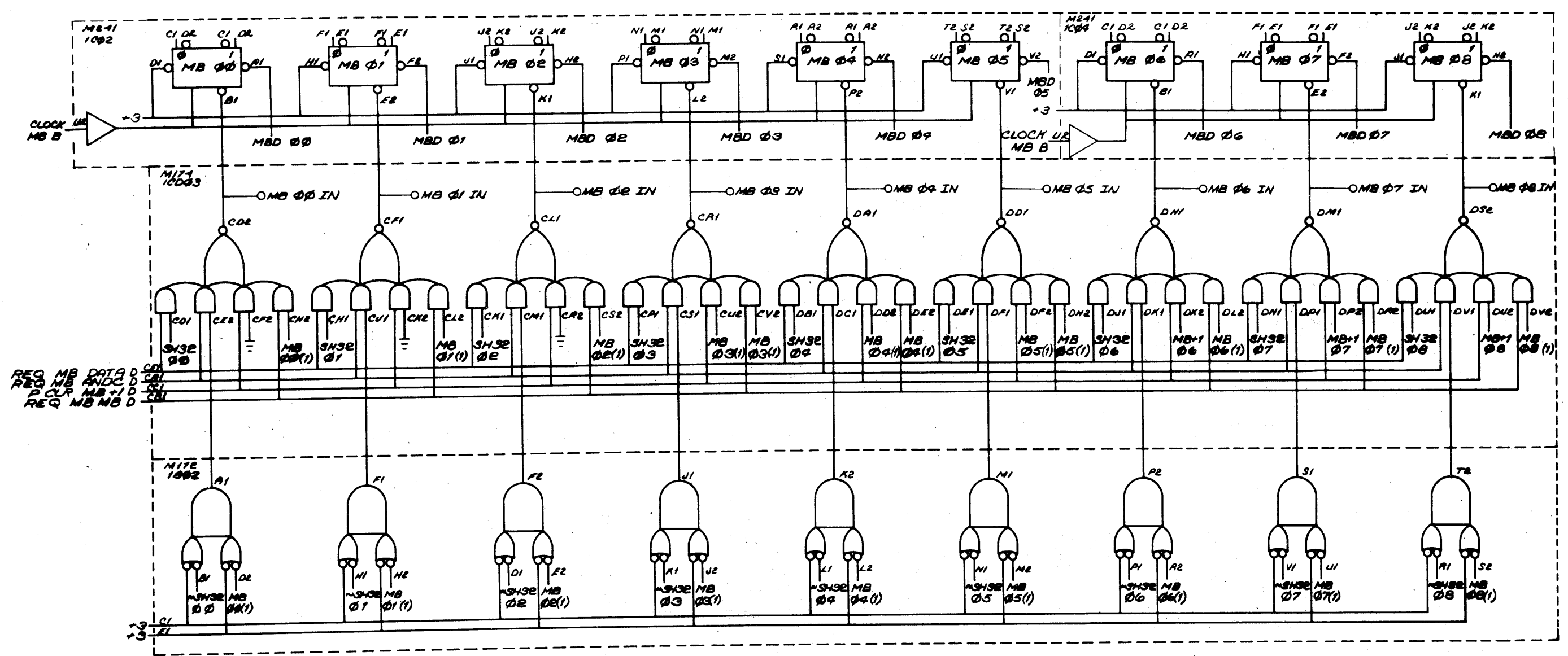
REVISIONS
CHANGE NO. REV.

FIRST USED ON OPTION MODEL PDP10	QTY.	DESCRIPTION	PART NO.	ITEM NO.
PARTS LIST				
UNLESS OTHERWISE SPECIFIED				
DIMENSION IN INCHES				
TOLERANCES				
DECIMALS	FRACTIONS	ANGLES		
± .008	± 1/64	± 0°30'		
FINAL SURFACE QUALITY				
REMOVE BURRS AND BREAK SHARP CORNERS				
MATERIAL	DATE	DATE	TITLE	
	11/19/71	11/19/71	MB+1	
FINISH	SCALE	SCALE	SIZE CODE	NUMBER
	NONE	NONE	DBS	DL10-A-MB+1
	SHEET	1 OF 1	DIST.	

DEC FORM NO. DRG 102A

DBS DL10-A-MB+1

This drawing and specifications, herein, are the property of Hughes Aircraft Corporation and shall not be reproduced or used in whole or in part in the manufacture or sale of items without written permission.



REQ MB DATA D
 REQ MB ANDC D
 P CLR MB +1 D
 REQ MB MB D

REV.	
CHG.	
CHK.	
REV.	
CHG.	
CHK.	

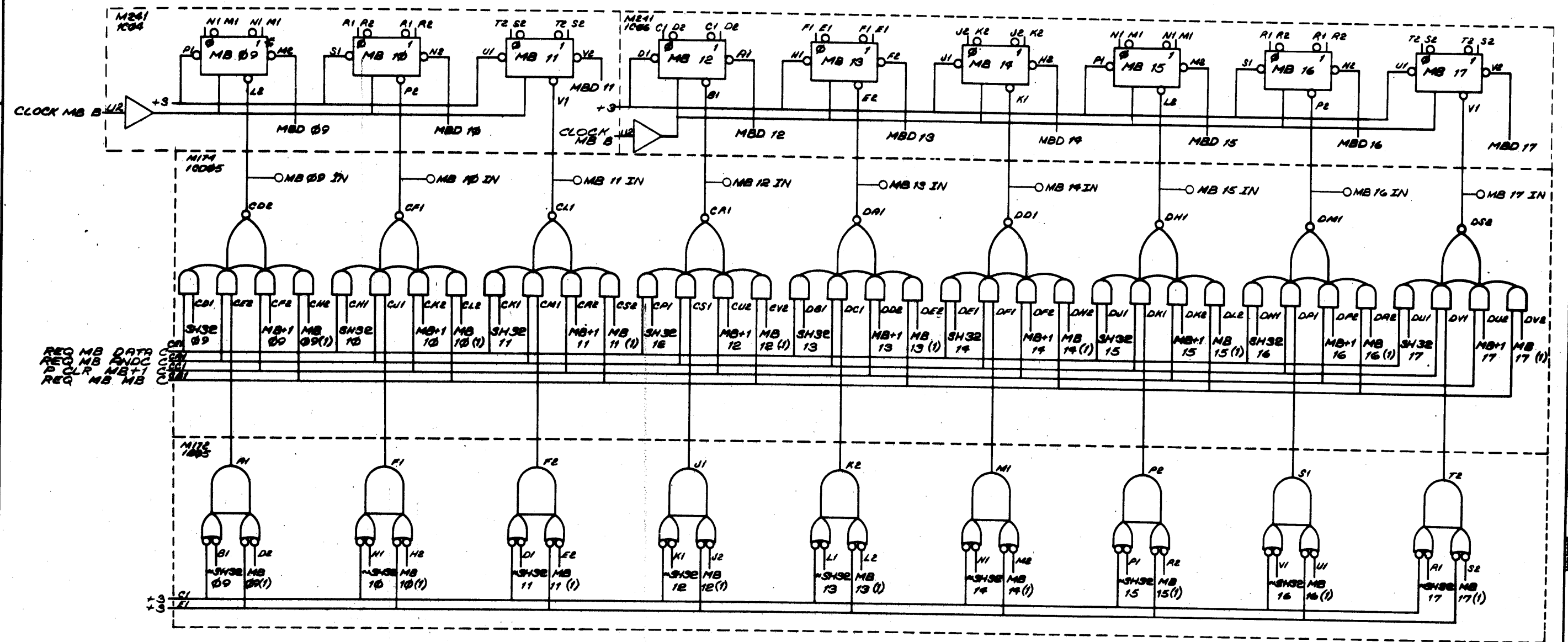
NOTE
 ALL SIGNAL NAMES ON THIS SHEET CONNECTED TO LOW ASSERTION DESIGNATION CIRCLES "0" ARE AS IF SUFFIXED WITH "L". ALL SIGNAL NAMES ON THIS SHEET NOT CONNECTED TO LOW ASSERTION DESIGNATION CIRCLES ARE AS IF SUFFIXED WITH "H".

FIRST USED ON OPTION/MODEL
 PDP10

DO NOT SCALE DIMENSIONS UNLESS OTHERWISE SPECIFIED
 DIMENSIONS IN INCHES
 TOLERANCES
 DECIMALS FRACTIONS APPLICABLE
 ± .005 ± .005 ± .005
 FINISH SURFACE QUALITY
 REMOVE BURRS AND SHARP EDGES
 MATERIAL
 FINISH

QTY.	DESCRIPTION	PART NO.	ITEM NO.
PARTS LIST			
EQUIPMENT CORPORATION			
TITLE			
MEMORY BUFFER			
(BITS 00-08)			
A-ML-DL10-A			
DBS DL 10-A-MB1			
SHEET 1 OF 1			

This drawing and specifications herein are the property of Digital Equipment Corporation and shall not be reproduced or copied in whole or in part in any form or by any means without the prior written permission.



REQ MB DATA
REQ MB ANDC
P CLR MB+1
REQ MB MB

NOTE
ALL SIGNAL NAMES ON THIS SHEET CONNECTED TO LOW ASSERTION DESIGNATION CIRCLES "0" ARE AS IF SUFFIXED WITH "L". ALL SIGNAL NAMES ON THIS SHEET NOT CONNECTED TO LOW ASSERTION DESIGNATION CIRCLES ARE AS IF SUFFIXED WITH "H".

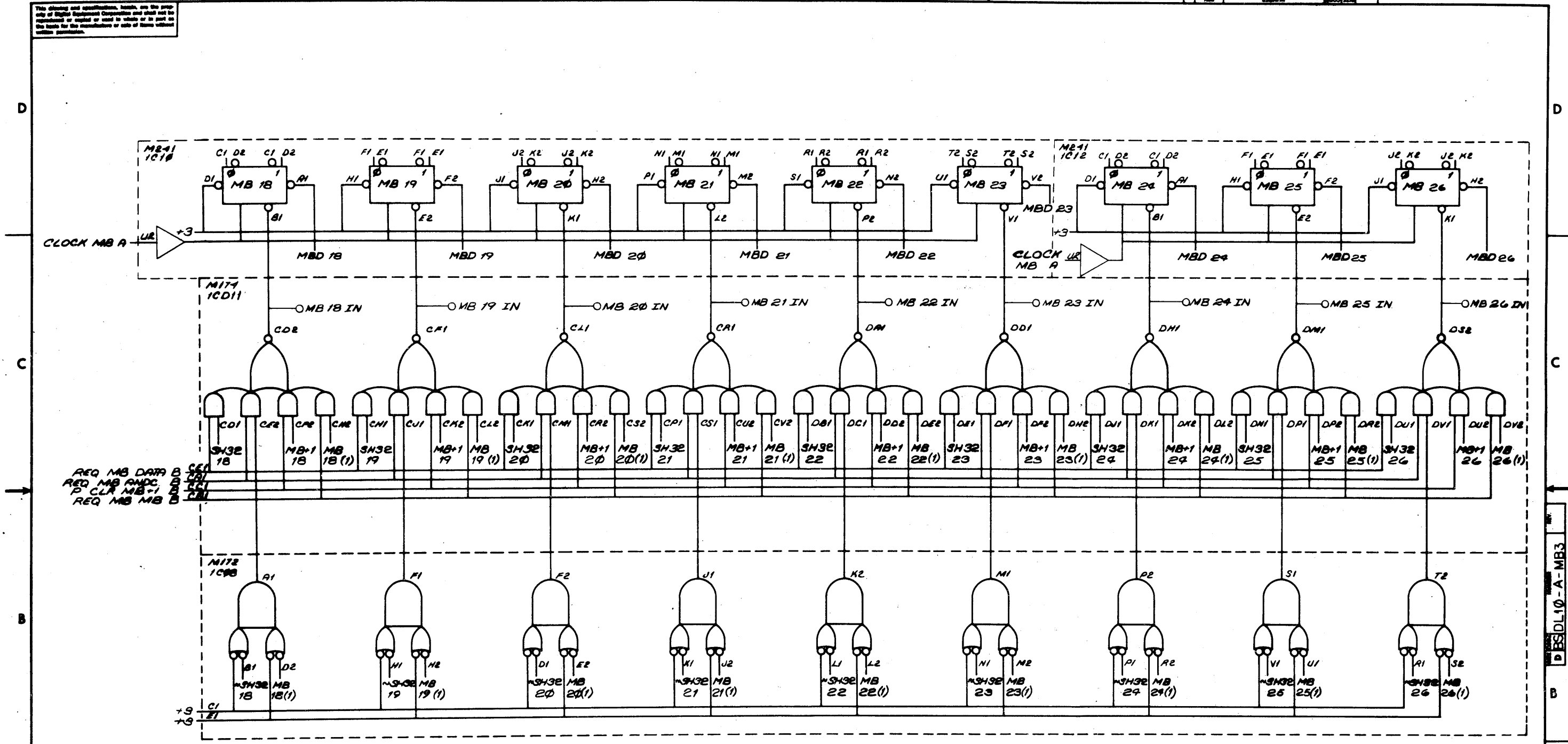
FIRST USED ON OPTION/MODEL
PDP-10

UNLESS OTHERWISE SPECIFIED
DIMENSIONS IN INCHES
TOLERANCES
DIMENSIONAL FINISHES
SURFACE QUALITY
MATERIAL
FINISH

QTY.	DESCRIPTION	PART NO.	ITEM NO.
PARTS LIST			
DIGITAL EQUIPMENT CORPORATION MAYFIELD, MASSACHUSETTS			
TITLE MEMORY BUFFER (BITS 09-17)			
DRAWN: J. McManis DATE: 6/3/70 CHECKED: C. Johnson DATE: 7/7/70 PROJ. ENGR: WE DATE: 11/19/70 DESIGNER: Tom Egge DATE: 11/19/70 PROD. ENGR: R. Strimling DATE: 12/17/70 NEXT HIGHER ASSY: A-ML-DL10-A SCALE: 1/1 SHEET: 1 OF 1			
DBS/		DL10-A-MB2	

REV.
CHANGE NO.
REVISIONS

This drawing and specifications, herein, are the property of Digital Equipment Corporation and shall not be reproduced or used in whole or in part as the basis for the manufacture or sale of items without written permission.



REQ MB DATA B
 REQ MB AND C
 P CLR MB +1
 REQ MB MB B

REV.	CHANGE NO.

DEC FORM NO. DRD 108

FIRST USED ON OPTION/MODEL
 PDP11

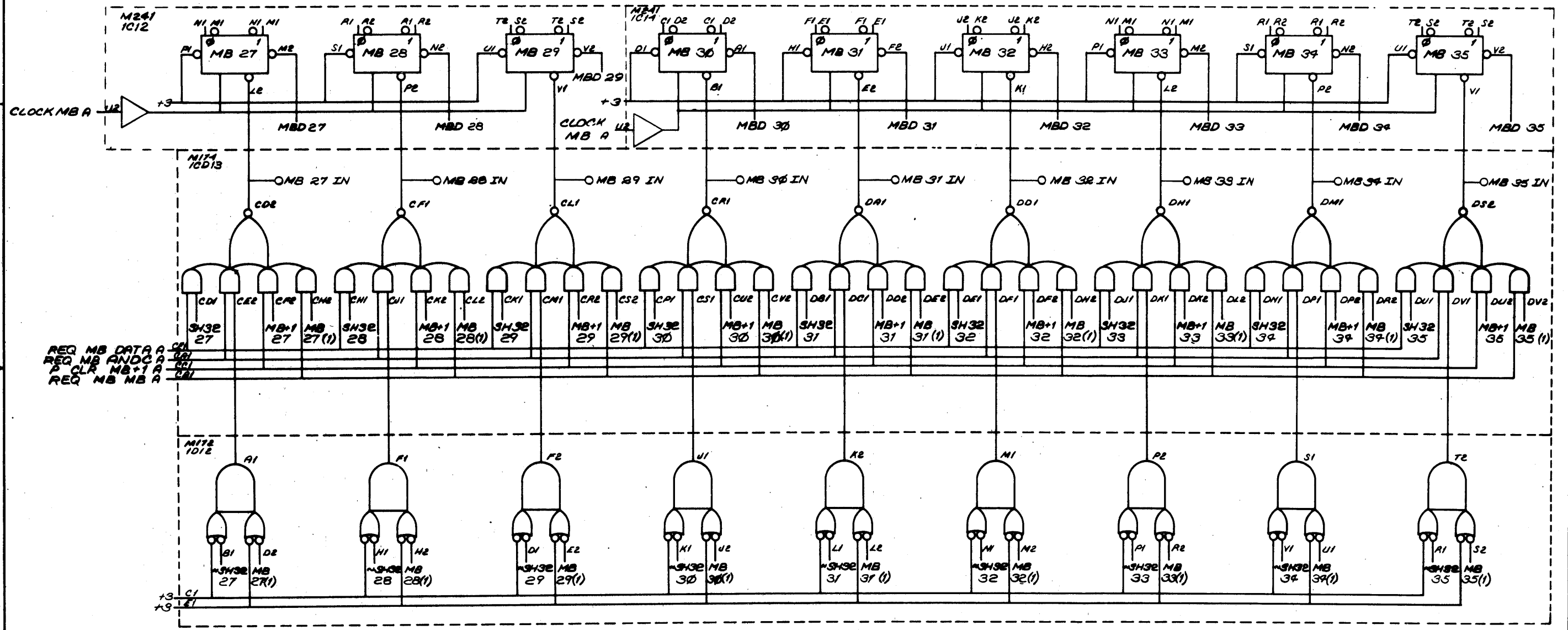
NOTE
 ALL SIGNAL NAMES ON THIS SHEET CONNECTED TO LOW ASSERTION DESIGNATION CIRCLES "O" ARE AS IF SUFFIXED WITH "L". ALL SIGNAL NAMES ON THIS SHEET NOT CONNECTED TO LOW ASSERTION DESIGNATION CIRCLES ARE AS IF SUFFIXED WITH "H".

DO NOT SCALE DRAWING
 UNLESS OTHERWISE SPECIFIED DIMENSIONS IN INCHES
 TOLERANCES
 DECIMALS FRACTIONS ANGLES
 ± .005 ± 1/64 ± 0°30'
 FINISH SURFACE QUALITY
 REMOVE BURRS AND BREAK SHARP CORNERS

MATERIAL: + / +
 FINISH: + / +

QTY.		DESCRIPTION	PARTS LIST	PART NO.	ITEM NO.																													
<table border="0"> <tr> <td>DATE: 11/21/71</td> <td>DATE: 11/21/71</td> <td colspan="2">TITLE</td> </tr> <tr> <td>ENGINEER: TWE</td> <td>DATE: 11/18/71</td> <td colspan="2">MEMORY BUFFER</td> </tr> <tr> <td>PROJECT ENGINEER: Tom Eggert</td> <td>DATE: 11/18/71</td> <td colspan="2">(BITS 18-26)</td> </tr> </table>					DATE: 11/21/71	DATE: 11/21/71	TITLE		ENGINEER: TWE	DATE: 11/18/71	MEMORY BUFFER		PROJECT ENGINEER: Tom Eggert	DATE: 11/18/71	(BITS 18-26)		<table border="0"> <tr> <td>DATE: 11/21/71</td> <td>DATE: 11/21/71</td> <td colspan="2">PROJECT NO.</td> </tr> <tr> <td>PROJECT NO.</td> <td>DATE: 11/21/71</td> <td colspan="2">NEXT HIGHER ASSY</td> </tr> <tr> <td colspan="2">A-ML-DL10-A</td> <td colspan="2">SCALE</td> </tr> <tr> <td colspan="2">SHEET 2 OF 6</td> <td colspan="2">DIST.</td> </tr> </table>		DATE: 11/21/71	DATE: 11/21/71	PROJECT NO.		PROJECT NO.	DATE: 11/21/71	NEXT HIGHER ASSY		A-ML-DL10-A		SCALE		SHEET 2 OF 6		DIST.	
					DATE: 11/21/71	DATE: 11/21/71	TITLE																											
					ENGINEER: TWE	DATE: 11/18/71	MEMORY BUFFER																											
PROJECT ENGINEER: Tom Eggert	DATE: 11/18/71	(BITS 18-26)																																
DATE: 11/21/71	DATE: 11/21/71	PROJECT NO.																																
PROJECT NO.	DATE: 11/21/71	NEXT HIGHER ASSY																																
A-ML-DL10-A		SCALE																																
SHEET 2 OF 6		DIST.																																
DISTRIBUTION		EQUIPMENT CORPORATION																																
		BAYSHIRE, MASSACHUSETTS																																

This drawing and specifications herein are the property of Digital Equipment Corporation and shall not be reproduced or copied in whole or in part in any form for the manufacture or sale of items without written permission.



REQ MB DATA A - C01
 REQ MB AND C A - C01
 P CLR MB+1 A - C01
 REQ MB MB A - C01

NOTE
 ALL SIGNAL NAMES ON THIS SHEET CONNECTED TO LOW ASSERTION DESIGNATION CIRCLES "0" ARE AS IF SUFFIXED WITH "L". ALL SIGNAL NAMES ON THIS SHEET NOT CONNECTED TO LOW ASSERTION DESIGNATION CIRCLES ARE AS IF SUFFIXED WITH "H".

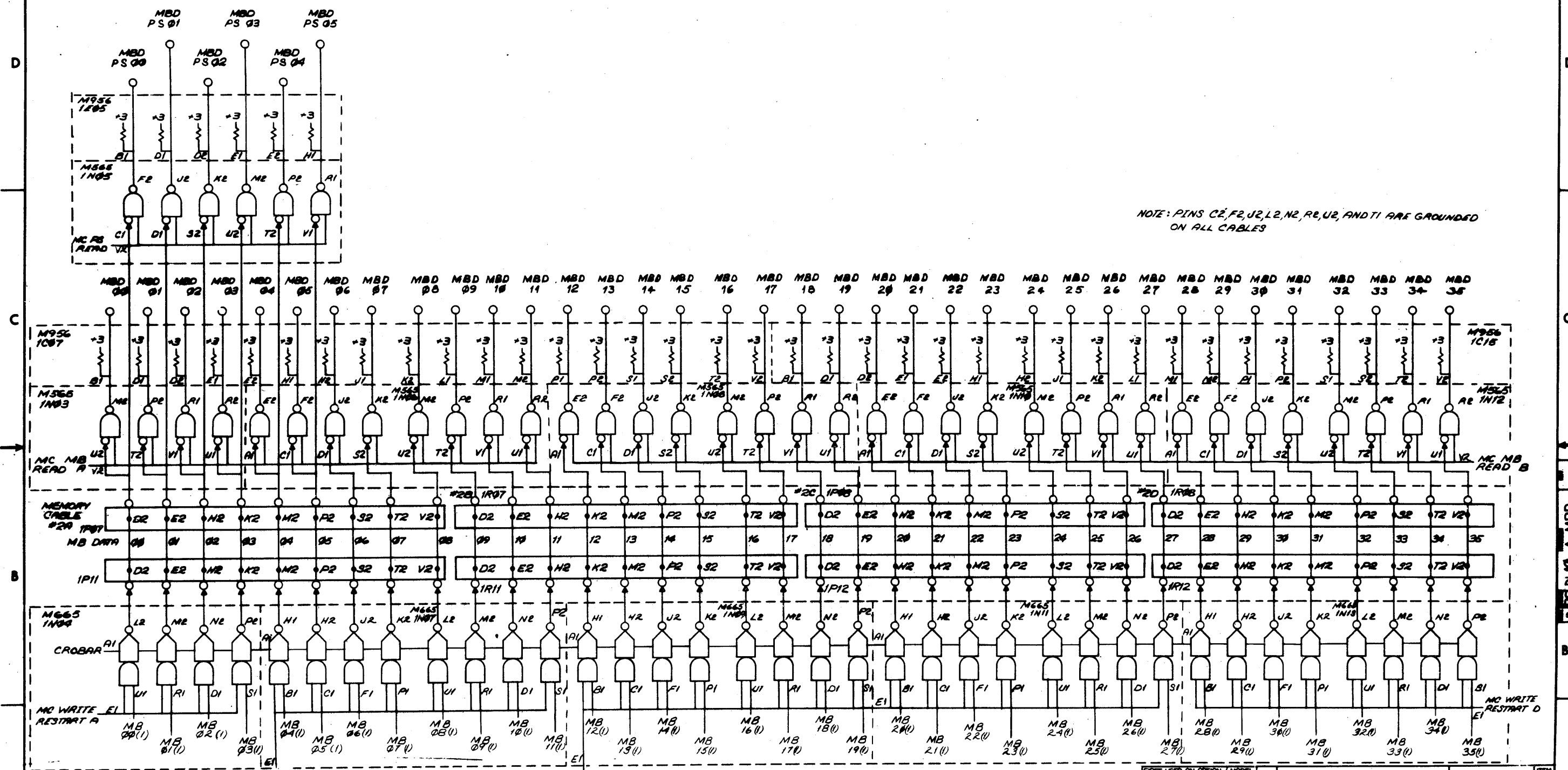
FIRST USED ON OPTION/MODEL
 PDP10

DO NOT SCALE DRAWING
 UNLESS OTHERWISE SPECIFIED
 DIMENSIONS IN INCHES
 TOLERANCES
 DECIMALS FRACTIONS ANGLES
 ± .005 ± .004 ± .002
 FINISH SURFACE QUALITY 1
 REMOVE BURRS AND BREAK SHARP EDGES
 MATERIAL
 FINISH

QTY.	DESCRIPTION	PART NO.	ITEM NO.
	PARTS LIST		
	digital EQUIPMENT CORPORATION MAYFELD, MASSACHUSETTS		
	TITLE MEMORY BUFFER BITS 27-35		
	SIZE/CODE NUMBER D B S D L 1 0 - A - M B 4		
	SHEET 1 OF 1		

REV.	CHG. NO.	DATE

This drawing and specifications, based on the property of Digital Equipment Corporation and shall not be reproduced or copied or used in whole or in part in any form for the manufacture of any of these without written permission.



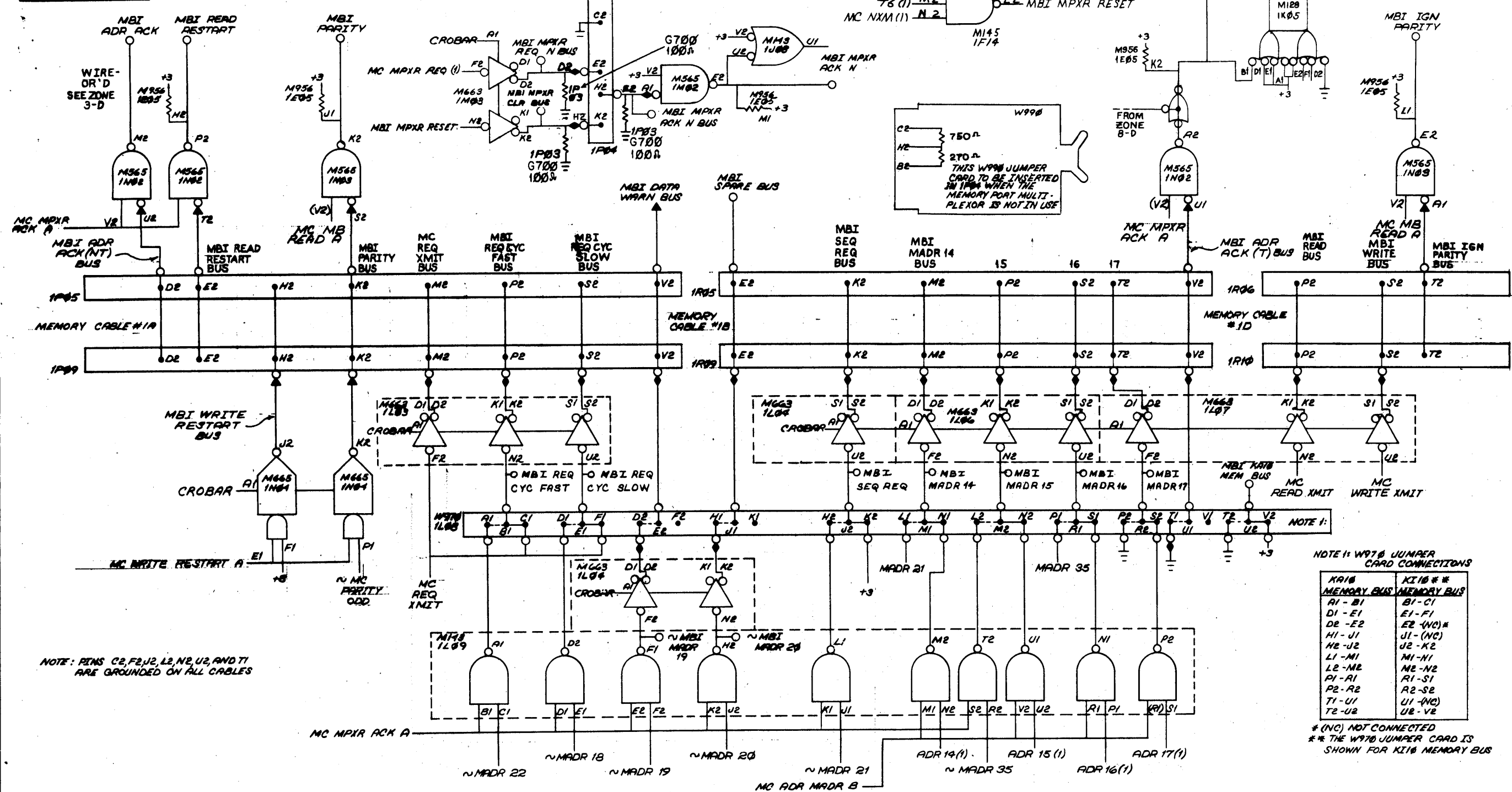
NOTE: PINS C2, F2, J2, L2, N2, R2, U2, AND T1 ARE GROUND ON ALL CABLES

REV	DATE	BY	CHK

NOTE
ALL SIGNAL NAMES ON THIS SHEET CONNECTED TO LOW ASSERTION DESIGNATION CIRCLES "O" ARE AS IF SUFFIXED WITH "L". ALL SIGNAL NAMES ON THIS SHEET NOT CONNECTED TO LOW ASSERTION DESIGNATION CIRCLES ARE AS IF SUFFIXED WITH "H".

<p>FIRST USED ON OPTION / MODEL PDP10</p> <p>UNLESS OTHERWISE SPECIFIED DIMENSIONS IN INCHES</p> <p>TOLERANCES</p> <p>DIGITALS FRACTIONS ANGLES</p> <p>± .005 ± .010 ± .015</p> <p>FINAL SURFACE QUALITY</p> <p>REMOVE BURRS AND BREAK SHARP CORNERS</p> <p>MATERIAL</p> <p>FINISH</p>	<p>QTY.</p> <p>DESCRIPTION</p> <p>PARTS LIST</p> <p>DATE 11/17/71</p> <p>BY M. Stephenson</p> <p>CHKD. M. Stephenson</p> <p>DATE 11/17/71</p> <p>ENG. TWE</p> <p>DATE 11/17/71</p> <p>PROL. ENG. Tom Eggers</p> <p>DATE 11/17/71</p> <p>PROD. K. Stephenson</p> <p>DATE 11/17/71</p>	<p>PART NO.</p> <p>ITEM NO.</p> <p>EQUIPMENT CORPORATION MAYFIELD MASSACHUSETTS</p> <p>TITLE MEMORY BUS DATA</p> <p>SCALE NONE</p> <p>SHEET 1 OF 1</p>
--	--	--

A drawing and specifications, herein, are the property of Digital Equipment Corporation and shall not be copied or used in whole or in part without the consent or sale of this office.



NOTE 1: W976 JUMPER CARD CONNECTIONS

KA18 MEMORY BUS	KI18** MEMORY BUS
A1-B1	B1-C1
D1-E1	E1-F1
DR-E2	E2-(NC)*
H1-J1	J1-(NC)
H2-J2	J2-K2
L1-M1	M1-N1
L2-M2	M2-N2
P1-R1	R1-S1
P2-R2	R2-S2
T1-U1	U1-(NC)
T2-U2	U2-V2

* (NC) NOT CONNECTED
 ** THE W976 JUMPER CARD IS SHOWN FOR KI18 MEMORY BUS

REVISIONS

CHK	CHANGE NO.	REV.	DATE	BY
	DL10A-00007	A		
	DL10A-00008	B		
	DL10A-00010	C		
	DL10A-00011	D		

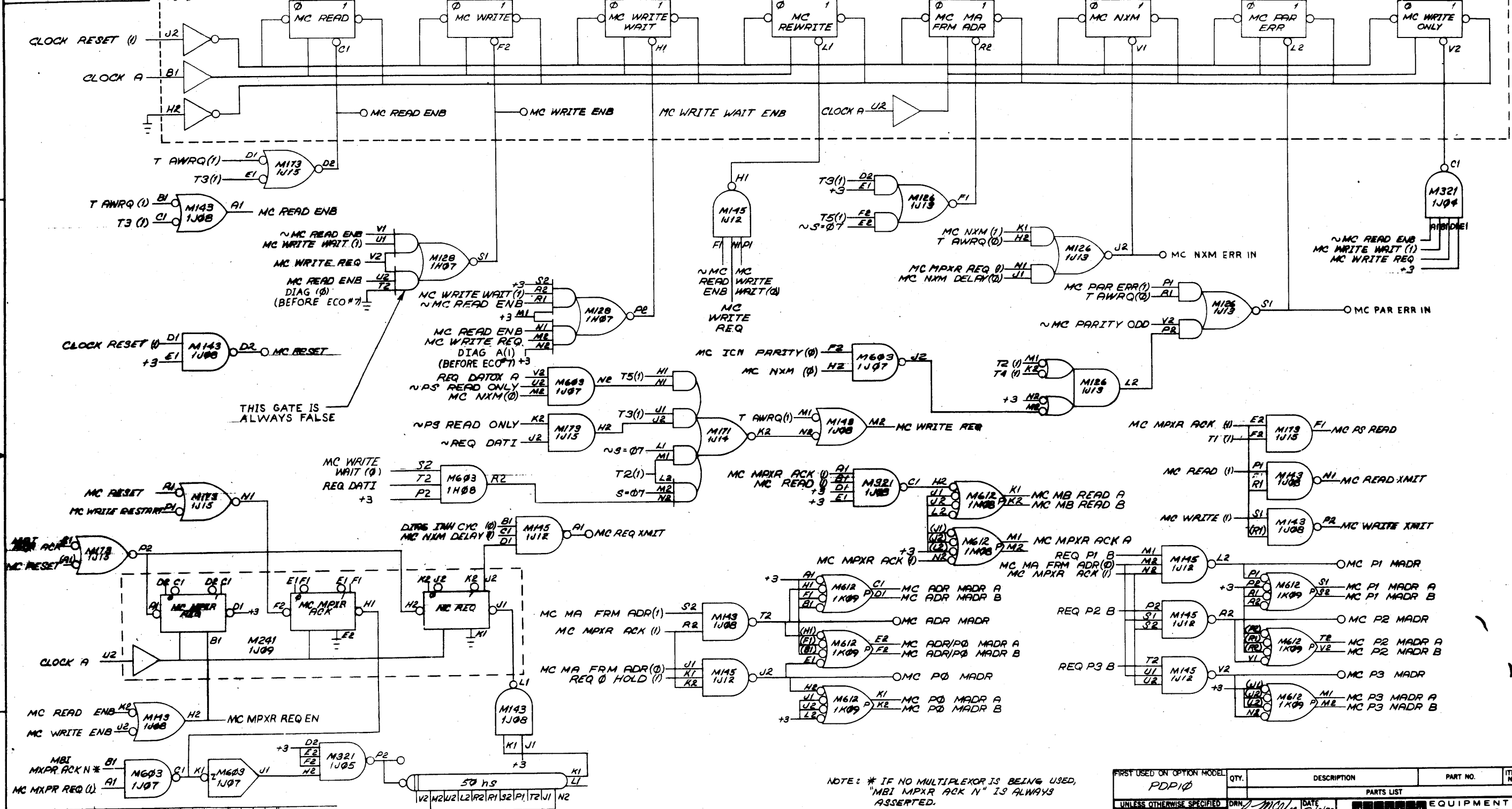
DESIGNED BY: A. KENT
 DRAWN BY: J. STANLEY
 CHECKED BY: T. W. EGGER
 DATE: 12/10/73

NOTE
 ALL SIGNAL NAMES ON THIS SHEET CONNECTED TO LOW ASSERTION DESIGNATION CIRCLES "O" ARE AS IF SUFFIXED WITH "L". ALL SIGNAL NAMES ON THIS SHEET NOT CONNECTED TO LOW ASSERTION DESIGNATION CIRCLES ARE AS IF SUFFIXED WITH "H".

FIRST USED ON OPTION/MODEL	QTY.	DESCRIPTION	PART NO.	ITEM NO.
PDP10		MEMORY BUS INTERFACE		

UNLESS OTHERWISE SPECIFIED	DRN.	DATE	
UNLESS OTHERWISE SPECIFIED	MCG	8/9/70	
TOLERANCES			
DECIMALS FRACTIONS ANGLES			
0.005 ± 1/64 ± 0°30'			
FINAL SURFACE QUALITY			
REMOVE BURRS AND BREAK SHARP CORNERS			
MATERIAL	SCALE	DATE	
	A-ML-D10-A	12/17/71	
FINISH	SCALE	DATE	
	1/1		
NEXT HIGHER ASSY.			
SIZE CODE		NUMBER	
DES DLI0-A-MBI		D	
SHEET 1 OF 1		REV D	

This drawing and specifications, herein, are the property of Digital Equipment Corporation and shall not be reproduced or used in whole or in part in any manner without the written permission of Digital Equipment Corporation.



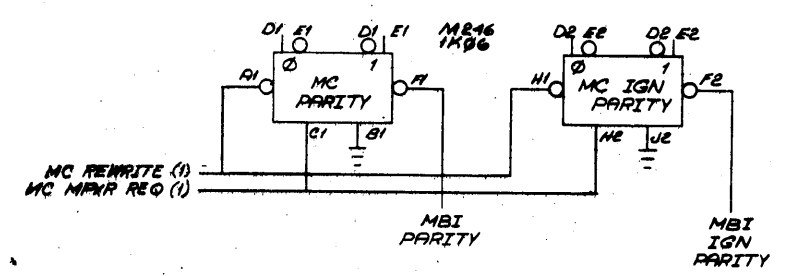
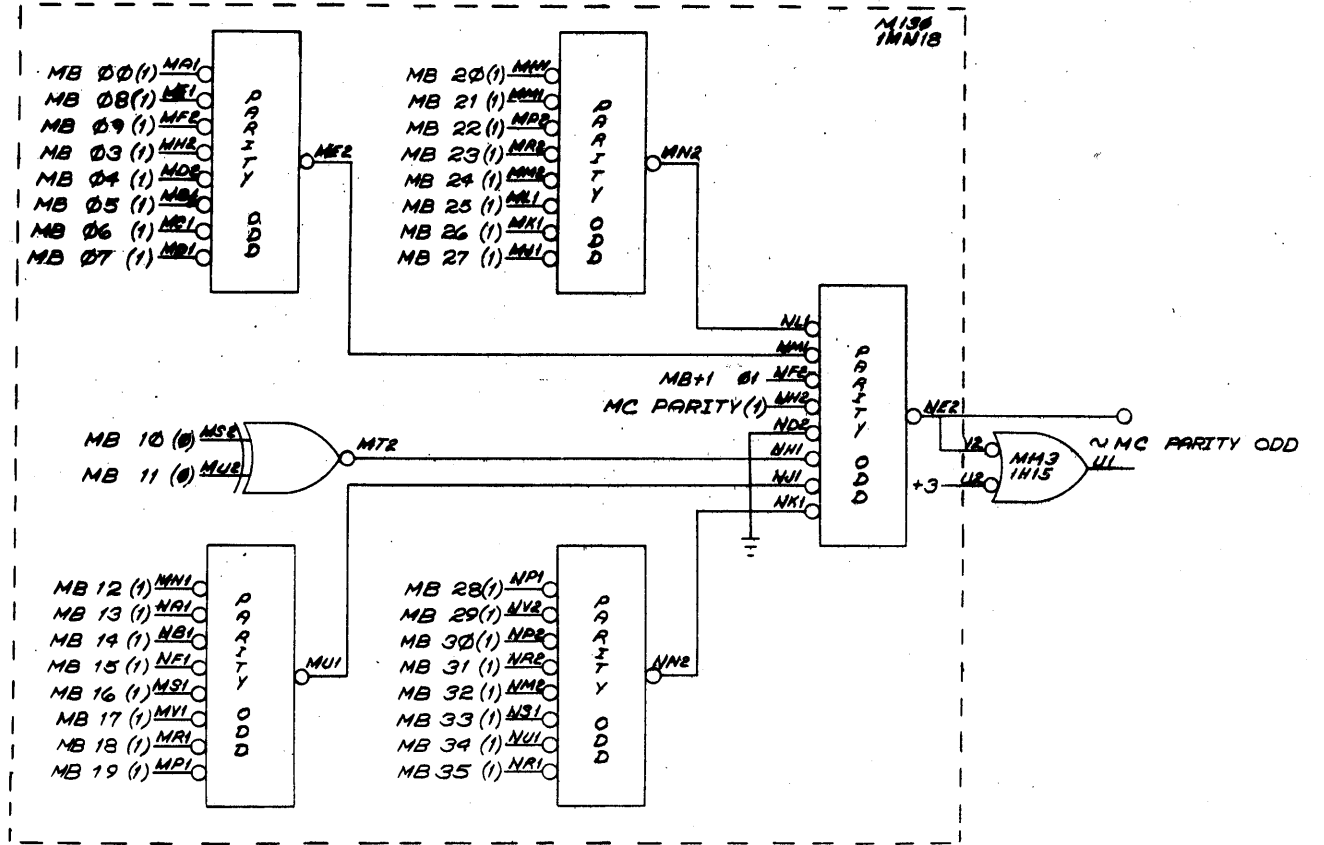
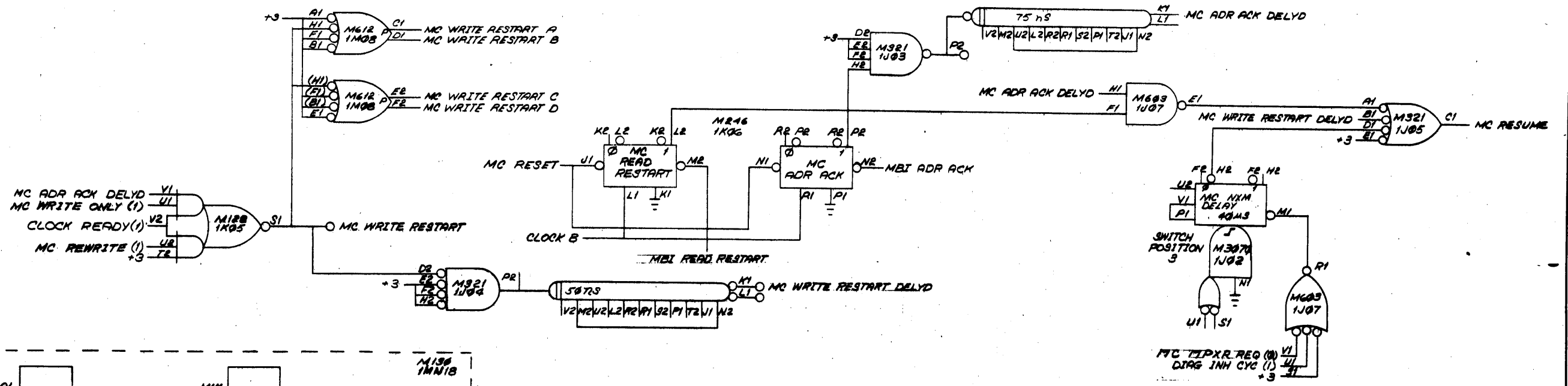
REV	CHANGE NO.	REV
1	DL10A-0001	A
2	DL10A-0002	B
3	DL10A-0003	C
4	DL10A-0004	D
5	DL10A-0005	E
6	DL10A-0006	F
7	DL10A-0007	G
8	DL10A-0008	H
9	DL10A-0009	I
10	DL10A-0010	J
11	DL10A-0011	K
12	DL10A-0012	L
13	DL10A-0013	M
14	DL10A-0014	N
15	DL10A-0015	O
16	DL10A-0016	P
17	DL10A-0017	Q
18	DL10A-0018	R
19	DL10A-0019	S
20	DL10A-0020	T
21	DL10A-0021	U
22	DL10A-0022	V
23	DL10A-0023	W
24	DL10A-0024	X
25	DL10A-0025	Y
26	DL10A-0026	Z

NOTE: * IF NO MULTIPLEXOR IS BEING USED, "MBI MPXR ACK N" IS ALWAYS ASSERTED.

NOTE: ALL SIGNAL NAMES ON THIS SHEET CONNECTED TO LOW ASSERTION DESIGNATION CIRCLES "0" ARE AS IF SUFFIXED WITH "L". ALL SIGNAL NAMES ON THIS SHEET NOT CONNECTED TO LOW ASSERTION DESIGNATION CIRCLES ARE AS IF SUFFIXED WITH "H".

FIRST USED ON OPTION MODEL	QTY.	DESCRIPTION	PART NO.	ITEM NO.
PDP10				
PARTS LIST				
UNLESS OTHERWISE SPECIFIED	DRN	DATE	EQUIPMENT	
UNLESS OTHERWISE SPECIFIED	CHK'D	DATE	CORPORATION	
DIMENSION IN INCHES	ENG	DATE	MAYNARD, MASSACHUSETTS	
TOLERANCES	PROJ. ENG.	DATE	TITLE	
DECIMALS FRACTIONS ANGLES	PROD.	DATE	MEMORY CONTROL	
± .008 ± 1/64 ± 0°30'				
FINAL SURFACE QUALITY				
REMOVE BURRS AND BREAK SHARP CORNERS				
MATERIAL	NEXT HIGHER ASSY.			
FINISH	A-ML-DL10-A			
SCALE	SIZE CODE	NUMBER	REV.	
SHEET 1 OF 1	DL10-A-MC1		E	

This drawing and specifications herein are the property of Digital Equipment Corporation and shall not be reproduced or used in whole or in part as the basis for the manufacture or sale of items without written permission.

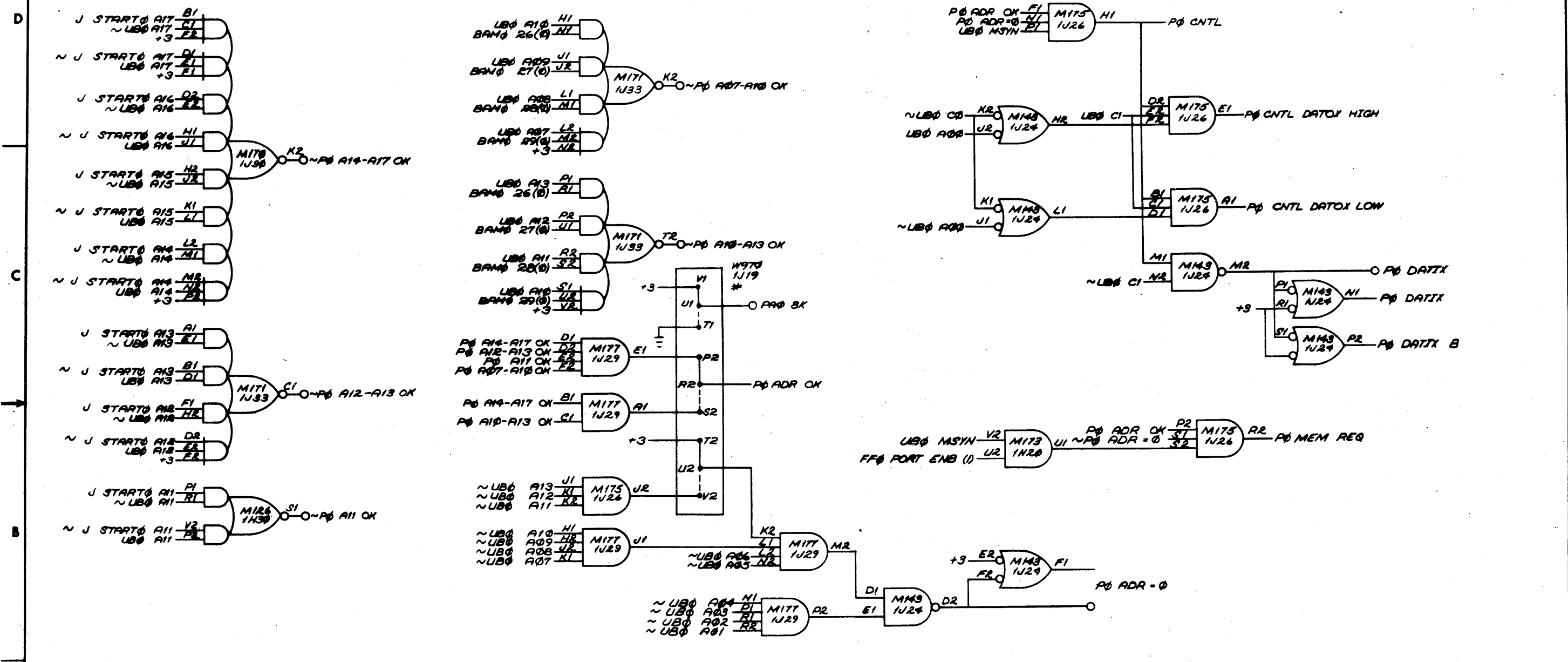


REVISIONS	CHANGE NO.	REV
DL10A-00003	A	
7/1/72	7-24-72	
B. WALSH		

NOTE
ALL SIGNAL NAMES ON THIS SHEET CONNECTED TO LOW ASSERTION DESIGNATION CIRCLES "O" ARE AS IF SUFFIXED WITH "L". ALL SIGNAL NAMES ON THIS SHEET NOT CONNECTED TO LOW ASSERTION DESIGNATION CIRCLES ARE AS IF SUFFIXED WITH "H".

FIRST USED ON OPTION MODEL RDP10	QTY.	DESCRIPTION	PART NO.	ITEM NO.
PARTS LIST				
UNLESS OTHERWISE SPECIFIED	DRAWN	DATE	digital EQUIPMENT CORPORATION MAYNARD, MASSACHUSETTS	
UNLESS OTHERWISE SPECIFIED	CHK'D	DATE	TITLE	
DIMENSION IN INCHES	ENG. TWE	DATE	MEMORY CONTROL	
TOLERANCES	PROJ. ENG.	DATE	SIZE CODE	
DECIMALS FRACTIONS ANGLES	DATE	DATE	NUMBER	
± .005 ± 1/64 ± 0°30'	DATE	DATE	REV.	
FINAL SURFACE QUALITY	DATE	DATE	A	
REMOVE BURRS AND BREAK SHARP CORNERS	DATE	DATE	DIST.	
MATERIAL	DATE	DATE	REV.	
NEXT HIGHER ASSY.	DATE	DATE	A	
A-ML-DL12-A	DATE	DATE	REV.	
FINISH	SCALE	SCALE	REV.	
	SHEET	OF	REV.	
			A	

This drawing and specifications, herein, are the property of Digital Equipment Corporation and shall not be reproduced or used in whole or in part on any basis for the manufacture or sale of items without written permission.



NOTE: * THE REST OF THIS JUMPER CARD IS SHOWN ON UBBA #1.

NOTE
ALL SIGNAL NAMES ON THIS SHEET CONNECTED TO LOW ASSERTION DESIGNATION CIRCLES "0" ARE AS IF SUFFIXED WITH "L". ALL SIGNAL NAMES ON THIS SHEET NOT CONNECTED TO LOW ASSERTION DESIGNATION CIRCLES ARE AS IF SUFFIXED WITH "H".

FIRST USED ON OPTION/MODEL	QTY.	DESCRIPTION	PART NO.	ITEM NO.
DDP10				
PARTS LIST				
UNLESS OTHERWISE SPECIFIED				
DIMENSIONS IN INCHES				
TOLERANCES				
DECIMALS	FRACTIONS	ANGLES		
± 0.005	± 1/64	± 0°30'		
FINAL SURFACE QUALITY				
REMOVE BURRS AND BREAK SHARP CORNERS				
MATERIAL	NEXT HIGHER ASSY.			
FINISH	SCALE			
SHEET 1 OF 1		DIST.		

digital EQUIPMENT CORPORATION
MAYNARD MASSACHUSETTS

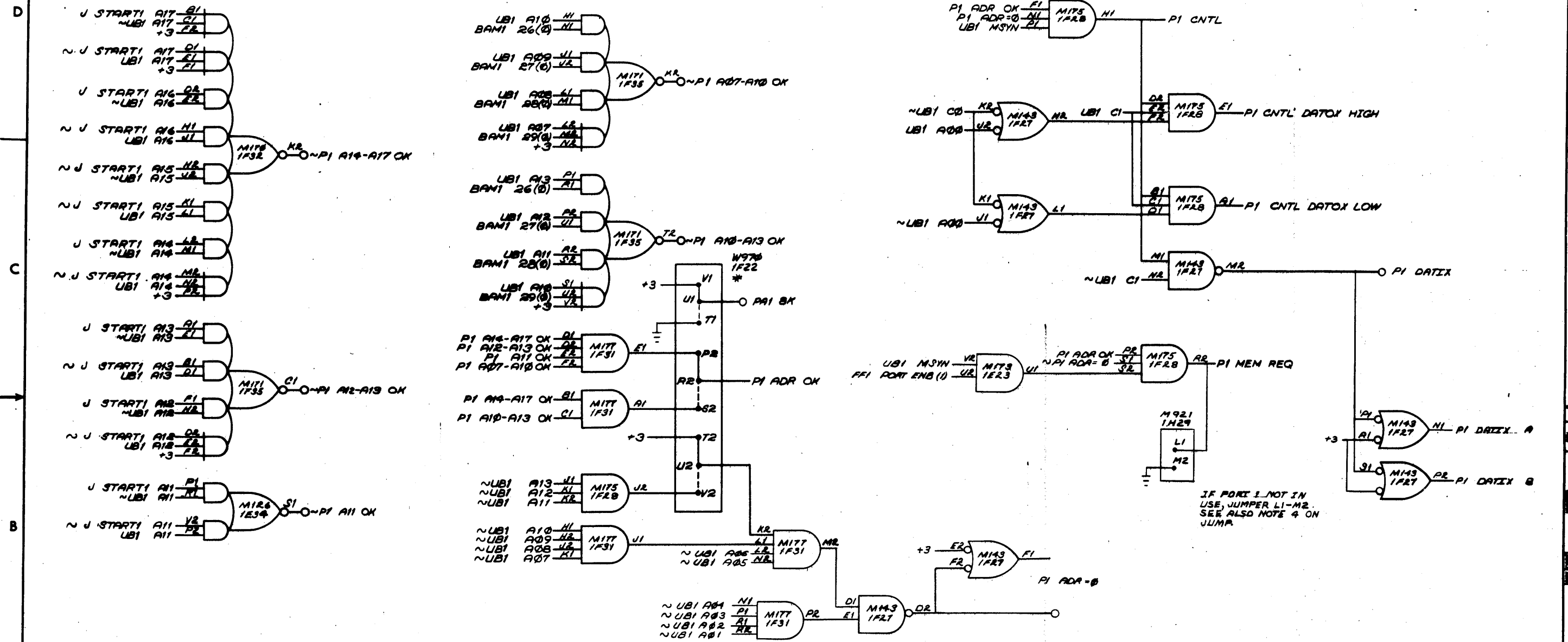
TITLE
UNIBUS PORT 0 ADDRESS SELECTION

DATE: 11/19/71
ENG: TWE
PROJ ENR: Tom Spivey
PROD: R. Stearns
DATE: 12/17/71

DBS DLI0-A-PA0

REV	
CHANGE NO	
CHK	

This drawing and specifications, herein, are the property of Digital Equipment Corporation and shall not be reproduced or copied in whole or in part, or the basis for the manufacture or sale of items without written permission.



* NOTE: THE REST OF THIS JUMPER CARD IS SHOWN ON UBB9 #1.

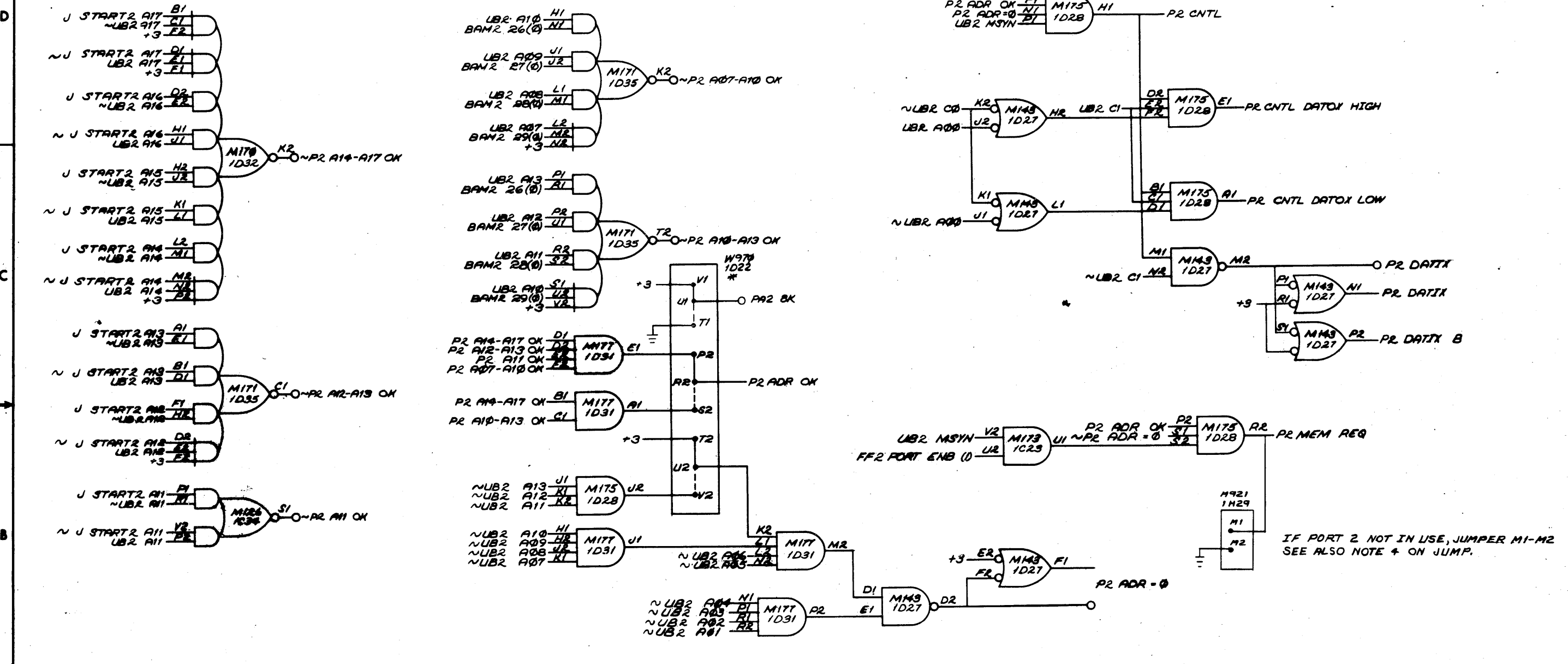
NOTE
 ALL SIGNAL NAMES ON THIS SHEET CONNECTED TO LOW ASSERTION DESIGNATION CIRCLES "O" ARE AS IF SUFFIXED WITH "L". ALL SIGNAL NAMES ON THIS SHEET NOT CONNECTED TO LOW ASSERTION DESIGNATION CIRCLES ARE AS IF SUFFIXED WITH "H".

REV.	CHANGE NO.	DATE
1	DL10A-0001	A
2		
3		
4		
5		
6		
7		
8		

REVISIONS
 VIC KU

FIRST USED ON OPTION/MODEL PDP10	QTY.	DESCRIPTION	PART NO.	ITEM NO.
PARTS LIST				
UNLESS OTHERWISE SPECIFIED				
UNLESS OTHERWISE SPECIFIED				
DIMENSIONS IN INCHES				
TOLERANCES				
DECIMALS FRACTIONS ANGLES				
± 0.005 ± 1/64 ± 0°30'				
FINAL SURFACE QUALITY				
REMOVE BURRS AND BREAK SHARP CORNERS				
MATERIAL	NEXT HIGHER ASSY.			
FINISH	SCALE			
		SHEET 1 OF 1		
TITLE			REV	
UNIBUS PORT 1			A	
ADDRESS SELECTION			2	
DDBS DL10-A-PA1			REV	
DIST.			2	

This drawing and specifications, herein, are the property of Digital Equipment Corporation and shall not be reproduced or copied or used in whole or in part in any manner for the manufacture or sale of items without written permission.



IF PORT 2 NOT IN USE, JUMPER M1-M2 SEE ALSO NOTE 4 ON JUMP.

* NOTE: THE REST OF THIS JUMPER CARD IS SHOWN ON UBBA #2.

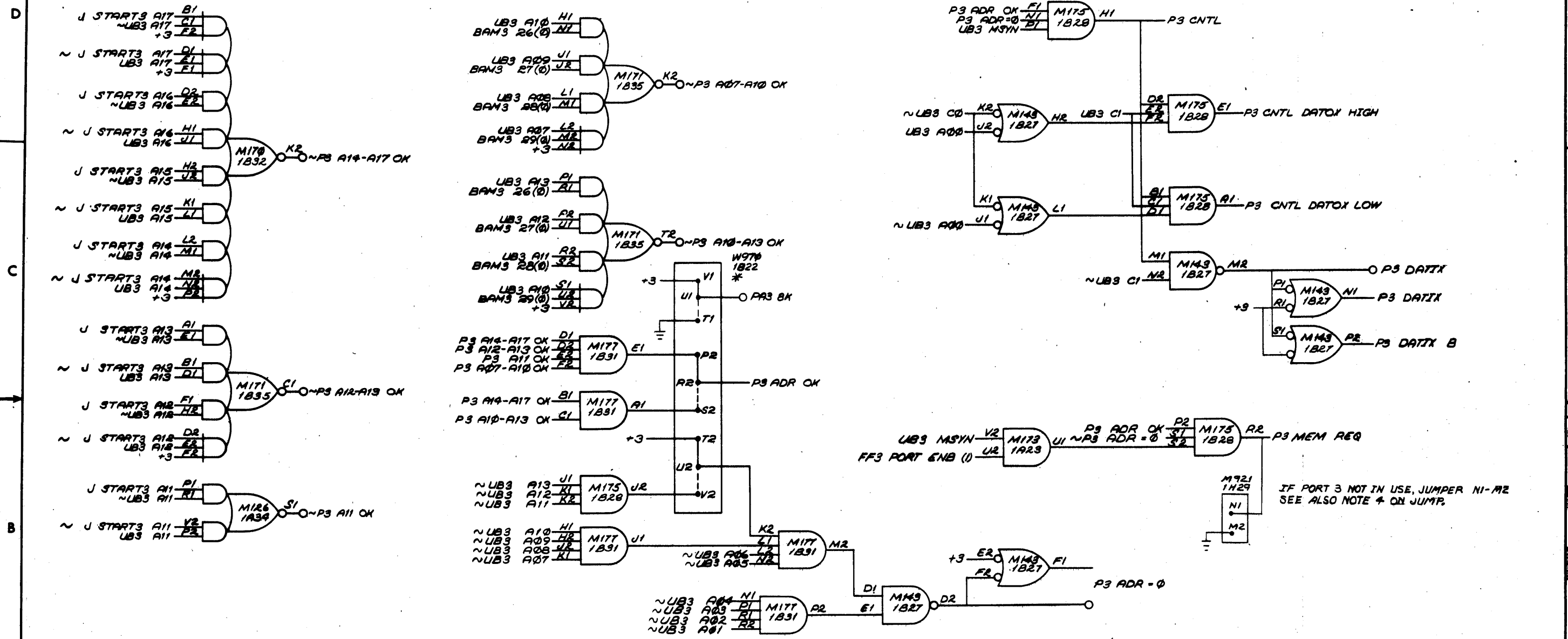
NOTE
ALL SIGNAL NAMES ON THIS SHEET CONNECTED TO LOW ASSERTION DESIGNATION CIRCLES "O" ARE AS IF SUFFIXED WITH "L". ALL SIGNAL NAMES ON THIS SHEET NOT CONNECTED TO LOW ASSERTION DESIGNATION CIRCLES ARE AS IF SUFFIXED WITH "H".

REV.	DATE	BY	CHK.
1	11/19/72	W. J.
2	11/19/72

REV.	DATE	BY	CHK.
1	11/19/72	W. J.
2	11/19/72

QTY.	DESCRIPTION	PART NO.	ITEM NO.
	UNIBUS PORT 2 ADDRESS SELECTION	DBS DL10-A-PA2	A

This drawing and specifications, herein, are the property of Digital Equipment Corporation and shall not be reproduced or copied in whole or in part in any form for the manufacture or sale of items without written permission.



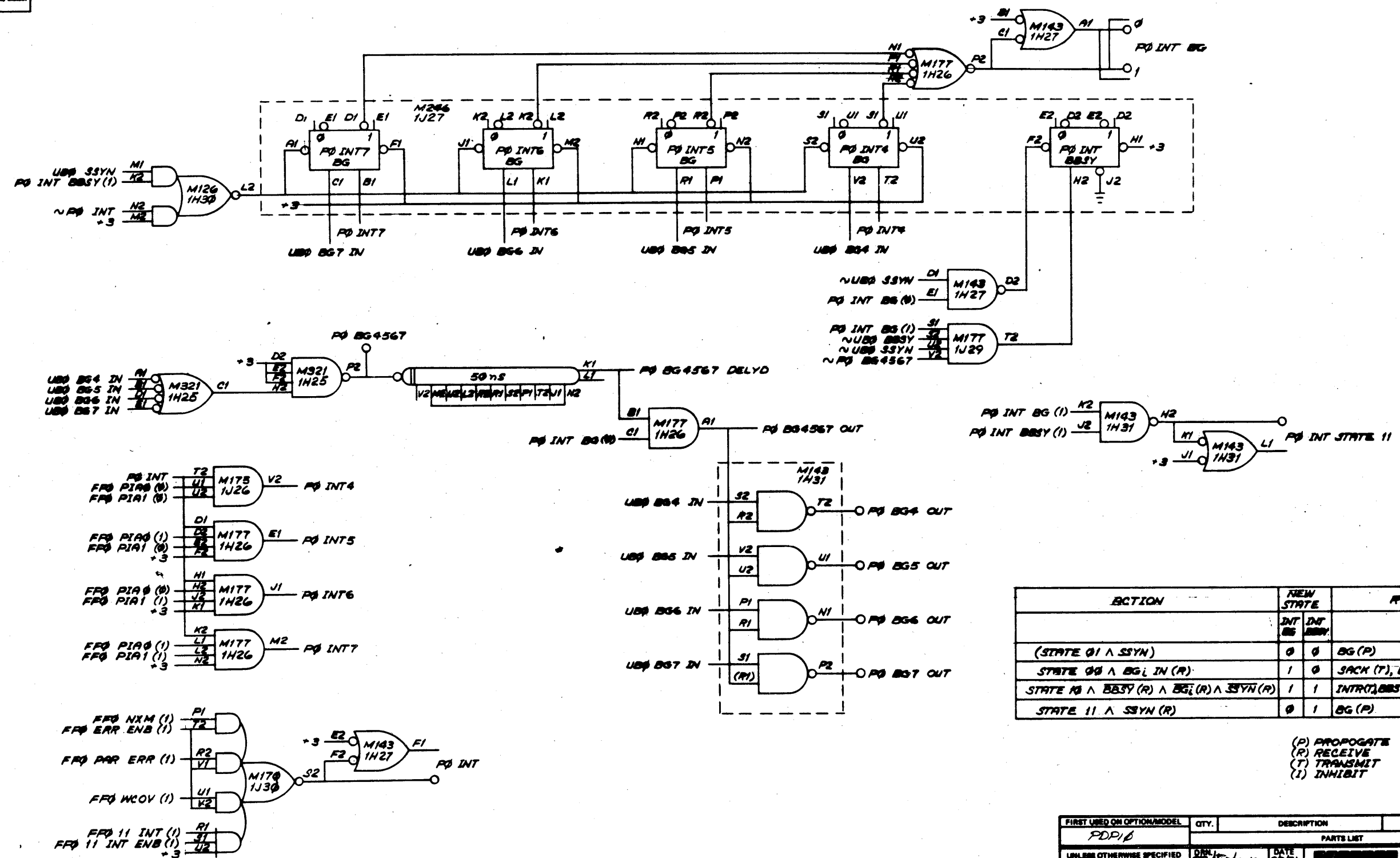
NOTE: * THE REST OF THIS JUMPER CARD IS SHOWN ON UB8A #2.

NOTE
ALL SIGNAL NAMES ON THIS SHEET CONNECTED TO LOW ASSERTION DESIGNATION CIRCLES "O" ARE AS IF SUFFIXED WITH "L". ALL SIGNAL NAMES ON THIS SHEET NOT CONNECTED TO LOW ASSERTION DESIGNATION CIRCLES ARE AS IF SUFFIXED WITH "H".

REV.	CHG.	NO.	DATE	BY
1		DL10A-0001	4	
2		DL10A-0002	11/11/71	
3		DL10A-0003	11/11/71	

FIRST USED ON OPTION/MODEL PDP10	QTY.	DESCRIPTION	PART NO.	ITEM NO.
UNLESS OTHERWISE SPECIFIED				
UNLESS OTHERWISE SPECIFIED				
DIMENSION IN INCHES				
TOLERANCES				
DECIMALS FRACTIONS ANGLES				
± .005 ± 1/64 ± 0°30'				
FINAL SURFACE QUALITY				
REMOVE BURRS AND BREAK SHARP CORNERS				
MATERIAL				
FINISH				
DATE	11/11/71	DATE	11/11/71	DATE
CHK'D BY	W. M. M. / W. M. M.	CHK'D BY	W. M. M. / W. M. M.	CHK'D BY
ENG. - WE		ENG. - WE		ENG. - WE
PROJ. ENG.	Tom Egan	PROJ. ENG.	Tom Egan	PROJ. ENG.
PROD.		PROD.		PROD.
NEXT HIGHER ASSY.		NEXT HIGHER ASSY.		NEXT HIGHER ASSY.
	A-ML-DL10-A			
SCALE	1 OF 1	SCALE	1 OF 1	SCALE
SHEET	1 OF 1	SHEET	1 OF 1	SHEET
PARTS LIST		EQUIPMENT CORPORATION MAYFORD, MASSACHUSETTS		
TITLE		UNIBUS PORT 3 ADDRESS SELECTION		
SIZE/CODE	NUMBER	REV.		
DBS DL10-A-PA3		A		

This drawing and specifications, herein, are the property of Digital Equipment Corporation and shall not be reproduced or copied or used in whole or in part as the basis for the manufacture of any of these items without permission.



ACTION	NEW STATE		RESULT
	INT BG	INT BB SY	
(STATE 01 \wedge SSYN)	0	0	BG (P)
STATE 00 \wedge BG _i IN (R)	1	0	SACK (T), BS (I)
STATE 00 \wedge BB SY (R) \wedge BG _i (R) \wedge SSYN (R)	1	1	INTR (T), BB SY (T), DCT, BG _i (I)
STATE 11 \wedge SSYN (R)	0	1	BG (P)

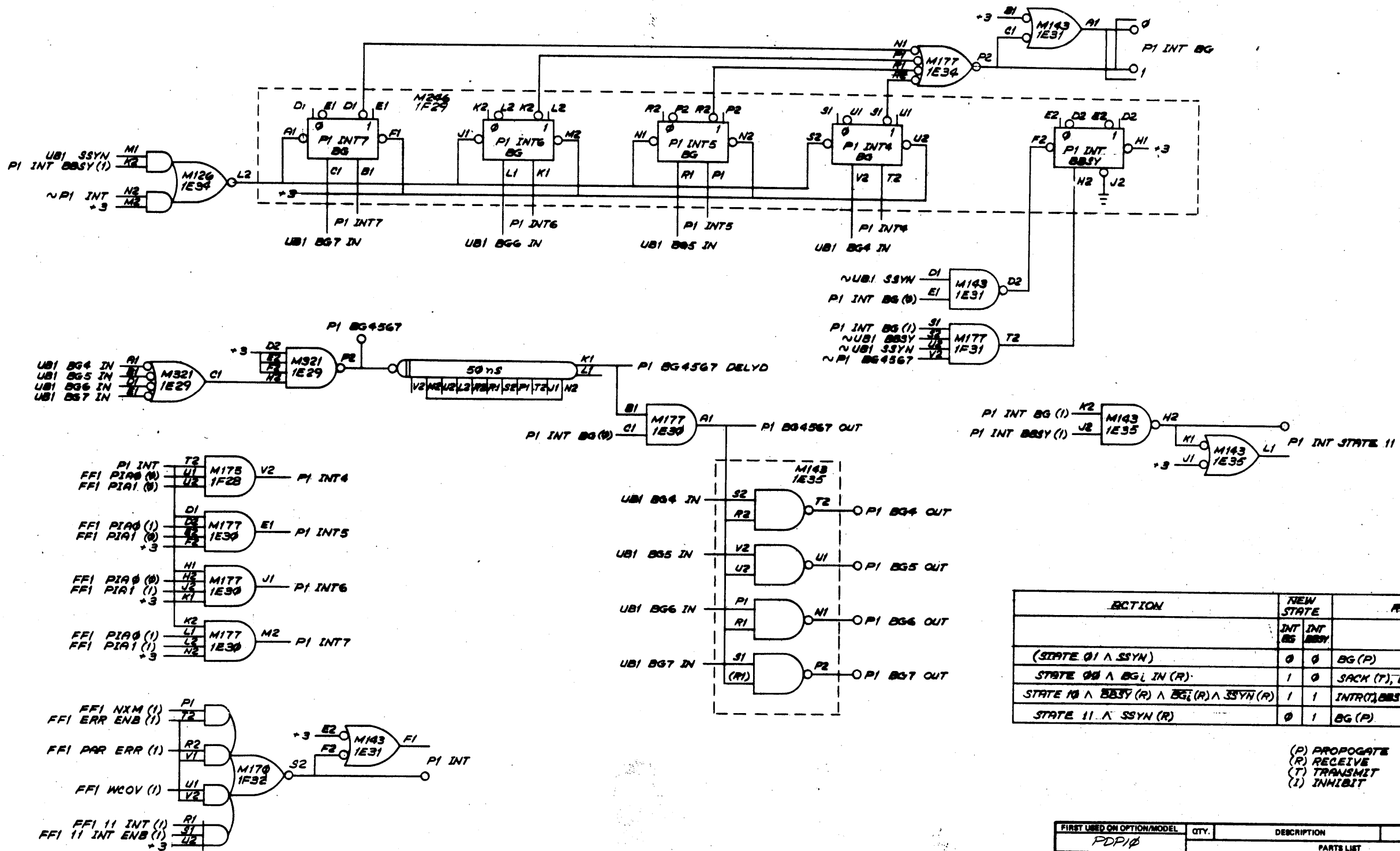
(P) PROPAGATE
(R) RECEIVE
(T) TRANSMIT
(I) INHIBIT

FIRST USED ON OPTION/MODEL	QTY.	DESCRIPTION	PART NO.	ITEM NO.
PDP10				
PARTS LIST				
UNLESS OTHERWISE SPECIFIED DIMENSION IN INCHES		DATE	DIGITAL EQUIPMENT CORPORATION	
TOLERANCES	CHK'D	DATE	TITLE	
DECIMALS	ANGLES	ENG.	UNIBUS PORT 0 INTERRUPT LOGIC	
.XXX - .999	±0° 30'	TWE	DATE	
.XX - .99		PROL. ENG.	DATE	
.X - .9		PRD.	DATE	
REMOVE BURRS AND BREAK SHARP CORNERS SURFACE QUALITY				
MATERIAL			NEXT HIGHER ASSY.	REV.
FINISH			A-ML-DL10-A	DBS DL10-A-PI0
SCALE			SHEET 1 OF 1	DIST.

REV.	CHANGE NO.	REVISIONS

This drawing and specifications, herein, are the property of Digital Equipment Corporation and shall not be reproduced or used in whole or in part as the basis for the manufacture or sale of items without written permission.

REV 2 3000 1278



ACTION	NEW STATE	RESULT
	INT BS	INT BBSY
(STATE 01 \wedge SSYN)	0	0 BG (P)
STATE 00 \wedge BG IN (R)	1	0 SACK (T), BG (I)
STATE 10 \wedge BBSY (R) \wedge BG IN (R) \wedge SSYN (R)	1	1 INTR (T), BBSY (T), DXT, BG (I)
STATE 11 \wedge SSYN (R)	0	1 BG (P)

(P) PROPOGATE
(R) RECEIVE
(T) TRANSMIT
(I) INHIBIT

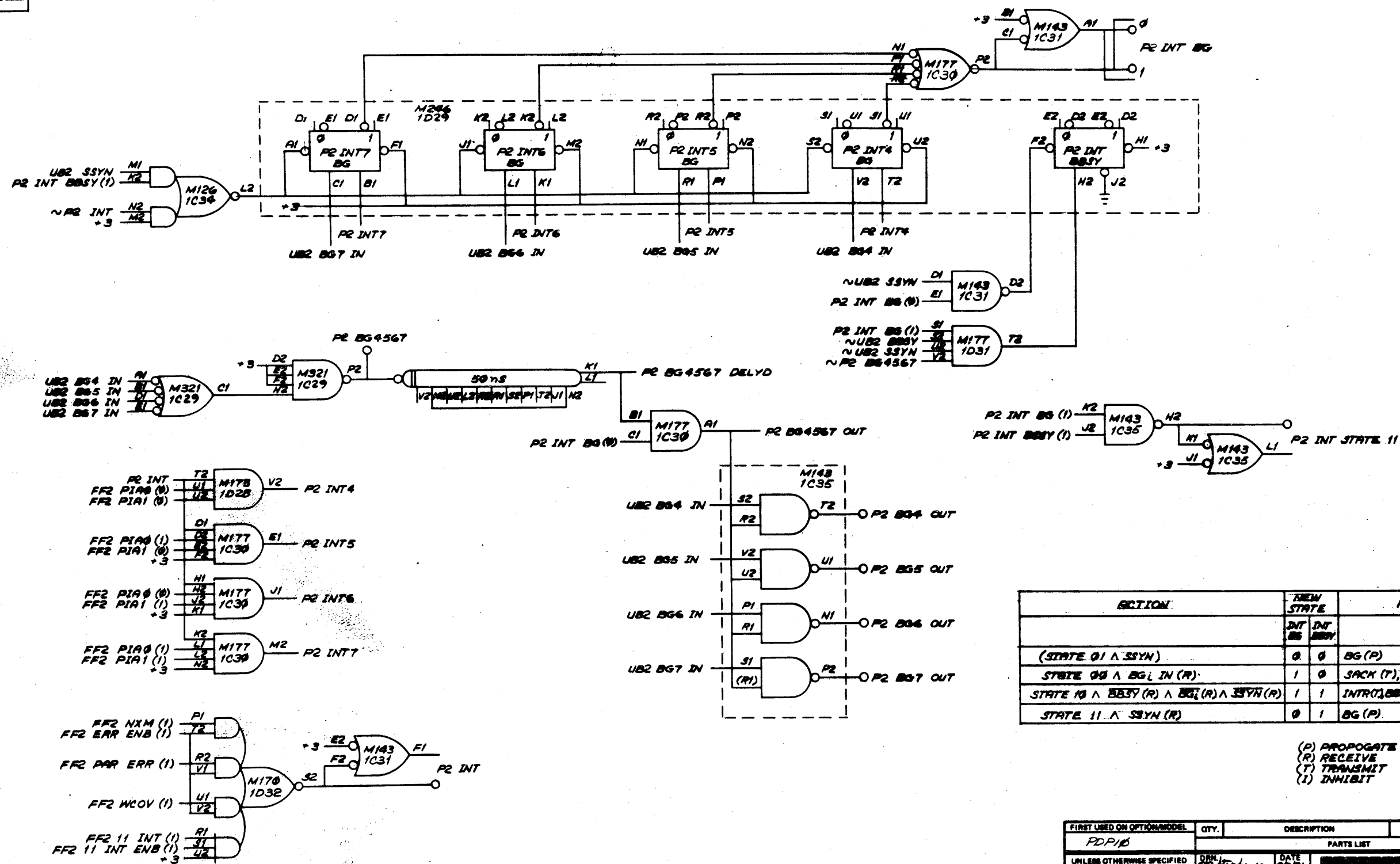
FIRST USED ON OPTION/MODEL	QTY.	DESCRIPTION	PART NO.	ITEM NO.
PDP10				
PARTS LIST				
UNLESS OTHERWISE SPECIFIED DIMENSION IN INCHES.	DRAWN	DATE	DIGITAL EQUIPMENT CORPORATION	
TOLERANCES	CHK'D	DATE	TITLE	
DECIMALS	ENG.	DATE	UNIBUS PORT 1 INTERRUPT LOGIC	
ANGLES	PROJ. ENG.	DATE	SIZE CODE	
.XK - .001	Tom Egge	11/19/71	NUMBER	
.XK - .02	PROD.	DATE	REV.	
.XK - .1	R. Shoumchi	12/7/71	A-ML-DL10-A	
REMOVE BURRS AND BREAK SHARP CORNERS SURFACE QUALITY	NEXT HIGHER ASSY.		DBS DL10-A-PI1	
MATERIAL			SCALE	
			SHEET 1 OF 1	
FINISH			DST.	

REV	CHANGE NO

DEC FORM NO 080 102-B

DBS DL10-A-PI1

This drawing and specifications, herein, are the property of L-gear Equipment Corporation and shall not be reproduced or copied in whole or in part as the basis for the manufacture or sale of items without written permission.



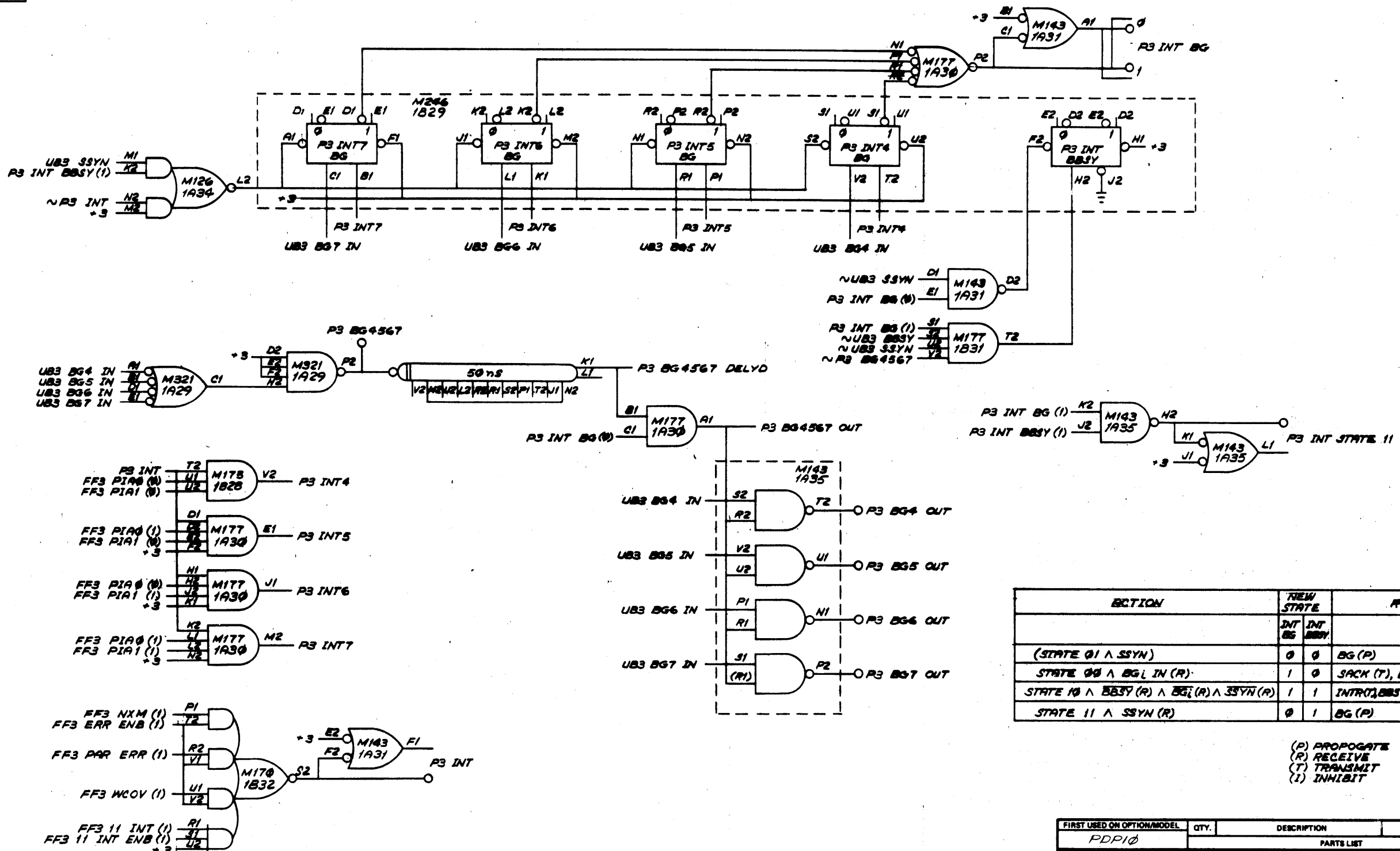
ACTION	NEW STATE		RESULT
	INT BS	INT BUSY	
(STATE 01 \wedge SSYN)	0	0	BG(P)
STATE 00 \wedge BG _i IN (R)	1	0	SACK (T), BG (I)
STATE 10 \wedge BUSY (R) \wedge BG _i (R) \wedge SSYN (R)	1	1	INTRO, BUSY (T), D(T) BG _i (I)
STATE 11 \wedge SSYN (R)	0	1	BG (P)

(P) PROPAGATE
(R) RECEIVE
(T) TRANSMIT
(I) INHIBIT

FIRST USED ON OPTION/MODEL	QTY.	DESCRIPTION	PART NO.	ITEM NO.
PDP10				
UNLESS OTHERWISE SPECIFIED DIMENSION IN INCHES TOLERANCES		PARTS LIST		
DECIMALS	ANGLES	TITLE		
.XXX - .000	30° 30'	UNIBUS PORT 2 INTERRUPT LOGIC		
.XX - .00		EQUIPMENT CORPORATION		
.X - .1		UNIVERSITY MICROFILMS		
MATERIAL				
NEXT HIGHER ASSY.				
FINISH				

REV	CHANGE NO	REVISIONS

This drawing and specifications, herein, are the property of Digital Equipment Corporation and shall not be reproduced or used in whole or in part as the basis for the manufacture or sale of items without written permission.



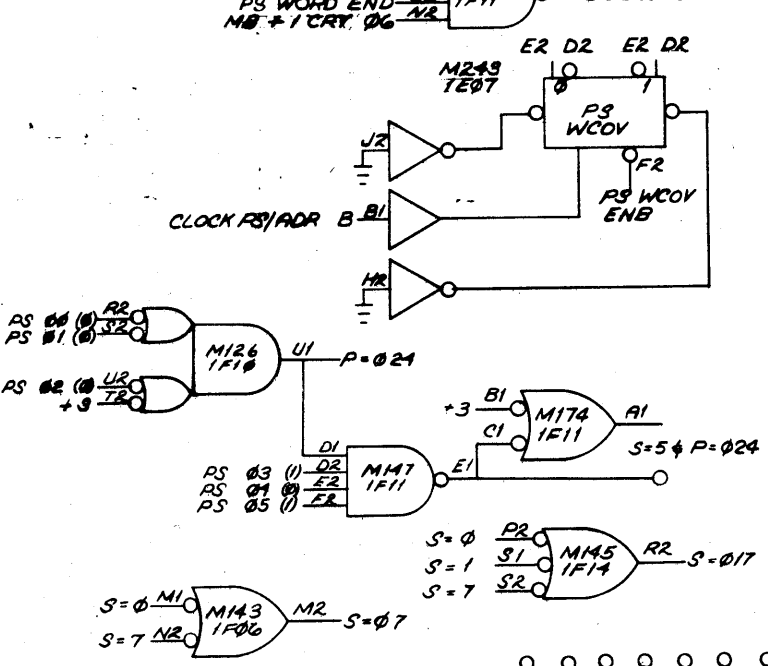
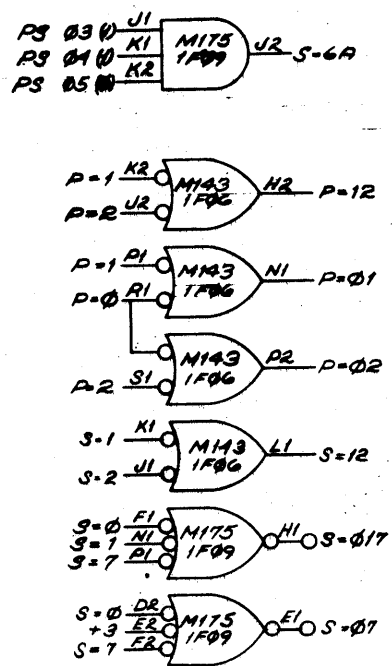
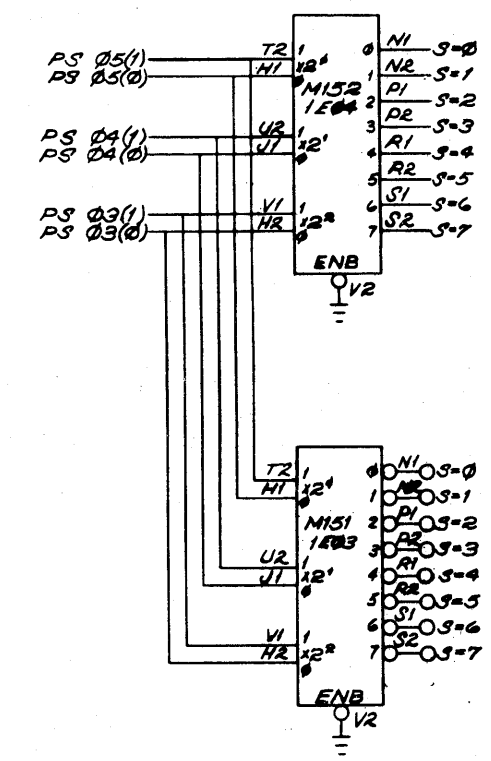
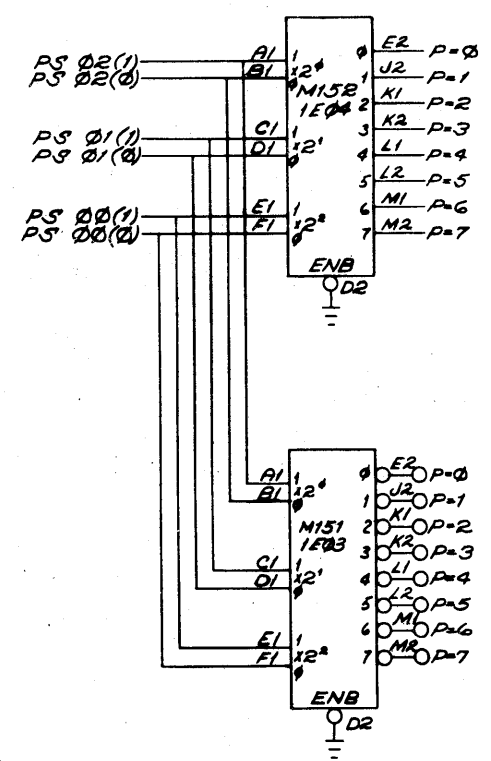
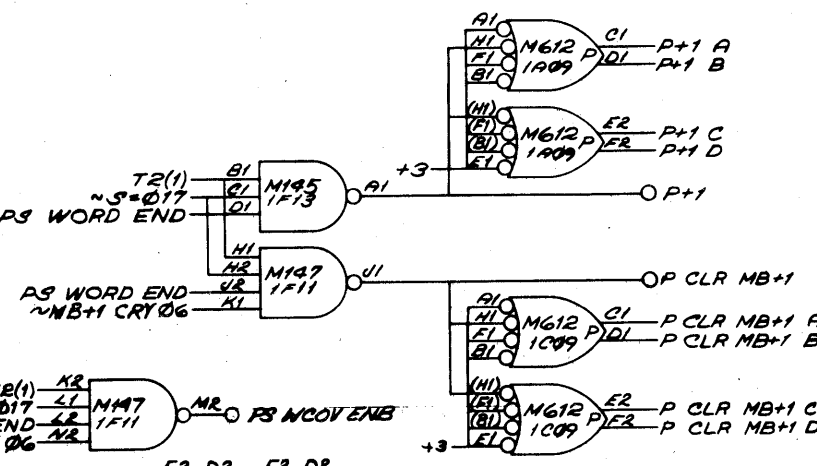
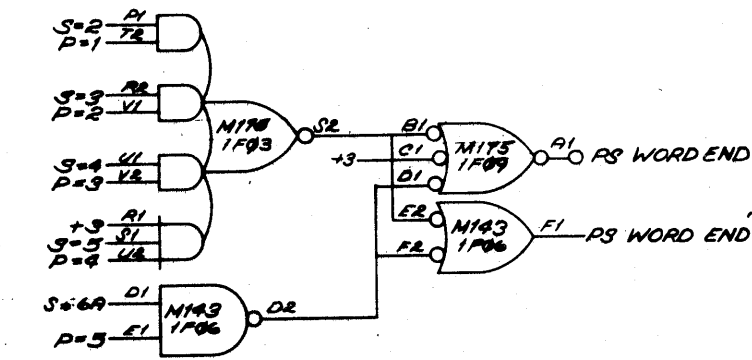
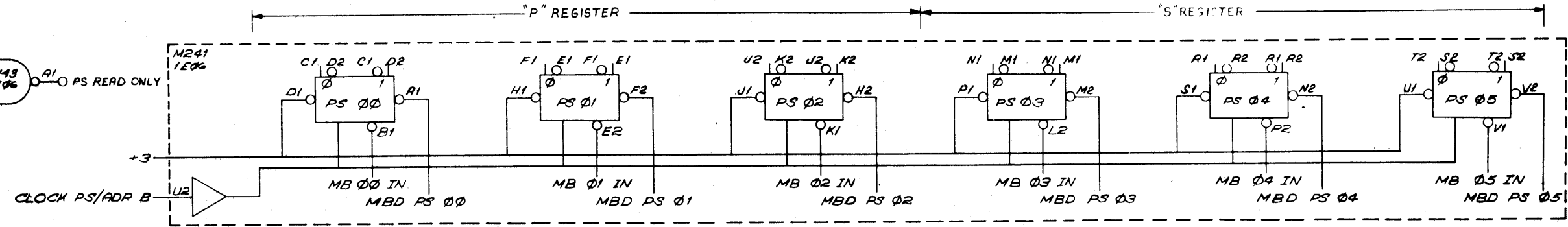
ACTION	NEW STATE		RESULT
	INT BG	INT BUSY	
(STATE 0) \wedge SSYN	0	0	BG (P)
STATE 0 \wedge BG _L IN (R)	1	0	SACK (T), BG (L)
STATE 10 \wedge BUSY (R) \wedge BG _L (R) \wedge SSYN (R)	1	1	INTR0, BUSY (T), DCT, BG (I)
STATE 11 \wedge SSYN (R)	0	1	BG (P)

(P) PROPAGATE
(R) RECEIVE
(T) TRANSMIT
(I) INHIBIT

FIRST USED ON OPTION/MODEL	QTY.	DESCRIPTION	PART NO.	ITEM NO.
PDP10				
UNLESS OTHERWISE SPECIFIED DIMENSION IN INCHES TOLERANCES		PARTS LIST		
DECIMALS	ANGLES	TITLE		
.XXX - .000	±0° 30'	UNIBUS PORT 3 INTERRUPT LOGIC		
.XX - .02				
.X - .1		MATERIAL		
REMOVE BURRS AND BREAK SHARP CORNERS SURFACE QUALITY		NEXT HIGHER ASSY.		
FINISH		SCALE		REV.
		SHEET 1 OF 1		

REV	CHANGE NO

This drawing and specifications herein are the property of Digital Equipment Corporation and shall not be reproduced or copied or used in whole or in part in any manner without the written consent of Digital Equipment Corporation.



SIZE =

	16	12	8	7	6A,B
S=0,1,2,7	L	L	L	L	L
S=3	H	L	L	L	L
S=4	H	H	L	L	L
S=5	H	H	H	L	L
S=6	H	H	H	H	L

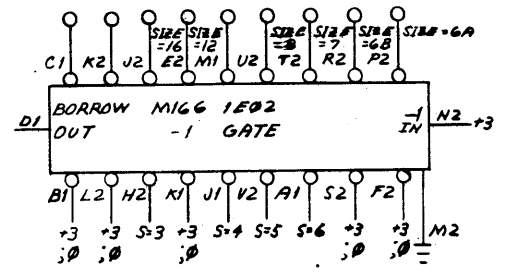
(L = ASSERTED)
EACH BYTE SIZE IMPLIES ALL OF THE SMALLER BYTE SIZES.

P=0	I	M	P+1	P+1	P+1	P+1	P+1	I
P=1	I	M	CLR WCOV	P+1	P+1	P+1	P+1	I
P=2	I	M	Q	CLR WCOV	P+1	P+1	P+1	I
P=3	I	M	Q	Q	CLR WCOV	P+1	P+1	I
P=4	I	M	Q	Q	Q	CLR WCOV	P+1	I
P=5	I	M	Q	Q	Q	Q	CLR WCOV	I
P=6	I	M	Q	Q	Q	Q	Q	I
P=7	I	M	P+1	P+1	P+1	P+1	P+1	I

READ ONLY
NEW P=0

P+1 INCREMENT P FIELD
CLR WCOV: CLEAR P. FIELD
~MB+1 CRY06: INCREMENT WC, ADR FIELDS
MB+1 CRY06: SET WCOV

I IMMEDIATE DATA REFERENCE (NO BYTE INCREMENT)
Q DON'T CARE CASES (TAKEN AS P+1)
M MEMORY REFERENCE (NO BYTE INCREMENT)



NOTE
ALL SIGNAL NAMES ON THIS SHEET CONNECTED TO LOW ASSERTION DESIGNATION CIRCLES "0" ARE AS IF SUFFIXED WITH "L". ALL SIGNAL NAMES ON THIS SHEET NOT CONNECTED TO LOW ASSERTION DESIGNATION CIRCLES ARE AS IF SUFFIXED WITH "H".

REVISIONS

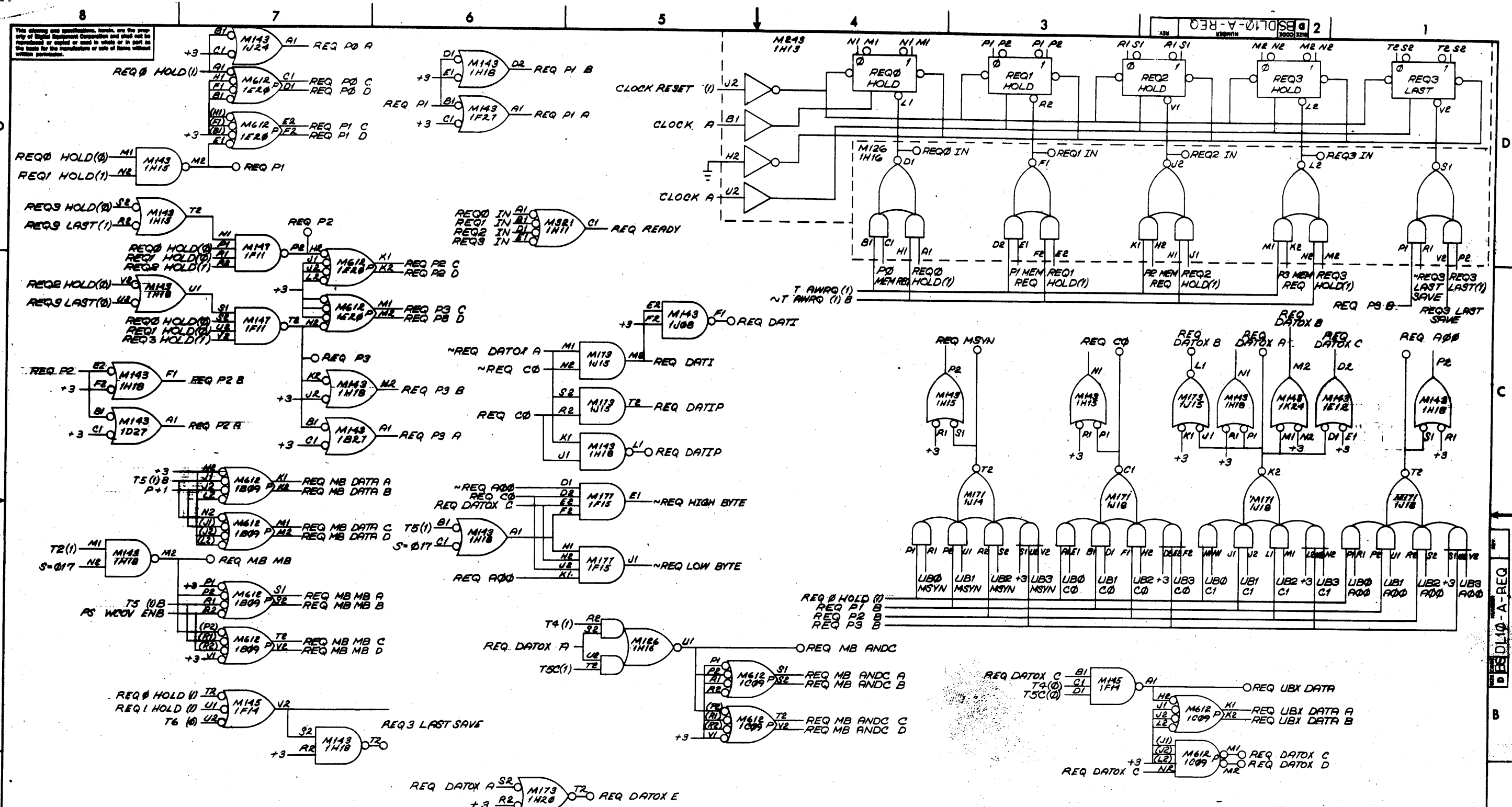
REV.	CHG.	NO.	DATE	BY	APP.
1	DL	0008	4-19-74	A. KENT	

FIRST USED ON OPTION MODEL PDP10	QTY.	DESCRIPTION	PART NO.	ITEM NO.
PARTS LIST				
UNLESS OTHERWISE SPECIFIED				
UNLESS OTHERWISE SPECIFIED				
DIMENSION IN INCHES				
TOLERANCES				
DECIMALS FRACTIONS ANGLES				
± .005 ± 1/64 ± 0°30'				
FINAL SURFACE QUALITY				
REMOVE BURRS AND BREAK SHARP CORNERS				
MATERIAL				
NEXT HIGHER ASSY				
A-ML-DL10-A				
FINISH				
SCALE NCNE				
SHEET 1 OF 1				

digital EQUIPMENT CORPORATION
MAYNARD MASSACHUSETTS

TITLE
PS REGISTER AND DECODING

SIZE CODE NUMBER REV
D1ESDL10-A-PS A

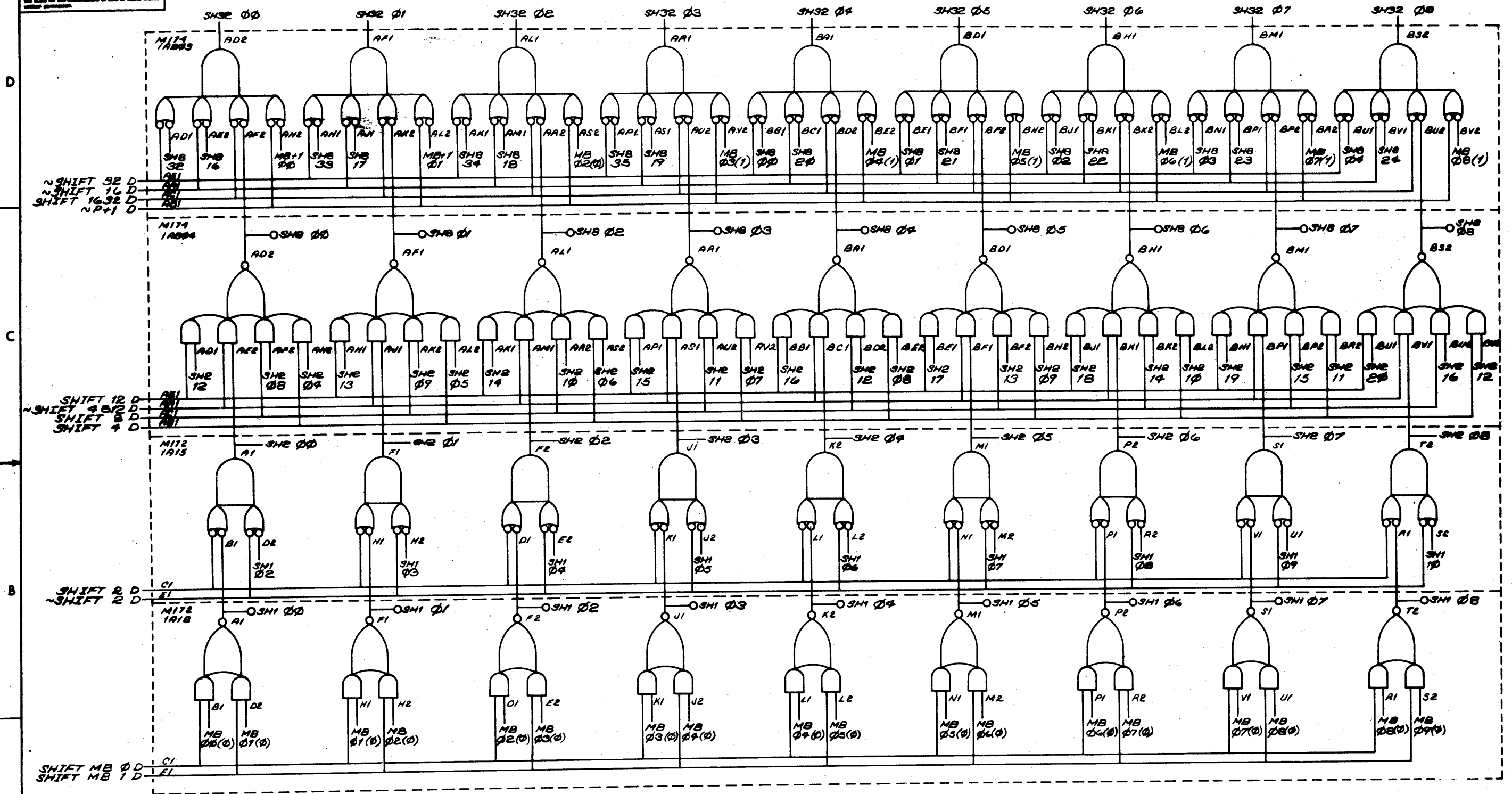


REV.	CHANGE NO.

NOTE
 ALL SIGNAL NAMES ON THIS SHEET CONNECTED TO LOW ASSERTION DESIGNATION CIRCLES "O" ARE AS IF SUFFIXED WITH "L". ALL SIGNAL NAMES ON THIS SHEET NOT CONNECTED TO LOW ASSERTION DESIGNATION CIRCLES ARE AS IF SUFFIXED WITH "H".

FIRST USED ON OPTION/MODEL PDP10	QTY.	DESCRIPTION	PART NO.	ITEM NO.
UNLESS OTHERWISE SPECIFIED	DATE 3/24/70	PARTS LIST		
UNLESS OTHERWISE SPECIFIED	DATE 4/1/71	digital EQUIPMENT CORPORATION MAYNARD MASSACHUSETTS		
DIMENSION IN INCHES	DATE 11/27/71	TITLE PRIORITY REQUEST LOGIC		
TOLERANCES	DATE 12/17/71	SIZE CODE D8S DLI0-A-REQ		
DECIMALS FRACTIONS ANGLES	DATE	NUMBER		
± .008 ± 1/64 ± 0°30'	DATE	REV		
FINAL SURFACE QUALITY / REMOVE BURRS AND BREAK SHARP CORNERS	DATE	SHEET 1 OF 1		
MATERIAL	DATE	D8T.		
FINISH	DATE			

This drawing and specifications, herein, are the property of Digital Equipment Corporation and shall not be reproduced or copied in whole or in part by any means for the manufacture or sale of items without written permission.

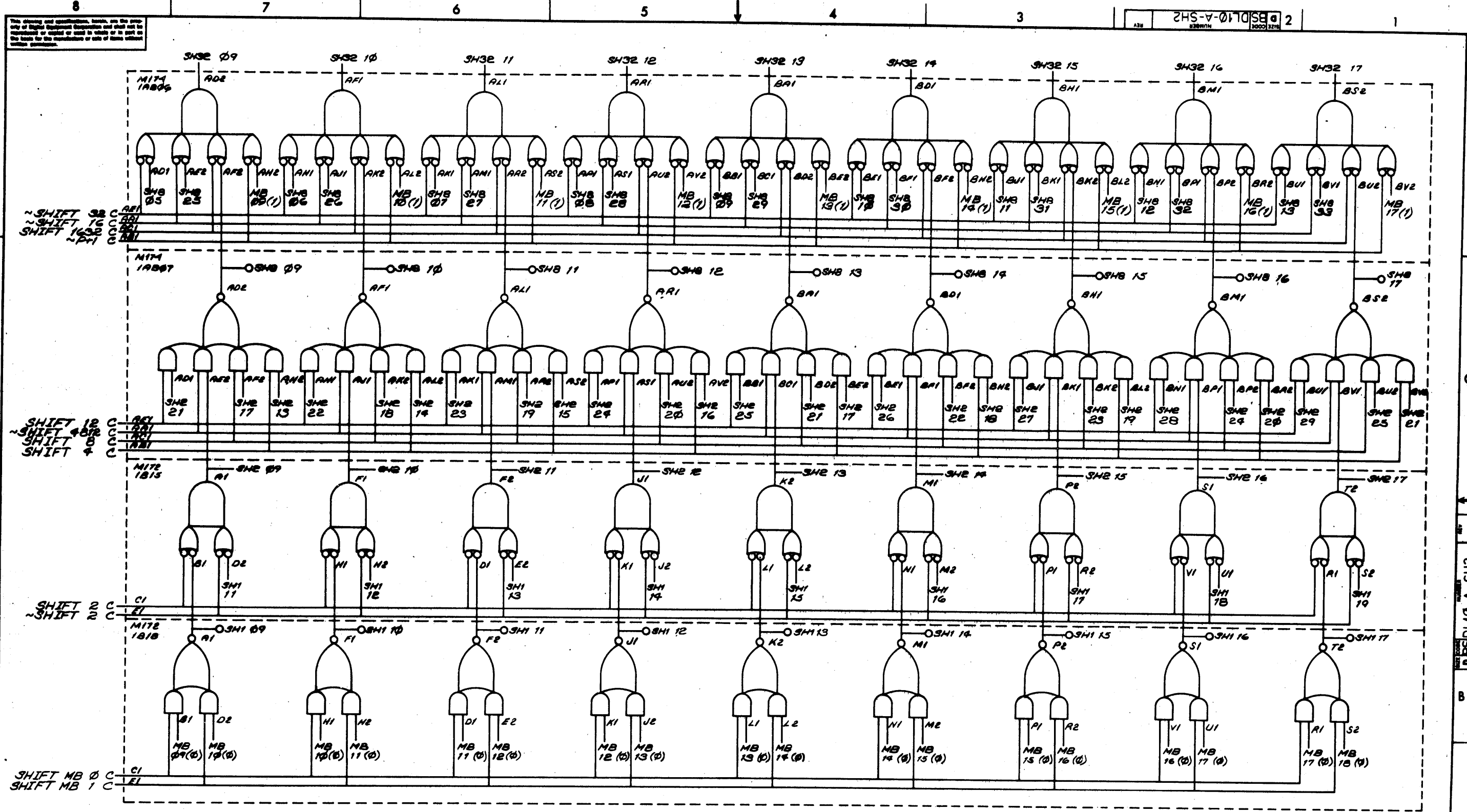


REV	
CHANGE NO	
CHK	

FIRST USED ON OPTION/MODEL
PDP10

UNLESS OTHERWISE SPECIFIED	DATE	digital EQUIPMENT CORPORATION MAYNARD MASSACHUSETTS
DIMENSIONS IN INCHES	DATE	
TOLERANCES	DATE	TITLE
DECIMALS FRACTIONS ANGLES	DATE	SHIFT MATRIX
± .005 ± .004 ± .030	DATE	BITS 00-08
FINAL SURFACE QUALITY /	DATE	SIZE/CODE NUMBER
REMOVE BURRS AND BREAK SHARP	DATE	DBS1010-A-SH1
CORNERS	DATE	SCALE
MATERIAL	DATE	SHEET 1 OF 1
FINISH	DATE	

NOTE
ALL SIGNAL NAMES ON THIS SHEET CONNECTED TO LOW ASSERTION DESIGNATION CIRCLES "O" ARE AS IF SUFFIXED WITH "L". ALL SIGNAL NAMES ON THIS SHEET NOT CONNECTED TO LOW ASSERTION DESIGNATION CIRCLES ARE AS IF SUFFIXED WITH "H".



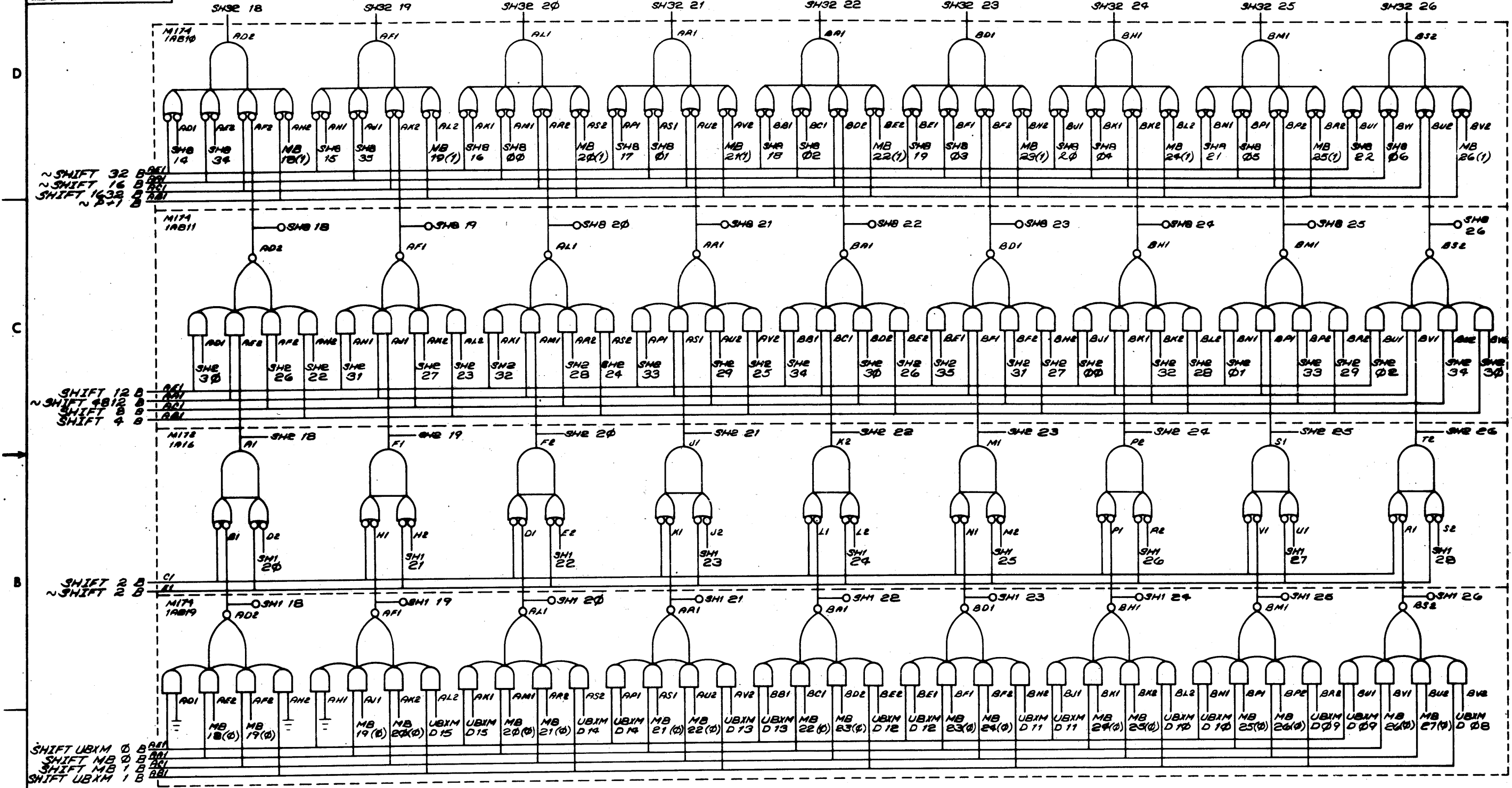
This drawing and specifications, herein, are the property of Digital Equipment Corporation and shall not be reproduced or used in whole or in part on the basis for the manufacture or sale of items without written permission.

2HS-A-01101SE 2

REV	
CHANGE NO	
CHK	

FIRST USED ON OPTION/MODEL <i>PDP10</i>	UNLESS OTHERWISE SPECIFIED DIMENSION IN INCHES TOLERANCES DECIMALS FRACTIONS ANGLES ± .005 ± .1/64 ± 0°30'	DATE <i>5/24/70</i>	DATE <i>11/21/71</i>	 digital EQUIPMENT CORPORATION MAYNARD MASSACHUSETTS
	REMOVE BURRS AND BREAK SHARP CORNERS	DATE <i>11/19/71</i>	DATE <i>12/17/71</i>	
NOTE ALL SIGNAL NAMES ON THIS SHEET CONNECTED TO LOW ASSERTION DESIGNATION CIRCLES "O" ARE AS IF SUFFIXED WITH "L". ALL SIGNAL NAMES ON THIS SHEET NOT CONNECTED TO LOW ASSERTION DESIGNATION CIRCLES ARE AS IF SUFFIXED WITH "H".	MATERIAL —H—	SCALE 1:1	SHEET 1 OF 1	TITLE SHIFT MATRIX BITS 09-17 SIZE/CODE DJBSDL10-A-SH2

This drawing and specifications, herein, are the property of Digital Equipment Corporation and shall not be reproduced or copied or used in whole or in part on the basis for the manufacture or sale of items without written permission.



~SHIFT 32 B BAI
~SHIFT 16 B BAI
SHIFT 16 32 B BAI
~SHIFT 1 B

SHIFT 12 B BAI
~SHIFT 4 12 B BAI
SHIFT 8 B BAI
SHIFT 4 B

SHIFT 2 B BAI
~SHIFT 2 B BAI

SHIFT UBXM 0 B BAI
SHIFT MB 0 B BAI
SHIFT MB 1 B BAI
SHIFT UBXM 1 B

REV	
CHANGE NO.	
CHK	

FIRST USED ON OPTION/MODEL
PDP10

UNLESS OTHERWISE SPECIFIED
DIMENSION IN INCHES
TOLERANCES
DECIMALS FRACTIONS ANGLES
± 0.00 ± 1/64 ± 0°30'
FINAL SURFACE QUALITY
REMOVE BURRS AND BREAK SHARP CORNERS

DATE 5/26/70
DATE 11/27/71
DATE 11/27/71
DATE 12/1/71

DRN
CHK'D
ENG. TWE
PROJ. ENG.
PROJ. MGR.

DATE 11/27/71
DATE 12/1/71

SCALE 1:1
SHEET 1 OF 1

digital EQUIPMENT CORPORATION
MAYNARD, MASSACHUSETTS

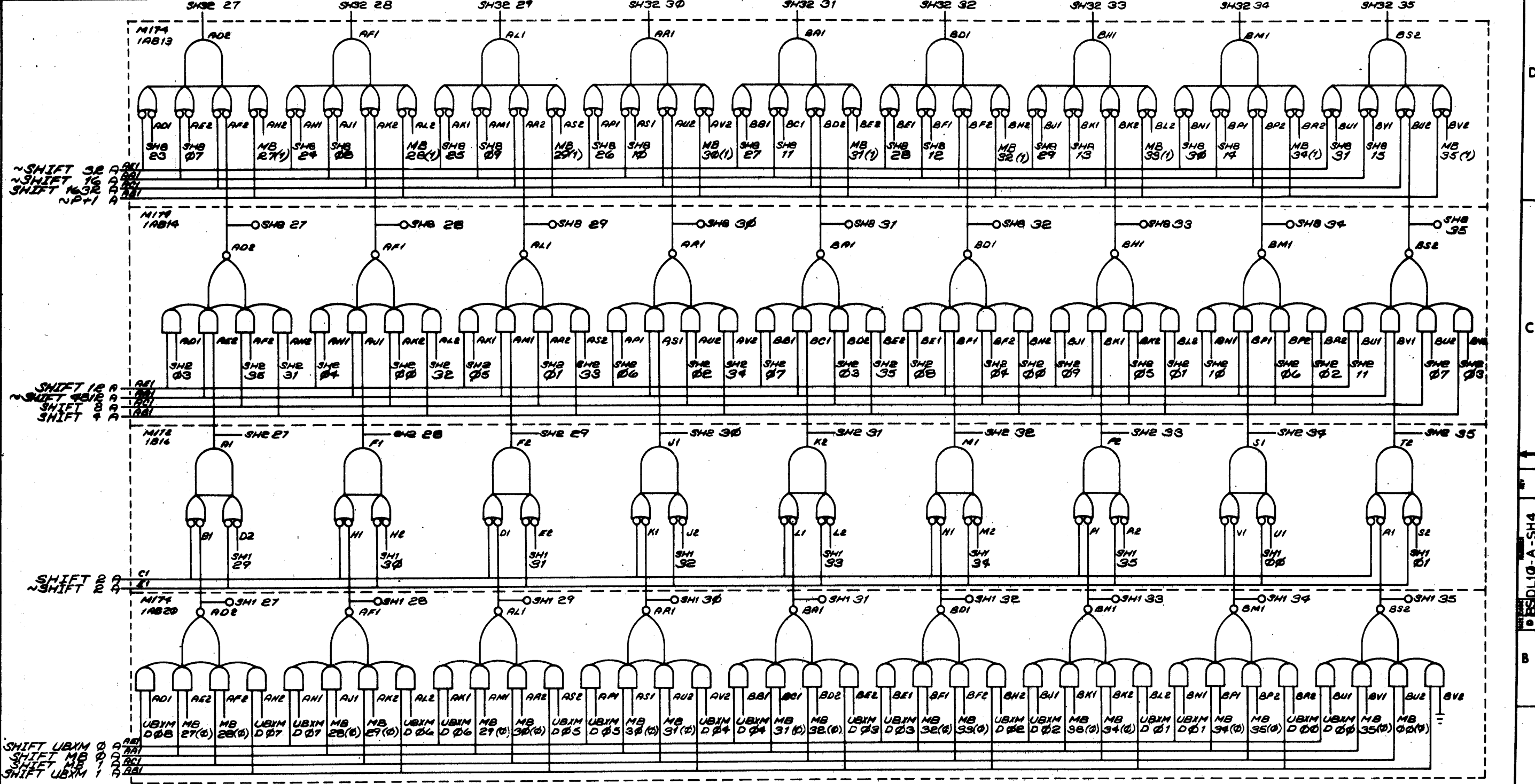
TITLE
SHIFT MATRIX
BITS 18-26

SIZE CODE
D8S DL10-A-SH3

NUMBER
REV.

NOTE
ALL SIGNAL NAMES ON THIS SHEET CONNECTED TO LOW ASSERTION DESIGNATION CIRCLES "0" ARE AS IF SUFFIXED WITH "L". ALL SIGNAL NAMES ON THIS SHEET NOT CONNECTED TO LOW ASSERTION DESIGNATION CIRCLES ARE AS IF SUFFIXED WITH "H".

This drawing and specifications, herein, are the property of Digital Equipment Corporation and shall not be reproduced or copied in whole or in part or by any means for the manufacture of parts or other similar parts.



REV	
CHG	
REV	
CHG	
REV	
CHG	

NOTE
 ALL SIGNAL NAMES ON THIS SHEET CONNECTED TO LOW ASSERTION DESIGNATION CIRCLES "O" ARE AS IF SUFFIXED WITH "L". ALL SIGNAL NAMES ON THIS SHEET NOT CONNECTED TO LOW ASSERTION DESIGNATION CIRCLES ARE AS IF SUFFIXED WITH "H".

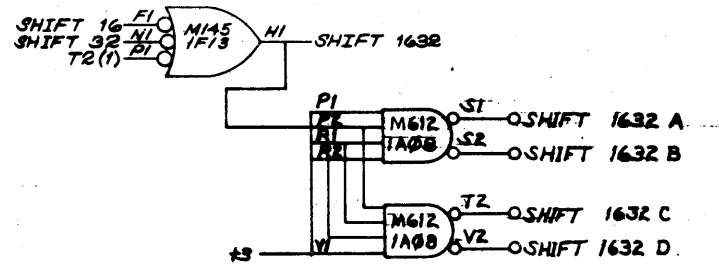
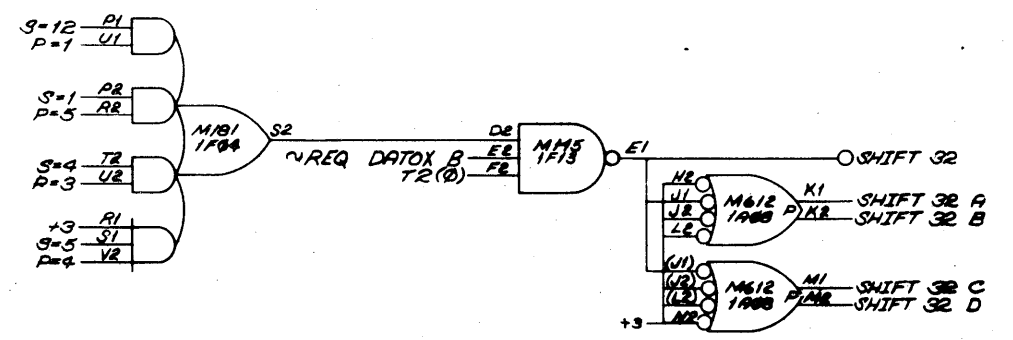
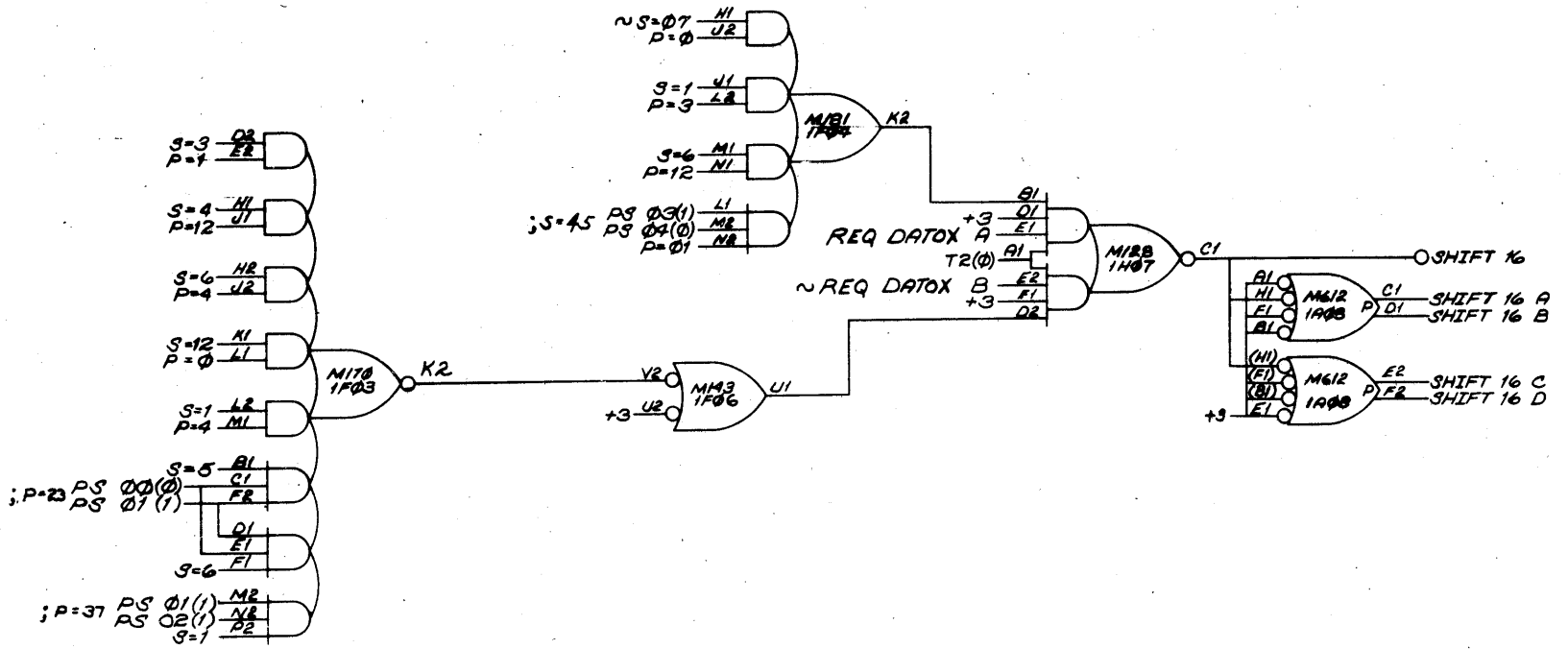
FIRST USED ON OPTION/MODEL PDP10	UNLESS OTHERWISE SPECIFIED DIMENSION IN INCHES TOLERANCES DECIMALS FRACTIONS ANGLES ± .005 ± 1/64 ± 0°30' FINAL SURFACE QUALITY REMOVE BURRS AND BREAK SHARP CORNERS	DRN DATE CHK'D DATE ENG DATE PROJ. ENG. DATE PROD. DATE NEXT HIGHER ASSY. A-ML-DL10-A	DATE 12/20/70 DATE 11/17/71 DATE 11/17/71 DATE 12/17/71	DIGITAL EQUIPMENT CORPORATION MAYNARD MASSACHUSETTS
TITLE SHIFT MATRIX BITS 27-35			SIZE/CODE DIBSDL10-A-SH4	NUMBER REV
MATERIAL FINISH		SCALE SHEET 1 OF 1		DIST.

This drawing and specifications herein, are the property of Digital Equipment Corporation and shall not be reproduced, or copied or used in whole or in part, or the facts for the construction of any of them, without the written permission.

OUTPUT	DATOV DATOB								DATI V DATIP							
	S=0	S=1	S=2	S=3	S=4	S=5	S=6	S=7	S=0	S=1	S=2	S=3	S=4	S=5	S=6	S=7
SHIFT UBXM 0	ALL	ALL	ALL	ALL	ALL	13567	ALL	ALL								
SHIFT UBXM 1						024										
SHIFT MB 0									ALL	ALL	ALL	ALL	ALL	13567	ALL	ALL
SHIFT MB 1														024		
SHIFT 2		3				12	024			37				01	024	
SHIFT 4		01	01		13	1	4							02	0	
SHIFT 8				0		3	1					1	02		3	
SHIFT 12				1	02	02	03					0		13	1	4
SHIFT 16		03	0	0	01	01	02			037	0	1	12	23	23	4
SHIFT 32									15	1		3	4			

NOT DONE WHEN T2 (1).

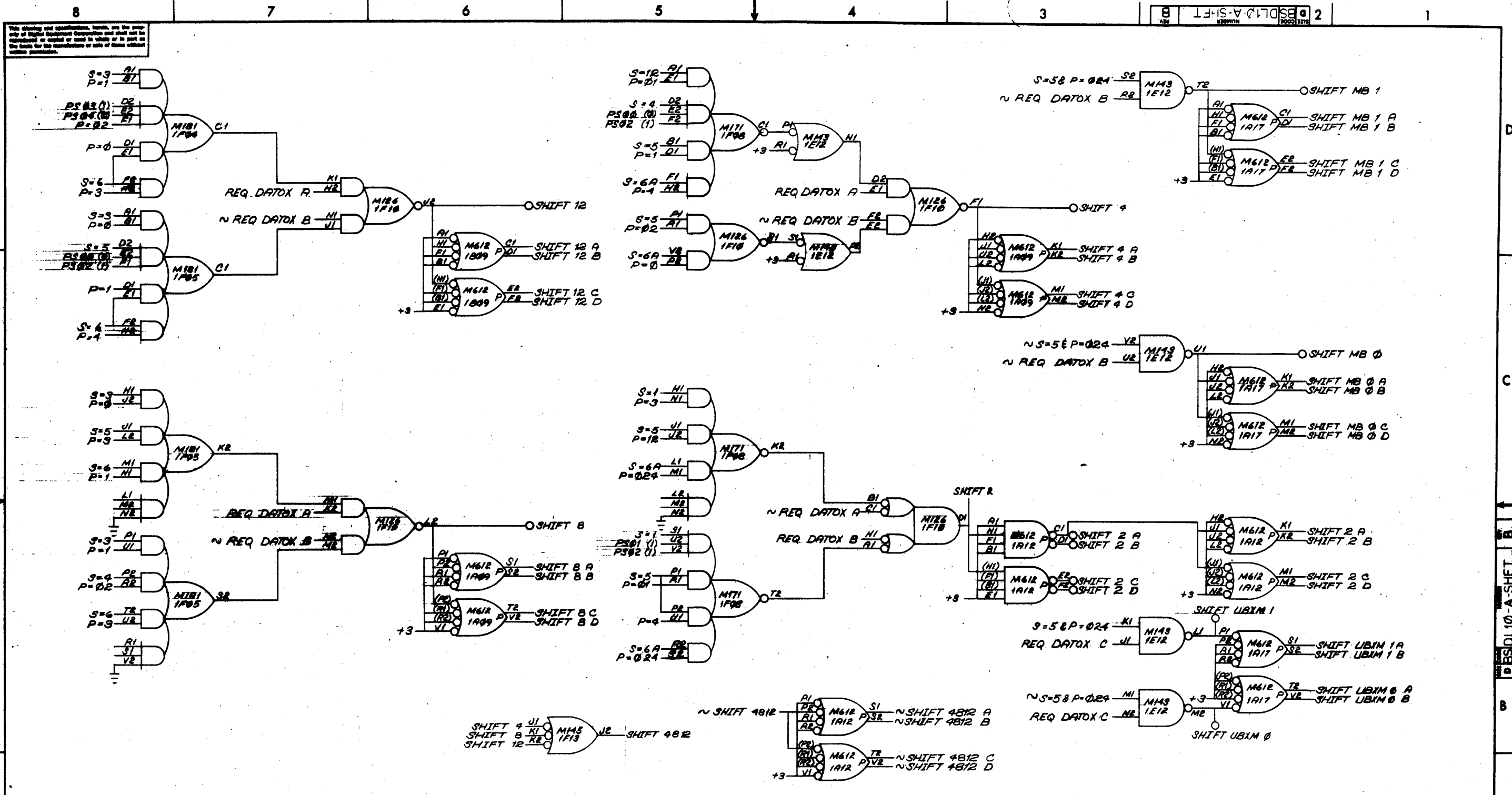
SHIFT MATRIX TABLE
 TABLE ENTRIES ARE THE VALUES OF P FOR WHICH THE PARTICULAR SHIFT SIGNAL IS TRUE. ALL SHIFTS ARE TO THE LEFT AND CIRCULAR.



REV	CHG	NO	DATE	BY	APP	DESCRIPTION
1		0001				
2		0002				
3		0003				
4		0004				
5		0005				
6		0006				
7		0007				
8		0008				

NOTE
 ALL SIGNAL NAMES ON THIS SHEET CONNECTED TO LOW ASSERTION DESIGNATION CIRCLES "0" ARE AS IF SUFFIXED WITH "L". ALL SIGNAL NAMES ON THIS SHEET NOT CONNECTED TO LOW ASSERTION DESIGNATION CIRCLES ARE AS IF SUFFIXED WITH "H".

FIRST USED ON OPTION MODEL	QTY.	DESCRIPTION	PART NO.	ITEM NO.
PDP10				
UNLESS OTHERWISE SPECIFIED				
DIMENSION IN INCHES				
TOLERANCES				
DECIMALS FRACTIONS ANGLES				
± .005 ± .001 ± .002				
FINAL SURFACE QUALITY				
REMOVE BURRS AND BREAK SHARP CORNERS				
MATERIAL				
NEXT HIGHER ASSY				
A-ML-DL10-A				
FINISH				
SCALE NONE				
SHEET 1 OF 2				

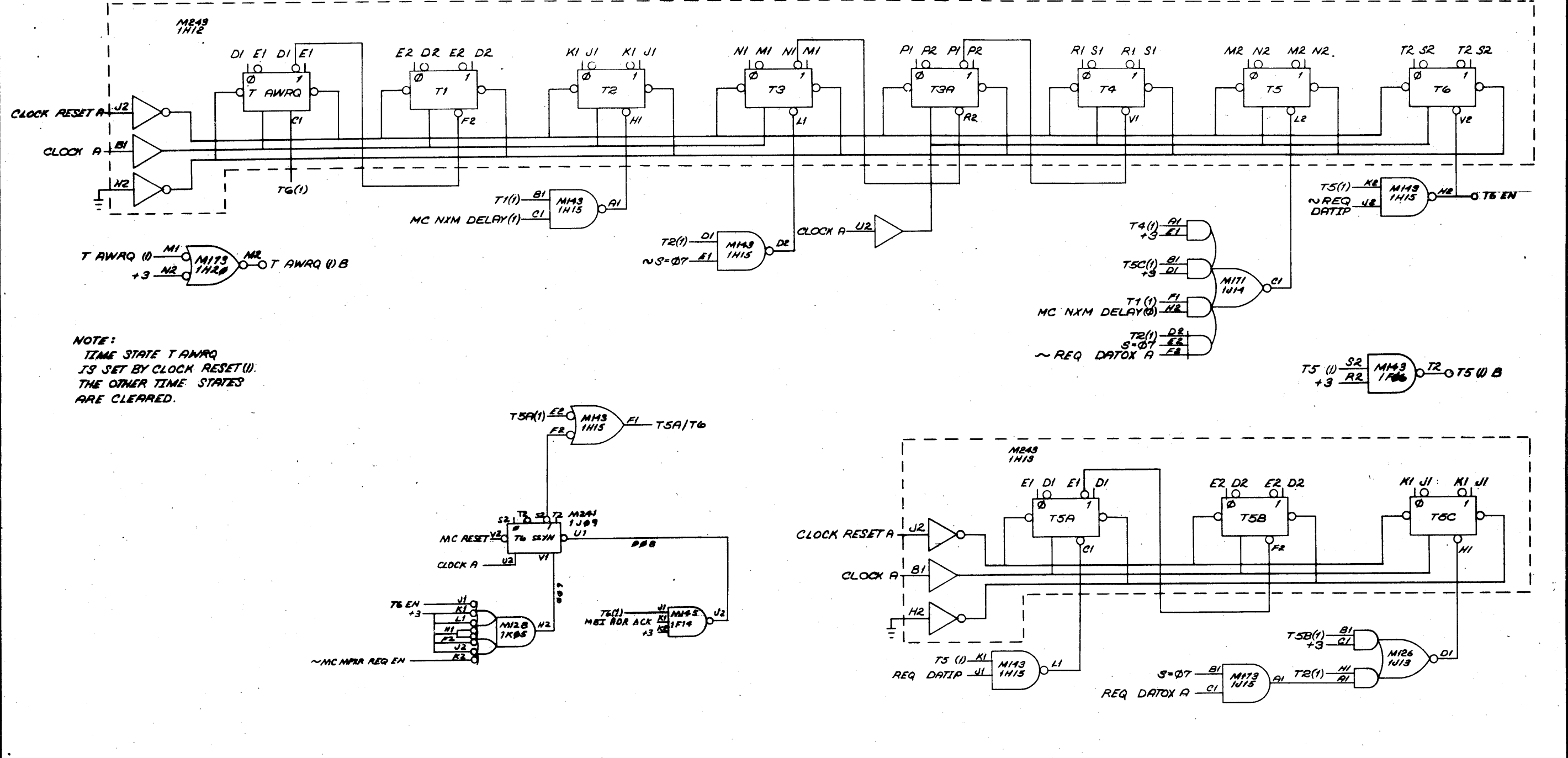


REV. NO.	8
	7
CHANGE NO.	6
	5
CHG	4
	3
REVISIONS	2
	1

NOTE
ALL SIGNAL NAMES ON THIS SHEET CONNECTED TO LOW ASSERTION DESIGNATION CIRCLES "O" ARE AS IF SUFFIXED WITH "L". ALL SIGNAL NAMES ON THIS SHEET NOT CONNECTED TO LOW ASSERTION DESIGNATION CIRCLES ARE AS IF SUFFIXED WITH "H".

FIRST USED ON OPTION/MODEL	QTY.	DESCRIPTION	PART NO.	ITEM NO.
PDP10				
PARTS LIST				
UNLESS OTHERWISE SPECIFIED			DRN <i>J. McCall</i>	DATE <i>6/26/70</i>
UNLESS OTHERWISE SPECIFIED			CHD <i>M. Thompson</i>	DATE <i>11/17/71</i>
DIMENSION IN INCHES			ENG. <i>T.W.E.</i>	DATE <i>11/17/71</i>
TOLERANCES			PROJ. ENG. <i>T.W.E.</i>	DATE <i>11/17/71</i>
DECIMALS FRACTIONS ANGLES			PROD. <i>P. Thompson</i>	DATE <i>12/17/71</i>
= .005 ± 1/64 ± 0°00'			MATERIAL	NEXT HIGHER ASSY
REMOVE BURRS AND BREAK SHARP CORNERS			FINISH	A-ML-DL10-A
			SCALE <i>NGVE</i>	SIZE/CODE
			SHEET <i>2 OF 2</i>	DIST.
			REV.	

This drawing and specifications herein are the property of Digital Equipment Corporation and shall not be reproduced or copied in whole or in part, or in any form, for the manufacture or sale of items, parts or other products.



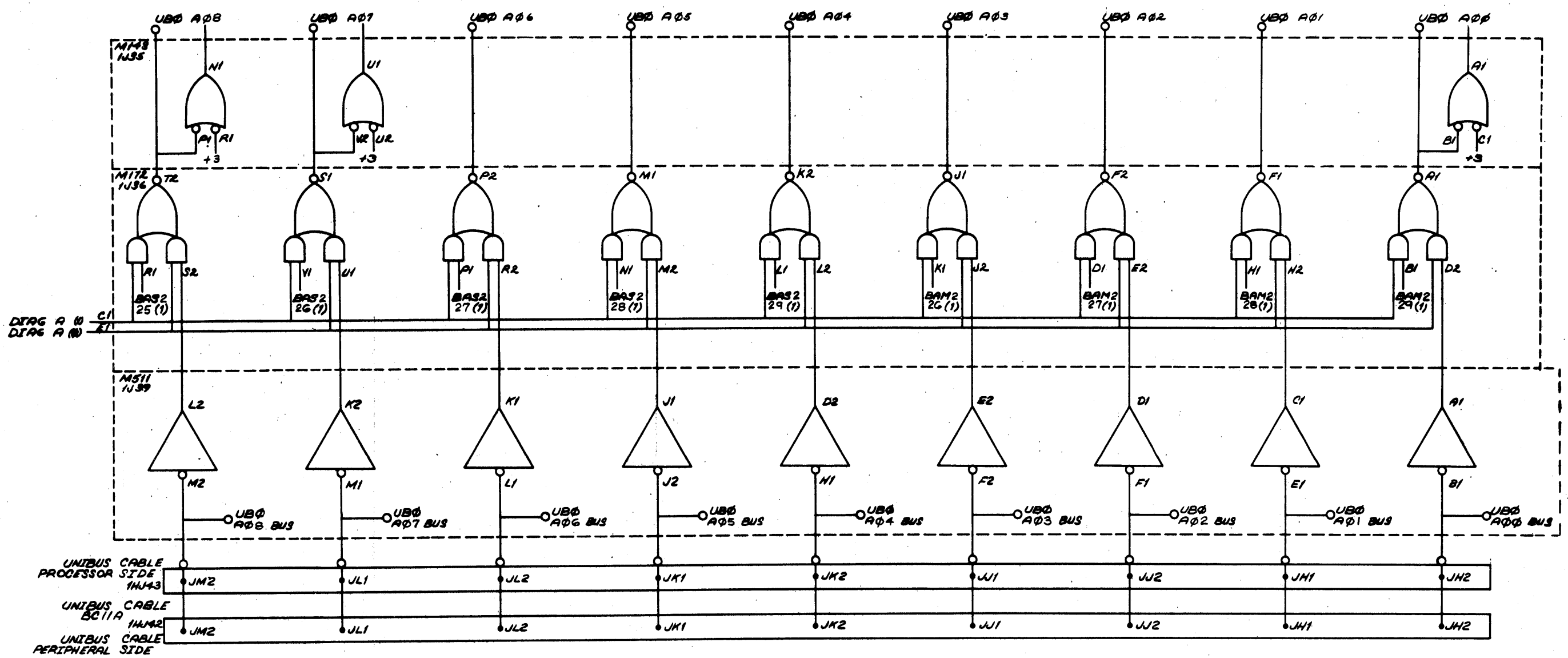
NOTE:
TIME STATE T AWRO
IS SET BY CLOCK RESET (1).
THE OTHER TIME STATES
ARE CLEARED.

NOTE
ALL SIGNAL NAMES ON THIS SHEET CONNECTED TO LOW ASSERTION
DESIGNATION CIRCLES "O" ARE AS IF SUFFIXED WITH "L". ALL SIGNAL
NAMES ON THIS SHEET NOT CONNECTED TO LOW ASSERTION
DESIGNATION CIRCLES ARE AS IF SUFFIXED WITH "H".

REV.	CHANGE NO.	DATE	BY	CHK
A	DL10A-0000T	6-5-72	J. CLARKE	
B	DL10A-0000 B	19 June 73	EGGERS	
C	DL10A-0000 C	11/17/71	J. CLARKE	
D	DL10A-0000 D	12/17/71	KENT	
E	DL10A-0000 E	2/10/74	Allen Kent	

FIRST USED ON OPTION MODEL	QTY.	DESCRIPTION	PART NO.	ITEM NO.
DDP10				
UNLESS OTHERWISE SPECIFIED				
DIMENSION IN INCHES				
TOLERANCES				
DECIMALS FRACTIONS ANGLES				
± .005 ± 1/32 ± .015				
FINAL SURFACE QUALITY				
REMOVE BURRS AND BREAK SHARP				
CORNERS				
MATERIAL				
NEXT HIGHER ASSY.				
A-ML-DL10-A				
FINISH				
SCALE NONE				
SHEET 1 OF 1				

This drawing and specifications herein are the property of Digital Equipment Corporation and shall not be reproduced or copied or used in whole or in part in any form for the manufacture or sale of items without written permission.

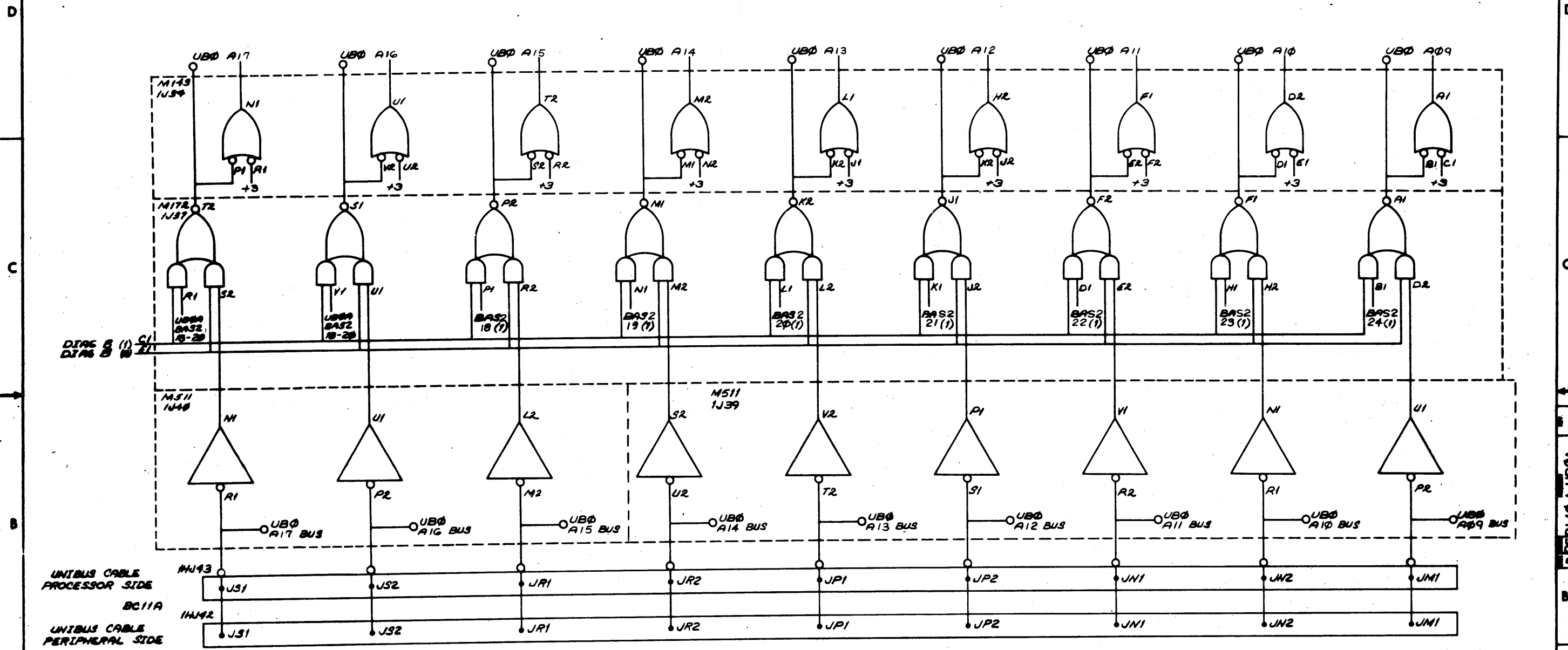
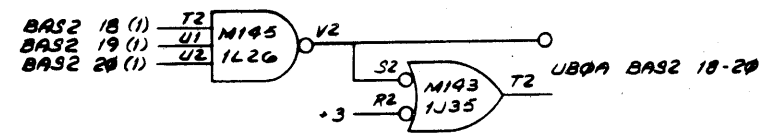


REV.	CHG.	REVISIONS

NOTE
 ALL SIGNAL NAMES ON THIS SHEET CONNECTED TO LOW ASSERTION DESIGNATION CIRCLES "O" ARE AS IF SUFFIXED WITH "L". ALL SIGNAL NAMES ON THIS SHEET NOT CONNECTED TO LOW ASSERTION DESIGNATION CIRCLES ARE AS IF SUFFIXED WITH "H".

FIRST USED ON OPTION/MODEL PDP10	QTY.	DESCRIPTION	PART NO.	ITEM NO.
UNLESS OTHERWISE SPECIFIED DIMENSION IN INCHES TOLERANCES DECIMALS FRACTIONS ANGLES ± .005 ± 1/64 ± .015 FINAL SURFACE QUALITY REMOVE BURRS AND BREAK SHARP CORNERS	DRN MGM	DATE 6/4/70	PARTS LIST	
MATERIAL	CHR'D MGM	DATE 4/7/71	digital EQUIPMENT CORPORATION MAYNARD MASSACHUSETTS	
FINISH	ENG TWE	DATE 11/10/71	TITLE UNIBUS 0 ADDRESS INTERFACE (BITS A00-A08)	
	PROJ. ENG. Tom Egge	DATE 11/10/71	SIZE/CODE DBS DL10-A-UB0A	
	PROD. R. Thompson	DATE 12/2/71	NUMBER 1	
	NEXT HIGHER ASSY. A-ML-DL10-A		REV.	
	SCALE NONE		SHEET 1 OF 2	
			DST.	

The drawing and specifications herein are the property of Digital Equipment Corporation and shall not be reproduced or used in whole or in part in any manner for the manufacture or sale of items without written permission.



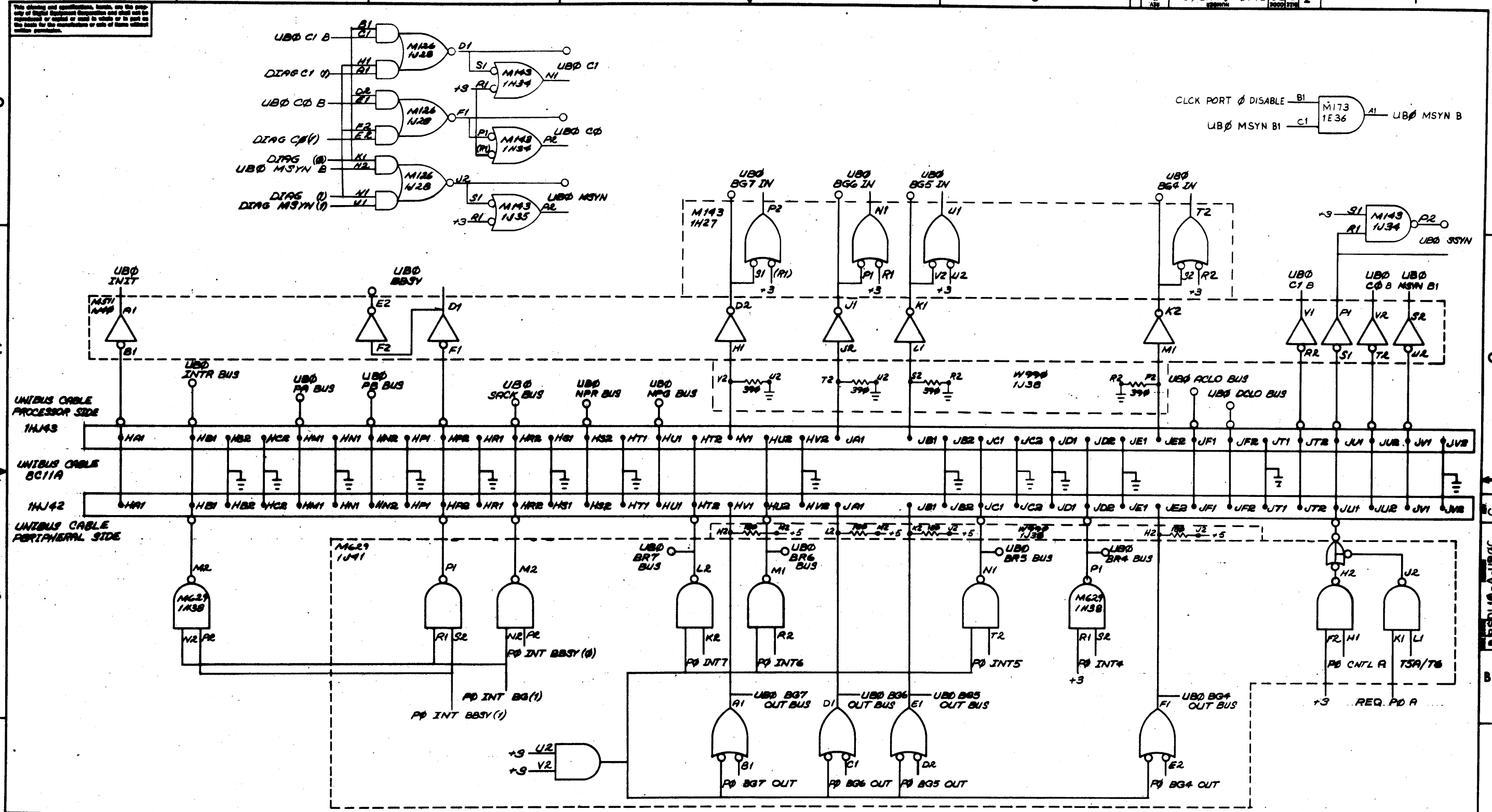
UNIBUS CABLE
PROCESSOR SIDE
BC11A
UNIBUS CABLE
PERIPHERAL SIDE

NOTE
ALL SIGNAL NAMES ON THIS SHEET CONNECTED TO LOW ASSERTION DESIGNATION CIRCLES "O" ARE AS IF SUFFIXED WITH "L". ALL SIGNAL NAMES ON THIS SHEET NOT CONNECTED TO LOW ASSERTION DESIGNATION CIRCLES ARE AS IF SUFFIXED WITH "H".

REV.	CHANGE NO.

FIRST USED ON OPTION/MODEL	QTY.	DESCRIPTION	PART NO.	ITEM NO.
DDA10				
PARTS LIST				
UNLESS OTHERWISE SPECIFIED				
DIMENSIONS IN INCHES				
TOLERANCES				
DECIMALS	FRACTIONS	ANGLES		
± .005	± 1/64	± 0°30'		
FINAL SURFACE QUALITY / REMOVE BURRS AND BREAK SHARP CORNERS				
MATERIAL	DATE	DATE		
	12/17/71	12/17/71		
FINISH	SCALE	NEXT HIGHER ASSY.		
	NONE	A-ML-DL10-A		
SHEET	2 OF 2	SCALE	NONE	
		DATE	DBS-DL10-A-UB0A	

DIGITAL EQUIPMENT CORPORATION
MAYNARD, MASSACHUSETTS
TITLE
UNIBUS 0 ADDRESS INTERFACE (BITS A09-A17)



REV.	DATE	BY	CHKD.
1	11/17/70	M. S. [Signature]	[Signature]
2	11/17/70	[Signature]	[Signature]
3	11/17/70	[Signature]	[Signature]
4	11/17/70	[Signature]	[Signature]
5	11/17/70	[Signature]	[Signature]
6	11/17/70	[Signature]	[Signature]
7	11/17/70	[Signature]	[Signature]
8	11/17/70	[Signature]	[Signature]

NOTE
 ALL SIGNAL NAMES ON THIS SHEET CONNECTED TO LOW ASSERTION DESIGNATION CIRCLES "O" ARE AS IF SUFFIXED WITH "L". ALL SIGNAL NAMES ON THIS SHEET NOT CONNECTED TO LOW ASSERTION DESIGNATION CIRCLES ARE AS IF SUFFIXED WITH "H".

FIRST USED ON OPTION/MODEL
PDP10

UNLESS OTHERWISE SPECIFIED
 DIMENSIONS IN INCHES
 TOLERANCES
 DECIMALS FRACTIONS ANGLES
 ±.005 ±.002 ±.001 ±.0005
 FINAL SURFACE QUALITY
 REMOVE BURRS AND BREAK SHARP CORNERS

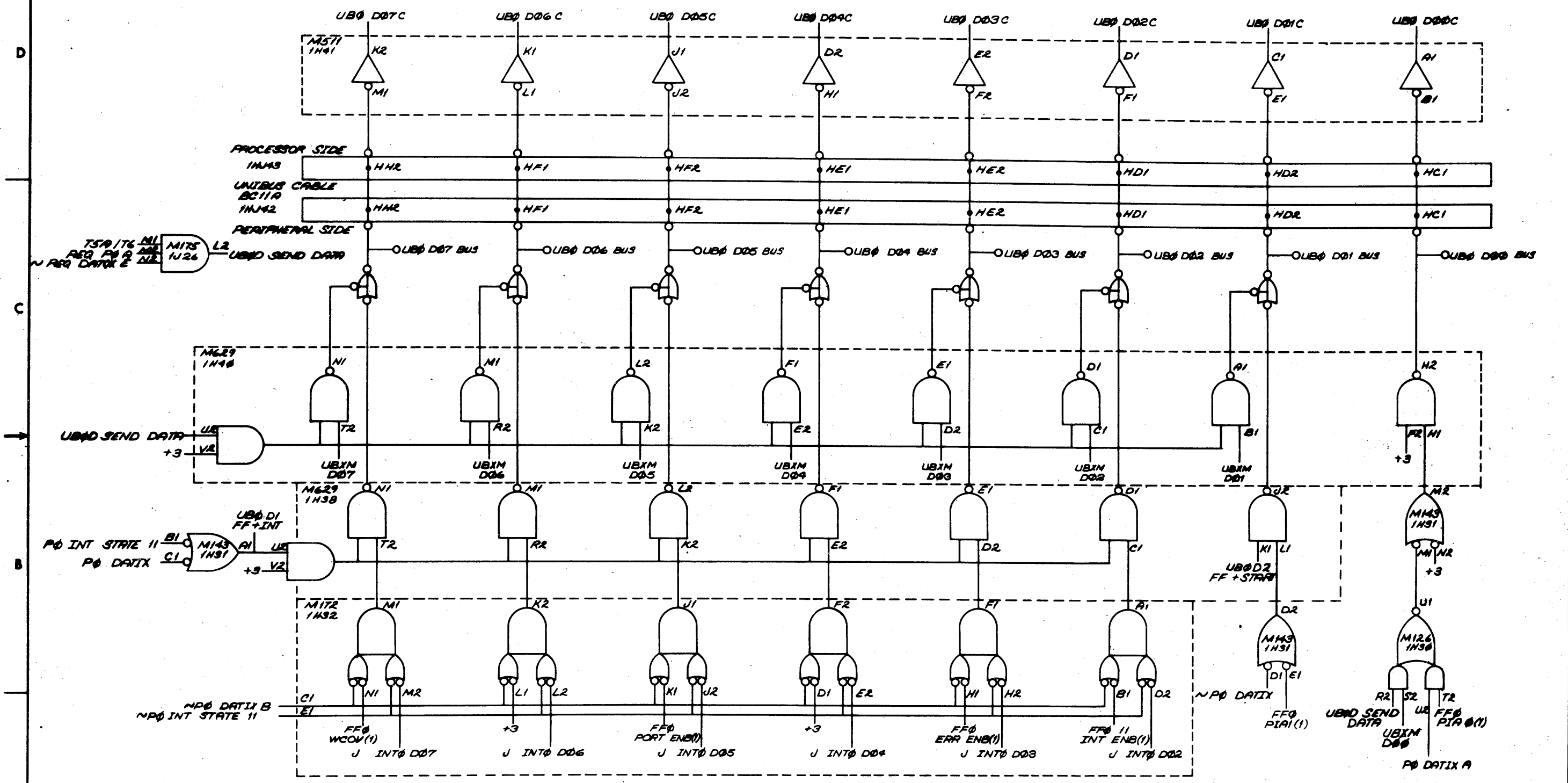
DATE 11/17/70
 ENG. TIVE
 PROD. [Signature]
 NEXT HIGHER ASSY.
 A-ML-DL10-A

SCALE NOV 10
 SHEET 1 OF 1

TITLE
 UNIBUS Ø CONTROL INTERFACE

DBSOL10-A-UB0C C

This drawing and specifications herein are the property of Digital Equipment Corporation and shall not be reproduced or used in whole or in part in any form for the manufacture or sale of items without written permission.



REV	CHG	NO.
A		

CHK	DLG	0000B
SEC	DLG	0000B

A. KENT

NOTE
ALL SIGNAL NAMES ON THIS SHEET CONNECTED TO LOW ASSERTION DESIGNATION CIRCLES 'O' ARE AS IF SUFFIXED WITH 'L'. ALL SIGNAL NAMES ON THIS SHEET NOT CONNECTED TO LOW ASSERTION DESIGNATION CIRCLES ARE AS IF SUFFIXED WITH 'H'.

UNLESS OTHERWISE SPECIFIED		DATE	
DIMENSIONS IN INCHES		11/17/74	
TOLERANCES		DATE	
DECIMALS	FRACTIONS	ANGLS	DATE
± .005	± 1/64	± 0°30'	11/17/74
FINAL SURFACE QUALITY		DATE	
REMOVE BURRS AND BREAK SHARP CORNERS		11/17/74	
MATERIAL		DATE	
FINISH		11/17/74	

DESIGN	DATE
W. Stephens	11/17/74

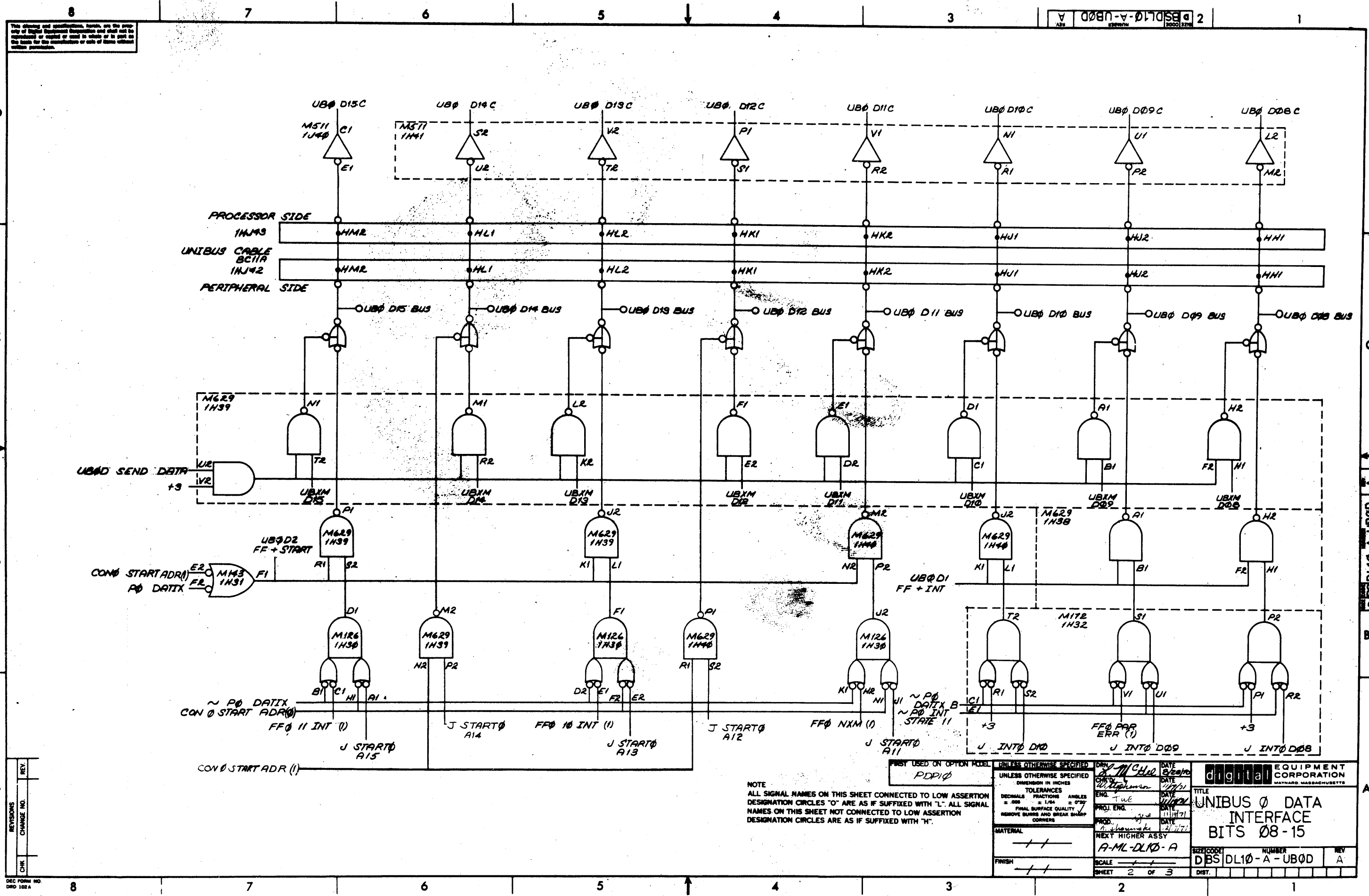
PROJ. ENG.	DATE
TUC	11/17/74

PROD.	DATE
1/16/74	11/17/74

SCALE	SHEET	OF
1	1	3

TITLE	UNIBUS 0 DATA INTERFACE (BITS D00-D07)
PROJECT CODE	D85DL10-A-UB00
NUMBER	
DIST.	

D85DL10-A-UB00 A



This drawing and specifications herein are the property of Digital Equipment Corporation and shall not be reproduced or copied or used in whole or in part in the manufacture or sale of items without written permission.

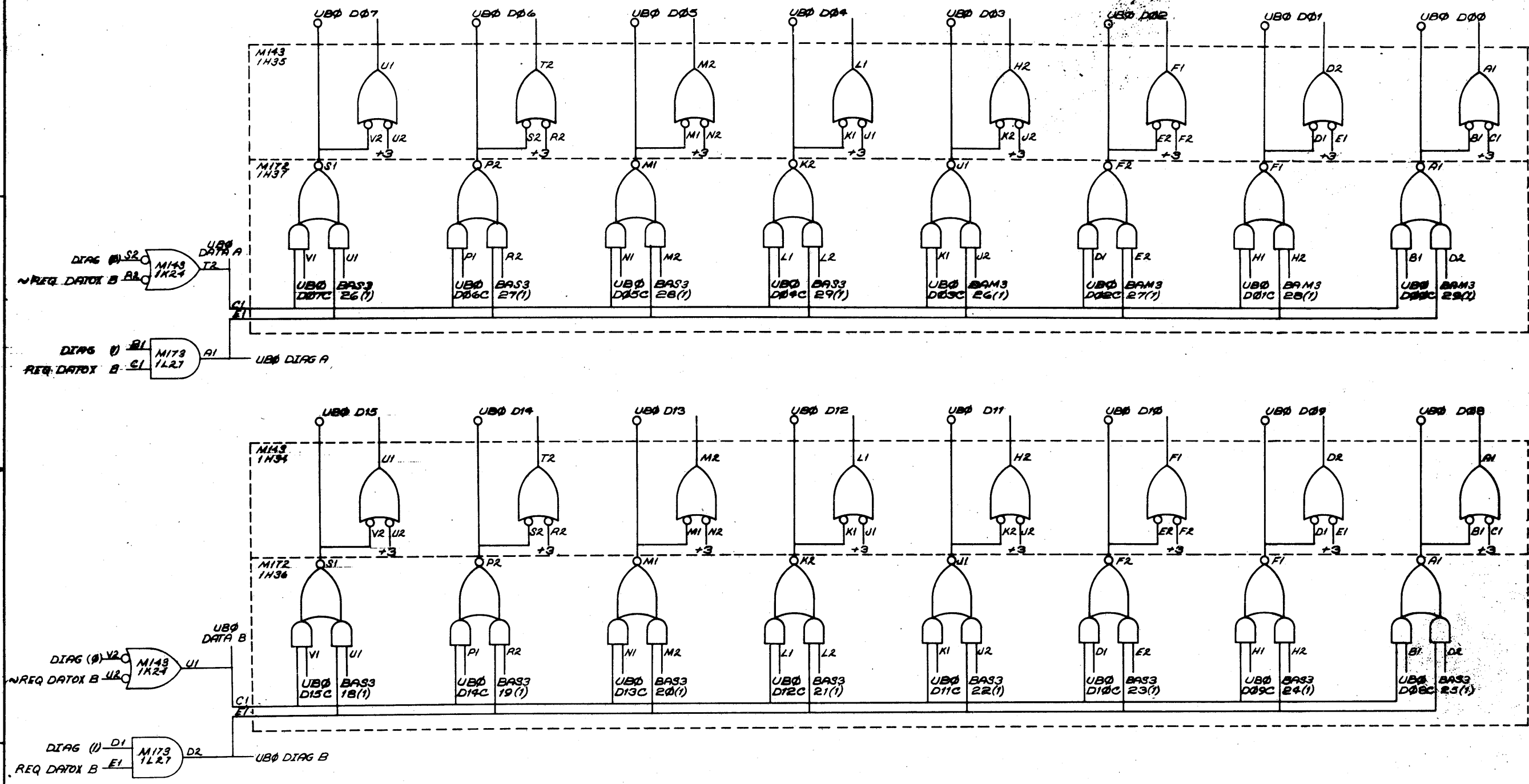
BSDL10-A-UB00 2

NOTE
ALL SIGNAL NAMES ON THIS SHEET CONNECTED TO LOW ASSERTION DESIGNATION CIRCLES "O" ARE AS IF SUFFIXED WITH "L". ALL SIGNAL NAMES ON THIS SHEET NOT CONNECTED TO LOW ASSERTION DESIGNATION CIRCLES ARE AS IF SUFFIXED WITH "H".

FIRST USED ON OPTION MODEL <i>PDP10</i>	UNLESS OTHERWISE SPECIFIED DIMENSION IN INCHES TOLERANCES DECIMALS FRACTIONS ANGLES .005 .010 .020 = 0° 15' 30' FINAL SURFACE QUALITY REMOVE BURRS AND BREAK SHARP CORNERS	DATE 11/11/71 DATE 11/11/71 DATE 11/11/71 DATE 11/11/71	digital EQUIPMENT CORPORATION MAYNARD, MASSACHUSETTS UNIBUS 0 DATA INTERFACE BITS 08-15 DIST.
	MATERIAL ---	NEXT HIGHER ASSY A-ML-DL10-A	
	FINISH ---	SCALE ---	
	SHEET 2 OF 3	NUMBER DBS DL10-A-UB00 REV A	

REV.	
CHANGE NO.	
CHK	

This drawing and specifications herein are the property of Digital Equipment Corporation and shall not be reproduced or copied or used, in whole or in part, in any form for the manufacture or sale of items without written permission.



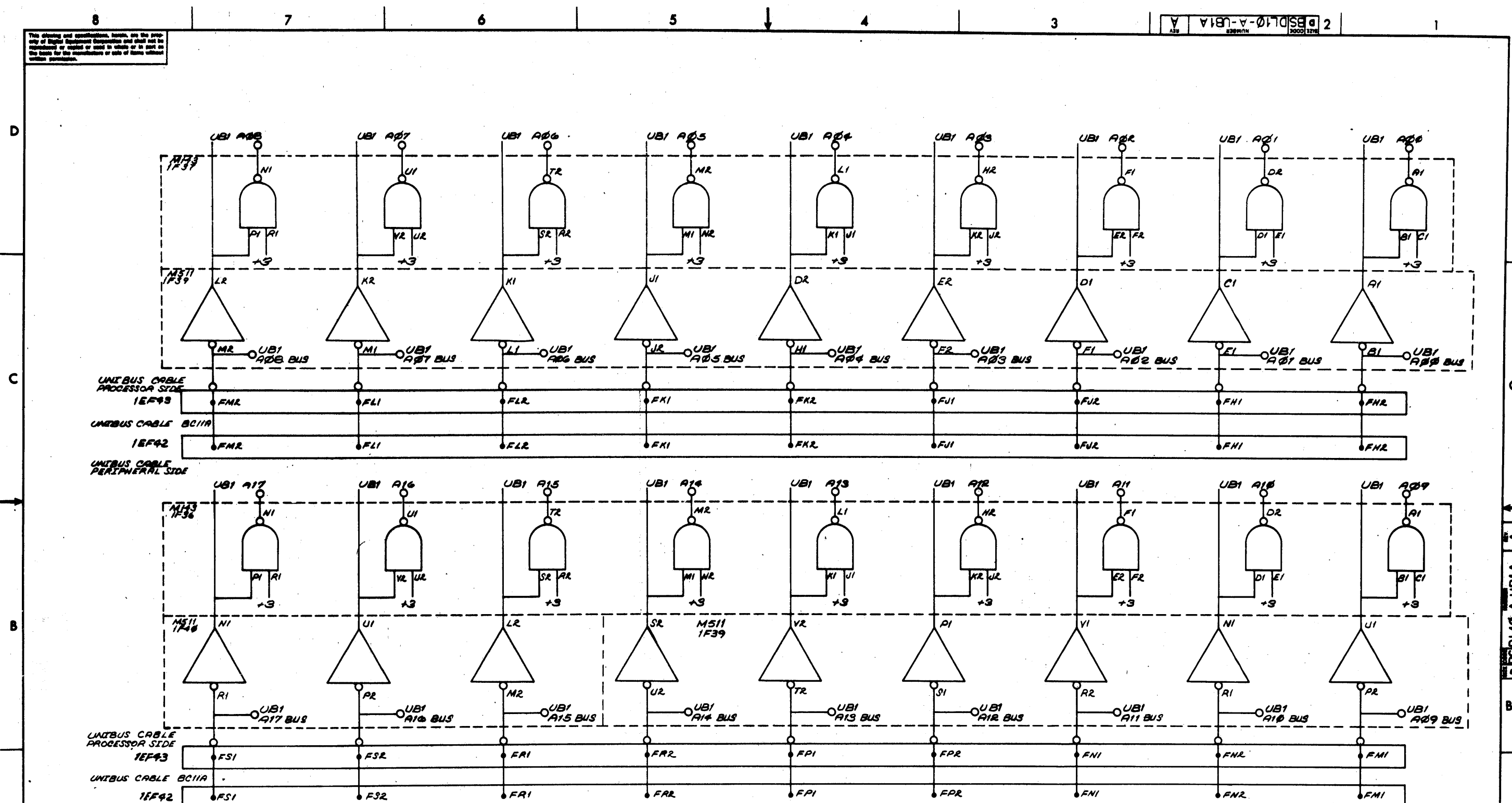
FIRST USED ON OPTION/MODEL	QTY.	DESCRIPTION	PART NO.	ITEM NO.
PDP10				
PARTS LIST				
UNLESS OTHERWISE SPECIFIED				
DIMENSION IN INCHES				
TOLERANCES				
DECIMALS FRACTIONS ANGLES				
± .005 ± .002 ± .001				
FINAL SURFACE QUALITY				
REMOVE BURRS AND BREAK SHARP CORNERS				
MATERIAL				
FINISH				
DATE		DATE		
CHKD	DATE	DATE	DATE	DATE
ENG	TUC	DATE	DATE	DATE
PROJ. ENGR	DATE	DATE	DATE	DATE
PROD.	DATE	DATE	DATE	DATE
NEXT HIGHER ASSY.				
A-ML-DL10-A		SIZE CODE	NUMBER	REV
SCALE NONE		BSDL10-A-UB00		A
SHEET 3 OF 3		DIST.		

NOTE
 ALL SIGNAL NAMES ON THIS SHEET CONNECTED TO LOW ASSERTION DESIGNATION CIRCLES "0" ARE AS IF SUFFIXED WITH "L". ALL SIGNAL NAMES ON THIS SHEET NOT CONNECTED TO LOW ASSERTION DESIGNATION CIRCLES ARE AS IF SUFFIXED WITH "H".

REV.	CHANGE NO.

This drawing and specifications, herein, are the property of Digital Equipment Corporation and shall not be reproduced or copied or used in whole or in part on any basis for the manufacture or sale of items without written permission.

DBSDLI0-A-UB1A 2

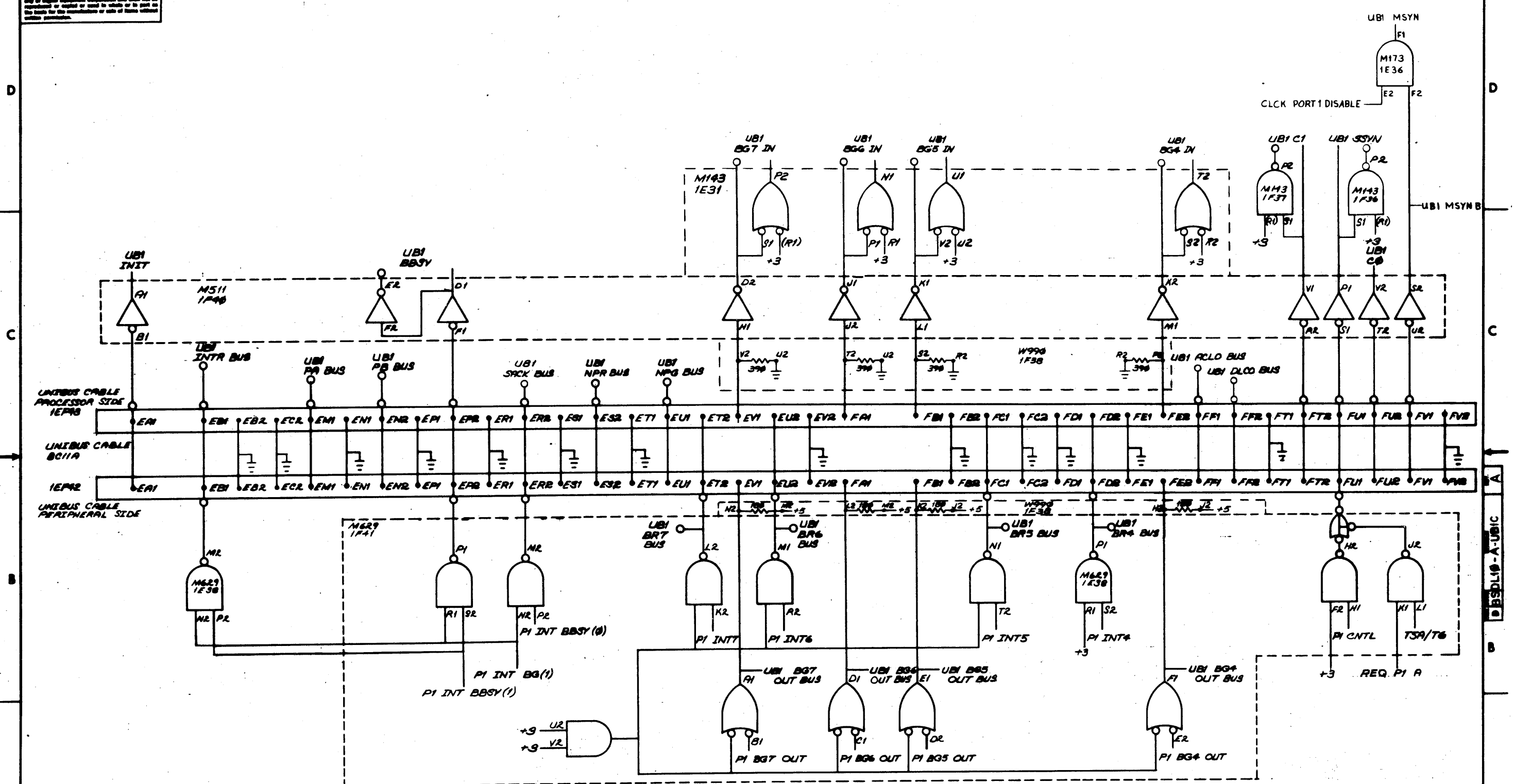


REV.	CHG.	NO.	DATE	BY
1	A	0003	7-24-72	B. WALSH

NOTE
 ALL SIGNAL NAMES ON THIS SHEET CONNECTED TO LOW ASSERTION DESIGNATION CIRCLES "O" ARE AS IF SUFFIXED WITH "L". ALL SIGNAL NAMES ON THIS SHEET NOT CONNECTED TO LOW ASSERTION DESIGNATION CIRCLES ARE AS IF SUFFIXED WITH "H".

FIRST USED ON OPTION/MODEL PDP10	QTY.	DESCRIPTION	PART NO.	ITEM NO.
PARTS LIST				
UNLESS OTHERWISE SPECIFIED		digital EQUIPMENT CORPORATION MAYNARD, MASSACHUSETTS		
UNLESS OTHERWISE SPECIFIED		TITLE UNIBUS 1 ADDRESS INTERFACE (BITS 00-17)		
DIMENSION IN INCHES		DATE 6/23/70		
TOLERANCES		DATE 11/19/71		
DECIMALS FRACTIONS ANGLES		DATE 11/19/71		
± .008 ± 1/64 ± 0°30'		DATE 12/15/71		
FINAL SURFACE QUALITY / REMOVE BURRS AND BREAK SHARP CORNERS		DATE		
MATERIAL		NEXT HIGHER ASSY.		
FINISH		SCALE NONE		
SHEET 1 OF 1		SIZE CODE NUMBER		
		DBSDLI0-A-UB1A A		

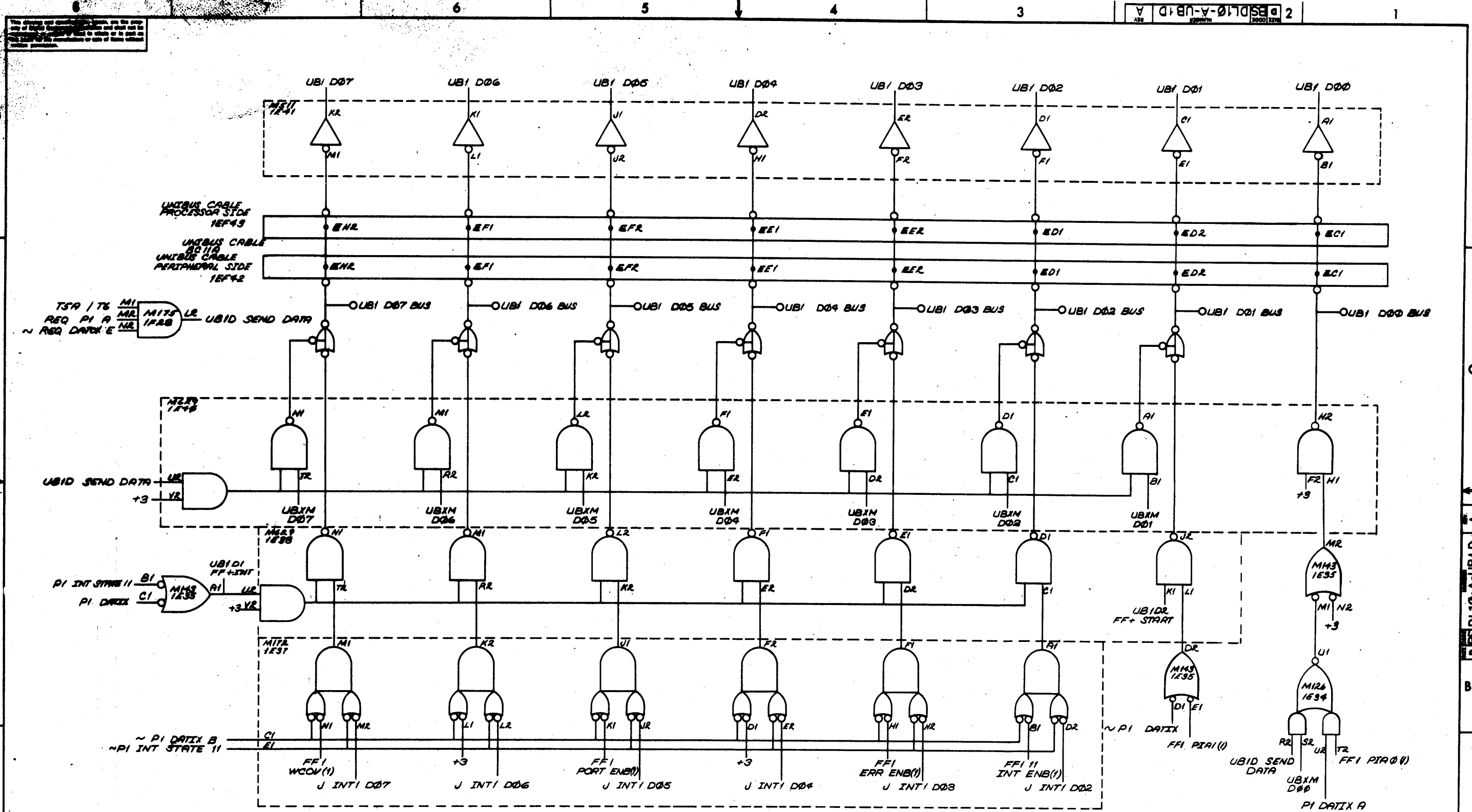
The drawing and specifications herein, are the property of Digital Equipment Corporation and shall not be reproduced or copied or used in whole or in part as the basis for the manufacture or sale of items which infringe upon the rights herein.



REV	DATE	BY
1	11/17/71	M. J. McE...
2	11/17/71	M. J. McE...
3	11/17/71	M. J. McE...
4	11/17/71	M. J. McE...
5	11/17/71	M. J. McE...
6	11/17/71	M. J. McE...
7	11/17/71	M. J. McE...
8	11/17/71	M. J. McE...

NOTE
 ALL SIGNAL NAMES ON THIS SHEET CONNECTED TO LOW ASSERTION DESIGNATION CIRCLES "0" ARE AS IF SUFFICED WITH "L". ALL SIGNAL NAMES ON THIS SHEET NOT CONNECTED TO LOW ASSERTION DESIGNATION CIRCLES ARE AS IF SUFFICED WITH "H".

FIRST USED ON OPTION/MODEL PDP10	UNLESS OTHERWISE SPECIFIED DIMENSIONS IN INCHES TOLERANCES DECIMALS FRACTIONS ANGLES ± .005 ± .002 ± .001 FINAL SURFACE QUALITY 7 REMOVE BURRS AND BREAK SHARP CORNERS	DATE 11/17/71 BY M. J. McE... CHECKED TWE DATE 11/17/71 NEXT HIGHER ASSY. A-M-L-DL10-A	DATE 11/17/71 BY M. J. McE... CHECKED TWE DATE 11/17/71 NEXT HIGHER ASSY. A-M-L-DL10-A	EQUIPMENT CORPORATION MILITARY DIVISION TITLE UNIBUS 1 CONTROL INTERFACE SCALE NONE SHEET 1 OF 1
-------------------------------------	--	---	---	---

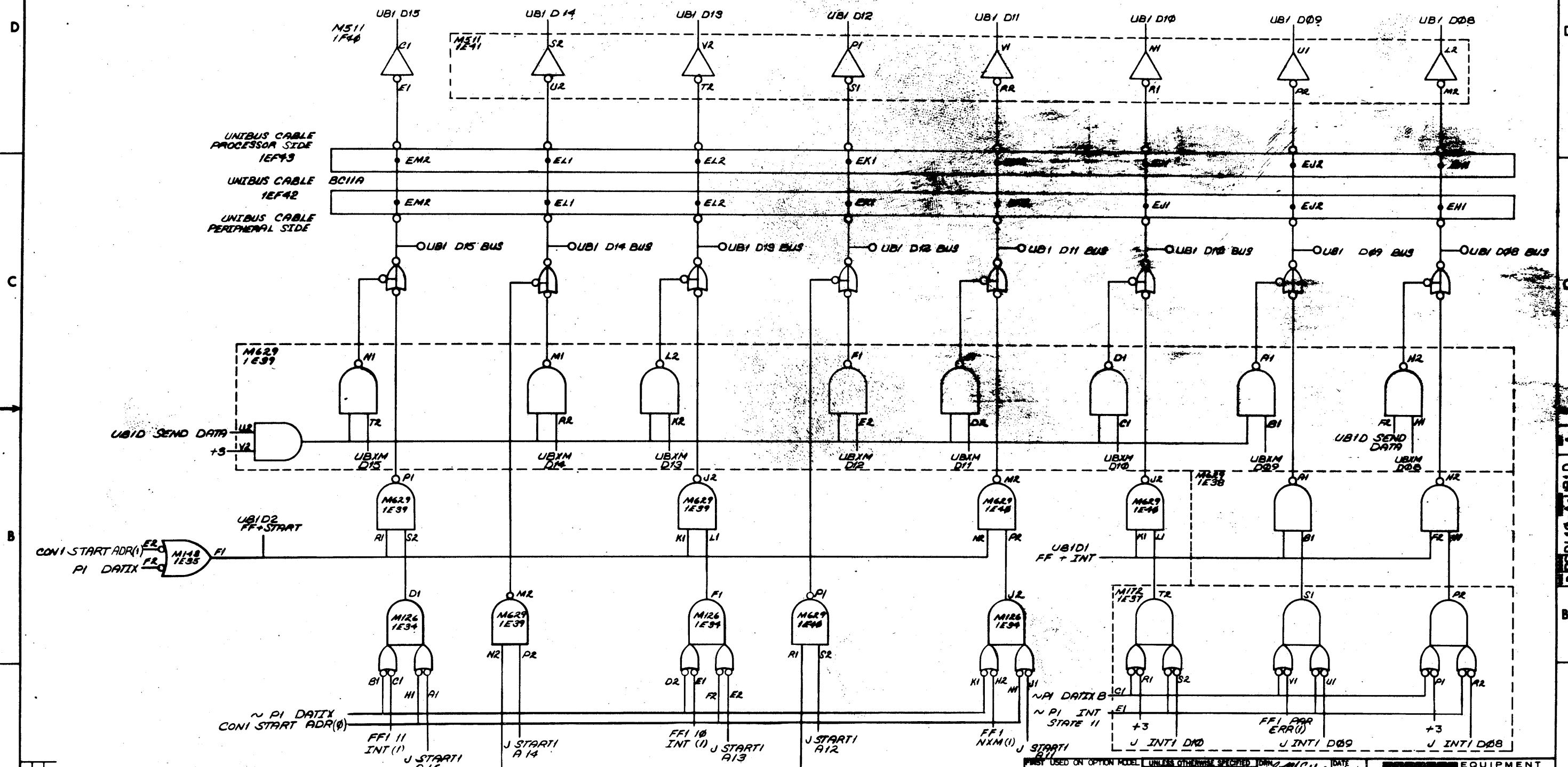


REV. NO.	REV.
DL10A-0008	A
DATE	4/16/71
BY	A KENT
CHKD	
DATE	2/16/72

NOTE
 ALL SIGNAL NAMES ON THIS SHEET CONNECTED TO LOW ASSERTION DESIGNATION CIRCLES "O" ARE AS IF SUFFIXED WITH "L". ALL SIGNAL NAMES ON THIS SHEET NOT CONNECTED TO LOW ASSERTION DESIGNATION CIRCLES ARE AS IF SUFFIXED WITH "H".

UNLESS OTHERWISE SPECIFIED DIMENSION IN INCHES	UNLESS OTHERWISE SPECIFIED TOLERANCES DECIMALS FRACTIONS ANGLES ± .010 ± .004 ± .000 FINAL SURFACE QUALITY REMOVE BURRS AND BREAK SHARP CORNERS	DATE 9/1/70 CHKD J. Thompson DATE 11/17/71 ENG. TUE DATE 11/17/71 PROJ. ENG. Tom Sargent DATE 12/7/71 PROD. P. Shamanski	DATE 9/1/70 DATE 11/17/71 DATE 11/17/71 DATE 12/7/71
MATERIAL	FINISH	SCALE	SHEET 1 OF 2
NEXT HIGHER ASSY. A-ML-DL10-A		TITLE UNIBUS 1 DATA INTERFACE (BITS D00-D07)	
PART USED OR OPTION MODEL PDP10		SIZE CODE DBS	NUMBER DL10-A-UB1D
		REV A	

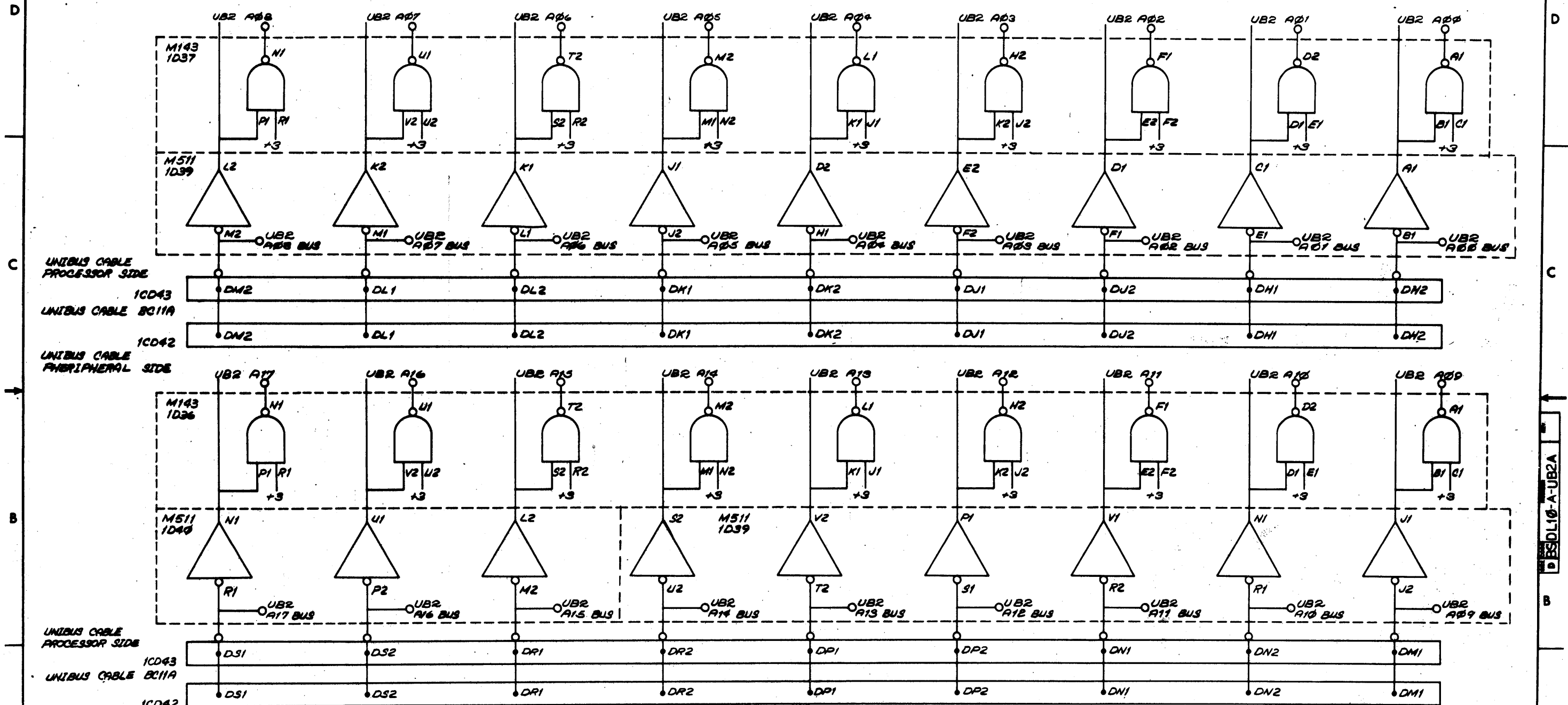
This drawing and specifications, herein, are the property of Digital Equipment Corporation and shall not be reproduced or copied or used in whole or in part on any other drawing or specification without the written permission of Digital Equipment Corporation.



NOTE
 ALL SIGNAL NAMES ON THIS SHEET CONNECTED TO LOW ASSERTION DESIGNATION CIRCLES "O" ARE AS IF SUFFIXED WITH "L". ALL SIGNAL NAMES ON THIS SHEET NOT CONNECTED TO LOW ASSERTION DESIGNATION CIRCLES ARE AS IF SUFFIXED WITH "H".

UNLESS OTHERWISE SPECIFIED DIMENSIONS IN INCHES	DATE 3/20/70		TITLE UNIBUS 1 DATA INTERFACE (BITS 08-15)
DECIMALS FRACTIONS ANGLES ± .005 ± 1/64 ± 0°30'	DATE 11/17/71 DATE 12/17/71		
MATERIAL ++	FINISH ++	NEXT HIGHER ASSY A-ML-DL10-A	SCALE 2 OF 2
CHECKED REV. CHANGE NO.	SHEET 2 OF 2	DBS DL10-A-UB1D	NUMBER 1

This drawing and specifications, herein, are the property of Digital Equipment Corporation and shall not be reproduced or used in whole or in part in any form for the manufacture or sale of items without written permission.

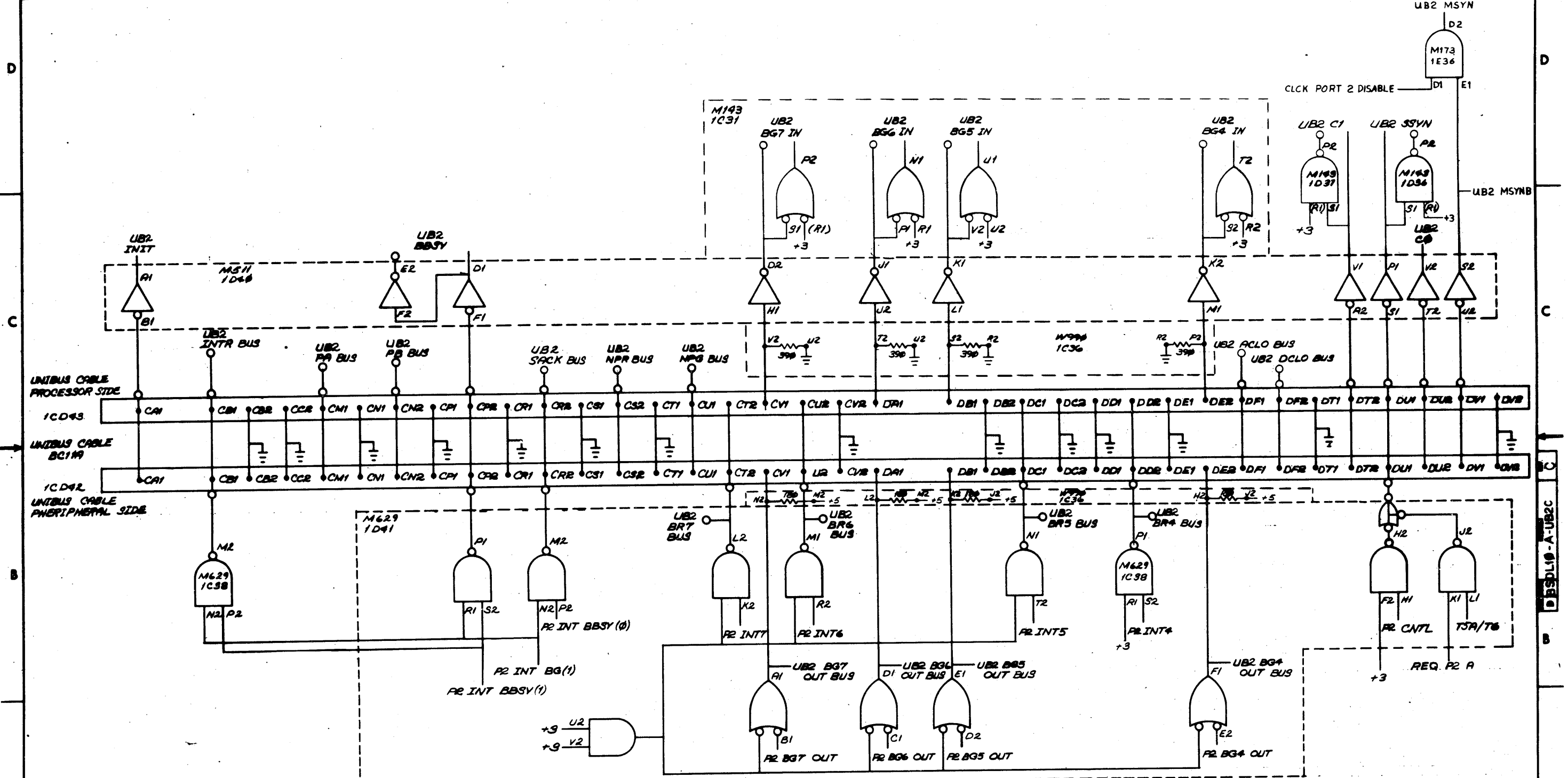


REV.	
CHG.	
REV.	
CHG.	

NOTE
 ALL SIGNAL NAMES ON THIS SHEET CONNECTED TO LOW ASSERTION DESIGNATION CIRCLES "O" ARE AS IF SUFFIXED WITH "L". ALL SIGNAL NAMES ON THIS SHEET NOT CONNECTED TO LOW ASSERTION DESIGNATION CIRCLES ARE AS IF SUFFIXED WITH "H".

FIRST USED ON OPTION/MODEL	QTY.	DESCRIPTION	PART NO.	ITEM NO.
PDP10				
PARTS LIST				
digital EQUIPMENT CORPORATION MAYNARD MASSACHUSETTS				
TITLE UNIBUS 2 ADDRESS INTERFACE (BITS 00-17)				
SCALE NONE			NUMBER	REV.
SHEET 1 OF 1			DBS DL10-A-UB2A	

This drawing and specifications, herein, are the property of Digital Equipment Corporation and shall not be reproduced or copied or used in whole or in part for the manufacture of any of them without the written permission.



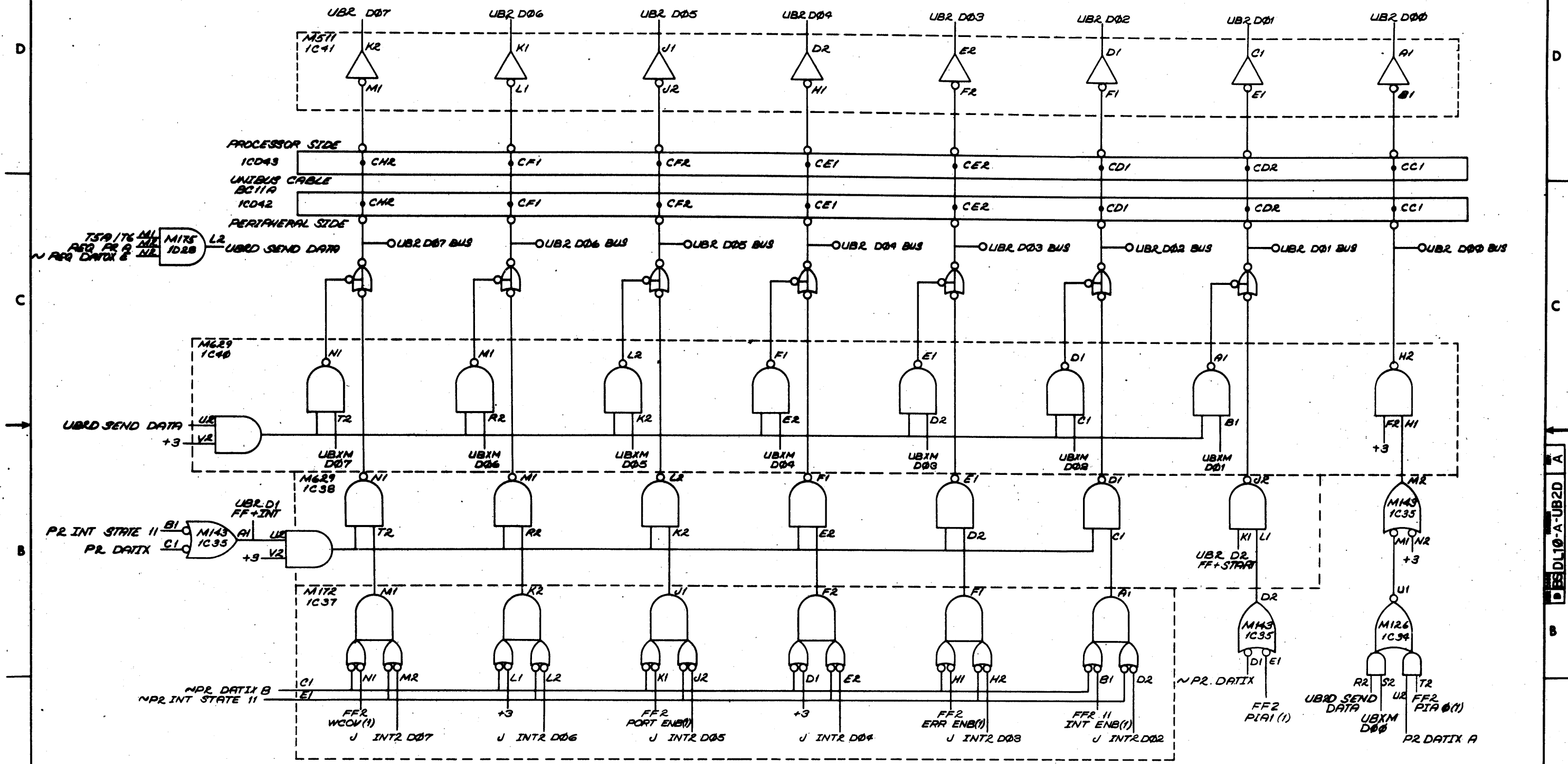
REV	REV	REV	REV	REV	REV	REV	REV	REV	REV
1	2	3	4	5	6	7	8	9	10
DL10A-0001A	DL10A-0001B	DL10A-0001C	DL10A-0001D	DL10A-0001E	DL10A-0001F	DL10A-0001G	DL10A-0001H	DL10A-0001I	DL10A-0001J
1/10/71	2/10/71	3/10/71	4/10/71	5/10/71	6/10/71	7/10/71	8/10/71	9/10/71	10/10/71
KENT	KENT	KENT	KENT	KENT	KENT	KENT	KENT	KENT	KENT
S. HOLMES	S. HOLMES	S. HOLMES	S. HOLMES	S. HOLMES	S. HOLMES	S. HOLMES	S. HOLMES	S. HOLMES	S. HOLMES

NOTE
 ALL SIGNAL NAMES ON THIS SHEET CONNECTED TO LOW ASSERTION DESIGNATION CIRCLES "O" ARE AS IF SUFFIXED WITH "L". ALL SIGNAL NAMES ON THIS SHEET NOT CONNECTED TO LOW ASSERTION DESIGNATION CIRCLES ARE AS IF SUFFIXED WITH "H".

FIRST USED ON OPTION/MODEL PDP10	UNLESS OTHERWISE SPECIFIED DIMENSIONS IN INCHES	DATE 7/10/71	DATE 7/10/71	DATE 7/10/71	DATE 7/10/71	DATE 7/10/71	DATE 7/10/71	DATE 7/10/71	DATE 7/10/71
TOLERANCES DECIMALS FRACTIONS ANGLES ± .005 ± 1/64 ± 0°30'	FINAL SURFACE QUALITY REMOVE BURRS AND BREAK SHARP CORNERS	ENR TUE	DATE 7/10/71	DATE 7/10/71	DATE 7/10/71	DATE 7/10/71	DATE 7/10/71	DATE 7/10/71	DATE 7/10/71
MATERIAL	FINISH	SCALE NONE	SHEET 1	OF 1	DATE 7/10/71	DATE 7/10/71	DATE 7/10/71	DATE 7/10/71	DATE 7/10/71
TITLE UNIBUS 2 CONTROL INTERFACE			EQUIPMENT CORPORATION MAYNARD, MASSACHUSETTS			NUMBER DBS DL10-A-UB2C			REV. C

DBS DL10-A-UB2C

This drawing and specifications, herein, are the property of Digital Equipment Corporation and shall not be reproduced or copied or used in whole or in part as the basis for the manufacture of any of these without written permission.

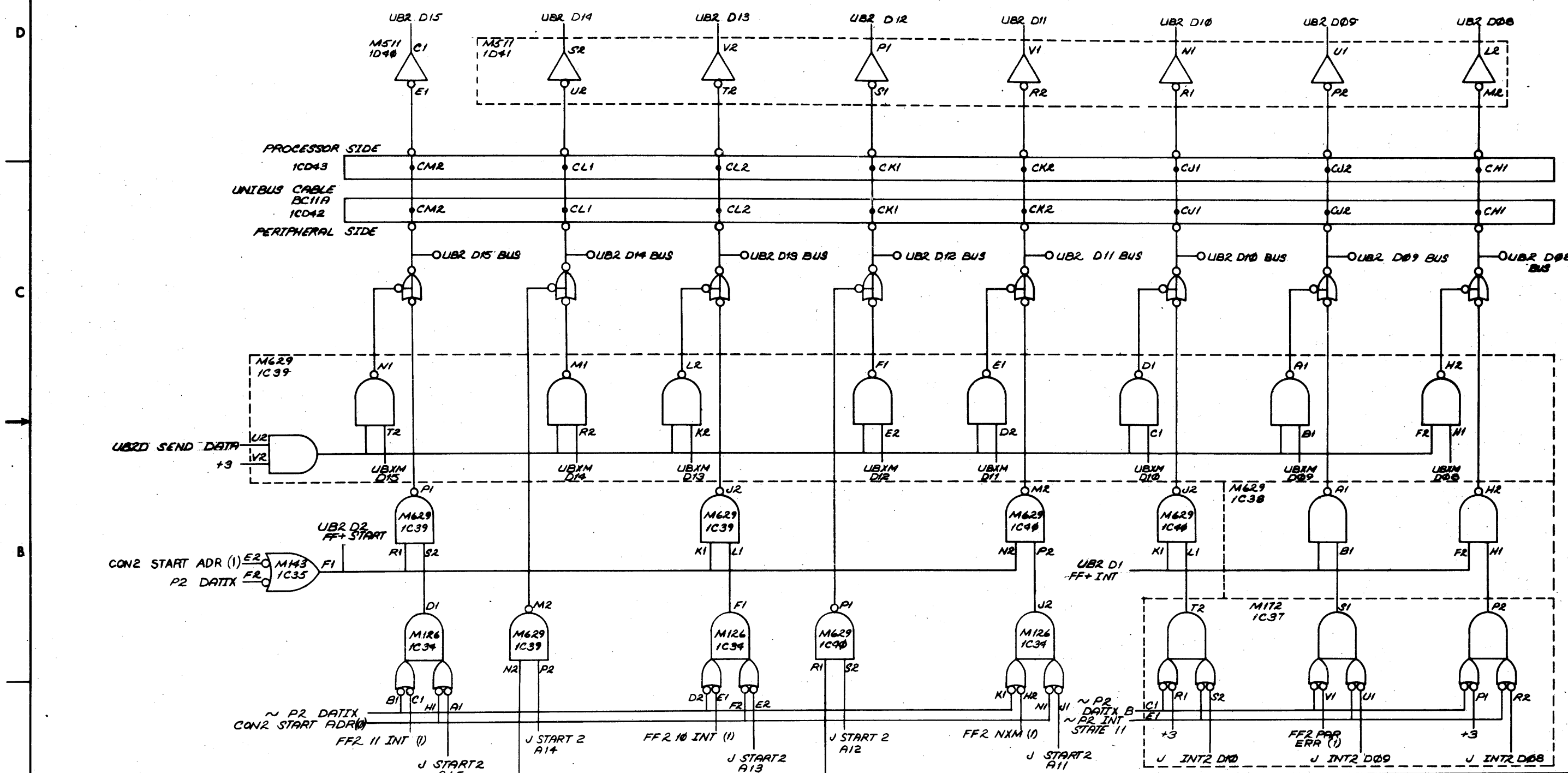


REVISIONS	REV.	DATE
CHANGE NO.	REV.	DATE
DL10A-00008	A	11/17/71
11/17/71		
11/17/71		
11/17/71		
11/17/71		
11/17/71		
11/17/71		
11/17/71		
11/17/71		

NOTE
 ALL SIGNAL NAMES ON THIS SHEET CONNECTED TO LOW ASSERTION DESIGNATION CIRCLES "O" ARE AS IF SUFFIXED WITH "L". ALL SIGNAL NAMES ON THIS SHEET NOT CONNECTED TO LOW ASSERTION DESIGNATION CIRCLES ARE AS IF SUFFIXED WITH "H".

UNLESS OTHERWISE SPECIFIED DIMENSION IN INCHES	UNLESS OTHERWISE SPECIFIED TOLERANCES DECIMALS FRACTIONS ANGLES ± .005 ± 1/64 ± .031° FINAL SURFACE QUALITY REMOVE BURRS AND BREAK SHARP CORNERS	DATE 11/17/71 DATE 11/17/71 DATE 11/17/71 DATE 11/17/71 DATE 11/17/71	digital EQUIPMENT CORPORATION MAYFIELD, MASSACHUSETTS
MATERIAL	FINISH	SCALE NONE	TITLE UNIBUS 2 DATA INTERFACE (BITS D00-D07)
PART NUMBER PDP10		SHEET 1 OF 2	SIZE CODE DBS DL10-A-UB2D

This drawing and specifications herein, are the property of Digital Equipment Corporation and shall not be reproduced or copied or used in whole or in part or the basis for the manufacture of any of these without written permission.

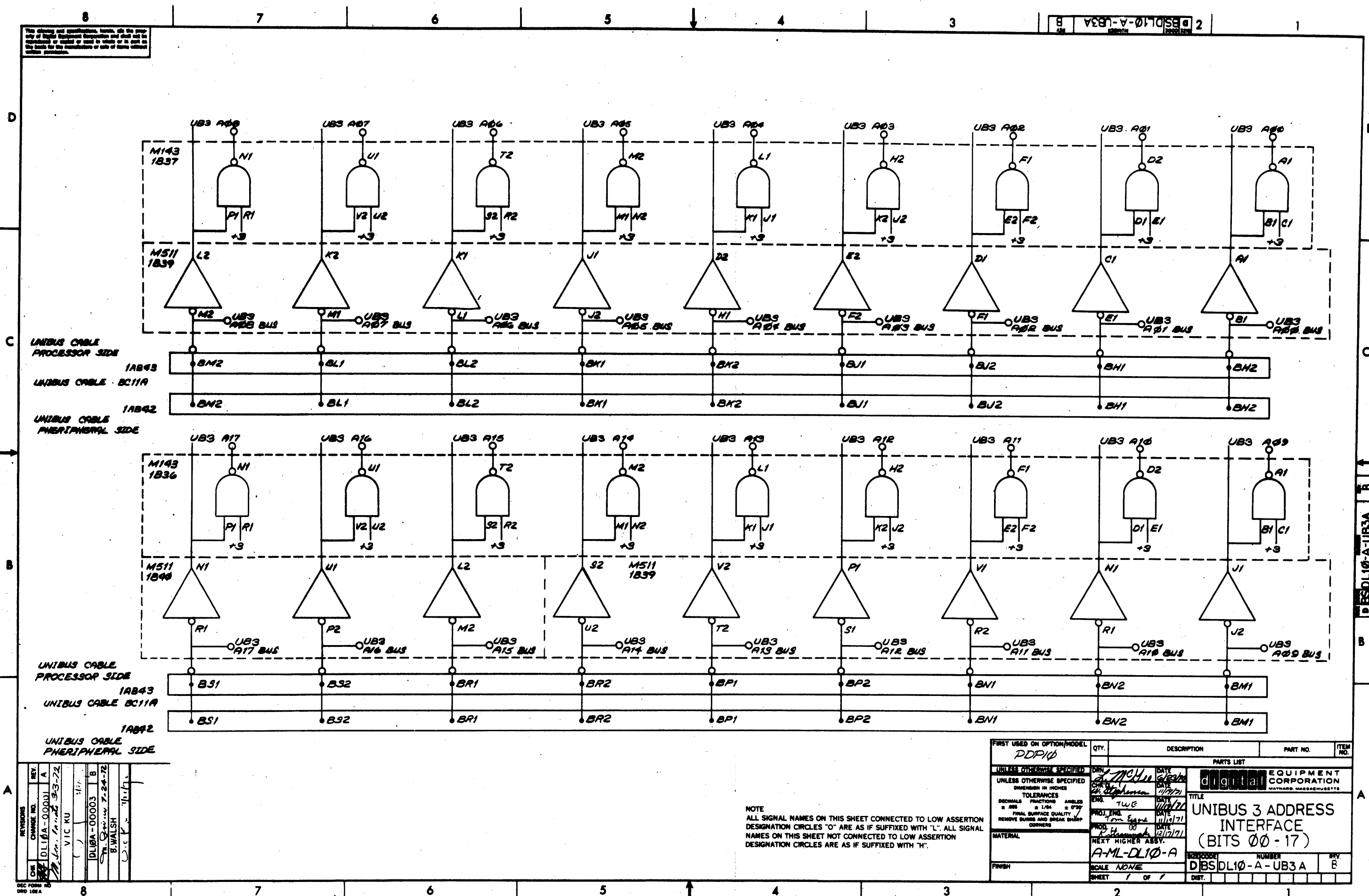


NOTE
ALL SIGNAL NAMES ON THIS SHEET CONNECTED TO LOW ASSERTION DESIGNATION CIRCLES "O" ARE AS IF SUFFIXED WITH "L". ALL SIGNAL NAMES ON THIS SHEET NOT CONNECTED TO LOW ASSERTION DESIGNATION CIRCLES ARE AS IF SUFFIXED WITH "H".

REVISIONS	REV.
CHANGE NO.	
CHK	

FIRST USED ON OPTION MODEL PDP10	UNLESS OTHERWISE SPECIFIED DIMENSION IN INCHES TOLERANCES DECIMALS FRACTIONS ANGLES ± .005 ± 1/64 ± 0°05'	DATE 11/17/71	BY J. C. H. / J. C. H.	DATE 11/17/71	BY J. C. H. / J. C. H.
MATERIAL ---	FINISH ---	TITLE UNIBUS 2 DATA INTERFACE (BITS 08-15)			
NEXT HIGHER ASSY A-ML-DL10-A		SCALE 1:1		SHEET 2 OF 2	
DIGITAL EQUIPMENT CORPORATION MAYFLEAD, MASSACHUSETTS			PART NUMBER DBS DL10-A-UB2D		

The drawing and specifications herein are the property of Digital Equipment Corporation and shall remain confidential in whole or in part or in any manner for the reproduction or use of them without the express permission.

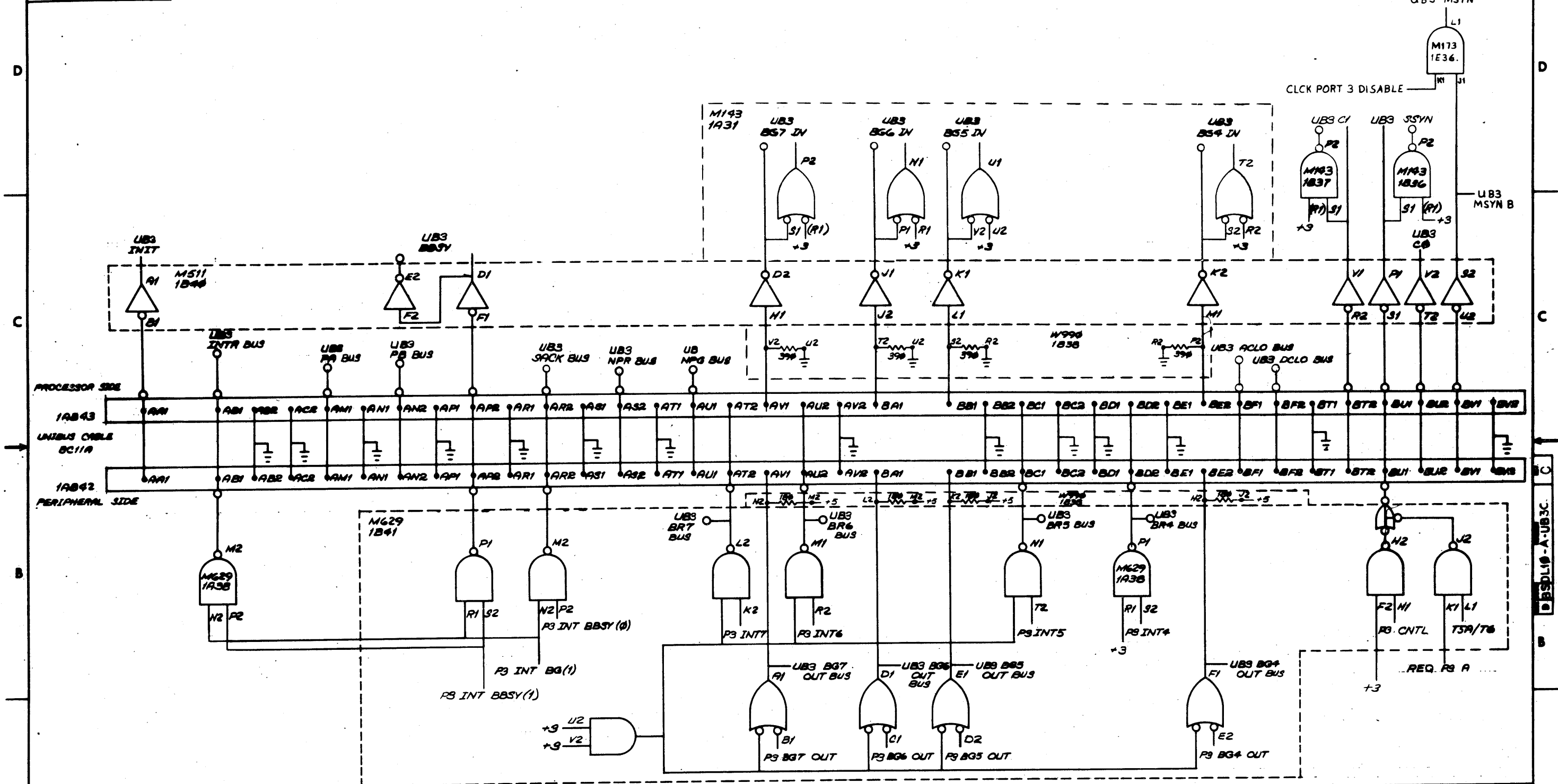


REV.	DATE	BY	CHKD.
1	11/17/71	VIC KU	
2	11/17/71	B. WALSH	
3	11/17/71	B. WALSH	
4	11/17/71	B. WALSH	

NOTE
 ALL SIGNAL NAMES ON THIS SHEET CONNECTED TO LOW ASSERTION DESIGNATION CIRCLES "O" ARE AS IF SUFFIXED WITH "L". ALL SIGNAL NAMES ON THIS SHEET NOT CONNECTED TO LOW ASSERTION DESIGNATION CIRCLES ARE AS IF SUFFIXED WITH "H".

FIRST USED ON OPTION/MODEL PDP10	QTY.	DESCRIPTION	PART NO.	ITEM NO.																
UNLESS OTHERWISE SPECIFIED DIMENSIONS IN INCHES TOLERANCES DECIMALS FRACTIONS ANGLES ± .005 ± 1/64 ± 0°30' FINAL SURFACE QUALITY REMOVE BURRS AND BREAK SHARP CORNERS																				
MATERIAL																				
FINISH																				
PARTS LIST																				
<table border="1"> <tr> <td>DATE</td> <td>BY</td> <td>DATE</td> <td>BY</td> </tr> <tr> <td>11/17/71</td> <td>TWE</td> <td>11/17/71</td> <td></td> </tr> <tr> <td>11/17/71</td> <td></td> <td>11/17/71</td> <td></td> </tr> <tr> <td>11/17/71</td> <td></td> <td>11/17/71</td> <td></td> </tr> </table>					DATE	BY	DATE	BY	11/17/71	TWE	11/17/71		11/17/71		11/17/71		11/17/71		11/17/71	
DATE	BY	DATE	BY																	
11/17/71	TWE	11/17/71																		
11/17/71		11/17/71																		
11/17/71		11/17/71																		
TITLE UNIBUS 3 ADDRESS INTERFACE (BITS 00-17)																				
EQUIPMENT CORPORATION MAYNARD, MASSACHUSETTS																				
SCALE NONE SHEET 1 OF 1																				
NUMBER DBSD10-A-UB3A																				
REV. NO. B																				

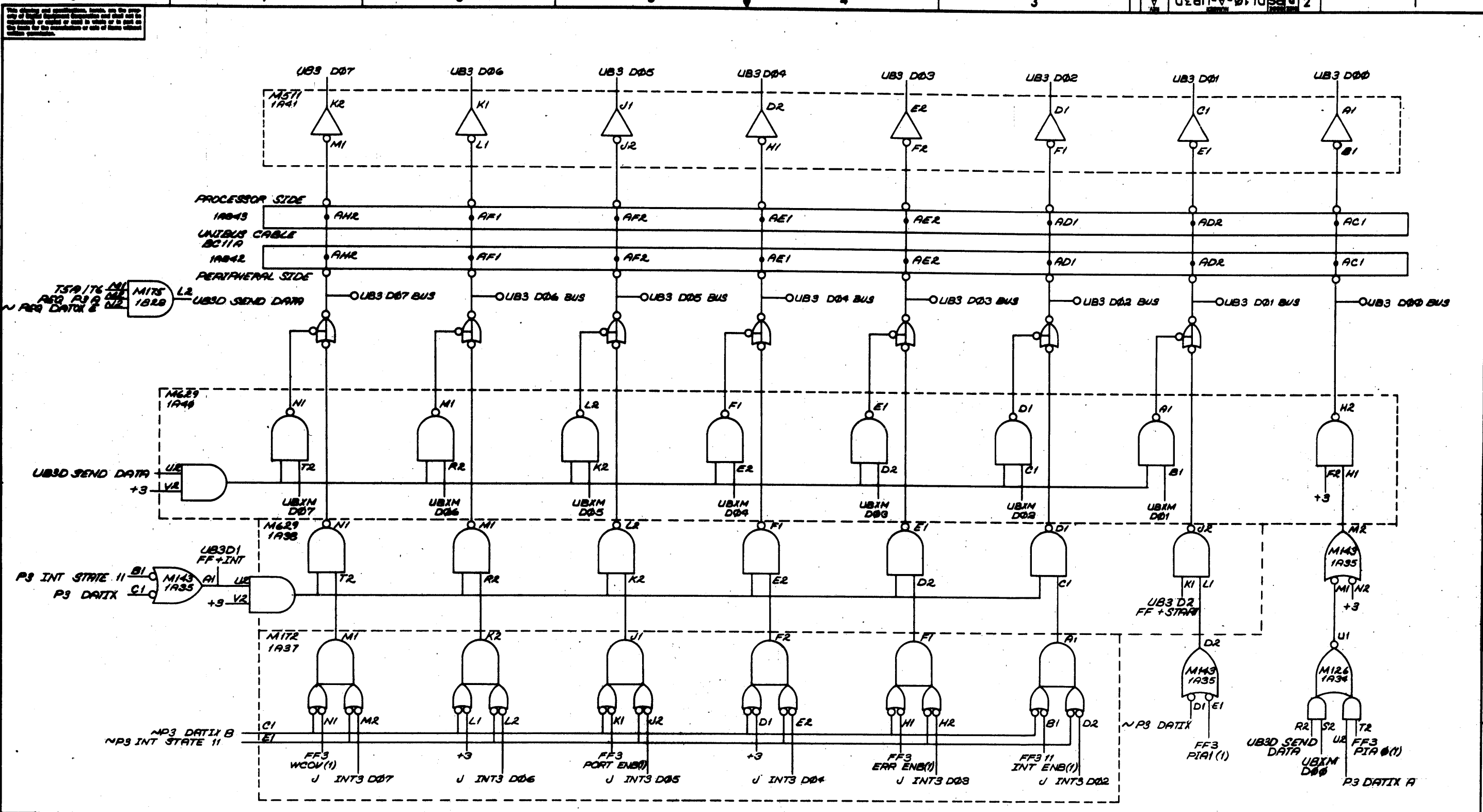
This drawing and specifications, based on the latest revision of the equipment design, shall be the basis for the manufacture or use of items without further permission.



REV	DATE	BY
A	12/17/72	M. J. ...
B	1/19/74	A. KENT
C	24 SEPT 76	S. HOLMES

NOTE
 ALL SIGNAL NAMES ON THIS SHEET CONNECTED TO LOW ASSERTION DESIGNATION CIRCLES "O" ARE AS IF SUFFIXED WITH "L". ALL SIGNAL NAMES ON THIS SHEET NOT CONNECTED TO LOW ASSERTION DESIGNATION CIRCLES ARE AS IF SUFFIXED WITH "H".

UNLESS OTHERWISE SPECIFIED DIMENSIONS IN INCHES TOLERANCES DECIMALS FRACTIONS ANGLES ± .005 ± 1/64 ± 0°50' REMOVE BURRS AND BREAK SHARP CORNERS MATERIAL FINISH	EQUIPMENT CORPORATION BOSTON, MASSACHUSETTS TITLE UNIBUS 3 CONTROL INTERFACE DBSDL10-A-UB3C NUMBER C SCALE NONE SHEET 1 OF 1
--	--

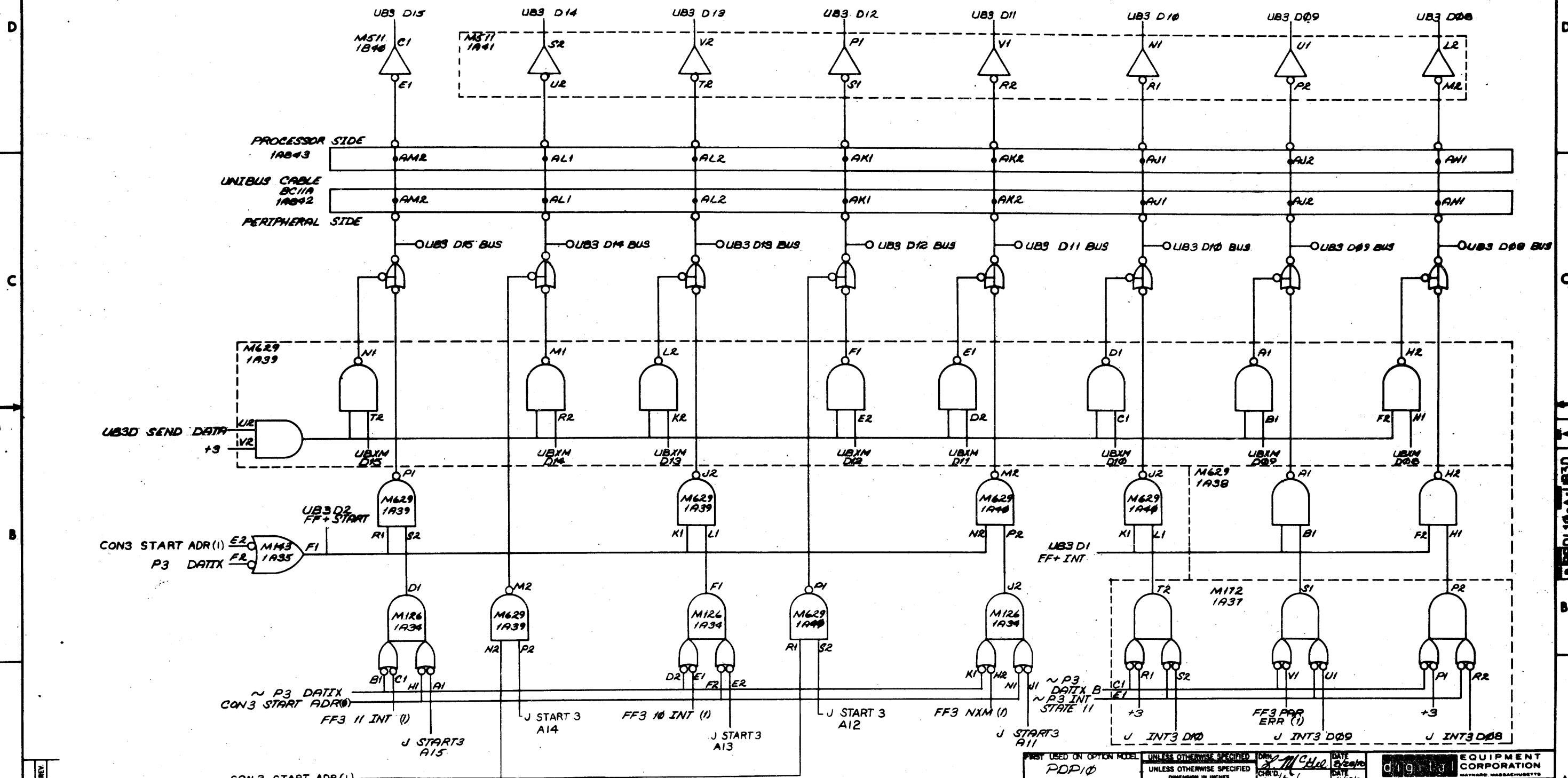


REV	DATE	BY	CHK	CHANGE NO.
A				DL10A-0006
B	1-18-74			

NOTE
 ALL SIGNAL NAMES ON THIS SHEET CONNECTED TO LOW ASSERTION DESIGNATION CIRCLES "O" ARE AS IF SUFFIXED WITH "L". ALL SIGNAL NAMES ON THIS SHEET NOT CONNECTED TO LOW ASSERTION DESIGNATION CIRCLES ARE AS IF SUFFIXED WITH "H".

UNLESS OTHERWISE SPECIFIED DIMENSIONS IN INCHES TOLERANCES DECIMALS FRACTIONS ANGLES ± .005 ± 1/64 ± .030 FINAL SURFACE QUALITY REMOVE BURRS AND BREAK SHARP CORNERS	DATE: 11/17/71 DRAWN BY: TWE CHECKED BY: Tomi Egger PROJ. ENG: Tomi Egger DATE: 11/17/71 PREP: K. Hammaker DATE: 11/17/71 NEXT NUMBER ASSY: A-ML-DL10-A	digital EQUIPMENT CORPORATION MAYLAND, MASSACHUSETTS	TITLE UNIBUS 3 DATA INTERFACE (BITS D00-D07)		
				MATERIAL	SCALE
				FINISH	SHEET 1 OF 2
				PART UNLESS OTHERWISE SPECIFIED PDP10	

This drawing and specifications, herein are the property of Digital Equipment Corporation and shall not be reproduced or copied in whole or in part in any form for the manufacture or sale of items without written permission.



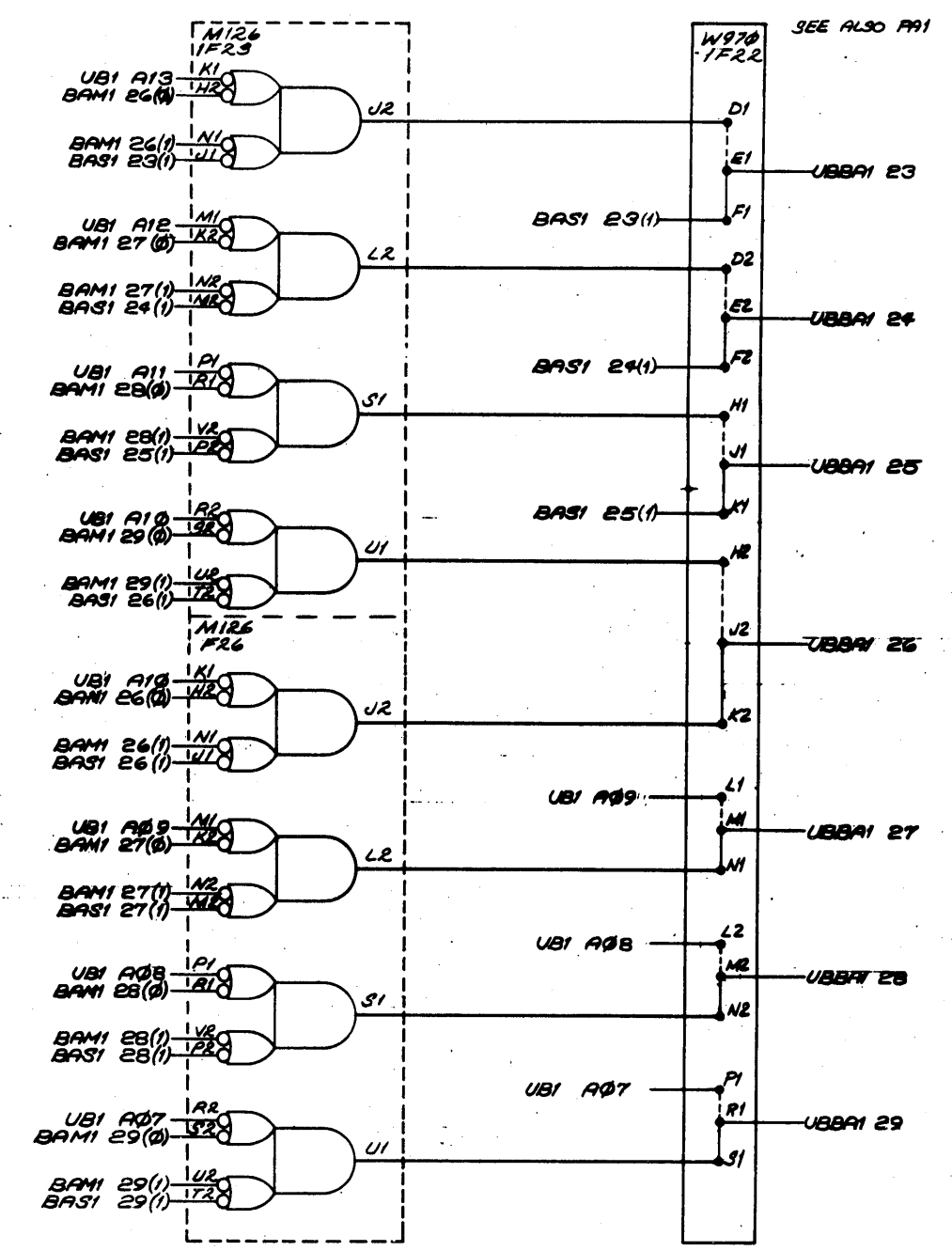
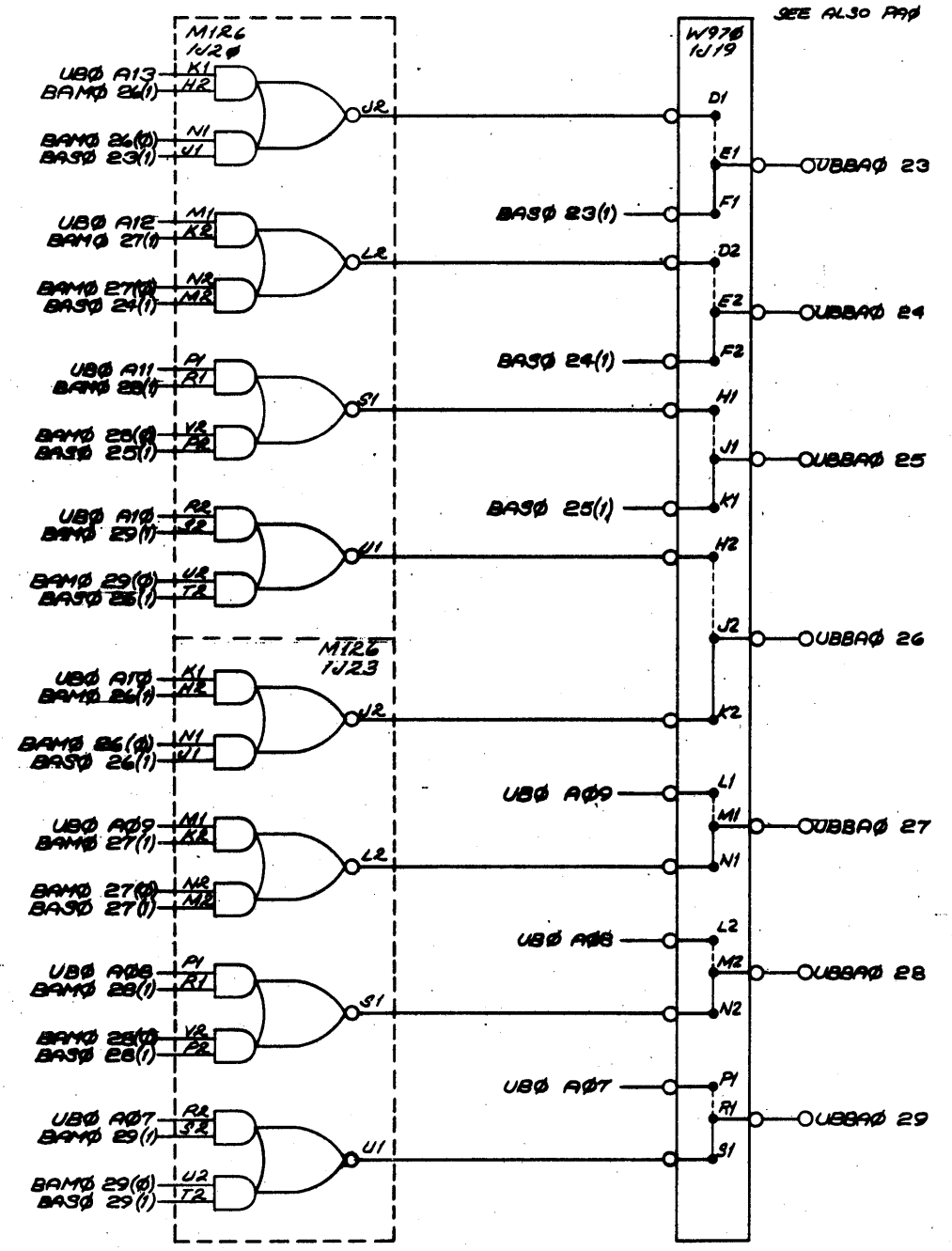
NOTE
 ALL SIGNAL NAMES ON THIS SHEET CONNECTED TO LOW ASSERTION DESIGNATION CIRCLES "O" ARE AS IF SUFFIXED WITH "L". ALL SIGNAL NAMES ON THIS SHEET NOT CONNECTED TO LOW ASSERTION DESIGNATION CIRCLES ARE AS IF SUFFIXED WITH "H".

USED ON OPTION MODEL
 PDP10

UNLESS OTHERWISE SPECIFIED		DATE	DIGITAL EQUIPMENT CORPORATION MAYNARD, MASSACHUSETTS
DIMENSIONS IN INCHES		DATE	
TOLERANCES		DATE	TITLE UNIBUS 3 DATA INTERFACE (BITS 08-15)
DECIMALS	FRACTIONS	ANGLES	
± 0.05	± 1/64	± 0°30'	SCALE 2 OF 2
FINAL SURFACE QUALITY REMOVE BURRS AND BREAK SHARP CORNERS			
MATERIAL		DATE	NUMBER DBS DL10-A-UB3D
FINISH		DATE	
NEXT HIGHER ASSY		DATE	REV A
SCALE		DATE	
FINISH		DATE	

REVISIONS	REV.
CHANGE NO.	
CHK	

This drawing and specifications, based on the property of Digital Equipment Corporation and shall not be reproduced or used in whole or in part in any form for the manufacture or sale of items without written permission.



SEE ALSO P99

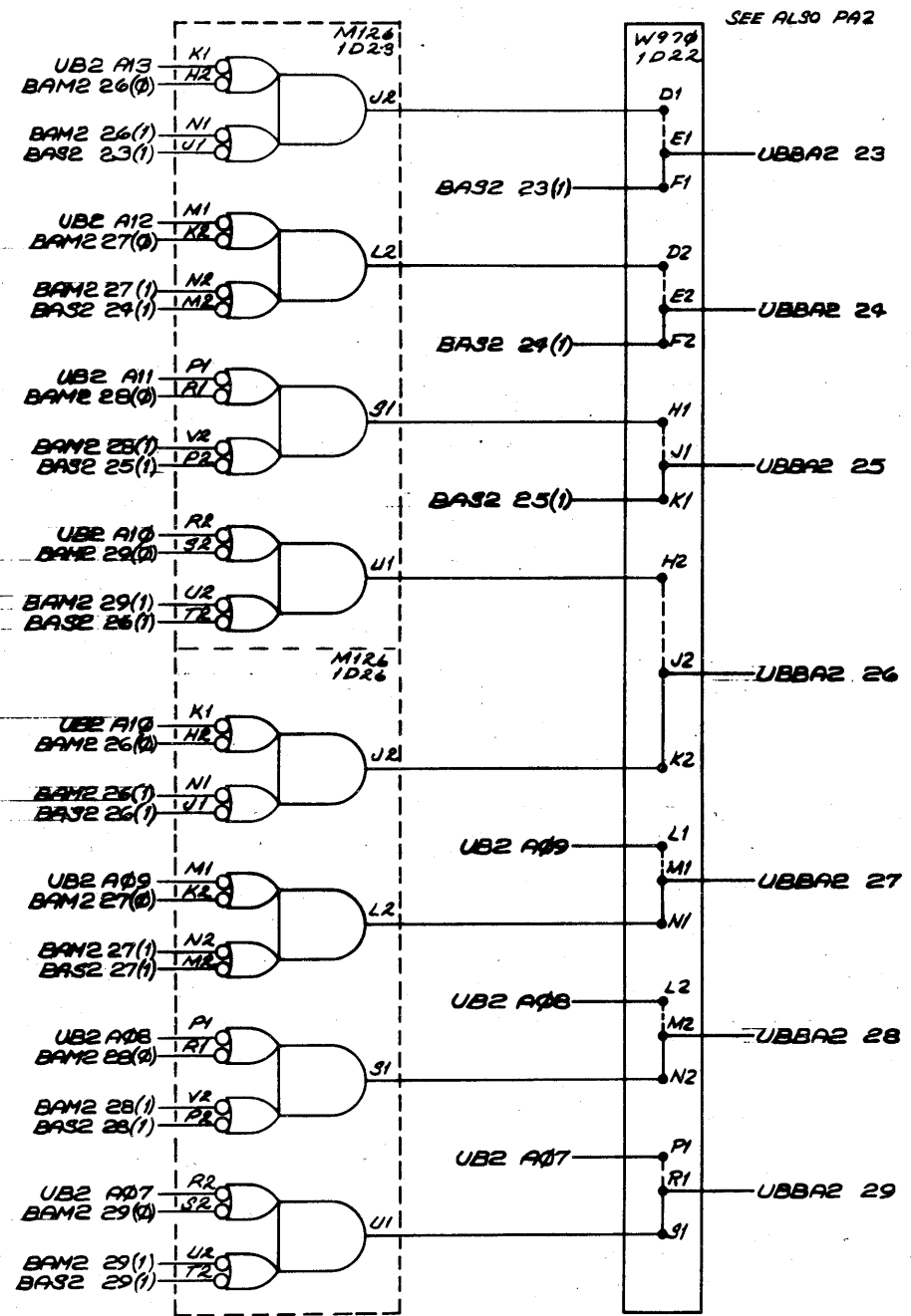
SEE ALSO P91

NOTE
ALL SIGNAL NAMES ON THIS SHEET CONNECTED TO LOW ASSERTION DESIGNATION CIRCLES "O" ARE AS IF SUFFIXED WITH "L". ALL SIGNAL NAMES ON THIS SHEET NOT CONNECTED TO LOW ASSERTION DESIGNATION CIRCLES ARE AS IF SUFFIXED WITH "H".

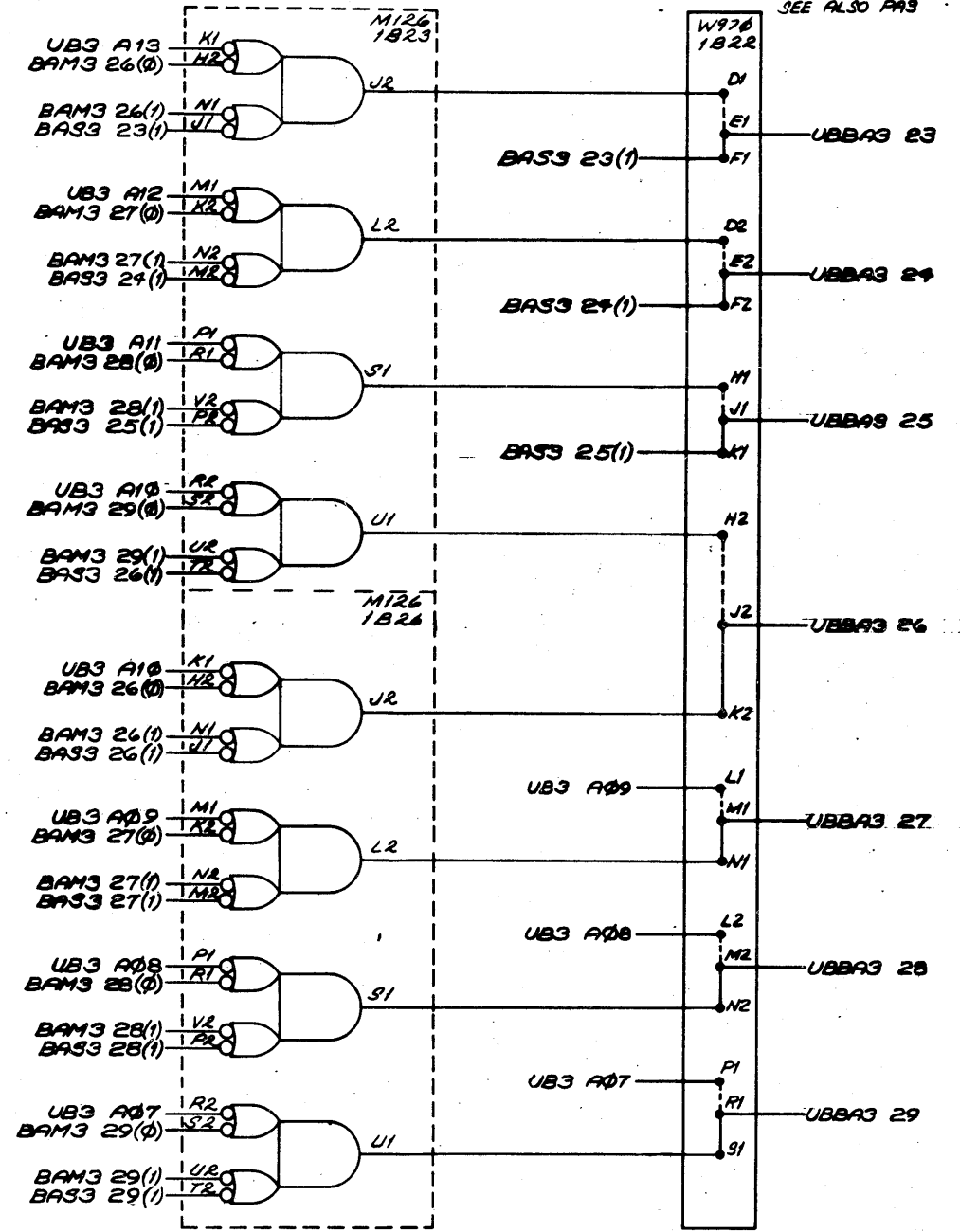
FIRST USED ON OPTION/MODEL	QTY.	DESCRIPTION	PART NO.	ITEM NO.
PDP10				
PARTS LIST				
UNLESS OTHERWISE SPECIFIED		digital EQUIPMENT CORPORATION MAYNARD, MASSACHUSETTS		
UNLESS OTHERWISE SPECIFIED		TITLE UNIBUS BASE ADDRESS MIXERS		
DIMENSION IN INCHES		DATE 11/19/71		
TOLERANCES		DATE 11/19/71		
DECIMALS FRACTIONS ANGLES		DATE 11/19/71		
± .005 ± 1/64 ± 0°30'		DATE 11/19/71		
FINAL SURFACE QUALITY		DATE 11/19/71		
REMOVE BURRS AND BREAK SHARP CORNERS		DATE 11/19/71		
MATERIAL		NEXT HIGHER ASSY.		
FINISH		A-ML-DL10-A		
SCALE		SIZE CODE NUMBER REV.		
SHEET 1 OF 2		DBS DL10-A-UBBA		
DIST.		REV.		

REV.	
CHANGE NO.	
CHK	
REVISIONS	

The drawing and specifications herein are the property of Digital Equipment Corporation and shall not be reproduced or copied or used in whole or in part on any other drawing or specification without the written permission of Digital Equipment Corporation.



SEE ALSO PA2



SEE ALSO PA3

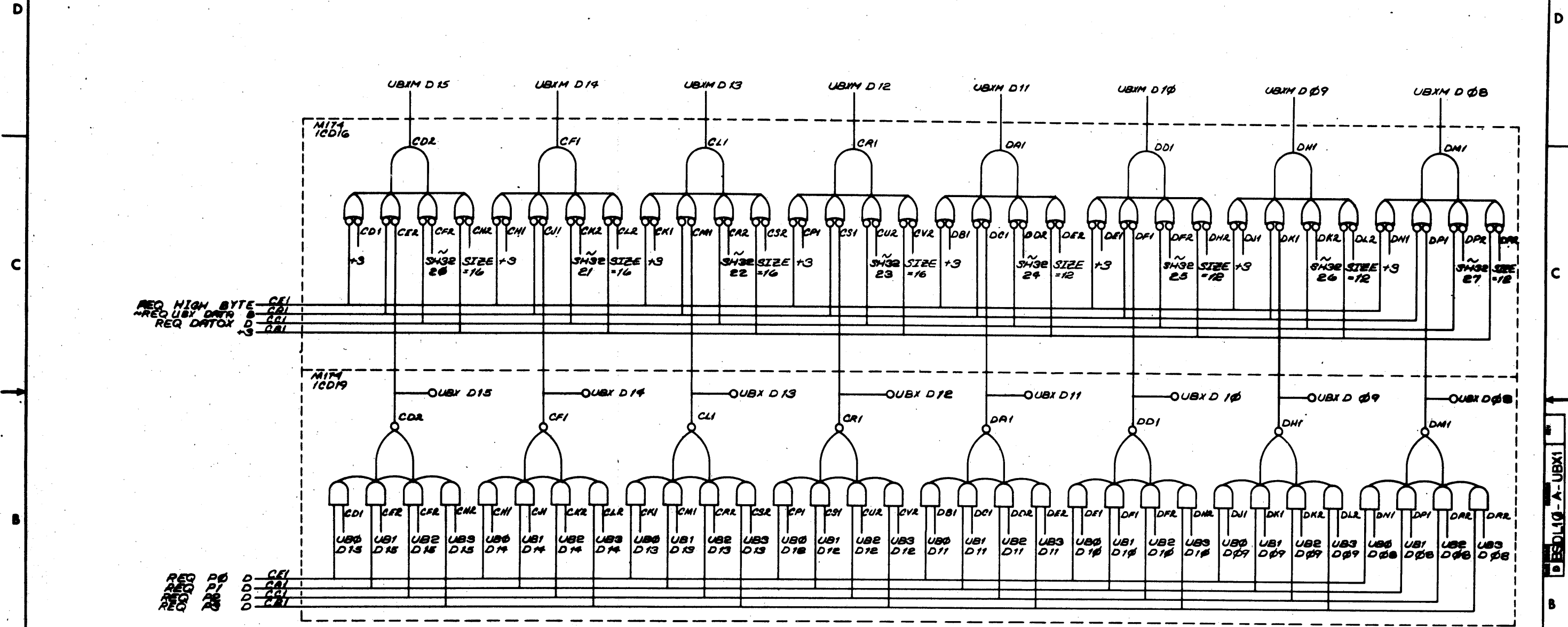
NOTE
ALL SIGNAL NAMES ON THIS SHEET CONNECTED TO LOW ASSERTION DESIGNATION CIRCLES "0" ARE AS IF SUFFIXED WITH "L". ALL SIGNAL NAMES ON THIS SHEET NOT CONNECTED TO LOW ASSERTION DESIGNATION CIRCLES ARE AS IF SUFFIXED WITH "H".

FIRST USED ON OPTION/MODEL	QTY.	DESCRIPTION	PART NO.	ITEM NO.
PDP10				
UNLESS OTHERWISE SPECIFIED				
UNLESS OTHERWISE SPECIFIED DIMENSION IN INCHES	DATE	DATE	PARTS LIST	
TOLERANCES	DATE	DATE	EQUIPMENT CORPORATION	
DECIMALS FRACTIONS ANGLES	DATE	DATE	MAYNARD, MASSACHUSETTS	
± .008 ± 1/64 ± .030	DATE	DATE	TITLE	
FINAL SURFACE QUALITY / REMOVE BURRS AND BREAK SHARP CORNERS	DATE	DATE	UNIBUS BASE	
MATERIAL	DATE	DATE	ADDRESS MIXERS	
FINISH	DATE	DATE	NEXT HIGHER ASSY.	
	DATE	DATE	A-ML-DL10-A	
	DATE	DATE	SCALE	
	DATE	DATE	DBS/DL10-A-UBBA	
	DATE	DATE	SHEET 2 OF 2	

REV.	CHG.	NO.	DATE

This drawing and specifications herein are the property of Digital Equipment Corporation and shall not be reproduced or copied in whole or in part in any form for the manufacture of parts or for other similar purposes.

UBX1-0170-01-2

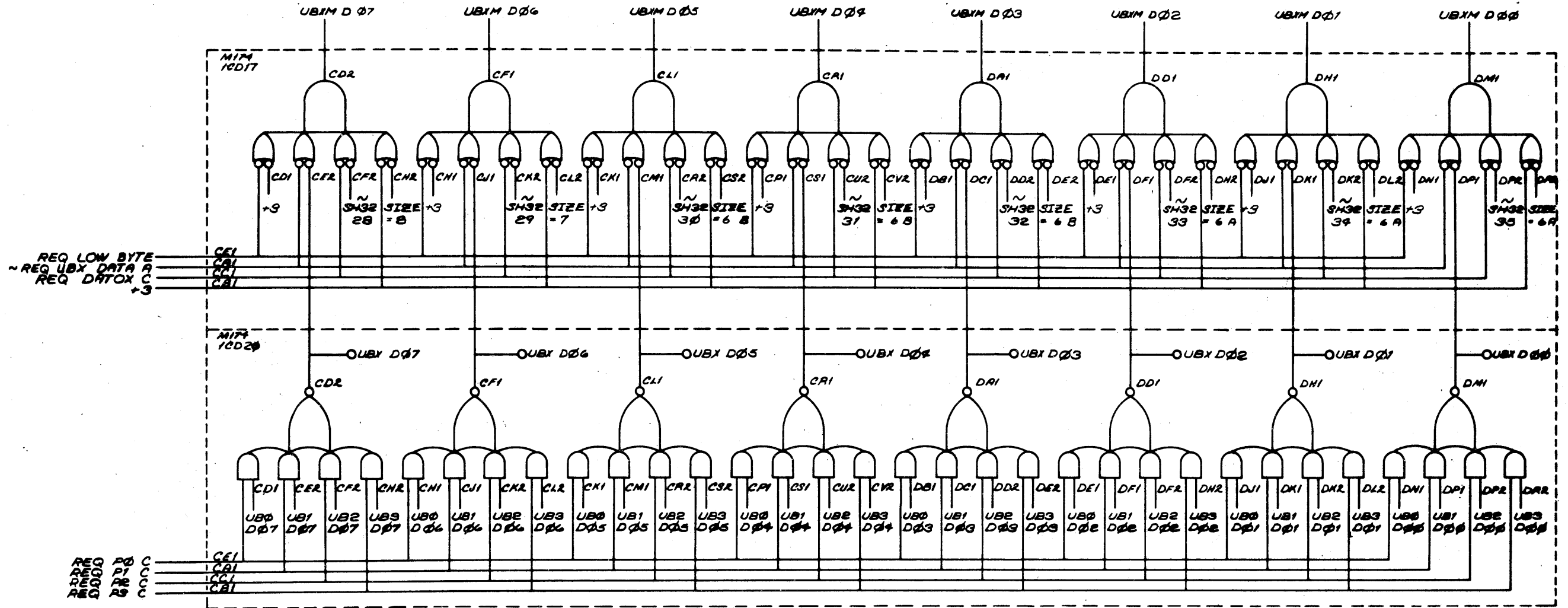


REV.	CHG.	NO.

NOTE
 ALL SIGNAL NAMES ON THIS SHEET CONNECTED TO LOW ASSERTION DESIGNATION CIRCLES "O" ARE AS IF SUFFIXED WITH "L". ALL SIGNAL NAMES ON THIS SHEET NOT CONNECTED TO LOW ASSERTION DESIGNATION CIRCLES ARE AS IF SUFFIXED WITH "H".

UNLESS OTHERWISE SPECIFIED DIMENSIONS IN INCHES TOLERANCES DECIMALS FRACTIONS ANGLES ± .005 ± .010 ± .015 FINAL SURFACE QUALITY REMOVE BURRS AND BREAK SHARP CORNERS	QTY. DESCRIPTION PART NO. ITEM NO.	PARTS LIST EQUIPMENT CORPORATION MAYNARD MASSACHUSETTS TITLE UNIBUS DATA MIXER AND MASK (BITS D15 - D08) DJS/DL10-A-UBX1
MATERIAL FINISH	DATE 5/8/72 DATE 4/11/72 DATE 11/19/71 DATE 12/17/71 REVISION A-ML-DL10-A-1 SCALE 1:1 SHEET 1 OF 1	REV. NUMBER DIST.

This drawing and specifications herein are the property of Digital Equipment Corporation and shall not be reproduced or copied in whole or in part or in any form for the manufacture or sale of items without written permission.



NOTE
 ALL SIGNAL NAMES ON THIS SHEET CONNECTED TO LOW ASSERTION DESIGNATION CIRCLES "O" ARE AS IF SUFFIXED WITH "L". ALL SIGNAL NAMES ON THIS SHEET NOT CONNECTED TO LOW ASSERTION DESIGNATION CIRCLES ARE AS IF SUFFIXED WITH "H".

REVISED ON OPTION MODEL	QTY.	DESCRIPTION	PART NO.	ITEM NO.
PDP10				
PARTS LIST				
UNLESS OTHERWISE SPECIFIED				
DIMENSION IN INCHES				
TOLERANCES				
DECIMALS	FRACTIONS	ANGLES		
± .005	± 1/64	± 0°30'		
FINAL SURFACE QUALITY				
REMOVE BURRS AND BREAK SHARP CORNERS				
MATERIAL	NE X Y H R H E R A S S Y			
FINISH	A-ML-DL10-A			
SCALE	1/1			
SHEET	1 OF 1			
DATE		EQUIPMENT CORPORATION		
DATE		MATHARD WASSERBURGER		
DATE		TITLE		
DATE		UNIBUS DATA		
DATE		MIXER AND MASK		
DATE		(BITS D07-D00)		
DATE		DIBS0110-A-UBX2		

REV	CHANGE NO.	DATE

This drawing and specifications, herein, are the property of Digital Equipment Corporation and shall not be reproduced or copied in whole or in part on any other basis than for the use of the individual to whom issued.

Main utilization table with columns 1-44 and rows A-D. Contains various module codes (e.g., M172, M174, M178), bus types (+5V REG, +5V REG), and functional descriptions (SHIFT, MB1, MB, etc.).

REVISIONS table with columns: REV, CHANGE NO., DATE, BY. Includes revisions A, B, C, D, E, F, G, H, I, J, K, L, M, N.

NOTES: ○ OPTION MODULES FOR DL10-C, PDP-11 PORT #3
△ OPTION MODULES FOR DL10-C, PDP-11 PORT #2

UNLESS OTHERWISE SPECIFIED table with columns: DIMENSION IN INCHES, TOLERANCES, DECIMALS, FRACTIONS, ANGLES, MATERIAL, FINISH, FIRST USED ON OPTION/MODEL.

Digital Equipment Corporation, MAYNARD, MASSACHUSETTS

MODULE UTILIZATION (ROWS A-D) form with fields for TITLE, DATE, PROJ. ENG., DATE, PROD. ENG., DATE, NEXT HIGHER ASSY., SCALE, SHEET, DIST., and REV. Includes specific form details for DML10-A-MUAD.

This drawing and specifications, herein, are the property of Digital Equipment Corporation and shall not be reproduced or used in whole or in part or in any manner for the manufacture or sale of items without written permission.

Table with 44 columns (1-44) and 4 rows (D, E, F, C). Contains electronic component specifications, part numbers (e.g., M1G6, M1S1, M1S2), and functional descriptions (e.g., +5V REG, SHIFT 12, SHIFT 16).

Table with 44 columns (1-44) and 4 rows (E, B, J, H). Contains electronic component specifications, part numbers (e.g., M1S1, M1S2, M1S3), and functional descriptions (e.g., +5V REG, CLOCK RESET, CLOCK CLR).

NOTES: ▲ IF A PDP-11 PORT IS NOT USED, THE FOLLOWING JUMPERS ARE REQUIRED ON THE M921 IN LOC. M29

- NOTES: * OPTION MODULES FOR DL10-C, PDP-11 PORT #1
Δ OPTION MODULES FOR DL10-C, PDP-11 PORT #2
○ OPTION MODULES FOR DL10-C, PDP-11 PORT #3

UNLESS OTHERWISE SPECIFIED... EQUIPMENT CORPORATION... MODULE UTILIZATION (ROWS E-J)
Includes fields for DATE, TITLE, SCALE, SHEET, and DIST.

REVISIONS table with columns: REV, CHANGE NO, REV, DATE, BY, APPR. Lists revisions 1 through 7.

This drawing and specifications herein are the property of Digital Equipment Corporation and shall not be reproduced or copied or used in whole or in part in any manner for any purpose other than that intended without the express written permission of Digital Equipment Corporation.

D K	+5V REG																																																
	M249	M193	M172	M172	M193	M193	M193	M193	M193	M193	M193	M193	M193	M193	M193	M193	M193	M193	M193	M193	M193	M193	M193	M193	M193	M193	M193	M193	M193	M193	M193	M193	M193	M193	M193	M193	M193	M193	M193	M193	M193	M193	M193	M193	M193				
	DIAG A	DIAG B	JOC LOCK	JOC LOCK	JOC LOCK	JOC LOCK	JOC LOCK	JOC LOCK	JOC LOCK	JOC LOCK	JOC LOCK	JOC LOCK	JOC LOCK	JOC LOCK	JOC LOCK	JOC LOCK	JOC LOCK	JOC LOCK	JOC LOCK	JOC LOCK	JOC LOCK	JOC LOCK	JOC LOCK	JOC LOCK	JOC LOCK	JOC LOCK	JOC LOCK	JOC LOCK	JOC LOCK	JOC LOCK	JOC LOCK	JOC LOCK	JOC LOCK	JOC LOCK	JOC LOCK	JOC LOCK	JOC LOCK	JOC LOCK	JOC LOCK	JOC LOCK	JOC LOCK	JOC LOCK	JOC LOCK	JOC LOCK	JOC LOCK	JOC LOCK	JOC LOCK	JOC LOCK	JOC LOCK
TERM (1)																																																	
L C	+5V REG																																																
	M249	M249	M249	M249	M249	M249	M249	M249	M249	M249	M249	M249	M249	M249	M249	M249	M249	M249	M249	M249	M249	M249	M249	M249	M249	M249	M249	M249	M249	M249	M249	M249	M249	M249	M249	M249	M249	M249	M249	M249	M249	M249	M249	M249	M249	M249	M249	M249	M249
	MC REG YMET BUS	M249	M249	M249	M249	M249	M249	M249	M249	M249	M249	M249	M249	M249	M249	M249	M249	M249	M249	M249	M249	M249	M249	M249	M249	M249	M249	M249	M249	M249	M249	M249	M249	M249	M249	M249	M249	M249	M249	M249	M249	M249	M249	M249	M249	M249	M249	M249	M249
TERM (2)																																																	

M B	+5V REG																																																			
	M249	M249	M249	M249	M249	M249	M249	M249	M249	M249	M249	M249	M249	M249	M249	M249	M249	M249	M249	M249	M249	M249	M249	M249	M249	M249	M249	M249	M249	M249	M249	M249	M249	M249	M249	M249	M249	M249	M249	M249	M249	M249	M249	M249	M249	M249	M249	M249	M249	M249	M249	
	JOC LOCK	JOC LOCK	JOC LOCK	JOC LOCK	JOC LOCK	JOC LOCK	JOC LOCK	JOC LOCK	JOC LOCK	JOC LOCK	JOC LOCK	JOC LOCK	JOC LOCK	JOC LOCK	JOC LOCK	JOC LOCK	JOC LOCK	JOC LOCK	JOC LOCK	JOC LOCK	JOC LOCK	JOC LOCK	JOC LOCK	JOC LOCK	JOC LOCK	JOC LOCK	JOC LOCK	JOC LOCK	JOC LOCK	JOC LOCK	JOC LOCK	JOC LOCK	JOC LOCK	JOC LOCK	JOC LOCK	JOC LOCK	JOC LOCK	JOC LOCK	JOC LOCK	JOC LOCK	JOC LOCK	JOC LOCK	JOC LOCK	JOC LOCK	JOC LOCK	JOC LOCK	JOC LOCK	JOC LOCK	JOC LOCK	JOC LOCK	JOC LOCK	JOC LOCK
TERM (3)																																																				
N B	+5V REG																																																			
	M249	M249	M249	M249	M249	M249	M249	M249	M249	M249	M249	M249	M249	M249	M249	M249	M249	M249	M249	M249	M249	M249	M249	M249	M249	M249	M249	M249	M249	M249	M249	M249	M249	M249	M249	M249	M249	M249	M249	M249	M249	M249	M249	M249	M249	M249	M249	M249	M249	M249	M249	M249
	JOC LOCK	JOC LOCK	JOC LOCK	JOC LOCK	JOC LOCK	JOC LOCK	JOC LOCK	JOC LOCK	JOC LOCK	JOC LOCK	JOC LOCK	JOC LOCK	JOC LOCK	JOC LOCK	JOC LOCK	JOC LOCK	JOC LOCK	JOC LOCK	JOC LOCK	JOC LOCK	JOC LOCK	JOC LOCK	JOC LOCK	JOC LOCK	JOC LOCK	JOC LOCK	JOC LOCK	JOC LOCK	JOC LOCK	JOC LOCK	JOC LOCK	JOC LOCK	JOC LOCK	JOC LOCK	JOC LOCK	JOC LOCK	JOC LOCK	JOC LOCK	JOC LOCK	JOC LOCK	JOC LOCK	JOC LOCK	JOC LOCK	JOC LOCK	JOC LOCK	JOC LOCK	JOC LOCK	JOC LOCK	JOC LOCK	JOC LOCK	JOC LOCK	JOC LOCK
TERM (4)																																																				

REV. 1	DL10A-0001	A
REV. 2	DL10A-0003	B
REV. 3	DL10A-0005	C
REV. 4	DL10A-0007	D
REV. 5	DL10A-0008	E
REV. 6	DL10A-0010	F
REV. 7	DL10A-0014	G
REV. 8	DL10A-0016	H
REV. 9	DL10A-0018	I
REV. 10	DL10A-0020	J
REV. 11	DL10A-0022	K
REV. 12	DL10A-0024	L
REV. 13	DL10A-0026	M
REV. 14	DL10A-0028	N
REV. 15	DL10A-0030	O
REV. 16	DL10A-0032	P
REV. 17	DL10A-0034	Q
REV. 18	DL10A-0036	R
REV. 19	DL10A-0038	S
REV. 20	DL10A-0040	T
REV. 21	DL10A-0042	U
REV. 22	DL10A-0044	V
REV. 23	DL10A-0046	W
REV. 24	DL10A-0048	X
REV. 25	DL10A-0050	Y
REV. 26	DL10A-0052	Z
REV. 27	DL10A-0054	AA
REV. 28	DL10A-0056	AB
REV. 29	DL10A-0058	AC
REV. 30	DL10A-0060	AD
REV. 31	DL10A-0062	AE
REV. 32	DL10A-0064	AF
REV. 33	DL10A-0066	AG
REV. 34	DL10A-0068	AH
REV. 35	DL10A-0070	AI
REV. 36	DL10A-0072	AJ
REV. 37	DL10A-0074	AK
REV. 38	DL10A-0076	AL
REV. 39	DL10A-0078	AM
REV. 40	DL10A-0080	AN
REV. 41	DL10A-0082	AO
REV. 42	DL10A-0084	AP
REV. 43	DL10A-0086	AQ
REV. 44	DL10A-0088	AR
REV. 45	DL10A-0090	AS
REV. 46	DL10A-0092	AT
REV. 47	DL10A-0094	AU
REV. 48	DL10A-0096	AV
REV. 49	DL10A-0098	AW
REV. 50	DL10A-0100	AX
REV. 51	DL10A-0102	AY
REV. 52	DL10A-0104	AZ
REV. 53	DL10A-0106	BA
REV. 54	DL10A-0108	BB
REV. 55	DL10A-0110	BC
REV. 56	DL10A-0112	BD
REV. 57	DL10A-0114	BE
REV. 58	DL10A-0116	BF
REV. 59	DL10A-0118	BG
REV. 60	DL10A-0120	BH
REV. 61	DL10A-0122	BI
REV. 62	DL10A-0124	BJ
REV. 63	DL10A-0126	BK
REV. 64	DL10A-0128	BL
REV. 65	DL10A-0130	BM
REV. 66	DL10A-0132	BN
REV. 67	DL10A-0134	BO
REV. 68	DL10A-0136	BP
REV. 69	DL10A-0138	BQ
REV. 70	DL10A-0140	BR
REV. 71	DL10A-0142	BS
REV. 72	DL10A-0144	BT
REV. 73	DL10A-0146	BU
REV. 74	DL10A-0148	BV
REV. 75	DL10A-0150	BW
REV. 76	DL10A-0152	BX
REV. 77	DL10A-0154	BY
REV. 78	DL10A-0156	BZ
REV. 79	DL10A-0158	CA
REV. 80	DL10A-0160	CB
REV. 81	DL10A-0162	CC
REV. 82	DL10A-0164	CD
REV. 83	DL10A-0166	CE
REV. 84	DL10A-0168	CF
REV. 85	DL10A-0170	CG
REV. 86	DL10A-0172	CH
REV. 87	DL10A-0174	CI
REV. 88	DL10A-0176	CJ
REV. 89	DL10A-0178	CK
REV. 90	DL10A-0180	CL
REV. 91	DL10A-0182	CM
REV. 92	DL10A-0184	CN
REV. 93	DL10A-0186	CO
REV. 94	DL10A-0188	CP
REV. 95	DL10A-0190	CQ
REV. 96	DL10A-0192	CR
REV. 97	DL10A-0194	CS
REV. 98	DL10A-0196	CT
REV. 99	DL10A-0198	CU
REV. 100	DL10A-0200	CV
REV. 101	DL10A-0202	CW
REV. 102	DL10A-0204	CX
REV. 103	DL10A-0206	CY
REV. 104	DL10A-0208	CZ
REV. 105	DL10A-0210	DA
REV. 106	DL10A-0212	DB
REV. 107	DL10A-0214	DC
REV. 108	DL10A-0216	DD
REV. 109	DL10A-0218	DE
REV. 110	DL10A-0220	DF
REV. 111	DL10A-0222	DG
REV. 112	DL10A-0224	DH
REV. 113	DL10A-0226	DI
REV. 114	DL10A-0228	DJ
REV. 115	DL10A-0230	DK
REV. 116	DL10A-0232	DL
REV. 117	DL10A-0234	DM
REV. 118	DL10A-0236	DN
REV. 119	DL10A-0238	DO
REV. 120	DL10A-0240	DP
REV. 121	DL10A-0242	DQ
REV. 122	DL10A-0244	DR
REV. 123	DL10A-0246	DS
REV. 124	DL10A-0248	DT
REV. 125	DL10A-0250	DU
REV. 126	DL10A-0252	DV
REV. 127	DL10A-0254	DW
REV. 128	DL10A-0256	DX
REV. 129	DL10A-0258	DY
REV. 130	DL10A-0260	DZ
REV. 131	DL10A-0262	EA
REV. 132	DL10A-0264	EB
REV. 133	DL10A-0266	EC
REV. 134	DL10A-0268	ED
REV. 135	DL10A-0270	EE
REV. 136	DL10A-0272	EF
REV. 137	DL10A-0274	EG
REV. 138	DL10A-0276	EH
REV. 139	DL10A-0278	EI
REV. 140	DL10A-0280	EJ
REV. 141	DL10A-0282	EK
REV. 142	DL10A-0284	EL
REV. 143	DL10A-0286	EM
REV. 144	DL10A-0288	EN
REV. 145	DL10A-0290	EO
REV. 146	DL10A-0292	EP
REV. 147	DL10A-0294	EQ
REV. 148	DL10A-0296	ER
REV. 149	DL10A-0298	ES
REV. 150	DL10A-0300	ET
REV. 151	DL10A-0302	EU
REV. 152	DL10A-0304	EV
REV. 153	DL10A-0306	EW
REV. 154	DL10A-0308	EX
REV. 155	DL10A-0310	EY
REV. 156	DL10A-0312	EZ
REV. 157	DL10A-0314	FA
REV. 158	DL10A-0316	FB
REV. 159	DL10A-0318	FC
REV. 160	DL10A-0320	FD
REV. 161	DL10A-0322	FE
REV. 162	DL10A-0324	FF
REV. 163	DL10A-0326	FG
REV. 164	DL10A-0328	FH
REV. 165	DL10A-0330	FI
REV. 166	DL10A-0332	FJ
REV. 167	DL10A-0334	FK
REV. 168	DL10A-0336	FL
REV. 169	DL10A-0338	FM
REV. 170	DL10A-0340	FN
REV. 171	DL10A-0342	FO
REV. 172	DL10A-0344	FP
REV. 173	DL10A-0346	FQ
REV. 174	DL10A-0348	FR
REV. 175	DL10A-0350	FS
REV. 176	DL10A-0352	FT
REV. 177	DL10A-0354	FU
REV. 178	DL10A-0356	FV
REV. 179	DL10A-0358	FW
REV. 180	DL10A-0360	FX
REV. 181	DL10A-0362	FY
REV. 182	DL10A-0364	FZ
REV. 183	DL10A-0366	GA
REV. 184	DL10A-0368	GB
REV. 185	DL10A-0370	GC
REV. 186	DL10A-0372	GD
REV. 187	DL10A-0374	GE
REV. 188	DL10A-0376	GF
REV. 189	DL10A-0378	GG
REV. 190	DL10A-0380	GH
REV. 191	DL10A-0382	GI
REV. 192	DL10A-0384	GJ
REV. 193	DL10A-0386	GK
REV. 194	DL10A-0388	GL
REV. 195	DL10A-0390	GM
REV. 196	DL10A-0392	GN
REV. 197	DL10A-0394	GO
REV. 198	DL10A-0396	GP
REV. 199	DL10A-0398	GQ
REV. 200	DL10A-0400	GR

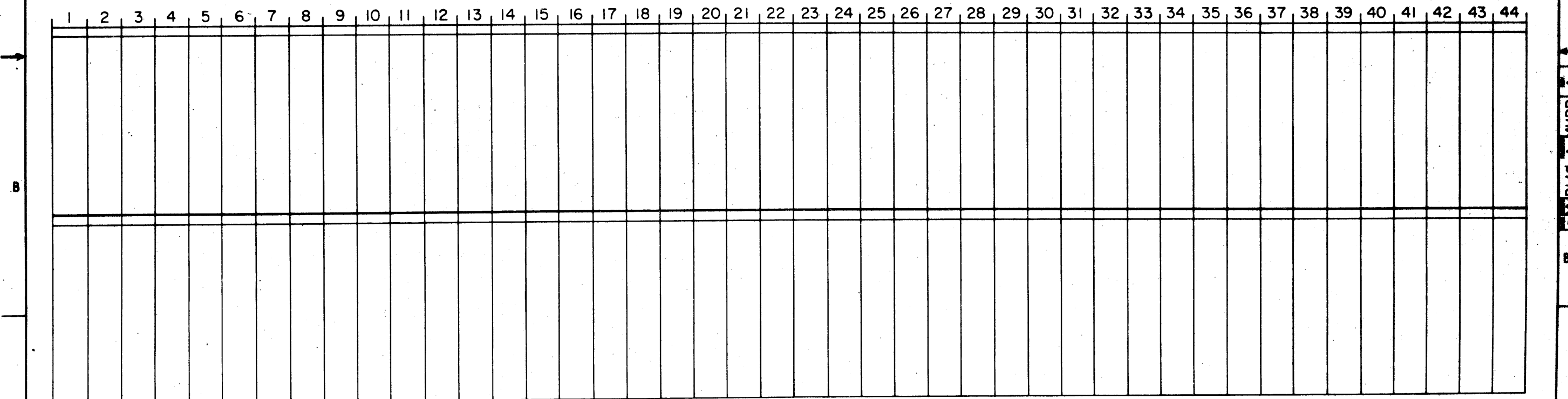
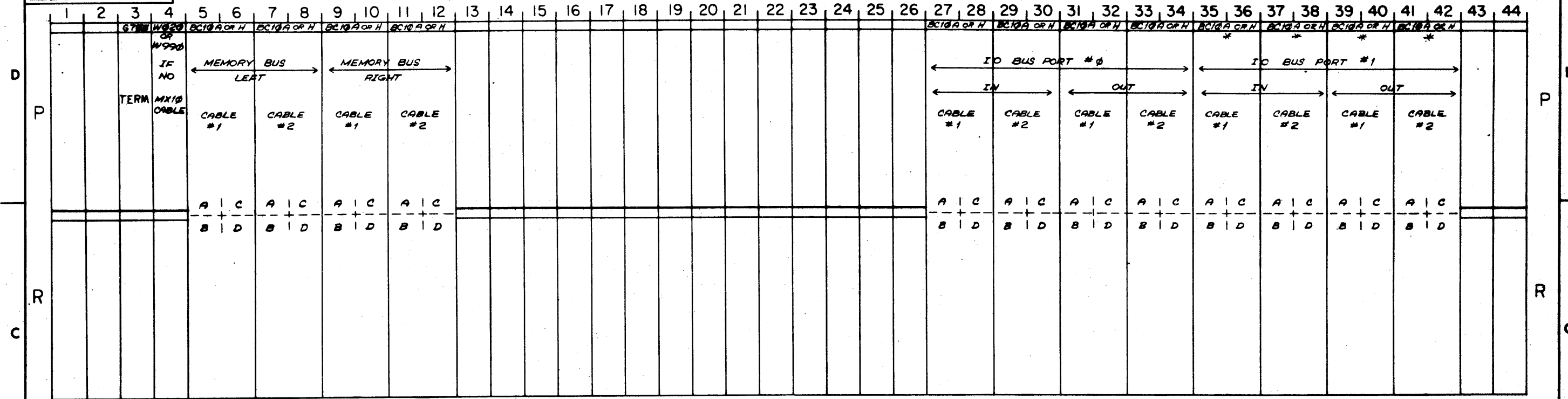
NOTE: IF THE DL10-B IS NOT INSTALLED THE FOLLOWING MODULES MUST BE INSTALLED.

- M921 WITH M1-P1-R1-S2-U1 JUMPERED IN LOCATION 1M37.
- W990 OR W970 IN LOCATION 1M38 WITH C2 TO G2 JUMPERED.
- M921 WITH D2-B1, F2-E1, F2-D1, J2-K1, J2-H1, J2-K2-M1-M2 JUMPERED IN LOCATIONS 1M44, 1M45, 1M41 1M39 AND 1M41.
- M921 IN LOCATION 1M36 WITH H2-E1-B1, H2-D1, J2-N1, J2-K1 12-K2-N1 JUMPERED.

NOTES: * OPTION MODULES FOR DL10-B.
 * OPTION MODULES FOR DL10-C.
 * OPTION MODULES FOR DL10-C.
 * OPTION MODULES FOR DL10-C.

UNLESS OTHERWISE SPECIFIED	DRAWN	DATE	10/2/71
UNLESS OTHERWISE SPECIFIED	CHKD	DATE	11/11/71
DIMENSIONS IN INCHES	ENG. TUNE	DATE	11/11/71
TOLERANCES	PROL ENG	DATE	11/11/71
DECIMALS FRACTIONS ANGLES	PROD	DATE	12/17/71
= .003 = 1/32 = 0°05'	NEXT HIGHER ASSY.		
REMOVE BURRS AND BREAK SHARP CORNERS	A-ML-DL10-A		
MATERIAL			

This drawing and specifications, herein, are the property of Digital Equipment Corporation and shall not be reproduced or copied or used in whole or in part as the basis for the manufacture of any of them without written permission.



REVISIONS	CHANGE NO.	REV.
1	DL10A-00010	A
2	DL10A-00010	B
3	DL10A-00010	C
4	DL10A-00010	D
5	DL10A-00010	E
6	DL10A-00010	F
7	DL10A-00010	G
8	DL10A-00010	H

NOTES: * OPTION MODULES FOR DL10-B

UNLESS OTHERWISE SPECIFIED	DATE	DATE	DATE	DATE	DATE	DATE	DATE
UNLESS OTHERWISE SPECIFIED	DATE	DATE	DATE	DATE	DATE	DATE	DATE
DIMENSIONS IN INCHES	DATE	DATE	DATE	DATE	DATE	DATE	DATE
TOLERANCES	DATE	DATE	DATE	DATE	DATE	DATE	DATE
DECIMALS FRACTIONS ANGLES	DATE	DATE	DATE	DATE	DATE	DATE	DATE
± .005 ± 1/64 ± 0°30'	DATE	DATE	DATE	DATE	DATE	DATE	DATE
FINAL SURFACE QUALITY	DATE	DATE	DATE	DATE	DATE	DATE	DATE
REMOVE BURRS AND BREAK SHARP CORNERS	DATE	DATE	DATE	DATE	DATE	DATE	DATE
MATERIAL	DATE	DATE	DATE	DATE	DATE	DATE	DATE
NEXT HIGHER ASSY.	DATE	DATE	DATE	DATE	DATE	DATE	DATE
A-ML-DL10-A	DATE	DATE	DATE	DATE	DATE	DATE	DATE
FIRST USED ON OPTION / MODEL	DATE	DATE	DATE	DATE	DATE	DATE	DATE
PDP10	DATE	DATE	DATE	DATE	DATE	DATE	DATE
FINISH	DATE	DATE	DATE	DATE	DATE	DATE	DATE
SCALE NONE	DATE	DATE	DATE	DATE	DATE	DATE	DATE
SHEET 1 OF 1	DATE	DATE	DATE	DATE	DATE	DATE	DATE
EQUIPMENT CORPORATION MAYNARD, MASSACHUSETTS		TITLE MODULE UTILIZATION		SIZE/SCALE DMU DL10-A-MUPR		NUMBER A	

DIGITAL EQUIPMENT CORPORATION
MAYNARD, MASSACHUSETTS

PARTS LIST

MADE BY W. STEPHENSON
DATE 8/3/71
ENG Tom Egge
DATE 23 Dec 1971
CHECKED W. Stephenson
DATE 12/23/71
SECTION
ISSUED SECT.

ITEM NO.	DWG NO. / PART NO.	DESCRIPTION
G830		POWER REGULATOR
M050		50 MA INDICATOR & RELAY DRIVER
M126		2 2 AND - NOR GATE
M128		4 4-AND - NOR GATE
M130		5-8 BIT PARITY CHECKER
M143		2 INPUT NAND GATE
M145		7 3 INPUT NAND GATE
M147		5 4 INPUT NAND GATE
M151		2X BINARY TO OCTAL DECODER
M152		2X BINARY TO OCTAL DECODER
M166		+1 GATE
M170		2 AS'T'D AND NOR
M171		4 2-2-2-3 AND-NOR GATE
M172		9X2 MIXER
M173		2 INPUT NAND GATE
M174		9X4 MIXER
M175		7 3 INPUT AND GATE
M177		5 4 INPUT AND GATE
M178		8X6 DATE MIXER
M181		2-2-2-3 AND-OR GATE
M241		6 D FLIP-FLOP
M243		8 D FLIP-FLOP

TITLE MODULE UTILIZATION
(PARTS LIST)

ASSY NO.
B-MU-DL10-A

SIZE CODE
A PL

SHEET 1 OF 3

DIST.

DL10-A-MUAR
NUMBER

REV. ECO NO.
DL10A-
H
00017

QUANTITY / VARIATION

DL10-A	DL10-B	2ND 1/2 BUS	DL10-C	UNIBUS PORT
12	1	1	1	
1				
11		5		
4				
1				
22		5		
4				
2				
1				
1				
5				
1			1	
8			2	
18			1	
5			1	
20				
3			1	
3			2	
6				
2				
9			1	
10			2	

DEC FORM DEC 16-(325)-1031-N870
DRA 110

DIGITAL EQUIPMENT CORPORATION
MAYNARD, MASSACHUSETTS

PARTS LIST

MADE BY W. STEPHENSON
DATE 8/3/71
ENG Tom Egge
DATE 23 Dec 1971
CHECKED W. Stephenson
DATE 12/23/71
SECTION
ISSUED SECT.

ITEM NO.	DWG NO. / PART NO.	DESCRIPTION
M246		5'D FLIP-FLOP
M307		DUAL TIMER
M308		GLITCHLESS TIMER
M321		TAPPED DELAY LINE
M362		LATCH REGISTER DRIVER
M511		POSITIVE BUS RECEIVER
M564		I/O BUS RECEIVER
M565		8 MEMORY BUS RECEIVERS
M592		I/O DEVICE SELECT
M603		PULSE AMPLIFIER
M612		POWER DRIVER
M629		BUS DRIVERS
M663		BUS ADDRESS DRIVER
M664		8 I/O BUS DRIVER
M665		8 MEMORY BUS TRANSMITTERS
M7100		I/O DEVICE CONTROL
M921		JUMPER BOARD
M931		LEVEL TERMINATOR
M948		24 LAMP DRIVERS
M952		27 TERMINATORS
M956		18 RESISTOR TERMINATORS
M969		LEVEL TERMINATOR

TITLE MODULE UTILIZATION
(PARTS LIST)

ASSY NO.
D-MU-DL10-A

SIZE CODE
A PL

SHEET 2 OF 3

DIST.

DL10-A-MUAR
NUMBER

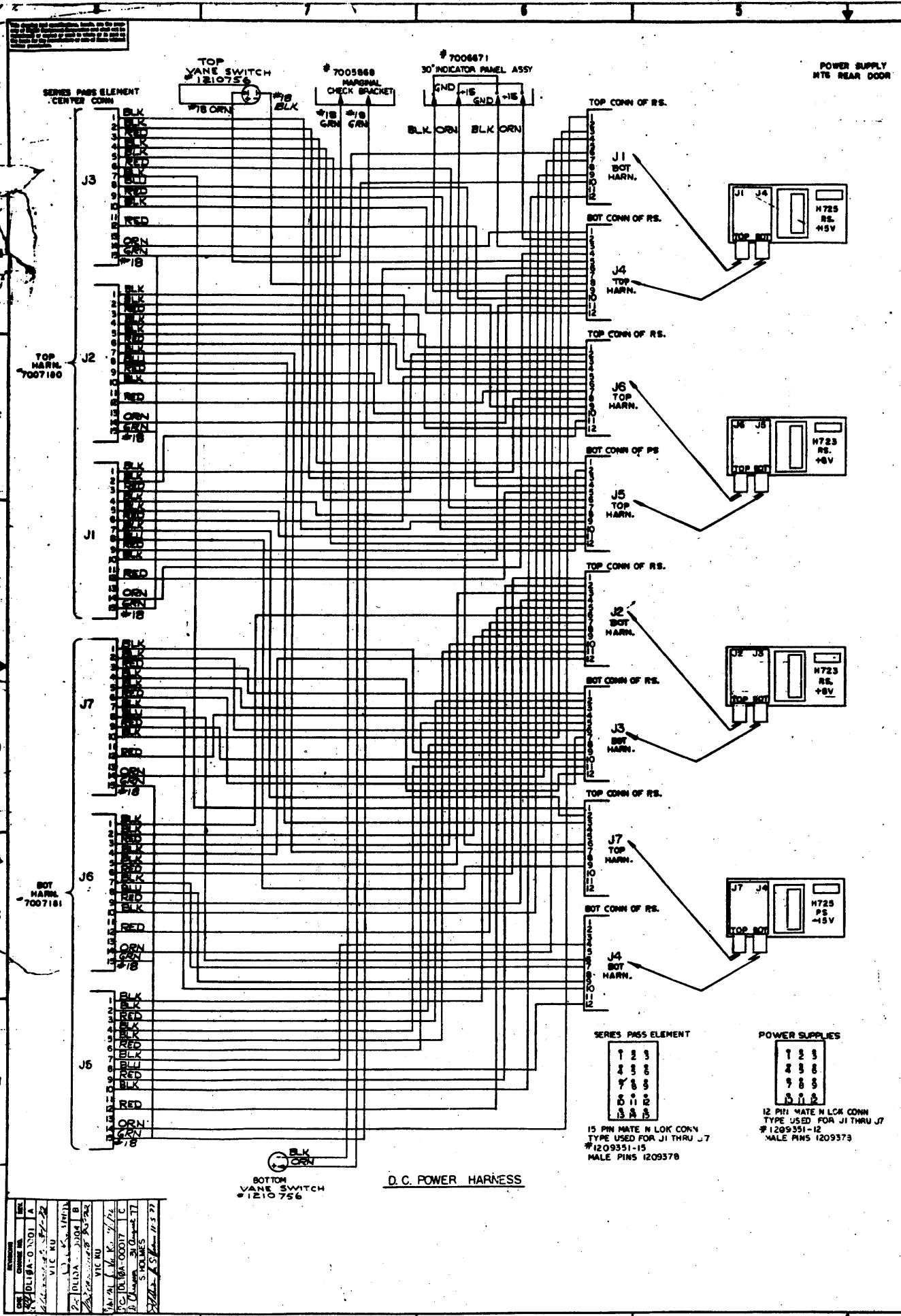
REV. ECO NO.
DL10A-
H
00017

QUANTITY / VARIATION

DL10-A	DL10-B	2ND 1/2 BUS	DL10-C	UNIBUS PORT
5			1	
2			1	
2				
6				
3				
4				3
6		6		
8				
1		1		
2				
13				
6				4
11				
6		6		
5				
1				
12				2
18				
10				
20				
3				
6				

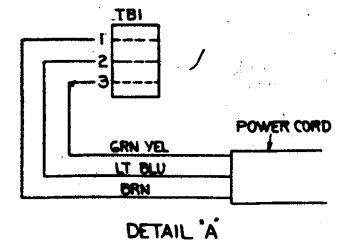
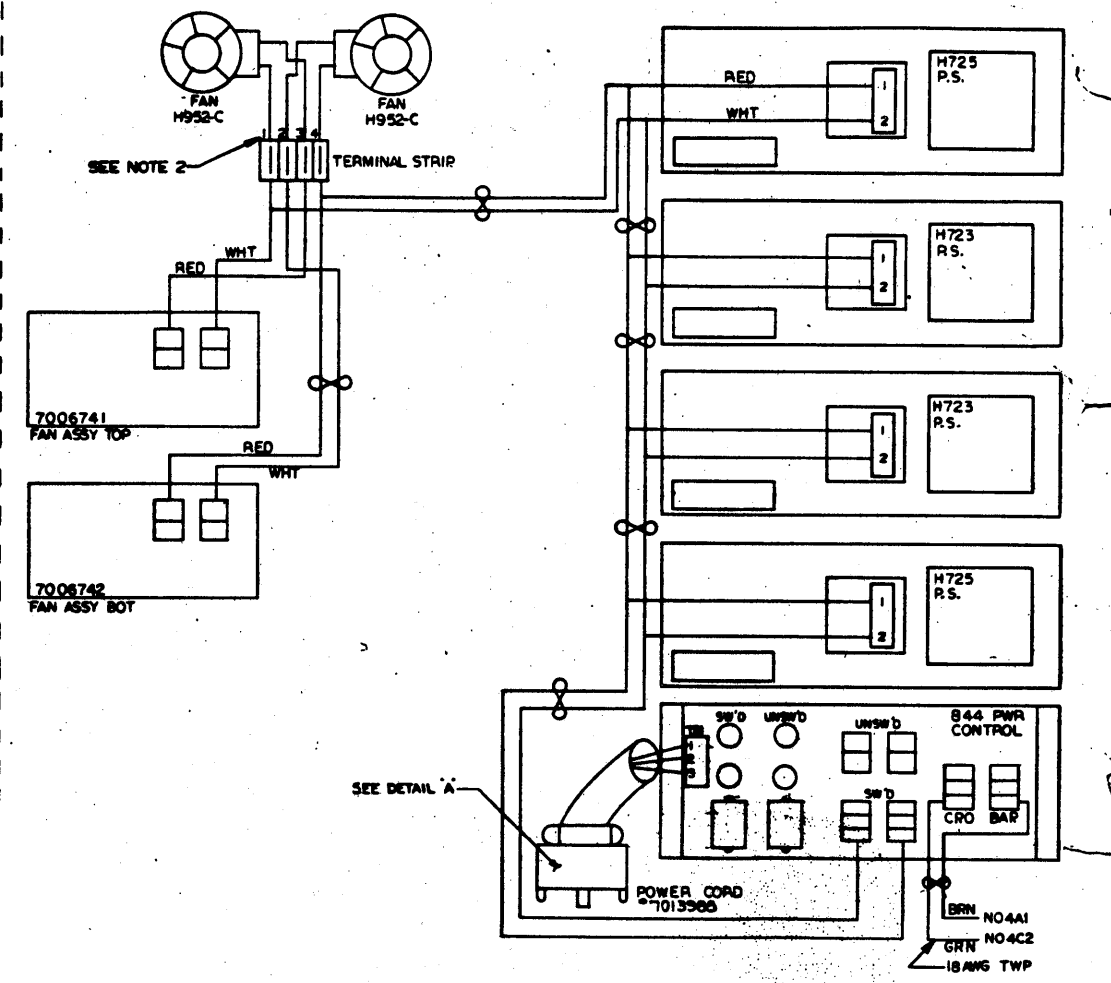
DEC FORM DEC 16-(325)-1031-N870
DRA 110

DIGITAL EQUIPMENT CORPORATION MAYNARD, MASSACHUSETTS				QUANTITY / VARIATION											
PARTS LIST				DL10-A		DL10-B	2ND 1/0 BUS	DL10-C	UNIBUS PORT						
MADE BY	W. STEPHENSON	CHECKED	SECTION												
DATE	8/3/71	DATE	12/23/71												
ENG	Tom Eggert	PROD	P. Stravinski												
DATE	23 Dec 1971	DATE	12-23-71												
ITEM NO.	DWG NO. / PART NO.	DESCRIPTION													
	M3070	DUAL TIMER		1		-		-							
	G700	TERMINATOR		1		-		-							
	W106	PRIORITY INTERRUPT GRANT (REV D OR HIGHER)		1		-		-							
	W990	BLANK MODULE		4		-		-							
	W990	BLANK MODULE		3		-		-							
	D-UA-BC11A-0-0	BC11A CABLE		1		-		-							
	D-UA-BC08J-0-0	BC08J CABLE * FOR 11/15 OR 11/20		1*		-		-							
	D-UA-BC10A-0-0	BC10A OR H CABLE (TWO ADDITIONAL CABLES REQUIRED IF MX10 USED)		2		2		-							
	G703	MEMORY BUS TERMINATORS (4 TO BE USED AT EACH END OF DL10 MEMORY BUS)		8		-		-							
	D-1A-7009719-0-0	11/40 DL10 CABLE # FOR 11/35 OR 11/40		1#		-		-							
	D-1A-7012783-0-0	MAINT. PANEL ASSY		1											
	1300316	RES. 470Ω 1/4W 5%		4		-		-							
	1300398	RES. 1.8KΩ 1/4W 5%		4		-		-							
	1300354	RES. 750Ω 1/2W 5%		1		-		-							
	1300287	RES. 270 1 W 10%		1		-		-							
	M501	SCHMITT TRIGGER		-		2		-							
	W023	CONNECTOR BOARD		-		1		-							
	1301322	RES. 180Ω 1/4W 5%		4		-		-		4					
	1300309	RES. 390Ω 1/4W 5%		4		-		-		4					
TITLE		ASSY NO.		SIZE CODE		NUMBER				REV.	ECO NO.				
MODULE UTILIZATION (PARTS LIST)		D-MU-DL10-A		A PL		DL10-A-MUAR				H					
		SHEET 3 OF 3		DIST.											



WIRE TABLE			
DESCRIPTION	FROM	TO	
24 GREEN	N44 B2	P84 B2	
	P85 B2	R85 B2	
	N27 B2	P27 B2	
	P28 B2	R28 B2	
	N42 B2	P42 B2	
24 GREEN	P41 B2	R41 B2	

NOTES:
 1. ALL TWISTED PAIRS TO BE #18 AWG UNLESS OTHERWISE SPECIFIED.
 2. FOR 110V OPERATION JUMP 1-2 AND 3-4 FOR 220V OPERATION JUMP 2-3



REV	DESCRIPTION	DATE	BY
1	REVISED TO SHOW CHANGES TO WIRING	11/15/72	J. J. [Signature]
2	REVISED TO SHOW CHANGES TO WIRING	11/15/72	J. J. [Signature]
3	REVISED TO SHOW CHANGES TO WIRING	11/15/72	J. J. [Signature]
4	REVISED TO SHOW CHANGES TO WIRING	11/15/72	J. J. [Signature]
5	REVISED TO SHOW CHANGES TO WIRING	11/15/72	J. J. [Signature]
6	REVISED TO SHOW CHANGES TO WIRING	11/15/72	J. J. [Signature]
7	REVISED TO SHOW CHANGES TO WIRING	11/15/72	J. J. [Signature]
8	REVISED TO SHOW CHANGES TO WIRING	11/15/72	J. J. [Signature]

REV	DESCRIPTION	DATE	BY
1	REVISED TO SHOW CHANGES TO WIRING	11/15/72	J. J. [Signature]
2	REVISED TO SHOW CHANGES TO WIRING	11/15/72	J. J. [Signature]
3	REVISED TO SHOW CHANGES TO WIRING	11/15/72	J. J. [Signature]
4	REVISED TO SHOW CHANGES TO WIRING	11/15/72	J. J. [Signature]
5	REVISED TO SHOW CHANGES TO WIRING	11/15/72	J. J. [Signature]
6	REVISED TO SHOW CHANGES TO WIRING	11/15/72	J. J. [Signature]
7	REVISED TO SHOW CHANGES TO WIRING	11/15/72	J. J. [Signature]
8	REVISED TO SHOW CHANGES TO WIRING	11/15/72	J. J. [Signature]

DL10

POWER WIRING AC-DC (DL10)

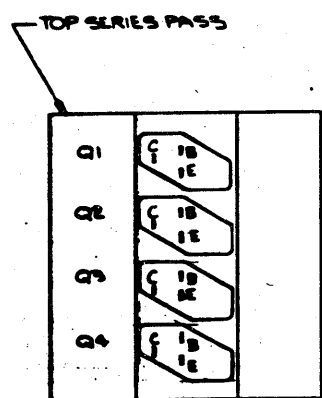
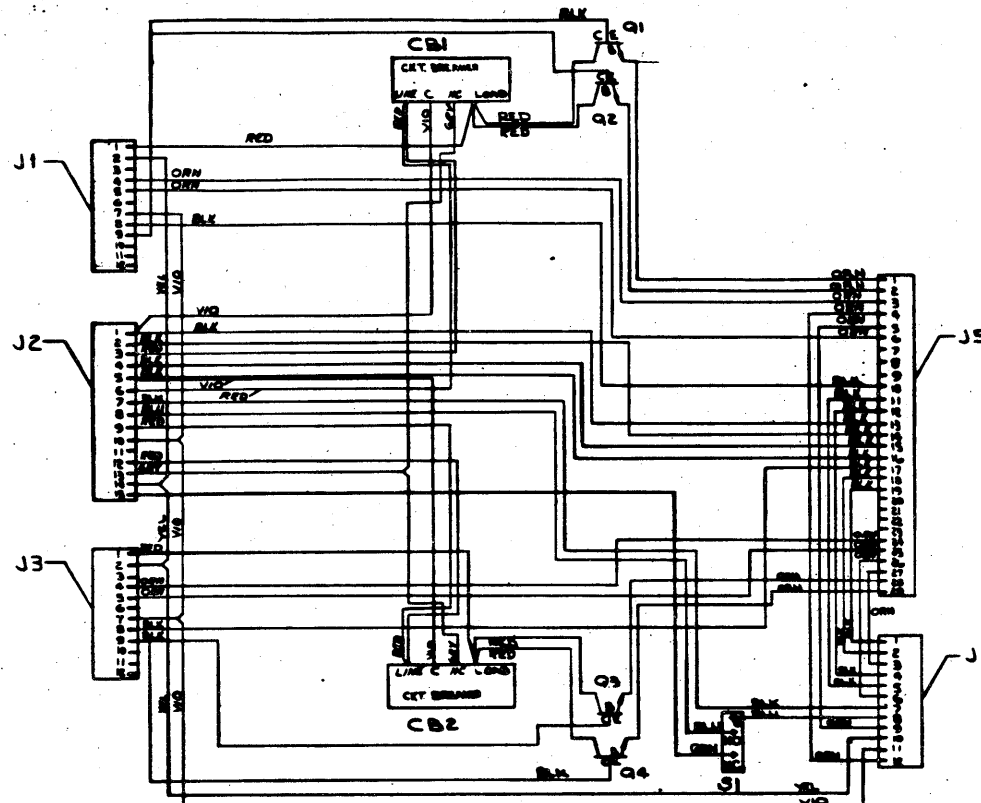
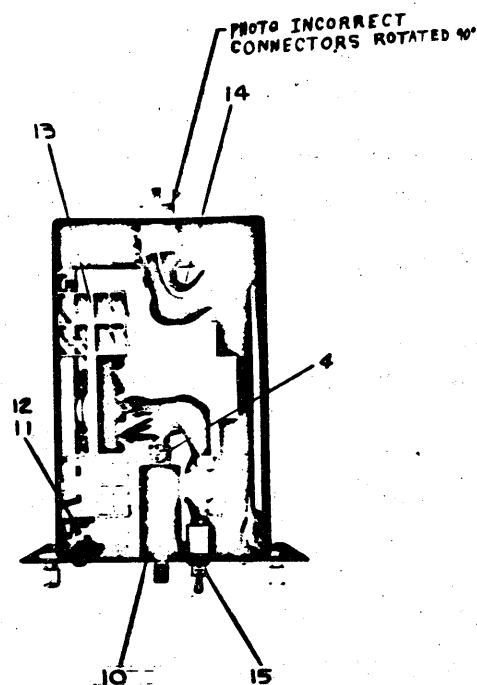
A-ML-DL10-A

DL10-A-02

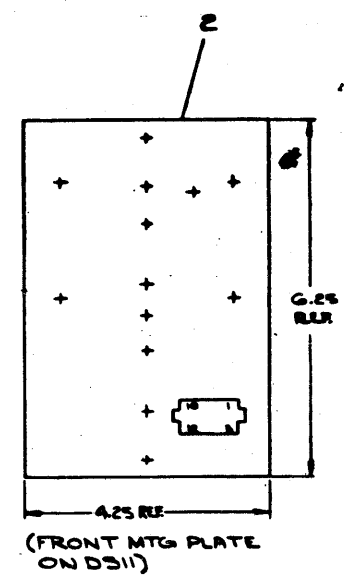
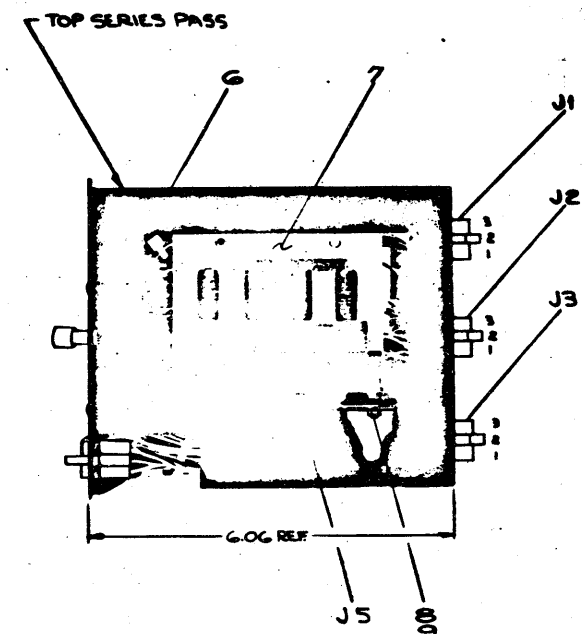
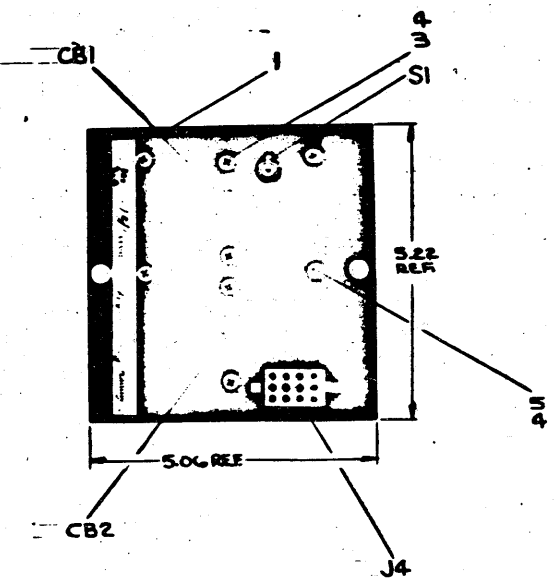
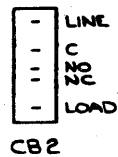
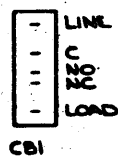
WIRE TABLE				
ITEM NO.	DESCRIPTION	FROM HARNESS POINT NO.	TO SERIES PASS ELEMENT LOCATION	REMARKS
18	BLK	23	Q4-B	SOLDER
18	RED	25	Q4-C	SOLDER
18	ORG	24	Q4-E	SOLDER
18	RED	27	CB2-LOAD	
20	VIO	26	CB2-LOAD	
20	GRY	21	CB2-C	
18	RED	27	CB2-NC	
18	RED	16,17	CB2-LINE	
18	BLK	18	Q3-B	SOLDER
18	RED	19	Q3-C	
18	ORG	20	Q3-E	
18	ORG	12	Q2-E	
18	BLK	10	Q2-B	
18	RED	11	Q2-C	SOLDER
18	RED	13	CB1-LOAD	
18	RED	14	CB1-LOAD	
20	VIO	9	CB1-C	
20	GRY	13	CB1-NC	
18	RED	1,2	CB1-LINE	
18	ORG	8	Q1-E	SOLDER
18	BLK	6	Q1-B	SOLDER
18	RED	7	Q1-C	SOLDER

LEGEND	
7006585-1	K110
7006585-2	DS11

NOTES:
 1. INSPECT PER A-71-7006585-0-0.



HEAT SINK



SEE: A-PL-7006585-0-0

DATE	BY	CHKD	APP'D
11/10/77	W. H. HARRIS	W. H. HARRIS	W. H. HARRIS
11/10/77	W. H. HARRIS	W. H. HARRIS	W. H. HARRIS
11/10/77	W. H. HARRIS	W. H. HARRIS	W. H. HARRIS
11/10/77	W. H. HARRIS	W. H. HARRIS	W. H. HARRIS

PART NO. K110 TITLE SERIES PASS ELEMENT ASSY DATE 11-10-77 DRAWN W. H. HARRIS CHECKED W. H. HARRIS APPROVED W. H. HARRIS SCALE 1:1 SHEET 1 OF 1	EQUIPMENT CORPORATION 7006585-0-0 7006585-0-0
--	---

This drawing and specifications, herein, are the property of Digital Equipment Corporation and shall not be reproduced or copied or used in whole or in part as the basis for the manufacture or sale of items without written permission.

DIGITAL EQUIPMENT CORPORATION						
MAYNARD, MASSACHUSETTS						
ENGINEERING SPECIFICATION				DATE 2/18/72		
TITLE DL10 SYSTEM ACCEPTANCE SPECIFICATION						
REVISIONS						
REV	DESCRIPTION	CHG NO	ORIG	DATE	APPD BY	DATE
A	ECO CHANGE	DL10A-00008	A. K.	4-74	<i>D. Varoff for A.K.</i>	5/2/79
B	ECO CHANGE	DL10A-00014	J. MARTIN	9-76		
ENG	<i>W. V. [Signature]</i>	APPD	CODE	SIZE	NUMBER	REV
			SP	A	DL10-A-SAS	B

ENGINEERING SPECIFICATION	CONTINUATION SHEET		
TITLE DL10 SYSTEM ACCEPTANCE SPECIFICATION			
<p>1.0 Equipment Required</p> <p>1.1 KA10, K110, OR KL10 Central Processor</p> <p>1.11 a minimum of 16 K of memory</p> <p>1.12 Program Loading Device</p> <p>1.2 DL10</p> <p>1.21 A minimum of one DL10C</p> <p>1.3 A minimum of one PDP-11 processor</p> <p>1.31 KY11C console (11/15 OR 11/20) OR 11/35 OR 11/40</p> <p>1.32 Teletype and control (for Acceptance Test only)</p> <p>1.33 A minimum of 4K of memory</p> <p>2.0 Diagnostic Programs</p> <p>2.1 MAINDEC-10-DDDLA</p> <p>2.11 Run this program for a minimum of 20 minutes without any errors.</p> <p>2.12 Run tests 61 and 62 of this program without errors. (See Diagnostic Listing.)</p> <p>2.2 MAINDEC-10-DXDLC</p> <p>2.2.1 MAINDEC-10-DDDLB - Run this program with DXDLC for a minimum of 30 minutes without any errors.</p> <p>2.2.2 MAINDEC-10-DDDL D - Run this program with DXDLC for a minimum of 30 minutes for each PDP-11 connected without any errors. By moving 2nd PDP-11 from Port 1, run PDP-11 Ports 2 and 3. A PDP-11 must remain in Port 0 while checking the other ports.</p>			
SIZE	CODE	NUMBER	REV
A	SP	DL10-A-SAS	B

DIGITAL EQUIPMENT CORPORATION MAYNARD, MASSACHUSETTS			QUANTITY/VARIATION											
PARTS LIST			DL10-A	DL10-B	DL10-B	DL10-C								
MADE BY <i>B. B. Lodgett</i>	CHECKED	SECTION												
DATE <i>2-20-73</i>	DATE <i>A. Gilbert 2-20-73</i>	ISSUED SECT.												
ENG T. EGGERS	PRODR STANINSKI													
DATE <i>12-23-71</i>	DATE <i>12-23-71</i>													
ITEM NO.	DWG NO. / PART NO.	DESCRIPTION												
1	DEC-10-HDLA-D	DL10 MANUAL	1	1	-	-								
2	MAINDEC-10-DODLA	DIAGNOSTIC: PROGRAM, LISTING & WRITE UP	1	1	-	-								
3	MAINDEC-10-DODLB	DIAGNOSTIC; PROGRAM, LISTING & WRITE UP	1	1	-	-								
4	MAINDEC-10-DXDLC	DIAGNOSTIC: PROGRAM, LISTING & WRITE UP	1	1	-	-								
5	MAINDEC-10-DDDL D	DIAGNOSTIC: PROGRAM, LISTING & WRITE UP	1	1	-	-								
6		DL10 PRINT SET	1	1	-	-								
7		CABLES PER SITE PLAN	<i>NR</i>	<i>NR</i>	<i>NR</i>	<i>NR</i>								
8		MEMORY BUS TERMINATORS PER SITE PLAN	<i>NR</i>	<i>NR</i>	-	-								
9	K-WL-DL10-A-WL	DL10 WIRELIST WRP & PIN SORT	1	1	-	-								
10	MAINDEC-10-DCDL E	DIAGNOSTIC: PROGRAM, LISTING & WRITE UP	1	1	-	-								
11	MAINDEC-10-DCDL G	DIAGNOSTIC: PROGRAM, LISTING & WRITE UP	1	1	-	-								
		11 LOAD AND DUMP VIA PDP-10												
		* THIS ITEM IS WAIVED EXCEPT FOR THREE (3)												
		OR FOUR (4) PROCESSOR SYSTEMS.												

DEC FORM DEC 16-(325)-1031-N870
DRA 110

This drawing and specifications, herein, are the property of Digital Equipment Corporation and shall not be reproduced or copied or used in whole or in part as the basis for the manufacture or sale of items without written permission.

NOTE: PRE-ORIGINATION HISTORY
 INITIAL RELEASE: REV. "4"
 ECO#DL10A-00001 REV. "5B"
 ECO#DL10A-00003 REV. "5C"
 ECO#DL10A-00005 REV. "5D"
 ECO#DL10A-00007 REV. "5E"

FIRST USED ON OPTION MODEL	QTY.	DESCRIPTION	PART NO.	ITEM NO.
DL10-A				
PARTS LIST				
DRN.	<i>G. Nowles</i>	DATE	4-29-74	
CHK'D.	<i>S. Remond</i>	DATE	4-29-74	
ENG.	<i>Allan Kent</i>	DATE	2 May 74	
PROJ. ENG.	<i>Allan Kent</i>	DATE	2 May 74	
PROD.	<i>Allan Kent</i>	DATE	2 May 74	
NEXT HIGHER ASSEMBLY		E-AD-7008437-0-0		
SCALE	<i>1/1</i>	SIZE CODE	K WL	NUMBER
SHEET	1 OF 1	DIST.	DL10-A-WL	REV. K



TITLE
 WIRE LIST
 DL10-A

REVISIONS	CHANGE NO.	REV.
	DL10A-00008	F
ORIGINATED		
<i>JH</i>	DL10A-00010	H
<i>Allan Kent 20 Mar 75</i>		
<i>S.C.</i>	DL10A-00014	J
<i>J.E.</i>	DL10A-00015	K

4

3

2

1

4

3



B

A

This drawing and specifications, herein, are the property of Digital Equipment Corporation and shall not be reproduced or copied or used in whole or in part as the basis for the manufacture or sale of items without written permission.

SIGNAL NAME	FROM PIN	TO PIN	COLOR	REMARKS
+5 SENSE 1A	1A15A2	1AØ1E2	WHT	TWP
GND 1A15C2	1A15C2	1AØ1R2	RED	
+5 SENSE 1B	1B15A2	1BØ1E2	WHT	TWP
GND 1B15C2	1B15C2	1BØ1R2	RED	
+5 SENSE 1C	1C15A2	1CØ1E2	WHT	TWP
GND 1C15C2	1C15C2	1CØ1R2	RED	
+5 SENSE 1D	1D15A2	1DØ1E2	WHT	TWP
GND 1D15C2	1D15C2	1DØ1R2	RED	
+5 SENSE 1E	1E15A2	1EØ1E2	WHT	TWP
GND 1E15C2	1E15C2	1EØ1R2	RED	
+5 SENSE 1F	1F15A2	1FØ1E2	WHT	TWP
GND 1F15C2	1F15C2	1FØ1R2	RED	
+5 SENSE 1H	1H15A2	1HØ1E2	WHT	TWP
GND 1H15C2	1H15C2	1HØ1R2	RED	
+5 SENSE 1J	1J15A2	1JØ1E2	WHT	TWP
GND 1J15C2	1J15C2	1JØ1R2	RED	
+5 SENSE 1K	1K15A2	1KØ1E2	WHT	TWP
GND 1K15C2	1K15C2	1KØ1R2	RED	
+5 SENSE 1L	1L15A2	1LØ1E2	WHT	TWP
GND 1L15C2	1L15C2	1LØ1R2	RED	
+5 SENSE 1M	1M15A2	1MØ1E2	WHT	TWP
GND 1M15C2	1M15C2	1MØ1R2	RED	
+5 SENSE 1N	1N15A2	1NØ1E2	WHT	TWP
GND 1N15C2	1N15C2	1NØ1R2	RED	

REVISIONS				DRN.	DATE	digital EQUIPMENT CORPORATION MAYNARD, MASSACHUSETTS	TITLE GENERAL WIRING SHEET FOR DL1Ø REGULATOR SENSING		
REV.	DATE	CHG. NO.	APP'D.	CHK'D.	DATE				
-	4/74	00008	-	<i>S. P. ...</i>	4-30-74				
				<i>Allen Kent</i>	2 May 74				
				<i>Allen Kent</i>	2 May 74				
				<i>Allen Kent</i>	2 May 74				
				FIRST USED ON		SIZE	CODE	NUMBER	REV.
				DL1Ø-A		A	WL	DL1Ø-A-SENS	
				SCALE none		SHEET 1 OF 1			
				DIST.					

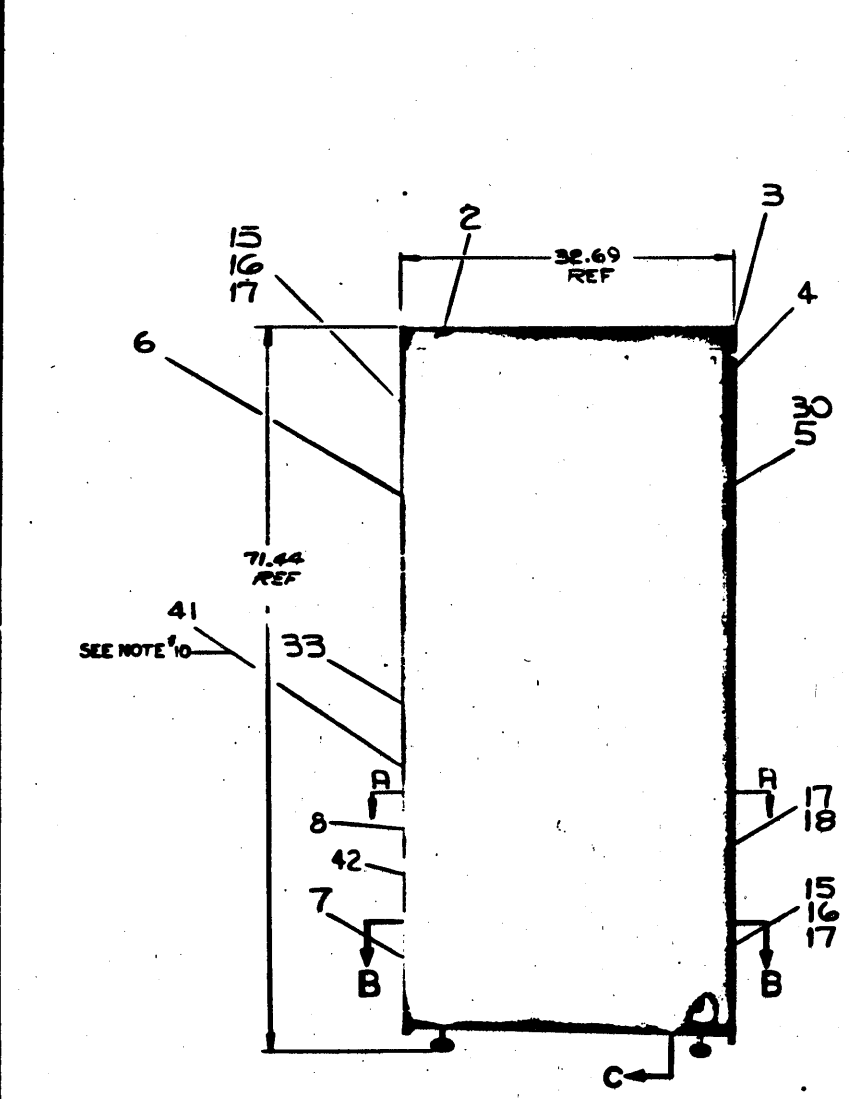
1973

J-V-41100 2

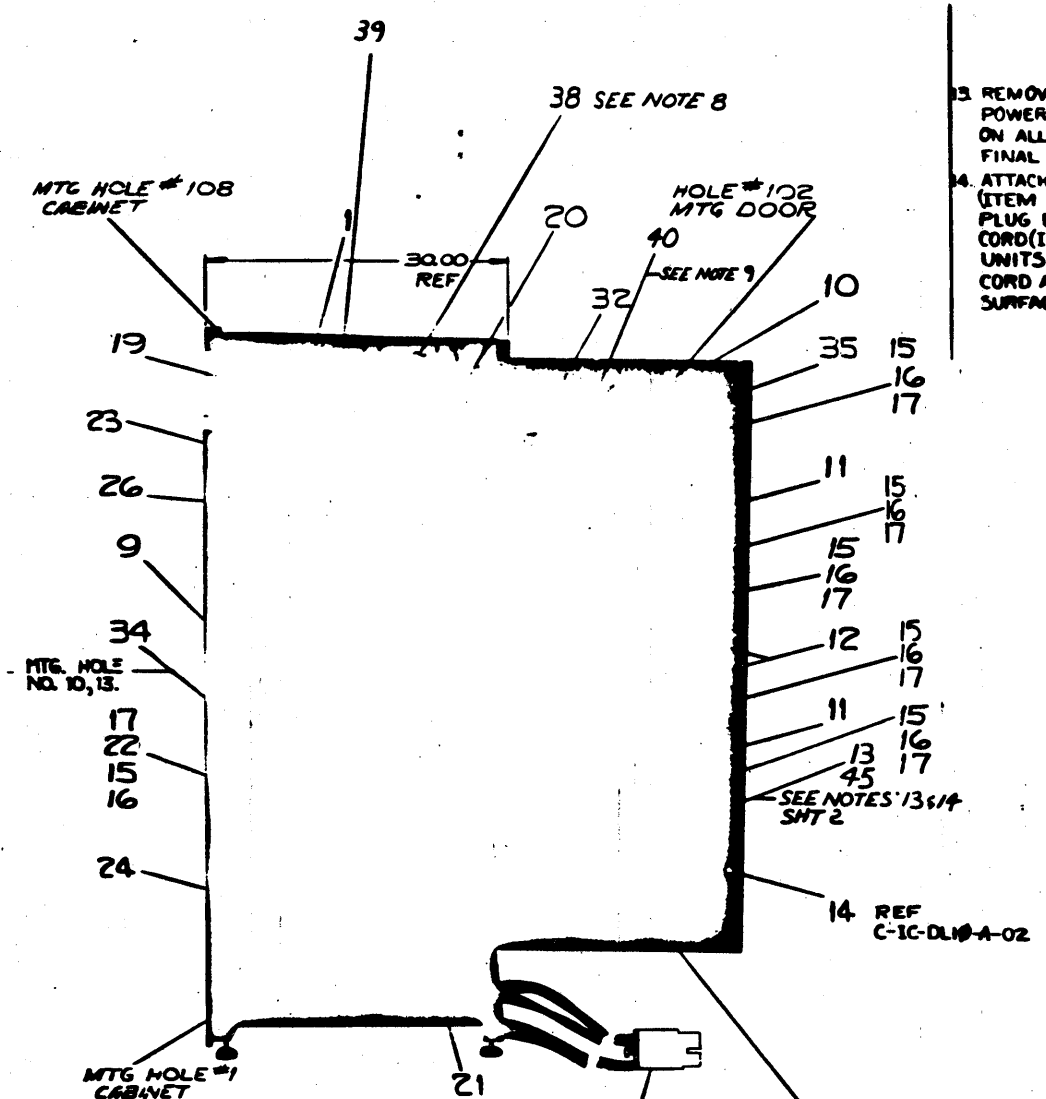
LEGEND	
NUMBER	VARIATION
DL10-AA	60 HZ 115VAC
DL10-AB	50 HZ 230VAC

- NOTES:
- FOR DRAWING INDEX LIST REFER TO D-OI-DL10-0-1.
 - FOR ASSEMBLY INSTRUCTIONS REFER TO D-OC-N950-0-0, D-OC-N952-0-0, D-OC-N955-0-0.
 - REMOVE HANDLES FROM LOGIC ASSY ITEM #5 TOP & BOTTOM WHEN INSTALLING LOGIC TO COOLING MESH.
 - FOR AC-DC WIRING REFER TO D-IC-DL10-0-2.
 - BC10K TESTER USED TO TEST ITEM #25 BC10K CABLE.
 - REPLACE SCREWS IN 288 PIN BLOCK WITH ITEM #37.
 - ITEM 27 (NOT A PRODUCTION PART) THIS IS MTD AT REAR OF SERIES PASS ITEM #6.
 - LOCATE RATING AND U.L. DECAL ON CROSS-BAR FACING INSIDE OF CABINET AFTER INFO IN DETAIL B (PART 1) IS TYPED ON RATING DECAL (ITEM #38).
 - LOCATE LEAKAGE DECAL ON BLANK PANEL ON OUTSIDE OF PLENUM DOOR.
 - USE ONLY WHEN DL10B INSTALLED.
 - THESE DIMENSIONS LOCATE TWO RIVNUTS IN THE CABINET FLOOR THAT THE DRIP SCREEN MOUNTS TO. IF RIVNUTS ARE NOT PRESENT, REWORK CAB PER SECTION C-C & B-B.
 - MOUNT DRIP SCREEN TO CABINET FLOOR BY OPENING OR REMOVING, IF NECESSARY, THE TOP PART OF THE DRIP SCREEN AND INSTALLING TWO #10-32 X 3/4 SCREWS IN THE PAIR OF MOUNTING SLOTS (REAR) IN THE BOTTOM PART OF THE SCREEN. SEE SECTION C-C & B-B.

- REMOVE COPD PLUG FROM POWER COPD ASSY (ITEM 45) ON ALL 50 HZ UNITS AFTER FINAL ASSEMBLY & TEST.
- ATTACH CAUTION DECAL (ITEM 46) 3 FEET FROM THE PLUG END OF THE POWER CORD (ITEM 45) ON ALL 50 HZ UNITS. WRAP DECAL AROUND CORD AND STICK THE ADHESIVE SURFACE TO ITSELF.

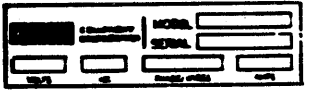


FRONT VIEW
(SHORT DOOR ITEM #9
REMOVED FOR CLARITY)



RIGHT SIDE VIEW
DETAIL B INFORMATION

MODEL	VOLTS	HZ	PH/WIRES	AMPS
DL10-AA	115	60	SINGLE	1.0
DL10-AB	230	50	SINGLE	2.0



LOCATION OF SPEED NUTS ITEM NO. 15

LOCATE ALL NUTS BY COUNTING HOLES UP FROM BOTTOM OF CAB FRAME

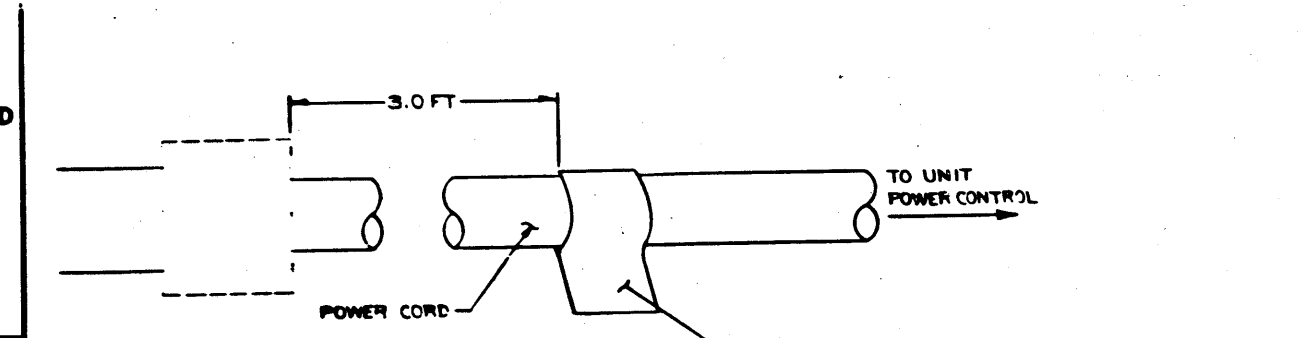
FRONT HOLE NUMBERS	REAR HOLE NUMBERS
4, 10, 100, 103, 107	
LEFT SIDE	RIGHT SIDE
6, 9, 19, 20	
MOUNTING PANEL DOOR HOLE LOCATIONS	
LEFT SIDE	RIGHT SIDE
16, 25, 30, 40, 45, 55, 60, 70, 75, 85, 90, 100	16, 25, 30, 40, 45, 55, 60, 70, 75, 85, 90, 100

FIRST USED ON OPTICAL MODEL	QTY.	DESCRIPTION	PART NO.	ITEM NO.
DL10				
PARTS LIST				
UNLESS OTHERWISE SPECIFIED DIMENSIONS IN INCHES TOLERANCES				
DECIMALS	ANGLES	DATE		
.0001	10'	5-20-73		
FINISH SURFACE QUALITY		TITLE		
NONE		DL10 ASSY		
MATERIAL				
ALUMINUM				
FINISH				
NONE				
SCALE NONE				
SHEET 1 OF 2				

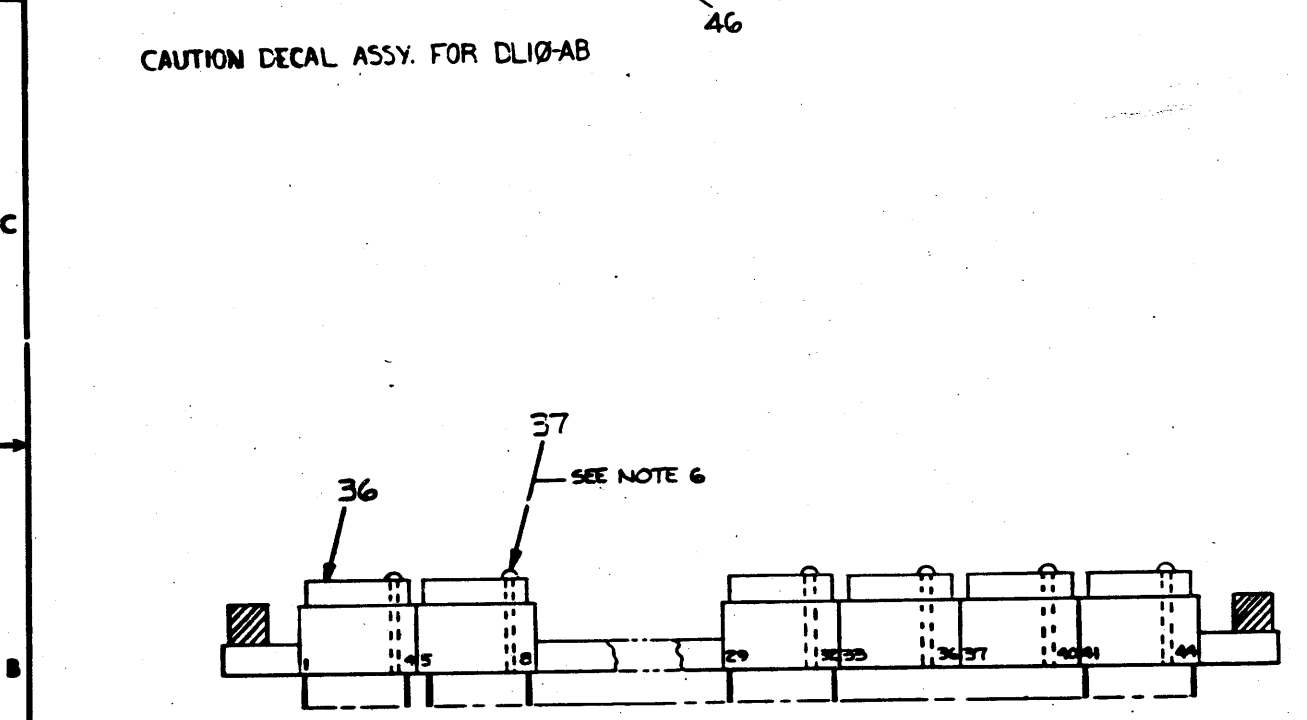
EXTENSIONS	REV	DATE	BY	CHKD	APP'D
DL10A-00002	A	5-17-73	J	J	J
DL10A-00003	B	5-20-73	J	J	J
DL10A-00004	C	5-20-73	J	J	J
DL10A-00005	D	5-20-73	J	J	J
DL10A-00006	E	5-20-73	J	J	J
DL10A-00007	F	5-20-73	J	J	J
DL10A-00008	G	5-20-73	J	J	J
DL10A-00009	H	5-20-73	J	J	J
DL10A-00010	I	5-20-73	J	J	J
DL10A-00011	J	5-20-73	J	J	J

8 7 6 5 4 3 2 1

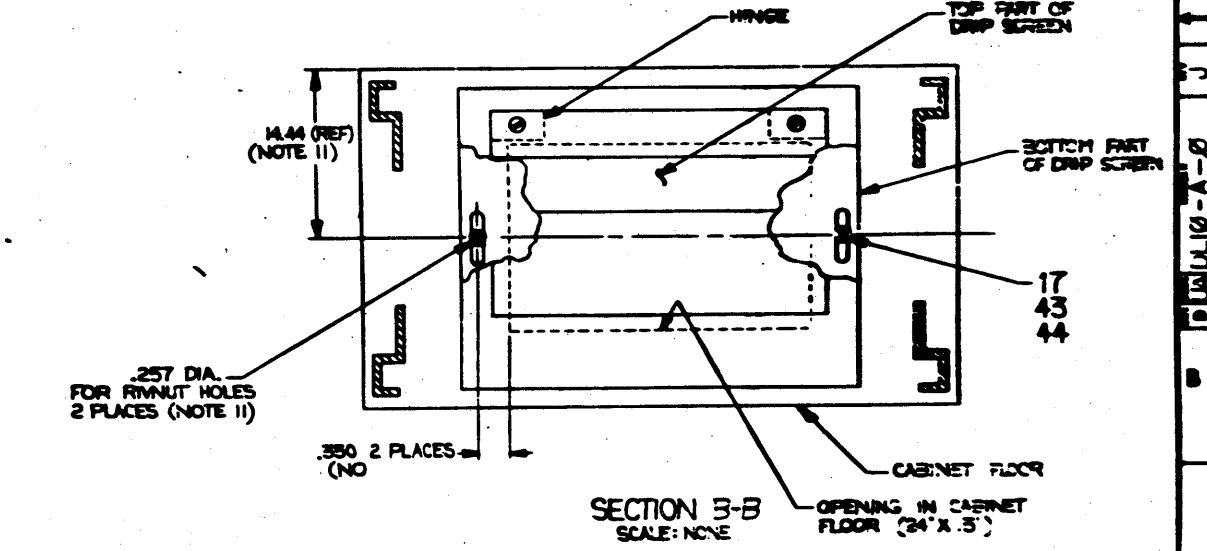
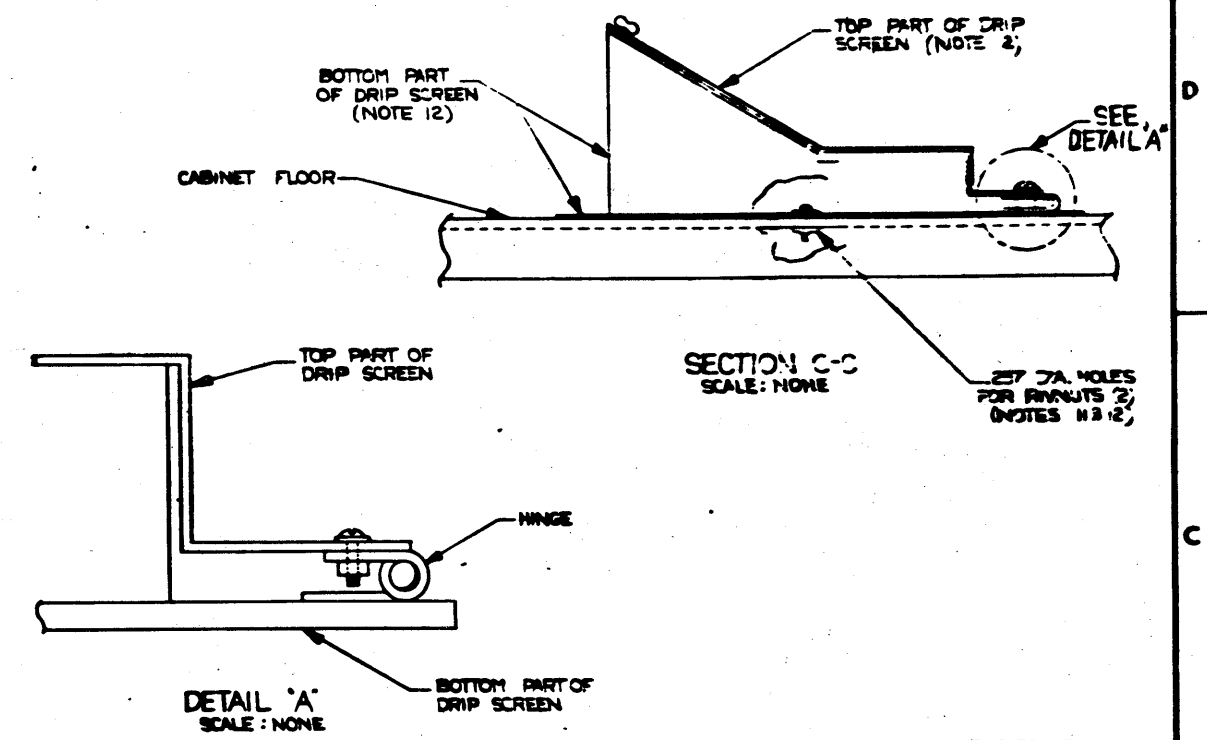
THIS DRAWING IS THE PROPERTY OF THE MANUFACTURER AND IS NOT TO BE REPRODUCED OR TRANSMITTED IN ANY FORM OR BY ANY MEANS, ELECTRONIC OR MECHANICAL, INCLUDING PHOTOCOPYING, RECORDING, OR BY ANY INFORMATION STORAGE AND RETRIEVAL SYSTEM.



CAUTION DECAL ASSY. FOR DL10-AB



SECTION A-A
THRU LOGIC ASSY
ROW P-R ONLY



REV	NO	DATE

8 7 6 5 4 3 2 1

PART USED ON OPTION/ISSUE		QTY.	DESCRIPTION	PART NO.	ITEM NO.
DL10					
UNLESS OTHERWISE SPECIFIED DIMENSIONS IN INCHES		PARTS LIST			
TOLERANCES		DATE	DATE	EQUIPMENT CORPORATION	
DECIMALS	ANGLES	10/27	10/27	TITLE	
1/16 - .001	16° 30'	DATE	DATE	DL10 ASSY	
.01 - .005		DRG. ENG.	DATE	DRAWN BY	
.001 - .002		DATE	DATE	CHECKED BY	
REMOVE BURRS AND BREAK SHARP EDGES SURFACE QUALITY		NEXT HIGHER ASSY.			
MATERIAL		RNL-DL10-A		SIZE	NUMBER
FINISH		SCALE	1/2" = 1"	DL10-A-0	REV. J
		SHEET	2 OF 2	DATE	

DIGITAL EQUIPMENT CORPORATION
MAYNARD, MASSACHUSETTS

PARTS LIST

MADE BY W. HOVEY
DATE 8/27/71
ENG. *[Signature]*
DATE *[Signature]*
CHECKED D. HEALY
DATE 9/15/71
SECTION 1
ISSUED SECT. 1

ITEM NO.	DWG NO. / PART NO.	DESCRIPTION	QUANTITY / VARIATION	REV. ECO NO.
1	E-AD-7008554-2-0	CABINET ASSY	1	
2	D-UA-H955-LA-0	LOGO (H955)	1	
3	D-UA-H952-AC-0	H952-A END PANEL	2	
4	E-AD-7006671-4-0	INDICATOR PANEL ASSY 30 IN	1	
5	E-AD-7008437-0-0	LOGIC FRAME ASSY	1	
6	E-AD-7006585-1-0	SERIES PASS ELEMENT ASSY	6	
7	D-MD-7409234-0-0	PANEL BLANK	1	
8	D-IA-7409231-0-0	PANEL BLANK SERIES PASS	1	
9	D-UA-H951-HJ-0	H951-H SHORT DOOR ASSY	1	
10	D-UA-H955-BA-0	H955-B FULL DOOR ASSY 30"	1	
11	D-UA-H725-0-0	POWER SUPPLY H725	2	
12	D-UA-H723-0-0	POWER SUPPLY H723	2	
13	D-UA-844-0-0	POWER CONTROL 844	1	
14	B-MD-7406831-0-0	BRKT EXTENSION	2	
15	9007786	SPEED NUT #C31758-1032-27 TINNEMAN	38	
16	9006074-3	SCR PHL HD TRUSS 10-32 X 5/8 LG SST	38	
17	9007651	WASH EXTERNAL TOOTH LOCK #10	48	
18	9006077-1	SCR PHL HD PAN 10-32 X 1" LG SST	8	
19	C-AD-7008472-0-0	CABLE SET DL10	1	
20	J-IA-7007180-0-0	HARNESS POWER WIRING TOP	1	
21	J-IA-7007181-0-0	HARNESS POWER WIRING BOTTOM	1	
22	D-AD-7005868-0-0	BRKT POWER CONN ASSY	1	
TITLE DL10 ASSY			SIZE CODE A PL	REV. ECO NO. J 00017
			NUMBER DL10-A-β	
			DIST. 1	OF 3

DEC FORM DEC 16 (325) 1031 NK70
DRA 110

DIGITAL EQUIPMENT CORPORATION
MAYNARD, MASSACHUSETTS

PARTS LIST

MADE BY W. HOVEY
DATE 8-27-71
ENG. *[Signature]*
DATE *[Signature]*
CHECKED D. HEALY
DATE 9/15/71
SECTION 1
ISSUED SECT. 1

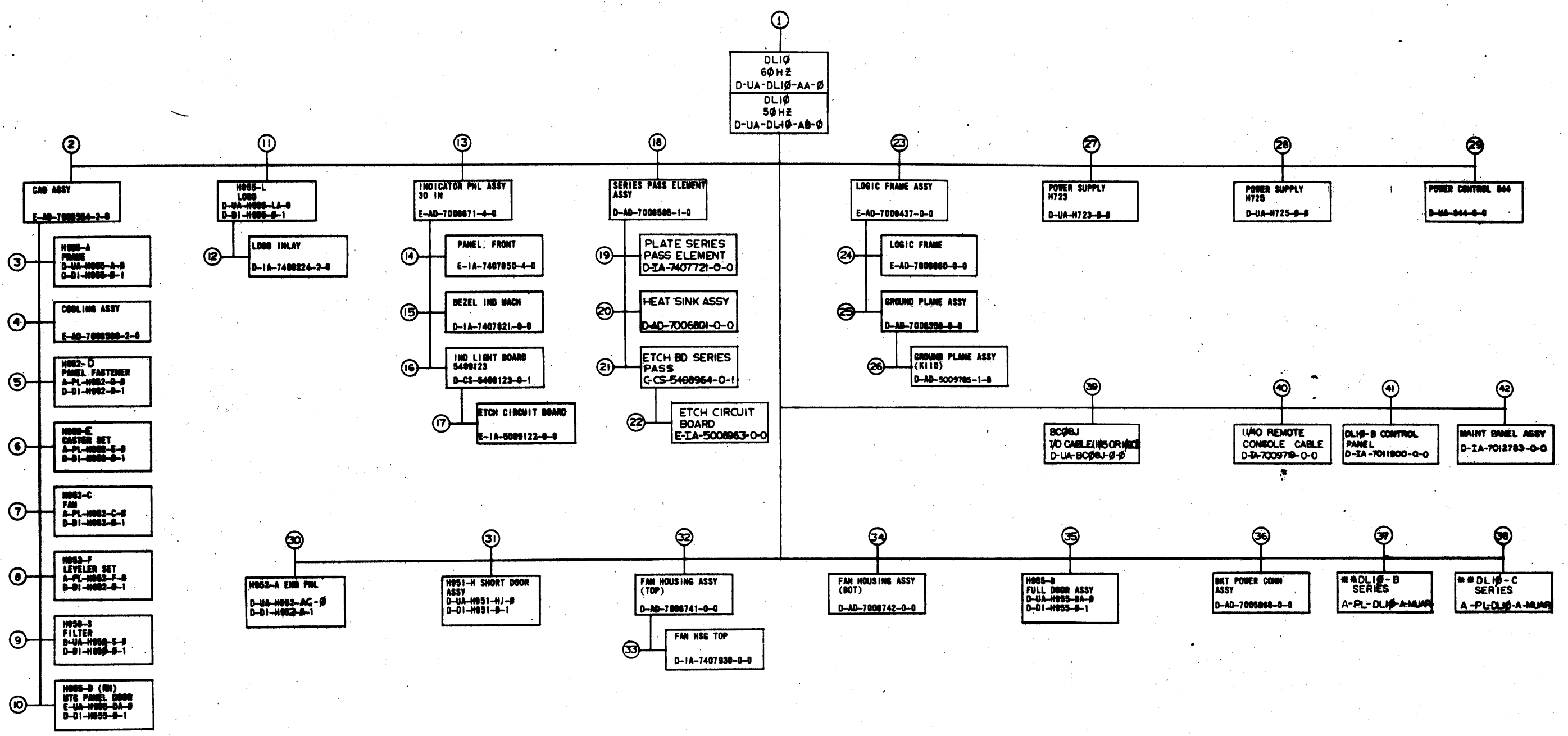
ITEM NO.	DWG NO. / PART NO.	DESCRIPTION	QUANTITY / VARIATION	REV. ECO NO.
23	D-AD-7006741-0-0	FAN HOUSING TOP	1	
24	D-AD-7006742-0-0	FAN HOUSING BOTTOM	1	
25	D-UA-BC10H-0-0	BC10H CABLE ASSY LGTH SPEC BY SITE PLAN	2	
26	D-IA-7006897-0-0	WIRE HARNESS INTERCONN	6	
27	C-MD-7406113-0-0	PLATE SHIPPING (COOLING ASSY)	1	
28	9006022-1	SCR PHL HD PAN #8-32 X 3/8 SST	1	
29	9006033	WASH. EXTERNAL TOOTH LOCK #4	1	
30	A-PL-DL10-A-MUAR	MODULE UTILIZATION	X	
31	9005120	POWER CONN 1-60-WE	1	
32	B-DC-7409401-0-0	DECAL CABLE CHART DL10	1	
33	C-IA-7408408-0-0	HARNESS FRONT SERIES PASS TO LOGIC	6	
34	C-UA-BC10B-0-0	CABLE MARG CHK REM CONT LGTH SPEC BY SITE PLAN	1	
35	B-MD-5100	CHASSIS BLANK (E) DEC#7402017	1	
36	D-SC-1209850-0-0	BLOCK UNIVERSAL	6	
37	9006046-1	SCR PHL HD PAN #8-32 X 1 3/4 SST	6	
38	C-IA-7409402-0-0	SCR MODULE BRIDGE	12	
39	C-IA-7408330-10-0	WASH. EXTERNAL TOOTH LOCK #4	1	
38	36-12450	DECAL, RATING	1	
39	36-12449	DECAL, UL	1	
40	53-10919-2	DECAL, LEAKAGE	1	
41	D-IA-7011900-0-0	DL10 B CONTROL PANEL	1	
TITLE DL10 ASSY			SIZE CODE A PL	REV. ECO NO. J
			NUMBER DL10-A-β	
			DIST. 1	OF 3

DEC FORM DEC 16 (325) 1031 NK70
DRA 110

DIGITAL EQUIPMENT CORPORATION MAYNARD, MASSACHUSETTS					QUANTITY / VARIATION																								
PARTS LIST					DL10-AA	DL10-AB	DL10-B																						
MADE BY	CHECKED	SECTION	DATE	DATE																									
ENG	PROD	ISSUED SECT.	DATE	DATE																									
42	D-IA-7012783-0-0	Maintenance Panel Assembly			1	1	-																						
43	D-AD-7013471-1	SCREEN ASSY., DRIP (30")			1	1	-																						
44	9006075-3	#10-32x3/4 TRUSS HD. PHIL. SCREW			2	2	-																						
45	C-AD-7013988-0-0	POWER CORD ASSY.			1	1	-																						
46	A-DC-7417095-0-0	CAUTION DECAL			-	-	-																						
TITLE					ASSY NO.					SIZE CODE					NUMBER					REV.					ECO NO.				
DL10 Assembly					D-UA-DL10-A-0					A PL					DL10-A-0					J									
SHEET 3 OF 3					DIST.																								

Dimensions and specifications, herein, are the property of Digital Equipment Corporation and shall not be reproduced or used in whole or in part in any form for the manufacture or sale of items without the permission.

NOTES
 1. * * * ASTERISKS INDICATES OPTIONS AVAILABLE.



CHK	CHANGE NO.	REV	
	DL10A-00002	A	
	V. KU	5/9/72	
	DL10A-00004	B	
	VIC KU	9/17/72	
	DL10A-00008	C	
	A. KENT	4-17-74	
	DL10A-00012	D	
	T. DUNDON	6-30-75	
	DL10A-00014	E	
	S. HOLMES	21 SEPT 76	
		10-5-76	

FIRST USED ON OPTION/MODEL	QTY.	DESCRIPTION	PART NO.	ITEM NO.
DL10				
PARTS LIST				
UNLESS OTHERWISE SPECIFIED DIMENSION IN INCHES TOLERANCES	DRN 9-21-71	DATE 9-21-71	DIGITAL EQUIPMENT CORPORATION MAYNARD, MASSACHUSETTS	
DECIMALS .XXX - .008 .XX - .02 .X - .1	CHK'D 1/29/71	DATE 1/29/71	TITLE DRAWING INDEX LIST (DL10)	
ANGLES ±0° 30'	ENG 11/5/71	DATE 11/5/71	SIZE CODE D DI DL10-A-1	
REMOVE BURRS AND BREAK SHARP CORNERS SURFACE QUALITY	PROJ. ENG. 11/5/71	DATE 11/5/71	NUMBER E	
MATERIAL	NEXT HIGHER ASSY.		REV.	
FINISH	A-ML-DL10-A		E	
SHEET	OF	3	DIST.	

This drawing and specifications herein, are the property of Digital Equipment Corporation and shall not be copied, reproduced, or used in whole or in part, in any form, for the manufacture or sale of items without written permission.

MECHANICAL					DEPT USAGE					MECHANICAL					DEPT USAGE					MECHANICAL					DEPT USAGE																																																																																																																																																																												
FIND NO.	DESCRIPTION	PART NO.	PROD	CUST	F/C	FIND NO.	DESCRIPTION	PART NO.	PROD	CUST	F/C	FIND NO.	DESCRIPTION	PART NO.	PROD	CUST	F/C	FIND NO.	DESCRIPTION	PART NO.	PROD	CUST	F/C	FIND NO.	DESCRIPTION	PART NO.	PROD	CUST	F/C																																																																																																																																																																								
D 1.	DL1B-A ASSY DL1B UNIT ASSY CABLE SET (DL1B) CABLE SET (DL1B) (HARNESS POWER WIRING TOP) (HARNESS POWER WIRING BOTTOM) BRKT EXTENSION PANEL BLANK PANEL BLANK SERIES PASS WIRE HARNESS INTERCOM DC10A CABLE (LGTH SPEC BY ENG) PLATE SHIPPING COOLING ASSY DC10B REMOTE CONT MANG CWM (LGTH SPEC BY ENG) CHASSIS BLANK #7402017 DECAL CABLE CHART DL1B HARNESS FRONT SERIES PASS TO LOGIC BLOCK UNIVERSAL	D-UA-DL1B-A-0 A-PL-DL1B-A-0 C-AD-7008472-0-0 A-PL-7008472-0-0 J-IA-7007100-0-0 J-IA-7007101-0-0 D-MD-7400831-0-0 D-MD-7400234-0-0 D-IA-7400231-0-0 D-IA-7008097-0-0 D-UA-DC10A-0-0 C-MD-7506H3-0-0 C-UA-DC10B-0-0 D-MD-5100 D-DC-7009401-0-0 C-IA-7400400-0-0 D-SC-1209650-0-0				11.	H955-L LOGO H955-L LOGO (PL) H955 DWG INDEX LIST	D-UA-H955-LA-0 A-PL-H955-LA-0 D-01-H955-0-1				12.	LOGO INLAY LOGO INLAY (PL) SILK SCREEN BLUE	D-IA-7409224-2-0 A-PL-7409224-2-0 C-SS-7409224-0-2				13.	INDICATOR PNL ASSY 30IN INDICATOR PNL ASSY 30IN (PL) PLATE BEZEL MTG #1 SLIDE SUPPORT SLIDE SUPPORT 30" INDICATOR BRKT LOCKING DECAL, LAMP TEST	E-AD-7008071-4-0 A-PL-7008071-4-0 E-IA-7407810-0-0 C-MD-7407807-0-0 C-MD-7407820-0-0 E-MD-7400029-0-0 D-IA-7407822-0-0 A-DC-7407808-0-0				14.	PANEL FRONT SILK SCREEN (WHT) FRONT SILK SCREEN (BLK) REAR	E-IA-7407850-4-0 D-SS-7407850-0-5 D-SS-7407850-0-2				15.	BEZEL IND MACH 30IN HINGE IND BEZEL BEZEL IND CASTING	D-IA-7407821-0-0 C-MD-7400028-0-0 D-SC-1209900-0-0				16.	INDICATOR LIGHT BD 5409123 X-Y HOLE LOCATIONS MOD ECO HISTORY	D-CS-5409123-0-1 K-CO-5409123-0-4 D-MH-5409123-0-8				17.	ETCH CIRCUIT BOARD PRINTED CIRCUIT LAYOUT	E-IA-5008122-0-0 PC-5008122-0-1				18.	SERIES PASS ELEMENT ASSY SERIES PASS ELEMENT ASSY (PL) BRKT SUPPORT HEAT SINK WIRE HARNESS SERIES PASS	D-AD-7008505-1-0 A-PL-7008505-1-0 D-IA-7407722-0-0 E-IA-7008073-0-0				19.	PLATE SERIES PASS ELEMENT SILK SCREEN WHT LTRS	D-IA-7407721-0-0 D-SS-7407721-0-1				20.	HEAT SINK ASSY HEAT SINK ASSY (PL) HEAT SINK	D-AD-7008001-0-0 A-PL-7008001-0-0 D-SC-1201285-0-0				21.	ETCH BOARD SERIES PASS X-Y HOLE LOCATIONS MOD ECO HISTORY	C-CS-5408064-0-1 K-CO-5408064-0-4 D-MH-5408064-0-8				22.	ETCH CIRCUIT BOARD PRINTED CIRCUIT LAYOUT	E-IA-5008963-0-0 PC-5008963-0-1				23.	LOGIC FRAME ASSY (DL1B) LOGIC FRAME (PL) STIFFENER LOGIC FRAME (11 BLOCK) DECALS LOGIC FRAME BLK/CLR HANDLE SPACER WIRE WRAP	E-AD-7008437-0-0 A-PL-7008437-0-0 D-MD-7407456-0-0 D-DC-5308753-0-0 C-MD-7408507-0-0 D-IA-7409007-0-0				24.	LOGIC FRAME LOGIC FRAME (PL) BAR LOGIC FRAME END (11 BLOCK) BAR LOGIC FRAME (W BAR) PLATE MTS LOGIC FRAME	E-AD-7008000-0-0 A-PL-7008000-0-0 D-MD-7407804-0-0 D-MD-7407805-0-0 C-MD-7407802-0-0				25.	GROUND PLANE ASSY GROUND PLANE ASSY (PL) STRIP INSULATOR BAR MTG LOGIC FRAME GND PLANE PROT SHEET 11 BLOCK	D-AD-7008350-0-0 A-PL-7008350-0-0 D-MD-7408987-0-0 D-IA-7407750-0-0 D-MD-8009900-0-0				26.	GROUND PLANE ASSY GROUND PLANE SILK SCREEN	D-IA-5009785-1-0 D-SC-1210441-0-0 D-SS-5009785-0-1				27.	POWER SUPPLY H723 POWER SUPPLY H723 (PL)	D-UA-H723-0-0 A-PL-H723-0-0				28.	POWER SUPPLY H725 POWER SUPPLY H725 (PL)	D-UA-H725-0-0 A-PL-H725-0-0				29.	POWER CONTROL 844 POWER CONTROL 844 (PL)	D-UA-844-0-0 A-PL-844-0-0				30.	H952-A END PANEL H952-A END PANEL (PL) H952 DWG INDEX LIST	D-UA-H952-AC-0 A-PL-H952-AC-0 D-01-H952-0-1				31.	H951-H SHORT DOOR ASSY H951-H SHORT DOOR ASSY (PL) H951 DWG INDEX LIST	D-UA-H951-HJ-0 A-PL-H951-HJ-0 D-01-H951-0-1				32.	FAN HOUSING ASSY (TOP) FAN HOUSING ASSY (PL) DECAL 115V	D-AD-7008741-0-0 A-PL-7008741-0-0 A-DC-7409045-0-0				33.	FAN HOUSING TOP PLATE, FAN MTG	D-IA-7407930-0-0 D-MD-7407931-1-0				34.	FAN HOUSING ASSY (BOT) FAN HOUSING ASSY (PL) PLATE FAN MTG SCREEN FAN HOUSING DECAL 115V	D-AD-7008742-0-0 A-PL-7008742-0-0 D-IA-7407931-2-0 D-IA-7407928-0-0 A-DC-7409045-0-0				35.	H955-B FULL DOOR ASSY R.H. 11 H955-B FULL DOOR ASSY (PL) DOOR 30IN	D-UA-H955-BA-0 A-PL-H955-BA-0 D-IA-7408000-0-0				36.	BRKT POWER CONN ASSY BRKT PWR CONN ASSY (PL) BRKT PWR CONN	D-AD-7005000-0-0 A-PL-7005000-0-0 D-MD-7406720-0-0				37.	DL1B-B SERIES	A-PL-DL1B-A-MUAR				38.	DL1B-C SERIES	A-PL-DL1B-A-MUAR				39.	BC08J I/O CABLE	D-UA-BC08J-0-0				40.	11/40 REMOTE CONSOLE CABLE	D-IA-7008719-0-0				41.	DL1B-B CONTROL PANEL	D-IA-701900-0-0				42.	MAINT. PANEL ASSY	D-IA-7012783-0-0			

* NOTE: NOT A PRODUCTION PART - USED FOR SHIPPING PURPOSES ONLY

A	REVISIONS	REV.	DATE	BY	DESCRIPTION	FIRST USED ON OPTION/MODEL	EQUIPMENT CORPORATION NATIONAL MANUFACTURES	DRAWING INDEX LIST (DL1B)	DIDI DL1B-A-1 IE
	CHANGE NO.	1	7-21-71	W. J. ...					
	CHK		7-20-71	W. J. ...					
			7/19/71	W. J. ...					

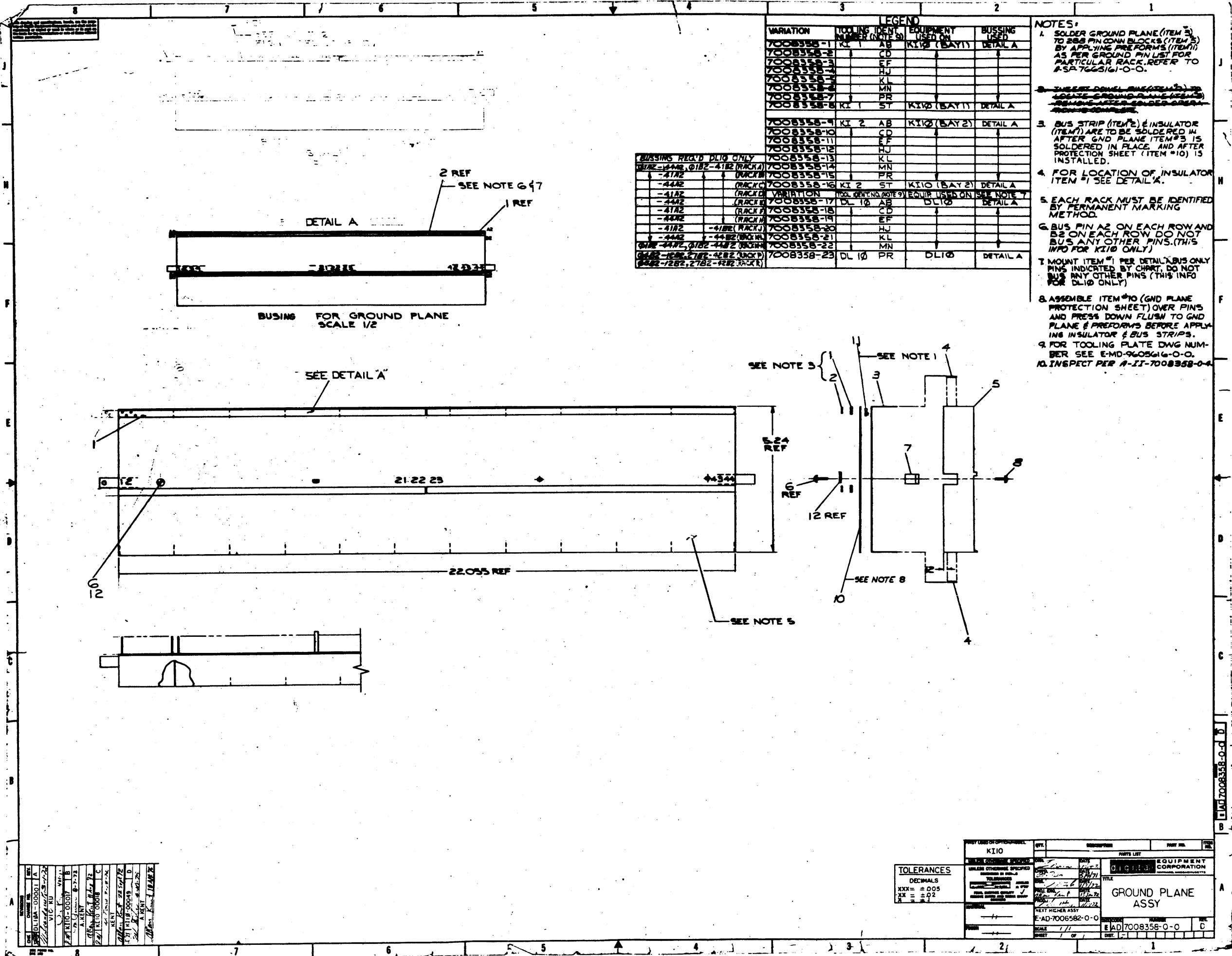
is drawing and specifications herein, are the property of Digital Equipment Corporation and shall not be reproduced or used in whole or in part as a basis for the manufacture or sale of items without their permission.

ELECTRICAL					DEPT USAGE					ELECTRICAL					DEPT USAGE					ELECTRICAL					DEPT USAGE																																																																																						
IND NO.	DESCRIPTION	PART NO.	PROD	CUST	F/C	FIND NO.	DESCRIPTION	PART NO.	PROD	CUST	F/C	FIND NO.	DESCRIPTION	PART NO.	PROD	CUST	F/C	FIND NO.	DESCRIPTION	PART NO.	PROD	CUST	F/C																																																																																								
1	CLOCK FLOW DATA PATTERNS UBXN DATA DATA PATTERNS '10 MEMORY DATA PDP-11 INTERRUPT FLOW I/O BUS INTERFACE FLOW MEMORY BUFFER & DATA MIXER MEMORY CONTROL FLOW REGISTER INTERCONNECTIONS RESET FLOW TIMING FLOW #1 TIMING FLOW #2 TIMING FLOW #3 UNIBUS INTERFACE FLOW ADDRESS REGISTER BASE & MASK REGISTER # & 1 BASE & MASK REGISTER 2 & 3 CLOCK PDP-11 REMOTE CONSOLE COMMON CTRL PDP-11 #0 CONSOLE CONTROL PDP-11 #1 CONSOLE CONTROL PDP-11 #2 CONSOLE CONTROL PDP-11 #3 CONSOLE CONTROL DIAGNOSTIC CONTROL BITS PORT # CONTROL FLIP FLOP PORT 1 CONTROL FLIP FLOP PORT 2 CONTROL FLIP FLOP PORT 3 CONTROL FLIP FLOP I/O SELECTION & CONTROL MIXER I/O INTERFACE # I/O INTERFACE 1 I/O BUS # DATA INTERFACE I/O CONTROL I/O CONTROL I/O BUS OUTPUT DATA JUMPERS MEMORY ADDRESS MIXER MO + 1 MEMORY BUFFER MEMORY BUFFER MEMORY BUFFER MEMORY BUFFER MEMORY BUS DATA MEMORY BUS INTERFACE MEMORY CONTROL MEMORY CONTROL UNIBUS PORT # ADDRESS SELECTION UNIBUS PORT 1 ADDRESS SELECTION UNIBUS PORT 2 ADDRESS SELECTION UNIBUS PORT 3 ADDRESS SELECTION UNIBUS PORT # INTERRUPT LOGIC UNIBUS PORT 1 INTERRUPT LOGIC UNIBUS PORT 2 INTERRUPT LOGIC UNIBUS PORT 3 INTERRUPT LOGIC PS REGISTER & DECODING PRIORITY REQUEST LOGIC SHIFT MATRIX BITS #0-#9 SHIFT MATRIX BITS #0-17 SHIFT MATRIX BITS 18-26 SHIFT MATRIX BITS 27-35 SHIFT CONTROL TIME STATES UNIBUS # ADDRESS INTERFACE UNIBUS # CONTROL INTERFACE UNIBUS # DATA INTERFACE UNIBUS 1 ADDRESS INTERFACE UNIBUS 1 CONTROL INTERFACE UNIBUS 1 DATA INTERFACE UNIBUS 2 ADDRESS INTERFACE UNIBUS 2 CONTROL INTERFACE UNIBUS 2 DATA INTERFACE UNIBUS 3 ADDRESS INTERFACE UNIBUS 3 CONTROL INTERFACE UNIBUS 3 DATA INTERFACE UNIBUS BASE ADDRESS MIXER UNIBUS DATA MIXER & MASK UNIBUS DATA MIXER & MASK MODULE UTILIZATION A-D MODULE UTILIZATION E-J MODULE UTILIZATION K-N MODULE UTILIZATION P-R MODULE UTILIZATION (PL) POWER WIRING AC-DC (DL18) SERIES PASS ELEMENT ASSY MANUFACTURING TEST PROCEDURE	D-FD-DL18-A-CLKF D-FD-DL18-A-DPF1 D-FD-DL18-A-DPF2 D-FD-DL18-A-INTF D-FD-DL18-A-IOBF D-FD-DL18-A-IOBF D-FD-DL18-A-MBOM D-FD-DL18-A-MCF D-FD-DL18-A-REG D-FD-DL18-A-RSTF D-FD-DL18-A-TF1 D-FD-DL18-A-TF2 D-FD-DL18-A-TF3 D-FD-DL18-A-UBF D-BS-DL18-A-ADR D-BS-DL18-A-BA01 D-BS-DL18-A-BA23 D-BS-DL18-A-CLKC D-BS-DL18-A-COM D-BS-DL18-A-COM0 D-BS-DL18-A-COM1 D-BS-DL18-A-COM2 D-BS-DL18-A-COM3 D-BS-DL18-A-DIAR D-BS-DL18-A-FF0 D-BS-DL18-A-FF1 D-BS-DL18-A-FF2 D-BS-DL18-A-FF3 D-BS-DL18-A-IO0 D-BS-DL18-A-IO00 D-BS-DL18-A-IO01 D-BS-DL18-A-IO00 D-BS-DL18-A-IO01 D-BS-DL18-A-IO02 D-BS-DL18-A-IOU1 D-BS-DL18-A-IOU2 D-BS-DL18-A-JUMP D-BS-DL18-A-MADR D-BS-DL18-A-MB01 D-BS-DL18-A-MB01 D-BS-DL18-A-MB02 D-BS-DL18-A-MB03 D-BS-DL18-A-MB04 D-BS-DL18-A-MB04 D-BS-DL18-A-MB01 D-BS-DL18-A-MB02 D-BS-DL18-A-P00 D-BS-DL18-A-P01 D-BS-DL18-A-P02 D-BS-DL18-A-P03 D-BS-DL18-A-P10 D-BS-DL18-A-P11 D-BS-DL18-A-P12 D-BS-DL18-A-P13 D-BS-DL18-A-P5 D-BS-DL18-A-REQ D-BS-DL18-A-SH1 D-BS-DL18-A-SH2 D-BS-DL18-A-SH3 D-BS-DL18-A-SH4 D-BS-DL18-A-SHFT D-BS-DL18-A-T D-BS-DL18-A-UB0A D-BS-DL18-A-UB0C D-BS-DL18-A-UB0D D-BS-DL18-A-UB1A D-BS-DL18-A-UB1C D-BS-DL18-A-UB1D D-BS-DL18-A-UB2A D-BS-DL18-A-UB2C D-BS-DL18-A-UB2D D-BS-DL18-A-UB3A D-BS-DL18-A-UB3C D-BS-DL18-A-UB3D D-BS-DL18-A-UBDA D-BS-DL18-A-UBX1 D-BS-DL18-A-UBX2 D-MU-DL18-A-MUAD D-MU-DL18-A-MUEJ D-MU-DL18-A-MUKM D-MU-DL18-A-MUPR A-PL-DL18-A-MUAR E-IC-DL18-A-B2 E-AD-7008505-0-0 A-SP-DL18-A-MTP						SYSTEM ACCEPTANCE SPECIFICATION DL18 SHIPPING LIST WIRE LIST DL18-A (FACE SHEET) DL18 UNIT ASSY DL18 UNIT ASSY (PL) DRAWING INDEX LIST GROUND PLANE ASSY GROUND PLANE ASSY (PL) LOGIC ASSY CABLE SET (DL18) CABLE SET (DL18) (PL) I/O CABLE (BC00J) 11/40 REMOTE CONSOLE CABLE DL18 REGULATOR SENSING	A-SP-DL18-A-SAS A-PL-DL18-B-SHIP K-WL-DL18-A-WL D-UA-DL18-A-0 A-PL-DL18-A-0 D-DI-DL18-A-1 D-AD-7008358-0-0 A-PL-7008358-0-0 E-AD-7008437-0-0 C-AD-7008472-0-0 A-PL-7008472-0-0 D-UA-BC00J-0-0 D-IA-7008718-0-0 A-WL-DL18-A-SENS					13	INDICATOR PANEL ASSY	E-AD-700871-4-0					16	IND LIGHT BOARD #540823	D-CS-5408123-0-1					17	ETCHED CIRCUIT BOARD	E-IA-5009122-0-0					18	SERIES PASS ELEMENT ASSY	D-AD-7008505-1-0					21	ETCH BOARD SERIES PASS	C-CS-5408904-0-1					22	ETCH CIRCUIT BOARD	E-IA-5008903-0-0					27	POWER SUPPLY H723 CIRCUIT SCHEMATIC	C-CS-H723-0-1					28	POWER SUPPLY H725 CIRCUIT SCHEMATIC	C-CS-H725-0-1					28	POWER CONTROL 844	C-CS-844-0-1					32	FAN HSG ASSY TOP	D-AD-7008741-0-0					34	FAN HSG ASSY BOTTOM	D-AD-7008742-0-0					36	BKT. POWER CONN ASSY	D-AD-7005008-0-0					37	DL18-B	A-PL-DL18-A-MUAR					38	DL18-C	A-PL-DL18-A-MUAR				

D
C
E
B

REV. DATE	REV. 1	9-21-71	DRAWING TITLE	DRAWING INDEX LIST (DL18)
	REV. 2	9-30-71		
DATE	DATE	DATE	DRAWING NO.	DRAWING
	DATE	DATE		
BY	V.E. SOUZA	DATE	SCALE	SHEET
	D. HEALY	DATE		
BY	D. NEVELA	DATE	SCALE	SHEET
	T. BEGERS	DATE		
BY	E. HESSELTINE	DATE	SCALE	SHEET
		DATE		
NEXT HIGHER ASSY				
FIRST USED ON OPTION/MODEL				

EQUIPMENT CORPORATION
 BATHURST, MASSACHUSETTS
Drawing Index List (DL18)
 1-7-71
 3 OF 3
 1



LEGEND			
VARIATION	TOOLING IDENT. NUMBER (NOTE 9)	EQUIPMENT USED ON	BUSING USED
7008358-1	KL 1	AB	KI10 (BAY 1) DETAIL A
7008358-2		CD	
7008358-3		EF	
7008358-4		HJ	
7008358-5		KL	
7008358-6		MN	
7008358-7		PR	
7008358-8	KL 1	ST	KI10 (BAY 1) DETAIL A
7008358-9	KI 2	AB	KI10 (BAY 2) DETAIL A
7008358-10		CD	
7008358-11		EF	
7008358-12		HJ	
7008358-13		KL	
7008358-14		MN	
7008358-15		PR	
7008358-16	KI 2	ST	KI10 (BAY 2) DETAIL A
7008358-17	DL 10	AB	DL10 DETAIL A
7008358-18		CD	
7008358-19		EF	
7008358-20		HJ	
7008358-21		KL	
7008358-22		MN	
7008358-23	DL 10	PR	DL10 DETAIL A

- NOTES:**
- SOLDER GROUND PLANE (ITEM 3) TO 288 PIN CONN BLOCKS (ITEM 5) BY APPLYING PREFORMS (ITEM 1) AS PER GROUND PIN LIST FOR PARTICULAR RACK. REFER TO A-SP-7008358-0-0.
 - ~~REMOVE DOWNWARD PRESSURE FROM GROUND PLANE (ITEM 3) BEFORE PRESSING DOWN PROTECTION SHEET.~~
 - BUS STRIP (ITEM 2) & INSULATOR (ITEM 7) ARE TO BE SOLDERED IN AFTER GND PLANE ITEM #3 IS SOLDERED IN PLACE AND AFTER PROTECTION SHEET (ITEM #10) IS INSTALLED.
 - FOR LOCATION OF INSULATOR ITEM #1 SEE DETAIL 'A'.
 - EACH RACK MUST BE IDENTIFIED BY PERMANENT MARKING METHOD.
 - BUS PIN A2 ON EACH ROW AND B2 ON EACH ROW DO NOT BUS ANY OTHER PINS. (THIS INFO FOR KI10 ONLY)
 - MOUNT ITEM #1 PER DETAIL 'A' BUS ONLY PINS INDICATED BY CHART. DO NOT BUS ANY OTHER PINS (THIS INFO FOR DL10 ONLY)
 - ASSEMBLE ITEM #10 (GND PLANE PROTECTION SHEET) OVER PINS AND PRESS DOWN FLUSH TO GND PLANE & PREFORMS BEFORE APPLYING INSULATOR & BUS STRIPS.
 - FOR TOOLING PLATE DWG NUMBER SEE E-MD-9605616-0-0.
 - INSPECT PER A-II-7008358-0-4

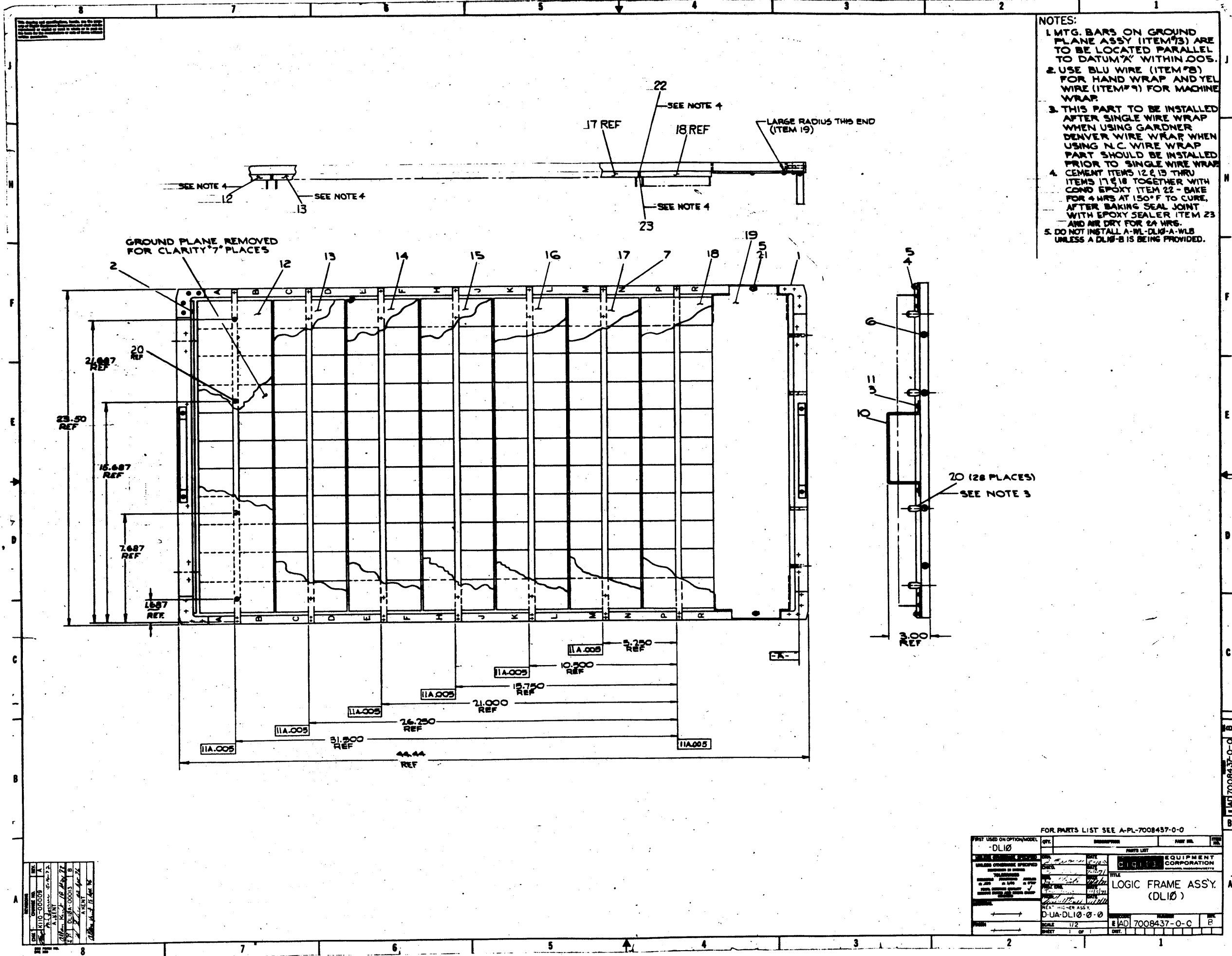
REV	DATE	BY	CHKD	DESCRIPTION
1				
2				
3				
4				
5				
6				
7				
8				

TOLERANCES
 DECIMALS
 XXX = ±0.05
 XX = ±0.2

K110		REV	DESCRIPTION	DATE	BY
UNLESS OTHERWISE SPECIFIED		PARTS LIST			
EQUIPMENT CORPORATION		TITLE			
GROUND PLANE ASSY		SCALE 1/1			
E-AD-7008358-0-0		SHEET 1 OF 1			

E-AD-7008358-0-0

DIGITAL EQUIPMENT CORPORATION MAYNARD, MASSACHUSETTS PARTS LIST				QUANTITY / VARIATION																			
MADE BY G.A. MARINI		CHECKED D. HEALY		SECTION 1		VARIATION 7008358-1 THRU 7008358-23 ARE MECH. THE SAME EXCEPT FOR THE AMOUNT OF PREFORMS ITEM #11 THAT ARE USED - SEE NOTE 1 & VARIATIONS ON ASS'Y E-AD-7008358-0-0																	
DATE 4/16/71		DATE 4/30/71																					
ENG <i>D. Marini</i>		PROD <i>M. Sullivan</i>		ISSUED SECT. 1																			
DATE 11/10/72		DATE 11/21/72																					
ITEM NO.	DWG NO. / PART NO.	DESCRIPTION																					
1	C-MD-7408967-3-0	STRIP INSULATOR				2																	
2	1205541	BUS STRIP				A/R																	
3	D-IA-5009785-1-0	GROUND PLANE				1																	
4	9009172	TAPE				A/R																	
5	E-SC-1205348-0-0	288 PIN CONN BLOCK (H803)				11																	
6	9006034-1	SCR, PHILLIPS PAN HD #8-32 X 3/16				1																	
7	D-MD-7407758-0-0	BAR, MTG LOGIC FRAME				1																	
8	9006210-6	SCR, PHILLIPS FILLISTER 8-32 X 5/8				22																	
9	9009001	PIN BLOCK 1/8 DIA X 1 3/4 LG HARD STL.				4																	
10	D-MD-5009956-0-0	GND, PLANE PROTECTION SHEET 11 BLOCKS				1																	
11	9008499	SOLDER PREFORMS				A/R																	
12	9006634	WASHER INT TOOTH #8				1																	
13	A-WT-7006582-0	AWT REVISION STATUS (KI10)				REF																	
14	A-WT-7008437-0	AWT REVISION STATUS (DL10)				REF																	
TITLE GROUND PLANE ASSY				ASSY NO. D-AD-7008358-0-0		SIZE CODE A PL		NUMBER 7008358-0-0		REV. D		ECO NO. K10 - OCC49											
				SHEET 1 OF 1		DIST. 6																	



- NOTES:**
1. M.T.G. BARS ON GROUND PLANE ASSY (ITEM 73) ARE TO BE LOCATED PARALLEL TO DATUM 'X' WITHIN .005.
 2. USE BLU WIRE (ITEM 8) FOR HAND WRAP AND YEL WIRE (ITEM 9) FOR MACHINE WRAP.
 3. THIS PART TO BE INSTALLED AFTER SINGLE WIRE WRAP WHEN USING GARDNER DENVER WIRE WRAP WHEN USING N.C. WIRE WRAP PART SHOULD BE INSTALLED PRIOR TO SINGLE WIRE WRAP.
 4. CEMENT ITEMS 12 & 13 THRU ITEMS 17 & 18 TOGETHER WITH COND EPOXY ITEM 22 - BAKE FOR 4 HRS AT 150° F TO CURE. AFTER BAKING SEAL JOINT WITH EPOXY SEALER ITEM 23 AND AIR DRY FOR 24 HRS.
 5. DO NOT INSTALL A-RL-DL10-A-WLS UNLESS A DL10-B IS BEING PROVIDED.

REV	DATE	BY	CHKD
1			
2			
3			
4			
5			
6			
7			
8			

FOR PARTS LIST SEE A-PL-7008437-0-0

QTY	DESCRIPTION	PART NO.	UNIT
1	DL10		

DATE	BY	CHKD	TITLE
			LOGIC FRAME ASSY. (DL10)
D-VA-DL10-0-0		SCALE	1/2
E AD 7008437-0-C		REV	B

A-PL-7008437-0-0-B

This drawing and specifications, herein, are the property of Digital Equipment Corporation and shall not be reproduced or copied or used in whole or in part as the basis for the manufacture or sale of items without written permission.

P.L. ITEM NO.	MARK END	CONN TYPE	TO	CONN TYPE	MARK END	LENGTH	PART NO. DWG NO.
1	A44	M948		M947	A	3FT-60IN	7008405-3F
1	B44	M948		M947	B	3FT-60IN	7008405-3F
2	C44	M948		M947	C	4FT	7008405-04
2	D44	M948		M947	D	4FT	7008405-04
2	E44	M948		M947	E	4FT	7008405-04
1	F44	M948		M947	F	3FT-60IN	7008405-3F
1	H44	M948		M947	H	3FT-60IN	7008405-3F
1	J44	M948		M947	J	3FT-60IN	7008405-3F
2	K44	M948		M947	K	4FT	7008405-04
2	L44	M948		M947	L	4FT	7008405-04

NOTES:

1. CABLES TO BE IDENTIFIED BY TAGGING WITH BRADY MARKERS AT EACH END INDICATED BY CHART.

INDICATOR PANEL (REAR)

<u>F</u>	<u>A</u>
<u>H</u>	<u>B</u>
<u>J</u>	<u>C</u>
<u>K</u>	<u>D</u>
<u>L</u>	<u>E</u>

CAD 7008472-0-0

REV.	CHANGE NO.
CHK	

FIRST USED ON OPTION/MODEL	QTY.	DESCRIPTION	PART NO.	ITEM NO.
DLIØ				
PARTS LIST				
UNLESS OTHERWISE SPECIFIED DIMENSION IN INCHES. TOLERANCES	DRN. <i>W. Hovey</i>	DATE 5-27-71	digital EQUIPMENT CORPORATION MAYNARD, MASSACHUSETTS	
DECIMALS	CHK'D. <i>W. Hovey</i>	DATE 5-28-71		
ANGLES	ENG. <i>K. [unclear]</i>	DATE 11/17/71	TITLE CABLE SET (DLIØ)	
±0° 30'	PROJ. ENG. <i>Tom [unclear]</i>	DATE 11/5/71		
REMOVE BURRS AND BREAK SHARP CORNERS SURFACE QUALITY ✓	PROD. <i>[unclear]</i>	DATE 11/17/71	SIZE CODE NUMBER CAD 7008472-0-0	
MATERIAL	NEXT HIGHER ASSY.			
FINISH	D-1A-DLIØ-Ø-Ø	SCALE	SHEET / OF / DIST. G	

DIGITAL EQUIPMENT CORPORATION MAYNARD, MASSACHUSETTS PARTS LIST					QUANTITY/VARIATION											
MADE BY W. HOVEY		CHECKED D. HEALY		SECTION												
DATE 5-27-71		DATE 9-14-71		1												
ENG <i>De M...</i>		PROD <i>M...</i>		ISSUED SECT.												
DATE <i>11/9/71</i>		DATE <i>11/9/71</i>		1												
ITEM NO.	DWG NO. / PART NO.	DESCRIPTION														
1	C-AD-7008405-3F-0	INDICATOR CABLE (M947-M948)				5										
2	C-AD-7008405-04-0	INDICATOR CABLE (M947-M948)				5										
TITLE CABLE SET (DL10)					ASSY NO. C-AD-7008472-0-0		SIZE CODE A PL		NUMBER 7008472-0-0			REV.		ECO NO.		
					SHEET 1 OF 1		DIST. G									

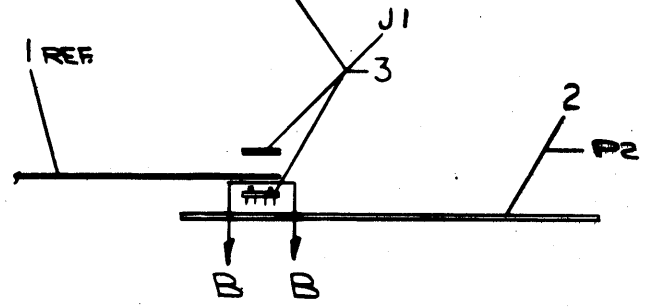
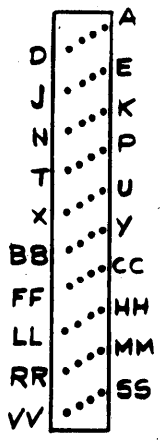
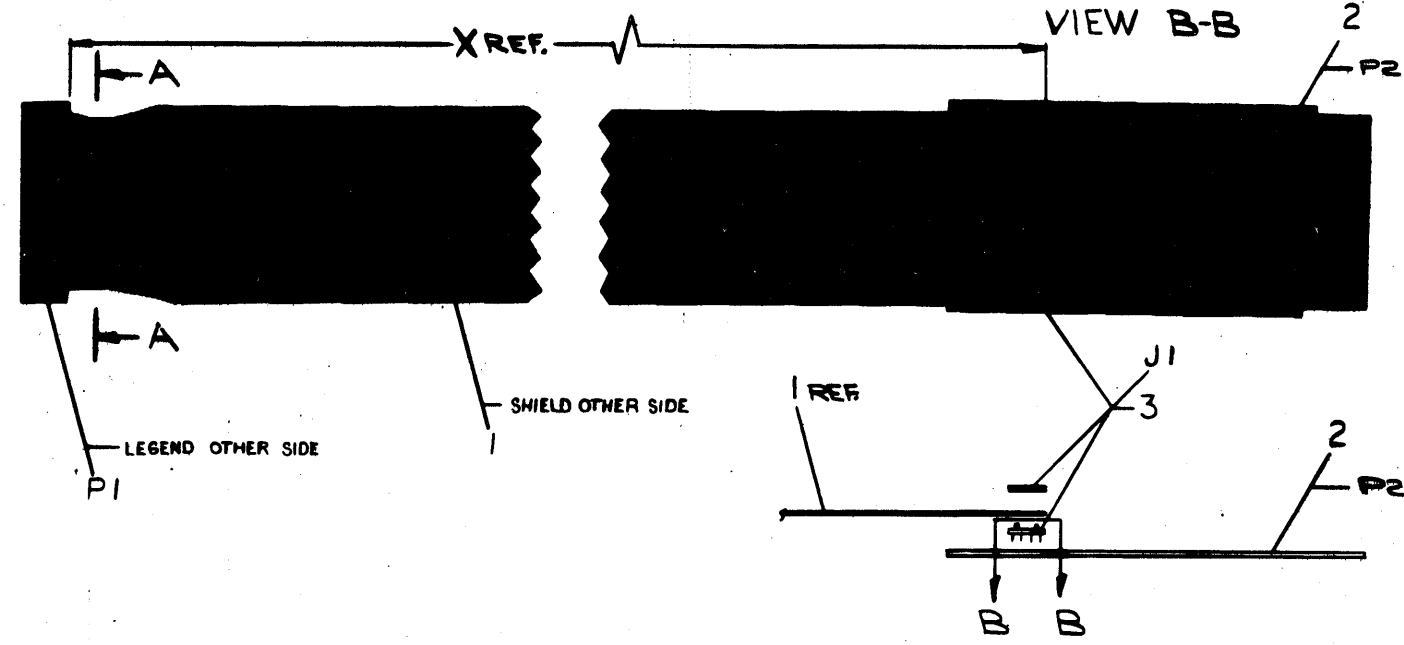
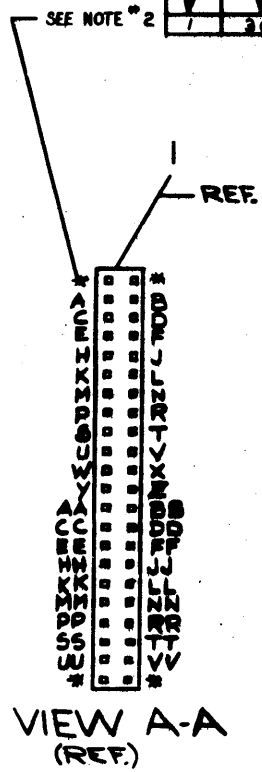
DEC FORM DEC 16-(325)-1031-N870
DRA 110

WIRE TABLE					
ITEM NO	DESCRIPTION	FROM	TO	REMARKS	
	AWS	COLOR	CONNECTION	CONNECTION	
1	30	GREY	P1 - D	P2 - B1	
			P1 - J	P2 - D1	
			P1 - F	P2 - D2	
			P1 - N	P2 - E1	
			P1 - L	P2 - E2	
			P1 - T	P2 - H1	
			P1 - A	P2 - H2	
			P1 - X	P2 - J1	
			P1 - V	P2 - K2	
			P1 - BB	P2 - L1	
			P1 - FF	P2 - M1	
			P1 - LL	P2 - M2	
			P1 - RR	P2 - P1	
			P1 - DD	P2 - P2	
			P1 - RR	P2 - S1	
			P1 - JJ	P2 - S2	
			P1 - NN	P2 - T2	
1	30	GREY	P1 - TT	P2 - V2	

LEGEND		
NUMBER	ITEM NO. 1	DIM. X'
BC08J-0-06	7007036-06	6 FT ± 2 IN
BC08J-0-10	7007036-10	10 FT ± 2 IN
BC08J-0-15	7007036-15	15 FT ± 3 IN
BC08J-0-25	7007036-25	25 FT ± 3 IN
BC08J-0-30	7007036-30	50 FT ± 1 FT

NOTES:

- CONNECTORS P1 AND J1 ARE TO BE WIRED POINT TO POINT P1-A TO J1 - A THRU P1-VV TO J1 - VV.
- *ASTERISKS INDICATE CAVITIES NOT USED OR DESIGNATED BY LETTERS
- ALL P1 & P2 CONNECTIONS NOT LISTED ON THE WIRE TABLE ARE GROUNDED.



BC08J-00004 A	GARDNER	1-8-71
BC08J-00005 B	GARDNER	5/12/71
BC08J-00006 C	GARDNER	5-25-71

FIRST USED ON OPTION/MODEL
BC08J

TOLERANCES
DECIMALS
XXX = ± .005
XX = ± .02
X = ± .1

DO NOT SCALE DRAWING UNLESS OTHERWISE SPECIFIED DIMENSIONS IN INCHES TOLERANCES DECIMALS ANGLES UNLESS OTHERWISE SPECIFIED ± .010 FINE SURFACE QUALITY REMOVE BURRS AND BREAK SHARP CORNERS

MATERIAL
FINISH

DATE 2-2-70
DATE 2-2-70
DATE 2-3-70
DATE 2-3-70

BY [Signature]
BY [Signature]

NEXT HIGHER ASSY

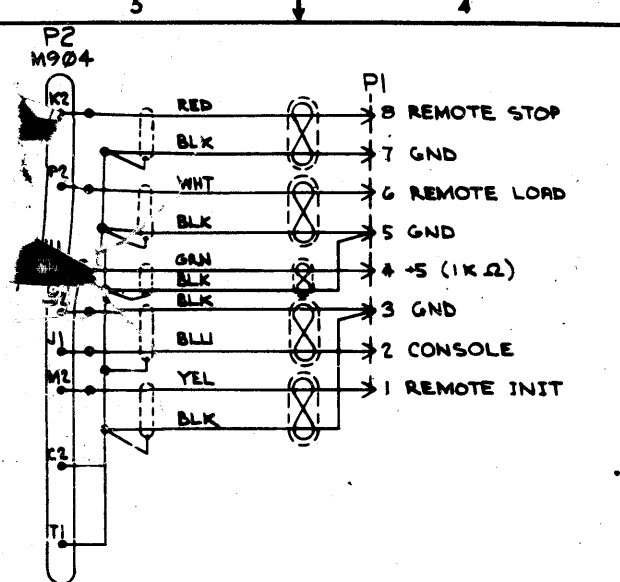
SCALE NONE
SHEET 1 OF 1

PARTS LIST	
1	ETCH BOARD CONNECTOR 1210075-0 3
1	M953 I/O CABLE BD M953-0-5 2
1	I/O CABLE SEE LEGEND 1
QTY.	DESCRIPTION PART NO. ITEM NO.
EQUIPMENT CORPORATION	
TITLE I/O CABLE (BC08J)	
SCALE CODE	NUMBER
DJA	BC08J-0-0
REV.	5

0-0-614600Z[V] 2

The drawing and construction herein, are the property of Equipment Corporation and shall not be reproduced or used in whole or in part in any manner without the written consent of Equipment Corporation, COPYRIGHT © 1973 EQUIP. CORP.

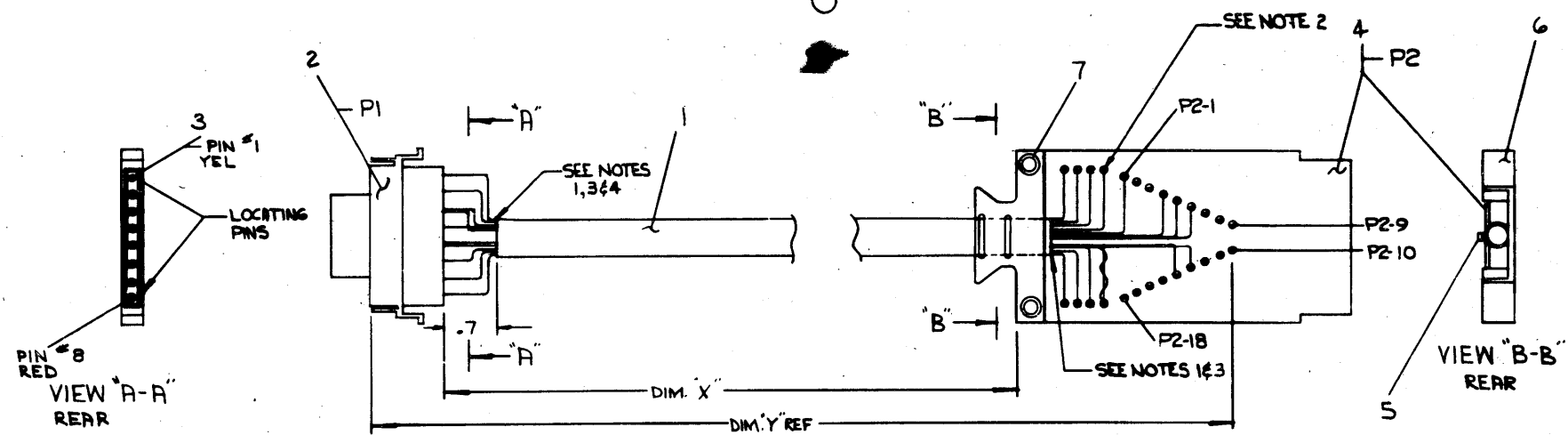
ITEM NO.	DESCRIPTION	FROM	CONNECTION WITH	TO	CONNECTION WITH	REMARKS
22	YEL	P1-1	3	P2-5		REMOTE INIT L
TWP	BLK	P1-3	8	P2-GND		GND
22	BLK	P1-2	3	P2-14		CONSOLE H
TWP	GRN	P1-4	3	P2-13		+5 (1KΩ)
22	BLK	P1-5	8	P2-GND		GND
TWP	WHT	P1-6	3	P2-6		REMOTE LOAD L
22	BLK	P1-7	3	P2-GND		GND
TWP	RED	P1-8	3	P2-4		REMOTE STOP L
SHIELD				P2-GND		SHIELD GND
SHIELD				P2-GND		SHIELD GND
SHIELD				P2-GND		SHIELD GND
SHIELD				P2-GND		SHIELD GND
SHIELD				P1-GND	SOLD.	SHIELD GND



NUMBER	VARIATION
7009719-7	DIM. "X" 7 FEET, DIM. "Y" REF 8 FEET
-10	10
-12	12
-13	13
-14	14
-15	15
-16	16
-17	17
-20	20
-21	21
7009719-25	25 FEET, 26 FEET

NOTES:

1. TERMINATE SHIELDS AS CLOSE TO CONNECTOR AS POSSIBLE WITHOUT CAUSING DANGER OF SHORT.
2. ALL EIGHT SPLIT LUGS SHOWN AS ⊗ ARE GROUND AND WIRES SHOWN CAN BE ON ANY OF THEM.
3. CUT OFF GRN/BLK PWR CLOSE TO JACKET AT BOTH ENDS.
4. CUT OFF DRAIN WIRES AS CLOSE AS POSSIBLE TO JACKET.



QTY.	DESCRIPTION	PART NO.	TYP.
2	TERMINAL, PIN CONTACT (MALE)	1209378-01	6
2	EYELET	9007689	7
1	CLAMP	1202790	6
2	TIE WRAP, SST 1/32 W.	9007031	5
1	MODULE	M904	4
6	TERMINAL, PIN CONTACT (MALE)	1209378-03	3
1	CONN, HSG 8 PIN	1209340-01	2
N/R	BELDEN CABLE	1700010	1

FIRST USED ON OPTION MODEL		DATE	TITLE
DC76 (DLIΦ)		12-13-77	DLIΦ-11/40 REMOTE CONSOLE CABLE
UNLESS OTHERWISE SPECIFIED DIMENSIONS IN INCHES TOLERANCES			
DECIMALS	ANGLES		
.XXX - .000	± .010	DATE	
.XXX - .000	± .010	DATE	
REMOVES BURRS AND BREAK SHARP CORNERS SURFACE QUALITY			
MATERIAL	NEXT HIGHER ASBY.		
FINISH	SCALE		

EQUIPMENT CORPORATION
PARTS LIST
DIA 7009719-0-0

REV.	CHANGE NO.

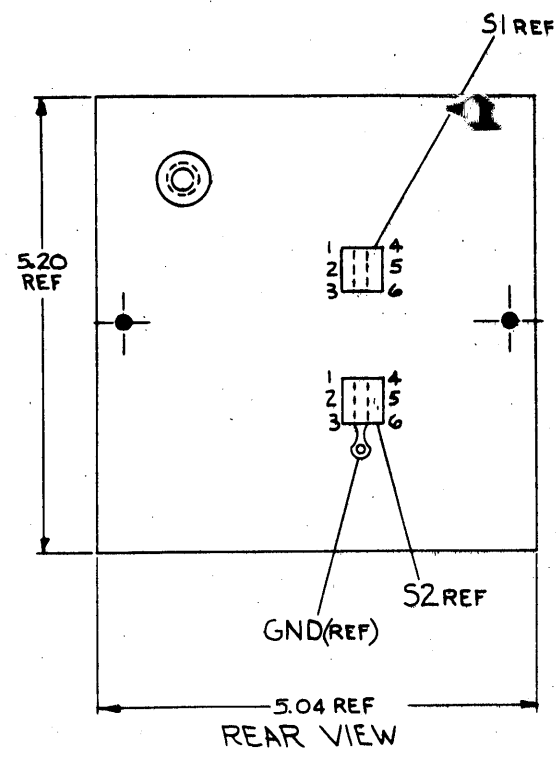
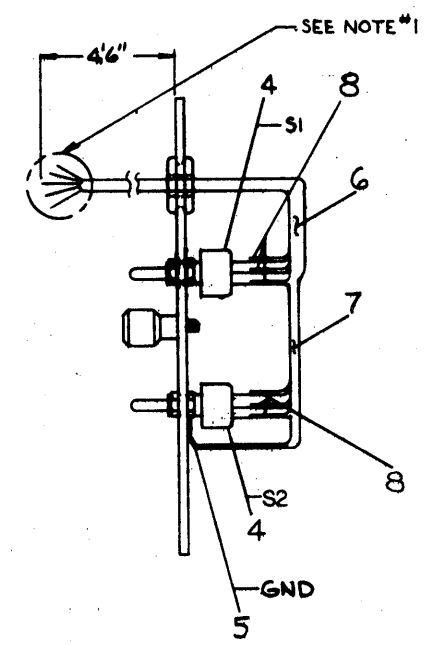
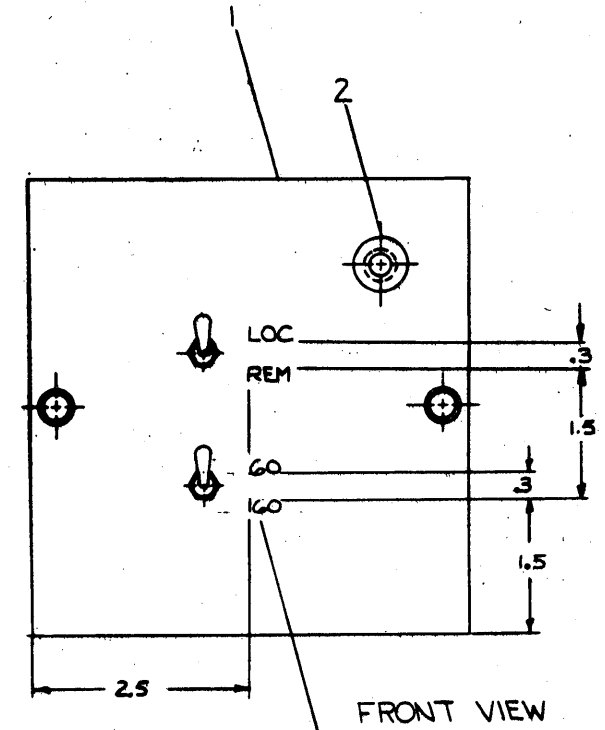
DEC FORM NO. DWD 100-A

8 DRAWING AND SPECIFICATIONS HEREIN ARE THE PROPERTY OF DIGITAL EQUIPMENT CORPORATION AND SHALL NOT BE REPRODUCED OR COPIED IN WHOLE OR IN PART AS THE BASIS FOR THE MANUFACTURE OR SALE OF ANY EQUIPMENT WITHOUT WRITTEN PERMISSION FROM DIGITAL EQUIPMENT CORPORATION

0-0-0061102 **VIQ** 2

WIRE TABLE							
ITEM NO	DESCRIPTION	FROM	TO	DESTINATION LABELING			
	AWG	COLOR	CONN	WITH	CONN	WITH	
6	24	BLU	S1-2	SOLDER	1		N39F2
			S1-5		2		M42F2
			S1-1		3		K43D2
6	24	BLU	S1-4		5		K43E2
7	24	WHT	S2-5		7		IM27F2, (IM27C2 GND)
	TWP	BLK	GND		6		
		WHT	S2-2		7		IM37F2, (IM37C2 GND)
		BLK	GND		8		
		WHT	S2-6		10		IN27J2, (IN27C2 GND)
		BLK	GND		11		
		WHT	S2-3		11		IN37J2, (IN37C2 GND)
		BLK	GND		12		
		WHT	S2-4		13		IN27K2
		BLK	GND		14		(IN27T1 GND)
7	24	WHT	S2-1		15		IN37K2, (IN37T1 GND)
	TWP	BLK	GND	SOLDER	16		

NOTES:
1. USE BRADY MARKERS TO IDENTIFY WIRE TERMINATIONS.



QTY	DESCRIPTION	DWG. PART NO.	ITEM NO.
1/2	SHRINK TUBING	9107256-0-0	8
1/2	24 AWG TWP BLK/WHT	9107592-0-0	7
1/2	24 AWG STRD BLU	9107450-66	6
1	GROUND LUG 1/4"	9006764	5
2	MY201 DPDT TOGGLE SW.	1209592	4
1	DECAL	A-DC-7414960-0-0	3
1	GROMMET	9007017	2
1	BLANK, SERIES PASS (REWORK)	C-MD-7414959-0-0	1

DESCRIPTION		DWG. PART NO.	ITEM NO.
UNLESS OTHERWISE SPECIFIED DIMENSIONS ARE IN INCHES			
ANGLES 30° 30'	CLASS OF ACCURACY	NOMINAL DIMENSION RANGE INCHES	
SURFACE QUALITY IN MICROWINCHES	MEDIUM	OVER 0 TO 0.2	OVER 0.2 TO 0.5
		OVER 0.5 TO 1.2	OVER 1.2 TO 2.5
QUANTITY & VARIATION	PREFERRED	±.012	±.018
THIRD ANGLE PROJECTION	DRN. <i>[Signature]</i>	FIRST USED ON	
REMOVE BURRS AND BREAK SHARP CORNERS	CHK'D <i>[Signature]</i>	DL10-B	
DO NOT SCALE DWG	PROJ. ENG. <i>[Signature]</i>	TITLE	
MATERIAL SEE PARTS LIST	PROD. <i>[Signature]</i>	DL10-B CONTROL PANEL	
FINISH	NEXT HIGHER ASSY.	SIZE	NUMBER
		D	7011900-0-0
		SHEET	OF 1
		DIST.	

DL10A-00013
ORIGINATED

DIA 7011900-0-0