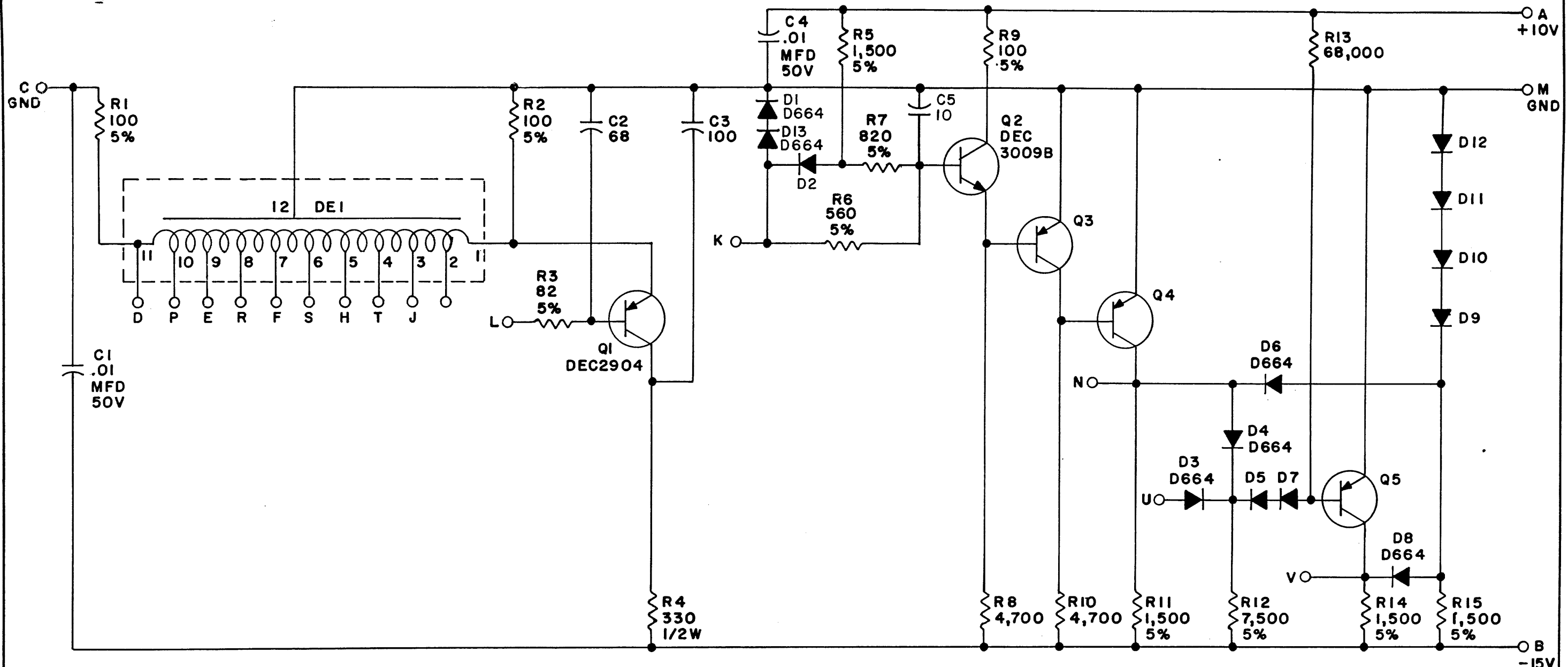
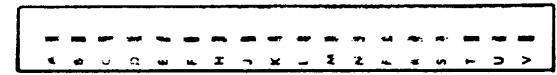


THIS SCHEMATIC IS FURNISHED ONLY FOR TEST AND MAINTENANCE PURPOSES. THE CIRCUITS ARE PROPRIETARY IN NATURE AND SHOULD BE TREATED ACCORDINGLY. COPYRIGHT 1966 BY DIGITAL EQUIPMENT CORPORATION



UNLESS OTHERWISE INDICATED:  
 RESISTORS ARE 1/4W, 10%  
 CAPACITORS ARE MMFD  
 DIODES ARE D662  
 TRANSISTORS ARE DEC3639B  
 DEI IS A DEC 16-05529 DELAY  
 LINE WITH 25NS TAPS OR EQUIVALENT  
 PARTS LIST A-PL-B311-0-0



REVISIONS CHG NO. REV. 6211 A 6932 B	DRN. <i>M. Haller</i>	DATE 12-24-66	TRANSISTOR & DIODE CONVERSION CHART		<b>digital</b> EQUIPMENT CORPORATION MAYNARD, MASSACHUSETTS	TITLE
	CHK'D	DATE	DEC	EIA		TAPPED DELAY LINE B311
	ENG.	DATE	DEC	EIA		SIZE CODE NUMBER REV.
	PROD.	DATE				B CS B311-0-1 B
			DEC2904	2N1132	PRINTED CIRCUIT REV. D	
			DEC3009B	2N3009		
			DEC3639B	2N3639		
			D662	1N645		
			D664	1N3606		

*Pink* D15-304/34/45/351