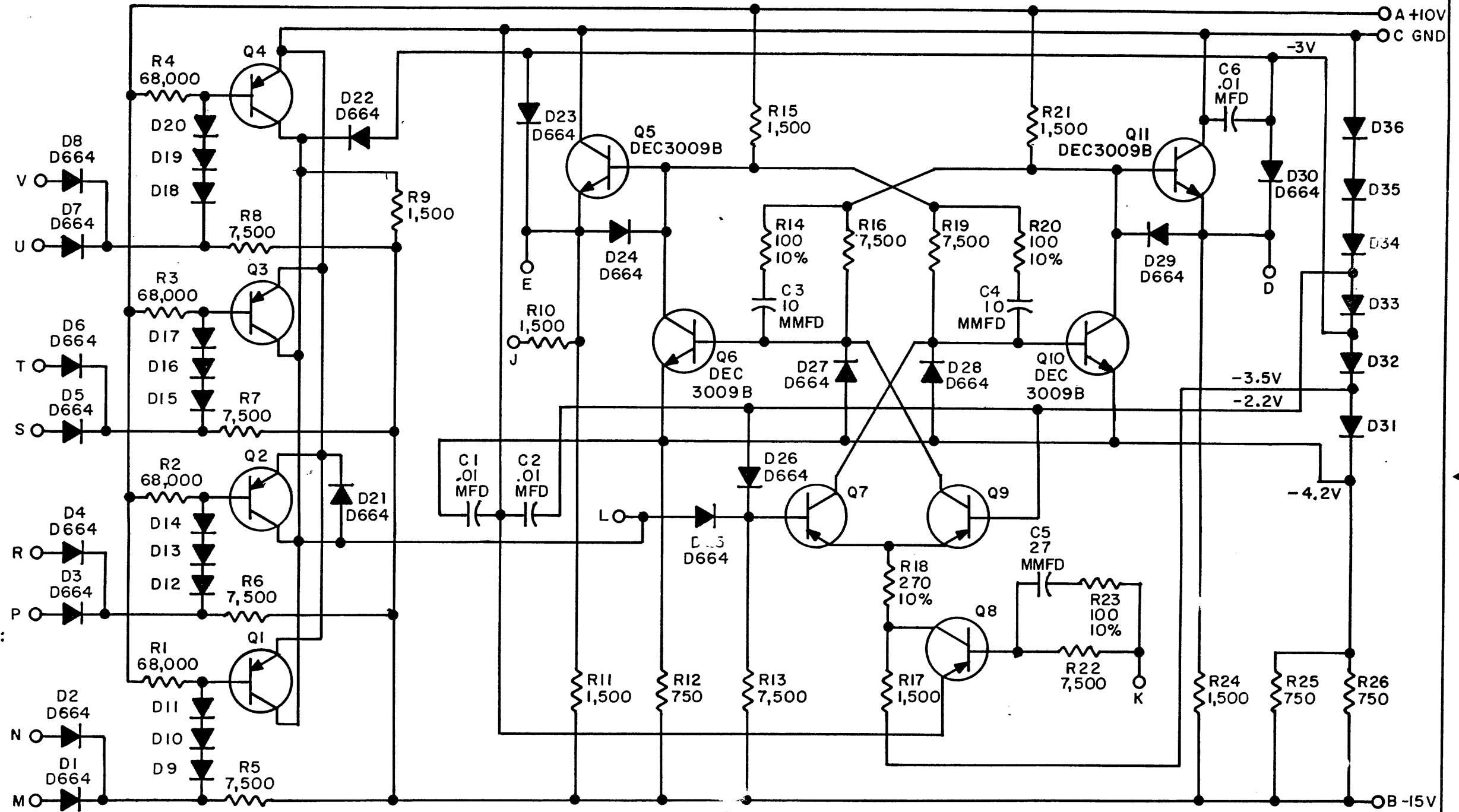


THIS SCHEMATIC IS FURNISHED ONLY FOR TEST AND MAINTENANCE PURPOSES. THE CIRCUITS ARE PROPRIETARY IN NATURE AND SHOULD BE TREATED ACCORDINGLY. COPYRIGHT 1965 BY DIGITAL EQUIPMENT CORPORATION

REV. H
NUMBER B211-0-1
SIZE CODE B
CS



UNLESS OTHERWISE INDICATED:
TRANSISTORS ARE 2N4258
DIODES ARE D662
RESISTORS ARE 1/4 W, 5%



REVISIONS	CHK	CHG NO.	REV.	B	C	D	E	F	H
		6149							
	REV. & REDR.	6295							
		6448							

DRN. I. HAHN	DATE 3-19-65
CHK'D N. PERRYMAN	DATE 3-31-65
ENG. TOM HUGHES	DATE
PROD.	DATE

TRANSISTOR & DIODE CONVERSION CHART			
DEC		EIA	
2N4258		SAME	
DEC3009B		2N3009	
D662		IN645	
D664		IN3606	

digital
EQUIPMENT CORPORATION
MAYNARD, MASSACHUSETTS

TITLE FLIP-FLOP B211			
SIZE B	CODE CS	NUMBER B211-0-1	REV. H
PRINTED CIRCUIT REV.			E