

"THE MATERIAL HEREIN IS FOR INFORMATION PURPOSES ONLY AND IS SUBJECT TO CHANGE WITHOUT NOTICE. DIGITAL EQUIPMENT CORPORATION ASSUMES NO RESPONSIBILITY FOR ANY ERRORS WHICH MAY APPEAR HEREIN."

FIELD MAINTENANCE PRINT SET

"THIS DRAWING AND SPECIFICATIONS, HEREIN, ARE THE PROPERTY OF DIGITAL EQUIPMENT CORPORATION AND SHALL NOT BE REPRODUCED OR COPIED OR USED IN WHOLE OR IN PART AS THE BASIS FOR THE MANUFACTURE OR SALE OF ITEMS WITHOUT WRITTEN PERMISSION. COPYRIGHT © 1982, DIGITAL EQUIPMENT CORPORATION."

TABLE OF CONTENTS

DWG. NO.	DESCRIPTION
E-UA-R80-0-0	DISK DRIVE ASSEMBLY
K-PL-R80-0-DBP	DISK DRIVE ASSEMBLY
C-AD-7016795-0-0	HDA-R/W MODULE ASSEMBLY
K-PL-7016795-0-DBP	HDA-R/W MODULE ASSEMBLY
E-AD-7016773-0-0	LOGIC CHASSIS ASSEMBLY
K-PL-7016773-0-DBP	LOGIC CHASSIS ASSEMBLY
D-AD-7016741-0-0	LOWER CHASSIS ASSEMBLY
K-PL-7016741-0-DBP	LOWER CHASSIS ASSEMBLY
D-UA-H766-0-0	H766 POWER SUPPLY ASSEMBLY
K-PL-H766-0-DBP	H766 POWER SUPPLY ASSEMBLY
D-CS-H766-0-2	H766 POWER SUPPLY
D-UA-5413624-0-0	REGULATOR BOARD
K-PL-5413624-0-DBP	REGULATOR BOARD
D-CS-5413624-0-1	REGULATOR BOARD
E-UA-5413626-0-0	CAPACITOR BOARD
K-PL-5413626-0-DBP	CAPACITOR BOARD
D-CS-5413626-0-1	CAPACITOR BOARD
E-UA-5414012-0-0	MICRO-PROCESSOR
K-PL-5414012-0-DBP	MICRO-PROCESSOR
D-CS-5414012-0-1	MICRO-PROCESSOR
D-BD-5414012-0-2	MICRO-PROCESSOR
D-UA-5413641-0-0	OPERATOR CONTROL PANEL
K-PL-5413641-0-DBP	OPERATOR CONTROL PANEL
D-CS-5413641-0-1	OPERATOR CONTROL PANEL
D-AD-7016976-0-0	SERVO BOARD AND STIFFNER ASSEMBLY
K-PL-7016976-0-DBP	SERVO BOARD AND STIFFNER ASSEMBLY
E-UA-5414014-0-0	SERVO CONTROL
K-PL-5414014-0-DBP	SERVO CONTROL
D-CS-5414014-0-1	SERVO CONTROL
D-BD-5414014-0-2	SERVO CONTROL

UNIT VARIATIONS COVERED BY THIS PRINT SET
R80-AA
R80-AD
R80-AE
R80-AJ

R80
Field Maintenance
Print Set

Digital Equipment
Corporation

Print Set Part Number MP-01419-00

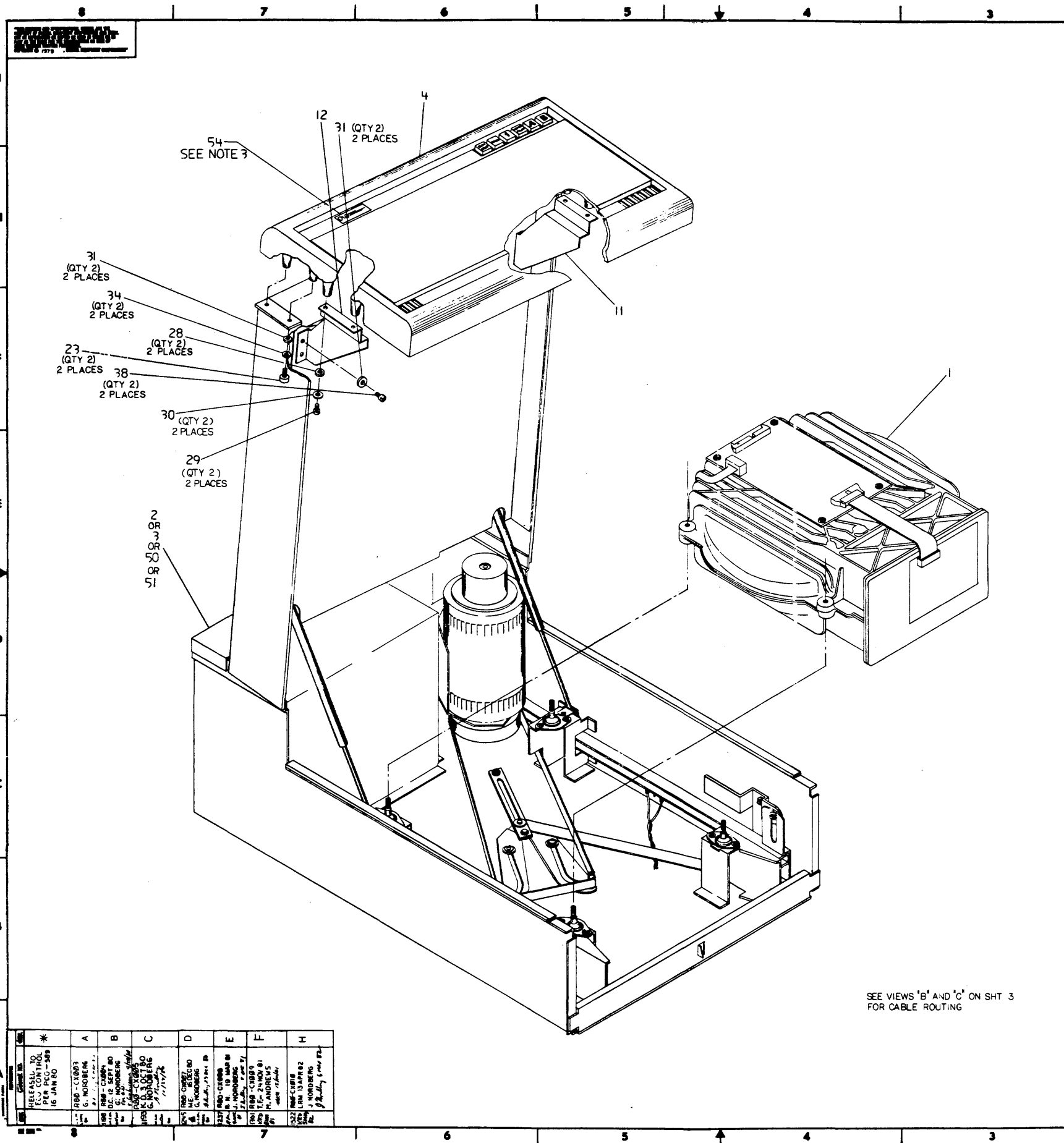
REV. A
B
SIZE CODE
R80-0-1

REVISION HISTORY		DRN.	DATE	TITLE
REV.	A	<i>K. Dair</i>	5 MAY 82	digital
ECO NUMBER	RELEASED TO ECO CONTROL AT REV A	CHK'D.	5 MAY 82	
DATE		DES. ENG.	5 MAY 82	
		RESP. ENG.	5 MAY 82	
		FIELD SERVICE	5 MAY 82	
		NEXT HIGHER DOC.		DOCUMENT NUMBER
				SIZE
				CODE
				NUMBER
				REV.
				A
				SHEET 1 OF 2

THIS DRAWING AND SPECIFICATIONS, HEREIN, ARE THE PROPERTY OF DIGITAL EQUIPMENT CORPORATION AND SHALL NOT BE REPRODUCED OR COPIED OR USED IN WHOLE OR IN PART AS THE BASIS FOR THE MANUFACTURE OR SALE OF ITEMS WITHOUT WRITTEN PERMISSION. 1982. COPYRIGHT © DIGITAL EQUIPMENT CORPORATION

DWG. NO.	DESCRIPTION
E-UA-5413596-0-0	READ/WRITE 1
K-PL-5413596-0-DBP	READ/WRITE 1
D-CS-5413596-0-1	READ/WRITE 1
D-BD-5413596-0-2	READ/WRITE 1
D-UA-5413643-0-0	HDA PCB 1
K-PL-5413643-0-DBP	HDA PCB 1
D-CS-5413643-0-1	HDA PCB 1
D-AD-7016975-0-0	PERSONALITY BD AND STIFF ASSEMBLY
K-PL-7016975-0-DBP	PERSONALITY BD AND STIFF ASSEMBLY
D-UA-5414010-0-0	RM80 PERSONALITY CARD
K-PL-5414010-0-DBP	RM80 PERSONALITY CARD
D-CS-5414010-0-1	RM80 PERSONALITY CARD
D-BD-5414010-0-2	RM80 PERSONALITY CARD

TITLE	DISK DRIVE ASSEMBLY	SHEET 2 OF 2	SIZE CODE	B TC	NUMBER	R80-0-1	REV	A
-------	---------------------	--------------	-----------	------	--------	---------	-----	---



LEGEND	
PART NO.	VARIATION
R80-AA	60 Hz, 120 V
R80-AD	50 Hz, 240 V
R80-AE	60 Hz, FCC
R80-AJ	50 Hz, FCC

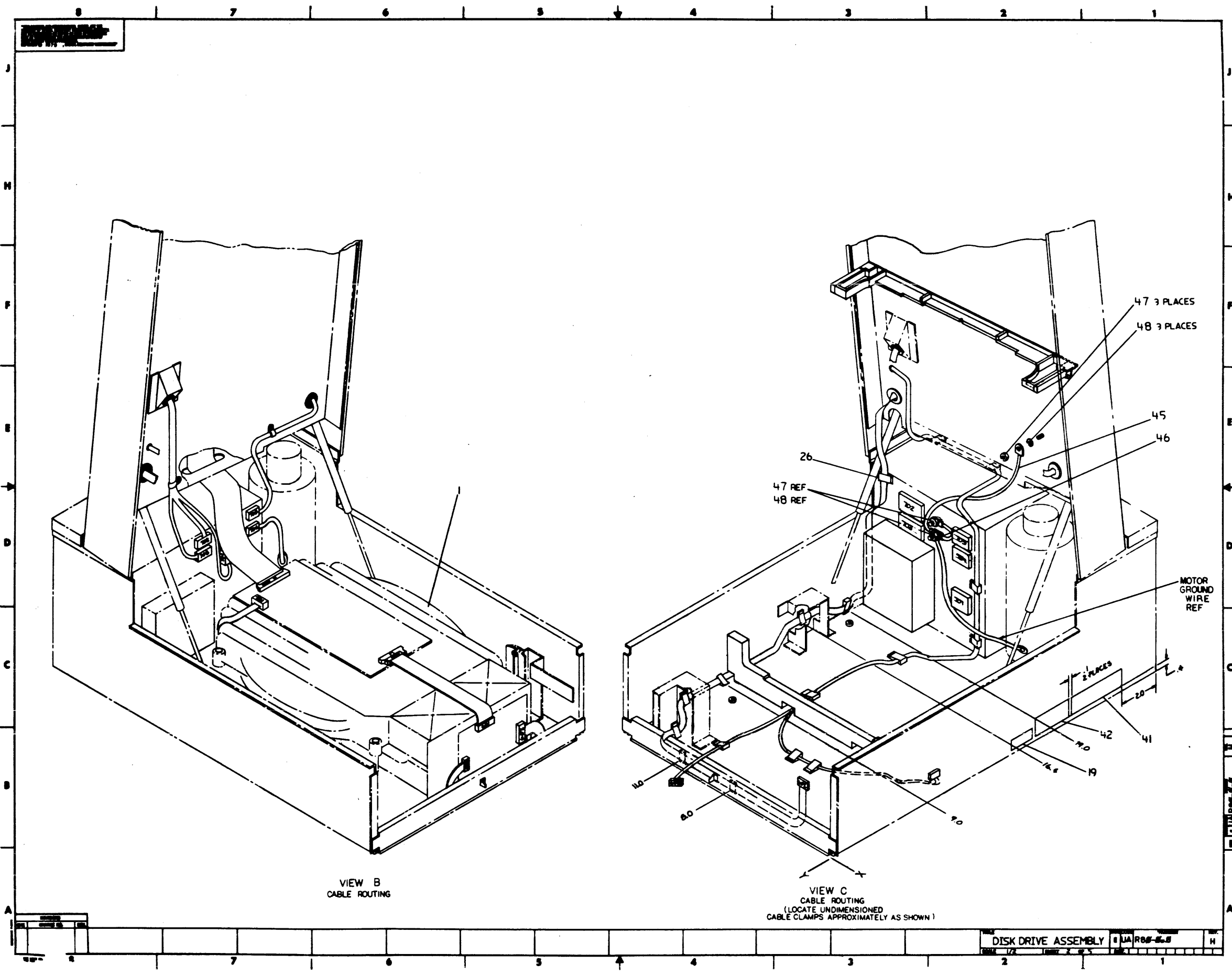
- NOTES:
- ADJUST BELT TO 23±2 LBSTENSION AND INSTALL SHIPPING BRACKET. TIGHTEN BOLT BETWEEN MOTOR MOUNT AND SHIPPING BRACKET SNUG AGAINST SHIPPING BRACKET THEN LOCK IN PLACE BY TIGHTENING NUT ON FRONT SIDE OF SHIPPING BRACKET.
 - DELETED AT REV E
 - APPLICATION FOR BEST ADHESION:
 - REMOVE BACK PAPER PER VENDOR.
 - CLEAN SURFACE TAKING ADHESIVE BACKING WITH SOLVENT, I.E. ISOPROPYL ALCOHOL.
 - RUB ALL LETTERING TO CLEAN AREA BEFORE REMOVING FRONT PAPER FROM DECAL USING A DULL ROUNDED INSTRUMENT. WHEN REMOVING FRONT PAPER, FOLLOW INSTRUCTIONS ON DECAL PER VENDOR.

REV	DATE	BY	CHKD	DESCRIPTION
1	16 JAN 80	G. NOBBERG		RELEASE TO CONTROL
2		G. NOBBERG		REVISED
3		G. NOBBERG		REVISED
4		G. NOBBERG		REVISED
5		G. NOBBERG		REVISED
6		G. NOBBERG		REVISED
7		G. NOBBERG		REVISED
8		G. NOBBERG		REVISED

SEE VIEWS 'B' AND 'C' ON SHT 3 FOR CABLE ROUTING

CAUTION: OFF-SHEET PARTS LIST EXISTS. SEE K-PL-R80-O-DBP (20500)

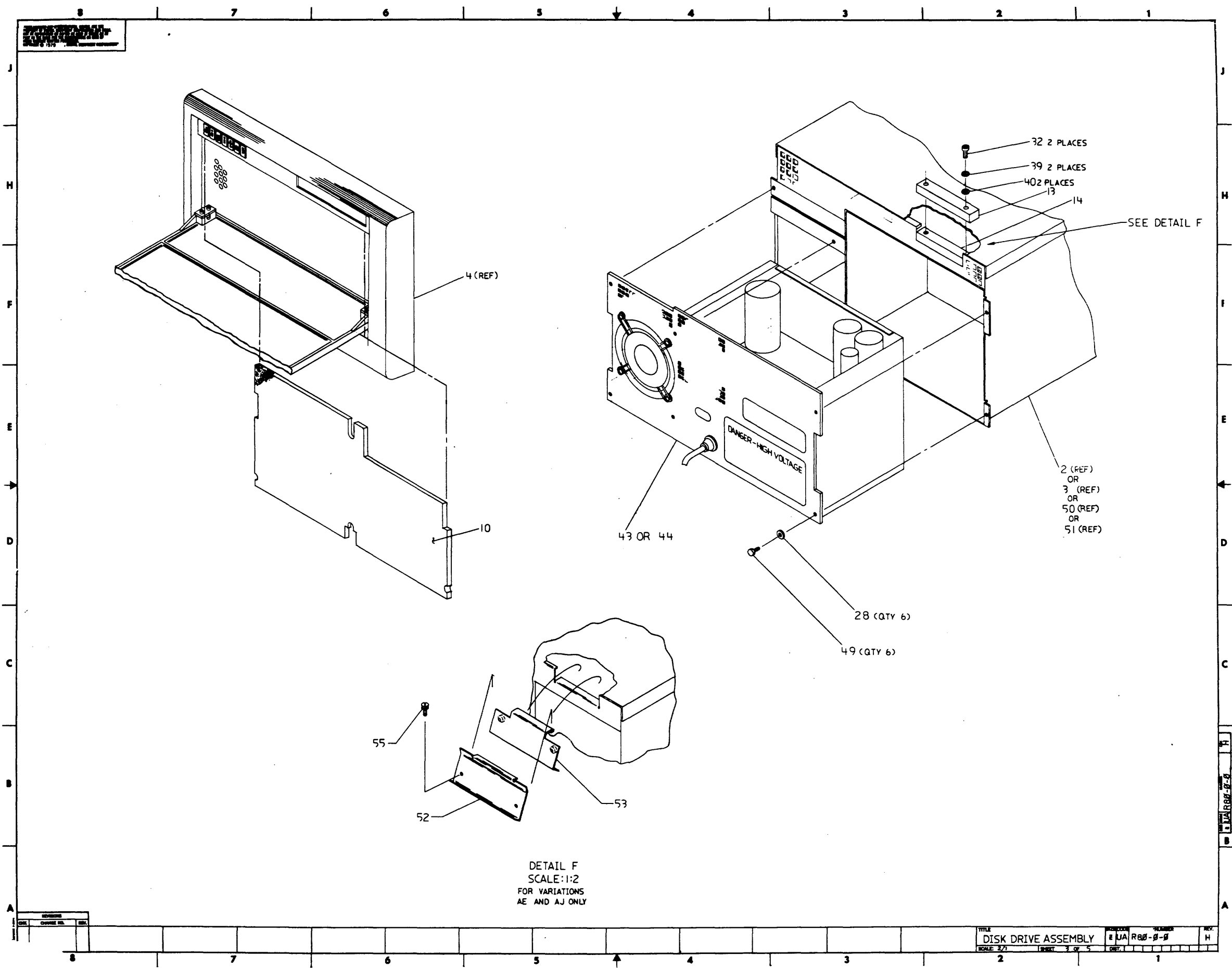
<p>DISK DRIVE ASSEMBLY</p> <p>REV. NO. 0</p> <p>SCALE 1:1</p> <p>SHEET 1 OF 1</p>	<p>DESCRIPTION</p> <p>DISK DRIVE ASSEMBLY</p> <p>ITEM NO.</p> <p>20500</p>
---	--



VIEW B
CABLE ROUTING

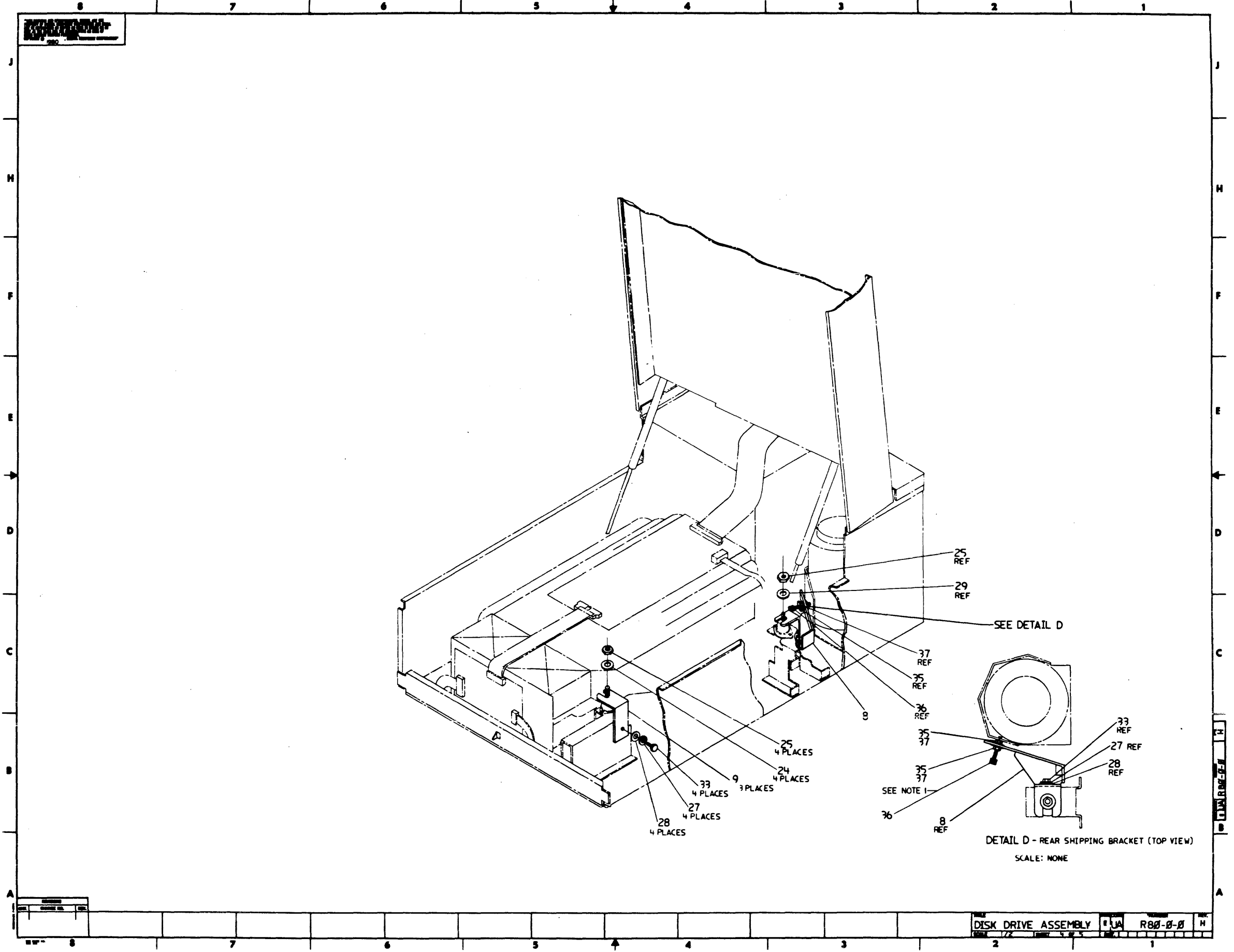
VIEW C
CABLE ROUTING
(LOCATE UNDIMENSIONED
CABLE CLAMPS APPROXIMATELY AS SHOWN)

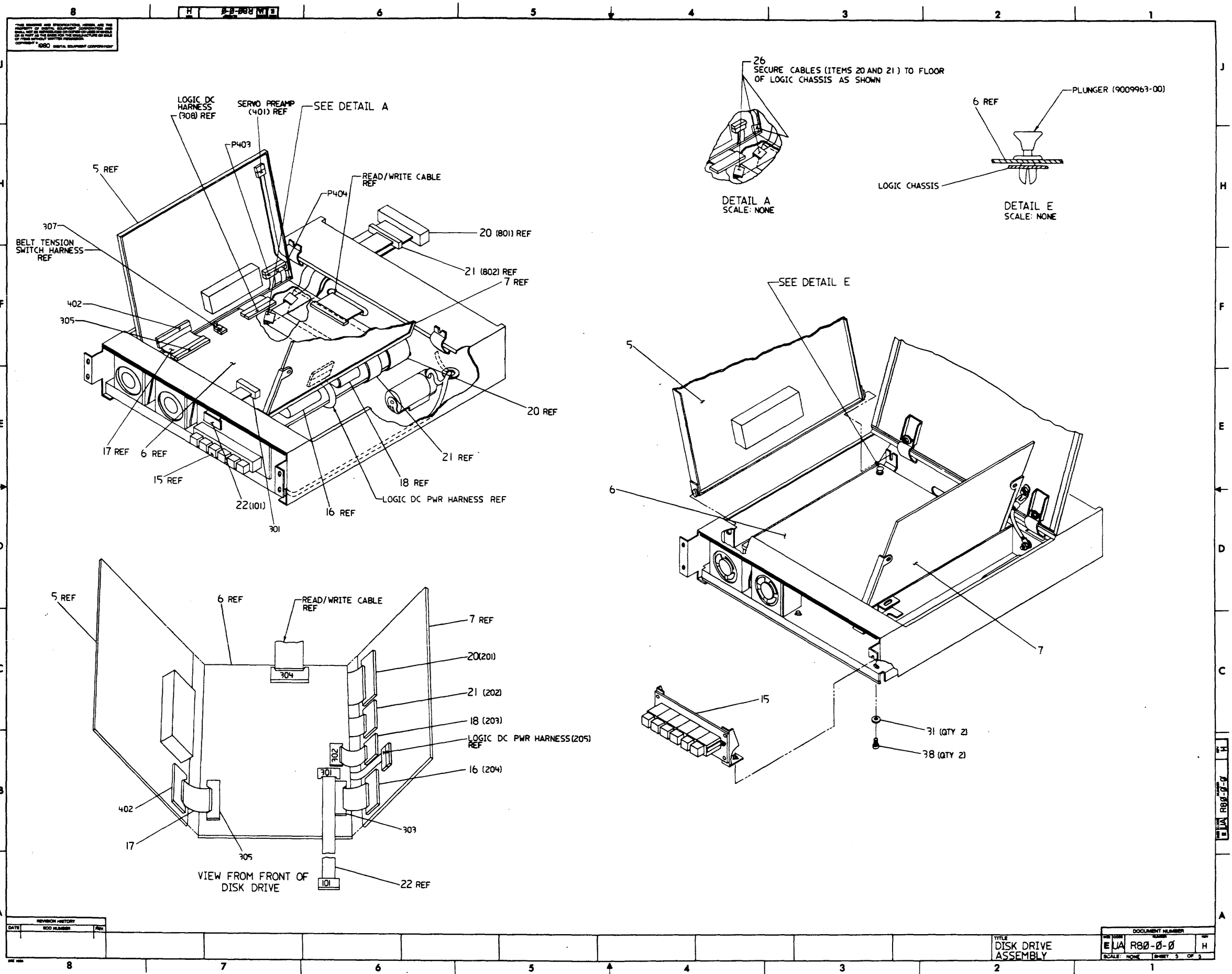
DISK DRIVE ASSEMBLY 8 JA R66-6.5 H



REV	DESCRIPTION	DATE

TITLE	DISK DRIVE ASSEMBLY	REV	1
SCALE	2/1	SHEET	3 of 5
DATE			





REVISION HISTORY		
DATE	ECO NUMBER	REV

TITLE DISK DRIVE ASSEMBLY
 DOCUMENT NUMBER EJA R88-0-0 H
 SCALE NONE SHEET 3 OF 3

LINE ITEM	DOCUMENT NUMBER	PART NUMBER	DESCRIPTION	QUANTITY PER VARIATION				
				AA	AD	AE	AJ	
1	1	C-AD-7016795-0-0	7016795-00	HDA-R/W MOD ASSY	1	1	1	1
2	2	D-AD-7018446-0-0	7018446-00	BASIC DRIVE ASSEMBLY (60)	1	-	-	-
3	3	D-AD-7018446-0-0	7018446-01	BASIC DISK DRIVE ASSEMBLY (50 H)	-	1	-	-
4	4	E-AD-7017340-0-0	7017340-00	BEZEL ASSEMBLY	1	1	1	1
5	5	D-AD-7016976-0-0	7016976-00	SERVO BOARD AND STIFFENER ASSY.	1	1	1	1
6	6	D-UA-5414012-0-0	5414012-00	MICRO PROCESSOR	1	1	1	1
7	7	D-AD-7016975-0-0	7016975-00	PERSONALITY BD & STIFFENER ASSY.	1	1	1	1
8	8	C-MD-7423898-0-0	7423898-00	SHIPPING BRACKET	1	1	1	1
9	9	B-MD-7423897-0-0	7423897-00	SHIPPING BRACKET	3	3	3	3
10	10	C-MD-7422816-0-0	7422816-00	FOAM FILTER	1	1	1	1
11	11	D-MD-7422701-0-0	7422701-00	BRACE (L.H.)	1	1	1	1
12	12	D-MD-7422701-0-0	7422701-01	BRACE (R.H.)	1	1	1	1
13	13	C-MD-7421465-0-0	7421465-00	STRAIN RELIEF (TOP)	1	1	-	-
14	14	C-MD-7422445-0-0	7422445-00	STRAIN RELIEF (BOTTOM)	1	1	-	-
15	15	D-AD-7016974-0-0	7016974-00	OPERATOR CONTROL PANEL ASSY.	1	1	1	1
16	16	C-IA-7016737-0-0	7016737-00	DATA 40 CABLE ASSY.	1	1	1	1
17	17	C-IA-7016737-0-0	7016737-01	R80 DATA 40 CABLE ASSY	1	1	1	1
18	18	C-IA-7016738-0-0	7016738-00	DATA 20 CABLE ASSY (DCL)	1	1	1	1
19	19	A-DC-7416197-0-0	7416197-02	DECAL-UL LISTED EDP	1	1	1	1
20	20	C-IA-7016979-0-0	7016979-00	I/O 60 CABLE ASSEMBLY	1	1	1	1
21	21	C-IA-7016978-0-0	7016978-00	I/O 26 CABLE ASSEMBLY	1	1	1	1
22	22	C-IA-7016740-0-0	7016740-00	CONTROL PANEL CABLE ASSY	1	1	1	1
23	23		9006021-01	SCREW,PAN,PHIL 6-32X 5/16 SS	4	4	4	4
24	24		9007983-00	WASHER, FLAT, .750 O.D. X .312 I	4	4	4	4
25	25		9008203-00	NUT,KEP 1/4-20X 7/16AF	4	4	4	4
26	26		9009636-00	CLAMP, CABLE, FOR FLAT CABLE	3	3	3	3
27	27		9007906-00	WASHER,SPLIT .3340D X .200I	4	4	4	4
28	28		9006664-00	WASHER, FLAT, .437 OD X .218 ID	14	14	14	14
29	29		9006036-01	SCREW,PAN,PHIL 8-32X 5/16 SS	4	4	4	4
30	30		9006690-00	WASHER, LOCK, S.S. #8	4	4	4	4

REVISION HISTORY		BASIC PART NO: 00R80		DRN:	M. ENGLE	DATE:	15-MAY-79	DIGITALL			
ENG!	ECD NUMBER	REV	SECTION A OF A	CHK'D:	R. THELLEN	DATE:	20-AUG-79	TITLE PARTS LIST			
IGN	R80-565	*	SECTION, VARIATION INDEX					DISK DRIVE ASSEMBLY			
IGN	R80-CX003	A	[A] AA,AD,AE,AJ								
IGN	R80-CX004	B									
IGN	R80-CX007	D	[B]	DES.ENG.:	G. NORDBERG	DATE:	25-JAN-80				
JN	R80-CX008	E									
MA	R80-CX009	F	[C]					DOCUMENT NUMBER			
JN	R80-CX010	H		RESP.ENG.:	W. MONTERO	DATE:	25-JAN-80	SIZE	CODE	NUMBER	REV
			[D]					K	PL	R80-0-DBP	H
			[E]	MFG.ENG.:	W. BASSETT	DATE:	25-JAN-80				
			[F]	ASSEMBLY NUMBER:		TOP DOCUMENT NUMBER:		FILE NAME:	EDIT #		
				E-UA-R80-0-0		#B-DD-R80-0		Z0500H.PLS	8		

*THIS DRAWING AND SPECIFICATIONS HEREIN, ARE THE PROPERTY OF DIGITAL EQUIPMENT CORPORATION AND SHALL NOT BE REPRODUCED OR COPIED OR USED IN WHOLE OR IN PART AS THE BASIS FOR THE MANUFACTURE OR SALE OF ITEMS WITHOUT WRITTEN PERMISSION. COPYRIGHT (C) 1982. DIGITAL EQUIPMENT CORPORATION *

LINE ITEM	DOCUMENT NUMBER	PART NUMBER	DESCRIPTION	QUANTITY PER VARIATION			
				AA	AD	AE	AJ
31	31	9006659-00	WASHER, FLAT, .375 O.D. X .156 I	10	10	10	10
32	32	9006015-01	SCREW,PAN,PHIL 4-40X 3/4 SS	2	2	2	2
33	33	9006231-09	SCREW,HEX 10-32X 1/2	4	4	4	4
34	34	9007801-00	WASHER, LOCK, S.S. #6	4	4	4	4
35	35	9009005-00	NUT,HEX , 10-32 X1/4 AF X 3	2	2	2	2
36	36	9006352-08	SCREW,CAP ,SKT , 10-32X 1-1/2	1	1	1	1
37	37	9006668-00	WASHR,FLAT 5/8 ODX 13/64IDX.032	2	2	2	2
38	38	9009708-00	SCREW,PAN,PHIL,TAP'G 6-32X 5/16	6	6	6	6
39	39	9006688-00	WASHER, LOCK, S.S. #4	2	2	2	2
40	40	9006655-00	WASHER, FLAT, .312 O.D. X .125 I	2	2	2	2
41	41	3613209-00	LABEL,ADH BACK,ELC.DATA	1	1	1	1
42	42	3613211-00	DECAL,CLEAR PREPRINTED CSA 1-1/4	1	-	1	-
43	43	D-UA-H766-0-0	OH766-A	1	-	1	-
44	44	D-UA-H766-0-0	OH766-B	-	1	-	1
45	45	1213756-09	GROUND STRAP,9'LG	1	1	1	1
46	46	1213756-03	GROUND STRAP,3' LG	1	1	1	1
47	47	9006565-00	NUT,KEP 10-32X 3/8 AF	3	3	3	3
48	48	9007651-00	WASHER, LOCK, EXTERNAL TOOTH #10	3	3	3	3
49	49	9010075-00	SCREW,HEX WASH,TAP'G 8-32X .375L	6	6	6	6
50	50	D-AD-7018446-0-0	7018446-02	-	-	1	-
51	51	D-AD-7018446-0-0	7018446-03	-	-	-	1
52	52	C-MD-7426854-0-0	7426854-01	-	-	1	1
53	53	C-IA-7426853-0-0	7426853-01	-	-	1	1
54	54	3617314-02	LABEL,R80 DISK DRIVE	-	-	1	1
55	55	9009988-00	SCREW, SEMS, SLOTTED HEX HD 1/4-	-	-	2	2
56	56	3700588-00	PKG DISK DRIVE R80	-	-	1	1

57 NOTE: - LEGEND
 58 NOTE: PART NUMBER VARIATION
 59 NOTE: R80-AA 120V/60HZ- NOT FCC COMPLIANT
 60 NOTE: R80-AD 240V/50HZ- NOT FCC COMPLIANT
 61 NOTE: R80-AE 120V/60HZ-FCC COMPLIANT
 62 NOTE: R80-AJ 240V/50HZ- FCC COMPLIANT

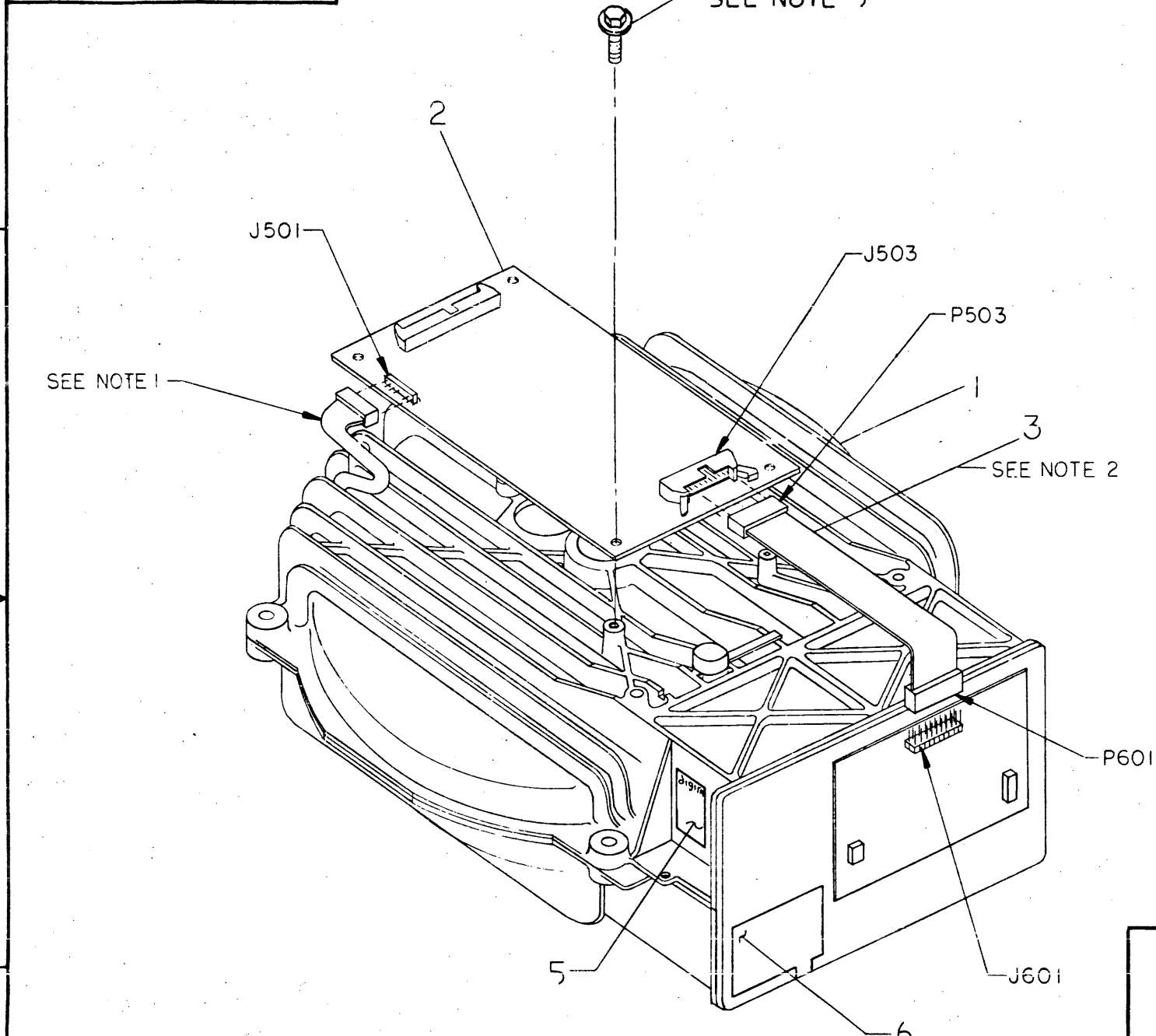
! D ! I ! G ! I ! T ! A ! L !	! TITLE	! SECTION A OF A	! SIZE ! CODE !	! DOCUMENT NUMBER	! REV
! ! ! ! ! ! ! !	DISK DRIVE ASSEMBLY	! ! ! ! ! ! ! !	! K ! PL !	R80-0-DBP	! H !

"THIS DRAWING AND SPECIFICATIONS, HEREIN, ARE THE PROPERTY OF DIGITAL EQUIPMENT CORPORATION AND SHALL NOT BE REPRODUCED OR COPIED OR USED IN WHOLE OR IN PART AS THE BASIS FOR THE MANUFACTURE OR SALE OF ITEMS WITHOUT WRITTEN PERMISSION. COPYRIGHT © 1979, DIGITAL EQUIPMENT CORPORATION"

NOTES:
 1. CABLE FROM TRANSDUCER ASSEMBLY (PART OF ITEM 1 - ON BOTTOM SIDE OF ITEM 1) TO BE ROUTED BETWEEN RIBS SHOWN ON BOTH SIDES OF HEAD/DISK ASSY (ITEM 1) AND PLUGGED INTO CONNECTOR J501 ON READ/WRITE MODULE (ITEM 2).
 2. ATTACH DATA CABLE (ITEM 3) POINT TO POINT BETWEEN J503 ON READ/WRITE MODULE (ITEM 2) AND J601 ON HDA I MODULE (PART OF ITEM 1) ENSURING CABLE DOES NOT TWIST.
 3. TORQUE SCREWS (ITEM 4) TO 20 ± 3 IN.-LBS.

D
C
B
A

C
B
A



CAUTION: OFF SHEET PARTS LIST EXISTS.
 SEE K-PL-7016795-0-DBP (ZØ833).

REV.	CHG. NO.	DESCRIPTION	DATE	BY	CHK.
*		RELEASED TO ECO CONTROL REV X00 PER PCO # 593.	7 FEB 80		
A		7016795 CX001 T.F. 7 JULY 81 M. ANDREWS			
B		7016795 CX002 M. POLLARD L.R.M. 9 APR 82			

DESCRIPTION	DWG./PART NO.	ITEM NO.
UNLESS OTHERWISE SPECIFIED DIMENSIONS ARE IN INCHES		
ANGLES ±0° 30'	CLASS OF ACCURACY (CHECK ONE)	NOMINAL DIMENSION RANGE INCHES
SURFACE QUALITY IN MICROINCHES	MEDIUM <input type="checkbox"/>	OVER 0 TO 0.2 ±.004
	PREFERRED <input checked="" type="checkbox"/>	OVER 0.2 TO 1.2 ±.008
		OVER 1.2 TO 4.0 ±.012
		OVER 4.0 TO 12.0 ±.016
		OVER 12.0 TO 40.0 ±.024
		OVER 40.0 TO 80.0 ±.04
		OVER 80.0 TO 160.0 ±.063
		OVER 160.0 TO 320.0 ±.1
THIRD ANGLE PROJECTION	DRN. <i>M. Andrews</i> 2 FEB 79	FIRST USED ON R80 digital
REMOVE BURRS AND BREAK SHARP CORNERS	CHK'D <i>E. Hall</i> 16 FEB 80	TITLE HDA-R/W MODULE ASSEMBLY
DO NOT SCALE DWG	ENG. <i>J. King</i> 4 FEB 80	PROJECT <i>Andrews</i> 19 FEB 80
MATERIAL SEE PARTS LIST	PROD. <i>Shubert</i> 14 FEB 80	SIZE CODE NUMBER REV. C AD 7016795-0-0 B
FINISH	SCALE NONE	SHEET 1 OF 1

SIZE CODE NUMBER REV. C AD 7016795-0-0 B

LINE ITEM	DOCUMENT NUMBER	PART NUMBER	DESCRIPTION	QUANTITY PER VARIATION 00
1	E-AD-7016225-0-0	7016225-00	HEAD/DISK ASSEMBLY	1
2	D-UA-5413596-0-0	5413596-00	READ/WRITE	1
3	C-IA-7016738-0-0	7016738-01	R80 DATA 20 CABLE ASSY	1
4		9010075-00	SCREW,HEX WASH,TAP'G 8-32X .375L	4
5		3618566-01	LABEL,DATA	1
6		3618565-01	LABEL,ATTENTION	1

REVISION HISTORY			BASIC PART NO: 7016795			D I G I T A L		
ENG	ECO NUMBER	REV	SECTION A OF A	DRN:	M. KONSHAK	DATE:	07-SEP-79	
	INITIAL	*	SECTION. VARIATION INDEX	CHK'D:	R. E. THELLEN	DATE:	13-FEB-80	TITLE
MA	7016795-CX001	A	[A] 00					PARTS LIST
MP	7016795-CX002	B						HDA-R/W MODULE ASSEMBLY
	<i>2nd P 4/14/82</i>		[B]	DES.ENG.:	J. READ	DATE:	13-FEB-80	
			[C]					DOCUMENT NUMBER
			[D]	RESP.ENG.:	P. SVENDSEN	DATE:	13-FEB-80	
			[E]	MFG.ENG.:	P. SHINKEVICH	DATE:	13-FEB-80	SIZE CODE NUMBER REV
			[F]	ASSEMBLY NUMBER:		TOP DOCUMENT NUMBER:		K PL 7016795-0-DBP B
				C-AD-7016795-0-0		# B-DD-R80-0		FILE NAME: EDIT #
								Z0833B.PLS 13

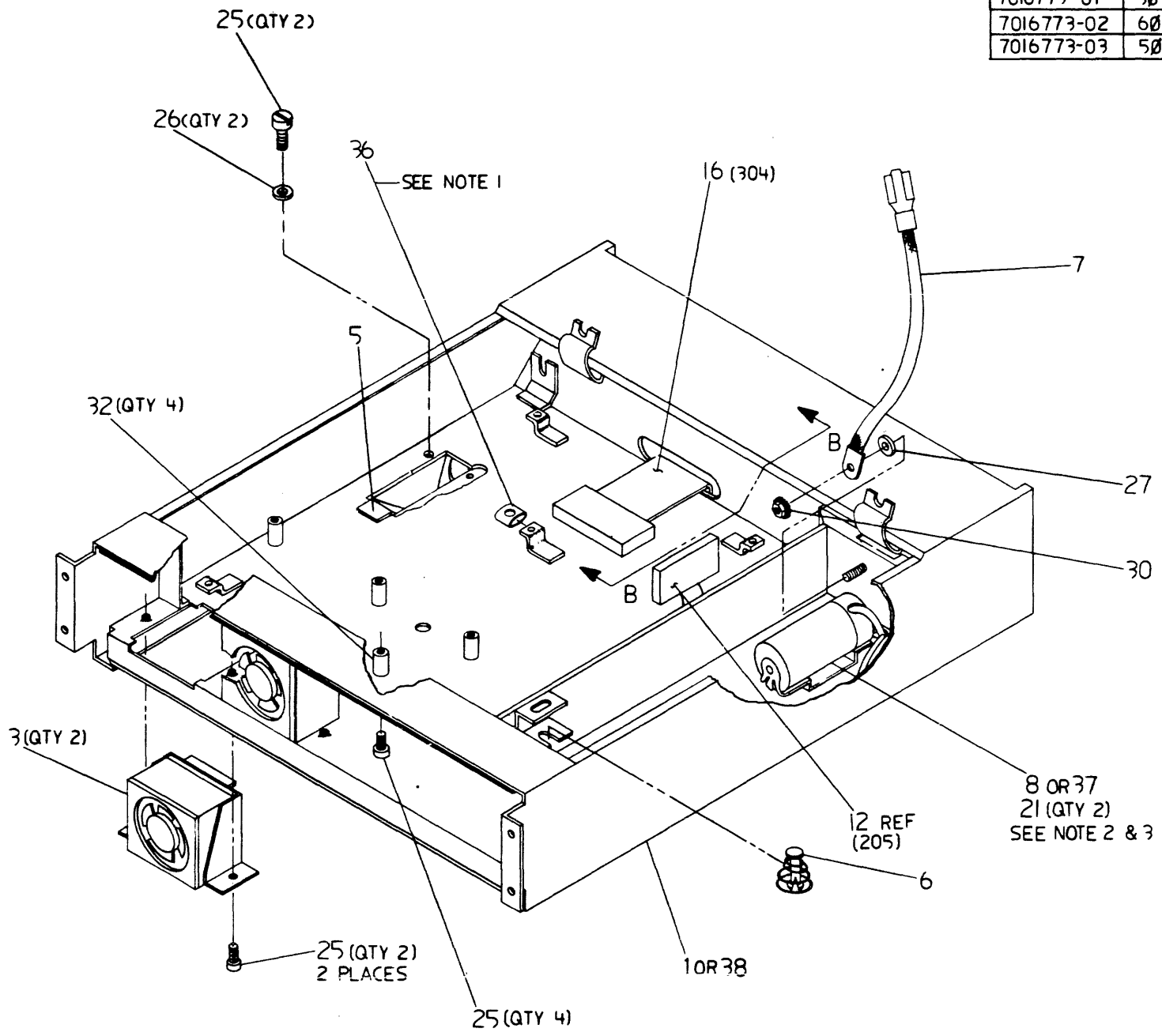
*THIS DRAWING AND SPECIFICATIONS HEREIN, ARE THE PROPERTY OF DIGITAL EQUIPMENT CORPORATION AND SHALL NOT BE REPRODUCED OR COPIED OR USED IN WHOLE OR IN PART AS THE BASIS FOR THE MANUFACTURE OR SALE OF ITEMS WITHOUT WRITTEN PERMISSION. COPYRIGHT (C) 1982. DIGITAL EQUIPMENT CORPORATION *

THIS DRAWING AND SPECIFICATIONS HEREIN ARE THE PROPERTY OF DIGITAL EQUIPMENT CORPORATION AND SHALL NOT BE REPRODUCED OR COPIED OR USED IN WHOLE OR IN PART AS THE BASIS FOR THE MANUFACTURE OR SALE OF ITEMS WITHOUT WRITTEN PERMISSION.
COPYRIGHT © 1980 DIGITAL EQUIPMENT CORPORATION

DAD 7016773-0-0

LEGEND	
PART NO.	VARIATION
7016773-00	60 HZ 120 V
7016773-01	50 HZ 240 V
7016773-02	60 HZ FCC
7016773-03	50 HZ FCC

- NOTES:
- ITEM 36 (INSULATOR) TO BE SHRINK-FITTED INTO PLACE AS SHOWN (5 PLACES)
 - 43-53 μF START CAPACITOR REQUIRED IN DRIVES EQUIPPED WITH 50HZ MOTOR. PART NO. 1216578-01.
 - 53-64 μF START CAPACITOR REQUIRED IN DRIVES EQUIPPED WITH 50HZ MOTOR PART NO. 1216578-02.



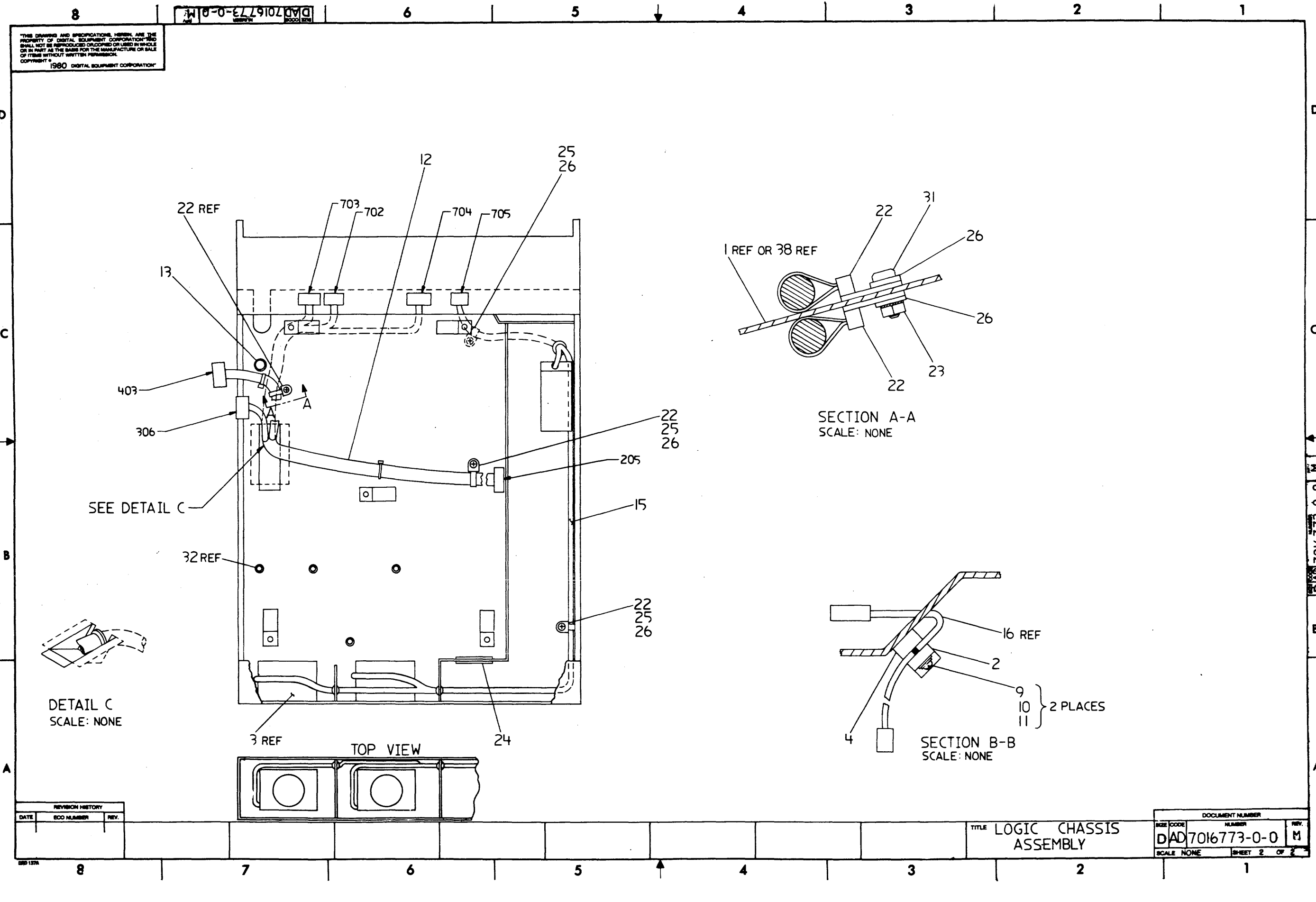
CAUTION: OFF-SHEET PARTS LIST EXISTS.
SEE K-PL-7016773-0-DBP (ZØ495).

REV.	DATE	DESCRIPTION
1	12/15/79	REDRAWN AND REVISED PER ECO R88-CXØØ4
2	1/20/80	G.C. 20 SEPT 80
3	1/20/80	G. NORDBERG
4	1/20/80	R88-CXØØ7
5	1/20/80	ME 16 DEC 80
6	1/20/80	G. NORDBERG
7	1/20/80	20 SEPT 80
8	1/20/80	R88-CXØØ8
9	1/20/80	R.N. 24 MAR 81
10	1/20/80	J. NORDBERG
11	1/20/80	J. NORDBERG
12	1/20/80	7016446 CXØØ1
13	1/20/80	DB. 21 MAY 81
14	1/20/80	J. NORDBERG
15	1/20/80	J. NORDBERG
16	1/20/80	7016773 CXØØ2
17	1/20/80	TF-22 JUNE 81
18	1/20/80	J. NORDBERG
19	1/20/80	J. NORDBERG
20	1/20/80	7016773-CXØØ3
21	1/20/80	TF-15 SEPT 81
22	1/20/80	J. NORDBERG
23	1/20/80	J. NORDBERG
24	1/20/80	7016773-CXØØ4
25	1/20/80	K.D. 8 OCT 81
26	1/20/80	J. NORDBERG
27	1/20/80	J. NORDBERG
28	1/20/80	7016773-CXØØ5
29	1/20/80	T.F. 27 OCT 81
30	1/20/80	J. NORDBERG
31	1/20/80	J. NORDBERG
32	1/20/80	R88-CXØØØ
33	1/20/80	LRM 14 APR 82
34	1/20/80	J. NORDBERG
35	1/20/80	R88-CXØØØ
36	1/20/80	LRM 14 APR 82
37	1/20/80	J. NORDBERG
38	1/20/80	7016446-CXØØ2
39	1/20/80	RLB 14 MAY 82
40	1/20/80	J. NORDBERG
41	1/20/80	J. NORDBERG

DESCRIPTION	DRAWING NO.	PART NO.	ITEM NO.
UNLESS OTHERWISE SPECIFIED DIMENSIONS ARE IN INCHES AND THE FOLLOWING TOLERANCES APPLY (PER DEC STD 114)			
INCHES TOLERANCES	ANGLES ± 0°30'	APPLICABLE DIMENSION RANGE (CHECK ONE)	OVER 0 TO 0.2
			OVER 0.2 TO 1.2
X = ± .1 XX = ± .02 XXX = ± .008	SURFACE QUALITY	MICROINCHES	OVER 1.2 TO 4.0
			OVER 4.0 TO 12.0
QUANTITY & VARIATION	THIRD ANGLE PROJECTION	DATE	OVER 12.0 TO 48.0
			DATE
DO NOT SCALE DRAWING		TITLE	
REMOVE BURRS AND BREAK SHARP CORNERS		digital	
MATERIAL		LOGIC CHASSIS ASSEMBLY	
SEE PARTS LIST		DOCUMENT NUMBER	
FINISH		DAD 7016773-0-0	
		SCALE NONE	
		SHEET 1 OF 2	

THIS DRAWING AND SPECIFICATIONS HEREIN ARE THE PROPERTY OF DIGITAL EQUIPMENT CORPORATION. NO PART SHALL BE REPRODUCED OR USED IN WHOLE OR IN PART AS THE BASIS FOR THE MANUFACTURE OR SALE OF ITEMS WITHOUT WRITTEN PERMISSION. COPYRIGHT © 1980 DIGITAL EQUIPMENT CORPORATION

DAD 7016773-0-0 M



DETAIL C
SCALE: NONE

SECTION A-A
SCALE: NONE

SECTION B-B
SCALE: NONE

REVISION HISTORY		
DATE	ECO NUMBER	REV.

TITLE LOGIC CHASSIS
ASSEMBLY

DOCUMENT NUMBER		
SIZE CODE	NUMBER	REV.
DAD	7016773-0-0	M
SCALE NONE	SHEET 2 OF 2	

DAD 7016773-0-0 M

LINE ITEM	DOCUMENT NUMBER	PART NUMBER	DESCRIPTION	QUANTITY PER VARIATION				
				00	01	02	03	
1	1	D-IA-7016778-0-0	7016778-00	LOGIC WELDMENT	1	1	-	-
2	2	C-MD-7421465-0-0	7421465-00	STRAIN RELIEF (TOP)	1	1	1	1
3	3	C-AD-7016745-0-0	7016745-00	FAN AND BRACKET ASSY.	2	2	2	2
4	4	C-MD-7422445-0-0	7422445-00	STRAIN RELIEF (BOTTOM)	1	1	1	1
5	5	C-MD-7422702-0-0	7422702-00	RETAINER, LOGIC CABLE	1	1	1	1
6	6		1216878-00	SPRING, FOR EJECTOR PANEL	1	1	-	-
7	7	D-IA-7017610-0-0	7017610-0E	STRAP, GROUNDING (5")	1	1	1	1
8	8		1016924-00	297 MFD 165V AL EL	1	-	1	-
9	9		9006015-01	SCREW, MACH PAN PHIL 4-	2	2	2	2
10	10		9006655-00	WASHER, FLAT SST	2	2	2	2
11	11		9006688-00	WASHER, HELICAL SPLIT SST	2	2	2	2
12	12	E-IA-7018331-0-0	7018331-00	LOGIC DC POWER HARNESS	1	1	1	1
13	13		9007018-00	GROMMET, RUBBER	1	1	1	1
14	14	C-IA-7016978-0-0	7016978-00	*** THIS ITEM IS NOT USED ***	-	-	-	-
15	15	D-IA-7016733-0-0	7016733-00	LOGIC AC HARNESS	1	1	1	1
16	16	C-IA-7016739-0-0	7016739-00	READ/WRITE CABLE ASSY.	1	1	1	1
17	17	C-IA-7016737-0-0	7016737-00	*** THIS ITEM IS NOT USED ***	-	-	-	-
18	18	C-IA-7016738-0-0	7016738-00	*** THIS ITEM IS NOT USED ***	-	-	-	-
19	19	B-IA-7016735-0-0	7016735-00	*** THIS ITEM IS NOT USED ***	-	-	-	-
20	20	D-IA-7016980-0-0	7016980-00	*** THIS ITEM IS NOT USED ***	-	-	-	-
21	21		9006037-02	SCREW, MACH FLAT PHIL 8-	2	2	2	2
22	22		9007033-00	TIE, CABLE BUNDL. DIA 0-1-3/4"=101	4	4	4	4
23	23		9006560-00	NUT, KEP 6-32X 5/16AF	1	1	1	1
24	24		9007035-00	GROMMET, CATERPILLAR NYLON	A/R	A/R	A/R	A/R
25	25		9009708-00	SCREW, TAP PAN PHIL THD RL 6-	13	13	13	13
26	26		9006659-00	WASHER, FLAT STEEL	7	7	7	7
27	27		9007651-00	WASHER, LOCK EXTERNAL STEEL	1	1	1	1
28	28	C-IA-7016740-0-0	7016740-00	*** THIS ITEM IS NOT USED ***	-	-	-	-
29	29	C-IA-7016737-0-0	7016737-01	*** THIS ITEM IS NOT USED ***	-	-	-	-
30	30		9006565-00	NUT, KEP 10-32X 3/8 AF	1	1	1	1

REVISION HISTORY		BASIC PART NO: 7016773		DRN:	M. ENGLE	DATE: 14-AUG-79	DIGITAL				
ENG!	ECO NUMBER	REV	SECTION A OF A	CHK'D:	B. MAJOR	DATE: 14-AUG-79	TITLE		PARTS LIST		
GRN!	R80-565	*	SECTION. VARIATION INDEX			DATE: 14-AUG-79					
GN!	7016773-CX001	A	[A] 00,01,02,03				LOGIC CHASSIS ASSEMBLY				
GN!	R80-CX004	B									
GN!	R80-CX007	C	[B]	DES.ENG.:	A. CLARK	DATE: 14-AUG-79					
JN!	R80-CX008	D									
JN!	7016773-CX002	F	[C]				DOCUMENT NUMBER				
JN!	7016773-CX003	H		RESP.ENG.:	B. MONTERO	DATE: 14-AUG-79					
JN!	7016773-CX004	J	[D]				SIZE!	CODE!	NUMBER	REV	
JN!	7016773-CX005	K									
JN!	R80-CX010	L	[E]	MFG.ENG.:	W. EHRMANN	DATE: 14-AUG-79	K	PL	7016773-0-DBP	M	
JN!	7018446-CX002	M	[F]	ASSEMBLY NUMBER:		TOP DOCUMENT NUMBER:	FILE NAME:		EDIT #!		
				E-AD-7016773-0-0		#B-DD-7018446-0	Z0495M.FLS		9		

THIS DRAWING AND SPECIFICATIONS HEREIN, ARE THE PROPERTY OF DIGITAL EQUIPMENT CORPORATION AND SHALL NOT BE REPRODUCED OR COPIED OR USED IN WHOLE OR IN PART AS THE BASIS FOR THE MANUFACTURE OR SALE OF ITEMS WITHOUT WRITTEN PERMISSION.
 COPYRIGHT (C) 1982, DIGITAL EQUIPMENT CORPORATION

LINE ITEM	DOCUMENT NUMBER	PART NUMBER	DESCRIPTION	QUANTITY PER VARIATION			
				00	01	02	03
31	31	9006024-01	SCREW,MACH PAN PHIL 6-	1	1	1	1
32	32	9009556-00	SPACER,RND,THD 6-32X 9/16L	4	4	4	4
33	33	9009636-00	*** THIS ITEM IS NOT USED ***	-	-	-	-
34	34	1017217-00	*** THIS ITEM IS NOT USED ***	-	-	-	-
35	35	9007253-02	*** THIS ITEM IS NOT USED ***	-	-	-	-
36	36	B-MD-7425331-0-0	7425331-00 INSULATOR	5	5	5	5
37	37	1019003-01	53-64MFD 330V AL EL	-	1	-	1
38	38	D-IA-7016778-0-0	7016778-01 LOGIC WELDMENT (FCC COMPLIANT)	-	-	1	1

39 NOTE:

LEGEND

NOTE:	PART NUMBER	VARIATION	
40	7016773-00	120V/60HZ	NOT FCC COMPLIANT
41	7016773-01	240V/50HZ	NOT FCC COMPLIANT
42	7016773-02	120V/60HZ	FCC COMPLIANT
43	7016773-03	240V/50HZ	FCC COMPLIANT

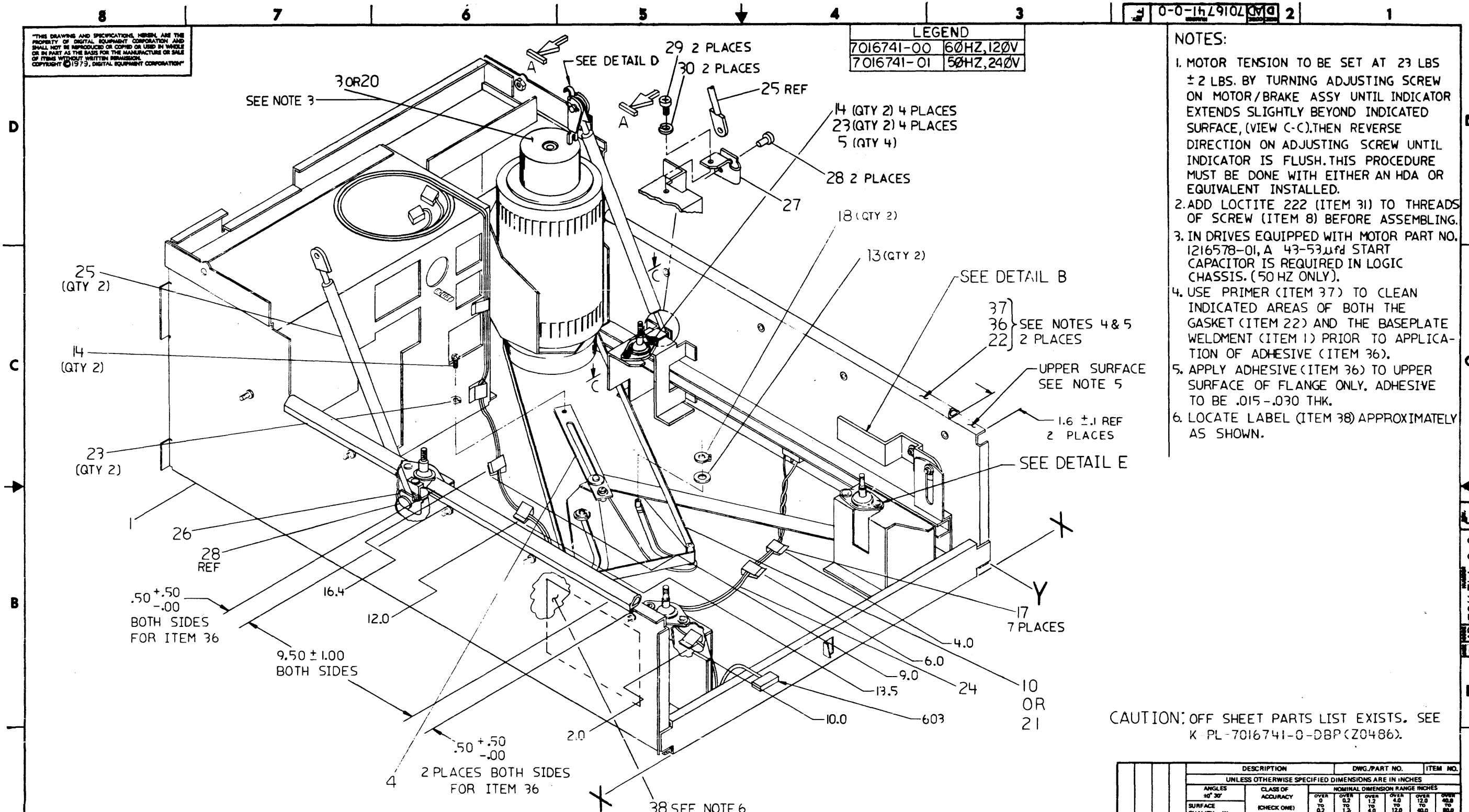
! D ! I ! G ! I ! T ! A ! L !	! TITLE	! SECTION A OF A	! SIZE ! CODE !	! DOCUMENT NUMBER	! REV !
	LOGIC CHASSIS ASSEMBLY.		K ! PL !	7016773-0-DBP	M

THIS DRAWING AND SPECIFICATIONS, HEREIN, ARE THE PROPERTY OF DIGITAL EQUIPMENT CORPORATION AND SHALL NOT BE REPRODUCED OR COPIED OR USED IN WHOLE OR IN PART AS THE BASIS FOR THE MANUFACTURE OR SALE OF ITEMS WITHOUT WRITTEN PERMISSION. COPYRIGHT © 1973, DIGITAL EQUIPMENT CORPORATION

LEGEND	
7016741-00	60HZ, 120V
7016741-01	50HZ, 240V

NOTES:

- MOTOR TENSION TO BE SET AT 23 LBS ± 2 LBS. BY TURNING ADJUSTING SCREW ON MOTOR/BRAKE ASSY UNTIL INDICATOR EXTENDS SLIGHTLY BEYOND INDICATED SURFACE, (VIEW C-C). THEN REVERSE DIRECTION ON ADJUSTING SCREW UNTIL INDICATOR IS FLUSH. THIS PROCEDURE MUST BE DONE WITH EITHER AN HDA OR EQUIVALENT INSTALLED.
- ADD LOCTITE 222 (ITEM 31) TO THREADS OF SCREW (ITEM 8) BEFORE ASSEMBLING.
- IN DRIVES EQUIPPED WITH MOTOR PART NO. 1216578-01, A 43-53µfd START CAPACITOR IS REQUIRED IN LOGIC CHASSIS. (50 HZ ONLY).
- USE PRIMER (ITEM 37) TO CLEAN INDICATED AREAS OF BOTH THE GASKET (ITEM 22) AND THE BASEPLATE WELDMENT (ITEM 1) PRIOR TO APPLICATION OF ADHESIVE (ITEM 36).
- APPLY ADHESIVE (ITEM 36) TO UPPER SURFACE OF FLANGE ONLY. ADHESIVE TO BE .015-.030 THK.
- LOCATE LABEL (ITEM 38) APPROXIMATELY AS SHOWN.



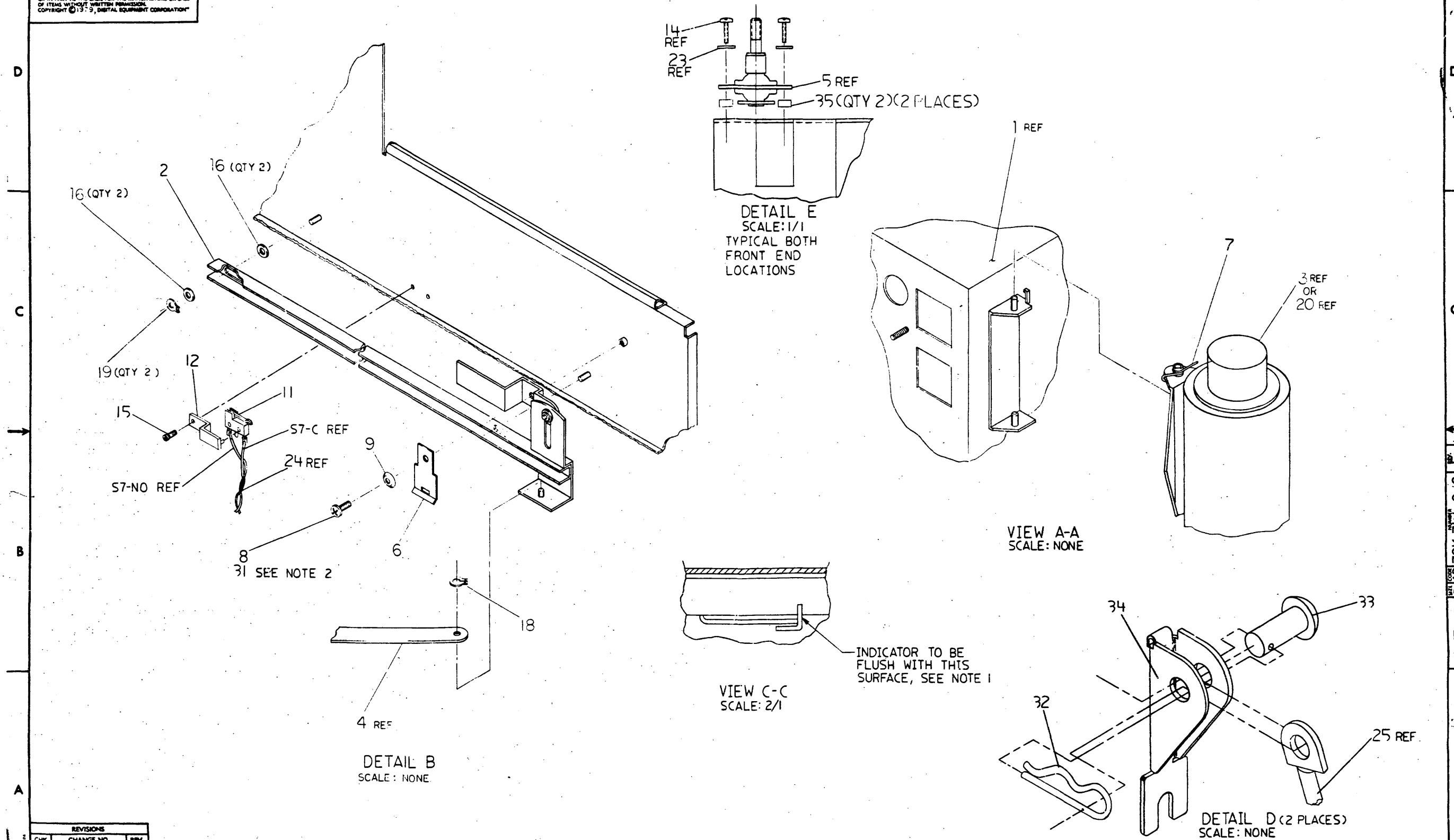
CAUTION: OFF SHEET PARTS LIST EXISTS. SEE K PL-7016741-0-DBP (Z0486).

REV.	* A	B	C	D	E	F
1	7016741-CX001 G. NORDBERG 18 JAN 80	R80-CX004 DC 18 SEP 80 G. NORDBERG	1237 R80-CX008 R. N. 24 MAR 81 J. NORDBERG	7018446-CX001 DB. 21 MAY 81 J. NORDBERG	1367 7016741-CX002 LE. 17 JAN 82 G. FRENCHMAN	1367 7016741-CX003 K.D. 6 FEB 82 J. NORDBERG

QUANTITY & VARIATION	DESCRIPTION	DWG./PART NO.	ITEM NO.
UNLESS OTHERWISE SPECIFIED DIMENSIONS ARE IN INCHES			
ANGLES 20° 30°	CLASS OF ACCURACY	NOMINAL DIMENSION RANGE INCHES	
SURFACE QUALITY IN	(CHECK ONE)	OVER 0 TO 0.2	OVER 0.2 TO 0.5
MICROINCHES	MEDIUM	OVER 0.5 TO 1.0	OVER 1.0 TO 2.0
	PREFERRED	OVER 2.0 TO 4.0	OVER 4.0 TO 8.0
		OVER 8.0 TO 12.0	OVER 12.0 TO 20.0
		OVER 20.0 TO 40.0	OVER 40.0 TO 80.0
		OVER 80.0 TO 100.0	OVER 100.0 TO 160.0
THIRD ANGLE PROJECTION	DRN	FIRST USED ON	
REMOVE BURRS AND BREAK SHARP CORNERS	CHK'D	TITLE	
DO NOT SCALE DWG	ENG.	LOWER CHASSIS ASSY	
MATERIAL SEE PARTS LIST	PROJ. ENG.	SIZE	NUMBER
FINISH	PROD'D	D-AD-7018446-0-0	D AD 7016741-0-0
	NEXT HIGHER ASSY.	SCALE NONE	REV F
		SHEET 1 OF 2	DIST. 1

D AD 7016741-0-0 F

THIS DRAWING AND SPECIFICATIONS HEREIN ARE THE PROPERTY OF DIGITAL EQUIPMENT CORPORATION AND SHALL NOT BE REPRODUCED OR COPIED OR USED IN WHOLE OR IN PART AS THE BASIS FOR THE MANUFACTURE OR SALE OF ITEMS WITHOUT WRITTEN PERMISSION. COPYRIGHT © 1973, DIGITAL EQUIPMENT CORPORATION



REVISIONS		
CHK	CHANGE NO.	REV.

TITLE	SIZE CODE	NUMBER	REV.
LOWER CHASSIS ASSY	D AD	7016741-0-0	F
SCALE: NONE	SHEET 2 OF 2	DIST.	

DAD 7016741-0-0 F

LINE ITEM	DOCUMENT NUMBER	PART NUMBER	DESCRIPTION	QUANTITY PER VARIATION	
				00	01
1	1	D-IA-7016234-0-0	7016234-00	WELDMET BASEPLATE	1 1
2	2	D-AD-7016724-0-0	7016724-00	ASSEMBLY, ACTUATOR (BTRM)	1 1
3	3	C-AD-7016723-0-0	7016723-00	MOTOR ASSEMBLY	1 -
4	4	C-IA-7016230-0-0	7016230-00	ASSEMBLY, WING PIVOT (BTRM)	1 1
5	5		1216902-00	MOUNT,SHOCK,RUBBER	4 4
6	6	B-MD-7421993-0-0	7421993-00	SPRING, HANDLE LOCK	1 1
7	7	B-MD-7422440-0-0	7422440-00	SPRING, BELT RELEASE	1 1
8	8		9009836-00	SCREW,TRUSS,PHILLIPS, 8-32X1/4	1 1
9	9		9010204-00	WASHER, SPRING, .625 OD X .317 I	1 1
10	10		1212635-03	BELT,WOVEN,ENDLESS,1/2"W X 35.68	1 -
11	11		1214011-00	SW,MICRO 1PDT NC-NO 5A	1 1
12	12	K-MD-7425943-0-DBU	7425943-01	BRACKET,SWITCH	1 1
13	13		9006714-00	WASHER, NYLON, FLAT #10 .500 OD	2 2
14	14		9009514-01	SCREW,PAN,PHIL,TAP'G 6-32X .375	10 10
15	15		9009905-00	SCREW, PHILLIPS PAN HD, TAPTITE	1 1
16	16		9008990-00	WASHER, MICRO-SWITCH, NYLON, 25	4 4
17	17		9009636-00	CLAMP, CABLE, FOR FLAT CABLE	7 7
18	18		9008137-00	RING, RETAINING, EXTERNAL, FOR 1	3 3
19	19		9007784-00	RING, RETAINING, EXTERNAL, FOR 3	2 2
20	20	D-AD-7016723-0-0	7016723-01	MOTOR ASSY. (50HZ)	- 1
21	21		1212635-04	BELT,WOVEN,ENDLESS,1/2"W X 36.81	- 1
22	22	B-MD-7426251-0-0	7426251-06	GASKET,CONDUCTING (18.25 LG)	2 2
23	23		9007801-00	WASHER, LOCK, S.S. #6	10 10
24	24	D-IA-7016980-0-0	7016980-00	BELT TENSION SWITCH HARNESS	1 1
25	25		1217072-00	SPRING,GAS,45LBS	2 2
26	26	B-MD-7422795-0-0	7422795-01	GAS SPRING, PIVOT	1 1
27	27	B-MD-7422795-0-0	7422795-00	GAS SPRING PIVOT (L.H.)	1 1
28	28		9010210-00	PIN,CLEVIS .311 DIA X .480L	2 2
29	29		9006036-01	SCREW,PAN,PHIL 8-32X 5/16 SS	2 2
30	30		9006690-00	WASHER, LOCK, S.S. #8	2 2

REVISION HISTORY			BASIC PART NO: 7016741							
ENG	ECD NUMBER	REV	SECTION A OF A	DRN:	R. M. TUSLER	DATE: 14-AUG-79	D I G I T A L			
			SECTION. VARIATION INDEX	CHK'D:	R. E. THELLEN	DATE: 14-AUG-79	TITLE PARTS LIST			
			[A] 00,01				LOWER CHASSIS ASSEMBLY			
GRN	R80-565	*								
GN	7016741-CX001	A	[B]	DES.ENG.:	A. CLARK	DATE: 14-AUG-79				
GN	R80-CX004	B								
JN	R80-CX008	C	[C]				DOCUMENT NUMBER			
JN	7018446-CX001	D		RESP.ENG.:	W. MONTERO	DATE: 14-AUG-79				
GF	7016741-CX002	E	[D]				SIZE	CODE	NUMBER	REV
JN	7016741-CX003	F								
			[E]	MFG.ENG.:	W. EHRMANN	DATE: 16-JAN-80	K	PL	7016741-0-DBP	F
			[F]	ASSEMBLY NUMBER:		TOP DOCUMENT NUMBER:	FILE NAME:		EDIT #	
				D-AD-7016741-0-0		#B-DD-7018446-0	Z0486F.PLS		55	

*THIS DRAWING AND SPECIFICATIONS HEREIN, ARE THE PROPERTY OF DIGITAL EQUIPMENT CORPORATION AND SHALL NOT BE REPRODUCED OR COPIED OR USED IN WHOLE OR IN PART AS THE BASIS FOR THE MANUFACTURE OR SALE OF ITEMS WITHOUT WRITTEN PERMISSION. COPYRIGHT (C) 1982. DIGITAL EQUIPMENT CORPORATION *

LINE	ITEM	DOCUMENT NUMBER	PART NUMBER	DESCRIPTION	QUANTITY PER VARIATION	
					00	01
31	31		4901344-00	ADHESIVE,SEALANT,LO-STRENGTH,THD	A/R	A/R
32	32		9010211-00	CLIP,HITCH PIN 9/16L SPRW/ZINC	2	2
33	33		9010210-01	PIN,CLEVIS .215 DIA X .700L	2	2
34	34	B-MD-7422694-0-0	7422694-00	BRACKET, GAS SPRING PIVOT	2	2
35	35	B-MD-7425746-0-0	7425746-01	SPACER, CLEAR HOLE, ALUM	-	4
36	36		4901462-00	ADHESIVE/SEALANT,SLICONE RUBBER	A/R	A/R
37	37		4901465-00	PRIMER	A/R	A/R
38	38		3618804-01	LABEL,LOCK INFORMATION	1	1

39 NOTE: LEGEND
 40 NOTE: PART NO. VARIATION
 41 NOTE: 7016741-00 120V,60HZ
 42 NOTE: 7016741-01 240V,50HZ

D	I	G	I	T	A	L	TITLE	LOWER CHASSIS ASSEMBLY	SECTION A	OF A	SIZE	CODE	DOCUMENT NUMBER	REV
											K	PL	7016741-0-DBP	F

THE DRAWING AND SPECIFICATIONS HEREIN ARE THE PROPERTY OF DIGITAL EQUIPMENT CORPORATION AND SHALL NOT BE REPRODUCED OR COPIED OR USED IN WHOLE OR IN PART AS THE BASIS FOR THE MANUFACTURE OR SALE OF ITEMS WITHOUT THE WRITTEN PERMISSION OF DIGITAL EQUIPMENT CORPORATION © 1979.

SPECIFICATIONS:

ELECTRICAL:

- INPUT VOLTAGE (SINGLE PHASE, 2 WIRE)
 - 90-128 Vrms - H766A
 - 180-256 Vrms - H766B
- INPUT FREQUENCY
 - 59-61 Hz - H766A
 - 49-51 Hz - H766B
- INPUT CURRENT (SEE NOTE 2)
 - 6.0 AMPS NOM AT 120V
 - 3.0 AMPS NOM AT 240V
- INPUT POWER (SEE NOTE 2)
 - 720 VA H766A NOM
 - 720 VA H766B NOM
- DC OUTPUTS
 - +5V AT 10 A MAX
 - 5V AT 2 A MAX
 - +24V AT 3 A MAX
 - 24V AT 3 A MAX
- EFFICIENCY
 - 40 PERCENT MIN AT FULL LOAD

MECHANICAL:

- DIMENSIONS
 - 17.50 (444.5 MM) WIDE x 9.00 (228.6 MM) HIGH x 5.82 (148 MM) DEEP.

WEIGHT
32 POUNDS (14.52 KG)

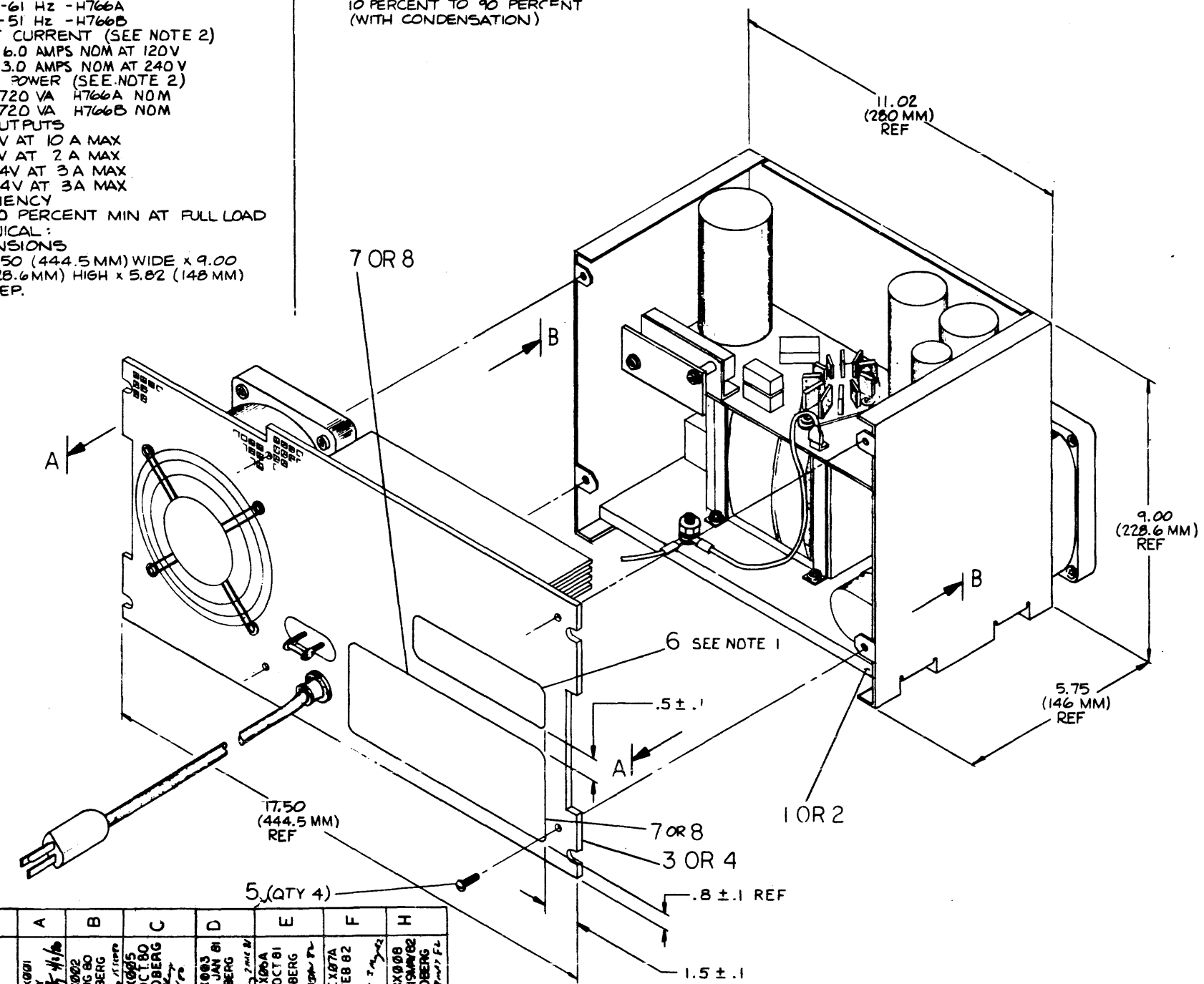
- COOLING
 - FORCED AIR, 115 CFM FAN
- AMBIENT TEMPERATURE
 - OPERATING - 0°C - 60°C
 - STORAGE - -40°C - +70°C
- ALTITUDE
 - 10,000 FEET (3048 METERS) MA
- RELATIVE HUMIDITY
 - 10 PERCENT TO 90 PERCENT (WITH CONDENSATION)

LEGEND

PART NO.	VARIATION
H766-A	120V 60HZ
H766-B	240V 50HZ

NOTES:

1. APPLY LABEL TO REAR PANEL AFTER ASSEMBLY APPROXIMATELY WHERE SHOWN. LABEL TO IDENTIFY DIGITAL PART NO., APPROPRIATE DASH NO., ASSEMBLY REV, ANY OUTSTANDING ECO'S, MANUFACTURING LOCATION, 4 DIGIT DATE CODE, DATE TESTED AND MANUFACTURING SERIAL NO.
2. CURRENT AND POWER RATINGS ARE NOMINAL AND REFLECT 1/3 HP DRIVE MOTOR RUNNING AT 3400 RPM.
3. ~~ATTACH GROUNDS (GREEN/YELLOW WIRES) FROM CAPACITOR BOARD AND FROM REAR PANEL USING SCREW (ITEM 3) AND LOCK WASHER (ITEM 9) AS SHOWN.~~

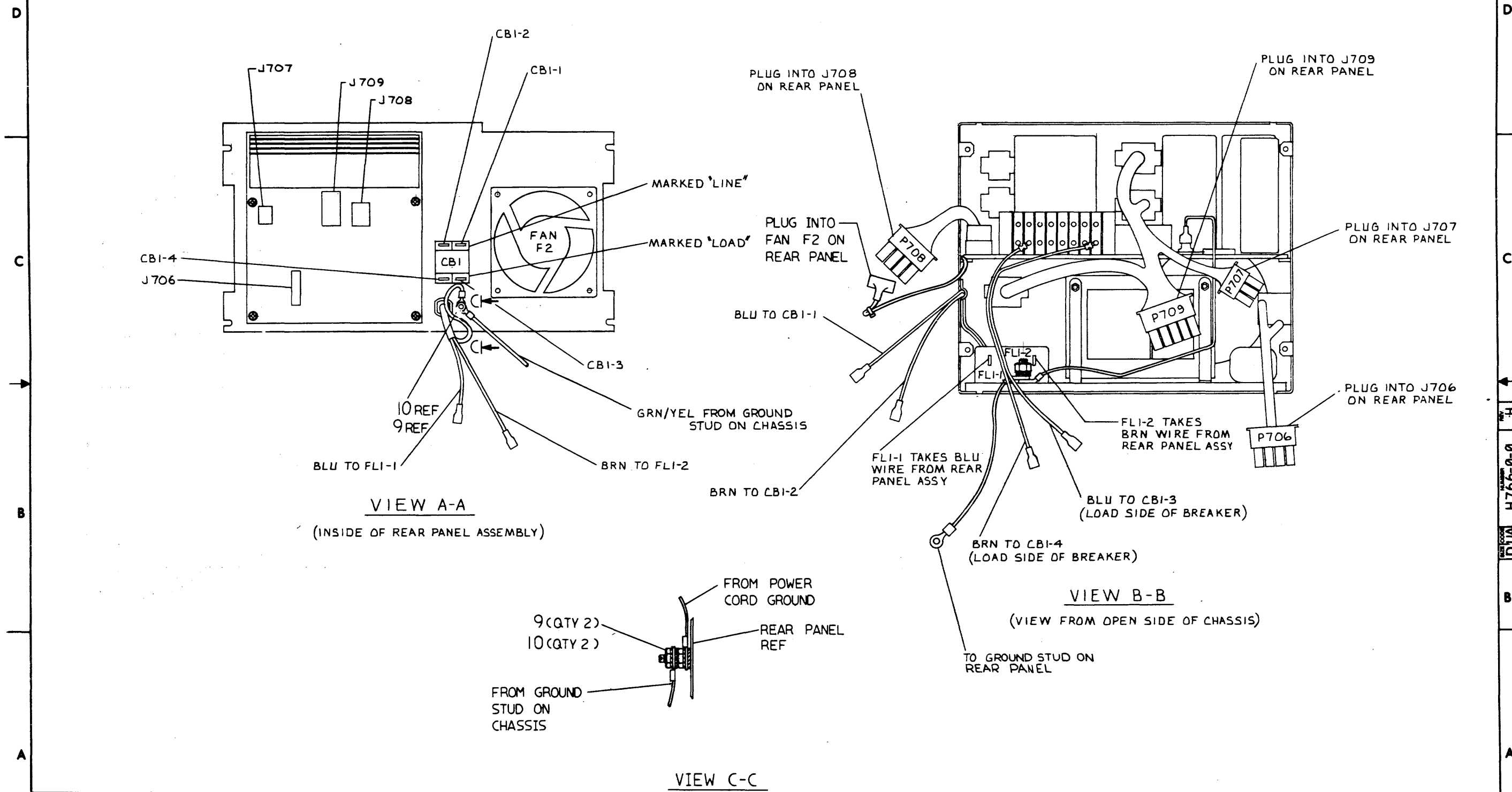


CAUTION: OFF SHEET PARTS LIST EXISTS. SEE K-PL-H766-0-DBP (20501).

REV.	DESCRIPTION	DATE	BY	CHK'D	APP'D
1	RELEASED TO ECO CONTROL PER PCO-589 18 JAN 80				
2	H766-CX001 M. RIELTY				
3	H766-CX002 D.C. 27 AUG 80 G. NORDBERG				
4	H766-CX005 K.D. 3 OCT 80 G. NORDBERG				
5	H766-CX003 R.L. 25 JAN 81 J. NORDBERG				
6	H766-CX004 T.F. 14 OCT 81 J. NORDBERG				
7	H766-CX007A B.F. 22 FEB 82 B. RAY				
8	H766-CX008 M.B. 10 MAY 82 J. NORDBERG				

QUANTITY & VARIATION	DESCRIPTION	DRWL PART NO.	ITEM NO.
	UNLESS OTHERWISE SPECIFIED DIMENSIONS ARE IN INCHES		
APPROX. 20"	CLASS OF ACCURACY (CHECK ONE)	NOMINAL DIMENSION RANGE TOLERANCE	
SURFACE QUALITY IN MICRONS	MEDIUM	0.001	0.002
	PREFERRED	0.001	0.002
DRN. M. Engle	7 APR 79	FIRST USED ON	
ENG. J. Rielty	4 MAY 79	TITLE	H766 POWER SUPPLY ASSEMBLY
PROD. J. Nordberg	4 SEP 79	SCALE	NONE
DO NOT SCALE DWG		SIZE	D UA
MATERIAL SEE OFF SHT PARTS LIST		NUMBER	H766-0-0
FINISH	SHEET	OF 2	DIST.

THIS DRAWING AND SPECIFICATIONS HEREIN ARE THE PROPERTY OF DIGITAL EQUIPMENT CORPORATION AND SHALL NOT BE REPRODUCED OR COPIED OR USED IN WHOLE OR IN PART AS THE BASIS FOR THE MANUFACTURE OR SALE OF ITEMS WITHOUT WRITTEN PERMISSION.
 COPYRIGHT © 1979 DIGITAL EQUIPMENT CORPORATION



REVISION HISTORY		
DATE	ECO NUMBER	REV.

TITLE		DOCUMENT NUMBER	
H766 POWER SUPPLY ASSEMBLY		DUA H766-0-0 H	
SCALE	NONE	SHEET	2 OF 2

LINE ITEM	DOCUMENT NUMBER	PART NUMBER	DESCRIPTION	QUANTITY PER VARIATION	
				A	B
1	E-AD-7016794-0-0	7016794-00	POWER SUPPLY CHASSIS ASSEMBLY	1	-
2	E-AD-7016794-0-0	7016794-01	H766 CHASSIS ASSY.(240V/50HZ)	-	1
3	E-AD-7016227-0-0	7016227-00	REAR PANEL ASSY	1	-
4	E-AD-7016227-0-0	7016227-01	REAR PANEL ASSY.	-	1
5		9006418-01	SCREW,TAP PAN PHIL THD RL 8-	4	4
6		9009255-01	LABEL, POWER SUPPLY, 2-7/8" LG X	1	1
7		3617323-00	LABEL,H766A P.S. 60HZ	1	-
8		3617323-01	LABEL,H766B P.S. 50HZ	-	1
9		9006565-00	NUT,KEP 10-32X 3/8 AF	2	2
10		9007651-00	WASHER,LOCK EXTERNAL STEEL	2	2
11	D-CS-H766-0-2		H766 POWER SUPPLY	REF	REF

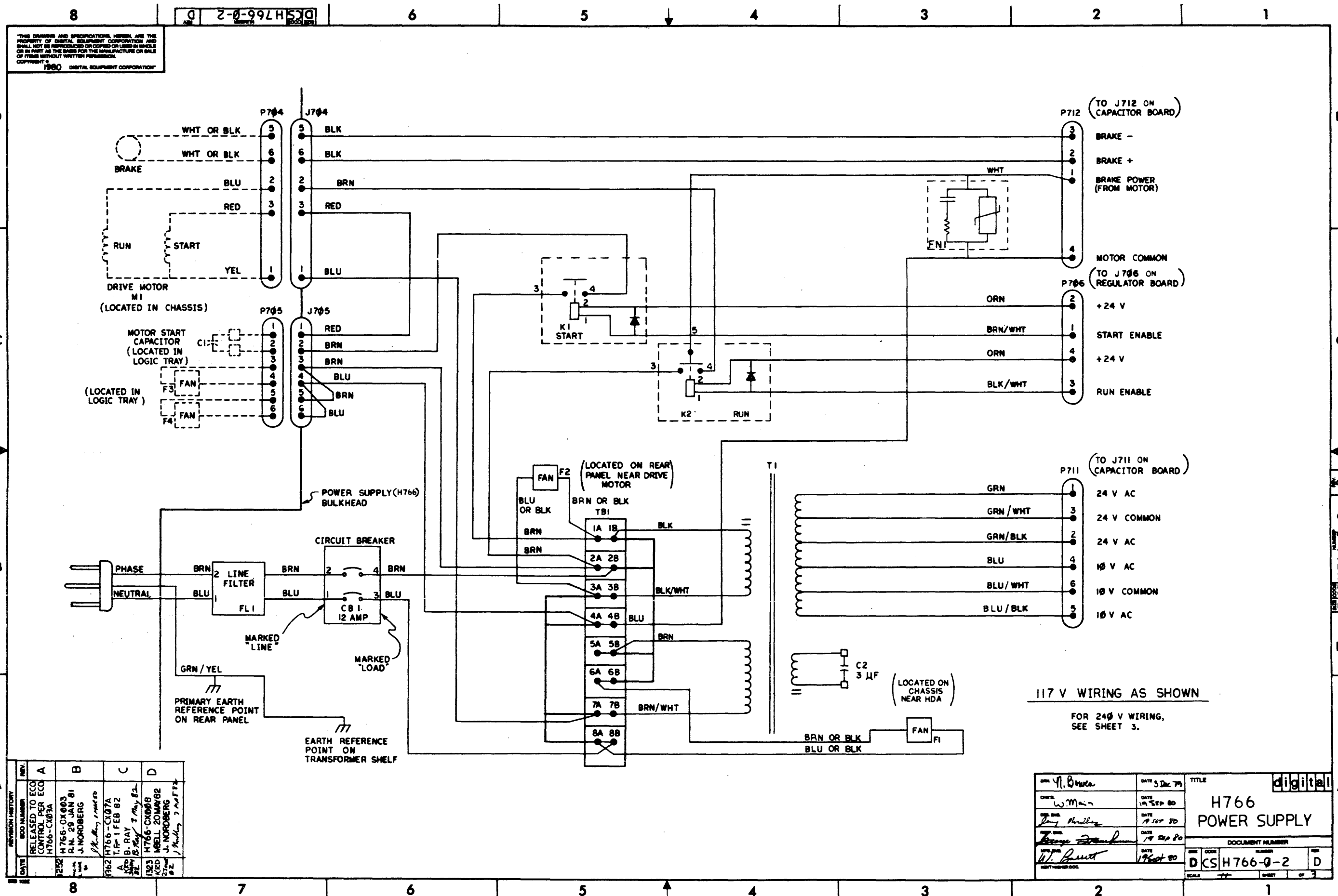
12 NOTE: -
 13 NOTE: -
 14 NOTE: -
 15 NOTE: -

LEGEND

PART NUMBER	DESCRIPTION
H766-A	120V/60HZ
H766-B	240V/50HZ

REVISION HISTORY		BASIC PART NO: OH766		DRN:	M. ENGLE	DATE: 15-MAY-79	D I G I T A L				
ENG!	ECO NUMBER	REV	SECTION A OF A	CHK'D:	W. MAJOR	DATE: 26-SEP-79	TITLE	PARTS LIST			
GN			SECTION. VARIATION INDEX				H766 POWER SUPPLY ASSEMBLY				
GRN	R80-565	*	[A] A ,B								
MK	H766-CX001	A	[B]	DES.ENG.:	A. CLARK	DATE: 26-SEP-79					
GN	H766-CX002	B									
GN	R80-CX005	C	[C]					DOCUMENT NUMBER			
JN	H766-CX003	D		RESP.ENG.:	W. MONTERO	DATE: 26-SEP-79					
JN	H766-CX06A	E	[D]				SIZE!CODE!	NUMBER	REV		
BR	H766-CX07A	F									
JN	H766-CX008	H	[E]	MFG.ENG.:	W. EHRMANN	DATE: 16-JAN-80	K	PL	H766-0-DBP	H	
			[F]	ASSEMBLY NUMBER:		TOP DOCUMENT NUMBER:	FILE NAME:	EDIT #			
				D-UA-H766-0-0		B-DD-H766-0	Z0501H.PLS	51			

THIS DRAWING AND SPECIFICATIONS HEREIN, ARE THE PROPERTY OF DIGITAL EQUIPMENT CORPORATION AND SHALL NOT BE REPRODUCED OR COPIED OR USED IN WHOLE OR IN PART AS THE BASIS FOR THE MANUFACTURE OR SALE OF ITEMS WITHOUT WRITTEN PERMISSION.
 COPYRIGHT (C) 1982. DIGITAL EQUIPMENT CORPORATION



DATE	REVISION HISTORY	REV.
1252	RELEASED TO ECO CONTROL PER ECO H766-CX03A	A
1303	H766-CX003 R.N. 29 JAN 81 J. NORDBERG	B
1362	H766-CX07A T.F. 1 FEB 82 B. RAY 1 May 82	C
1323	H766-CX008 KED MBELL 20 MAY 82 J. NORDBERG	D

DESIGNER W. B. B...	DATE 3 Dec 79	TITLE digital
CHKD BY W. M. M...	DATE 19 SEP 80	H766 POWER SUPPLY
APP'D BY D. J. M...	DATE 19 SEP 80	
APP'D BY W. B. B...	DATE 19 SEP 80	DOCUMENT NUMBER
DCS H766-0-2		D
SCALE 1:1	SHEET 1	OF 3

THIS DRAWING AND SPECIFICATIONS HEREIN ARE THE PROPERTY OF DIGITAL EQUIPMENT CORPORATION AND SHALL NOT BE REPRODUCED OR COPIED OR USED IN WHOLE OR IN PART AS THE BASIS FOR THE MANUFACTURE OR SALE OF ITEMS WITHOUT WRITTEN PERMISSION. COPYRIGHT © 1980 DIGITAL EQUIPMENT CORPORATION

LOGIC DC POWER HARNESS 7016732-00

P205 PERSONALITY MODULE

- 7 SPARE
- 8 -5.2V
- 3 +5V
- 2 +5V
- 1 +5V
- 9 GND
- 6 GND
- 5 GND
- 4 GND

P306 MICROPROCESSOR MODULE

- 18 GND
- 17 GND
- 2 START RELAY L
- 8 +5V
- 15 -5.2V
- 14 GND
- 13 +24V
- 11 -24V
- 10 DC LOW L
- 9 GND
- 7 +5V
- 6 +5V
- 3 RUN RELAY L
- 16 -5.2V
- 12 GND

P403 SERVO MODULE

- 14 +24V RTN
- 13 +24V
- 12 -24V RTN
- 11 -24V
- 5 +5V RTN
- 9 +5V RTN
- 16 -5.2V RTN
- 6 +5V
- 8 +5V
- 7 +5V
- 15 -5.2V

DC OUTPUT HARNESS 7017336-00

REGULATOR BOARD 5413624

- 2 -24V
- 3 +24V
- 1 GND
- 5 RUN
- 6 RELAY L
- 4 START RELAY L
- 4 DC LOW L

CAPACITOR BOARD 5413626-00

- 3 BRAKE -
- 2 BRAKE +
- 1 BRAKE POWER (FROM MOTOR)
- 4 MOTOR COMMON
- (J1) J711
- 1 24V AC
- 3 24V COMMON
- 2 24V AC
- 4 10V AC
- 6 10V COMMON
- 5 10V AC

- 2 +24V
- 1 GND
- 3 -24V
- 11 +10V
- 13 +10V
- 14 +10V
- 15 +10V
- 9 -10V
- 4 GND
- 7 GND
- 8 GND
- 5 +24V
- 6 -24V
- 10 GND
- 12 -10V

DC INPUT HARNESS 7017337-00

- 2 2
- 1 1
- 3 3
- 11 11
- 13 13
- 14 14
- 15 15
- 9 9
- 4 4
- 7 7
- 8 8
- 5 5
- 6 6
- 10 10
- 12 12

- 3 +10V
- 6 +10V
- 9 +10V
- 12 +10V
- 2 -10V
- 7 GND
- 8 GND
- 10 GND
- 11 +24V
- 4 -24V
- 5 GND
- 11 GND
- 5 -10V

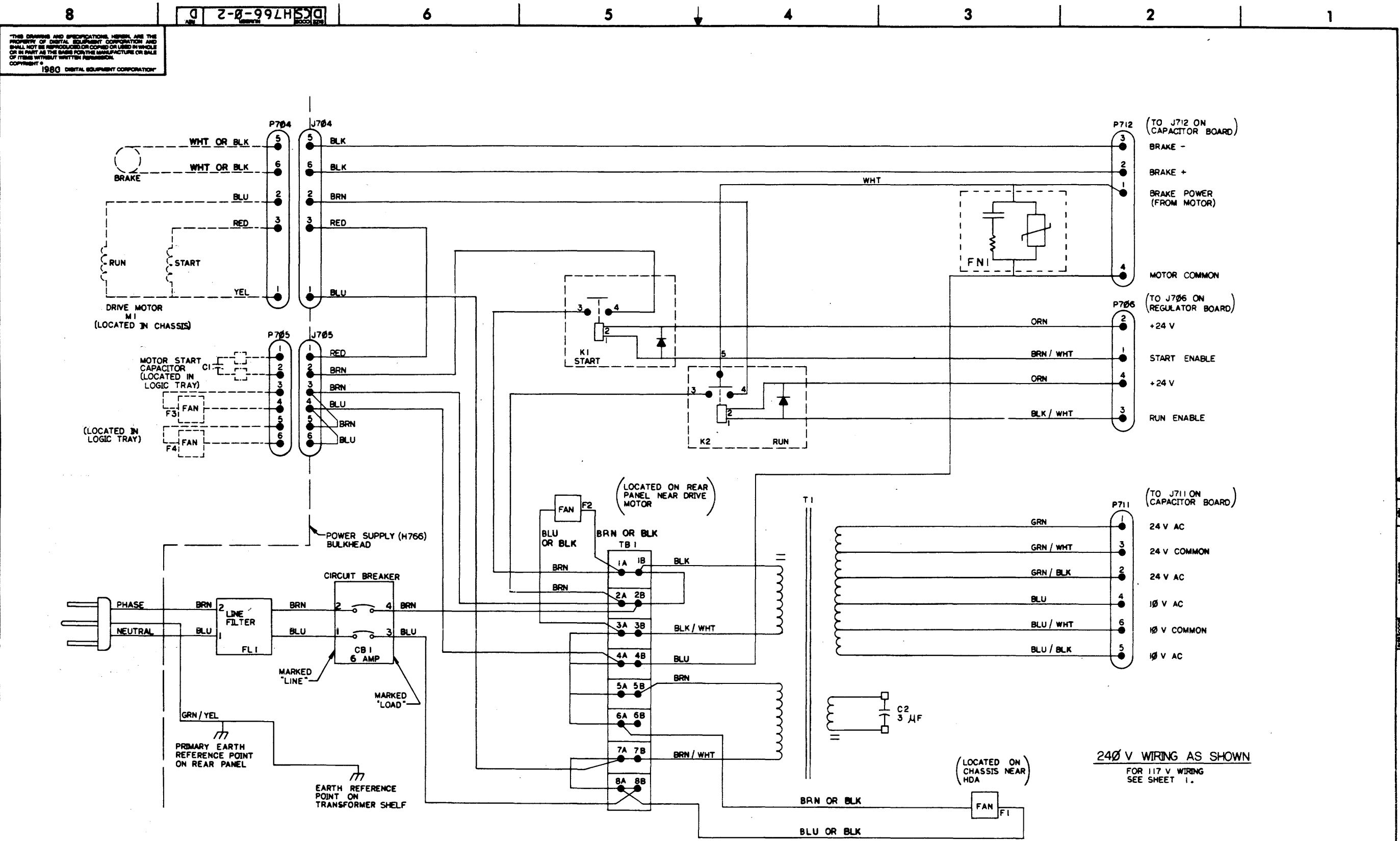
- 1 -5.2V
- 3 +5V
- 6 +5V
- 7 -5.2V
- 2 GND
- 5 GND
- 8 GND
- 9 +5V
- 4 -5.2V
- 14 GND
- 13 -5.2V
- 11 GND
- 15 +5V
- 12 +5V
- 10 -5.2V

REVISION HISTORY		
DATE	ECO NUMBER	REV.

TITLE H766 POWER SUPPLY

DOCUMENT NUMBER		
SIZE	CODE	NUMBER
DCS	H766-0-2	D
SCALE	SHEET 2 OF 3	

DCSH766-0-2



THIS DRAWING AND SPECIFICATIONS HEREIN ARE THE PROPERTY OF DIGITAL EQUIPMENT CORPORATION AND SHALL NOT BE REPRODUCED OR COPIED OR USED IN WHOLE OR IN PART AS THE BASIS FOR THE MANUFACTURE OR SALE OF ITEMS WITHOUT WRITTEN PERMISSION.
COPYRIGHT © 1980 DIGITAL EQUIPMENT CORPORATION

240 V WIRING AS SHOWN
FOR 117 V WIRING SEE SHEET 1.

REVISION HISTORY		
DATE	ECO NUMBER	REV.

TITLE
H766 POWER SUPPLY

DOCUMENT NUMBER		
SIZE CODE	NUMBER	REV.
DCS	H766-0-2	D
SCALE NONE	SHEET 3 OF 3	

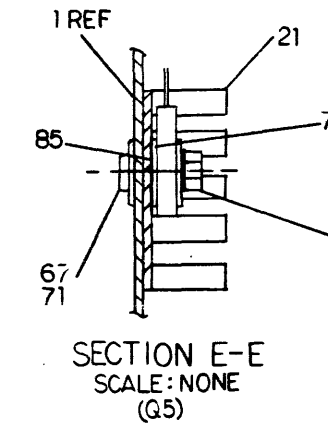
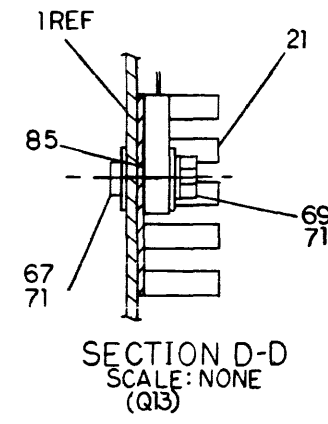
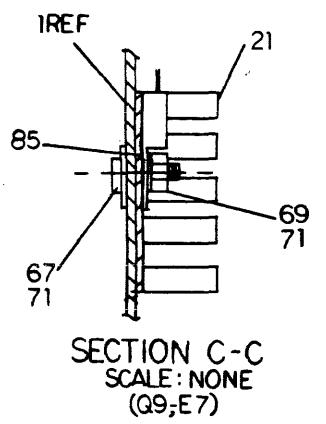
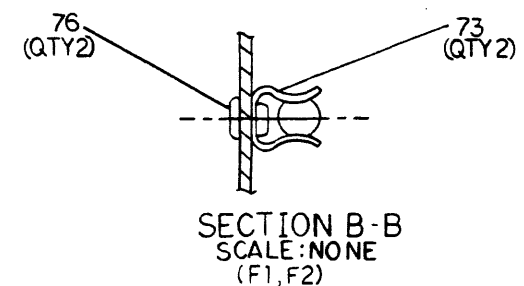
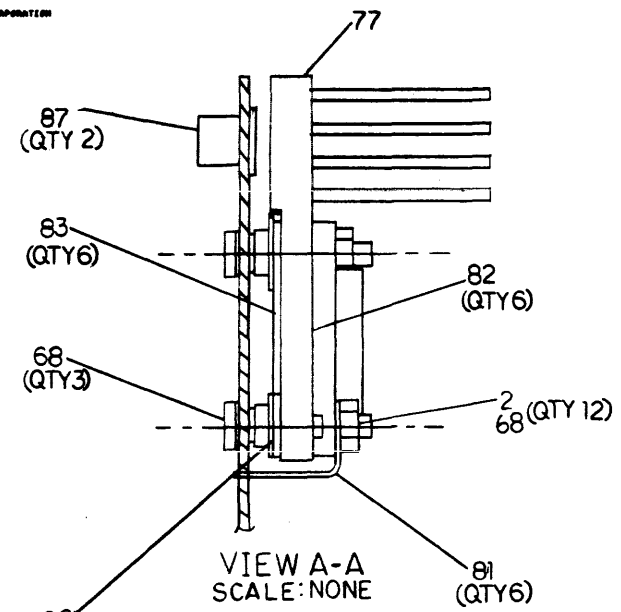
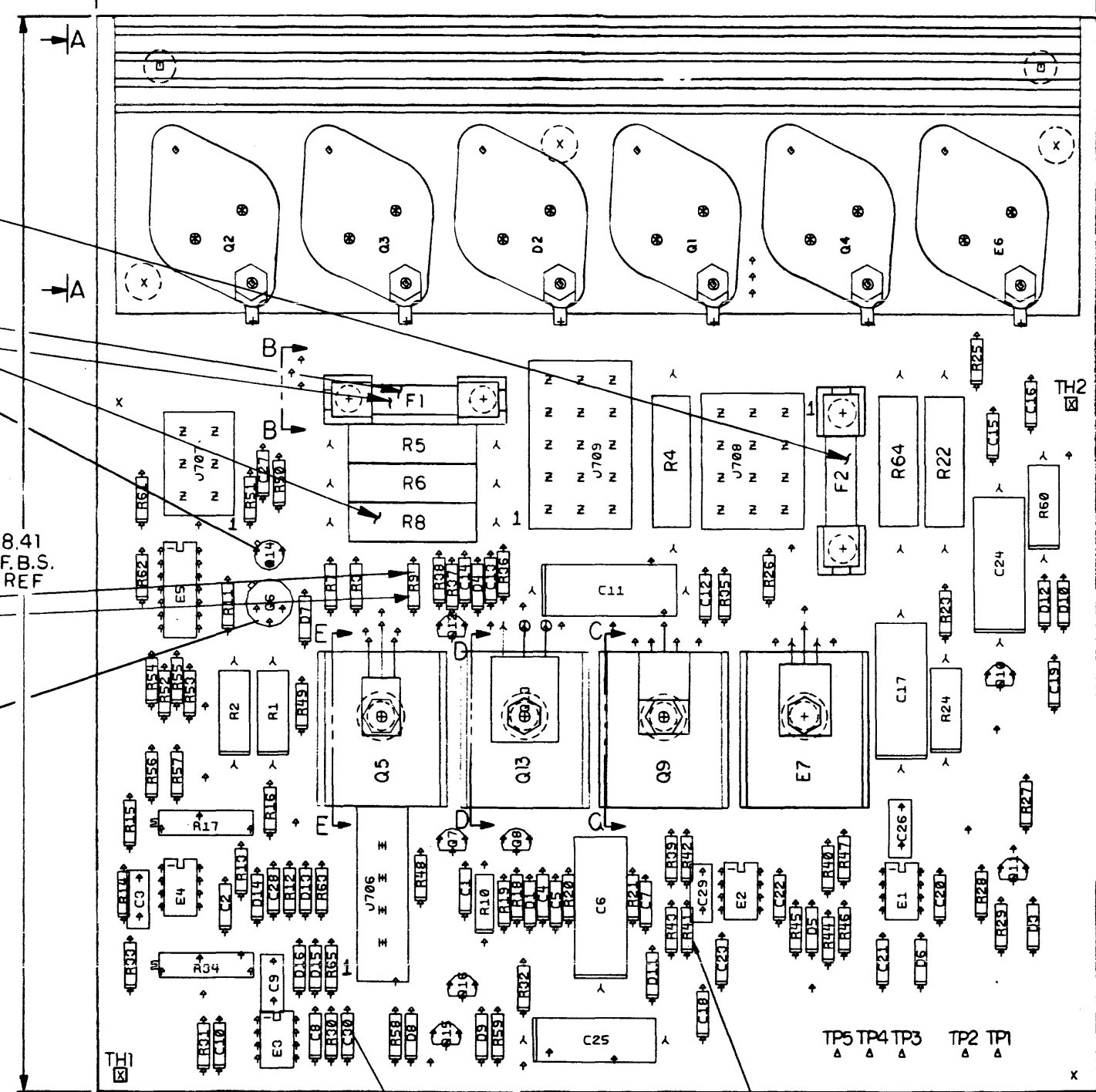
DCS H766-0-2

THIS DRAWING AND SPECIFICATIONS, UNLESS AND THE PROPERTY OF QUALITY MANAGEMENT CORPORATION AND SHALL NOT BE REPRODUCED OR COPIED IN WHOLE OR IN PART WITHOUT THE WRITTEN PERMISSION OF QUALITY MANAGEMENT CORPORATION © 1979

DUA 5413624-0-0 K

COMPONENT SIDE VIEW

7.825 F.B.S. REF



7-4
7-8
7-3
7-7
6-2
6-4
7-2
7-6
7-1
7-5
6-1
6-3
72
72
8.41
F.B.S.
REF

NOTES:
1. INSTALL ITEM 90 (9107256-11) ON BOTH LEADS OF ITEM 4 (1011683-00).

STEP E	+ Y AKTS	STEP	TIMES
REPORT	+ X AKTS	STEP	TIMES

CHK	CHANGE NO	REV	E	F	H	J	K
DM	5413624-						
DM	CX 003		J. RINALDIS				
DM	5413624-		J. RINALDIS				
DM	CX 005		J. RINALDIS				
DM	5413624-		J. RINALDIS				
DM	CX 006 D.C.		B. RAY				
DM	15 OCT 80		B. RAY				
DM	5413624-		B. RAY				
DM	12-5413624-		T. FALETTE				
DM	59 CX 007		T. FALETTE				
DM	10 APR 81		T. FALETTE				
DM	5413624-		A. COBBA				
DM	60 CX 008		A. COBBA				
DM	10 MAY 82		B. RAY				
DM	5413624-		B. RAY				

CAUTION: OFF-SHEET PARTS LIST. SEE K-PL-5413624-0-DBP (Z0492).

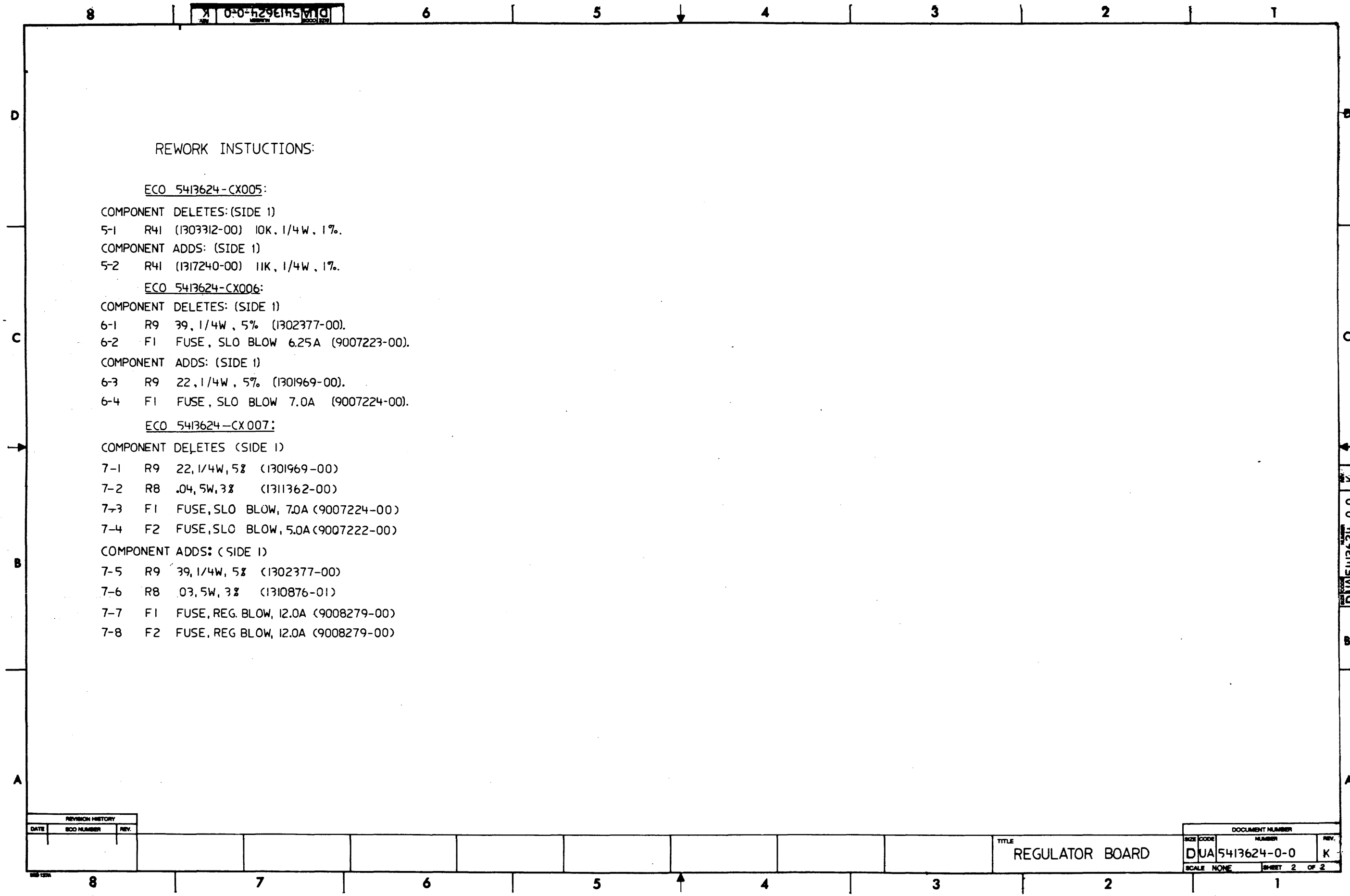
ETCH	REV. D-P3
------	-----------

SIGNATURES		DATE	digital
DRN. K. DAVIS		18 APR 79	
CHK'D. A. SIMA		18 APR 79	TITLE REGULATOR BOARD
MECH. ENG. J. RINALDIS		18 APR 79	
PROJ. ENG. M. HAMMER		18 APR 79	
PROD. D. WEAVER			SIZE CODE NUMBER D UA 5413624-0-0 K
SCALE 2/1			
SHT. 1 OF 2			
NEXT HIGHER REV. 0-DB-5413624-0			

DUA 5413624-0-0 K

1 WSH 29-30

DJA 5413624-0-0



REWORK INSTRUCTIONS:

ECO 5413624-CX005:

COMPONENT DELETES: (SIDE 1)

5-1 R41 (1303312-00) 10K, 1/4W, 1%.

COMPONENT ADDS: (SIDE 1)

5-2 R41 (1317240-00) 11K, 1/4W, 1%.

ECO 5413624-CX006:

COMPONENT DELETES: (SIDE 1)

6-1 R9 39, 1/4W, 5% (1302377-00).

6-2 F1 FUSE, SLO BLOW 6.25A (9007223-00).

COMPONENT ADDS: (SIDE 1)

6-3 R9 22, 1/4W, 5% (1301969-00).

6-4 F1 FUSE, SLO BLOW 7.0A (9007224-00).

ECO 5413624-CX007:

COMPONENT DELETES (SIDE 1)

7-1 R9 22, 1/4W, 5% (1301969-00)

7-2 R8 .04, 5W, 3% (1311362-00)

7-3 F1 FUSE, SLO BLOW, 7.0A (9007224-00)

7-4 F2 FUSE, SLO BLOW, 5.0A (9007222-00)

COMPONENT ADDS: (SIDE 1)

7-5 R9 39, 1/4W, 5% (1302377-00)

7-6 R8 .03, 5W, 3% (1310876-01)

7-7 F1 FUSE, REG. BLOW, 12.0A (9008279-00)

7-8 F2 FUSE, REG BLOW, 12.0A (9008279-00)

DJA 5413624-0-0 K

REVISION HISTORY		
DATE	ECO NUMBER	REV.

DOCUMENT NUMBER		
SIZE CODE	NUMBER	REV.
DJA	5413624-0-0	K
SCALE NONE		SHEET 2 OF 2

TITLE
REGULATOR BOARD



LINE ITEM	DOCUMENT NUMBER	PART NUMBER	DESCRIPTION	QTY PER VARIATION	REFERENCE DESIGNATOR
				00	
1	1	C-MD-5013623-0-0	5013623-00 DRILL & ETCH BD	1	
2	2		9008185-00 NUT,KEP 6-32X 1/4 AF	12	
3	3		1000009-00 33.0 MMF 100V 5%200PPM MICA	4	C3,C9,C26,C29
4	4	SEE NOTE 1	1011683-00 .022 MFD 50V 10% CER	1	C30
5	5		1001636-00 2400.0 MMF 100V 5%200PPM MICA	1	C28
6	6		1000080-00 50 MFD 50V +75-10% AL EL	1	C17
7	7		1001610-00 .01 MFD 50V +80-20% Z5U CER	13	C2,C4,C7,C8,C10,C12,C13,C19,C20, CONT C21,C22,C23,C27
8	8		1001796-00 50 MFD 25V +75-10% AL EL	1	C25
9	9		1002781-00 100 MFD 25V +75-10% AL EL	2	C11,C24
10	10		1009433-00 190 MFD 12V +75-10% AL EL	1	C6
11	11		1010274-01 .22 MFD 50V +80-20% Z5U CER	4	C1,C15,C16,C18
12	12		1010978-36 .1 MFD 50V 10% CER	2	C5,C14
13	13		1100114-00 D 664 QS\75PCB PIV= 25V SP	4	D3,D7,D8,D9
14	14		1105275-00 D 672 TR= 15NS PIV= 60V SI	4	D5,D6,D14,D16
15	15		1105796-00 1N 4004 PIV=400 I= 1A D041 SP	2	D10,D11,
16	16		1105871-00 1/4M5.1AZ1 = 5.1 1% .25W N	2	D1,D12
17	17		1212297-01 MATE-N-LOK 04PIN(1X04).250CC HDR	1	J706
18	18		1212297-04 MATE-N-LOK 15PIN(2X08).250CC HDR	1	J709
19	19		1212297-07 MATE-N-LOK 06PIN(2X03).250CC HDR	1	J707
20	20		1212297-08 MATE-N-LOK 12PIN(2X06).250CC HDR	1	J708
21	21		1212487-00 HEAT SINKS 01.18X01.0	4	
22	22		1300171-00 10.0 1.0 W 5.0 % CC	2	R1,R2
23	23		1300202-00 47.0 .25 W 5.0 % CC	2	R20,R37
24	24		1300219-00 68.0 .25 W 5.0 % CC	2	R18,R36
25	25		1300229-00 100.0 .25 W 5.0 % CC	2	R7,R25
26	26		1300247-00 120.0 .25 W 5.0 % CC	1	R27
27	27		1300271-00 220.0 .25 W 5.0 % CC	3	R35,R52,R53
28	28		1300295-00 330.0 .25 W 5.0 % CC	3	R11,R54,R55
29	29		1300297-00 330.0 1.0 W 5.0 % CC	1	R24

REVISION HISTORY		BASIC PART NO: 5413624		DRN:	H. WEINBRENNER	DATE:	14-DEC-79	D I G I T A L			
ENG!	ECO NUMBER	REV	SECTION A OF A	CHK'D:	A. SIMM	DATE:	23-DEC-79	TITLE PARTS LIST			
---	INITIAL	B	SECTION VARIATION INDEX	---	INITIAL	B	[A] 00	REGULATOR BOARD			
---	INITIAL	B	[B]	---	INITIAL	B	[C]				
---	INITIAL	B	[D]	DES.ENG:	J. RINALDIS	DATE:	9-JAN-80				
JR	5413624-CX001	C	[E]	RESP.ENG.:	M. HAMMER	DATE:	9-JAN-80	DOCUMENT NUMBER			
JR	5413624-CX002	D	[F]	---	---	---	---	SIZE	CODE	NUMBER	REV
JR	5413624-CX003	E	[G]	---	---	---	---	---	---	---	---
JR	5413624-CX05A	F	[H]	---	---	---	---	---	---	---	---
BR	5413624-CX006	H	[J]	---	---	---	---	---	---	---	---
BR	5413624-CX007	J	[K]	MFG.ENG.:	N. HEDENSTEN	DATE:	9-JAN-80	K	PL	5413624-0-DBP	K
BR	5413624-CX08A	K	[L]	---	---	---	---	---	---	---	---
			[M]	ASSEMBLY NUMBER:		TOP DOCUMENT NUMBER:		FILE NAME:		EDIT #:	
			[N]	D-UA-5413624-0-0		# B-DD-5413624-0		Z0492K.PLS		55	

"THIS DRAWING AND SPECIFICATIONS HEREIN, ARE THE PROPERTY OF DIGITAL EQUIPMENT CORPORATION AND SHALL NOT BE REPRODUCED OR COPIED OR USED IN WHOLE OR IN PART AS THE BASIS FOR THE MANUFACTURE OR SALE OF ITEMS WITHOUT WRITTEN PERMISSION. COPYRIGHT (C) 1982. DIGITAL EQUIPMENT CORPORATION "

LINE ITEM	DOCUMENT NUMBER	PART NUMBER	DESCRIPTION	QTY	PER VARIATION	REFERENCE DESIGNATOR
				00		
30	30	1300316-00	470.0 .25 W 5.0 % CC	5		R3,R21,R26,R58,R59
31	31	1300324-00	511.0 .75 W 1.0 % RN65D-F10	1		R60
32	32	1300364-00	1.0 K .50 W 5.0 % CC	1		R10
33	33	1300365-00	1.0 K .25 W 5.0 % CC	4		R51,R56,R57,R62
34	34	1300447-00	4.70 K .25 W 5.0 % CC	4		R47,R49,R63,R65
35	35	1300479-00	10.0 K .25 W 5.0 % CC	1		R50
36	36	1301317-00	10.0 .25 W 5.0 % CC	2		R19,R38
37	37	1301890-00	560.0 .25 W 5.0 % CC	2		R28,R61
38	38	1302124-00	18.0 .25 W 5.0 % CC	1		R23
39	39	1302377-00	39.0 .25 W 5.0 % CC	1		R9
40	40	1302388-00	2.0 K .25 W 5.0 % CC	1		R48
41	41	1305337-00	3.65 K .25 W 1.0 % RN55D-F10	1		R30
42	42	1302666-00	10.0 M .25 W 5.0 % CF	2		R45,R46
43	43	1303045-00	3.16 K .25 W 1.0 % RN55D-F10	1		R31
44	44	1303312-00	10.0 K .25 W 1.0 % RN55D-F10	3		R42,R43,R44
45	45	1302941-00	14.70 K .25 W 1.0 % RN55D-F10	1		R15
46	46	1303313-00	12.10 K .25 W 1.0 % RN55D-F10	3		R12,R13,R14
47	47	1304837-00	24.0 K .25 W 5.0 % CC	1		R29
48	48	1304855-00	9.09 K .25 W 1.0 % RN55D-F10	2		R39,R40
49	49	1304870-00	6.81 K .25 W 1.0 % RN55D-F10	2		R32,R33
50	50	1310876-02	.06 5.0 W 3.0 % WW	1		R22
51	51	1309143-07	1.0 K .75 W10.0 % POT	1		R34
52	52	1309143-08	2.0 K .75 W10.0 % POT	1		R17
53	53	1310876-01	.03 5.0 W 3.0 % WW	1		R8
54	54	1310876-03	.05 5.0 W 3.0 % WW	4		R4,R5,R6,R64
55	55	1505867-00	2N 4441 SCRE 50V & 8A	1		Q13
56	56	1509604-00	DEC4923 NPN 30WC SI 80 20 M	1		Q5
57	57	1510377-01	2N 5294 NPN 36WC SI 70 30 LE	1		Q9
58	58	1510705-00	XA 05 NPN 500MW SI 60 50 P	2		Q15,Q16
59	59	1510706-00	XA 55 PNP 500MW SI 60 50 P	3		Q8,Q11,Q12
60	60	1510959-00	2N 3725 NPN 3.5WC SI 50 60 P	1		Q6
61	61	1511686-00	DEC5433 FET N 350MW 10 25 1A	1		Q14
62	62	1512212-00	DEC8098 NPN 350MW SI 60 50	2		Q7,Q10
63	63	1910282-00	301AN OP AMP	4		E1,E2,E3,E4
64	64	1911637-00	74132 NAND GATE-QUAD 2 IN	1		E5
65	65	1912792-00	DEC 7915 VOLT REG, FIX -15V	1		E7
66	66	1313594-00	14.0 K .25 W 1.0 % RN55D-F10	1		R16
67	67	9006012-01	SCREW,PAN,PHIL 4-40X 7/16 SS	4		
68	68	9006024-01	SCREW,PAN,PHIL 6-32X 1/2 SS	15		
69	69	9006557-00	NUT,KEP 4-40X 1/4 AF	4		
70	70	1103340-00	1N 4736A VZ= 6.8 5% 1W Y	1		D13
71	71	9006655-00	WASHER, FLAT, .312 O.D. X .125 I	9		
72	72	9007201-00	TRANSIPADS #10253	2		
73	73	9007203-00	CLIP, FUSE, WITH STOP, SCREW MOU	4		
74	74	9008279-00	FUSE,REG BLO 12 A, 32V GLASS	2		F1,F2
75	75	9007224-00	*** THIS ITEM IS NOT USED ***	-		
76	76	9009000-00	EYELET,ROLLED 0.1210DX0.156	4		
77	77	1216281-00	HEAT SINK	1		

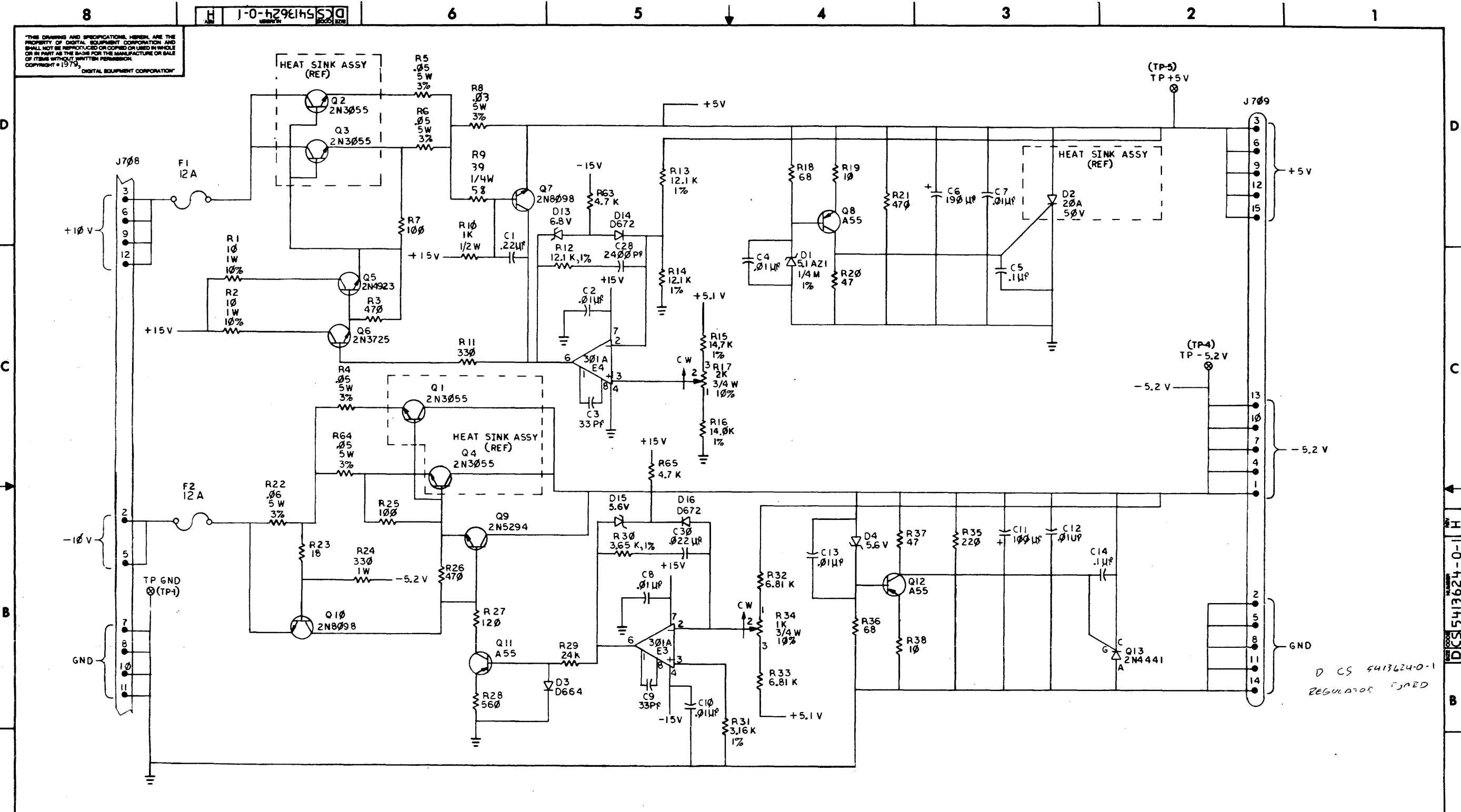
! D ! I ! G ! I ! T ! A ! L !	! TITLE	! SECTION A OF A	! SIZE ! CODE !	! DOCUMENT NUMBER	! REV !
	REGULATOR BOARD		K ! PL !	5413624-0-DBP	K

LINE ITEM	DOCUMENT NUMBER	PART NUMBER	DESCRIPTION	QTY PER VARIATION 00	REFERENCE DESIGNATOR
78	78	1505819-00	2N 3055 NPN 115WC SI 60 20 Y	4	Q1,Q2,Q3,Q4
79	79	1914473-00	DEC 7815 VOLT REG, FIX +15V	1	E6
80	80	1109465-00	MCR 649P2SCR@ 50V I=20A T041	1	D2
81	81	9009676-00	TERM, SOLDER BARRIER STR	6	
82	82	1213071-02	INSULATOR, RUBBER SILICONE SM	6	
83	83	1215580-00	INSULATOR, MOLDED	6	
84	84	9006025-01	*** THIS ITEM IS NOT USED ***	-	
85	85	9008268-00	COMPOUND, THERMAL JOINT	A/R	
86	86	9006656-00	WASHER, FLAT, .312 O.D. X .156 I	12	
87	87	9009112-02	STANDOFF, P.C. BOARD 6-32 X .250	2	
88	88	9009217-00	POST, WIRE WRAP	5	TP1,TP2,TP3,TP4,TP5
89	89	1102808-00	1N 752A VZ= 5.6 5% .40W	2	D4, D15
90	90	9107256-11	TUBING, THIN WALL, .027ID UL	A/R	
91	91	1317240-00	11.0 K .25 W 1.0 % RN55D-F10	1	R41

92 NOTE: - NOTE 1. INSTALL ITEM 90 (9107256-11) ON BOTH LEADS OF
 93 NOTE: - ITEM 4 (1011683-00).

DIGITAL		TITLE	SECTION A OF A	SIZE	CODE	DOCUMENT NUMBER	REV
		REGULATOR BOARD		K	PL	5413624-0-DBP	K

THIS DRAWING AND SPECIFICATIONS HEREIN ARE THE PROPERTY OF DIGITAL EQUIPMENT CORPORATION AND SHALL NOT BE REPRODUCED OR COPIED OR USED IN WHOLE OR IN PART AS THE BASIS FOR THE MANUFACTURE OR SALE OF ITEMS WITHOUT WRITTEN PERMISSION. COPYRIGHT © 1973, DIGITAL EQUIPMENT CORPORATION.



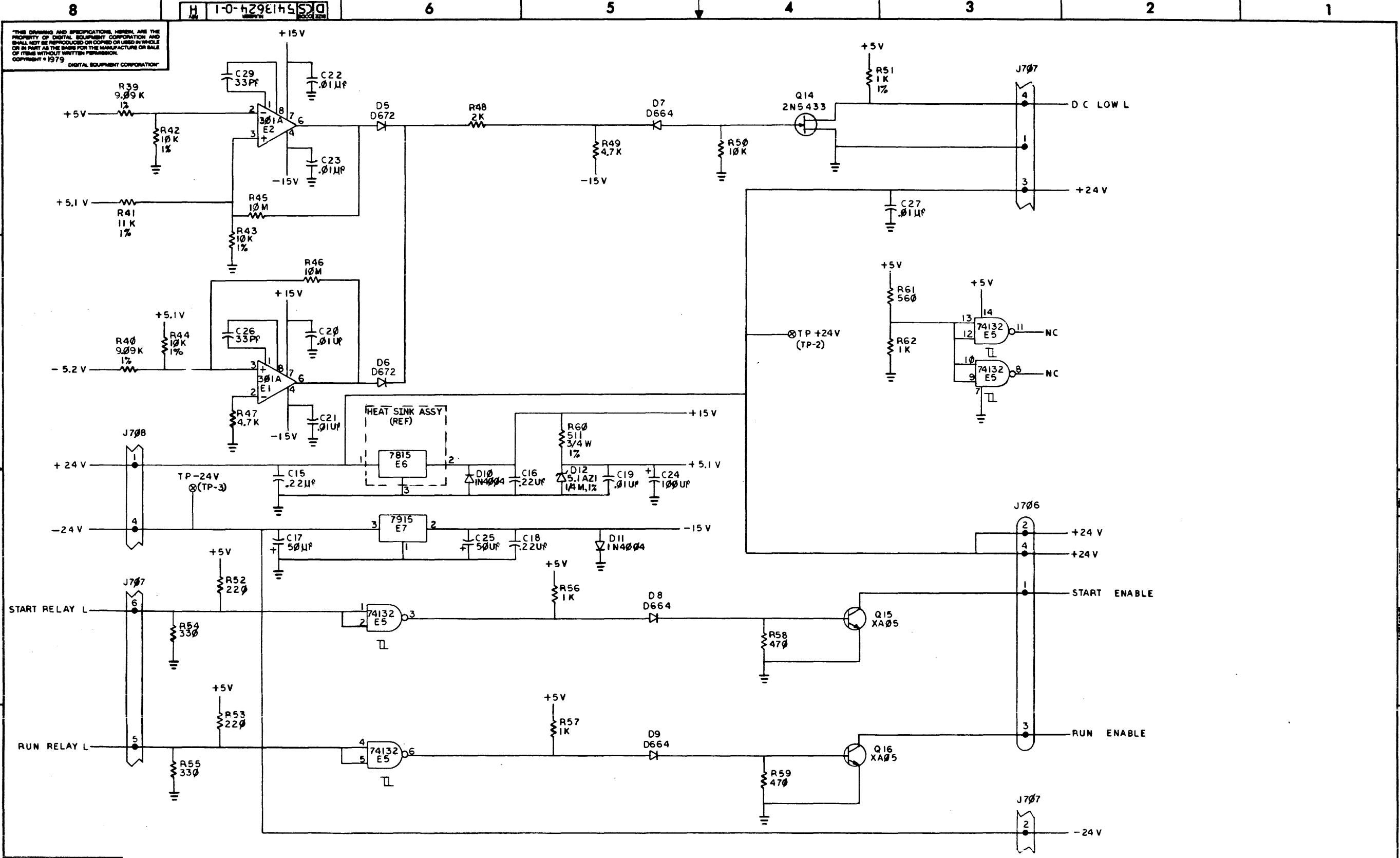
REV.	DATE	BY	CHKD.	APP. NO.
1	12/22/73	J. RINALDIS	J. RINALDIS	1
2	1/10/74	J. RINALDIS	J. RINALDIS	1
3	1/15/74	J. RINALDIS	J. RINALDIS	1
4	1/15/74	J. RINALDIS	J. RINALDIS	1
5	1/15/74	J. RINALDIS	J. RINALDIS	1
6	1/15/74	J. RINALDIS	J. RINALDIS	1
7	1/15/74	J. RINALDIS	J. RINALDIS	1
8	1/15/74	J. RINALDIS	J. RINALDIS	1

DESIGNED BY	DATE	TITLE
K. DAVIS	18 APR 74	REGULATOR BOARD
A. SIMM	18 APR 74	
J. RINALDIS	18 APR 74	
M. HAMMER	18 APR 74	
D. WEAVER	18 APR 74	

DATE	BY	CHKD.	APP. NO.
12/22/73	J. RINALDIS	J. RINALDIS	1
1/10/74	J. RINALDIS	J. RINALDIS	1
1/15/74	J. RINALDIS	J. RINALDIS	1
1/15/74	J. RINALDIS	J. RINALDIS	1
1/15/74	J. RINALDIS	J. RINALDIS	1
1/15/74	J. RINALDIS	J. RINALDIS	1
1/15/74	J. RINALDIS	J. RINALDIS	1

DCS 5413624-0-1 H

D CS 5413624-0-1
REGULATOR BOARD

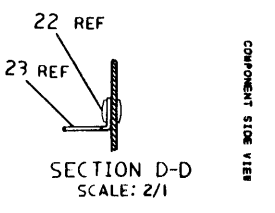
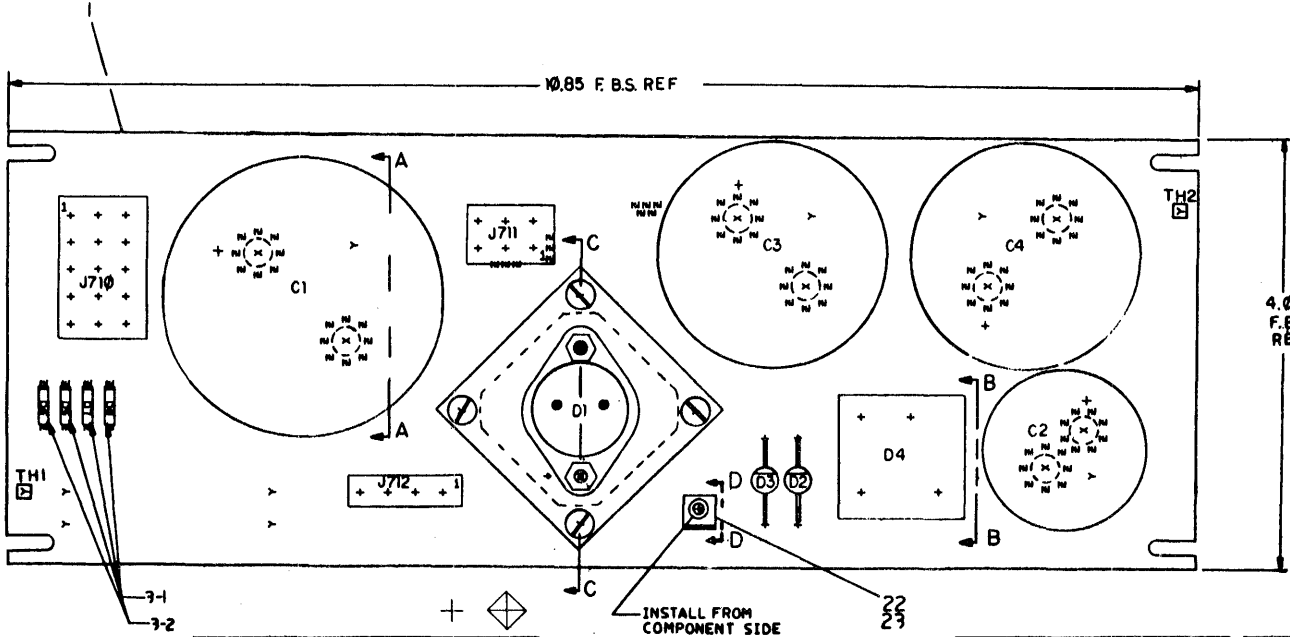
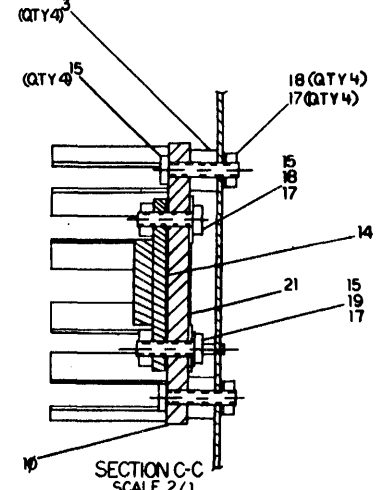
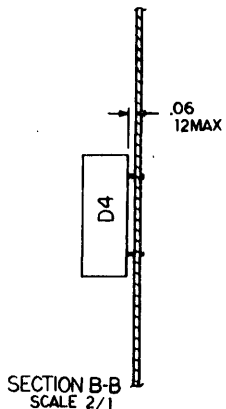
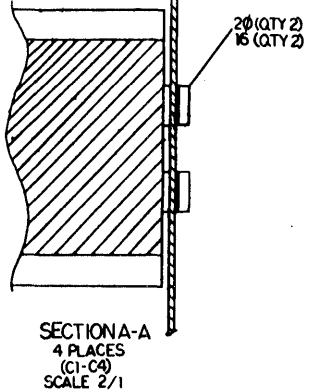


REVISION HISTORY		
DATE	ECO NUMBER	REV.

TITLE (R B2)		DOCUMENT NUMBER	
REGULATOR BOARD		DCS 5413624-0-1	H
SCALE	SHEET	OF	
	2	2	

DCS 5413624-0-1 H

1079



NOTES:
1. THIS BOARD MUST MEET UL REQUIREMENTS

STEP	Y AXIS	STEP	TIMES
REPORT	X AXIS	STEP	TIMES

CHANGE NO	REV	D	E	F
1	1			

ETCH REV. E-122

SIGNATURES	DATE	TITLE
DRN. I. BULL	10 DEC 74	digital
CHK'D. A. SPIN	8 JAN 75	
TECH. ENG. J. SPALDIS	12 JAN 75	CAPACITOR BOARD
PROJ. ENG. M. HAMMER	12 JAN 75	
PRD. A. MORGAN	12 JAN 75	
SCALE 2/1		
SHT. OF 2		
NEXT HIGHER ASSY. B: 00 5413625-0		

MS#291-002

THIS DRAWING AND INFORMATION HEREON ARE THE PROPERTY OF MILITARY AIRCRAFT CORPORATION, AND WILL BE RETURNED TO OR DESTROYED IN ACCORDANCE WITH THE INSTRUCTIONS ON THE DRAWING OR IN THE DRAWING INFORMATION.

0-0-929415

REWORK INSTRUCTIONS:

ECO: 5413626-CX003

COMPONENT DELETIONS:

3-1 D5,D6,D7,D8 IN 4004 (1105796-00)

COMPONENT ADDS:

3-2 D5,D6,D7,D8 IN 4007 (1116474-00)

J
H
F
E
D
C
B
A

J
H
F
E
D
C
B
A

REVISION HISTORY		
DATE	ECO NUMBER	REV

TITLE	5413626-0-0	REV	F
SCALE	SHEET 2 OF 2		

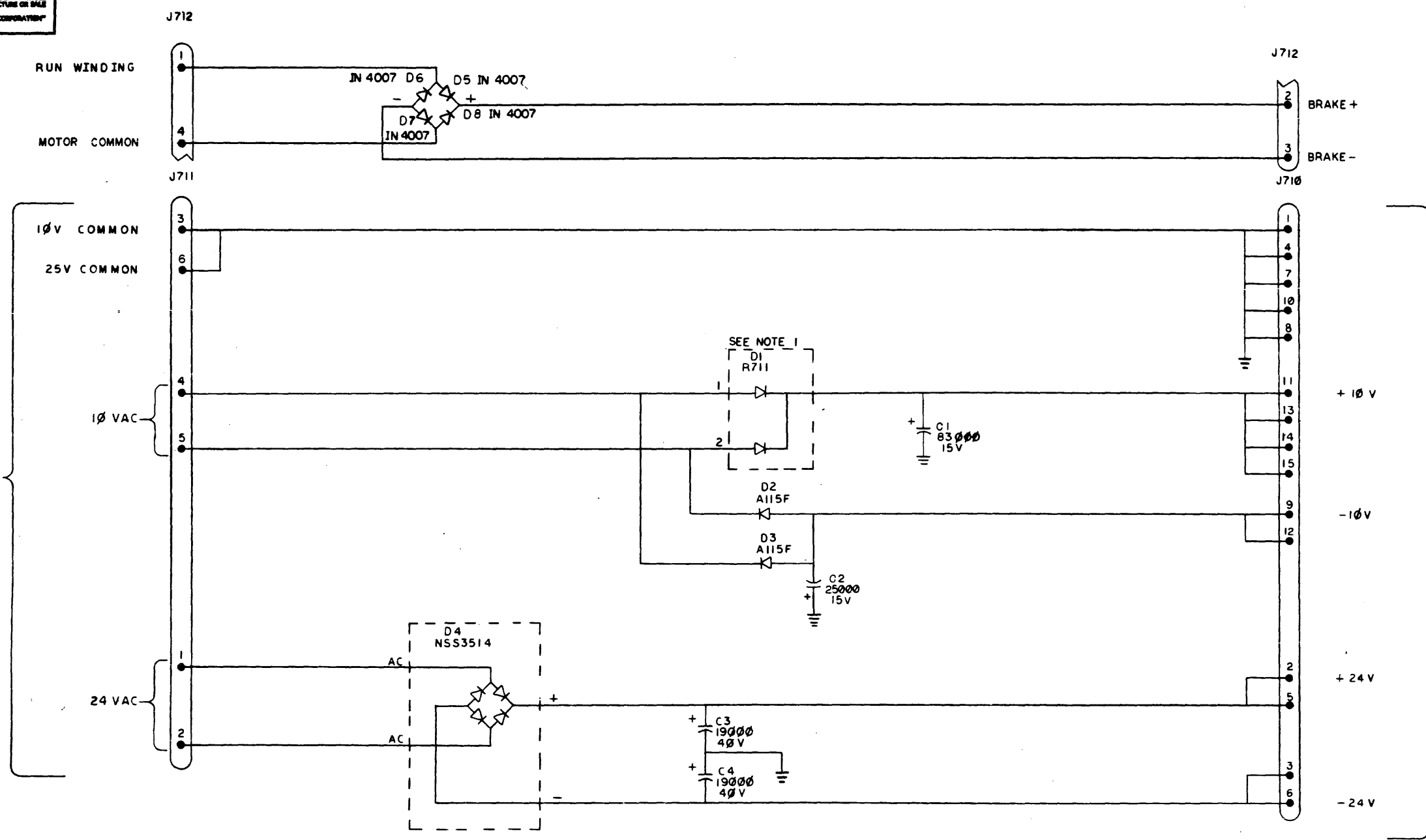
5413626-0-0 F

LINE	ITEM	DOCUMENT NUMBER	PART NUMBER	DESCRIPTION	QTY PER VARIATION 00	REFERENCE DESIGNATOR
1	1	E-MD-5013625-0-0	5013625-00	DRILL & ETCH BD	1	
2	2		1116474-00	1N 4007 PIV=1000 I=1A D041	4	D5,D6,D7,D8
3	3		9009565-00	SPACER, NYLON, .170 ID X .255 OD	4	
4	4		1016238-00	83,000 MFD 15V +75-10% AL EL	1	C1
5	5		1016239-00	19,000 MFD 40V +75-10% AL EL	2	C3,C4
6	6		1016240-00	25,000 MFD 15V +75-10% AL EL	1	C2
7	7		1110714-00	NSS3514 FWR@400 I=20A (TRW)	1	D4
8	8		1112594-00	A115F PIV= 50 I= 3A	2	D2,D3
9	9		1112723-00	RECT ASSY@100V & 25A	1	D1
10	10		1210012-01	HEAT SINKS,TO-3 1.810X1.81	1	
11	11		1212297-01	MATE-N-LOK 04PIN(1X04).250CC HDR	1	J712
12	12		1212297-04	MATE-N-LOK 15PIN(2X08).250CC HDR	1	J710
13	13		1212297-07	MATE-N-LOK 06PIN(2X03).250CC HDR	1	J711
14	14		1213071-02	INSULATOR,RUBBER SILICONE SM	1	
15	15		9007793-01	SCREW,MACH PAN PHIL 6-	6	
16	16		9006070-01	SCREW,MACH PAN PHIL 10-	8	
17	17		9008185-00	NUT,KEP 6-32X 1/4 AF	6	
18	18		9006656-00	WASHER,FLAT STEEL	5	
19	19		9009676-00	TERM,SOLDER BARRIER STR	1	
20	20		9006636-00	WASHER,LOCK INTERNAL STEEL	8	
21	21		1215580-00	INSULATOR,MOLDED	1	
22	22		9008285-00	EYELET,ROLLED 0.1210DX0.218	1	
23	23		9008219-00	TERM,TAB .250TAB .130STUD MN	1	

REVISION HISTORY			BASIC PART NO: 5413626			D I G I T A L		
ENG	ECO NUMBER	REV	SECTION A OF A	DRN:	ART SIMM	DATE: 10-DEC-79		
---	INITIAL	C	SECTION VARIATION INDEX	CHK'D:	P.KENDRICK	DATE: 2-JAN-80	TITLE	PARTS LIST
---	INITIAL	C	[A] 00				CAPACITOR BOARD	
JR	5413626-CX01A	D	[B]					
GN	5413626-CX002	E	[C]	DES.ENG:	J.DREW	DATE: 9-JAN-80		
BR	5413626-CX003	F	[D]				DOCUMENT NUMBER	
BR	5413626-CX004	H	[E]	RESP.ENG.:	J.RINALDIS	DATE: 9-JAN-80	SIZE	CODE
			[F]				NUMBER	REV
			[G]					
			[H]					
			[I]					
			[J]					
			[K]	MFG.ENG.:	N.HEDENSTEN	DATE: 9-JAN-80	K	PL
			[L]					
			[M]	ASSEMBLY NUMBER:		TOP DOCUMENT NUMBER:	FILE NAME:	EDIT #
			[N]	E-UA-5413626-0-0		# B-DD-5413626-0	Z0493H.PLS	32

* THIS DRAWING AND SPECIFICATIONS HEREIN, ARE THE PROPERTY OF DIGITAL EQUIPMENT CORPORATION AND SHALL NOT BE REPRODUCED OR COPIED OR USED IN WHOLE OR IN PART AS THE BASIS FOR THE MANUFACTURE OR SALE OF ITEMS WITHOUT WRITTEN PERMISSION. COPYRIGHT (C) 1982. DIGITAL EQUIPMENT CORPORATION *

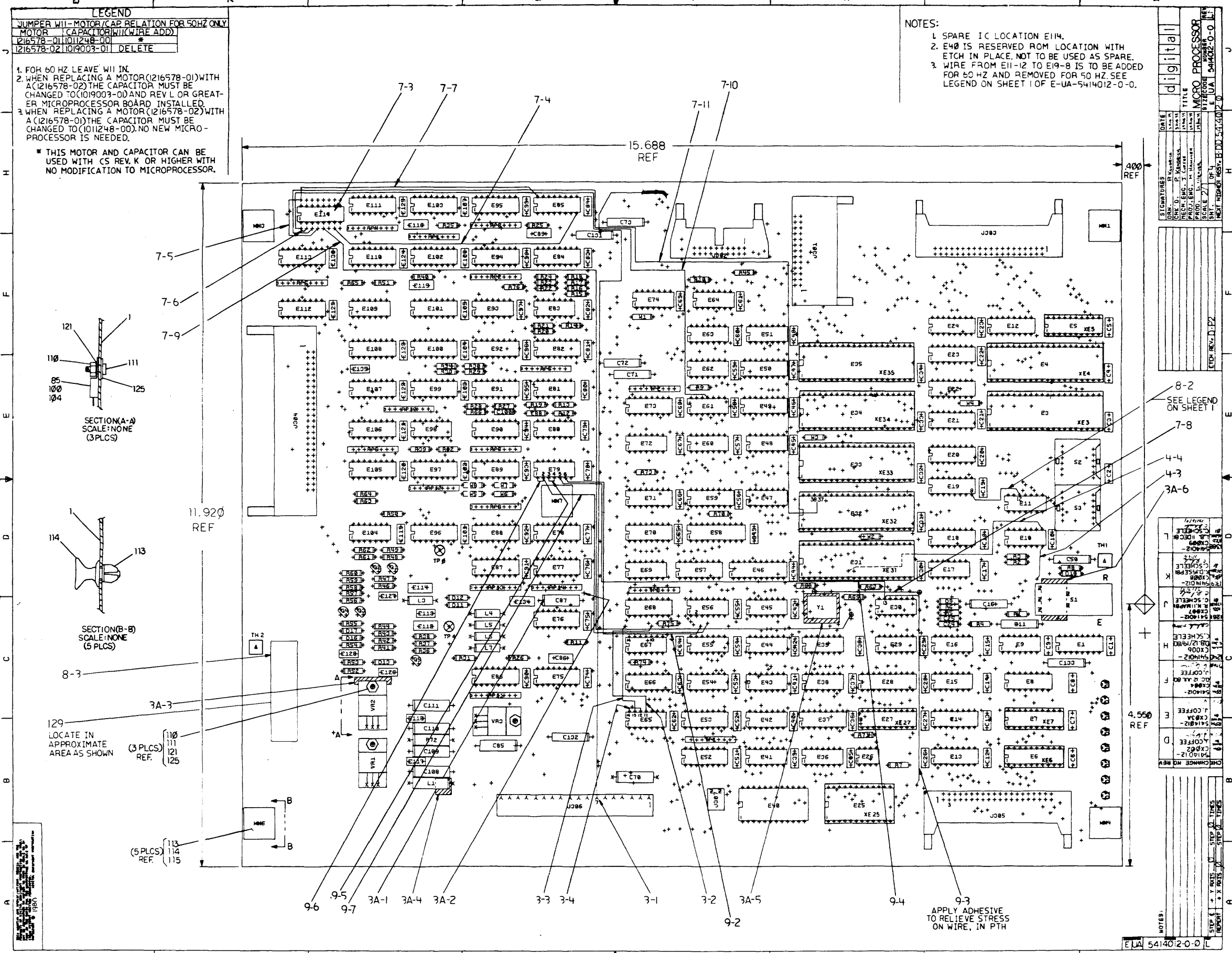
THE DRAWING AND SPECIFICATIONS HEREIN ARE THE PROPERTY OF DIGITAL EQUIPMENT CORPORATION AND SHALL NOT BE REPRODUCED OR COPIED OR USED IN WHOLE OR IN PART AS THE BASIS FOR THE MANUFACTURE OR SALE OF ITEMS WITHOUT WRITTEN PERMISSION. COPYRIGHT © 1973 DIGITAL EQUIPMENT CORPORATION



- NOTES:
- COMPONENTS NOTED ARE MOUNTED ON HEATSINK
 - UNLESS OTHERWISE SPECIFIED:
 ALL RESISTORS ARE 1/4W, 5%.
 ALL RESISTOR VALUES ARE IN OHMS.
 ALL CAPACITOR VALUES ARE IN MICROFARADS.
 ALL DIODES ARE IN4004.

REV.	D	E	F	I
1	5413626-CX01A J. RINALDIS 11/13/72	5413626-CX02A K. DAVIS 12/11/72	5413626-CX03A B. RAY 12/11/72	5413626-CX04A B. RAY 12/11/72

QUANTITY & VARIATION		DESCRIPTION		DWG./PART NO.	ITEM NO.
UNLESS OTHERWISE SPECIFIED DIMENSIONS ARE IN INCHES					
ANGLES	CLASS OF ACCURACY	NOMINAL DIMENSION RANGE INCHES			
30°	(CHECK ONE)	OVER 0 TO 0.2	OVER 0.2 TO 1.2	OVER 1.2 TO 4.0	OVER 4.0 TO 12.0
SURFACE QUALITY	MEDIUM	0.2	1.3	2.5	12.0
IN	PREFERRED	1.012	1.016	1.020	1.024
MICROINCHES		1.012	1.016	1.020	1.024
THIRD ANGLE PROJECTION		DRN. <i>[Signature]</i> 6 FEB 78		FIRST USED ON	
REMOVE BURRS AND BREAK SHARP CORNERS		CHK'D. J.C.V. 15 JAN 78		TITLE	
DO NOT SCALE DWG		ENG. <i>[Signature]</i> 11 AUG 78		CAPACITOR BOARD	
MATERIAL		PROC. ENG. <i>[Signature]</i> 11 AUG 78		REV. FH	
FINISH		NEXT HIGHER ASSY.		SIZE COOR NUMBER	
		B-DD-5413626-0		D CS 5413626-0-1	
		SCALE		SHEET OF	
		1		1	



LEGEND

JUMPER WII - MOTOR/CAP RELATION FOR 50HZ ONLY

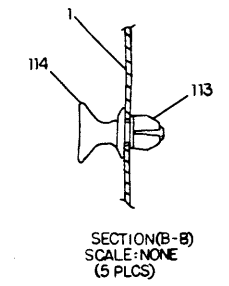
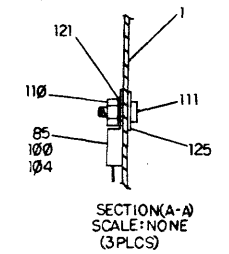
MOTOR	(CAPACITOR/WIRE ADD)
I216578-01 I011248-00	*
I216578-02 I019003-01	DELETE

- FOR 60 HZ LEAVE WII IN.
- WHEN REPLACING A MOTOR (I216578-01) WITH A (I216578-02) THE CAPACITOR MUST BE CHANGED TO (I019003-01) AND REV L OR GREATER MICROPROCESSOR BOARD INSTALLED.
- WHEN REPLACING A MOTOR (I216578-02) WITH A (I216578-01) THE CAPACITOR MUST BE CHANGED TO (I011248-00). NO NEW MICRO-PROCESSOR IS NEEDED.

* THIS MOTOR AND CAPACITOR CAN BE USED WITH CS REV. K OR HIGHER WITH NO MODIFICATION TO MICROPROCESSOR.

NOTES:

- SPARE IC LOCATION E114.
- E40 IS RESERVED ROM LOCATION WITH ETCH IN PLACE. NOT TO BE USED AS SPARE.
- WIRE FROM E11-12 TO E19-8 IS TO BE ADDED FOR 50 HZ AND REMOVED FOR 60 HZ. SEE LEGEND ON SHEET 1 OF E-UA-5414012-0-0.



DATE	DESIGNED BY	CHECKED BY	DRAWN BY	PROJ. ENG.	PROJ. MGR.	SCALE	REV.	NEXT HIGHER REV.
						27	D, P2	

TITLE
DIGITAL MICRO PROCESSOR

SCALE
27

REV.
D, P2

NEXT HIGHER REV.
EUA 5414012-0-0

CHG	NO	REV	DATE	BY	REASON

NOTES:

8-2 SEE LEGEND ON SHEET 1

7-8

4-4

4-3

3A-6

129 LOCATE IN APPROXIMATE AREA AS SHOWN (3 PLCS) REF. 110, 111, 121, 125

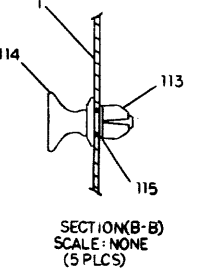
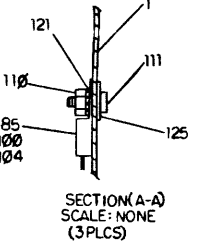
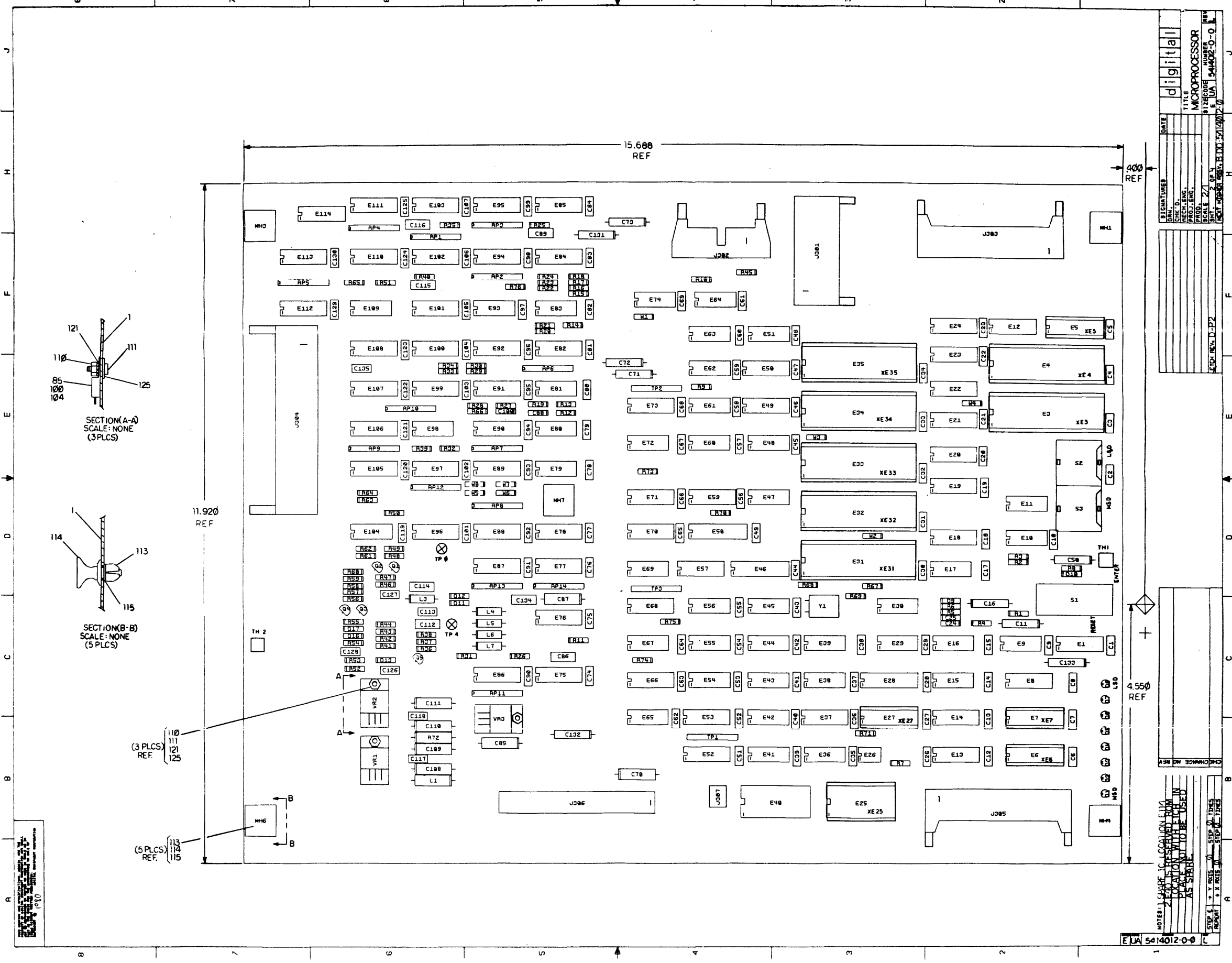
8-3

3A-3

113, 114, 115 (5 PLCS) REF.

APPLY ADHESIVE TO RELIEVE STRESS ON WIRE, IN PTH

EUA 5414012-0-0 L



(3 PLCS)
REF. 110, 111, 121, 125

(5 PLCS)
REF. 113, 114, 115

SIGNATURES	
DATE	
DESIGNED BY	
CHECKED BY	
PREPARED BY	
SCALE	2/1
TITLE	digital
PROJECT NUMBER	94402-0-0
SCALE	2/1
DATE	
DESIGNED BY	
CHECKED BY	
PREPARED BY	

REVISIONS	
NO.	DATE
1	
2	
3	
4	
5	
6	
7	
8	
9	
10	
11	
12	
13	
14	
15	
16	
17	
18	
19	
20	

NOTES: 1. SCALE IS LOCAL ON LHM

2. DIMENSIONS ARE IN MILLIMETERS UNLESS OTHERWISE SPECIFIED

3. DIMENSIONS TO BE USED AS SHOWN

STEP 1	Y AXIS	STEP 2	Z AXIS
REPORT	X AXIS	STEP 3	X AXIS

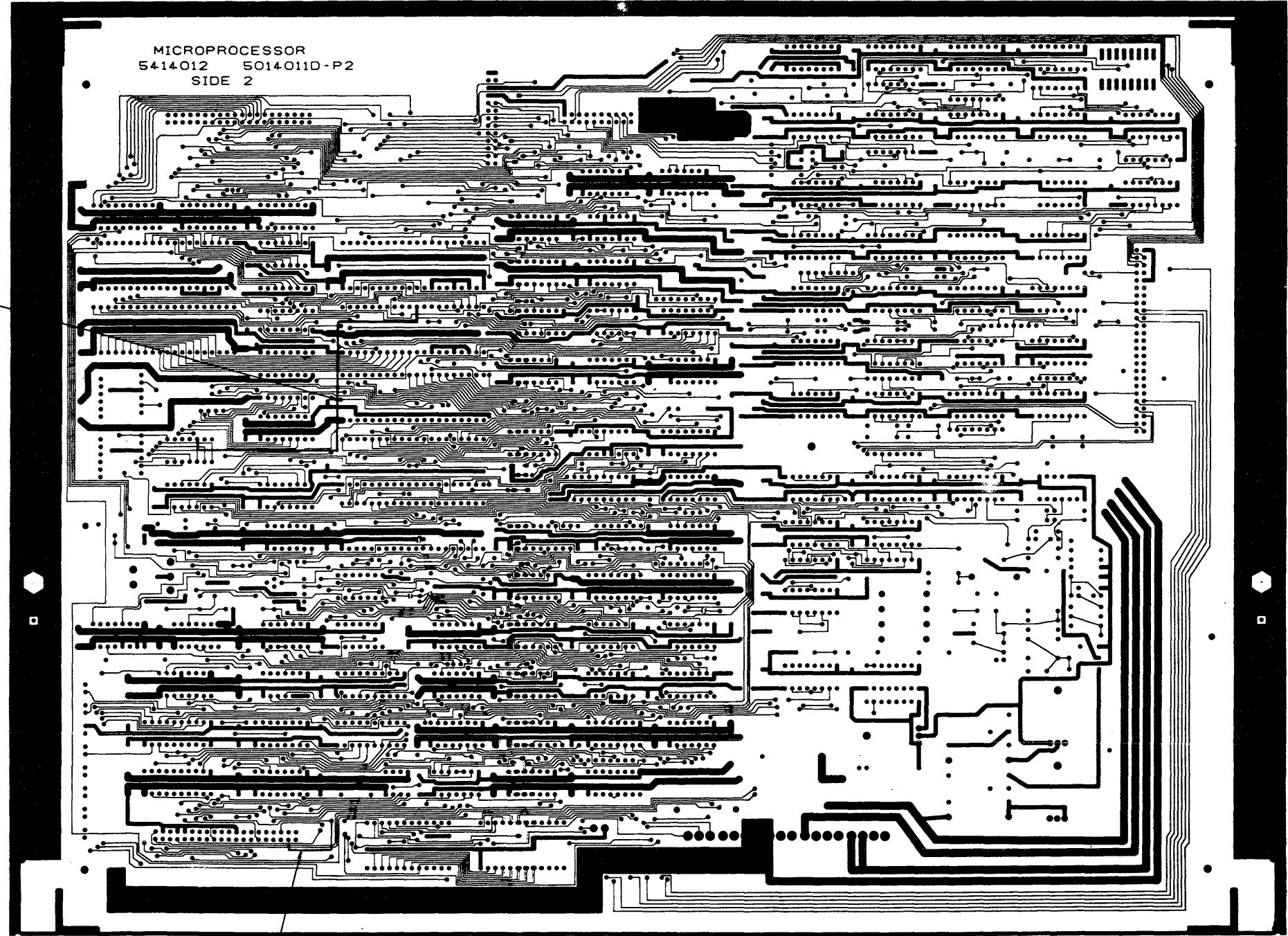
E LA 5014012-0-0

THIS DRAWING AND SPECIFICATIONS SHALL BE THE PROPERTY OF THE UNITED STATES GOVERNMENT AND SHALL BE LOANED TO YOU BY THE UNITED STATES GOVERNMENT. IT IS TO BE USED ONLY FOR THE PURPOSES AUTHORIZED BY THE CONTRACT UNDER WHICH IT IS LOANED TO YOU. IT IS TO BE RETURNED TO THE UNITED STATES GOVERNMENT AT THE END OF THE TERM OF THE CONTRACT UNDER WHICH IT IS LOANED TO YOU.

L 2

12 / 13 MIL

MICROPROCESSOR
5414012 5014011D-P2
SIDE 2



8-1

9-3

DESCRIPTION	QUANTITY	UNIT	DATE	BY	APP'D	REV	DATE	BY	APP'D	
UNLESS OTHERWISE SPECIFIED DIMENSIONS ARE IN INCHES AND THE FOLLOWING TOLERANCES APPLY (PER DEC STD 116)										
DIMENSION RANGE INCHES	0 - .125	±.005	.125 - .250	±.008	.250 - .500	±.010	.500 - 1.000	±.015	1.000 - 2.000	±.020
	1.000 - 2.000	±.025	2.000 - 4.000	±.030	4.000 - 6.000	±.040	6.000 - 10.000	±.050	10.000 - 18.000	±.075
APPLICABLE DIMENSION RANGE	0 - .125	±.005	.125 - .250	±.008	.250 - .500	±.010	.500 - 1.000	±.015	1.000 - 2.000	±.020
CHECK OFF	✓	✓	✓	✓	✓	✓	✓	✓	✓	✓
QUANTITY & VARIATION	1	1	1	1	1	1	1	1	1	1
THIRD ANGLE PROJECTION										
DO NOT SCALE DRAWING										
REMOVE BURRS AND BREAK SHARP CORNERS										
MATERIAL										
FINISH										
TITLE	MICROPROCESSOR									
DOCUMENT NUMBER	EUA 5414012-0-0 L									

EUA 5414012-0-0 L

THIS DRAWING IS THE PROPERTY OF THE
 UNITED STATES GOVERNMENT AND IS
 LOANED TO YOU BY THE NATIONAL BUREAU
 OF STANDARDS. IT IS TO BE USED ONLY
 FOR THE PURPOSES AND UNDER THE
 TERMS OF THE NATIONAL BUREAU OF
 STANDARDS' PATENT AND TRADEMARK
 POLICY. ANY OTHER USE IS PROHIBITED.

ECO 5414012-CX003

WIRE ADDS - 24 AWG (SIDE 1)

3-1. FROM J306 PIN 7 (AT BOTTOM OF BOARD) TO RIGHT SIDE OF ETCH CUT (3-1) AT TOP OF BOARD. (SEE EC-5014011-0-0, SH. 2)

WIRE ADDS - 30 AWG (SIDE 1)

- 3-2. FROM FEED-THRU AT E67 ABOVE PIN 10 TO E65-11.
- 3-3. FROM FEED-THRU AT E67 ABOVE PIN 14 TO E65-13.
- 3-4. FROM E65-12 TO E65-14.

ECO 5414012-CX03A

- 3A-1. ON COMPONENT SIDE OF BOARD REMOVE C87 (1004813-00) AND REINSTALL WITH POSITIVE LEAD ADJACENT TO E76 PIN 16 AND CASE LEAD ADJACENT TO E76 PIN 9.
- 3A-2. REMOVE ETCH POLARITY SIGN AT THE RIGHT SIDE OF C87 FROM PCB.
- 3A-3. APPLY ADHESIVE (9009157-00) AS REQUIRED TO PCB JUST ABOVE VR2 (1914517-01) MOUNTING TAB. PLACE MYLAR (4850018-01) ON ADHESIVE AND UNDER MOUNTING TAB TO PREVENT POSSIBLE CONTACT WITH GROUND RUN, AS SHOWN.
- 3A-4. APPLY ADHESIVE (9009157-00) AS REQUIRED TO PCB UNDER LEAD OF LI (1612946-03) CLOSE TO J306. PLACE MYLAR (4850018-01) ON ADHESIVE AND UNDER LI LEAD AS SHOWN TO PREVENT POSSIBLE CONTACT WITH GROUND.
- 3A-5. APPLY ADHESIVE (9009157-00) AS REQUIRED TO PCB UNDER Y1 (1812396-01) LIFTING GROUND CASE END IF NECESSARY. PLACE MYLAR (4850018-01) ON ADHESIVE AND UNDER Y1 AS SHOWN TO PREVENT POSSIBLE CONTACT WITH GROUND.
- 3A-6. APPLY ADHESIVE (9009157-00) AS REQUIRED TO PCB UNDER S1 (1210266-00) REMOUNTING SWITCH AS REQUIRED. PLACE MYLAR (4850018-01) ON ADHESIVE AND UNDER S1 AS SHOWN TO PREVENT POSSIBLE SHORTING OF +5 TO GROUND.

ECO 5414012-CX004

WIRE ADDS - 30 AWG (SIDE 1)

- 4-3. FROM PTH BELOW AND BETWEEN PINS 6 AND 7 OF E10 TO E10 PIN 7 (GND).
- 4-4. FROM E10 PIN 8 TO PTH ABOVE E31 PIN 9. ROUTE WIRE UNDER SOCKET AS SHOWN.

ECO 5414012-CX007

COMPONENT ADDS (SIDE 1)

7-3 INSERT 74LS74 (1912824-00) IN SPARE POSITION E114.

WIRE ADDS - 30 AWG - (SIDE 1)

- 7-4 ADD WIRE FROM E114-7 TO E85-8.
- 7-5 ADD WIRE FROM E114-4 TO E114-14 DO NOT SOLDER.
- 7-6 ADD WIRE FROM E114-2 TO E114-1 DO NOT SOLDER.
- 7-7 ADD WIRE FROM E114-14 SOLDER NOW TO E85-16.
- 7-8 ADD WIRE TO PTH BETWEEN Y1 AND R68 ACROSS FROM E31-3 TO PTH ABOVE AND TO THE RIGHT OF E30-8.
- 7-9 ADD WIRE FROM E114-5 TO PTH TO RIGHT OF Y1 (WHICH GOES TO E31-7).
- 7-10 ADD WIRE FROM E61-11 TO E114-1, NOW SOLDER
- 7-11 REMOVE E32 FROM SOCKET. ADD WIRE FROM ETCH WHICH RUNS BETWEEN E32-3 AND 4 (THAT GOES TO E31-7) TO E114-3.
- 7-12 AFTER REWORK STEPS 7-1 THRU 7-11 ARE COMPLETE, MARK MODULE WITH LATEST CX REV (J) PER ECO-5414012 CX007.

ECO 5414012-CX008

WIRE ADDS - 30 AWG - (SIDE 2)

8-1 FROM E34-31 TO E11-12 (DO NOT SOLDER UNTIL REWORK STEP 8-2 IS ADDED), APPLY ADHESIVE (4901259-00).

WIRE ADDS - 30 AWG - (SIDE 1)

- 8-2 FROM E11-12 TO E19-8 SOLDER, (SEE REWORK STEP 8-1), (THIS WIRE IS TO BE REMOVED FOR 50 HZ).
- 8-3 ADD LABEL (3615710-00) TO LOWER LEFT CORNER OF (SIDE 1) SEE SHEET 1 OF E-UA-5414012-0-0. LABEL (3615710-00) OR EQUIVALENT, WITH THIS VERBAGE:
 "WIRE FROM E11-12 TO E19-8 IS TO BE REMOVED FOR 50 HZ DRIVES."
- 8-4 WHEN THE ABOVE REWORK IS COMPLETED MARK MODULE CS REV L.

ECO 5414012-CX009

WIRE ADDS - 30 AWG - (SIDE 1)

- 9-2. ADD WIRE FROM PTH (WHICH RUNS TO E56-2) TO E79-6.
- 9-3. ADD WIRE FROM E30-13, GO THROUGH PTH ABOVE AND TO THE RIGHT CORNER OF J305. MAKE CONNECTION ON SIDE 2 AT J305-3. NOTE: APPLY ADHESIVE TO WIRE AT PTH FOR STRAIN RELIEF.
- 9-4. ADD WIRE FROM E30-13 TO E79-5.
- 9-5. ADD WIRE FROM E79-4 TO E79-3.
- 9-6. ADD WIRE FROM E79-1 TO E79-2.
- 9-7. ADD WIRE FROM E79-2 TO PTH (WHICH RUNS TO E56-4).
- 9-8. WHEN ABOVE REWORK IS COMPLETED, MARK MODULE CS REV M.

REVISIONS		
CHK	CHANGE NO.	REV

EUA5414012-0-0 L

LINE ITEM	DOCUMENT NUMBER	PART NUMBER	DESCRIPTION	QTY	PER VARIATION	REFERENCE DESIGNATOR
				00		
1	D-MD-5414012-0-0	5014011-00	TITLE MICRO PROCESSOR	1		
2		1000076-00	39 MFD 10V 10% S.TANT	1		C53
3		1001610-00	.01 MFD 50V +80-20% Z5U CER	112		C1-C29,C33-C38,C41-C49,C54-C65, CONT C67-C79,C81-C83,C85-C92, CONT C94-C102,C104,C109,C111,C112, CONT C116,C118-C129,C132,C133, CONT C135-C138
4		1004813-00	10 MFD 20V 10% S.TANT	2		C39,C40
5		1005306-00	6.8MFD 35V 10% S.TANT	1		C66
6		1013466-05	56.0 MMF 50V 5% CER	1		C114
7		1013466-07	220.0 MMF 50V 5% CER	2		C84,C93
8		1013466-09	1000.0 MMF 50V 10% X7R CER	3		C50,C51,C134
9		1013466-16	.010 MFD 50V 10% X7R CER	1		C106
10		1013466-18	330.0 MMF 50V 5% CER	2		C107,C108
11		1013466-19	470.0 MMF 50V 5% CER	1		C103
12		1013466-23	22.0 MMF 50V 5% CER	1		C113
13		1016555-00	22 MFD 50V +50-10% AL EL	2		C115,C130
14		1017472-00	10 MFD 35V +50-10% AL EL	9		C30,C31,C32,C52,C80,C105,C110, CONT C117,C131
15		1100114-00	D 664 QS\75PCB PIV= 25V SP	2		D9,D10
16		1105873-00	4M5-1AZ1 VZ= 5.1 1% .400W	1		D13
17		1109517-00	1N 914B TR= 4NS PIV= 75V SY	2		D14,D15
18		1112689-00	LED .8MCD@16MA VF=5V	8		D1-D8
19		1116824-00	1N 5456C 30V 400MW 2% VARACTOR D	2		D11,D12
20		1210266-00	SW,TOG 1PDT (ON)-OFF-(ON) 0.4	1		S1
21		1212204-12	PCB HEADER 02PIN(1X2).156CC 90D	1		J307
22		1212204-14	PCB HEADER 18PIN(1X18).156CC 90D	1		J306
23		1216458-00	SW,ROT 1P16POS 28VDC/3A BINA	2		S2,S3
24		1216832-00	PCB,HEADER 20POS(2X10).100CC 90D	1		J302
25		1216832-01	PCB,HEADER 26POS(2X13).100CC 90D	1		J301

REVISION HISTORY		BASIC PART NO: 5414012		DRN:	DATE:	DIGITAL				
ENG	ECO NUMBER	REV	SECTION A OF A	CHK'D:	DATE:	TITLE	PARTS LIST			
	5414012-CX011	L	SECTION VARIATION INDEX	RON MICHAUD	07-JUL-82	MICROPROCESSOR				
			[A] 00							
			[B]							
			[C]	CRAIG SCHEELE	07-JUL-82					
			[D]							
			[E]							
			[F]	CRAIG SCHEELE	07-JUL-82					
			[G]							
			[H]							
			[J]							
			[K]	AHMAD KASSAK	07-JUL-82		SIZE	CODE	NUMBER	REV
			[L]				K	PL	5414012-0-DBP	L
			[M]							
			[N]							
		ASSEMBLY NUMBER:		TOP DOCUMENT NUMBER:		FILE NAME:		EDIT #		
		D-UA-5414012-0-0		#B-DD-5414012-0		Z0509L.PLS		9		

THIS DRAWING AND SPECIFICATIONS HEREIN, ARE THE PROPERTY OF DIGITAL EQUIPMENT CORPORATION AND SHALL NOT BE REPRODUCED OR COPIED OR USED IN WHOLE OR IN PART AS THE BASIS FOR THE MANUFACTURE OR SALE OF ITEMS WITHOUT WRITTEN PERMISSION. COPYRIGHT (C) 1982. DIGITAL EQUIPMENT CORPORATION

LINE ITEM	DOCUMENT NUMBER	PART NUMBER	DESCRIPTION	QTY PER VARIATION 00	REFERENCE DESIGNATOR
26	26	1216832-02	PCB,HEADER 40POS(2X20).100CC 90D	2	J303,J305
27	27	1216832-03	PCB,HEADER 50POS(2X25).100CC 90D	1	J304
28	28	1300005-03	R NETWORK 13-10K 5.0 % 14PIN	2	E6,E43
29	29	1300202-00	47.0 .25 W 5.0 % CC	5	R52,R53,R55,R67,R69
30	30	1300229-00	100.0 .25 W 5.0 % CC	4	R23,R60,R61,R64
31	31	1300250-00	150.0 .25 W 5.0 % CC	2	R42,R45
32	32	1300271-00	220.0 .25 W 5.0 % CC	4	R12,R15,R27,R29
33	33	1300295-00	330.0 .25 W 5.0 % CC	3	R28,R30,R37
34	34	1300316-00	470.0 .25 W 5.0 % CC	9	R2,R3,R5,R6,R20,R38,R39,R54,R65
35	35	1300365-00	1.0 K .25 W 5.0 % CC	13	R1,R4,R7,R8,R9,R17,R21,R22,R31, CONT R46,R71,R72,R78
36	36	1300417-00	2.20 K .25 W 5.0 % CC	2	R76,R77
37	37	1300432-00	3.0 K .25 W 5.0 % CC	1	R56
38	38	1300447-00	4.70 K .25 W 5.0 % CC	4	R24,R25,R47,R48
39	39	1300479-00	10.0 K .25 W 5.0 % CC	1	R16
40	40	1300496-00	15.0 K .25 W 5.0 % CC	2	R10,R11
41	41	1301401-00	750.0 .25 W 5.0 % CC	2	R18,R19
42	42	1301422-00	7.50 K .25 W 5.0 % CC	2	R13,R14
43	43	1301424-00	680.0 .25 W 5.0 % CC	2	R58,R59
44	44	1301425-00	300.0 .25 W 5.0 % CC	2	R49,R50
45	45	1301477-00	82.0 .25 W 5.0 % CC	4	R40,R41,R43,R44
46	46	1301948-00	49.90 .50 W 1.0 % RN60C-F 5	1	R51
47	47	1302177-00	47.0 K .25 W 5.0 % CC	1	R32
48	48	1302411-00	511.0 .25 W 1.0 % RN55D-F10	1	R57
49	49	1302644-00	226.0 .25 W 1.0 % RN55D-F10	1	R33
50	50	1302956-00	196.0 .25 W 1.0 % RN55D-F10	4	R70,R73-R75
51	51	1305124-00	287.0 .25 W 1.0 % RN55D-F10	1	R36
52	52	1305419-00	31.60 K .25 W 1.0 % RN55D-F10	1	R26
53	53	1316254-00	R NETWORK 7-470 2.0 % 8PIN	15	Z1-Z15
54	54	1316736-00	374.0 .25 W 1.0 % RN55D-F10	1	R35
55	55	1316838-00	432.0 .25 W 1.0 % RN55D-F10	1	R34
56	56	1316840-00	931.0 .25 W 1.0 % RN55D-F10	2	R63,R68
57	57	1316841-00	2.05 K .25 W 1.0 % RN55D-F10	2	R62,R66
58	58	1503029-00	2N 3640 PNP 200MW SI	2	Q1,Q2
59	59	1509524-00	2N 3904 NPN 310MW SI 40 40 M	1	Q4
60	60	1509525-00	2N 3906 PNP 310MW SI 40100 Y	1	Q3
61	61	1513489-00	2N 4401 NPN 350MW SI 40 20	1	Q5
62	62	1603358-00	12.0 UH 10% 300MA #DD12.0	1	L5
63	63	1612946-03	5.6 UH 10%	1	L6
64	64	1616291-00	DELAY= 80NS,10TAPS	2	E112,E114
65	65	1616879-00	INDUCTOR 1.12UH 1% 370MA	1	L1
66	66	1812396-01	XTAL 5.0688 MHZ	1	Y1
67	67	1905575-00	7400 NAND GATE-QUAD 2IN	2	E92,E93
68	68	1909004-00	DEC 7402 NOR GATE-QUAD 2IN	1	E20
69	69	1910155-00	DEC 7408 AND GATE,POS.QUAD 2I	2	E27,E83
70	70	1910230-00	74121 ONE SHOT	1	E58
71	71	1910406-00	75451 DRIVER,PERIPH,DUAL,	1	E45
72	72	1910436-00	DEC 74123 ONE SHOT-DUAL,RETRIG	1	E95

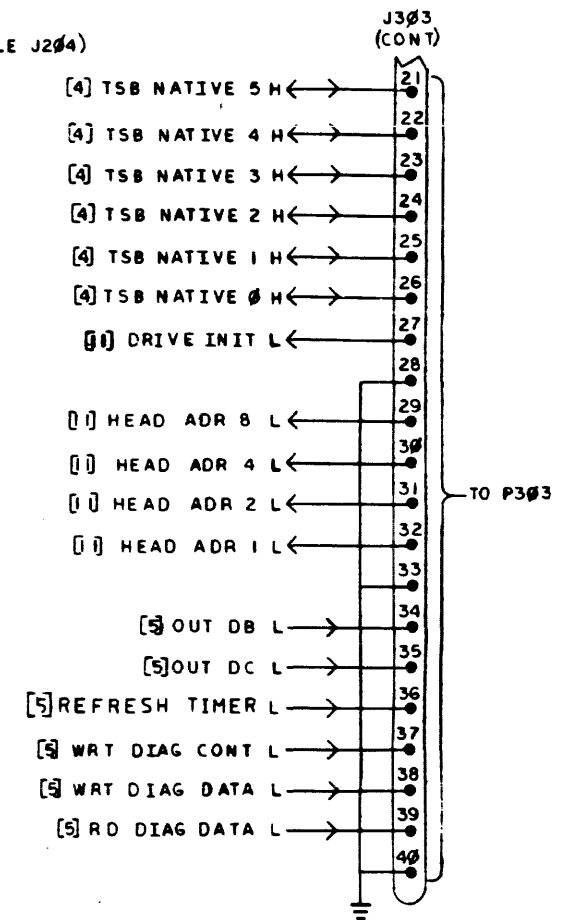
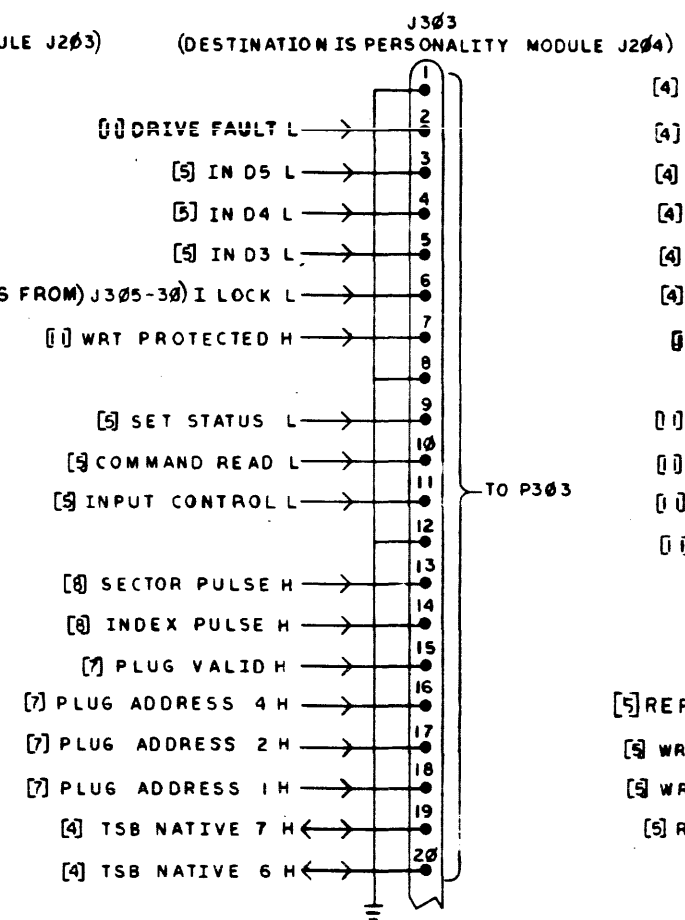
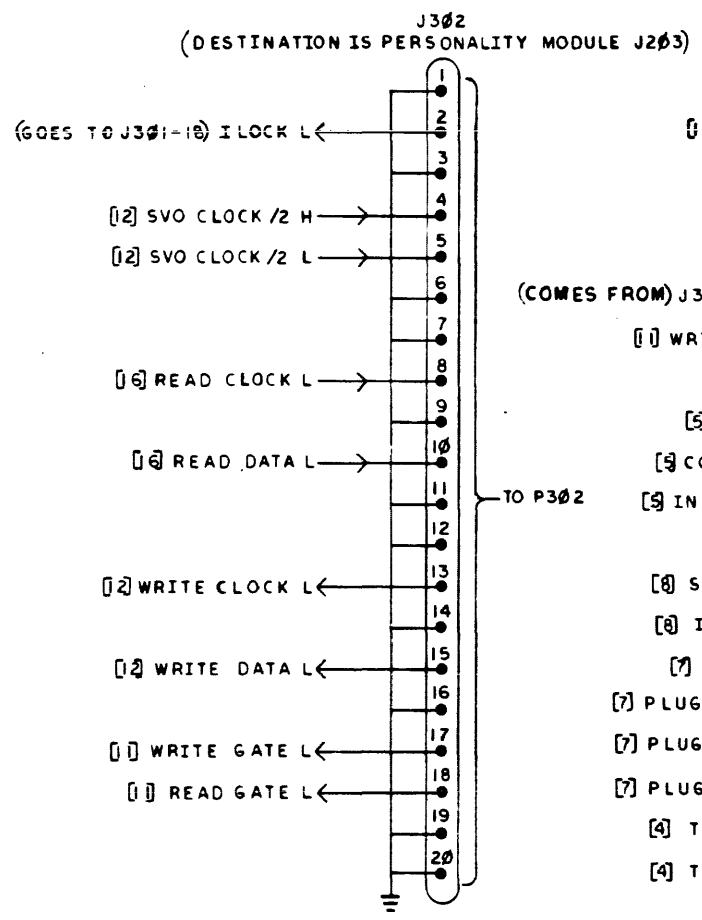
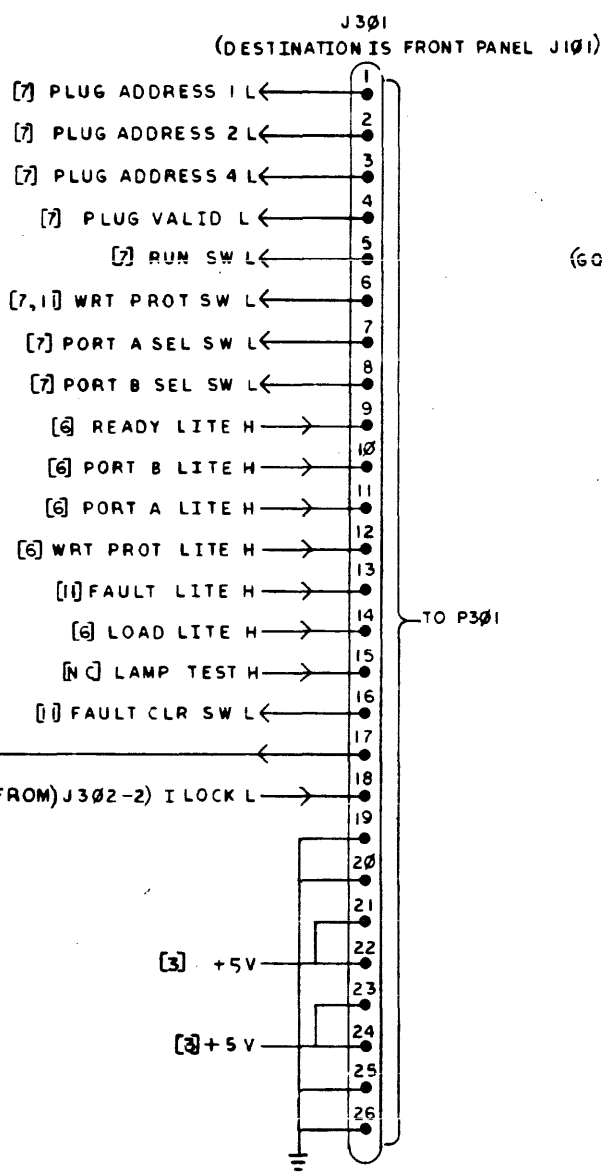
D	I	G	I	T	A	L	TITLE	SECTION A OF A	SIZE	CODE	DOCUMENT NUMBER	REV
							MICROPROCESSOR		K	PL	5414012-0-DBP	L

LINE	ITEM	DOCUMENT NUMBER	PART NUMBER	DESCRIPTION	QTY PER VARIATION 00	REFERENCE DESIGNATOR
73	73		1910535-00	74S05 INVERTER GATE-HEX 1	1	E69
74	74		1910544-00	74S74 FF-D DUAL,EDGE TRIGG	3	E9,E13,E94
75	75		1911036-00	75453 DRIVER,PERIPH,DUAL,	1	E57
76	76		1911195-00	7497 MULTIPLIER,6BIT BINA	1	E15
77	77		1911324-00	7414 INVERTER,HEX 1IN SCH	7	E3,E4,E11,E14,E30,E70,E74
78	78		1911399-00	10102 NOR GATE,QUAD 2IN	4	E97,E102,E109,E118
79	79		1911401-00	10104 AND GATE,QUAD 2IN	4	E88,E98,E111,E113
80	80		1911402-00	10105 OR/NOR GATE,2-3-2	1	E108
81	81		1911403-00	10106 NOR GATE,4-3-3	5	E86,E104,E115,E119,E120
82	82		1911414-00	10124 TTL TO ECL TRNSLTR	3	E78,E96,E103
83	83		1911415-00	10125 ECL TO TTL TRNSLTR	1	E89
84	84		1911416-00	10131 DUAL D MSTR/SL.FF	11	E85,E87,E100,E101,E105,E107, E110,E116,E117,E121,E122
85	85		1912048-05	7812 VOLT REG,FIX +12V	1	CONT VR1
86	86		1912799-00	LS00 NAND-GATE-QUAD 2IN,P	5	E26,E64,E67,E73,E79
87	87		1912803-00	LS04 INVERTER GATE,HEX	4	E46,E50,E56,E80
88	88		1912805-00	LS08 AND GATE-QUAD 2IN,PO	2	E51,E77
89	89		1912808-00	LS11 AND GATE-TRIPLE 3IN	1	E8
90	90		1912815-00	LS30 NAND GATE-SINGLE 8IN	2	E65,E68
91	91		1912816-00	LS32 OR GATE-QUAD 2IN,POS	5	E47,E53,E55,E62,E81
92	92		1912824-00	LS74 FF-D DUAL,EDGE TRIGG	5	E10,E16,E28,E44,E90
93	93		1912829-00	LS86 X-OR GATE-QUAD 2IN	1	E91
94	94		1912842-00	LS138 DECODER-THREE INPUT,	11	E2,E12,E17,E19,E48,E49,E60,E61, E63,E75,E76
95	95		1912847-00	LS157 MUX 1 OF 2(QUAD)	2	CONT E29,E54
96	96		1912849-00	LS161 COUNTER,SYNCHR,4BIT	5	E21,E22-E25
97	97		1912864-00	LS279 LATCH,QUAD-S-R	1	E59
98	98		1913017-00	3046 XSISTOR ARRAY,3 ISOL	1	E106
99	99		1914517-01	7912 VOLT REG,FIX -12V	1	VR2
100	100		1915193-00	LS244 DRIVER,LINE,OCTAL,T	1	E32
101	101		1915218-00	LS245 TRANSCEIVER,BUS,OCT	2	E18,E40
102	102		1915219-00	LS373 FF-D OCTAL-TRANSPARE	4	E1,E41,E52,E66
103	103		1916551-00	7905.2VOLT REG,FIX -5.2V	1	VR3
104	104		1916574-00	10114 RECEIVER,LINE,TRIPL	2	E84,E99
105	105		2114963-00	UP,8-BIT NMOS	1	E31
106	106		2114964-00	RAM 2048 MOSJ-STATIC	2	E37,E38
107	107		23026B9-00	B9-01	1	E34
108	108		23028B9-00	B9-01	1	E35
109	109		23029B9-00	B9-01	1	E36
110	110		23043B9-00	B9-01	1	E39
111	111		23321E2-00	E2-01,E2-02,E2-03	1	E42
112	112		3615710-00	*** THIS ITEM IS NOT USED ***	-	
113	113		9006556-00	NUT,HEX 4-40X .264AF SS/N	3	
114	114		9006632-00	WASHER,LOCK INTERNAL STEEL	3	
115	115		9008301-01	SCREW,MACH PAN PHIL 4-	3	
116	116		9009185-00	JUMPER, WIRE, INSULATED, BLACK B	9	W1-W7,W9,W10
117	117		9009963-00	PLUNGER, 1/4 DIA	5	
118	118		9009966-00	GROMMET,SNAP-IN POLYCARBONAT	5	

D	I	G	I	T	A	L	TITLE	SECTION A	OF A	SIZE	CODE	DOCUMENT NUMBER	REV
							MICROPROCESSOR			K	PL	5414012-0-DBP	L

THIS DRAWING AND SPECIFICATIONS HEREIN ARE THE PROPERTY OF DIGITAL EQUIPMENT CORPORATION AND SHALL NOT BE REPRODUCED OR COPIED OR USED IN WHOLE OR IN PART AS THE BASIS FOR THE MANUFACTURE OR SALE OF ITEMS WITHOUT WRITTEN PERMISSION.
 COPYRIGHT © 1979
 DIGITAL EQUIPMENT CORPORATION

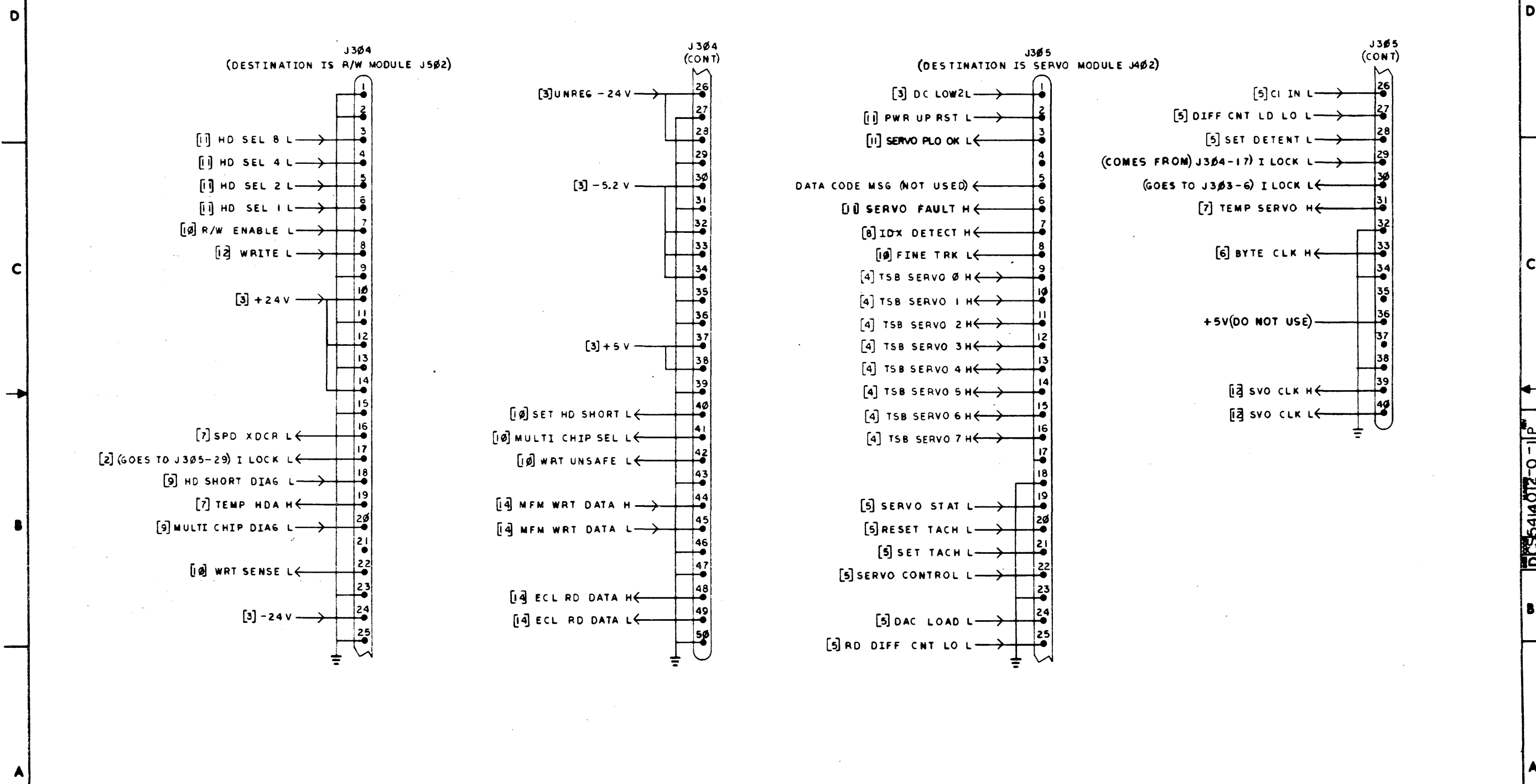
NOTES:
 1. UNLESS OTHERWISE SPECIFIED; ALL RESISTORS ARE 1/4 W, 5%. ALL RESISTOR VALUES ARE IN OHMS. ALL CAPACITOR VALUES ARE IN MICROFARADS.
 2. PIN NUMBERS IN PARENTHESES () ARE REFERENCE ONLY.



REV.	C	D	E	F	H	J	K	L	M	N	P
5414012-CX001	J. COFFEE	5414012-CX002	J. COFFEE	5414012-CX003	J. COFFEE	5414012-CX006	R.N. KO	5414012-CX007	5414012-CX008	5414012-CX010	5414012-CX011
DATE	REV.	DATE	REV.	DATE	REV.	DATE	REV.	DATE	DATE	DATE	DATE

DATE	18 Jan 79	TITLE	MICRO (UPI) PROCESSOR
DATE	5 Aug 79	DATE	17 Aug 79
DATE	17 Aug 79	DATE	29 Jul 79
DATE	29 Jul 79	DATE	29 Jul 79
DOCUMENT NUMBER		DCS5414012-0-1P	
B-DD 5414012-0		17	

THIS DRAWING AND SPECIFICATIONS HEREIN ARE THE PROPERTY OF DIGITAL EQUIPMENT CORPORATION AND SHALL NOT BE REPRODUCED OR COPIED OR USED IN WHOLE OR IN PART AS THE BASIS FOR THE MANUFACTURE OR SALE OF ITEMS WITHOUT WRITTEN PERMISSION.
 COPYRIGHT © 1979
 DIGITAL EQUIPMENT CORPORATION



J304
 (DESTINATION IS R/W MODULE J502)

J304
 (CONT)

J305
 (DESTINATION IS SERVO MODULE J402)

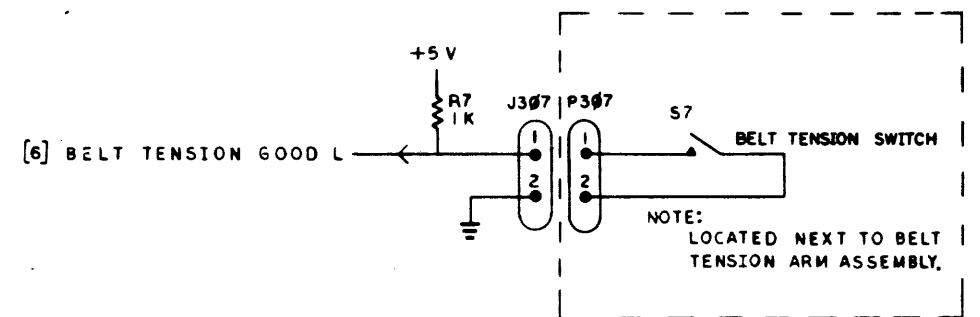
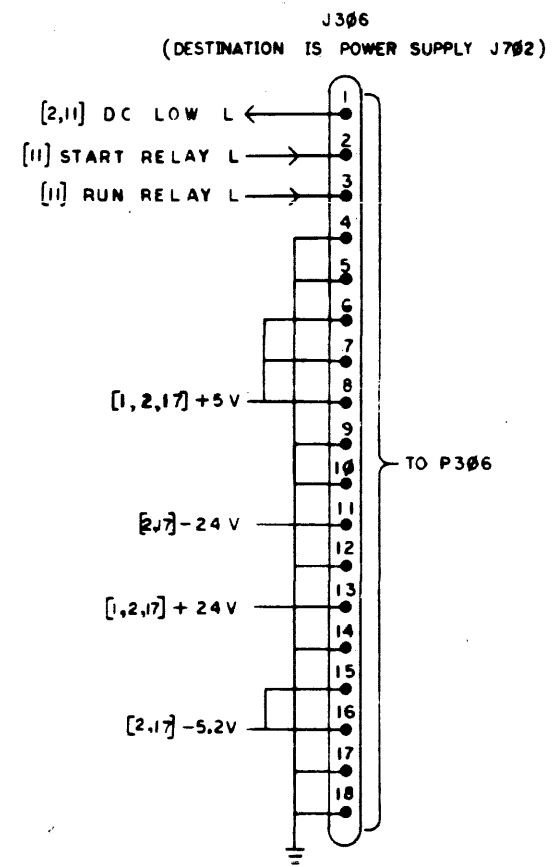
J305
 (CONT)

REVISIONS		
CHK	CHANGE NO.	REV

TITLE (UP2)
 MICRO PROCESSOR

DOCUMENT NUMBER			
REV	DATE	ISSUED BY	CHKD BY
D	CS5414012-0-1	P	

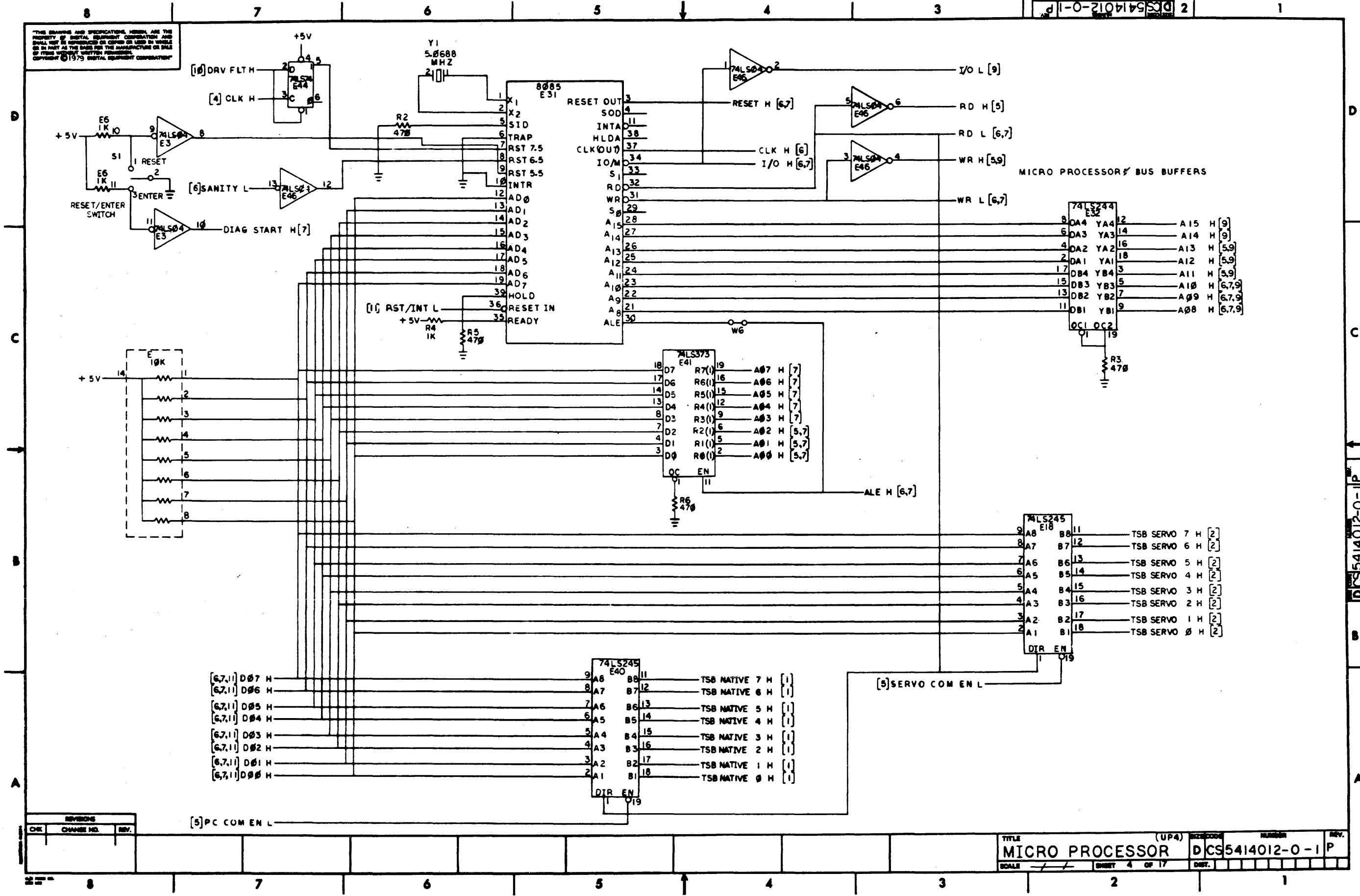
THIS DRAWING AND SPECIFICATIONS HEREON ARE THE PROPERTY OF DIGITAL EQUIPMENT CORPORATION AND SHALL NOT BE REPRODUCED OR COPIED OR USED IN WHOLE OR IN PART AS THE BASIS FOR THE MANUFACTURE OR SALE OF ITEMS WITHOUT WRITTEN PERMISSION. COPYRIGHT © 1979 DIGITAL EQUIPMENT CORPORATION



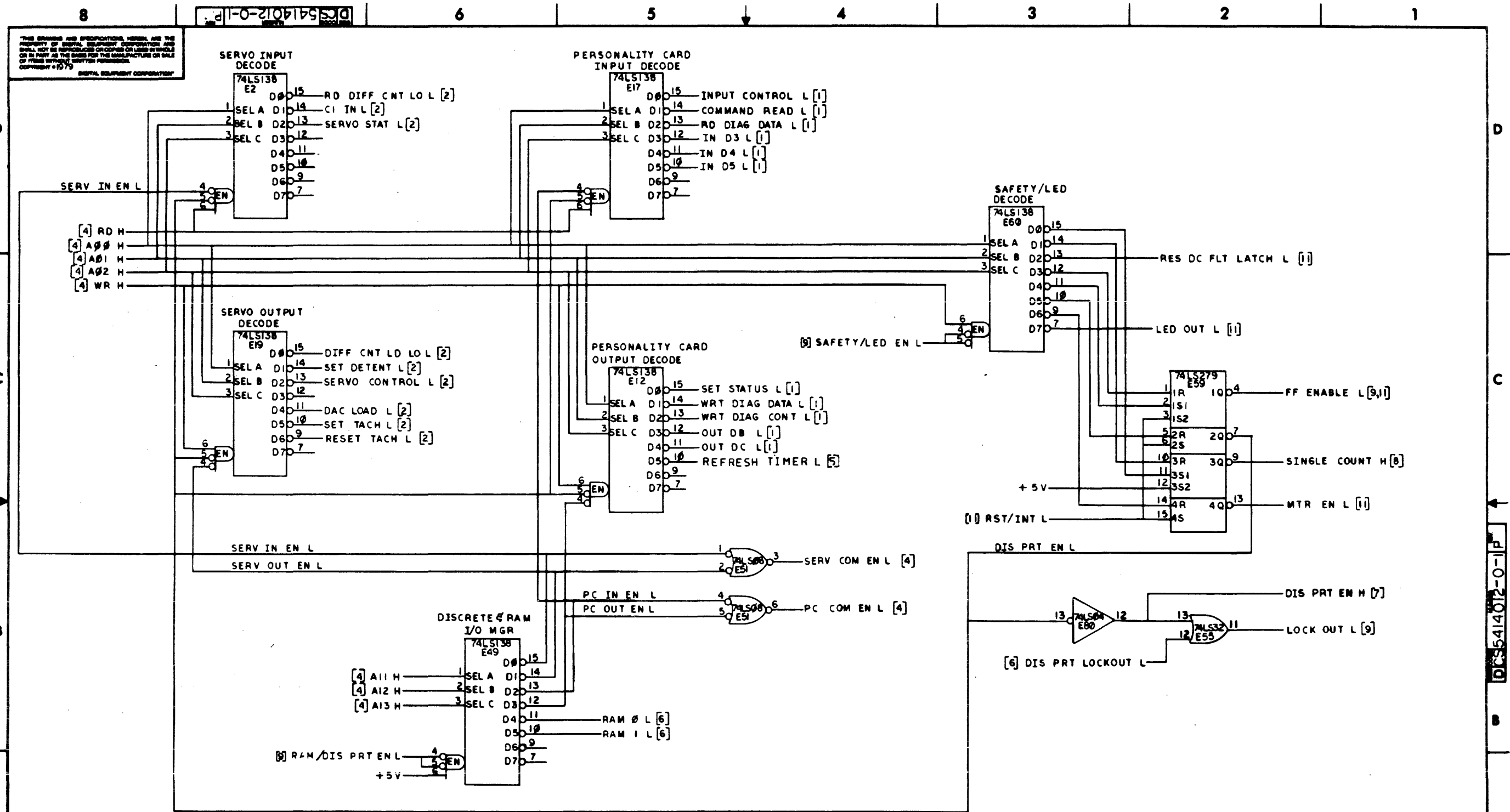
REVISIONS		
CHK	CHANGE NO.	REV.

TITLE	(UP 3)	INDEX CODE	NUMBER	REV.
MICRO PROCESSOR		D	CS5414012-0-1 P	
SCALE		SHEET	3 OF 17	DIST.

THIS DRAWING AND SPECIFICATIONS HEREIN ARE THE PROPERTY OF DIGITAL EQUIPMENT CORPORATION AND SHALL NOT BE REPRODUCED OR COPIED OR USED IN WHOLE OR IN PART AS THE BASIS FOR THE MANUFACTURE OR SALE OF ITEMS UNLESS WRITTEN PERMISSION IS GRANTED BY DIGITAL EQUIPMENT CORPORATION. COPYRIGHT © 1975 DIGITAL EQUIPMENT CORPORATION.



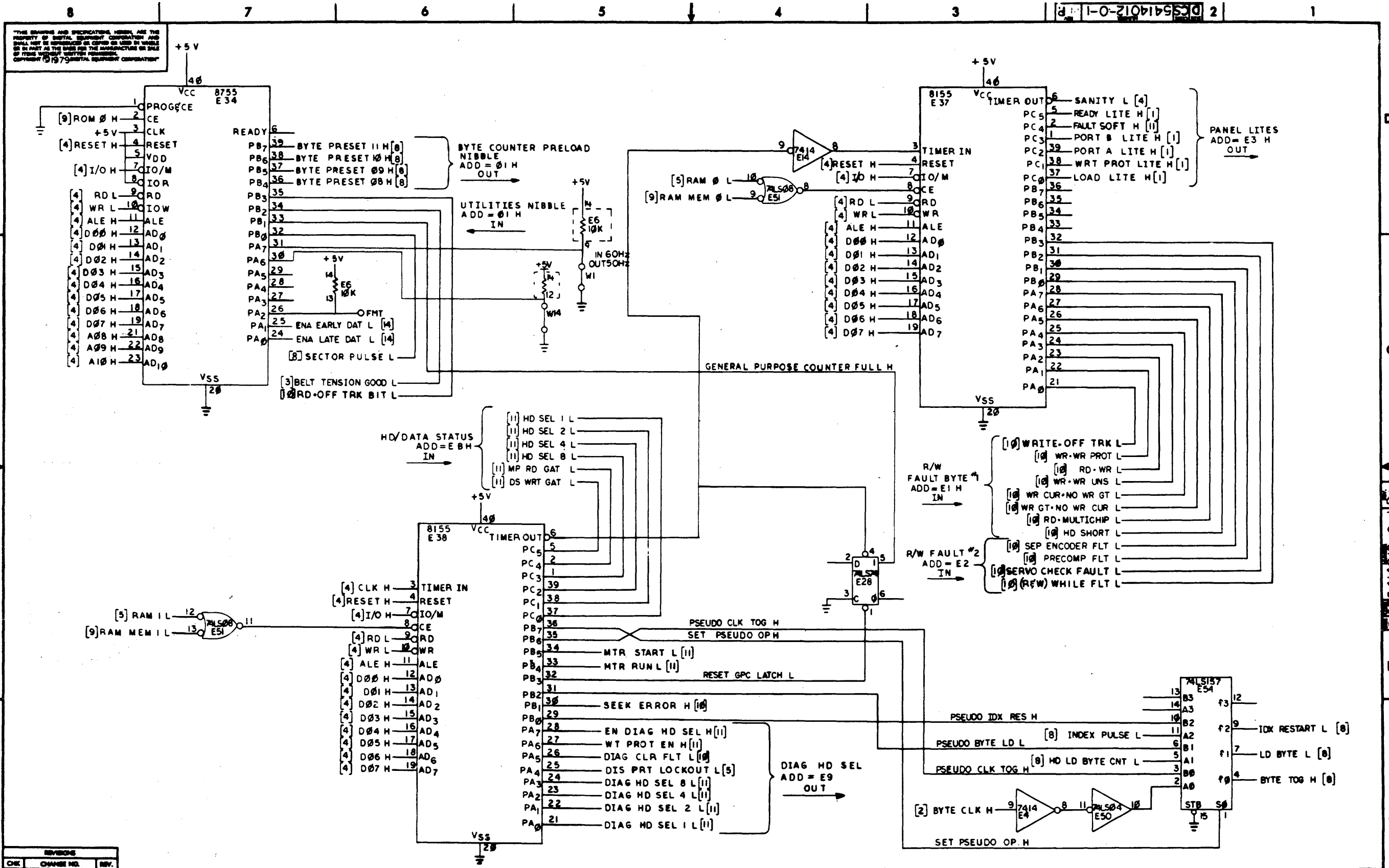
REVISIONS		
CHK	CHANGE NO.	REV.



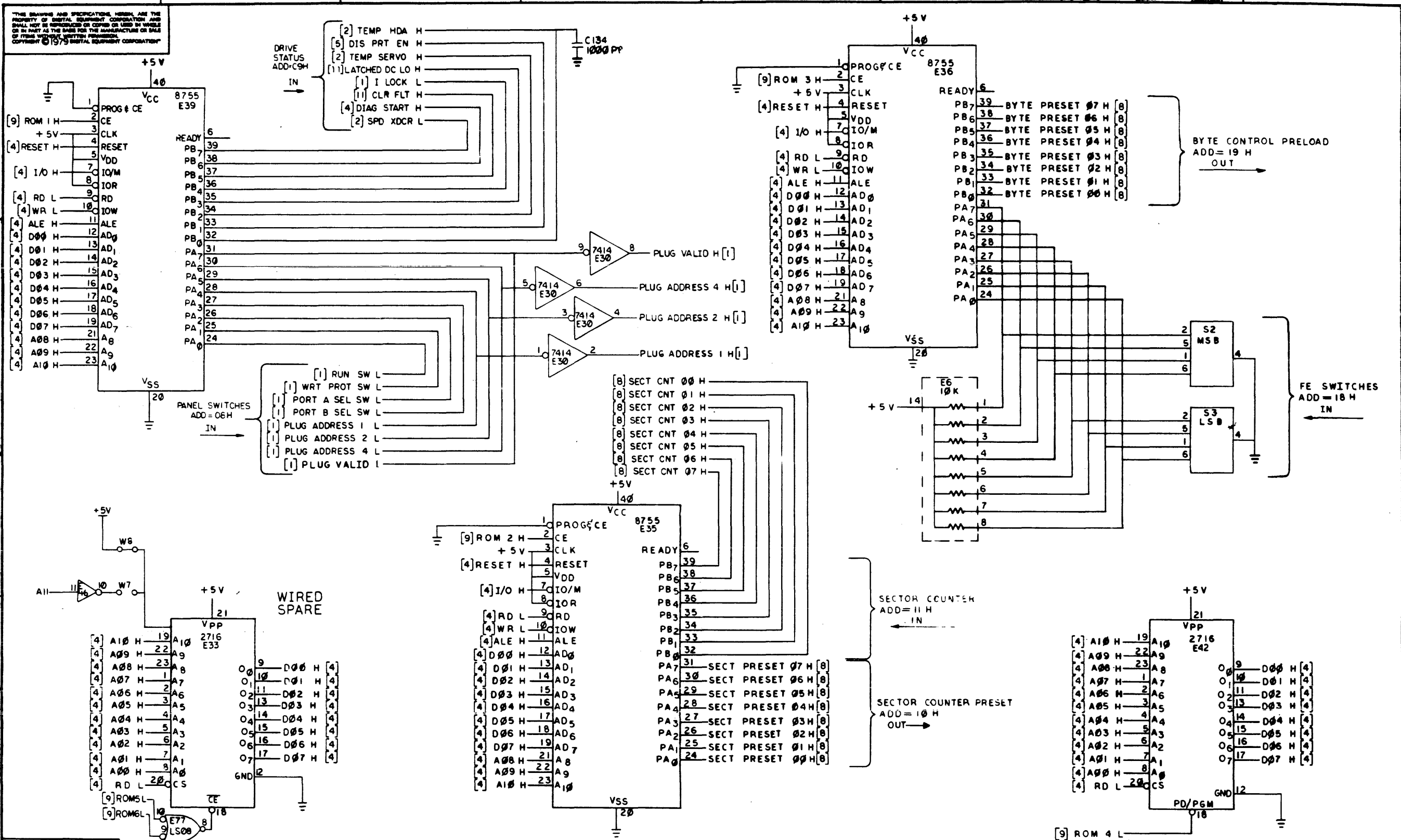
REVISIONS		
CHK	CHANGE NO.	REV

TITLE (UP5)
MICRO PROCESSOR

DOCUMENT NUMBER	
DCS5414012-0-1	P



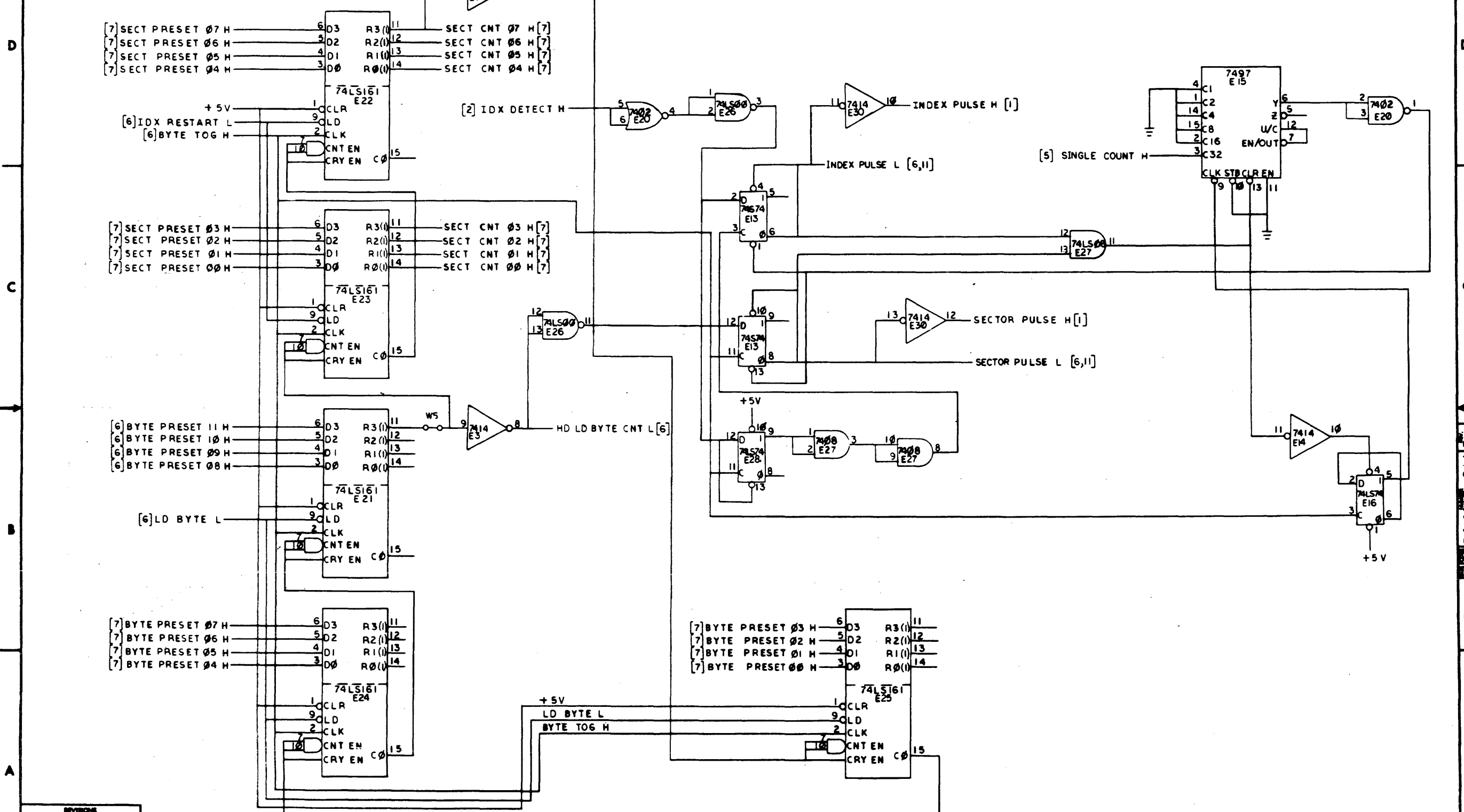
REVISED	CHK	CHANGE NO.	REV.	TITLE	(UP6)	SCALE	SHEET	OF	TOTAL	DATE	REV.
				MICRO PROCESSOR	DCS5414012-0-1		6	17			P



REVISIONS		
CHK	CHANGE NO.	REV.

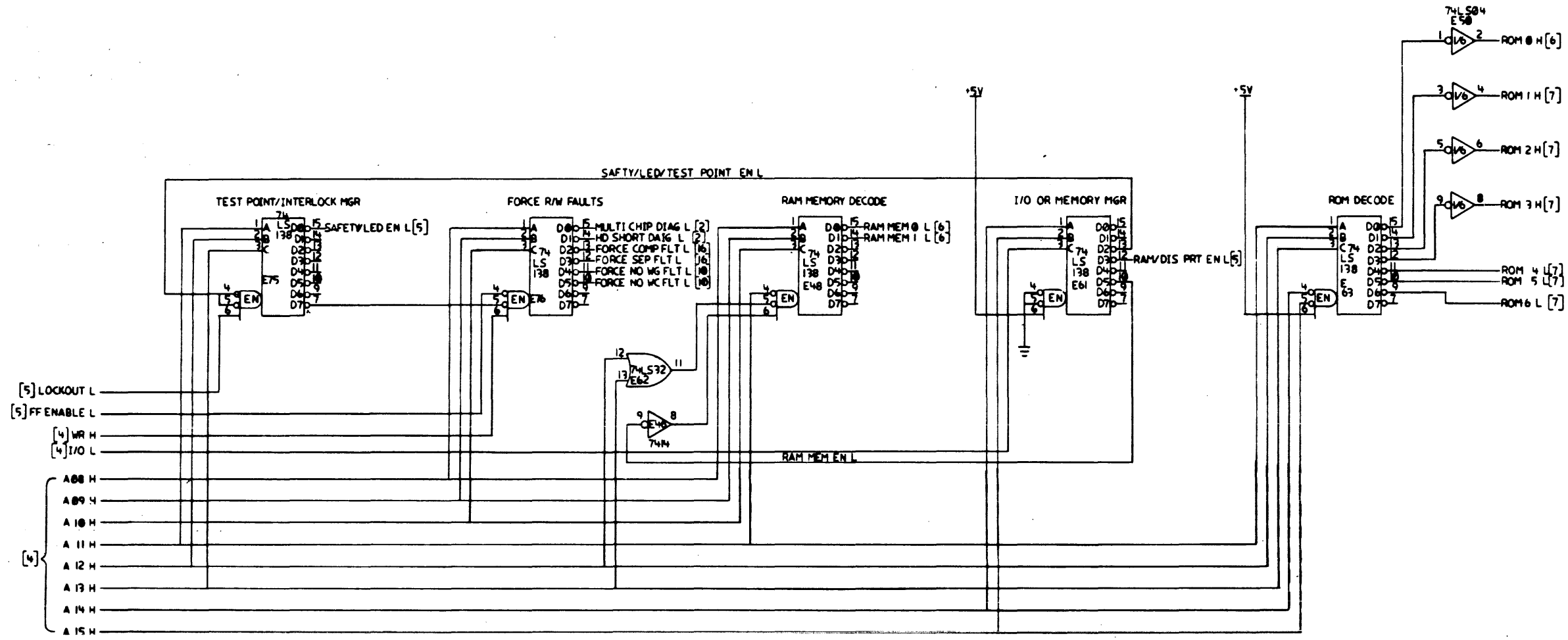
DCS5414012-0-1P

THIS DRAWING AND SPECIFICATIONS HEREIN ARE THE PROPERTY OF DIGITAL EQUIPMENT CORPORATION AND SHALL NOT BE REPRODUCED OR COPIED OR USED IN WHOLE OR IN PART AS THE BASIS FOR THE MANUFACTURE OR SALE OF ITEMS WITHOUT WRITTEN PERMISSION. COPYRIGHT © 1974 DIGITAL EQUIPMENT CORPORATION



REVISIONS		
CHK	CHANGE NO.	REV.

THE DRAWING AND SPECIFICATIONS HEREIN ARE THE PROPERTY OF DIGITAL EQUIPMENT CORPORATION AND SHALL NOT BE REPRODUCED OR COPIED OR USED IN WHOLE OR IN PART AS THE BASIS FOR THE MANUFACTURE OR SALE OF ITEMS WITHOUT WRITTEN PERMISSION.
 COPYRIGHT © 1978 DIGITAL EQUIPMENT CORPORATION



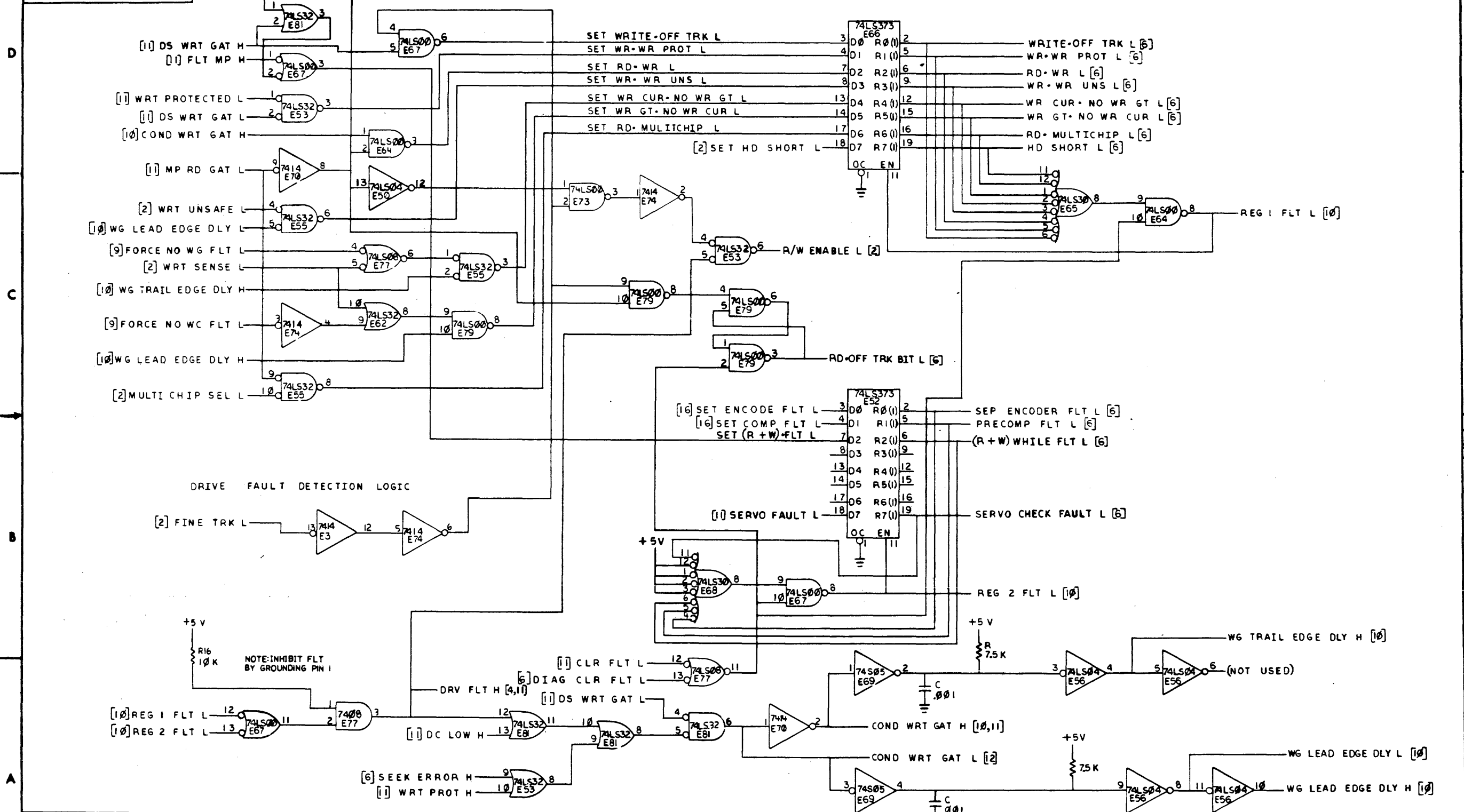
REVISION HISTORY		
DATE	ECO NUMBER	REL.

TITLE
 MICRO PROCESSOR

DOCUMENT NUMBER		
REV. CODE	NUMBER	REV.
DCS	544012-0-1	P
SCALE		SHEET 9 OF 17

DCS 544012-0-1 P

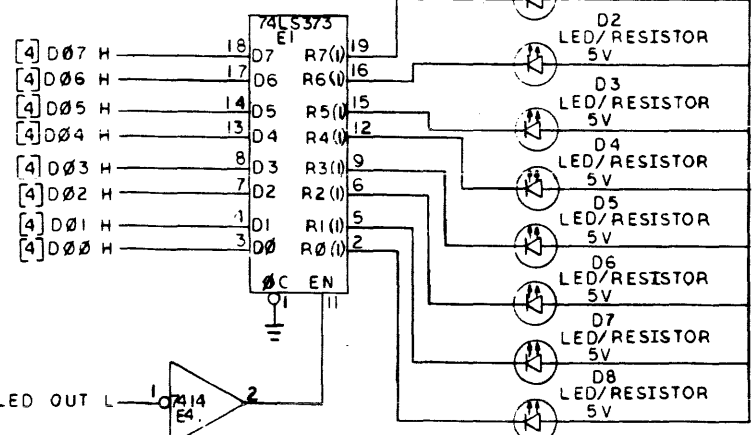
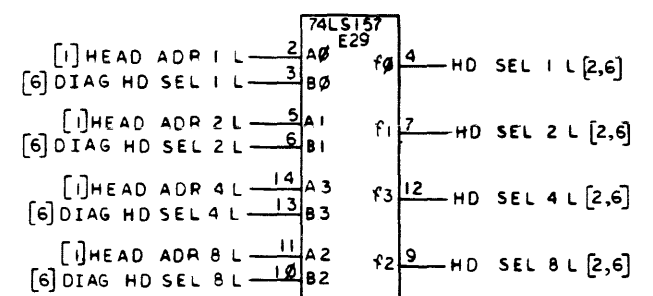
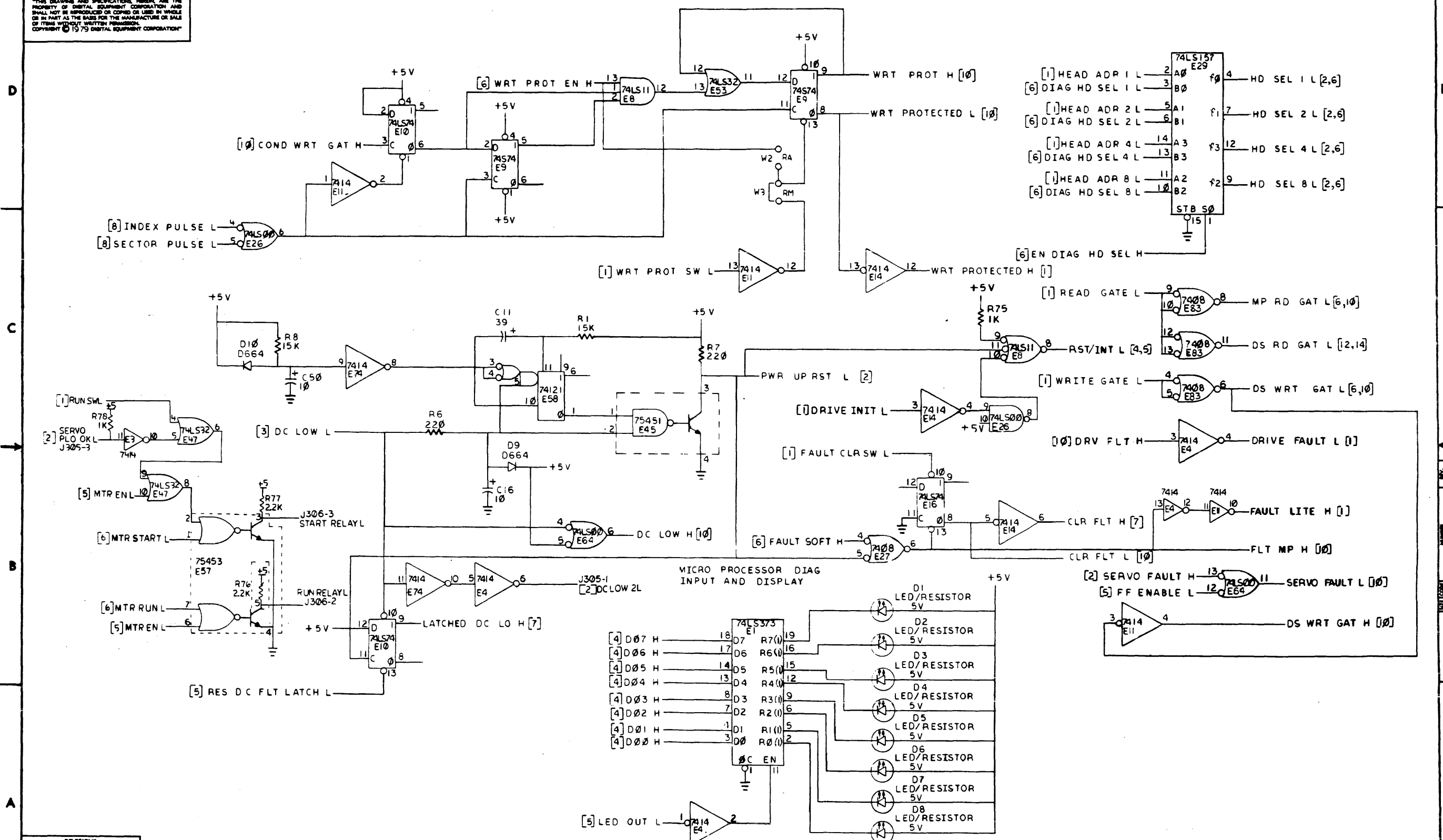
THIS DRAWING AND SPECIFICATIONS HEREIN ARE THE PROPERTY OF DIGITAL EQUIPMENT CORPORATION AND SHALL NOT BE REPRODUCED OR COPIED IN WHOLE OR IN PART AS THE BASIS FOR THE MANUFACTURE OR SALE OF ITEMS WITHOUT WRITTEN PERMISSION. COPYRIGHT © 1974 DIGITAL EQUIPMENT CORPORATION



REVISIONS			TITLE	SIZE CODE	NUMBER	REV.
CHK	CHANGE NO.	REV.	MICRO PROCESSOR	(UPI)	DCS5414012-0-1 P	
			SCALE	SHEET 10 OF 17	DIST.	

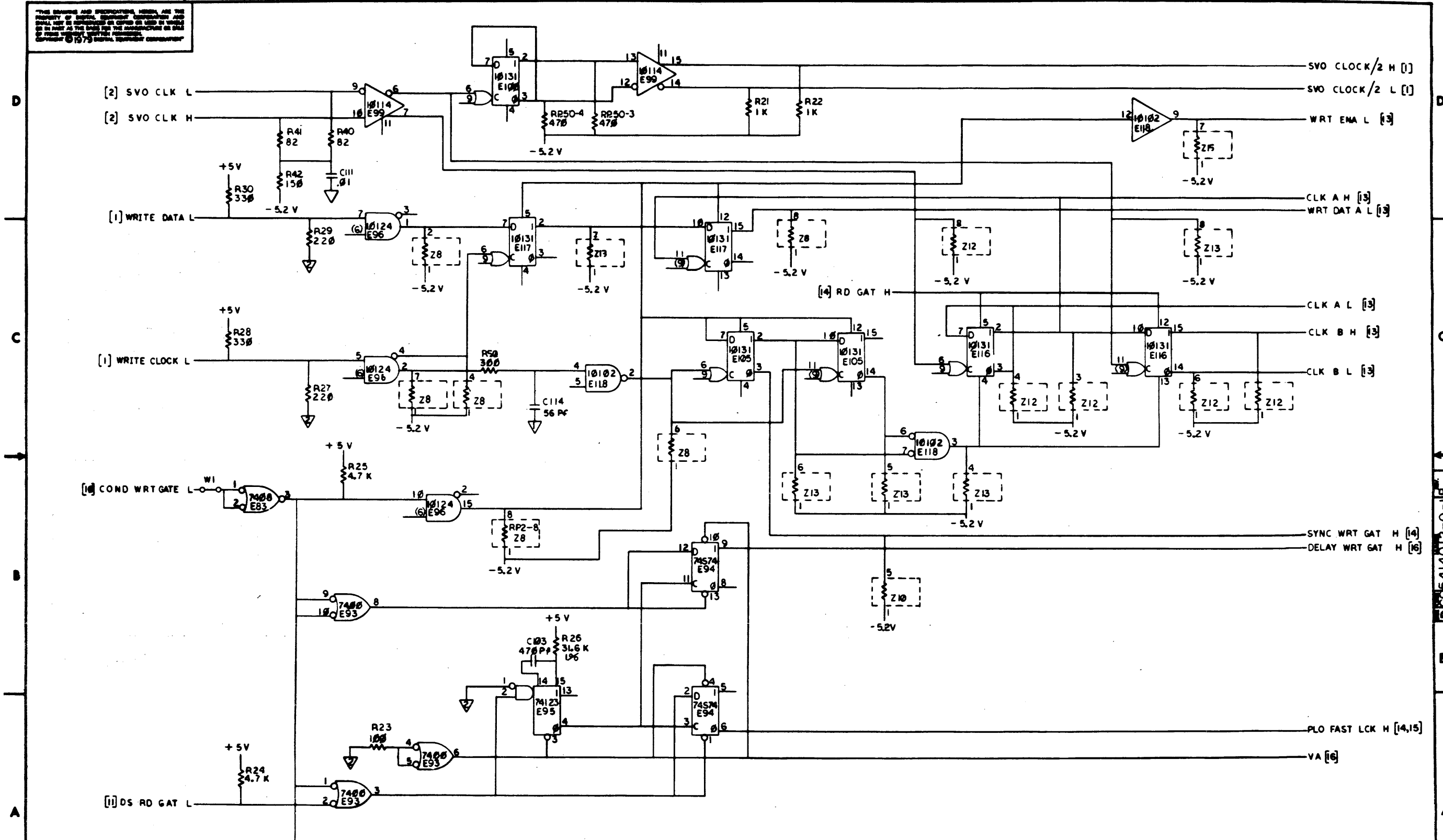
DCS5414012-0-1P

THIS DRAWING AND SPECIFICATIONS HEREIN ARE THE PROPERTY OF DIGITAL EQUIPMENT CORPORATION AND SHALL NOT BE REPRODUCED OR COPIED OR USED IN WHOLE OR IN PART AS THE BASIS FOR THE MANUFACTURE OR SALE OF ITEMS WITHOUT WRITTEN PERMISSION. COPYRIGHT © 1975 DIGITAL EQUIPMENT CORPORATION



REVISIONS		
CHK	CHANGE NO.	REV.

THE SCHEMATIC AND INFORMATION HEREIN ARE THE PROPERTY OF SAMSUNG ELECTRONICS COMPANY AND SHALL BE KEPT AS CONFIDENTIAL OR USED IN WHOLE OR IN PART AS THE BASIS FOR THE REPRODUCTION OR SALE OF OTHER SIMILAR INFORMATION. COPYRIGHT © 1975 SAMSUNG ELECTRONICS COMPANY.



REVISIONS

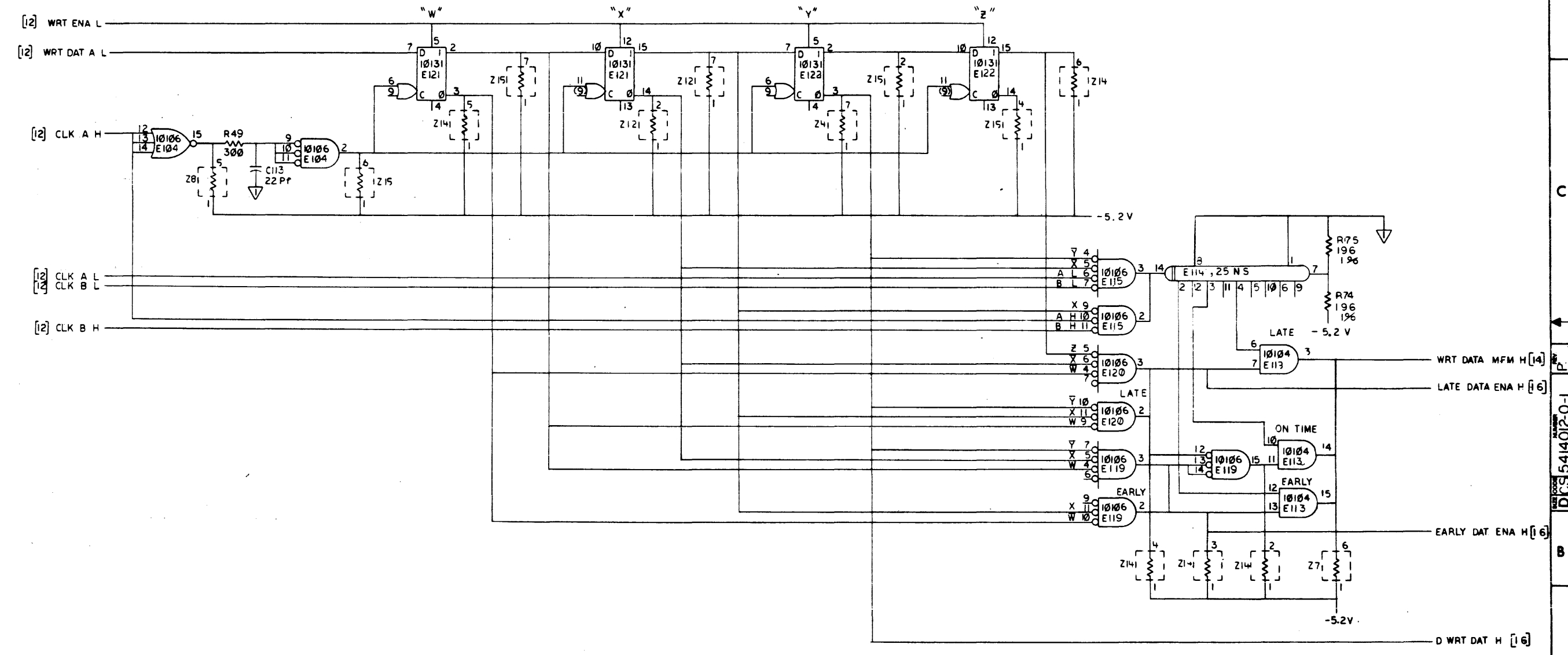
CHK	CHANGE NO.	REV.

TITLE		DOCUMENT NUMBER	
MICRO PROCESSOR (UP12)		DCS5414012-0-1 P	
SCALE	SHEET 12 OF 17	DATE	

DCS5414012-0-1P

THIS DRAWING AND SPECIFICATIONS HEREIN ARE THE PROPERTY OF DIGITAL EQUIPMENT CORPORATION AND SHALL NOT BE REPRODUCED OR COPIED OR USED IN WHOLE OR IN PART AS THE BASIS FOR THE MANUFACTURE OR SALE OF ITEMS WITHOUT WRITTEN PERMISSION. COPYRIGHT © 1973 DIGITAL EQUIPMENT CORPORATION.

WRITE ENCODER

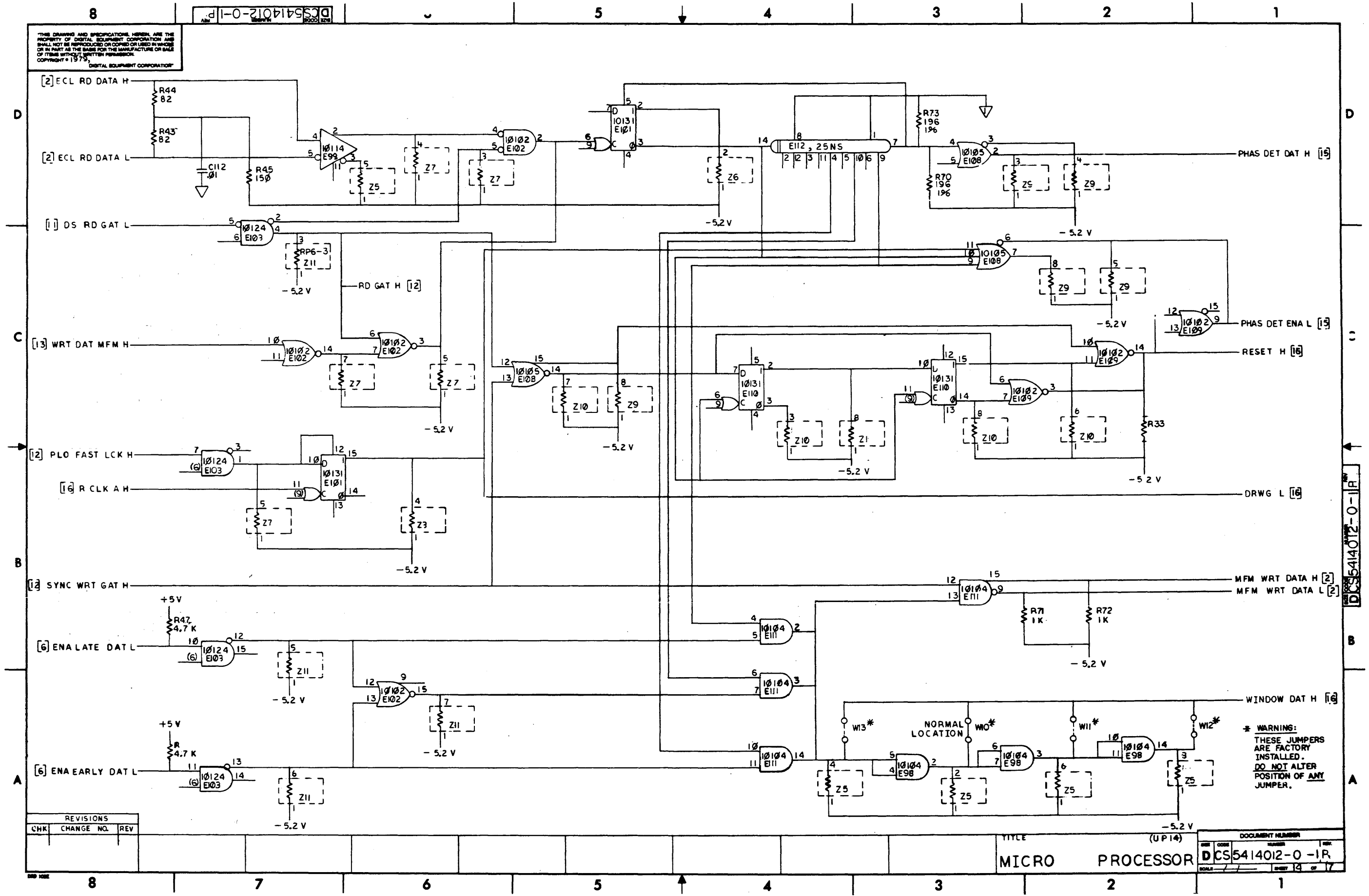


REV.	DATE	BY	CHKD.

REV. NO.	DATE	BY	CHKD.

DESIGN	DATE	TITLE	digital
CHG'D.	DATE	MICRO PROCESSOR	
DES. ENL.	DATE	(UPI)	DOCUMENT NUMBER
REP. ENL.	DATE		DCS 5414012-0-1
WPS. ENL.	DATE		SCALE
NEXT HIGHER DOC.			SHEET 13 OF 17

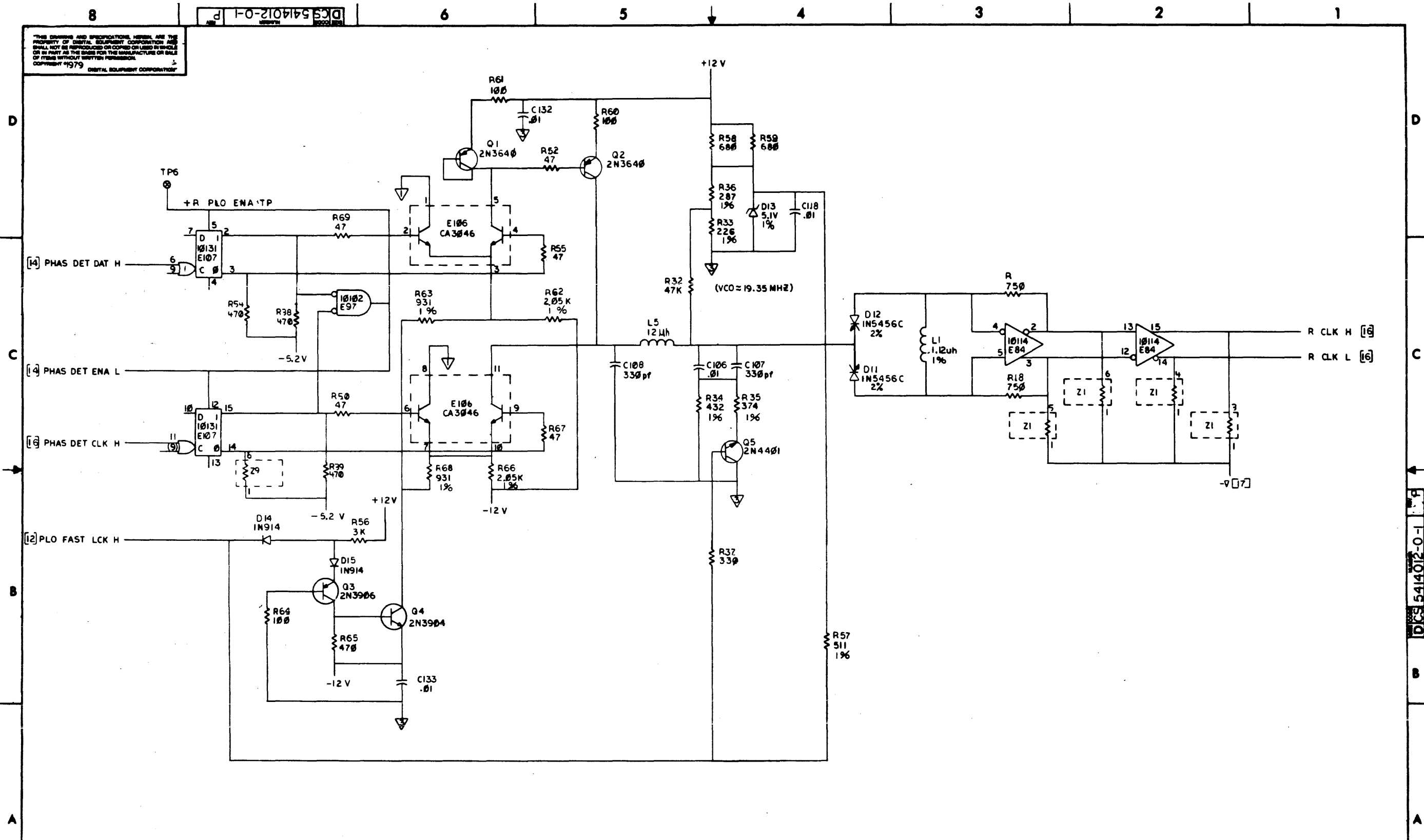
THIS DRAWING AND SPECIFICATIONS HEREIN ARE THE PROPERTY OF DIGITAL EQUIPMENT CORPORATION AND SHALL NOT BE REPRODUCED OR COPIED OR USED IN WHOLE OR IN PART AS THE BASIS FOR THE MANUFACTURE OR SALE OF ITEMS WITHOUT WRITTEN PERMISSION. COPYRIGHT © 1975, DIGITAL EQUIPMENT CORPORATION



REVISIONS		
CHK	CHANGE NO.	REV

TITLE: MICRO PROCESSOR (U14)
 DOCUMENT NUMBER: DCS5414012-0-1R

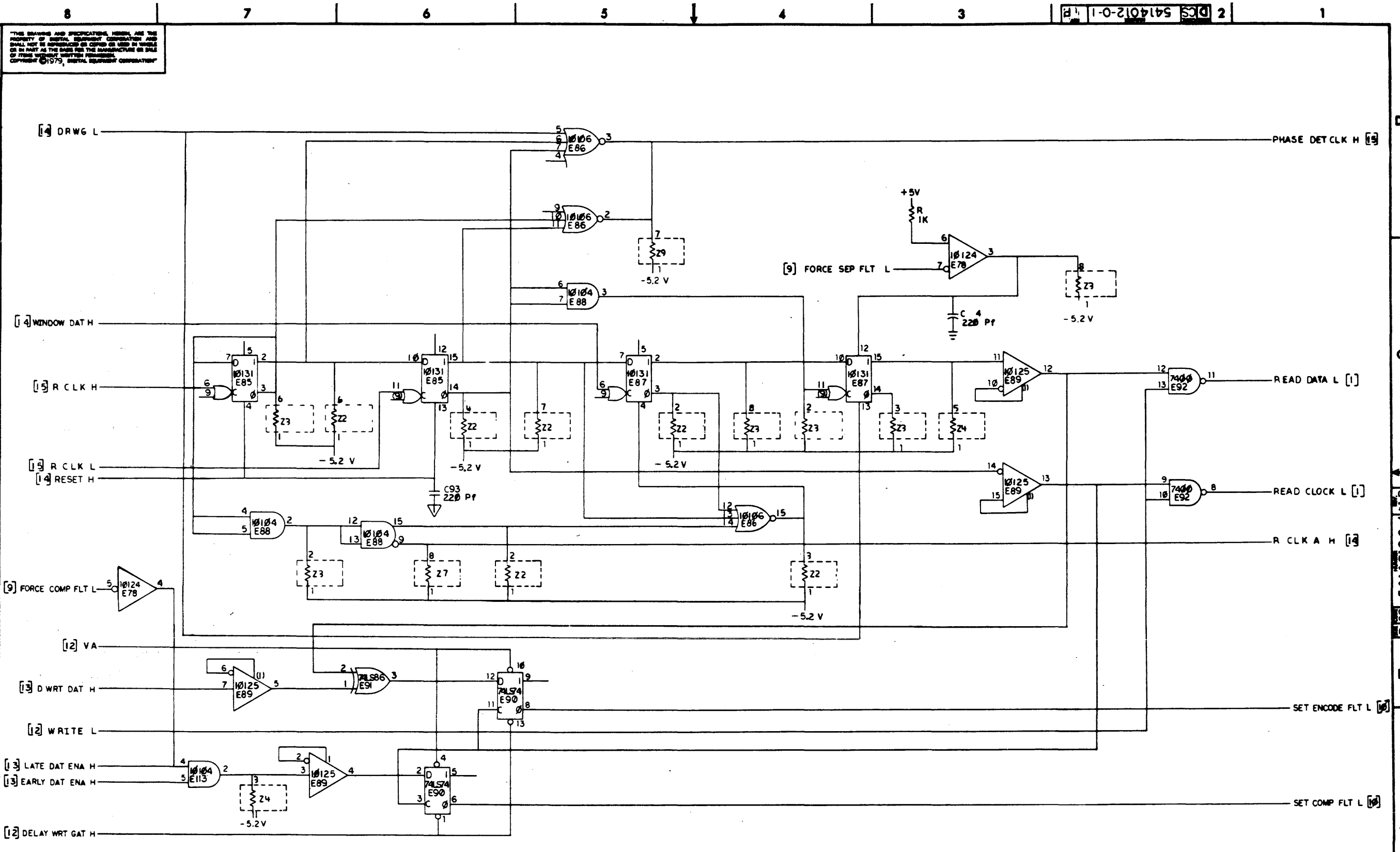
THIS DRAWING AND SPECIFICATIONS HEREAFTER ARE THE PROPERTY OF DIGITAL EQUIPMENT CORPORATION AND SHALL NOT BE REPRODUCED OR COPIED OR USED IN WHOLE OR IN PART AS THE BASIS FOR THE MANUFACTURE OR SALE OF ITEMS WITHOUT WRITTEN PERMISSION. COPYRIGHT © 1975 DIGITAL EQUIPMENT CORPORATION



REVISIONS		
CHK	CHANGE NO.	REV

TITLE (UP15)
MICRO PROCESSOR

DOCUMENT NUMBER	
D	CS 5414012-0-1
REV	5 of 17

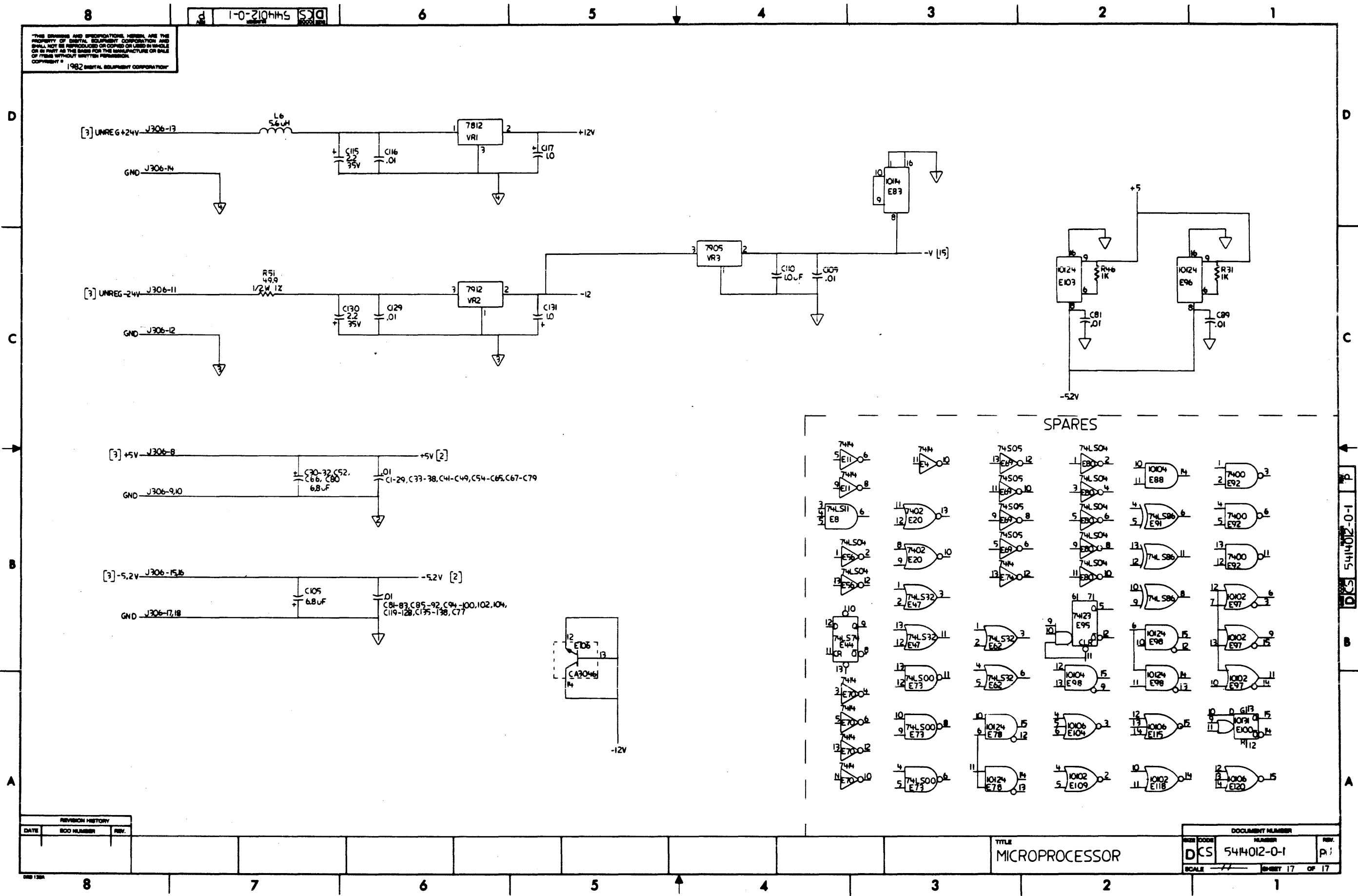


THE DRAWING AND SPECIFICATIONS HEREIN ARE THE PROPERTY OF DIGITAL EQUIPMENT CORPORATION AND SHALL NOT BE REPRODUCED OR COPIED OR USED IN WHOLE OR IN PART AS THE BASIS FOR THE MANUFACTURE OR SALE OF ITEMS WITHOUT WRITTEN PERMISSION. COPYRIGHT © 1975, DIGITAL EQUIPMENT CORPORATION.

REVISIONS			TITLE		PART CODE		NUMBER		REV.
CHK	CHANGE NO.	REV.	MICRO PROCESSOR (UPI6)		DCS		5414012-0-1		1/P
			SCALE		SHEET 16	OF 17	DIST.		

DCS 5414012-0-1/P

THIS DRAWING AND SPECIFICATIONS HEREIN ARE THE PROPERTY OF DIGITAL EQUIPMENT CORPORATION AND SHALL NOT BE REPRODUCED OR COPIED OR USED IN WHOLE OR IN PART AS THE BASIS FOR THE MANUFACTURE OR SALE OF ITEMS WITHOUT WRITTEN PERMISSION.
 COPYRIGHT © 1982 DIGITAL EQUIPMENT CORPORATION

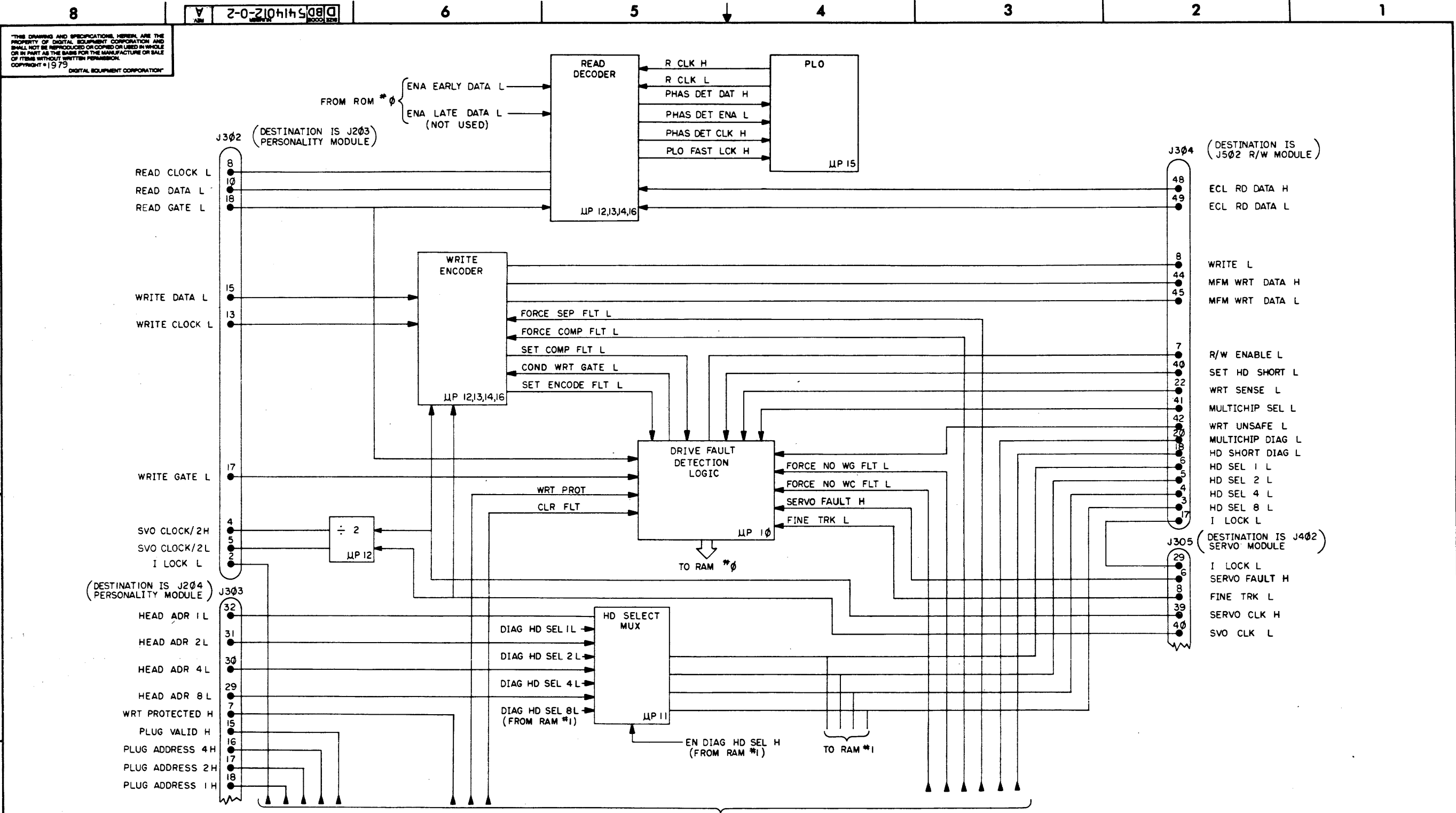


REVISION HISTORY		
DATE	ECO NUMBER	REV.

TITLE
MICROPROCESSOR

DOCUMENT NUMBER		
REV. CODE	NUMBER	REV.
DCS	5414012-0-1	P1

SCALE: 1:1 SHEET 17 OF 17

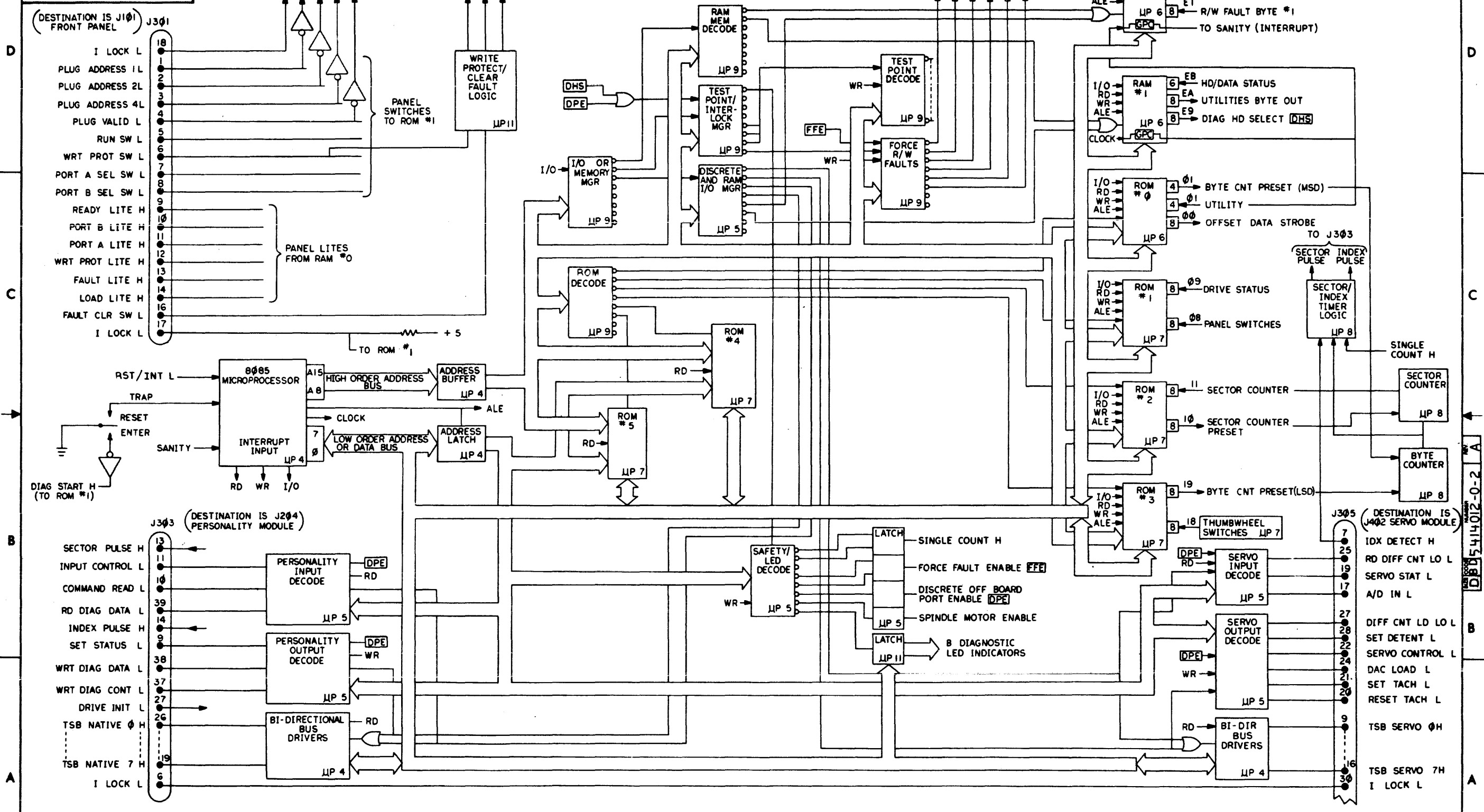


REVISION HISTORY	ECO NUMBER	REV.
DATE	21	A
RELEASED TO CONTROL AT REV A		

DRW. <i>N. Bowen</i>	DATE 14 Feb 79	TITLE digital
CHG. <i>W. Min</i>	DATE 29 Jan 81	MICRO PROCESSOR
DES. ENG. N/A	DATE	DOCUMENT NUMBER
APP. ENG. <i>George J. ...</i>	DATE 29 Jan 81	SIZE CODE NUMBER REV.
TEST ENG. N/A	DATE	D BD 5414012-0-2 A
NEXT HIGH-ER DOC. B-TC-RM80-0-1	SCALE	SHEET 2 OF 2

TO SHEET 1

THIS DRAWING AND SPECIFICATIONS HEREIN ARE THE PROPERTY OF DIGITAL EQUIPMENT CORPORATION AND SHALL NOT BE REPRODUCED OR COPIED OR USED IN WHOLE OR IN PART AS THE BASIS FOR THE MANUFACTURE OR SALE OF ITEMS WITHOUT WRITTEN PERMISSION. COPYRIGHT © 1979 DIGITAL EQUIPMENT CORPORATION



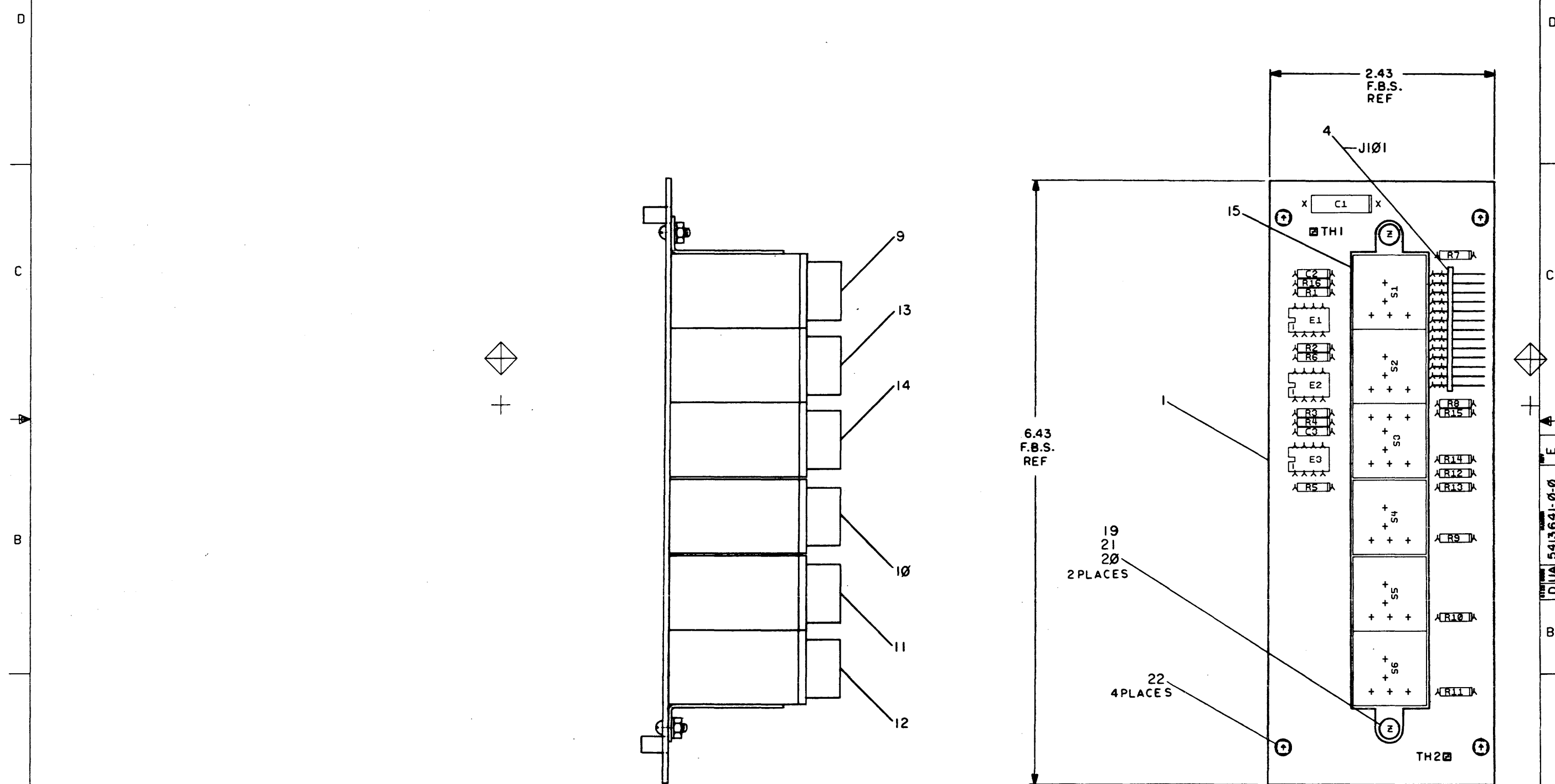
REVISION HISTORY		
DATE	ECO NUMBER	REV.

TITLE
MICRO PROCESSOR

DOCUMENT NUMBER		
SIZE CODE	NUMBER	REV.
DBD	5414012-0-2	A
SCALE	SHEET 2 OF 2	

THIS DRAWING AND SPECIFICATIONS, HEREIN, AND THE PROPERTY OF DIGITAL EQUIPMENT CORPORATION AND SHALL NOT BE REPRODUCED OR COPIED IN WHOLE OR IN PART IN THE UNITED STATES OR IN ANY OTHER COUNTRY WITHOUT WRITTEN PERMISSION. COPYRIGHT © 1979 DIGITAL EQUIPMENT CORPORATION

COMPONENT SIDE VIEW



NOTES:

STEP E	↑ Y AXIS	STEP	TIMES
REPEAT	→ X AXIS	STEP	TIMES

CHANGE NO	REV	DESCRIPTION
5413641	-	DRN. C
5413641	C	DRN. J. COFFEE
5413641	-	DRN. J. COFFEE
5413641	D	DRN. J. COFFEE
5413641	-	DRN. J. COFFEE
5413641	E	DRN. J. COFFEE

ETCH REV. C

SIGNATURES	DATE	digital
DRN. O. J. COFFEE	7/10/79	
CHK'D. J. COFFEE	7/11/79	TITLE OPERATOR
MECH. ENG. J. COFFEE	7 JUL 79	
PROJ. ENG. J. COFFEE	7 JUL 79	
PROD. D. WEAVER	8/3/79	CONTROL PANEL
SCALE 2/1	SIZE CODE NUMBER	
SHT. 1 OF 1	D UA 5413641-0-0 E	REV
NEXT HIGHER ASSY. B-DD-5413641-0		

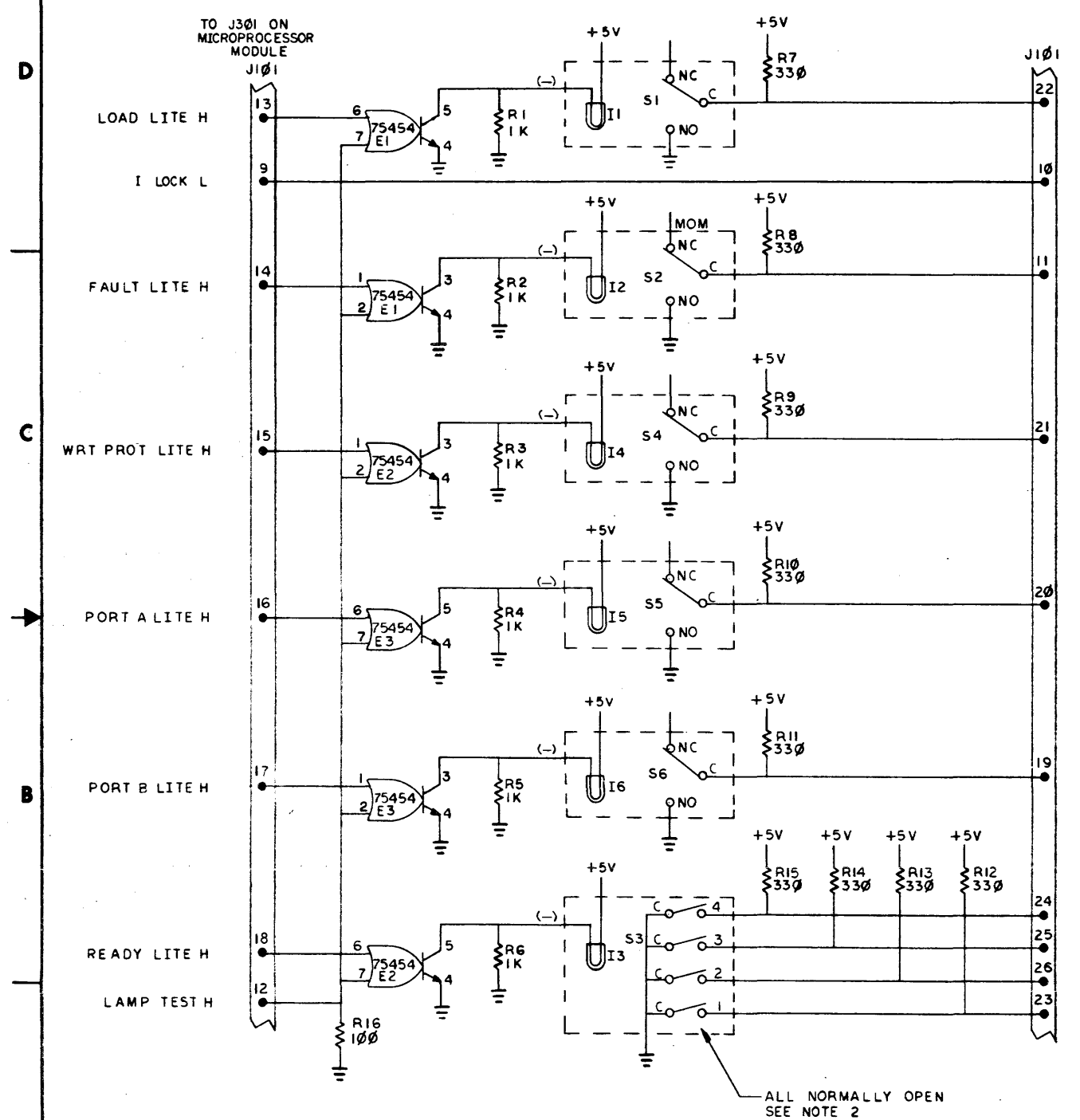
LINE ITEM	DOCUMENT NUMBER	PART NUMBER	DESCRIPTION	QTY PER VARIATION 00	REFERENCE DESIGNATOR
1	D-MD-5013640-0-0	5013640-00	DRILL & ETCH BD	1	
2		1012784-00	.047 MFD 50V +80-20% CER	2	C2,C3
3		1017472-00	10 MFD 35V +50-10% AL EL	1	C1
4		1212965-03	HEADER 26POS DOUBLE ROW	1	J101
5		1212717-01	SW,PB 1PDT ALT 2A	4	S1,S4,S5,S6
6		1212717-06	SW,PB,LT 1PDT MOM 2A	1	S2
7		1212690-01	SW,PB,LT 1PST UNIT SELECT 10M	1	S3
8		1213188-02	MOUNTING BRACKET, SWITCH, 6POS	1	
9		1212714-00	SW,PB CAP, YEL/BLK, "RUN STOP"	1	
10		1212714-01	SW,PB CAP, YEL/BLK, "WRITE PROT"	1	
11		1212714-30	SW,PB CAP, WHT/BLK, "STAT 1"	1	
12		1212714-31	SW,PB CAP, WHT/BLK, "STAT 2"	1	
13		1212714-02	SW,PB CAP, RED/BLK, "FAULT"	1	
14		1212691-00	SW, PP CAP "O/READY" FOR 12-1	1	
15		1212716-00	LAMP, WEDGE, 6.3V, .2A, .4MSCP, T1-3/	6	
16		1300365-00	1.0 K .25 W 5.0 % CC	6	R1-R6
17		1300295-00	330.0 .25 W 5.0 % CC	9	R7-R15
18		1914432-00	75454 DRIVER, PERIPH, DUAL,	3	E1-E3
19		9008301-01	SCREW, PAN, PHIL 4-40X 1/4 SS	2	
20		9006556-00	NUT, HEX , 4-40X1/4 AF X 3/	2	
21		9006632-00	WASHER, LOCK, INT, .2600D X .120ID	2	
22		9009113-01	STANDOFF, P.C. BOARD 4-40 X .125	4	
23		1300229-00	100.0 .25 W 5.0 % CC	1	R16

REVISION HISTORY		BASIC PART NO: 5413641		DRN:	A. SIMM	DATE:	14 DEC 79	D I G I T A L			
ENG!	ECO NUMBER	REV	SECTION A OF A	CHK'D:	H. WEINBRENNER	DATE:	14 DEC 79	TITLE PARTS LIST			
	R80-473	A	SECTION VARIATION INDEX					OPERATOR CONTROL PANEL			
JC	5413641-CX001A	B	[A] 00								
JC	5413641-CX003	C	[B]								
JC	5413641-CX03A	C	[C]	DES.ENG:	JIM COFFEE	DATE:	14 DEC 79				
JC	5413641-CX004	D	[D]								
JC	5413641-CX005	E	[E]					DOCUMENT NUMBER			
JH	5413641-CX006	F	[F]	RESP.ENG.:	JIM COFFEE	DATE:	14 DEC 79	SIZE	CODE	NUMBER	REV
			[H]								
			[J]								
			[K]	MFG.ENG.:	A. MORGAN	DATE:	14 DEC 79	K	PL	5413641-0-DBP	F
			[L]								
			[M]	ASSEMBLY NUMBER:		TOP DOCUMENT NUMBER:		FILE NAME:		EDIT #	
			[N]	D-UA-5413641-0-0		B-DD-5413641-0		Z0490F.PLS		33	

THIS DRAWING AND SPECIFICATIONS HEREIN, ARE THE PROPERTY OF DIGITAL EQUIPMENT CORPORATION AND SHALL NOT BE REPRODUCED OR COPIED OR USED IN WHOLE OR IN PART AS THE BASIS FOR THE MANUFACTURE OR SALE OF ITEMS WITHOUT WRITTEN PERMISSION. COPYRIGHT (C) 1982. DIGITAL EQUIPMENT CORPORATION

THE DRAWING AND SPECIFICATIONS HEREIN ARE THE PROPERTY OF DIGITAL EQUIPMENT CORPORATION AND SHALL NOT BE REPRODUCED OR COPIED OR USED IN WHOLE OR IN PART AS THE BASIS FOR THE MANUFACTURE OR SALE OF ITEMS WITHOUT WRITTEN PERMISSION. COPYRIGHT © 1973 DIGITAL EQUIPMENT CORPORATION

1-0-1792179 2



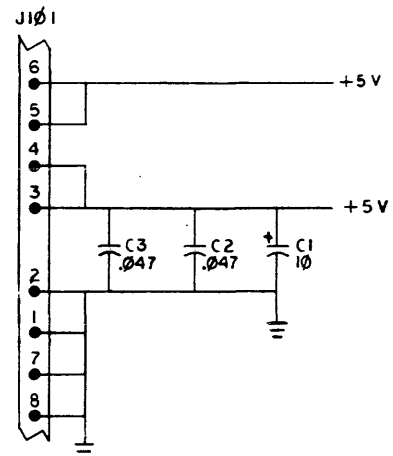
RUN SW L
I LOCK L
FAULT CLR SW L
WRT PROT SW L
PORT A SEL SW L
PORT B SEL SW L
PLUG ADDRESS 4 L
PLUG ADDRESS 2 L
PLUG ADDRESS 1 L
PLUG VALID L

NOTES:

- UNLESS OTHERWISE NOTED, ALL RESISTORS ARE 1/4 W, 5%.
- S3 IS A CAM ENCODED SWITCH, 8 DIFFERENT SWITCH CAPS, EACH WITH A UNIQUE CAM CONFIGURATION AND WILL ACCOMPLISH VARIOUS CONTACT CLOSURES AS FOLLOWS:
● = CKT CLOSURE, ○ = CKT OPEN
- UNLESS OTHERWISE SPECIFIED, ALL RESISTORS ARE IN OHMS, ALL CAPACITORS ARE IN MICROFARADS (UF).
- THE MNEMONICS "PORT A LITE H" AND "PORT B LITE H" IN THE RM80 SERIES OF R80 DRIVES ARE TO BE INTERPRETED AS "STAT 1" AND "STAT 2" RESPECTIVELY. THIS PRINT IS LEFT WITH THE MNEMONICS AS SHOWN FOR COMPATIBILITY WITH FUTURE R80 DRIVES.

TRUTH TABLE

CAM CODE	CKT 1	CKT 2	CKT 3	CKT 4
0	●	○	○	○
1	●	●	○	○
2	●	○	○	○
3	●	●	●	○
4	●	○	○	●
5	●	○	○	●
6	●	●	●	●
7	●	●	●	●

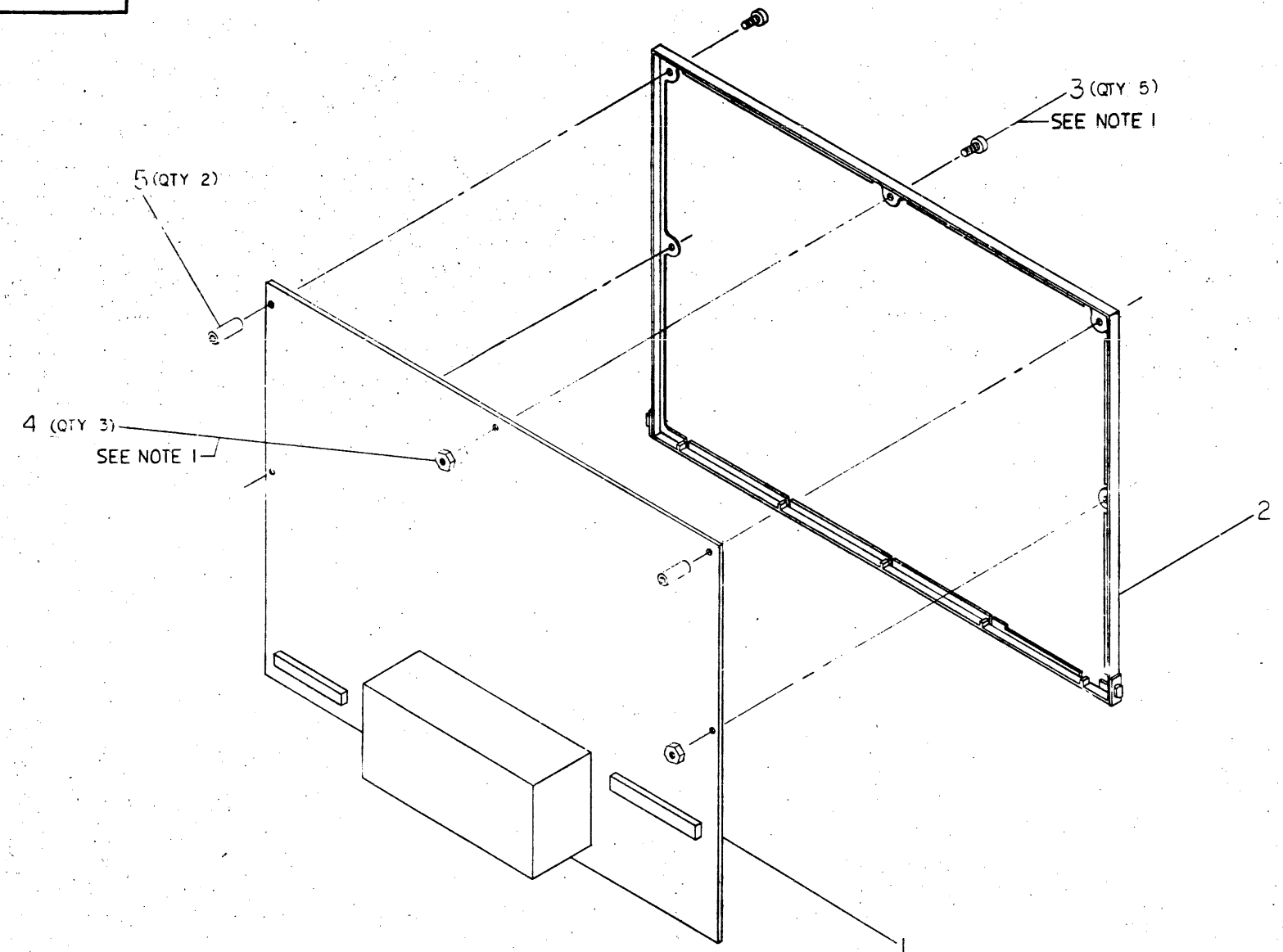


REV.	REV.	REV.	REV.	REV.	REV.
A	B	C	D	E	F
REV. NO.	5413641-CX002	5413641-CX03A	5413641-CX004A	5413641-CX005	5413641-CX006
CHK	J. COFFEY	J. COFFEY	J. COFFEY	J. COFFEY	J. HARREL
DATE					1506
BY					

DESCRIPTION		DWG./PART NO.		ITEM NO.
UNLESS OTHERWISE SPECIFIED DIMENSIONS ARE IN INCHES				
ANGLES 1st 3rd	CLASS OF ACCURACY	NOMINAL DIMENSION RANGE INCHES		
SURFACE QUALITY IN MICRONS	CHECK ONE	OVER 0 TO 0.2	OVER 0.2 TO 0.5	OVER 0.5 TO 1.2
		OVER 1.2 TO 2.0	OVER 2.0 TO 4.0	OVER 4.0 TO 80.0
MEDIUM	PREFERRED	±0.004	±0.008	±0.012
		±0.016	±0.025	±0.040
		±0.080	±0.150	±0.300
THIRD ANGLE PROJECTION	DRN. X. J. COFFEY	23 FEB 74	FIRST USED ON	
REMOVE BURRS AND BREAK SHARP CORNERS	CHK'D. J. COFFEY	15 JUN 73	TITLE	
DO NOT SCALE DWG	ENG. J. COFFEY	7/26/73	OPERATOR CONTROL PANEL	
MATERIAL	PROJ. ENG. J. COFFEY	7/26/73	SIZE	NUMBER
FINISH	PROD. J. COFFEY	7/27/73	D	CS5413641-0-1 F
NEXT HIGHER ASSY.		SCALE	OF 1	REV.
		SHEET		

THIS DRAWING AND SPECIFICATIONS HERIN ARE THE PROPERTY OF DIGITAL EQUIPMENT CORPORATION AND SHALL NOT BE REPRODUCED OR COPIED OR LENT IN WHOLE OR IN PART AS THE BASIS FOR THE MANUFACTURE OR SALE OF ITEMS WITHOUT WRITTEN PERMISSION. COPYRIGHT © 1979, DIGITAL EQUIPMENT CORPORATION

NOTES:
1. APPLY (ITEM 6) TO ITEMS 3 AND 4 AFTER ASSEMBLY.



CAUTION: OFF-SHEET PARTS LIST EXISTS -
SEE K-PL-7016976-0-DBP (Z1094).

REV.	DATE	BY	CHK	DESCRIPTION
*				RELEASED TO ECO CONTROL PCO R80-589 18 JAN 80
A	1800-CV006	RET 18 SEP 80		REVISIONS
B	7016976-CAD01	15 OCT 81		1359 7016976-CAD01
		J. NORDBERG		REV D.C. 15 OCT 81

DESCRIPTION	DWG./PART NO.	ITEM NO.
UNLESS OTHERWISE SPECIFIED DIMENSIONS ARE IN INCHES		
ANGLES M ² 30'	CLASS OF ACCURACY	NOMINAL DIMENSION RANGE INCHES
SURFACE QUALITY FIN	(CHECK ONE)	0.005 TO 0.010 0.010 TO 0.020 0.020 TO 0.050 0.050 TO 0.100 0.100 TO 0.200 0.200 TO 0.500 0.500 TO 1.000 1.000 TO 2.000 2.000 TO 5.000 5.000 TO 10.000 10.000 TO 20.000 20.000 TO 50.000 50.000 TO 100.000 100.000 TO 200.000 200.000 TO 500.000 500.000 TO 1000.000
QUANTITY & VARIATION	MICRONCHES	PREFERRED
THIRD ANGLE PROJECTION	DRM-31 Angle	FIRST USED ON
REMOVE BURRS AND BREAK SHARP CORNERS	CHK'D BY: [Signature]	DATE: [Date]
DO NOT SCALE DWG	PRD. ENG: [Signature]	DATE: [Date]
MATERIAL SEE PARTS LIST	E-UA-R80-0-0	SIZE CODE D AD
FINISH	SCALE 1/2"	NUMBER 7016976-0-0
	SHEET OF	DIST.

TITLE
SERVO BOARD AND STIFFENER ASSY

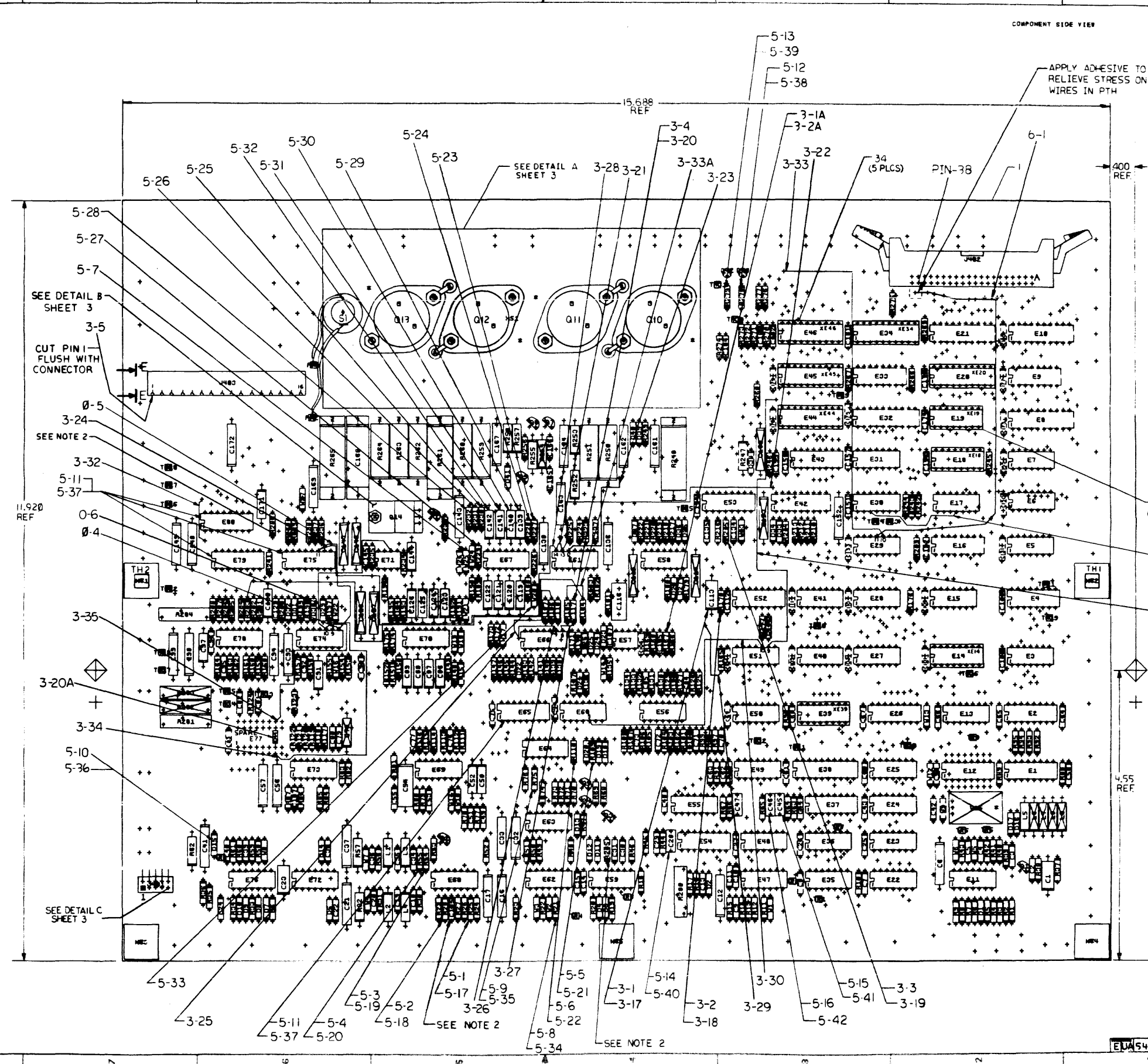
7016976-0-0

LINE	ITEM	DOCUMENT NUMBER	PART NUMBER	DESCRIPTION	QUANTITY PER VARIATION
1	1	E-UA-5414014-0-0	5414014-00	SERVO CONTROL	1
2	2		7421976-00	TRAY EXT HEX SUPPORT	1
3	3		9008212-00	SCREW, NYLON, SLTD PAN HD, 6-32	5
4	4		9007883-00	NUT, HEX, NYLON 6-32X .312X .146T	3
5	5		9000035-04	SPACER, RND, THD 6-32X 3/4 L	2
6	6		9009536-00	GLYPTOL, RED	A/R

REVISION HISTORY			BASIC PART NO: 7016976			D I G I T A L		
ENG	ECO NUMBER	REV	SECTION A OF A	DRN:	M. ENGLE	DATE:	12-MAR-79	
GN	PCO CONTROL	*	SECTION. VARIATION INDEX	CHK'D:	W. MAJOR	DATE:	21-JAN-80	TITLE PARTS LIST
GN	R80-CX004	A	[A] 00					SERVO BOARD AND STIFFENER ASSY
JN	7016976-CX001	B	[B]	DES.ENG.:	G. NORDBERG	DATE:	21-JAN-80	DOCUMENT NUMBER
			[C]	RESP.ENG.:	W. MONTERO	DATE:	22-JAN-80	SIZE CODE NUMBER REV
			[D]					
			[E]	MFG.ENG.:	W. EHRMANN	DATE:	22-JAN-80	K PL 7016976-0-DBP B
			[F]	ASSEMBLY NUMBER:		TOP DOCUMENT NUMBER:		FILE NAME: EDIT #
				D-AD-7016976-0-0		E-AD-7016773-0-0		Z1094B.PLS 9

THIS DRAWING AND SPECIFICATIONS HEREIN, ARE THE PROPERTY OF DIGITAL EQUIPMENT CORPORATION AND SHALL NOT BE REPRODUCED OR COPIED OR USED IN WHOLE OR IN PART AS THE BASIS FOR THE MANUFACTURE OR SALE OF ITEMS WITHOUT WRITTEN PERMISSION. COPYRIGHT (C) 1981. DIGITAL EQUIPMENT CORPORATION

COMPONENT SIDE VIEW



DATE	11-15-68
CHK'D BY	W. J. GIBSON
DESIGNED BY	W. J. GIBSON
PROJ. ENG. IN CHARGE	W. J. GIBSON
PROD. ENGINEER	W. J. GIBSON
DATE	11-15-68
BY	W. J. GIBSON
NOT APPROVED BY	W. J. GIBSON

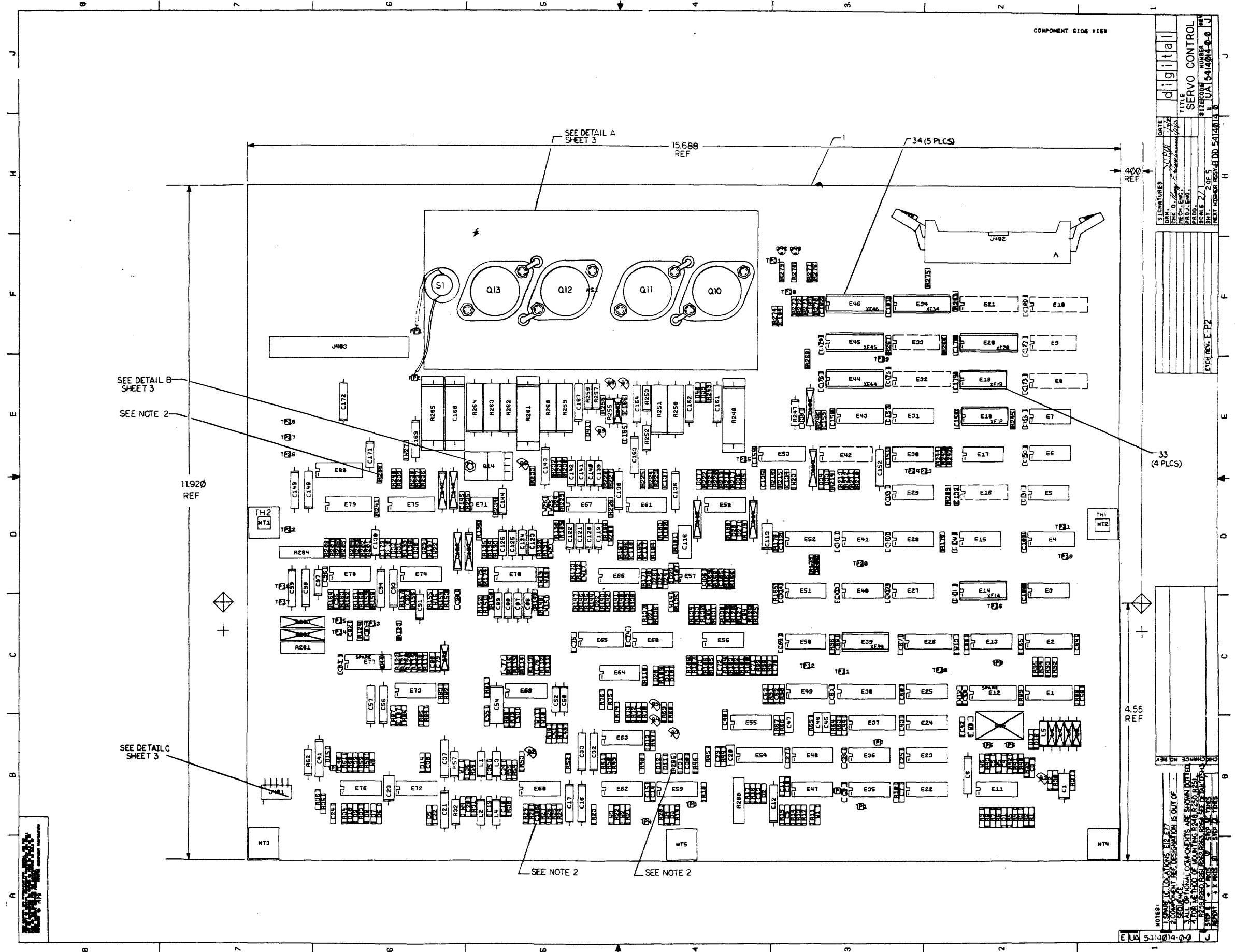
SIGNATURES	DATE
CHK'D BY	11-15-68
DESIGNED BY	11-15-68
PROJ. ENG. IN CHARGE	11-15-68
PROD. ENGINEER	11-15-68
DATE	11-15-68
BY	W. J. GIBSON
NOT APPROVED BY	W. J. GIBSON

1	TH1
2	E1
3	E2
4	E3
5	E4
6	E5
7	E6
8	E7
9	E8
10	E9
11	E10
12	E11
13	E12
14	E13
15	E14
16	E15
17	E16
18	E17
19	E18
20	E19
21	E20
22	E21
23	E22
24	E23
25	E24
26	E25
27	E26
28	E27
29	E28
30	E29
31	E30
32	E31
33	E32
34	E33
35	E34
36	E35
37	E36
38	E37
39	E38
40	E39
41	E40
42	E41
43	E42
44	E43
45	E44
46	E45
47	E46
48	E47
49	E48
50	E49
51	E50
52	E51
53	E52
54	E53
55	E54
56	E55
57	E56
58	E57
59	E58
60	E59
61	E60
62	E61
63	E62
64	E63
65	E64
66	E65
67	E66
68	E67
69	E68
70	E69
71	E70

1	TH1
2	E1
3	E2
4	E3
5	E4
6	E5
7	E6
8	E7
9	E8
10	E9
11	E10
12	E11
13	E12
14	E13
15	E14
16	E15
17	E16
18	E17
19	E18
20	E19
21	E20
22	E21
23	E22
24	E23
25	E24
26	E25
27	E26
28	E27
29	E28
30	E29
31	E30
32	E31
33	E32
34	E33
35	E34
36	E35
37	E36
38	E37
39	E38
40	E39
41	E40
42	E41
43	E42
44	E43
45	E44
46	E45
47	E46
48	E47
49	E48
50	E49
51	E50
52	E51
53	E52
54	E53
55	E54
56	E55
57	E56
58	E57
59	E58
60	E59
61	E60
62	E61
63	E62
64	E63
65	E64
66	E65
67	E66
68	E67
69	E68
70	E69
71	E70

1	TH1
2	E1
3	E2
4	E3
5	E4
6	E5
7	E6
8	E7
9	E8
10	E9
11	E10
12	E11
13	E12
14	E13
15	E14
16	E15
17	E16
18	E17
19	E18
20	E19
21	E20
22	E21
23	E22
24	E23
25	E24
26	E25
27	E26
28	E27
29	E28
30	E29
31	E30
32	E31
33	E32
34	E33
35	E34
36	E35
37	E36
38	E37
39	E38
40	E39
41	E40
42	E41
43	E42
44	E43
45	E44
46	E45
47	E46
48	E47
49	E48
50	E49
51	E50
52	E51
53	E52
54	E53
55	E54
56	E55
57	E56
58	E57
59	E58
60	E59
61	E60
62	E61
63	E62
64	E63
65	E64
66	E65
67	E66
68	E67
69	E68
70	E69
71	E70

EUA 541404-0-0



SEE DETAIL B
SHEET 3

SEE NOTE 2

11.920
REF

SEE DETAIL A
SHEET 3

15.600
REF

34 (5 PLCS)

4.00
REF

33
(4 PLCS)

4.55
REF

SEE DETAIL C
SHEET 3

SEE NOTE 2

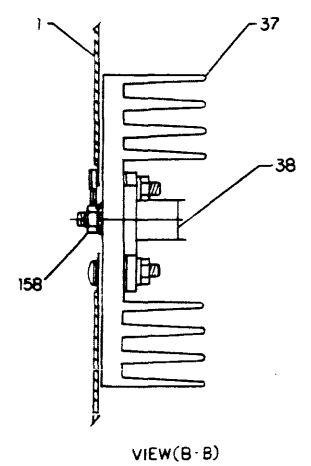
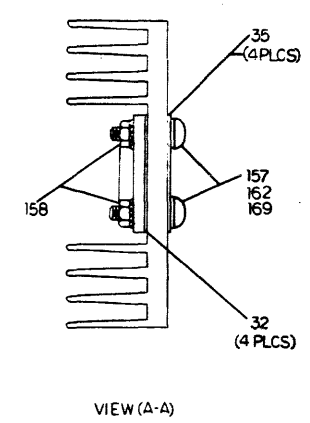
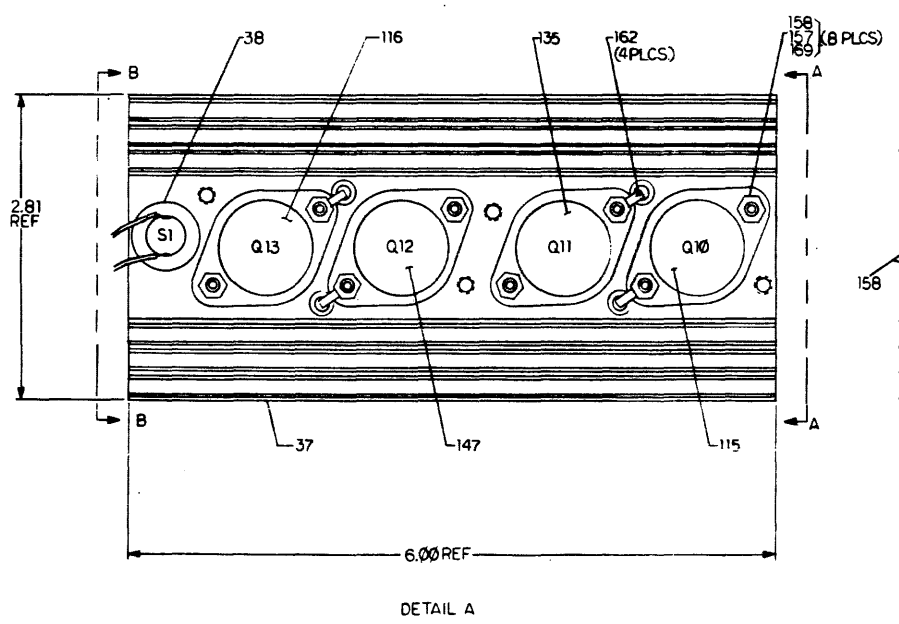
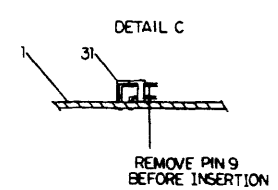
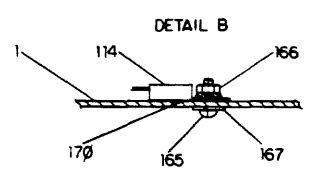
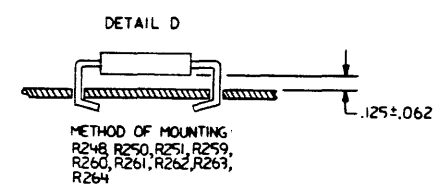
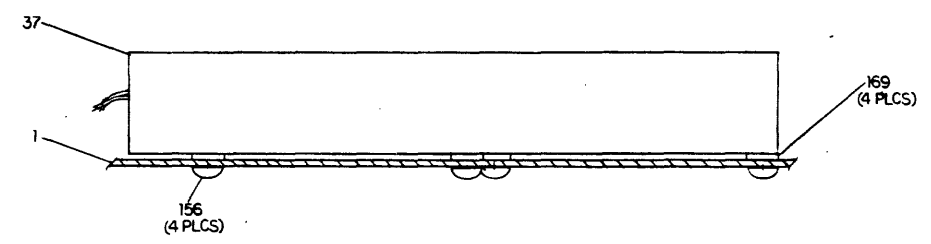
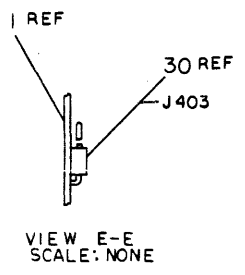
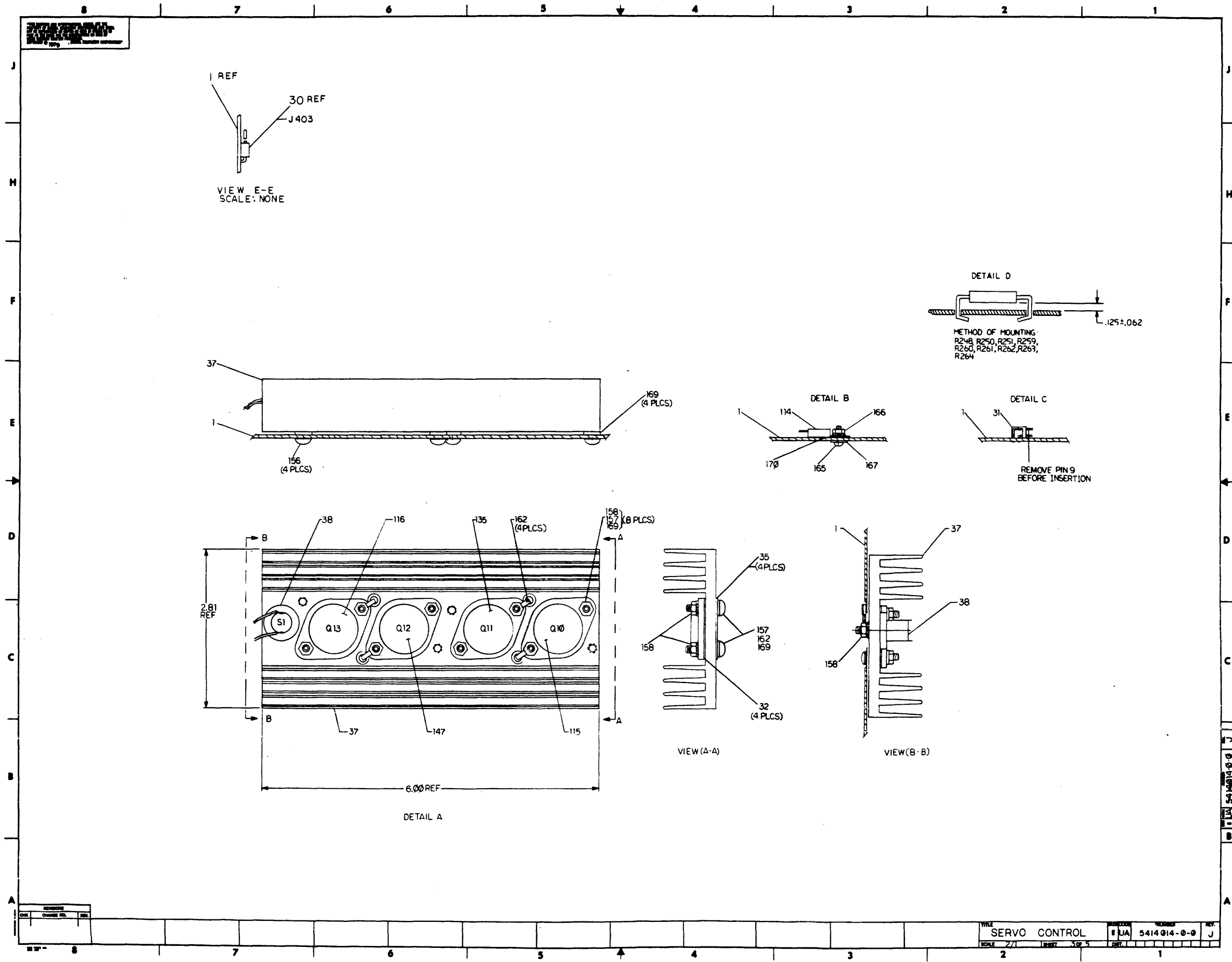
SEE NOTE 2

COMPONENT SIDE VIEW

DATE	12/11/54
DESIGNED BY	J. J. ...
REVISION	...
PROJ. ENG.	...
DATE	12/11/54
REV. 2 OF 5	...
STOCK NO.	...
REV. 1 P2	...
TITLE	SERVO CONTROL
PROJECT NUMBER	...
DATE	12/11/54
REV. 1 P2	...

NOTES:
1. DIMENSIONS TO LOCATIONS E12, E27
2. DIMENSIONS TO LOCATIONS E12, E27
3. DIMENSIONS TO LOCATIONS E12, E27
4. ALL OPTIONAL COMPONENTS ARE SHOWN DOTTED
5. FOR METHOD OF MOUNTING REFER TO SHEET 3
6. DIMENSIONS TO LOCATIONS E12, E27
7. DIMENSIONS TO LOCATIONS E12, E27

E 14 5414214-00



REV	DESCRIPTION	DATE

TITLE	SERVO CONTROL	REV	EUA	5414 014-0-0	REV	J
SCALE	2/1	TAPER	50/5	DATE		

REV E ETCH RELEASE

ETCH CUTS (SIDE 1):

Ø-1. } SEE E-EC-5014013-0-0, REV A, SH 1.
Ø-2. }

ETCH CUTS (SIDE 2):

Ø-3. } SEE E-EC-5014013-0-0, REV A, SH 2.

WIRE ADDS (SIDE 1):

Ø-4. FROM E74-8 TO E74-9.
Ø-5. FROM E74-8 TO E75-11.
Ø-6. FROM E74-10 TO E71-6.
Ø-7. FROM E30-3 TO E17-4.

REWORK INSTRUCTIONS

ECO 5414014-CX03A

COMPONENT DELETIONS (SIDE 1):

3-1. C113 (1013466-28).
3-2. R178 (1314187-00).
3-3. R215 (1313342-00).
3-4. C117 (1013466-20).
3-5. CUT PIN 1 OF J403 FLUSH WITH CONNECTOR. (SEE VIEW E-E)

ETCH CUTS

3-6. }
3-7. }
3-8. }
3-9. }
3-9A. }
3-10. } SEE E-EC-5014013-0-0
3-11. }
3-12. }
3-13. }
3-14. }
3-15. }
3-16. }

COMPONENT ADDS (SIDE 1):

3-17. C113 (1000050-00).
3-18. R178 (1312988-00).
3-19. R215 (1313841-00).
3-20. C117 (1013466-28).
3-20A. D44 (1105275-00).

WIRE ADDS (SIDE 1):

3-21. FROM E61-13 TO E61-14.
3-22. FROM E61-13 TO PTH ABOVE E42-18.
3-23. FROM E61-12 TO PTH BELOW C162.
3-24. FROM E75-11 TO R184 AT TOP.
3-25. FROM PTH TO LEFT OF E66 TO R186 AT TOP.
3-26. FROM PTH TO LEFT OF E66 TO E66-9.
3-27. FROM E66-8 TO C117 AT BOTTOM.
3-28. FROM E61-14 TO R203 AT TOP.
3-29. FROM R165 AT BOTTOM TO PTH BELOW C113.
3-30. FROM E60-5 TO E51-10.
3-31. FROM E51-9 TO PTH ABOVE AND TO LEFT OF E44-20.
3-32. FROM PTH BELOW E80-1 TO PTH ABOVE E80-16, (ETCH FROM PTH GOES TO TP26).
3-33. FROM E29-10 TO PTH TO LEFT OF J402.
3-33A. FROM R184 AT TOP TO R185 AT TOP.
3-34. FROM E77-7 TO E74-10.
3-35. FROM E77-10 TO E74-9.

ECO 5414014-CX03A (CONT)

COMPONENT DELETES (SIDE 1):

3-1A. R167, RESISTOR 301A (1317301-00).

COMPONENT ADDS (SIDE 1):

3-2A. R167, RESISTOR 511A (1302411-00).

ECO 5414014-CX005

COMPONENT DELETES (SIDE 1)

5-1. R25 511, 1/4W, 1% (1302411-00).
5-2. R28 511, 1/4W, 1% (1302411-00).
5-3. R54 1.1K, 1/4W, 1% (1302645-00).
5-4. R55 1.1K, 1/4W, 1% (1302645-00).
5-5. R109 6.81K, 1/4W, 1% (1304870-00).
5-6. R110 4K, 1/4W, 1% (1305127-00).
5-7. W25 JUMPER WIRE (9009185-00).
5-8. R21 487, 1/4W, 1% (1311845-00).
5-9. R75 487, 1/4W, 1% (1311845-00).
5-10. D15 IN756A, 8.2V, ZENER, .4W, 5%, (1103441-00).
5-11. E65, E75, E79, E80 NOTE: IF ANY OF THESE COMPONENTS ARE FROM NATIONAL VENDOR 13201 (1916573-00) DELETE. COMPONENTS FROM VENDORS SILICONIX DG201 (1916573-00) AND HARRIS HI-201 ARE ACCEPTABLE.
5-12. R278 390, 1/4W, 5% (1300309-00).
5-13. R279 390, 1/4W, 5% (1300309-00).
5-14. C28 100.0MMF 100V, 1%, 70PPMDM105 (1017200-00).
5-15. C45 100.0MMF 100V, 1%, 70PPMDM105 (1017200-00).
5-16. C46 100.0MMF 100V, 1%, 70PPMDM105 (1017200-00).

COMPONENT ADDS (SIDE 1)

5-17. R25 348, 1/4W, 1% (1304858-00).
5-18. R28 348, 1/4W, 1% (1304858-00).
5-19. R54 825, 1/4W, 1% (1305143-00).
5-20. R55 1.47K, 1/4W, 1% (1305108-00).
5-21. R109 681, 1/4W, 1% (1302872-00).
5-22. R110 412, 1/4W, 1% (1316837-00).
5-23. R227 11.3K, 1/4W, 1% (1314989-00).
5-24. R228 11.3K, 1/4W, 1% (1314989-00).
5-25. R230 11.3K, 1/4W, 1% (1314989-00).
5-26. R231 11.3K, 1/4W, 1% (1314989-00).
5-27. R229 10K, 1/4W, 1% (1303312-00).
5-28. R232 768, 1/4W, 1% (1313588-00).
5-29. C139 .0047MFD, 100V, 1% MYLAR (1009312-00).
5-30. C140 .0047MFD, 100V, 1% MYLAR (1009312-00).
5-31. C141 .0047MFD, 100V, 1% MYLAR (1009312-00).
5-32. C142 .0047MFD, 100V, 1% MYLAR (1009312-00).
5-33. W20 JUMPER WIRE (9009185-00).
5-34. R21 750, 1/4W, 1% (1302955-00).
5-35. R75 750, 1/4W, 1% (1302955-00).
5-36. D15 IN4738A, 1W, 5% 8.2V ZENER (1116698-00).
5-37. E65, E75, E79, E80 NOTE: IF ANY OF THESE COMPONENTS WERE DELETED, REPLACE WITH SILICONIX DG201 (1916573-00) OR HARRIS HI-201. (SEE REWORK 5-11).
5-38. R278 1K, 1/4W, 5% (1300365-00).
5-39. R279 1K, 1/4W, 5% (1300365-00).
*5-40. C28 100.0MMF 100V 1% 70PPMDM105 (1017200-00).
*5-41. C45 100.0MMF 100V 1% 70PPMDM105 (1017200-00).
*5-42. C46 100.0MMF 100V 1% 70PPMDM105 (1017200-00).
*ADD THIN WALL TUBING (91-07256-11) TO LEADS OF C28, C45, AND C46.

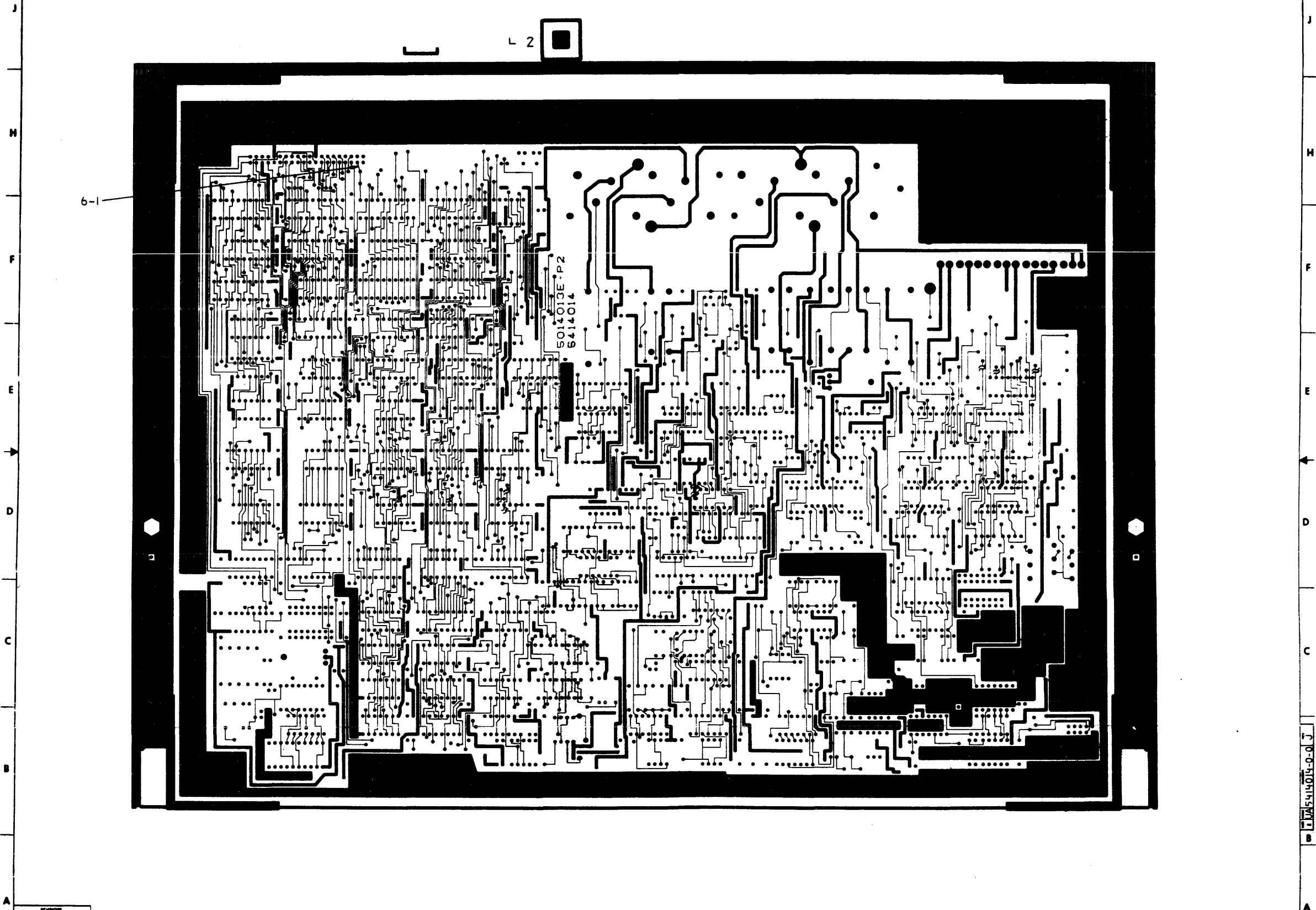
ECO 5414014-CX006

WIRE ADDS SIDE 1-30 AWG

6-1. ADD WIRE FROM E29-11 THROUGH PTH BELOW J402. THEN MAKE CONNECTION ON SIDE TWO AT J402-38. NOTE: APPLY ADHESIVE TO WIRE AT PTH FOR STRAIN RELIEF.
6-2. WHEN THE ABOVE REWORK IS COMPLETE, MARK THE BOARD CS REV K.

THIS DRAWING AND ALL INFORMATION CONTAINED HEREIN IS UNCLASSIFIED EXCEPT WHERE SHOWN OTHERWISE. DATE 08-14-2014 BY 60322 UCBAW/STW

CIRCUIT SIDE VIEW



L 2

6-1

SO14013E-P2
6414014

REVISIONS		
CHK	CHANGE NO.	REV

TITLE	NUMBER	REV
SERVO CONTROL	EUA5414014-0-0	J
SCALE 2:1	SHEET 5 OF 5	DATE

EUA5414014-0-0 J

LINE ITEM	DOCUMENT NUMBER	PART NUMBER	DESCRIPTION	QTY PER VARIATION	REFERENCE DESIGNATOR
1	D-MD-5014013-0-0	5014013-00	SERVO CONTROL	1	
2		1000037-00	.22 MFD 100V 10% MYLR	1	C168
3		1000050-00	.033 MFD 100V 80V 10% MYL	1	C113
4		1000061-00	.0082 MFD 100V 10% MYLR	1	C54
5		1001610-00	.01 MFD 50V +80-20% Z5U CER	20	C2,C4,C5,C8,C14,C15,C26,C27,C29, CONT C30,C44,C48,C60,C65,C66,C112, CONT C154,C158,C185,C302
6		1001636-00	2400.0 MMF 100V 5%200PPM MICA	1	C116
7		1002630-00	.015 MFD 100V 10% MYLR	1	C23
8		1005965-00	.47 MFD 35V 10% S.TANT	1	C1
9		1009312-00	.0047 MFD 100V 1% MYLR	24	C50,C52,C86-C89,C91,C97, CONT C119-C126,C130,C139-C142,C144, CONT C171,C187
10		1012784-00	.047 MFD 50V +80-20% CER	27	C7,C10,C11,C12,C22,C25,C38,C42, CONT C43,C58,C63,C64,C68,C70,C80, CONT C100,C101,C105,C108,C110,C133, CONT C135,C151,C156,C174,C178,C181 C71,C72,C82,C84,C85,C129
11		1013466-01	10.0 MMF 50V 5% CER	6	C79
12		1013466-06	100.0 MMF 50V 5% CER	1	C3
13		1013466-08	680.0 MMF 50V 10% X7R CER	1	C55,C134
14		1013466-12	2200.0 MMF 50V 10% X7R CER	2	C137
15		1013466-14	82.0 MMF 50V 5% CER	1	C39
16		1013466-18	330.0 MMF 50V 5% CER	1	C49,C51
17		1013466-19	470.0 MMF 50V 5% CER	2	C18,C31,C34,C107
18		1013466-23	22.0 MMF 50V 5% CER	4	C53,C73,C76,C145
19		1013466-24	47.0 MMF 50V 5% CER	4	C19,C35
20		1013466-25	68.0 MMF 50V 5% CER	2	C159
21		1013466-26	120.0 MMF 50V 5% CER	1	C24,C40,C117,C118,C186
22		1013466-28	1000.0 MMF 50V 5% CER	5	C20,C36
23		1013466-29	1500.0 MMF 50V 5% CER	2	

REVISION HISTORY		BASIC PART NO: 5414014		DRN: SUE BOURBEAU		DATE: 09-JUL-82		D I G I T A L	
ENG	ECO NUMBER	REV	SECTION A OF A	CHK'D:	DATE:	TITLE	PARTS LIST		
	5414014-CX007	J	SECTION VARIATION INDEX	RON MICHAUD	09-JUL-82	SERVO CONTROL			
			[A] 00						
			[B]						
			[C]	BILL RAY	09-JUL-82				
			[D]						
			[E]			DOCUMENT NUMBER			
			[F]	BILL RAY	09-JUL-82				
			[H]			SIZE CODE NUMBER	REV		
			[J]	AHMAD KASSAK	09-JUL-82	K PL 5414014-0-DBP	J		
			[K]						
			[L]						
			[M]	ASSEMBLY NUMBER:	TOP DOCUMENT NUMBER:	FILE NAME:	EDIT #		
			[N]	E-UA-5414014-0-0	#B-DD-5414014-0	Z0497J.PLS	10		

*THIS DRAWING AND SPECIFICATIONS HEREIN, ARE THE PROPERTY OF DIGITAL EQUIPMENT CORPORATION AND SHALL NOT BE REPRODUCED OR COPIED OR USED IN WHOLE OR IN PART AS THE BASIS FOR THE MANUFACTURE OR SALE OF ITEMS WITHOUT WRITTEN PERMISSION. COPYRIGHT (C) 1982. DIGITAL EQUIPMENT CORPORATION *

LINE	ITEM	DOCUMENT NUMBER	PART NUMBER	DESCRIPTION	QTY	PER VARIATION	REFERENCE DESIGNATOR
					00		
24	24	SEE NOTE 1	1014169-00	1000.0 MMF 100V 1%200PPM MICA	1		C28
25	25	SEE NOTE 1	1017200-00	100.0 MMF 100V 1% 70PPM MICA	2		C45,C46
26	26		1017472-00	10 MFD 35V +50-10% AL EL	25		C6,C16,C17,C21,C32,C33,C37,C41, C56,C57,C98,C99,C136,C138,C143, CONT C148,C149,C152,C161-C164,C167, CONT C169,C172
27	27		1100122-00	1N 748A VZ= 3.9 5%	1		D45
28	28		1102421-00	1N 753A VZ= 6.2 5% .40W P	6		D5,D14,D25,D26,D29,D31
29	29		1105275-00	D 672 TR= 15NS PIV= 60V SI	27		D1,D3,D4,D6-D13,D18-D20,D23,D24, CONT D27,D28,D30,D32,D35-D37,D39-D41, CONT D44
30	30		1105871-00	1/4M5.1AZ1 = 5.1 1% .25W N	1		D34
31	31		1109977-00	1N 749A VZ= 4.3 5%	1		D15
32	32		1110324-00	LED 1MCD@10MA PIV=3	2		D42,D43
33	33		1116824-00	1N 5456C 30V 400MW 2% VARACTOR D	2		D16,D17
34	34		1212204-13	PCB HEADER 16PIN(1X16).156CC 90D	1		J403
35	35		1212965-01	PCB,HEADER 10PIN(2X05).100CC 90D	1		J401
36	36		1213071-02	INSULATOR,RUBBER SILICONE SM	4		
37	37		1213071-06	INSULATOR,RUBBER SILICONE	1		
38	38		1215580-00	INSULATOR,MOLDED	4		
39	39		1216832-02	PCB,HEADER 40POS(2X20).100CC 90D	1		J402
40	40		1216833-00	HEAT SINK,EXTRUSION 06.00X02.8	1		HS1
41	41		1216869-00	THERMOSTAT,74 C	1		S1
42	42		1300005-04	R NETWORK 15-470 5.0 % 16PIN	1		E254
43	43		1300202-00	47.0 .25 W 5.0 % CC	8		R5,R6,R8,R26,R29,R41,R51,R76
44	44		1300228-00	100.0 .50 W 5.0 % CC	1		R22
45	45		1300291-00	300.0 .50 W 5.0 % CC	2		R253,R257
46	46		1300316-00	470.0 .25 W 5.0 % CC	5		R18,R20,R90,R92,R93
47	47		1300365-00	1.0 K .25 W 5.0 % CC	24		R10,R19,R33,R94,R95,R165,R176, CONT R209,R210,R242-R245,R266-R269, CONT R275-R277,R400-R402,R410
48	48		1300432-00	3.0 K .25 W 5.0 % CC	3		R88,R89,R288
49	49		1300444-00	3.90 K .25 W 5.0 % CC	8		R107,R108,R133,R134,R141,R142, CONT R144,R145
50	50		1300447-00	4.70 K .25 W 5.0 % CC	5		R170,R171,R197,R198,R256
51	51		1300479-00	10.0 K .25 W 5.0 % CC	18		R101,R102,R105,R106,R126,R128, CONT R129,R132,R140,R143,R180,R219, CONT R221,R222,R237-R240
52	52		1300496-00	15.0 K .25 W 5.0 % CC	2		R3,R9
53	53		1301317-00	10.0 .25 W 5.0 % CC	2		R24,R249
54	54		1301401-00	750.0 .25 W 5.0 % CC	1		R214
55	55		1301837-00	1.21 K .50 W 1.0 % RN60C-F 5	4		R21,R75,R303,R304
56	56		1302381-00	200.0 .50 W 5.0 % CC	2		R62,R302
57	57		1302388-00	2.0 K .25 W 5.0 % CC	3		R42,R43,R287
58	58		1302466-00	100.0 K .25 W 5.0 % CC	2		R179,R218
59	59		1302645-00	1.10 K .25 W 1.0 % RN55D-F10	3		R55,R278,R279
60	60		1302685-00	909.0 .25 W 1.0 % RN55D-F10	1		R53
61	61		1302858-00	100.0 .25 W 1.0 % RN55D-F10	5		R35,R36,R58,R224,R403

D	I	G	I	T	A	L	TITLE	SECTION A OF A	SIZE	CODE	DOCUMENT NUMBER	REV
							SERVO CONTROL		K	PL	5414014-0-DBP	J

LINE	ITEM	DOCUMENT NUMBER	PART NUMBER	DESCRIPTION	QTY	PER VARIATION	REFERENCE DESIGNATOR
					00		
62	62		1302872-00	681.0		.25 W 1.0 % RN55D-F1	1 R109
63	63		1302874-00	147.0		.25 W 1.0 % RN55D-F10	1 R27
64	64		1303044-00	100.0	K	.25 W 1.0 % RN55D-F10	13 R79-R83,R111,R112,R123,R153, R154,R158,R207,R208
65	65		1303114-00	1.0	K	.25 W 1.0 % RN55D-F10	12 CONT R34,R49,R50,R54,R61,R87,R97, R150,R156,R169,R181,R183
66	66		1303177-00	2.40	K	.25 W 5.0 % CC	1 R408
67	67		1303179-00	8.20	K	.25 W 5.0 % CC	1 R233
68	68		1303312-00	10.0	K	.25 W 1.0 % RN55D-F10	18 R23,R39,R59,R60,R84,R85,R135, R138,R139,R157,R168,R174,R175, R186,R199,R225,R226,R229
69	69		1304837-00	24.0	K	.25 W 5.0 % CC	2 R122,R161
70	70		1304839-00	51.0	K	.25 W 5.0 % CC	2 R155,R206
71	71		1304855-00	9.09	K	.25 W 1.0 % RN55D-F10	1 R182
72	72		1304862-00	1.62	K	.25 W 1.0 % RN55D-F10	7 R68,R69,R70,R72-R74,R286
73	73		1304865-00	1.0	K	.25 W .10% RN55E-B 2	2 R1,R2
74	74		1305114-00	3.48	K	.25 W 1.0 % RN55D-F10	4 R4,R7,R205,R236
75	75		1305124-00	287.0		.25 W 1.0 % RN55D-F10	2 R46,R110
76	76		1305125-00	383.0		.25 W 1.0 % RN55D-F10	2 R37,R167
77	77		1305252-00	68.10	K	.25 W 1.0 % RN55D-F10	1 R202
78	78		1305253-00	7.15	K	.25 W 1.0 % RN55D-F10	4 R172,R173,R189,R190
79	79		1305323-00	511.0	K	.25 W 1.0 % RN55D-F10	2 R118,R241
80	80		1305324-00	4.99	K	.25 W 1.0 % RN55D-F10	3 R136,R137,R223
81	81		1305515-00	64.0	K	.25 W .10% RN55E-B 2	2 R113,R115
82	82		1309143-10	10.0	K	.75 W10.0 % POT	1 R281
83	83		1309143-13	50.0	K	.75 W10.0 % POT	1 R284
84	84		1309296-00	113.0	K	.25 W .10% RN55E-B 2	2 R114,R116
85	85		1309415-00	11.50	K	.25 W 1.0 % RN55D-F10	2 R64,R166
86	86		1309416-00	31.60	K	.25 W 1.0 % RN55D-F10	1 R117
87	87		1309417-00	27.40	K	.25 W 1.0 % RN55D-F10	4 R148,R149,R151,R152
88	88		1309595-00	1.0	M	.25 W 5.0 % CC	8 R77,R78,R86,R100,R104,R127,R131, R411
89	89		1310634-00	2.67	K	.25 W 1.0 % RN55D-F10	2 CONT R63,R188
90	90		1311522-00	200.0		.25 W 5.0 % CC	1 R52
91	91		1311845-00	487.0		.25 W 1.0 % RN55D-F10	2 R31,R56
92	92		1312546-00	16.50	K	.25 W 1.0 % RN55D-F10	4 R191-R193,R195
93	93		1312626-00	2.49	K	.25 W 1.0 % RN55D-F10	1 R246
94	94		1312699-00	150.0		.50 W 1.0 % RN60D-F10	1 R255
95	95		1312747-00	56.20	K	.25 W 1.0 % RN55D-F10	3 R38,R234,R235
96	96		1312921-00	649.0		.25 W 1.0 % RN55D-F10	2 R25,R28
97	97		1312922-00	536.0		.25 W 1.0 % RN55D-F10	2 R30,R71
98	98		1312924-00	10.70	K	.25 W 1.0 % RN55D-F10	1 R44
99	99		1312930-00	5.10	K	.25 W 5.0 % CC	11 R48,R99,R103,R125,R130,R146, R147,R184,R185,R217,R220
100	100		1312985-00	332.0	K	.25 W 1.0 % RN55D-F10	1 CONT R40
101	101		1312988-00	49.90	K	.25 W 1.0 % RN55D-F10	11 R119,R121,R159,R160,R177,R178, R200,R404-R407
102	102		1312990-00	12.70	K	.25 W 1.0 % RN55D	10 CONT R98

D	I	G	I	T	A	L	TITLE	SECTION A	OF A	SIZE	CODE	DOCUMENT NUMBER	REV
							SERVO CONTROL			K	PL	5414014-0-DBP	J

LINE	ITEM	DOCUMENT NUMBER	PART NUMBER	DESCRIPTION	QTY PER VARIATION	REFERENCE DESIGNATOR
					00	
103	103		1313167-00	833.0 K .25 W 1.0 Z RN55C-F 5	1	R196
104	104		1313343-00	28.70 K .25 W 1.0 Z RN55D-F10	1	R216
105	105		1313358-00	.20 5.0 W 3.0 Z WW	2	R248,R261
106	106		1313588-00	768.0 .25 W 1.0 Z RN55D-F10	1	R232
107	107		1313753-00	37.40 K .25 W 1.0 Z RN55D-F10	2	R163,R204
108	108		1313841-00	23.20 K .25 W 1.0 Z RN55D-F10	1	R215
109	109		1314187-00	6.19 K .25 W 1.0 Z RN55D-F10	1	R187
110	110		1314252-00	130.0 K .25 W 1.0 Z RN55D-F10	4	R124,R162,R164,R203
111	111		1314491-00	1.02 K .25 W 1.0 Z RN55D-F10	1	R194
112	112		1314989-00	11.30 K .25 W 1.0 Z RN55D-F10	4	R227,R228,R230,R231
113	113		1315240-00	.10 3.0 W 1.0 Z WW	1	R265
114	114		1316575-00	10.0 2.0 W 5.0 Z CC	4	R250,R251,R259,R260
115	115		1316844-00	301.0 .50 W 1.0 Z RN60D-F10	6	R32,R57,R252,R258,R300,R301
116	116		1318981-01	82.0 3.0 W 5.0 Z WW	6	R262-R264,R462-R464
117	117		1509900-00	2N 4859 FET 360MW SIN CHNNL	1	Q9
118	118		1510421-00	D 44C8 NPN 30WT SI 60 20	1	Q14
119	119		1511282-00	MJ2500 PNP 150WC SI 60 5 1K 5A	1	Q10
120	120		1511349-00	TIP 640 (OR MJ3000) NPN DARLINT	1	Q13
121	121		1519472-01	2N 4209 PNP 300MW 15V@50MA	5	Q1-Q5
122	122		1513489-00	2N 4401 NPN 350MW SI 40 20	2	Q6,Q7
123	123		1513490-00	2N 4403 PNP 350MW SI-40 30	1	Q8
124	124		1612946-04	6.8 UH 10Z 350MA	2	L1,L2
125	125		1612946-05	18 UH 10Z 260MA	2	L3,L4
126	126		1616879-00	INDUCTOR 1.12UH 1Z 370MA	1	L5
127	127		1618544-00	DELAY= 250NS, STAPS	2	E135,E147
128	128		1910268-00	DEC 75107B RECEIVER,LINE,DUAL,	1	E59
129	129		1910532-00	74S00 NAND GATE-QUAD 2IN	2	E24,E47
130	130		1910533-00	74S03 NAND GATE-QUAD 2IN,0	1	E36
131	131		1910536-00	74S10 NAND GATE-TRIPLE 3IN	2	E23,E35
132	132		1910537-00	74S11 AND GATE-TRIPLE 3INP	1	E49
133	133		1910540-00	74S22 NAND GATE-DUAL 4INPU	1	E22
134	134		1910544-00	74S74 FF-D DUAL,EDGE TRIGG	3	E13,E48,E154
135	135		1910644-00	733 DIFFERENTIAL AMP,WID	1	E72
136	136		1910741-00	7406 INVERTER GATE-HEX 1I	1	E55
137	137		1911415-00	10125 ECL TO TTL TRNSLTR	1	E2
138	138		1911629-00	1408L8 DAC, 8BIT	1	E43
139	139		1912108-00	339 VOLT CMPRTR,QUAD	3	E56,E58,E66
140	140		1912792-01	7915CKVOLT REG,FIX -15V	1	Q12
141	141		1912799-00	LS00 NAND-GATE-QUAD 2IN,P	5	E6,E31,E40,E41,E50
142	142		1912803-00	LS04 INVERTER GATE,HEX	3	E3,E7,E29
143	143		1912810-00	LS20 NAND GATE-DUAL 4IN	1	E5
144	144		1912815-00	LS30 NAND GATE-SINGLE 8IN	1	E15
145	145		1912824-00	LS74 FF-D DUAL,EDGE TRIGG	7	E17,E25,E27,E30,E51,E60,E122
146	146		1912829-00	LS86 X-OR GATE-QUAD 2IN	1	E88
147	147		1912834-00	LS112 FF-JK,DUAL,EDGE TRIG	1	E4
148	148		1912837-00	LS123 ONE SHOT-DUAL,RETRIG	3	E52-E54
149	149		1912849-00	LS161 COUNTER,SYNCHR,4BIT	1	E26
150	150		1912850-00	LS164 SHIFT REG. 8BIT SERI	1	E28

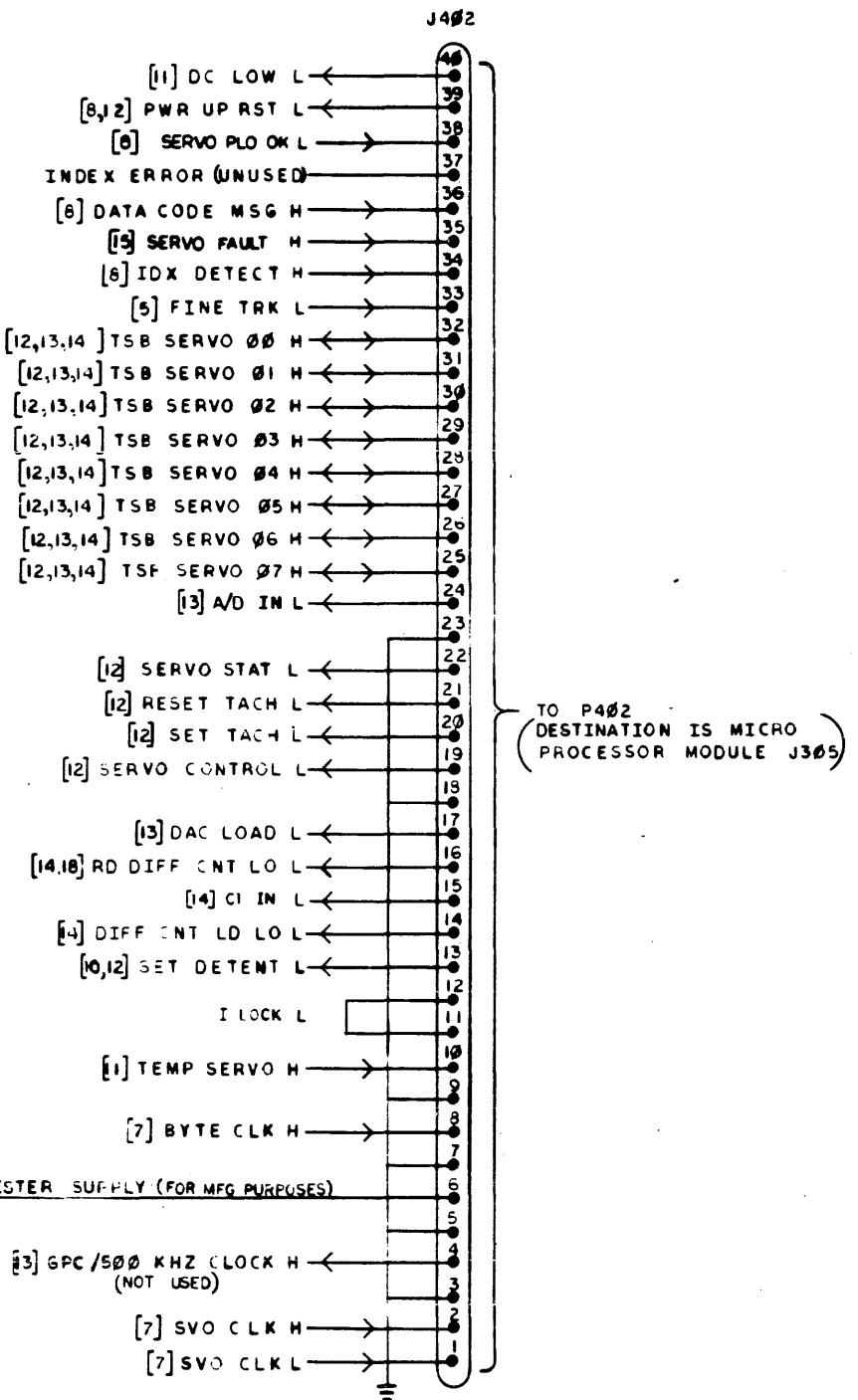
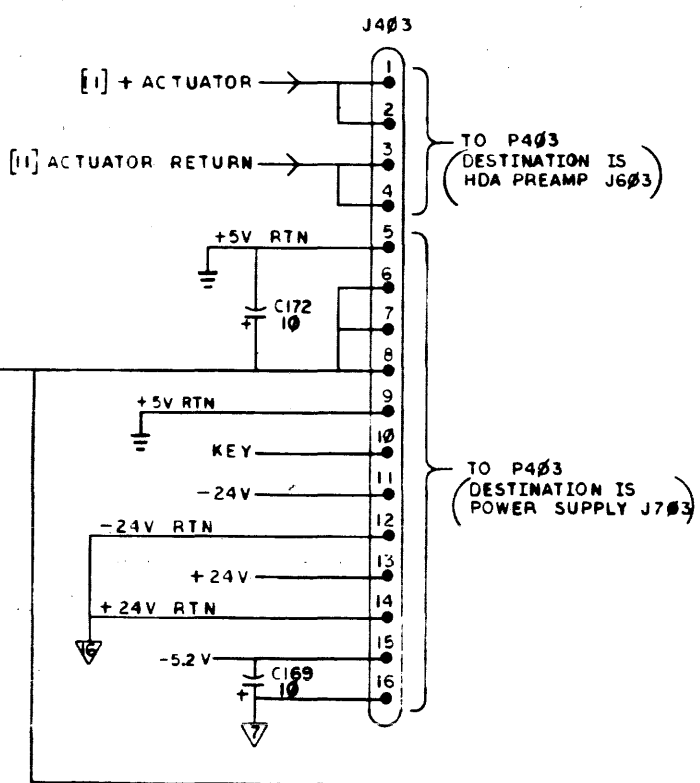
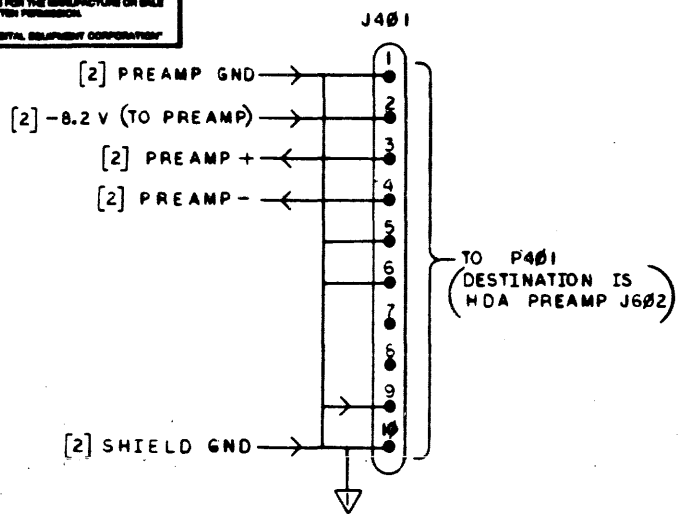
D I G I T A L										TITLE										SECTION A OF A										SIZE CODE										DOCUMENT NUMBER										REV									
										SERVO CONTROL																				K PL										5414014-0-DBP										J									

LINE ITEM	DOCUMENT NUMBER	PART NUMBER	DESCRIPTION	QTY PER VARIATION 00	REFERENCE DESIGNATOR
151	151	1912854-00	LS193 COUNTER,SYNCHR,4BIT,	2	E18,E19
152	152	1912858-00	LS221 ONE SHOT-DUAL,SCHMIT	1	E37
153	153	1912863-00	LS273 FF-D OCTAL W/CLEAR	3	E34,E38,E45
154	154	1913017-00	3046 XSISTOR ARRAY,3 ISOL	6	E11,E62-E64,E68,E76
155	155	1913035-02	LM 308ANOP AMP GEN PURP. COM	2	E57,E71
156	156	1914473-00	DEC 7815 VOLT REG,FIX +15V	1	Q11
157	157	1914485-01	TL 084ACNOP AMP,QUAD JFET	7	E61,E67,E69,E70,E73,E74,E78
158	158	1915193-00	LS244 DRIVER,LINE,OCTAL,T	2	E20,E44
159	159	2119305-01	201 SWITCH,ANALOG,QUAD	5	E65,E75,E79,E80,E94
160	160	1916574-00	10114 RECEIVER,LINE,TRIPL	1	E1
161	161	23268A1-00	A1-07	1	E14
162	162	23341A1-00	A1-07	1	E39
163	163	9006010-01	SCREW,MACH PAN PHIL 4-	1	
164	164	9006022-01	SCREW,MACH PAN PHIL 6-	4	
165	165	9006025-01	SCREW,MACH PAN PHIL 6-	8	
166	166	9006557-00	NUT,HEX EXT TOOTH LCKWSHR 4-40	1	
167	167	9006560-00	NUT,HEX EXT TOOTH LCKWSHR 6-32	9	
168	168	9006656-00	WASHER,FLAT STEEL	12	
169	169	9007791-00	TERM PCB 2POS SOLDER,TURRET	2	PP1,PP2
170	170	9008172-00	WASHER,FLAT SST	1	
171	171	9009185-00	JUMPER, WIRE, INSULATED, BLACK B	20	W1-W8,W10,W11,W13,W14,W16, CONT W18-W20,W22-W24,W27
172	172	9009676-00	TERM,SOLDER BARRIER STR	4	
173	173	9009898-00	TRANSIPAD, 4 HOLE	1	XQ9
174	174	9107256-11	TUBING,TEFLON .027ID	A/R	

- 175 NOTE: NOTE 1: ATTACH TUBING (ITEM 174) TO LEADS OF C28,C45 & C46.
- 176 NOTE: NOTE 2: IF ANY OF THESE COMPONENTS (21-19305-01) ARE FROM NATIONAL
- 177 NOTE: VENDOR 13201, DELETE. COMPONENTS (21-19305-01) FROM VENDORS
- 178 NOTE: SILICONIX DG201 AND HARRIS HI-201 ARE ACCEPTABLE.

D	I	G	I	T	A	L	TITLE	SECTION A OF A	SIZE	CODE	DOCUMENT NUMBER	REV
							SERVO CONTROL		K	PL	5414014-0-DBP	J

THIS DRAWING AND SPECIFICATIONS HEREON ARE THE PROPERTY OF DIGITAL EQUIPMENT CORPORATION AND SHALL NOT BE REPRODUCED OR COPIED OR USED IN WHOLE OR IN PART AS THE BASIS FOR THE MANUFACTURE OR SALE OF OTHER EQUIPMENT WITHOUT WRITTEN PERMISSION. COPYRIGHT © 1979 DIGITAL EQUIPMENT CORPORATION



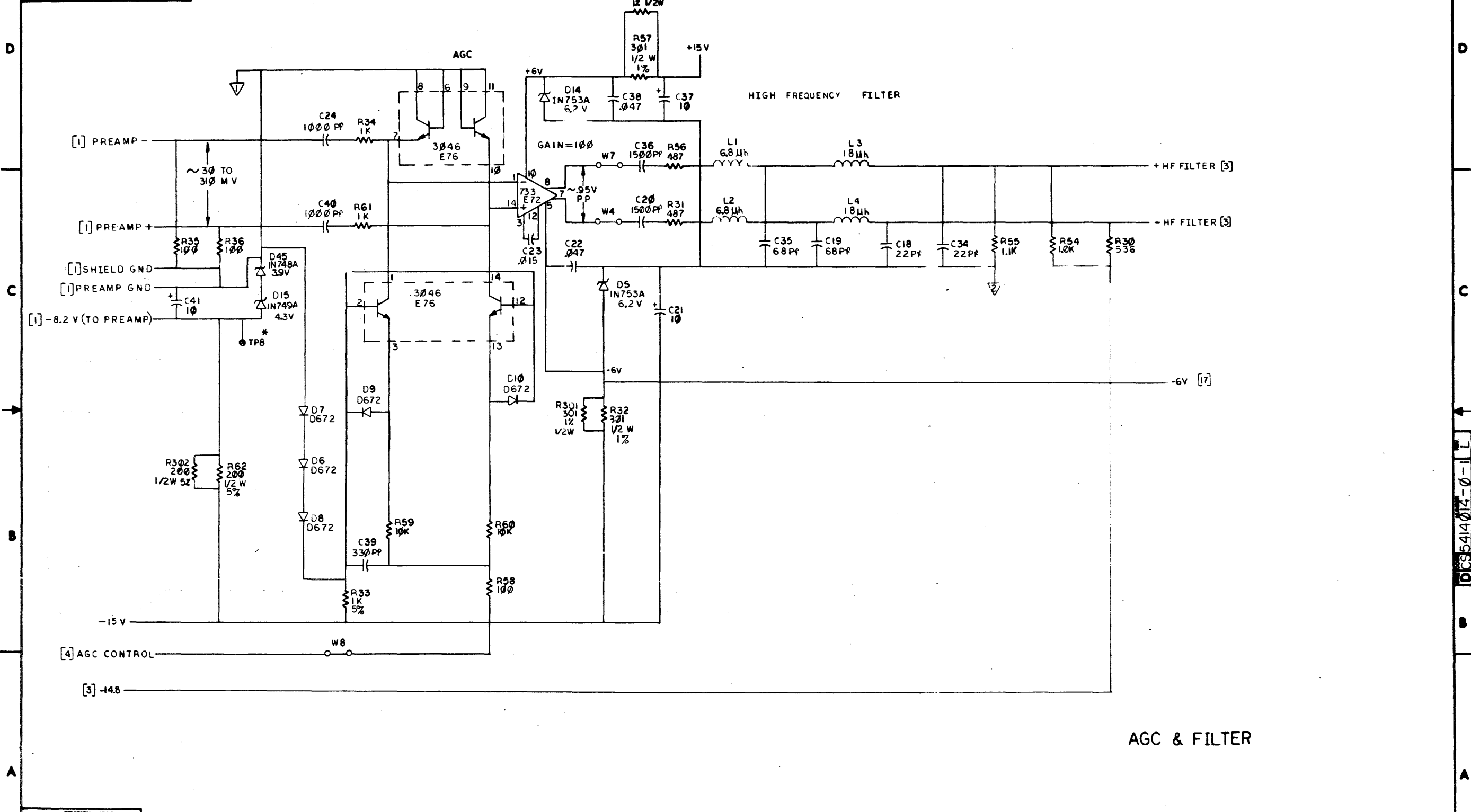
- NOTES:
1. UNLESS OTHERWISE SPECIFIED ALL RESISTORS ARE 1/4 W, 1%. ALL RESISTOR VALUES ARE IN OHMS. ALL CAPACITOR VALUES ARE IN MICROFARADS.
 2. \perp LOGIC GROUND.
 ∇ ANALOG GROUND.
 3. ALL TEST PADS "TP"
 4. ASTERISK * DENOTES COMPONENTS NOT INSERTED (OPTIONAL).
 5. ① DENOTES 16 PIN IC SOCKETS.
② DENOTES 20 PIN IC SOCKETS.
③ DENOTES HEAT SINK MOUNTED.

REV.	E	F	H	J	K	L
DATE	CHANGED PER ECO 5414014 - CX02A G. HART	5414014 - C-020A G. HART	5414014 - C-020A K. DAVIS/TSERBO B. RAY	5414014 - C-020A B. RAY	5414014 - C-020A B. RAY	5414014 - C-020A S.L. BRYAN B. RAY
DATE	7/24/79	7/24/79	8/22/80	8/22/80	10/15/80	10/15/80

I/O		TITLE (SVT)	
DESIGNED BY	DATE	REV.	DESCRIPTION
K. DUNDY	31 JUN 79	1	SERVO CONTROL
F. HART	8-1-79	2	
L. HART	8-6-79	3	
G. HART	8-26-79	4	
DOCUMENT NUMBER		D CS 5414014-0-1	
B-DD-5414014-0		L	

D CS 5414014-0-1

THIS DRAWING AND SPECIFICATIONS HEREON ARE THE PROPERTY OF DIGITAL EQUIPMENT CORPORATION AND SHALL NOT BE REPRODUCED OR COPIED IN WHOLE OR IN PART AS THE BASIS FOR THE MANUFACTURE OR SALE OF ITEMS WITHOUT WRITTEN PERMISSION. COPYRIGHT © 1970 DIGITAL EQUIPMENT CORPORATION



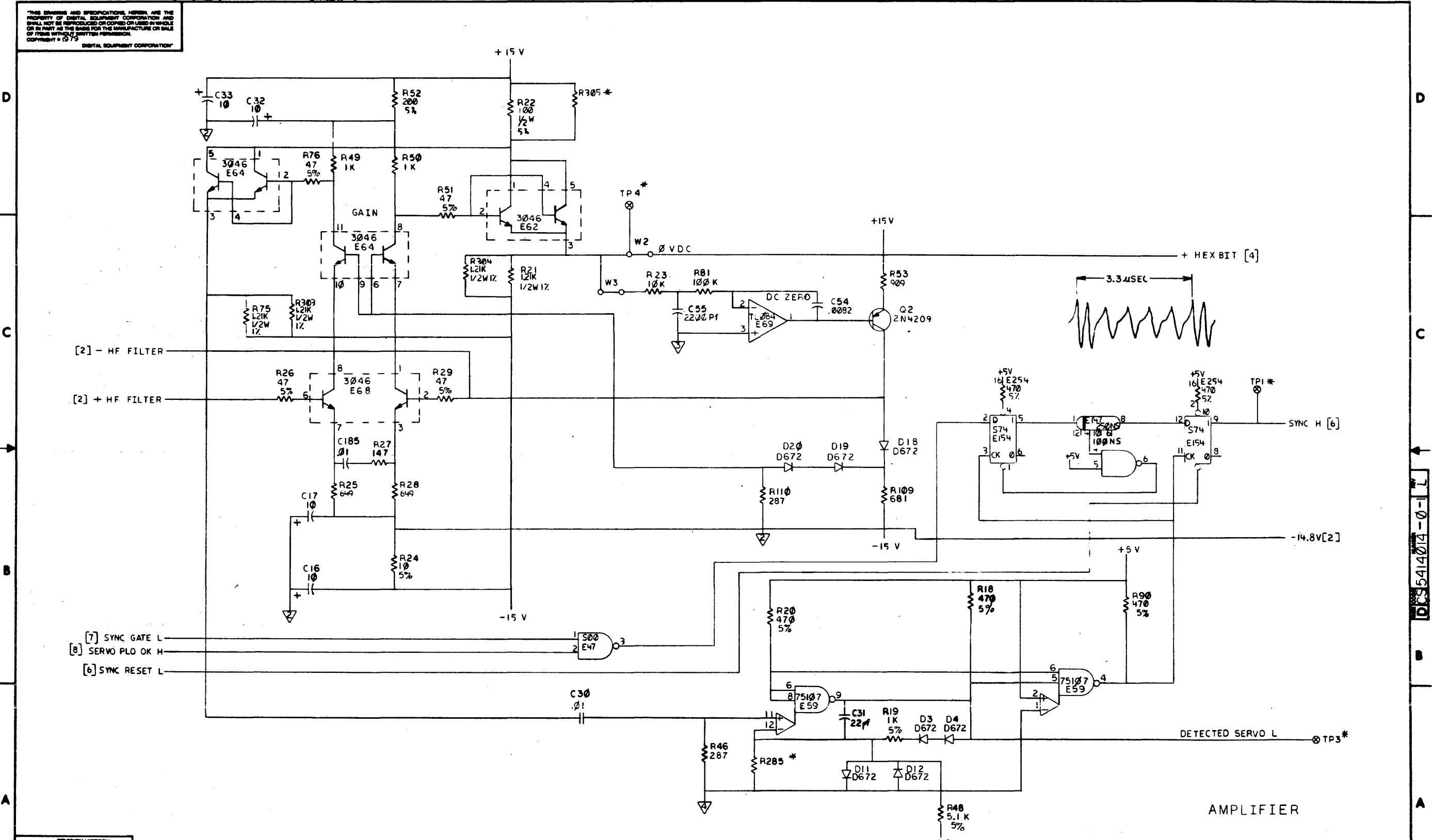
AGC & FILTER

REVISION HISTORY		
DATE	ECO NUMBER	REV.

DOCUMENT NUMBER		REV.
DOC#	NUMBER	
DCS	5414014-0-1	L
SCALE		SHEET 2 OF 18

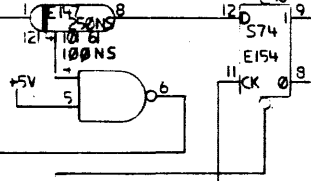
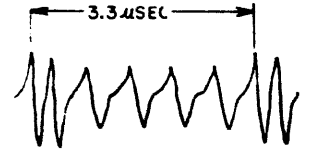
THIS DRAWING AND SPECIFICATIONS HEREIN ARE THE PROPERTY OF DIGITAL EQUIPMENT CORPORATION AND SHALL NOT BE REPRODUCED OR COPIED OR USED IN WHOLE OR IN PART AS THE BASIS FOR THE MANUFACTURE OR SALE OF ITEMS WITHOUT WRITTEN PERMISSION.
 COPYRIGHT © 1979
 DIGITAL EQUIPMENT CORPORATION

8 6 5 4 3 2 1



[2] - HF FILTER
 [2] + HF FILTER

[7] SYNC GATE L
 [8] SERVO PLO OK H
 [6] SYNC RESET L



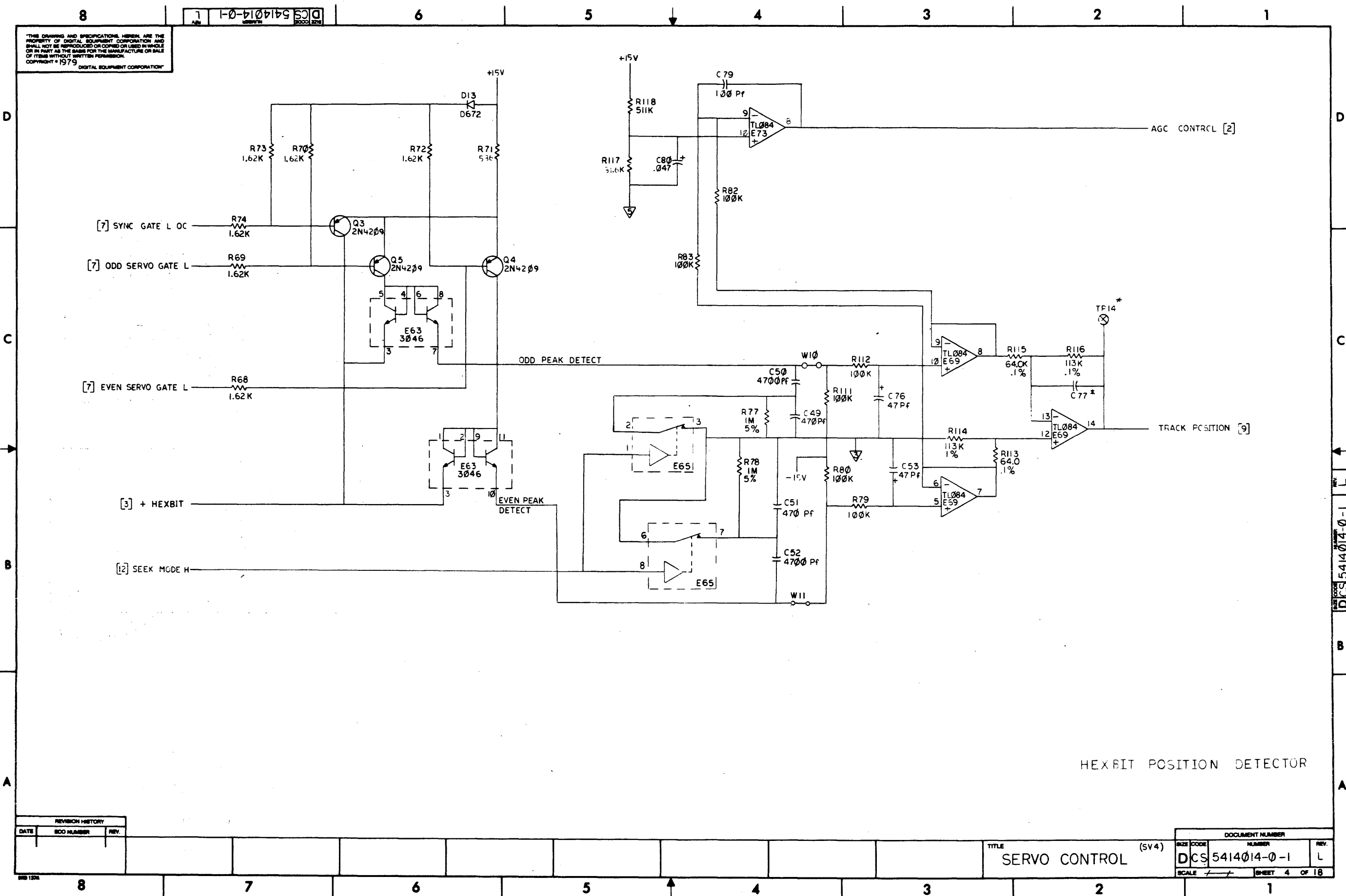
REVISION HISTORY		
DATE	REV. NUMBER	REV.

TITLE (SV3)
 SERVO CONTROL

DOCUMENT NUMBER		
REV. NUMBER	REV.	REV.
DCS 5414014-0-1	L	
SCALE		SHEET 5 OF 18

8 7 6 5 4 3 2 1

THIS DRAWING AND SPECIFICATIONS HEREIN ARE THE PROPERTY OF DIGITAL EQUIPMENT CORPORATION AND SHALL NOT BE REPRODUCED OR COPIED OR USED IN WHOLE OR IN PART AS THE BASIS FOR THE MANUFACTURE OR SALE OF ITEMS WITHOUT WRITTEN PERMISSION. COPYRIGHT © 1979 DIGITAL EQUIPMENT CORPORATION



HEXBIT POSITION DETECTOR

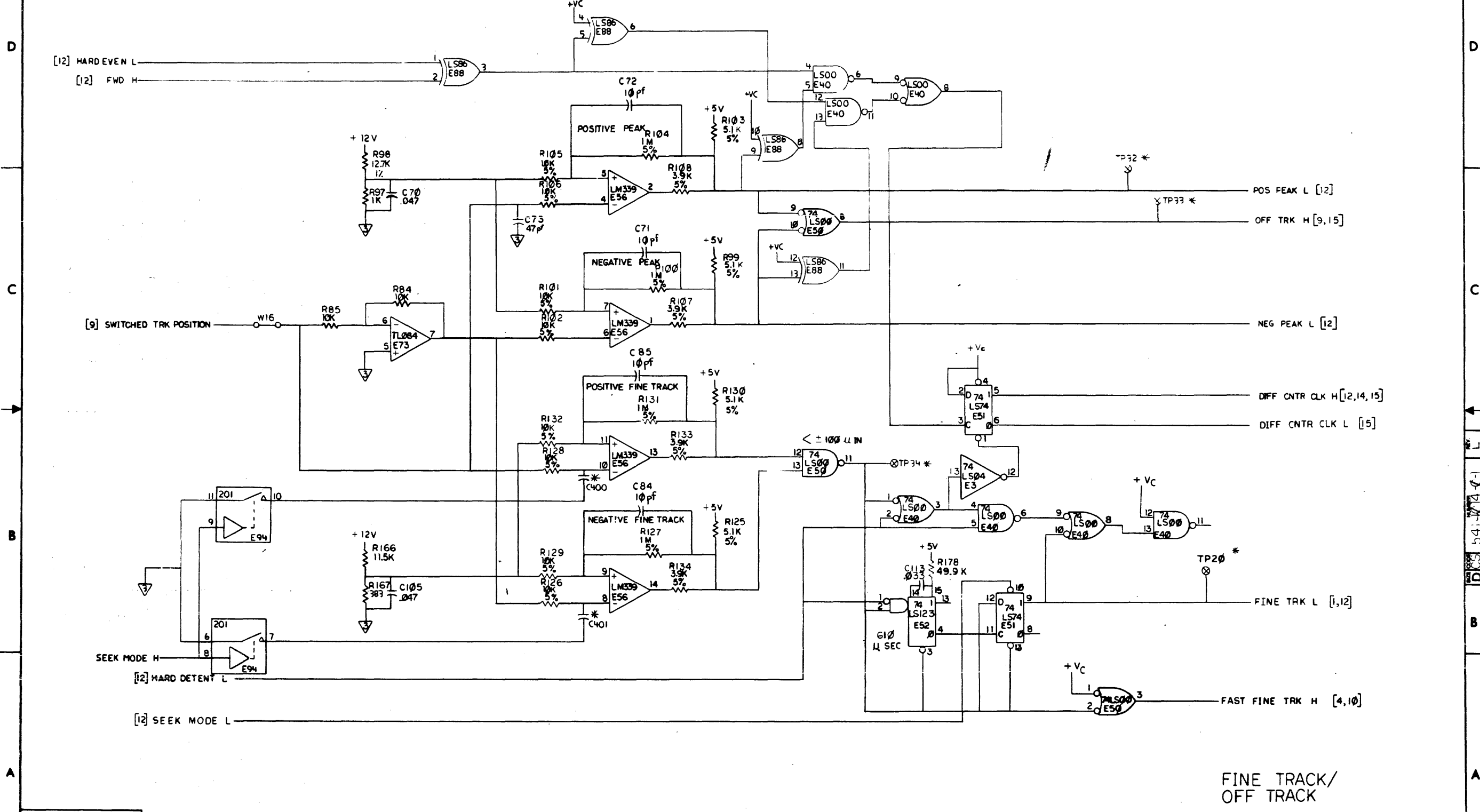
REVISION HISTORY		
DATE	ECO NUMBER	REV.

TITLE
SERVO CONTROL (SV4)

DOCUMENT NUMBER		
SIZE CODE	NUMBER	REV.
DCS	5414014-0-1	L
SCALE	SHEET 4 OF 18	

8 6 5 4 3 2 1

THIS DRAWING AND SPECIFICATIONS HEREIN ARE THE PROPERTY OF DIGITAL EQUIPMENT CORPORATION AND SHALL NOT BE REPRODUCED OR COPIED OR USED IN WHOLE OR IN PART AS THE BASIS FOR THE MANUFACTURE OR SALE OF ITEMS WITHOUT WRITTEN PERMISSION. COPYRIGHT © 1973. DIGITAL EQUIPMENT CORPORATION.



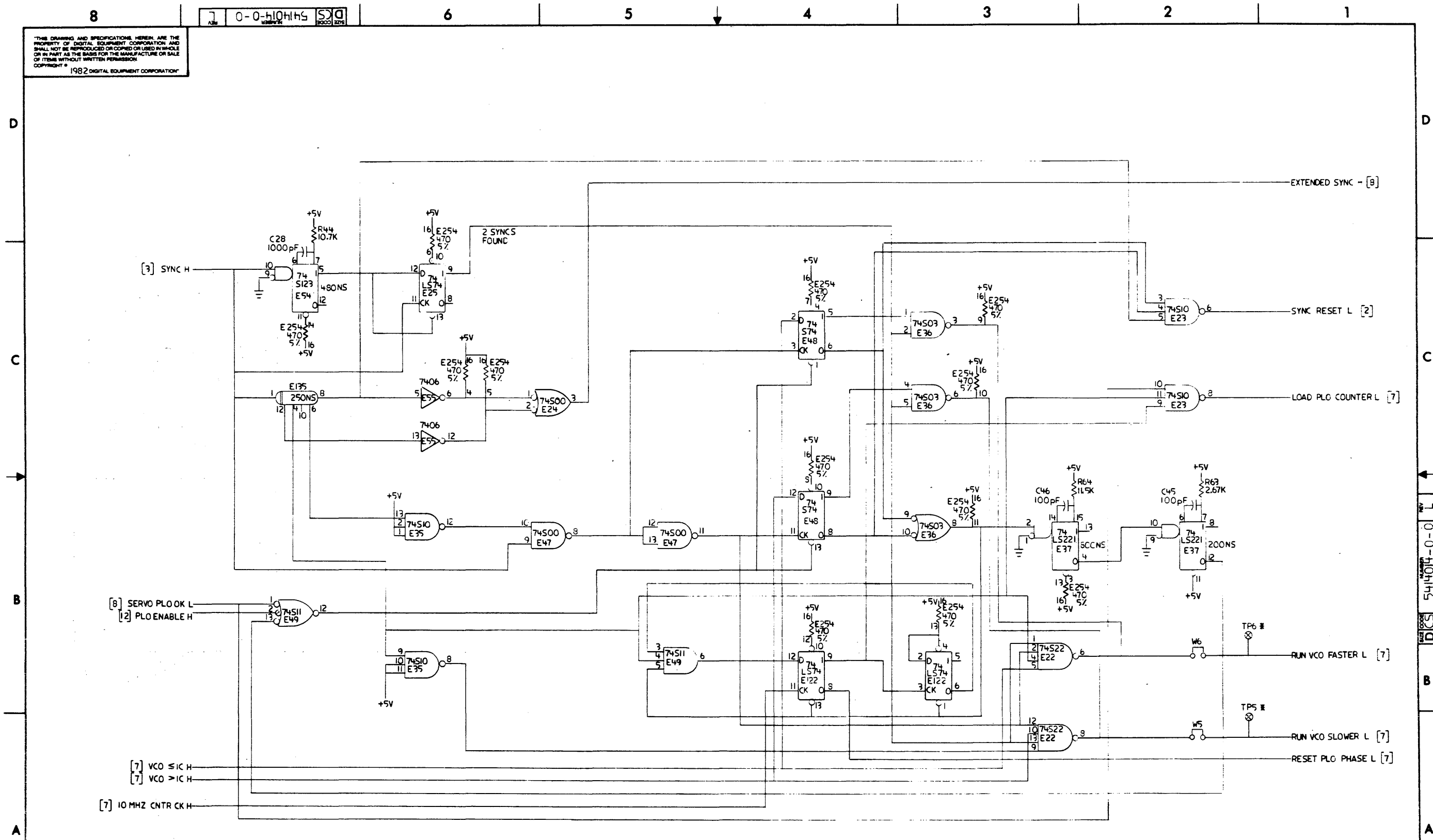
FINE TRACK/
OFF TRACK

REVISION HISTORY		
DATE	ECO NUMBER	REV.

TITLE		DOCUMENT NUMBER	
SERVO CONTROL (SV5)		D/CS	5414014-0-1
		SCALE	SHEET 5 OF 18

8 7 6 5 4 3 2 1

THIS DRAWING AND SPECIFICATIONS HEREIN ARE THE PROPERTY OF DIGITAL EQUIPMENT CORPORATION AND SHALL NOT BE REPRODUCED OR COPIED OR USED IN WHOLE OR IN PART AS THE BASIS FOR THE MANUFACTURE OR SALE OF ITEMS WITHOUT WRITTEN PERMISSION.
 COPYRIGHT © 1982 DIGITAL EQUIPMENT CORPORATION



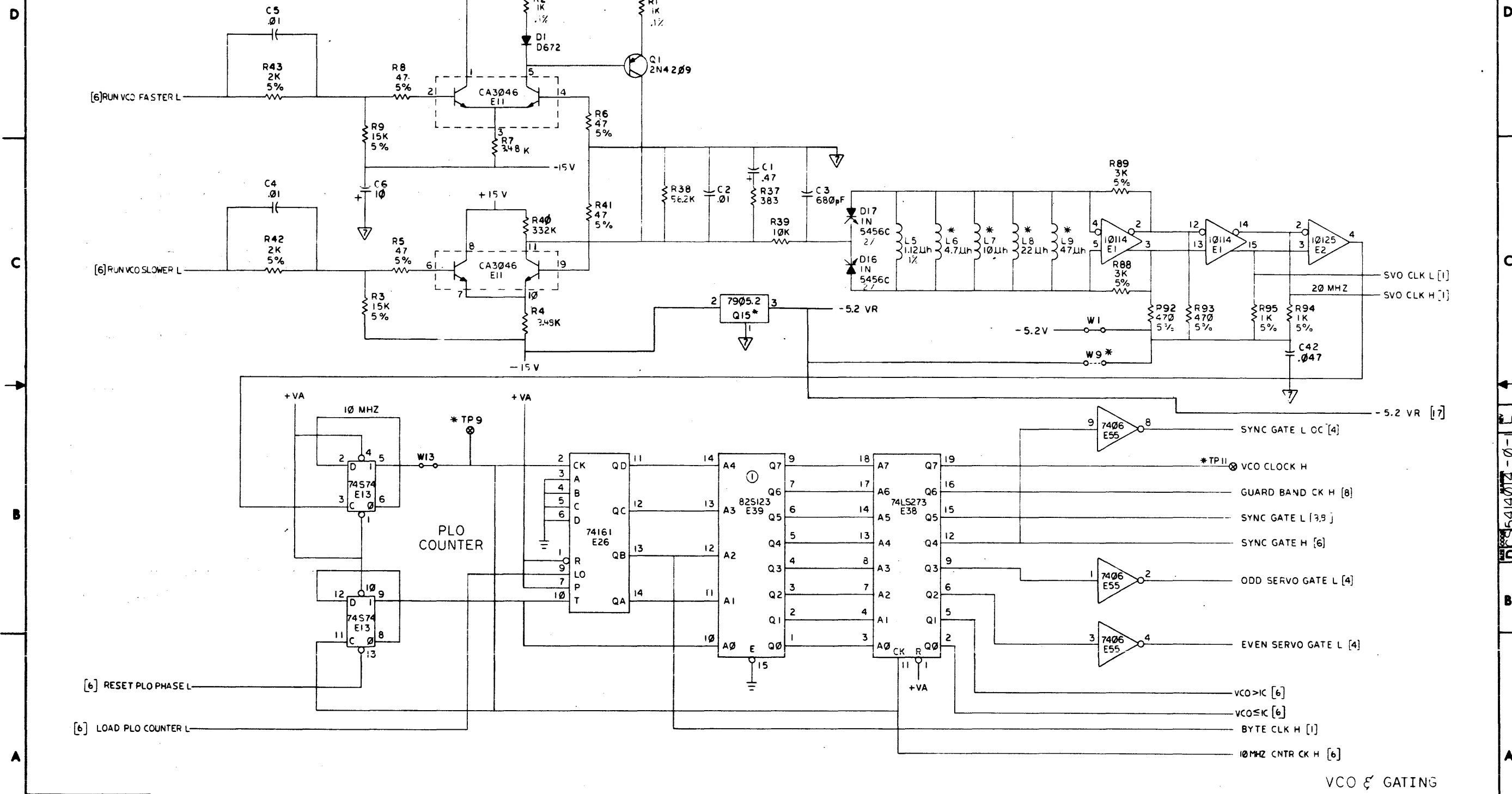
REVISION HISTORY		
DATE	ECO NUMBER	REV.

TITLE
SERVO CONTROL

PHASE DETECTOR

DOCUMENT NUMBER		
SIZE CODE	NUMBER	REV.
DCS	544014-0-0	L
SCALE	SHEET 6 OF 18	

THIS DRAWING AND SPECIFICATIONS HEREIN ARE THE PROPERTY OF DIGITAL EQUIPMENT CORPORATION AND SHALL NOT BE REPRODUCED OR COPIED IN WHOLE OR IN PART AS THE BASIS FOR THE MANUFACTURE OR SALE OF ITEMS WITHOUT WRITTEN PERMISSION. COPYRIGHT © 1973 DIGITAL EQUIPMENT CORPORATION



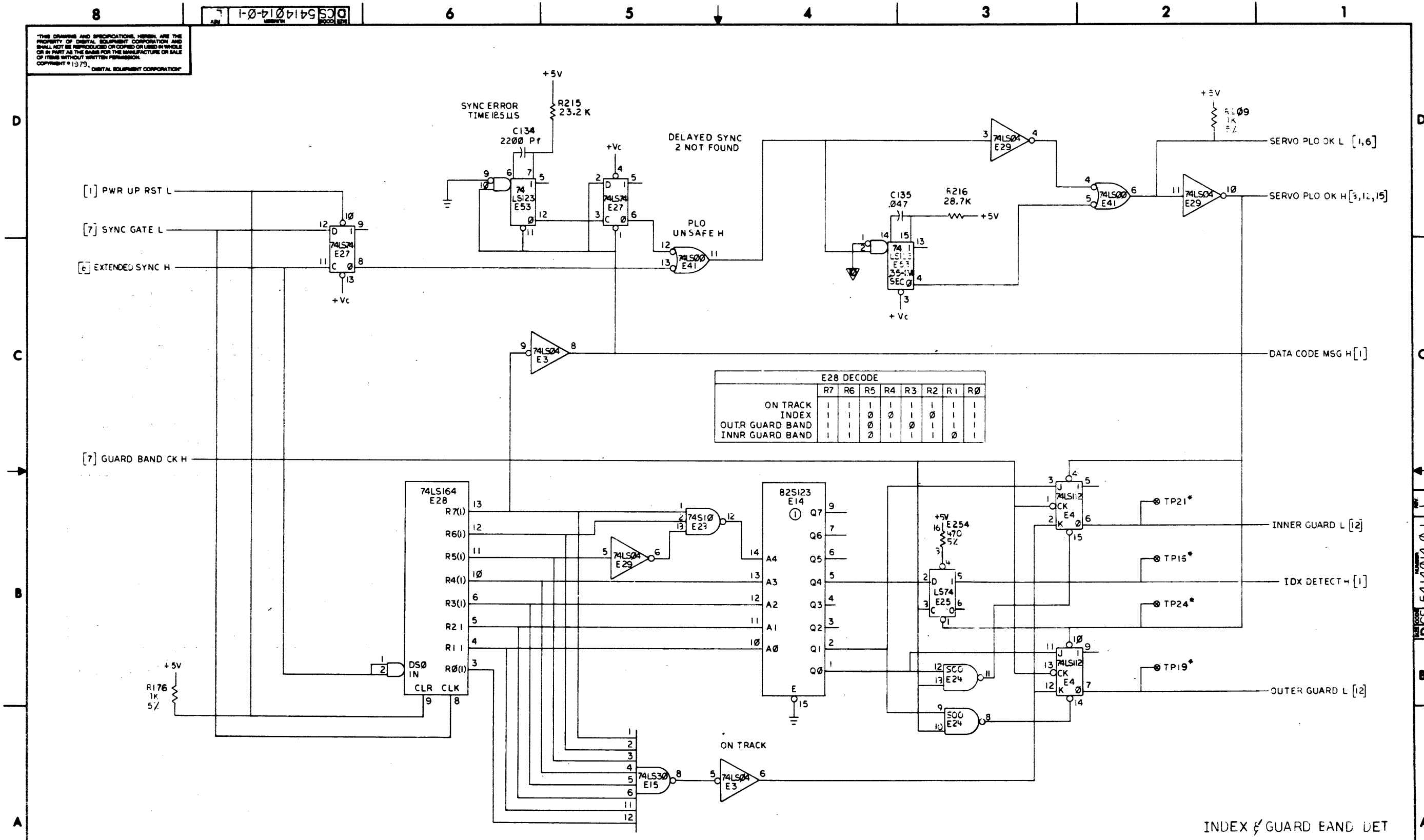
VCO & GATING

REVISION HISTORY		
DATE	ECO NUMBER	REV.

TITLE
SERVO CONTROL (SV7)

DOCUMENT NUMBER		
SIZE CODE	NUMBER	REV.
DCS	5414014-0-1	L
SCALE	SHEET 7 OF 18	

THIS DRAWING AND SPECIFICATIONS HEREIN ARE THE PROPERTY OF DIGITAL EQUIPMENT CORPORATION AND SHALL NOT BE REPRODUCED OR COPIED OR USED IN WHOLE OR IN PART AS THE BASIS FOR THE MANUFACTURE OR SALE OF ITEMS WITHOUT WRITTEN PERMISSION.
COPYRIGHT © 1975, DIGITAL EQUIPMENT CORPORATION



	R7	R6	R5	R4	R3	R2	R1	R0
ON TRACK	1	1	1	1	1	1	1	1
INDEX	1	1	0	0	1	0	1	1
OUTR GUARD BAND	1	1	0	1	0	1	1	0
INNR GUARD BAND	1	1	0	1	1	1	0	1

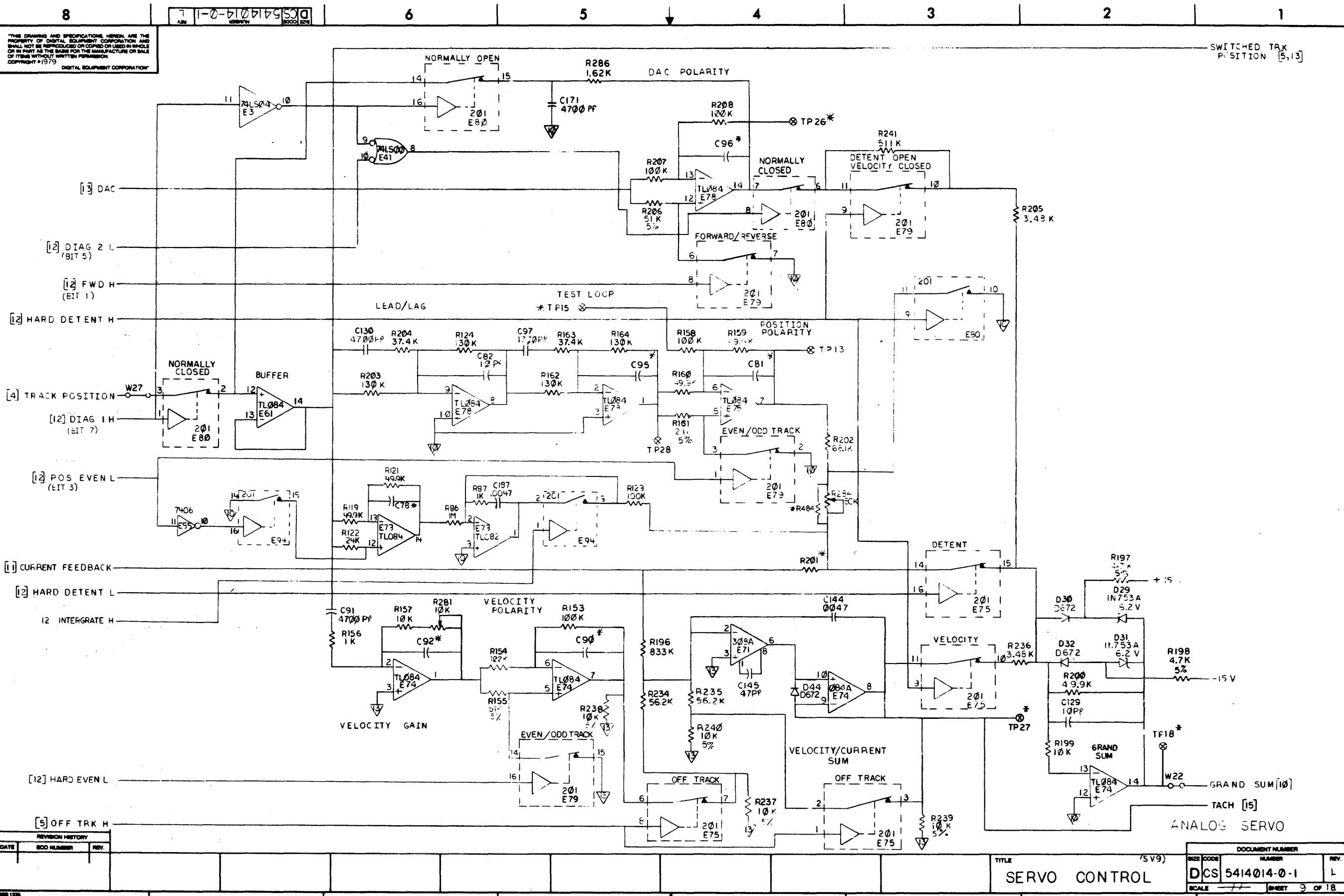
DATE	ECO NUMBER	REV.

TITLE SERVO CONTROL (SV8)

SIZE	CODE	NUMBER	REV.
D	CS	5414014-0-1	L

SCALE SHEET 8 OF 18

DCS 5414014-0-1



THIS DRAWING AND SPECIFICATIONS HEREIN ARE THE PROPERTY OF DIGITAL EQUIPMENT CORPORATION AND SHALL NOT BE REPRODUCED OR COPIED OR USED IN WHOLE OR IN PART AS THE BASIS FOR THE MANUFACTURE OR SALE OF ITEMS WITHOUT WRITTEN PERMISSION. COPYRIGHT © 1979 DIGITAL EQUIPMENT CORPORATION.

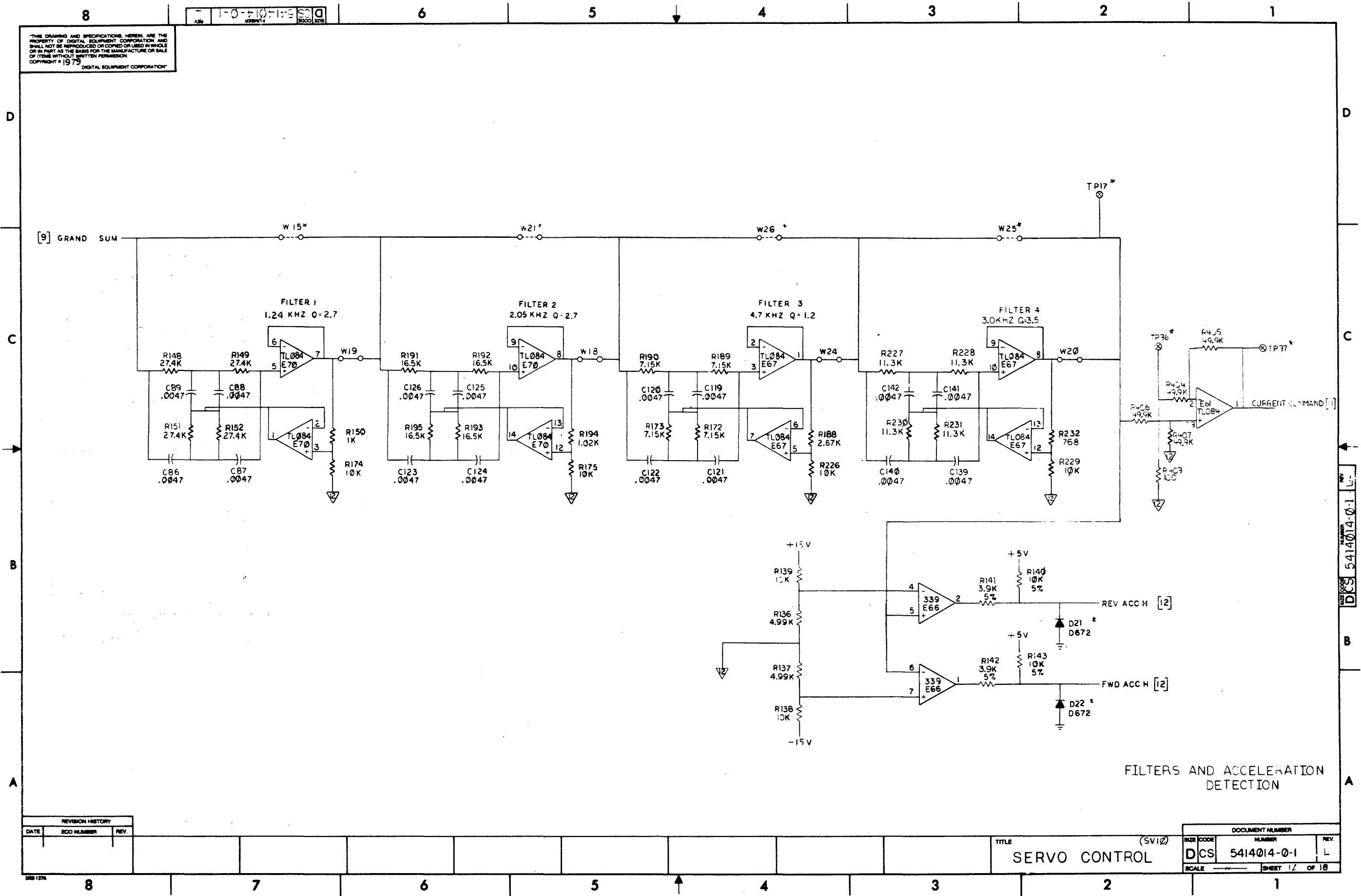
REVISION HISTORY		
DATE	ECO NUMBER	REV.

TITLE
SERVO CONTROL (S V9)

SIZE	CODE	NUMBER	REV.
DCS	5414014-0-1	L	

SCALE: / / SHEET 9 OF 18

THIS DRAWING AND SPECIFICATIONS HEREIN ARE THE PROPERTY OF DIGITAL EQUIPMENT CORPORATION AND SHALL NOT BE REPRODUCED OR COPIED OR USED IN WHOLE OR IN PART AS THE BASIS FOR THE MANUFACTURE OR SALE OF ITEMS WITHOUT WRITTEN PERMISSION. COPYRIGHT © 1975 DIGITAL EQUIPMENT CORPORATION.



FILTERS AND ACCELERATION DETECTION

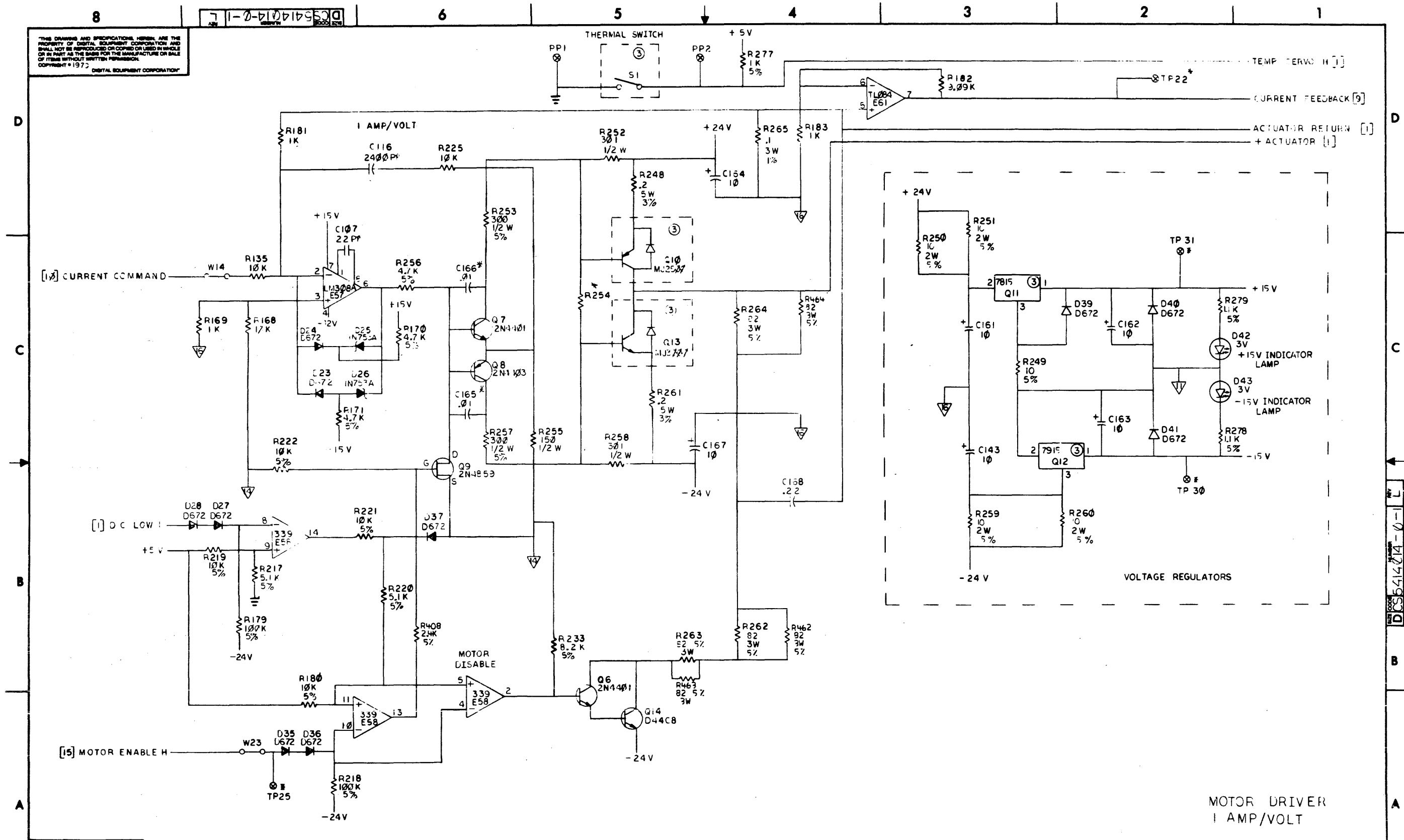
REVISION HISTORY		
DATE	ECO NUMBER	REV.

TITLE
SERVO CONTROL (SV12)

DOCUMENT NUMBER		
SIZE CODE	NUMBER	REV.
DCS	5414014-0-1	L
SCALE	SHEET 12 OF 18	

DCS 5414014-0-1 L

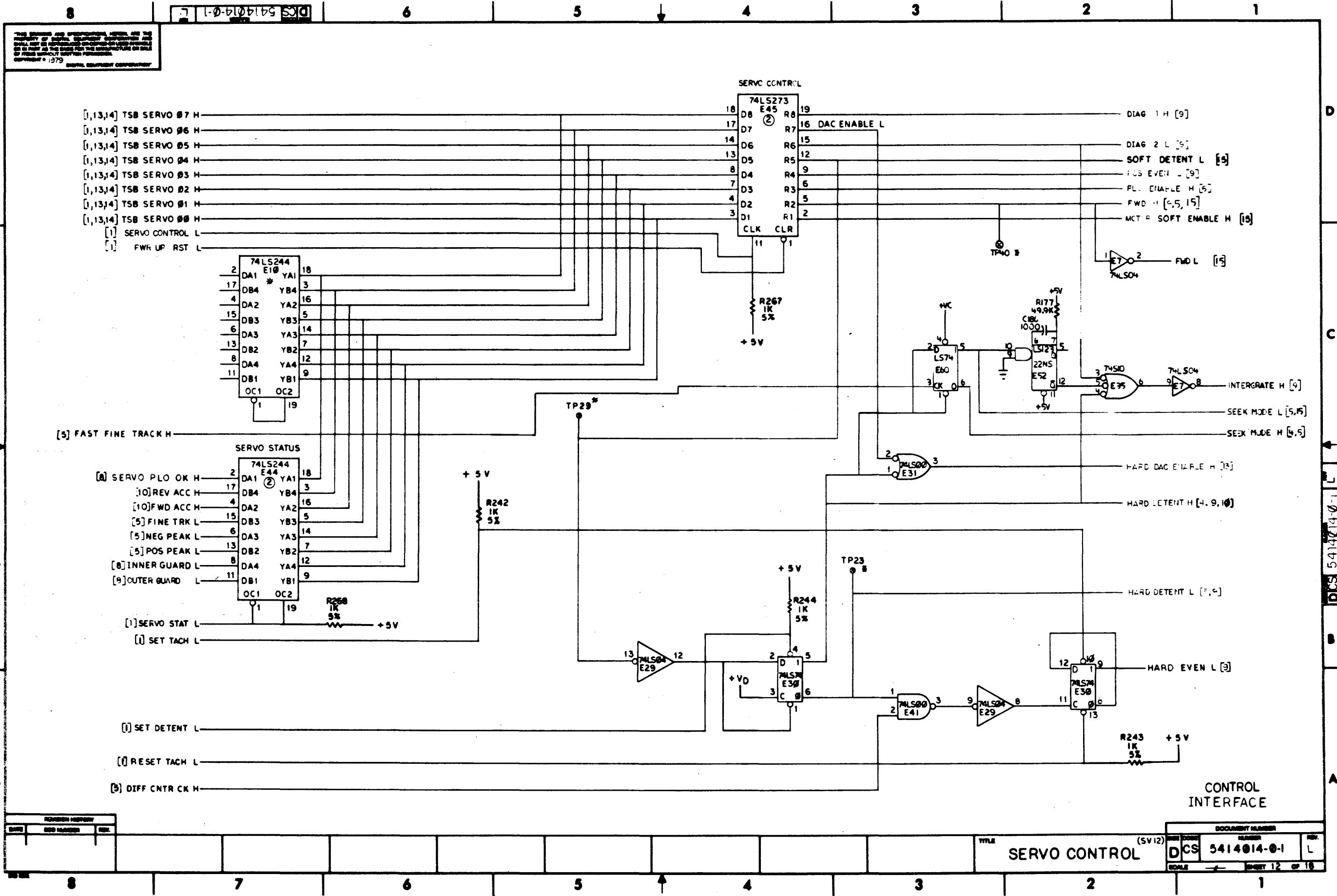
THIS DRAWING AND SPECIFICATIONS HEREIN ARE THE PROPERTY OF DIGITAL EQUIPMENT CORPORATION AND SHALL NOT BE REPRODUCED OR COPIED OR USED IN WHOLE OR IN PART AS THE BASIS FOR THE MANUFACTURE OR SALE OF ITEMS WITHOUT WRITTEN PERMISSION. COPYRIGHT © 1972 DIGITAL EQUIPMENT CORPORATION



REVISION HISTORY		
DATE	ECO NUMBER	REV.

TITLE (CV11)
SERVO CONTROL

DOCUMENT NUMBER		
SIZE CODE	NUMBER	REV.
DCS	5414014-0-1	
SCALE		SHEET 11 OF 18



THIS DRAWING AND SPECIFICATIONS HEREAFTER ARE THE PROPERTY OF DIGITAL EQUIPMENT CORPORATION AND SHALL NOT BE REPRODUCED OR TRANSMITTED IN ANY FORM OR BY ANY MEANS, ELECTRONIC OR MECHANICAL, INCLUDING PHOTOCOPYING, RECORDING, OR BY ANY INFORMATION STORAGE AND RETRIEVAL SYSTEM, WITHOUT WRITTEN PERMISSION FROM DIGITAL EQUIPMENT CORPORATION.

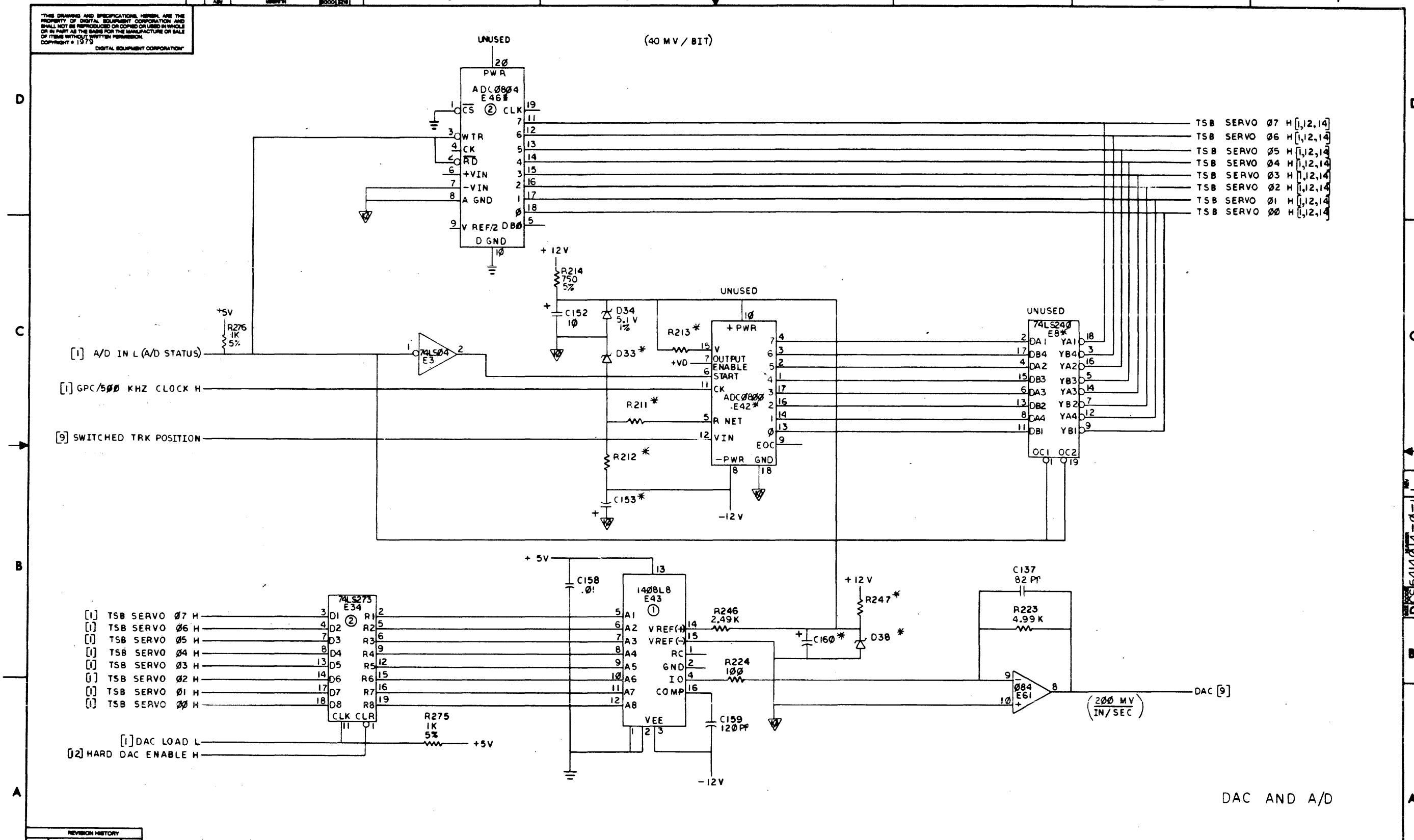
REV. 1379

DATE	REV. NUMBER	REV.

TITLE: SERVO CONTROL (SV12)

DOCUMENT NUMBER		
DCS	NUMBER	REV.
DCS	5414014-0-1	L
SCALE	SHEET 12 OF 18	

THIS DRAWING AND SPECIFICATIONS HEREIN ARE THE PROPERTY OF DIGITAL EQUIPMENT CORPORATION AND SHALL NOT BE REPRODUCED OR COPIED OR USED IN WHOLE OR IN PART AS THE BASIS FOR THE MANUFACTURE OR SALE OF ITEMS WITHOUT WRITTEN PERMISSION. COPYRIGHT © 1979 DIGITAL EQUIPMENT CORPORATION



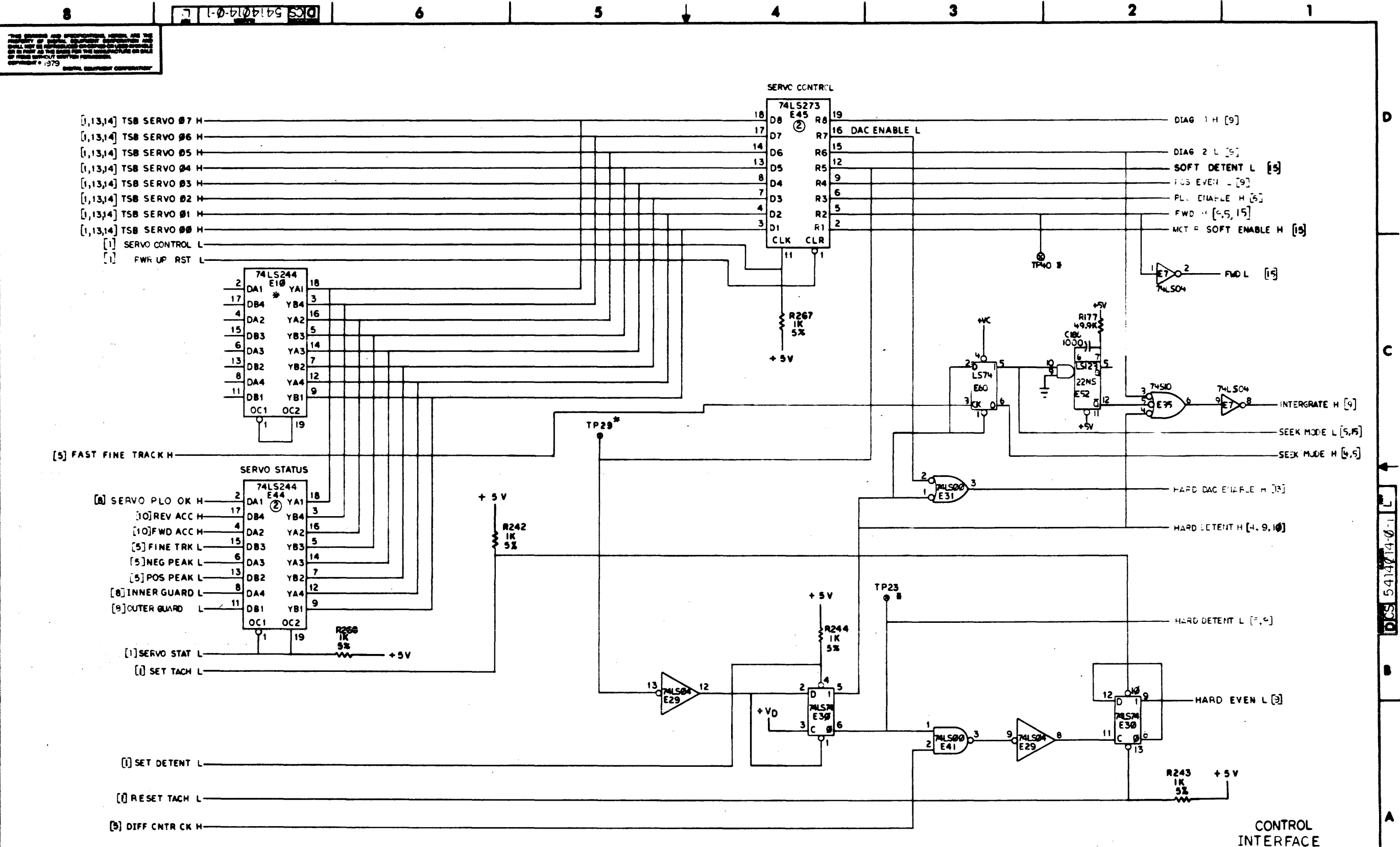
D
C
B
A

D
C
B
A

REVISION HISTORY		
DATE	ECO NUMBER	REV.

TITLE (SV13)
SERVO CONTROL

DOCUMENT NUMBER		
ECO CODE	NUMBER	REV.
DCS	5414014-0-1	L
SCALE	SHEET 13 OF 18	



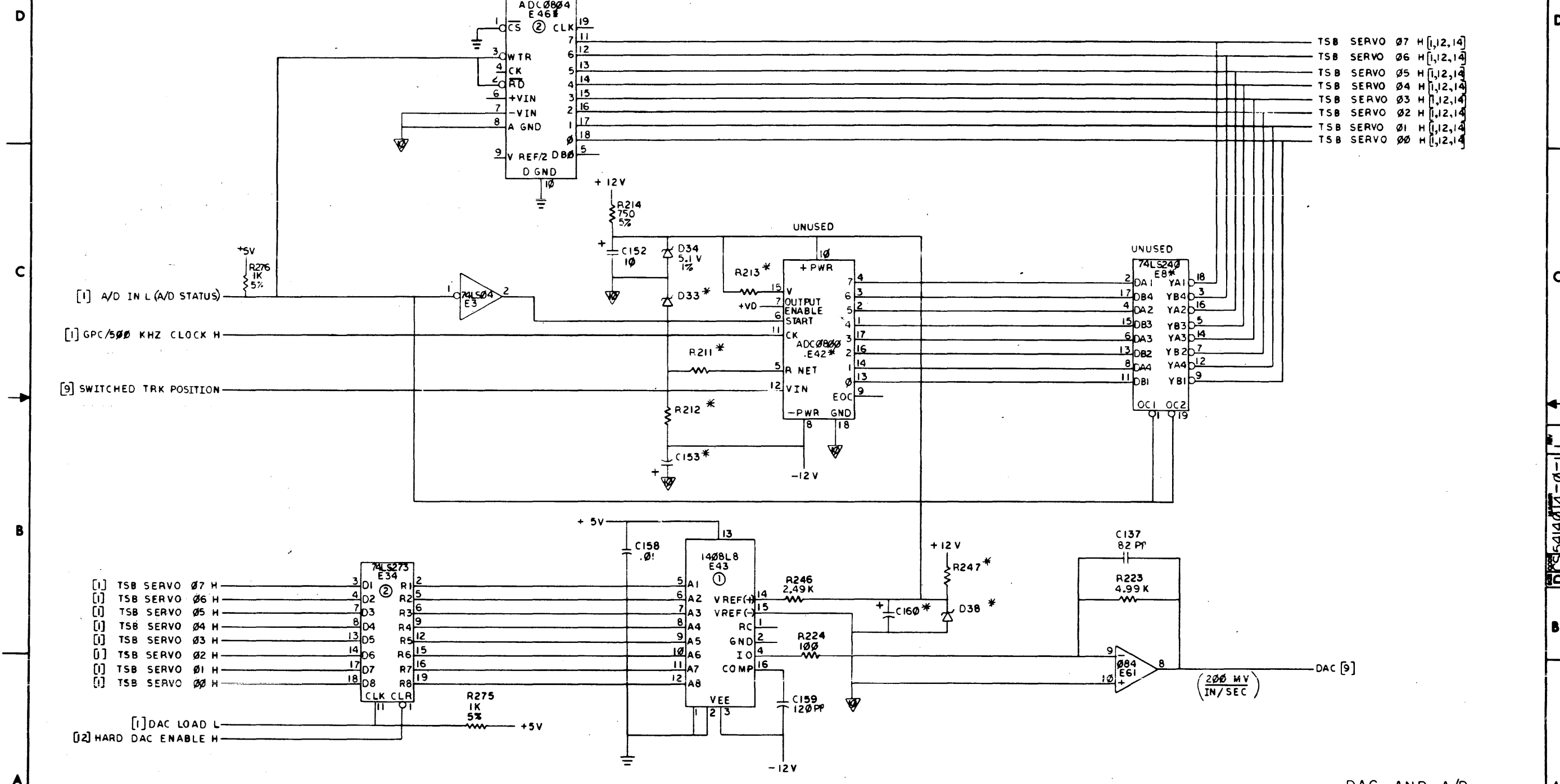
THE DESIGN AND SPECIFICATIONS ARE THE PROPERTY OF DIGITAL EQUIPMENT CORPORATION AND SHALL NOT BE REPRODUCED OR TRANSMITTED IN ANY FORM OR BY ANY MEANS FOR THE CONSTRUCTION OR SALE OF PROGRAMS WITHOUT WRITTEN PERMISSION.
COPYRIGHT © 1975 DIGITAL EQUIPMENT CORPORATION

DATE	REV NUMBER	REV

TITLE		DOCUMENT NUMBER	
SERVO CONTROL (SV12)		DCS	5414014-0-1
		SCALE	SHEET 12 OF 18

DCS 5414014-0-1 L

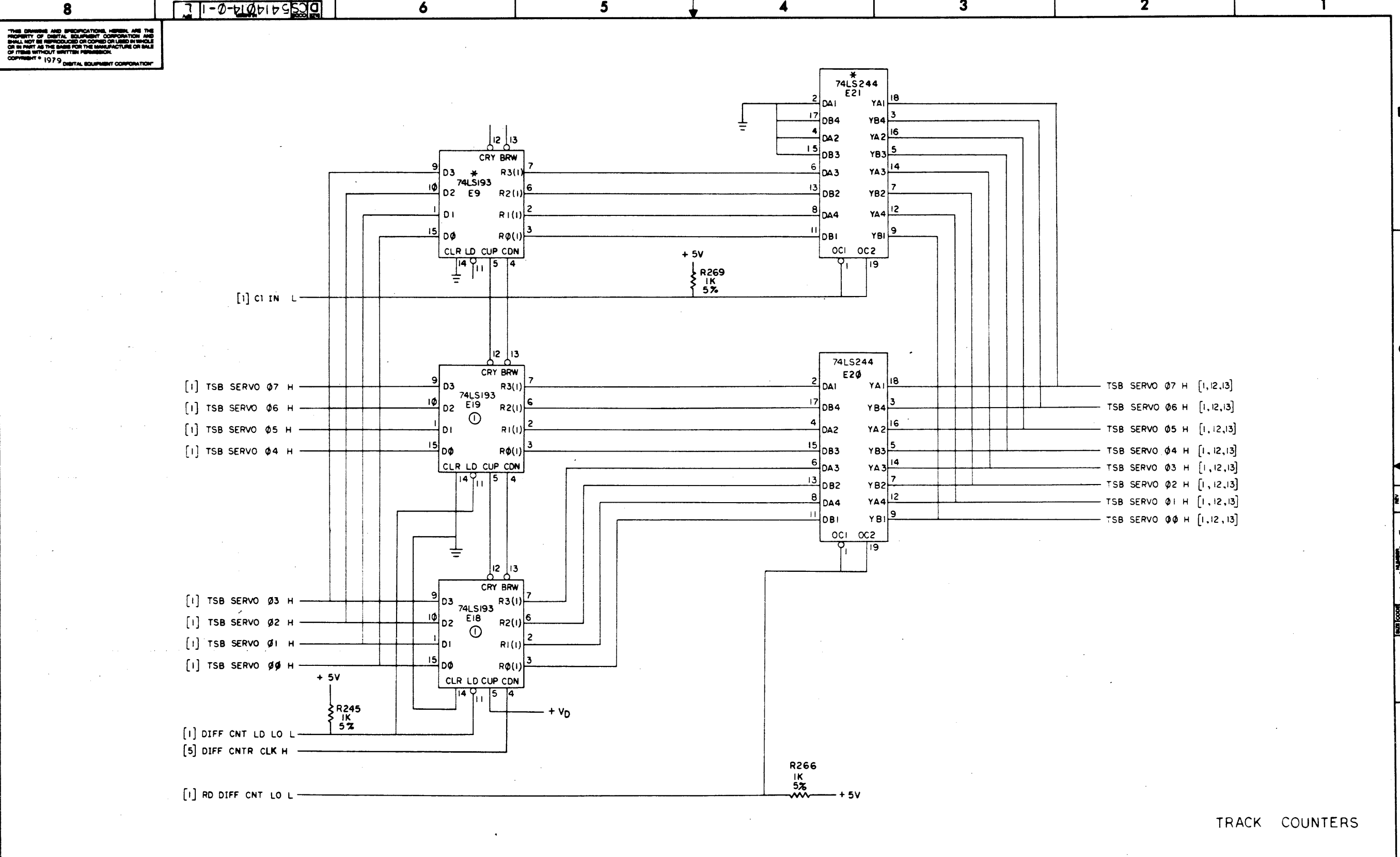
THIS DRAWING AND SPECIFICATIONS HEREIN ARE THE PROPERTY OF DIGITAL EQUIPMENT CORPORATION AND SHALL NOT BE REPRODUCED OR COPIED OR USED IN WHOLE OR IN PART AS THE BASIS FOR THE MANUFACTURE OR SALE OF ITEMS WITHOUT WRITTEN PERMISSION.
 COPYRIGHT © 1979
 DIGITAL EQUIPMENT CORPORATION



DAC AND A/D

REVISION HISTORY		
DATE	ECO NUMBER	REV.

TITLE		DOCUMENT NUMBER	
SERVO CONTROL (5V13)		DCS 5414014-0-1	L
SCALE		SHEET 13 OF 18	



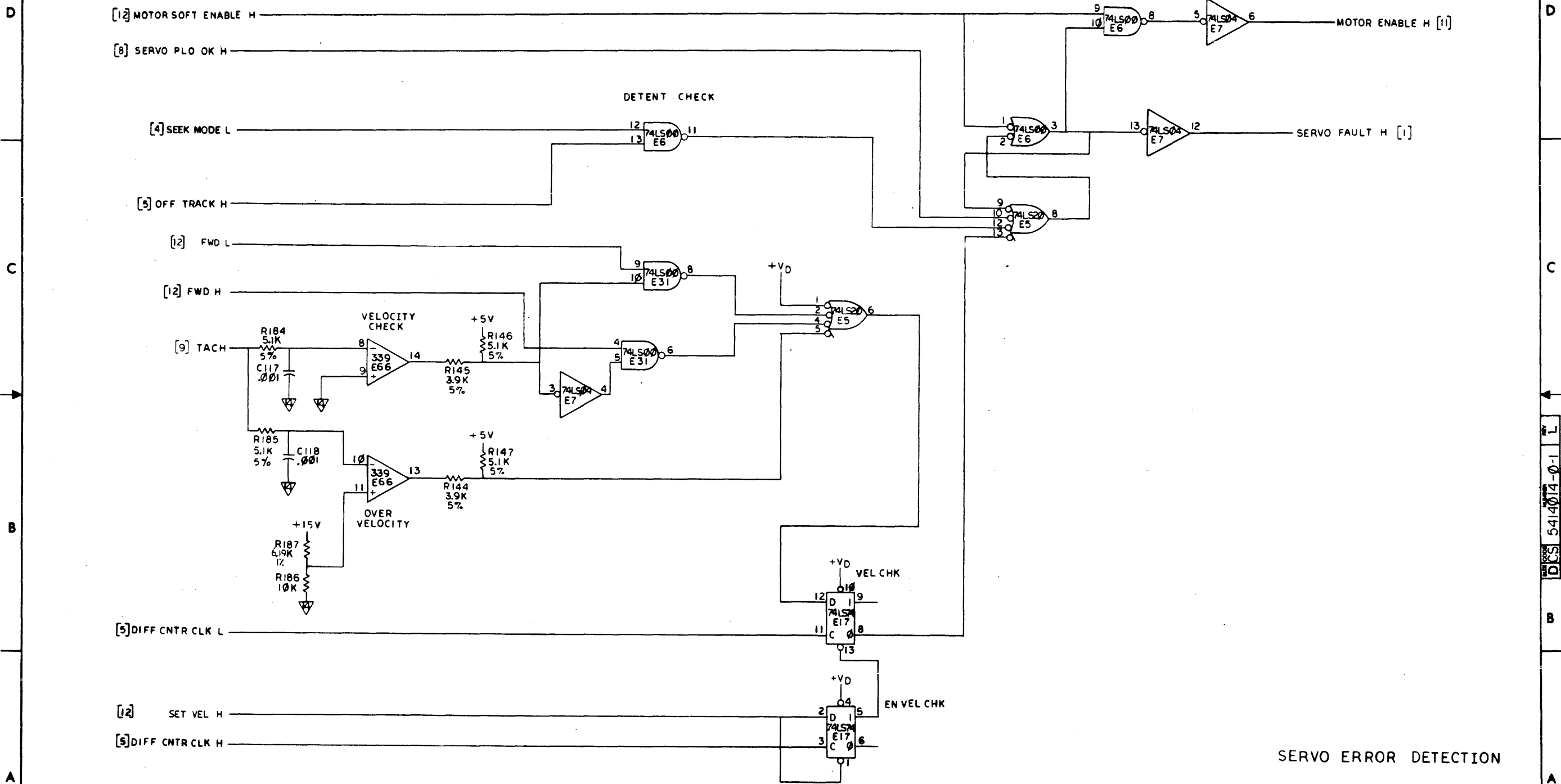
THIS DRAWING AND SPECIFICATIONS HEREIN ARE THE PROPERTY OF DIGITAL EQUIPMENT CORPORATION AND SHALL NOT BE REPRODUCED OR COPIED OR USED IN WHOLE OR IN PART AS THE BASIS FOR THE MANUFACTURE OR SALE OF ITEMS WITHOUT WRITTEN PERMISSION.
COPYRIGHT © 1979 DIGITAL EQUIPMENT CORPORATION

REVISION HISTORY		
DATE	ECO NUMBER	REV.

TITLE (SV14)
SERVO CONTROL

DOCUMENT NUMBER		
SIZE	CODE	NUMBER
DCS	5414014-0-1	L
SCALE		SHEET 14 OF 18

THIS DRAWING AND SPECIFICATIONS HEREIN ARE THE PROPERTY OF DIGITAL EQUIPMENT CORPORATION AND SHALL NOT BE REPRODUCED OR COPIED OR USED IN WHOLE OR IN PART AS THE BASIS FOR THE MANUFACTURE OR SALE OF ITEMS WITHOUT WRITTEN PERMISSION.
 COPYRIGHT © 1979 DIGITAL EQUIPMENT CORPORATION



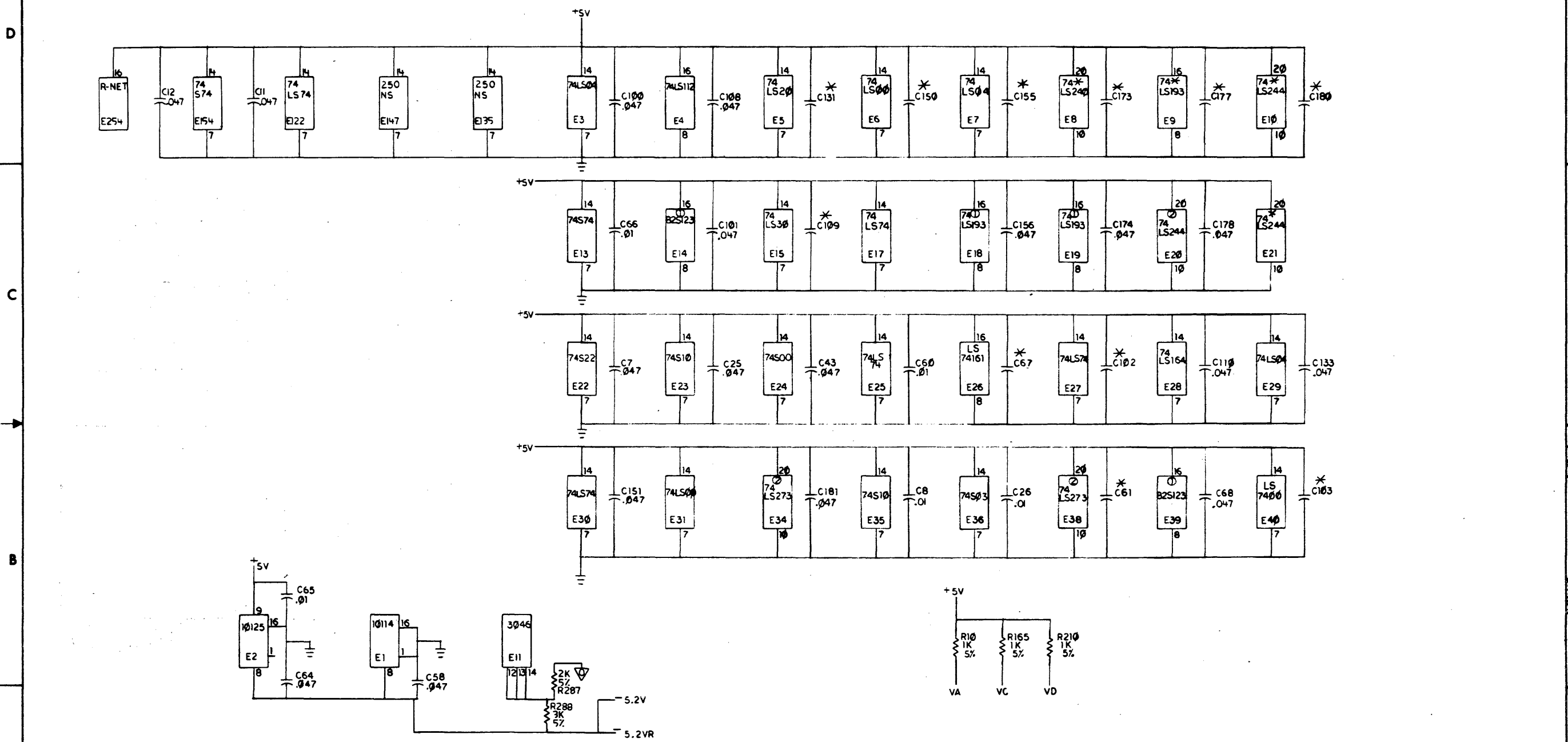
SERVO ERROR DETECTION

REVISION HISTORY		
DATE	ECO NUMBER	REV.

TITLE (SV15)
 SERVO CONTROL

DOCUMENT NUMBER		
SIZE CODE	NUMBER	REV.
DCS	5414014-0-1	L
SCALE	SHEET 15 OF 18	

THIS DRAWING AND SPECIFICATIONS HEREON ARE THE PROPERTY OF DIGITAL EQUIPMENT CORPORATION AND SHALL NOT BE REPRODUCED OR COPIED OR USED IN WHOLE OR IN PART AS THE BASIS FOR THE MANUFACTURE OR SALE OF ITEMS WITHOUT WRITTEN PERMISSION. COPYRIGHT © 1979 DIGITAL EQUIPMENT CORPORATION

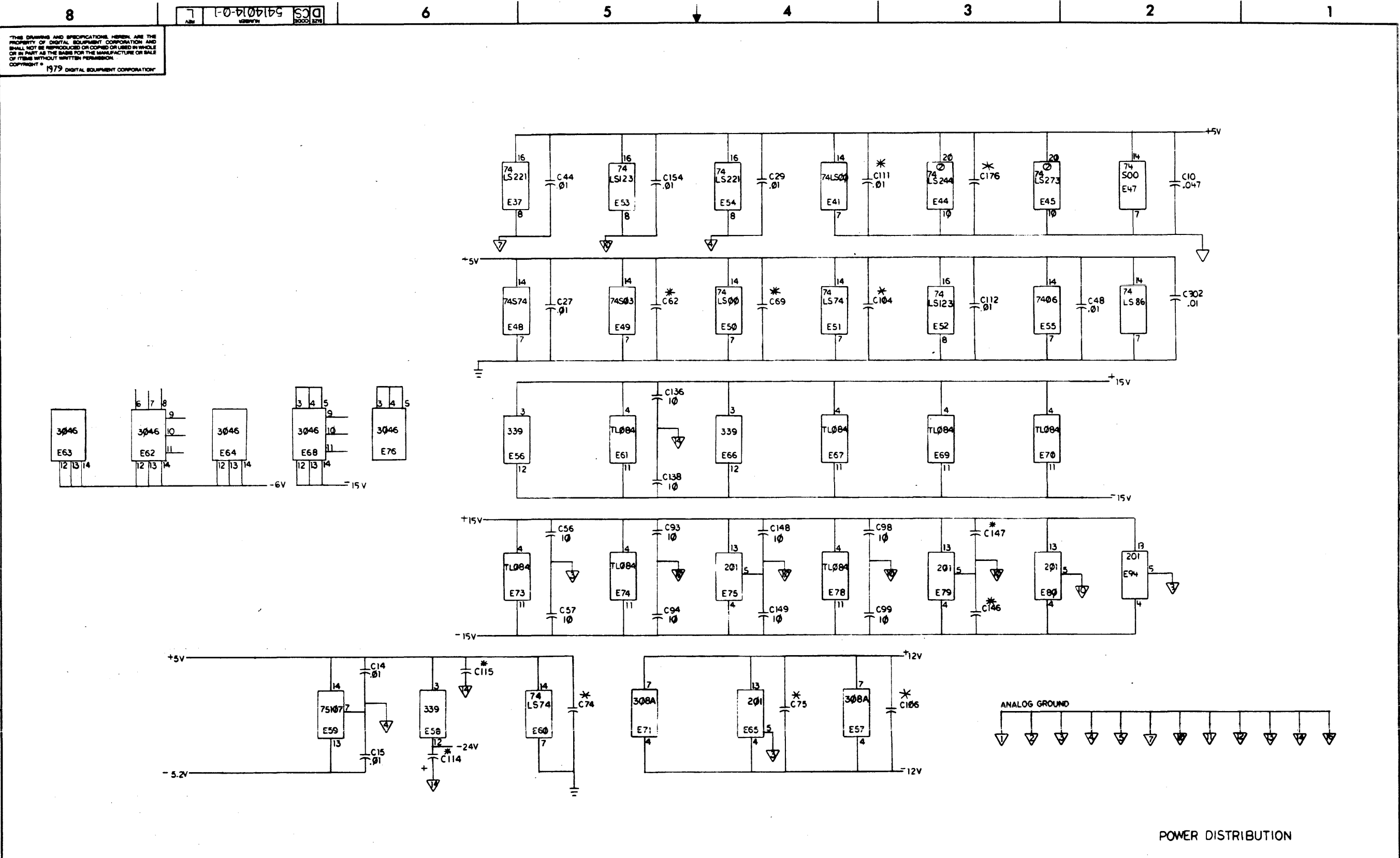


POWER DISTRIBUTION

REVISION HISTORY		
DATE	ECO NUMBER	REV.

8	7	6	5	4	3	2	1	
TITLE: SERVO CONTROL (SV16)							DOCUMENT NUMBER: DCS 5414014-0-1	
SCALE: /							SHEET: 16 OF 18	

DCS 5414014-0-1 L



THIS DRAWING AND SPECIFICATIONS HEREIN ARE THE PROPERTY OF DIGITAL EQUIPMENT CORPORATION AND SHALL NOT BE REPRODUCED OR COPIED OR USED IN WHOLE OR IN PART AS THE BASIS FOR THE MANUFACTURE OR SALE OF ITEMS WITHOUT WRITTEN PERMISSION.
 COPYRIGHT © 1979 DIGITAL EQUIPMENT CORPORATION

REVISION HISTORY		
DATE	ECO NUMBER	REV.

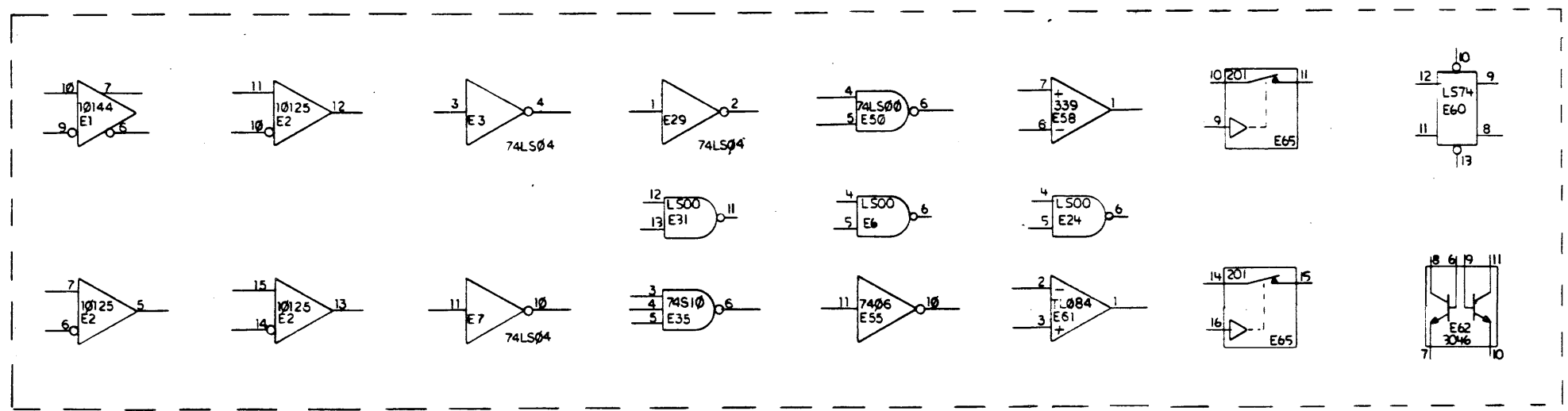
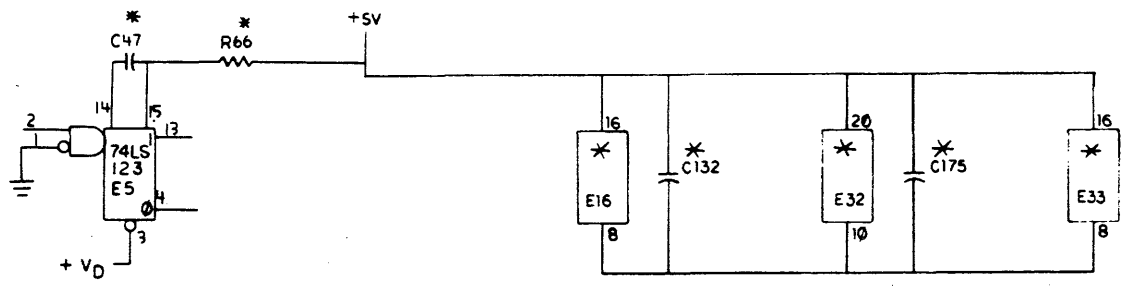
DOCUMENT NUMBER		REV.
DCS 5414014-0-1		L

TITLE (SV17)
 SERVO CONTROL

SCALE: SHEET 17 OF 18

THIS DRAWING AND SPECIFICATIONS HEREIN ARE THE PROPERTY OF DIGITAL EQUIPMENT CORPORATION AND SHALL NOT BE REPRODUCED OR COPIED OR USED IN WHOLE OR IN PART AS THE BASIS FOR THE MANUFACTURE OR SALE OF ITEMS WITHOUT WRITTEN PERMISSION.
COPYRIGHT © 1979 DIGITAL EQUIPMENT CORPORATION

DCS 5414014-0-1



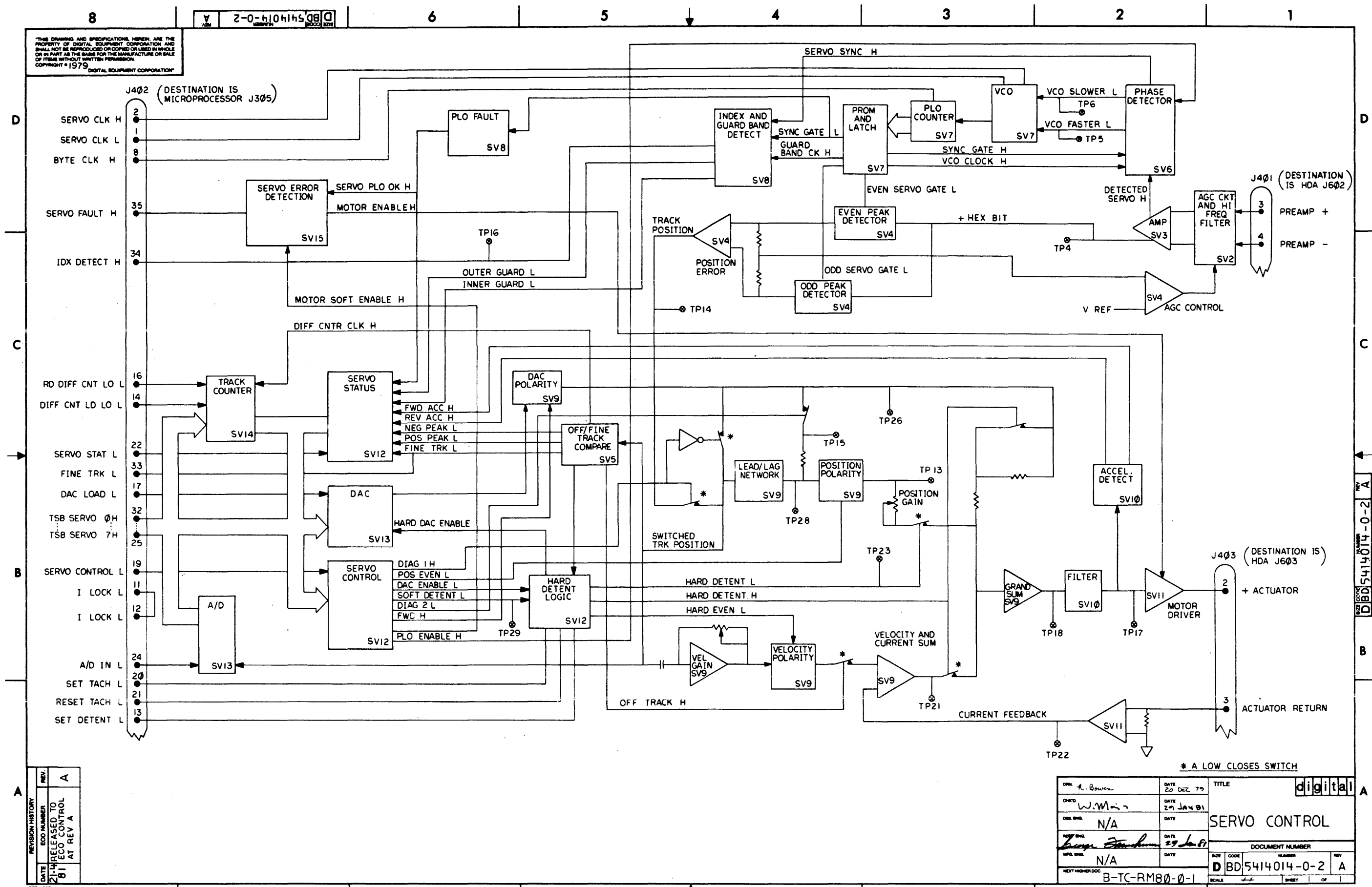
SPARES

REVISION HISTORY		
DATE	ECO NUMBER	REV.

TITLE							DOCUMENT NUMBER	
SERVO CONTROL (SV18)							DCS 5414014-0-1	
SCALE #							SHEET 18 OF 18	

DCS 5414014-0-1

THIS DRAWING AND SPECIFICATIONS HEREIN ARE THE PROPERTY OF DIGITAL EQUIPMENT CORPORATION AND SHALL NOT BE REPRODUCED OR COPIED OR USED IN WHOLE OR IN PART AS THE BASIS FOR THE MANUFACTURE OR SALE OF ITEMS WITHOUT WRITTEN PERMISSION. COPYRIGHT © 1979 DIGITAL EQUIPMENT CORPORATION



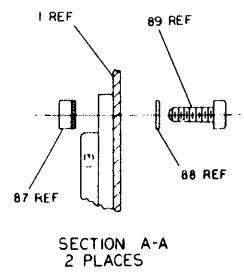
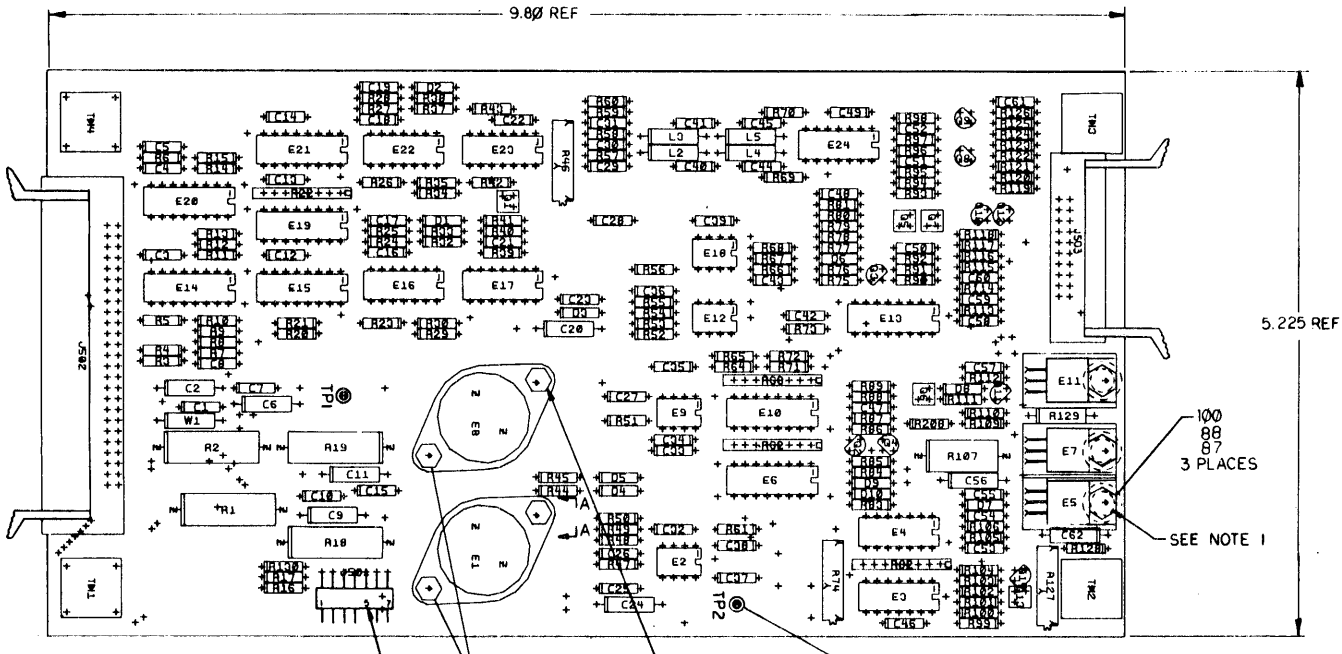
REVISION HISTORY

DATE	REV	DESCRIPTION
21-11-81	A	RELEASED TO 81 ECO CONTROL AT REV A

DATE	20 DEC 79	TITLE	digital
CHKD	W.M.	DATE	29 JAN 81
DEL ENL	N/A	DATE	
APP ENL	Z. J. [Signature]	DATE	29 JAN 81
NEXT HIGHER DOC	B-TC-RM80-0-1	DOCUMENT NUMBER	D BD 5414014-0-2 A

REV A
D BD 5414014-0-2

DATE: 10/15/79
 DRAWN BY: M. HAMMER
 CHECKED BY: D. WEAVER
 1979



87 (QTY 2)
 88 (QTY 2)
 89 (QTY 2)
 CUT THIS PIN FLUSH WITH CONNECTOR BODY
 SEE NOTE 1
 99 2 PLACES

NOTES:
 1. THE HARDWARE NOTED ON E5 AND E8 IS NOT TO BE INSTALLED UNTIL AFTER BOARD TESTING. FINAL ASSEMBLY OF HARDWARE WILL BE BY CK PRODUCTION.

STEP	Y AXIS	STEP	X AXIS	TYPES
REPEAT	X	1	2	2

SIGNATURES		DATE	TITLE
DRN. M. SIMM		10/15/79	digital
CHK'D. W. AMJOK		10/16/79	
MECH. ENG. M. HAMMER		10/17/79	READ/WRITE 1
PROD. ENG. M. HAMMER		10/17/79	
PROD. D. WEAVER		10/17/79	
SCALE 2/1			SIZE CODE NUMBER
SHT. 1 OF 1			E 1UA 15413596-00
NEXT HIGHER ASSY. B-DD-5413596-0			

EUA 5413596-0

COMPONENT SIDE VIEW

LINE	ITEM	DOCUMENT NUMBER	PART NUMBER	DESCRIPTION	QTY	PER VARIATION	REFERENCE DESIGNATOR
					00		
1	1		5013595-00	DRILL & ETCH BD	1		
2	2		1013466-30	560.0 MMF 50V 5% CER	1		C54
3	3		1214434-00	HEADER.100 7POS RT ANGLE	1		J501
4	4		1916543-00	7806 VOLT REG, FIX +6V	1		E11
5	5		1916574-00	10114 RECEIVER, LINE, TRIPL	3		E14, E15, E21
6	6		1013466-13	39.0 MMF 50V 5% CER	3		C4, C44, C45
7	7		1013466-07	220.0 MMF 50V 5% CER	3		C32, C35, C39
8	8		1013466-06	100.0 MMF 50V 5% CER	2		C40, C41
9	9		1216832-00	HEADER 05 20POS WITH LATCHES	1		J503
10	10		1316839-00	715.0 .25 W 1.0 X RN55D-F10	2		R23, R26
11	11		1316837-00	412.0 .25 W 1.0 X RN55D-F10	1		R48
12	12		1316842-00	6.34 K .25 W 1.0 X RN55D-F10	1		R72
13	13		1316840-00	931.0 .25 W 1.0 X RN55D-F10	1		R100
14	14		1316836-00	402.0 .25 W 1.0 X RN55D-F10	2		R121, R122
15	15		1316845-00	3.30 .50 W 5.0 X CC	1		R129
16	16		1216832-03	HEADER 50POS WITH LATCHES	1		J502
17	17		1001610-00	.01 MFD 50V +80-20% Z5UCER	39		C1, C3, C5, C7, C8, C10, C12-C19, C22, C23, C25-C28, C30, C33, C34, C36, C37, C42, C43, C46-C50, C53, C55, C57-C61
						CONT	
						CONT	
18	18		1002431-00	2.2MFD 35V 10% 150S S.TA	5		C2, C6, C9, C11, C56
19	19		1004813-00	10 MFD 20V 10% S.TANT	2		C20, C24
20	20		1013466-05	56.0 MMF 50V 5% CER	2		C51, C52
21	21		1105796-00	1N 4004 PIV=400 I= 1A D041 SP	2		D3, D4
22	22		1113003-00	1N 5282 PIV=55 I=500M D035	8		D1, D2, D5-D10
23	23		1316575-00	10.0 2.0 W 5.0 X CC	3		R1, R18, R19
24	24		1300197-00	33.0 .25 W 5.0 X CC	2		R115, R116
25	25		1300202-00	47.0 .25 W 5.0 X CC	2		R124, R125
26	26		1300229-00	100.0 .25 W 5.0 X CC	1		R42
27	27		1300250-00	150.0 .25 W 5.0 X CC	1		R7
28	28		1300316-00	470.0 .25 W 5.0 X CC	14		R5, R10, R11, R12, R14, R15, R16, R20,

REVISION HISTORY		BASIC PART NO: 5413596		DRN:	H. WEINBRENNER	DATE: 18-APR-79	D I G I T A L		
ENG	ECO NUMBER	REV	SECTION A OF A	CHK'D:	A. SIMH	DATE: 18-APR-79	TITLE	PARTS LIST	
JH	5413596-CX002	E	SECTION VARIATION INDEX				READ/WRITE 1		
			[A] 00						
			[B]						
			[C]	DES. ENG:	J. HARRELL	DATE: 29-APR-79			
			[D]						
			[E]						
			[F]	RESP. ENG.:	M. HAMMER	DATE: 29-APR-79		DOCUMENT NUMBER	
			[G]						
			[H]				SIZE	CODE	NUMBER
			[J]						
			[K]	MFG. ENG.:	A. MORGAN	DATE: 29-APR-79	K	PL	5413596-0-DBP
			[L]						
			[M]	ASSEMBLY NUMBER:		TOP DOCUMENT NUMBER:	FILE NAME:	EDIT #	
			[N]	E-UA-5413596-0-0		B-DD-5413596-0	Z0506E.PLS	16	

THIS DRAWING AND SPECIFICATIONS HEREIN, ARE THE PROPERTY OF DIGITAL EQUIPMENT CORPORATION AND SHALL NOT BE REPRODUCED OR COPIED OR USED IN WHOLE OR IN PART AS THE BASIS FOR THE MANUFACTURE OR SALE OF ITEMS WITHOUT WRITTEN PERMISSION. COPYRIGHT (C) 1980. DIGITAL EQUIPMENT CORPORATION

LINE	ITEM	DOCUMENT NUMBER	PART NUMBER	DESCRIPTION	QTY	PER VARIATION	REFERENCE DESIGNATOR
					00		
29	29		1300365-00	1.0 K .25 W 5.0 Z CC	11		CONT R21,R73,R76,R88,R89,R130 R3,R4,R25,R28,R47,R51,R52,R56, CONT R87,R110,R112
30	30		1300447-00	4.70 K .25 W 5.0 Z CC	1		R208
31	31		1301317-00	10.0 .25 W 5.0 Z CC	1		R44
32	32		1301320-00	1.20 K .25 W 5.0 Z CC	1		R75
33	33		1301424-00	680.0 .25 W 5.0 Z CC	2		R78,R79
34	34		1301425-00	300.0 .25 W 5.0 Z CC	2		R6,R13
35	35		1301477-00	82.0 .25 W 5.0 Z CC	4		R8,R9,R17,R126
36	36		1301775-00	820.0 .25 W 5.0 Z CC	3		R40,R41,R45
37	37		1301969-00	22.0 .25 W 5.0 Z CC	1		R128
38	38		1302136-00	5.10 1.0 W 5.0 Z CC	1		R107
39	39		1302411-00	511.0 .25 W 1.0 Z RN55D-F10	4		R59,R60,R93,R94
40	40		1302612-00	1.78 K .25 W 1.0 Z RN55D-F10	2		R66,R103
41	41		1302644-00	226.0 .25 W 1.0 Z RN55D-F10	1		R68
42	42		1302645-00	1.10 K .25 W 1.0 Z RN55D-F10	2		R90,R91
43	43		1302858-00	100.0 .25 W 1.0 Z RN55D-F10	3		R86,R104,R111
44	44		1302871-00	1.21 K .25 W 1.0 Z RN55D-F10	1		R99
45	45		1302956-00	196.0 .25 W 1.0 Z RN55D-F10	3		R24,R27,R39
46	46		1302962-00	200.0 .25 W .10Z RN55C-B 5	1		R123
47	47		1303037-00	90.90 .25 W 1.0 Z RN55D-F10	1		R50
48	48		1303047-00	464.0 .25 W 1.0 Z RN55D-F10	1		R55
49	49		1303312-00	10.0 K .25 W 1.0 Z RN55D-F10	3		R54,R67,R81,R105,R106
50	50		1303378-00	10.0 .25 W 1.0 Z RN55C-F 5	1		R85
51	51		1304857-00	237.0 .25 W 1.0 Z RN55D-F10	2		R95,R98
52	52		1304858-00	348.0 .25 W 1.0 Z RN55D-F10	9		R32,R33,R37,R38,R53,R57,R58,R69, CONT R70
53	53		1305122-00	51.10 .25 W 1.0 Z RN55D-F10	1		R71
54	54		1305123-00	215.0 .25 W 1.0 Z RN55D-F10	2		R113,R114
55	55		1305125-00	383.0 .25 W 1.0 Z RN55D-F10	1		R109
56	56		1305126-00	619.0 .25 W 1.0 Z RN55D-F10	1		R101
57	57		1305128-00	5.62 K .25 W 1.0 Z RN55D-F10	3		R49,R61,R64
58	58		1305252-00	68.10 K .25 W 1.0 Z RN55D-F10	1		R65
59	59		1309143-03	50.0 .75 W20.0 Z POT	1		R127
60	60		1309143-05	200.0 .75 W10.0 Z POT	1		R74
61	61		1309143-08	2.0 K .75 W10.0 Z POT	1		R46
62	62		1309413-00	3.83 K .25 W 1.0 Z RN55D-F10	2		R77,R80
63	63		1313589-00	1.40 K .25 W 1.0 Z RN55D-F10	2		R29,R34
64	64		1313596-00	20.0 K .25 W 1.0 Z RN55D-F10	2		R119,R120
65	65		1313846-00	2.26 K .25 W 1.0 Z RN55D-F10	1		R102
66	66		1314429-00	523.0 .25 W 1.0 Z RN55D-F10	2		R30,R35
67	67		1314549-00	1.15 K .25 W 1.0 Z RN55D-F10	2		R96,R97
68	68		1316254-00	R NETWORK 7-470 2.0 Z 8PIN	1		R22
69	69	SEE NOTE 1	1316254-01	R NETWORK 7-4.7K 2.0 Z 8PIN	3		R62,R63,R82
70	70		1509524-00	2N 3904 NPN 310MW SI 40 40 M	8		Q2,Q4,Q6,Q8-Q10,Q12,Q13
71	71		1509525-00	2N 3906 PNP 310MW SI 40100 Y	5		Q3,Q5,Q7,Q11,Q14
72	72		9009185-00	JUMPER, WIRE, INSULATED, BLACK B	1		W1
73	73		1602472-00	4.7 UH #1025-36	2		L2,L3

D	I	G	I	T	A	L	TITLE	SECTION A	OF A	SIZE	CODE	DOCUMENT NUMBER	REV
							READ/WRITE 1			K	PL	5413596-0-DBP	E

LINE ITEM	DOCUMENT NUMBER	PART NUMBER	DESCRIPTION	QTY PER VARIATION 00	REFERENCE DESIGNATOR
74	74	1603358-00	12.0 UH 10X 300MA #DD12.0	2	L4,L5
75	75	1616291-01	DELAY= BONS,BTAPS	1	E17
76	76	1910047-00	74145 DECODER&DRIVER	1	E10
77	77	1910644-00	733 DIFFERENTIAL AMP,WID	2	E23,E24
78	78	1910741-00	7406 INVERTER GATE-HEX 1I	2	E3,E4
79	79	1911399-00	10102 NOR GATE,QUAD 2IN	1	E20
80	80	1911414-00	10124 TTL TO ECL TRNSLTR	1	E6
81	81	1911416-00	10131 DUAL D MSTR/SL.FF	2	E13,E19
82	82	1912048-00	DEC 7812 VOLT REG,FIX +12V	1	E1
83	83	1913017-00	3046 XSISTOR ARRAY,3 ISOL.	2	E16,E22
84	84	1914140-00	LM 311N VOLT CHPTR	4	E2,E9,E18,E12
85	85	1914517-00	7912 VOLT REG,FIX -12V	1	E8
86	86	1916244-01	317 VOLT REG,VAR 1/37V	2	E5,E7
87	87	9006557-00	NUT,KEP , 4-40X 1/4 AF	7	
88	88	9008172-00	WASHER, FLAT,SS .250 OD X .125 I	7	
89	89	9006011-01	SCREW,PAN,PHIL 4-40X 3/8 SS	4	
90	90	1012312-00	.47 MFD 50V +80-20% CER	1	C62
91	91	1305124-00	287.0 .25 W 1.0 Z RN55D-F10	1	R83
92	92	1013466-22	.01 MFD 50V +80-20% Z5UCER	4	C21,C29,C31,C38
93	93	1302931-00	49.90 .25 W 1.0 Z RN55D-F10	2	R117,R118
94	94	1305108-00	1.47 K .25 W 1.0 Z RN55D-F10	1	R92
95	95	1513489-00	2N 4401 NPN 350MW SI 40 20	1	Q1
96	96	1300479-00	10.0 K .25 W 5.0 Z CC	1	R43
97	97	1302872-00	681.0 .25 W 1.0 Z RN55D-F10	1	R84
98	98	1316846-00	15.0 2.0 W10.0 Z CC	1	R2
99	99	9007791-00	TERM PCB 2POS SOLDER,TURRET	2	TP1,TP2
100	100	9006010-01	SCREW,PAN,PHIL 4-40X 5/16 SS	3	

101 NOTE: NOTE 1. PART NUMBER IS FOR R. NETWORK 7-4.7K OHM RESISTOR
 102 NOTE: - WHICH IS WHAT PART SHOULD BE.
 103 NOTE: NOTE 2. CAUTION--- SEE NOTE 1 ON E-UA-5413596-0-0 FOR
 104 NOTE: - HARDWARE INSTALLATION.

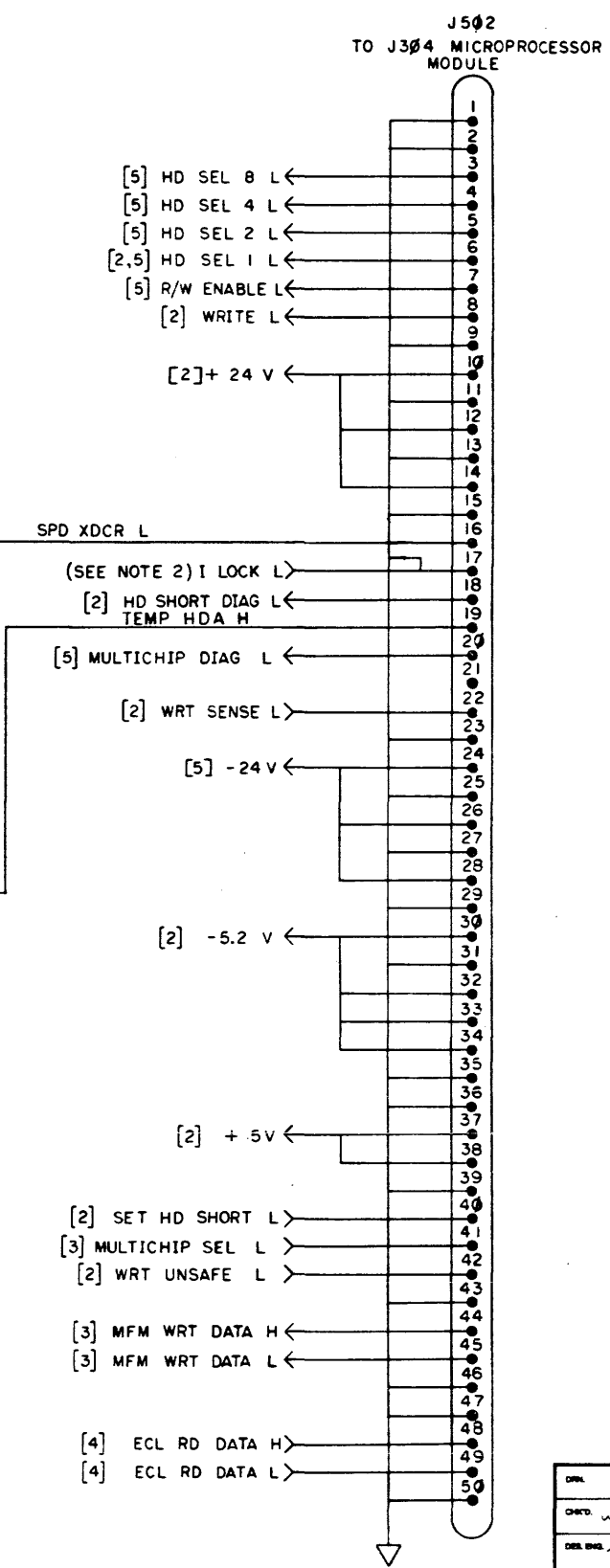
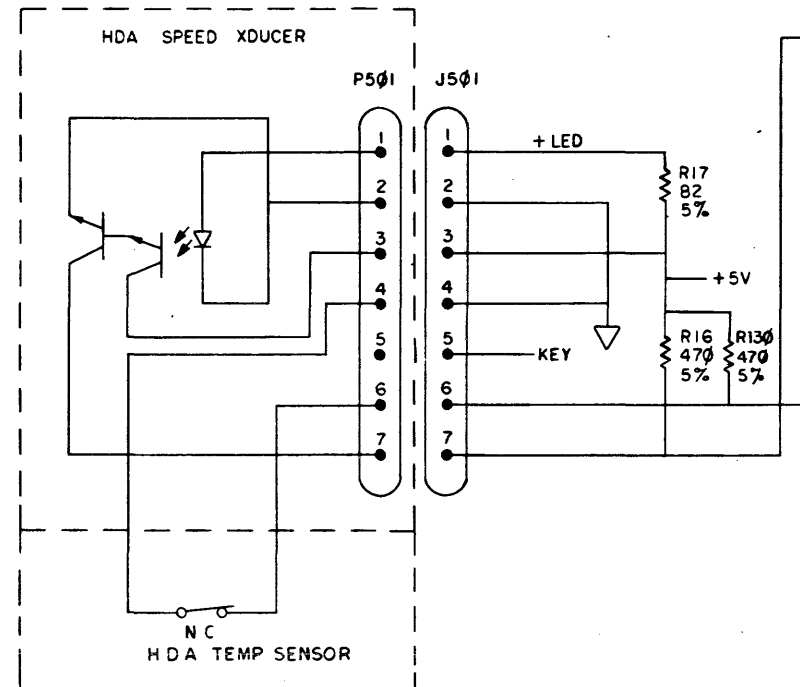
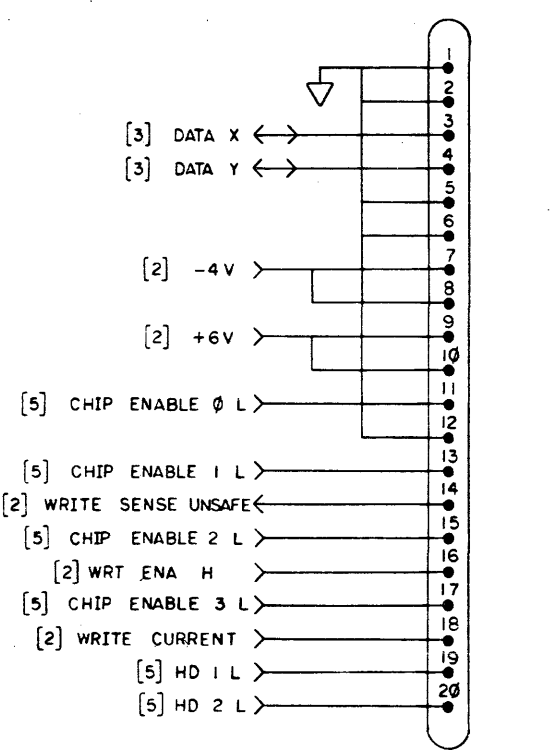
D	I	G	I	T	A	L	TITLE	SECTION A	OF A	SIZE	CODE	DOCUMENT NUMBER	REV
							READ/WRITE 1			K	PL	5413596-0-DBP	E

THIS DRAWING AND SPECIFICATIONS, HEREIN, ARE THE PROPERTY OF DIGITAL EQUIPMENT CORPORATION AND SHALL NOT BE REPRODUCED OR COPIED OR USED IN WHOLE OR IN PART AS THE BASIS FOR THE MANUFACTURE OR SALE OF ITEMS WITHOUT WRITTEN PERMISSION.
 COPYRIGHT © 1979 DIGITAL EQUIPMENT CORPORATION

CS 5413596-0-1 E

D
C
B
A

REVISION HISTORY	
DATE	ECO NUMBER
	5413596-CX091 J. HARRELL
	5413596-CX092 J. HARRELL



NOTES:

- UNLESS OTHERWISE SPECIFIED:
ALL RESISTORS ARE 1/4 W, 1%.
ALL RESISTOR VALUES ARE IN OHMS.
ALL CAPACITOR VALUES ARE IN MICROFARADS.
- "I LOCK L" IS GROUND SOURCE FOR MODULE INTERLOCK SYSTEM.

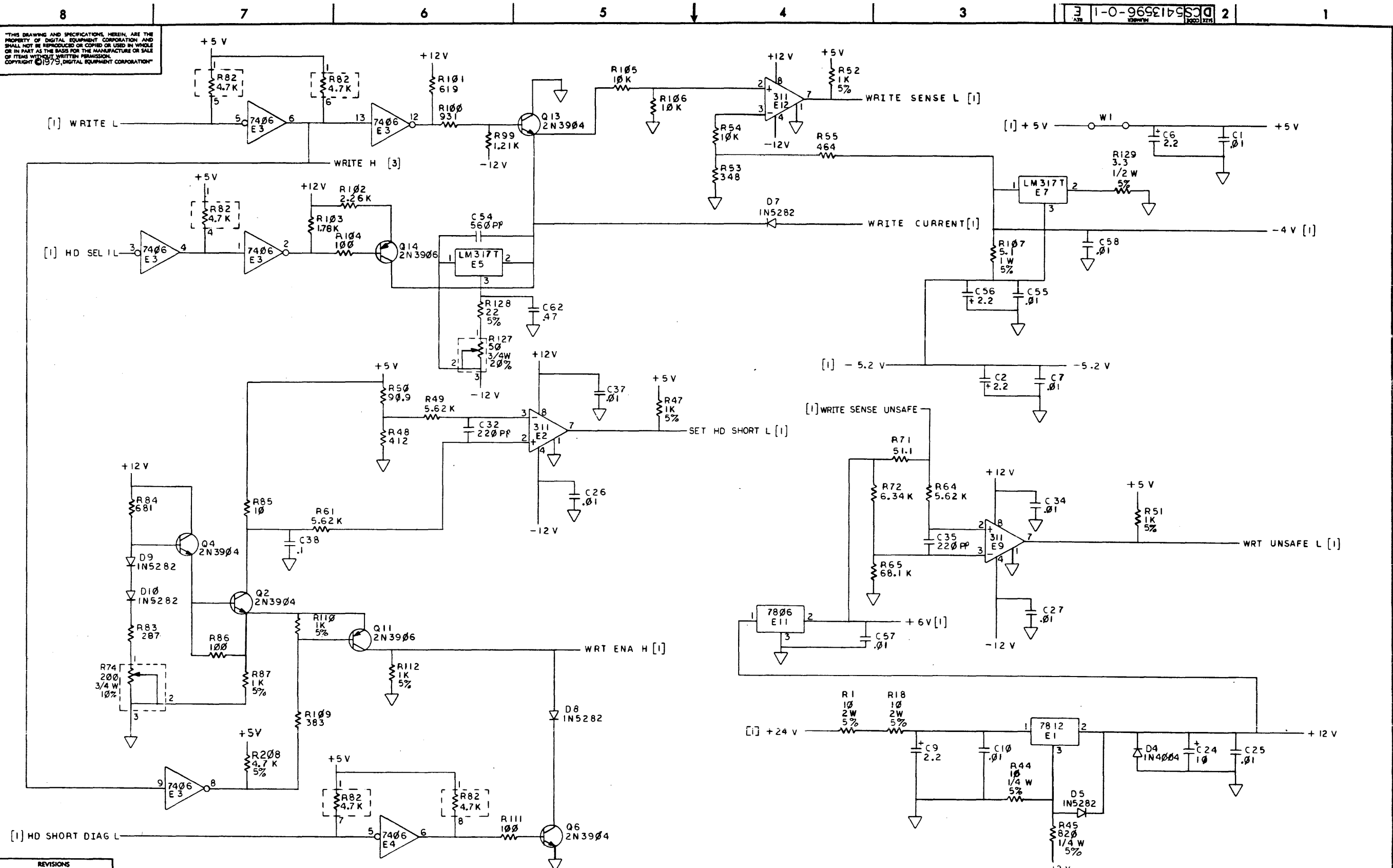
DATE	12 JUN 79	TITLE	digital
DATE	19 JUL 79	READ/WRITE I	
DATE	02/79	(RWI)	
DATE	02/79	DOCUMENT NUMBER	
DATE	8/27/79	D CS 5413596-0-1 E	
SCALE		SHEET 1 OF 6	

8 7 6 5 4 3 2 1

CS 5413596-0-1 E

A

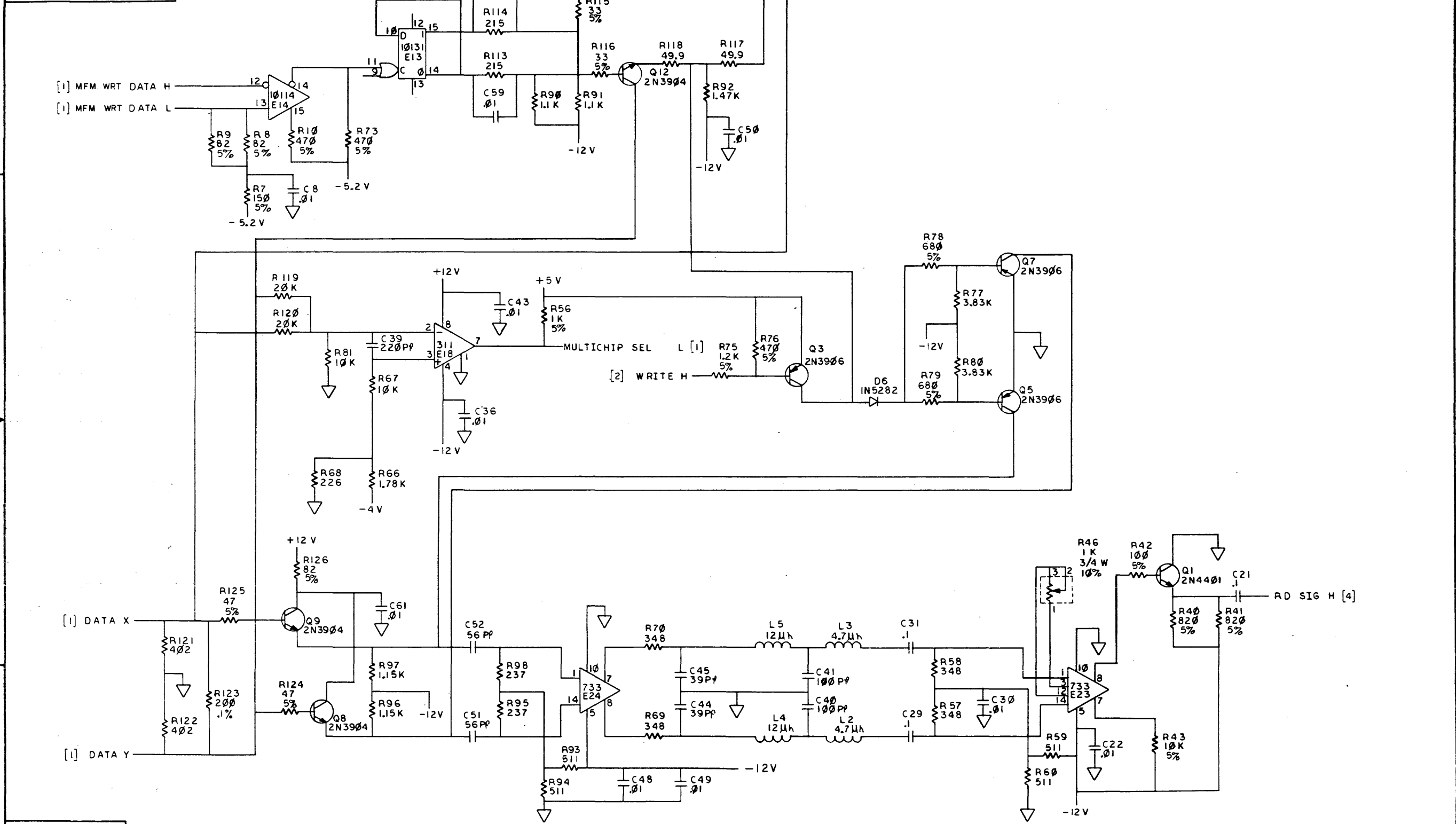
THIS DRAWING AND SPECIFICATIONS HEREIN ARE THE PROPERTY OF DIGITAL EQUIPMENT CORPORATION AND SHALL NOT BE REPRODUCED OR COPIED OR USED IN WHOLE OR IN PART AS THE BASIS FOR THE MANUFACTURE OR SALE OF ITEMS WITHOUT THE WRITTEN PERMISSION. COPYRIGHT © 1973, DIGITAL EQUIPMENT CORPORATION.



REVISIONS		
CHK	CHANGE NO.	REV.

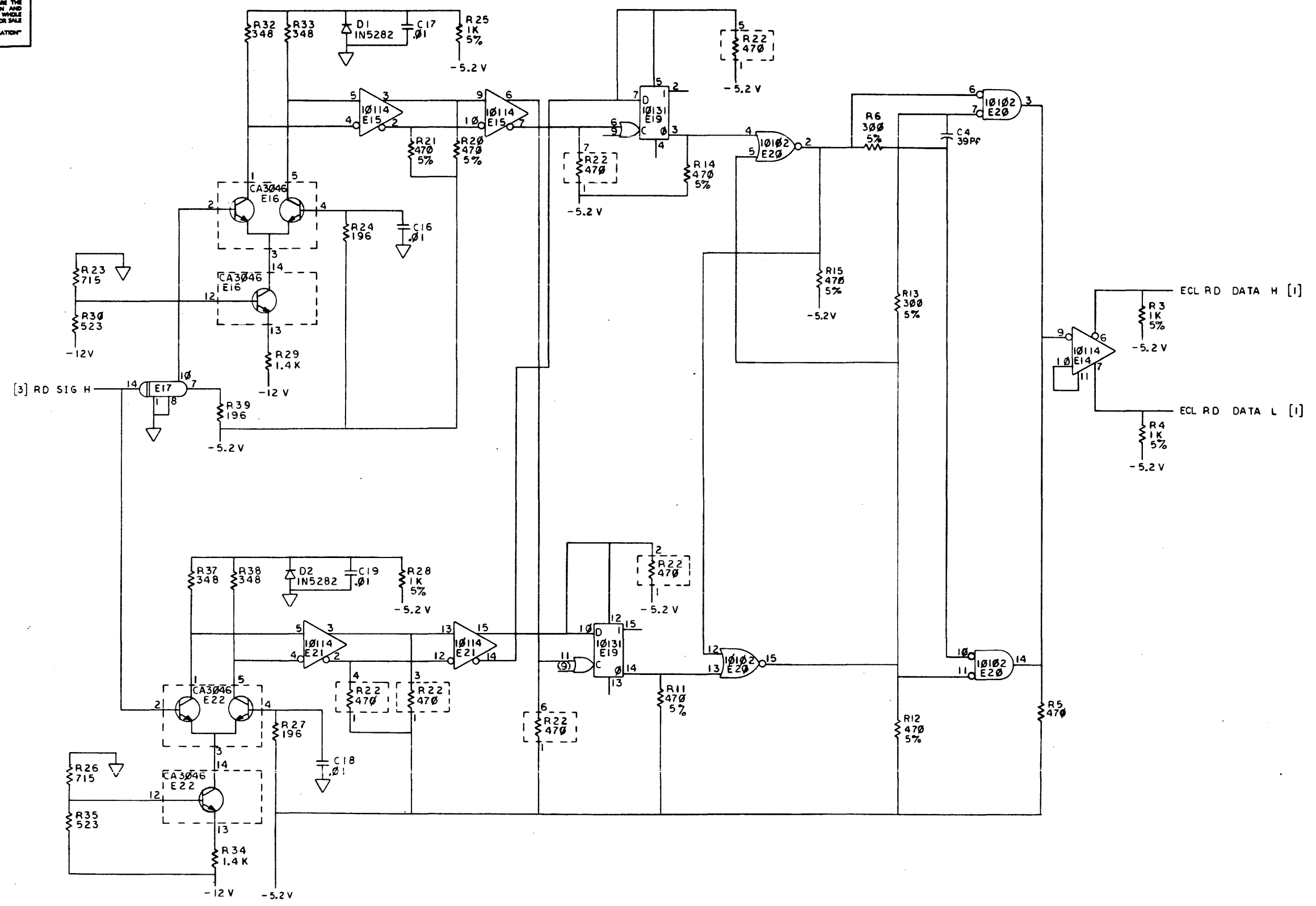
TITLE	(RW2)	SIZE CODE	NUMBER	REV.
READ/WRITE I		DCS5413596-0-1	E	
SCALE	SHEET 2 OF 6	DIST.		

"THIS DRAWING AND SPECIFICATIONS HEREIN ARE THE PROPERTY OF DIGITAL EQUIPMENT CORPORATION AND SHALL NOT BE REPRODUCED OR COPIED OR USED IN WHOLE OR IN PART AS THE BASIS FOR THE MANUFACTURE OR SALE OF ITEMS WITHOUT WRITTEN PERMISSION. COPYRIGHT © 1979, DIGITAL EQUIPMENT CORPORATION"



REVISIONS		
CHK	CHANGE NO.	REV.

"THIS DRAWING AND SPECIFICATIONS HEREIN ARE THE PROPERTY OF DIGITAL EQUIPMENT CORPORATION AND SHALL NOT BE REPRODUCED OR COPIED OR USED IN WHOLE OR IN PART AS THE BASIS FOR THE MANUFACTURE OR SALE OF ITEMS WITHOUT WRITTEN PERMISSION. COPYRIGHT © 1973, DIGITAL EQUIPMENT CORPORATION"

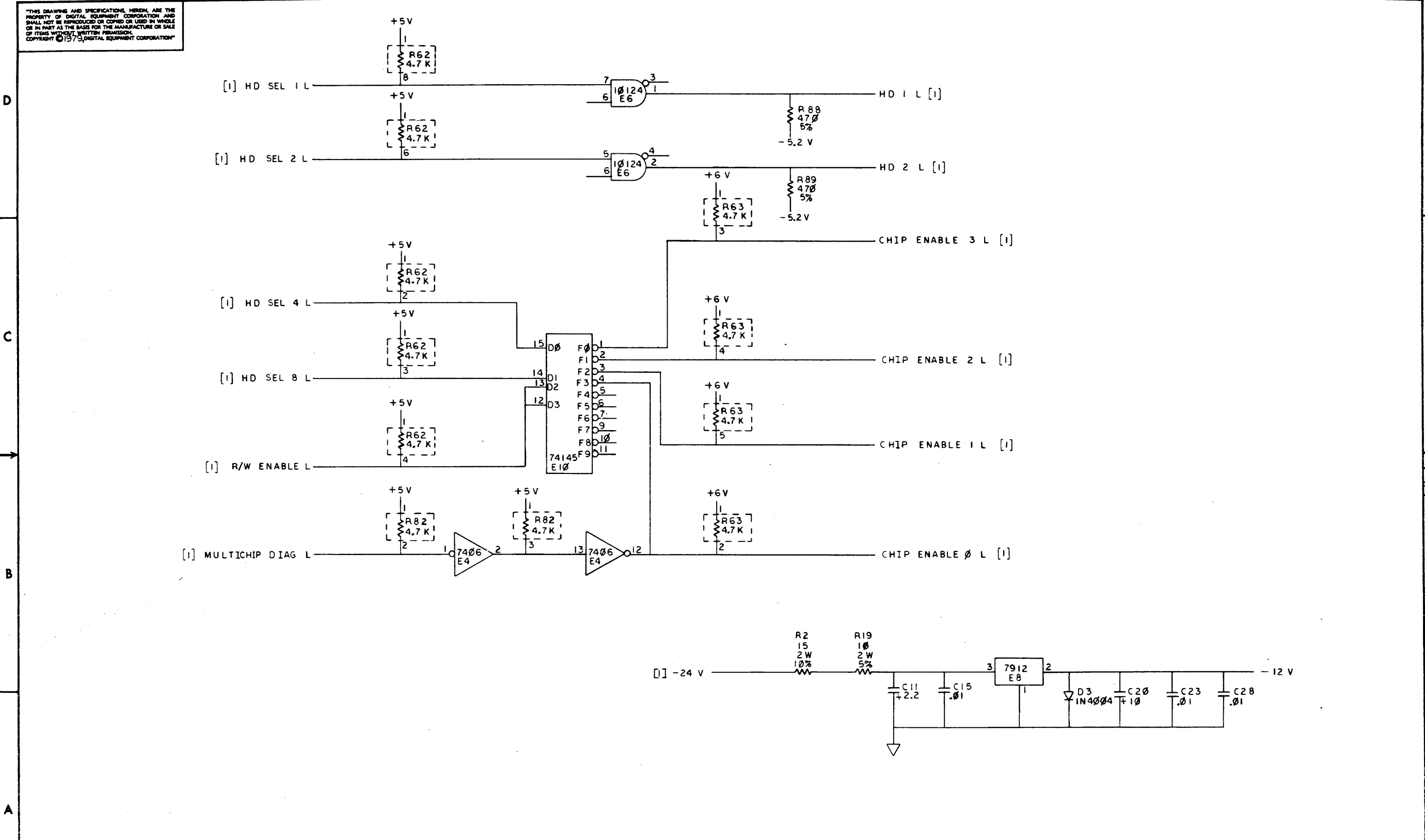


REVISIONS		
CHK	CHANGE NO.	REV.

TITLE	(RW4)	SIZE CODE	NUMBER	REV.
READ/WRITE 1		DCS	5413596-0-1 E	
SCALE	SHEET 4 OF 6	DIST.		

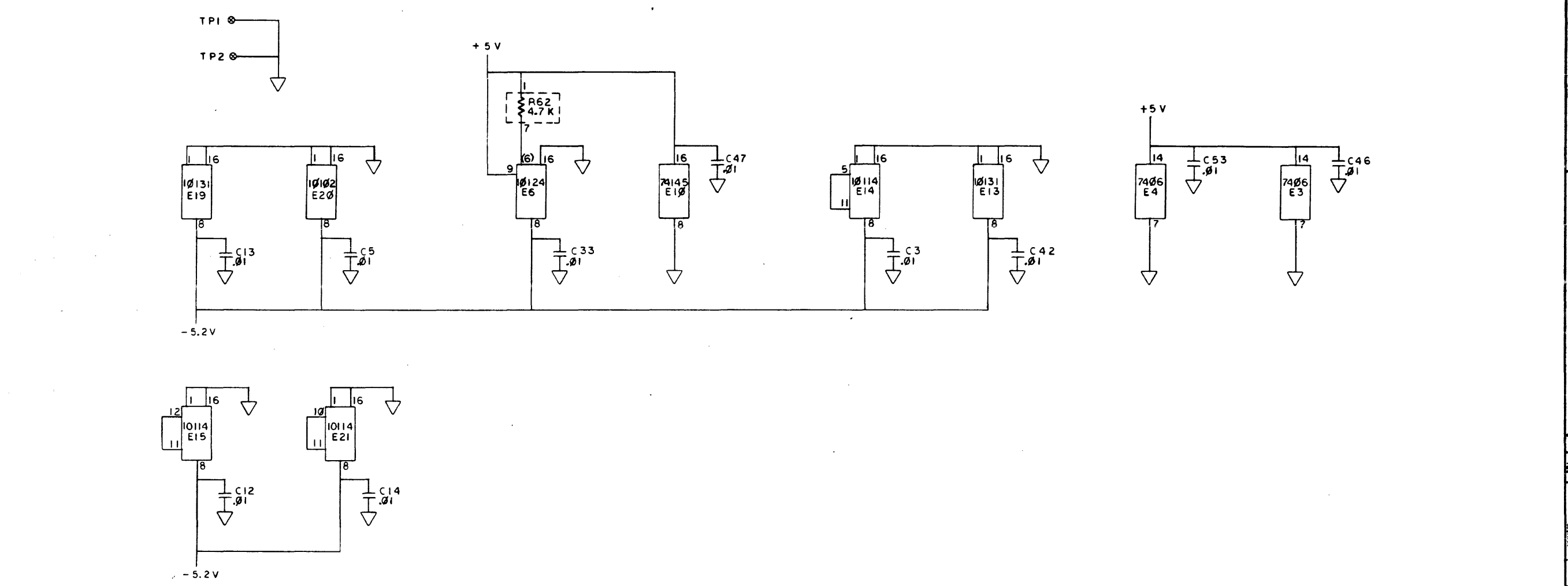
DCS 5413596-0-1 E

"THIS DRAWING AND SPECIFICATIONS, HEREIN, ARE THE PROPERTY OF DIGITAL EQUIPMENT CORPORATION AND SHALL NOT BE REPRODUCED OR COPIED OR USED IN WHOLE OR IN PART AS THE BASIS FOR THE MANUFACTURE OR SALE OF ITEMS WITHOUT WRITTEN PERMISSION. COPYRIGHT © 1975 DIGITAL EQUIPMENT CORPORATION"



REVISIONS		
CHK	CHANGE NO.	REV.

"THE DRAWING AND SPECIFICATIONS HEREIN ARE THE PROPERTY OF DIGITAL EQUIPMENT CORPORATION AND SHALL NOT BE REPRODUCED OR COPIED OR USED IN WHOLE OR IN PART AS THE BASIS FOR THE MANUFACTURE OR SALE OF ITEMS WITHOUT WRITTEN PERMISSION. COPYRIGHT © 1979, DIGITAL EQUIPMENT CORPORATION"

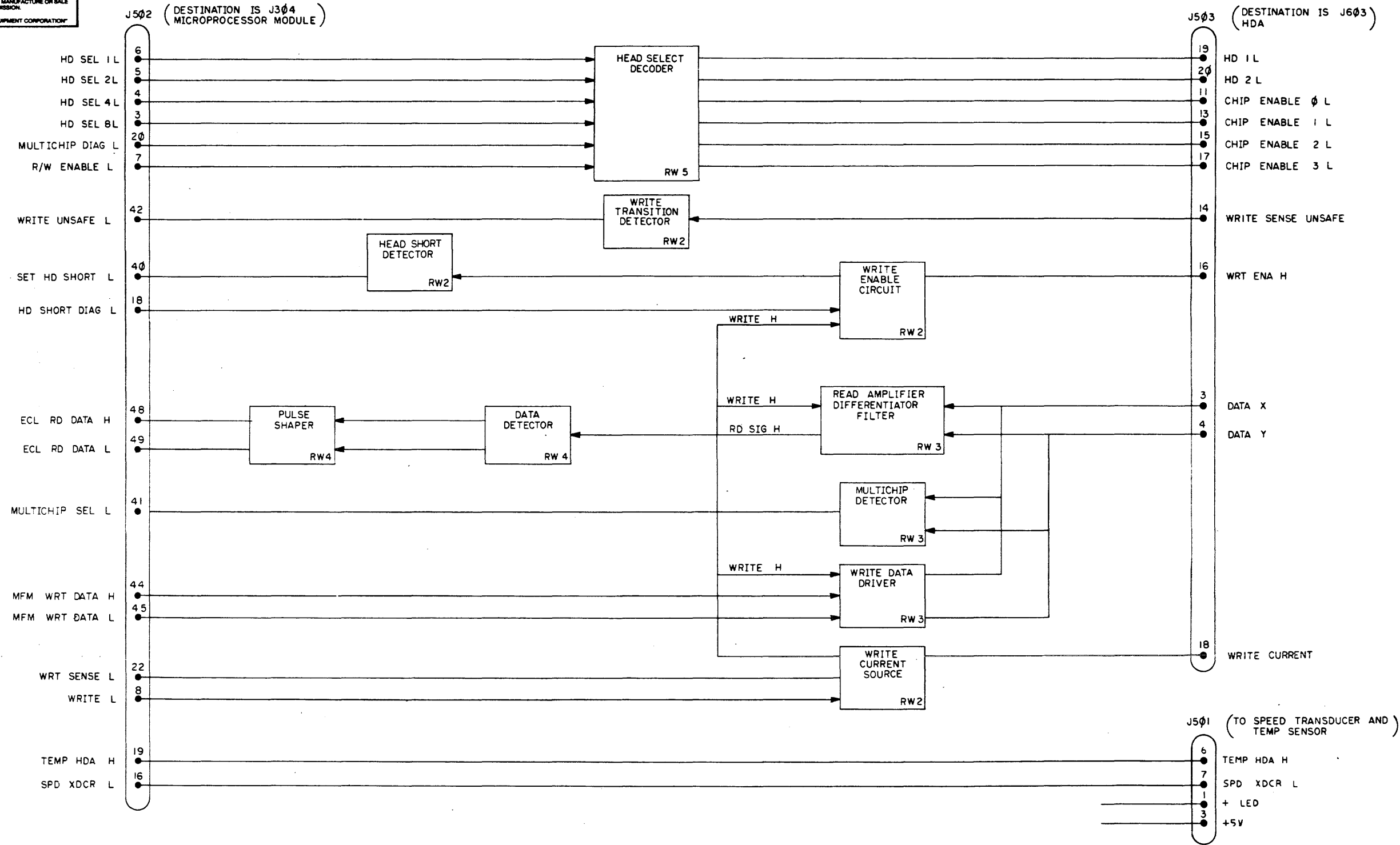


REVISIONS		
CHK	CHANGE NO.	REV.

TITLE	(RW 6)	SIZE CODE	NUMBER	REV.
READ / WRITE 1		DCS	5413596-0-1	E
SCALE	1/1	SHEET	6 OF 6	DIST.

DCS 5413596-0-1 E

THIS DRAWING AND SPECIFICATIONS HEREIN ARE THE PROPERTY OF DIGITAL EQUIPMENT CORPORATION AND SHALL NOT BE REPRODUCED OR COPIED OR USED IN WHOLE OR IN PART AS THE BASIS FOR THE MANUFACTURE OR SALE OF ITEMS WITHOUT WRITTEN PERMISSION.
 COPYRIGHT © 1979 DIGITAL EQUIPMENT CORPORATION



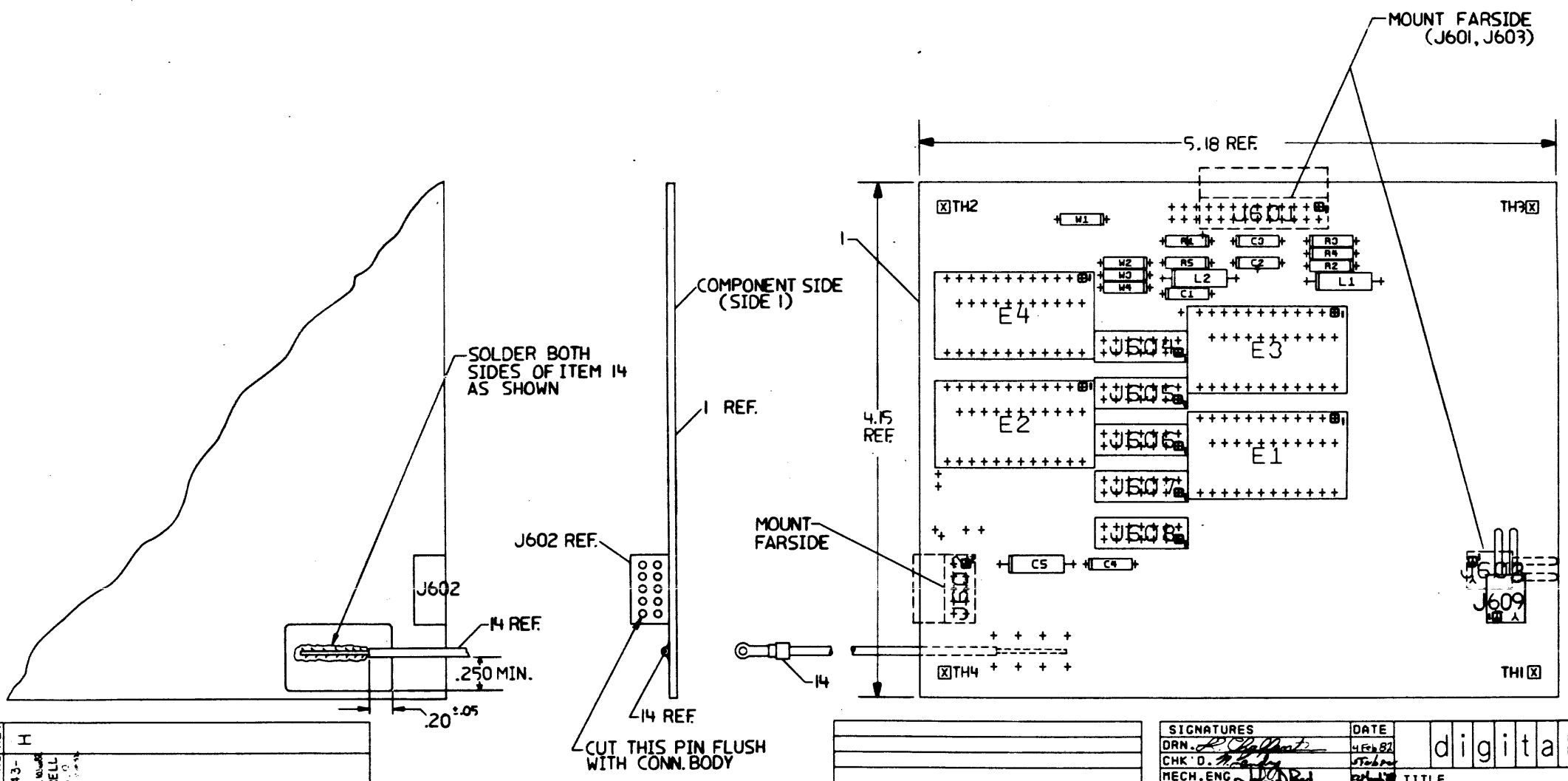
REVISION HISTORY	
DATE	ECO NUMBER
21-4	RELEASED TO
B1	ECO CONTROL
	AT REV A
	A

DRW. <i>M. Bowen</i>	DATE 21 NOV 79	TITLE	digital
CHKD. <i>W.M.</i>	DATE 19 JAN 81	READ/WRITE 1	
DES. ENG. N/A	DATE		
APP. ENG. <i>Bruce Johnson</i>	DATE 25 JAN 81		
MFG. ENG. N/A	DATE		
NEXT HIGH-LEVEL DOC. B-TC-RM80-0-1	SCALE	SHEET 1	OF 1
DOCUMENT NUMBER		DBD 5413596-0-2 A	

DBD 5413596-0-2 A
 REV. 1
 DATE 11/21/79

THIS DRAWING AND SPECIFICATIONS, UNLESS NOTED, ARE THE PROPERTY OF DIGITAL EQUIPMENT CORPORATION AND SHALL NOT BE REPRODUCED OR TRANSMITTED IN ANY FORM OR BY ANY MEANS, ELECTRONIC OR MECHANICAL, INCLUDING PHOTOCOPYING, RECORDING, OR BY ANY INFORMATION STORAGE AND RETRIEVAL SYSTEM, WITHOUT WRITTEN PERMISSION. © 1982 DIGITAL EQUIPMENT CORPORATION

COMPONENT SIDE VIEW



- NOTES:
1. TITLE ON MODULE IN ETCH IS "HDA PCB2" TITLE OF MODULE IS "HDA PCB1". THIS WAS DONE FOR FIELD IDENTIFICATION OF DIFFERENT TYPES OF READ/WRITE IC'S.
 2. SOLDER FILL 100% ALL PLATED THRU HOLES.
 3. STEP AND REPEAT 2ML36.
 4. NO GRIPLETS TO BE USED TO REPAIR THIS MODULE.
 5. NO SECONDARY DRILL HOLES TO BE MADE IN THIS MODULE.
 6. W1 IS A JUMPER RUN IN ETCH.
 7. W2-W4 ARE NOT INSTALLED.

CHANGE NO	REV
5413643-	H
CX006	
050718	
J. HARRELL	

STEP E	+ Y AXIS	4.275	STEP	1	TIMES	2ML36
REPEAT	+ X AXIS	5.258	STEP	1	TIMES	

ETCH REV.	REV-EPI
-----------	---------

SIGNATURES	DATE
DRN. <i>[Signature]</i>	14 Feb 82
CHK'D. <i>[Signature]</i>	17 Feb 82
MECH. ENG. <i>[Signature]</i>	22 Feb 82
PROJ. ENG. <i>[Signature]</i>	22 Mar 82
PROD. <i>[Signature]</i>	12 Jun 82
SCALE 2/1	
SHT. 1 OF 1	
NEXT HIGHER ASSY. 0-00-5413643-0	

digital	
TITLE H.D.A. PCB.1	
SIZE CODE 0 UA	NUMBER 5413643-0-0 H
REV	

DUA 5413643-0-0 H

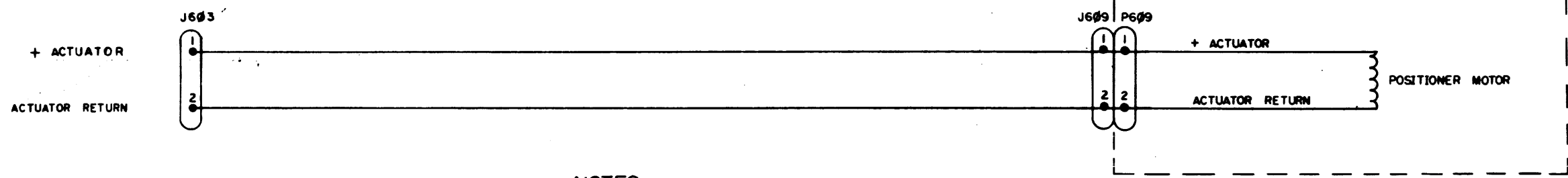
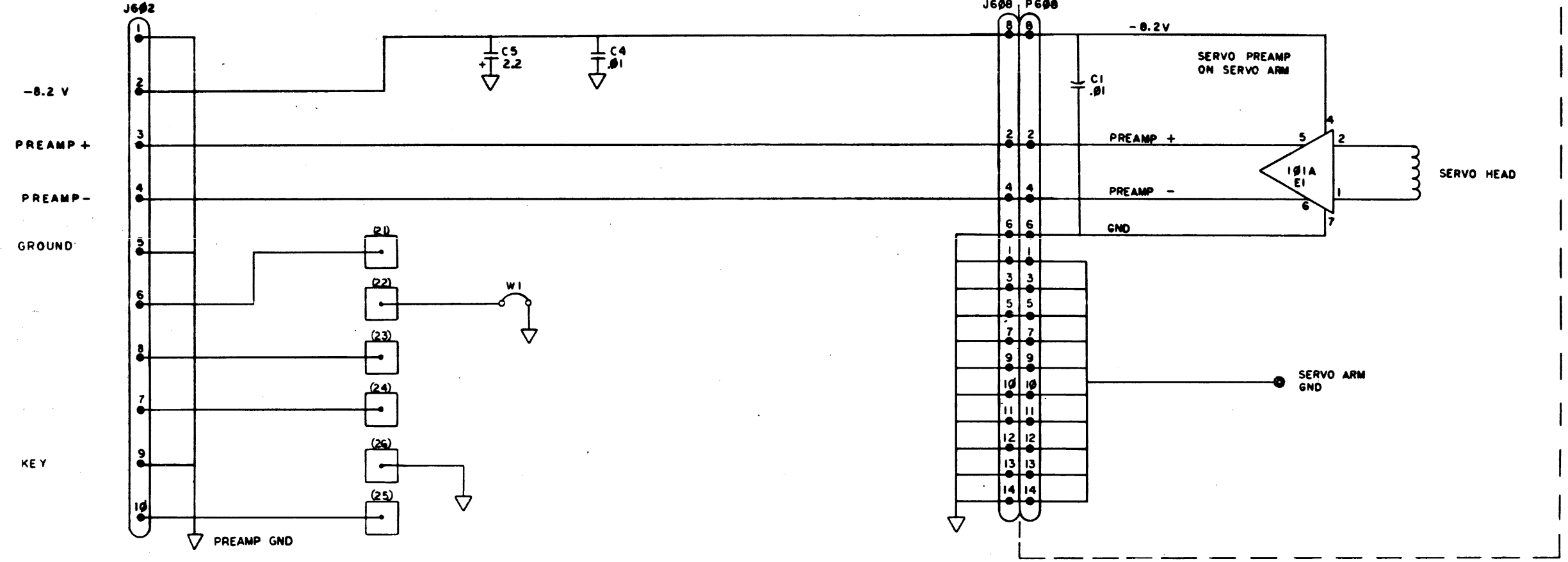
LINE ITEM	DOCUMENT NUMBER	PART NUMBER	DESCRIPTION	QTY PER VARIATION 00	REFERENCE DESIGNATOR
1	D-MD-5013642-0-0	5013642-00	DRILL & ETCH BD	1	
2		1001610-00	.01 MFD 50V +80-20% Z5U CER	3	C2,C3,C4
3		1013466-31	15.0 MMF 50V 5% CER	1	C1
4		1002431-00	2.2MFD 35V 10% S.TANT	1	C5
5		1303114-00	1.0 K .25 W 1.0 % RN55D-F10	1	R1
6		1319169-01	200.0 .25 W 1.0 % RN55D-F10	1	R2
7		1316836-00	402.0 .25 W 1.0 % RN55D-F10	2	R3,R4
8		1212965-04	PCB,HEADER 20PIN(2X05).100CC 90D	1	J601
9		1216862-00	PCB,HEADER 14POS(2X07).100CC STR	5	J604,J605,J606,J607,J608
10		1212965-01	PCB,HEADER 10PIN(2X05).100CC 90D	1	J602
11		1212204-12	PCB HEADER 02PIN(1X02).156CC 90D	2	J603,J609
12		1916241-01	READ/WRITE AMP	4	E1,E2,E3,E4
13		1609620-00	2.2 UH #RFCS2.2	2	L1,L2
14	B-IA-7017607-0-0	7017607-01	GROUND CABLE ASSEMBLY (HDA REWOR	1	
15		1302858-00	100.0 .25 W 1.0 % RN55D-F10	1	R5

REVISION HISTORY		BASIC PART NO: 5413643		DRN:	SUE BOURBEAU	DATE: 23-JUN-82	D I G I T A L				
ENG	ECO NUMBER	REV	SECTION A OF A	CHK'D:	RON MICHAUD	DATE: 23-JUN-82	TITLE	PARTS LIST			
	PCO R80-457	B	SECTION.VARIATION INDEX	DES.ENG:	J HARRELL	DATE: 23-JUN-82	HDA PCB#1				
JH	5413643-CX02A	D	[A] 00	RESP.ENG.:	J HARRELL	DATE: 23-JUN-82	DOCUMENT NUMBER				
JH	5413643-CX004	E	[B]	MFG.ENG.:	A KASSAK	DATE: 23-JUN-82	SIZE	CODE	NUMBER	REV	
JH	5413643-CX006	F	[C]	ASSEMBLY NUMBER:	D-UA-5413643-0-0	TOP DOCUMENT NUMBER:	K	PL	5413643-0-DBP	F	
			[D]	FILE NAME:	Z0507F.PLS	EDIT #:	28				
			[E]								
			[F]								
			[G]								
			[H]								
			[I]								
			[J]								
			[K]								
			[L]								
			[M]								
			[N]								

"THIS DRAWING AND SPECIFICATIONS HEREIN, ARE THE PROPERTY OF DIGITAL EQUIPMENT CORPORATION AND SHALL NOT BE REPRODUCED OR COPIED OR USED IN WHOLE OR IN PART AS THE BASIS FOR THE MANUFACTURE OR SALE OF ITEMS WITHOUT WRITTEN PERMISSION. COPYRIGHT (C) 1982. DIGITAL EQUIPMENT CORPORATION"

THE DIMENSIONS AND SPECIFICATIONS HEREIN ARE THE PROPERTY OF BENTON ELECTRONIC CORPORATION AND SHALL NOT BE REPRODUCED OR COPIED OR USED IN WHOLE OR IN PART AS THE BASIS FOR THE MANUFACTURE OR SALE OF ITEMS WITHOUT THE WRITTEN PERMISSION OF BENTON ELECTRONIC CORPORATION © 75 BENTON ELECTRONIC CORPORATION

TO J461 ON SERVO MODULE



NOTES:
 1 UNLESS OTHERWISE SPECIFIED:
 ALL RESISTORS ARE 1/4W 5%.
 ALL RESISTOR VALUES ARE IN OHMS.
 ALL CAPACITOR VALUES ARE IN MICROFARADS.

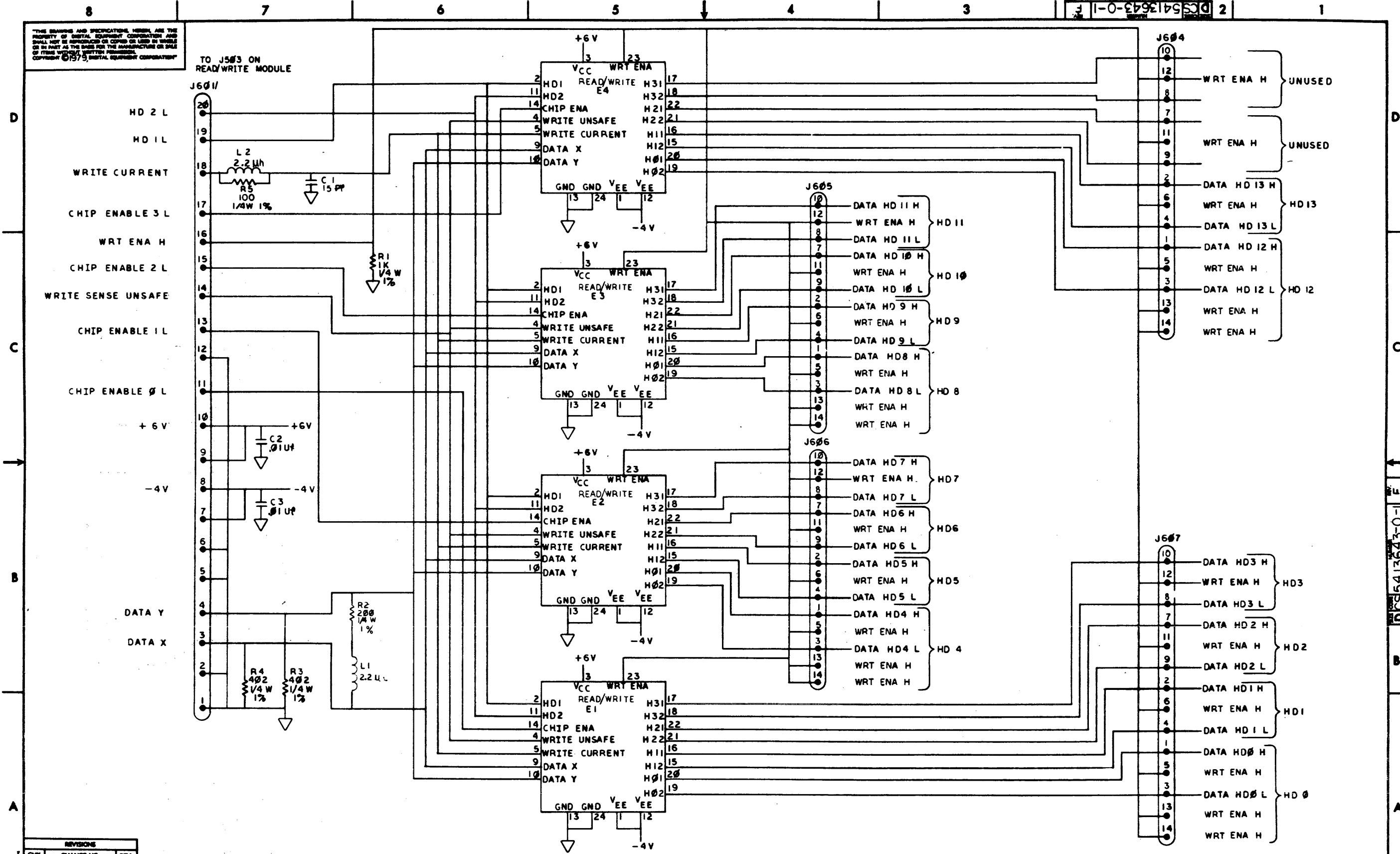
REV.	E	F
DATE	10 JUN 81	13 JUN 82
BY	J. WARELL	J. WARELL
CHK'D	T. F. JUNGI	J. WARELL
APP'D	J. WARELL	J. WARELL
DATE	10 JUN 81	13 JUN 82

QUANTITY & VARIATION		DESCRIPTION		DRAWN/PART NO.		ITEM NO.	
UNLESS OTHERWISE SPECIFIED DIMENSIONS ARE IN INCHES							
ANGLES	CLASS OF ACCURACY	NOMINAL DIMENSIONS BASED ON					
OF 90°	CHECK ONE	1/2	1/16	1/32	1/64	1/128	1/256
SURFACE QUALITY	MEDIUM	1.000	1.000	1.000	1.000	1.000	1.000
MICROMETERS	PREFERRED	1.012	1.000	1.000	1.000	1.000	1.000
THIRD ANGLE PROJECTION	DRN. <i>X</i>	DATE	FIRST USED ON				
CHK'D	<i>J. WARELL</i>	13 JUN 82	TITLE				
ENGR. <i>T. F. JUNGI</i>	2007	H.D.A. PCB 1					
PROJ. ENGR. <i>J. WARELL</i>	7507	SIZE CODE NUMBER REV.					
PROD. <i>By Machine</i>	7-8-79	D CS5413643-0-1 F					
DO NOT SCALE DIMS	NEXT NUMBER ASBY.						
MATERIAL	B-DD-5413643-0						
FINISH	SCALE						
	SHEET OF 2						

D CS5413643-0-1 F

THIS DRAWING AND SPECIFICATIONS HEREIN ARE THE PROPERTY OF DIGITAL EQUIPMENT CORPORATION AND SHALL NOT BE REPRODUCED OR COPIED OR USED IN WHOLE OR IN PART AS THE BASIS FOR THE MANUFACTURE OR SALE OF ITEMS WITHOUT WRITTEN PERMISSION.
 COPYRIGHT © 1975 DIGITAL EQUIPMENT CORPORATION

TO J503 ON READ/WRITE MODULE



REVISIONS		
CHK	CHANGE NO.	REV.

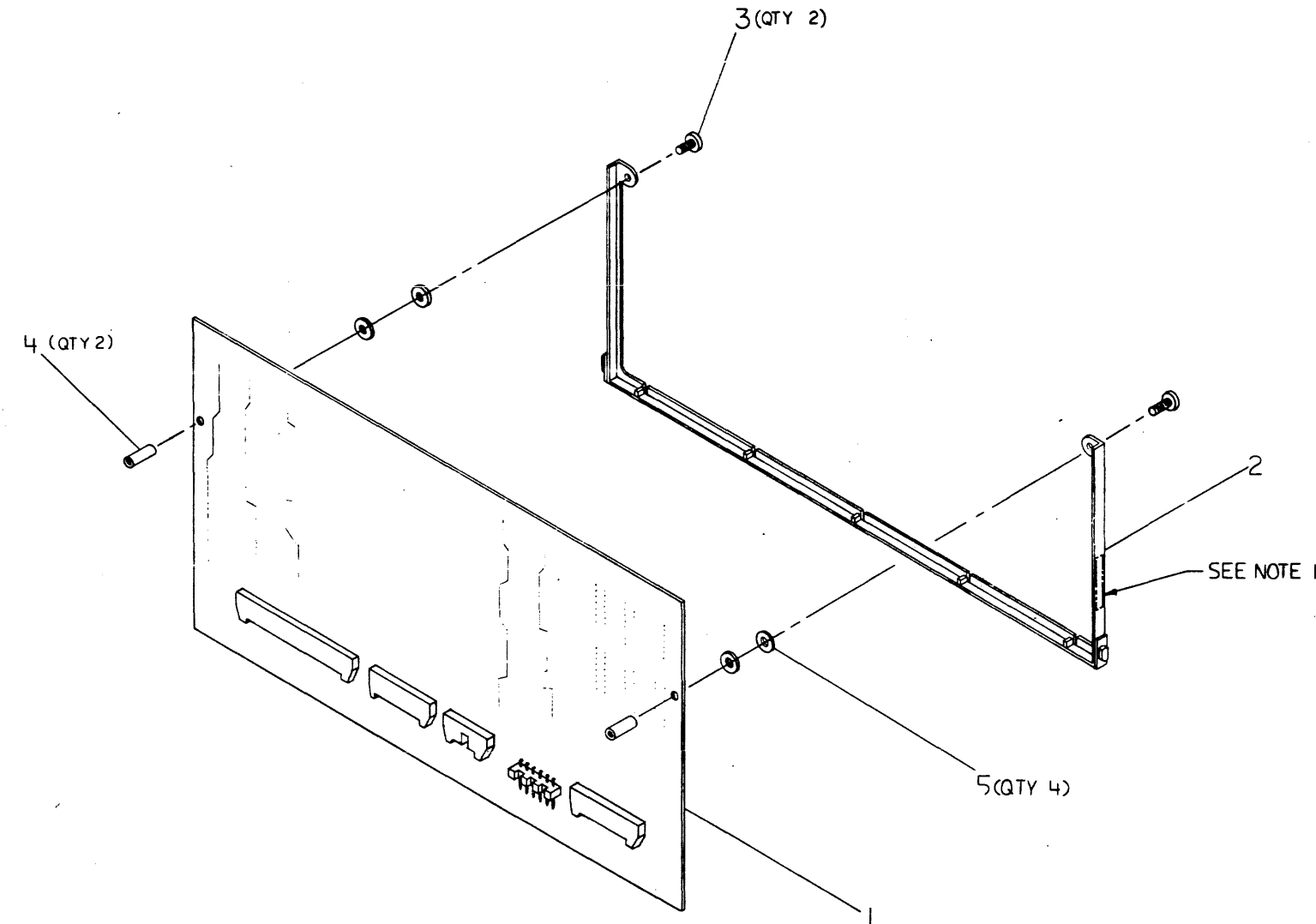
TITLE HDA. PCB I
 NUMBER DCS 5413643-0-1
 SHEET 2 OF 2
 REV. F

DCS 5413643-0-1 F

"THIS DRAWING AND SPECIFICATIONS HEREIN ARE THE PROPERTY OF DIGITAL EQUIPMENT CORPORATION AND SHALL NOT BE REPRODUCED OR COPIED OR USED IN WHOLE OR IN PART AS THE BASIS FOR THE MANUFACTURE OR SALE OF ITEMS WITHOUT WRITTEN PERMISSION. COPYRIGHT © 1975, DIGITAL EQUIPMENT CORPORATION"

COMPATIBILITY LEGEND			
PERSONALITY BD & STIFF ASSY	REV	PERSONALITY CARD	CS REV
	E		J

NOTES:
 1. ASSEMBLY TO BE MARKED WITH PART NUMBER AND REVISION APPROXIMATELY AS SHOWN.



CAUTION: OFF-SHEET PARTS LIST EXISTS.
 SEE K-PL-7016975-0-DBP (Z0919).

REV.	* A	B	C	D	E
1198	RELEASED TO ECG CONTROL REP ECG 528A AT REV X02	7016975-CX001 G. NORDBERG	7016975-CX002 G. NORDBERG	R80-CX004 L.D. 19 SEPT 80 G. NORDBERG	7016975-CX003A DB. 12/18/80 G. FRENCHMAN
1249					7016975-CX004 T.F. 30 SEP 81 J. NORDBERG

THIRD ANGLE PROJECTION	DESCRIPTION	DWG. PART NO.	ITEM NO.
	UNLESS OTHERWISE SPECIFIED DIMENSIONS ARE IN INCHES		
ANGLES 90° 30'	CLASS OF ACCURACY	NORMAL DIMENSION RANGE INCHES	
SURFACE QUALITY IN	(CHECK ONE)	OVER 0 TO 0.2	OVER 0.2 TO 0.5
		OVER 0.5 TO 1.2	OVER 1.2 TO 40.0
QUANTITY & VARIATION	MEDIUM	1.004	1.008
MICROINCHES	PREFERRED	1.012	1.016
		1.020	1.024
DRN. M. Eagle	12 MAR 75	FIRST USED ON	digital
CHK'D L. W. [Signature]		TITLE	PERSONALITY BD AND STIFF ASSY
ENG. [Signature]		PROJ. ENG. [Signature]	
DO NOT SCALE DWG	E-UA-R80-0-0	SIZE CODE	D AD
MATERIAL SEE PARTS LIST	SCALE 1/2	NUMBER	7016975-0-0
FINISH		REV	E

D AD 7016975-0-0 E

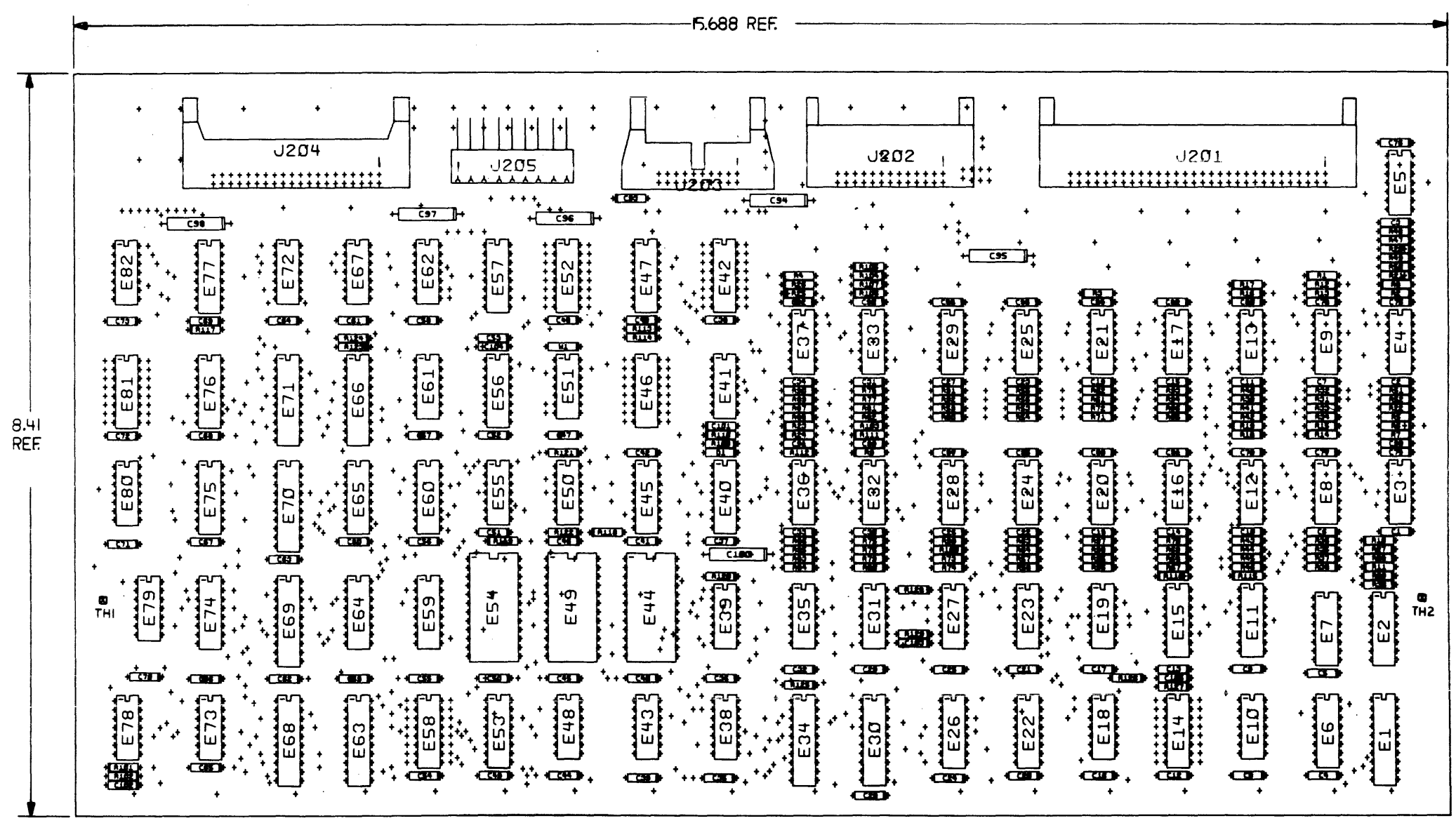
LINE ITEM	DOCUMENT NUMBER	PART NUMBER	DESCRIPTION	QUANTITY PER VARIATION
1	D-UA-5414010-0-0	5414010-00	SMD PERSONALITY CARD	1
2		7422798-00	STIFFENER, BOARD	1
3		9008212-00	SCREW, NYLON, SLTD PAN HD, 6-32	2
4		9006967-00	SPACER, FIBER, RND, 6-32, .250 X	2
5		9006707-00	WASHER, NYLON, FLAT #6 .312 OD	4

REVISION HISTORY			BASIC PART NO: 7016975			D I G I T A L		
ENG	ECD NUMBER	REV	SECTION A OF A	DRN:	M. ENGLE	DATE:	12-MAR-79	
GN	7016975-CX001	A	SECTION. VARIATION INDEX	CHK'D:	W. MAJOR	DATE:	4-SEP-79	TITLE
GN	7016975-CX002	B	[A] 00					PARTS LIST
GN	R80-CX004	C						PERSONALITY BD AND STIFF ASSY
GF	7016975-CX03A	D	[B]	DES.ENG.:	G. NORDBERG	DATE:	4-SEP-79	
JN	7016975-CX004	E	[C]	RESP.ENG.:	B. MONTERO	DATE:	4-SEP-79	DOCUMENT NUMBER
			[D]					SIZE CODE NUMBER REV
			[E]	MFG.ENG.:	N. HEDENSTEN	DATE:	4-SEP-79	K PL 7016975-0-DBP E
			[F]	ASSEMBLY NUMBER:	D-AD-7016975-0-0	TOP DOCUMENT NUMBER:	# B-DD-R80-0	FILE NAME: Z0919E.PLS EDIT # 12

THIS DRAWING AND SPECIFICATIONS HEREIN, ARE THE PROPERTY OF DIGITAL EQUIPMENT CORPORATION AND SHALL NOT BE REPRODUCED OR COPIED OR USED IN WHOLE OR IN PART AS THE BASIS FOR THE MANUFACTURE OR SALE OF ITEMS WITHOUT WRITTEN PERMISSION. COPYRIGHT (C) 1981. DIGITAL EQUIPMENT CORPORATION

THIS DRAWING AND SPECIFICATIONS, HEREIN, ARE THE PROPERTY OF DIGITAL EQUIPMENT CORPORATION AND SHALL NOT BE REPRODUCED OR COPIED IN WHOLE OR IN PART WITHOUT THE WRITTEN PERMISSION OF DIGITAL EQUIPMENT CORPORATION. COPYRIGHT © 1982

COMPONENT SIDE VIEW



NOTES: 1. LOCATIONS E1, E2, E6, E7, E4, E42, E52, E58, AND E81 ARE SPARES.
2. DO NOT INSERT R102, R127, R129 AND E46.

STEP E	+ Y AXIS	0	STEP 0	TIMES
REPEAT	+ X AXIS	0	STEP 0	TIMES

CHANGE NO	REV
1	K

ETCH REV.	EP-2
-----------	------

SIGNATURES		DATE	digital
DRN. <i>R. Bellant</i>		4 Feb 82	
CHK'D. <i>[Signature]</i>		2-2-82	TITLE RM80 PERSONALITY CARD
MECH. ENG. <i>[Signature]</i>		2-2-82	
PROJ. ENG. <i>[Signature]</i>		2-2-82	
PROD. <i>[Signature]</i>		2-2-82	
SCALE	1.5/1	SIZE CODE	0 UA
SHT.	1 OF 1	NUMBER	541400-0-0
NEXT HIGHER ASSY.		8-00-541400-0	REV
			K

LINE ITEM	DOCUMENT NUMBER	PART NUMBER	DESCRIPTION	QTY PER VARIATION	REFERENCE DESIGNATOR
				00	
1	D-MD-5014009-0-0	5014009-00	SMD PERSONALITY CARD	1	
2		1216832-00	PCB,HEADER 20POS(2X10).100CC 90D	1	J203
3		1216832-01	PCB,HEADER 26POS(2X13).100CC 90D	1	J202
4		1216832-02	PCB,HEADER 40POS(2X20).100CC 90D	1	J204
5		1216832-04	PCB,HEADER 60POS(2X30).100CC 90D	1	J201
6		1013466-19	470.0 MMF 50V 5% CER	1	C101
7		1001610-00	.01 MFD 50V +80-20% Z5U CER	96	C1-C93,C102,C103,C105
8		1005306-00	6.8MFD 35V 10% S.TANT	1	C100
9		1010274-01	.22 MFD 50V +80-20% Z5U CER	1	C99
10		1100113-00	D 662 OS 600PCB(STABISTOR)	1	D1
11		1212204-03	PCB HEADER 09PIN(1X09).156CC 90D	1	J205
12		1300271-00	220.0 .25 W 5.0 % CC	3	R103,R105,R107
13		1300295-00	330.0 .25 W 5.0 % CC	3	R104,R106,R111
14		1300309-00	390.0 .25 W 5.0 % CC	1	R8
15		1300316-00	470.0 .25 W 5.0 % CC	3	R9,R113,R114
16		1300365-00	1.0 K .25 W 5.0 % CC	19	R1-R4,R112,R115-R125,R101,R126, R128
17		1300417-00	2.20 K .25 W 5.0 % CC	1	CONT R7
18		1300447-00	4.70 K .25 W 5.0 % CC	1	R6
19		1013466-17	150.0 MMF 50V 5% CER	1	C104
20		1301422-00	7.50 K .25 W 5.0 % CC	17	R10-R26
21		1017472-00	10 MFD 35V +50-10% AL EL	5	C94-C98
22		1302394-00	30.0 K .25 W 5.0 % CC	2	R109,R110
23		1302602-00	56.0 .25 W 5.0 % CC	74	R27-R100
24		1303176-00	1.60 K .25 W 5.0 % CC	1	R5
25		1911911-00	DEC 74S124 OSCILLATOR,DUAL VOLT	1	E56
26		1910268-00	DEC 75107B RECEIVER,LINE,DUAL,	7	E3,E5,E8,E9,E12,E13,E37
27		1910436-01	74123N ONE SHOT-DUAL,MULTIV	1	E40
28		1910534-00	74S04 INVERTER GATE-HEX 1I	1	E35
29		1910544-01	74S74-60GG-D DUAL,EDGE TRIG	1	E50

REVISION HISTORY			BASIC PART NO: 5414010			DRN: P.KENDRICK DATE: 19-MAR-79			D I G I T A L		
ENG	ECO NUMBER	REV	SECTION A OF A	CHK'D:	B.MAJOR	DATE:	18-JUL-79	TITLE	PARTS LIST		
SW	5414010-CX002	D	SECTION.VARIATION INDEX	CHK'D:	B.MAJOR	DATE:	18-JUL-79	PERSONALITY CARD			
SW	5414010-CX02A	D	[A] 00								
SW	5414010-CX003	E	[B]								
JH	5414010-CX04A	F	[C]	DES.ENG:	S.WITHROW	DATE:	18-JUL-79				
JH	5414010-CX006	H	[D]								
JH	5414010-CX008	J	[E]								
			[F]	RESP.ENG.:	SKIP WITHROW	DATE:	18-JUL-79	DOCUMENT NUMBER			
			[G]								
			[H]								
			[I]								
			[J]	MFG.ENG.:	D.WEAVER	DATE:	18-JUL-79	SIZE:CODE: NUMBER	REV		
			[K]				K	PL	5414010-0-DBP	J	
			[L]								
			[M]	ASSEMBLY NUMBER:				TOP DOCUMENT NUMBER:	FILE NAME:	EDIT #	
			[N]	D-UA-5414010-0-0				# B-DD-5414010-0	Z0508J.PLS	33	

THIS DRAWING AND SPECIFICATIONS HEREIN, ARE THE PROPERTY OF DIGITAL EQUIPMENT CORPORATION AND SHALL NOT BE REPRODUCED OR COPIED OR USED IN WHOLE OR IN PART AS THE BASIS FOR THE MANUFACTURE OR SALE OF ITEMS WITHOUT WRITTEN PERMISSION. COPYRIGHT (C) 1982. DIGITAL EQUIPMENT CORPORATION

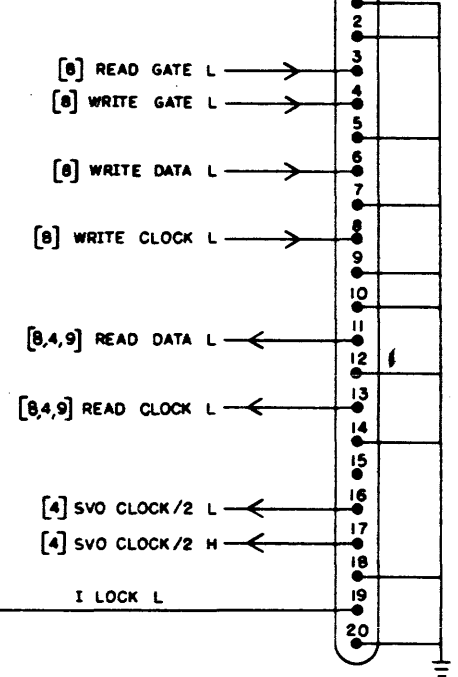
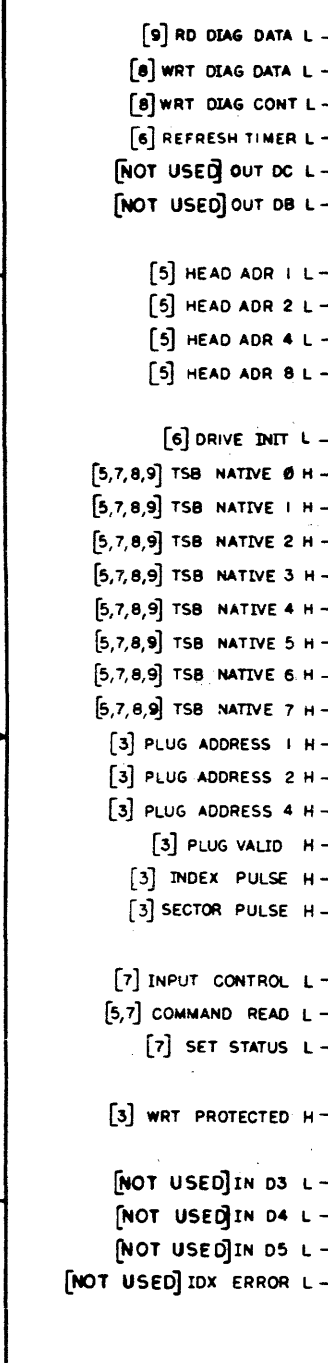
LINE ITEM	DOCUMENT NUMBER	PART NUMBER	DESCRIPTION	QTY PER VARIATION 00	REFERENCE DESIGNATOR
30	30	1910725-00	75108B RECEIVER,LINE,DUAL,	2	E4,E36
31	31	1912664-00	75S110 DRIVER,LINE,DUAL,LIN	10	E16,E17,E20,E21,E24,E25,E28,E29, E32,E33
32	32	1912799-00	LS00 NAND-GATE-QUAD 2IN,P	2	E38,E48
33	33	1912805-00	LS08 AND GATE-QUAD 2IN,PO	4	E18,E19,E62,E43
34	34	1912811-00	LS21 AND GATE-DUAL 4IN,PO	1	E31
35	35	1912816-00	LS32 OR GATE-QUAD 2IN,POS	1	E10
36	36	1912820-00	LS51 A-O-I GATE 2-WIDE 2I	2	E79,E82
37	37	1912824-00	LS74 FF-D DUAL,EDGE TRIGG	6	E23,E27,E39,E78,E61,E73
38	38	1912828-00	LS85 COMPARATOR,4BIT MAGN	2	E74,E75
39	39	1912829-00	LS86 X-OR GATE-QUAD 2IN	1	E55
40	40	1912843-00	LS139 DECODER, 2 OF 4(DUAL	1	E22
41	41	1912844-00	LS151 MUX 1 OF 8 & DATA	2	E45,E76
42	42	1912847-00	LS157 MUX 1 OF 2(QUAD)	1	E57
43	43	1912849-00	LS161 COUNTER,SYNCHR,4BIT	5	E11,E15,E59,E64,E77
44	44	1912850-00	LS164 SHIFT REG. 8BIT SERI	1	E80
45	45	1912853-00	LS175 FF-D QUAD	3	E26,E60,E65
46	46	1912863-00	LS273 FF-D OCTAL W/CLEAR	1	E70
47	47	1913777-00	LS240 DRIVER,LINE,OCTAL,T	1	E66
48	48	1914214-00	LS374 FF-D OCTAL EDGE TRIG	4	E30,E34,E63,E69
49	49	1915193-00	LS244 DRIVER,LINE,OCTAL,T	2	E68,E71
50	50	23270A1-00	A1-07	1	E53
51	51	23024B8-00	B8-01	1	E54
52	52	9009185-00	JUMPER, WIRE, INSULATED, BLACK B	1	W1
53	53	1911415-00	10125 ECL TO TTL TRNSLTR	1	E47
54	54	23025B8-00	B8-01	1	E49
55	55	23026B8-00	B8-01	1	E44
56	56	1911324-00	7414 INVERTER,HEX 1IN SCH	3	E51,E67,E72

DI	GI	TA	IL	TITLE	PERSONALITY CARD	SECTION A	OF A	SIZE	CODE	DOCUMENT NUMBER	REV
								K	PL	5414010-0-DBP	J

THIS DRAWING AND SPECIFICATIONS HEREIN ARE THE PROPERTY OF DIGITAL EQUIPMENT CORPORATION AND SHALL NOT BE REPRODUCED OR COPIED OR USED IN WHOLE OR IN PART AS THE BASIS FOR THE MANUFACTURE OR SALE OF ITEMS WITHOUT WRITTEN PERMISSION.
 COPYRIGHT © 1979 DIGITAL EQUIPMENT CORPORATION

J284 CONNECTS WITH MICROPROCESSOR MODULE AT J383

J283 CONNECTS WITH MICROPROCESSOR MODULE AT J382



NOTES:

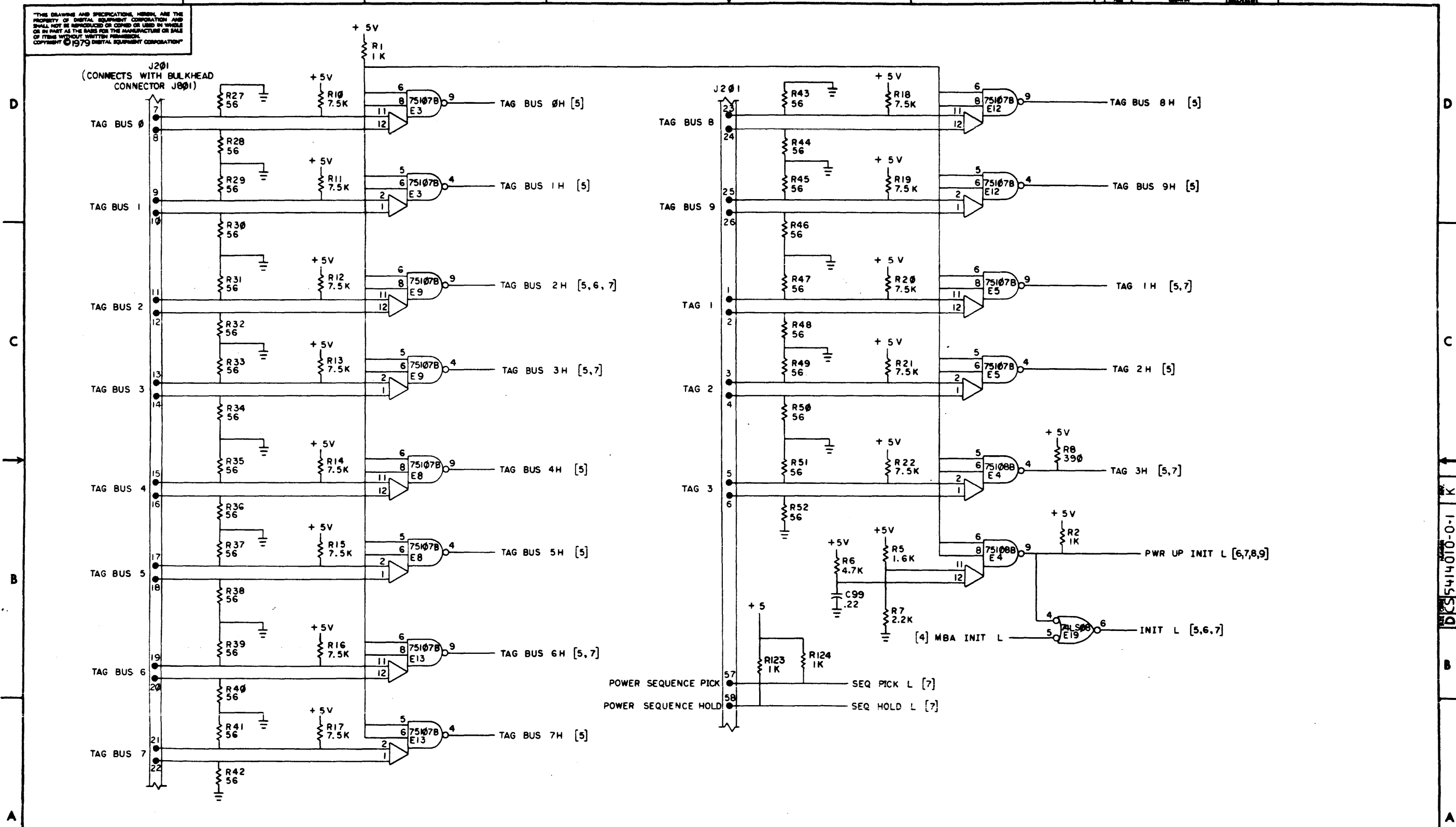
- ALL RESISTORS ARE 1/4W, 5%.
 ALL RESISTOR VALUES ARE IN OHMS.
 ALL CAPACITOR VALUES ARE IN MICROFARADS.
- 5.2 V WILL BE FOUND ON THE FOLLOWING IC PINS:
 E3-13, E4-13, E5-13, E8-13, E9-13, E12-13,
 E13-13, E16-11, E17-11, E20-11, E21-11,
 E24-11, E25-11, E28-11, E29-11, E32-11,
 E33-11, E36-13, E37-13, E47-8.

REV.	D	E	F	I	J	K
DATE	5/14/80	5/14/80	5/14/80	5/14/80	5/14/80	5/14/80
BY	S. WITHROW	S. WITHROW	J. HARRELL	J. HARRELL	J. HARRELL	J. HARRELL
CHKD BY						
DATE						
BY						
CHKD BY						
DATE						
BY						
CHKD BY						
DATE						
BY						
CHKD BY						
DATE						
BY						
CHKD BY						
DATE						
BY						
CHKD BY						
DATE						
BY						
CHKD BY						
DATE						
BY						
CHKD BY						
DATE						
BY						
CHKD BY						
DATE						
BY						
CHKD BY						

DESIGNED BY: R. Michael	DATE: 14-21-79	TITLE: digital
CHECKED BY: [Signature]	DATE: 8-27-79	RM80 (RMP1)
DESIGNED BY: [Signature]	DATE: 7-29-79	PERSONALITY CARD
DESIGNED BY: [Signature]	DATE: 8-29-79	DOCUMENT NUMBER
DESIGNED BY: [Signature]	DATE: 8-29-79	D C S 5414010-0-1 K
B-DD-5414010-0		

DCS 5414010-0-1 K

THIS DRAWING AND SPECIFICATIONS HEREBY ARE THE PROPERTY OF DIGITAL EQUIPMENT CORPORATION AND SHALL NOT BE REPRODUCED OR COPIED OR USED IN WHOLE OR IN PART AS THE BASIS FOR THE MANUFACTURE OR SALE OF ITEMS WITHOUT WRITTEN PERMISSION. COPYRIGHT © 1979 DIGITAL EQUIPMENT CORPORATION



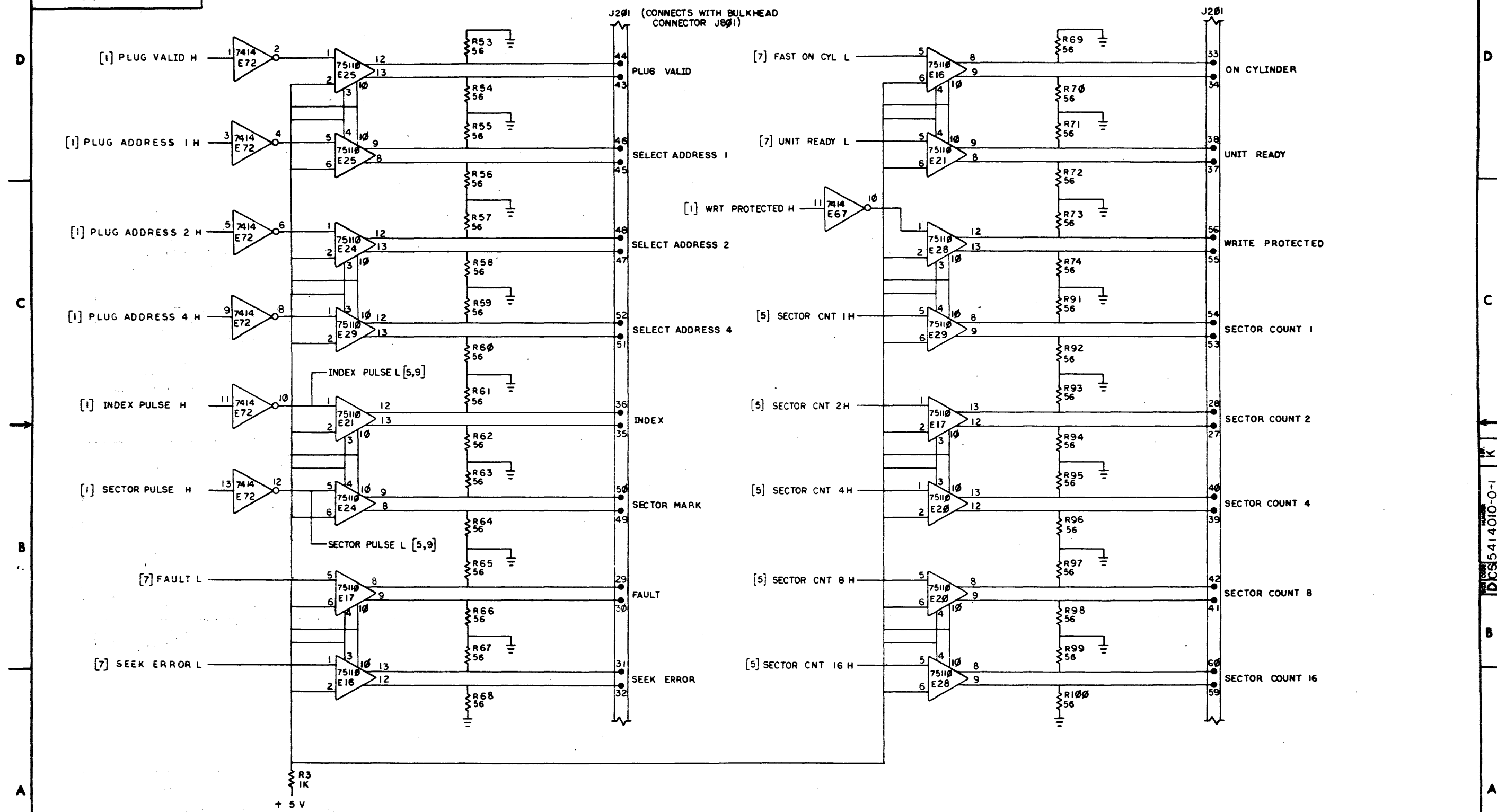
REVISIONS		
CHK	CHANGE NO.	REV.

TITLE		SIZE CODE	NUMBER	REV.
RM80 PERSONALITY CARD		DCS 5414010-0-1	K	
SCALE	SHEET 2 OF 9	DIST.		

DCS 5414010-0-1 K

"THE DRAWING AND SPECIFICATIONS HEREIN ARE THE PROPERTY OF DIGITAL EQUIPMENT CORPORATION AND SHALL NOT BE REPRODUCED OR COPIED OR USED IN WHOLE OR IN PART AS THE BASIS FOR THE MANUFACTURE OR SALE OF ITEMS WITHOUT WRITTEN PERMISSION. COPYRIGHT © 1973 DIGITAL EQUIPMENT CORPORATION"

CABLE A TRANSMITTERS



DCS 5414010-0-1 K

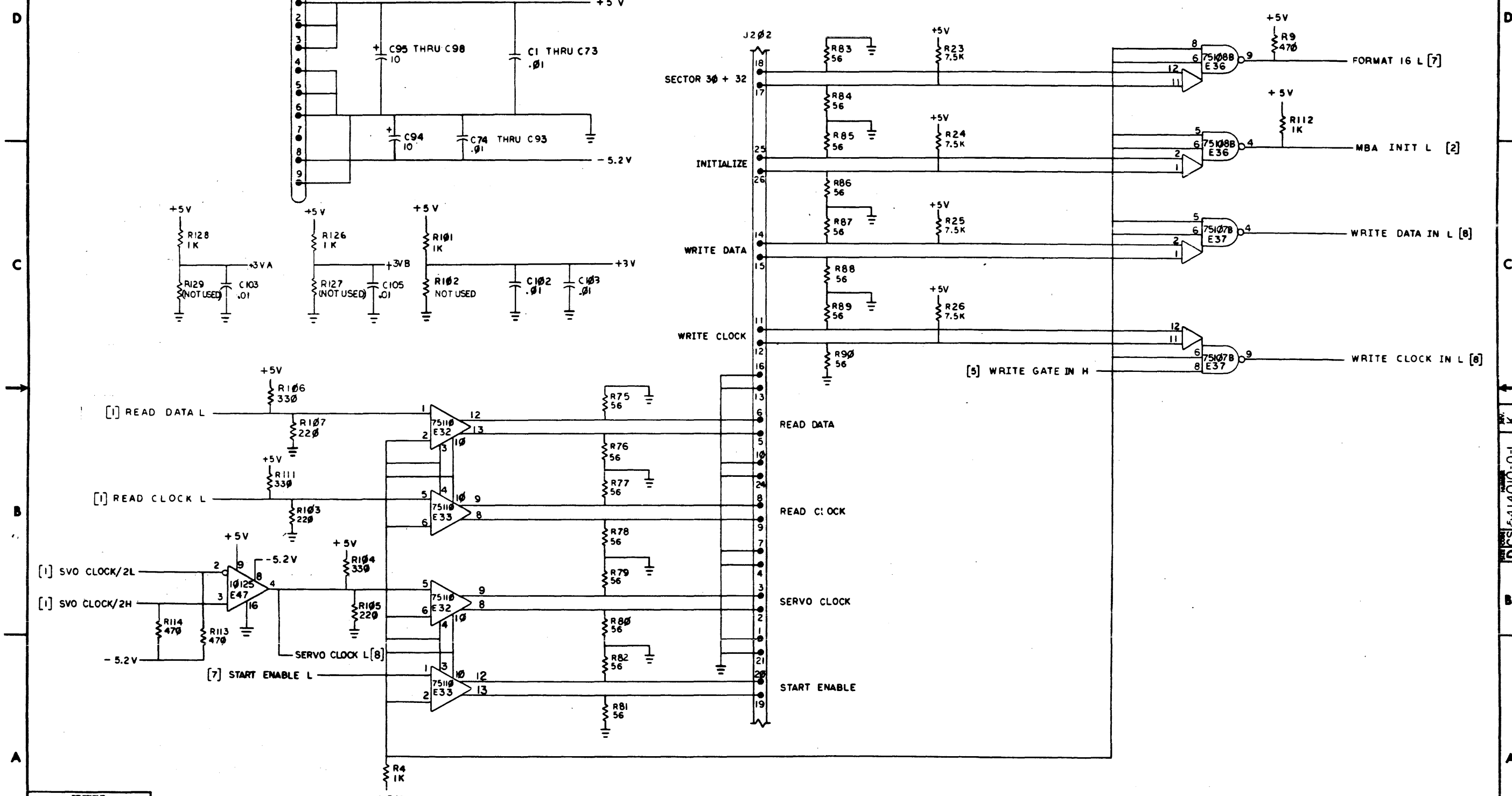
REVISIONS		
CHK	CHANGE NO.	REV.

TITLE RM80 PERSONALITY CARD		SIZE/COO D CS	NUMBER 5414010-0-1	REV. K
SCALE 1:1	SHEET 3 OF 9	DST.		

(RMP3)

THIS DRAWING AND SPECIFICATIONS HEREIN ARE THE PROPERTY OF DIGITAL EQUIPMENT CORPORATION AND SHALL NOT BE REPRODUCED OR COPIED OR USED IN WHOLE OR IN PART AS THE BASIS FOR THE MANUFACTURE OR SALE OF ITEMS WITHOUT WRITTEN PERMISSION. COPYRIGHT © 1975 DIGITAL EQUIPMENT CORPORATION

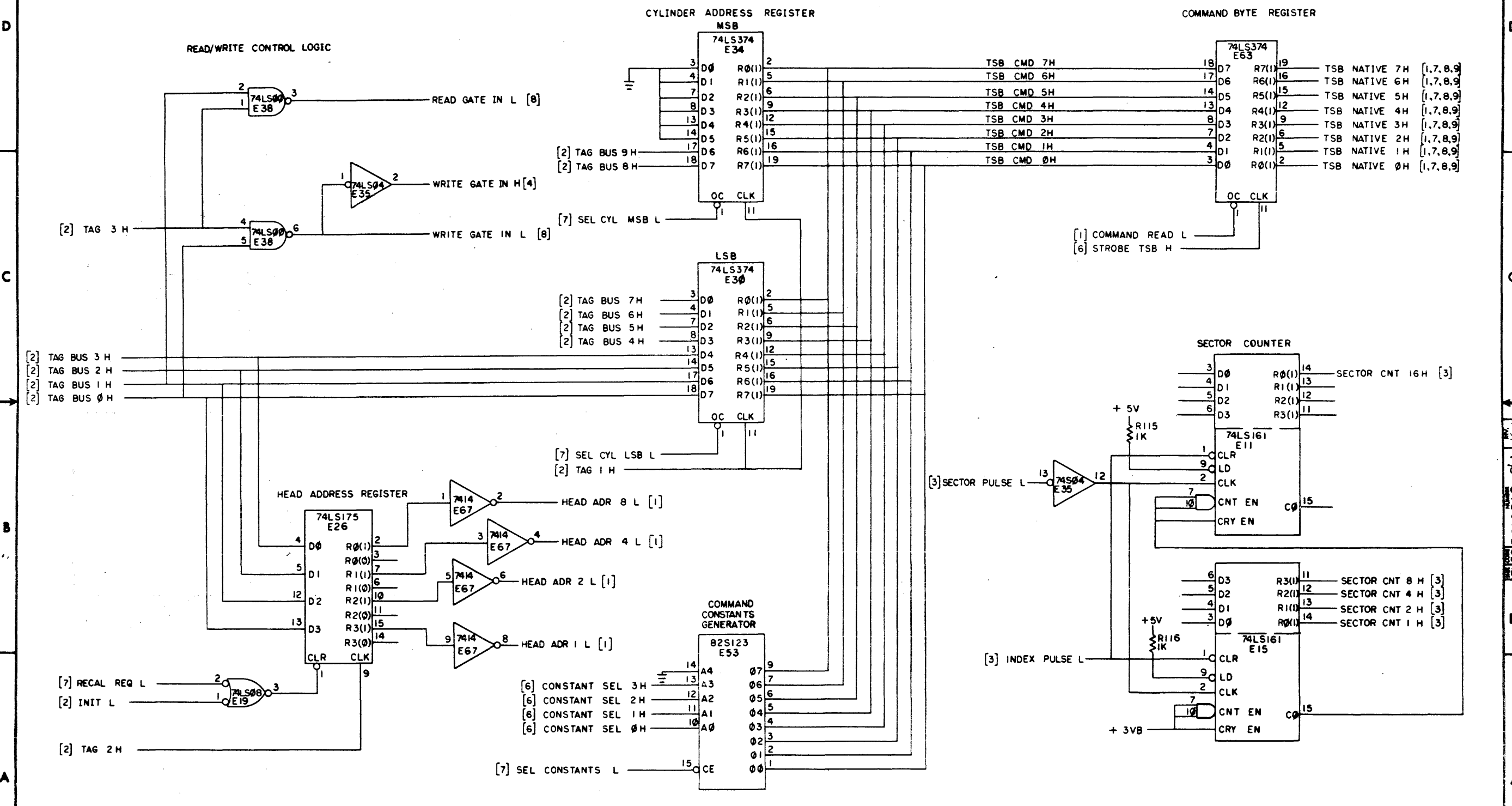
CABLE B TRANSMITTERS AND RECEIVERS



REVISIONS		
CHK	CHANGE NO.	REV.

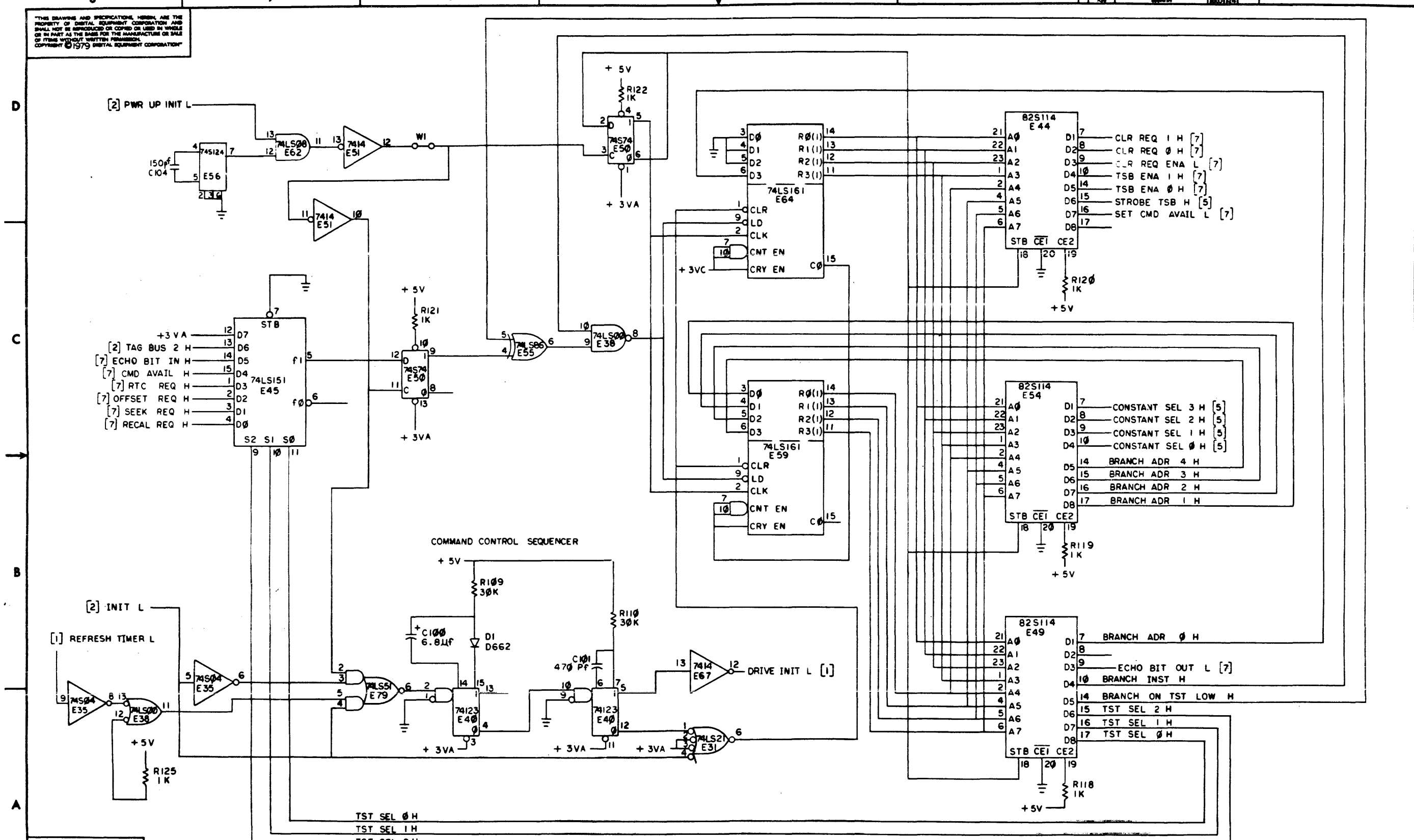
D CS 5414010-0-1 K

THE DRAWING AND SPECIFICATIONS HEREIN ARE THE PROPERTY OF DIGITAL EQUIPMENT CORPORATION AND SHALL NOT BE REPRODUCED OR COPIED OR USED IN WHOLE OR IN PART AS THE BASIS FOR THE MANUFACTURE OR SALE OF ITEMS WITHOUT WRITTEN PERMISSION. COPYRIGHT © 1979 DIGITAL EQUIPMENT CORPORATION



REVISIONS		
CHK	CHANGE NO.	REV.

THIS DRAWING AND SPECIFICATIONS HEREIN ARE THE PROPERTY OF DIGITAL EQUIPMENT CORPORATION AND SHALL NOT BE REPRODUCED OR COPIED OR USED IN WHOLE OR IN PART AS THE BASIS FOR THE MANUFACTURE OR SALE OF ITEMS WITHOUT WRITTEN PERMISSION. COPYRIGHT © 1979 DIGITAL EQUIPMENT CORPORATION

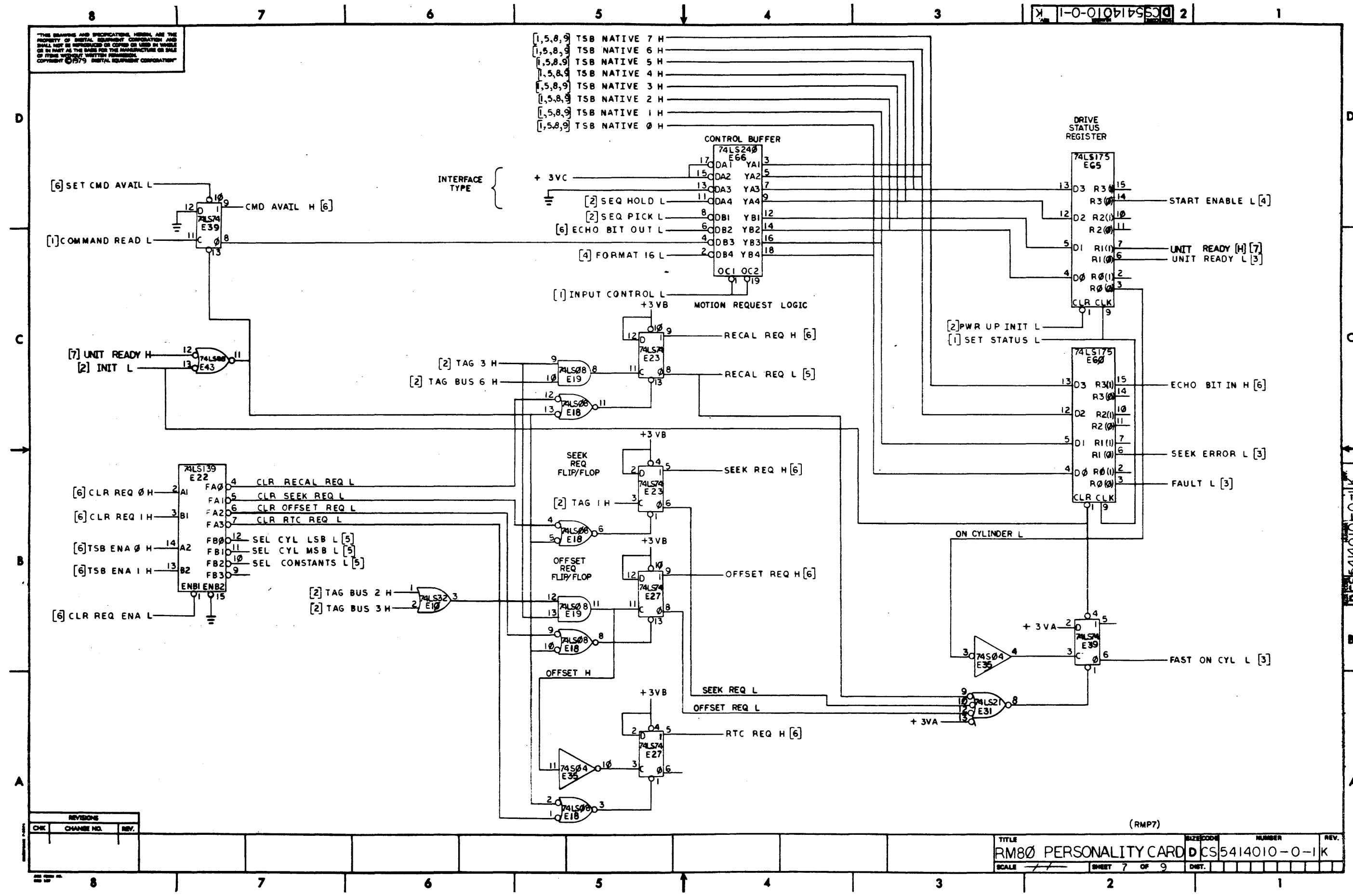


REVISIONS			TITLE		SIZE CODE		NUMBER		REV.	
CHK	CHANGE NO.	REV.	RMB0 PERSONALITY CARD		DCS 5414010-0-1		K			
			SCALE	---	SHEET	6 OF 9				

DCS 5414010-0-1 K

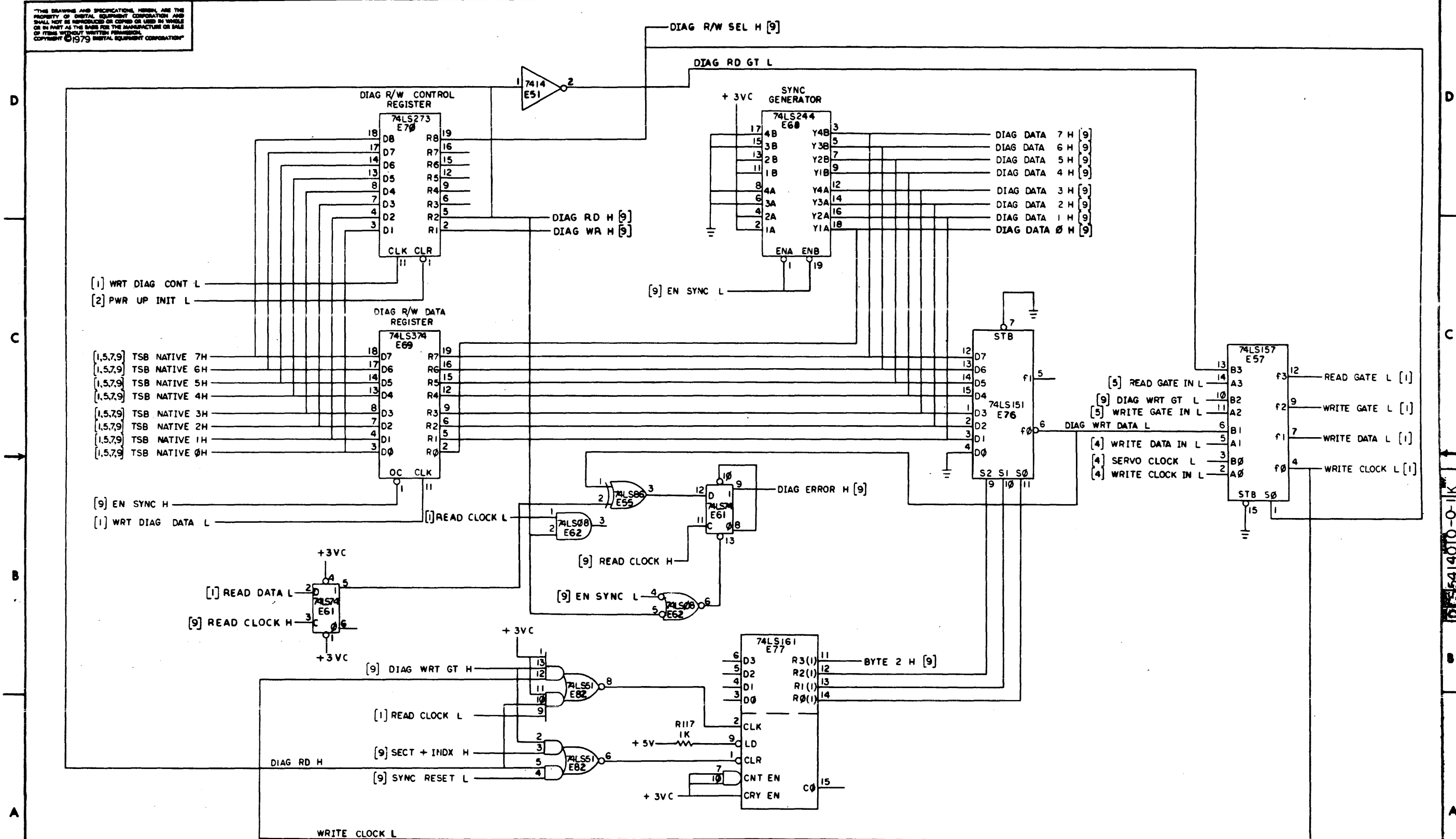
(RMP6)

THE DRAWING AND SPECIFICATIONS HEREIN ARE THE PROPERTY OF DIGITAL EQUIPMENT CORPORATION AND SHALL NOT BE REPRODUCED OR COPIED OR USED IN WHOLE OR IN PART AS THE BASIS FOR THE MANUFACTURE OR SALE OF ITEMS WITHOUT WRITTEN PERMISSION. COPYRIGHT © 1979 DIGITAL EQUIPMENT CORPORATION



REVISIONS		
CHK	CHANGE NO.	REV.

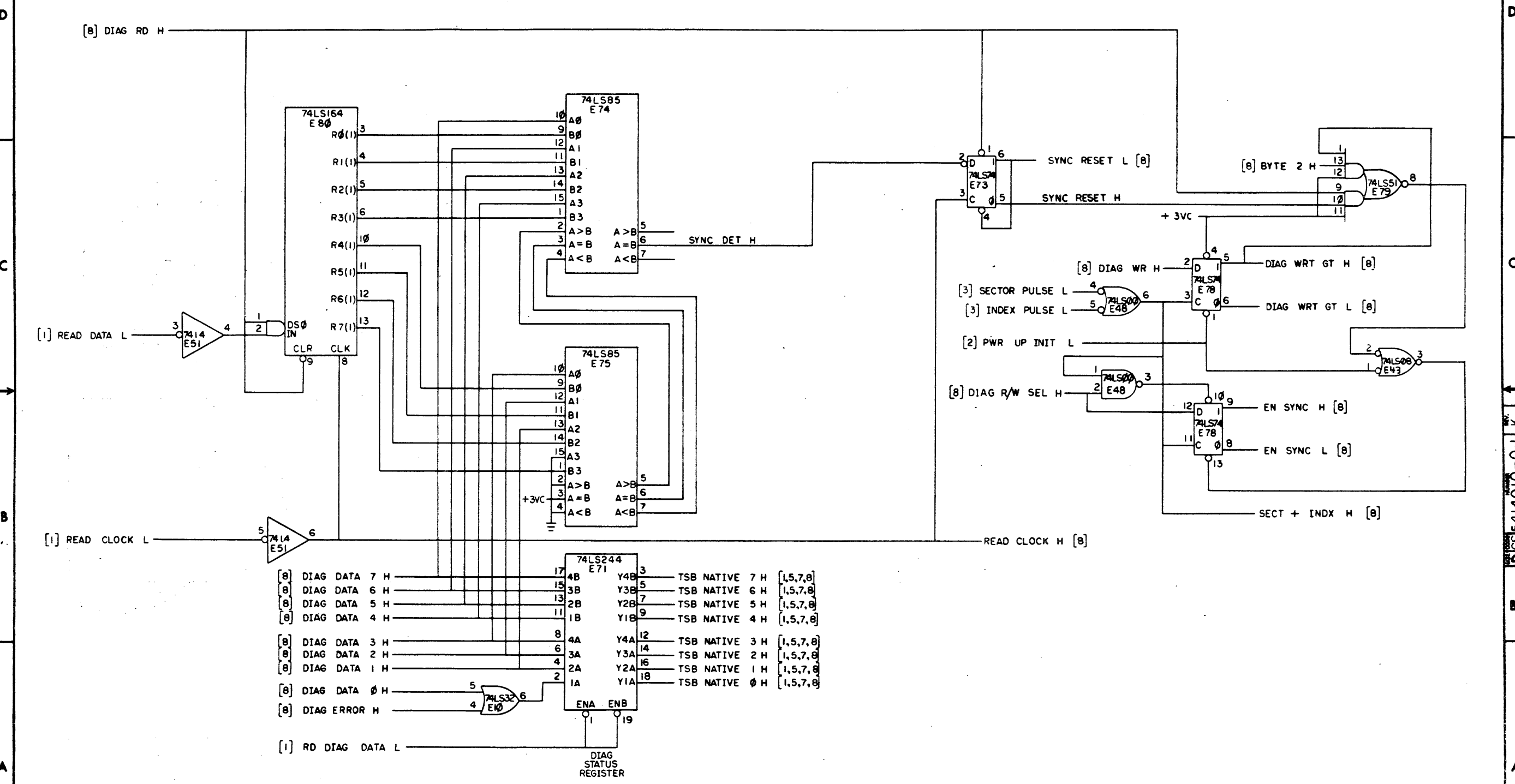
THE DRAWING AND SPECIFICATIONS HEREIN ARE THE PROPERTY OF DIGITAL EQUIPMENT CORPORATION AND SHALL NOT BE REPRODUCED OR COPIED OR USED IN WHOLE OR IN PART AS THE BASIS FOR THE MANUFACTURE OR SALE OF ITEMS WITHOUT WRITTEN PERMISSION. COPYRIGHT © 1979 DIGITAL EQUIPMENT CORPORATION



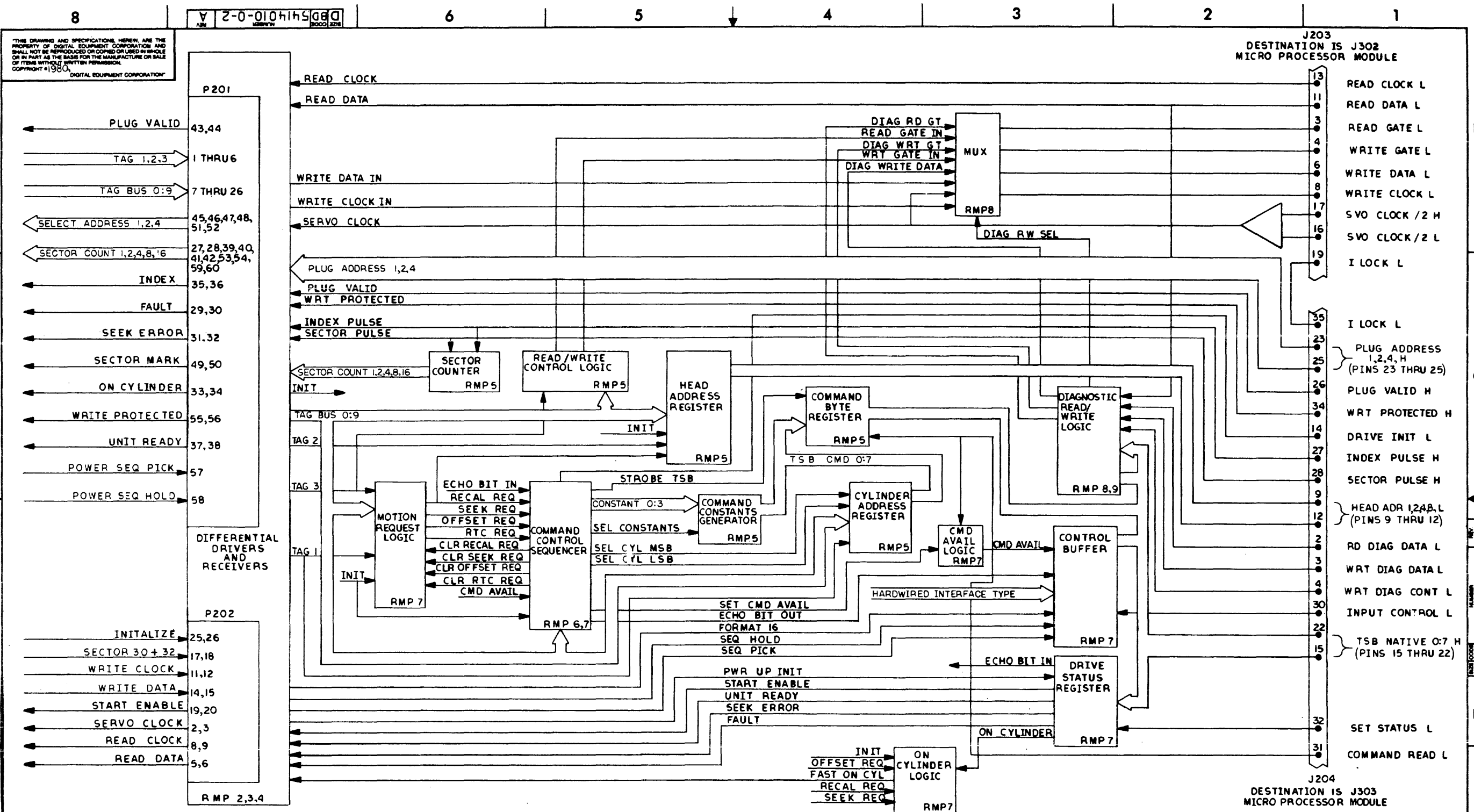
REVISIONS		
CHK	CHANGE NO.	REV.

DCS 5414010-0-1 K

THE DRAWING AND SPECIFICATIONS HEREIN ARE THE PROPERTY OF DIGITAL EQUIPMENT CORPORATION AND SHALL NOT BE REPRODUCED OR COPIED OR USED IN WHOLE OR IN PART AS THE BASIS FOR THE MANUFACTURE OR SALE OF ITEMS WITHOUT WRITTEN PERMISSION. COPYRIGHT © 1979 DIGITAL EQUIPMENT CORPORATION



REVISIONS		
CHK	CHANGE NO.	REV.



DATE	ECO NUMBER	REV	BY
2/1/80	214	1	W.M.
8/1/80	214	2	W.M.

DATE	ECO NUMBER	REV	BY
6/3/80	214	3	W.M.
29 JAN 81	214	4	W.M.
27 JAN 81	214	5	W.M.

DATE	ECO NUMBER	REV	BY
N/A	N/A	N/A	N/A
N/A	N/A	N/A	N/A
N/A	N/A	N/A	N/A

B-T-C-RM80-0-1

DBD5414010-0-2 A